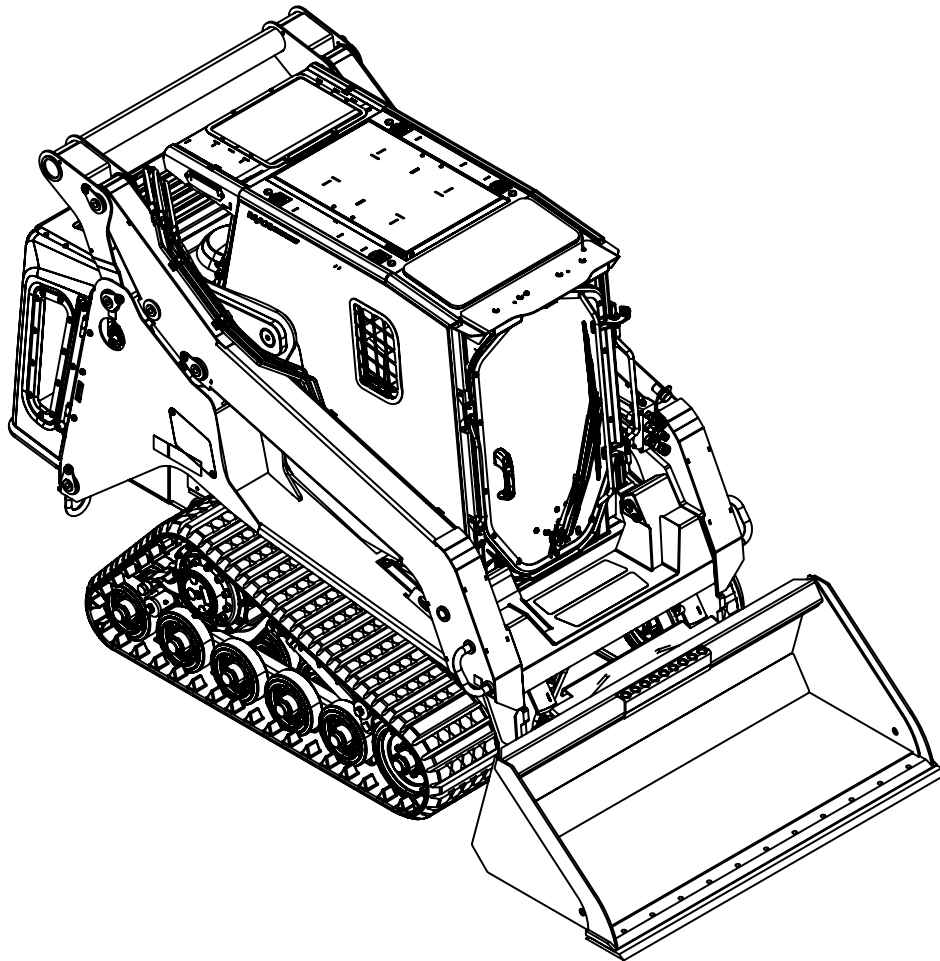


Master Parts Manual

Compact Track Loader



VT-70 High Output
Max Series

Part Number 0405-077
Printed 9/20

Table of Contents

1. **Service Parts**
 - 1-1 General Service Items / Lubricants
 - 1-2 Component Service Items
 - 1-3 Harnesses
2. **Fuel/Engine**
 - 2-1 Fuel System
 - 2-2 Diesel Engine
 - 2-3 Cooling System
 - 2-4 Intake / Exhaust
3. **Hydraulic Components**
 - 3-1 Hydraulic Reservoir
 - 3-2 Hydraulic Control Valve / Blocks
 - 3-3 Hydraulic Cylinders
 - 3-4 Auxiliary Lift Arm Tubes
 - 3-5 Hydraulic Control
 - 3-6 Hydraulic Drive 2 spd
 - 3-7 Hydraulic Drive 1 spd
 - 3-8 Hydraulic Auxiliary - Flow
 - 3-9 Hydraulic Auxiliary - High Flow
 - 3-10 Bucket Positioning
 - 3-11 Ride Control
4. **Electrical**
 - 4-1 Rear View Camera
 - 4-2 Battery / Harnesses
 - 4-3 Fuse Panel
 - 4-4 Exterior Lights
5. **Undercarriage**
 - 5-1 Axles / Tracks
 - 5-2 Undercarriage RT
 - 5-3 Undercarriage LT
6. **Mainframe**
 - 6-1 Chassis
 - 6-2 Sub-Frame
 - 6-3 Hoods / Rear Door
7. **Cab / Heating / Air Conditioning**
 - 7-1 Cab
 - 7-2 Cab Interior / Headliners
 - 7-3 Armrests / Fixed
 - 7-4 Armrests / Adjustable
 - 7-5 Glass Door
 - 7-6 Poly Door
 - 7-7 Wiper / Washer Assembly
 - 7-8 Suspension Seat / Seatbelts
 - 7-9 Standard Seat / Seatbelts
 - 7-10 HVAC - Cab (optional)
 - 7-11 HVAC - Engine (optional)
 - 7-12 Ductwork (optional)
8. **Working Equipment**
 - 8-1 Lift Arms
 - 8-2 Quick Attach- Manual
 - 8-3 Quick Attach- Hydraulic (optional)
9. **Graphics / Safety Decals**
 - 9-1 ISO Safety Decals
 - 9-2 Machine Graphics ASV
10. **Kits**
 - 10-1 Kits

* Parts manuals are updated frequently. To ensure current parts information, always refer to the latest version of this manual (posted online, consult your dealer).

NOTE: When ordering parts that are painted, a specific part number format is required. Please refer to page II of this manual for paint code and ordering information.

Painted Service Parts

ordering guidelines

Compact Track and Skid Steer Loaders are available in various colors and nomenclatures (brands / model names). **Paint color needs to be specified when ordering painted components.** When ordering painted components, inform the support representative of the brand and model name of your machine before selecting the proper color from the list below. The support representative should be able to assist you in finding the correct one based on your machine's **VIN number**. This should help to identify the original machine configuration and nomenclature.

***Note:** Not all colors are available on all components. Available colors are limited to those considered “standard” on your particular machine and component(s). Please do not attempt to order non-standard colors for your machine as the order will not be fulfilled until corrected.

The color codes are to be referenced as a suffix to the part number of the component you are requesting, for example: 0000-000-GRN (indicating a green part).

The following is a list of available colors.

<u>Color</u>	<u>Color Code:</u>
BLACK	BLK (ALL MODELS)
YELLOW	YEY (ASV)
WHITE	WHT (TEREX)
GREEN	GRN (SUNBELT)
GRAY	GRY (TEE)
ORANGE	ORN (ASPLUNDH)

Chapter 1

Service Parts

1-1 General Service Items / Lubricants

1-2 Component Service Items

1-3 Harnesses

* Parts manuals are updated frequently. To ensure current parts information, always refer to the latest version of this manual (posted online, consult your dealer).

GENERAL SERVICE ITEMS & LUBRICANTS

NOTE: Please refer to your machine specific operation and maintenance manual for fluid type and capacity specifications.

<u>ITEM</u>	<u>DESCRIPTION</u>	<u>PART NUMBER</u>
-Engine Oil Filter	Filter, Engine Oil	0404-518
-Primary Air Filter	Filter, Primary Air	0201-510
-Secondary Air Filter	Filter, Secondary Air	0201-533
-Fuel Filter/ Primary	Filter, Fuel	0404-520
-Fuel Pre-Filter	Pre-Filter, Fuel	0404-519
-Accessory Belt	Belt, non-A/C	0404-525
-Accessor Belt - A/C	Belt, A/C	7073-148
250 Hour Service Kit	Kit, 250 hr	0404-865
500 Hour Service Kit	Kit, 250 hr	0404-874
ASV ELITE 10W-30 HD Engine Oil	1 Gallon	0090-794
ASV ELITE 10W-30 HD Engine Oil	55 Gallon Drum	0090-795
ASV ELITE ZF 46 MV Hydraulic Oil	5 Gallons	0090-798
ASV ELITE ZF 46 MV Hydraulic Oil	55 Gallon Drum	0090-799
ASV ELITE Green Grease	1 Tube	0090-800

HYDRAULIC SERVICE ITEMS & LUBRICANTS

<u>ITEM</u>	<u>DESCRIPTION</u>	<u>PART NUMBER</u>
-Hydraulic Charge Oil Filter	Filter, Hydraulic Charge	0404-161
Case Drain Oil Filter	Filter, Hydraulic Case Drain	2046-286
Hydraulic, Filter	Filter, Hydraulic	7070-398

<u>O-RING</u>	<u>PART NUMBER</u>
-# 4, Flat Face Type	2055-196
-# 6, Flat Face Type	0310-285
-# 8, Flat Face Type	0310-286
-# 10, Flat Face Type	0310-287
-# 12, Flat Face Type	0310-288
-# 16, Flat Face Type	0310-289
-# 20, Flat Face Type	0310-290
-# 24, Flat Face Type	0201-479
-# 4, ORB Type	0314-366
-# 6, ORB Type	0310-619
-# 8, ORB Type	0307-353
-# 10, ORB Type	0310-620
-# 12, ORB Type	0310-621
-# 16, ORB Type	0307-354
-# 20, ORB Type	0310-832

COMPONENT SERVICE ITEMS

Hydraulic Cylinders

- Bucket/Tilt RH P/N: 7071-872 • RH-Q/A P/N: 2046-317
- Bucket/Tilt LH P/N: 7071-871 • LH-Q/A P/N: 2046-316
- Lift-Arm P/N: 7071-870

<u>ITEM</u>	<u>DESCRIPTION</u>	<u>PART NUMBER</u>
-Kit, Seal, Q/A Cylinder	Fits Cylinder (P/N:2046-316 / 2046-317)	2076-292
-Rod Bushing, Tilt Cylinder	Fits Cylinder (P/N:7071-871 / 7071-872)	7072-992
-Base Bushing, Tilt Cylinder	Fits Cylinder (P/N:7071-871 / 7071-872)	7072-993
-Seal Kit, Tilt Cylinder	Fits Cylinder (P/N:7071-871 / 7071-872)	7072-987
-Piston, Tilt Cylinder	Fits Cylinder (P/N:7071-871 / 7071-872)	7072-990
-Nut, Tilt Cylinder	Fits Cylinder (P/N:7071-871 / 7071-872)	7072-985
-Rod, Tilt Cylinder	Fits Cylinder (P/N:7071-871 / 7071-872)	7072-988
-End Gland, Tilt Cylinder	Fits Cylinder (P/N:7071-871 / 7071-872)	7072-989
-Base/Rod Bushing, Lift Arm Cyl	Fits Cylinder (P/N:7072-870)	7072-986
-Seal Kit, Lift Arm Cylinder	Fits Cylinder (P/N:7072-870)	7072-981
-Piston, Lift Arm Cylinder	Fits Cylinder (P/N:7072-870)	7072-984
-Nut, Lift Arm Cylinder	Fits Cylinder (P/N:7072-870)	7072-985
-Rod, Lift Arm Cylinder	Fits Cylinder (P/N:7072-870)	7072-982
-End Gland, Lift Arm Cylinder	Fits Cylinder (P/N:7072-870)	7072-983
	Fits Cylinder (P/N:7072-870)	

HARNESSES

<u>ITEM</u>	<u>LOCATION</u>	<u>PART NUMBER</u>
HARNESS, SWITCH, SEAT	Cab	0304-662
HARNESS, JUMPER, QA	Cab	2015-042
JUMPER, RIDE CONTROL, 4-PIN	Cab	2015-070
HARNESS, 3/12 PIN DIAGNOSTIC JUMPER	Cab	2017-263
HARNESS, SIDE LIGHTS	Cab	2017-914
HARNESS, WIPER WASHER JUMPER	Door	2017-311
HARNESS, THROTTLE MODULE BYPASS	Chassis	2017-317
MODULE, DUAL THROTTLE CONTROLLER	Chassis	2017-318
HARNESS, CAB	Cab	2017-320
CABLE, CAMERA, 5M EXTENSION	Chassis	2017-900
HARNESS, CONDENSER	Condenser	2017-907
HARNESS, FOOT THROTTLE JUMPER	Footwell	7073-283
MODULE RESISTOR 2x1000 ohm	Cab	2076-201
ASSEMBLY ALT. DIODE / RESISTOR	Chassis	2095-627
FAN BLOCK JUMPER HARNESS, PT-77	Engine Compartment	3020-328
HARNESS AUX LOADER 80"	Loader	7000-117
CABLE, BATTERY, POSITIVE	Engine Compartment	7073-078
CABLE, BATTERY, NEGATIVE	Engine Compartment	7073-129
HARNESS, FUEL PRESSURE	Engine Compartment	7073-157
HARNESS, ALTERNATOR JUMPER	Engine Compartment	7073-211
HARNESS, CHASSIS	Chassis	7073-267
HARNESS, HOOD	Hood	7073-269
DECAL, FUSE PANEL, CAB	Cab	0404-918
DECAL, MAXI FUSE PANEL, RT-65, VT-70HO	Chassis	0404-921
DECAL, FUSE PANEL, RT-65, VT-70HO	Chassis	0404-922

Chapter 2

Fuel / Engine

2-1 Fuel System

VT-70 HO Serial # valid from - H03000 **2-1A**

2-2 Diesel Engine

VT-70 HO Serial # valid from - H03000 **2-2A**

2-3 Cooling System

VT-70 HO Serial # valid from - H03000 **2-3A**

2-4 Intake / Exhaust

VT-70 HO Serial # valid from - H03000 **2-4A**

*** Parts manuals are updated frequently. To ensure current parts information, always refer to the latest version of this manual (posted online, consult your dealer).**

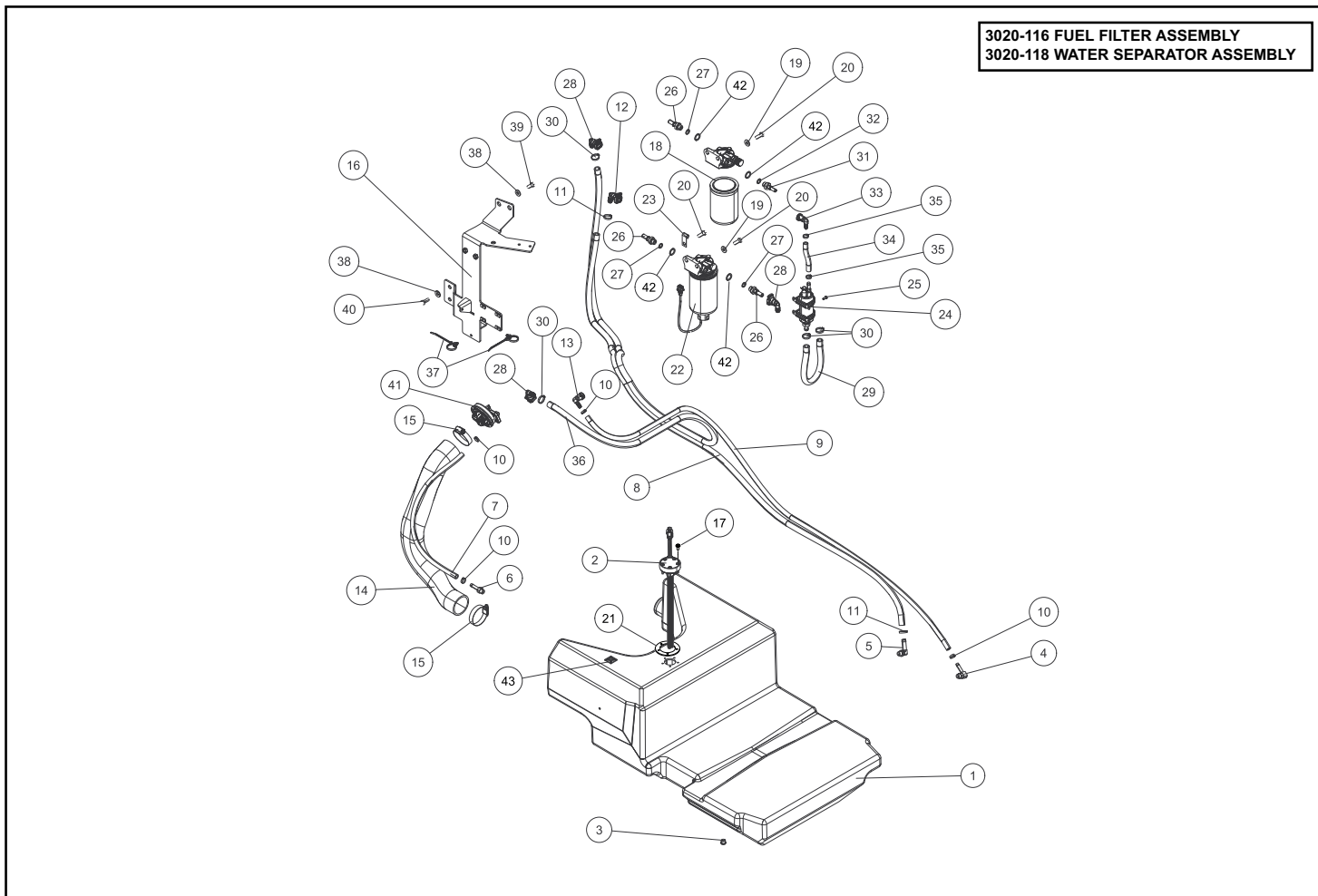
NOTE: When ordering parts that are painted, a specific part number format is required. Please refer to page II of this manual for paint code and ordering information.

FUEL SYSTEM

VT-70 HO valid from H03000

Chapter 2

REF. NO.	PART NUMBER	QTY.	DESCRIPTION	REF. NO.	PART NUMBER	QTY.	DESCRIPTION
1	7070-301	1	TANK, FUEL	41	2045-407	1	CAP, FUEL, GREEN
2	7071-856	1	SENDER, FUEL, 3 TERM, 1/4 V	42	7012-295	4	O-RING RETAINER 16MM
3	2010-130	1	PLUG,ORING, 9/16-18 ALLEN HEAD	43	0090-802	1	MOUNT PAD, ADHESIVE, CABLE TIE
4	7006-024	1	ADAPTER, 4604-06-06-O				
5	0201-493	1	ADAPTER, 4601-08-06-NWO				
6	0201-494	1	ADAPTER, 4604-06-06-O				
7	7071-476	1	HOSE, FUEL, VENT				
8	7073-106	1	HOSE, FUEL, 0.50 ID, 0.78 OD, 87.37				
9	7073-114	1	HOSE, FUEL, 0.38 ID, 0.62 OD, 73.68				
10	0316-014	4	CLAMP 22.5 TO 25.6MM STEPLESS EAR CLAMP				
11	0316-013	2	CLAMP 22.5 TO 25.6MM STEPLESS EAR CLAMP				
12	0316-012	1	FITTING QC FEMALE 12MM X 1/2 BARB, 90°				
13	0316-011	1	FITTING QC FEMALE 9.89MM X 3/8 BARB, 90°				
14	7073-079	1	HOSE, FILL, FUEL, FORMED				
15	0303-175	2	CLAMP, HOSE, 2-2.5 HI TORQUE				
16	7073-111	1	WLMT, BRACKET, FUEL FILTER				
17	0090-165	5	SCREW MACHINE #10-24 X 1-1/4 ZN				
18	0404-520	1	FILTER FUER SECONDARY, DEUTZ 75HP ENGINE				
19	8050-262	3	WASHER,FLAT,5/16,STD				
20	8102-222	4	CAPSCREW,HH,3/8-16UNCx1.0,GD8				
21	7071-988	1	GASKET, FUEL SENDER				
22	0404-519	1	FILTER FUEL PRIMARY, DEUTZ 75HP ENGINE				
23	0090-473	1	J-CLIP				
24	3020-117	1	SERVICE PARTS, PUMP, FUEL, DEUTZ				
25	0090-611	4	SCREW, PAN HEAD, SIZE 10				
26	7012-215	3	FITTING M16X1.5 TO 12.00MM				
27	0316-010	3	O-RING 13.3MM X 2.2MM (NITRILE)				
28	0316-012	3	FITTING QC FEMALE 12MM X 1/2 BARB, 90°				
29	7073-107	1	HOSE, FUEL, 0.50 ID, 0.78 OD, 14.00				
30	0316-013	4	CLAMP 22.5 TO 25.6MM STEPLESS EAR CLAMP				
31	7012-214	1	FITTING M16X1.5 TO 10.00MM				
32	0316-010	1	O-RING 13.3MM X 2.2MM (NITRILE)				
33	0316-011	1	FITTING QC FEMALE 9.89MM X 3/8 BARB, 90°				
34	7073-108	1	HOSE, FUEL, 0.38 ID, 0.62 OD, 4.36				
35	0316-014	2	CLAMP 22.5 TO 25.6MM STEPLESS EAR CLAMP				
36	7073-109	1	HOSE, FUEL, 0.50 ID, 0.78 OD, 92.37				
37	0090-172	2	TIE CABLE TREE MOUNT 50 LB				
38	8050-262	4	WASHER,FLAT,5/16,STD				
39	8102-220	2	CAPSCREW,HH,3/8-16UNCx0.75,GD8				
40	8102-222	2	CAPSCREW,HH,3/8-16UNCx1.0,GD8				



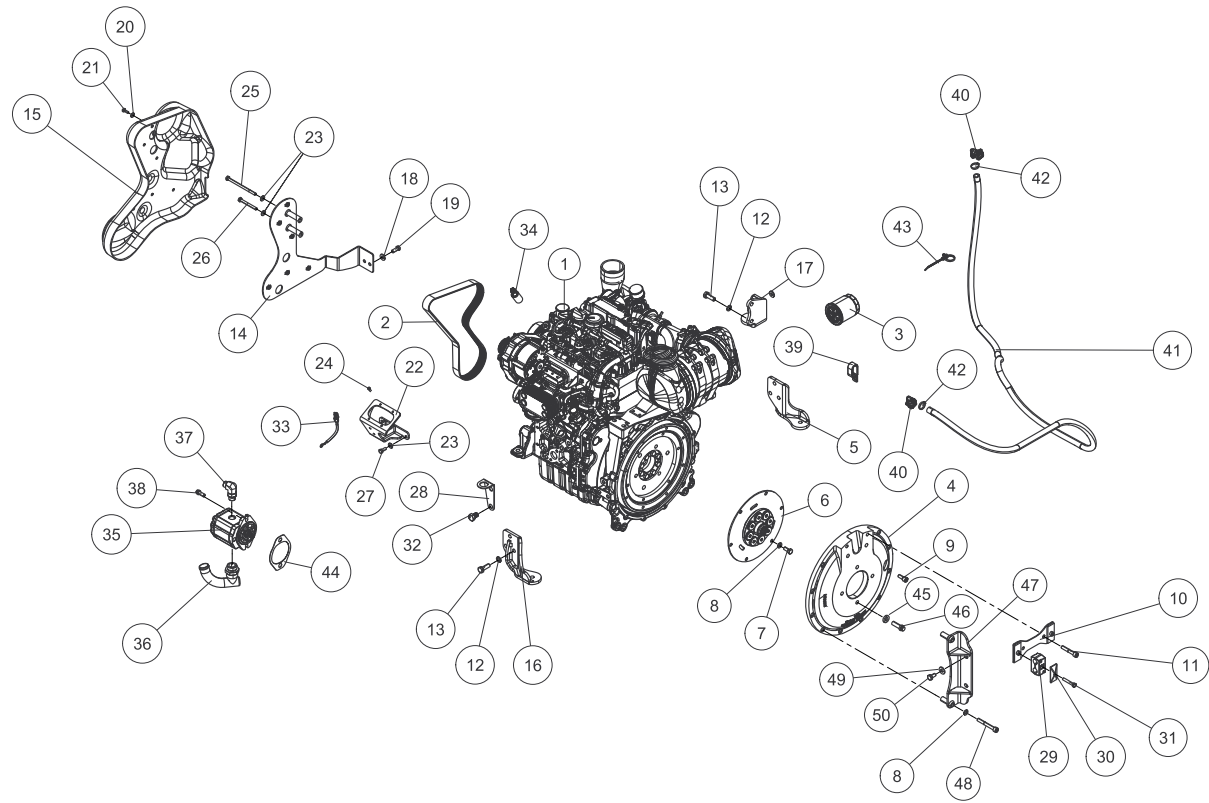
DIESEL ENGINE

VT-70 HO valid from H03000

Chapter 2

REF. NO.	PART NUMBER	QTY.	DESCRIPTION	REF. NO.	PART NUMBER	QTY.	DESCRIPTION
1	7073-050	1	ENGINE, DEUTZ, TCD 2.2 L3 67	41	7073-109	1	HOSE, FUEL, 0.50 ID, 0.78 OD, 92.37
2	0404-525	1	BELT, DEUTZ 75HP ENGINE	42	0316-013	2	CLAMP 22.5 TO 25.6MM STEPLESS EAR CLAMP
3	0404-518	1	FILTER ENGINE OIL, DEUTZ 75HP ENGINE	43	0090-172	1	TIE CABLE TREE MOUNT 50 LB
4	3020-148	1	HOUSING, COUPLING CAST, GUARDIAN	44	0302-322	1	GASKET, PTO
5	7073-056	1	WLMT, LF ENG MNT	45	0090-136	2	WASHER HARD 1.0 X .531 X .197
6	3020-149	1	PLATE, COUPLING	46	0304-133	2	CAPSCREW,12PT,1/2-13UNC X 1.5"GD8,ZN
7	0303-095	6	CAPSCREW,HHM10x1.50x25	47	7073-265	1	WLMT, SUPPORT, DRIVE PUMP
8	0090-104	6	WASHER, 402x.728x.098, HARD, YZD	48	0090-783	2	M10-1.5 x 80MM HEX 12.9 BLACK OXIDE SHCS
9	0314-237	10	CAPSCREW,SOC,M10x1.5x25MM GD 12.9	49	8050-282	2	WASHER,WROUGHT,3/8,STD,ZN
10	7073-182	1	WLMT, FUEL LINE	50	0090-720	1	CAPSCREW, M10-1.5 x 20mm DIN 933 CLASS 10.9
11	0090-549	2	CAPSCREW,SOCHD,M10x1.25x60,ZN, CL 12.9				
12	0090-763	8	WASHER, NORD-LOCK, NL 1/2				
13	0300-525	8	CAPSCREW,HH,GR10.9 M12 x 35MM 39207				
14	7073-085	1	WLMT, BELT GUARD MOUNT				
15	7073-084	1	GUARD, BELT				
16	7073-057	1	WLMT, RF ENG MNT				
17	7073-058	1	WLMT, LR ENG MNT				
18	8050-262	2	WASHER,FLAT,5/16,STD				
19	8102-222	2	CAPSCREW,HH,3/8-16UNCx1.0,GD8				
20	8050-221	6	WASHER,FLAT,1/4,SAE				
21	8102-040	6	CAPSCREW,HH,1/4-20x.75				
22	7073-159	1	WLMT, ENG, HARNESS BRKT				
23	8050-222	4	WASHER,FLAT,1/4,STD				
24	8105-429	4	CAPSCREW,SOC HD,10-24x.625				
25	0090-761	1	M8-1.25 x 130mm DIN 931 CLASS 10.9 YZ				
26	0090-040	1	CAPSCREW, HH, M8X1.25X75MM G. 8.8				
27	0307-720	2	CAPSCREW, HH, M8 X 1.25 X 20				
28	7073-185	1	PLATE, FUEL PRESS CONN BRKT				
29	0310-733	2	INSERT, CLAMP, TWIN, .75 T3075-PP				
30	0310-828	2	COVER, CLAMP, 3/4 TCP-T3				
31	8102-137	2	CAPSCREW,HH,5/16-18UNCx2.0,GD8				
32	0090-758	2	CAPSCREW HEX M14-2.0 x 20 MM DIN				
33	7073-211	1	HARNESS, ALTERNATOR JUMPER				
34	7073-221	1	ASSY, CCV HEATER, W/CONNECTOR				
35	3100-002	1	CHARGE PUMP, 17 cc, CCW, 9 TOOTH				
36	7073-095	1	TUBE, MANIFOLD, LOWER				
37	0090-228	1	ADAPTER 8FFORX-10MB-90 NWO FS6801-08-10				
38	2045-458	2	CAPSCREW, FERRY, M10X1.5X25mm				
39	2045-661	1	P CLAMP, TWIN, 3/4				
40	0316-012	2	FITTING QC FEMALE 12MM X 1/2 BARB, 90°				

7072-971 SEAL KIT (FOR ITEM 35)

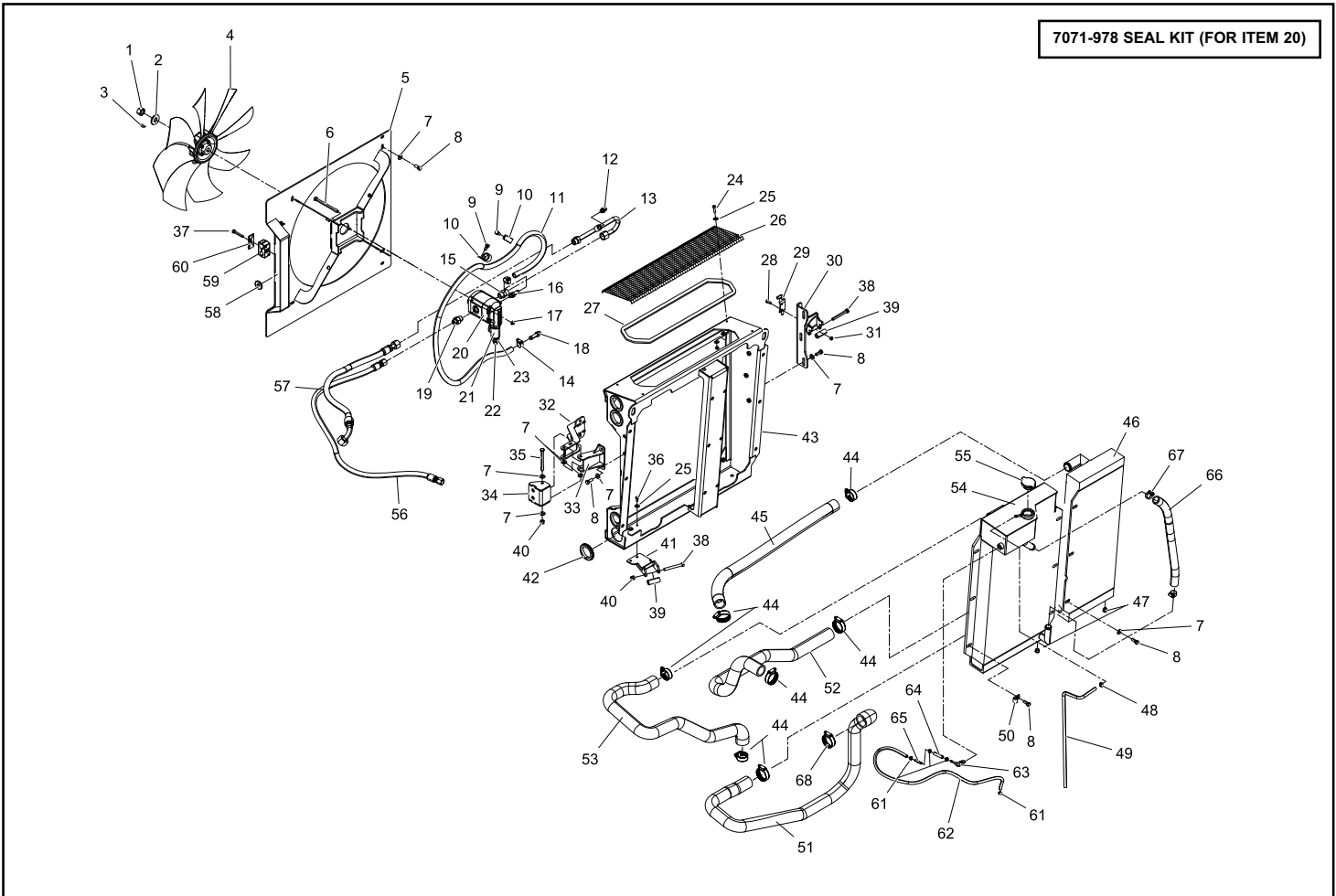


COOLING SYSTEM

VT-70 HO valid from H03000

Chapter 2

REF. NO.	PART NUMBER	QTY.	DESCRIPTION	REF. NO.	PART NUMBER	QTY.	DESCRIPTION
1	0090-484	1	NUT M12x1.5x6MM	41	7071-734	1	WLMT, SUPPORT, ROLLER
2	0201-574	1	WASHER, SPRING, LOCK, 12MM	42	7002-226	4	GROMMET
3	2096-900	1	KEY WOODRUFF DIN 6888 3MM X 5MM X 13MM	43	7071-560	1	WLMT, SHROUD, COOLER
4	7002-201	1	FAN 22" (available ONLY as an assembly, balanced)	44	0315-150	7	CLAMP, SMART SEAL, #238
5	7071-033	1	WLMT, HYD FAN, 55/65 SSL	45	7071-874	1	HOSE, HYD, 1.5"
6	8102-236	2	CAPSCREW, HH, 3/8-16UNCx5.0 GD8,	46	7071-921	1	COOLER OIL
7	8050-262	29	WASHER, WROUGHT, 5/16, STD, ZN	47	2010-130	2	PLUG ORING 9/16-18 ALLEN HEAD
8	8102-222	25	CAPSCREW, HH, 3/8-16 UNCx1.0, GD8, ZN	48	0304-800	1	CLAMP, OVER FLOW, COOLANT ARDEN
9	8102-220	2	CAPSCREW, HH, 3/8-16x0.75", GD8	49	3030-329	1	HOSE, CLEAR, POLY VINYL CHLORIDE, 5/16 ID
10	0310-467	2	CLAMP, WIRE, 1.0, RBC-1	50	0310-464	2	CLAMP, WIRE, 1/2 RBC-1/2
11	7071-495	1	HOSE, CASE DRAIN, FAN MOTOR	51	7073-074	1	HOSE, FORMED
12	0314-043	1	COUPLING, PORT, TEST, MALE, #6SAE-M 6V3965	52	7071-076	1	HOSE, COOLER TO HYD TANK, FORMED
13	7071-052	1	TUBE, FAN MOTOR, BOTTOM	53	7073-073	1	HOSE, FORMED
14	0315-101	2	CLAMP, HOSE, #6	54	7073-055	1	COOLER WATER
15	0310-318	1	ADAPTER, 10MFFOR-10MB	55	0201-884	1	CAP, RADIATOR, 13PSI
16	0315-134	1	ASSY, ADAPTER 12MMX1.5 W / 9.3MM O-RING	56	7073-098	1	HOSE, -8, 1000PSI
17	8041-500	2	NUT, HEX, NYLOCK, 3/8-16 UNC,	57	7071-208	1	HOSE, -8, 435 PSI, FFX-08-08-W, FFX-08-08-W, 36.21"
18	0090-467	1	ADAPTER 4604-08-06-0	58	0090-550	1	GROMMET LIGHT HARNESS
19	0310-934	1	ADAPTER, 8MFFOR-10MB, 8-10 F5OLO-S	59	7071-909	1	CLAMP, TWIN, 75"/1" T3075-PP
20	7071-021	1	MOTOR, FAN, W/SOLENOID, 16 CC	60	0310-828	1	COVER, CLAMP, 3/4" TCP-T3 BEHRINGER
21	7071-972	1	SERVICE PARTS, SOLENOID, FAN MOTOR	61	0316-015	4	CLAMP 10.8 TO 13.3 MM STEPLESS EAR CLAMP
22	7071-973	1	SERVICE PARTS, VALVE, COMPLETE, FAN MOTOR	62	7073-197	1	HOSE, VENT, COOLER
23	7071-974	1	SERVICE PARTS, NUT, SOLENOID, FAN MOTOR	63	0315-163	1	ADAPTER, 04HB-06NWO-90
24	8102-042	4	CAPSCREW, HH 1/4-20UNC 1" GD8	64	7012-260	1	HOSE, RADIATOR ORIFICE
25	8050-222	6	WASHER, WROUGHT, 1/4, STD, ZN	65	3020-142	1	FITTING, DEUTZ SHUNT ORIFICE
26	7071-887	1	SCREEN, CAC (installs inside item 43)	66	7073-081	1	HOSE, COMP, 1"
27	7071-567	1	FOAM, .125 X .75	67	0315-104	2	CLAMP, HOSE, #16
28	8102-040	2	CAPSCREW, HH, 1/4-20UNCx.75, GD8	68	0315-151	1	CLAMP, SMART SEAL, #275
29	7010-722	1	LATCH BOLT				
30	7073-040	1	WLMT, LATCH, COOLING PACK				
31	8040-366	2	NUT, HEX, NYLOCK, 1/4-20 UNC, ZN				
32	7071-571	2	WLMT, HINGE, SHROUD, FAN				
33	7071-555	2	WLMT, HINGE, SHROUD, COOLER				
34	7071-551	2	WLMT, HINGE, COOLING PACKAGE				
35	8102-234	2	CAPSCREW, HH, 3/8-16UNCx4.0, GD8,				
36	8102-039	2	CAPSCREW, HH, 1/4-20UNCx.625, GD8				
37	8102-137	2	CAPSCREW, HH, 5/16-18UNCx2.0 GD8 ZN				
38	8102-232	2	CAPSCREW, HH, 3/8-16, UNCx3.25, GD				
39	7071-193	2	TUBE, .406 x .75 x 1.5"				
40	8040-486	4	NUT, HEX, NYLOCK, 3/8-16 UNC, ZN				



Chapter 3

Hydraulic Components

3-1 Hydraulic Reservoir

VT-70 HO Serial # valid from - H03000 **3-1A**

3-2 Hydraulic Control Valve / Blocks

VT-70 HO Serial # valid from - H03000 **3-2A**

3-3 Hydraulic Cylinders- Lift Arm Assembly

VT-70 HO Serial # valid from - H03000 **3-3A**

3-4 Hydraulic Auxiliary Lift Arm Tubes

VT-70 HO Serial # valid from - H03000 **3-4A**

3-5 Hydraulic Control

VT-70 HO Serial # valid from - H03000 **3-5A**

3-6 Hydraulic Drive - 2spd

VT-70 HO Serial # valid from - H03000 **3-6A**

3-7 Hydraulic Drive - 1spd

VT-70 HO Serial # valid from - H03000 **3-7A**

3-8 Hydraulic Auxiliary - Flow

VT-70 HO Serial # valid from - H03000 **3-8A**

3-9 Hydraulic Auxiliary - High Flow

VT-70 HO Serial # valid from - H03000 **3-9A**

3-10 Bucket Positioning

VT-70 HO Serial # valid from - H03000 **3-10A**

3-11 Ride Control

VT-70 HO Serial # valid from - H03000 **3-11A**

*** Parts manuals are updated frequently. To ensure current parts information, always refer to the latest version of this manual (posted online, consult your dealer).**

NOTE: When ordering parts that are painted, a specific part number format is required. Please refer to page II of this manual for paint code and ordering information.

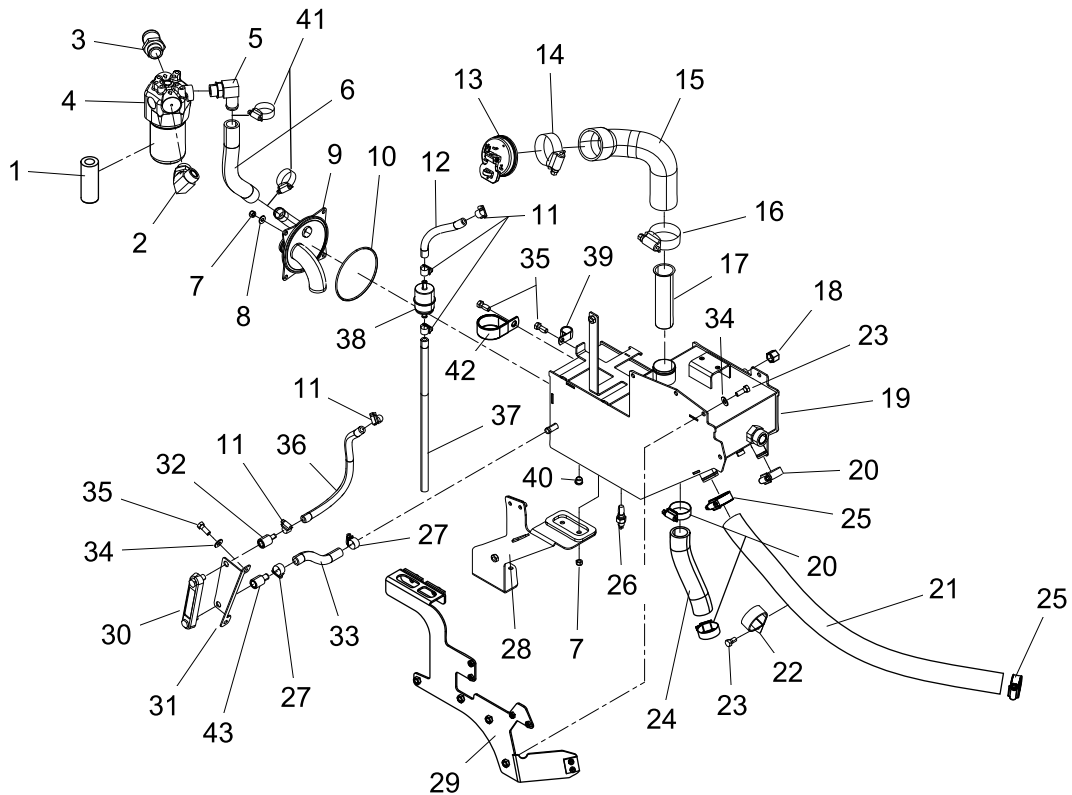
HYDRAULIC RESERVOIR

VT-70 HO valid from H03000

Chapter 3

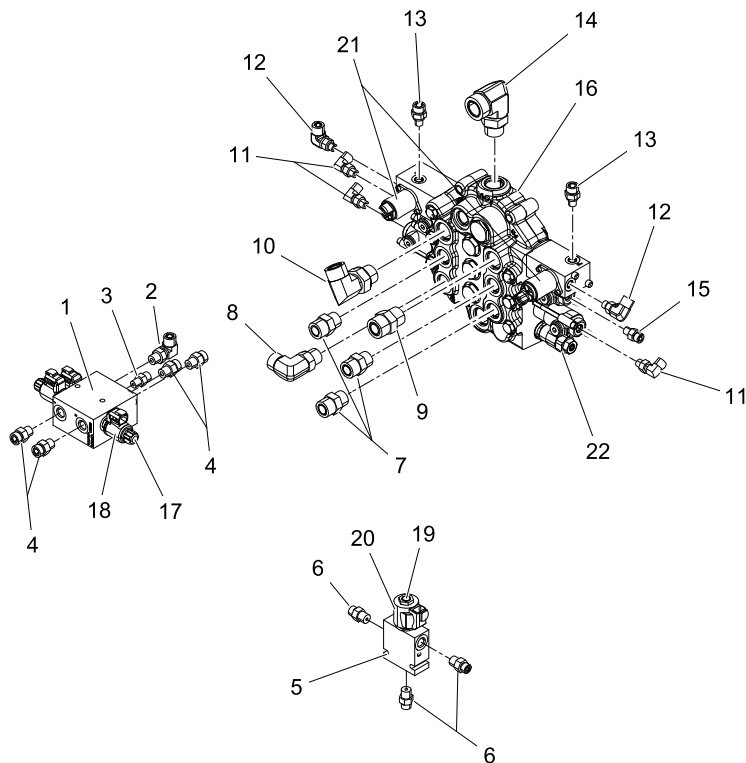
REF. NO.	PART NUMBER	QTY.	DESCRIPTION	REF. NO.	PART NUMBER	QTY.	DESCRIPTION
1	7070-398	1	ELEMENT FILTER MP FILTRI #2	41	0315-104	2	CLAMP, HOSE, #16
2	0310-343	1	ADAPTER,16MFFOR-16MB-90^	42	2046-070	1	CLAMP P 2"
3	2075-231	1	ADAPTER 16 MORB-1.5" HB	43	2075-328	1	NIPPLE SIGHT GAUGE 1/2"
4	7070-279	1	FILTER, MP FILTRI #2 (ASSEMBLY, INCLUDES. ITEM 1)				
5	0090-423	1	ADAPTER 4601-16-12-NOW				
6	7071-372	1	HOSE, BYPASS, HYD				
7	8040-426	6	NUT,HEX,NYLOCK,5/16-18 UNC,ZN				
8	8050-222	4	WASHER,WROUGHT,1/4,STD,ZN				
9	7071-370	1	WLMT. COVER, O-RING, HYD TANK				
10	7071-431	1	O-RING, 50 DUROMETER, -250				
11	0315-100	5	CLAMP, HOSE,#4				
12	7071-484	1	HOSE, VENT, HYD FILTER				
13	2015-245	1	CAP, NON VENTED, HYD OIL				
14	0303-175	1	HOSE,CLAMP,2.75,HI-TORQUE				
15	7071-447	1	HOSE, FORMED, FILL, HYD				
16	0303-175	1	HOSE,CLAMP,2.75,HI-TORQUE				
17	7071-660	1	SCREEN, FILL, HYD				
18	0310-337	1	ADAPTER,CAP,6FFOR 6V9829(FS0304-C-06)				
19	7071-111	1	WLMT, TANK, HYDRAULIC				
20	0303-240	2	CLAMP, HOSE, #16 HI TORQUE				
21	2095-230	1	ASSEMBLY HOSE RETURN COOLER				
22	2046-070	1	CLAMP P 2"				
23	8102-220	5	CAPSCREW,HH,3/8-16x0.75",GD8				
24	7073-099	1	HOSE, SUPPLY, CHARGE				
25	0315-150	2	CLAMP, SMART SEAL, #238				
26	2045-383	1	UNIT SENDING TEMP HYDRAULIC				
27	0315-101	2	CLAMP, HOSE, #6				
28	7071-330	1	WLMT, MNT, HYD TANK				
29	7074-023	1	WLMT, OPTIONS, 2 SPEED / HYD Q				
30	0304-642	1	GAUGE,SIGHT 5"				
31	7071-487	1	PLATE, GAUGE, SIGHT				
32	2045-424	1	NIPPLE SIGHT GAUGE				
33	7071-482	1	HOSE, SIGHT GLASS, LOWER				
34	8050-262	2	WASHER,WROUGHT,5/16,STD,ZN				
35	8102-222	4	CAPSCREW,HH,3/8-16 UNCx1.0,GD8,ZN				
36	7071-483	1	HOSE, SIGHT GLASS, UPPER				
37	7071-485	1	HOSE, VENT, HYD TANK				
38	0201-914	1	FILTER,FUEL,3/8",STEEL				
39	0310-466	1	CLAMP,WIRE,3/4 RBC-3/4				
40	2010-130	1	PLUG ORING 9/16-18 ALLEN HEAD				

7071-980 O-RING KIT (FOR ITEM 4)



REF. NO.	PART NUMBER	QTY.	DESCRIPTION	REF. NO.	PART NUMBER	QTY.	DESCRIPTION
1	7005-675	1	MANIFOLD PILOT GENERATION SIZE 6				
2	0310-328	1	ADAPTER,6MFFOR-6MB-90				
3	0201-311	1	ADAPTER,FS6400-04-04-0				
4	0310-329	4	ADAPTER,6MFFOR-6MB				
5	2051-615	1	BLOCK CONTROL				
6	0201-309	3	ADAPTER,FS6400-04-06-0				
7	0310-318	3	ADAPTER,10MFFOR-10MB				
8	0201-668	1	ADAPTER,FS6801-10-10NWO				
9	0310-313	1	ADAPTER,12MFFOR-12MB				
10	0310-321	1	ADAPTER,12MFFOR-12MB90				
11	0201-314	3	ADAPTER,FS6801-04-04-NW0				
12	0310-557	2	ADAPTER,6MFFOR-4MB-90				
13	0314-014	2	ADAPTER,6MFFOR-4MB FS6400-06-04				
14	0310-324	1	ADAPTER,16MFFOR-12MB-90				
15	0201-311	1	ADAPTER,FS6400-04-04-0				
16	3030-395	1	VALVE LOADER 9610				
17	7000-624	3	CARTRIDGE PILOT GEN BLOCK				
18	7000-625	3	COIL PILOT GEN BLOCK				
19	2051-840	1	SPOOL SV08-33				
20	0200-364	1	SOLENOID,W/DEUTSCH CONNECTOR				
21	0404-423	2	SOLENOID CARTRIDGE VALVE				
22	7000-623	1	RELIEF VALVE				

7000-622 SEAL KIT (FOR ITEM 16)



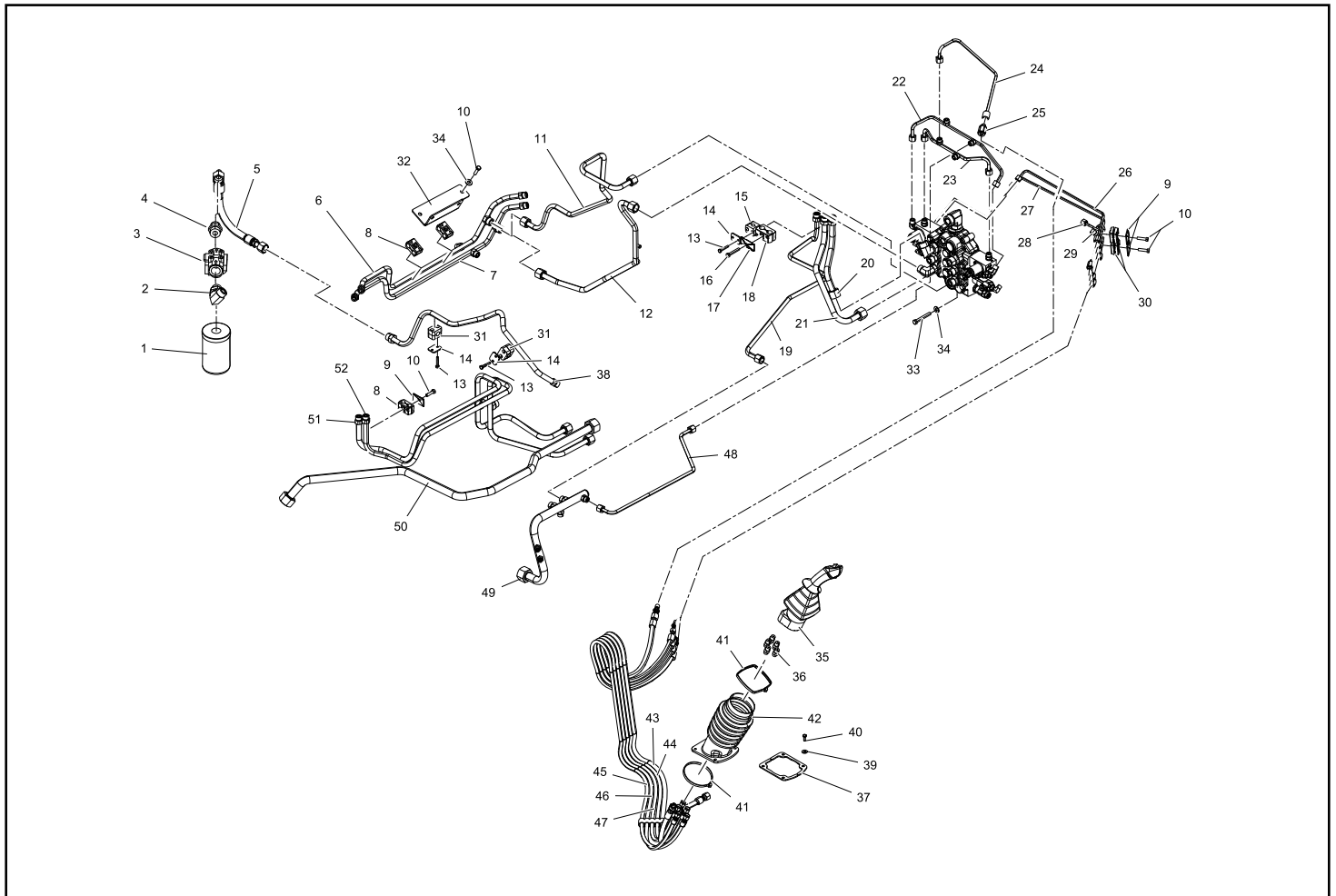
HYDRAULIC CONTROL

VT-70 HO valid from H03000

Chapter 3

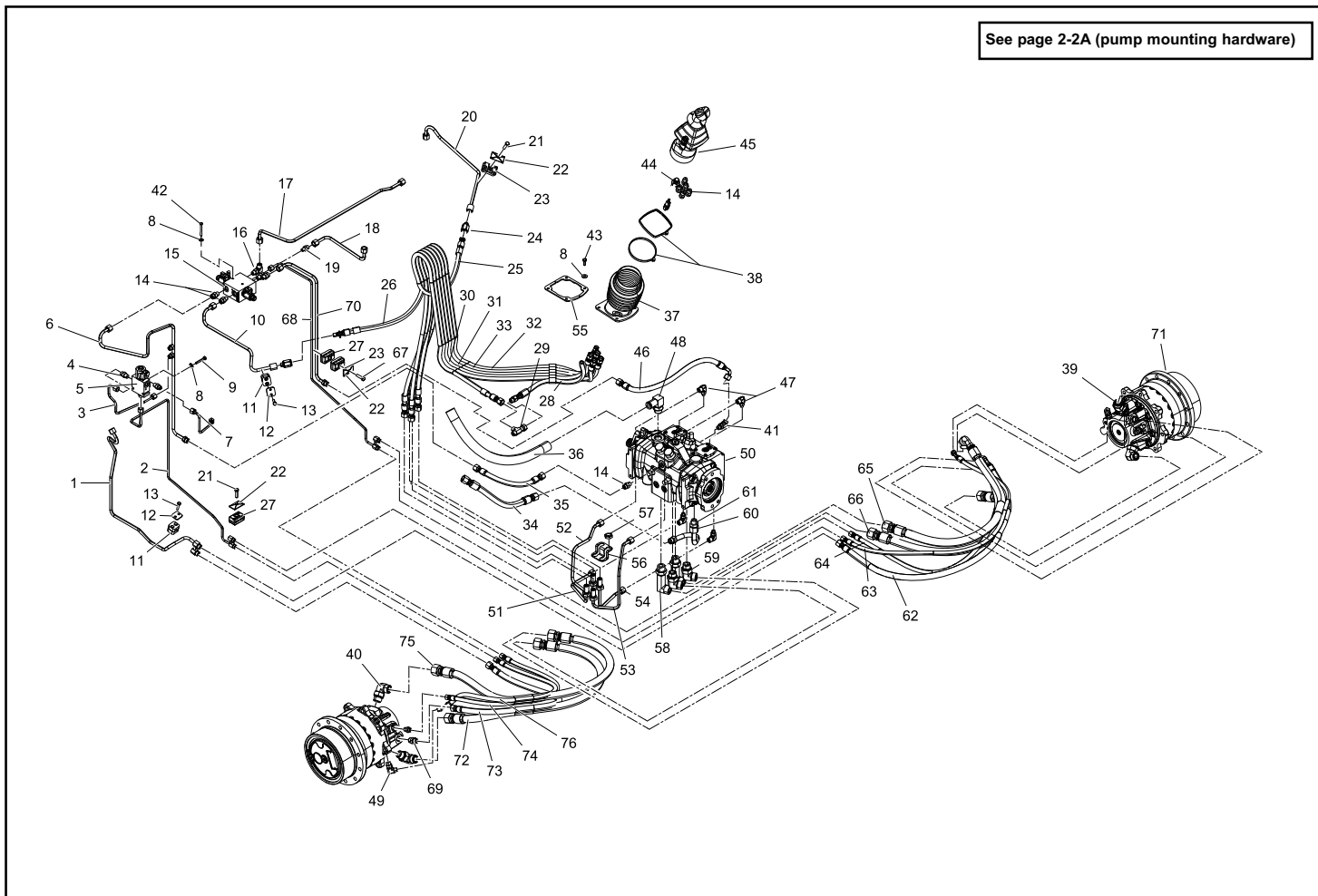
REF. NO.	PART NUMBER	QTY.	DESCRIPTION
1	0404-161	1	FILTER SPIN-ON HYD (SHORT)
2	0201-317	1	ADAPTER,FS6801-12-16-NW0
3	0201-403	1	HEAD,FILTER
4	2030-097	1	ADAPTER,FS6400-12-16-0A
5	7071-851	1	HOSE, -10, 435 PSI, FFX-10-10-W, FFX90-10-12-W, 15.50"
6	7071-168	1	TUBE, BASE END BOOM
7	7071-169	1	TUBE, ROD END BOOM
8	0310-831	2	CLAMP, SET, T2062-PP BEHRINGER
9	0310-584	1	PLATE,COVER TCP-T2 TCP-T2
10	8102-134	4	CAPSCREW,HH,5/16-18UNCx1.25GD8 ZN
11	7071-148	1	TUBE, BOOM, A, VALVE
12	7073-131	1	TUBE, BOOM, B, VALVE
13	8102-045	6	CAPSCREW,HH,1/4-20x1.5"ZN GD8
14	0201-224	3	COVER,CLAMP,COP-2
15	0201-402	2	CLAMP,SET,2050-PP
16	8102-137	1	CAPSCREW,HH,5/16-18UNCx2.0 GD8 ZN
17	0310-828	1	COVER, CLAMP, 3/4" TCP-T3 BEHRINGER
18	0310-733	1	INSERT,CLAMP,TWIN.75" T3075-PP T3075-PP
19	7073-137	1	TUBE, CASE DRAIN, LOADER, NO HIGH FLOW
20	7071-145	1	TUBE, AUX, B, VALVE
21	7071-144	1	TUBE, AUX, A, VALVE
22	7071-161	1	TUBE, TANK, AUX VALVE
23	7071-162	1	TUBE, PRESSURE, AUX VALVE
24	7071-354	1	TUBE, J2, VALVE
25	0315-011	1	ADAPTER, MORB, COUPLING: 3/8", CONNECTION: 9/16-18
26	7071-364	1	TUBE, PILOT, TILT, B, VALVE
27	7071-366	1	TUBE, PILOT, BOOM, B, VALVE
28	7071-363	1	TUBE, PILOT, TILT, A, VALVE
29	7071-365	1	TUBE, PILOT, BOOM, A, VALVE
30	0200-372	2	CLAMP,SET,T2025-PP
31	0201-223	2	CLAMP,SET,2062-PP
32	7073-216	1	BRACKET, CLAMP, TUBE
33	8102-230	4	CAPSCREW,HH 3/8-16UNCx2.75 GD8
34	8050-262	4	WASHER,WROUGHT,5/16,STD,ZN
35	7001-081	1	JOYSTICK DRIVE RIGHT VARIABLE LOW FLOW
36	0201-309	5	ADAPTER,FS6400-04-06-0
37	7005-850	2	PLATE BELLOWS
38	7071-324	1	TUBE, CHARGE PRESSURE, INTERMEDIAT
39	8050-222	4	WASHER,WROUGHT,1/4,STD,ZN
40	8102-042	4	CAPSCREW,HH,1/4-20UNCx1.0 GD8

REF. NO.	PART NUMBER	QTY.	DESCRIPTION
41	0307-882	2	TIE,CABLE,BLACK,18.1",W/STL INSERT BT-5LH-LO
42	7005-690	1	SEAL BELLOWS JOYSTICK
43	7071-216	1	HOSE, -6, 435 PSI, FFX-06-04, 0314-530, 69.36"
44	7071-217	1	HOSE, -4, 435 PSI, FFX-04-04-W, 0314-533, 71.16"
45	7071-220	1	HOSE, -4, 435 PSI, FFX-04-04-W, 0314-533, 74.86"
46	7071-219	1	HOSE, -4, 435 PSI, FFX-04-04-W, 0314-533, 73.97"
47	7071-218	1	HOSE, -4, 435 PSI, FFX-04-04-W, 0314-533, 71.69"
48	7073-123	1	TUBE, TANK, VALVE
49	7073-027	1	TUBE, MANIFOLD, TANK
50	7072-091	1	TUBE, VALVE TO FILTER
51	7073-026	1	TUBE, TILT, B, VALVE
52	7073-025	1	TUBE, TILT, A, VALVE



REF. NO.	PART NUMBER	QTY.	DESCRIPTION
1	7073-119	1	TUBE, CASE DRAIN, DRIVE MOTOR
2	7073-116	1	TUBE, 1, ACTIVATION, 2 SPEED
3	7071-348	1	TUBE, 2, PRESSURE, 2 SPEED
4	0201-309	5	ADAPTER,FS6400-04-06-0
5	2051-615	1	BLOCK CONTROL
6	7071-154	1	TUBE, P, PILOT GEN BLOCK
7	7071-349	1	TUBE, 3, TANK, 2 SPEED
8	8050-222	12	WASHER,WROUGHT,1/4,STD,ZN
9	8102-046	2	CAPSCREW,HH,1/4-20UNCx1.75,GD8
10	7071-153	1	TUBE, J1, PILOT GEN BLOCK
11	2045-580	2	CLAMP SET 1038-PP
12	2045-581	2	PLATE COVER COP-1
13	8102-044	4	CAPSCREW,HH,1/4-20UNCx1.25,GD8,ZN
14	0310-329	9	ADAPTER,6MFFOR-6MB
15	7005-675	1	MANIFOLD PILOT GENERATION SIZE 6
16	0310-328	5	ADAPTER,6MFFOR-6MB-90
17	7071-152	1	TUBE, J2, PILOT GEN BLOCK
18	7073-138	1	TUBE, TANK, PILOT GEN BLOCK
19	0201-311	1	ADAPTER,FS6400-04-04-0
20	7071-373	1	TUBE, TANK, JOYSTICK
21	8102-134	3	CAPSCREW,HH,5/16-18UNCx1.25GD8 ZN
22	0310-584	3	PLATE,COVER TCP-T2 TCP-T2
23	0201-225	2	CLAMP,SET,T2038-PP
24	0315-011	2	ADAPTER, MORB, COUPLING: 3/8", CONNECTION: 9/16-18
25	7071-215	1	HOSE, -.6, 435 PSI, 0314-530, 42.73"
26	7071-214	1	HOSE, -.6, 435 PSI, FFX-06-04, 0314-530, 71.42"
27	0200-372	1	CLAMP,SET,T2025-PP
28	7071-885	1	HOSE, -.6, 1000 PSI, MB-06-06-, MF-06-06, 19.47"
29	0314-091	1	ADAPTER,TEE,6MFFOR-6FFORX-6MFFOR 6602-06-06-06
30	7071-213	1	HOSE, -.6, 435 PSI, FFX-06-06, FFX-06-06, 75.10"
31	7071-212	1	HOSE, KT-06, 435 PSI, FFX-06-06-W, FFX-06-06-W, 74.72"
32	7071-210	1	HOSE, -.6, 435 PSI, FFX-06-06, FFX-06-06, 74.19"
33	7071-211	1	HOSE, -.6, 435 PSI, FFX-06-06, FFX-06-06, 73.30"
34	7071-340	1	HOSE, KT-06, 435 PSI, FFX-08-08-W, FFX-08-08-W, 15.49"
35	7071-204	1	HOSE, -.6, 435 PSI, FFX-06-06-W, FFX-06-06-W, 11.66"
36	7071-206	1	HOSE, CASE DRAIN, DRIVE PUMP
37	7005-690	1	SEAL BELLOWS JOYSTICK
38	0307-882	2	TIE,CABLE,BLACK,18.1",W/STL INSERT BT-5LH-LO
39	0315-004	1	ADAPTER, HYD, 12 V5OLO-S,TRAP SEAL
40	0315-008	4	ADAPTER, HYD, 12 C5OLO-S,TRAP SEAL

REF. NO.	PART NUMBER	QTY.	DESCRIPTION
41	0315-162	1	ADAPTER, 6ORFS, 6MORB, 45°.052 ORIFICE
42	8102-049	2	CAPSCREW,HH 1/4-20 x 2.50 GD8
43	8102-042	4	CAPSCREW,HH,1/4-20UNCx1.0,GD8
44	0304-441	1	SWITCH,PRESSURE NASON
45	7000-441	1	JOYSTICK DRIVE LEFT
46	7072-089	1	HOSE,-6, 3300, FFX-06-06-90,FFX-06-06,22.13"
47	0310-557	4	ADAPTER,6MFFOR-4MB-90
48	0090-423	1	ADAPTER 4601-16-12-NOW
49	0201-319	2	ADAPTER,FS6801-04-06-NW0
50	5020-001	1	PUMP,TANDEM, 38.5CC SERIES 40, MACHINED FLANGE
51	7071-157	1	TUBE, DRIVE PUMP LOWER REAR
52	7071-156	1	TUBE, DRIVE PUMP UPPER REAR
53	7071-159	1	TUBE, DRIVE PUMP UPPER FRONT
54	7071-158	1	TUBE, DRIVE PUMP LOWER FRONT
55	7005-850	2	PLATE BELLOWS
56	7071-319	1	PLATE, BULK HEAD, DRIVE PUMP
57	0310-301	4	NUT,LOCK,BLKHD,ORFS -.06
58	0201-316	2	ADAPTER,FS6801-L-12-12-NW0
59	0315-008	2	ADAPTER, HYD, 12 C5OLO-S,TRAP SEAL
60	7071-160	1	TUBE, CHARGE PRESSURE, DRIVE PUMP
61	0201-658	1	ADAPTER,10MFFOR-8MB-SV
62	7071-943	1	HOSE, -.06, 100 PSI, FFX45-06-06, FFX-06-06, 49"
63	2030-950	1	HOSE, -.4, 435 PSI, FFX45-04-04, FFX-04-04, 45.25"
64	7071-947	1	HOSE, -.04, 435 PSI, FFX45-04-04, FFX-04-04, 46"
65	7071-942	1	HOSE, -.12, 6000 PSI, V12-12FF90S, V12-12FF, 37"
66	2030-936	1	HOSE, -.12, 6000 PSI, FFX-12-12-WHP, FFX-12-12-WHP,
67	8102-139	1	CAPSCREW,HH,5/16-18UNCx2.50,GD8
68	7073-113	1	TUBE, BRAKE, PILOT GEN BLOCK
69	0310-992	2	ADAPTER,6MFFOR-8MB FS6400-06-08
70	7073-165	1	TUBE P1 PILOT GEN BLOCK
71	0702-578	2	MOTOR HYD BONFIG SAUER 2 SPD
72	2030-937	1	HOSE, -.12, 6000 PSI, FFX-12-12-WHP, FFX-12-12-WHP,
73	2030-939	1	HOSE, -.6, 100 PSI, FFX-06-06, FFX-06-06, 37.14"
74	2030-941	1	HOSE, -.4, 435 PSI, FFX-04-04, FFX-04-04, 33.64"
75	2030-935	1	HOSE, -.12, 6000 PSI, FFX-12-12-WHP, FFX-12-12-WHP,
76	2030-951	1	HOSE, -.4, 435 PSI, FFX45-04-04, FFX-04-04, 37.57"



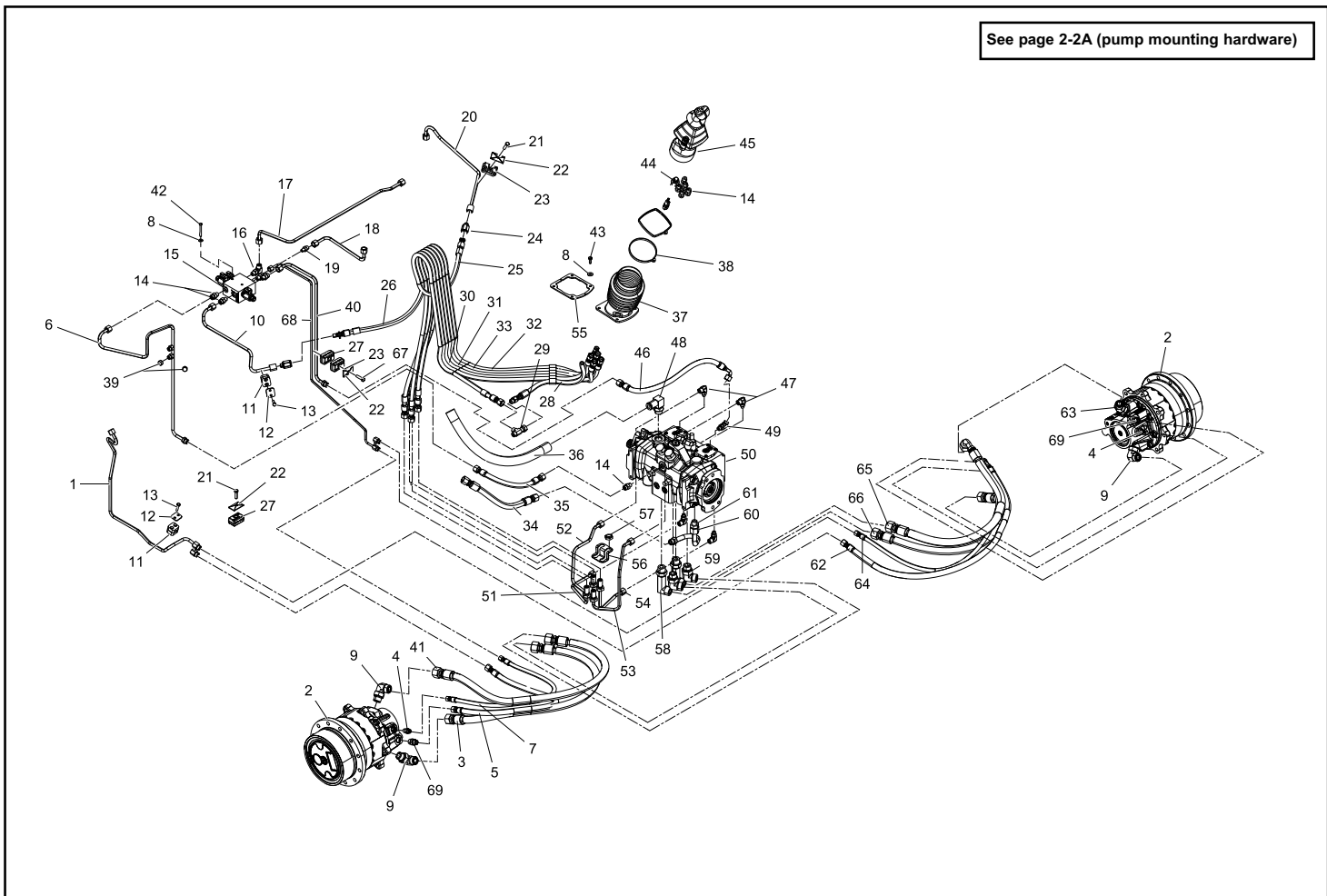
HYDRAULIC DRIVE - 1 spd

VT-70 HO valid from H03000

Chapter 3

REF. NO.	PART NUMBER	QTY.	DESCRIPTION
1	7073-119	1	TUBE, CASE DRAIN, DRIVE MOTOR
2	0702-586	2	MOTOR HYD BONFIG SAUER 1 SPD
3	2030-937	1	HOSE, -12, 6000 PSI, FFX-12-12-WHP, FFX-12-12-WHP,
4	0201-309	2	ADAPTER,FS6400-04-06-0
5	2030-939	1	HOSE, -6, 100 PSI, FFX-06-06, FFX-06-06, 37.14"
6	7071-154	1	TUBE, P, PILOT GEN BLOCK
7	2030-941	1	HOSE, -4, 435 PSI, FFX-04-04, FFX-04-04, 33.64"
8	8050-222	6	WASHER,WROUGHT,1/4,STD,ZN
9	0315-008	4	ADAPTER, HYD, 12 C5OLO-S,TRAP SEAL
10	7071-153	1	TUBE, J1, PILOT GEN BLOCK
11	2045-580	2	CLAMP SET 1038-PP
12	2045-581	2	PLATE COVER COP-1
13	8102-044	4	CAPSCREW,HH,1/4-20UNCx1.25,GD8,ZN
14	0310-329	9	ADAPTER,6MFFOR-6MB
15	7005-675	1	MANIFOLD PILOT GENERATION SIZE 6
16	0310-328	5	ADAPTER,6MFFOR-6MB-90
17	7071-152	1	TUBE, J2, PILOT GEN BLOCK
18	7073-138	1	TUBE, TANK, PILOT GEN BLOCK
19	0201-311	1	ADAPTER,FS6400-04-04-0
20	7071-373	1	TUBE, TANK, JOYSTICK
21	8102-134	3	CAPSCREW,HH,5/16-18UNCx1.25GD8 ZN
22	0310-584	3	PLATE,COVER TCP-T2 TCP-T2
23	0201-225	2	CLAMP,SET,T2038-PP
24	0315-011	2	ADAPTER, MORB, COUPLING: 3/8", CONNECTION: 9/16-18
25	7071-215	1	HOSE, -6, 435 PSI, 0314-530, 42.73"
26	7071-214	1	HOSE, -6, 435 PSI, FFX-06-04, 0314-530, 71.42"
27	0200-372	1	CLAMP,SET,T2025-PP
28	7071-885	1	HOSE, -6, 1000 PSI, MB-06-06-, MF-06-06, 19.47"
29	0314-091	1	ADAPTER,TEE,6MFFOR-6FFORX-6MFFOR 6602-06-06-06
30	7071-213	1	HOSE, -6, 435 PSI, FFX-06-06, FFX-06-06, 75.10"
31	7071-212	1	HOSE, KT-06, 435 PSI, FFX-06-06-W, FFX-06-06-W, 74.72"
32	7071-210	1	HOSE, -6, 435 PSI, FFX-06-06, FFX-06-06, 74.19"
33	7071-211	1	HOSE, -6, 435 PSI, FFX-06-06, FFX-06-06, 73.30"
34	7071-340	1	HOSE, KT-06, 435 PSI, FFX-08-08-W, FFX-08-08-W, 15.49"
35	7071-204	1	HOSE, -6, 435 PSI, FFX-06-06-W, FFX-06-06-W, 11.66"
36	7071-206	1	HOSE, CASE DRAIN, DRIVE PUMP
37	7005-690	1	SEAL BELLOWS JOYSTICK
38	0307-882	2	TIE,CABLE,BLACK,18.1",W/STL INSERT BT-5LH-LO
39	0090-219	2	CAP 4 FFOR BRENNAN FS0304-C-04
40	7073-165	1	TUBE P1 PILOT GEN BLOCK

REF. NO.	PART NUMBER	QTY.	DESCRIPTION
41	2030-935	1	HOSE, -12, 6000 PSI, FFX-12-12-WHP, FFX-12-12-WHP,
42	8102-049	2	CAPSCREW,HH 1/4-20 x 2.50 GD8
43	8102-042	4	CAPSCREW,HH,1/4-20UNCx1.0,GD8
44	0304-441	1	SWITCH,PRESSURE NASON
45	7000-441	1	JOYSTICK DRIVE LEFT
46	7072-089	1	HOSE,-6, 3300, FFX-06-06-90,FFX-06-06,22.13"
47	0310-557	4	ADAPTER,6MFFOR-4MB-90
48	0090-423	1	ADAPTER 4601-16-12-NOW
49	0315-162	1	ADAPTER, GORFS, 6MORB, 45°, .052 ORIFICE
50	5020-001	1	PUMP, TANDEM, 38.5CC SERIES 40, MACHINED FLANGE
51	7071-157	1	TUBE, DRIVE PUMP LOWER REAR
52	7071-156	1	TUBE, DRIVE PUMP UPPER REAR
53	7071-159	1	TUBE, DRIVE PUMP UPPER FRONT
54	7071-158	1	TUBE, DRIVE PUMP LOWER FRONT
55	7005-850	2	PLATE BELLOWS
56	7071-319	1	PLATE, BULK HEAD, DRIVE PUMP
57	0310-301	4	NUT,LOCK,BLKHD,ORFS -06
58	0201-316	2	ADAPTER,FS6801-L-12-12-NW0
59	0315-008	2	ADAPTER, HYD, 12 C5OLO-S,TRAP SEAL
60	7071-160	1	TUBE, CHARGE PRESSURE, DRIVE PUMP
61	0201-658	1	ADAPTER,10MFFOR-8MB-SV
62	7071-943	1	HOSE, -06, 100 PSI, FFX45-06-06, FFX-06-06, 49"
63	0315-004	1	ADAPTER, HYD, 12 V5OLO-S,TRAP SEAL
64	7071-947	1	HOSE, -04, 435 PSI, FFX45-04-04, FFX-04-04, 46"
65	7071-942	1	HOSE, -12, 6000 PSI, V12-12FF90S, V12-12FF, 37"
66	2030-936	1	HOSE, -12, 6000 PSI, FFX-12-12-WHP, FFX-12-12-WHP,
67	8102-139	1	CAPSCREW,HH,5/16-18UNCx2.50,GD8
68	7073-113	1	TUBE, BRAKE, PILOT GEN BLOCK
69	0310-992	2	ADAPTER,6MFFOR-8MB FS6400-06-08



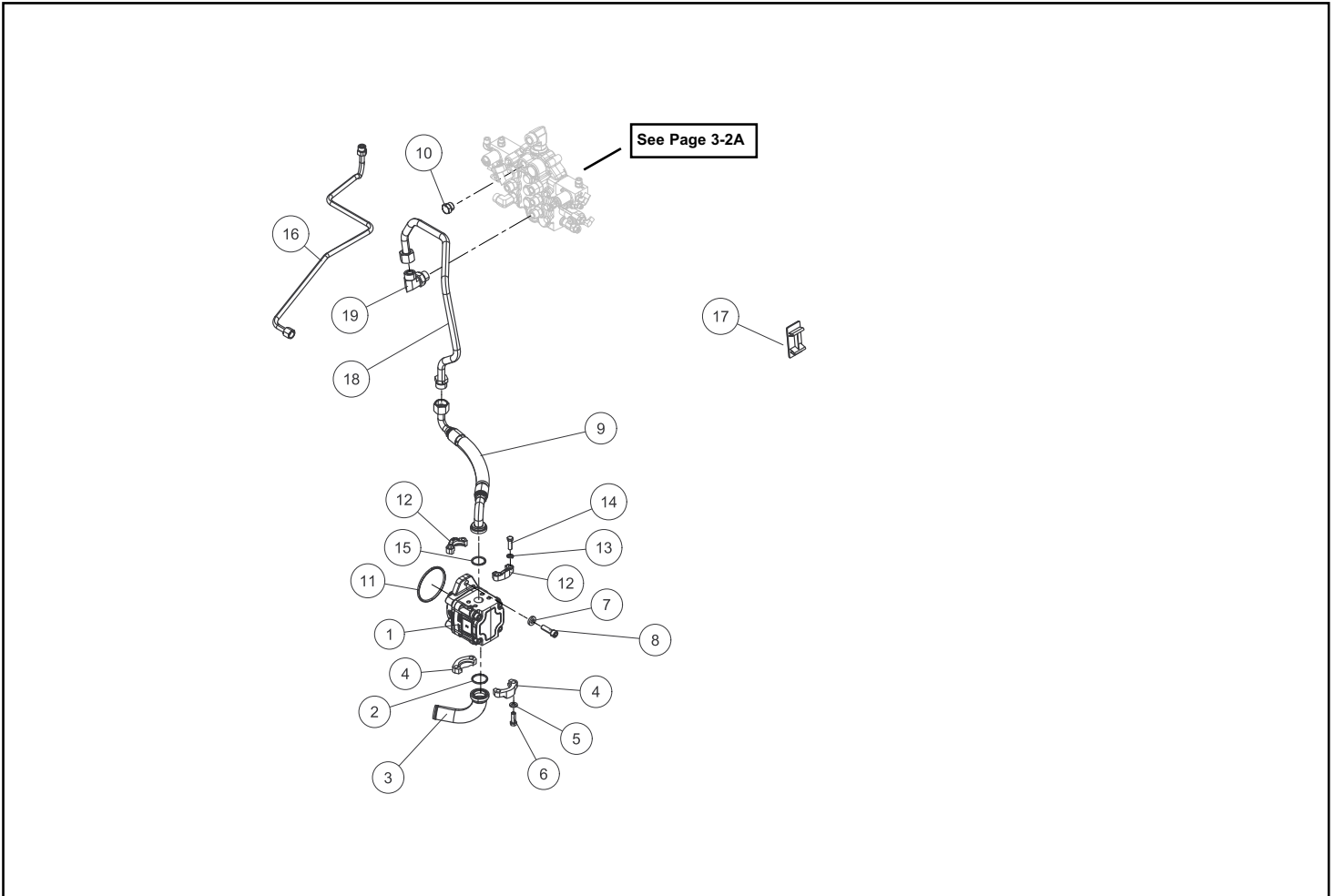
HYDRAULIC AUXILIARY - FLOW

VT-70 HO valid from H03000

Chapter 3

REF. NO.	PART NUMBER	QTY.	DESCRIPTION
1	7005-722	1	PUMP GEAR 31CC
2	0310-294	1	O-RING,#222,1.50x1.75x.13
3	7071-142	1	TUBE,INTAKE
4	0200-171	2	couple split cod 61 x 1.25
5	0700-170	4	WASHER, 827x.433x.098
6	8102-314	4	CAPSCREW,HH,7/16-14X1.250
7	0090-136	2	WASHER,HARD, 1.0x.531x.197
8	0201-541	2	CAPSCREW,SOC,HEAD,12x1.75x40
9	7073-172	1	HOSE,-12,3350 PSI,FFX90M-12-12-W,C6190
10	7001-142	1	PLUG, 6408-10-O HEX PLUG
11	0307-169	1	ORING 7 ID 4-3/16OD BUNA
12	0201-410	2	FLANGE,SPLIT,CODE 61
13	8051-272	4	WASHER,SPRING LOCK,3/8,ZN
14	8102-224	4	CAPSCREW,HH,3/8-16UNCx1.25,GD8
15	0309-540	1	ORING,16 FLOR
16	7073-137	1	TUBE, CASE DRAIN, LOADER, NO HIGH FLOW
17	0310-138	1	PLUG VHP-01 INDEX # 390-09002-001
18	7073-163	1	TUBE AUX SUPPLY
19	0310-321	1	ADAPTER,12MFFOR-12MB90

REF. NO.	PART NUMBER	QTY.	DESCRIPTION



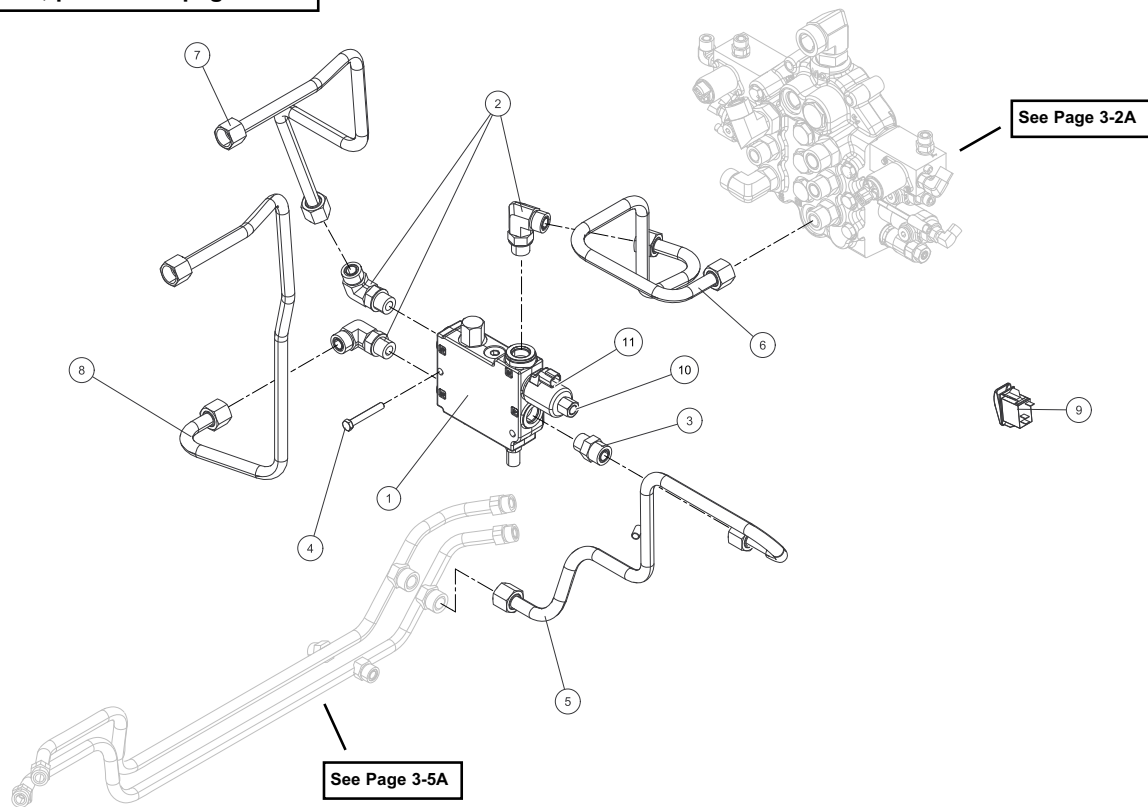
BUCKET POSITIONING

VT-70 HO valid from H03000

Chapter 3

REF. NO.	PART NUMBER	QTY.	DESCRIPTION	REF. NO.	PART NUMBER	QTY.	DESCRIPTION
1	7071-325	1	VALVE, BUCKET POSITIONING				
2	0201-668	3	ADAPTER, FF6801-10-10NWO				
3	0310-318	1	ADAPTER, 10MFFOR-10MB				
4	8102-138	2	CAPSCREW, HH, 5/16-18UNCx2.25, GD8				
5	7071-326	1	TUBE, SL VALVE A TO BOOM CYL ROD				
6	7073-133	1	TUBE, SL VALVE B TO BOOM VALVE A				
7	7073-126	1	TUBE, SL VALVE C TO TILT CYL ROD				
8	7073-127	1	TUBE, SL VALVE D TO TILT CYL BASE				
9	2045-477	1	SWITCH SELF LEVELER				
10	7071-987	1	VALVE AND NUT				
11	7071-986	1	SOLENOID AND NUT				

For kit information, please see page 10-1A

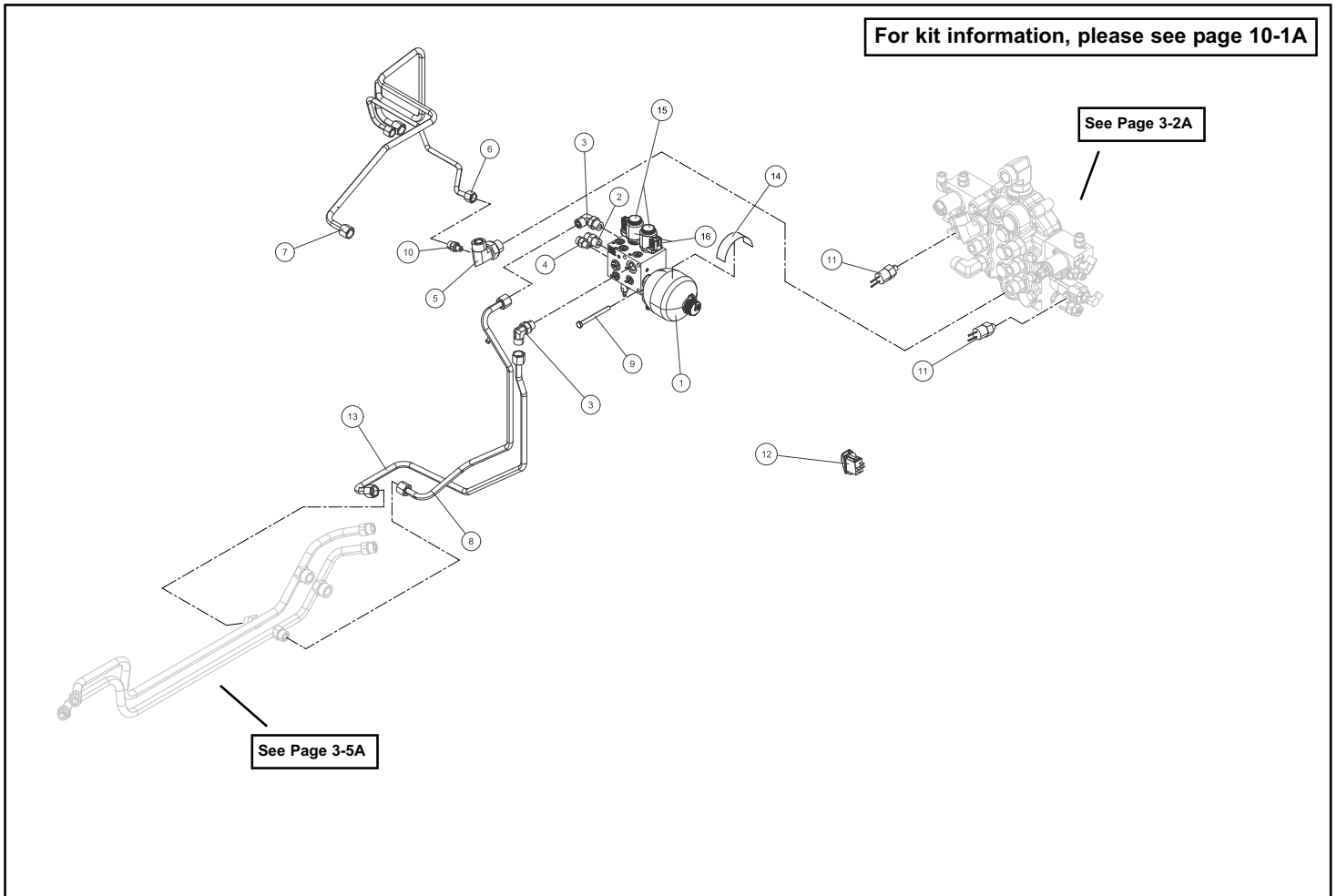


RIDE CONTROL

VT-70 HO valid from H03000

Chapter 3

REF. NO.	PART NUMBER	QTY.	DESCRIPTION	REF. NO.	PART NUMBER	QTY.	DESCRIPTION
1	3020-039	1	RIDE CONTROL BLOCK				
2	0310-345	1	ADAPTER,8MFFOR--8MB				
3	0310-346	2	ADAPTER, 8MFFOR-8MB-90				
4	0310-329	1	ADAPTOR,6MFFOR-6MB				
5	0315-089	1	ADAPTER,12MFFOR-12MB90, W/-4FORB				
6	7073-171	1	TUBE, RC VALVE P TO AUX PRESSURE				
7	7073-028	1	TUBE, RC VALVE T TO TANK				
8	7071-339	1	TUBE, RC VALVE CR TO BOOM CYL ROD				
9	8102-143	3	CAPSCREW,HH,5/16-18UNCx3.5,GD8				
10	0314-014	1	ADAPTER,6MFFOR-4MB				
11	4010-162	2	SENSOR, NASON				
12	2017-910	1	SWITCH, RIDE CONTROL, LOCKING				
13	7073-209	1	TUBE, RC VALVE CB TO BOOM CYL BASE				
14	-----	1	DECAL, ISO WARNING (reference 7072-099)				
15	7001-386	2	SOLENOID RIDE CONTROL				
16	7001-393	2	COILS RIDE CONTROL				



Chapter 4

Electrical

4-1 Rear View Camera

VT-70 HO Serial # valid from - H03000 **4-1A**

4-2 Battery / Harnesses

VT-70 HO Serial # valid from - H03000 **4-2A**

4-3 Fuse Panel

VT-70 HO Serial # valid from - H03000 **4-3A**

4-4 Exterior Lights

VT-70 HO Serial # valid from - H03000 **4-4A**

*** Parts manuals are updated frequently. To ensure current parts information, always refer to the latest version of this manual (posted online, consult your dealer).**

NOTE: When ordering parts that are painted, a specific part number format is required. Please refer to page II of this manual for paint code and ordering information.

REAR VIEW CAMERA

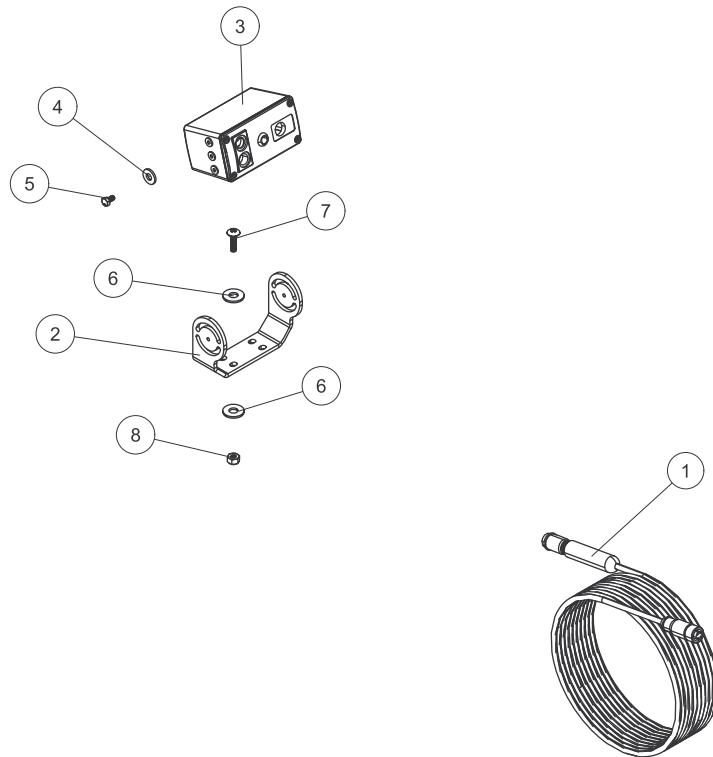
VT-70 HO valid from H03000

Chapter 4

REF. NO.	PART NUMBER	QTY.	DESCRIPTION
1	2017-900	1	CABLE, CAMERA, 5M EXTENSION
2	2097-242	1	MOUNT, CAMERA
3	2097-237	1	CAMERA, SURFACE MOUNT
4	8050-157	4	HARDENED WASHER,FLAT,#12,SAE
5	0090-776	4	SCREW, HH, M4 X 0.7 X 8.0
6	8050-222	4	HARDENED WASHER,FLAT,1/4,USS
7	0090-117	2	CAPSCREW TH PH 10-24 X .75 SS
8	8040-246	2	NUT,HEX,NYLOCK,10-24,UNC

REF. NO.	PART NUMBER	QTY.	DESCRIPTION

For kit information, please see page 10-1A

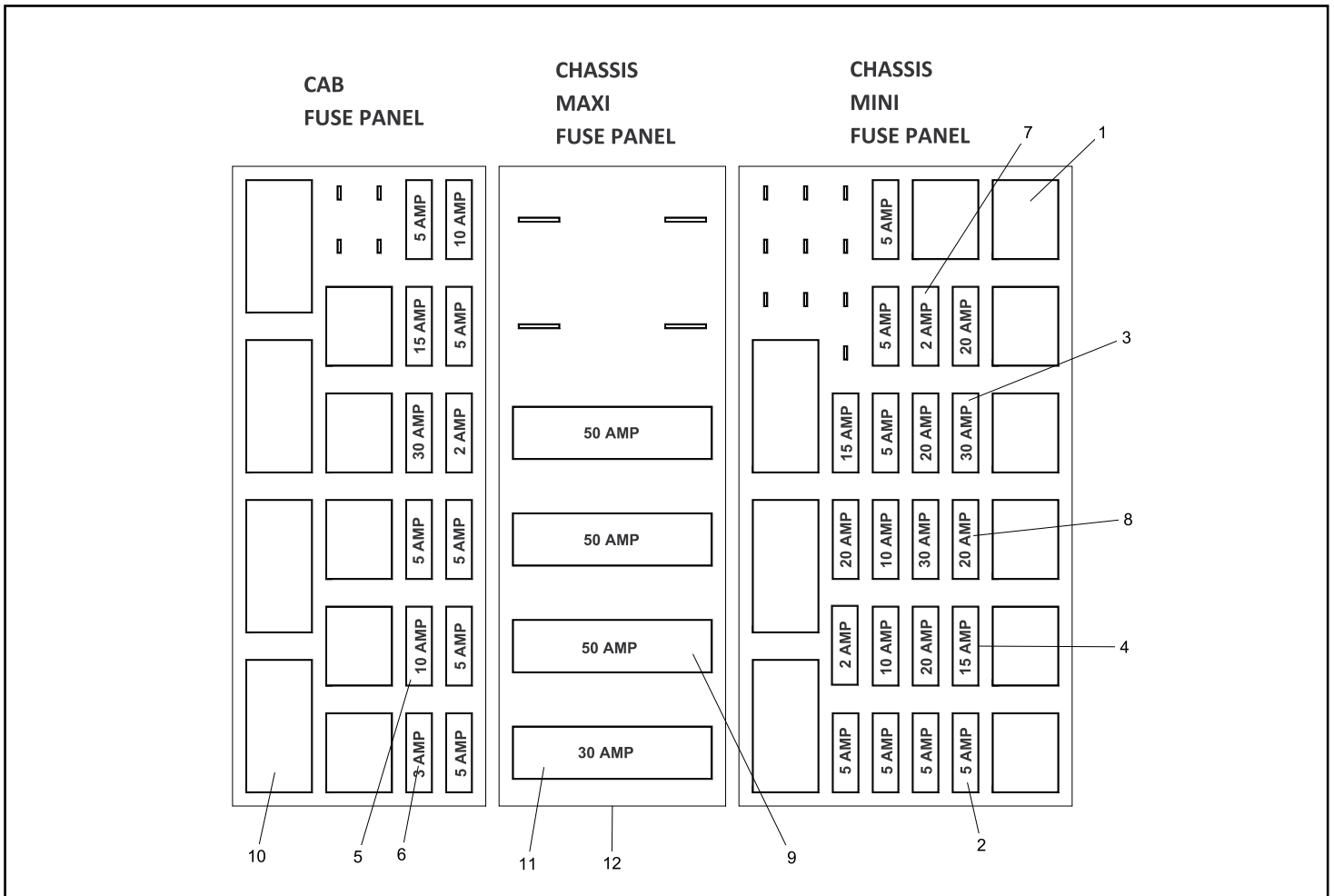


FUSE PANEL

VT-70 HO valid from H03000

Chapter 4

REF. NO.	PART NUMBER	QTY.	DESCRIPTION	REF. NO.	PART NUMBER	QTY.	DESCRIPTION
1	2018-345	12	RELAY				
2	0310-794	13	FUSE,MINI, 5 AMP				
3	0310-799	3	FUSE,MINI,30 AMP				
4	0310-796	3	FUSE,MINI,15 AMP				
5	0310-795	4	FUSE,MINI,10 AMP				
6	0201-779	1	FUSE,MINI,3 AMP				
7	0310-793	3	FUSE,MINI,2 AMP				
8	0310-797	5	FUSE,MINI,20 AMP				
9	0310-803	3	FUSE,MAXI, 50 AMP				
10	7071-853	7	RELAY				
11	0310-801	1	FUSE,MAXI, 30 AMP				
12	7073-267	1	HARNESS, CHASSIS				



EXTERIOR LIGHTS

VT-70 HO valid from H03000

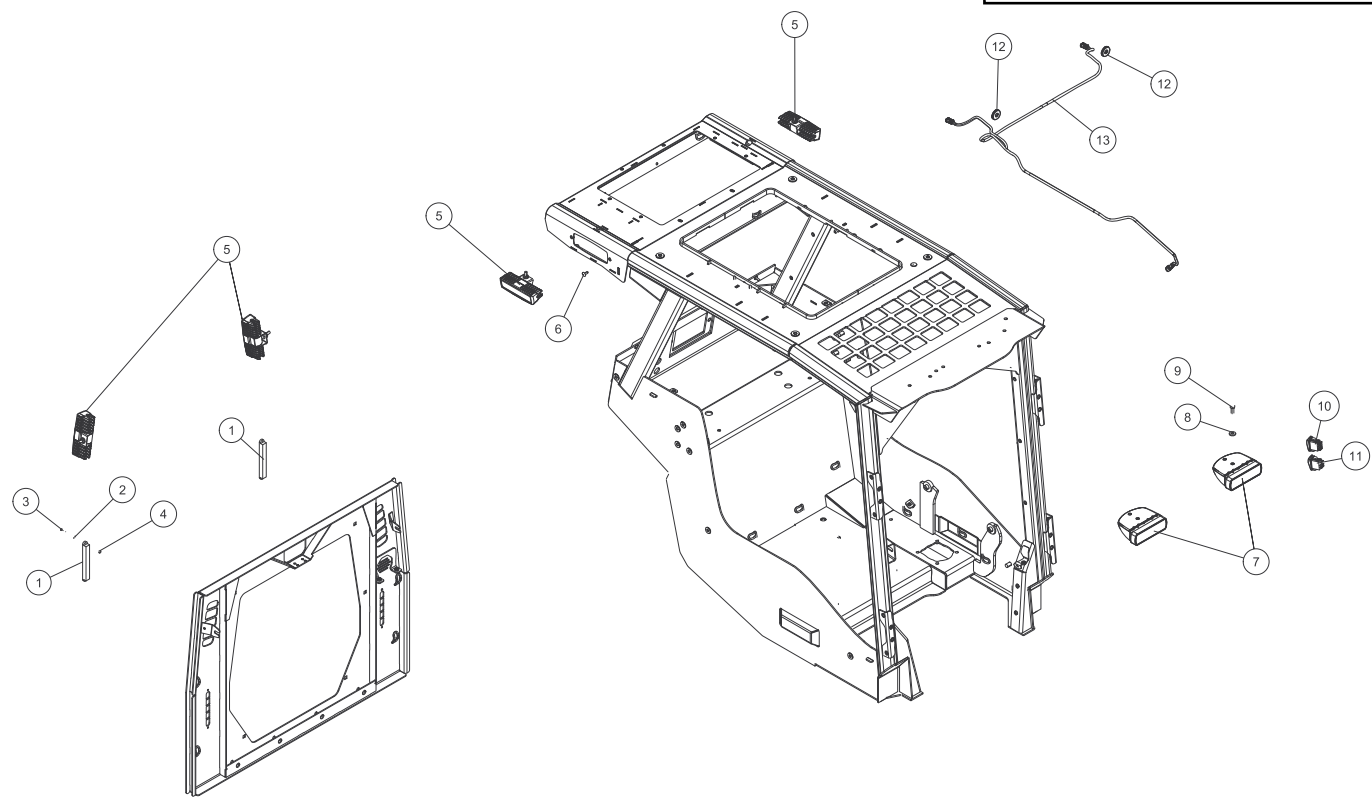
Chapter 4

REF. NO.	PART NUMBER	QTY.	DESCRIPTION
1	2015-608	2	TAIL LIGHT, FLANGE MOUNT, NARROW
2	8050-091	4	HARDENED WASHER,FLAT,#6, SAE
3	0090-708	4	#6-32 X 3/4 6-LOBE DRIVE PAN HEAD
4	8041-801	4	NUT,HEX,NYLOCK,6-32 UNC
5	2017-328	4	LIGHT, RECTANGULAR, LED
6	0090-730	4	1/4 STEM DIA BLACK FENDER 3/4 LONG
7	2017-897	2	FRONT LIGHT PECTOR 620
8	8050-262	2	HARDENED WASHER,FLAT,5/16,USS
9	8102-222	2	CAPSCREW,HH,3/8-16UNCX1.0,GD8
10	2017-908	1	SWITCH, LIGHT, WORK/DRIVE
11	2017-916	1	SWITCH, SIDE LIGHTS
12	2075-638	2	GROMMET WEB
13	2017-914	1	HARNESS, SIDE LIGHTS

REF. NO.	PART NUMBER	QTY.	DESCRIPTION

For kit information, please see page 10-1A

Side lighting is optional, includes items 5, 6 (Qty 2) and 11-13.



Chapter 5

Undercarriage

5-1 Axles / Tracks

VT-70 HO Serial # valid from - H03000 **5-1A**

5-2 Undercarriage Assembly RT

VT-70 HO Serial # valid from - H03000 **5-2A**

5-3 Undercarriage Assembly LT

VT-70 HO Serial # valid from - H03000 **5-3A**

*** Parts manuals are updated frequently. To ensure current parts information, always refer to the latest version of this manual (posted online, consult your dealer).**

NOTE: When ordering parts that are painted, a specific part number format is required. Please refer to page II of this manual for paint code and ordering information.

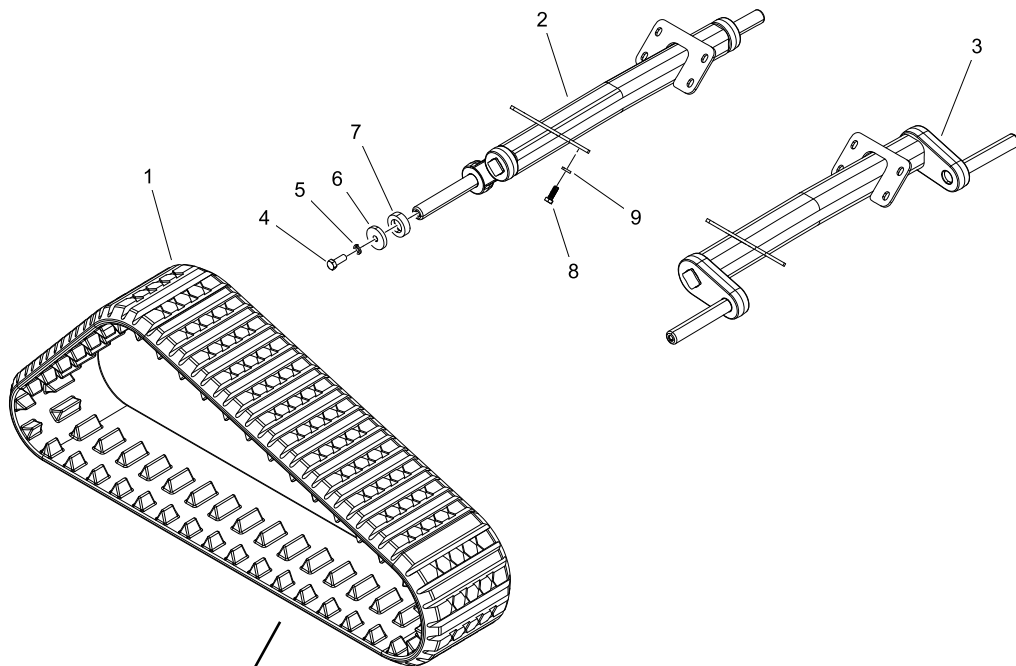
AXLES / TRACKS

VT-70 HO valid from H03000

Chapter 5

REF. NO.	PART NUMBER	QTY.	DESCRIPTION
1	0702-441	2	TRACK SOUCY 15 X 166
2	7072-302	1	AXLE, REAR #12
3	7072-301	1	AXLE, FRONT #13
4	0200-341	4	CAPSCREW,HH,3/4-16x2.25,GD8
5	8051-440	4	WASHER,SPRING LOCK,3/4,ZN
6	0200-287	4	WASHER,3x0.80x0.50
7	0702-503	4	TUBE SPACER
8	0090-702	16	CAPSCREW, 5/8"-11 x 1-3/4" HEX, GRADE 8 YELLOW Z
9	0700-287	16	WASHER,16mmX30mmX5mm

REF. NO.	PART NUMBER	QTY.	DESCRIPTION



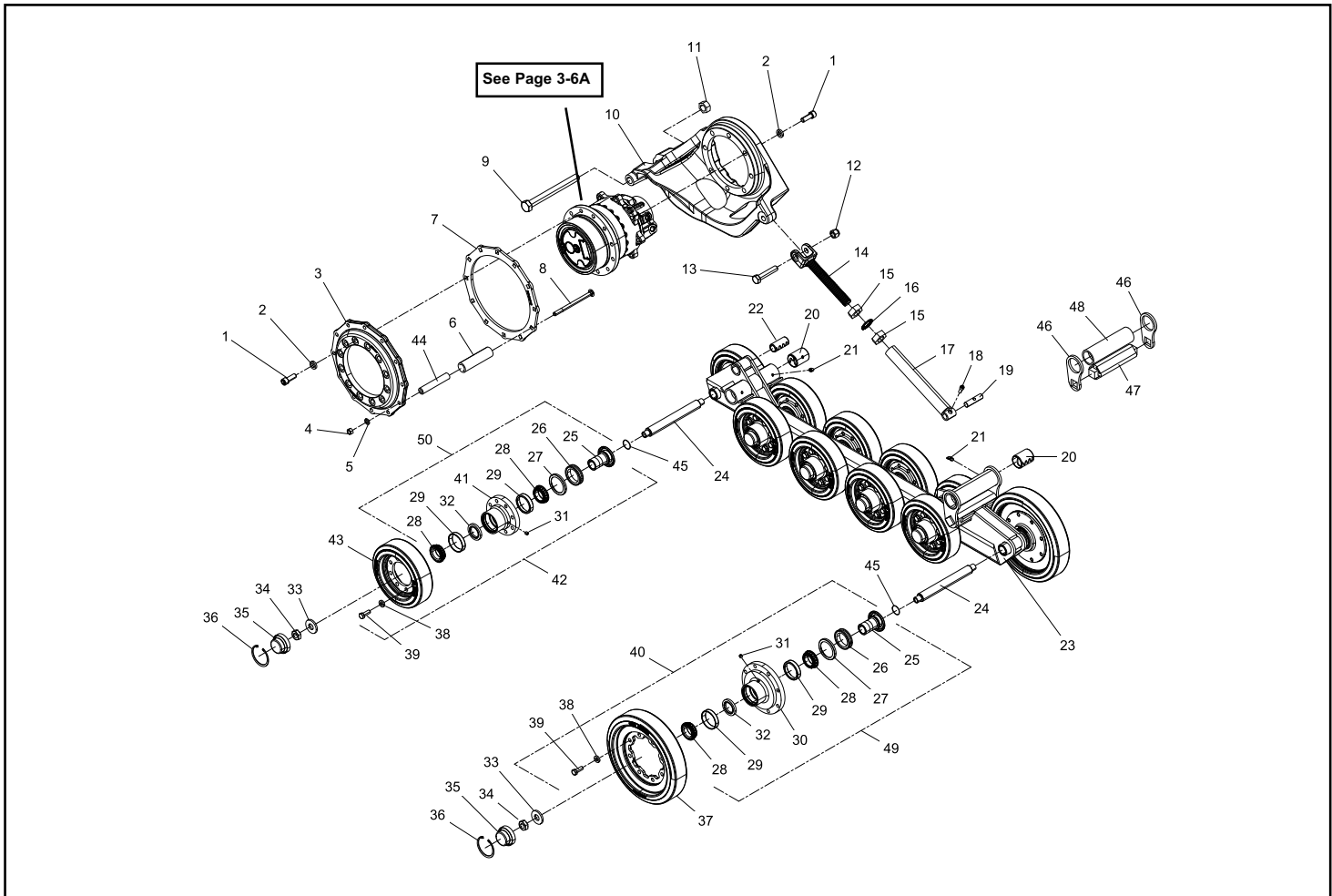
General Duty Track - 0702-643
Optional Turf Track- 0702-220
Optional Extreme Track- 0702-408

UNDERCARRIAGE ASSEMBLY RT

VT-70 HO valid from H03000

REF. NO.	PART NUMBER	QTY.	DESCRIPTION
1	2035-197	20	CAPSCREW,SOC HD,M16X2.0,45MM
2	0700-287	20	WASHER,16mmX30mmX5mm
3	0702-588	1	SPROCKET .625" OFFSET
4	0700-124	12	NUT,TOPLock,1/2-13UNC,ZN,GD8
5	2035-597	12	WASHER WROUGHT .531 x .886 x 0118 HARD ZN
6	0702-451	12	TOOTH DRIVE SPROCKET 5.625"
7	2035-120	1	RING,SPROCKET,BONFIG
8	2035-617	12	BOLT CARRIAGE 1/2-13 UNC x 7.5" GR8
9	8102-890	1	CAPSCREW,HH,1.0 x 8UNC x 10.0,GD8,ZN
10	0702-338	1	TABLE RH ALPHA T3 MACHINED
11	8043-806	1	NUT,HEX,1-8 UNC,STEEL LOCK,ZN
12	8040-786	1	NUT,HEX,NYLOCK,3/4-10 UNC,ZN
13	0304-408	1	CAPSCREW,HH,3/4-10UNC3.75,GD8,
14	2035-448	1	CLEVIS END TENSIONER MACHINED
15	0090-317	2	NUT HEX 1.25-7 UNC JAM ZINC
16	0090-262	1	WASHER SAFETY S33-1.25"
17	0702-473	1	WLMT TENSIONER TUBE
18	2035-471	1	CAPSCREW SOC HD 3/8-16 x 1
19	2035-308	1	PIN,TENSIONER,THREADED
20	2035-214	4	BUSHING,SPRING,1.75x2x2.50
21	0304-427	4	FITTING,GREASE,1/8 NPT x 45^
22	0702-488	1	BUSHING SPRING 1.25x1x2.75
23	0702-551	1	WLMT RAIL ALPHA
24	0702-388	2	AXLE 1.25" ALPHA
25	0702-367	12	WLMT RETAINER 53MM
26	2035-438	12	SEAL FACE 53MM
27	2035-391	12	RETAINER INNER 53MM
28	0702-509	24	BEARING CONE LM5013349 PEER
29	0702-508	24	BEARING CUP
30	0702-651	2	HOUSING, 14" 8 BOLT
31	2035-479	12	PLUG 1/8" NPT HEX CS
32	0702-368	12	SEAL LIP
33	0702-364	12	WASHER HARD .25 x 2.125 x .935
34	2035-595	12	NUT HEX JAM LOCK 7/8-9 UNC GR C
35	0702-644	12	CAP, HUB
36	0702-371	12	SNAP RING .093 x .3.25
37	0702-264	2	WHEEL 14" W/PLATE
38	0090-136	96	WASHER HARD 1.0 X .531 X .197
39	2035-659	96	CAPSCREW HH 1/2-13 x 1.375 GR8
40	0702-654	2	ASSEMBLY HUB 14" W/RUBBER WHEEL

REF. NO.	PART NUMBER	QTY.	DESCRIPTION
41	0702-650	10	HOUSING, 10" 8 BOLT
42	0702-652	10	ASSEMBLY HUB 10" W/RUBBER WHEEL
43	2035-644	10	WHEEL 10" ALPHA BOLT ON
44	0702-450	12	TUBE,INNER
45	2035-596	12	O-RING 1/16 x 1.375 x 1.5 NITRILE, -028
46	0702-483	2	PLATE TORSION
47	0702-413	1	AXLE SWING JOINT
48	0702-410	1	TUBE MNT AXLE
49	0702-646	2	ASSEMBLY, HUB, 14"
50	0702-645	10	ASSEMBLY, HUB, 10"

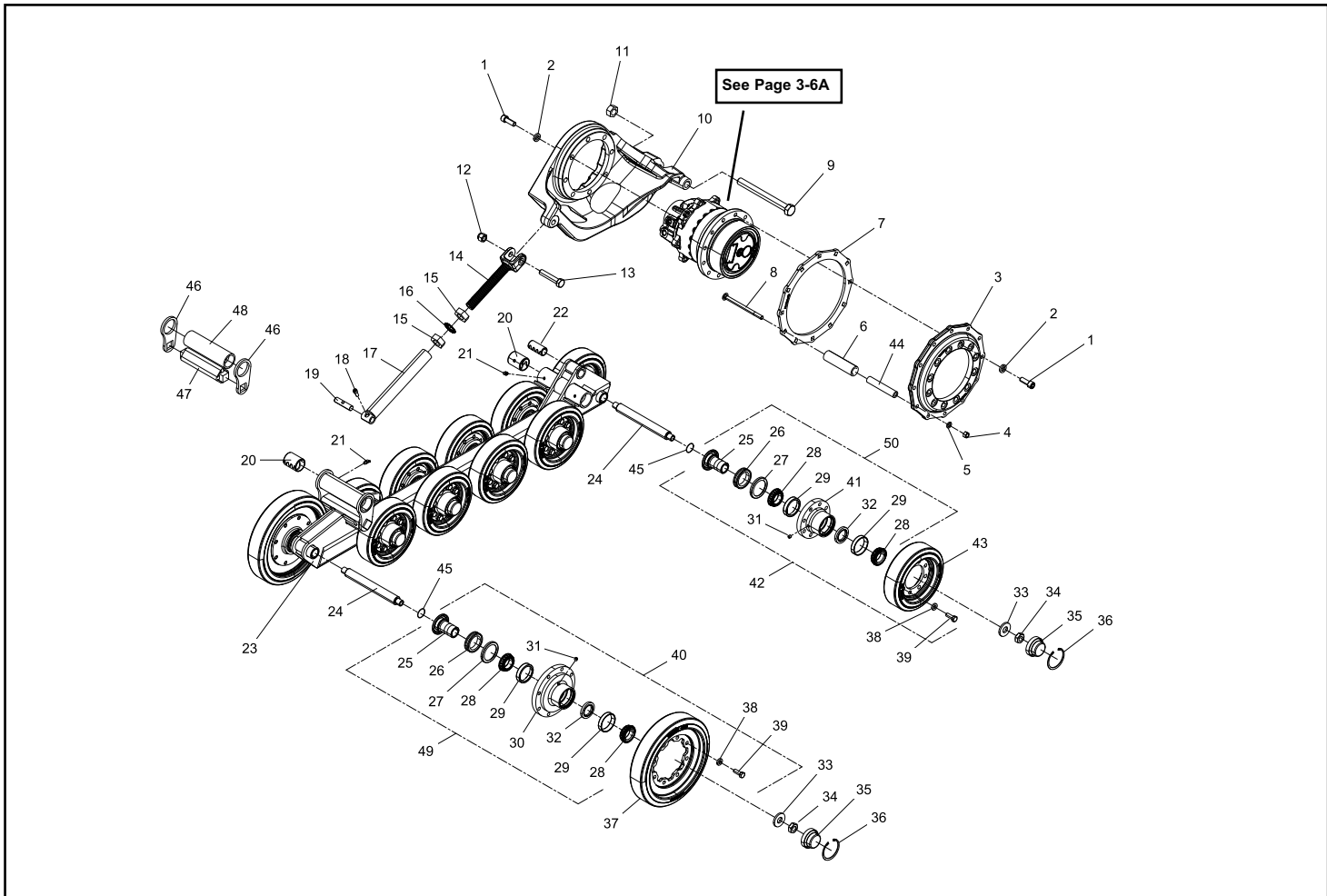


UNDERCARRIAGE ASSEMBLY LT

VT-70 HO valid from H03000

REF. NO.	PART NUMBER	QTY.	DESCRIPTION
1	2035-197	20	CAPSCREW,SOC HD,M16X2.0,45MM
2	0700-287	20	WASHER,16mmX30mmX5mm
3	0702-588	1	SPROCKET .625" OFFSET
4	0700-124	12	NUT,TOPLock,1/2-13UNC,ZN,GD8
5	2035-597	12	WASHER WROUGHT .531 x .886 x 0118 HARD ZN
6	0702-451	12	TOOTH DRIVE SPROCKET 5.625"
7	2035-120	1	RING,SPROCKET,BONFIG
8	2035-617	12	BOLT CARRIAGE 1/2-13 UNC x 7.5" GR8
9	8102-890	1	CAPSCREW,HH,1.0 x 8UNC x 10.0,GD8,ZN
10	0702-340	1	TABLE LH ALPHA T3 MACHINED
11	8043-806	1	NUT,HEX,1-8 UNC,STEEL LOCK,ZN
12	8040-786	1	NUT,HEX,NYLOCK,3/4-10 UNC,ZN
13	0304-408	1	CAPSCREW,HH,3/4-10UNC3.75,GD8,
14	2035-448	1	CLEVIS END TENSIONER MACHINED
15	0090-317	2	NUT HEX 1.25-7 UNC JAM ZINC
16	0090-262	1	WASHER SAFETY S33-1.25"
17	0702-473	1	WLMT TENSIONER TUBE
18	2035-471	1	CAPSCREW SOC HD 3/8-16 x 1
19	2035-308	1	PIN,TENSIONER,THREADED
20	2035-214	4	BUSHING,SPRING,1.75x2x2.50
21	0304-427	4	FITTING,GREASE,1/8 NPT x 45^
22	0702-488	1	BUSHING SPRING 1.25x1x2.75
23	0702-551	1	WLMT RAIL ALPHA
24	0702-388	2	AXLE 1.25" ALPHA
25	0702-367	12	WLMT RETAINER 53MM
26	2035-438	12	SEAL FACE 53MM
27	2035-391	12	RETAINER INNER 53MM
28	0702-509	24	BEARING CONE LM5013349 PEER
29	0702-508	24	BEARING CUP
30	0702-651	2	HOUSING, 14" 8 BOLT
31	2035-479	12	PLUG 1/8" NPT HEX CS
32	0702-368	12	SEAL LIP
33	0702-364	12	WASHER HARD .25 x 2.125 x .935
34	2035-595	12	NUT HEX JAM LOCK 7/8-9 UNC GR C
35	0702-644	12	CAP, HUB
36	0702-371	12	SNAP RING .093 x .3.25
37	0702-264	2	WHEEL 14" W/PLATE
38	0090-136	96	WASHER HARD 1.0 X .531 X .197
39	2035-659	96	CAPSCREW HH 1/2-13 x 1.375 GR8
40	0702-654	2	ASSEMBLY HUB 14" W/RUBBER WHEEL

REF. NO.	PART NUMBER	QTY.	DESCRIPTION
41	0702-650	10	HOUSING, 10" 8 BOLT
42	0702-652	10	ASSEMBLY HUB 10" W/RUBBER WHEEL
43	2035-644	10	WHEEL 10" ALPHA BOLT ON
44	0702-450	12	TUBE,INNER
45	2035-596	12	O-RING 1/16 x 1.375 x 1.5 NITRILE, -028
46	0702-483	2	PLATE TORSION
47	0702-413	1	AXLE SWING JOINT
48	0702-410	1	TUBE MNT AXLE
49	0702-646	2	ASSEMBLY, HUB, 14"
50	0702-645	10	ASSEMBLY, HUB, 10"



Chapter 6

Mainframe

6-1 Chassis

VT-70 HO Serial # valid from - H03000 **6-1A**

6-2 Sub Frame

VT-70 HO Serial # valid from - H03000 **6-2A**

6-3 Hoods / Rear Door

VT-70 HO Serial # valid from - H03000 **6-3A**

*** Parts manuals are updated frequently. To ensure current parts information, always refer to the latest version of this manual (posted online, consult your dealer).**

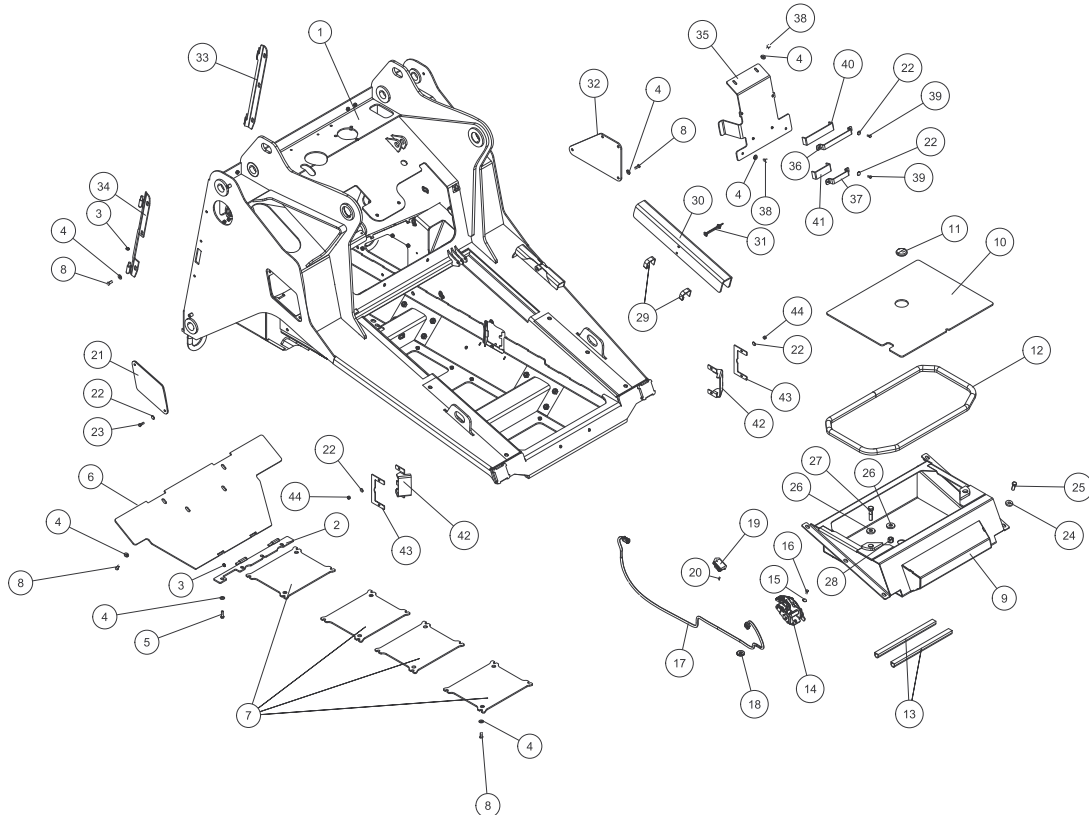
NOTE: When ordering parts that are painted, a specific part number format is required. Please refer to page II of this manual for paint code and ordering information.

CHASSIS

VT-70 HO valid from H03000

REF. NO.	PART NUMBER	QTY.	DESCRIPTION	REF. NO.	PART NUMBER	QTY.	DESCRIPTION
1	7074-017	1	WLMT, CHASSIS VERTICAL	41	7005-878	1	TRIM, 6
2	7071-257	1	WLMT, HINGE, BELLY PAN	42	7071-293	2	PLATE, COVER, HOSE, UC
3	0403-503	6	BUSHING, WELD HINGE - 3-15/16 W/ GRS ZRK	43	7071-750	2	PLATE, BRACKET, UC
4	8050-262	38	HARDENED WASHER, FLAT, 5/16, USS	44	8040-426	4	NUT, HEX, NYLOCK, 5/16-18, UNC
5	8102-224	8	CAPSCREW, HH, 3/8-16UNCx1.25, GD8				
6	7071-260	1	WLMT, BELLY PAN				
7	7071-419	4	PLATE, FLOOR PAN ACCESS				
8	8102-222	26	CAPSCREW, HH, 3/8-16UNCx1.0, GD8				
9	7073-481	1	WLMT, FOOTWELL				
10	7073-479	1	MAT, FLOOR				
11	2095-879	1	PLUG, HARNESS				
12	2017-269	1	SEAL, FOOTWELL				
13	7071-863	2	FOAM, D, ADHESIVE				
14	2018-020	1	THROTTLE, FOOT, HORIZONTAL				
15	8050-222	2	HARDENED WASHER, FLAT, 1/4, USS				
16	8102-040	2	CAPSCREW, HH, 1/4-20x.75				
17	7073-283	1	HARNESS, FOOT THROTTLE				
18	0090-550	1	GROMMET, LIGHT HARNESS				
19	2017-318	1	MODULE, DUAL THROTTLE CONTROLLER				
20	8105-429	2	CAPSCREW, SOC HD, 10-24x.625				
21	7074-027	1	PLATE COVER FUSE				
22	8050-222	10	HARDENED WASHER, FLAT, 1/4, USS				
23	8102-132	2	CAPSCREW, HH, 5/16-18UNCx1.0, GD8				
24	0090-368	6	WASHER, HARDENED				
25	8102-405	6	CAPSCREW, HH, 1/2-13x1.5				
26	7010-463	4	PLATE, STRUCTURAL CAB WASHER				
27	8102-599	2	CAPSCREW, HH, 5/8-11UNC x 2.5, GD 8				
28	8040-726	2	NUT, HEX, NYLOCK, 5/8-11, UNC				
29	7073-193	2	FOAM, STRIP, ADHESIVE BACK				
30	2095-817	1	LOCK LOADER 25"				
31	0090-039	1	PIN, SNAP LOCK, 5/16 x 3.5				
32	7071-443	1	PLATE, ACCESS, STARTER				
33	7073-273	1	WLMT, SIDE HINGE LH - FRAME				
34	7073-275	1	WLMT, SIDE HINGE RH - FRAME				
35	7073-103	1	WLMT, BRKT, FIREWALL				
36	7000-468	1	CLAMP, PILOT LINE - LARGE				
37	7000-469	1	CLAMP, PILOT LINE - SMALL				
38	8102-220	4	CAPSCREW, HH, 3/8-16UNCx0.75, GD8				
39	8102-040	4	CAPSCREW, HH, 1/4-20x.75				
40	7005-879	1	TRIM, 9.45				

For kit information, please see page 10-1A

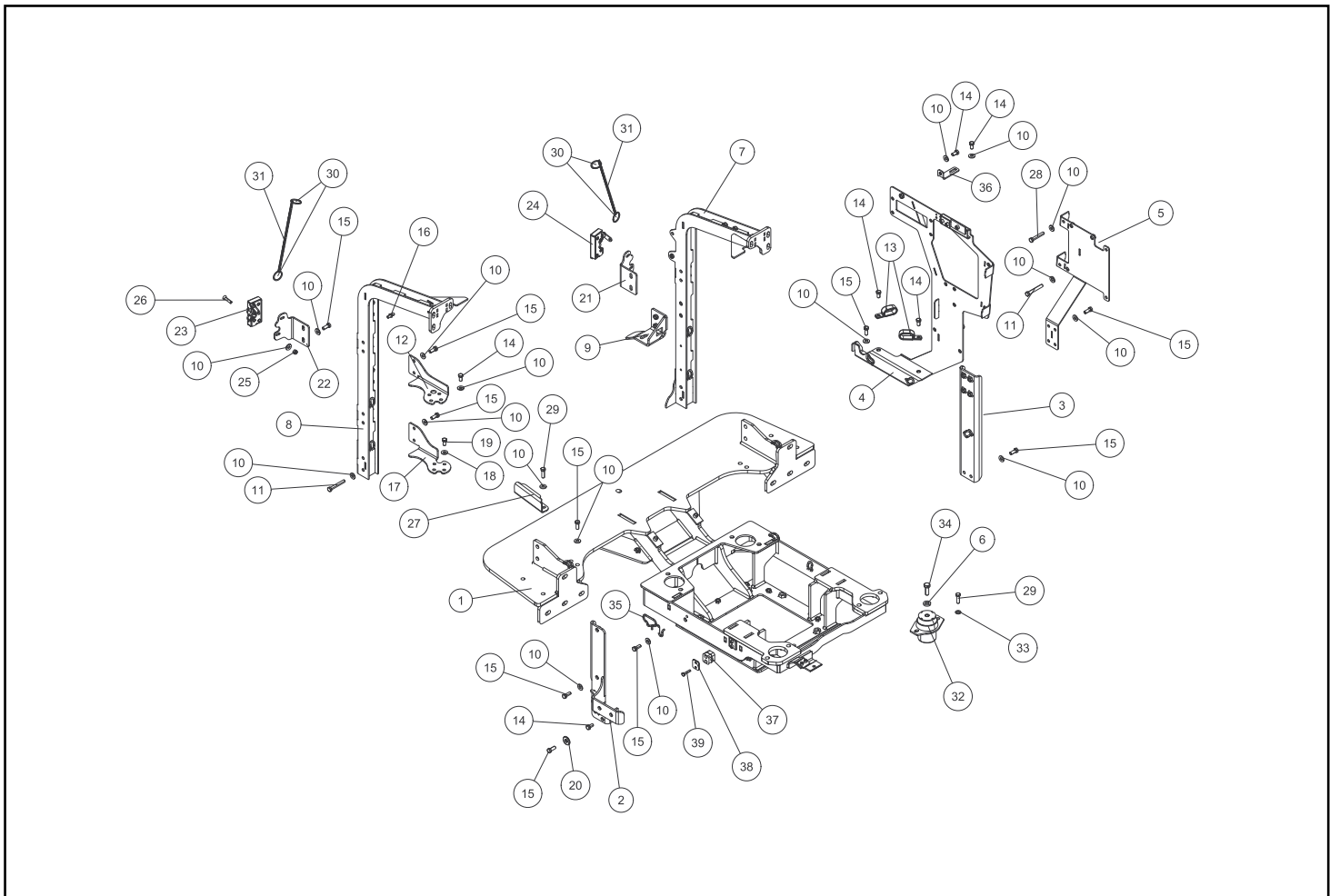


SUB-FRAME

VT-70 HO valid from H03000

Chapter 6

REF. NO.	PART NUMBER	QTY.	DESCRIPTION	REF. NO.	PART NUMBER	QTY.	DESCRIPTION
1	7073-045	1	WLMT, ENGINE POD				
2	7073-090	1	WLMT, SUPPORT, ENGINE SUB, RH				
3	7073-082	1	WLMT, UPRIGHT, ENGINE SUB, LH				
4	7073-175	1	WLMT, MOUNT, OPTIONS				
5	7071-310	1	WLMT, MOUNT, VALVE				
6	0090-136	4	WASHER, HARD, 1.0x.531x.197				
7	7073-030	1	WLMT, HOOD SUPPORT				
8	7073-034	1	WLMT, HOOD SUPPORT				
9	7073-038	1	WLMT, RAMP LATCH				
10	8050-262	52	WASHER, FLAT, 5/16, STD				
11	8102-230	13	CAPSCREW, HH, 3/8-16x2.75				
12	7071-489	1	PLATE, BRACKET, FILTER, HYD				
13	2045-661	2	P CLAMP, TWIN, 3/4				
14	8102-220	13	CAPSCREW, HH, 3/8-16UNCx0.75, GD8				
15	8102-222	21	CAPSCREW, HH, 3/8-16UNCx1.0, GD8				
16	0304-495	2	STUD, BALL, 10MM STUD				
17	7071-857	1	PLATE, BRACKET, FILTER				
18	8050-262	4	WASHER, FLAT, 5/16, STD				
19	8102-220	4	CAPSCREW, HH, 3/8-16UNCx0.75, GD8				
20	0090-721	2	WASHER, FENDER, 3/8" x 1.250" OD THICK				
21	7071-771	1	PLATE, LATCH BRACKET, LH				
22	7071-772	1	PLATE, LATCH BRACKET, RH				
23	2096-754	1	RH DOOR LATCH				
24	2096-753	1	LH DOOR LATCH				
25	8040-426	4	NUT, HEX, NYLOCK, 5/16-18, UNC				
26	0090-722	4	SCREW FH PH 5/16 x 1.75 ZN				
27	7071-414	2	WLMT, LOWER DOOR STOP				
28	8102-228	2	CAPSCREW, HH, 3/8-16UNCx2.25, GD8				
29	8102-224	12	CAPSCREW, HH, 3/8-16UNCx1.25, GD8				
30	0304-551	4	RING, KEY				
31	7071-890	2	SASH CHAIN - 17 LINK				
32	7073-044	4	ISOLATOR HYD ENGINE				
33	0090-104	8	WASHER, .402x.728x.098, HARD, YZD				
34	0300-525	4	CAPSCREW, HH, GR10.9 M12 x 35MM 39207				
35	7073-164	1	CABLE LOOP, WIRE FORM				
36	7073-225	1	BRKT, STIFFENER				
37	2045-580	1	CLAMP, SET, 1038 - PP				
38	2045-581	1	PLATE, COVER, COP-1				
39	8102-044	2	CAPSCREW, HH, 1/4-20x1.25				



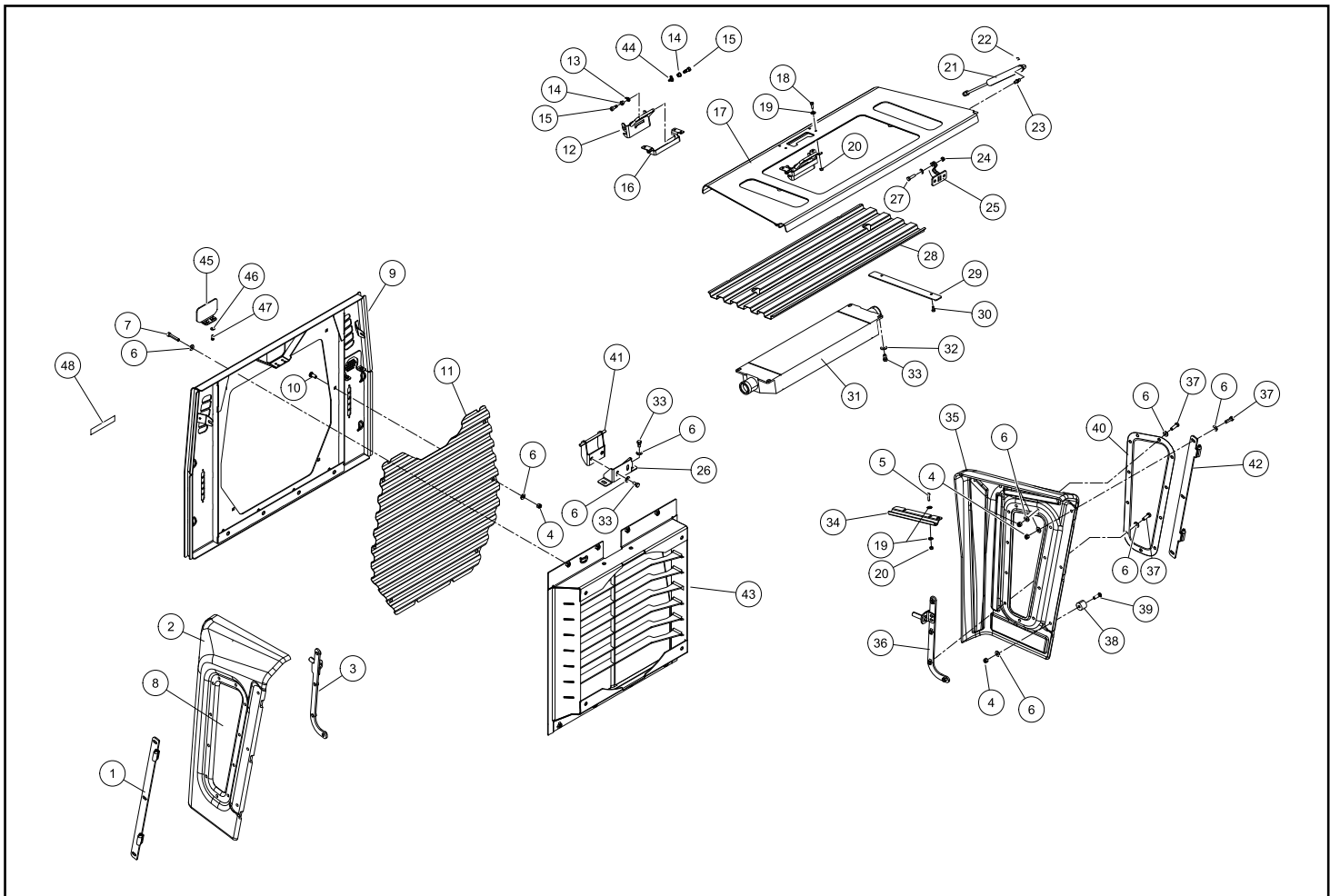
HOODS / REAR DOOR

VT-70 HO valid from H03000

Chapter 6

REF. NO.	PART NUMBER	QTY.	DESCRIPTION
1	7073-276	1	WLMT, SIDE HINGE RH - DOOR
2	7071-662	1	HOOD, PANEL, RH
3	7071-682	1	WLMT RH LATCH CATCH
4	8040-486	26	NUT,HEX,NYLOCK,3/8-16 UNC,ZN
5	8102-042	4	CAPSCREW,HH,1/4-20UNCx1.0,GD8
6	8050-262	64	WASHER,WROUGHT,5/16,STD,ZN
7	8102-227	8	CAPSCREW,HH,3/8-16UNCx2.0 GD8
8	7071-918	2	SCREEN, HOOD, SIDE
9	7073-804	1	WLMT, REAR FRAME
10	8011-222	6	BOLT,CARRIAGE,3/8-16 UNCx1.0,ZN
11	7071-615	1	SCREEN, REAR DOOR
12	2095-794	1	WLMT LATCH HOOD TOP
13	2095-273	1	SPRING TORSION HOOD LATCH LH
14	0090-139	2	BUSHING PLASTIC .5 OD X .38 ID
15	0090-137	2	BOLT 3/8 SHLDR x1/2 x5/16 -18
16	7071-609	1	WLMT HOOD LATCH PIVOT
17	7071-283	1	WLMT, TOPHOOD
18	8102-040	4	CAPSCREW,HH,1/4-20 UNCx.75,GD8 ZN
19	8050-222	16	WASHER,WROUGHT,1/4,STD,ZN
20	8040-366	8	NUT,HEX,NYLOCK,1/4-20 UNC,ZN
21	2045-582	2	SPRING GAS HOOD
22	0200-545	2	CLIP,SAFETY,GAS SPRING
23	0304-495	2	STUD,BALL,10MM STUD
24	8040-426	2	NUT,HEX,NYLOCK,5/16-18 UNC,ZN
25	7071-585	2	WLMT, HINGE, TOP HOOD
26	7071-731	1	PLATE, ADJUSTER, LATCH
27	8102-134	2	CAPSCREW,HH,5/16-18UNCx1.25GD8 ZN
28	7071-108	1	TOP HOOD SCREEN
29	7071-137	2	SCREEN HOLDER
30	8102-039	4	CAPSCREW,HH,1/4-20UNCx.625,GD8
31	3020-191	1	CHARGE AIR COOLER, 74 HP & BELOW
32	8050-282	4	WASHER,WROUGHT,3/8,STD,ZN
33	8102-220	8	CAPSCREW,HH,3/8-16x0.75",GD8
34	7071-854	2	RETAINER SIDE PANEL
35	7071-661	1	HOOD, PANEL, LH
36	7071-681	1	WLMT LH LATCH CATCH
37	8102-224	22	CAPSCREW,HH,3/8-16UNCx1.25,GD8,ZN
38	0090-693	2	BUMPER, 1.25 DIA X 1.0
39	0090-694	2	SCREW, SHBH 3/8-16 X 1.25 ZNC
40	7071-924	2	RING, HOLD DOWN, SCREEN, SIDE

REF. NO.	PART NUMBER	QTY.	DESCRIPTION
41	7071-732	1	WLMT, STRIKER
42	7073-274	1	WLMT, SIDE HINGE LH - DOOR
43	7071-690	1	WLMT, DUCT, AIR
44	2095-274	1	SPRING TORSION HOOD LATCH RH
45	7071-861	1	WLMT PLATE CAMERA
46	8050-221	2	WASHER,FLAT,1/4,SAE
47	0090-117	2	CAPSCREW TH PH 10-24 X .75 SS
48	2018-048	2	REFLECTOR, ADHESIVE



Chapter 7

Cab / Heating / Air Conditioning

7-1 Cab

VT-70 HO Serial # valid from - H03000 **7-1A**

7-2 Cab Interiors / Headliners

VT-70 HO Serial # valid from - H03000 **7-2A**

7-3 Armrests / Fixed

VT-70 HO Serial # valid from - H03000 **7-3A**

7-4 Armrests / Adjustable

VT-70 HO Serial # valid from - H03000 **7-4A**

7-5 Glass Door

VT-70 HO Serial # valid from - H03000 **7-5A**

7-6 Poly Door

VT-70 HO Serial # valid from - H03000 **7-6A**

7-7 Wiper Assembly

VT-70 HO Serial # valid from - H03000 **7-7A**

7-8 Suspension Seat / Seat Belts

VT-70 HO Serial # valid from - H03000 **7-8A**

7-9 Standard Seat / Seat Belts

VT-70 HO Serial # valid from - H03000 **7-9A**

7-10 HVAC - Cab

VT-70 HO Serial # valid from - H03000 **7-10A**

7-11 HVAC - Engine

VT-70 HO Serial # valid from - H03000 **7-11A**

7-12 Ductwork

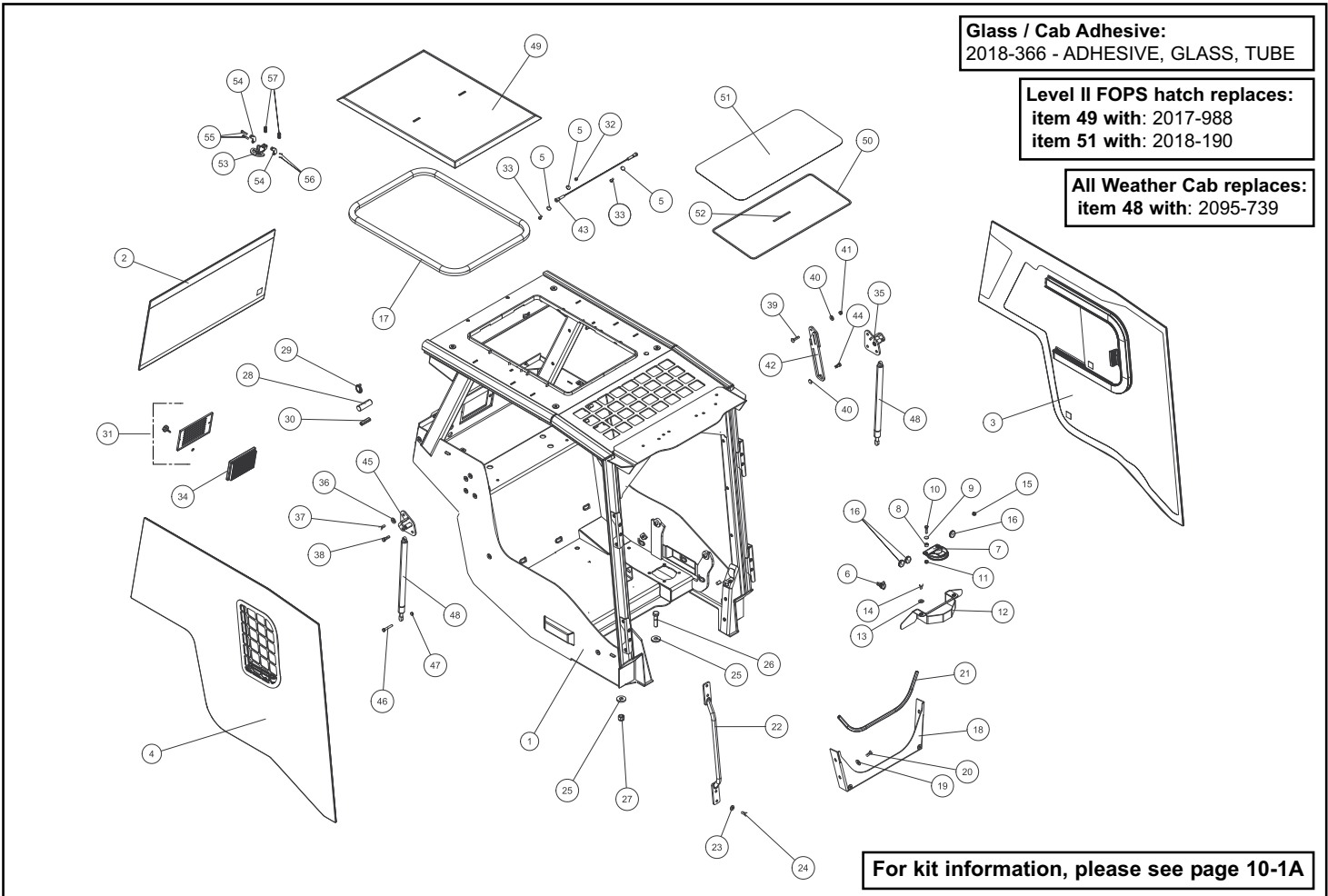
VT-70 HO Serial # valid from - H03000 **7-12A**

*** Parts manuals are updated frequently. To ensure current parts information, always refer to the latest version of this manual (posted online, consult your dealer).**

NOTE: When ordering parts that are painted, a specific part number format is required. Please refer to page II of this manual for paint code and ordering information.

REF. NO.	PART NUMBER	QTY.	DESCRIPTION
1	2017-800	1	WELDMENT, ROPS
2	2017-701	1	GLASS REAR
3	2017-703	1	GLASS, SLIDER - LH
4	2017-704	1	GLASS, SLIDER - RH
5	8050-222	3	HARDENED WASHER, FLAT, 1/4, USS
6	0310-237	1	RECEPTICAL POWER
7	0304-478	1	HORN
8	0201-628	1	SPACER, CLAMP
9	8050-222	1	HARDENED WASHER, FLAT, 1/4, USS
10	8102-134	1	CAPSCREW, HH, 5/16-18UNCx1.25, GD8
11	8040-426	1	NUT, HEX, NYLOCK, 5/16-18, UNC
12	2018-313	1	HORN GUARD ASSEMBLY
13	8050-262	2	HARDENED WASHER, FLAT, 5/16, USS
14	8102-220	2	CAPSCREW, HH, 3/8-16UNCx0.75, GD8
15	0090-814	1	GROMMET, 1/4" ID X 7/16" OD X 3/16"
16	2075-638	3	WEB GROMMET
17	2018-189	1	SEAL, HATCH
18	2018-293	1	WLMT, THRESHOLD
19	8050-282	4	HARDENED WASHER, FLAT, 3/8, USS
20	8102-222	4	CAPSCREW, HH, 3/8-16UNCx1.0, GD8
21	2018-049	1	TRIM, ROPS THRESHOLD
22	2017-427	1	WLMT, MOUNT - HINGE
23	8050-262	4	HARDENED WASHER, FLAT, 5/16, USS
24	8102-222	4	CAPSCREW, HH, 3/8-16UNCx1.0, GD8
25	7010-463	4	PLATE, STRUCTURAL CAB WASHER
26	8102-599	2	CAPSCREW, HH, 5/8-11UNC x 2.5, GD 8
27	8040-726	2	NUT, HEX, NYLOCK, 5/8-11, UNC
28	0090-430	2	PIN, ROPS
29	0090-065	4	PIN LYNCH 3/16 DIA x 1 9/16
30	2018-302	1	TRIM, ROPS HARNESS
31	2017-892	1	COVER, FILTER (all weather cab only)
32	8040-366	1	NUT, HEX, NYLOCK, 1/4-20, UNC
33	8102-038	2	CAPSCREW, HH, 1/4-20UNCx.875, GD8
34	2017-886	1	FILTER, FRESH AIR (all weather cab only)
35	2018-262	1	WLMT, ROPS SPRING MOUNT
36	8050-282	6	HARDENED WASHER, FLAT, 3/8, USS
37	8102-222	6	CAPSCREW, HH, 3/8-16UNCx1.0, GD8
38	8102-224	2	CAPSCREW, HH, 3/8-16UNCx1.25, GD8
39	0090-816	1	BOLT, CARRIAGE, 5/16-18 UNCx1.5,ZN
40	8050-262	2	HARDENED WASHER, FLAT, 5/16, USS

REF. NO.	PART NUMBER	QTY.	DESCRIPTION
41	8040-426	1	NUT, HEX, NYLOCK, 5/16-18, UNC
42	2018-301	1	WLMT, PROPROD
43	2018-307	1	TETHER
44	0090-821	1	SCREW, SHOULDER
45	2018-263	1	WLMT, ROPS SPRING MOUNT - RH
46	8102-137	2	CAPSCREW, HH, 5/16-18UNCx2.0, GD8
47	8041-457	2	NUT, NYLOCK, 5/16-18, THIN
48	7005-900	2	SPRING GAS 1750N
49	2018-192	1	WLMT HATCH LEVEL 1
50	2018-197	1	SEAL PANEL ROOF
51	2018-196	1	PANEL ROOF LEVEL 1
52	2018-198	1	SPACER FOAM PANEL
53	2017-995	2	WLMT HANDLE HATCH
54	2017-993	4	SHACKLE LATCH HATCH
55	2018-051	4	PIN CLEVIS 1/4 X 1 1/4
56	0301-606	4	PIN, COTTER, .062 x.75 0710-1983
57	2018-220	4	SPRING, FOPS



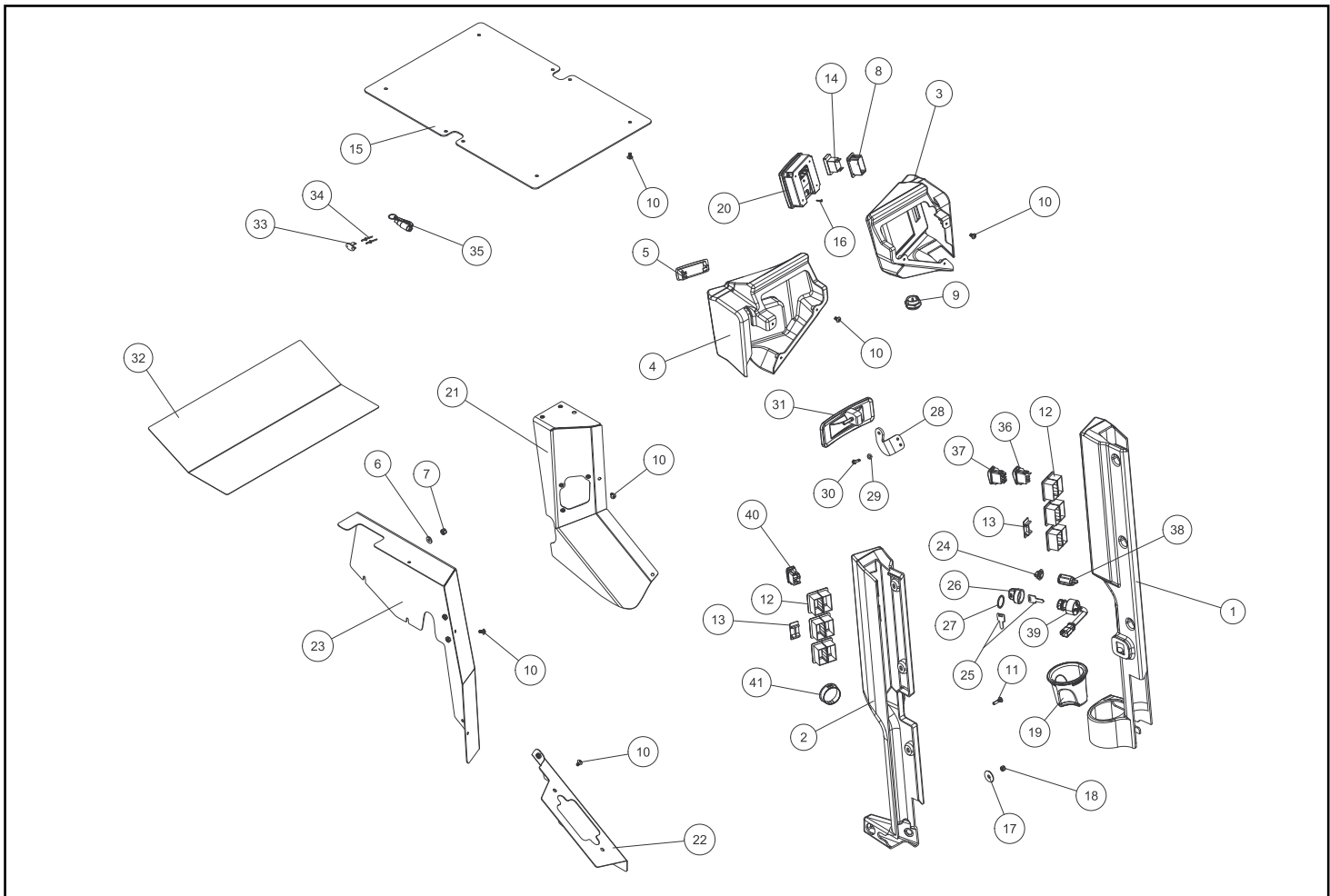
INTERIOR - OPEN ROPS STANDARD

VT-70 HO valid from H03000

Chapter 7

REF. NO.	PART NUMBER	QTY.	DESCRIPTION
1	2018-278	1	PANEL, LH PILLAR
2	2018-279	1	PANEL, RH PILLAR
3	2018-229	1	PANEL, DASH - BASE DISPLAY
4	2018-230	1	PANEL, DASH - RH
5	2030-245	1	LIGHT DOME
6	8050-222	2	HARDENED WASHER,FLAT,1/4,USS
7	8040-426	2	NUT,HEX,NYLOCK,5/16-18,UNC
8	0314-539	1	FRAME SINGLE
9	0090-268	1	BUZZER
10	0090-790	21	SCREW, MACH, TR HD, 6-LOBE, 1/4-20 X .5 BLZN,
11	0090-805	6	SCREW MACH, TR HD, 6-LOBE, 1/4-20 X 1.0 BLZN
12	0310-136	12	FRAME,END
13	0310-138	2	PLUG
14	2017-960	1	INDICATOR RABBIT/GLOW PLUG
15	2018-267	1	COVER, ROOF HATCH
16	0090-478	4	SCREW, PPH #4 X 5/8 SELF TAP
17	0301-033	2	WASHER,FENDER,1/4 x 1 1/4,STL, ZN
18	8040-366	2	NUT,HEX,NYLOCK,1/4-20,UNC
19	2017-793	1	HOLDER, CUP
20	7010-735	1	DISPLAY SAUER DP-200
21	2018-235	1	WLMT, OPEN ROPS REAR LH CORNER
22	2018-238	1	WLMT, OPEN ROPS REAR LWR RH CORNER
23	2018-232	1	WLMT, OPEN ROPS REAR UPR RH CORNER
24	0200-265	1	CAP, HOUSING, POWER SOURCE
25	2045-432	2	KEY, IGNITION
26	2045-792	1	COVER KEY IGNITION
27	0304-551	1	RING,KEY
28	2017-694	1	BRKT, MIRROR
29	8050-157	6	HARDENED WASHER,FLAT,#12,SAE
30	8102-042	2	CAPSCREW,HH,1/4-20x1.00
31	2030-409	1	MIRROR, REAR VIEW, 3X8
32	2018-274	1	MAT, FIREWALL
33	2018-080	1	RETAINER, GLASS BREAKER
34	8060-211	2	RIVET,LARGE HEAD, BLIND3/16X.550
35	2018-065	1	TOOL, BREAKER - WINDOW
36	2017-917	1	SWITCH, PARK LOCKING
37	2017-908	1	SWITCH, LIGHT, WORK/DRIVE
38	0200-264	1	HOUSING, POWER SOURCE
39	0304-028	1	SWITCH,IGNITION,RC
40	2017-911	1	SWITCH, AUXILIARY LOW FLOW, LOCKING

REF. NO.	PART NUMBER	QTY.	DESCRIPTION
41	0090-817	1	PLUG, HOLE - 1.500, THICK PANEL

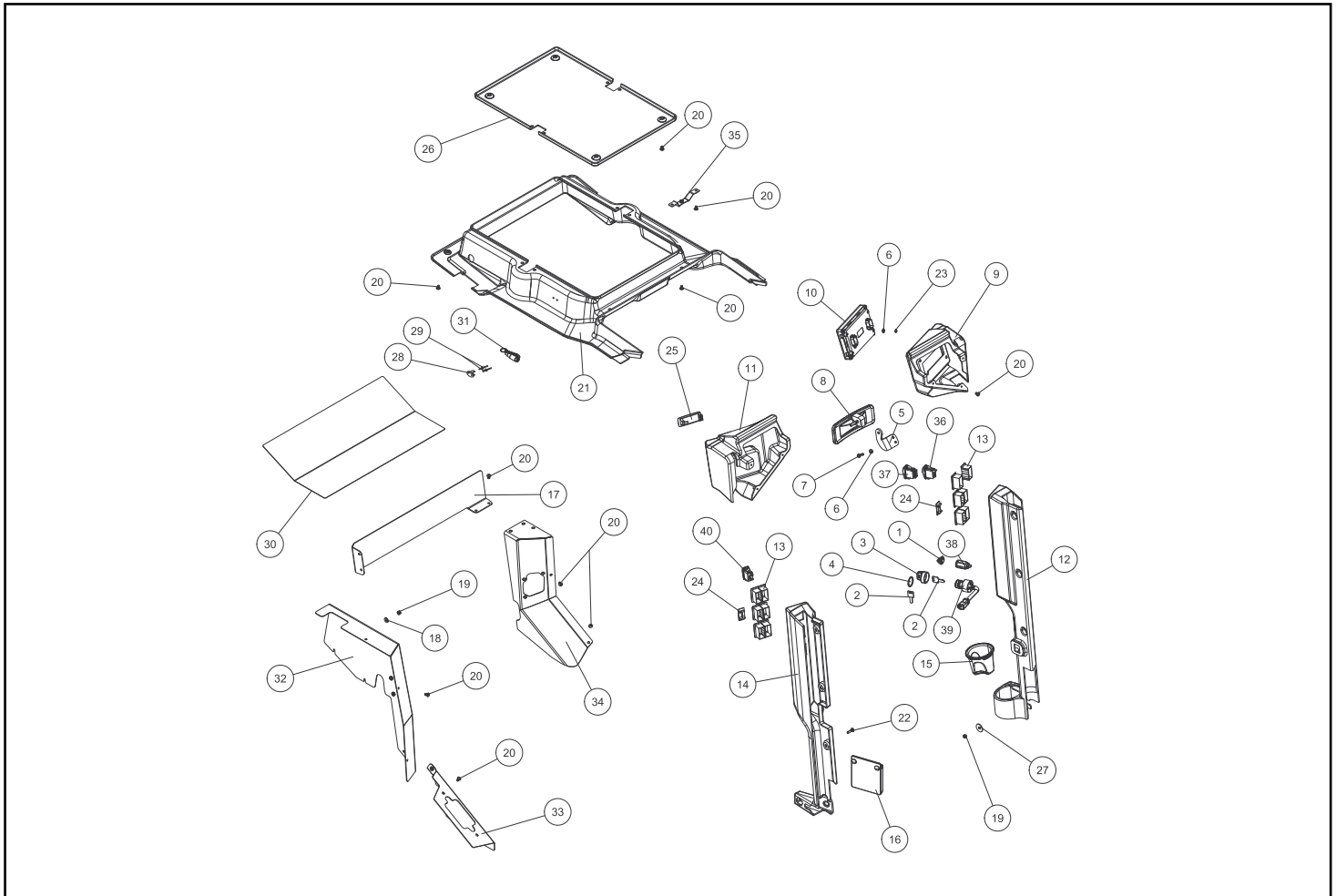


INTERIOR - OPEN ROPS PREMIUM

VT-70 HO valid from H03000

Chapter 7

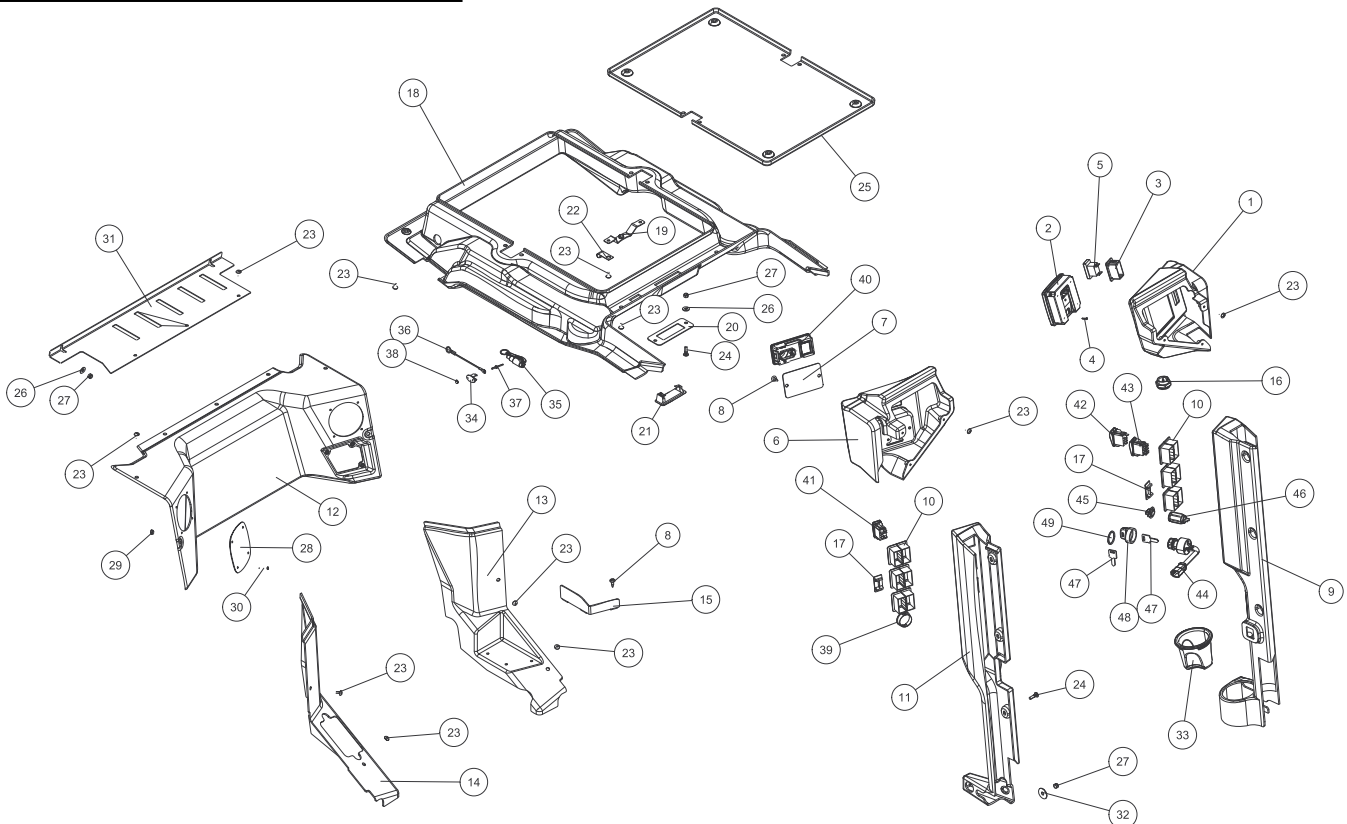
REF. NO.	PART NUMBER	QTY.	DESCRIPTION	REF. NO.	PART NUMBER	QTY.	DESCRIPTION
1	0200-265	1	CAP, HOUSING, POWER SOURCE				
2	2045-432	2	KEY, IGNITION				
3	2045-792	1	COVER KEY IGNITION				
4	0304-551	1	RING,KEY				
5	2017-694	1	BRKT, MIRROR				
6	8050-157	6	HARDENED WASHER,FLAT,#12,SAE				
7	8102-042	2	CAPSCREW,HH,1/4-20x1.00				
8	2030-409	1	MIRROR, REAR VIEW, 3X8				
9	2018-225	1	PANEL, DASH - LH				
10	2017-369	1	DISPLAY, 7 INCH				
11	2018-230	1	PANEL, DASH - RH				
12	2018-278	1	PANEL, LH PILLAR				
13	0310-136	12	FRAME,END				
14	2018-279	1	PANEL, RH PILLAR				
15	2017-793	1	HOLDER, CUP				
16	2017-797	1	HOLDER, PHONE				
17	2018-233	1	PLATE, OPEN ROPS TRAY				
18	8050-222	2	HARDENED WASHER,FLAT,1/4,USS				
19	8040-366	4	NUT,HEX,NYLOCK,1/4-20,UNC				
20	0090-790	38	SCREW, MACH, TR HD, 6-LOBE, 1/4-20 X .5 BLZN				
21	2018-224	1	HEADLINER, OPEN ROPS				
22	0090-805	6	SCREW MACH, TR HD, 6-LOBE, 1/4-20 X 1.0 BLZN				
23	0090-507	4	SCREW, PAN HEAD, M5 X 10MM CLEAR ZINC				
24	0310-138	2	PLUG				
25	2030-245	1	LIGHT DOME				
26	2017-729	1	PANEL, ESCAPE HATCH				
27	0301-033	2	WASHER,FENDER,1/4 x 1 1/4,STL, ZN				
28	2018-080	1	RETAINER, GLASS BREAKER				
29	8060-211	2	RIVET,LARGE HEAD, BLIND3/16X.550				
30	2018-274	1	MAT, FIREWALL				
31	2018-065	1	TOOL, BREAKER - WINDOW				
32	2018-232	1	WLMT, OPEN ROPS REAR UPR RH CORNER				
33	2018-238	1	WLMT, OPEN ROPS REAR LWR RH CORNER				
34	2018-235	1	WLMT, OPEN ROPS REAR LH CORNER				
35	2018-241	1	WLMT, HEADLINER BRKT				
36	2017-917	1	SWITCH, PARK LOCKING				
37	2017-908	1	SWITCH, LIGHT, WORK/DRIVE				
38	0200-264	1	HOUSING, POWER SOURCE				
39	0304-028	1	SWITCH,IGNITION,RC				
40	2017-911	1	SWITCH, AUXILIARY LOW FLOW, LOCKING				



REF. NO.	PART NUMBER	QTY.	DESCRIPTION
1	2018-229	1	PANEL, DASH - BASE DISPLAY
2	7010-735	1	DISPLAY SAUER DP-200
3	0314-539	1	FRAME SINGLE
4	0090-478	4	SCREW, PPH #4 X 5/8 SELF TAP
5	2017-960	1	INDICATOR RABBIT/GLOW PLUG
6	2018-226	1	PANEL, DASH - RH
7	2018-254	1	COVER, NO RADIO OPTION
8	0090-305	5	RETAINER, PUSH-TYPE .250 DIA
9	2018-278	1	PANEL, LH PILLAR
10	0310-136	12	FRAME, END
11	2018-279	1	PANEL, RH PILLAR
12	2017-744	1	ASSY, BACKPANEL
13	2017-786	1	PANEL, INTERIOR - LH
14	2017-789	1	PANEL, INTERIOR - RH
15	2018-195	1	HOLD, CARGO
16	0090-268	1	BUZZER
17	0310-138	2	PLUG
18	2017-724	1	HEADLINER, AWC
19	2018-241	2	WLMT, HEADLINER BRKT
20	2018-060	1	MOUNT, LIGHT - INTERIOR
21	2030-245	1	LIGHT DOME
22	0090-473	2	J-CLIP
23	0090-790	38	SCREW, MACH, TR HD, 6-LOBE, 1/4-20 X .5 BLZN
24	0090-805	8	SCREW MACH, TR HD, 6-LOBE, 1/4-20 X 1.0 BLZN
25	2017-729	1	PANEL, ESCAPE HATCH
26	8050-222	4	HARDENED WASHER, FLAT, 1/4, USS
27	8040-366	6	NUT, HEX, NYLOCK, 1/4-20, UNC
28	2076-055	2	SPEAKER COVER
29	0090-270	8	T-NUT - 6-32 UNC, ZN
30	8008-222	8	SCREW, MACH #6-32x1.0, PH, PAN
31	2018-332	1	PLATE, RECIRC COVER
32	0301-033	2	WASHER, FENDER, 1/4 x 1 1/4, STL, ZN
33	2017-793	1	HOLDER, CUP
34	2018-080	1	RETAINER, GLASS BREAKER
35	2018-065	1	TOOL, BREAKER - WINDOW
36	2018-076	1	CABLE, TETHER
37	8060-211	2	RIVET, LARGE HEAD, BLIND3/16X.550
38	0090-755	2	WASHER, 1/8 RIVET BACKUP
39	0090-817	1	PLUG, HOLE - 1.500, THICK PANEL
40	2017-759	1	CONTROL, HVAC

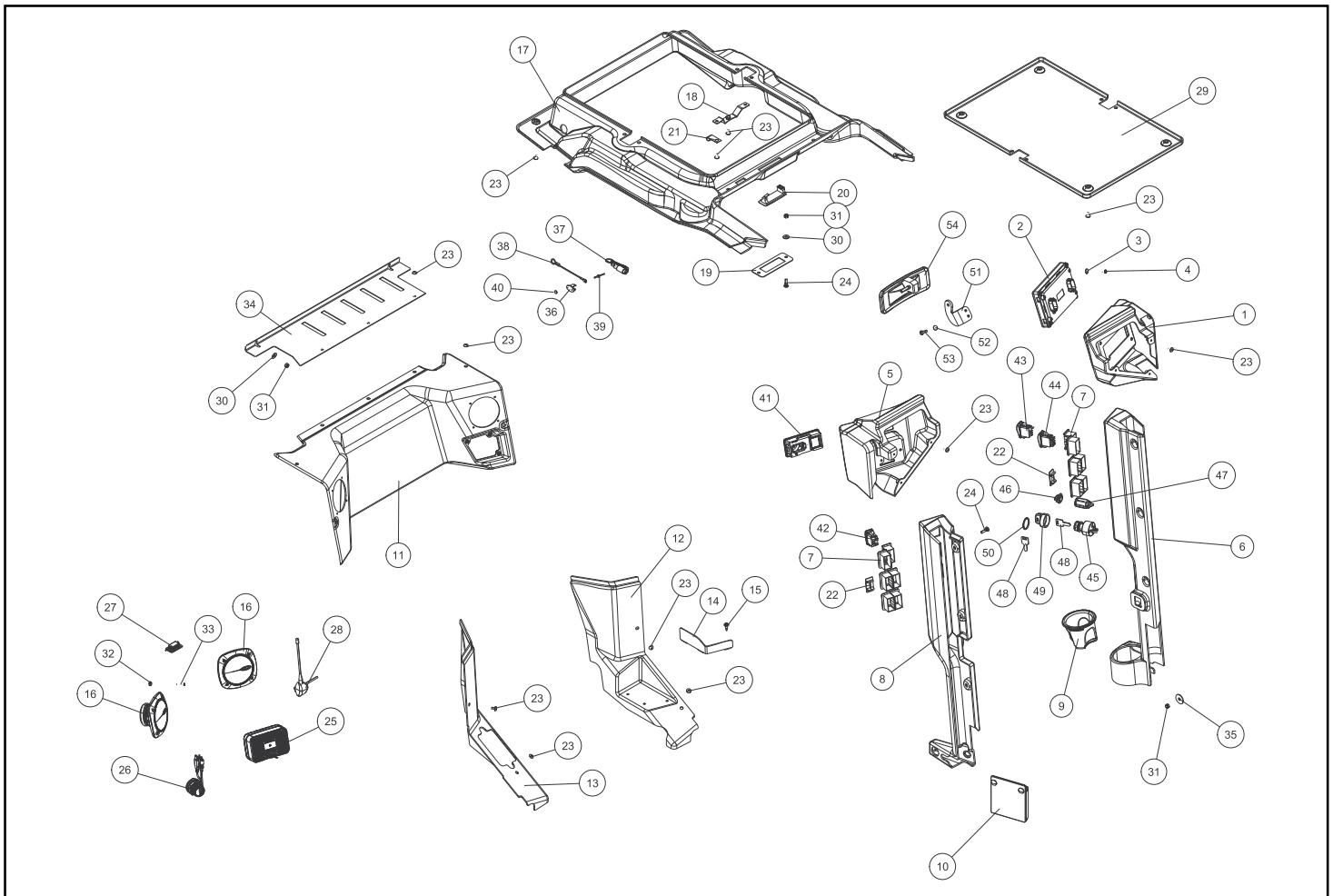
REF. NO.	PART NUMBER	QTY.	DESCRIPTION
41	2017-911	1	SWITCH, AUXILIARY LOW FLOW, LOCKING
42	2017-917	1	SWITCH, PARK LOCKING
43	2017-908	1	SWITCH, LIGHT, WORK/DRIVE
44	0304-028	1	SWITCH, IGNITION, RC
45	0200-265	1	CAP, HOUSING, POWER SOURCE
46	0200-264	1	HOUSING, POWER SOURCE
47	2045-432	2	KEY, IGNITION
48	2045-792	1	COVER KEY IGNITION
49	0304-551	1	RING, KEY

For kit information, please see page 10-1A

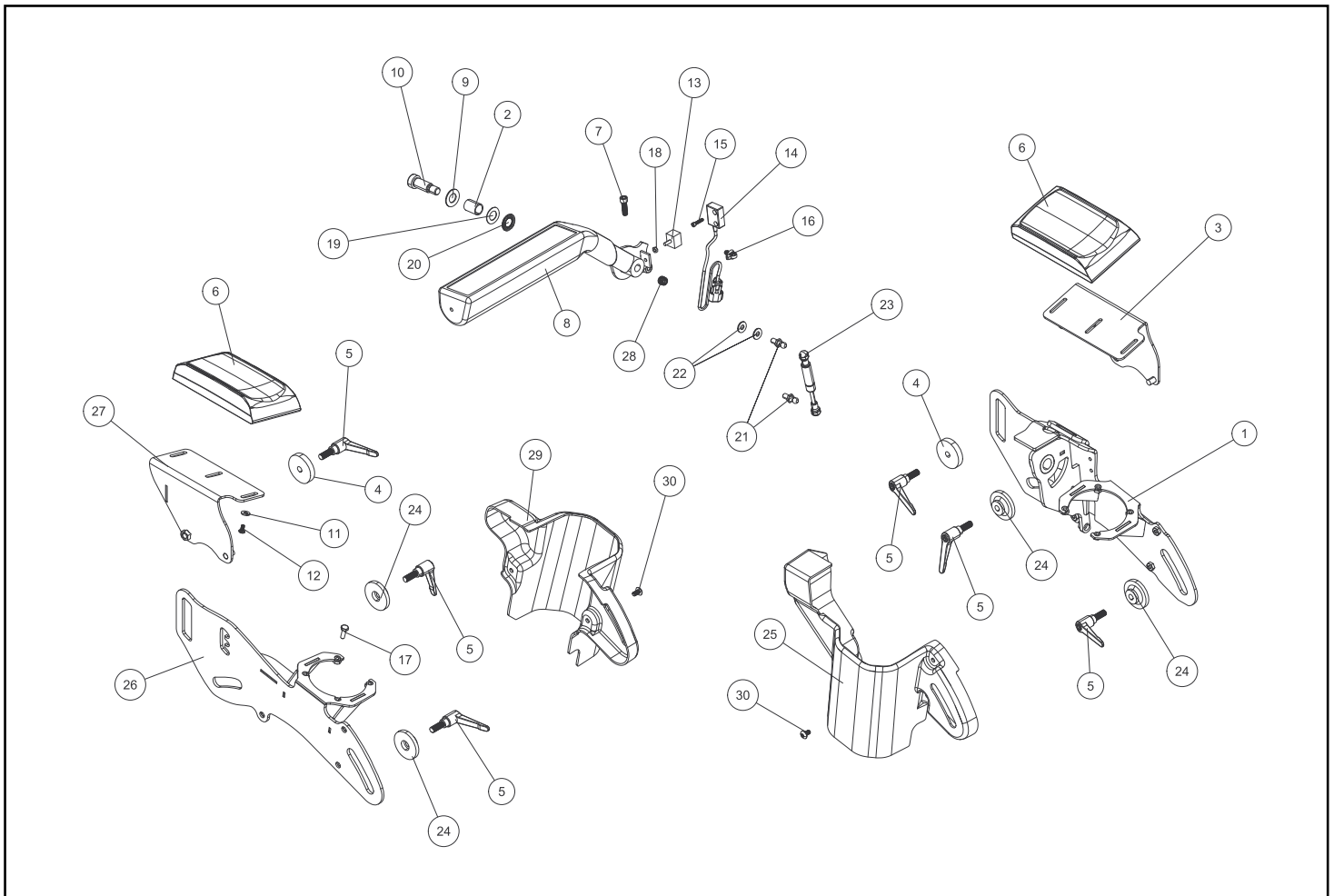


REF. NO.	PART NUMBER	QTY.	DESCRIPTION
1	2018-225	1	PANEL, DASH - LH
2	2017-369	1	DISPLAY, 7 INCH
3	8050-157	4	HARDENED WASHER,FLAT,#12,SAE
4	0090-507	4	SCREW, PAN HEAD, M5 X 10MM CLEAR ZINC
5	2018-226	1	PANEL, DASH - RH
6	2018-278	1	PANEL, LH PILLAR
7	0310-136	12	FRAME,END
8	2018-279	1	PANEL, RH PILLAR
9	2017-793	1	HOLDER, CUP
10	2017-797	1	HOLDER, PHONE
11	2017-744	1	ASSY, BACKPANEL
12	2017-786	1	PANEL, INTERIOR - LH
13	2017-789	1	PANEL, INTERIOR - RH
14	2018-195	1	HOLD, CARGO
15	0090-305	3	RETAINER, PUSH-TYPE .250 DIA
16	2075-703	2	SPEAKER MINI 3.5 HEAVY DUTY
17	2017-724	1	HEADLINER, AWC
18	2018-241	2	WLMT, HEADLINER BRKT
19	2018-060	1	MOUNT, LIGHT - INTERIOR
20	2030-245	1	LIGHT DOME
21	0090-473	2	J-CLIP
22	0310-138	2	PLUG
23	0090-790	38	SCREW, MACH, TR HD, 6-LOBE, 1/4-20 X .5 BLZN
24	0090-805	6	SCREW MACH, TR HD, 6-LOBE, 1/4-20 X 1.0 BLZN
25	2017-591	1	RADIO, BLUETOOTH
26	2017-598	1	USB PORT, AUXILIARY INPUT JACK
27	2017-595	1	MICROPHONE, BLUETOOTH RADIO
28	2075-704	1	ANTENNA 6 MINI
29	2017-729	1	PANEL, ESCAPE HATCH
30	8050-222	4	HARDENED WASHER,FLAT,1/4,USS
31	8040-366	6	NUT,HEX,NYLOCK,1/4-20,UNC
32	0090-270	8	T-NUT - 6-32 UNC, ZN
33	8008-222	8	SCREW,MACH #6-32x1.0,PH,PAN
34	2018-332	1	PLATE, RECIRC COVER
35	0301-033	2	WASHER,FENDER,1/4 x 1 1/4,STL, ZN
36	2018-080	1	RETAINER, GLASS BREAKER
37	2018-065	1	TOOL, BREAKER - WINDOW
38	2018-076	1	CABLE, TETHER
39	8060-211	2	RIVET,LARGE HEAD, BLIND3/16X.550
40	0090-755	2	WASHER, 1/8 RIVET BACKUP

REF. NO.	PART NUMBER	QTY.	DESCRIPTION
41	2017-759	1	CONTROL, HVAC
42	2017-911	1	SWITCH, AUXILIARY LOW FLOW, LOCKING
43	2017-917	1	SWITCH, PARK LOCKING
44	2017-908	1	SWITCH, LIGHT, WORK/DRIVE
45	0304-028	1	SWITCH,IGNITION,RC
46	0200-265	1	CAP, HOUSING, POWER SOURCE
47	0200-264	1	HOUSING, POWER SOURCE
48	2045-432	2	KEY, IGNITION
49	2045-792	1	COVER KEY IGNITION
50	0304-551	1	RING,KEY
51	2017-694	1	BRKT, MIRROR
52	8050-157	2	HARDENED WASHER,FLAT,#12,SAE
53	8102-042	2	CAPSCREW,HH,1/4-20x1.00
54	2030-409	1	MIRROR, REAR VIEW, 3X8



REF. NO.	PART NUMBER	QTY.	DESCRIPTION	REF. NO.	PART NUMBER	QTY.	DESCRIPTION
1	2017-921	1	WLMT, LH JOYSTICK MOUNT				
2	2017-926	1	BUSHING				
3	2017-942	1	WLMT, LH ARMREST BRKT				
4	2018-282	2	WASHER				
5	2017-941	6	KNOB, ADJUSTMENT				
6	2017-436	2	ARM PAD				
7	0090-788	1	CAPSCREW, 5/16-18 UNC X 1 SHCS, GR8				
8	2018-228	1	LAPBAR, MOLDED				
9	2018-063	1	BEARING, BRONZE THRUST				
10	0090-001	1	bolt,shoulder, 1/2 x 1.25 GD 8				
11	8050-157	6	HARDENED WASHER,FLAT,#12,SAE				
12	0090-507	6	SCREW, PAN HEAD, M5 X 10MM CLEAR ZINC				
13	2017-923	1	ACTUATOR, PROXIMITY SWITCH				
14	2017-906	1	SWITCH, PROXIMITY				
15	0090-785	2	CAPSCREW, #8-32 X 3/4" SHCS BLACK OXIDE				
16	0090-172	1	TIE CABLE TREE MOUNT 50 LB				
17	8102-040	8	CAPSCREW,HH,1/4-20x.75				
18	0307-700	1	NUT, HEX, 5MM				
19	2018-062	1	WASHER, NEEDLE ROLLER THRUST				
20	2018-061	1	BEARING, NEEDLE ROLLER				
21	0304-495	2	STUD,BALL,10MM STUD				
22	8050-222	2	HARDENED WASHER,FLAT,1/4,USS				
23	2018-085	1	SPRING, GAS				
24	2017-945	4	WLMT, CLAMP				
25	2017-919	1	COVER, JOYSTICK - LH				
26	2017-922	1	WLMT, RH JOYSTICK MOUNT				
27	2017-924	1	WLMT, RH ARMREST BRKT				
28	0090-819	1	SET SCREW LAPBAR				
29	2017-920	1	COVER, JOYSTICK - RH				
30	0090-790	6	SCREW MACHINE, T HD, 6-LB, 1/4-20 X .5 BLK ZNC				



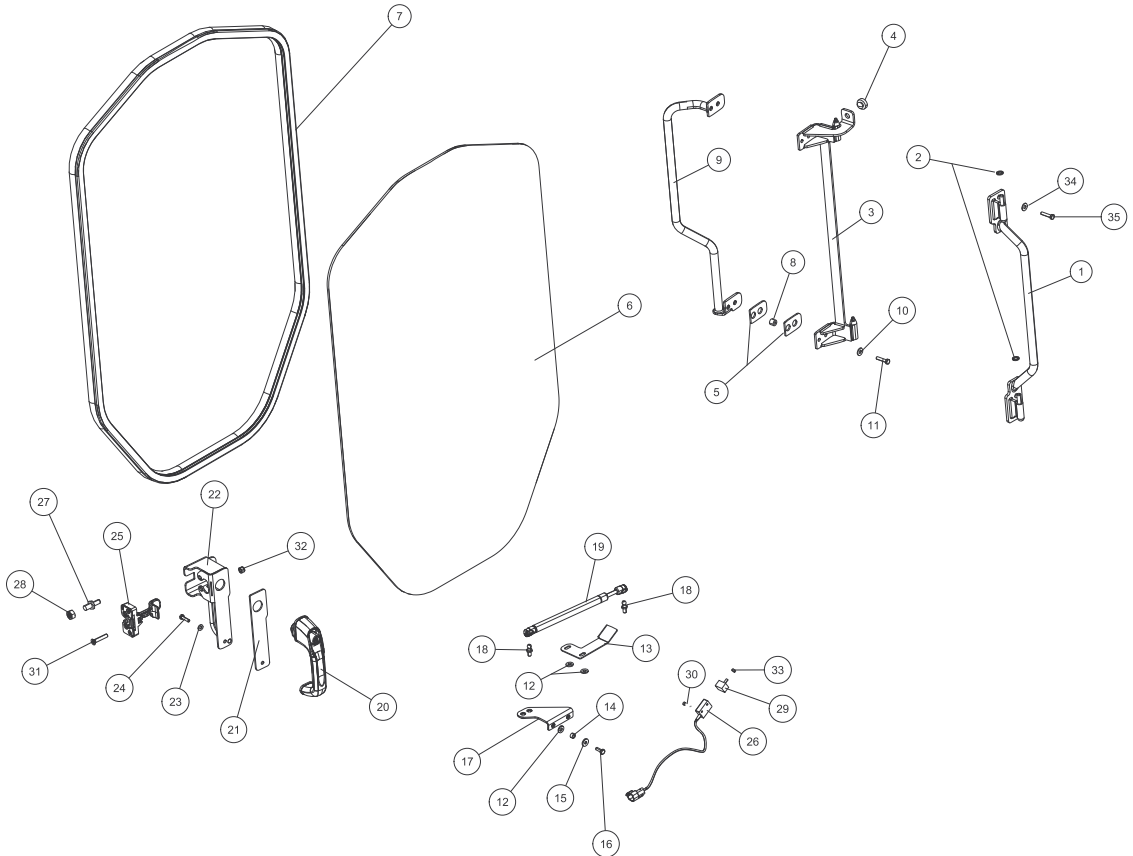
GLASS DOOR

VT-70 HO valid from H03000

Chapter 7

REF. NO.	PART NUMBER	QTY.	DESCRIPTION	REF. NO.	PART NUMBER	QTY.	DESCRIPTION
1	2017-332	1	WLMT, MOUNT - HINGE				
2	0403-503	2	BUSHING, WELD HINGE - 3-15/16 W/ GRS ZRK				
3	2017-337	1	WLMT, HINGE - DOOR				
4	2017-779	1	BUMPER, STOP - DOOR				
5	2018-330	4	GASKET, DOOR HINGE				
6	2017-601	1	PANEL, GLASS				
7	2018-353	1	SEAL, DOOR , 1" BULB W/ADHESIV				
8	2017-636	4	SPACER, HINGE				
9	2017-621	1	WLMT HANDLE				
10	8050-222	4	HARDENED WASHER,FLAT,1/4,USS				
11	8102-044	4	CAPSCREW,HH,1/4-20x1.25				
12	0090-046	4	WASHER RUBBER .688 OD x .31 ID				
13	2018-249	1	WLMT, MOUNT - DOOR SWITCH				
14	2017-683	2	SPACER, WASHER BOTTLE				
15	0090-325	2	WASHER 1/4 3/4 RUBBER BONDED				
16	8102-040	2	CAPSCREW,HH,1/4-20x.75				
17	2017-339	1	WLMT, MOUNT - DOOR SPRING				
18	0304-495	2	STUD,BALL,10MM STUD				
19	2017-334	1	SPRING, GAS - DOOR				
20	2017-664	1	LATCH, EXTERIOR DOOR				
21	2017-676	1	GASKET, LATCH MOUNT				
22	2017-667	1	WLMT HANDLE DOOR				
23	8050-157	1	HARDENED WASHER,FLAT,#12,SAE				
24	0304-759	1	CAPSCREW,HH,6M-1.0x25				
25	2017-670	1	LATCH, INTERIOR DOOR				
26	2017-906	1	SWITCH, PROXIMITY				
27	2075-408	1	STRIKE				
28	0090-135	1	NUT, NYLOCK M12 X 1.0 ZC				
29	2017-923	1	ACTUATOR, PROXIMITY SWITCH				
30	0090-785	2	CAPSCREW, #8-32 X 3/4" SHCS BLACK OXIDE				
31	0090-257	2	SCREW FH PH 5/16 x 1.75 ZN				
32	8040-426	2	NUT,HEX,NYLOCK,5/16-18,UNC				
33	0307-700	1	NUT, HEX, 5MM				
34	8050-282	4	WASHER,WROUGHT,3/8,STD,ZN				
35	8102-222	4	CAPSCREW,HH,3/8-16UNCx1.0,GD8				

For kit information, please see page 10-1A



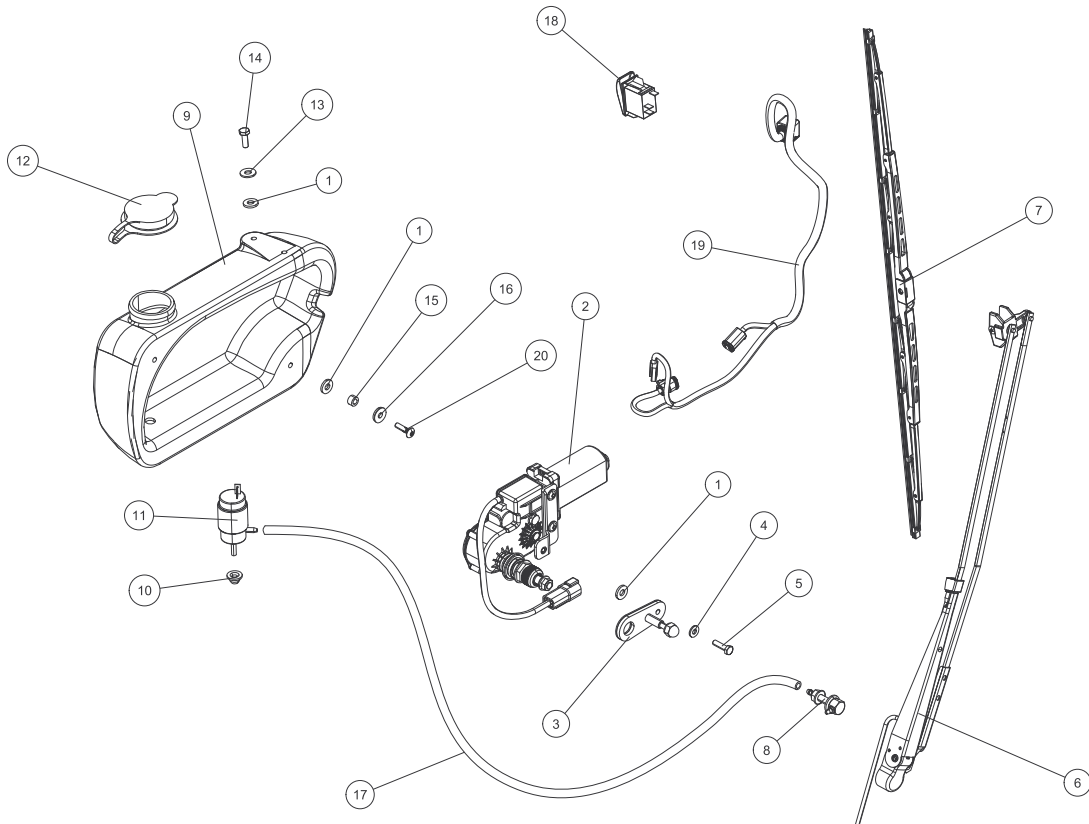
WIPER ASSEMBLY

VT-70 HO valid from H03000

Chapter 7

REF. NO.	PART NUMBER	QTY.	DESCRIPTION	REF. NO.	PART NUMBER	QTY.	DESCRIPTION
1	0090-046	5	WASHER RUBBER .688 OD x .31 ID				
2	2017-696	1	MOTOR, WIPER				
3	2017-648	1	MOUNT, WIPER				
4	8050-157	1	HARDENED WASHER,FLAT,#12,SAE				
5	0305-011	1	CAPSCREW,HH,M6X1.0X22MM,ZN				
6	2017-662	1	ARM, WIPER				
7	2017-663	1	BLADE, WIPER				
8	0403-998	1	CONNECTOR 90° ELBOW METAL				
9	2017-641	1	BOTTLE, WASHER				
10	2017-642	1	GROMMET, WASHER MOTOR				
11	2017-643	1	MOTOR, PUMP-WASHER				
12	2017-645	1	CAP, BOTTLE-WASHER FLUID				
13	8050-222	2	HARDENED WASHER,FLAT,1/4,USS				
14	8102-040	2	CAPSCREW,HH,1/4-20x.75				
15	2017-683	2	SPACER, WASHER BOTTLE				
16	0090-325	2	WASHER 1/4 3/4 RUBBER BONDED				
17	0404-542	1	HOSE WASHER FLUID 6"				
18	2017-912	1	SWITCH WIPER/WASHER				
19	2017-311	1	HARNESS, WIPER WASHER JUMPER				
20	0090-805	4	SCREW MACHINE, TRUSS HEAD, 6-LOBE, 1/4-20 X				

For kit information, please see page 10-1A

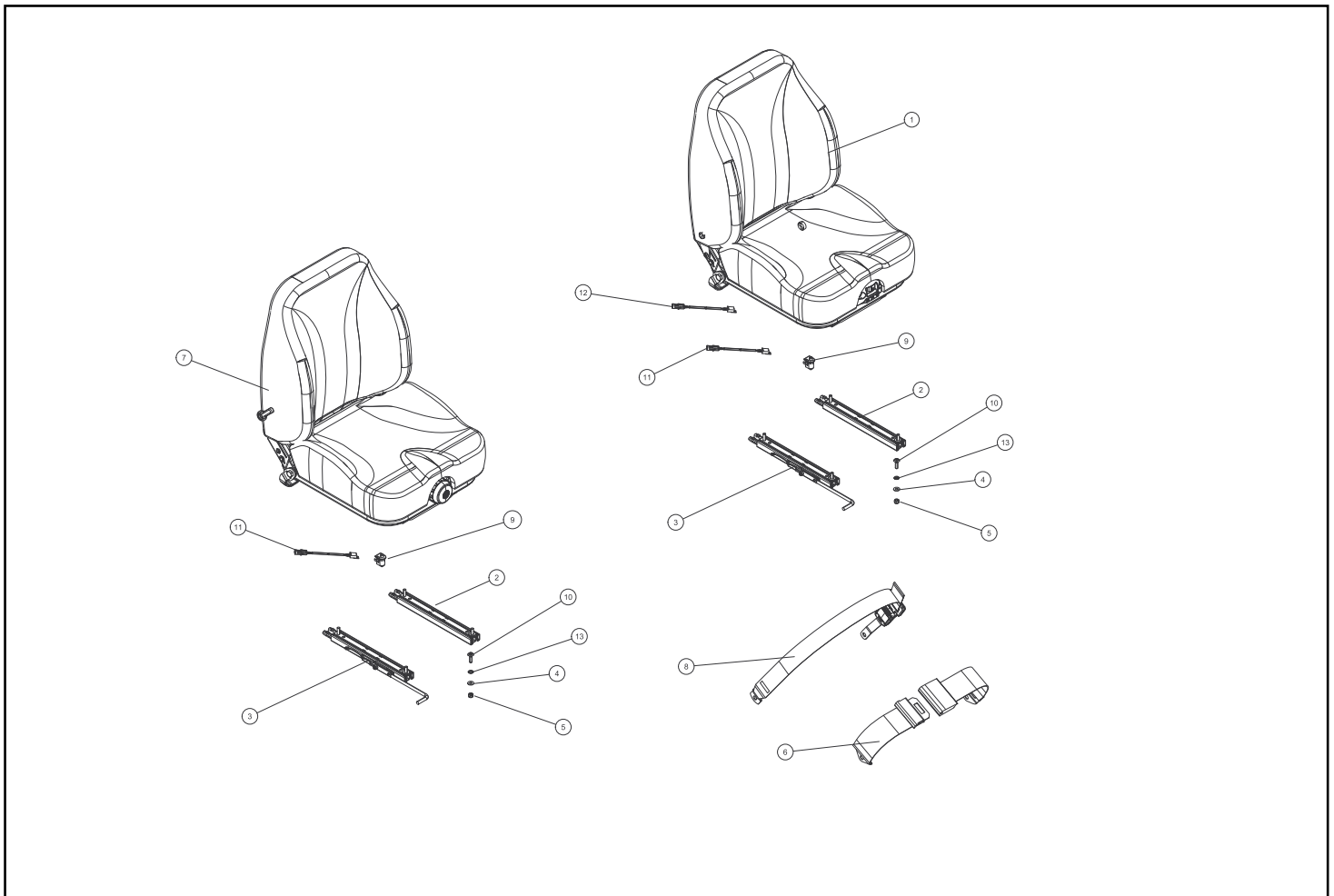


SUSPENSION SEAT / SEATBELTS

VT-70 HO valid from H03000

Chapter 7

REF. NO.	PART NUMBER	QTY.	DESCRIPTION	REF. NO.	PART NUMBER	QTY.	DESCRIPTION
1	2018-086	1	SEAT, AIR RIDE				
2	2018-095	1	RAIL, LH SLIDE				
3	2018-094	1	RAIL, RH SLIDE				
4	8050-222	4	HARDENED WASHER,FLAT,1/4,USS				
5	8040-426	4	NUT,HEX,NYLOCK,5/16-18,UNC				
6	2076-410	1	BELT SEAT 3 ADJUSTABLE				
7	2018-087	1	SEAT, MECHANICAL				
8	2076-666	1	BELT, 2 SEAT				
9	2018-344	1	SWITCH SEAT				
10	2018-099	4	BOLT, SQUARE HEAD SEAT				
11	2018-343	1	HARNESS SEAT SWITCH				
12	2018-342	1	HARNESS SEAT COMPRESSOR				
13	0090-105	4	NUT PUSH 5/16"				

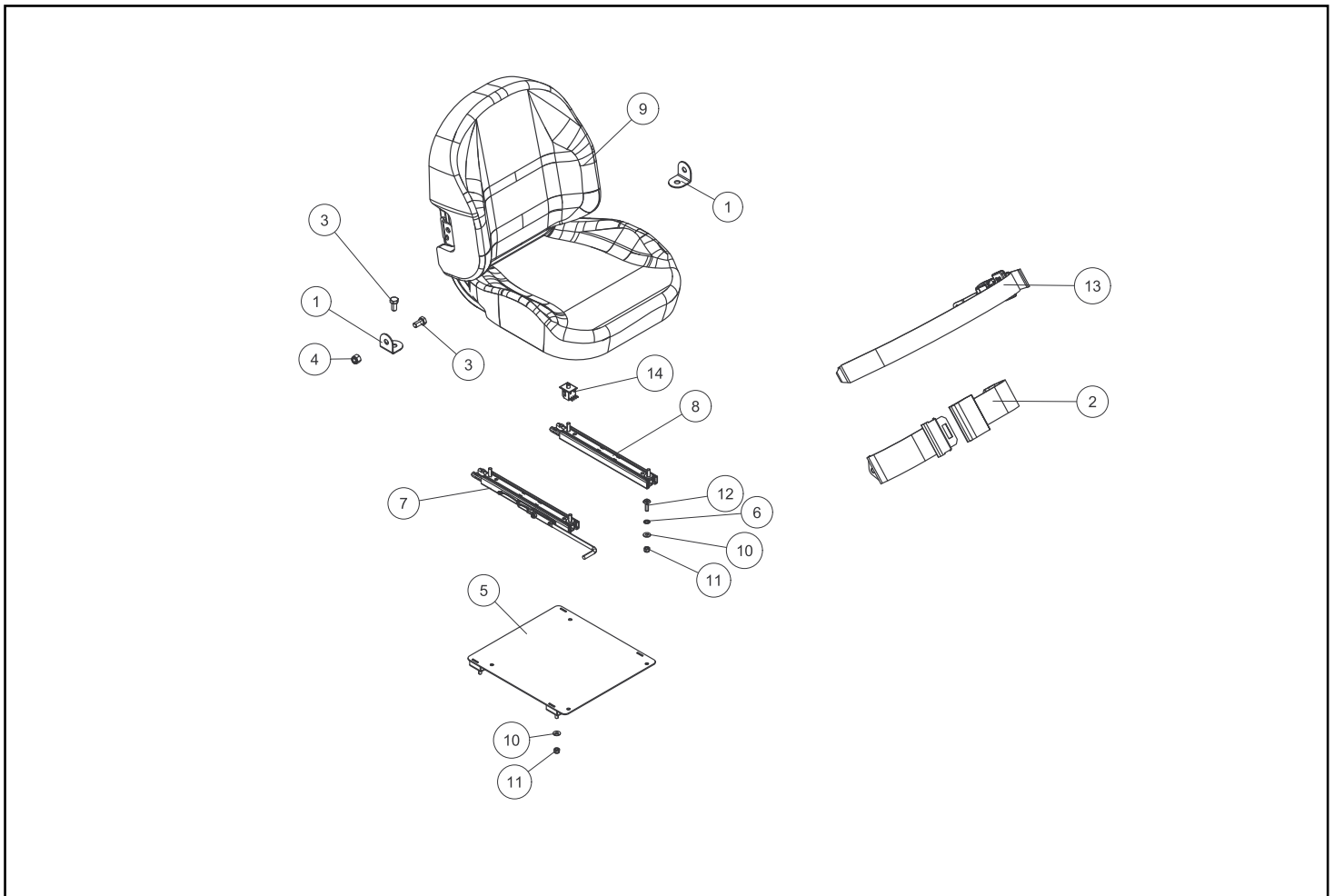


STANDARD SEAT / SEATBELTS

VT-70 HO valid from H03000

Chapter 7

REF. NO.	PART NUMBER	QTY.	DESCRIPTION	REF. NO.	PART NUMBER	QTY.	DESCRIPTION
1	2075-163	2	MOUNT, SEAT BELT - LOWER				
2	2076-410	1	BELT SEAT 3 ADJUSTABLE				
3	8102-402	4	CAPSCREW,HH,1/2-13x1.00				
4	8040-606	2	NUT,HEX,NYLOCK,1/2-13,UNC				
5	2018-096	1	WLMT, SEAT RISER				
6	0090-105	4	NUT PUSH 5/16				
7	2018-094	1	RAIL, RH SLIDE				
8	2018-095	1	RAIL, LH SLIDE				
9	2017-421	1	SEAT, NON SUSPENSION				
10	8050-222	8	HARDENED WASHER,FLAT,1/4,USS				
11	8040-426	8	NUT,HEX,NYLOCK,5/16-18,UNC				
12	2018-099	4	BOLT, SQUARE HEAD 5/16-18 X 1				
13	2076-666	1	BELT, 2 SEAT				
14	2018-344	1	SWITCH, SEAT				

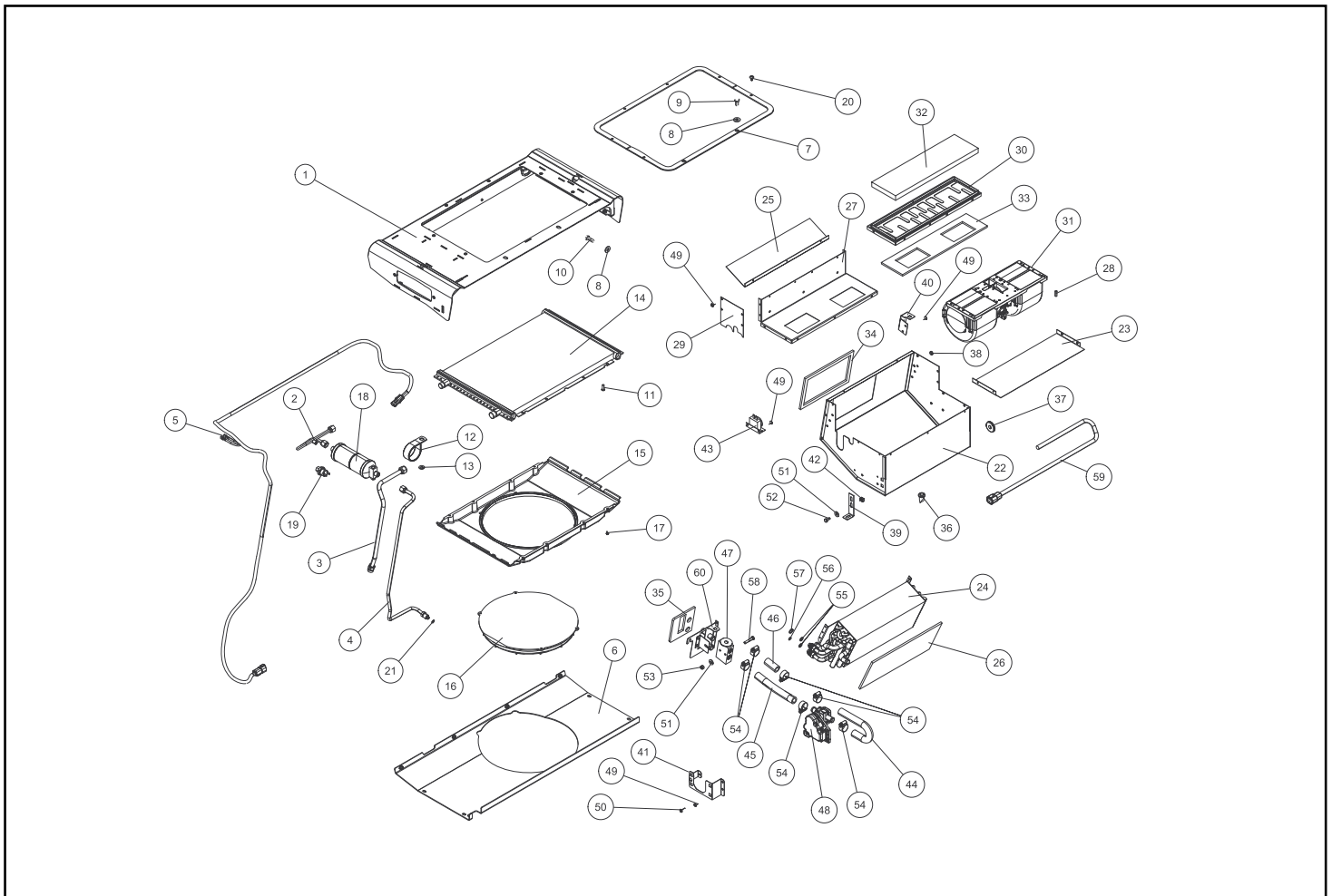


HVAC - CAB (OPTIONAL)

VT-70 HO valid from H03000

REF. NO.	PART NUMBER	QTY.	DESCRIPTION
1	2017-751	1	WLMT, CONDENSER GUARD
2	2018-340	1	TUBE CONDENSER TO DRYER
3	2018-341	1	TUBE COMPRESSOR TO CONDENSER
4	2017-768	1	TUBE DRYER TO CORE
5	2017-907	1	HARNESSE, CONDENSER
6	2018-215	1	WLMT, LOWER CONDENSER COVER
7	2018-056	1	WLMT, CONDENSER SCREEN
8	8050-262	4	HARDENED WASHER,FLAT,5/16,USS
9	8102-220	2	CAPSCREW,HH,3/8-16UNCx0.75,GD8
10	8102-222	2	CAPSCREW,HH,3/8-16UNCx1.0,GD8
11	0090-700	6	CAPSCREW STEEL BUTTON SOCKET HEX
12	0090-733	2	CLAMP, P. 2.25
13	8050-222	2	HARDENED WASHER,FLAT,1/4,USS
14	2017-761	1	CONDENSER
15	2017-763	1	SHROUD, CONDENSER
16	2017-762	1	FAN
17	2017-764	12	FASTENER, CONDENSER FAN AND SHROUD
18	2018-346	1	DRYER, HVAC
19	2018-209	1	SWITCH PRESSURE
20	0090-790	16	screw machine, thd, 6-lobe, 1/4-20 x .5 blz
21	2076-188	1	O-RING, #6 ACOR
22	2018-120	1	HOUSING, WELDMENT
23	2018-133	1	DIVIDER, BOTTOM BLOWER
24	2018-122	1	CORE, HEAT EXCHANGER
25	2018-123	1	DIVIDER, TOP OF COIL
26	2018-138	1	FOAM, INSULATION
27	2018-121	1	HOUSING, BLOWER MOUNT
28	2018-145	6	NUT, COUPLING 8-32, 3/4 X 1/4
29	2018-129	1	PLATE, COIL SIDE BLOCK OFF
30	2018-128	1	HOUSING, TOP RECIRC FILTER
31	2018-151	1	BLOWER ASSY, W/RESIS, SPAL
32	2018-139	1	FILTER, CABIN AIR
33	2018-134	1	FOAM, BLOWER
34	2018-136	1	FOAM, INTAKE
35	2018-137	1	FOAM, TXV BRKT
36	2018-155	3	VALVE, KAZOO, DUCT BILL, CHECK
37	2018-154	1	GROMMET, LARGE
38	2018-153	1	GROMMET, SMALL
39	2018-130	2	BRKT, MOUNT
40	2018-140	1	BRKT, SIDE MOUNTING

REF. NO.	PART NUMBER	QTY.	DESCRIPTION
41	2018-124	1	BRKT, WATERVALVE MOUNT
42	2018-146	6	NUT, CAGE 1/4-20
43	2018-152	1	THERMOSTAT, NON-ADJ
44	2018-127	1	HOSE, HTR 180 ELL 5/8 ID X 4
45	2018-131	1	HOSE, VALVE TO FEEDPLATE
46	2018-132	1	HOSE, FEEDPLATE TO CORE
47	2018-135	1	VALVE, EXP BLOCK 134a 2T
48	2017-861	1	VALVE, WTR ELEC 2-PORT 12v
49	0090-128	38	CAPSCREW TH PH 10-24 X .50 SS
50	0090-117	4	CAPSCREW TH PH 10-24 X .75 SS
51	8050-222	5	HARDENED WASHER,FLAT,1/4,USS
52	8102-039	4	CAPSCREW,HH,1/4-20x.625
53	8040-366	1	NUT,HEX,NYLOCK,1/4-20,UNC
54	0315-103	6	CLAMP,HOSE,#4
55	2046-251	2	O-RING # 8 GREEN
56	2076-188	1	O-RING, #6 ACOR
57	2076-189	1	O-RING # 10 GREEN
58	8102-045	1	CAPSCREW,HH,1/4-20UNCx1.5,GD8
59	2018-338	1	HARNESSE, BLOWER
60	2018-339	1	BRKT, EXPANSION VALVE - HOSE



Chapter 8

Working Equipment

8-1 Lift Arms

VT-70 HO Serial # valid from - H03000 **8-1A**

8-2 Quick Attach - Manual

VT-70 HO Serial # valid from - H03000 **8-2A**

8-3 Quick Attach - Hydraulic

VT-70 HO Serial # valid from - H03000 **8-3A**

*** Parts manuals are updated frequently. To ensure current parts information, always refer to the latest version of this manual (posted online, consult your dealer).**

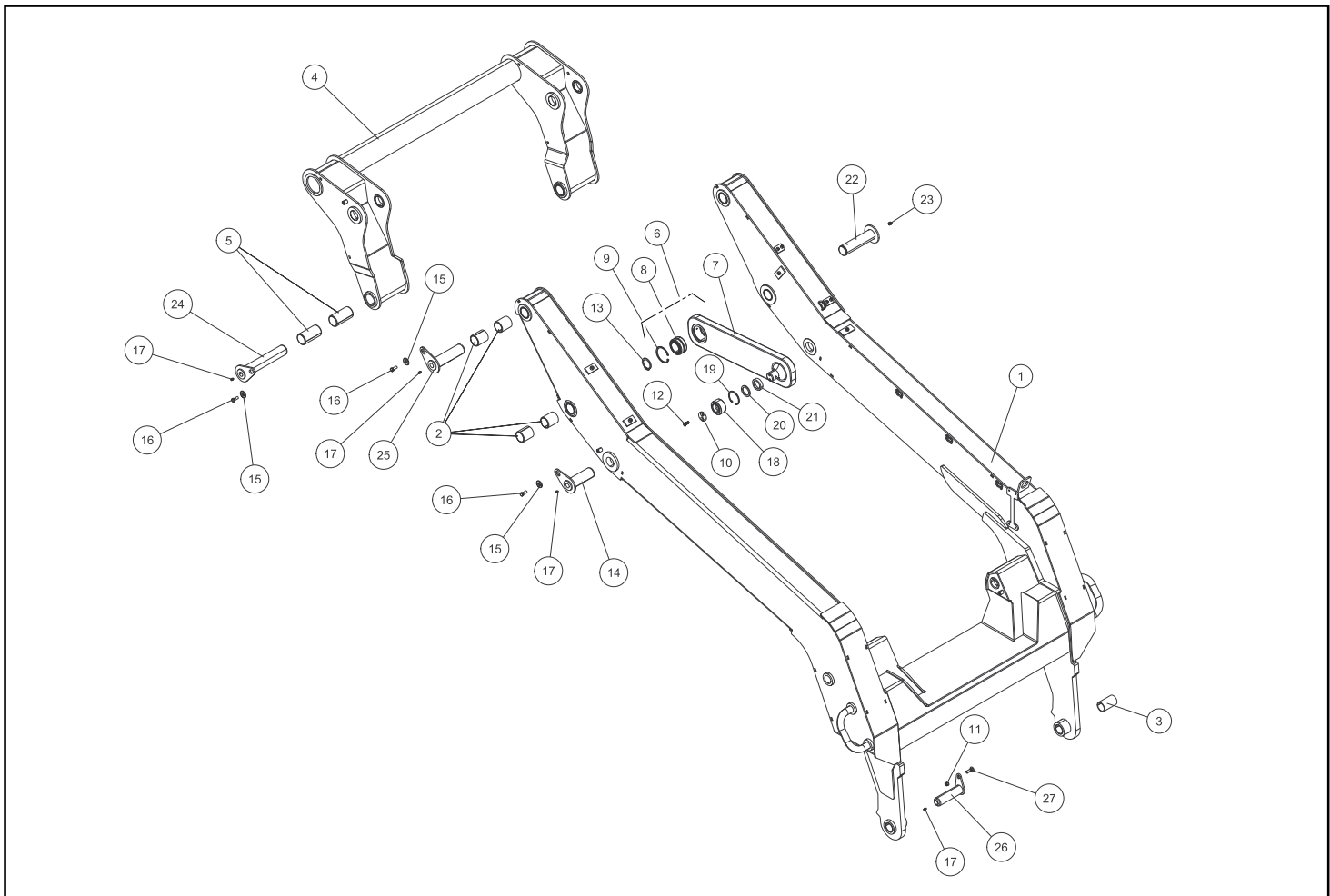
NOTE: When ordering parts that are painted, a specific part number format is required. Please refer to page II of this manual for paint code and ordering information.

LIFT ARMS

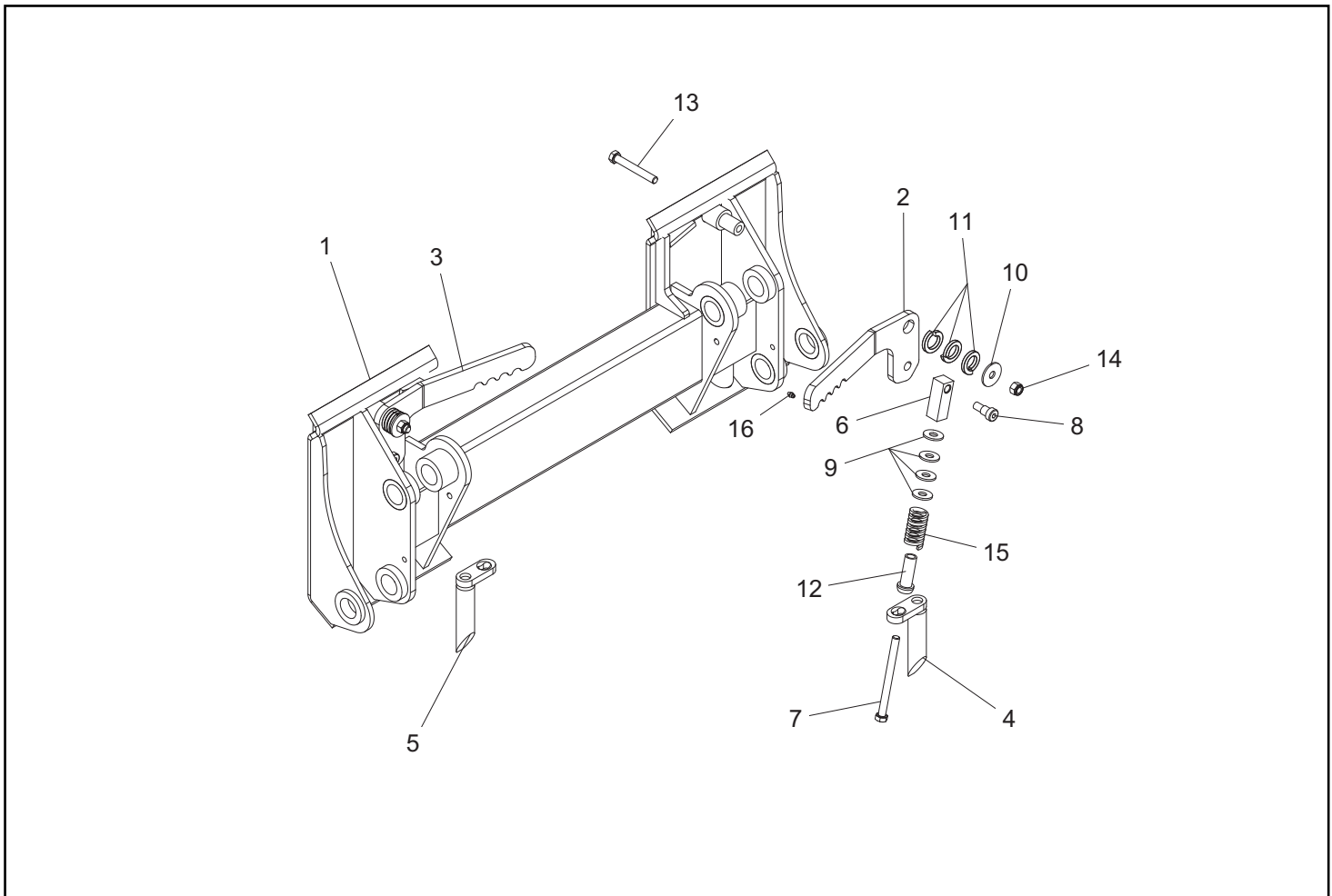
VT-70 HO valid from H03000

Chapter 8

REF. NO.	PART NUMBER	QTY.	DESCRIPTION	REF. NO.	PART NUMBER	QTY.	DESCRIPTION
1	7073-500	1	WLMT, LOADER ARMS				
2	7005-848	8	BUSHING, SPRING				
3	7000-342	2	1.75 OD X 1.5ID TENSION BUSHING				
4	7071-170	1	WLMT, REAR LINK, VERTICAL				
5	7005-467	4	BUSHING, SPRING				
6	7006-523	2	ASSY, CONTROL ARM AND BEARING, LF				
7	7006-510	2	WLMT, CONTROL ARM, DUAL BEARING, LF				
8	7006-518	2	BEARING, SPHERICAL, 1.75				
9	0090-649	2	RING, RETAINING, INTERNAL, 2 13/16				
10	7071-938	2	PLATE, RETAINER, CONTROL ARM				
11	0314-269	2	NUT, TOP LOCK, STL, 3/8-18 UNC				
12	0090-731	4	CAPSCREW, FLAT HEAD, 5/16"-18 x 1" HEX DRIVE				
13	0090-651	2	RING, RETAINING, EXTERNAL, 1 3/4				
14	7071-650	2	WLMT, PIN, 1.75 X 5.38				
15	0090-721	6	WASHER, FENDER, 3/8 X 1.250 OD LCZ STL THK				
16	8102-222	6	CAPSCREW, HH, 3/8-16UNCx1.0, GD8				
17	0300-607	8	ZERK, GREASE, 1/4-28				
18	2055-216	2	BEARING, SHPERICAL, 1.75 ID				
19	0090-035	2	RING, SNAP				
20	7071-883	2	SPACER, RUBBER				
21	7001-422	2	SPACER CONTROL ARM				
22	7006-511	2	WLMT, PIN, SPHERICAL BEARING, LF				
23	0300-946	2	FITTING, GREASE, 1/8 NPT				
24	7071-653	2	WLMT, PIN, 1.75 X 9.81				
25	7071-658	2	WLMT, PIN, 1.75 X 6.64				
26	2040-115	2	WLMT, PIN, 6.00				
27	8111-224	2	BOLT, CARRIAGE, 3/8-16X1.25, GD8				



REF. NO.	PART NUMBER	QTY.	DESCRIPTION	REF. NO.	PART NUMBER	QTY.	DESCRIPTION
1	2045-359	1	WLMT,QUICK-ATTACH,MANUAL				
2	2045-761	1	HANDLE,QA,LH				
3	2045-762	1	HANDLE,QA,RH				
4	2046-405	1	WLMT PIN RH				
5	2046-406	1	WLMT PIN LH				
6	2045-245	2	BLOCK LATCH				
7	8102-418	2	CAPSCREW,HH,1/2-13UNCx 6.0,GD8				
8	0090-002	2	BOLT,SHOULDER,5/8"x.625" GD 8				
9	8050-347	8	WASHER,WROUGHT,1/2,STD,ZN				
10	2015-018	2	WASHER,FENDER,1.75x0.53x0.125				
11	8051-620	6	WASHER,SPRING LOCK,1.0,ZN				
12	0400-621	2	SPOOL,PIVOT				
13	0304-799	2	CAPSCREW,HH,1/2-13UNCx3.75,GD8				
14	8040-606	2	NUT,HEX,NYLOCK,1/2-13 UNC,ZN				
15	0400-651	2	SPRING,COMPRESSION				
16	0300-607	2	ZERK,GREASE,1/4-28				

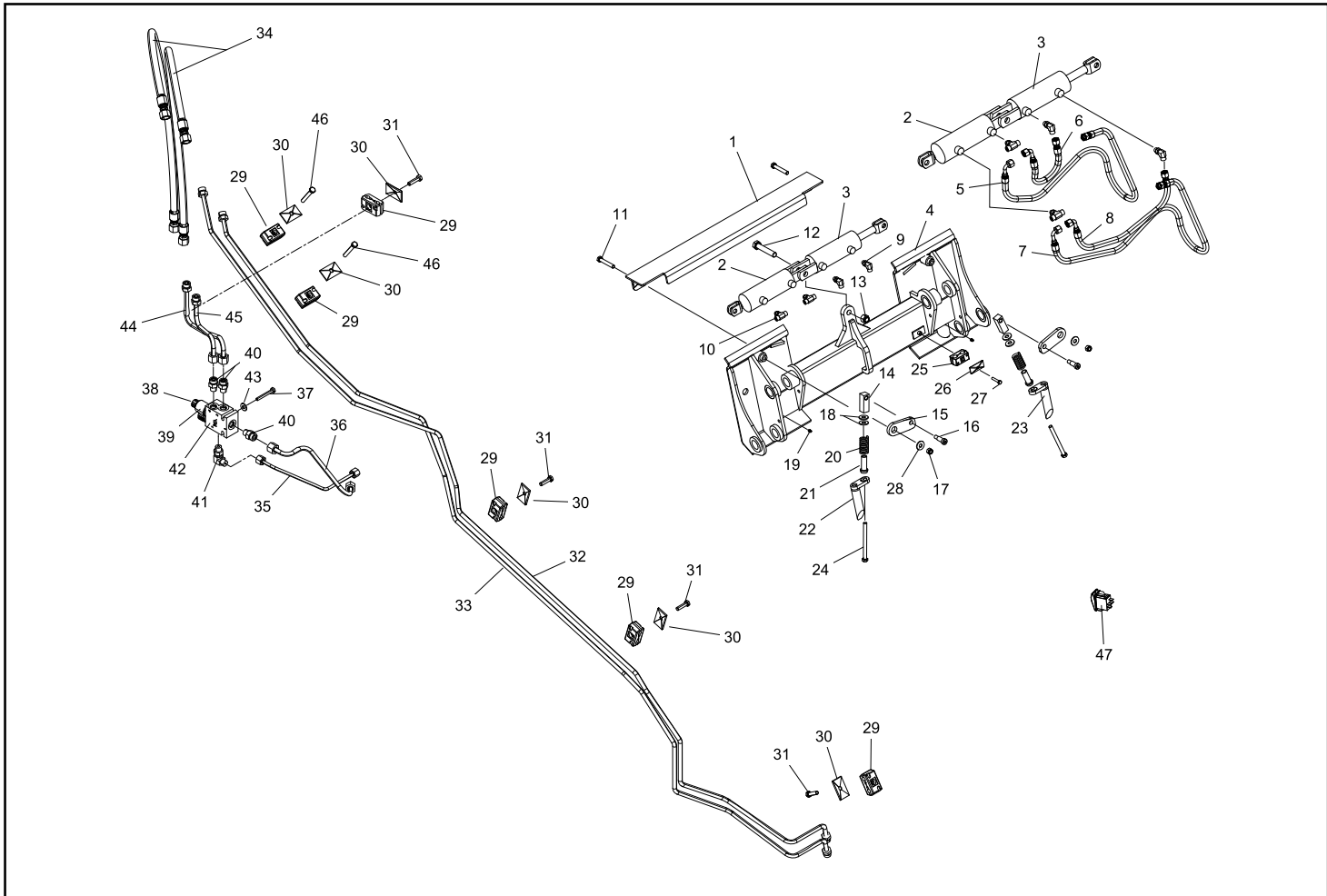


QUICK ATTACH - HYDRAULIC (optional)

VT-70 HO valid from H03000

REF. NO.	PART NUMBER	QTY.	DESCRIPTION
1	7006-488	1	WLMT, GUARD, QA
2	2046-316	1	CYLINDER QA LH
3	2046-317	1	CYLINDER QA RH
4	2045-235	1	WLMT QUICK-ATTACH HYD
5	0201-566	1	HOSE, 6M4K-6FFORX90S-6FFORX-49.
6	0201-545	1	HOSE, 6M4K-6FFORX-6FFORX90S-14.
7	0201-565	1	HOSE, 6M4K-6FFORX90S-6FFORX-53.
8	0201-544	1	HOSE, 6M4K-6FFORX-6FFORX90S-25.
9	0310-328	2	ADAPTER, 6MFFOR-6MB-90
10	0201-542	2	ADAPTER, TEE, 6FS-6FS-6NWO
11	8102-412	2	CAPSCREW, HH, 1/2-13UNCx3.25 GD8
12	8102-686	1	CAPSCREW, HH, 3/4-10UNCx4.25 GD8
13	8040-786	1	NUT, HEX, NYLOCK, 3/4-10 UNC, ZN
14	2045-245	2	BLOCK LATCH
15	2045-246	2	LATCH QA
16	0090-001	2	BOLT, SHOULDER, 5/8"x1.25" GD 8
17	8040-606	2	NUT, HEX, NYLOCK, 1/2-13 UNC, ZN
18	0090-368	8	WASHER HARDENED 1.375X.570X.250 ZN
19	0300-607	2	ZERK, GREASE, 1/4-28
20	0400-651	2	SPRING, COMPRESSION PLATED
21	0400-621	2	SPOOL, PIVOT
22	2046-406	1	WLMT PIN LH
23	2046-405	1	WLMT PIN RH
24	8102-418	2	CAPSCREW, HH, 1/2-13UNCx 6.0, GD8
25	0310-733	1	INSERT, CLAMP, TWIN, 75" T3075-PP
26	0310-828	1	COVER, CLAMP, 3/4" TCP-T3
27	8102-136	1	CAPSCREW, HH, 5/16-18x1.75 ZN GD
28	8050-348	2	WASHER, 1/2, SAE, ZN 1.06 OD x .531 ID x .090
29	0201-225	6	CLAMP, SET, T2038-PP
30	0310-584	6	PLATE, COVER
31	8102-134	4	CAPSCREW, HH, 5/16-18UNCx1.25GD8 ZN
32	7074-046	1	TUBE, 4, QA, LOADER ARM
33	7074-047	1	TUBE, 2, QA, LOADER ARM
34	7074-049	2	HOSE, -6, 435 PSI, FFX-06-06-W, FFX-06-06-W, 33.89"
35	7071-343	1	TUBE, PRESSURE, QUICK ATTACH
36	7071-344	1	TUBE, TANK, QUICK ATTACH
37	8102-047	2	CAPSCREW, HH, 1/4-20 UNCx2.0, GD8
38	3030-312	1	SOLENOID & SPOOL, WK06Y
39	7000-625	1	COIL
40	0310-329	3	ADAPTER, 6MFFOR-6MB

REF. NO.	PART NUMBER	QTY.	DESCRIPTION
41	0201-319	1	ADAPTER, FS6801-04-06-NW0
42	3000-177	1	VALVE QA
43	8050-222	2	WASHER, WROUGHT, 1/4, STD, ZN
44	7071-345	1	TUBE, 2, QUICK ATTACH
45	7071-346	1	TUBE, 4, QUICK ATTACH
46	8102-138	2	CAPSCREW, HH, 5/16-18 X 2.25 GD8
47	2017-909	1	SWITCH, QUICK ATTACH, LOCKING



Chapter 9

Graphics / Safety Decals

9-1 ISO Safety Decals

VT-70 HO Serial # valid from - H03000 **9-1A**

9-2 Machine Graphics - ASV

VT-70 HO Serial # valid from - H03000 **9-2A**

*** Parts manuals are updated frequently. To ensure current parts information, always refer to the latest version of this manual (posted online, consult your dealer).**

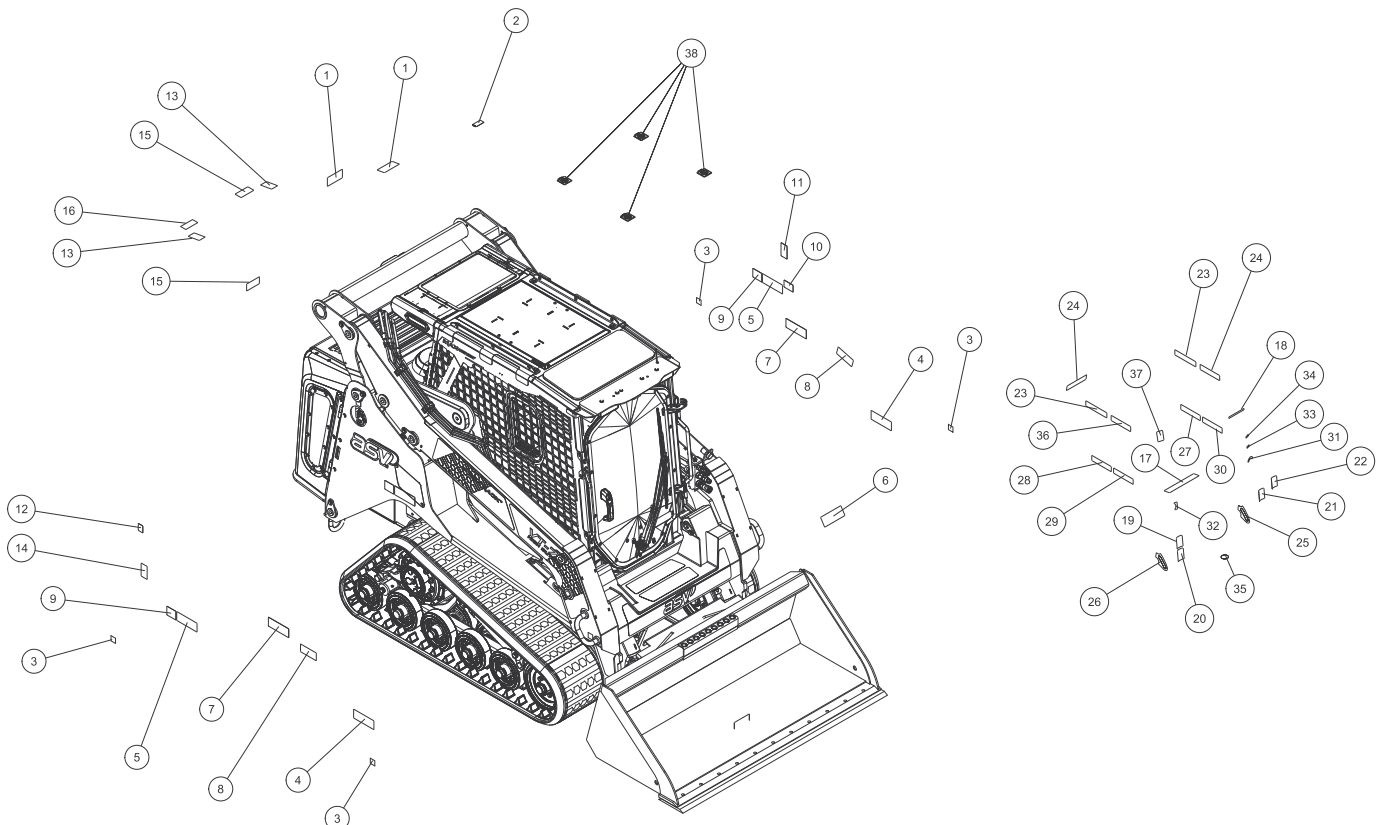
ISO SAFETY DECALS

VT-70 HO valid from H03000

Chapter 9

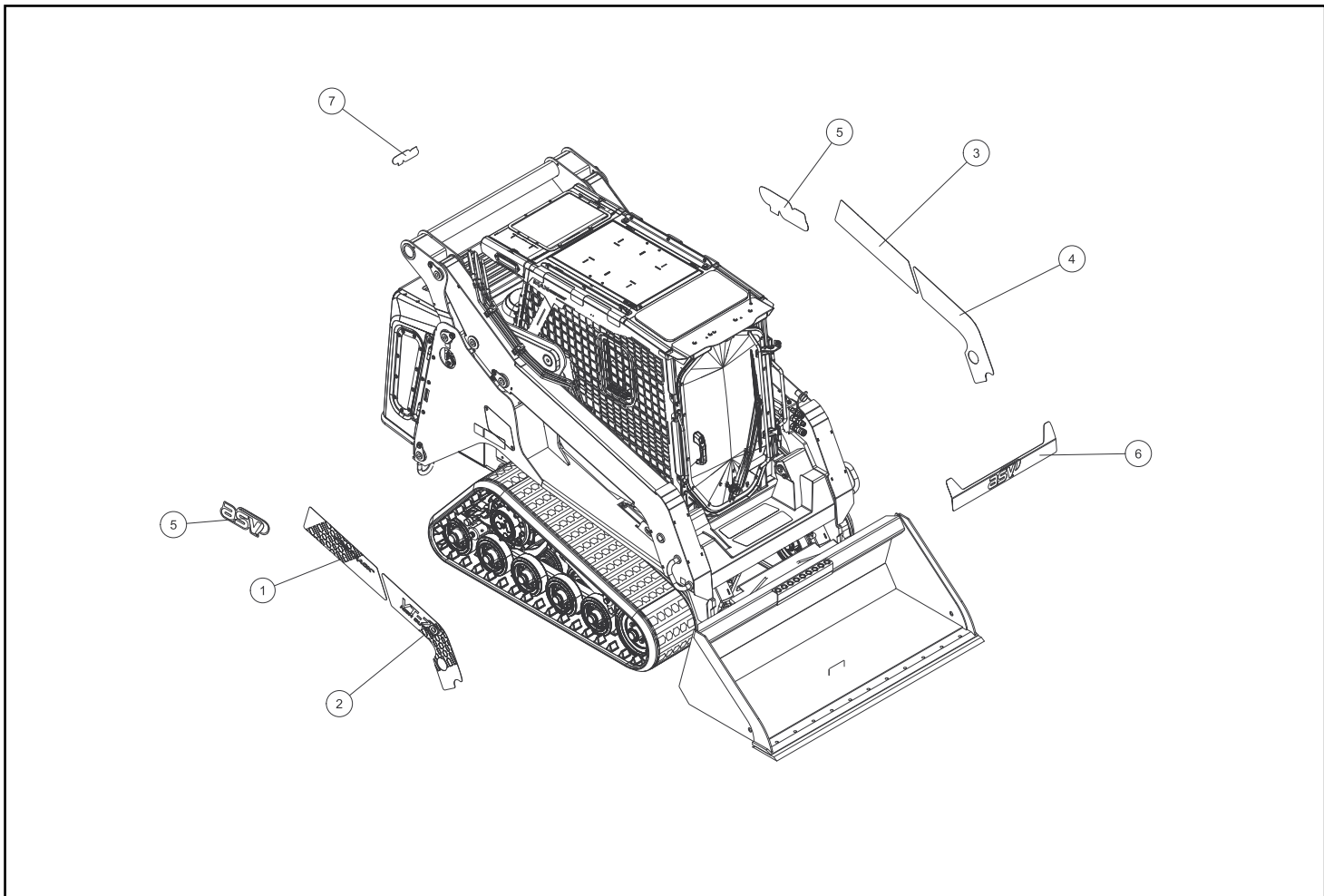
REF. NO.	PART NUMBER	QTY.	DESCRIPTION	REF. NO.	PART NUMBER	QTY.	DESCRIPTION
1		2	DECAL ISO HOT SURFACES - HORIZONTAL				
2		1	DECAL, ISO WARNING ACCUMULATOR				
3		4	DECAL, TIE DOWN 156-5762				
4		2	DECAL BOOM CRUSH PT (NO TEXT) ISO				
5		2	DECAL MOVING PARTS (TRACK WARNING)				
6		1	DECAL 3 POINT (NO TEXT) ISO				
7		2	DECAL ISO SAFETY SKIN OIL INJE				
8		2	DECAL LOADER LOCK (NO TEXT) ISO				
9		2	DECAL ISO CLEAN UNDERCARRIAGES NOTICE				
10		1	DECAL ISO ULTRA LOW SULFUR DIESEL				
11		1	DECAL ISO ULSD FUEL HANDLING P				
12		1	DECAL CE HYDRAULIC OIL ONLY				
13		2	DECAL ISO SAFETY EXHAUST HOT				
14		1	DECAL ISO SAFETY BATTERY				
15		2	DECAL ISO SAFETY FAN AND BELT				
16		1	Decal, ISO Safety Radiator Burn Scald				
17		1	DECAL, ISO - LAPBAR				
18		1	DECAL, PROP 65 SLT				
19		1	DECAL, ISO, READ O&M MAXSIGHT				
20		1	DECAL ISO MANUAL LOCATION BEHIND SEAT				
21		1	DECAL, ISO CTL ROLLOVER, CARRY LOADS MS				
22		1	DECAL, ISO SSL ROLLOVER, CARRY LOADS MS				
23		2	DECAL, ISO EMERG EXIT, ROOF MAXSIGHT				
24		2	DECAL, ISO EMERG EXIT, BREAK GLASS MS				
25		1	DECAL, JOYSTICK ADJ REF LT MAXSIGHT				
26		1	DECAL, JOYSTICK ADJ REF RT MAXSIGHT				
27		1	DECAL, ARMREST ADJ LT MAXSIGHT				
28		1	DECAL, ARMREST ADJ LT MAXSIGHT				
29		1	DECAL, JOYSTICK ADJ RT MAXSIGHT				
30		1	DECAL, JOYSTICK ADJ RT MAXSIGHT				
31		1	DECAL, WAIT TO START MAXSIGHT				
32		1	DECAL, THROTTLE				
33		1	DECAL, QUICK ATTACH LOCK MAXSIGHT				
34		1	DECAL, QUICK ATTACH UNLOCK MAXSIGHT				
35		1	DECAL, WASHER FLUID TANK				
36		1	DECAL, ISO EMERG EXIT, CUT SEATBELT				
37		1	DECAL, ISO HIGH FLOW NOTICE				
38		4	DECAL - NOT A LIFT POINT				

Safety decals are sold in sheet form only. Quantities and descriptions listed above are for reference / placement.
Cab Interior Decal Sheet: 2018-064 Chassis Exterior Decal Sheet: 7072-099



REF. NO.	PART NUMBER	QTY.	DESCRIPTION
1	7071-663	1	DECAL LOADER RH REAR
2	7074-002	1	DECAL LOADER RH FRONT
3	7071-665	1	DECAL LOADER LH REAR
4	7074-004	1	DECAL LOADER LH FRONT
5	2030-333	2	DECAL ASV
6	7073-505	1	DECAL LOADER FRONT
7	2052-422	1	DECAL ASV 8 1/2 LONG

REF. NO.	PART NUMBER	QTY.	DESCRIPTION



Kits

<u>Page</u>	<u>Kit</u>	<u>Part number</u>
7-5A	Glass Door Kit	2018-320
7-6A	Poly Door kit- Field Install	2018-321
3-10A	Bucket Positioning Kit Field Install	7074-053
3-11A	Ride Control Field Kit Install	7074-055
7-2	BT Radio Upgrade Kit Field Install	2018-304
6-1A	Foot Throttle Kit Field Install	7074-056
4-1A	Rear View Camera Kit Field Install	2018-325
4-4A	Open Rops Side Lights Kit Field Install	2018-324
4-4A	All Weather Cab Side Lights Kit Field Install	2018-323
N/A	Side Screens Kit Field Install	2018-322
7-1A	Level II FOPS Kit Field Install	2018-317
4-2A	Attachment Control Kit Field Install	2018-318
N/A	Beacon Kit Field Install	2018-319
N/A	3 Point Harness Kit Field Install	2018-305
7-2	Deluxe Display Upgrade Kit Field Install	2018-303



ASV Holdings Inc.

840 Lily Lane

Grand Rapids, MN 55744

1-800-205-9913

www.asvi.com