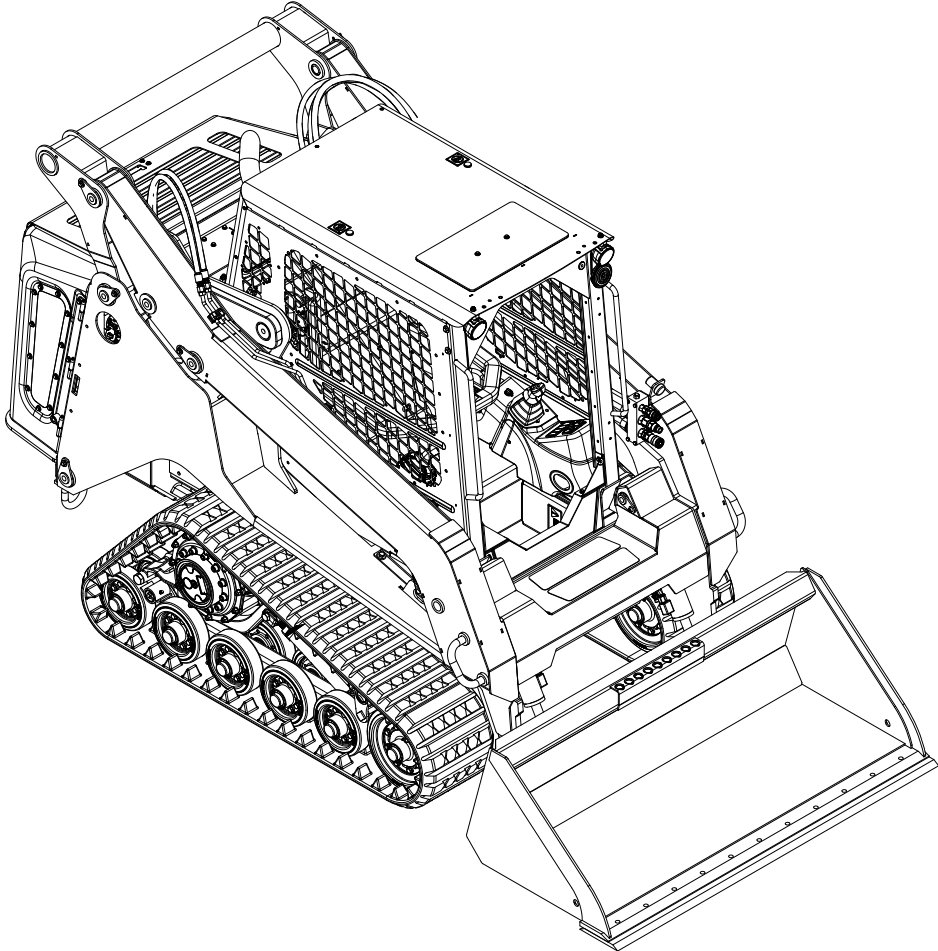


Master Parts Manual

Compact Track Loader



VT-70

High Output

Part Number 0404-854
Printed 6/20

Table of Contents

1. **Service Parts**
 - 1-1 General Service Items / Lubricants
 - 1-2 Component Service Items / Harnesses
 - 1-3 Harnesses
2. **Fuel/Engine**
 - 2-1 Fuel System
 - 2-2 Diesel Engine
 - 2-3 Cooling System
 - 2-4 Intake / Exhaust
3. **Hydraulic Components**
 - 3-1 Hydraulic Reservoir
 - 3-2 Hydraulic Control Valve / Blocks
 - 3-3 Hydraulic Cylinders / Lift Arm Assembly
 - 3-4 Auxiliary Lift Arm Tubes
 - 3-5 Hydraulic Control
 - 3-6 Hydraulic Drive 2 spd
 - 3-7 Hydraulic Drive 1 spd
 - 3-8 Hydraulic Auxiliary - Flow
 - 3-9 Hydraulic Auxiliary - High Flow
 - 3-10 Bucket Positioning
 - 3-11 Ride Control
4. **Electrical**
 - 4-1 Switches / Dash Panel
 - 4-2 Battery / Harnesses
 - 4-3 Fuse Panel
 - 4-4 Exterior Lights
5. **Undercarriage**
 - 5-1 Axles / Tracks
 - 5-2 Undercarriage RT
 - 5-3 Undercarriage LT
6. **Mainframe**
 - 6-1 Chassis
 - 6-2 Sub-Frame
 - 6-3 Hoods / Rear Door
7. **Cab / Heating / Air Conditioning**
 - 7-1 Cab
 - 7-2 Cab Interior / Headliner
 - 7-3 Door / Windows
 - 7-4 Poly Door
 - 7-5 Wiper
 - 7-6 Suspension Seat / Seatbelt
 - 7-7 Standard Seat / Seatbelt
 - 7-8 Heater (optional)
 - 7-9 HVAC (optional)
 - 7-10 Ductwork (optional)
8. **Working Equipment**
 - 8-1 Lift Arms
 - 8-2 Quick Attach- Manual
 - 8-3 Quick Attach- Hydraulic (optional)
9. **Graphics / Safety Decals**
 - 9-1 ISO Safety Decals
 - 9-2 Machine Graphics ASV
10. **Kits**
 - 10-1 Kits

* Parts manuals are updated frequently. To ensure current parts information, always refer to the latest version of this manual (posted online, consult your dealer).

NOTE: When ordering parts that are painted, a specific part number format is required. Please refer to page II of this manual for paint code and ordering information.

Painted Service Parts

ordering guidelines

Compact Track and Skid Steer Loaders are available in various colors and nomenclatures (brands / model names). **Paint color needs to be specified when ordering painted components.** When ordering painted components, inform the support representative of the brand and model name of your machine before selecting the proper color from the list below. The support representative should be able to assist you in finding the correct one based on your machine's **VIN number**. This should help to identify the original machine configuration and nomenclature.

***Note:** Not all colors are available on all components. Available colors are limited to those considered "standard" on your particular machine and component(s). Please do not attempt to order non-standard colors for your machine as the order will not be fulfilled until corrected.

The color codes are to be referenced as a suffix to the part number of the component you are requesting, for example: 0000-000-GRN (indicating a green part).

The following is a list of available colors.

<u>Color</u>	<u>Color Code:</u>
BLACK	BLK (ALL MODELS)
YELLOW	YEY (ASV)
WHITE	WHT (TEREX)
GREEN	GRN (SUNBELT)
GRAY	GRY (TEE)
ORANGE	ORN (ASPLUNDH)

Chapter 1

Service Parts

1-1 General Service Items / Lubricants

1-2 Component Service Items / Harnesses

1-3 Harnesses

* Parts manuals are updated frequently. To ensure current parts information, always refer to the latest version of this manual (posted online, consult your dealer).

GENERAL SERVICE ITEMS & LUBRICANTS

NOTE: Please refer to your machine specific operation and maintenance manual for fluid type and capacity specifications.

<u>ITEM</u>	<u>DESCRIPTION</u>	<u>PART NUMBER</u>
-Engine Oil Filter	Filter, Engine Oil	0404-518
-Primary Air Filter	Filter, Primary Air	0201-510
-Secondary Air Filter	Filter, Secondary Air	0201-533
-Fuel Filter/ Primary	Filter, Fuel	0404-520
-Fuel Pre-Filter	Pre-Filter, Fuel	0404-519
-Accessory Belt	Belt, non-A/C	0404-525
-Accessor Belt - A/C	Belt, A/C	7073-148
250 Hour Service Kit	Kit, 250 hr	0404-865
500 Hour Service Kit	Kit, 250 hr	0404-874

HYDRAULIC SERVICE ITEMS & LUBRICANTS

<u>ITEM</u>	<u>DESCRIPTION</u>	<u>PART NUMBER</u>
-Hydraulic Charge Oil Filter	Filter, Hydraulic Charge	0404-161
Case Drain Oil Filter	Filter, Hydraulic Case Drain	2046-286
Hydraulic, Filter	Filter, Hydraulic	7070-398

<u>O-RING</u>	<u>PART NUMBER</u>
-# 4, Flat Face Type	2055-196
-# 6, Flat Face Type	0310-285
-# 8, Flat Face Type	0310-286
-# 10, Flat Face Type	0310-287
-# 12, Flat Face Type	0310-288
-# 16, Flat Face Type	0310-289
-# 20, Flat Face Type	0310-290
-# 24, Flat Face Type	0201-479
-# 4, ORB Type	0314-366
-# 6, ORB Type	0310-619
-# 8, ORB Type	0307-353
-# 10, ORB Type	0310-620
-# 12, ORB Type	0310-621
-# 16, ORB Type	0307-354
-# 20, ORB Type	0310-832

COMPONENT SERVICE ITEMS

Hydraulic Cylinders

- Bucket/Tilt RH P/N: 7071-872 • RH-Q/A P/N: 2046-317
- Bucket/Tilt LH P/N: 7071-871 • LH-Q/A P/N: 2046-316
- Lift-Arm P/N: 7071-870

<u>ITEM</u>	<u>DESCRIPTION</u>	<u>PART NUMBER</u>
-Kit, Seal, Q/A Cylinder	Fits Cylinder (P/N:2046-316 / 2046-317)	2076-292
-Rod Bushing, Tilt Cylinder	Fits Cylinder (P/N:7071-871 / 7071-872)	7072-992
-Base Bushing, Tilt Cylinder	Fits Cylinder (P/N:7071-871 / 7071-872)	7072-993
-Seal Kit, Tilt Cylinder	Fits Cylinder (P/N:7071-871 / 7071-872)	7072-987
-Piston, Tilt Cylinder	Fits Cylinder (P/N:7071-871 / 7071-872)	7072-990
-Nut, Tilt Cylinder	Fits Cylinder (P/N:7071-871 / 7071-872)	7072-985
-Rod, Tilt Cylinder	Fits Cylinder (P/N:7071-871 / 7071-872)	7072-988
-End Gland, Tilt Cylinder	Fits Cylinder (P/N:7071-871 / 7071-872)	7072-989
-Base/Rod Bushing, Lift Arm Cyl	Fits Cylinder (P/N:7072-870)	7072-986
-Seal Kit, Lift Arm Cylinder	Fits Cylinder (P/N:7072-870)	7072-981
-Piston, Lift Arm Cylinder	Fits Cylinder (P/N:7072-870)	7072-984
-Nut, Lift Arm Cylinder	Fits Cylinder (P/N:7072-870)	7072-985
-Rod, Lift Arm Cylinder	Fits Cylinder (P/N:7072-870)	7072-982
-End Gland, Lift Arm Cylinder	Fits Cylinder (P/N:7072-870)	7072-983
	Fits Cylinder (P/N:7072-870)	

HARNESSES

<u>ITEM</u>	<u>LOCATION</u>	<u>PART NUMBER</u>
Main Cab Harness	Cab	3000-707
Main Harness	Chassis (throughout machine)	7073-043
Auxiliary	Lift Arm	7000-117
Condenser Harness	Rear of Cab, A/C Fans	7011-184
Fuel Pressure Harness	Engine	7073-157
Radio/Air conditioning Harness	Cab	3000-775
Battery Cable Positive	Battery	7073-078
Battery Cable Negative	Battery	7073-129
Horn Relay	RH Joystick	2095-928
Fan Jumper	Cooler	3020-328
Hood Harness	Hood	7071-374
Dual Light Jumper (0404-616 LED kit)	Cab	3020-450
Alternator Jumper Harness	Engine	7073-211
Jumper (2 pin, 2-spd, man. QA, non-CE)	Dash	2015-042
Jumper (4 pin, no ride control)	Dash	2015-070
Antenna Extension	Cab	2076-120
Seat Switch Harness - Air Ride	Cab	2017-402
Seat Switch Harness - Mechanical	Cab	2017-400

Chapter 2

Fuel / Engine

2-1 Fuel System

VT-70 HO Serial # valid from - H01937 **2-1A**

2-2 Diesel Engine

VT-70 HO Serial # valid from - H01937 **2-2A**

2-3 Cooling System

VT-70 HO Serial # valid from - H01937 **2-3A**

2-4 Intake / Exhaust

VT-70 HO Serial # valid from - H01937 **2-4A**

*** Parts manuals are updated frequently. To ensure current parts information, always refer to the latest version of this manual (posted online, consult your dealer).**

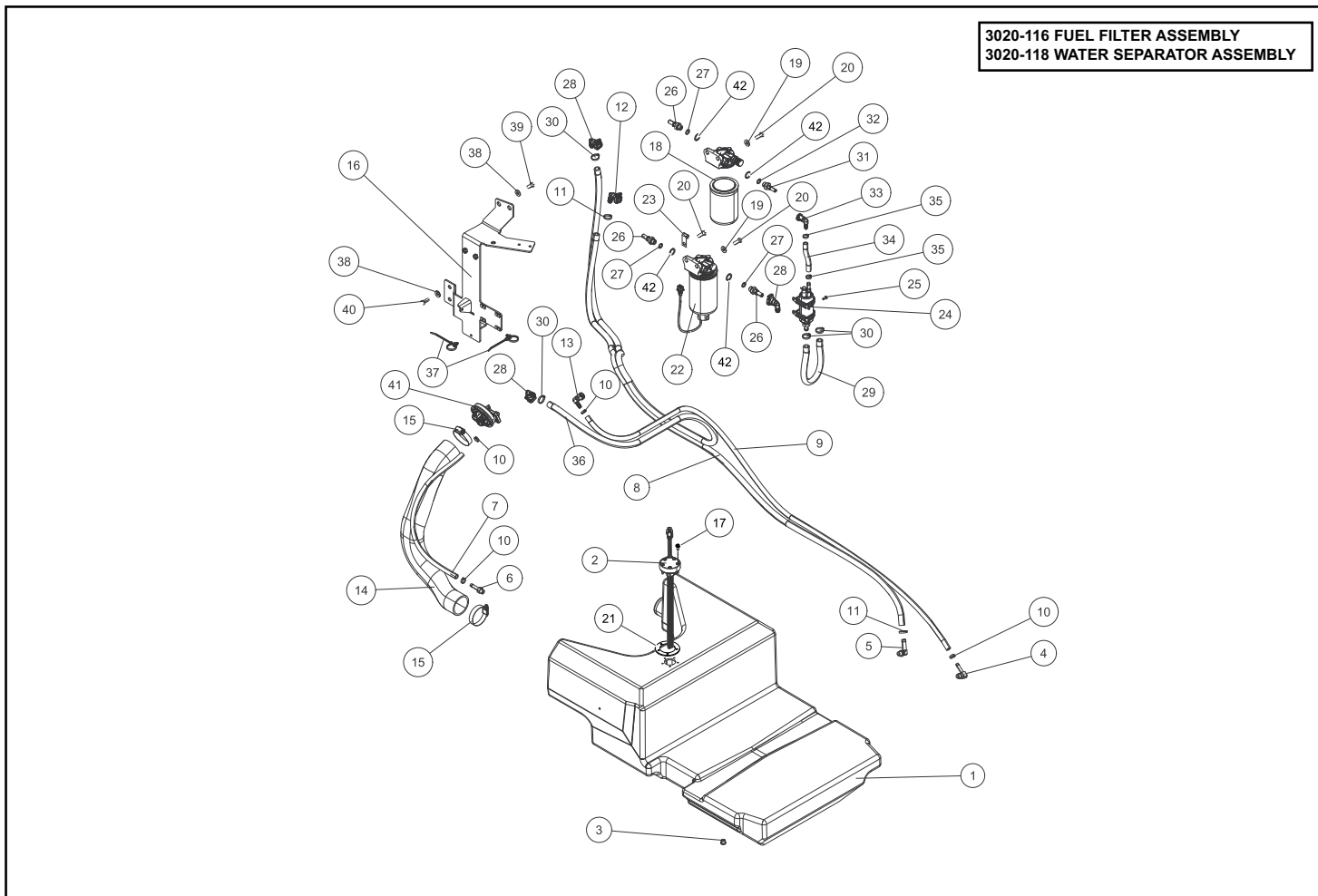
NOTE: When ordering parts that are painted, a specific part number format is required. Please refer to page II of this manual for paint code and ordering information.

FUEL SYSTEM

VT-70 HO valid from H01937

Chapter 2

REF. NO.	PART NUMBER	QTY.	DESCRIPTION	REF. NO.	PART NUMBER	QTY.	DESCRIPTION
1	7070-301	1	TANK, FUEL	41	2045-407	1	CAP. FUEL, GREEN
2	7071-856	1	SENDER, FUEL, 3 TERM, 1/4 V	42	7012-295	4	O-RING RETAINER 16MM
3	2010-130	1	PLUG,ORING, 9/16-18 ALLEN HEAD				
4	7006-024	1	ADAPTER, 4604-06-06-O				
5	0201-493	1	ADAPTER, 4601-08-06-NWO				
6	0201-494	1	ADAPTER, 4604-06-06-O				
7	7071-476	1	HOSE, FUEL, VENT				
8	7073-106	1	HOSE, FUEL, 0.50 ID, 0.78 OD, 87.37				
9	7073-114	1	HOSE, FUEL, 0.38 ID, 0.62 OD, 73.68				
10	0316-014	4	CLAMP 22.5 TO 25.6MM STEPLESS EAR CLAMP				
11	0316-013	2	CLAMP 22.5 TO 25.6MM STEPLESS EAR CLAMP				
12	0316-012	1	FITTING QC FEMALE 12MM X 1/2 BARB, 90°				
13	0316-011	1	FITTING QC FEMALE 9.89MM X 3/8 BARB, 90°				
14	7073-079	1	HOSE, FILL, FUEL, FORMED				
15	0303-175	2	CLAMP, HOSE, 2-2.5 HI TORQUE				
16	7073-111	1	WLMT, BRACKET, FUEL FILTER				
17	0090-165	5	SCREW MACHINE #10-24 X 1-1/4 ZN				
18	0404-520	1	FILTER FUER SECONDARY, DEUTZ 75HP ENGINE				
19	8050-262	3	WASHER,FLAT,5/16,STD				
20	8102-222	4	CAPSCREW,HH,3/8-16UNCx1.0,GD8				
21	7071-988	1	GASKET, FUEL SENDER				
22	0404-519	1	FILTER FUEL PRIMARY, DEUTZ 75HP ENGINE				
23	0090-473	1	J-CLIP				
24	3020-117	1	SERVICE PARTS, PUMP, FUEL, DEUTZ				
25	0090-611	4	SCREW, PAN HEAD, SIZE 10				
26	7012-215	3	FITTING M16X1.5 TO 12.00MM				
27	0316-010	3	O-RING 13.3MM X 2.2MM (NITRILE)				
28	0316-012	3	FITTING QC FEMALE 12MM X 1/2 BARB, 90°				
29	7073-107	1	HOSE, FUEL, 0.50 ID, 0.78 OD, 14.00				
30	0316-013	4	CLAMP 22.5 TO 25.6MM STEPLESS EAR CLAMP				
31	7012-214	1	FITTING M16X1.5 TO 10.00MM				
32	0316-010	1	O-RING 13.3MM X 2.2MM (NITRILE)				
33	0316-011	1	FITTING QC FEMALE 9.89MM X 3/8 BARB, 90°				
34	7073-108	1	HOSE, FUEL, 0.38 ID, 0.62 OD, 4.36				
35	0316-014	2	CLAMP 22.5 TO 25.6MM STEPLESS EAR CLAMP				
36	7073-109	1	HOSE, FUEL, 0.50 ID, 0.78 OD, 92.37				
37	0090-172	2	TIE CABLE TREE MOUNT 50 LB				
38	8050-262	4	WASHER,FLAT,5/16,STD				
39	8102-220	2	CAPSCREW,HH,3/8-16UNCx0.75,GD8				
40	8102-222	2	CAPSCREW,HH,3/8-16UNCx1.0,GD8				



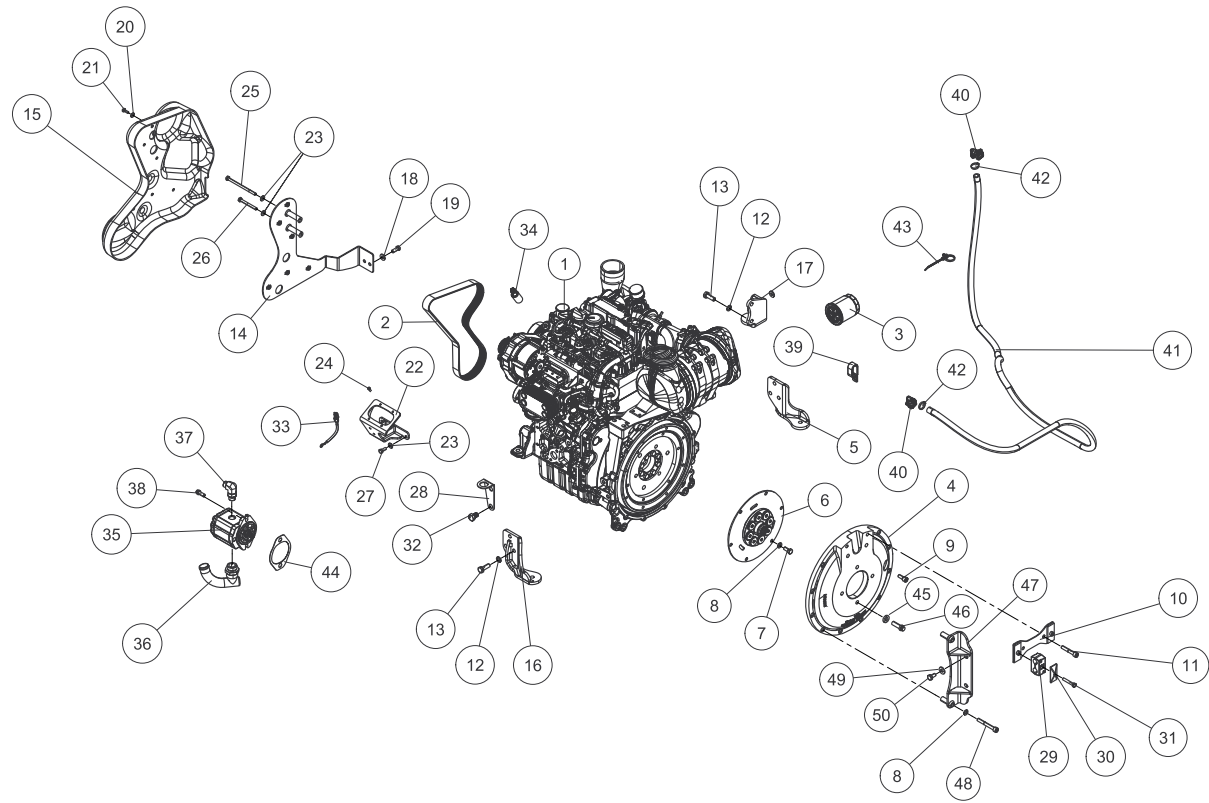
DIESEL ENGINE

VT-70 HO valid from H01937

Chapter 2

REF. NO.	PART NUMBER	QTY.	DESCRIPTION	REF. NO.	PART NUMBER	QTY.	DESCRIPTION
1	7073-050	1	ENGINE, DEUTZ, TCD 2.2 L3 67	41	7073-109	1	HOSE, FUEL, 0.50 ID, 0.78 OD, 92.37
2	0404-525	1	BELT, DEUTZ 75HP ENGINE	42	0316-013	2	CLAMP 22.5 TO 25.6MM STEPLESS EAR CLAMP
3	0404-518	1	FILTER ENGINE OIL, DEUTZ 75HP ENGINE	43	0090-172	1	TIE CABLE TREE MOUNT 50 LB
4	3020-148	1	HOUSING, COUPLING CAST, GUARDIAN	44	0302-322	1	GASKET, PTO
5	7073-056	1	WLMT, LF ENG MNT	45	0090-136	2	WASHER HARD 1.0 X .531 X .197
6	3020-149	1	PLATE, COUPLING	46	0304-133	2	CAPSCREW,12PT,1/2-13UNC X 1.5"GD8,ZN
7	0303-095	6	CAPSCREW,HHM10x1.50x25	47	7073-265	1	WLMT, SUPPORT, DRIVE PUMP
8	0090-104	6	WASHER, 402x.728x.098, HARD, YZD	48	0090-783	2	M10-1.5 x 80MM HEX 12.9 BLACK OXIDE SHCS
9	0314-237	10	CAPSCREW,SOC,M10x1.5x25MM GD 12.9	49	8050-282	2	WASHER,WROUGHT,3/8,STD,ZN
10	7073-182	1	WLMT, FUEL LINE	50	0090-720	1	CAPSCREW, M10-1.5 x 20mm DIN 933 CLASS 10.9
11	0090-549	2	CAPSCREW,SOCHD,M10x1.25x60,ZN, CL 12.9				
12	0090-763	8	WASHER, NORD-LOCK, NL 1/2				
13	0300-525	8	CAPSCREW,HH,GR10.9 M12 x 35MM 39207				
14	7073-085	1	WLMT, BELT GUARD MOUNT				
15	7073-084	1	GUARD, BELT				
16	7073-057	1	WLMT, RF ENG MNT				
17	7073-058	1	WLMT, LR ENG MNT				
18	8050-262	2	WASHER,FLAT,5/16,STD				
19	8102-222	2	CAPSCREW,HH,3/8-16UNCx1.0,GD8				
20	8050-221	6	WASHER,FLAT,1/4,SAE				
21	8102-040	6	CAPSCREW,HH,1/4-20x.75				
22	7073-159	1	WLMT, ENG, HARNESS BRKT				
23	8050-222	4	WASHER,FLAT,1/4,STD				
24	8105-429	4	CAPSCREW,SOC HD,10-24x.625				
25	0090-761	1	M8-1.25 x 130mm DIN 931 CLASS 10.9 YZ				
26	0090-040	1	CAPSCREW, HH, M8X1.25X75MM G. 8.8				
27	0307-720	2	CAPSCREW, HH, M8 X 1.25 X 20				
28	7073-185	1	PLATE, FUEL PRESS CONN BRKT				
29	0310-733	2	INSERT, CLAMP, TWIN, .75 T3075-PP				
30	0310-828	2	COVER, CLAMP, 3/4 TCP-T3				
31	8102-137	2	CAPSCREW,HH,5/16-18UNCx2.0,GD8				
32	0090-758	2	CAPSCREW HEX M14-2.0 x 20 MM DIN				
33	7073-211	1	HARNESS, ALTERNATOR JUMPER				
34	7073-221	1	ASSY, CCV HEATER, W/CONNECTOR				
35	3100-002	1	CHARGE PUMP, 17 cc, CCW, 9 TOOTH				
36	7073-095	1	TUBE, MANIFOLD, LOWER				
37	0090-228	1	ADAPTER 8FFORX-10MB-90 NWO FS6801-08-10				
38	2045-458	2	CAPSCREW, FERRY, M10X1.5X25mm				
39	2045-661	1	P CLAMP, TWIN, 3/4				
40	0316-012	2	FITTING QC FEMALE 12MM X 1/2 BARB, 90°				

7072-971 SEAL KIT (FOR ITEM 35)

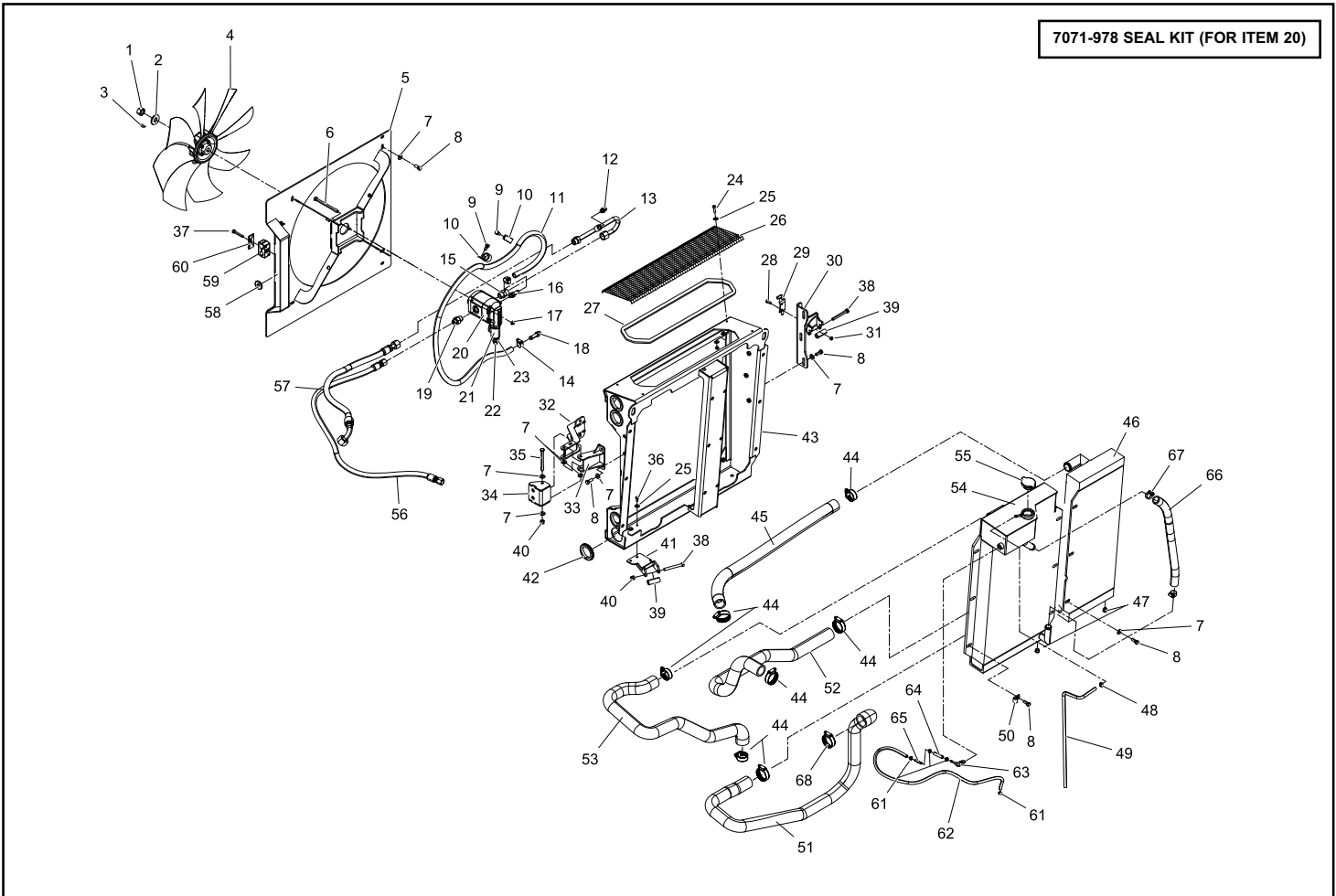


COOLING SYSTEM

VT-70 HO valid from H01937

Chapter 2

REF. NO.	PART NUMBER	QTY.	DESCRIPTION	REF. NO.	PART NUMBER	QTY.	DESCRIPTION
1	0090-484	1	NUT M12x1.5x6MM	41	7071-734	1	WLMT, SUPPORT, ROLLER
2	0201-574	1	WASHER, SPRING, LOCK, 12MM	42	7002-226	4	GROMMET
3	2096-900	1	KEY WOODRUFF DIN 6888 3MM X 5MM X 13MM	43	7071-560	1	WLMT, SHROUD, COOLER
4	7002-201	1	FAN 22" (available ONLY as an assembly, balanced)	44	0315-150	7	CLAMP, SMART SEAL, #238
5	7071-033	1	WLMT, HYD FAN, 55/65 SSL	45	7071-874	1	HOSE, HYD, 1.5"
6	8102-236	2	CAPSCREW, HH, 3/8-16UNCx5.0 GD8,	46	7071-921	1	COOLER OIL
7	8050-262	29	WASHER, WROUGHT, 5/16, STD, ZN	47	2010-130	2	PLUG ORING 9/16-18 ALLEN HEAD
8	8102-222	25	CAPSCREW, HH, 3/8-16 UNCx1.0, GD8, ZN	48	0304-800	1	CLAMP, OVER FLOW, COOLANT ARDEN
9	8102-220	2	CAPSCREW, HH, 3/8-16x0.75", GD8	49	3030-329	1	HOSE, CLEAR, POLY VINYL CHLORIDE, 5/16 ID
10	0310-467	2	CLAMP, WIRE, 1.0, RBC-1	50	0310-464	2	CLAMP, WIRE, 1/2 RBC-1/2
11	7071-495	1	HOSE, CASE DRAIN, FAN MOTOR	51	7073-074	1	HOSE, FORMED
12	0314-043	1	COUPLING, PORT, TEST, MALE, #6SAE-M 6V3965	52	7071-076	1	HOSE, COOLER TO HYD TANK, FORMED
13	7071-052	1	TUBE, FAN MOTOR, BOTTOM	53	7073-073	1	HOSE, FORMED
14	0315-101	2	CLAMP, HOSE, #6	54	7073-055	1	COOLER WATER
15	0310-318	1	ADAPTER, 10MFFOR-10MB	55	0201-884	1	CAP, RADIATOR, 13PSI
16	0315-134	1	ASSY, ADAPTER 12MMX1.5 W / 9.3MM O-RING	56	7073-098	1	HOSE, -8, 1000PSI
17	8041-500	2	NUT, HEX, NYLOCK, 3/8-16 UNC,	57	7071-208	1	HOSE, -8, 435 PSI, FFX-08-08-W, FFX-08-08-W, 36.21"
18	0090-467	1	ADAPTER 4604-08-06-0	58	0090-550	1	GROMMET LIGHT HARNESS
19	0310-934	1	ADAPTER, 8MFFOR-10MB, 8-10 F5OLO-S	59	7071-909	1	CLAMP, TWIN, 75"/1" T3075-PP
20	7071-021	1	MOTOR, FAN, W/SOLENOID, 16 CC	60	0310-828	1	COVER, CLAMP, 3/4" TCP-T3 BEHRINGER
21	7071-972	1	SERVICE PARTS, SOLENOID, FAN MOTOR	61	0316-015	4	CLAMP 10.8 TO 13.3 MM STEPLESS EAR CLAMP
22	7071-973	1	SERVICE PARTS, VALVE, COMPLETE, FAN MOTOR	62	7073-197	1	HOSE, VENT, COOLER
23	7071-974	1	SERVICE PARTS, NUT, SOLENOID, FAN MOTOR	63	0315-163	1	ADAPTER, 04HB-06NWO-90
24	8102-042	4	CAPSCREW, HH 1/4-20UNC 1" GD8	64	7012-260	1	HOSE, RADIATOR ORIFICE
25	8050-222	6	WASHER, WROUGHT, 1/4, STD, ZN	65	3020-142	1	FITTING, DEUTZ SHUNT ORIFICE
26	7071-887	1	SCREEN, CAC (installs inside item 43)	66	7073-081	1	HOSE, COMP, 1"
27	7071-567	1	FOAM, .125 X .75	67	0315-104	2	CLAMP, HOSE, #16
28	8102-040	2	CAPSCREW, HH, 1/4-20UNCx.75, GD8	68	0315-151	1	CLAMP, SMART SEAL, #275
29	7010-722	1	LATCH BOLT				
30	7073-040	1	WLMT, LATCH, COOLING PACK				
31	8040-366	2	NUT, HEX, NYLOCK, 1/4-20 UNC, ZN				
32	7071-571	2	WLMT, HINGE, SHROUD, FAN				
33	7071-555	2	WLMT, HINGE, SHROUD, COOLER				
34	7071-551	2	WLMT, HINGE, COOLING PACKAGE				
35	8102-234	2	CAPSCREW, HH, 3/8-16UNCx4.0, GD8,				
36	8102-039	2	CAPSCREW, HH, 1/4-20UNCx.625, GD8				
37	8102-137	2	CAPSCREW, HH, 5/16-18UNCx2.0 GD8 ZN				
38	8102-232	2	CAPSCREW, HH, 3/8-16, UNCx3.25, GD				
39	7071-193	2	TUBE, .406 x .75 x 1.5"				
40	8040-486	4	NUT, HEX, NYLOCK, 3/8-16 UNC, ZN				



Chapter 3

Hydraulic Components

3-1 Hydraulic Reservoir

VT-70 HO Serial # valid from - H01937 **3-1A**

3-2 Hydraulic Control Valve / Blocks

VT-70 HO Serial # valid from - H01937 **3-2A**

3-3 Hydraulic Cylinders- Lift Arm Assembly

VT-70 HO Serial # valid from - H01937 **3-3A**

3-4 Hydraulic Auxiliary Lift Arm Tubes

VT-70 HO Serial # valid from - H01937 **3-4A**

3-5 Hydraulic Control

VT-70 HO Serial # valid from - H01937 **3-5A**

3-6 Hydraulic Drive - 2spd

VT-70 HO Serial # valid from - H01937 **3-6A**

3-7 Hydraulic Drive - 1spd

VT-70 HO Serial # valid from - H02001 **3-7A**

3-8 Hydraulic Auxiliary - Flow

VT-70 HO Serial # valid from - H01937 **3-8A**

3-9 Hydraulic Auxiliary - High Flow

VT-70 HO Serial # valid from - H01937 **3-9A**

3-10 Bucket Positioning

VT-70 HO Serial # valid from - H01937 **3-10A**

3-11 Ride Control

VT-70 HO Serial # valid from - H01937 **3-11A**

*** Parts manuals are updated frequently. To ensure current parts information, always refer to the latest version of this manual (posted online, consult your dealer).**

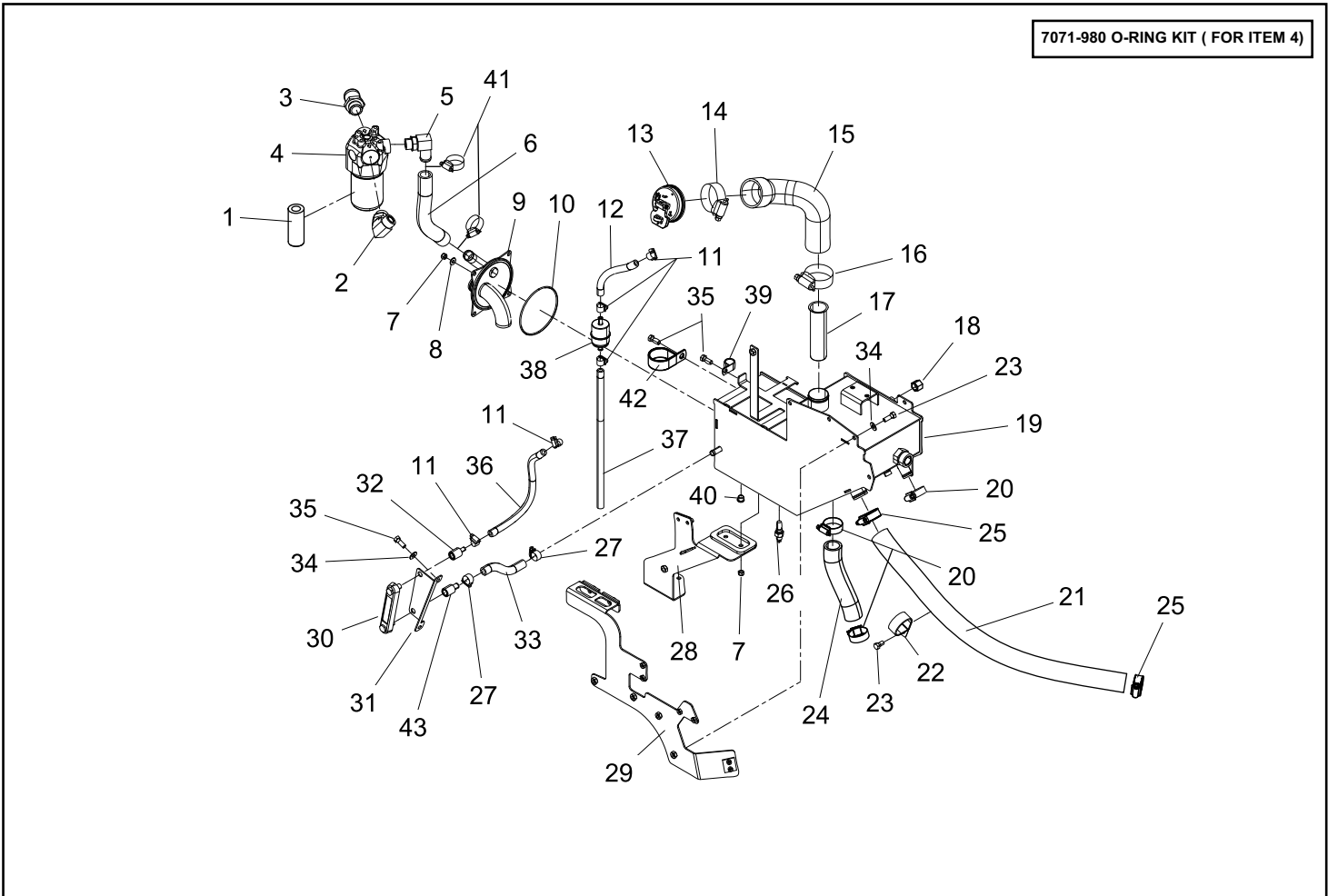
NOTE: When ordering parts that are painted, a specific part number format is required. Please refer to page II of this manual for paint code and ordering information.

HYDRAULIC RESERVOIR

VT-70 HO valid from H01937

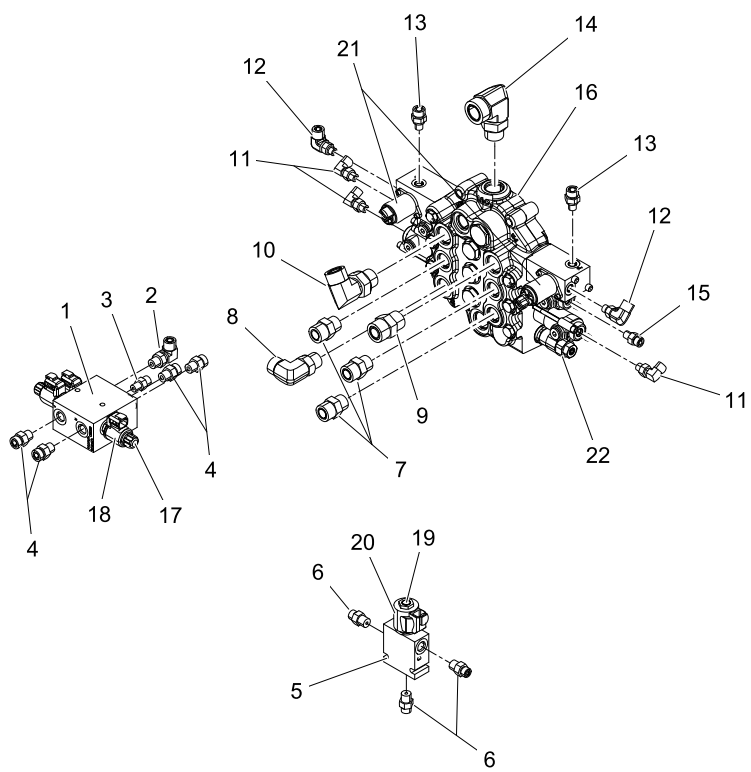
Chapter 3

REF. NO.	PART NUMBER	QTY.	DESCRIPTION	REF. NO.	PART NUMBER	QTY.	DESCRIPTION
1	7070-398	1	ELEMENT FILTER MP FILTRI #2	41	0315-104	2	CLAMP, HOSE, #16
2	0310-343	1	ADAPTER,16MFFOR-16MB-90^	42	2046-070	1	CLAMP P 2"
3	2075-231	1	ADAPTER 16 MORB-1.5" HB	43	2075-328	1	NIPPLE SIGHT GAUGE 1/2"
4	7070-279	1	FILTER, MP FILTRI #2 (ASSEMBLY, INCLUDES. ITEM 1)				
5	0090-423	1	ADAPTER 4601-16-12-NOW				
6	7071-372	1	HOSE, BYPASS, HYD				
7	8040-426	6	NUT,HEX,NYLOCK,5/16-18 UNC,ZN				
8	8050-222	4	WASHER,WROUGHT,1/4,STD,ZN				
9	7071-370	1	WLMT, COVER, O-RING, HYD TANK				
10	7071-431	1	O-RING, 50 DUROMETER, -250				
11	0315-100	5	CLAMP, HOSE,#4				
12	7071-484	1	HOSE, VENT, HYD FILTER				
13	2015-245	1	CAP, NON VENTED, HYD OIL				
14	0303-175	1	HOSE,CLAMP,2.75,HI-TORQUE				
15	7071-447	1	HOSE, FORMED, FILL, HYD				
16	0303-175	1	HOSE,CLAMP,2.75,HI-TORQUE				
17	7071-660	1	SCREEN, FILL, HYD				
18	0310-337	1	ADAPTER,CAP,6FFOR 6V9829(FS0304-C-06)				
19	7071-111	1	WLMT, TANK, HYDRAULIC				
20	0303-240	2	CLAMP, HOSE, #16 HI TORQUE				
21	2095-230	1	ASSEMBLY HOSE RETURN COOLER				
22	2046-070	1	CLAMP P 2"				
23	8102-220	5	CAPSCREW,HH,3/8-16x0.75",GD8				
24	7073-099	1	HOSE, SUPPLY, CHARGE				
25	0315-150	2	CLAMP, SMART SEAL, #238				
26	2045-383	1	UNIT SENDING TEMP HYDRAULIC				
27	0315-101	2	CLAMP, HOSE, #6				
28	7071-330	1	WLMT, MNT, HYD TANK				
29	7071-355	1	WLMT, OPTIONS, 2 SPEED / HYD QA BLOCK				
30	0304-642	1	GAUGE,SIGHT 5"				
31	7071-487	1	PLATE, GAUGE, SIGHT				
32	2045-424	1	NIPPLE SIGHT GAUGE				
33	7071-482	1	HOSE, SIGHT GLASS, LOWER				
34	8050-262	2	WASHER,WROUGHT,5/16,STD,ZN				
35	8102-222	4	CAPSCREW,HH,3/8-16 UNCx1.0,GD8,ZN				
36	7071-483	1	HOSE, SIGHT GLASS, UPPER				
37	7071-485	1	HOSE, VENT, HYD TANK				
38	0201-914	1	FILTER,FUEL,3/8",STEEL				
39	0310-466	1	CLAMP,WIRE,3/4 RBC-3/4				
40	2010-130	1	PLUG ORING 9/16-18 ALLEN HEAD				



REF. NO.	PART NUMBER	QTY.	DESCRIPTION	REF. NO.	PART NUMBER	QTY.	DESCRIPTION
1	7005-675	1	MANIFOLD PILOT GENERATION SIZE 6				
2	0310-328	1	ADAPTER,6MFFOR-6MB-90				
3	0201-311	1	ADAPTER,FS6400-04-04-0				
4	0310-329	4	ADAPTER,6MFFOR-6MB				
5	2051-615	1	BLOCK CONTROL				
6	0201-309	3	ADAPTER,FS6400-04-06-0				
7	0310-318	3	ADAPTER,10MFFOR-10MB				
8	0201-668	1	ADAPTER,FS6801-10-10NWO				
9	0310-313	1	ADAPTER,12MFFOR-12MB				
10	0310-321	1	ADAPTER,12MFFOR-12MB90				
11	0201-314	3	ADAPTER,FS6801-04-04-NW0				
12	0310-557	2	ADAPTER,6MFFOR-4MB-90				
13	0314-014	2	ADAPTER,6MFFOR-4MB FS6400-06-04				
14	0310-324	1	ADAPTER,16MFFOR-12MB-90				
15	0201-311	1	ADAPTER,FS6400-04-04-0				
16	3030-395	1	VALVE LOADER 9610				
17	7000-624	3	CARTRIDGE PILOT GEN BLOCK				
18	7000-625	3	COIL PILOT GEN BLOCK				
19	2051-840	1	SPOOL SV08-33				
20	0200-364	1	SOLENOID,W/DEUTSCH CONNECTOR				
21	0404-423	2	SOLENOID CARTRIDGE VALVE				
22	7000-623	1	RELIEF VALVE				

7000-622 SEAL KIT (FOR ITEM 16)



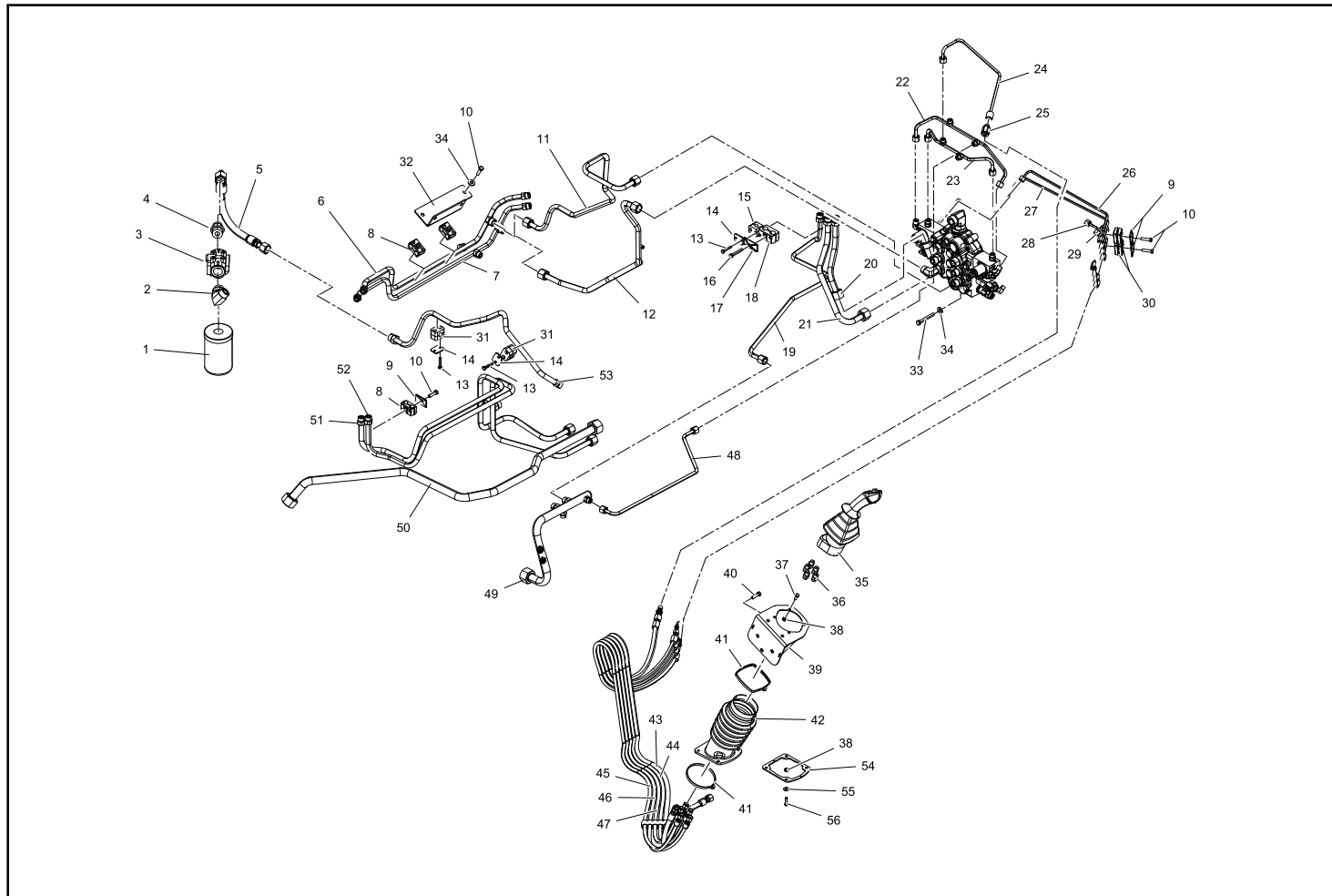
HYDRAULIC CONTROL

VT-70 HO valid from H01937

Chapter 3

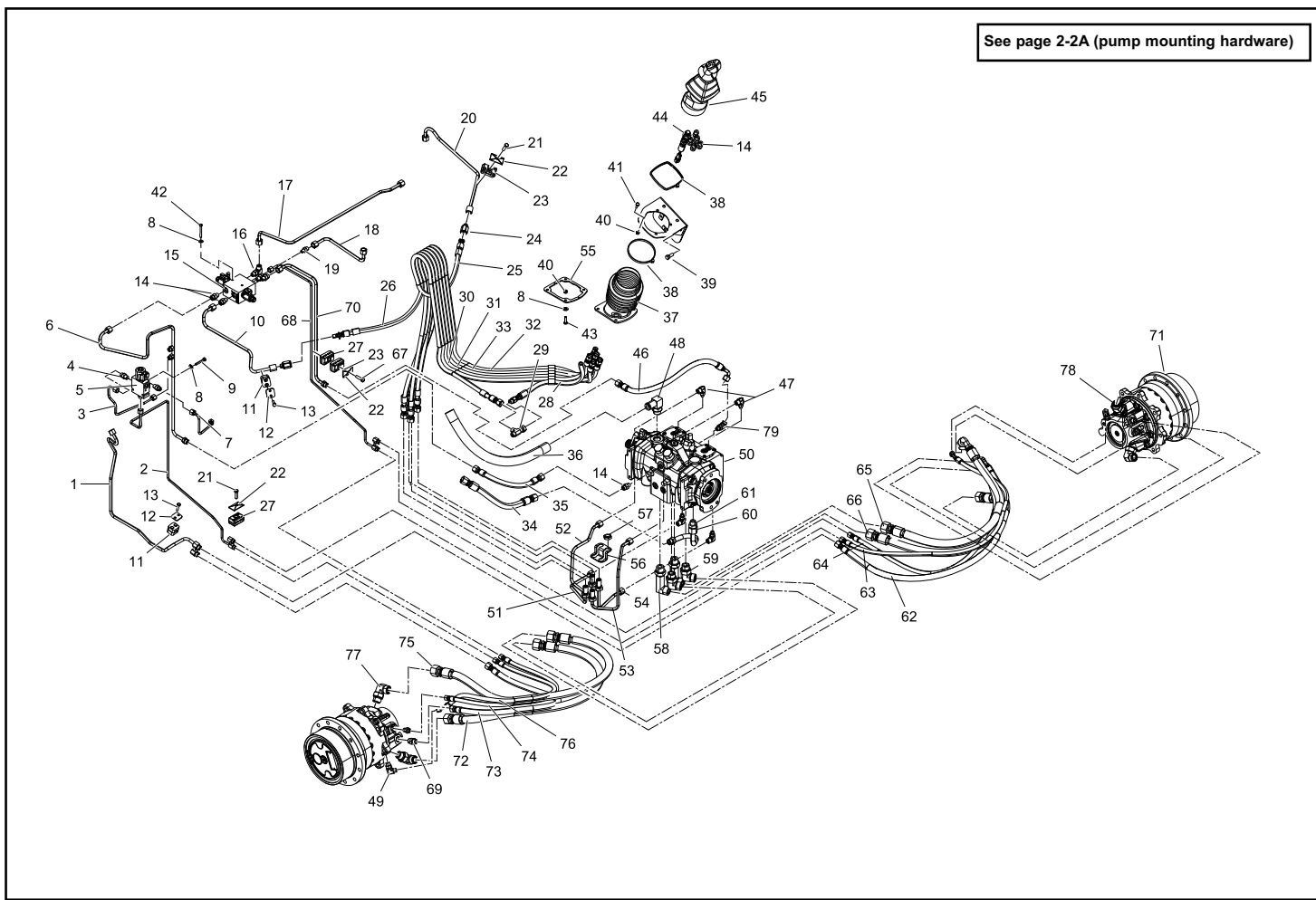
REF. NO.	PART NUMBER	QTY.	DESCRIPTION
1	0404-161	1	FILTER SPIN-ON HYD (SHORT)
2	0201-317	1	ADAPTER,FS6801-12-16-NW0
3	0201-403	1	HEAD,FILTER
4	2030-097	1	ADAPTER,FS6400-12-16-0A
5	7071-851	1	HOSE, -10, 435 PSI, FFX-10-10-W, FFX90-10-12-W, 15.50"
6	7071-168	1	TUBE, BASE END BOOM
7	7071-169	1	TUBE, ROD END BOOM
8	0310-831	2	CLAMP, SET, T2062-PP BEHRINGER
9	0310-584	1	PLATE,COVER TCP-T2 TCP-T2
10	8102-134	4	CAPSCREW,HH,5/16-18UNCx1.25GD8 ZN
11	7071-148	1	TUBE, BOOM, A, VALVE
12	7073-131	1	TUBE, BOOM, B, VALVE
13	8102-045	6	CAPSCREW,HH,1/4-20x1.5"ZN GD8
14	0201-224	3	COVER,CLAMP,COP-2
15	0201-402	2	CLAMP,SET,2050-PP
16	8102-137	1	CAPSCREW,HH,5/16-18UNCx2.0 GD8 ZN
17	0310-828	1	COVER, CLAMP, 3/4" TCP-T3 BEHRINGER
18	0310-733	1	INSERT,CLAMP,TWIN.75" T3075-PP T3075-PP
19	7073-137	1	TUBE, CASE DRAIN, LOADER, NO HIGH FLOW
20	7071-145	1	TUBE, AUX, B, VALVE
21	7071-144	1	TUBE, AUX, A, VALVE
22	7071-161	1	TUBE, TANK, AUX VALVE
23	7071-162	1	TUBE, PRESSURE, AUX VALVE
24	7071-354	1	TUBE, J2, VALVE
25	0315-011	1	ADAPTER, MORB, COUPLING: 3/8", CONNECTION: 9/16-18
26	7071-364	1	TUBE, PILOT, TILT, B, VALVE
27	7071-366	1	TUBE, PILOT, BOOM, B, VALVE
28	7071-363	1	TUBE, PILOT, TILT, A, VALVE
29	7071-365	1	TUBE, PILOT, BOOM, A, VALVE
30	0200-372	2	CLAMP,SET,T2025-PP
31	0201-223	2	CLAMP,SET,2062-PP
32	7073-216	1	BRACKET, CLAMP, TUBE
33	8102-230	4	CAPSCREW,HH 3/8-16UNCx2.75 GD8
34	8050-262	4	WASHER,WROUGHT,5/16,STD,ZN
35	7001-081	1	JOYSTICK DRIVE RIGHT VARIABLE LOW FLOW
36	0201-309	5	ADAPTER,FS6400-04-06-0
37	8102-040	4	CAPSCREW,HH,1/4-20 UNCx.75,GD8 ZN
38	8040-366	8	NUT,HEX,NYLOCK,1/4-20 UNC,ZN
39	0200-701	2	MOUNT, JOYSTICK
40	8102-222	3	CAPSCREW,HH,3/8-16 UNCx1.0,GD8,ZN

REF. NO.	PART NUMBER	QTY.	DESCRIPTION
41	0307-882	2	TIE,CABLE,BLACK,18.1",W/STL INSERT BT-5LH-LO
42	7005-690	1	SEAL BELLOWS JOYSTICK
43	7071-216	1	HOSE, -6, 435 PSI, FFX-06-04, 0314-530, 69.36"
44	7071-217	1	HOSE, -4, 435 PSI, FFX-04-04-W, 0314-533, 71.16"
45	7071-220	1	HOSE, -4, 435 PSI, FFX-04-04-W, 0314-533, 74.86"
46	7071-219	1	HOSE, -4, 435 PSI, FFX-04-04-W, 0314-533, 73.97"
47	7071-218	1	HOSE, -4, 435 PSI, FFX-04-04-W, 0314-533, 71.69"
48	7073-123	1	TUBE, TANK, VALVE
49	7073-027	1	TUBE, MANIFOLD, TANK
50	7072-091	1	TUBE, VALVE TO FILTER
51	7073-026	1	TUBE, TILT, B, VALVE
52	7073-025	1	TUBE, TILT, A, VALVE
53	7071-324	1	TUBE, CHARGE PRESSURE, INTERMEDIAT
54	7005-850	2	PLATE BELLOWS
55	8050-222	4	WASHER,WROUGHT,1/4,STD,ZN
56	8102-042	4	CAPSCREW,HH,1/4-20UNCx1.0,GD8



REF. NO.	PART NUMBER	QTY.	DESCRIPTION
1	7073-119	1	TUBE, CASE DRAIN, DRIVE MOTOR
2	7073-116	1	TUBE, 1, ACTIVATION, 2 SPEED
3	7071-348	1	TUBE, 2, PRESSURE, 2 SPEED
4	0201-309	5	ADAPTER,FS6400-04-06-0
5	2051-615	1	BLOCK CONTROL
6	7071-154	1	TUBE, P, PILOT GEN BLOCK
7	7071-349	1	TUBE, 3, TANK, 2 SPEED
8	8050-222	12	WASHER,WROUGHT,1/4,STD,ZN
9	8102-046	2	CAPSCREW,HH,1/4-20UNCx1.75,GD8
10	7071-153	1	TUBE, J1, PILOT GEN BLOCK
11	2045-580	2	CLAMP SET 1038-PP
12	2045-581	1	PLATE COVER COP-1
13	8102-044	4	CAPSCREW,HH,1/4-20UNCx1.25,GD8,ZN
14	0310-329	9	ADAPTER,6MFFOR-6MB
15	7005-675	1	MANIFOLD PILOT GENERATION SIZE 6
16	0310-328	5	ADAPTER,6MFFOR-6MB-90
17	7071-152	1	TUBE, J2, PILOT GEN BLOCK
18	7073-138	1	TUBE, TANK, PILOT GEN BLOCK
19	0201-311	1	ADAPTER,FS6400-04-04-0
20	7071-373	1	TUBE, TANK, JOYSTICK
21	8102-134	3	CAPSCREW,HH,5/16-18UNCx1.25GD8 ZN
22	0310-584	3	PLATE,COVER TCP-T2 TCP-T2
23	0201-225	2	CLAMP,SET,T2038-PP
24	0315-011	2	ADAPTER, MORB, COUPLING: 3/8", CONNECTION: 9/16-18
25	7071-215	1	HOSE, -.6, 435 PSI, 0314-530, 42.73"
26	7071-214	1	HOSE, -.6, 435 PSI, FFX-06-04, 0314-530, 71.42"
27	0200-372	1	CLAMP,SET,T2025-PP
28	7071-885	1	HOSE, -.6, 1000 PSI, MB-06-06-, MF-06-06, 19.47"
29	0314-091	1	ADAPTER,TEE,6MFFOR-6FFORX-6MFFOR 6602-06-06-06
30	7071-213	1	HOSE, -.6, 435 PSI, FFX-06-06, FFX-06-06, 75.10"
31	7071-212	1	HOSE, KT-06, 435 PSI, FFX-06-06-W, FFX-06-06-W, 74.72"
32	7071-210	1	HOSE, -.6, 435 PSI, FFX-06-06, FFX-06-06, 74.19"
33	7071-211	1	HOSE, -.6, 435 PSI, FFX-06-06, FFX-06-06, 73.30"
34	7071-340	1	HOSE, KT-06, 435 PSI, FFX-08-08-W, FFX-08-08-W, 15.49"
35	7071-204	1	HOSE, -.6, 435 PSI, FFX-06-06-W, FFX-06-06-W, 11.66"
36	7071-206	1	HOSE, CASE DRAIN, DRIVE PUMP
37	7005-690	1	SEAL BELLOWS JOYSTICK
38	0307-882	2	TIE,CABLE,BLACK,18.1",W/STL INSERT BT-5LH-LO
39	8102-222	3	CAPSCREW,HH,3/8-16 UNCx1.0,GD8,ZN
40	8040-366	8	NUT,HEX,NYLOCK,1/4-20 UNC,ZN

REF. NO.	PART NUMBER	QTY.	DESCRIPTION
41	8102-040	4	CAPSCREW,HH,1/4-20 UNCx.75,GD8 ZN
42	8102-049	2	CAPSCREW,HH 1/4-20 x 2.50 GD8
43	8102-042	4	CAPSCREW,HH,1/4-20UNCx1.0,GD8
44	0304-441	1	SWITCH,PRESSURE NASON
45	7000-441	1	JOYSTICK DRIVE LEFT
46	7072-089	1	HOSE,-6, 3300, FFX-06-06-90,FFX-06-06,22.13"
47	0310-557	4	ADAPTER,6MFFOR-4MB-90
48	0090-423	1	ADAPTER 4601-16-12-NOW
49	0201-319	2	ADAPTER,FS6801-04-06-NW0
50	5020-001	1	PUMP,TANDEM, 38.5CC SERIES 40, MACHINED FLANGE
51	7071-157	1	TUBE, DRIVE PUMP LOWER REAR
52	7071-156	1	TUBE, DRIVE PUMP UPPER REAR
53	7071-159	1	TUBE, DRIVE PUMP UPPER FRONT
54	7071-158	1	TUBE, DRIVE PUMP LOWER FRONT
55	7005-850	2	PLATE BELLOWS
56	7071-319	1	PLATE, BULK HEAD, DRIVE PUMP
57	0310-301	4	NUT,LOCK,BLKHD,ORFS -06
58	0201-316	2	ADAPTER,FS6801-L-12-12-NW0
59	0315-008	2	ADAPTER, HYD, 12 C5OLO-S,TRAP SEAL
60	7071-160	1	TUBE, CHARGE PRESSURE, DRIVE PUMP
61	0201-658	1	ADAPTER,10MFFOR-8MB-SV
62	7071-943	1	HOSE, -.06, 100 PSI, FFX45-06-06, FFX-06-06, 49"
63	2030-950	1	HOSE, -.4, 435 PSI, FFX45-04-04, FFX-04-04, 45.25"
64	7071-947	1	HOSE, -.04, 435 PSI, FFX45-04-04, FFX-04-04, 46"
65	7071-942	1	HOSE, -.12, 6000 PSI, V12-12FF90S, V12-12FF, 37"
66	2030-936	1	HOSE, -.12, 6000 PSI, FFX-12-12-WHP, FFX-12-12-WHP,
67	8102-139	1	CAPSCREW,HH,5/16-18UNCx2.50,GD8
68	7073-113	1	TUBE, BRAKE, PILOT GEN BLOCK
69	0310-992	2	ADAPTER,6MFFOR-8MB FS6400-06-08
70	7073-165	1	TUBE P1 PILOT GEN BLOCK
71	0702-578	2	MOTOR HYD BONFIG SAUER 2 SPD
72	2030-937	1	HOSE, -.12, 6000 PSI, FFX-12-12-WHP, FFX-12-12-WHP,
73	2030-939	1	HOSE, -.6, 100 PSI, FFX-06-06, FFX-06-06, 37.14"
74	2030-941	1	HOSE, -.4, 435 PSI, FFX-04-04, FFX-04-04, 33.64"
75	2030-935	1	HOSE, -.12, 6000 PSI, FFX-12-12-WHP, FFX-12-12-WHP,
76	2030-951	1	HOSE, -.4, 435 PSI, FFX45-04-04, FFX-04-04, 37.57"
77	0315-008	4	ADAPTER, HYD, 12 C5OLO-S,TRAP SEAL
78	0315-004	1	ADAPTER, HYD, 12 V5OLO-S,TRAP SEAL
79	0315-162	1	ADAPTER, 6ORFS, 6MORB, 45°, .052 ORIFICE



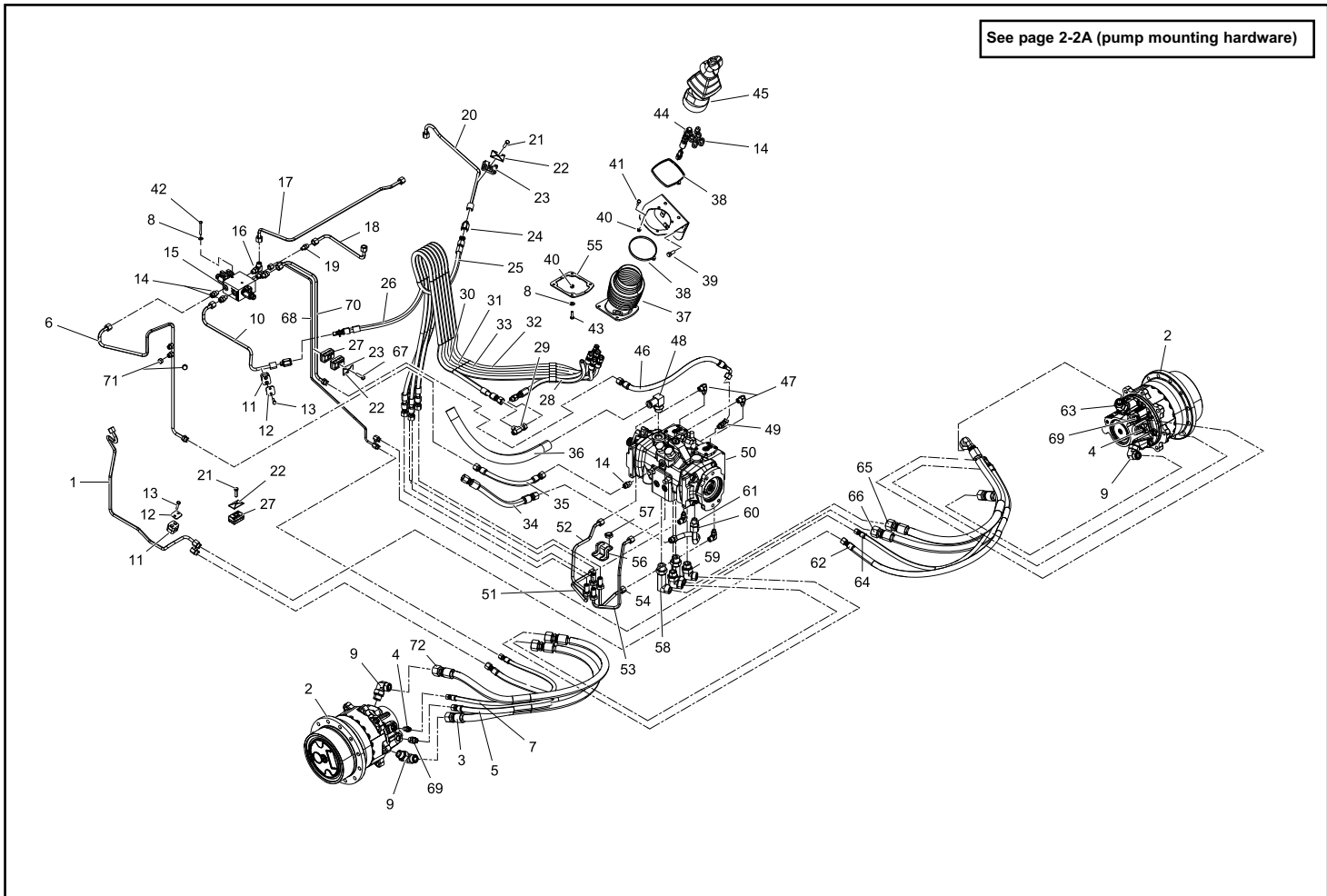
HYDRAULIC DRIVE - 1 spd

VT-70 HO valid from H02001

Chapter 3

REF. NO.	PART NUMBER	QTY.	DESCRIPTION
1	7073-119	1	TUBE, CASE DRAIN, DRIVE MOTOR
2	0702-586	2	MOTOR HYD BONFIG SAUER 1 SPD
3	2030-937	1	HOSE, -12, 6000 PSI, FFX-12-12-WHP, FFX-12-12-WHP,
4	0201-309	2	ADAPTER,FS6400-04-06-0
5	2030-939	1	HOSE, -6, 100 PSI, FFX-06-06, FFX-06-06, 37.14"
6	7071-154	1	TUBE, P, PILOT GEN BLOCK
7	2030-941	1	HOSE, -4, 435 PSI, FFX-04-04, FFX-04-04, 33.64"
8	8050-222	6	WASHER,WROUGHT,1/4,STD,ZN
9	0315-008	4	ADAPTER, HYD, 12 C5OLO-S,TRAP SEAL
10	7071-153	1	TUBE, J1, PILOT GEN BLOCK
11	2045-580	2	CLAMP SET 1038-PP
12	2045-581	2	PLATE COVER COP-1
13	8102-044	4	CAPSCREW,HH,1/4-20UNCx1.25,GD8,ZN
14	0310-329	9	ADAPTER,6MFFOR-6MB
15	7005-675	1	MANIFOLD PILOT GENERATION SIZE 6
16	0310-328	5	ADAPTER,6MFFOR-6MB-90
17	7071-152	1	TUBE, J2, PILOT GEN BLOCK
18	7073-138	1	TUBE, TANK, PILOT GEN BLOCK
19	0201-311	1	ADAPTER,FS6400-04-04-0
20	7071-373	1	TUBE, TANK, JOYSTICK
21	8102-134	3	CAPSCREW,HH,5/16-18UNCx1.25GD8 ZN
22	0310-584	3	PLATE,COVER TCP-T2 TCP-T2
23	0201-225	2	CLAMP,SET,T2038-PP
24	0315-011	2	ADAPTER, MORB, COUPLING: 3/8", CONNECTION: 9/16-18
25	7071-215	1	HOSE, -6, 435 PSI, 0314-530, 42.73"
26	7071-214	1	HOSE, -6, 435 PSI, FFX-06-04, 0314-530, 71.42"
27	0200-372	1	CLAMP,SET,T2025-PP
28	7071-885	1	HOSE, -6, 1000 PSI, MB-06-06-, MF-06-06, 19.47"
29	0314-091	1	ADAPTER,TEE,6MFFOR-6FFORX-6MFFOR 6602-06-06-06
30	7071-213	1	HOSE, -6, 435 PSI, FFX-06-06, FFX-06-06, 75.10"
31	7071-212	1	HOSE, KT-06, 435 PSI, FFX-06-06-W, FFX-06-06-W, 74.72"
32	7071-210	1	HOSE, -6, 435 PSI, FFX-06-06, FFX-06-06, 74.19"
33	7071-211	1	HOSE, -6, 435 PSI, FFX-06-06, FFX-06-06, 73.30"
34	7071-340	1	HOSE, KT-06, 435 PSI, FFX-08-08-W, FFX-08-08-W, 15.49"
35	7071-204	1	HOSE, -6, 435 PSI, FFX-06-06-W, FFX-06-06-W, 11.66"
36	7071-206	1	HOSE, CASE DRAIN, DRIVE PUMP
37	7005-690	1	SEAL BELLOWS JOYSTICK
38	0307-882	2	TIE,CABLE,BLACK,18.1",W/STL INSERT BT-5LH-LO
39	8102-222	3	CAPSCREW,HH,3/8-16 UNCx1.0,GD8,ZN
40	8040-366	8	NUT,HEX,NYLOCK,1/4-20 UNC,ZN

REF. NO.	PART NUMBER	QTY.	DESCRIPTION
41	8102-040	4	CAPSCREW,HH,1/4-20 UNCx.75,GD8 ZN
42	8102-049	2	CAPSCREW,HH 1/4-20 x 2.50 GD8
43	8102-042	4	CAPSCREW,HH,1/4-20UNCx1.0,GD8
44	0304-441	1	SWITCH,PRESSURE NASON
45	7000-441	1	JOYSTICK DRIVE LEFT
46	7072-089	1	HOSE,-6, 3300, FFX-06-06-90,FFX-06-06,22.13"
47	0310-557	4	ADAPTER,6MFFOR-4MB-90
48	0090-423	1	ADAPTER 4601-16-12-NOW
49	0315-162	1	ADAPTER, GORFS, 6MORB, 45°, .052 ORIFICE
50	5020-001	1	PUMP, TANDEM, 38.5CC SERIES 40, MACHINED FLANGE
51	7071-157	1	TUBE, DRIVE PUMP LOWER REAR
52	7071-156	1	TUBE, DRIVE PUMP UPPER REAR
53	7071-159	1	TUBE, DRIVE PUMP UPPER FRONT
54	7071-158	1	TUBE, DRIVE PUMP LOWER FRONT
55	7005-850	2	PLATE BELLOWS
56	7071-319	1	PLATE, BULK HEAD, DRIVE PUMP
57	0310-301	4	NUT,LOCK,BLKHD,ORFS -06
58	0201-316	2	ADAPTER,FS6801-L-12-12-NW0
59	0315-008	2	ADAPTER, HYD, 12 C5OLO-S,TRAP SEAL
60	7071-160	1	TUBE, CHARGE PRESSURE, DRIVE PUMP
61	0201-658	1	ADAPTER,10MFFOR-8MB-SV
62	7071-943	1	HOSE, -06, 100 PSI, FFX45-06-06, FFX-06-06, 49"
63	0315-004	1	ADAPTER, HYD, 12 VSOLO-S,TRAP SEAL
64	7071-947	1	HOSE, -04, 435 PSI, FFX45-04-04, FFX-04-04, 46"
65	7071-942	1	HOSE, -12, 6000 PSI, V12-12FF90S, V12-12FF, 37"
66	2030-936	1	HOSE, -12, 6000 PSI, FFX-12-12-WHP, FFX-12-12-WHP,
67	8102-139	1	CAPSCREW,HH,5/16-18UNCx2.50,GD8
68	7073-113	1	TUBE, BRAKE, PILOT GEN BLOCK
69	0310-992	2	ADAPTER,6MFFOR-8MB FS6400-06-08
70	7073-165	1	TUBE P1 PILOT GEN BLOCK
71	0090-219	2	CAP 4 FFOR BRENNAN FS0304-C-04
72	2030-935	1	HOSE, -12, 6000 PSI, FFX-12-12-WHP, FFX-12-12-WHP,



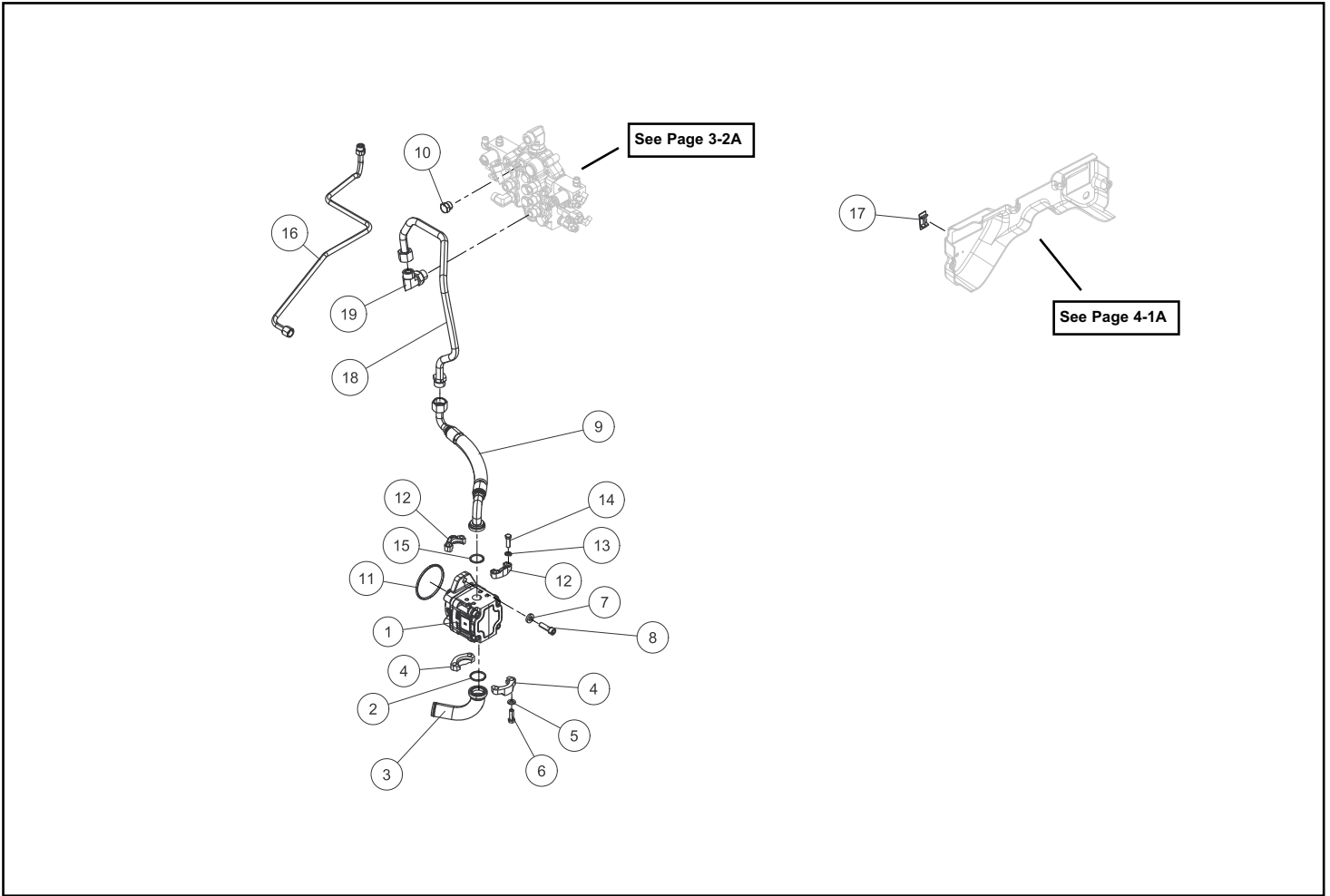
HYDRAULIC AUXILIARY - FLOW

VT-70 HO valid from H01937

Chapter 3

REF. NO.	PART NUMBER	QTY.	DESCRIPTION
1	7005-722	1	PUMP GEAR 31CC
2	0310-294	1	O-RING,#222,1.50x1.75x.13
3	7071-142	1	TUBE,INTAKE
4	0200-171	2	couple split cod 61 x 1.25
5	0700-170	4	WASHER, 827x.433x.098
6	8102-314	4	CAPSCREW,HH,7/16-14X1.250
7	0090-136	2	WASHER,HARD, 1.0x.531x.197
8	0201-541	2	CAPSCREW,SOC,HEAD,12x1.75x40
9	7073-172	1	HOSE,-12,3350 PSI,FFX90M-12-12-W,C6190
10	7001-142	1	PLUG, 6408-10-O HEX PLUG
11	0307-169	1	ORING 7 ID 4-3/16OD BUNA
12	0201-410	2	FLANGE,SPLIT,CODE 61
13	8051-272	4	WASHER,SPRING LOCK,3/8,ZN
14	8102-224	4	CAPSCREW,HH,3/8-16UNCx1.25,GD8
15	0309-540	1	ORING,16 FLOR
16	7073-137	1	TUBE, CASE DRAIN, LOADER, NO HIGH FLOW
17	0310-138	1	PLUG VHP-01 INDEX # 390-09002-001
18	7073-163	1	TUBE AUX SUPPLY
19	0310-321	1	ADAPTER,12MFFOR-12MB90

REF. NO.	PART NUMBER	QTY.	DESCRIPTION

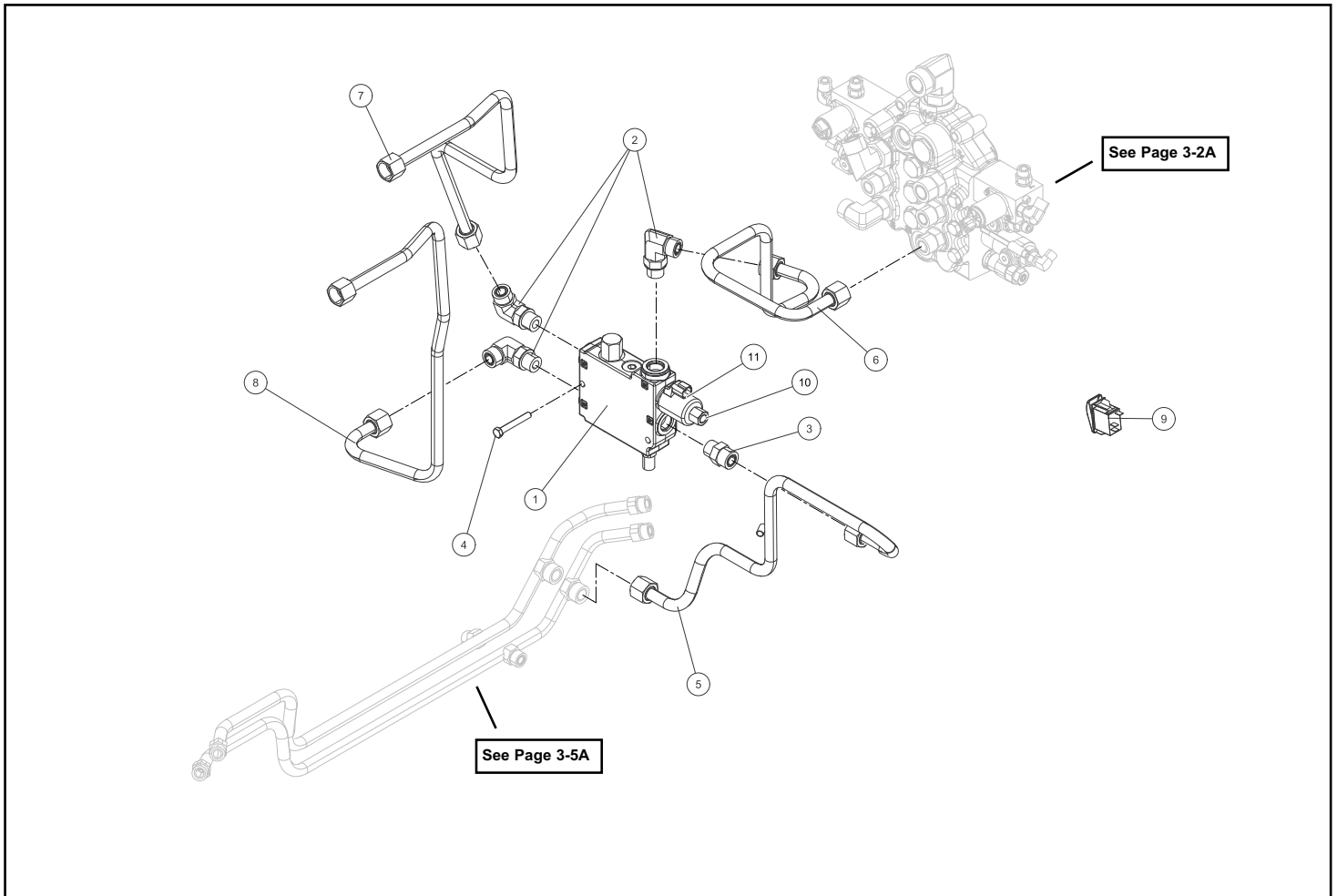


BUCKET POSITIONING

VT-70 HO valid from H01937

Chapter 3

REF. NO.	PART NUMBER	QTY.	DESCRIPTION	REF. NO.	PART NUMBER	QTY.	DESCRIPTION
1	7071-325	1	VALVE, BUCKET POSITIONING				
2	0201-668	3	ADAPTER, FF6801-10-10NWO				
3	0310-318	1	ADAPTER, 10MFFOR-10MB				
4	8102-138	2	CAPSCREW, HH, 5/16-18UNCx2.25, GD8				
5	7071-326	1	TUBE, SL VALVE A TO BOOM CYL ROD				
6	7073-133	1	TUBE, SL VALVE B TO BOOM VALVE A				
7	7073-126	1	TUBE, SL VALVE C TO TILT CYL ROD				
8	7073-127	1	TUBE, SL VALVE D TO TILT CYL BASE				
9	2045-477	1	SWITCH SELF LEVELER				
10	7071-987	1	VALVE AND NUT				
11	7071-986	1	SOLENOID AND NUT				

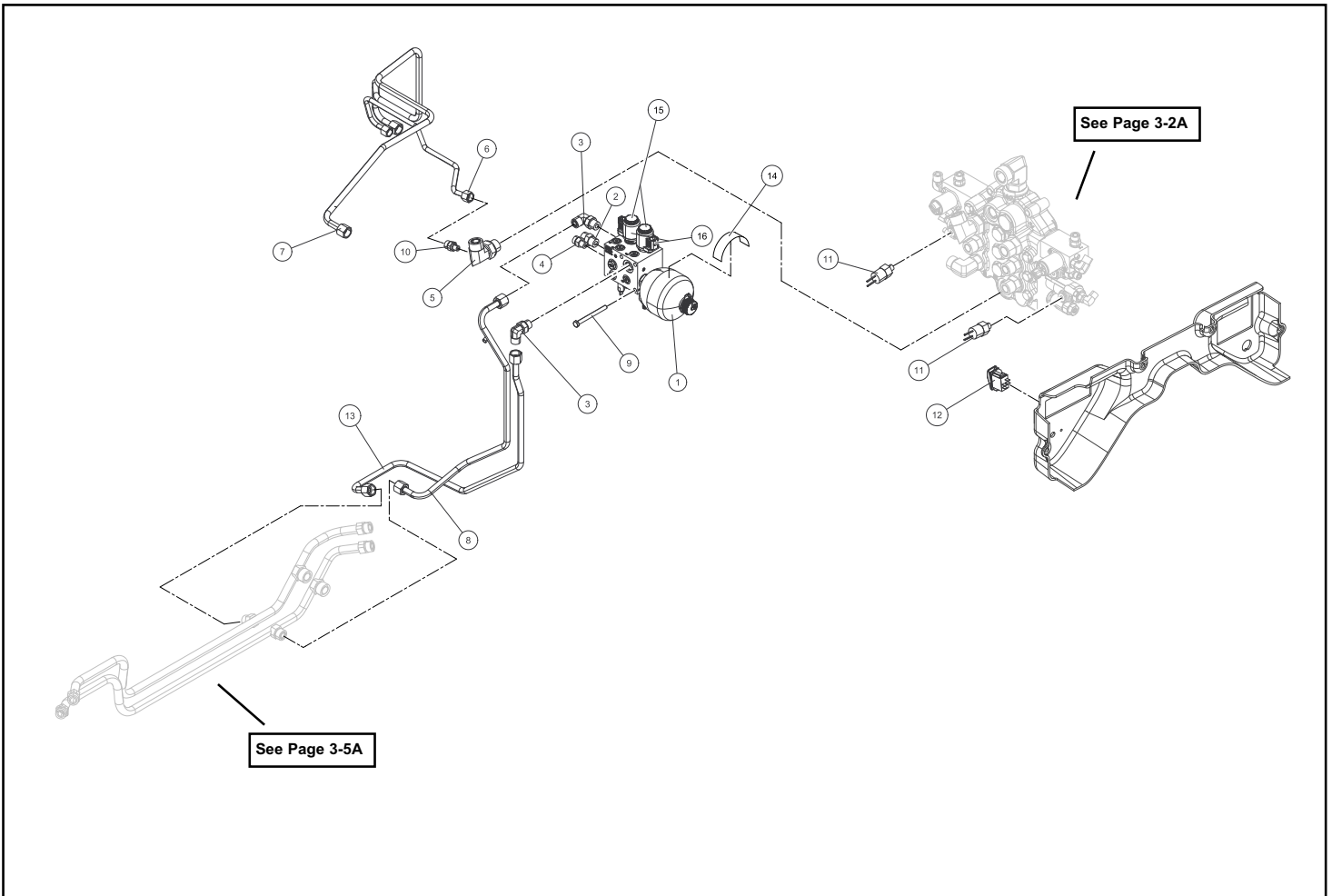


RIDE CONTROL

VT-70 HO valid from H01937

Chapter 3

REF. NO.	PART NUMBER	QTY.	DESCRIPTION	REF. NO.	PART NUMBER	QTY.	DESCRIPTION
1	3020-039	1	RIDE CONTROL BLOCK				
2	0310-345	1	ADAPTER,8MFFOR--8MB				
3	0310-346	2	ADAPTER, 8MFFOR-8MB-90				
4	0310-329	1	ADAPTOR,6MFFOR-6MB				
5	0315-089	1	ADAPTER,12MFFOR-12MB90, W/-4FORB				
6	7073-171	1	TUBE, RC VALVE P TO AUX PRESSURE				
7	7073-028	1	TUBE, RC VALVE T TO TANK				
8	7071-339	1	TUBE, RC VALVE CR TO BOOM CYL ROD				
9	8102-143	3	CAPSCREW,HH,5/16-18UNCx3.5,GD8				
10	0314-014	1	ADAPTER,6MFFOR-4MB				
11	4010-162	2	SENSOR, NASON				
12	2046-444	1	SWITCH,LOCKING,2 POSITION,SERI				
13	7073-209	1	TUBE, RC VALVE CB TO BOOM CYL BASE				
14	-----	1	DECAL, ISO WARNING (reference 7072-099)				
15	7001-386	2	SOLENOID RIDE CONTROL				
16	7001-393	2	COILS RIDE CONTROL				



Chapter 4

Electrical

4-1 Switches / Dash Panel

VT-70 HO Serial # valid from - H01937 **4-1A**

4-2 Battery / Harnesses

VT-70 HO Serial # valid from - H01937 **4-2A**

4-3 Fuse Panel

VT-70 HO Serial # valid from - H01937 **4-3A**

4-4 Exterior Lights

VT-70 HO Serial # valid from - H01937 **4-4A**

*** Parts manuals are updated frequently. To ensure current parts information, always refer to the latest version of this manual (posted online, consult your dealer).**

NOTE: When ordering parts that are painted, a specific part number format is required. Please refer to page II of this manual for paint code and ordering information.

SWITCHES / DASH PANEL

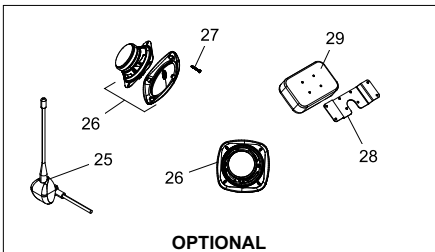
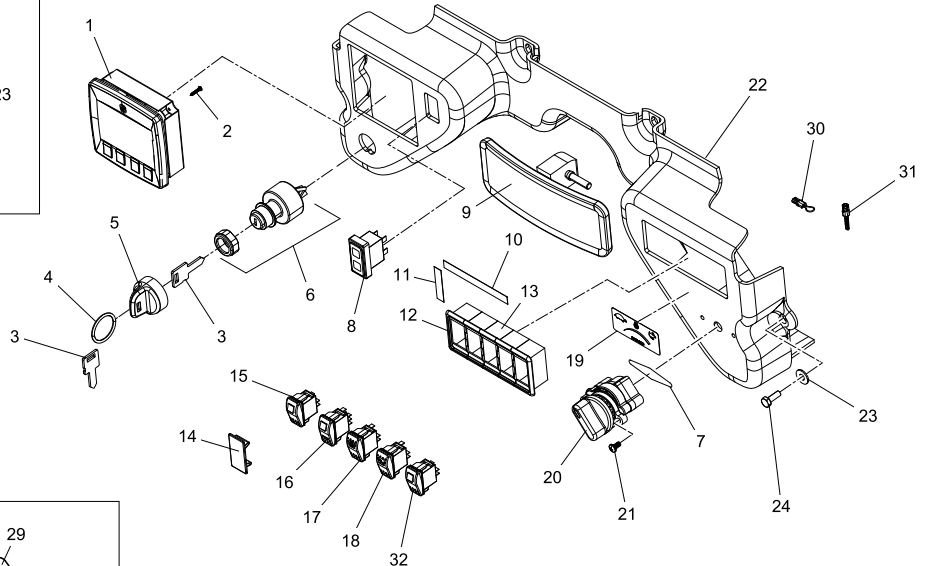
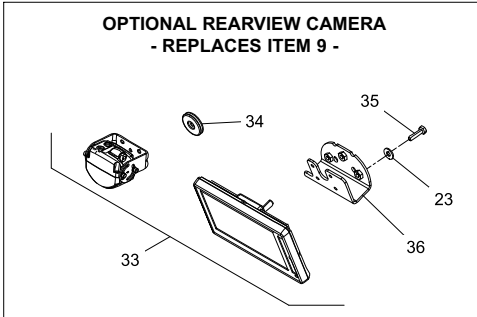
VT-70 HO valid from H01937

Chapter 4

REF. NO.	PART NUMBER	QTY.	DESCRIPTION	REF. NO.	PART NUMBER	QTY.	DESCRIPTION
1	7010-735	1	DISPLAY DP200 W/ EIC SOFTWARE				
2	0090-478	4	SCREW PPH #4 x 5/8" SELF TAP				
3	2045-432	2	KEY IGNITION				
4	0304-551	1	RING,KEY				
5	2045-792	1	COVER KEY IGNITION				
6	0304-028	1	SWITCH,IGNITION,RC 154-3197				
7	7071-850	1	DECAL, THROTTLE				
8	2075-749	1	INDICATOR RABBIT/GLOW PLUG				
9	2030-409	1	MIRROR REAR VIEW 3X8				
10	0404-689	1	DECAL SWITCH POD STYLE DASH SSL				
11	7000-674	1	DECAL POWER QUICK ATTACH SSL				
12	0310-136	2	FRAME END VME-01				
13	0310-137	3	FRAME MID IMM-01				
14	0310-138	4	PLUG VHP-01 INDEX # 390-09002-001				
15	2045-725	2	SWITCH 2 POSITION LOCKING (SEE NOTE)				
16	0200-252	1	SWITCH,3 POSITION,LOCKING				
17	0305-282	1	SWITCH HIGH FLOW (SEE NOTE)				
18	2045-477	1	SWITCH SELF LEVELER (SEE NOTE)				
19	2013-320	1	DECAL THROTTLE				
20	7071-080	1	HAND THROTTLE IVS				
21	0090-507	2	SCREW, PAN HEAD, M5 X 10MM CLEAR ZINC				
22	7011-211	1	PANEL GAUGE				
23	8050-222	4	WASHER,WROUGHT,1/4,STD,ZN				
24	8102-040	4	CAPSCREW,HH,1/4-20 UNCx.75,GD8 ZN				
25	2075-704	1	ANTENNA 6" MINI (SEE NOTE)				
26	2075-703	2	SPEAKER MINI 3.5" HEAVY DUTY (SEE NOTE)				
27	8008-222	8	SCREW MACH #6-32X1.0 PH PAN (SEE NOTE)				
28	2076-047	8	MOUNT RADIO (SEE NOTE)				
29	2075-702	1	RADIO MINI WP AM/FM/WX BAND (SEE NOTE)				
30	2015-042	1	HARNES,JUMPER,QA				
31	2015-070	1	JUMPER, RIDE CONTROL, 4-PIN				
32	2046-444	1	SWITCH 2 POSITION LOCKING W/ RED BUTTON 5-PIN				
33	2095-870	1	CAMERA BACKUP V0S7SDCL1B				
34	0090-550	1	GROMMET LIGHT HARNES				
35	8102-042	3	CAPSCREW, HH 1/4-20UNC 1" GD8				
36	2095-736	1	WLMT MOUNT DISPLAY				

NOTE: ITEMS 15,17,18 & 25-29 & 32 ARE OPTIONAL

**OPTIONAL REARVIEW CAMERA
- REPLACES ITEM 9 -**



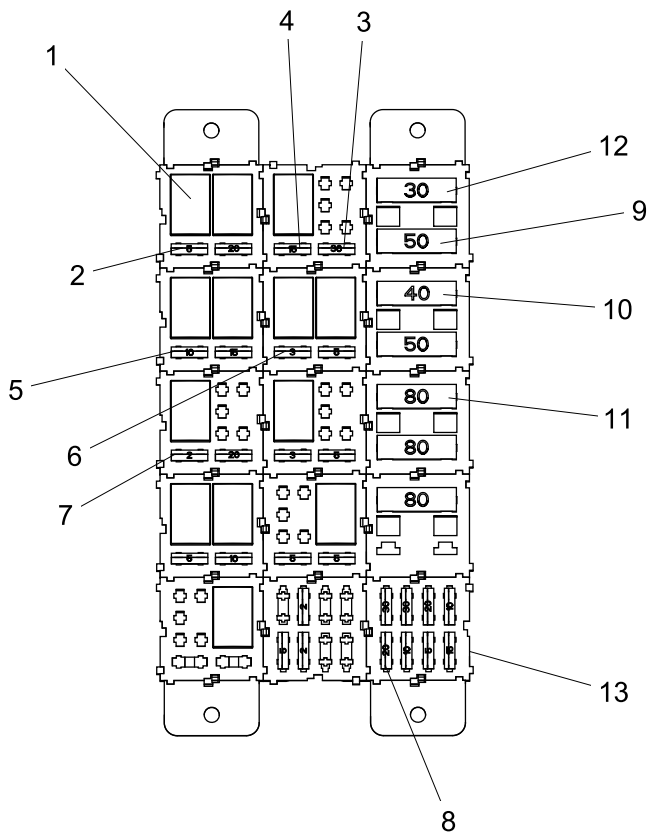
OPTIONAL

FUSE PANEL

VT-70 HO valid from H01937

Chapter 4

REF. NO.	PART NUMBER	QTY.	DESCRIPTION	REF. NO.	PART NUMBER	QTY.	DESCRIPTION
1	2095-910	13	RELAY SONG CHUAN, 301-1C-C-R1				
2	0310-794	8	FUSE,MINI, 5 AMP 77055				
3	0310-799	3	FUSE,MINI,30 AMP 77305				
4	0310-796	3	FUSE,MINI,15 AMP 77155				
5	0310-795	3	FUSE,MINI,10 AMP 77105				
6	0201-779	2	FUSE,MINI,3 AMP				
7	0310-793	3	FUSE,MINI,2 AMP 77015				
8	0310-797	4	FUSE,MINI,20 AMP 77205				
9	0310-803	2	FUSE,MAXI, 50 AMP 78504				
10	0310-802	1	FUSE,MAXI, 40 AMP 78503				
11	0310-805	3	FUSE,MAXI, 80 AMP 7460K51 - 80 AMP				
12	0310-801	1	FUSE,MAXI, 30 AMP 78502				
13	7073-043	1	HARNESS, CHASSIS				



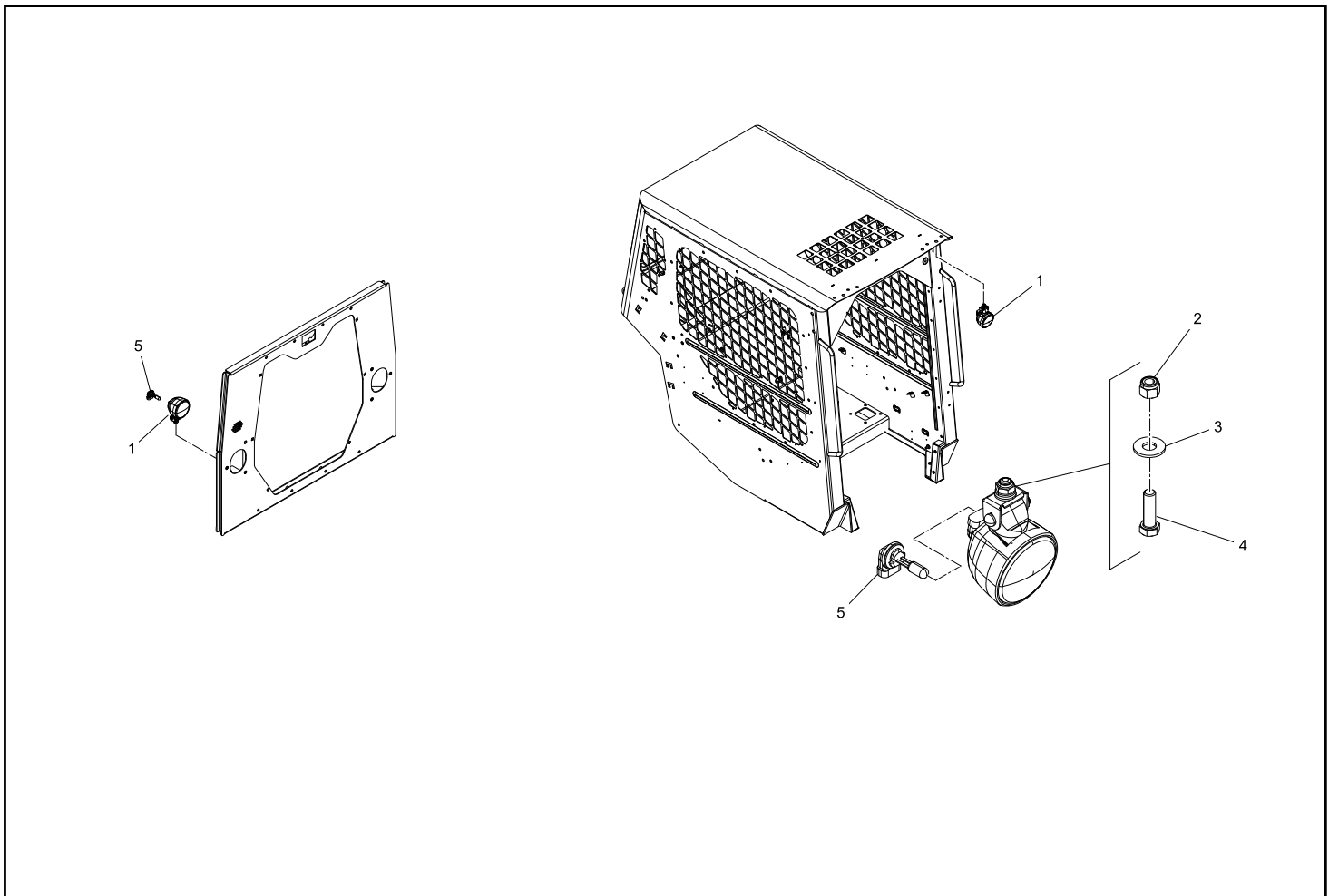
EXTERIOR LIGHTS

VT-70 HO valid from H01937

Chapter 4

REF. NO.	PART NUMBER	QTY.	DESCRIPTION
1	4046-060	2	LIGHT WORK REAR MODULE 70
2	8040-486	4	NUT,HEX,NYLOCK,3/8-16 UNC,ZN
3	8050-282	4	WASHER,WROUGHT,3/8,STD,ZN
4	8102-224	4	CAPSCREW,HH,3/8-16UNCx1.25,GD8,ZN
5	4046-131	4	BULB HELLA (#886-12V)

REF. NO.	PART NUMBER	QTY.	DESCRIPTION



Chapter 5

Undercarriage

5-1 Axles / Tracks

VT-70 HO Serial # valid from - H01937 **5-1A**

5-2 Undercarriage Assembly RT

VT-70 HO Serial # valid from - H01937 **5-2A**

5-3 Undercarriage Assembly LT

VT-70 HO Serial # valid from - H01937 **5-3A**

*** Parts manuals are updated frequently. To ensure current parts information, always refer to the latest version of this manual (posted online, consult your dealer).**

NOTE: When ordering parts that are painted, a specific part number format is required. Please refer to page II of this manual for paint code and ordering information.

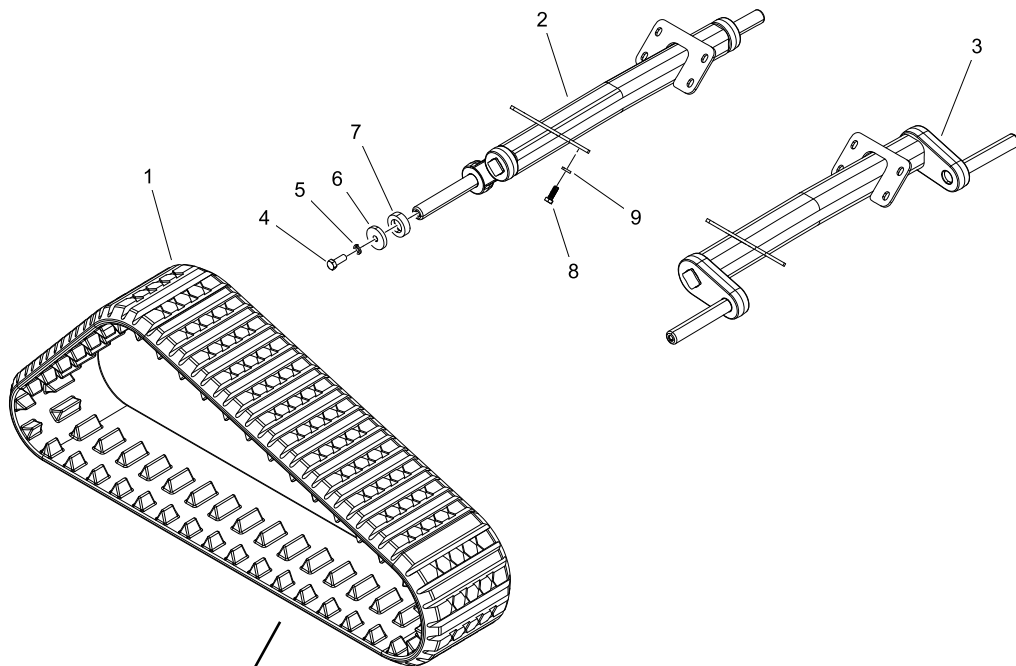
AXLES / TRACKS

VT-70 HO valid from H01937

Chapter 5

REF. NO.	PART NUMBER	QTY.	DESCRIPTION
1	0702-441	2	TRACK SOUCY 15 X 166
2	7072-302	1	AXLE, REAR #12
3	7072-301	1	AXLE, FRONT #13
4	0200-341	4	CAPSCREW,HH,3/4-16x2.25,GD8
5	8051-440	4	WASHER,SPRING LOCK,3/4,ZN
6	0200-287	4	WASHER,3x0.80x0.50
7	0702-503	4	TUBE SPACER
8	0090-702	16	CAPSCREW, 5/8"-11 x 1-3/4" HEX, GRADE 8 YELLOW Z
9	0700-287	16	WASHER,16mmX30mmX5mm

REF. NO.	PART NUMBER	QTY.	DESCRIPTION



General Duty Track - 0702-643
Optional Turf Track- 0702-220
Optional Extreme Track- 0702-408

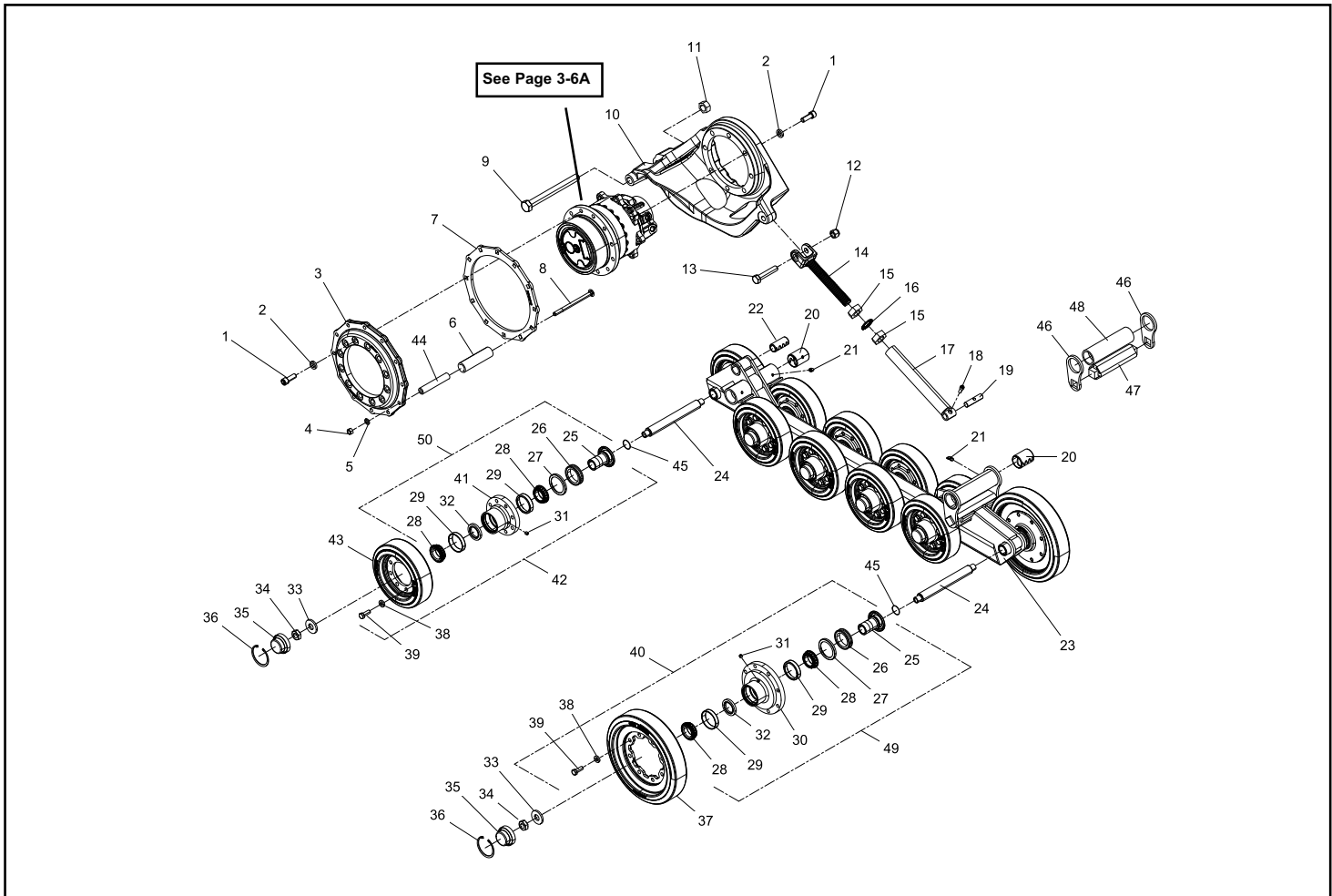
UNDERCARRIAGE ASSEMBLY RT

VT-70 HO valid from H01937

Chapter 5

REF. NO.	PART NUMBER	QTY.	DESCRIPTION
1	2035-197	20	CAPSCREW,SOC HD,M16X2.0,45MM
2	0700-287	20	WASHER,16mmX30mmX5mm
3	0702-588	1	SPROCKET .625" OFFSET
4	0700-124	12	NUT,TOPLock,1/2-13UNC,ZN,GD8
5	2035-597	12	WASHER WROUGHT .531 x .886 x 0118 HARD ZN
6	0702-451	12	TOOTH DRIVE SPROCKET 5.625"
7	2035-120	1	RING,SPROCKET,BONFIG
8	2035-617	12	BOLT CARRIAGE 1/2-13 UNC x 7.5" GR8
9	8102-890	1	CAPSCREW,HH,1.0 x 8UNC x 10.0,GD8,ZN
10	0702-338	1	TABLE RH ALPHA T3 MACHINED
11	8043-806	1	NUT,HEX,1-8 UNC,STEEL LOCK,ZN
12	8040-786	1	NUT,HEX,NYLOCK,3/4-10 UNC,ZN
13	0304-408	1	CAPSCREW,HH,3/4-10UNC3.75,GD8,
14	2035-448	1	CLEVIS END TENSIONER MACHINED
15	0090-317	2	NUT HEX 1.25-7 UNC JAM ZINC
16	0090-262	1	WASHER SAFETY S33-1.25"
17	0702-473	1	WLMT TENSIONER TUBE
18	2035-471	1	CAPSCREW SOC HD 3/8-16 x 1
19	2035-308	1	PIN,TENSIONER,THREADED
20	2035-214	4	BUSHING,SPRING,1.75x2x2.50
21	0304-427	4	FITTING,GREASE,1/8 NPT x 45^
22	0702-488	1	BUSHING SPRING 1.25x1x2.75
23	0702-551	1	WLMT RAIL ALPHA
24	0702-388	2	AXLE 1.25" ALPHA
25	0702-367	12	WLMT RETAINER 53MM
26	2035-438	12	SEAL FACE 53MM
27	2035-391	12	RETAINER INNER 53MM
28	0702-509	24	BEARING CONE LM5013349 PEER
29	0702-508	24	BEARING CUP
30	0702-651	2	HOUSING, 14" 8 BOLT
31	2035-479	12	PLUG 1/8" NPT HEX CS
32	0702-368	12	SEAL LIP
33	0702-364	12	WASHER HARD .25 x 2.125 x .935
34	2035-595	12	NUT HEX JAM LOCK 7/8-9 UNC GR C
35	0702-644	12	CAP_HUB
36	0702-371	12	SNAP RING .093 x .3.25
37	0702-264	2	WHEEL 14" W/PLATE
38	0090-136	96	WASHER HARD 1.0 X .531 X .197
39	2035-659	96	CAPSCREW HH 1/2-13 x 1.375 GR8
40	0702-654	2	ASSEMBLY HUB 14" W/RUBBER WHEEL

REF. NO.	PART NUMBER	QTY.	DESCRIPTION
41	0702-650	10	HOUSING, 10" 8 BOLT
42	0702-652	10	ASSEMBLY HUB 10" W/RUBBER WHEEL
43	2035-644	10	WHEEL 10" ALPHA BOLT ON
44	0702-450	12	TUBE,INNER
45	2035-596	12	O-RING 1/16 x 1.375 x 1.5 NITRILE, -028
46	0702-483	2	PLATE TORSION
47	0702-413	1	AXLE SWING JOINT
48	0702-410	1	TUBE MNT AXLE
49	0702-646	2	ASSEMBLY, HUB, 14"
50	0702-645	10	ASSEMBLY, HUB, 10"

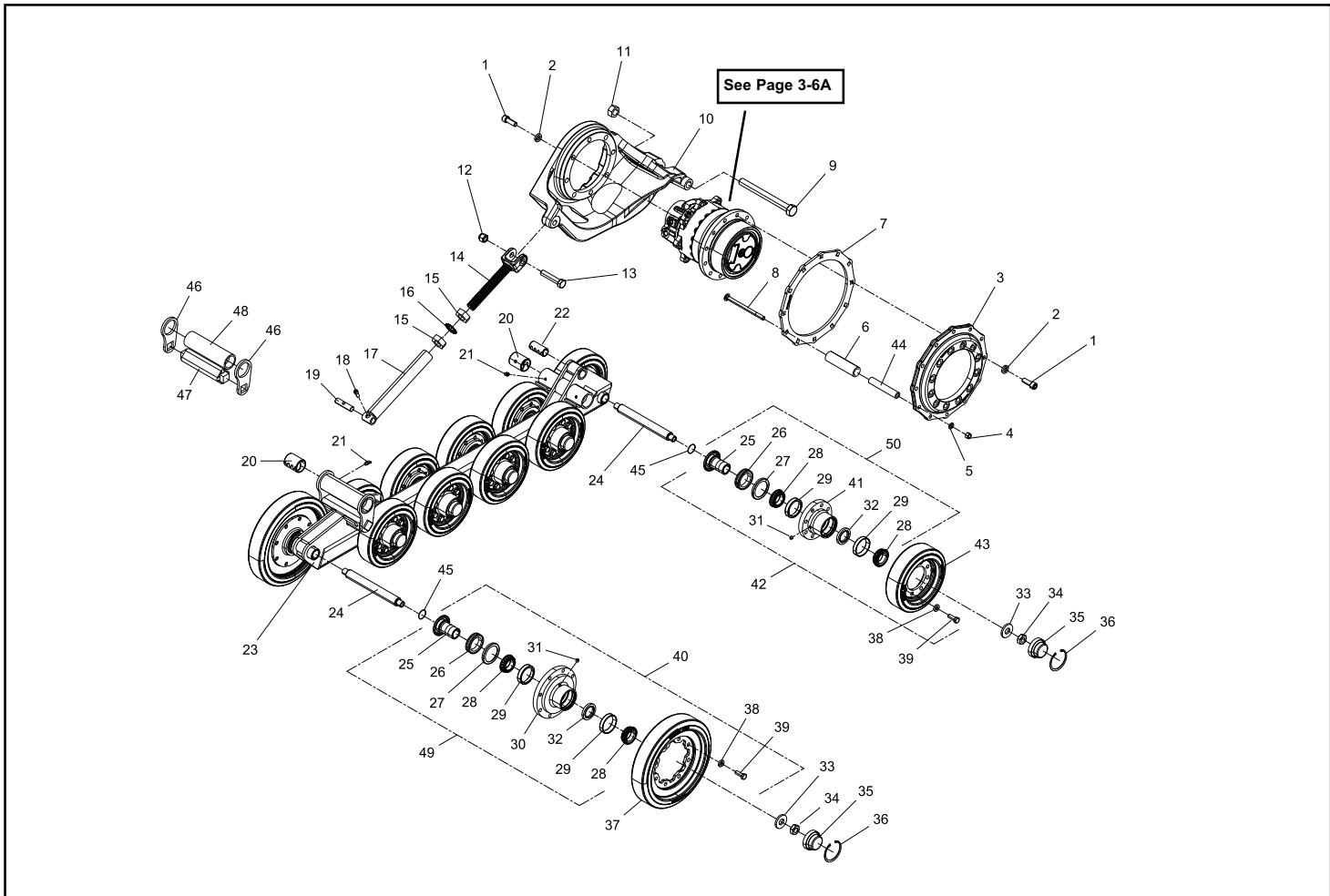


UNDERCARRIAGE ASSEMBLY LT

VT-70 HO valid from H01937

REF. NO.	PART NUMBER	QTY.	DESCRIPTION
1	2035-197	20	CAPSCREW,SOC HD,M16X2.0,45MM
2	0700-287	20	WASHER,16mmX30mmX5mm
3	0702-588	1	SPROCKET .625" OFFSET
4	0700-124	12	NUT,TOPLock,1/2-13UNC,ZN,GD8
5	2035-597	12	WASHER WROUGHT .531 x .886 x 0118 HARD ZN
6	0702-451	12	TOOTH DRIVE SPROCKET 5.625"
7	2035-120	1	RING,SPROCKET,BONFIG
8	2035-617	12	BOLT CARRIAGE 1/2-13 UNC x 7.5" GR8
9	8102-890	1	CAPSCREW,HH,1.0 x 8UNC x 10.0,GD8,ZN
10	0702-340	1	TABLE LH ALPHA T3 MACHINED
11	8043-806	1	NUT,HEX,1-8 UNC,STEEL LOCK,ZN
12	8040-786	1	NUT,HEX,NYLOCK,3/4-10 UNC,ZN
13	0304-408	1	CAPSCREW,HH,3/4-10UNC3.75,GD8,
14	2035-448	1	CLEVIS END TENSIONER MACHINED
15	0090-317	2	NUT HEX 1.25-7 UNC JAM ZINC
16	0090-262	1	WASHER SAFETY S33-1.25"
17	0702-473	1	WLMT TENSIONER TUBE
18	2035-471	1	CAPSCREW SOC HD 3/8-16 x 1
19	2035-308	1	PIN,TENSIONER,THREADED
20	2035-214	4	BUSHING,SPRING,1.75x2x2.50
21	0304-427	4	FITTING,GREASE,1/8 NPT x 45^
22	0702-488	1	BUSHING SPRING 1.25x1x2.75
23	0702-551	1	WLMT RAIL ALPHA
24	0702-388	2	AXLE 1.25" ALPHA
25	0702-367	12	WLMT RETAINER 53MM
26	2035-438	12	SEAL FACE 53MM
27	2035-391	12	RETAINER INNER 53MM
28	0702-509	24	BEARING CONE LM5013349 PEER
29	0702-508	24	BEARING CUP
30	0702-651	2	HOUSING, 14" 8 BOLT
31	2035-479	12	PLUG 1/8" NPT HEX CS
32	0702-368	12	SEAL LIP
33	0702-364	12	WASHER HARD .25 x 2.125 x .935
34	2035-595	12	NUT HEX JAM LOCK 7/8-9 UNC GR C
35	0702-644	12	CAP, HUB
36	0702-371	12	SNAP RING .093 x .3.25
37	0702-264	2	WHEEL 14" W/PLATE
38	0090-136	96	WASHER HARD 1.0 X .531 X .197
39	2035-659	96	CAPSCREW HH 1/2-13 x 1.375 GR8
40	0702-654	2	ASSEMBLY HUB 14" W/RUBBER WHEEL

REF. NO.	PART NUMBER	QTY.	DESCRIPTION
41	0702-650	10	HOUSING, 10" 8 BOLT
42	0702-652	10	ASSEMBLY HUB 10" W/RUBBER WHEEL
43	2035-644	10	WHEEL 10" ALPHA BOLT ON
44	0702-450	12	TUBE,INNER
45	2035-596	12	O-RING 1/16 x 1.375 x 1.5 NITRILE, -028
46	0702-483	2	PLATE TORSION
47	0702-413	1	AXLE SWING JOINT
48	0702-410	1	TUBE MNT AXLE
49	0702-646	2	ASSEMBLY, HUB, 14"
50	0702-645	10	ASSEMBLY, HUB, 10"



Chapter 6

Mainframe

6-1 Chassis

VT-70 HO Serial # valid from - H01937 **6-1A**

6-2 Sub Frame

VT-70 HO Serial # valid from - H01937 **6-2A**

6-3 Hoods / Rear Door

VT-70 HO Serial # valid from - H01937 **6-3A**

*** Parts manuals are updated frequently. To ensure current parts information, always refer to the latest version of this manual (posted online, consult your dealer).**

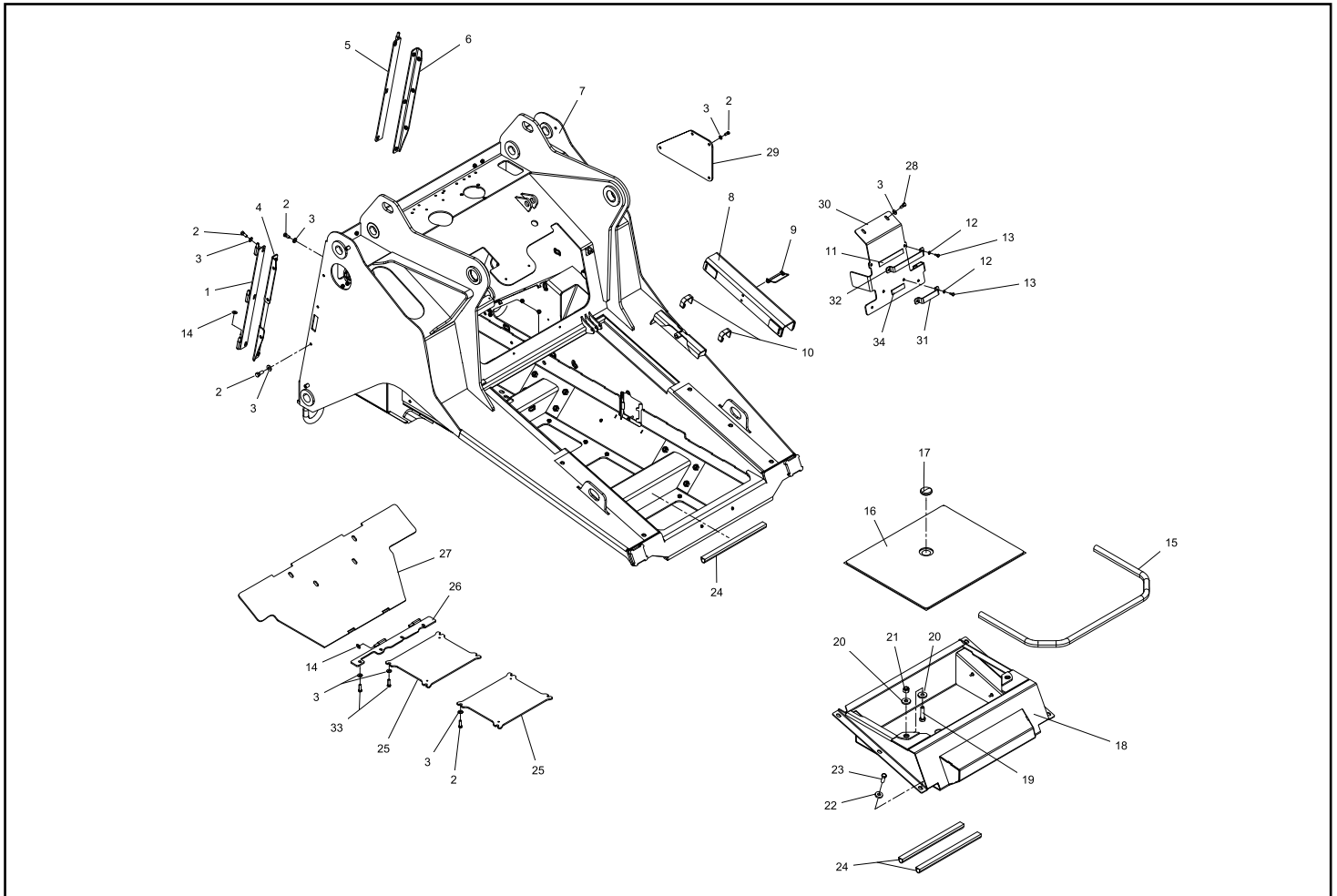
NOTE: When ordering parts that are painted, a specific part number format is required. Please refer to page II of this manual for paint code and ordering information.

CHASSIS

VT-70 HO valid from H01937

Chapter 6

REF. NO.	PART NUMBER	QTY.	DESCRIPTION	REF. NO.	PART NUMBER	QTY.	DESCRIPTION
1	2096-752	1	WLMT, HINGE BASE RH				
2	8102-222	42	CAPSCREW,HH,3/8-16 UNCx1.0,GD8,ZN				
3	8050-262	50	WASHER,WROUGHT,5/16,STD,ZN				
4	7071-709	1	RH HINGE MOUNT WLMT				
5	2096-751	1	WLMT, HINGE BASE LH				
6	7071-708	1	LH HINGE MOUNT WLMT				
7	7071-001	1	WLMT, CHASSIS				
8	2095-817	1	WLMT, LOADER LOCK				
9	0090-039	1	PIN SNAP LOCK 5/16 x 3.5"				
10	7072-087	2	FOAM, STRIP, ADHESIVE BACK				
11	7005-879	1	TRIM, 7.5"				
12	8050-222	4	WASHER,WROUGHT,1/4,STD,ZN				
13	8102-040	4	CAPSCREW,HH,1/4-20UNCx.75,GD8				
14	0403-503	8	BUSHING WELD HINGE 3-15/16 W/ GRS ZRK				
15	7000-937	1	TRIM FOAM BUBBLE 59"				
16	7071-692	1	FLOOR MAT				
17	2095-879	1	GROMMET				
18	7073-490	1	WLMT, FOOTWELL				
19	0201-897	2	CAPSCREW,5/8-11X2.5 GD8				
20	7010-463	2	PLATE STRUCTURAL CAB WASHER				
21	8040-726	2	NUT,HEX,NYLOCK,5/8-11 UNC,ZN				
22	0090-368	6	WASHER HARDENED 1.375X.570X.250 ZN				
23	8102-405	6	CAPSCREW,HH,1/2-13 UNCx1.5,GD8				
24	7071-863	3	FOAM, D, ADHESIVE				
25	7071-419	4	COVER, FLOOR PAN ACCESS				
26	7071-257	1	WLMT, HINGE, BELLY PAN				
27	7071-260	1	WLMT, BELLY PAN, REAR, HINGING				
28	8102-220	4	CAPSCREW,HH,3/8-16x0.75",GD8				
29	7071-443	1	PLATE, ACCESS, STARTER				
30	7073-103	1	WLMT BRACKET FIREWALL PILOT HO				
31	7000-469	1	CLAMP PILOT LINE SMALL				
32	7000-468	1	CLAMP PILOT LINE SMALL				
33	8102-224	4	CAPSCREW,HH,3/8-16UNCx1.25,GD8				
34	7005-878	1	TRIM, 4"				

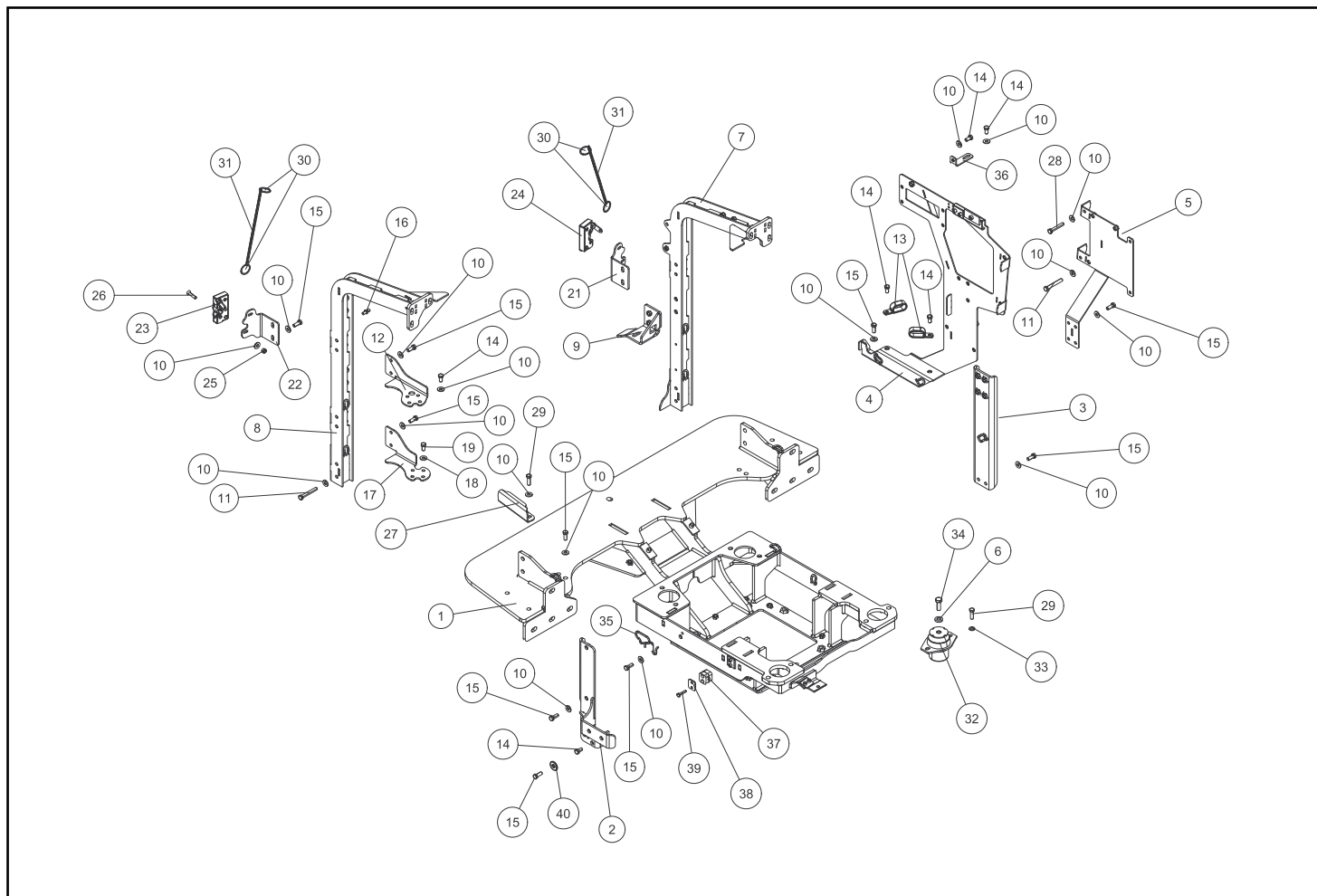


SUB-FRAME

VT-70 HO valid from H01937

Chapter 6

REF. NO.	PART NUMBER	QTY.	DESCRIPTION	REF. NO.	PART NUMBER	QTY.	DESCRIPTION
1	7073-045	1	WLMT, ENGINE POD				
2	7073-090	1	WLMT, SUPPORT, ENGINE SUB, RH				
3	7073-082	1	WLMT, UPRIGHT, ENGINE SUB, LH				
4	7073-175	1	WLMT, MOUNT, OPTIONS				
5	7071-310	1	WLMT, MOUNT, VALVE				
6	0090-136	4	WASHER, HARD, 1.0x.531x.197				
7	7073-030	1	WLMT, HOOD SUPPORT				
8	7073-034	1	WLMT, HOOD SUPPORT				
9	7073-038	1	WLMT, RAMP LATCH				
10	8050-262	52	WASHER, FLAT, 5/16, STD				
11	8102-230	13	CAPSCREW, HH 3/8-16x2.75				
12	7071-489	1	PLATE, BRACKET, FILTER, HYD				
13	2045-661	2	P CLAMP, TWIN, 3/4				
14	8102-220	13	CAPSCREW, HH, 3/8-16UNCx0.75, GD8				
15	8102-222	21	CAPSCREW, HH, 3/8-16UNCx1.0, GD8				
16	0304-495	2	STUD, BALL, 10MM STUD				
17	7071-857	1	PLATE, BRACKET, FILTER				
18	8050-262	4	WASHER, FLAT, 5/16, STD				
19	8102-220	4	CAPSCREW, HH, 3/8-16UNCx0.75, GD8				
20	7073-214	1	WLMT, BRACKET, HOLD-DOWN, BATTERY				
21	7071-771	1	PLATE, LATCH BRACKET, LH				
22	7071-772	1	PLATE, LATCH BRACKET, RH				
23	2096-754	1	RH DOOR LATCH				
24	2096-753	1	LH DOOR LATCH				
25	8040-426	4	NUT, HEX, NYLOCK, 5/16-18, UNC				
26	0090-722	4	SCREW FH PH 5/16 x 1.75 ZN				
27	7071-414	2	WLMT, LOWER DOOR STOP				
28	8102-228	2	CAPSCREW, HH, 3/8-16UNCx2.25, GD8				
29	8102-224	12	CAPSCREW, HH, 3/8-16UNCx1.25, GD8				
30	0304-551	4	RING, KEY				
31	7071-890	2	SASH CHAIN - 17 LINK				
32	7073-044	4	ISOLATOR HYD ENGINE				
33	0090-104	8	WASHER, .402x.728x.098, HARD, YZD				
34	0300-525	4	CAPSCREW, HH, GR10.9 M12 x 35MM 39207				
35	7073-164	1	CABLE LOOP, WIRE FORM				
36	7073-225	1	BRKT, STIFFENER				
37	2045-580	1	CLAMP, SET, 1038 - PP				
38	2045-581	1	PLATE, COVER, COP-1				
39	8102-044	2	CAPSCREW, HH, 1/4-20x1.25				
40	0090-721	2	WASHER, FENDER, 3/8" x 1.250" OD THICK				



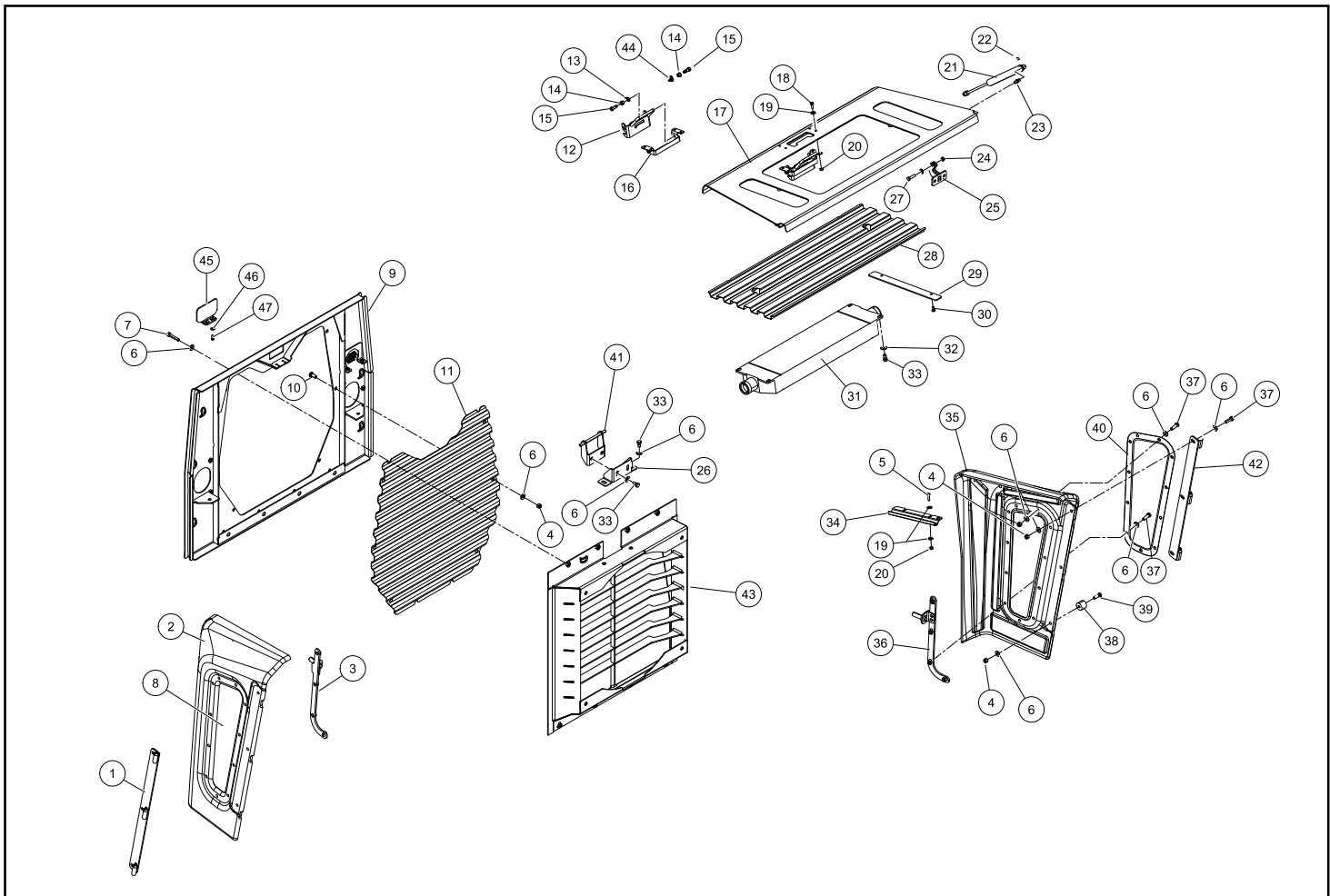
HOODS / REAR DOOR

VT-70 HO valid from H01937

Chapter 6

REF. NO.	PART NUMBER	QTY.	DESCRIPTION
1	2096-745	1	WLMT HINGE DOOR RH
2	7071-662	1	HOOD, PANEL, RH
3	7071-682	1	WLMT RH LATCH CATCH
4	8040-486	26	NUT,HEX,NYLOCK,3/8-16 UNC,ZN
5	8102-042	4	CAPSCREW,HH,1/4-20UNCx1.0,GD8
6	8050-262	64	WASHER,WROUGHT,5/16,STD,ZN
7	8102-227	8	CAPSCREW,HH,3/8-16UNCx2.0 GD8
8	7071-918	2	SCREEN, HOOD, SIDE
9	7071-720	1	REAR FRAME WLMT
10	8011-222	6	BOLT,CARRIAGE,3/8-16 UNCx1.0,ZN
11	7071-615	1	SCREEN, REAR DOOR
12	2095-794	1	WLMT LATCH HOOD TOP
13	2095-273	1	SPRING TORSION HOOD LATCH LH
14	0090-139	2	BUSHING PLASTIC .5 OD X .38 ID
15	0090-137	2	BOLT 3/8 SHLDR x1/2 x5/16 -18
16	7071-609	1	WLMT HOOD LATCH PIVOT
17	7071-283	1	WLMT, TOPHOOD
18	8102-040	4	CAPSCREW,HH,1/4-20 UNCx.75,GD8 ZN
19	8050-222	16	WASHER,WROUGHT,1/4,STD,ZN
20	8040-366	8	NUT,HEX,NYLOCK,1/4-20 UNC,ZN
21	2045-582	2	SPRING GAS HOOD
22	0200-545	2	CLIP,SAFETY,GAS SPRING
23	0304-495	2	STUD,BALL,10MM STUD
24	8040-426	2	NUT,HEX,NYLOCK,5/16-18 UNC,ZN
25	7071-585	2	WLMT, HINGE, TOP HOOD
26	7071-731	1	PLATE, ADJUSTER, LATCH
27	8102-134	2	CAPSCREW,HH,5/16-18UNCx1.25GD8 ZN
28	7071-108	1	TOP HOOD SCREEN
29	7071-137	2	SCREEN HOLDER
30	8102-039	4	CAPSCREW,HH,1/4-20UNCx.625,GD8
31	3020-191	1	CHARGE AIR COOLER, 74 HP & BELOW
32	8050-282	4	WASHER,WROUGHT,3/8,STD,ZN
33	8102-220	8	CAPSCREW,HH,3/8-16x0.75",GD8
34	7071-854	2	RETAINER SIDE PANEL
35	7071-661	1	HOOD, PANEL, LH
36	7071-681	1	WLMT LH LATCH CATCH
37	8102-224	22	CAPSCREW,HH,3/8-16UNCx1.25,GD8,ZN
38	0090-693	2	BUMPER, 1.25 DIA X 1.0
39	0090-694	2	SCREW, SHBH 3/8-16 X 1.25 ZNC
40	7071-924	2	RING, HOLD DOWN, SCREEN, SIDE

REF. NO.	PART NUMBER	QTY.	DESCRIPTION
41	7071-732	1	WLMT, STRIKER
42	2096-744	1	WLMT HINGE DOOR LH
43	7071-690	1	WLMT, DUCT, AIR
44	2095-274	1	SPRING TORSION HOOD LATCH RH
45	7071-861	1	WLMT PLATE CAMERA
46	8050-221	2	WASHER,FLAT,1/4,SAE
47	0090-117	2	CAPSCREW TH PH 10-24 X .75 SS



Chapter 7

Cab / Heating / Air Conditioning

7-1 Cab

VT-70 HO Serial # valid from - H01937 **7-1A**

7-2 Cab Interior / Headliner

VT-70 HO Serial # valid from - H01937 **7-2A**

7-3 Door / Windows

VT-70 HO Serial # valid from - H01937 **7-3A**

7-4 Poly Door

VT-70 HO Serial # valid from - H01937 **7-4A**

7-5 Wiper Assembly

VT-70 HO Serial # valid from - H01937 **7-5A**

7-6 Suspension Seat / Seatbelts

VT-70 HO Serial # valid from - H01937 **7-6A**

7-7 Standard Seat / Seatbelts

VT-70 HO Serial # valid from - H02001 **7-7A**

7-8 Heater

VT-70 HO Serial # valid from - H01937 **7-8A**

7-9 HVAC

VT-70 HO Serial # valid from - H01937 **7-9A**

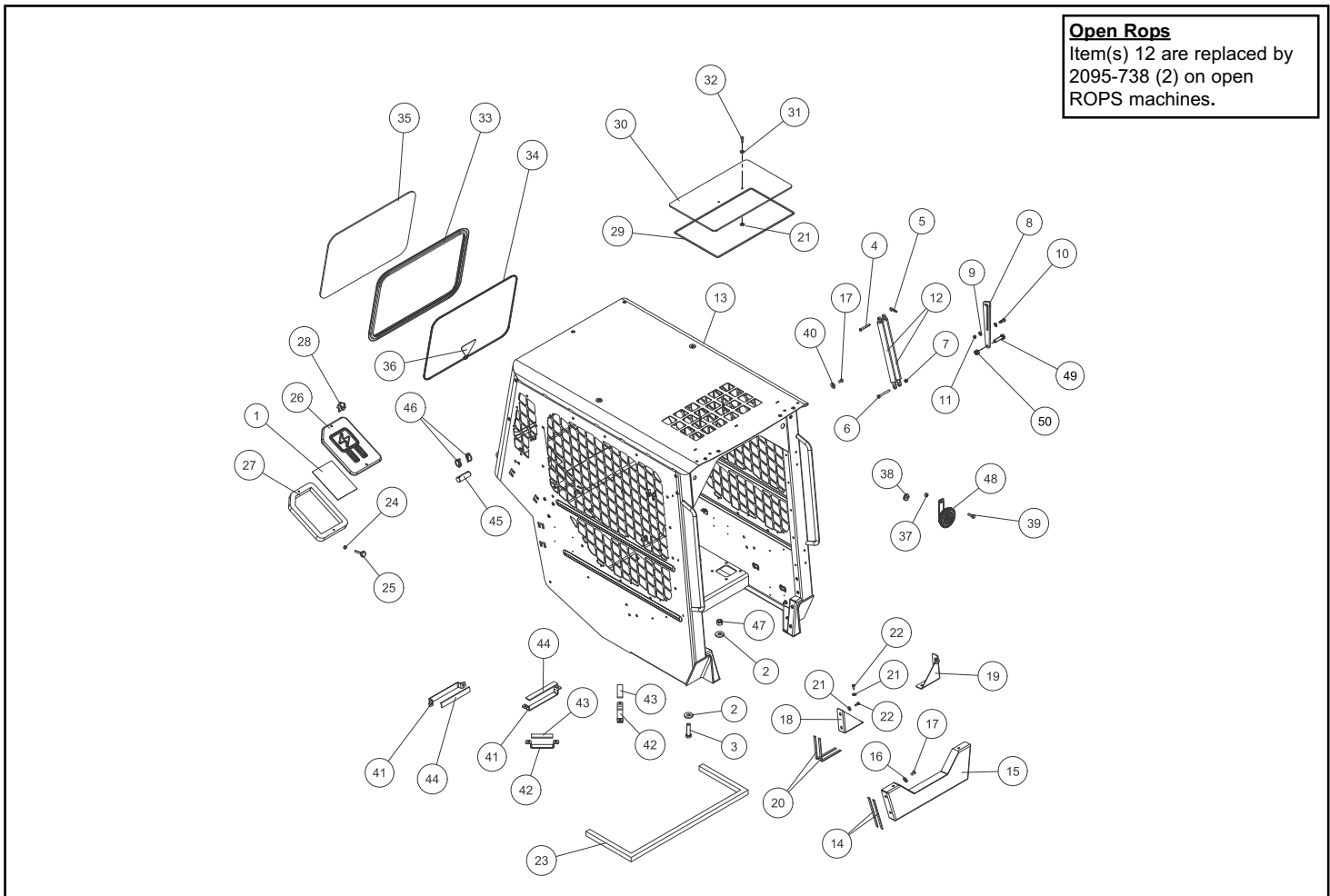
7-10 Ductwork

VT-70 HO Serial # valid from - H01937 **7-10A**

*** Parts manuals are updated frequently. To ensure current parts information, always refer to the latest version of this manual (posted online, consult your dealer).**

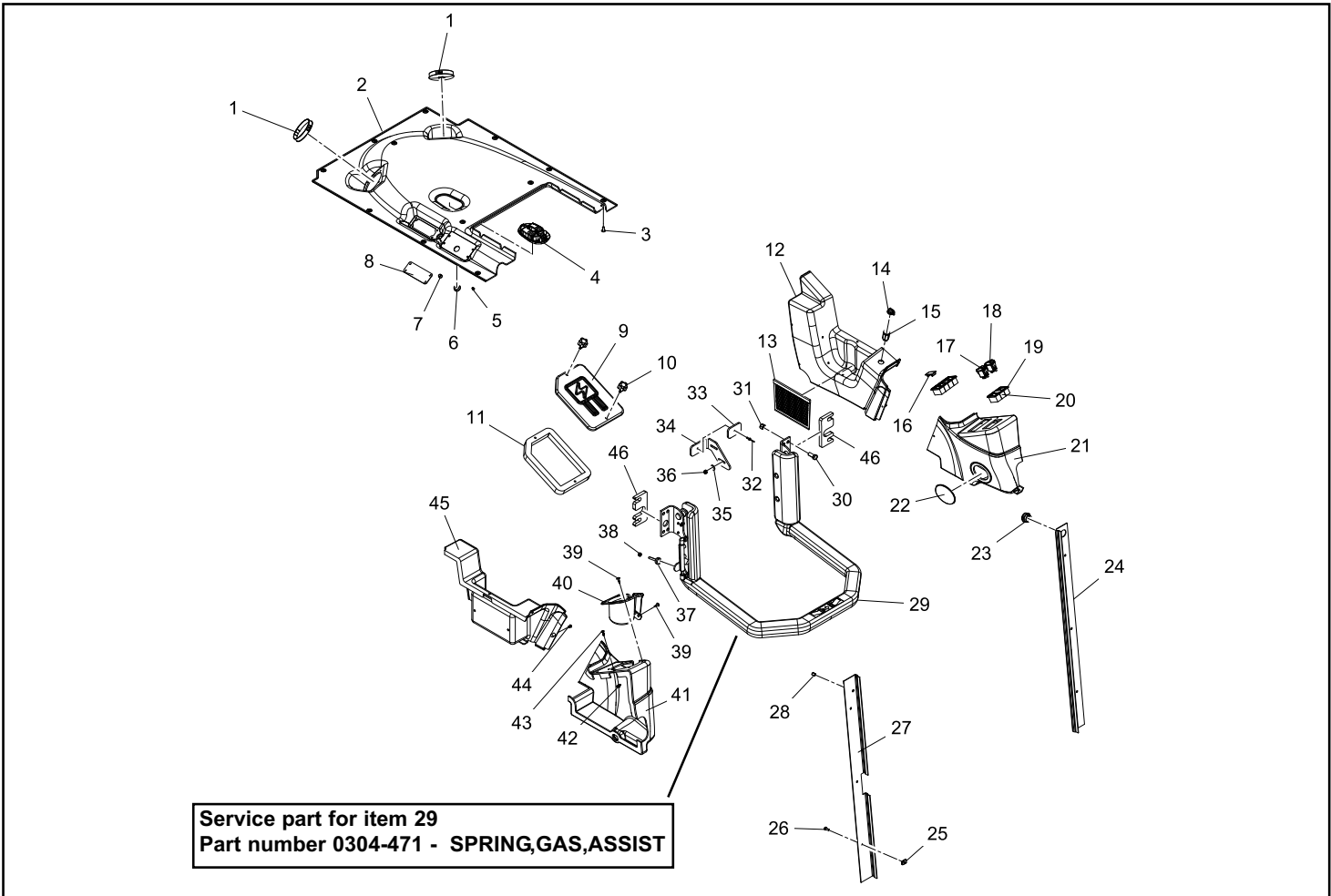
NOTE: When ordering parts that are painted, a specific part number format is required. Please refer to page II of this manual for paint code and ordering information.

REF. NO.	PART NUMBER	QTY.	DESCRIPTION	REF. NO.	PART NUMBER	QTY.	DESCRIPTION
1	0404-840	1	DECAL, FUSE PANEL	41	7000-468	2	CLAMP, PILOT LINE - LARGE
2	7010-463	4	PLATE, STRUCTURAL CAB WASHER	42	7000-469	2	CLAMP, PILOT LINE - SMALL
3	0201-897	2	CAPSCREW,HH,5/8-11UNCx2.5,GD8	43	7005-878	2	TRIM, 4
4	0090-602	1	CLEVIS, PIN 5/16 DIAM 2.5 LONG	44	7005-879	2	TRIM, 7.5
5	0090-603	1	HAIR PIN CLIP 1/8 DIA, 1.92 LONG	45	0090-430	2	PIN, ROPS
6	8102-140	1	CAPSCREW,HH,5/16-18x2.75	46	0090-065	4	PIN LYNCH 3/16 DIA x 1 9/16
7	8040-426	1	NUT,HEX,NYLOCK,5/16-18,UNC	47	8040-726	2	NUT,HEX,NYLOCK,5/8-11,UNC
8	2095-940	1	ROD, PROP, SLOTTED W/PROTRUSION	48	0304-478	1	HORN
9	0090-104	1	WASHER,.402x.728x.098, HARD, YZD	49	8102-134	1	CAPSCREW,HH,5/16-18UNCx1.25GD8 ZN
10	0090-137	1	SCREW, SHOULDER - HSH 5/16-18 X 1.00	50	8040-426	1	NUT,HEX,NYLOCK,5/16-18 UNC,ZN
11	8041-457	1	NUT, NYLOCK, 5/16-18, THIN				
12	2095-739	2	SPRING GAS 619MM 2300N				
13	2096-262	1	WLMT ROPS PT-G SERIES				
14	2095-877	4	SEAL, TOE KICK				
15	2096-398	1	WLMT FILLER TOE KICK				
16	8050-282	4	WASHER,FLAT,3/8,STD				
17	8102-220	8	CAPSCREW,HH,3/8-16UNCx0.75,GD8				
18	2095-582	1	PLATE DOOR FILLER				
19	2096-297	1	PLATE DOOR FILLER				
20	2095-878	4	SEAL, CORNER				
21	8050-222	8	WASHER,FLAT,1/4,STD				
22	8102-040	12	CAPSCREW,HH,1/4-20x.75				
23	0090-261	1	FOAM, MEMORY - 1.00X1.00X54				
24	8042-363	1	NUT, 5/16 - 18 NC				
25	0090-522	1	STOP, LAPBAR				
26	2076-288	1	FUSE PANEL COVER				
27	0090-547	1	FOAM MEMORY - 1.00 X 1.00 X 39				
28	0090-521	2	KNOB, 1/4-20 UNC 2B, MALE				
29	0404-906	1	FOAM, CC, VINYL TAPE .062" X .25" X 5FT				
30	2095-705	1	PANEL, ROOF - POLYCARBONATE				
31	0090-325	2	WASHER 1/4 3/4 RUBBER BONDED				
32	8102-042	2	CAPSCREW,HH,1/4-20x1.00				
33	0090-532	1	85 PRECUT, SEAL .125 OFFSET WINDOW				
34	0090-533	1	85 PRECUT, SEAL, FILLER STRIP				
35	2075-822	1	WINDOW REAR				
36	0201-748	1	ASSY,TAG,EMERGENCY EXIT				
37	0201-628	1	SPACER,CLAMP				
38	2075-638	1	WEB GROMMET				
39	8102-224	1	CAPSCREW,HH,3/8-16UNCx1.25,GD8				
40	0090-460	4	WASHER, 3/8 x 1.125 BONDED				



REF. NO.	PART NUMBER	QTY.	DESCRIPTION
1	2095-687	2	PLUG, HOLE- 4.0"
2	2076-305	1	HEADLINER
3	0090-524	12	RETAINER PUSH TYPE .250 DIA
4	2075-637	1	LIGHT DOME
5	0200-317	4	PLUG,HOLE,1/4"
6	2045-829	1	PLUG FINISHING 1
7	2045-817	1	PLUG FINISHING .5
8	2075-817	1	ESCHION HVAC CONTROL BLANK
9	2076-288	1	COVER FUSE PANEL
10	0090-521	2	KNOB 1/4-20 UNC 2A MALE
11	0090-547	1	FOAM MEMORY 1 X 1 X 34"
12	2095-711	1	PANEL REAR LH
13	2045-636	1	NET CARGO
14	0200-265	1	CAP,POWER SOURCE
15	0200-264	1	HOUSING,POWER SOURCE
16	0310-138	5	PLUG VHP-01
17	2045-413	1	SWITCH LOCKING PARK
18	0310-126	1	SWITCH,LIGHT
19	0310-136	4	FRAME END VME-01
20	0310-137	3	FRAME MID IMM-01
21	2095-614	1	PANEL FRONT LH
22	2075-222	1	PLUG HEATER VENT
23	0090-268	1	BUZZER
24	2095-511	1	COVER POST LH
25	0090-116	6	U-NUT 1/4-24
26	8102-040	6	CAPSCREW,HH,1/4-20 UNCX.75,GD8 ZN
27	2095-512	1	COVER POST RH
28	0090-300	1	INSERT THREADED FLHD 1/4-20
29	0304-019	1	ASSY,LAP BAR (SEE NOTE)
30	8102-406	4	CAPSCREW,HH,1/2-13UNCx1.75,GD8
31	8040-606	4	NUT,HEX,NYLOCK,1/2-13 UNC,ZN
32	8060-648	1	RIVET,BLIND,3/16 x .575
33	0200-321	1	PAD,RUBBER,W/ADHESIVE
34	7005-192	1	LAPBAR STOP, LH
35	8050-262	4	WASHER,WROUGHT,5/16,STD,ZN
36	8040-426	4	NUT,HEX,NYLOCK,5/16-18 UNC,ZN
37	0090-522	1	STOP LAPBAR
38	0300-485	1	NUT,HEX 5-16-18 UNC ZN
39	0090-305	6	RETAINER PUSH TYPE .250 DIA
40	2095-613	1	CUP HOLDER

REF. NO.	PART NUMBER	QTY.	DESCRIPTION
41	2095-598	1	PANEL FRONT RH
42	0090-163	20	NUT U 10-24 UNC
43	0090-117	20	CAPSCREW TH PH 10-24 X .75 SS
44	0090-128	2	SCREW TH PH 10-24 x 5 SS
45	2095-712	1	PANEL, REAR RH
46	7071-822	2	SPACER LAPBAR



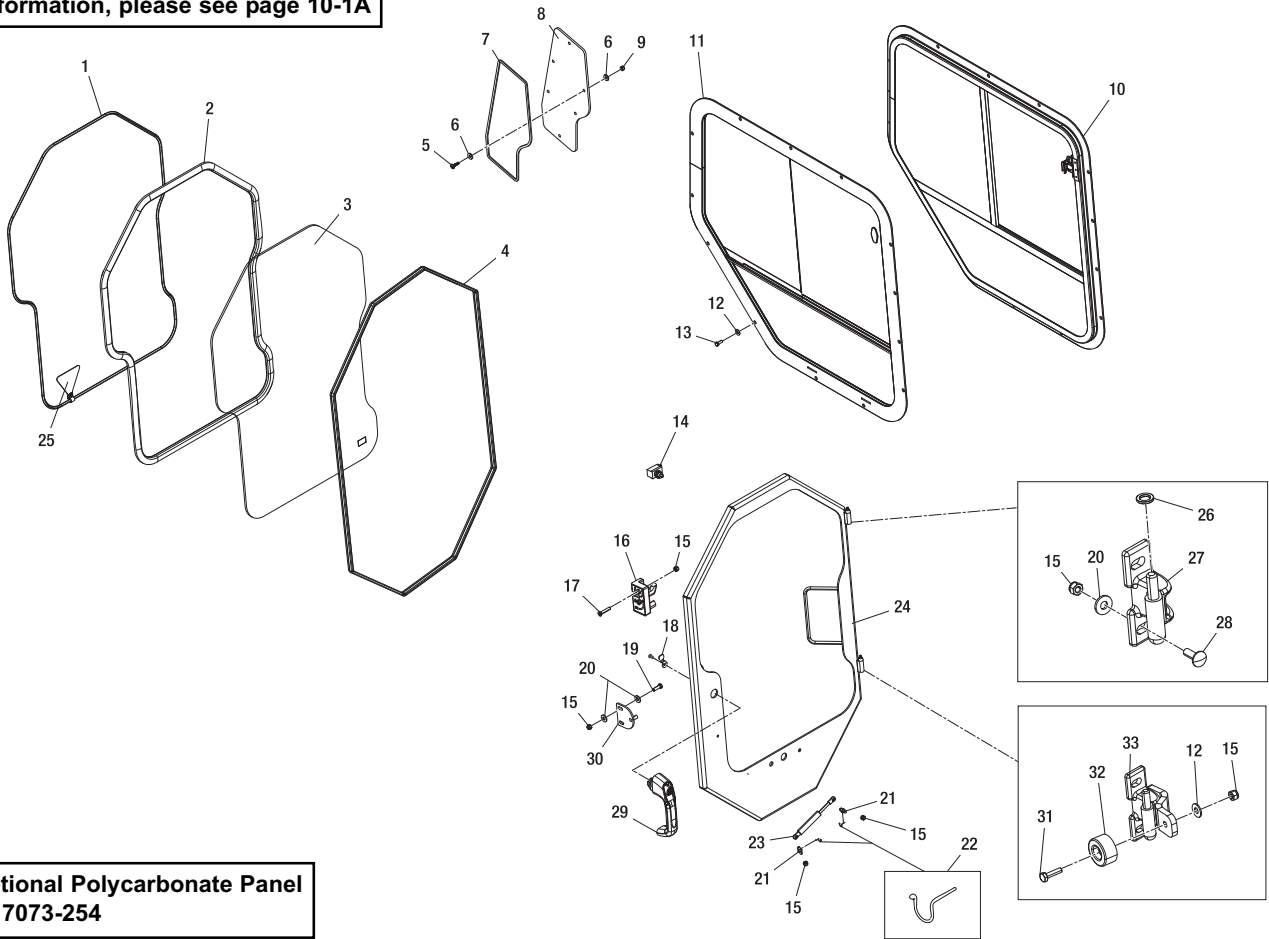
DOOR / WINDOWS

VT-70 HO valid from H01937

Chapter 7

REF. NO.	PART NUMBER	QTY.	DESCRIPTION	REF. NO.	PART NUMBER	QTY.	DESCRIPTION
1	0090-574	1	ZIP				
2	0090-573	1	SEAL DOOR GLASS				
3	0403-797	1	GLASS, DOOR (see note)				
4	0090-624	1	SEAL				
5	8102-040	6	CAPSCREW,HH,1/4-20 UNCx.75,GD8 ZN				
6	0090-325	12	WASHER 3/4"-5/16" RUBBER BONDED SEALING SEAL				
7	7005-569	1	SEAL				
8	7005-568	1	GLASS SIDE PANEL				
9	8040-366	6	NUT,HEX,NYLOCK,1/4-20 UNC,ZN				
10	0404-344	1	WINDOW LH				
11	0404-345	1	WINDOW RH				
12	8050-222	26	WASHER,WROUGHT,1/4,STD,ZN				
13	8102-040	26	CAPSCREW,HH,1/4-20 UNCx.75,GD8 ZN				
14	0403-896	1	SWITCH DOOR PUSH BUTTON				
15	8040-426	6	NUT,HEX,NYLOCK,5/16-18 UNC,ZN				
16	2075-407	1	HANDLE INSIDE				
17	0090-257	2	SCREW FH PH 5/16 x 1.75 ZN				
18	0403-869	1	CATCH DOOR LATCH				
19	8102-132	2	CAPSCREW,HH,5/16-18UNCx1.0 GD8 ,ZN				
20	8050-262	6	WASHER,WROUGHT,5/16,STD,ZN				
21	0304-495	2	STUD,BALL,10MM STUD				
22	0200-545	2	CLIP,SAFETY,GAS SPRING				
23	2045-503	1	SPRING DAMPENED DOOR				
24	2096-277	1	WELDMENT, DOOR				
25	0201-748	1	ASSY,TAG,EMERGENCY EXIT				
26	0403-503	2	BUSHING WELD HINGE				
27	0403-481	1	ASSY HINGE DOOR CAST LH				
28	8011-132	2	BOLT,CARRIAGE,5/16-18 UNCx1.0,				
29	2075-406	1	HANDLE PUSH BUTTON				
30	7005-800	1	WLMT CATCH PLATE				
31	8102-042	1	CAPSCREW, HH 1/4-20UNC 1" GD8				
32	0090-049	1	BUMPER RUBBER				
33	0404-614	1	WLMT HINGE DOOR CAST W/STOP				

For kit information, please see page 10-1A



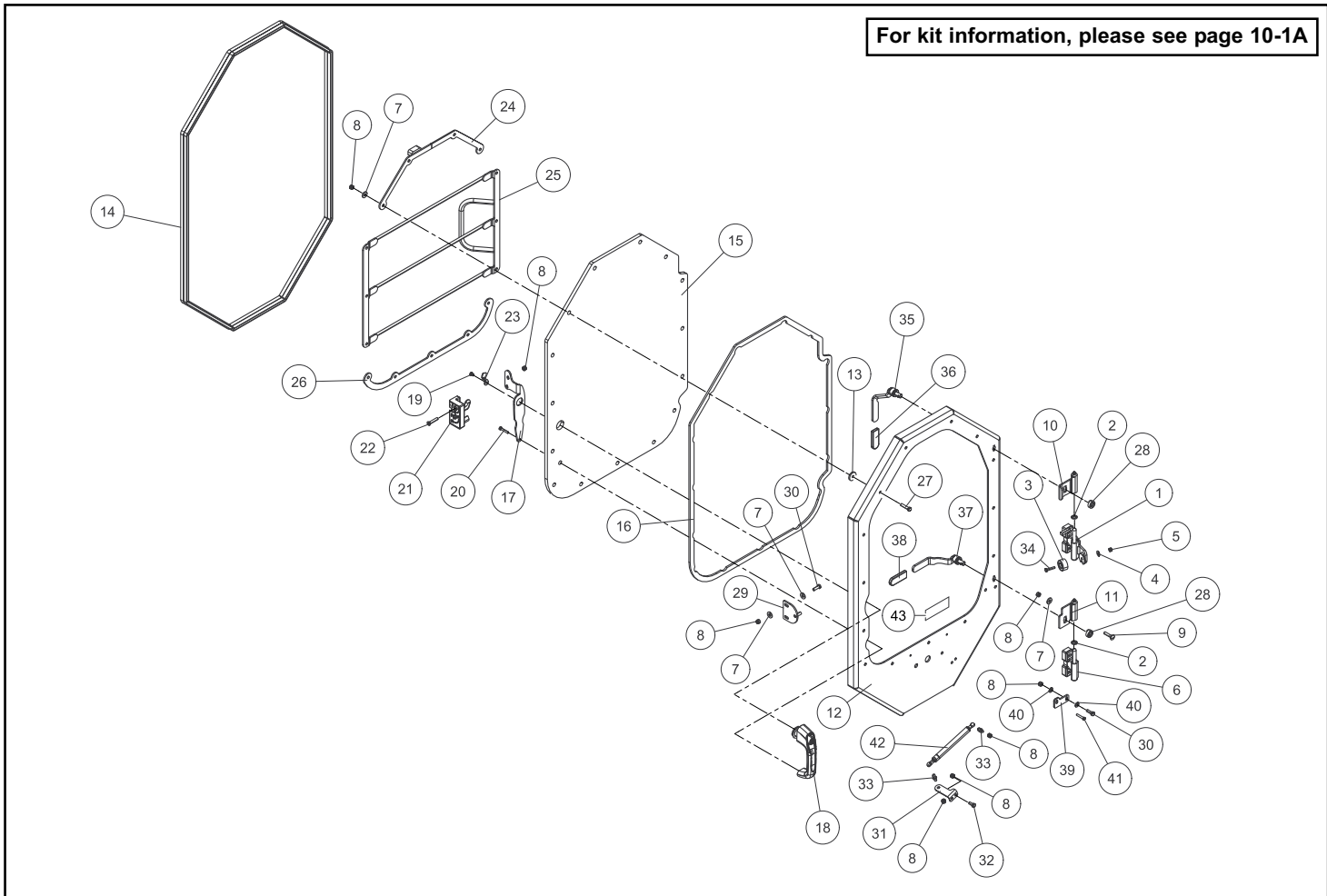
Item 3 Optional Polycarbonate Panel
ASV P/N: 7073-254

POLY DOOR

VT-70 HO valid from H01937

REF. NO.	PART NUMBER	QTY.	DESCRIPTION
1	2097-145	1	HINGE W/ STOP, FORESTRY DOOR
2	2097-185	2	13MM HINGE BUSHING
3	0090-049	1	BUMPER RUBBER
4	8050-222	1	HARDENED WASHER,FLAT,1/4,USS
5	8040-366	1	NUT,HEX,NYLOCK,1/4-20,UNC
6	2097-144	1	WELDMENT HINGE LOWER
7	8050-262	23	HARDENED WASHER,FLAT,5/16,USS
8	8040-426	28	NUT,HEX,NYLOCK,5/16-18,UNC
9	8011-135	4	BOLT, CARRIAGE, 5/16-18 X 1.50
10	2097-201	1	WLMT, HINGE, DOOR, FORESTRY, UPPER
11	2097-244	1	WLMT, HINGE, BOTTOM
12	2096-635	1	WELDMENT, POLY DOOR
13	2045-522	15	WASHER MOUNTING DOOR HANDLE
14	2096-636	1	EDGE TRIM SEAL, POLY DOOR
15	2096-629	1	PANEL, POLY DOOR
16	2076-252	1	SEAL POLY DOOR FORESTRY
17	2076-253	1	MOUNT DOOR HANDLE
18	2075-406	1	HANDLE, PUSH BUTTON
19	0090-622	1	SCREW, MACH, PH PAN HD, M6-1.0 X 10MM CL ZNC
20	0310-517	1	M6-1.0x30
21	2075-407	1	HANDLE INSIDE
22	0090-257	2	SCREW FH PH 5/16 x 1.75 ZN
23	0404-584	1	CATCH, DOOR LATCH
24	2076-256	1	WLMT POLY RETAINER UPPER
25	2097-208	1	POLY RETAINER W/ HANDLE
26	2096-631	1	POLY RETAINER BOTTOM
27	8102-135	14	CAPSCREW,HH,5/16-18UNCx1.50,GD8
28	0090-734	2	CAM, DOOR LOCK
29	7005-800	1	WLMT, CATCH PLATE
30	8102-132	3	CAPSCREW,HH,5/16-18UNCx1.0,GD8
31	2076-260	1	DOOR SPRING MOUNT
32	8102-130	2	CAPSCREW,HH,5/16-18UNCx.75,GD8
33	0304-495	2	STUD,BALL,10MM STUD
34	8102-044	1	CAPSCREW,HH,1/4-20x1.25
35	2097-218	1	ASSY, RELEASE HANDLE, 45 DEGREE
36	2076-487	1	SLEEVE DOOR HANDLE RED
37	2097-219	1	ASSY, RELEASE HANDLE, OFFSET
38	2076-487	1	SLEEVE DOOR HANDLE RED
39	2097-245	1	STOP, HINGE, BOTTOM
40	8050-247	3	HARDENED WASHER,FLAT,5/16,SAE

REF. NO.	PART NUMBER	QTY.	DESCRIPTION
41	8102-136	1	CAPSCREW,HH,5/16-18UNCx1.75,GD8
42	2097-255	1	SPRING, GAS ASSIST
43	2076-411	1	DECAL EMERGENCY EXIT



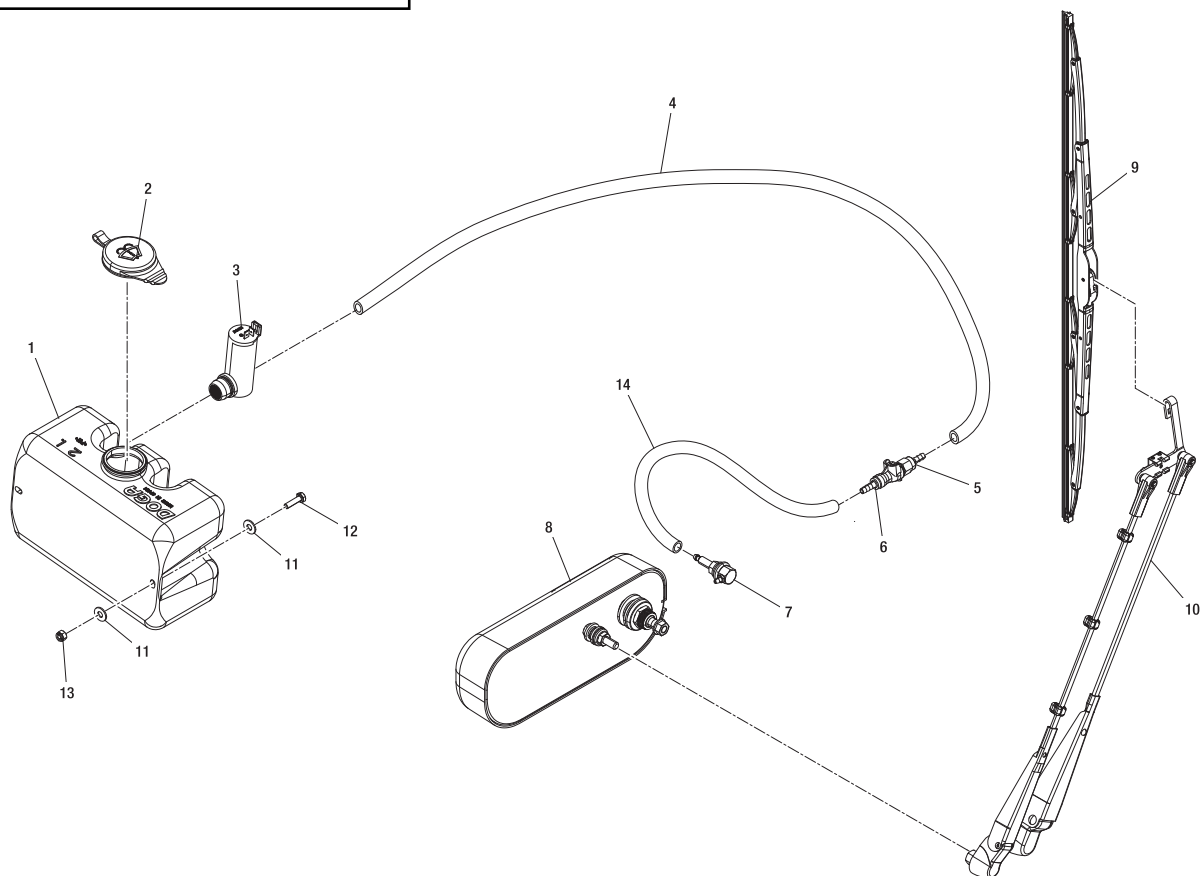
WIPER ASSEMBLY

VT-70 HO valid from H01937

Chapter 7

REF. NO.	PART NUMBER	QTY.	DESCRIPTION	REF. NO.	PART NUMBER	QTY.	DESCRIPTION
1	0404-271	1	BOTTLE WASHER 2.1L 1 PUMP				
2	0404-436	1	CAP, BOTTLE WASHER				
3	0403-713	1	PUMP WASHER RESERVOIR				
4	0404-541	1	HOSE, 72"				
5	0403-756	1	COUPLER MALE WASHER LINE				
6	0403-757	1	COUPLER FEMALE WASHER LINE				
7	0403-998	1	CONNECTOR 90° ELBOW METAL				
8	0404-259	1	MOTOR WIPER RH 12v w/ COVER				
9	0404-261	1	BLADE WIPER 600 mm				
10	0404-260	1	ARM WIPER PANTGRAPH 450mm				
11	8050-222	4	WASHER, WROUGHT, 1/4, STD, ZN				
12	8102-040	2	CAPSCREW, HH, 1/4-20 UNC x .75, GD8 ZN				
13	8040-366	2	NUT, HEX, NYLOCK, 1/4-20 UNC, ZN				
14	0404-542	1	HOSE, 6"				

For kit information, please see page 10-1A



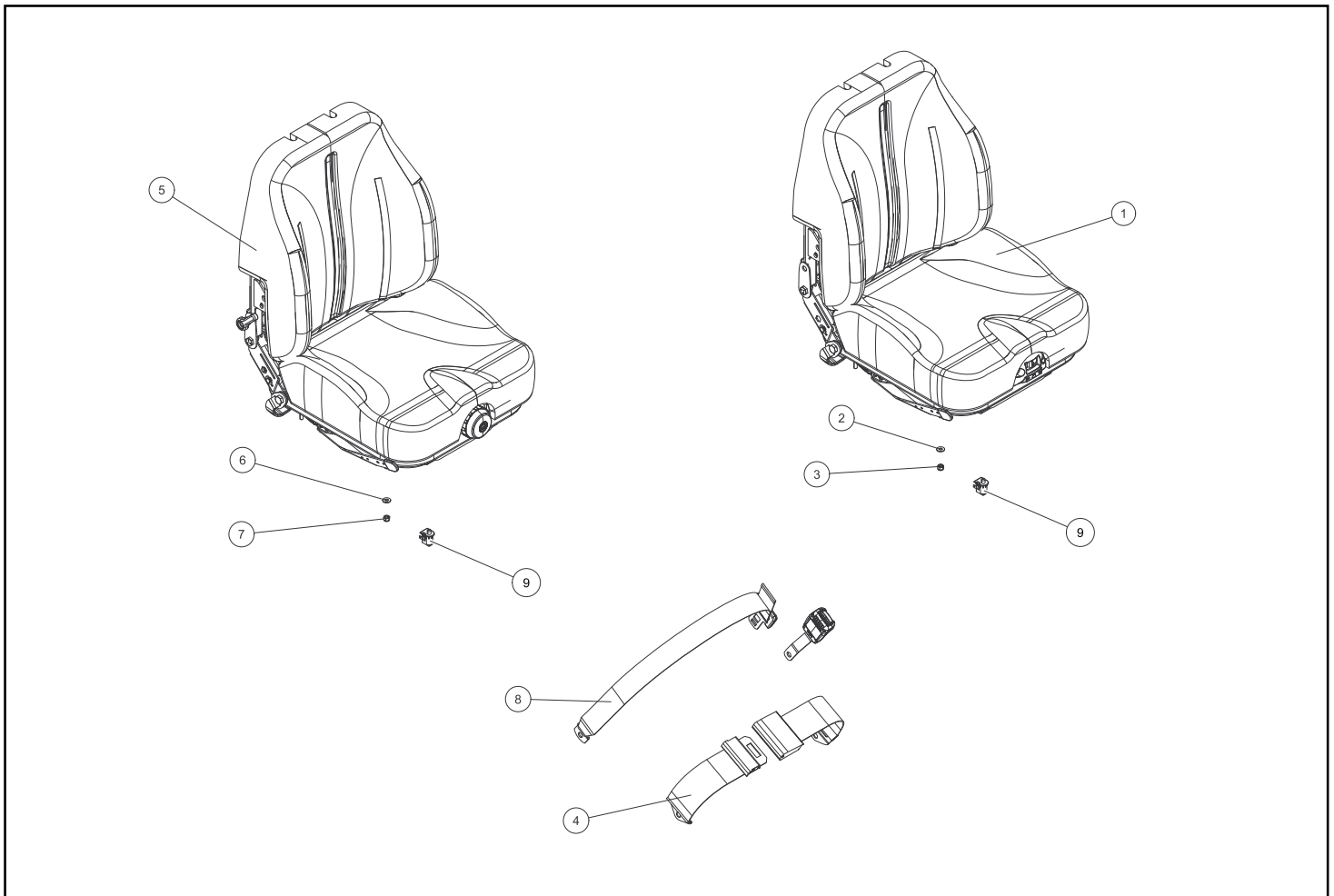
SUSPENSION SEAT / SEATBELTS

VT-70 HO valid from H01937

Chapter 7

REF. NO.	PART NUMBER	QTY.	DESCRIPTION
1	2017-392	1	SEAT, AIR RIDE
2	8050-222	4	WASHER, FLAT, 1/4, STD
3	8040-426	4	NUT, HEX, NYLOCK, 5/16-18, UNC
4	2076-410	1	BELT SEAT 3 ADJUSTABLE
5	2017-391	1	SEAT, MECHANICAL
6	8050-222	4	WASHER, FLAT, 1/4, STD
7	8040-426	4	NUT, HEX, NYLOCK, 5/16-18, UNC
8	2076-666	1	BELT, 2 SEAT
9	2014-839	1	SWITCH, SEAT

REF. NO.	PART NUMBER	QTY.	DESCRIPTION



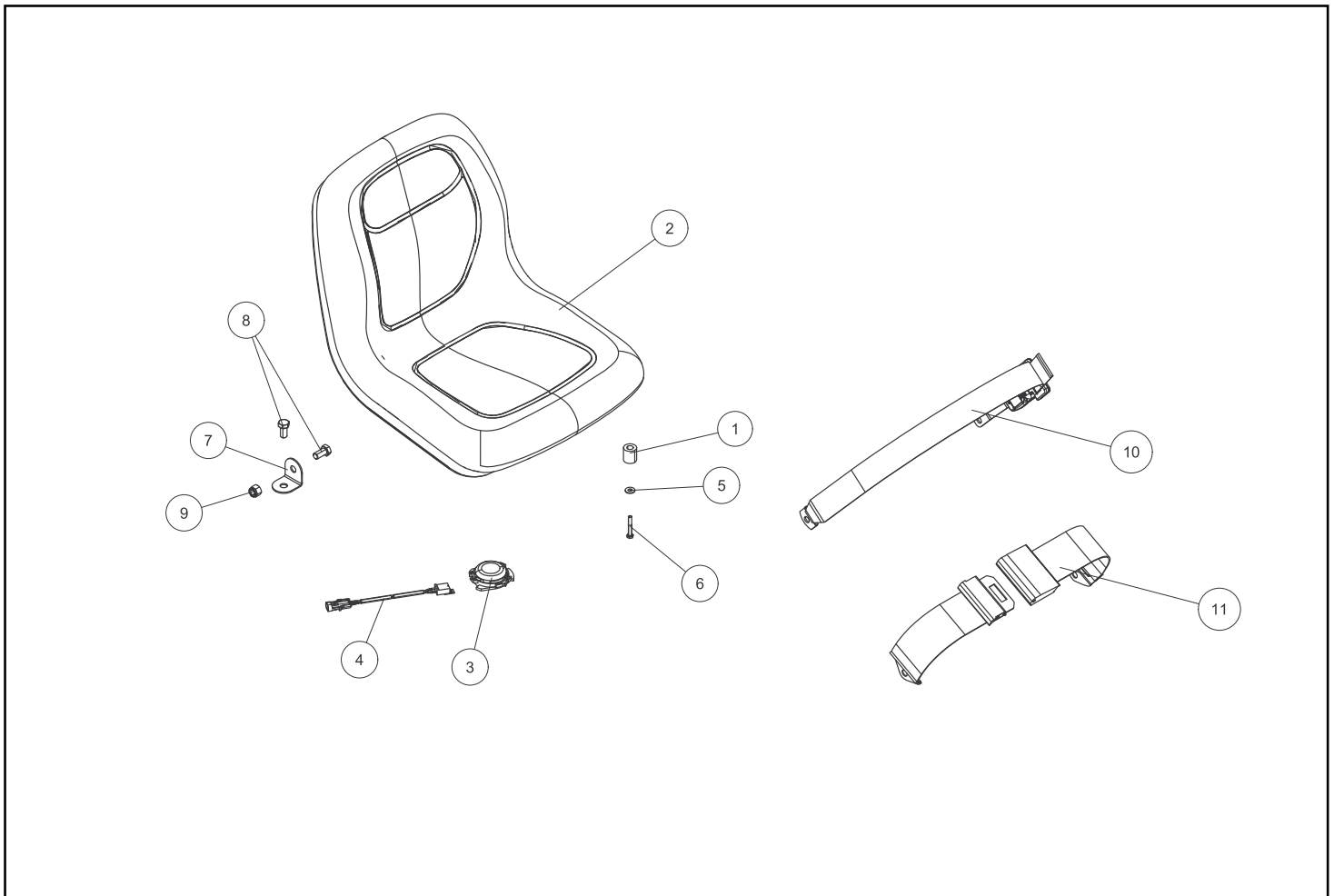
STANDARD SEAT / SEATBELTS

VT-70 HO valid from H02001

Chapter 7

REF. NO.	PART NUMBER	QTY.	DESCRIPTION
1	7005-469	4	SPACER
2	0304-045	1	SEAT
3	2010-127	1	SWITCH,SEAT (NEW STYLE)
4	0304-662	1	HARNESS,SWITCH,SEAT
5	8050-222	4	HARDENED WASHER,FLAT,1/4,USS
6	8102-046	4	CAPSCREW,HH,1/4-20UNCx1.75,GD8
7	2075-163	2	MOUNT, SEAT BELT - LOWER
8	8102-402	4	CAPSCREW,HH,1/2-13x1.00
9	8040-606	2	NUT,HEX,NYLOCK,1/2-13,UNC
10	2076-666	1	BELT, 2 SEAT
11	2076-410	1	BELT SEAT 3 ADJUSTABLE

REF. NO.	PART NUMBER	QTY.	DESCRIPTION

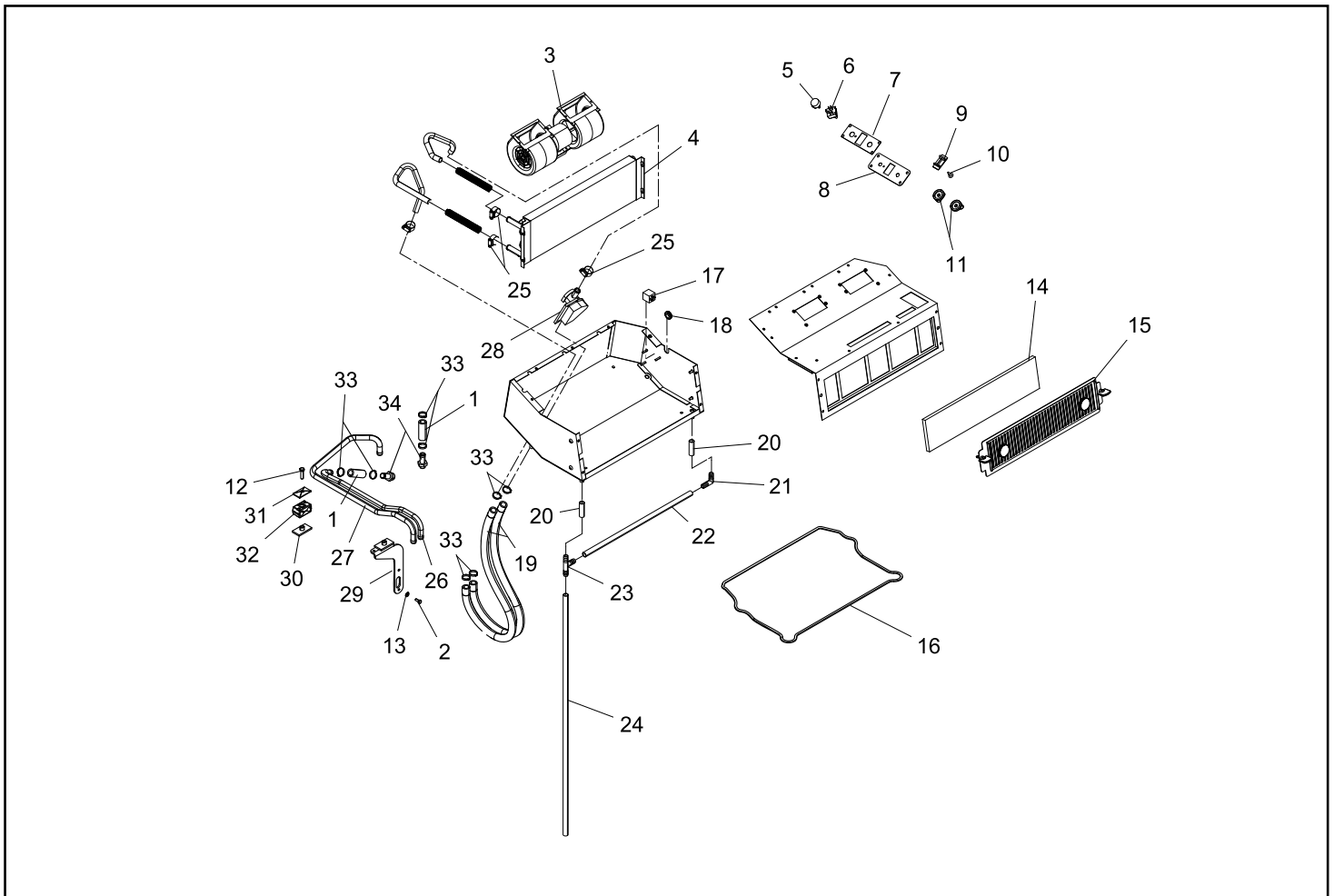


HEATER (OPTIONAL)

VT-70 HO valid from H01937

Chapter 7

REF. NO.	PART NUMBER	QTY.	DESCRIPTION	REF. NO.	PART NUMBER	QTY.	DESCRIPTION
1	7012-229	2	HOSE, HEATER, ENGINE TO TUBE				
2	0304-465	2	CAPSCREW,HH,M6-1.0x16mm				
3	2045-903	1	BLOWER				
4	2095-631	1	HEATER COIL				
5	2095-874	1	CONTROLLER TEMP				
6	2045-899	1	SWITCH 3 SPEED				
7	2095-876	1	DECAL PLATE HVAC CONTROL				
8	2095-875	1	PLATE HVAC CONTROL				
9	0310-138	1	PLUG VHP-01 INDEX # 390-09002-001				
10	0090-305	4	RETAINER PUSH TYPE .250 DIA				
11	2095-873	2	KNOB PERRIN HVAC CONTROL				
12	8102-134	2	CAPSCREW,HH,5/16-18UNCx1.25,GD8				
13	8050-157	2	WASHER,WROUGHT, #10 3/16,STD,ZN				
14	2095-637	1	CUT FILTER FOAM				
15	2095-975	1	RECIRC COVER ADJUSTABLE				
16	0090-714	1	1/4 x 1/4 ACRYLIC PSA BACKED FOAM, 68" LONG				
17	2095-676	1	RELAY 12V-50A SPDT				
18	2095-677	1	GROMMET 7/8 x 5/8				
19	7073-101	2	HOSE, HEATER				
20	2095-684	2	TUBING 2" PVC - 5/8" OD X 1/2" ID				
21	0090-361	1	ELBOW 1/2 X 90° NYLON				
22	2095-685	1	TUBING 18.5" PVC - 5/8" OD X 1/2" ID				
23	0090-360	1	TEE 1/2 X 90° NYLON				
24	2095-686	1	TUBING 36" PVC - 5/8" OD X 1/2" ID				
25	0315-103	10	CLAMP, HOSE, #10				
26	7073-091	1	TUBE HEATER PRESSURE				
27	7073-092	1	TUBE HEATER RETURN				
28	2096-483	1	VALVE, HEATER				
29	7073-097	1	WLMT BRKT HEATER TUBE				
30	0314-538	1	BASE, CLAMP, TWP-02 (PLATED)				
31	0310-584	2	PLATE, COVER TCP-T2 TCP-T2				
32	0310-831	2	CLAMP, SET, T2062-PP BEHRINGER				
33	0316-027	8	CLAMP 20.9MM TO 24.1MM STEPLESS EAR CLAMP				
34	7012-203	1	ADAPTER HEATER 24MM X 5/8 HB				

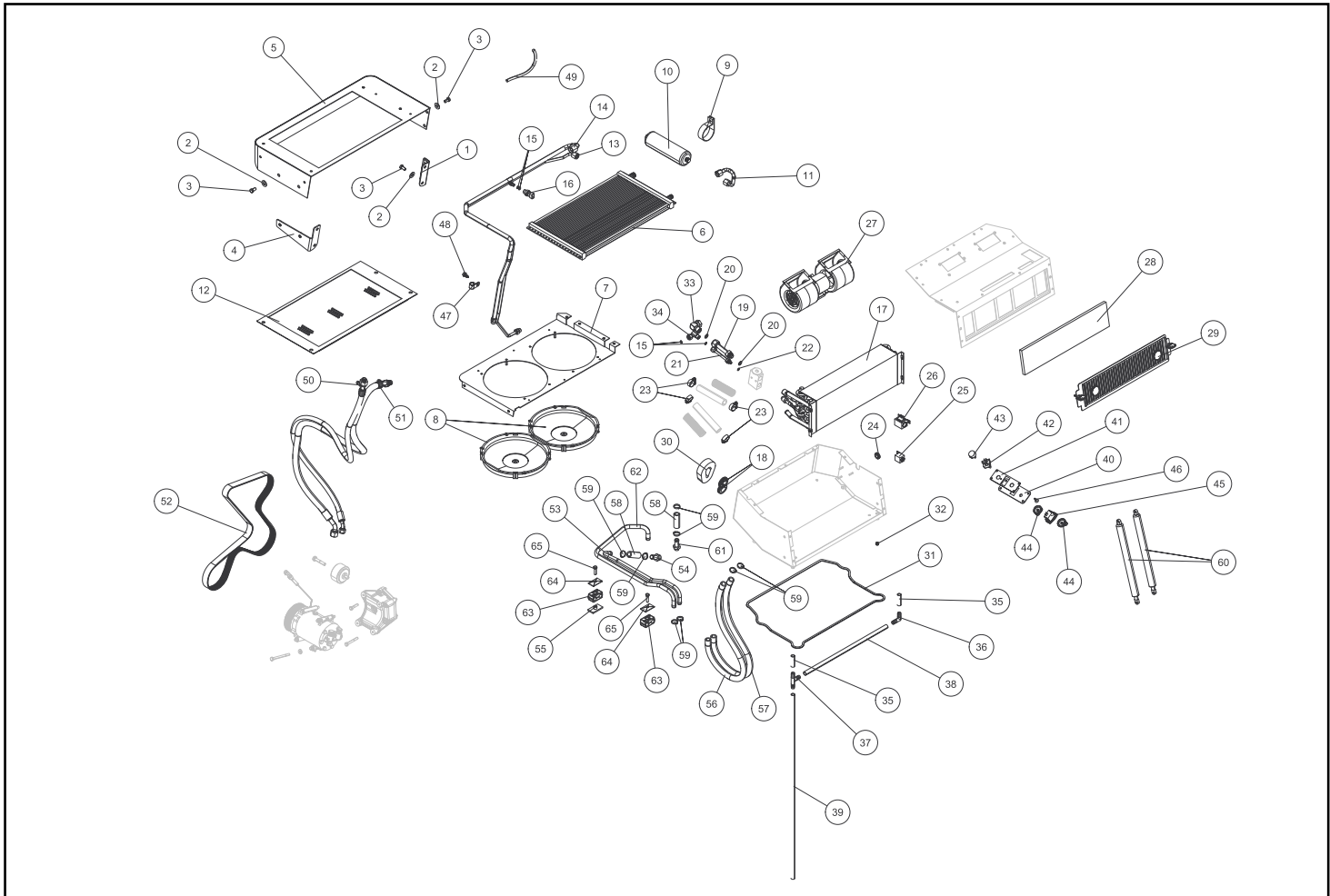


HVAC (OPTIONAL)

VT-70 HO valid from H01937

REF. NO.	PART NUMBER	QTY.	DESCRIPTION
1	2076-482	1	WLMT, ROPS MOUNT LH
2	8050-282	8	HARDENED WASHER,FLAT,3/8,USS
3	8102-220	8	CAPSCREW,HH,3/8-16UNCx0.75,GD8
4	2076-519	1	WLMT, ROPS MOUNT RH
5	2095-546	1	ENCLOSURE CONDENSOR
6	2095-547	1	CONDENSOR, 22 X 12
7	2095-548	1	MOUNT CONDENSOR FAN
8	2076-170	2	FAN A/C CONDENSOR
9	2095-549	1	MOUNT RECEIVER DRYER
10	2095-550	1	RECEIVER DRYER
11	2095-551	1	TUBE OUTLET CONDENSOR
12	2095-973	1	COVER, CONDENSER
13	2095-552	1	ASSY TUBE NO 6 OUTLET
14	2095-553	1	ASSY TUBE NO 8 INLET
15	2076-188	4	O-RING, #6 ACOR
16	2045-889	1	SWITCH PRESSURE LOW
17	2095-636	1	ASSY EVAPORATOR COIL
18	2095-678	2	GROMMET 1.25 x .875 (.12)
19	2095-629	1	ASSEMBLY TUBE #6
20	2076-189	2	O-RING # 10 GREEN
21	2095-630	1	ASSEMBLY TUBE #10
22	2076-188	1	O-RING, #6 ACOR
23	0301-110	4	CLAMP, HOSE, #8
24	2095-677	1	GROMMET 7/8 x 5/8
25	2095-676	1	RELAY 12V-50A SPDT
26	2095-673	1	CONTROL COLD
27	2045-903	1	BLOWER
28	2095-637	1	CUT FILTER FOAM
29	2095-975	1	RECIRC COVER ADJUSTABLE
30	0090-546	1	FOAM MEMORY - 1.00 X 1.00 X 15
31	0090-714	1	1/4 x 1/4 ACRYLIC PSA BACKED FOAM, 68 LONG
32	8040-366	4	NUT,HEX,NYLOCK,1/4-20,UNC
33	2075-980	1	NO 10 90° ADAPTOR
34	2075-981	1	NO 6 90° ADAPTOR
35	2095-684	2	TUBING 2 PVC - 5/8 OD X 1/2 ID
36	0090-361	1	ELBOW
37	0090-360	1	TEE
38	2095-685	1	TUBING PVC - 5/8 OD X 1/2 ID X 2
39	2095-686	1	TUBING PVC - 5/8 OD X 1/2 ID X 36
40	2095-875	1	ESCHION HVAC CONTROL

REF. NO.	PART NUMBER	QTY.	DESCRIPTION
41	2095-876	1	DECAL PLATE HVAC CONTROL
42	2045-899	1	SWITCH 3 SPEED
43	2095-874	1	CONTROLLER TEMP
44	2095-873	2	KNOB PERRIN HVAC CONTROL
45	2076-241	1	SWITCH, A/C
46	0090-305	4	RETAINER, PUSH-TYPE .250 DIA
47	0310-465	1	CLAMP,WIRE,5/8
48	0302-537	1	SCREW, HWH TAPPING 5-16-18 X 3/4
49	3000-775	1	HARNESS RADIO/HVAC
50	7073-141	1	HOSE, AC, 58.23
51	7073-142	1	HOSE, AC, 58.92
52	7073-148	1	BELT, A/C, DEUTZ
53	7073-091	1	TUBE HEATER PRESSURE
54	7012-203	1	ADAPTER HEATER 24MM X 5/8 HB
55	0314-538	1	BASE, CLAMP, TWP-02 (PLATED)
56	7073-101	1	HOSE HEATER
57	7073-101	1	HOSE HEATER
58	7012-229	2	HOSE, HEATER, ENGINE TO TUBE
59	0316-027	8	CLAMP 20.9MM TO 24.1MM STEPLESS EAR CLAMP
60	2095-739	2	SPRING GAS 619MM 2300N
61	7012-291	1	ADAPTER HEATER 24MM X 5/8 HB
62	7073-092	1	TUBE HEATER RETURN
63	0310-831	2	CLAMP, SET, T2062 - PP
64	0310-584	2	PLATE, COVER, TCP-T2
65	8102-134	2	CAPSCREW,HH,5/16-18UNCx1.25,GD8

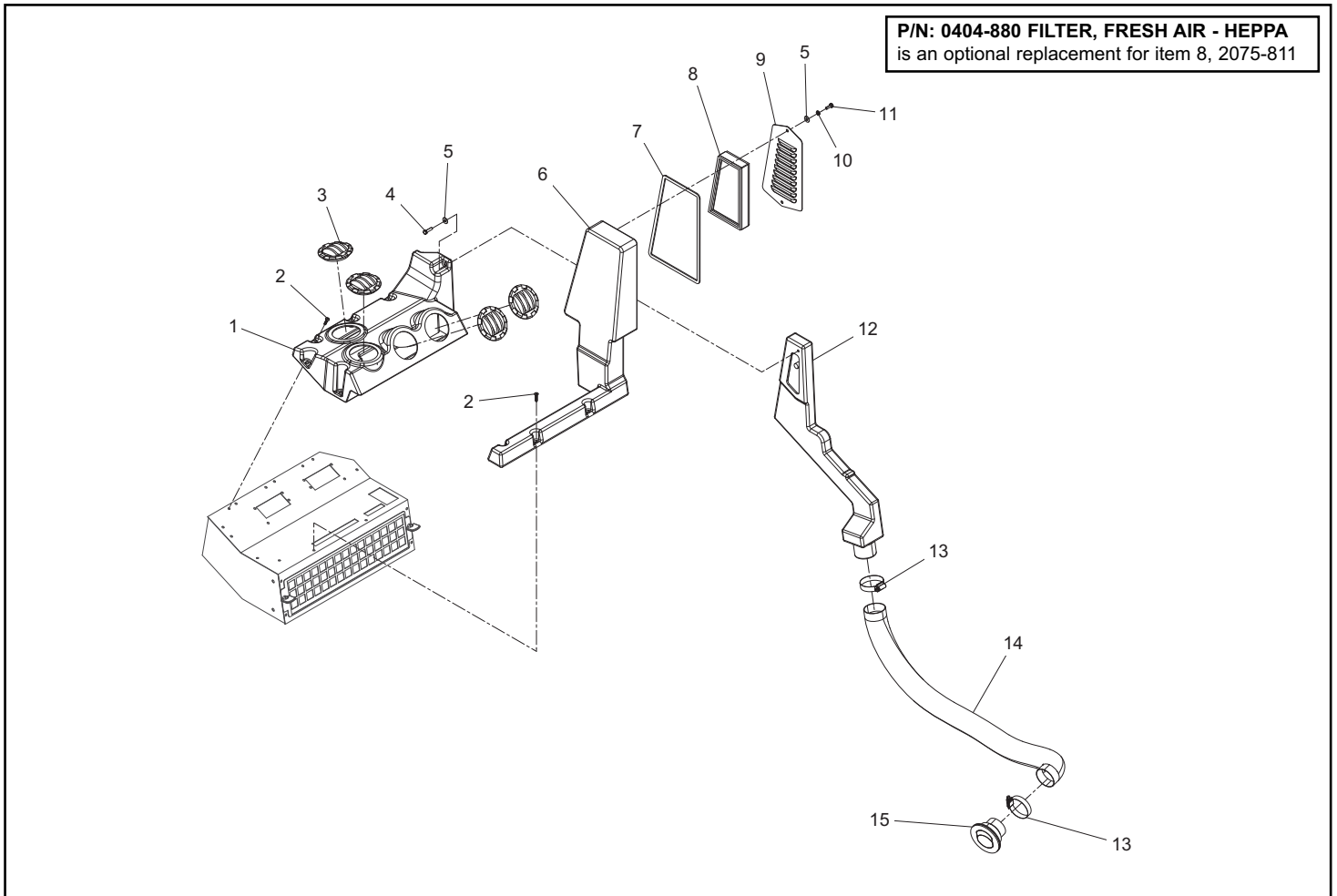


DUCTWORK (OPTIONAL)

VT-70 HO valid from H01937

Chapter 7

REF. NO.	PART NUMBER	QTY.	DESCRIPTION	REF. NO.	PART NUMBER	QTY.	DESCRIPTION
1	2075-793	1	PLENUM OUTLET HVAC				
2	0090-253	10	SCREW TH PH 10-32 x 1.0 ZN				
3	2045-895	4	LOUVER				
4	8102-042	5	CAPSCREW, HH 1/4-20UNC 1" GD8				
5	8050-222	7	WASHER, WROUGHT, 1/4, STD, ZN				
6	2095-722	1	PLENUM INLET HVAC				
7	2095-886	1	SEAL INLET DUCT				
8	2075-811	1	FILTER FRESH AIR				
9	2075-812	1	COVER FRESH AIR FILTER				
10	8051-212	2	WASHER, SPRING LOCK, 1/4, ZN				
11	8102-040	2	CAPSCREW, HH, 1/4-20 UNC x .75, GD8 ZN				
12	2095-723	1	DUCT				
13	0303-175	2	HOSE, CLAMP, 2.75, HI-TORQUE				
14	0090-528	1	DUCT 2.5" , 4'- 0090-331				
15	2046-329	1	LOUVER 2.5" DUCT				



Chapter 8

Working Equipment

8-1 Lift Arms

VT-70 HO Serial # valid from - H01937 **8-1A**

8-2 Quick Attach - Manual

VT-70 HO Serial # valid from - H01937 **8-2A**

8-3 Quick Attach - Hydraulic

VT-70 HO Serial # valid from - H01937 **8-3A**

*** Parts manuals are updated frequently. To ensure current parts information, always refer to the latest version of this manual (posted online, consult your dealer).**

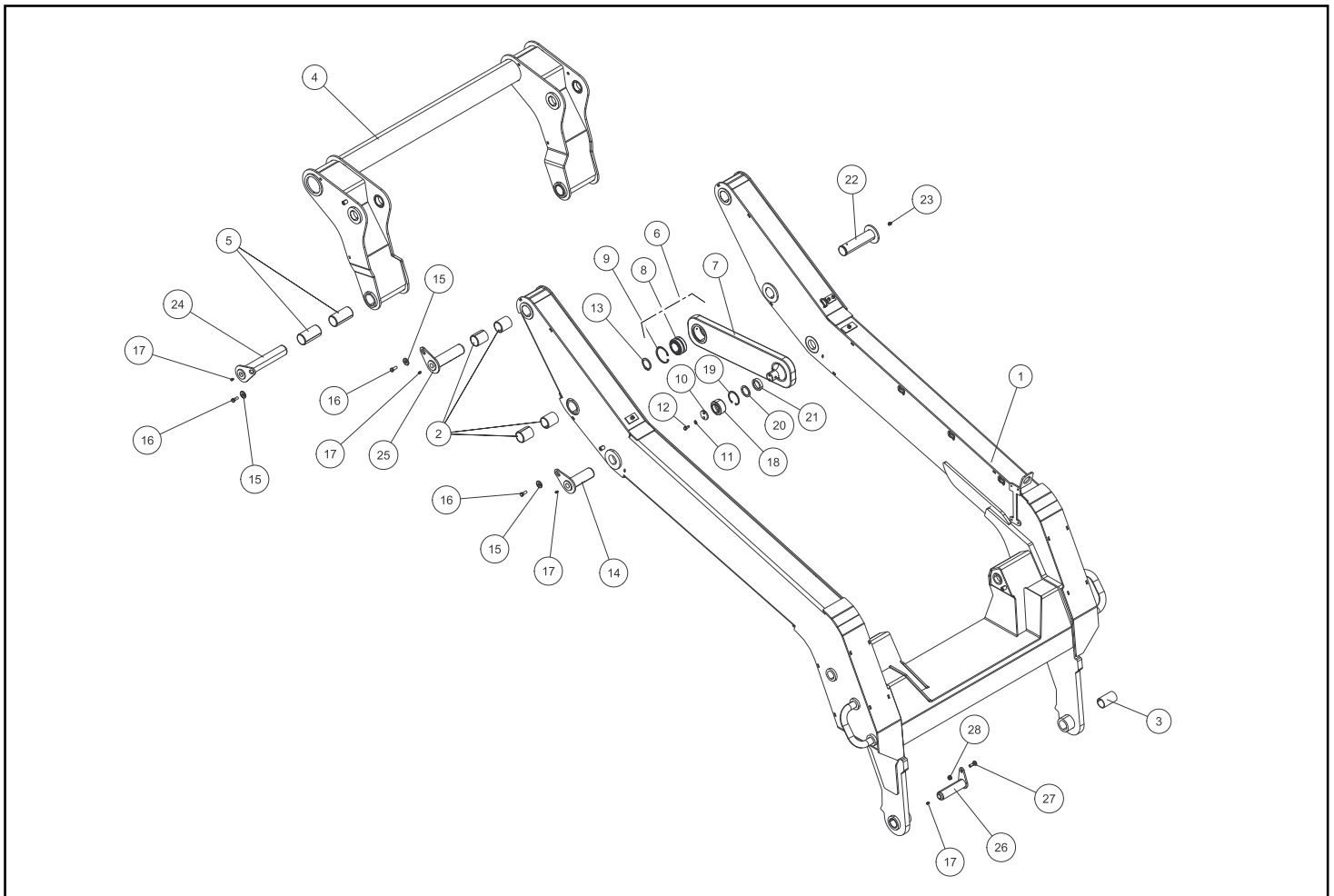
NOTE: When ordering parts that are painted, a specific part number format is required. Please refer to page II of this manual for paint code and ordering information.

LIFT ARMS

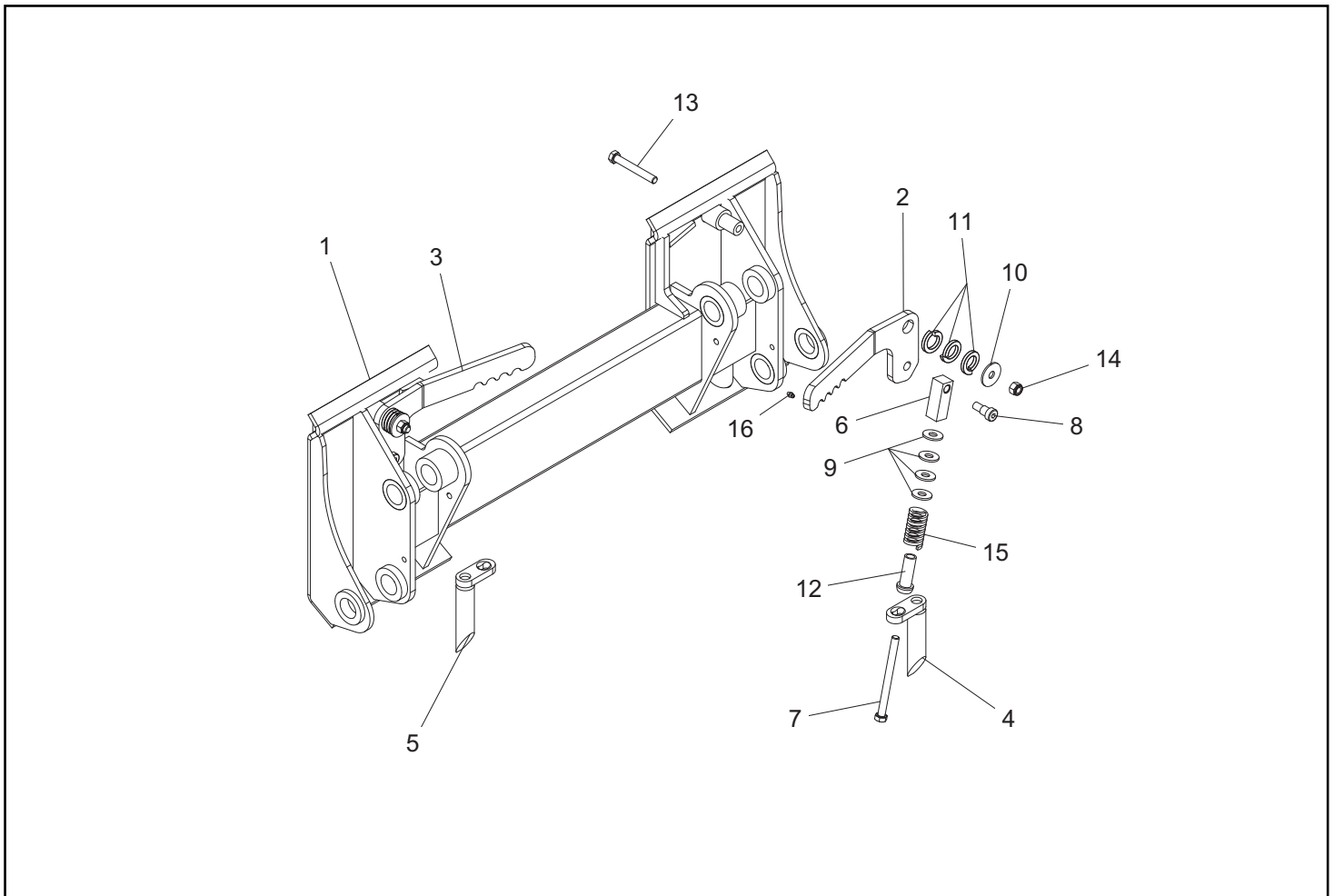
VT-70 HO valid from H01937

Chapter 8

REF. NO.	PART NUMBER	QTY.	DESCRIPTION	REF. NO.	PART NUMBER	QTY.	DESCRIPTION
1	7073-500	1	WLMT, LOADER ARMS				
2	7005-848	8	BUSHING, SPRING				
3	7000-342	2	1.75 OD X 1.5ID TENSION BUSHING				
4	7071-170	1	WLMT, REAR LINK, VERTICAL				
5	7005-467	4	BUSHING, SPRING				
6	7006-523	2	ASSY, CONTROL ARM AND BEARING, LF				
7	7006-510	2	WLMT, CONTROL ARM, DUAL BEARING, LF				
8	7006-518	2	BEARING, SPHERICAL, 1.75				
9	0090-649	2	RING, RETAINING, INTERNAL, 2 13/16				
10	2055-161	2	WASHER, CONTROL ARM				
11	8051-242	4	WASHER, SPRING LOCK, 5/16				
12	8102-130	4	CAPSCREW, HH, 5/16-18UNCx.75, GD8				
13	0090-651	2	RING, RETAINING, EXTERNAL, 1 3/4				
14	7071-650	2	WLMT, PIN, 1.75 X 5.38				
15	0090-721	6	WASHER, FENDER, 3/8 X 1.250 OD LCZ STL THK				
16	8102-222	6	CAPSCREW, HH, 3/8-16UNCx1.0, GD8				
17	0300-607	8	ZERK, GREASE, 1/4-28				
18	2055-216	2	BEARING, SHPERICAL, 1.75 ID				
19	0090-035	2	RING, SNAP				
20	7071-883	2	SPACER, RUBBER				
21	7001-422	2	SPACER CONTROL ARM				
22	7006-511	2	WLMT, PIN, SPHERICAL BEARING, LF				
23	0300-946	2	FITTING, GREASE, 1/8 NPT				
24	7071-653	2	WLMT, PIN, 1.75 X 9.81				
25	7071-658	2	WLMT, PIN, 1.75 X 6.64				
26	2040-115	2	WLMT, PIN, 6.00				
27	8111-224	2	BOLT, CARRIAGE, 3/8-16X1.25, GD8				
28	0314-269	2	NUT, TOP LOCK, STL, 3/8-18 UNC				



REF. NO.	PART NUMBER	QTY.	DESCRIPTION	REF. NO.	PART NUMBER	QTY.	DESCRIPTION
1	2045-359	1	WLMT,QUICK-ATTACH,MANUAL				
2	2045-761	1	HANDLE,QA,LH				
3	2045-762	1	HANDLE,QA,RH				
4	2046-405	1	WLMT PIN RH				
5	2046-406	1	WLMT PIN LH				
6	2045-245	2	BLOCK LATCH				
7	8102-418	2	CAPSCREW,HH,1/2-13UNCx 6.0,GD8				
8	0090-002	2	BOLT,SHOULDER,5/8"x.625" GD 8				
9	8050-347	8	WASHER,WROUGHT,1/2,STD,ZN				
10	2015-018	2	WASHER,FENDER,1.75x0.53x0.125				
11	8051-620	6	WASHER,SPRING LOCK,1.0,ZN				
12	0400-621	2	SPOOL,PIVOT				
13	0304-799	2	CAPSCREW,HH,1/2-13UNCx3.75,GD8				
14	8040-606	2	NUT,HEX,NYLOCK,1/2-13 UNC,ZN				
15	0400-651	2	SPRING,COMPRESSION				
16	0300-607	2	ZERK,GREASE,1/4-28				

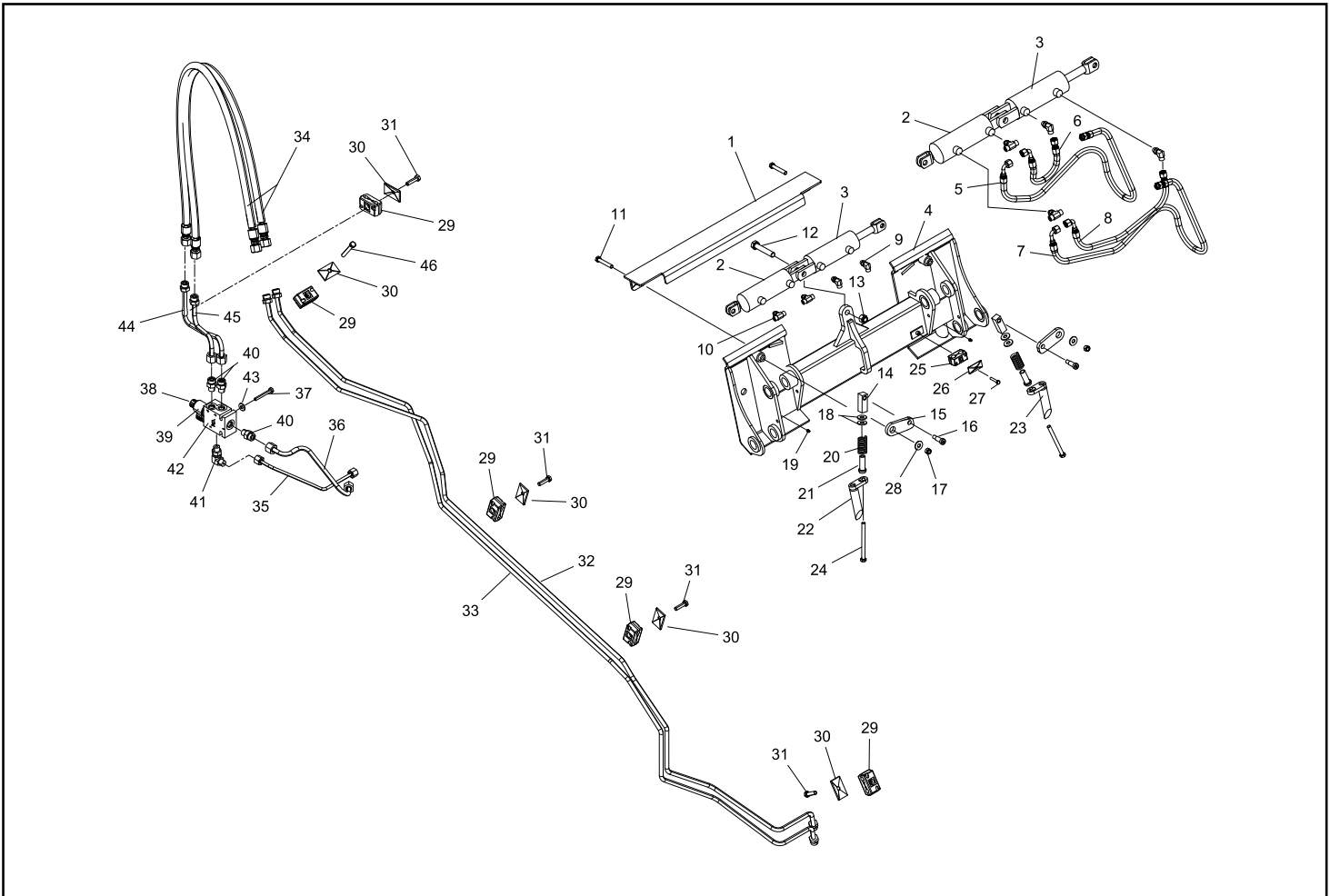


QUICK ATTACH - HYDRAULIC (optional)

VT-70 HO valid from H01937

REF. NO.	PART NUMBER	QTY.	DESCRIPTION
1	7006-488	1	WLMT, GUARD, QA
2	2046-316	1	CYLINDER QA LH
3	2046-317	1	CYLINDER QA RH
4	2045-235	1	WLMT QUICK-ATTACH HYD
5	0201-566	1	HOSE, 6M4K-6FFORX90S-6FFORX-49.
6	0201-545	1	HOSE, 6M4K-6FFORX-6FFORX90S-14.
7	0201-565	1	HOSE, 6M4K-6FFORX90S-6FFORX-53.
8	0201-544	1	HOSE, 6M4K-6FFORX-6FFORX90S-25.
9	0310-328	2	ADAPTER, 6MFFOR-6MB-90
10	0201-542	2	ADAPTER, TEE, 6FS-6FS-6NWO
11	8102-412	2	CAPSCREW, HH, 1/2-13UNCx3.25 GD8
12	8102-686	1	CAPSCREW, HH, 3/4-10UNCx4.25 GD8
13	8040-786	1	NUT, HEX, NYLOCK, 3/4-10 UNC, ZN
14	2045-245	2	BLOCK LATCH
15	2045-246	2	LATCH QA
16	0090-001	2	BOLT, SHOULDER, 5/8"x1.25" GD 8
17	8040-606	2	NUT, HEX, NYLOCK, 1/2-13 UNC, ZN
18	0090-368	8	WASHER HARDENED 1.375X.570X.250 ZN
19	0300-607	2	ZERK, GREASE, 1/4-28
20	0400-651	2	SPRING, COMPRESSION PLATED
21	0400-621	2	SPOOL, PIVOT
22	2046-406	1	WLMT PIN LH
23	2046-405	1	WLMT PIN RH
24	8102-418	2	CAPSCREW, HH, 1/2-13UNCx 6.0, GD8
25	0310-733	1	INSERT, CLAMP, TWIN, 75" T3075-PP
26	0310-828	1	COVER, CLAMP, 3/4" TCP-T3
27	8102-136	1	CAPSCREW, HH, 5/16-18x1.75 ZN GD
28	8050-348	2	WASHER, 1/2, SAE, ZN 1.06 OD x .531 ID x .090
29	0201-225	5	CLAMP, SET, T2038-PP
30	0310-584	5	PLATE, COVER
31	8102-134	4	CAPSCREW, HH, 5/16-18UNCx1.25GD8 ZN
32	7071-927	1	TUBE, 4, QA, LOADER ARM
33	7071-928	1	TUBE, 2, QA, LOADER ARM
34	7071-473	2	HOSE, -6, 435 PSI, FFX-06-06-W, FFX-06-06-W, 43.77"
35	7071-343	1	TUBE, PRESSURE, QUICK ATTACH
36	7071-344	1	TUBE, TANK, QUICK ATTACH
37	8102-047	2	CAPSCREW, HH, 1/4-20 UNCx2.0, GD8
38	3030-312	1	SOLENOID & SPOOL, WK06Y
39	7000-625	1	COIL
40	0310-329	3	ADAPTER, 6MFFOR-6MB

REF. NO.	PART NUMBER	QTY.	DESCRIPTION
41	0201-319	1	ADAPTER, FS6801-04-06-NW0
42	3000-177	1	VALVE QA
43	8050-222	2	WASHER, WROUGHT, 1/4, STD, ZN
44	7071-345	1	TUBE, 2, QUICK ATTACH
45	7071-346	1	TUBE, 4, QUICK ATTACH
46	8102-138	1	CAPSCREW, HH, 5/16-18 X 2.25 GD8



Chapter 9

Graphics / Safety Decals

9-1 ISO Safety Decals

VT-70 HO Serial # valid from - H01937 **9-1A**

9-2 Machine Graphics - ASV

VT-70 HO Serial # valid from - H01937 **9-2A**

*** Parts manuals are updated frequently. To ensure current parts information, always refer to the latest version of this manual (posted online, consult your dealer).**

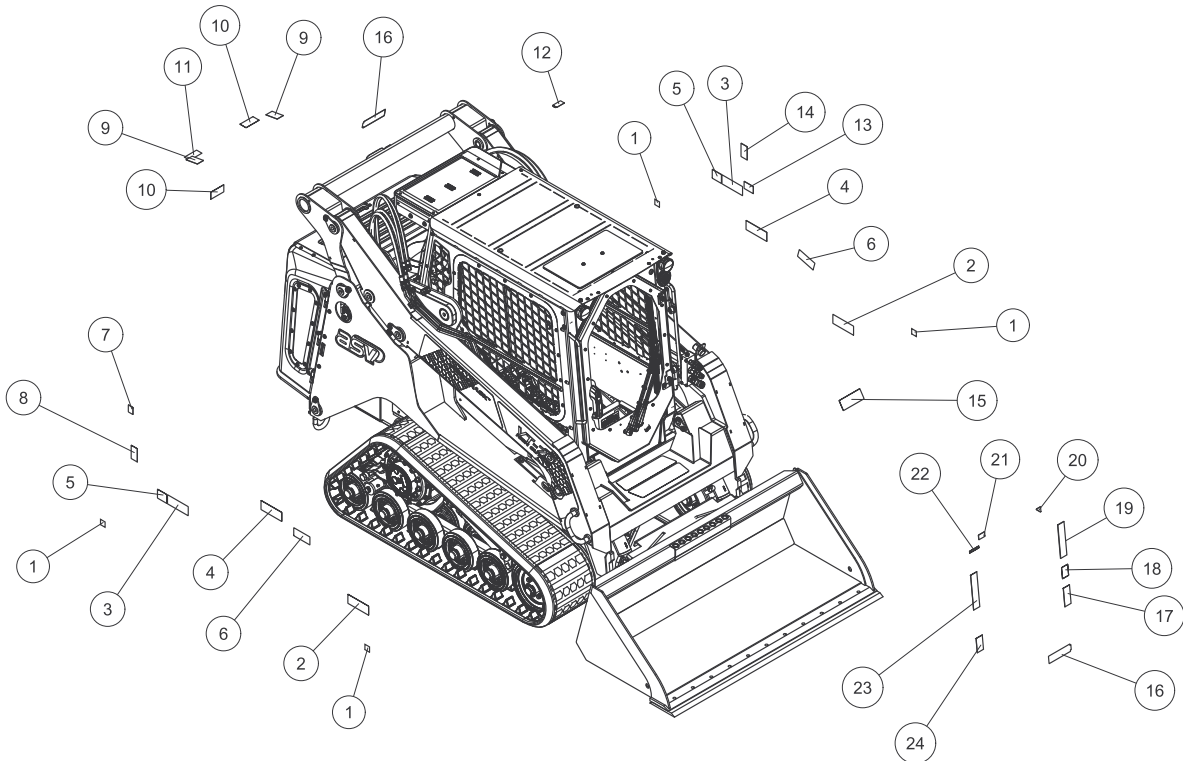
ISO SAFETY DECALS

VT-70 HO valid from H01937

Chapter 9

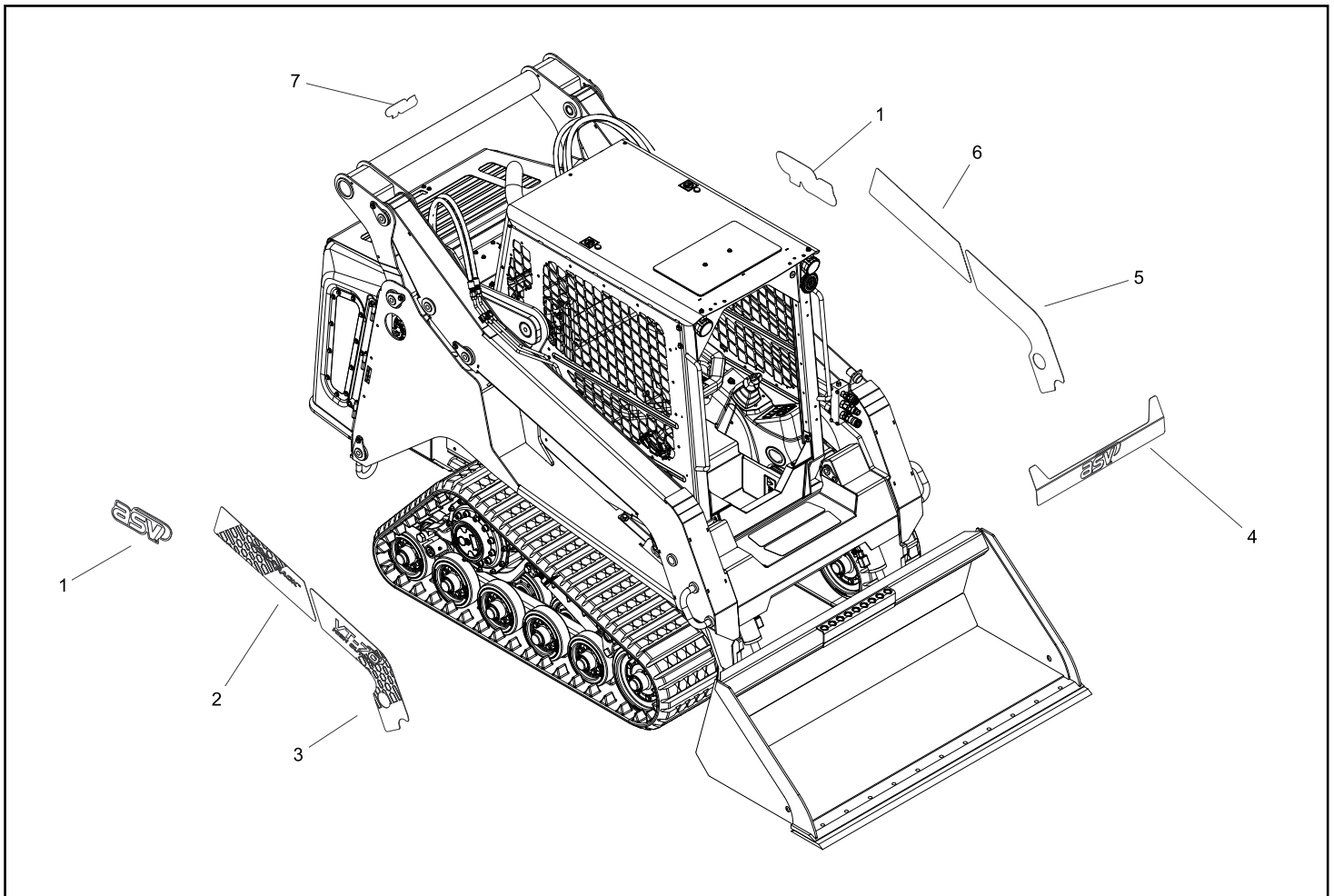
REF. NO.	PART NUMBER	QTY.	DESCRIPTION	REF. NO.	PART NUMBER	QTY.	DESCRIPTION
1		4	DECAL,TIE DOWN 156-5762				
2		2	DECAL BOOM CRUSH PT (NO TEXT) ISO				
3		2	DECAL MOVING PARTS (TRACK WARNING) ISO				
4		2	DECAL ISO SAFETY SKIN OIL INJE				
5		2	DECAL ISO CLEAN UNDERCARRIAGES NOTICE				
6		2	DECAL LOADER LOCK (NO TEXT) ISO				
7		1	DECAL CE HYDRAULIC OIL ONLY				
8		1	DECAL ISO SAFETY BATTERY				
9		2	DECAL ISO SAFETY EXHAUST HOT				
10		2	DECAL ISO SAFETY FAN AND BELT				
11		1	Decal, ISO Safety Radiator Burn Scald				
12		1	DECAL, ISO WARNING ACCUMULATOR				
13		1	DECAL ISO ULTRA LOW SULFER DIESEL				
14		1	DECAL ISO ULSD FUEL HANDLING P				
15		1	DECAL 3 POINT (NO TEXT) ISO				
16		2	DECAL EMERGENCY EXIT ISO-STANDARD				
17		1	DECAL SSL DRIVE CONTROL (TWO SPEED)				
18		1	DECAL ISO MANUAL LOCATION BEHIND SEAT				
19		1	DECAL READ O&M / 2 SPEED (NO TEXT)				
20		1	DECAL ISO WAIT TO START-PRE HEAT				
21		1	DECAL ISO HIGH FLOW NOTICE - WHITE BG				
22		1	DECAL, PROP 65 WT				
23		1	DECAL WARNING				
24		1	DECAL SSL LIFT ARM CONTROL				

Safety decals are sold in sheet form only. Quantities and descriptions listed above are for reference / placement.
Cab Interior Decal Sheet: 7072-098 Chassis Exterior Decal Sheet: 7072-099



REF. NO.	PART NUMBER	QTY.	DESCRIPTION
1	2030-333	2	DECAL ASV
2	7071-663	1	DECAL, RH REAR, RUBBER
3	7074-002	1	DECAL, LOADER, RH FRONT
4	7073-505	1	DECAL LOADER FRONT
5	7074-004	1	DECAL, LOADER, LH FRONT
6	7071-665	1	DECAL, LH REAR, RUBBER
7	2052-422	1	DECAL ASV 8 1/2" LONG

REF. NO.	PART NUMBER	QTY.	DESCRIPTION



Kits

<u>Page</u>	<u>Kit</u>	<u>Part number</u>
4-4A	Optional LED light kit	0404-631
7-3A	Complete side window kit	7000-694
	Complete door and wiper field install kit	7800-163
	Side window latch slider kit	0404-165
7-4A	Poly Door kit- Field Install	7800-171
	Complete poly door and wiper field install kit	7800-170
7-3A	Wiper / Washer Field Install	7800-172
7-4A	Kit	



ASV Holdings Inc.

840 Lily Lane

Grand Rapids, MN 55744

1-800-205-9913

www.asvi.com