

R-Series

R•50 All Surface Loader



Parts Manual



Part Number: 0200-381

All Season Vehicles, Inc.
P.O. Box 5160
840 Lily Lane
Grand Rapids, MN 55744

TABLE OF CONTENTS

OPERATOR ENCLOSURE (ROPS) ASSEMBLY-----	2
CHASSIS ASSEMBLY-----	4
HOOD ASSEMBLY-----	6
RADIATOR/OIL COOLER ASSEMBLY-----	8
HYDRAULIC RESERVOIR ASSEMBLY-----	10
CONTROLS: LOADER/TRANSMISSION-----	12
TRANSMISSION & DRIVE ASSEMBLY-----	14
ENGINE ASSEMBLY-----	16
WIRING HARNESS W/ELECTRICAL PANEL-----	18
AXLE & TRACK ASSEMBLY-----	20
LEFT SIDE SUSPENSION ASSEMBLY-----	22
RIGHT SIDE SUSPENSION ASSEMBLY-----	24
LOADER ASSEMBLY-----	26
LOADER HOSES & FITTINGS-----	28
QUICK ATTACH ASSEMBLY-----	30

MACHINE SERIAL NO.:RSB00224 - UP

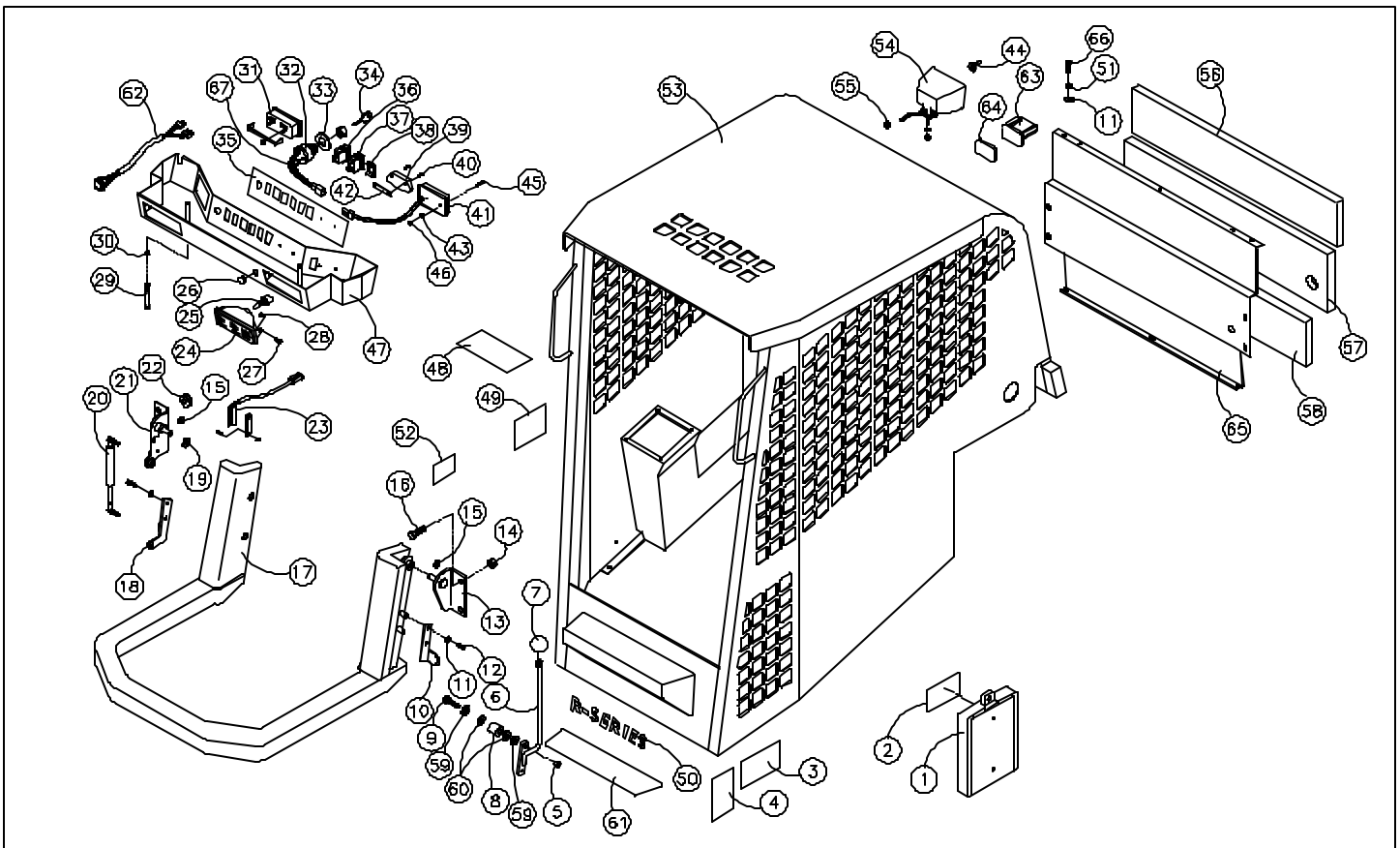
SERVICE ITEMS

R-50

<u>DESCRIPTION</u>	<u>MANUFACTURER NUMBER</u>	<u>ASV PART NO.</u>
Engine Oil Filter	Caterpillar 150-4140	0304-398
Engine Fuel Filter	Caterpillar 0676978	0200-212
Hydraulic Filter	MP Filter MF1003A10HB	0200-204
Primary Air Filter	Donaldson P822768	0200-339
Secondary Air Filter	Donaldson P822769	0200-340
Engine Oil (1 qt.)	Multi-Grade 10W-30	0300-767
Hydraulic Oil(5 gal)	AMOCO Rycon MV	0400-253
Grease (1 tube)	Phillips Poly-Tach	0300-769
Fan Belt	Caterpillar 211-5172	0200-363
Antifreeze (1 gal.)	Fleet Charge 50-50	1065-011

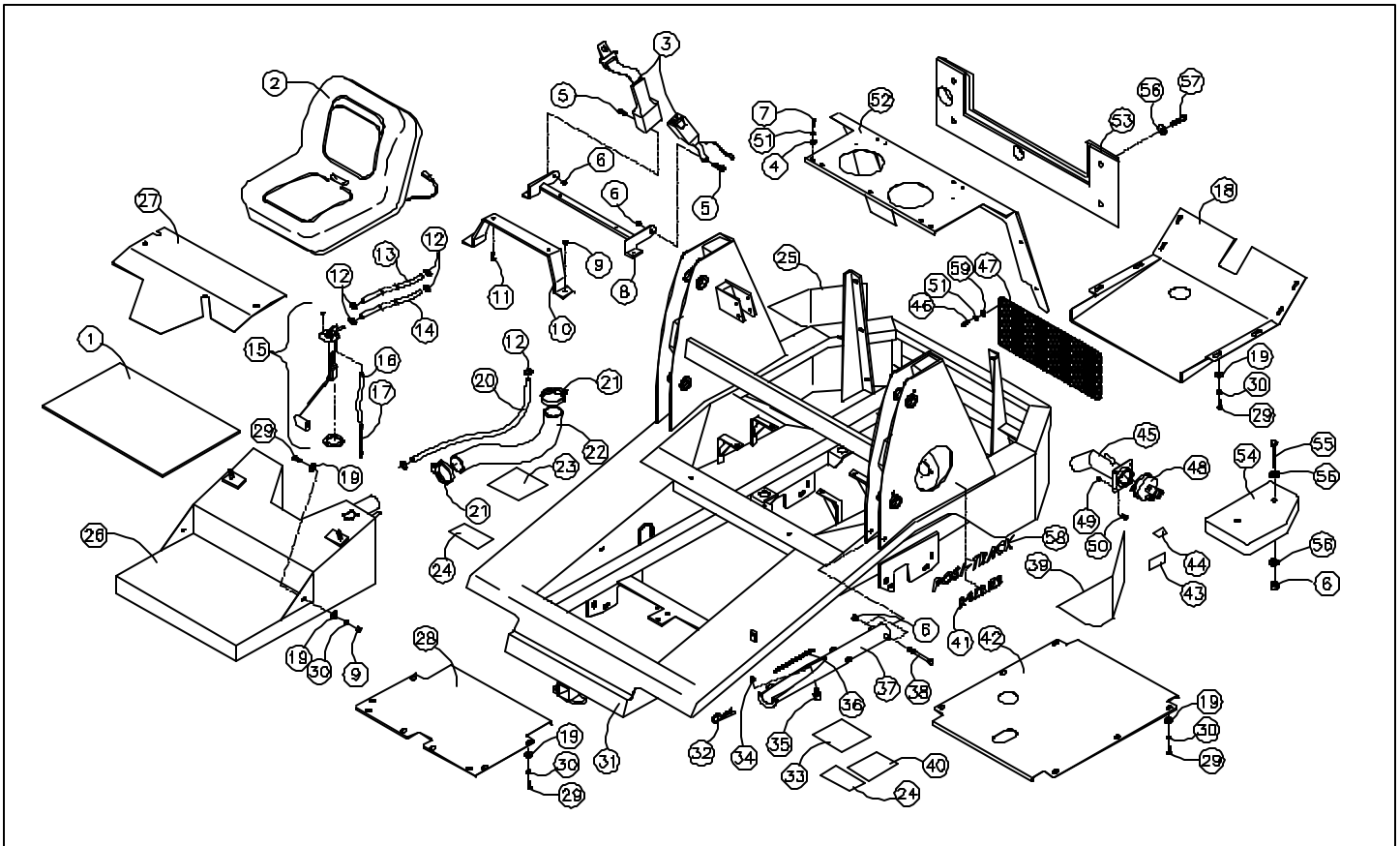
OPERATOR ENCLOSURE (ROPS) ASSEMBLY

REF. NO.	PART NUMBER	QTY	DESCRIPTION	REF. NO.	PART NUMBER	QTY	DESCRIPTION
1	0304-318	1	BOX, OWNERS MANUAL	36	0200-252	1	SWITCH, ON/ON, SELECTOR, MODE
2	0304-320	1	DECAL, OWNER'S MANUAL	37	0310-126	1	SWITCH, LIGHT
3	0304-306	1	DECAL, WARNING, LOAD	38	0310-138	4	PLUG
4	0310-169	1	FILM-DANGER (LOADER) (REACHING)	39	0200-254	1	GAUGE, LEVEL
5	8040-486	1	NUT, HEX, NYLOCK, 3/8-16 UNC, ZN	40	8004-220	2	CAPSCREW, HH, 3/8-24 UNFX.75, GD5
6	0304-276	1	WLMT, LEVER, THROTTLE	41	0304-514	1	ASSY, LIGHT, DOME
7	0302-546	1	KNOB, PLASTIC, 1-7/8 DIA, 1/2-13	42	0304-430	2	PLATE, MNT
8	0304-501	1	TUBING, SPACER	43	0302-965	2	WASHER, RIVET, #7
9	0304-602	1	CAPSCREW, FH, WIZLOC, 3/8-16X1.75	44	0200-288	1	BULB, HALOGEN
10	0304-466	1	STOP, LAPBAR	45	8005-224	2	CAPSCREW, SOC HD, #6-32UNCx1.25
11	8050-240	10	WASHER, STAINLESS, 1/4", MS	46	8041-801	2	NUT, HEX, NYLOCK, 6-32
12	0304-465	4	CAPSCREW, HH, M6-1.0x16mm	47	0200-380	1	WLMT, BAR, LIGHT
13	0304-467	1	BRKT, LAPBAR	48	0310-122	1	FILM-WARNING (MOUNT) (DISMOUNT)
14	8040-606	4	NUT, HEX, NYLOCK, 1/2-13 UNC, ZN	49	0310-143	1	FILM-WARNING, RIDERS
15	0304-468	2	RING, SNAP, LAPBAR	50	0304-496	1	DECAL, R-SERIES
16	8102-404	4	CAPSCREW, HH 1/2-13UNCx1.25 GD8	51	8051-212	5	WASHER, SPRING LOCK, 1/4, ZN
17	0304-469	1	LAPBAR	52	0304-305	1	DECAL, THROTTLE
18	0304-470	1	MNT, LAPBAR	53	0200-175	1	WLMT, CAB
19	0304-477	2	SPACER, LAPBAR	54	0304-247	1	LIGHT, REAR
20	0304-471	2	SPRING, GAS, ASSIST	55	0301-637	1	GROMMET (1840)
21	0304-472	1	MNT, LAPBAR, SWITCH	56	0200-290	1	INSULATION, TOP
22	0304-476	1	GROMMET, RUBBER	57	0200-291	1	INSULATION, MIDDLE
23	0304-473	1	SENSOR, SWITCH, LAPBAR	58	0200-292	1	INSULATION, BOTTOM
24	0304-474	2	HOUSING, HEADLIGHT	59	0303-099	2	WASHER, STAR, 3/8, INT/EXT TOOTH
25	0304-475	2	BULB, HEADLIGHT	60	0303-071	2	WASHER, NYLON, BLACK, 1" OD
26	0304-411	1	PLUG, HOLE, 3/4", PLASTIC	61	0304-496	1	PAD, SKID
27	8102-037	8	CAPSCREW, HH, 1/4-20 UNCx.50, GD8	62	0304-650	1	HARNES, GAUGE
28	8040-366	8	NUT, HEX, NYLOCK, 1/4-20 UNC, ZN	63	0200-320	2	WLMT, STOP, LAPBAR
29	8102-141	2	CAPSCREW, HH, 5/16-18UNCx3.0, GD8	64	0200-321	2	PAD, STOP, LAPBAR
30	8051-242	2	WASHER, SPRING LOCK, 5/16, ZN	65	0200-328	1	PLATE, FIREWALL
31	0304-022	1	GAUGE, CONSOLE	66	8102-044	5	CAPSCREW, HH, 1/4-20UNCx1.25, GD8
32	0200-376	1	SWITCH, IGNITION, R50	67	0200-375	1	HARNES, SWITCH, R50
33	8050-620	1	WASHER, WROUGHT, 1.0, SAE, ZN				
34	0200-379	1	KEY, SWITCH, START				
35	0200-286	1	DECAL, DASH				



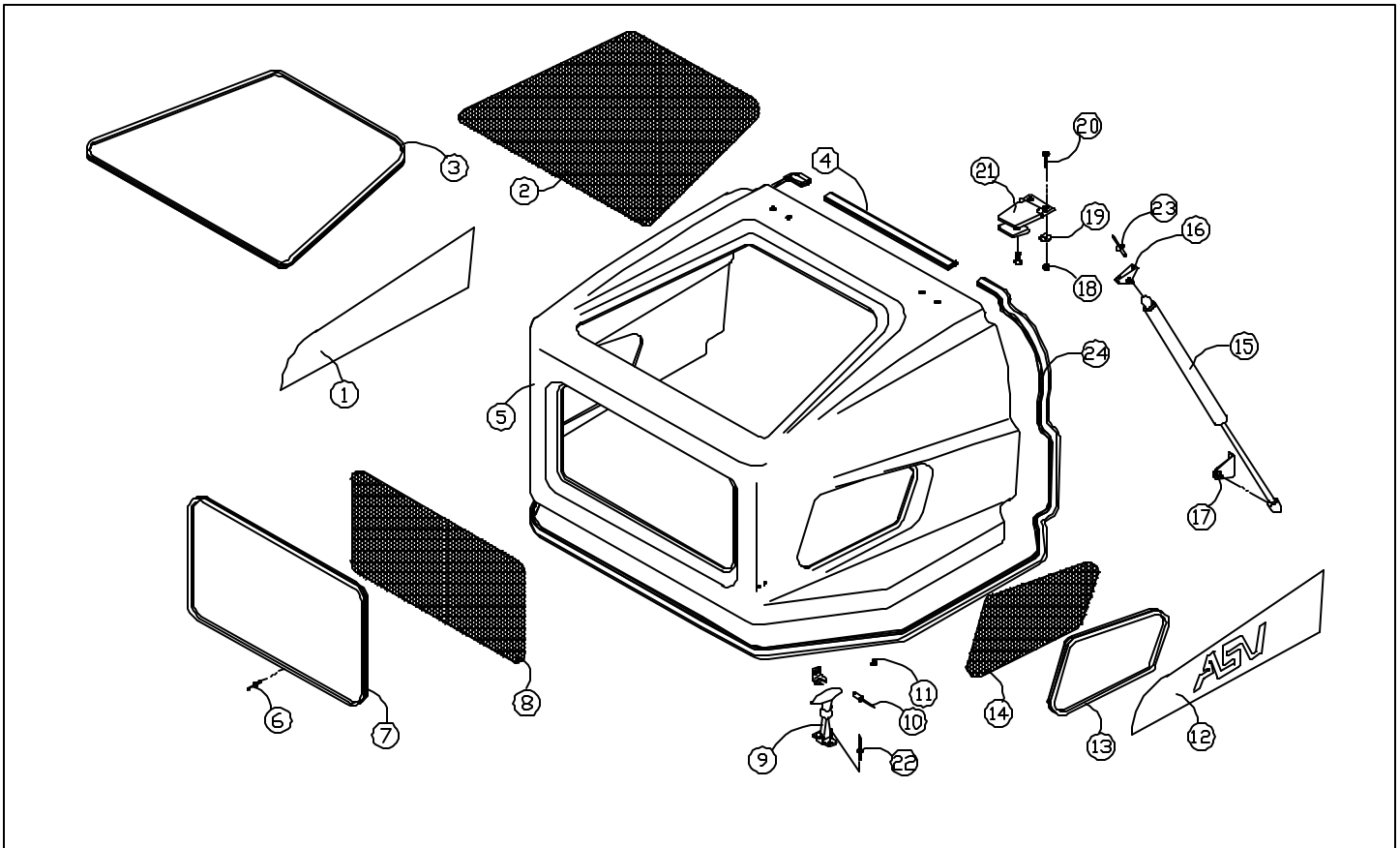
CHASSIS ASSEMBLY

REF. NO.	PART NUMBER	QTY	DESCRIPTION	REF. NO.	PART NUMBER	QTY	DESCRIPTION
1	0200-217	1	MAT, FLOOR, 50 SERIES.	36	0304-425	1	SPRING, LOADER LOCK
2	0304-045	1	SEAT	37	0200-080	1	WLMT, LOCKOUT, LOADER
3	0304-248	1	BELT, SEAT 2" RETRACTABLE	38	8102-413	1	CAPSCREW, HH, 1/2-13 UNC x 3.5, GD8
5	8102-404	2	CAPSCREW, HH 1/2-13UNCx1.25 GD8	39	0200-137	1	DECAL, FENDER, REAR, LH
4	8050-234	5	WASHER, FLAT, 1/4 ZN	40	0304-313	1	DECAL, WARNING, LOADER LOCK
6	8040-606	3	NUT, HEX, NYLOCK, 1/2-13 UNC, ZN	41	0200-271	3	DECAL, R-SERIES
7	8102-042	5	CAPSCREW, HH 1/4-20UNC 1" GD8	42	0200-179	1	PLATE, SKID, CENTER
8	0304-206	1	WLMT, MNT, SEAT, REAR	43	0300-407	2	DECAL, TRACK, WARNING
9	8040-486	4	NUT, HEX, NYLOCK, 3/8-16 UNC, ZN	44	0301-416	1	DECAL, FUEL-ONLY, DIESEL
10	0304-201	1	MNT, SEAT, FRAME	45	0200-006	1	WLMT, FILLER NECK, FUEL
11	8102-130	4	CAPSCREW, HH5/16-18x3/4 GR8	46	8102-040	5	CAPSCREW, HH, 1/4-20x.75, ZN
12	0300-732	6	CLAMP, HOSE, #4	47	0200-140	1	SCREEN, BACK, CHASSIS
13	0200-361	1	FUEL, LINE, 3/16, 35"	48	0310-516	1	CAP, FILLER, HOSE
14	0200-353	1	HOSE, FUEL LINE, 30"	49	8040-366	4	NUT, HEX, NYLOCK, 1/4-20 UNC, ZN
15	0304-600	1	ASSY, UNIT, SENDING, FUEL	50	8102-042	4	SCREW, HH, 1/4-20 x .75, Z
16	0304-447	1	HOSE, 7/16X5/16POLY, 1.30FT	51	8051-212	10	WASHER, SPRING LOCK, 1/4, ZN
17	0301-375	1	WEIGHT, IN-TANK	52	0200-105	1	PLATE, ENGINE, SURROUND
18	0200-139	1	PLATE, SKID, REAR	53	0200-235	1	WEIGHT, REAR
19	8050-262	26	WASHER, WROUGHT, 5/16, STD, ZN	54	0200-167	2	WEIGHT
20	0304-509	1	HOSE, FUEL, VENT	55	8102-414	4	CAPSCREW, HH, 1/2-13NC x 3.75, GR8
21	0300-686	2	CLAMP, HOSE, 2.0, #32	56	8050-347	8	WASHER, WROUGHT, 1/2, STD, ZN
22	0304-037	1	HOSE, FILL, DIESEL, FUEL	57	8102-407	4	CAPSCREW, HH, 1/2-13NC x 2.0, GR8
23	0304-315	1	DECAL, CONTROL, LIFT ARM	58	0200-270	2	DECAL, POSI-TRACK
24	0310-139	2	FILM-DANGER (LOADER) (CRUSHER)	59	8050-222	5	WASHER, FLAT, 1/4
25	0200-138	1	DECAL, FENDER, REAR, RH				
26	0200-135	1	WLMT, TANK, FUEL				
27	0200-307	1	PLATE, FILLER, FLOOR				
28	0200-134	1	PLATE, SKID, FRONT				
29	8102-222	24	CAPSCREW, HH, 3/8-16 UNC x 1.0, GD8				
30	8051-272	24	WASHER, SPRING LOCK, 3/8, ZN				
31	0200-050	1	WLMT, CHASSIS				
32	0304-723	1	CLIP, HAIRPIN, .018 X 3.50				
33	0304-316	1	DECAL, CONTROL, DRIVE				
34	8040-426	1	NUT, HEX, NYLOCK, 5/16-18 UNC, ZN				
35	0304-401	1	BUMPER, STUD, MNT				



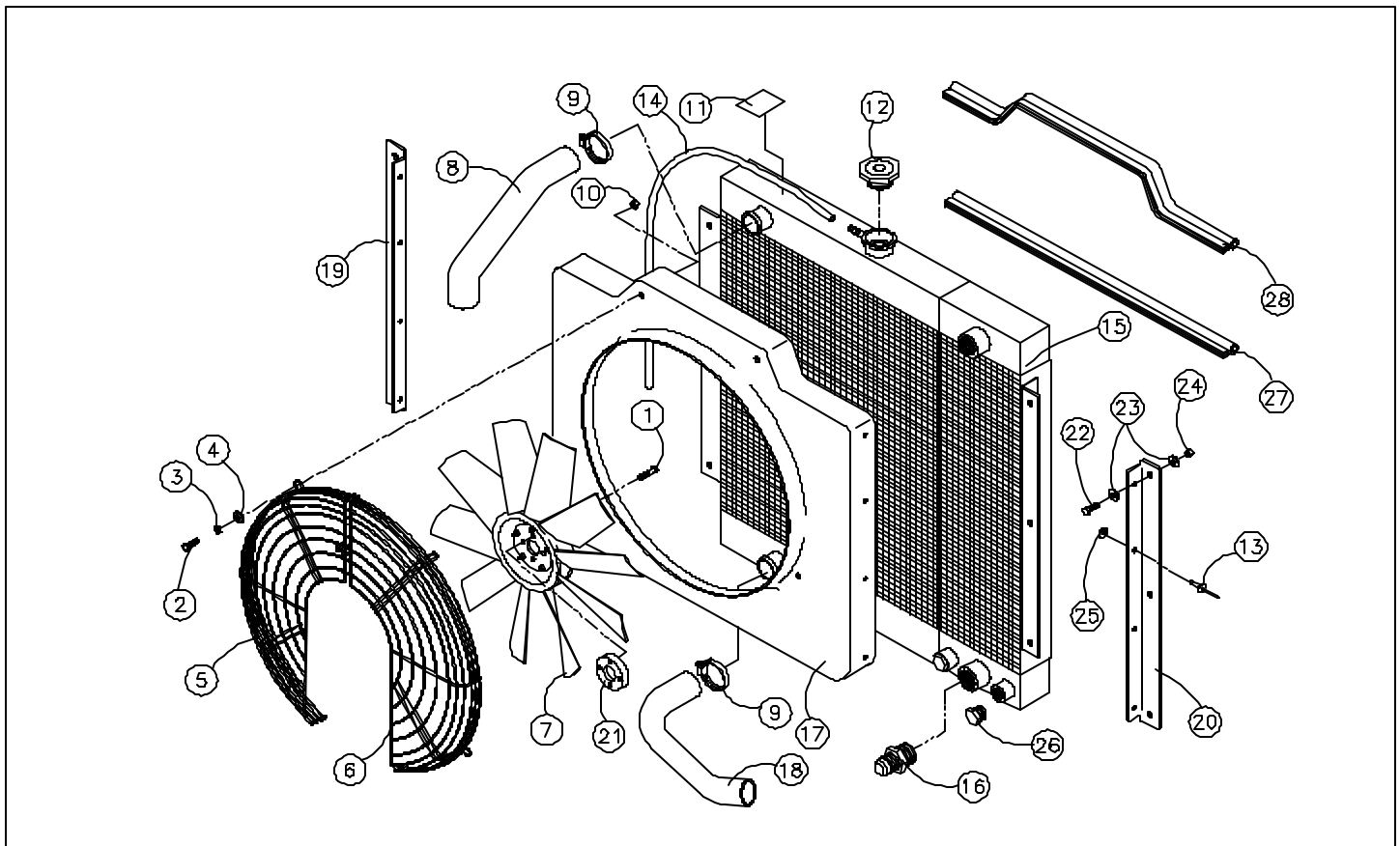
HOOD ASSEMBLY

REF. NO.	PART NUMBER	QTY	DESCRIPTION	REF. NO.	PART NUMBER	QTY	DESCRIPTION
1	0200-141	1	DECAL, HOOD, SIDE, LH				
2	0200-143	1	SCREEN, HOOD, TOP				
3	0200-144	1	TRIM, SCREEN, TOP				
4	0200-146	1	TRIM, SEAL, HOOD				
5	0200-145	1	HOOD, RC-50				
6	8060-211	65	RIVET, BLIND, ALUM, 0.125 x 0.75,				
7	0200-150	1	TRIM, HOOD, SCREEN, REAR				
8	0200-149	1	SCREEN, HOOD, REAR				
9	0302-042	2	LATCH, RUBBER, T-HANDLE				
10	8060-688	4	RIVET, FH, ALUMINUM, 3/16 x .575				
11	0302-965	4	WASHER, RIVET, #7				
12	0200-142	1	DECAL, SIDE, HOOD, RH				
13	0200-148	2	TRIM, HOOD, SIDE				
14	0200-147	2	SCREEN, HOOD, SIDE				
15	0200-232	2	SPRING, GAS ASSIST				
16	0310-641	2	MOUNT, SHOCK, 90^				
17	0200-289	2	MNT, BRACKET, BALL STUD				
18	8040-366	4	NUT, HEX, NYLOCK, 1/4-20 UNC, ZN				
19	8050-222	4	WASHER, WROUGHT, 1/4, STD, ZN				
20	0310-648	4	SCREW, MACH, 1/4-20UNCx1.25				
21	0310-640	2	HINGE, HOOD				
22	8060-731	8	RIVET, FH, STAINLESS, 3/16x.575				
23	8061-604	4	RIVET, LF, ALUM, 3/16x.187				
24	0200-366	1	TRIM, SEAL, HOOD				



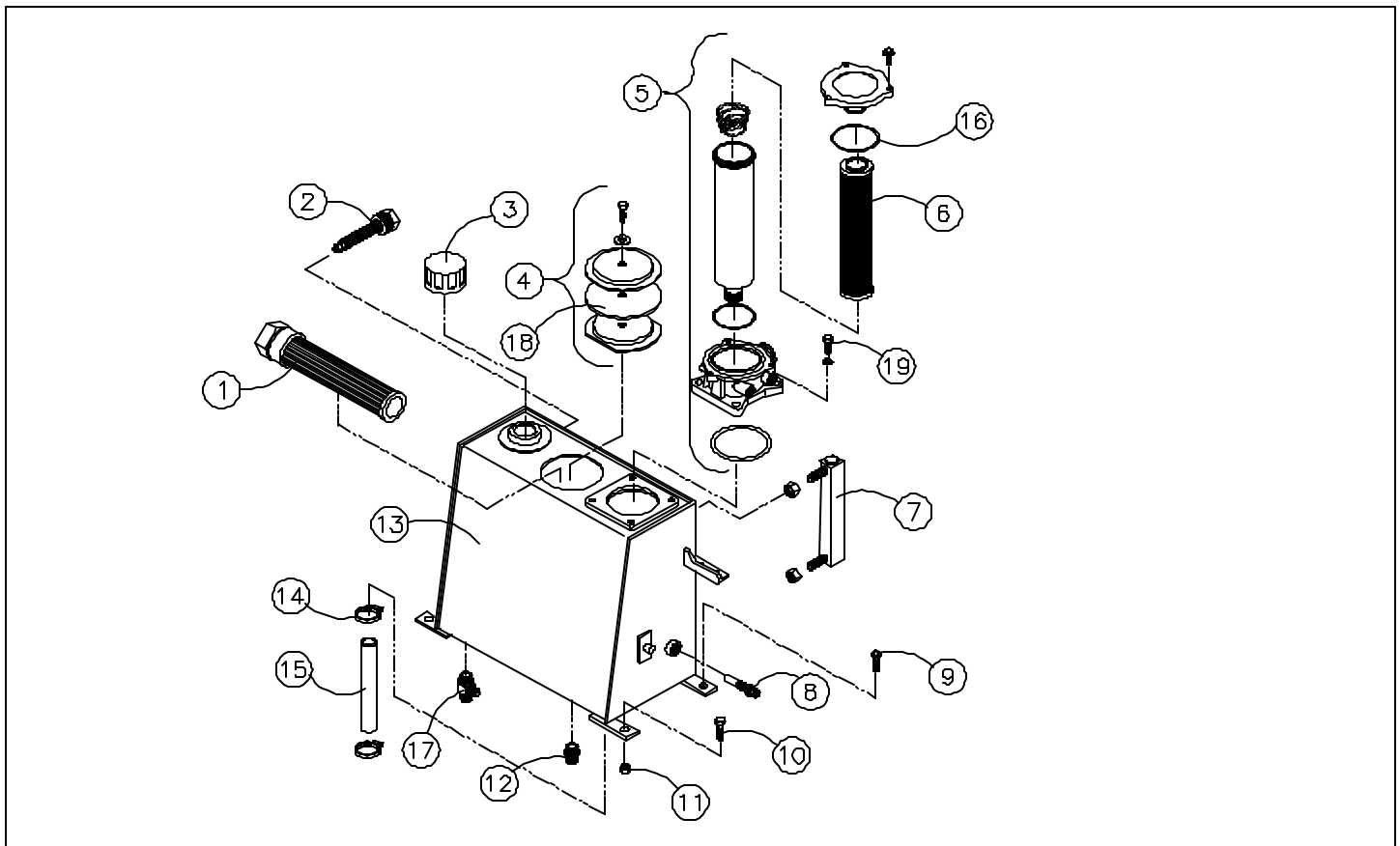
RADIATOR/OIL COOLER ASSEMBLY

REF. NO.	PART NUMBER	QTY	DESCRIPTION	REF. NO.	PART NUMBER	QTY	DESCRIPTION
1	0200-336	4	CAPSCREW, HH, M6x1.0x40				
2	8102-040	11	CAPSCREW, HH, 1/4-20 UNC x .75, GD8				
3	8051-212	11	WASHER, SPRING LOCK, 1/4, ZN				
4	8050-222	11	WASHER, WROUGHT, 1/4, STD, ZN				
5	0200-225	1	GUARD, FAN, LH				
6	0200-226	1	GUARD, FAN, RH				
7	0200-103	1	FAN, ENGINE, 17"				
8	0304-035	1	HOSE, RADIATOR, TOP				
9	0300-686	4	CLAMP, HOSE, 2.0, #32				
10	8040-366	5	NUT, 1/4-20UNC, NYLOK				
11	0310-202	1	DECAL, WARNING, RADIATOR				
12	0200-358	1	CAP, RADIATOR, 7#				
13	8060-728	8	RIVET, BLIND, 3/16 x .625				
14	0304-444	1	HOSE, 7/16X5/16POLY, 4FT				
15	0200-086	1	ASSY, COOLER				
16	0300-289	2	ADAPTER, O-RING TO FLARE (12-12)				
17	0200-087	1	SHROUD, FAN				
18	0304-036	1	HOSE, RADIATOR, BOTTOM				
19	0200-107	1	MNT, SHROUD, RH				
20	0200-106	1	MNT, SHROUD, LH				
21	0200-152	1	SPACER, FAN, 3024C				
22	8102-224	6	CAPSCREW, HH, 3/8-16 UNC x 1.25, GD8				
23	8050-262	12	WASHER, WROUGHT, 5/16, STD, ZN				
24	8040-486	6	NUT, HEX, NYLOCK, 3/8-16 UNC, ZN				
25	0302-965	8	WASHER, RIVET, #7				
26	0307-439	2	PLUG, 8-MB				
27	0200-360	1	SEAL, SHROUD, BOTTOM				
28	0200-359	1	SEAL, SHROUD, TOP				



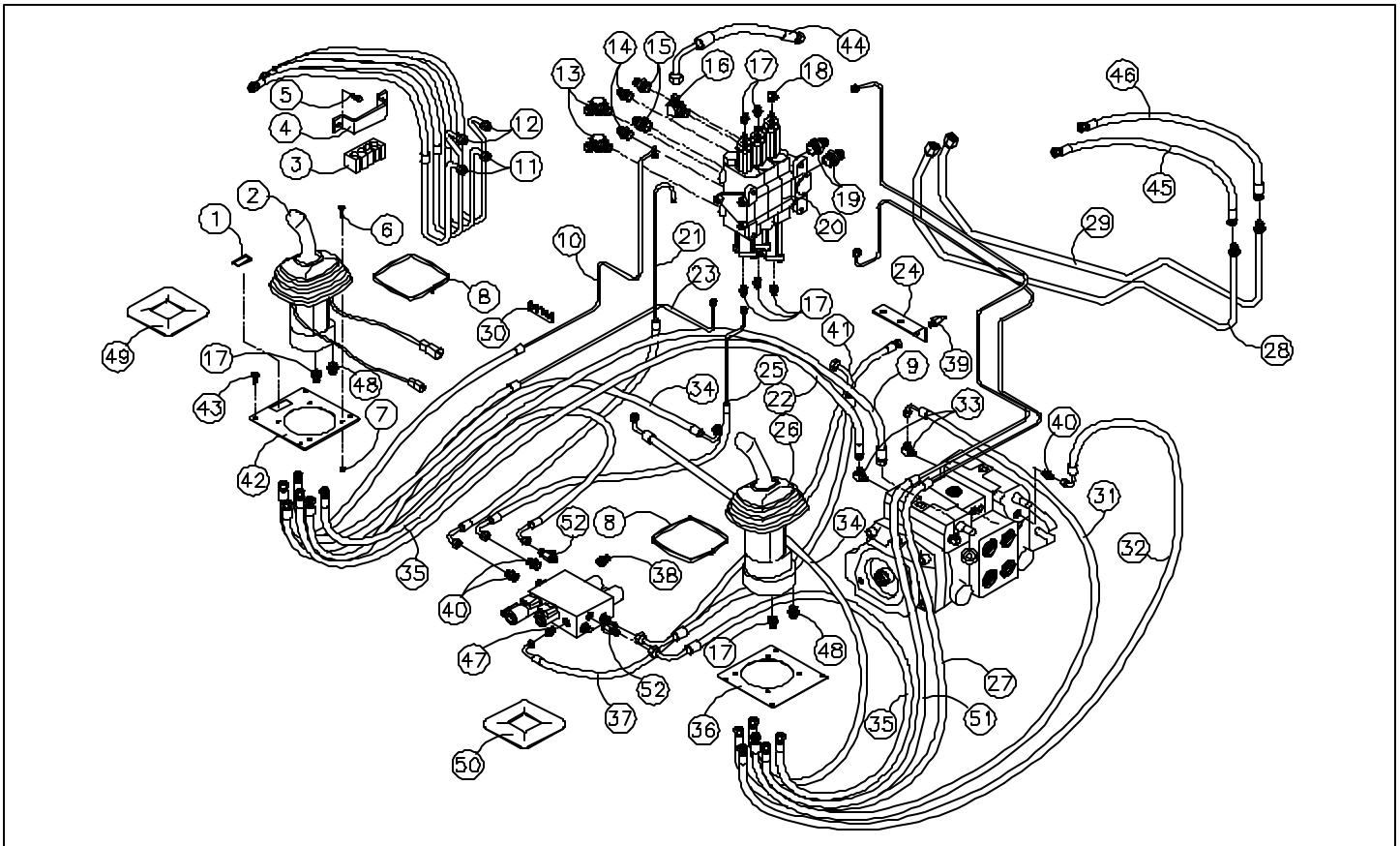
HYDRAULIC RESERVOIR ASSEMBLY

REF. NO.	PART NUMBER	QTY	DESCRIPTION	REF. NO.	PART NUMBER	QTY	DESCRIPTION
1	0300-190	1	SCREEN, SUCTION				
2	0304-450	1	VALVE, RELIEF, RES.				
3	0304-832	1	CAP, SLOSH PROOF, 0 PSI				
4	0304-452	1	ASSY, COVER, ACCESS				
5	0200-203	1	ASSY, FILTER, HYD, 4-BOLT				
6	0200-204	1	ELEMENT, FILTER, MP				
7	0304-642	1	GUAGE, SIGHT 5"				
8	0307-879	1	SWITCH, TEMP, OIL, 225° F				
9	8102-134	1	CAPSCREW, HH, 5/16-18UNCx1.25GD8				
10	8102-132	3	CAPSCREW, HH, 5/16-18UNCx1.0 GD8				
11	8040-426	4	NUT, HEX, NYLOCK, 5/16-18 UNC, ZN				
12	0302-713	1	ADAPTER, O-RING TO FLARE (4-6)				
13	0200-201	1	WLMT, RESERVOIR				
14	0304-384	2	CLAMP, HOSE # 16				
15	0200-343	1	HOSE, RES.				
16	0200-325	1	O-RING, CAP FILTER				
17	0304-621	1	ADAPTER, 4MJ-6MB-4MJ				
18	0200-221	1	GASKET, COVER, ACCESS				
19	8104-132	4	CAPSCREW, HH 5/16-24UNFx 1 GD 8				



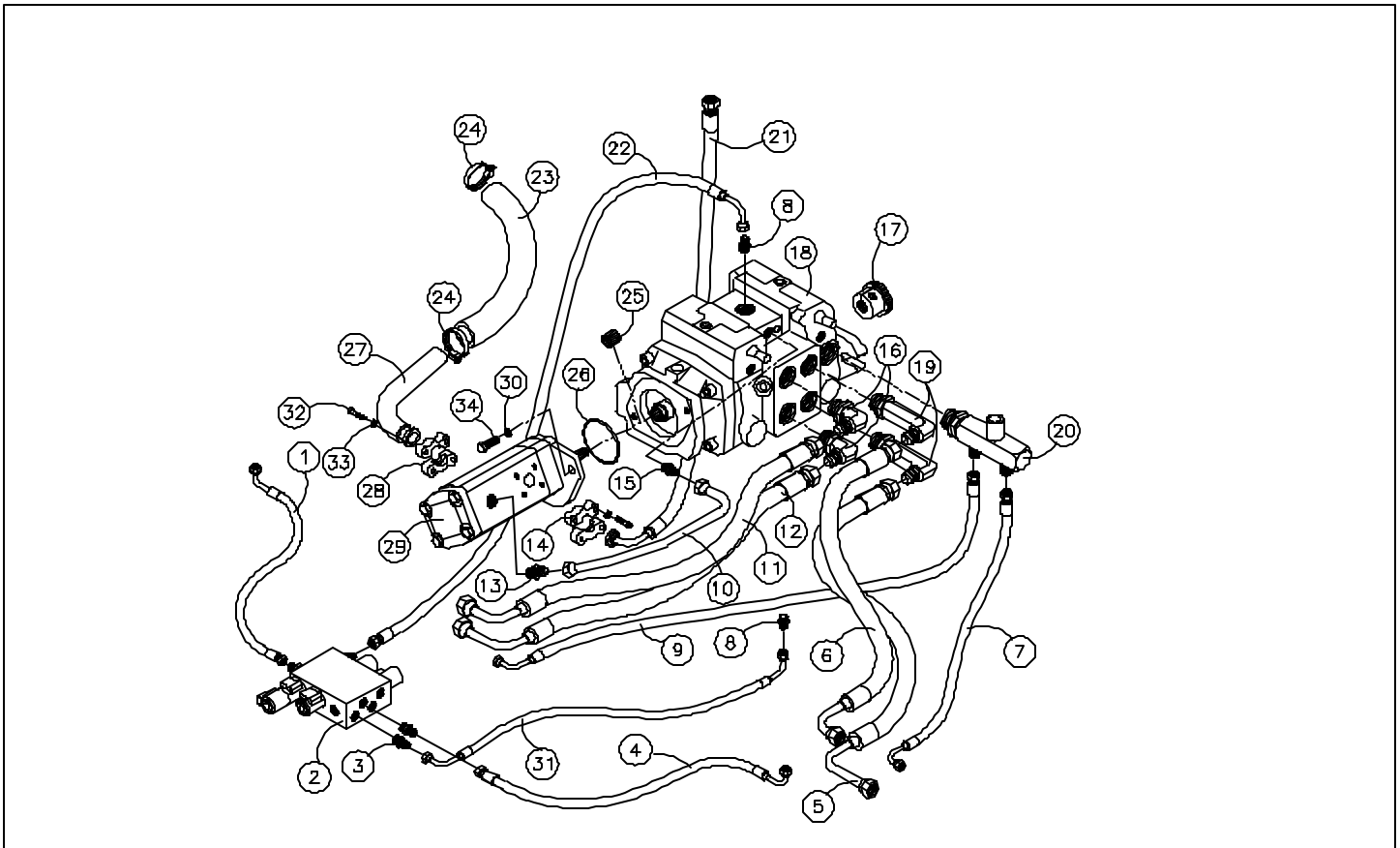
CONTROLS: LOADER/TRANSMISSION

REF. NO.	PART NUMBER	QTY	DESCRIPTION	REF. NO.	PART NUMBER	QTY	DESCRIPTION
1	0310-138	1	PLUG	36	0304-499	1	PLATE, STEERING
2	0200-273	1	JOYSTICK, CONTROL, CC, RH	37	0200-183	1	HOSE, 4M3K, 3000 PSI, 52"
3	0304-216	1	MNT, TUBE	38	0300-286	2	ADAPTER, O-RING TO FLARE (6-6)
4	0304-215	1	BRACKET	39	0200-326	1	ADAPTER, TEST PORT, #4 BLK
5	8102-222	2	CAPSCREW, HH, 3/8-16 UNCx1.0, GD8	40	0300-493	5	ADAPTER, O-RING TO FLARE (4-4)
6	8104-040	8	CAPSCREW, HH 1/4-28UNFx .75 GD8	41	0304-622	1	HOSE, 4M3K, 3000PSI, 36.09
7	8040-396	8	NUT, HEX, NYLOCK, 1/4-28 UNF, ZN	42	0304-498	1	PLATE, AUX.
8	0307-882	2	TIE, CABLE, BLACK, 18.1", W/STL IN	43	8107-577	8	SCREW, PH, TH, 1/4-20x1/2, ZN, GD8
9	0304-154	1	HOSE, 4C2AT, 5800PSI, 51"	44	0304-144	1	HOSE, C2AT, 4000PSI, 13.5"
10	0304-271	1	ASSY, CONTROL, LINE C	45	0304-230	1	HOSE, 8M4K, 4000PSI, 26"
11	0304-137	2	ASSY, TUBE, VALVE, BOTTOM	46	0304-231	1	HOSE, 8M4K, 4000PSI, 28"
12	0304-136	2	ASSY, TUBE, VALVE, TOP	47	0302-713	1	ADAPTER, O-RING TO FLARE (4-6)
13	0304-328	2	ADAPTER, 90°, 10MJ-8MB90	48	0200-316	4	ORIFICE, 0.035
14	0300-288	2	ADAPTER, O-RING TO FLARE (8-8)	49	0200-300	1	PLATE, CONTROL PATTERN, RH
15	0300-291	2	ADAPTER, O-RING TO FLARE (10-8)	50	0200-299	1	PLATE, CONTROL PATTERN, LH
16	0301-397	1	ADAPTER, O-RING TO FLARE 90°	51	0200-223	1	ASSY, TUBE/HOSE, CONTROL
17	0302-713	13	ADAPTER, O-RING TO FLARE (4-6)	52	0200-302	2	ADAPTER, TEE, 4MOR, 6FOR, 4MJ
18	0304-383	1	ADAPTER, 4MJ-6MB90				
19	0302-879	2	ADAPTER, 8MJ-12MB (8-12)				
20	0304-020	1	VALVE, LOADER				
21	0304-268	1	ASSY, CONTROL, HOSE				
22	0304-153	1	HOSE, 4C2AT, 5800PSI, 47"				
23	0304-269	1	ASSY, CONTROL, LINE, B				
24	0200-330	1	BRACKET, FILTER				
25	0304-267	1	ASSY, CONTROL, LINE				
26	0200-274	1	JOYSTICK, CONTROL, CC, LH				
27	0200-224	1	ASSY, TUBE/HOSE, CONTROL, B				
28	0304-088	1	TUBE, AUX, TOP				
29	0304-089	1	TUBE, AUX, BTM				
30	0304-395	2	CLAMP, PILOT LINES				
31	0304-156	2	HOSE, 4C2AT, 5800PSI, 47.5"				
32	0304-155	1	HOSE, 4C2AT, 5800PSI, 41.50				
33	0304-159	4	ADAPTER, 4 ORING-4 FLARE, 90				
34	0304-148	1	HOSE, 4C2AT, 5800PSI, 48"				
35	0304-152	2	HOSE, 4C2AT, 5800PSI, 62"				



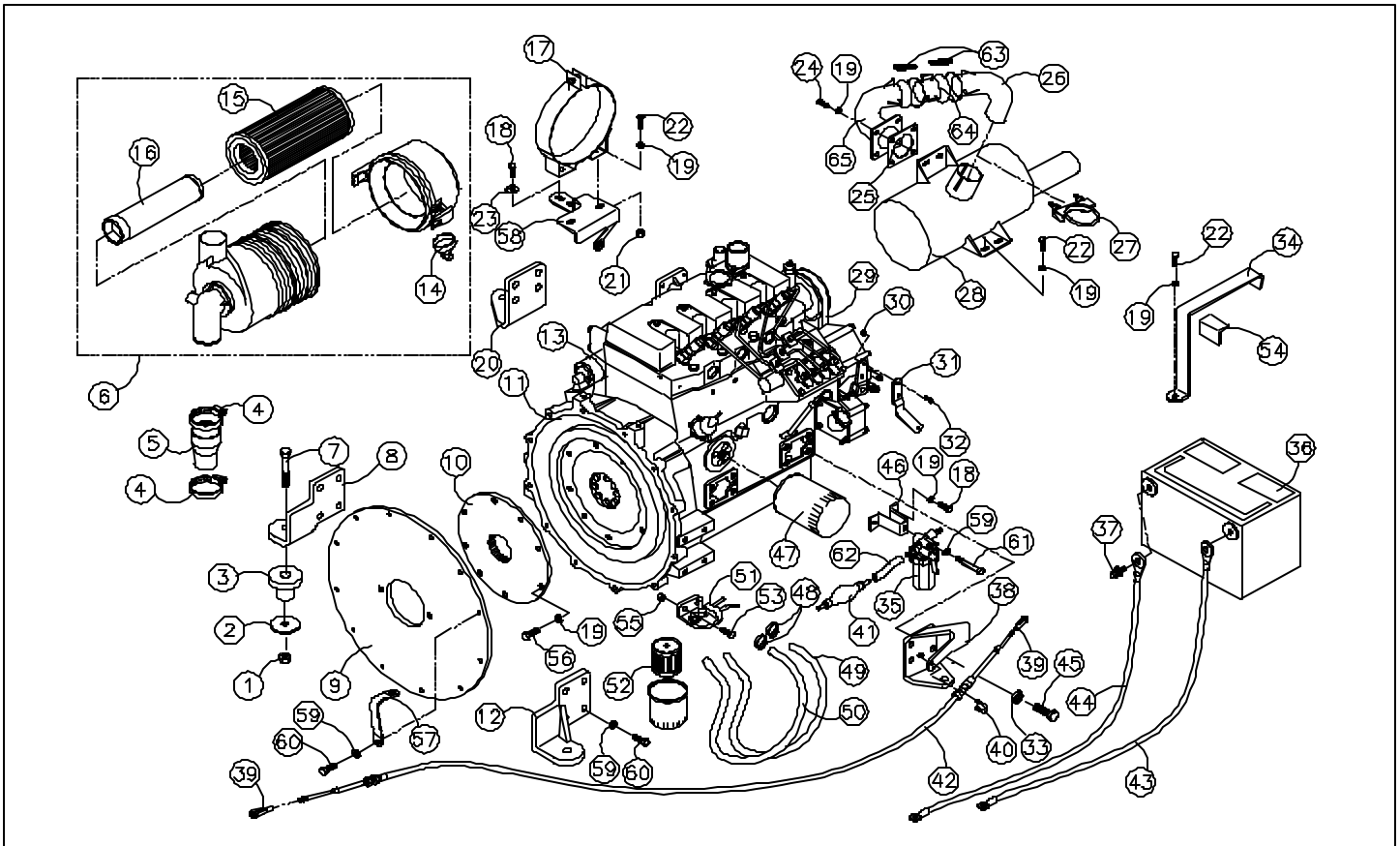
TRANSMISSION & DRIVE ASSEMBLY

REF. NO.	PART NUMBER	QTY	DESCRIPTION	REF. NO.	PART NUMBER	QTY	DESCRIPTION
1	0304-268	1	ASSY, CONTROL, HOSE				
2	0304-620	1	MANIFOLD, PILOT GENERATION				
3	0300-286	1	ADAPTER, O-RING TO FLARE (6-6)				
4	0200-191	1	HOSE, 4G2, 5800 PSI, 32.5"				
5	0200-259	1	HOSE, 12G6K, 6000 PSI, 35.50"				
6	0200-197	1	HOSE, 12G6K, 6000 PSI, 31.5"				
7	0200-194	1	HOSE, 8M3K, 3000 PSI, 41"				
8	0300-286	2	ADAPTER, O-RING TO FLARE (6-6)				
9	0200-195	1	HOSE, 8M3K, 3000 PSI, 56.5"				
10	0200-216	1	TUBE, HYD, CHARGE PRESSURE				
11	0200-198	1	HOSE, 12G6K, 6000 PSI, 47"				
12	0200-196	1	HOSE, 12G6K, 6000 PSI, 44"				
13	0300-291	1	ADAPTER, O-RING TO FLARE (10-8)				
14	0200-172	1	COUPLING, SPLIT, CODE 61, 0.75"				
15	0300-288	1	ADAPTER, O-RING TO FLARE (8-8)				
16	0300-294	2	ADAPTER, O-RING TO FLARE 90° (1				
17	0200-104	1	HUB, PUMP DRIVE, 1 1/4" x 14 TOO				
18	0200-093	1	PUMP, TANDEM, TRANSMISSION				
19	0200-253	2	ADAPTER, 12MB O-RING, 12MJ, 90° L				
20	0200-123	1	MANIFOLD, RES				
21	0200-193	1	HOSE, 12M4K, 4000 PSI, 37"				
22	0200-192	1	HOSE, 6G2, 4800 PSI, 41.5"				
23	0304-528	1	HOSE, RES, 1.5x9				
24	0300-687	4	CLAMP, HOSE, 1.5, #24				
25	0200-335	1	SPRING, TAILPIPE				
26	0200-356	1	O-RING, AUXILIARY PUMP				
27	0200-124	1	TUBE, INTAKE, RC 50				
28	0200-171	1	COUPLING, SPLIT, CODE 61, 1.25"				
29	0200-119	1	PUMP, HYD, AUX				
30	8051-272	2	WASHER, SPRING LOCK, 3/8, ZN				
31	0304-227	1	HOSE, 6C2AT, 4800PSI, 23"				
32	0310-468	8	CAPSCREW, HH, M10 x 1.5 x 35 ZN				
33	0301-781	8	WASHER, SPLIT LOCK, 10mm, ZN				
34	8102-222	2					



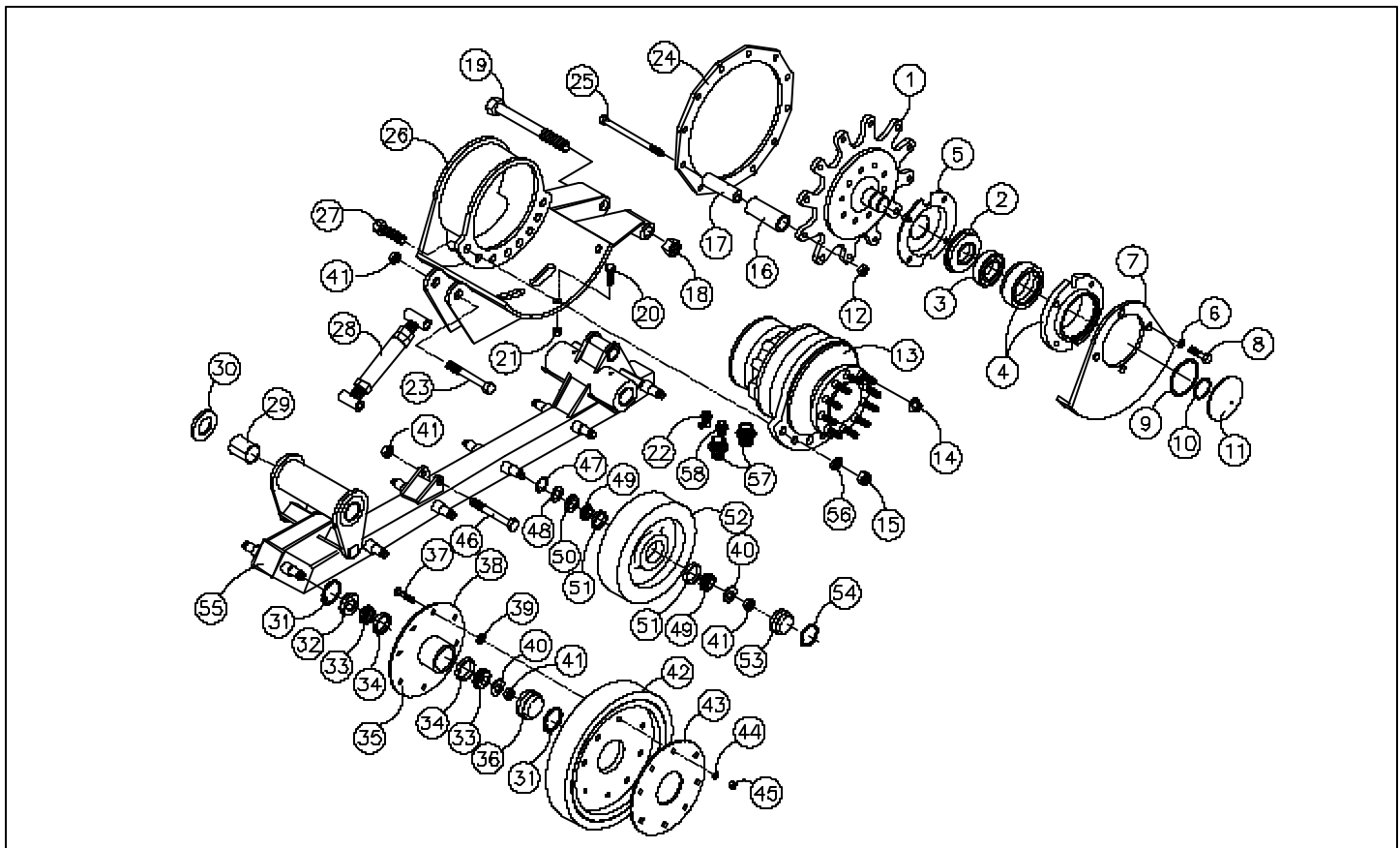
ENGINE ASSEMBLY

REF. NO.	PART NUMBER	QTY	DESCRIPTION	REF. NO.	PART NUMBER	QTY	DESCRIPTION
1	8040-606	4	NUT, HEX, NYLOCK, 1/2-13 UNC, ZN	36	0200-160	1	BATTERY, 50 SERIES
2	0307-146	4	WASHER, MOUNT, MOTOR	37	0304-335	2	BOLT, BATTERY, SIDEMOUNT
3	0300-458	4	MOUNT, ENGINE, REAR	38	0200-219	1	WLMT, MNT, ENGINE, LH, REAR
4	0300-686	2	CLAMP, HOSE, 2.0, #32	39	0300-718	2	W/PIN, CLEVIS (THROTTLE CABLE)
5	0200-156	1	ADAPTER, RUBBER, 2.5x2.0	40	0300-581	1	W/NUTS, U-BOLT, 1/4-20
6	0200-157	1	ASSY, CLEANER, AIR	41	0304-835	1	BULB, PRIMER
7	8102-411	4	CAPSCREW, HH, 1/2-13 UNCx3.0, GD8	42	0300-455	1	CABLE, THROTTLE
8	0200-165	1	WLMT, MNT, ENGINE, RH	43	0200-234	1	CABLE, BATTERY, NEGATIVE
9	0304-900	1	MNT, PLATE, PUMP	44	0200-199	1	CABLE, BATTERY, POSITIVE
10	0304-507	1	PLATE, FLYWHEEL	45	0304-131	8	CAPCREW, HH, M14-1.5 X30MM, GD8,
11	0200-111	1	ENGINE, 404C22, PERKINS	46	0200-178	1	WLMT, BRKT, MNT, FILTER
12	0200-166	1	WLMT, MNT, ENGINE, LH	47	0200-377	1	FILTER, OIL, ENGINE
13	0304-504	1	STARTER	48	0300-732	6	CLAMP, HOSE, #4
14	0304-503	1	VALVE, DUST	49	0304-509	1	HOSE, FUEL, 5/16x26"
15	0200-339	1	FILTER, AIR, PRIMARY	50	0200-353	1	HOSE, FUEL, 5/16x30"
16	0200-340	1	FILTER, AIR, SECONDARY	51	0200-214	1	ASSY, FILTER, FUEL
17	0200-158	1	BAND, MNT, AIR CLEANER	52	0200-213	1	FILTER, FUEL
18	0200-329	5	CAPSCREW, HH, M8-1.25x16MM, GR8	53	8102-220	2	CAPSCREW, HH, 3/8-16NCx1.25
19	8051-242	17	WASHER, SPRING LOCK, 5/16, ZN	54	0310-501	1	GUARD, BATTERY
20	0200-034	1	MNT, ENGINE, REAR, RH	55	8040-486	2	NUT, HEX, 3/8-16NC, NYLOCK
21	8040-426	2	NUT, HEX, NYLOCK, 5/16-18 UNC, ZN	56	8102-132	8	CAPSCREW, HH, 5/16-18UNCx1.0 GD8
22	8102-130	7	CAPSCREW, HH5/16-18x3/4 GR8	57	0300-546	1	CABLE, GROUND, ENGINE
23	8050-247	2	WASHER, WROUGHT, 5/16, SAE, ZN	58	0200-159	1	BRKT, MNT, AIR CLEANER
24	0300-211	4	CAPSCREW, M8 x 1.25 x 25MM LG	59	8051-272	21	WASHER, SPRING LOCK, 3/8, ZN
25	0304-511	1	GASKET, MUFFLER	60	8102-222	20	CAPSCREW, HH, 3/8-16 UNCx1.0, GD8
26	0200-334	1	TAILPIPE, OUTLET	61	8102-140	1	CAPSCREW, HH, 5/16-18UNCx2.75, GD
27	0300-263	1	CLAMP, MUFFLER, 2"	62	0200-351	1	HOSE, FUEL, 5/16 ID x 2.00"
28	0200-122	1	MUFFLER, 50 SERIES	63	0200-335	6	SPRING, TAILPIPE
29	0200-363	1	BELT, FAN	64	0200-333	1	TAILPIPE, CENTER
30	8040-246	2	NUT, HEX, NYLOCK, 10-24 UNC, ZN	65	0200-332	1	TAILPIPE, W/MTG. FLANGE
31	0304-078	1	LEVER, THROTTLE				
32	8105-429	2	CAPSCREW, SOC HD, 10-24X5/8, BLZN				
33	8051-431	8	WASHER, SPRING LOCK, 5/8, ZN				
34	0200-246	1	STRAP, HOLD-DOWN, BATTERY				
35	0200-338	1	ASSY, FILTER, WATER				



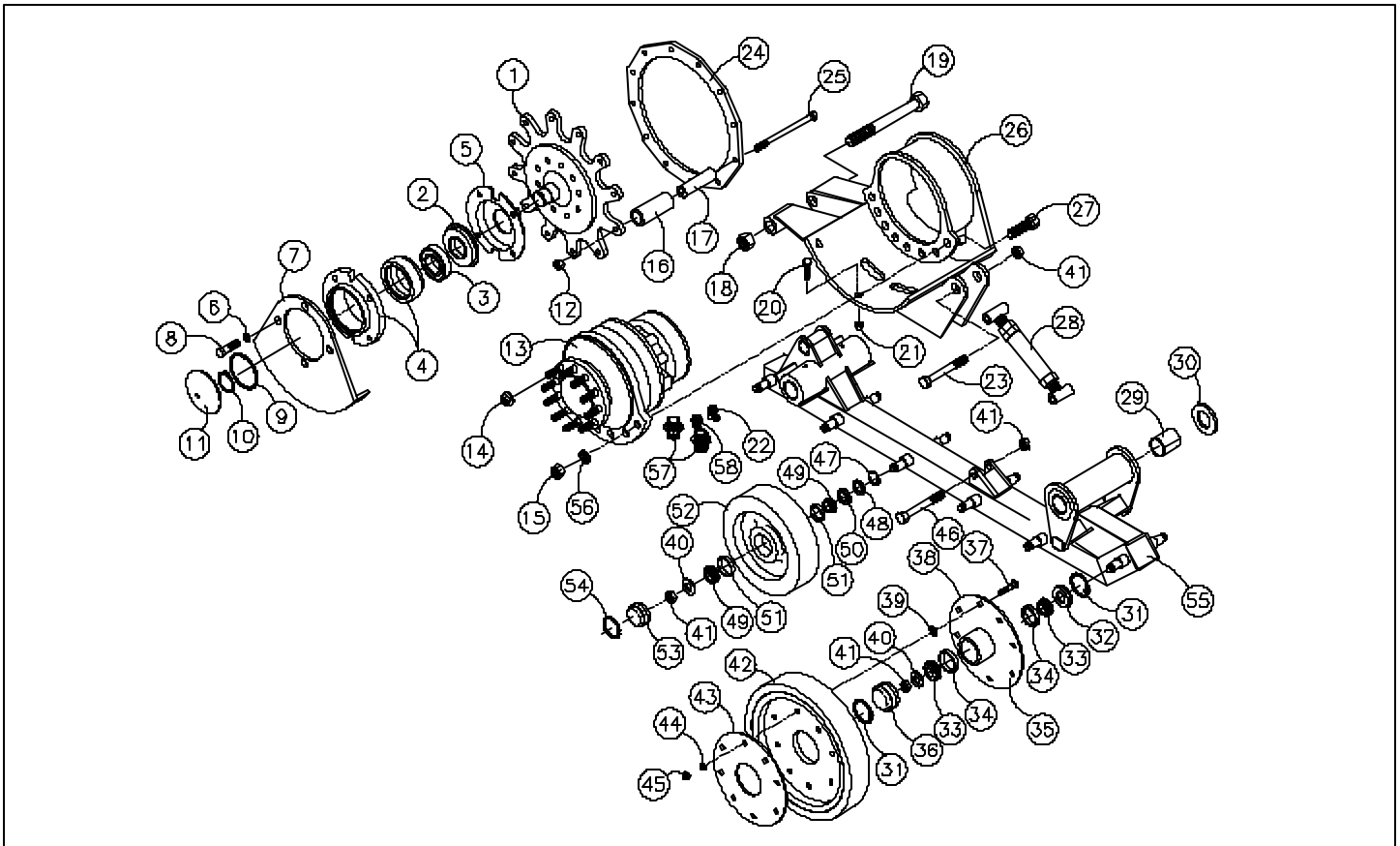
LEFT SIDE SUSPENSION ASSEMBLY

REF. NO.	PART NUMBER	QTY	DESCRIPTION	REF. NO.	PART NUMBER	QTY	DESCRIPTION
1	0702-049	1	WLMT, SPROCKET, MACH	41	0304-722	14	NUT, LOCK, THIN, 3/4-10
2	0303-217	1	SEAL, AP5, 50x90x11.4	42	0307-011	2	WHEEL, END, 14"
3	0307-039	1	BEARING (62092RS)	43	0702-091	2	PLATE, WHEEL, 14"
4	0700-147	1	ASSY, HOUSING, BEARING	44	8051-272	16	WASHER, SPRING LOCK, 3/8, ZN
5	0314-304	1	WLMT, GUARD, SEAL	45	8040-486	16	NUT, HEX, NYLOCK, 3/8-16 UNC, ZN
6	8051-332	7	WASHER, SPRING LOCK, 1/2, ZN	46	8102-683	1	CAPSCREW, HH, 3/4-10UNCx3.5 GD 8
7	0702-024	1	WLMT, PLATE, BEARING	47	0304-118	10	SNAP, RING
8	8102-407	4	CAPSCREW, HH, 1/2-13UNCx2.0, GD8,	48	0304-117	10	GUARD, BEARING
9	0700-144	1	RING, SNAP, INT, 85mm	49	0702-075	20	BEARING, CONE
10	0700-145	1	RING, SNAP, EXT, 45mm	50	0303-141	10	SEAL, APY, 1.250 x 2.062 x .450
11	0307-074	1	PLUG, HOUSING, BEARING	51	0702-076	20	BEARING, CUP
12	0700-124	12	NUT, TOPLOCK, 1/2-13UNC, ZN, GD8	52	0702-057	10	WHEEL, 10"
13	0702-008	1	MOTOR, HYD	53	0702-132	10	CAP, WHEEL
14	0200-282	10	NUT, HEX, FLANGE, M14-1.50	54	0702-141	10	RING, SNAP, INTERNAL
15	8040-726	8	NUT, HEX, NYLOCK, 5/8-11 UNC, ZN	55	0200-279	1	WLMT, SUSP, ALPHA
16	0200-003	12	TUBE, COVER	56	8051-431	8	WASHER, SPRING LOCK, 5/8, ZN
17	0200-004	12	TUBE, INNER	57	0310-313	2	ADAPTER, 12MFFOR-12MB
18	8043-806	1	NUT, HEX, 1-8 UNC, STEEL LOCK, ZN	58	0310-345	1	ADAPTER, 8MFFOR--8MB
19	8102-890	1	CAPSCREW, HH, 1.0 x 8UNC x 10.0,				
20	8102-405	3	CAPSCREW, HH, 1/2-13 UNCx1.5, GD8				
21	8040-606	3	NUT, HEX, NYLOCK, 1/2-13 UNC, ZN	0702-145	2	AXLE, REPLACEMENT, END	
22	0310-328	1	ADAPTER, 6MFFOR-6MB-90	0702-150	4	AXLE, REPLACEMENT, CENTER	
23	8102-685	1	CAPSCREW, HH 3/4-10UNCx 4.5 GD8	0210-001	10	STUD, MOTOR, DRIVE	
24	0702-048	1	RING, SPROCKET, ALPHA	0210-002	1	KIT, SEAL, MOTOR	
25	8102-419	12	CAPSCREW, HH 1/2-13UNCx 7.5, GD8				
26	0702-042	1	WLMT, TABLE, 1				
27	8102-588	8	CAPSCREW, HH, 5/8-11UNCx2.25, GD8				
28	0702-064	1	ASSY, TENSIONER				
29	0702-077	4	BUSHING, DU, 1.75 x 2.0				
30	0702-060	2	SPACER, AXLE				
31	0702-115	4	RING, SNAP, INT				
32	0702-133	2	SEAL, APY, 1.250 x 2.062 x .450				
33	0702-106	4	BEARING, CONE				
34	0702-105	4	BEARING, CUP				
35	0702-080	2	WLMT, HUB, WHEEL, 14"				
36	0702-111	2	CAP, WHEEL				
37	8011-227	16	BOLT, CARRIAGE, 3.8-16 UNC x 2.0				
38	0702-080	2	WLMT, HUB, WHEEL, 14"				
39	0300-985	16	SPEED NUT, 3/8				
40	0702-129	12	WASHER, 1.313x.793x.09				



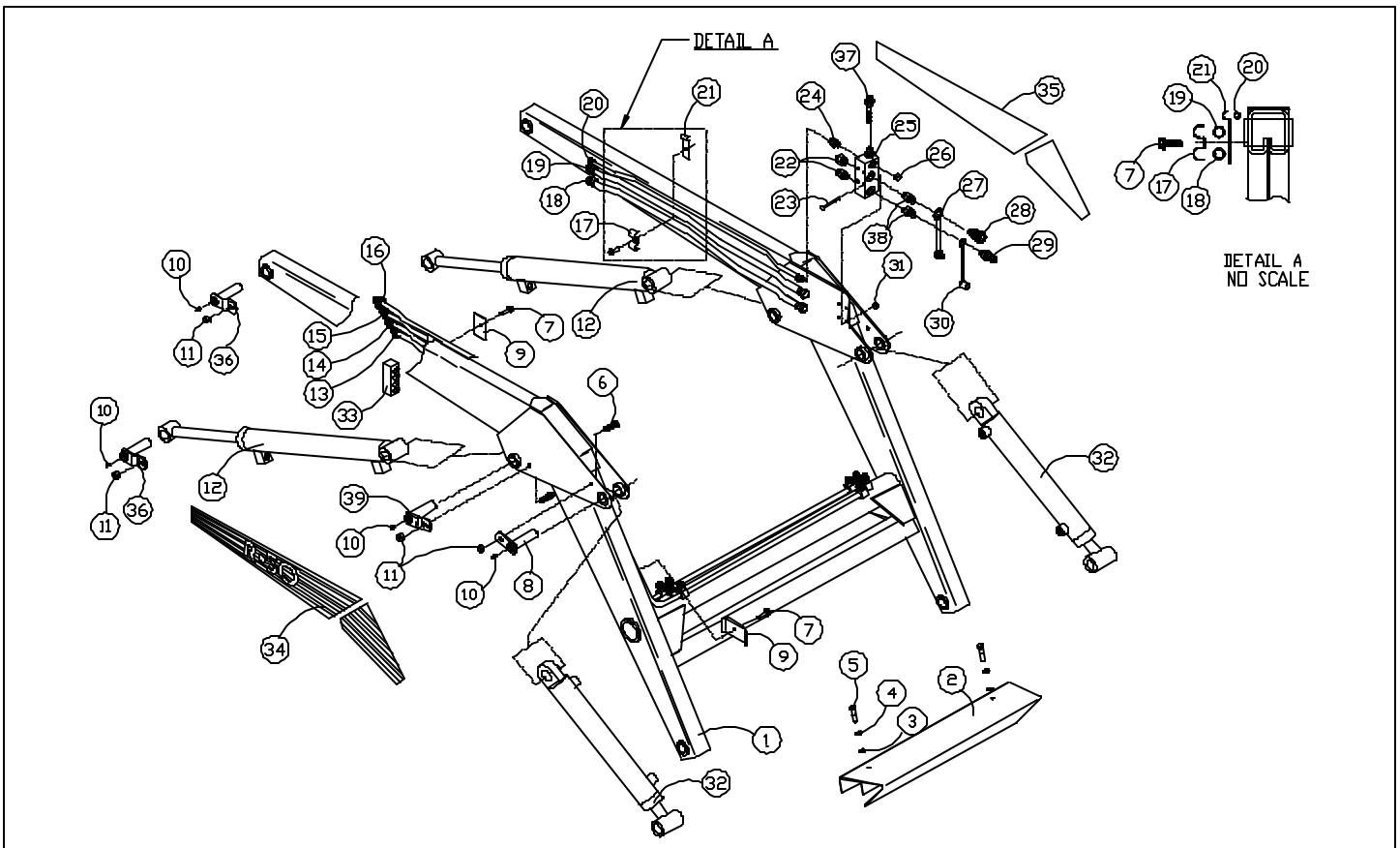
RIGHT SIDE SUSPENSION ASSEMBLY

REF. NO.	PART NUMBER	QTY	DESCRIPTION	REF. NO.	PART NUMBER	QTY	DESCRIPTION
1	0702-049	1	WLMT, SPROCKET, MACH	41	0304-722	14	NUT, LOCK, THIN, 3/4-10
2	0303-217	1	SEAL, AP5, 50x90x11.4	42	0307-011	2	WHEEL, END, 14"
3	0307-039	1	BEARING (62092RS)	43	0702-091	2	PLATE, WHEEL, 14"
4	0700-147	1	ASSY, HOUSING, BEARING	44	8051-272	16	WASHER, SPRING LOCK, 3/8, ZN
5	0314-304	1	WLMT, GUARD, SEAL	45	8040-486	16	NUT, HEX, NYLOCK, 3/8-16 UNC, ZN
6	8051-332	7	WASHER, SPRING LOCK, 1/2, ZN	46	8102-683	1	CAPSCREW, HH, 3/4-10UNCx3.5 GD 8
7	0702-024	1	WLMT, PLATE, BEARING	47	0304-118	10	SNAP, RING
8	8102-407	4	CAPSCREW, HH, 1/2-13UNCx2.0, GD8,	48	0304-117	10	GUARD, BEARING
9	0700-144	1	RING, SNAP, INT, 85mm	49	0702-075	20	BEARING, CONE
10	0700-145	1	RING, SNAP, EXT, 45mm	50	0303-141	10	SEAL, APY, 1.250 x 2.062 x .450
11	0307-074	1	PLUG, HOUSING, BEARING	51	0702-076	20	BEARING, CUP
12	0700-124	12	NUT, TOPLOCK, 1/2-13UNC, ZN, GD8	52	0702-057	10	WHEEL, 10"
13	0702-008	1	MOTOR, HYD	53	0702-132	10	CAP, WHEEL
14	0200-282	10	NUT, HEX, FLANGE, M14-1.50	54	0702-141	10	RING, SNAP, INTERNAL
15	8040-726	8	NUT, HEX, NYLOCK, 5/8-11 UNC, ZN	55	0200-279	1	WLMT, SUSP, ALPHA
16	0200-003	12	TUBE, COVER	56	8051-431	8	WASHER, SPRING LOCK, 5/8, ZN
17	0200-004	12	TUBE, INNER	57	0310-313	2	ADAPTER, 12MFFOR-12MB
18	8043-806	1	NUT, HEX, 1-8 UNC, STEEL LOCK, ZN	58	0310-345	1	ADAPTER, 8MFFOR--8MB
19	8102-890	1	CAPSCREW, HH, 1.0 x 8UNC x 10.0,				
20	8102-405	3	CAPSCREW, HH, 1/2-13 UNCx1.5, GD8				
21	8040-606	3	NUT, HEX, NYLOCK, 1/2-13 UNC, ZN	0702-145	2	AXLE, REPLACEMENT, END	
22	0310-328	1	ADAPTER, 6MFFOR-6MB-90	0702-150	4	AXLE, REPLACEMENT, CENTER	
23	8102-685	1	CAPSCREW, HH 3/4-10UNCx 4.5 GD8	0210-001	10	STUD, MOTOR, DRIVE	
24	0702-048	1	RING, SPROCKET, ALPHA	0210-002	1	KIT, SEAL, MOTOR	
25	8102-419	12	CAPSCREW, HH 1/2-13UNCx 7.5, GD8				
26	0702-044	1	WLMT, TABLE, 2				
27	8102-588	8	CAPSCREW, HH, 5/8-11UNCx2.25, GD8				
28	0702-064	1	ASSY, TENSIONER				
29	0702-077	4	BUSHING, DU, 1.75 x 2.0				
30	0702-060	2	SPACER, AXLE				
31	0702-115	4	RING, SNAP, INT				
32	0702-133	2	SEAL, APY, 1.250 x 2.062 x .450				
33	0702-106	4	BEARING, CONE				
34	0702-105	4	BEARING, CUP				
35	0702-080	2	WLMT, HUB, WHEEL, 14"				
36	0702-111	2	CAP, WHEEL				
37	8011-227	16	BOLT, CARRIAGE, 3.8-16 UNC x 2.0				
38	0702-080	2	WLMT, HUB, WHEEL, 14"				
39	0300-985	16	SPEED NUT, 3/8				
40	0702-129	12	WASHER, 1.313x.793x.09				



LOADER ASSEMBLY

REF. NO.	PART NUMBER	QTY	DESCRIPTION	REF. NO.	PART NUMBER	QTY	DESCRIPTION
1	0200-079	1	WLMT, LOADER	36	0200-113	4	WLMT, PIN, 1.00x4.51
2	0200-306	1	WLMT, STEP-PLATE, LOADER	37	0200-303	1	KIT, SPOOL ASSY
3	8050-247	2	WASHER, WROUGHT, 5/16, SAE, ZN	38	0200-296	2	ADAPTER, O-RING HEX NIPPLE, 10-8
4	8051-242	2	WASHER, SPRING LOCK, 5/16, ZN	39	0304-672	2	PIN, 1.00" X 3.91"
5	8001-135	2	CAPSCREW, HH, 5/16-18 UNCx1.5, GD				
6	8102-222	8	CAPSCREW, HH, 3/8-16 UNCx1.0, GD8		0200-304	2	KIT SEAL, CYLINDER, BOOM
7	0304-339	3	SCREW, SELF-TAPPING, 5/16x1.25		0200-305	2	KIT SEAL, CYLINDER, BUCKET
8	0200-115	2	WLMT, PIN, 1.00x3.39				
9	0304-341	2	CLAMP, TUBE, LOADER, RC-30				
10	0301-706	8	FITTING, GREASE, 1/4-28				
11	8040-486	8	NUT, HEX, NYLOCK, 3/8-16 UNC, ZN				
12	0200-005	2	CYLINDER, BOOM				
13	0200-129	1	TUBE, LOADER, 0.50x36.50				
14	0200-128	1	TUBE, LOADER, 0.50x37.80				
15	0200-127	1	TUBE, LOADER, 0.50x39.60				
16	0200-126	1	TUBE, LOADER, 0.50x41.50				
17	0304-359	1	CLAMP, DOUBLE, LOADER, RC-30				
18	0304-665	1	TUBE, AUX, LOWER, LOADER				
19	0304-666	1	TUBE, AUX, UPPER, LOADER				
20	0304-442	1	HOSE, RES.				
21	0304-340	1	CLAMP, OIL LINE, LOADER RC-30				
22	0304-667	2	ADAPTER, 8MB-10MJ				
23	8102-050	4	CAPSCREW, HH, 1/4-20, UNC, 2.75ZN,				
24	0300-286	1	ADAPTER, 9/16-18, JIC-9/16-18, O-				
25	0304-876	1	MANIFOLD, AUX, HYD				
26	0304-356	1	PLUG, 9/16-18, LOADER RC-30				
27	0310-240	1	COVER, DUST, 1/2, M				
28	0310-076	1	COUPLER, QUICK, FF, FEMALE, 7/8-14UN				
29	0310-077	1	COUPLER, QUICK, FF, MALE, 7/8-14UN				
30	0310-241	1	COVER, DUST, 1/2, F				
31	8040-366	4	NUT, LOCK, 1/4-20UNC				
32	0200-121	2	CYLINDER, BUCKET				
33	0304-464	1	TUBE, CLAMP, RUBBER, LOADER RC-30				
34	0200-268	1	DECAL, LOADER, RH, R50				
35	0200-269	1	DECAL, LOADER, LH, R50				



QUICK ATTACH ASSEMBLY

REF. NO.	PART NUMBER	QTY	DESCRIPTION	REF. NO.	PART NUMBER	QTY	DESCRIPTION
1	8002-418	2	CAPSCREW, HH, 1/2-13 UNCx6.0, GD5, ZN				
2	0400-676	1	WLMT, PIN, LATCH, LH				
3	0400-621	2	SPOOL, PIVOT				
4	0400-651	2	SPRING, COMPRESSION, 4.0 x 7/8 ID, SQ				
5	8050-347	8	WASHER, WROUGHT, 1/2, STD, ZN				
6	0400-653	2	CAPSCREW, SHOULDER, .5x.63x3/8-16NC				
7	0400-617	2	BLOCK, LATCH				
8	8002-222	2	CAPSCREW, HH, 3/8-16 UNCx1.0, GD5, ZN				
9	8051-272	2	WASHER, SPRING LOCK, 3/8, ZN				
10	8050-277	2	WASHER, WROUGHT, 3/8, SAE, ZN				
11	0400-697	1	LEVER, LATCH, LH				
12	0400-652	2	SPRING, COMPRESSION, .88 x .88 x .091D				
13	0400-632	1	WLMT, QUICK-ATTACH				
14	0400-634	4	SLIDE, PLASTIC, QUICK-ATTACH				
15	0400-620	1	WLMT, PIN, LATCH, RH				
16	0400-698	1	LEVER, LATCH, RH				
17	0400-629	2	STAND-OFF, LEVER				

