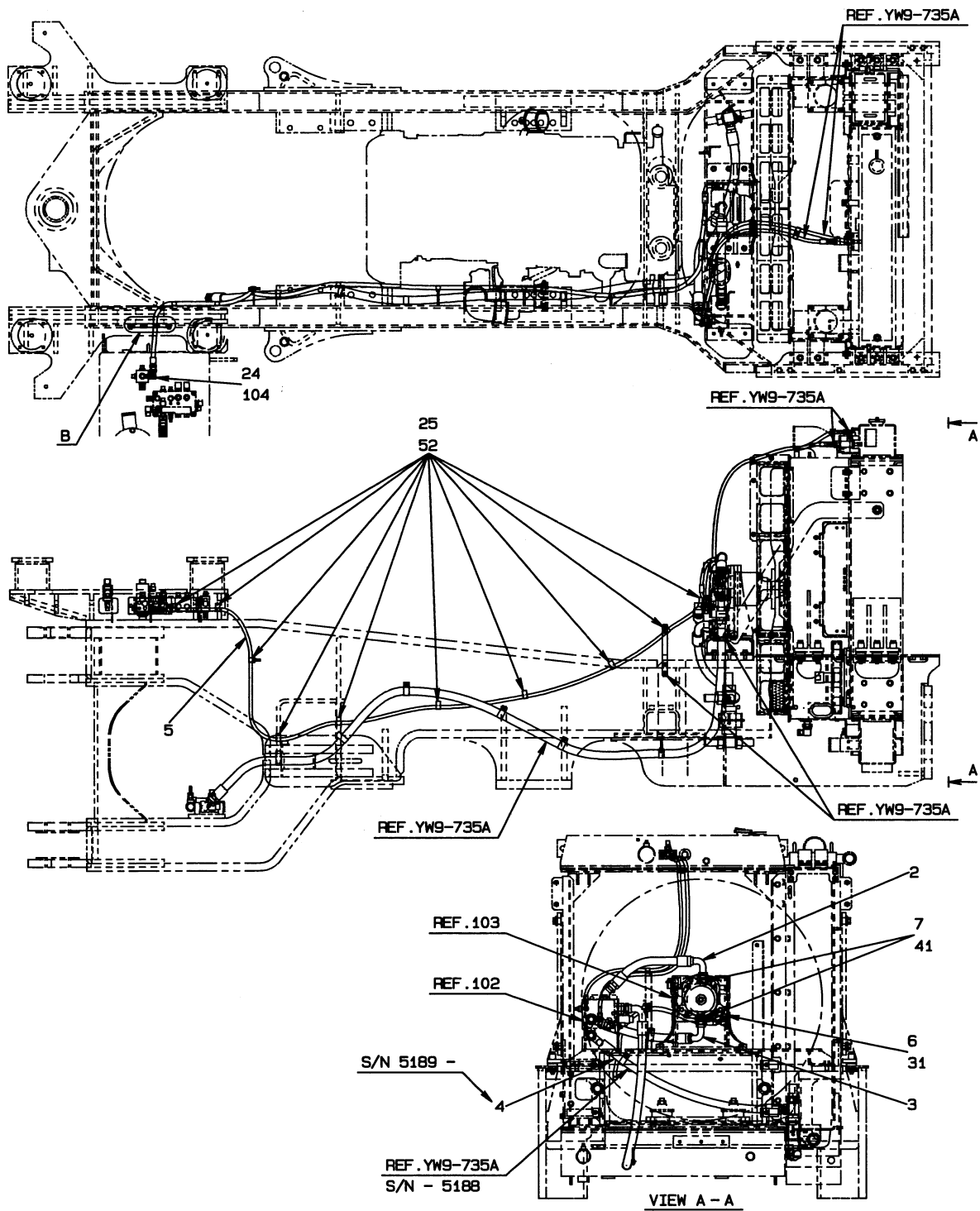
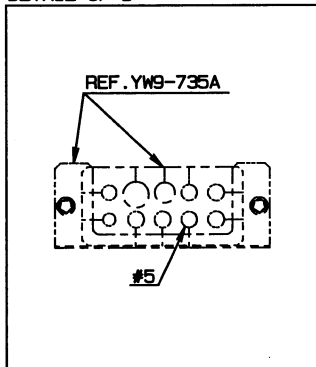

MEMO

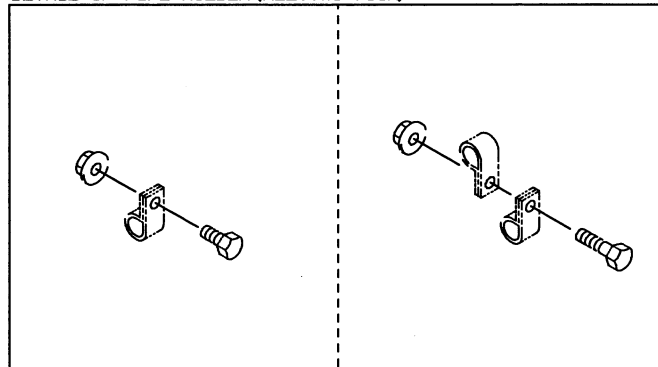
<S/N 5141 - >



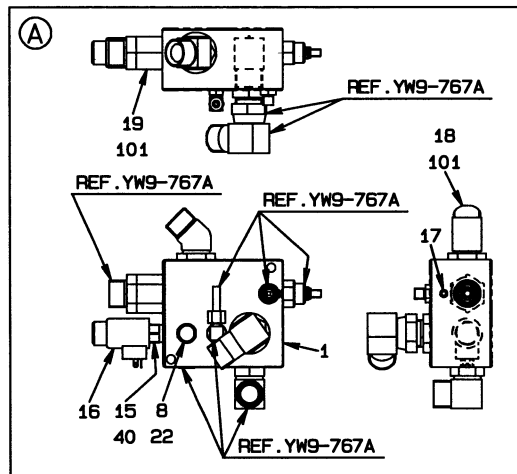
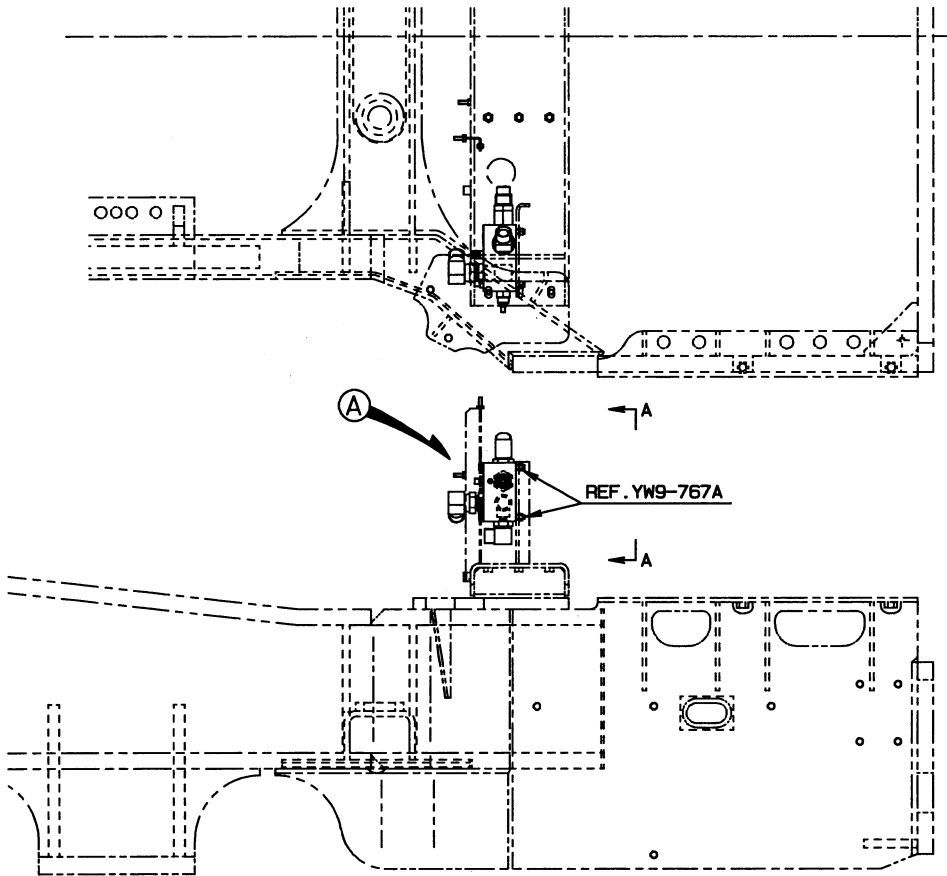
DETAIL OF B



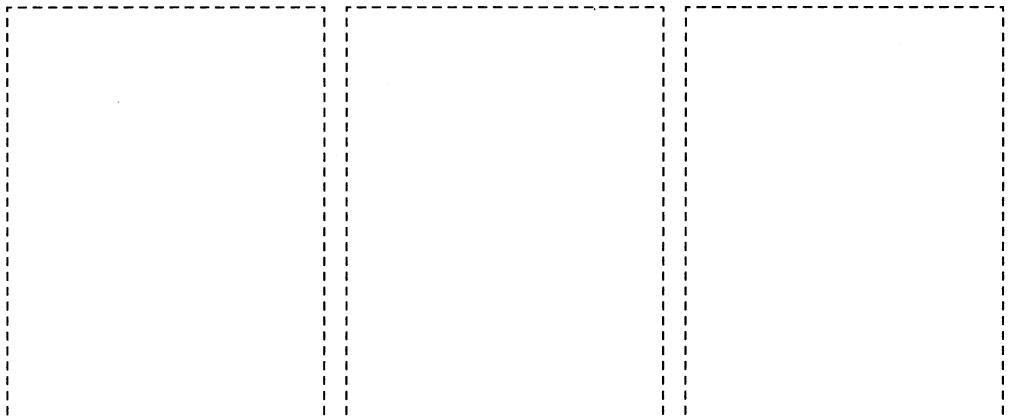
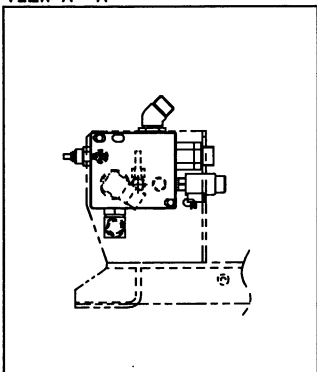
DETAIL OF PIPE HOLDER (REF. YW9-735A)



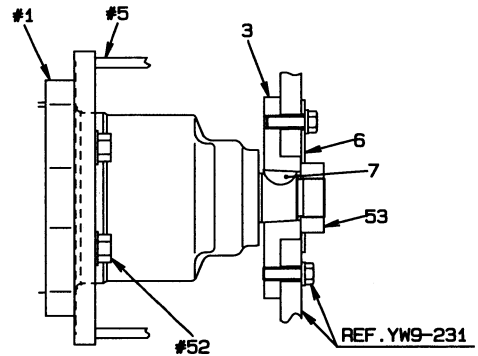
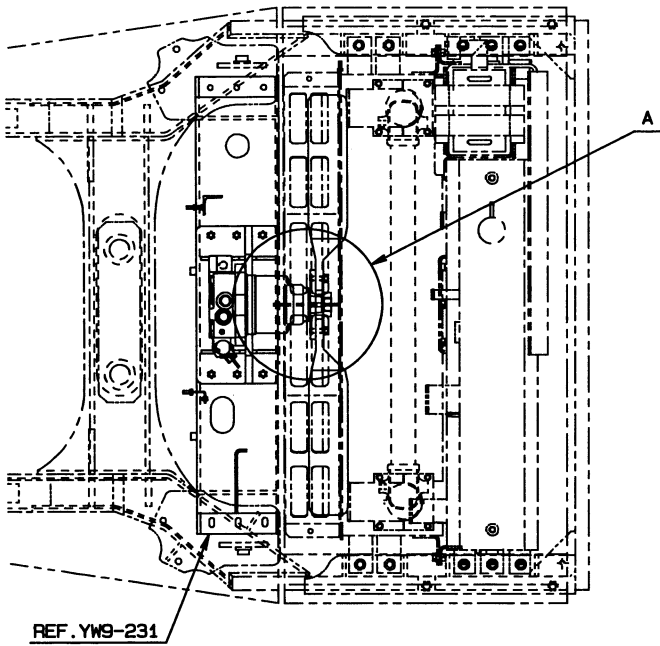
<S/N 5141 - >



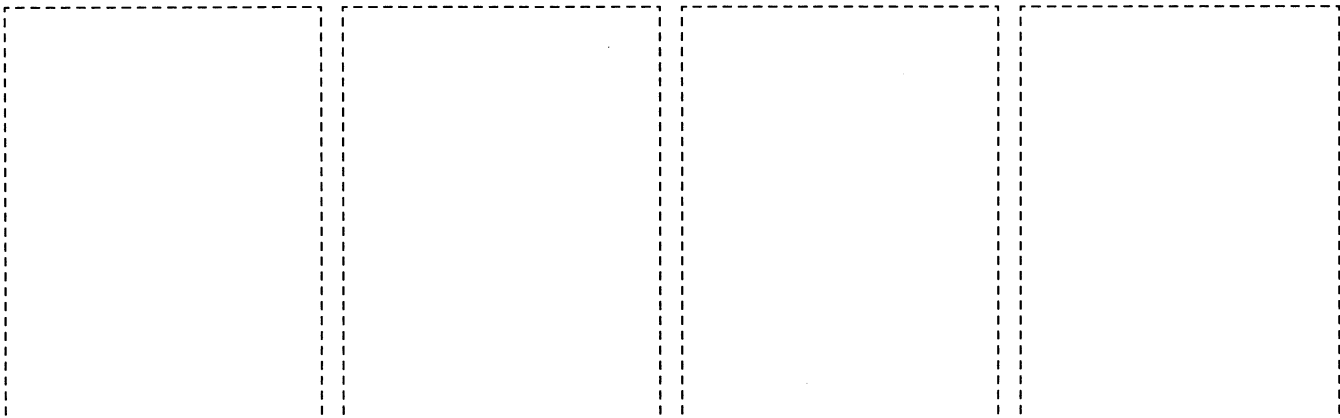
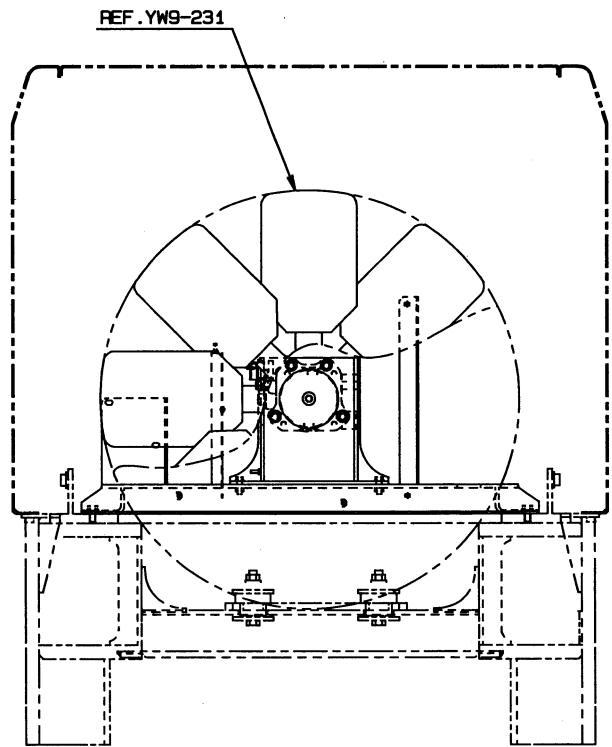
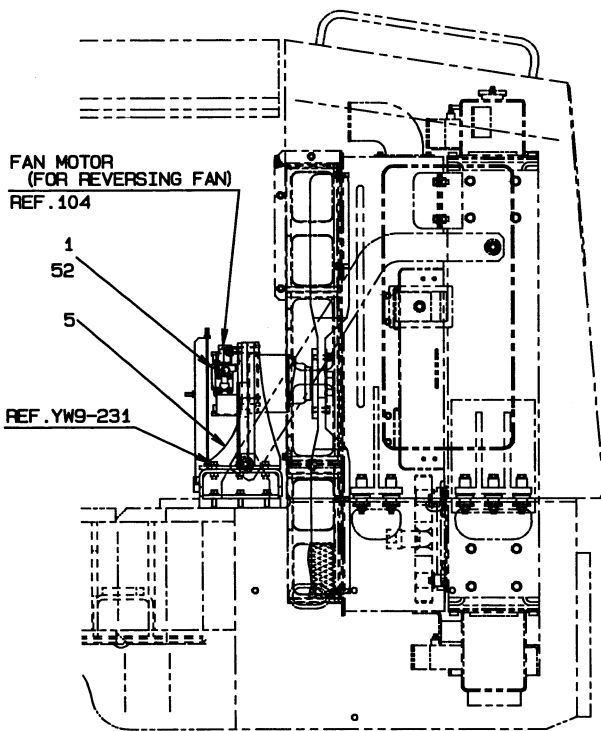
VIEW A - A

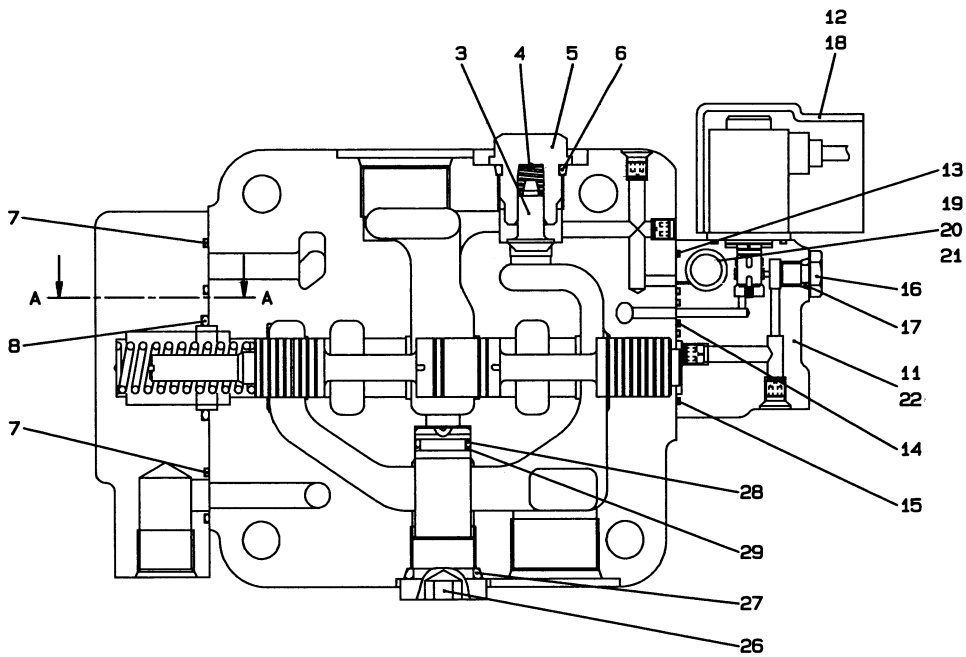
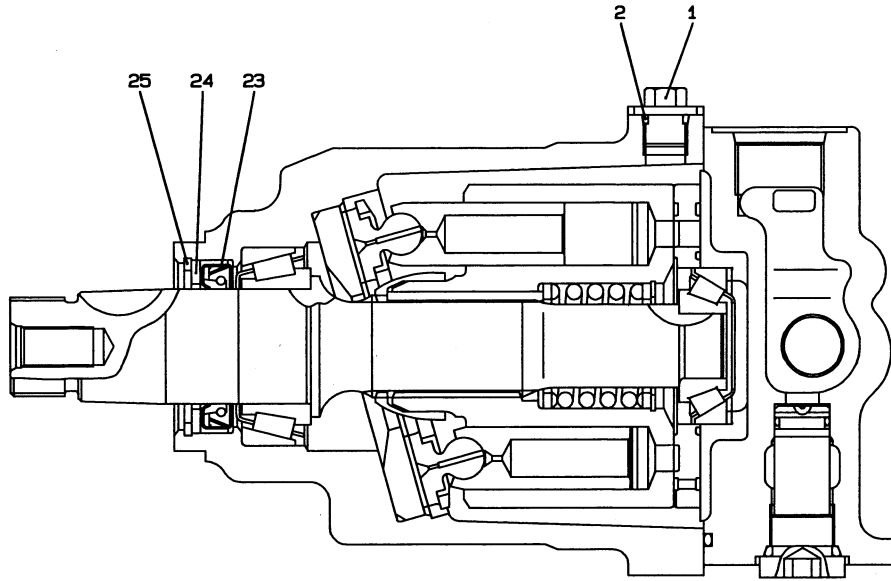


<S/N 5141 - >

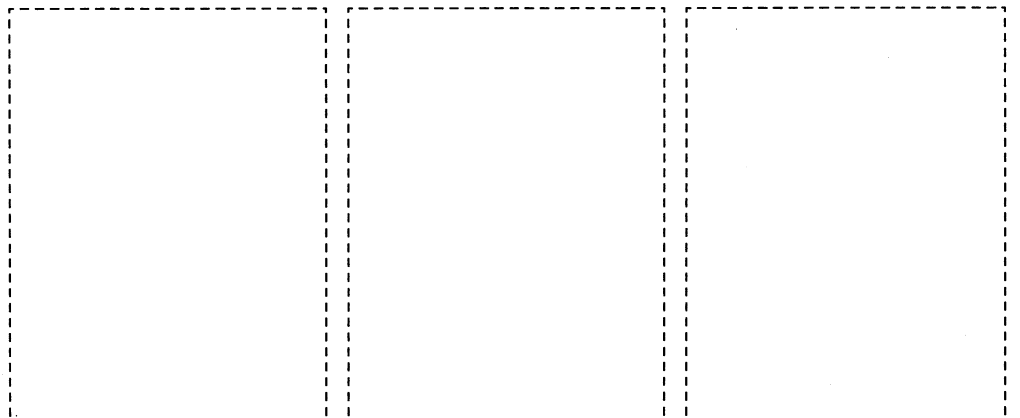
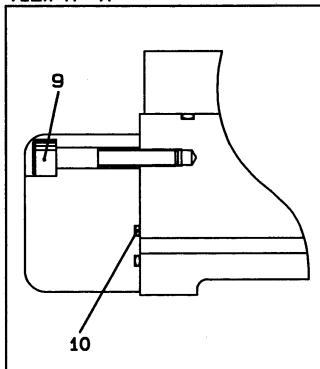


DETAIL OF A

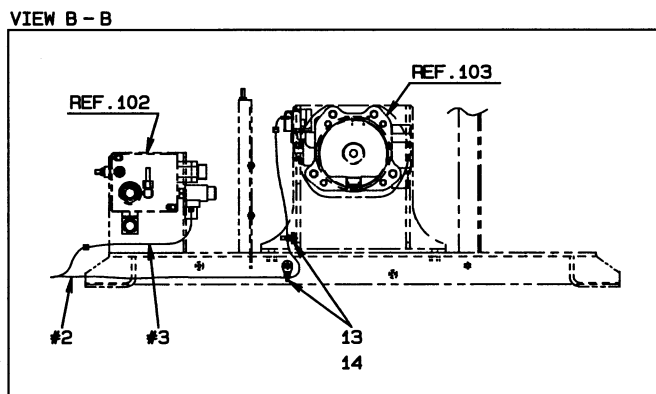
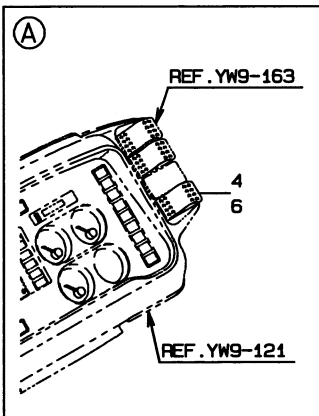
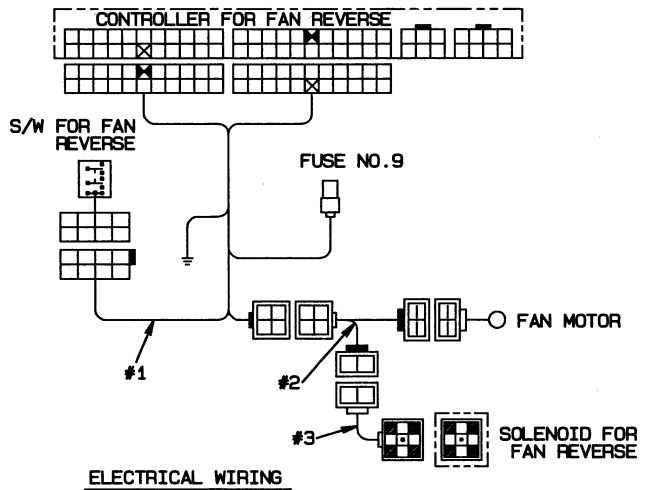
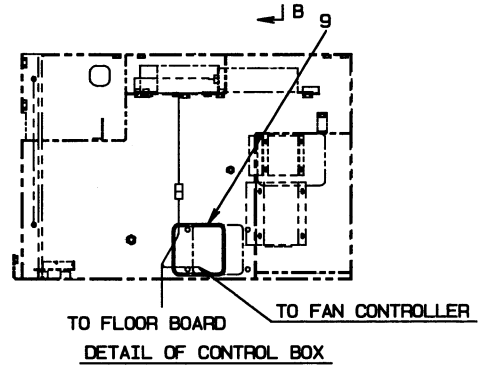
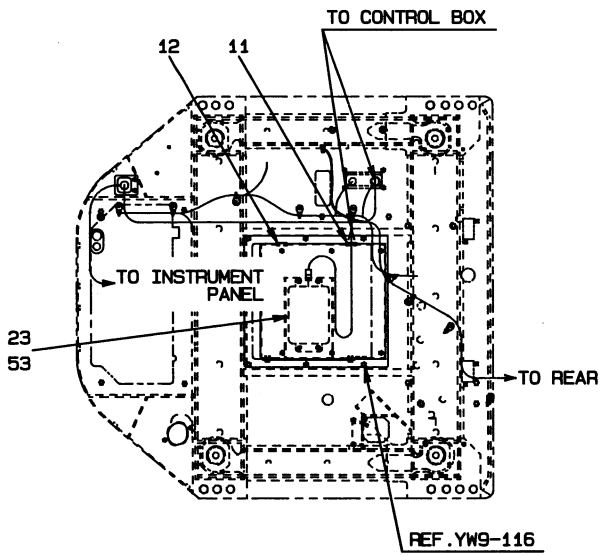
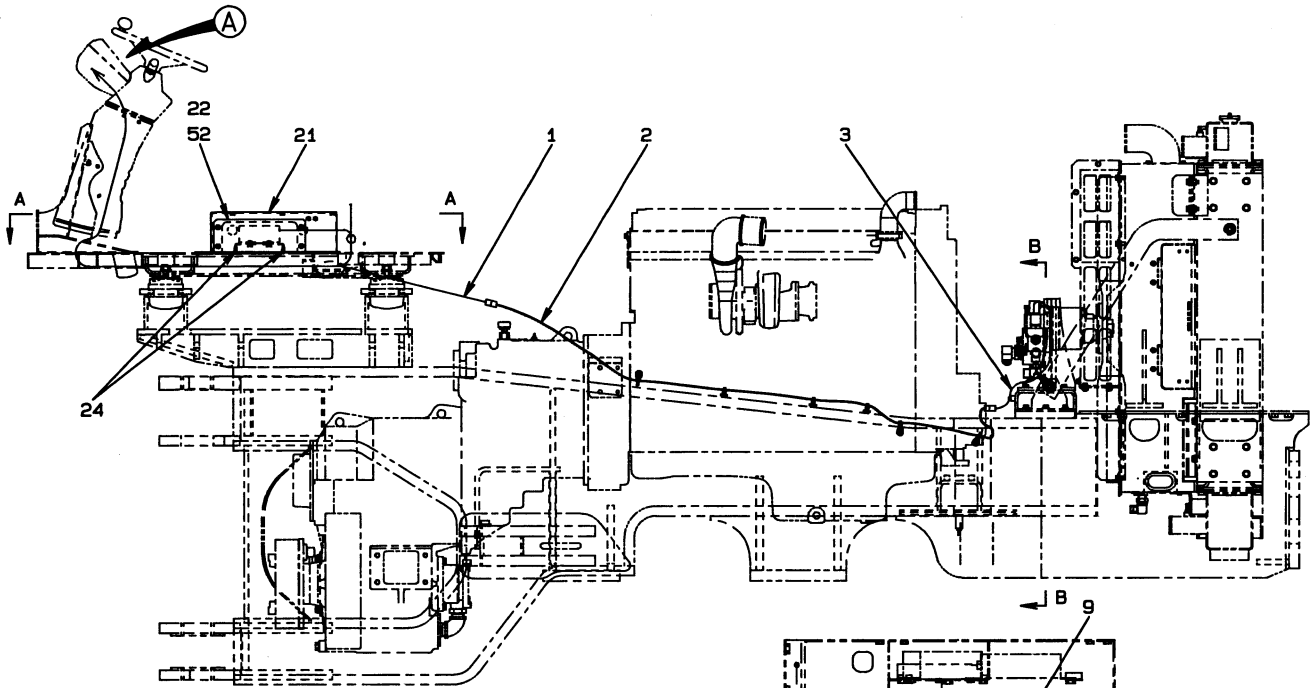


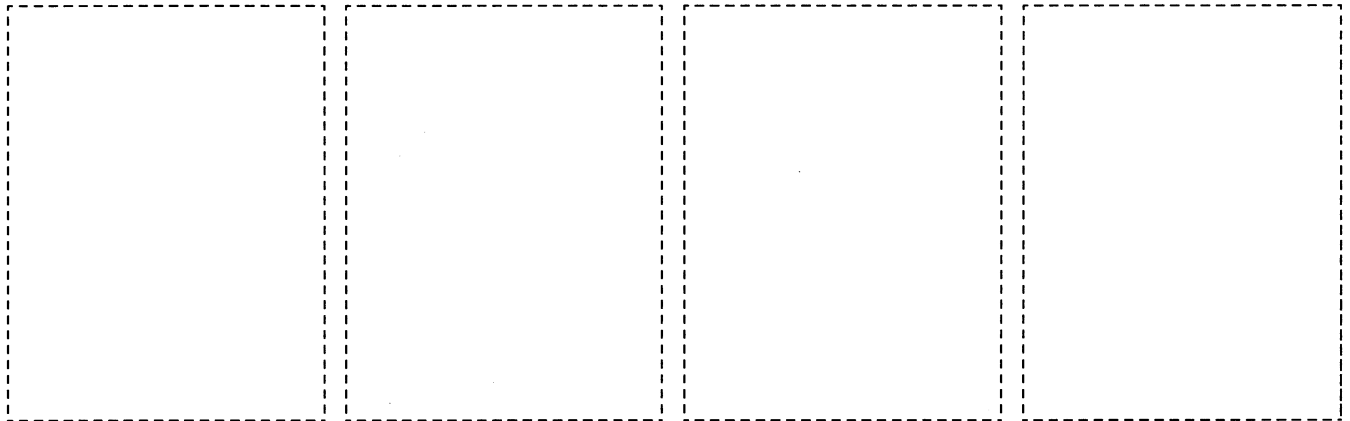
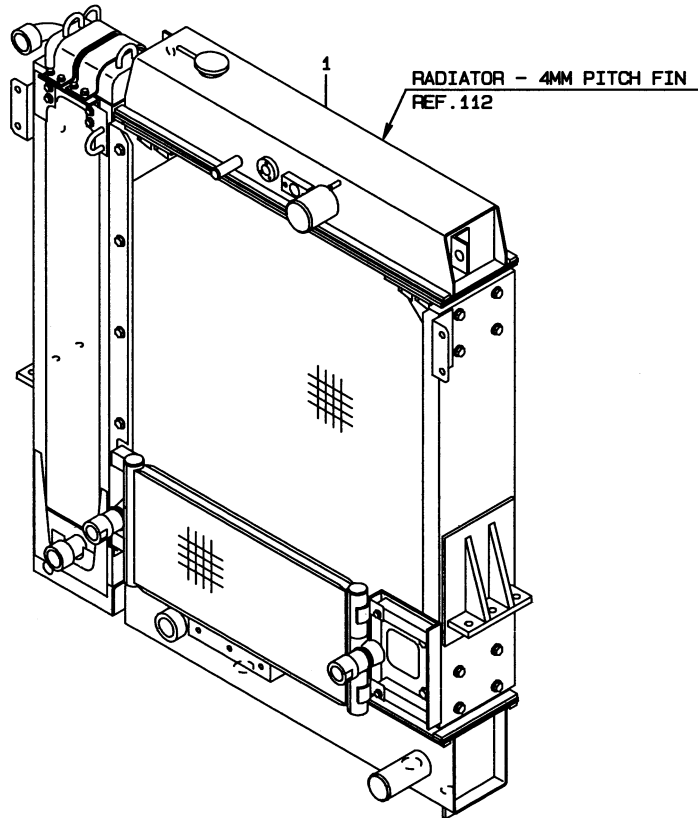


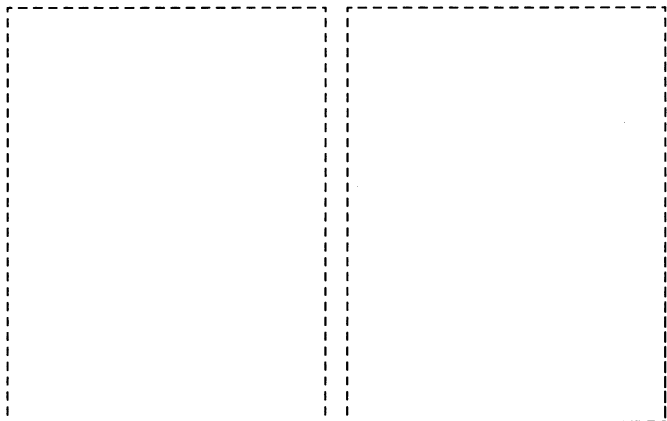
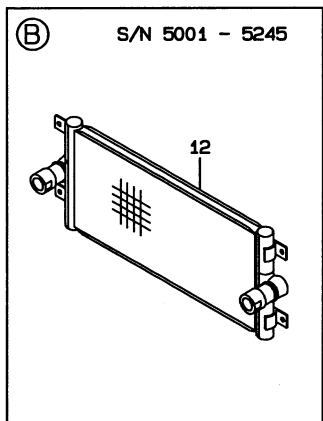
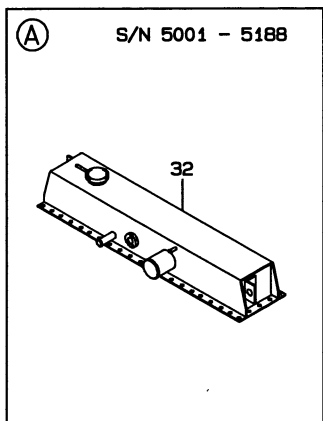
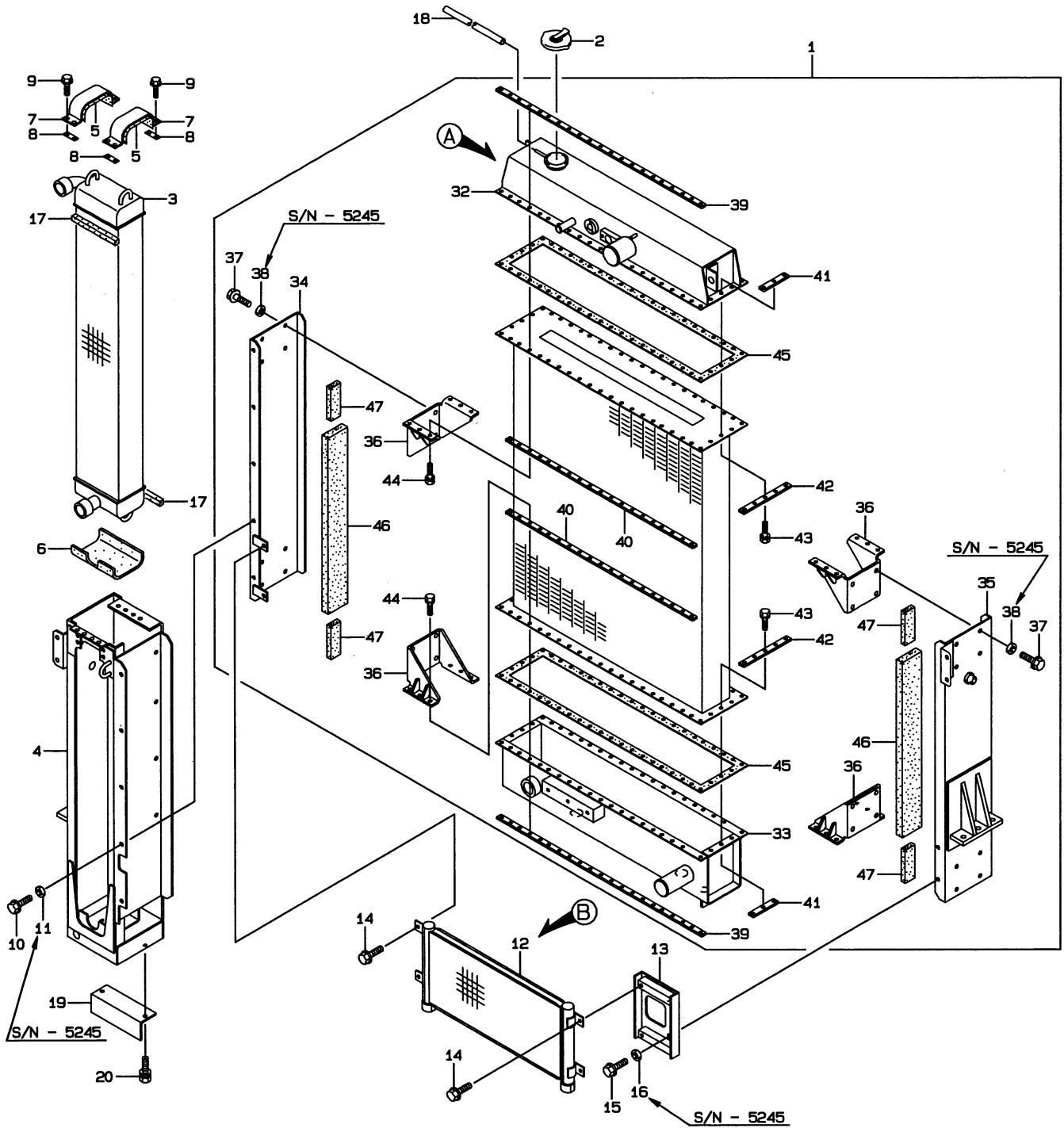
VIEW A - A

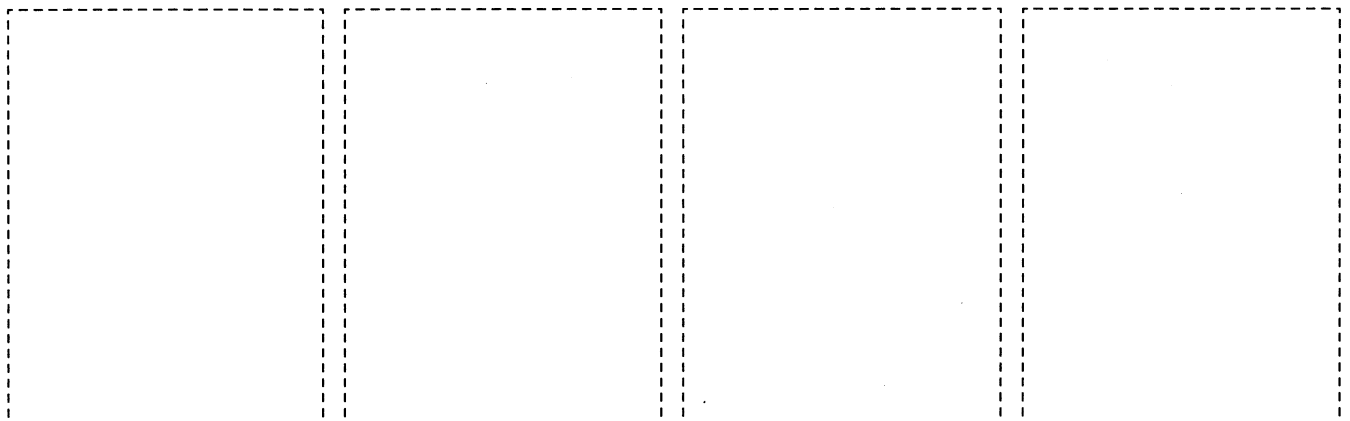
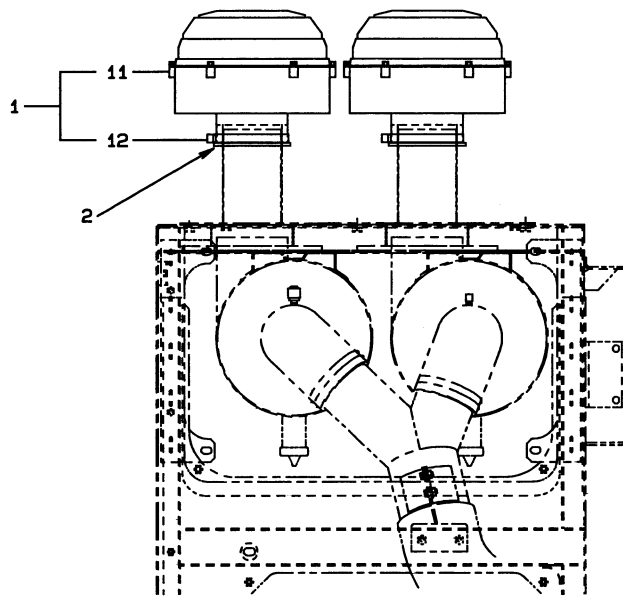


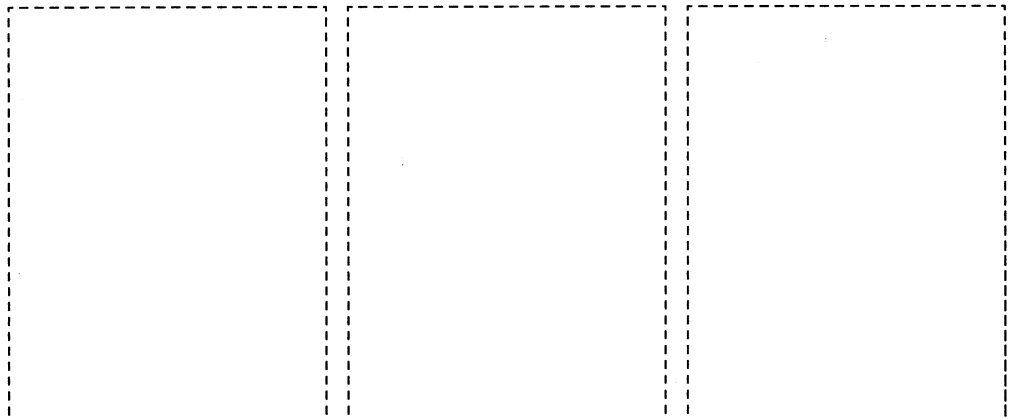
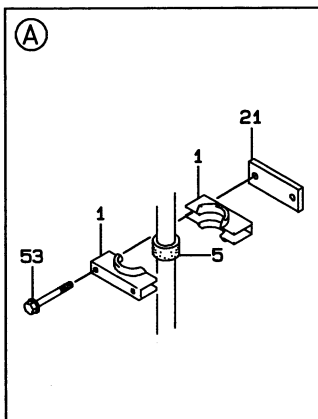
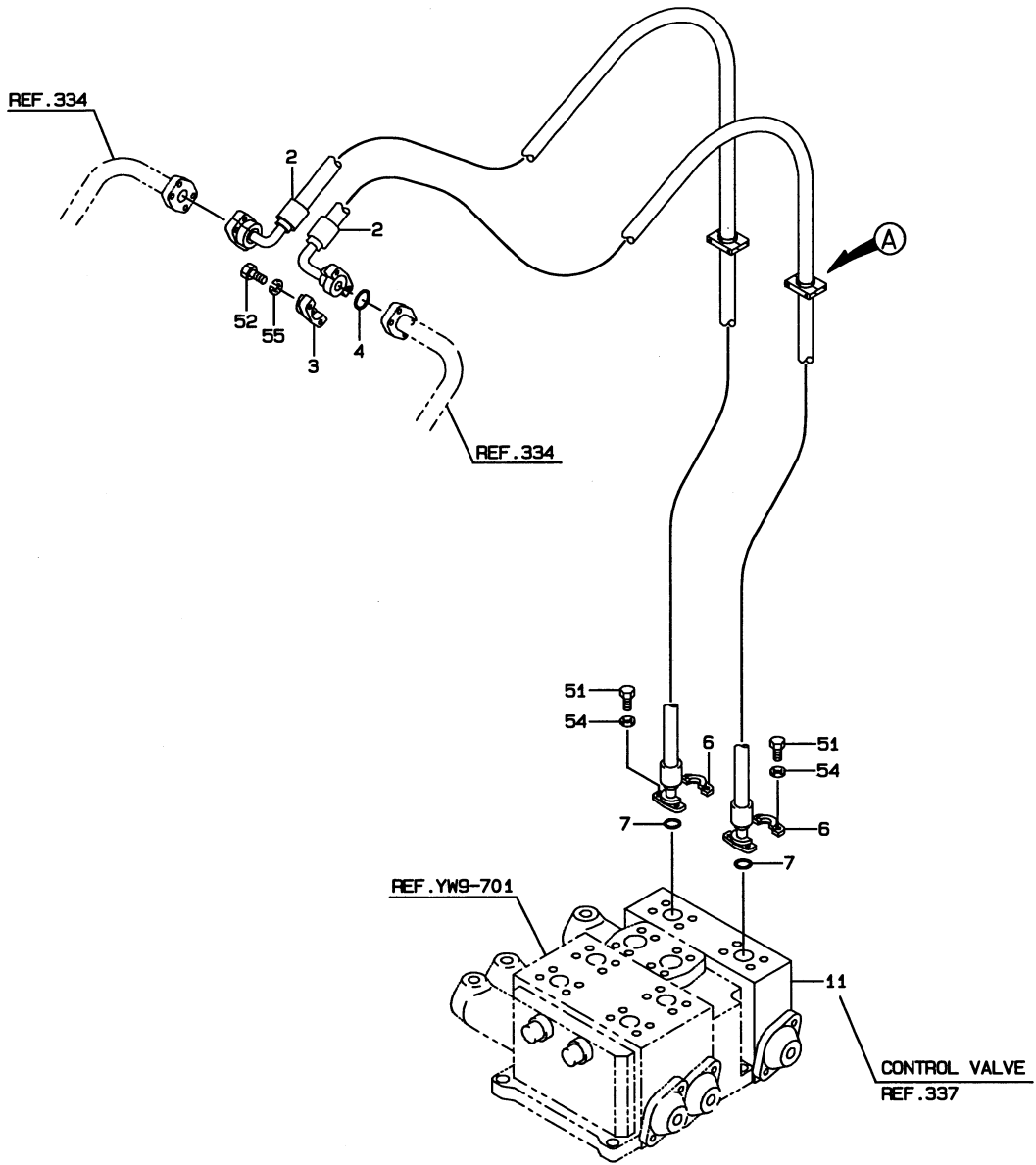
<S/N 5141 - >

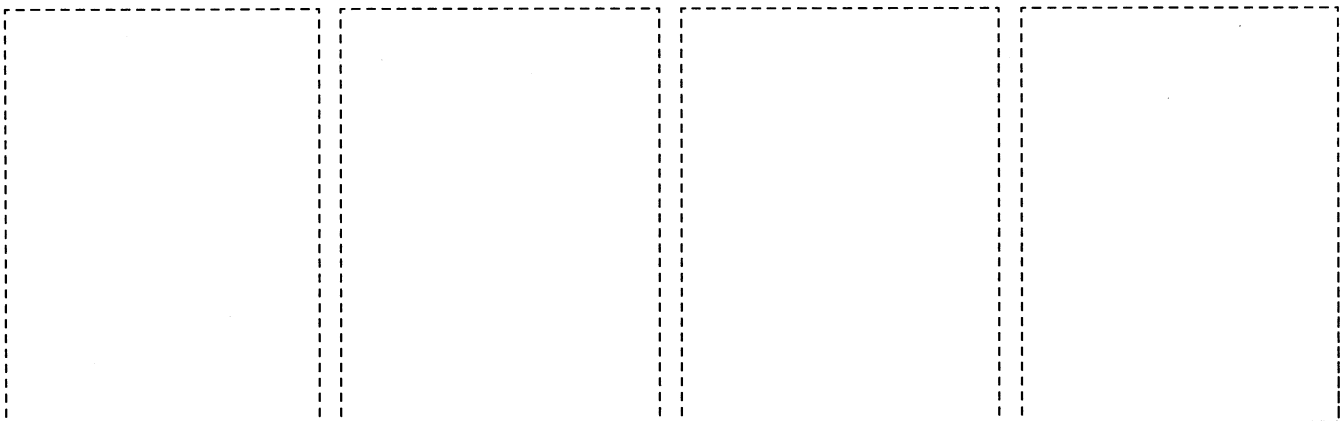
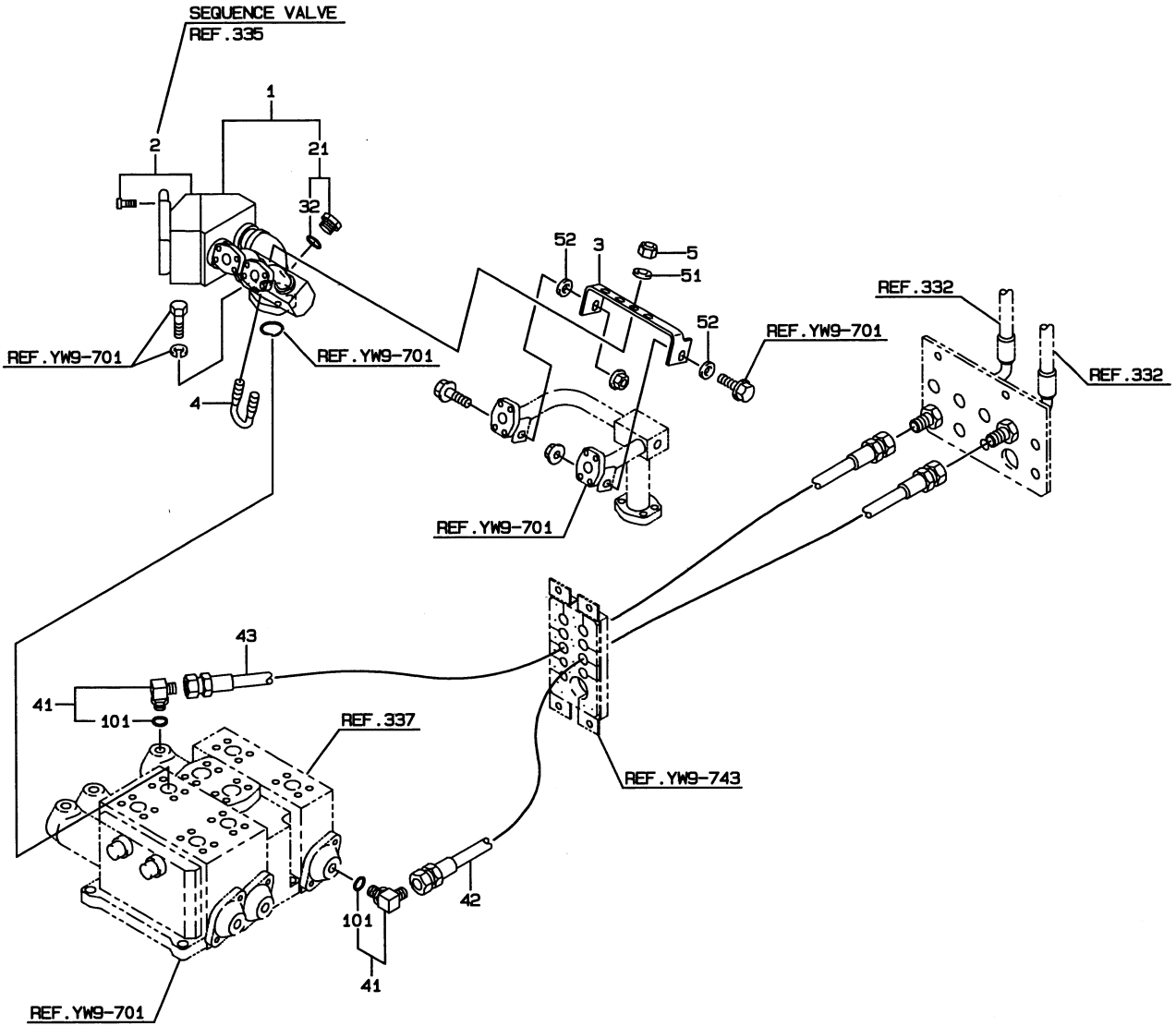




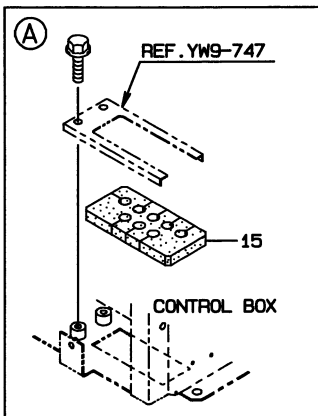
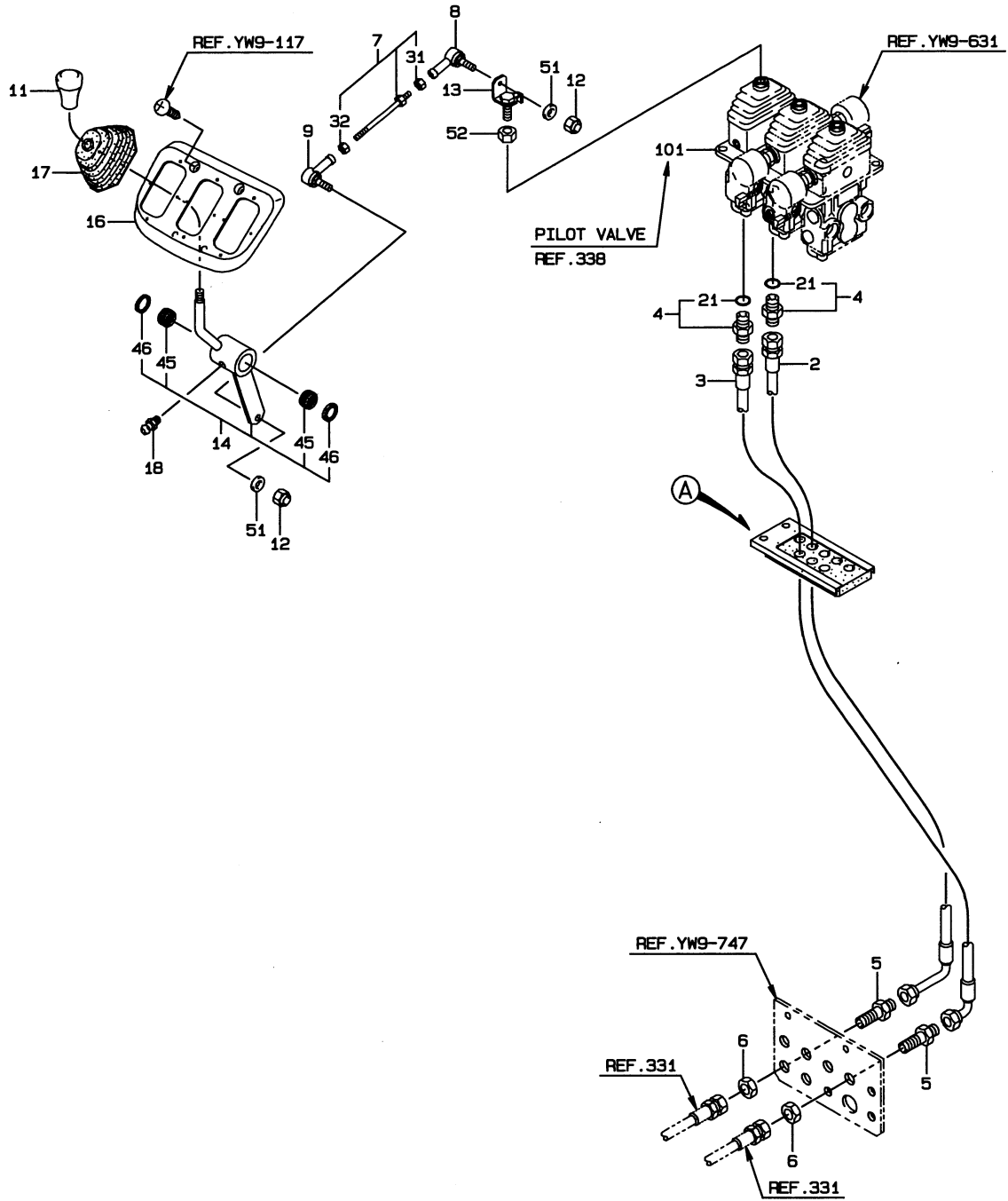




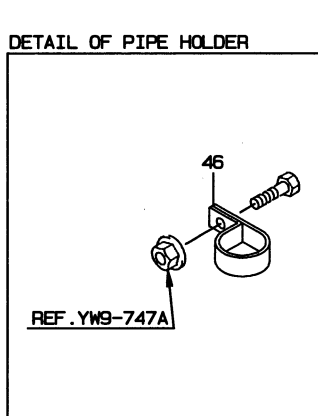
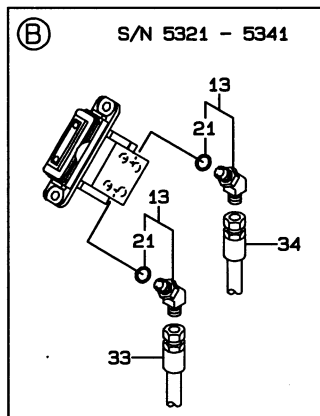
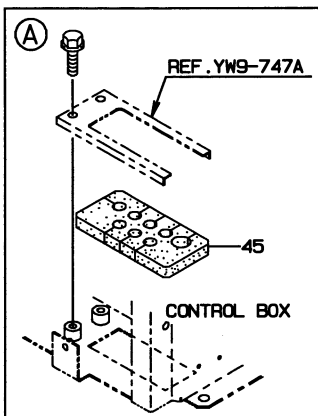
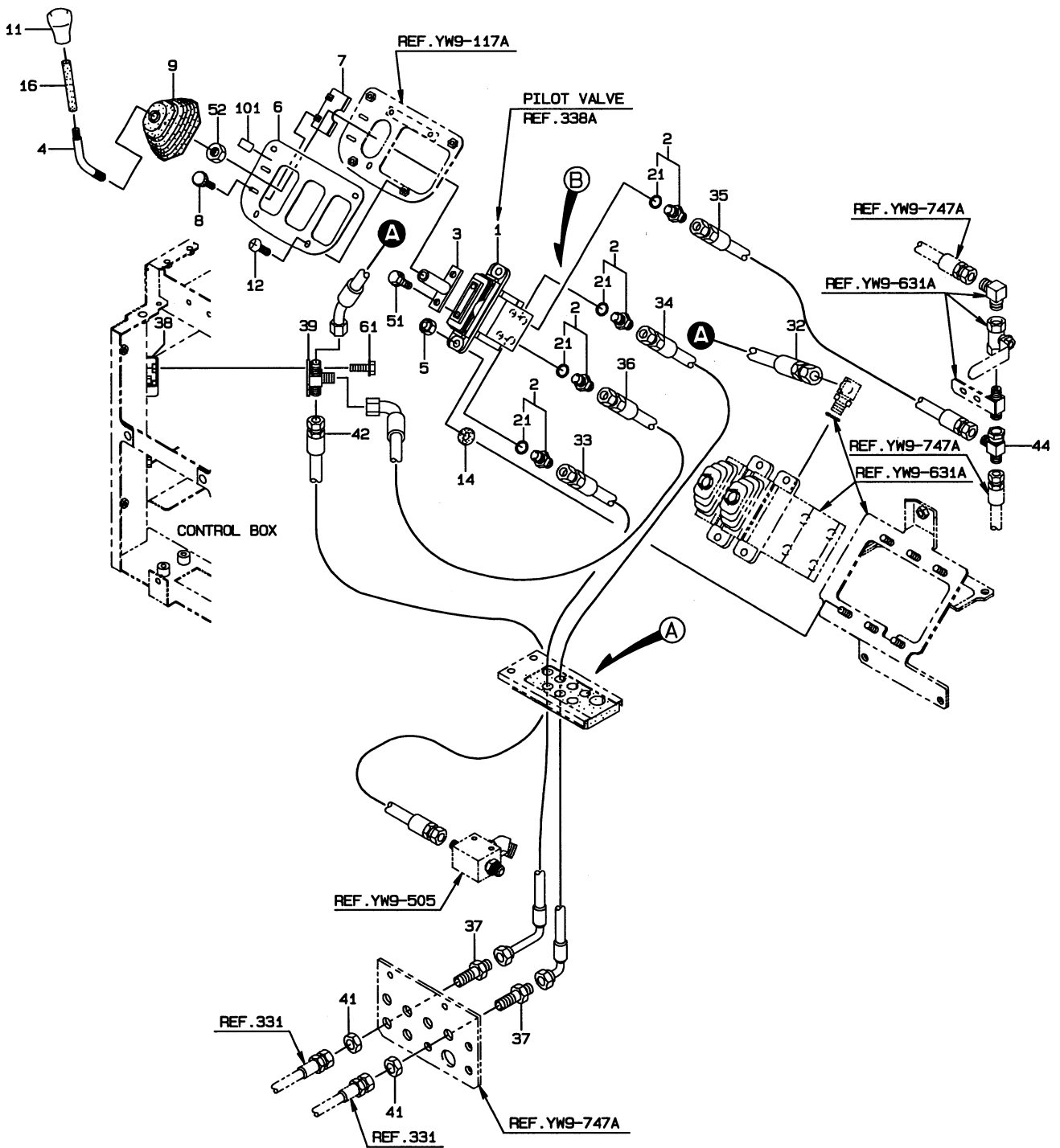


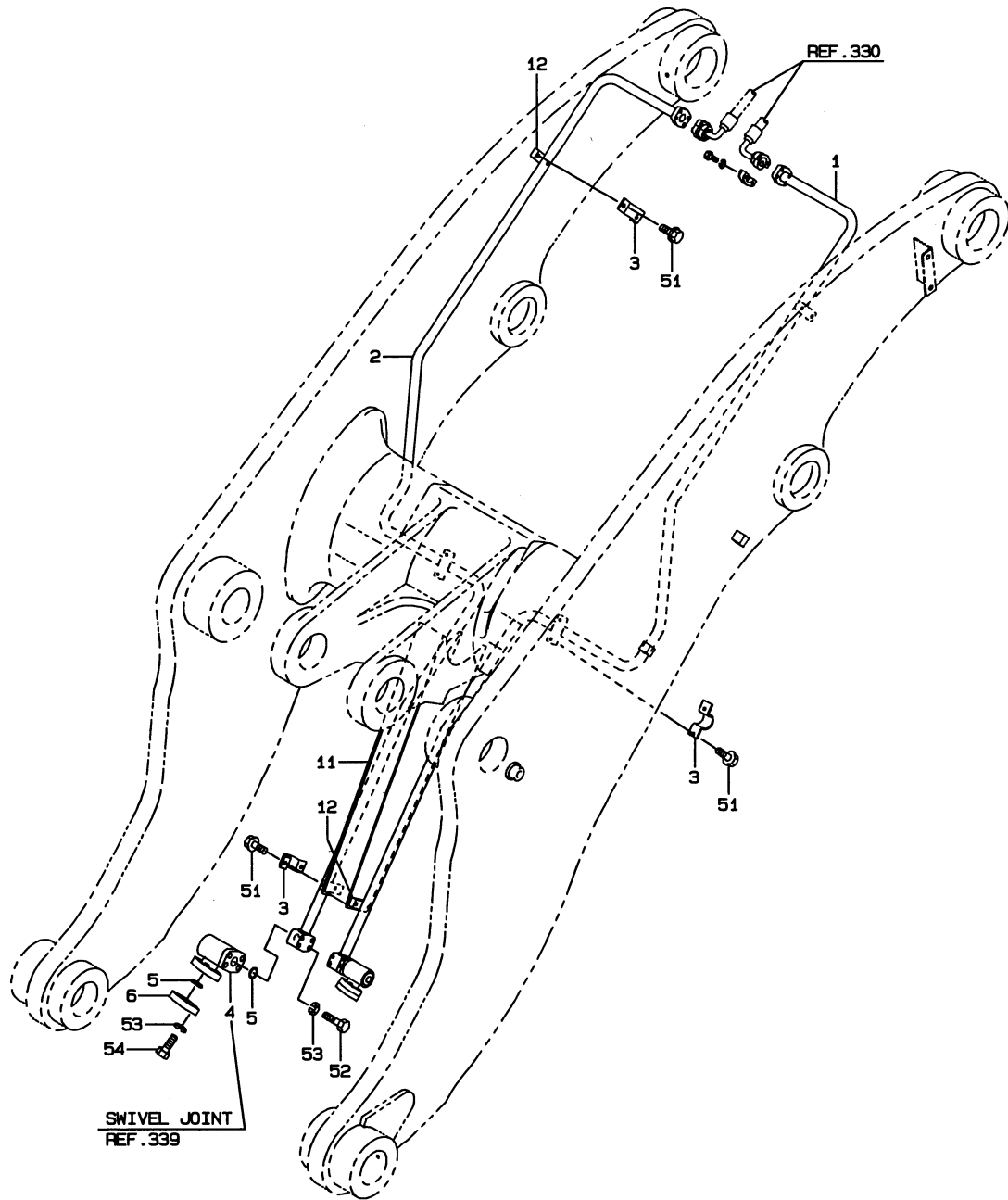


<S/N 5001 - 5320>

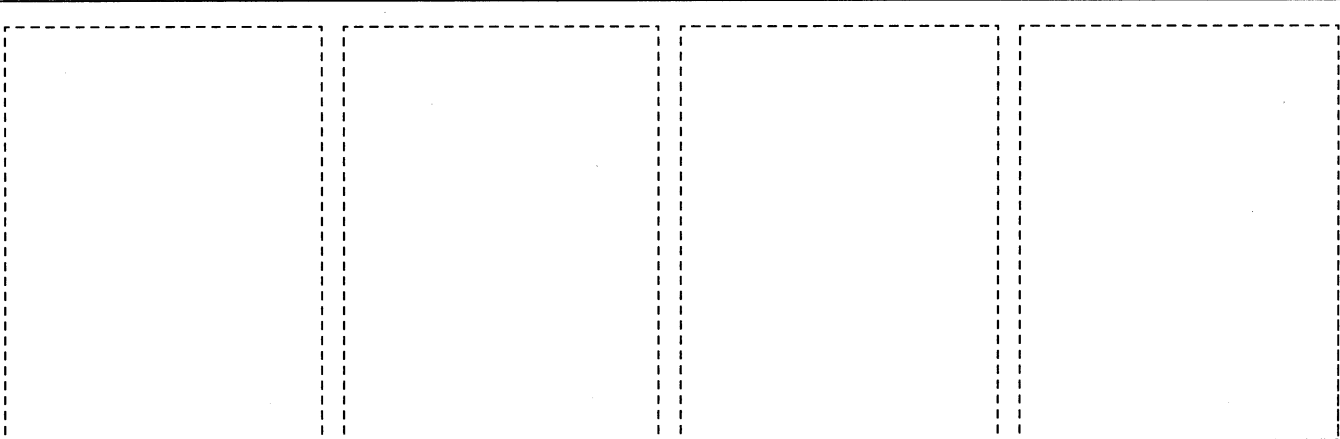
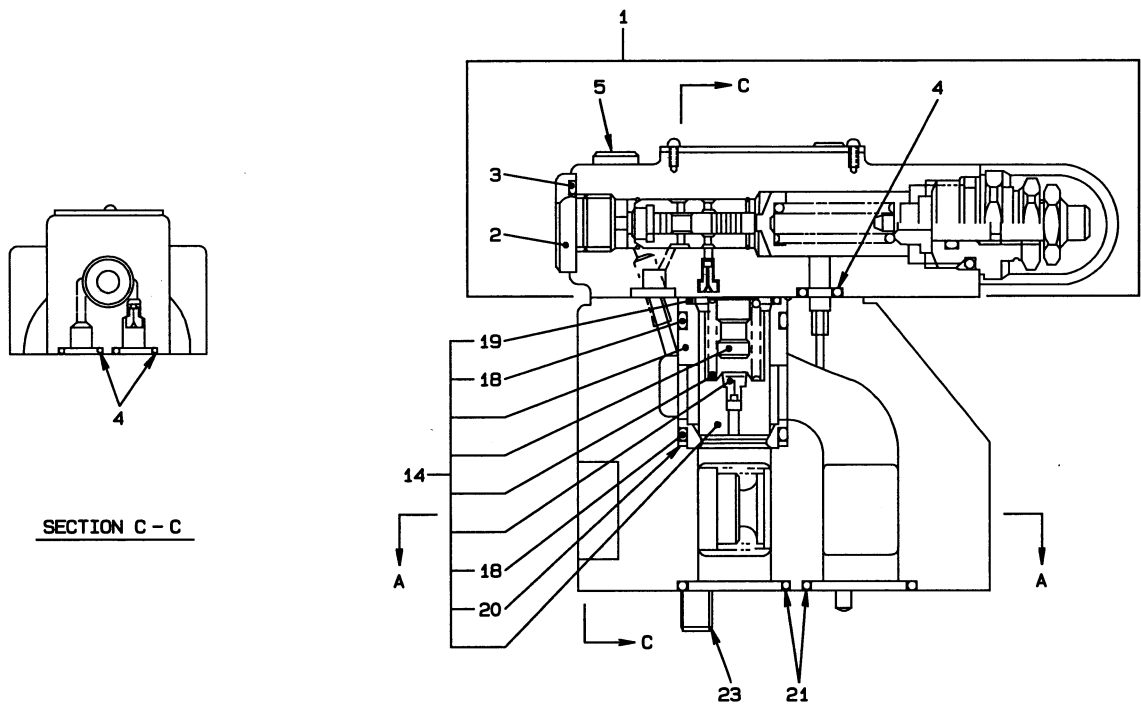
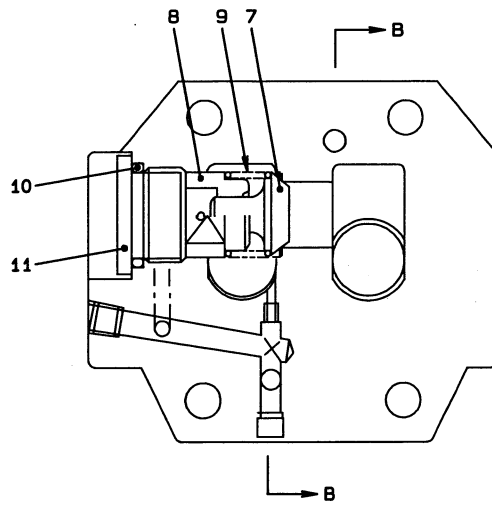
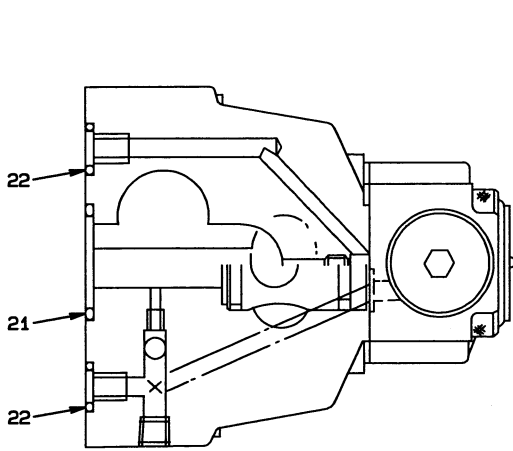


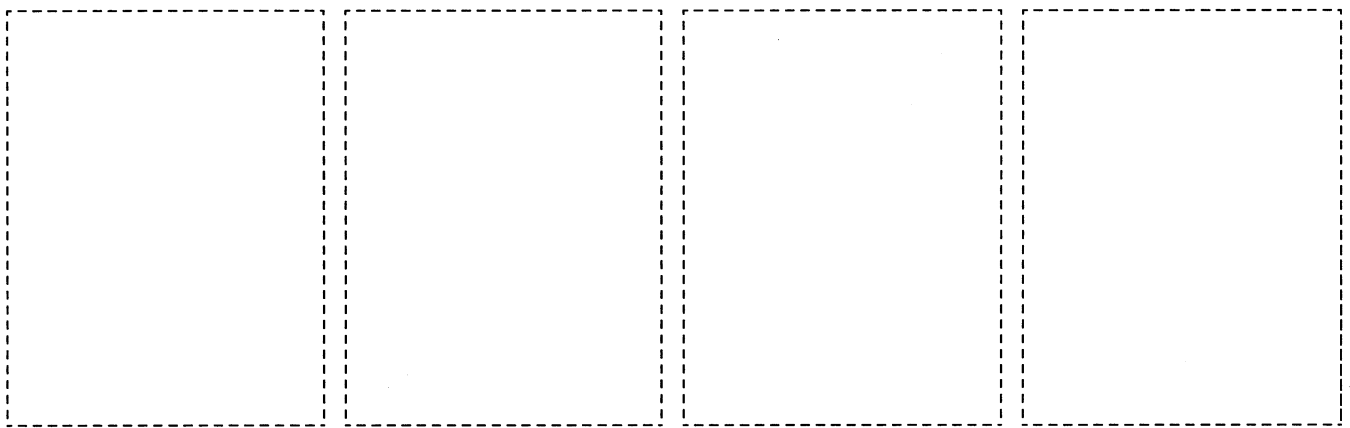
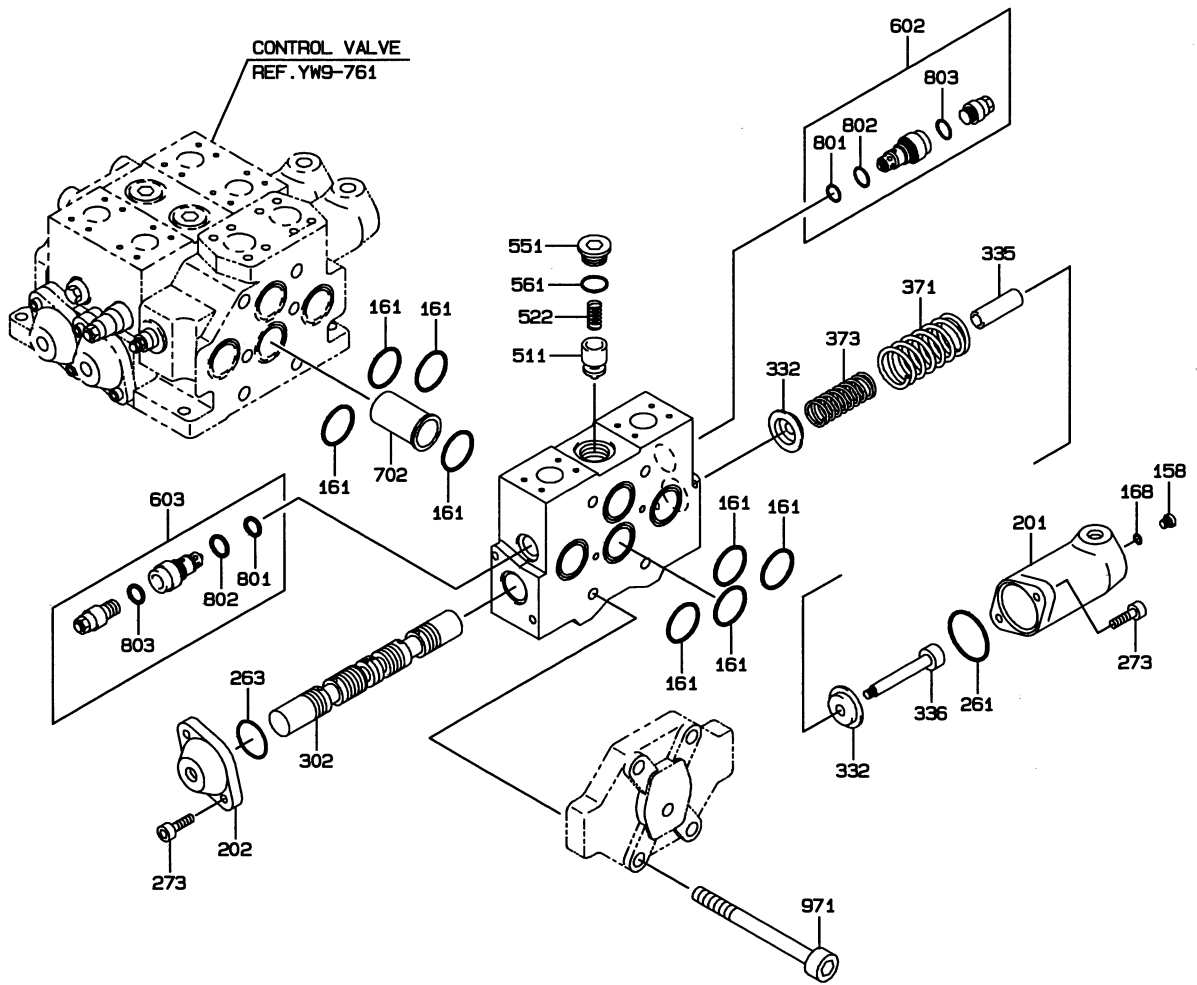
<S/N 5321 - >



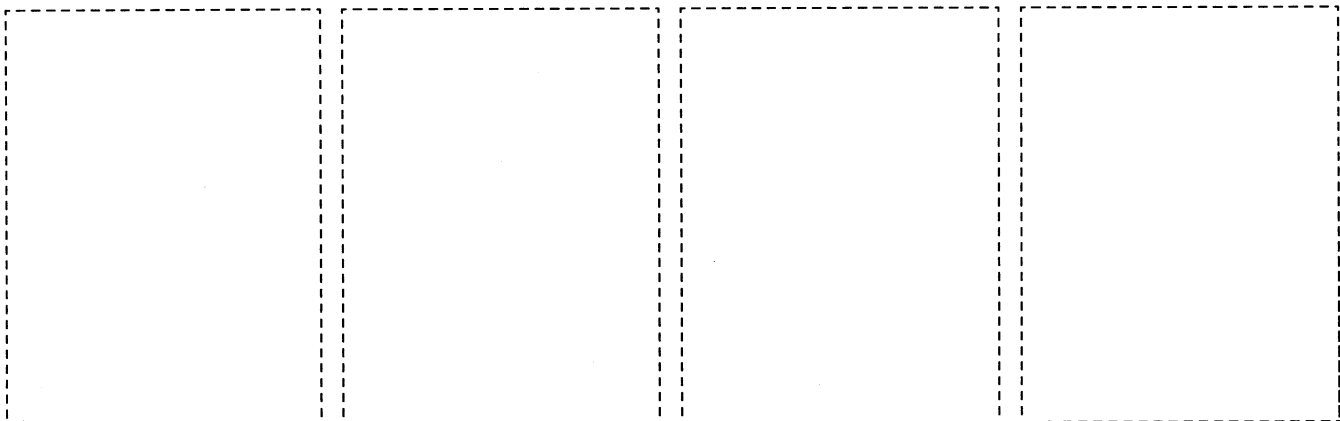
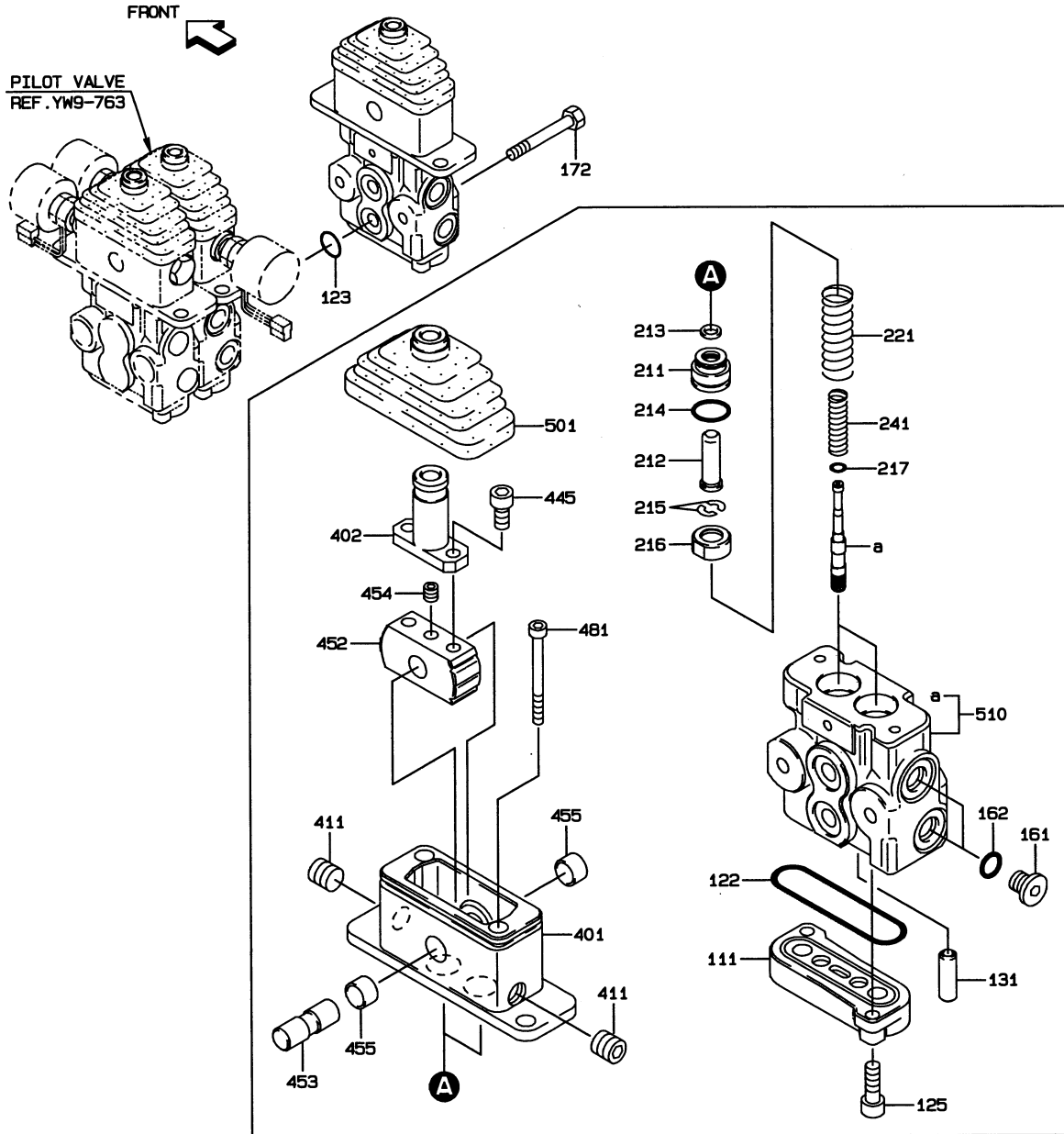


| | | | |
|--|--|--|--|
| | | | |
|--|--|--|--|

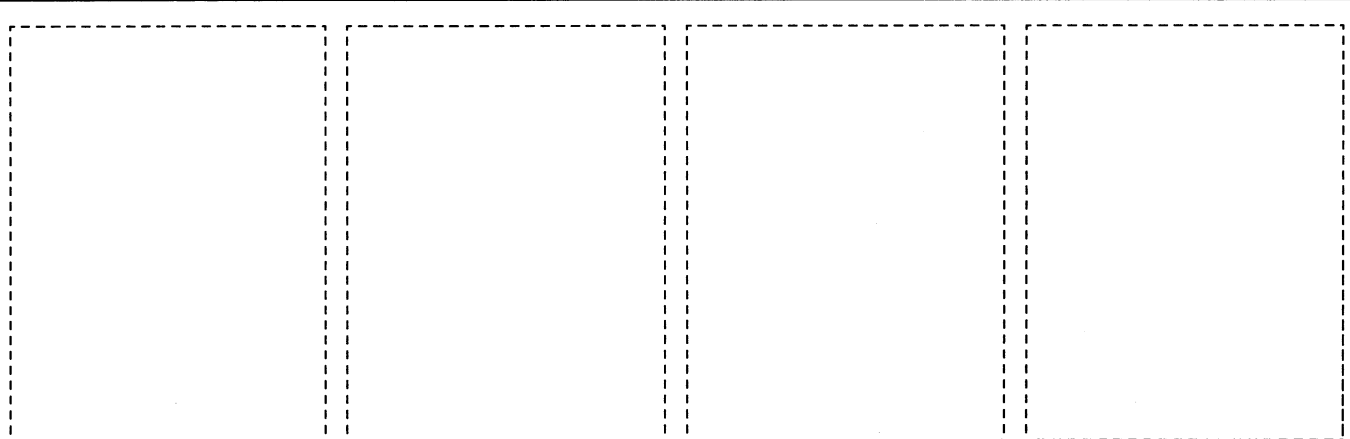
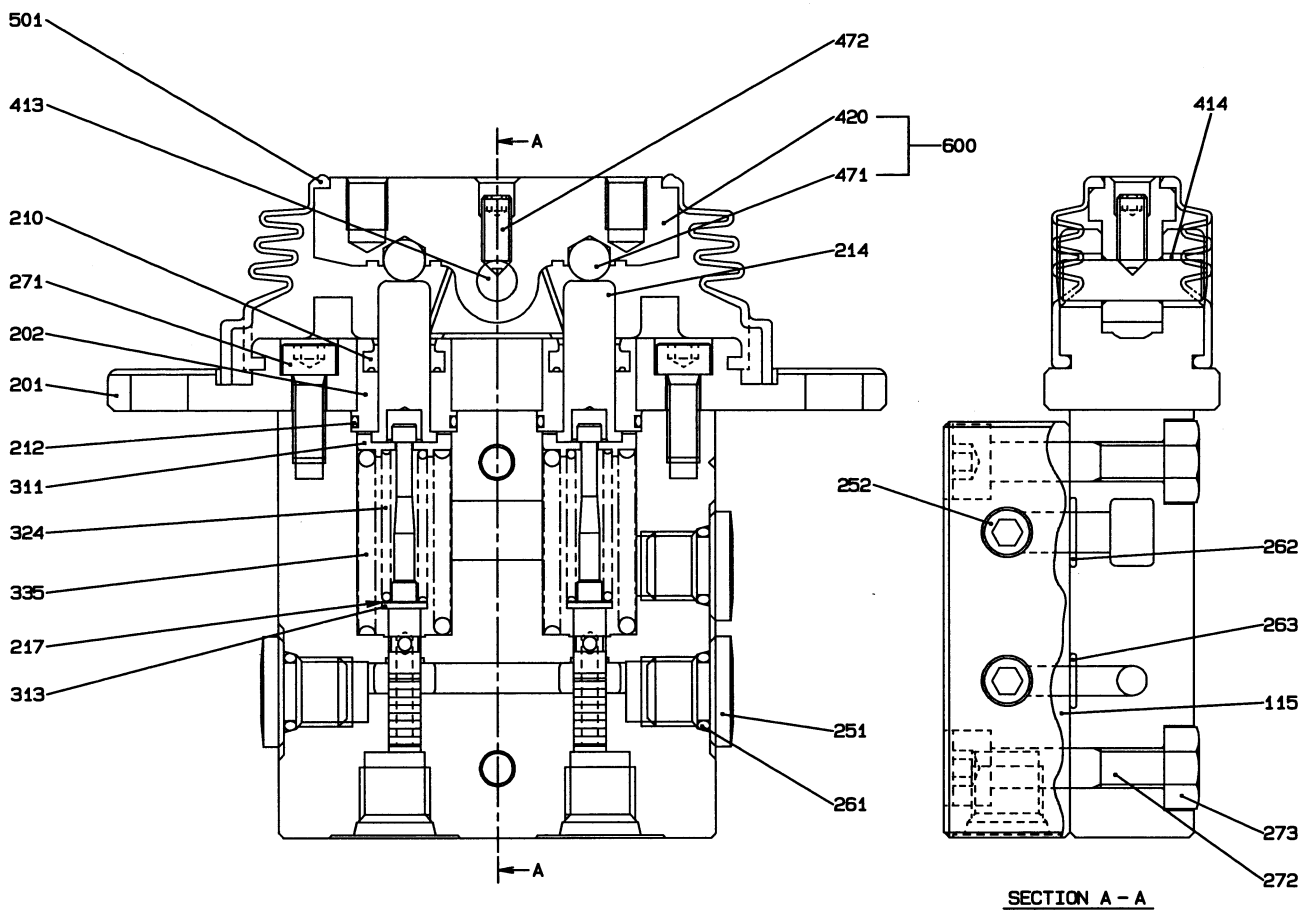




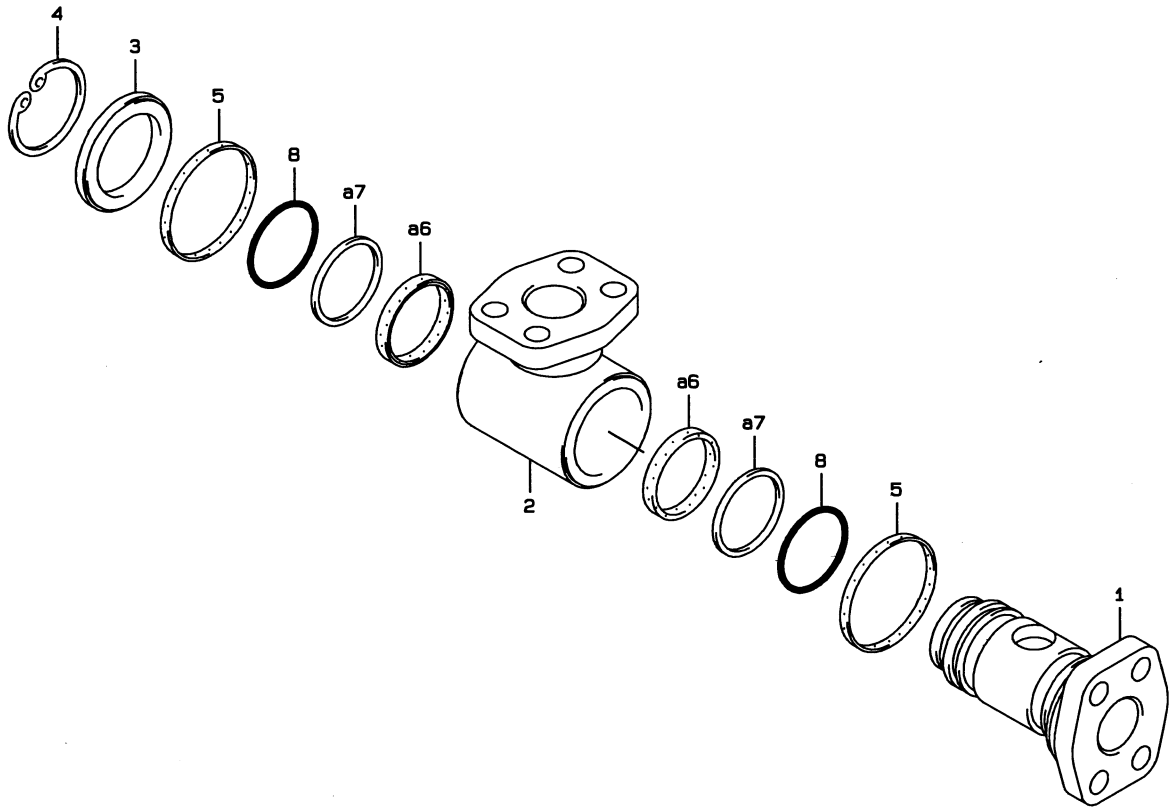
<S/N 5001 - 5320>



<S/N 5321 - >

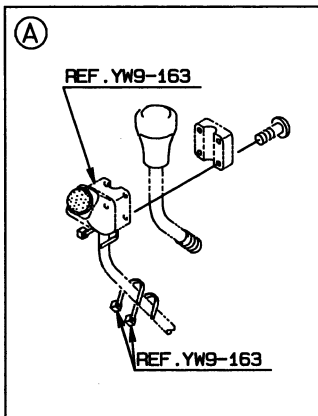
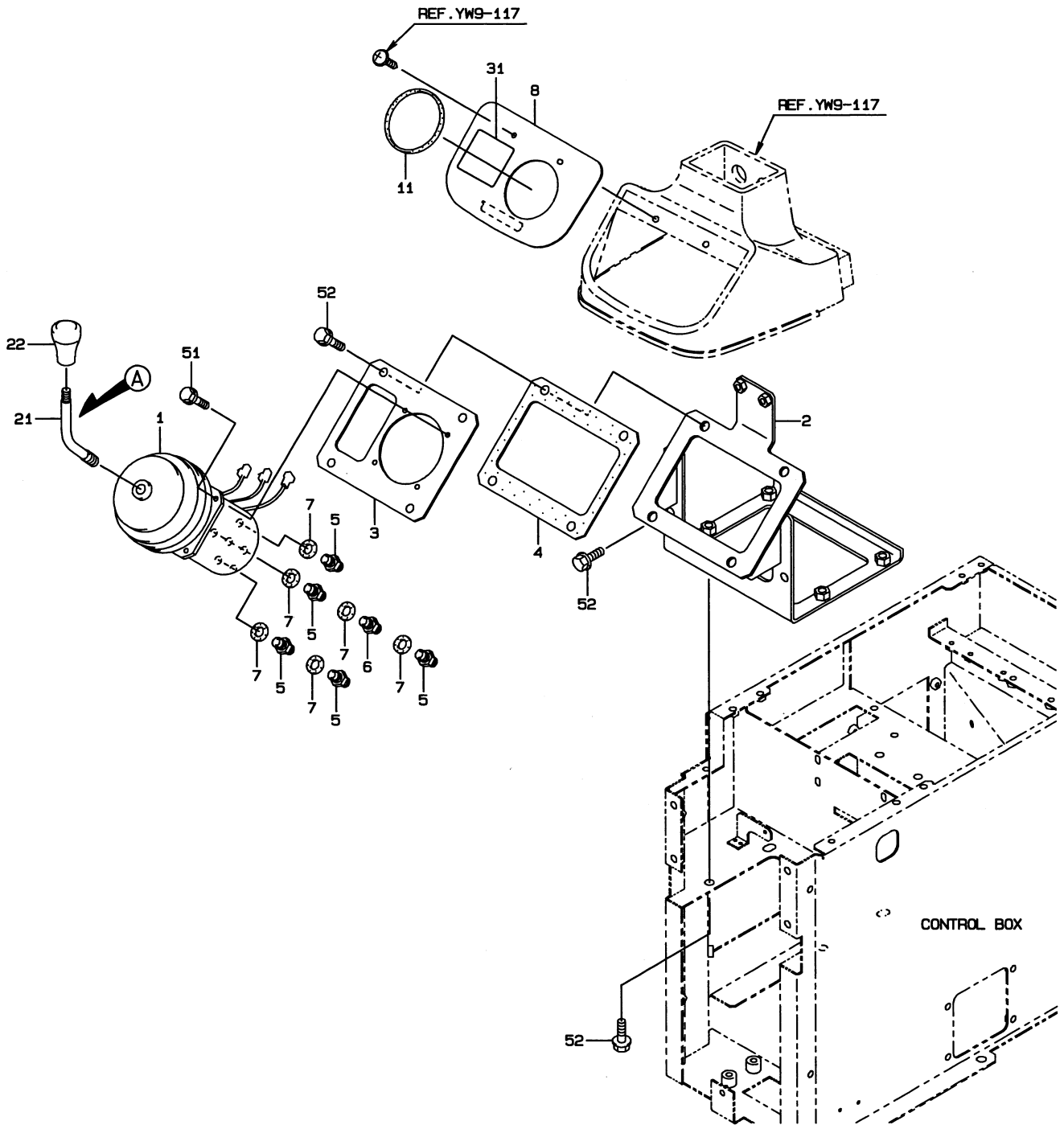


(NOTE): KIT (SYMBOL 10) CONSISTS OF THE PARTS WITH a.

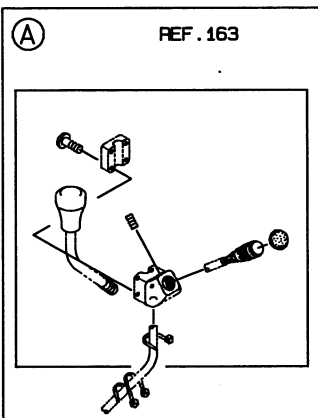
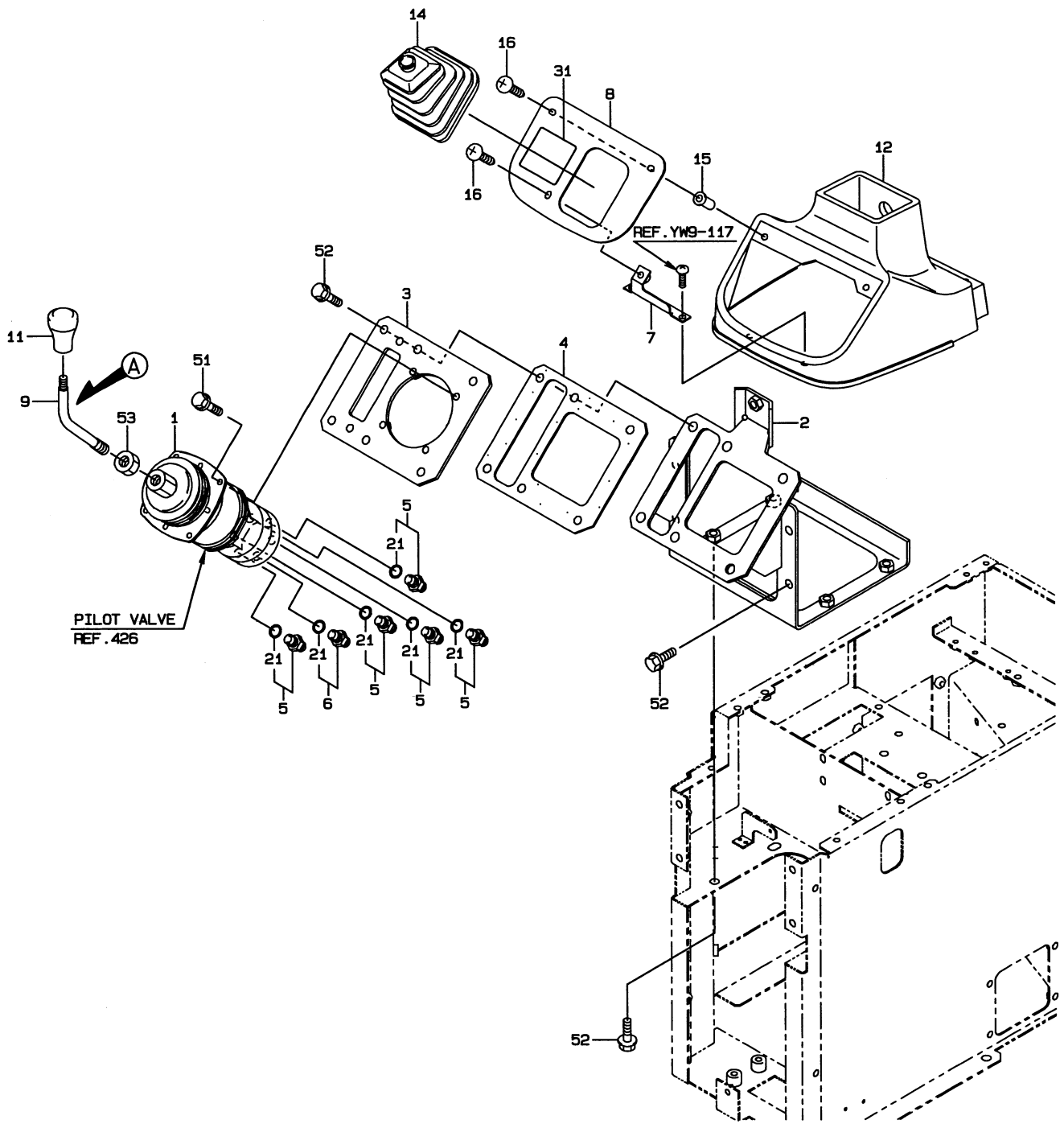


| | | | |
|--|--|--|--|
| | | | |
|--|--|--|--|

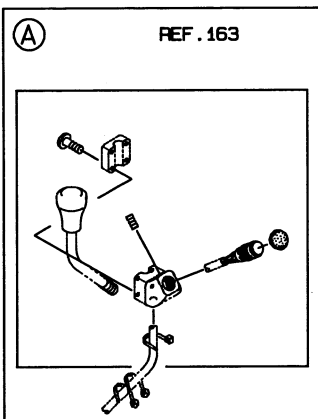
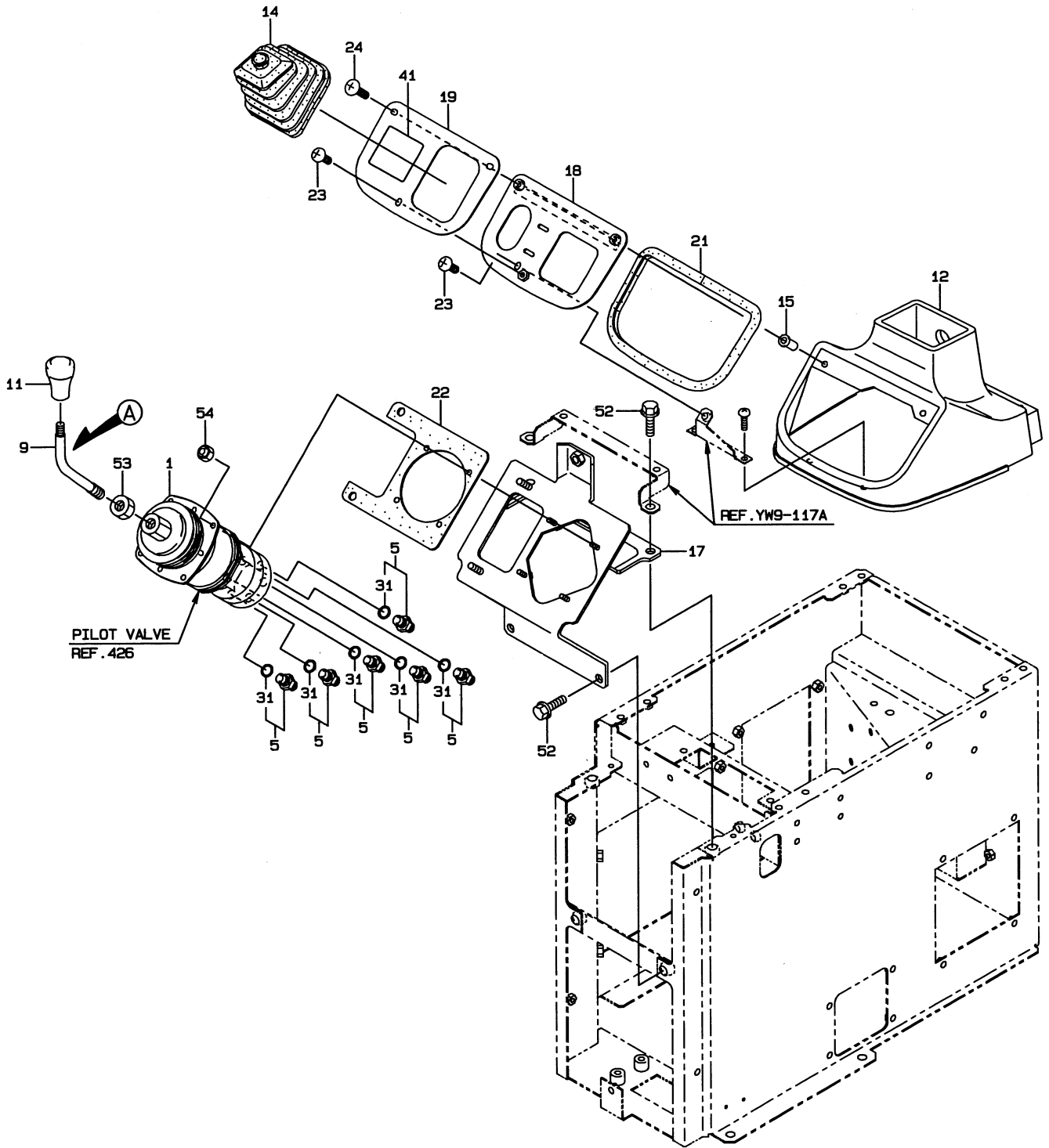
<S/N 5001 - 5203>



<S/N 5204 - 5320>

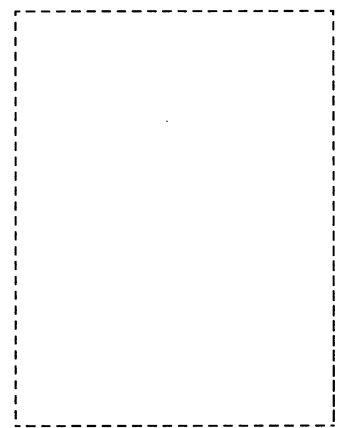
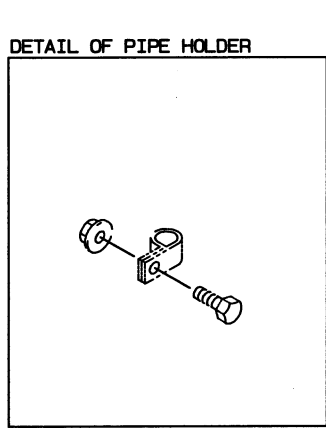
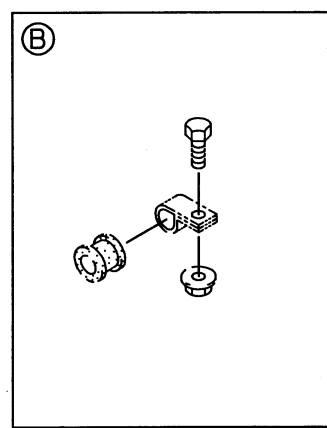
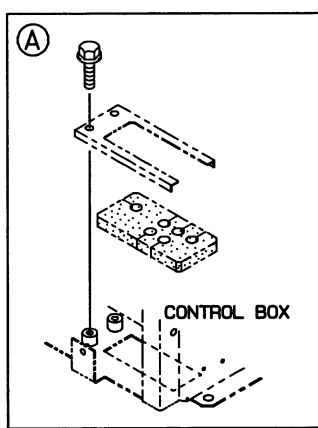
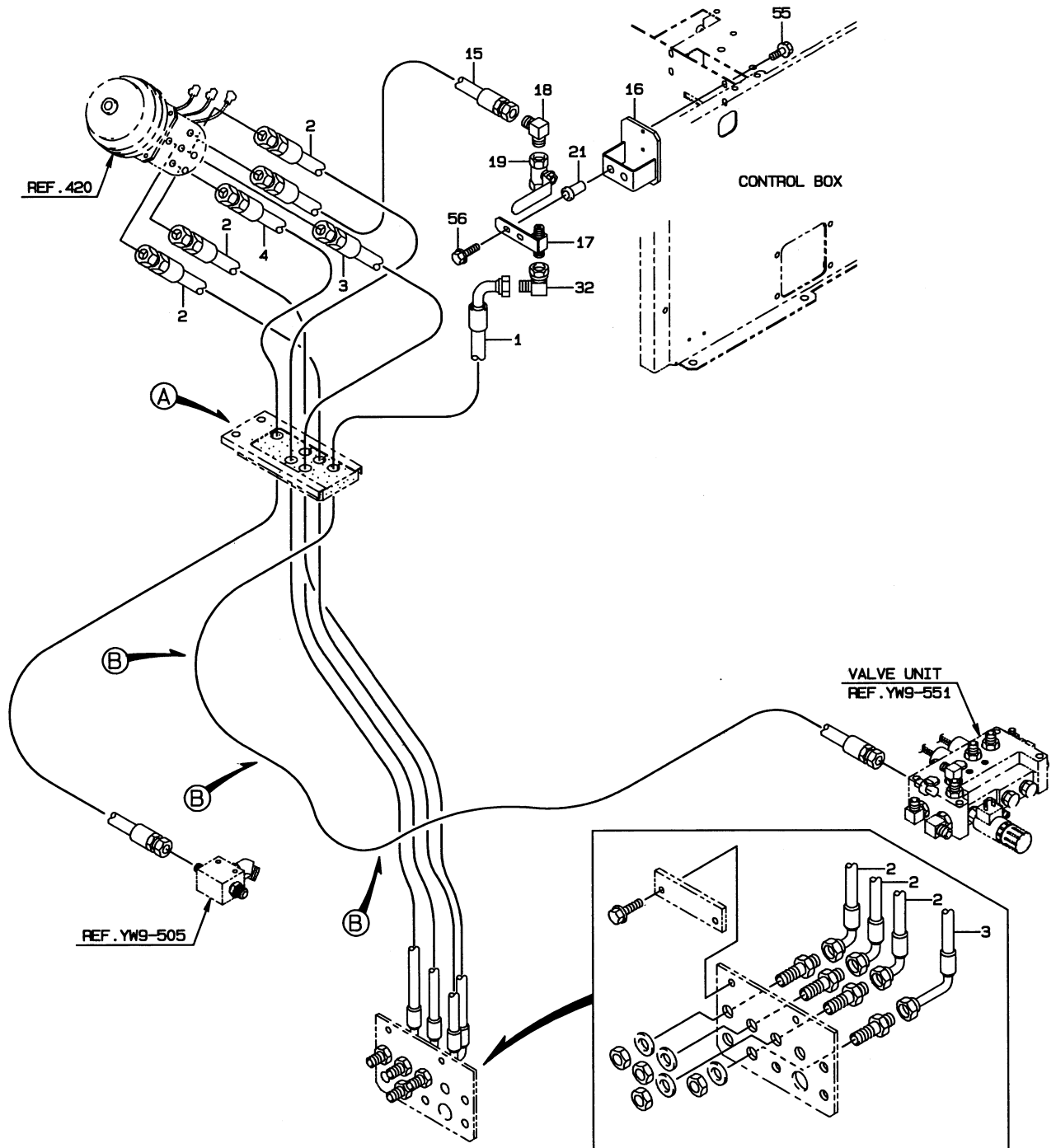


<S/N 5321 - >



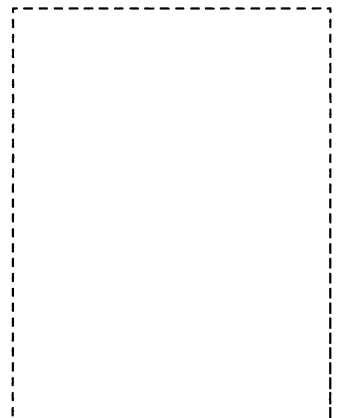
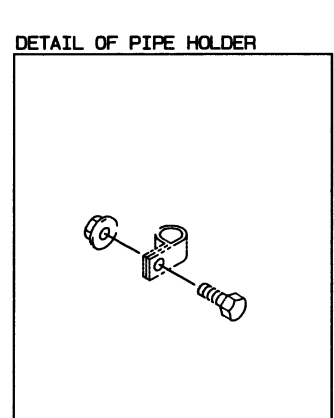
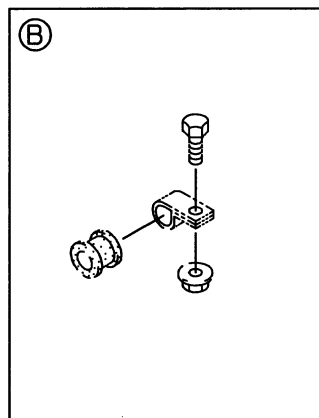
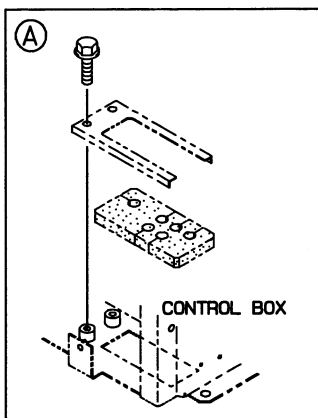
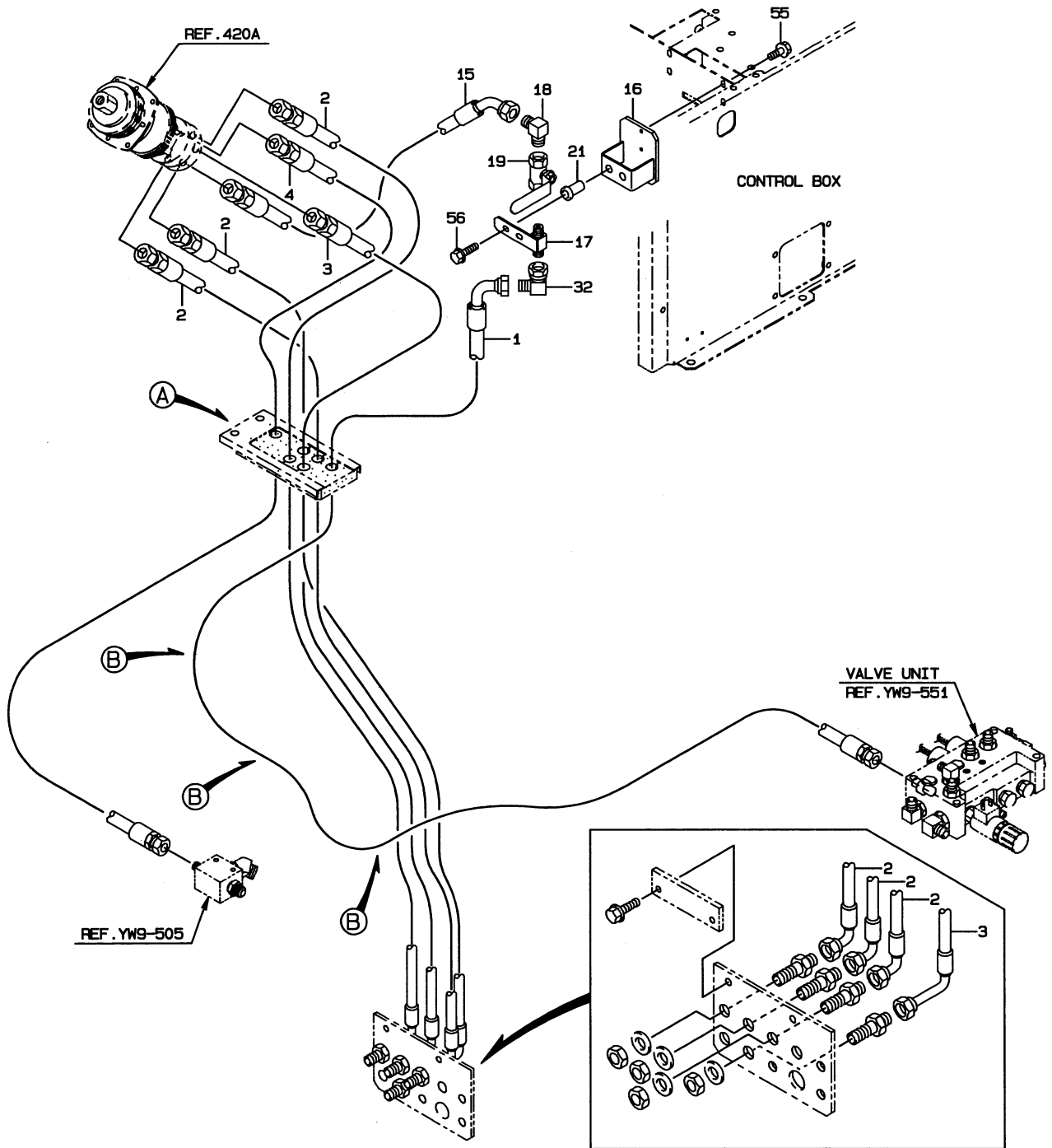
<S/N 5001 - 5203>

(NOTE): REFER TO STANDARD CATALOG (REF. YW9-747) FOR NO SYMBOL PARTS.



<S/N 5204 - 5320>

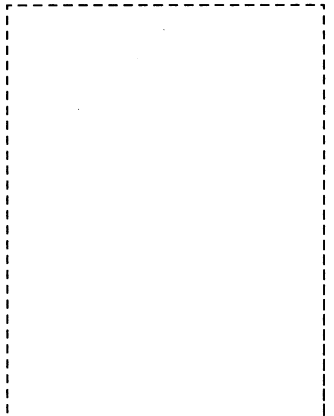
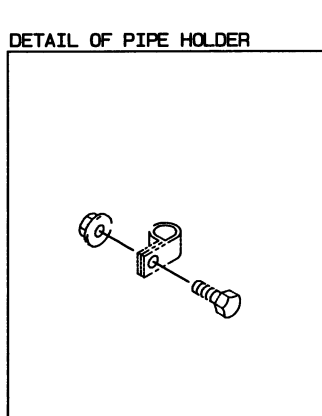
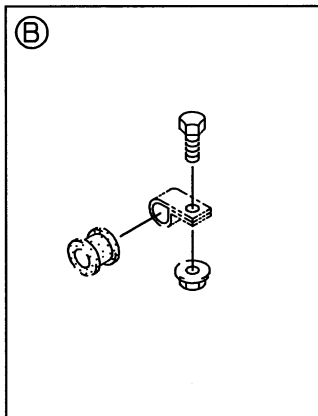
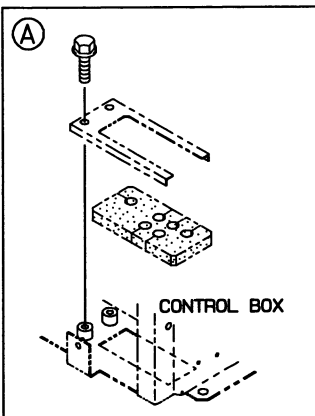
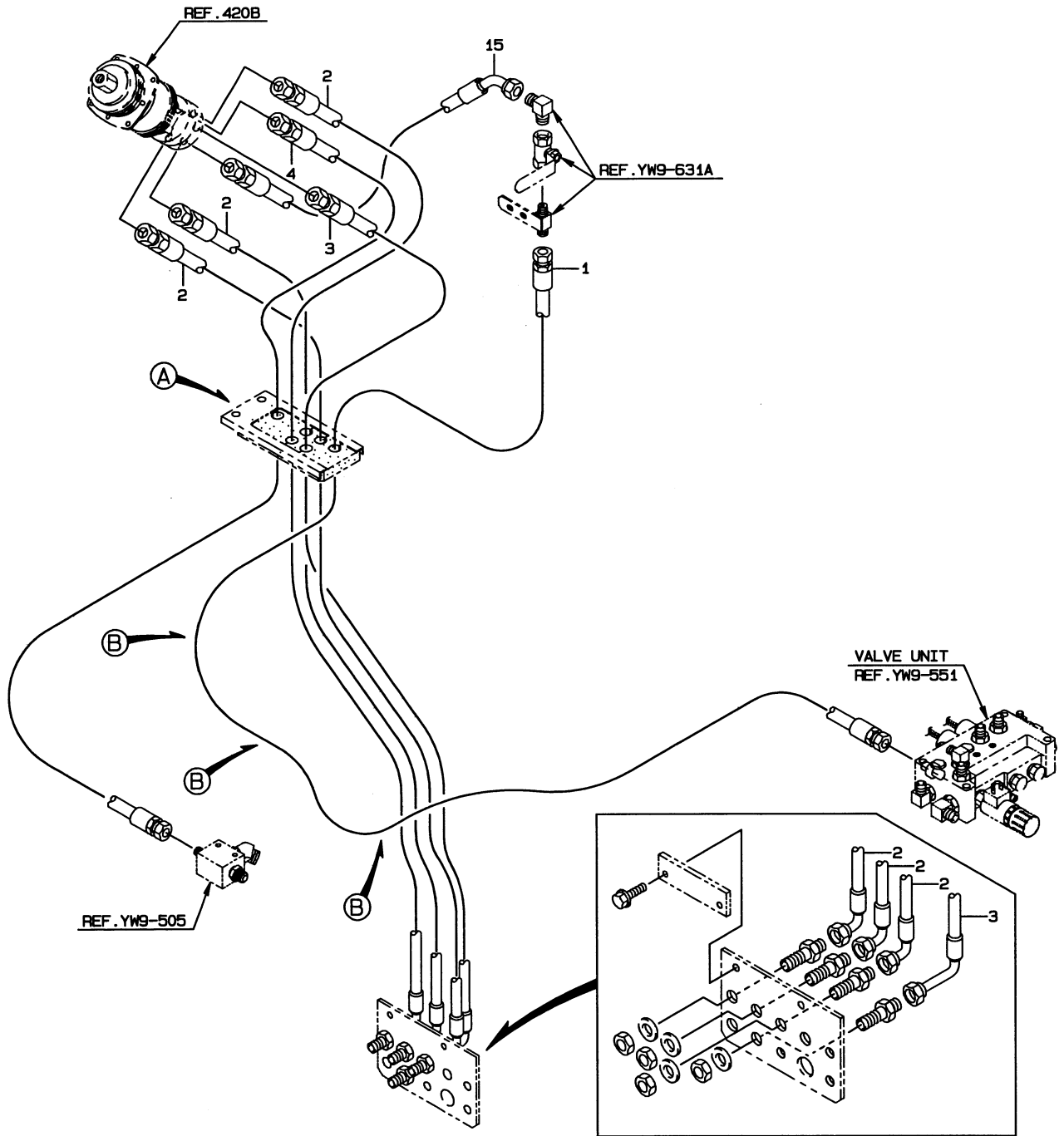
(NOTE): REFER TO STANDARD CATALOG (REF. YW9-747) FOR NO SYMBOL PARTS.



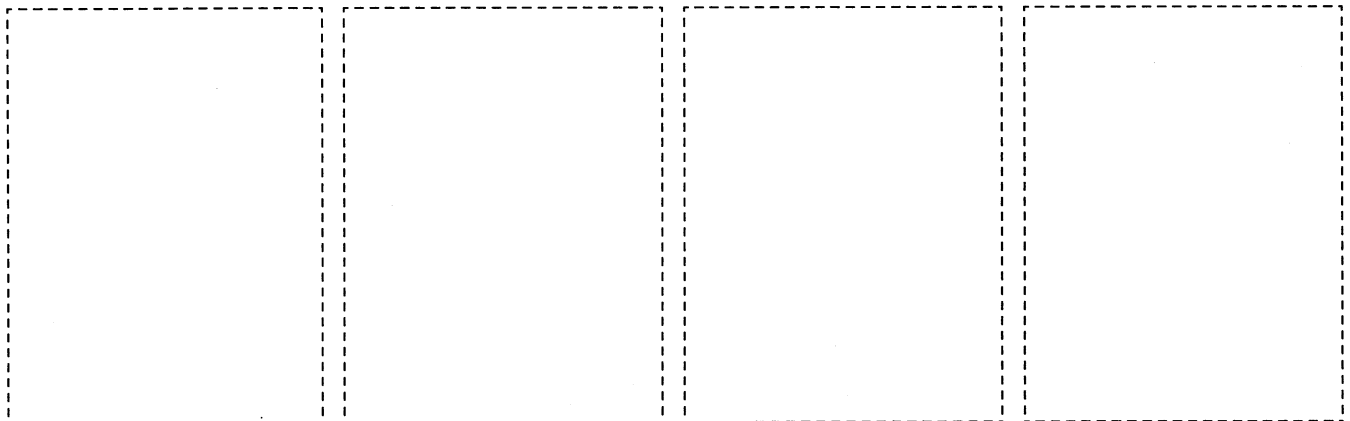
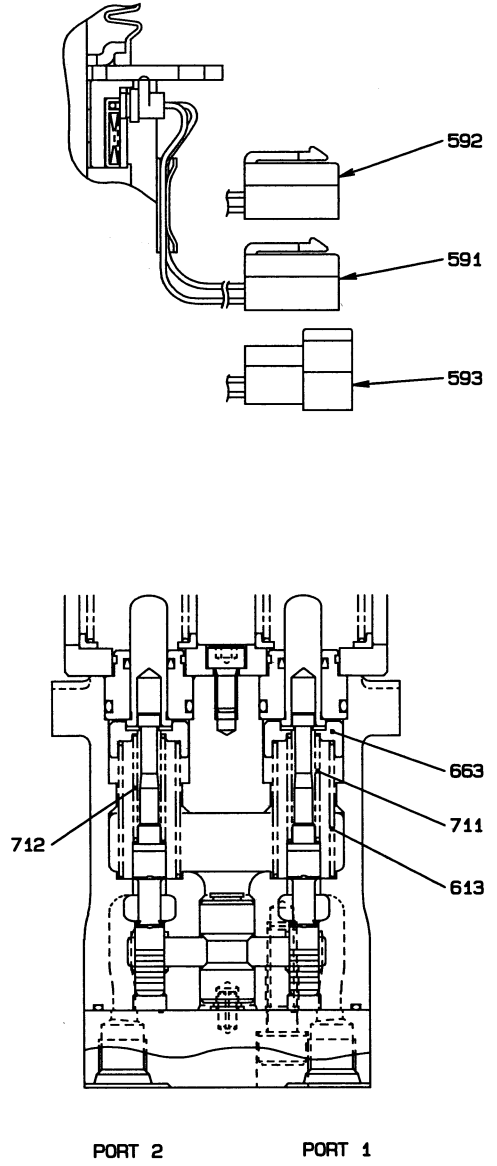
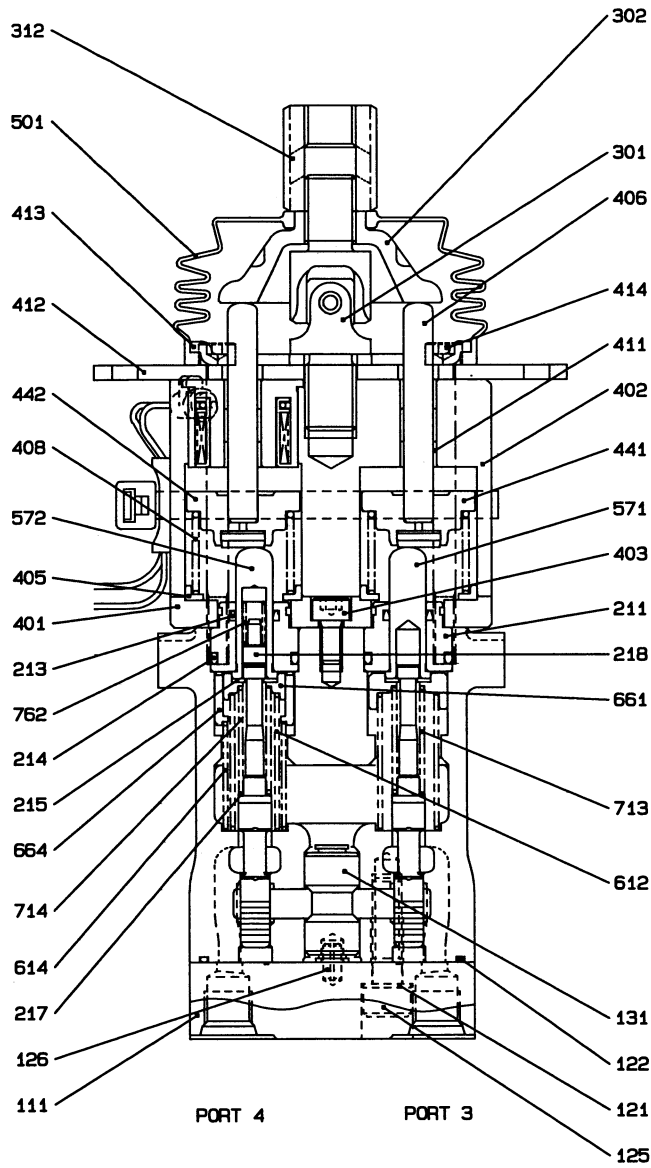
421B-1 UW1-421B PILOT HYDRAULIC LINE (FOR HYDRAULIC SINGLE LEVER)

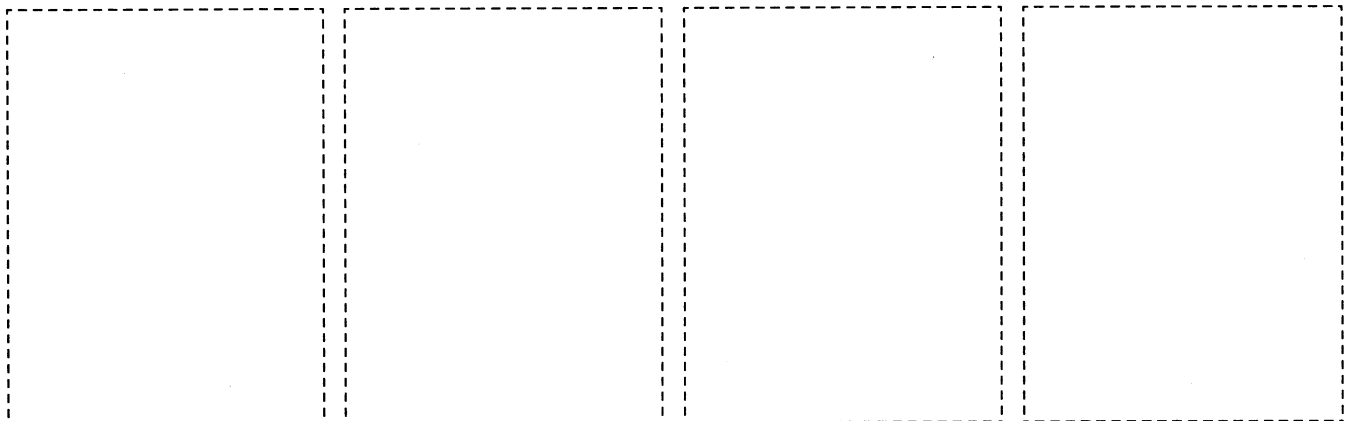
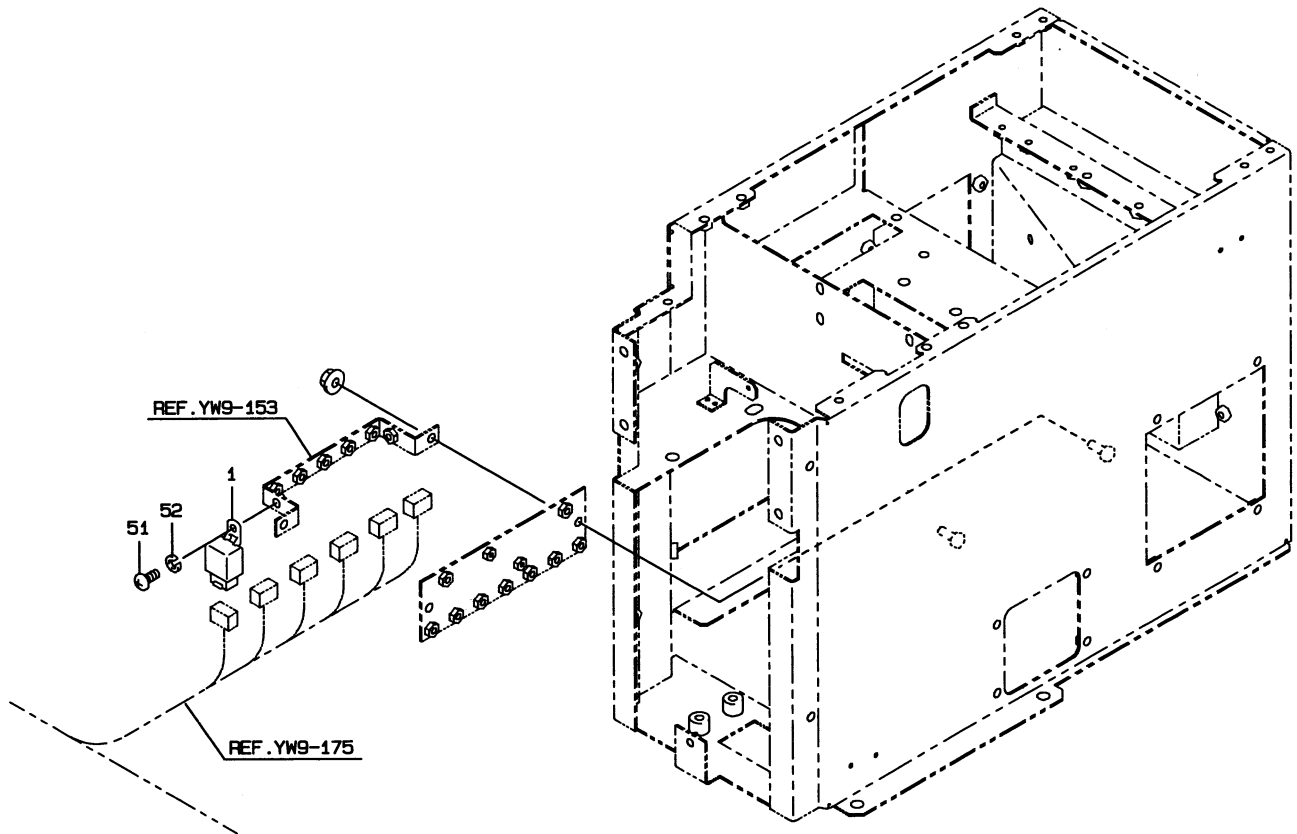
<S/N 5321 - >

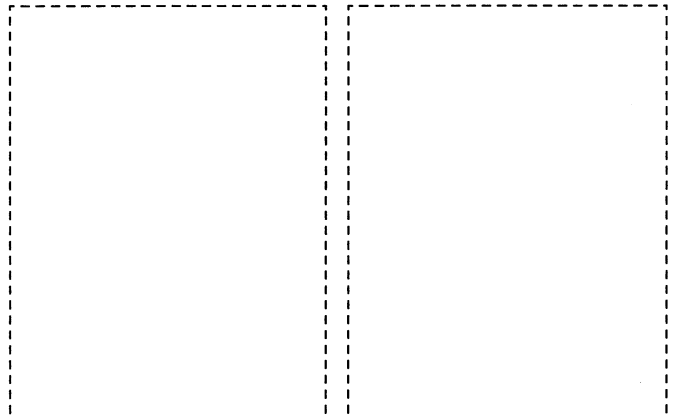
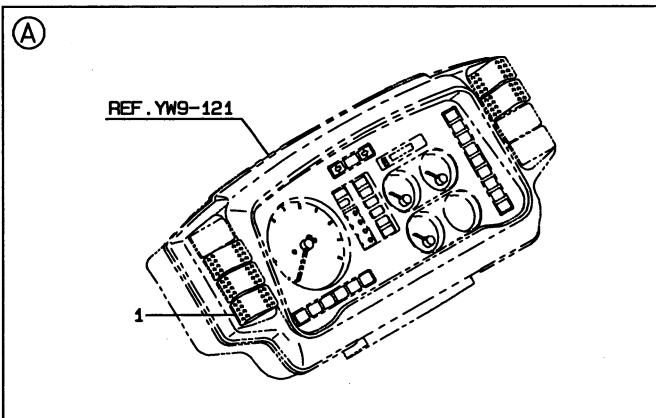
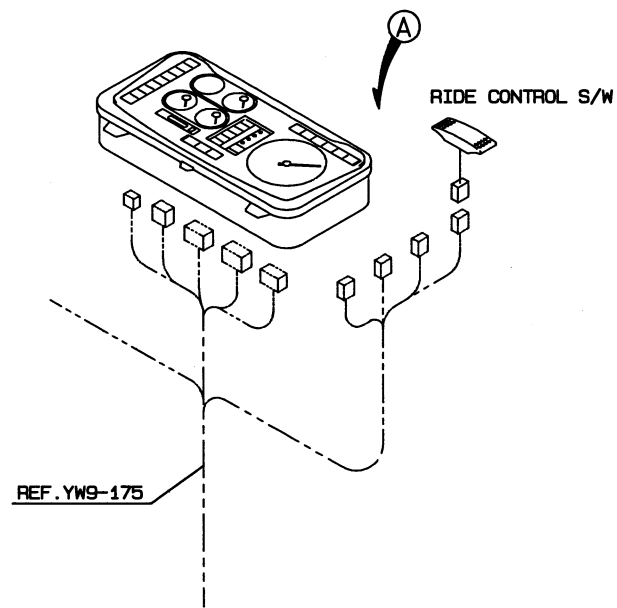
(NOTE): REFER TO STANDARD CATALOG (REF. YW9-747A) FOR NO SYMBOL PARTS.



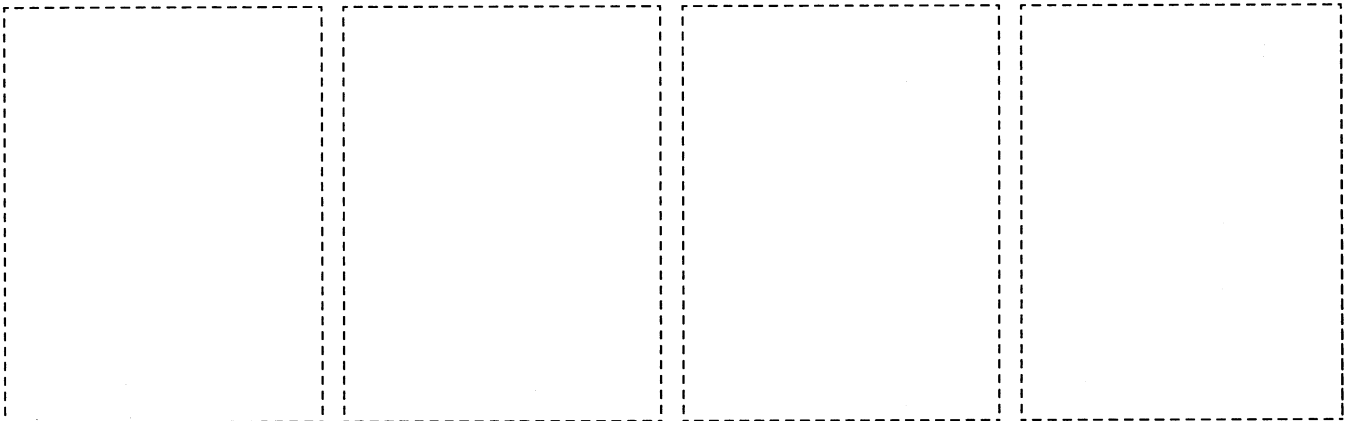
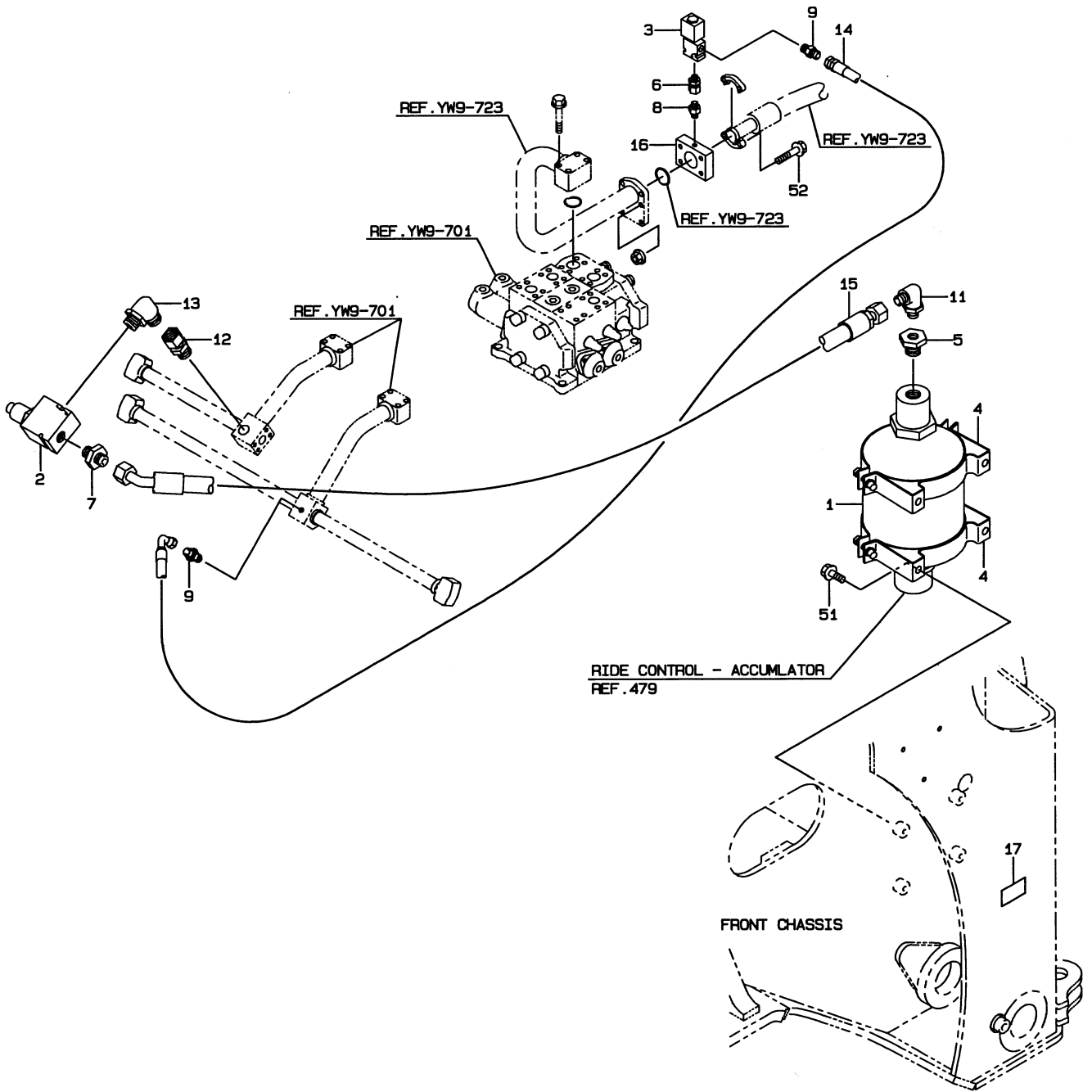
<S/N 5204 - >



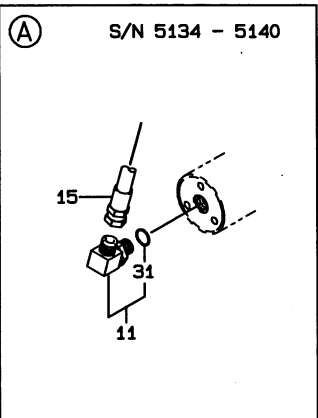
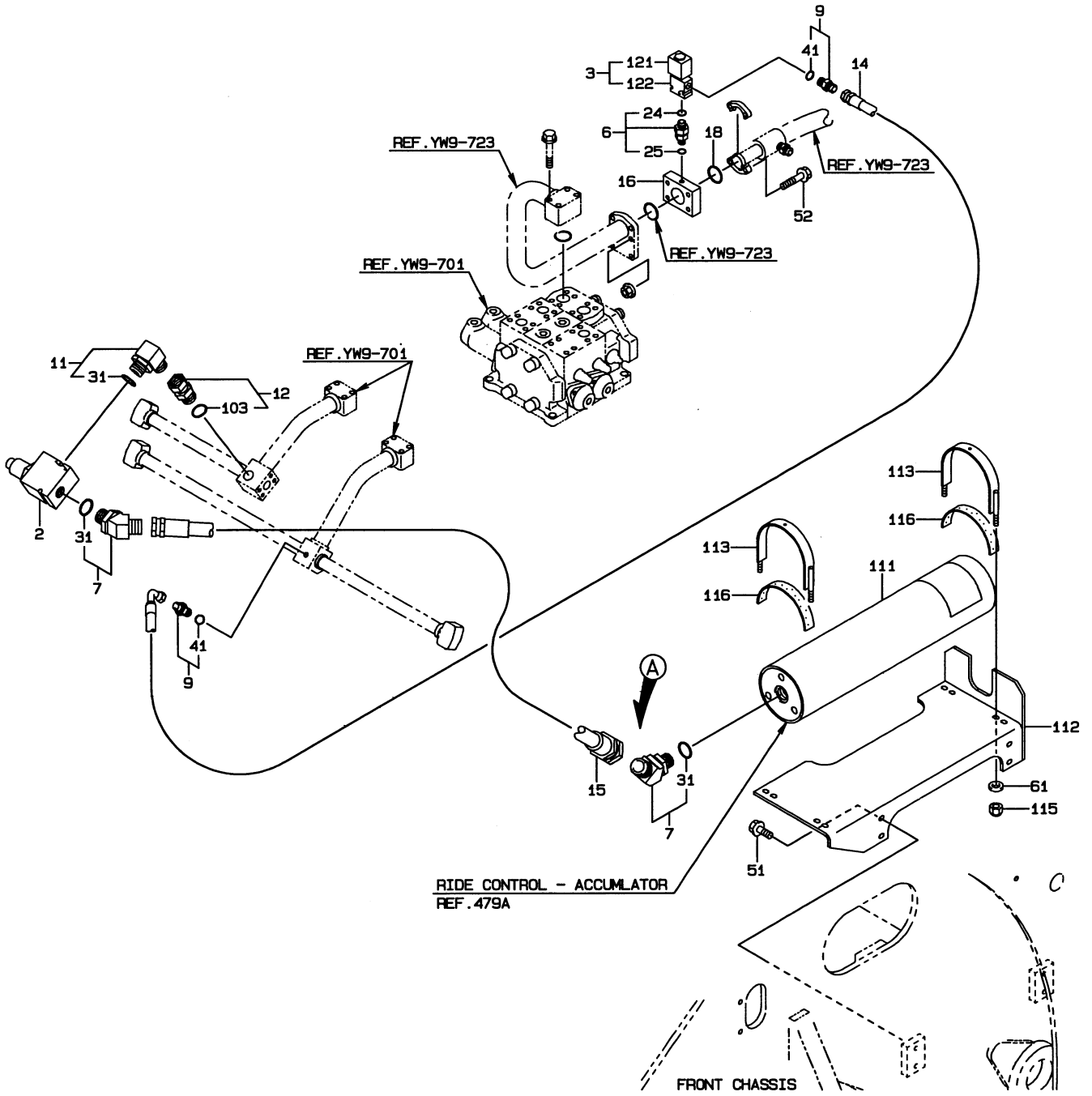




<S/N 5001 - 5133>

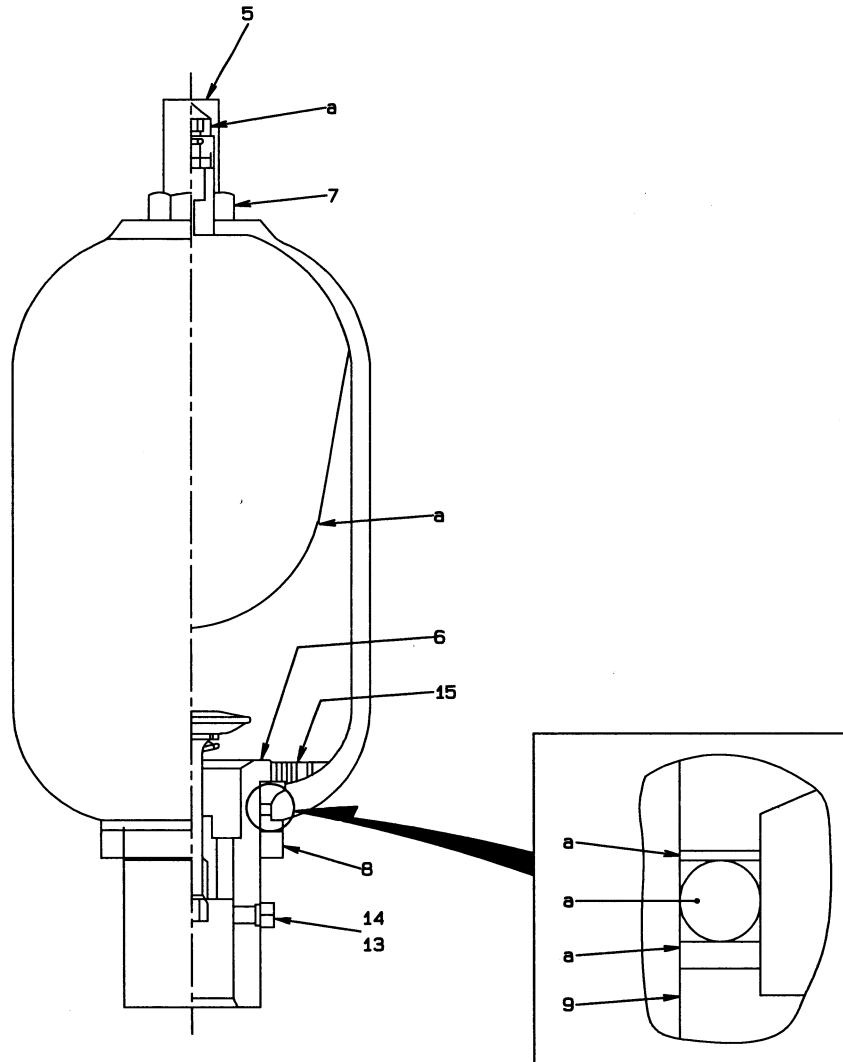


<S/N 5134 - >



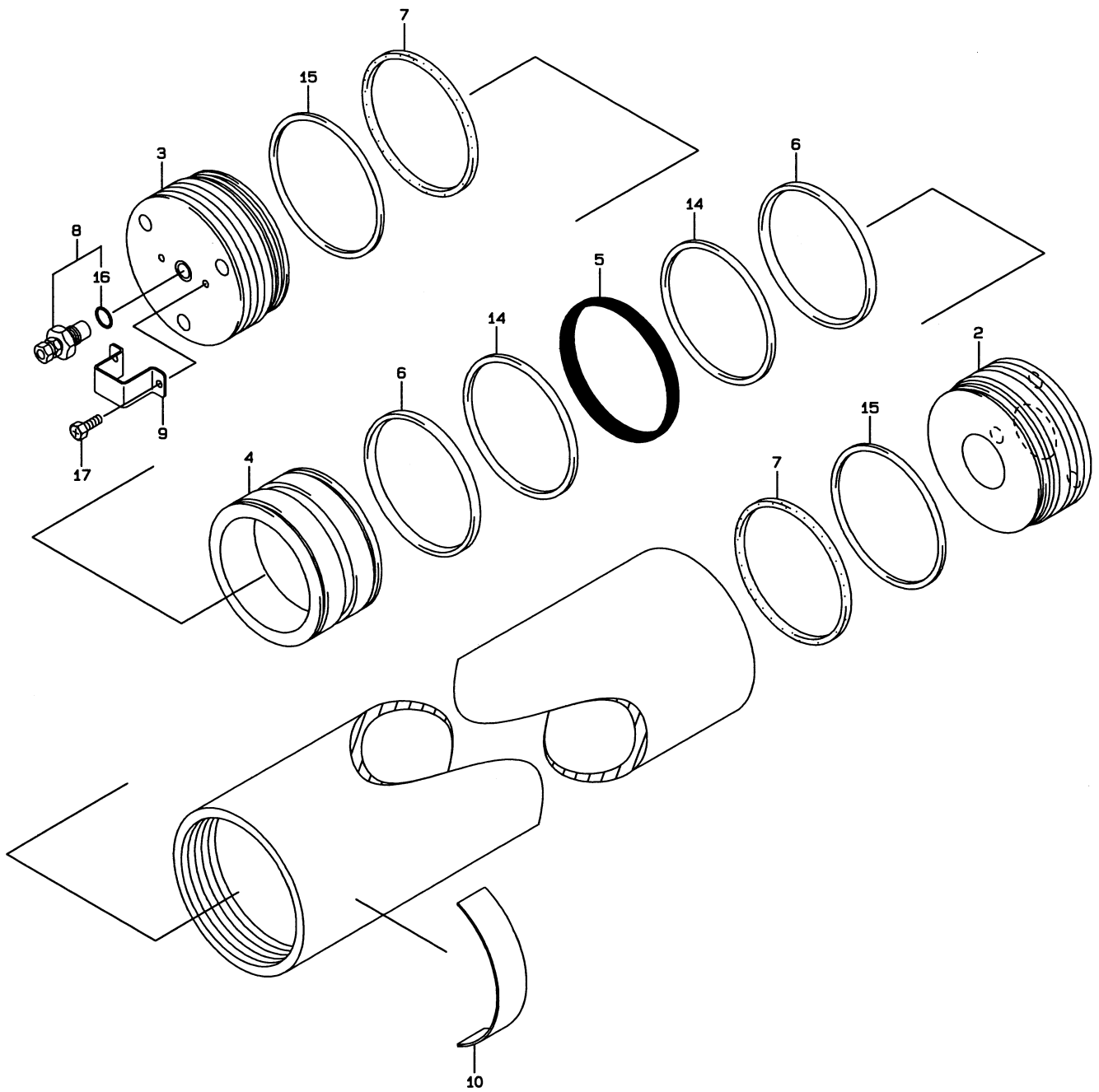
<S/N 5001 - 5133>

(NOTE): KIT (SYMBOL 30) CONSISTS OF THE PARTS WITH a.



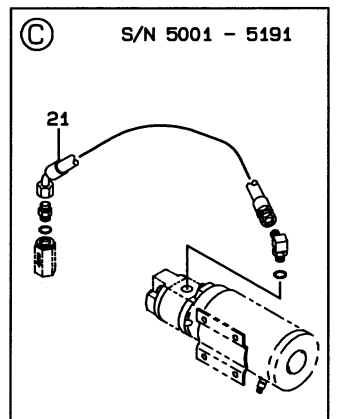
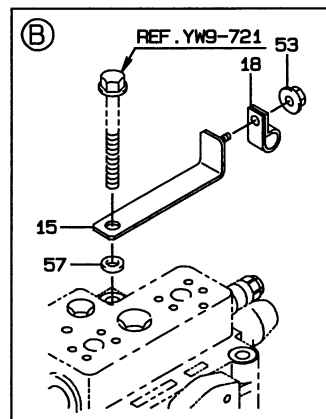
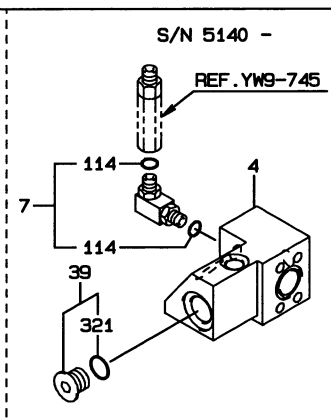
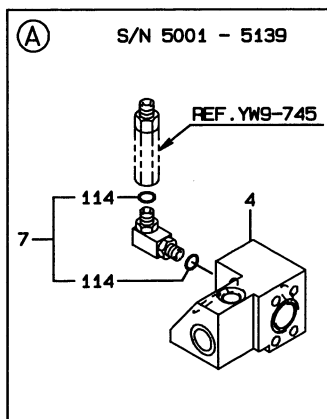
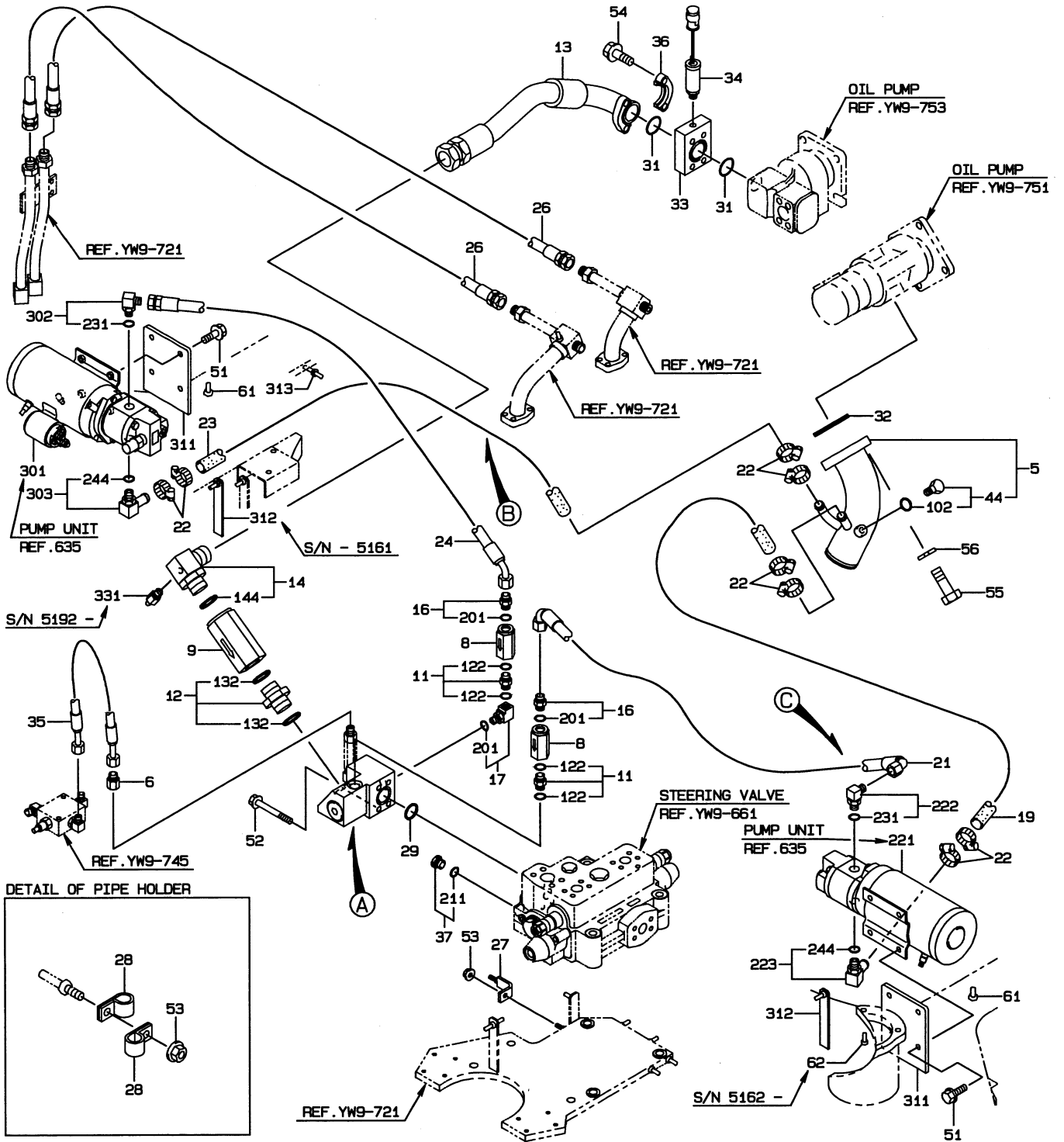
| | | | |
|--|--|--|--|
| | | | |
|--|--|--|--|

<S/N 5134 - >

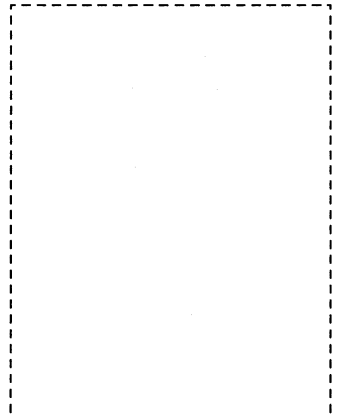
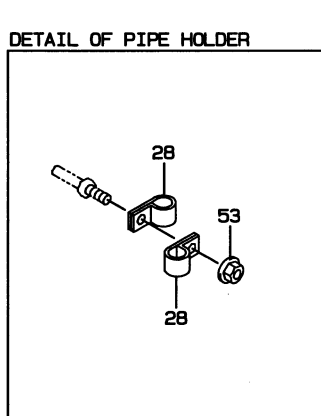
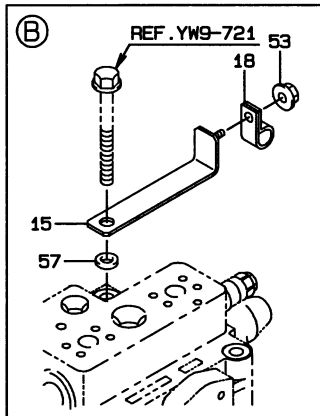
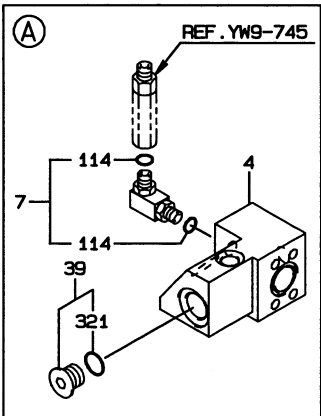
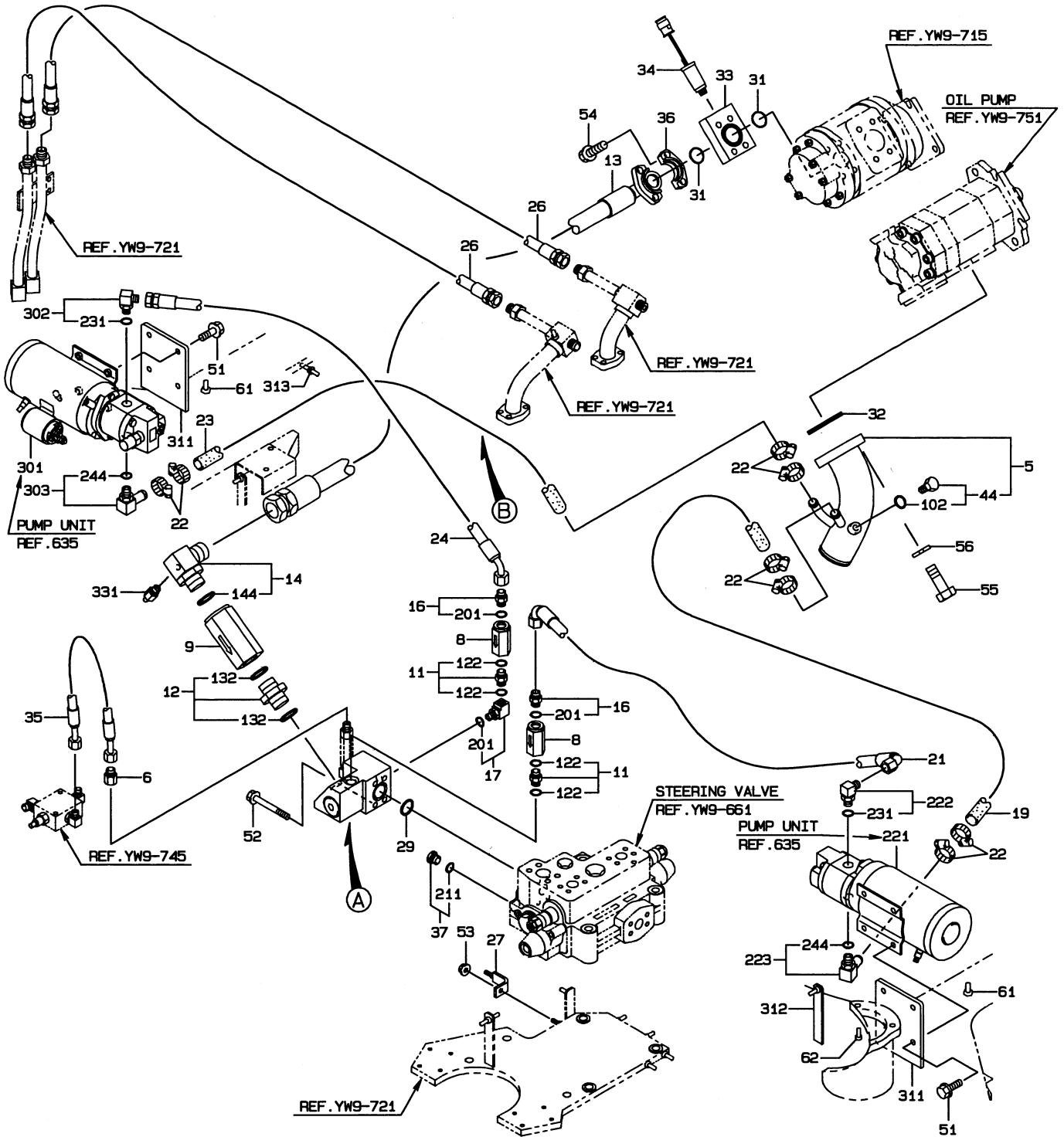


| | | | |
|--|--|--|--|
| | | | |
|--|--|--|--|

<S/N 5001 - 5212>

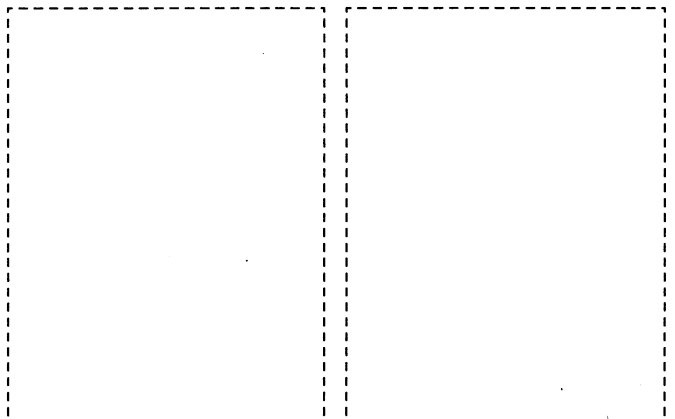
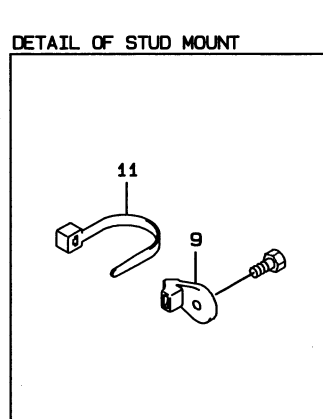
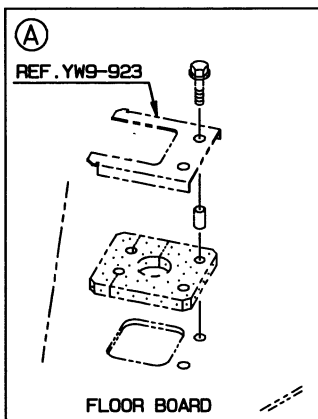
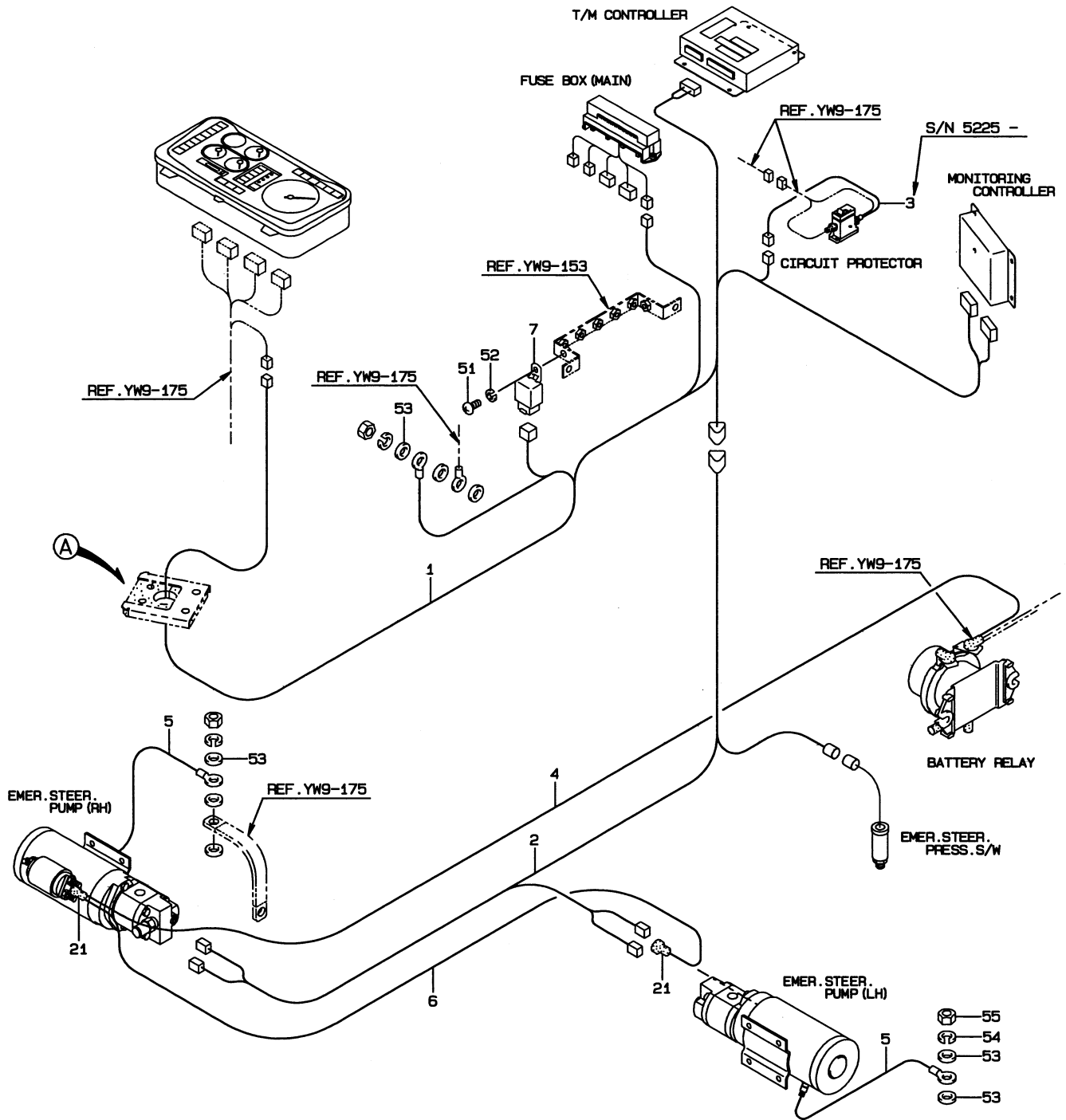


<S/N 5213 - >

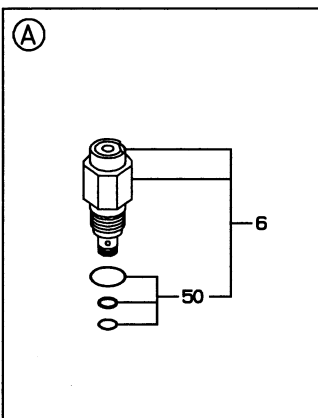
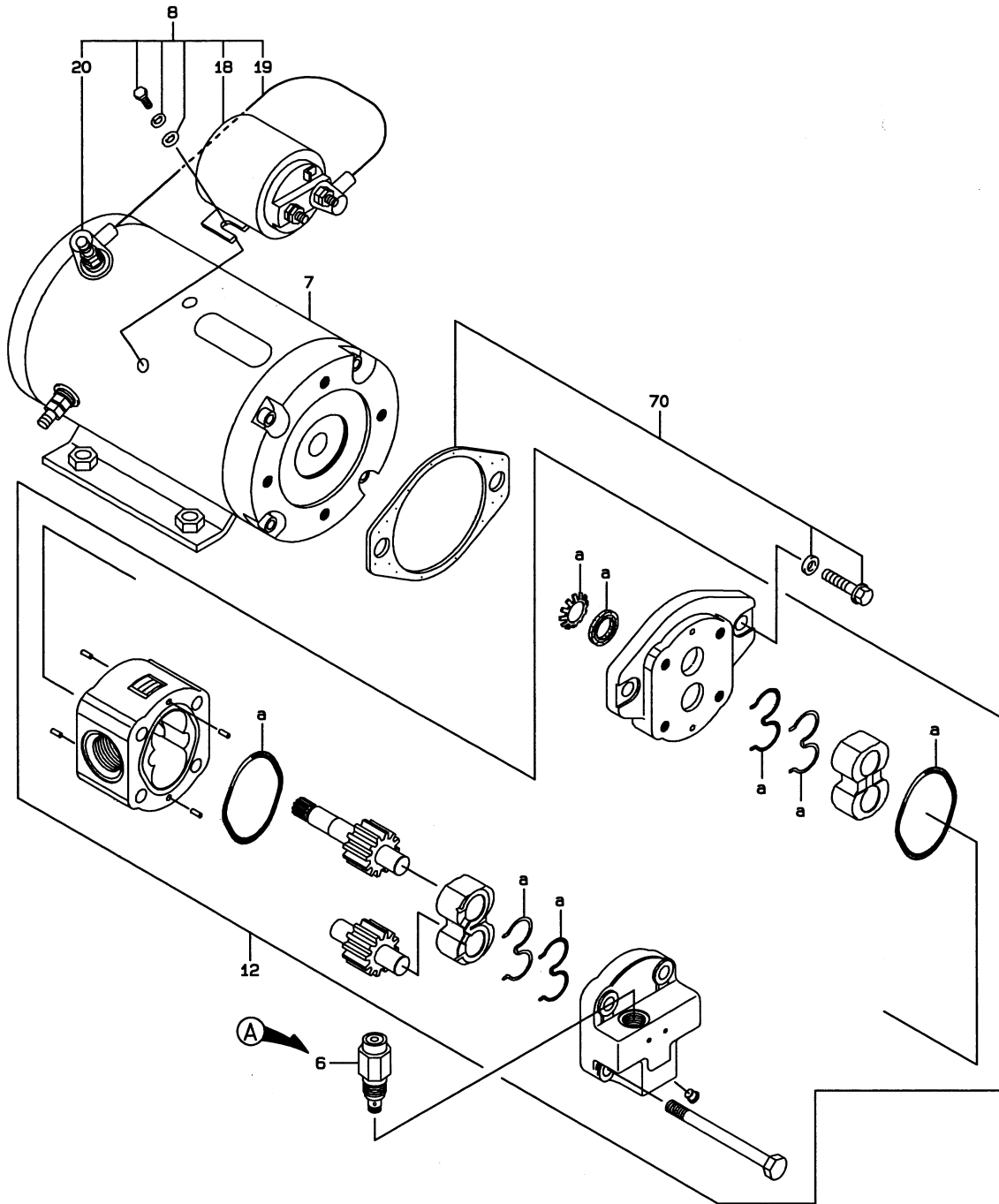


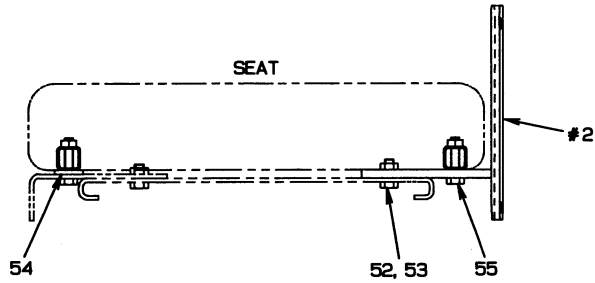
| SYM BOL | PART NUMBER | PART NAME | UNIT Q, TY | SERIAL (A) - (B) | REMARKS | | | | | | |
|------------|---------------|----------------------|---------------|---------------------|---------|---|-----|------|-----|-----|---------------|
| | | | | | N | P | D | (A) | (B) | (C) | (D) |
| 4A | 41410-33720 | BLOCK | 1 | 5001- 5139 | | | | | | | |
| B | 41410-35400 | BLOCK | 1 | 5140- | | C | | | | | |
| 5A | 38775-21660 | PIPE, OIL | 1 | 5001- | | | YO1 | | | | |
| 6A | 30230-26330 | ADAPTER | 1 | 5001- | | | | | | | |
| 7A | 30241-25000 | ADAPTER, ELBOW | 1 | 5001- | | | | | | YO3 | |
| 8A | 38534-60140 | VALVE ASSY, CHECK | 2 | 5001- | | | | | | | |
| 9A | 38534-60060 | VALVE ASSY, CHECK | 1 | 5001- | | | | | | | |
| 11A | 30230-21560 | ADAPTER | 2 | 5001- | | | | | | YO4 | |
| 12A | 30230-25620 | ADAPTER | 1 | 5001- | | | YO5 | | | | |
| 13A | 43113-27950 | HOSE, HIGH PRESSURE | 1 | 5001- 5212 | | | | | | | |
| B | 43113-48840 | HOSE, HIGH PRESSURE | 1 | 5213- | | B | | | | | |
| 14A | 30241-23810 | ADAPTER, ELBOW | 1 | 5001- 5191 | | | | | YO6 | | |
| B | 30241-25460 | ADAPTER, ELBOW | 1 | 5192- | | B | WA1 | YO6 | | | |
| 15A | 41618-41400 | PLATE | 1 | 5001- 5161 | | | | | | | |
| B | 41620-55590 | PLATE | 1 | 5162- | | C | | | | | |
| 16A | 88201-06708 | ADAPTER | 2 | 5001- | | | | | | YO7 | |
| 17A | 30241-22180 | ADAPTER, ELBOW | 1 | 5001- | | | | | | YO7 | |
| 18A | 72010-31000 | HOLDER, HOSE | 1 | 5001- | | | | | | | D=31 |
| 19A | 67040-19000 | HOSE, HEAT RESISTING | 1M | 5001- | | | | | | | L=800 |
| 21A | 68645-30065 | HOSE, HIGH PRESSURE | 1 | 5001- 5191 | | | | | | | |
| B | 43113-48230 | HOSE, HIGH PRESSURE | 1 | 5192- 5347 | | B | | | | | |
| C | 43113-51200 | HOSE, HIGH PRESSURE | 1 | 5348- | | C | | | | | |
| 22A | 69002-03800-7 | BAND, HOSE | 8 | 5001- | | | | | | | |
| 23A | 67040-19000 | HOSE, HEAT RESISTING | 2M | 5001- | | | | | | | L=1100 |
| 24A | 68645-30045 | HOSE, HIGH PRESSURE | 1 | 5001- | | | | | | | |
| 26A | 68655-38060 | HOSE, HIGH PRESSURE | 2 | 5001- | | | | | | | |
| 27A | 41618-41380 | PLATE | 1 | 5001- | | | | | | | |
| 28A | 72001-12500 | HOLDER, PIPE | A/R | 5001- | | | | | | | D=25 |
| 29A | 65220-31027 | RING, O | 1 | 5001- | | | | | | | |
| 31A | 65220-41003 | RING, O | 2 | 5001- | | | | | | | |
| 32A | 65220-41010 | RING, O | 1 | 5001- | | | | | | | |
| 33A | 30230-25580 | ADAPTER | 1 | 5001- | | | | | | | |
| 34A | 35047-20080 | SWITCH, PRESSURE | 1 | 5001- | | | | | | | |
| 35A | 43113-37290 | HOSE, HIGH PRESSURE | 1 | 5001- 5161 | | | | | | | |
| B | 43113-47590 | HOSE, HIGH PRESSURE | 1 | 5162- | | C | | | | | |
| 36A | 69811-38210 | FLANGE, SPLIT | 2 | 5001- | | | | | | | |
| 37A | 88390-21506 | PLUG | 1 | 5001- | | | | | | YO8 | |
| 39A | 88390-21516 | PLUG | 1 | 5140- | | | | | | Y11 | |
| 44A | 88390-21304 | PLUG | 1 | 5001- | | | 01 | YO2 | | | |
| 51A | 61802-10025 | BOLT, FLANGED | 8 | 5001- | | | | | | | |
| 52A | 61802-12105 | BOLT, FLANGED | 4 | 5001- | | | | | | | |
| 53A | 62480-21081 | NUT, FLANGED | A/R | 5001- | | | | | | | |
| 54A | 61802-12060 | BOLT, FLANGED | 4 | 5001- | | | | | | | |
| 55A | 61057-12040 | BOLT | 4 | 5001- | | | | | | | |
| 56A | 62721-12100 | WASHER, SPRING | 4 | 5001- | | | | | | | |
| 57A | 62701-40161 | WASHER, PLANE | 1 | 5001- | | | | | | | |
| 61A | 61033-10020 | BOLT | 2 | 5001- | | | | | | | WELDING |
| 62A | 61033-08020 | BOLT | 1 | 5162- | | | | | | | WELDING |
| 102A | 65210-12011 | RING, O | 1 | 5001- | | | | | 02 | | |
| 114A | 65210-12014 | RING, O | 2 | 5001- | | | | | | 03 | |
| 122A | 65210-12018 | RING, O | 2 | 5001- | | | | | | | 04 |
| 132A | 65210-12044 | RING, O | 2 | 5001- | | | 05 | | | | |
| 144A | 65210-12044 | RING, O | 1 | 5001- | | | | 06 | | | |
| 201A | 65210-12018 | RING, O | 1 | 5001- | | | | | | 07 | |
| 211A | 65210-12014 | RING, O | 1 | 5001- | | | | | | | 08 |
| 221A | 44090-60040 | PUMP UNIT | 1 | 5001- | | | | | | | REF. 635 (LH) |
| 222A | 88254-71408 | ADAPTER, ELBOW | 1 | 5001- | | | YO9 | | | | |
| 223A | 37715-22950 | NIPPLE, HOSE | 1 | 5001- | | | | YO10 | | | |
| 231A | 65231-00101 | RING, O | 1 | 5001- | | | 09 | | | | |
| 244A | 65231-00121 | RING, O | 1 | 5001- | | | | 10 | | | |
| 301A | 44090-60040 | PUMP UNIT | 1 | 5001- | | | | | | | REF. 635 (RH) |
| 302A | 88254-71408 | ADAPTER, ELBOW | 1 | 5001- | | | YO9 | | | | |
| 303A | 37715-22950 | NIPPLE, HOSE | 1 | 5001- | | | | YO10 | | | |
| 311A | 41606-37000 | PLATE | 2 | 5001- 5161 | | | | | | | WELDING |
| B | 41607-49140 | PLATE | 2 | 5162- | | B | | | | | WELDING |
| 312A | 41618-37130 | PLATE | 2 | 5001- 5161 | | | | | | | WELDING |
| B | 41618-37130 | PLATE | 1 | 5162- 5191 | | | | | | | WELDING |
| C | 41750-22550 | PLATE | 1 | 5192- | | C | | | | | WELDING |
| 313A | 38171-31300 | BAR, ROUND | 1 | 5001- | | | | | | | WELDING |
| 321A | 65210-12029 | RING, O | 1 | 5140- | | | | | | 11 | |
| 331A | 35107-70020 | SCREW, BLEED | 1 | 5192- | | | A1 | | | | |

MEMO

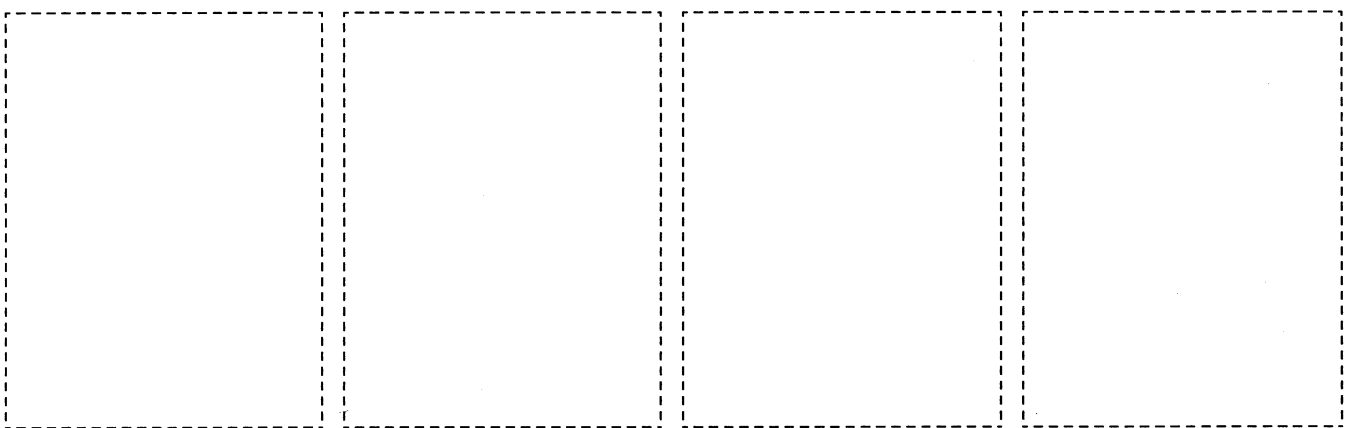
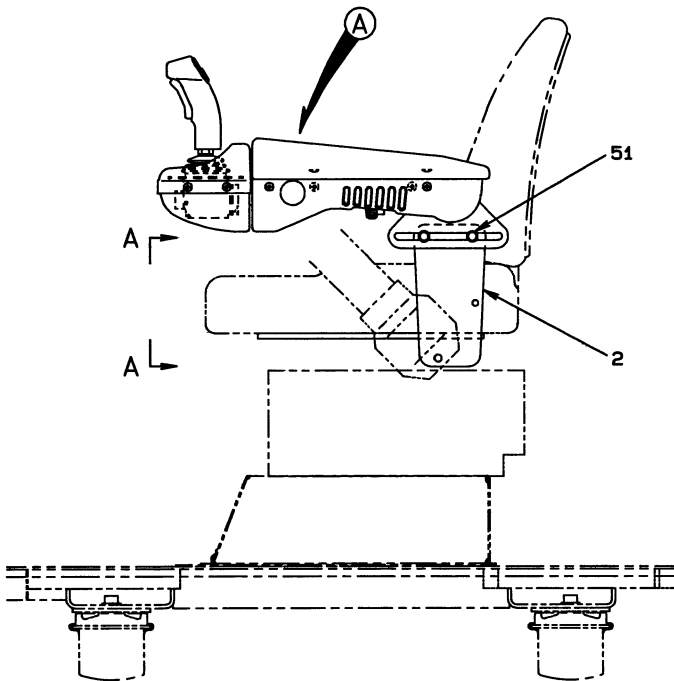
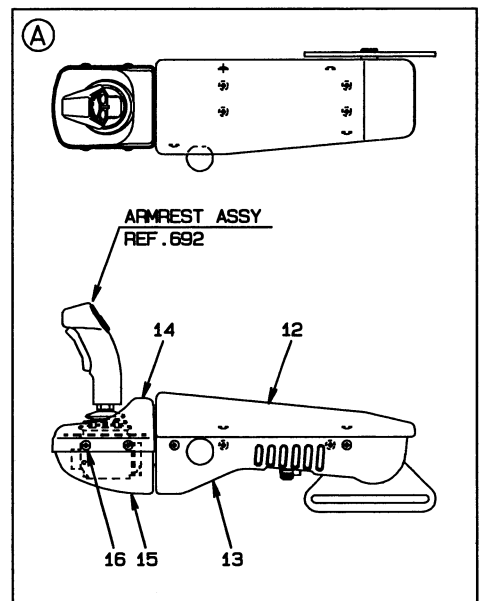


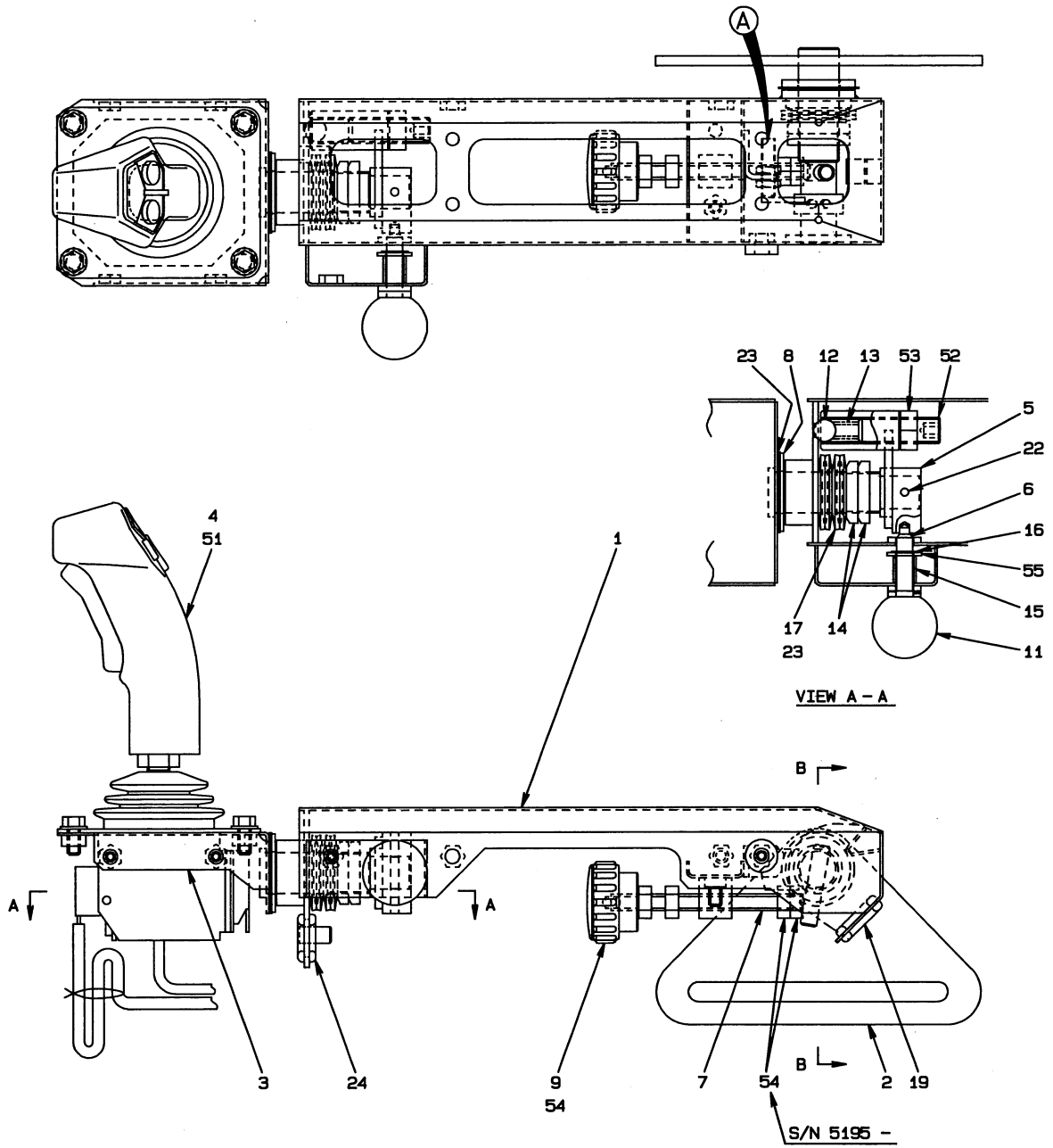
(NOTE): KIT (SYMBOL 60) CONSISTS OF THE PARTS WITH a.



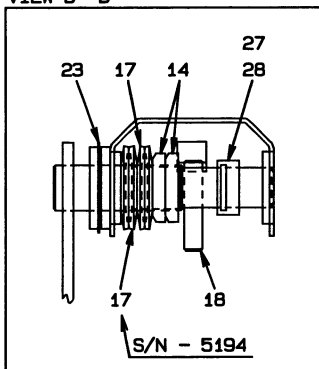


A - A





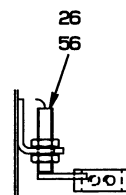
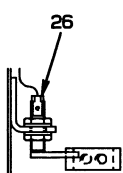
VIEW B - B

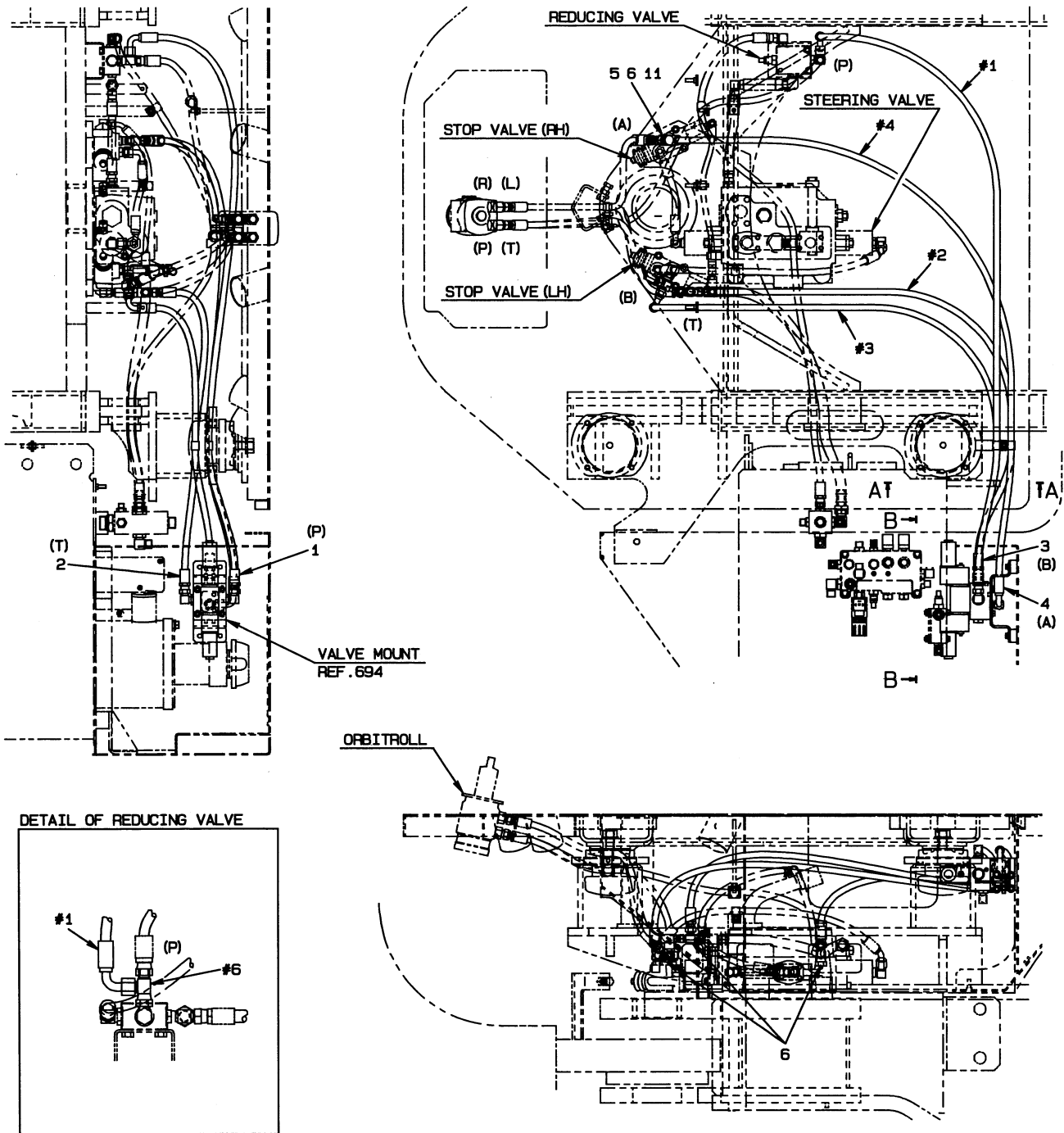


(A)

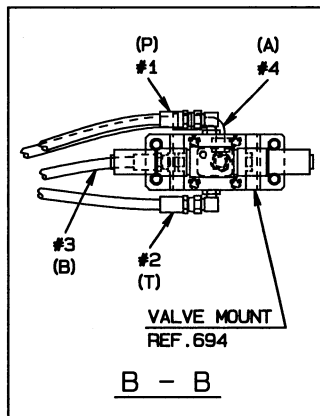
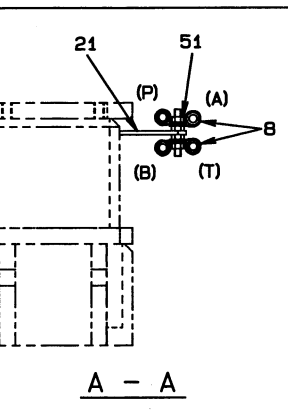
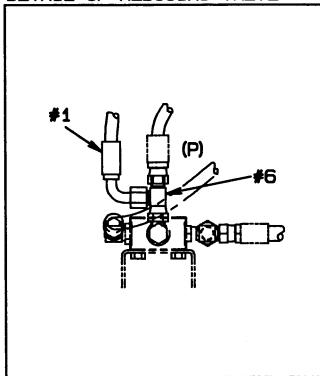
S/N 5001 - 5194

S/N 5195 -

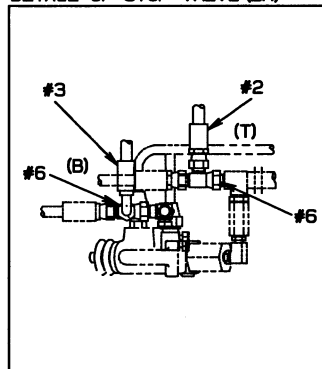




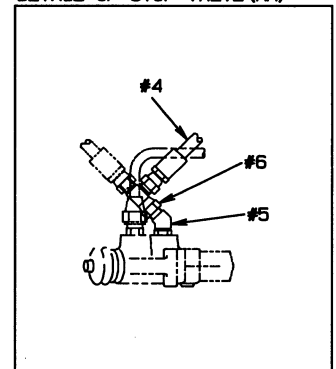
DETAIL OF REDUCING VALVE

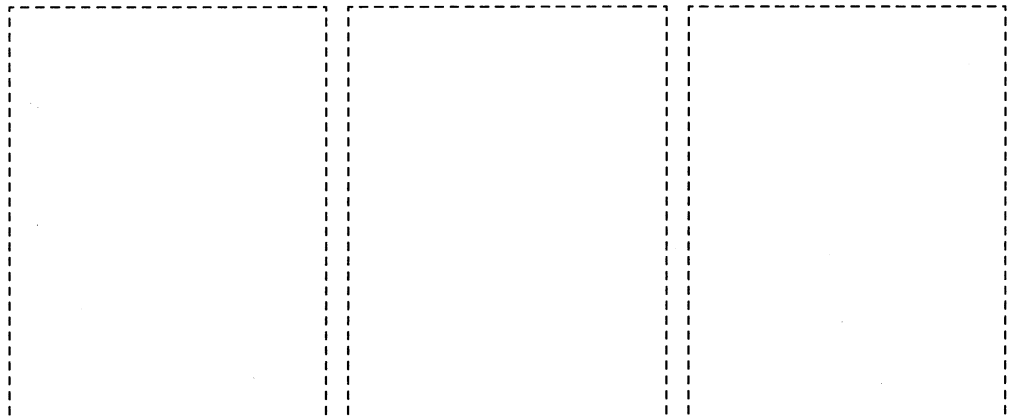
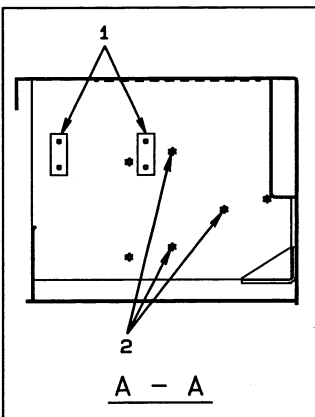
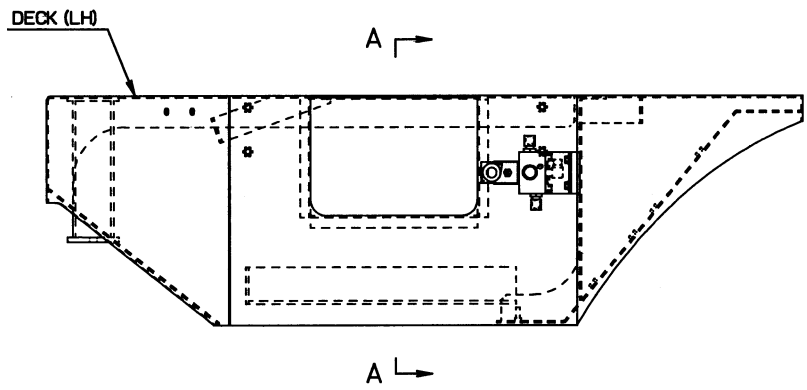
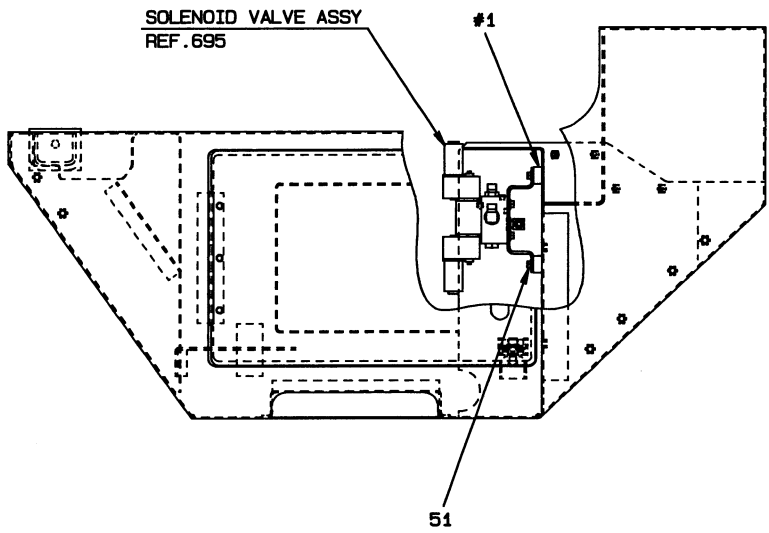
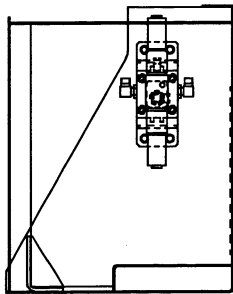


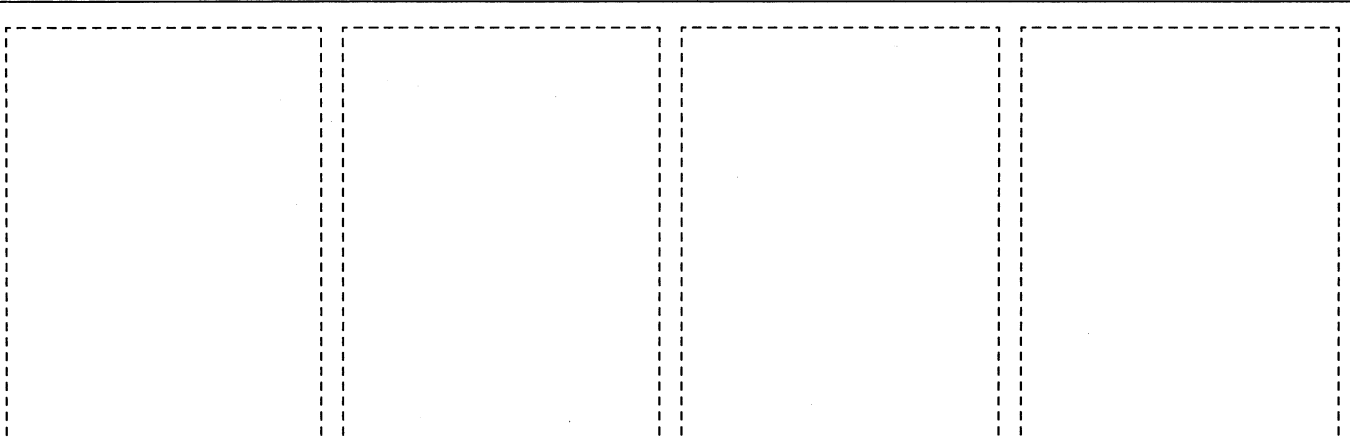
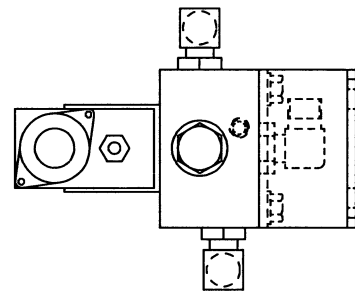
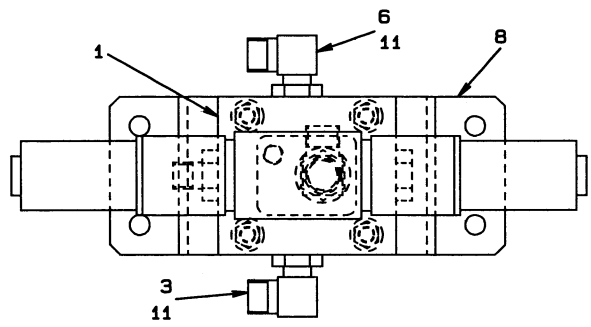
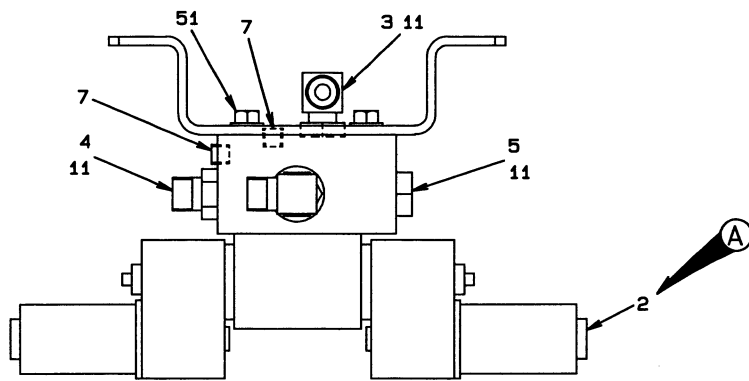
DETAIL OF STOP VALVE (LH)

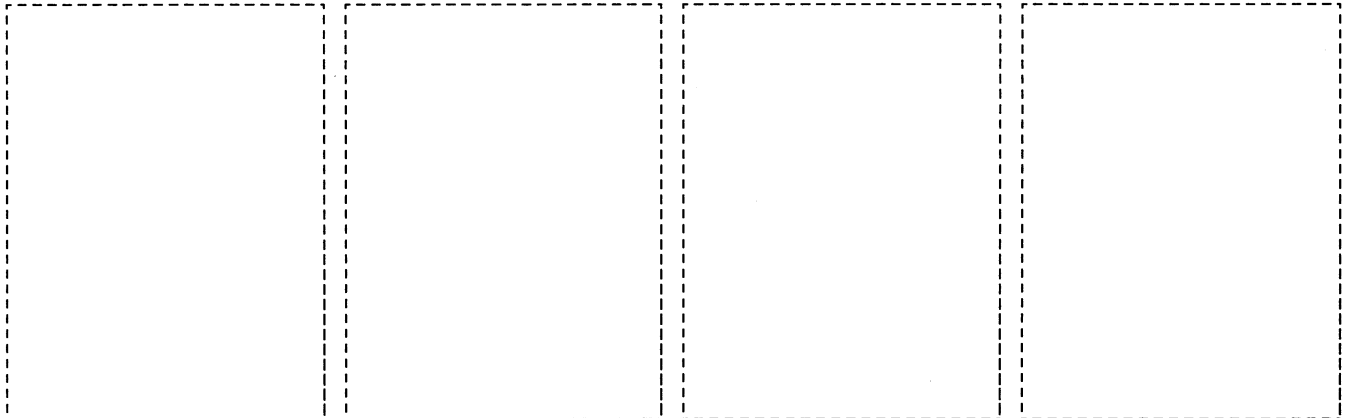
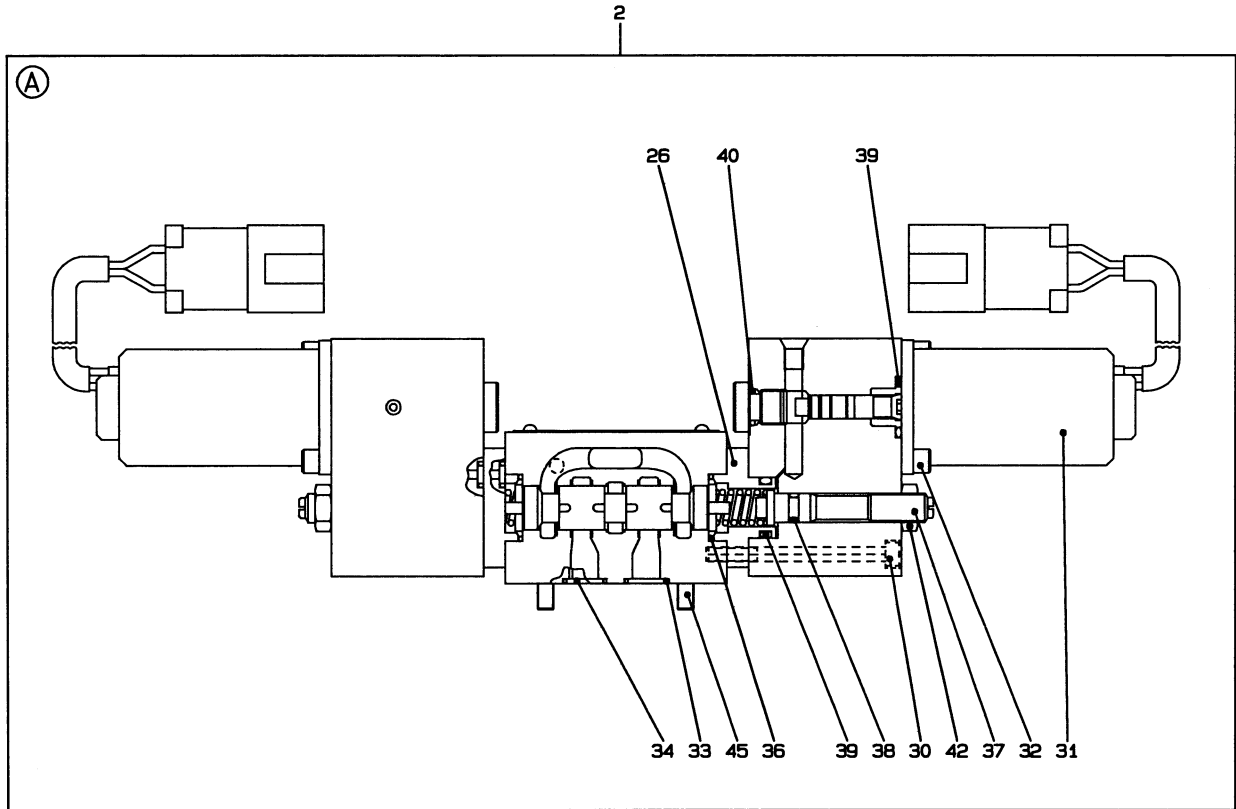


DETAIL OF STOP VALVE (RH)

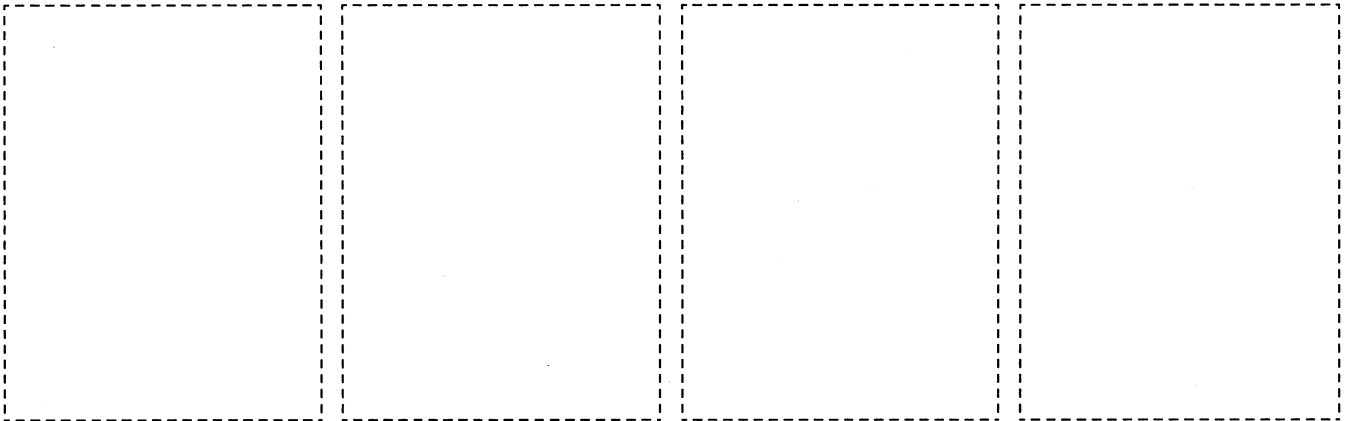
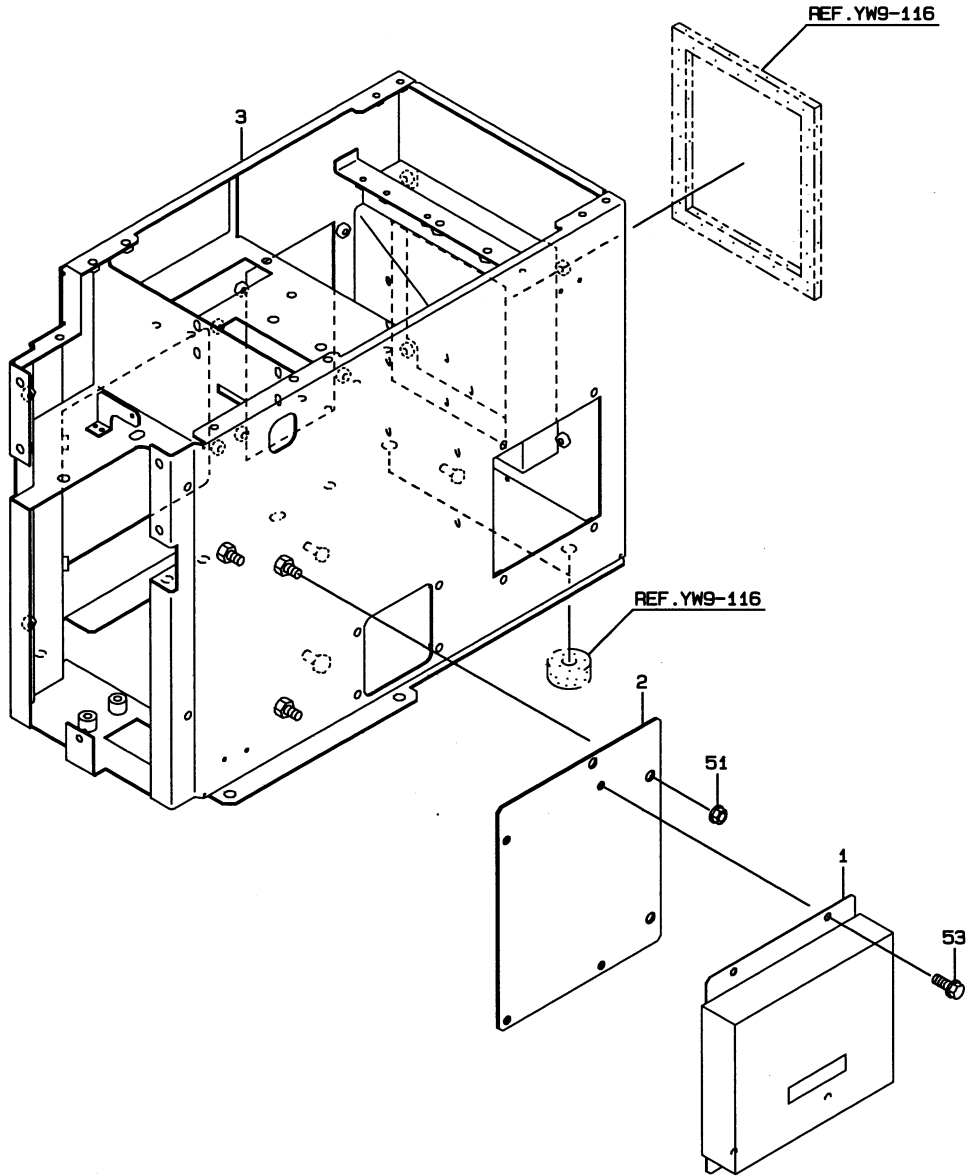


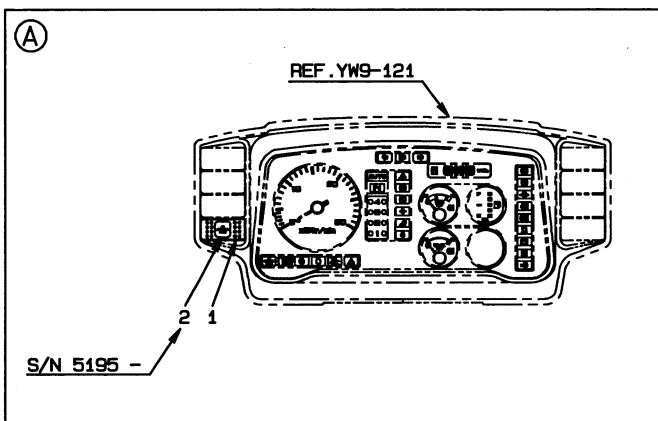
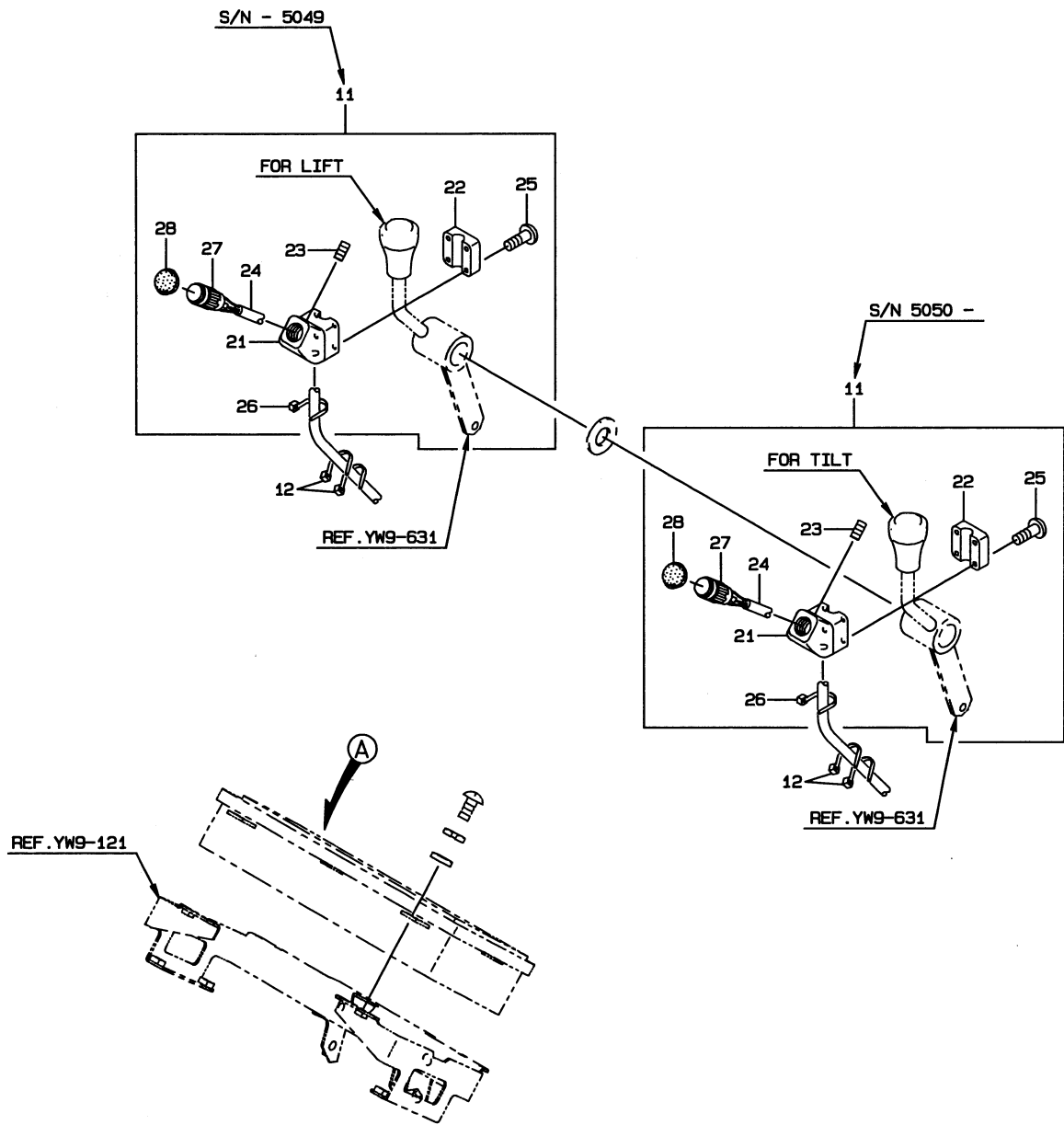




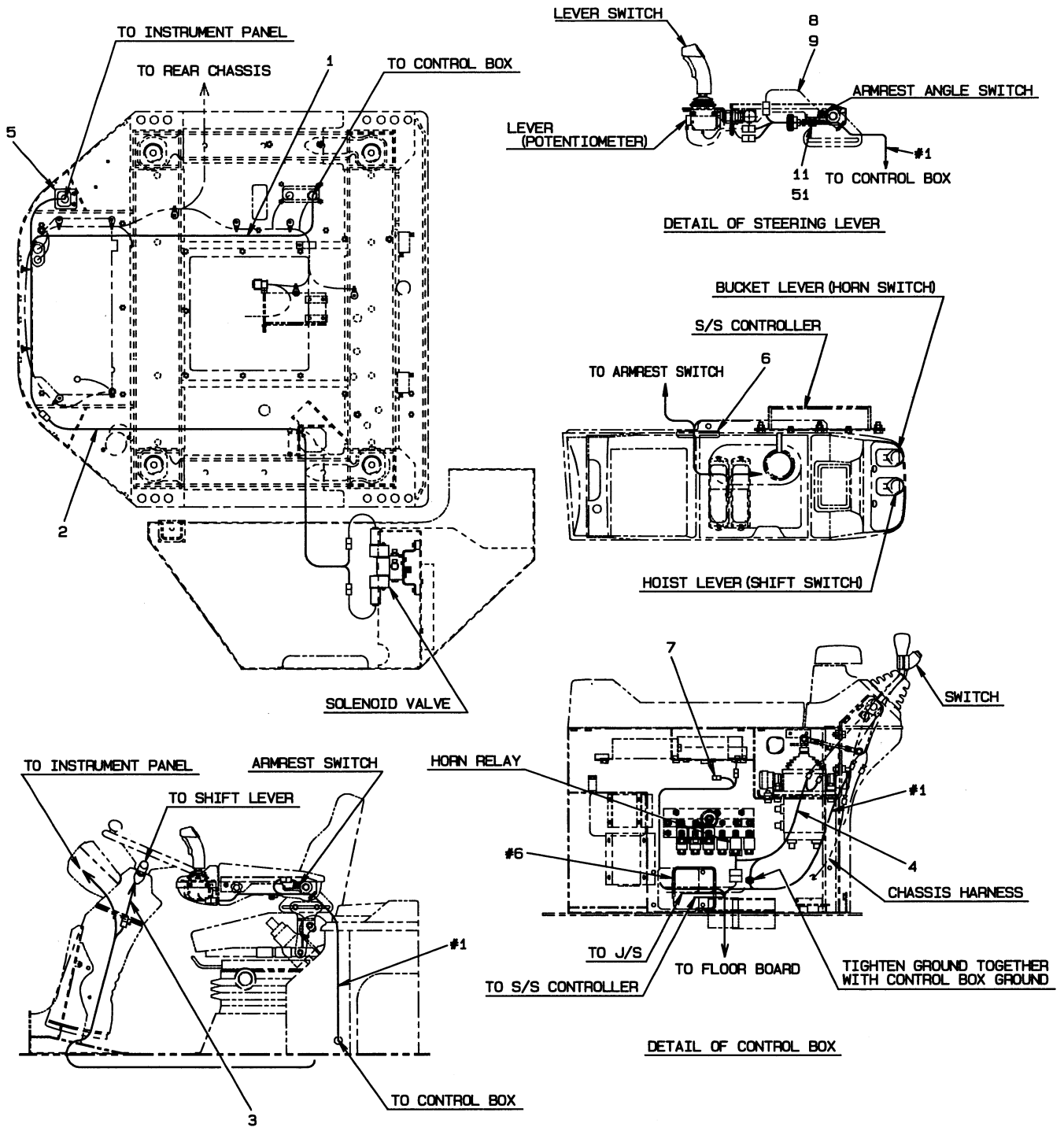


MEMO

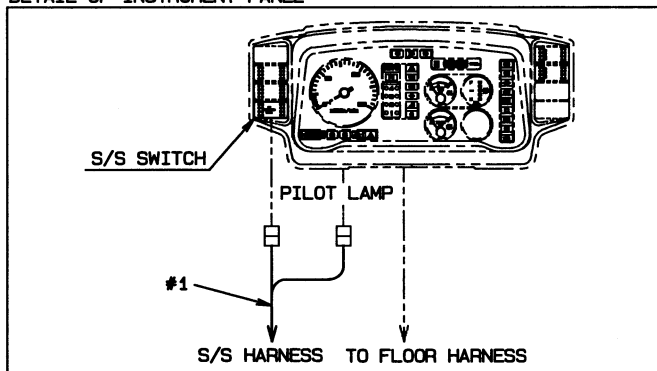




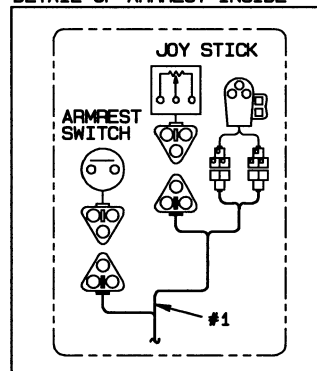
<S/N 5001 - 5320>



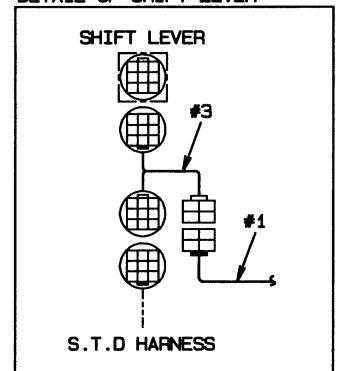
DETAIL OF INSTRUMENT PANEL

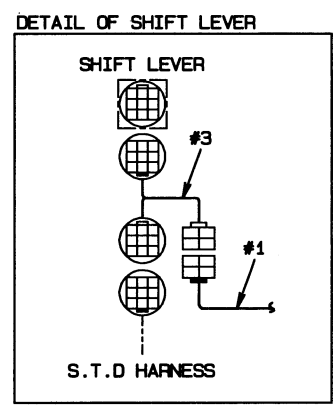
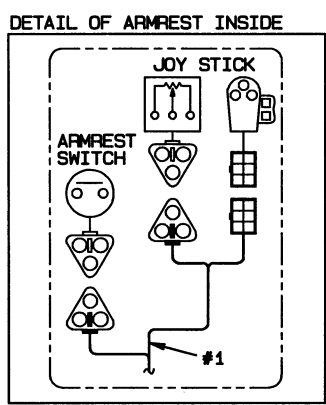
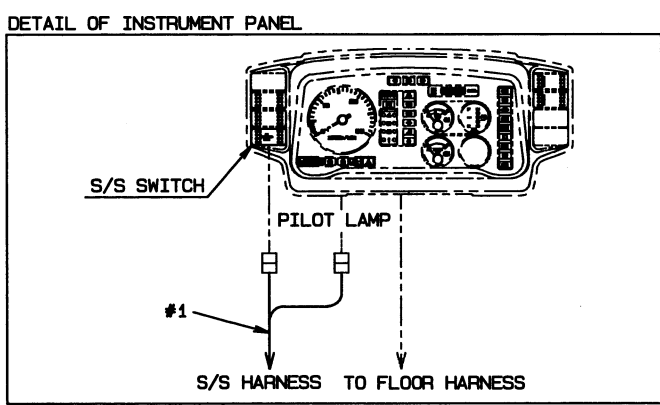
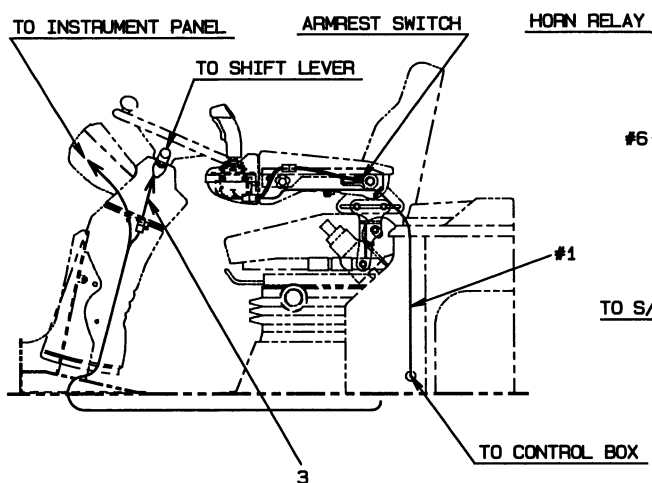
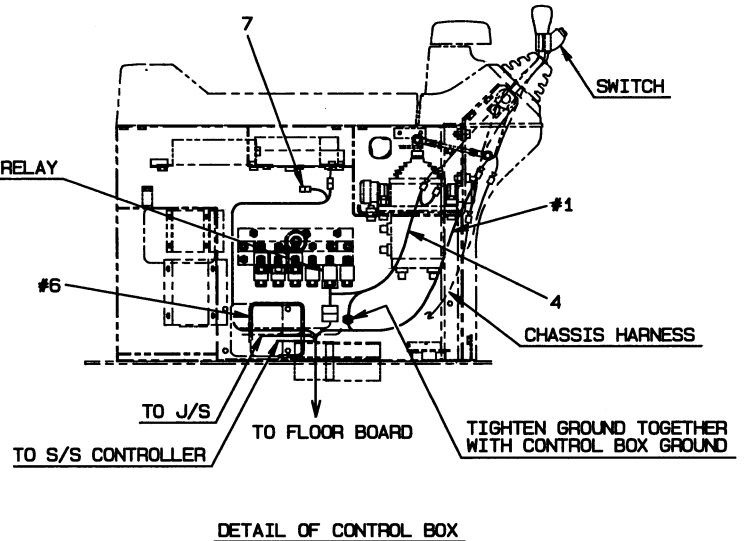
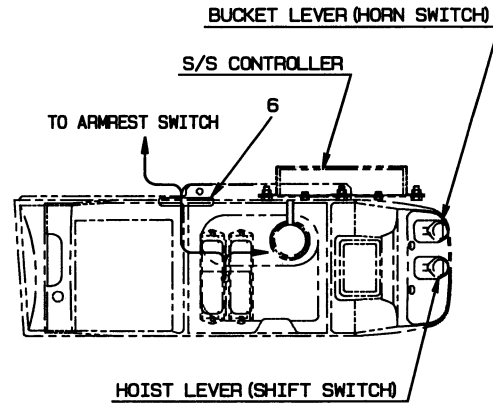
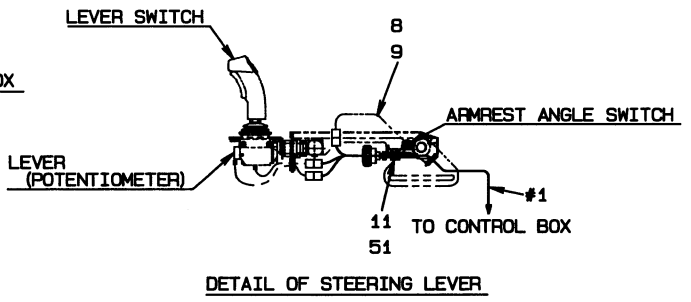
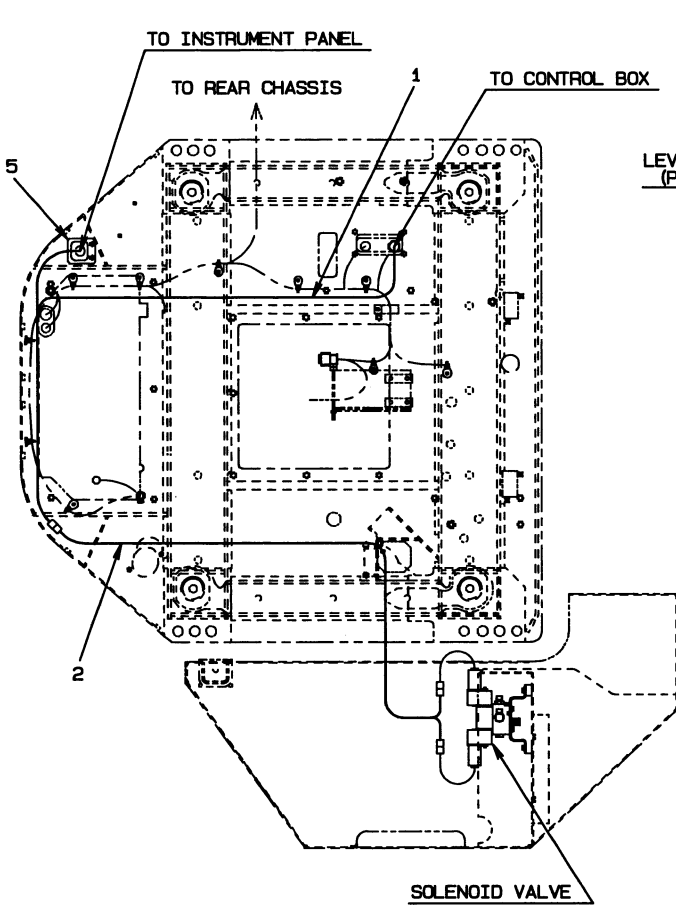


DETAIL OF ARMREST INSIDE



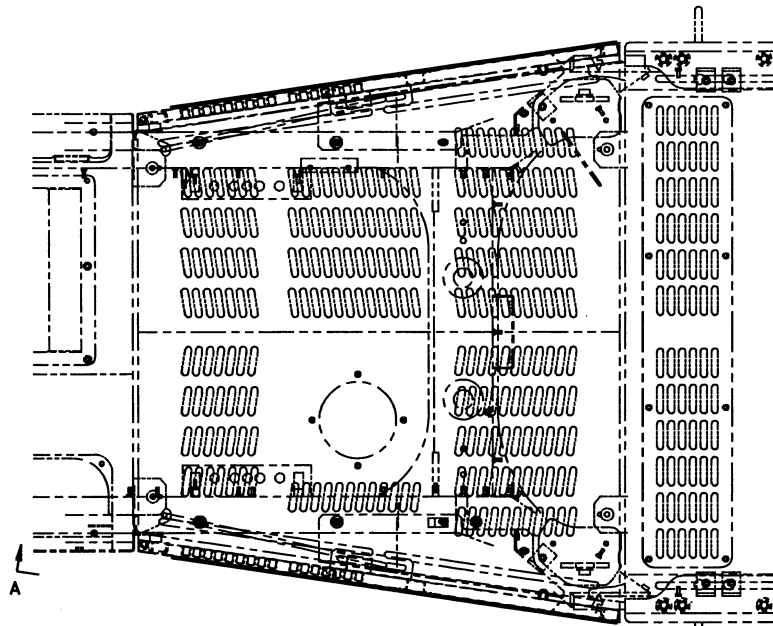
DETAIL OF SHIFT LEVER





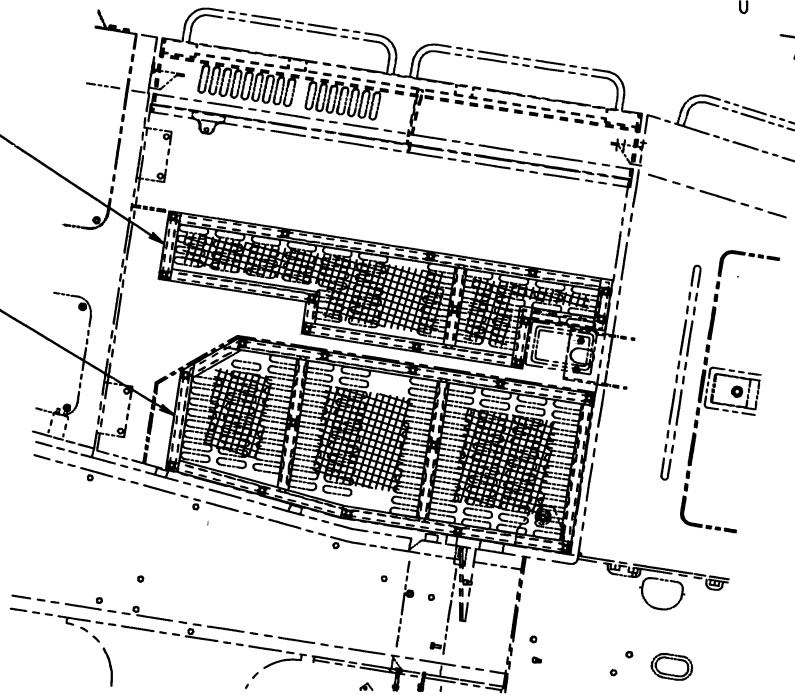
MEMO

<S/N 5001 - 5140>



(B) (LH) 3
 (RH) 4
 6
 51

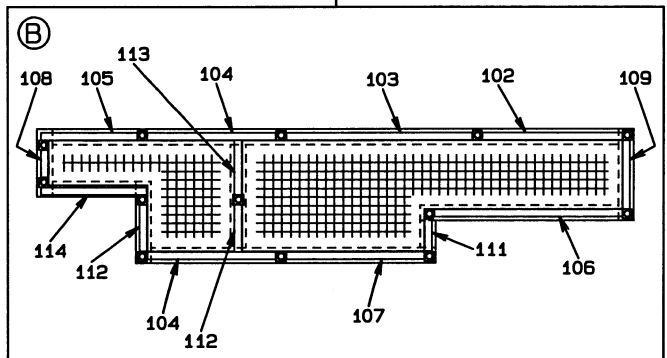
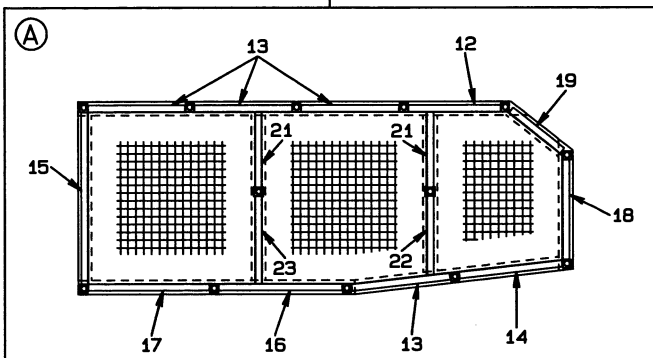
(A) (LH) 1
 (RH) 2
 5
 51



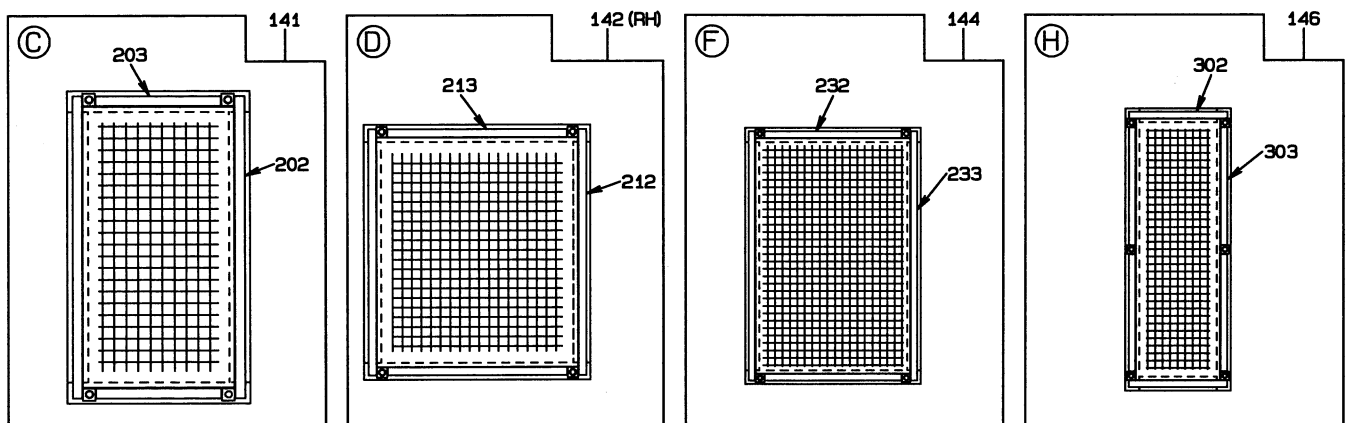
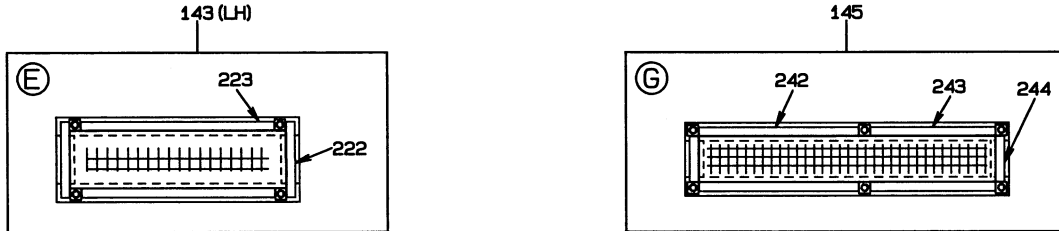
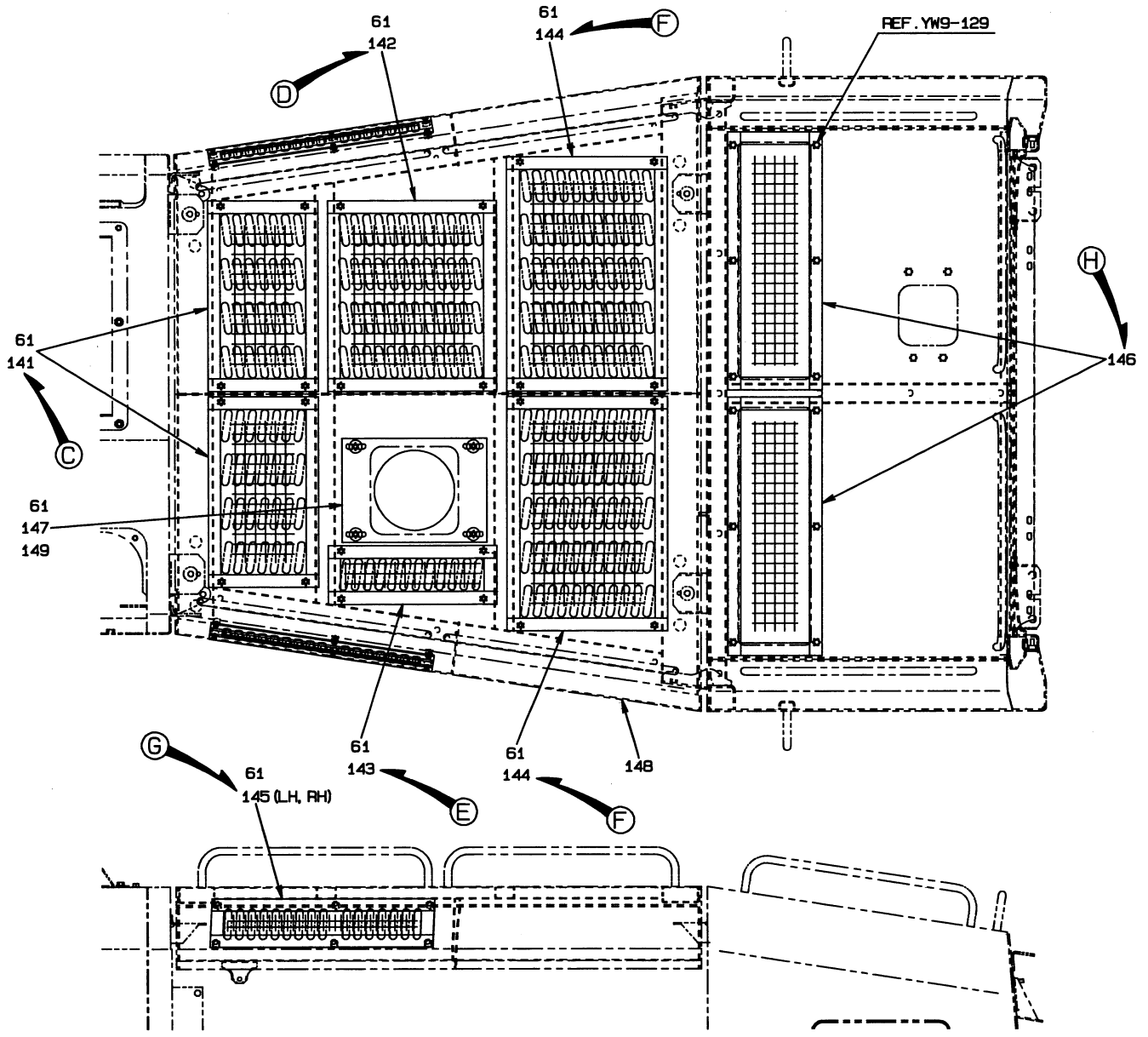
VIEW A - A

1 (LH)
 2 (RH)

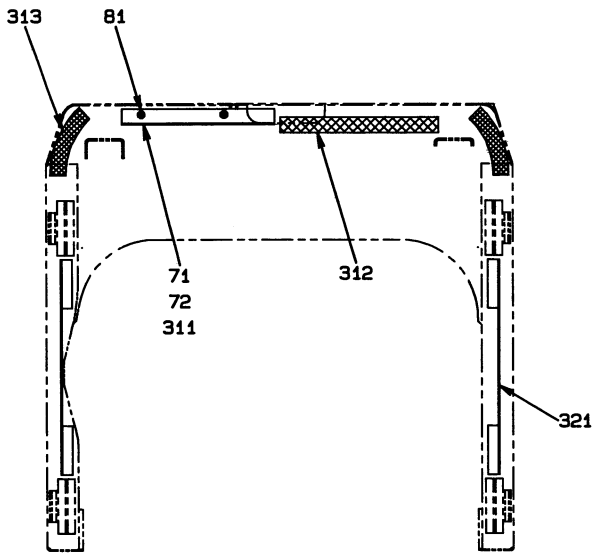
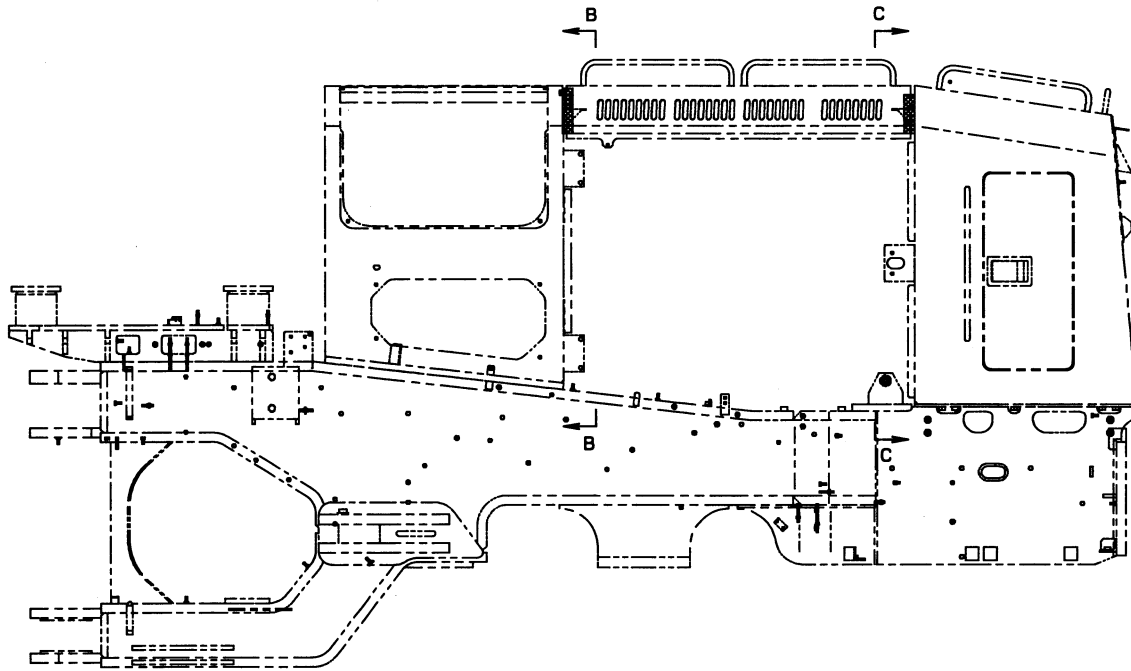
3 (LH)
 4 (RH)



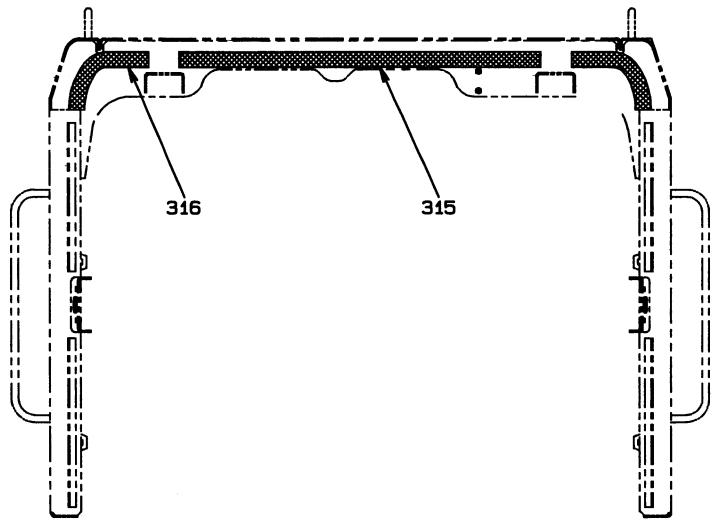
<S/N 5001 - 5140>



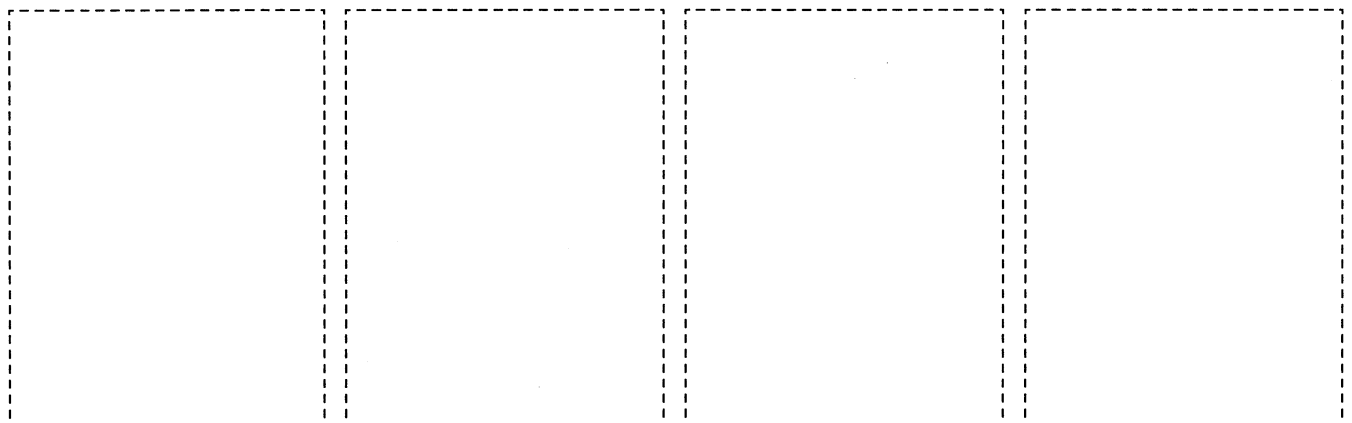
<S/N 5001 - 5140>



VIEW B - B

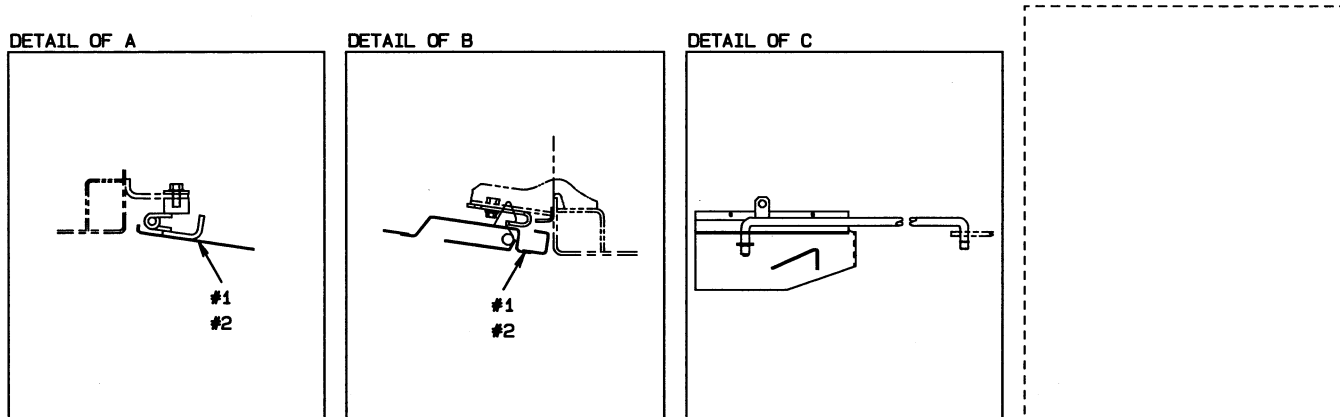
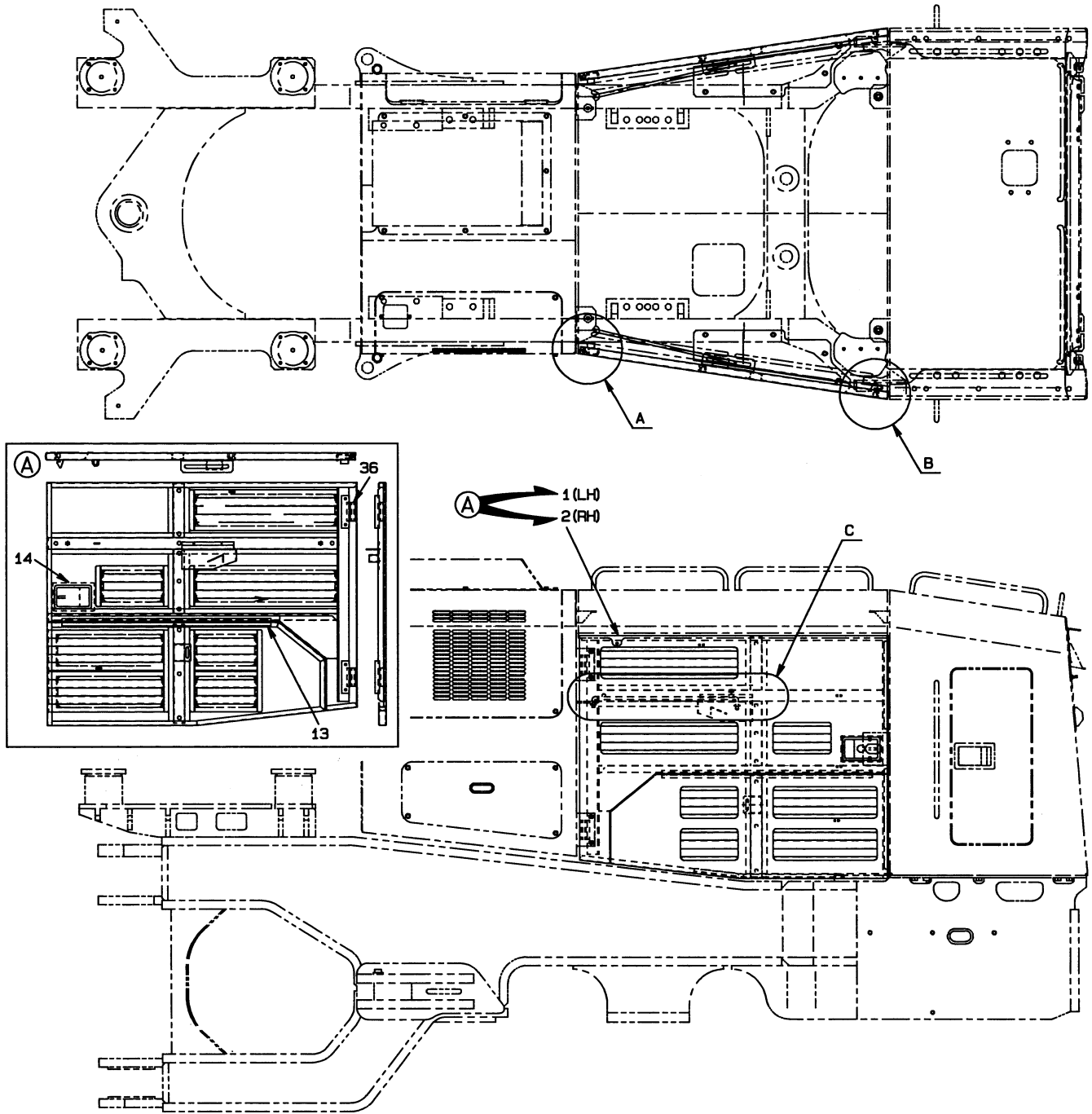


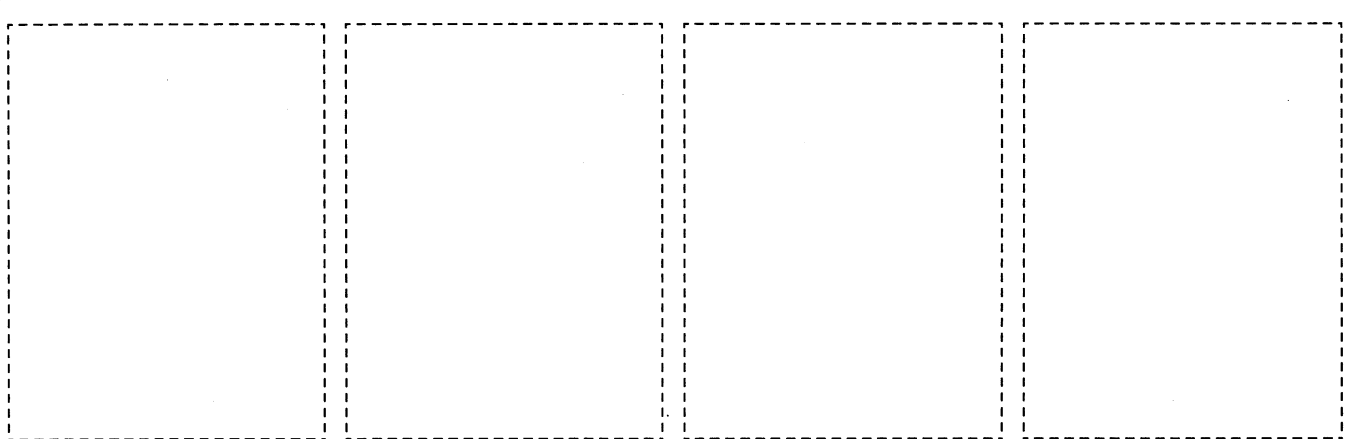
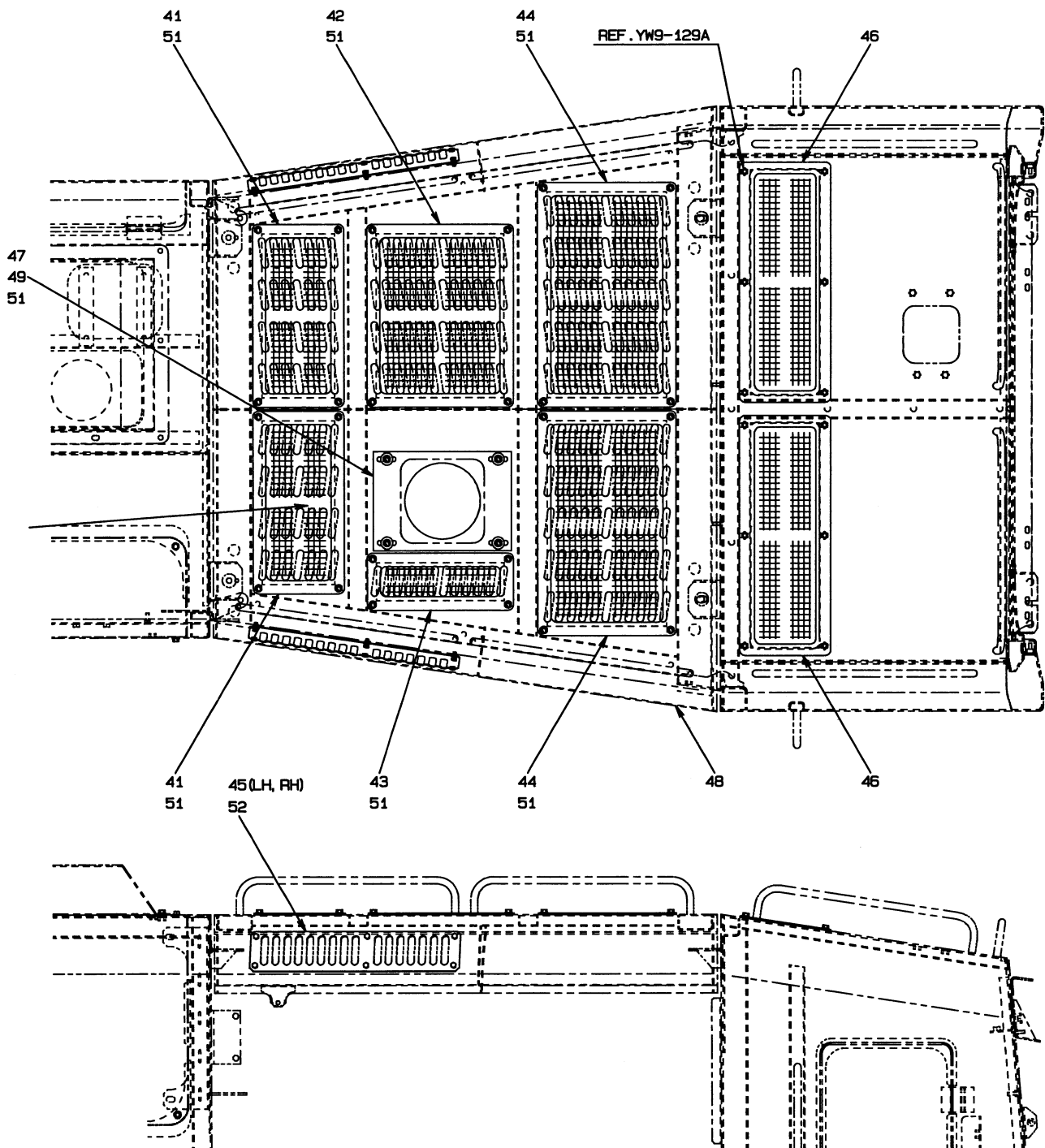
VIEW C - C



<S/N 5141 - >

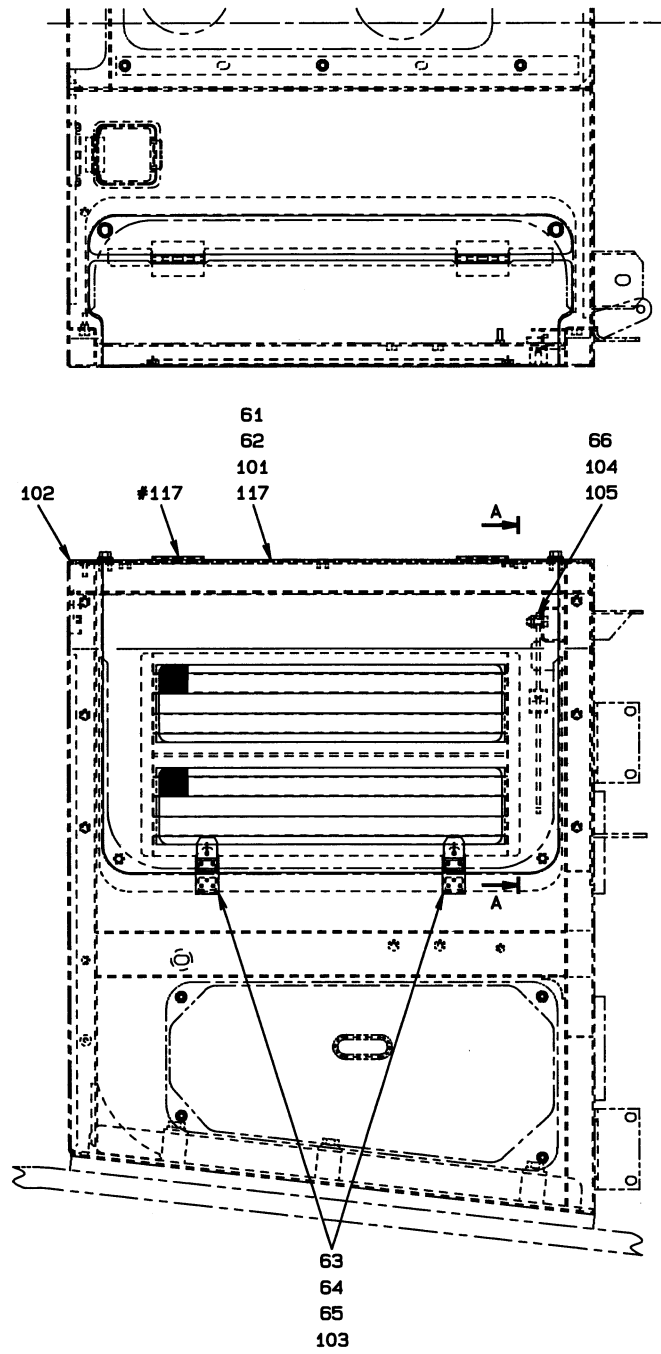
(NOTE): REFER TO STANDARD CATALOG (REF. YW9-128A).



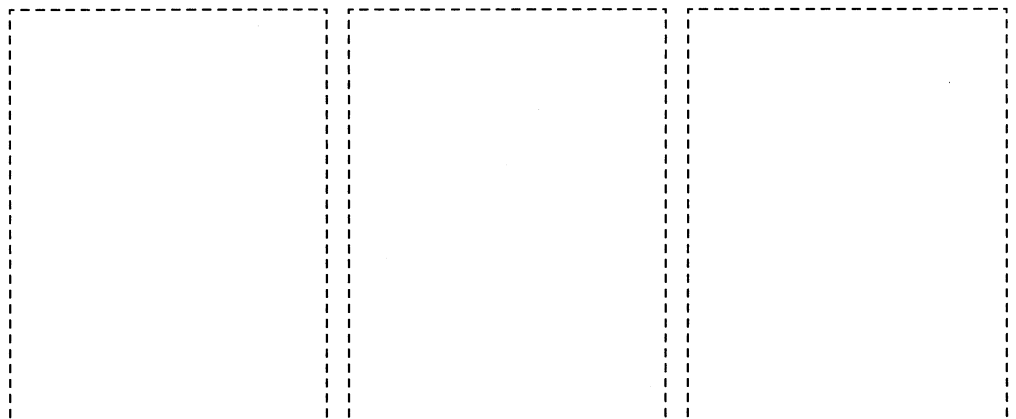
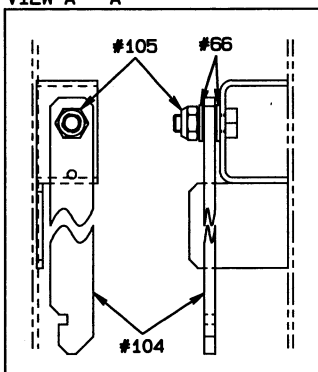


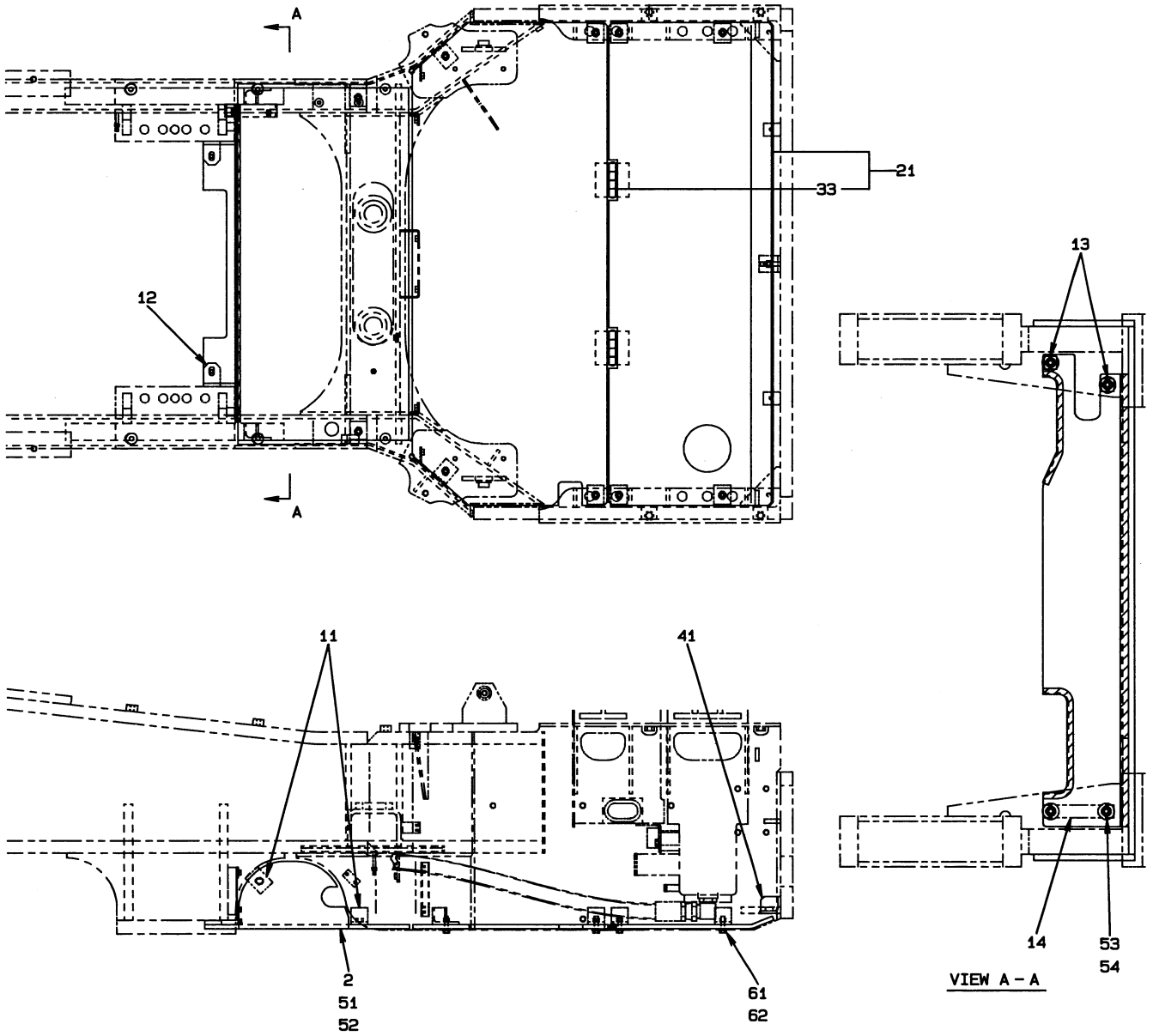
<S/N 5141 - >

(NOTE): THIS ILLUSTRATION SHOWS "LEFT HAND".

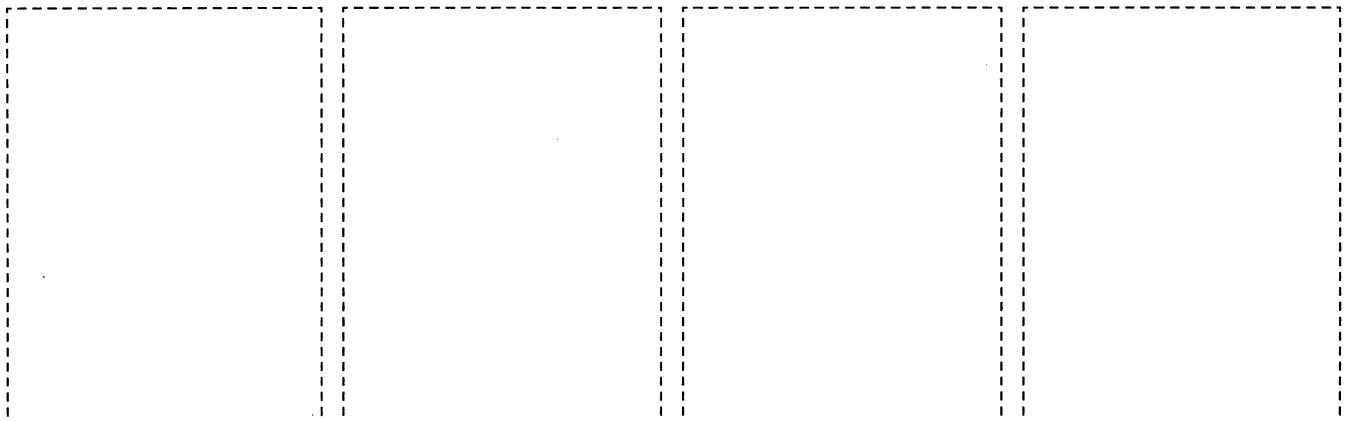
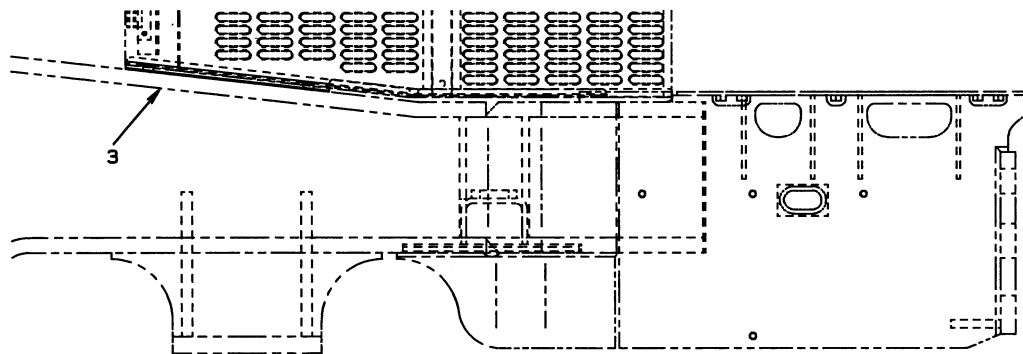
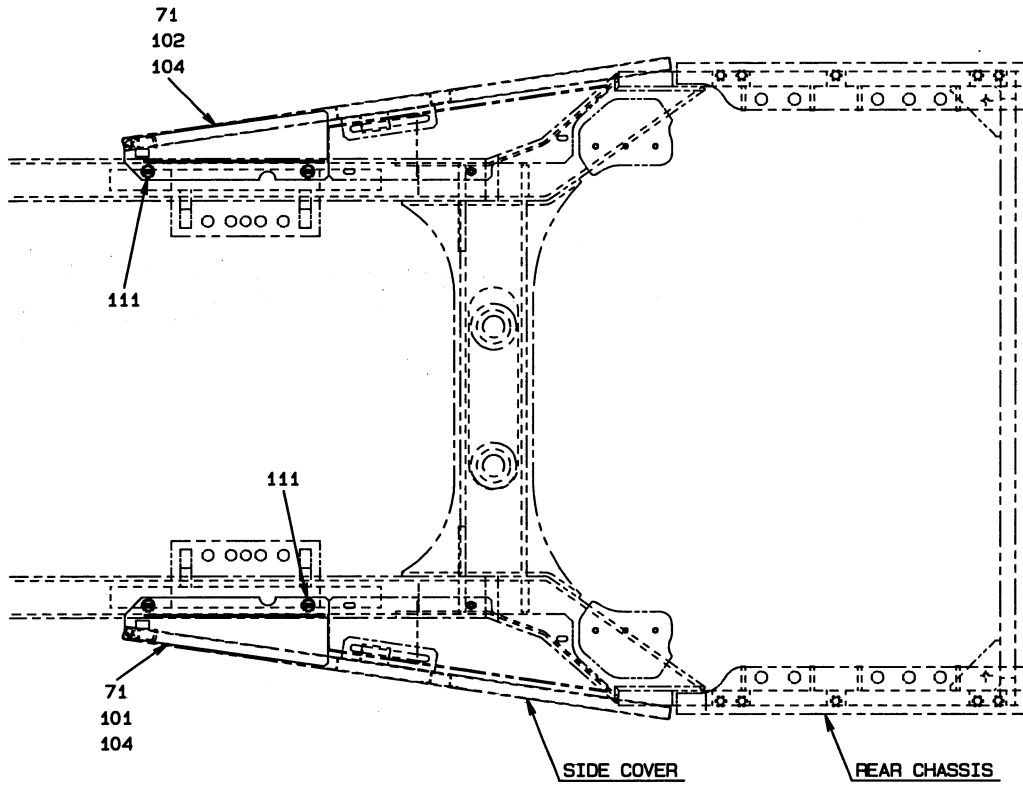


VIEW A - A

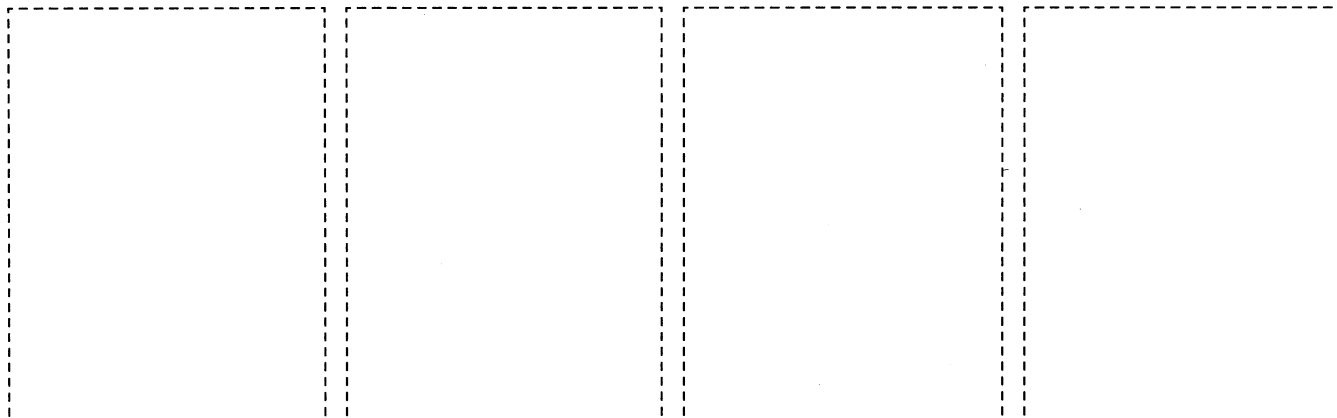
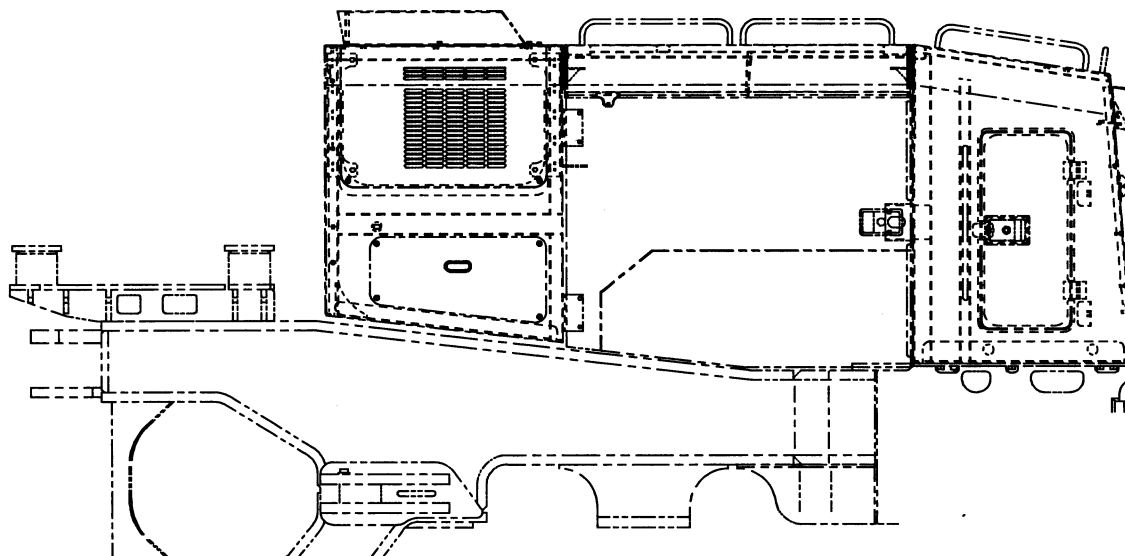
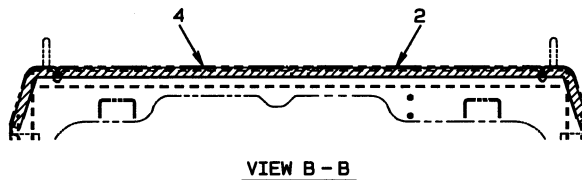
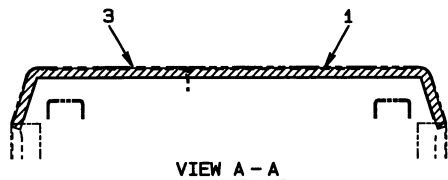
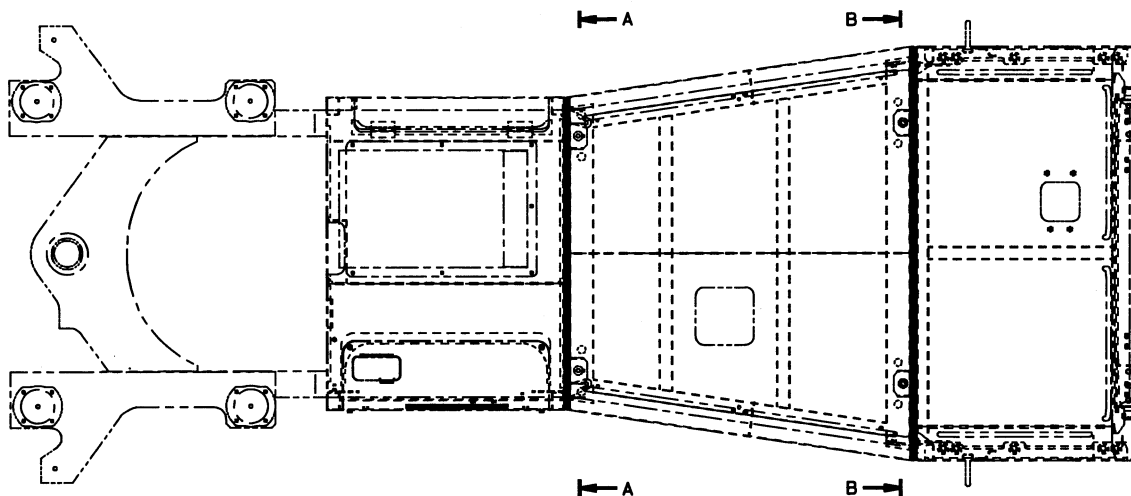


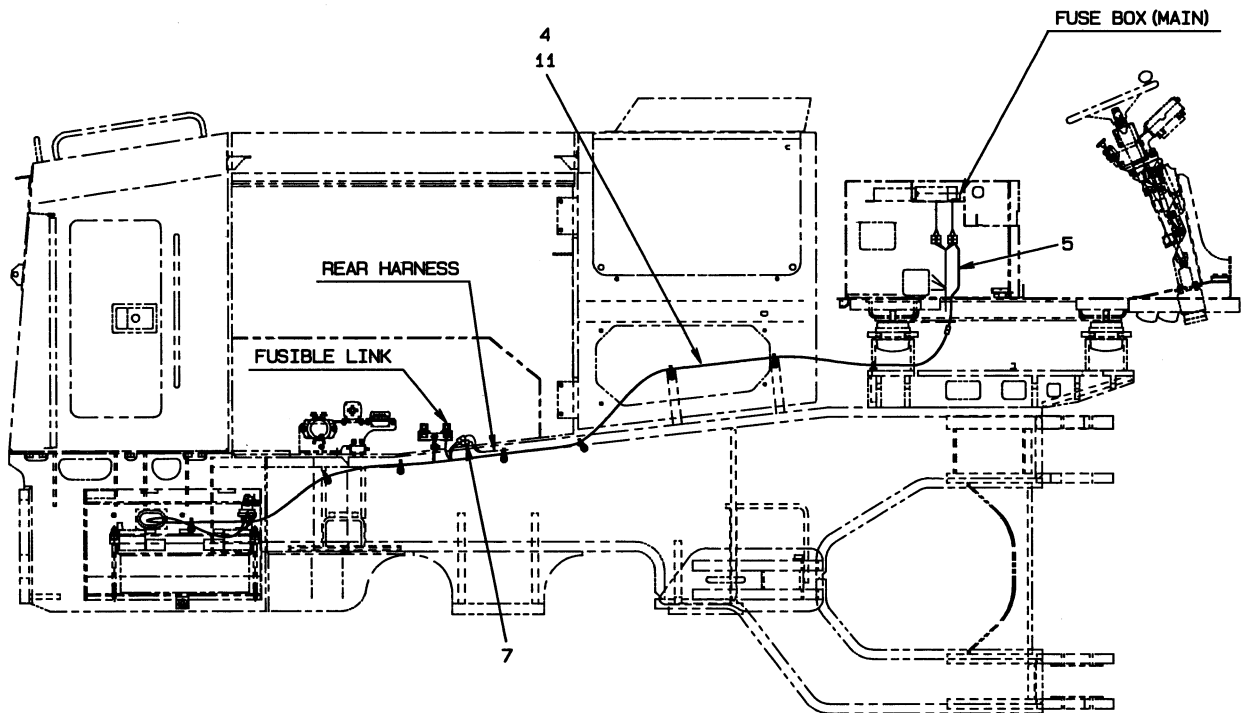
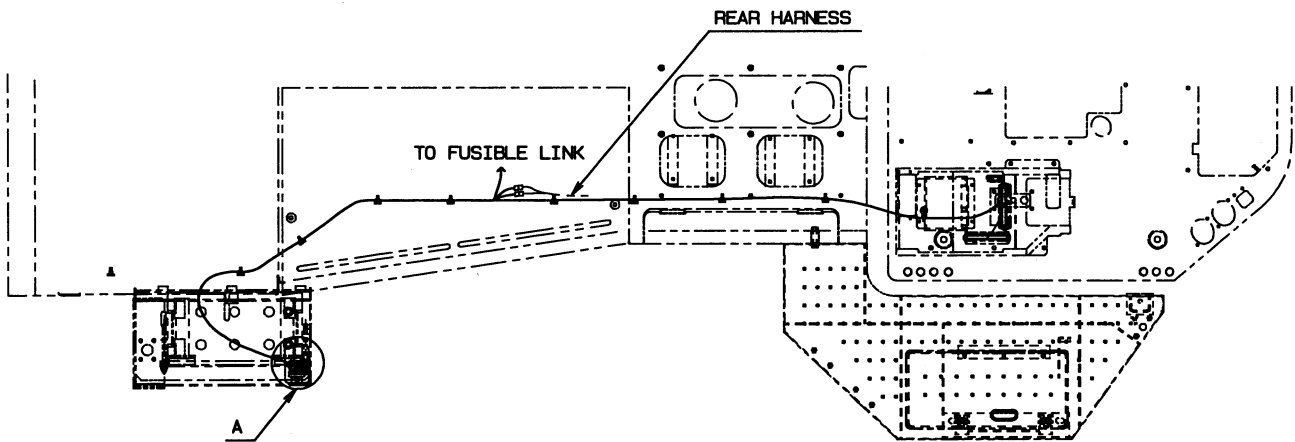


VIEW A - A

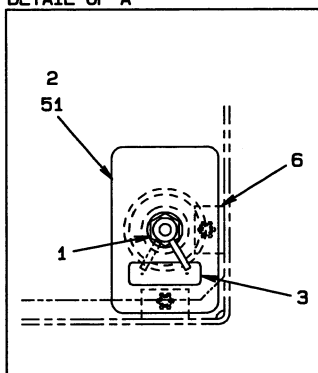


MEMO

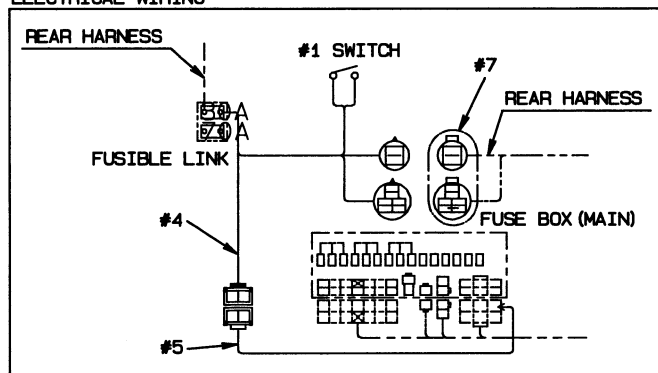




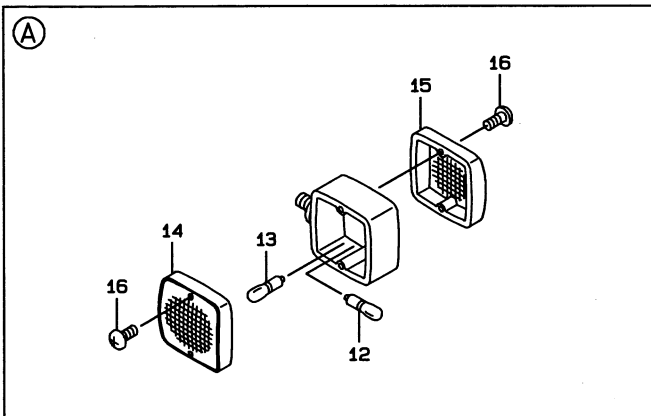
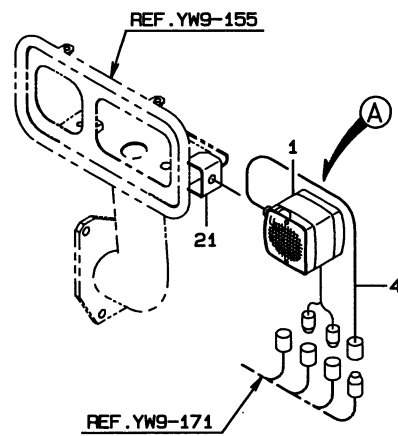
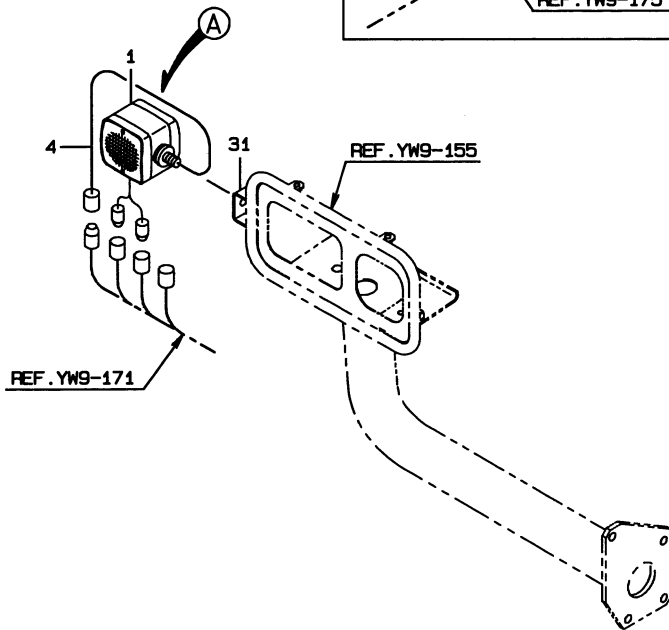
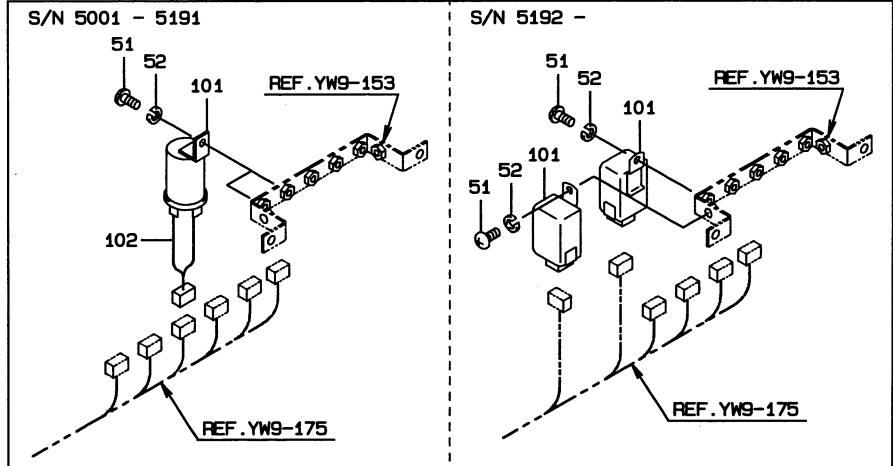
DETAIL OF A



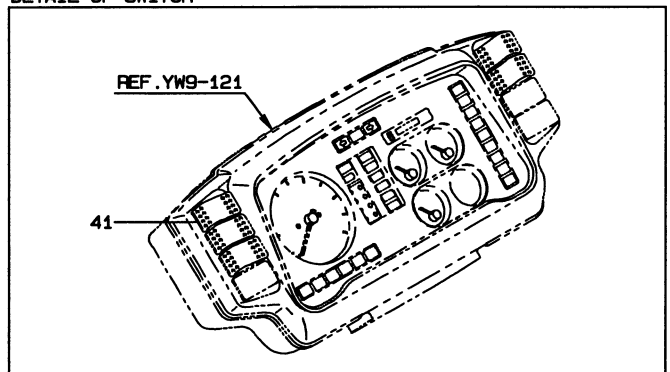
ELECTRICAL WIRING

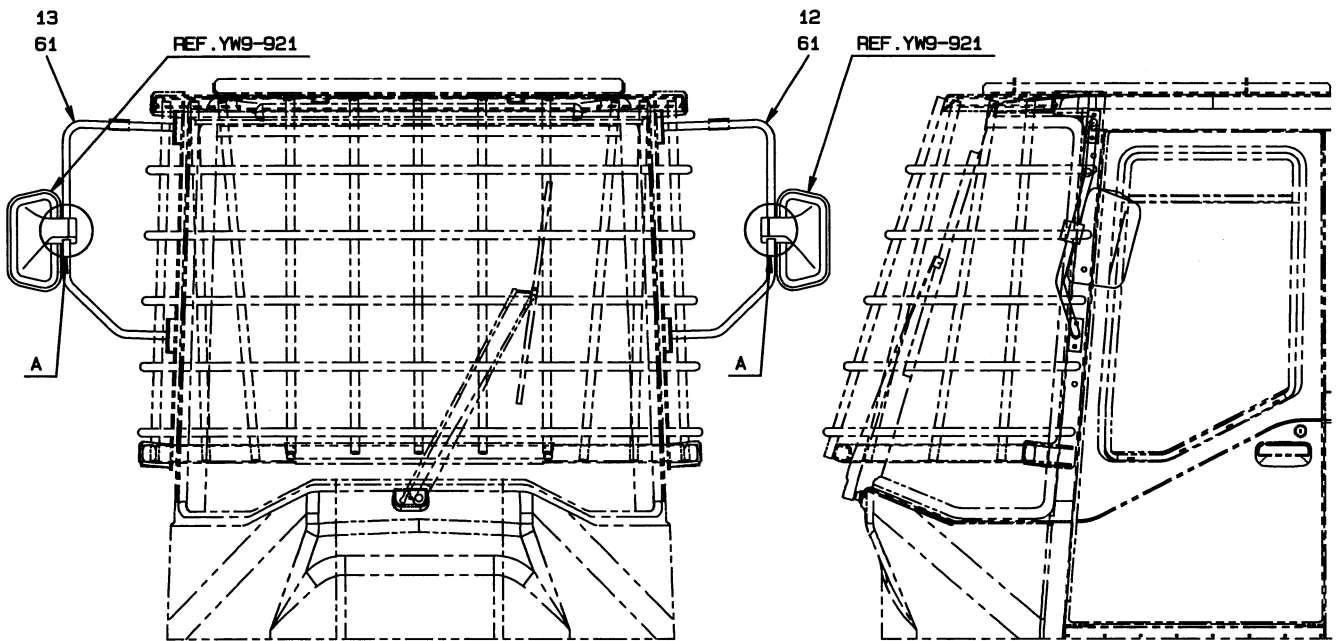
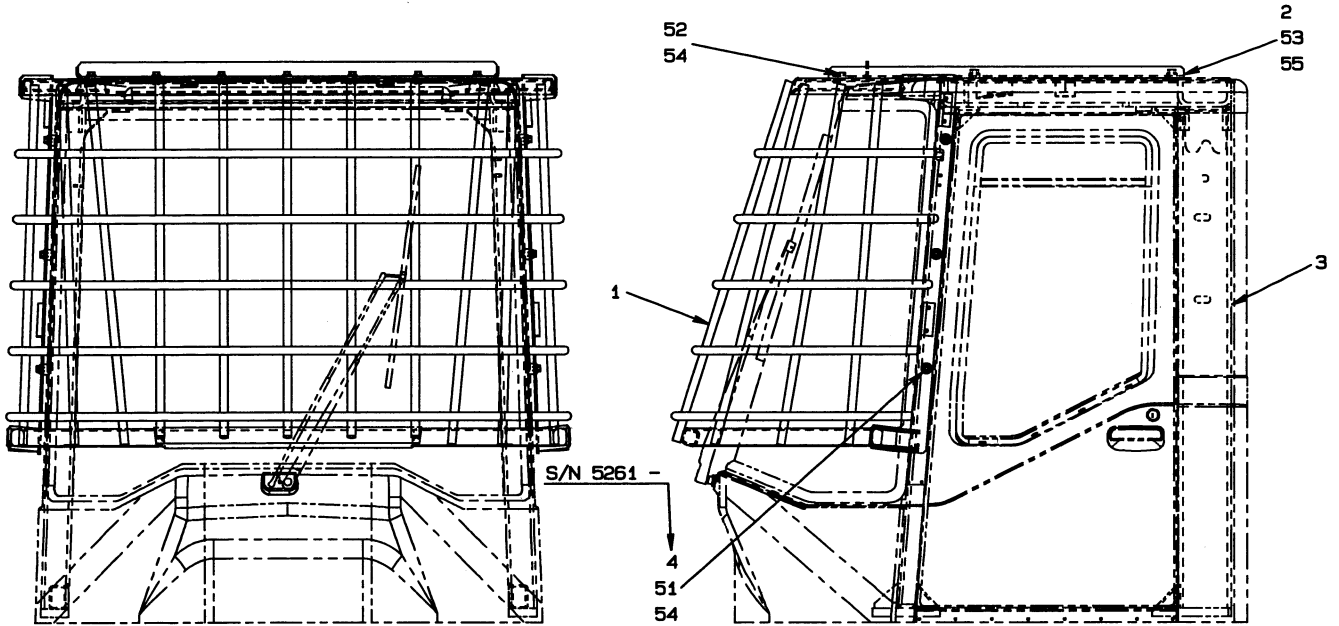


DETAIL OF FLASHER UNIT

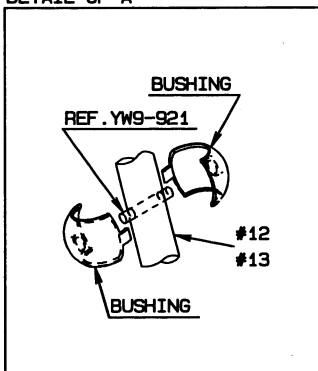


DETAIL OF SWITCH





DETAIL OF A



MEMO

PARTS INDEX

INDEX

| PART NUMBER | SEC-SYM | PART NUMBER | SEC-SYM | PART NUMBER | SEC-SYM | PART NUMBER | SEC-SYM |
|---------------|-----------|---------------|-----------|-------------|-----------|-------------|-----------|
| 03501-19200 | 332 - 16A | 30241-70250-7 | 478 - 11A | 32810-70030 | 112 - 12B | 33713-26990 | 751 - 19A |
| -20760 | 698 - 5A | -70260-7 | 478 - 13A | 32816-70370 | 112 - 3A | -27000 | 751 - 21A |
| -44750 | 696 - 3A | 30242-20100 | 421 - 32A | -70470 | 112 - 3B | -27010 | 751 - 22A |
| -51420 | 751 -148A | -20100 | 421A- 32A | 32920-20140 | 330 - 1A | -27020 | 751 - 23A |
| -51880 | 751 - 5A | 30246-20660 | 693 - 6A | -70760 | 112 - 7A | -27030 | 751 - 15A |
| -51890 | 751 - 6A | -23060 | 332A- 44A | -70870-7 | 211 - 12A | -27040 | 751 -102A |
| -54740 | 420A- 12A | -24450 | 332A- 39A | 32923-70090 | 634 - 11A | -27050 | 751 -103A |
| -54740 | 420B- 12A | 30250-20310 | 478A- 12A | -70090 | 697 - 12A | -27060 | 751 -104A |
| -56970 | 036 - 5A | 30502-25480 | 752 - 11A | -70090 | 698 - 9A | -27070 | 751 -105A |
| -57000 | 036 - 6A | 31200-29930 | 691 - 13A | -70100 | 105 - 14A | -27100 | 751 -114A |
| -59520 | 037 - 4A | -29940 | 691 - 14A | -70120 | 105 - 13A | -27100 | 751 -243A |
| -59530 | 037 - 5A | -29950 | 691 - 15A | -70120 | 634 - 9A | -27110 | 751 -109A |
| -62460 | 949 - 3A | -41120 | 751A-101A | -70190 | 698 - 8A | -27180 | 751 -111A |
| -65160 | 751A-102A | -71030 | 337 -201A | 32970-70410 | 062A- 19A | -27190 | 751 -213A |
| -65190 | 751A- 48A | -71040 | 337 -202A | 33057-20610 | 332 - 15A | -27190 | 751 -223A |
| -66740 | 753 - 3A | -72130 | 338 -401A | -20610 | 332A- 45A | -27200 | 751 -113A |
| -66750 | 753 - 4A | -73270 | A01 -206A | -70010 | 105 - 12A | -27210 | 751 -112A |
| -69920 | 795 - 6A | -73310 | A01 -207A | 33100-70300 | 697 - 21A | -27220 | 751 -108A |
| -69930 | 795 - 7A | 31205-50060 | 036 - 1A | -70740 | 426 -402A | -27230 | 751 -106A |
| -70400 | 332A- 38A | -50070 | 036 - 2A | -70880 | 062A- 14A | -27260 | 751 -202A |
| -71650 | 033 - 5A | -50080 | 036 - 3A | 33110-70400 | 338 -510A | -27260 | 751 -212A |
| -71650 | 033A- 5A | -50090 | 036 - 4A | 33190-35750 | 805 - 4A | -27270 | 751 -203A |
| -71660 | 033 - 6A | -51940 | 751A- 41A | -35800 | 634 - 5A | -27290 | 751 -222A |
| -71660 | 033A- 6A | -51950 | 751A- 42A | -35810 | 634 - 4A | -27300 | 751 -233A |
| -71670 | 033 - 7A | -51960 | 751A- 43A | -35820 | 634 - 6A | -27320 | 751 -244A |
| -71670 | 033A- 7A | -51970 | 751A- 44A | -70610 | 635 - 19A | -27360 | 751 -303A |
| -71680 | 033 - 8A | -51980 | 751A- 46A | 33191-44210 | 805 -102A | -27370 | 751 -302A |
| -71680 | 033A- 8A | -70220 | 338A-201A | -44870 | 698 - 3A | -27440 | 030 - 3A |
| -71690 | 033 - 25A | -70240 | 104 - 18A | -46470 | 698 - 7A | -28680 | 037 - 6A |
| -71690 | 033A- 25A | 31236-26570 | 751 - 2A | -55860 | 064 - 1A | -28950 | 037 - 8A |
| -74630 | 033A- 7B | -26580 | 751 - 4A | -70260 | 697 - 24A | -29320 | 033 - 19A |
| -74640 | 033A- 8B | -26590 | 751 - 1A | 33193-22030 | 105 - 3A | -29320 | 033A- 19A |
| -74740 | 332A- 9A | -26600 | 751 - 3A | -28250 | 698 - 1A | -29330 | 033 - 21A |
| -74970 | 037 - 4B | -26690 | 751 -141A | -28370 | 698 - 4A | -29340 | 033 - 22A |
| -74980 | 037 - 5B | -26700 | 751 -142A | -28380 | 698 - 2A | -29350 | 033 - 23A |
| 30020-23490 | 692 - 5A | -26710 | 751 -143A | -30020 | 634 - 1A | -29620 | 033A- 21A |
| -24600 | 332 - 13A | -26720 | 751 -144A | -30030 | 634 - 2A | -29630 | 033A- 22A |
| -25840 | 332 - 13B | -26730 | 751 -145A | -31580 | 698 - 1B | -29640 | 033A- 23A |
| 30040-22970 | 061 - 1A | -26740 | 751 -146A | -31930 | 698 - 4B | -29650 | 033A- 28A |
| -23410 | 061 - 1B | -28470 | 751A- 1A | -31940 | 698 - 2B | -29770 | 332A- 14A |
| -23880 | 061 - 1C | -28480 | 751A- 2A | -32040 | 634 - 1B | -29790 | 420B- 22A |
| -24500 | 061 - 1D | 31265-60280 | 062 - 14A | -32050 | 634 - 2B | -29810 | 030A- 3A |
| 30062-20060 | 691 - 12A | 31600-20120 | 692 - 27A | -37520 | 698 - 1D | -29820 | 037 - 6B |
| -20150 | 691 - 11A | -70020 | 338A-420A | -40590 | 105 - 1A | -70240 | 112 - 5A |
| -20150 | 692 -000A | 31605-70010 | 338A-600A | -40600 | 105 - 2A | -70250 | 112 - 6A |
| -20220 | 691 - 11B | 31611-70020 | 338 -453A | -41720 | 105 - 1B | 33930-70330 | 338 -216A |
| -20220 | 692 -000B | -70040 | 338A-413A | -45870 | 105 - 1C | -70330 | 426 -663A |
| 30100-60480-7 | 478 - 1A | 31800-22370 | 949 - 1A | -46460 | 698 - 1C | -70430 | 426 -218A |
| -60480-7 | 479 -000A | -22440 | 949 - 1B | -46710 | 795 - 4A | -70440 | 426 -664A |
| -60550-7 | 478A-111A | -22460 | 949 - 1C | -46720 | 795 - 5A | -70460 | 426 -661A |
| -60550-7 | 479A-000A | -22510 | 949 - 1D | -47750 | 634 - 3A | -70840 | 426 -405A |
| 30230-20600 | 332 - 5A | -22540 | 949 - 1E | -47820 | 634 - 1C | -70960 | 426 -441A |
| -20600 | 332A- 37A | -22550 | 949 - 1F | 33281-71320 | 112 - 1A | -70970 | 426 -442A |
| -21560 | 630 - 11A | -22560 | 949 - 1G | -71620 | 112 - 1B | -70980 | 338A-311A |
| -21720 | 421 - 17A | 31930-70200 | 695 - 26A | -72060 | 112 - 1C | 34000-70030 | 332 - 46A |
| -21720 | 421A- 17A | 31990-23180 | 420 - 4A | 33300-71070 | 426 -591A | -70600 | 338 -213A |
| -21890 | 102 - 19A | -25940 | 420A- 4A | -71080 | 426 -592A | -70600 | 426 -213A |
| -25580 | 630 - 33A | -71370 | 112 - 45B | -71090 | 426 -593A | -70940-7 | 479A- 7A |
| -25620 | 630 - 12A | -71730 | 112 - 45A | 33410-61420 | 696 - 1A | 34041-21760 | 420 - 11A |
| -26330 | 630 - 6A | 32112-20010 | 103 - 7A | -61590 | 696 - 1B | -24980 | 752 - 5A |
| -27130 | 478A- 6A | 32150-60020 | 751A-103A | -61650 | 105 - 23A | -24990 | 752 - 6A |
| -70350-7 | 478 - 5A | -60040 | 033 - 9A | 33600-70240 | 112 - 35A | -25000 | 752 - 7A |
| -70400-7 | 478 - 9A | -60040 | 033A- 9A | -70250 | 112 - 34A | -25210 | 105 - 24A |
| -70410-7 | 478 - 6A | 32153-60180 | 751A- 14A | 33713-22540 | 478A-116A | 34042-71550 | 104 - 23A |
| -70420-7 | 478 - 7A | 32210-70360 | 634 - 21A | -26310 | 751 -232A | 34044-20260 | 339 - 5A |
| -70430-7 | 478 - 8A | -72340-7 | 479 - 5A | -26920 | 751 - 12A | -70980 | 062A- 23A |
| -70440-7 | 478 - 12A | -72380-7 | 479A- 2A | -26930 | 751 - 13A | -70990 | 062A- 26A |
| 30241-21490 | 695 - 6A | -72390-7 | 479A- 3A | -26940 | 751 - 14A | 34200-70850 | 338 -217A |
| -22180 | 630 - 17A | -72430 | A01 -551A | -26960 | 751 - 16A | -70850 | 426 -217A |
| -22430 | 101 - 24A | 32211-70230 | 112 - 2A | -26960 | 751 -107A | -71620 | 112 - 8A |
| -23810 | 630 - 14A | 32215-70080 | 795 - 11A | -26970 | 751 - 17A | -71720 | 338A-217A |
| -25000 | 630 - 7A | -70180 | 635 - 20A | -26970 | 751 -242A | 34500-24890 | 339 - 1A |
| -25460 | 630 - 14B | 32810-70020 | 112 - 12A | -26980 | 751 - 18A | 34820-66320 | 061 - 2A |

PARTS INDEX

UW1-2

| PART NUMBER | SEC-SYM | PART NUMBER | SEC-SYM | PART NUMBER | SEC-SYM | PART NUMBER | SEC-SYM |
|-------------|-----------|---------------|-----------|-------------|-----------|-------------|-----------|
| 34820-66320 | 062A- 1A | 35700-71880-7 | 479 - 9A | 38549-20010 | 335 -000A | 40495-70010 | 805 -101A |
| -66330 | 061 - 5A | -72030 | 104 - 24A | 38554-71520 | 104 - 3A | 40510-24930 | 478A- 16A |
| -66330 | 062A-101A | 35750-70470 | 337 -702A | 38560-20180 | 420 - 1A | -25230 | 103 - 3A |
| -90240 | 061 -111A | 35910-70150 | 695 - 31A | -60320 | 332 -101A | -70710-7 | 478 - 16A |
| -90240 | 062 - 1A | -70260 | 102 - 16A | -60320 | 338 -000A | 40600-70900 | 112 - 4A |
| -90250 | 061 -112A | 36200-70920 | 112 - 33A | -60610 | 420A- 1A | 40790-20010 | 420A- 14A |
| -90250 | 062 -101A | -70930 | 112 - 32A | -60610 | 420B- 1A | -20010 | 420B- 14A |
| 34940-70270 | 426 -301A | -71260 | 112 - 32B | -60610 | 426 -000A | -60070 | 332 - 17A |
| 34947-20020 | 334 - 4A | 36430-23770-7 | 211 - 2A | -60640 | 332A- 1A | -70180 | 697 - 28A |
| -20020 | 339 -000A | 36704-70030 | 062A- 11A | -60640 | 338A-000A | -70200 | 338 -501A |
| 34950-20010 | 332 - 8A | -70040 | 062A-111A | -70050 | 335 - 1A | -70460 | 426 -501A |
| -20020 | 332 - 9A | 36725-72810 | 062 - 11A | -70100 | 104 - 11A | -70540 | 338A-501A |
| 35010-20340 | 105 - 4B | -72820 | 062 -111A | 38565-70740 | 337 -602A | 40840-00010 | 061 - 22A |
| -20390 | 105 - 4A | 36733-20200 | 332A- 16A | -71630 | 337 -603A | -25360 | 061 - 19A |
| -60260 | 805 - 41A | -70080 | 112 - 18A | -71750 | A01 -603A | -25430 | 061 - 21A |
| -60290 | 697 - 1A | 37200-70070 | 338 -452A | -71760 | A01 -602A | -71060 | 335 - 8A |
| -60340 | 477 - 1A | 37213-20450 | 033 - 14A | 38670-21760 | 478A-113A | -71500 | 426 -131A |
| -60640 | 697 - 1B | -20450 | 033A- 14A | -60090-7 | 478 - 4A | -71590 | 062 - 16A |
| 35020-60070 | 697 - 11A | 37290-29920 | 033 - 1A | -70250 | 697 - 26A | -71600 | 338 -131A |
| 35039-70030 | 635 - 8A | -29930 | 033 - 2A | 38705-37020 | 065 - 1A | -72670 | 338A-414A |
| -70040 | 635 - 18A | -30050 | 033A- 1A | -37030 | 065 - 2A | -72670 | 426 -411A |
| 35043-60010 | 795 - 1A | -30060 | 033A- 2A | -57670 | 065 - 5A | -72940 | 062A- 13A |
| 35046-70080 | 697 - 27A | -30130 | 033A- 1B | 38730-50930 | 420 - 21A | -72950 | 062A- 20A |
| 35047-20080 | 630 - 34A | -30140 | 033A- 2B | 38731-28460 | 420A- 9A | 40850-70080 | 330 - 5A |
| 35051-20060 | 692 - 26A | -30350 | 033A- 1C | -28460 | 420B- 9A | -70280 | 105 - 9A |
| -20100 | 692 - 26B | -30360 | 033A- 2C | 38755-39080 | 331 - 1A | -70280 | 698 - 6A |
| 35100-20030 | 805 - 16A | 37600-20230 | 062 - 17A | 38775-21660 | 630 - 5A | 40900-35470 | 334 - 11A |
| -20200 | 332A- 12A | -20680 | 332 - 6A | -22690 | 334 - 1A | -56890-7 | 041 - 21A |
| -20200 | 420A- 16A | -20680 | 332A- 41A | -22700 | 334 - 2A | -56890-7 | 041 - 41A |
| -20330 | 420B- 23A | -21080 | 420A- 15A | -24500 | 334 - 1B | -71640 | 112 - 19A |
| -20830 | 332A- 8A | -21080 | 420B- 15A | -24520 | 334 - 2B | -71650 | 112 - 13A |
| -20850 | 420B- 24A | -21210 | 421 - 21A | 39600-72340 | 112 - 46A | 40901-24460 | 692 - 3A |
| -71440 | 695 - 37A | -21210 | 421A- 21A | -72490 | 112 - 47A | -26840 | 692 - 2A |
| -71970-7 | 479A- 17A | -25140 | 103 - 53A | -72680 | 112 - 17A | -37540 | 692 - 1A |
| 35104-70030 | 697 - 23A | -25320 | 103 - 53B | -72960 | 338A-210A | -38030 | 421 - 16A |
| -70170 | 338A-472A | -71330 | 426 -312A | -73000 | 062A- 18A | -44840 | 691 - 2A |
| 35107-70020 | 630 -331A | -72420-7 | 479 - 7A | -73010 | 062A- 21A | -47440 | 420 - 2A |
| 35195-20810 | 105 - 21A | -72450-7 | 479 - 8A | 39661-20060 | 339 - 6A | 40902-22380 | 421A- 16A |
| 35210-23800 | 949 - 12A | -72650 | 062A- 16A | 39890-20740 | 751A- 13A | -25890 | 334 - 11B |
| -23810 | 949 - 13A | 37715-22950 | 630 -223A | -20780 | 751A-117A | -31030 | 478A-112A |
| 35440-70220 | 337 -335A | -22950 | 630 -303A | -20790 | 751A- 36A | -33060 | 420A- 2A |
| 35570-70090 | 337 -302A | 37810-60060 | 332 - 11A | -20930 | 752 - 33A | -35340 | 949 - 2A |
| 35600-71790 | 337 -371A | -60060 | 332A- 11A | -20930-7 | 041 - 13A | -35740 | 103 - 5A |
| -71810 | 337 -373A | -60060 | 420 - 22A | -20930-7 | 041 -113A | -38430 | 103 - 5B |
| -71820 | 337 -522A | -60060 | 420A- 11A | 39960-70790 | 062 - 13A | -40140 | 949 - 2B |
| -72550 | 335 - 9A | -60060 | 420B- 11A | -72210-7 | 479A- 4A | -40640 | 033 - 11A |
| -73650 | 692 - 15A | -70340 | 692 - 9A | -72460 | 062A- 15A | -41600 | 033A- 11A |
| -73680 | 692 - 13A | -70430 | 692 - 11A | 40000-28270 | 692 - 6A | -41610 | 033A- 26A |
| -73890 | 426 -762A | 37900-70820 | A01 -101A | -42830 | 033 - 12A | -42060 | 332A- 3A |
| -73910 | 426 -614A | -70830 | A01 -114A | -42830 | 033A- 12A | -42090 | 420B- 17A |
| -73920 | 426 -612A | 37904-70150 | 635 - 70A | -43070 | 033A- 29A | -42120 | 033A- 11B |
| -73940 | 338 -221A | 38171-31300 | 630 -313A | -43330 | 033A- 29B | 41410-33720 | 630 - 4A |
| -73940 | 426 -613A | -38030 | 033A- 32A | -43580 | 033A- 12B | -34110 | 695 - 1A |
| -73950 | 338 -241A | 38480-70930 | 805 - 12A | 40033-70050 | 426 -126A | -35400 | 630 - 4B |
| -74350 | 426 -712A | -70940 | 805 - 13A | 40045-20150 | 033A- 31A | -36080 | 102 - 1A |
| -76530 | A01 -323A | 38510-60030 | 421 - 19A | -20200 | 033 - 13A | -70470-7 | 478A-122A |
| -76620 | 426 -408A | -60500 | 421A- 19A | -20200 | 033A- 13A | 41530-20090 | 695 - 5A |
| -77250 | 426 -711A | 38511-60090-7 | 478 - 2A | 40330-60180 | 420 - 6A | -71190 | 337 -158A |
| -77260 | 426 -713A | -60090-7 | 478A- 2A | -60180 | 420A- 6A | -71220 | 337 -551A |
| -77350 | 338A-335A | -60100-7 | 478 - 3A | -70660 | 104 - 19A | -71950 | 335 - 2A |
| -77420 | 426 -714A | -60100-7 | 478A- 3A | 40410-26900 | 030 - 1A | -72070 | 335 - 11A |
| -77560 | 338A-324A | -60190-7 | 478A- 3B | -26910 | 030 - 2A | -72410 | 338 -211A |
| -77950 | 104 - 4A | -71000 | 102 - 15A | -28780 | 033 - 3A | -72410 | 426 -211A |
| 35680-51680 | 751 -315A | -71330-7 | 479A- 8A | -28790 | 033 - 4A | -72790 | A01 -251A |
| -51760 | 751 -316A | -71400 | 635 - 6A | -28840 | 033A- 3A | -72790 | 338 -161A |
| -51770 | 751 -312A | 38521-60460 | A01 -000A | -28850 | 033A- 4A | -72790 | 338A-251A |
| -51780 | 751 -313A | 38524-60060 | 695 - 2A | -28920 | 033A- 3B | -73550 | 338A-252A |
| -57090 | 753 - 1A | -70130-7 | 478A-121A | -28930 | 033A- 4B | -74720-7 | 479 - 13A |
| -57100 | 753 - 2A | 38532-60670 | 330 - 11A | -28940 | 030A- 1A | -74790 | A01 -607A |
| 35700-20720 | 030 - 5A | -60670 | 337 -000A | -28950 | 030A- 2A | -74800 | A01 -151A |
| -20720 | 033 - 24A | 38534-60060 | 630 - 9A | -29200 | 033A- 3C | -75150 | 338A-202A |
| -20720 | 033A- 24A | -60140 | 630 - 8A | -29210 | 033A- 4C | -75190 | 062A-129A |
| -20720 | 037 - 11A | 38549-20010 | 331 - 2A | 40495-60020 | 805 -101B | -75380 | 104 - 16A |

| PART NUMBER | SEC-SYM | PART NUMBER | SEC-SYM | PART NUMBER | SEC-SYM | PART NUMBER | SEC-SYM |
|---------------|-----------|---------------|-----------|---------------|-----------|---------------|-------------|
| 41530-75420 | 104 - 1A | 41710-50190 | 033 - 16A | 43925-70270 | 112 - 20B | 46000-70860 | 112 - 16A |
| -75430 | 104 - 5A | -50200 | 033 - 17A | 43954-70010 | 062A- 27A | -70860 | 112 - 38A |
| -75440 | 104 - 26A | -50210 | 033 - 18A | 43956-70590 | 426 -125A | -71620-7 | 479A- 14A |
| 41585-70110 | 335 - 14A | -54100 | 805 - 21B | | 695 - 32A | -71660-7 | 479A- 15A |
| 41600-70440 | 112 - 42A | -54100 | 805 - 31B | | -70680 | 338 -454A | 338A-313A |
| -70890 | 338 -111A | -58740 | 033A- 16A | | -70690 | 338 -411A | 46011-20050 |
| -71370 | 112 - 40A | -58750 | 033A- 17A | | -70830 | 695 - 30A | 030A- 7A |
| -71380 | 112 - 39A | -58760 | 033A- 18A | 43962-20020 | 331 - 4A | -20160 | 751 -149A |
| -71450 | 426 -413A | -58770 | 033A- 27A | 43963-70160 | 112 - 14A | -20160 | 752 - 54A |
| -71460 | 426 -401A | 41711-20890 | 949 - 4A | 44074-70110 | 337 -511A | -20160 | 752 -104A |
| -71470 | 426 -302A | -21910 | 332A- 6A | | 335 - 7A | -21300 | 033A- 33A |
| -71480 | 426 -111A | -22050 | 420B- 19A | 44081-70540 | 635 - 12A | -21300 | 751A- 49A |
| -71490 | A01 -234A | -24920 | 037 - 7B | 44090-60040 | 630 -221A | -21560 | 692 - 8A |
| -71500 | 426 -412A | 41750-21460 | 037 - 2A | | 630 -301A | -21650 | 634 - 53A |
| -71770 | 338A-115A | -21470 | 037 - 3A | | 635 -000A | -70380 | 338 -215A |
| 41604-33390 | 752 - 12A | -22550 | 630 -312C | 44480-70030 | 635 - 7A | -70380 | 426 -215A |
| 41605-55240 | 696 - 2A | -25520 | 037 - 1A | 44721-63060 | 110 - 1A | 46023-70190 | 426 -121A |
| 41606-37000 | 630 -311A | -44220 | 420B- 18A | | 112 -000A | 46033-70150 | 692 - 23A |
| -58270-7 | 041 - 31A | -45040 | 030A- 6A | | 110 - 1B | 47131-21390 | 339 - 8A |
| -58310 | 041 -121A | -46040 | 037 - 1B | | 112 -000B | -72400 | 335 - 18A |
| -58310 | 752 - 41A | -46050 | 037 - 2B | | 110 - 1C | -72410 | 335 - 19A |
| 41607-21690 | 061 -121B | -47380 | 332A- 7A | | 112 -000C | -73470 | 426 -122A |
| -28700 | 033A-101A | 42006-70060 | 332 - 45A | 44770-47400-7 | 478 - 17A | -74360 | 695 - 36A |
| -40370 | 695 - 8A | 42730-20020-7 | 211 - 1A | | 795 - 3A | -75760-7 | 479A- 16A |
| -41030 | 694 - 1A | -70110-7 | 211 - 11A | | 105 - 6B | -75960-7 | 479 - 14A |
| -49140 | 630 -311B | 43113-23230 | 332A- 42A | | 105 - 6A | -76010-7 | 479A- 5A |
| 41608-39930 | 420A- 7A | -27910 | 063 - 1A | | 697 - 2A | -76700 | 338A-212A |
| -46470 | 751 -321A | -27920 | 063 - 2A | 44771-22590 | 332A-101A | -76830 | 062A- 24A |
| -46490 | 751 -311A | -27950 | 630 - 13A | 44785-20100 | 420 - 31A | -76840 | 062A-130A |
| -46500 | 752 -101A | -29670 | 332A- 33A | | 420 - 31B | -77170 | 104 - 17A |
| -46510 | 752 -102A | -30270 | 421 - 4A | | 420A- 31A | -77190 | 104 - 20A |
| -47450 | 751 -147A | -34430 | 332A- 34A | | 420B- 41A | -77210 | 104 - 13A |
| -47450 | 751A- 47A | -34430 | 421A- 2A | 44820-20520 | 420B- 21A | -77220 | 104 - 14A |
| 41609-30640 | 752 - 2A | -34430 | 421B- 2A | 44841-21120 | 033A- 41A | -77230 | 104 - 15A |
| -57840 | 037 - 7A | -34440 | 421 - 2A | 44881-60320 | 805 - 1A | -77240 | 104 - 21A |
| 41610-50960 | 420 - 3A | -34450 | 421 - 3A | | 805 - 1B | -77260 | 104 - 2A |
| -50980 | 420 - 8A | -35980 | 332 - 3A | 44955-70180 | 337 -332A | -77270 | 104 - 6A |
| 41611-00010 | 061 -121A | -35990 | 332 - 2A | | A01 -332A | -77270 | 104 - 27A |
| -21660 | 334 - 12A | -37290 | 630 - 35A | 45050-70310 | 476 - 1A | -77280 | 104 - 7A |
| -26580 | 330 - 21A | -39040 | 421 - 1A | | 634 - 7A | -77280 | 104 - 28A |
| -70440 | 112 - 41A | -39040 | 421A- 1A | 45090-70030 | 112 - 36A | -77290 | 104 - 8A |
| 41612-50770-7 | 041 - 1A | -43410 | 478A- 15A | 45200-24190 | 332A- 48A | -77300 | 104 - 10A |
| 41615-21140 | 331 - 3A | -45730 | 478A- 15B | | 339 - 3A | 47171-70140 | 062 - 38A |
| -32030 | 103 - 6A | -45840 | 421A- 3A | | -29730 | -70740 | 062A- 17A |
| 41618-25840 | 805 - 21A | -45840 | 421B- 3A | | 479A- 6A | 47194-20130 | 339 - 7A |
| -25840 | 805 - 31A | -45850 | 421A- 4A | -71330-7 | 479 - 15A | -70150 | 062 - 27A |
| -31570 | 752 - 21A | -45850 | 421B- 4A | | -71610 | -70580 | 335 - 20A |
| -31570-7 | 041 -101A | -47590 | 630 - 35B | | -71620 | -71520 | 062A- 22A |
| -31650-7 | 041 - 42A | -48230 | 630 - 21B | 45311-20610 | 339 - 4A | -71530 | 062A- 25A |
| -37130 | 630 -312A | -48840 | 630 - 13B | 45315-70010 | 062 - 18A | 47195-70090 | 062A- 28A |
| -37130 | 630 -312B | -49930 | 421B- 1A | | -70040 | 48976-60780 | 103 - 1A |
| -41380 | 630 - 27A | -50280 | 478A- 15C | 45590-70050-7 | 479 - 6A | -60780 | 104 -000A |
| -41400 | 630 - 15A | -51200 | 630 - 21C | 45600-23850 | 332 - 14A | 48979-70060-7 | 479A- 9A |
| -50800 | 693 - 21A | -71650 | 330 - 2A | | 338 -402A | 49327-60650 | 062 - 40A |
| 41619-42380 | 420A- 8A | -72260-7 | 478 - 14A | 45625-20310 | 692 - 4A | -60730 | 062 - 50A |
| -47420 | 752 - 13A | 43550-70160 | 697 - 22A | | 692 - 4B | -72070 | 102 - 40A |
| -47430 | 752 - 14A | 43573-20030 | 334 - 3A | | 692 - 4C | -73490 | 635 - 60A |
| -47450 | 752 - 4A | 43751-20040 | 692 - 12A | 45701-70030 | 805 - 14A | -73500 | 635 - 50A |
| -48020 | 030 - 4A | -70300 | 338A-471A | | 805 - 15A | -73750 | 339 - 10A |
| -58090 | 420A- 3A | 43890-20070 | 339 - 2A | | 805 - 14B | -73950 | 062A-140A |
| 41620-21000 | 105 - 22A | 43900-70480 | 062 - 19A | | 805 - 15B | -73960 | 062A-150A |
| -55590 | 630 - 15B | -71280 | 337 -336A | 45870-23030 | 692 - 7A | -73970 | 062A- 40A |
| 41621-20040 | 752 -111A | -73490 | 112 - 15A | | -28920 | -73980 | 062A- 50A |
| -20340 | 061 - 47A | -73490 | 112 - 37A | 45871-70090 | 062A-112A | 49461-70010-7 | 479 - 30A |
| -33120 | 033A- 37A | -73830 | 112 - 10A | | 062A- 12A | 49620-70140 | 112 - 15B |
| 41641-20300 | 334 - 6A | -74010 | A01 -874A | 45886-71740 | 062 - 12A | -70140 | 112 - 37B |
| 41678-70040-7 | 479A- 10A | -74360 | 104 - 12A | | -71750 | -70150 | 112 - 9B |
| 41710-22660 | 751A-104A | -74370 | 104 - 22A | 45887-70270 | 426 -572A | -70160 | 112 - 10B |
| -22880 | 751A- 45A | -74380 | 104 - 9A | | 338 -212A | 61002-10025 | 062 - 25A |
| -30750 | 037 - 9A | 43925-70170 | 112 - 43A | | -70280 | 61033-08020 | 630 - 62A |
| -42850 | 795 - 2A | -70190 | 112 - 9A | | -70280 | -08050 | 338 -172A |
| -50180 | 033 - 15A | -70210 | 112 - 44A | | -70320 | -10020 | 630 - 61A |
| -50180 | 033A- 15A | -70230 | 112 - 20A | 46000-70860 | 338A-214A | -10025 | 033A- 57A |

PARTS INDEX

UW1-4

| PART NUMBER | SEC-SYM | PART NUMBER | SEC-SYM | PART NUMBER | SEC-SYM | PART NUMBER | SEC-SYM |
|-------------|------------|-------------|-----------|-------------|-----------|---------------|-----------|
| 61057-10030 | 330 - 52A | 61802-12040 | 041 - 71A | 62722-03100 | 334 - 53A | 65220-31019 | 334 - 5A |
| -12035 | 330 - 51A | -12040 | 752 - 51A | -87100 | 330 - 54A | -31027 | 330 - 7A |
| -12040 | 630 - 55A | -12040 | 752 - 61A | 62761-17081 | 692 - 56A | -31027 | 630 - 29A |
| 61101-05050 | 695 - 45A | -12060 | 630 - 54A | -27121 | 805 - 18A | -41003 | 478A- 18A |
| -06012 | 426 -403A | -12075 | 478 - 52A | 63011-05032 | 692 - 28A | -41003 | 630 - 31A |
| -06016 | 338A-271A | -12075 | 478A- 52A | -05050 | 692 - 22A | -41010 | 630 - 32A |
| -06018 | A01 -271A | -12105 | 630 - 52A | -10050 | 692 - 18A | 65231-00041 | 478A- 25A |
| -06040 | A01 -273A | -16025 | 949 - 53A | 63422-46490 | 061 - 24A | -00061 | 478A- 24A |
| -06060 | 338 -481A | -16040 | 103 - 52A | -47780 | 061 - 23A | -00061 | 478A- 41A |
| -06080 | 426 -414A | 62256-51416 | 751A- 63A | 63813-00008 | 692 - 16A | -00101 | 630 -231A |
| -08016 | 338 -445A | -51420 | 697 - 25A | 64111-01001 | 332 - 7A | -00121 | 630 -244A |
| -08020 | 338 - 125A | -51610 | 476 - 51A | 65051-01906 | 062 - 32A | -00161 | 478A-103A |
| -08040 | 335 - 5A | -51610 | 634 - 51A | -02007 | 061 - 26A | -00201 | 478A- 31A |
| -08040 | 338A-272A | -51610 | 805 - 51A | -02209 | 061 - 25A | 65240-21018 | A01 -663A |
| -10025 | 337 -273A | -51620 | 691 - 61A | 65210-12003 | 695 - 34A | 65412-21215 | 062 - 23A |
| -10060 | 335 - 23A | 62401-81041 | 751A- 64A | -12005 | 695 - 38A | 65421-21215 | 062 - 22A |
| -18225 | 337 -971A | -81061 | 332 - 31A | -12008 | 337 -168A | 65431-21217 | 062 - 21A |
| 61133-16050 | 692 - 52A | -81067 | 332 - 32A | -12008 | 338A-263A | 65446-04809 | 062 - 28A |
| 61261-05045 | 691 - 55A | -81081 | 338A-273A | -12008 | 695 - 40A | 65455-03808 | 062 - 31A |
| 61275-06030 | 330 - 52B | -81101 | 634 - 55A | -12010 | 335 - 4A | 65464-06260 | 062 - 30A |
| -06030 | 334 - 54A | -81101 | 692 - 54A | -12010 | 335 - 22A | 65473-09930 | 062 - 29A |
| -06055 | 334 - 52A | -81101 | 692 - 54B | -12010 | 338A-262A | 65801-16032 | 692 - 24A |
| 61802-06010 | 421 - 55A | -81141 | 420A- 53A | -12011 | A01 -161A | -20016 | 692 - 19A |
| -06010 | 421A- 55A | -81141 | 420B- 53A | -12011 | A01 -261A | -25032 | 105 - 11A |
| -06010 | 696 - 53A | -81161 | 692 - 53A | -12011 | 102 - 22A | 67040-19000 | 630 - 19A |
| -06012 | 332A- 61A | -82161 | A01 -879A | -12011 | 331 - 32A | -19000 | 630 - 23A |
| -06016 | 692 - 51A | 62402-81121 | 332 - 52A | -12011 | 332 - 21A | 68035-10023 | 332A- 36A |
| -06025 | 420 - 51A | 62403-81081 | 695 - 42A | -12011 | 332A- 21A | -20170 | 693 - 3A |
| -06025 | 420A- 51A | -81121 | 332A- 52A | -12011 | 338 -162A | -20180 | 693 - 1A |
| -06025 | 421 - 56A | -81122 | 805 - 17A | -12011 | 338A-261A | -20190 | 693 - 4A |
| -06025 | 421A- 56A | 62480-21061 | 332A- 62A | -12011 | 420A- 21A | -30425 | 101 - 5A |
| -08012 | 332A- 51A | -21081 | 033 - 55A | -12011 | 420B- 31A | 68045-10022 | 332A- 32A |
| -08012 | 334 - 51A | -21081 | 033A- 55A | -12011 | 630 -102A | -10050 | 421A- 15A |
| -08016 | 033 - 51A | -21081 | 065 - 51A | -12014 | 101 -104A | -10050 | 421B- 15A |
| -08016 | 033A- 51A | -21081 | 101 - 52A | -12014 | 331 -101A | 68055-10025 | 332A- 35A |
| -08016 | 105 - 53A | -21081 | 630 - 53A | -12014 | 630 -114A | -10044 | 421 - 15A |
| -08016 | 694 - 51A | -21081 | 693 - 51A | -12014 | 630 -211A | -20120 | 331 - 42A |
| -08016 | 695 - 51A | -21081 | 698 - 51A | -12014 | 693 - 11A | -20122 | 331 - 43A |
| -08016 | 795 - 51A | -21081 | 751A- 52A | -12014 | 695 - 11A | -20170 | 693 - 2A |
| -08020 | 105 - 52A | -21101 | 691 - 53A | -12014 | 695 - 39A | 68235-60048 | 101 - 3A |
| -08025 | 033 - 52A | -21101 | 696 - 51A | -12018 | A01 -667A | -60054 | 101 - 3B |
| -08025 | 033A- 52A | 62501-09061 | 694 - 2A | -12018 | 101 - 31A | -60110 | 101 - 4A |
| -10020 | 030A- 52A | -13101 | 751 - 81A | -12018 | 337 -801A | 68635-20139 | 478A- 14B |
| -10020 | 036 - 51A | 62521-11005 | 692 - 14A | -12018 | 338 -123A | -20150 | 478A- 14A |
| -10020 | 420 - 52A | 62701-40061 | 332 - 51A | -12018 | 630 -122A | -60051 | 101 - 2A |
| -10020 | 420A- 52A | -40081 | 033 - 56A | -12018 | 630 -201A | 68645-30045 | 630 - 24A |
| -10020 | 420B- 52A | -40081 | 033A- 56A | -12020 | 335 - 3A | -30065 | 630 - 21A |
| -10020 | 751 - 61A | -40101 | 331 - 51A | -12020 | 338 -214A | 68655-38060 | 630 - 26A |
| -10020 | 751 - 71A | -40101 | 692 - 55A | -12020 | 426 -214A | 68678-50187 | 063 - 3A |
| -10020 | 751A- 51A | -40101 | 751A- 66A | -12022 | 337 -803A | 68845-60127 | 478 - 15A |
| -10020 | 752 - 71A | -40121 | 030A- 53A | -12024 | 337 -802A | 69002-03800-7 | 630 - 22A |
| -10020 | 949 - 61A | -40121 | 478A- 61A | -12026 | A01 -168A | 69100-10600 | 065 - 3A |
| -10025 | 033 - 53A | -40161 | 630 - 57A | -12029 | 101 - 41A | 69811-19210 | 330 - 3A |
| -10025 | 033A- 53A | 62710-18101 | 033A- 58A | -12029 | 102 -101A | -32210 | 330 - 6A |
| -10025 | 037 - 52A | -18101 | 331 - 52A | -12029 | 335 - 10A | -38210 | 630 - 36A |
| -10025 | 630 - 51A | -18121 | 041 - 62A | -12029 | 337 -561A | 72001-10600 | 065 - 4A |
| -10025 | 691 - 51A | -18121 | 041 - 72A | -12029 | 630 -321A | -11500 | 693 - 8A |
| -10025 | 751 - 51A | -18121 | 751A- 62A | -12030 | A01 -561A | -11500 | 698 - 11A |
| -10025 | 752 - 53A | -18121 | 752 - 52A | -12030 | A01 -662A | -11800 | 101 - 25A |
| -10030 | 030 - 52A | -18121 | 752 - 62A | -12038 | A01 -166A | -12500 | 630 - 28A |
| -10030 | 691 - 52A | -18121 | 949 - 54A | -12038 | A01 -167A | 72010-31000 | 630 - 18A |
| -10100 | 330 - 53A | -18161 | 691 - 54A | -12044 | 630 -132A | -55000 | 332A- 46A |
| -12020 | 033 - 54A | -18161 | 949 - 55A | -12044 | 630 -144A | 75011-25400 | 332 - 18A |
| -12020 | 033A- 54A | 62721-04100 | 751A- 65A | -12050 | 337 -161A | 88031-06061 | 332 - 12A |
| -12020 | 033A- 54B | -06100 | 476 - 52A | -22035 | A01 -263A | -06061 | 420B- 54A |
| -12020 | 037 - 51A | -06100 | 634 - 52A | -22035 | 335 - 21A | -06101 | 331 - 5A |
| -12020 | 478 - 51A | -06100 | 805 - 52A | -22055 | 337 -263A | -06101 | 332A- 5A |
| -12020 | 478A- 51A | -10100 | 634 - 54A | -22060 | 338 -122A | -06101 | 751A-105A |
| -12025 | 949 - 51A | -12100 | 330 - 54B | -22065 | 337 -261A | -06121 | 478A-115A |
| -12030 | 751A- 61A | -12100 | 630 - 56A | 65212-30624 | 062 - 24A | 88111-11200 | 420 - 7A |
| -12030 | 949 - 52A | -16100 | A01 -880A | -31544 | 062 - 26A | 88120-12400 | 692 - 17A |
| -12035 | 041 - 51A | -24100 | 062 - 20A | 65220-31007 | 695 - 33A | -12400 | 692 - 17B |
| -12040 | 041 - 61A | 62722-03100 | 330 - 55A | -31019 | 330 - 4A | 88201-06704 | 332 - 4A |

| PART NUMBER | SEC-SYM | PART NUMBER | SEC-SYM | PART NUMBER | SEC-SYM | PART NUMBER | SEC-SYM |
|-------------|-----------|-------------|---------|-------------|---------|-------------|---------|
| 88201-06704 | 332A- 2A | | | | | | |
| -06704 | 332A- 2B | | | | | | |
| -06704 | 420 - 5A | | | | | | |
| -06704 | 420A- 5A | | | | | | |
| -06704 | 420B- 5A | | | | | | |
| -06706 | 695 - 4A | | | | | | |
| -06708 | 630 - 16A | | | | | | |
| -06716 | 101 - 7A | | | | | | |
| -06806 | 478A- 9A | | | | | | |
| 88241-03404 | 421 - 18A | | | | | | |
| -03404 | 421A- 18A | | | | | | |
| -06920 | 478A- 11A | | | | | | |
| -06920 | 478A- 11B | | | | | | |
| -07020 | 478A- 7A | | | | | | |
| -07020 | 478A- 7B | | | | | | |
| -07106 | 331 - 41A | | | | | | |
| -07106 | 695 - 3A | | | | | | |
| -07108 | 101 - 6A | | | | | | |
| -07204 | 332A- 13A | | | | | | |
| -07206 | 693 - 5A | | | | | | |
| -07216 | 102 - 18A | | | | | | |
| 88254-71408 | 630 -222A | | | | | | |
| -71408 | 630 -302A | | | | | | |
| 88390-16102 | 102 - 17A | | | | | | |
| -21304 | 331 - 21A | | | | | | |
| -21304 | 630 - 44A | | | | | | |
| -21504 | 102 - 8A | | | | | | |
| -21506 | 630 - 37A | | | | | | |
| -21516 | 630 - 39A | | | | | | |
| 88396-11002 | 695 - 7A | | | | | | |
| 88811-01410 | 338 -455A | | | | | | |
| -08040 | 062 - 15A | | | | | | |

OPTION (HOT SLAG)

XW1

| SYSTEM CODE | SYSTEM NAME | PAGE |
|-------------|---------------------------------------|--------|
| 101 | FRONT CHASSIS GROUP | 101-1 |
| 111 | FUEL TANK GROUP | 111-1 |
| 113 | OIL TANK GROUP | 113-1 |
| 115 | FLOOR BOARD GROUP | 115-1 |
| 125 | STEP & HANDRAIL GROUP | 125-1 |
| 131 | REAR GRILLE GROUP | 131-1 |
| 135 | COVER MOUNT | 135-1 |
| 147 | GREASE PIPING (FOR FRONT) | 147-1 |
| 155 | FRONT LAMP MOUNT | 155-1 |
| 159 | BATTERY & GREASE GUN MOUNT | 159-1 |
| 171 | ELECTRICAL WIRING - FRONT CHASSIS | 171-1 |
| 173 | ELECTRICAL WIRING - REAR CHASSIS | 173-1 |
| 175 | ELECTRICAL WIRING - FLOOR BOARD | 175-1 |
| 179 | SWITCH MOUNT (FOR EMERGENCY E/G STOP) | 179-1 |
| 179A | SWITCH MOUNT (FOR EMERGENCY E/G STOP) | 179A-1 |
| 233 | RADIATOR GROUP | 233-1 |
| 235 | RADIATOR | 235-1 |
| 237 | WATER LINE | 237-1 |
| 241 | AIR CLEANER GROUP - PRECLEANER | 241-1 |

OPTION (HOT SLAG)

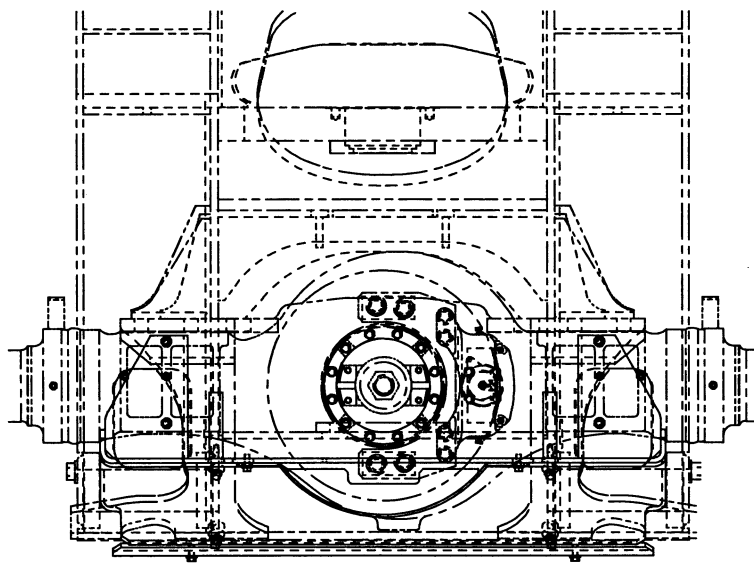
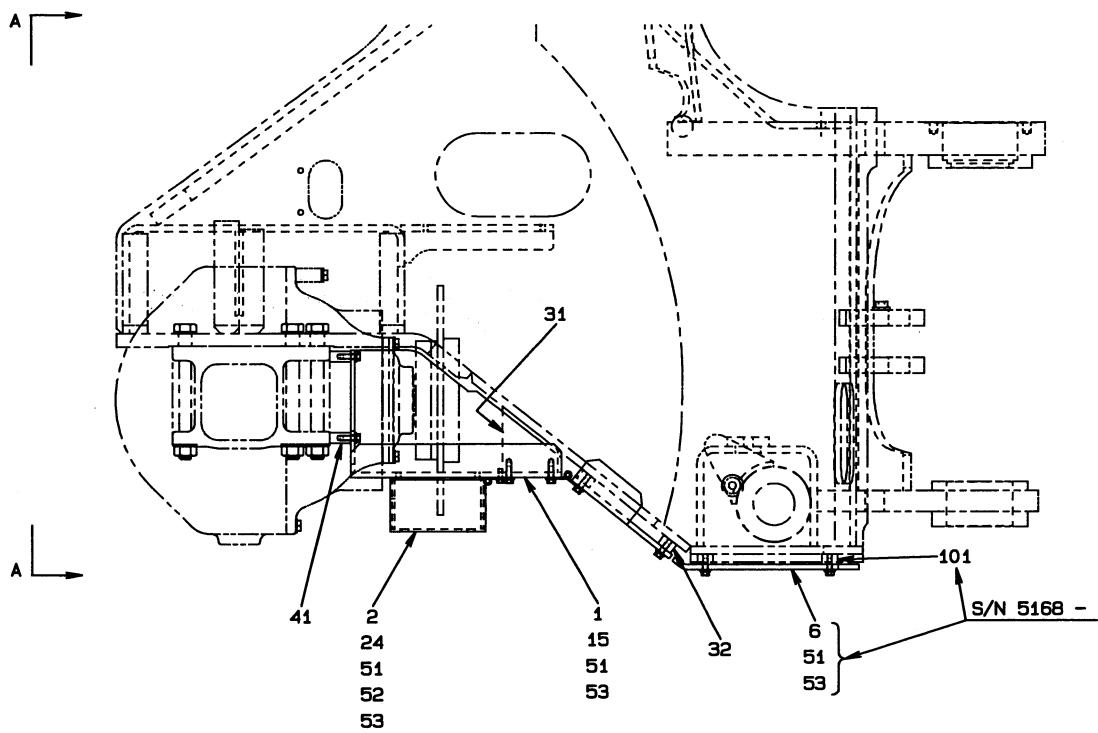
XW1

| SYSTEM CODE | SYSTEM NAME | PAGE |
|-------------|--|-------|
| 251 | FUEL LINE | 251-1 |
| 261 | HYDRAULIC LINE (FOR REVERSING FAN) | 261-1 |
| 262 | RELIFE VALVE MOUNT (FOR REVERSING FAN) | 262-1 |
| 263 | MOTOR MOUNT (FOR REVERSING FAN) | 263-1 |
| 264 | FAN MOTOR (FOR REVERSING FAN) | 264-1 |
| 265 | ELECTRICAL EQUIPMENT MOUNT (FOR REVERSING FAN) | 265-1 |
| 301 | TRANSMISSION HYDRAULIC LINE | 301-1 |
| 401 | FRONT AXLE GROUP | 401-1 |
| 451 | TIRE & DISC WHEEL GROUP | 451-1 |
| 503 | BRAKE LINE - FRONT CHASSIS | 503-1 |
| 505 | BRAKE LINE - FLOOR BOARD | 505-1 |
| 511 | BRAKE LINE - REAR CHASSIS | 511-1 |
| 513 | BRAKE LINE - AXLE | 513-1 |
| 515 | BRAKE LINE - ACCUMULATOR | 515-1 |
| 517 | AIR BREATHER MOUNT | 517-1 |
| 591 | BRAKE LINE - FRONT CHASSIS (FOR PARKING BRAKE RELEASE SYSTEM) | 591-1 |
| 592 | BRAKE LINE - REAR CHASSIS (FOR PARKING BRAKE RELEASE SYSTEM) | 592-1 |
| 593 | VALVE MOUNT (FOR PARKING BRAKE RELEASE SYSTEM) | 593-1 |

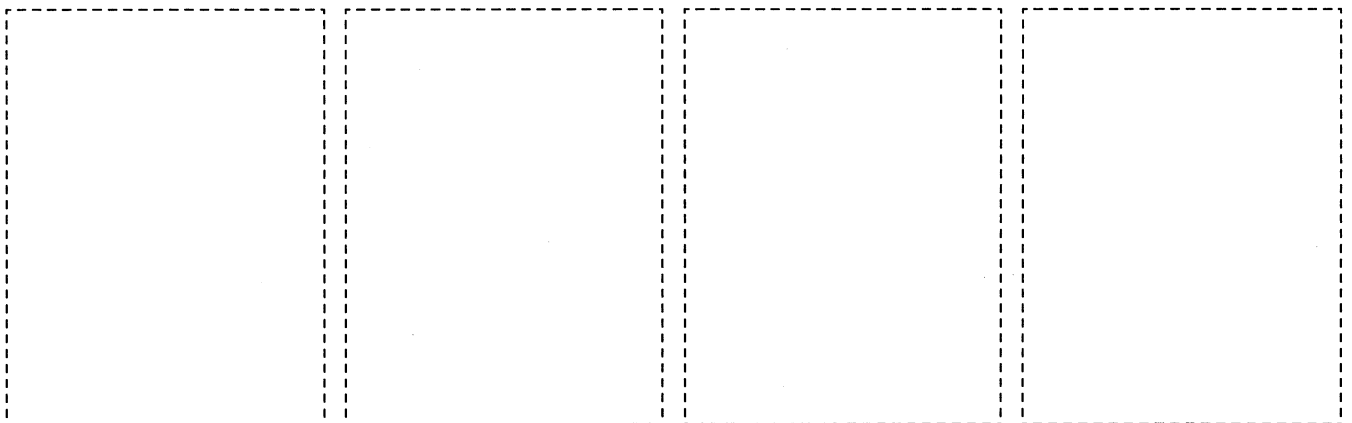
OPTION (HOT SLAG)

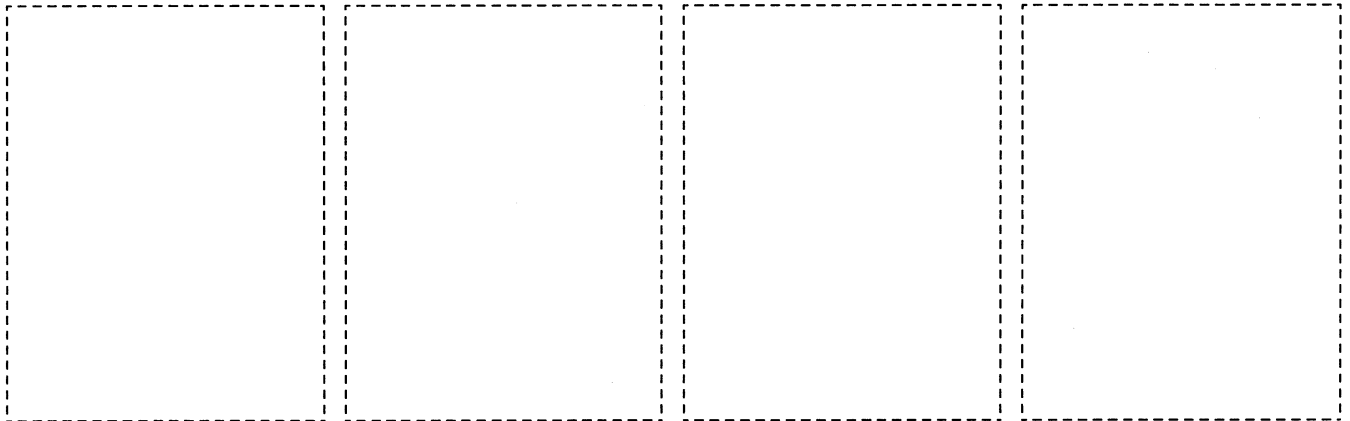
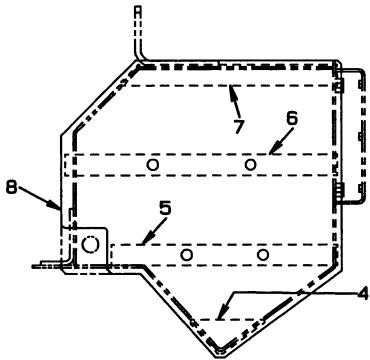
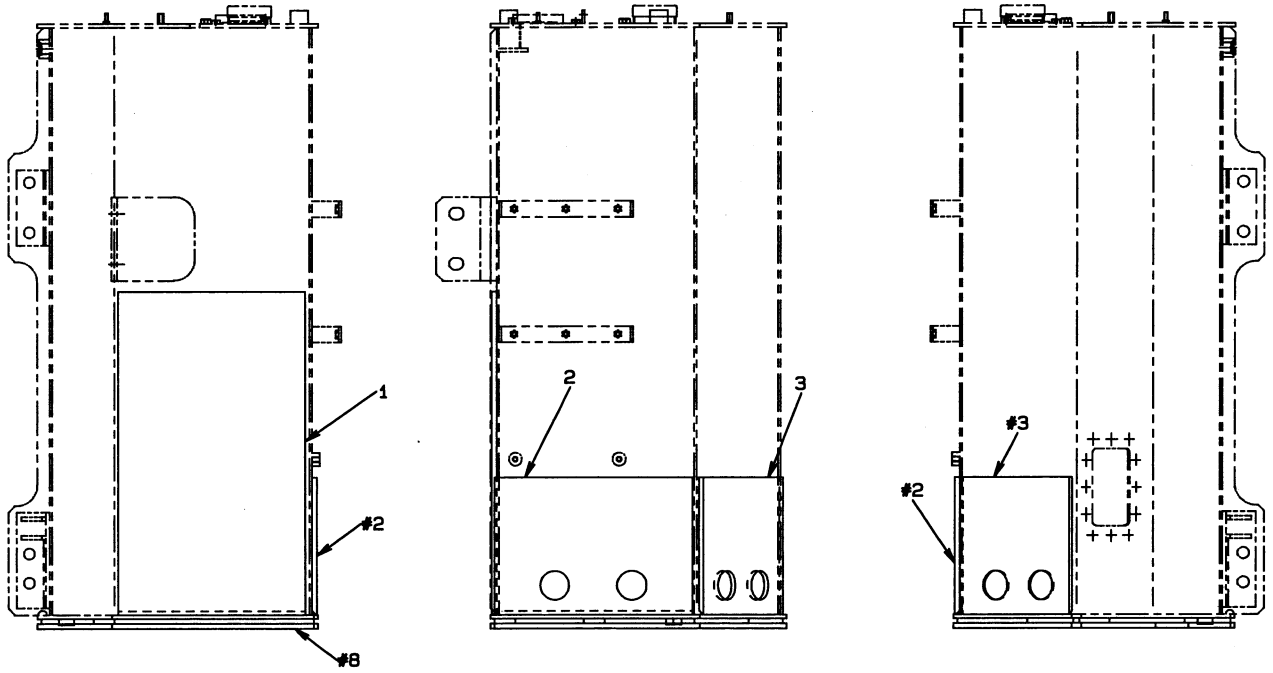
XW1

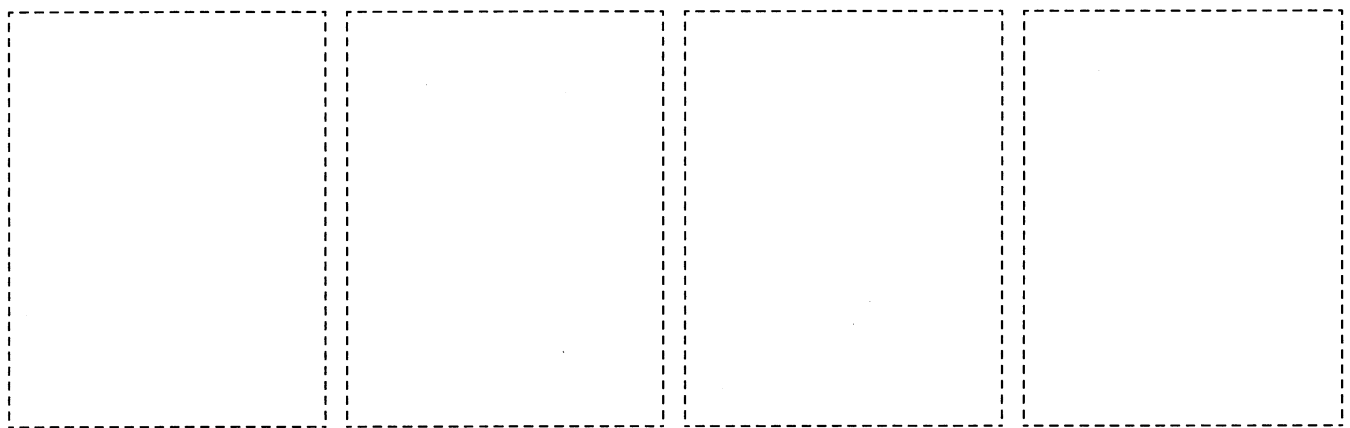
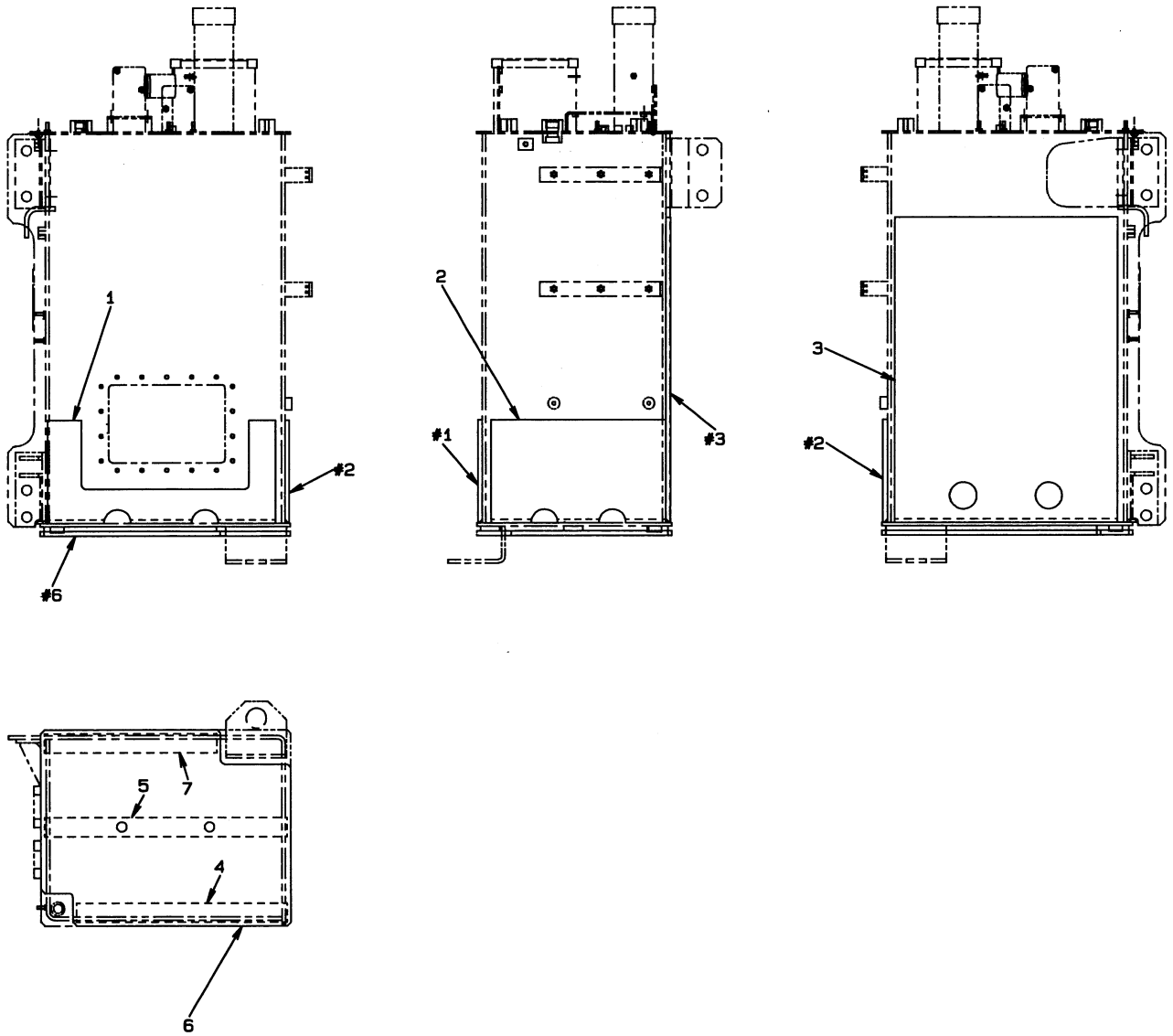
| SYSTEM CODE | SYSTEM NAME | PAGE |
|-------------|--|--------|
| 595 | LABEL MOUNT (FOR PARKING BRAKE RELEASE SYSTEM) | 595-1 |
| 664 | BUCKET POSITIONER GROUP | 664-1 |
| 701 | LOADING HYDRAULIC LINE - FRONT CHASSIS | 701-1 |
| 715 | LOADING HYDRAULIC LINE - REAR CHASSIS (FOR PUMP) | 715-1 |
| 721 | LOADING HYDRAULIC LINE - STEERING CYLINDER | 721-1 |
| 723 | LOADING HYDRAULIC LINE - CENTER PIN | 723-1 |
| 743 | PILOT HYDRAULIC LINE - FRONT CHASSIS | 743-1 |
| 745 | PILOT HYDRAULIC LINE - REAR CHASSIS | 745-1 |
| 747 | PILOT HYDRAULIC LINE - CONTROL BOX | 747-1 |
| 811 | MARKING GROUP | 811-1 |
| 921 | MIRROR GROUP | 921-1 |
| 925 | WINDOW GLASS MOUNT | 925-1 |
| 929 | CAB ACCESSORIES MOUNT | 929-1 |
| 931 | CAB OPTION PARTS | 931-1 |
| 931A | CAB OPTION PARTS | 931A-1 |
| 943 | AIR DUCT GROUP - FLOOR BOARD | 943-1 |

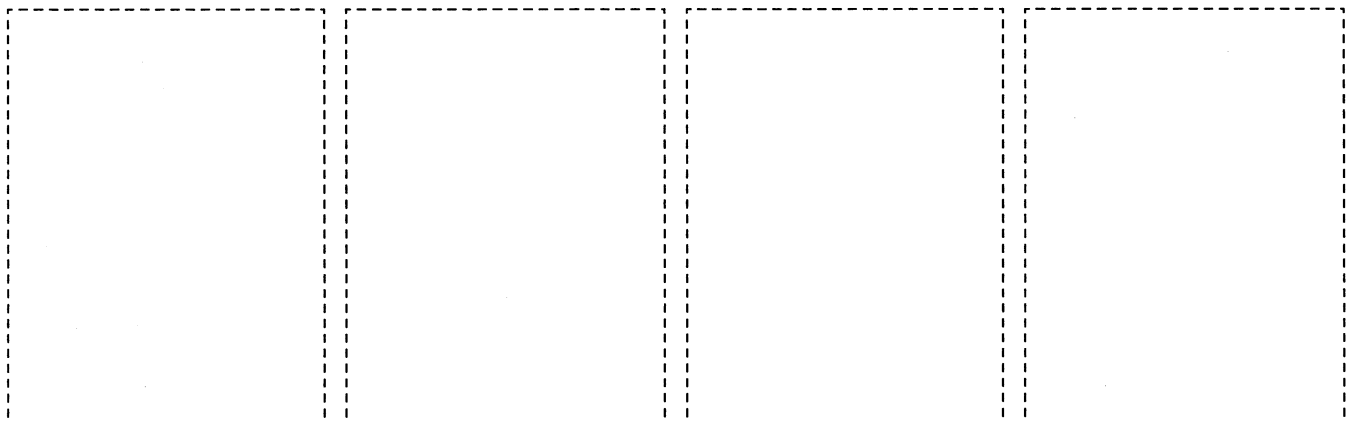
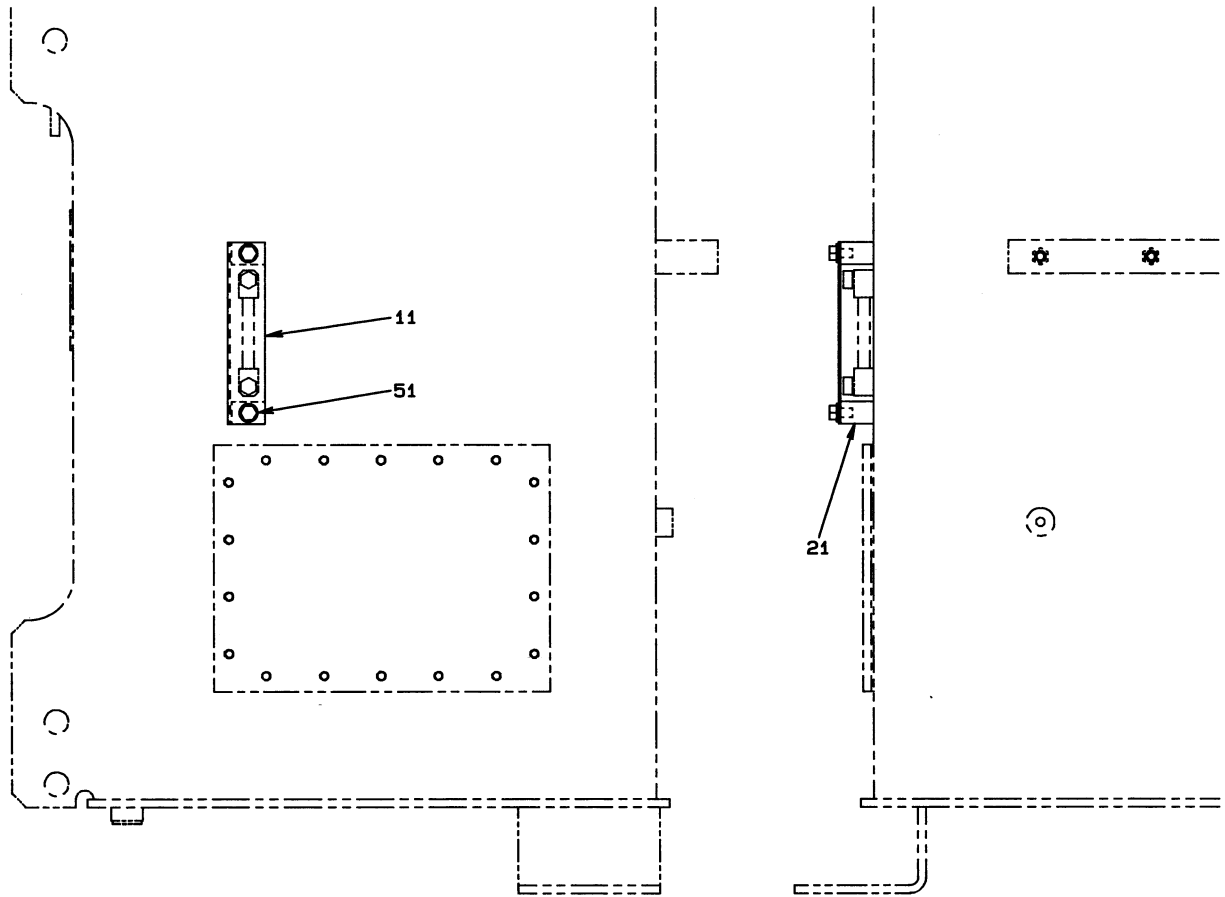


VIEW A - A

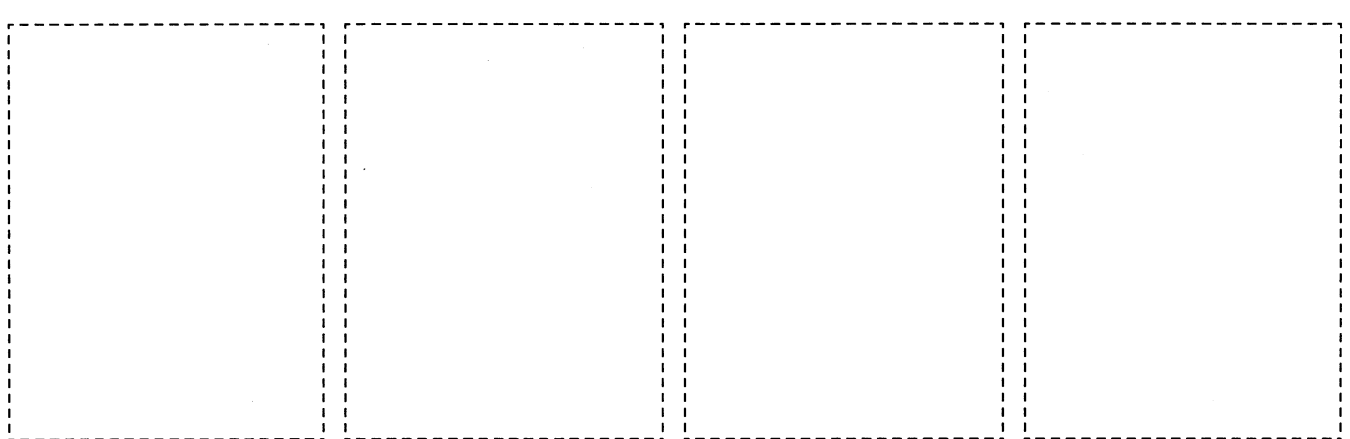
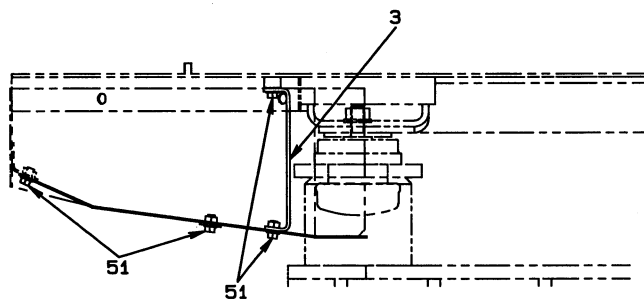
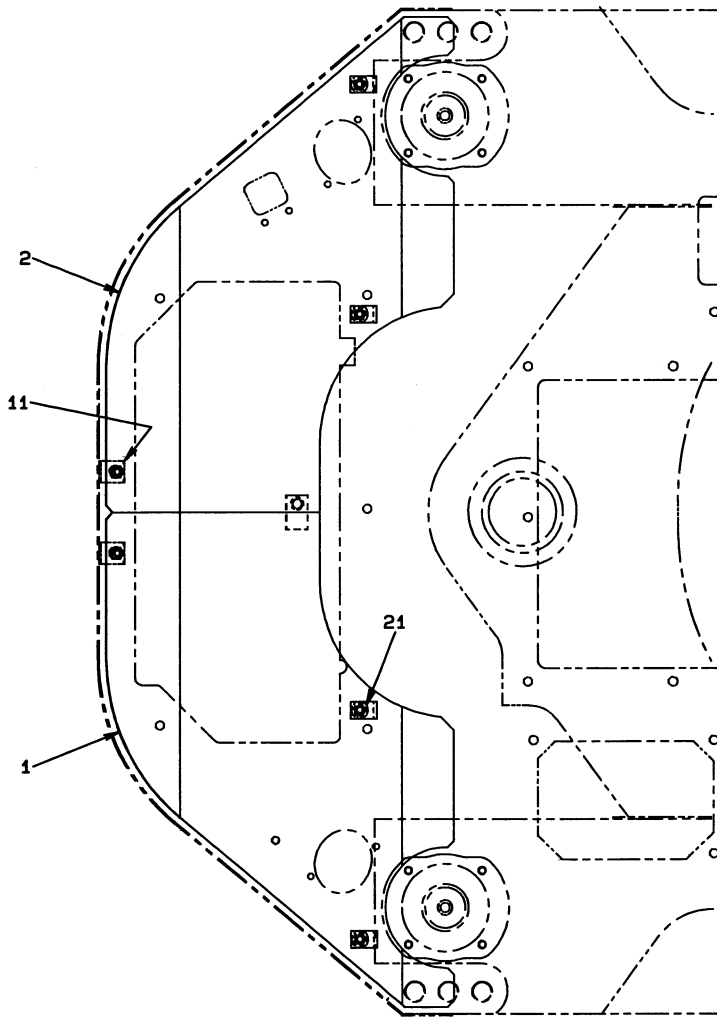


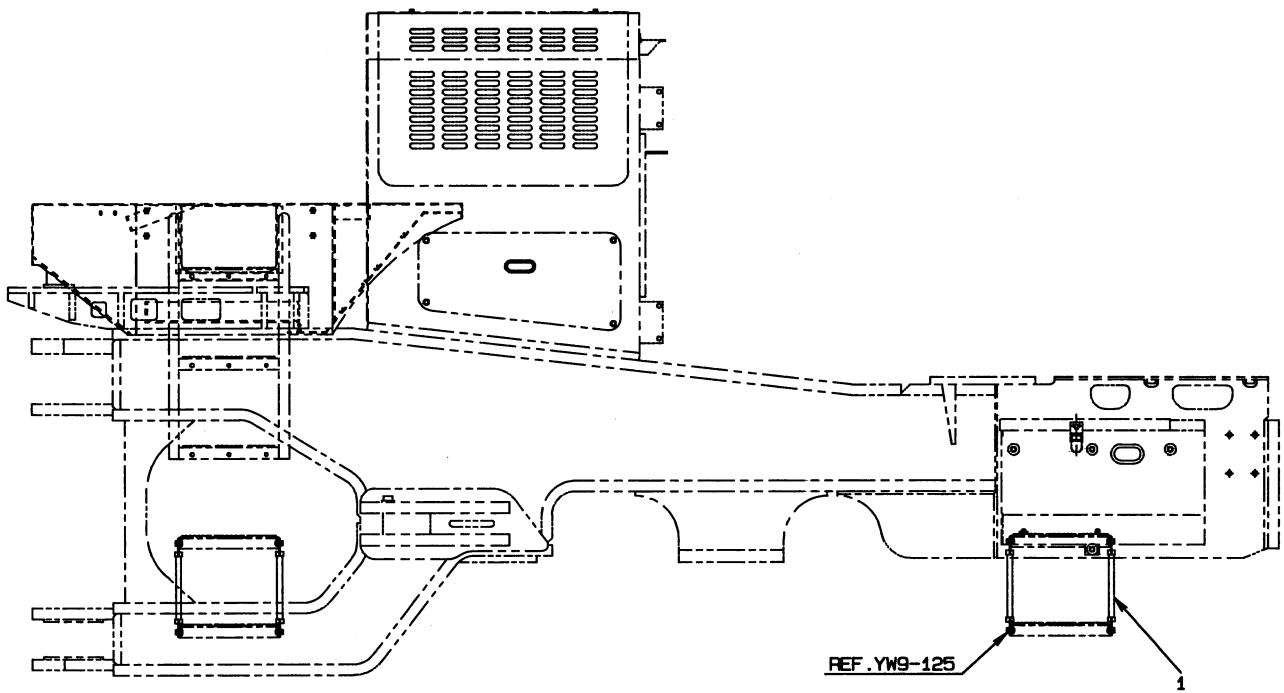






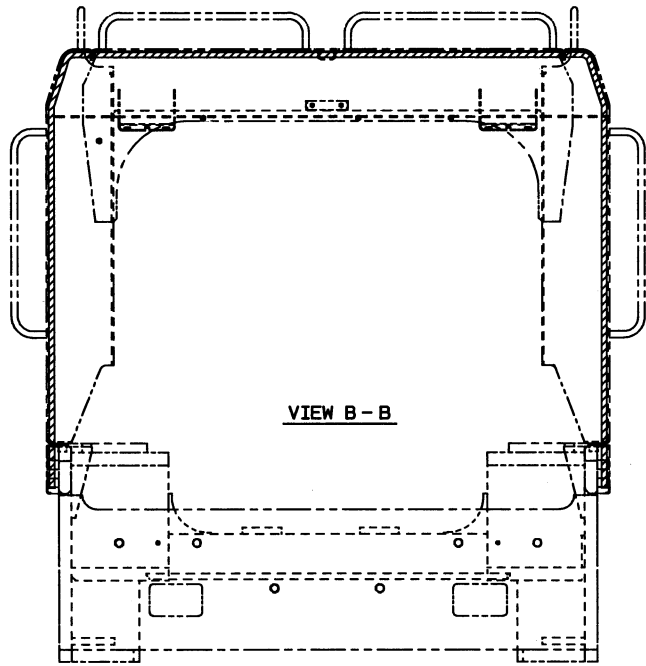
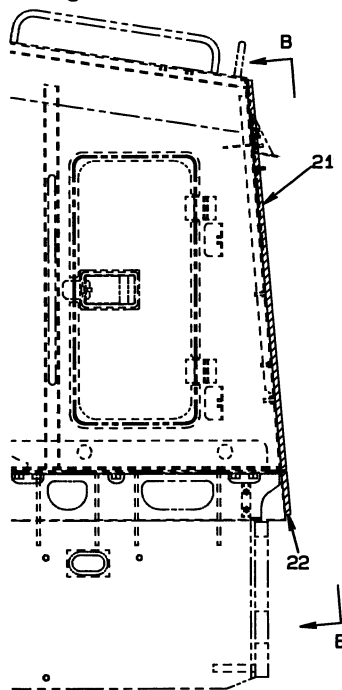
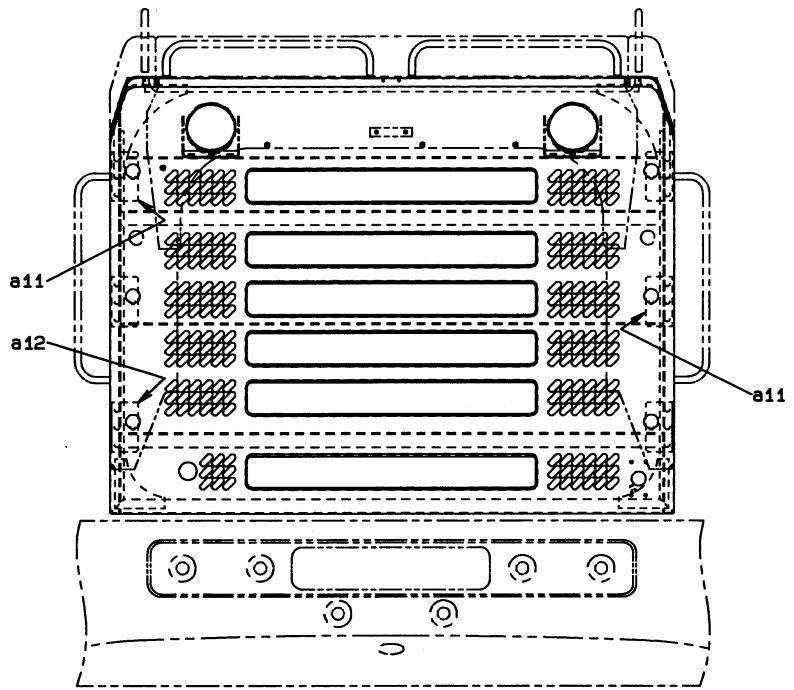
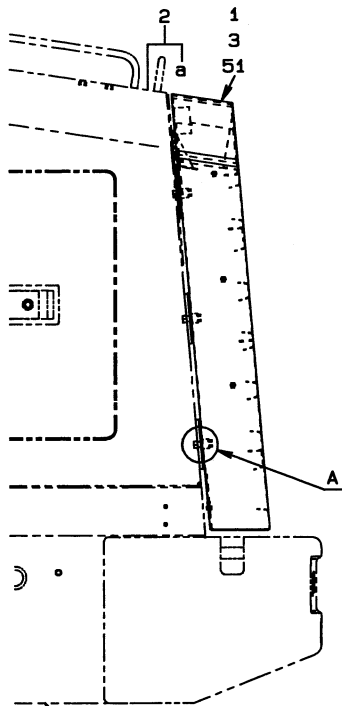
MEMO



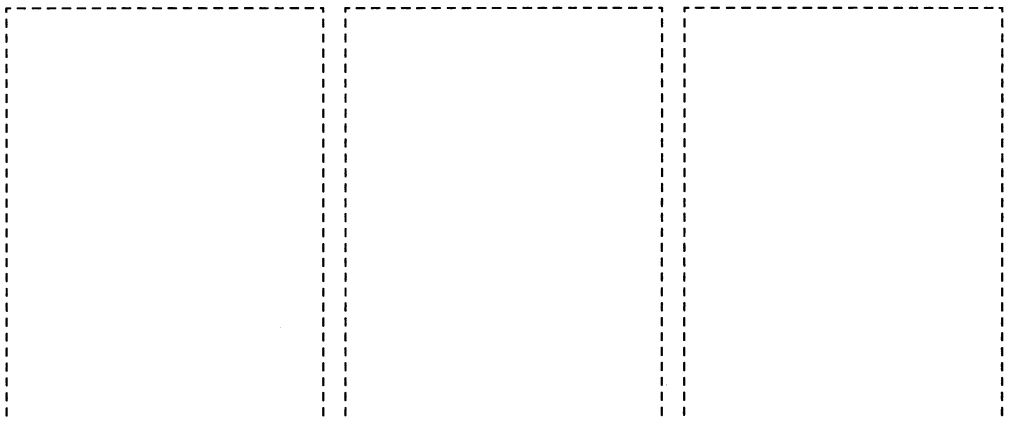
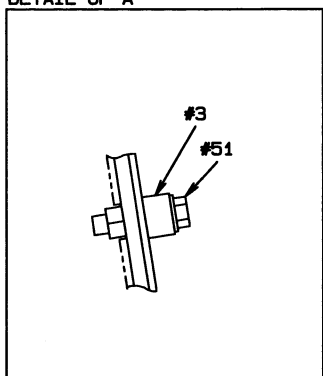


| | | | |
|--|--|--|--|
| | | | |
|--|--|--|--|

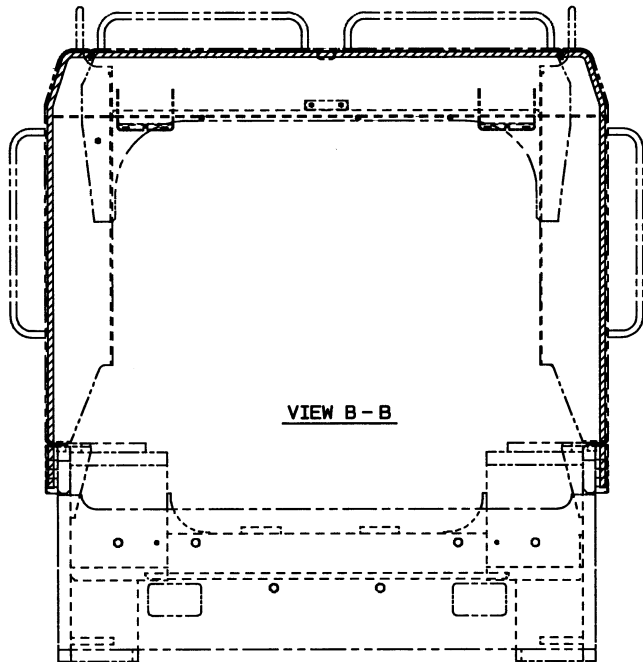
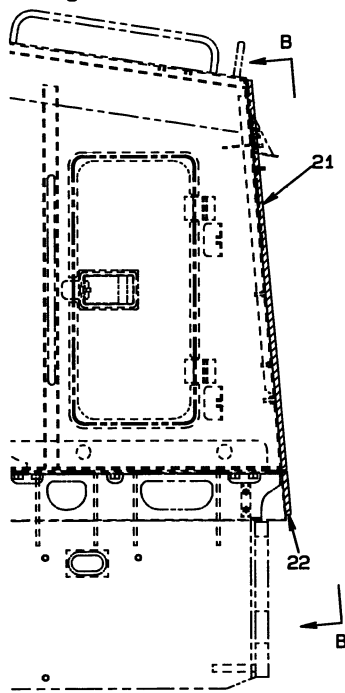
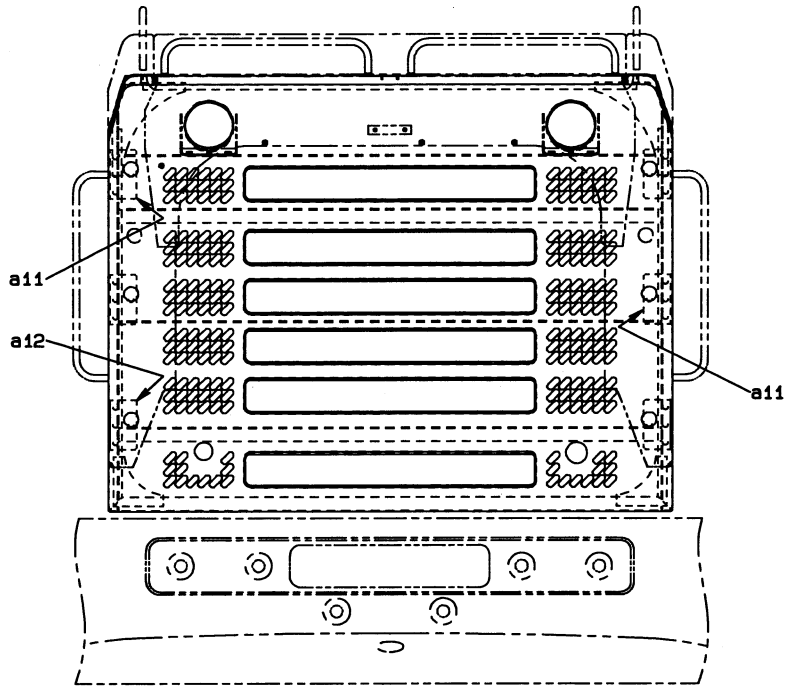
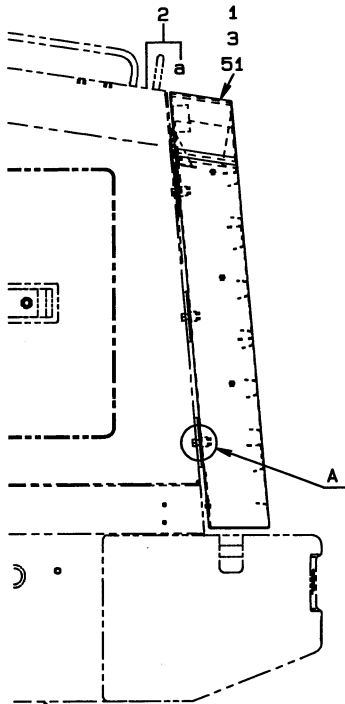
<S/N 5001 - 5197>



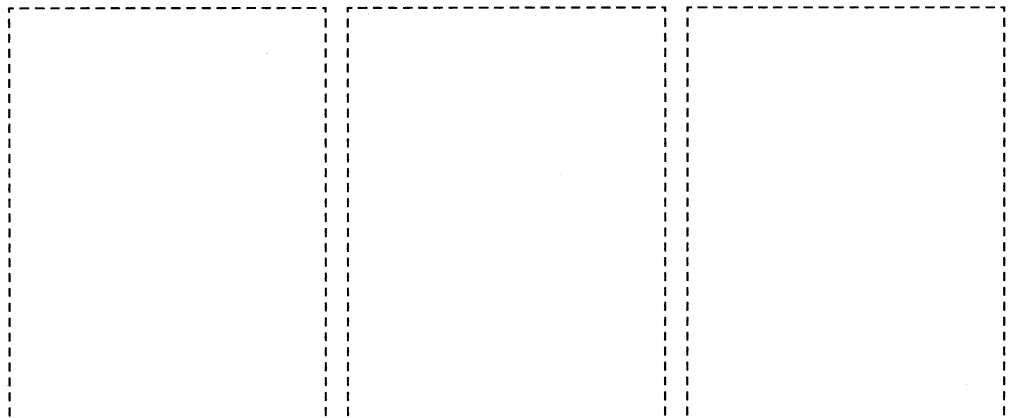
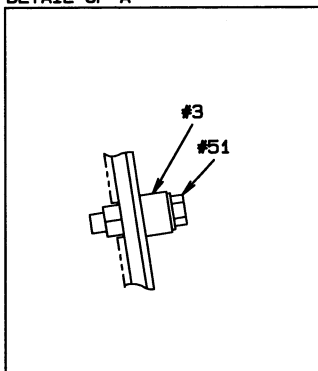
DETAIL OF A



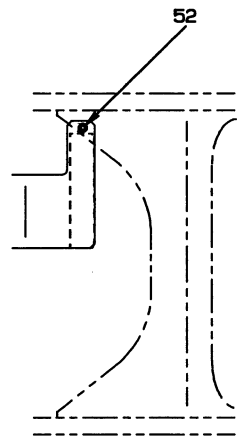
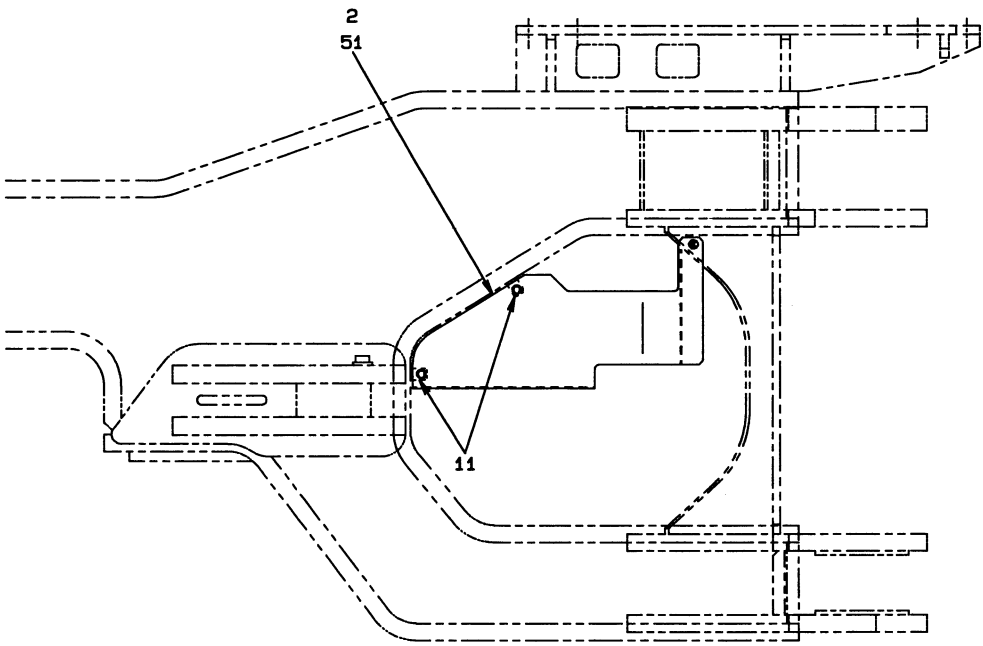
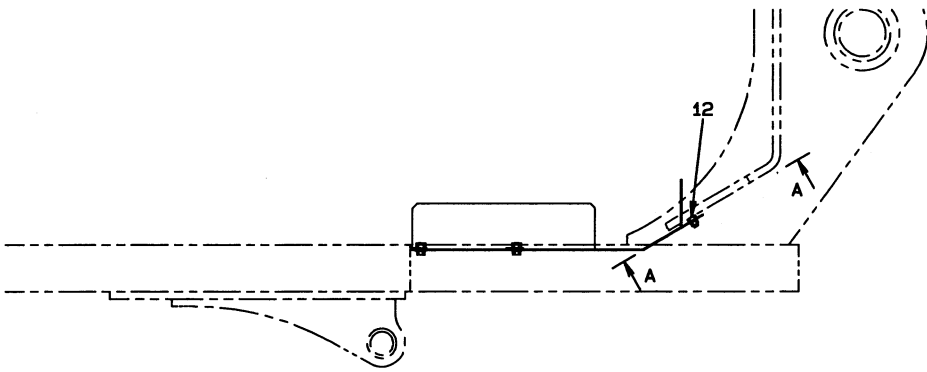
<S/N 5198 - >



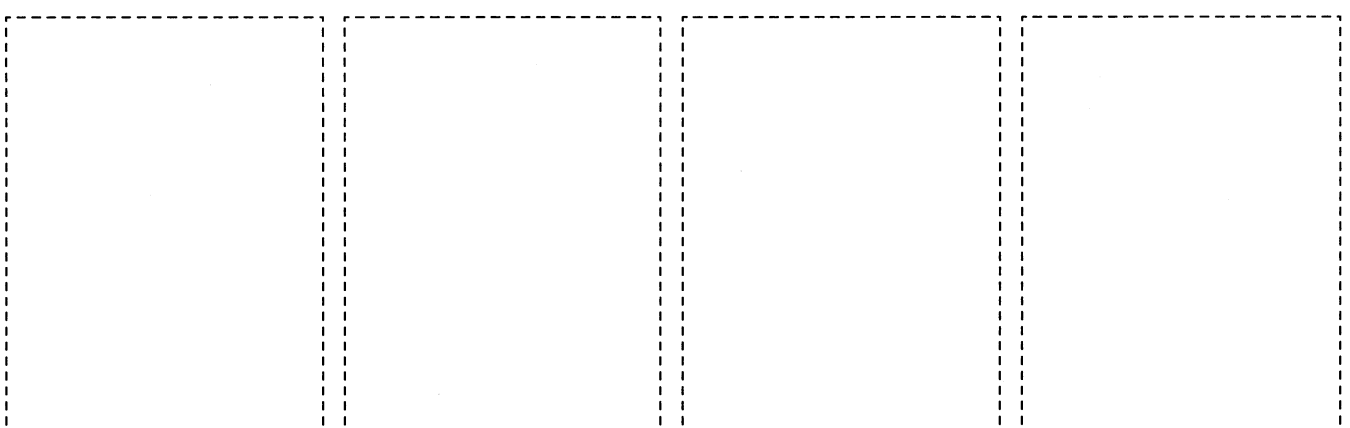
DETAIL OF A

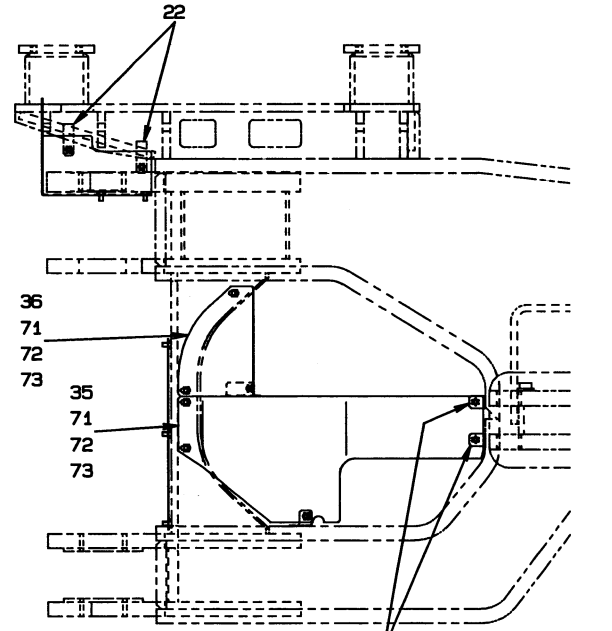
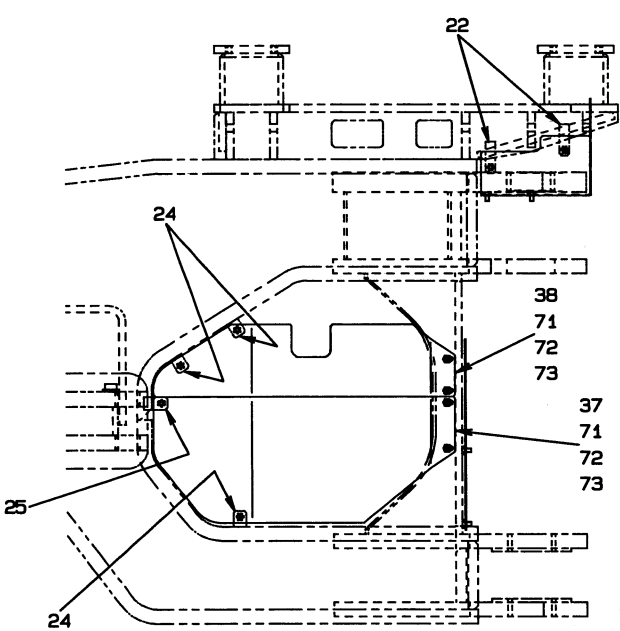
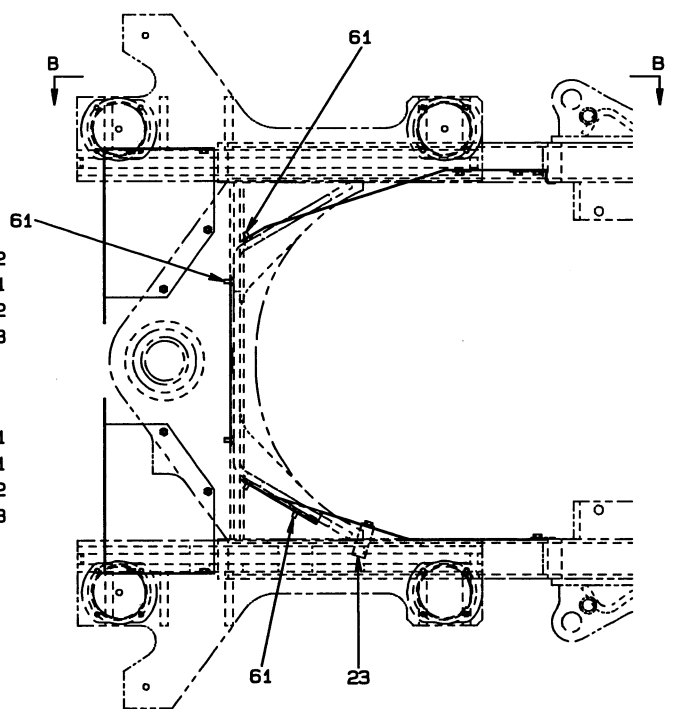
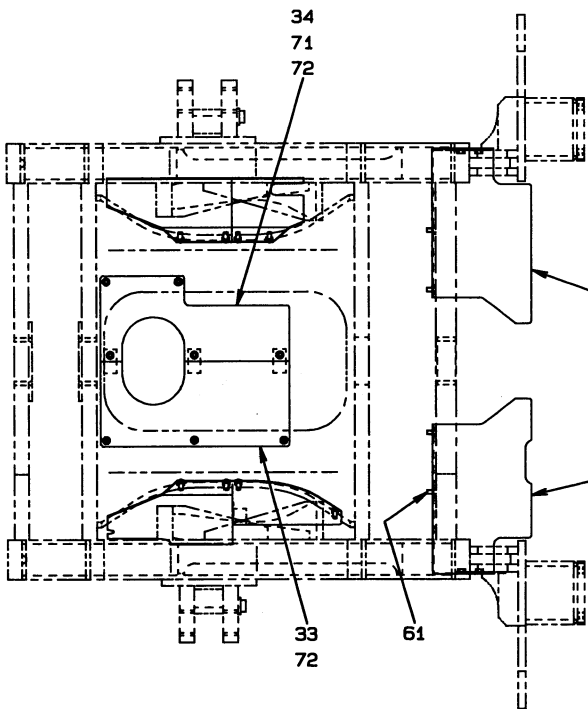


MEMO

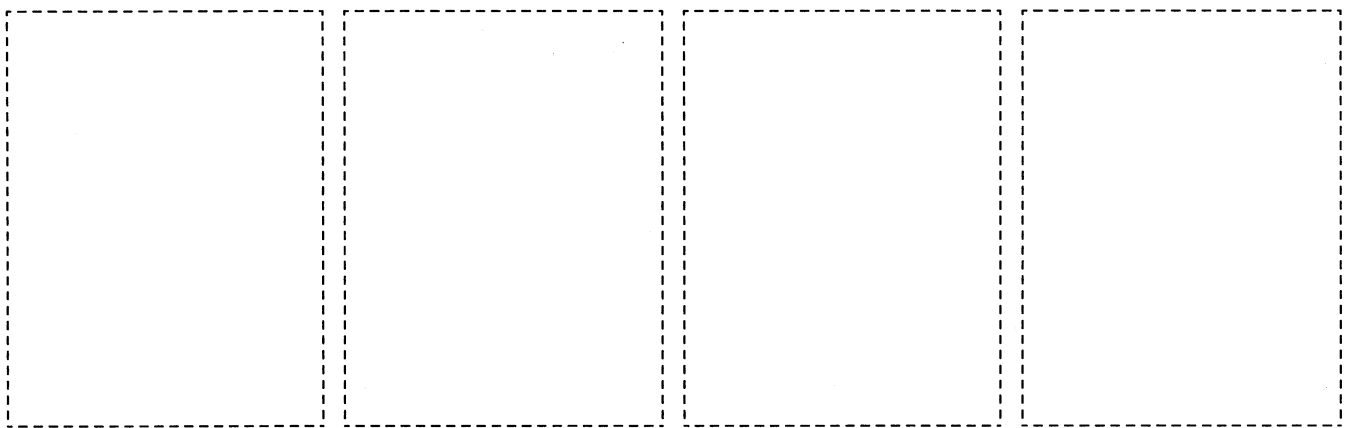


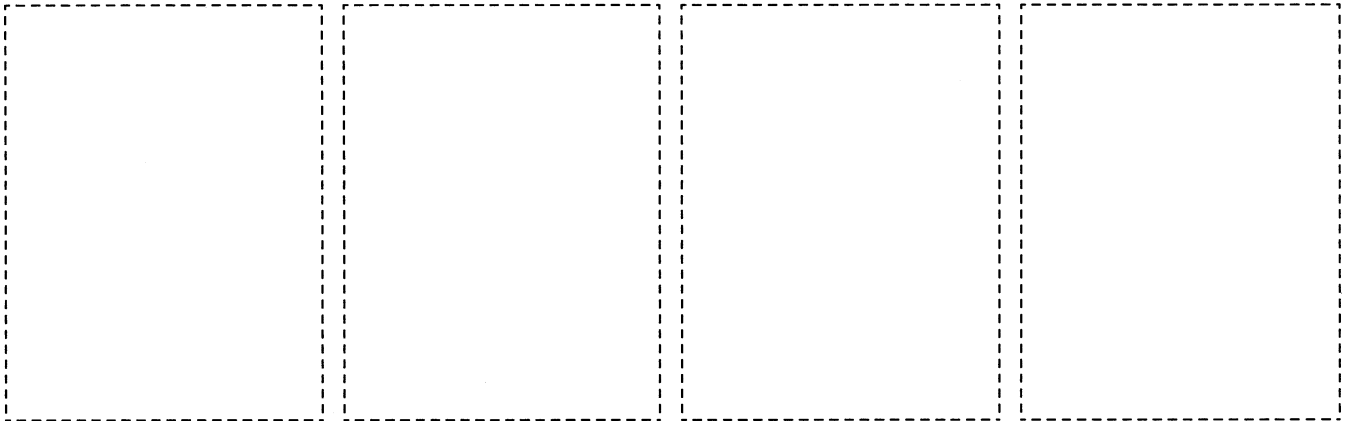
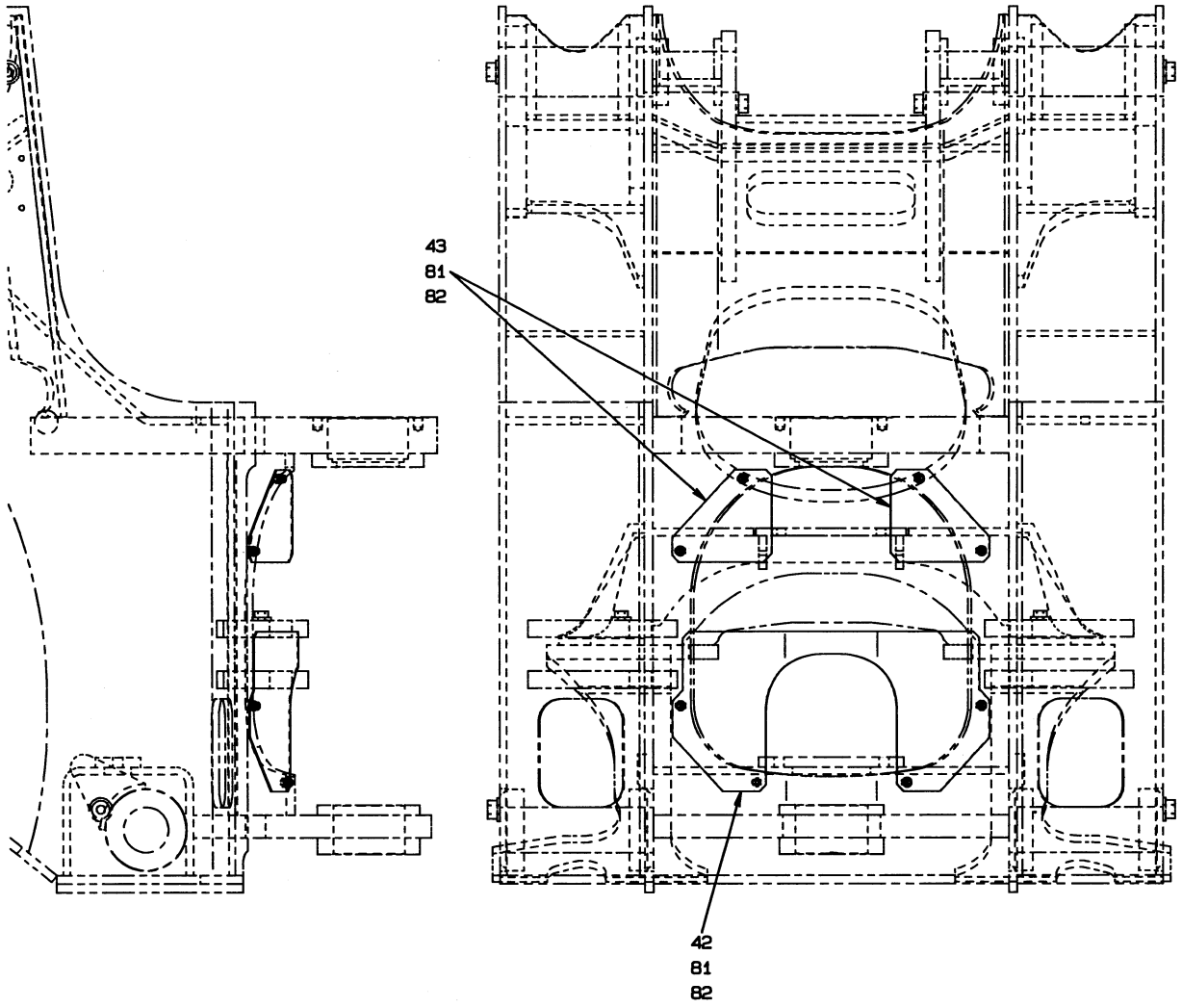
VIEW A - A



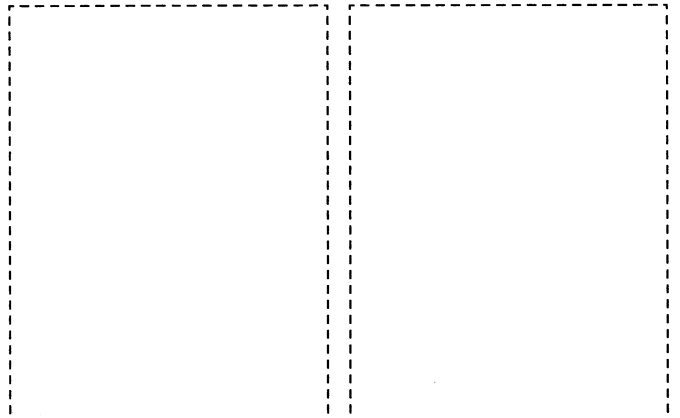
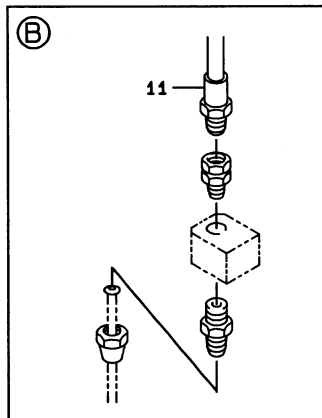
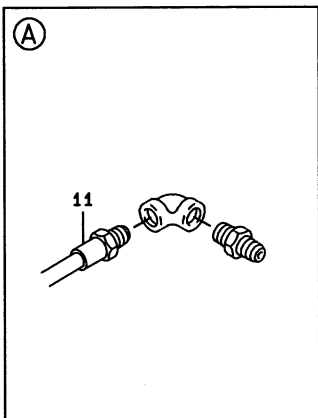
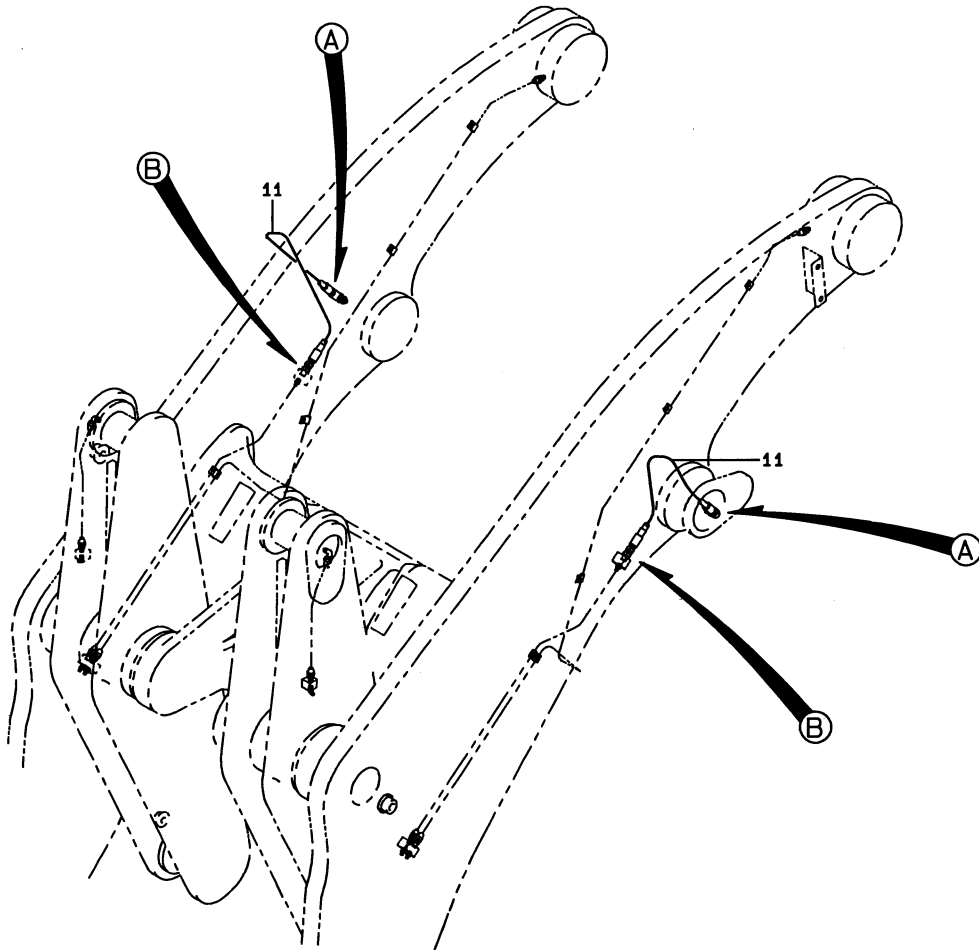


VIEW B - B

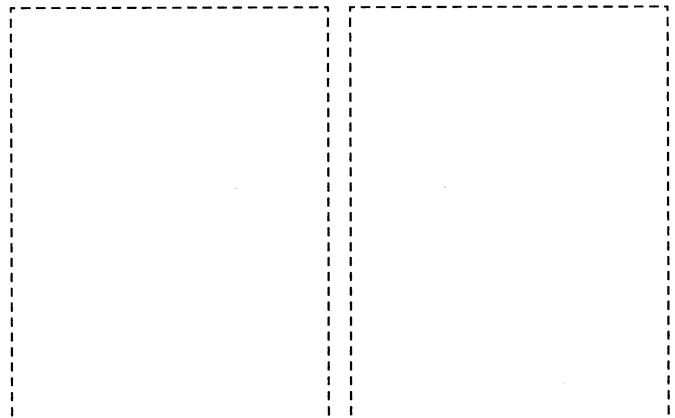
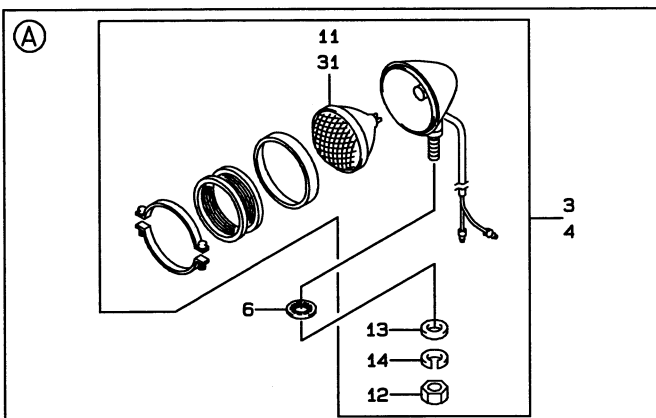
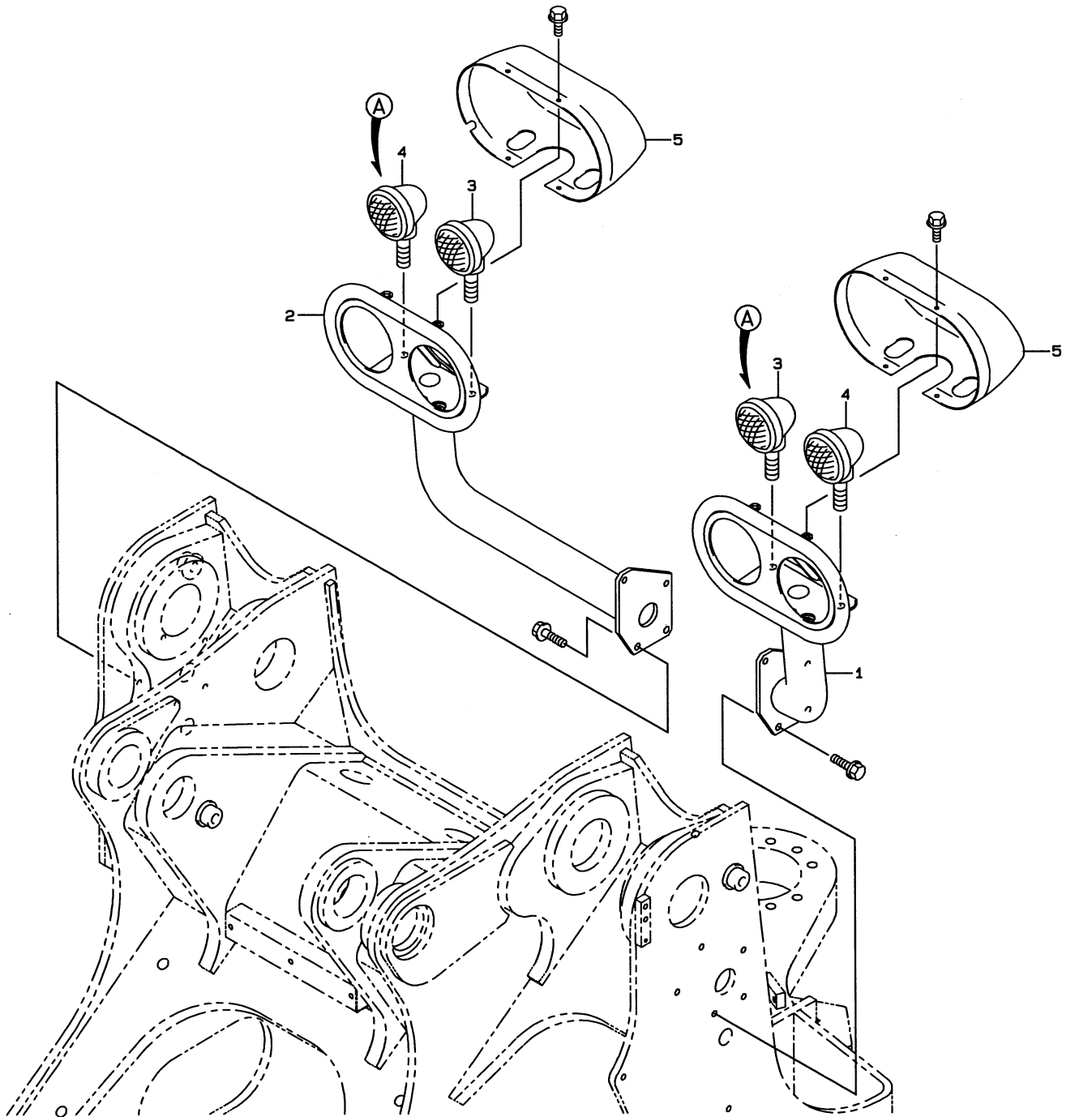


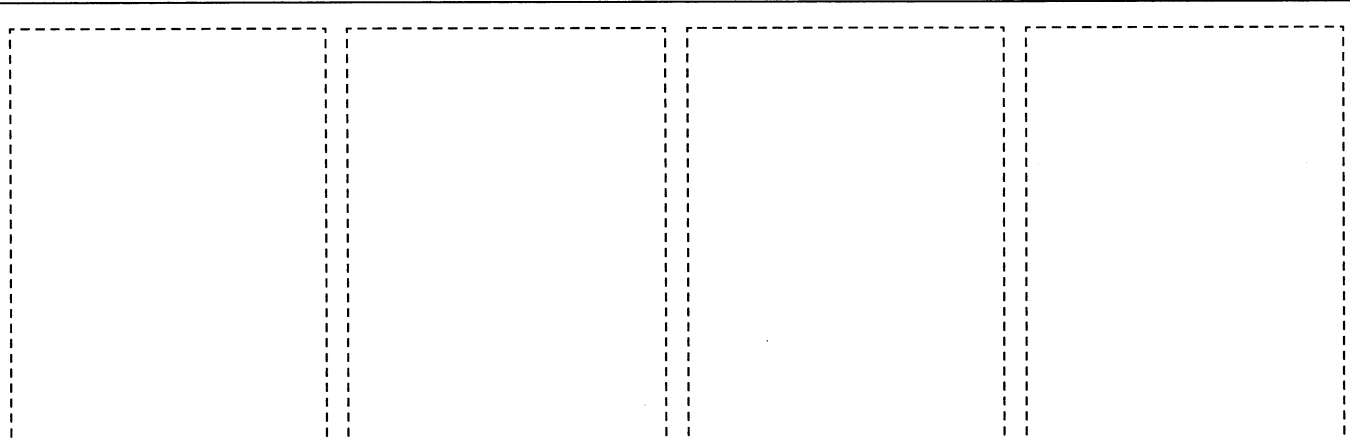
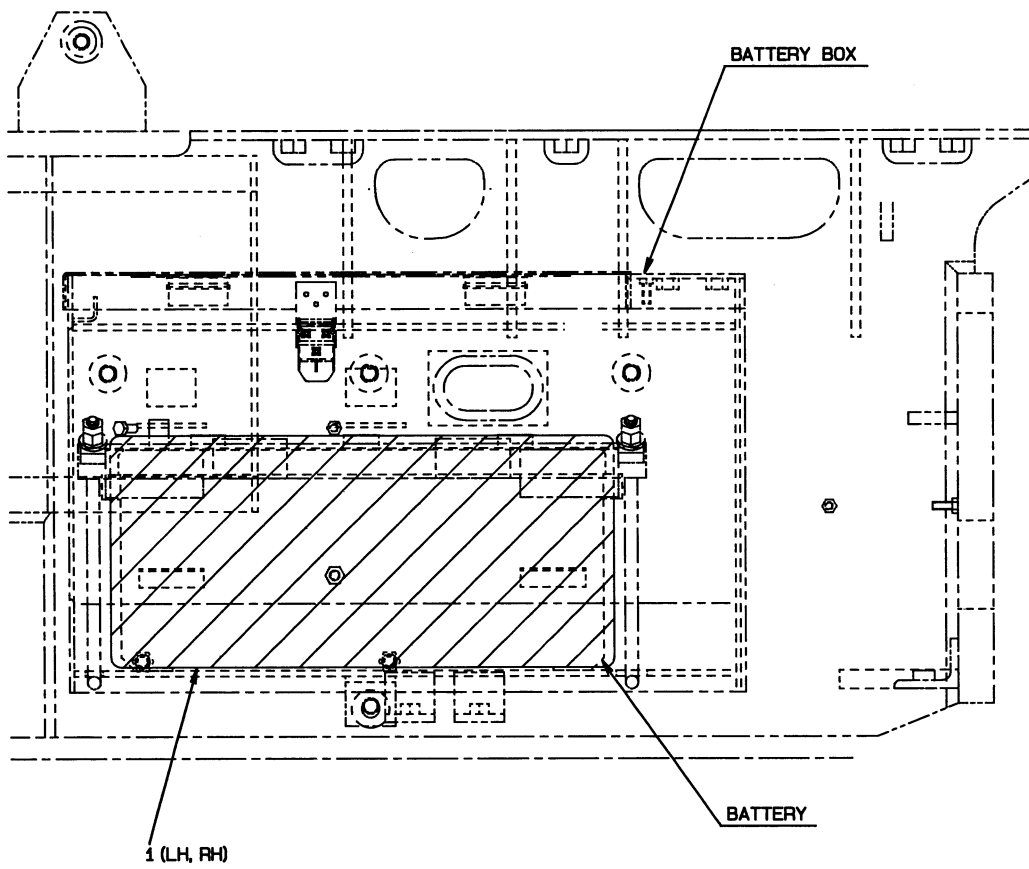


(NOTE): REFER TO STANDARD CATALOG (REF. YW9-147) FOR NO SYMBOL PARTS.

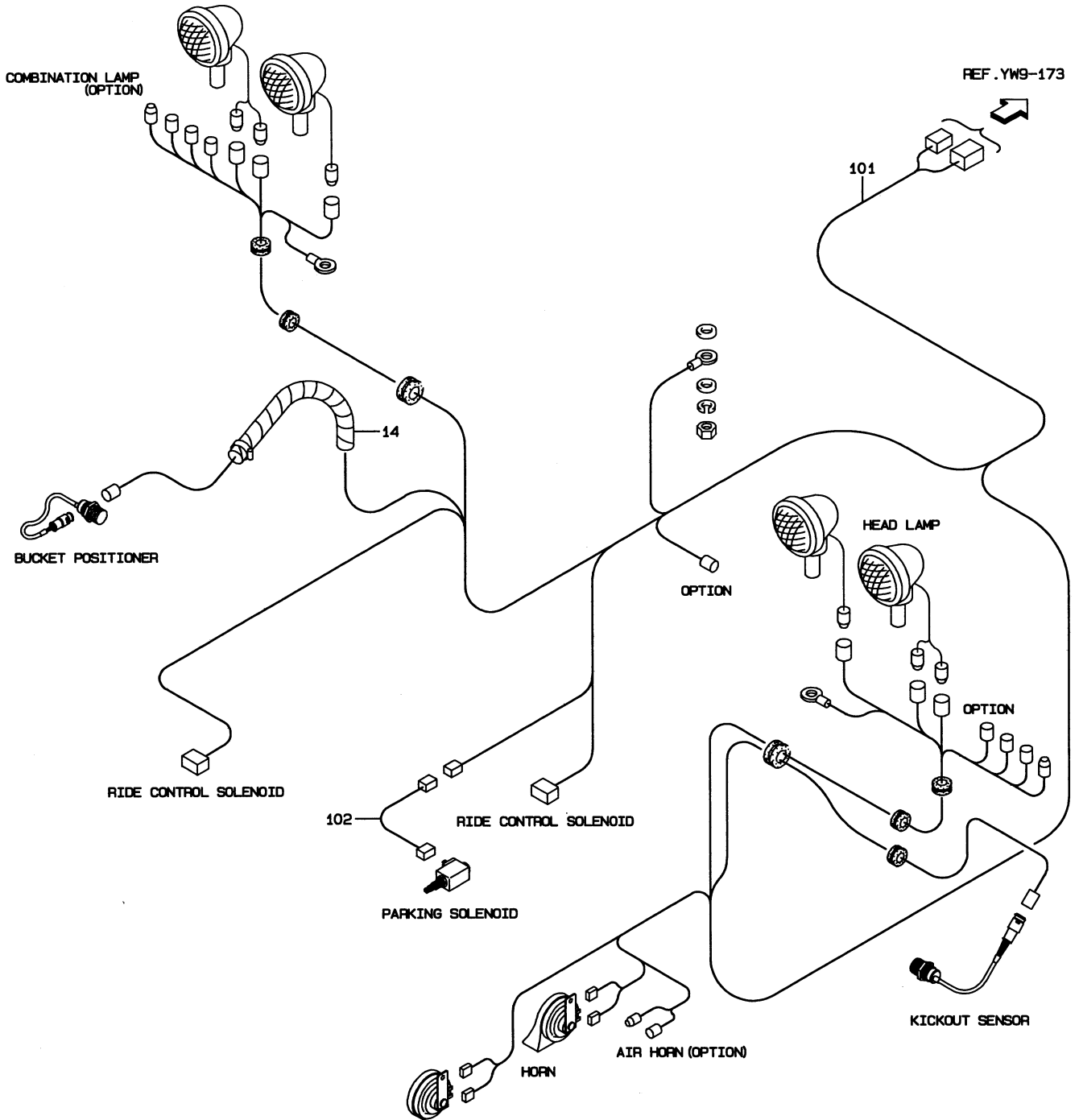


(NOTE): REFER TO STANDARD CATALOG (REF. YW9-155) FOR NO SYMBOL PARTS.

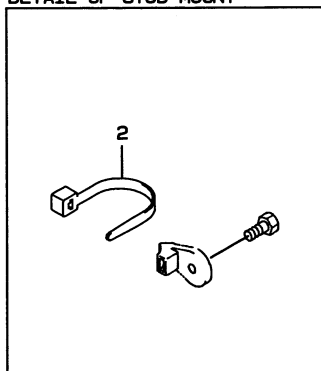


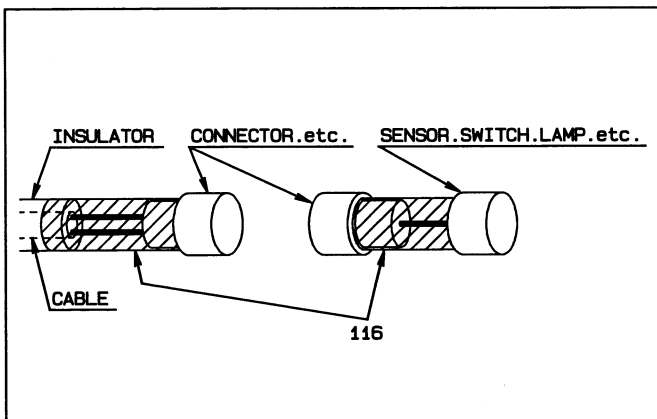
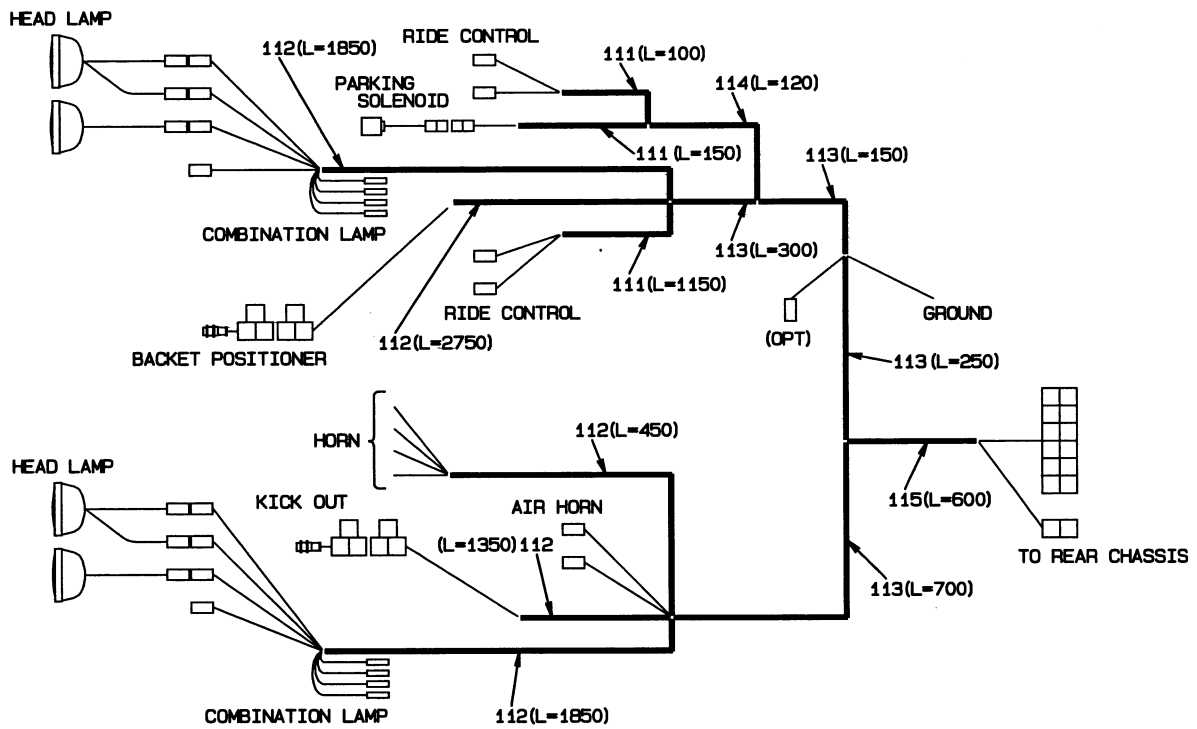
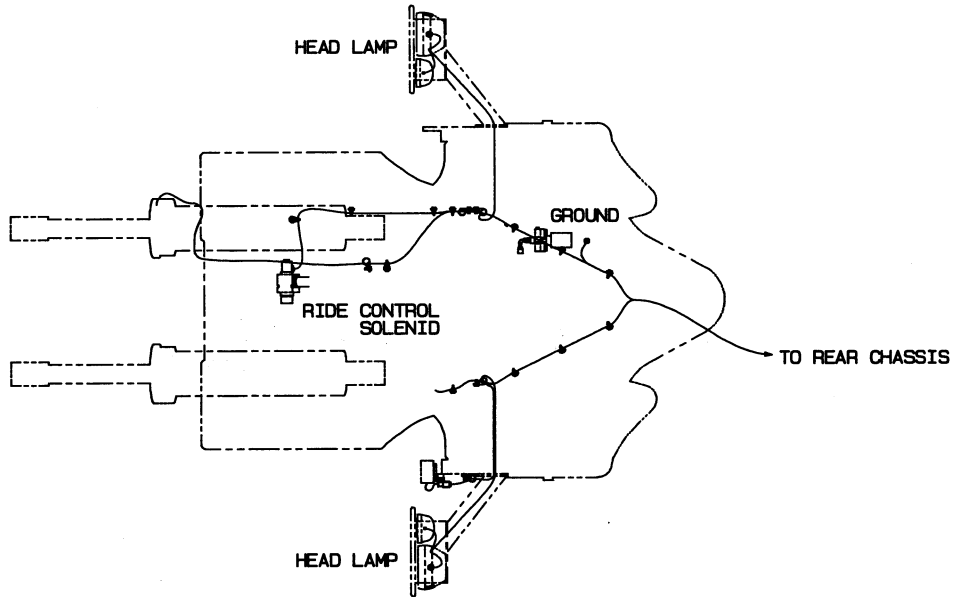


(NOTE): REFER TO STANDARD CATALOG (REF. YW9-171) FOR NO SYMBOL PARTS.



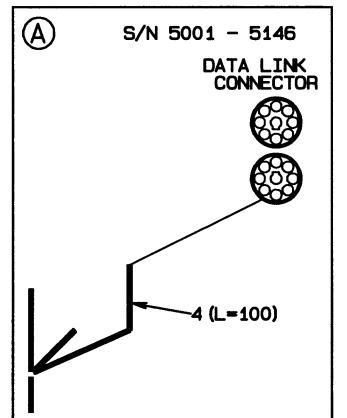
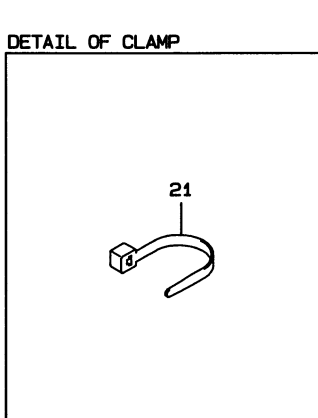
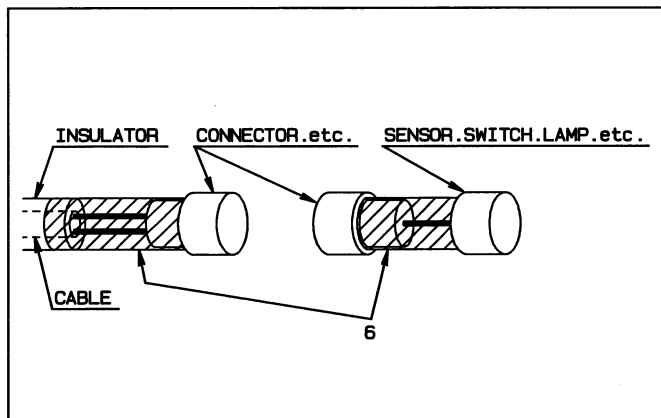
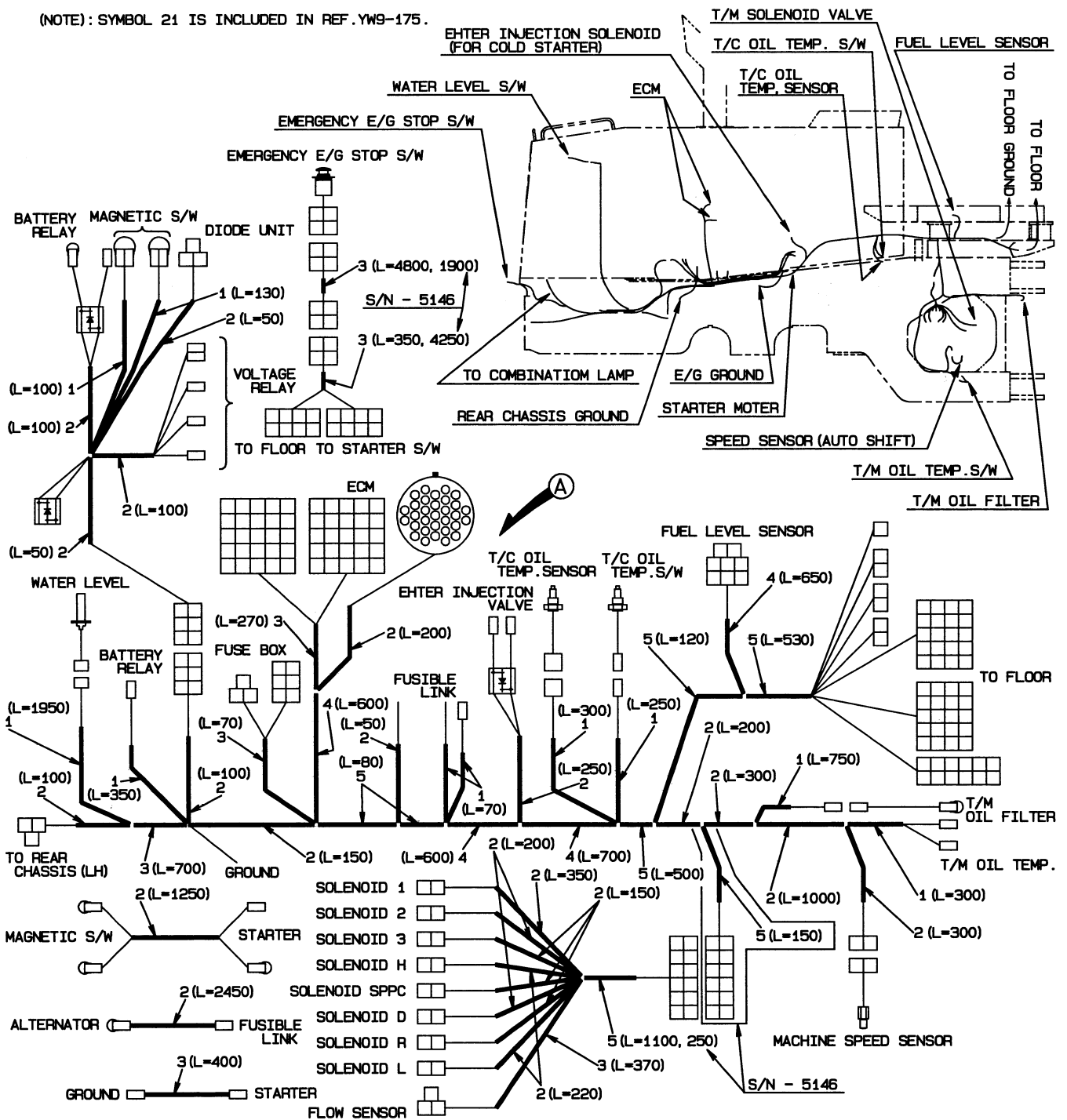
DETAIL OF STUD MOUNT

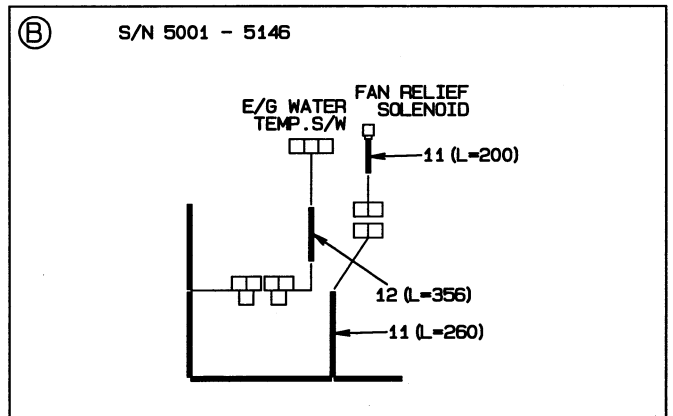
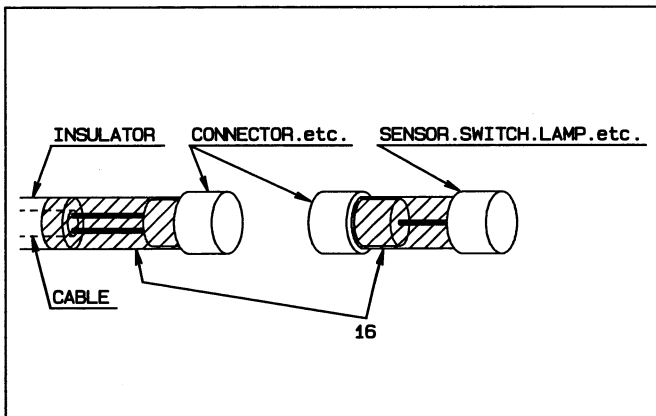
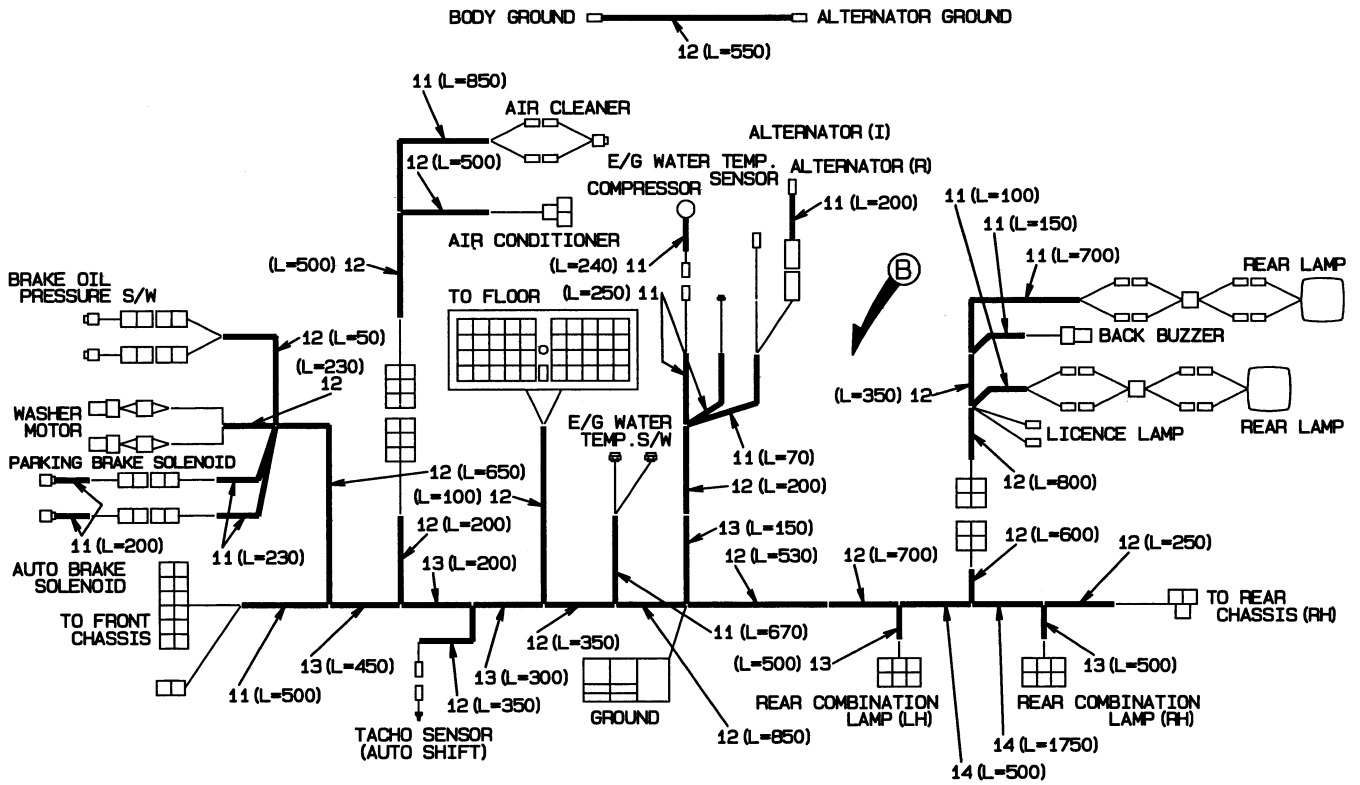
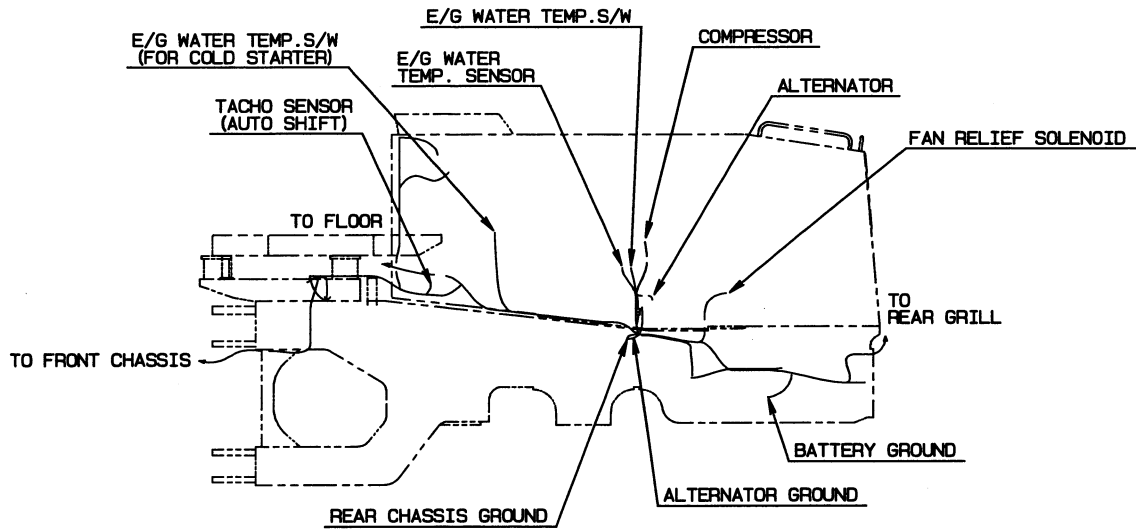


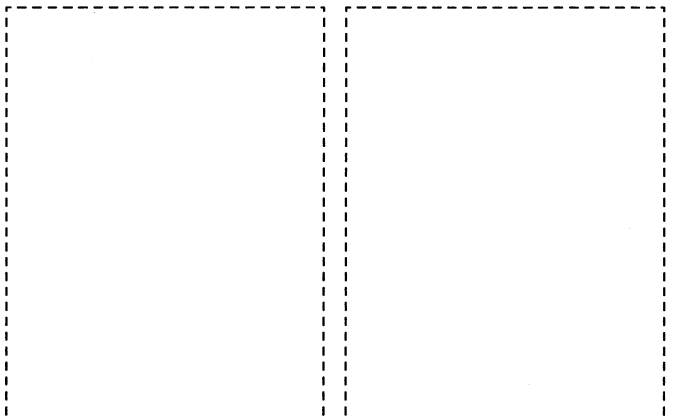
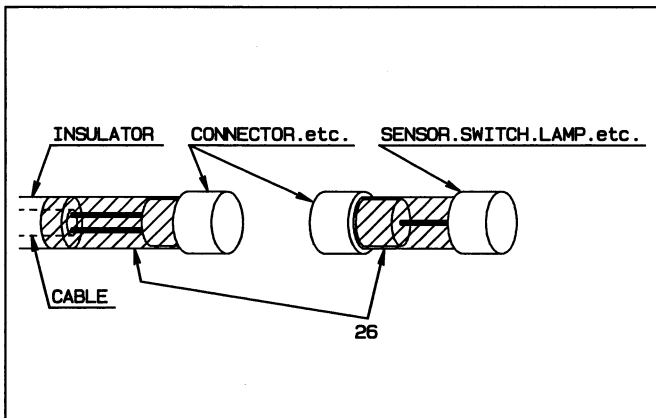
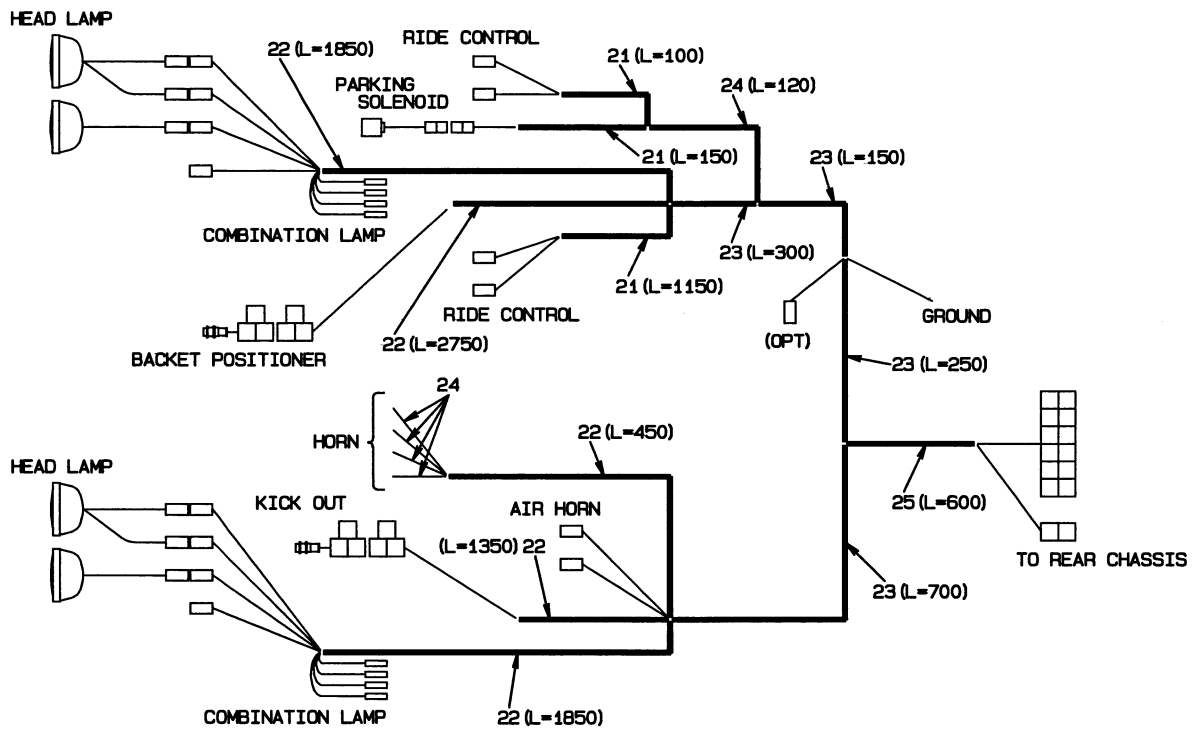
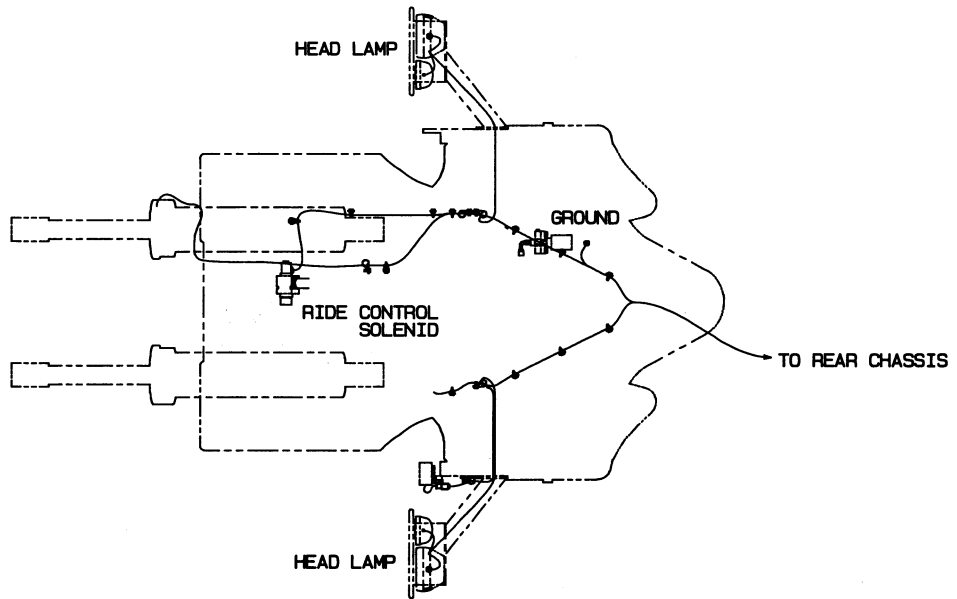


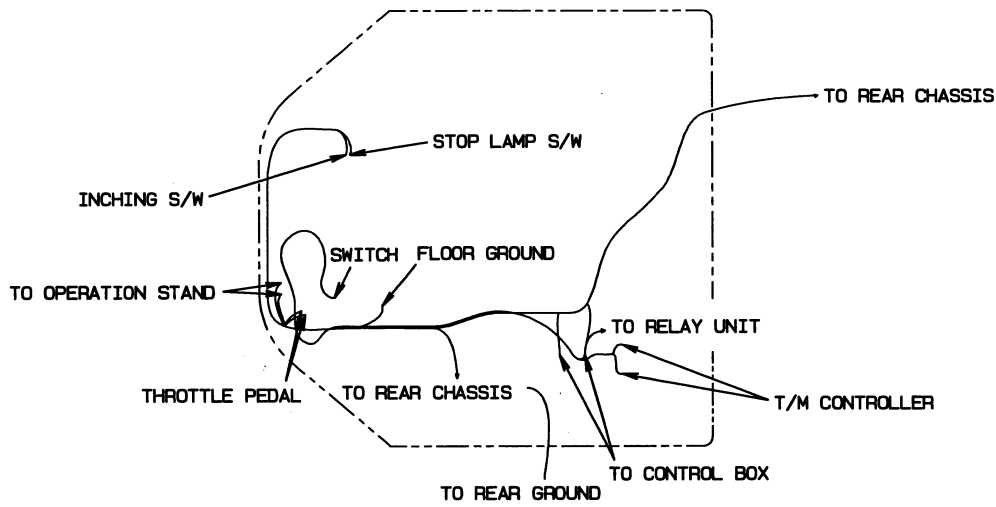
MEMO

(NOTE): SYMBOL 21 IS INCLUDED IN REF. YW9-175.

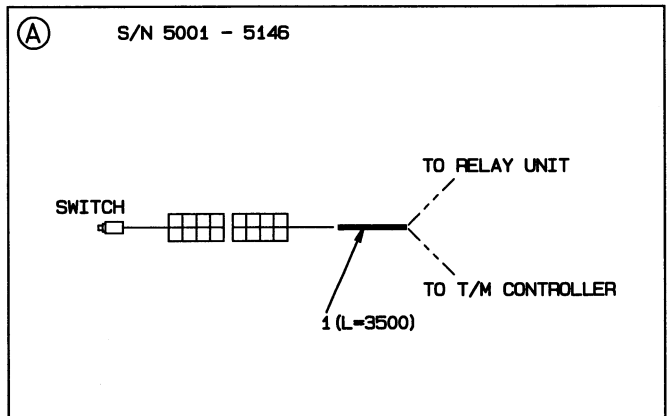
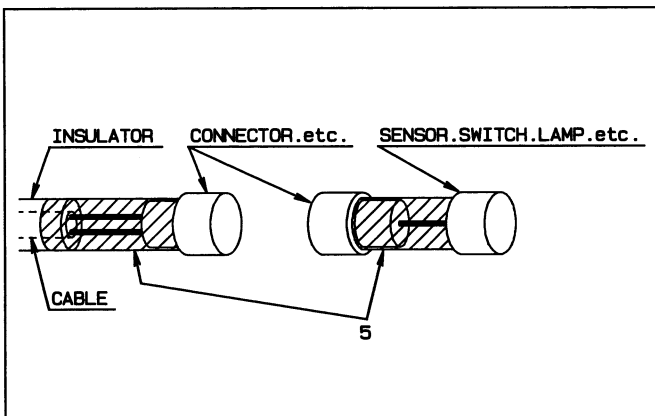
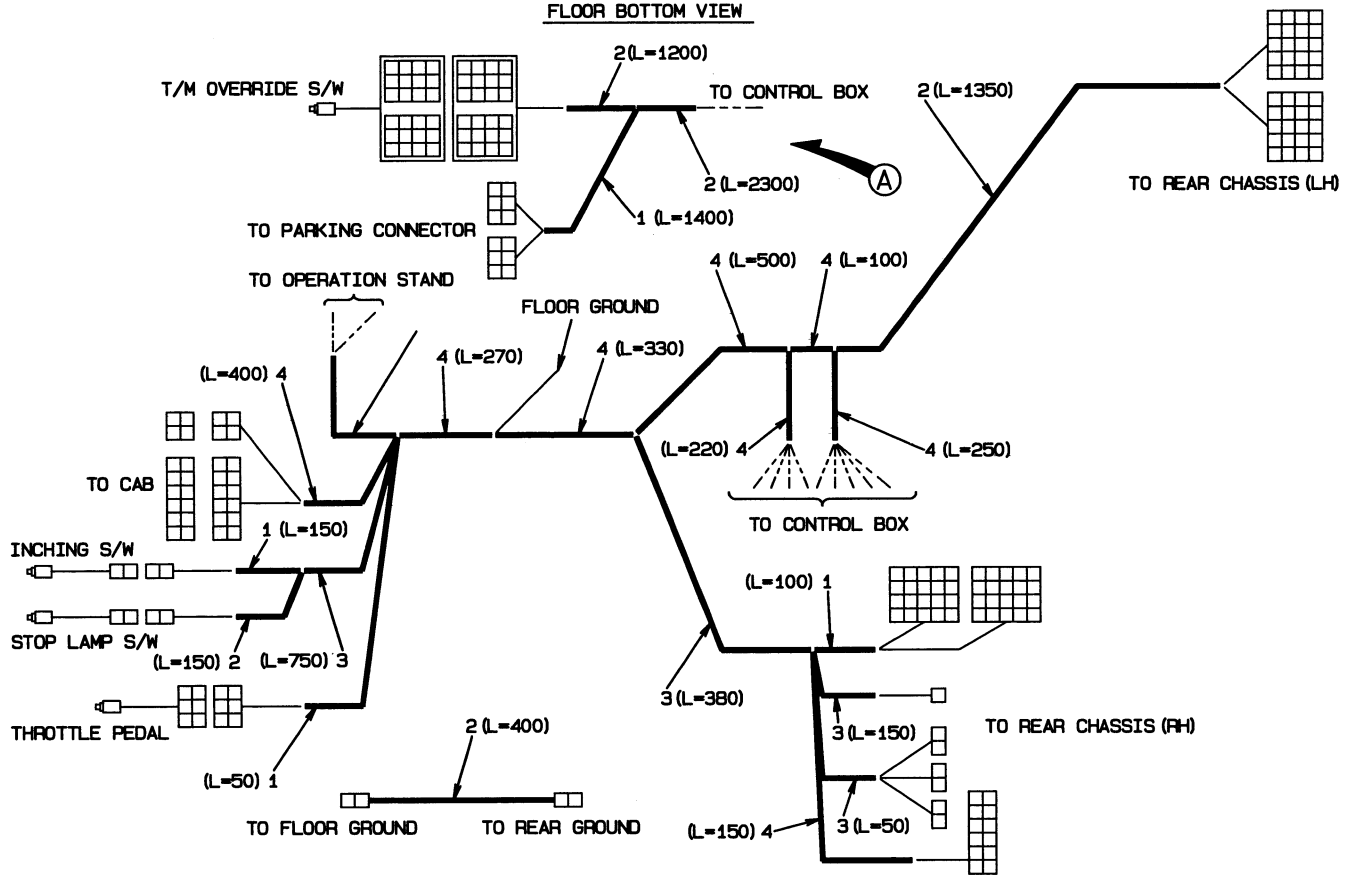




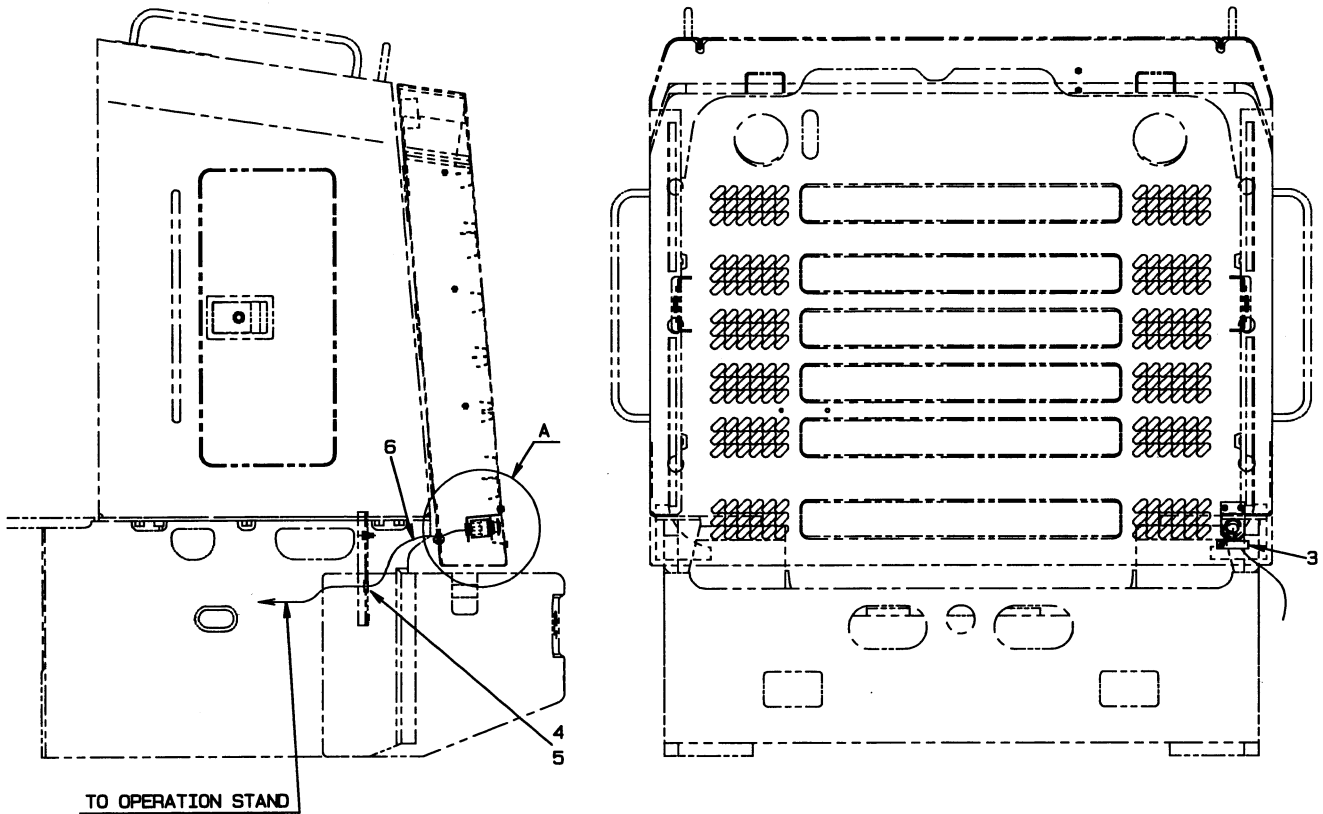




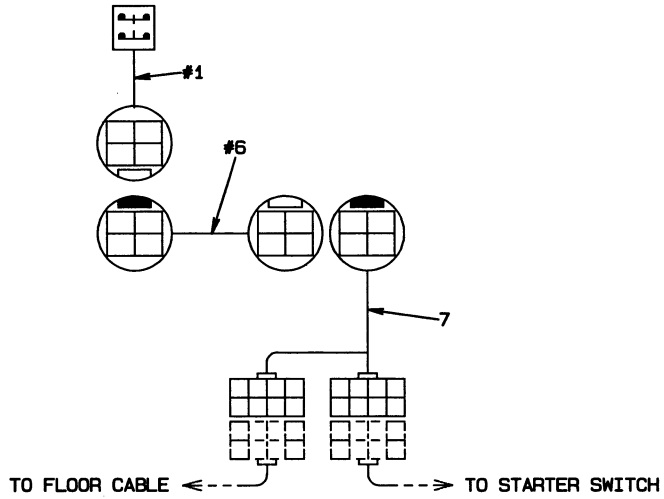
FLOOR BOTTOM VIEW



<S/N 5001 - 5140>

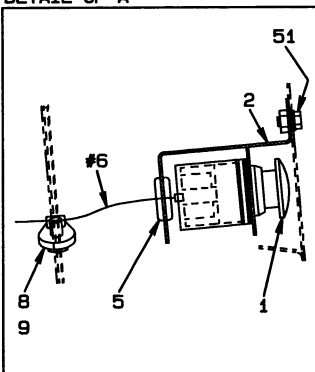


EMERGENCY E/G STOP SWITCH

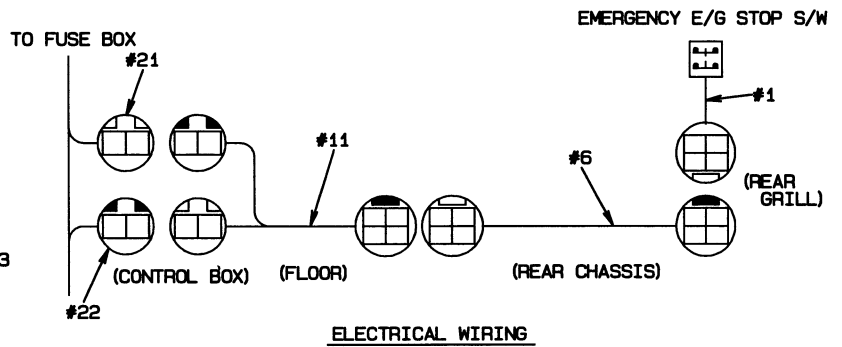
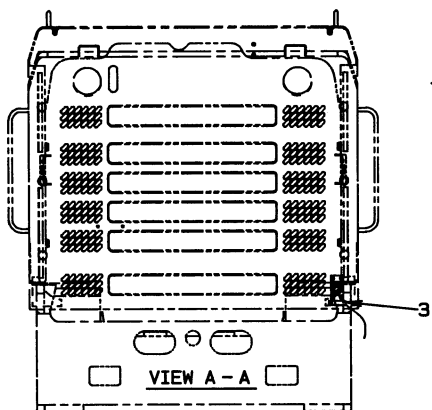
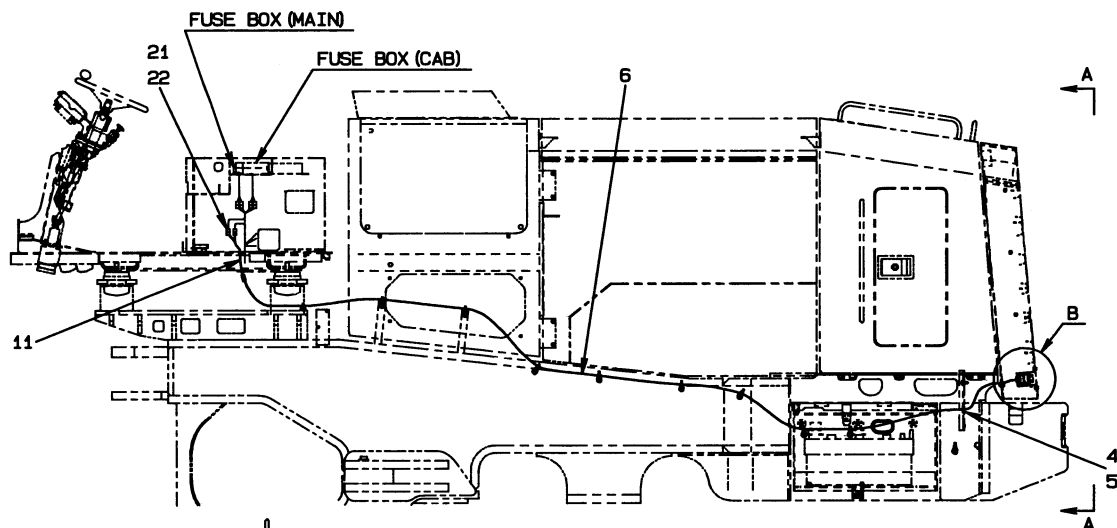
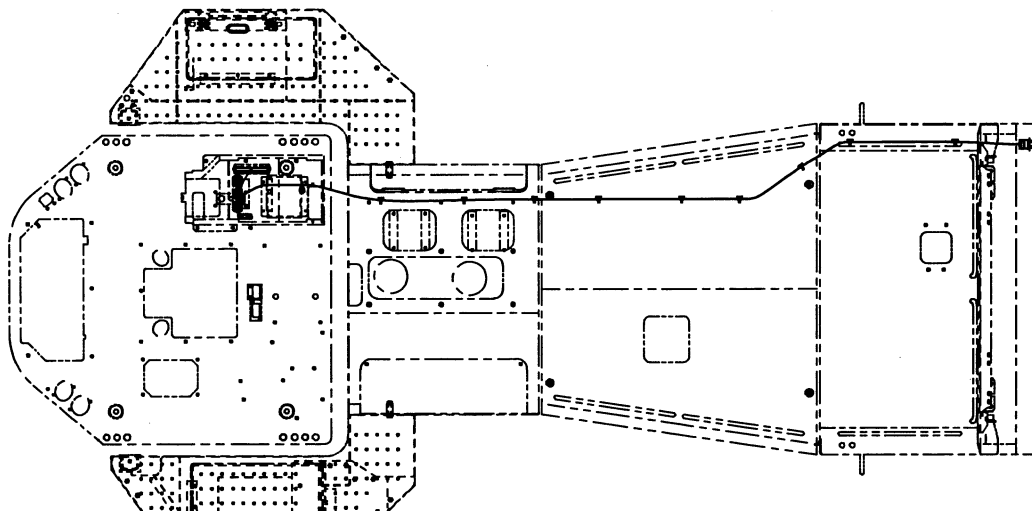


ELECTRICAL WIRING

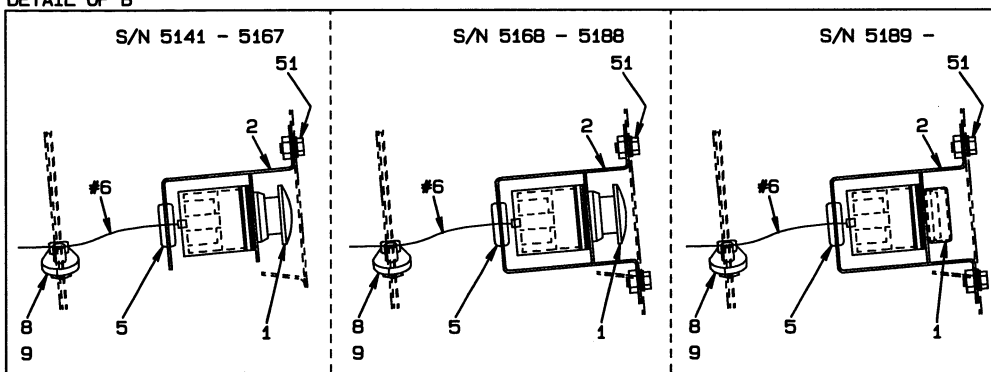
DETAIL OF A

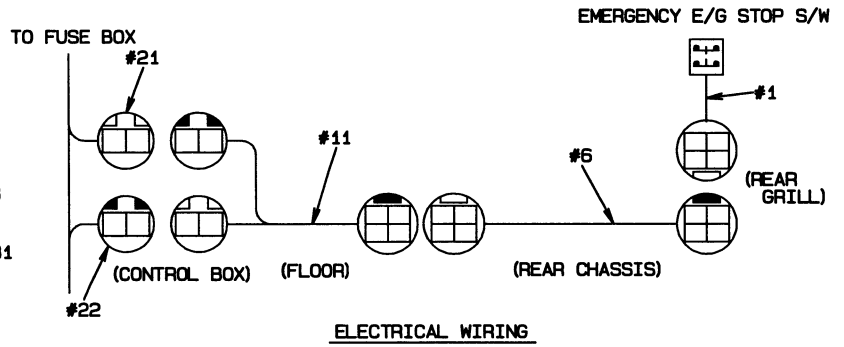
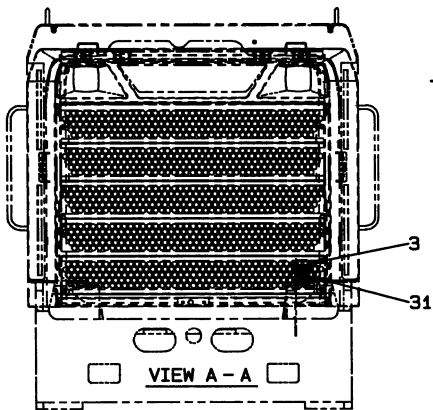
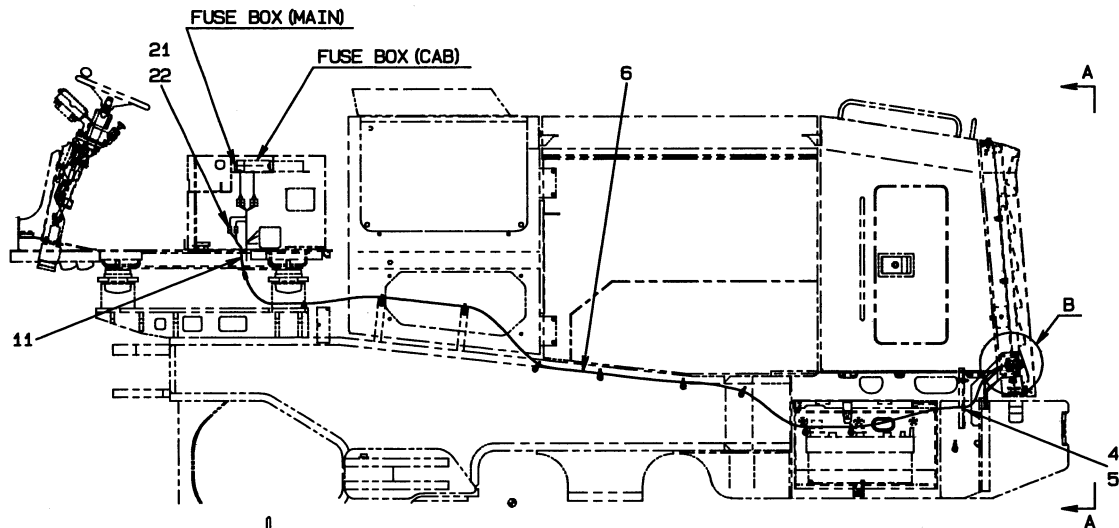
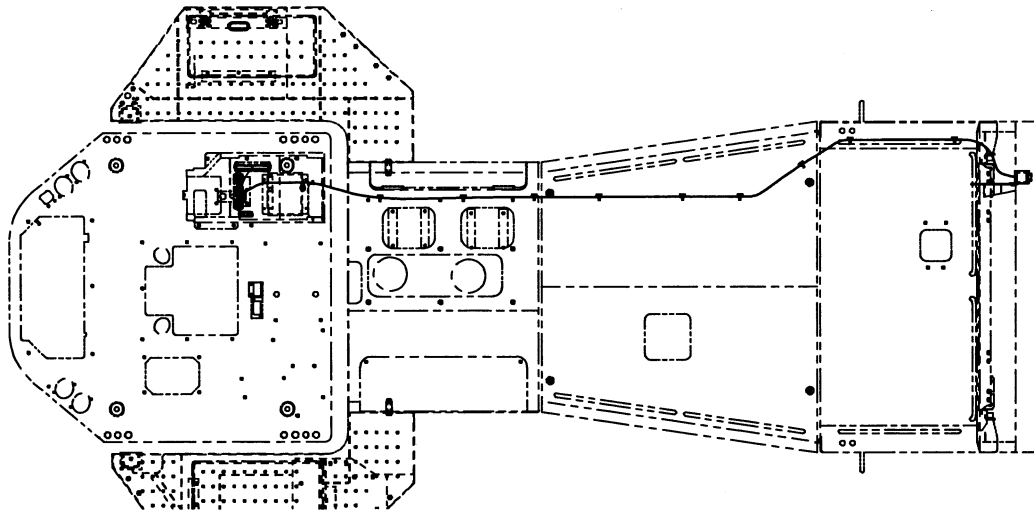


<S/N 5141 - 5197>

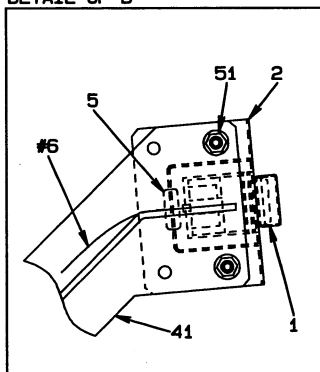


DETAIL OF B



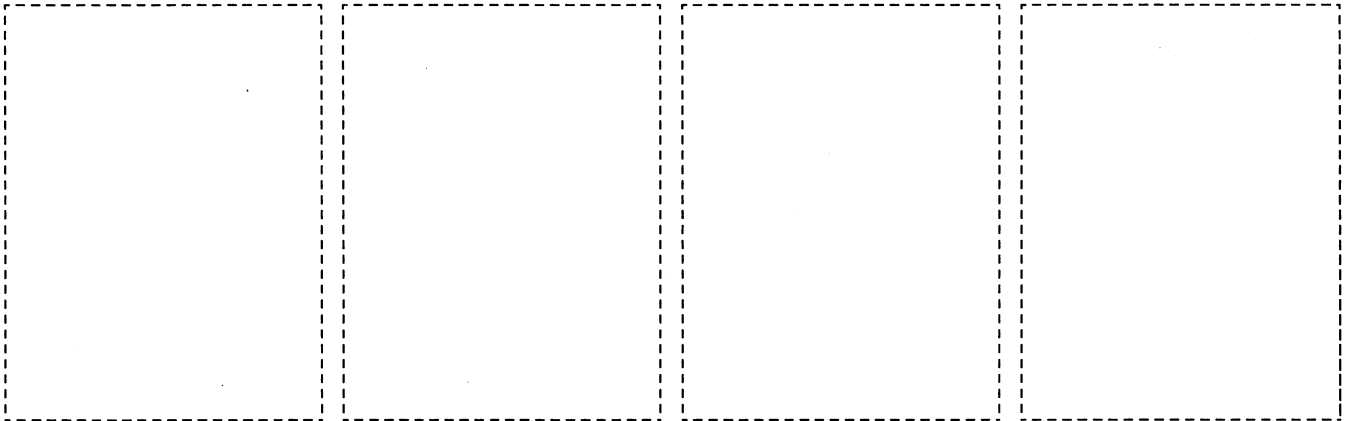
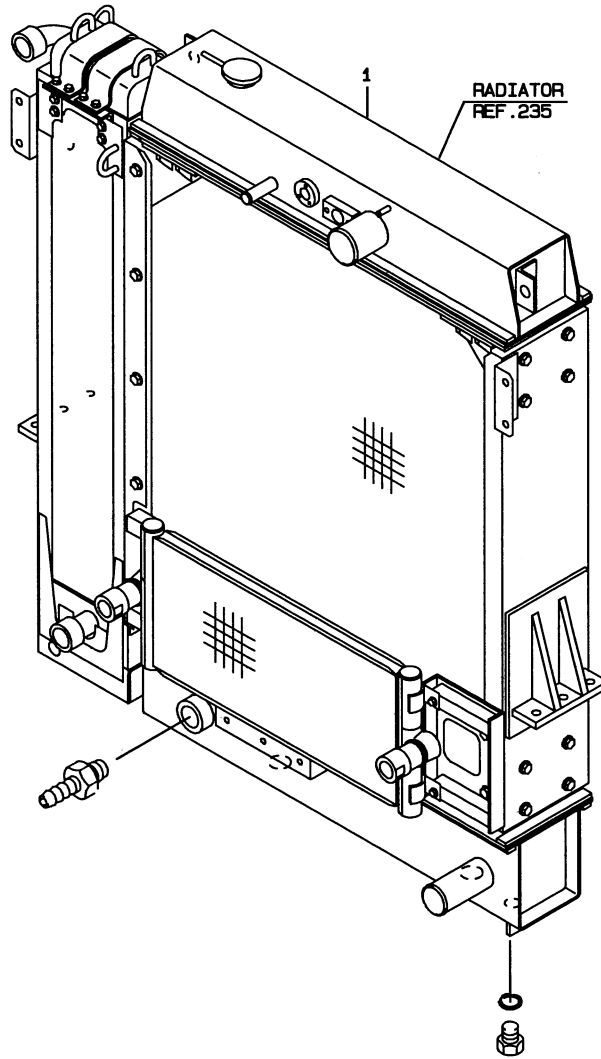


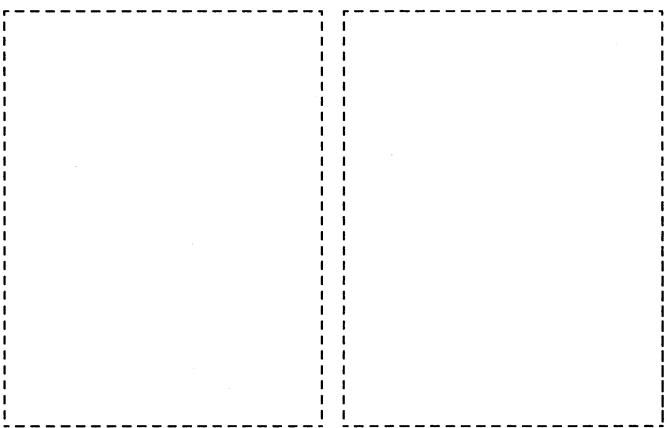
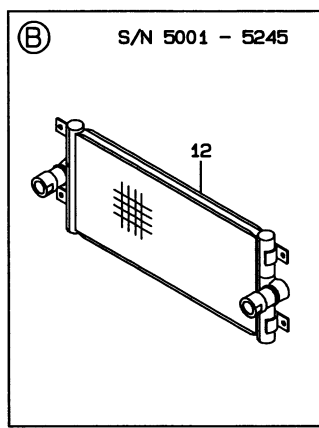
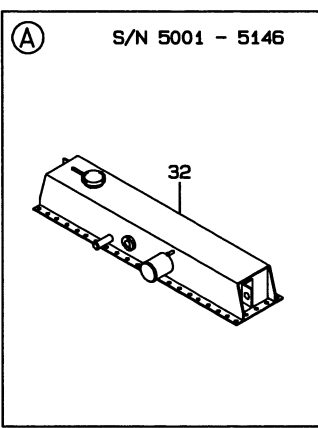
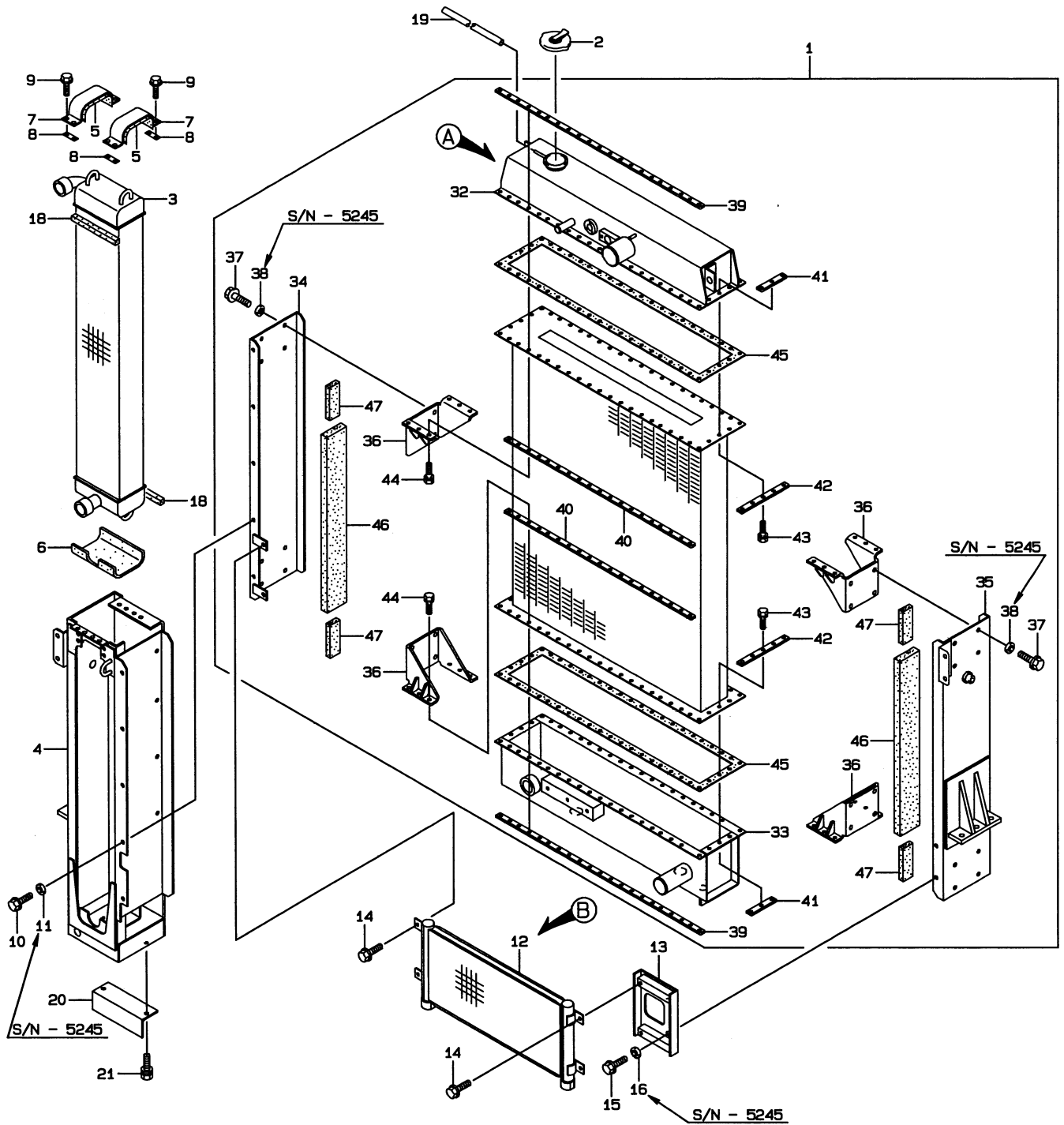
DETAIL OF B



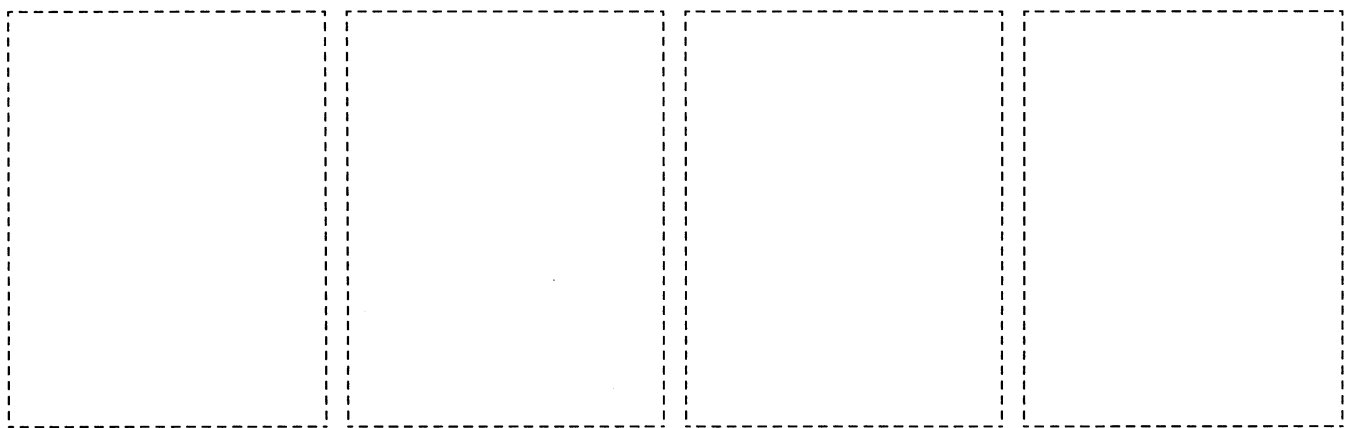
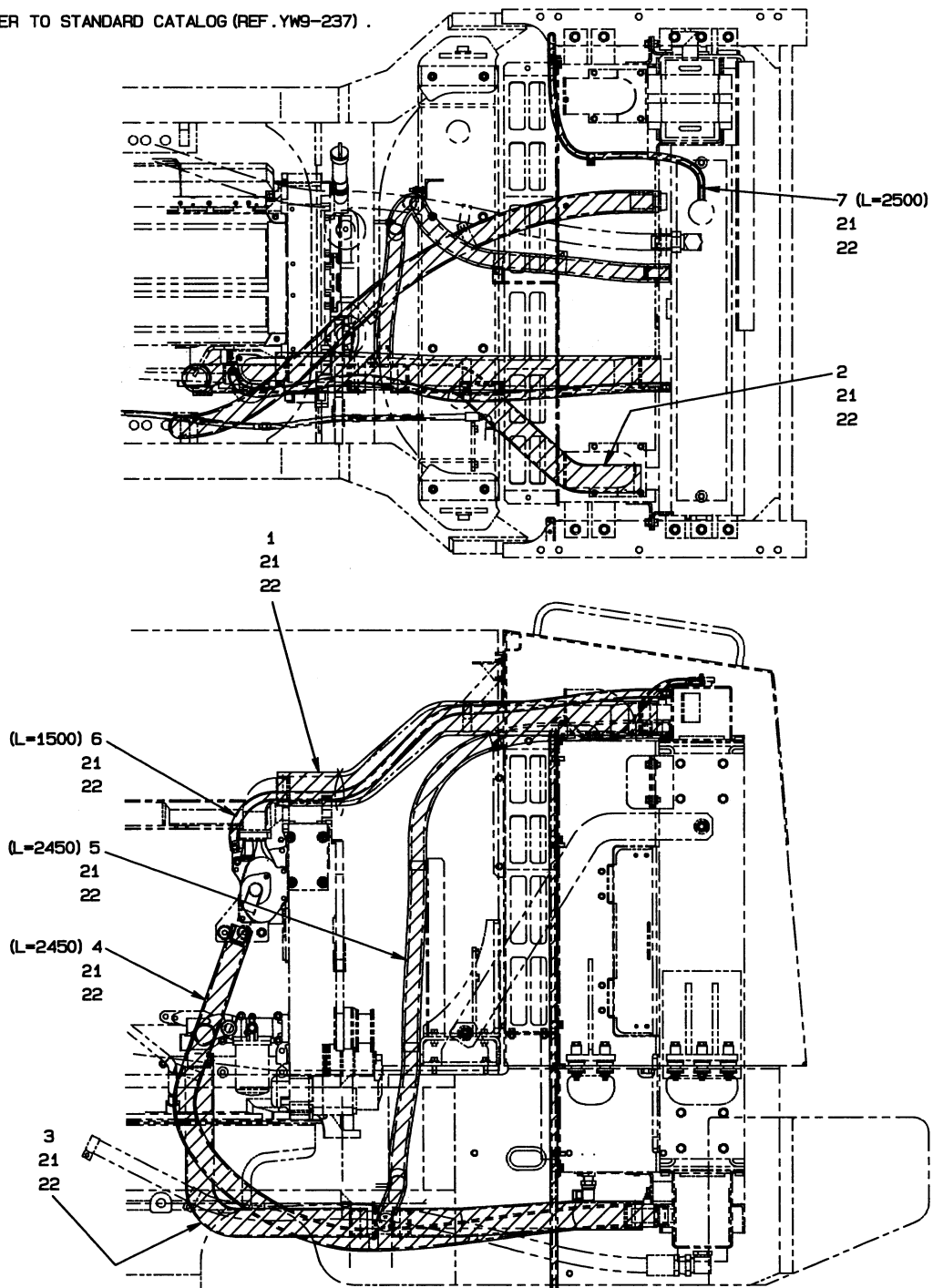
MEMO

(NOTE): REFER TO STANDARD CATALOG (REF. YW9-233) FOR NO SYMBOL PARTS.

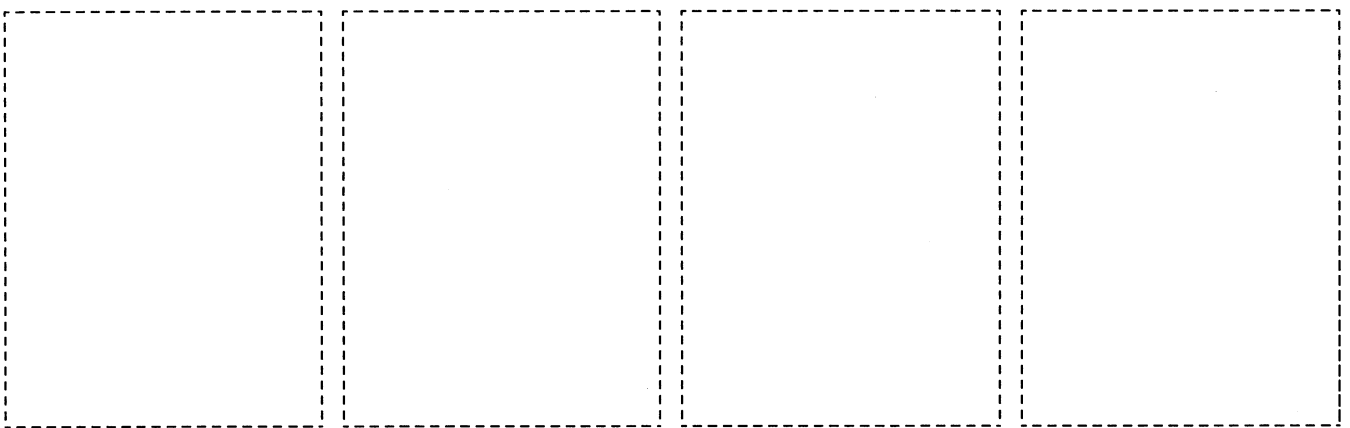
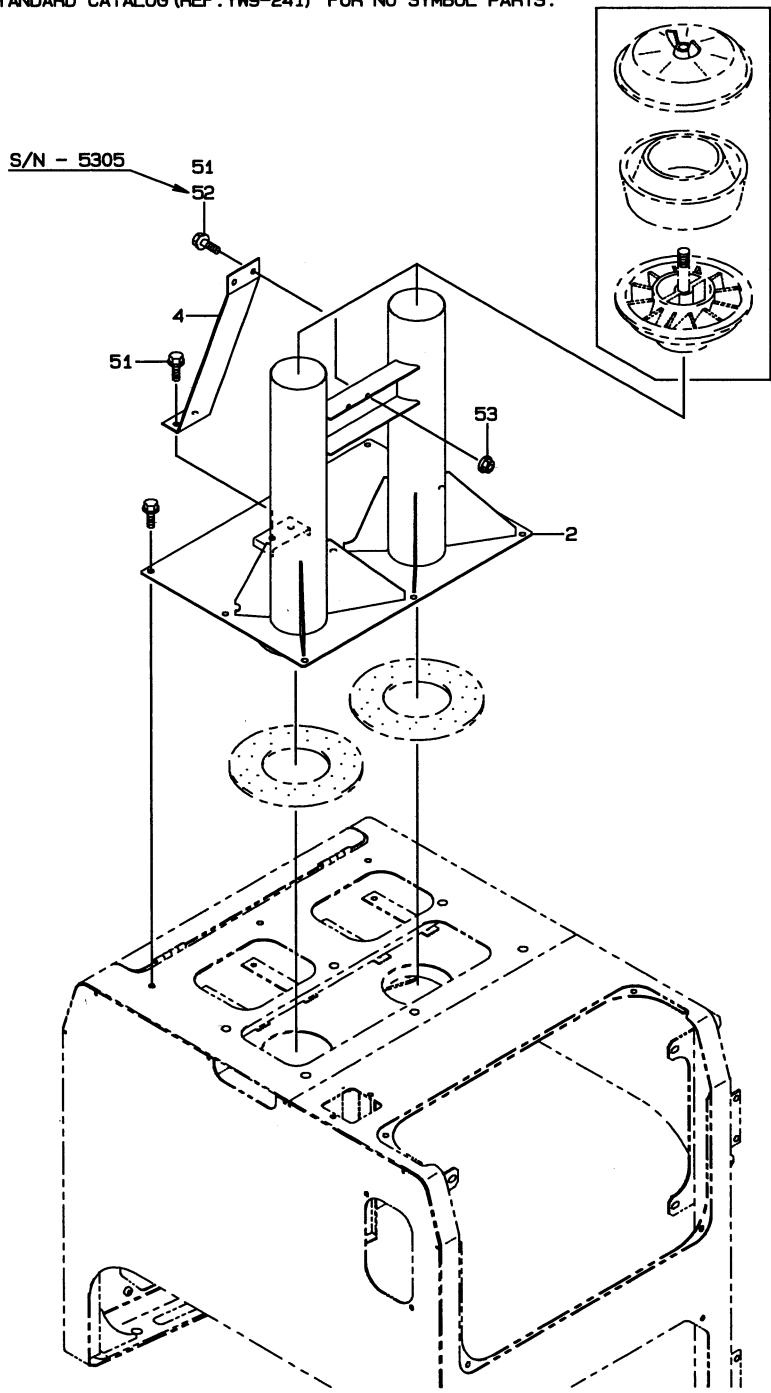


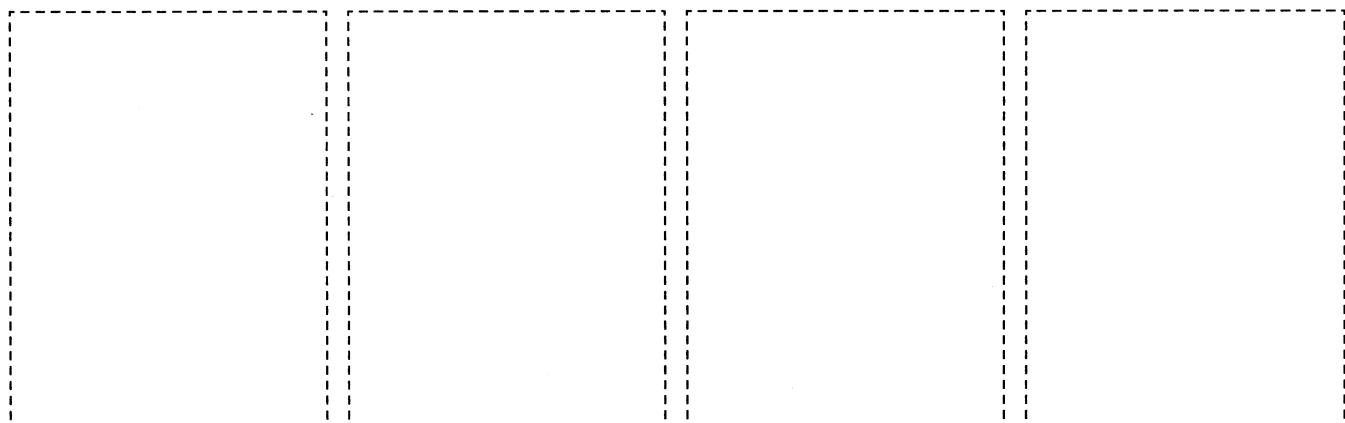
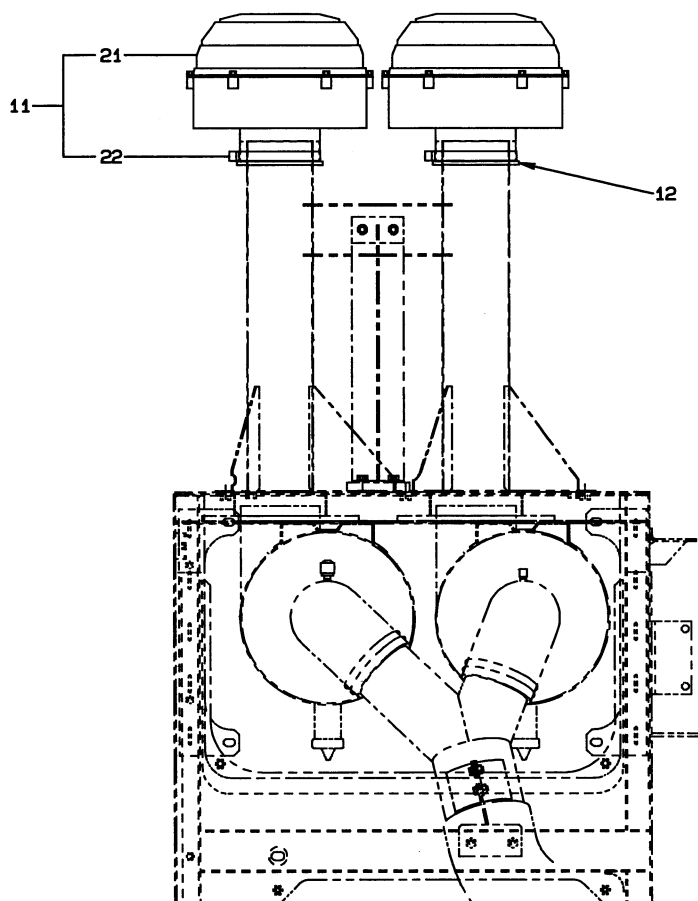


(NOTE): REFER TO STANDARD CATALOG (REF. YW9-237) .



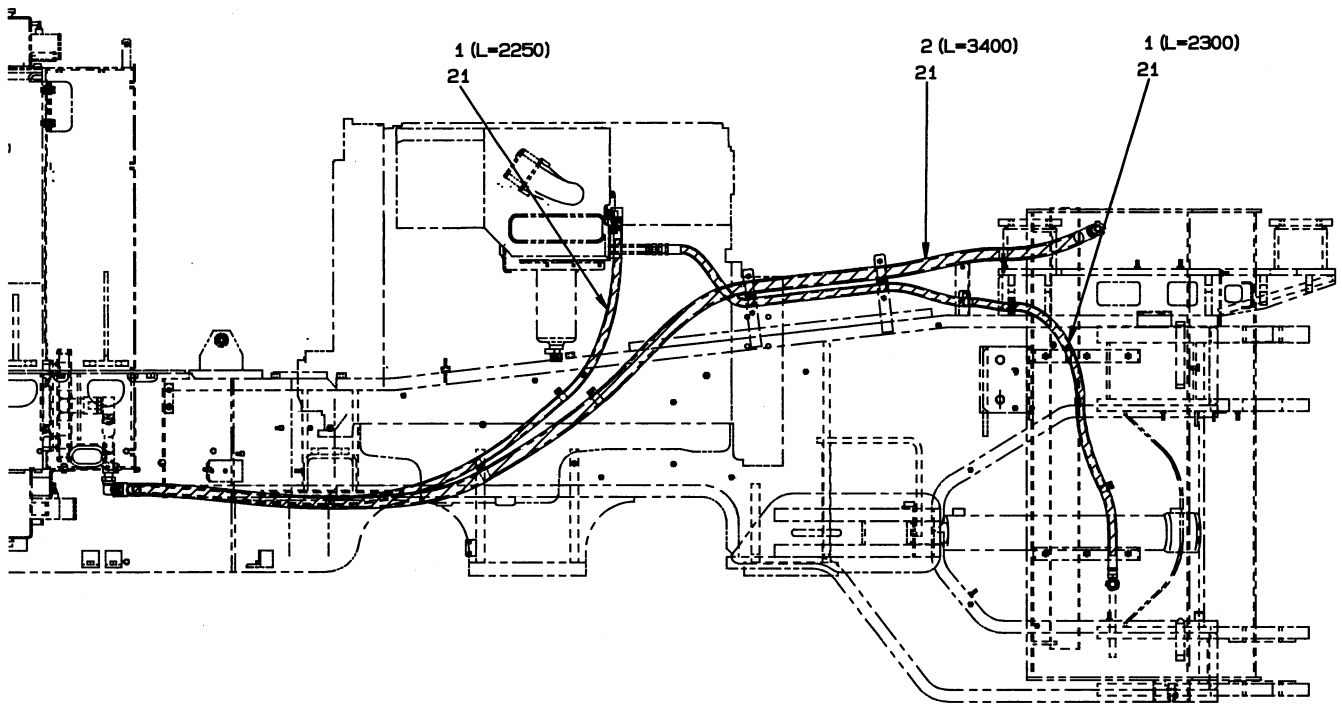
(NOTE): REFER TO STANDARD CATALOG (REF. YW9-241) FOR NO SYMBOL PARTS.



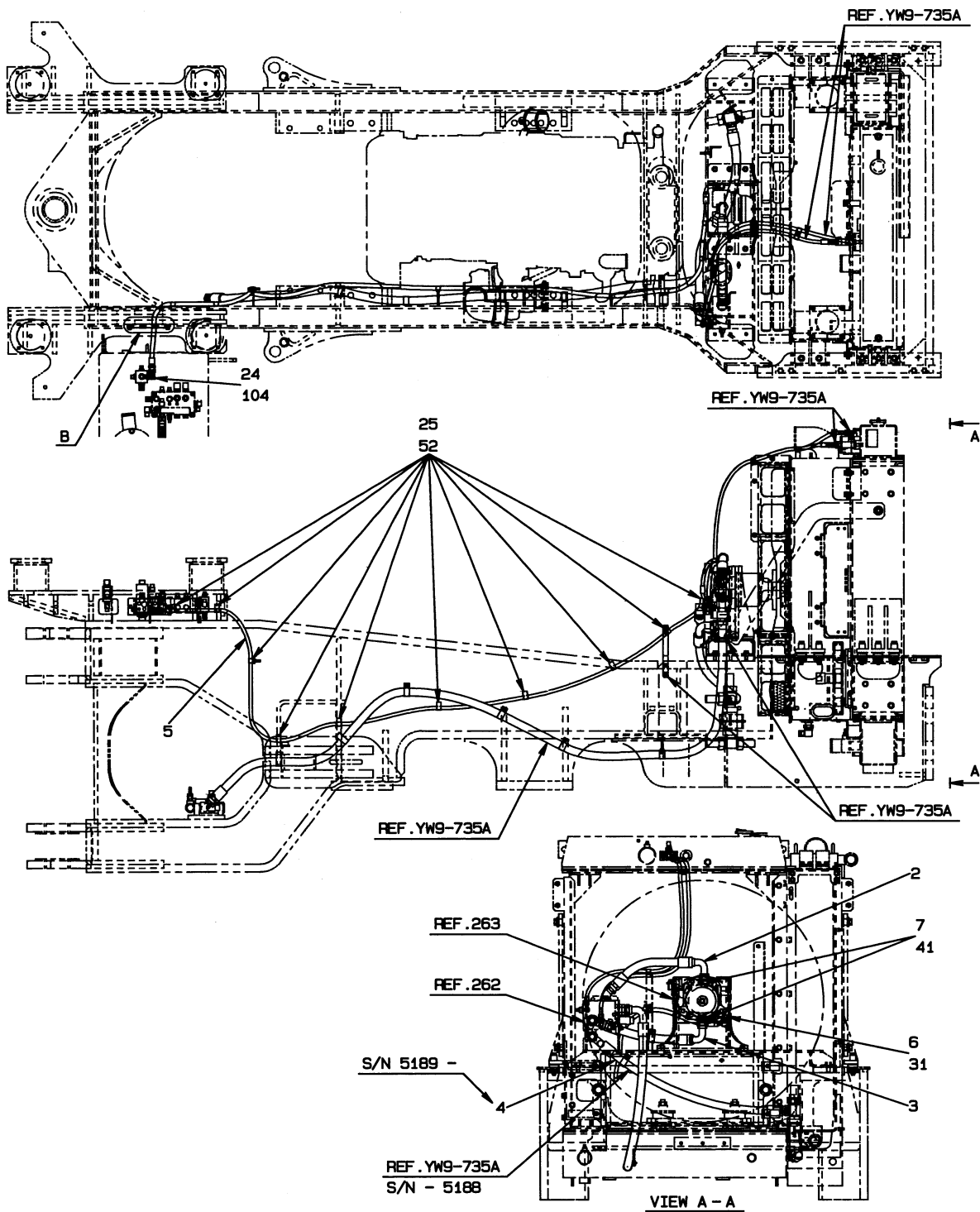


MEMO

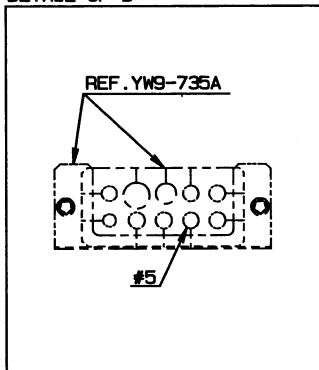
(NOTE): REFER TO STANDARD CATALOG (REF. YW9-251) .



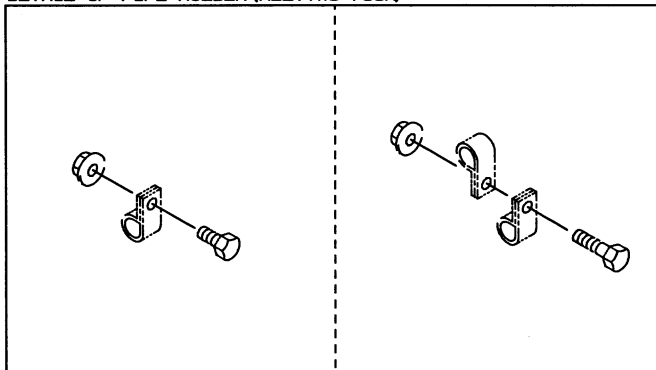
| | | | |
|--|--|--|--|
| | | | |
|--|--|--|--|

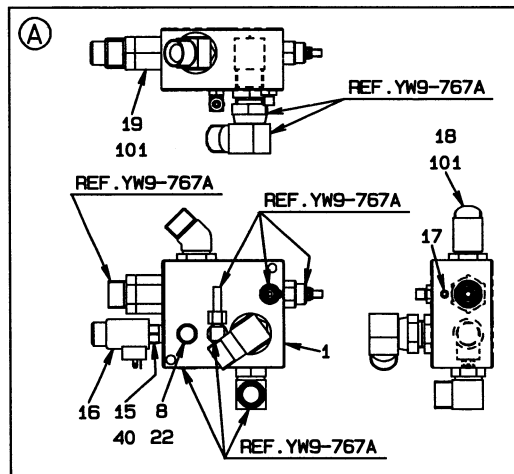
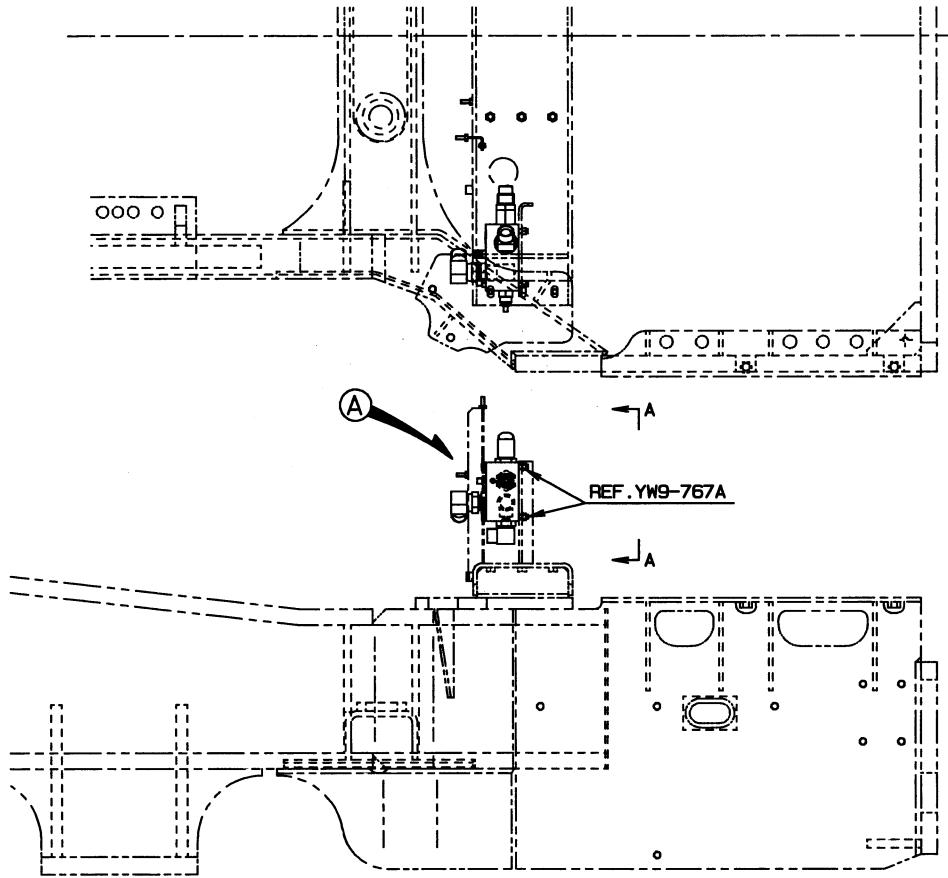


DETAIL OF B

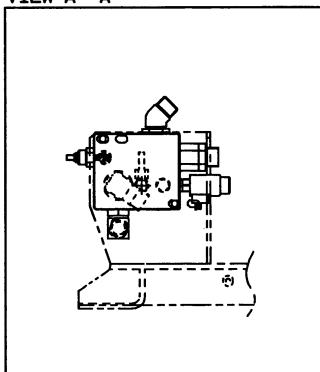


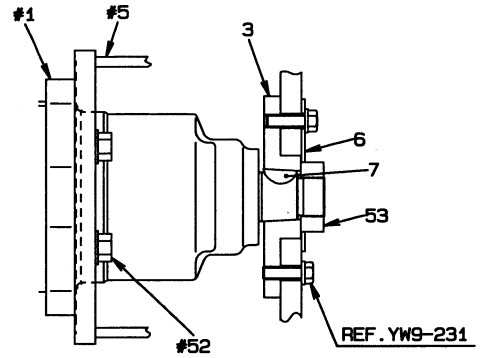
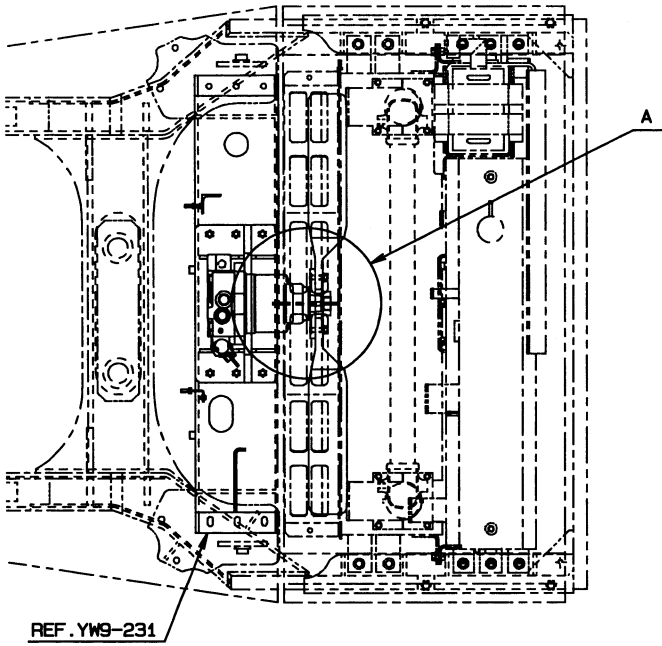
DETAIL OF PIPE HOLDER (REF. YW9-735A)



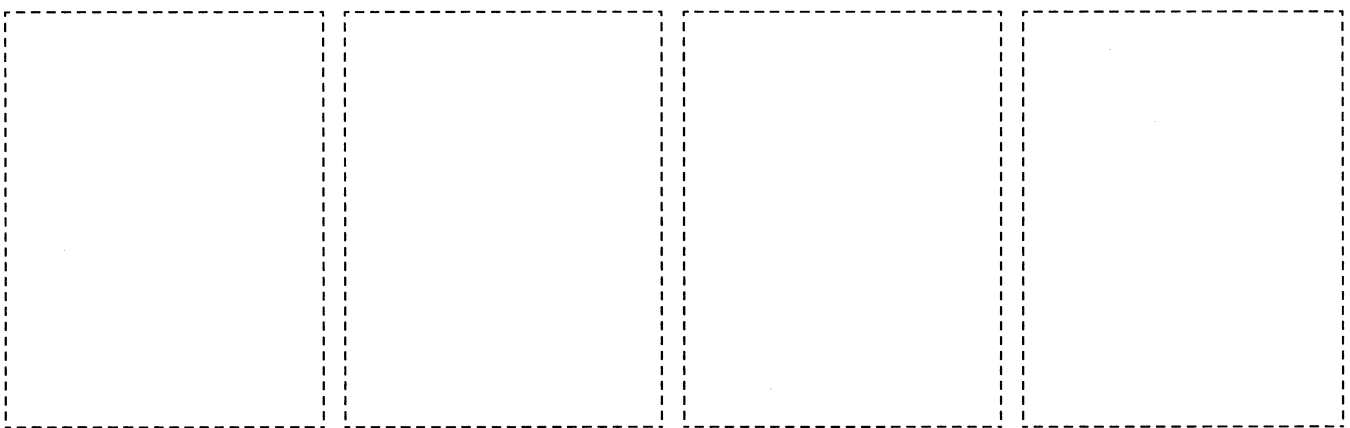
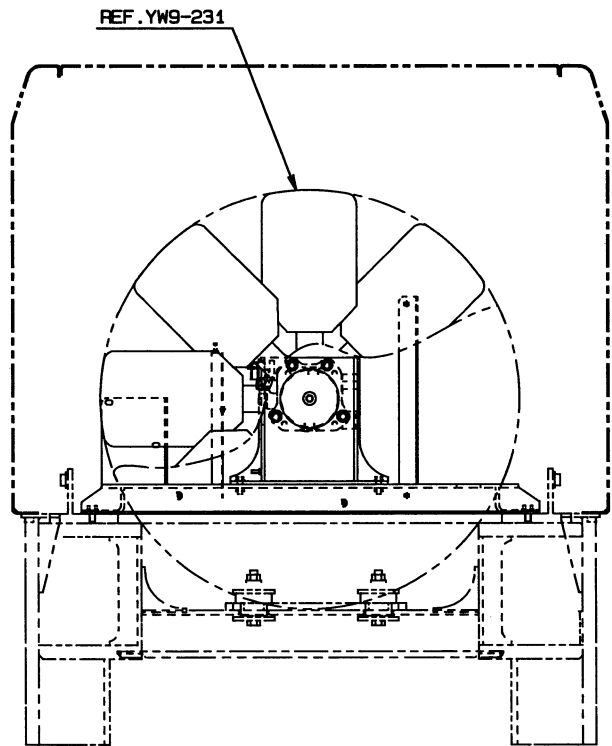
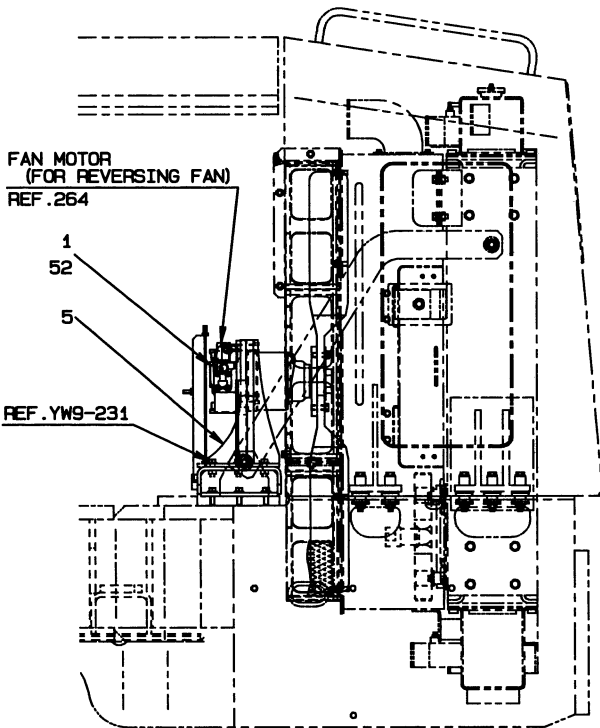


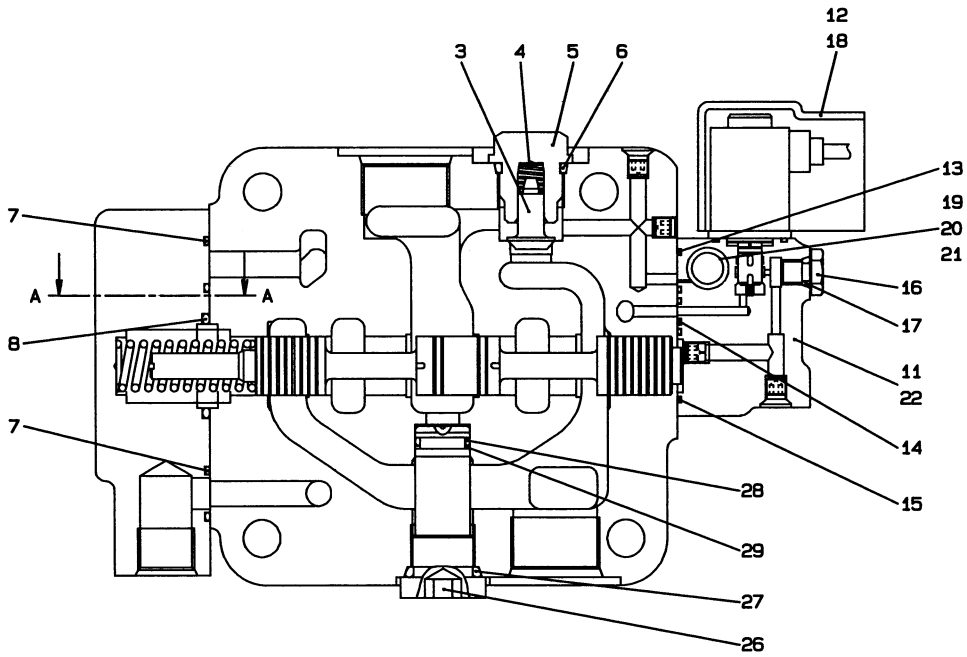
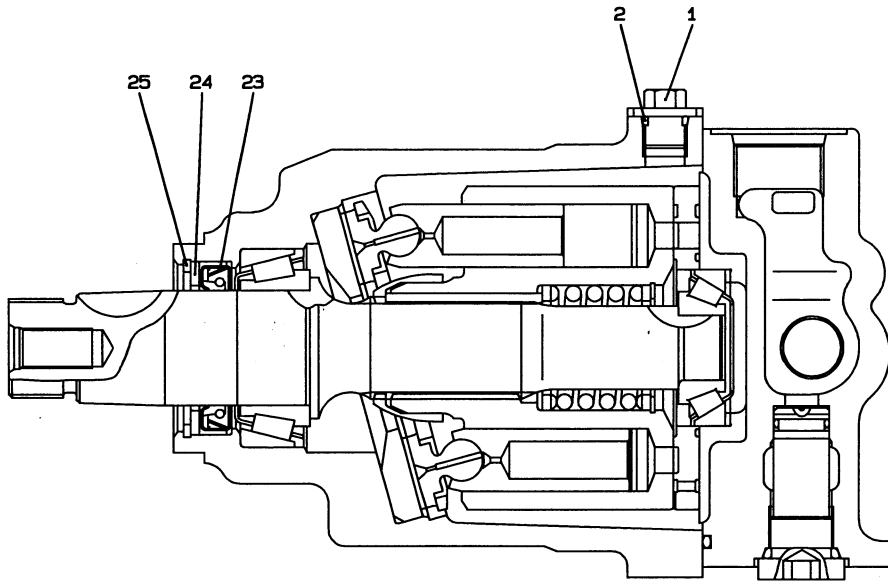
VIEW A - A



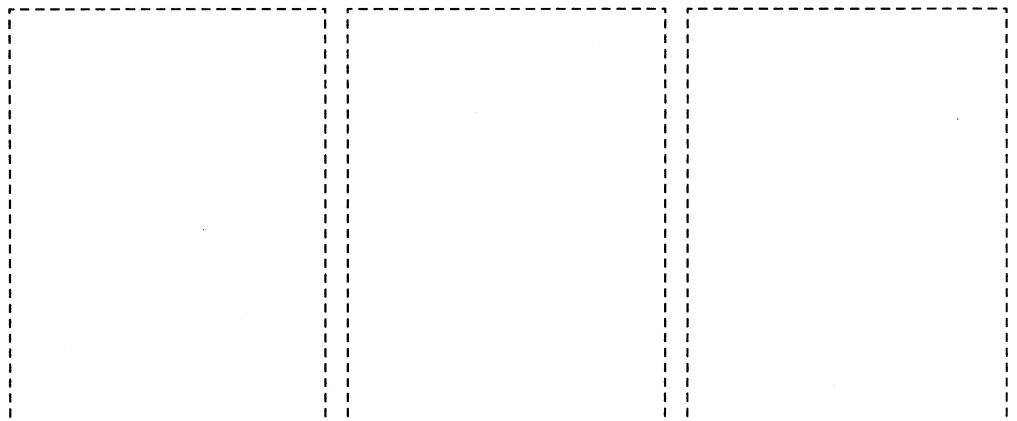
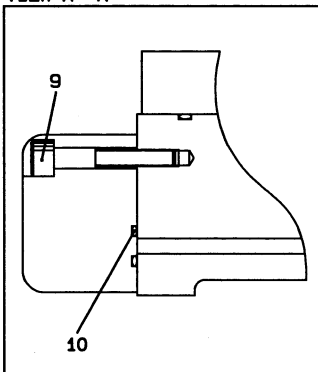


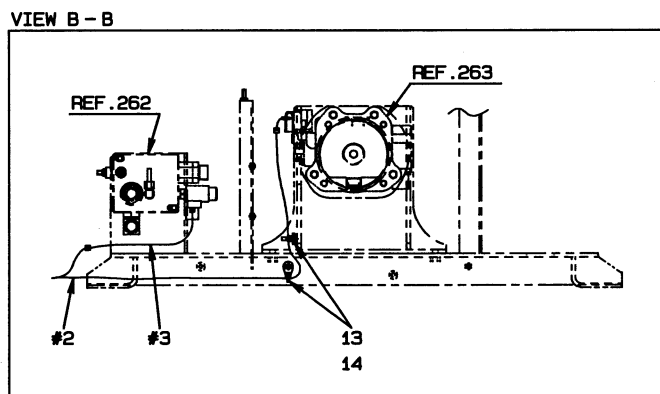
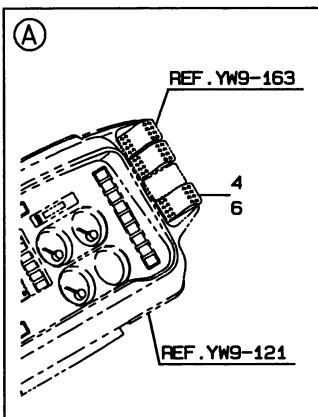
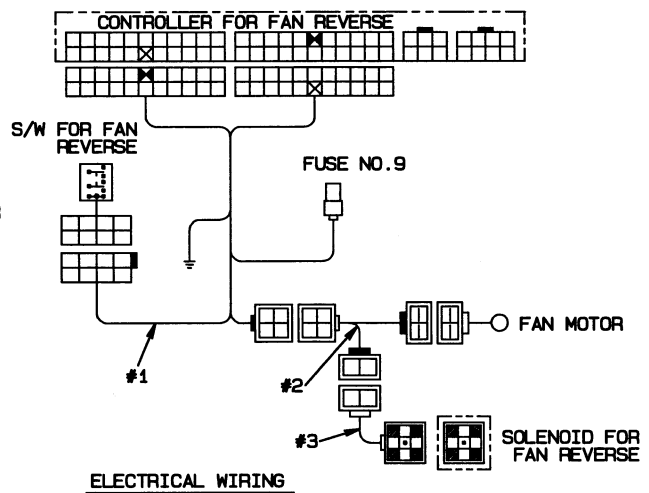
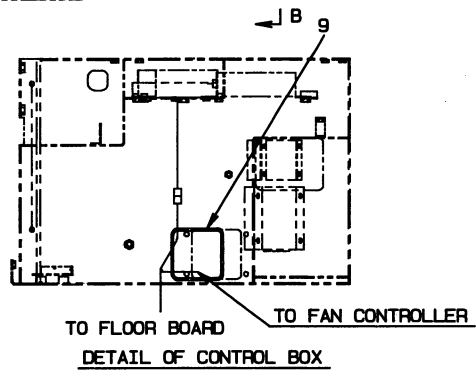
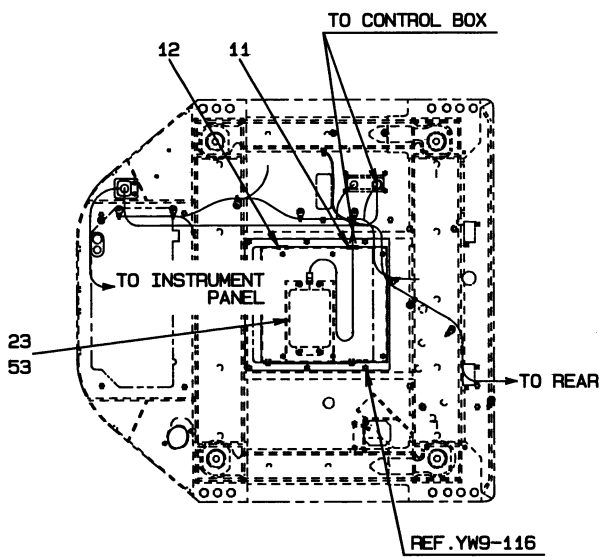
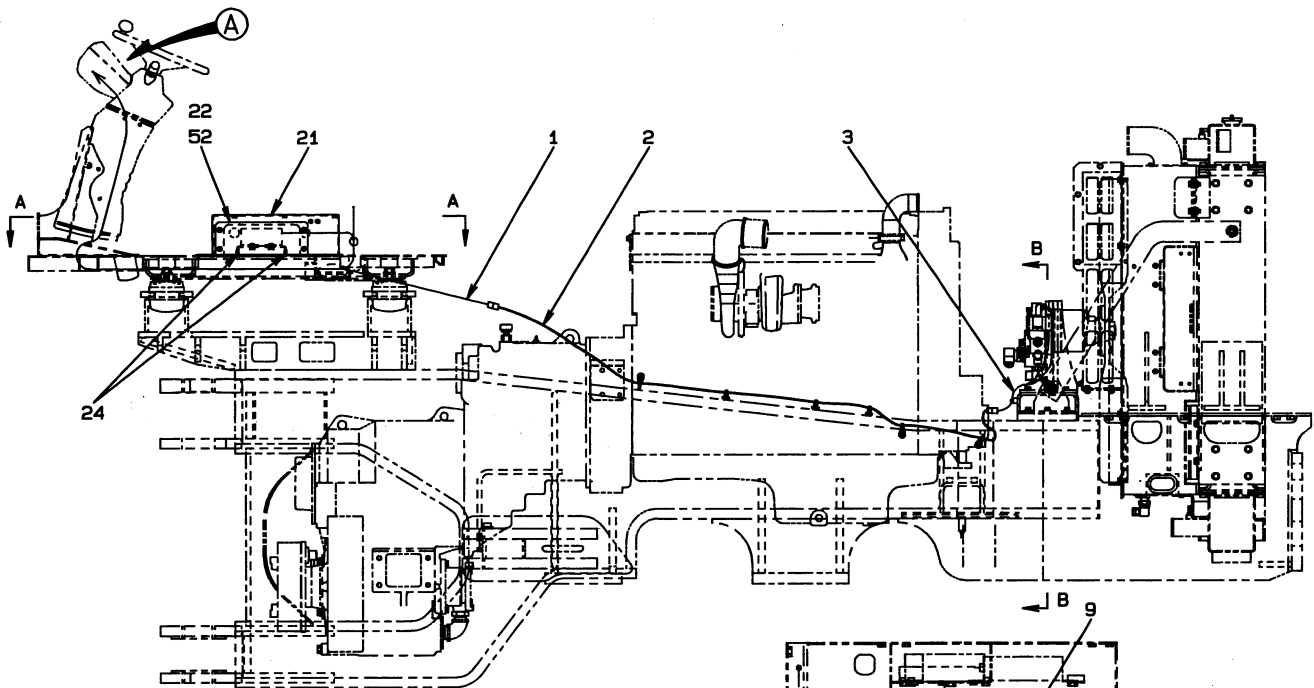
DETAIL OF A



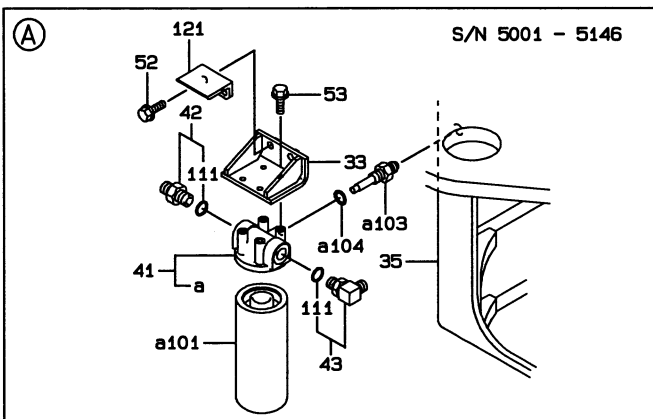
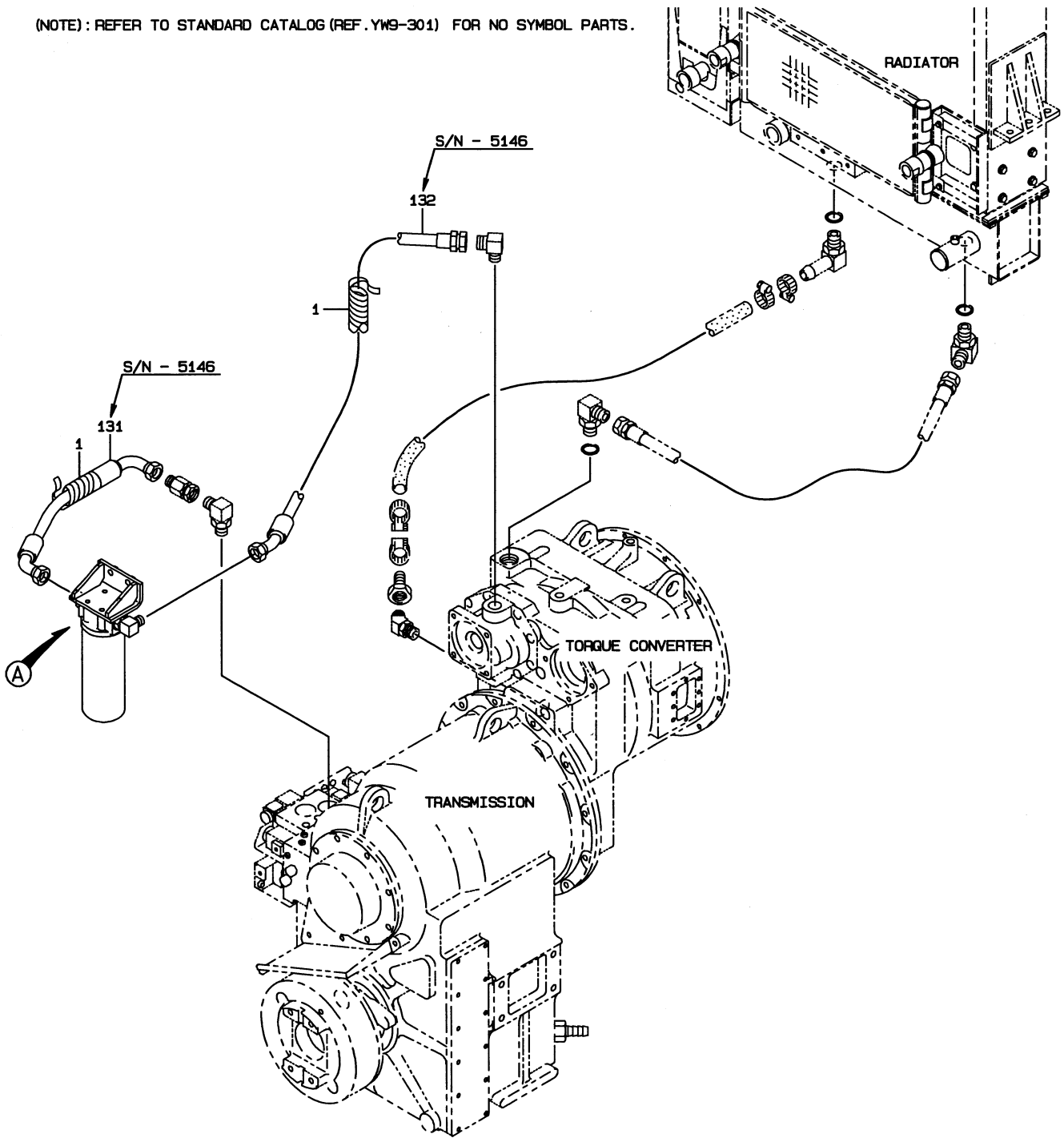


VIEW A - A

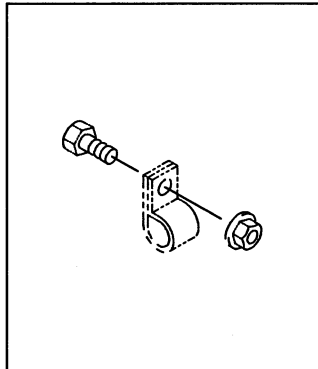




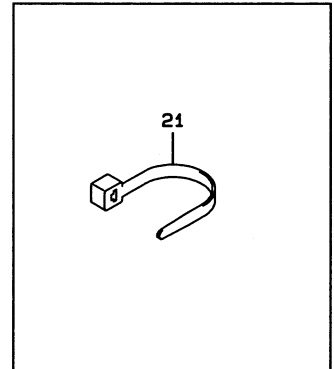
(NOTE) : REFER TO STANDARD CATALOG (REF. YW9-301) FOR NO SYMBOL PARTS.

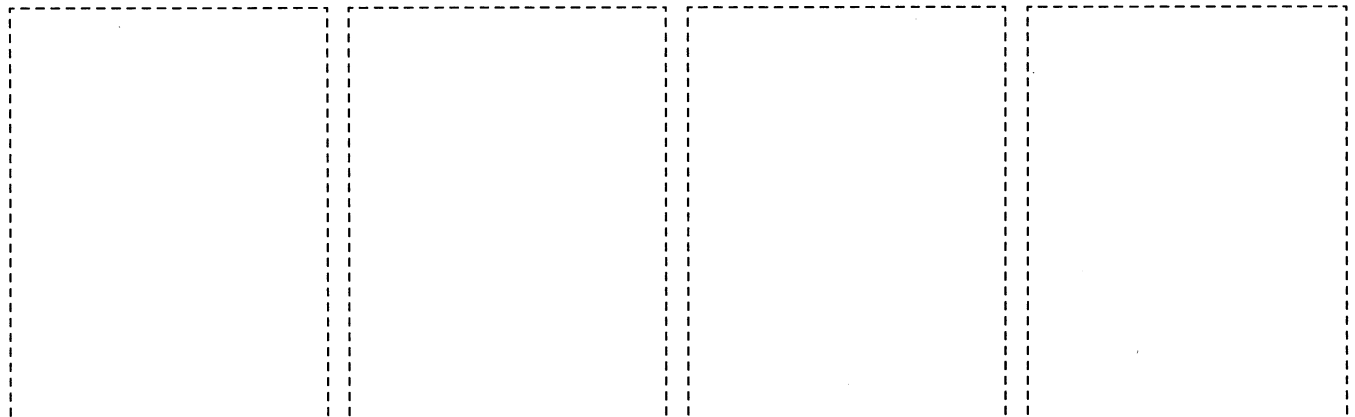
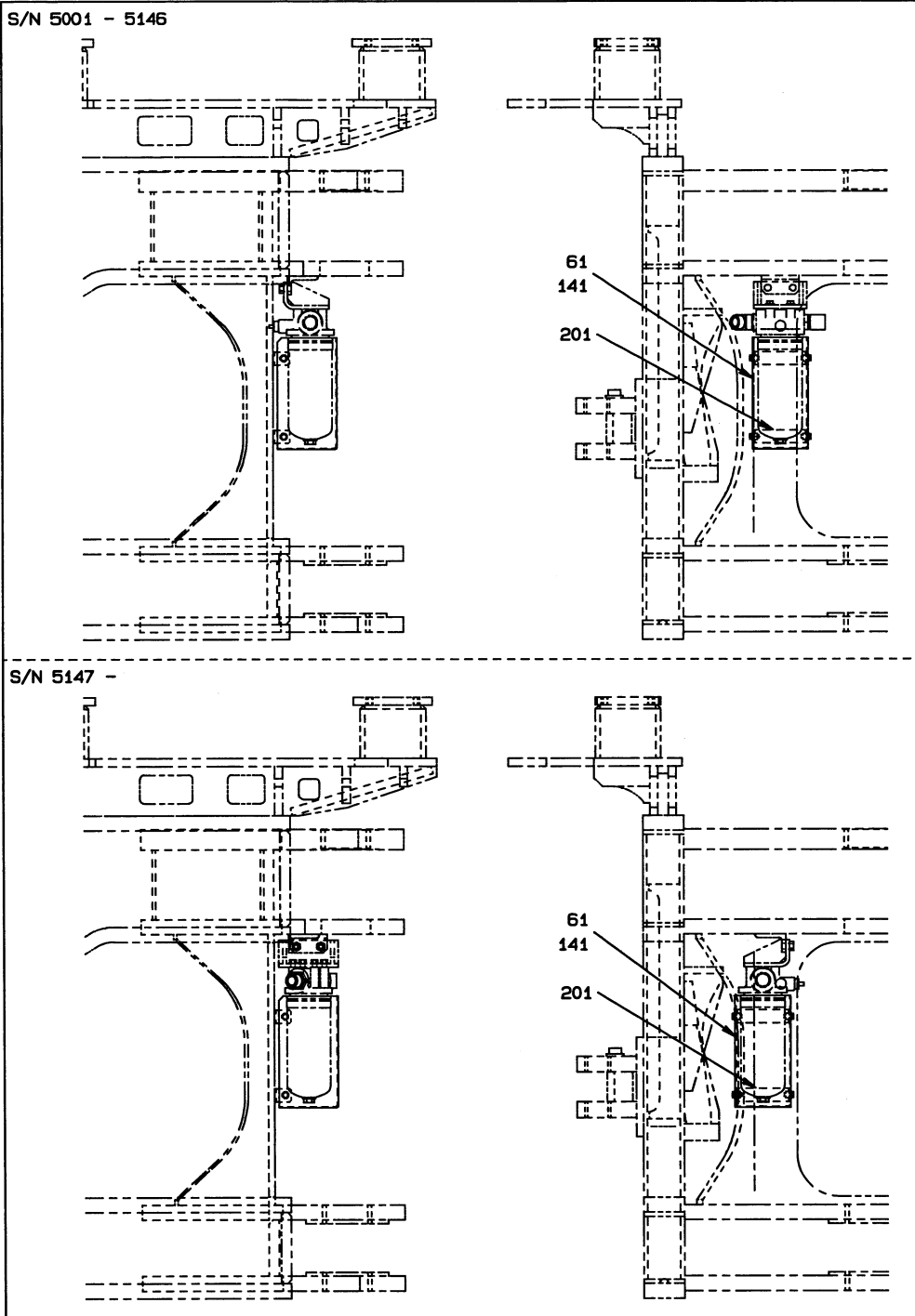


DETAIL OF PIPE HOLDER



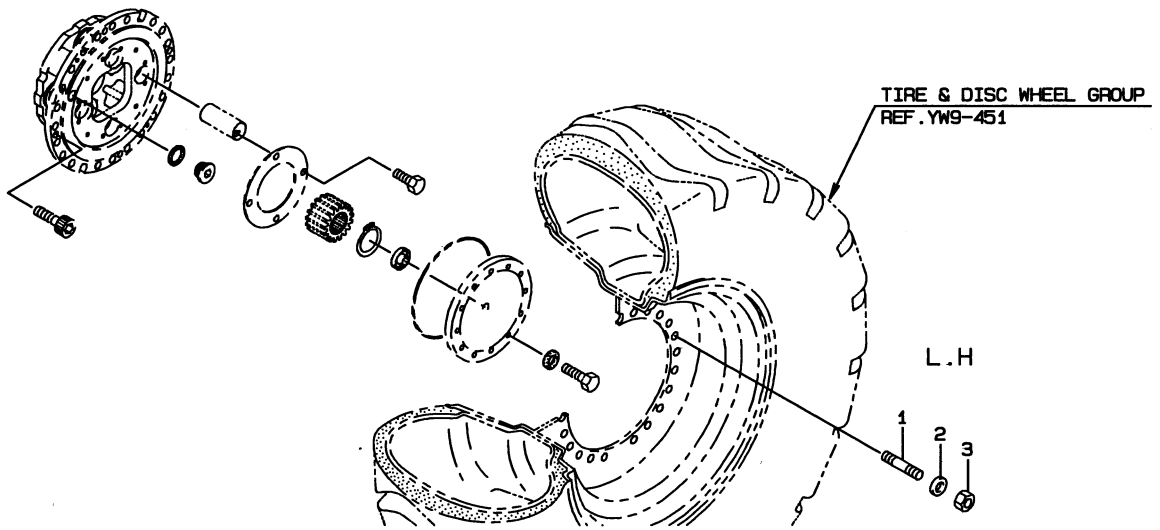
DETAIL OF CLAMP



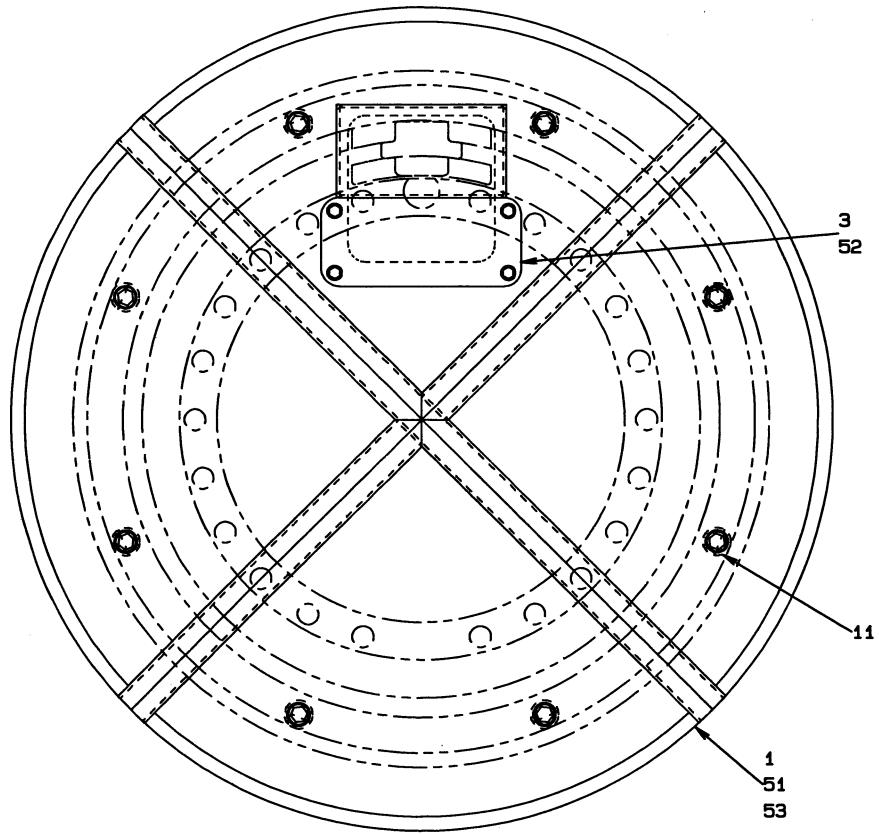


MEMO

(NOTE): REFER TO STANDARD CATALOG (REF. YWS-401) FOR NO SYMBOL PARTS.
THIS ILLUSTRATION SHOWS "LEFT HAND"
SYMBOL 1-3 ARE INCLUDED IN (REF. YWS-411).

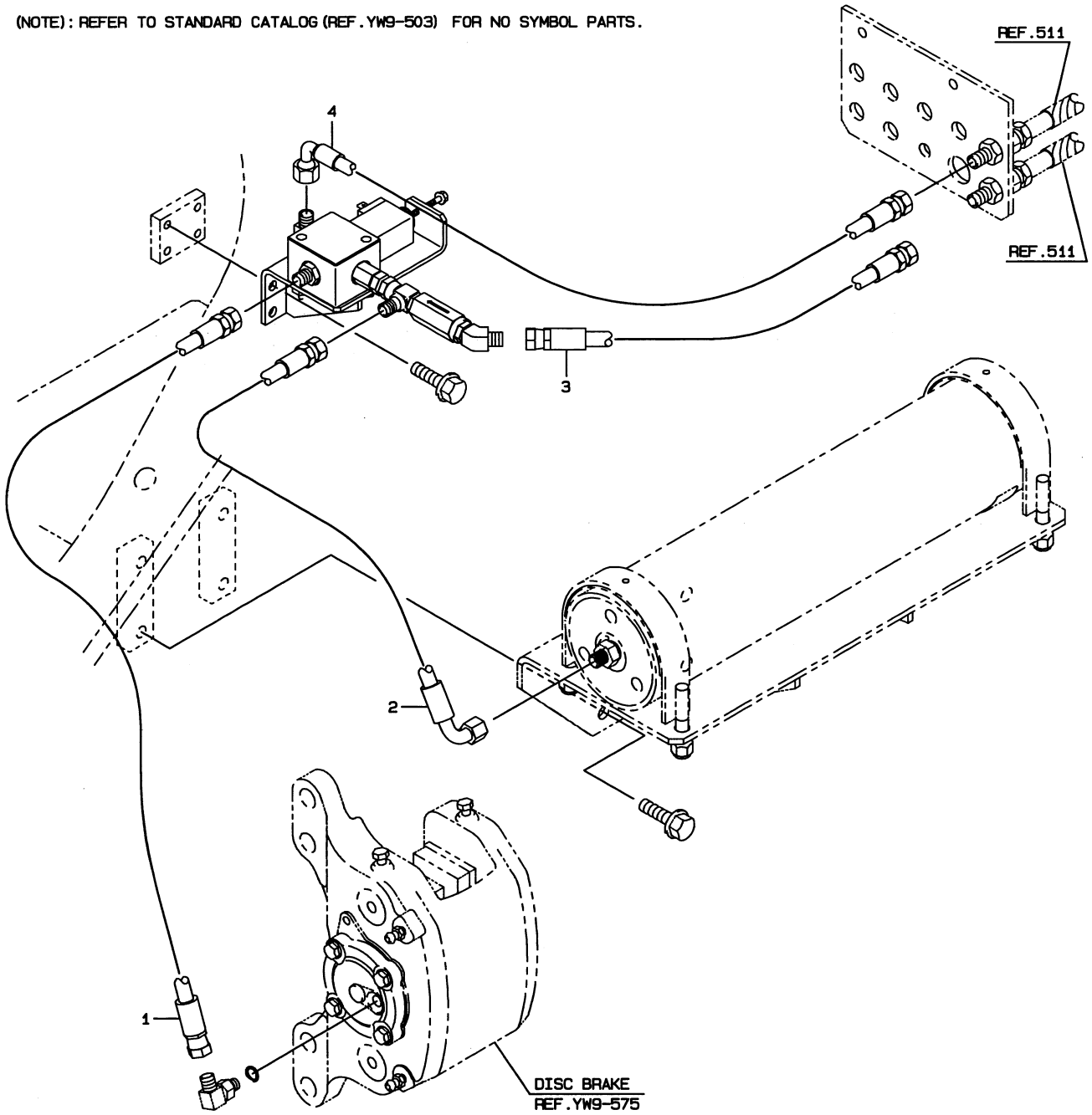


| | | | |
|--|--|--|--|
| | | | |
|--|--|--|--|

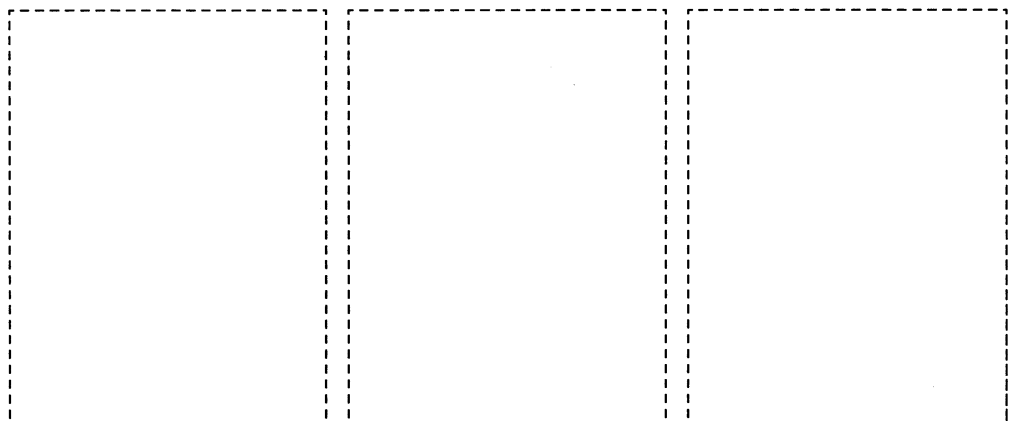
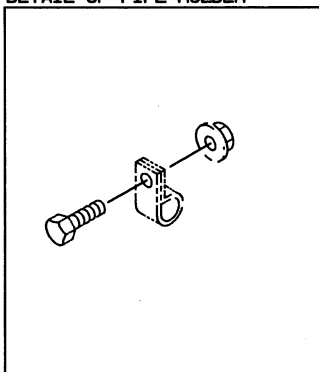


| | | | |
|--|--|--|--|
| | | | |
|--|--|--|--|

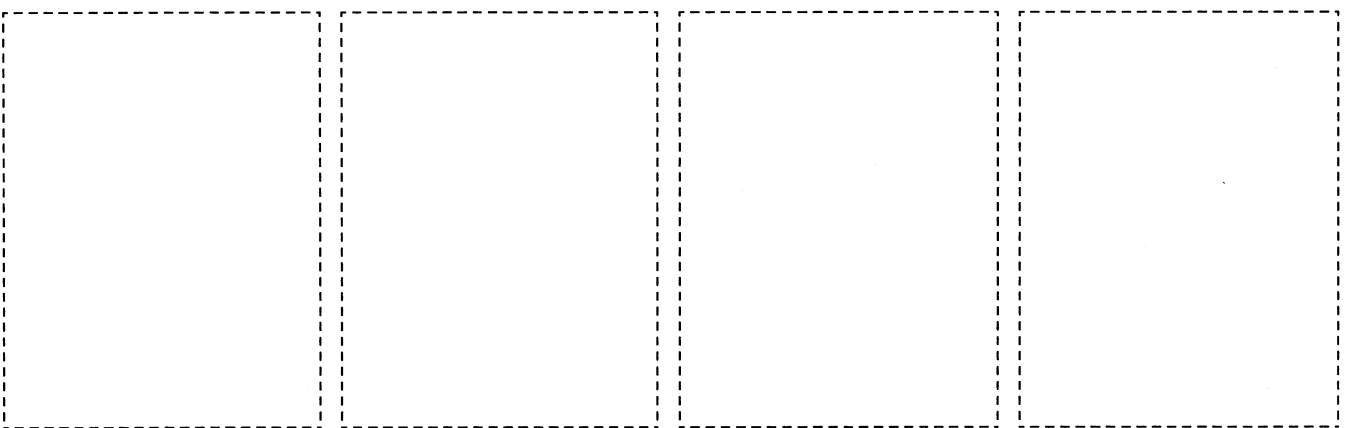
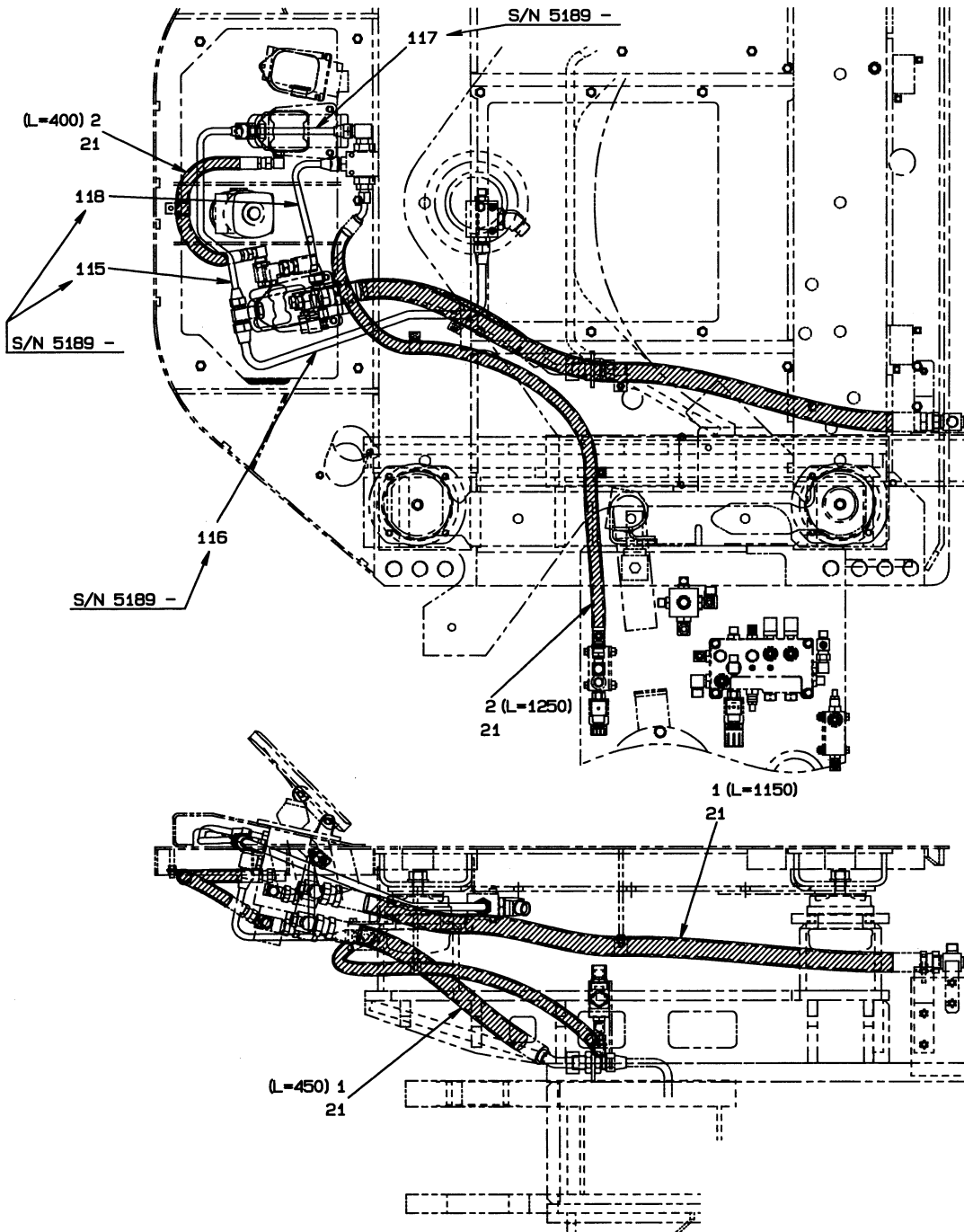
(NOTE): REFER TO STANDARD CATALOG (REF. YW9-503) FOR NO SYMBOL PARTS.



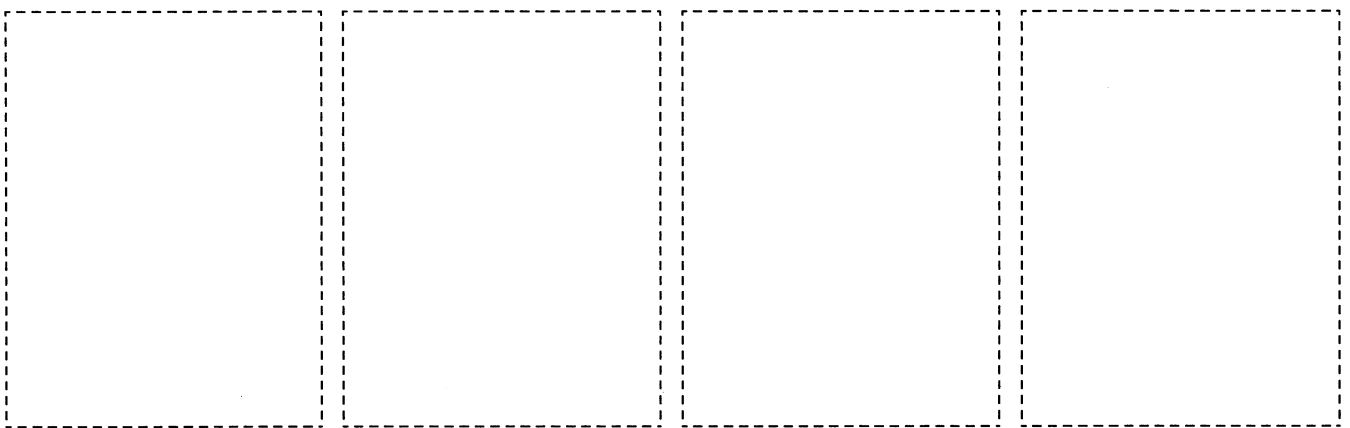
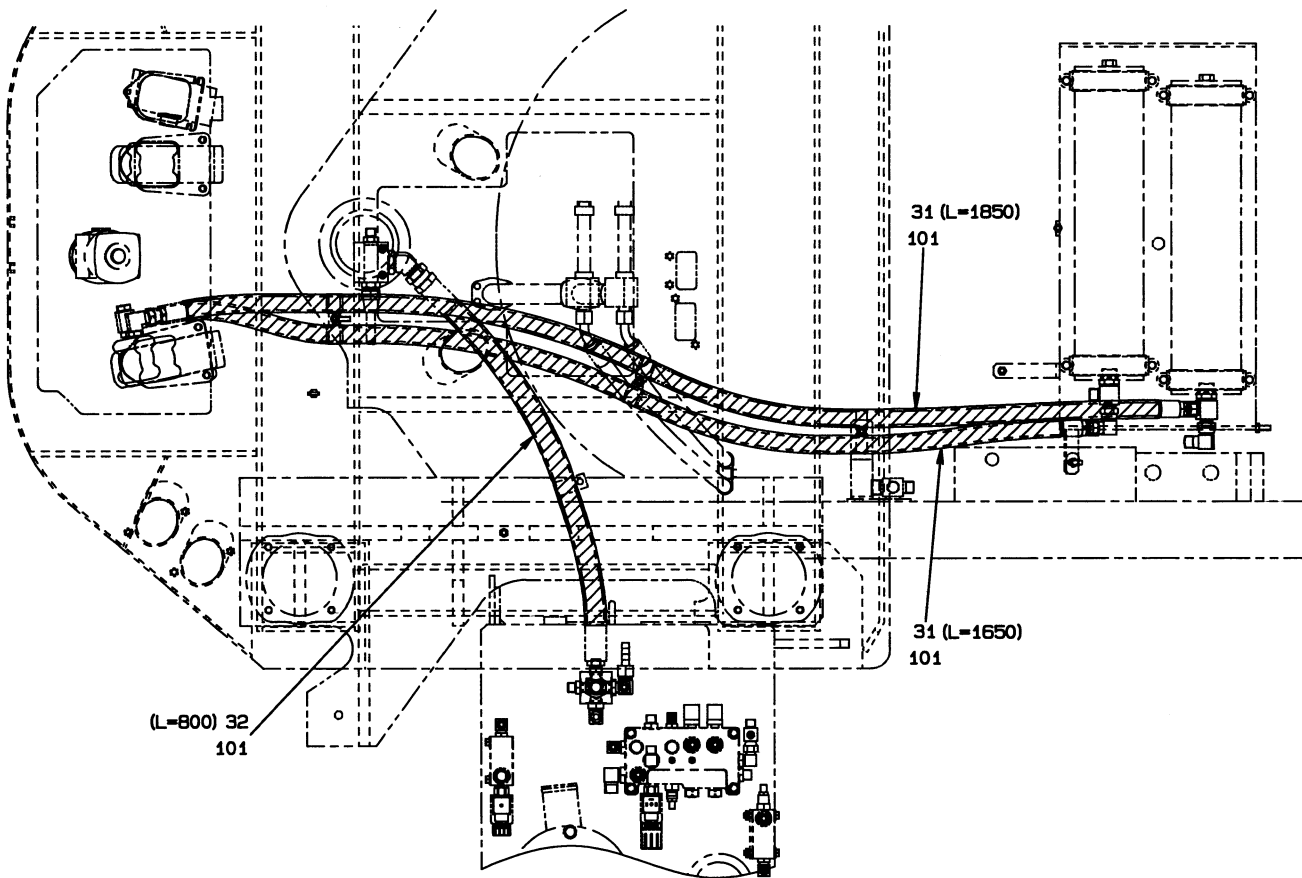
DETAIL OF PIPE HOLDER



(NOTE): REFER TO STANDARD CATALOG (REF. YW9-505) .

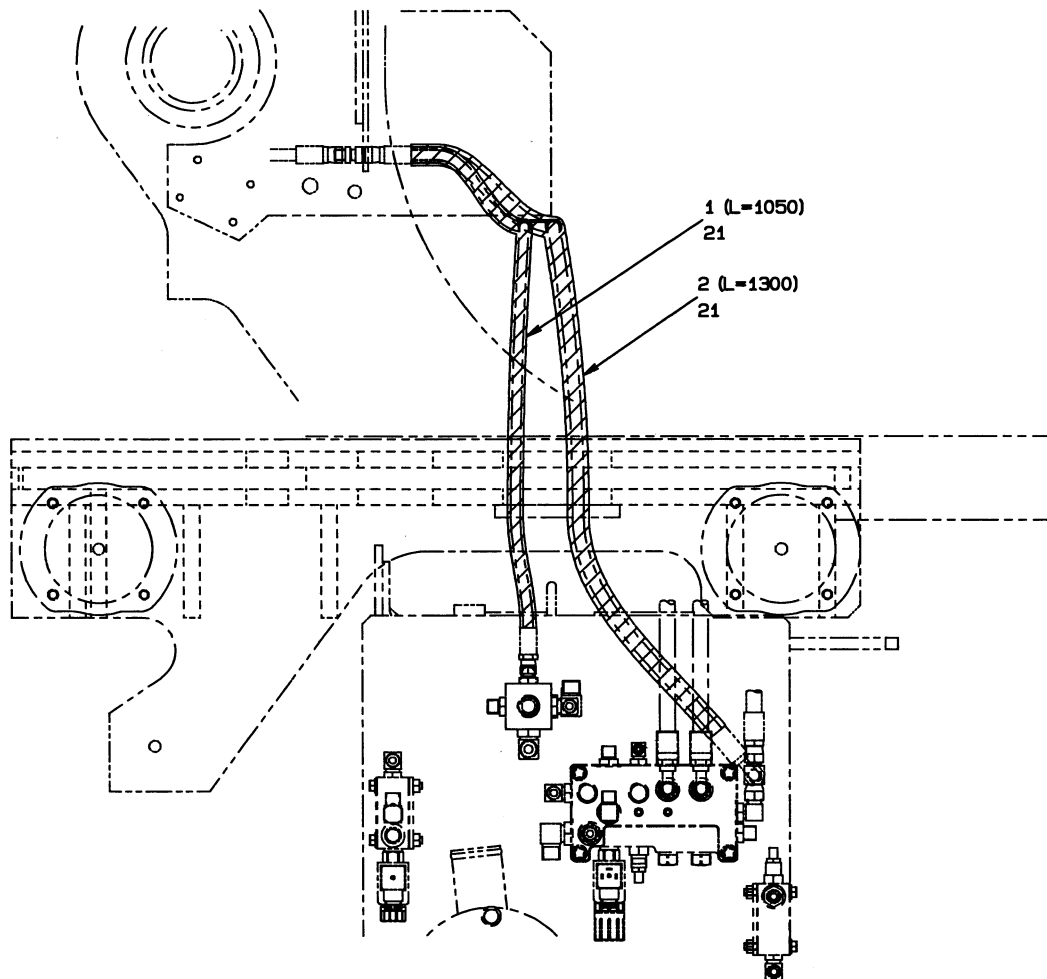


(NOTE): REFER TO STANDARD CATALOG (REF. YW9-505) .



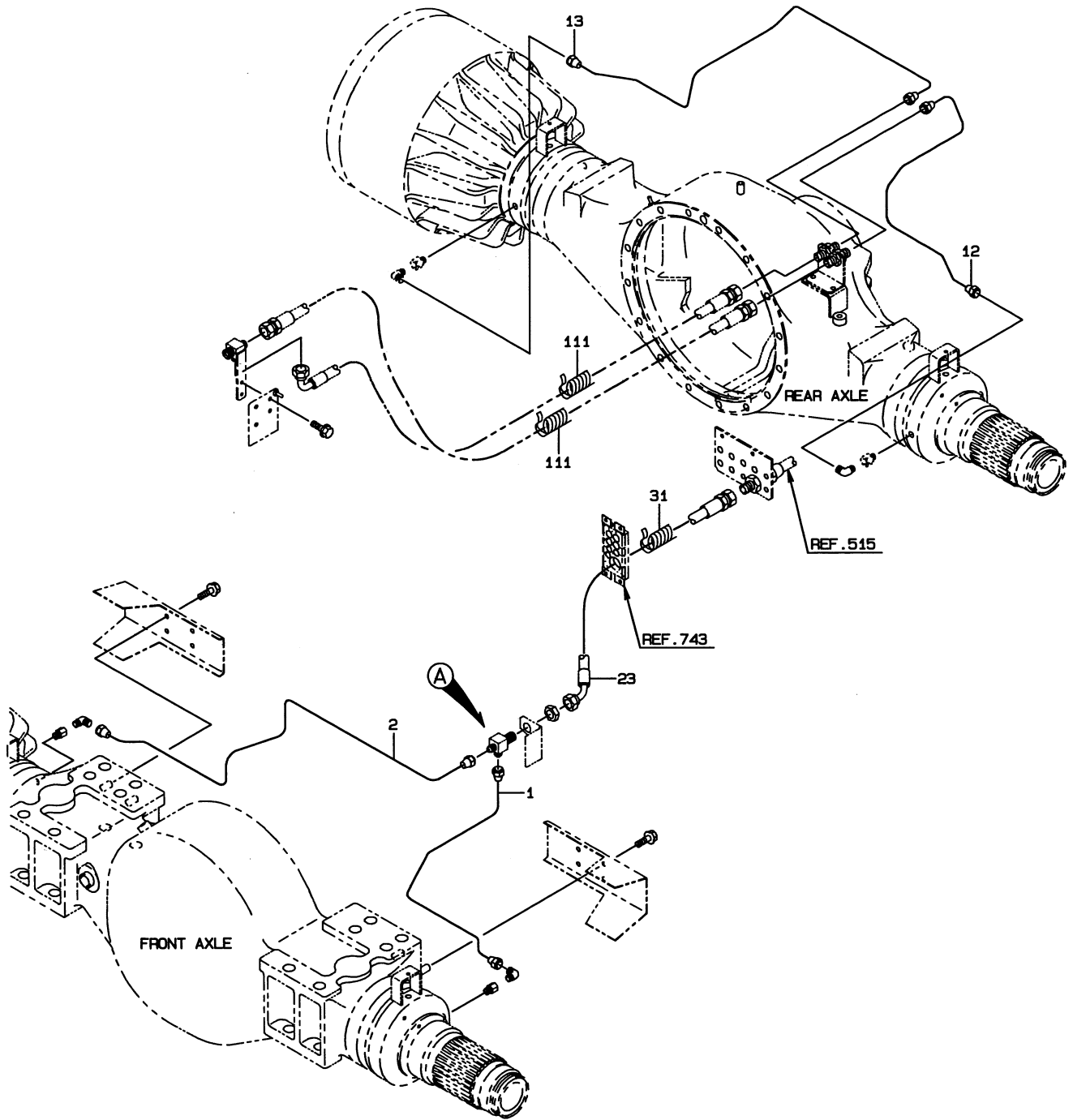
MEMO

(NOTE): REFER TO STANDARD CATALOG (REF. YW9-511) .

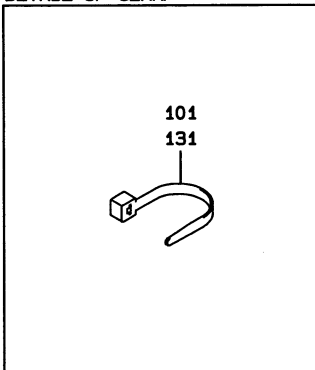


| | | | |
|--|--|--|--|
| | | | |
|--|--|--|--|

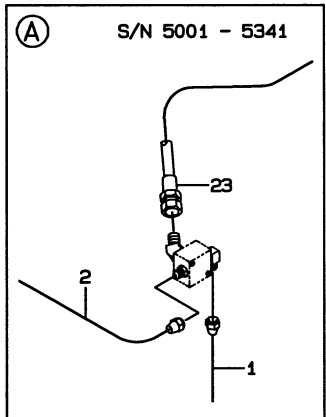
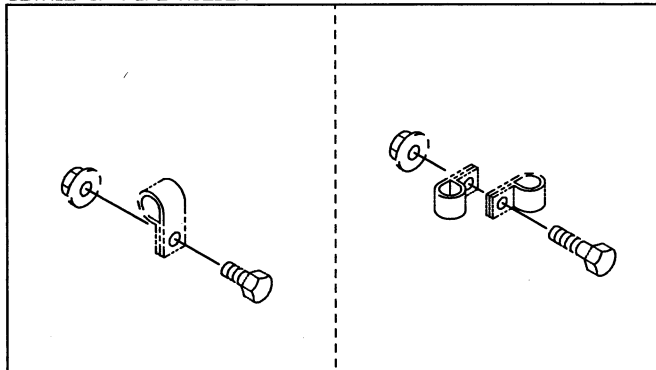
(NOTE): REFER TO STANDARD CATALOG (REF. YW9-513) FOR NO SYMBOL PARTS.



DETAIL OF CLAMP

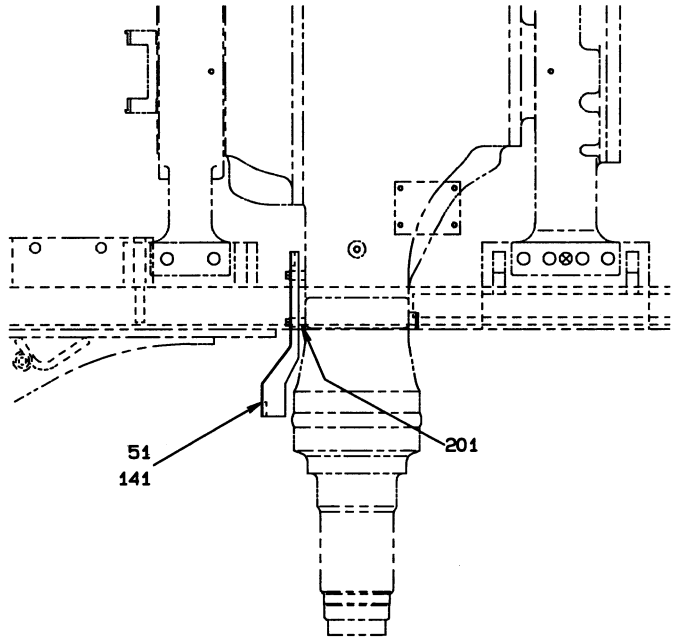
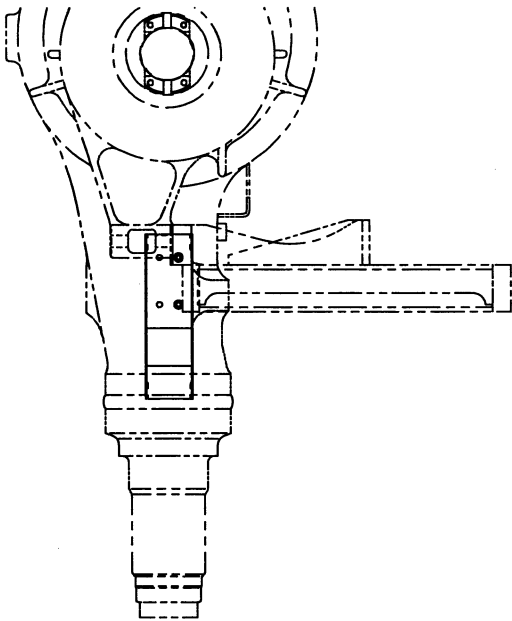


DETAIL OF PIPE HOLDER

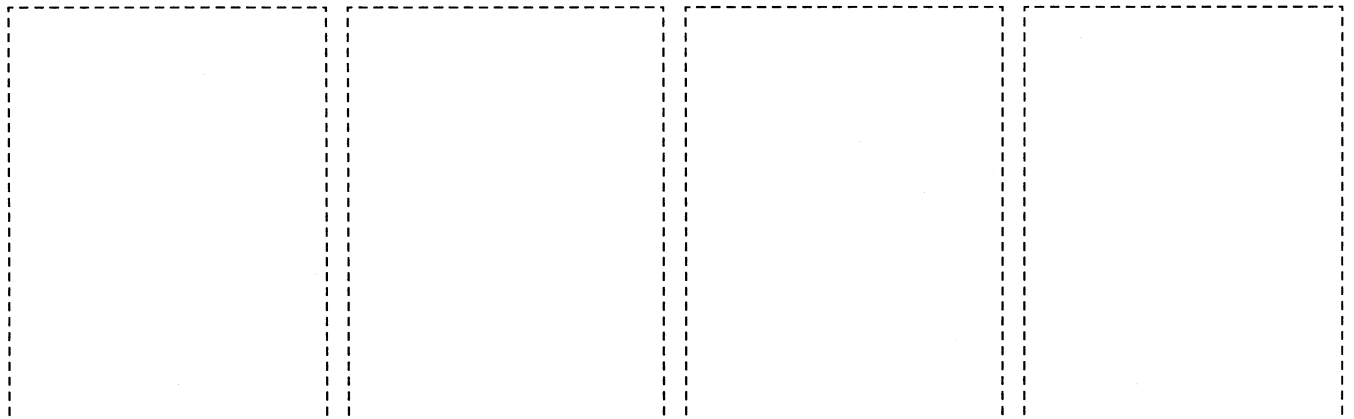
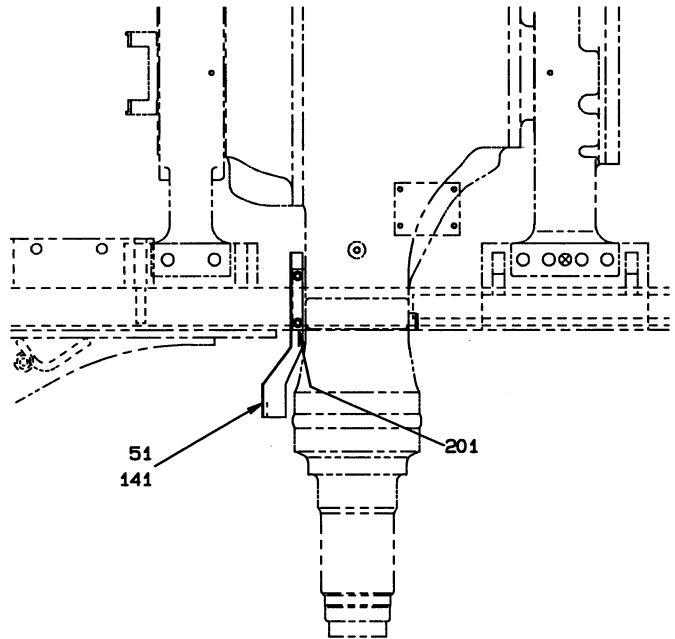
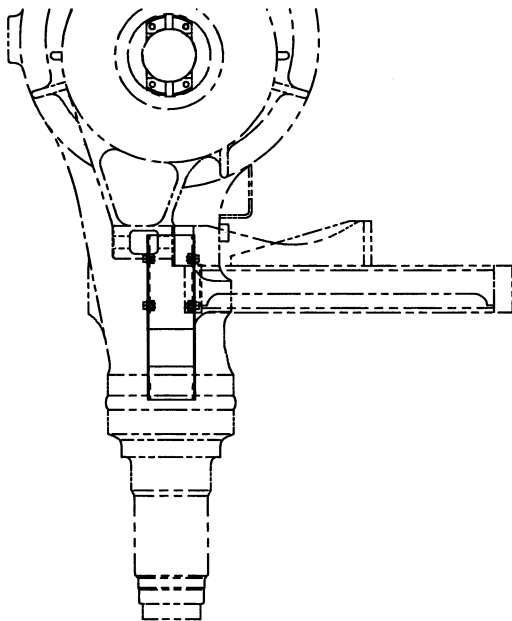


(NOTE): THIS ILLUSTRATION SHOWS "LEFT HAND".

S/N 5001 - 5140

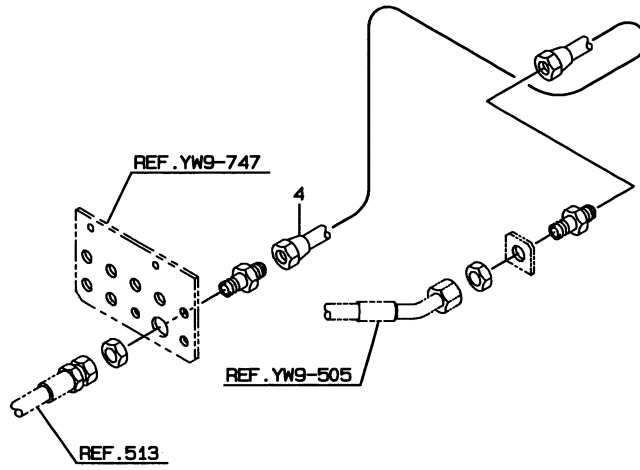


S/N 5141 -

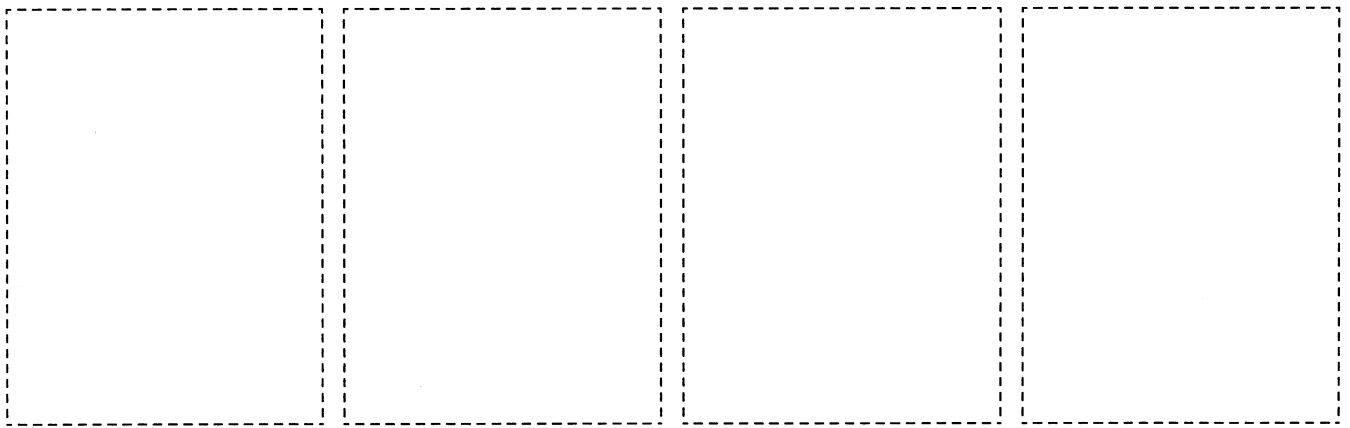
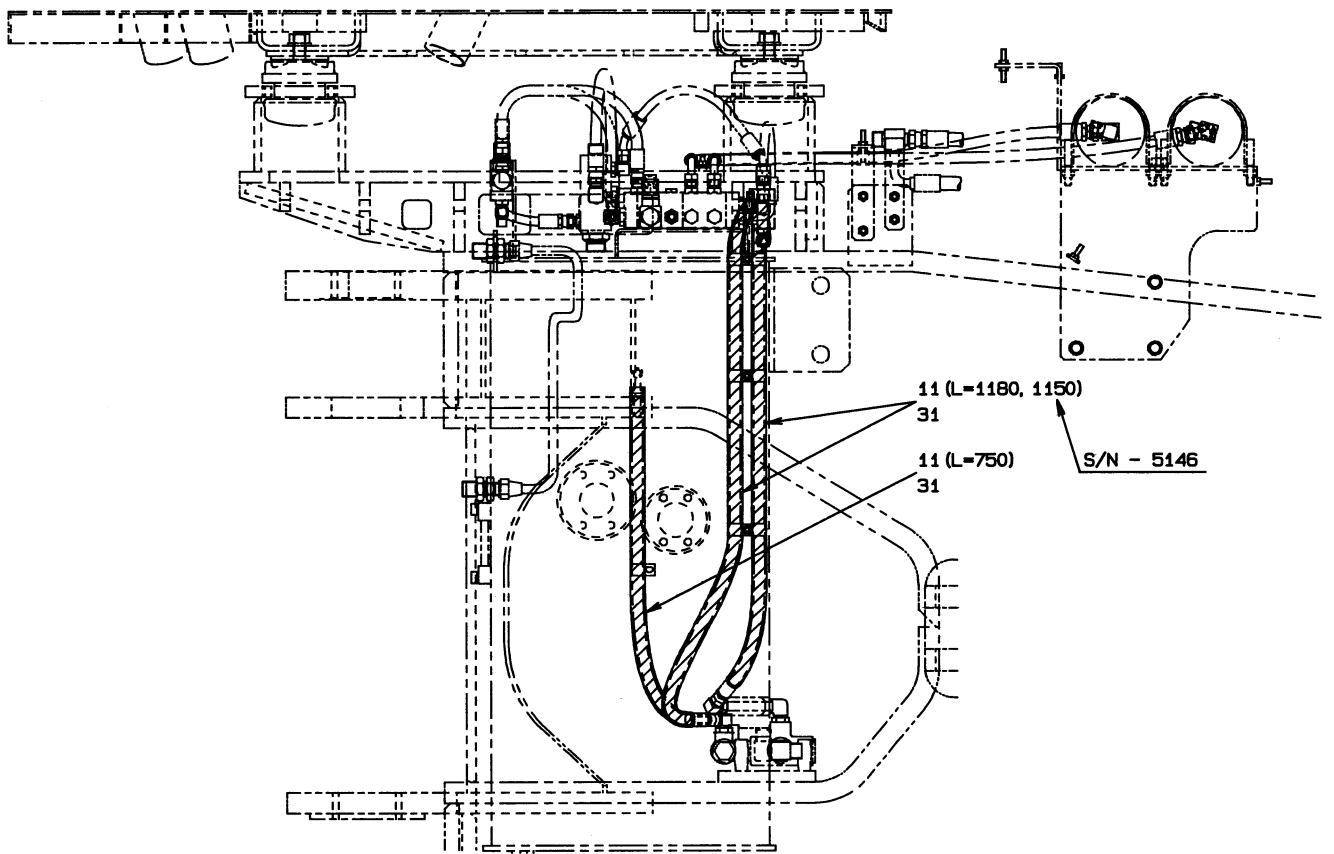


MEMO

(NOTE): REFER TO STANDARD CATALOG (REF. YW9-515) FOR NO SYMBOL PARTS.

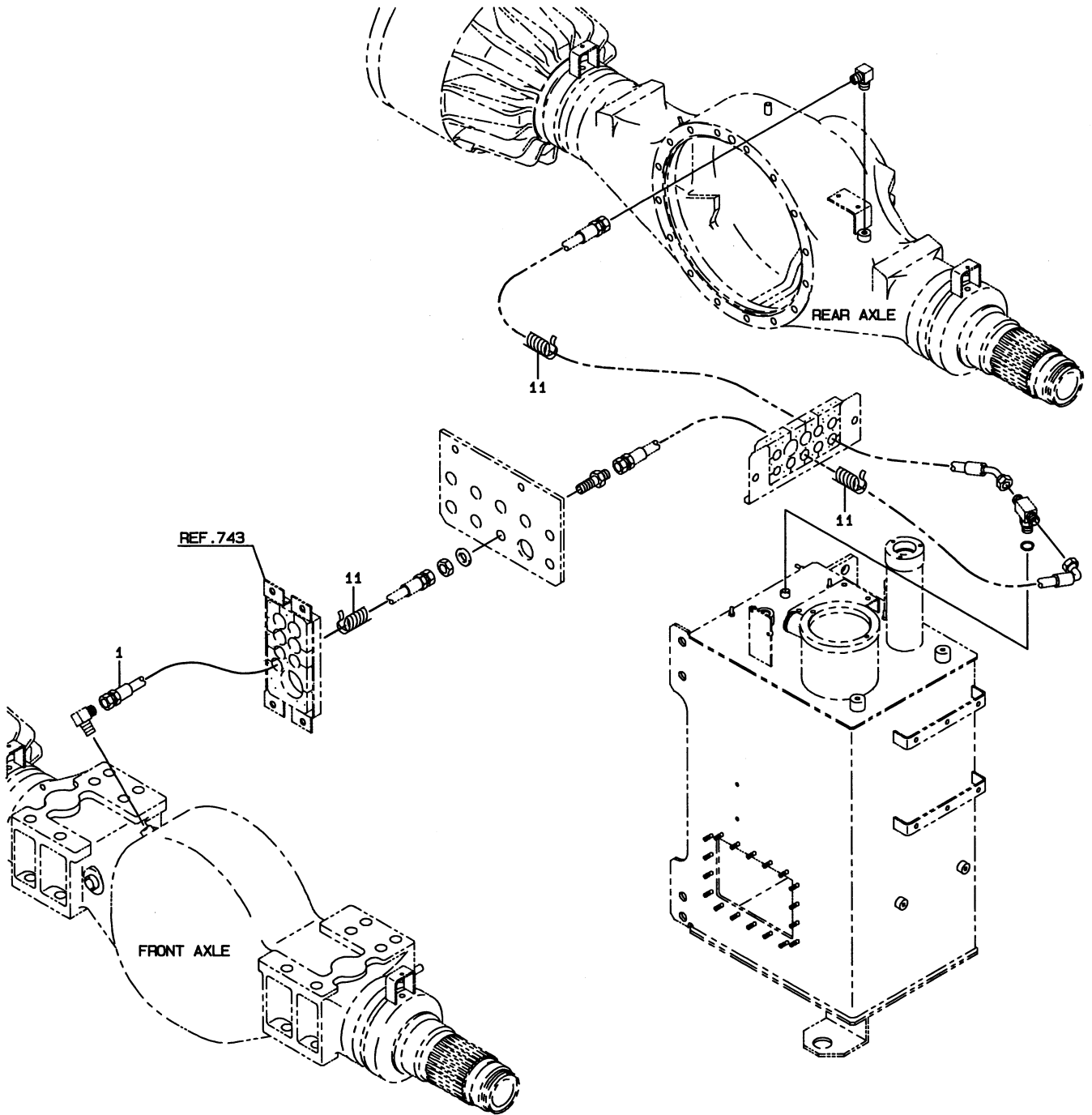


| | | | |
|--|--|--|--|
| | | | |
|--|--|--|--|

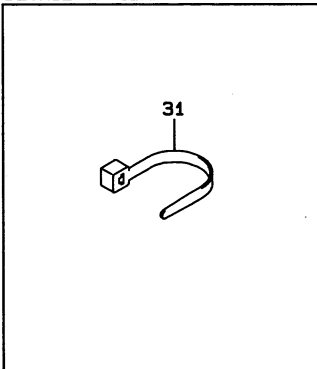


MEMO

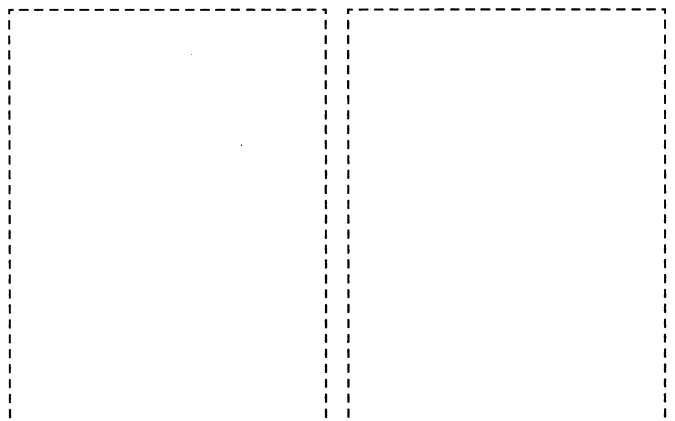
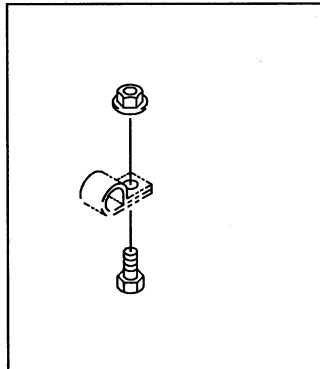
(NOTE) : REFER TO STANDARD CATALOG (REF. YW9-517) FOR NO SYMBOL PARTS.

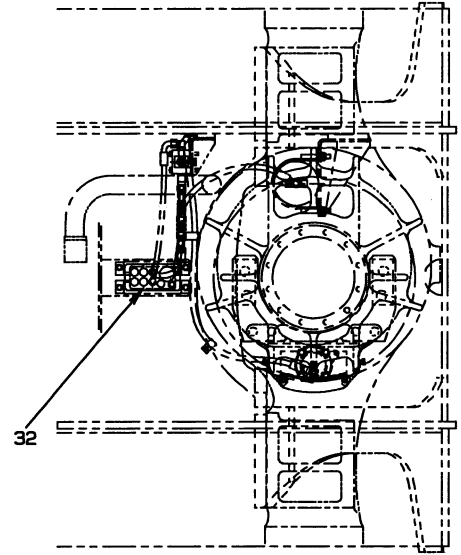
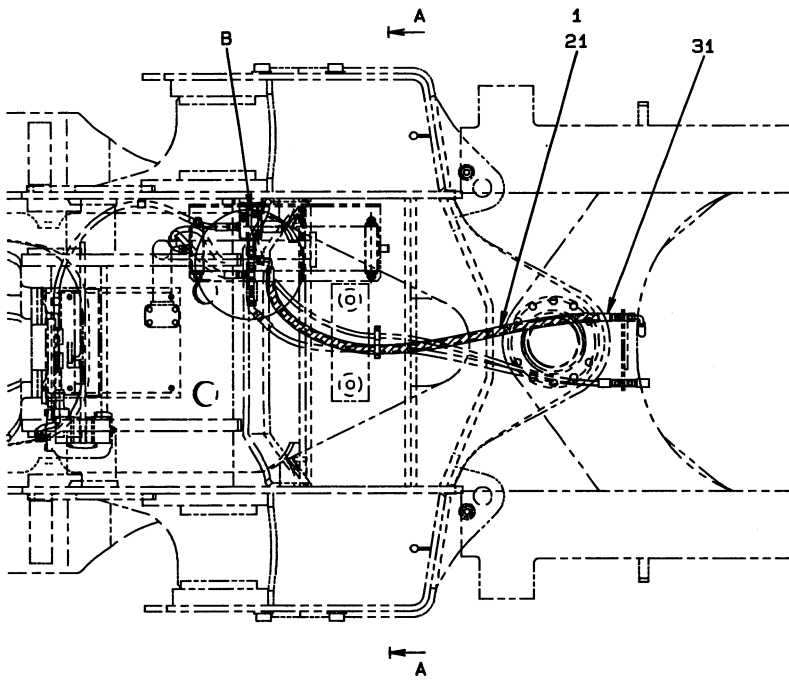


DETAIL OF CLAMP

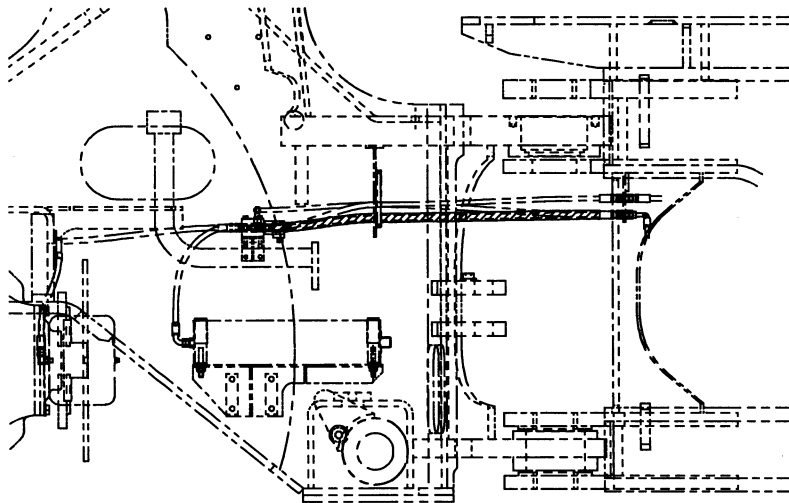


DETAIL OF PIPE HOLDER

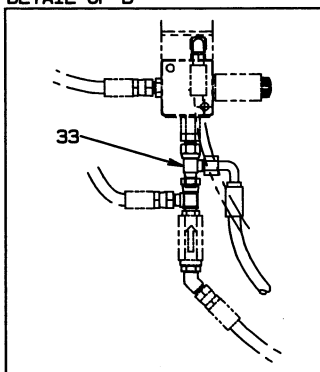


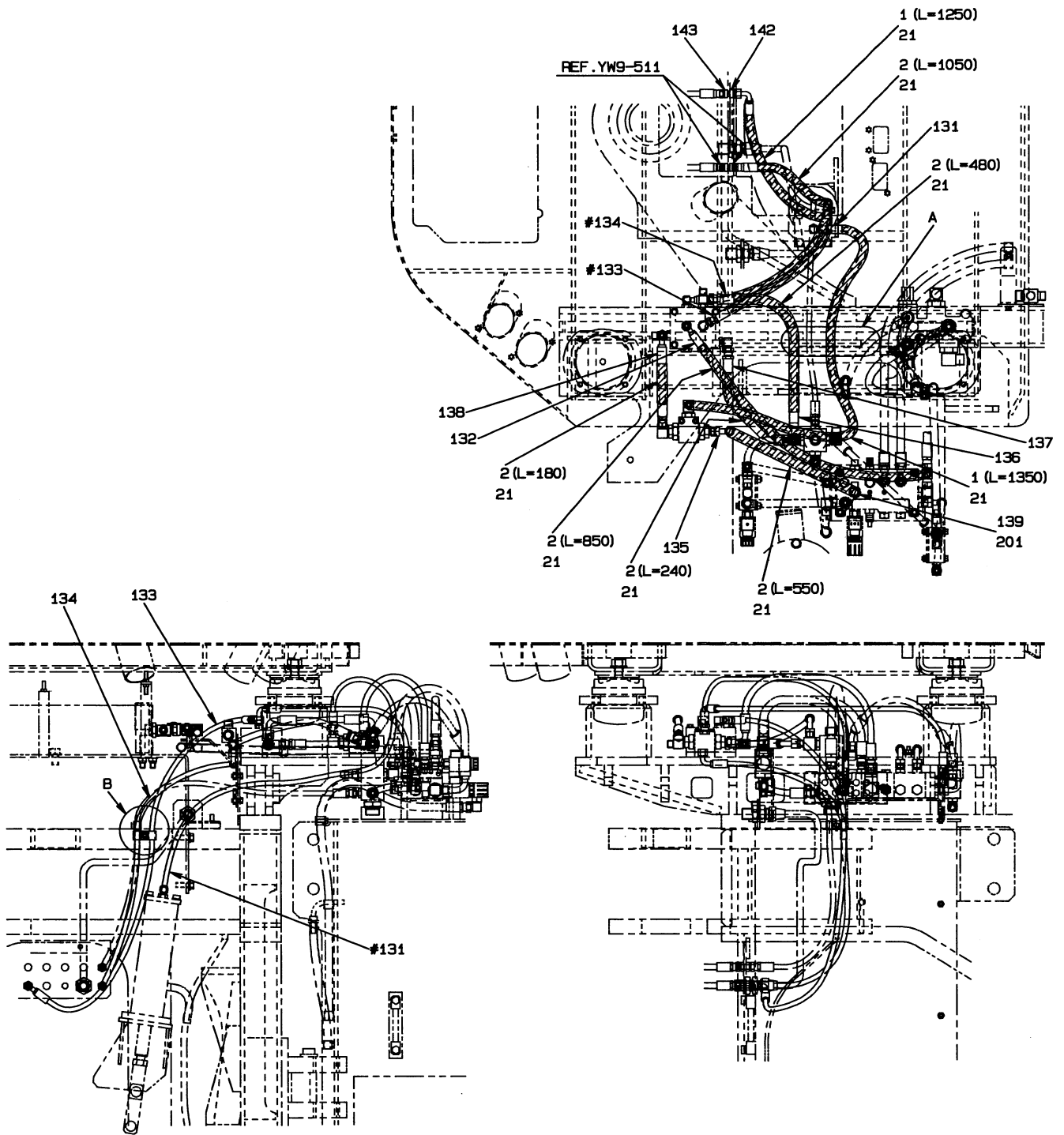


VIEW A - A

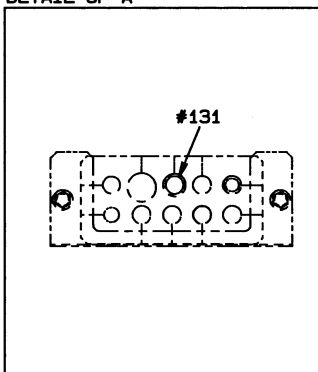


DETAIL OF B

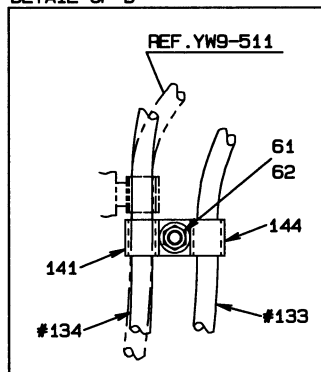


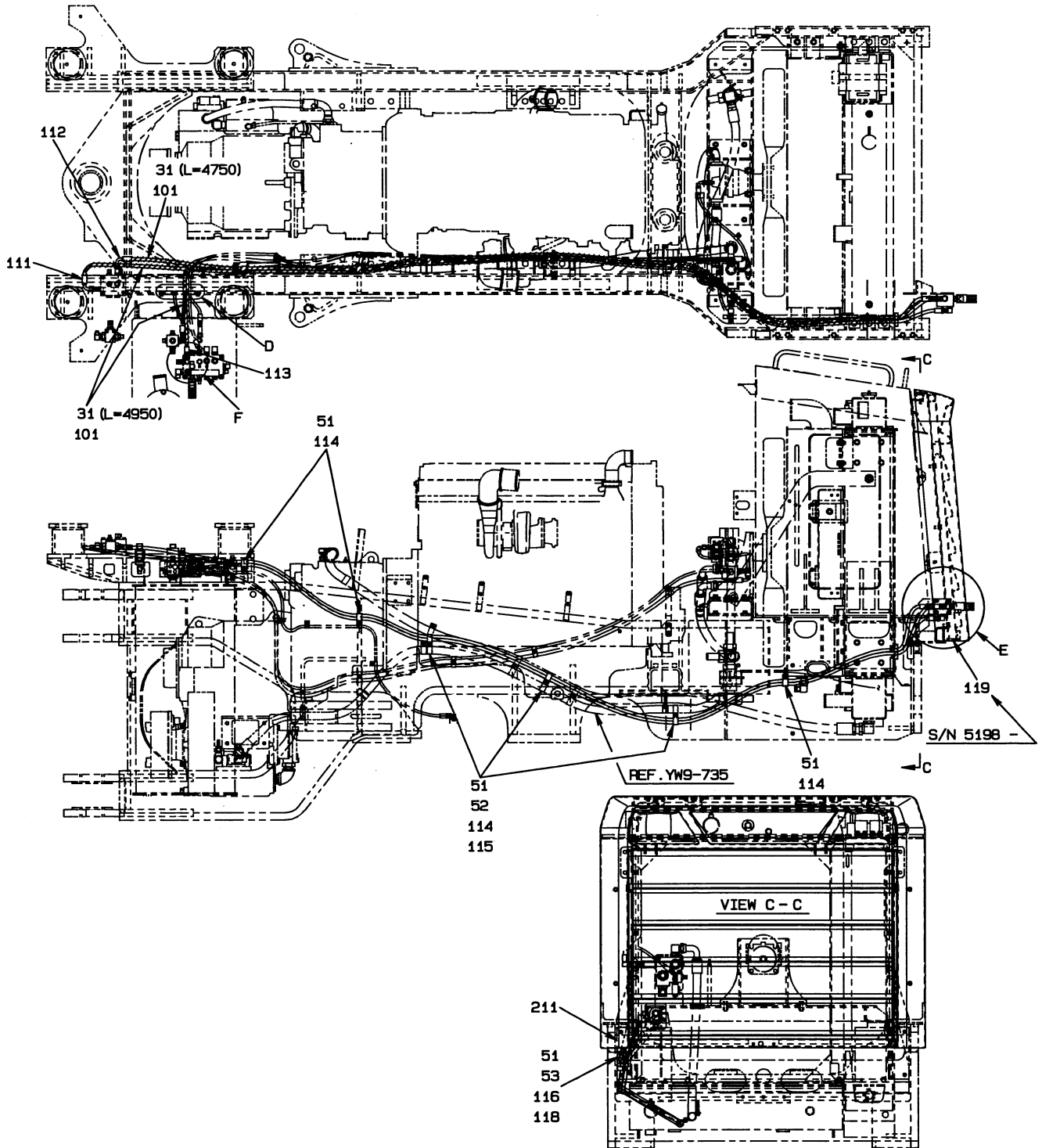


DETAIL OF A

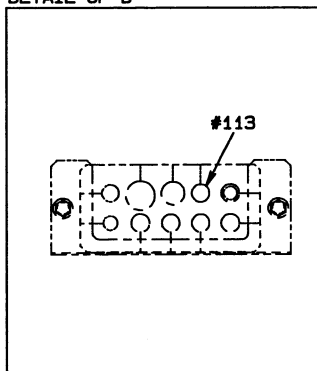


DETAIL OF B

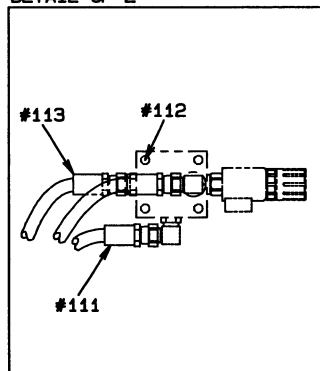




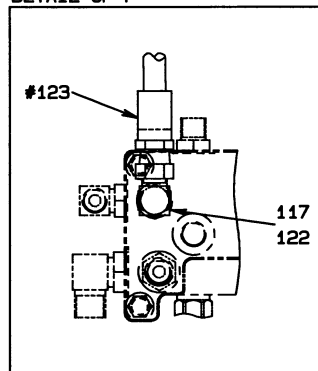
DETAIL OF D



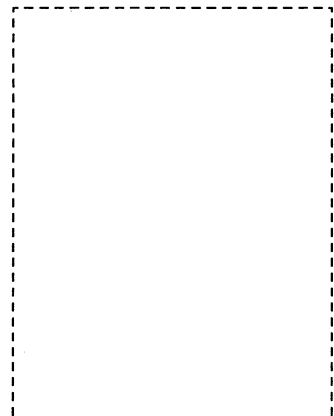
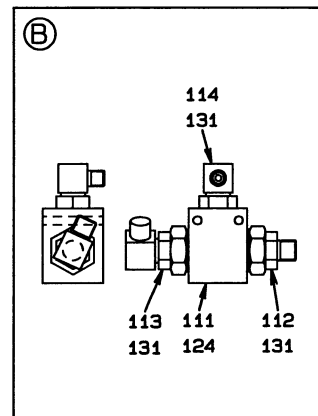
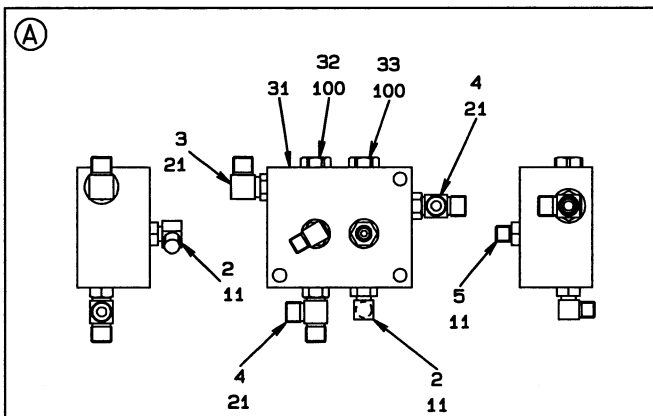
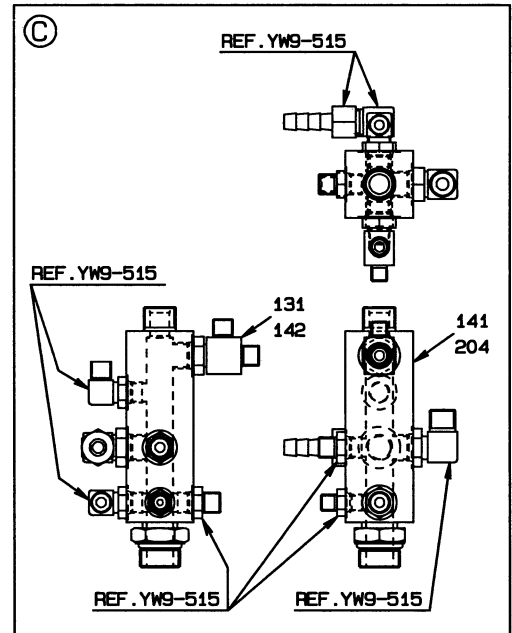
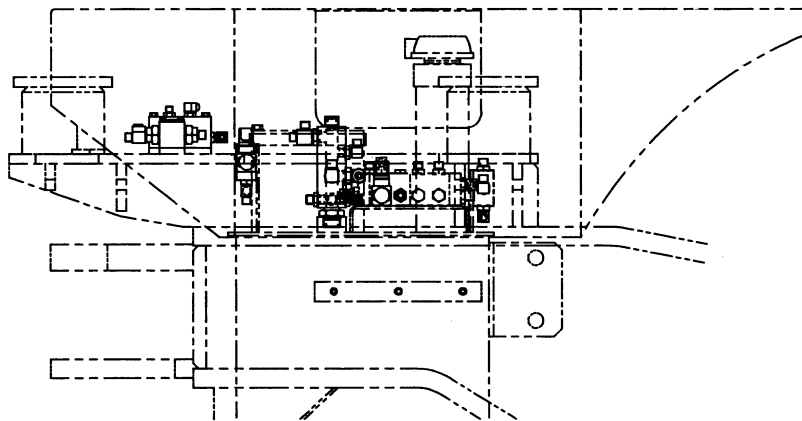
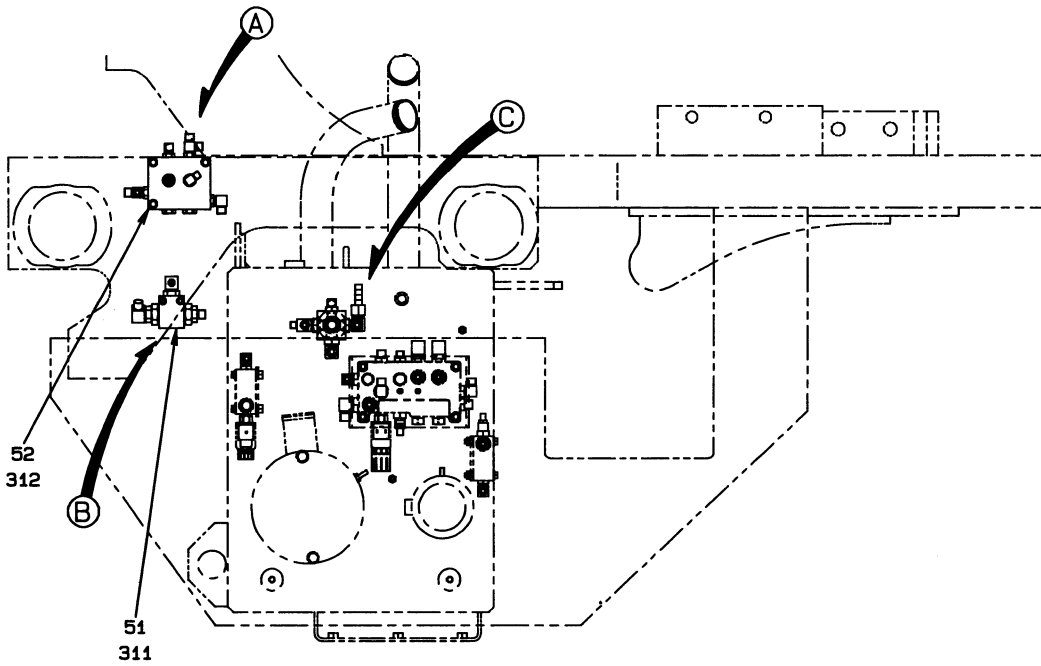
DETAIL OF E

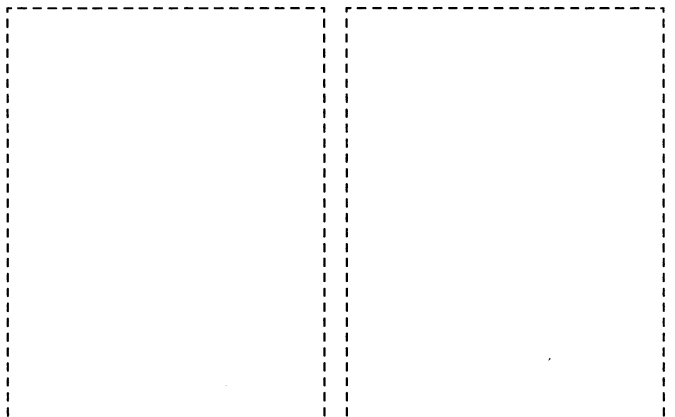
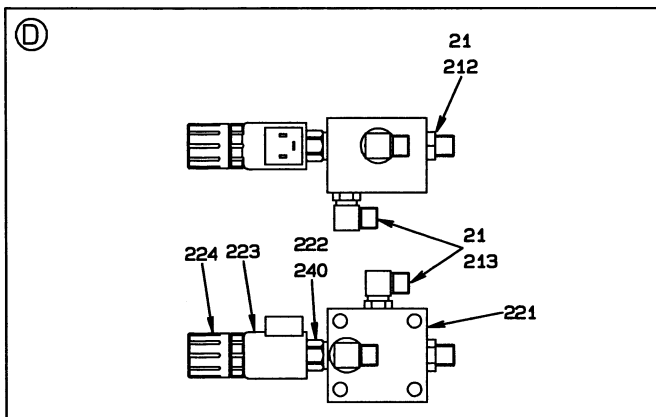
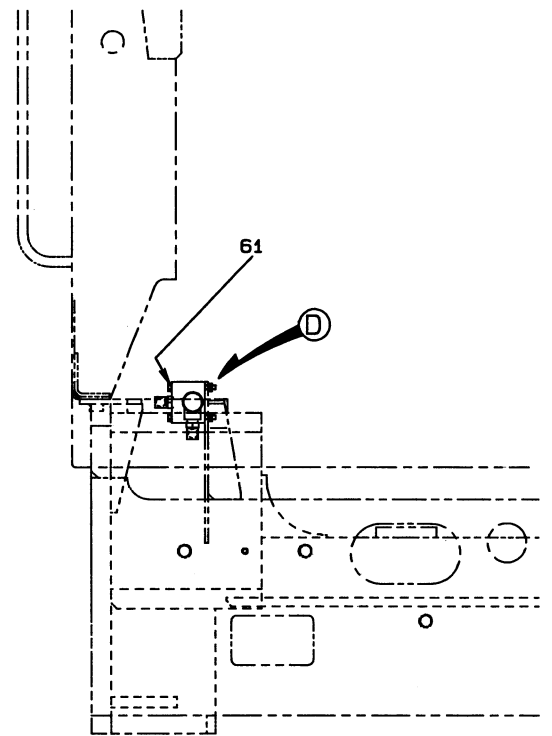
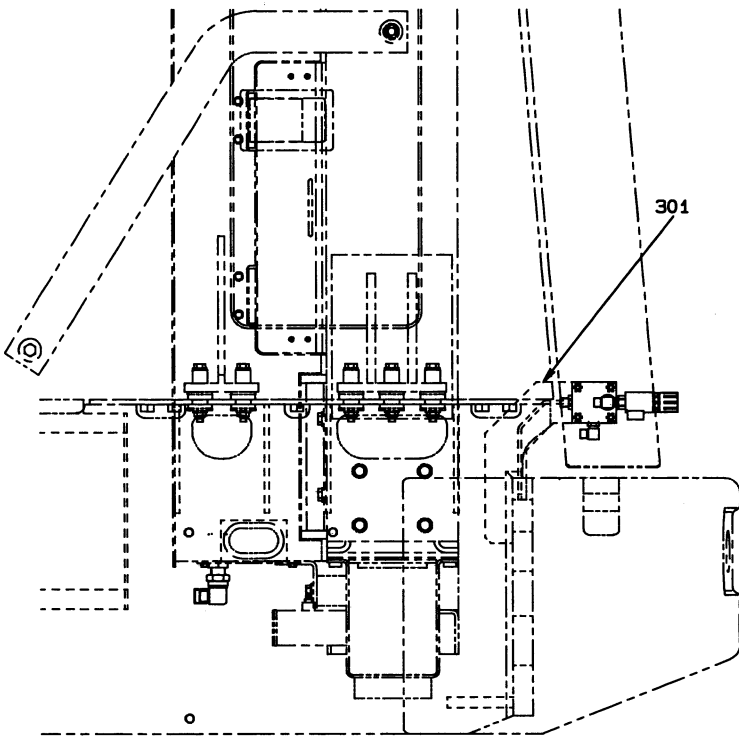


DETAIL OF F

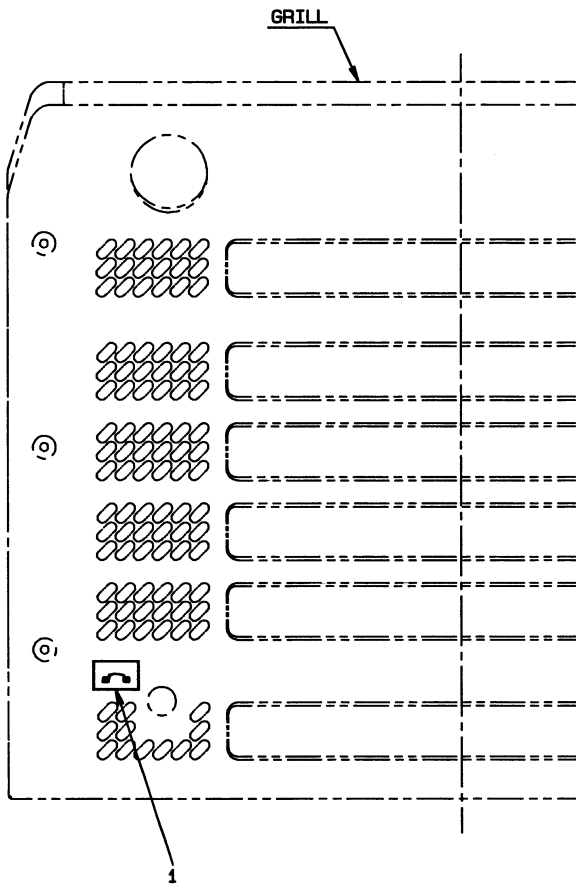


MEMO



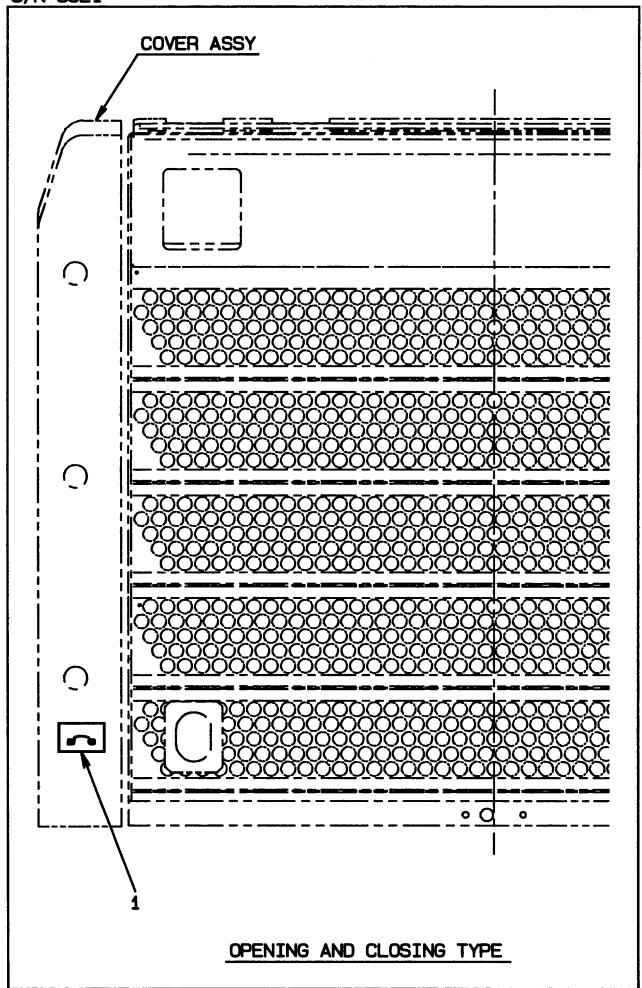


MEMO

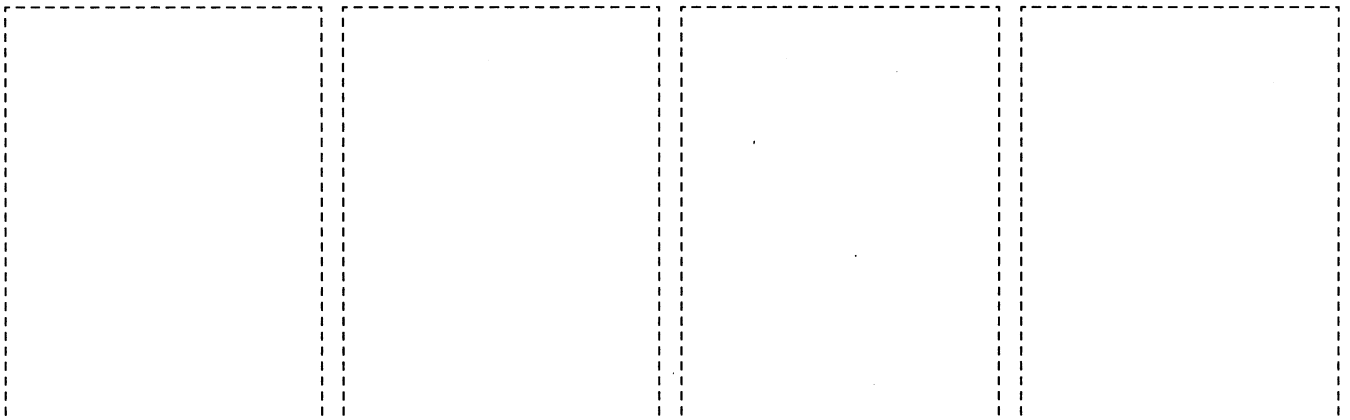


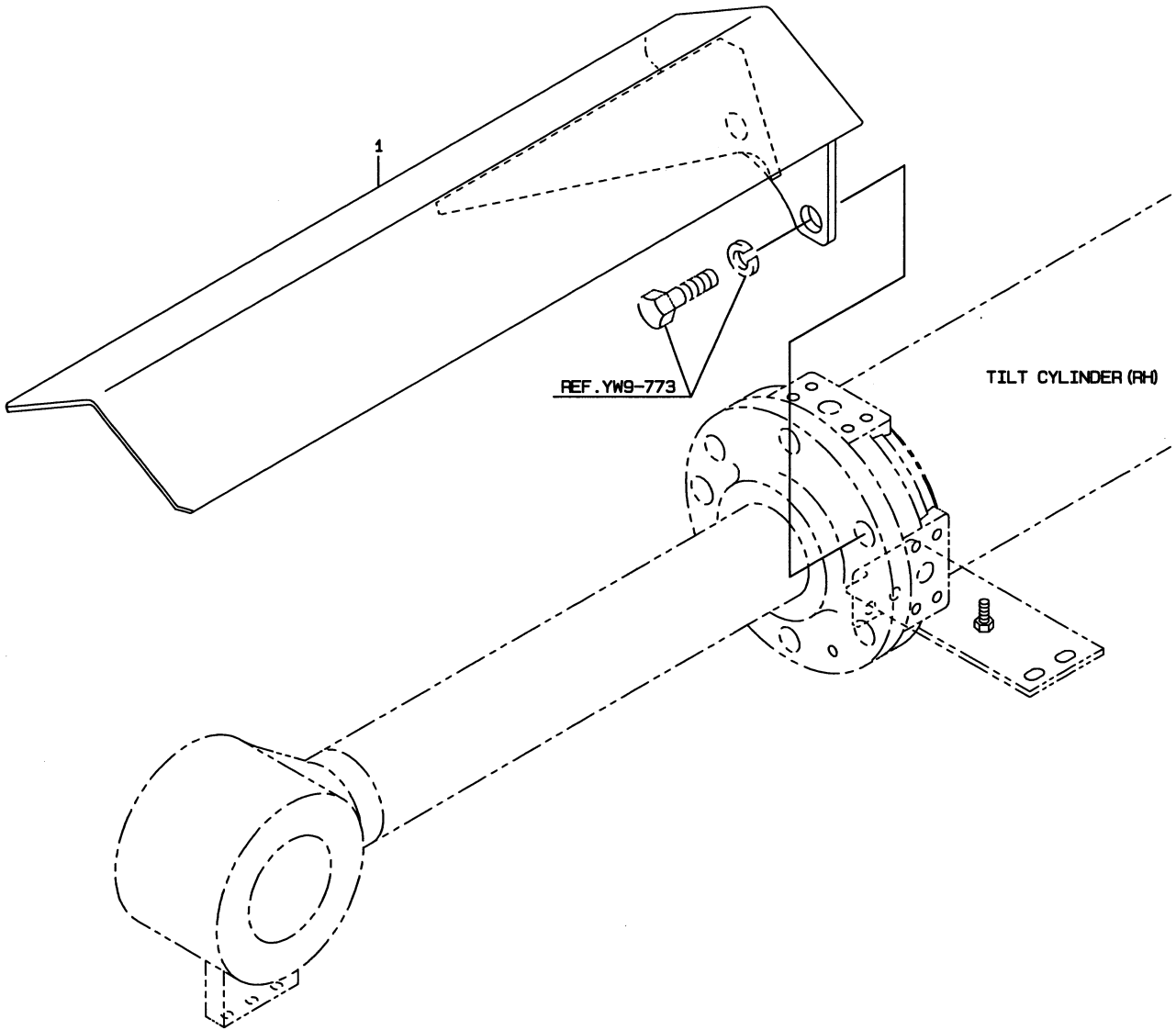
FIXED TYPE

S/N 5321 -



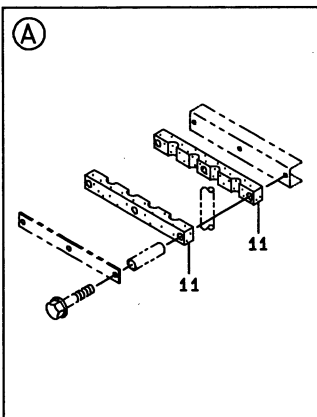
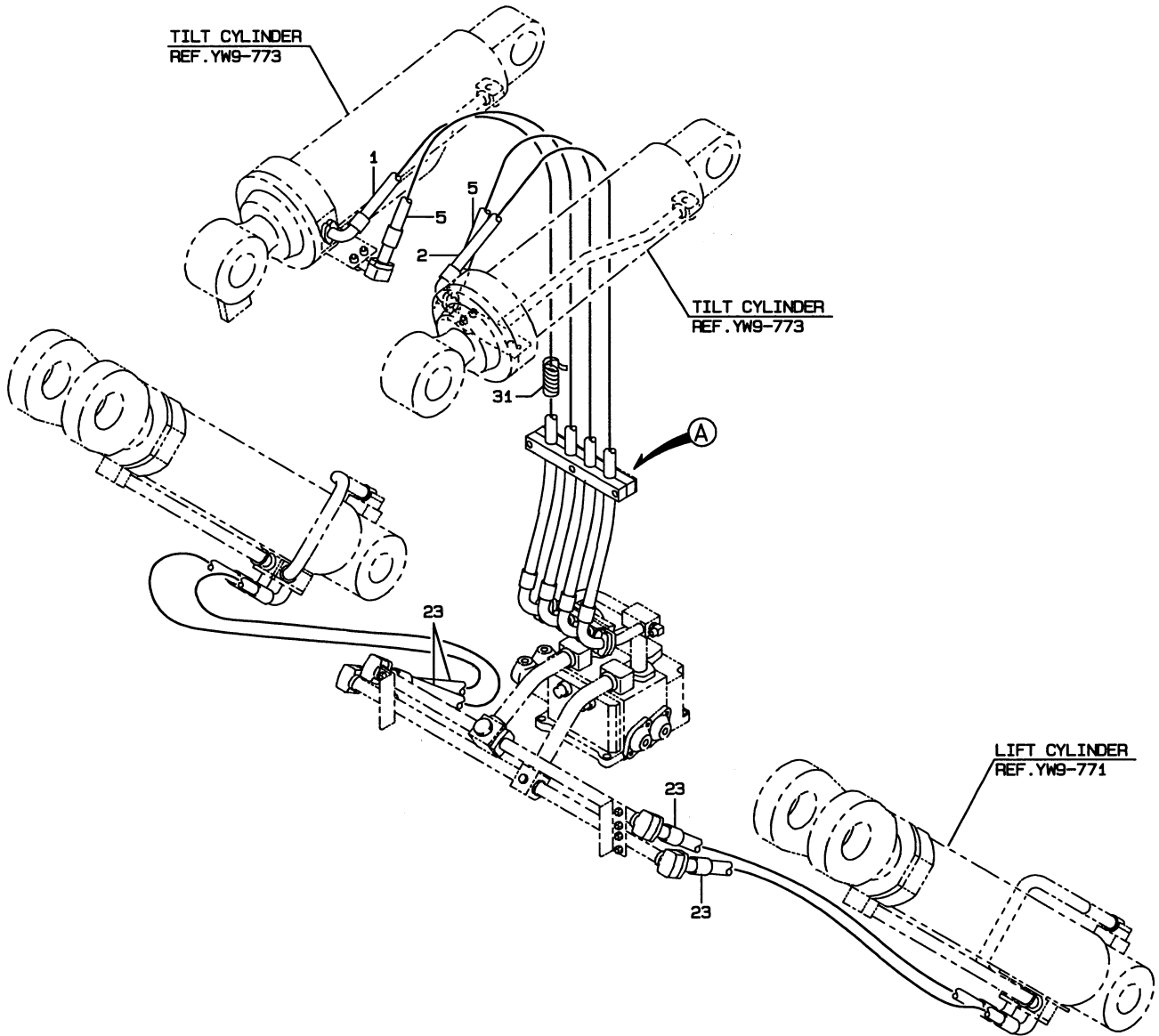
OPENING AND CLOSING TYPE



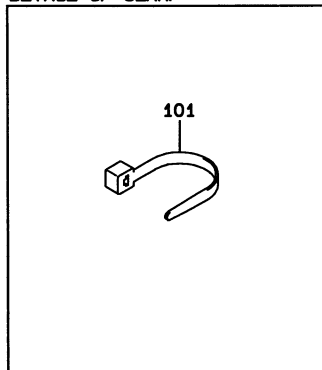


| | | | |
|--|--|--|--|
| | | | |
|--|--|--|--|

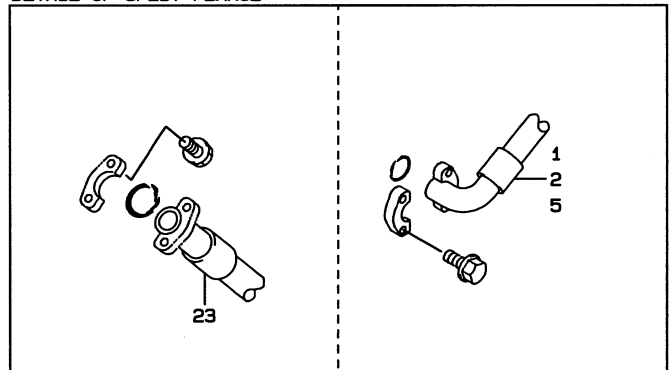
(NOTE): REFER TO STANDARD CATALOG (REF. YW9-701) FOR NO SYMBOL PARTS.



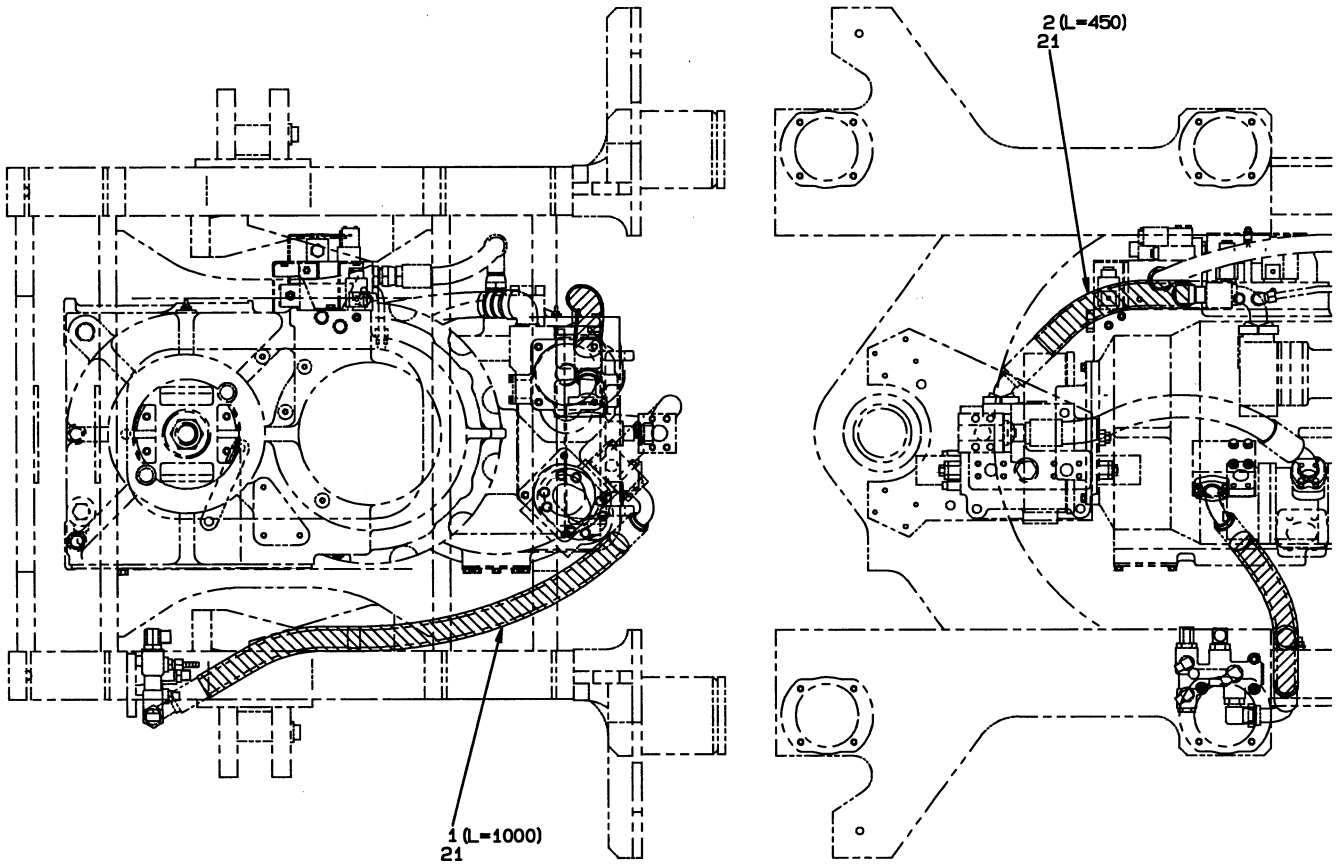
DETAIL OF CLAMP



DETAIL OF SPLIT FLANGE

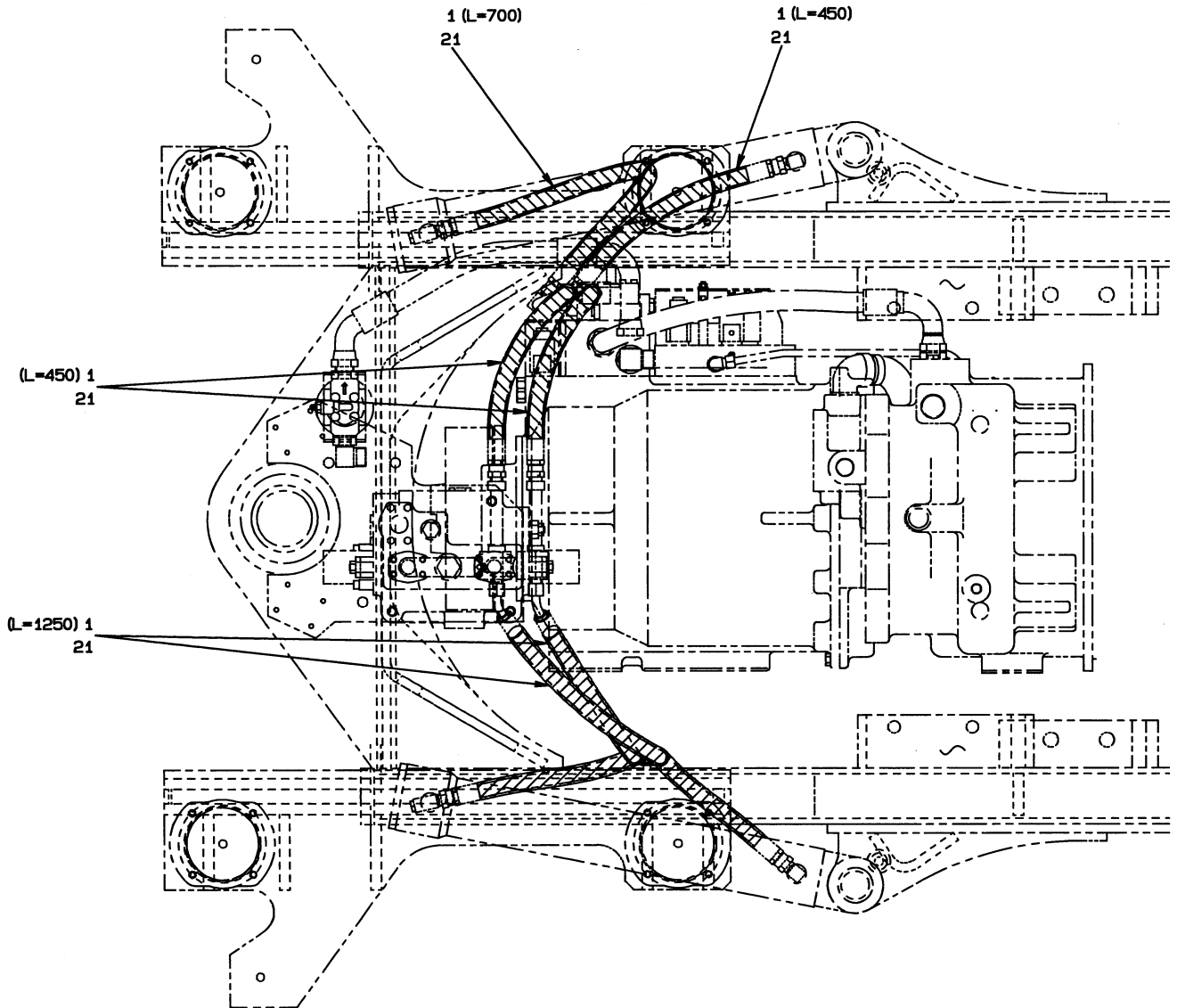


(NOTE): REFER TO STANDARD CATALOG (REF. YW9-715) .



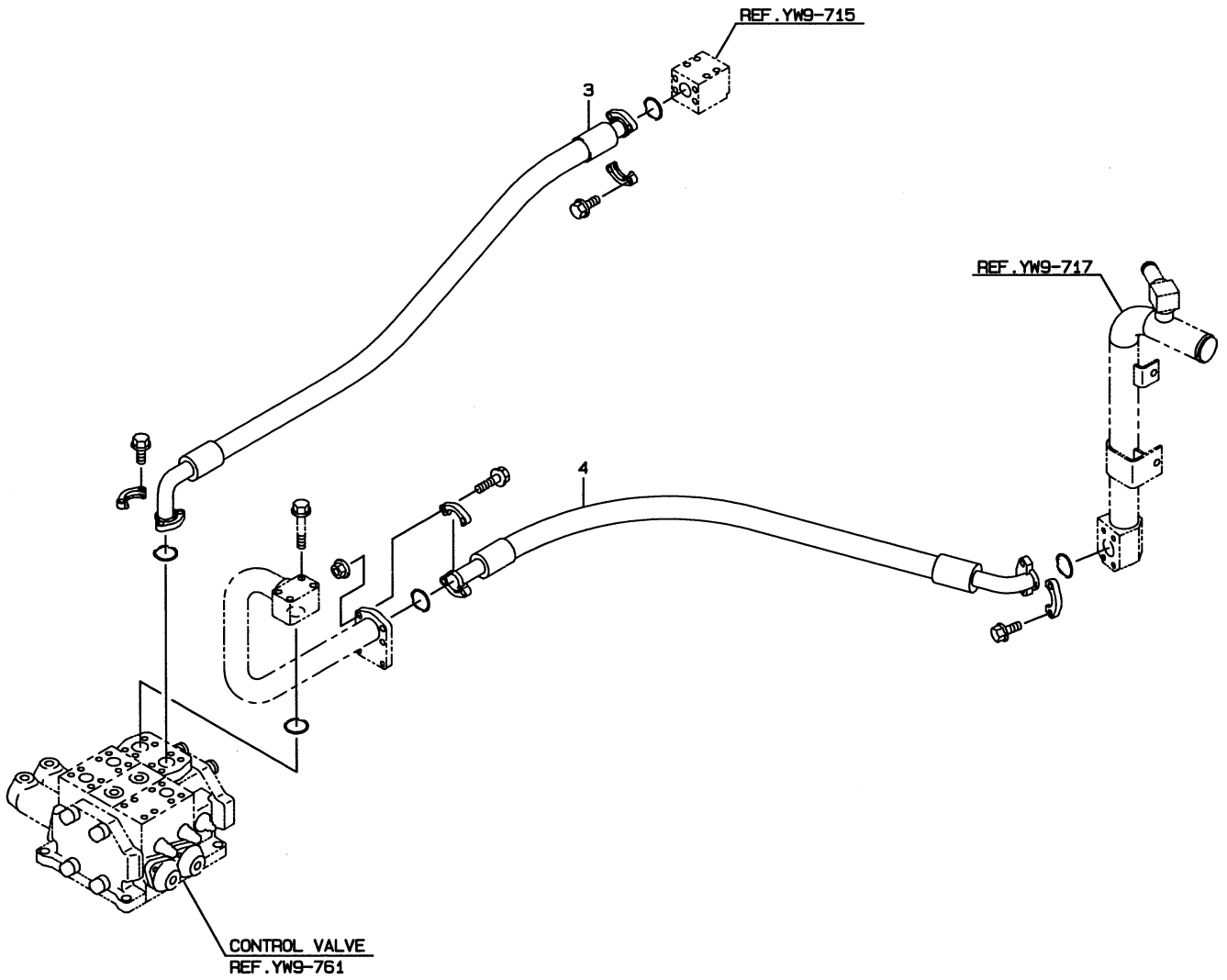
| | | | |
|--|--|--|--|
| | | | |
|--|--|--|--|

(NOTE): REFER TO STANDARD CATALOG (REF. YW9-721) .



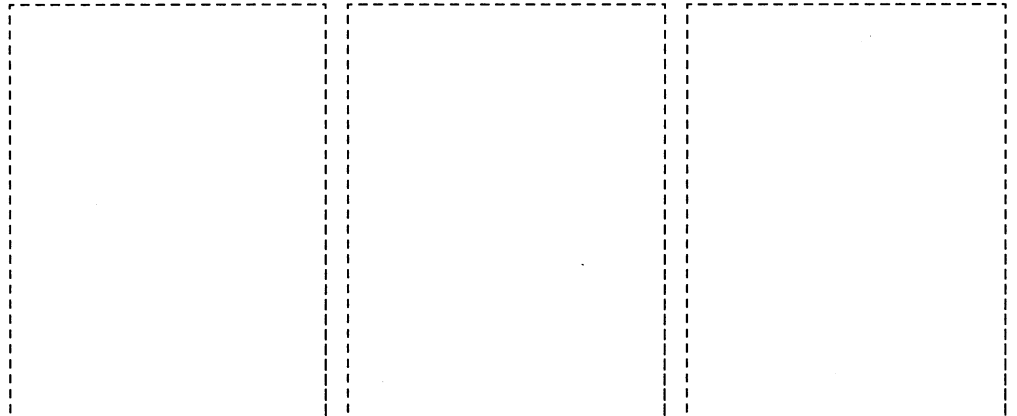
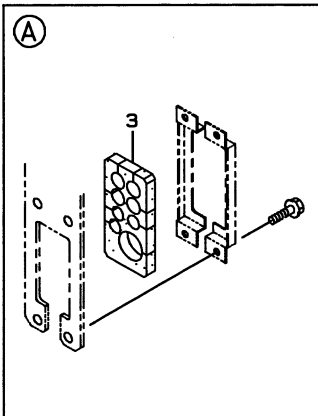
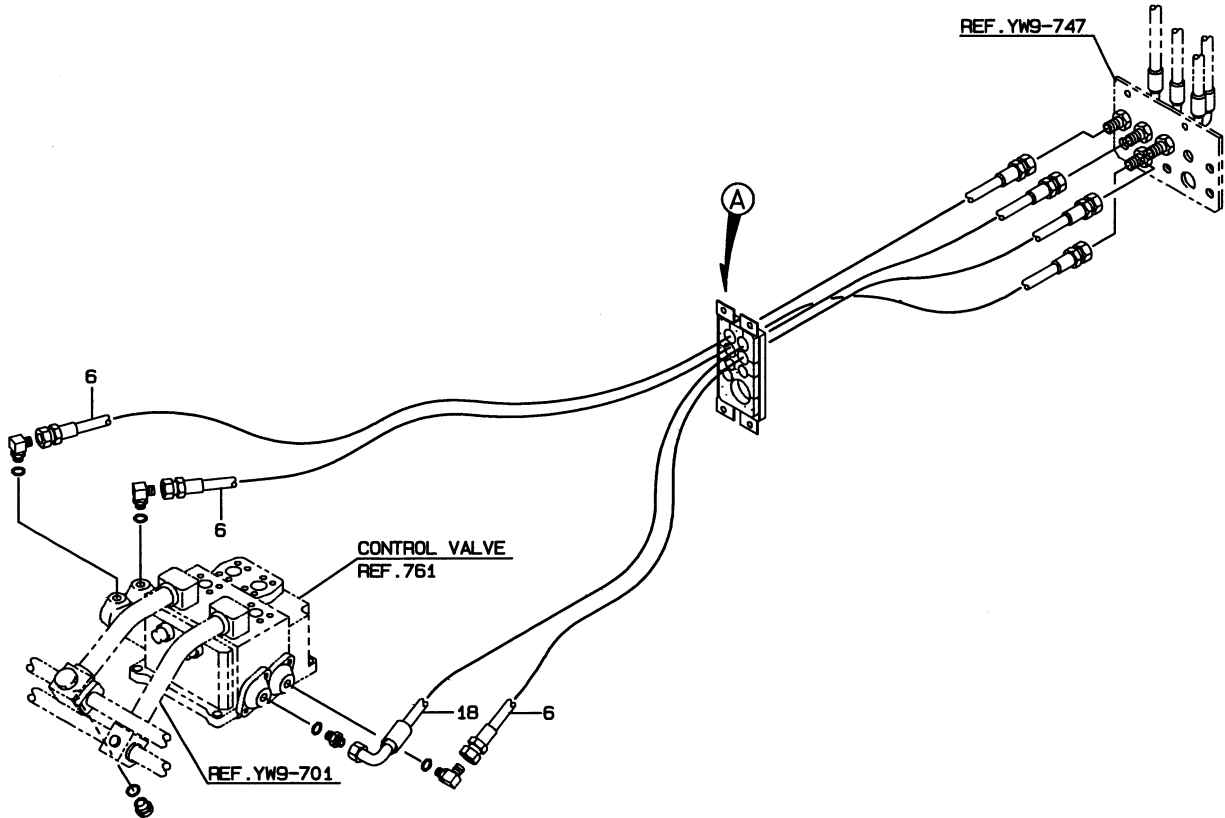
| | | | |
|--|--|--|--|
| | | | |
|--|--|--|--|

(NOTE) : REFER TO STANDARD CATALOG (REF. YW9-723) FOR NO SYMBOL PARTS.

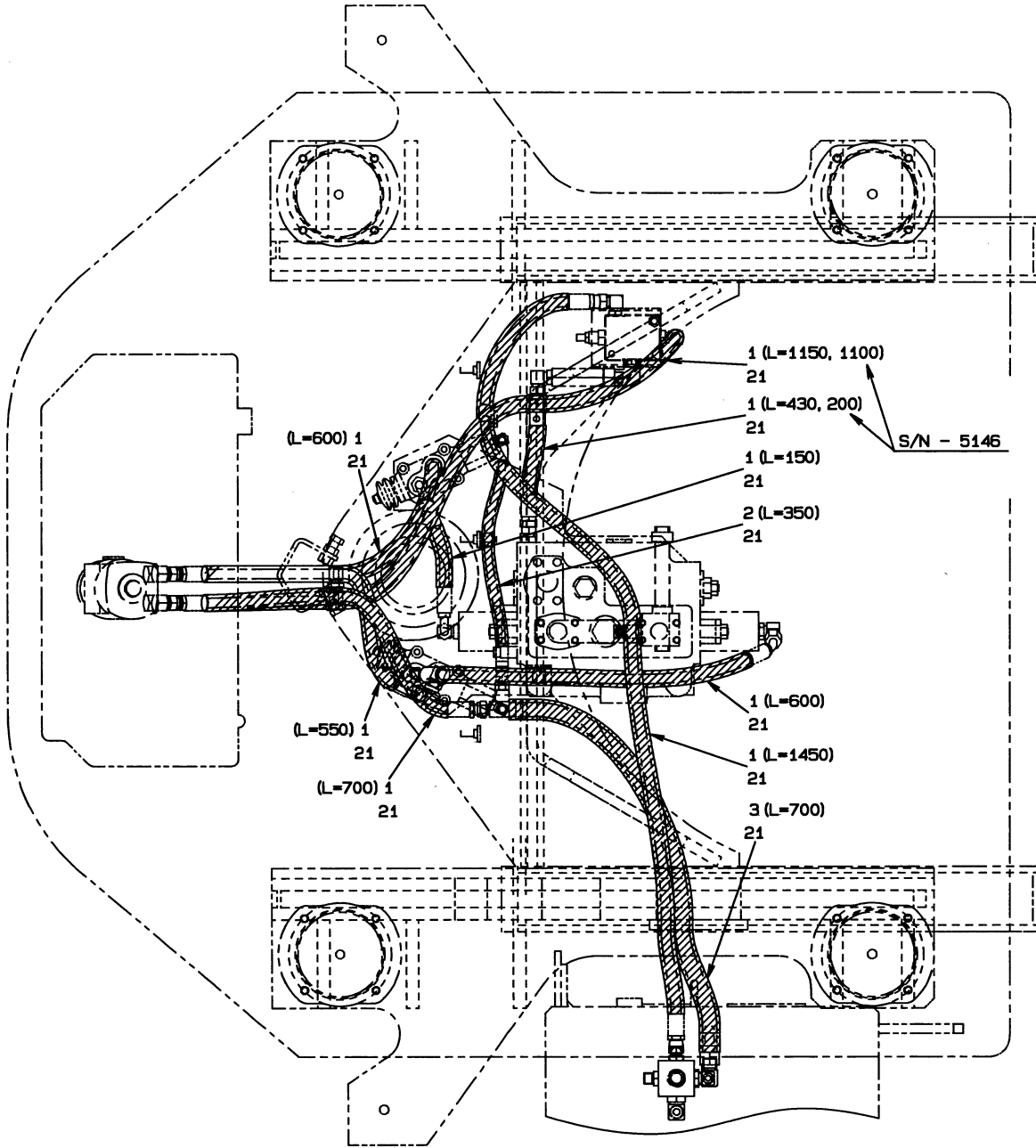


| | | | |
|--|--|--|--|
| | | | |
|--|--|--|--|

(NOTE): REFER TO STANDARD CATALOG (REF. YW9-743) FOR NO SYMBOL PARTS.

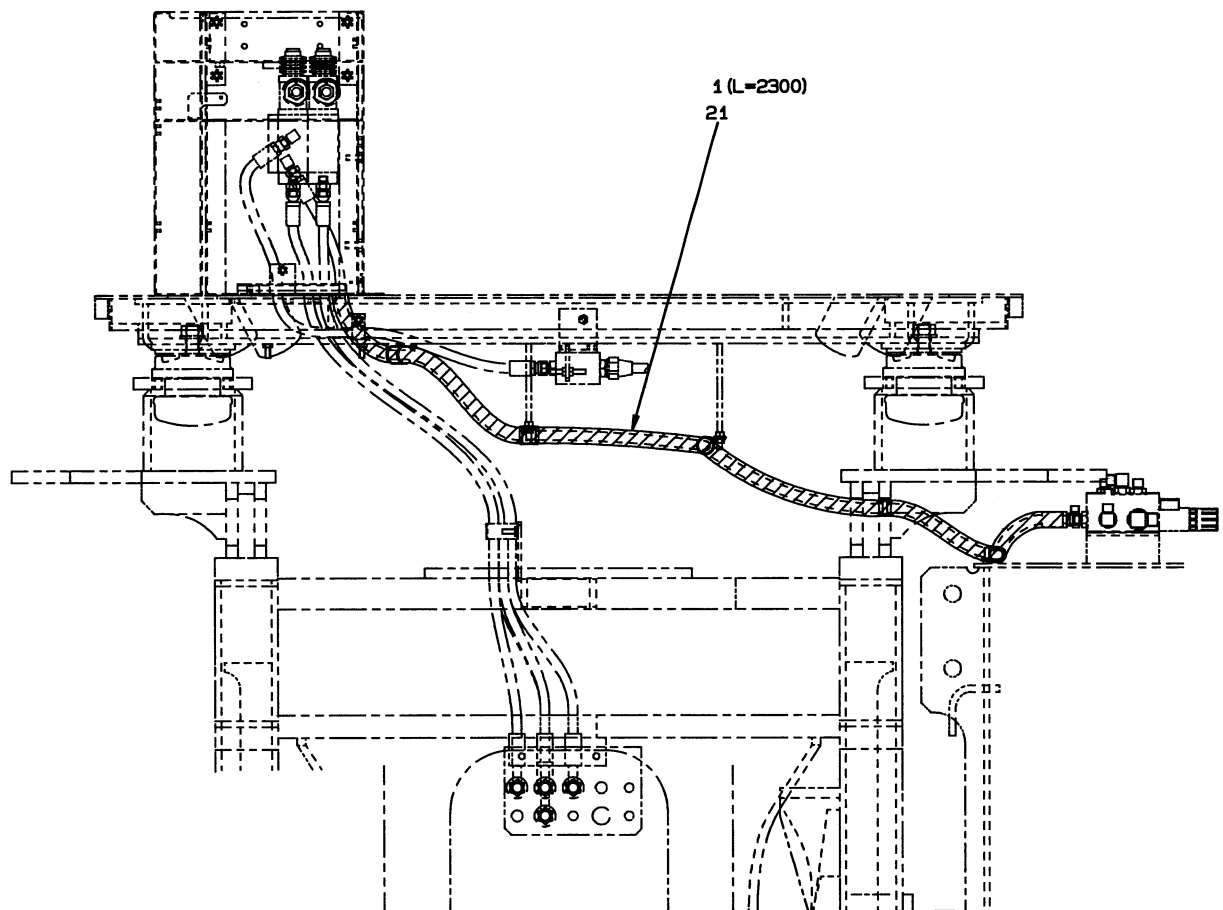


(NOTE): REFER TO STANDARD CATALOG (REF. YW9-745) .

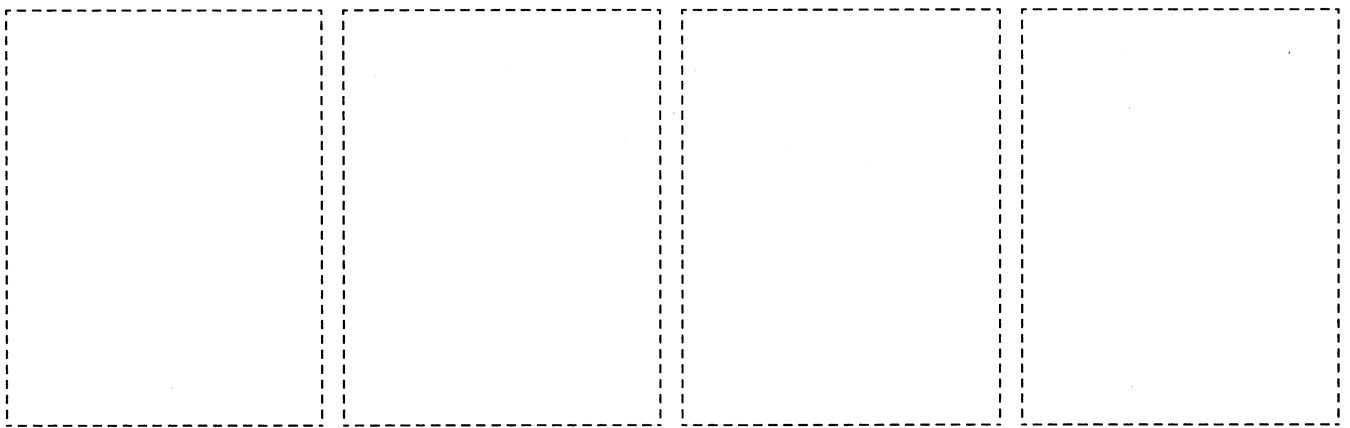
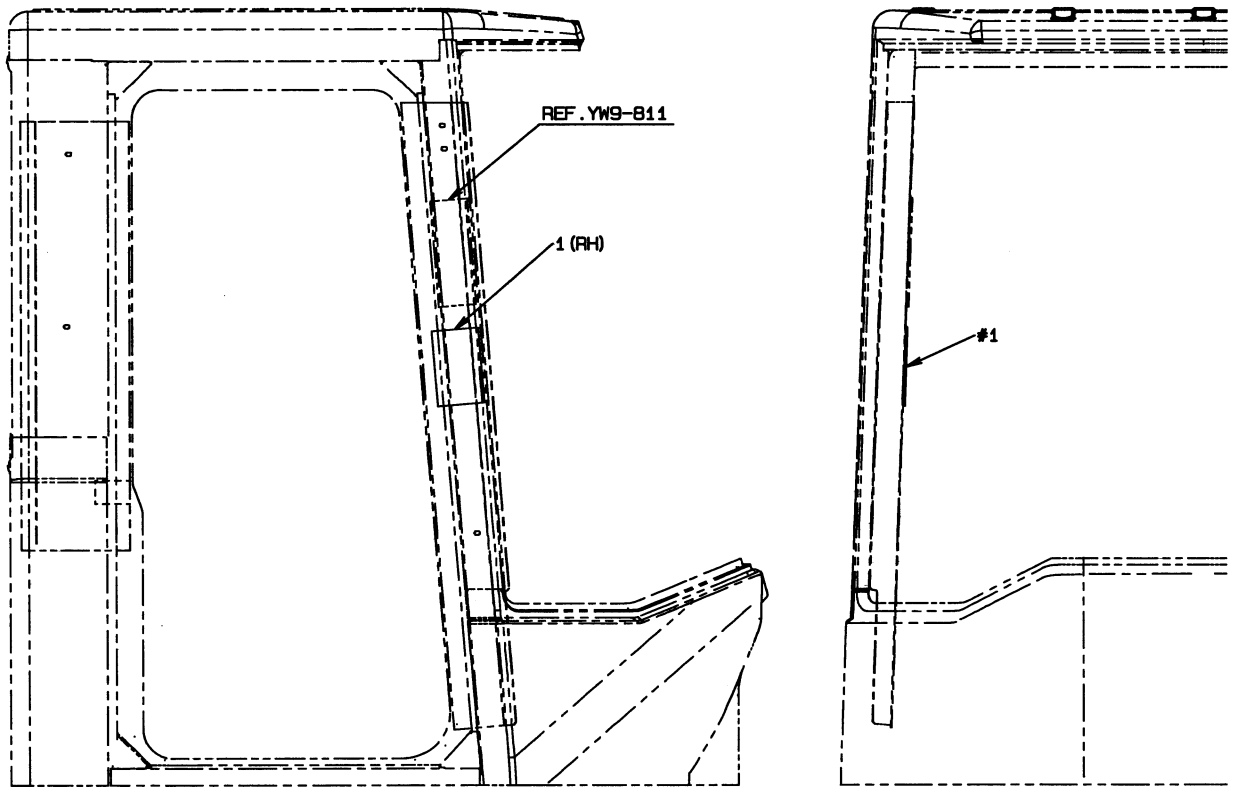


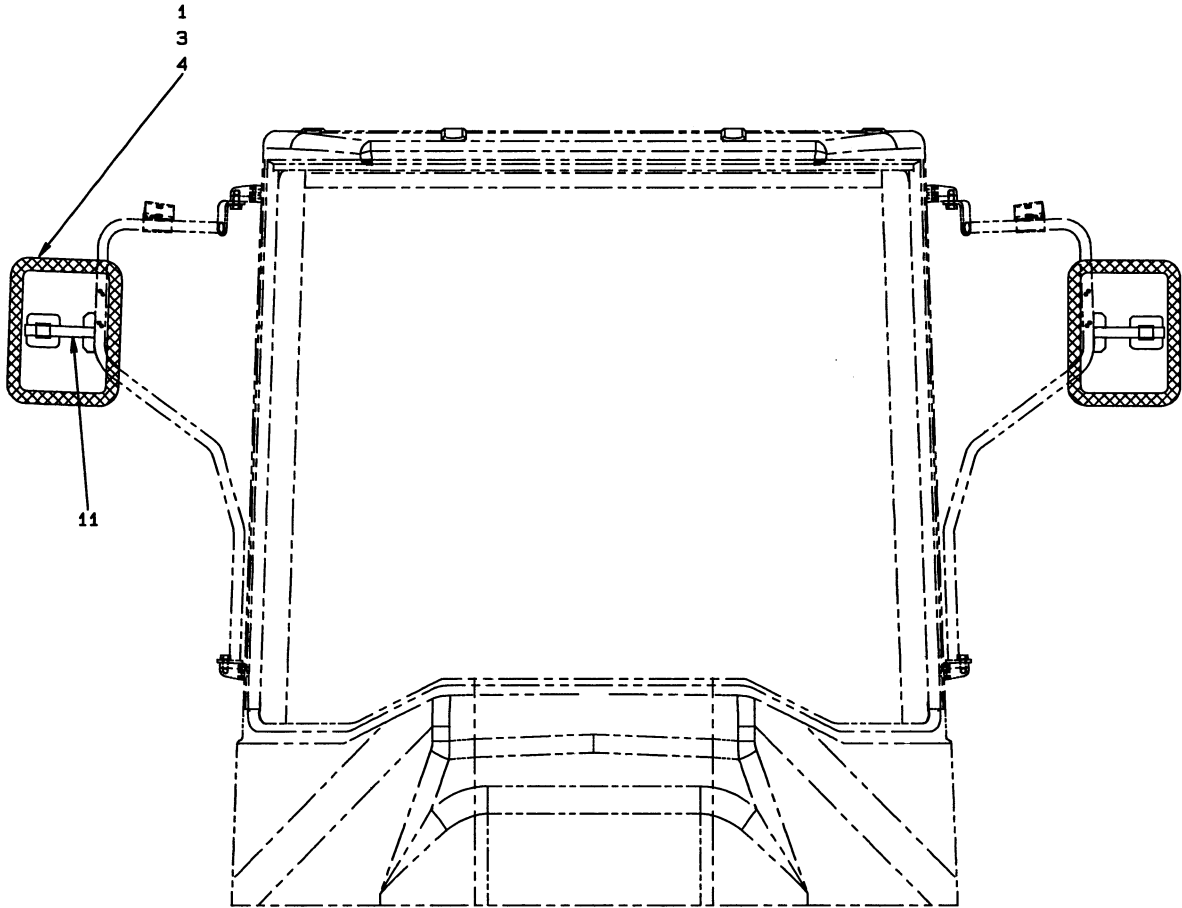
| | | | |
|--|--|--|--|
| | | | |
|--|--|--|--|

(NOTE): REFER TO STANDARD CATALOG (REF. YW9-747) .

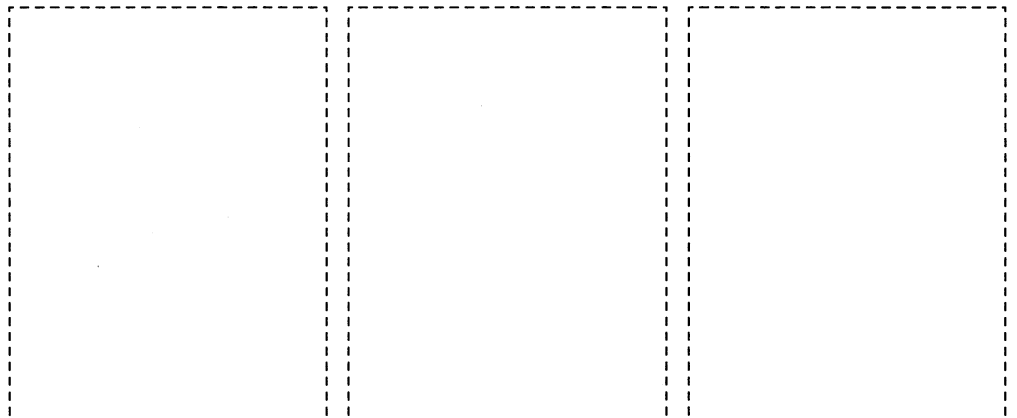
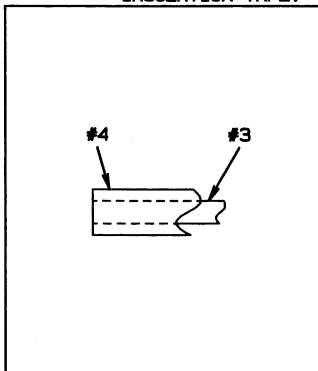


| | | | |
|--|--|--|--|
| | | | |
|--|--|--|--|

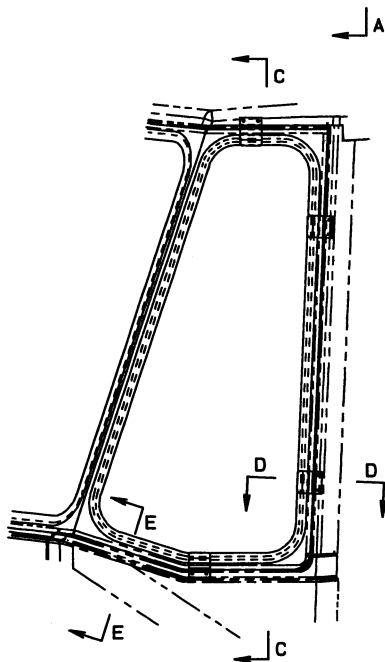
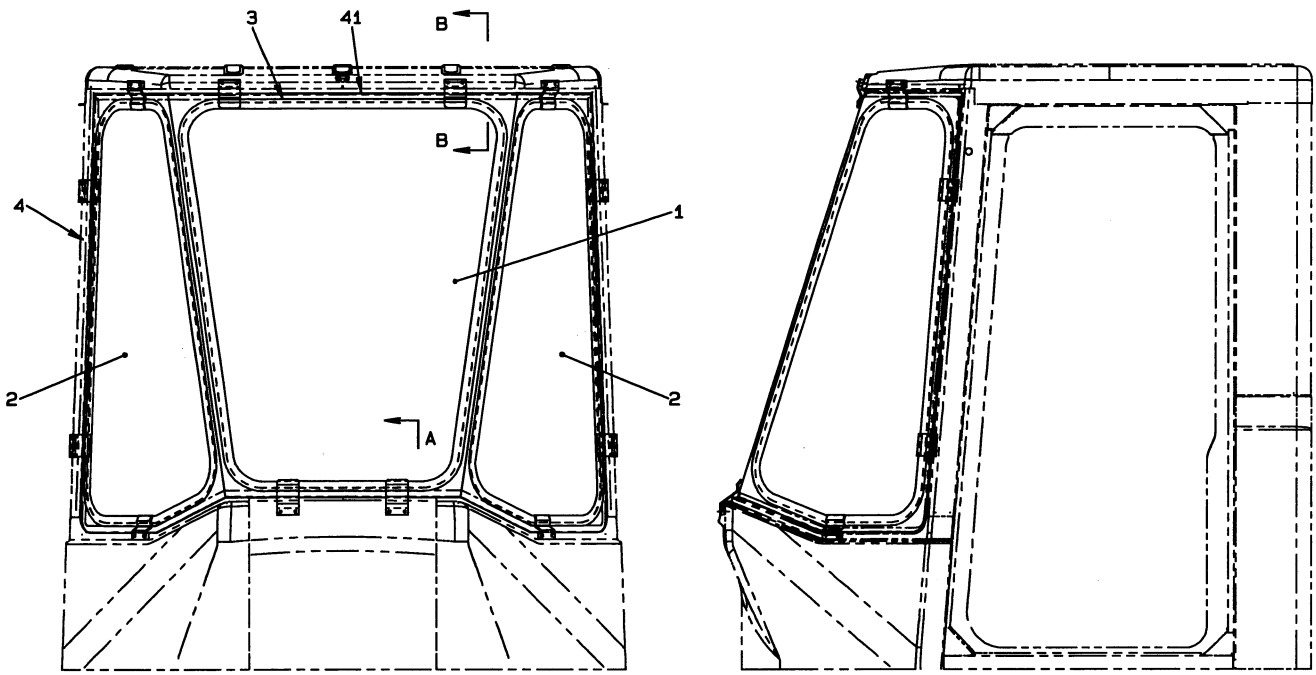




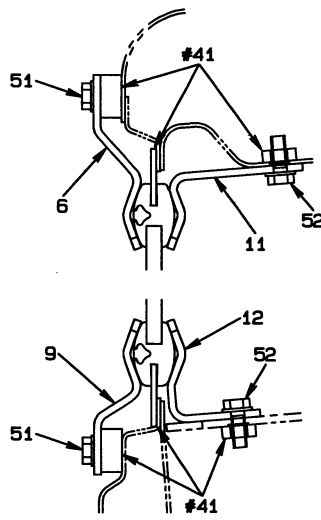
DETAIL OF ATTACHING INSULATION TAPE.



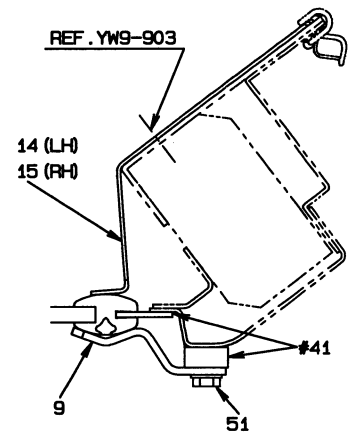
WITH PILLARS (T=6.76)



VERTICAL VIEW OF THE FACE #2.

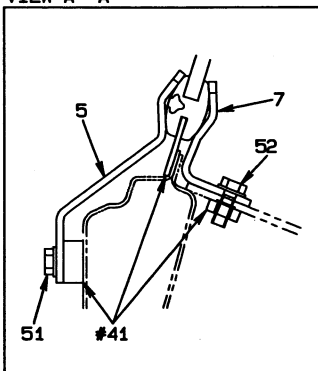


VIEW C - C

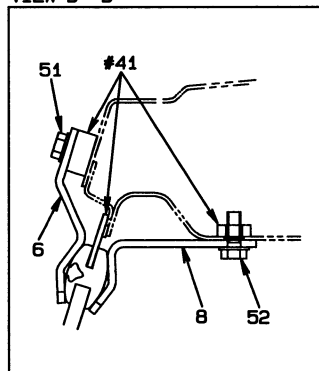


VIEW D - D

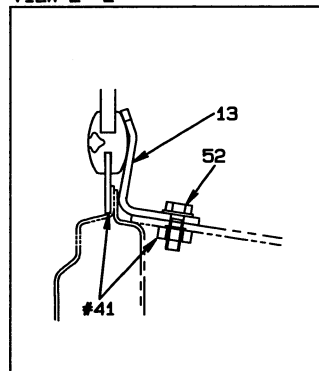
VIEW A - A



VIEW B - B

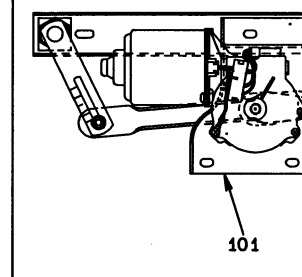


VIEW E - E

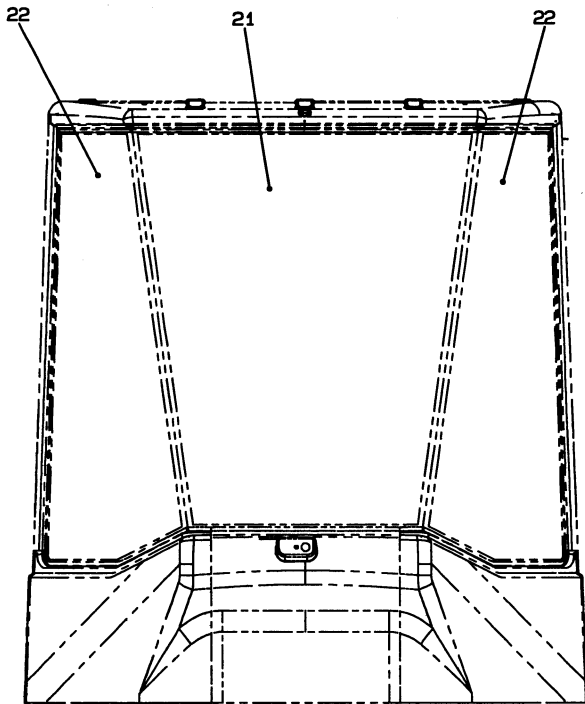


THE WIPER MOTOR

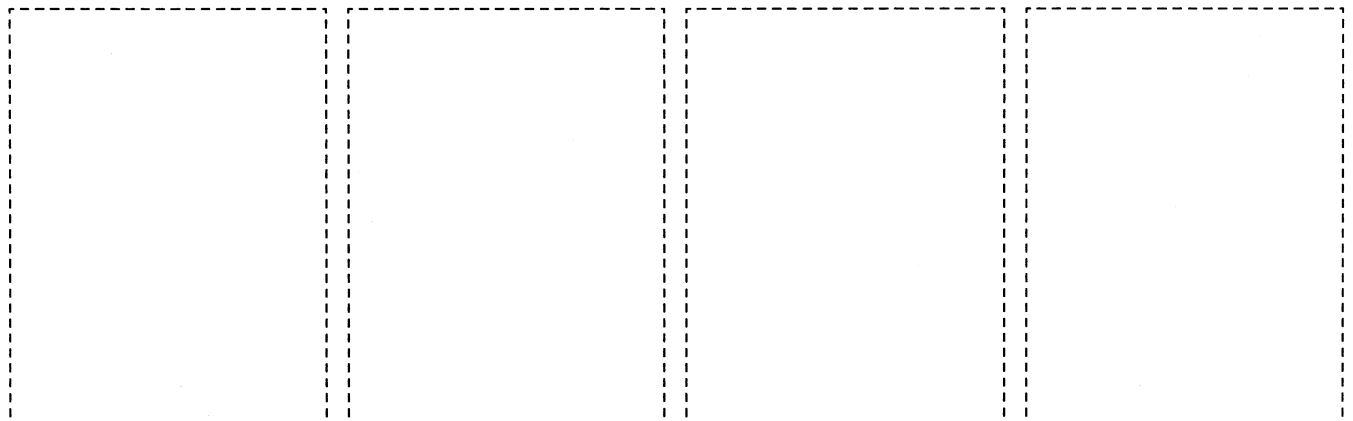
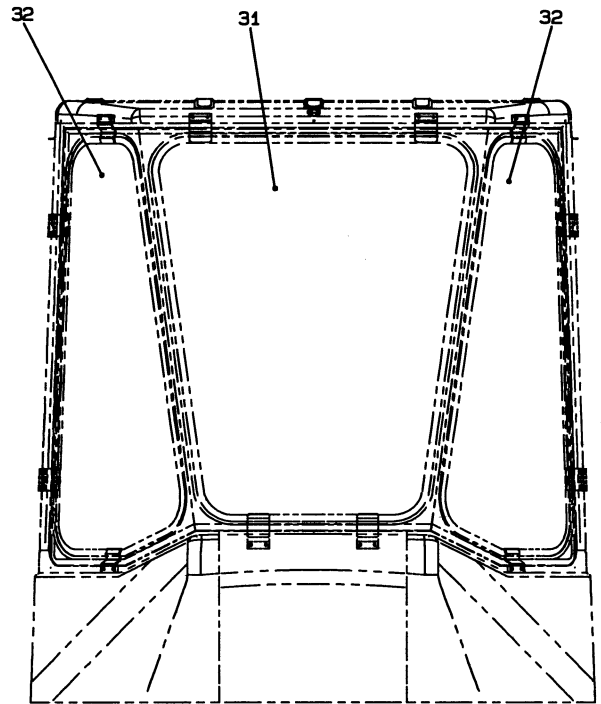
(NOTE): ADJUST THE RANGE OF THE LINK ANGLE TO BE 52°.



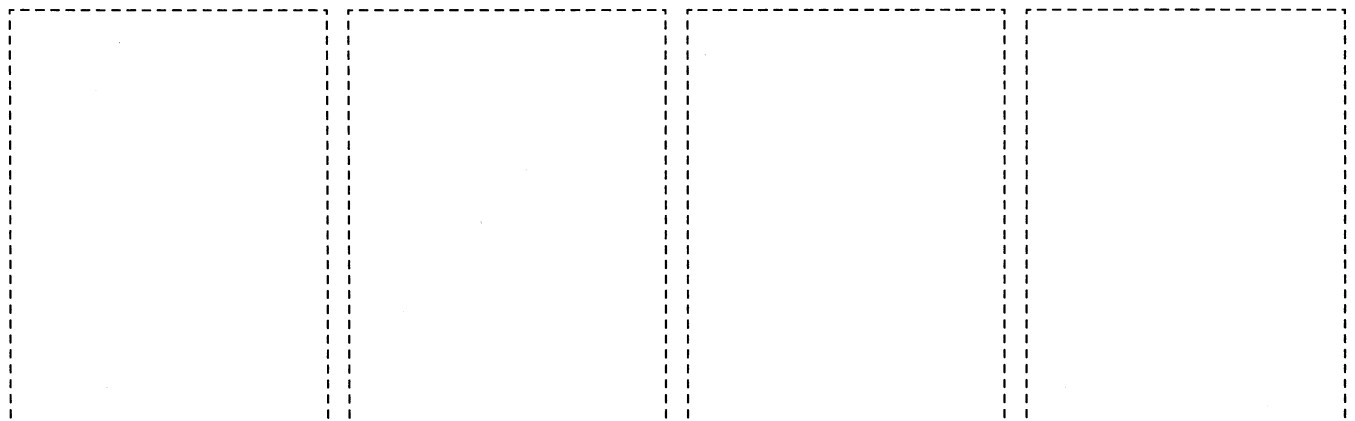
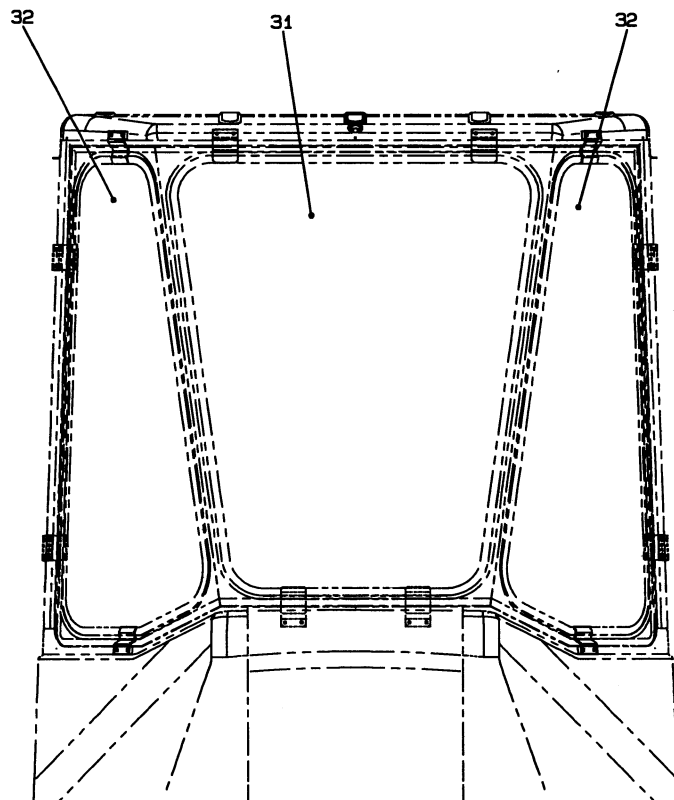
WITHOUT PILLARS



WITH PILLARS (T=6)

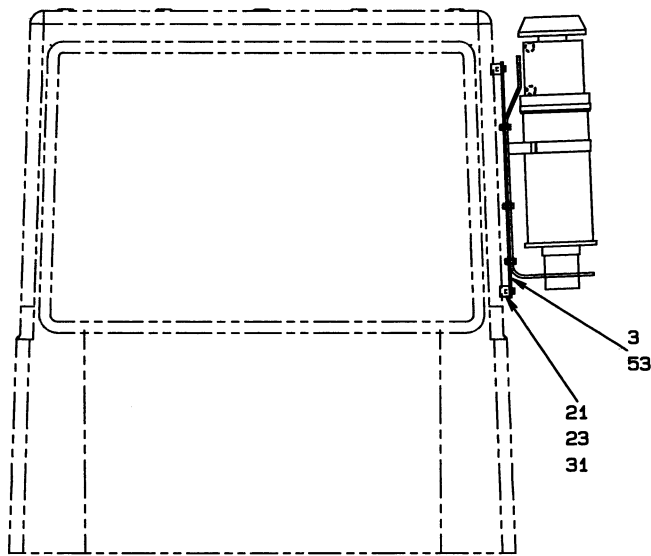
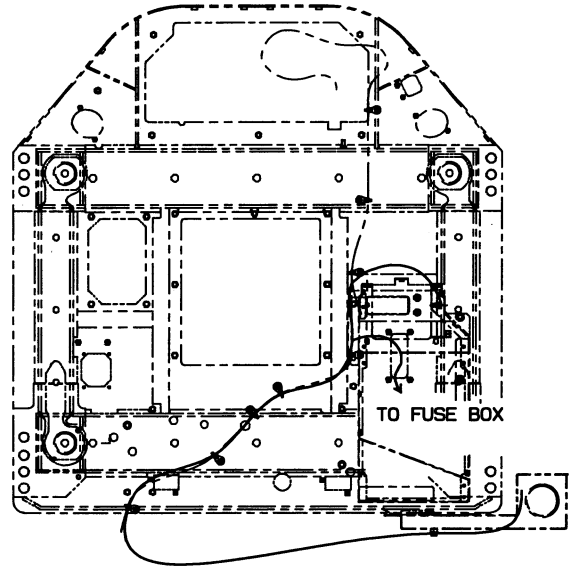
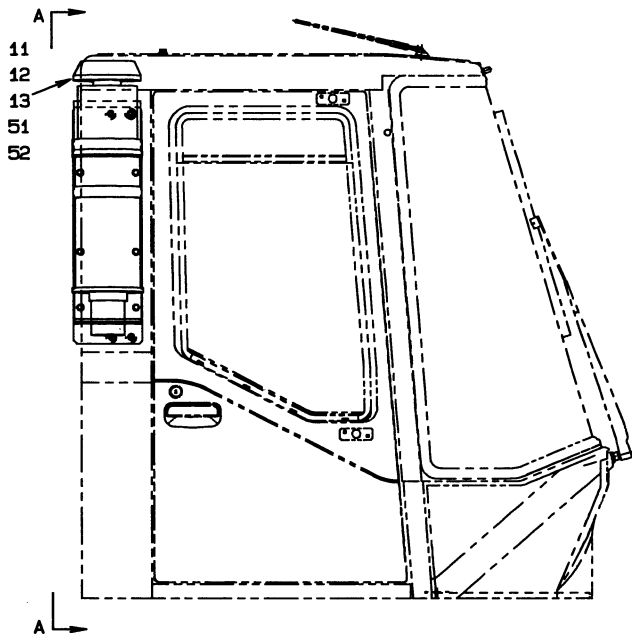


WITH PILLARS (T=6)

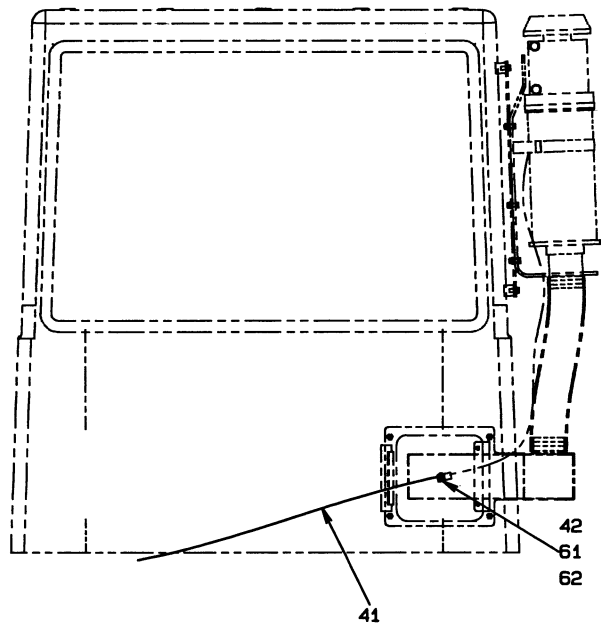


<S/N 5001 - 5224>

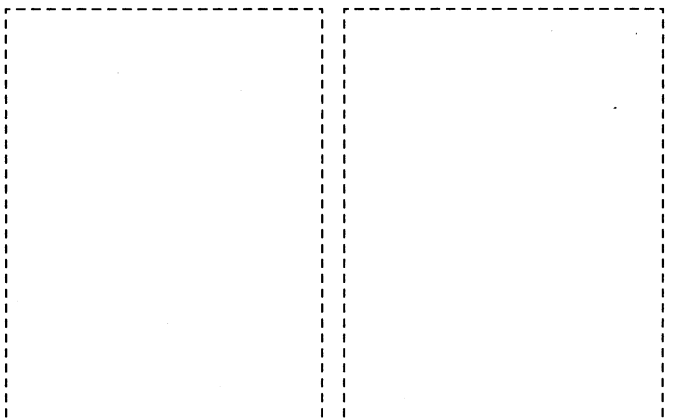
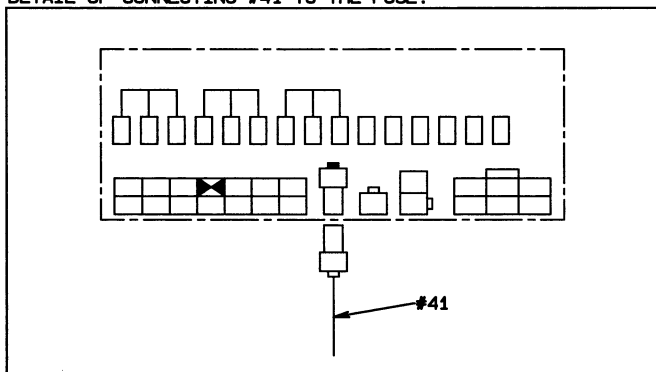
CAB FILTRATION SYSTEM



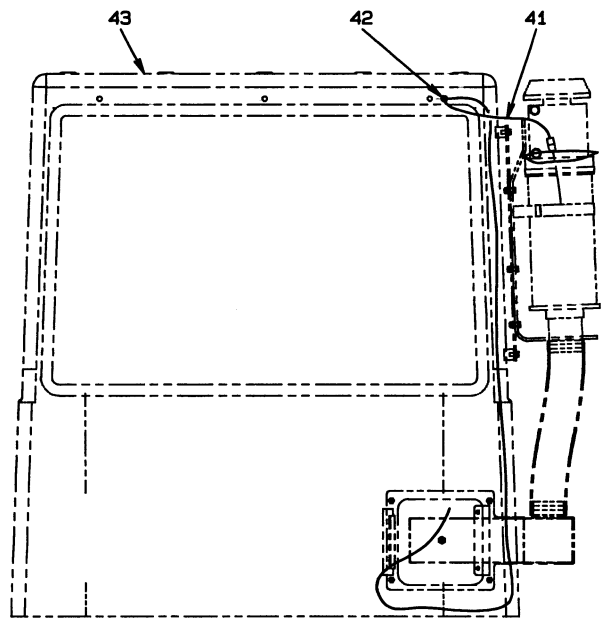
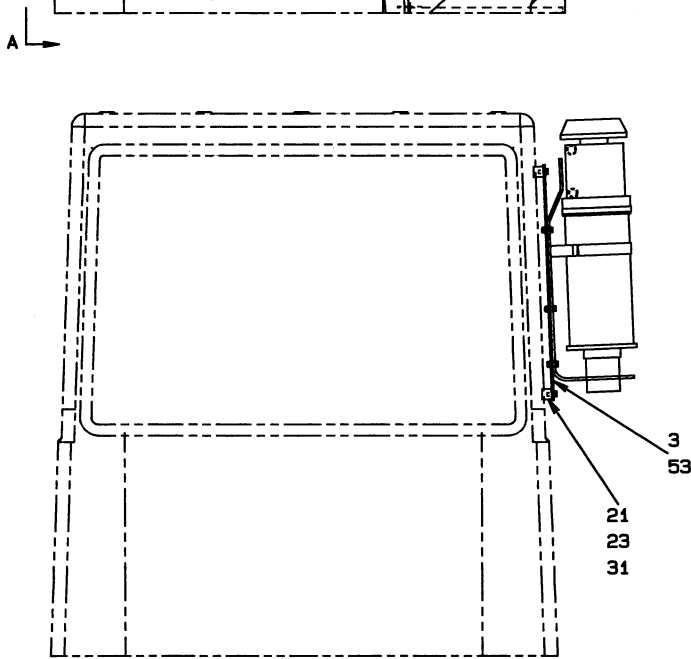
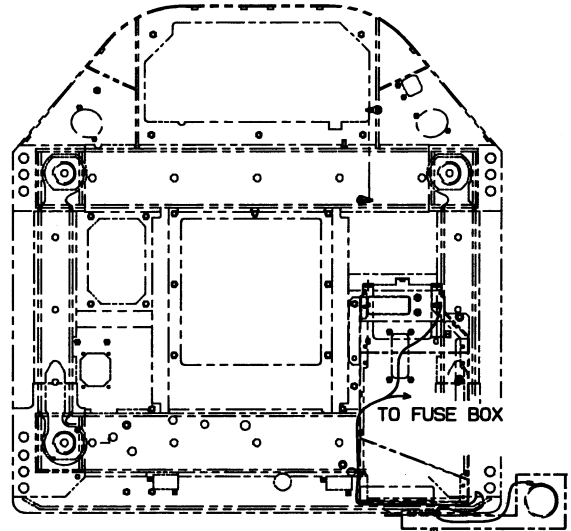
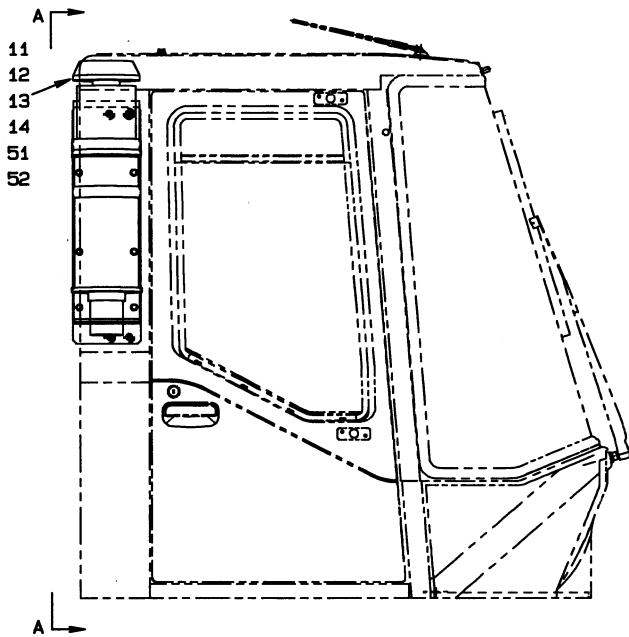
VIEW A - A



DETAIL OF CONNECTING #41 TO THE FUSE.

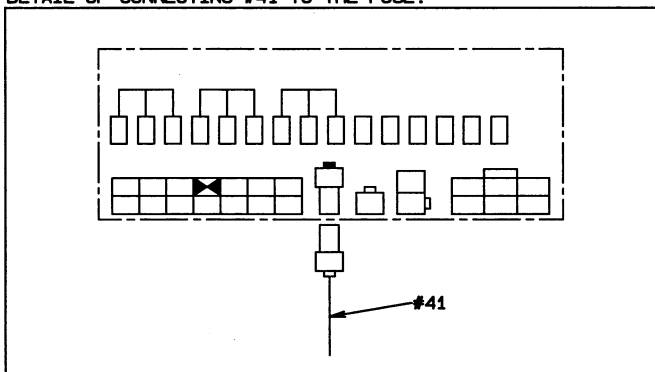


CAB FILTRATION SYSTEM

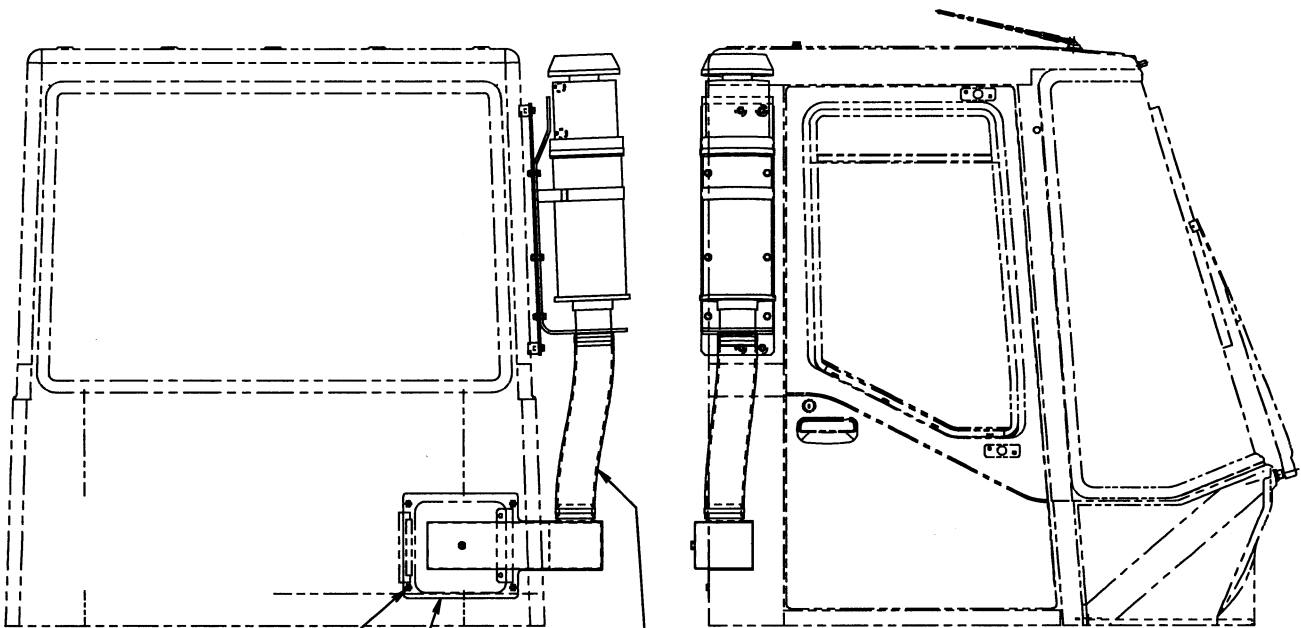


VIEW A - A

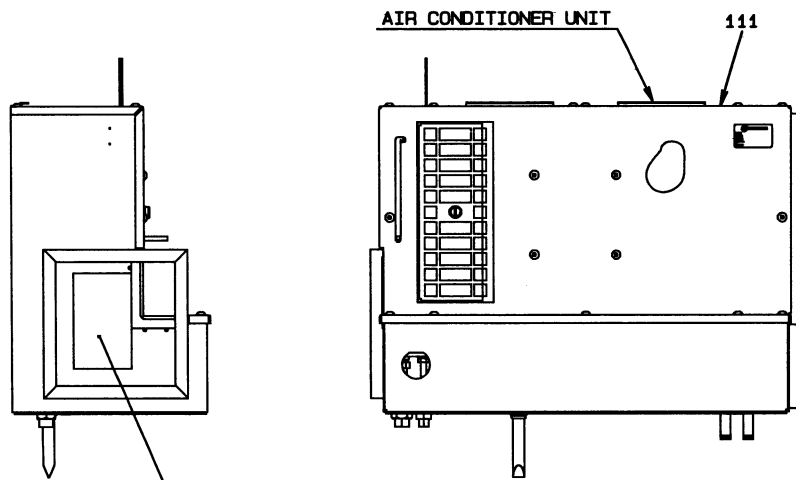
DETAIL OF CONNECTING #41 TO THE FUSE.



CAB FILTRATION SYSTEM

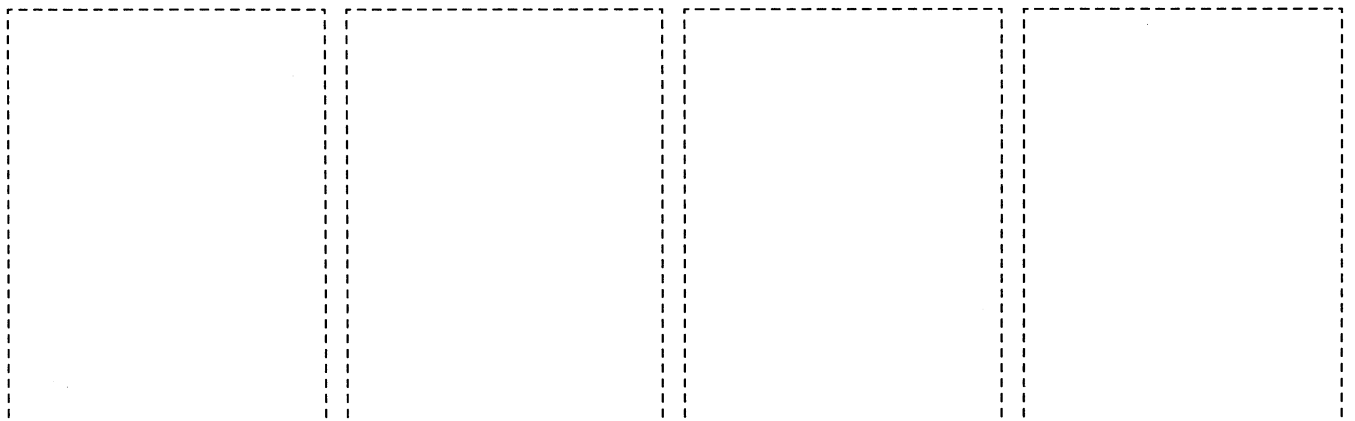


- 104
- 71
- 101
- 105
- 102
- 103

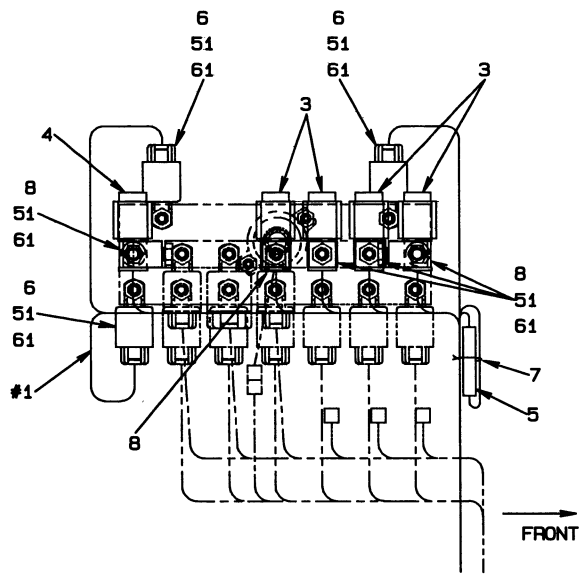
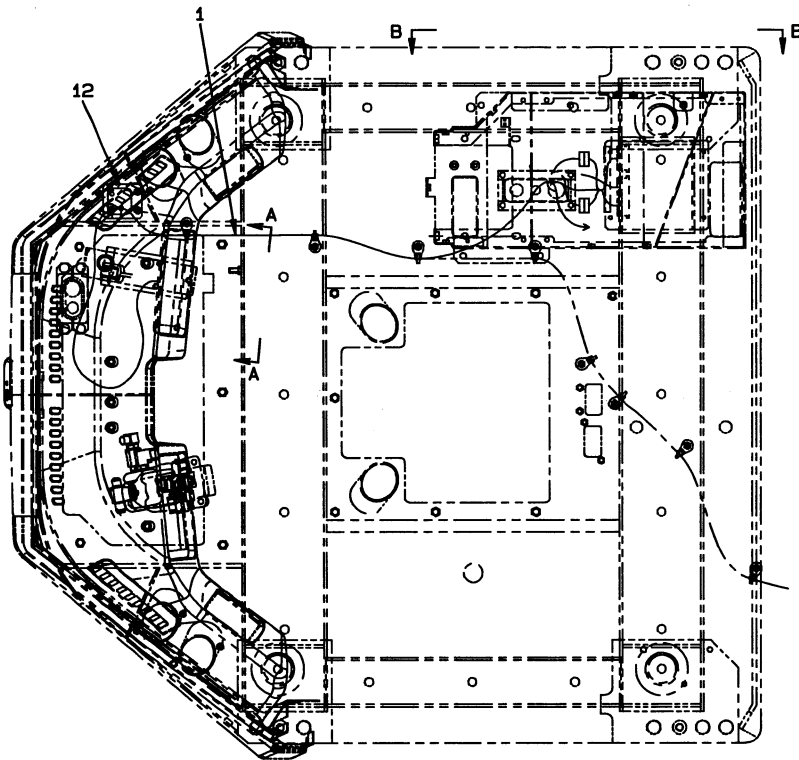


AIR CONDITIONER UNIT 111

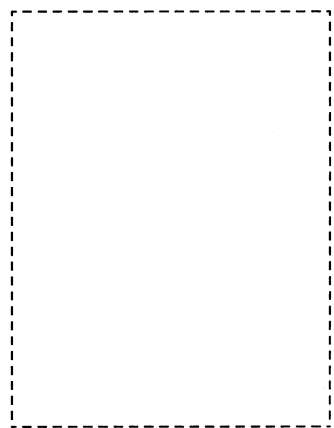
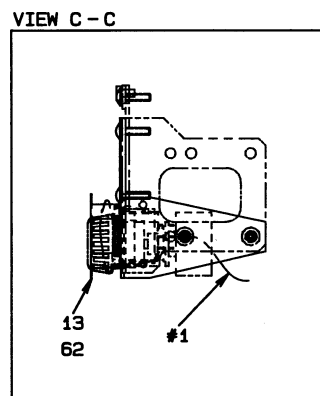
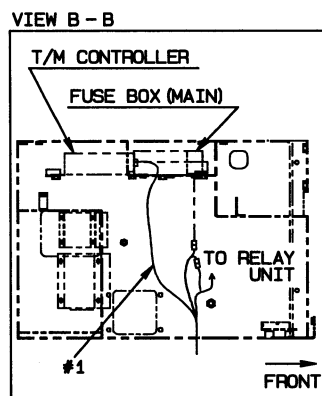
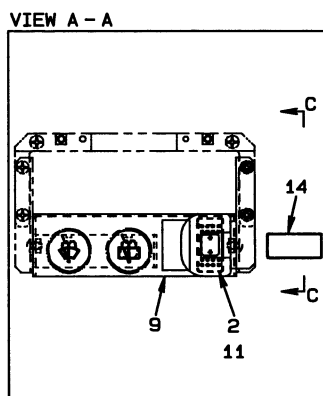
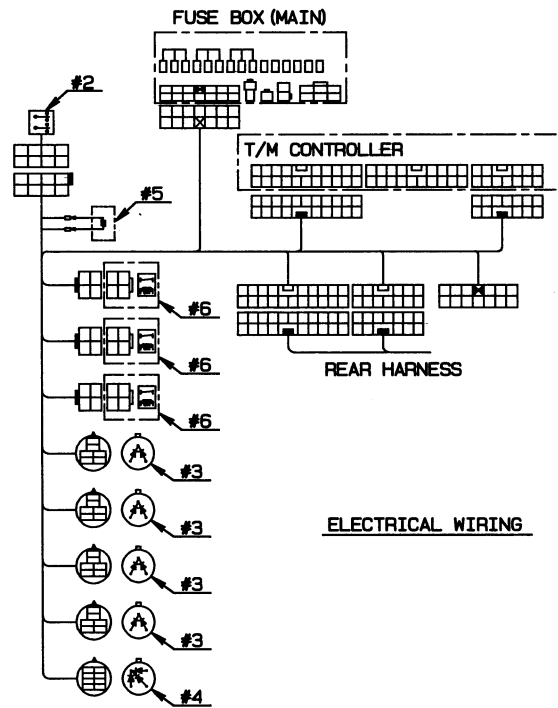
REMOVE THIS INSIDE AIR CIRCULATE DOOR.



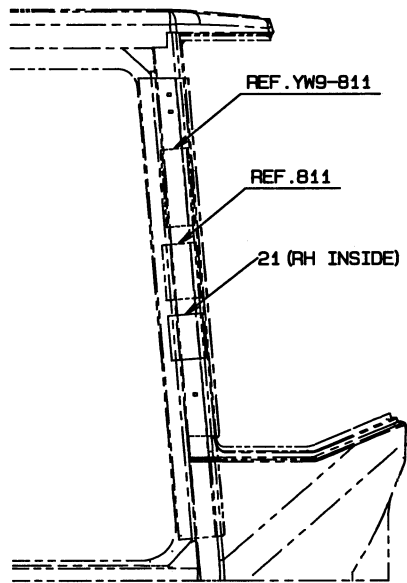
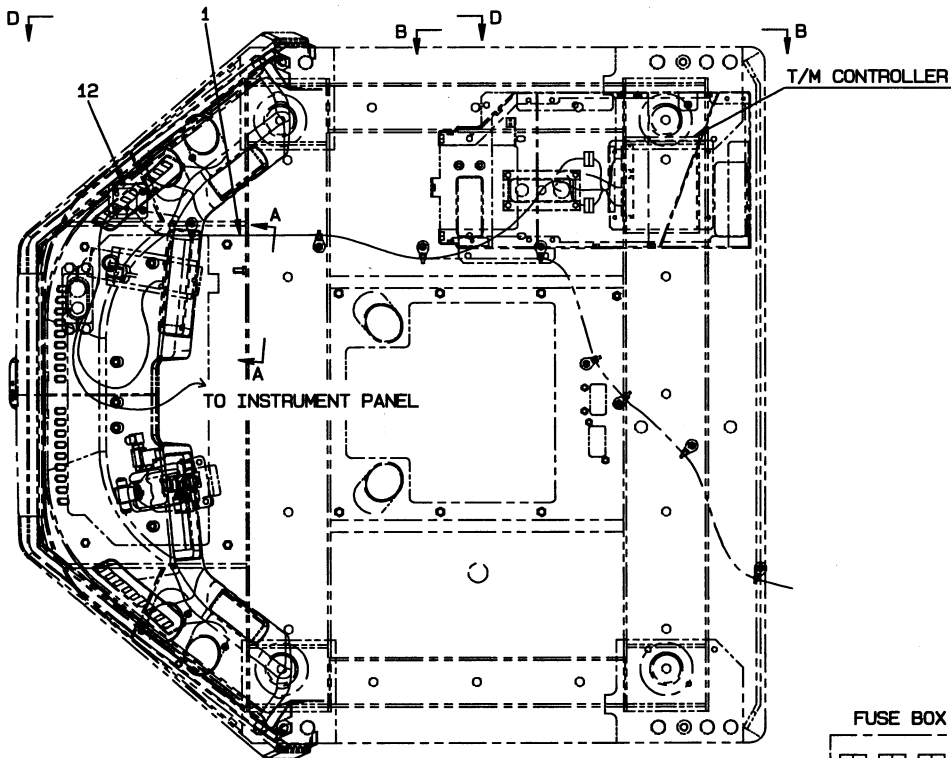
<S/N 5001 - 5140>



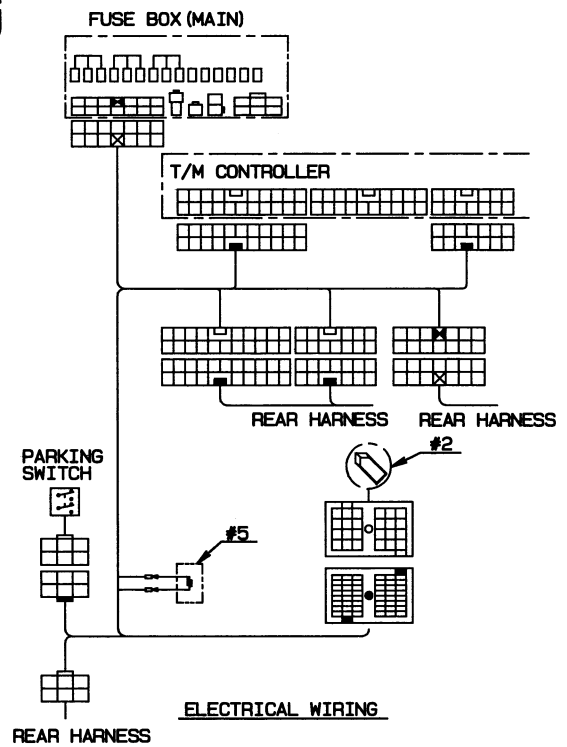
DETAIL OF WIRING ABOUT RELAY UNIT



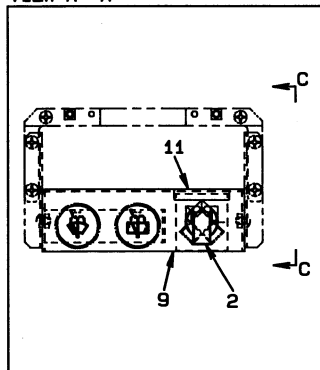
<S/N 5141 - 5320>



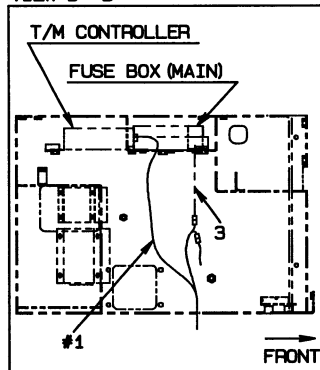
VIEW D-D



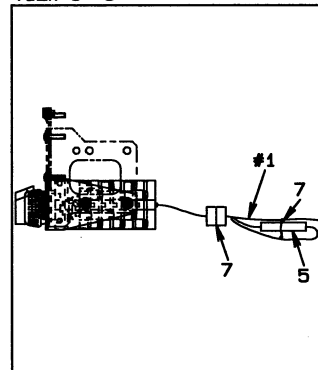
VIEW A-A



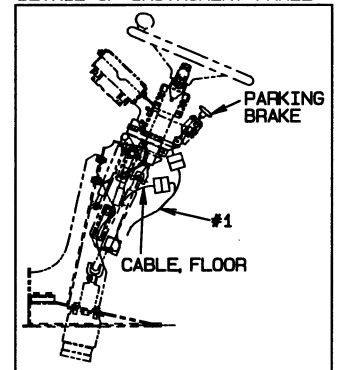
VIEW B-B

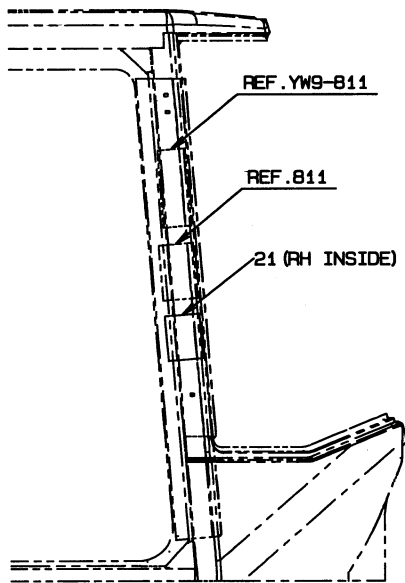
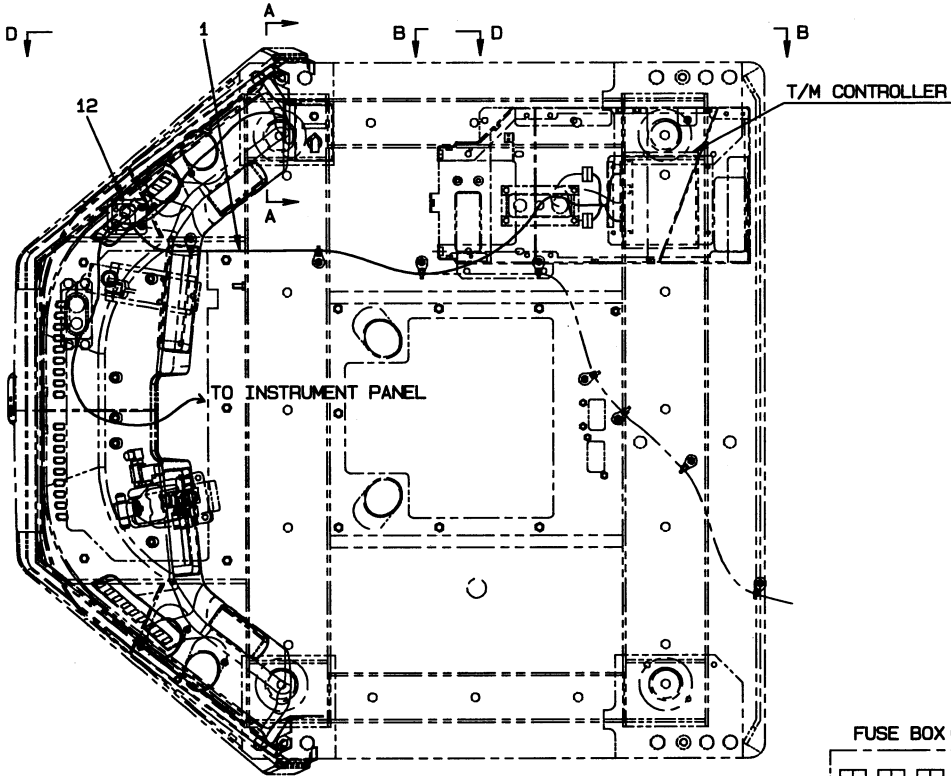


VIEW C-C

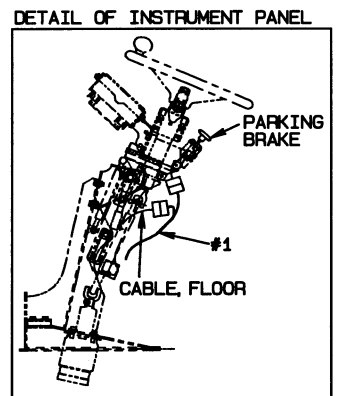
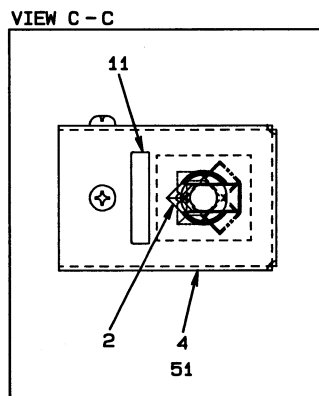
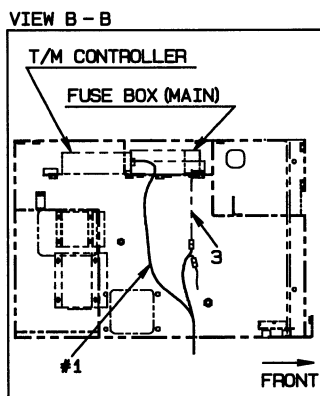
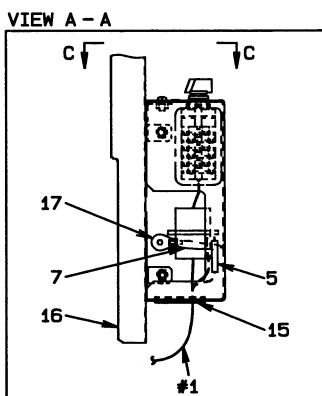
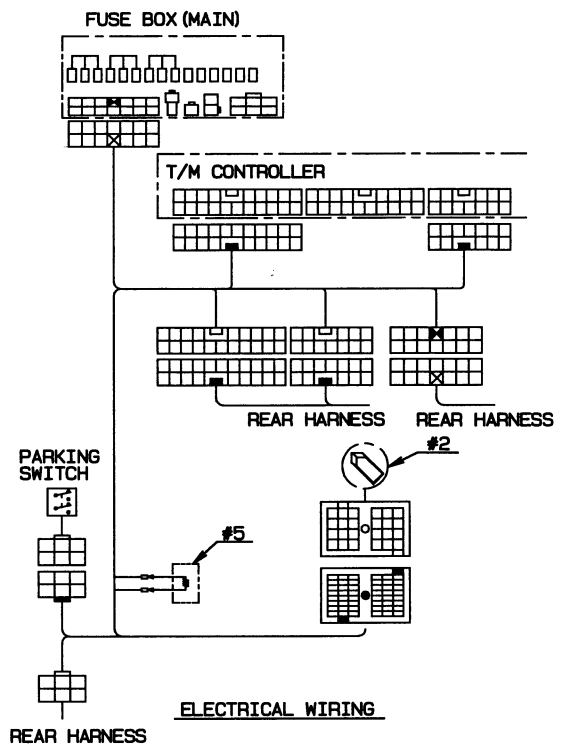


DETAIL OF INSTRUMENT PANEL



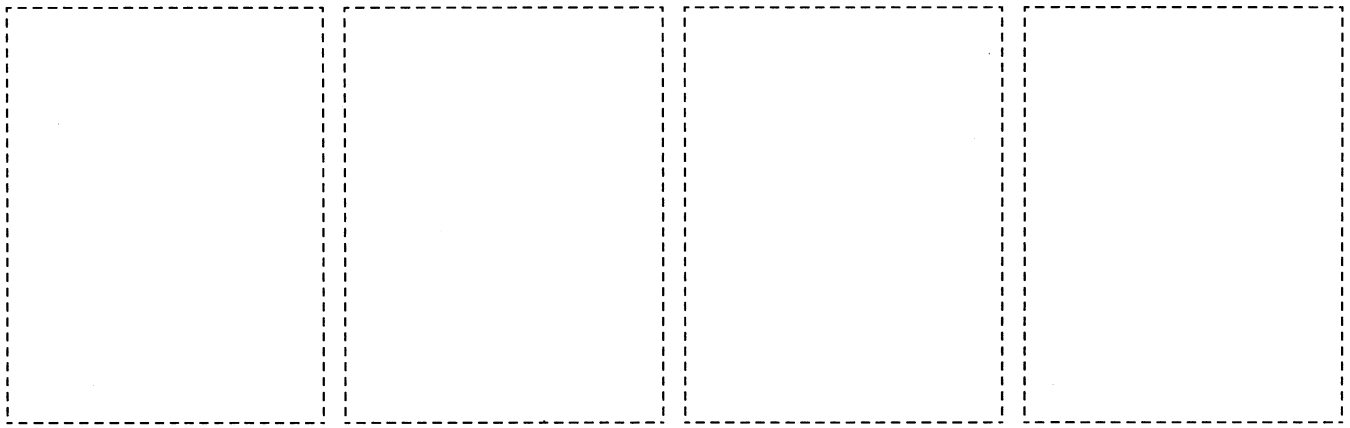
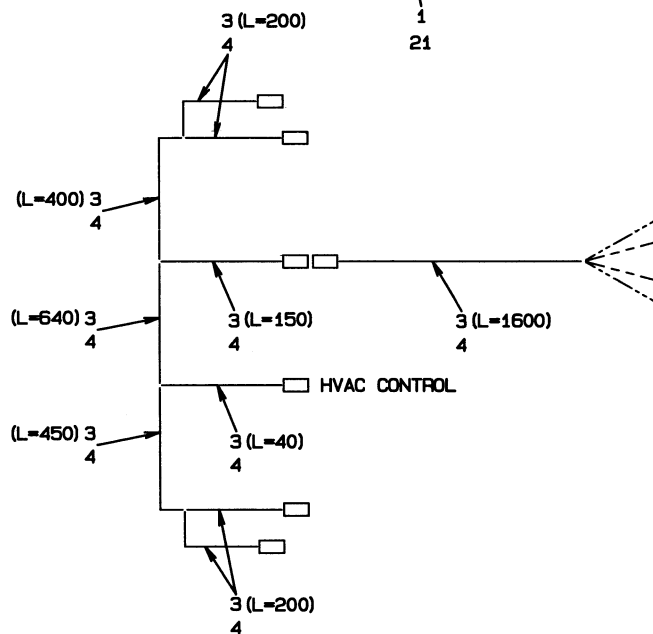
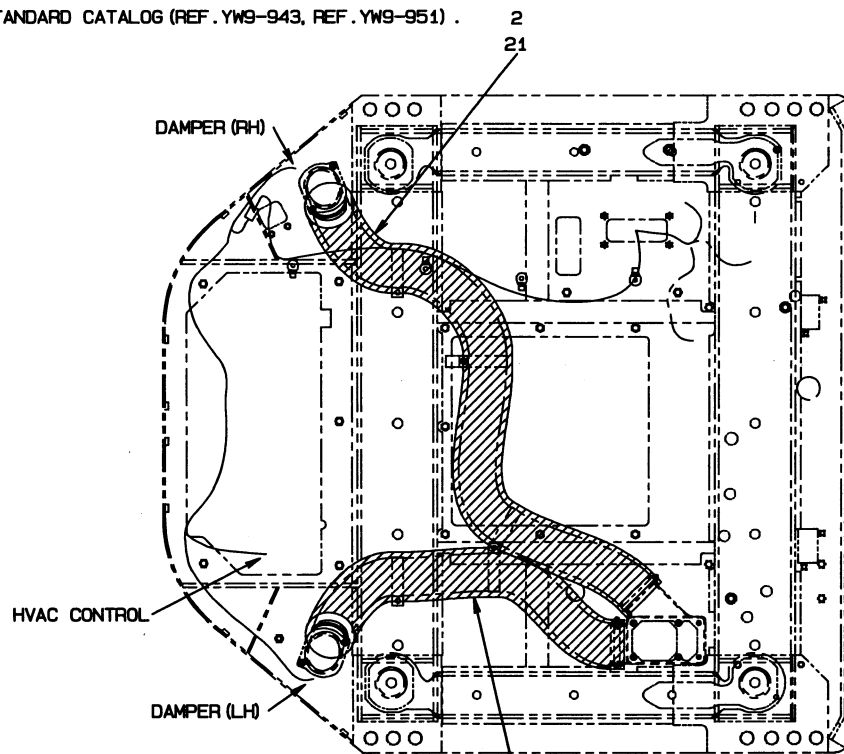


VIEW D - D



MEMO

(NOTE): REFER TO STANDARD CATALOG (REF. YW9-943, REF. YW9-951).



MEMO

PARTS INDEX

INDEX

| PART NUMBER | SEC-SYM | PART NUMBER | SEC-SYM | PART NUMBER | SEC-SYM | PART NUMBER | SEC-SYM |
|---------------|------------|---------------|------------|-------------|------------|---------------|------------|
| 03501-46430 | 131 - 5A | 30610-20750-7 | 513 - 31A | 32923-70140 | 251 - 21A | 35210-21340 | 921 - 11A |
| -50970 | 301 - 35A | -20760-7 | 171 - 115A | -70140 | 301 - 21A | 35600-77950 | 264 - 4A |
| -52100 | 131 - 2A | -20760-7 | 173 - 5A | -70140 | 505 - 21A | 35700-20230 | 131 - 3A |
| -53830 | 929 - 23A | -20760-7 | 173 - 5B | -70140 | 505 - 101A | -72030 | 264 - 24A |
| -54860 | 925 - 101A | -20760-7 | 175 - 4A | -70140 | 511 - 21A | 35910-70260 | 262 - 16A |
| -54870 | 925 - 41A | -20760-7 | 237 - 5A | -70140 | 513 - 101A | -70260 | 593 - 223A |
| -54880 | 929 - 111A | -20760-7 | 301 - 1A | -70140 | 513 - 131A | 35930-70350 | 929 - 13A |
| -55310 | 179 - 4A | -20760-7 | 701 - 31A | -70140 | 515 - 31A | 36200-70920 | 235 - 33A |
| -55310 | 179A- 4A | -20760-7 | 715 - 1A | -70140 | 517 - 31A | -70930 | 235 - 32A |
| -55680 | 929 - 104A | -20760-7 | 943 - 3A | -70140 | 591 - 21A | -71260 | 235 - 32B |
| -56330 | 592 - 211A | -20770-7 | 715 - 2A | -70140 | 592 - 21A | -71360 | 235 - 33B |
| -56630 | 931A- 3A | -20780-7 | 237 - 4A | -70140 | 592 - 101A | 36406-20030 | 931 - 3A |
| -70910 | 592 - 119A | -20790-7 | 943 - 1A | -70140 | 701 - 101A | -20110 | 931 - 4A |
| -72700 | 929 - 43A | -20840-7 | 943 - 2A | -70140 | 715 - 21A | 36430-23770-7 | 241 - 12A |
| -72910 | 155 - 1C | -20850-7 | 237 - 1A | -70140 | 721 - 21A | -23780 | 241 - 2A |
| -72920 | 155 - 2C | -20860-7 | 237 - 2A | -70140 | 745 - 21A | -23820 | 929 - 101A |
| -74200 | 931A- 16A | -20870-7 | 237 - 3A | -70140 | 747 - 21A | -24170 | 241 - 2B |
| 30230-21780 | 592 - 142A | -20930-7 | 159 - 1A | -70150 | 237 - 22A | 36733-70080 | 235 - 19A |
| -21890 | 262 - 19A | 30654-70060 | 301 - 103A | -70150 | 943 - 21A | 37014-70040 | 171 - 14A |
| -22300 | 593 - 112A | 30930-23820 | 929 - 14A | 33057-20830 | 931 - 12A | -70040 | 921 - 3A |
| 30241-20890 | 592 - 117A | 31115-70010 | 301 - 101A | -21260 | 743 - 3A | -70060 | 921 - 4A |
| -21200 | 593 - 114A | 31200-29720 | 113 - 11A | -21280 | 591 - 32A | -70080-7 | 171 - 116A |
| -21330 | 593 - 113A | -39860 | 101 - 1A | -21290 | 592 - 116A | -70080-7 | 173 - 6A |
| -22430 | 261 - 24A | -39870 | 101 - 2A | -21340 | 931A- 12A | -70080-7 | 173 - 16A |
| 30246-20440 | 593 - 4A | -40300 | 135 - 32A | -70010 | 265 - 12A | -70080-7 | 175 - 5A |
| -23900 | 593 - 144A | -40310 | 135 - 31A | 33070-22530 | 131 - 1A | -70080-7 | 943 - 4A |
| 30502-43470 | 301 - 121A | -40320 | 135 - 35A | -22700 | 131 - 1B | 37600-20790 | 592 - 143A |
| -43860 | 115 - 11A | -40330 | 135 - 38A | -22820 | 131 - 1C | -25140 | 263 - 53A |
| 30610-20720-7 | 171 - 111A | -40340 | 135 - 37A | 33193-22030 | 265 - 3A | -25320 | 263 - 53B |
| -20720-7 | 173 - 1A | -40860 | 135 - 31B | -27320 | 179 - 6A | 37810-60200 | 593 - 224A |
| -20720-7 | 173 - 11A | -40870 | 135 - 32B | -32900 | 171 - 102A | 38480-70560 | 155 - 11A |
| -20720-7 | 173 - 11B | -40880 | 135 - 35B | -33910 | 171 - 101A | -70570 | 155 - 31A |
| -20720-7 | 237 - 7A | -40890 | 135 - 37B | -33940 | 179A- 6A | 38511-71000 | 262 - 15A |
| -20720-7 | 511 - 1A | -40900 | 135 - 38B | -34900 | 179 - 7A | -71020 | 593 - 222A |
| -20720-7 | 517 - 11A | 31205-33390 | 664 - 1A | -35670 | 931A- 1A | 38534-70130 | 593 - 32A |
| -20720-7 | 592 - 1A | -38040 | 513 - 141A | -35780 | 931 - 1A | -70140 | 593 - 33A |
| -20720-7 | 745 - 2A | -46690 | 301 - 141A | -36060 | 929 - 41A | 38554-20110 | 593 - 111A |
| -20730-7 | 171 - 112A | -49130 | 513 - 141B | -36840 | 179A- 11A | -71520 | 264 - 3A |
| -20730-7 | 173 - 2A | -54150 | 664 - 1B | -40590 | 265 - 1A | 38560-70100 | 264 - 11A |
| -20730-7 | 173 - 12A | -70240 | 264 - 18A | -40600 | 265 - 2A | 38705-47850 | 513 - 12A |
| -20730-7 | 173 - 12B | 31210-21480 | 451 - 1A | -41720 | 265 - 1B | -47860 | 513 - 13A |
| -20730-7 | 175 - 1A | 31523-70190 | 929 - 12A | -45870 | 265 - 1C | -54850 | 513 - 1A |
| -20730-7 | 175 - 1B | 31828-20420 | 155 - 5A | -46610 | 179A- 11B | -54860 | 513 - 2A |
| -20730-7 | 237 - 6A | 31990-25980 | 929 - 105A | -48670 | 929 - 41B | -54870 | 515 - 4A |
| -20730-7 | 251 - 1A | -71370 | 235 - 45B | -50110 | 931A- 1B | -54980 | 515 - 4B |
| -20730-7 | 505 - 2A | -71730 | 235 - 45A | -50760 | 171 - 101B | 38706-21220 | 505 - 115A |
| -20730-7 | 511 - 2A | 32011-21540-7 | 925 - 21A | 33281-71660 | 235 - 1B | -21230 | 505 - 116A |
| -20730-7 | 515 - 11A | -21550-7 | 925 - 22A | -71790 | 235 - 1A | -21240 | 505 - 117A |
| -20730-7 | 515 - 11B | -22290-7 | 925 - 1A | -72050 | 235 - 1C | -21250 | 505 - 118A |
| -20730-7 | 591 - 1A | -22300-7 | 925 - 2A | 33305-20190 | 179A- 21A | -23660 | 513 - 1B |
| -20730-7 | 592 - 2A | -22380-7 | 925 - 31A | -20250 | 179A- 22A | -23670 | 513 - 2B |
| -20730-7 | 592 - 31A | -22390-7 | 925 - 32A | 33410-61650 | 265 - 23A | 38900-24940 | 593 - 141A |
| -20730-7 | 745 - 1A | 32112-20010 | 263 - 7A | 33600-70240 | 235 - 35B | 38904-20360 | 591 - 33A |
| -20730-7 | 745 - 1B | 32211-70230 | 235 - 2A | -70250 | 235 - 34B | 39600-72340 | 235 - 46A |
| -20730-7 | 747 - 1A | 32810-70020 | 235 - 12A | -70270 | 235 - 34A | -72490 | 235 - 47A |
| -20740-7 | 171 - 113A | -70030 | 235 - 12B | -70280 | 235 - 35A | -72680 | 235 - 18A |
| -20740-7 | 173 - 3A | 32816-70340 | 235 - 3A | 33713-26400 | 131 - 21A | 39890-20930 | 101 - 15A |
| -20740-7 | 173 - 3B | -70460 | 235 - 3B | -26410 | 131 - 22A | -22400 | 101 - 24A |
| -20740-7 | 173 - 13A | 32920-70760 | 235 - 7A | -70240 | 235 - 5A | 40205-60010-7 | 929 - 11A |
| -20740-7 | 175 - 2A | -70870-7 | 241 - 22A | -70250 | 235 - 6A | 40330-70640-7 | 929 - 127A |
| -20740-7 | 175 - 2B | 32923-20800 | 701 - 11A | 34041-25170 | 925 - 3A | -70660 | 264 - 19A |
| -20740-7 | 505 - 31A | -70100 | 265 - 14A | -25180 | 925 - 4A | 40337-60450 | 301 - 41A |
| -20740-7 | 513 - 111A | -70100 | 931 - 7A | -25210 | 265 - 24A | 40510-25230 | 263 - 3A |
| -20740-7 | 721 - 1A | -70100 | 931A- 7A | 34042-71550 | 264 - 23A | 40600-70900 | 235 - 4A |
| -20740-7 | 745 - 3A | -70120 | 179 - 8A | 34200-71620 | 235 - 8A | 40850-70280 | 265 - 9A |
| -20750-7 | 171 - 114A | -70120 | 179A- 8A | 35010-20340 | 265 - 4B | 40900-71640 | 235 - 20A |
| -20750-7 | 173 - 4A | -70120 | 265 - 13A | -20390 | 265 - 4A | -71650 | 235 - 13A |
| -20750-7 | 173 - 4B | -70120 | 931A- 17A | -60560 | 931 - 2A | 40902-28030 | 301 - 33A |
| -20750-7 | 173 - 14A | -70140 | 171 - 2A | 35020-20870 | 931A- 2A | -29290 | 179 - 2A |
| -20750-7 | 175 - 3A | -70140 | 173 - 21A | 35055-20110 | 179 - 1A | -29290 | 179A- 2A |
| -20750-7 | 251 - 2A | -70140 | 179 - 9A | -20110 | 179A- 1A | -30350 | 241 - 4A |
| -20750-7 | 505 - 1A | -70140 | 179A- 9A | -20200 | 179A- 1B | -33000 | 593 - 301A |
| -20750-7 | 505 - 32A | -70140 | 237 - 21A | 35195-20810 | 265 - 21A | -35740 | 263 - 5A |

PARTS INDEX

XW1-2

| PART NUMBER | SEC-SYM | PART NUMBER | SEC-SYM | PART NUMBER | SEC-SYM | PART NUMBER | SEC-SYM |
|-------------|-----------|---------------|-----------|-------------|-----------|-------------|-----------|
| 40902-37120 | 179A- 2B | 41621-21170 | 101 - 32A | 45090-70030 | 235 - 36A | 62256-51816 | 931A- 51A |
| -38430 | 263 - 5B | -21170 | 101 -101A | 45200-71610 | 264 - 25A | 62401-81142 | 155 - 12A |
| -40240 | 593 -301B | 41641-44740 | 115 - 1A | -71620 | 264 - 29A | -81242 | 401 - 3A |
| -40250 | 179A- 41A | -44760 | 115 - 2A | 45531-20120 | 931 - 5A | 62480-21081 | 261 - 52A |
| -42900 | 241 - 4B | 41710-25060 | 101 - 6A | -20120 | 931A- 5A | -21081 | 592 - 51A |
| 40968-24110 | 155 - 1A | -25070 | 135 - 43A | 45785-20090 | 125 - 1A | -21081 | 592 - 51B |
| -24120 | 155 - 2A | -25080 | 135 - 42A | 46000-70860 | 235 - 11A | -21081 | 592 - 62A |
| -26480 | 155 - 1B | -46040 | 179A- 31A | -70860 | 235 - 16A | -21101 | 135 - 52A |
| -26490 | 155 - 2B | 41750-31800 | 179A- 2C | -70860 | 235 - 38A | -21101 | 135 - 72A |
| 41410-35460 | 593 - 31A | -42960 | 931A- 4A | 46011-20600 | 401 - 2A | -21101 | 135 - 81A |
| -35470 | 593 -221A | 42730-20020-7 | 241 - 11A | 46017-20020 | 155 - 6A | -21101 | 241 - 53A |
| -36080 | 262 - 1A | -70110-7 | 241 - 21A | 46023-70270 | 301 -104A | -21101 | 929 - 52A |
| 41530-75380 | 264 - 16A | 43111-23380 | 929 -102A | 47131-77170 | 264 - 17A | 62701-20051 | 931 - 62A |
| -75420 | 264 - 1A | 43113-21480 | 701 - 5A | -77190 | 264 - 20A | -40101 | 135 - 73A |
| -75430 | 264 - 5A | -21490 | 701 - 23A | -77210 | 264 - 13A | -40101 | 135 - 82A |
| -75440 | 264 - 26A | -21500 | 701 - 2A | -77220 | 264 - 14A | -40141 | 155 - 13A |
| 41600-57840 | 135 - 11A | -21510 | 701 - 1A | -77230 | 264 - 15A | 62710-18121 | 101 - 53A |
| -70440 | 235 - 42A | -28810 | 147 - 11A | -77240 | 264 - 21A | -18121 | 101 - 53B |
| -71370 | 235 - 40A | -30220 | 743 - 6A | -77260 | 264 - 2A | -18129 | 451 - 53A |
| -71380 | 235 - 39A | -34870 | 743 - 18A | -77270 | 264 - 6A | 62721-06100 | 929 - 62A |
| 41603-42360 | 451 - 3A | -34890 | 723 - 4A | -77270 | 264 - 27A | -06100 | 931 - 61A |
| 41608-51760 | 101 - 31A | -40810 | 513 - 23A | -77280 | 264 - 7A | -14100 | 155 - 14A |
| 41609-21150 | 925 - 5A | -40920 | 723 - 3A | -77280 | 264 - 28A | 65210-12011 | 262 - 22A |
| -21160 | 925 - 6A | -41290 | 503 - 1A | -77290 | 264 - 8A | -12011 | 592 -122A |
| -21170 | 925 - 7A | -41300 | 503 - 2A | -77300 | 264 - 10A | -12011 | 593 - 11A |
| -21180 | 925 - 8A | -41980 | 503 - 3A | 48976-60780 | 263 - 1A | -12014 | 261 -104A |
| -21190 | 925 - 9A | -41990 | 503 - 4A | -60780 | 264 -000A | -12014 | 592 -201A |
| -21200 | 925 - 11A | -42270 | 517 - 1A | 49327-72070 | 262 - 40A | -12014 | 593 - 21A |
| -21210 | 925 - 12A | -44000 | 591 - 31A | -72080 | 593 -240A | -12018 | 261 - 31A |
| -21220 | 925 - 13A | -47630 | 723 - 4B | -73600 | 593 -100A | -12018 | 593 -131A |
| -28890 | 593 -312A | -51220 | 513 - 23B | 49620-70140 | 235 - 15B | -12028 | 593 -124A |
| -28900 | 593 -311A | 43550-60100 | 929 - 42A | -70140 | 235 - 37B | -12029 | 261 - 41A |
| 41611-70440 | 235 - 41A | 43571-20150 | 931 - 8A | -70150 | 235 - 9B | -12029 | 262 -101A |
| 41615-32030 | 263 - 6A | 43780-24110 | 115 - 21A | 61033-10016 | 135 - 12A | -12029 | 301 -111A |
| 41619-20100 | 131 - 11A | -24700 | 929 - 31A | -10016 | 135 - 61A | -12038 | 593 -204A |
| -20110 | 131 - 12A | -24850 | 113 - 21A | 61802-06012 | 925 - 51A | 65801-08016 | 929 - 42B |
| -40740 | 135 - 2A | -34130 | 451 - 11A | -06016 | 179 - 51A | -16016 | 179A- 5B |
| -44670 | 301 -201A | -40540 | 513 -201A | -06016 | 179A- 51A | -16160 | 179 - 5A |
| -47120 | 115 - 3A | -42540 | 101 - 41A | -06016 | 179A- 51B | -16160 | 179A- 5A |
| -49270 | 931 - 9A | 43900-73490 | 235 - 15A | -06016 | 179A- 51C | -25032 | 265 - 11A |
| -50970 | 111 - 1A | -73490 | 235 - 37A | -06016 | 925 - 52A | -31032 | 931A- 15A |
| -50980 | 111 - 2A | -73830 | 235 - 10A | -06060 | 593 - 51A | -63016 | 592 -116B |
| -50990 | 111 - 3A | -74360 | 264 - 12A | -08012 | 592 - 52A | 68035-10130 | 592 -133A |
| -51000 | 111 - 4A | -74370 | 264 - 22A | -08012 | 592 - 61A | -20023 | 592 -138A |
| -51010 | 111 - 5A | -74380 | 264 - 9A | -08016 | 265 - 53A | -20053 | 592 -136A |
| -51020 | 111 - 6A | 43925-70170 | 235 - 43A | -08016 | 301 - 61A | -20060 | 592 -135A |
| -51030 | 111 - 7A | -70190 | 235 - 9A | -08016 | 592 - 53A | -20480 | 592 -112A |
| -51040 | 111 - 8A | -70210 | 235 - 44A | -08020 | 265 - 52A | -20500 | 592 -111A |
| -51050 | 113 - 1A | -70230 | 235 - 21A | -08020 | 451 - 52A | -30425 | 261 - 5A |
| -51060 | 113 - 2A | -70270 | 235 - 21B | -10016 | 113 - 51A | 68045-20029 | 592 -137A |
| -51070 | 113 - 3A | 43955-60010 | 401 - 1A | -10016 | 115 - 51A | 68055-10140 | 592 -131A |
| -51080 | 113 - 4A | 43963-70160 | 235 - 14A | -10016 | 135 - 51A | -20500 | 592 -113A |
| -51090 | 113 - 5A | 44340-70020 | 921 - 1A | -10016 | 135 - 71A | 68235-60048 | 261 - 3A |
| -51100 | 113 - 6A | 44721-63270 | 233 - 1A | -10016 | 241 - 52A | -60054 | 261 - 3B |
| -51400 | 113 - 7A | -63270 | 235 -000A | -10016 | 513 - 51A | -60110 | 261 - 4A |
| -54980 | 929 - 3A | -63580 | 233 - 1B | -10016 | 513 - 51B | 68634-60062 | 301 -131A |
| -55030 | 929 - 21A | -63580 | 235 -000B | -10020 | 241 - 51A | 68635-10090 | 592 -132A |
| -56530 | 931 - 13A | -63990 | 233 - 1C | -10020 | 241 - 51B | -10111 | 592 -134A |
| -58770 | 925 - 14A | -63990 | 235 -000C | -10020 | 929 - 53A | -60051 | 261 - 2A |
| -58780 | 925 - 15A | 44770-51880 | 265 - 6B | -10020 | 929 - 71A | 68645-60113 | 301 -132A |
| 41620-21000 | 265 - 22A | -51920 | 179 - 3A | -10025 | 101 - 52A | 69002-12700 | 929 -103A |
| -21780 | 135 - 22A | -51920 | 179A- 3A | -10025 | 301 - 53A | 72001-11200 | 592 -144A |
| -21790 | 135 - 34A | -52020 | 931 - 11A | -10025 | 929 - 51A | -11500 | 592 -141A |
| -21820 | 135 - 33A | -52230 | 931 - 14A | -10070 | 593 - 52A | -11800 | 261 - 25A |
| -21870 | 135 - 36A | -52340 | 595 - 1A | -10080 | 593 - 61A | 72010-34000 | 592 -114A |
| -21930 | 135 - 23A | -52750 | 931A- 11A | -12020 | 451 - 51A | -43000 | 592 -115A |
| -21950 | 135 - 24A | -54250 | 265 - 6A | -12030 | 101 - 51A | 88201-06704 | 593 - 5A |
| -24450 | 592 -118A | 44841-21050 | 811 - 1A | -12030 | 101 - 51B | -06706 | 592 -139A |
| -25340 | 513 -201B | -21060 | 931A- 21A | -12030 | 301 - 52A | -06706 | 593 -212A |
| -26340 | 931A- 9A | -21070 | 931A- 21B | -12050 | 131 - 51A | -06716 | 261 - 7A |
| -27250 | 135 - 21A | 44890-60090 | 155 - 4A | -16040 | 263 - 52A | -06716 | 301 - 42A |
| -27270 | 135 - 25A | -60100 | 155 - 3A | 62256-51610 | 929 - 61A | 88241-07104 | 593 - 2A |
| -45470 | 135 - 36B | 45050-70350 | 931 - 6A | -51610 | 931 - 51A | -07106 | 593 - 3A |

| PART NUMBER | SEC-SYM | PART NUMBER | SEC-SYM | PART NUMBER | SEC-SYM | PART NUMBER | SEC-SYM |
|-------------|-----------|-------------|---------|-------------|---------|-------------|---------|
| 88241-07106 | 593 -213A | | | | | | |
| -07108 | 261 - 6A | | | | | | |
| -07116 | 301 - 43A | | | | | | |
| -07216 | 262 - 18A | | | | | | |
| 88390-16102 | 262 - 17A | | | | | | |
| -21504 | 262 - 8A | | | | | | |

93315-00125

KAWASAKI HEAVY INDUSTRIES, LTD.

Rolling Stock & Construction Machinery Company

Construction Machinery Division

Tokyo Head Office W.T.C.Bldg.,2-4-1 Hamamatsu-cho Minato-ku, Tokyo 105-6116

Kobe Head Office Kobe Crystal Tower, 1-1-3 Higashi Kawasaki-cho Chuo-ku, Kobe, Hyogo 650-8680

Banshu Works 2680 Oka Inami-cho Kako-gun, Hyogo 675-1113

All rights reserved. No copy allowed without written consent.

Printed in Japan