

PARTS CATALOG

WHEEL LOADER

95Z_V

Powered by CUMMINS QSX15 Engine

Serial No. 97C4-0101 ~

CONTENTS I

- Before Use

- Chassis No. and Manufacturer's Serial No.

- CONTENTS II

- PARTS NAME INDEX

- 95ZV

• CHASSIS AND ELECTRICAL SYSTEM	Page
FRONT CHASSIS GROUP	1
LIFT ARM GROUP	5
PIN MOUNT	7
REAR CHASSIS GROUP	9
CENTER PIN GROUP	13
FUEL TANK GROUP	15
OIL TANK GROUP	19
FLOOR BOARD GROUP	23
SEAT STAND & CONTROL BOX MOUNT	27
CONTROL BOX COVER MOUNT <S/N 0101 - 0290 0101	29
CONTROL BOX COVER MOUNT <S/N 0291 - >	33
OPERATION STAND GROUP	35
DECK & FENDER GROUP	37
STEP & HANDRAIL GROUP	39
SCREEN BOARD MOUNT <S/N 0101 - 0230 >	43
SCREEN BOARD MOUNT <S/N 0231 - >	45
ENGINE ROOM MOUNT <S/N 0101 - 0230 >	47
ENGINE ROOM MOUNT <S/N 0231 - >	51
RADIATOR GUARD MOUNT <S/N 0101 - 0230 >	55
RADIATOR GUARD MOUNT <S/N 0231 - >	57
REAR GRILLE GROUP	59
WIND SHIELD GROUP	61
COVER MOUNT	63
SEAT GROUP	65
SEAT	67
SUSPENSION	69
GREASE PIPING <FOR FRONT>	71

GREASE PIPING <FOR REAR>	75
GAUGE GROUP	77
ELECTRICAL PARTS MOUNT <S/N 0101 - 0290N	79
ELECTRICAL PARTS MOUNT <S/N 0291 - >	81
FRONT LAMP GROUP	85
REAR LAMP GROUP	87
BATTERY MOUNT	89
INSTRUMENT & SWITCH MOUNT <S/N 0101 - 0477N	91
INSTRUMENT & SWITCH MOUNT <S/N 0233 - 0477N	93
INSTRUMENT & SWITCH MOUNT <S/N 0477 - >	95
ELECTRICAL WIRING - FRONT CHASSIS	97
ELECTRICAL WIRING - REAR CHASSIS	99
ELECTRICAL WIRING - FLOOR BOARD	105

• POWER SYSTEM

POWER GROUP	109
DRAIN LINE	111
2ND PROPELLER SHAFT	113
3RD PROPELLER SHAFT	115
RADIATOR MOUNT	117
RADIATOR GROUP <S/N 0101 - 0262 >	121
RADIATOR GROUP <S/N 0263 - >	125
FAN MOTOR <S/N 0101 - 0313 >	129
OIL MOTOR <S/N 0314 - 0398 >	131
OIL MOTOR <S/N 0399 - 0466 >	133
OIL MOTOR <S/N 0467 - >	135
RADIATOR <S/N 0101 - 0262 >	137
RADIATOR <S/N 0263 - >	139
WATER LINE	141
AIR COOLER LINE	143
AIR CLEANER GROUP	147
EXHAUST GROUP	149
FUEL LINE	151

• TORQUE CONVERTER AND TRANSMISSION SYSTEM

TRANSMISSION HYDRAULIC LINE <S/N 0101 - 0262N	155
TRANSMISSION HYDRAULIC LINE <S/N 0231 - 0477N	157

TORQUE CONVERTER.....	161
T/C INPUT SHAFT GROUP	165
GEAR SHAFT & OIL PUMP GROUP	167
TRANSMISSION.....	169
HIGH & REVERSE CLUTCH	171
LOW , 2ND & 3RD CLUTCH.....	175
1ST CLUTCH	179
OUTPUT SHAFT GROUP	181
SOLENOID VALVE & VALVE UNIT	183
REPAIR KIT	185

• AXLE AND DIFFERENTIAL

FRONT AXLE GROUP	187
REAR AXLE GROUP	191
AXLE SUPPORT GROUP <S/N 0101 - 0290 >	195
AXLE SUPPORT GROUP <S/N 0291 - >	199
FRONT DIFFERENTIAL	201
REAR DIFFERENTIAL <S/N 0101 -0 290 >	205
REAR DIFFERENTIAL <S/N 0291 - >	207
TIRE & DISC WHEEL GROUP	211

• BRAKE SYSTEM

BRAKE LINE - FLOOR BOARD	215
BRAKE LINE - REAR CHASSIS	217
BRAKE LINE - AXLE <S/N 0101 - 0290 >	219
BRAKE LINE - AXLE <S/N 0291 - >.....	221
BRAKE LINE - ACCUMULATOR	223
AIR BREATHER MOUNT	227
PARKING BRAKE GROUP	229
BRAKE VALVE GROUP	231
VALVE UNIT.....	233
BRAKE VALVE	235
BRAKE VALVE	237
OIL CYLINDER.....	239
UNLOADER VALVE <S/N 0101 -0 328 >.....	241
UNLOADER VALVE <S/N 0329 - >	243

• CONTROL SYSTEM

STEERING WHEEL MOUNT	245
SHIFT LEVER GROUP	247
TILT CASE GROUP	249
VALVE CONTROL GROUP <S/N 0101 - 0232 >	251
VALVE CONTROL GROUP <S/N 0233 - 0290 >	255
VALVE CONTROL GROUP <S/N 0291 - >	257
FUEL CONTROL GROUP	259
STEERING CYLINDER GROUP	263
STEERING VALVE <S/N 0101 - 0185 >	265
STEERING VALVE <S/N 0186 - >	267
ORBITROLL <S/N 0101 - 0251 >	269
ORBITROLL <S/N 0252- >	271
STEERING CYLINDER	273
BUCKET POSITIONER GROUP	275
KICKOUT GROUP	279

• LOADING HYDRAULIC SYSTEM

LOADING HYDRAULIC LINE - FRONT CHASSIS	1
LOADING HYDRAULIC LINE - FRONT CHASSIS	287
LOADING HYDRAULIC LINE - REAR CHASSIS	293
LOADING HYDRAULIC LINE - REAR CHASSIS	297
LOADING HYDRAULIC LINE - REAR CHASSIS	301
LOADING HYDRAULIC LINE - STEERING CYLINDER	303
LOADING HYDRAULIC LINE - STEERING CYLINDER	305
LOADING HYDRAULIC LINE - CENTER PIN	307
LOADING HYDRAULIC LINE - OIL COOLER	309
HYDRAULIC LINE - FAN MOTOR	311
HYDRAULIC LINE - FAN MOTOR	313
PILOT HYDRAULIC LINE - FRONT CHASSIS	317
PILOT HYDRAULIC LINE - REAR CHASSIS	319
PILOT HYDRAULIC LINE - REAR CHASSIS	321
PILOT HYDRAULIC LINE - CONTROL BOX	325
PILOT HYDRAULIC LINE - CONTROL BOX	327
OIL PUMP <S/N 0101 - 0386 >	331
OIL PUMP <S/N 0387 - >	333
OIL PUMP <S/N 0101 - 0258>	335

OIL PUMP <S/N 0259 - 0398 >.....	337
OIL PUMP <S/N 0399 - 0466 >.....	339
OIL PUMP <S/N 0467 - >	341
ACCUMULATOR	343
CONTROL VALVE	345
PILOT VALVE <S/N 0101 - 0290 >.....	347
PILOT VALVE <S/N 0291 - 0408 >.....	351
PILOT VALVE <S/N 0409 - 0410 >.....	355
PILOT VALVE <S/N 0411 - >	359
STOP VALVE.....	363
FAN MOTOR VALVE <S/N 0101 - 0230 >.....	367
FAN MOTOR VALVE <S/N 0231 - >	369
LIFT CYLINDER	371
TILT CYLINDER <S/N 0101 - 0272 >	373
TILT CYLINDER <S/N 0273 - >.....	375

• ACCESSORIES, BUCKET, ETC

BUCKET <FOR GENERAL PURPOSE>.....	379
BUCKET <FOR ROCK-RS>	381
BUCKET <FOR ROCK-RV>.....	383
BUCKET	385
BUCKET OPTION PARTS	389
MARKING GROUP	393
REPAIR & MAINTENANCE PARTS	397

• CAB

CAB MOUNT.....	399
CAB <S/N 0101 - 0116 >.....	403
CAB <S/N 0117 - >	407
DOOR GROUP	411
FRONT WIPER & WINDOW WASHER GROUP	415
ELECTRICAL PARTS GROUP	419
ELECTRICAL WIRING - CAB.....	425
MIRROR GROUP <S/N 0101 - 0263 >	429
MIRROR GROUP <S/N 0264 - >.....	433
REAR WIPER & WINDOW WASHER GROUP	437
WINDOW GLASS MOUNT <S/N 0163 - >	439

CAB OPTION PARTS	441
COVER GROUP - CAB <S/N 0101 - 0187 >	443
COVER GROUP - CAB <S/N 0188 - >.....	445
AIR DUCT GROUP - FLOOR BOARD	447
AIR CONDITIONER MOUNT	451
AIR CONDITIONER COVER GROUP	453
AIR CONDITIONER LINE - REAR CHASSIS	455
AIR CONDITIONER LINE - FLOOR BOARD.....	457
CONDENSER MOUNT	459
COMPRESSOR MOUNT	461
COMPRESSOR ASSY	463
AIR CONDITIONER UNIT MOUNT.....	465
AIR CONDITIONER UNIT ASSY <S/N 3240 - >	467
AIR DAMPER	469
BLOWER ASSY	471
CONDENSER <S/N 0672 - 8159 >	473
CONDENSER <S/N 8160 - >	475
ELECTRICAL PARTS GROUP <FOR AIR CONDITIO.....	477
SENSOR MOUNT <FOR AIR CONDITIONER>.....	481

- OPTION

- OPTION

WEIGHT MOUNT	483
GUARD MOUNT	485
LOCK GROUP.....	487
LIFT ARM <HIGH LIFT ARM SPEC.>	489
TILT CYLINDER <HIGH LIFT ARM SPEC.>	491
TILT CYLINDER <HIGH LIFT ARM SPEC.>	493
HYDRAULIC LINE <HIGH LIFT ARM SPEC.>.....	495
CABLE MOUNT <HIGH LIFT ARM SPEC.>.....	497
GREASE PIPING <HIGH LIFT ARM SPEC.>.....	499
LIFT ARM <SHORT BOOM>.....	503
GREASE PIPING <SHORT BOOM>	505
OIL CYLINDER MOUNT <SHORT BOOM>	509
HYDRAULIC LINE - BUCKET <SHORT BOOM>	511
OIL CYLINDER <SHORT BOOM>	515
WEIGHT MOUNT <SHORT BOOM>.....	517

RADIATOR GROUP - 4MM PITCH FIN.....	519
RADIATOR - 4MM PITCH FIN	521
PRECLEANER MOUNT.....	523
PRECLEANER MOUNT<MEINTENANCE-FREE>	525
CABLE MOUNT <GAUGE GROUP>.....	527
FRONT CHASSIS HYDRAULIC LINE <3 WAY PIPING>.....	529
FRONT PILOT HYDRAULIC LINE <3 WAY PIPING>.....	531
PILOT HYDRAULIC LINE <3 WAY PIPING>	535
PILOT HYDRAULIC LINE <3 WAY PIPING>	537
OIL PIPE MOUNT <3 WAY PIPING>.....	539
SEQUENCE VALVE	541
CONTROL VALVE	543
PILOT VALVE <S/N 0101 - 0290 >.....	545
PILOT VALVE <S/N 0291 - >	547
SWIVEL JOINT	549
CONTROL GROUP <FOR SINGLE LEVER>	551
PILOT HYDRAULIC LINE <FOR HYDRAULIC SI.....	553
KICKOUT GROUP.....	555
CABLE MOUNT <KICKOUT>.....	557
VIBRATION DAMPER-CONTROL VALVE	559
VIBRATION DAMPER-HYDRAULIC LINE	561
VIBRATION DAMPER-ACCUMULATOR	565
VIBRATION DAMPER-ELECTRICAL WIRING	567
STICK STEERING GROUP	569
ARMREST ASSY	571
HYDRAULIC LINE	573
VALVE MOUNT	575
BOX MOUNT.....	579
SWITCH MOUNT	581
CABLE MOUNT	583
MULTI CONTROL VALVE	585
HYDRAULIC LINE <TWO-STEP RELIEF VALVE>	587
CABLE MOUNT <TWO-STEP RELIEF VALVE>	591
COVER MOUNT - TERMINAL.....	595
COVER MOUNT - ALTERNATOR.....	597
SPONGE MOUNT <PROTECTION AGAINST DUST SPEC.>	599
CABLE MOUNT <PROTECTION AGAINST DUST SPEC.>	603
SHIFT LEVER <PROTECTION AGAINST DUST SPEC.>.....	605
SWITCH MOUNT <BATTERY ON/OFF>.....	607

4 WAY FLASHER	609
BATTERY MOUNT <LARGE CAPACITY>	613
SWITCH MOUNT <FOR ADD ON SWITCH>	615
AIR SUSPENTION SEAT GROUP	617
SEAT	619
SEAT MOUNT	621
SEAT	623
SUSPENSION	625
SEAT BELT	627
SEAT BELT <ROLL-UP TYPE>.....	629

- ROPS CAB

- CAB <ROPS>

CAB MOUNT.....	631
CAB <S/N 0140 - 0194 >	635
CAB <S/N 0195 - 0423 >	639
CAB <S/N 0424 - >	643
DOOR GROUP	647
FRONT WIPER & WINDOW WASHER GROUP	651
ELECTRICAL PARTS GROUP <S/N 0101 - 0386 >	655
ELECTRICAL PARTS GROUP <S/N 0387 - >	659
ELECTRICAL WIRING - CAB.....	661
MIRROR GROUP <S/N 0101 - 0268 >	665
MIRROR GROUP <S/N 0269 - 0386 >	669
MIRROR GROUP <S/N 0387 - >	671
REAR WIPER & WINDOW WASHER GROUP	673
WINDOW GLASS MOUNT	675
CAB OPTION PARTS	677
COVER GROUP - CAB <S/N 0101 - 0187 >	679
COVER GROUP - CAB <S/N 0188 - >.....	681

- PARTS NO. INDEX..... 684

Before Use

I. Introduction

This parts catalog is applied to models indicated on the cover.
 Parts of special specifications are not included.
 For engines, refer to the "Engine Parts Catalog" offered separately.

II. How to Order Parts

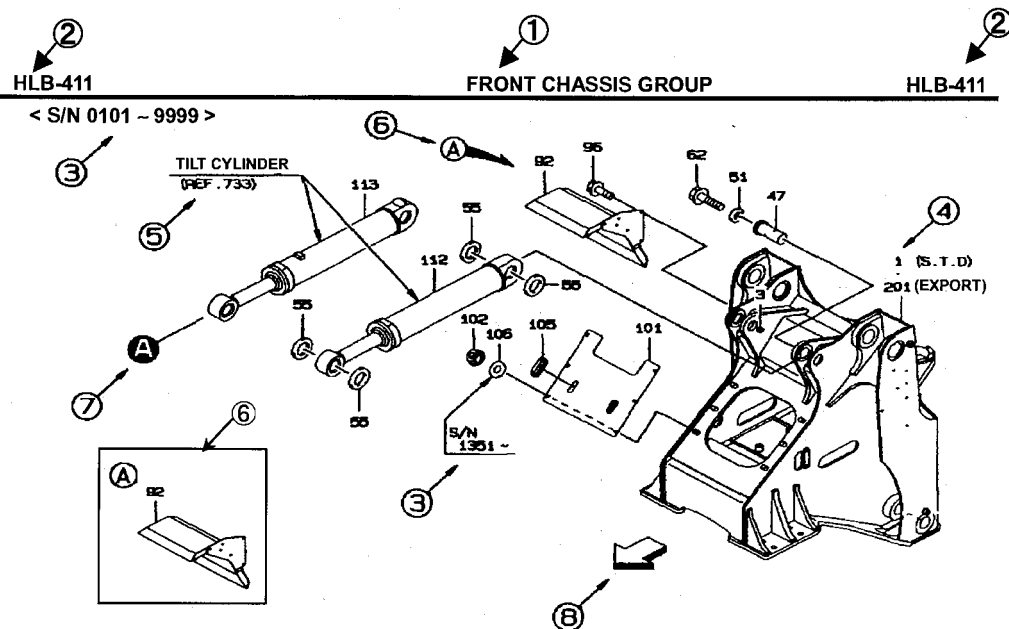
When ordering a part, refer to illustrations and lists in this parts catalog, and clearly notify our company of the model name, the chassis No., the parts No., the parts name, the required quantity, etc.

III. How to Look at Parts Catalog

Illustrations in the parts catalog show the "position and shape" of each part in the range required in ordering. Accordingly, illustrations do not always agree with actual parts.

1. How to look at illustrations

The illustration shown below as an example helps you to understand how to look at illustrations.



Encircled numbers indicate the following contents:

- ① section name
- ② Model code, section No.
- ③ Applicable chassis Nos. (which indicate the application start and end chassis Nos.)
- ④ Symbol (which corresponds to the "SYMBOL" column shown in the list)
- ⑤ Relevant unit guide symbol
- ⑥ Balloon symbol (which indicates presence of a detailed figure)
- ⑦ Connection symbol (shows where one component connects to another component)
- ⑧ Direction symbol (which indicates the front of the machine)

2. How to use the lists

The list shown below as an example helps you to understand how to use the lists.

SYM- BOL	PART NUMBER	PART NAME	UNIT Q'TY	SERIAL (A) (B)	NPD	REMARKS				REMARK
						(A)	(B)	(C)	(D)	
1A	34256-20050	CHASSIS ASSY, FRONT	1	101-120		Y01				
B	34256-20060	CHASSIS ASSY, FRONT	1	121-	B	Y02				
2A	30040-20060	ARM ASSY, LIFT	1	101-		Y03				
3A	44340-70210	MIRROR	1	101-120						
B	44344-70020	MIRROR, ROOM	1	121-	B					WA1
4A	40901-26700	BRACKET	1	101-120						
B	41605-41290	PLATE	1	121-	B					A1
41A	41621-20340	STOPPER	3	101-		01	02			
42A	41621-20320	STOPPER	2	101-		01	02			
51A	49327-60600	SEAL KIT	1	101-						QK1
61A	47193-70040	RING SLIPPER	1	101-						K1
62A	47171-70020	RING, WEAR	1	101-						K1

Encircled numbers indicate the following contents:

① ○○○ (MODEL CODE)

Model code shown in the parts catalog (which is different from the model name of the main unit)

② □□□ (SECTION NO.)

Key in retrieval in "SECTION INDEX"

③ SYMBOL

Key to find a parts No. from an illustration (unit drawing)

However, a value starting with three "0" such as "000A" and "000B" indicates the "unit assembly".

④ PART NUMBER

⑤ PART NAME

⑥ UNIT Q'TY

(1) This column indicates the quantity of one set

However, when the "SYMBOL" column indicates "000A", "000B", etc., the "UNIT Q'TY" column indicates the quantity for one machine.

(2) A value with "M" such as "1M" and "2M" indicates that the part is sold in the unit of shown value.

The actual length is shown in the "REMARK" column.

[Example 1] When the "UNIT Q'TY" column indicates "2M" and the "REMARK" column indicates "L=1700", the actual length is 1,700 mm and the part is sold in the unit of 2 meters.

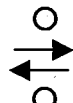
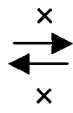
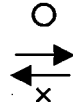
[Example 2] When the "UNIT Q'TY" column indicates "2M" and the "REMARK" column indicates "L=1400xQ'TY 2", the actual length of 1,400 mm is used in 2 positions and the part is sold in the unit of 2 meters. If the part is required in 2 positions, order "3 meters".

(3) When "A/R" is indicated, order the required quantity. This is normally used for shims or liners.

- ⑦ SERIAL(A) • SERIAL(B) (applicable chassis Nos.)
 SERIAL(A) : Indicates the application start chassis No.
 SERIAL(B) : Indicates the application end chassis No.
 However, the torque converter, the transmission and the cab are different from the chassis No. (The serial number shown is for the component – not the machine or chassis.)

- ⑧ REMARKS: [N] (not for sale)
 Parts not for sale are indicated as "N".

- ⑨ REMARKS: [P] (parts compatibility)
 The parts compatibility is indicated in symbols, A, B and C having the following meanings:

[A] A new part and an old part are completely interchangeable with each other.	New		Old
[B] A new part and an old part are not interchangeable with each other.	New		Old
[C] A new part is an alternative of an old part. In this case, an old part is not interchangeable with a new part.	New		Old

- ⑩ REMARKS: [D]
 [D] Indicates that the part is deleted.
 [H] Indicates that production or supply of the part is stopped.
 An alternative is shown just below.

- ⑪ REMARKS: [(A)], [(B)], [(C)], [(D)]
 Symbols indicated in this column have the following meanings.

(1) Assembly parts

- (a) 01 - : Indicates parts which make up the assembly parts.
 (b) Y01 - : Indicates assembly parts which is made up of the parts 01,02-09.

[Example 1] (Refer to the list in the previous page.)

The part 1A 34256-20050 front chassis has Y01 in the Remarks column, it means that the Front chassis includes the parts with 01[41A and 42A] in the Remarks column.

(2) Kit parts

- (a) K1 - : Indicates parts which make up the kit.
 (b) QK1 - : Indicates a kit which is made up of parts K1 -, K2 -.

(3) Parts which has a interchangeability when replace with the other related parts.

- (a) A1 - : Indicates parts which need to make a interchangeability.
 (b) WA1~ : Indicates parts which have a interchangeability when replace with A1 parts.

[Example 2] (Refer to the list in the previous page.)

The part 3B 44344-70020 [WA1] can replace the old part 3A 44340-70210 only if the plate 4B 41605-41290 [A1] is also replaced together.

⑫ REMARKS

The other major remarks are shown below:

- (1) REF 618 : Indicates the section No. 618.
- (2) FR LH : Indicates the left side toward the machine forward direction.
- (3) FR RH : Indicates the right side toward the machine forward direction.
- (4) D80×185L : Indicates "diameter = 80 mm, length = 185 mm".
- (5) (01) ~ : Indicates a component of a repair kit Y01~ of the section No. 391.
- (6) (K1) ~ : Indicates a component of a repair kit QK1~ of the section No. 391.
- (7) (K) : Indicates a component of the section No. 391.
- (8) Old parts No. • reference parts No., etc.

(Note)

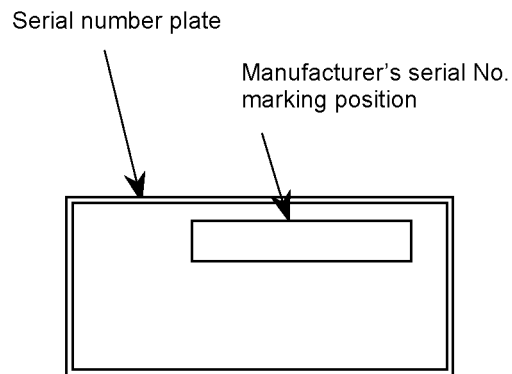
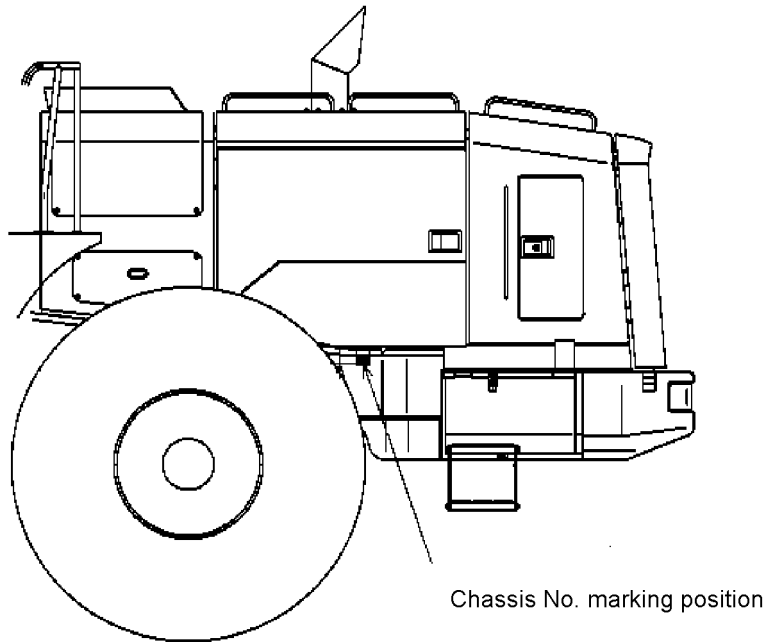
1. Parts without an item or symbol number in illustrations cannot be supplied in the form of single parts.
2. Parts shown in this catalog may be deleted, changed or specified as "not for sale" without prior notice.

WARNING :

1. The purpose in issuing this parts catalog is to use for clarifying the parts and for placing the parts order to your Kawasaki loader dealer.
2. You also can use this parts catalog to exchange parts information between you and your Kawasaki loader dealer for clarifying the parts.
3. You must not perform any repair, disassembly and reassembly work on the machine. Contact your Kawasaki loader dealer and ask him to do the above work.

Chassis No. and Manufacturer's Serial No.

1. The chassis No. and the manufacturer's serial No. are marked in the following positions:



Note: For the serial No. plate installation position, refer to the unit No. 811.

2. The chassis No. and the manufacturer's serial No. marked on the machine are indicated in this parts catalog as follows:

Serial No. shown in parts catalog	Chassis No.	Manufacturer's serial No.
101	97C4-0101	97C4-0101
231	97C4-0231	97C4-0231
551	97C4-0551	97C4-0551

It is recommended to write the model name, the chassis No., the manufacturer's serial No. and the date of delivery of your machine in the table below to speed parts orders in the future.

Model name	
Chassis No.	
Manufacturer's serial No.	
Date of delivery	

Antes de utilizar

I. Introducción

El ámbito de aplicación de este catálogo de piezas está compuesto por los modelos que se indican en la cubierta.

No se incluyen piezas de especificaciones especiales.

Para motores, consulte el "Catálogo de piezas del motor (Engine Parts Catalog)" que se suministra por separado.

II. Cómo realizar pedidos de piezas

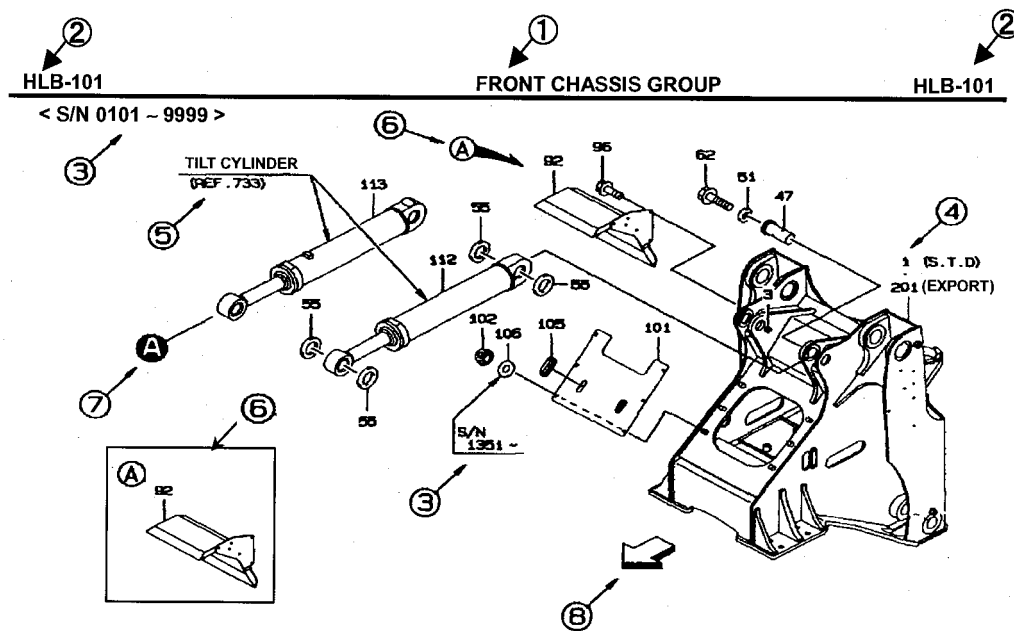
Cuando vaya a pedir una pieza, consulte las ilustraciones y las listas de este catálogo de piezas y notifique con claridad a nuestra compañía el nombre del modelo, el número de chasis, el número de pieza, el nombre de pieza, la cantidad necesaria, etc.

III. Cómo buscar en el catálogo de piezas

Las ilustraciones del catálogo muestran la "posición y la forma" de cada pieza en el rango requerido en los pedidos. Por lo tanto, las ilustraciones no siempre coinciden con las piezas reales.

1. Cómo buscar en las ilustraciones

A continuación, se muestra un ejemplo de ilustración que ayuda a entender cómo buscar en las ilustraciones.



Los círculos numerados indican el siguiente contenido:

- ①, ② Código del modelo, número de sección y nombre de sección
- ③ Números de chasis aplicables (que indican los números de chasis de comienzo y fin de la aplicación.)
- ④ Símbolo (que se corresponde con la columna "SÍMBOLO" que aparece en la lista)
- ⑤ Símbolo de guía de las unidades relevantes
- ⑥ Símbolo de globo (que indica la presencia de una imagen detallada)
- ⑦ Símbolo de conexión (muestra donde un componente conecta con otro componente)
- ⑧ Símbolo de dirección (que señala la parte delantera de la máquina)

2. Cómo utilizar las listas

A continuación, se muestra un ejemplo de lista que ayuda a entender cómo utilizar las listas.

SÍMBOLO	NÚMERO DE PIEZA	NOMBRE DE PIEZA	CTD UNIDAD	SERIE (A) (B)	NPD	OBSERVACIONES				OBSERVACIÓN
						(A)	(B)	(C)	(D)	
1A	34256-20050	CHASSIS ASSY, FRONT	1	101-120		Y01				
B	34256-20060	CHASSIS ASSY, FRONT	1	121-	B	Y02				
2A	30040-20060	ARM ASSY, LIFT	1	101-			Y03			
3A	44340-70210	MIRROR	1	101-120						
B	44344-70020	MIRROR, ROOM	1	121-	B				WA1	
4A	40901-26700	BRACKET	1	101-120						
B	41605-41290	PLATE	1	121-	B				A1	
41A	41621-20340	STOPPER	3	101-		01	02			
42A	41621-20320	STOPPER	2	101-		01	02			
51A	49327-60600	SEAL KIT	1	101-					QK1	
61A	47193-70040	RING SLIPPER	1	101-					K1	
62A	47171-70020	RING, WEAR	1	101-					K1	

Los círculos numerados indican el siguiente contenido:

① ○○○ (CÓDIGO DEL MODELO)

Código del modelo que aparece en el catálogo de piezas (que es diferente del nombre del modelo de la unidad principal)

② □□□ (NÚMERO DE SECCIÓN)

Clave de recuperación en el "ÍNDICE DE LA SECCIÓN"

③ SÍMBOLO

Clave para encontrar un número de pieza de una ilustración (dibujo de la unidad)

No obstante, un valor que comience con tres "0" como "000A" y "000B" indica el "conjunto de la unidad".

④ NÚMERO DE PIEZA

⑤ NOMBRE DE PIEZA

⑥ CTD. UNIDAD

(1) Esta columna indica la cantidad de un conjunto

No obstante, cuando la columna "SÍMBOLO" indica "000A", "000B", etc., la columna "CTD. UNIDAD" indica la cantidad para una máquina.

(2) Un valor con una "M" como "1M" y "2M" indica que la pieza se vende en la unidad que muestra el valor.

La longitud real aparece en la columna "OBSERVACIONES".

[Ejemplo 1] Si la columna "CTD. UNIDAD" indica "2M" y la columna "OBSERVACIÓN" indica "L=1700", la longitud real es 1.700 mm y la pieza se vende en unidades de 2 metros.

[Ejemplo 2] Si la columna "CTD. UNIDAD" indica "2M" y la columna "OBSERVACIÓN" indica "L=1400xCTD 2", la longitud real es 1.400 mm se utiliza en 2 posiciones y la pieza se vende en unidades de 2 metros. Si la pieza se necesita en 2 posiciones, realice un pedido de "3 metros".

(3) Si se indica "A/R", solicite la cantidad necesaria. Esto se hace normalmente para cuñas o forros.

⑦ SERIE(A) • SERIE(B) (NÚMEROS DE CHASIS APLICABLES)

SERIE(A) : Indica el número de chasis de comienzo de la aplicación.

SERIE(B) : Indica el número de chasis de fin de la aplicación.

Sin embargo, el convertidor de par, la caja de cambios y la cabina son diferentes del Número de chasis. (El número de serie que se muestra es para el componente, no la máquina o el chasis.)

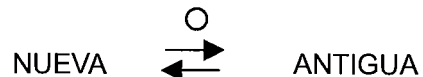
⑧ OBSERVACIONES: [N] (no a la venta)

Las piezas que no están a la venta se indican con una "N".

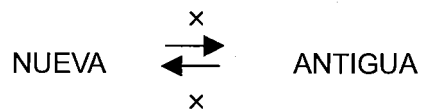
⑨ OBSERVACIONES: [P] (compatibilidad entre piezas)

La compatibilidad entre piezas se indica mediante símbolos, teniendo A, B y C los siguientes significados:

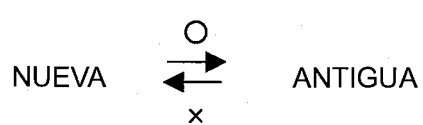
[A] Una pieza nueva y una pieza antigua son completamente intercambiables entre sí.



[B] Una pieza nueva y una pieza antigua no son intercambiables entre sí.



[C] Una pieza nueva es una alternativa para una pieza antigua.
En este caso, una pieza antigua no es intercambiable con una pieza nueva.



⑩ OBSERVACIONES: [D]

[D] Indica que la pieza se ha suprimido.

[H] Indica que se ha detenido la producción o el suministro de la pieza.
Se muestra una alternativa justo debajo.

⑪ OBSERVACIONES: [(A)], [(B)], [(C)], [(D)]

Los símbolos indicados en esta columna tienen los siguientes significados.

(1) Conjunto de piezas

(a) 01 - : Indica las piezas que integran el conjunto de piezas.

(b) Y01 - : Indica conjuntos de piezas que están formados a partir de las piezas 01,02-09.

[Ejemplo 1] (Consulte la lista de la página anterior.)

La pieza 1A 34256-20050 del chasis delantero tiene Y01 en la columna Observaciones, lo que significa que el chasis delantero incluye piezas con 01[41A y 42A] en la columna Observaciones.

(2) Kit de piezas

(a) K1 - : Indica las piezas que integran el kit.

(b) QK1 - : Indica un kit que está formado por las piezas K1 -, K2 -.

(3) Piezas que son intercambiables cuando se sustituyen por otras piezas relacionadas.

(a) A1 - : Indica piezas que son necesarias para crear una intercambiabilidad.

(b) WA1~ : Indica piezas que son intercambiables cuando se sustituyen por piezas A1.

[Ejemplo 2] (Consulte la lista de la página anterior.)

La pieza 3B 44344-70020 [WA1] puede sustituir la pieza antigua 3A 44340-70210 únicamente

si también se sustituye junto con la placa 4B 41605-41290 [A1].

⑫ OBSERVACIONES

A continuación, se indican las demás observaciones principales:

- (1) REF 618 : Indica la sección número 618.
- (2) DL IZ : Indica el lado izquierdo mirando hacia la parte delantera de la máquina.
- (3) DL DR : Indica el lado derecho mirando hacia la parte delantera de la máquina.
- (4) D80×185L : Indica "diámetro = 80 mm, longitud = 185 mm".
- (5) (01) ~ : Indica un componente de un kit de reparación Y01~ de la sección número 391.
- (6) (K1) ~ : Indica un componente de un kit de reparación QK1~ de la sección número 391.
- (7) (K) : Indica un componente de la sección número 391.
- (8) Número de piezas antiguas • Número de piezas de referencia, etc.

(Nota)

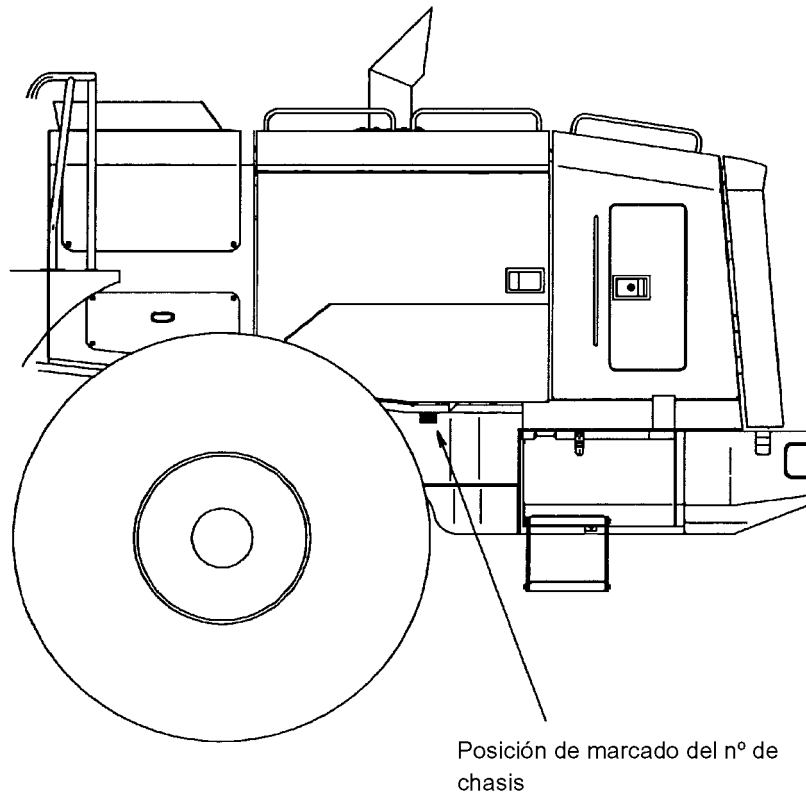
1. Las piezas sin un número de elemento o de elemento en ilustraciones no pueden suministrarse en forma de piezas individuales.
2. Las piezas que aparecen en este catálogo podrán ser eliminadas, cambiadas o especificadas como "no para venta" sin previo aviso.

ADVERTENCIA:

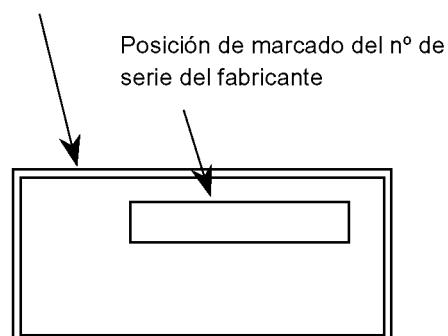
1. El propósito de publicar este catálogo de piezas es el de clarificar las piezas y para realizar pedidos a su distribuidor de palas cargadoras Kawasaki.
2. También puede utilizarse este catálogo de piezas para intercambiar información de piezas entre el cliente y el distribuidor de palas cargadoras Kawasaki para clarificar las piezas.
3. El cliente no debe realizar ninguna tarea de reparación, desmontaje o de montaje en la máquina. Póngase en contacto con su distribuidor de palas cargadoras Kawasaki y solicite la realización de las tareas mencionadas.

Nº de chasis y nº de serie del fabricante

1. El nº del chasis y el nº de serie del fabricante aparecen marcados en las siguientes posiciones:



Placa de número de serie



Nota: Para la posición de montaje de la placa del nº de serie, consulte la sección de Grupo de marcado.

2. El número de chasis y el número de serie del fabricante marcados en la máquina se indican en este catálogo de piezas de la siguiente manera:

Nº de serie mostrado en el catálogo de piezas	Nº de chasis	Nº de serie del fabricante
0101	97C4-0101	97C4-0101

Se recomienda escribir el nombre del modelo, el número de chasis, el número de serie del fabricante y la fecha de entrega de la máquina en la siguiente tabla para facilitar los futuros pedidos de piezas.

Nombre del modelo	
Nº de chasis	
Nº de serie del fabricante	
Fecha de entrega	

Antes de utilizar

I. Introdução

Este catálogo de peças aplica-se aos modelos indicados na capa.

As peças com especificações especiais não estão incluídas.

Para os motores, consulte o “Catálogo de Peças de Motor” disponibilizado em separado.

II. Como encomendar peças

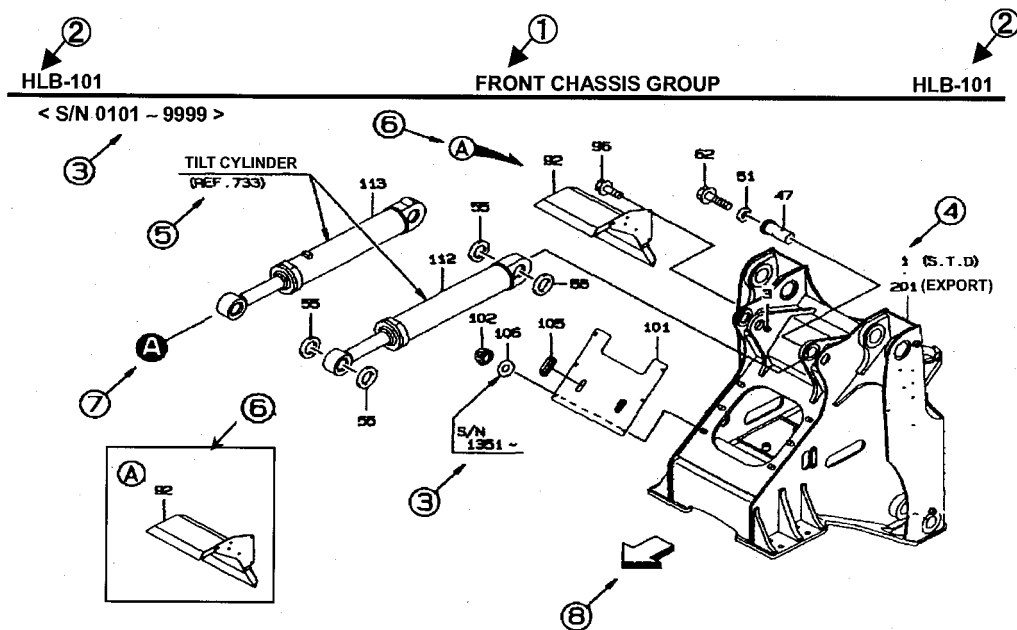
Quando encomendar uma peça, consulte as figuras e as listas deste catálogo de peças e indique-nos correctamente o nome do modelo, o N.º do chassis, a referência da peça, o nome da peça, a quantidade necessária, etc.

III. Como consultar o catálogo de peças

As figuras deste catálogo de peças mostram a “posição e forma” de cada peça dentro da margem necessária para efectuar um pedido. Do mesmo modo, as figuras não são sempre fiéis às peças reais.

1. Como consultar as figuras

A figura abaixo indicada como um exemplo ajuda-o a perceber como consultar as figuras.



Os números dentro dos círculos indicam o seguinte conteúdo:

- ①, ② Código do modelo, N.º e nome da secção
- ③ N.ºs de chassis aplicáveis) (que indicam os N.ºs de chassis de início e final de aplicação)
- ④ Símbolo (que corresponde à coluna “SÍMBOLO” indicada na lista)
- ⑤ Símbolo de guia da unidade relevante
- ⑥ Símbolo de balão (que indica a presença de uma figura detalhada)
- ⑦ Símbolo de ligação (mostra onde um componente se liga a outro componente)
- ⑧ Símbolo de direcção (que indica a parte dianteira da máquina)

2. Como utilizar as listas

A lista abaixo indicada como exemplo ajuda-o a compreender como utilizar as listas.

SÍMBOLO	NÚMERO DA PEÇA	NOME DA PEÇA	QTD.	SÉRIE (A) (B)	NPD	OBSERVAÇÕES				OBSERVAÇÕES
						(A)	(B)	(C)	(D)	
1A	34256-20050	CHASSIS ASSY, FRONT	1	101-120		Y01				
B	34256-20060	CHASSIS ASSY, FRONT	1	121-	B	Y02				
2A	30040-20060	ARM ASSY, LIFT	1	101-				Y03		
3A	44340-70210	MIRROR	1	101-120						
B	44344-70020	MIRROR, ROOM	1	121-	B				WA1	
4A	40901-26700	BRACKET	1	101-120						
B	41605-41290	PLATE	1	121-	B				A1	
41A	41621-20340	STOPPER	3	101-		01	02			
42A	41621-20320	STOPPER	2	101-		01	02			
51A	49327-60600	SEAL KIT	1	101-					QK1	
61A	47193-70040	RING SLIPPER	1	101-					K1	
62A	47171-70020	RING, WEAR	1	101-					K1	

Os números dentro dos círculos indicam o seguinte conteúdo:

① ○○○ (CÓDIGO DO MODELO)

Código do modelo indicado no catálogo de peças (que é diferente do nome do modelo da unidade principal)

② □□□ (N.º DA SECÇÃO)

Chave para procurar no "ÍNDICE DE SECÇÃO"

③ SÍMBOLO

Chave para encontrar uma referência numa figura (desenho da unidade)

No entanto, um valor que comece com três "0" como "000A" e "000B" indica o "conjunto da unidade".

④ NÚMERO DA PEÇA

⑤ NOME DA PEÇA

⑥ QTD.

(1) Esta coluna indica a quantidade de um conjunto

No entanto, quando a coluna "SÍMBOLO" indicar "000A", "000B", etc., a coluna "QTD." indica a quantidade para uma máquina.

(2) Um valor com "M" como "1M" e "2M" indica que a peça é vendida na unidade do valor indicado.

O comprimento real é indicado na coluna "NOTA".

[Exemplo 1] Quando a coluna "QTD." indicar "2M" e a coluna "NOTA" indicar "L=1700", o comprimento real é de 1.700 mm e a peça é vendida na unidade de 2 metros.

[Exemplo 2] Quando a coluna "QTD." indicar "2M" e a coluna "NOTA" indicar "L=1400xQ'TY 2", é utilizado o comprimento real é de 1.400 mm em 2 posições e a peça é vendida na unidade de 2 metros. Se a peça for necessária em 2 posições, encomende "3 metros".

(3) Quando estiver indicado "A/R", encomende a quantidade necessária. Isto utiliza-se geralmente para calços ou camisas.

⑦ SÉRIE(A) • SÉRIE(B) (N.ºS DE CHASSIS APLICÁVEIS)

SÉRIE(A) : Indica o N.º do chassis de início da aplicação.

SÉRIE(B) : Indica o N.º do chassis de final da aplicação.

No entanto, o conversor do binário, a transmissão e o amortecedor são diferentes do N.º do chassis (o número de série indicado refere-se ao componente – não à máquina ou ao chassis.)

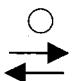
⑧ OBSERVAÇÕES: [N] (NÃO ESTÁ À VENDA)

As peças que não estiverem à venda estão indicadas como “N”.

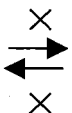
⑨ OBSERVAÇÕES: [P] (COMPATIBILIDADE DAS PEÇAS)

A compatibilidade das peças está indicada nos símbolos A, B e C com o seguinte significado:

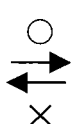
[A] Uma nova peça e uma peça antiga são totalmente intercambiáveis uma com a outra.

Nova  Antiga

[B] Uma nova peça e uma peça antiga não são intercambiáveis uma com a outra.

Nova  Antiga

[C] Uma nova peça é uma alternativa de peça antiga.
Neste caso, uma peça antiga não é intercambiável com uma nova peça.

Nova  Antiga

⑩ OBSERVAÇÕES: [D]

[D] Indica que a peça foi eliminada.

[H] Indica que a produção ou envio da peça foi interrompido.
Abaixo mostramos uma alternativa.

⑪ OBSERVAÇÕES: [(A)], [(B)], [(C)], [(D)]

Os símbolos indicados nesta coluna têm o seguinte significado.

(1) Peças de montagem

(a) 01 - : Indica as peças que constituem as peças de montagem.

(b) Y01 - : Indica as peças de montagem constituídas pelas peças 01,02-09.

[Exemplo 1] (Consulte a lista da página anterior.)

A peça de chassis dianteiro 1A 34256-20050 tem Y01 na coluna Observações, o que significa que o chassis dianteiro inclui as peças com 01[41A e 42A] na coluna Observações.

(2) Peças do kit

(a) K1 - : Indica as peças que constituem o kit.

(b) QK1 - : Indica um kit que é constituído pelas peças K1 -, K2 -.

(3) Peças que são intercambiáveis quando se substitui pelas outras peças relacionadas.

(a) A1 - : Indica as peças que precisam de ser intercambiáveis.

(b) WA1~ : Indica as peças que são intercambiáveis ao substituir com as peças A1.

[Exemplo 2] (Consulte a lista da página anterior.)

A peça 3B 44344-70020 [WA1] pode substituir a peça antiga 3A 44340-70210 apenas se a placa 4B 41605-41290 [A1] também for substituída.

⑫ OBSERVAÇÕES

As outras observações mais importantes estão indicadas abaixo:

- (1) REF 618 : Indica o N.º da secção 618.
- (2) FR LH : Indica o lado esquerdo em direcção à parte dianteira da máquina.
- (3) FR RH : Indica o lado direito em direcção à parte dianteira da máquina.
- (4) D80×185L : Indica “diâmetro = 80 mm, comprimento = 185 mm”.
- (5) (01) ~ : Indica um componente de um kit de reparação Y01~ do N.º de secção 391.
- (6) (K1) ~ : Indica um componente de um kit de reparação QK1~ do N.º de secção 391.
- (7) (K) : Indica um componente do N.º de secção 391.
- (8) N.º de peças antigas • referências, etc.

(Nota)

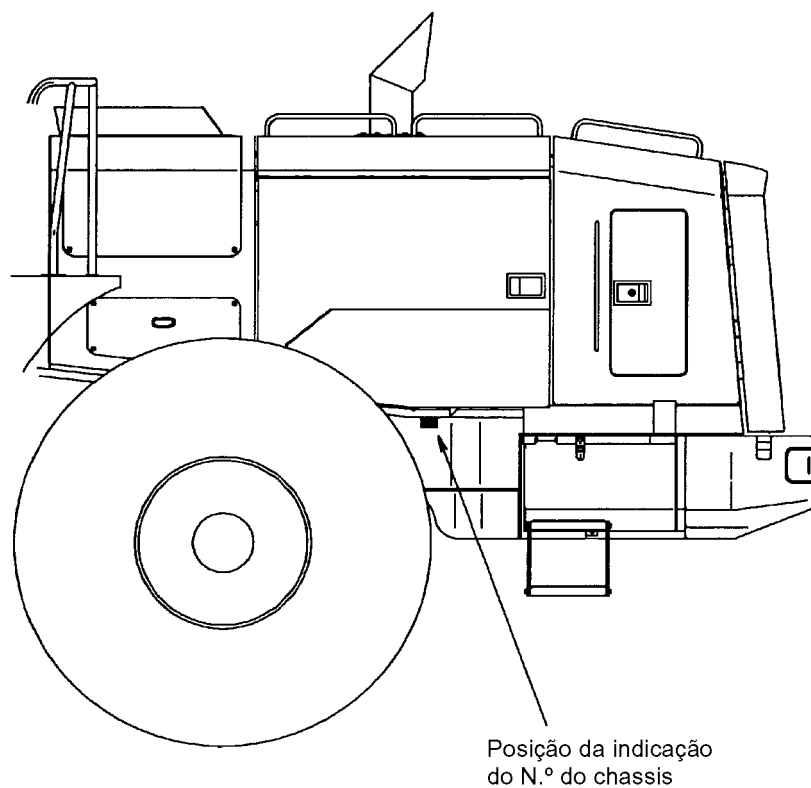
1. As peças sem número de item ou símbolo nas figuras não podem ser fornecidas como peças individuais.
2. As peças que aparecem neste catálogo podem ser eliminadas, modificadas ou especificadas como “não está à venda” sem aviso prévio.

AVISO :

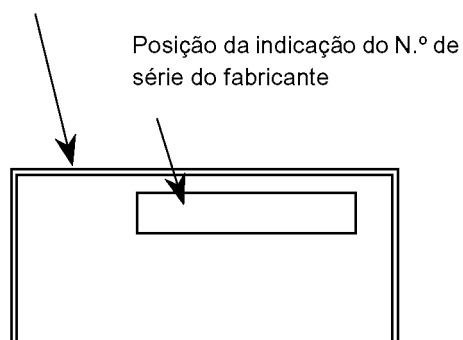
1. Este catálogo de peças é lançado com o objectivo de esclarecer as peças e para poder encomendar peças para o seu revendedor da Kawasaki.
2. Também pode utilizar este catálogo de peças para trocar impressões sobre as peças com o seu revendedor da Kawasaki para esclarecer qualquer peça.
3. Não deve realizar nenhuma tarefa de reparação, desmontagem ou nova montagem da máquina. Entre em contacto com o seu representante da Kawasaki e encomende-lhe essa tarefa.

N.º do Chassis e N.º de Série do Fabricante

1. O N.º do chassis e o N.º de Série do Fabricante estão assinalados nas seguintes posições:



Placa com o número de série



Nota: Para obter a posição de instalação da placa com o N.º de série, consulte a Secção de indicação.

2. O N.º do chassis e o N.º de Série do Fabricante assinalados na máquina estão indicados neste catálogo de peças da seguinte maneira:

N.º de Série indicado no catálogo	N.º do Chassis	N.º de Série do Fabricante
0101	97C4-0101	97C4-0101

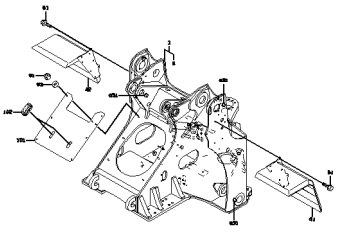
É aconselhável anotar o nome do modelo, o N.º do chassis, o N.º de série do fabricante e a data de entrega da máquina na tabela abaixo indicada para facilitar os pedidos de peças no futuro.

Nome do modelo	
N.º do chassis	
N.º de série do fabricante	
Data de entrega	

CONTENTS II

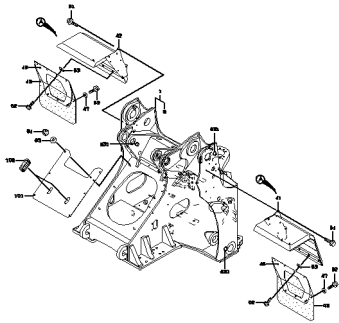
FRONT CHASSIS GROUP
.....p.1

<3/91 0101 - 0230>

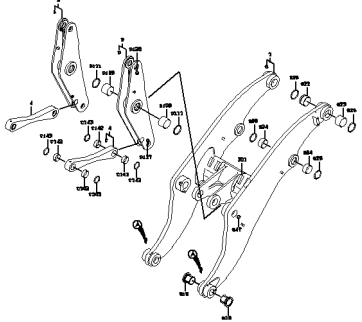


FRONT CHASSIS GROUP
.....p.2

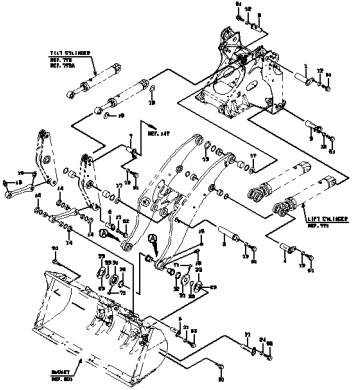
<3/91 0231 - >



LIFT ARM GROUP
.....p.5

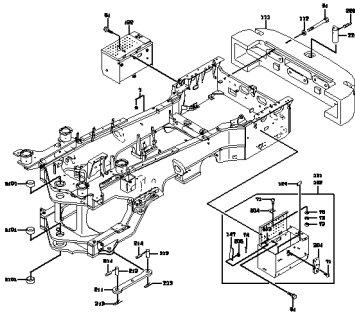


PIN MOUNT
.....p.7



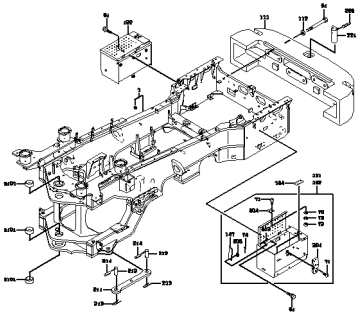
REAR CHASSIS GROUP
.....p.9

<3/91 0101 - 0121>



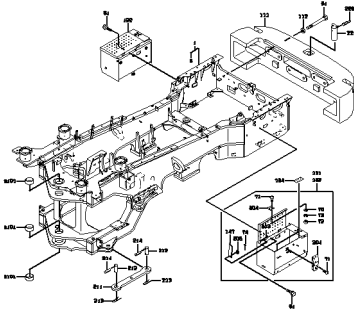
REAR CHASSIS GROUP
.....p.10

<3/91 0122 - 0410>

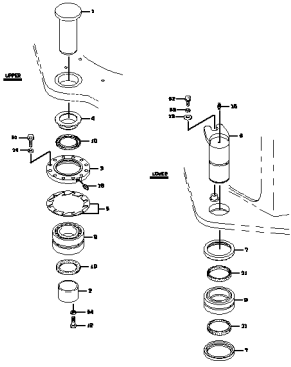


REAR CHASSIS GROUP
.....p.11

<3/91 0411 - >

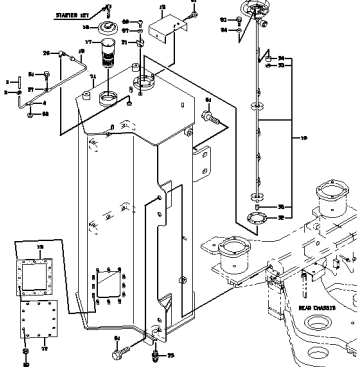


CENTER PIN GROUP
.....p.13

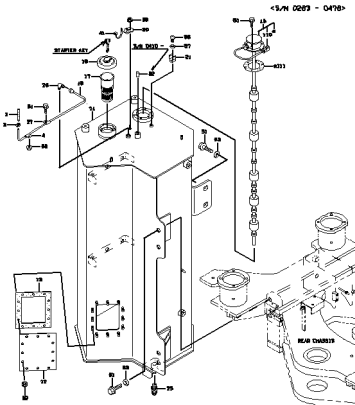


FUEL TANK GROUP
.....p.15

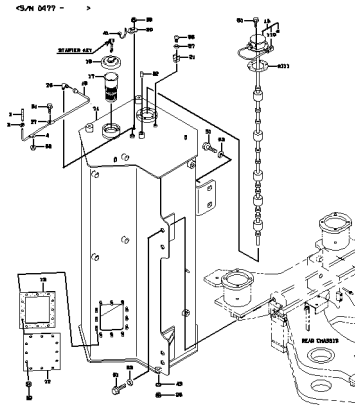
<3/91 0101 - 0262>



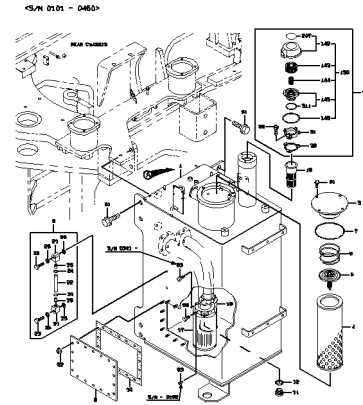
FUEL TANK GROUP
.....p.16



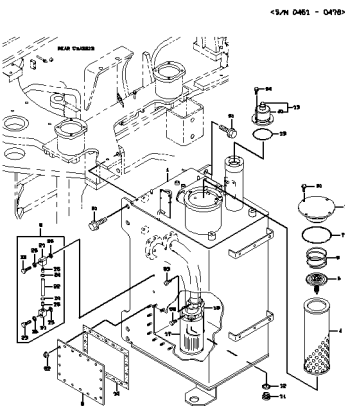
FUEL TANK GROUP
.....p.17



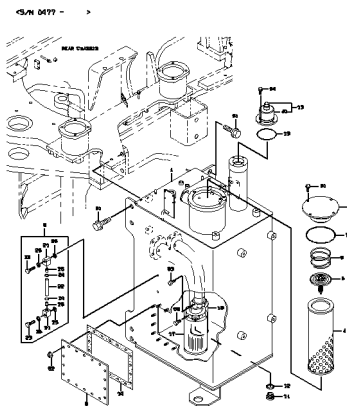
OIL TANK GROUP
.....p.19



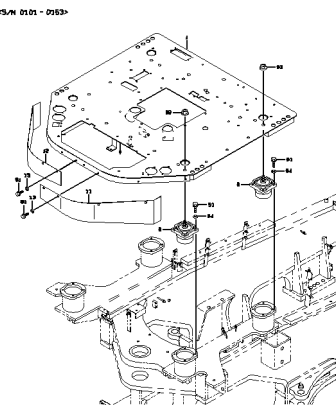
OIL TANK GROUP
.....p.20



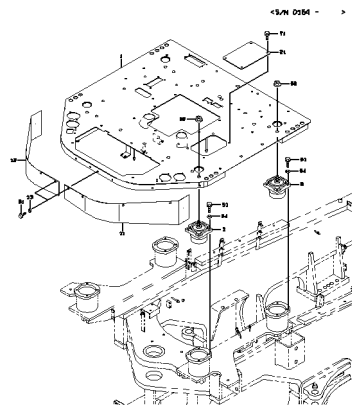
OIL TANK GROUP
.....p.21



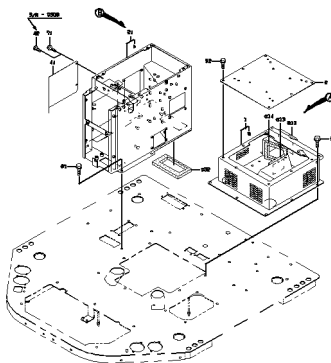
FLOOR BOARD GROUP
.....p.23



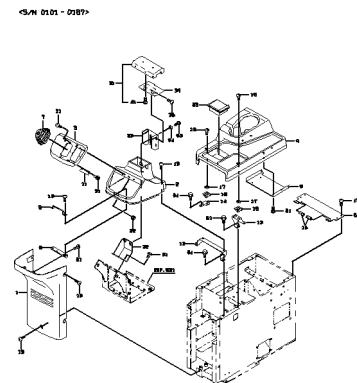
FLOOR BOARD GROUP
.....p.24



SEAT STAND & CONTROL
BOX MOUNT
.....p.27

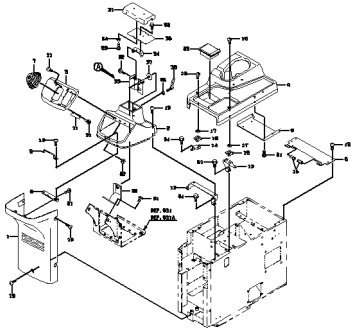


CONTROL BOX COVER
MOUNT (S/N 0101 - 0290)
.....p.29



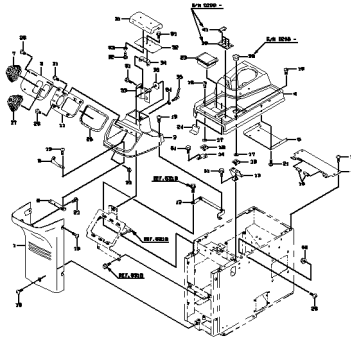
**CONTROL BOX COVER
MOUNT (S/N 0101 - 0290)**
.....p.30

<S/N 0101 - 0290>

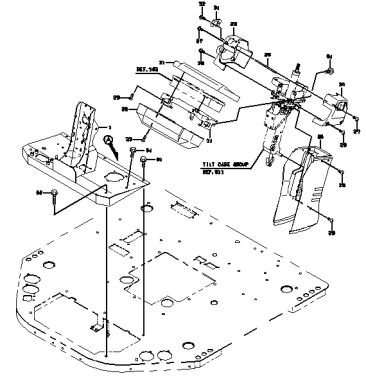


**CONTROL BOX COVER
MOUNT (S/N 0291 -)**
.....p.33

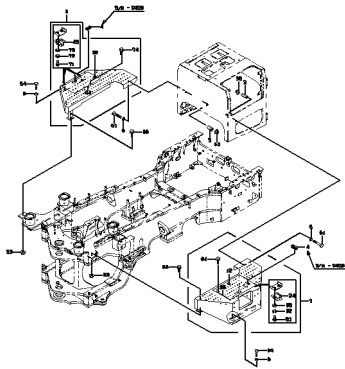
<S/N 0291 - >



**OPERATION STAND
GROUP**
.....p.35

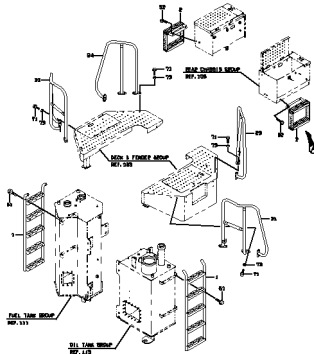


DECK & FENDER GROUP
.....p.37



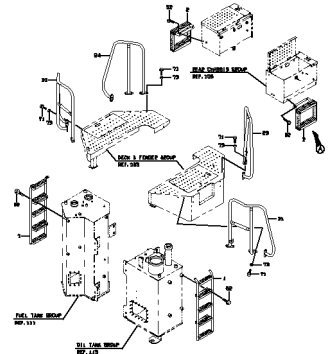
**STEP & HANDRAIL
GROUP**
.....p.39

<S/N 0101 - 0476>



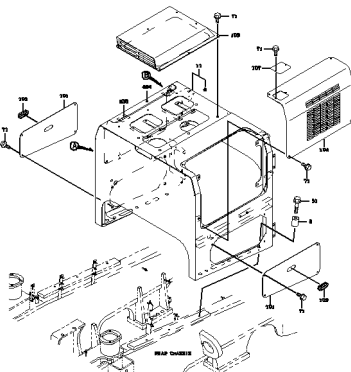
**STEP & HANDRAIL
GROUP**
.....p.40

<S/N 0477 - >



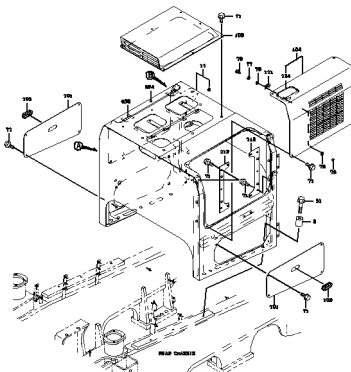
**SCREEN BOARD MOUNT
(S/N 0101 - 0230)**
.....p.43

<S/N 0101 - 0230>



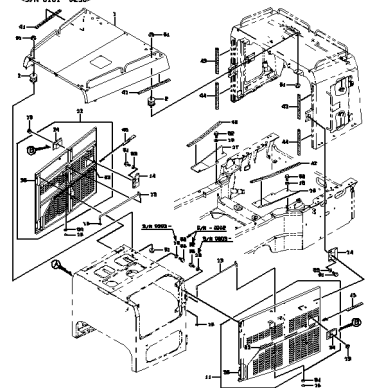
**SCREEN BOARD MOUNT
(S/N 0231 -)**
.....p.45

<S/N 0231 - >

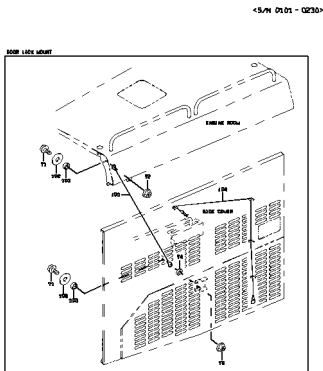


**ENGINE ROOM MOUNT
(S/N 0101 - 0230)**
.....p.47

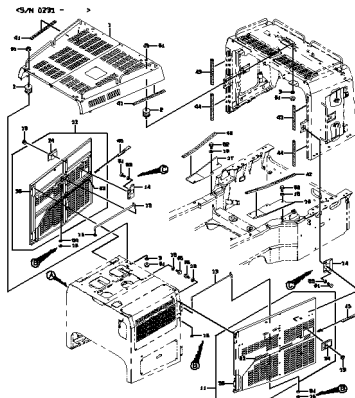
<S/N 0101 - 0230>



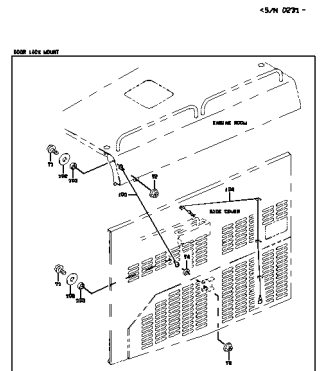
**ENGINE ROOM MOUNT
(S/N 0101 - 0230)
.....p.48**



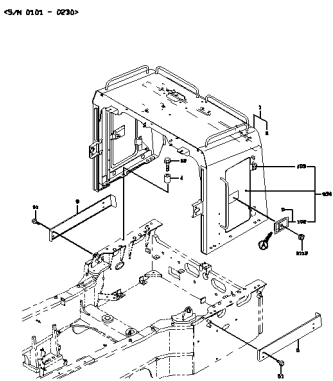
**ENGINE ROOM MOUNT
(S/N 0231 -)
.....p.51**



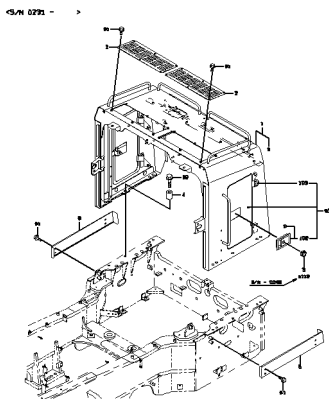
**ENGINE ROOM MOUNT
(S/N 0231 -)
.....p.52**



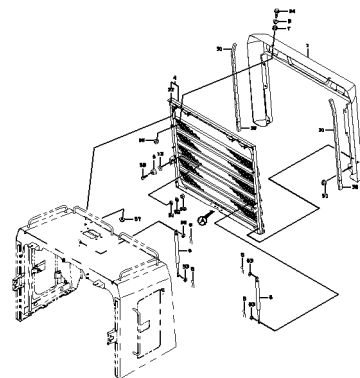
**RADIATOR GUARD
MOUNT (S/N 0101 -
0230)
.....p.55**



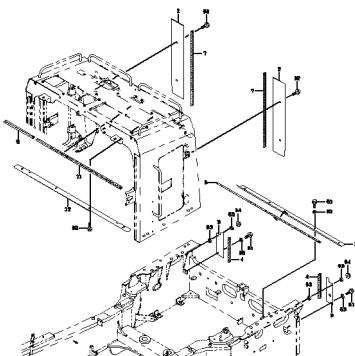
**RADIATOR GUARD
MOUNT (S/N 0231 -
)
.....p.57**



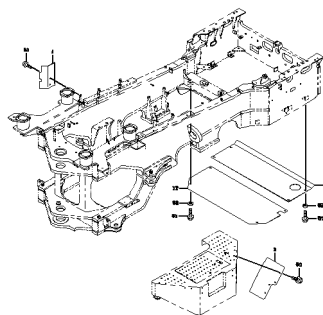
**REAR GRILLE GROUP
.....p.59**



**WIND SHIELD GROUP
.....p.61**



**COVER MOUNT
.....p.63**

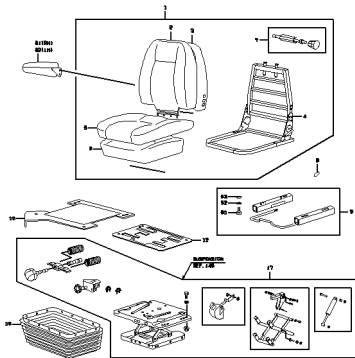


**SEAT GROUP
.....p.65**



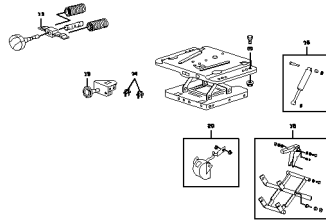
SEAT

.....p.67



SUSPENSION

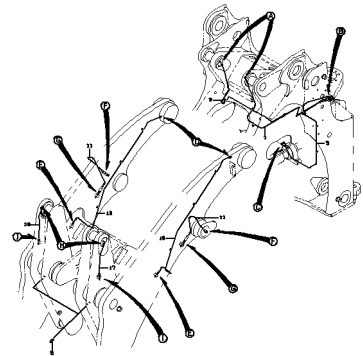
.....p.69



GREASE PIPING (FOR FRONT)

.....p.71

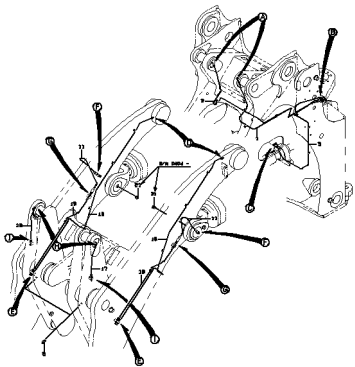
<S/N 0101 - 0230>



GREASE PIPING (FOR FRONT)

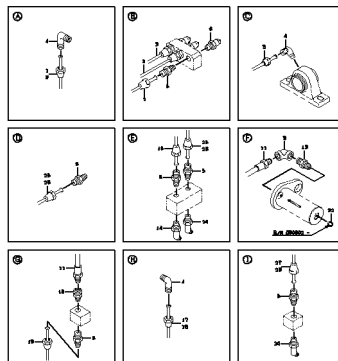
.....p.72

<S/N 0231 - >



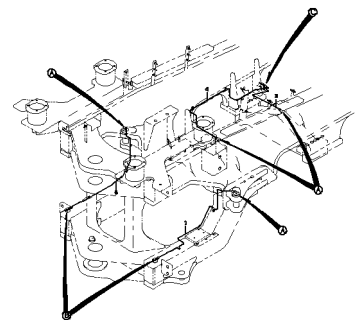
GREASE PIPING (FOR FRONT)

.....p.73



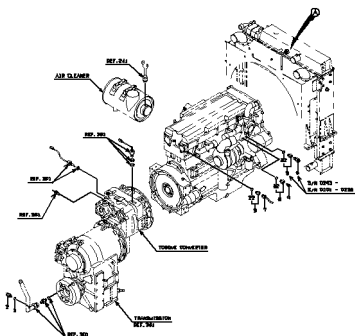
GREASE PIPING (FOR REAR)

.....p.75



GAUGE GROUP

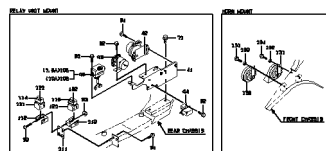
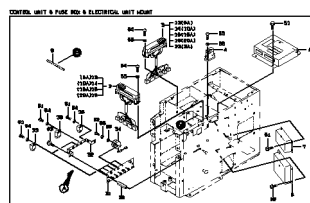
.....p.77



ELECTRICAL PARTS MOUNT (S/N 0101 - 0290)

.....p.79

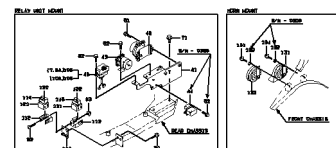
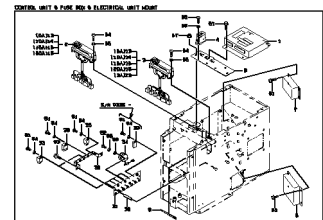
<S/N 0101 - 0290>



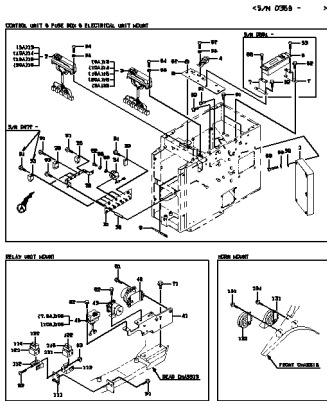
ELECTRICAL PARTS MOUNT (S/N 0291 -)

.....p.81

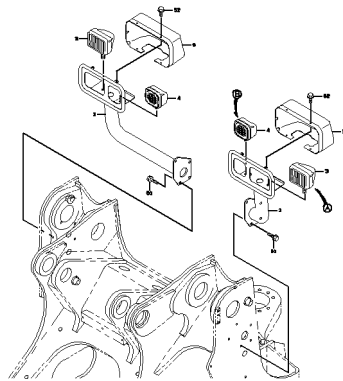
<S/N 0291 - 0580>



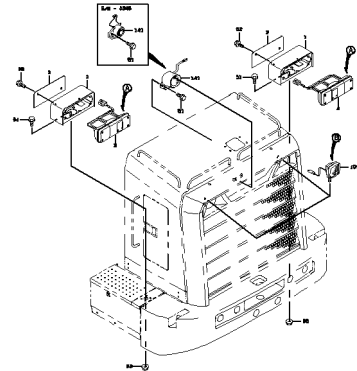
ELECTRICAL PARTS MOUNT (S/N 0291 -)
p.82



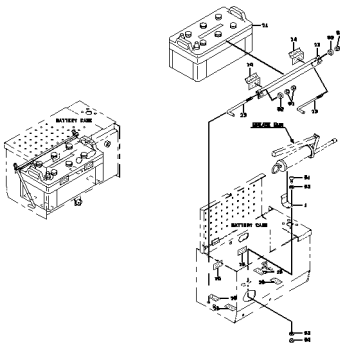
FRONT LAMP GROUP
p.85



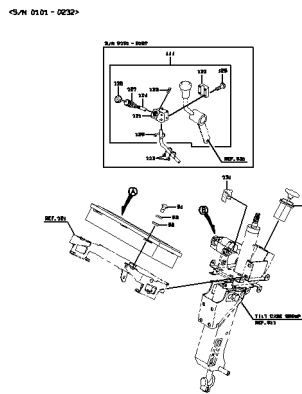
REAR LAMP GROUP
p.87



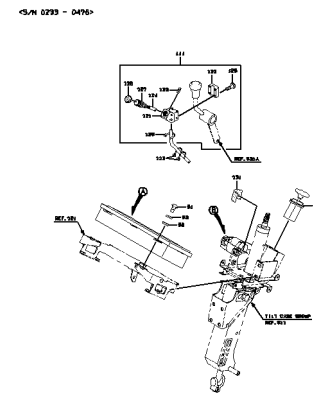
BATTERY MOUNT
p.89



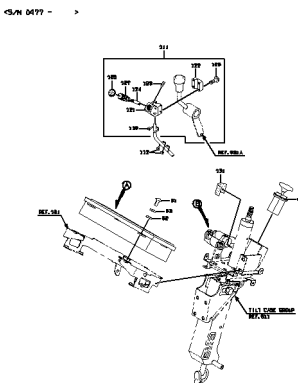
INSTRUMENT & SWITCH MOUNT (S/N 0101 - 0232)
p.91



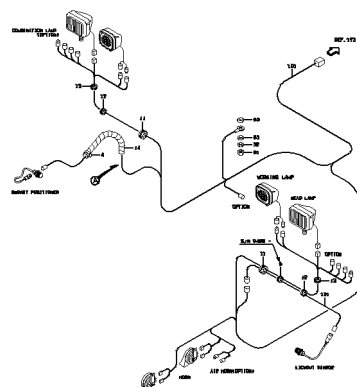
INSTRUMENT & SWITCH MOUNT (S/N 0233 - 0476)
p.93



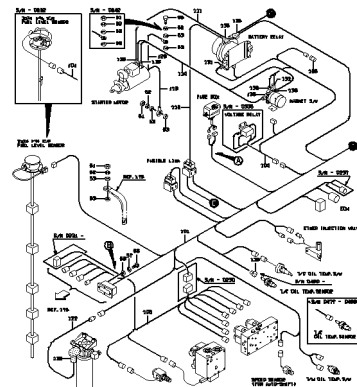
INSTRUMENT & SWITCH MOUNT (S/N 0477 -)
p.95



ELECTRICAL WIRING - FRONT CHASSIS
p.97

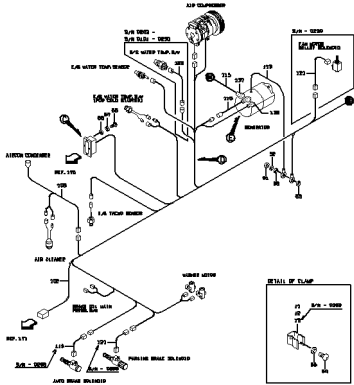


ELECTRICAL WIRING - REAR CHASSIS
p.99



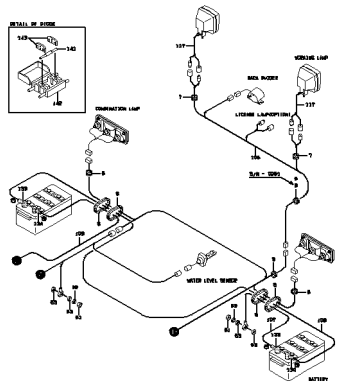
**ELECTRICAL WIRING -
REAR CHASSIS**

.....p.100



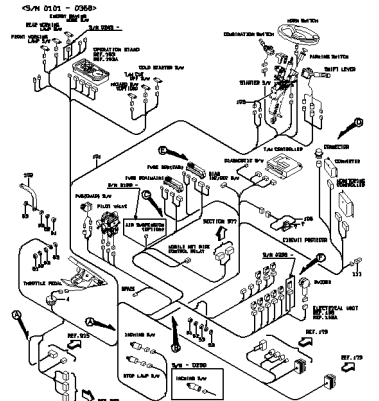
**ELECTRICAL WIRING -
REAR CHASSIS**

.....p.101



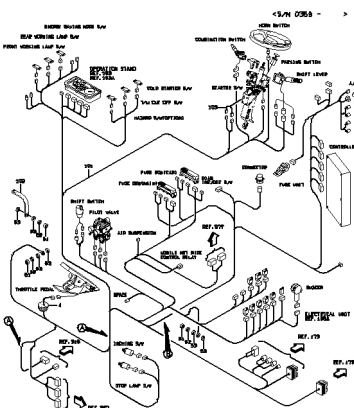
**ELECTRICAL WIRING -
FLOOR BOARD**

.....p.105



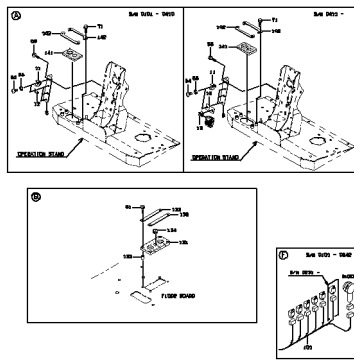
**ELECTRICAL WIRING -
FLOOR BOARD**

.....p.106



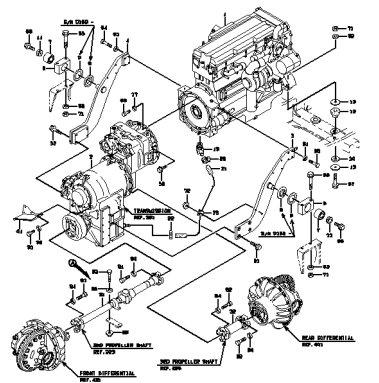
**ELECTRICAL WIRING -
FLOOR BOARD**

.....p.107



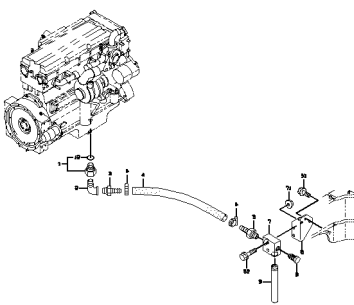
POWER GROUP

.....p.109



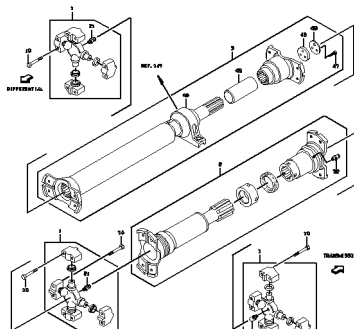
DRAIN LINE

.....p.111



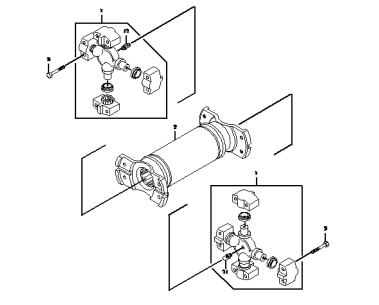
2ND PROPELLER SHAFT

.....p.113

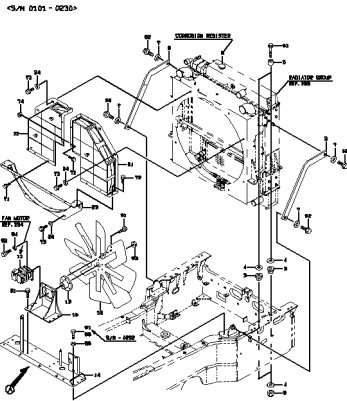


3RD PROPELLER SHAFT

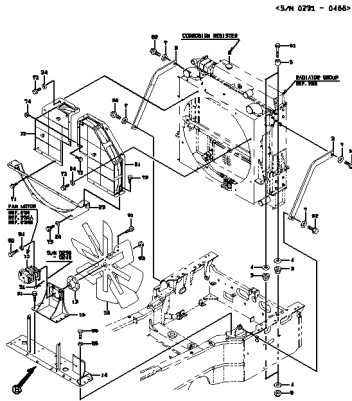
.....p.115



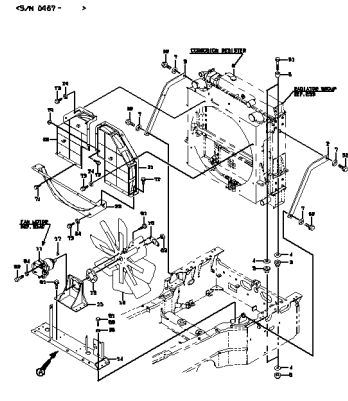
RADIATOR MOUNT
.....p.117



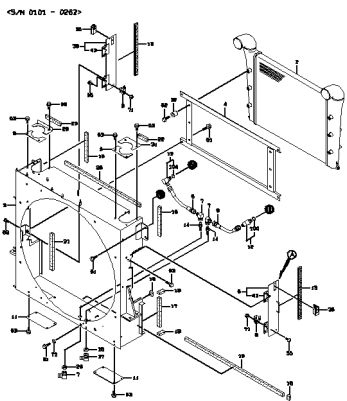
RADIATOR MOUNT
.....p.118



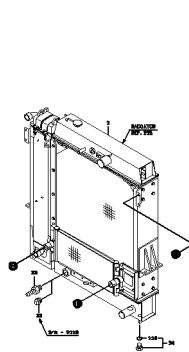
RADIATOR MOUNT
.....p.119



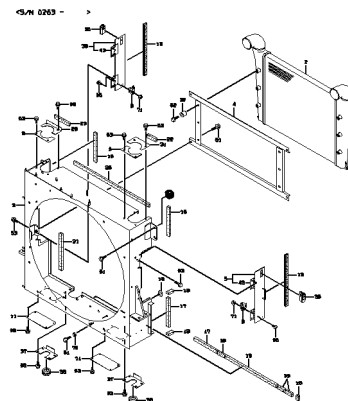
**RADIATOR GROUP (S/N
0101 - 0262)**
.....p.121



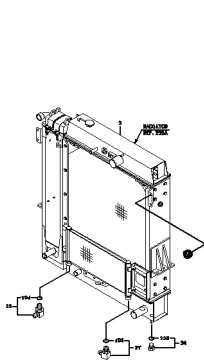
**RADIATOR GROUP (S/N
0101 - 0262)**
.....p.122



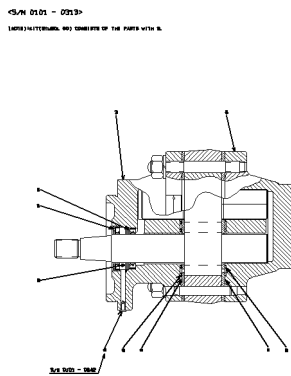
**RADIATOR GROUP (S/N
0263 -)**
.....p.125



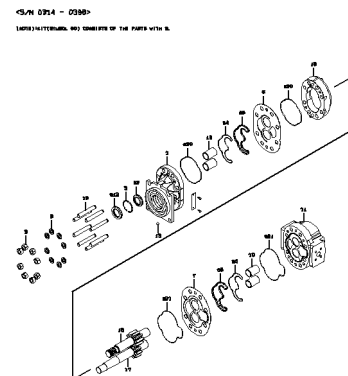
**RADIATOR GROUP (S/N
0263 -)**
.....p.126



**FAN MOTOR (S/N 0101 -
0313)**
.....p.129

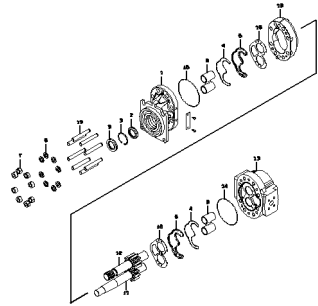


**OIL MOTOR (S/N 0314 -
0398)**
.....p.131



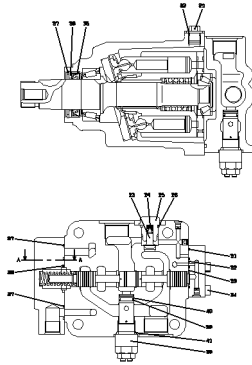
OIL MOTOR (S/N 0399 - 0466)
.....p.133

<S/N 0399 - 0466>



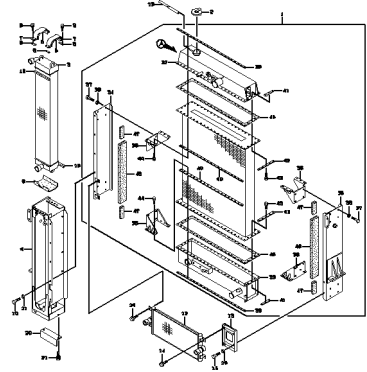
OIL MOTOR (S/N 0467 -)
.....p.135

<S/N 0467 - >



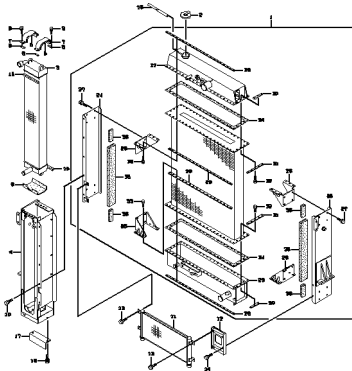
RADIATOR (S/N 0101 - 0262)
.....p.137

<S/N 0101 - 0262>

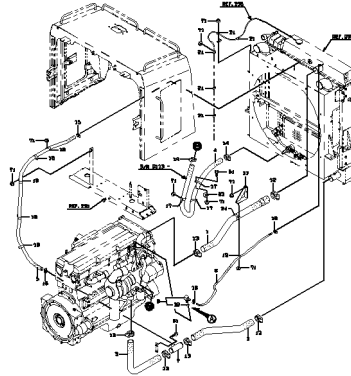


RADIATOR (S/N 0263 -)
.....p.139

<S/N 0263 - >

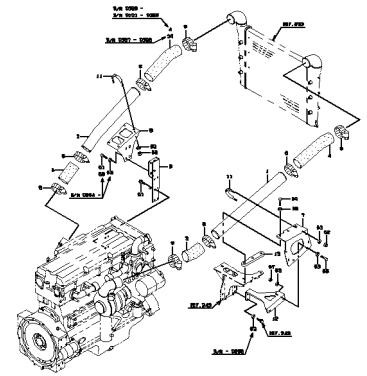


WATER LINE
.....p.141



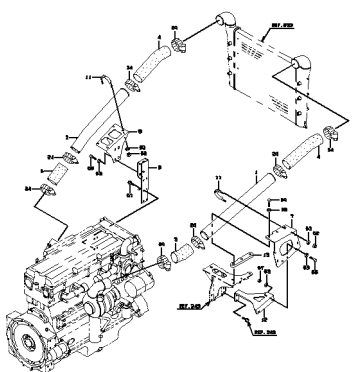
AIR COOLER LINE
.....p.143

<S/N 0101 - 0413>

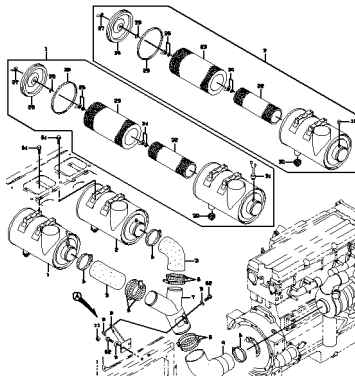


AIR COOLER LINE
.....p.144

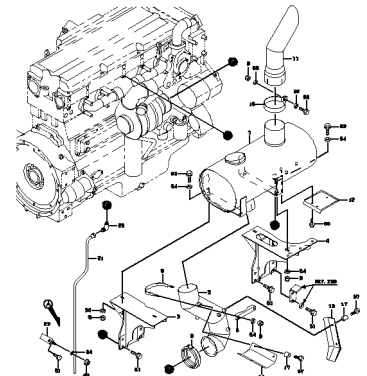
<S/N 0414 - >



AIR CLEANER GROUP
.....p.147



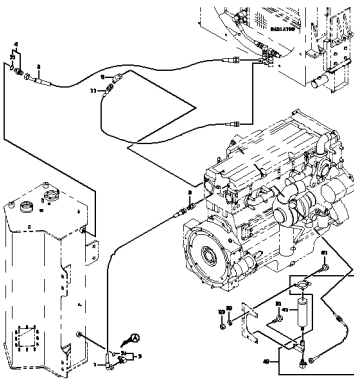
EXHAUST GROUP
.....p.149



FUEL LINE

.....p.151

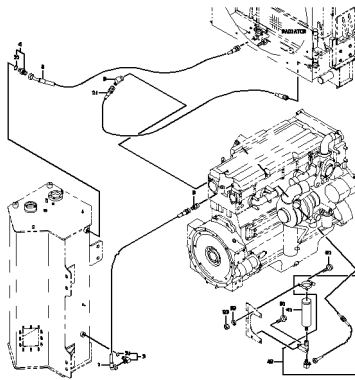
<S/N 0101 - 0202>



FUEL LINE

.....p.152

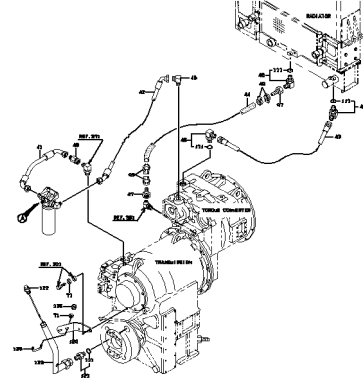
<S/N 0203 - >



TRANSMISSION HYDRAULIC LINE (S/N 0101 - 0230)

.....p.155

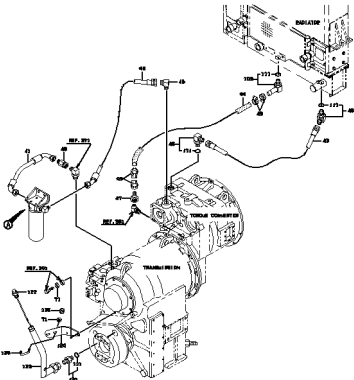
<S/N 0101 - 0230>



TRANSMISSION HYDRAULIC LINE (S/N 0231 -)

.....p.157

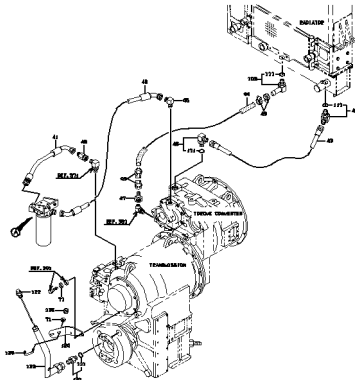
<S/N 0231 - 0236>



TRANSMISSION HYDRAULIC LINE (S/N 0231 -)

.....p.158

<S/N 0237 - >

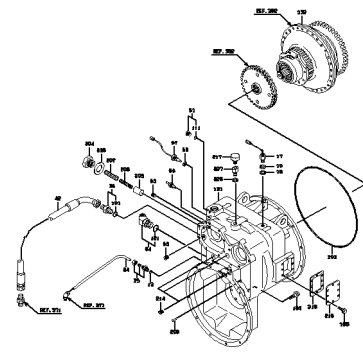


TORQUE CONVERTER

.....p.161

<S/N 0104 - 0385>

NOTE: SERIAL NUMBER INDICATES THE TRANSMISSION SERIAL NUMBER.

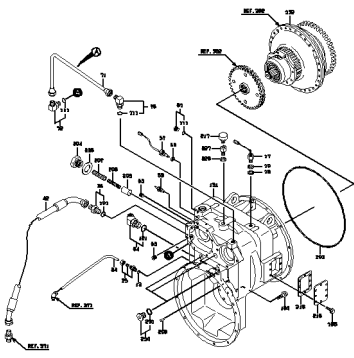


TORQUE CONVERTER

.....p.162

<S/N 0387 - 0585>

NOTE: SERIAL NUMBER INDICATES THE TRANSMISSION SERIAL NUMBER.

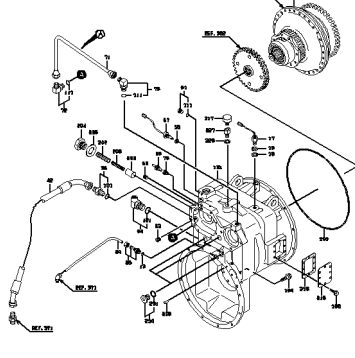


TORQUE CONVERTER

.....p.163

<S/N 0586 - >

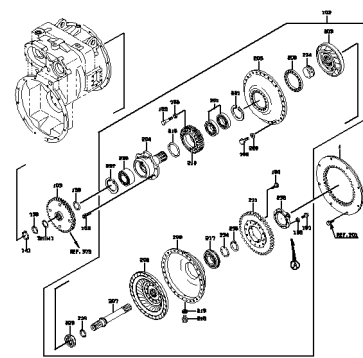
NOTE: SERIAL NUMBER INDICATES THE TRANSMISSION SERIAL NUMBER.



T/C INPUT SHAFT GROUP

.....p.165

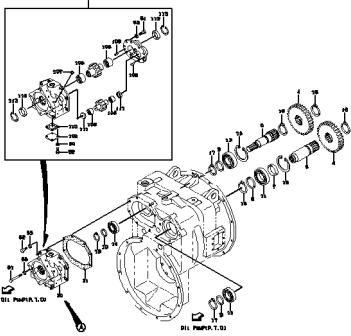
NOTE: SERIAL NUMBER INDICATES THE TRANSMISSION SERIAL NUMBER.



GEAR SHAFT & OIL PUMP GROUP

.....p.167

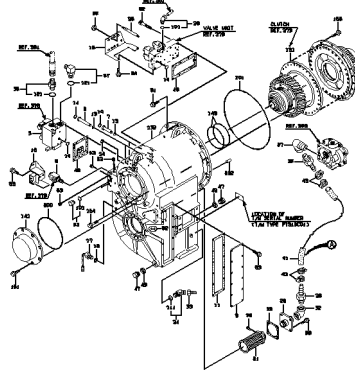
NOTE: REF. NUMBERS INDICATE THE TRANSMISSION SERIAL NUMBERS.



TRANSMISSION

.....p.169

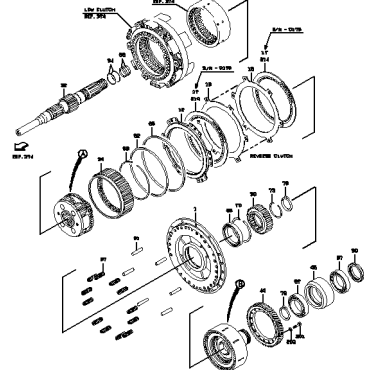
NOTE: REF. NUMBERS INDICATE THE TRANSMISSION SERIAL NUMBERS.



HIGH & REVERSE CLUTCH

.....p.171

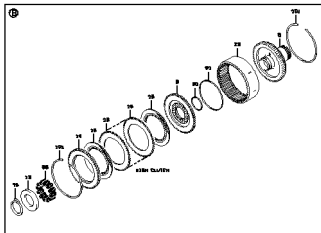
NOTE: REF. NUMBERS INDICATE THE TRANSMISSION SERIAL NUMBERS.



HIGH & REVERSE CLUTCH

.....p.172

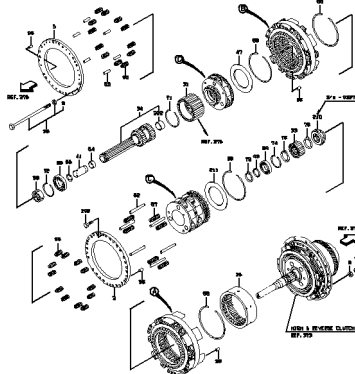
NOTE: REF. NUMBERS INDICATE THE TRANSMISSION SERIAL NUMBERS.



LOW, 2ND & 3RD CLUTCH

.....p.175

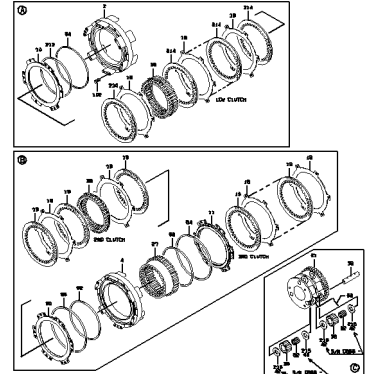
NOTE: REF. NUMBERS INDICATE THE TRANSMISSION SERIAL NUMBERS.



LOW, 2ND & 3RD CLUTCH

.....p.176

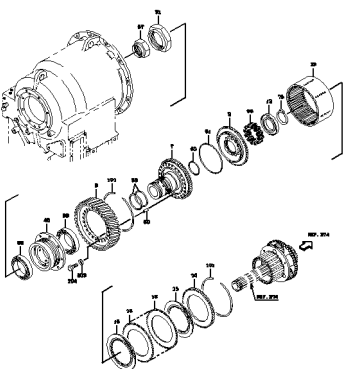
NOTE: REF. NUMBERS INDICATE THE TRANSMISSION SERIAL NUMBERS.



1ST CLUTCH

.....p.179

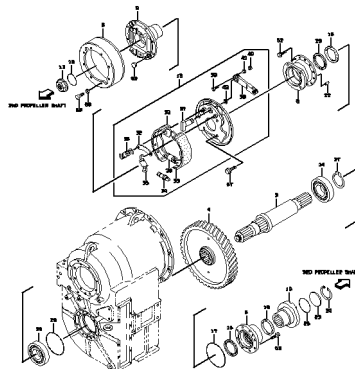
NOTE: REF. NUMBERS INDICATE THE TRANSMISSION SERIAL NUMBERS.



OUTPUT SHAFT GROUP

.....p.181

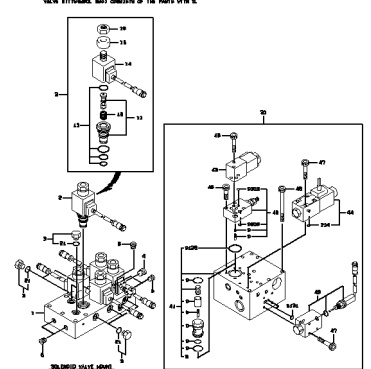
NOTE: REF. NUMBERS INDICATE THE TRANSMISSION SERIAL NUMBERS.



SOLENOID VALVE & VALVE UNIT

.....p.183

NOTE: REF. NUMBERS INDICATE THE TRANSMISSION SERIAL NUMBERS.



REPAIR KIT

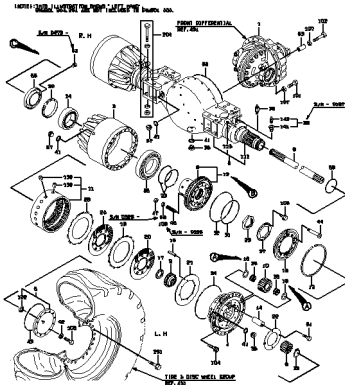
.....p.185

(FOR TYPE NO. P180001)

LIST ONLY

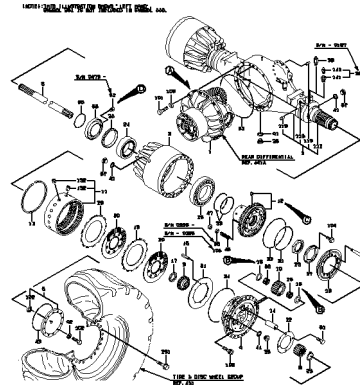
FRONT AXLE GROUP

.....p.187



REAR AXLE GROUP

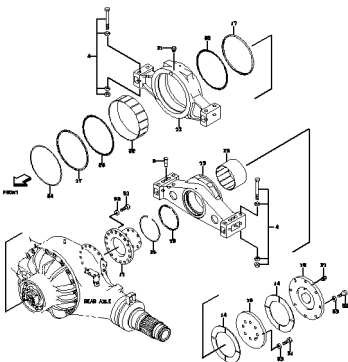
.....p.191



AXLE SUPPORT GROUP
(S/N 0101 - 0290)

.....p.195

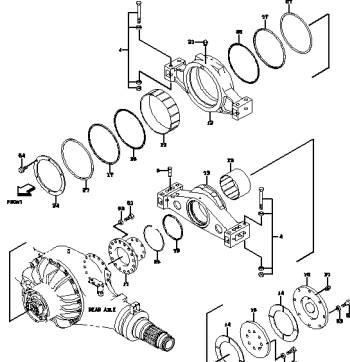
(S/N 0101 - 0290)



AXLE SUPPORT GROUP
(S/N 0101 - 0290)

.....p.196

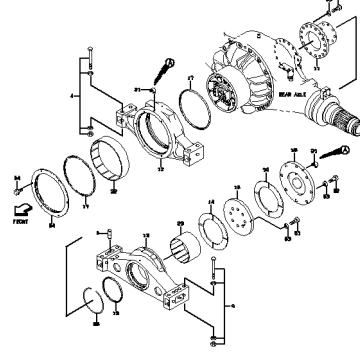
(S/N 0101 - 0290)



AXLE SUPPORT GROUP
(S/N 0291 -)

.....p.199

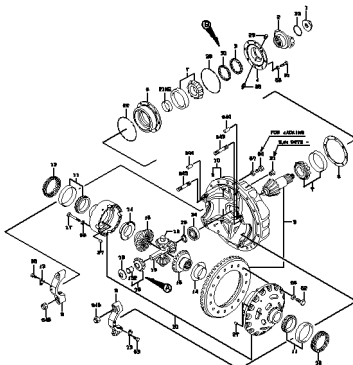
(S/N 0291 -)



FRONT DIFFERENTIAL

.....p.201

(FOR TYPE NO. P180001)

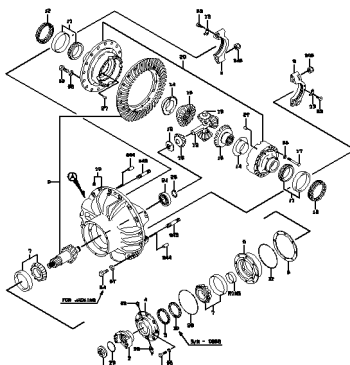


REAR DIFFERENTIAL (S/N
0101 - 0290)

.....p.205

(S/N 0101 - 0290)

(FOR TYPE NO. P180001)

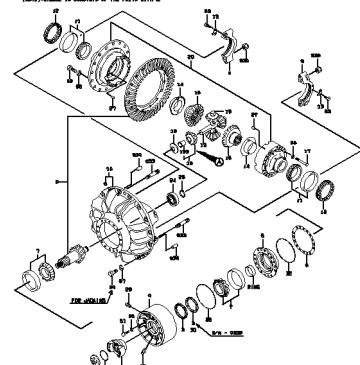


REAR DIFFERENTIAL (S/N
0291 -)

.....p.207

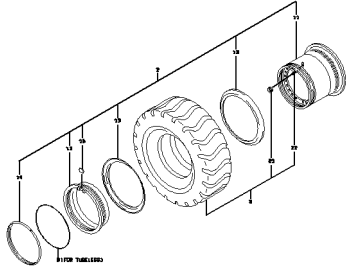
(S/N 0291 -)

(FOR TYPE NO. P180001)



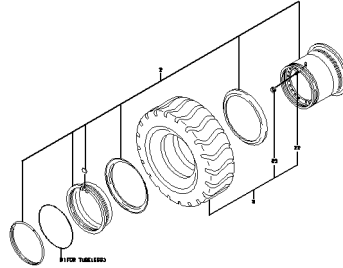
TIRE & DISC WHEEL GROUP
.....p.211

<S/N 0101 - 0290>

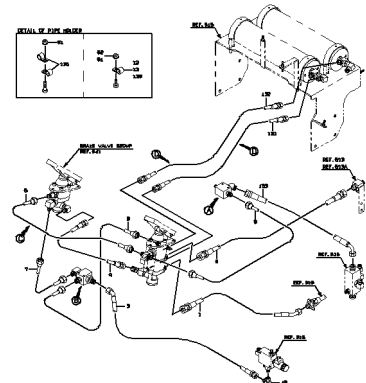
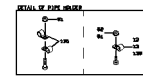


TIRE & DISC WHEEL GROUP
.....p.212

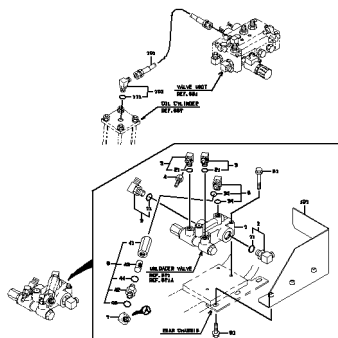
<S/N 0291 - >



BRAKE LINE - FLOOR BOARD
.....p.215

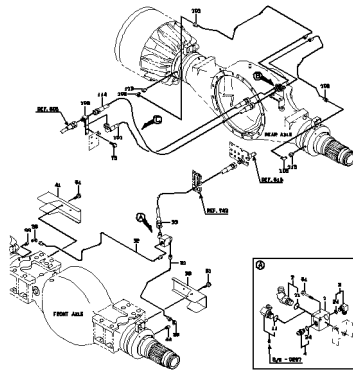


BRAKE LINE - REAR CHASSIS
.....p.217



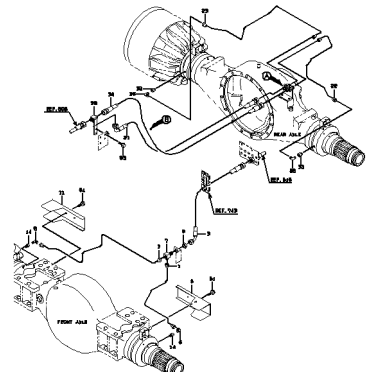
BRAKE LINE - AXLE (S/N 0101 - 0290)
.....p.219

<S/N 0101 - 0290>

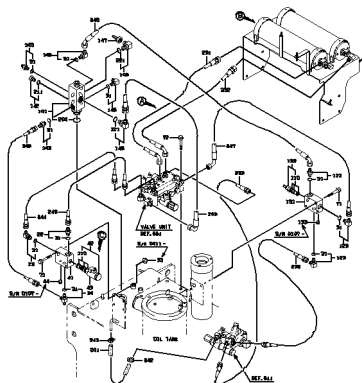


BRAKE LINE - AXLE (S/N 0291 -)
.....p.221

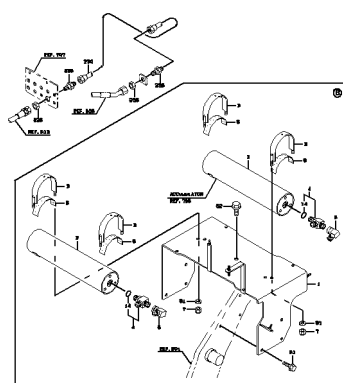
<S/N 0291 - >



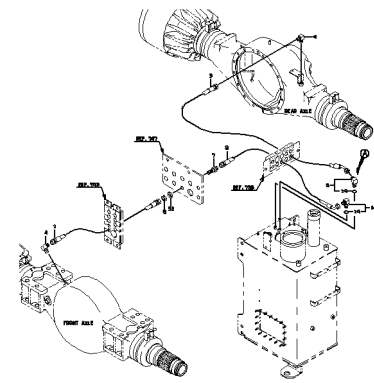
BRAKE LINE - ACCUMULATOR
.....p.223



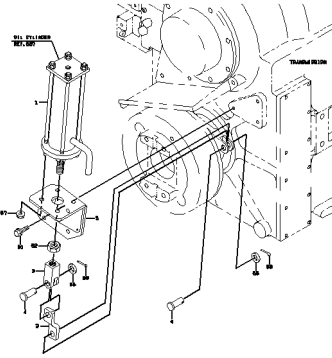
BRAKE LINE - ACCUMULATOR
.....p.224



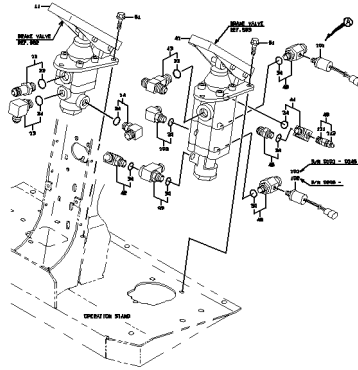
AIR BREATHER MOUNT
.....p.227



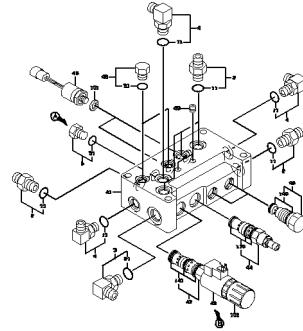
PARKING BRAKE GROUP
.....p.229



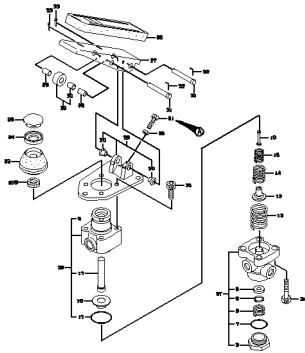
BRAKE VALVE GROUP
.....p.231



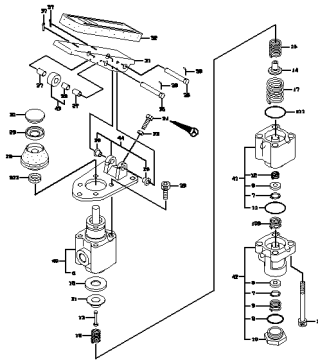
VALVE UNIT
.....p.233



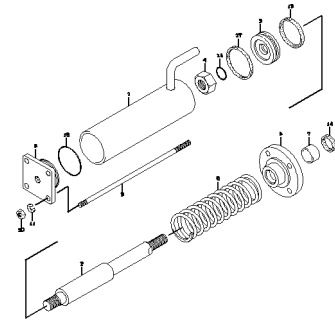
BRAKE VALVE
.....p.235



BRAKE VALVE
.....p.237

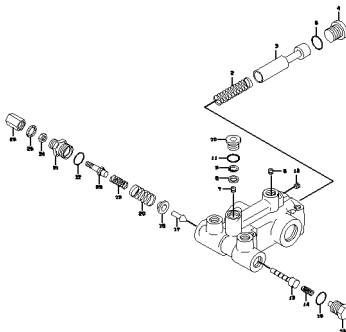


OIL CYLINDER
.....p.239



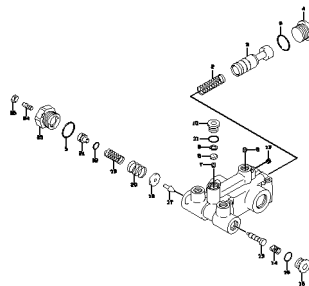
**UNLOADER VALVE (S/N
0101 -0 328)**
.....p.241

S/N 0101 - 0328

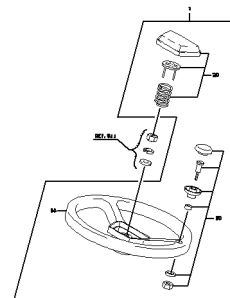


**UNLOADER VALVE (S/N
0329 -)**
.....p.243

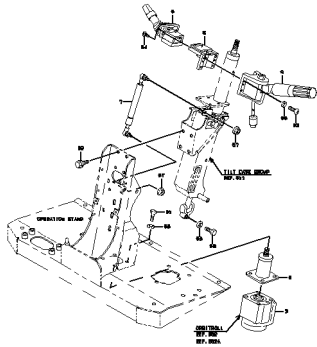
S/N 0329 -



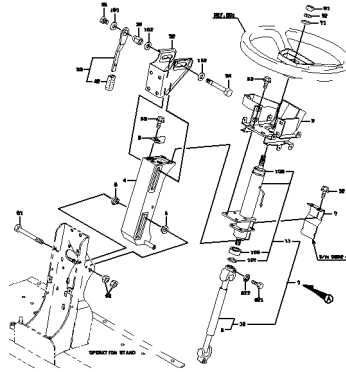
**STEERING WHEEL
MOUNT**
.....p.245



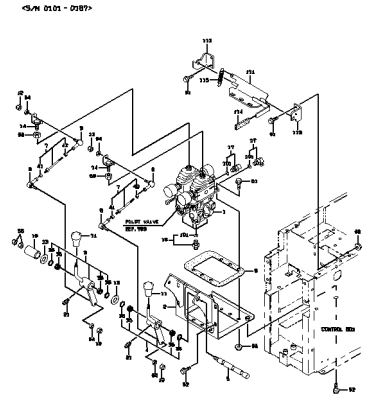
SHIFT LEVER GROUP
.....p.247



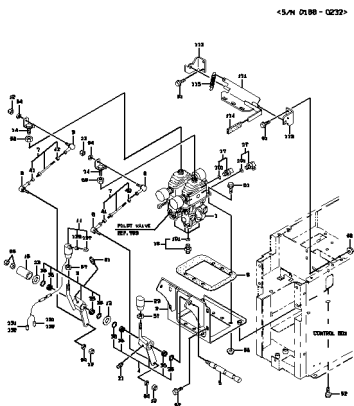
TILT CASE GROUP
.....p.249



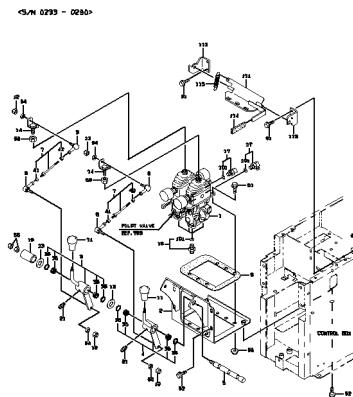
VALVE CONTROL GROUP
(S/N 0101 - 0232)
.....p.251



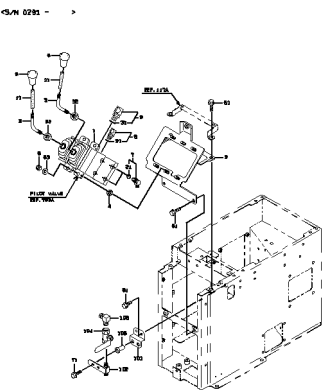
VALVE CONTROL GROUP
(S/N 0101 - 0232)
.....p.252



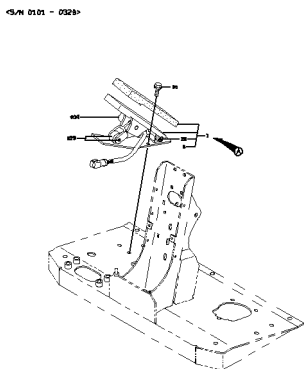
VALVE CONTROL GROUP
(S/N 0233 - 0290)
.....p.255



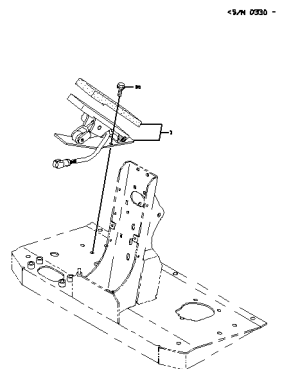
VALVE CONTROL GROUP
(S/N 0291 -)
.....p.257



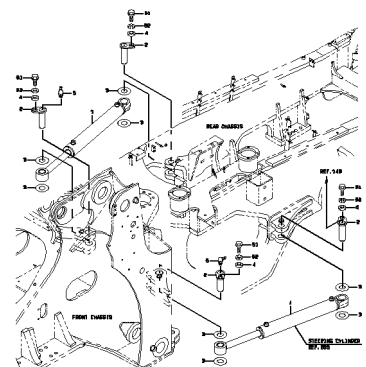
FUEL CONTROL GROUP
.....p.259



FUEL CONTROL GROUP
.....p.260



STEERING CYLINDER GROUP
.....p.263

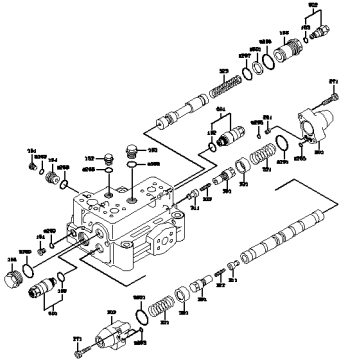


**STEERING VALVE (S/N
0101 - 0185)**

.....p.265

<S/N 0101 - 0185>

14083)ATTENTION: TWO ELEMENTS OF THE PARTS WITH A

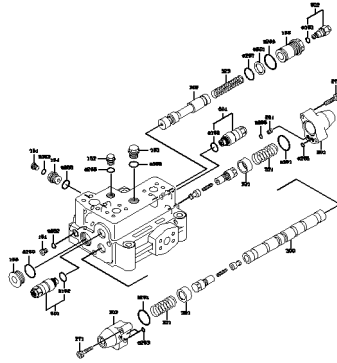


**STEERING VALVE (S/N
0186 -)**

.....p.267

<S/N 0186 - >

14083)ATTENTION: TWO ELEMENTS OF THE PARTS WITH A

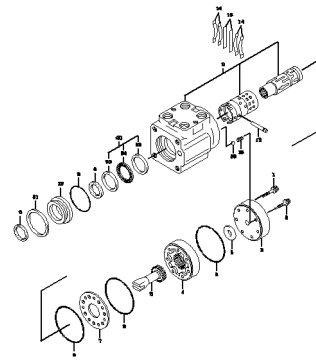


**ORBITROLL (S/N 0101 -
0251)**

.....p.269

<S/N 0101 - 0251>

14083)ATTENTION: TWO ELEMENTS OF THE PARTS WITH A

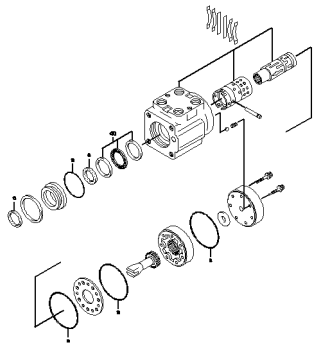


ORBITROLL (S/N 0252-)

.....p.271

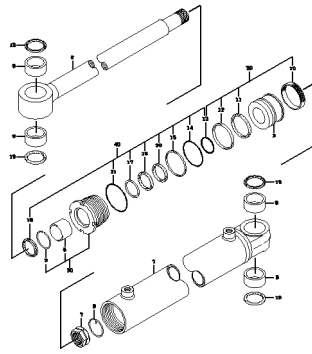
<S/N 0252 - >

14083)ATTENTION: TWO ELEMENTS OF THE PARTS WITH A



STEERING CYLINDER

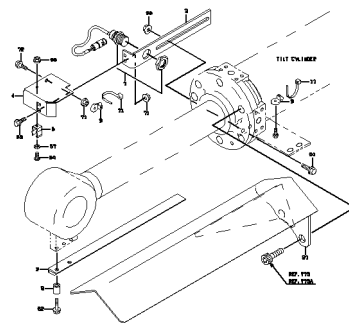
.....p.273



BUCKET POSITIONER GROUP

.....p.275

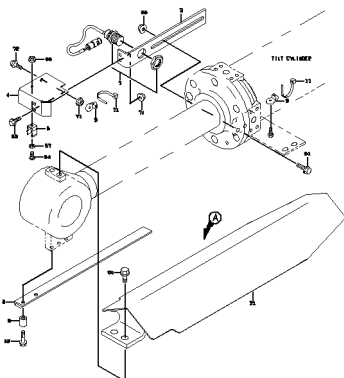
<S/N 0101 - 0460>



BUCKET POSITIONER GROUP

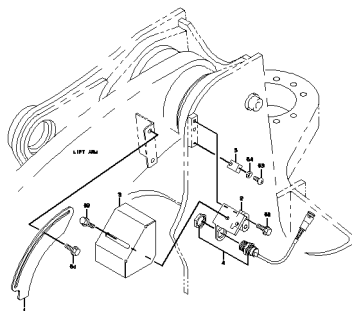
.....p.276

<S/N 0462 - >



KICKOUT GROUP

.....p.279

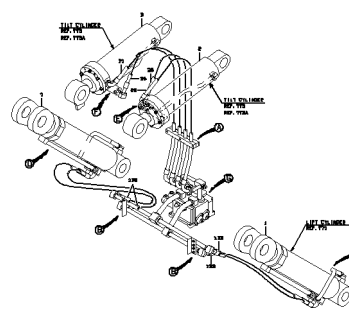


LOADING HYDRAULIC LINE - FRONT CHASSIS

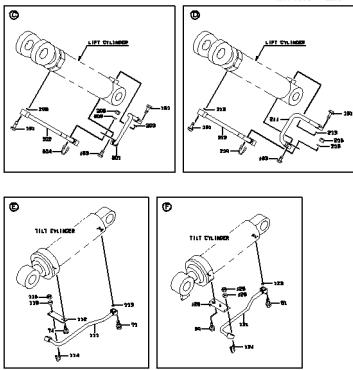
(S/N 0101 -

.....p.281

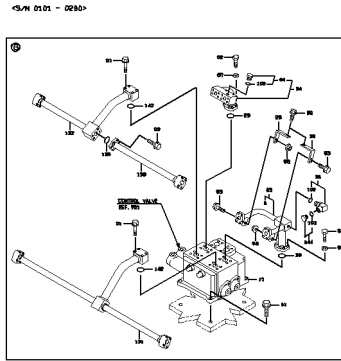
<S/N 0101 - 0280>



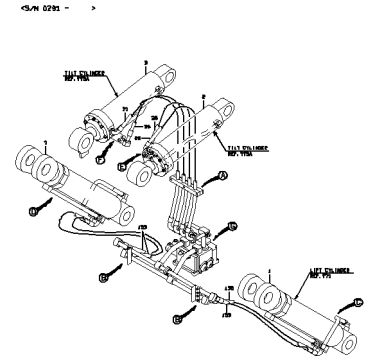
LOADING HYDRAULIC LINE - FRONT CHASSIS
(S/N 0101 -
p.282



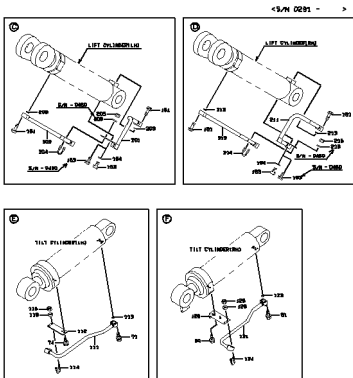
LOADING HYDRAULIC LINE - FRONT CHASSIS
(S/N 0101 -
p.283



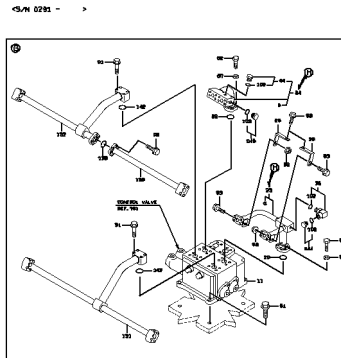
LOADING HYDRAULIC LINE - FRONT CHASSIS
(S/N 0291 -
p.287



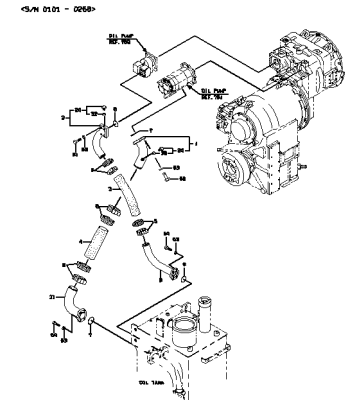
LOADING HYDRAULIC LINE - FRONT CHASSIS
(S/N 0291 -
p.288



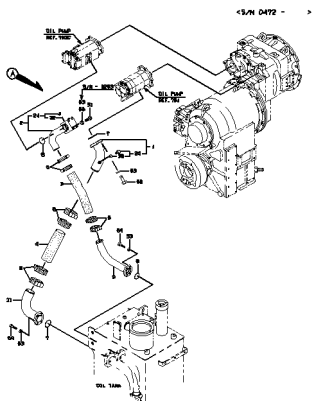
LOADING HYDRAULIC LINE - FRONT CHASSIS
(S/N 0291 -
p.289



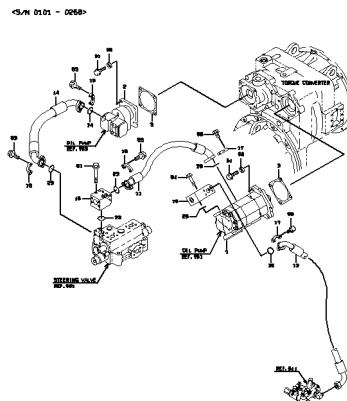
LOADING HYDRAULIC LINE - REAR CHASSIS
(FOR SUCTION
p.293



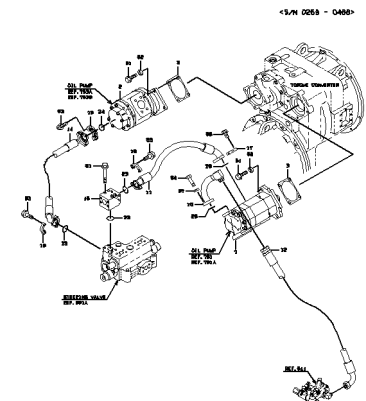
LOADING HYDRAULIC LINE - REAR CHASSIS
(FOR SUCTION
p.294



LOADING HYDRAULIC LINE - REAR CHASSIS
(FOR PUMP)
p.297



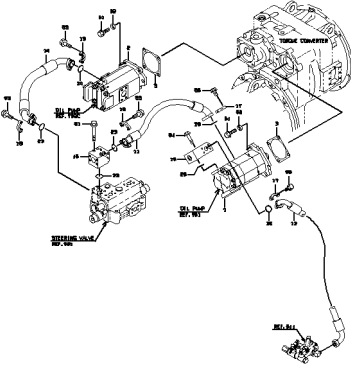
LOADING HYDRAULIC LINE - REAR CHASSIS
(FOR PUMP)
p.298



LOADING HYDRAULIC LINE - REAR CHASSIS (FOR PUMP)

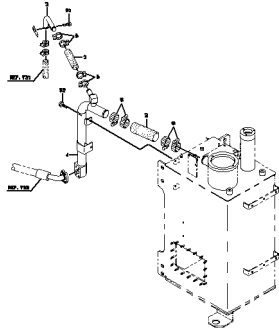
.....p.299

<S/N 0687 - >



LOADING HYDRAULIC LINE - REAR CHASSIS (FOR RETURN)

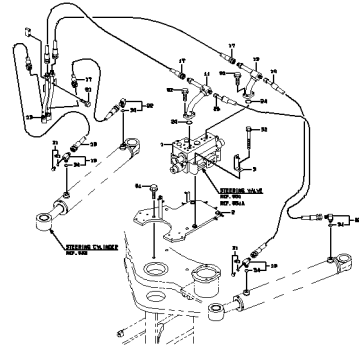
.....p.301



LOADING HYDRAULIC LINE - STEERING CYLINDER (S/N 0

.....p.303

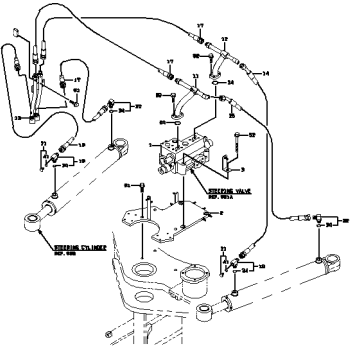
<S/N 0101 - 0230>



LOADING HYDRAULIC LINE - STEERING CYLINDER (S/N 0

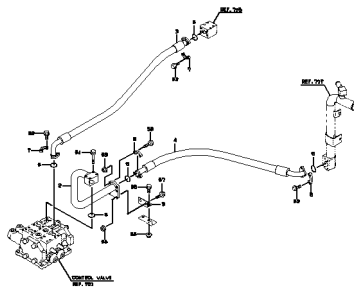
.....p.305

<S/N 0291 - >



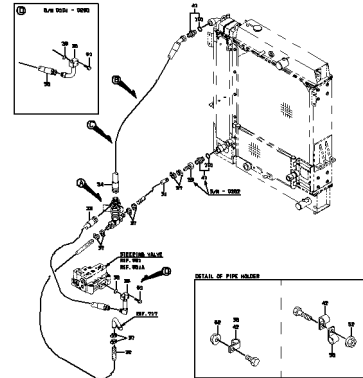
LOADING HYDRAULIC LINE - CENTER PIN

.....p.307



LOADING HYDRAULIC LINE - OIL COOLER

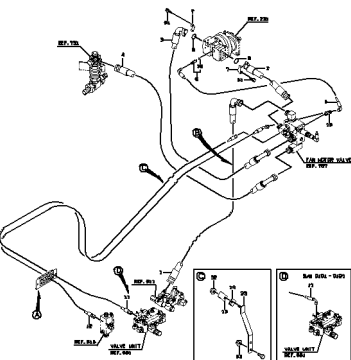
.....p.309



HYDRAULIC LINE - FAN MOTOR

.....p.311

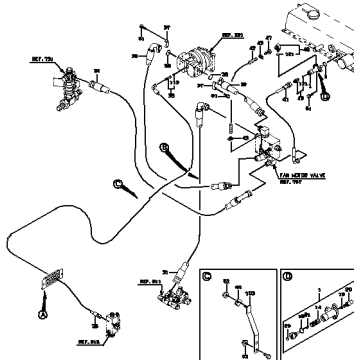
<S/N 0101 - 0230>



HYDRAULIC LINE - FAN MOTOR

.....p.313

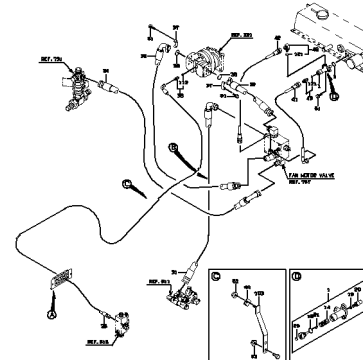
<S/N 0291 - 0230>



HYDRAULIC LINE - FAN MOTOR

.....p.314

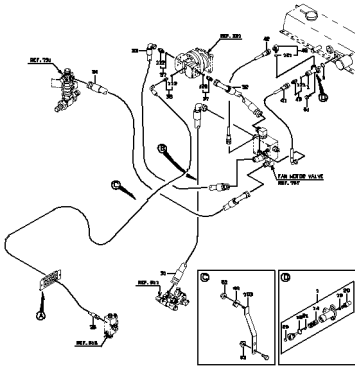
<S/N 0291 - 0488>



HYDRAULIC LINE - FAN MOTOR

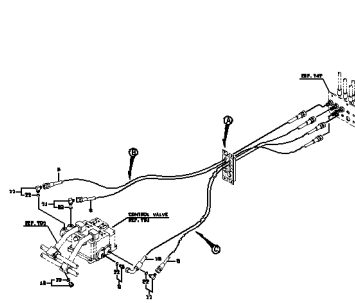
.....p.315

<S/N 0487 - >



PILOT HYDRAULIC LINE - FRONT CHASSIS

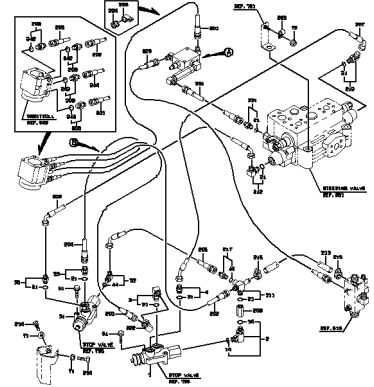
.....p.317



PILOT HYDRAULIC LINE - REAR CHASSIS (S/N 0101 - 02

.....p.319

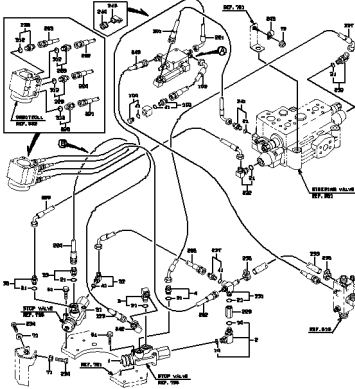
<S/N 0101 - 0230>



PILOT HYDRAULIC LINE - REAR CHASSIS (S/N 0231 -)

.....p.321

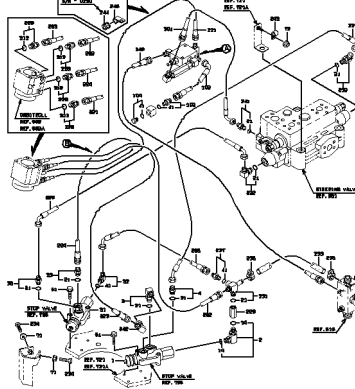
<S/N 0231 - 0246>



PILOT HYDRAULIC LINE - REAR CHASSIS (S/N 0231 -)

.....p.322

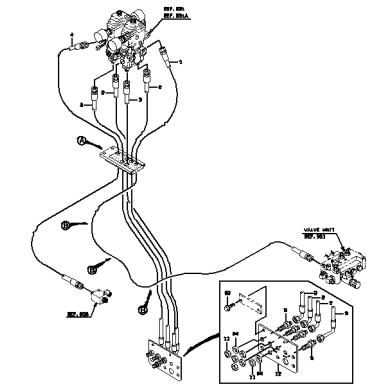
<S/N 0247 - >



PILOT HYDRAULIC LINE - CONTROL BOX (S/N 0101 - 029

.....p.325

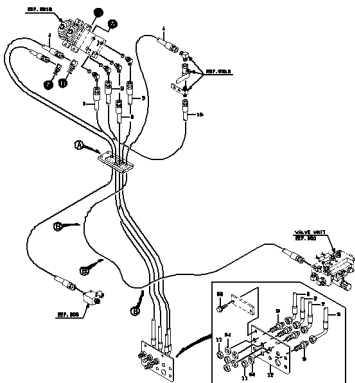
<S/N 0101 - 0230>



PILOT HYDRAULIC LINE - CONTROL BOX (S/N 0291 -)

.....p.327

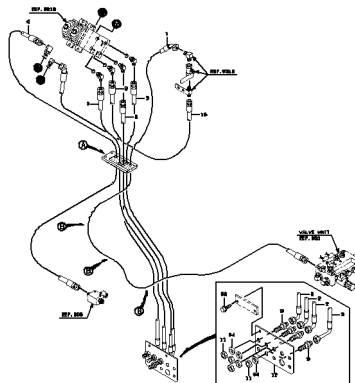
<S/N 0291 - 0297>



PILOT HYDRAULIC LINE - CONTROL BOX (S/N 0291 -)

.....p.328

<S/N 0298 - >

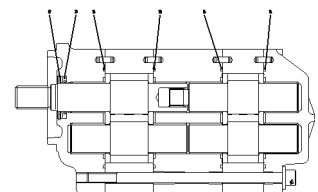


OIL PUMP (S/N 0101 - 0386)

.....p.331

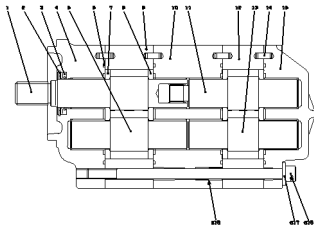
<S/N 0101 - 0230>

LEGENDA: ILTERNANDO, SOI COMBINATI DI PARTI VITIBILI.



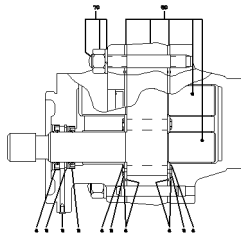
OIL PUMP (S/N 0387 -)
p.333

<S/N 0387 - >
 IDENTIFICAZIONE DEI COMPONENTI DEI PUMP VITE 6.



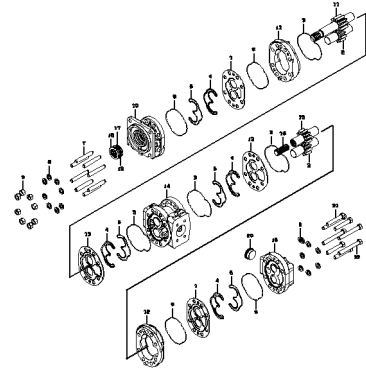
OIL PUMP (S/N 0101 - 0258)
p.335

<S/N 0101 - 0258>
 IDENTIFICAZIONE DEI COMPONENTI DEI PUMP VITE 6.



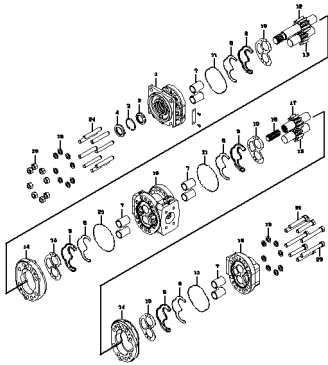
OIL PUMP (S/N 0259 - 0398)
p.337

<S/N 0259 - 0398>



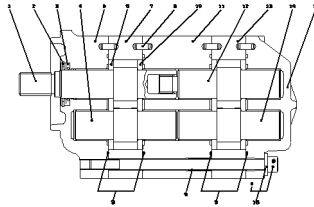
OIL PUMP (S/N 0399 - 0466)
p.339

<S/N 0399 - 0466>

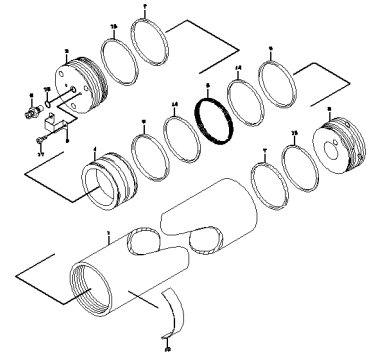


OIL PUMP (S/N 0467 -)
p.341

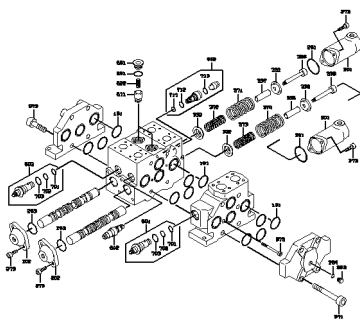
<S/N 0467 - >



ACCUMULATOR
p.343

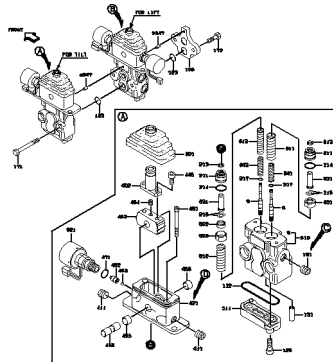


CONTROL VALVE
p.345



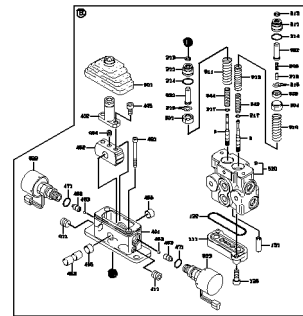
PILOT VALVE (S/N 0101 - 0290)
p.347

<S/N 0101 - 0290>



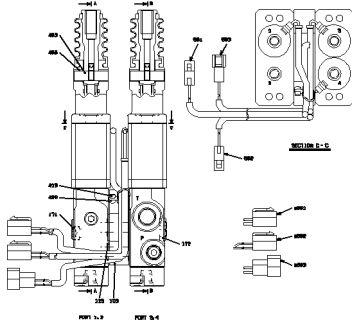
PILOT VALVE (S/N 0101 - 0290)
p.348

<S/N 0101 - 0290>



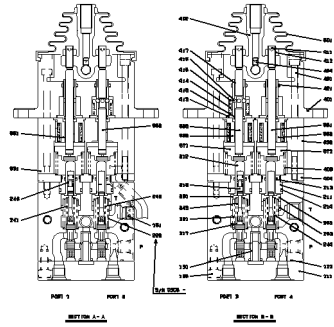
PILOT VALVE (S/N 0291 - 0408)
p.351

<S/N 0291 - 0408>



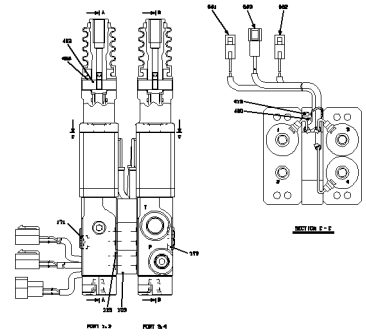
PILOT VALVE (S/N 0291 - 0408)
p.352

<S/N 0291 - 0408>



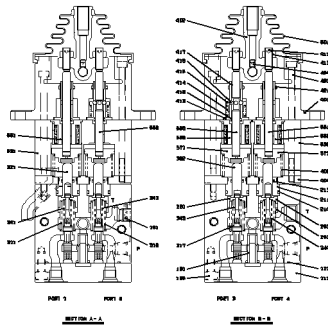
PILOT VALVE (S/N 0409 - 0410)
p.355

<S/N 0409 - 0410>

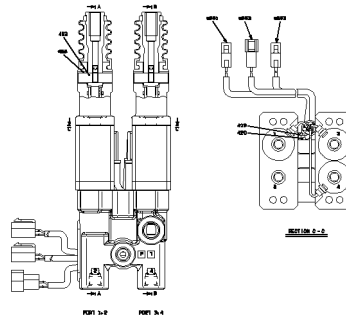


PILOT VALVE (S/N 0409 - 0410)
p.356

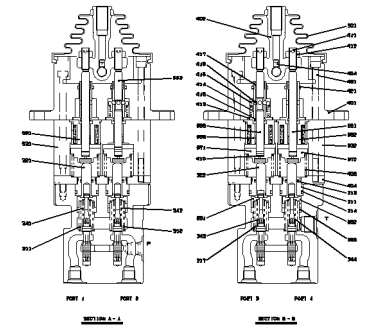
<S/N 0409 - 0410>



PILOT VALVE (S/N 0411 -)
p.359

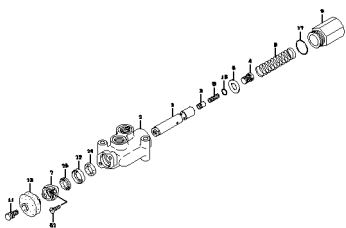


PILOT VALVE (S/N 0411 -)
p.360



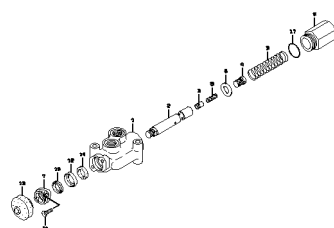
STOP VALVE
p.363

<S/N 0101 - 0230>



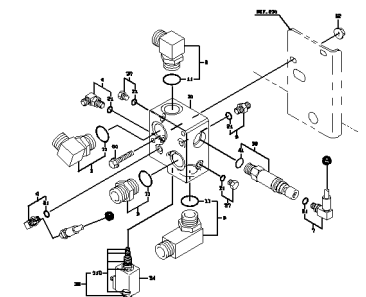
STOP VALVE
p.364

<S/N 0291 - >



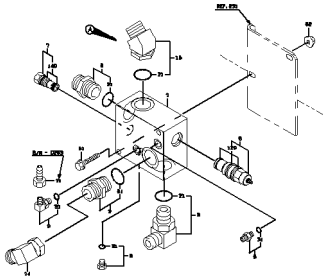
FAN MOTOR VALVE (S/N 0101 - 0230)
p.367

<S/N 0101 - 0230>

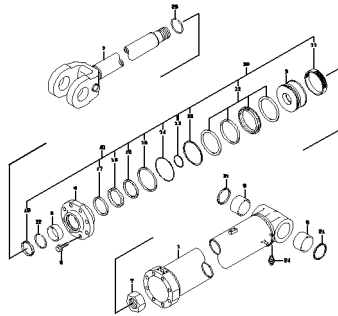


FAN MOTOR VALVE (S/N
0231 -)
.....p.369

<S/N 0687 - >

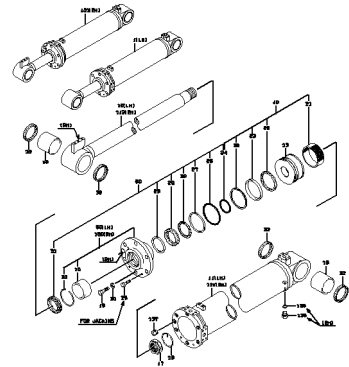


LIFT CYLINDER
.....p.371



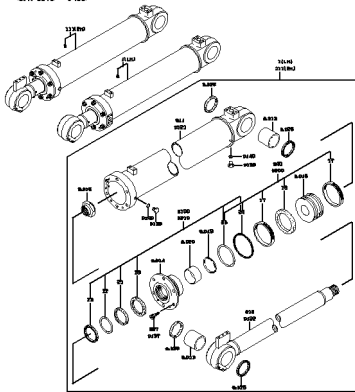
TILT CYLINDER (S/N 0101
- 0272)
.....p.373

<S/N 0101 - 0272>



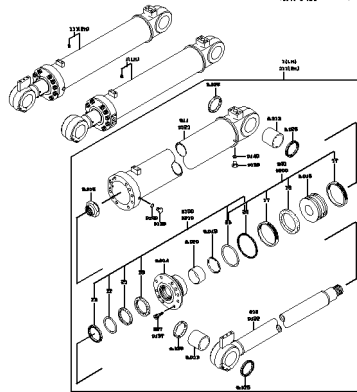
TILT CYLINDER (S/N 0273
-)
.....p.375

<S/N 0273 - 0465>

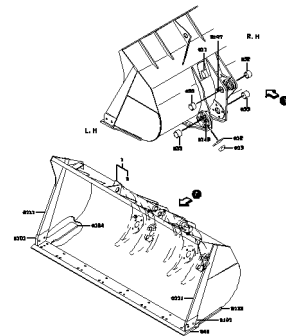


TILT CYLINDER (S/N 0273
-)
.....p.376

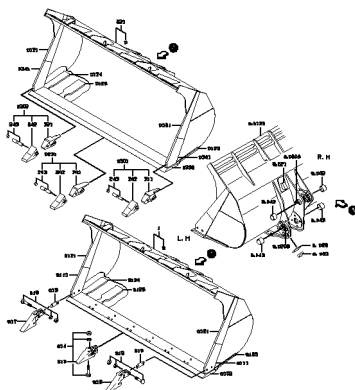
<S/N 0465 - >



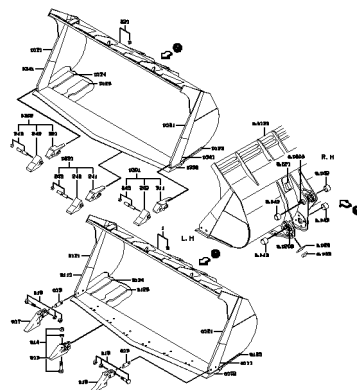
BUCKET (FOR GENERAL
PURPOSE)
.....p.379



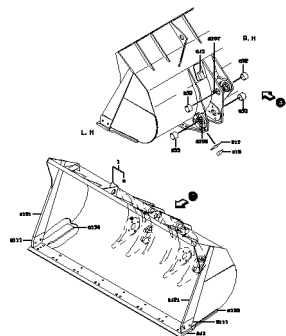
BUCKET (FOR ROCK-RS)
.....p.381



BUCKET (FOR ROCK-RV)
.....p.383

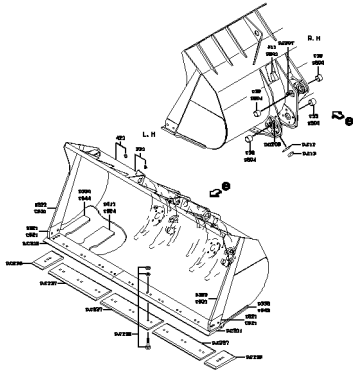


BUCKET
.....p.385



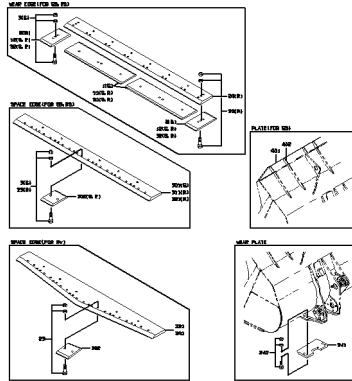
BUCKET

.....p.386



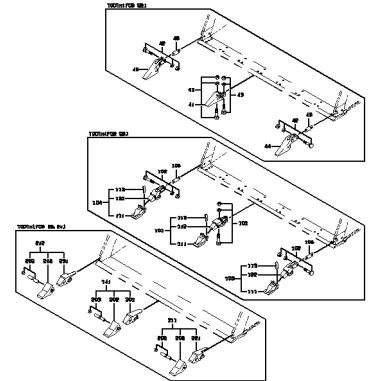
BUCKET OPTION PARTS

.....p.389



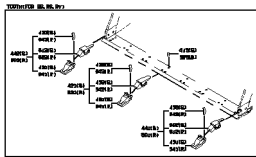
BUCKET OPTION PARTS

.....p.390



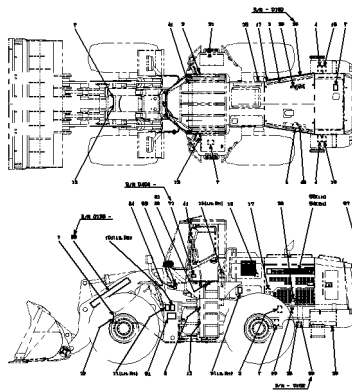
BUCKET OPTION PARTS

.....p.391



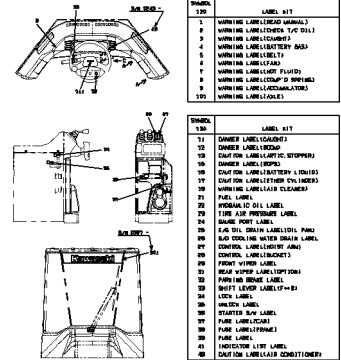
MARKING GROUP

.....p.393



MARKING GROUP

.....p.394



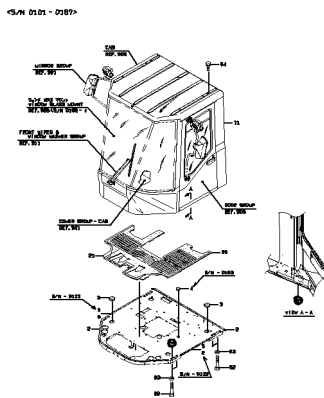
REPAIR & MAINTENANCE PARTS

.....p.397

SHAPE	OPTIONAL FORM	PART NUMBER	PART NAME	CONTENT	DESCRIPTION
11		4097-0080	PAINT COAT YELLOW	3	PAINT COAT (200 L)
19		4190-0000	BRUSH OIL	1L	NET 2000 BRUSH ONLY
17		4097-0080	CHRISTMAS TREE GREEN	1	PAINT COAT (200 L) FOR CHRISTMAS TREE GREEN (200 L)
19		4097-0080	BLACK	3	PAINT COAT (200 L) FOR BLACK (200 L)
20		4097-0080	HIDING GRAY	4	PAINT COAT (200 L) FOR HIDING GRAY (200 L)
21		3081-0010	SEALANT	2000	THREE 2000 (2000)
23		4080-0010	LIQUID LOCKING	2000	LOCK TYPE 2000
27		4080-0020	LIQUID LOCKING	2000	LOCK TYPE (PLASTIC DIAMETER)
28		4080-0030	LIQUID LOCKING	2000	THREE 2000 (2000)
29		4080-0040	LIQUID LOCKING	2000	THREE 2000 (2000)

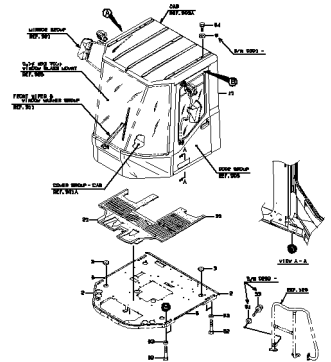
CAB MOUNT

.....p.399

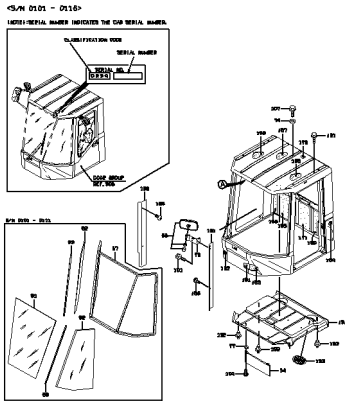


CAB MOUNT

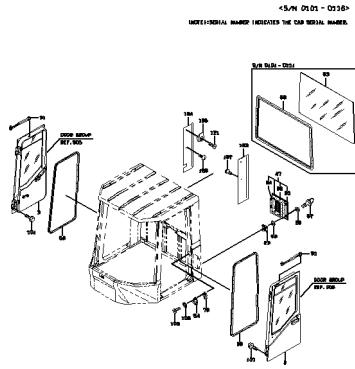
.....p.400



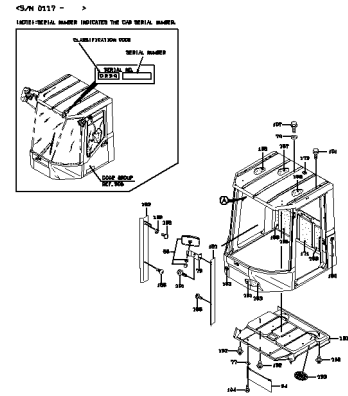
CAB (S/N 0101 - 0116)
.....p.403



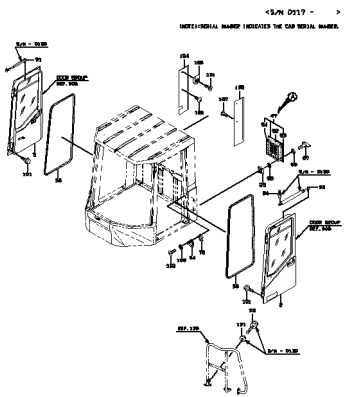
CAB (S/N 0101 - 0116)
.....p.404



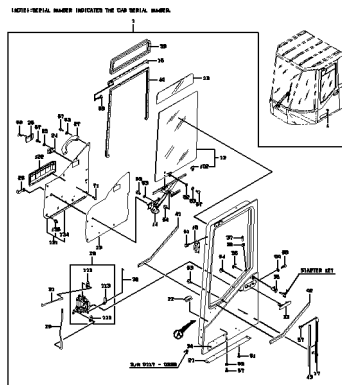
CAB (S/N 0117 -)
.....p.407



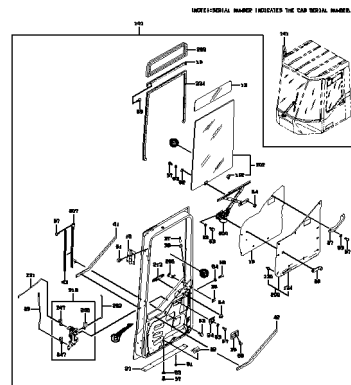
CAB (S/N 0117 -)
.....p.408



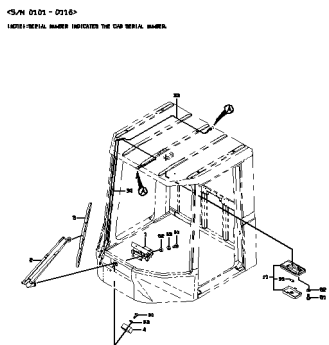
DOOR GROUP
.....p.411



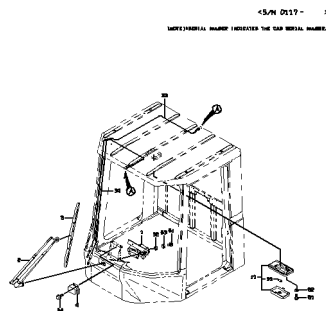
DOOR GROUP
.....p.412



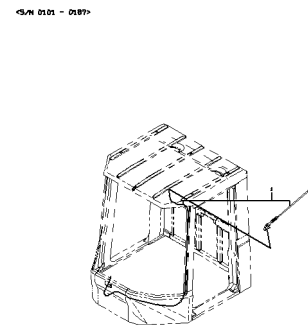
FRONT WIPER & WINDOW
WASHER GROUP
.....p.415



FRONT WIPER & WINDOW
WASHER GROUP
.....p.416



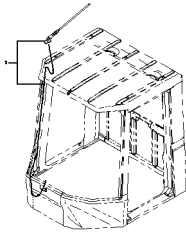
ELECTRICAL PARTS
GROUP
.....p.419



ELECTRICAL PARTS GROUP

.....p.420

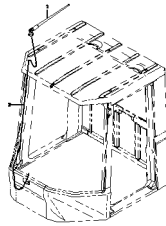
<S/N 0288 - 0291>



ELECTRICAL PARTS GROUP

.....p.421

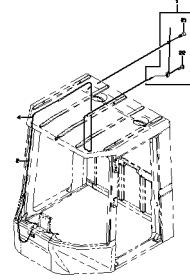
<S/N 0292 - 0400>



ELECTRICAL PARTS GROUP

.....p.422

<S/N 0401 - >

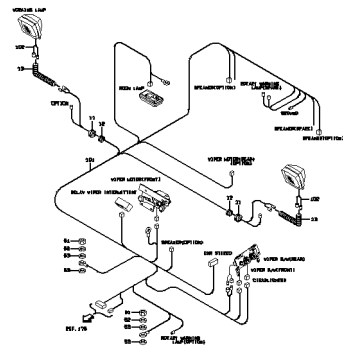


ELECTRICAL WIRING - CAB

.....p.425

<S/N 0101 - 0116>

INDEPENDENT NUMBER INDICATES THE CAB SERIAL NUMBER.

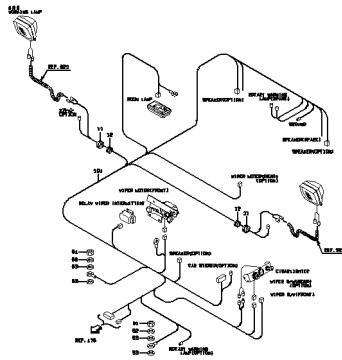


ELECTRICAL WIRING - CAB

.....p.426

<S/N 0117 - 0143>

INDEPENDENT NUMBER INDICATES THE CAB SERIAL NUMBER.

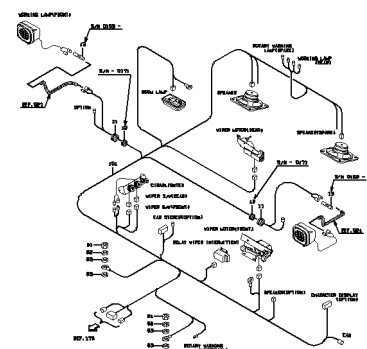


ELECTRICAL WIRING - CAB

.....p.427

<S/N 0144 - >

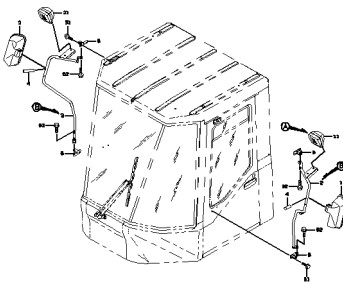
INDEPENDENT NUMBER INDICATES THE CAB SERIAL NUMBER.



MIRROR GROUP (S/N 0101 - 0263)

.....p.429

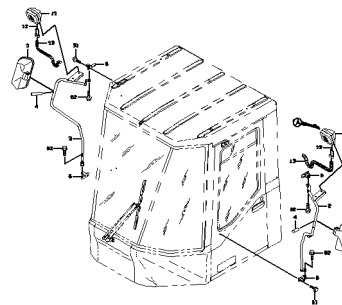
<S/N 0101 - 0197>



MIRROR GROUP (S/N 0101 - 0263)

.....p.430

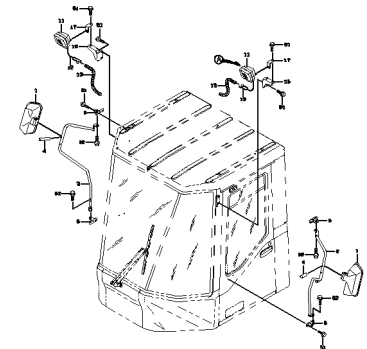
<S/N 0198 - 0261>



MIRROR GROUP (S/N 0101 - 0263)

.....p.431

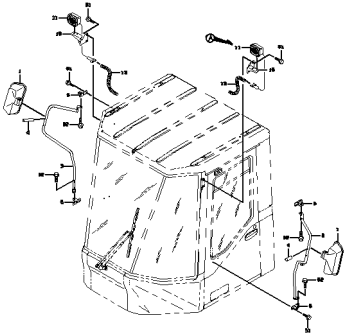
<S/N 0262 - 0293>



MIRROR GROUP (S/N
0264 -)

.....p.433

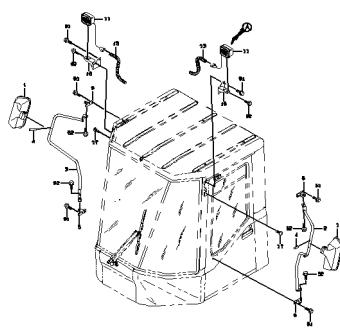
<S/N 0264 - 0400>



MIRROR GROUP (S/N
0264 -)

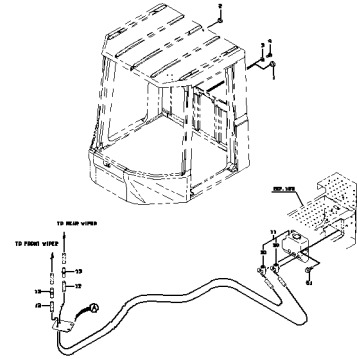
.....p.434

<S/N 0400 - >



REAR WIPER & WINDOW
WASHER GROUP

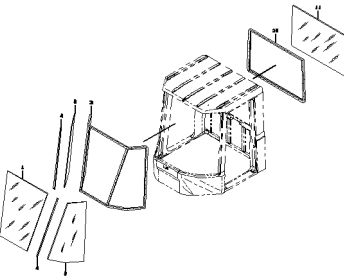
.....p.437



WINDOW GLASS MOUNT
(S/N 0163 -)

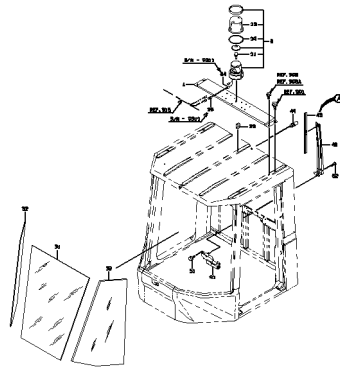
.....p.439

<S/N 0163 - >



CAB OPTION PARTS

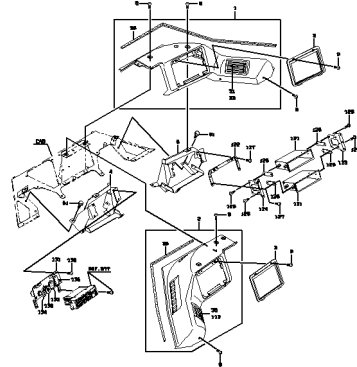
.....p.441



COVER GROUP - CAB (S/N
0101 - 0187)

.....p.443

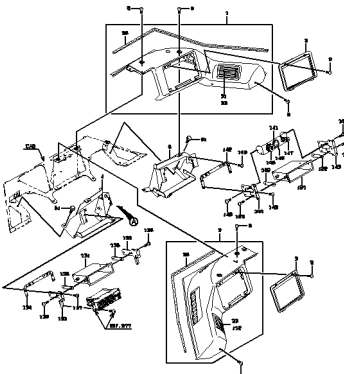
<S/N 0101 - 0187>



COVER GROUP - CAB (S/N
0188 -)

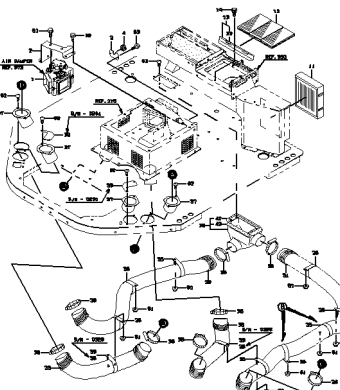
.....p.445

<S/N 0188 - >



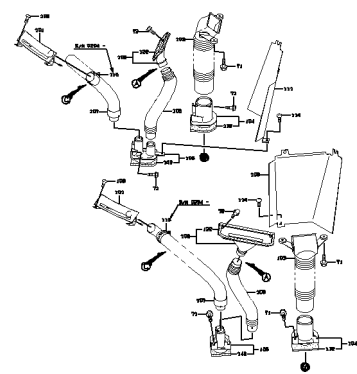
AIR DUCT GROUP -
FLOOR BOARD

.....p.447



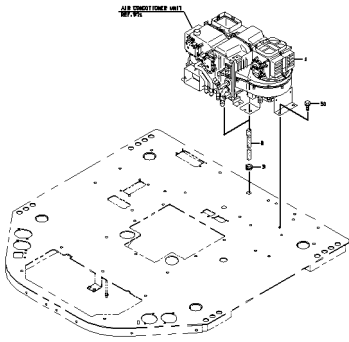
AIR DUCT GROUP -
FLOOR BOARD

.....p.448



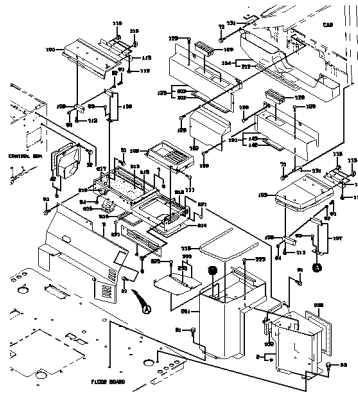
AIR CONDITIONER MOUNT

.....p.451



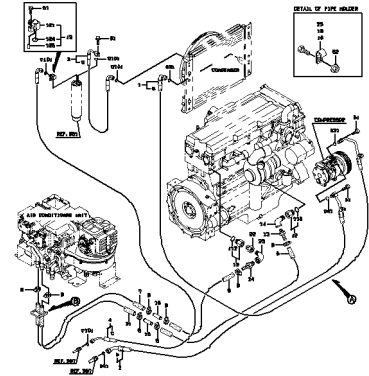
AIR CONDITIONER COVER GROUP

.....p.453



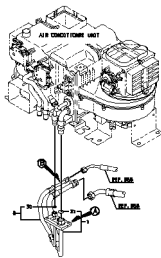
AIR CONDITIONER LINE - REAR CHASSIS

.....p.455



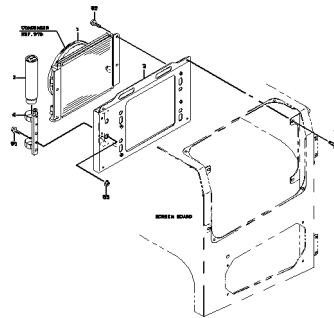
AIR CONDITIONER LINE - FLOOR BOARD

.....p.457



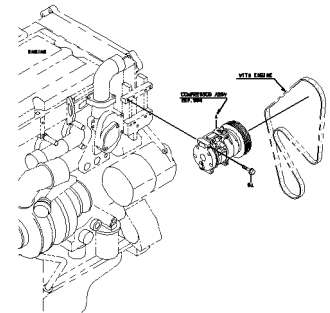
CONDENSER MOUNT

.....p.459



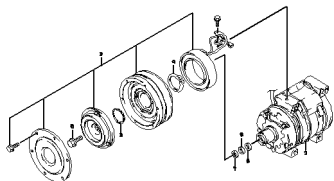
COMPRESSOR MOUNT

.....p.461



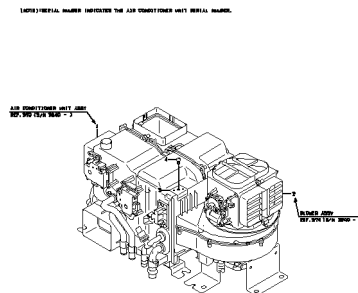
COMPRESSOR ASSY

.....p.463



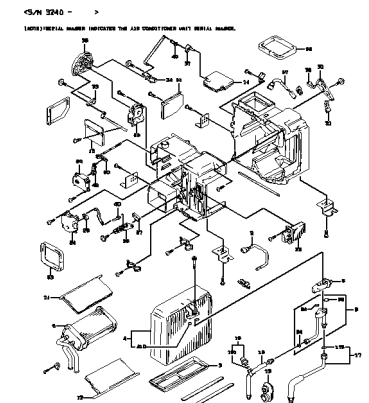
AIR CONDITIONER UNIT MOUNT

.....p.465



AIR CONDITIONER UNIT ASSY (S/N 3240 -)

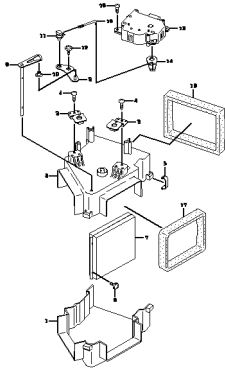
.....p.467



AIR DAMPER

.....p.469

(S/N 3240 -)

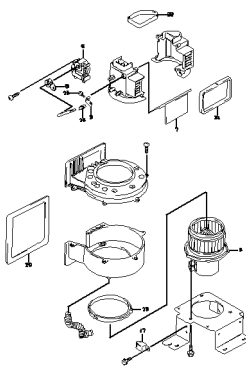


BLOWER ASSY

.....p.471

(S/N 3240 -)

(S/N 3240 -)

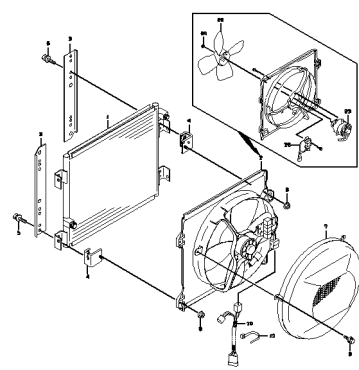


CONDENSER (S/N 0672 - 8159)

.....p.473

(S/N 0672 - 8159)

(S/N 0672 - 8159)

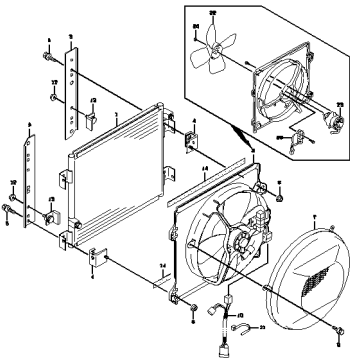


CONDENSER (S/N 8160 -)

.....p.475

(S/N 8160 -)

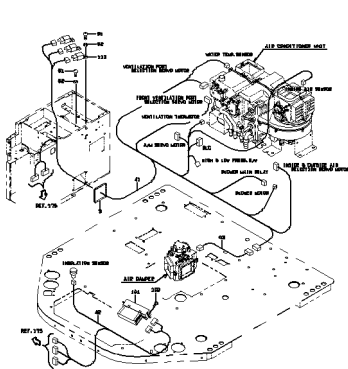
(S/N 8160 -)



ELECTRICAL PARTS GROUP (FOR AIR CONDITIONER)

.....p.477

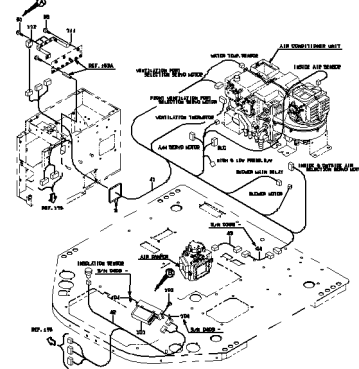
(S/N 0101 - 0280)



ELECTRICAL PARTS GROUP (FOR AIR CONDITIONER)

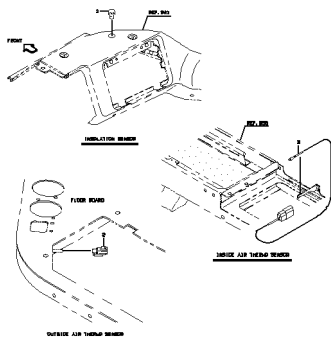
.....p.478

(S/N 0291 -)



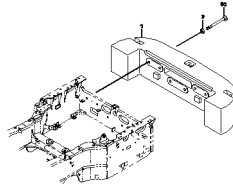
SENSOR MOUNT (FOR AIR CONDITIONER)

.....p.481



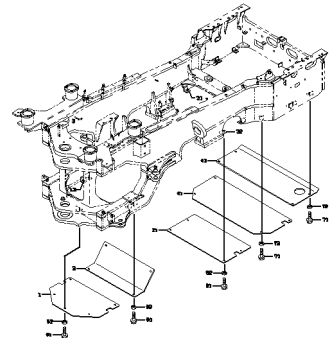
WEIGHT MOUNT

.....p.483

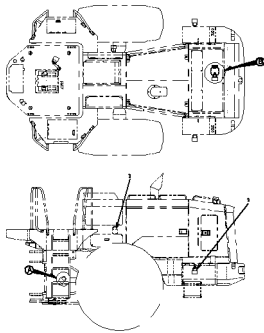


GUARD MOUNT

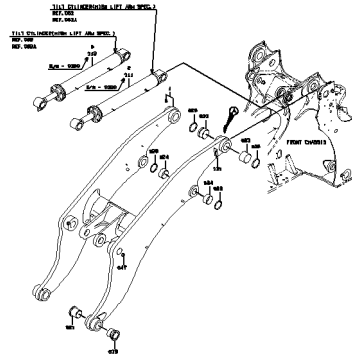
.....p.485



LOCK GROUP
.....p.487

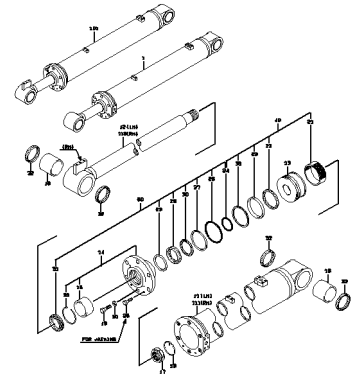


LIFT ARM (HIGH LIFT ARM SPEC.)
.....p.489



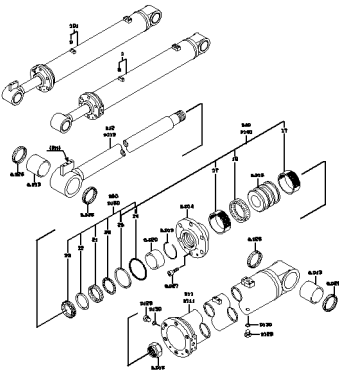
TILT CYLINDER (HIGH LIFT ARM SPEC.) (S/N 0101 - 0)
.....p.491

<S/N 0101 - 0290>

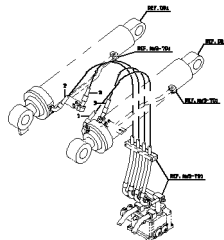


TILT CYLINDER (HIGH LIFT ARM SPEC.) (S/N 0291 -)
.....p.493

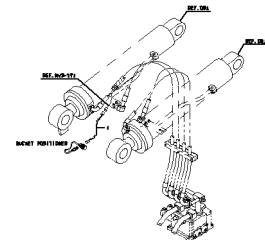
<S/N 0291 - >



HYDRAULIC LINE (HIGH LIFT ARM SPEC.)
.....p.495

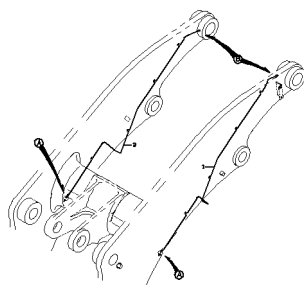


CABLE MOUNT (HIGH LIFT ARM SPEC.)
.....p.497



GREASE PIPING (HIGH LIFT ARM SPEC.)
.....p.499

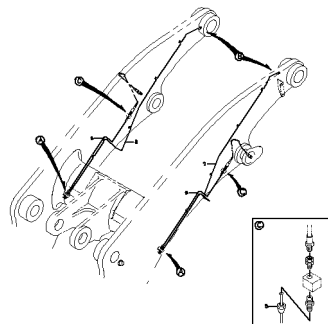
<S/N 0101 - 0260>



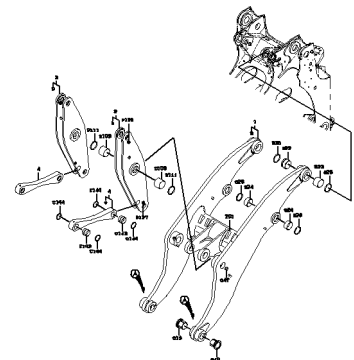
GREASE PIPING (HIGH LIFT ARM SPEC.)
.....p.500

<S/N 0261 - >

REFER TO DRAWING 0261-0001 FOR HOSE PARTS.

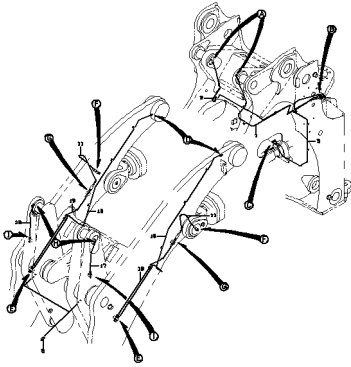


LIFT ARM (SHORT BOOM)
.....p.503



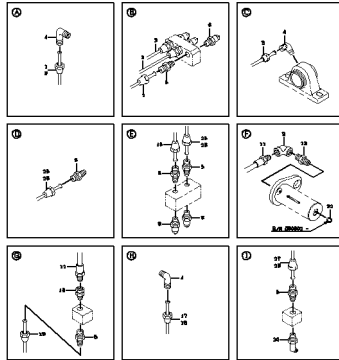
GREASE PIPING (SHORT BOOM)

.....p.505



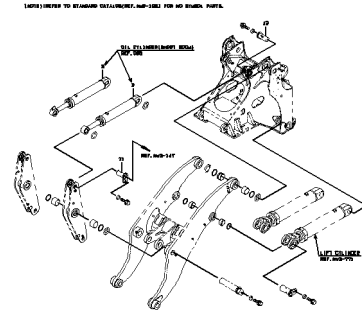
GREASE PIPING (SHORT BOOM)

.....p.506



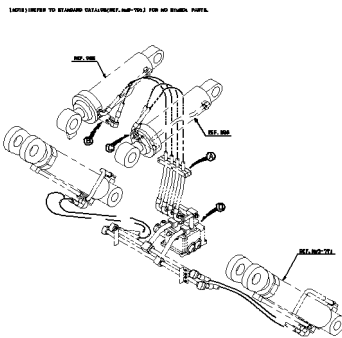
OIL CYLINDER MOUNT (SHORT BOOM)

.....p.509



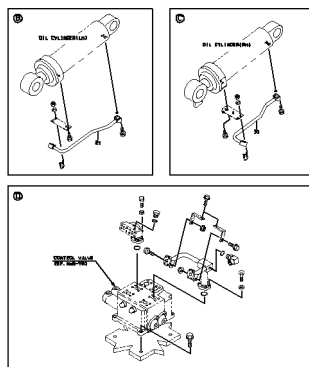
HYDRAULIC LINE - BUCKET (SHORT BOOM)

.....p.511



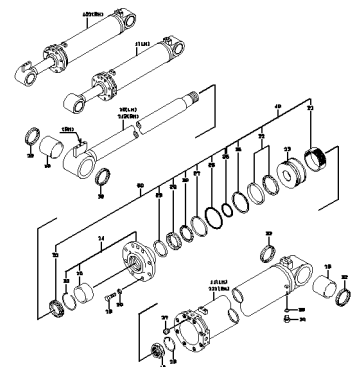
HYDRAULIC LINE - BUCKET (SHORT BOOM)

.....p.512



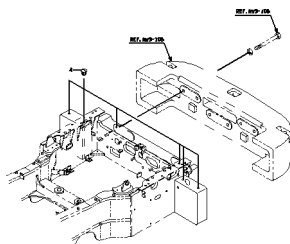
OIL CYLINDER (SHORT BOOM)

.....p.515



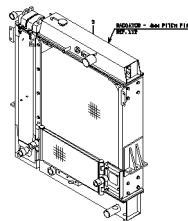
WEIGHT MOUNT (SHORT BOOM)

.....p.517



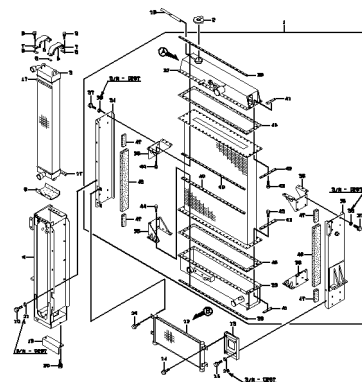
RADIATOR GROUP - 4MM PITCH FIN

.....p.519

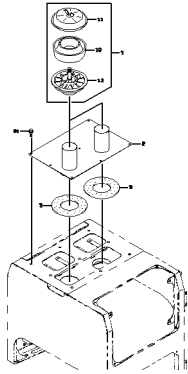


RADIATOR - 4MM PITCH FIN

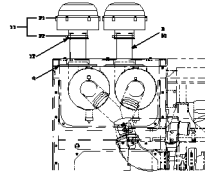
.....p.521



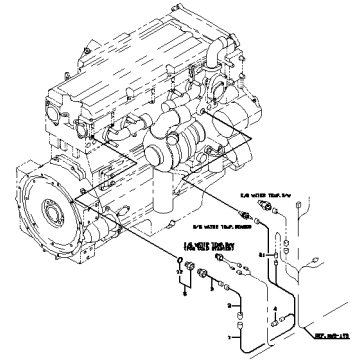
PRECLEANER MOUNT
.....p.523



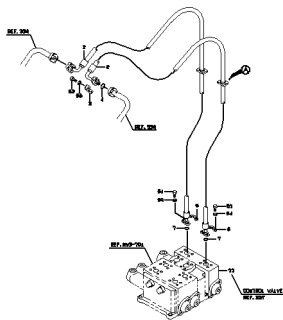
PRECLEANER MOUNT(MEINTENANCE-FREE)
.....p.525



CABLE MOUNT (GAUGE GROUP)
.....p.527

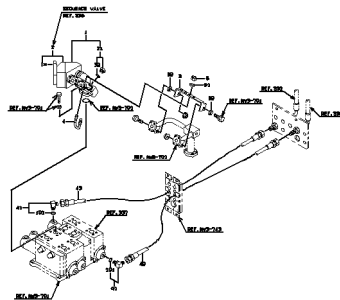


FRONT CHASSIS HYDRAULIC LINE (3 WAY PIPING)
.....p.529



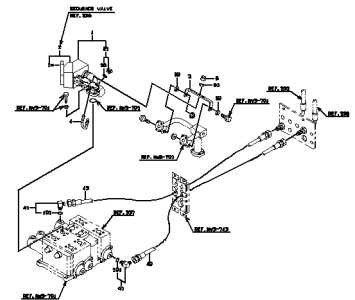
FRONT PILOT HYDRAULIC LINE (3 WAY PIPING)
.....p.531

<S/N 0101 - 0289>



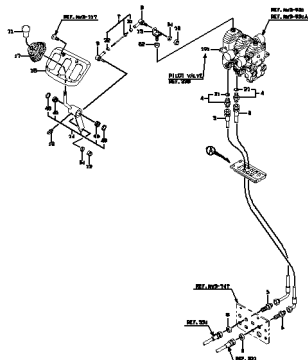
<S/N 0290 - >

FRONT PILOT HYDRAULIC LINE (3 WAY PIPING)
.....p.532



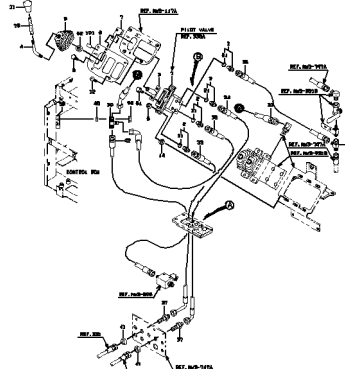
PILOT HYDRAULIC LINE (3 WAY PIPING) (S/N 0101 -
.....p.535

<S/N 0101 - 0289>

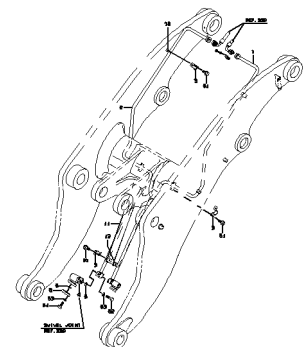


PILOT HYDRAULIC LINE (3 WAY PIPING) (S/N 0291 -
.....p.537

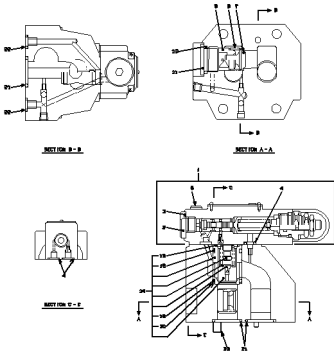
<S/N 0291 - >



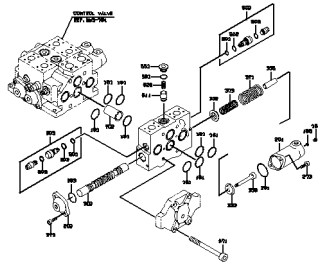
OIL PIPE MOUNT (3 WAY PIPING)
.....p.539



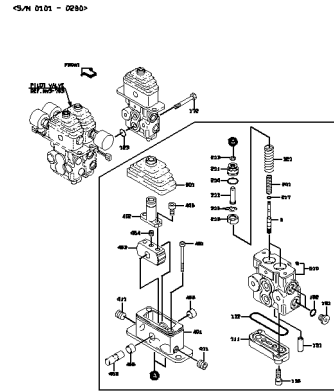
SEQUENCE VALVE
.....p.541



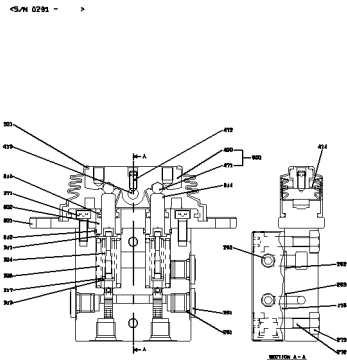
CONTROL VALVE
.....p.543



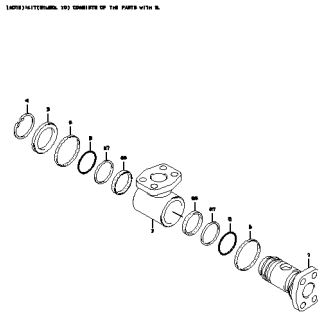
PILOT VALVE (S/N 0101 - 0290)
.....p.545



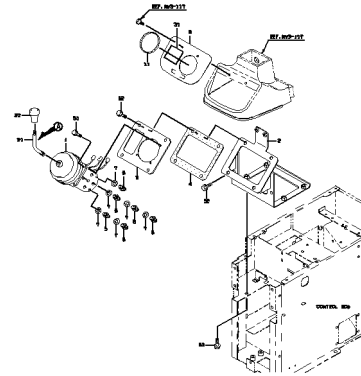
PILOT VALVE (S/N 0291 -)
.....p.547



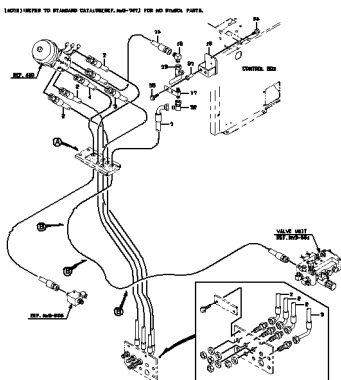
SWIVEL JOINT
.....p.549



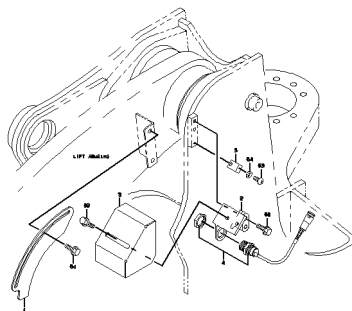
CONTROL GROUP (FOR SINGLE LEVER)
.....p.551



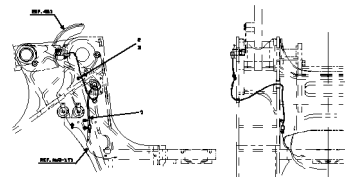
PILOT HYDRAULIC LINE (FOR HYDRAULIC SINGLE LEVER)
.....p.553



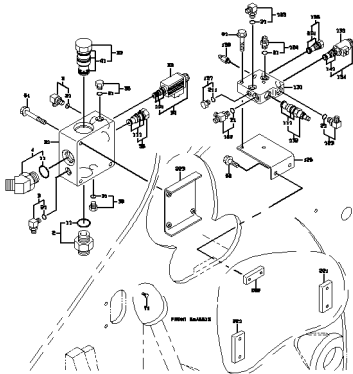
KICKOUT GROUP
.....p.555



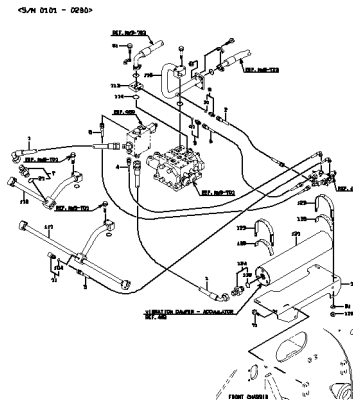
CABLE MOUNT (KICKOUT)
.....p.557



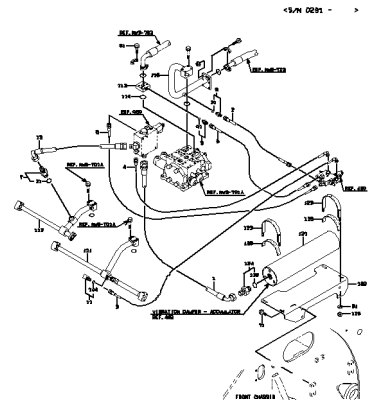
VIBRATION DAMPER-
CONTROL VALVE
.....p.559



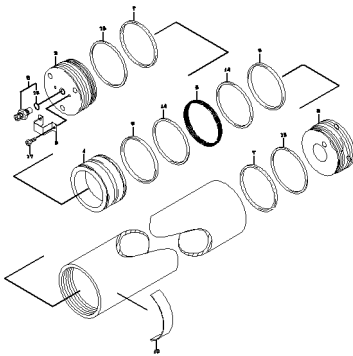
VIBRATION DAMPER-
HYDRAULIC LINE
.....p.561



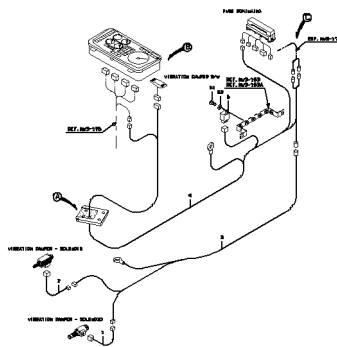
VIBRATION DAMPER-
HYDRAULIC LINE
.....p.562



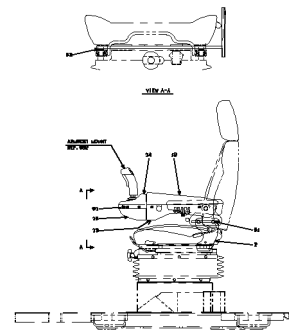
VIBRATION DAMPER-
ACCUMULATOR
.....p.565



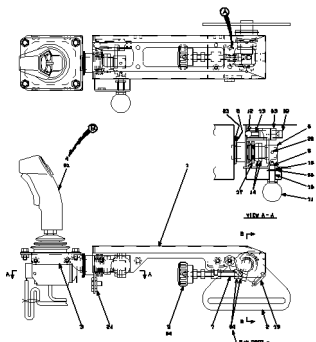
VIBRATION DAMPER-
ELECTRICAL WIRING
.....p.567



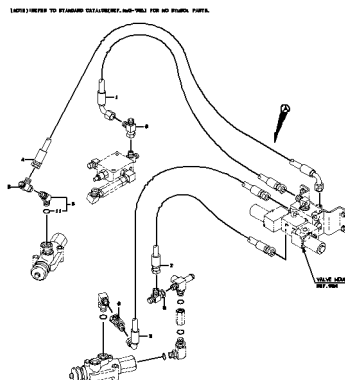
STICK STEERING GROUP
.....p.569



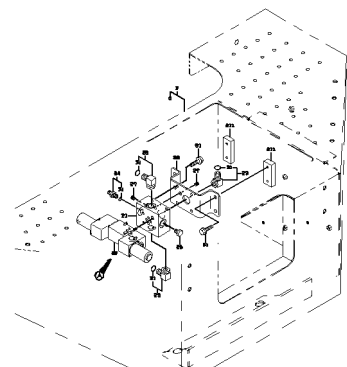
ARMREST ASSY
.....p.571



HYDRAULIC LINE
.....p.573

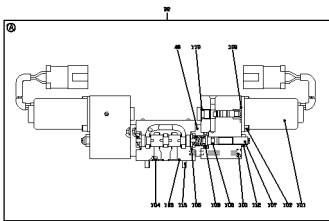


VALVE MOUNT
.....p.575



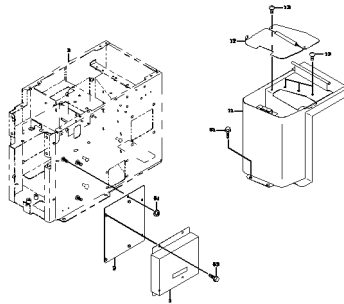
VALVE MOUNT

.....p.576



BOX MOUNT

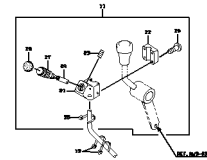
.....p.579



SWITCH MOUNT

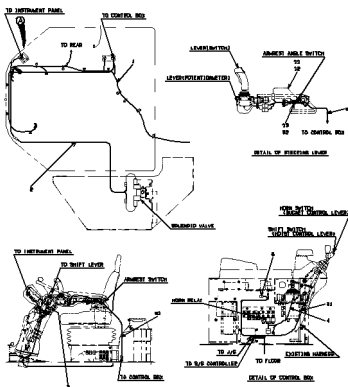
.....p.581

(NOTE) REFER TO FLUIDS CONNECTIONS (40-40) FOR HO FLUID PARTS.



CABLE MOUNT

.....p.583



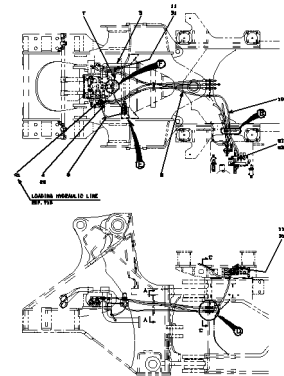
MULTI CONTROL VALVE

.....p.585



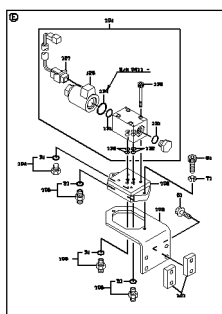
**HYDRAULIC LINE
(TWO-STEP RELIEF VALVE)**

.....p.587



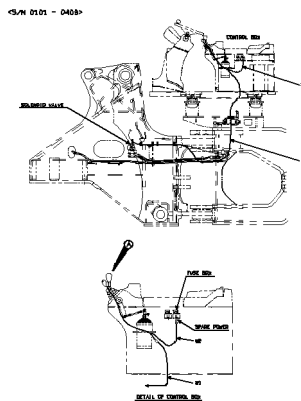
**HYDRAULIC LINE
(TWO-STEP RELIEF VALVE)**

.....p.588



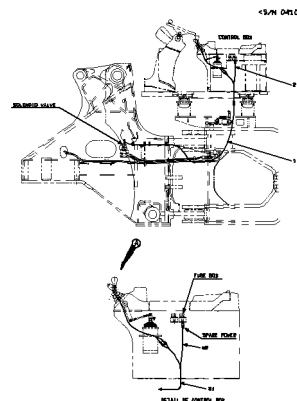
**CABLE MOUNT
(TWO-STEP RELIEF VALVE)**

.....p.591



**CABLE MOUNT
(TWO-STEP RELIEF VALVE)**

.....p.592



**COVER MOUNT -
TERMINAL**
.....p.595

**COVER MOUNT -
ALTERNATOR**
.....p.597

**SPONGE MOUNT
(PROTECTION AGAINST
DUST SPEC.)**
.....p.599

**SPONGE MOUNT
(PROTECTION AGAINST
DUST SPEC.)**
.....p.600

**CABLE MOUNT
(PROTECTION AGAINST
DUST SPEC.)**
.....p.603

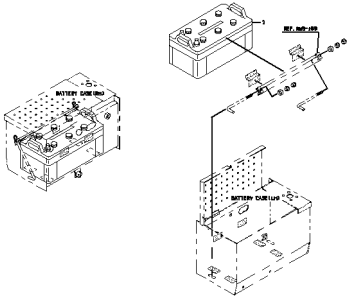
**SHIFT LEVER
(PROTECTION AGAINST
DUST SPEC.)**
.....p.605

**SWITCH MOUNT
(BATTERY ON/OFF)**
.....p.607

4 WAY FLASHER
.....p.609

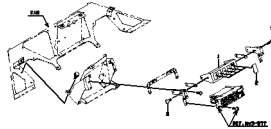
4 WAY FLASHER
.....p.610

BATTERY MOUNT (LARGE CAPACITY)
p.613

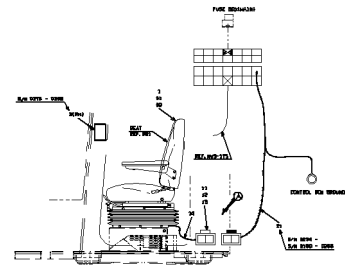


SWITCH MOUNT (FOR ADD ON SWITCH) (S/N 0188 -)
p.615

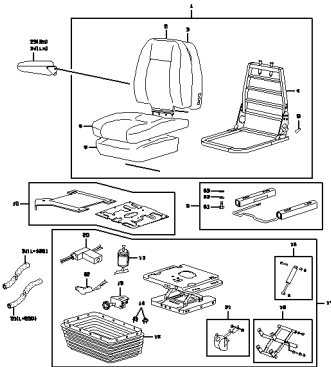
(S/N 0188 -)



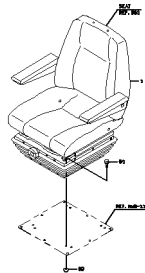
AIR SUSPENSION SEAT GROUP
p.617



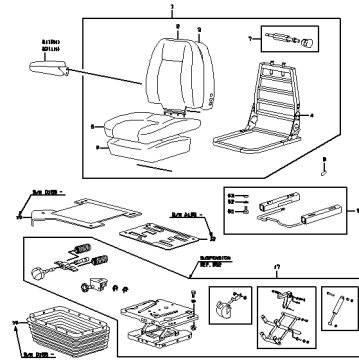
SEAT
p.619



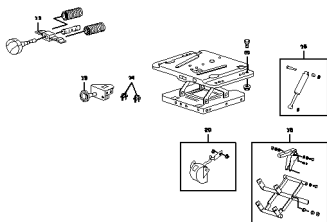
SEAT MOUNT
p.621



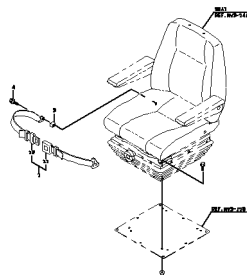
SEAT
p.623



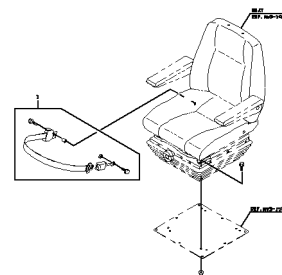
SUSPENSION
p.625



SEAT BELT
p.627



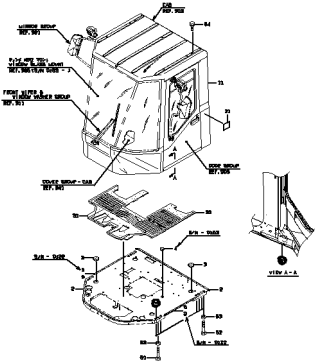
SEAT BELT (ROLL-UP TYPE)
p.629



CAB MOUNT

.....p.631

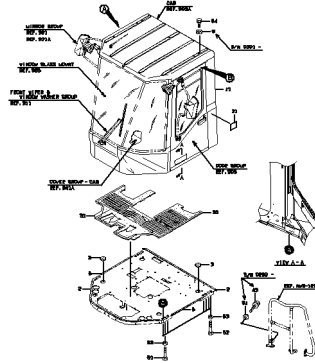
<S/N 0101 - 0197>



CAB MOUNT

.....p.632

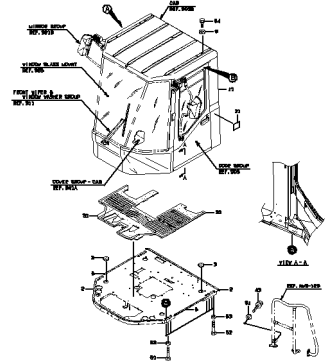
<S/N 0199 - 0386>



CAB MOUNT

.....p.633

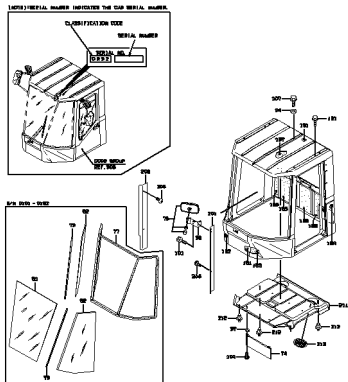
<S/N 0397 - >



CAB (S/N 0140 - 0194)

.....p.635

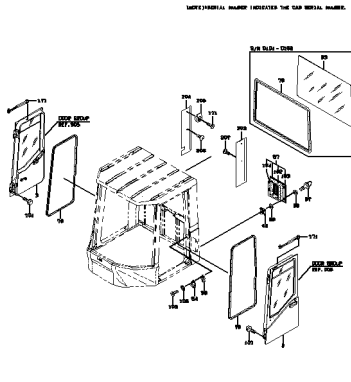
<S/N 0140 - 0194>



CAB (S/N 0140 - 0194)

.....p.636

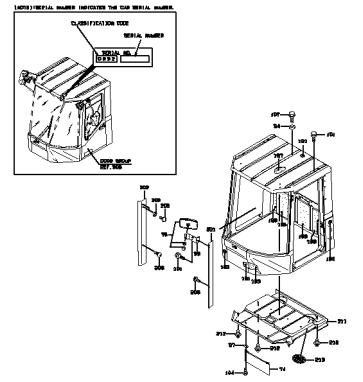
<S/N 0140 - 0194>



CAB (S/N 0195 - 0423)

.....p.639

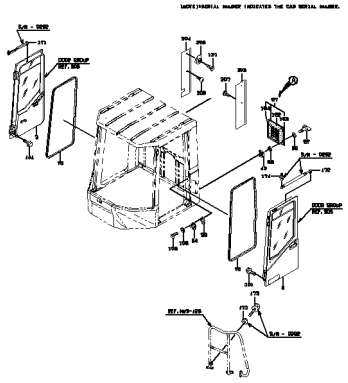
<S/N 0195 - 0423>



CAB (S/N 0195 - 0423)

.....p.640

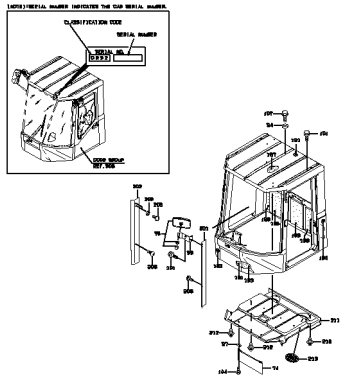
<S/N 0195 - 0423>



CAB (S/N 0424 -)

.....p.643

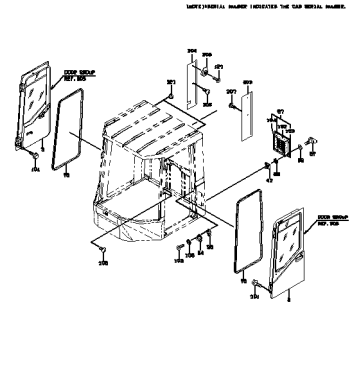
<S/N 0424 - >



CAB (S/N 0424 -)

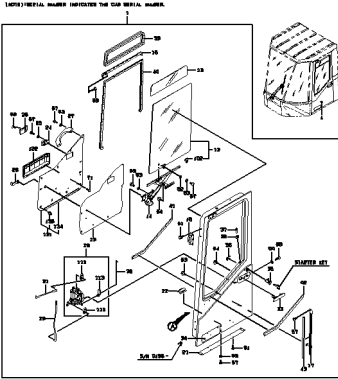
.....p.644

<S/N 0424 - >



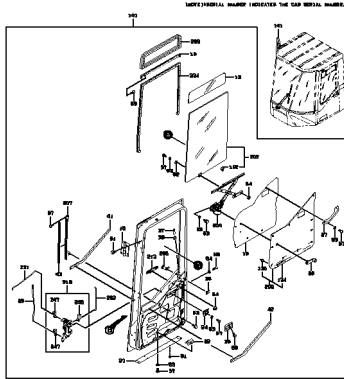
DOOR GROUP

.....p.647



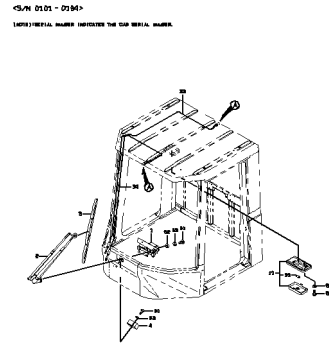
DOOR GROUP

.....p.648



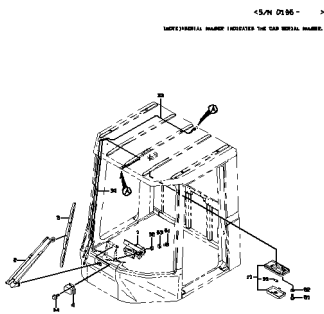
FRONT WIPER & WINDOW WASHER GROUP

.....p.651



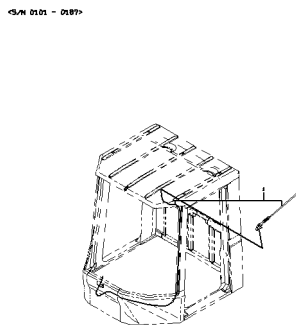
FRONT WIPER & WINDOW WASHER GROUP

.....p.652



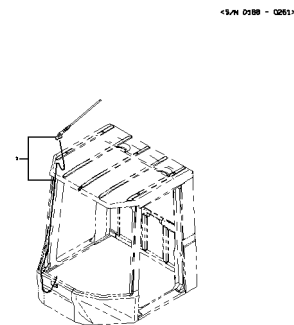
ELECTRICAL PARTS GROUP (S/N 0101 - 0386)

.....p.655



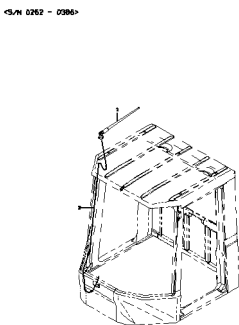
ELECTRICAL PARTS GROUP (S/N 0101 - 0386)

.....p.656



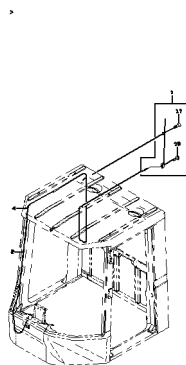
ELECTRICAL PARTS GROUP (S/N 0101 - 0386)

.....p.657



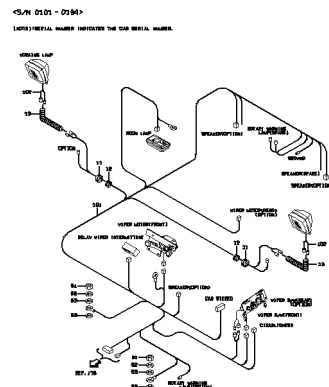
ELECTRICAL PARTS GROUP (S/N 0387 -)

.....p.659



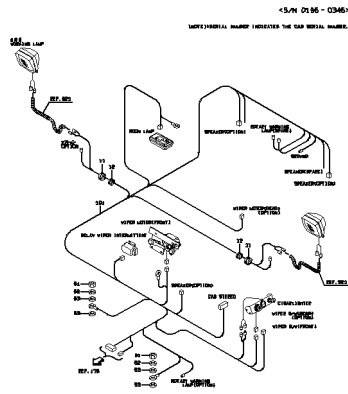
ELECTRICAL WIRING - CAB

.....p.661



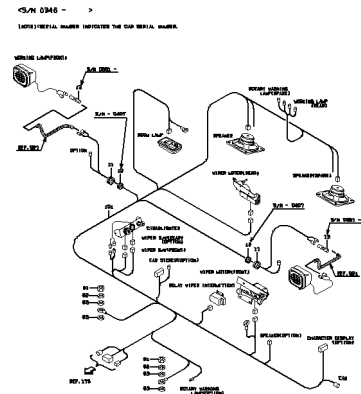
ELECTRICAL WIRING - CAB

.....p.662



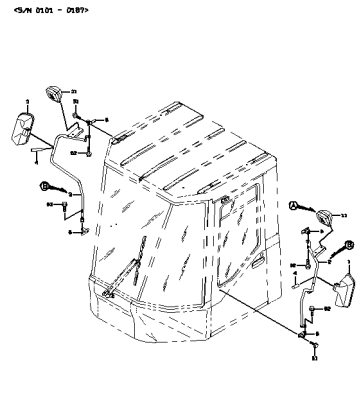
ELECTRICAL WIRING - CAB

.....p.663



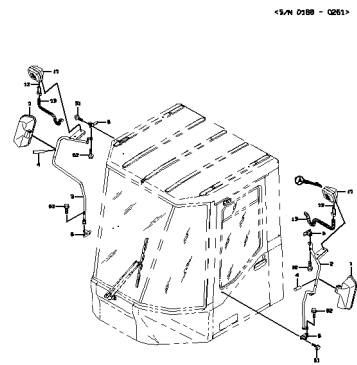
MIRROR GROUP (S/N 0101 - 0268)

.....p.665



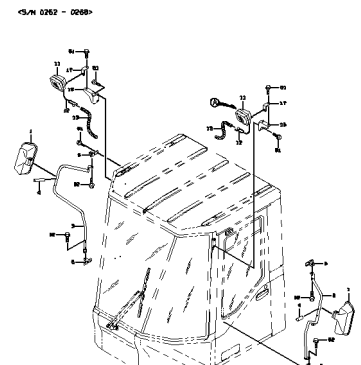
MIRROR GROUP (S/N 0101 - 0268)

.....p.666



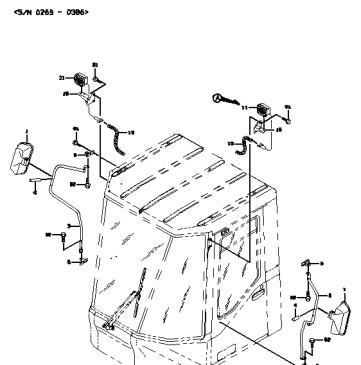
MIRROR GROUP (S/N 0101 - 0268)

.....p.667



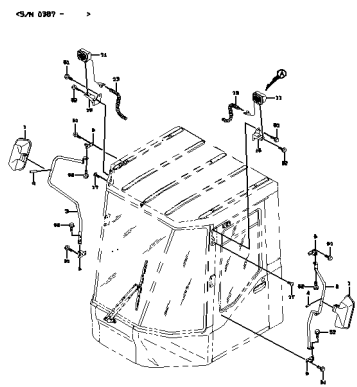
MIRROR GROUP (S/N 0269 - 0386)

.....p.669



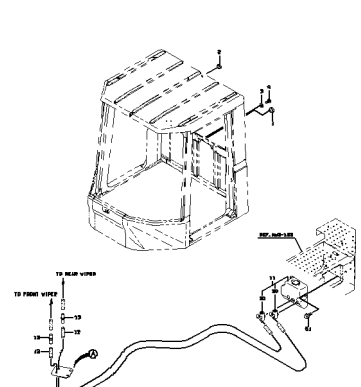
MIRROR GROUP (S/N 0387 -)

.....p.671



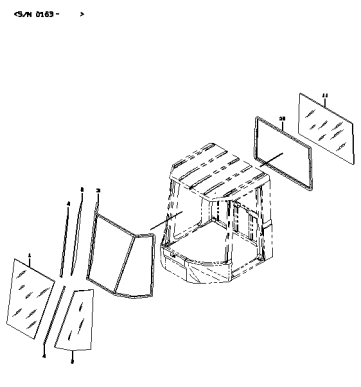
REAR WIPER & WINDOW WASHER GROUP

.....p.673

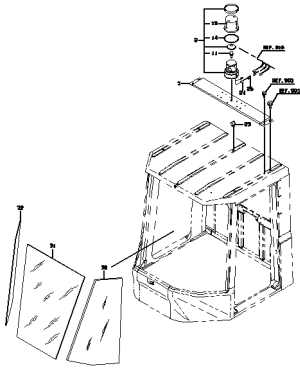


WINDOW GLASS MOUNT

.....p.675

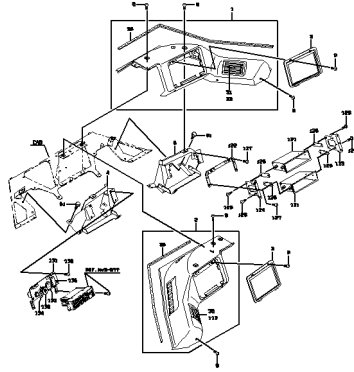


CAB OPTION PARTS
.....p.677



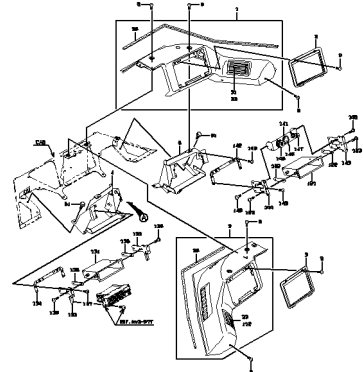
COVER GROUP - CAB (S/N
0101 - 0187)
.....p.679

(S/N 0101 - 0187)



COVER GROUP - CAB (S/N
0188 -)
.....p.681

(S/N 0188 -)



PARTS NAME INDEX

PARTS NAME INDEX

	PART NAME	PAGE		PART NAME	PAGE	
A	ACCUMULATOR ASSY	225,344,563,566	B	BULB	86,88,92,94,417,432,435 ...	
	ADAPTER	78,123,153,156,159,164 ...		BUSHING	6,12,14,132,134,177,189 ...	
	ADAPTER,ELBOW	123,127,153,156,159,164 ...		BUSHING,COLUMN	250	
	ADAPTER,ELBOW UNIO	123,153,216,225,320,323 ...		BUSHING,ELASTIC	3,38,44,46,60,98,102 ...	
	ADAPTER,SOCKET	320,323		BUZZER	80,83,88	
	ADAPTER,TEE	220,222,225,228,232,304 ...		C	CAB ASSY	401,405,409
	ADAPTER,TOOTH	382,384,392			CAB ASSY,ROPS	634,637,641,645
	ADAPTER,UNION	74,153,156,159,507			CABLE	102,103,108,353,423,479 ...
	ADJUSTOR ASSY	70,182,620,626			CABLE ASSY	18,92,94,96,98,102,103 ...
	AIR CONDITIONER UN	452,466			CAGE,NEEDLE	173,177,188,192
	ANGLE	277,284,290,486			CAM	548,572
	ANTENNA	423,658,660			CAM ASSY	548
	ARM	253,256,536,572			CAMSHAFT	349,546,548
	ARM ASSY	401,405,409,634,637,641			CAP	18,92,94,96,103,148,242 ...
	ARM ASSY,LIFT	6,490,504			CAP ASSY	22,138,140,522
	ARM,WIPER	417,442,653			CAP,ELASTIC	18,250,253,256,444,680
	ARMREST	31,34,68,570,620,624			CAP,TERMINAL	103,108,253,442,608,678
	ASHTRAY	31,34			CARRIER ASSY	334,342
AXLE ASSY,FRONT	188	CARTRIDGE ASSY	159			
AXLE ASSY,REAR	192	CASE	92,94,96,218,320,323 ...			
B	BALL	132,270,349,353,357,361 ...	CASE ASSY		270,349,546	
	BAND	92,94,96,225,563,582 ...	CASE,GEAR		334,342	
	BAND,HOSE	18,98,110,112,142,145 ...	CATCH		12,31,34,44,46,60,405 ...	
	BAND,HOSE-HIGH TOR	142,148,295	CATCH ASSY	60		
	BAR,ROUND	49,53,413,649	CATCH,DOOR	49,53,56,58,123,127		
	BATTERY	90,614	CATCH,MAGNET	46,454		
	BEARING ASSY,SPIDE	116	CHASSIS ASSY,FRONT	3		
	BEARING KIT	70,270,272,620,626	CHASSIS ASSY,REAR	12		
	BEARING SET	166	CIGARLIGHTER	444,446,680,682		
	BEARING,BALL	166,168,173,177,182,250	CLAMP	138,140,150,468,470,472 ...		
	BEARING,NEEDLE	168,177,253,256,270,536	CLAMP,CABLE	357,361		
	BEARING,ROLLER	166,180,182,202,206,208	CLAMP,HOSE	18,92,94,96,98,102,108 ...		
	BEARING,SPHERICAL	14	CLEANER ASSY,AIR	148		
	BEARING,TAPER ROLL	14,173,188,192,202,206 ...	CLIP	148,377,413,417,423,428 ...		
	BELT ASSY,SEAT	630	CLUTCH ASSY	170,173,464		
	BELT,SEAT	628	COLD STARTER KIT	153		
	BLADE,WIPER	417,442,653	COLLAR	236,238		
	BLOCK	22,110,112,184,216,220 ...	COLUMN ASSY	250		
	BLOCK,PILLOW	114	COMPRESSOR ASSY	462,464		
	BLOWER ASSY	466,472,474,476	COMPRESSOR KIT	620		
	BOARD ASSY,FLOOR	25	CONDENSER	460,474,476		
	BOARD ASSY,SCREEN	44,46	CONNECTOR	103,108,353		
	BODY	22,86,132,134,524,550 ...	CONTROLLER ASSY,WR	80,83		
	BOLT	12,14,22,25,38,53,60,66 ...	CONTROLLER UNIT	80,83,580		
	BOLT ASSY	140,522	CONVERTER	80,83		
	BOLT KIT	334,336,342	COOLER	138,140,522		
	BOLT SET	138,140,177,189,197,200 ...	COOLER ASSY,AIR	123,127		
	BOLT(UNIFY)	110,156,248,530,540	COOLER,OIL	138,140,522		
	BOLT,FLANGED	3,8,12,14,18,22,25,28 ...	CORE ASSY	138,140,468,474,476,522		
	BOLT,JOINT	22	COUPLER,CABLE	618		
	BOLT,SOCKET	22,166,170,184,188,189 ...	COUPLING	338,340		
	BOLT,SQUARE NECK	377,494	COVER	3,22,31,34,36,38,44,46 ...		
	BOLT,STUD	132,134,170,202,206,208 ...	COVER ASSY	22,49,53,56,58,60,68 ...		
	BOLT,U	145,150,156,159,284,285 ...	COVER ASSY,ROD	274,374,492,516		
	BOLT,W/WASHER	138,474,476,522,628	COVER,DRIVE	166		
	BOOT	31,34,92,94,96,236,238 ...	COVER,FRONT	338,340		
	BOSS	120,123,127,277	COVER,HEAD	240		
	BOX	12,36,444,446,454,580 ...	COVER,PEDAL	236,238		
	BOX ASSY	28,454,538	COVER,REAR	134,338		
	BOX,FUSE	80,83,84	COVER,ROD	240,372		
	BRACKET	31,80,83,110,120,123 ...	COVER,SEAT	68,620,624		
	BRACKET ASSY	236,238	CUP	413,649		
BRACKET,LAMP	86	CYLINDER	344,413,649			
BRAKE ASSY	182	CYLINDER ASSY,OIL	230,240,264,274,284,290 ...			
BRAKE FLUID	398	D	DAMPER	177		
BREAKER,CIRCUIT	80,83		DAMPER ASSY	70,449,470,620,626		
BREATHER	197,200,202,206,208		DECK	38,577		
BREATHER ASSY	164		DIFFERENTIAL ASSY	188,192,202,206,208		
BUCKET ASSY	380,382,384,387		DIODE	103,108		

PARTS NAME INDEX

	PART NAME	PAGE		PART NAME	PAGE	
D	DIODE ASSY	103,108	G	GUARD,RADIATOR	56,58	
	DISC	349,546		GUIDE	166,577	
	DISC,FRICITION	173,177,180,188,192		H	HANDLE	413,649
	DISC,SEPARATION	173,177,180,188,192			HANDLE,DOOR	413,649
	DISPLAY,CHARACTOR	83			HANDRAIL	41
	DOOR ASSY	405,409,413,468,470,472 ...			HANGER	405,409,637,641,645
	DRIVER,LOCK RING	213			HARNESS	474,476,589
	DRUM ASSY,CLUTCH	173,180			HEAD	377
	DRUM,BRAKE	182			HINGE	12,38,44,46,49,53,56,58 ...
	DRUM,CLUTCH	173			HOLDER	92,94,96,98,102,108,184 ...
	DUCT	449,524,526			HOLDER,HOSE	110,142,153,156,159,170 ...
	DUCT ASSY	449,454			HOLDER,PIPE	18,74,76,102,108,142 ...
	DUCT,DEFROSTER	449			HOLDER,SPRING	18,102,108,277,280,556
	DUCT,RADIATOR	123,127			HORN	80,84
E	EDGE	380,382,384,387,392,618	HORN ASSY		246	
	EDGE,SIDE	380,382,384,387	HOSE	170,452		
	EDGE,SPACE	392	HOSE,AIR	145,148,449,620		
	EDGE,WEAR	387,392	HOSE,COOLER	456,458		
	ELBOW	284,290	HOSE,HEAT RESISTIN	18,110,112,142,156,159 ...		
	ELEMENT	316	HOSE,HIGH PRESSURE	74,123,153,156,159,164 ...		
	ELEMENT,FILTER	22,148,156,218,320,323	HOSE,WATER	142,456		
	ENGINE	110	HOUSING	164,170,173,177,182,188 ...		
	ETHER CYLINDER	153	HOUSING ASSY	202,206,208		
	EVAPORATOR	468	HOUSING ASSY,AXLE	188,192		
	EXTENSION,AXLE HOU	189,193	HUB	173,180		
	F	FAN	120	HUB,INTERNAL GEAR	188,192	
		FAN ASSY	472,474,476	HUB,WHEEL	188,192	
		FENDER	3	I	IMPELLER ASSY,TURB	166
FILLER ASSY,FUEL		18	IMPELLER,PUMP		166	
FILTER		18,22,170,242,244,316 ...	INDICATOR		156	
FILTER ASSY,LINE		156,159,218,320,323	INDICATOR,FILTER		159	
FITTING		189,193,225,232,456	INJECTOR ASSY	70,620,626		
FITTING,BUSHING		112,220,222,456	J	JOINT	456	
FITTING,CROSS		310		JOINT ASSY,INIVERS	250	
FITTING,ELBOW		74,110,112,170,232,320 ...		JOINT ASSY,UNIVERS	250	
FITTING,NIPPLE		74,164,507		JOINT,BALL	253,256,536	
FITTING,SOCKET		170		JOINT,SWIVEL	540,550	
FITTING,TEE		312		JOINT,YOKE	230	
FLANGE		120,182,295,365	K	KEY	92,94,96	
FLANGE,SPLIT		284,290,300,308,312,316 ...		KEY,WOODRUFF	120	
FLARED FITTING		74,76,216,220,232,501 ...		KNOB	68,234,246,253,256,258 ...	
FLARED FITTING,ELB		18,74,76,150,164,200 ...	L	LABEL	34,395,582,608,618	
FLARED FITTING,TEE		222,232		LABEL KIT	395,538	
FLASHER UNIT		611		LABEL,LUBRICATION	395	
FLOAT		18		LABEL,MANUAL	552	
FRAME		60,68,86,138,140,435 ...		LABEL,SPECIFICATIO	634	
FUSE		80,83,84		LADDER	41	
G		GASKET		18,22,86,88,138,140,148 ...	LAMP	417,653
		GAUGE,FUEL LEVEL		92,94	LAMP,COMBINATION	88,611
	GAUGE,LEVEL	22,156,159		LAMP,HEAD	86,88,432,435,668,670 ...	
	GAUGE,OIL TEMPERAT	92,94		LAMP,ROTARY WARNIN	442,678	
	GAUGE,WATER TEMPER	92,94		LATCH ASSY	38,123,127	
	GEAR	166,168,173,180,182,188 ...		LENS	86,88,96,432,435,442 ...	
	GEAR ASSY	177		LEVER	31,34,182,250,253,256 ...	
	GEAR SET,SPIRAL BE	202,206,208		LEVER ASSY	6,504	
	GEAR,BEVEL	202,206,208		LEVER ASSY,CONTROL	468	
	GEAR,DRIVE	334,338,340,342		LEVER ASSY,SHIFT	248,572,606	
	GEAR,DRIVEN	132,134,334,338,340,342		LINK	230	
	GEAR,INTERNAL	177,188,192		LINK,BUCKET	6,504	
	GEAR,PLANET	173,177,188,192		LIQUID,LOCKING	398	
	GEAR,PUMP BOSS	166		LOCK	49,53,56,58,488	
	GEAR,SUN	177,188,192		LOCK ASSY,DOOR	413,649	
	GLASS	96	M	MAGNET	170	
	GLASS,WINDOW	405,413,440,442,637,649 ...		MAT,FLOOR	401,634	
	GRILLE	405,409,444,446,454,637 ...		METAL,SHELL	177	
	GROMMET	108,312,316,318,326,329 ...		METER,HOUR	92,94	
	GUAED,SPILL	382,384		MIRROR	432,435,668,670,672	
	GUARD,FAN	120		MIRROR,ROOM	405,409,637,641,645	
	GUARD,LAMP	86		MOTOR ASSY	474,476	

PARTS NAME INDEX

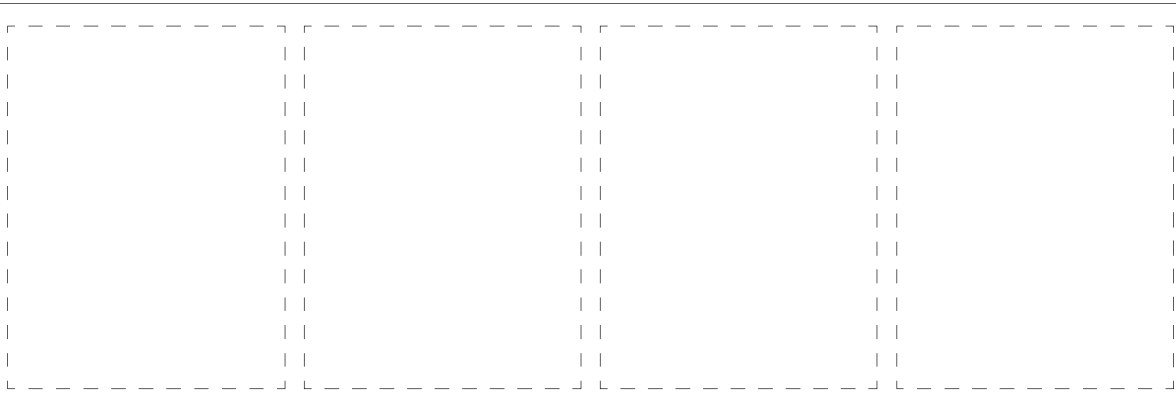
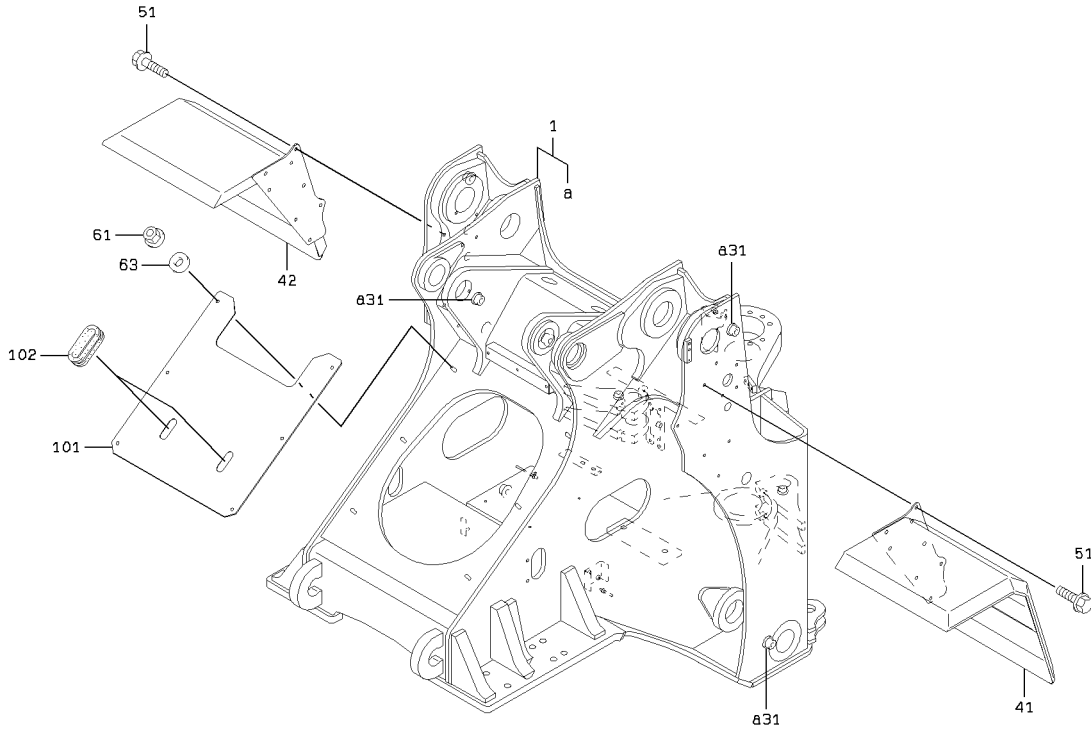
	PART NAME	PAGE		PART NAME	PAGE
M	MOTOR ASSY,WIPER	417,442,653	P	PUMP ASSY,OIL	300,332,334,338,340,342
	MOTOR,OIL	120,130,132,134,136		PUMP KIT	336
	MUFFLER	150		PUMP,OIL	300,336
N	NIPPLE	218,320,323	R	RACE	270
	NIPPLE,GREASE	8,14,74,76,114,116,202 ...		RADIATOR ASSY	123,127,138,140,520,522
	NIPPLE,HOSE	112,123,142,156,159,170 ...		RAIL	413,649
	NOZZLE	417,442,653		REGULATOR	413,649
	NOZZLE ASSY,DEFROS	449		RELAY	80,83,472,479,568
	NUT	12,31,34,44,46,60,80,83 ...		RELAY ASSY	417,653
	NUT,AXLE	188,192		RELAY,BATTERY	80,83
	NUT,BEARING	572		REPAIR KIT	186
	NUT,CAP	148,236,238		RESISTER	474,476
	NUT,FLANGED	3,18,22,25,34,38,49,53 ...		RESISTOR	468,528
	NUT,PISTON	274,372,374,492,516		RETAINER	180,182,236,238
	NUT,SELF-LOCKING	44,46,120,145,148,150 ...		RETAINER,BEARING	202,206
NUT,U	41,188,192,240	RETAINER,BRAKE	188,192		
NUT,WING	148	RETAINER,OIL SEAL	202,206		
O	ORBITROL(TM) ASSY	248,270,272	RETAINER,SEAL	132,134,182,270,338,340	
	ORIFICE	242,244,266,268,316	RETAINER,SPRING	173,180,266,268,346,544	
P	PACKING	22,138,140,197,200,242 ...	RIB	138,140,522	
	PACKING,U	240,274,365,372,374,492 ...	RIM	213	
	PAINT	398	RING	8,14,44,46,56,58,60,110 ...	
	PANEL	34,413,649	RING KIT,O	184	
	PANEL ASSY	96	RING,BACK-UP	136,266,268,274,346,372 ...	
	PANEL ASSY,CONTROL	479	RING,BUFFER	274,372,374,377,492,494 ...	
	PANEL ASSY,INSTRUM	92,94,96	RING,D	188,192	
	PEDAL	236,238	RING,LOCK	213,274	
	PEDAL ASSY,ACCEL	261	RING,O	8,22,78,112,123,127,132 ...	
	PIN	8,12,168,173,177,236 ...	RING,PISTON	166,173,180,186	
	PIN KIT	261	RING,RETAINER	132,134,270,338,340	
	PIN,ANCHOR	173,177	RING,SCRAPER	274,372,374,492,516	
	PIN,CENTER	14	RING,SIDE	213	
	PIN,HEAD	197,200,230	RING,SLIPPER	274,374,492	
	PIN,PLANET	188,192	RING,SNAP	18,22,49,53,166,168,173 ...	
	PIN,SNAP	12,236,238	RING,SQUARE	274,374,492	
	PIN,SPLIT	12,60,230	RING,STOP	274,372,374,492,516	
	PIN,SPRING	12,173,177,188,189,192 ...	RING,U	173,177,180,186	
	PIN,STRAIGHT	164,170,177,180,182,193 ...	RING,WEAR	188,192,197,200,202,206 ...	
	PIN,TAPER	120,338	RIVET	405,409,637,641,645	
	PIPE	253,256,284,290,456,552	ROD	36,90,236,238,242,253 ...	
	PIPE ASSY,FLARED	18,74,76,150,164,216 ...	ROD ASSY	377,494	
	PIPE,AIR	145,148	ROD,PISTON	240,274,372,374,492,516	
	PIPE,EXHAUST	150	ROD,PUSH	349,353,357,361,546,548	
	PIPE,OIL	156,159,164,284,285,290 ...	ROD,TIE	240	
	PIPE,WATER	142	ROLLER ASSY	236,238,261	
	PISTON	173,177,180,188,192,236 ...	ROOF	49,53	
	PLATE	3,6,8,12,14,18,22,25,28 ...	ROOF ASSY	405,409,637,641,645	
	PLATE ASSY	68,620,624	ROTOR ASSY	270	
	PLATE,ELASTIC	413,649	RUBBER	34	
	PLATE,END	114,270	RUBBER,CUSHION	25,49,53	
	PLATE,LOCK	114	S	SASH	413,649
	PLATE,MANUAL	22		SCRAPER	353,357,361
	PLATE,NAME	344,566		SCREW	12,18,28,31,34,36,38,44 ...
	PLATE,PRESSURE	338		SCREW,BLEED	188,189,192,193,232,560
	PLATE,SERIAL NUMBE	395		SCREW,SET	92,94,96,353,357,361 ...
	PLATE,VALVE	353,357		SCREW,TAPPING	31,34,36,86,88,413,432 ...
	PLATE,WEAR	132,134,338,340,392		SEAL	132,134,253,256,338,340 ...
	PLUG	8,34,60,74,92,94,96,112 ...		SEAL KIT	130,132,225,234,266,268 ...
	PLUG,ELASTIC	108,182,401,618,634		SEAL SET	372,516
	PLUG,MAGNET	18,22,188,192		SEAL,DUST	6,8,14,240,274,365,372 ...
	PLUNGER	164,242,244,542,586		SEAL,FLOATING	188,192
	POPPET	266,346,365,542,544,586		SEAL,GREASE	182,186
	PORT	338		SEAL,OIL	136,182,186,202,206,208 ...
	PRECLEANER	524,526		SEALANT	120,398
	PROPELLER SHAFT AS	110,114,116		SEAT	236,238,244
	PROPELLER SHAFT AS	110,114		SEAT ASSY	66,68,618,620,622,624
	PROPELLER SHAFT AS	110,116		SEAT ASSY,SUB	68
	PROTECTOR	344,566		SEAT BACK	68,620,624
	PUMP ASSY	168,438,674		SEAT CUSHION	68,620,624

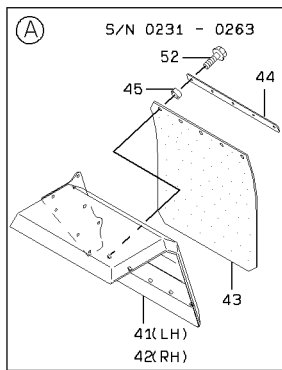
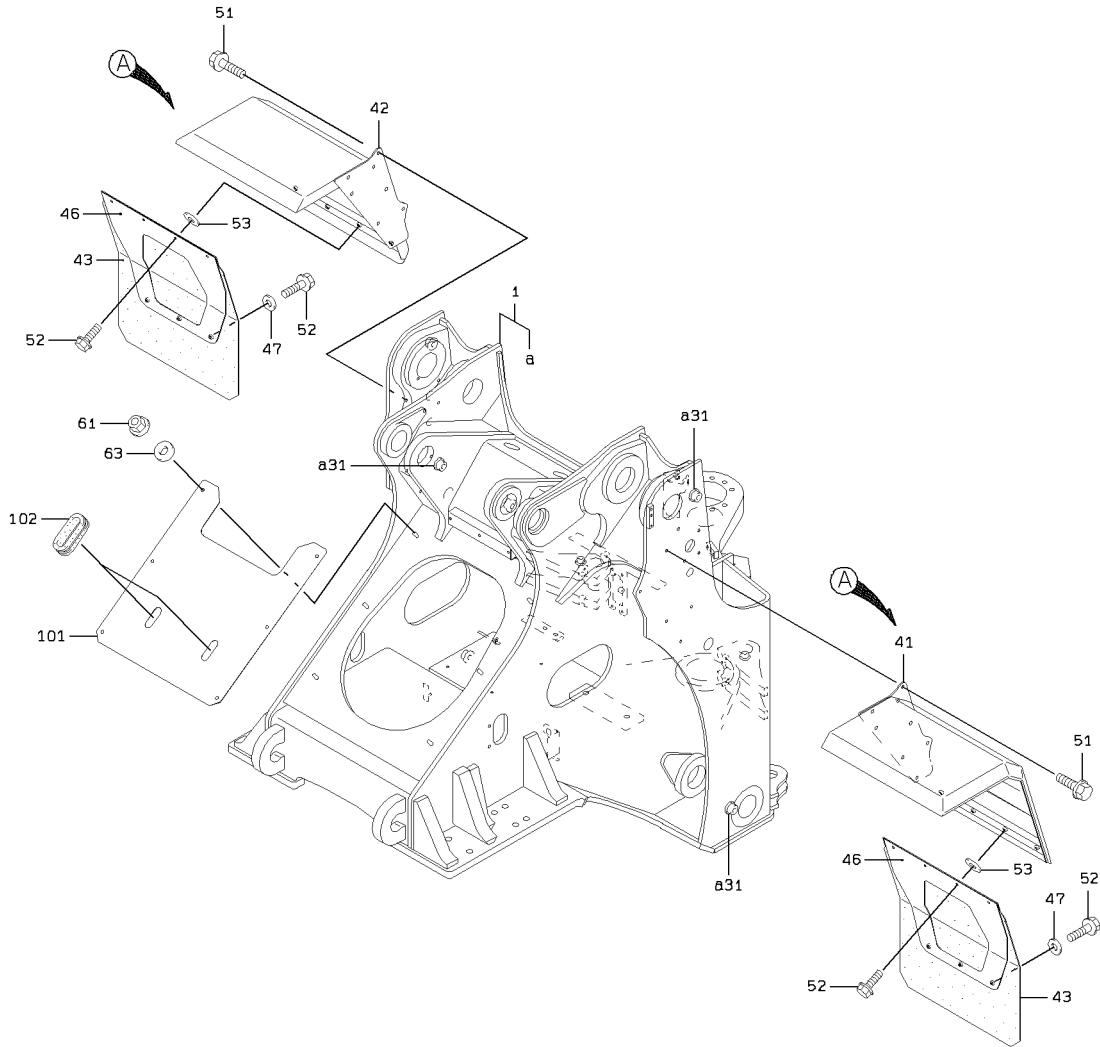
PARTS NAME INDEX

	PART NAME	PAGE		PART NAME	PAGE	
S	SEAT,SPRING	242,244,349,353,357,361 ...	T	TOOTH,CORNER	382,384,392	
	SENSOR	261,468,482		TRANSMISSION ASSY	110,164	
	SENSOR,FUEL LEVEL	18		TRQ CONV SUB ASSY	164,166	
	SENSOR,OIL LEVEL	78		TRUNNION	208	
	SENSOR,PRESSURE	148		TUBE	22,428,468,618,664	
	SENSOR,TEMPERATURE	78,164,482		TUBE ASSY,CYLINDER	494	
	SERVO ASSY	468,470,472		TUBE KIT	468	
	SHAFT	168,182,197,200,270,353 ...		TUBE,CONDUIT	428,432,435,664,668,670 ...	
	SHAFT ASSY	173,182,248,250		TUBE,CYLINDER	240,274,372,374,377,492 ...	
	SHAFT ASSY,STATOR	166		TUBE,SPIRAL	98	
	SHAFT,AXLE	188,192		TUBE,VINYL	31,34,138,140,258,417 ...	
	SHAFT,DRIVE	132,134		U	UNIT ASSY	466,468
	SHAFT,GEAR	177			V	VALVE
	SHAFT,TURBINE	166		VALVE ASSY		22,225,234,236,238,316 ...
	SHEET,CAB	413,649		VALVE ASSY,BRAKE		232,236,238
	SHEET,RUBBER	3,12,41,49,53,60,90,92 ...		VALVE ASSY,BREATHE		22
	SHIM	8,14,138,140,166,202 ...		VALVE ASSY,CHECK		310,560
	SHOE,BRAKE	182		VALVE ASSY,MULTIPL		284,290,346,530,544
	SLEEVE	14,22,108,110,114,166 ...		VALVE ASSY,SOLENOI		577
	SLEEVE ASSY	524		VALVE ASSY,STEERIN		266,268,304,306
	SLIDE ASSY	68,620,624		VALVE KIT		184,620
	SOLENOID	184,225,234,349,357,361 ...	VALVE UNIT	184,213		
	SPACER	3,38,49,53,136,150,168 ...	VALVE,CHECK	136,216,234,370,417,560 ...		
	SPIDER	173,177,202,206,208	VALVE,PILOT	242,244,253,256,258,349 ...		
	SPIDER ASSY,JOURNA	114	VALVE,REDUCING	184,225,234,320,323,560		
	SPONGE	28,123,127,401,405,409 ...	VALVE,RELIEF	22,136,266,268,346,368 ...		
	SPOOL	242,244,268,365,544	VALVE,SEQUENCE	533,542		
	SPOOL ASSY	184,268	VALVE,SOLENOID	170,184,589		
	SPRING	22,90,136,164,173,177 ...	VALVE,UNLOADER	218,242,244		
	SPRING KIT	620	VALVE,VACUATOR	148		
	SPRING,GAS	248,401,409,634,641	VISOR,SUN	405,409,637,641,645		
	STAND ASSY	28,36	W	WASHER	31,34,138,166,173,177 ...	
	STATOR	166		WASHER,AXLE	188,192	
	STAY	432,435,668,670,672		WASHER,CONICAL SPR	14,572	
	STAY ASSY	60		WASHER,PLANE	3,8,12,14,18,25,31,34 ...	
	STEP	41		WASHER,SEAL	18,22,78,159,164,166 ...	
	STEP ASSY	41		WASHER,SPRING	12,14,38,44,46,60,68,78 ...	
	STOPPER	60,236,238,346,380,382 ...		WASHER,THRUST	572	
	STOPPER ASSY	70,620,626		WASHER,TOOTH	250,405,409,413,572,611 ...	
	STRAINER	22		WEIGHT	12,484	
	STRIP, SEAL	12,49,53,62,80,83,123 ...		WHEEL ASSY,STEERIN	246	
SUPPORT	138,140,522	WHEEL,DISC		213		
SUPPORT ASSY	68,624	WHEEL,STEERING		246		
SUPPORT,AXLE	197,200	WINDOW WASHER ASSY		438,674		
SUSPENSION ASSY	68,70,620,624,626	WIRE	49,53			
SWITCH	92,94,96,442,568,582 ...	Y	YOKE ASSY,SLEEVE	114		
SWITCH ASSY	92,94,96,582,593		YOKE,FLANGE	202,206,208		
SWITCH ASSY,STARTE	92,94,96					
SWITCH,BATTERY	608					
SWITCH,FLASHER	248					
SWITCH,LEVEL	18					
SWITCH,LEVER	572					
SWITCH,MAGNET	80,83					
SWITCH,PRESSURE	232,234,468					
SWITCH,PROXIMITY	164,170,277,280,556,572					
SWITCH,PUSH	92,94,96,582,593					
SWITCH,PUSH-PULL	92,94,96					
SWITCH,TEMPERATURE	78,164,528					
SWITCH,WIPER	442,444,446,680,682					
T	TACHOMETER	92,94				
	TANK	138,140,460,522				
	TANK,FUEL	18				
	TANK,OIL	22				
	TERMINAL	103,108,253,442,528,618 ...				
	THERMOSTAT	468				
	TIRE ASSY,TUBELESS	213				
	TOOTH	382,384,392				
	TOOTH ASSY	382,384,392				
	TOOTH ASSY,CORNER	382,384,392				

FRONT CHASSIS GROUP

<S/N 0101 - 0230>





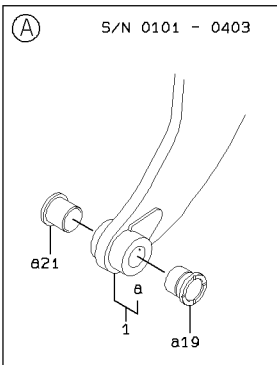
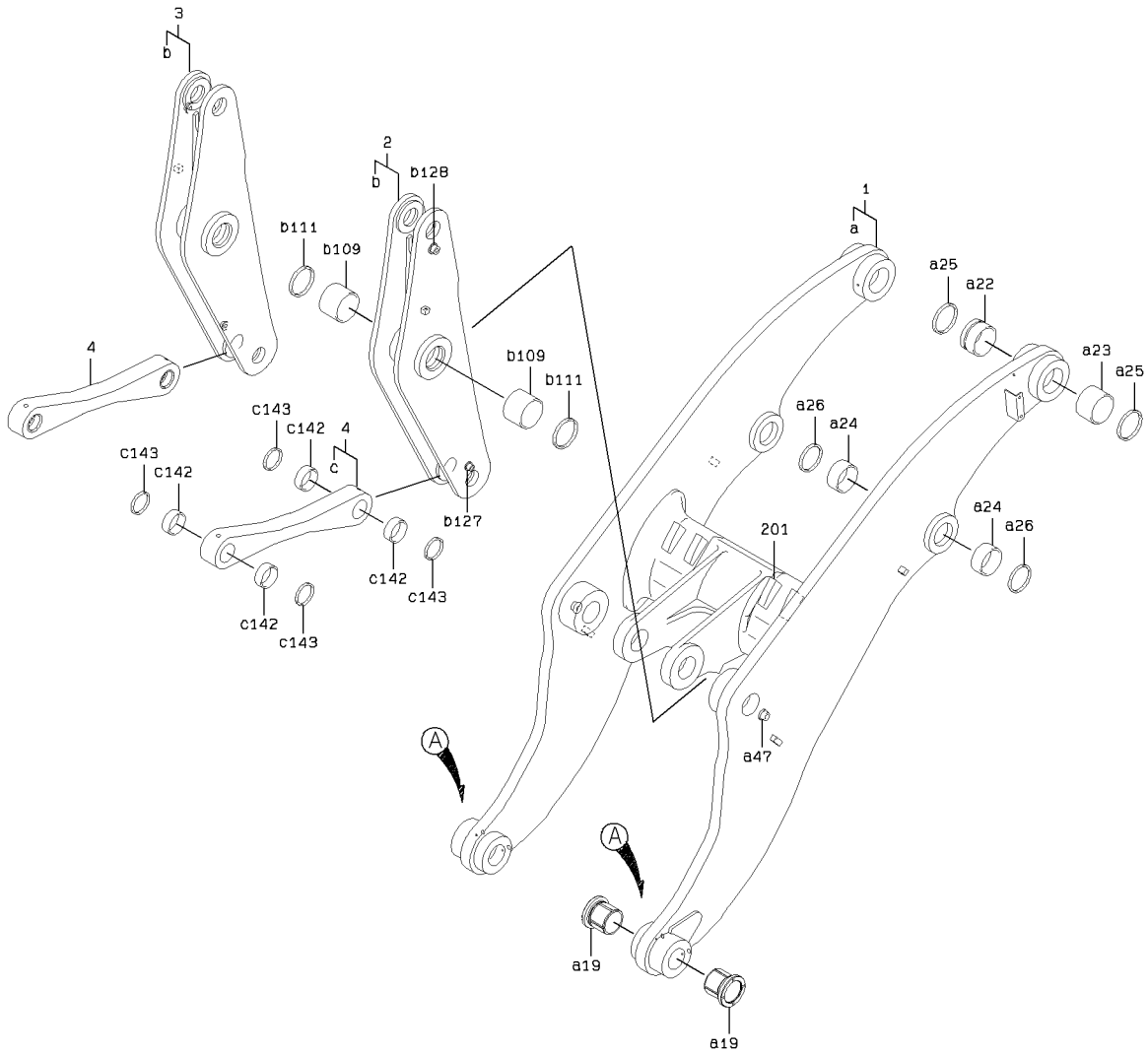
2-C

FRONT CHASSIS GROUP

SYM-BOL	PART NUMBER	PART NAME	UNIT Q,TY	SERIAL		REMARKS								
				(A)	(B)	N	P	D	(A)	(B)	(C)	(D)	REMARK	
1A	34256-23220	CHASSIS ASSY,FRONT	1	101	290									
1B	34256-23750	CHASSIS ASSY,FRONT	1	291		B				Y01				
31A	41621-20340	PLATE	6	101						Y01				
41A	40410-24810	FENDER	1	101	230					01				WELDING
41B	40410-25740	FENDER	1	231	263	B								FR LH
41C	40410-28650	FENDER	1	264		B								FR LH
42A	40410-24820	FENDER	1	101	230									FR RH
42B	40410-25750	FENDER	1	231	263	B								FR RH
42C	40410-28660	FENDER	1	264		B								FR RH
43A	33713-27770	SHEET,RUBBER	2	231	263									
43B	33713-29160	SHEET,RUBBER	2	264		B								
44A	41618-35800	PLATE	2	231	263			D						
45A	35700-20720	SPACER	10	231	263			D						
46A	41750-30770	PLATE	2	264										
47A	46011-20050	WASHER,PLANE	6	264										
51A	61802-12020	BOLT,FLANGED	10	101										
52A	61802-10030	BOLT,FLANGED	10	231	263									
52B	61802-10020	BOLT,FLANGED	14	264		B								
53A	62701-40121	WASHER,PLANE	8	264										
61A	62480-21101	NUT,FLANGED	6	101										
63A	62710-18101	WASHER,PLANE	6	101										
101A	31205-38980	COVER	1	101										
102A	65801-63032	BUSHING,ELASTIC	2	101										

MEMO

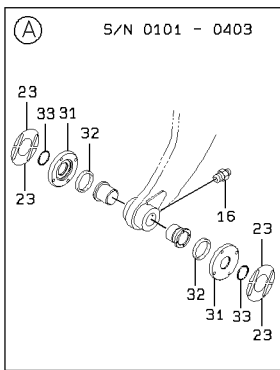
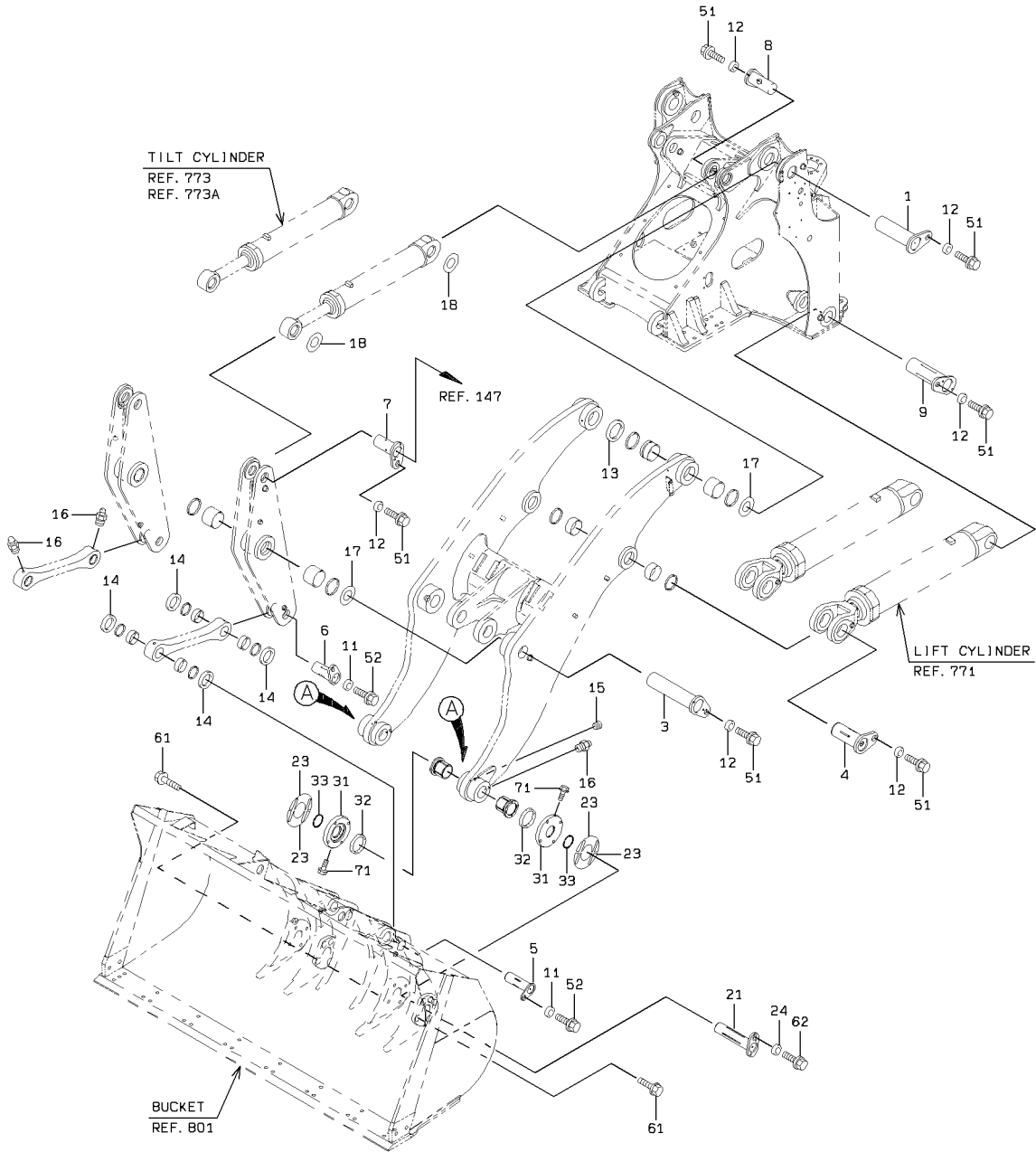
LIFT ARM GROUP



LIFT ARM GROUP

SYM-BOL	PART NUMBER	PART NAME	UNIT Q,TY	SERIAL		REMARKS									
				(A)	(B)	N	P	D	(A)	(B)	(C)	(D)	REMARK		
1A	30040-22880	ARM ASSY,LIFT	1	101	- 135										
1B	30040-23400	ARM ASSY,LIFT	1	136	- 230	B				Y01					
1C	30040-23830	ARM ASSY,LIFT	1	231	- 271	B				Y01					
1D	30040-24490	ARM ASSY,LIFT	1	272	- 403	C				Y01					
1E	30040-25310	ARM ASSY,LIFT	1	404	-	C				Y01					
2A	45610-22070	LEVER ASSY	1	101	- 135						Y02				FR LH
2B	45610-22710	LEVER ASSY	1	136	-	C					Y02				FR LH
3A	45610-22090	LEVER ASSY	1	101	- 135						Y02				FR RH
3B	45610-22730	LEVER ASSY	1	136	-	C					Y02				FR RH
4A	45125-20730	LINK,BUCKET	2	101	- 230							Y03			
4B	45125-21470	LINK,BUCKET	2	231	-	C						Y03			
19A	40840-25360	BUSHING	2	101	- 403					01					
19B	40840-26190	BUSHING	4	404	-	B				01					
21A	40840-25430	BUSHING	2	101	- 403	D				01					
22A	40840-00010	BUSHING	2	101	-					01					
23A	63422-47780	BUSHING	2	101	-					01					
24A	63422-46490	BUSHING	4	101	-					01					
25A	65051-02209	SEAL,DUST	4	101	-					01					
26A	65051-02007	SEAL,DUST	4	101	-					01					
47A	41621-20340	PLATE	2	101	-					01					WELDING
109A	63422-47880	BUSHING	2	101	-						02				
111A	65051-02209	SEAL,DUST	2	101	-						02				
127A	41621-20320	PLATE	1	101	-						02				WELDING
128A	41621-20340	PLATE	1	101	-						02				WELDING
142A	63422-43315	BUSHING	4	101	-							03			
143A	65051-01608	SEAL,DUST	4	101	-							03			
201A	41600-22280	PLATE	4	101	- 135										WELDING
201B	41608-23940	PLATE	4	136	-	B									WELDING

PIN MOUNT

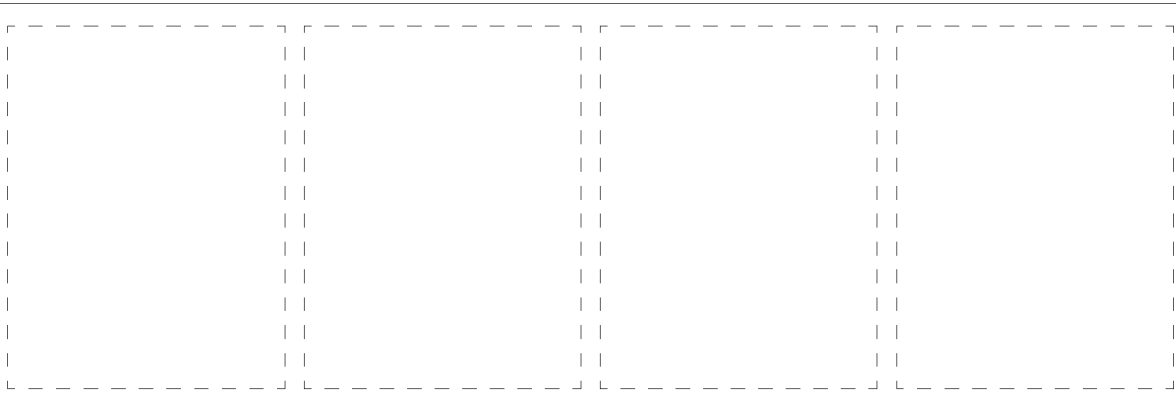
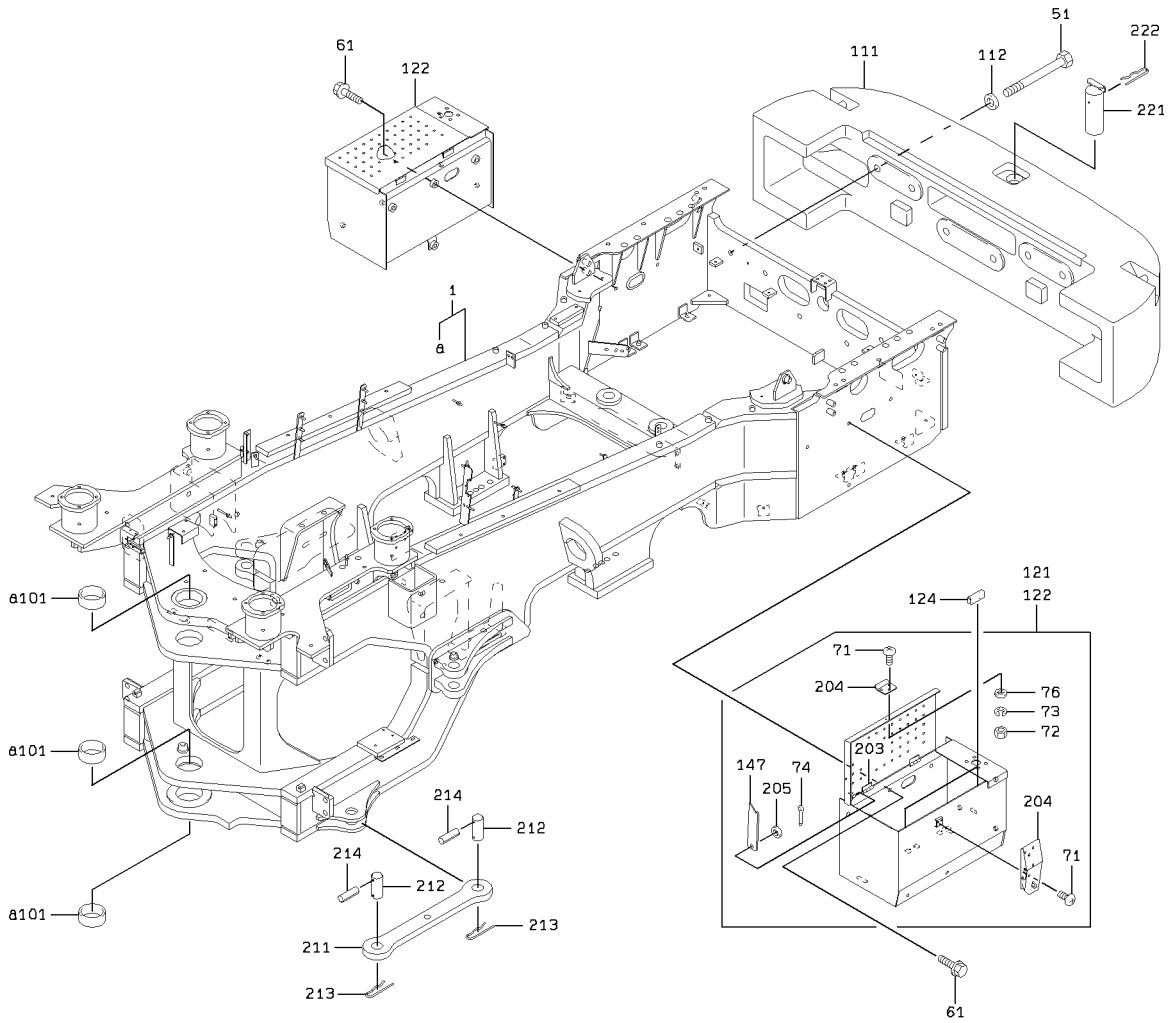


PIN MOUNT

SYM-BOL	PART NUMBER	PART NAME	UNIT Q.TY	SERIAL		REMARKS						
				(A)	(B)	N	P	D	(A)	(B)	(C)	(D)
1A	40000-26170	PIN	2	101	-							D=110 X 353L
3A	40000-26610	PIN	2	101	-							D=110 X 493L
4A	40000-30230	PIN	2	101	-							D=100 X 243L
4B	40000-45330	PIN	2	336	-							D=100 X 243L
4C	40000-45860	PIN	2	404	-							
5A	40000-26570	PIN	2	101	-							D=80 X 256L
6A	40000-26620	PIN	2	101	-							D=80 X 196L
7A	40000-26600	PIN	2	101	-							D=90 X 203L
8A	40000-26590	PIN	2	101	-							D=90 X 213L
9A	40000-26580	PIN	2	101	-							D=100 X 363L
11A	46011-20940	WASHER,PLANE	4	101	-							
12A	46011-20170	WASHER,PLANE	12	101	-							
13A	41621-25120	PLATE	A/R	101	-							T=4.5
14A	41621-20290	PLATE	A/R	101	-							T=1.0
15A	88390-16102	PLUG	2	404	-							
16A	75011-25400	NIPPLE,GREASE	6	101	-							
17A	41621-24500	PLATE	A/R	101	-							T=1.0
18A	41621-20200	PLATE	A/R	101	-							T=1.0
21A	40000-26560	PIN	2	101	-							D=90 X 423L
21B	40000-42170	PIN	2	239	-							D=90 X 423L
23A	34200-21260	SHIM	A/R	101	-							T=0.5 & 1.0
24A	46011-20950	WASHER,PLANE	2	101	-							
31A	45200-27040	RING	4	101	-							
31B	45200-30430	RING	4	404	-							
32A	65051-02610	SEAL,DUST	4	101	-							
33A	65210-12090	RING,O	4	101	-							
51A	61802-20032	BOLT,FLANGED	12	101	-							
52A	61802-16020	BOLT,FLANGED	4	101	-							
61A	61802-20065	BOLT,FLANGED	16	101	-							
62A	61802-20032	BOLT,FLANGED	2	101	-							
71A	61802-10016	BOLT,FLANGED	8	404	-							

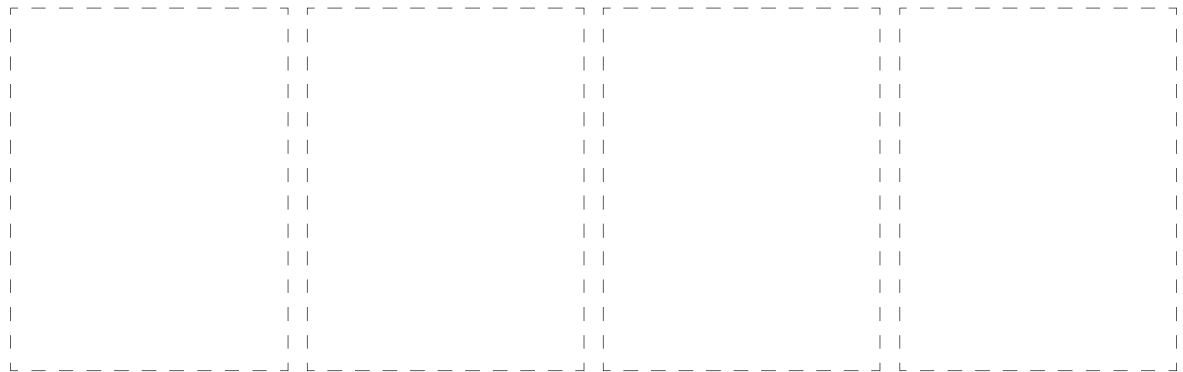
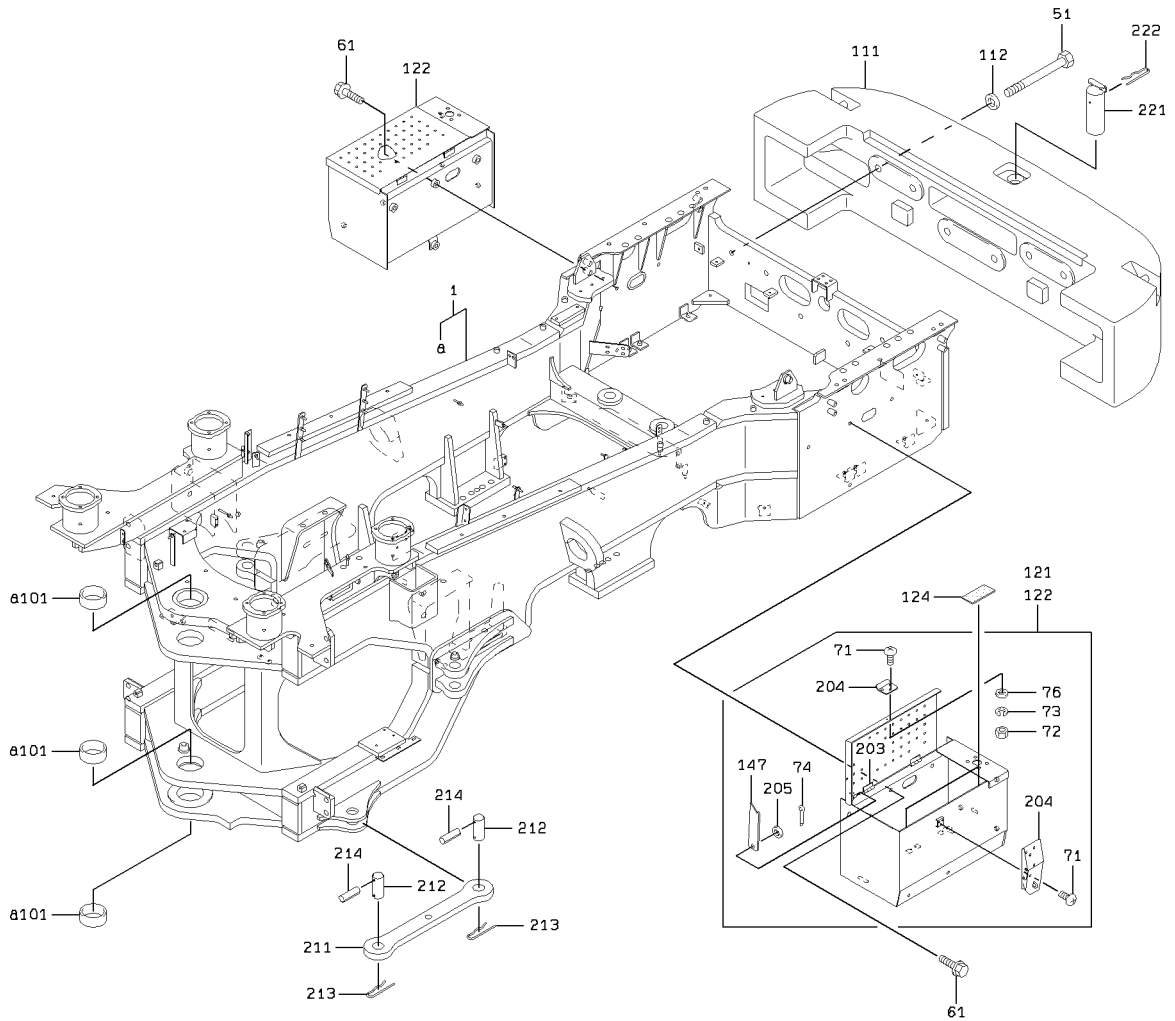
REAR CHASSIS GROUP

<S/N 0101 - 0121>



REAR CHASSIS GROUP

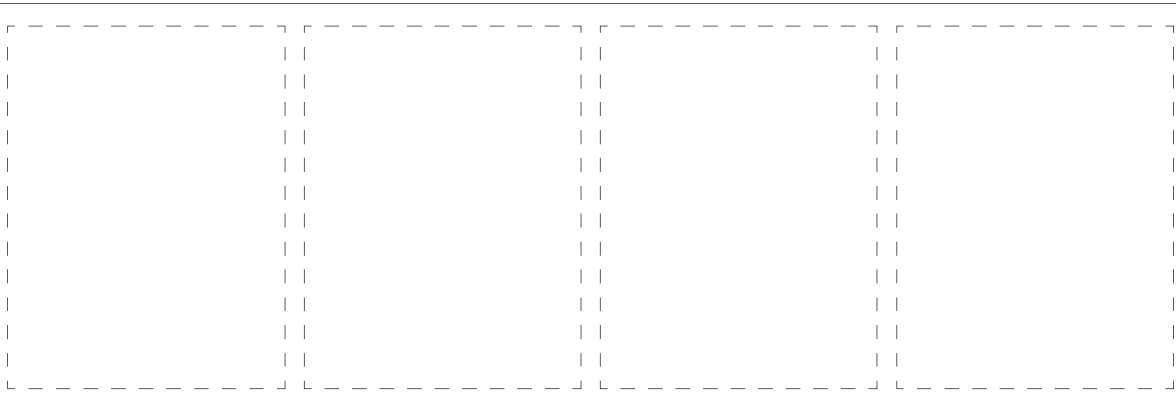
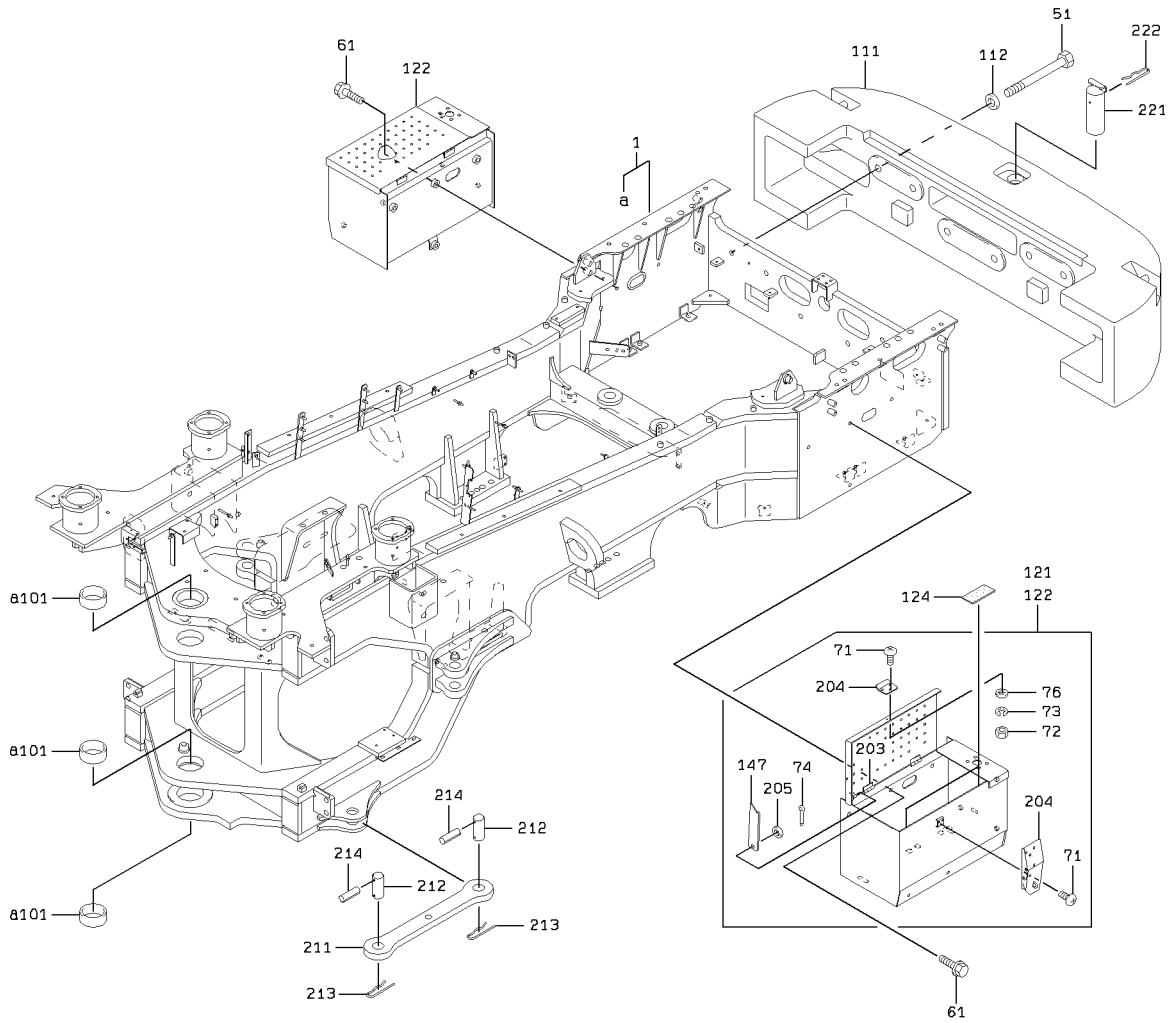
<S/N 0122 - 0410>



2-8

REAR CHASSIS GROUP

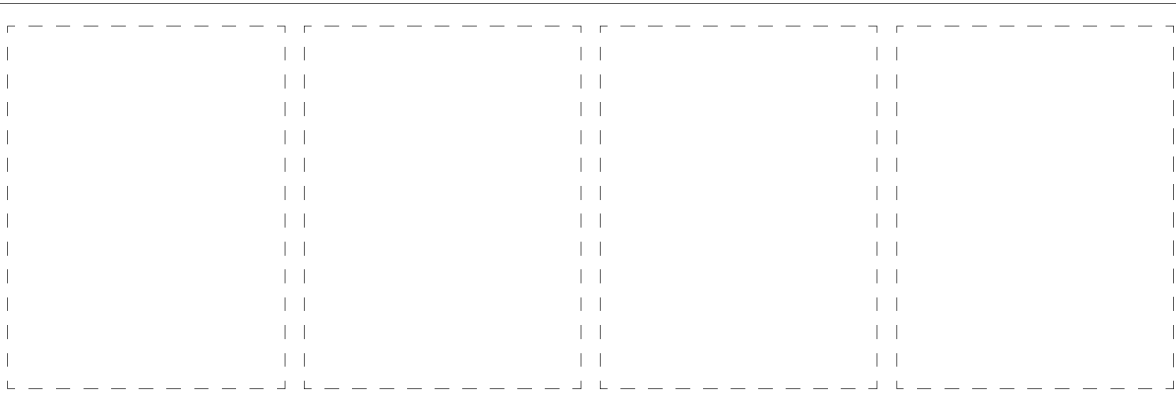
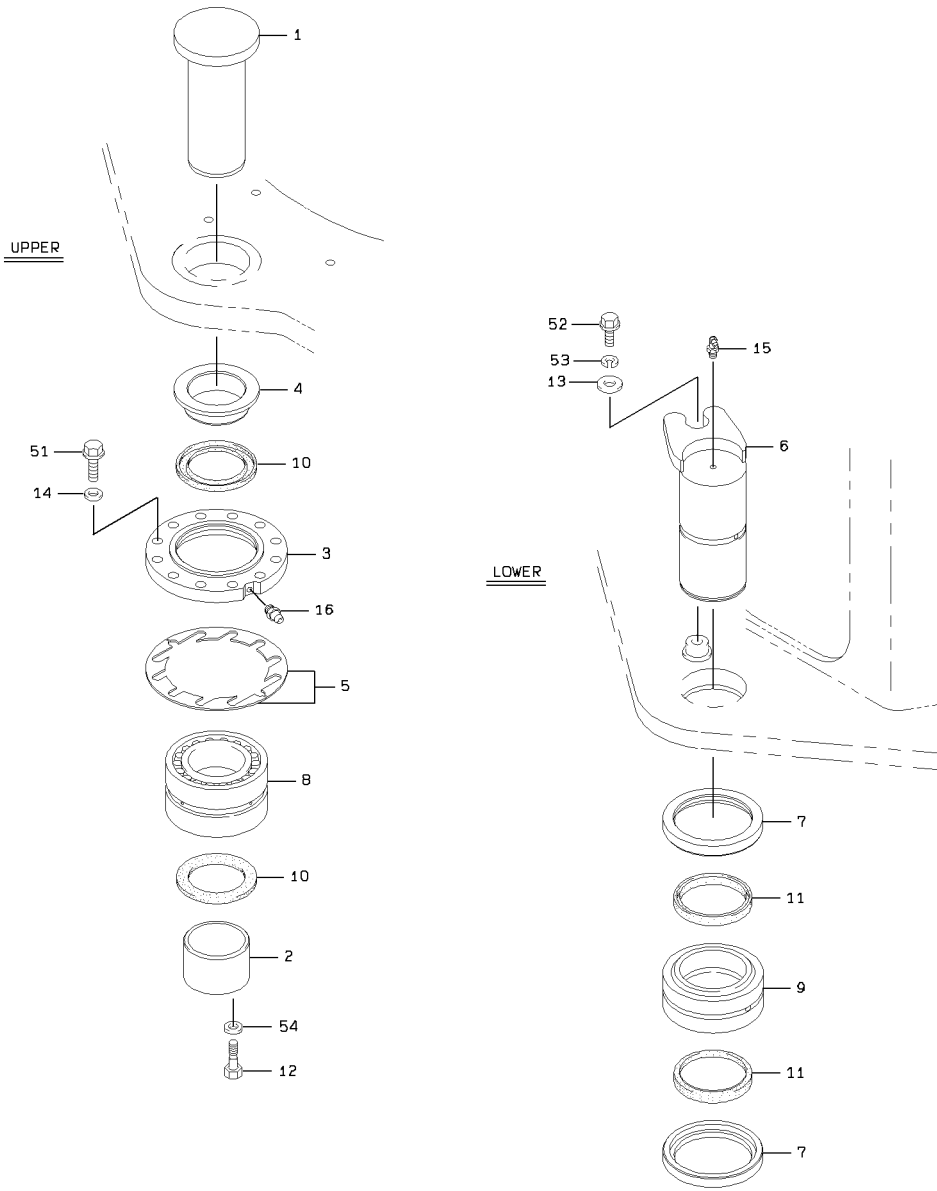
<S/N 0411 - >



REAR CHASSIS GROUP

SYM-BOL	PART NUMBER	PART NAME	UNIT Q,TY	SERIAL			REMARKS								
				(A)	-	(B)	N	P	D	(A)	(B)	(C)	(D)	REMARK	
1A	34257-25900	CHASSIS ASSY,REAR	1	101	-	230									
1B	34257-26320	CHASSIS ASSY,REAR	1	231	-	238	B				Y01				
1C	34257-26480	CHASSIS ASSY,REAR	1	239	-		B				Y01				
51A	61033-24360	BOLT	6	101	-										
61A	61802-16045	BOLT,FLANGED	8	101	-										
71A	62256-51410	SCREW	6	101	-							02	03		
72A	62401-81041	NUT	3	101	-							02	03		
73A	62721-04100	WASHER,SPRING	3	101	-							02	03		
74A	63002-03020	PIN,SPLIT	1	101	-							02	03		
76A	62701-20041	WASHER,PLANE	3	101	-							02	03		
101A	40840-20450	BUSHING	3	101	-						01				
111A	30780-23170	WEIGHT	1	101	-	476									
111B	30780-25980	WEIGHT	1	477	-		C								
112A	46011-21980	WASHER,PLANE	6	101	-										
121A	43800-26560	BOX	1	101	-	267					Y02			FR LH	
121B	43800-28640	BOX	1	268	-		C				Y02			FR LH	
122A	43800-26570	BOX	1	101	-	267						Y03		FR RH	
122B	43800-28650	BOX	1	268	-		C					Y03		FR RH	
124A	34041-21650	STRIP, SEAL	4	101	-	230									
124B	33713-27920	SHEET,RUBBER	4	231	-		C								
147A	41605-57120	PLATE	1	101	-							02	03		
203A	39890-70010	HINGE	2	101	-							02	03	WELDING	
204A	32150-60020	CATCH	1	101	-	267						02	03		
204B	32150-60050	CATCH	1	268	-		A					02	03		
205A	46011-20190	WASHER,PLANE	1	101	-							02	03		
211A	41600-36100	PLATE	1	101	-										
212A	40000-35110	PIN	2	101	-										
213A	40045-20220	PIN,SNAP	2	101	-										
214A	40033-20100	PIN,SPRING	2	101	-										
221A	40000-38910	PIN	1	101	-										
222A	40045-20180	PIN,SNAP	1	101	-	408									
222B	40045-20330	PIN,SNAP	1	409	-		C								

CENTER PIN GROUP

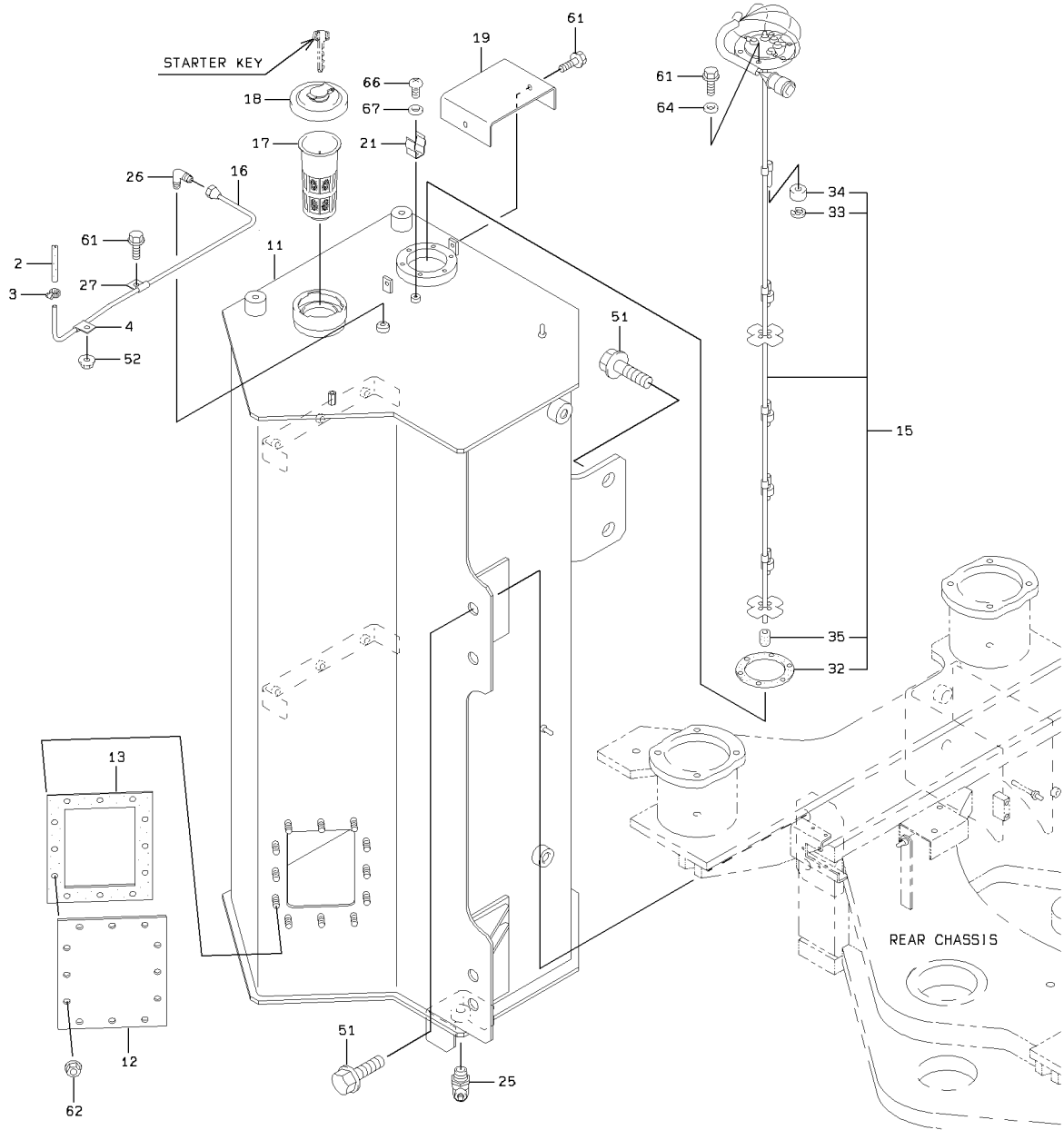


CENTER PIN GROUP

SYM-BOL	PART NUMBER	PART NAME	UNIT Q, TY	SERIAL		REMARKS						
				(A)	(B)	N	P	D	(A)	(B)	(C)	(D)
1A	40034-20260	PIN,CENTER	1	101	-							FR UPPER
2A	40840-21200	BUSHING	1	101	-							
3A	41621-21710	PLATE	1	101	-							
4A	35750-20830	SLEEVE	1	101	-							
5A	34200-21290	SHIM	A/R	101	-							T=0.1-1.0
6A	40034-20270	PIN,CENTER	1	101	-							FR LOWER
7A	45200-20590	RING	2	101	-							
8A	42004-60100	BEARING,TAPER ROLL	1	101	-							
9A	42017-60070	BEARING,SPHERICAL	1	101	-							
10A	65051-02510	SEAL,DUST	2	101	-							
11A	65051-02007	SEAL,DUST	2	101	-							
12A	43900-23760	BOLT	5	101	-							
13A	46011-20170	WASHER,PLANE	1	101	-							
14A	88120-12000	WASHER,CONICAL SPR	12	101	-							
15A	75011-45400	NIPPLE,GREASE	1	101	-							
16A	75011-25400	NIPPLE,GREASE	1	101	-							
51A	61802-20045	BOLT,FLANGED	12	101	-							
52A	61802-20032	BOLT,FLANGED	1	101	-							
53A	62721-20100	WASHER,SPRING	1	101	-							
54A	62710-18181	WASHER,PLANE	5	101	-							

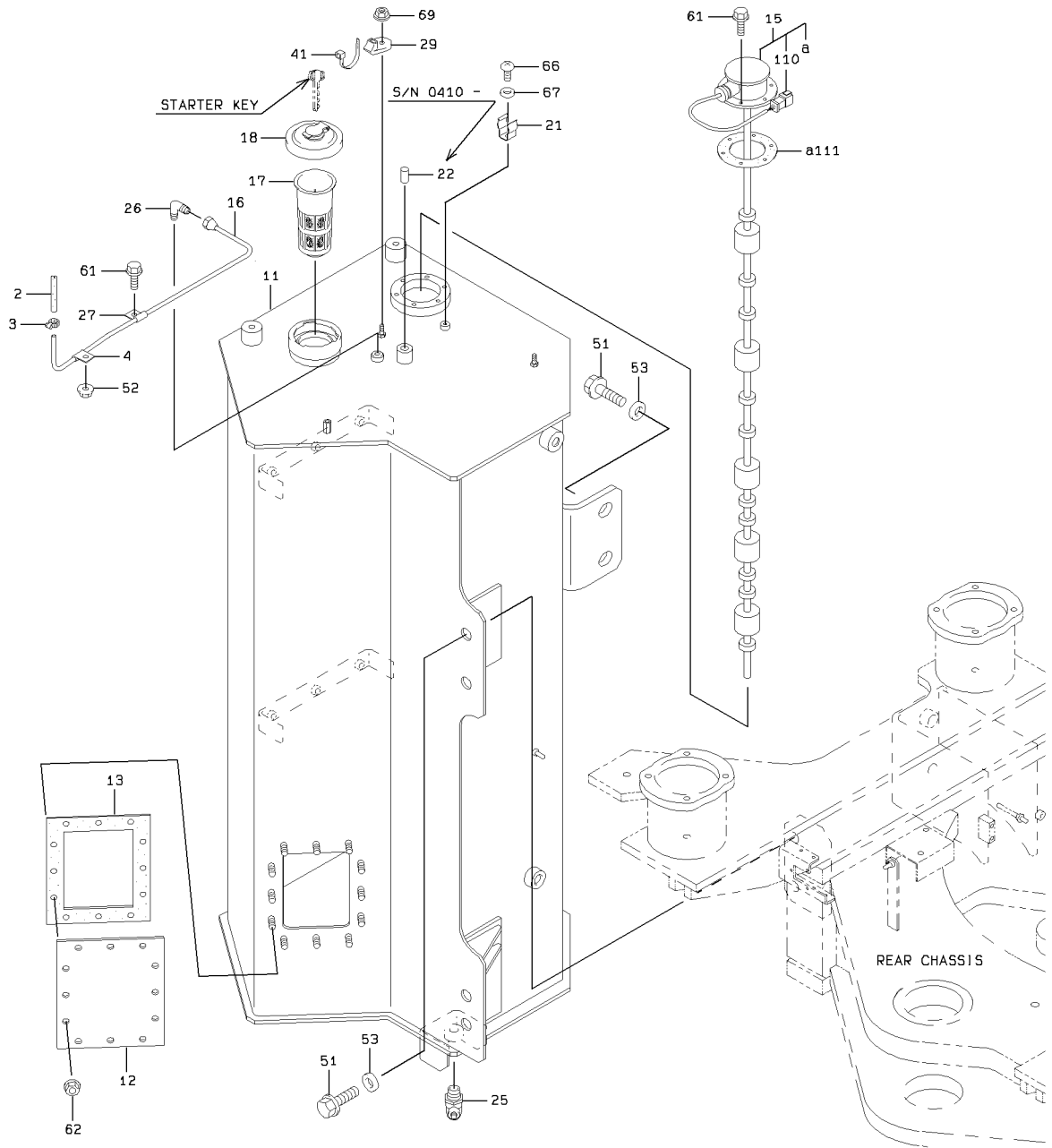
FUEL TANK GROUP

<S/N 0101 - 0262>



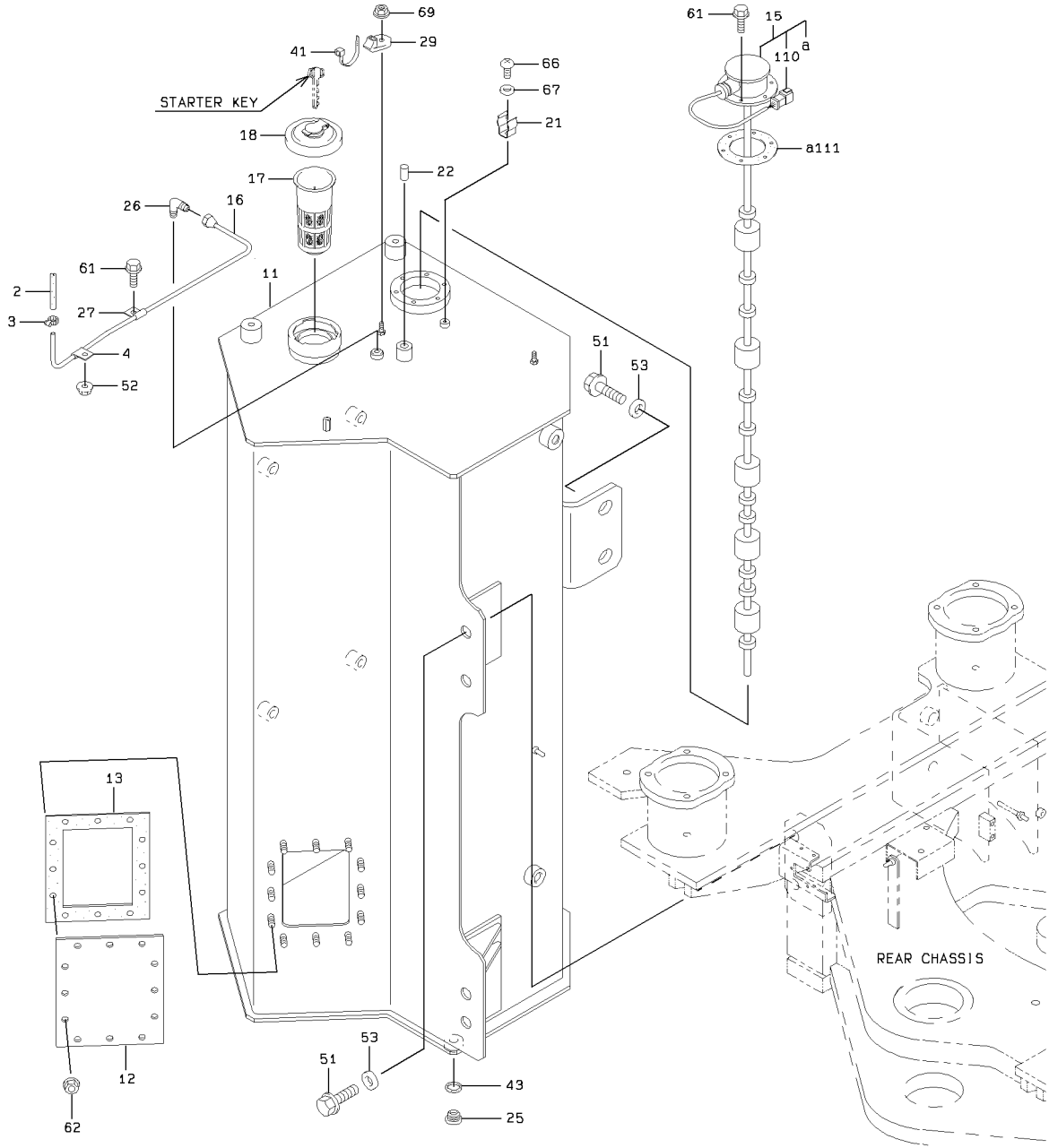
FUEL TANK GROUP

<S/N 0263 - 0476>



FUEL TANK GROUP

<S/N 0477 - >

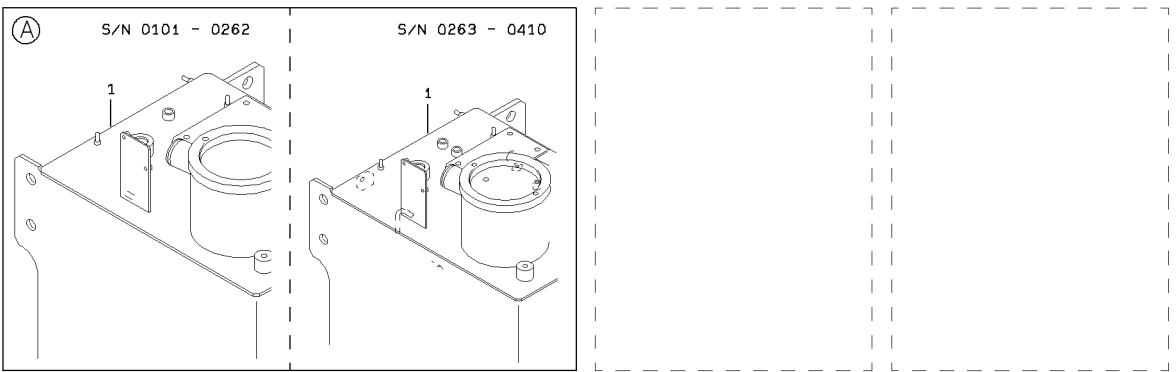
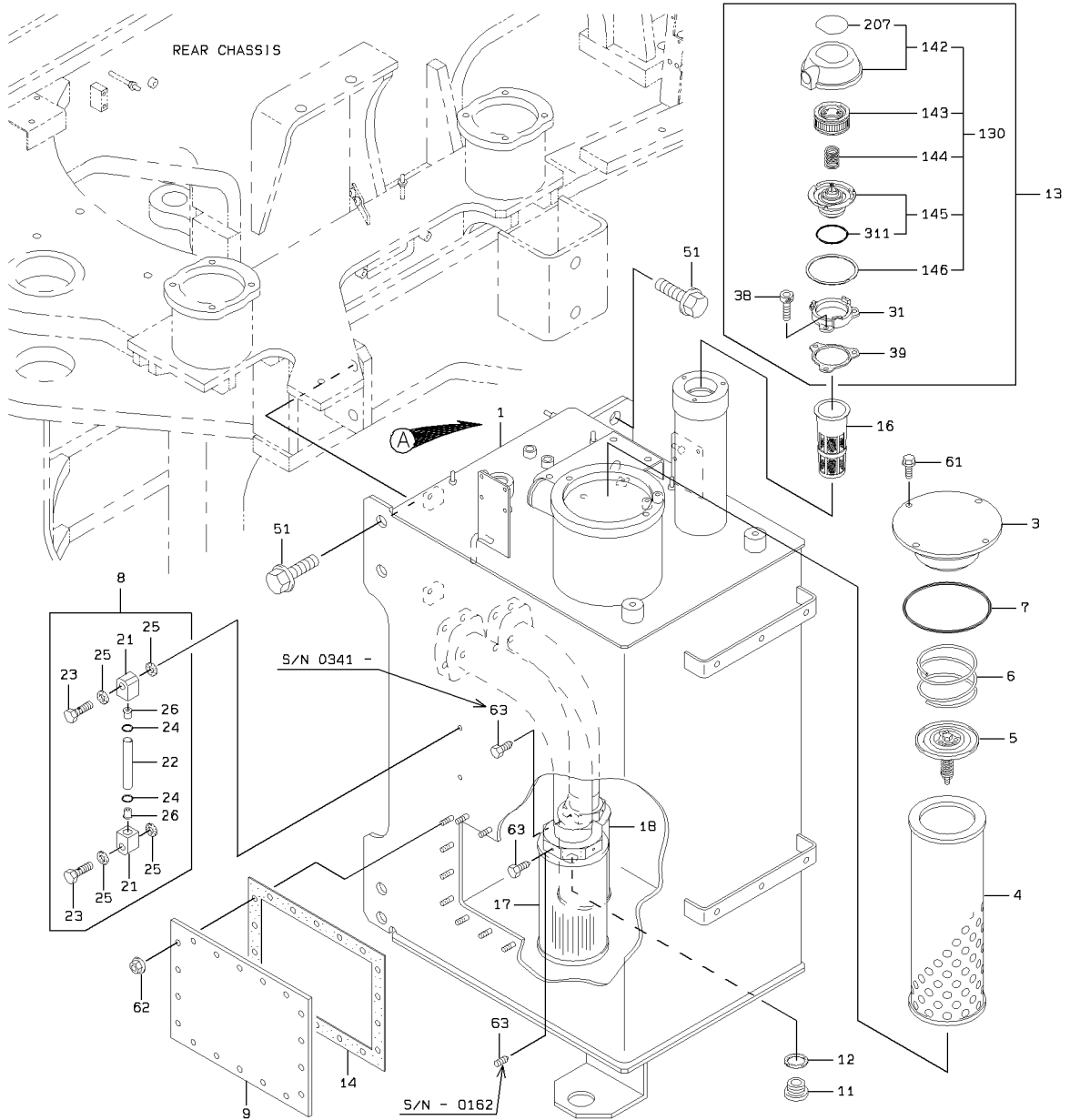


FUEL TANK GROUP

SYM-BOL	PART NUMBER	PART NAME	UNIT Q,TY	SERIAL		REMARKS						
				(A)	(B)	N	P	D	(A)	(B)	(C)	(D)
2A	67040-06000	HOSE,HEAT RESISTIN	1 M	101	-							L=500
3A	69002-02300	BAND,HOSE	1	101	-							
4A	72001-10600	HOLDER,PIPE	1	101	-							D=6
11A	36233-22920	TANK,FUEL	1	101	-							
11B	36233-24030	TANK,FUEL	1	231	-							
11C	36233-24280	TANK,FUEL	1	263	-							
11D	36233-25310	TANK,FUEL	1	477	-							
12A	41611-20140	PLATE	1	101	-							
13A	31990-20020	GASKET	1	101	-							
15A	35065-60050	SWITCH,LEVEL	1	101	-							
15B	35828-60240	SENSOR,FUEL LEVEL	1	263	-							
15C	35828-60280	SENSOR,FUEL LEVEL	1	370	-							
15D	35828-60310	SENSOR,FUEL LEVEL	1	375	-							
16A	38705-52880	PIPE ASSY,FLARED	1	101	-							
17A	40330-60200	FILTER	1	101	-							
17B	40330-60400	FILTER	1	257	-							
18A	40314-60060	FILLER ASSY,FUEL	1	101	-							
19A	41605-43690	PLATE	1	101	-							
21A	43571-20160	HOLDER,SPRING	1	101	-							D=22
21B	43571-60040	HOLDER,SPRING	1	263	-							
22A	32210-71700	CAP	1	410	-							
25A	38510-20190	VALVE	1	101	-							
25B	41535-20130	PLUG,MAGNET	1	477	-							
26A	69100-20600	FLARED FITTING,ELB	1	101	-							
27A	72001-10600	HOLDER,PIPE	1	101	-							D=6
29A	32923-70120	CLAMP,HOSE	1	263	-							FR M8
32A	31990-20320	GASKET	1	101	-							
33A	45311-20070	RING,SNAP	10	101	-							QTY 5
34A	40740-20010	FLOAT	5	101	-							
35A	32224-20040	CAPELASTIC	1	101	-							
41A	32923-70090	CLAMP,HOSE	1	263	-							L=202
43A	88111-12490	WASHER,SEAL	1	477	-							
51A	61802-24055	BOLT,FLANGED	6	101	-							
51B	61802-24060	BOLT,FLANGED	6	263	-							
52A	62480-21081	NUT,FLANGED	1	101	-							
53A	62710-18241	WASHER,PLANE	6	263	-							
61A	61802-08012	BOLT,FLANGED	9	101	-							
61B	61802-08012	BOLT,FLANGED	7	263	-							
62A	62480-21101	NUT,FLANGED	12	101	-							
64A	62710-18081	WASHER,PLANE	6	101	-							
66A	62256-51608	SCREW	1	101	-							
67A	62701-40061	WASHER,PLANE	1	101	-							
69A	62480-21081	NUT,FLANGED	1	263	-							
110A	33193-48830	CABLE ASSY	1	263	-							33193-48620
110B	33194-23460	CABLE ASSY	1	358	-							
111A	31990-72140	GASKET	1	263	-							

OIL TANK GROUP

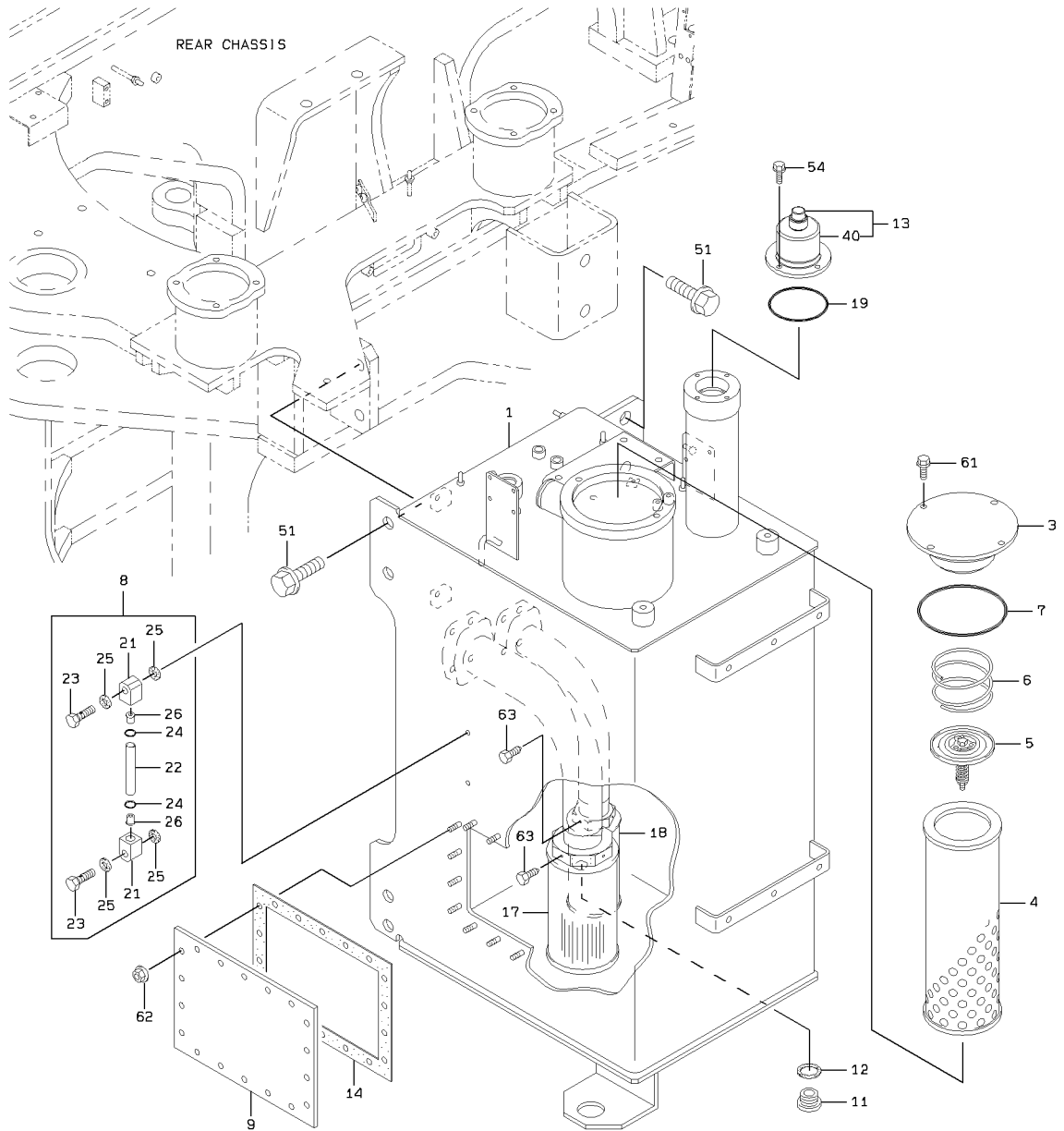
<S/N 0101 - 0450>



1-0

OIL TANK GROUP

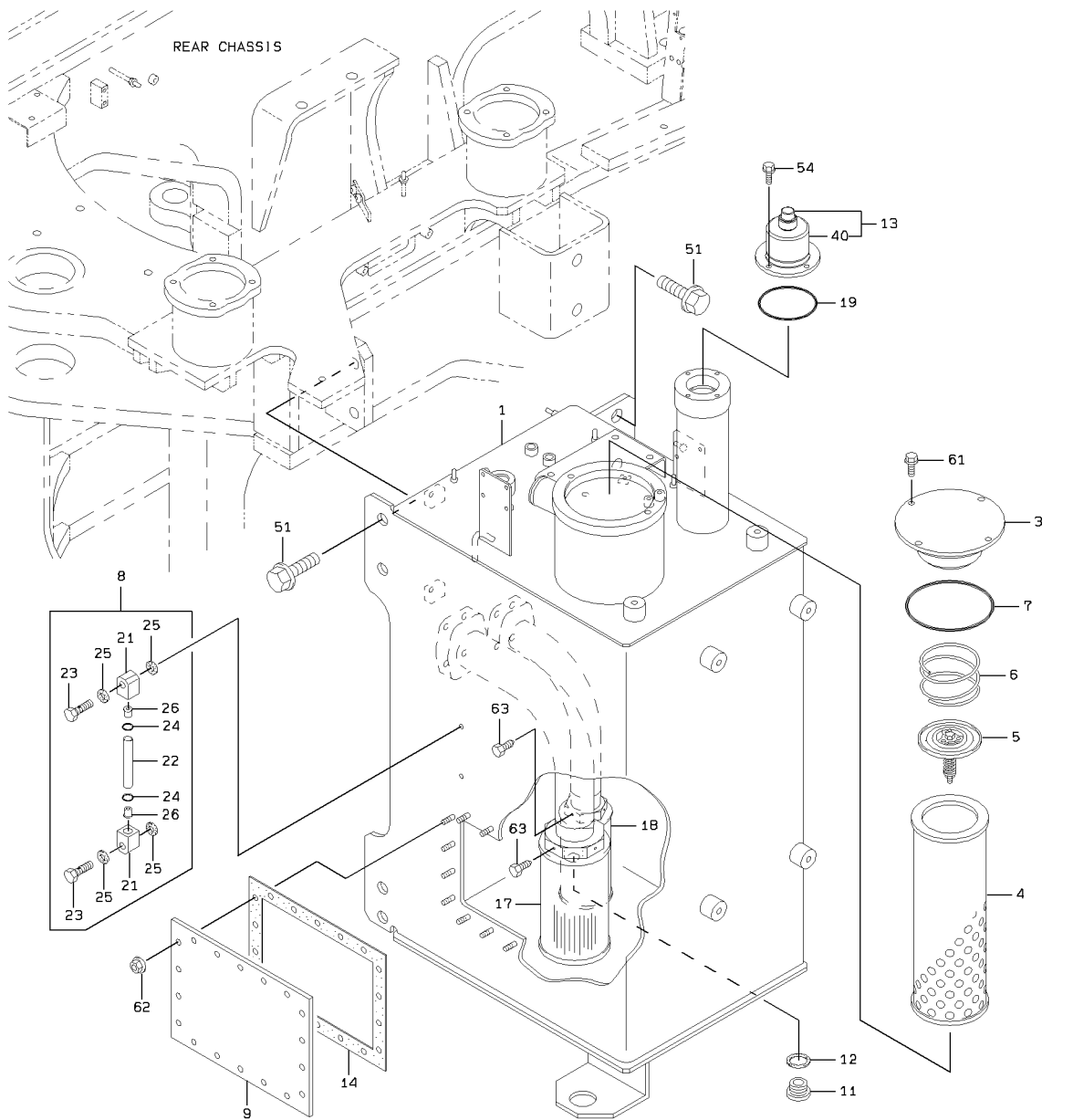
<S/N 0451 - 0476>



2-A

OIL TANK GROUP

<S/N 0477 - >



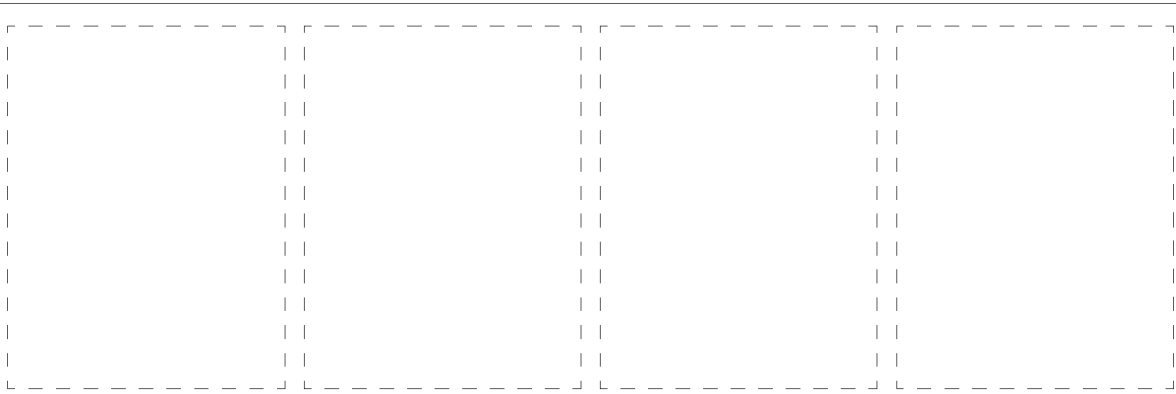
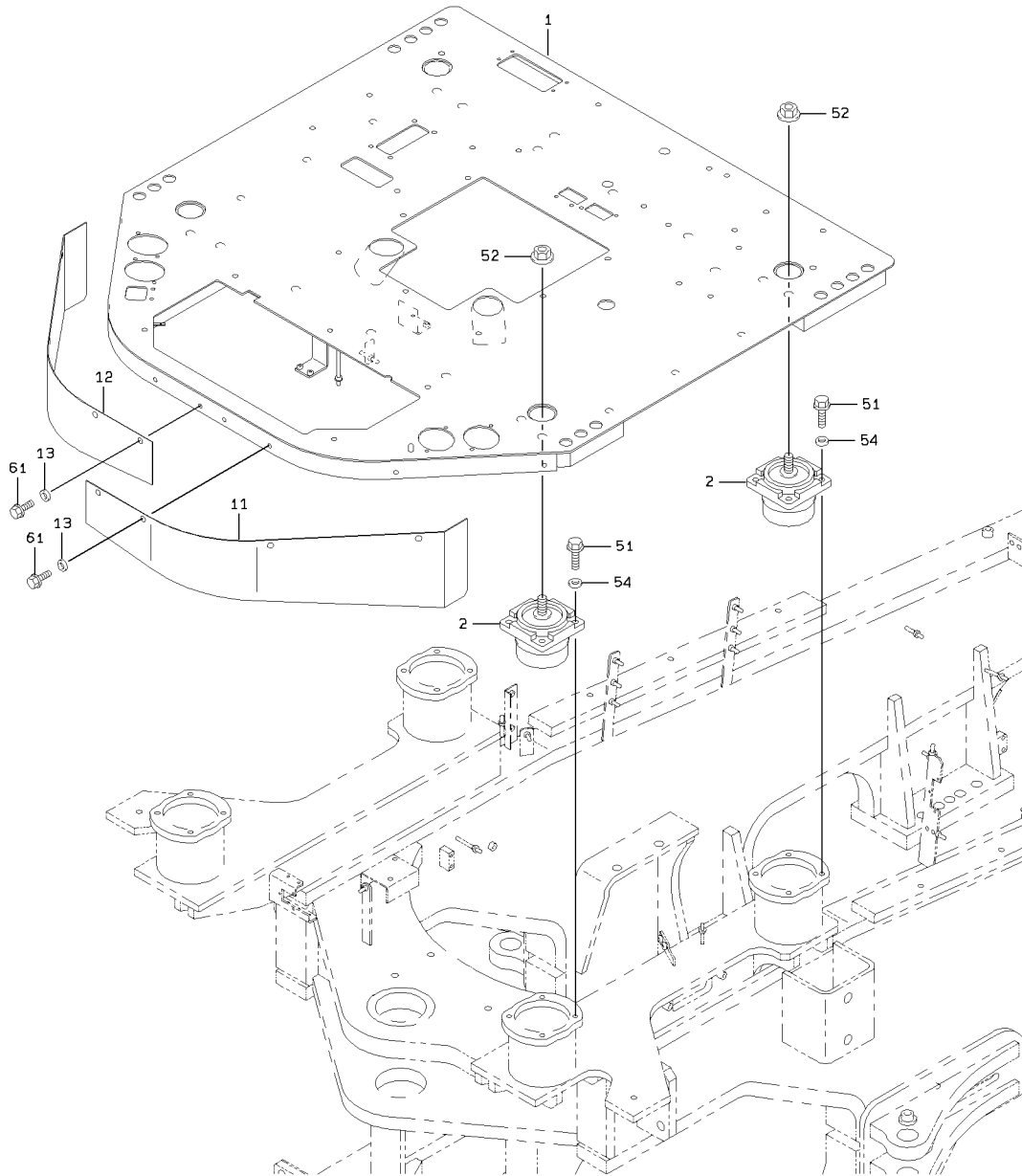
3-A

OIL TANK GROUP

SYM-BOL	PART NUMBER	PART NAME	UNIT Q,TY	SERIAL			REMARKS							
				(A)	-	(B)	N	P	D	(A)	(B)	(C)	(D)	REMARK
1A	36229-23020	TANK,OIL	1	101	-	162								
1B	36229-23530	TANK,OIL	1	163	-	230	C							
1C	36229-23760	TANK,OIL	1	231	-	262	C							
1D	36229-24160	TANK,OIL	1	263	-	450	B							
1E	36229-25310	TANK,OIL	1	451	-	476	C							
1F	36229-25570	TANK,OIL	1	477	-		B							
3A	31210-20990	COVER	1	101	-									
4A	30981-20060	ELEMENT,FILTER	1	101	-									
5A	38565-20040	VALVE,RELIEF	1	101	-									
6A	35600-20120	SPRING	1	101	-									
7A	65210-22165	RING,O	1	101	-									
8A	33258-20010	GAUGE,LEVEL	1	101	-				Y01					
9A	41611-22180	PLATE	1	101	-									
11A	41535-20010	PLUG,MAGNET	1	101	-	476								
11B	41535-20130	PLUG,MAGNET	1	477	-		B							
12A	88111-12490	WASHER,SEAL	1	101	-									
13A	38530-60070	VALVE ASSY,BREATHE	1	101	-	450				Y02				
13B	38530-60180	VALVE ASSY,BREATHE	1	451	-		B			Y02				
14A	31990-20030	GASKET	1	101	-									
16A	40330-60170	FILTER	1	101	-	450	D							
17A	40335-60020	FILTER	1	101	-									
18A	35530-70020	STRAINER	1	101	-	340								
18B	35530-60020	STRAINER	1	341	-		C							
19A	65210-22060	RING,O	1	451	-									
21A	41410-90010	BLOCK	2	101	-					01				
22A	36700-90010	TUBE	1	101	-					01				
23A	43953-90010	BOLT,JOINT	2	101	-					01				
24A	47131-90010	RING,O	2	101	-					01				
25A	46023-90010	WASHER,SEAL	4	101	-					01			88111-21000	
26A	35750-90010	SLEEVE	2	101	-					01				
31A	43890-70380	BODY	1	101	-	450				02				
38A	61101-08016	BOLT,SOCKET	3	101	-	450				02				
39A	39600-71670	PACKING	1	101	-	450				02				
40A	30981-70990	ELEMENT,FILTER	1	451	-					02				
51A	61802-24050	BOLT,FLANGED	6	101	-									
54A	61802-05012	BOLT,FLANGED	4	451	-									
61A	61802-12020	BOLT,FLANGED	2	101	-									
62A	62480-21101	NUT,FLANGED	18	101	-									
63A	61131-05020	BOLT,SOCKET	1	101	-	162								
63B	43900-25040	BOLT	1	163	-	340	C							
63C	43900-25040	BOLT	2	341	-									
130A	32211-70350	CAP ASSY	1	101	-					02	Y03			
142A	31231-70440	COVER ASSY	1	101	-						03	Y04		
143A	30981-70330	ELEMENT,FILTER	1	101	-						03			
144A	35600-76030	SPRING	1	101	-						03			
145A	38511-70640	VALVE ASSY	1	101	-				Y05		03			
146A	45311-70800	RING,SNAP	1	101	-						03			
207A	41677-70010	PLATE,MANUAL	1	101	-							04		
311A	47131-73230	RING,O	1	101	-					05				

FLOOR BOARD GROUP

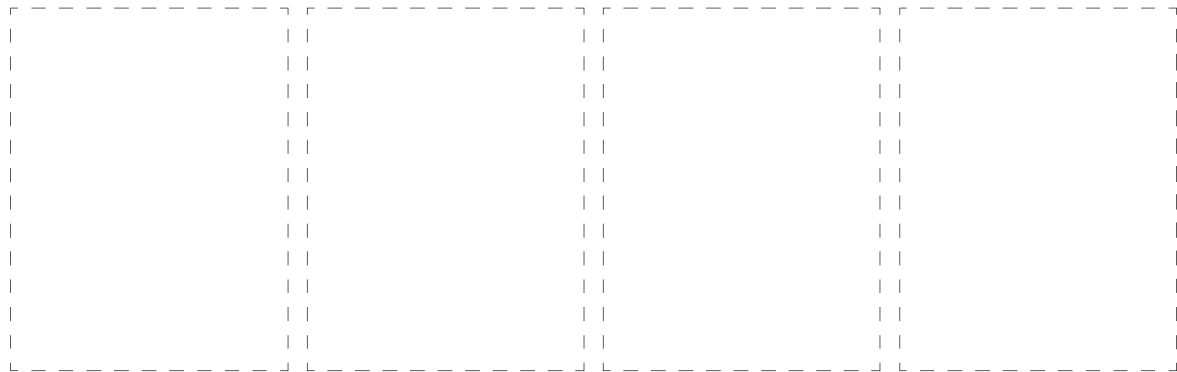
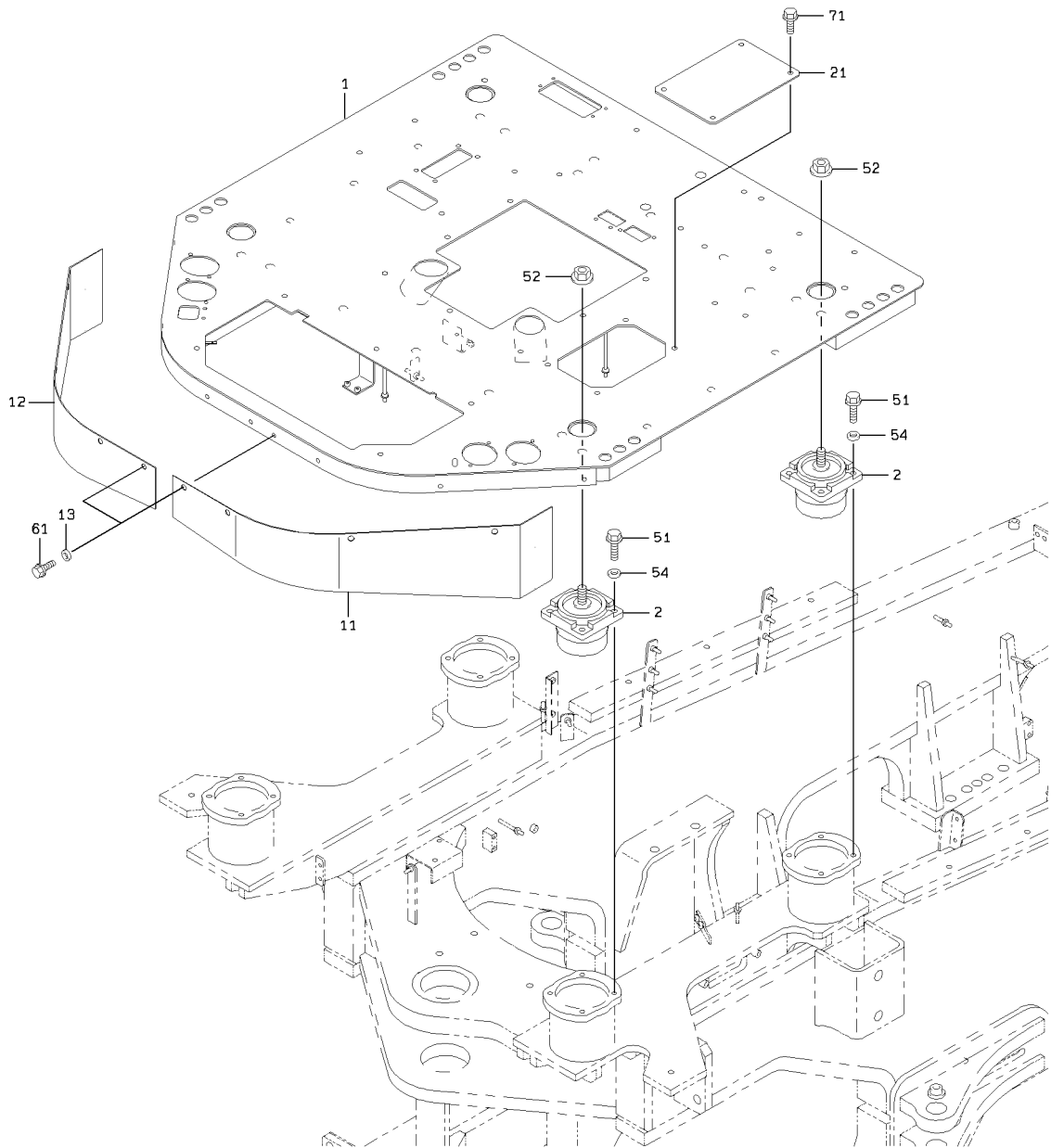
<S/N 0101 - 0153>



1-A

FLOOR BOARD GROUP

<S/N 0154 - >



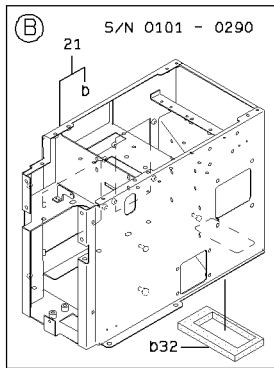
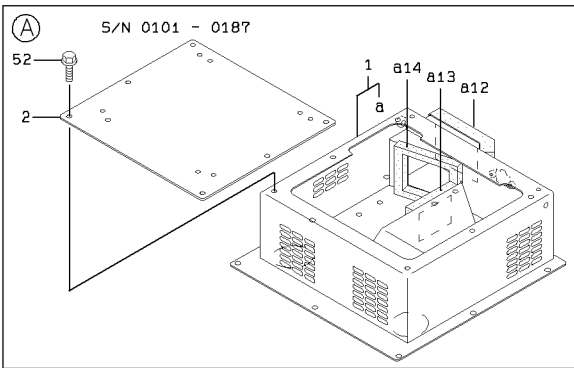
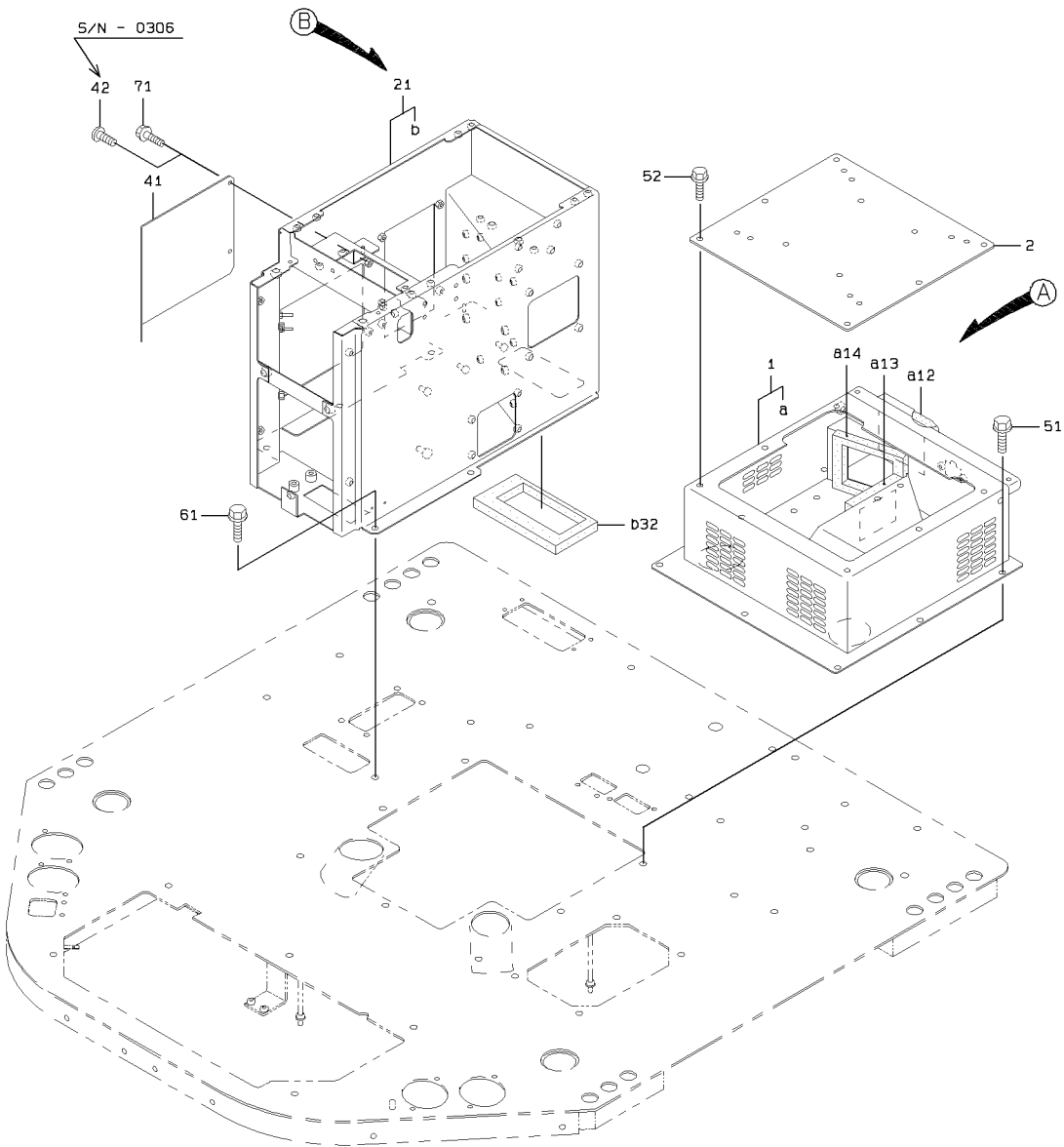
2-8

FLOOR BOARD GROUP

SYM-BOL	PART NUMBER	PART NAME	UNIT Q,TY	SERIAL		REMARKS							
				(A)	(B)	N	P	D	(A)	(B)	(C)	(D)	REMARK
1A	00515-01500	BOARD ASSY,FLOOR	1	101	- 153								
1B	00515-01790	BOARD ASSY,FLOOR	1	154	-	B							
2A	44822-60160	RUBBER,CUSHION	4	101	-								
11A	41641-40500	PLATE	1	101	- 306								FR LH
11B	41641-51690	PLATE	1	307	-	C							FR LH
12A	41641-40510	PLATE	1	101	- 306								FR RH
12B	41641-51750	PLATE	1	307	-	C							FR RH
13A	46011-20180	WASHER,PLANE	8	101	-								
21A	41607-51020	PLATE	1	154	-								
51A	61005-12035	BOLT	16	101	-								
52A	62480-21201	NUT,FLANGED	4	101	-								
54A	62710-18121	WASHER,PLANE	16	101	-								
61A	61802-08020	BOLT,FLANGED	8	101	-								
71A	61802-10020	BOLT,FLANGED	4	154	-								

MEMO

SEAT STAND & CONTROL BOX MOUNT

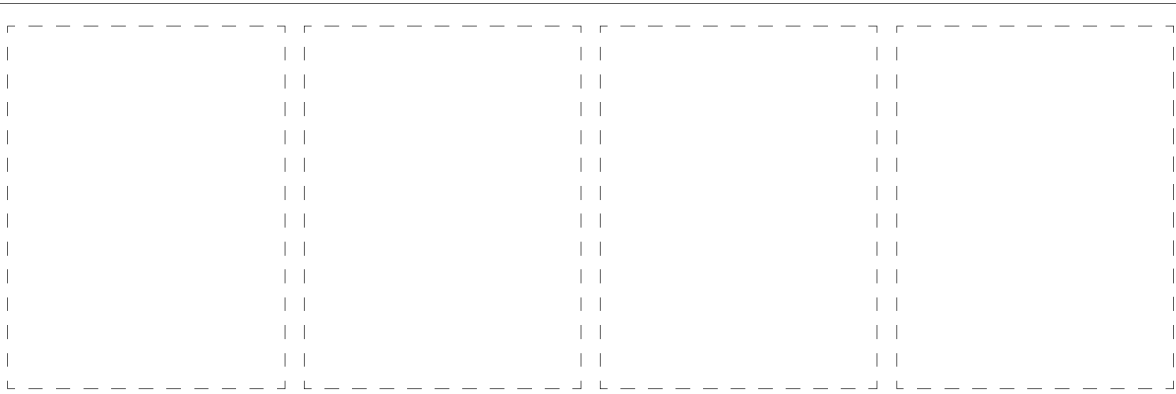
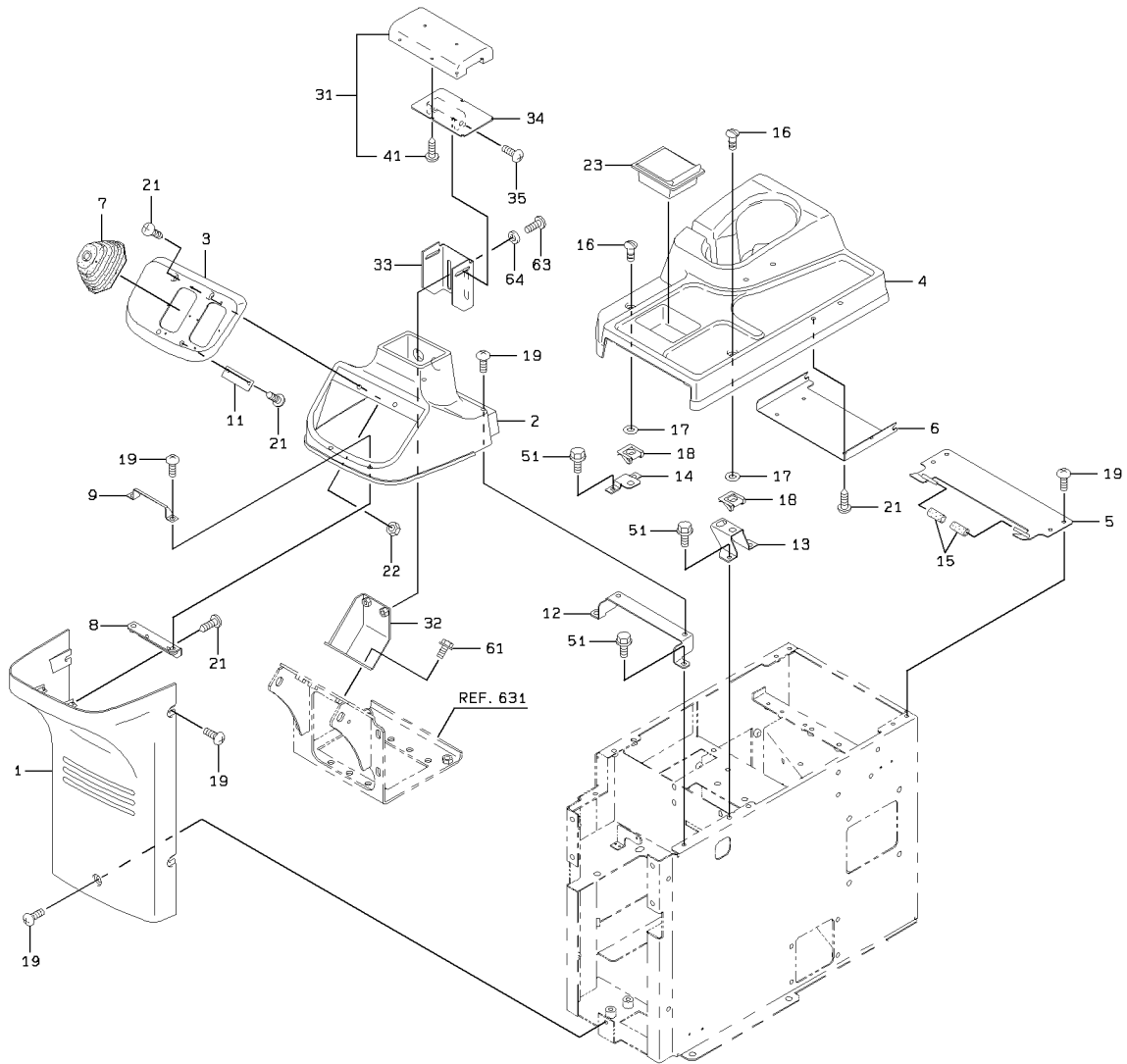


SEAT STAND & CONTROL BOX MOUNT

SYM-BOL	PART NUMBER	PART NAME	UNIT Q,TY	SERIAL		REMARKS								
				(A)	(B)	N	P	D	(A)	(B)	(C)	(D)	REMARK	
1A	35175-20520	STAND ASSY	1	101	187									
1B	35175-20680	STAND ASSY	1	188	290	B				Y01				
1C	35175-20820	STAND ASSY	1	291	409	A				Y01				
1D	35175-21110	STAND ASSY	1	410		C				Y01				
2A	41618-31320	PLATE	1	101	187									
2B	41619-40090	PLATE	1	188	331	B								
2C	41750-44450	PLATE	1	332		C								
12A	35680-44440	SPONGE	1	101	187					01				
12B	35680-55950	SPONGE	1	188		B				01				
13A	35680-44450	SPONGE	1	101						01				
14A	35680-44460	SPONGE	1	101						01				
21A	43805-20890	BOX ASSY	1	101	290						Y02			
21B	43805-21740	BOX ASSY	1	291		B				Y02				
32A	35680-43640	SPONGE	1	101							02			
41A	41617-31910	PLATE	1	101										
42A	35100-20010	SCREW	4	101	306	D								
51A	61802-10020	BOLT,FLANGED	7	101										
52A	61802-08020	BOLT,FLANGED	6	101										
61A	61802-10020	BOLT,FLANGED	5	101										
71A	61802-06016	BOLT,FLANGED	4	307										

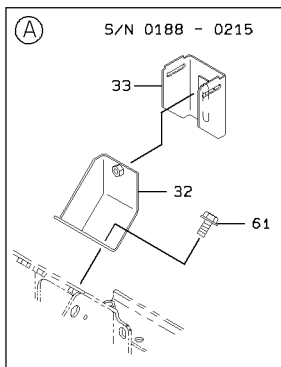
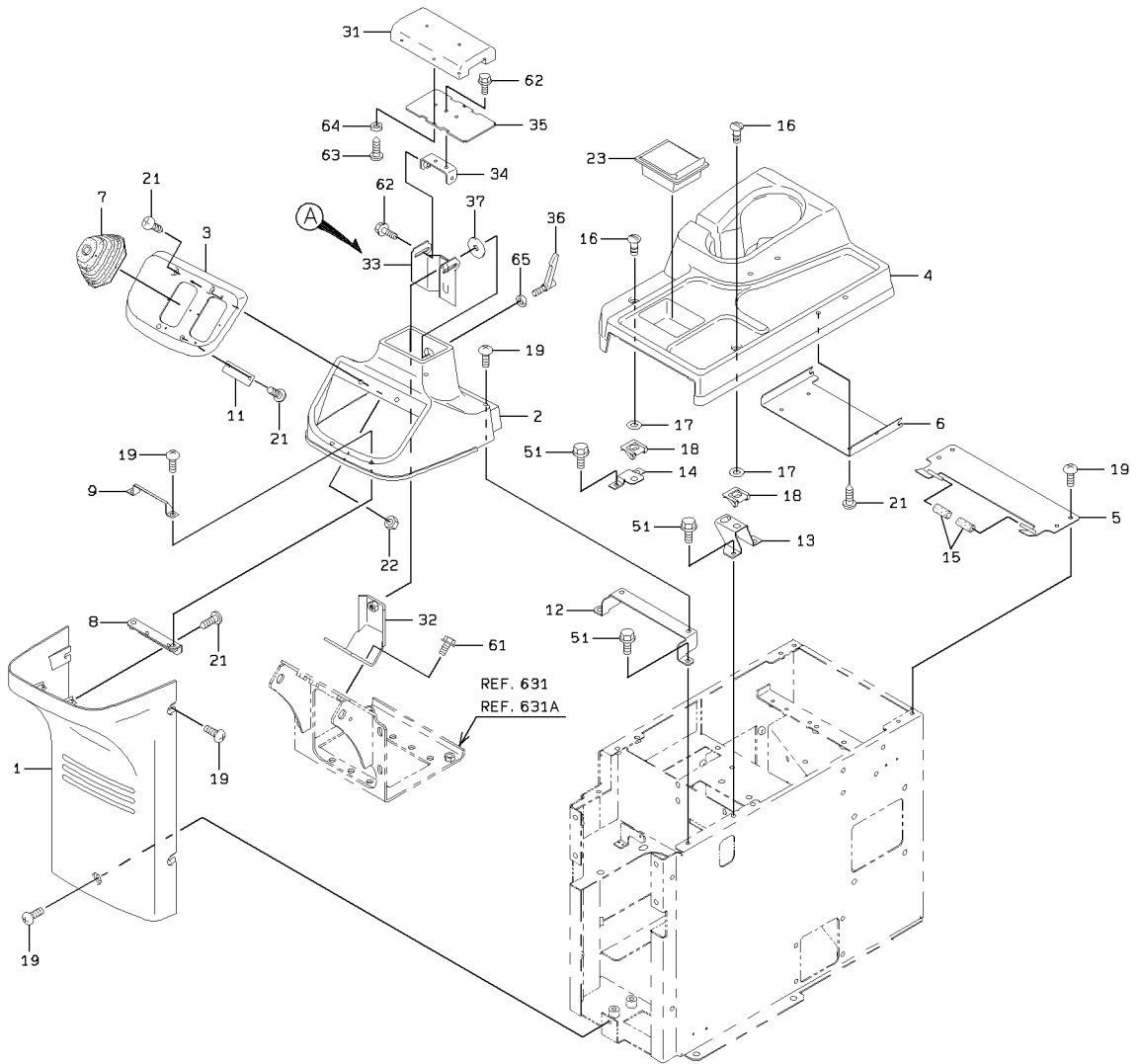
CONTROL BOX COVER MOUNT (S/N 0101 - 0290)

<S/N 0101 - 0187>



CONTROL BOX COVER MOUNT (S/N 0101 - 0290)

<S/N 0188 - 0290>



2-B

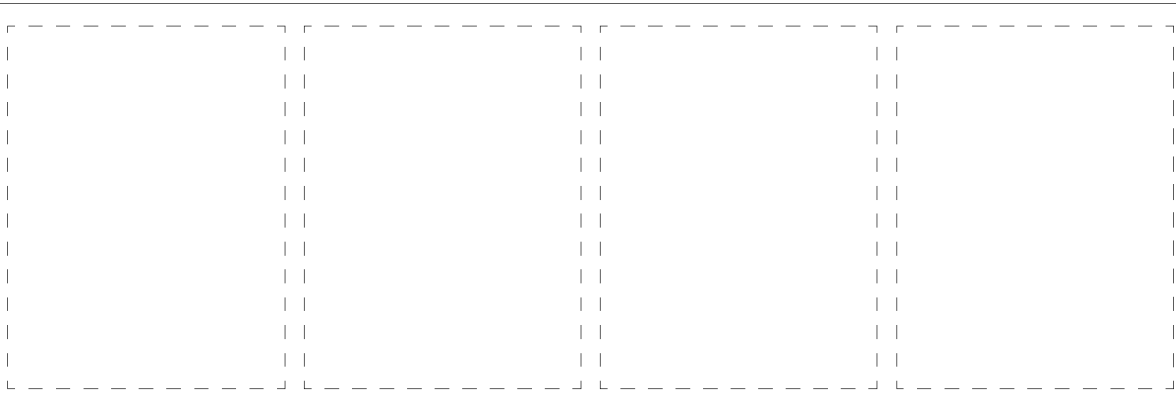
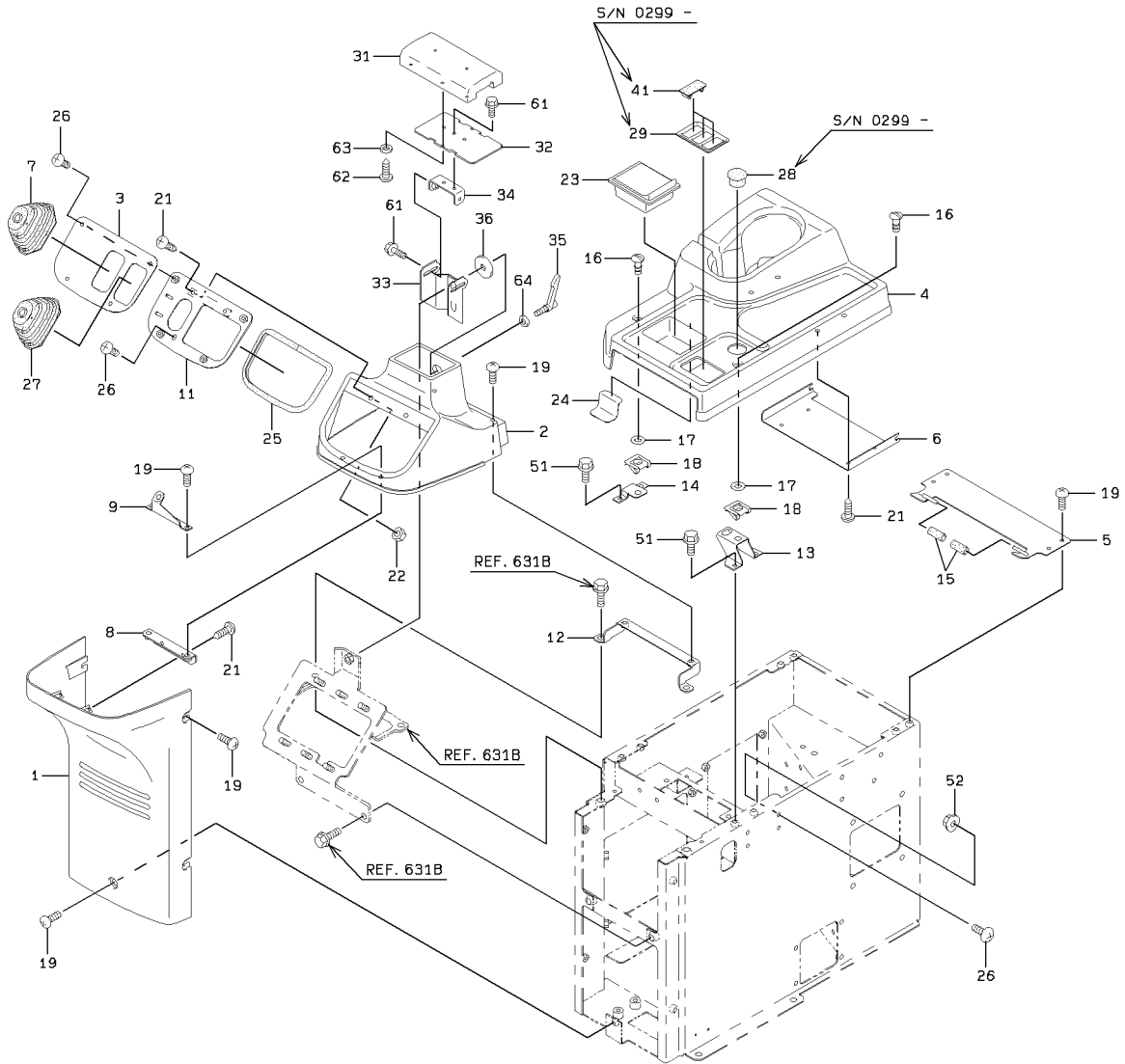
CONTROL BOX COVER MOUNT (S/N 0101 - 0290)

SYM-BOL	PART NUMBER	PART NAME	UNIT Q,TY	SERIAL		REMARKS						
				(A)	(B)	N	P	D	(A)	(B)	(C)	(D)
1A	31200-60140	COVER	1	101	290							
2A	31200-60270	COVER	1	101	187							
2B	31200-60420	COVER	1	188	290	B						
3A	31200-60110	COVER	1	101	290							
4A	31200-60320	COVER	1	101	290							
5A	41617-31930	PLATE	1	101	290							
6A	41617-32650	PLATE	1	101	290							
7A	40790-60070	BOOT	2	101	290							
8A	41613-35410	PLATE	1	101	290							
9A	41613-34920	PLATE	1	101	290							
11A	41601-48190	PLATE	1	101	290							
12A	41610-30180	PLATE	1	101	290							
13A	41617-32040	PLATE	1	101	290							
14A	41617-32050	PLATE	1	101	290							
15A	67015-00001	TUBE,VINYL	1 M	101	290							L=20 X Q'TY 2
16A	32150-20210	CATCH	2	101	290							
17A	46000-21020	WASHER	2	101	290							
18A	41635-38650	PLATE	2	101	290							
19A	35100-20200	SCREW	13	101	290							
21A	35106-20020	SCREW,TAPPING	10	101	290							
22A	37600-21750	NUT	2	101	290							
23A	30320-60030	ASHTRAY	1	101	290							
31A	30062-60050	ARMREST	1	101	290			Y01				
32A	40901-44620	BRACKET	1	101	187							
32B	40902-27820	BRACKET	1	188	215	B						
32C	40902-33050	BRACKET	1	216	290	B						
33A	41616-39080	PLATE	1	101	187							
33B	41619-38970	PLATE	1	188	215	B						
33C	41620-24500	PLATE	1	216	290	B						
34A	41616-39070	PLATE	1	101	187							
34B	41619-36060	PLATE	1	188	290	B						
35A	35100-20200	SCREW	2	101	187							
35B	41619-39010	PLATE	1	188	290	B						
36A	45600-24960	LEVER	1	188	290							
37A	46011-20050	WASHER,PLANE	1	216	290							
41A	35106-70170	SCREW,TAPPING	4	101	187	D		01				
51A	61802-06010	BOLT,FLANGED	6	101	268							
51B	61802-06016	BOLT,FLANGED	6	269	290	B						
61A	61802-08016	BOLT,FLANGED	4	101	215							
61B	61802-08020	BOLT,FLANGED	4	216	290	B						
62A	61802-06016	BOLT,FLANGED	4	188	290							
63A	62256-51820	SCREW	2	101	187							
63B	62261-14020	SCREW,TAPPING	4	188	290	B						
64A	62701-40081	WASHER,PLANE	2	101	187							
64B	62701-20041	WASHER,PLANE	4	188	290	B						
65A	62710-18101	WASHER,PLANE	1	188	290							

MEMO

CONTROL BOX COVER MOUNT (S/N 0291 -)

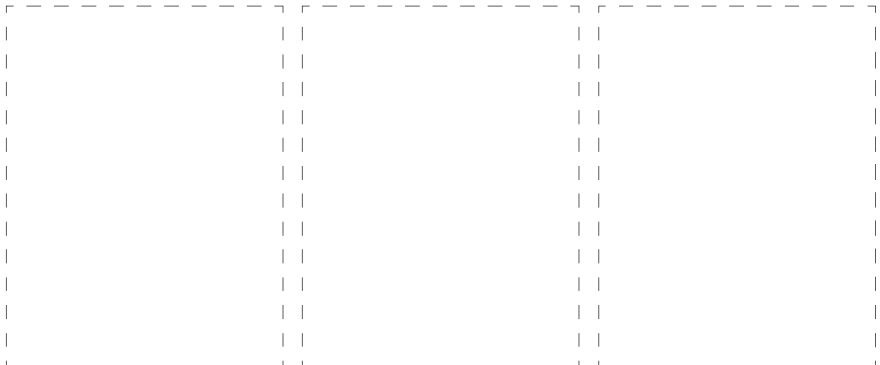
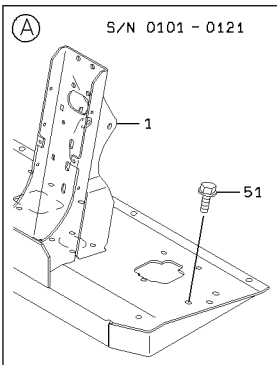
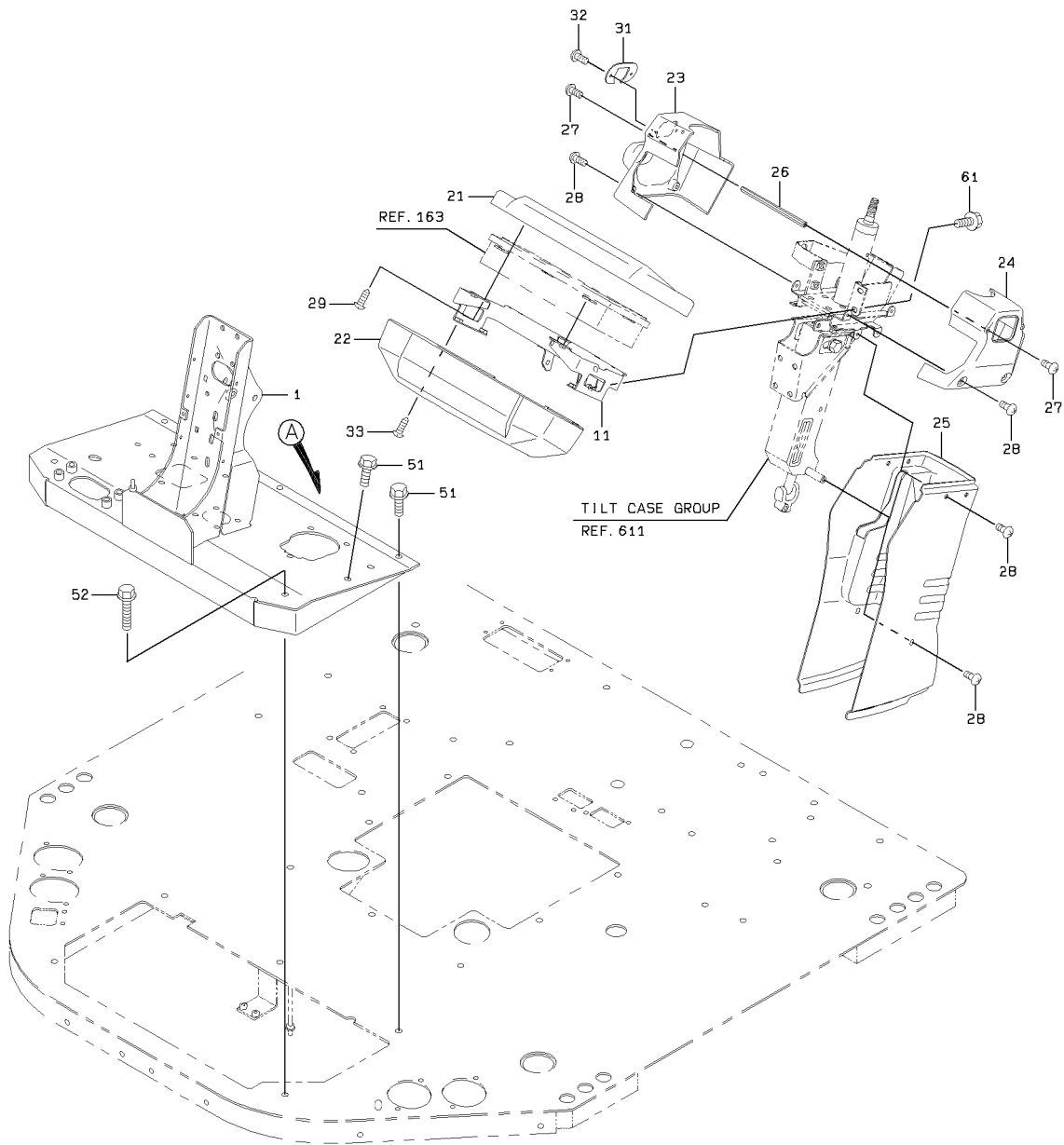
<S/N 0291 - >



CONTROL BOX COVER MOUNT (S/N 0291 -)

SYM-BOL	PART NUMBER	PART NAME	UNIT Q,TY	SERIAL		REMARKS						
				(A)	(B)	N	P	D	(A)	(B)	(C)	(D)
1A	31200-60140	COVER	1	291	-							
2A	31200-60420	COVER	1	291	-							
3A	41710-56870	PLATE	1	291	-							
4A	31200-60320	COVER	1	291	-							
4B	31200-60450	COVER	1	299	-							
5A	41617-31930	PLATE	1	291	-							
6A	41617-32650	PLATE	1	291	-							
7A	40790-60070	BOOT	1	291	-							
8A	41613-35410	PLATE	1	291	-							
9A	41750-43990	PLATE	1	291	-							
11A	41750-44010	PLATE	1	291	-							
12A	41750-47440	PLATE	1	291	-							
13A	41617-32040	PLATE	1	291	-							
14A	41617-32050	PLATE	1	291	-							
15A	67015-00001	TUBE,VINYL	1 M	291	-							L=20 X Q'TY 2
16A	32150-20210	CATCH	2	291	-							
16B	32150-20210	CATCH	2	411	-							
17A	46000-21020	WASHER	2	291	-							
17B	46000-21020	WASHER	2	411	-							
18A	41635-38650	PLATE	2	291	-							
19A	35100-20200	SCREW	13	291	-							
21A	35106-20020	SCREW,TAPPING	8	291	-							
22A	37600-21750	NUT	2	291	-							
23A	30320-60030	ASHTRAY	1	291	-							
24A	44770-55830	LABEL	1	291	-							
25A	44820-20520	RUBBER	1	291	-							
26A	35100-20330	SCREW	9	291	-							
27A	40790-20430	BOOT	1	291	-							
28A	41530-22740	PLUG	1	299	-							
29A	39750-70900	PANEL	1	299	-							
31A	30062-60050	ARMREST	1	291	-							
32A	41619-39010	PLATE	1	291	-							
33A	41750-28230	PLATE	1	291	-							
34A	41619-36060	PLATE	1	291	-							
35A	45600-24960	LEVER	1	291	-							
36A	46011-20050	WASHER,PLANE	1	291	-							
41A	41530-60080	PLUG	3	299	-							
51A	61802-06016	BOLT,FLANGED	4	291	-							
52A	62480-21061	NUT,FLANGED	4	291	-							
61A	61802-06016	BOLT,FLANGED	4	291	-							
62A	62261-14020	SCREW,TAPPING	4	291	-							
63A	62701-20041	WASHER,PLANE	4	291	-							
64A	62710-18101	WASHER,PLANE	1	291	-							

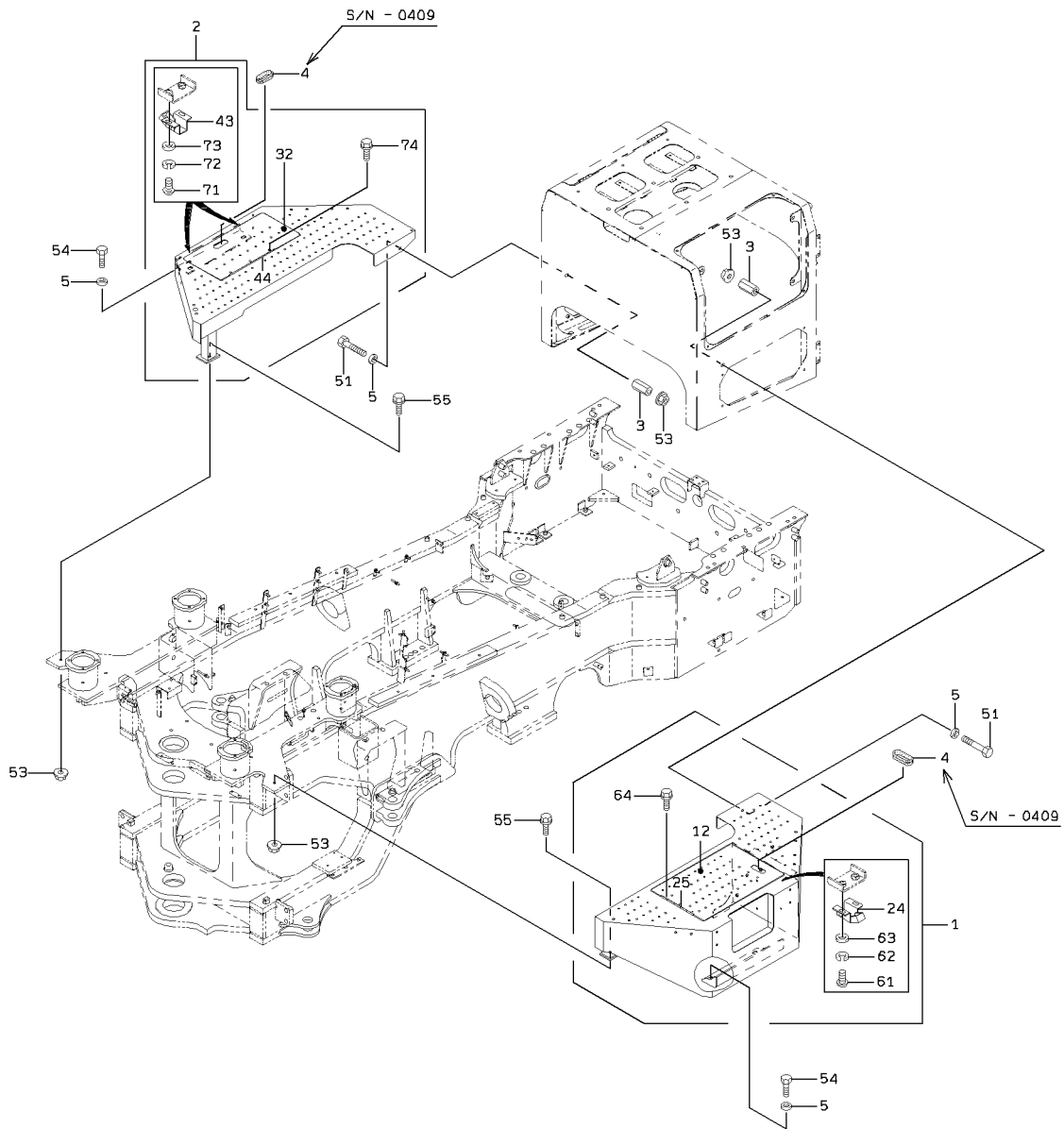
OPERATION STAND GROUP



OPERATION STAND GROUP

SYM-BOL	PART NUMBER	PART NAME	UNIT Q,TY	SERIAL		REMARKS						
				(A)	(B)	N	P	D	(A)	(B)	(C)	(D)
1A	35175-20430	STAND ASSY	1	101	-							
11A	43800-23080	BOX	1	101	-							
21A	31200-60030	COVER	1	101	-							
22A	31200-60040	COVER	1	101	-							
23A	31200-60340	COVER	1	101	-							FR RH
24A	31200-60060	COVER	1	101	-							FR LH
25A	31200-60410	COVER	1	101	-							
26A	45870-26590	ROD	2	101	-							
27A	35100-20020	SCREW	4	101	-							
28A	35100-20680	SCREW	10	101	-							
29A	35106-20020	SCREW,TAPPING	4	101	-							
31A	41617-34940	PLATE	1	101	-							
32A	62262-14010	SCREW,TAPPING	2	101	-							
33A	35100-20200	SCREW	4	101	-							
51A	61802-10025	BOLT,FLANGED	6	101	-							
51B	61802-10025	BOLT,FLANGED	5	122	-							
52A	61802-10085	BOLT,FLANGED	2	101	-							
61A	61802-08016	BOLT,FLANGED	4	101	-							

DECK & FENDER GROUP

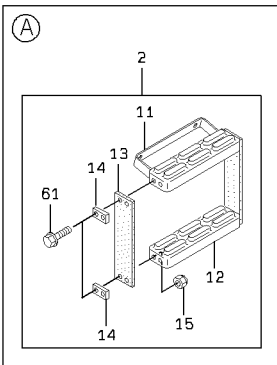
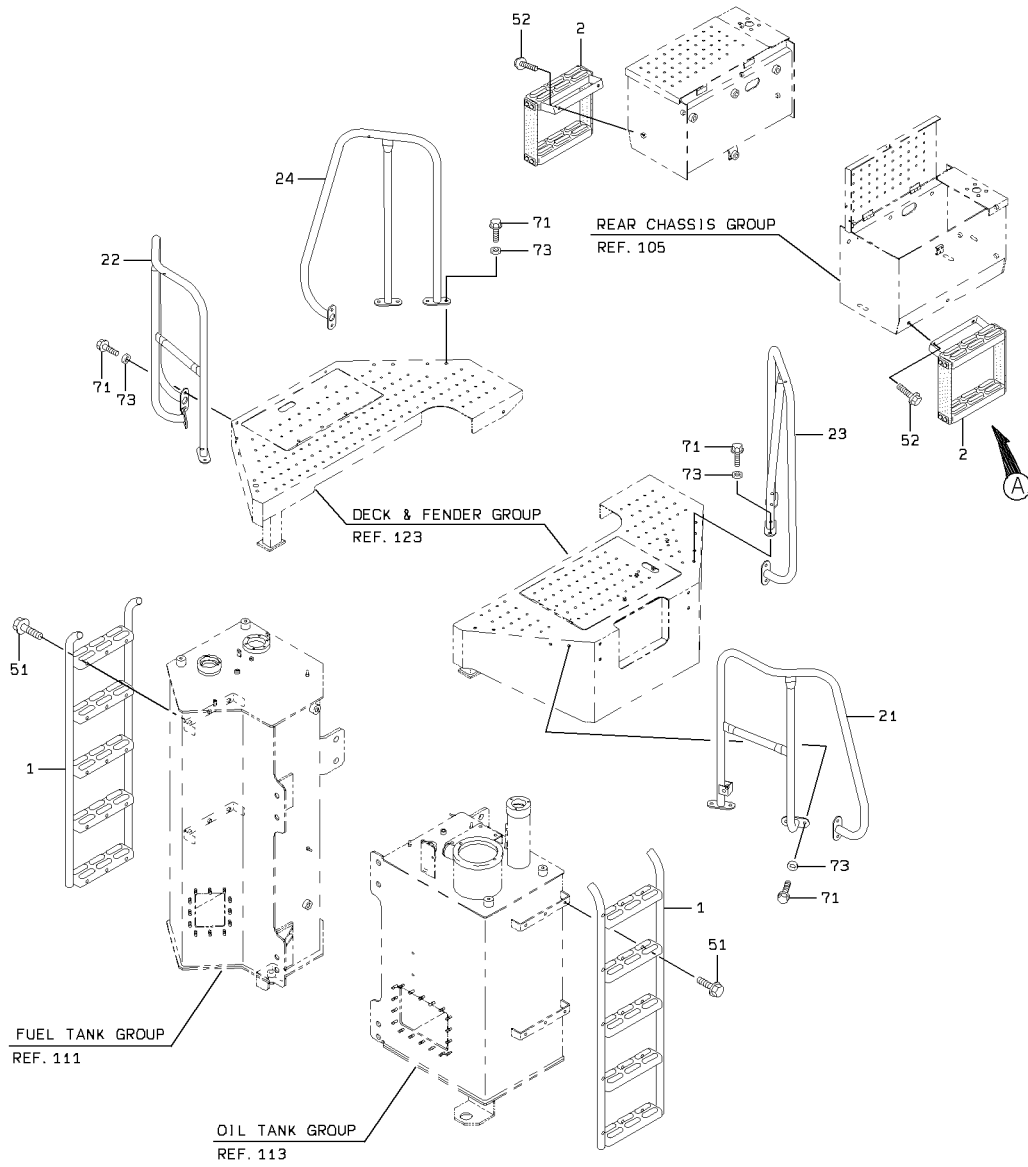


DECK & FENDER GROUP

SYM-BOL	PART NUMBER	PART NAME	UNIT Q,TY	SERIAL		REMARKS							
				(A)	(B)	N	P	D	(A)	(B)	(C)	(D)	REMARK
1A	37290-27380	DECK	1	101	- 230								FR LH
1B	37290-29110	DECK	1	231	- 409	C				Y01			FR LH
1C	37290-32230	DECK	1	410	-	C				Y01			
2A	37290-27390	DECK	1	101	- 409						Y02		FR RH
2B	37290-32240	DECK	1	410	-	C					Y02		
3A	35700-21450	SPACER	2	101	-								
4A	65801-63032	BUSHING,ELASTIC	2	101	- 409		D						
5A	46011-20630	WASHER,PLANE	6	101	-								
12A	31205-42900	COVER	1	101	- 409					01			
12B	31206-24830	COVER	1	410	-	C				01			
24A	44810-70050	LATCH ASSY	1	101	-					01			
25A	39890-21910	HINGE	1	101	-					01			WELDING
32A	31200-37290	COVER	1	101	- 409						02		
32B	31206-24840	COVER	1	410	-	C					02		
43A	44810-70050	LATCH ASSY	2	101	-						02		
44A	39890-21870	HINGE	1	101	-						02		WELDING
51A	61802-12075	BOLT,FLANGED	2	101	- 267								
51B	61033-12075	BOLT	2	268	-	C							
53A	62480-21121	NUT,FLANGED	4	101	-								
54A	61802-12025	BOLT,FLANGED	4	101	- 267								
54B	61033-12025	BOLT	4	268	-	C							
55A	61802-12050	BOLT,FLANGED	2	101	-								
61A	62256-51410	SCREW	2	101	-					01			
62A	62721-04100	WASHER,SPRING	2	101	-					01			
63A	62701-20041	WASHER,PLANE	2	101	-					01			
64A	61802-06016	BOLT,FLANGED	3	101	-					01			
71A	62256-51410	SCREW	4	101	-						02		
72A	62721-04100	WASHER,SPRING	4	101	-						02		
73A	62701-20041	WASHER,PLANE	4	101	-						02		
74A	61802-06016	BOLT,FLANGED	3	101	-						02		

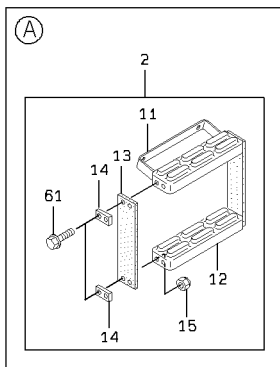
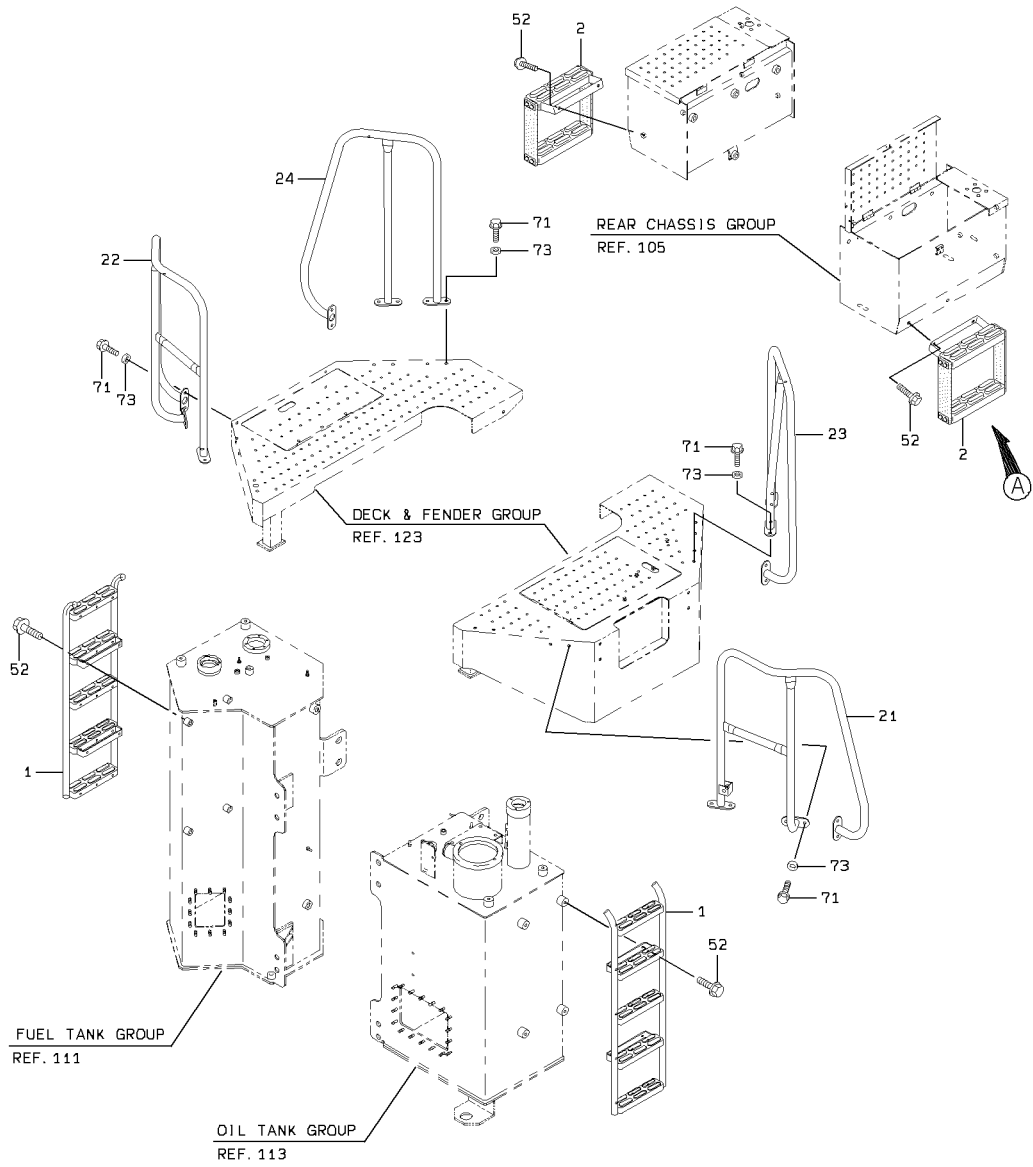
STEP & HANDRAIL GROUP

<S/N 0101 - 0476>



STEP & HANDRAIL GROUP

<S/N 0477 - >



2-A

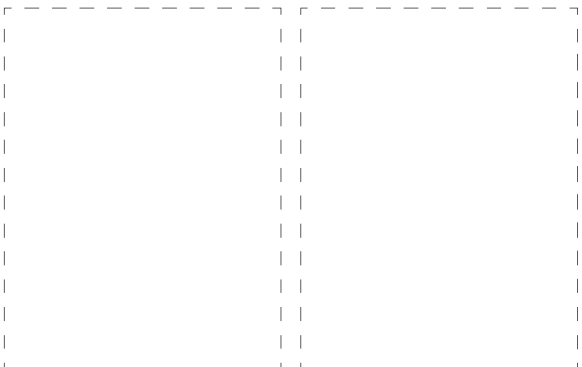
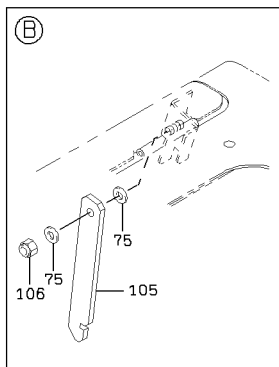
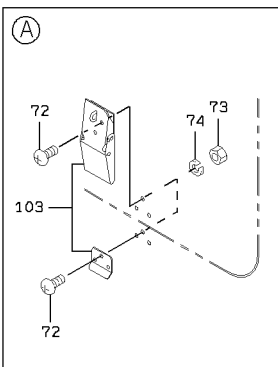
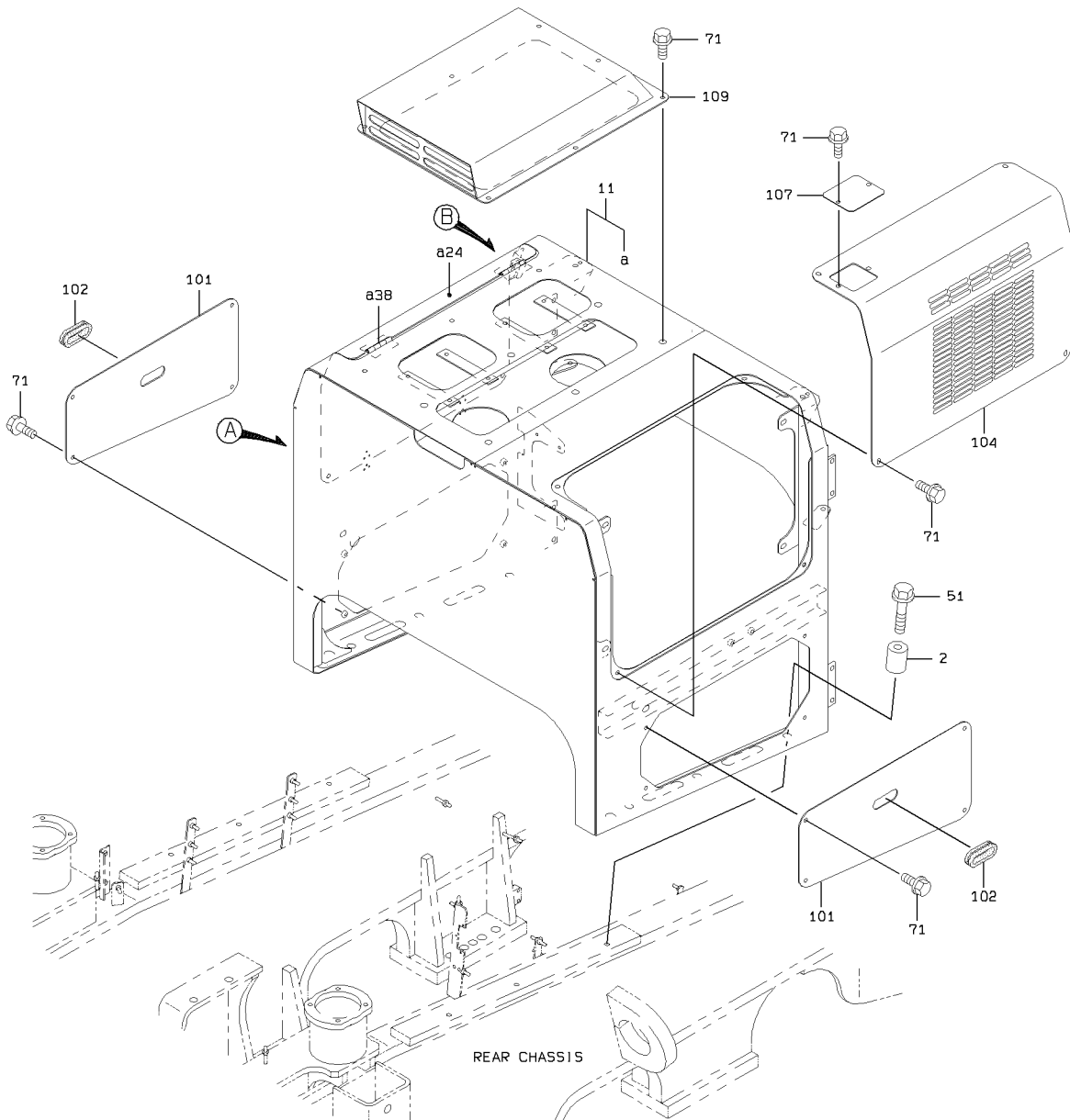
STEP & HANDRAIL GROUP

SYM-BOL	PART NUMBER	PART NAME	UNIT Q,TY	SERIAL		REMARKS							
				(A)	(B)	N	P	D	(A)	(B)	(C)	(D)	REMARK
1A	44730-20450	LADDER	2	101	476								
1B	44730-20840	LADDER	2	477		B							
2A	35371-20100	STEP ASSY	2	101					Y01				
11A	35370-20590	STEP	1	101					01				
12A	35370-20070	STEP	1	101					01				
13A	33713-22820	SHEET,RUBBER	2	101					01				
14A	41611-23340	PLATE	4	101					01				
15A	88001-41101	NUT,U	8	101					01				
21A	38130-28150	HANDRAIL	1	101								FR LH	
22A	38130-28170	HANDRAIL	1	101								FR RH	
23A	38130-28180	HANDRAIL	1	101								FR LH	
24A	38130-28190	HANDRAIL	1	101								FR RH	
51A	61802-10025	BOLT,FLANGED	12	101	476	D							
52A	61802-12025	BOLT,FLANGED	4	101	476								
52B	61802-12025	BOLT,FLANGED	12	477									
61A	61802-10035	BOLT,FLANGED	8	101					01				
71A	61802-10025	BOLT,FLANGED	24	101									
73A	46011-21300	WASHER,PLANE	24	101									

MEMO

SCREEN BOARD MOUNT (S/N 0101 - 0230)

<S/N 0101 - 0230>



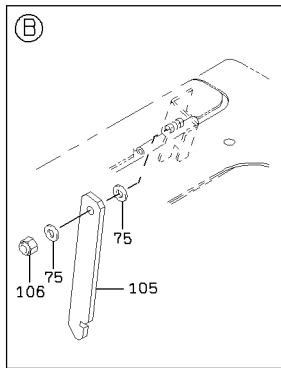
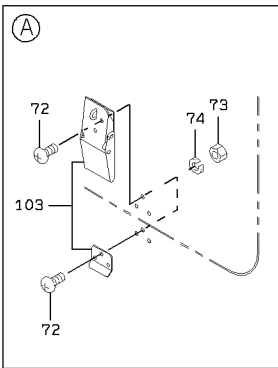
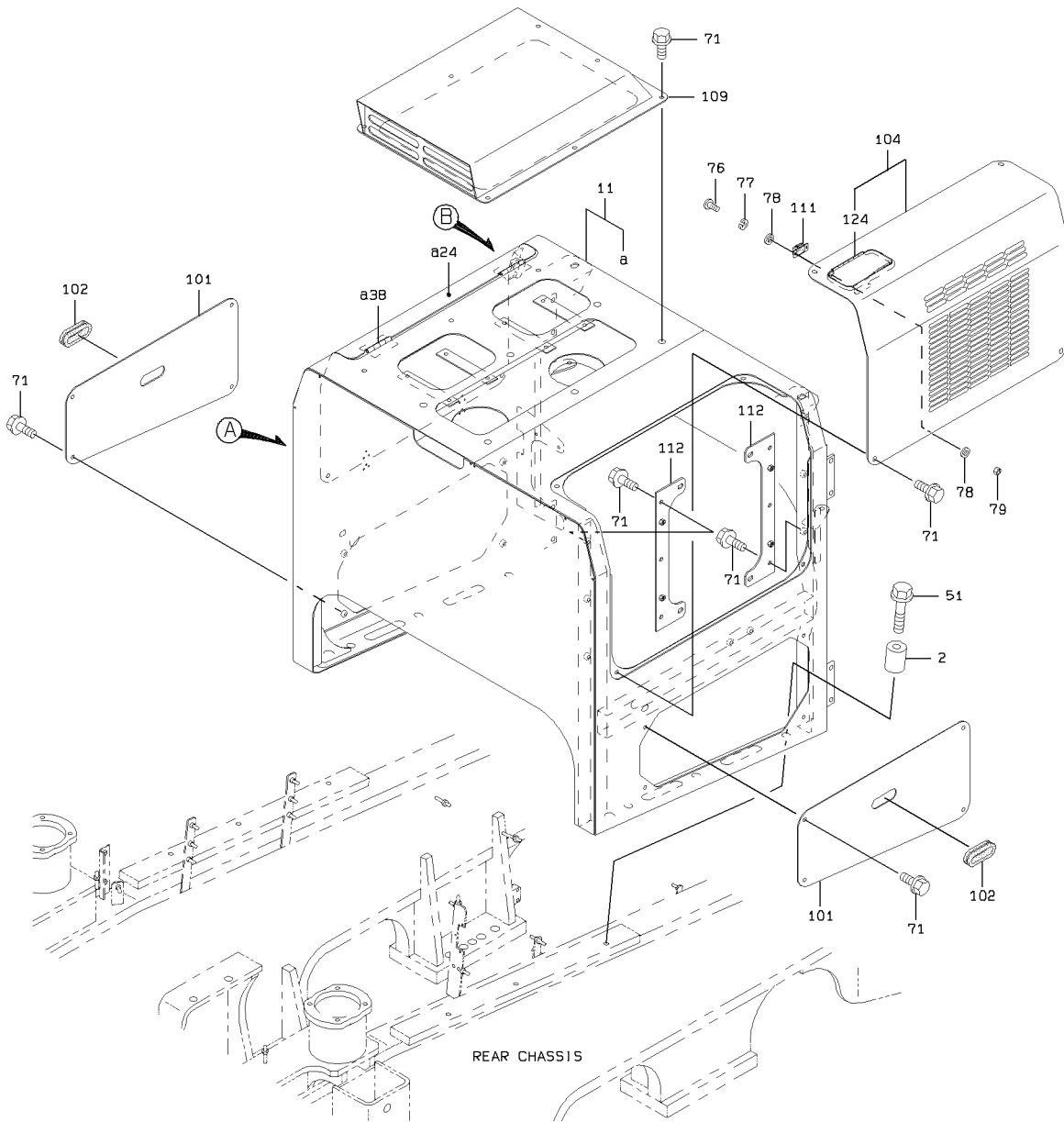
1-A

SCREEN BOARD MOUNT (S/N 0101 - 0230)

SYM-BOL	PART NUMBER	PART NAME	UNIT Q,TY	SERIAL		REMARKS							
				(A)	(B)	N	P	D	(A)	(B)	(C)	(D)	REMARK
2A	45200-23640	RING	6	101	-	230							
11A	43711-22270	BOARD ASSY,SCREEN	1	101	-	230				Y01			
24A	31200-36700	COVER	1	101	-	230				01			FR RH (WELDING
38A	39890-20780	HINGE	2	101	-	230				01			WELDING
51A	61802-16080	BOLT,FLANGED	6	101	-	230							
71A	61802-10020	BOLT,FLANGED	21	101	-	230							
72A	62256-51416	SCREW	12	101	-	230							
73A	62401-81041	NUT	12	101	-	230							
74A	62721-04100	WASHER,SPRING	12	101	-	230							
75A	62701-40101	WASHER,PLANE	2	101	-	230							
101A	41607-22540	PLATE	2	101	-	230							
102A	65801-63032	BUSHING,ELASTIC	2	101	-	230							
103A	32150-60020	CATCH	2	101	-	230							
104A	41618-34940	PLATE	1	101	-	230							FR LH
105A	41605-50850	PLATE	1	101	-	230							
106A	88031-06101	NUT,SELF-LOCKING	1	101	-	230							
107A	41607-22560	PLATE	1	101	-	230							
109A	31205-40920	COVER	1	101	-	230							

SCREEN BOARD MOUNT (S/N 0231 -)

<S/N 0231 - >



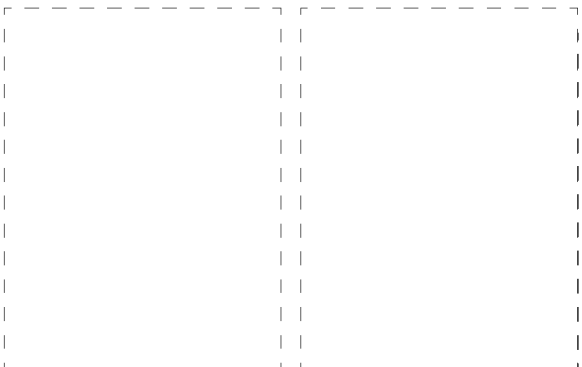
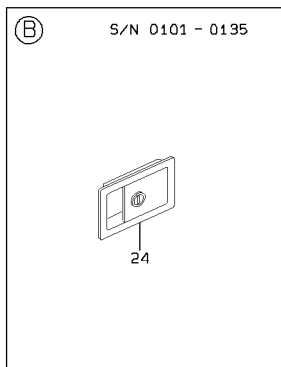
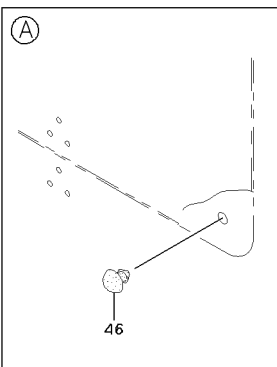
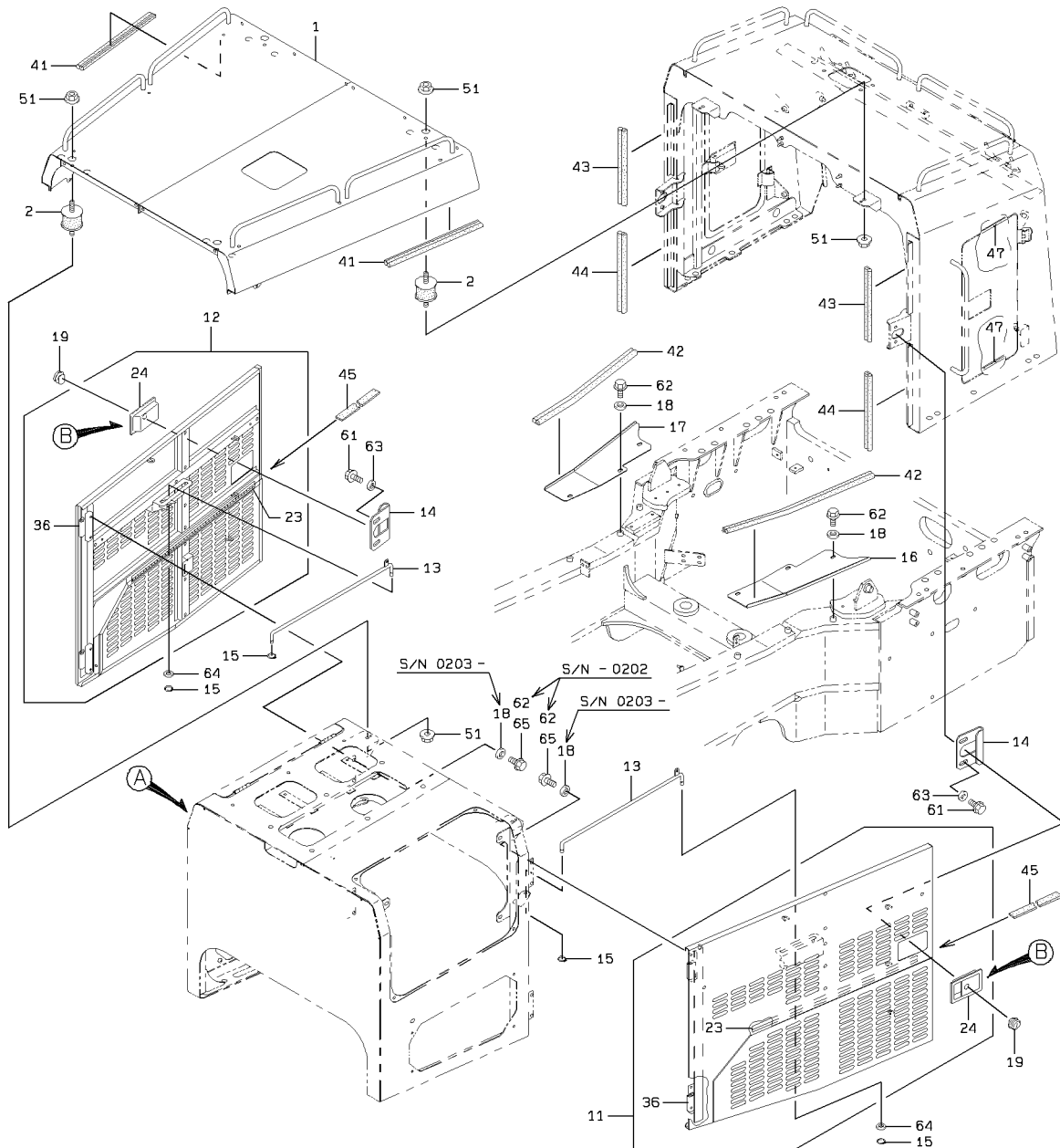
1-A

SCREEN BOARD MOUNT (S/N 0231 -)

SYM-BOL	PART NUMBER	PART NAME	UNIT Q.TY	SERIAL		REMARKS						
				(A)	(B)	N	P	D	(A)	(B)	(C)	(D)
2A	45200-23640	RING	6	231	-							
11A	43711-22870	BOARD ASSY,SCREEN	1	231	-	252						
11B	43711-23060	BOARD ASSY,SCREEN	1	253	-		C		Y01			
24A	31200-36700	COVER	1	231	-				Y01			
38A	39890-20780	HINGE	2	231	-				01			FR RH (WELDING WELDING)
51A	61802-16080	BOLT,FLANGED	6	231	-				01			
71A	61802-10020	BOLT,FLANGED	23	231	-							
72A	62256-51416	SCREW	12	231	-							
73A	62401-81041	NUT	12	231	-							
74A	62721-04100	WASHER,SPRING	12	231	-							
75A	62701-40101	WASHER,PLANE	2	231	-							
76A	62256-51316	SCREW	2	231	-							
77A	62721-03100	WASHER,SPRING	2	231	-							
78A	62701-40051	WASHER,PLANE	4	231	-							
79A	62401-81031	NUT	2	231	-							
101A	41607-22540	PLATE	2	231	-							
102A	65801-63032	BUSHING,ELASTIC	2	231	-							
103A	32150-60020	CATCH	2	231	-							
104A	41620-25950	PLATE	1	231	-				Y02			FR LH
105A	41605-50850	PLATE	1	231	-							
106A	88031-06101	NUT,SELF-LOCKING	1	231	-							
109A	31205-40920	COVER	1	231	-							
111A	32155-70020	CATCH,MAGNET	1	231	-							
112A	41609-42910	PLATE	2	231	-							
124A	39890-20630	HINGE	1	231	-					02		WELDING

ENGINE ROOM MOUNT (S/N 0101 - 0230)

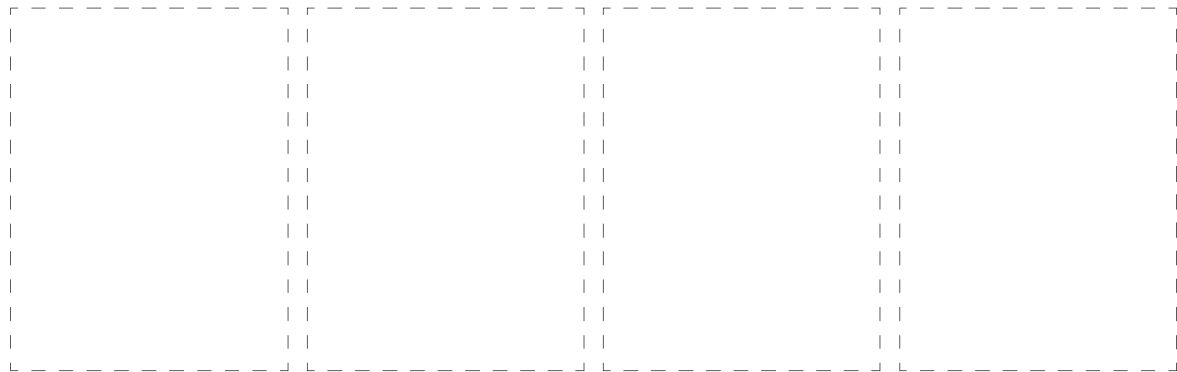
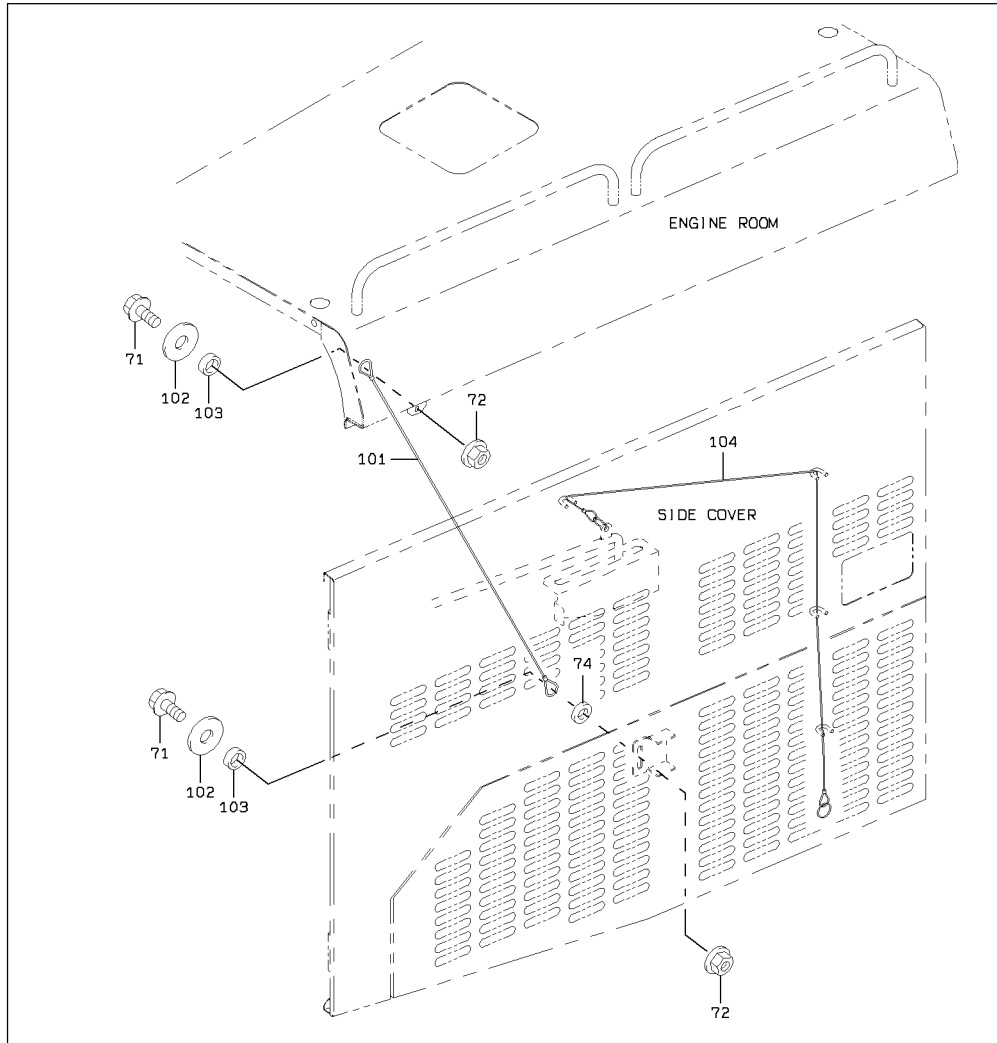
<S/N 0101 - 0230>



ENGINE ROOM MOUNT (S/N 0101 - 0230)

<S/N 0101 - 0230>

DOOR LOCK MOUNT



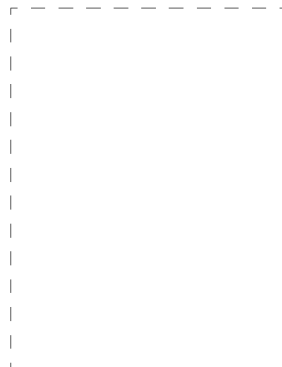
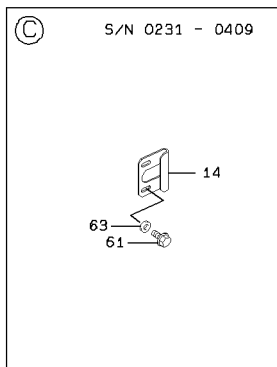
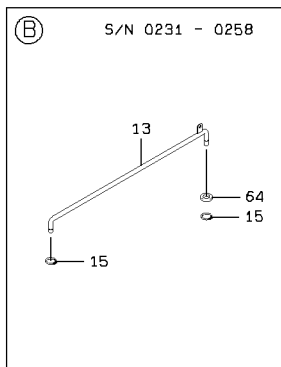
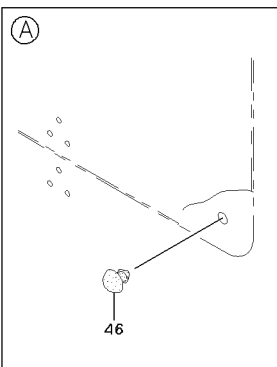
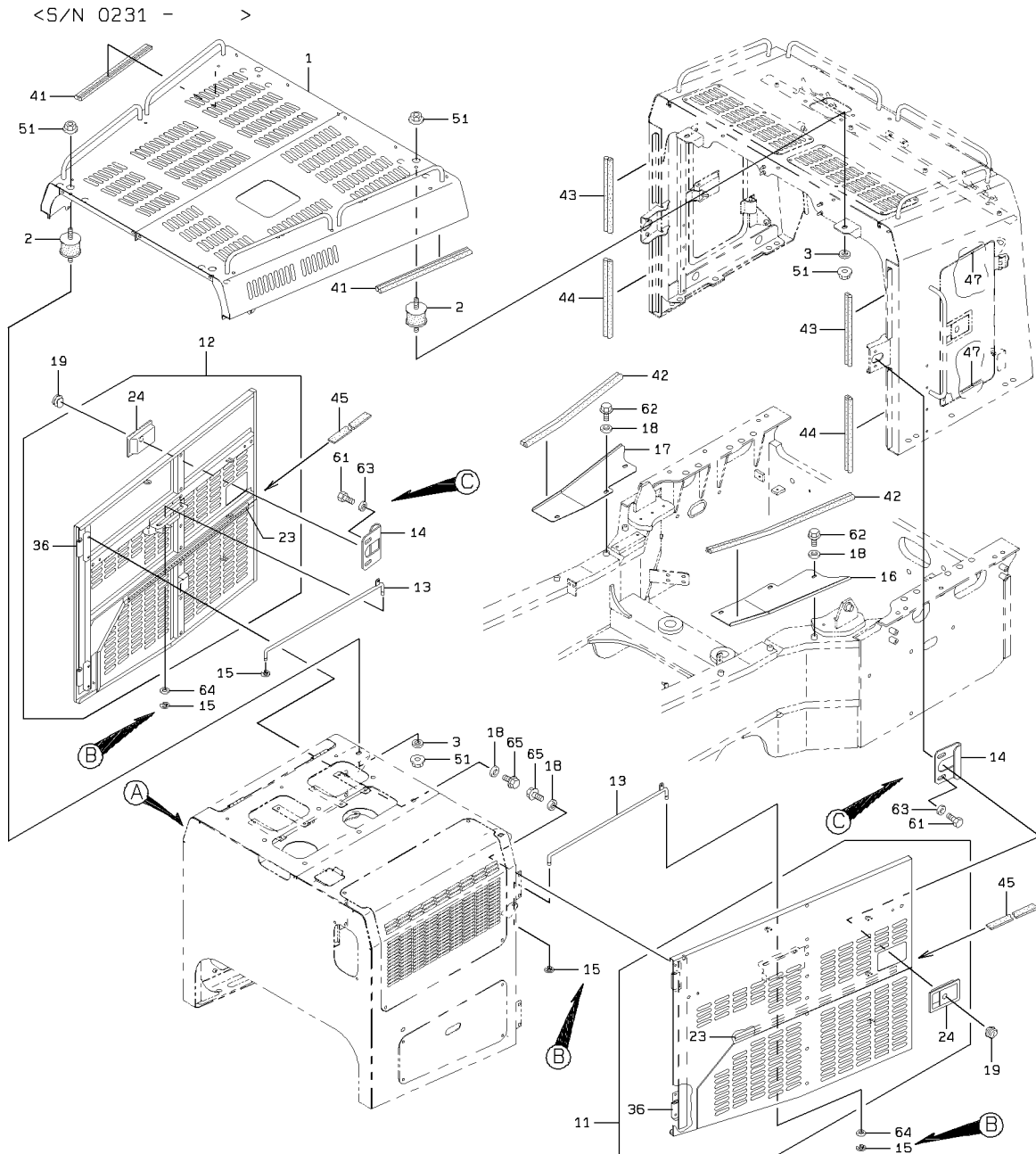
2-A

ENGINE ROOM MOUNT (S/N 0101 - 0230)

SYM-BOL	PART NUMBER	PART NAME	UNIT Q,TY	SERIAL		REMARKS							
				(A)	(B)	N	P	D	(A)	(B)	(C)	(D)	REMARK
1A	45375-24190	ROOF	1	101	230								
2A	44822-20800	RUBBER,CUSHION	4	101	230								
11A	31236-25300	COVER ASSY	1	101	230				Y01				FR LH
12A	31236-25310	COVER ASSY	1	101	230	N				Y02			FR RH
13A	38171-33100	BAR,ROUND	2	101	230								
14A	41600-53130	PLATE	2	101	230								
15A	63811-00012	RING,SNAP	4	101	230								
16A	41607-27750	PLATE	1	101	135								FR LH
16B	41608-23790	PLATE	1	136	230	B							FR LH
17A	41607-27760	PLATE	1	101	135								FR RH
17B	41608-23800	PLATE	1	136	230	B							FR RH
18A	46011-21300	WASHER,PLANE	6	136	202								
18B	46011-21300	WASHER,PLANE	14	203	230								
19A	32110-60010	LOCK	2	136	230								
23A	39890-20740	HINGE	1	101	230				01	02			WELDING
24A	32153-60030	CATCH,DOOR	1	101	135				01	02			WELDING
24B	32153-60180	CATCH,DOOR	1	136	230	B			01	02			WELDING
36A	39890-20790	HINGE	1	101	230				01	02			WELDING
41A	34041-24040	STRIP, SEAL	2	101	230								L=510
42A	34041-24190	STRIP, SEAL	2	101	230								L=660
43A	34041-22770	STRIP, SEAL	2	101	230								L=380
44A	34041-23540	STRIP, SEAL	2	101	230								L=420
45A	33713-25780	SHEET,RUBBER	2	101	230								L=995
46A	44822-20660	RUBBER,CUSHION	2	101	230								
47A	34041-24280	STRIP, SEAL	4	101	230								L=695
51A	62480-21121	NUT,FLANGED	8	101	230								
61A	61802-08020	BOLT,FLANGED	4	101	230								
62A	61802-10016	BOLT,FLANGED	14	101	202								
62B	61802-10016	BOLT,FLANGED	6	203	230								
63A	62710-18081	WASHER,PLANE	4	101	230								
64A	62701-40121	WASHER,PLANE	2	101	230								
65A	61802-10020	BOLT,FLANGED	8	203	230								
71A	61802-08025	BOLT,FLANGED	4	101	230								
72A	62480-21081	NUT,FLANGED	4	101	230								
74A	62701-40081	WASHER,PLANE	2	101	230								
101A	45980-24050	WIRE	2	101	230								
102A	41612-36550	PLATE	4	101	230								
103A	35700-20570	SPACER	4	101	230								
104A	45980-24060	WIRE	2	101	230								

MEMO

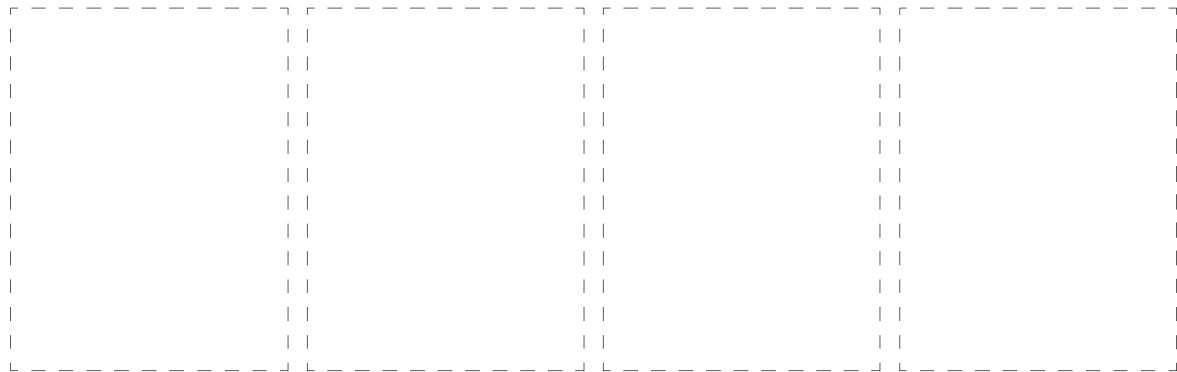
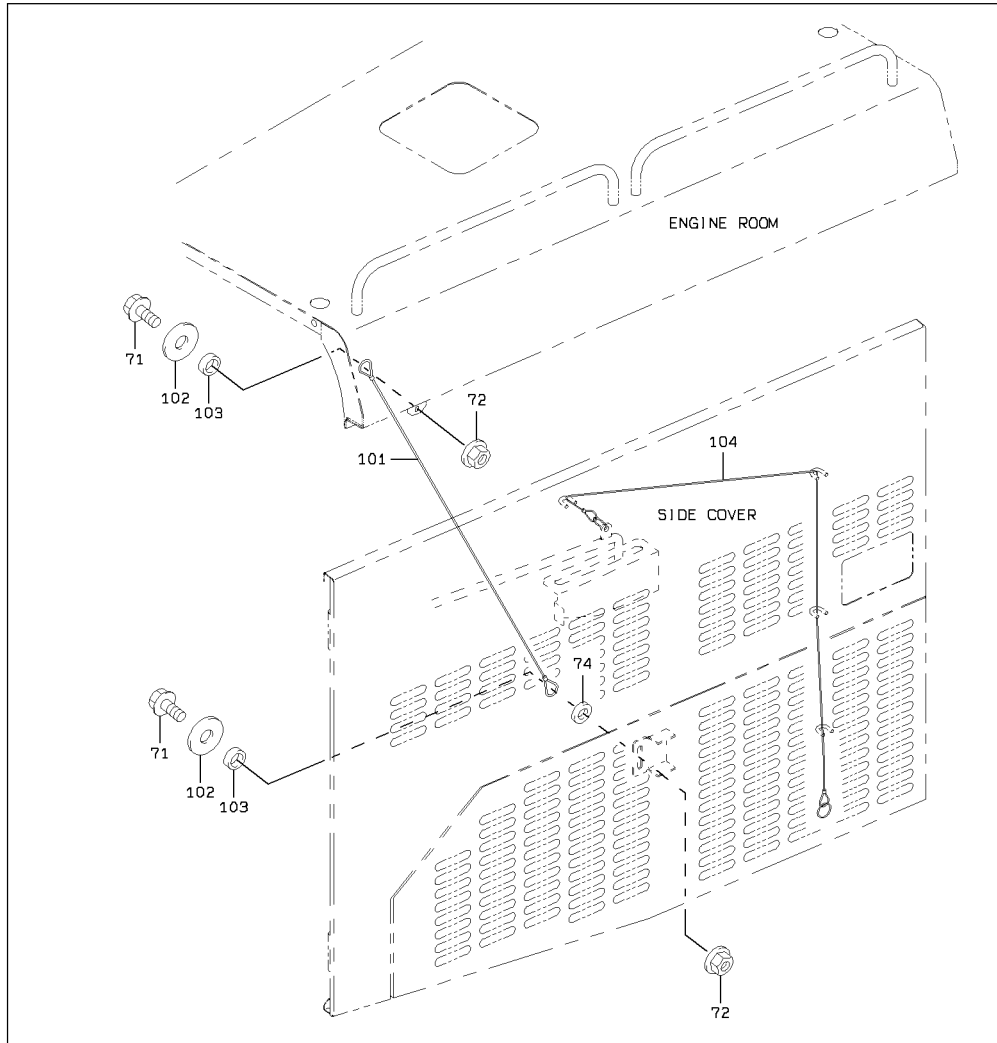
ENGINE ROOM MOUNT (S/N 0231 -)



ENGINE ROOM MOUNT (S/N 0231 -)

<S/N 0231 - >

DOOR LOCK MOUNT



2-A

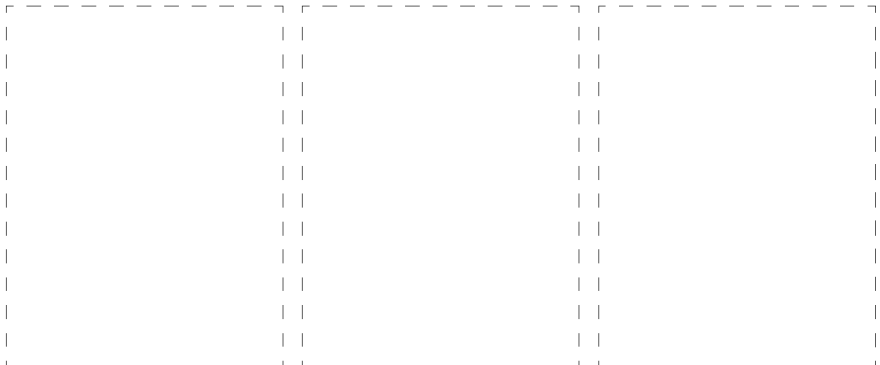
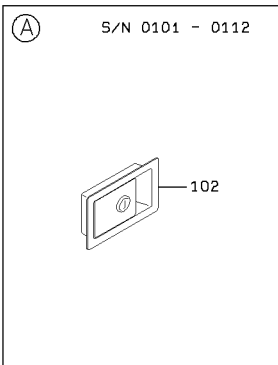
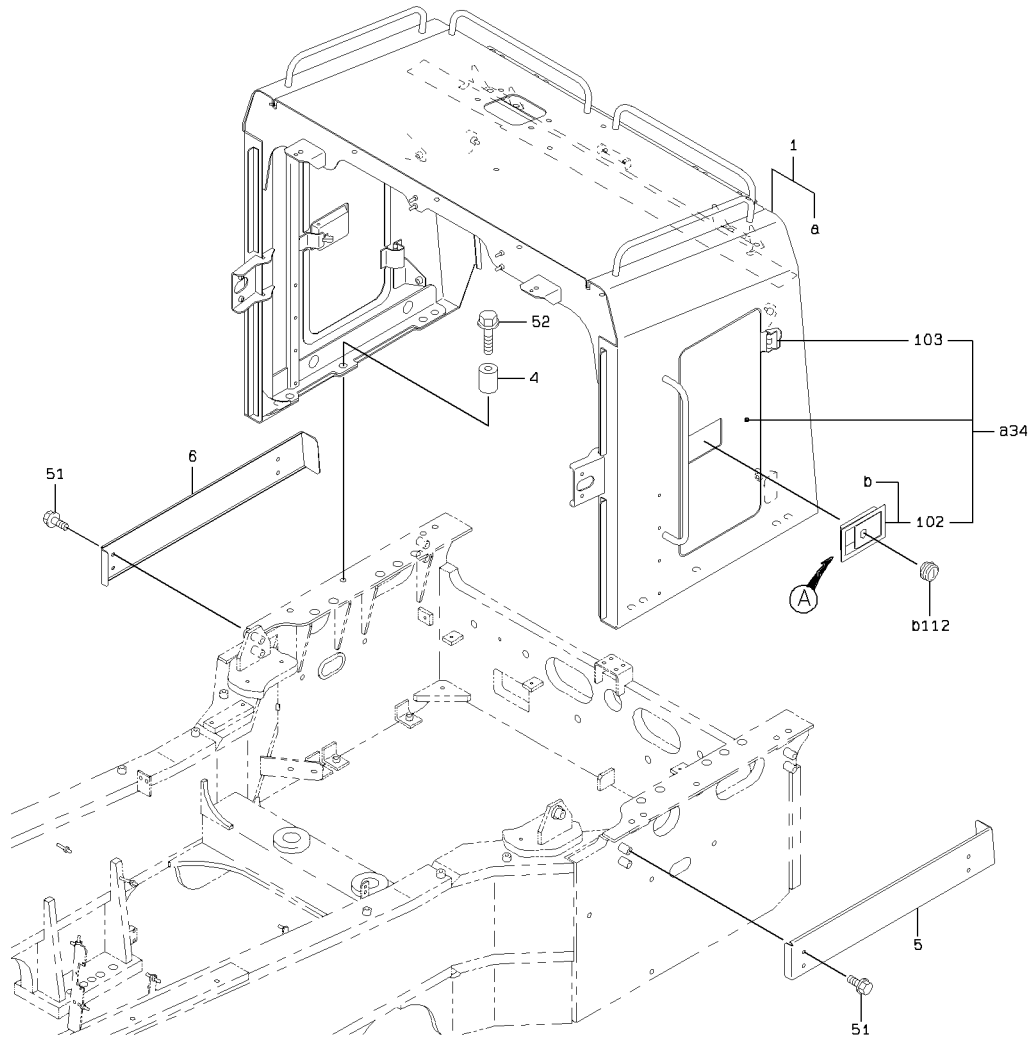
ENGINE ROOM MOUNT (S/N 0231 -)

SYM-BOL	PART NUMBER	PART NAME	UNIT Q,TY	SERIAL		REMARKS							
				(A)	(B)	N	P	D	(A)	(B)	(C)	(D)	REMARK
1A	45375-25080	ROOF	1	231	-								
2A	44822-20800	RUBBER,CUSHION	4	231	-								
3A	46011-20630	WASHER,PLANE	4	231	-								
11A	31236-27640	COVER ASSY	1	231	-				Y01				FR LH
12A	31236-27650	COVER ASSY	1	231	-				Y02				FR RH
13A	38171-33100	BAR,ROUND	2	231	-	258							
13B	38171-37560	BAR,ROUND	2	259	-		B						
14A	41600-53130	PLATE	2	231	-								
15A	63811-00012	RING,SNAP	4	231	-	258							
15B	63813-00010	RING,SNAP	4	259	-		B						
16A	41608-23790	PLATE	1	231	-								FR LH
17A	41608-23800	PLATE	1	231	-								FR RH
18A	46011-21300	WASHER,PLANE	14	231	-								
19A	32110-60010	LOCK	2	231	-								
23A	39890-20740	HINGE	1	231	-				01	02			WELDING
24A	32153-60180	CATCH,DOOR	1	231	-				01	02			WELDING
36A	39890-20790	HINGE	1	231	-				01	02			WELDING
41A	34041-24040	STRIP, SEAL	2	231	-								L=510
42A	34041-24190	STRIP, SEAL	2	231	-								L=660
43A	34041-22770	STRIP, SEAL	2	231	-								L=380
44A	34041-23540	STRIP, SEAL	2	231	-								L=420
45A	33713-25780	SHEET,RUBBER	2	231	-								L=995
46A	44822-20660	RUBBER,CUSHION	2	231	-								
47A	34041-24280	STRIP, SEAL	4	231	-								L=695
51A	62480-21121	NUT,FLANGED	8	231	-								
61A	61802-08020	BOLT,FLANGED	4	231	-	409							
61B	61033-08020	BOLT	4	410	-		B						
62A	61802-10016	BOLT,FLANGED	6	231	-								
63A	62710-18081	WASHER,PLANE	4	231	-	409							
63B	46011-20180	WASHER,PLANE	4	410	-		B						
64A	62701-40121	WASHER,PLANE	2	231	-								
65A	61802-10020	BOLT,FLANGED	8	231	-								
71A	61802-08025	BOLT,FLANGED	4	231	-								
72A	62480-21081	NUT,FLANGED	4	231	-								
74A	62701-40081	WASHER,PLANE	2	231	-								
101A	45980-24050	WIRE	2	231	-								
102A	41612-36550	PLATE	4	231	-								
103A	35700-20570	SPACER	4	231	-								
104A	45980-24060	WIRE	2	231	-	408							
104B	45980-29760	WIRE	2	409	-		C						

MEMO

RADIATOR GUARD MOUNT (S/N 0101 - 0230)

<S/N 0101 - 0230>

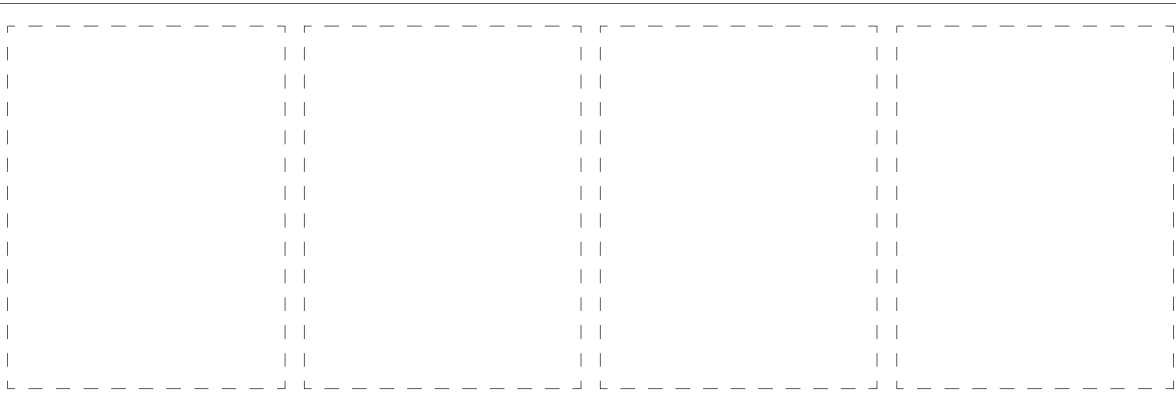
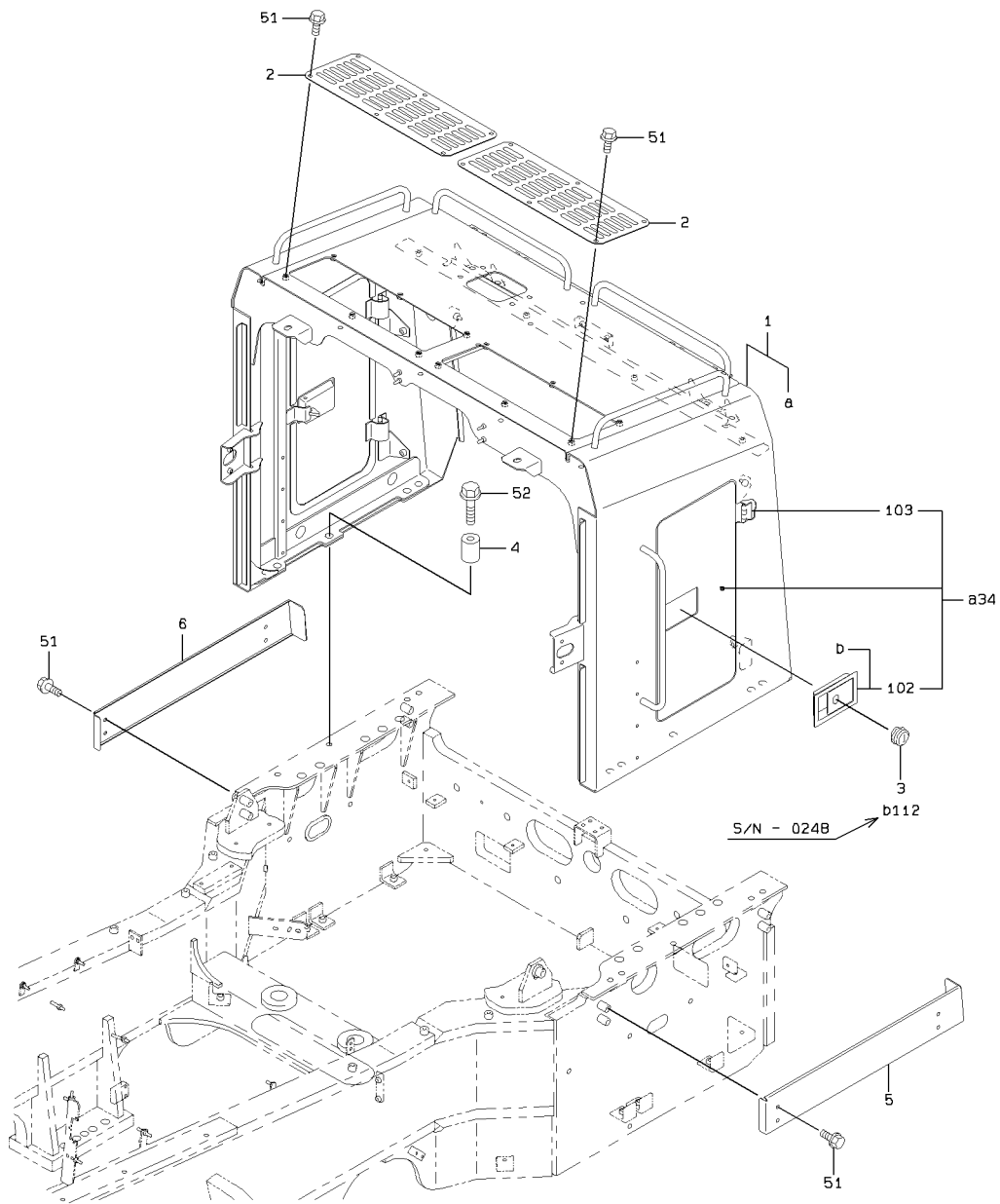


RADIATOR GUARD MOUNT (S/N 0101 - 0230)

SYM-BOL	PART NUMBER	PART NAME	UNIT Q,TY	SERIAL		REMARKS							
				(A)	(B)	N	P	D	(A)	(B)	(C)	(D)	REMARK
1A	31827-21720	GUARD,RADIATOR	1	101	- 230						Y01		
4A	45200-23640	RING	10	101	- 230								
5A	41618-33070	PLATE	1	101	- 230								FR LH
6A	41618-33080	PLATE	1	101	- 230								FR RH
34A	31236-24990	COVER ASSY	2	101	- 230						01	Y02	WELDING
51A	61802-10020	BOLT,FLANGED	8	101	- 230								
52A	61802-16090	BOLT,FLANGED	10	101	- 230								
102A	32153-60030	CATCH,DOOR	1	101	- 112							02	WELDING
102B	32153-60170	CATCH,DOOR	1	113	- 230	B						02	Y03
103A	39890-21790	HINGE	2	101	- 230							02	WELDING
112A	32110-60010	LOCK	1	113	- 230							03	WELDING

RADIATOR GUARD MOUNT (S/N 0231 -)

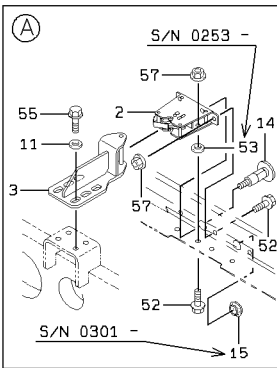
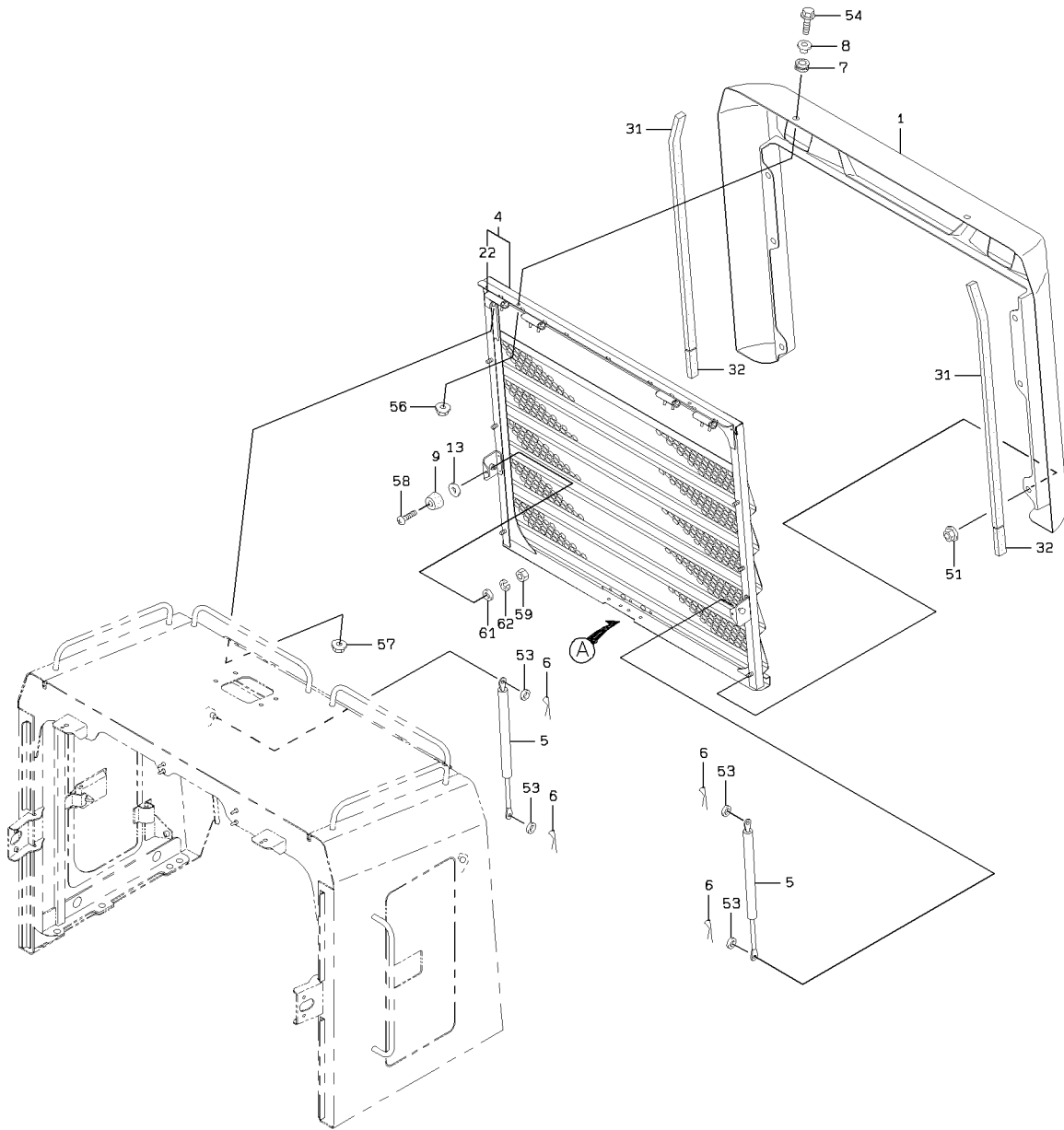
<S/N 0231 - >



RADIATOR GUARD MOUNT (S/N 0231 -)

SYM-BOL	PART NUMBER	PART NAME	UNIT Q,TY	SERIAL		REMARKS							
				(A)	(B)	N	P	D	(A)	(B)	(C)	(D)	REMARK
1A	31827-22090	GUARD,RADIATOR	1	231	- 345								
1B	31827-23270	GUARD,RADIATOR	1	346	-								
2A	41606-58160	PLATE	2	231	-								
3A	32110-60010	LOCK	2	249	-								
4A	45200-23640	RING	10	231	-								
5A	41618-33070	PLATE	1	231	-								FR LH
6A	41618-33080	PLATE	1	231	-								FR RH
34A	31236-24990	COVER ASSY	2	231	-					01	Y02		WELDING
51A	61802-10020	BOLT,FLANGED	20	231	-								
52A	61802-16090	BOLT,FLANGED	10	231	-								
102A	32153-60170	CATCH,DOOR	1	231	- 248						02	Y03	WELDING
102B	32153-60180	CATCH,DOOR	1	249	-			C			02		WELDING
103A	39890-21790	HINGE	2	231	-						02		WELDING
112A	32110-60010	LOCK	1	231	- 248			D				03	

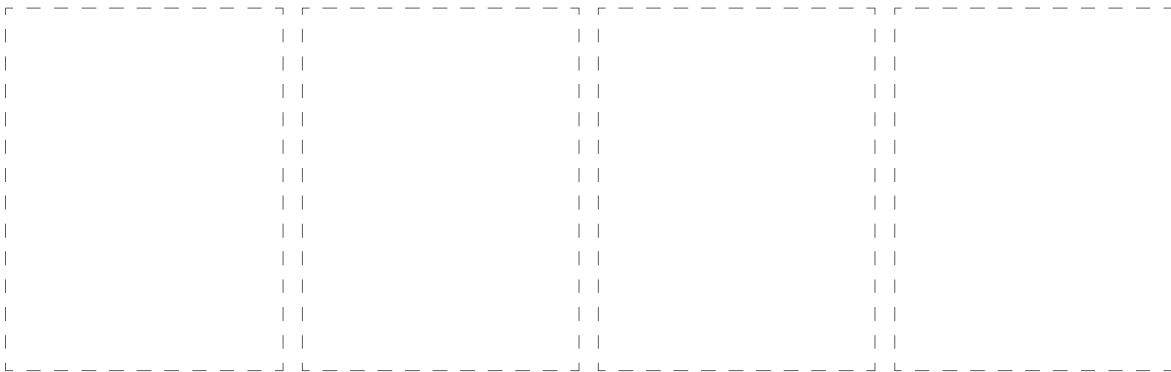
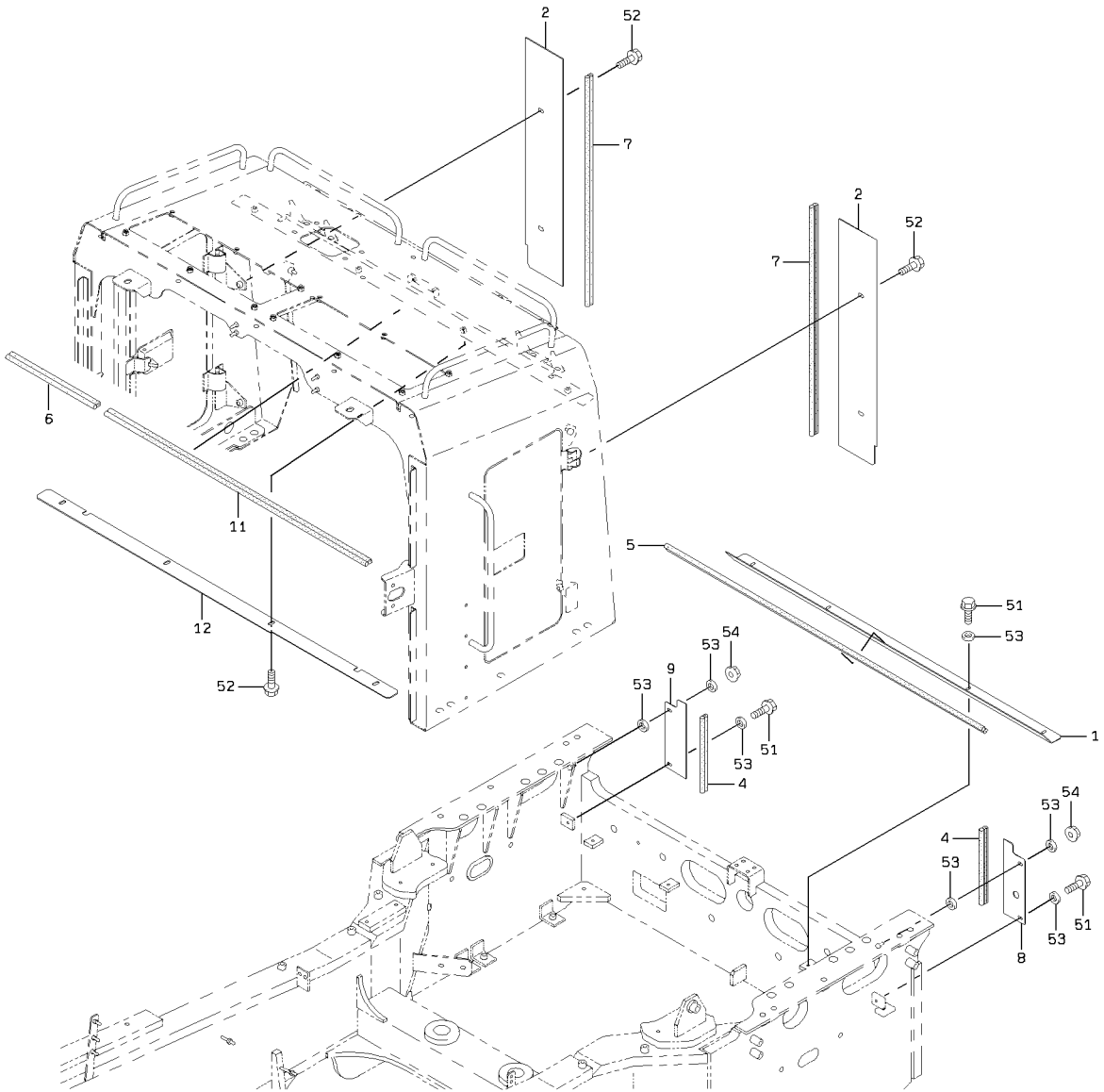
REAR GRILLE GROUP



REAR GRILLE GROUP

SYM-BOL	PART NUMBER	PART NAME	UNIT Q, TY	SERIAL		REMARKS						
				(A)	(B)	N	P	D	(A)	(B)	(C)	(D)
1A	31231-20830	COVER ASSY	1	101	-							
2A	32151-60100	CATCH ASSY	1	101	-							
3A	32150-20340	CATCH	1	101	-							
4A	40600-37550	FRAME	1	101	-					Y01		
5A	35211-60050	STAY ASSY	2	101	-							
6A	63002-02016	PIN,SPLIT	4	101	-							
7A	65801-16032	BUSHING,ELASTIC	2	101	-							
8A	45200-27110	RING	2	101	-							
9A	35440-20960	STOPPER	2	101	-							
11A	46011-20180	WASHER,PLANE	4	101	-							
13A	46011-20510	WASHER,PLANE	A/R	101	-							
14A	43900-24420	BOLT	1	101	-							
15A	41530-70460	PLUG	1	301	-							
22A	39890-70040	HINGE	4	101	-					01		WELDING
31A	33713-25740	SHEET,RUBBER	2	101	-							L=1085
32A	33713-25770	SHEET,RUBBER	2	101	-							L=120
51A	62480-21121	NUT,FLANGED	6	101	-							
52A	61802-08020	BOLT,FLANGED	4	101	-							
53A	62701-40081	WASHER,PLANE	4	101	-							
53B	62701-40081	WASHER,PLANE	6	253	-							
54A	61802-10035	BOLT,FLANGED	2	101	-							
55A	61802-08025	BOLT,FLANGED	4	101	-							
56A	62480-21101	NUT,FLANGED	2	101	-							
57A	62480-21081	NUT,FLANGED	12	101	-							
58A	62256-51416	SCREW	2	101	-							
59A	62401-81041	NUT	2	101	-							
61A	62701-20041	WASHER,PLANE	2	101	-							
62A	62721-04100	WASHER,SPRING	2	101	-							

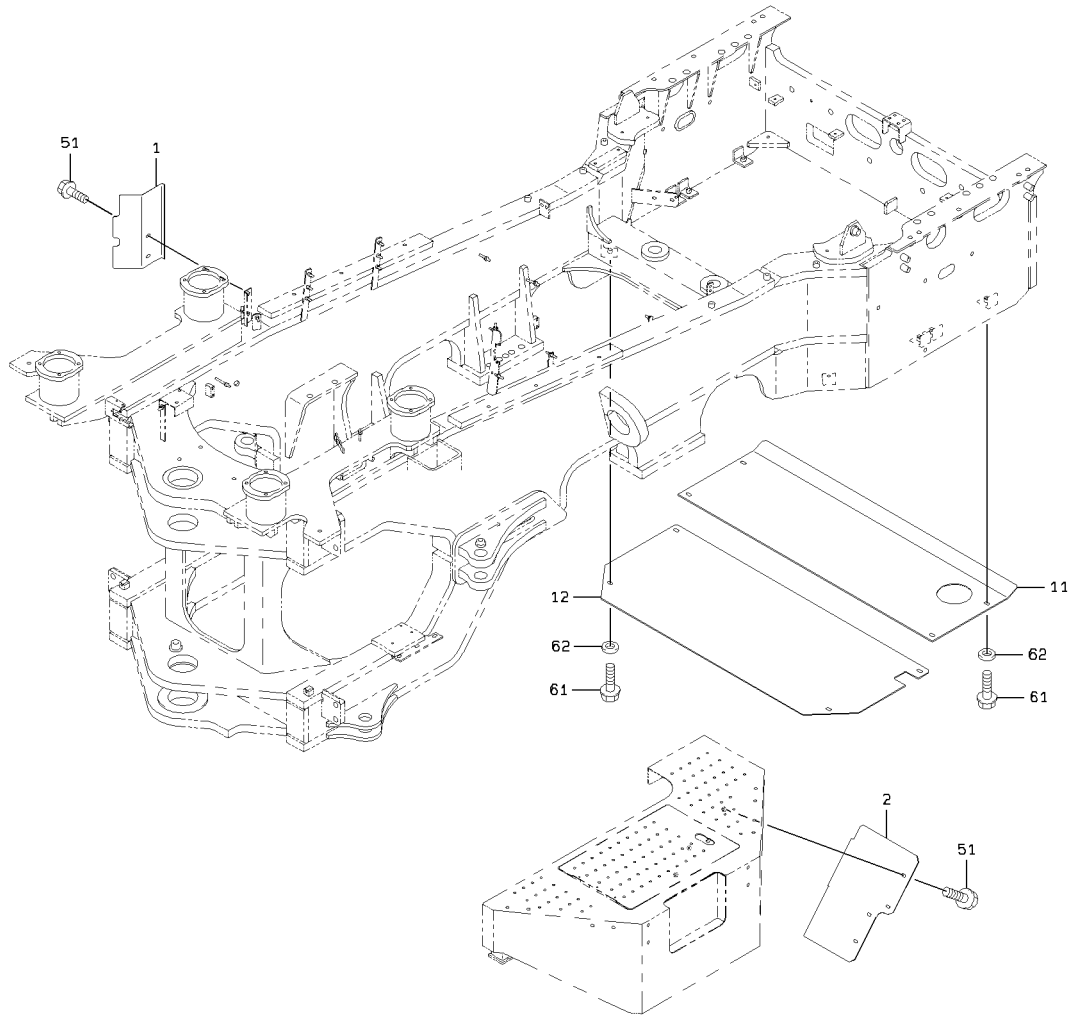
WIND SHIELD GROUP



WIND SHIELD GROUP

SYM-BOL	PART NUMBER	PART NAME	UNIT Q,TY	SERIAL		REMARKS					
				(A)	(B)	N	P	D	(A)	(B)	(C)
1A	41607-22180	PLATE	1	101	-						
2A	41606-29400	PLATE	2	101	-						
4A	34041-24000	STRIP, SEAL	2	101	-						L=290
5A	34041-24010	STRIP, SEAL	1	101	-						L=1430
6A	34041-24220	STRIP, SEAL	1	101	-						L=395
7A	34041-21500	STRIP, SEAL	2	101	-						L=890
8A	41606-56570	PLATE	1	101	-						FR LH
9A	41606-56580	PLATE	1	101	-						FR RH
11A	34041-24200	STRIP, SEAL	1	101	-						L=1175
12A	41609-46120	PLATE	1	231	-						
51A	61802-08016	BOLT,FLANGED	6	101	-						
52A	61802-10020	BOLT,FLANGED	4	101	-						230
52B	61802-10020	BOLT,FLANGED	8	231	-						
53A	62701-40081	WASHER,PLANE	10	101	-						
54A	62480-21081	NUT,FLANGED	2	101	-						

COVER MOUNT

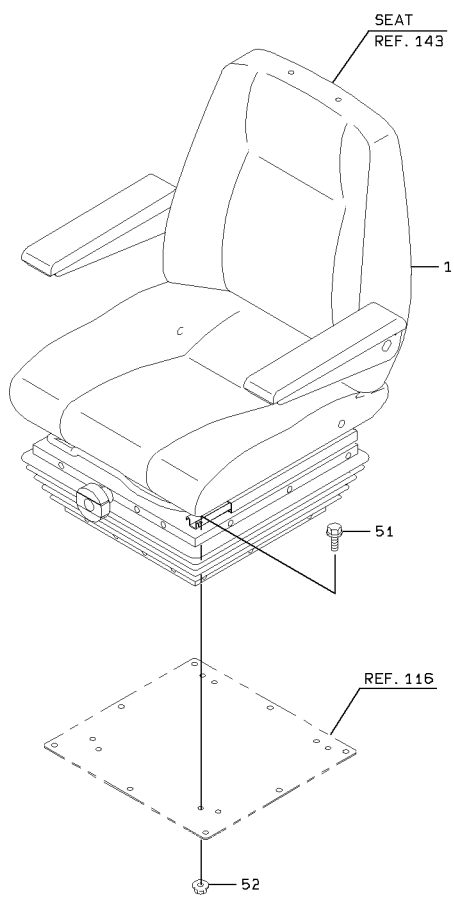


1-A

COVER MOUNT

SYM-BOL	PART NUMBER	PART NAME	UNIT Q,TY	SERIAL (A) - (B)	REMARKS					
					N	P	D	(A)	(B)	(C)
1A	41606-56330	PLATE	1	101 -						
2A	41607-34520	PLATE	1	101 -						
11A	41606-58080	PLATE	1	101 -						
12A	41606-26420	PLATE	1	101 -						
51A	61802-08016	BOLT,FLANGED	6	101 -						
61A	61802-12030	BOLT,FLANGED	8	101 -						
62A	62710-18121	WASHER,PLANE	8	101 -						

SEAT GROUP

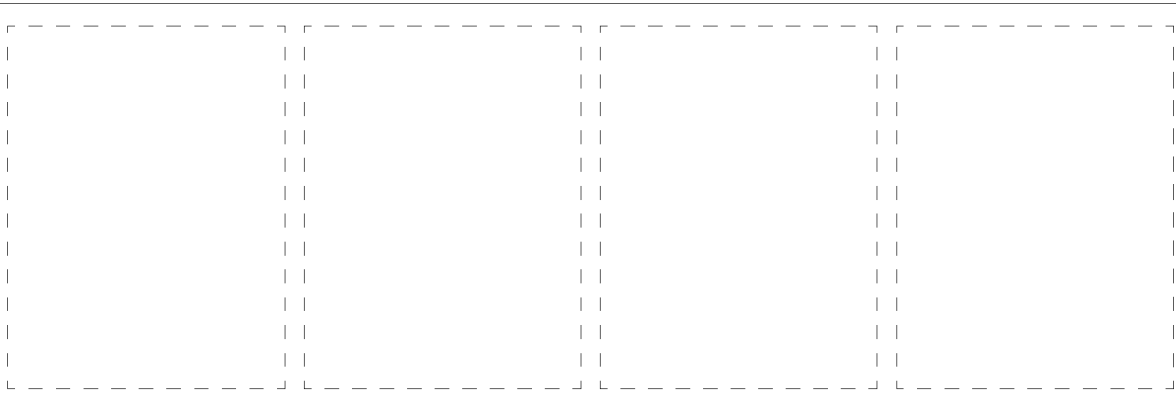
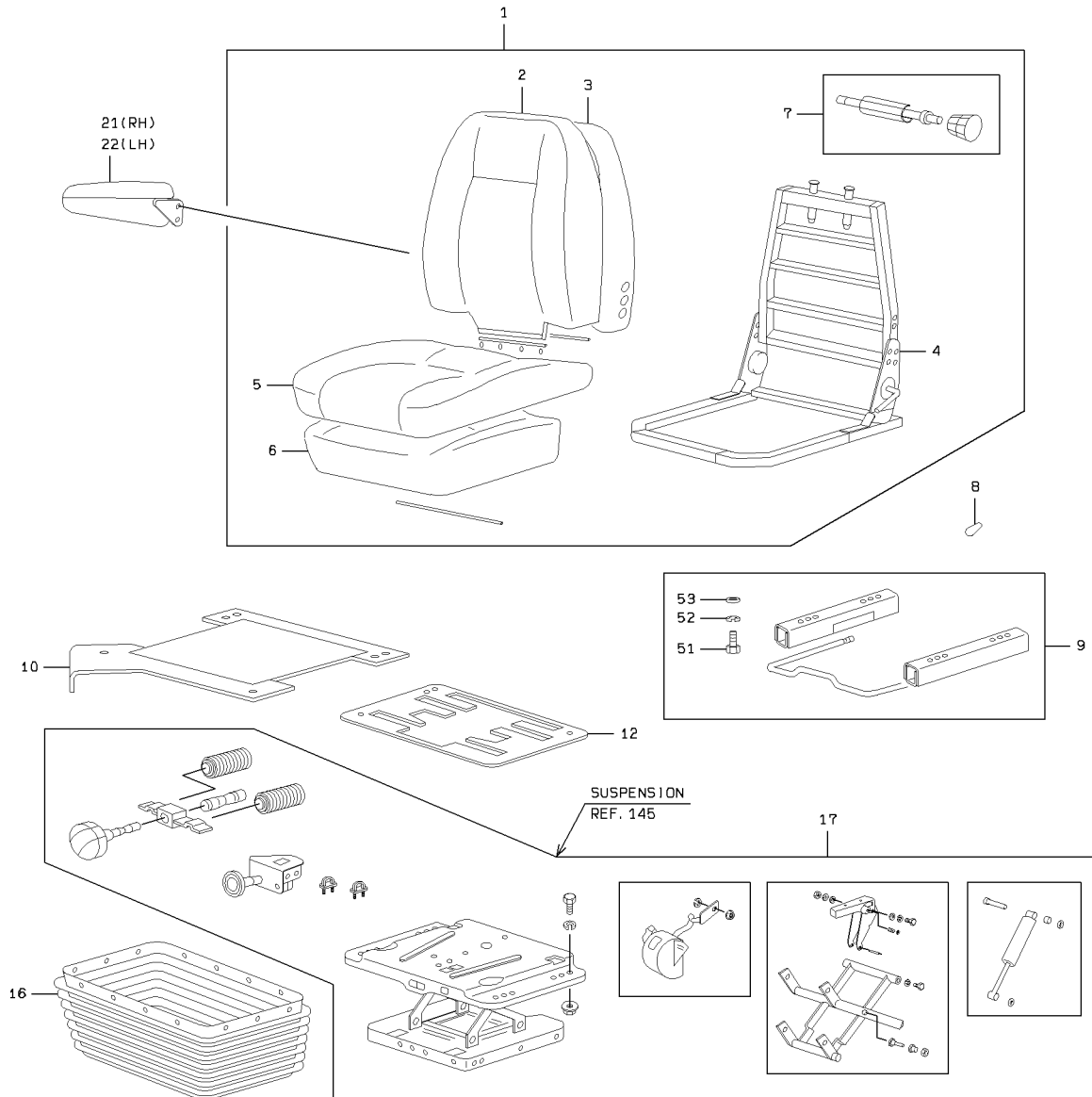


1-C

SEAT GROUP

SYM-BOL	PART NUMBER	PART NAME	UNIT Q,TY	SERIAL			REMARKS						
				(A)	-	(B)	N	P	D	(A)	(B)	(C)	(D)
1A	33921-60650	SEAT ASSY	1	101	-	187							REF.143
1B	33921-60710	SEAT ASSY	1	188	-		B						REF.143
51A	61033-08020	BOLT	4	101	-	187							
51B	61802-08016	BOLT,FLANGED	4	188	-		B						
52A	62480-21081	NUT,FLANGED	4	101	-								

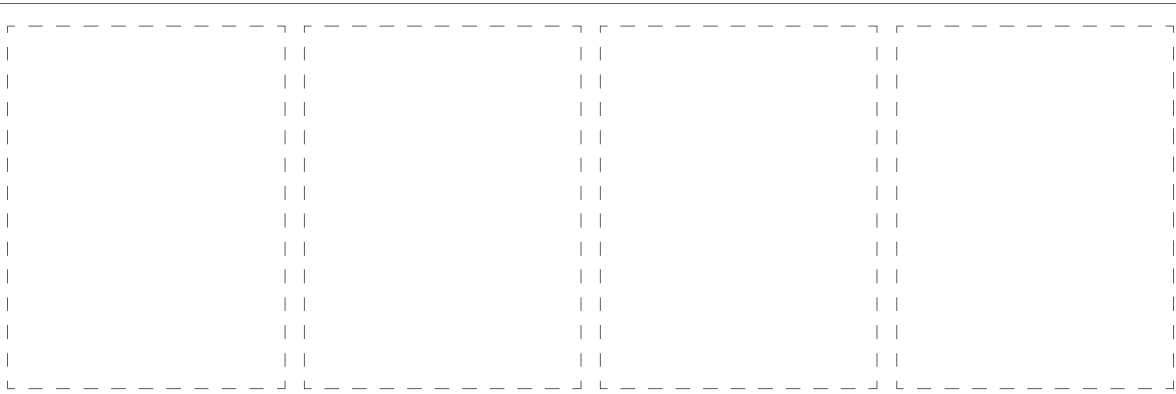
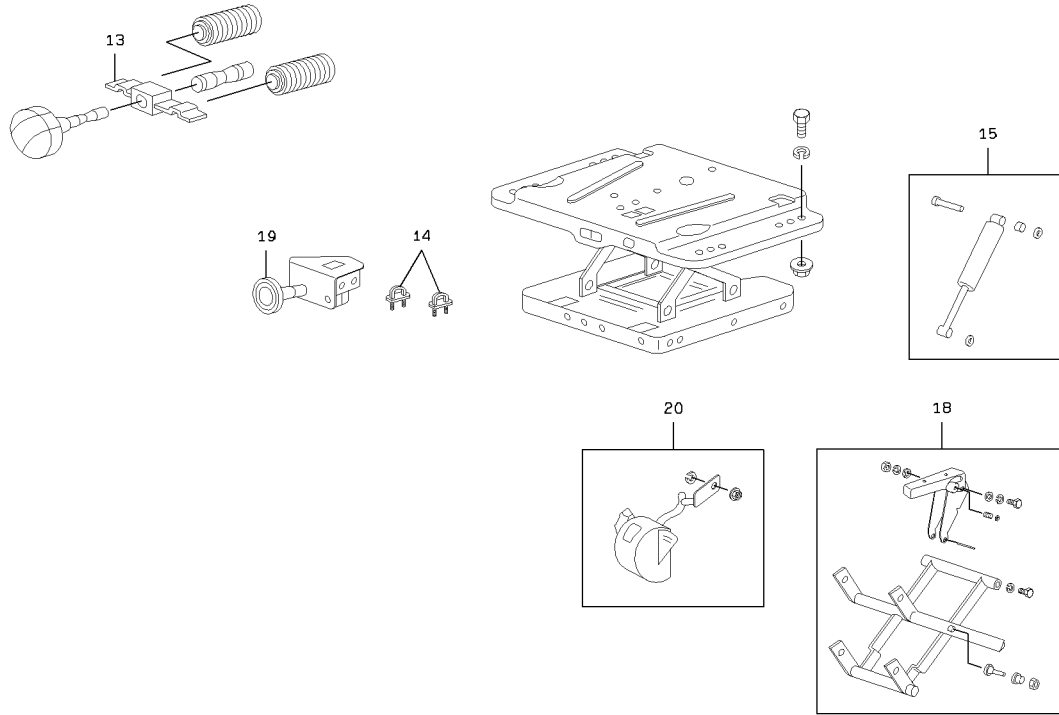
SEAT



SEAT

SYM-BOL	PART NUMBER	PART NAME	UNIT Q,TY	SERIAL			REMARKS							
				(A)	-	(B)	N	P	D	(A)	(B)	(C)	(D)	REMARK
000A	33921-60650	SEAT ASSY	1	101	-	187								INC. SEC.145
000B	33921-60710	SEAT ASSY	1	188	-		B							INC. SEC.145
1A	33921-70240	SEAT ASSY	1	101	-	187			Y01					
1B	33921-70210	SEAT ASSY	1	188	-		B			Y02				
2A	31275-70100	COVER,SEAT	1	101	-	187			01					
2B	33922-70050	SEAT ASSY,SUB	1	188	-		B			02				
3A	33924-70100	SEAT BACK	1	101	-				01	02				
4A	40600-70950	FRAME	1	101	-				01	02				
5A	31275-70140	COVER,SEAT	1	101	-	187			01					
5B	31275-70130	COVER,SEAT	1	188	-		B			02				
6A	33923-70330	SEAT CUSHION	1	101	-				01	02				
7A	33610-70310	SUPPORT ASSY	1	101	-				01	02				
8A	37810-70580	KNOB	1	101	-						Y03			
9A	35720-70010	SLIDE ASSY	1	101	-									
10A	41650-70170	PLATE ASSY	1	101	-									
12A	41650-70180	PLATE ASSY	1	101	-									
16A	31241-70230	COVER ASSY	1	101	-									
17A	33500-70060	SUSPENSION ASSY	1	101	-	187								REF.145
17B	33500-70070	SUSPENSION ASSY	1	188	-		B							REF.145
21A	30062-70420	ARMREST	1	101	-									FR RH
22A	30062-70430	ARMREST	1	101	-									FR LH
51A	35100-20900	SCREW	6	101	-						03			
52A	62721-08100	WASHER,SPRING	6	101	-						03			
53A	62710-18081	WASHER,PLANE	6	101	-						03			

SUSPENSION



SUSPENSION

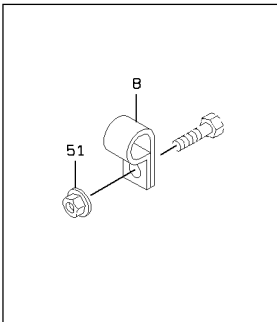
SYM-BOL	PART NUMBER	PART NAME	UNIT Q,TY	SERIAL		REMARKS						
				(A)	(B)	N	P	D	(A)	(B)	(C)	(D)
000A	33500-70060	SUSPENSION ASSY	1	101	- 187							
000B	33500-70070	SUSPENSION ASSY	1	188	-	B						
13A	30212-70060	ADJUSTOR ASSY	1	101	-							
14A	35430-70010	STOPPER ASSY	1	101	-							
15A	36505-70060	DAMPER ASSY	1	101	-							
18A	49612-70040	BEARING KIT	1	101	-							
19A	30212-70070	ADJUSTOR ASSY	1	101	-							
20A	30641-70010	INJECTOR ASSY	1	101	-							

GREASE PIPING (FOR FRONT)

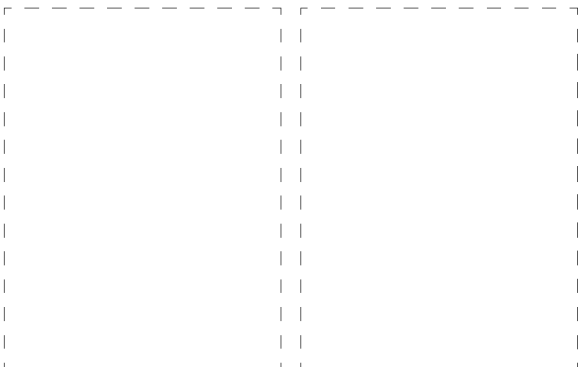
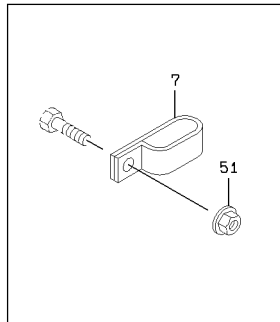
<S/N 0101 - 0230>



DETAIL OF PIPE HOLDER



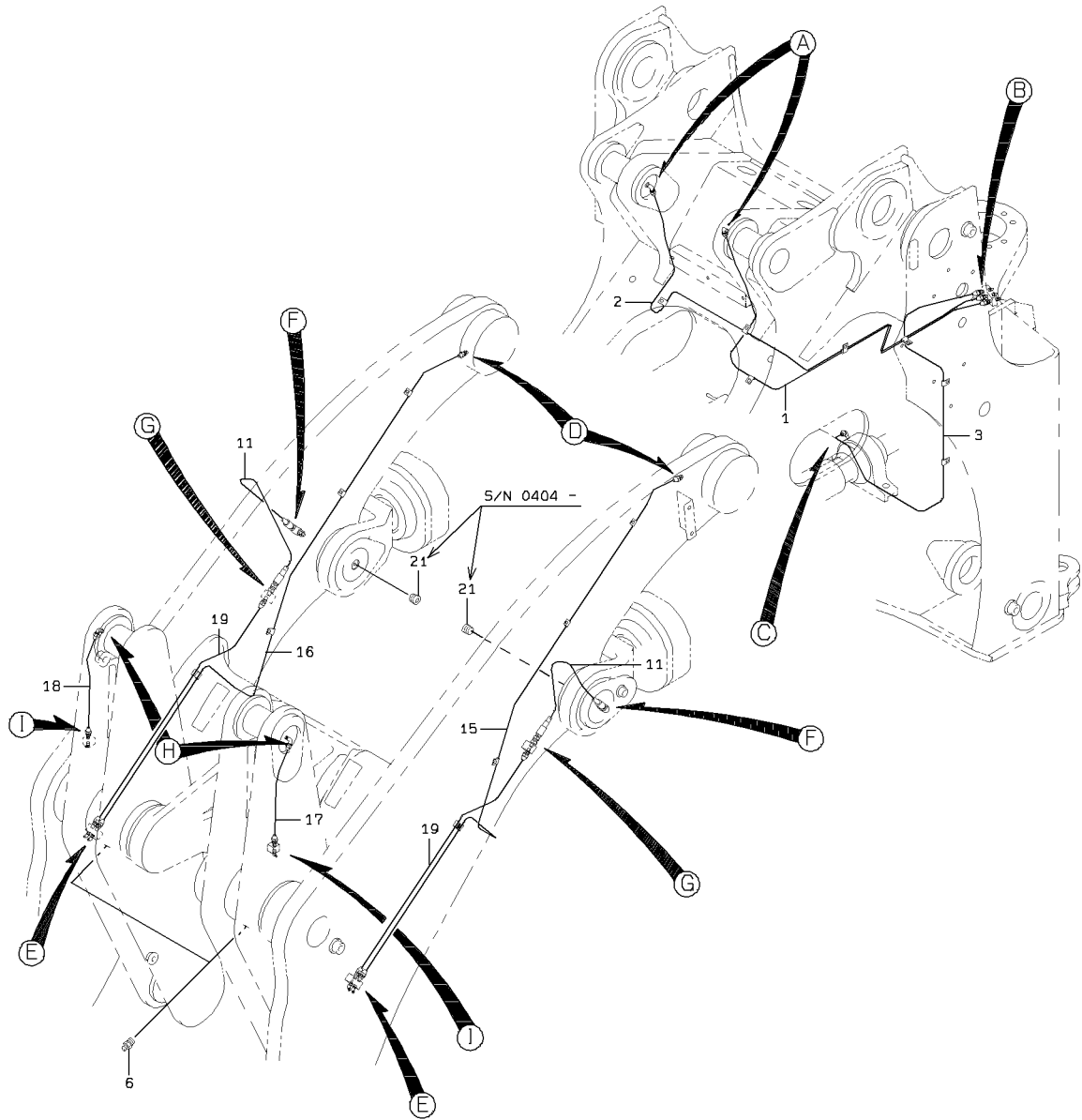
DETAIL OF PIPE HOLDER



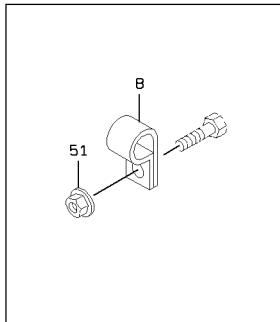
1-A

GREASE PIPING (FOR FRONT)

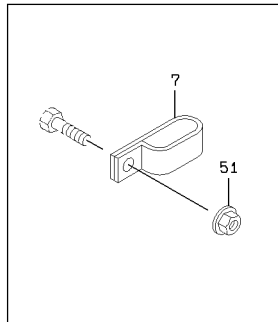
<S/N 0231 - >



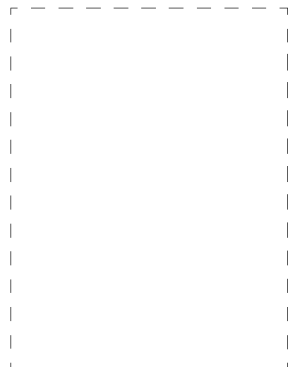
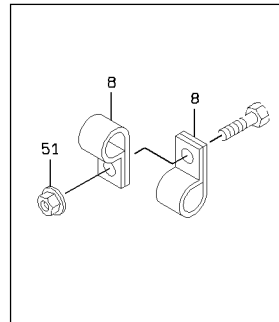
DETAIL OF PIPE HOLDER



DETAIL OF PIPE HOLDER

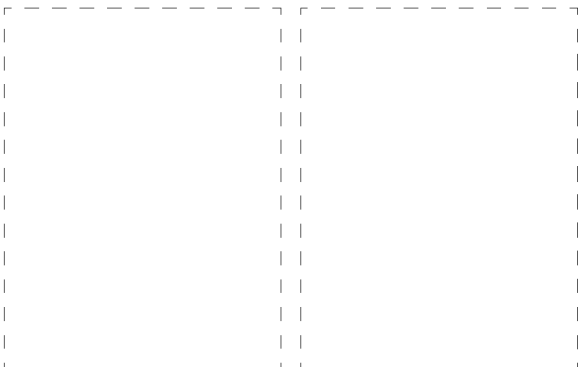
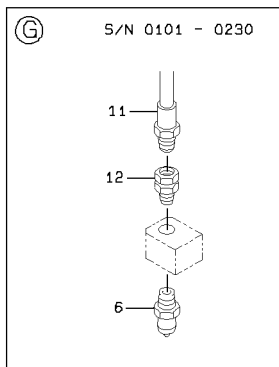
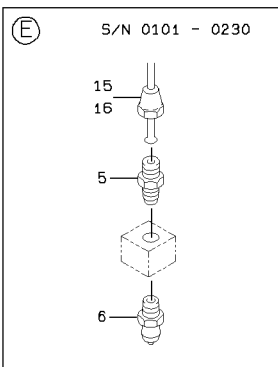
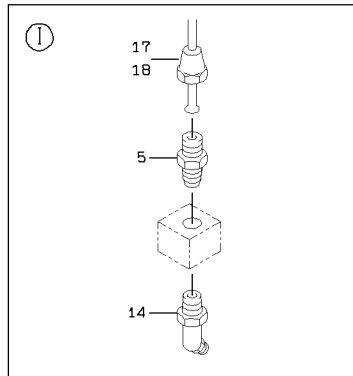
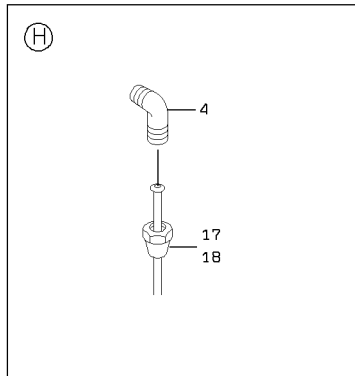
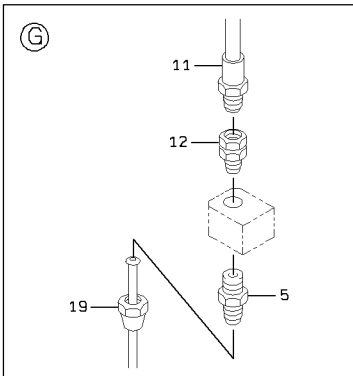
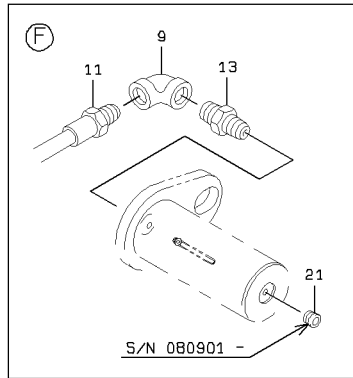
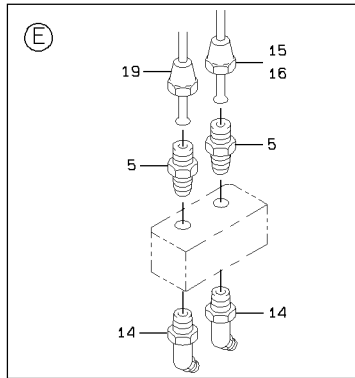
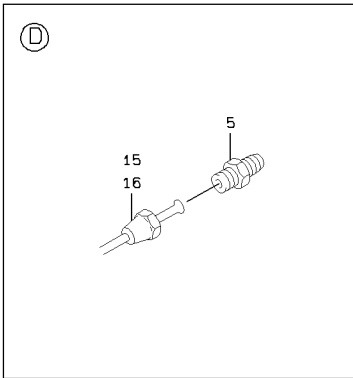
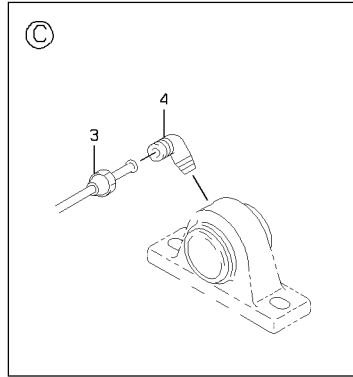
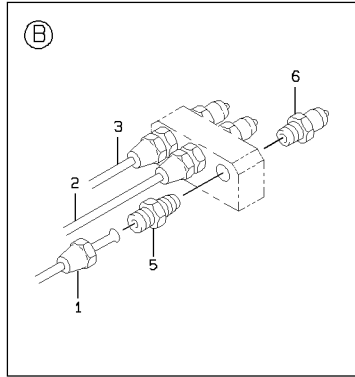
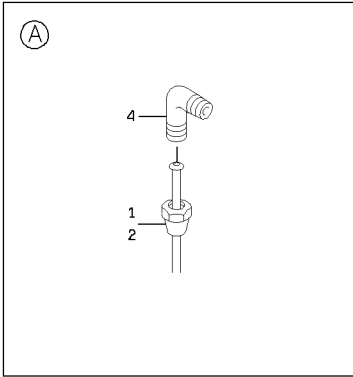


DETAIL OF PIPE HOLDER



2-C

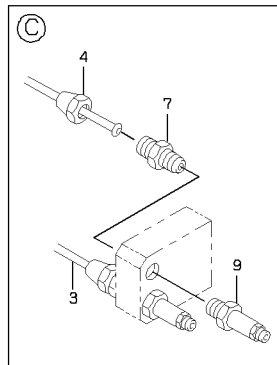
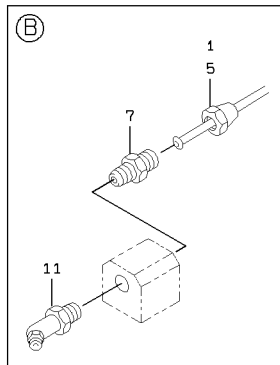
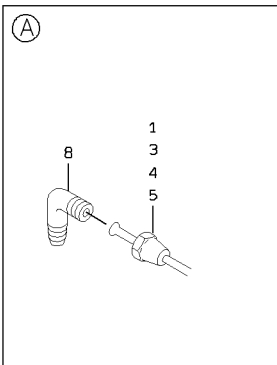
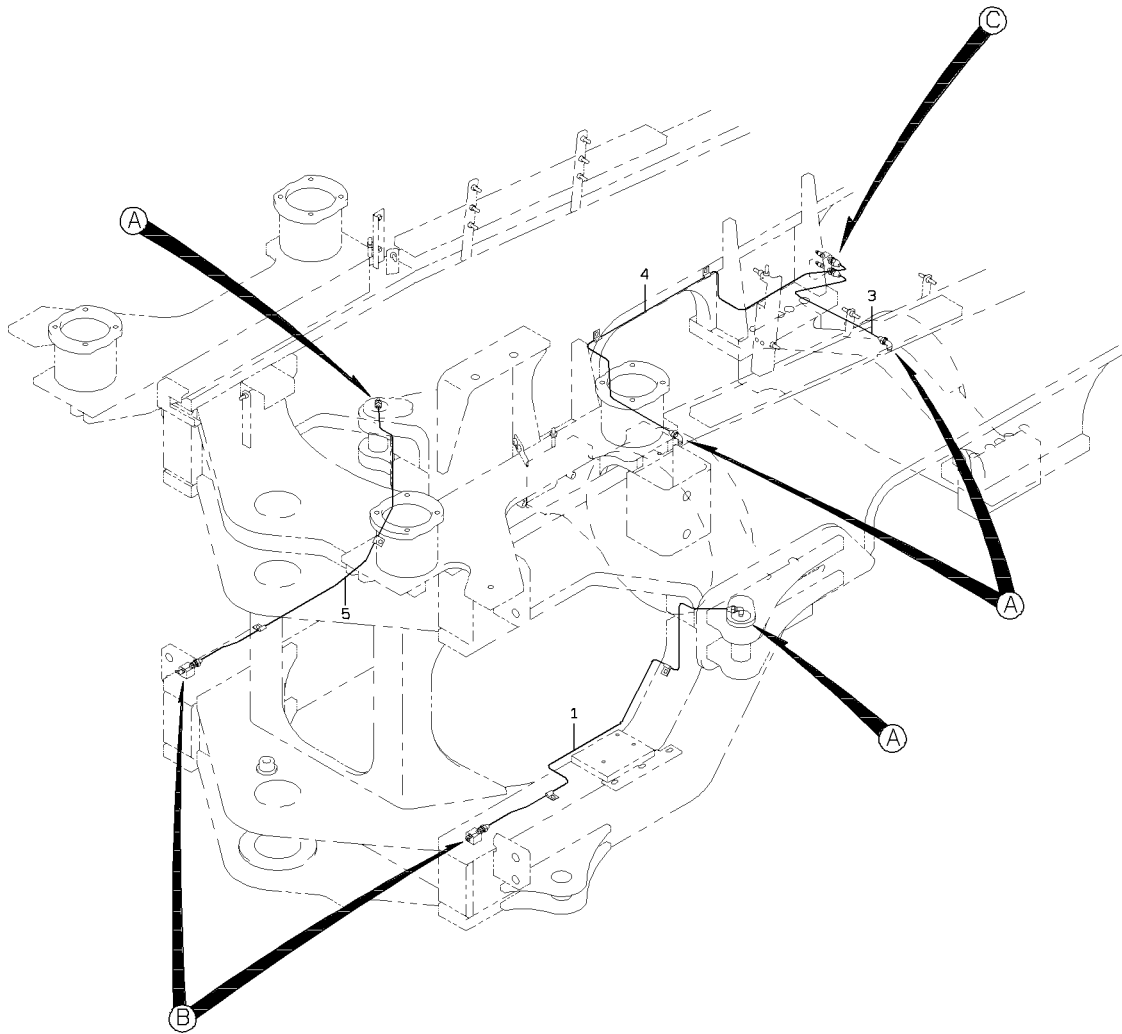
GREASE PIPING (FOR FRONT)



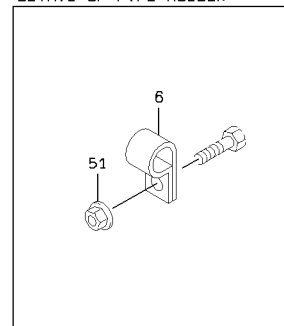
GREASE PIPING (FOR FRONT)

SYM-BOL	PART NUMBER	PART NAME	UNIT Q,TY	SERIAL		REMARKS						
				(A)	(B)	N	P	D	(A)	(B)	(C)	(D)
1A	38705-34780	PIPE ASSY,FLARED	1	101	-							TILT CYL.(LH)
2A	38705-34790	PIPE ASSY,FLARED	1	101	-							TILT CYL.(RH)
3A	38705-51920	PIPE ASSY,FLARED	1	101	-	161						PILLOW UNIT
3B	38705-57130	PIPE ASSY,FLARED	1	162	-							PILLOW UNIT
4A	69100-20600	FLARED FITTING,ELB	5	101	-							
5A	69100-10600	FLARED FITTING	9	101	-	230						
5B	69100-10600	FLARED FITTING	13	231	-							
6A	75011-25400	NIPPLE,GREASE	9	101	-	230						
6B	75011-25400	NIPPLE,GREASE	5	231	-							
7A	72001-20600	HOLDER,PIPE	A/R	101	-							D=6.35 X Q'TY
8A	72001-10600	HOLDER,PIPE	A/R	101	-							D=6.35
9A	88340-12604	FITTING,ELBOW	2	101	-							
11A	68612-10040	HOSE,HIGH PRESSURE	2	101	-							LIFT CYL.
12A	88221-00604	ADAPTER,UNION	2	101	-							
13A	88302-40402	FITTING,NIPPLE	2	101	-							
14A	75011-45400	NIPPLE,GREASE	2	101	-	230						
14B	75011-45400	NIPPLE,GREASE	6	231	-							
15A	38705-49620	PIPE ASSY,FLARED	1	101	-	164						LIFT ARM (LH)
15B	38705-57270	PIPE ASSY,FLARED	1	165	-	230	C					LIFT ARM (LH)
15C	38705-57620	PIPE ASSY,FLARED	1	231	-		B					LIFT ARM (LH)
16A	38705-49630	PIPE ASSY,FLARED	1	101	-	164						LIFT ARM (RH)
16B	38705-57280	PIPE ASSY,FLARED	1	165	-	230	C					LIFT ARM (RH)
16C	38705-57630	PIPE ASSY,FLARED	1	231	-		B					LIFT ARM (RH)
17A	38705-51970	PIPE ASSY,FLARED	1	101	-							TILT LEVER (LH)
18A	38705-51980	PIPE ASSY,FLARED	1	101	-							TILT LEVER (RH)
19A	38705-40340	PIPE ASSY,FLARED	2	231	-							
21A	88390-16102	PLUG	2	404	-							
51A	62480-21081	NUT,FLANGED	A/R	101	-							

GREASE PIPING (FOR REAR)



DETAIL OF PIPE HOLDER

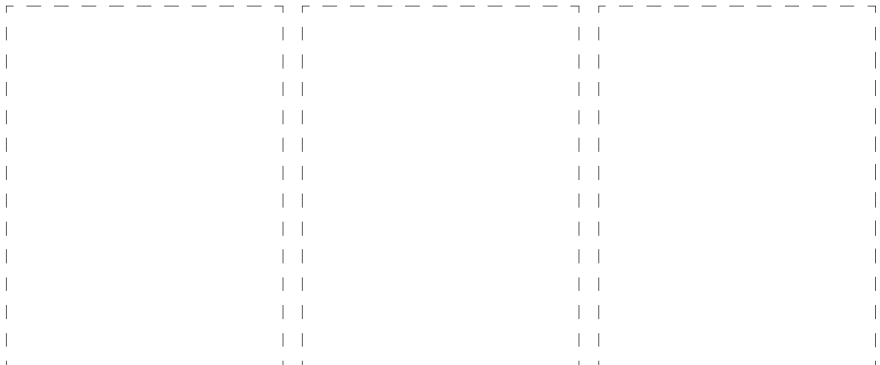
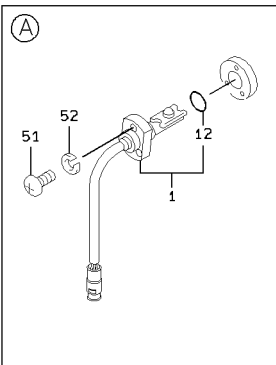
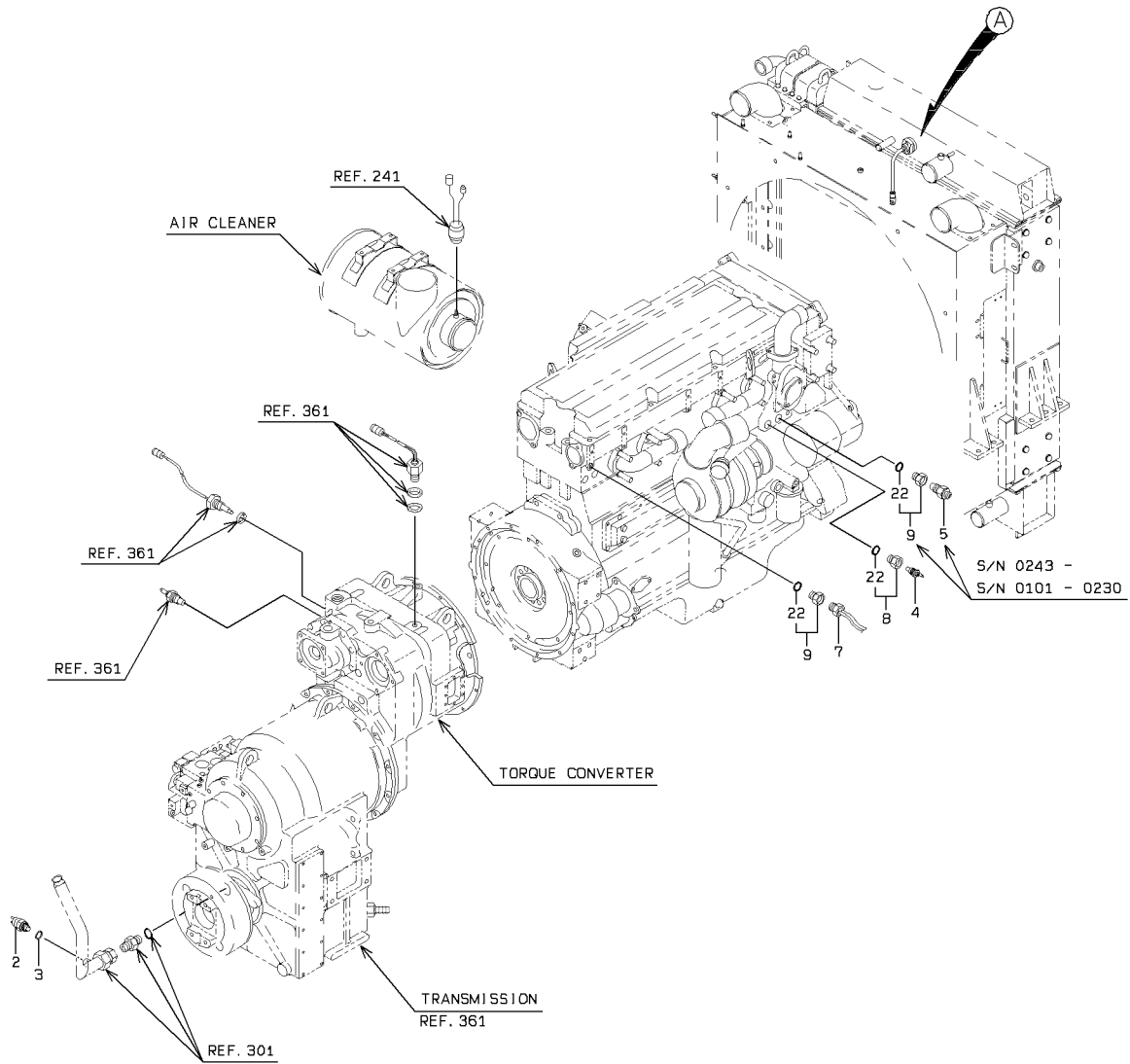


1-A

GREASE PIPING (FOR REAR)

SYM-BOL	PART NUMBER	PART NAME	UNIT Q,TY	SERIAL (A) - (B)	REMARKS					
					N	P	D	(A)	(B)	(C)
1A	38705-34810	PIPE ASSY,FLARED	1	101 -						STEERING CYL.L
3A	38705-53580	PIPE ASSY,FLARED	1	101 -						REAR AXLE (R)
4A	38705-53590	PIPE ASSY,FLARED	1	101 -						REAR AXLE (F)
5A	38705-34930	PIPE ASSY,FLARED	1	101 -						STEERING CYL.R
6A	72001-10600	HOLDER,PIPE	A/R	101 -						D=6.35
7A	69100-10600	FLARED FITTING	4	101 -						
8A	69100-20600	FLARED FITTING,ELB	4	101 -						
9A	75011-25400	NIPPLE,GREASE	2	101 -						
11A	75011-45400	NIPPLE,GREASE	2	101 -						
51A	62480-21081	NUT,FLANGED	A/R	101 -						

GAUGE GROUP



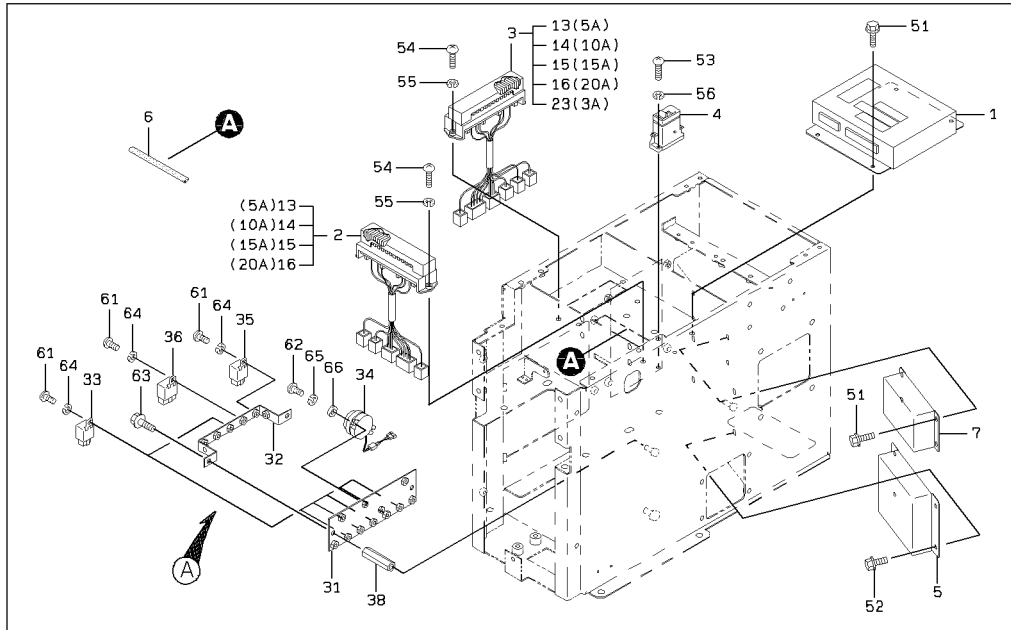
GAUGE GROUP

SYM-BOL	PART NUMBER	PART NAME	UNIT Q, TY	SERIAL		REMARKS													
				(A)	(B)	N	P	D	(A)	(B)	(C)	(D)	REMARK						
1A	35824-20010	SENSOR,OIL LEVEL	1	101	-														
2A	35037-60030	SWITCH,TEMPERATURE	1	101	-														T/M OIL/LIGHTS
3A	88111-11690	WASHER,SEAL	1	101	-														
4A	35829-60050	SENSOR,TEMPERATURE	1	101	-														W.TEMPGAUGE
5A	50401-00690	SWITCH,TEMPERATURE	1	101	-	230													E/G OIL/LIGHTS
5B	50401-00690	SWITCH,TEMPERATURE	1	243	-	274													E/G OIL/LIGHTS
5C	50401-04720	SWITCH,TEMPERATURE	1	275	-														E/G OIL/LIGHTS
7A	35037-20020	SWITCH,TEMPERATURE	1	101	-														ETHER SOLENOID
8A	30230-26030	ADAPTER	1	101	-														
9A	30230-25660	ADAPTER	2	101	-	230													
9B	30230-25660	ADAPTER	1	231	-	242													
9C	30230-25660	ADAPTER	2	243	-														
12A	47131-20240	RING,O	1	101	-														
22A	65231-00121	RING,O	1	101	-														
51A	62256-51610	SCREW	3	101	-														
52A	62721-06100	WASHER,SPRING	3	101	-														

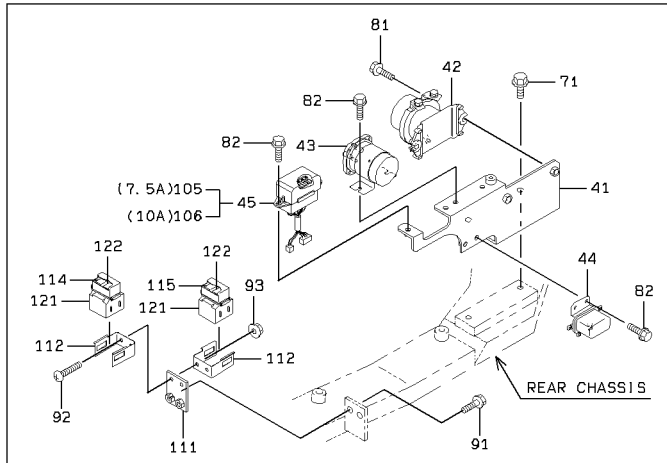
ELECTRICAL PARTS MOUNT (S/N 0101 - 0290)

<S/N 0101 - 0290>

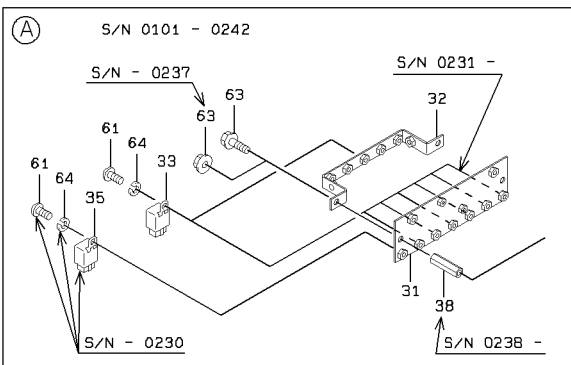
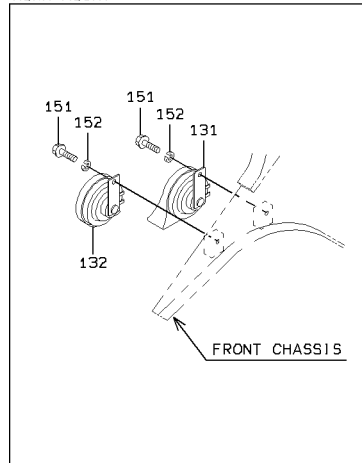
CONTROL UNIT & FUSE BOX & ELECTRICAL UNIT MOUNT



RELAY UNIT MOUNT



HORN MOUNT



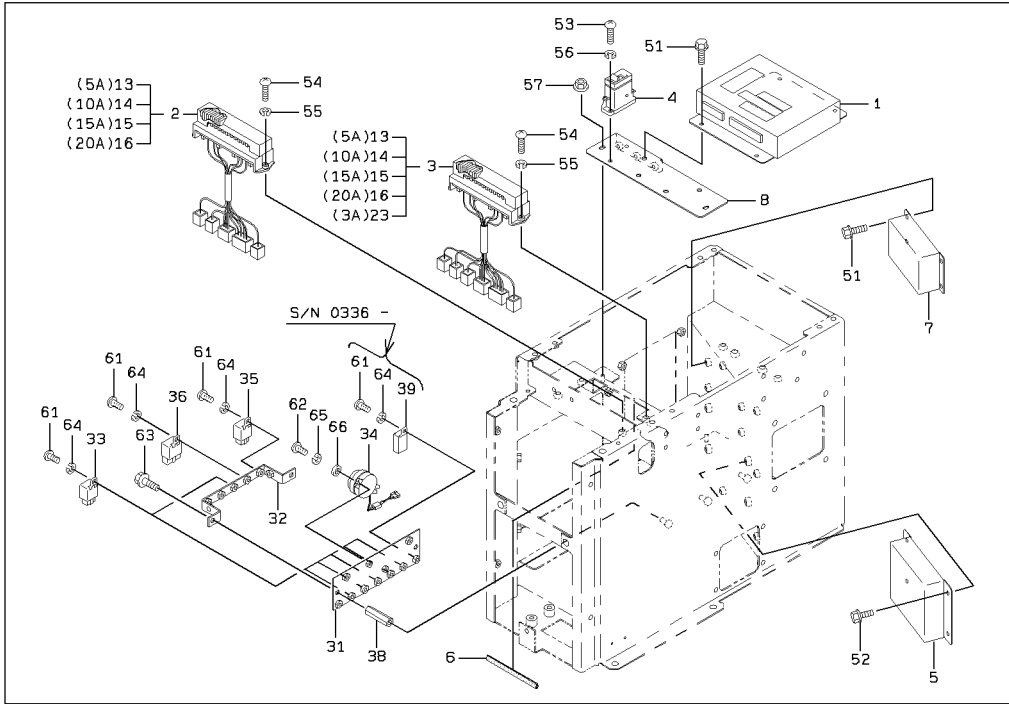
ELECTRICAL PARTS MOUNT (S/N 0101 - 0290)

SYM-BOL	PART NUMBER	PART NAME	UNIT Q,TY	SERIAL		REMARKS							
				(A)	(B)	N	P	D	(A)	(B)	(C)	(D)	REMARK
1A	33410-61320	CONTROLLER UNIT	1	101	- 290								
2A	43871-20440	BOX,FUSE	1	101	- 290				Y01				
3A	43871-20450	BOX,FUSE	1	101	- 290					Y02			
4A	41195-70020	BREAKER,CIRCUIT	1	101	- 290								
5A	33411-60120	CONTROLLER ASSY,WR	1	101	- 290								
6A	34041-22660	STRIP, SEAL	1	101	- 290								
7A	33460-60070	CONVERTER	1	101	- 254								
7B	33460-60150	CONVERTER	1	255	- 290	A							
13A	39880-70130	FUSE	A/R	101	- 290				01	02			24V5A
14A	39880-70110	FUSE	A/R	101	- 290				01	02			24V10A
15A	39880-70100	FUSE	A/R	101	- 290				01	02			24V15A
16A	39880-70090	FUSE	A/R	101	- 290				01	02			24V20A
23A	39880-70120	FUSE	A/R	101	- 290					02			24V3A
31A	41618-33220	PLATE	1	101	- 290								
32A	41618-26570	PLATE	1	101	- 290								
33A	45050-70310	RELAY	6	101	- 230								
33B	45050-70310	RELAY	7	231	- 242								
33C	45050-70310	RELAY	6	243	- 290								
34A	40810-20020	BUZZER	1	101	- 290								
35A	45050-70350	RELAY	2	101	- 230								
35B	45050-70350	RELAY	1	231	- 290								
36A	45050-70290	RELAY	1	101	- 290								
38A	37600-24550	NUT	2	238	- 290								
41A	40902-20070	BRACKET	1	101	- 290								
42A	45058-20010	RELAY,BATTERY	1	101	- 290								
43A	50401-00140	SWITCH,MAGNET	1	101	- 290								
44A	50401-00100	RELAY	1	101	- 290								
45A	43871-20460	BOX,FUSE	1	101	- 290						Y03		
51A	61802-06016	BOLT,FLANGED	8	101	- 290								
52A	61802-08012	BOLT,FLANGED	4	101	- 290								
53A	62256-51416	SCREW	2	101	- 267								
53B	62256-51420	SCREW	2	268	- 290	B							
54A	62256-51620	SCREW	4	101	- 267								
54B	62256-51625	SCREW	4	268	- 290	B							
55A	62721-06100	WASHER,SPRING	4	101	- 290								
56A	62721-04100	WASHER,SPRING	2	101	- 290								
61A	62256-51610	SCREW	9	101	- 242								
61B	62256-51610	SCREW	8	243	- 290								62256-51616
62A	62256-51412	SCREW	2	101	- 290								62256-51416
63A	62480-21081	NUT,FLANGED	2	101	- 237								
63B	61802-08016	BOLT,FLANGED	2	238	- 290	B							
64A	62721-06100	WASHER,SPRING	9	101	- 242								
64B	62721-06100	WASHER,SPRING	8	243	- 290								
65A	62721-04100	WASHER,SPRING	2	101	- 290								
66A	62701-20041	WASHER,PLANE	2	101	- 290								
71A	61802-10016	BOLT,FLANGED	2	101	- 290								
81A	61802-08030	BOLT,FLANGED	2	101	- 290								
82A	61802-06016	BOLT,FLANGED	6	101	- 290								
91A	61802-08025	BOLT,FLANGED	2	101	- 290								
92A	62256-51616	SCREW	2	101	- 290								
93A	62480-21061	NUT,FLANGED	2	101	- 290								
105A	39880-70310	FUSE	4	101	- 290						03		24V7.5A
106A	39880-70110	FUSE	4	101	- 290						03		24V10A
111A	41618-28500	PLATE	1	101	- 290								
112A	41600-48260	PLATE	2	101	- 290								
114A	39880-70250	FUSE	1	101	- 290								24V30A
115A	39880-70220	FUSE	1	101	- 290								24V70A
121A	43871-70150	BOX,FUSE	2	101	- 290								
122A	39880-70220	FUSE	2	101	- 290								24V70A
131A	43300-60060	HORN	1	101	- 290								LOW
132A	43300-60070	HORN	1	101	- 290								HIGH
151A	61802-08016	BOLT,FLANGED	2	101	- 290								
152A	62721-08100	WASHER,SPRING	2	101	- 290								

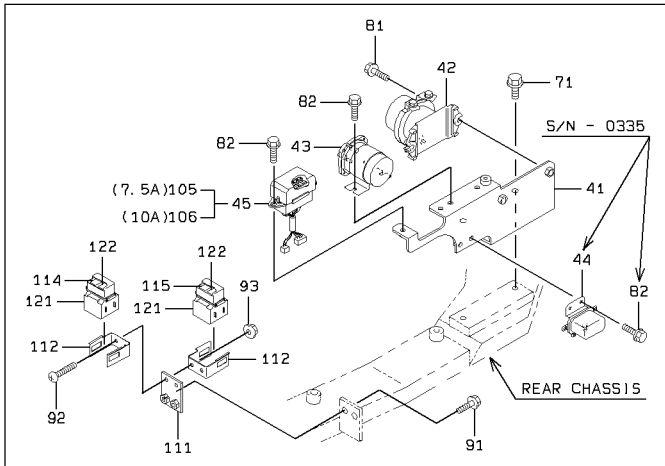
ELECTRICAL PARTS MOUNT (S/N 0291 -)

<S/N 0291 - 0358>

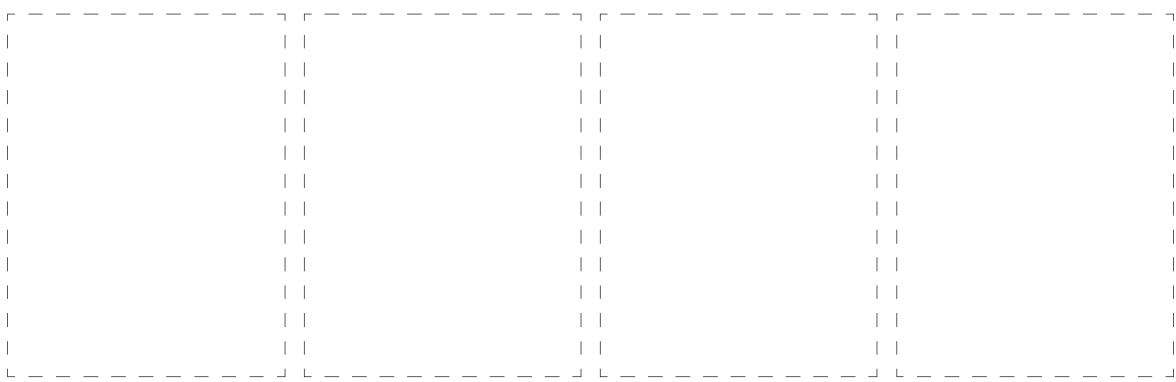
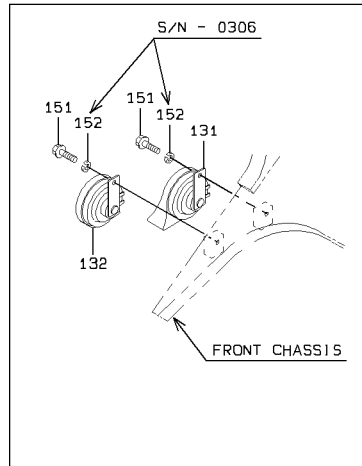
CONTROL UNIT & FUSE BOX & ELECTRICAL UNIT MOUNT



RELAY UNIT MOUNT



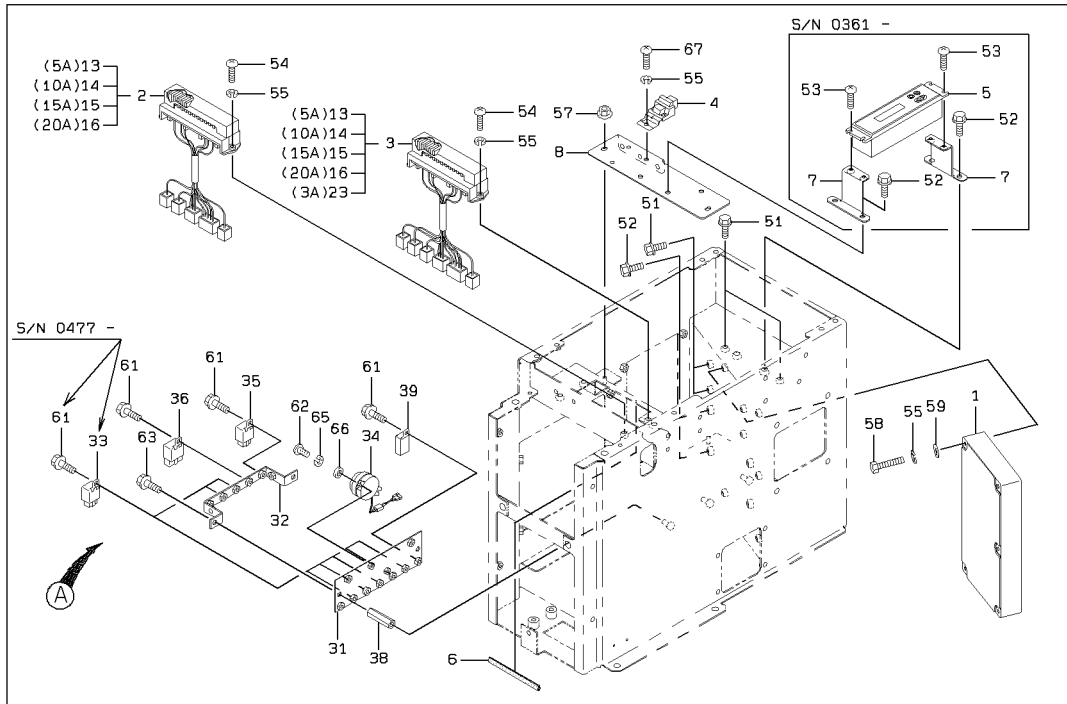
HORN MOUNT



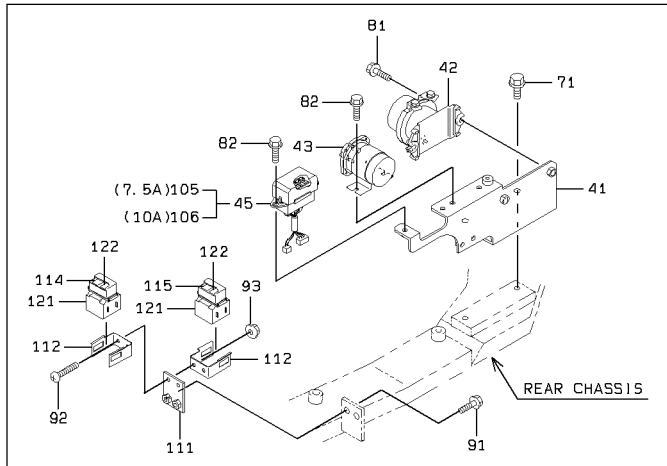
ELECTRICAL PARTS MOUNT (S/N 0291 -)

<S/N 0359 - >

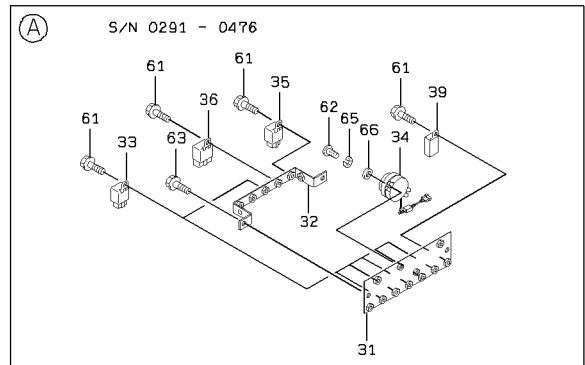
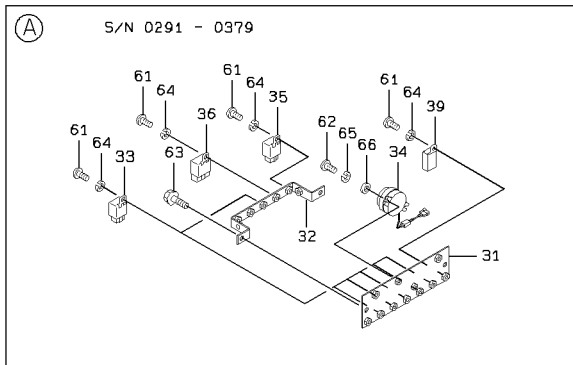
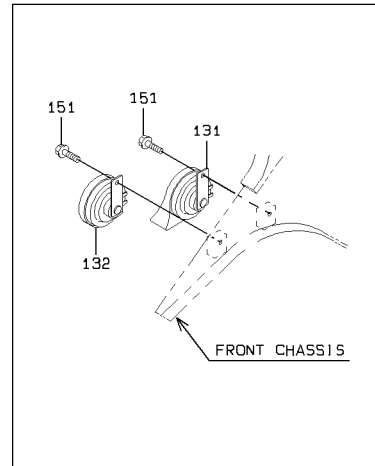
CONTROL UNIT & FUSE BOX & ELECTRICAL UNIT MOUNT



RELAY UNIT MOUNT



HORN MOUNT



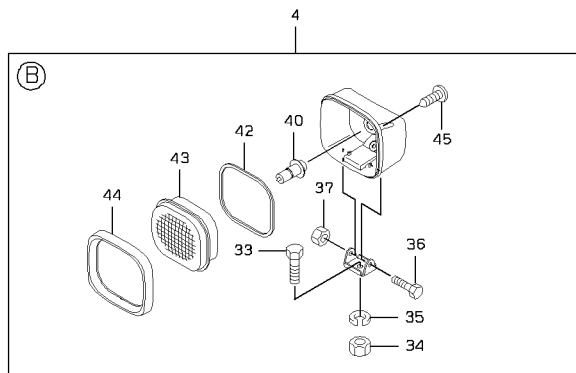
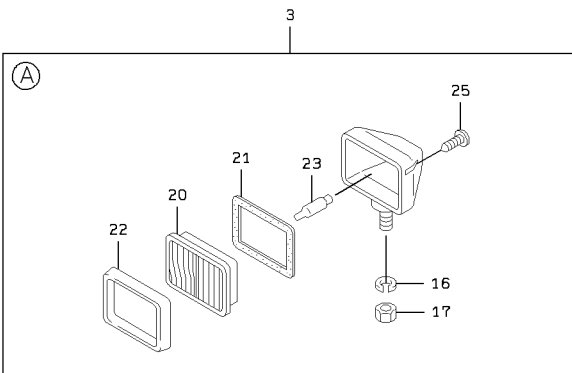
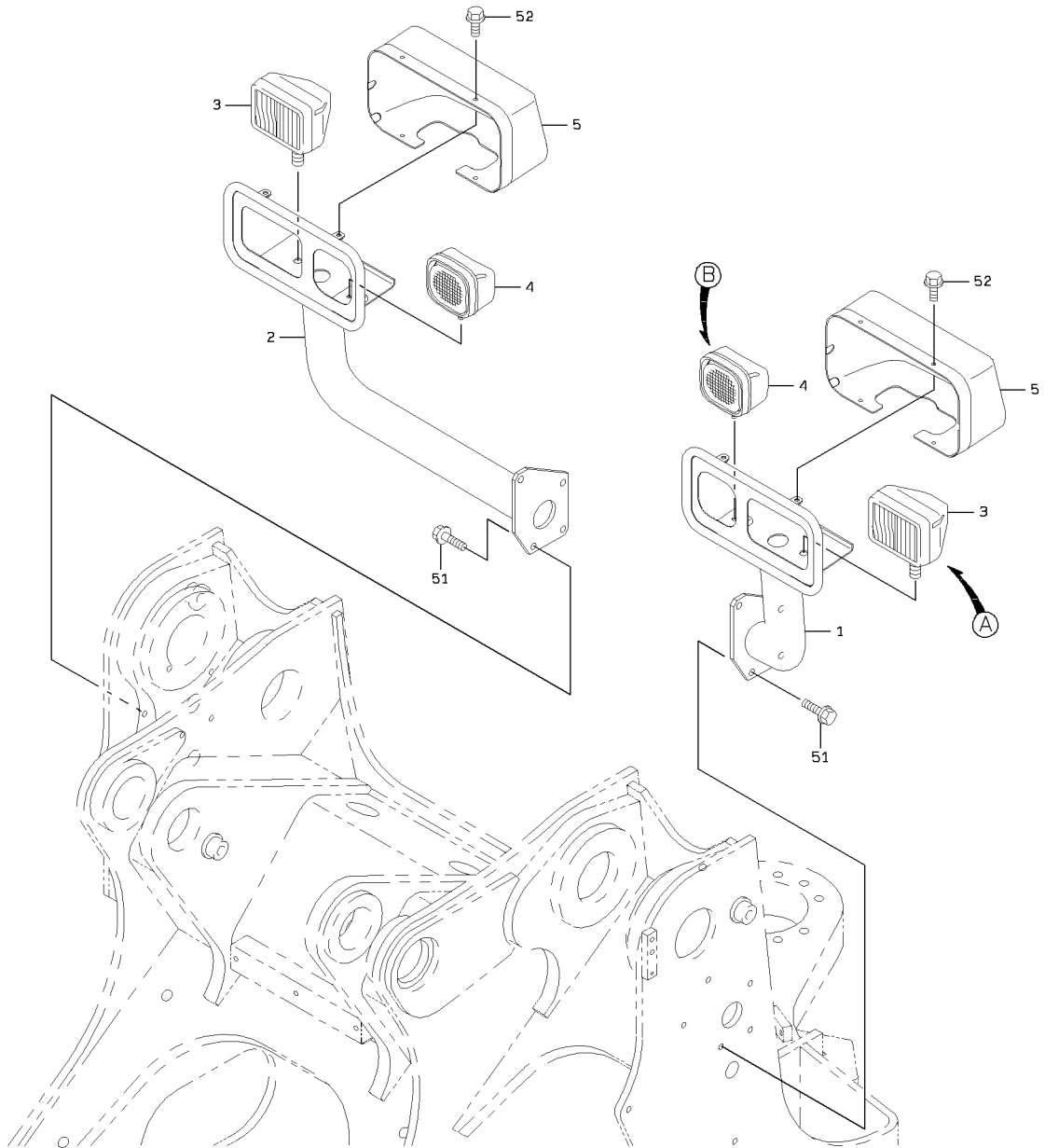
ELECTRICAL PARTS MOUNT (S/N 0291 -)

SYM-BOL	PART NUMBER	PART NAME	UNIT Q,TY	SERIAL		REMARKS							
				(A)	(B)	N	P	D	(A)	(B)	(C)	(D)	REMARK
1A	33410-61320	CONTROLLER UNIT	1	291	358								
1B	33410-62130	CONTROLLER UNIT	1	359		B							
2A	43871-20440	BOX,FUSE	1	291				Y01					
3A	43871-20450	BOX,FUSE	1	291					Y02				
4A	41195-70020	BREAKER,CIRCUIT	1	291	358								
4B	41195-60020	BREAKER,CIRCUIT	1	359		B							
5A	33411-60120	CONTROLLER ASSY,WR	1	291	358	D							
5B	37220-60030	DISPLAY,CHARACTOR	1	361	372	C							
5C	37220-60040	DISPLAY,CHARACTOR	1	373	413	C							
5D	37220-60060	DISPLAY,CHARACTOR	1	414	465	C							
5E	37220-60070	DISPLAY,CHARACTOR	1	466		C							
6A	34041-22660	STRIP, SEAL	1	291									
7A	33460-60150	CONVERTER	1	291	358	D							
7B	41752-25600	PLATE	2	361									
8A	41750-33960	PLATE	1	291									
13A	39880-70130	FUSE	A/R	291				01	02				24V5A
14A	39880-70110	FUSE	A/R	291				01	02				24V10A
15A	39880-70100	FUSE	A/R	291				01	02				24V15A
16A	39880-70090	FUSE	A/R	291				01	02				24V20A
23A	39880-70120	FUSE	A/R	291					02				24V3A
31A	41618-33220	PLATE	1	291									
32A	41618-26570	PLATE	1	291									
33A	45050-70310	RELAY	6	291	476								
33B	45050-70310	RELAY	7	477									
34A	40810-20020	BUZZER	1	291									
35A	45050-70350	RELAY	1	291									
36A	45050-70290	RELAY	1	291									
38A	37600-24550	NUT	2	291									
39A	45050-60090	RELAY	1	336									
41A	40902-20070	BRACKET	1	291									
42A	45058-20010	RELAY,BATTERY	1	291									
43A	50401-00140	SWITCH,MAGNET	1	291									
44A	50401-00100	RELAY	1	291	335	D				Y03			
45A	43871-20460	BOX,FUSE	1	291									
51A	61802-06016	BOLT,FLANGED	8	291	358								
51B	61802-06016	BOLT,FLANGED	4	359									
52A	61802-08012	BOLT,FLANGED	4	291	360								
52B	61802-08012	BOLT,FLANGED	6	361									
53A	62256-51420	SCREW	2	291	358	D							
53B	35100-20280	SCREW	4	361									
54A	62256-51625	SCREW	4	291									
55A	62721-06100	WASHER,SPRING	4	291	358								
55B	62721-06100	WASHER,SPRING	10	359									
56A	62721-04100	WASHER,SPRING	2	291	358	D							
57A	62480-21061	NUT,FLANGED	2	291									
58A	61033-06060	BOLT	5	359									
59A	62701-40061	WASHER,PLANE	5	359									
61A	62256-51610	SCREW	8	291	335								
61B	62256-51610	SCREW	9	336	379								
61C	61802-06012	BOLT,FLANGED	9	380	476	B							
61D	61802-06012	BOLT,FLANGED	10	477									
62A	62256-51412	SCREW	2	291									
63A	61802-08016	BOLT,FLANGED	2	291									
64A	62721-06100	WASHER,SPRING	8	291	335								
64B	62721-06100	WASHER,SPRING	9	336	379	D							
65A	62721-04100	WASHER,SPRING	2	291									
66A	62701-20041	WASHER,PLANE	2	291									
67A	62256-51612	SCREW	1	359									
71A	61802-10016	BOLT,FLANGED	2	291									
81A	61802-08030	BOLT,FLANGED	2	291									
82A	61802-06016	BOLT,FLANGED	6	291	335								
82B	61802-06016	BOLT,FLANGED	4	336									
91A	61802-08025	BOLT,FLANGED	2	291									
92A	62256-51616	SCREW	2	291									
93A	62480-21061	NUT,FLANGED	2	291									
105A	39880-70310	FUSE	4	291						03			24V7.5A

ELECTRICAL PARTS MOUNT (S/N 0291 -)

SYM-BOL	PART NUMBER	PART NAME	UNIT Q,TY	SERIAL		REMARKS						
				(A)	(B)	N	P	D	(A)	(B)	(C)	(D)
106A	39880-70110	FUSE	4	291	-						03	24V10A
111A	41618-28500	PLATE	1	291	-							
112A	41600-48260	PLATE	2	291	-							
114A	39880-70250	FUSE	1	291	-							24V30A
115A	39880-70220	FUSE	1	291	-							24V70A
121A	43871-70150	BOX,FUSE	2	291	-							
122A	39880-70220	FUSE	2	291	-							24V70A
131A	43300-60060	HORN	1	291	-	306						LOW
131B	43300-60090	HORN	1	307	-		B					LOW
132A	43300-60070	HORN	1	291	-	306						HIGH
132B	43300-60100	HORN	1	307	-		B					HIGH
151A	61802-08016	BOLT,FLANGED	2	291	-							
152A	62721-08100	WASHER,SPRING	2	291	-	306	D					

FRONT LAMP GROUP

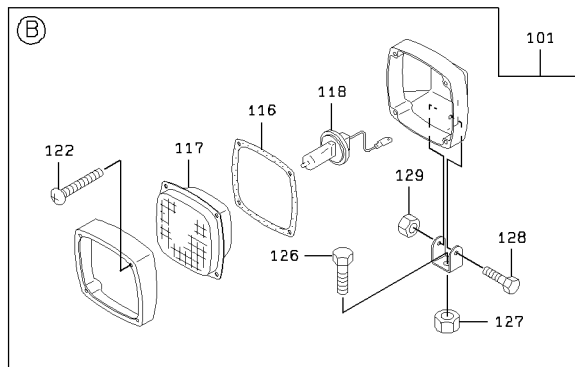
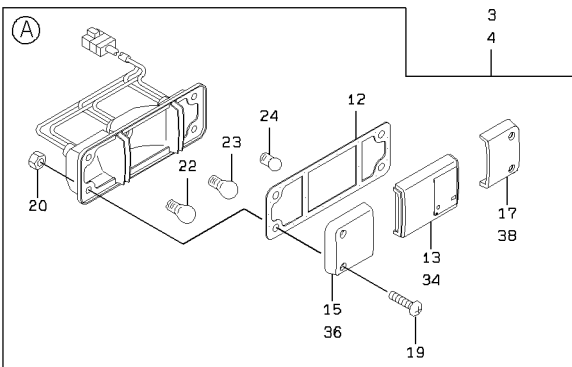
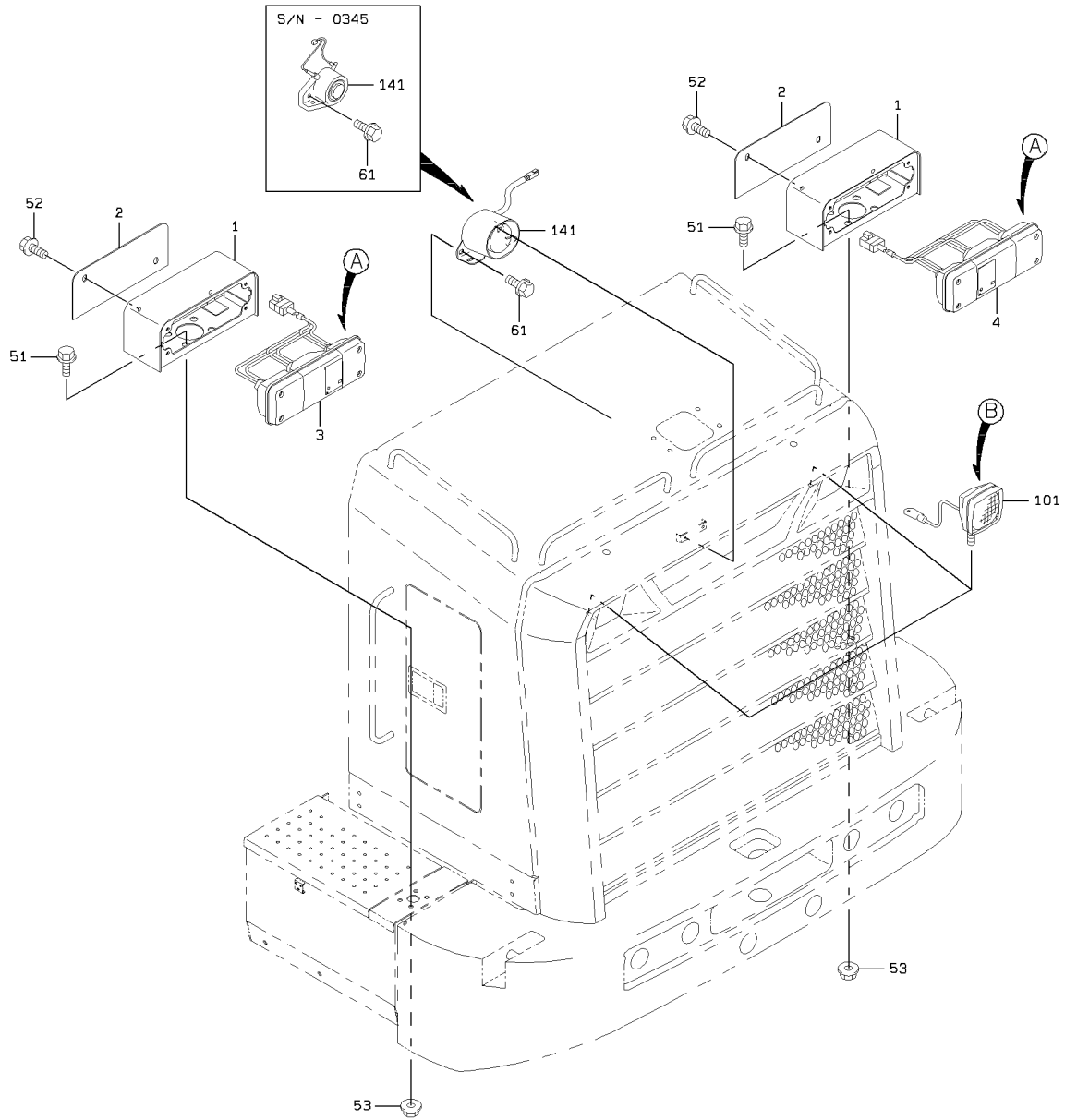


1-A

FRONT LAMP GROUP

SYM-BOL	PART NUMBER	PART NAME	UNIT Q,TY	SERIAL		REMARKS						
				(A)	(B)	N	P	D	(A)	(B)	(C)	(D)
1A	40968-24830	BRACKET,LAMP	1	101	-							FR LH
2A	40968-24840	BRACKET,LAMP	1	101	-							FR RH
3A	44890-60240	LAMP,HEAD	2	101	-				Y01			HALOGEN LAMP
4A	44890-60260	LAMP,HEAD	2	101	-					Y02		HALOGEN LAMP
5A	31828-20490	GUARD,LAMP	2	101	-							
5B	31828-20600	GUARD,LAMP	2	311	-							
16A	62721-14100	WASHER,SPRING	1	101	-					01		
17A	62401-81142	NUT	1	101	-					01		
20A	43890-70420	BODY	1	101	-					01		
21A	31990-71300	GASKET	1	101	-					01		
22A	40600-70510	FRAME	1	101	-					01		
23A	38480-70850	BULB	1	101	-					01		24V75/70W
25A	62261-15025	SCREW,TAPPING	4	101	-					01		
33A	61001-08020	BOLT	1	101	-						02	
34A	62401-81081	NUT	1	101	-						02	
35A	62721-08100	WASHER,SPRING	1	101	-						02	
36A	61001-06050	BOLT	1	101	-						02	
37A	37600-72340	NUT	1	101	-						02	
40A	38480-70770	BULB	1	101	-						02	24V55W
42A	31990-71750	GASKET	1	101	-						02	
43A	45701-70800	LENS	1	101	-						02	
44A	40600-70920	FRAME	1	101	-						02	
45A	62261-14018	SCREW,TAPPING	4	101	-						02	
51A	61802-12020	BOLT,FLANGED	8	101	-							
52A	61802-06016	BOLT,FLANGED	8	101	-							

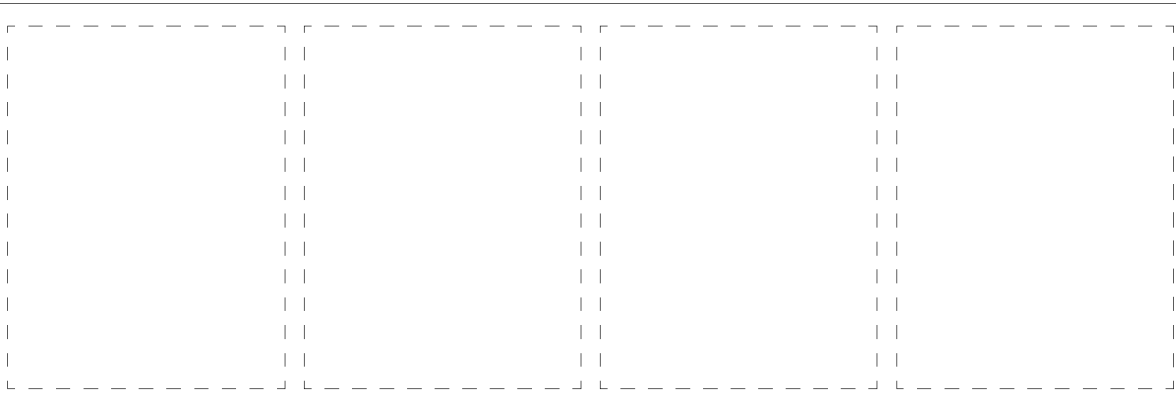
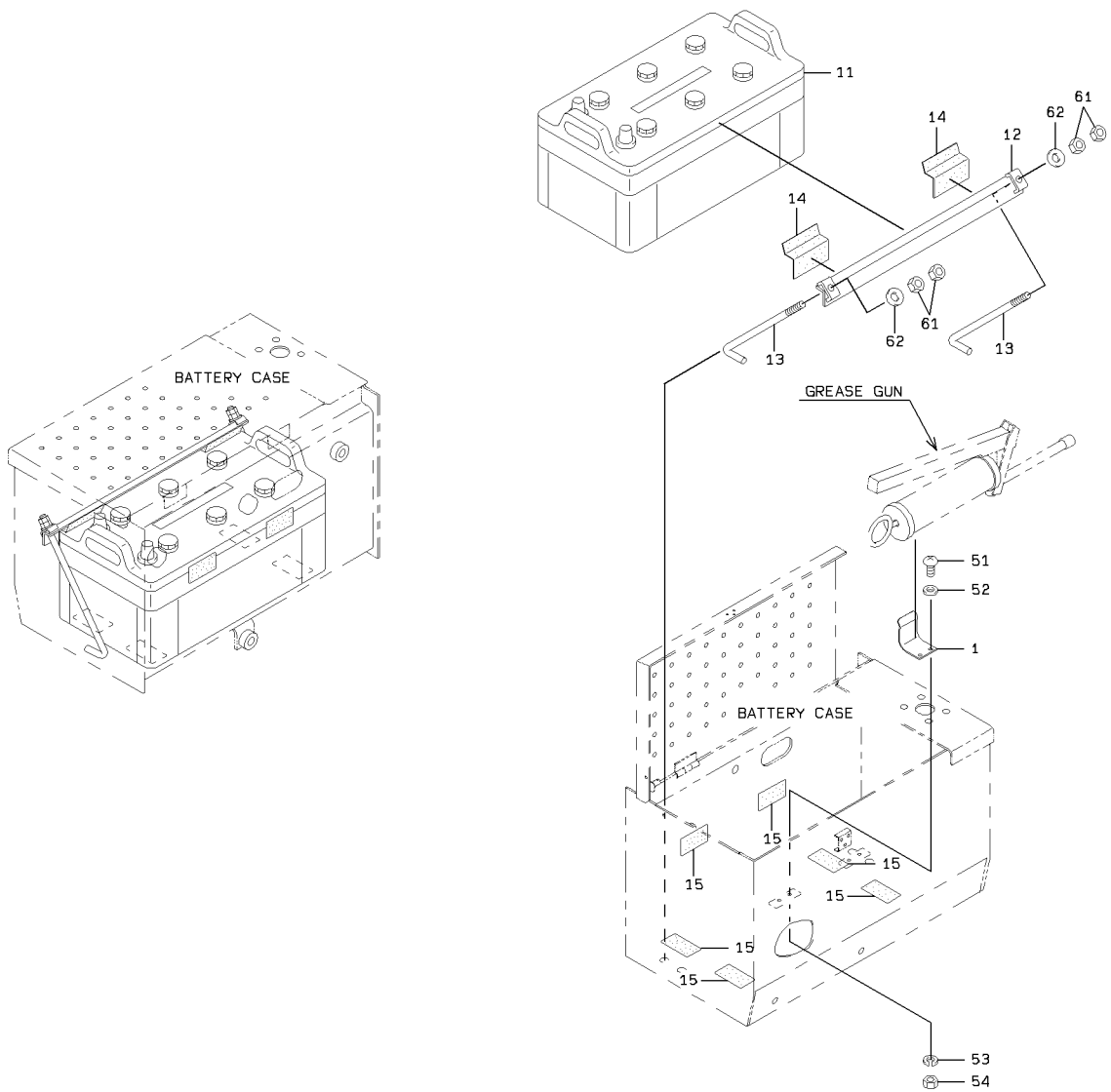
REAR LAMP GROUP



REAR LAMP GROUP

SYM-BOL	PART NUMBER	PART NAME	UNIT Q,TY	SERIAL		REMARKS								
				(A)	(B)	N	P	D	(A)	(B)	(C)	(D)	REMARK	
1A	31210-22490	COVER	2	101	-									
2A	41607-21240	PLATE	2	101	-									
3A	44881-60300	LAMP,COMBINATION	1	101	-					Y01				FR LH
4A	44881-60310	LAMP,COMBINATION	1	101	-						Y02			FR RH
12A	31990-71760	GASKET	1	101	-					01	02			
13A	45701-70810	LENS	1	101	-					01				
15A	45701-70830	LENS	1	101	-					01				
17A	45701-70850	LENS	1	101	-					01				
19A	62256-51530	SCREW	4	101	-					01	02			
20A	37600-72350	NUT	4	101	-					01	02			
22A	38480-70930	BULB	1	101	-					01	02			24V25W
23A	38480-70870	BULB	1	101	-					01	02			24V25/10W
24A	38480-70920	BULB	1	101	-					01	02			24V12W
34A	45701-70820	LENS	1	101	-						02			
36A	45701-70840	LENS	1	101	-						02			
38A	45701-70860	LENS	1	101	-						02			
51A	61802-12025	BOLT,FLANGED	8	101	-									
52A	61802-08016	BOLT,FLANGED	4	101	-									
53A	62480-21121	NUT,FLANGED	8	101	-									
61A	61802-06012	BOLT,FLANGED	2	101	-			345						
61B	61802-08016	BOLT,FLANGED	2	346	-				B					
101A	44890-60190	LAMP,HEAD	2	101	-						Y03			
116A	31990-71580	GASKET	1	101	-						03			
117A	45701-70670	LENS	1	101	-						03			
118A	38480-70410	BULB	1	101	-							03		24V70W
122A	35106-70180	SCREW,TAPPING	4	101	-							03		
126A	61034-10028	BOLT	1	101	-							03		
127A	37600-71930	NUT	1	101	-							03		
128A	43900-73040	BOLT	1	101	-							03		
129A	37600-71940	NUT	1	101	-							03		
141A	40810-60030	BUZZER	1	101	-			345						
141B	40810-60140	BUZZER	1	346	-				B					

BATTERY MOUNT



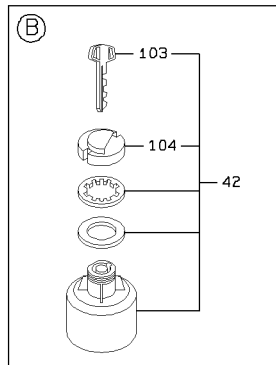
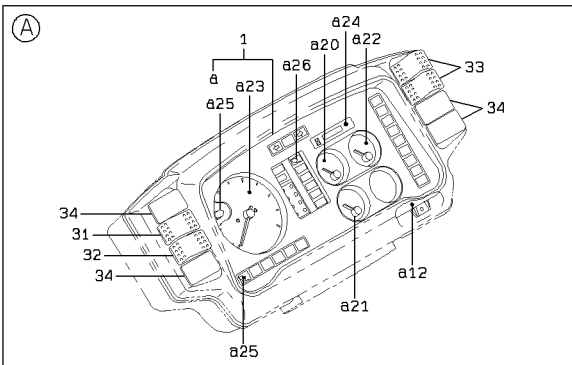
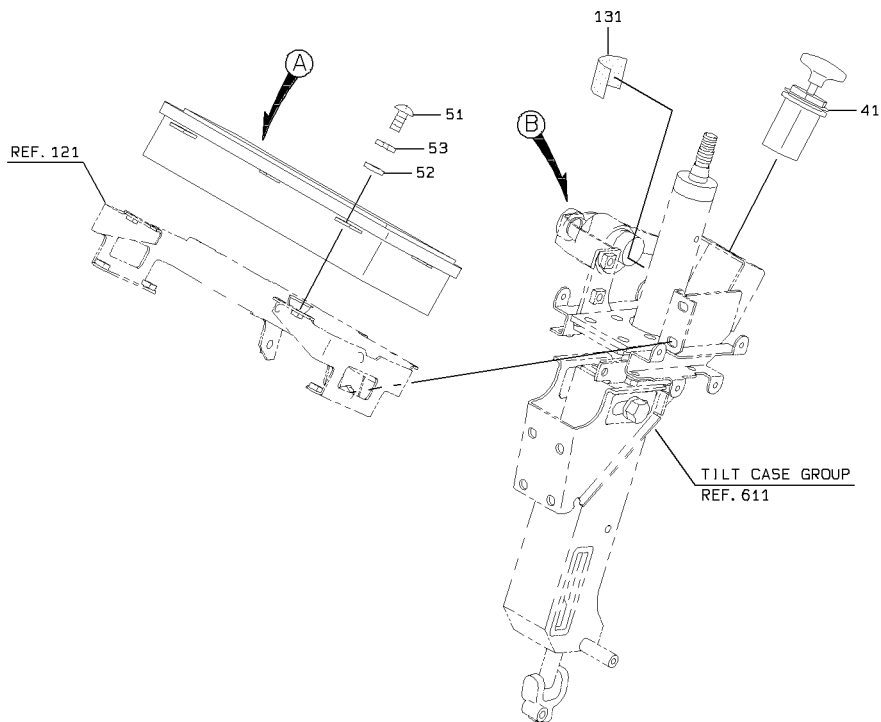
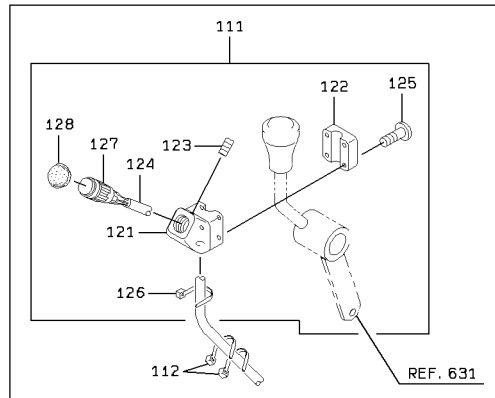
BATTERY MOUNT

SYM-BOL	PART NUMBER	PART NAME	UNIT Q,TY	SERIAL		REMARKS						
				(A)	(B)	N	P	D	(A)	(B)	(C)	(D)
1A	35600-21120	SPRING	2	101	-							
11A	73301-19089	BATTERY	2	101	-	267						
11B	73301-19579	BATTERY	2	268	-		B					
12A	41611-20150	PLATE	2	101	-							
13A	45870-20010	ROD	4	101	-							
14A	33713-20030	SHEET,RUBBER	4	101	-							
15A	33713-20110	SHEET,RUBBER	12	101	-							
51A	62256-51615	SCREW	4	101	-							
52A	62701-40061	WASHER,PLANE	4	101	-							
53A	62721-06100	WASHER,SPRING	4	101	-							
54A	62401-81061	NUT	4	101	-							
61A	62401-81121	NUT	8	101	-							
62A	62701-40121	WASHER,PLANE	4	101	-							

INSTRUMENT & SWITCH MOUNT (S/N 0101 - 0232)

<S/N 0101 - 0232>

S/N 0101 - 0187

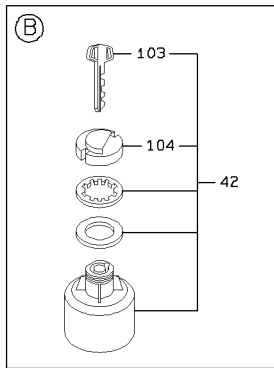
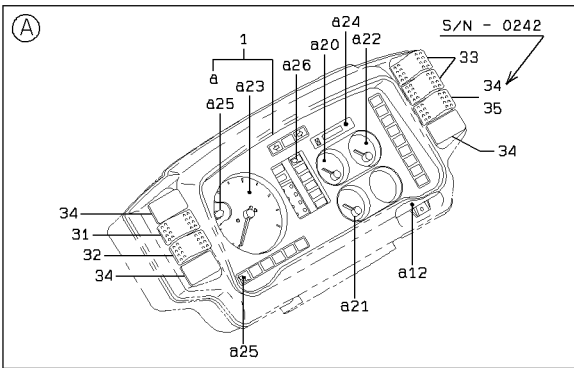
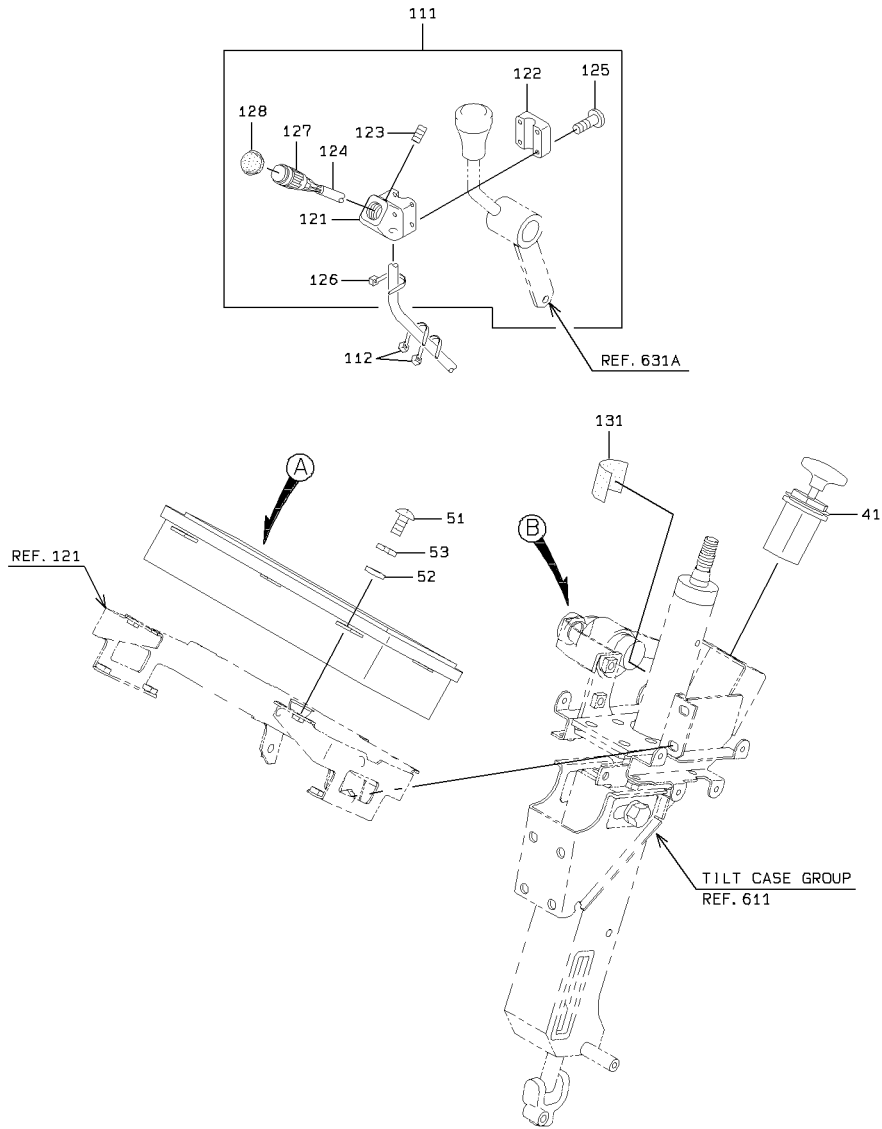


INSTRUMENT & SWITCH MOUNT (S/N 0101 - 0232)

SYM-BOL	PART NUMBER	PART NAME	UNIT Q,TY	SERIAL		REMARKS								
				(A)	(B)	N	P	D	(A)	(B)	(C)	(D)	REMARK	
1A	39753-60450	PANEL ASSY,INSTRUM	1	101	- 232						Y01			
12A	31205-70120	COVER	1	101	- 232						01			
20A	33243-70050	GAUGE,WATER TEMPER	1	101	- 232						01			
21A	33245-70080	GAUGE,OIL TEMPERAT	1	101	- 232						01			
22A	33241-70060	GAUGE,FUEL LEVEL	1	101	- 232						01			
23A	44370-70070	TACHOMETER	1	101	- 232						01			
24A	44361-70050	METER,HOUR	1	101	- 232						01			
25A	38480-70420	BULB	32	101	- 232						01			24V1.4W
26A	38480-70440	BULB	1	101	- 232						01			24V3W
31A	35010-60270	SWITCH	1	101	- 232									INCHING
32A	35010-60280	SWITCH	1	101	- 232									COLD STARTER
33A	35010-60460	SWITCH	2	101	- 232									WORKING LAMP
34A	41530-60080	PLUG	4	101	- 232									
41A	35048-60040	SWITCH,PUSH-PULL	1	101	- 232									
42A	35021-60020	SWITCH ASSY,STARTE	1	101	- 232							Y02		W.MRK350216004
51A	62256-51412	SCREW	4	101	- 232									
52A	62701-20041	WASHER,PLANE	4	101	- 232									
53A	62721-04100	WASHER,SPRING	4	101	- 232									
103A	32110-70150	KEY	1	101	- 232							02		W.MRK321107017
104A	32210-71370	CAP	1	101	- 232							02		
111A	35020-60070	SWITCH ASSY	1	101	- 187			D					Y03	
112A	32923-70090	CLAMP,HOSE	2	101	- 187			D						L=202
121A	33100-70300	CASE	1	101	- 187								03	
122A	43550-70160	HOLDER	1	101	- 187								03	
123A	35104-70030	SCREW,SET	1	101	- 187								03	
124A	33191-70260	CABLE ASSY	1	101	- 187								03	
125A	62256-51420	SCREW	4	101	- 187								03	
126A	38670-70250	BAND	1	101	- 187								03	
127A	35046-70080	SWITCH,PUSH	1	101	- 187								03	
128A	40790-70180	BOOT	1	101	- 187								03	
131A	33713-20110	SHEET,RUBBER	1	101	- 232									

INSTRUMENT & SWITCH MOUNT (S/N 0233 - 0476)

<S/N 0233 - 0476>

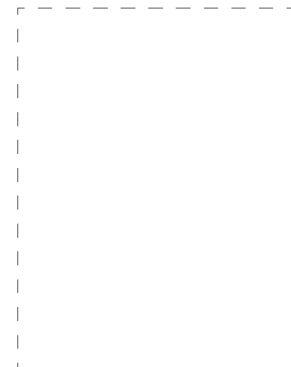
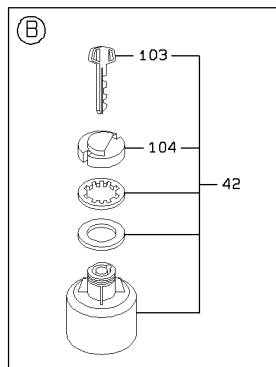
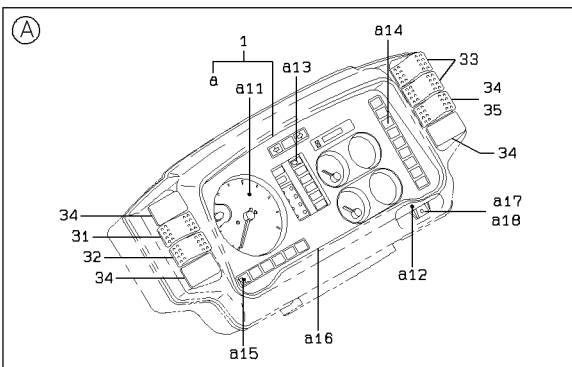
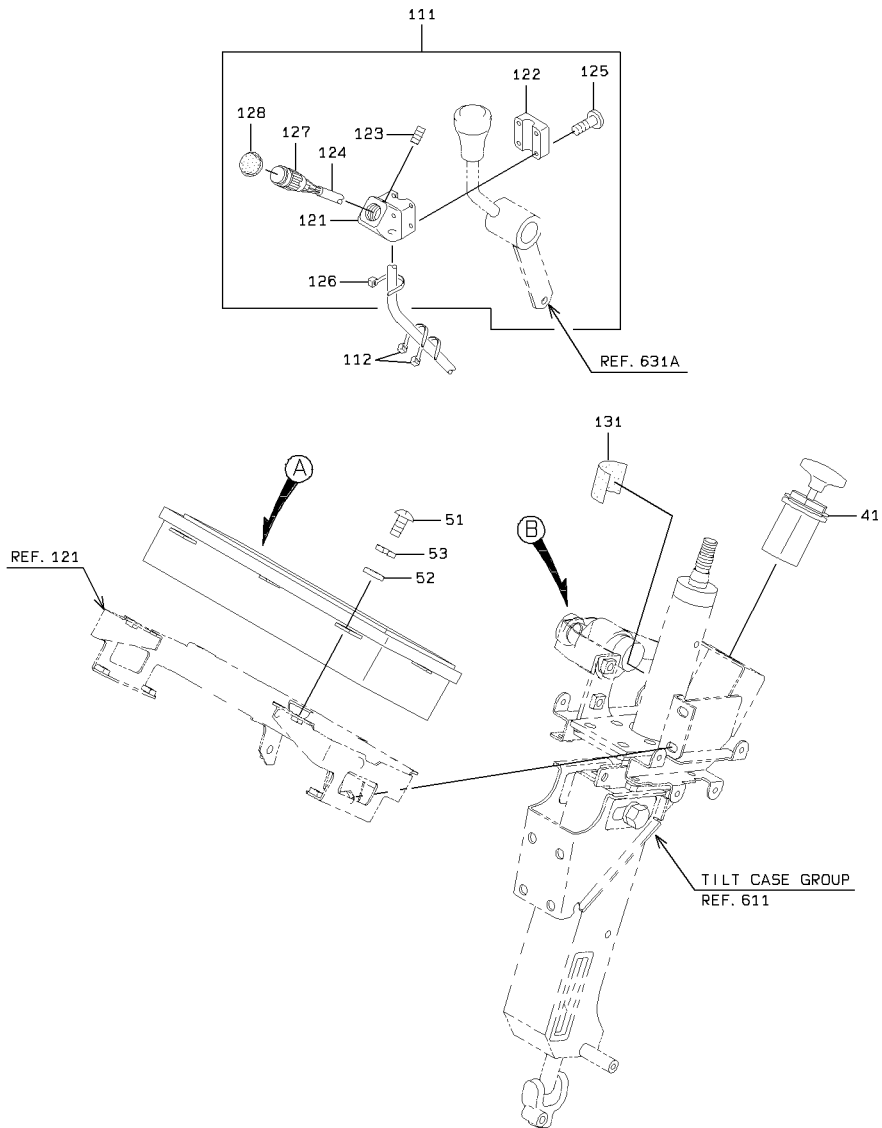


INSTRUMENT & SWITCH MOUNT (S/N 0233 - 0476)

SYM-BOL	PART NUMBER	PART NAME	UNIT Q,TY	SERIAL		REMARKS						
				(A)	(B)	N	P	D	(A)	(B)	(C)	(D)
1A	39753-60450	PANEL ASSY,INSTRUM	1	233	-	476				Y01		
12A	31205-70120	COVER	1	233	-	476				01		
20A	33243-70050	GAUGE,WATER TEMPER	1	233	-	476				01		
21A	33245-70080	GAUGE,OIL TEMPERAT	1	233	-	476				01		
22A	33241-70060	GAUGE,FUEL LEVEL	1	233	-	476				01		
23A	44370-70070	TACHOMETER	1	233	-	476				01		
24A	44361-70050	METER,HOUR	1	233	-	476				01		
25A	38480-70420	BULB	32	233	-	476				01		24V1.4W
26A	38480-70440	BULB	1	233	-	476				01		24V3W
31A	35010-60270	SWITCH	1	233	-	476						INCHING
32A	35010-60280	SWITCH	1	233	-	476						COLD STARTER
33A	35010-60460	SWITCH	2	233	-	476						WORKING LAMP
34A	41530-60080	PLUG	4	233	-	242						
34B	41530-60080	PLUG	3	243	-	476						
35A	35010-60570	SWITCH	1	243	-	410						
35B	35010-60860	SWITCH	1	411	-	476			C			
41A	35048-60040	SWITCH,PUSH-PULL	1	233	-	407						
41B	35048-60050	SWITCH,PUSH-PULL	1	408	-	476			C			
42A	35021-60020	SWITCH ASSY,STARTE	1	233	-	476				Y02		W.MRK350216004
51A	62256-51412	SCREW	4	233	-	476						
52A	62701-20041	WASHER,PLANE	4	233	-	476						
53A	62721-04100	WASHER,SPRING	4	233	-	476						
103A	32110-70150	KEY	1	233	-	476				02		W.MRK321107017
104A	32210-71370	CAP	1	233	-	476				02		
111A	35020-60070	SWITCH ASSY	1	233	-	476					Y03	
112A	32923-70090	CLAMP,HOSE	2	233	-	476						L=202
121A	33100-70300	CASE	1	233	-	476					03	
122A	43550-70160	HOLDER	1	233	-	476					03	
123A	35104-70030	SCREW,SET	1	233	-	476					03	
124A	33191-70260	CABLE ASSY	1	233	-	476					03	
125A	62256-51420	SCREW	4	233	-	476					03	
126A	38670-70250	BAND	1	233	-	476					03	
127A	35046-70080	SWITCH,PUSH	1	233	-	476					03	
128A	40790-70180	BOOT	1	233	-	476					03	
131A	33713-20110	SHEET,RUBBER	1	233	-	476						

INSTRUMENT & SWITCH MOUNT (S/N 0477 -)

<S/N 0477 - >

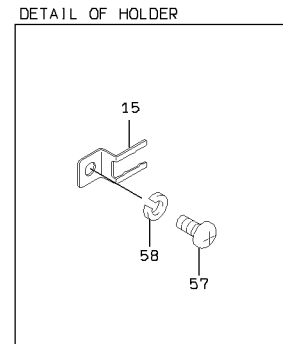
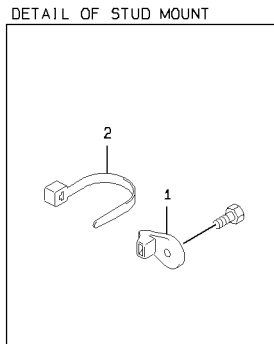
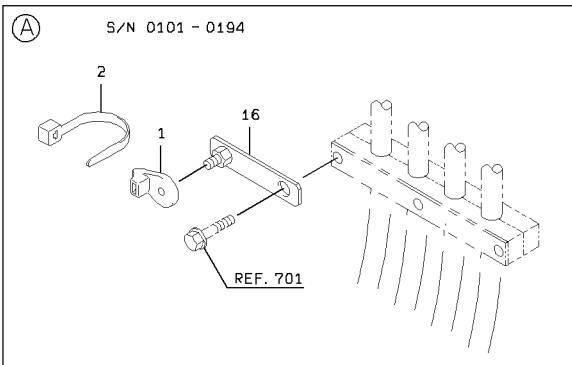
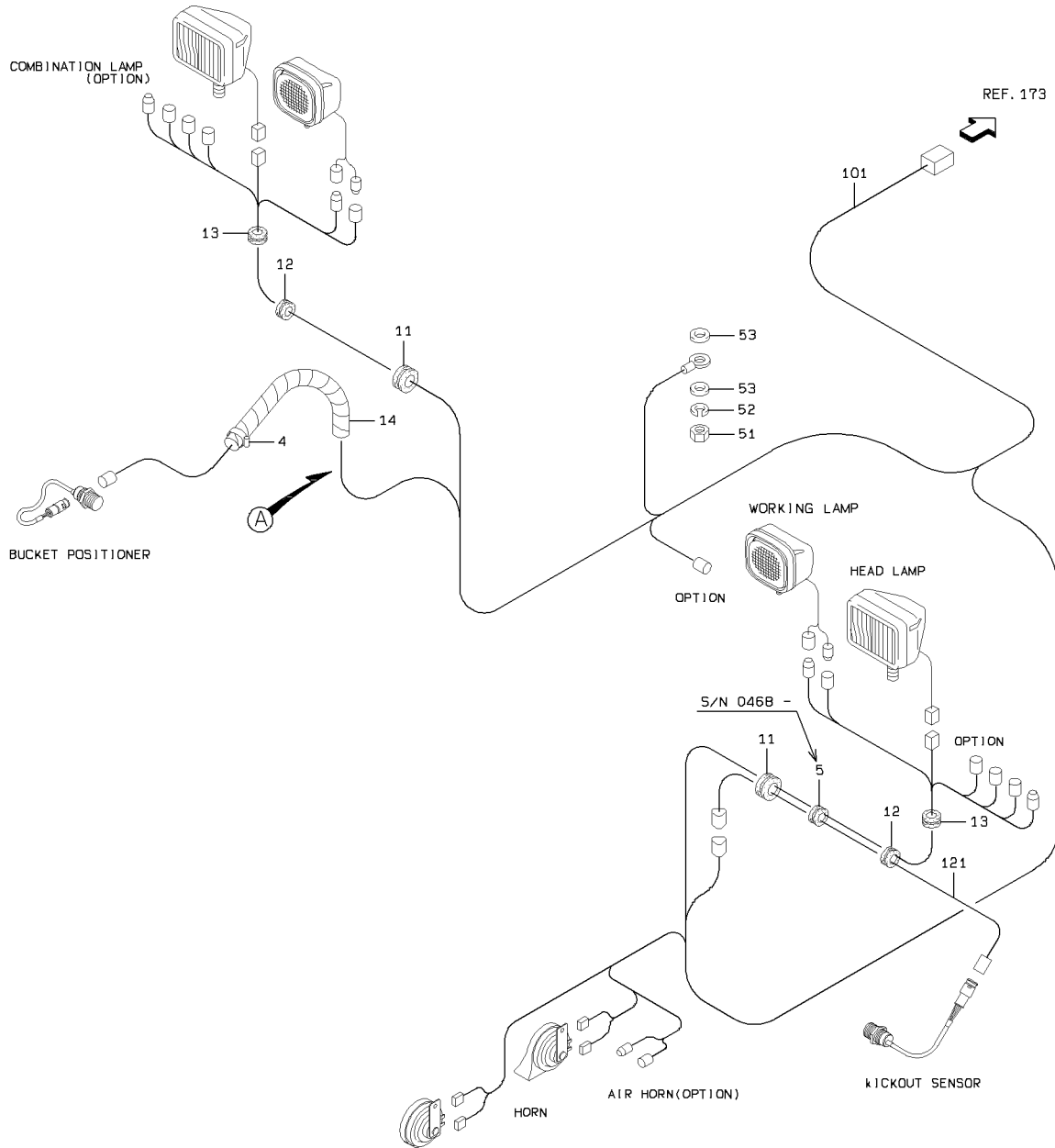


1-A

INSTRUMENT & SWITCH MOUNT (S/N 0477 -)

SYM-BOL	PART NUMBER	PART NAME	UNIT Q,TY	SERIAL		REMARKS							
				(A)	(B)	N	P	D	(A)	(B)	(C)	(D)	REMARK
1A	39753-60770	PANEL ASSY,INSTRUM	1	477	-						Y01		
11A	39751-70080	PANEL ASSY	1	477	-						01		
12A	33100-71320	CASE	1	477	-						01		
13A	45701-71250	LENS	1	477	-						01		
14A	45701-71260	LENS	1	477	-						01		
15A	41645-70800	PLATE	1	477	-						01		
16A	32010-70090	GLASS	1	477	-						01		
17A	35100-72830	SCREW	8	477	-						01		
18A	35100-72840	SCREW	4	477	-						01		
31A	35010-60270	SWITCH	1	477	-								INCHING
32A	35010-60280	SWITCH	1	477	-								COLD STARTER
33A	35010-60460	SWITCH	2	477	-								WORKING LAMP
34A	41530-60080	PLUG	3	477	-								
35A	35010-60860	SWITCH	1	477	-								
41A	35048-60050	SWITCH,PUSH-PULL	1	477	-								
42A	35021-60020	SWITCH ASSY,STARTE	1	477	-							Y03	W.MRK350216004
51A	62256-51412	SCREW	4	477	-								
51B	62256-51420	SCREW	4	489	-								488
52A	62701-20041	WASHER,PLANE	4	477	-								
53A	62721-04100	WASHER,SPRING	4	477	-								
103A	32110-70150	KEY	1	477	-							03	W.MRK321107017
104A	32210-71370	CAP	1	477	-							03	
111A	35020-60070	SWITCH ASSY	1	477	-							Y04	
112A	32923-70090	CLAMP,HOSE	2	477	-								L=202
121A	33100-70300	CASE	1	477	-								04
122A	43550-70160	HOLDER	1	477	-								04
123A	35104-70030	SCREW,SET	1	477	-								04
124A	33191-70260	CABLE ASSY	1	477	-								04
125A	62256-51420	SCREW	4	477	-								04
126A	38670-70250	BAND	1	477	-								04
127A	35046-70080	SWITCH,PUSH	1	477	-								04
128A	40790-70180	BOOT	1	477	-								04
131A	33713-20110	SHEET,RUBBER	1	477	-								

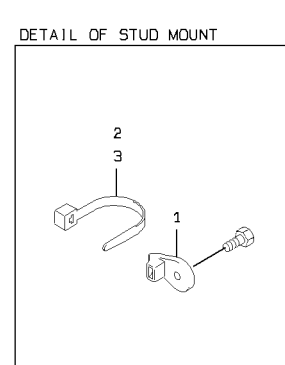
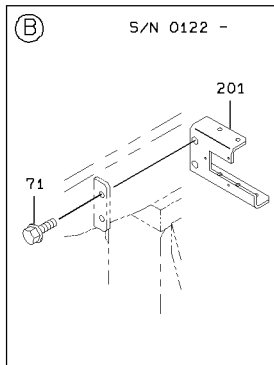
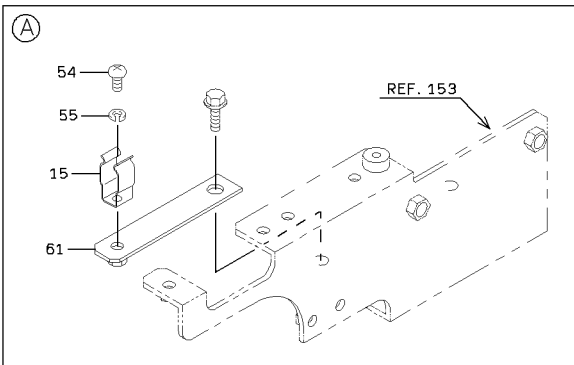
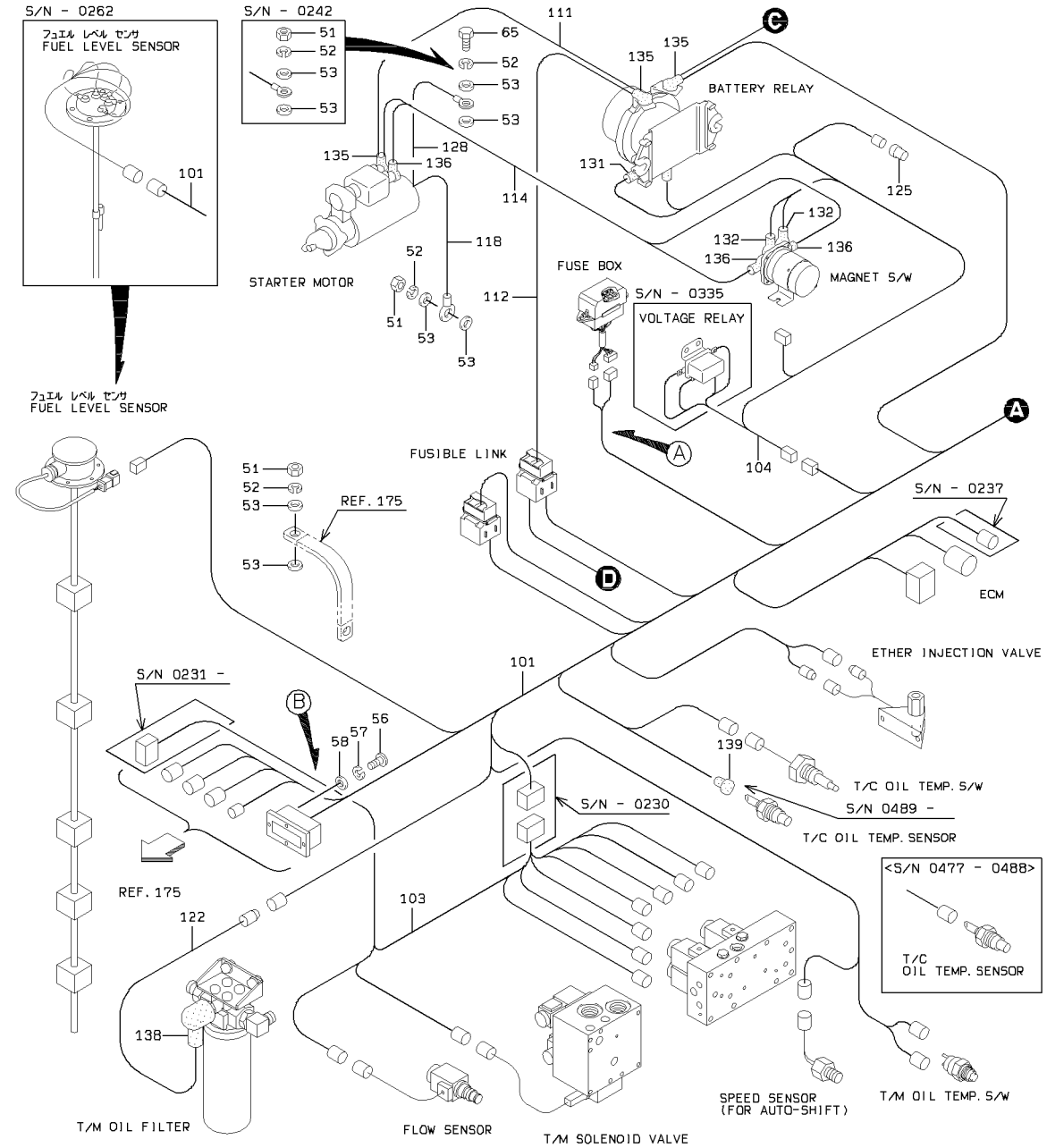
ELECTRICAL WIRING - FRONT CHASSIS



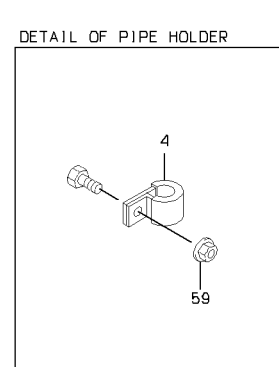
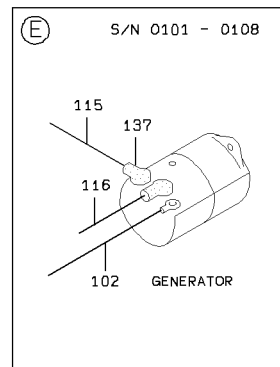
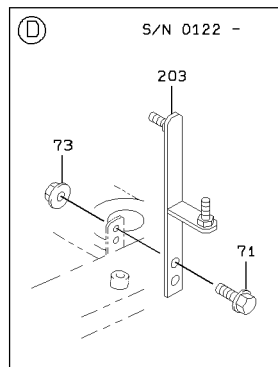
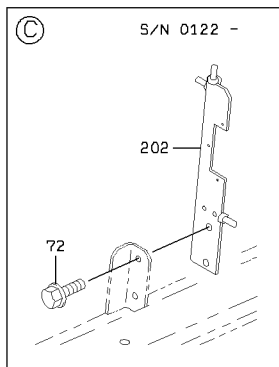
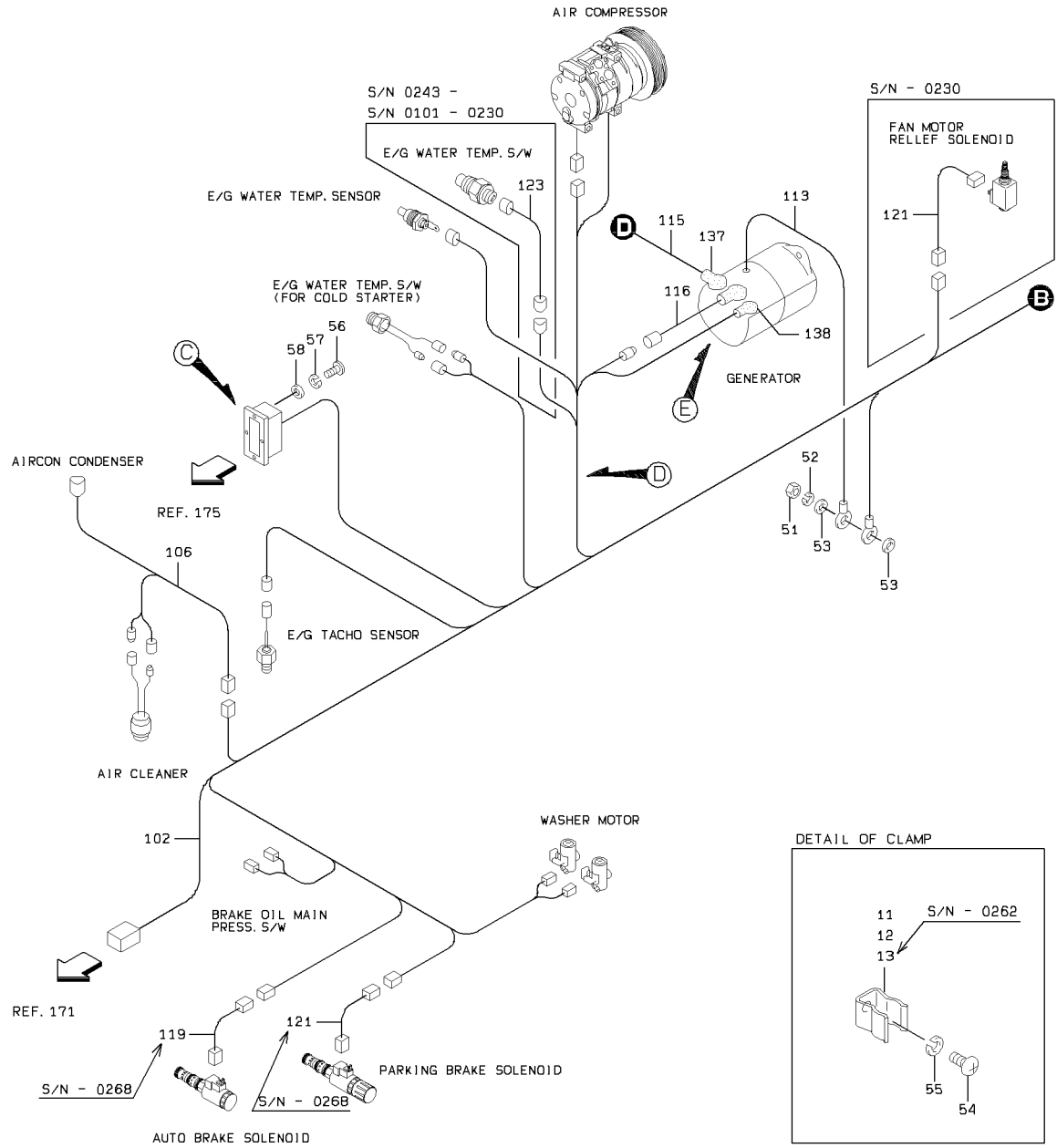
ELECTRICAL WIRING - FRONT CHASSIS

SYM-BOL	PART NUMBER	PART NAME	UNIT Q, TY	SERIAL		REMARKS							
				(A)	(B)	N	P	D	(A)	(B)	(C)	(D)	REMARK
1A	32923-70120	CLAMP,HOSE	A/R	101	-								FR M8
2A	32923-70090	CLAMP,HOSE	A/R	101	-								L=202
4A	69002-03800	BAND,HOSE	1	101	-								
5A	65801-25160	BUSHING,ELASTIC	1	468	-								
11A	65801-50190	BUSHING,ELASTIC	2	101	-								
12A	65801-31160	BUSHING,ELASTIC	2	101	-								
13A	65801-31060	BUSHING,ELASTIC	2	101	-								
13B	65801-31032	BUSHING,ELASTIC	2	327	-				C				
14A	69081-23000	TUBE, SPIRAL	1 M	101	-								L=1000
15A	43550-60100	HOLDER	A/R	101	-								
16A	41612-36670	PLATE	1	101	-								
51A	62401-81101	NUT	1	101	-				D				
52A	62721-10100	WASHER,SPRING	1	101	-								
53A	46011-21650	WASHER,PLANE	2	101	-								
57A	62256-51610	SCREW	A/R	101	-								
58A	62721-06100	WASHER,SPRING	A/R	101	-								
101A	33193-26710	CABLE ASSY	1	101	-								FRONT CHASSIS
121A	33193-29040	CABLE ASSY	1	101	-								KICKOUT

ELECTRICAL WIRING - REAR CHASSIS

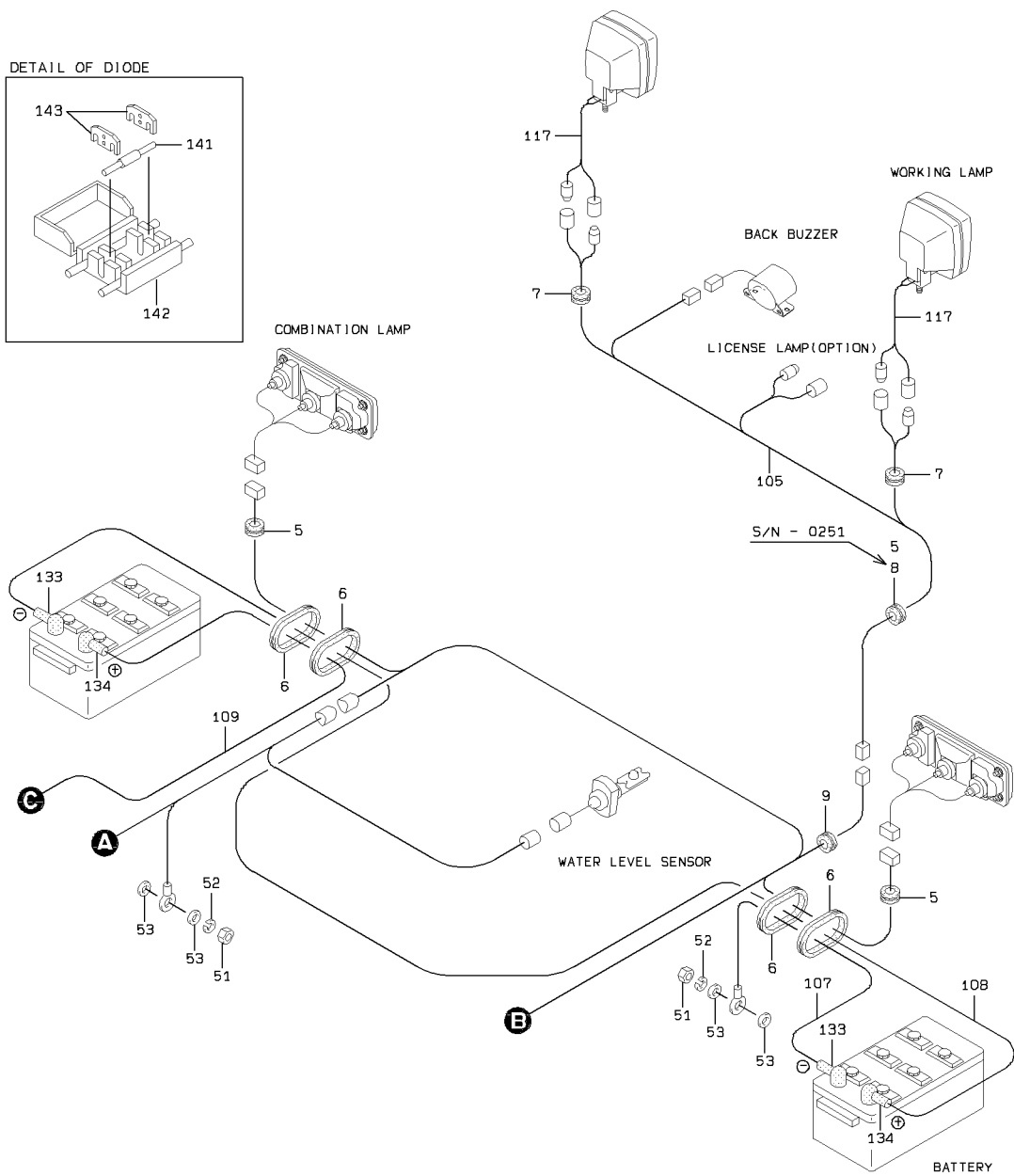


ELECTRICAL WIRING - REAR CHASSIS

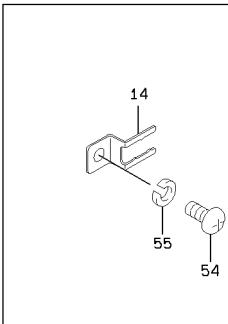


2-E

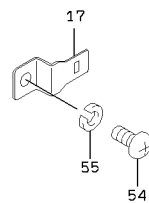
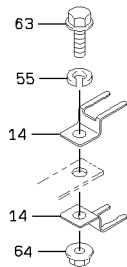
ELECTRICAL WIRING - REAR CHASSIS



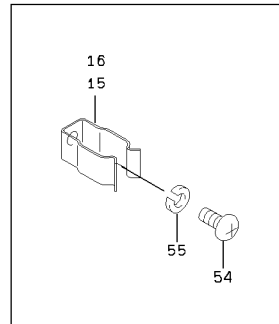
DETAIL OF HOLDER



S/N 0101 - 026B



DETAIL OF SPRING HOLDER



ELECTRICAL WIRING - REAR CHASSIS

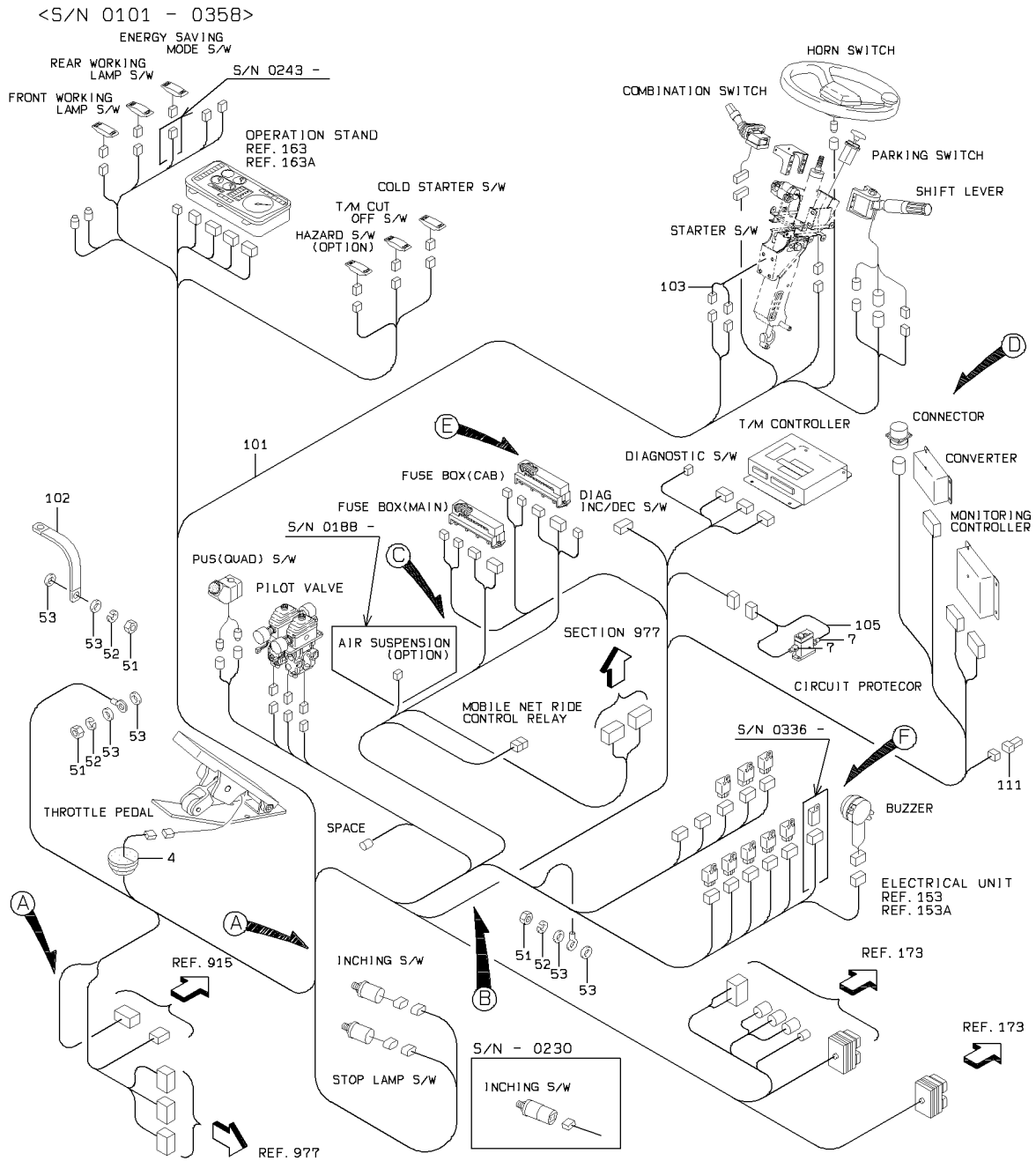
SYM-BOL	PART NUMBER	PART NAME	UNIT Q.TY	SERIAL		REMARKS						
				(A)	(B)	N	P	D	(A)	(B)	(C)	(D)
1A	32923-70120	CLAMP,HOSE	A/R	101	-							FR M8
2A	32923-70090	CLAMP,HOSE	A/R	101	-							L=202
3A	32923-70100	CLAMP,HOSE	A/R	101	-							L=382
4A	72001-11500	HOLDER,PIPE	A/R	101	-							D=15
5A	65801-31060	BUSHING,ELASTIC	2	101	-	251						
5B	65801-31060	BUSHING,ELASTIC	3	252	-							
6A	65801-63060	BUSHING,ELASTIC	4	101	-							
7A	65801-10032	BUSHING,ELASTIC	2	101	-							
8A	65801-40060	BUSHING,ELASTIC	1	101	-	251	D					
9A	65801-20016	BUSHING,ELASTIC	1	101	-							
11A	43571-20140	HOLDER,SPRING	A/R	101	-							D=11
12A	43571-20150	HOLDER,SPRING	A/R	101	-							D=15
13A	43571-20160	HOLDER,SPRING	A/R	101	-	262	D					D=22
14A	43550-60100	HOLDER	A/R	101	-							
15A	43571-60040	HOLDER,SPRING	A/R	101	-							
16A	43571-60060	HOLDER,SPRING	A/R	101	-							
17A	43550-20680	HOLDER	A/R	101	-	476	D					
17B	43550-21270	HOLDER	2	477	-		B					
51A	62401-81101	NUT	5	101	-	230						
51B	62401-81101	NUT	6	231	-	242						
51C	62401-81101	NUT	5	243	-							
52A	62721-10100	WASHER,SPRING	5	101	-	230						
52B	62721-10100	WASHER,SPRING	6	231	-							
53A	46011-21650	WASHER,PLANE	10	101	-	230						
53B	46011-21650	WASHER,PLANE	12	231	-							
54A	62256-51610	SCREW	A/R	101	-							
55A	62721-06100	WASHER,SPRING	A/R	101	-							
56A	62256-51312	SCREW	6	101	-							
57A	62721-03100	WASHER,SPRING	6	101	-							
58A	62701-40031	WASHER,PLANE	6	101	-							
59A	62480-21081	NUT,FLANGED	A/R	101	-							
61A	41612-38880	PLATE	1	101	-							
63A	61802-06016	BOLT,FLANGED	A/R	101	-	268	D					
64A	62480-21061	NUT,FLANGED	A/R	101	-	268	D					
65A	61033-10020	BOLT	1	243	-							
71A	61802-08020	BOLT,FLANGED	4	122	-							
72A	61802-10020	BOLT,FLANGED	2	122	-							
73A	62480-21081	NUT,FLANGED	2	122	-							
101A	33193-28050	CABLE ASSY	1	101	-	230						REAR CHASSIS(R)
101B	33193-36500	CABLE ASSY	1	231	-	237	B					REAR CHASSIS(R)
101C	33193-41050	CABLE ASSY	1	238	-	242	C					REAR CHASSIS(R)
101D	33193-43730	CABLE ASSY	1	243	-	262	B					REAR CHASSIS(R)
101E	33193-48350	CABLE ASSY	1	263	-	476	B					REAR CHASSIS(R)
101F	33194-39380	CABLE ASSY	1	477	-	488	B					
101G	33194-38440	CABLE ASSY	1	489	-		B					
102A	33193-28060	CABLE ASSY	1	101	-	230						REAR CHASSIS(L)
102B	33193-36510	CABLE ASSY	1	231	-	242	B					REAR CHASSIS(L)
102C	33193-43740	CABLE ASSY	1	243	-	268	B					REAR CHASSIS(L)
102D	33193-49230	CABLE ASSY	1	269	-	476	C					REAR CHASSIS(L)
102F	33194-38450	CABLE ASSY	1	477	-		B					
103A	33193-26450	CABLE ASSY	1	101	-	230						T/M SOLENOID
103B	33193-36520	CABLE ASSY	1	231	-		B					T/M SOLENOID
104A	33193-28070	CABLE ASSY	1	101	-	335						E/G RELAY
104B	33193-59110	CABLE ASSY	1	336	-		B					E/G RELAY
105A	33193-25540	CABLE ASSY	1	101	-	345						REAR GRILL
105B	33193-55400	CABLE ASSY	1	346	-		B					GUARD
106A	33193-25550	CABLE ASSY	1	101	-							E/G ROOM
107A	33190-35900	CABLE	1	101	-							BAT.(-) GROUND
108A	33190-35880	CABLE	1	101	-							BATTERY(-)-(+))
109A	33190-35560	CABLE	1	101	-							BAT.(+)-BAT.RE
111A	33190-35570	CABLE	1	101	-	450						BAT.RELAY-ST.M
111B	33190-46800	CABLE	1	451	-		C					
112A	33190-35580	CABLE	1	101	-							BAT.RELAY-FUSI
113A	33190-35970	CABLE	1	101	-							GENERATOR GROU
114A	33193-25560	CABLE ASSY	1	101	-	450						MAGNET S/W-ST.
114B	33194-35540	CABLE ASSY	1	451	-		C					

ELECTRICAL WIRING - REAR CHASSIS

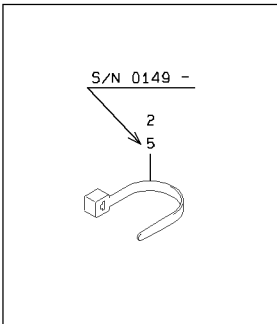
SYM-BOL	PART NUMBER	PART NAME	UNIT Q,TY	SERIAL		REMARKS							
				(A)	(B)	N	P	D	(A)	(B)	(C)	(D)	REMARK
115A	33190-35890	CABLE	1	101	-								GENERATOR-FUSI
116A	33191-20770	CABLE ASSY	1	101	-								GENERATOR(R)
117A	33191-56830	CABLE ASSY	2	101	-								WORKING LAMP
118A	33190-26830	CABLE	1	101	-								E/G GROUNDING
119A	33193-22030	CABLE ASSY	1	101	-	268		D					SOLENOID
121A	33193-22040	CABLE ASSY	2	101	-	230							SOLENOID
121B	33193-22040	CABLE ASSY	1	231	-	268		D					SOLENOID
122A	33190-27870	CABLE	1	101	-								T/M OIL FILTER
123A	33193-22080	CABLE ASSY	1	101	-	230		D					E/G WATER TEMP
123B	33193-22080	CABLE ASSY	1	243	-								E/G WATER TEMP
125A	36406-20030	DIODE ASSY	1	101	-								3A X 2
128A	33190-39460	CABLE	1	231	-								E/G GROUNDING
131A	32215-70050	CAP,TERMINAL	1	101	-								
132A	32210-70450	CAP	2	101	-								
133A	32215-20050	CAP,TERMINAL	2	101	-								
134A	32215-20040	CAP,TERMINAL	2	101	-								
135A	32210-70360	CAP	3	101	-								
136A	32215-70040	CAP,TERMINAL	3	101	-								
137A	32215-70070	CAP,TERMINAL	1	101	-								
138A	32215-70150	CAP,TERMINAL	1	101	-	108							
138B	32215-70150	CAP,TERMINAL	2	109	-								
139A	32215-70050	CAP,TERMINAL	1	489	-								
141A	36405-70020	DIODE	1	101	-								
142A	33300-70050	CONNECTOR	1	101	-								
143A	35930-70010	TERMINAL	2	101	-								
201A	41607-44140	PLATE	1	122	-								
202A	41618-54110	PLATE	1	122	-								
203A	41618-41430	PLATE	1	122	-								

MEMO

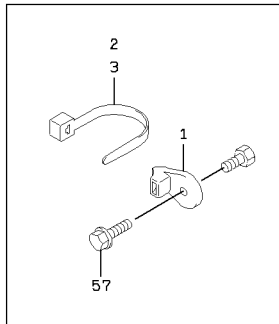
ELECTRICAL WIRING - FLOOR BOARD



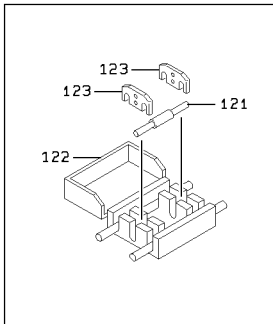
DETAIL OF CLAMP



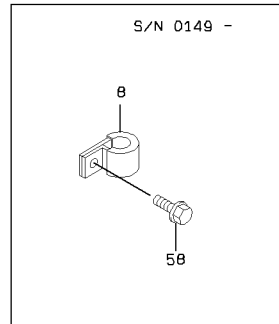
DETAIL OF STUD MOUNT



DETAIL OF DIODE

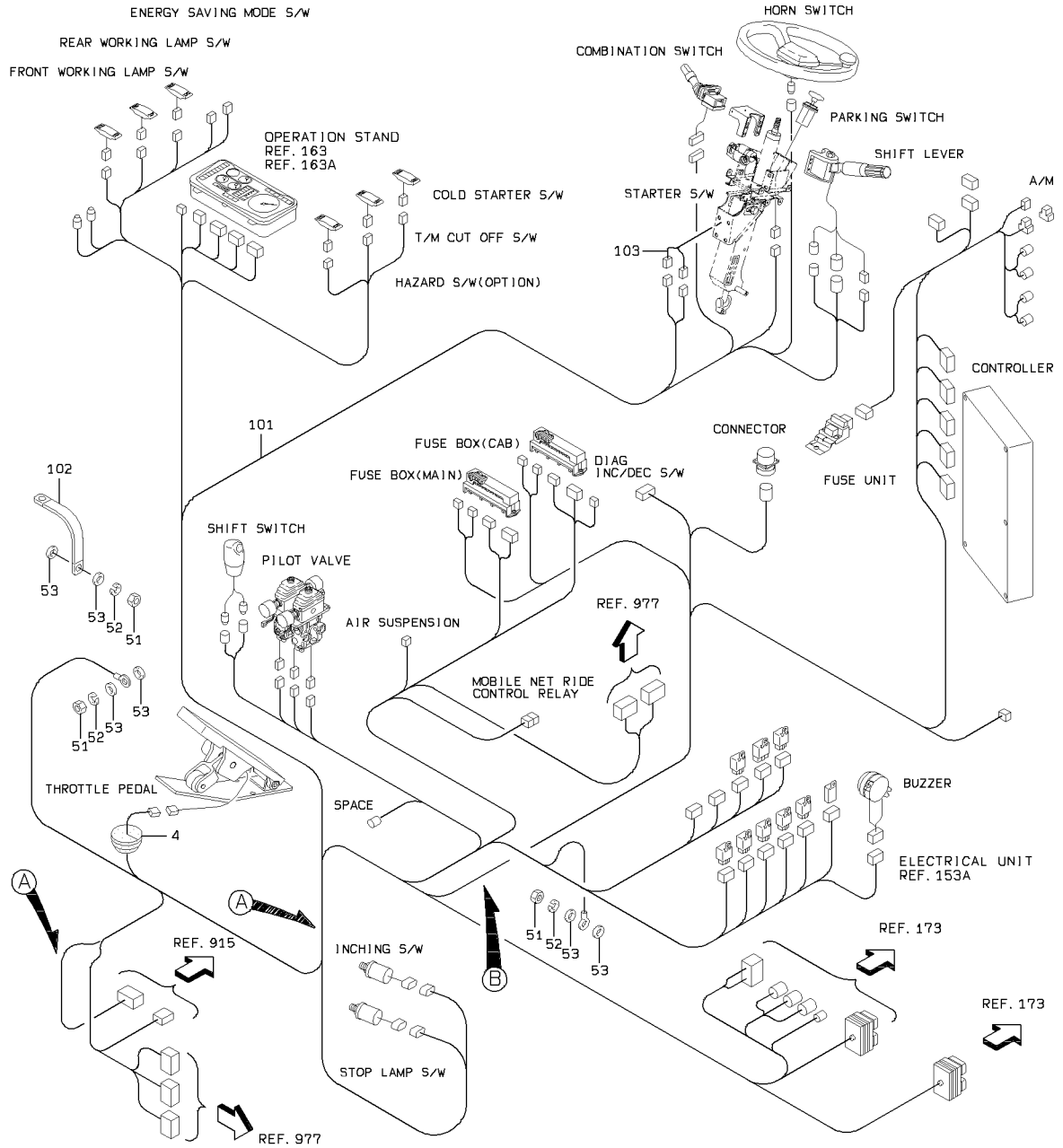


DETAIL OF PIPE HOLDER

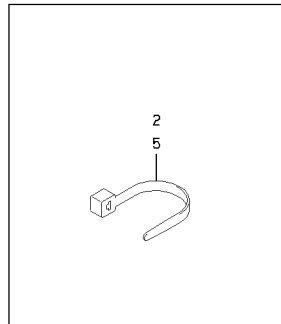


ELECTRICAL WIRING - FLOOR BOARD

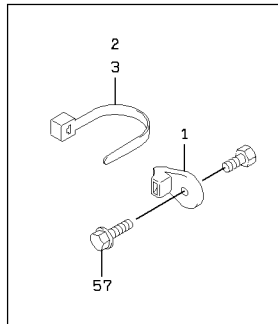
<S/N 0359 - >



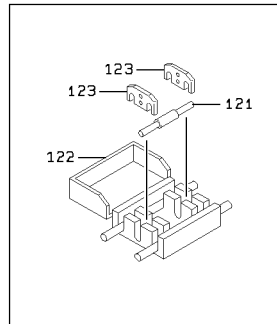
DETAIL OF CLAMP



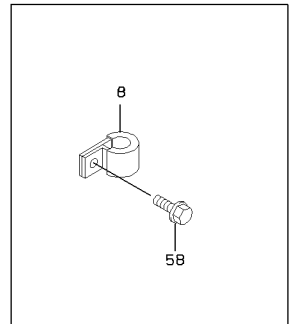
DETAIL OF STUD MOUNT



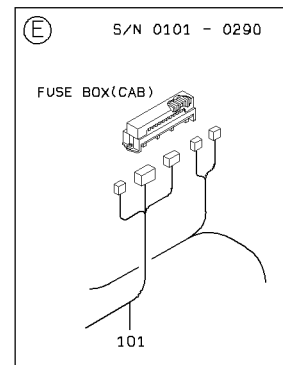
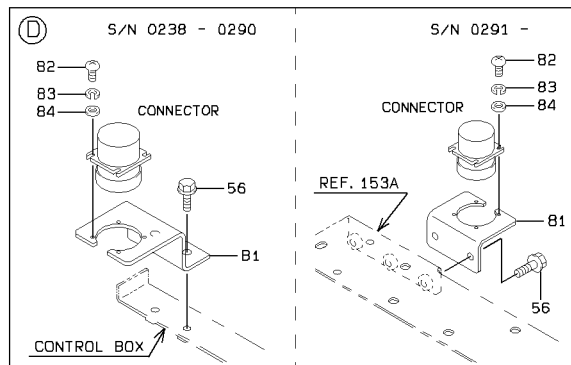
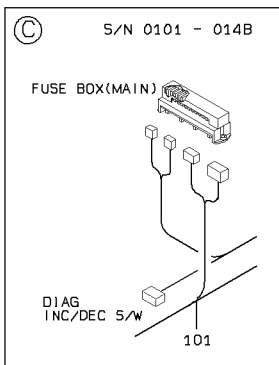
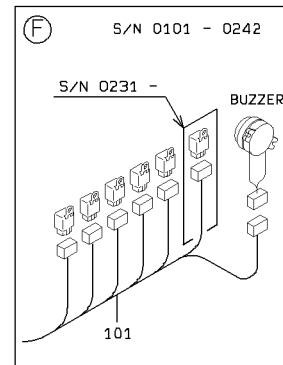
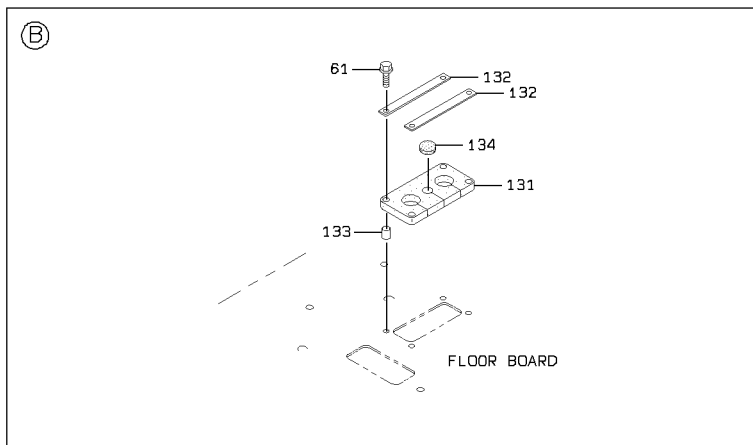
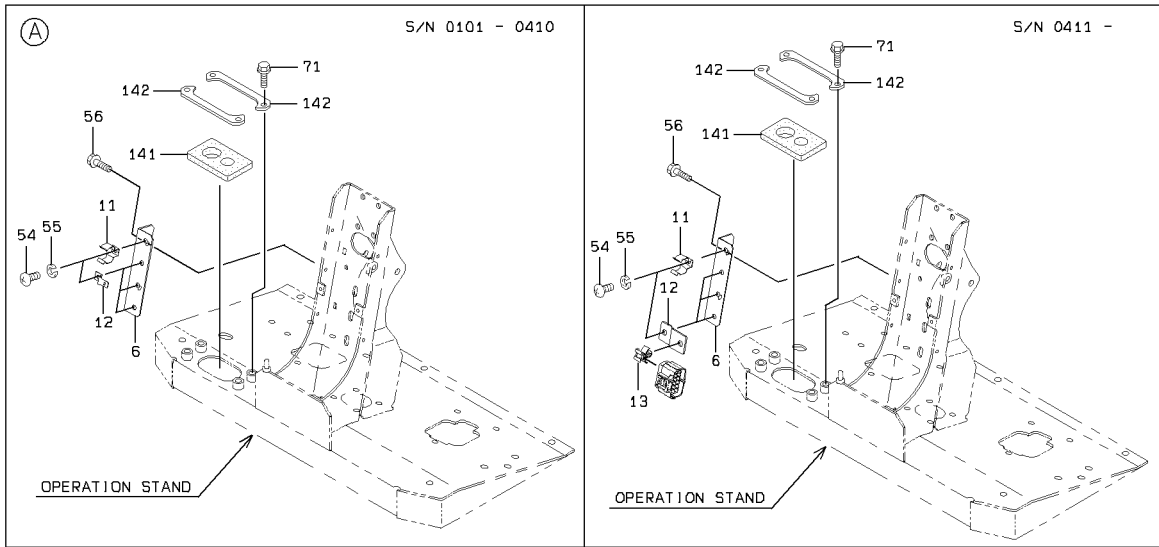
DETAIL OF DIODE



DETAIL OF PIPE HOLDER



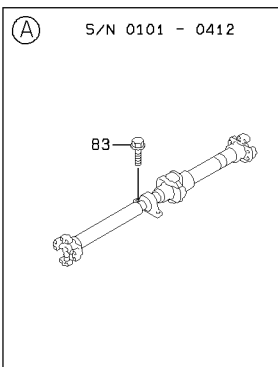
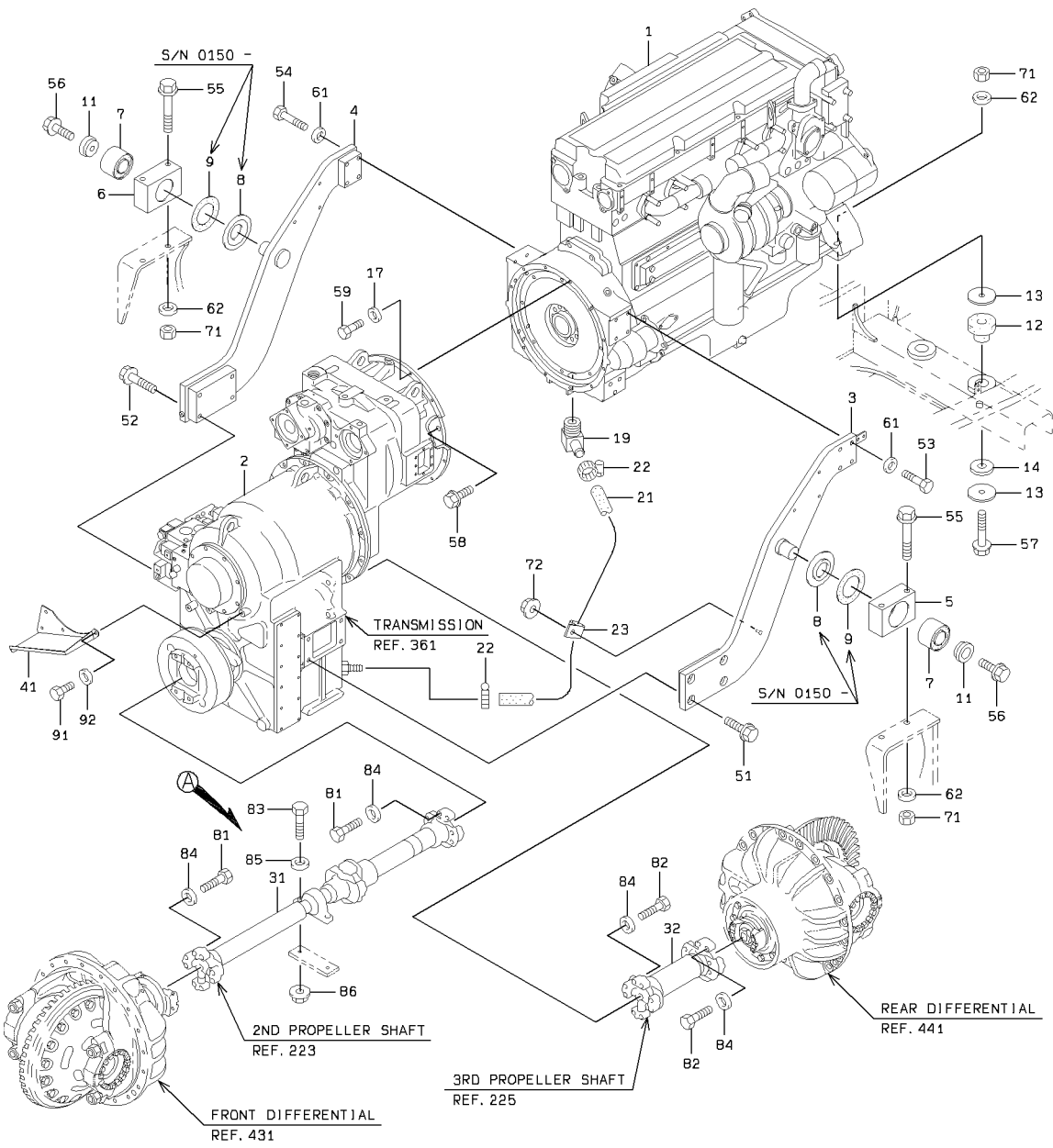
ELECTRICAL WIRING - FLOOR BOARD



ELECTRICAL WIRING - FLOOR BOARD

SYM-BOL	PART NUMBER	PART NAME	UNIT Q,TY	SERIAL		REMARKS						
				(A)	(B)	N	P	D	(A)	(B)	(C)	(D)
1A	32923-70120	CLAMP,HOSE	A/R	101	-							FR M8
2A	32923-70090	CLAMP,HOSE	A/R	101	-							L=202
3A	32923-70100	CLAMP,HOSE	A/R	101	-							L=382
4A	41533-20040	PLUG,ELASTIC	1	101	-							
5A	32923-70210	CLAMP,HOSE	A/R	149	-							L=397
6A	41617-46070	PLATE	1	101	-							
7A	32215-20080	CAP,TERMINAL	2	101	-	358		D				
8A	72001-11800	HOLDER,PIPE	A/R	149	-							D=18
11A	43571-60060	HOLDER,SPRING	1	101	-							
12A	43550-20680	HOLDER	3	101	-	410						
12B	43550-21180	HOLDER	3	411	-			B				
13A	43550-70050	HOLDER	1	411	-							
51A	62401-81101	NUT	3	101	-							
52A	62721-10100	WASHER,SPRING	3	101	-							
53A	46011-21650	WASHER,PLANE	6	101	-							
54A	62256-51610	SCREW	4	101	-							
55A	62721-06100	WASHER,SPRING	4	101	-							
56A	61802-06016	BOLT,FLANGED	2	101	-	237						
56B	61802-06016	BOLT,FLANGED	4	238	-							
57A	61802-08020	BOLT,FLANGED	A/R	101	-							
58A	61802-08012	BOLT,FLANGED	A/R	149	-							
61A	61802-08030	BOLT,FLANGED	4	101	-							
71A	61802-08016	BOLT,FLANGED	4	101	-							
81A	41609-51020	PLATE	1	238	-	290						
81B	41711-22850	PLATE	1	291	-			B				
82A	62256-51312	SCREW	4	238	-							
83A	62721-03100	WASHER,SPRING	4	238	-							
84A	62701-40031	WASHER,PLANE	4	238	-							
101A	33193-27520	CABLE ASSY	1	101	-	148						FLOOR
101B	33193-32760	CABLE ASSY	1	149	-	187		C				FLOOR
101C	33193-36130	CABLE ASSY	1	188	-	230		C				FLOOR
101D	33193-36530	CABLE ASSY	1	231	-	237		B				FLOOR
101E	33193-40930	CABLE ASSY	1	238	-	242		C				FLOOR
101F	33193-43750	CABLE ASSY	1	243	-	251		B				FLOOR
101G	33193-45250	CABLE ASSY	1	252	-	335		B				FLOOR
101H	33193-59140	CABLE ASSY	1	336	-	358		B				FLOOR
101J	33194-22830	CABLE ASSY	1	359	-	457		B				FLOOR
101K	33194-36660	CABLE ASSY	1	458	-	476		C				
101L	33194-38460	CABLE ASSY	1	477	-			B				
102A	33190-24690	CABLE	1	101	-							GROUNDING (F-R
103A	33191-47010	CABLE ASSY	1	101	-							STARTER SWITCH
105A	33191-34820	CABLE ASSY	1	101	-	358		D				CIRCUIT PROTEC
111A	36406-20090	DIODE ASSY	1	101	-	412		D				2.5A
121A	36405-70020	DIODE	1	101	-							
122A	33300-70050	CONNECTOR	1	101	-							
123A	35930-70010	TERMINAL	2	101	-							
131A	33057-21050	GROMMET	1	101	-							
132A	41605-53600	PLATE	2	101	-							
133A	35750-23790	SLEEVE	4	101	-							
134A	41533-20080	PLUG,ELASTIC	1	101	-							
141A	33057-20790	GROMMET	1	101	-							
142A	41613-37210	PLATE	2	101	-							

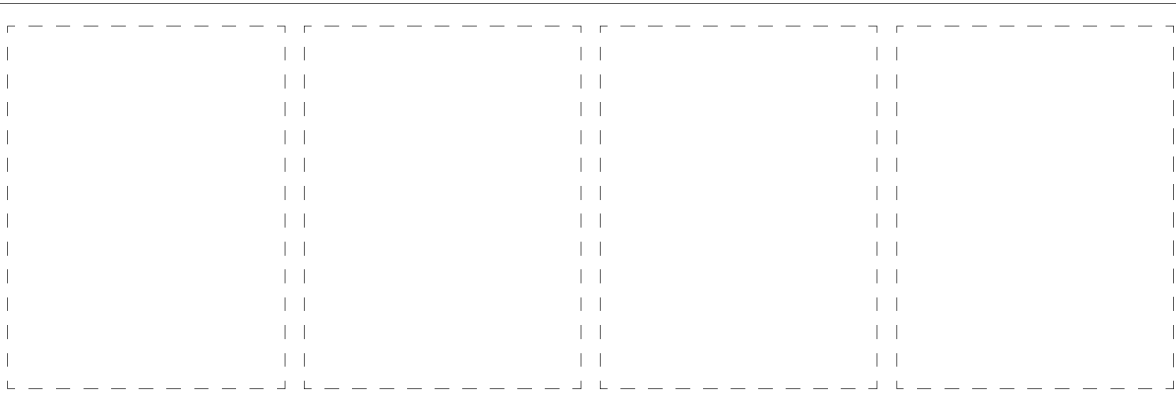
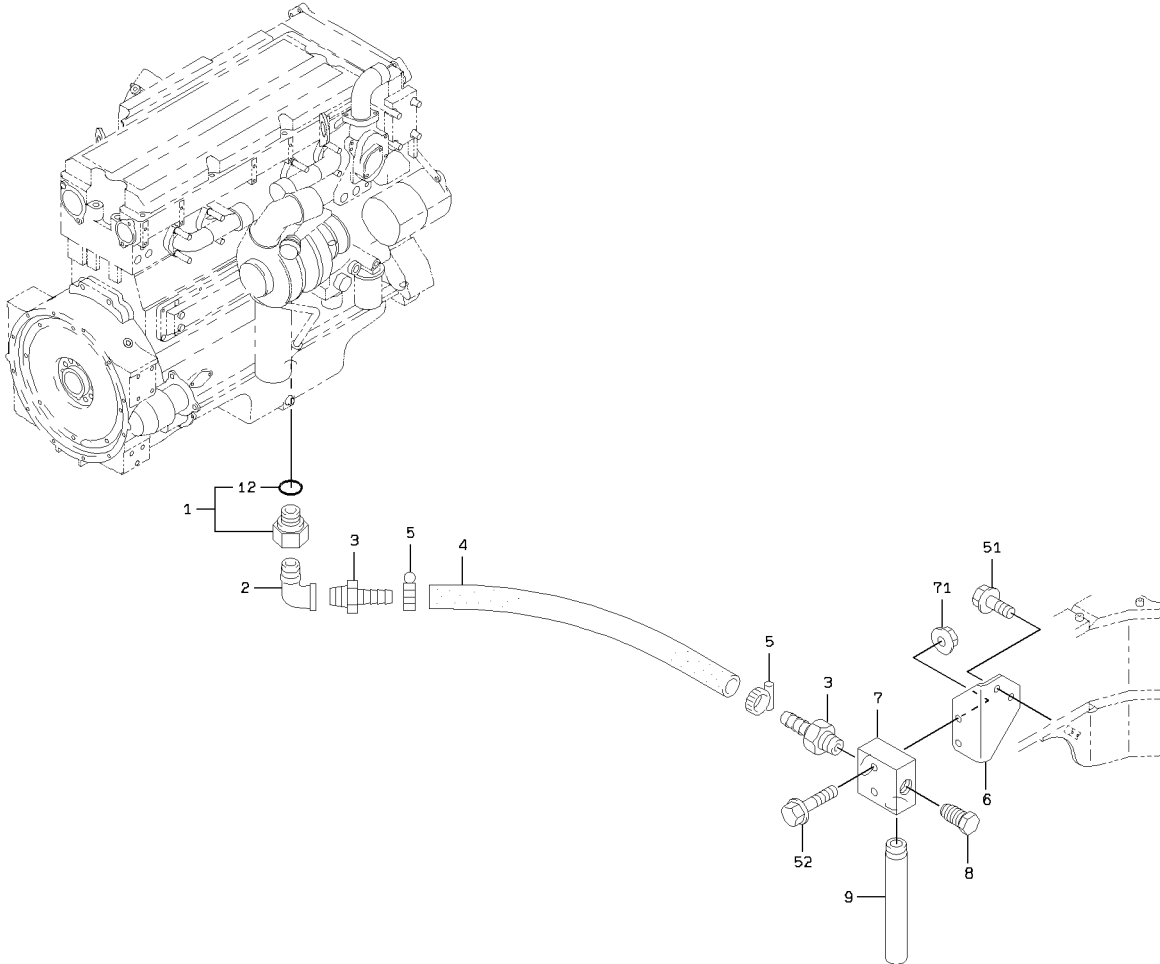
POWER GROUP



POWER GROUP

SYM-BOL	PART NUMBER	PART NAME	UNIT Q,TY	SERIAL		REMARKS						
				(A)	(B)	N	P	D	(A)	(B)	(C)	(D)
1A	31003-61310	ENGINE	1	101	- 230							31000-62870
1B	31003-61740	ENGINE	1	231	- 254	B						
1C	31003-62030	ENGINE	1	255	-	C						
2A	37421-20310	TRANSMISSION ASSY	1	101	- 238							REF.361-378
2B	37421-20990	TRANSMISSION ASSY	1	239	- 254	C						REF.361-378
2C	37421-21050	TRANSMISSION ASSY	1	255	- 258	C						REF.361-378
2D	37421-21060	TRANSMISSION ASSY	1	259	-	B						REF.361-378
3A	40901-57810	BRACKET	1	101	-							FR LH
4A	40901-57820	BRACKET	1	101	-							FR RH
5A	41410-33390	BLOCK	1	101	-							FR LH
6A	41410-33400	BLOCK	1	101	-							FR RH
7A	40850-20190	BUSHING,ELASTIC	2	101	- 194							
7B	40850-20660	BUSHING,ELASTIC	2	195	-	C						
8A	45200-27990	RING	2	150	-							
9A	33713-26840	SHEET,RUBBER	2	150	-							
11A	35750-20380	SLEEVE	2	101	-							
12A	40850-20130	BUSHING,ELASTIC	2	101	-							
13A	46011-20250	WASHER,PLANE	4	101	-							
14A	46011-20020	WASHER,PLANE	2	101	-							
17A	46011-21170	WASHER,PLANE	12	101	-							
19A	38903-21250	FITTING,ELBOW	1	101	-							
21A	67040-19000	HOSE,HEAT RESISTIN	1 M	101	-							L=850
22A	69002-03800	BAND,HOSE	2	101	-							
23A	72010-31000	HOLDER,HOSE	1	101	-							D=31
31A	42752-60800	PROPELLER SHAFT AS	1	101	-							REF.223
32A	42753-60450	PROPELLER SHAFT AS	1	101	- 290							REF.225
32B	42753-60690	PROPELLER SHAFT AS	1	291	-	C						REF.225
41A	31200-27120	COVER	1	101	-							
51A	61802-16055	BOLT,FLANGED	4	101	-							
52A	61802-16080	BOLT,FLANGED	4	101	-							
53A	61261-10065	BOLT(UNIFY)	4	101	-							
54A	61261-10090	BOLT(UNIFY)	4	101	-							
55A	61802-20175	BOLT,FLANGED	4	101	-							
56A	61802-16025	BOLT,FLANGED	2	101	-							
57A	61802-20130	BOLT,FLANGED	2	101	-							
58A	43931-20100	BOLT(UNIFY)	8	101	-							
59A	61275-07035	BOLT(UNIFY)	12	101	-							
61A	62710-18161	WASHER,PLANE	8	101	-							
62A	62710-18201	WASHER,PLANE	6	101	-							
71A	62401-81201	NUT	6	101	-							
72A	62480-21081	NUT,FLANGED	1	101	-							
81A	61014-12080	BOLT	8	101	-							
82A	61014-12070	BOLT	8	101	-							
83A	61802-20075	BOLT,FLANGED	2	101	- 412							
83B	61033-20080	BOLT	2	413	-	B						
84A	46011-22320	WASHER,PLANE	16	101	-							
85A	62710-18201	WASHER,PLANE	2	413	-							
86A	62480-21201	NUT,FLANGED	2	101	-							
91A	61033-10020	BOLT	4	101	-							
92A	62710-18101	WASHER,PLANE	4	101	-							

DRAIN LINE

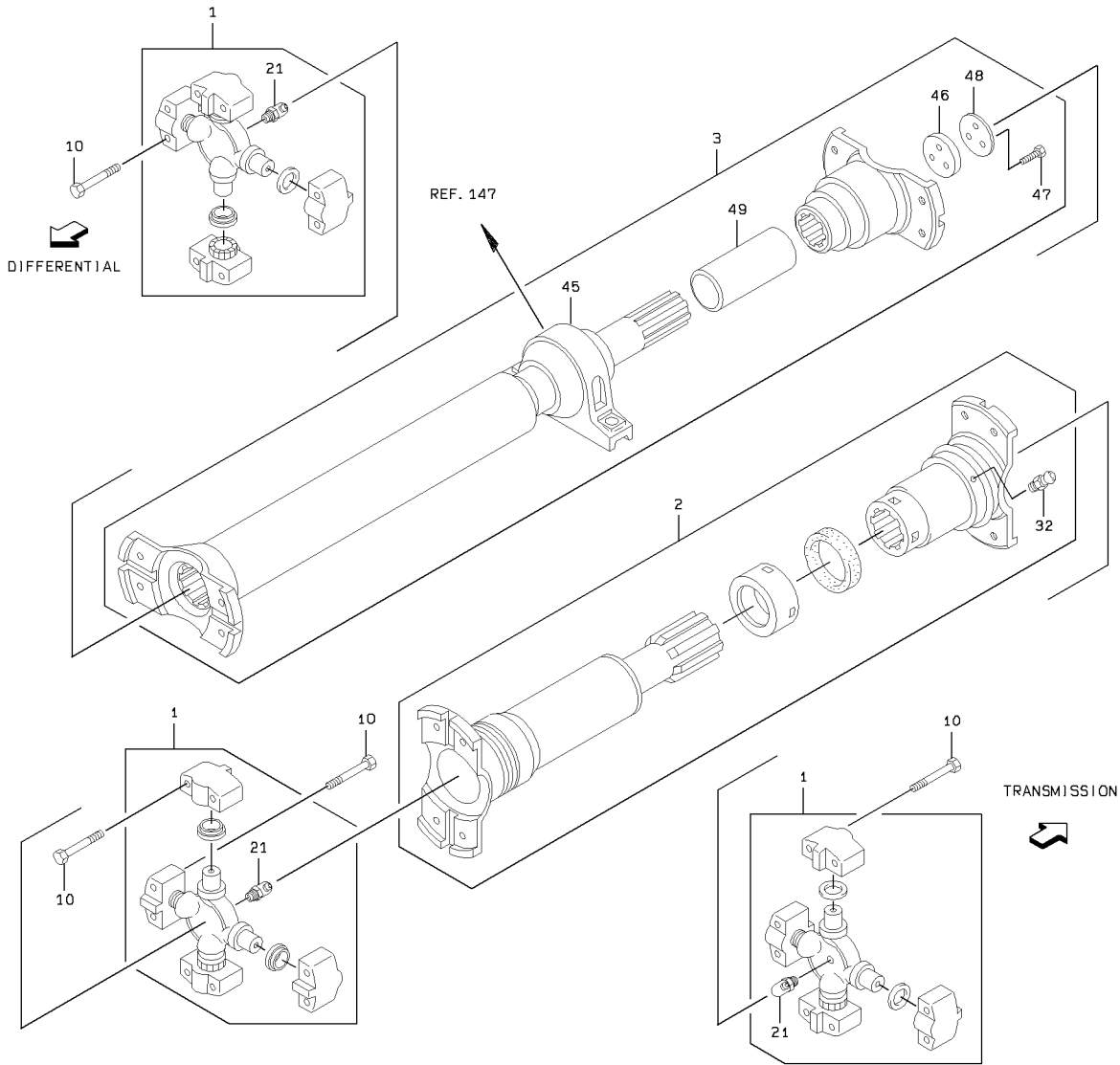


1-A

DRAIN LINE

SYM-BOL	PART NUMBER	PART NAME	UNIT Q, TY	SERIAL (A) - (B)	REMARKS					
					N	P	D	(A)	(B)	(C)
1A	38906-21220	FITTING,BUSHING	1	101 -				Y01		
2A	69205-06000	FITTING,ELBOW	1	101 -						
3A	88511-01121	NIPPLE,HOSE	2	101 -						
4A	67040-19000	HOSE,HEAT RESISTIN	1 M	101 -						L=500
5A	69002-03800	BAND,HOSE	2	101 -						
6A	41612-39600	PLATE	1	101 -						
7A	41410-32030	BLOCK	1	101 -						
8A	41530-20530	PLUG	1	101 -						
9A	37715-22640	NIPPLE,HOSE	1	101 -						
12A	65231-00121	RING,O	1	101 -				01		
51A	61802-08016	BOLT,FLANGED	2	101 -						
52A	61802-08050	BOLT,FLANGED	2	101 -						
71A	62480-21081	NUT,FLANGED	2	101 -						

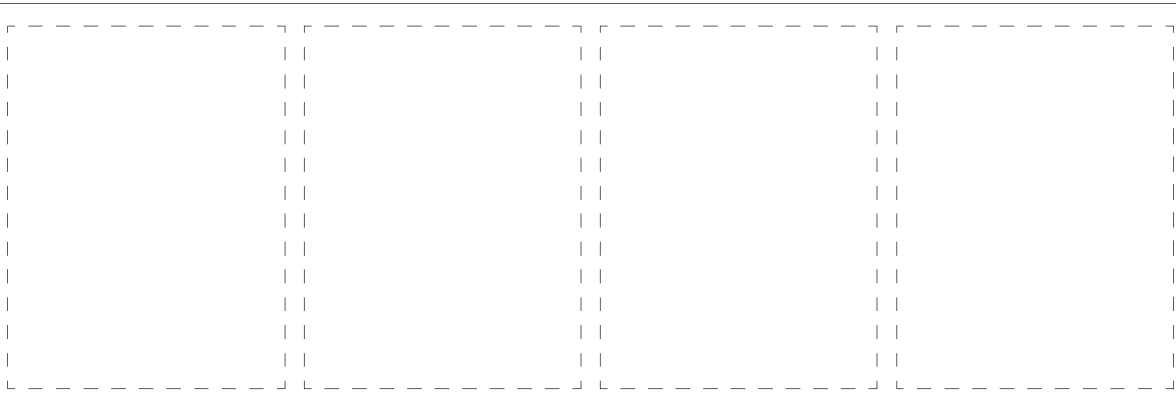
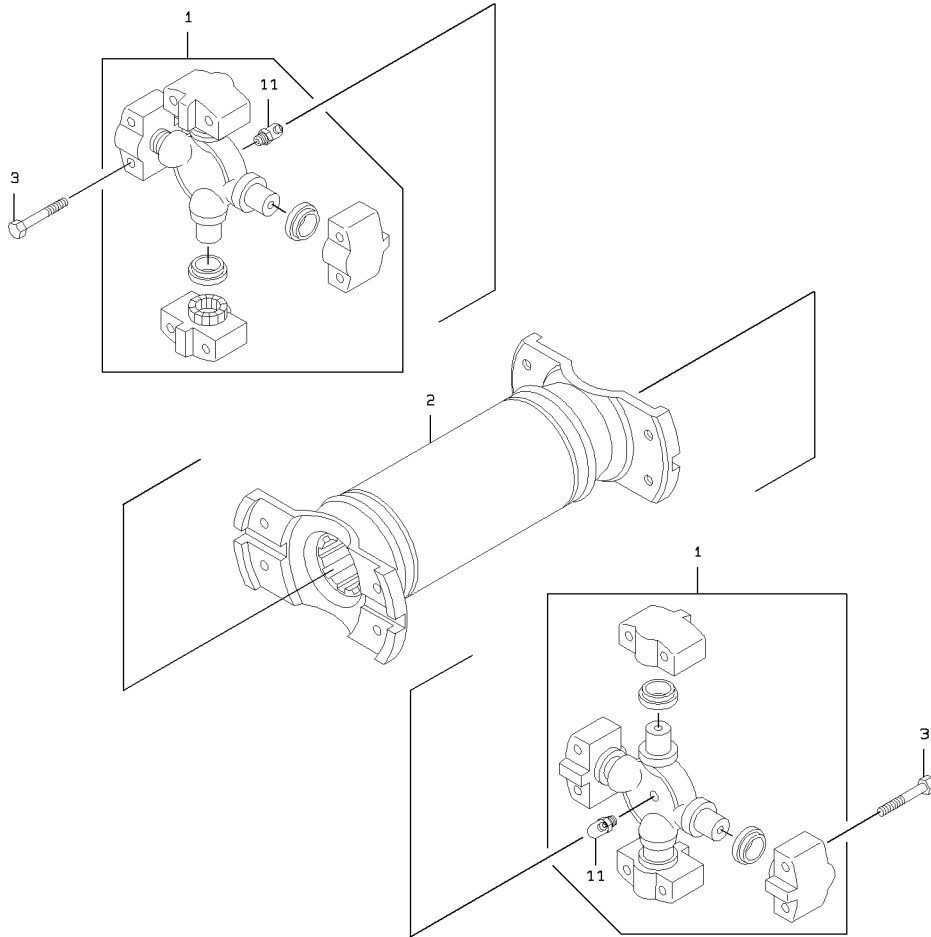
2ND PROPELLER SHAFT



2ND PROPELLER SHAFT

SYM-BOL	PART NUMBER	PART NAME	UNIT Q, TY	SERIAL		REMARKS								
				(A)	(B)	N	P	D	(A)	(B)	(C)	(D)	REMARK	
000A	42752-60800	PROPELLER SHAFT AS	1	101	-									
1A	35513-70270	SPIDER ASSY, JOURNA	3	101	-					Y01				42060-70440
2A	44612-70520	YOKE ASSY, SLEEVE	1	101	-						Y02			
3A	42750-70480	PROPELLER SHAFT AS	1	101	-							Y03		
10A	43900-70690	BOLT	16	101	-									43900-72420
21A	37713-60020	NIPPLE, GREASE	1	101	-					01				75011-45400
32A	75011-25400	NIPPLE, GREASE	1	101	-						02			
45A	41441-70120	BLOCK, PILLOW	1	101	-							03		
46A	41657-70100	PLATE, END	1	101	-							03		
47A	43900-72420	BOLT	3	101	-							03		
48A	41694-70150	PLATE, LOCK	1	101	-							03		
49A	35750-70410	SLEEVE	1	101	-							03		

3RD PROPELLER SHAFT



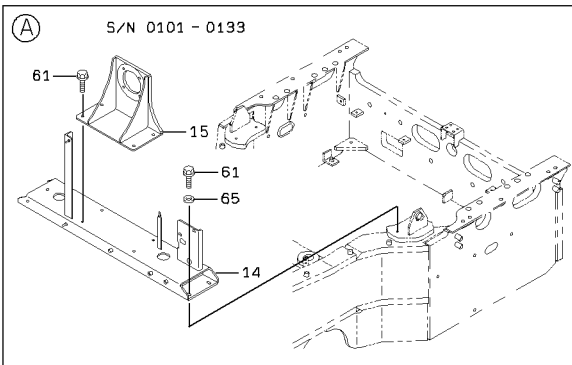
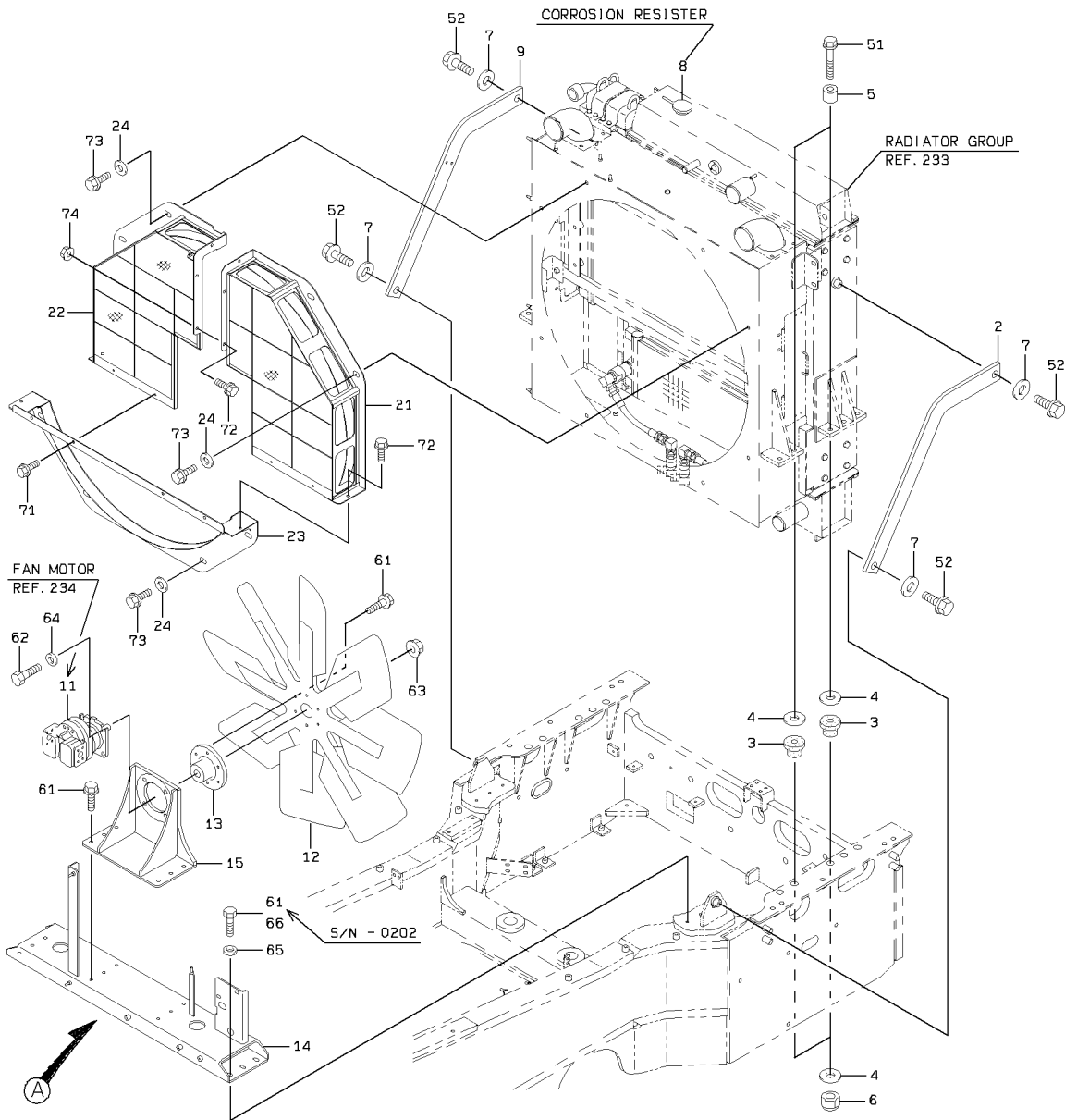
1-A

3RD PROPELLER SHAFT

SYM-BOL	PART NUMBER	PART NAME	UNIT Q, TY	SERIAL			REMARKS								
				(A)	-	(B)	N	P	D	(A)	(B)	(C)	(D)	REMARK	
000A	42753-60450	PROPELLER SHAFT AS	1	101	-	290									
000B	42753-60690	PROPELLER SHAFT AS	1	291	-										
1A	42060-70450	BEARING ASSY, SPIDE	2	101	-						Y01				
2A	42750-70220	PROPELLER SHAFT AS	1	101	-	290									
2B	42750-70760	PROPELLER SHAFT AS	1	291	-										
3A	43900-70690	BOLT	8	101	-										43900-72420
11A	37713-60020	NIPPLE, GREASE	1	101	-						01				75011-45400

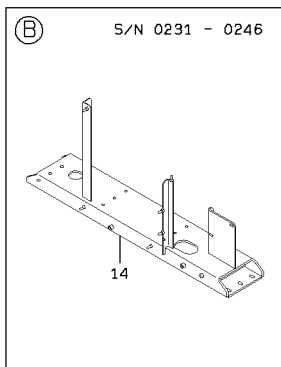
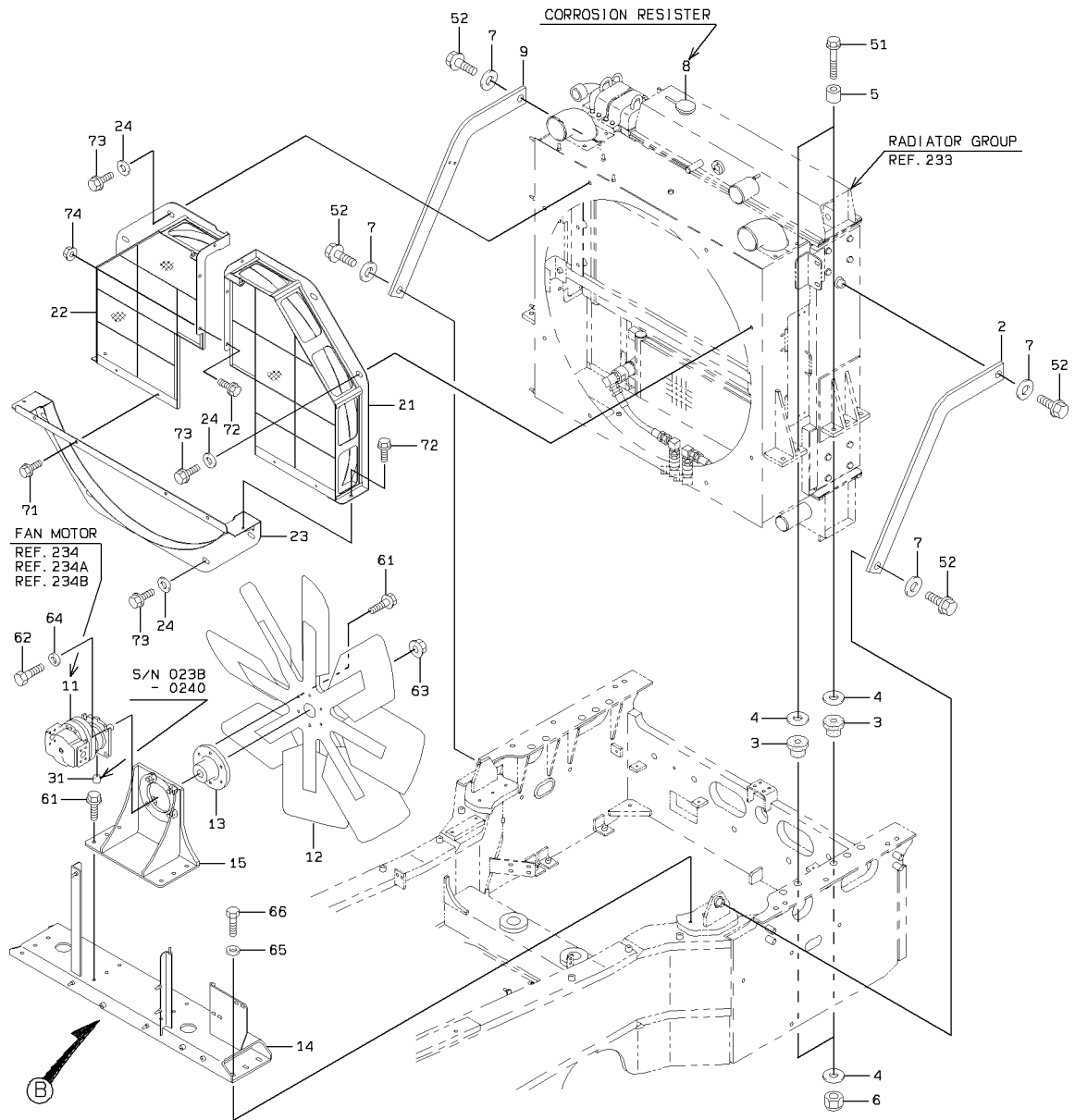
RADIATOR MOUNT

<S/N 0101 - 0230>



RADIATOR MOUNT

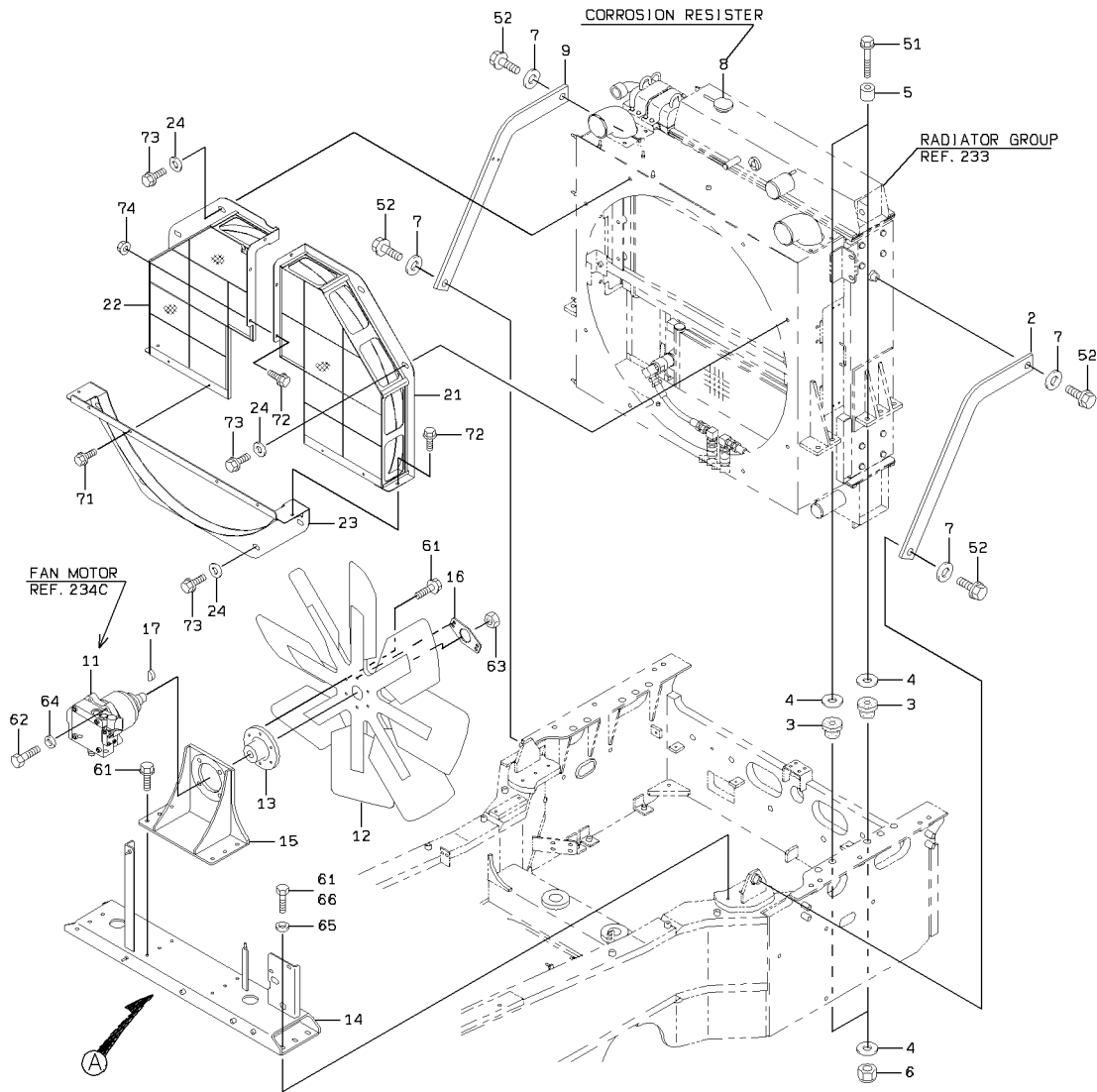
<S/N 0231 - 0466>



2-D

RADIATOR MOUNT

<S/N 0467 - >

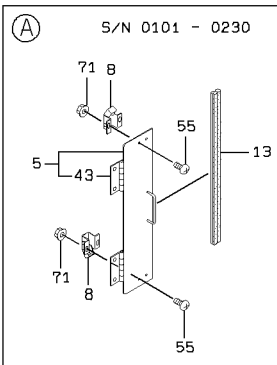
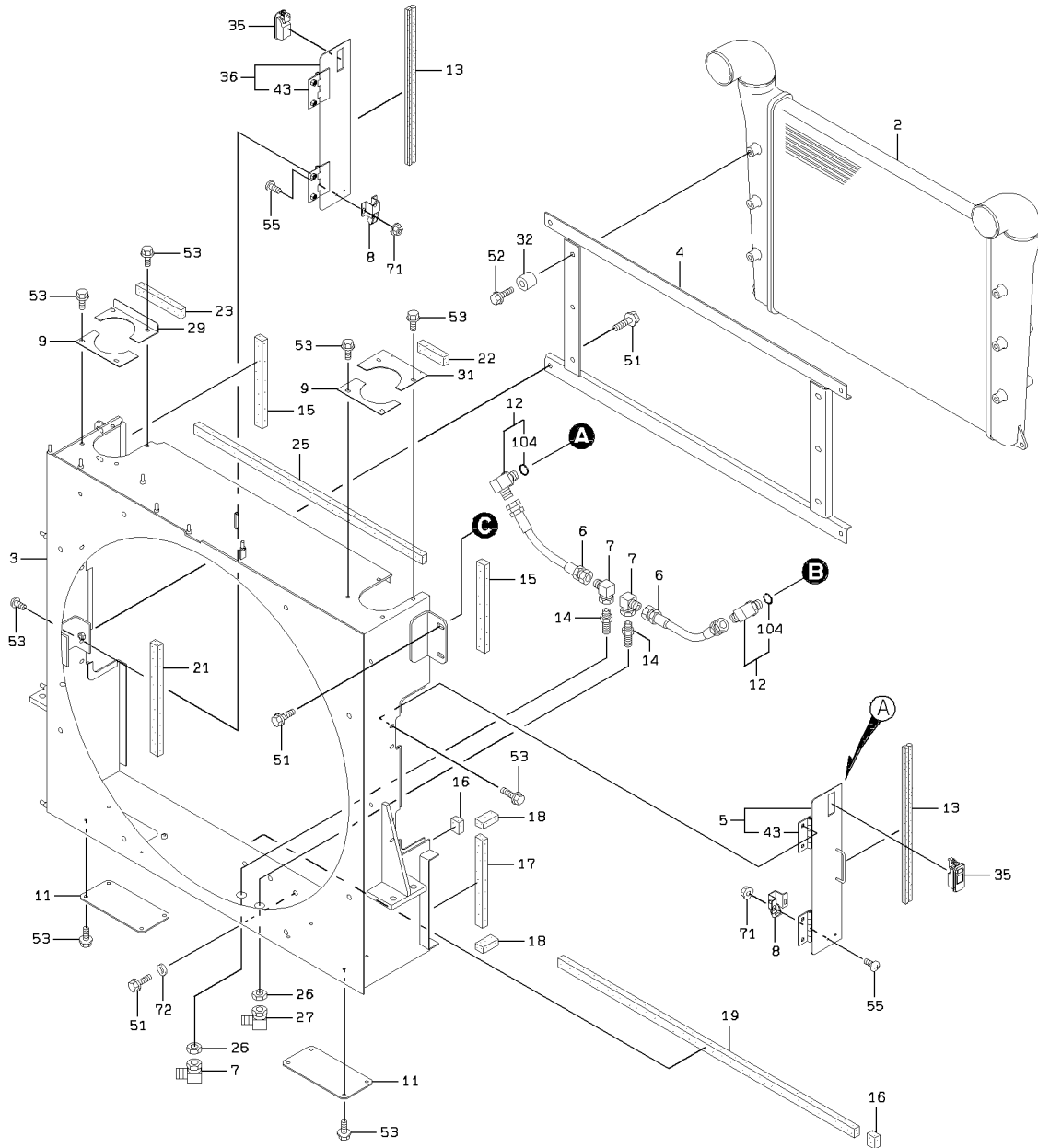


RADIATOR MOUNT

SYM-BOL	PART NUMBER	PART NAME	UNIT Q,TY	SERIAL		REMARKS						
				(A)	(B)	N	P	D	(A)	(B)	(C)	(D)
2A	41618-32880	PLATE	1	101	-							FR LH
3A	40850-20110	BUSHING,ELASTIC	10	101	-							
4A	41615-22330	PLATE	20	101	-							
5A	43780-23200	BOSS	10	101	-							
6A	88031-06121	NUT,SELF-LOCKING	10	101	-							
7A	46011-20150	WASHER,PLANE	4	101	-							
8A	50401-02860	SEALANT	2	101	-							
9A	41618-32890	PLATE	1	101	-							FR RH
11A	48976-60420	MOTOR,OIL	1	101	-	130						REF.234
11B	48976-60560	MOTOR,OIL	1	131	-	242	C					REF.234
11C	48976-60850	MOTOR,OIL	1	243	-	313	C					REF.234
11D	48976-61110	MOTOR,OIL	1	314	-	398	C					REF.234A
11E	48976-61310	MOTOR,OIL	1	399	-	466	C					REF.234B
11F	48976-61070	MOTOR,OIL	1	467	-		B					REF.234C
12A	40200-60010	FAN	1	101	-	412						
12B	40200-60110	FAN	1	413	-		A					
13A	40510-24070	FLANGE	1	101	-	466						
13B	40510-26150	FLANGE	1	467	-		B					
14A	40902-21530	BRACKET	1	101	-	123						
14B	40902-24980	BRACKET	1	124	-	133	C					
14C	40902-25590	BRACKET	1	134	-	230	B					
14D	40902-34990	BRACKET	1	231	-	235	B					
14E	40902-35820	BRACKET	1	236	-	246	C					
14F	40902-37830	BRACKET	1	247	-		B					
15A	40901-52220	BRACKET	1	101	-	133						
15B	40902-25600	BRACKET	1	134	-	202	B	WA1				
15C	40902-31790	BRACKET	1	203	-	230	B					
15D	40902-31880	BRACKET	1	231	-	466	B					
15E	40902-38430	BRACKET	1	467	-		B					
16A	41641-49430	PLATE	1	467	-							
17A	32112-20010	KEY,WOODRUFF	1	467	-							
21A	31823-21990	GUARD,FAN	1	101	-	230						FR LH
21B	31823-22450	GUARD,FAN	1	231	-		B					FR LH
22A	31823-22190	GUARD,FAN	1	101	-	230						FR RH
22B	31823-22440	GUARD,FAN	1	231	-		B					FR RH
23A	31823-22020	GUARD,FAN	1	101	-	230						
23B	31823-22180	GUARD,FAN	1	231	-		B					
24A	46011-20200	WASHER,PLANE	8	101	-							
31A	40035-20030	PIN,TAPER	1	238	-	242	D					
51A	61802-12090	BOLT,FLANGED	10	101	-							
52A	61802-16020	BOLT,FLANGED	4	101	-							
61A	61802-12035	BOLT,FLANGED	14	101	-	133						
61B	61802-12035	BOLT,FLANGED	18	134	-	202						
61C	61802-12035	BOLT,FLANGED	12	203	-							
62A	61033-14035	BOLT	4	101	-	202						
62B	61033-14050	BOLT	4	203	-	466	B	A1				
62C	61802-16040	BOLT,FLANGED	4	467	-		B					
63A	62480-21241	NUT,FLANGED	1	101	-	466						
63B	37600-25320	NUT	1	467	-		B					
64A	62710-18141	WASHER,PLANE	4	101	-	466		D				
65A	62710-18121	WASHER,PLANE	4	101	-	133						
65B	62710-18121	WASHER,PLANE	6	134	-							
66A	61033-12030	BOLT	6	203	-							
71A	61802-10016	BOLT,FLANGED	4	101	-							
72A	61802-10020	BOLT,FLANGED	5	101	-							
73A	61802-12025	BOLT,FLANGED	8	101	-							
74A	62480-21101	NUT,FLANGED	3	101	-							

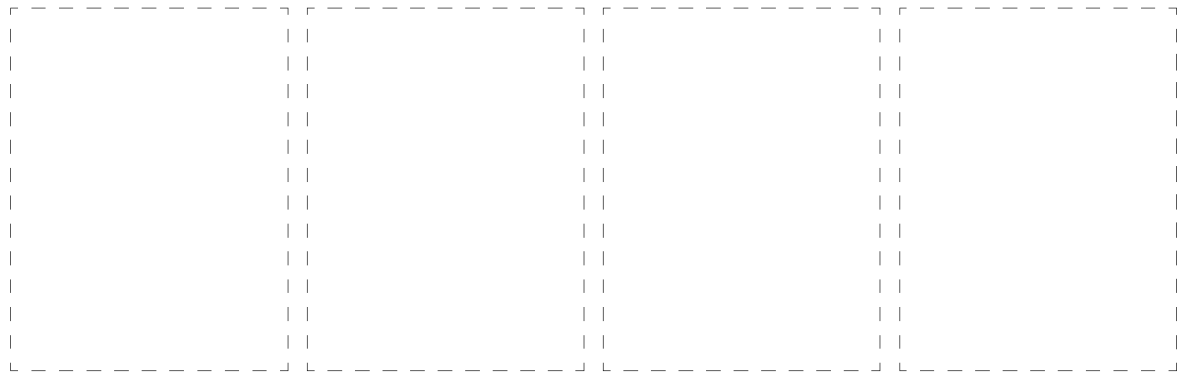
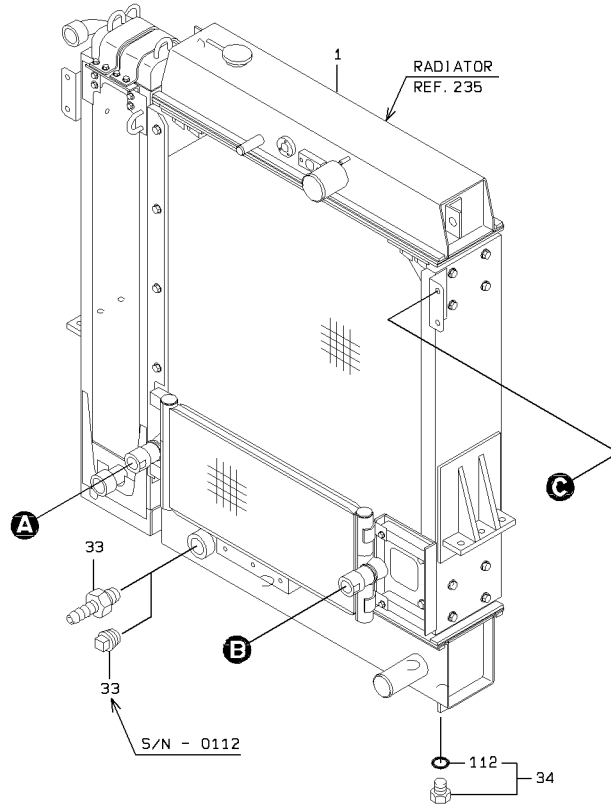
RADIATOR GROUP (S/N 0101 - 0262)

<S/N 0101 - 0262>



RADIATOR GROUP (S/N 0101 - 0262)

<S/N 0101 - 0262>



2-B

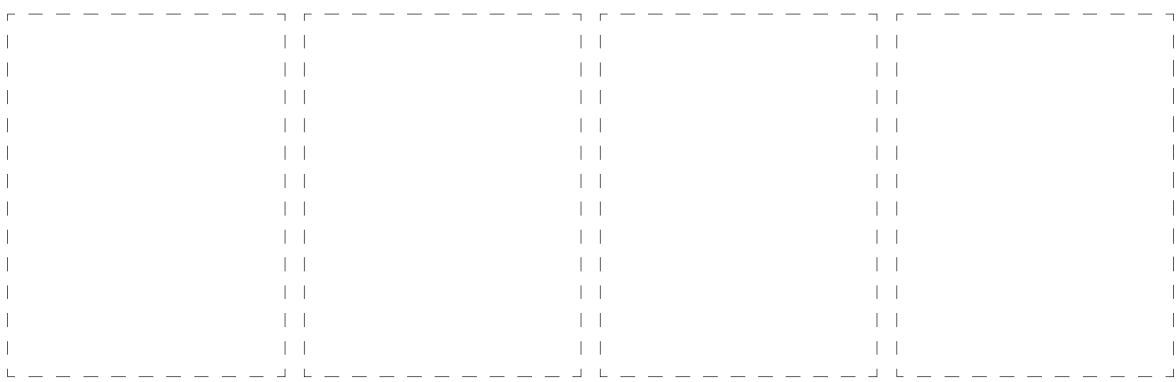
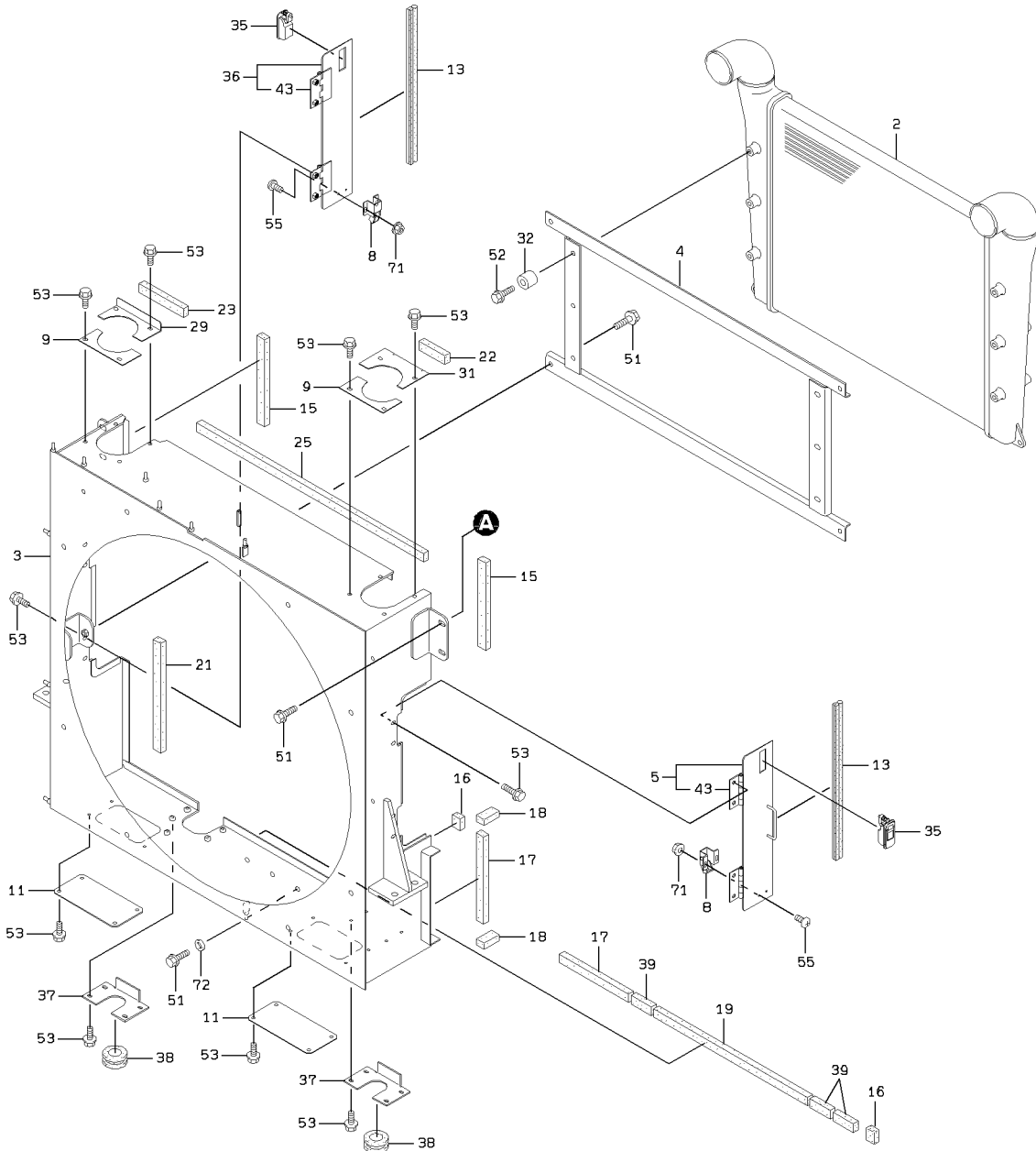
RADIATOR GROUP (S/N 0101 - 0262)

SYM-BOL	PART NUMBER	PART NAME	UNIT Q,TY	SERIAL		REMARKS						
				(A)	(B)	N	P	D	(A)	(B)	(C)	(D)
1A	44721-62710	RADIATOR ASSY	1	101	230							REF.235
1B	44721-63570	RADIATOR ASSY	1	231	262	B						REF.235
2A	32815-60100	COOLER ASSY,AIR	1	101	262							
3A	36436-20670	DUCT,RADIATOR	1	101	230							
3B	36436-20850	DUCT,RADIATOR	1	231	262	C						
4A	40901-58840	BRACKET	1	101	262							
5A	31205-40170	COVER	2	101	230				Y01			
5B	31205-50490	COVER	1	231	262	B			Y01			FR LH
6A	68255-50034	HOSE,HIGH PRESSURE	2	101	262							
7A	30242-20020	ADAPTER,ELBOW UNIO	3	101	262							
8A	44810-70050	LATCH ASSY	4	101	230							
8B	44810-70050	LATCH ASSY	2	231	262							
9A	41606-59390	PLATE	2	101	262							
11A	41606-59420	PLATE	2	101	262							
12A	30241-23620	ADAPTER,ELBOW	2	101	262				Y02			
13A	34041-23440	STRIP, SEAL	2	101	262							
14A	30230-21980	ADAPTER	2	101	262							
15A	35680-43480	SPONGE	2	101	262							
16A	35680-48100	SPONGE	2	101	262							FR LH
17A	35680-48090	SPONGE	1	101	262							FR LH
18A	35680-48130	SPONGE	2	101	262							FR LH
19A	35680-43520	SPONGE	1	101	262							
21A	35680-43530	SPONGE	1	101	262							FR RH
22A	35680-48150	SPONGE	1	101	262							FR LH
23A	35680-48140	SPONGE	1	101	262							FR RH
25A	35680-48120	SPONGE	1	101	262							
26A	37600-21330	NUT	2	101	262							
27A	30242-20470	ADAPTER,ELBOW UNIO	1	101	262							
29A	41606-59400	PLATE	1	101	262							FR RH
31A	41606-59410	PLATE	1	101	262							FR LH
32A	43780-23200	BOSS	6	101	262							
33A	69212-14000	PLUG	1	101	112							
33B	88511-01240	NIPPLE,HOSE	1	113	262	B				Y03		
34A	41530-20560	PLUG	1	101	262							
35A	32153-60190	CATCH,DOOR	2	231	262							
36A	31205-50500	COVER	1	231	262				Y01			FR RH
43A	39890-21220	HINGE	2	101	262				01			WELDING
51A	61802-12030	BOLT,FLANGED	11	101	262							
52A	61802-12045	BOLT,FLANGED	6	101	262							
53A	61802-08025	BOLT,FLANGED	24	101	262							
55A	62256-51512	SCREW	8	101	230							
55B	62256-51512	SCREW	4	231	262							
71A	62480-21051	NUT,FLANGED	8	101	230							
71B	62480-21051	NUT,FLANGED	4	231	262							
72A	62701-40121	WASHER,PLANE	3	101	262							
104A	65210-12029	RING,O	1	101	262					02		
112A	65210-12024	RING,O	1	101	262						03	

MEMO

RADIATOR GROUP (S/N 0263 -)

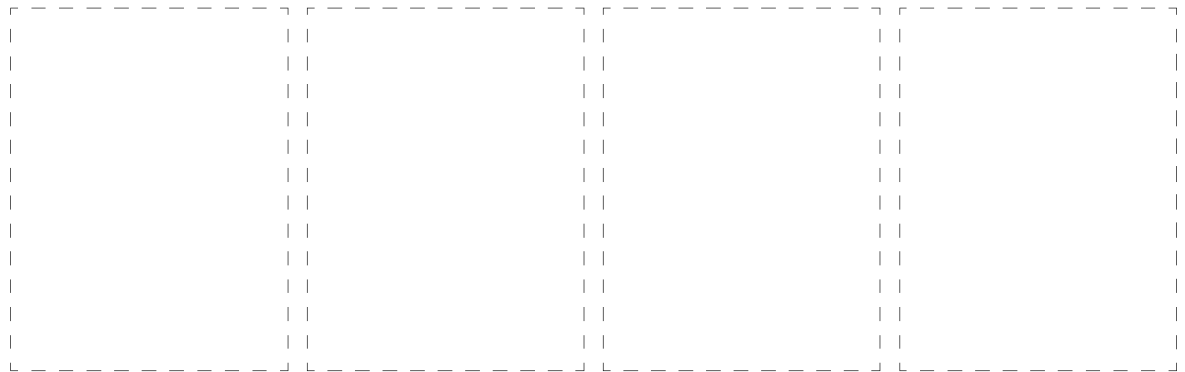
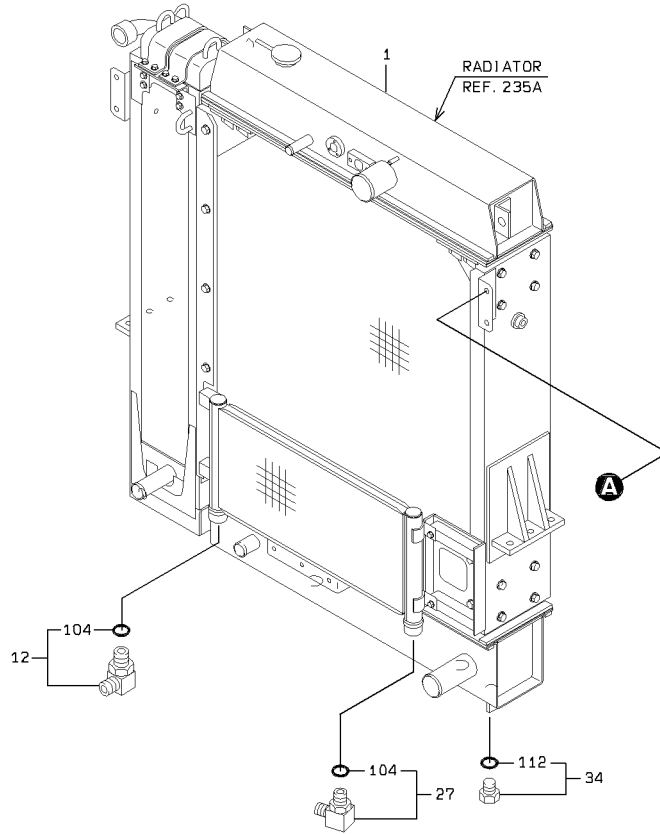
<S/N 0263 - >



1-A

RADIATOR GROUP (S/N 0263 -)

<S/N 0263 - >



2-A

RADIATOR GROUP (S/N 0263 -)

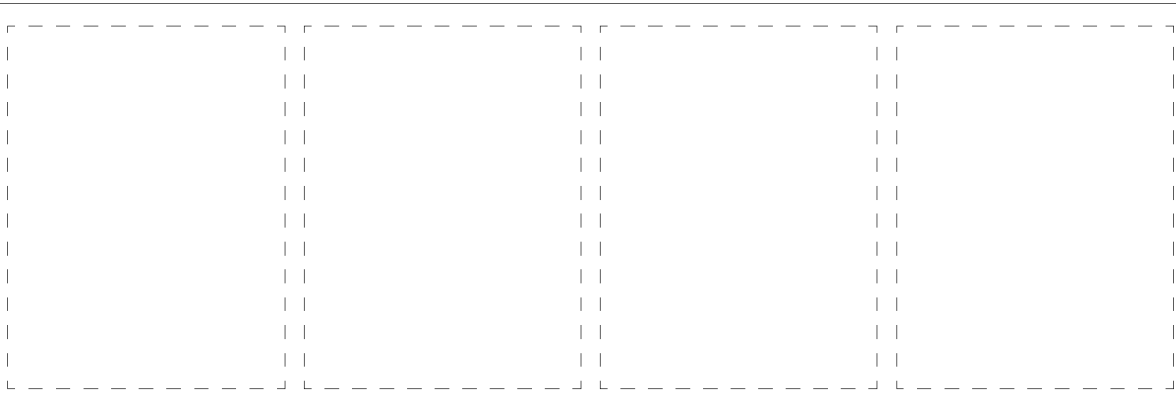
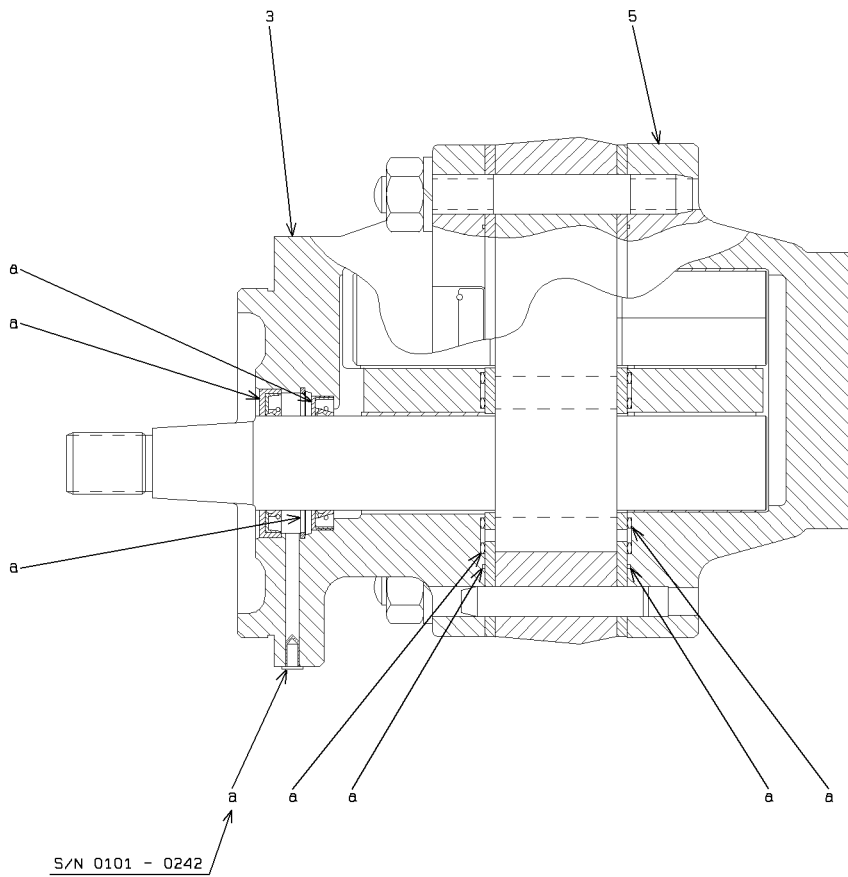
SYM-BOL	PART NUMBER	PART NAME	UNIT Q,TY	SERIAL		REMARKS						
				(A)	(B)	N	P	D	(A)	(B)	(C)	(D)
1A	44721-63960	RADIATOR ASSY	1	263	-							REF.235A
2A	32815-60100	COOLER ASSY,AIR	1	263	-							
3A	36436-21010	DUCT,RADIATOR	1	263	-							
4A	40901-58840	BRACKET	1	263	-							
5A	31205-50490	COVER	1	263	-				Y01			FR LH
8A	44810-70050	LATCH ASSY	2	263	-							
9A	41606-59390	PLATE	2	263	-							
11A	41606-59420	PLATE	2	263	-							
12A	30241-23620	ADAPTER,ELBOW	1	263	-				Y02			
13A	34041-23440	STRIP, SEAL	2	263	-							
15A	35680-43480	SPONGE	2	263	-							
16A	35680-48100	SPONGE	2	263	-							FR LH
17A	35680-48090	SPONGE	2	263	-							
18A	35680-48130	SPONGE	2	263	-							
19A	35681-20080	SPONGE	1	263	-							
21A	35680-43530	SPONGE	1	263	-							FR RH
22A	35680-48150	SPONGE	1	263	-							FR LH
23A	35680-48140	SPONGE	1	263	-							FR RH
25A	35680-48120	SPONGE	1	263	-							
27A	30241-22460	ADAPTER,ELBOW	1	263	-				Y02			
29A	41606-59400	PLATE	1	263	-							FR RH
31A	41606-59410	PLATE	1	263	-							FR LH
32A	43780-23200	BOSS	6	263	-							
34A	41530-20560	PLUG	1	263	-					Y03		
35A	32153-60190	CATCH,DOOR	2	263	-							
36A	31205-50500	COVER	1	263	-				Y01			FR RH
37A	41710-53970	PLATE	2	263	-							
38A	65801-50090	BUSHING,ELASTIC	2	263	-							
39A	35681-20070	SPONGE	3	263	-							
43A	39890-21220	HINGE	2	263	-				01			WELDING
51A	61802-12030	BOLT,FLANGED	11	263	-							
52A	61802-12045	BOLT,FLANGED	6	263	-							
53A	61802-08025	BOLT,FLANGED	32	263	-							
55A	62256-51512	SCREW	4	263	-							
71A	62480-21051	NUT,FLANGED	4	263	-							
72A	62701-40121	WASHER,PLANE	3	263	-							
104A	65210-12029	RING,O	1	263	-					02		
112A	65210-12024	RING,O	1	263	-						03	

MEMO

FAN MOTOR (S/N 0101 - 0313)

<S/N 0101 - 0313>

(NOTE):KIT(SYMBOL 50) CONSISTS OF THE PARTS WITH a.



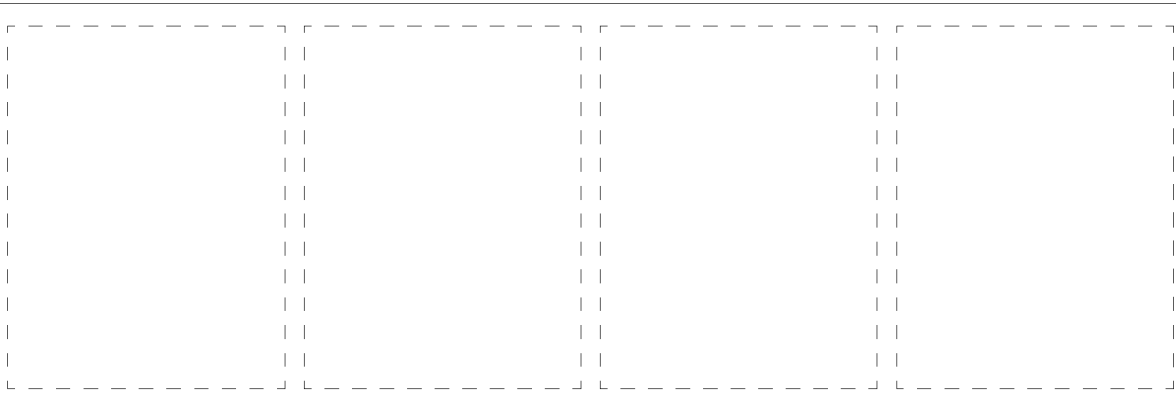
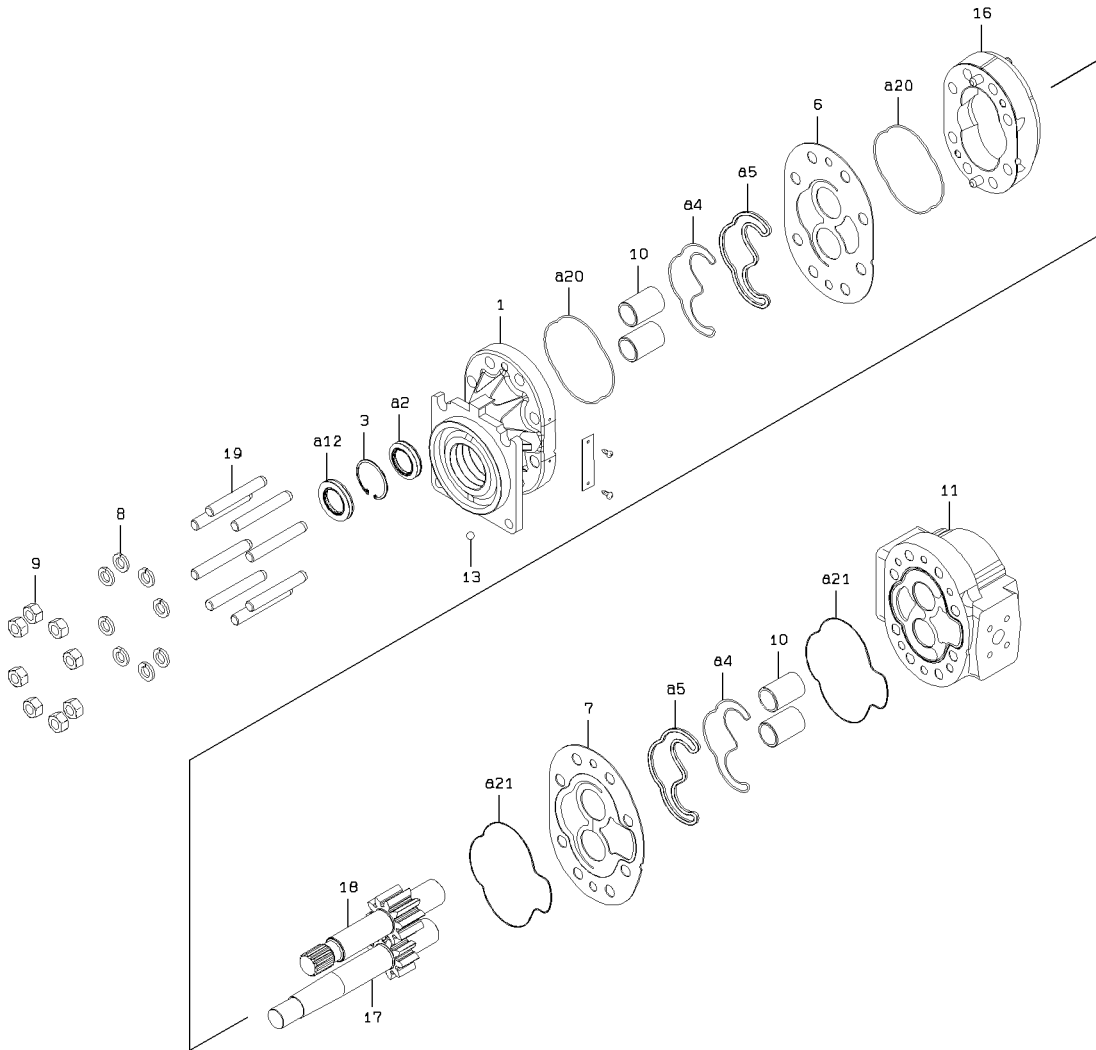
FAN MOTOR (S/N 0101 - 0313)

SYM-BOL	PART NUMBER	PART NAME	UNIT Q,TY	SERIAL			REMARKS							
				(A)	-	(B)	N	P	D	(A)	(B)	(C)	(D)	REMARK
000A	48976-60420	MOTOR,OIL	1	101	-	130								
000B	48976-60560	MOTOR,OIL	1	131	-	242	C							
000C	48976-60850	MOTOR,OIL	1	243	-	313	C							
3A	31200-73180	COVER	1	101	-	313								
5A	31200-73190	COVER	1	101	-	313								
50A	49327-73310	SEAL KIT	1	101	-	313								

OIL MOTOR (S/N 0314 - 0398)

<S/N 0314 - 0398>

(NOTE):KIT(SYMBOL 50) CONSISTS OF THE PARTS WITH a.

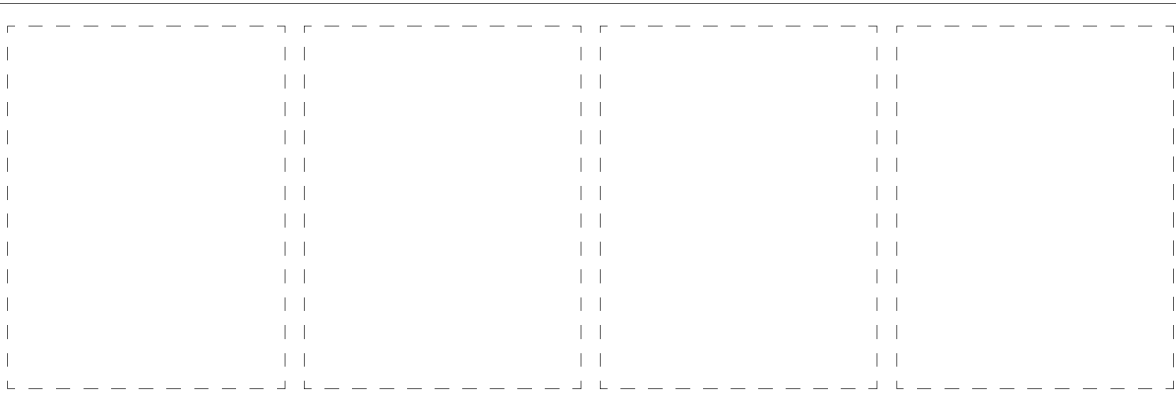
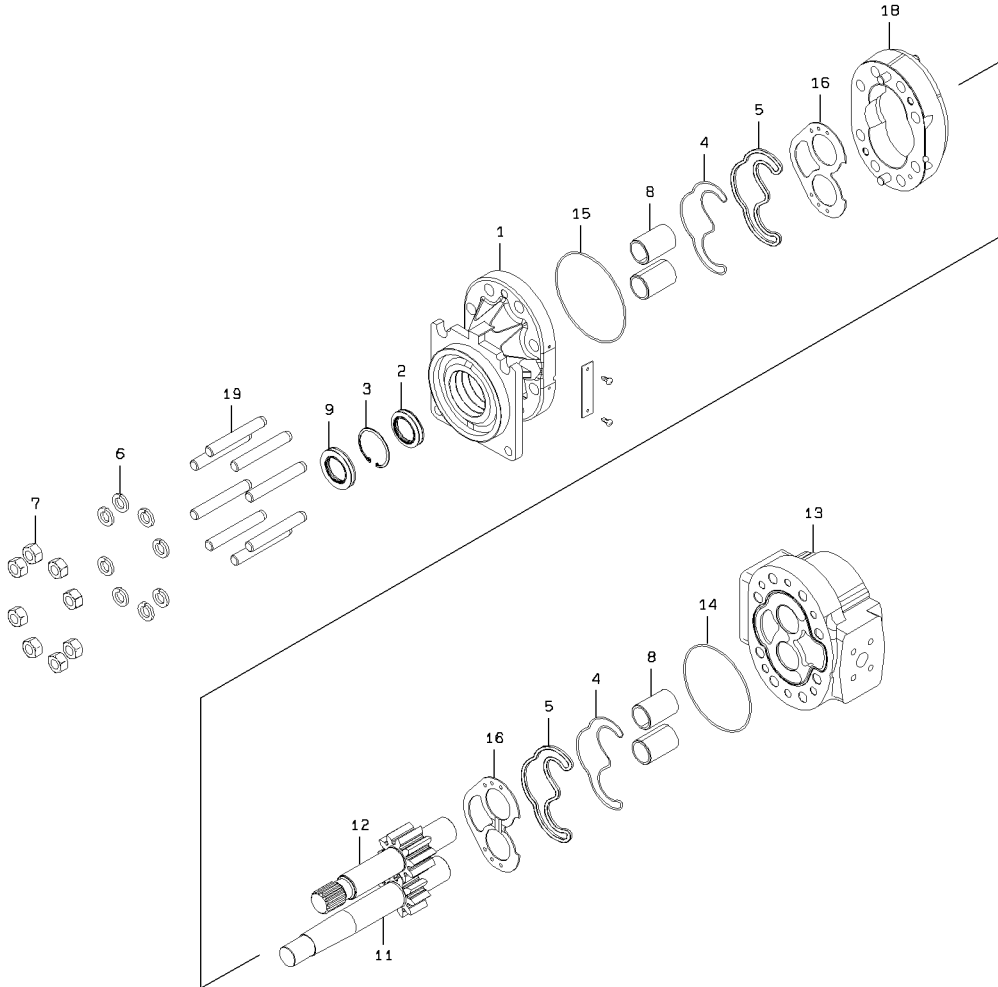


OIL MOTOR (S/N 0314 - 0398)

SYM-BOL	PART NUMBER	PART NAME	UNIT Q,TY	SERIAL			REMARKS							
				(A)	-	(B)	N	P	D	(A)	(B)	(C)	(D)	REMARK
000A	48976-61110	MOTOR,OIL	1	314	-	398								
1A	31200-73180	COVER	1	314	-	398								
2A	34000-70910	SEAL	1	314	-	398					K1			
3A	45323-70250	RING,RETAINER	1	314	-	398	N							
4A	44953-70380	RETAINER,SEAL	2	314	-	398					K1			
5A	44953-70340	RETAINER,SEAL	2	314	-	398					K1			
6A	41656-70250	PLATE,WEAR	1	314	-	398	N							
7A	41656-70260	PLATE,WEAR	1	314	-	398	N							
8A	46013-70530	WASHER,SPRING	8	314	-	398	N							
9A	37600-71790	NUT	8	314	-	398	N							
10A	40840-73140	BUSHING	4	314	-	398								
11A	31200-73480	COVER	1	314	-	398								
12A	34000-71040	SEAL	1	314	-	398					K1			
13A	43751-70480	BALL	1	314	-	398								
16A	43890-70140	BODY	1	314	-	398								
17A	34528-70260	SHAFT,DRIVE	1	314	-	398								
18A	32429-70370	GEAR,DRIVEN	1	314	-	398								
19A	43955-70350	BOLT,STUD	8	314	-	398								
20A	47131-75900	RING,O	2	314	-	398					K1			
21A	47131-75910	RING,O	2	314	-	398					K1			
50A	49327-74220	SEAL KIT	1	314	-	398					QK1			

OIL MOTOR (S/N 0399 - 0466)

<S/N 0399 - 0466>



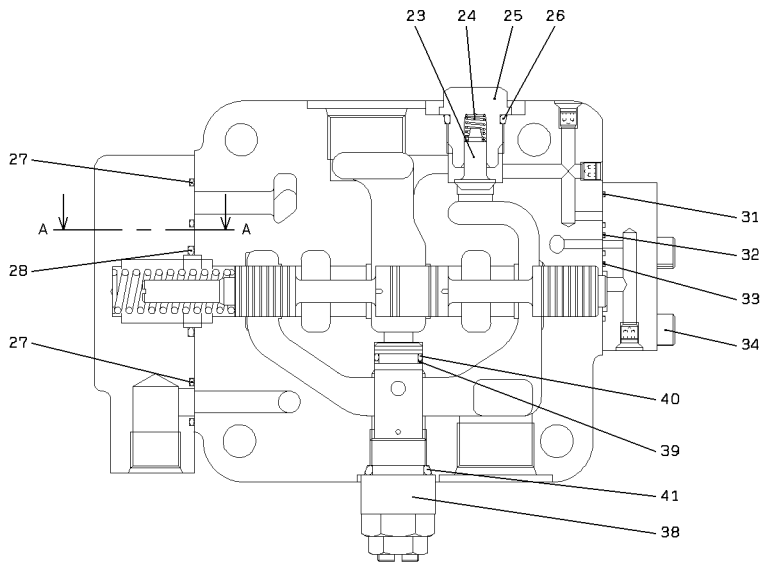
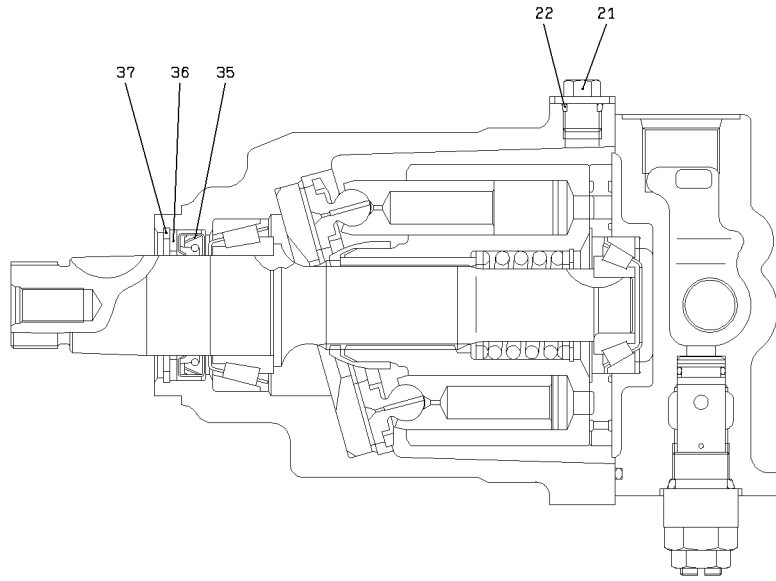
1-A

OIL MOTOR (S/N 0399 - 0466)

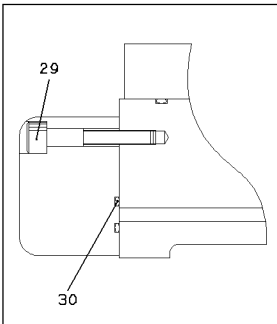
SYM-BOL	PART NUMBER	PART NAME	UNIT Q,TY	SERIAL		REMARKS							
				(A)	(B)	N	P	D	(A)	(B)	(C)	(D)	REMARK
000A	48976-61310	MOTOR,OIL	1	399	-	466							
1A	31200-73590	COVER	1	399	-	466							
2A	34000-70910	SEAL	1	399	-	466							
3A	45323-70250	RING,RETAINER	1	399	-	466	N						
4A	44953-70380	RETAINER,SEAL	2	399	-	466							
5A	44953-70340	RETAINER,SEAL	2	399	-	466							
6A	46013-70530	WASHER,SPRING	8	399	-	466	N						
7A	37600-71790	NUT	8	399	-	466	N						
8A	40840-73140	BUSHING	4	399	-	466							
9A	34000-71040	SEAL	1	399	-	466							
11A	34528-70260	SHAFT,DRIVE	1	399	-	466							
12A	32429-70370	GEAR,DRIVEN	1	399	-	466							
13A	31287-70080	COVER,REAR	1	399	-	466							
14A	47131-75900	RING,O	1	399	-	466							
15A	47131-77640	RING,O	1	399	-	466							
16A	41656-70390	PLATE,WEAR	2	399	-	466							
18A	43890-71300	BODY	1	399	-	466							
19A	43955-70350	BOLT,STUD	8	399	-	466							

OIL MOTOR (S/N 0467 -)

<S/N 0467 - >



VIEW A - A



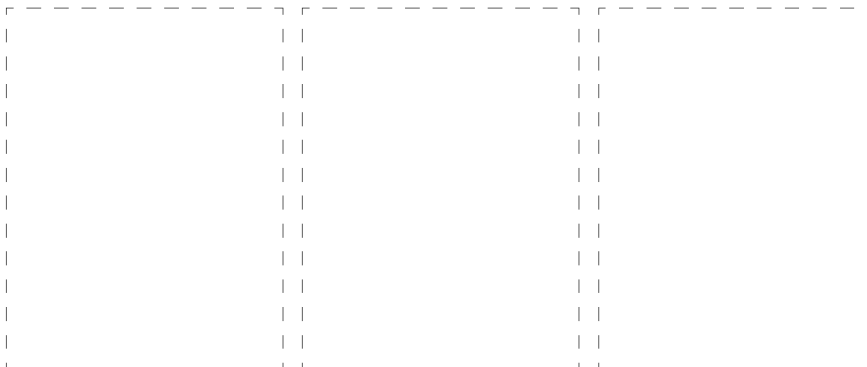
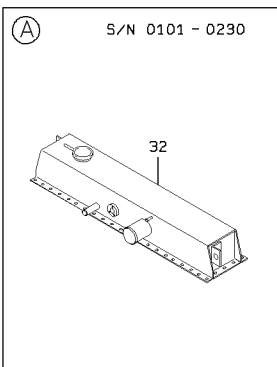
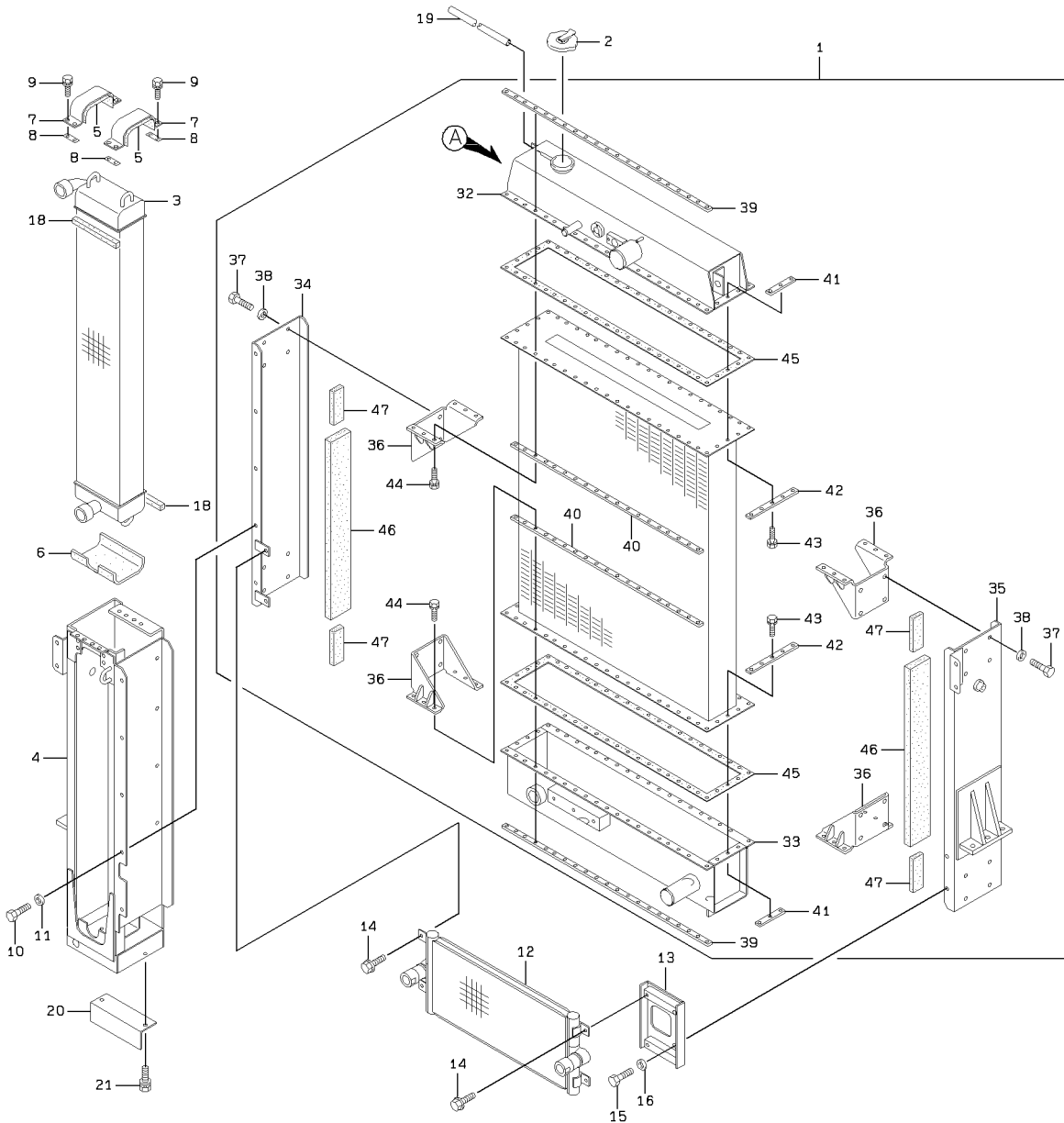
1-A

OIL MOTOR (S/N 0467 -)

SYM-BOL	PART NUMBER	PART NAME	UNIT Q,TY	SERIAL (A) - (B)	REMARKS				REMARK
					N	P	D	(A) (B) (C) (D)	
000A	48976-61070	MOTOR,OIL	1	467 -					
21A	41530-75420	PLUG	1	467 -					
22A	47131-77260	RING,O	1	467 -					
23A	38554-71520	VALVE,CHECK	1	467 -					
24A	35600-77950	SPRING	1	467 -					
25A	41530-75430	PLUG	1	467 -					
26A	47131-77270	RING,O	1	467 -					
27A	47131-77280	RING,O	2	467 -					
28A	47131-77290	RING,O	1	467 -					
29A	43900-74380	BOLT	4	467 -					
30A	47131-77300	RING,O	1	467 -					
31A	47131-77210	RING,O	1	467 -					
32A	47131-77310	RING,O	1	467 -					
33A	47131-77230	RING,O	1	467 -					
34A	43900-74370	BOLT	4	467 -					
35A	34042-71550	SEAL,OIL	1	467 -					
36A	35700-72030	SPACER	1	467 -					
37A	45200-71610	RING	1	467 -					
38A	38565-72000	VALVE,RELIEF	1	467 -					
39A	47194-71750	RING,BACK-UP	1	467 -					
40A	47131-77280	RING,O	1	467 -					
41A	47131-77270	RING,O	1	467 -					

RADIATOR (S/N 0101 - 0262)

<S/N 0101 - 0262>

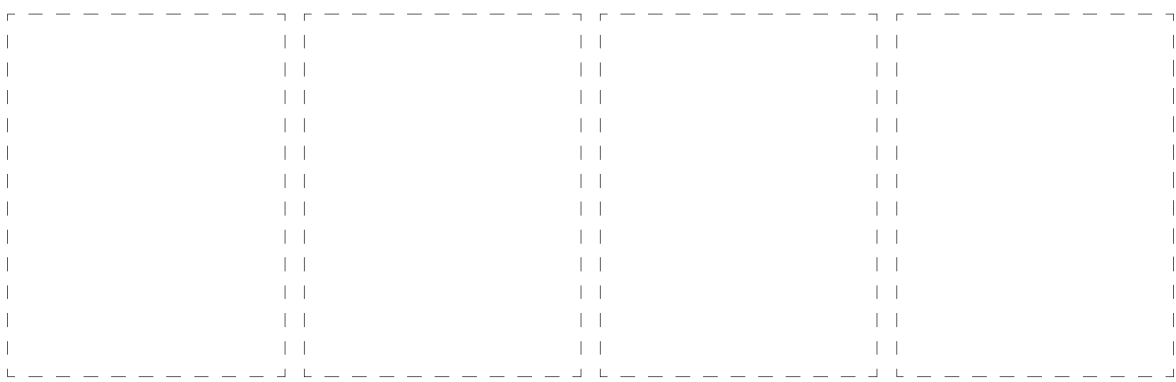
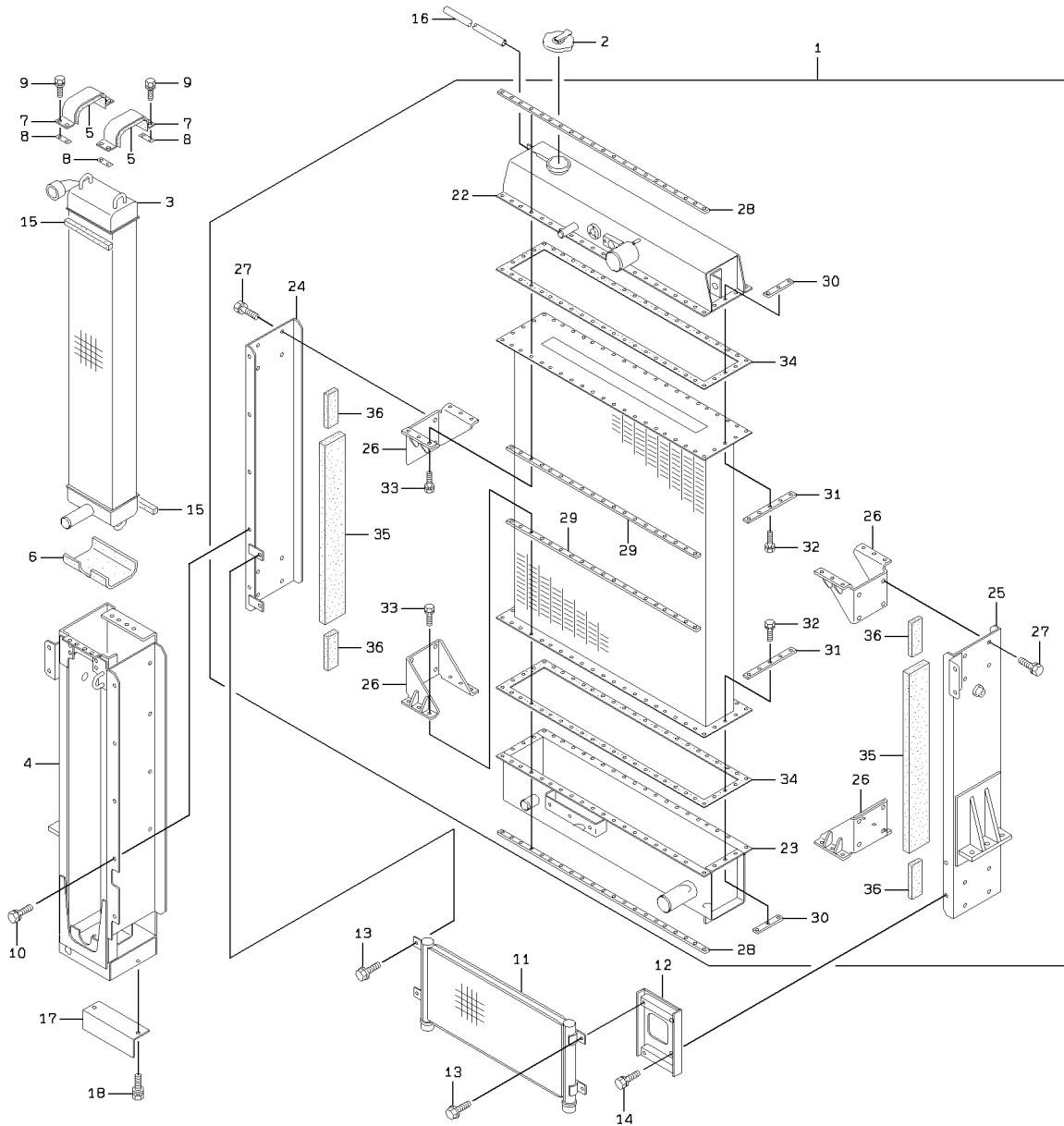


RADIATOR (S/N 0101 - 0262)

SYM-BOL	PART NUMBER	PART NAME	UNIT Q,TY	SERIAL		REMARKS							
				(A)	(B)	N	P	D	(A)	(B)	(C)	(D)	REMARK
000A	44721-62710	RADIATOR ASSY	1	101	-	230							
000B	44721-63570	RADIATOR ASSY	1	231	-	262	B						
1A	33281-71130	CORE ASSY	1	101	-	230		Y01					
1B	33281-71640	CORE ASSY	1	231	-	262	B	Y01					
2A	32211-70230	CAP ASSY	1	101	-	262							
3A	32816-70340	COOLER,OIL	1	101	-	262							
4A	40600-70900	FRAME	1	101	-	262							
5A	33713-70240	SHEET,RUBBER	2	101	-	262							
6A	33713-70250	SHEET,RUBBER	1	101	-	262							
7A	32920-70760	CLAMP	2	101	-	262							
8A	34200-71620	SHIM	A/R	101	-	262							
9A	43925-70190	BOLT SET	8	101	-	262							
10A	43900-73830	BOLT	10	101	-	262							
11A	46000-70860	WASHER	10	101	-	262							
12A	32810-70020	COOLER	1	101	-	262							
13A	40900-71650	BRACKET	1	101	-	262							
14A	43963-70160	BOLT,FLANGED	4	101	-	262							
15A	43900-73490	BOLT	2	101	-	262							
16A	46000-70860	WASHER	2	101	-	262							
18A	39600-72680	PACKING	2	101	-	262							
19A	36733-70080	TUBE,VINYL	1	101	-	262						L=2000	
20A	40900-71640	BRACKET	1	101	-	262							
21A	43925-70230	BOLT,W/WASHER	2	101	-	262							
32A	36200-70930	TANK	1	101	-	230		01					
32B	36200-71260	TANK	1	231	-	262	B	01					
33A	36200-70920	TANK	1	101	-	262		01					
34A	33600-70250	SUPPORT	1	101	-	262		01					
35A	33600-70240	SUPPORT	1	101	-	262		01					
36A	45090-70030	RIB	4	101	-	262		01					
37A	43900-73490	BOLT	16	101	-	262		01					
38A	46000-70860	WASHER	16	101	-	262		01					
39A	41600-71380	PLATE	4	101	-	262		01					
40A	41600-71370	PLATE	4	101	-	262		01					
41A	41611-70440	PLATE	4	101	-	262		01					
42A	41600-70440	PLATE	4	101	-	262		01					
43A	43925-70170	BOLT SET	72	101	-	262		01					
44A	43925-70210	BOLT SET	24	101	-	262		01					
45A	31990-71730	GASKET	2	101	-	262		01					
46A	39600-72340	PACKING	2	101	-	262		01					
47A	39600-72490	PACKING	4	101	-	262		01					

RADIATOR (S/N 0263 -)

<S/N 0263 - >

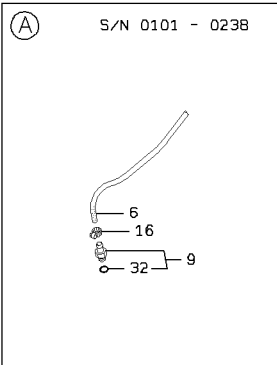
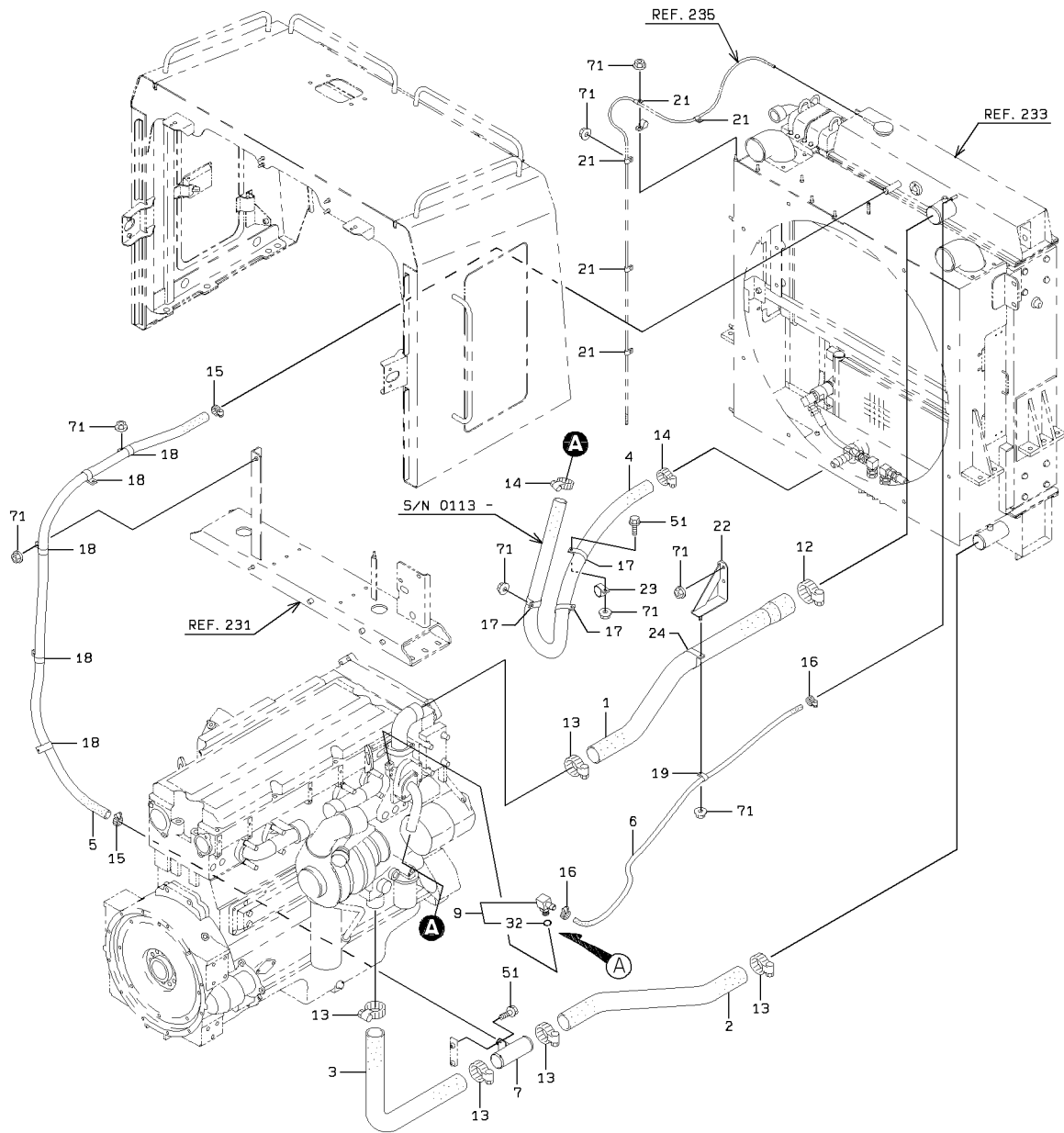


1-A

RADIATOR (S/N 0263 -)

SYM-BOL	PART NUMBER	PART NAME	UNIT Q,TY	SERIAL		REMARKS						
				(A)	(B)	N	P	D	(A)	(B)	(C)	(D)
000A	44721-63960	RADIATOR ASSY	1	263	-							
1A	33281-72020	CORE ASSY	1	263	-				Y01			
2A	32211-70230	CAP ASSY	1	263	-							
3A	32816-70460	COOLER,OIL	1	263	-							
4A	40600-70900	FRAME	1	263	-							
5A	33713-70240	SHEET,RUBBER	2	263	-							
6A	33713-70250	SHEET,RUBBER	1	263	-							
7A	32920-70760	CLAMP	2	236	-							
8A	34200-71620	SHIM	A/R	263	-							
9A	49620-70150	BOLT ASSY	8	263	-							
10A	49620-70160	BOLT ASSY	10	263	-							
11A	32810-70030	COOLER	1	263	-							
12A	40900-71650	BRACKET	1	263	-							
13A	43963-70160	BOLT,FLANGED	4	263	-							
14A	49620-70140	BOLT ASSY	2	263	-							
15A	39600-72680	PACKING	2	263	-							
16A	36733-70080	TUBE,VINYL	1	263	-							L=2000
17A	40900-71640	BRACKET	1	263	-							
18A	43925-70270	BOLT SET	2	263	-							
22A	36200-71260	TANK	1	263	-				01			
23A	36200-71360	TANK	1	263	-				01			
24A	33600-70250	SUPPORT	1	263	-				01			FR RH
25A	33600-70240	SUPPORT	1	263	-				01			FR LH
26A	45090-70030	RIB	4	263	-				01			
27A	49620-70140	BOLT ASSY	16	263	-				01			
28A	41600-71380	PLATE	4	263	-				01			
29A	41600-71370	PLATE	4	263	-				01			
30A	41611-70440	PLATE	4	263	-				01			
31A	41600-70440	PLATE	4	263	-				01			
32A	43925-70170	BOLT SET	72	263	-				01			
33A	43925-70210	BOLT SET	24	263	-				01			
34A	31990-71730	GASKET	2	263	-				01			
35A	39600-72340	PACKING	2	263	-				01			
36A	39600-72490	PACKING	4	263	-				01			

WATER LINE

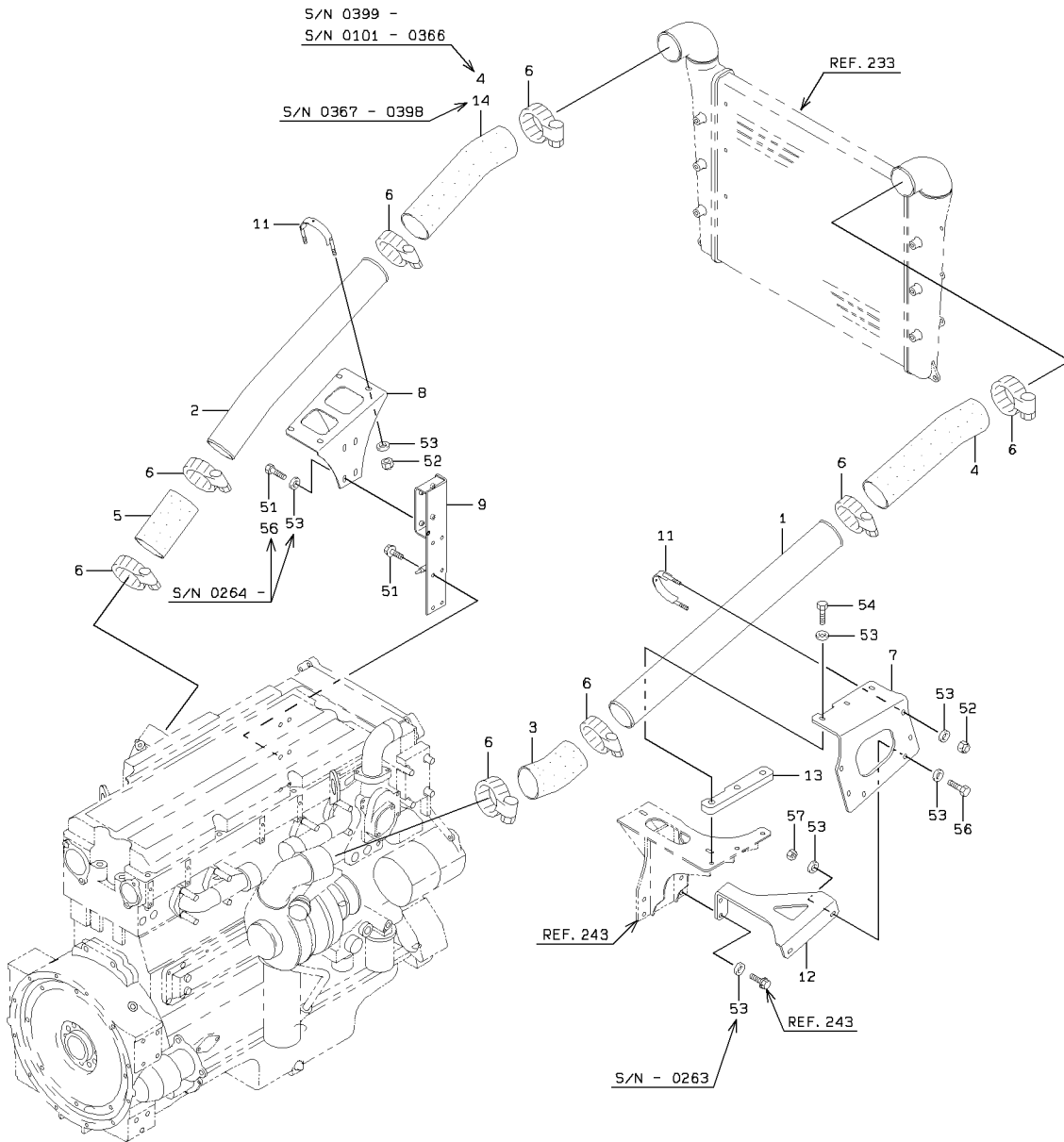


WATER LINE

SYM-BOL	PART NUMBER	PART NAME	UNIT Q,TY	SERIAL		REMARKS						
				(A)	(B)	N	P	D	(A)	(B)	(C)	(D)
1A	43110-24340	HOSE,WATER	1	101	-							
2A	43110-24370	HOSE,WATER	1	101	-							
3A	43110-24060	HOSE,WATER	1	101	-							
4A	67040-38000	HOSE,HEAT RESISTIN	3 M	113	-							L=2400
4B	67040-38000	HOSE,HEAT RESISTIN	3 M	263	-							L=2500
5A	67040-25000	HOSE,HEAT RESISTIN	3 M	101	-							L=2400
6A	67040-09000	HOSE,HEAT RESISTIN	2 M	101	-							L=1470
6B	67040-09000	HOSE,HEAT RESISTIN	2 M	255	-							L=1400
7A	38752-21530	PIPE,WATER	1	101	-							
9A	37715-23080	NIPPLE,HOSE	1	101	-					Y01		
9B	37715-23020	NIPPLE,HOSE	1	239	-					Y01		
12A	69030-09200	BAND,HOSE-HIGH TOR	1	101	-							
13A	69030-07900	BAND,HOSE-HIGH TOR	5	101	-							
14A	69030-06700	BAND,HOSE-HIGH TOR	2	113	-							
15A	69030-04400	BAND,HOSE-HIGH TOR	2	101	-							
16A	69002-03100	BAND,HOSE	2	101	-							
17A	72010-55000	HOLDER,HOSE	3	113	-							D=55
18A	72010-37000	HOLDER,HOSE	5	101	-							D=37
19A	72001-11800	HOLDER,PIPE	1	101	-							D=18
21A	72001-11000	HOLDER,PIPE	5	101	-							D=10
22A	40901-58940	BRACKET	1	101	-							
23A	72010-46000	HOLDER,HOSE	1	113	-							D=46
24A	72010-73000	HOLDER,HOSE	1	101	-							D=73
32A	65210-12010	RING,O	1	101	-					01		
51A	61802-08020	BOLT,FLANGED	2	101	-							112
51B	61802-08020	BOLT,FLANGED	3	113	-							
71A	62480-21081	NUT,FLANGED	13	101	-							112
71B	62480-21081	NUT,FLANGED	16	113	-							

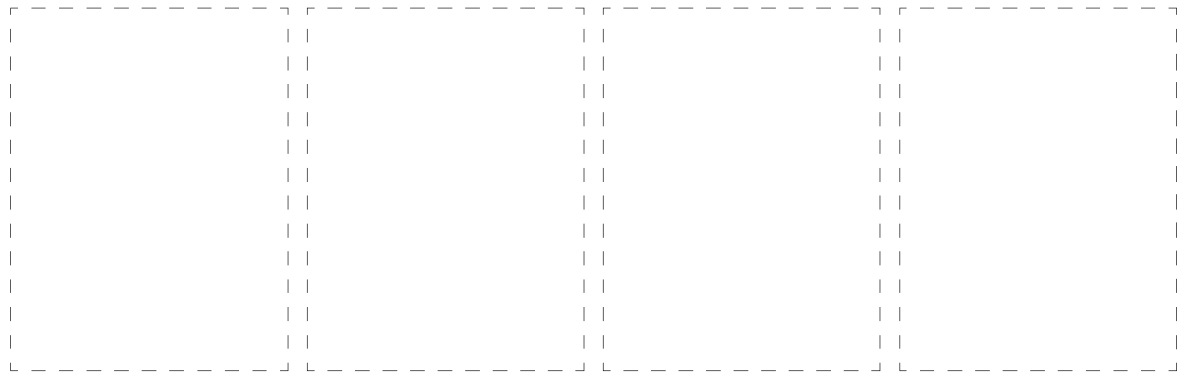
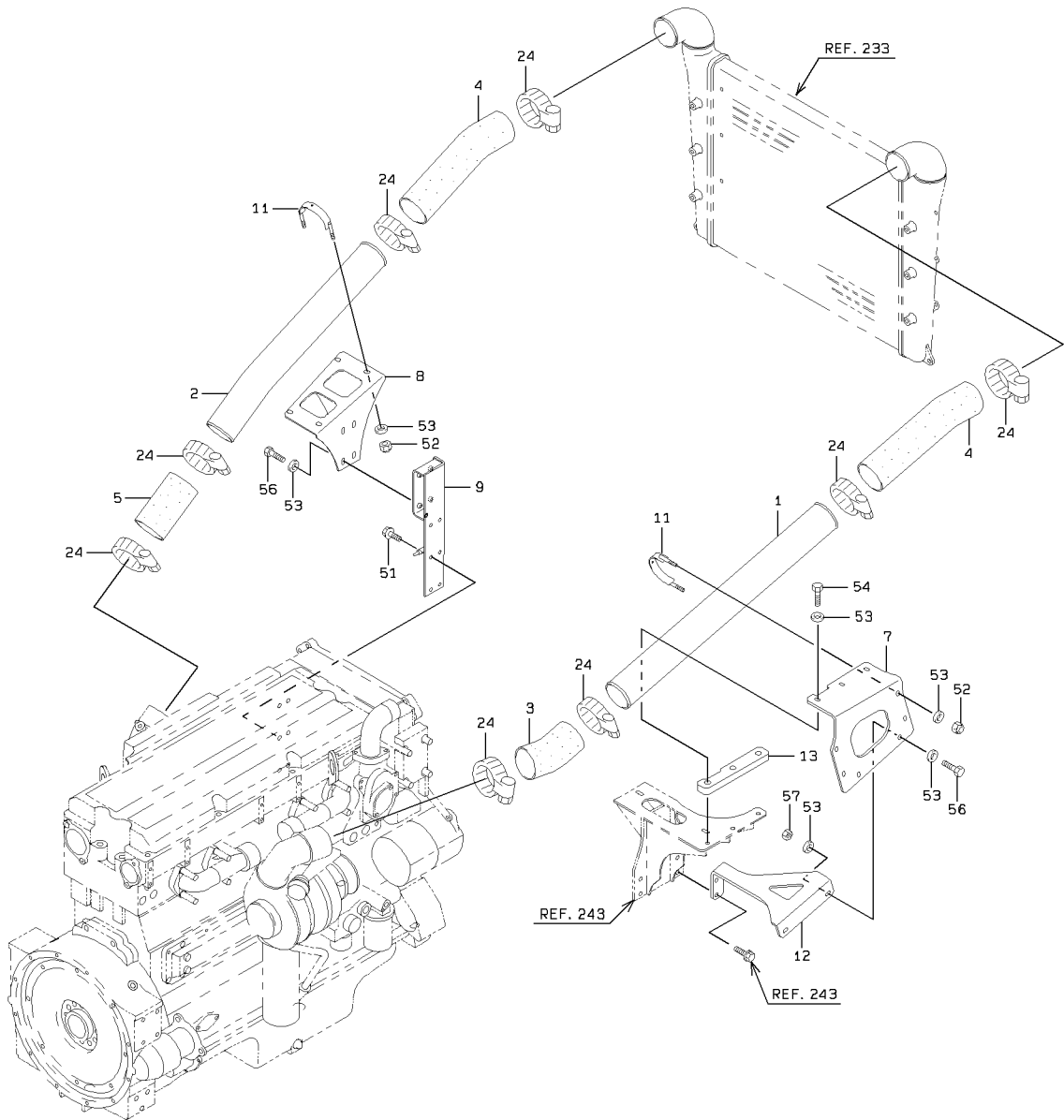
AIR COOLER LINE

<S/N 0101 - 0413>



AIR COOLER LINE

<S/N 0414 - >



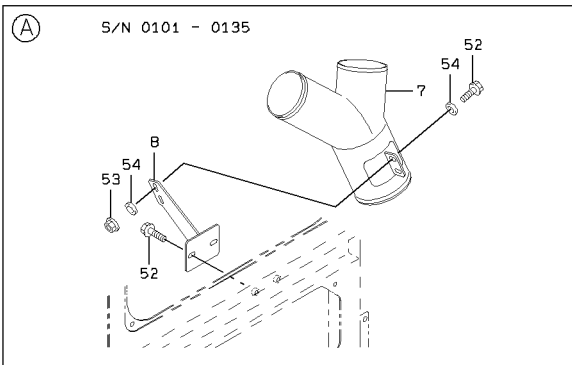
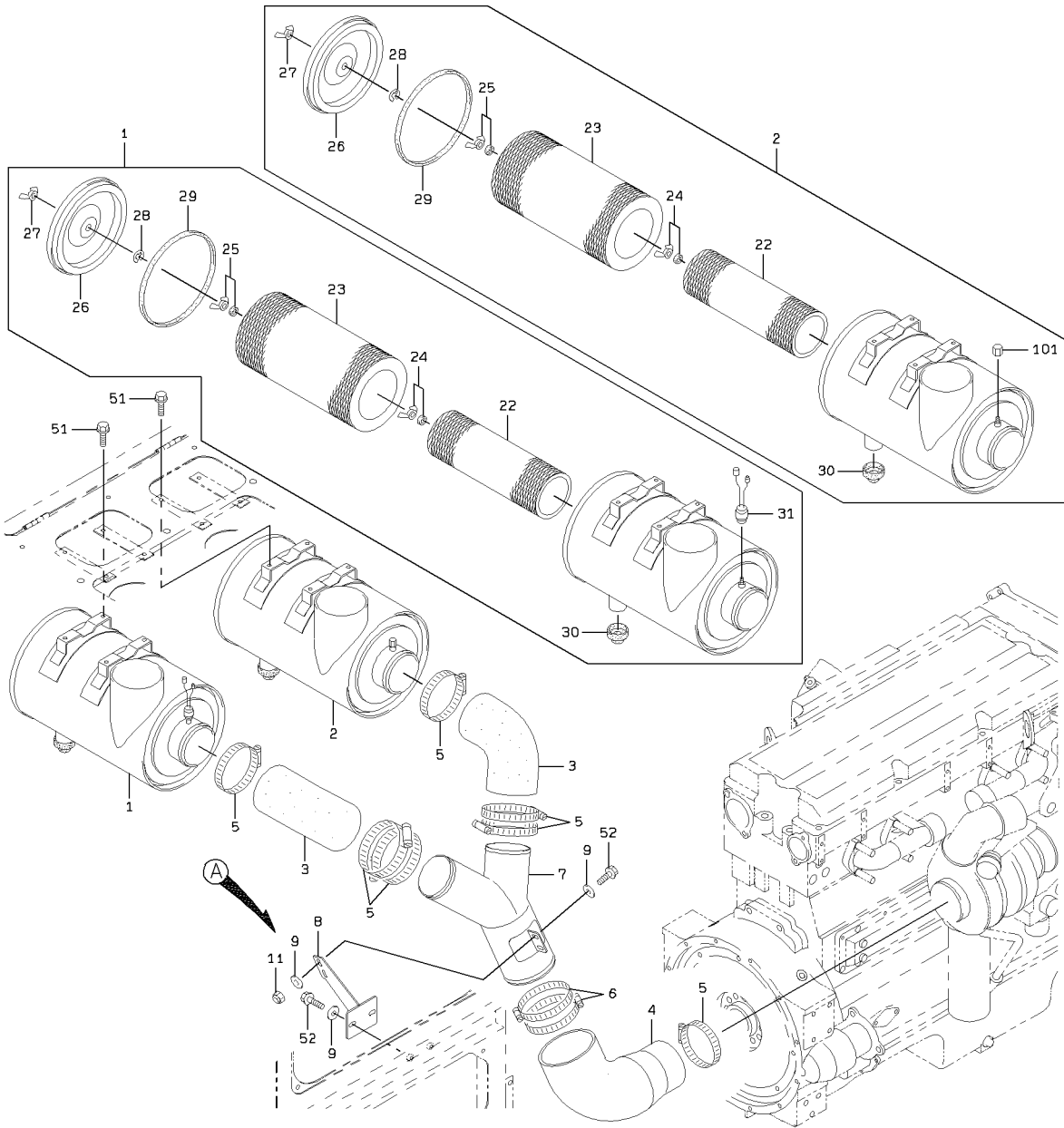
1-A

AIR COOLER LINE

SYM-BOL	PART NUMBER	PART NAME	UNIT Q,TY	SERIAL		REMARKS						
				(A)	(B)	N	P	D	(A)	(B)	(C)	(D)
1A	38753-22570	PIPE,AIR	1	101	-							FR LH
2A	38753-22580	PIPE,AIR	1	101	-							FR RH
3A	43111-22650	HOSE,AIR	1	101	-	410						FR LH
3B	43111-25020	HOSE,AIR	1	411	-							
4A	43111-22660	HOSE,AIR	2	101	-	366						
4B	43111-22660	HOSE,AIR	1	367	-	398						FR LH
4C	43111-22660	HOSE,AIR	2	399	-	412						
4D	43111-25030	HOSE,AIR	2	413	-							
5A	43111-22590	HOSE,AIR	1	101	-	366						FR RH
5B	43111-24470	HOSE,AIR	1	367	-	398						FR RH
5C	43111-22590	HOSE,AIR	1	399	-	413						FR RH
5D	43111-24890	HOSE,AIR	1	414	-							
6A	38677-70710	BAND,HOSE	8	101	-	413						
7A	40902-35530	BRACKET	1	101	-							LH 40902-21760
8A	40901-58620	BRACKET	1	101	-	274						FR RH
8B	40902-42350	BRACKET	1	275	-							FR RH
9A	40901-58630	BRACKET	1	101	-							
11A	43962-21290	BOLT,U	4	101	-							43962-21220
12A	40902-35520	BRACKET	1	101	-							
13A	41609-43470	PLATE	1	101	-							
14A	43111-24490	HOSE,AIR	1	367	-	398						FR RH
24A	38677-70840	BAND,HOSE	8	414	-							
51A	61802-10025	BOLT,FLANGED	10	101	-	263						QTY 13
51B	61802-10025	BOLT,FLANGED	6	264	-							
52A	88031-06101	NUT,SELF-LOCKING	8	101	-							
53A	62710-18101	WASHER,PLANE	17	101	-	263						QTY 8
53B	62710-18101	WASHER,PLANE	19	264	-							
54A	61802-10055	BOLT,FLANGED	3	101	-	263						
54B	61033-10060	BOLT	3	264	-							
56A	61802-10030	BOLT,FLANGED	2	101	-	251						
56B	61802-10035	BOLT,FLANGED	2	252	-	263						
56C	61033-10035	BOLT	6	264	-							
57A	62480-21101	NUT,FLANGED	2	101	-	263						
57B	62401-81101	NUT	2	264	-							

MEMO

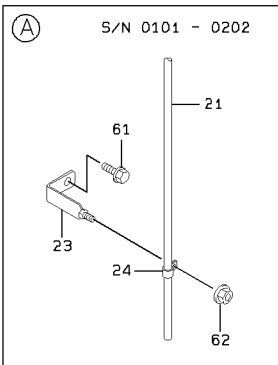
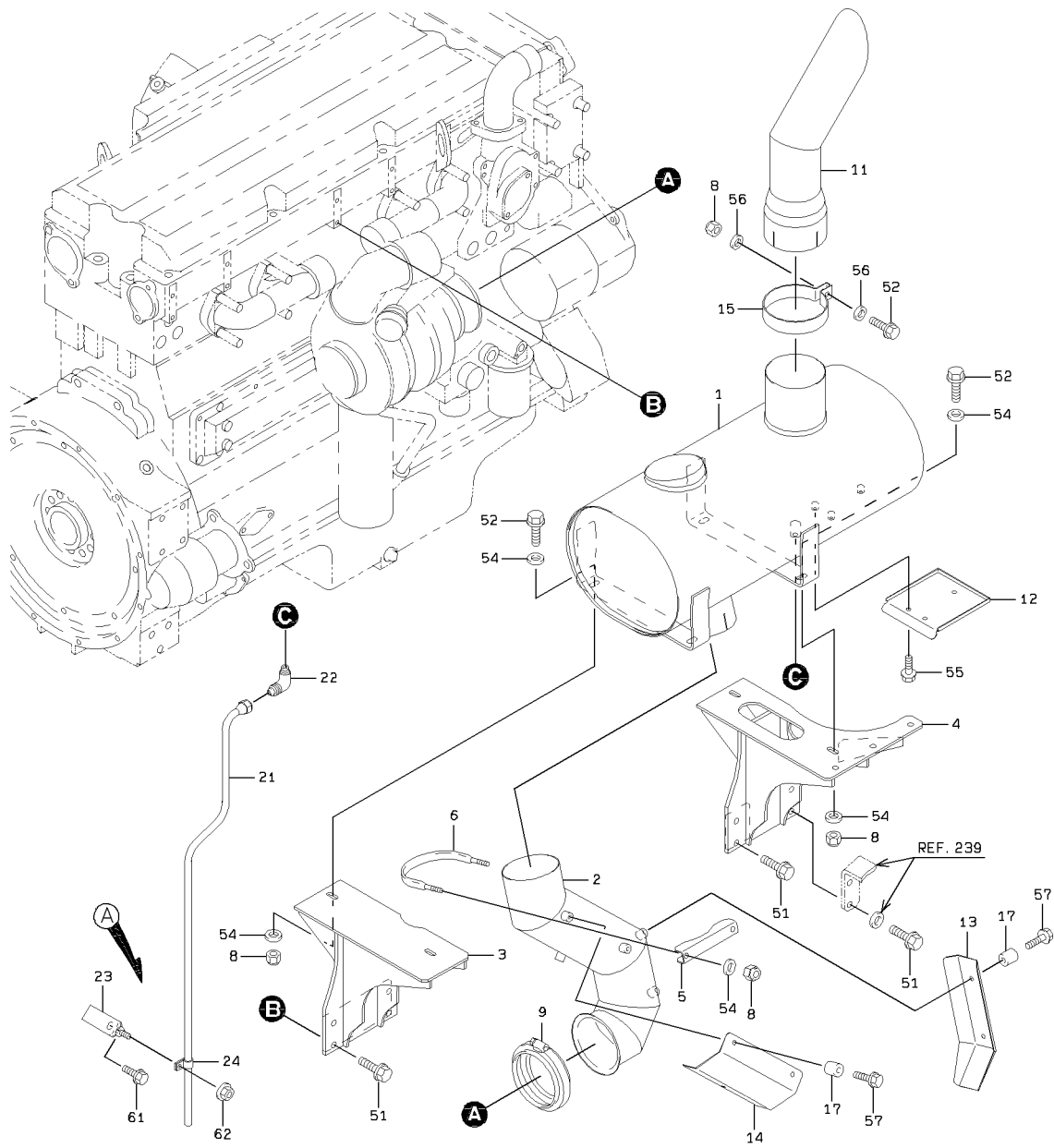
AIR CLEANER GROUP



AIR CLEANER GROUP

SYM-BOL	PART NUMBER	PART NAME	UNIT Q,TY	SERIAL		REMARKS							
				(A)	(B)	N	P	D	(A)	(B)	(C)	(D)	REMARK
1A	32962-60290	CLEANER ASSY,AIR	1	101	-						Y01		
2A	32962-60310	CLEANER ASSY,AIR	1	101	-						Y02		
3A	43111-22250	HOSE,AIR	2	101	-								
4A	43111-22260	HOSE,AIR	1	101	-	251							
4B	43111-23620	HOSE,AIR	1	252	-					C			
5A	69030-15600	BAND,HOSE-HIGH TOR	5	101	-	237							
5B	69030-15600	BAND,HOSE-HIGH TOR	7	238	-								QTY 8
6A	69030-18100	BAND,HOSE-HIGH TOR	2	101	-								QTY 1
7A	38753-21740	PIPE,AIR	1	101	-	237							
7B	38753-23750	PIPE,AIR	1	238	-					C			
8A	40901-58250	BRACKET	1	101	-								
9A	46011-21300	WASHER,PLANE	6	136	-								
11A	88031-06101	NUT,SELF-LOCKING	2	136	-								
22A	30981-70500	ELEMENT,FILTER	1	101	-						01	02	FR INNER
23A	30981-70510	ELEMENT,FILTER	1	101	-						01	02	FR OUTER
24A	37618-70010	NUT,WING	1	101	-						01	02	
25A	37618-70020	NUT,WING	1	101	-						01	02	
26A	31210-70010	COVER	1	101	-						01	02	
27A	37628-70010	NUT,CAP	1	101	-						01	02	
28A	32970-70020	CLIP	1	101	-						01	02	
29A	31990-70570	GASKET	1	101	-						01	02	
30A	38559-70010	VALVE,VACUATOR	1	101	-						01	02	
31A	35830-70010	SENSOR,PRESSURE	1	101	-						01		
51A	61802-10025	BOLT,FLANGED	8	101	-								
52A	61802-10030	BOLT,FLANGED	4	101	-								
53A	62480-21101	NUT,FLANGED	2	101	-	135				D			
54A	62710-18101	WASHER,PLANE	4	101	-	135				D			
101A	32210-70060	CAP	1	101	-							02	

EXHAUST GROUP

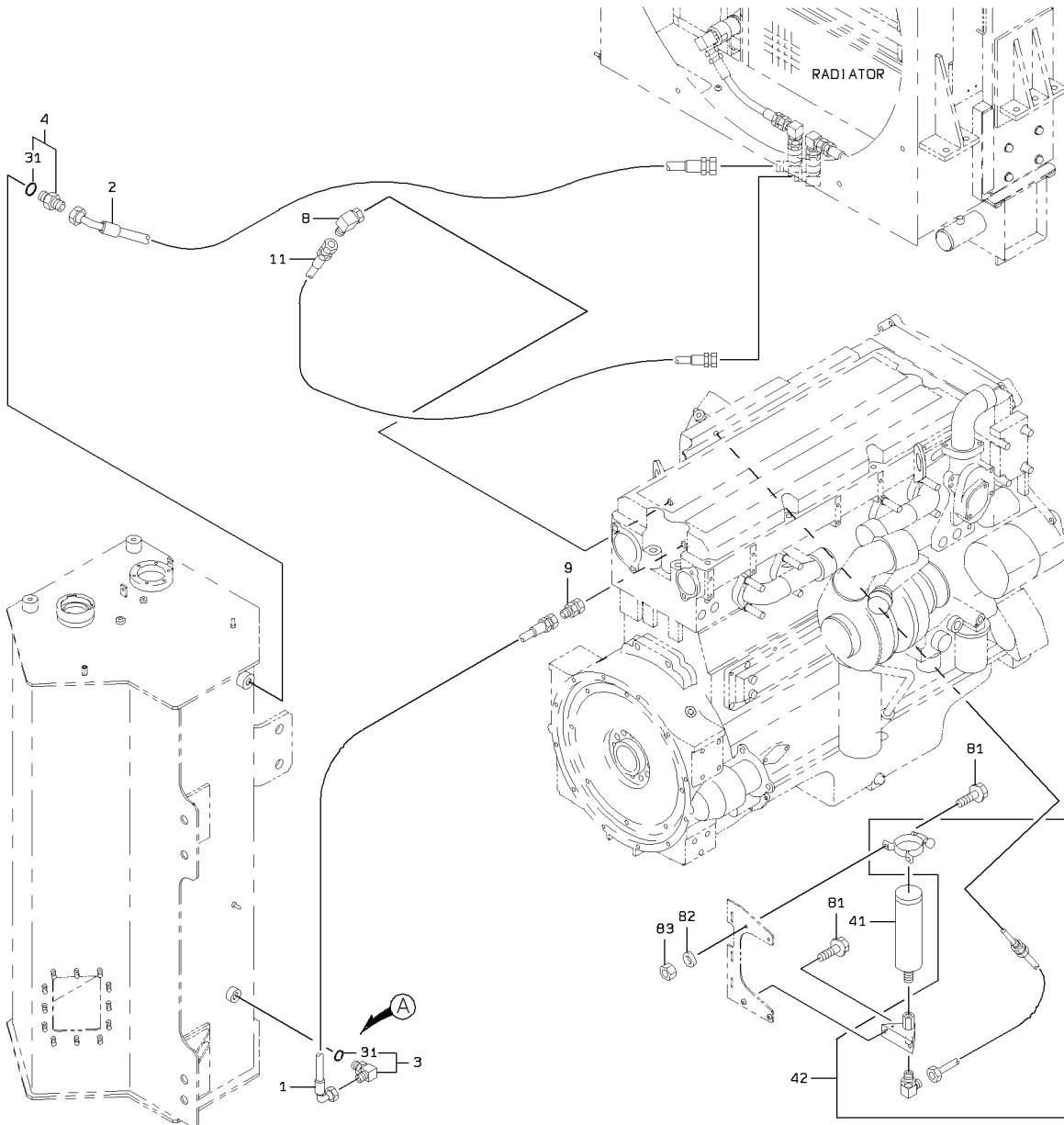


EXHAUST GROUP

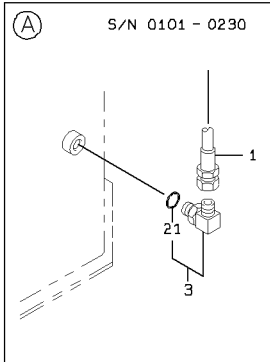
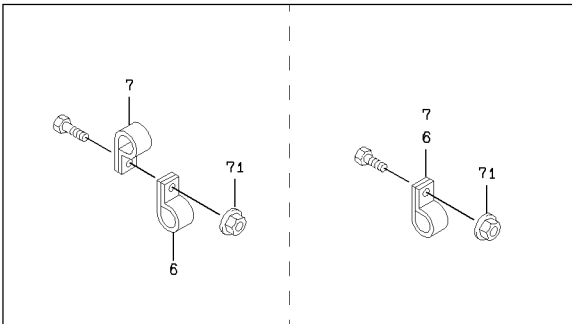
SYM-BOL	PART NUMBER	PART NAME	UNIT Q, TY	SERIAL			REMARKS							
				(A)	-	(B)	N	P	D	(A)	(B)	(C)	(D)	REMARK
1A	44300-60600	MUFFLER	1	101	-	271								
1B	44300-61110	MUFFLER	1	272	-		C							
2A	38765-26390	PIPE,EXHAUST	1	101	-									
3A	40901-58640	BRACKET	1	101	-									
4A	40901-58090	BRACKET	1	101	-									
5A	40900-54630	BRACKET	1	101	-									
6A	43962-20970	BOLT,U	1	101	-									
8A	88031-06101	NUT,SELF-LOCKING	7	101	-									
9A	50401-00210	CLAMP	1	101	-									
11A	38765-26610	PIPE,EXHAUST	1	101	-									
12A	31200-38830	COVER	1	101	-	202								
12B	31200-40290	COVER	1	203	-		C							
13A	31200-38820	COVER	1	101	-	237								
13B	31200-41010	COVER	1	238	-	496	C							
13C	31200-45520	COVER	1	497	-		C							
14A	31200-38920	COVER	1	101	-									
15A	32920-22030	CLAMP	1	101	-									
17A	35700-21180	SPACER	5	101	-									
21A	38705-53380	PIPE ASSY,FLARED	1	101	-	202								
21B	38705-57990	PIPE ASSY,FLARED	1	203	-		B							
22A	69100-21000	FLARED FITTING,ELB	1	101	-									
23A	41618-30450	PLATE	1	101	-	202								
23B	41620-27340	PLATE	1	203	-		B							
24A	72001-11000	HOLDER,PIPE	1	101	-								D=10	
51A	61802-12040	BOLT,FLANGED	8	101	-								61802-12035	
52A	61802-10035	BOLT,FLANGED	5	101	-									
54A	62710-18101	WASHER,PLANE	10	101	-									
55A	61802-08012	BOLT,FLANGED	3	101	-									
56A	62710-18121	WASHER,PLANE	2	101	-									
57A	61802-08035	BOLT,FLANGED	5	101	-									
61A	61802-10016	BOLT,FLANGED	1	101	-									
62A	62480-21101	NUT,FLANGED	1	101	-									

FUEL LINE

<S/N 0101 - 0262>

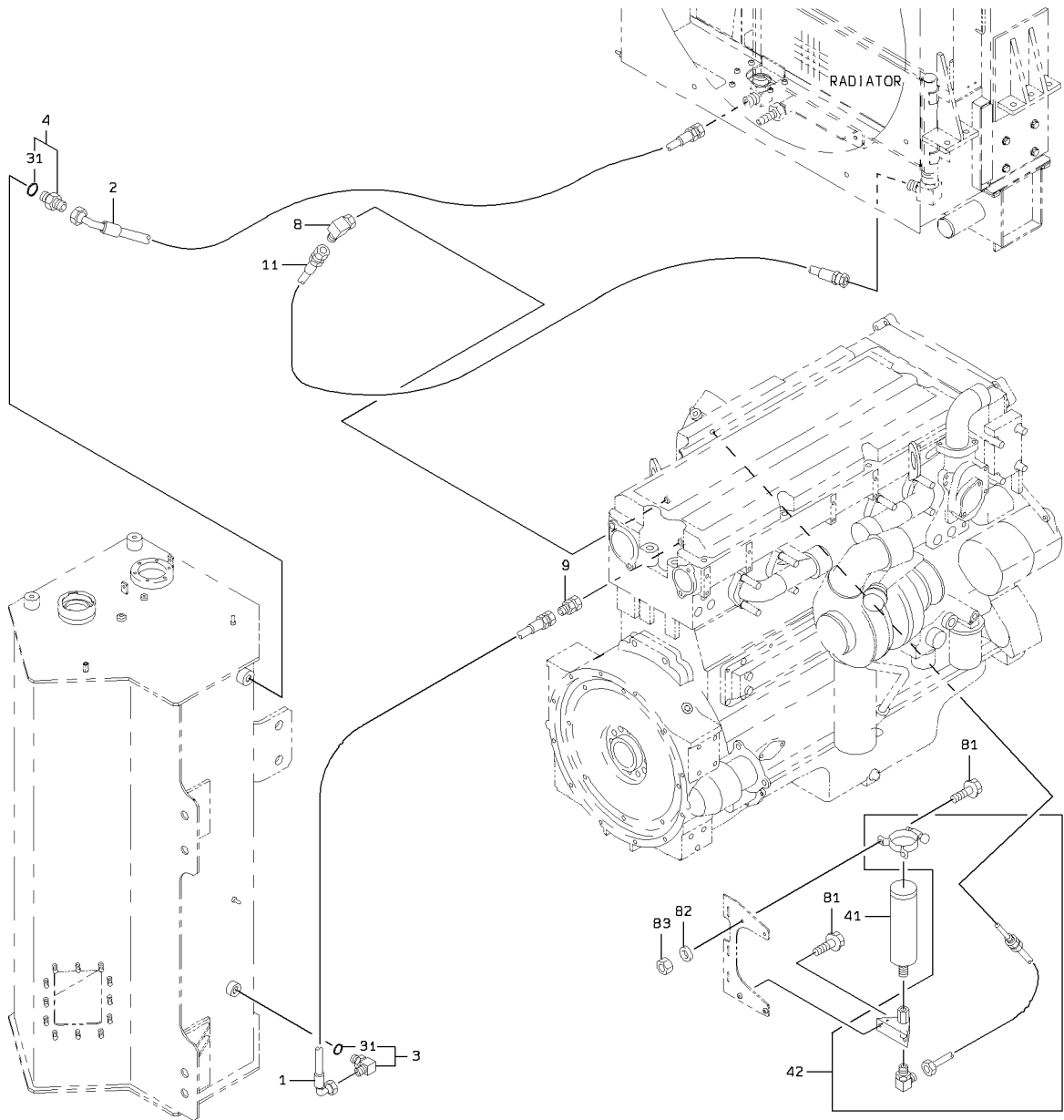


DETAIL OF PIPE HOLDER

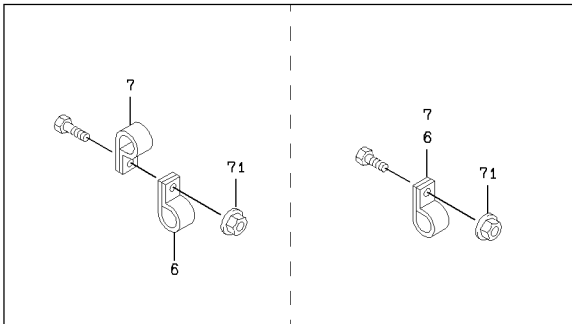


FUEL LINE

<S/N 0263 - >



DETAIL OF PIPE HOLDER



2-A

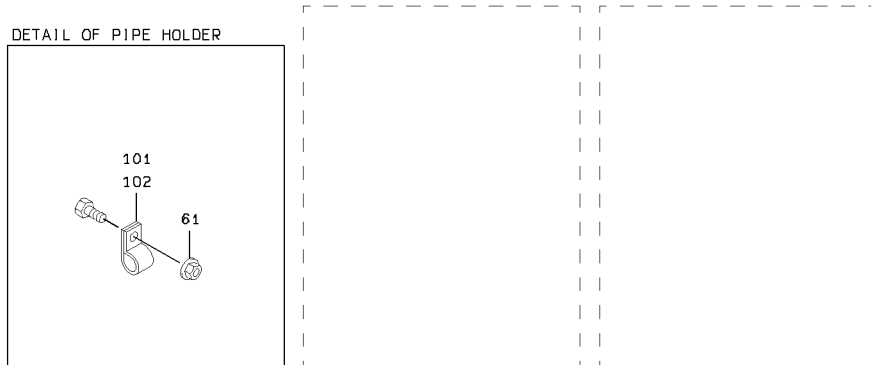
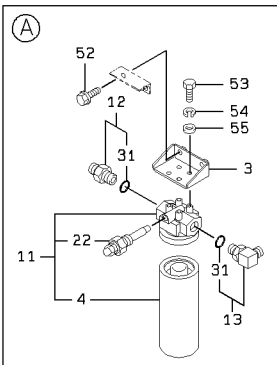
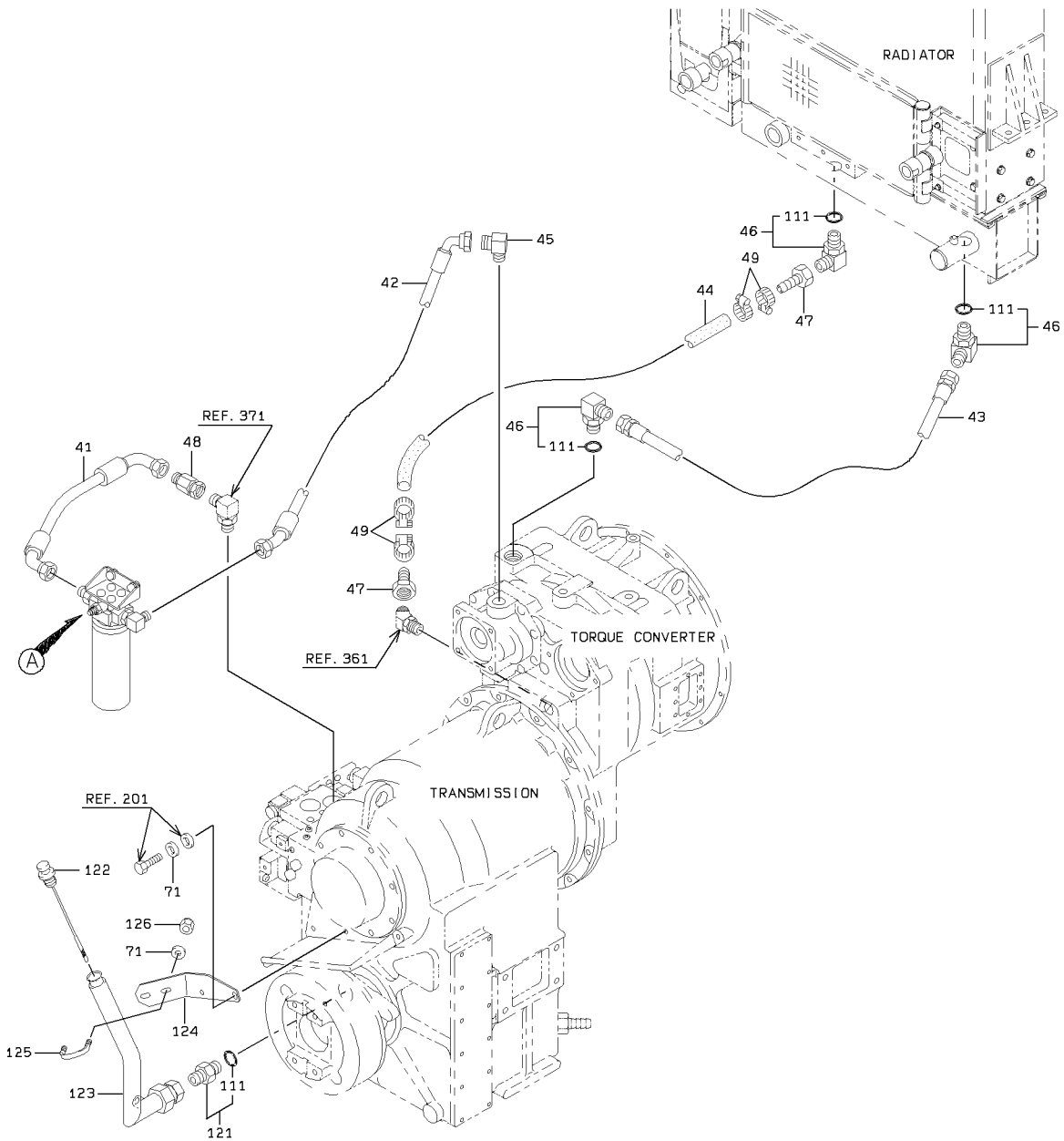
FUEL LINE

SYM-BOL	PART NUMBER	PART NAME	UNIT Q,TY	SERIAL		REMARKS								
				(A)	(B)	N	P	D	(A)	(B)	(C)	(D)	REMARK	
1A	68055-30235	HOSE,HIGH PRESSURE	1	101	230									
1B	68035-30240	HOSE,HIGH PRESSURE	1	231	269	B								
1C	68035-30230	HOSE,HIGH PRESSURE	1	270		C								
2A	68245-50350	HOSE,HIGH PRESSURE	1	101	269									
2B	68245-50345	HOSE,HIGH PRESSURE	1	270		C								
3A	88241-07108	ADAPTER,ELBOW	1	101	230				Y01					
3B	30241-23660	ADAPTER,ELBOW	1	231		B			Y02					
4A	88201-06712	ADAPTER	1	101					Y02					
6A	72001-11800	HOLDER,PIPE	A/R	101									D=18	
7A	72010-28000	HOLDER,HOSE	A/R	101									D=28	
8A	30242-20450	ADAPTER,ELBOW UNIO	1	101										
9A	30250-20240	ADAPTER,UNION	1	101										
11A	68055-30230	HOSE,HIGH PRESSURE	1	101	262									
11B	68055-30270	HOSE,HIGH PRESSURE	1	263	269	B								
11C	68055-30260	HOSE,HIGH PRESSURE	1	270		C								
21A	65210-12018	RING,O	1	101	230			D	01					
31A	65210-12024	RING,O	1	101						02				
41A	50401-00330	ETHER CYLINDER	1	101										
42A	50401-03650	COLD STARTER KIT	1	101										
71A	62480-21081	NUT,FLANGED	A/R	101										
81A	61802-06016	BOLT,FLANGED	4	101										
82A	62701-40061	WASHER,PLANE	2	101										
83A	62401-81061	NUT	2	101										

MEMO

TRANSMISSION HYDRAULIC LINE (S/N 0101 - 0230)

<S/N 0101 - 0230>

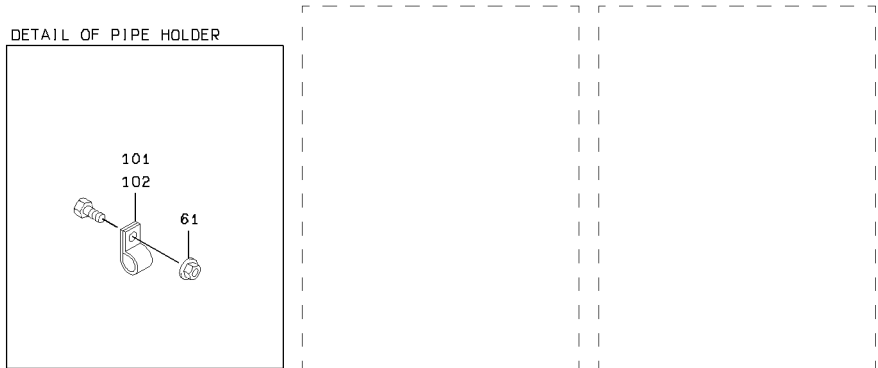
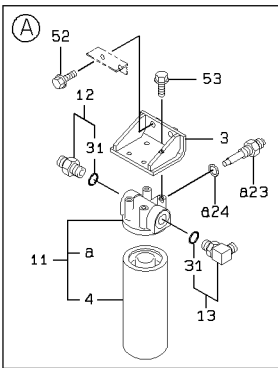
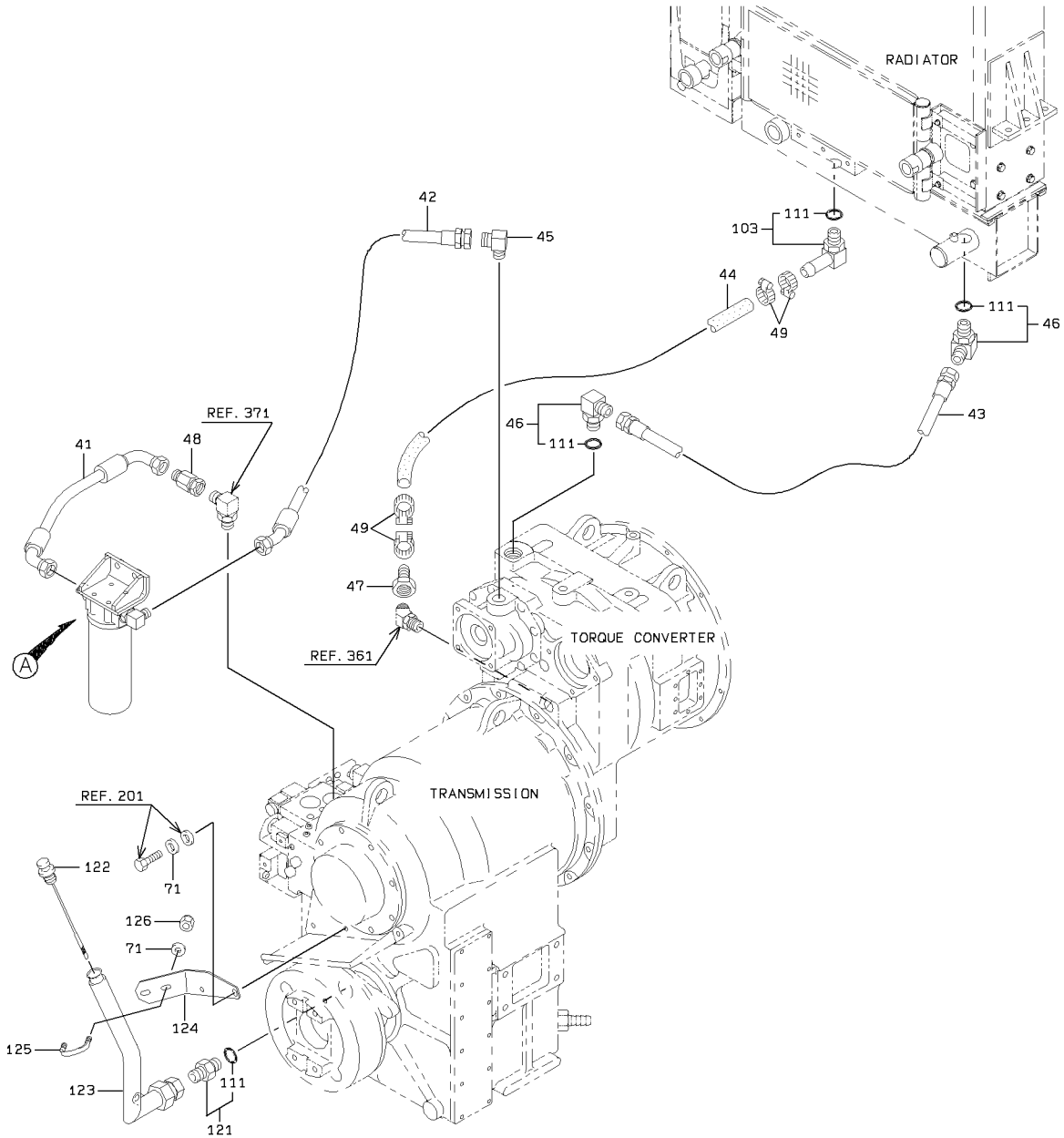


TRANSMISSION HYDRAULIC LINE (S/N 0101 - 0230)

SYM-BOL	PART NUMBER	PART NAME	UNIT Q,TY	SERIAL		REMARKS									
				(A)	(B)	N	P	D	(A)	(B)	(C)	(D)	REMARK		
3A	40901-44050	BRACKET	1	101	-	230									
4A	30981-70340	ELEMENT,FILTER	1	101	-	230					01				
11A	40337-60210	FILTER ASSY,LINE	1	101	-	230					Y01				
12A	88201-06816	ADAPTER	1	101	-	230						Y02			
13A	88241-06916	ADAPTER,ELBOW	1	101	-	230						Y02			
22A	30650-70020	INDICATOR	1	101	-	230					01				
31A	65231-00161	RING,O	1	101	-	230						02			
41A	68634-60057	HOSE,HIGH PRESSURE	1	101	-	230									
42A	43113-25480	HOSE,HIGH PRESSURE	1	101	-	230									
43A	68255-70342	HOSE,HIGH PRESSURE	1	101	-	230									
44A	67040-32000	HOSE,HEAT RESISTIN	3 M	101	-	230									L=2700
45A	88241-03416	ADAPTER,ELBOW	1	101	-	230									
46A	88241-07120	ADAPTER,ELBOW	3	101	-	230							Y03		
47A	88511-03200	NIPPLE,HOSE	2	101	-	230									
48A	30250-20070	ADAPTER,UNION	1	101	-	230									
49A	69002-05200	BAND,HOSE	4	101	-	230									
52A	61802-10025	BOLT,FLANGED	2	101	-	230									
53A	61275-06020	BOLT(UNIFY)	4	101	-	230									
54A	62722-03100	WASHER,SPRING	4	101	-	230									
55A	62710-18101	WASHER,PLANE	4	101	-	230									
61A	62480-21081	NUT,FLANGED	A/R	101	-	230									
71A	62701-40101	WASHER,PLANE	3	101	-	230									46011-21650
101A	72010-46000	HOLDER,HOSE	A/R	101	-	230									D=46
102A	72010-43000	HOLDER,HOSE	A/R	101	-	230									D=43
111A	65210-12038	RING,O	1	101	-	230							03		
121A	88201-06720	ADAPTER	1	101	-	230							Y03		
122A	33258-60070	GAUGE,LEVEL	1	101	-	230									
123A	38755-44080	PIPE,OIL	1	101	-	230									
124A	41601-28860	PLATE	1	101	-	230									
125A	43962-20040	BOLT,U	1	101	-	230									
126A	88031-06101	NUT,SELF-LOCKING	2	101	-	230									

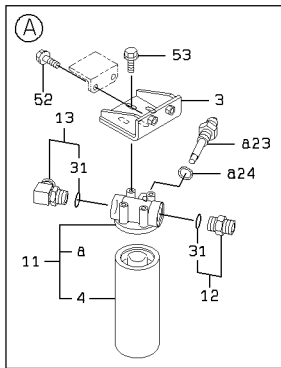
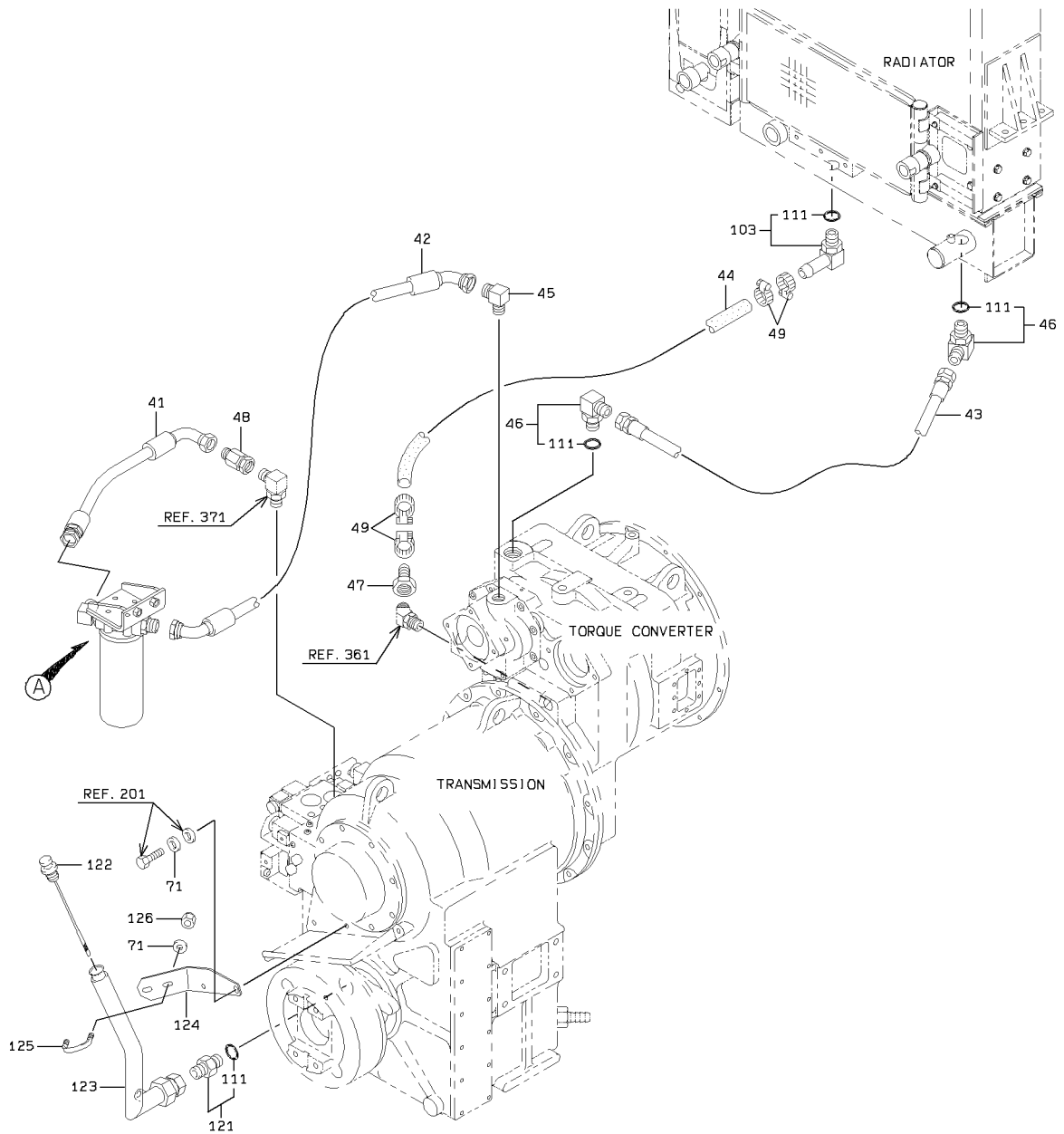
TRANSMISSION HYDRAULIC LINE (S/N 0231 -)

<S/N 0231 - 0238>

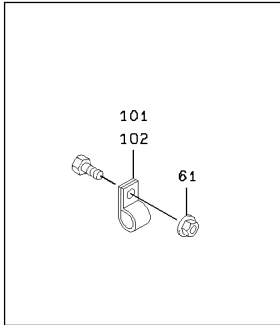


TRANSMISSION HYDRAULIC LINE (S/N 0231 -)

<S/N 0239 - >



DETAIL OF PIPE HOLDER



2-B

TRANSMISSION HYDRAULIC LINE (S/N 0231 -)

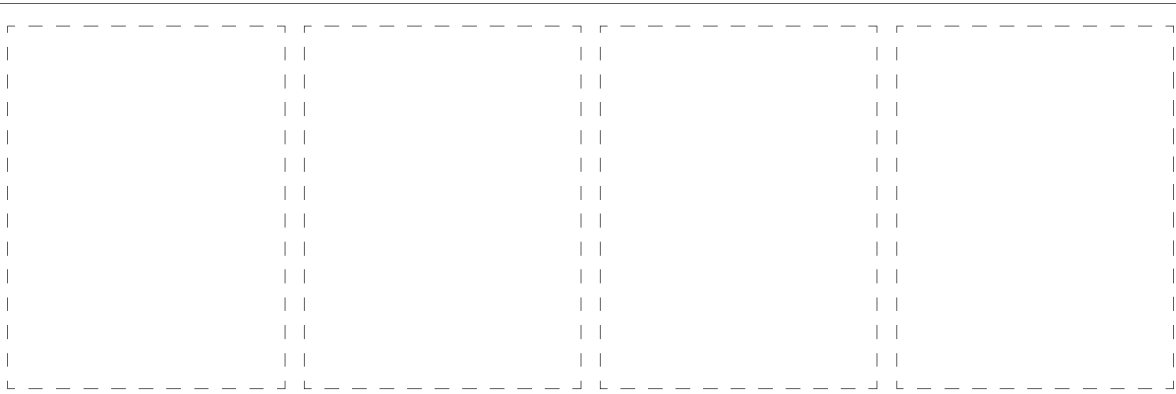
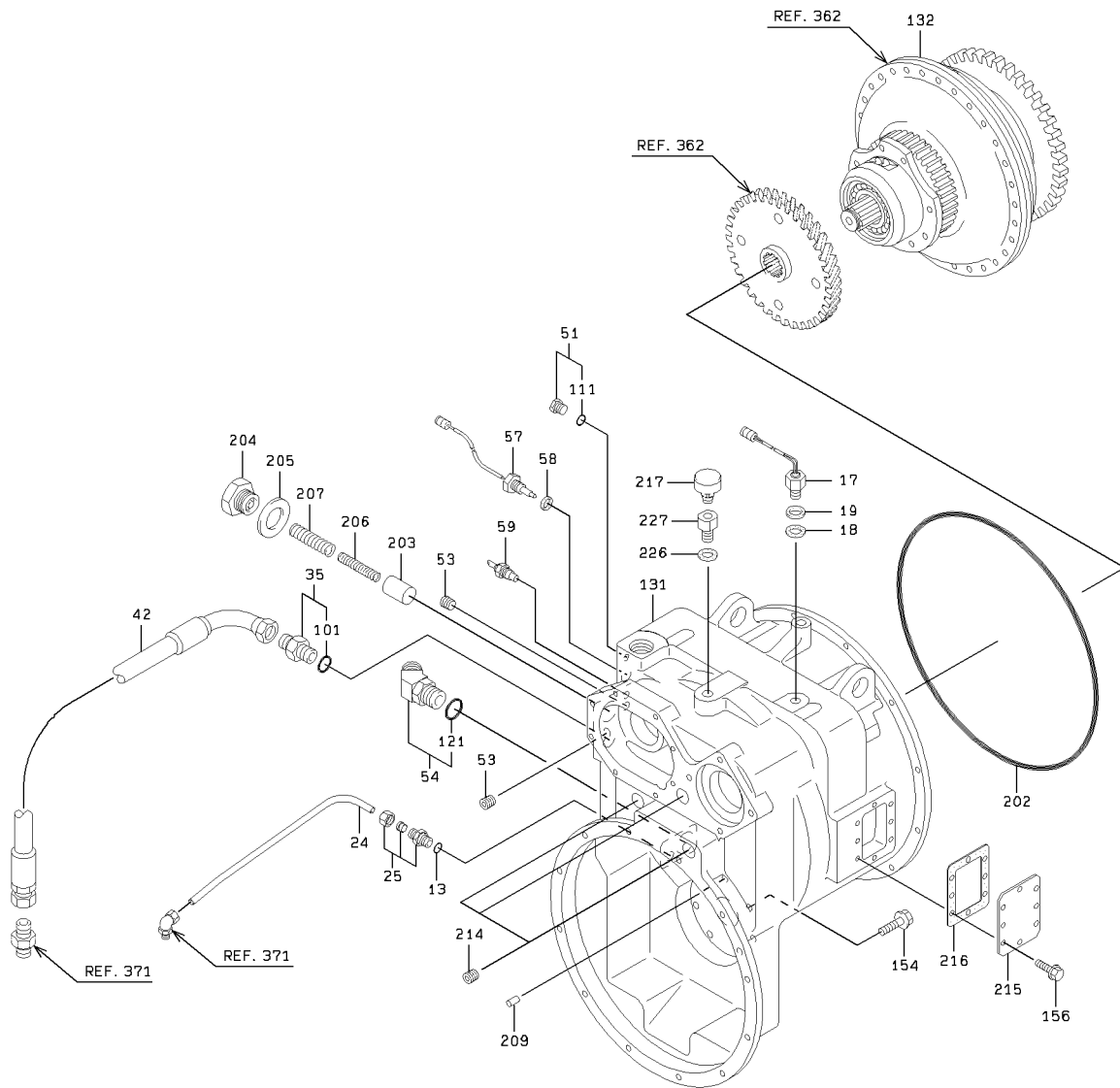
SYM-BOL	PART NUMBER	PART NAME	UNIT Q,TY	SERIAL		REMARKS							
				(A)	(B)	N	P	D	(A)	(B)	(C)	(D)	REMARK
3A	40902-28030	BRACKET	1	231	- 238								
3B	40902-36400	BRACKET	1	239	- 369	B							
3C	40902-53730	BRACKET	1	370	-	C							
4A	31115-70010	CARTRIDGE ASSY	1	231	-			01					
11A	40337-60450	FILTER ASSY,LINE	1	231	-			Y01					
12A	88201-06716	ADAPTER	1	231	-				Y02				
13A	88241-07116	ADAPTER,ELBOW	1	231	-				Y02				
23A	30654-70060	INDICATOR,FILTER	1	231	-			01					
24A	46023-70270	WASHER,SEAL	1	231	-			01					
31A	65210-12029	RING,O	1	231	-				02				
41A	68634-60062	HOSE,HIGH PRESSURE	1	231	- 238								
41B	68635-60058	HOSE,HIGH PRESSURE	1	239	-	B							
42A	68645-60113	HOSE,HIGH PRESSURE	1	231	- 238								
42B	43113-48160	HOSE,HIGH PRESSURE	1	239	- 258	B						43113-47350	
42C	43113-49620	HOSE,HIGH PRESSURE	1	259	-	C							
43A	68255-70342	HOSE,HIGH PRESSURE	1	231	-								
44A	67040-32000	HOSE,HEAT RESISTIN	3 M	231	-							L=2700	
45A	88241-03416	ADAPTER,ELBOW	1	231	-								
46A	88241-07120	ADAPTER,ELBOW	2	231	-				Y03				
47A	88511-03200	NIPPLE,HOSE	1	231	-								
48A	30250-20070	ADAPTER,UNION	1	231	-								
49A	69002-05200	BAND,HOSE	4	231	-								
52A	61802-12030	BOLT,FLANGED	2	231	-								
53A	61802-10025	BOLT,FLANGED	4	231	-								
61A	62480-21081	NUT,FLANGED	A/R	231	-								
71A	62701-40101	WASHER,PLANE	3	231	-							46011-21650	
101A	72010-46000	HOLDER,HOSE	A/R	231	-							D=46	
102A	72010-43000	HOLDER,HOSE	A/R	231	-							D=43	
103A	37715-20990	NIPPLE,HOSE	1	231	-				Y03				
111A	65210-12038	RING,O	1	231	-				03				
121A	88201-06720	ADAPTER	1	231	-				Y03				
122A	33258-60070	GAUGE,LEVEL	1	231	-								
123A	38755-44080	PIPE,OIL	1	231	-								
124A	41601-28860	PLATE	1	231	-								
125A	43962-20040	BOLT,U	1	231	-								
126A	88031-06101	NUT,SELF-LOCKING	2	231	-								

MEMO

TORQUE CONVERTER

<S/N 0104 - 0386>

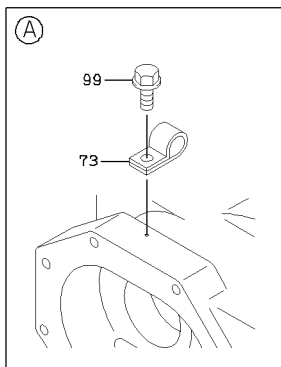
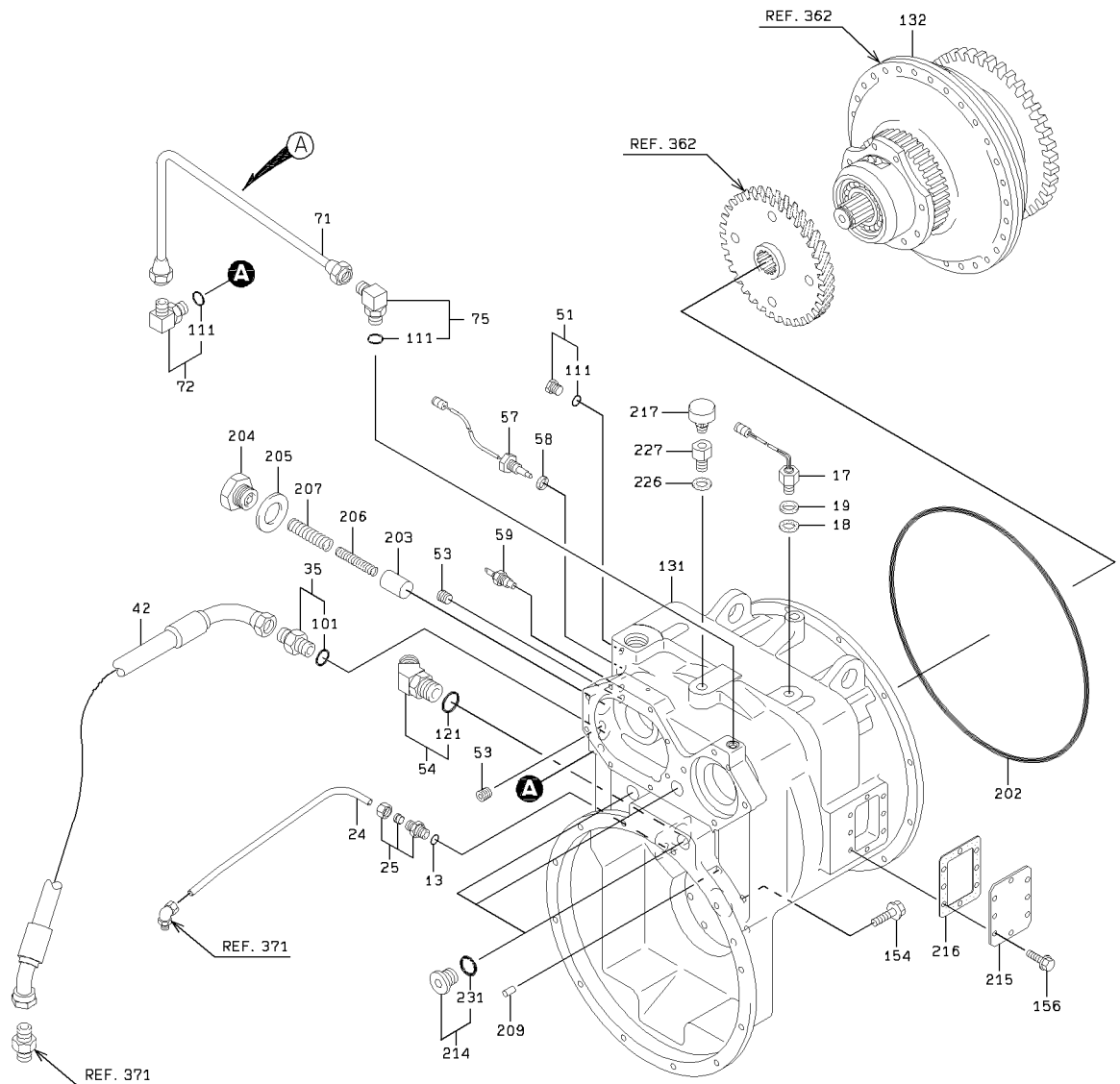
(NOTE): SERIAL NUMBER INDICATES THE TRANSMISSION SERIAL NUMBER.



TORQUE CONVERTER

<S/N 0387 - 0888>

(NOTE): SERIAL NUMBER INDICATES THE TRANSMISSION SERIAL NUMBER.

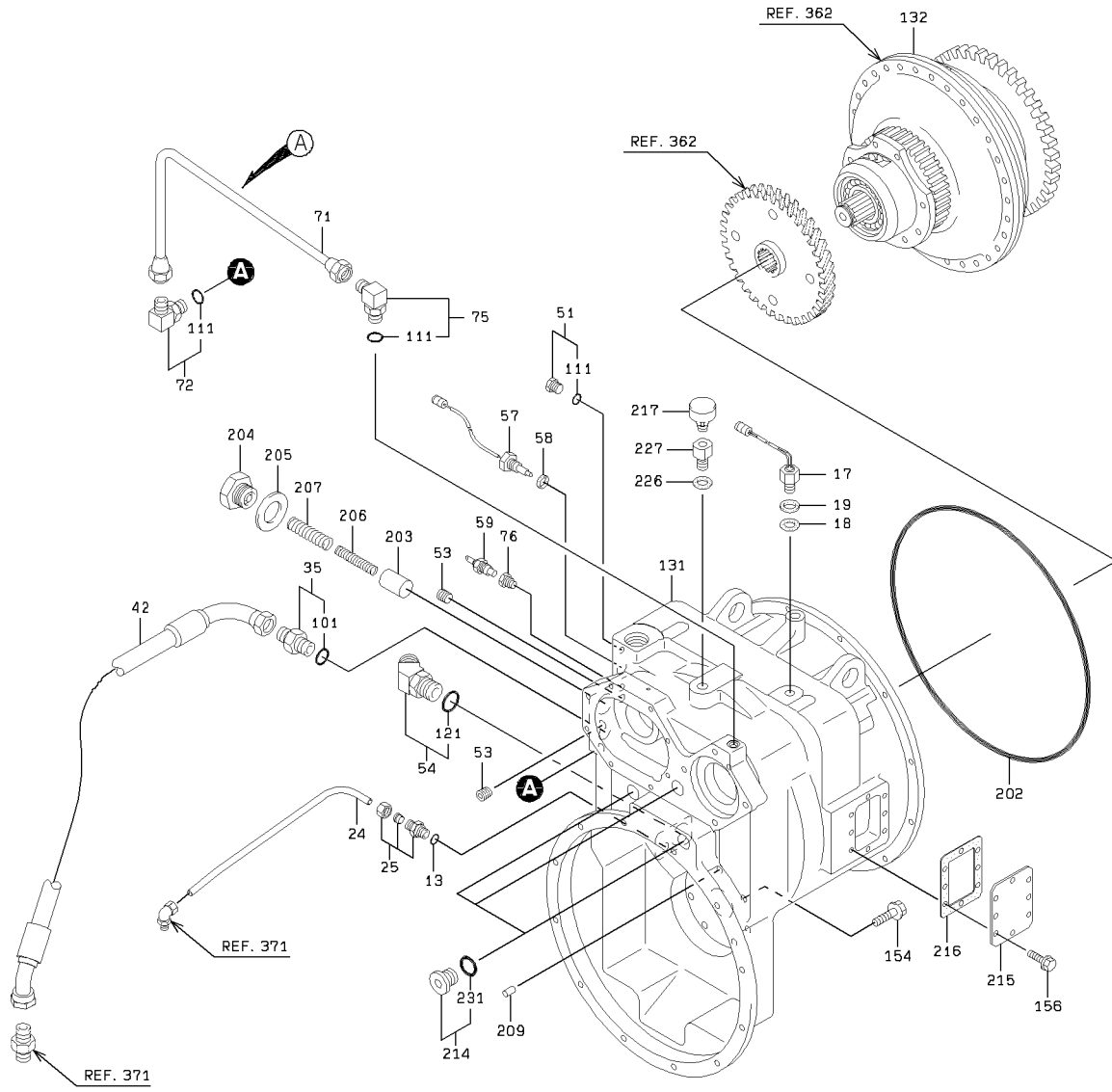


2-C

TORQUE CONVERTER

<S/N 0889 - >

(NOTE): SERIAL NUMBER INDICATES THE TRANSMISSION SERIAL NUMBER.

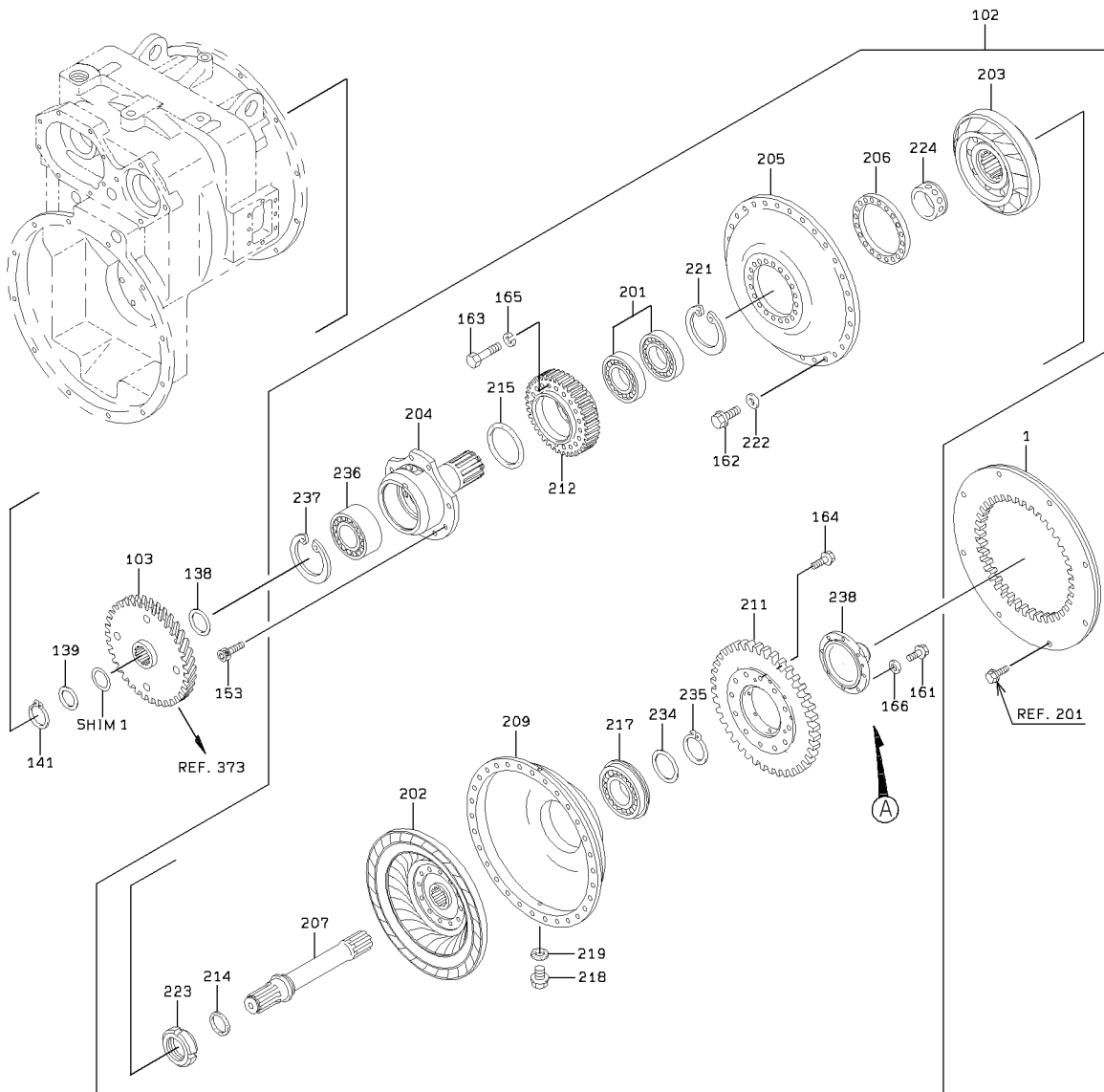


TORQUE CONVERTER

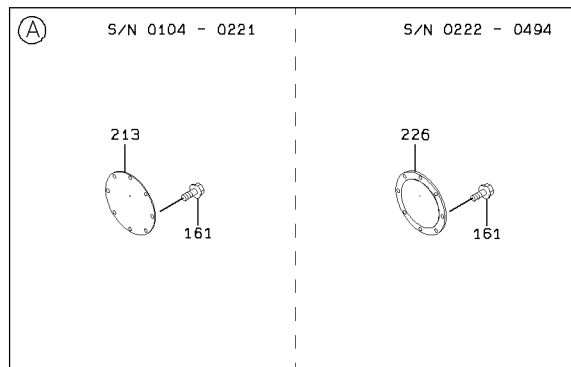
SYM-BOL	PART NUMBER	PART NAME	UNIT Q,TY	SERIAL		REMARKS						
				(A)	(B)	N	P	D	(A)	(B)	(C)	(D)
000A	37421-20310	TRANSMISSION ASSY	1	104	- 386							INC.SEC.361-37
000B	37421-20990	TRANSMISSION ASSY	1	387	- 494	C						INC.SEC.361-37
000C	37421-21050	TRANSMISSION ASSY	1	495	- 523	C						INC.SEC.361-37
000D	37421-21060	TRANSMISSION ASSY	1	524	- 888	B						INC.SEC.361-37
000E	37421-21960	TRANSMISSION ASSY	1	889	-	B						
13A	65210-12014	RING,O	1	104	-							(K1)
17A	35051-60080	SWITCH,PROXIMITY	1	104	-							
18A	31990-20970	GASKET	1	104	-							(K1)
19A	31990-22060	GASKET	1	104	-							(K1)
24A	38755-38300	PIPE,OIL	1	104	-							
25A	38902-70070	FITTING,NIPPLE	1	104	-							
35A	88201-06716	ADAPTER	1	104	-			Y01				
42A	68235-60079	HOSE,HIGH PRESSURE	1	104	- 566							
42B	43113-49710	HOSE,HIGH PRESSURE	1	567	-	C						
51A	88390-21304	PLUG	1	104	-			Y02				
53A	88390-16106	PLUG	2	104	-							
54A	88241-07220	ADAPTER,ELBOW	1	104	-					Y03		
57A	35037-20200	SWITCH,TEMPERATURE	1	104	-							
58A	88111-11690	WASHER,SEAL	1	104	-							(K1)
59A	35829-60050	SENSOR,TEMPERATURE	1	104	- 888							
59B	35829-60140	SENSOR,TEMPERATURE	1	889	- 900	B						
59C	35829-60170	SENSOR,TEMPERATURE	1	901	-	B						
71A	38705-58370	PIPE ASSY,FLARED	1	387	-							
72A	40732-20030	FLARED FITTING,ELB	1	387	-			Y02				
73A	72001-11000	HOLDER,PIPE	1	387	-							D=10
75A	30241-25250	ADAPTER,ELBOW	1	387	-					Y02		
76A	30230-30740	ADAPTER	1	889	- 900	D						
99A	61802-08012	BOLT,FLANGED	1	387	-							
101A	65210-12029	RING,O	1	104	-			01				(K1)
111A	65210-12011	RING,O	1	104	-				02			(K1)
121A	65210-12038	RING,O	1	104	-					03		(K1)
131A	37900-23150	HOUSING	1	104	- 386							
131B	37900-25000	HOUSING	1	387	-	C						
132A	37419-20170	TRQ CONV SUB ASSY	1	104	- 494							REF.362-102
132B	37419-20200	TRQ CONV SUB ASSY	1	495	-	C						REF.362-102
154A	61802-12030	BOLT,FLANGED	5	104	-							
156A	61802-10016	BOLT,FLANGED	8	104	-							
202A	47131-21710	RING,O	1	104	- 813							(K1)
202B	47131-21950	RING,O	1	814	-	B						(K1)
203A	41585-20010	PLUNGER	1	104	-							
204A	30230-20550	ADAPTER	1	104	-							
205A	88111-14200	WASHER,SEAL	1	104	-							(K1)
206A	35600-20460	SPRING	1	104	-							
207A	35600-20470	SPRING	1	104	-							
209A	40010-20190	PIN,STRAIGHT	1	104	-							
214A	88390-16116	PLUG	3	104	- 386							
214B	88390-21512	PLUG	3	387	-	C				Y04		
215A	41600-54800	PLATE	1	104	-							
216A	31990-22140	GASKET	1	104	- 770							(K1)
216B	31990-27500	GASKET	1	771	-	C						(K1)
217A	41101-60010	BREATHER ASSY	1	104	-							
226A	88111-12090	WASHER,SEAL	1	104	-							(K1)
227A	30230-20590	ADAPTER	1	104	-							
231A	65210-12024	RING,O	1	387	-					04		(K1)

T/C INPUT SHAFT GROUP

(NOTE): SERIAL NUMBER INDICATES THE TRANSMISSION SERIAL NUMBER.



SHIM 1	
142	T=0. 1
143	T=0. 2
144	T=0. 3

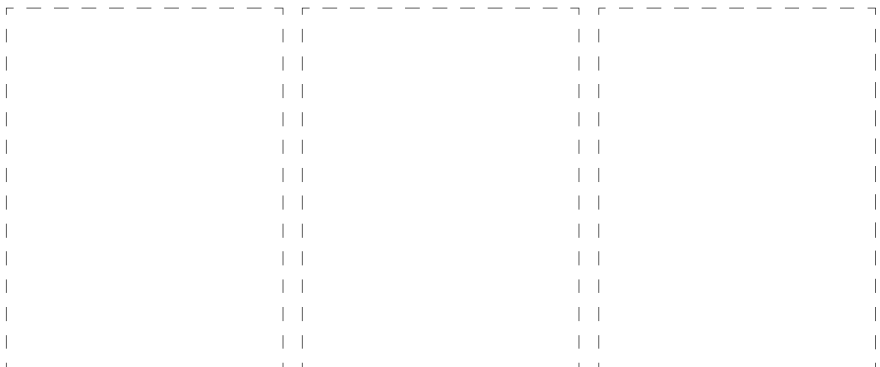
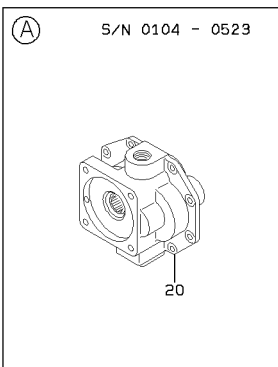
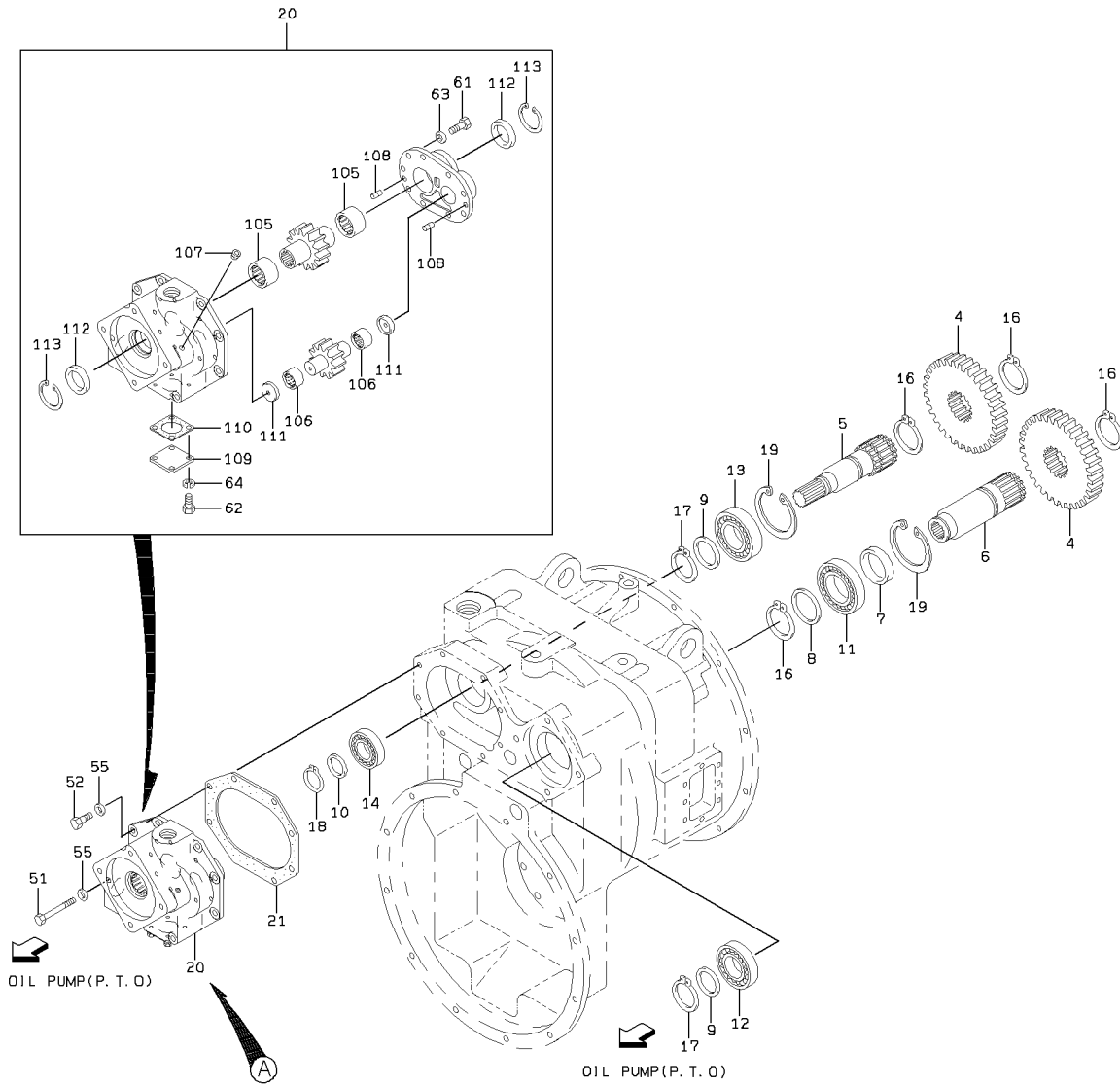


T/C INPUT SHAFT GROUP

SYM-BOL	PART NUMBER	PART NAME	UNIT Q,TY	SERIAL		REMARKS							
				(A)	(B)	N	P	D	(A)	(B)	(C)	(D)	REMARK
1A	32400-23120	GEAR	1	104	-								
102A	37419-20170	TRQ CONV SUB ASSY	1	104	-	494							
102B	37419-20200	TRQ CONV SUB ASSY	1	495	-		C		Y01				
103A	32400-22170	GEAR	1	104	-								
138A	46000-23430	WASHER	1	104	-								
139A	46000-23420	WASHER	1	104	-								
141A	63811-00042	RING,SNAP	1	104	-								
142A	34200-25900	SHIM	A/R	104	-								T=0.1
143A	34200-25910	SHIM	A/R	104	-								T=0.2
144A	34200-25920	SHIM	A/R	104	-								T=0.3
153A	61101-12050	BOLT,SOCKET	9	104	-								
161A	61802-08012	BOLT,FLANGED	8	104	-	221				01			
161B	61802-08016	BOLT,FLANGED	8	222	-	494	B			01			
161C	61802-08020	BOLT,FLANGED	8	495	-	501	C			01			
161D	61005-08025	BOLT	8	502	-		C			01			
162A	61802-10035	BOLT,FLANGED	30	104	-					01			
163A	61034-10070	BOLT	20	104	-					01			
164A	61802-12030	BOLT,FLANGED	12	104	-					01			
165A	62721-10100	WASHER,SPRING	20	104	-					01			
166A	62710-18081	WASHER,PLANE	8	502	-					01			
201A	42001-60060	BEARING SET	1	104	-					01			
202A	30721-20100	IMPELLER ASSY,TURB	1	104	-					01			
203A	35203-20020	STATOR	1	104	-					01			
204A	34507-20210	SHAFT ASSY,STATOR	1	104	-					01			
205A	30725-20030	IMPELLER,PUMP	1	104	-					01			
206A	41615-22510	PLATE	1	104	-					01			
207A	34527-20220	SHAFT,TURBINE	1	104	-					01			
209A	31281-20020	COVER,DRIVE	1	104	-					01			
211A	32400-20870	GEAR	1	104	-					01			
212A	32437-20130	GEAR,PUMP BOSS	1	104	-					01			
213A	41621-30710	PLATE	1	104	-	221	D			01			
214A	45301-60140	RING,PISTON	1	104	-					01			(K1)
215A	45301-60150	RING,PISTON	1	104	-					01			(K1)
217A	78112-06313	BEARING,BALL	1	104	-					01			
218A	43900-22800	BOLT	2	104	-					01			
219A	88111-10800	WASHER,SEAL	2	104	-					01			(K1)
221A	63815-00125	RING,SNAP	1	104	-					01			
222A	46011-21480	WASHER,PLANE	30	104	-					01			
223A	37600-21270	NUT	1	104	-					01			
224A	35750-22740	SLEEVE	1	104	-					01			
226A	41621-25080	PLATE	1	222	-	494	D			01			
234A	46000-23440	WASHER	1	104	-					01			
235A	63811-00065	RING,SNAP	1	104	-					01			
236A	42003-60150	BEARING,ROLLER	1	104	-					01			
237A	63812-00120	RING,SNAP	1	104	-					01			
238A	31930-21020	GUIDE	1	495	-	599				01			
238B	31930-21040	GUIDE	1	600	-		C			01			

GEAR SHAFT & OIL PUMP GROUP

(NOTE): SERIAL NUMBER INDICATES THE TRANSMISSION SERIAL NUMBER.

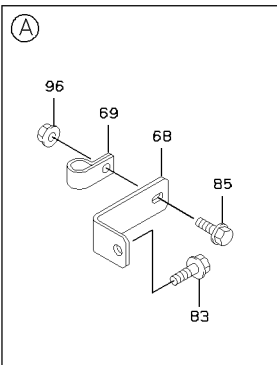
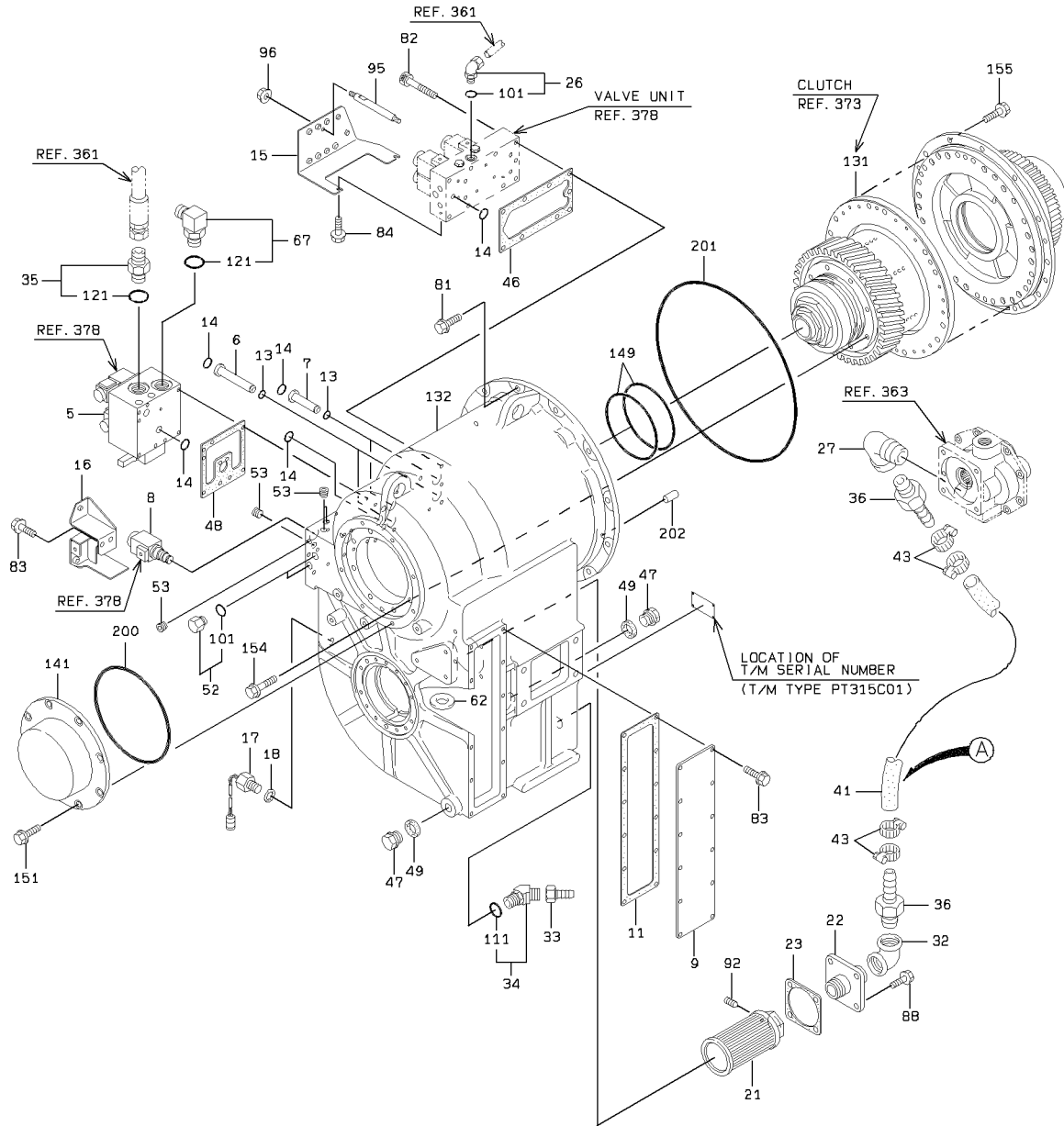


GEAR SHAFT & OIL PUMP GROUP

SYM-BOL	PART NUMBER	PART NAME	UNIT Q,TY	SERIAL		REMARKS						
				(A)	(B)	N	P	D	(A)	(B)	(C)	(D)
4A	32400-22180	GEAR	2	104	-							
5A	34500-20570	SHAFT	1	104	-							
6A	34500-25620	SHAFT	1	104	-							
7A	35700-20180	SPACER	1	104	-							
8A	45200-20800	RING	1	104	-							
9A	35700-20190	SPACER	2	104	-							
10A	35700-20200	SPACER	1	104	-							
11A	78101-06211	BEARING,BALL	1	104	-							
12A	78101-06209	BEARING,BALL	1	104	-	386						
12B	42001-60250	BEARING,BALL	1	387	-		C					
13A	78101-06309	BEARING,BALL	1	104	-							
14A	78101-06207	BEARING,BALL	1	104	-							
16A	63811-00055	RING,SNAP	4	104	-							
17A	63811-00045	RING,SNAP	2	104	-							
18A	63811-00035	RING,SNAP	1	104	-							
19A	63812-00100	RING,SNAP	2	104	-							
20A	44081-20050	PUMP ASSY	1	104	-	523			Y01			
20B	44081-20250	PUMP ASSY	1	524	-		B		Y01			
21A	31990-20870	GASKET	1	104	-	523	H					(K1)
21B	31990-26690	GASKET	1	524	-		C					(K1)
51A	61033-10090	BOLT	1	104	-	523						
51B	61005-10090	BOLT	2	524	-		B					
52A	61033-10025	BOLT	6	104	-	523						
52B	61005-10025	BOLT	5	524	-		B					
55A	62710-18101	WASHER,PLANE	7	104	-							
61A	61033-10025	BOLT	9	104	-				01			
62A	61033-08016	BOLT	4	104	-				01			
63A	62710-18101	WASHER,PLANE	9	104	-				01			
64A	62721-08100	WASHER,SPRING	4	104	-				01			
105A	42006-60040	BEARING,NEEDLE	2	104	-				01			
106A	42006-60050	BEARING,NEEDLE	2	104	-				01			
107A	88390-16102	PLUG	1	104	-				01			
108A	40000-22640	PIN	2	104	-				01			
109A	31231-20110	COVER ASSY	1	104	-				01			
110A	31990-20880	GASKET	1	104	-				01			
111A	35750-22090	SLEEVE	2	104	-				01			
112A	35750-22080	SLEEVE	2	104	-				01			
113A	63812-00055	RING,SNAP	2	104	-				01			

TRANSMISSION

(NOTE): SERIAL NUMBER INDICATES THE TRANSMISSION SERIAL NUMBER.

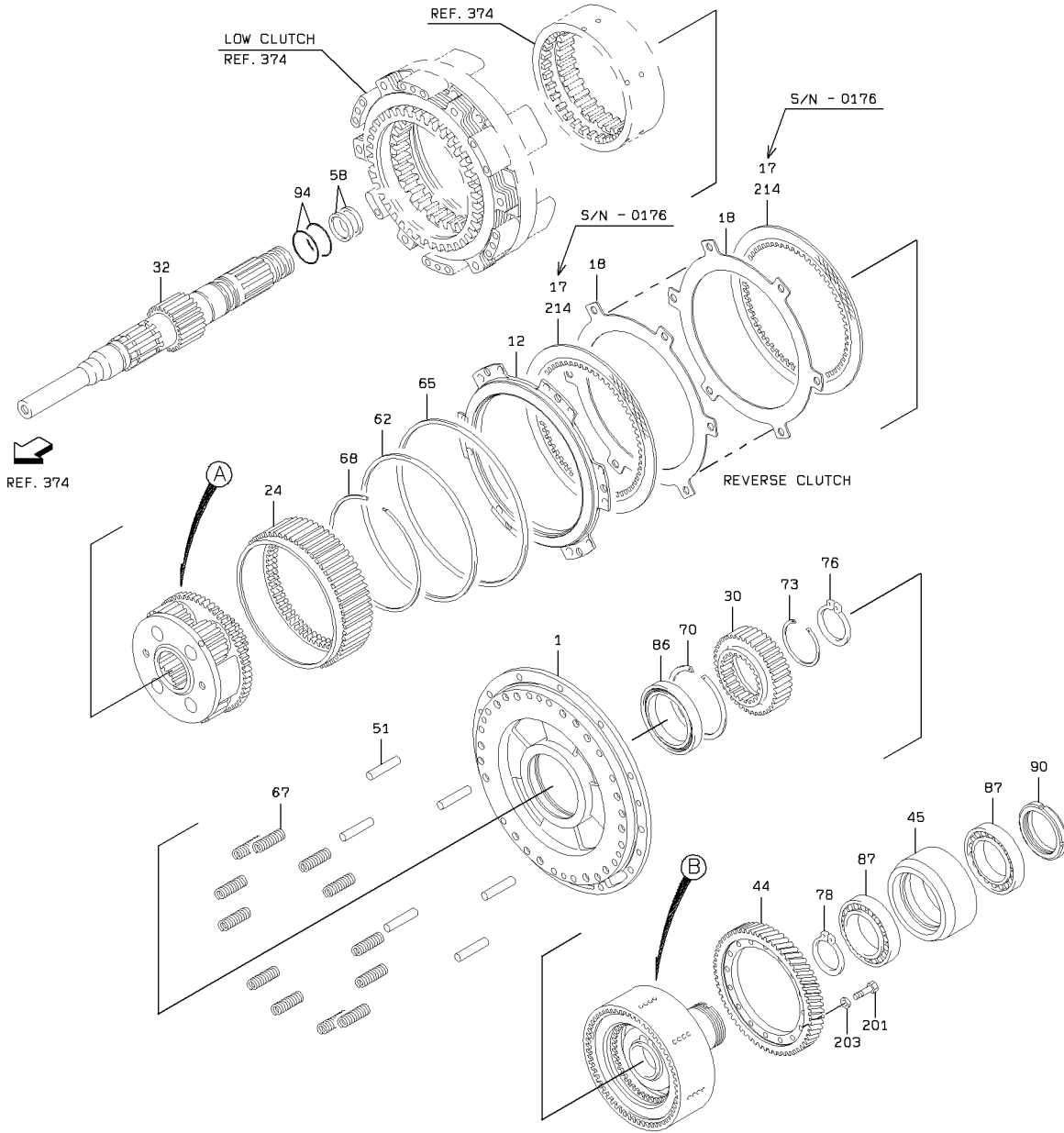


TRANSMISSION

SYM-BOL	PART NUMBER	PART NAME	UNIT Q,TY	SERIAL		REMARKS						
				(A)	(B)	N	P	D	(A)	(B)	(C)	(D)
5A	38553-20390	VALVE,SOLENOID	1	104	-							REF.378-31
6A	35750-22450	SLEEVE	2	104	-							
7A	35750-22460	SLEEVE	2	104	-							
8A	38553-60170	VALVE,SOLENOID	1	104	-							REF.378-2
9A	41605-42640	PLATE	1	104	-							(K2)
11A	31990-23760	GASKET	1	104	-							(K2)
13A	65210-12014	RING,O	4	104	-							(K2)
14A	65210-12021	RING,O	6	104	-							(K2)
15A	31210-21090	COVER	1	104	-	735						
15B	31210-23270	COVER	1	736	-		C					
16A	31210-21230	COVER	1	104	-	333						
16B	31210-22810	COVER	1	334	-		C					
17A	35051-60080	SWITCH,PROXIMITY	1	104	-							
18A	31990-20970	GASKET	1	104	-							(K2)
21A	40330-60040	FILTER	1	104	-							
22A	38901-20140	FITTING,SOCKET	1	104	-							
23A	31990-20410	GASKET	1	104	-	770						(K2)
23B	31990-27420	GASKET	1	771	-	854	C					(K2)
23C	31990-28430	GASKET	1	855	-		C					(K2)
26A	38903-70240	FITTING,ELBOW	1	104	-			Y01				
27A	69205-14000	FITTING,ELBOW	1	104	-							
32A	69203-14000	FITTING,ELBOW	1	104	-							
33A	88511-03121	NIPPLE,HOSE	1	104	-							
34A	88241-07212	ADAPTER,ELBOW	1	104	-				Y02			
35A	88201-06716	ADAPTER	1	104	-					Y03		
36A	88511-01240	NIPPLE,HOSE	2	104	-							
41A	67059-38000	HOSE	1 M	104	-							L=800
43A	69002-05700	BAND,HOSE	4	104	-							
46A	31990-21720	GASKET	1	104	-	770						(K2)
46B	31990-27550	GASKET	1	771	-		C					(K2)
47A	41530-72360	PLUG	2	104	-							
48A	31990-21970	GASKET	1	104	-							(K2)
49A	31990-71280	GASKET	2	104	-							(K2)
52A	41530-20610	PLUG	2	104	-			Y01				
53A	88390-16106	PLUG	4	104	-							
62A	44160-60010	MAGNET	1	104	-							
67A	88241-07116	ADAPTER,ELBOW	1	104	-					Y03		
68A	41601-22790	PLATE	1	104	-							
69A	72010-55000	HOLDER,HOSE	1	104	-							D=55
81A	61802-12030	BOLT,FLANGED	12	104	-							
82A	61101-10070	BOLT,SOCKET	9	104	-							
83A	61802-10020	BOLT,FLANGED	15	104	-							
84A	61802-06016	BOLT,FLANGED	2	104	-							
85A	61802-08020	BOLT,FLANGED	1	104	-							
88A	61802-10025	BOLT,FLANGED	4	104	-							
92A	61131-05010	BOLT,SOCKET	1	104	-							
95A	43955-20290	BOLT,STUD	1	104	-							
96A	62480-21081	NUT,FLANGED	2	104	-							
101A	65210-12014	RING,O	1	104	-			01				(K2)
111A	65210-12024	RING,O	1	104	-				02			(K2)
121A	65210-12029	RING,O	1	104	-					03		(K2)
131A	32872-20930	CLUTCH ASSY	1	104	-							REF.373
132A	37900-23140	HOUSING	1	104	-							
141A	31241-20050	COVER ASSY	1	104	-							
149A	47131-20320	RING,O	2	104	-							(K2)
151A	61802-10020	BOLT,FLANGED	8	104	-							
154A	61802-12055	BOLT,FLANGED	8	104	-							
155A	61802-12030	BOLT,FLANGED	12	104	-							
200A	47131-20560	RING,O	1	104	-							(K2)
201A	47131-60060	RING,O	1	104	-							(K2)
202A	40010-20090	PIN,STRAIGHT	2	104	-							

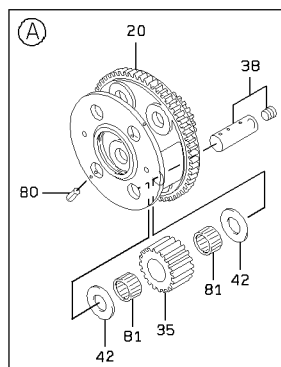
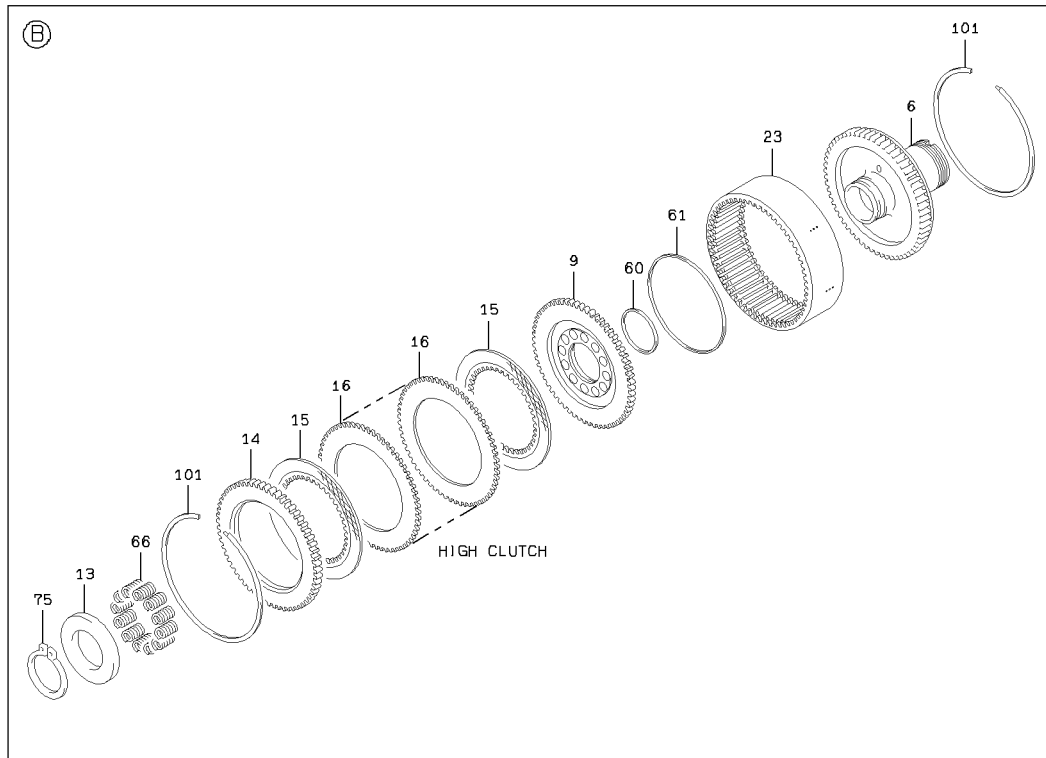
HIGH & REVERSE CLUTCH

(NOTE): SERIAL NUMBER INDICATES THE TRANSMISSION SERIAL NUMBER.



HIGH & REVERSE CLUTCH

(NOTE): SERIAL NUMBER INDICATES THE TRANSMISSION SERIAL NUMBER.



2-A

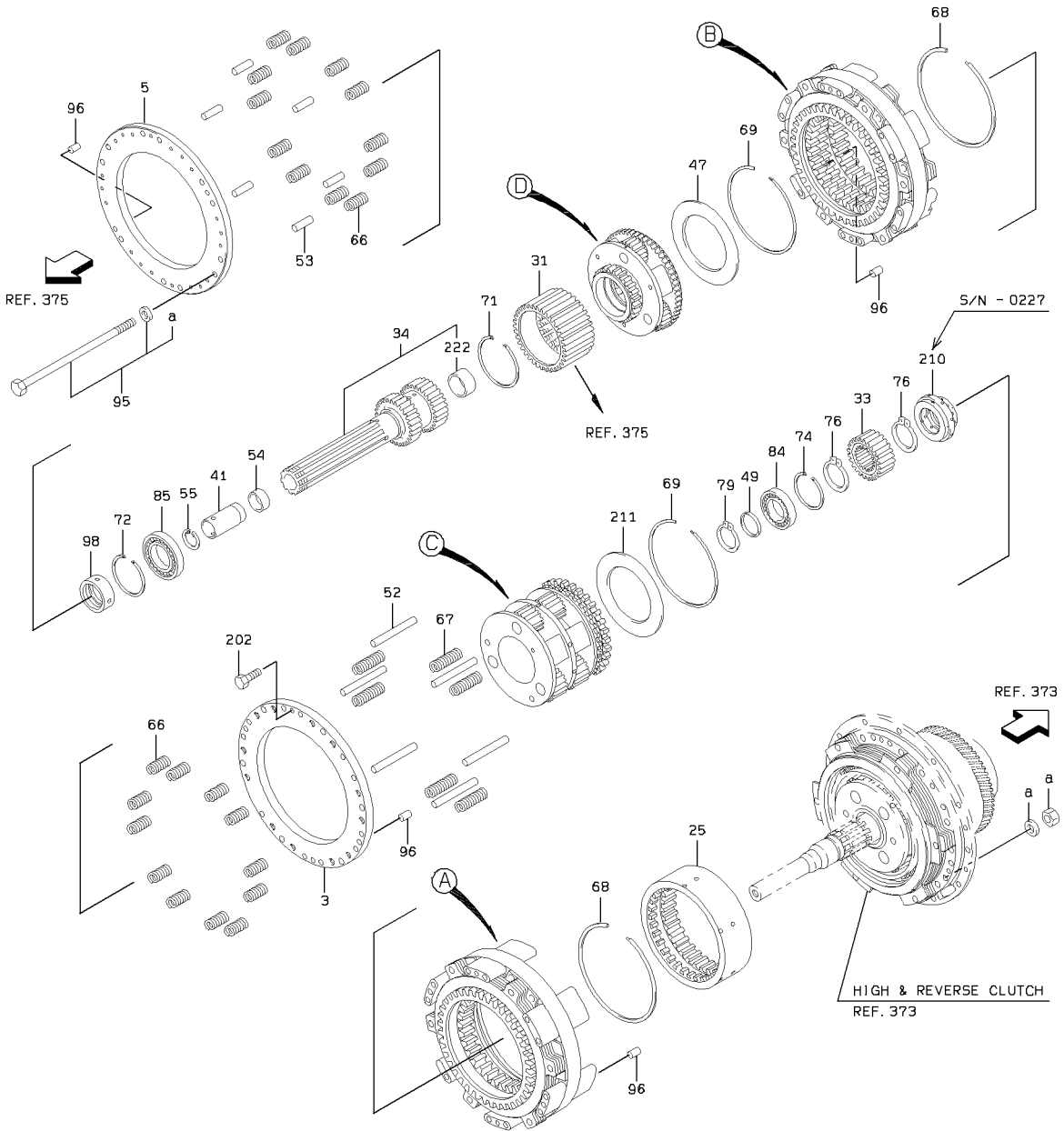
HIGH & REVERSE CLUTCH

SYM-BOL	PART NUMBER	PART NAME	UNIT Q,TY	SERIAL		REMARKS						
				(A)	(B)	N	P	D	(A)	(B)	(C)	(D)
000A	32872-20930	CLUTCH ASSY	1	104	-							INC.SEC.373-37
1A	37900-23590	HOUSING	1	104	-							
6A	38050-20140	HUB	1	104	-							
9A	39960-20260	PISTON	1	104	-							39960-20950
12A	39960-21750	PISTON	1	104	-							39960-21810
13A	44955-20010	RETAINER,SPRING	1	104	-							
14A	41621-21060	PLATE	1	104	-							
15A	37213-20050	DISC,FRICITION	3	104	-							
16A	37212-20010	DISC,SEPARATION	2	104	-							
17A	37213-60340	DISC,FRICITION	6	104	-							
18A	37212-60020	DISC,SEPARATION	5	104	-							
20A	35510-20560	SPIDER	1	104	-							
23A	37584-20050	DRUM,CLUTCH	1	104	-							
24A	37582-20030	DRUM ASSY,CLUTCH	1	104	-							
30A	32400-20350	GEAR	1	104	-							
32A	34501-20230	SHAFT ASSY	1	104	-							
35A	32431-20190	GEAR,PLANET	4	104	-							
38A	40000-27110	PIN	4	104	-							
38B	40000-42650	PIN	4	492	-							
38C	40040-20730	PIN	4	856	-							
42A	46000-20310	WASHER	8	104	-							
44A	32400-22190	GEAR	1	104	-							
45A	35750-21020	SLEEVE	1	104	-							
51A	40021-20050	PIN,ANCHOR	6	104	-							
58A	45301-60130	RING,PISTON	2	104	-							(K2)
60A	47142-20180	RING,U	1	104	-							(K2)
61A	47142-20170	RING,U	1	104	-							(K2)
62A	47142-20190	RING,U	1	104	-							(K2)
65A	47142-20200	RING,U	1	104	-							(K2)
66A	35600-20480	SPRING	12	104	-							
67A	35600-20490	SPRING	12	104	-							
68A	45311-20350	RING,SNAP	1	104	-							
70A	45311-20360	RING,SNAP	1	104	-							
73A	45311-20170	RING,SNAP	1	104	-							
75A	63811-00078	RING,SNAP	1	104	-							
76A	63811-00065	RING,SNAP	1	104	-							
78A	63811-00060	RING,SNAP	1	104	-							
80A	63011-05025	PIN,SPRING	4	104	-							
81A	33065-60210	CAGE,NEEDLE	8	104	-							
86A	78101-06922	BEARING,BALL	1	104	-							
87A	42004-60300	BEARING,TAPER ROLL	2	104	-							
90A	37600-20540	NUT	1	104	-							
94A	65210-28060	RING,O	2	104	-							(K2)
101A	45311-20320	RING,SNAP	2	104	-							
201A	61033-10035	BOLT	16	104	-							
203A	62710-18101	WASHER,PLANE	16	104	-							
214A	37213-60340	DISC,FRICITION	6	177	-							

MEMO

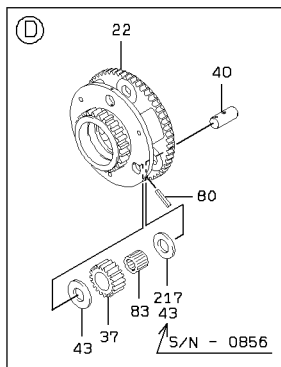
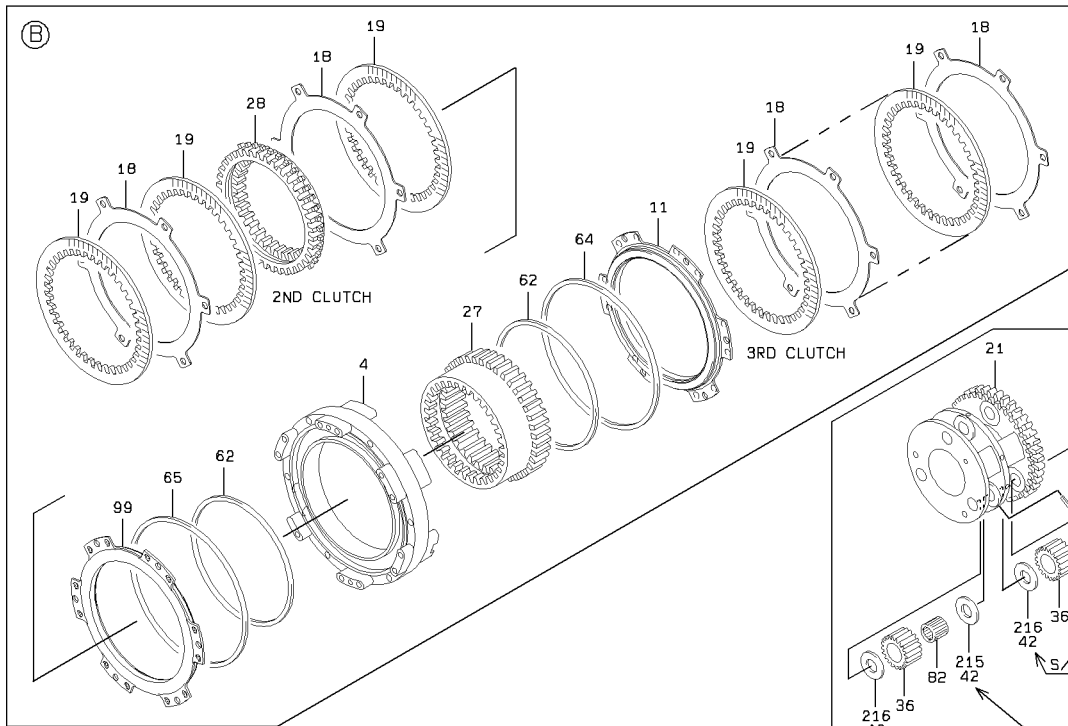
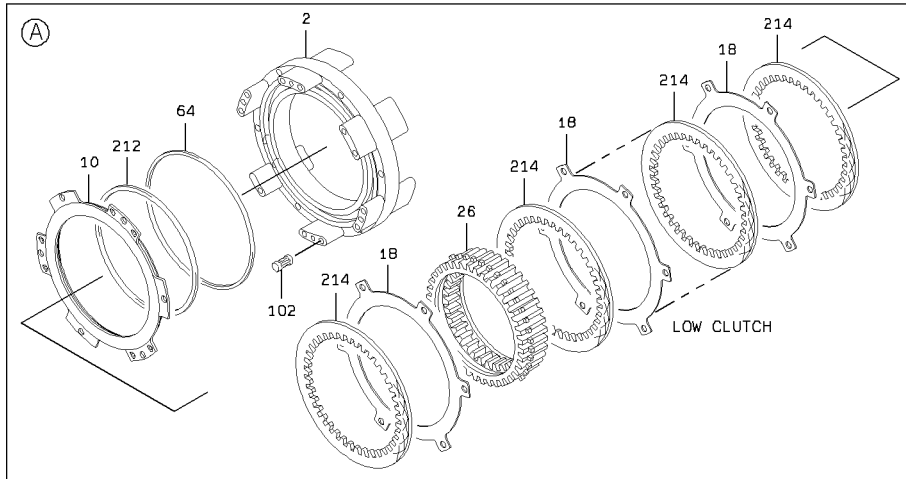
LOW, 2ND & 3RD CLUTCH

(NOTE): SERIAL NUMBER INDICATES THE TRANSMISSION SERIAL NUMBER.



LOW , 2ND & 3RD CLUTCH

(NOTE): SERIAL NUMBER INDICATES THE TRANSMISSION SERIAL NUMBER.



2-B

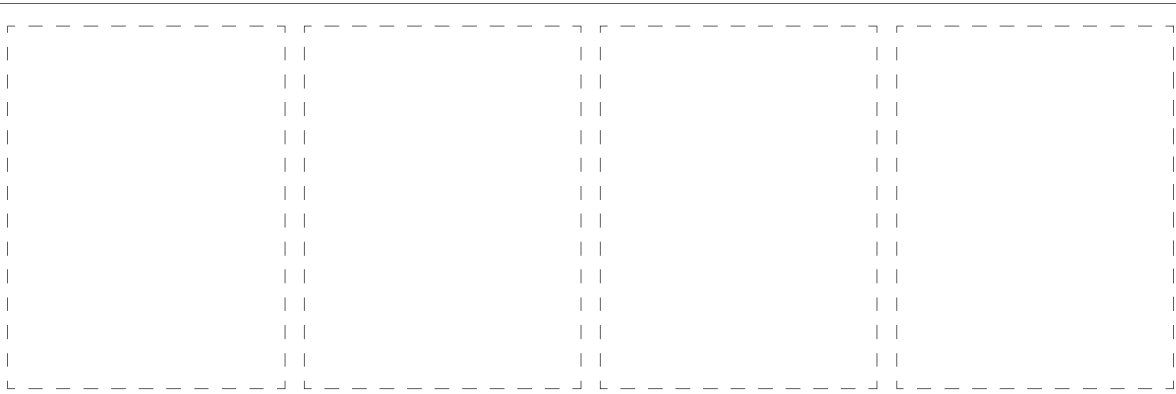
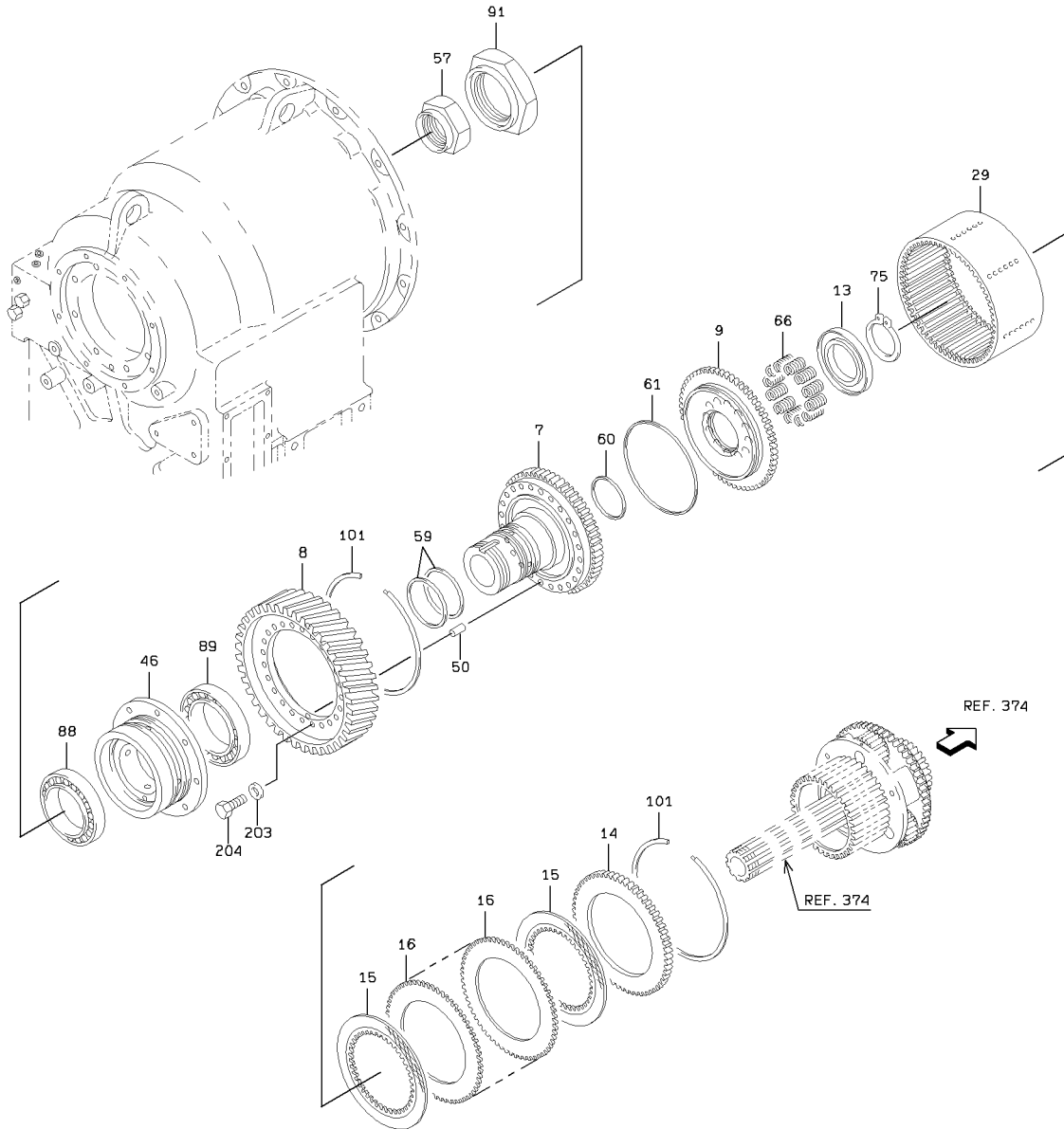
LOW , 2ND & 3RD CLUTCH

SYM-BOL	PART NUMBER	PART NAME	UNIT Q.TY	SERIAL		REMARKS								
				(A)	(B)	N	P	D	(A)	(B)	(C)	(D)	REMARK	
2A	37900-23550	HOUSING	1	104	-									
3A	37900-21490	HOUSING	1	104	-									
4A	37900-23560	HOUSING	1	104	-									
5A	37900-21510	HOUSING	1	104	-									
10A	39960-21760	PISTON	1	104	-									39960-21830
11A	39960-21770	PISTON	1	104	-									39960-21850
18A	37212-60020	DISC,SEPARATION	10	104	-									
19A	37213-60070	DISC,FRICTION	6	104	-									
21A	35510-20360	SPIDER	1	104	-									
22A	35510-20570	SPIDER	1	104	-									
25A	32421-20180	GEAR,INTERNAL	1	104	-									
26A	32405-20230	GEAR ASSY	1	104	-									
27A	32405-20080	GEAR ASSY	1	104	-									
28A	32405-20130	GEAR ASSY	1	104	-									
31A	32405-20100	GEAR ASSY	1	104	-									
33A	32425-20150	GEAR,SUN	1	104	-									
34A	34517-20060	SHAFT,GEAR	1	104	-					Y01				
36A	32431-20170	GEAR,PLANET	6	104	-									
37A	32431-20220	GEAR,PLANET	3	104	-									
39A	40000-22620	PIN	3	104	-									
40A	40000-27120	PIN	3	104	-									
41A	35750-20440	SLEEVE	1	104	-									
42A	46000-20310	WASHER	12	104	-									856
42B	46000-20310	WASHER	6	857	-									
43A	46000-20160	WASHER	6	104	-									856
43B	46000-24660	WASHER	6	857	-					B				
47A	41621-21070	PLATE	1	104	-									
49A	45200-20800	RING	1	104	-									
52A	40021-20060	PIN,ANCHOR	6	104	-									
53A	40021-20040	PIN,ANCHOR	6	104	-									
54A	42006-70280	BEARING,NEEDLE	1	104	-									
55A	63812-00048	RING,SNAP	1	104	-									
56A	63011-06025	PIN,SPRING	3	104	-									
62A	47142-20190	RING,U	2	104	-									(K2)
64A	47142-20210	RING,U	2	104	-									(K2)
65A	47142-20200	RING,U	1	104	-									(K2)
66A	35600-20480	SPRING	24	104	-									
67A	35600-20490	SPRING	6	104	-									
68A	45311-20350	RING,SNAP	2	104	-									
69A	45311-20340	RING,SNAP	2	104	-									
71A	45311-20160	RING,SNAP	1	104	-									
72A	45311-20370	RING,SNAP	1	104	-									
74A	45311-20380	RING,SNAP	1	104	-									
76A	63811-00065	RING,SNAP	2	104	-									
79A	63811-00055	RING,SNAP	1	104	-									
80A	63011-05025	PIN,SPRING	3	104	-									
82A	33065-60050	CAGE,NEEDLE	6	104	-									
83A	33065-60100	CAGE,NEEDLE	3	104	-									
84A	42001-60030	BEARING,BALL	1	104	-									
85A	78101-06013	BEARING,BALL	1	104	-									
95A	43925-20340	BOLT SET	11	104	-									
96A	40010-20090	PIN,STRAIGHT	8	104	-									
98A	45200-22260	RING	1	104	-									
99A	39960-21780	PISTON	1	104	-									
102A	36500-20010	DAMPER	11	104	-									
202A	61033-12190	BOLT	2	104	-									
210A	40840-25570	BUSHING	1	104	-									227
211A	41615-29600	PLATE	1	104	-					D				
212A	47142-60110	RING,U	1	104	-									
214A	37213-60340	DISC,FRICTION	6	104	-									(K2)
215A	46000-24880	WASHER	6	857	-									
216A	46000-24590	WASHER	6	857	-									
217A	46000-24900	WASHER	6	857	-									
222A	44450-20020	METAL,SHELL	1	104	-					01				

MEMO

1ST CLUTCH

(NOTE): SERIAL NUMBER INDICATES THE TRANSMISSION SERIAL NUMBER.

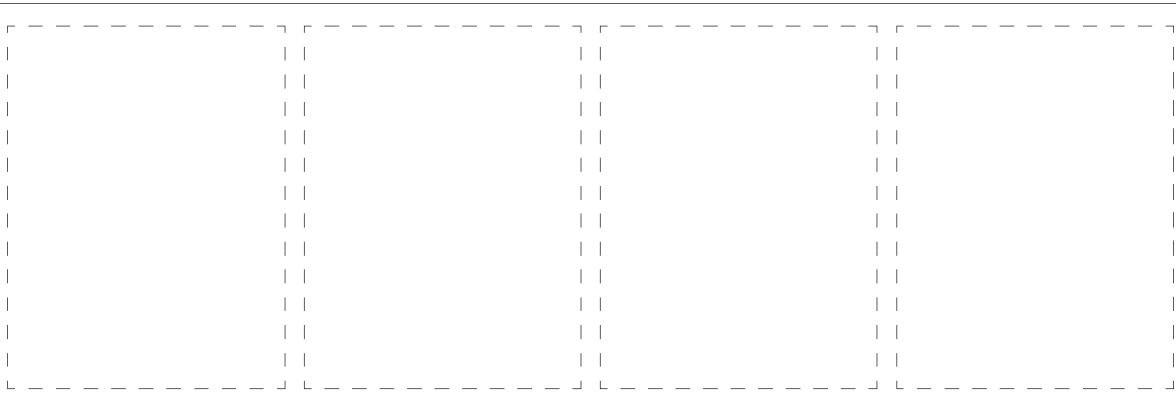
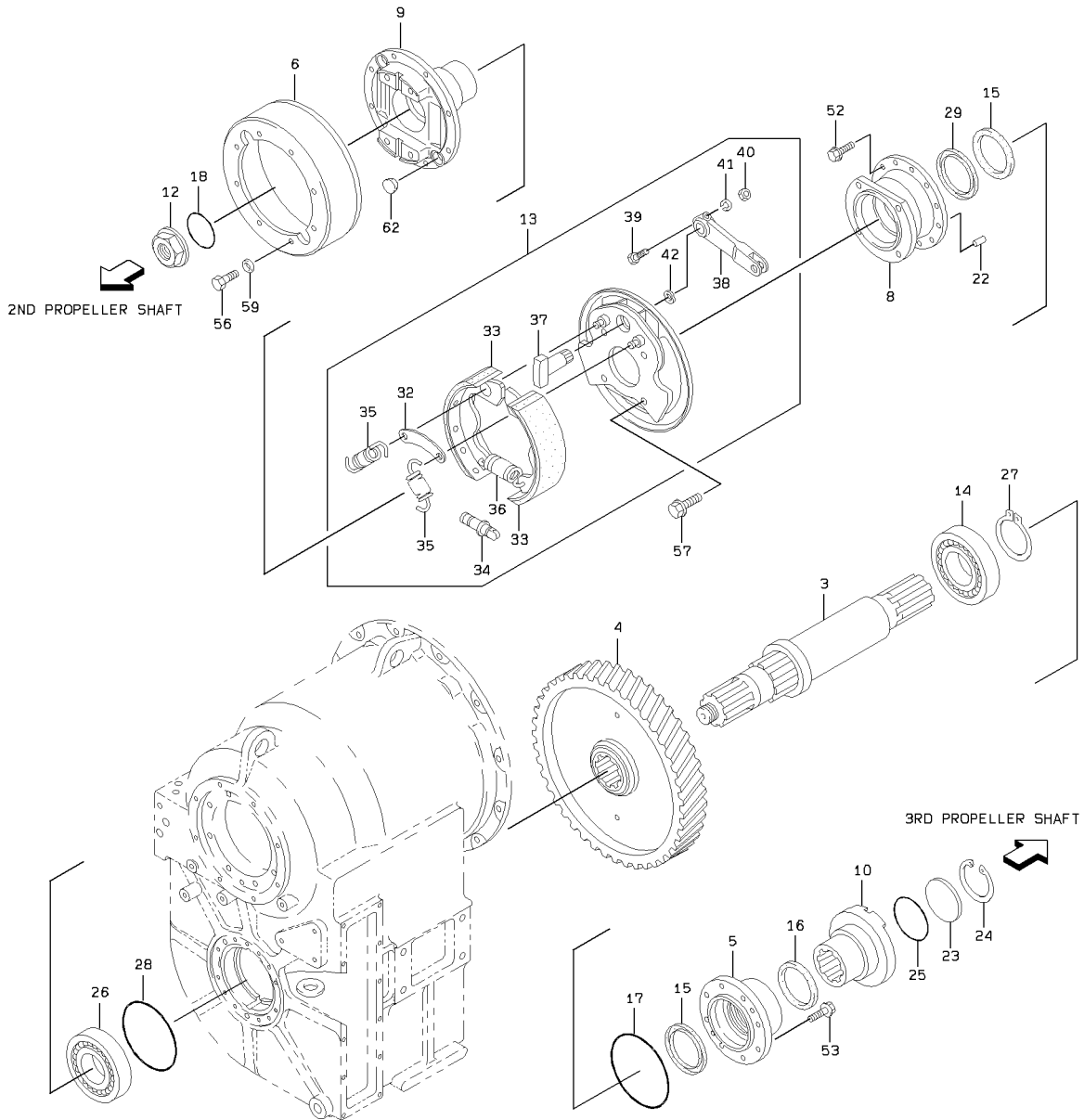


1ST CLUTCH

SYM-BOL	PART NUMBER	PART NAME	UNIT Q,TY	SERIAL		REMARKS						
				(A)	(B)	N	P	D	(A)	(B)	(C)	(D)
7A	38050-20380	HUB	1	104	-							
8A	32400-22200	GEAR	1	104	-							
9A	39960-20260	PISTON	1	104	-							
13A	44955-20010	RETAINER,SPRING	1	104	-							
14A	41621-21060	PLATE	1	104	-							
15A	37213-20050	DISC,FRICTION	7	104	-							
16A	37212-20010	DISC,SEPARATION	6	104	-							
29A	37584-20030	DRUM ASSY,CLUTCH	1	104	-							
46A	44950-20190	RETAINER	1	104	-	623						
46B	44950-20310	RETAINER	1	624	-		C					
50A	40010-20200	PIN,STRAIGHT	2	104	-							
57A	37600-20420	NUT	1	104	-							
59A	45301-60100	RING,PISTON	2	104	-							(K2)
60A	47142-20180	RING,U	1	104	-							(K2)
61A	47142-20170	RING,U	1	104	-							(K2)
66A	35600-20480	SPRING	12	104	-							
75A	63811-00078	RING,SNAP	1	104	-							
88A	78281-32020	BEARING,ROLLER	1	104	-							42004-70010
89A	78281-32021	BEARING,ROLLER	1	104	-							
91A	37600-20550	NUT	1	104	-							
101A	45311-20320	RING,SNAP	2	104	-							
203A	62710-18101	WASHER,PLANE	22	104	-							
204A	61005-10035	BOLT	22	104	-							

OUTPUT SHAFT GROUP

(NOTE): SERIAL NUMBER INDICATES THE TRANSMISSION SERIAL NUMBER.

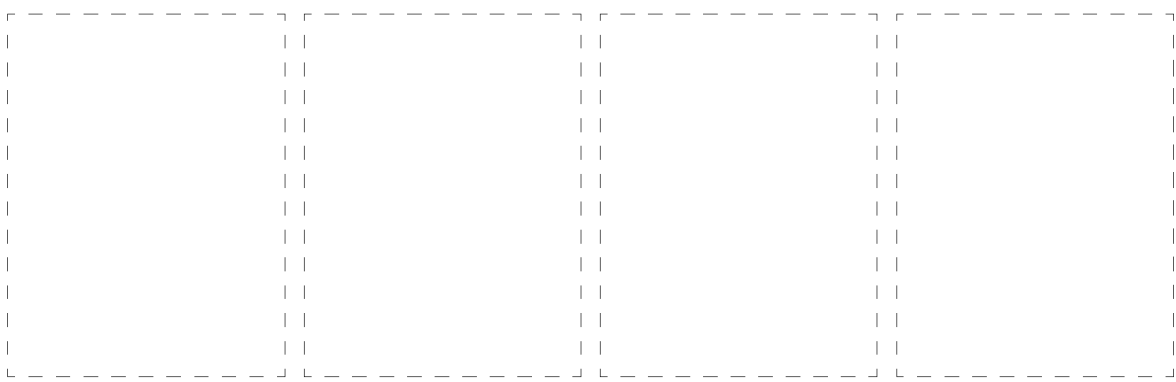
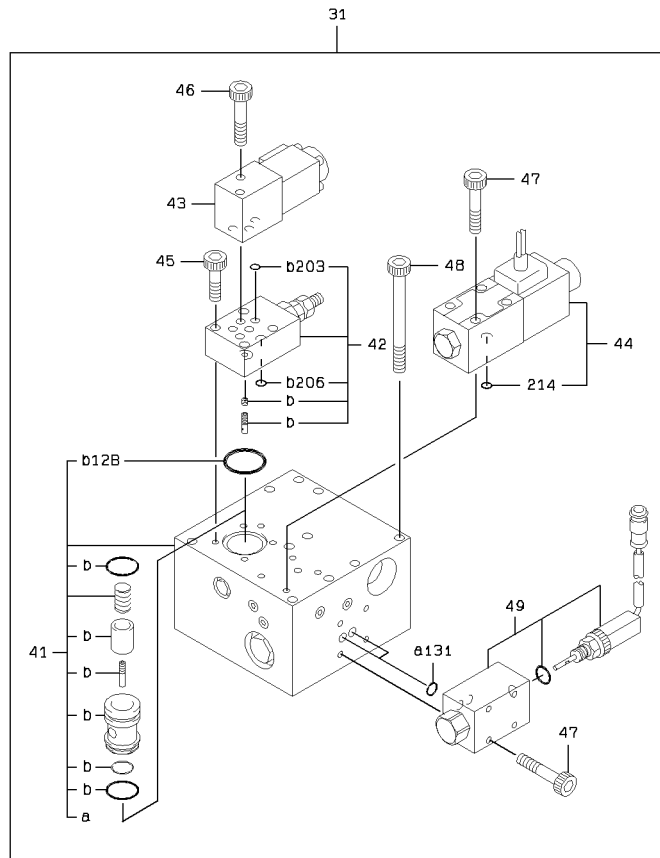
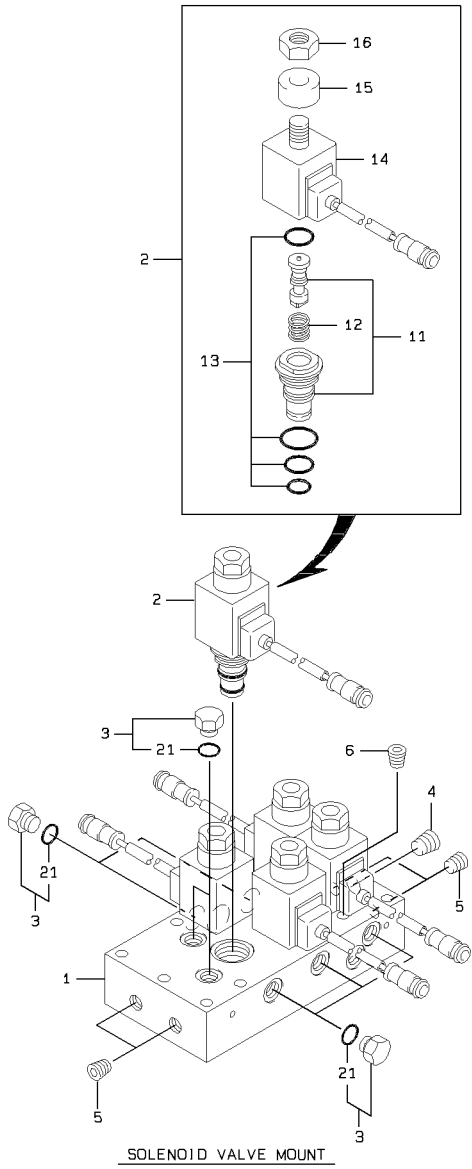


OUTPUT SHAFT GROUP

SYM-BOL	PART NUMBER	PART NAME	UNIT Q,TY	SERIAL (A) - (B)	REMARKS					
					N	P	D	(A)	(B)	(C)
3A	34501-20210	SHAFT ASSY	1	104 -						
4A	32400-22210	GEAR	1	104 -						
5A	44953-20230	RETAINER,SEAL	1	104 -						
6A	37585-20070	DRUM,BRAKE	1	104 -						
8A	37900-21360	HOUSING	1	104 -						
9A	40510-21360	FLANGE	1	104 -						
10A	40510-21370	FLANGE	1	104 -						
12A	37600-20250	NUT	1	104 -						
13A	41200-60040	BRAKE ASSY	1	104 -				Y01		
14A	78101-06214	BEARING,BALL	1	104 -						
15A	34042-70440	SEAL,OIL	2	104 -						(K2)
16A	34043-70010	SEAL,GREASE	1	104 -						(K2)
17A	65210-22125	RING,O	1	104 -						(K2)
18A	65210-12060	RING,O	1	104 -						(K2)
22A	40010-20090	PIN,STRAIGHT	2	104 -						
23A	31241-20060	COVER ASSY	1	104 -						
24A	63812-00090	RING,SNAP	1	104 -						
25A	65210-22090	RING,O	1	104 -						(K2)
26A	42003-60300	BEARING,ROLLER	1	104 -						
27A	63811-00070	RING,SNAP	1	104 -						
28A	65210-22160	RING,O	1	104 -						(K2)
29A	34042-70450	SEAL,OIL	1	104 -						(K2)
32A	44950-70280	RETAINER	1	104 -				01		41615-70290
33A	34715-70030	SHOE,BRAKE	2	104 -				01		44711-70050
34A	30212-70020	ADJUSTOR ASSY	1	104 -				01		
35A	35600-72140	SPRING	2	104 -				01		
36A	35600-72130	SPRING	1	104 -				01		
37A	34500-70190	SHAFT	1	104 -				01		
38A	45600-70050	LEVER	1	104 -				01		
39A	61002-10045	BOLT	1	104 -				01		
40A	62401-81102	NUT	1	104 -				01		
41A	62721-10100	WASHER,SPRING	1	104 -				01		
42A	46000-70650	WASHER	1	104 -				01		
52A	61802-10025	BOLT,FLANGED	12	104 -						
53A	61802-10030	BOLT,FLANGED	8	104 -						
56A	61005-12030	BOLT	8	104 -						
57A	61802-16030	BOLT,FLANGED	4	104 -						
59A	62710-18121	WASHER,PLANE	8	104 -						
62A	41533-20040	PLUG,ELASTIC	2	104 -						

SOLENOID VALVE & VALVE UNIT

(NOTE): SERIAL NUMBER INDICATES THE TRANSMISSION SERIAL NUMBER.
VALVE KIT (SYMBOL 220) CONSISTS OF THE PARTS WITH D.



SOLENOID VALVE & VALVE UNIT

SYM-BOL	PART NUMBER	PART NAME	UNIT Q,TY	SERIAL (A) - (B)	REMARKS						
					N	P	D	(A)	(B)	(C)	(D)
1A	41410-31880	BLOCK	1	104 -							
2A	38553-60170	VALVE,SOLENOID	5	104 -				Y01			
3A	88390-21304	PLUG	8	104 -					Y02		
4A	88390-16106	PLUG	1	104 -							
5A	88390-16104	PLUG	4	104 -							
6A	88390-16102	PLUG	1	104 -							
11A	35575-70020	SPOOL ASSY	1	104 -				01			
12A	35600-71770	SPRING	1	104 -				01			
13A	48974-70020	RING KIT,O	1	104 -				01			
14A	35910-70030	SOLENOID	1	104 -				01			
15A	43550-70050	HOLDER	1	104 -				01			
16A	37600-70660	NUT	1	104 -				01			
21A	65210-12011	RING,O	1	104 -					02		
31A	38553-20390	VALVE,SOLENOID	1	104 -						Y03	
41A	38542-70060	VALVE UNIT	1	104 -						03	Y04
42A	38542-70020	VALVE UNIT	1	104 -				Y05		03	
43A	38567-70020	VALVE,REDUCING	1	104 -						03	
44A	38553-70440	VALVE,SOLENOID	1	104 -					Y06	03	
45A	61101-06030	BOLT,SOCKET	4	104 -						03	
46A	61101-06045	BOLT,SOCKET	2	104 -						03	
47A	43956-70300	BOLT,SOCKET	8	104 -						03	
48A	43956-70310	BOLT,SOCKET	10	104 -						03	
49A	38542-70070	VALVE UNIT	1	104 -						03	
128A	47131-72150	RING,O	1	104 -						K1	04
131A	47131-72140	RING,O	2	104 -							04
203A	47131-72140	RING,O	3	104 -				05		K1	
206A	47131-72160	RING,O	1	104 -				05		K1	
214A	47131-72160	RING,O	4	104 -					06		
220A	38538-70040	VALVE KIT	1	104 -						QK1	

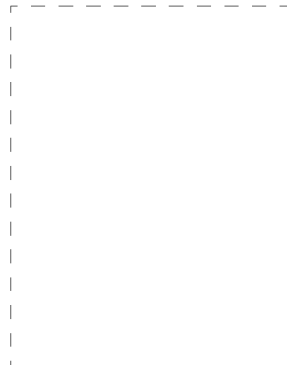
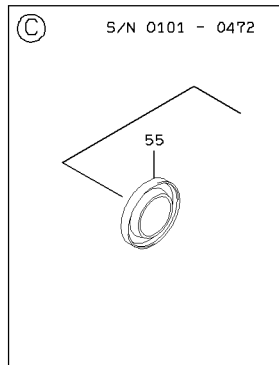
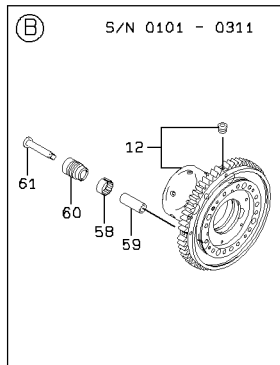
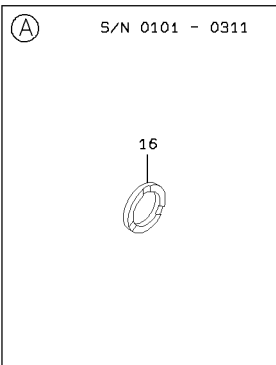
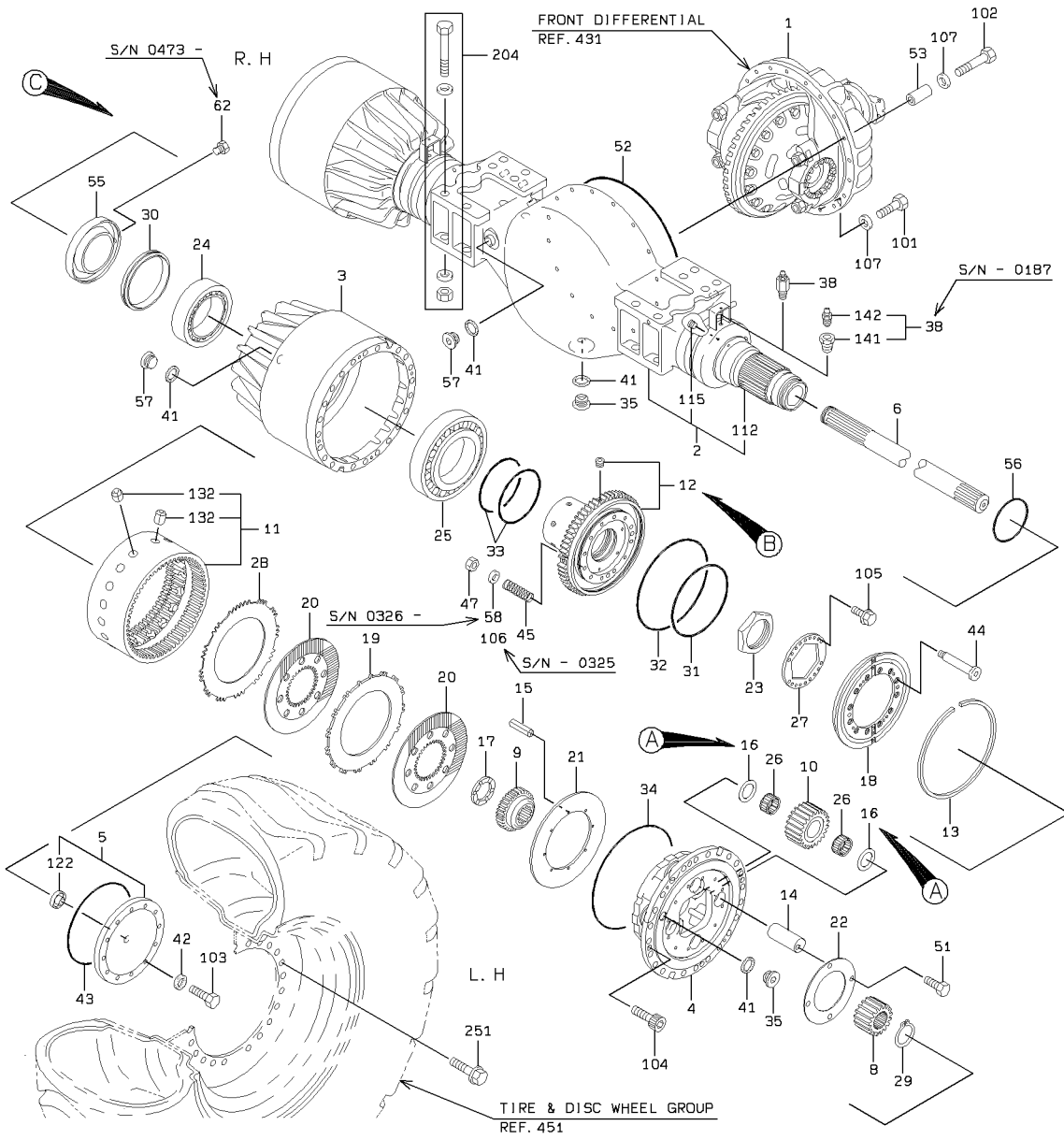
LIST ONLY

REPAIR KIT

SYM-BOL	PART NUMBER	PART NAME	UNIT Q,TY	SERIAL		REMARKS								
				(A)	(B)	N	P	D	(A)	(B)	(C)	(D)	REMARK	
1A	49691-90380	REPAIR KIT	1	104	- 386						Y01			
1B	49691-90640	REPAIR KIT	1	387	- 523	B					Y01			
1C	49691-90970	REPAIR KIT	1	524	- 770	C					Y01			
1D	49691-91960	REPAIR KIT	1	771	- 813	C					Y01			
1E	49691-91970	REPAIR KIT	1	814	- 854	C					Y01			
1F	49691-91980	REPAIR KIT	1	855	-	C					Y01			
2A	49691-90390	REPAIR KIT	1	104	- 386						01 QK1			FR T/C
2B	49691-90650	REPAIR KIT	1	387	- 523	B					01 QK1			FR T/C
2C	49691-90980	REPAIR KIT	1	524	- 770	C					01 QK1			FR T/C
2D	49691-91920	REPAIR KIT	1	771	- 813	C					01 QK1			FR T/C
2E	49691-91930	REPAIR KIT	1	814	-	C					01 QK1			FR T/C
3A	49691-90400	REPAIR KIT	1	104	- 770						01	QK2		FR T/M
3B	49691-91940	REPAIR KIT	1	771	- 854	C					01	QK2		FR T/M
3C	49691-91950	REPAIR KIT	1	855	-	C					01	QK2		
11A	31990-20970	GASKET	1	104	-						K1			361-18
12A	31990-22060	GASKET	1	104	-						K1			361-19
13A	31990-22140	GASKET	1	104	- 770						K1			361-216
13B	31990-27500	GASKET	1	771	-	C					K1			361-216
14A	31990-20870	GASKET	1	104	- 523						K1			363-21
14B	31990-26690	GASKET	1	524	-	C					K1			363-21
15A	45301-60140	RING,PISTON	1	104	-						K1			362-214
16A	45301-60150	RING,PISTON	1	104	-						K1			362-215
17A	47131-21710	RING,O	1	104	- 813						K1			361-202
17B	47131-21950	RING,O	1	814	-	B					K1			361-202
18A	65210-12014	RING,O	1	104	-						K1			361-13
19A	65210-12029	RING,O	1	104	-						K1			361-101
21A	65210-12011	RING,O	1	104	- 386						K1			361-111
21B	65210-12011	RING,O	3	387	-						K1			361-111
22A	65210-12038	RING,O	1	104	-						K1			361-121
23A	88111-11690	WASHER,SEAL	1	104	-						K1			361-58
24A	88111-14200	WASHER,SEAL	1	104	-						K1			361-205
25A	88111-12090	WASHER,SEAL	1	104	-						K1			361-226
26A	88111-10800	WASHER,SEAL	2	104	-						K1			362-219
27A	65210-12024	RING,O	3	387	-						K1			361-231
31A	31990-23760	GASKET	1	104	-						K2			371-11
32A	31990-20970	GASKET	1	104	-						K2			371-18
33A	31990-20410	GASKET	1	104	- 770						K2			371-23
33B	31990-27420	GASKET	1	771	- 854	C					K2			371-23
33C	31990-28430	GASKET	1	855	-	C					K2			371-23
34A	31990-21720	GASKET	1	104	- 770						K2			371-46
34B	31990-27550	GASKET	1	771	-	C					K2			371-46
35A	31990-21970	GASKET	1	104	-						K2			371-48
36A	31990-71280	GASKET	2	104	-						K2			371-49
37A	34042-70440	SEAL,OIL	2	104	-						K2			377-15
38A	34042-70450	SEAL,OIL	1	104	-						K2			377-29
39A	34043-70010	SEAL,GREASE	1	104	-						K2			377-16
41A	45301-60130	RING,PISTON	2	104	-						K2			373-58
42A	45301-60100	RING,PISTON	2	104	-						K2			375-59
43A	47131-20320	RING,O	2	104	-						K2			371-149
44A	47131-20560	RING,O	1	104	-						K2			371-200
45A	47131-60060	RING,O	1	104	-						K2			371-201
46A	47142-20180	RING,U	2	104	-						K2			373-60,375-60
47A	47142-20170	RING,U	2	104	-						K2			373-61,375-61
48A	47142-20190	RING,U	3	104	-						K2			373-62,374-62
49A	47142-20200	RING,U	2	104	-						K2			373-65,374-65
51A	47142-20210	RING,U	2	104	-						K2			374-64
52A	47142-60110	RING,U	1	104	-						K2			374-212
53A	65210-12014	RING,O	7	104	-						K2			371-13,101
54A	65210-12021	RING,O	6	104	-						K2			371-14
55A	65210-12024	RING,O	1	104	-						K2			371-111
56A	65210-12029	RING,O	2	104	-						K2			371-121
57A	65210-28060	RING,O	2	104	-						K2			373-94
58A	65210-22125	RING,O	1	104	-						K2			377-17
59A	65210-12060	RING,O	1	104	-						K2			377-18
61A	65210-22090	RING,O	1	104	-						K2			377-25
62A	65210-22160	RING,O	1	104	-						K2			377-28

FRONT AXLE GROUP

(NOTE): THIS ILLUSTRATION SHOWS "LEFT HAND".
SYMBOL 204, 251 ARE NOT INCLUDED IN SYMBOL 000.



FRONT AXLE GROUP

SYM-BOL	PART NUMBER	PART NAME	UNIT Q,TY	SERIAL		REMARKS						
				(A)	(B)	N	P	D	(A)	(B)	(C)	(D)
000A	30111-21310	AXLE ASSY,FRONT	1	101	- 311							W/O SYM.204,25
000B	30111-21740	AXLE ASSY,FRONT	1	312	- 450	C						W/O SYM.204,25
000C	30111-22000	AXLE ASSY,FRONT	1	451	- 472	C						W/O SYM.204,25
000D	30111-22050	AXLE ASSY,FRONT	1	473	-	C						W/O SYM.204,25
1A	37301-21780	DIFFERENTIAL ASSY	1	101	- 450							REF.431
1B	37301-23140	DIFFERENTIAL ASSY	1	451	- 472	C						REF.431
1C	37301-23250	DIFFERENTIAL ASSY	1	473	-	C						REF.431
2A	37910-20960	HOUSING ASSY,AXLE	1	101	- 207		Y01					
2B	37910-21170	HOUSING ASSY,AXLE	1	208	-	C	Y01					
3A	38055-20380	HUB,WHEEL	2	101	-							
4A	37900-22270	HOUSING	2	101	-							
5A	31241-20310	COVER ASSY	2	101	-			Y02				
6A	34511-20560	SHAFT,AXLE	2	101	-							
8A	32425-20230	GEAR,SUN	2	101	-							
9A	32400-20610	GEAR	2	101	-							
10A	32431-20350	GEAR,PLANET	8	101	-							
11A	32421-20340	GEAR,INTERNAL	2	101	-					Y03		
12A	38052-20550	HUB,INTERNAL GEAR	2	101	- 311							
12B	38052-20390	HUB,INTERNAL GEAR	2	312	-	C						
13A	45311-20270	RING,SNAP	2	101	-							
14A	40040-20170	PIN,PLANET	8	101	-							
15A	63011-10016	PIN,SPRING	16	101	-							
16A	47171-21070	RING,WEAR	16	101	- 311							
16B	47171-21510	RING,WEAR	16	312	-	C						
17A	47171-21120	RING,WEAR	2	101	-							
18A	39960-21990	PISTON	2	101	- 311							
18B	39960-22340	PISTON	2	312	-	C						
19A	37212-20190	DISC,SEPARATION	2	101	-							
20A	37213-20170	DISC,FRICTION	4	101	- 254							
20B	37213-60540	DISC,FRICTION	4	255	-	C						
21A	44956-20190	RETAINER,BRAKE	2	101	-							
22A	41621-21730	PLATE	2	101	-							
23A	37616-20020	NUT,AXLE	2	101	-							
24A	78247-32034	BEARING,TAPER ROLL	2	101	-							
25A	42004-70160	BEARING,TAPER ROLL	2	101	-							
26A	33065-60220	CAGE,NEEDLE	16	101	-							
27A	46031-20210	WASHER,AXLE	2	101	-							
28A	37212-20200	DISC,SEPARATION	2	101	-							
29A	63811-00075	RING,SNAP	2	101	-							
30A	34047-60040	SEAL,FLOATING	2	101	-							
31A	47148-60090	RING,D	2	101	-							
32A	47148-60080	RING,D	2	101	-							
33A	47131-21000	RING,O	4	101	-							
34A	47131-20280	RING,O	2	101	-							
35A	41535-20040	PLUG,MAGNET	3	101	- 237							
35B	41535-20080	PLUG,MAGNET	3	238	-	C						
38A	35107-20040	SCREW,BLEED	2	101	- 187					Y04		
38B	35107-70030	SCREW,BLEED	2	188	-	C						
41A	88111-13090	WASHER,SEAL	6	101	-							
42A	88111-11200	WASHER,SEAL	24	101	-							
43A	47131-20270	RING,O	2	101	-							
44A	43956-20020	BOLT,SOCKET	24	101	- 325							
44B	43956-20310	BOLT,SOCKET	24	326	-	C						
45A	35600-20240	SPRING	24	101	-							
47A	88001-61101	NUT,U	24	101	-							
51A	61013-20030	BOLT	8	101	-							
52A	47131-20210	RING,O	1	101	-							
53A	35700-20500	SPACER	6	101	-							
55A	45200-25950	RING	2	101	- 472							
55B	45200-30880	RING	2	473	-	C						
56A	65210-22250	RING,O	2	101	-							
57A	41530-21600	PLUG	3	101	- 237							
57B	41530-22530	PLUG	3	238	-	C						
58A	35600-60150	SPRING	8	101	- 311		D					
58B	46011-23670	WASHER,PLANE	24	326	-							
59A	35750-23740	SLEEVE	8	101	- 267							

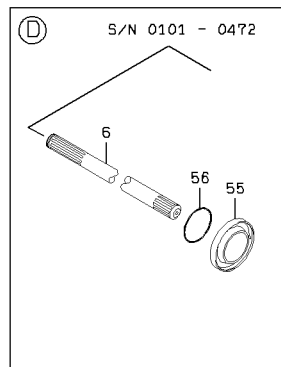
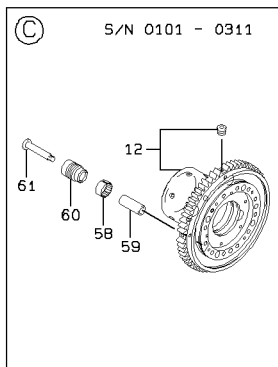
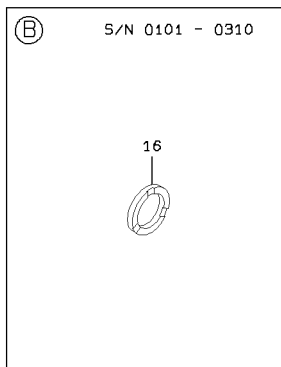
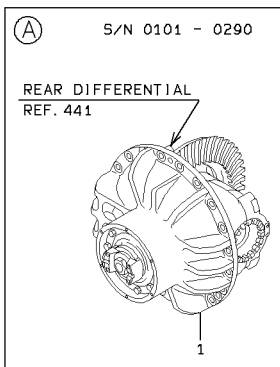
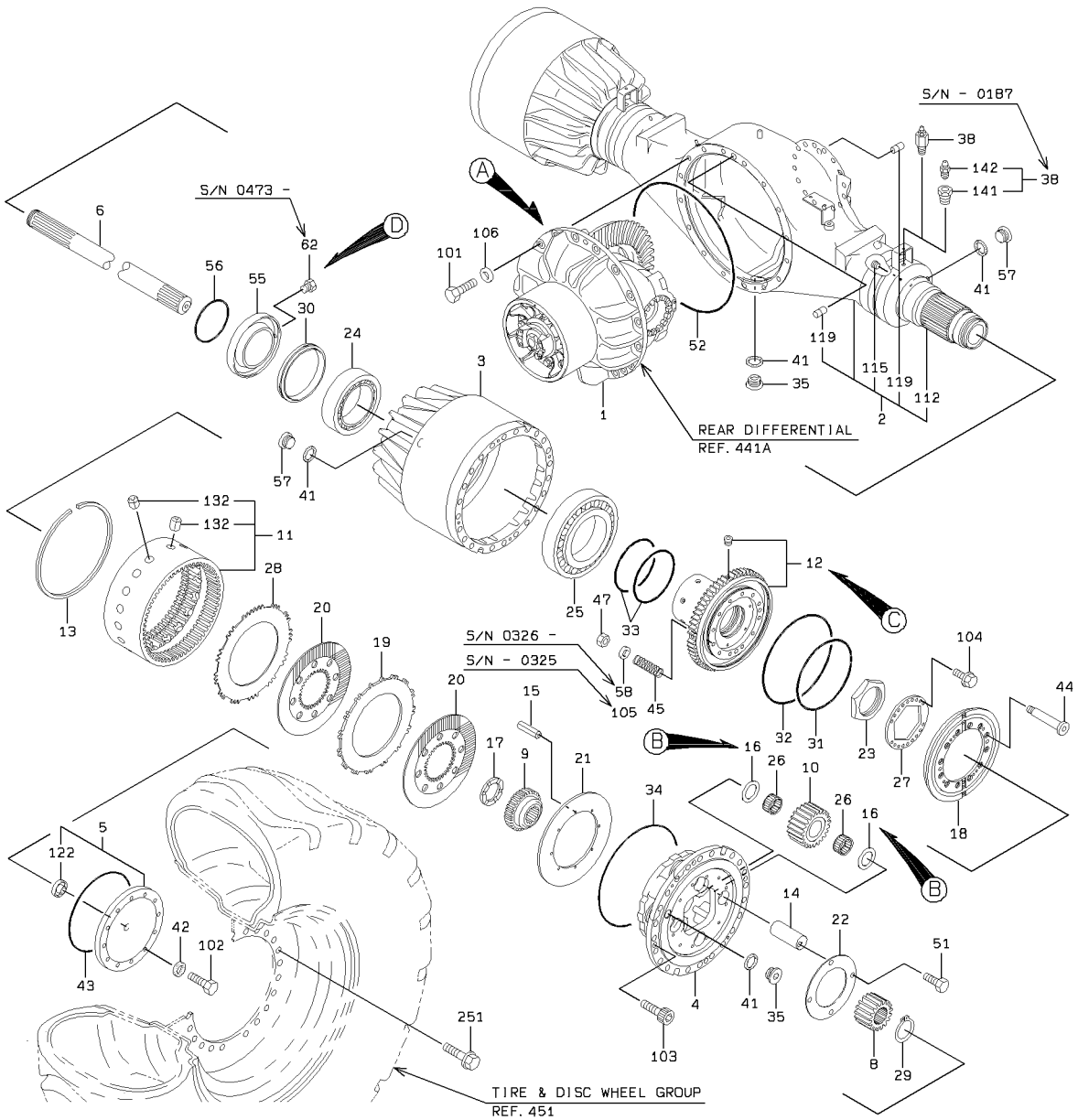
FRONT AXLE GROUP

SYM-BOL	PART NUMBER	PART NAME	UNIT Q.TY	SERIAL		REMARKS					
				(A)	(B)	N	P	D	(A)	(B)	(C)
59B	35750-24680	SLEEVE	8	268	- 272	C					
59C	35750-24720	SLEEVE	8	273	- 311	C D					
60A	40840-24810	BUSHING	8	101	- 267						
60B	40840-26050	BUSHING	8	268	- 311	C D					
61A	43956-20210	BOLT,SOCKET	8	101	- 311	D					
62A	88390-21302	PLUG	4	473	-						
101A	61005-16045	BOLT	10	101	-						
102A	61005-16110	BOLT	6	101	-						
103A	61033-12050	BOLT	24	101	-						
104A	61101-12025	BOLT,SOCKET	8	101	-						
105A	61802-10016	BOLT,FLANGED	8	101	-						
106A	62710-18101	WASHER,PLANE	24	101	- 325	D					
107A	62710-18161	WASHER,PLANE	16	101	-						
112A	30582-20480	EXTENSION,AXLE HOU	2	101	-		01				
115A	88390-16102	PLUG	4	101	-		01				
122A	40840-23050	BUSHING	1	101	-			02			
132A	40033-20030	PIN,SPRING	2	101	-				03		
141A	38900-24170	FITTING	1	101	- 187	D				04	
142A	35107-60010	SCREW,BLEED	1	101	- 187	D				04	
204A	43925-21270	BOLT SET	12	101	-						
251A	61805-24075	BOLT,FLANGED	44	101	-						

MEMO

REAR AXLE GROUP

(NOTE): THIS ILLUSTRATION SHOWS "LEFT HAND".
SYMBOL 251 IS NOT INCLUDED IN SYMBOL 000.



REAR AXLE GROUP

SYM-BOL	PART NUMBER	PART NAME	UNIT Q,TY	SERIAL		REMARKS						
				(A)	(B)	N	P	D	(A)	(B)	(C)	(D)
000A	30112-21640	AXLE ASSY,REAR	1	101	- 141							W/O SYM.251
000B	30112-22020	AXLE ASSY,REAR	1	142	- 290	B						W/O SYM.251
000C	30112-22570	AXLE ASSY,REAR	1	291	- 311	B						W/O SYM.251
000D	30112-22730	AXLE ASSY,REAR	1	312	- 450	C						W/O SYM.251
000E	30112-23100	AXLE ASSY,REAR	1	451	- 472	C						W/O SYM.251
000F	30112-23170	AXLE ASSY,REAR	1	473	-	C						W/O SYM.251
1A	37301-21590	DIFFERENTIAL ASSY	1	101	- 141							REF.441
1B	37301-22010	DIFFERENTIAL ASSY	1	142	- 290	B						REF.441
1C	37301-22690	DIFFERENTIAL ASSY	1	291	- 450	B						REF.441A
1D	37301-23150	DIFFERENTIAL ASSY	1	451	- 472	C						REF.441A
1E	37301-23180	DIFFERENTIAL ASSY	1	473	-	C						REF.441A
2A	37910-20990	HOUSING ASSY,AXLE	1	101	-			Y01				
3A	38055-20380	HUB,WHEEL	2	101	-							
4A	37900-22270	HOUSING	2	101	-				Y02			
5A	31241-20310	COVER ASSY	2	101	-							
6A	34511-20560	SHAFT,AXLE	2	101	-							
8A	32425-20230	GEAR,SUN	2	101	-							
9A	32400-20610	GEAR	2	101	-							
10A	32431-20350	GEAR,PLANET	8	101	-							
11A	32421-20340	GEAR,INTERNAL	2	101	-					Y03		
12A	38052-20550	HUB,INTERNAL GEAR	2	101	- 311							
12B	38052-20390	HUB,INTERNAL GEAR	2	312	-	C						
13A	45311-20270	RING,SNAP	2	101	-							
14A	40040-20170	PIN,PLANET	8	101	-							
15A	63011-10016	PIN,SPRING	16	101	-							
16A	47171-21070	RING,WEAR	16	101	- 310							
16B	47171-21510	RING,WEAR	16	311	-	C						
17A	47171-21120	RING,WEAR	2	101	-							
18A	39960-21990	PISTON	2	101	- 311							
18B	39960-22340	PISTON	2	312	-	C						
19A	37212-20190	DISC,SEPARATION	2	101	-							
20A	37213-20170	DISC,FRICTION	4	101	- 254							
20B	37213-60540	DISC,FRICTION	4	255	-	C						
21A	44956-20190	RETAINER,BRAKE	2	101	-							
22A	41621-21730	PLATE	2	101	-							
23A	37616-20020	NUT,AXLE	2	101	-							
24A	78247-32034	BEARING,TAPER ROLL	2	101	-							
25A	42004-70160	BEARING,TAPER ROLL	2	101	-							
26A	33065-60220	CAGE,NEEDLE	16	101	-							
27A	46031-20210	WASHER,AXLE	2	101	-							
28A	37212-20200	DISC,SEPARATION	2	101	-							
29A	63811-00075	RING,SNAP	2	101	-							
30A	34047-60040	SEAL,FLOATING	2	101	-							
31A	47148-60090	RING,D	2	101	-							
32A	47148-60080	RING,D	2	101	-							
33A	47131-21000	RING,O	4	101	-							
34A	47131-20280	RING,O	2	101	-							
35A	41535-20040	PLUG,MAGNET	3	101	- 237							
35B	41535-20080	PLUG,MAGNET	3	238	-	C						
38A	35107-20040	SCREW,BLEED	2	101	- 187					Y04		
38B	35107-70030	SCREW,BLEED	2	188	-	C						
41A	88111-13090	WASHER,SEAL	6	101	-							
42A	88111-11200	WASHER,SEAL	24	101	-							
43A	47131-20270	RING,O	2	101	-							
44A	43956-20020	BOLT,SOCKET	24	101	- 325							
44B	43956-20310	BOLT,SOCKET	24	326	-	C						
45A	35600-20240	SPRING	24	101	-							
47A	88001-61101	NUT,U	24	101	-							
51A	61013-20030	BOLT	8	101	-							
52A	47131-20210	RING,O	1	101	-							
55A	45200-25950	RING	2	101	- 472							
55B	45200-30880	RING	2	473	-	C						
56A	65210-22250	RING,O	2	101	-							
57A	41530-21600	PLUG	3	101	- 237							
57B	41530-22530	PLUG	3	238	-	C						
58A	35600-60150	SPRING	8	101	- 311	D						

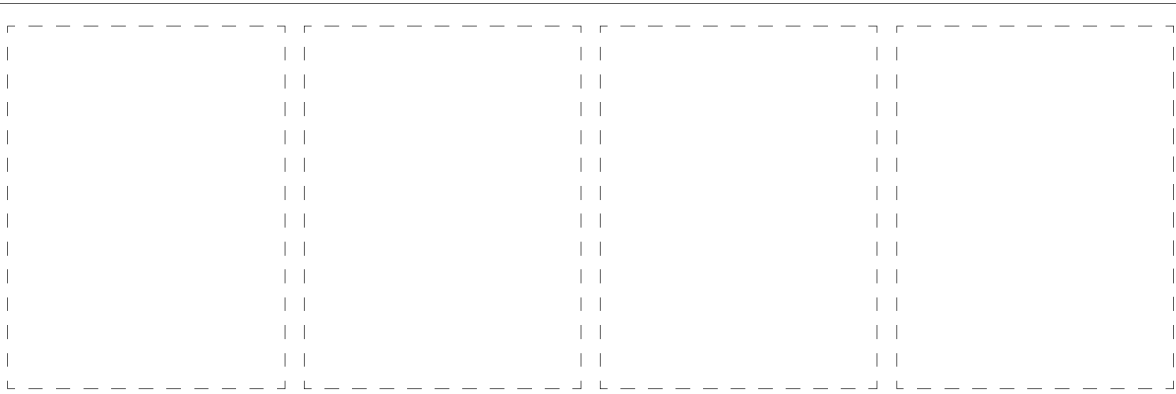
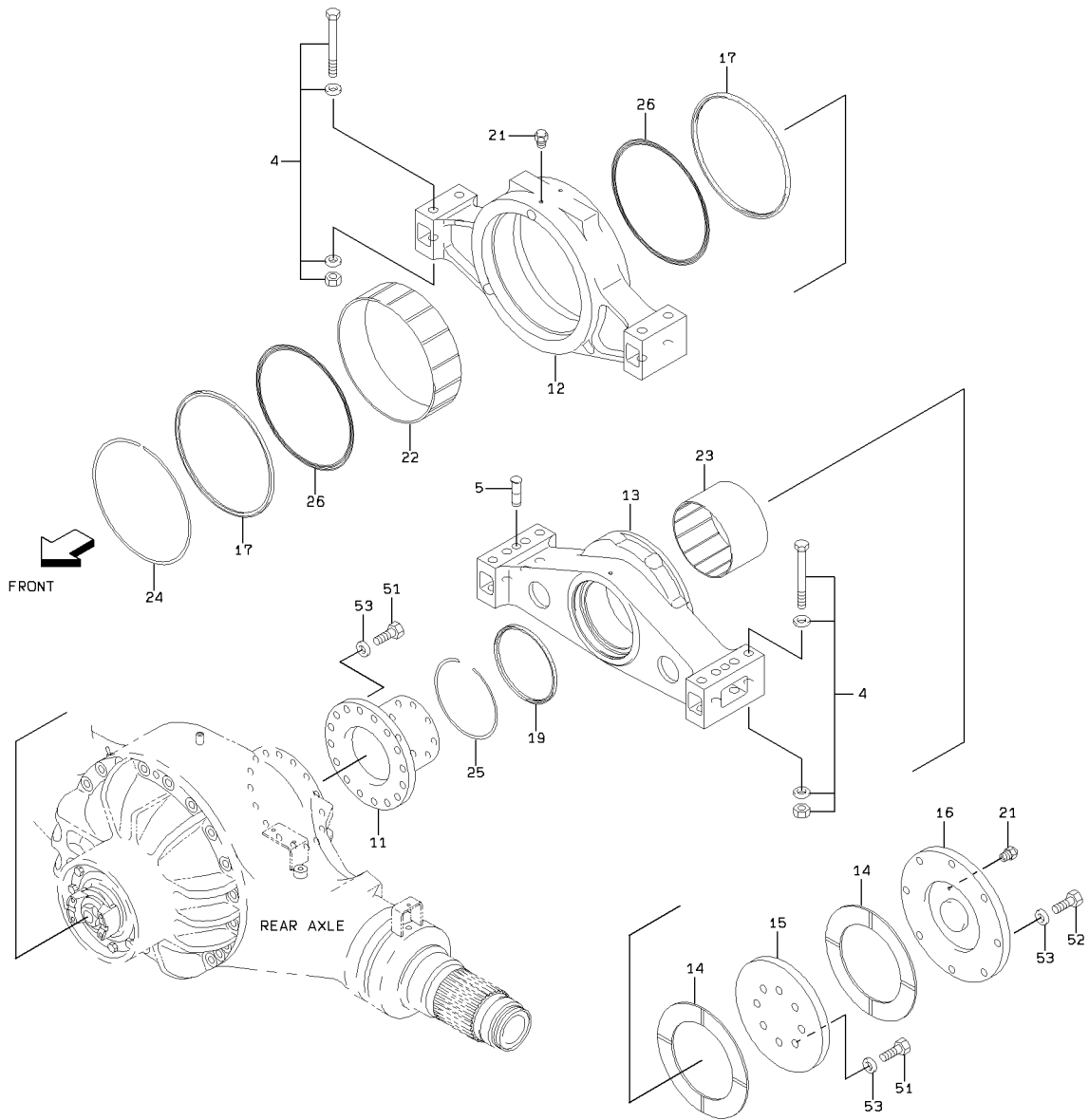
REAR AXLE GROUP

SYM-BOL	PART NUMBER	PART NAME	UNIT Q,TY	SERIAL		REMARKS							
				(A)	(B)	N	P	D	(A)	(B)	(C)	(D)	REMARK
58B	46011-23670	WASHER,PLANE	24	326	-								
59A	35750-23740	SLEEVE	8	101	-	267							
59B	35750-24680	SLEEVE	8	268	-	272	C						
59C	35750-24720	SLEEVE	8	273	-	311	C	D					
60A	40840-24810	BUSHING	8	101	-	267							
60B	40840-26050	BUSHING	8	268	-	311	C	D					
61A	43956-20210	BOLT,SOCKET	8	101	-	311		D					
62A	88390-21302	PLUG	4	473	-								
101A	61005-20045	BOLT	16	101	-								
102A	61033-12050	BOLT	24	101	-								
103A	61101-12025	BOLT,SOCKET	8	101	-								
104A	61802-10016	BOLT,FLANGED	8	101	-								
105A	62710-18101	WASHER,PLANE	24	101	-	325		D					
106A	62710-18201	WASHER,PLANE	16	101	-								
112A	30582-20480	EXTENSION,AXLE HOU	2	101	-				01				
115A	88390-16102	PLUG	4	101	-				01				
119A	40010-20100	PIN,STRAIGHT	2	101	-				01				
122A	40840-23050	BUSHING	1	101	-					02			
132A	40033-20030	PIN,SPRING	2	101	-						03		
141A	38900-24170	FITTING	1	101	-	187		D				04	
142A	35107-60010	SCREW,BLEED	1	101	-	187		D				04	
251A	61805-24075	BOLT,FLANGED	44	101	-								

MEMO

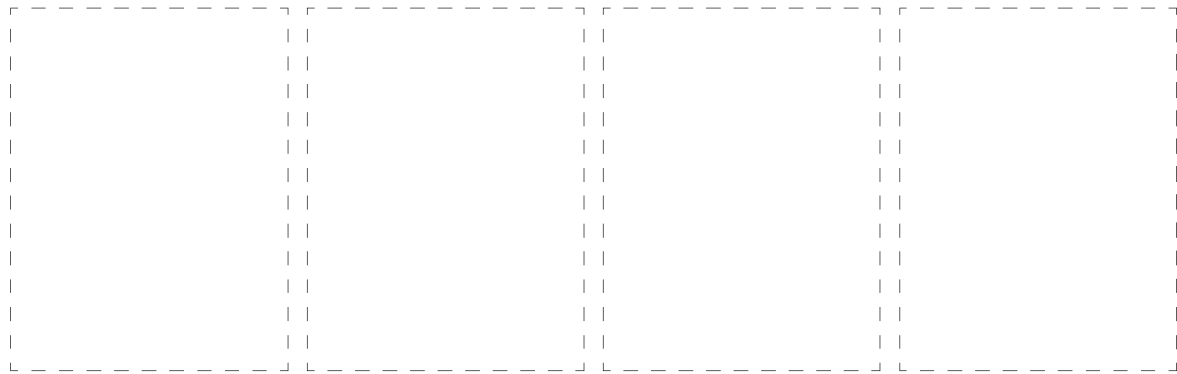
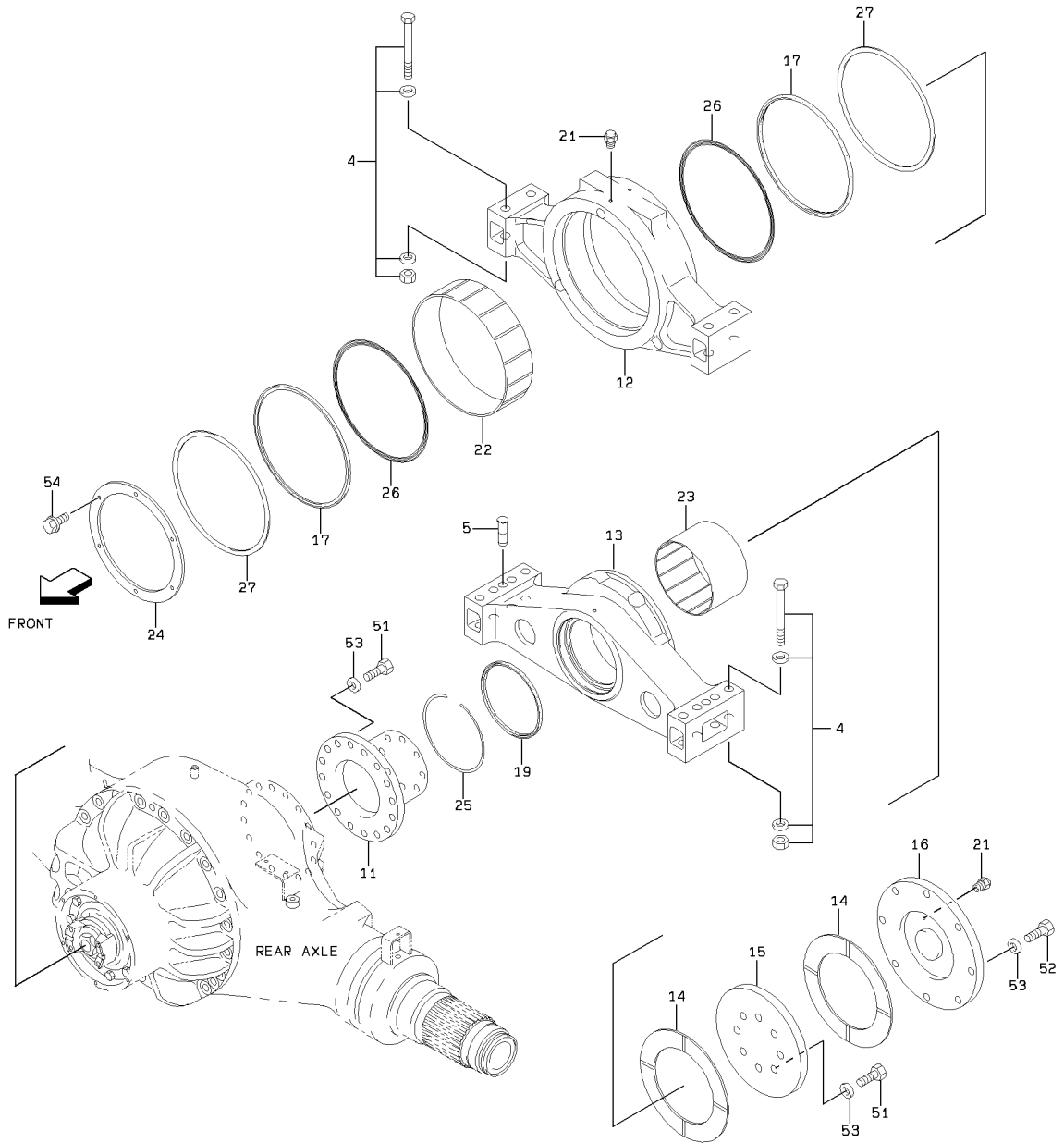
AXLE SUPPORT GROUP (S/N 0101 - 0290)

<S/N 0101 - 0141>



AXLE SUPPORT GROUP (S/N 0101 - 0290)

<S/N 0142 - 0290>



2-A

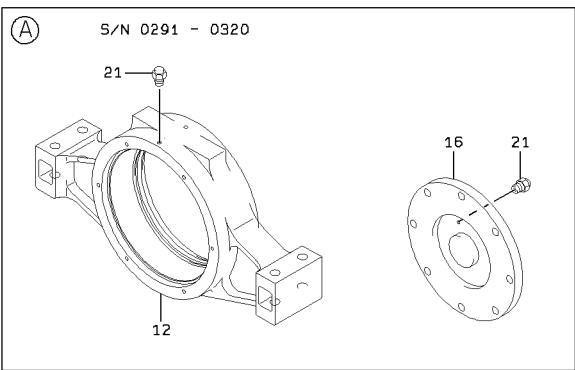
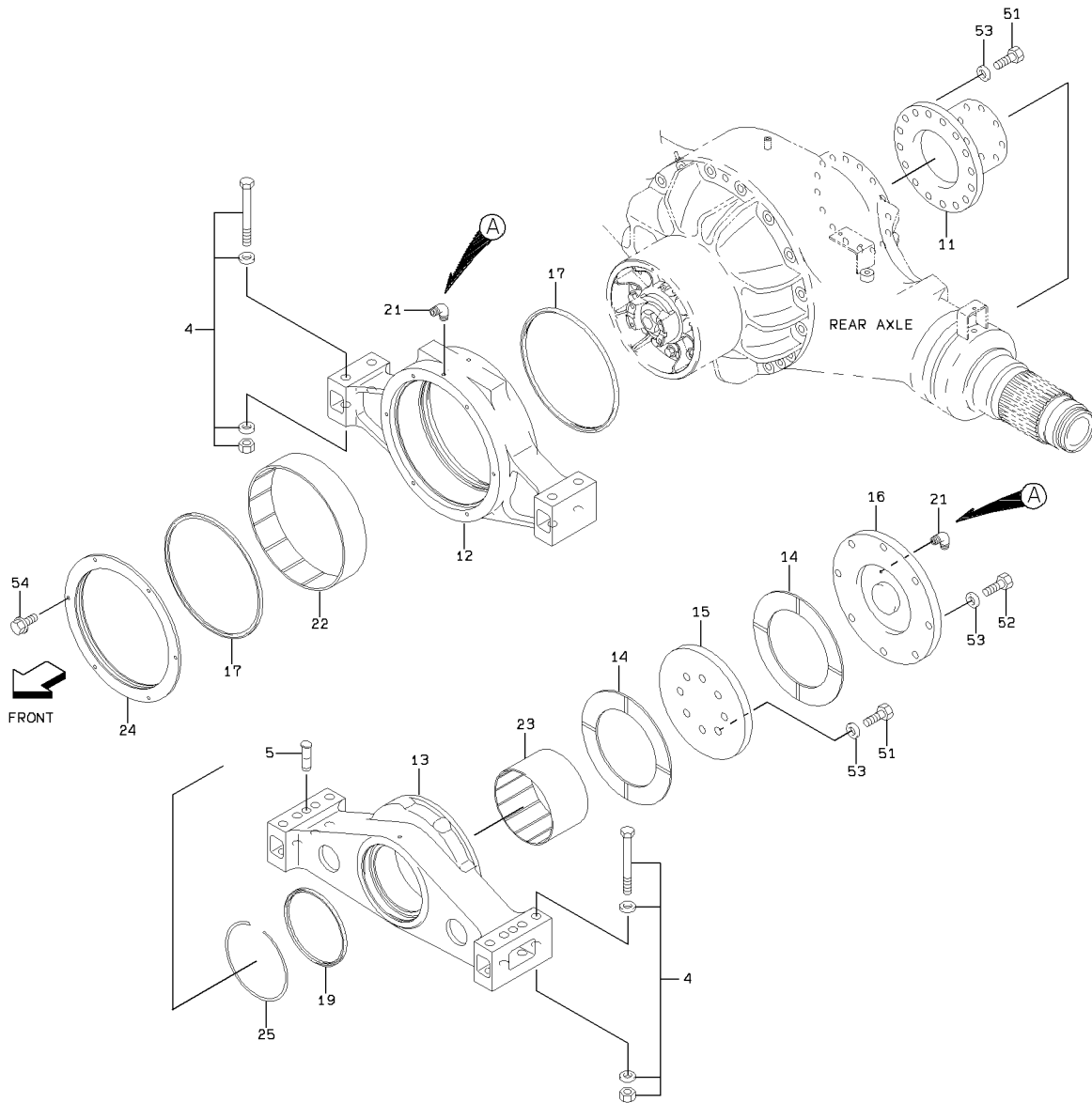
AXLE SUPPORT GROUP (S/N 0101 - 0290)

SYM-BOL	PART NUMBER	PART NAME	UNIT Q,TY	SERIAL		REMARKS						
				(A)	(B)	N	P	D	(A)	(B)	(C)	(D)
4A	43925-21160	BOLT SET	12	101	290							
5A	40044-21740	PIN,HEAD	2	101	290							
11A	34500-24570	SHAFT	1	101	290							
12A	33621-21200	SUPPORT,AXLE	1	101	290							
13A	33621-21520	SUPPORT,AXLE	1	101	290							
14A	47171-20350	RING,WEAR	2	101	290							
15A	41621-21740	PLATE	1	101	290							
16A	41621-28760	PLATE	1	101	290							
17A	39600-60310	PACKING	2	101	290							
19A	39600-60350	PACKING	1	101	290							
21A	41100-60020	BREATHER	2	101	290							
22A	40840-60080	BUSHING	1	101	290							
23A	40840-60120	BUSHING	1	101	234							
23B	40840-60290	BUSHING	1	235	290	C						
24A	45311-20540	RING,SNAP	1	101	141							
24B	41621-30990	PLATE	1	142	290	B						
25A	45311-20560	RING,SNAP	1	101	290							
26A	47131-60110	RING,O	2	101	290							
27A	45200-27590	RING	2	142	290							
51A	61005-20055	BOLT	24	101	290							
52A	61005-20060	BOLT	8	101	290							
53A	62710-18201	WASHER,PLANE	32	101	290							
54A	61802-10020	BOLT,FLANGED	6	142	290							

MEMO

AXLE SUPPORT GROUP (S/N 0291 -)

<S/N 0291 - >

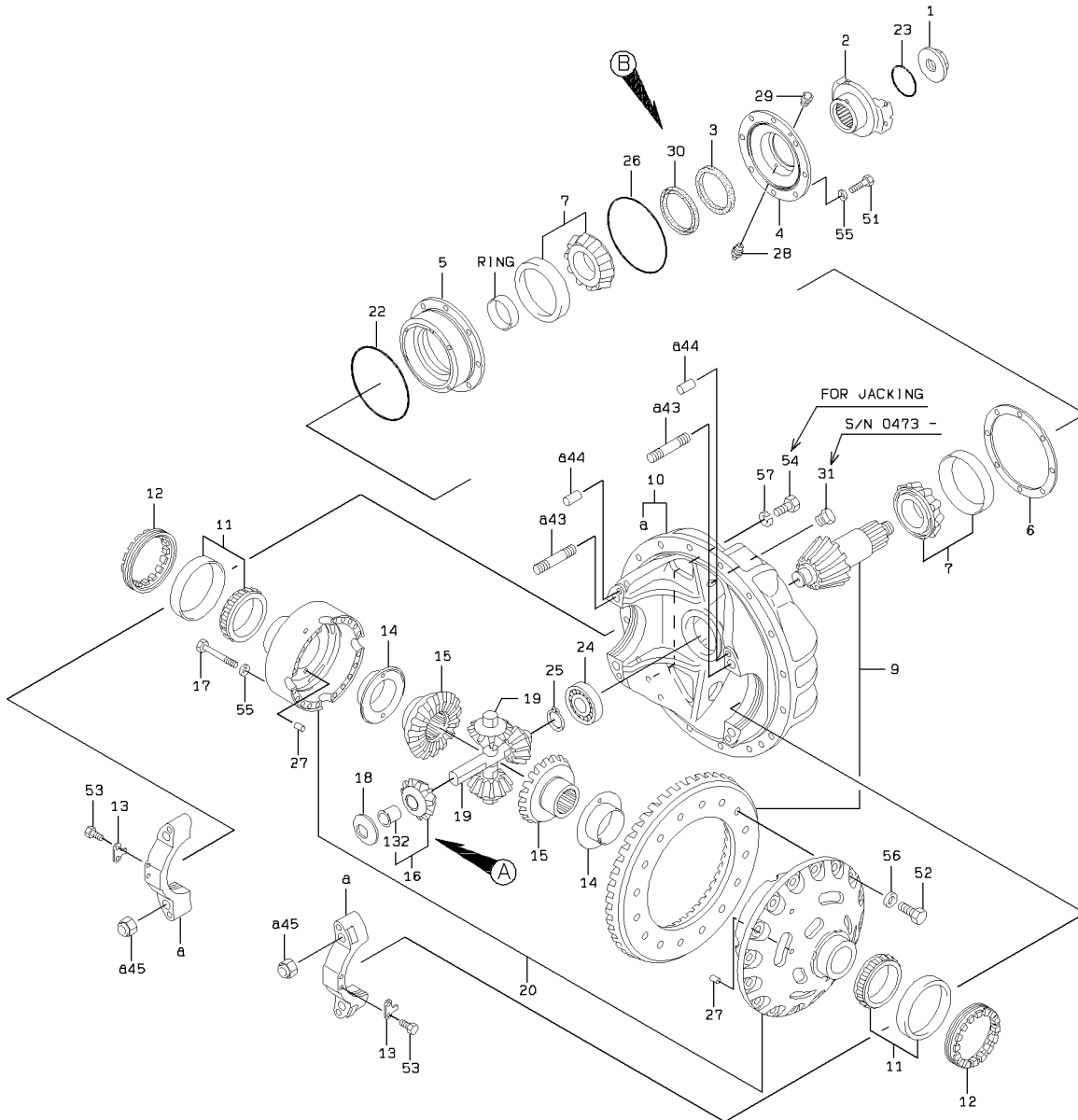


AXLE SUPPORT GROUP (S/N 0291 -)

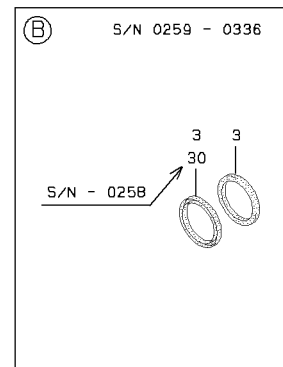
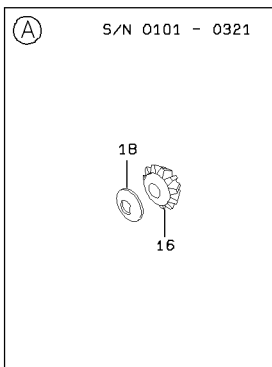
SYM-BOL	PART NUMBER	PART NAME	UNIT Q,TY	SERIAL		REMARKS						
				(A)	(B)	N	P	D	(A)	(B)	(C)	(D)
4A	43925-21160	BOLT SET	12	291	-							
5A	40044-21740	PIN,HEAD	2	291	-							
11A	34500-24570	SHAFT	1	291	-							
12A	33621-21960	SUPPORT,AXLE	1	291	-							
13A	33621-21520	SUPPORT,AXLE	1	291	-							
14A	47171-20350	RING,WEAR	2	291	-							
15A	41621-21740	PLATE	1	291	-							
16A	41621-28760	PLATE	1	291	-							
17A	39600-60480	PACKING	2	291	-							
19A	39600-60350	PACKING	1	291	-	405						
19B	39600-60510	PACKING	1	406	-		C					
21A	41100-60020	BREATHER	2	291	-	320						
21B	69100-20600	FLARED FITTING,ELB	2	321	-		C					
22A	40840-60340	BUSHING	1	291	-							
23A	40840-60290	BUSHING	1	291	-							
24A	45200-29140	RING	1	291	-							
25A	45311-20560	RING,SNAP	1	291	-							
51A	61005-20055	BOLT	24	291	-							
52A	61005-20060	BOLT	8	291	-							
53A	62710-18201	WASHER,PLANE	32	291	-							
54A	61802-10020	BOLT,FLANGED	6	291	-							

FRONT DIFFERENTIAL

(NOTE): SYMBOL 10 CONSISTS OF THE PARTS WITH a.



RING			
101	T=22. 20	112	T=22. 40
102	T=22. 22	113	T=22. 42
103	T=22. 24	114	T=22. 44
104	T=22. 26	115	T=22. 46
105	T=22. 28	116	T=22. 48
106	T=22. 30	117	T=22. 18
107	T=22. 32	118	T=22. 16
108	T=22. 34	119	T=22. 14
109	T=22. 36	120	T=22. 12
111	T=22. 38	121	T=22. 10



FRONT DIFFERENTIAL

SYM-BOL	PART NUMBER	PART NAME	UNIT Q,TY	SERIAL		REMARKS						
				(A)	(B)	N	P	D	(A)	(B)	(C)	(D)
000A	37301-21780	DIFFERENTIAL ASSY	1	101	- 450							
000B	37301-23140	DIFFERENTIAL ASSY	1	451	- 472							
000C	37301-23250	DIFFERENTIAL ASSY	1	473	-							
1A	37600-20360	NUT	1	101	-							
2A	44621-20400	YOKE,FLANGE	1	101	-							
3A	65054-06714	SEAL,OIL	1	101	- 258							
3B	34042-60590	SEAL,OIL	2	259	- 336							
3C	34042-60590	SEAL,OIL	1	337	-							
4A	44951-20050	RETAINER,OIL SEAL	1	101	-							
5A	44960-20030	RETAINER,BEARING	1	101	-							
6A	34200-21210	SHIM	A/R	101	-							T=0.1-1.0
7A	42004-60390	BEARING,TAPER ROLL	2	101	-							
9A	32420-20120	GEAR SET,SPIRAL BE	1	101	-							
10A	37904-20250	HOUSING ASSY	1	101	- 472				Y01			
10B	37904-21200	HOUSING ASSY	1	473	-				Y01			
11A	42004-70020	BEARING,TAPER ROLL	2	101	-							
12A	37600-20290	NUT	2	101	-							
13A	41641-20330	PLATE	2	101	-							
14A	40840-20500	BUSHING	2	101	-							
15A	32433-60180	GEAR,BEVEL	2	101	-							P/ANGLE=25 DEG
16A	32433-60170	GEAR,BEVEL	4	101	- 321							P/ANGLE=25 DEG
16B	32433-20590	GEAR,BEVEL	4	322	- 387				Y02			
16C	32433-20620	GEAR,BEVEL	4	388	- 450				Y02			
16D	32433-20640	GEAR,BEVEL	4	451	-				Y02			
17A	61013-16120	BOLT	16	101	-							
18A	47171-20130	RING,WEAR	4	101	- 321							
18B	47171-21560	RING,WEAR	4	322	-							
19A	35510-20420	SPIDER	2	101	- 410							
19B	35510-20810	SPIDER	2	411	-							
20A	37904-20260	HOUSING ASSY	1	101	-							
22A	65210-22220	RING,O	1	101	-							
23A	65210-22100	RING,O	1	101	-							
24A	42003-20030	BEARING,ROLLER	1	101	-							
25A	63811-00045	RING,SNAP	1	101	-							
26A	65211-32204	RING,O	1	101	-							
27A	63021-08012	PIN,STRAIGHT	4	101	-							
28A	75011-25400	NIPPLE,GREASE	1	101	-							
29A	41100-60030	BREATHER	1	101	-							
30A	34042-60390	SEAL,OIL	1	101	- 258							
30B	34042-60660	SEAL,OIL	1	337	-							
31A	88390-21312	PLUG	1	473	-							
43A	43955-20070	BOLT,STUD	4	101	-					01		
44A	40010-20390	PIN,STRAIGHT	4	101	-					01		
45A	88031-06241	NUT,SELF-LOCKING	4	101	-					01		
51A	61005-16050	BOLT	8	101	-							
52A	61006-24055	BOLT	16	101	-							
53A	61033-10020	BOLT	4	101	-							
54A	61033-16020	BOLT	2	101	-							FR JACKING
55A	62710-18161	WASHER,PLANE	24	101	-							
56A	62710-18241	WASHER,PLANE	16	101	-							
57A	62721-16100	WASHER,SPRING	2	101	-							
101A	45200-25240	RING	1	101	-							T=22.20
102A	45200-25250	RING	1	101	-							T=22.22
103A	45200-25260	RING	1	101	-							T=22.24
104A	45200-25270	RING	1	101	-							T=22.26
105A	45200-25280	RING	1	101	-							T=22.28
106A	45200-25290	RING	1	101	-							T=22.30
107A	45200-25300	RING	1	101	-							T=22.32
108A	45200-25310	RING	1	101	-							T=22.34
109A	45200-25320	RING	1	101	-							T=22.36
111A	45200-25330	RING	1	101	-							T=22.38
112A	45200-25340	RING	1	101	-							T=22.40
113A	45200-25350	RING	1	101	-							T=22.42
114A	45200-25360	RING	1	101	-							T=22.44
115A	45200-25370	RING	1	101	-							T=22.46
116A	45200-25380	RING	1	101	-							T=22.48

FRONT DIFFERENTIAL

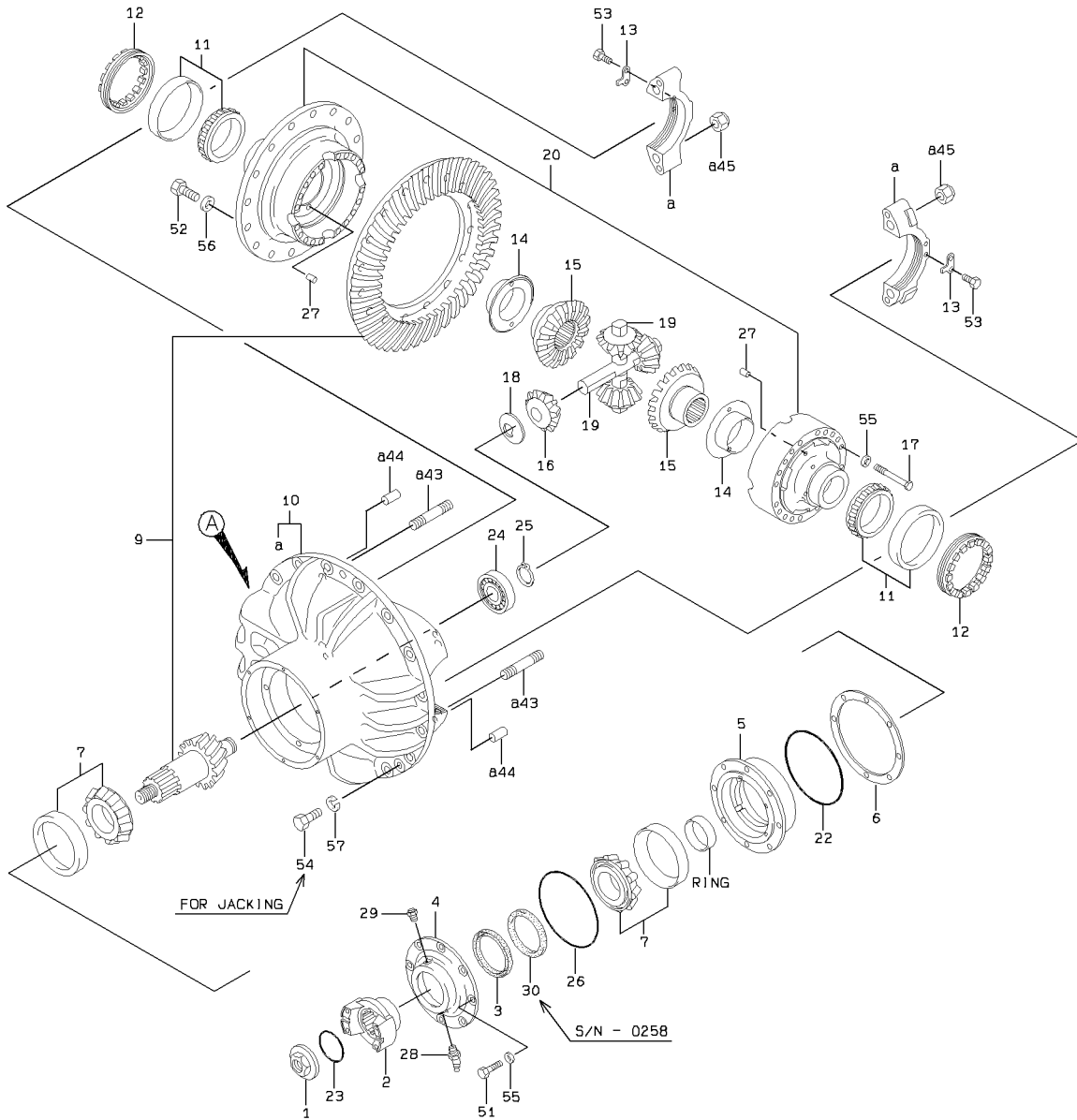
SYM-BOL	PART NUMBER	PART NAME	UNIT Q.TY	SERIAL		REMARKS							
				(A)	(B)	N	P	D	(A)	(B)	(C)	(D)	REMARK
117A	45200-29910	RING	1	321	-								T=22.18
118A	45200-29920	RING	1	321	-								T=22.16
119A	45200-29930	RING	1	321	-								T=22.14
120A	45200-29940	RING	1	321	-								T=22.12
121A	45200-29950	RING	1	321	-								T=22.10
132A	40840-73240	BUSHING	1	322	- 450								02
132B	40840-60420	BUSHING	1	451	-								02

MEMO

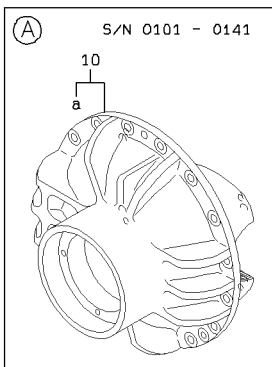
REAR DIFFERENTIAL (S/N 0101 -0 290)

<S/N 0101 - 0290>

(NOTE) : SYMBOL 10 CONSISTS OF THE PARTS WITH a.



RING			
101	T=22. 20	109	T=22. 36
102	T=22. 22	111	T=22. 38
103	T=22. 24	112	T=22. 40
104	T=22. 26	113	T=22. 42
105	T=22. 28	114	T=22. 44
106	T=22. 30	115	T=22. 46
107	T=22. 32	116	T=22. 48
108	T=22. 34		



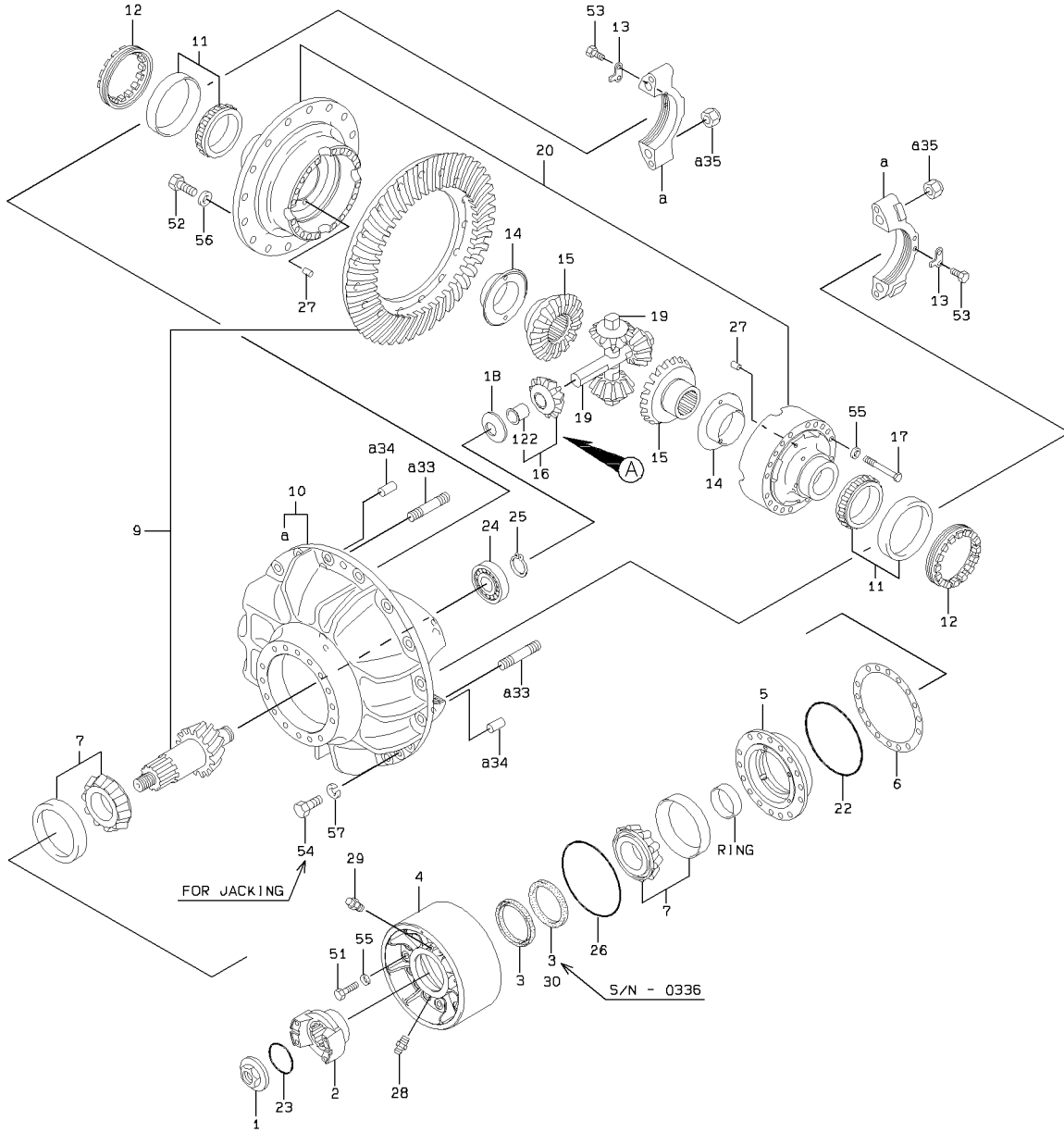
REAR DIFFERENTIAL (S/N 0101 -0 290)

SYM-BOL	PART NUMBER	PART NAME	UNIT Q,TY	SERIAL		REMARKS									
				(A)	(B)	N	P	D	(A)	(B)	(C)	(D)	REMARK		
000A	37301-21590	DIFFERENTIAL ASSY	1	101	-	141									
000B	37301-22010	DIFFERENTIAL ASSY	1	142	-	290	B								
1A	37600-20360	NUT	1	101	-	290									
2A	44621-20410	YOKE,FLANGE	1	101	-	290									
3A	65054-06714	SEAL,OIL	1	101	-	258									
3B	34042-60590	SEAL,OIL	2	259	-	290	C								
4A	44951-20050	RETAINER,OIL SEAL	1	101	-	290									
5A	44960-20030	RETAINER,BEARING	1	101	-	290									
6A	34200-21210	SHIM	A/R	101	-	290									T=0.1-1.0
7A	42004-60390	BEARING,TAPER ROLL	2	101	-	290									
9A	32420-20120	GEAR SET,SPIRAL BE	1	101	-	290									
10A	37904-20470	HOUSING ASSY	1	101	-	141	N	Y01							
10B	37904-20840	HOUSING ASSY	1	142	-	290	N	B	Y01						
11A	42004-70020	BEARING,TAPER ROLL	2	101	-	290									
12A	37600-20290	NUT	2	101	-	290									
13A	41641-20330	PLATE	2	101	-	290									
14A	40840-20500	BUSHING	2	101	-	290									
15A	32433-60180	GEAR,BEVEL	2	101	-	290									P/ANGLE=25 DEG
16A	32433-60170	GEAR,BEVEL	4	101	-	290									P/ANGLE=25 DEG
17A	61013-16120	BOLT	16	101	-	290									
18A	47171-20130	RING,WEAR	4	101	-	290									
19A	35510-20420	SPIDER	2	101	-	290									
20A	37904-20260	HOUSING ASSY	1	101	-	290									
22A	65210-22220	RING,O	1	101	-	290									
23A	65210-22100	RING,O	1	101	-	290									
24A	42003-20030	BEARING,ROLLER	1	101	-	290									
25A	63811-00045	RING,SNAP	1	101	-	290									
26A	65211-32204	RING,O	1	101	-	290									
27A	63021-08012	PIN,STRAIGHT	4	101	-	290									
28A	75011-45400	NIPPLE,GREASE	1	101	-	290									
29A	41100-60030	BREATHER	1	101	-	290									
30A	34042-60390	SEAL,OIL	1	101	-	258	D								
43A	43955-20070	BOLT,STUD	4	101	-	290				01					
44A	40010-20390	PIN,STRAIGHT	4	101	-	290				01					
45A	88031-06241	NUT,SELF-LOCKING	4	101	-	290				01					
51A	61005-16050	BOLT	8	101	-	290									
52A	61006-24055	BOLT	16	101	-	290									
53A	61033-10020	BOLT	4	101	-	290									
54A	61033-16020	BOLT	2	101	-	290									
55A	62710-18161	WASHER,PLANE	24	101	-	290									
56A	62710-18241	WASHER,PLANE	16	101	-	290									
57A	62721-16100	WASHER,SPRING	2	101	-	290									
101A	45200-25240	RING	1	101	-	290									L=22.20
102A	45200-25250	RING	1	101	-	290									L=22.22
103A	45200-25260	RING	1	101	-	290									L=22.24
104A	45200-25270	RING	1	101	-	290									L=22.26
105A	45200-25280	RING	1	101	-	290									L=22.28
106A	45200-25290	RING	1	101	-	290									L=22.30
107A	45200-25300	RING	1	101	-	290									L=22.32
108A	45200-25310	RING	1	101	-	290									L=22.34
109A	45200-25320	RING	1	101	-	290									L=22.36
111A	45200-25330	RING	1	101	-	290									L=22.38
112A	45200-25340	RING	1	101	-	290									L=22.40
113A	45200-25350	RING	1	101	-	290									L=22.42
114A	45200-25360	RING	1	101	-	290									L=22.44
115A	45200-25370	RING	1	101	-	290									L=22.46
116A	45200-25380	RING	1	101	-	290									L=22.48

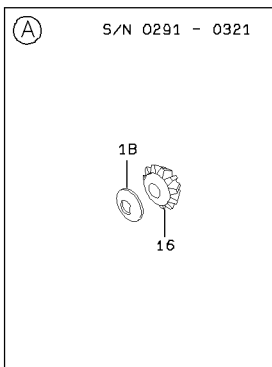
REAR DIFFERENTIAL (S/N 0291 -)

<S/N 0291 - >

(NOTE):SYMBOL 10 CONSISTS OF THE PARTS WITH a.



RING			
41	T=22. 20	102	T=22. 40
42	T=22. 22	103	T=22. 42
43	T=22. 24	104	T=22. 44
44	T=22. 26	105	T=22. 46
45	T=22. 28	106	T=22. 48
46	T=22. 30	107	T=22. 18
47	T=22. 32	108	T=22. 16
48	T=22. 34	109	T=22. 14
49	T=22. 36	110	T=22. 12
101	T=22. 38	111	T=22. 10



REAR DIFFERENTIAL (S/N 0291 -)

SYM-BOL	PART NUMBER	PART NAME	UNIT Q,TY	SERIAL		REMARKS						
				(A)	(B)	N	P	D	(A)	(B)	(C)	(D)
000A	37301-22690	DIFFERENTIAL ASSY	1	291	- 450							
000B	37301-23150	DIFFERENTIAL ASSY	1	451	- 472	C						
000C	37301-23180	DIFFERENTIAL ASSY	1	473	-	C						
1A	37600-20360	NUT	1	291	-							
2A	44621-20410	YOKE,FLANGE	1	291	-							
3A	34042-60590	SEAL,OIL	2	291	- 336							
3B	34042-60590	SEAL,OIL	1	337	-							
4A	37381-20080	TRUNNION	1	291	-							
5A	37900-25640	HOUSING	1	291	-							
6A	34200-27650	SHIM	A/R	291	-							T=0.1-1.0
7A	42004-60390	BEARING,TAPER ROLL	2	291	-							
9A	32420-20120	GEAR SET,SPIRAL BE	1	291	-							
10A	37904-21010	HOUSING ASSY	1	291	- 472			Y01				
10B	37904-21170	HOUSING ASSY	1	473	-	C		Y01				
11A	42004-70020	BEARING,TAPER ROLL	2	291	-							
12A	37600-20290	NUT	2	291	-							
13A	41641-20330	PLATE	2	291	-							
14A	40840-20500	BUSHING	2	291	-							
15A	32433-60180	GEAR,BEVEL	2	291	-							P/ANGLE=25 DEG
16A	32433-60170	GEAR,BEVEL	4	291	- 321							P/ANGLE=25 DEG
16B	32433-20590	GEAR,BEVEL	4	322	- 387	C		Y02				
16C	32433-20620	GEAR,BEVEL	4	388	- 450	C		Y02				
16D	32433-20640	GEAR,BEVEL	4	451	-	B		Y02				
17A	61013-16120	BOLT	16	291	-							
18A	47171-20130	RING,WEAR	4	291	- 321							
18B	47171-21560	RING,WEAR	4	322	-	C						
19A	35510-20420	SPIDER	2	291	- 410							
19B	35510-20810	SPIDER	2	411	-	C						
20A	37904-20260	HOUSING ASSY	1	291	-							
22A	65210-22220	RING,O	1	291	-							
23A	65210-22100	RING,O	1	291	-							
24A	42003-20030	BEARING,ROLLER	1	291	-							
25A	63811-00045	RING,SNAP	1	291	-							
26A	65211-32204	RING,O	1	291	-							
27A	63021-08012	PIN,STRAIGHT	4	291	-							
28A	75011-25400	NIPPLE,GREASE	1	291	-							
29A	41100-60030	BREATHER	1	291	-							
30A	34042-60660	SEAL,OIL	1	337	-							
33A	43955-20070	BOLT,STUD	4	291	-			01				
34A	40010-20390	PIN,STRAIGHT	4	291	-			01				
35A	88031-06241	NUT,SELF-LOCKING	4	291	-			01				
41A	45200-25240	RING	1	291	-							T=22.20
42A	45200-25250	RING	1	291	-							T=22.22
43A	45200-25260	RING	1	291	-							T=22.24
44A	45200-25270	RING	1	291	-							T=22.26
45A	45200-25280	RING	1	291	-							T=22.28
46A	45200-25290	RING	1	291	-							T=22.30
47A	45200-25300	RING	1	291	-							T=22.32
48A	45200-25310	RING	1	291	-							T=22.34
49A	45200-25320	RING	1	291	-							T=22.36
51A	61005-16065	BOLT	16	291	-							
52A	61006-24055	BOLT	16	291	-							
53A	61033-10020	BOLT	4	291	-							
54A	61033-16020	BOLT	2	291	-							FR JACKING
55A	62710-18161	WASHER,PLANE	32	291	-							
56A	62710-18241	WASHER,PLANE	16	291	-							
57A	62721-16100	WASHER,SPRING	2	291	-							
101A	45200-25330	RING	1	291	-							T=22.38
102A	45200-25340	RING	1	291	-							T=22.40
103A	45200-25350	RING	1	291	-							T=22.42
104A	45200-25360	RING	1	291	-							T=22.44
105A	45200-25370	RING	1	291	-							T=22.46
106A	45200-25380	RING	1	291	-							T=22.48
107A	45200-29910	RING	1	321	-							T=22.18
108A	45200-29920	RING	1	321	-							T=22.16
109A	45200-29930	RING	1	321	-							T=22.14

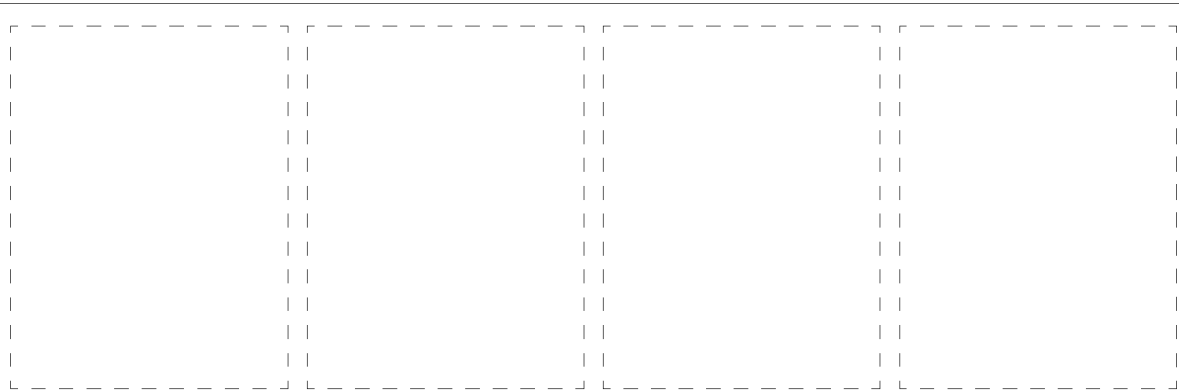
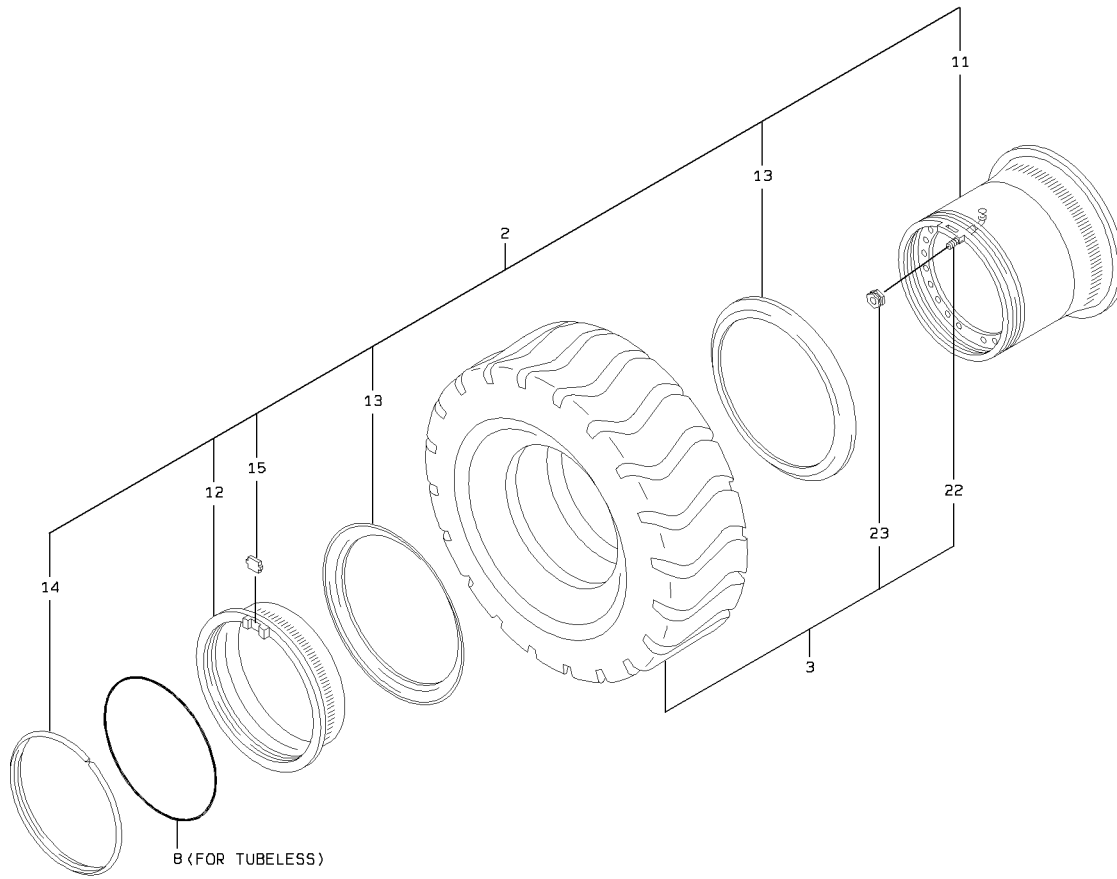
REAR DIFFERENTIAL (S/N 0291 -)

SYM-BOL	PART NUMBER	PART NAME	UNIT Q,TY	SERIAL		REMARKS						
				(A)	(B)	N	P	D	(A)	(B)	(C)	(D)
110A	45200-29940	RING	1	321	-							T=22.12
111A	45200-29950	RING	1	321	-							T=22.10
122A	40840-73240	BUSHING	1	322	-						02	
122B	40840-60420	BUSHING	1	451	-						02	

MEMO

TIRE & DISC WHEEL GROUP

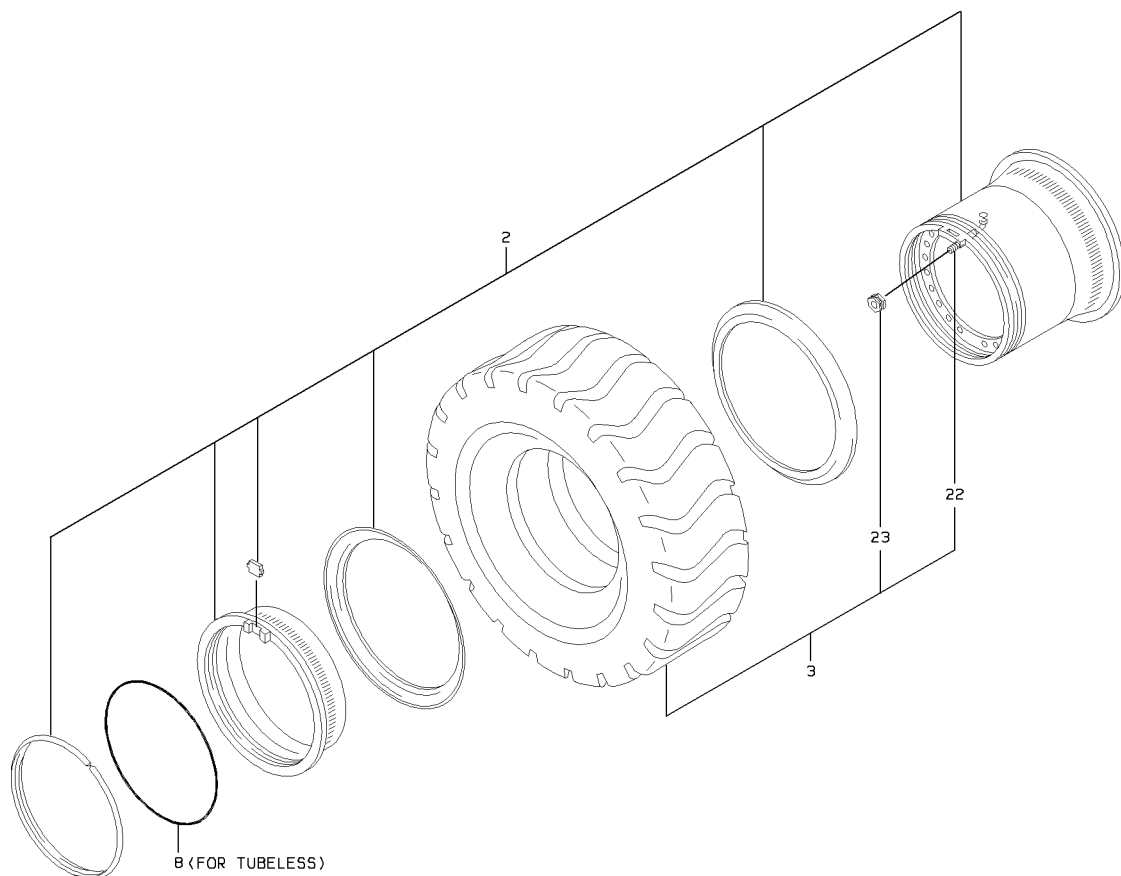
<S/N 0101 - 0388>



1-A

TIRE & DISC WHEEL GROUP

<S/N 0389 - >



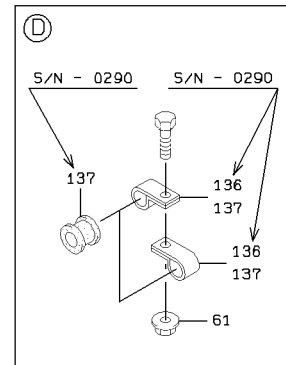
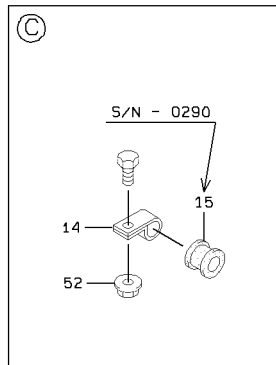
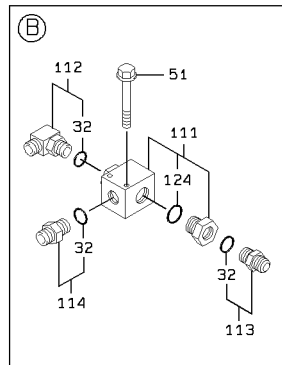
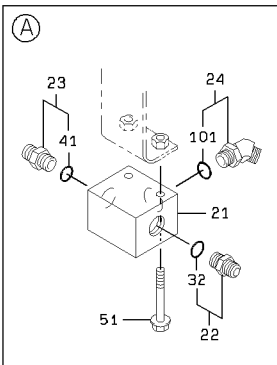
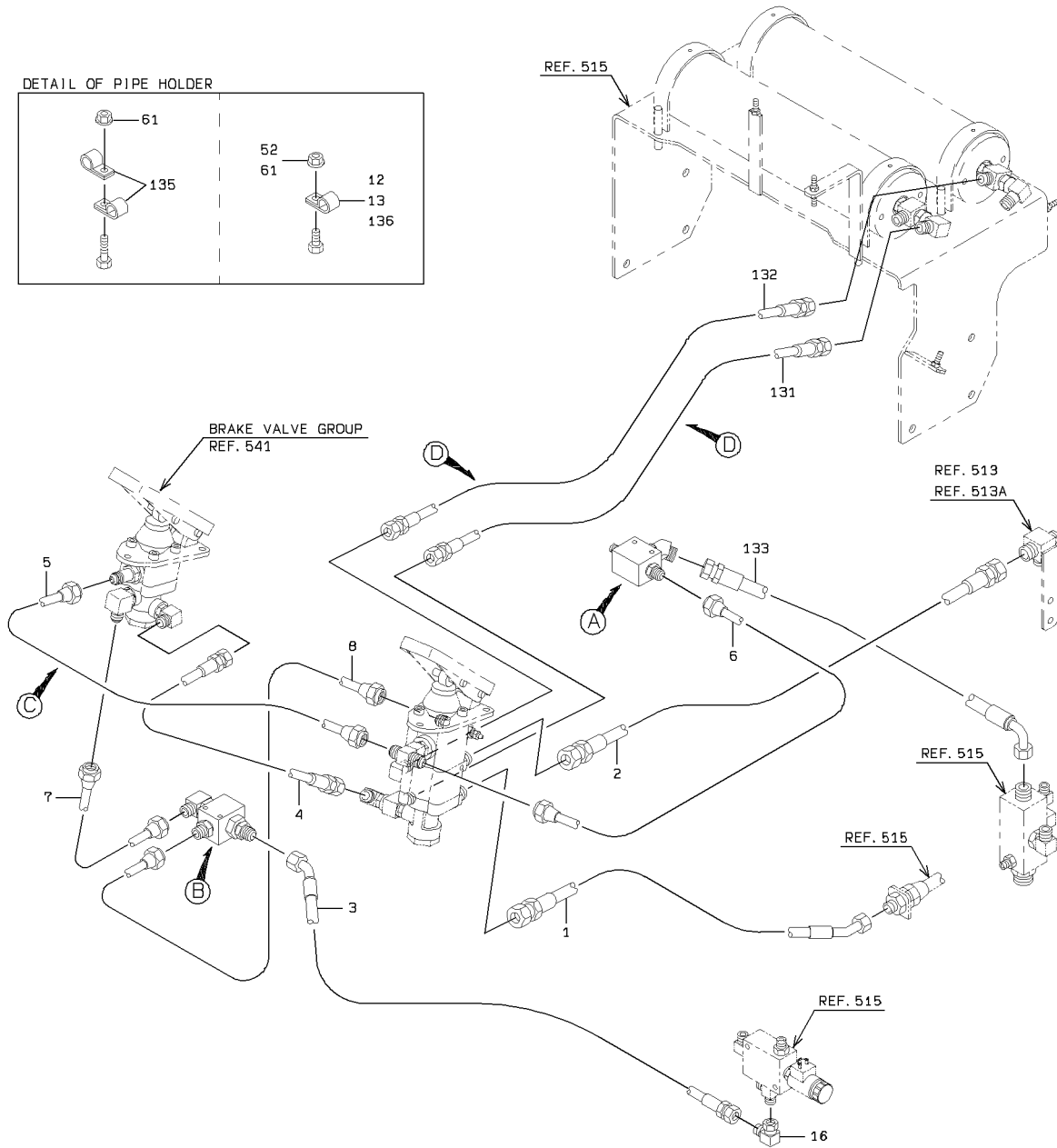
2-A

TIRE & DISC WHEEL GROUP

SYM-BOL	PART NUMBER	PART NAME	UNIT Q,TY	SERIAL		REMARKS							
				(A)	(B)	N	P	D	(A)	(B)	(C)	(D)	REMARK
2A	43424-61300	WHEEL,DISC	4	101	-	388							FR 29.5-25(T/L)
2B	43424-62020	WHEEL,DISC	4	389	-		A						
3A	71061-34600	TIRE ASSY,TUBELESS	4	101	-						Y02		FR 29.5-25
8A	47131-71120	RING,O	4	101	-								FR TUBELESS
11A	45040-70120	RIM	1	101	-	388	D		01				
12A	45200-60100	RING	1	101	-	388	D		01				
13A	45282-70180	RING,SIDE	2	101	-	388	D		01				
14A	45324-60350	RING,LOCK	1	101	-	388	D		01				
15A	49457-70060	DRIVER,LOCK RING	1	101	-	388	D		01				
22A	38510-60470	VALVE	1	101	-							02	
23A	38542-60050	VALVE UNIT	1	101	-							02	

MEMO

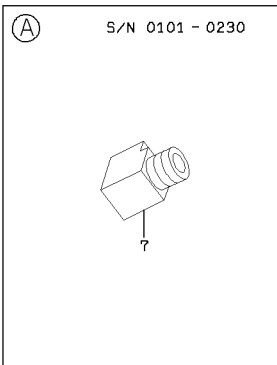
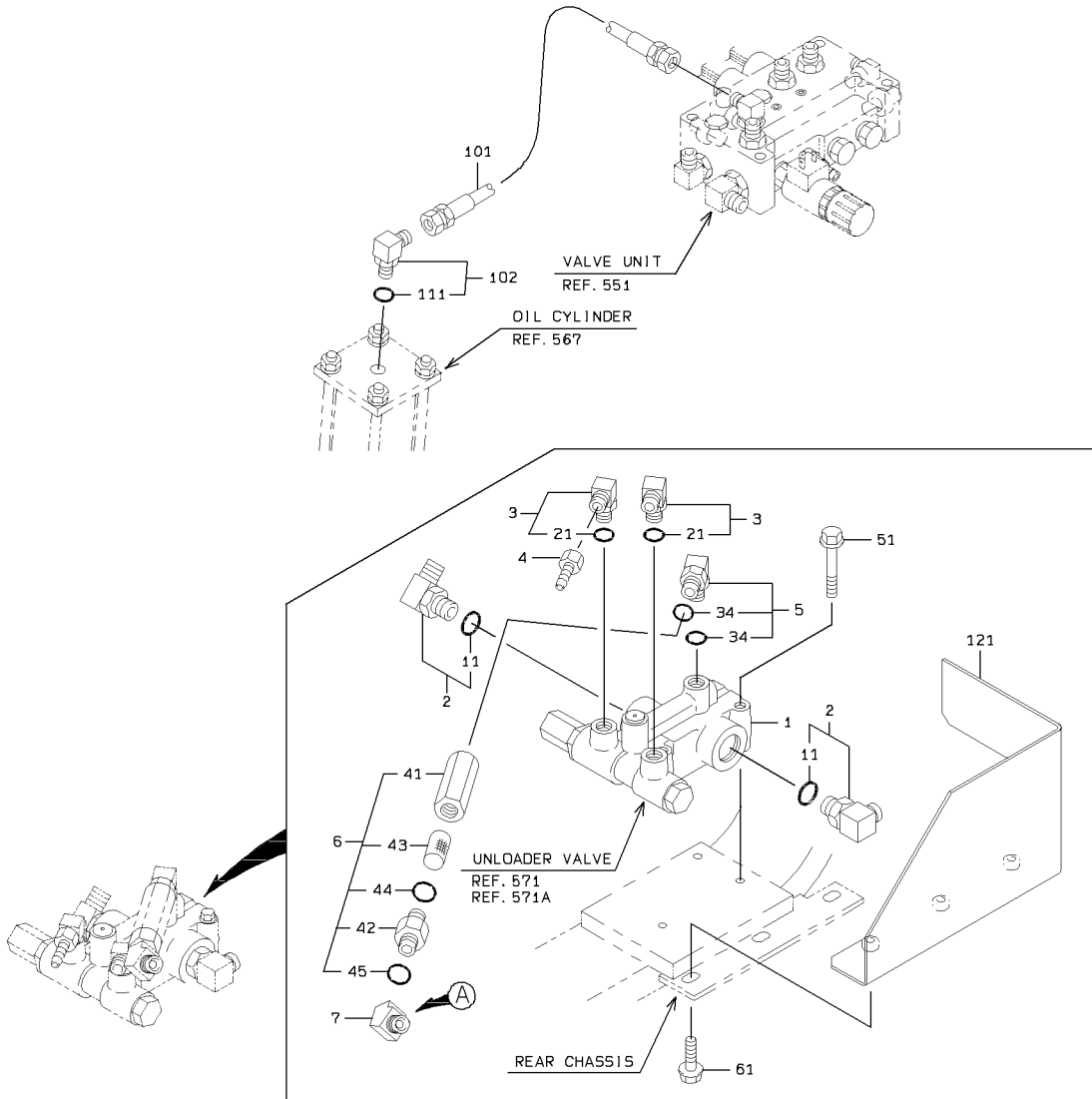
BRAKE LINE - FLOOR BOARD



BRAKE LINE - FLOOR BOARD

SYM-BOL	PART NUMBER	PART NAME	UNIT Q,TY	SERIAL		REMARKS							
				(A)	(B)	N	P	D	(A)	(B)	(C)	(D)	REMARK
1A	68645-50060	HOSE,HIGH PRESSURE	1	101	-	469							
1B	68645-50062	HOSE,HIGH PRESSURE	1	470	-								
2A	68655-50127	HOSE,HIGH PRESSURE	1	101	-								
3A	68645-20135	HOSE,HIGH PRESSURE	1	101	-								
4A	68655-20045	HOSE,HIGH PRESSURE	1	101	-								
5A	38705-51940	PIPE ASSY,FLARED	1	101	-								
6A	38705-52520	PIPE ASSY,FLARED	1	101	-								
7A	38705-52530	PIPE ASSY,FLARED	1	101	-								
8A	38705-52540	PIPE ASSY,FLARED	1	101	-								
12A	72001-11800	HOLDER,PIPE	A/R	101	-								D=18
13A	72010-31000	HOLDER,HOSE	A/R	101	-								D=31
14A	72001-12500	HOLDER,PIPE	1	101	-	290							D=25
14B	43573-20300	HOLDER,PIPE	1	291	-		B						D=18
15A	65801-16220	BUSHING,ELASTIC	1	101	-	290	D						
16A	30242-20360	ADAPTER,ELBOW UNIO	1	101	-	179							
16B	30242-20190	ADAPTER,ELBOW UNIO	1	180	-		A						
21A	41410-32580	BLOCK	1	101	-								
22A	40730-20030	FLARED FITTING	1	101	-			Y01					
23A	88201-06706	ADAPTER	1	101	-				Y02				
24A	88241-07212	ADAPTER,ELBOW	1	101	-					Y03			
32A	65210-12018	RING,O	1	101	-			01					
41A	65210-12014	RING,O	1	101	-				02				
51A	61802-06070	BOLT,FLANGED	4	101	-								
52A	62480-21081	NUT,FLANGED	A/R	101	-								
61A	62480-21081	NUT,FLANGED	A/R	101	-								
101A	65210-12024	RING,O	1	101	-					03			
111A	38554-20110	VALVE,CHECK	1	101	-						Y04		
112A	40732-20440	FLARED FITTING,ELB	1	101	-			Y01					
113A	30230-22300	ADAPTER	1	101	-			Y01					
114A	40730-20360	FLARED FITTING	1	101	-			Y01					
124A	65210-12028	RING,O	2	101	-					04			
131A	68655-30170	HOSE,HIGH PRESSURE	1	101	-								
132A	68655-30190	HOSE,HIGH PRESSURE	1	101	-								
133A	68235-50090	HOSE,HIGH PRESSURE	1	101	-								
135A	72001-12500	HOLDER,PIPE	A/R	101	-								D=25
136A	72010-31000	HOLDER,HOSE	A/R	101	-								D=31
137A	65801-25250	BUSHING,ELASTIC	4	101	-	290							
137B	43573-20460	HOLDER,PIPE	4	291	-		B						D=22

BRAKE LINE - REAR CHASSIS

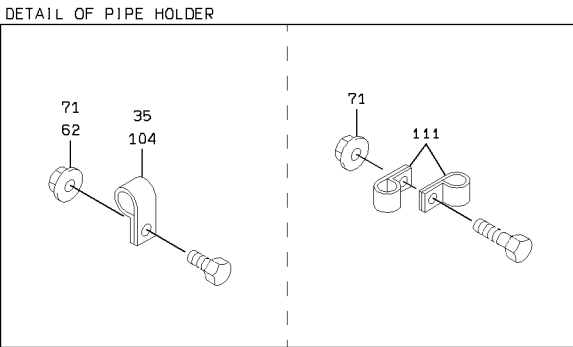
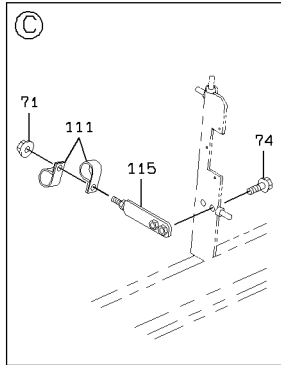
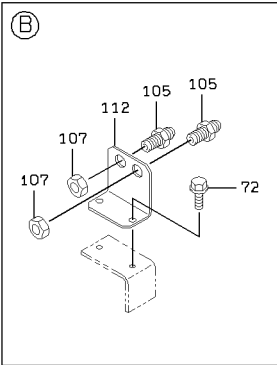
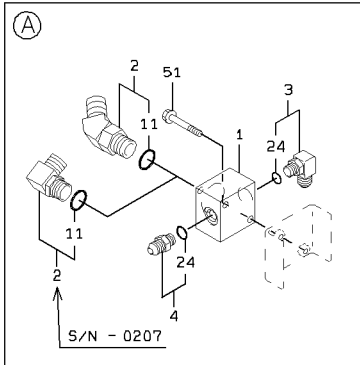
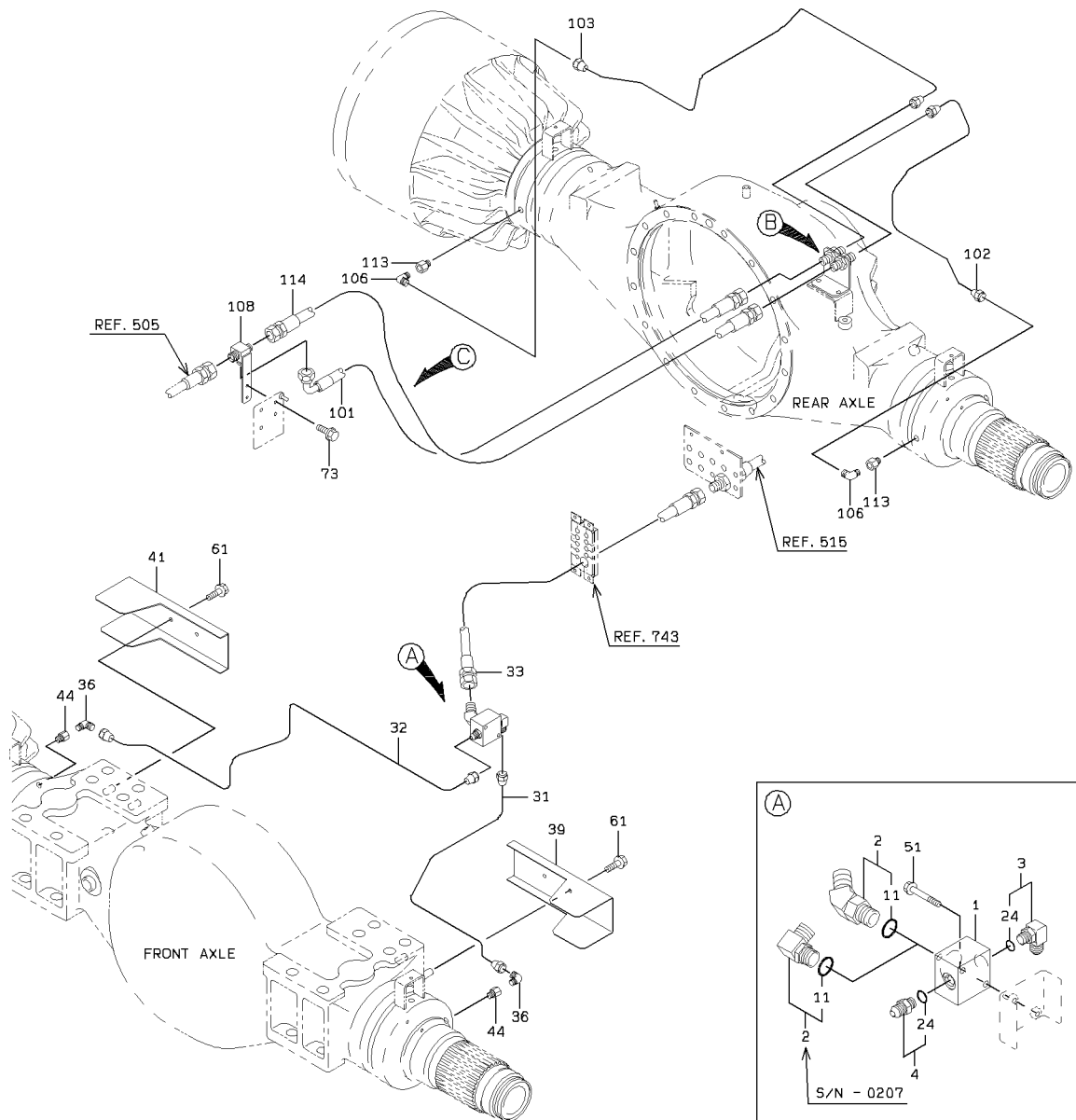


BRAKE LINE - REAR CHASSIS

SYM-BOL	PART NUMBER	PART NAME	UNIT Q,TY	SERIAL		REMARKS													
				(A)	(B)	N	P	D	(A)	(B)	(C)	(D)	REMARK						
1A	38543-60160	VALVE,UNLOADER	1	101	-	328													
1B	38543-60280	VALVE,UNLOADER	1	329	-		A												REF571
2A	88241-07116	ADAPTER,ELBOW	2	101	-						Y01								REF571A
3A	88241-07106	ADAPTER,ELBOW	2	101	-							Y02							
4A	88511-03060	NIPPLE,HOSE	1	101	-														
5A	30241-23920	ADAPTER,ELBOW	1	101	-														Y03
6A	40337-60370	FILTER ASSY,LINE	1	101	-														Y04
7A	30241-23930	ADAPTER,ELBOW	1	101	-	230													
7B	30241-24650	ADAPTER,ELBOW	1	231	-		B												
11A	65210-12029	RING,O	1	101	-						01								
21A	65210-12014	RING,O	1	101	-							02							
34A	65210-12014	RING,O	2	101	-								03						
41A	33100-70690	CASE	1	101	-														04
42A	37710-70390	NIPPLE	1	101	-														04
43A	30981-70720	ELEMENT,FILTER	1	101	-														04
44A	65210-12018	RING,O	1	101	-														04
45A	65210-12014	RING,O	1	101	-														04
51A	61802-10065	BOLT,FLANGED	3	101	-														
61A	61802-08020	BOLT,FLANGED	3	101	-														
101A	43113-37900	HOSE,HIGH PRESSURE	1	101	-	274													
101B	43113-32800	HOSE,HIGH PRESSURE	1	275	-		C												
102A	88241-07104	ADAPTER,ELBOW	1	101	-						Y05								
111A	65210-12011	RING,O	1	101	-						05								
121A	31205-42970	COVER	1	101	-														

BRAKE LINE - AXLE (S/N 0101 - 0290)

<S/N 0101 - 0290>

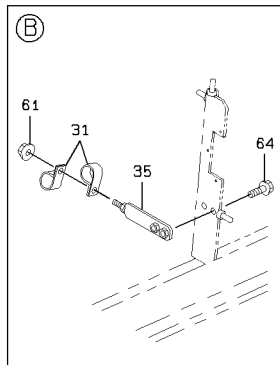
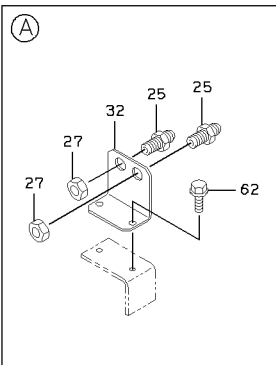
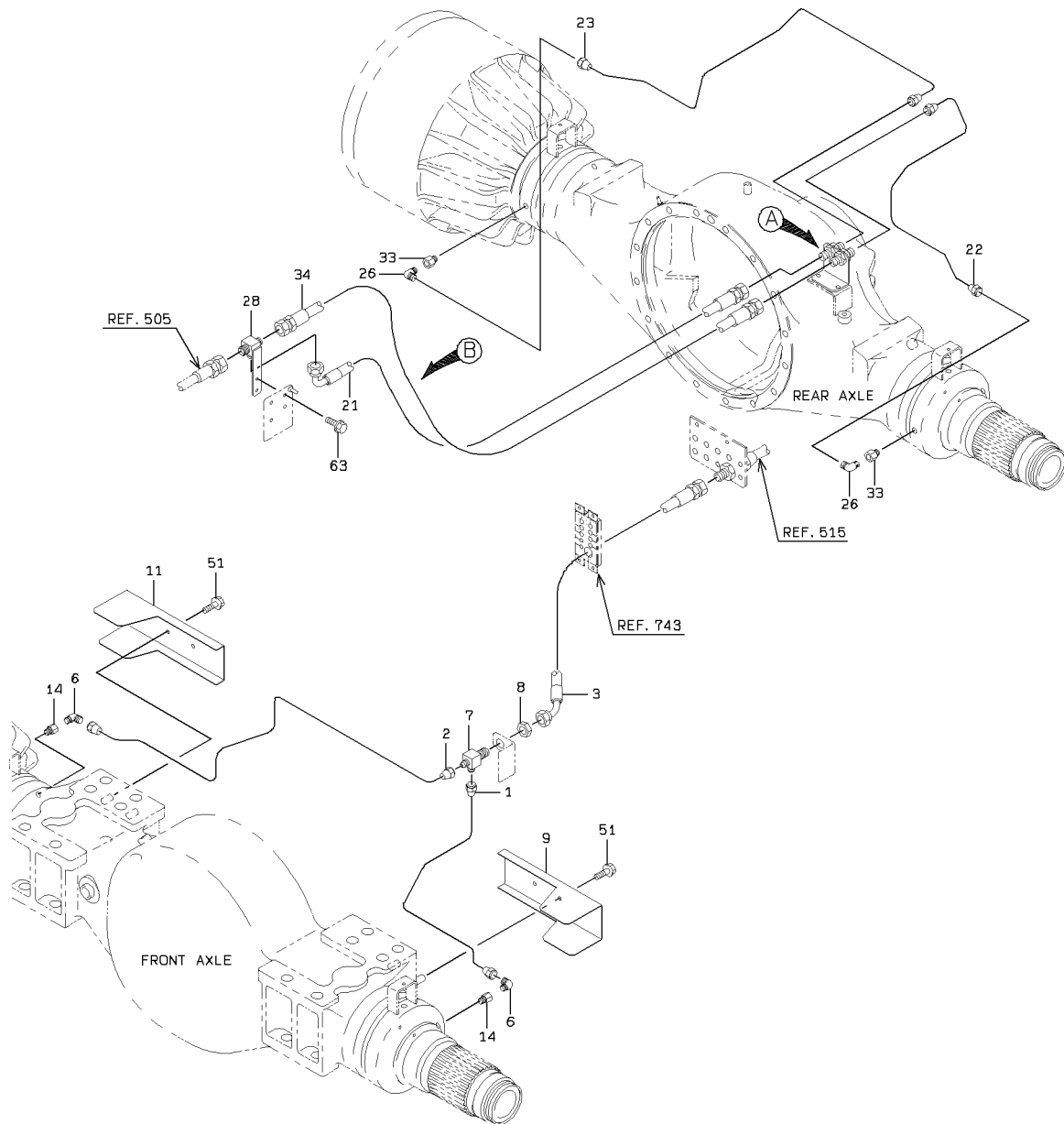


BRAKE LINE - AXLE (S/N 0101 - 0290)

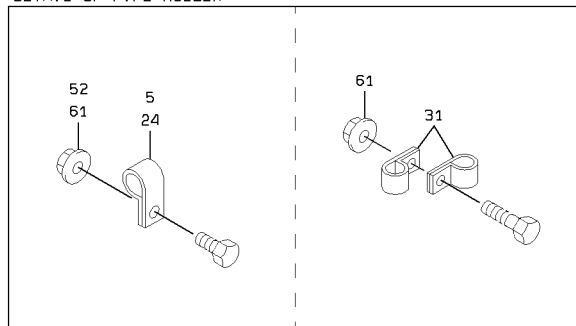
SYM-BOL	PART NUMBER	PART NAME	UNIT Q,TY	SERIAL		REMARKS								
				(A)	(B)	N	P	D	(A)	(B)	(C)	(D)	REMARK	
1A	41410-32530	BLOCK	1	101	-	290								
2A	88241-07112	ADAPTER,ELBOW	1	101	-	207								
2B	88241-07212	ADAPTER,ELBOW	1	208	-	290	B		Y01					
3A	40732-20140	FLARED FITTING,ELB	1	101	-	290			Y01					
4A	40730-20040	FLARED FITTING	1	101	-	290				Y02				
11A	65210-12024	RING,O	1	101	-	290				01				
24A	65210-12014	RING,O	1	101	-	290					02			
31A	38705-49370	PIPE ASSY,FLARED	1	101	-	290								FR LH
32A	38705-49380	PIPE ASSY,FLARED	1	101	-	290								FR RH
33A	68655-50150	HOSE,HIGH PRESSURE	1	101	-	290								
35A	72001-11200	HOLDER,PIPE	A/R	101	-	290								D=12
36A	69100-21200	FLARED FITTING,ELB	2	101	-	290								
39A	31200-90310	COVER	1	101	-	290								FR LH
41A	31200-90320	COVER	1	101	-	290								FR RH
44A	88370-12006	FITTING,BUSHING	2	101	-	290								
51A	61802-08065	BOLT,FLANGED	2	101	-	290								
61A	61802-10020	BOLT,FLANGED	4	101	-	290								
62A	62480-21081	NUT,FLANGED	A/R	101	-	290								
71A	62480-21081	NUT,FLANGED	A/R	101	-	290								
72A	61802-10016	BOLT,FLANGED	2	101	-	290								
73A	61802-08020	BOLT,FLANGED	2	101	-	290								
74A	61802-06020	BOLT,FLANGED	2	101	-	290								
101A	68635-30135	HOSE,HIGH PRESSURE	1	101	-	290								
102A	38705-44790	PIPE ASSY,FLARED	1	101	-	290								FR LH
103A	38705-44800	PIPE ASSY,FLARED	1	101	-	290								FR RH
104A	72001-11200	HOLDER,PIPE	A/R	101	-	290								D=12
105A	30230-23890	ADAPTER	2	101	-	290								
106A	69100-21200	FLARED FITTING,ELB	2	101	-	290								
107A	37600-20670	NUT	2	101	-	290								
108A	30246-22900	ADAPTER,TEE	1	101	-	290								
111A	72001-12500	HOLDER,PIPE	A/R	101	-	290								D=25
112A	41616-44430	PLATE	1	101	-	290								
113A	88370-12006	FITTING,BUSHING	2	101	-	290								
114A	68655-30135	HOSE,HIGH PRESSURE	1	101	-	290								
115A	41618-41280	PLATE	1	101	-	290								

BRAKE LINE - AXLE (S/N 0291 -)

<S/N 0291 - >



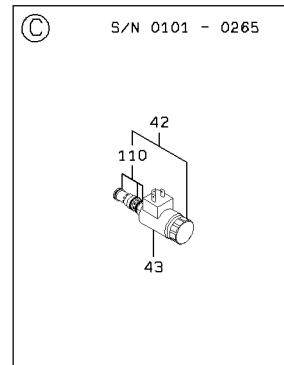
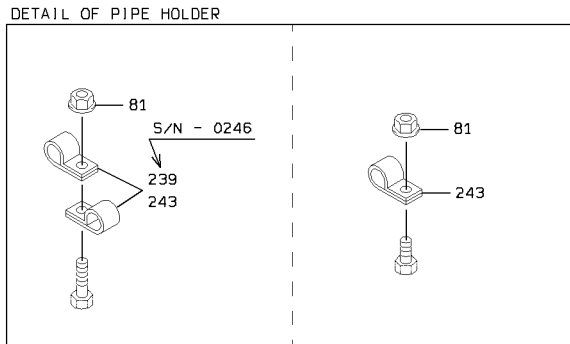
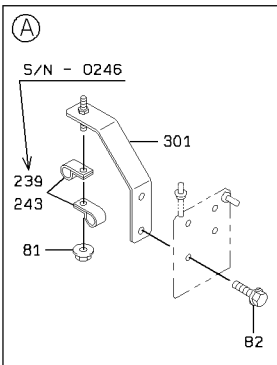
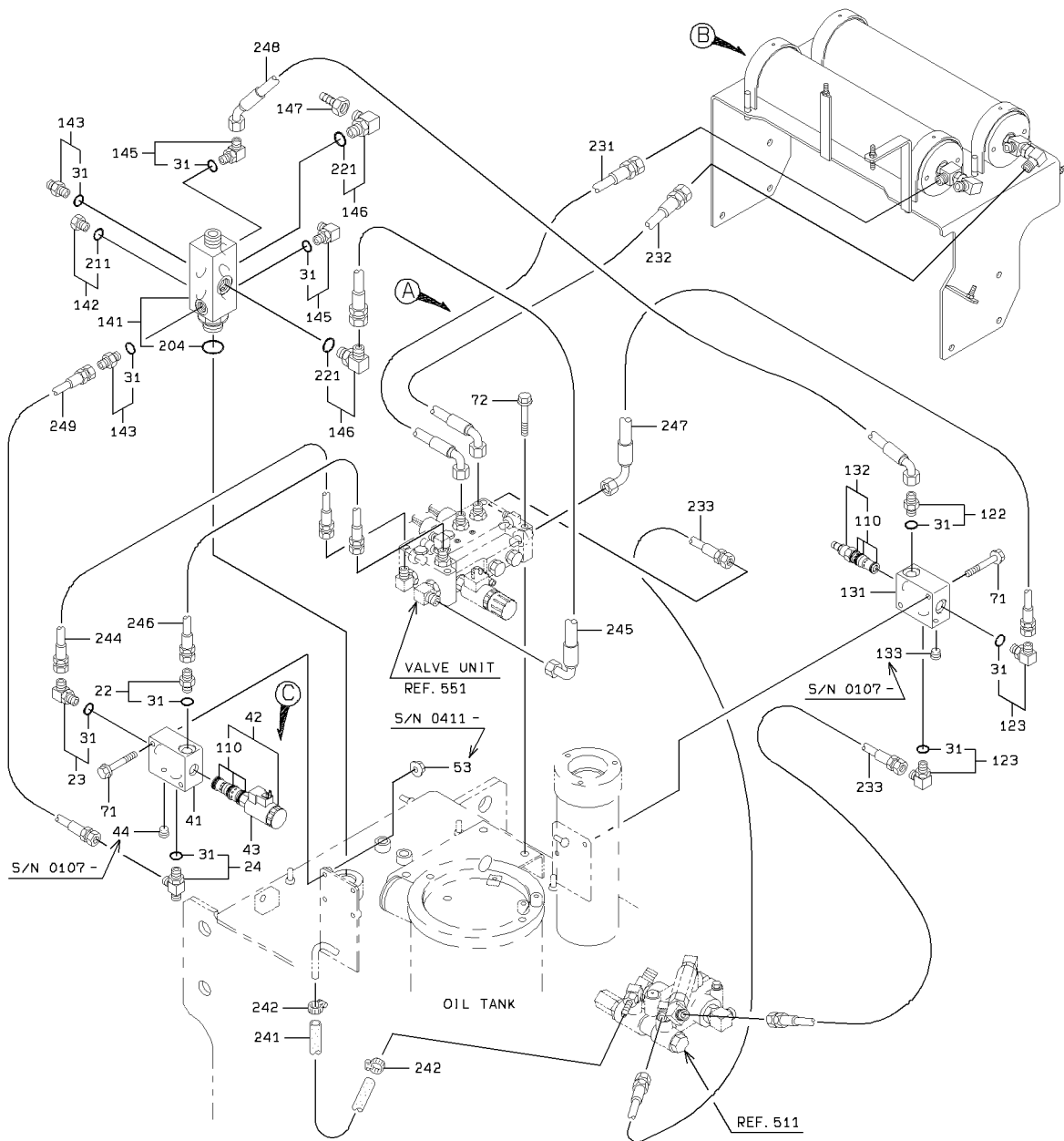
DETAIL OF PIPE HOLDER



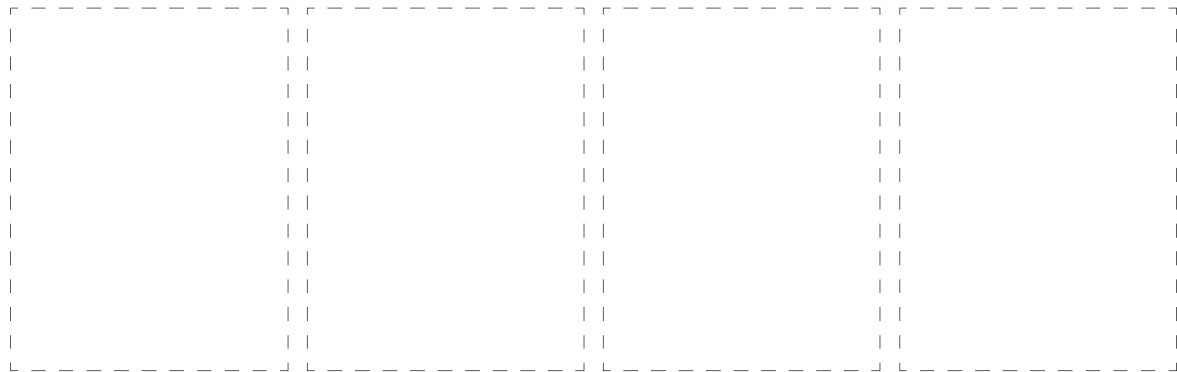
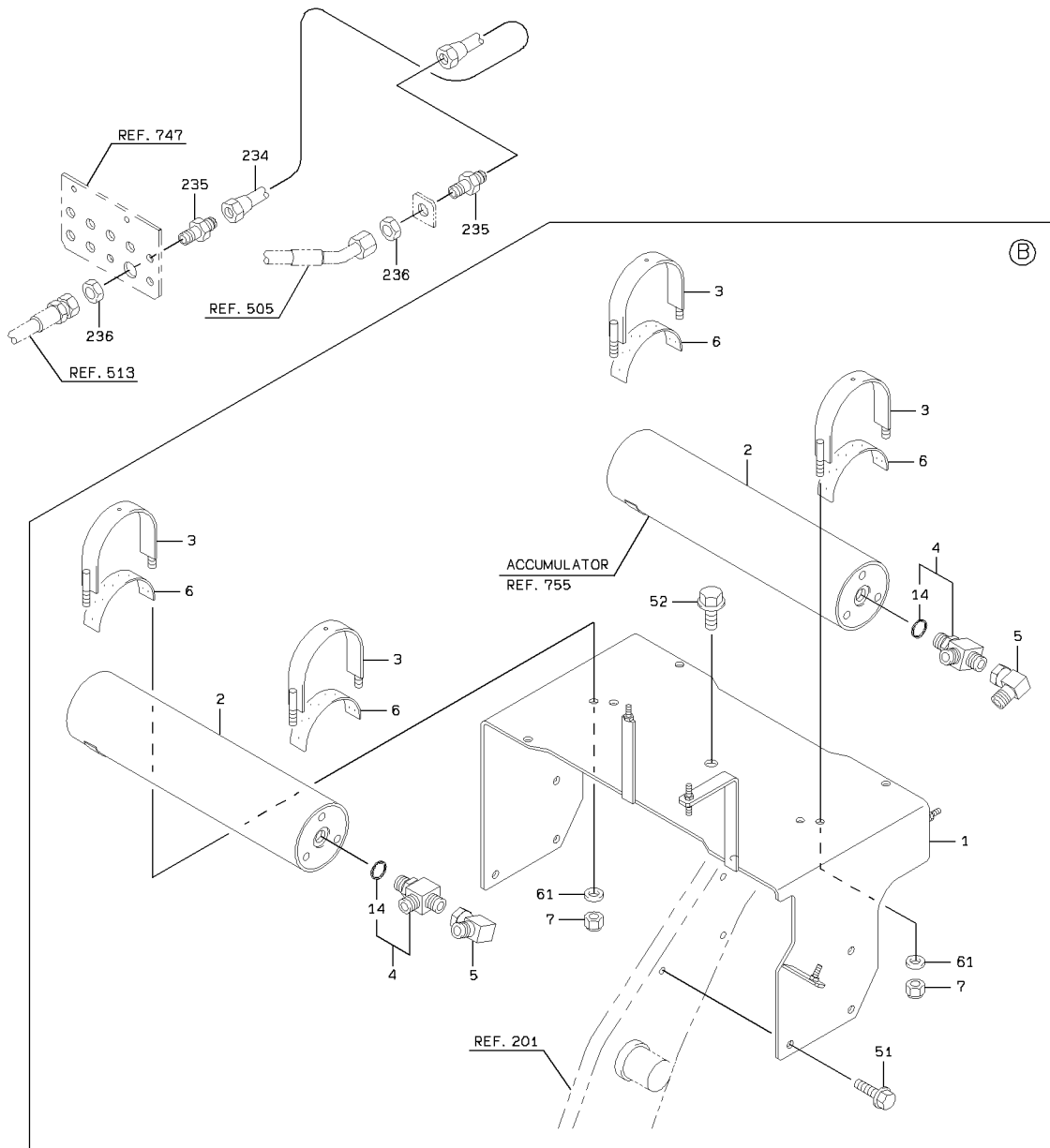
BRAKE LINE - AXLE (S/N 0291 -)

SYM-BOL	PART NUMBER	PART NAME	UNIT Q,TY	SERIAL		REMARKS						
				(A)	(B)	N	P	D	(A)	(B)	(C)	(D)
1A	38706-22700	PIPE ASSY,FLARED	1	291	-							FR LH
2A	38706-22710	PIPE ASSY,FLARED	1	291	-							FR RH
3A	68645-50150	HOSE,HIGH PRESSURE	1	291	-							
5A	72001-11200	HOLDER,PIPE	A/R	291	-							D=12
6A	69100-21200	FLARED FITTING,ELB	2	291	-							
7A	40733-21270	FLARED FITTING,TEE	1	291	-							
8A	37600-21330	NUT	1	291	-							
9A	31200-90310	COVER	1	291	-							FR LH
11A	31200-90320	COVER	1	291	-							FR RH
14A	88370-12006	FITTING,BUSHING	2	291	-							
21A	68635-30135	HOSE,HIGH PRESSURE	1	291	-							
22A	38705-44790	PIPE ASSY,FLARED	1	291	-							FR LH
23A	38705-44800	PIPE ASSY,FLARED	1	291	-							FR RH
24A	72001-11200	HOLDER,PIPE	A/R	291	-							D=12
25A	30230-23890	ADAPTER	2	291	-							
26A	69100-21200	FLARED FITTING,ELB	2	291	-							
27A	37600-20670	NUT	2	291	-							
28A	30246-22900	ADAPTER,TEE	1	291	-							
31A	72001-12500	HOLDER,PIPE	A/R	291	-							D=25
32A	41616-44430	PLATE	1	291	-							
33A	88370-12006	FITTING,BUSHING	2	291	-							
34A	68655-30135	HOSE,HIGH PRESSURE	1	291	-							
35A	41618-41280	PLATE	1	291	-							
51A	61802-10020	BOLT,FLANGED	4	291	-							
52A	62480-21081	NUT,FLANGED	A/R	291	-							
61A	62480-21081	NUT,FLANGED	A/R	291	-							
62A	61802-10016	BOLT,FLANGED	2	291	-							
63A	61802-08020	BOLT,FLANGED	2	291	-							
64A	61802-06020	BOLT,FLANGED	2	291	-							

BRAKE LINE - ACCUMULATOR



BRAKE LINE - ACCUMULATOR

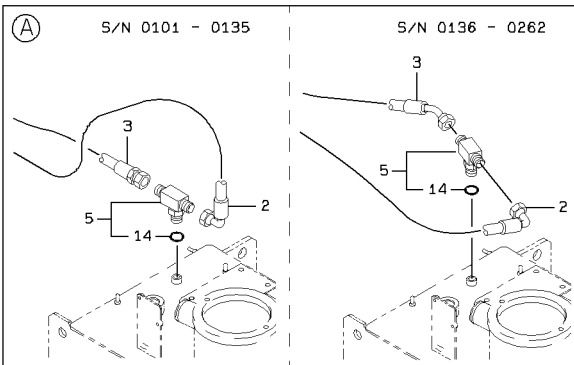
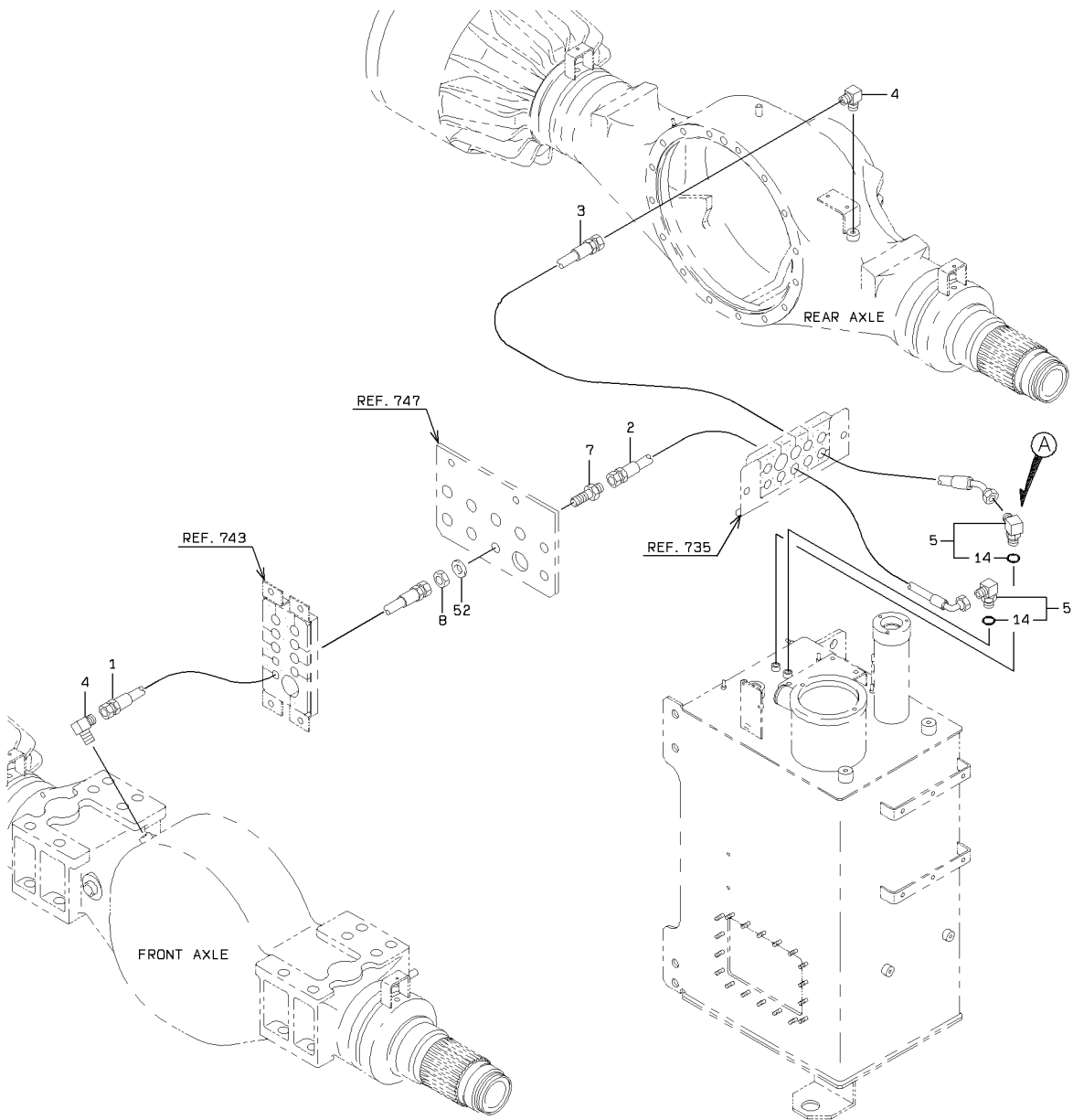


BRAKE LINE - ACCUMULATOR

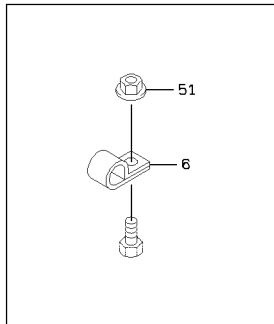
SYM-BOL	PART NUMBER	PART NAME	UNIT Q,TY	SERIAL		REMARKS									
				(A)	(B)	N	P	D	(A)	(B)	(C)	(D)	REMARK		
1A	40902-20350	BRACKET	1	101	163										
1B	40902-30410	BRACKET	1	164											
2A	30100-60510	ACCUMULATOR ASSY	2	101											REF.755
3A	38670-21850	BAND	4	101											
4A	30246-22840	ADAPTER,TEE	2	101											
5A	30242-20210	ADAPTER,ELBOW UNIO	2	101	325										
5B	30242-20220	ADAPTER,ELBOW UNIO	2	326											
6A	33713-22540	SHEET,RUBBER	4	101											
7A	88031-06121	NUT,SELF-LOCKING	8	101											
14A	65231-00081	RING,O	1	101											
22A	88201-06706	ADAPTER	1	101											
23A	88241-07106	ADAPTER,ELBOW	1	101											
24A	30246-22950	ADAPTER,TEE	1	101											
31A	65210-12014	RING,O	1	101											
41A	41410-31950	BLOCK	1	101	106										
41B	41410-34270	BLOCK	1	107											
42A	38511-71020	VALVE ASSY	1	101											
43A	35910-70260	SOLENOID	1	101	265										
43B	35910-70390	SOLENOID	1	266											
44A	88390-16102	PLUG	1	107											
51A	61802-12030	BOLT,FLANGED	6	101											
52A	61802-16025	BOLT,FLANGED	1	101											
53A	62480-21081	NUT,FLANGED	2	411											
61A	62701-40121	WASHER,PLANE	8	101											
71A	61802-08055	BOLT,FLANGED	4	101											
72A	61802-10080	BOLT,FLANGED	4	101											
81A	62480-21081	NUT,FLANGED	A/R	101											
82A	61802-08020	BOLT,FLANGED	2	101											
110A	49327-72080	SEAL KIT	1	101											
122A	88201-06706	ADAPTER	1	101											
123A	88241-07106	ADAPTER,ELBOW	2	101											
131A	41410-31950	BLOCK	1	101	106										
131B	41410-34270	BLOCK	1	107											
132A	38567-70150	VALVE,REDUCING	1	101											
133A	88390-16102	PLUG	1	107											
141A	38900-24480	FITTING	1	101											
142A	88390-21304	PLUG	1	101											
143A	88201-06706	ADAPTER	2	101											
145A	88241-07106	ADAPTER,ELBOW	2	101											
146A	88241-07108	ADAPTER,ELBOW	2	101											
147A	88511-03080	NIPPLE,HOSE	1	101											
204A	65210-12038	RING,O	1	101											
211A	65210-12011	RING,O	1	101											
221A	65210-12018	RING,O	1	101											
231A	43113-38210	HOSE,HIGH PRESSURE	1	101											
232A	43113-38220	HOSE,HIGH PRESSURE	1	101											
233A	68655-20122	HOSE,HIGH PRESSURE	2	101	230										
233B	68655-20125	HOSE,HIGH PRESSURE	2	231											
234A	38705-51990	PIPE ASSY,FLARED	1	101	121										
234B	38705-54920	PIPE ASSY,FLARED	1	122	306										
234C	38706-25240	PIPE ASSY,FLARED	1	307											
235A	30230-23990	ADAPTER	2	101											
236A	37600-21330	NUT	2	101											
239A	72001-12000	HOLDER,PIPE	A/R	101	246										D=20
241A	67040-09000	HOSE,HEAT RESISTIN	1 M	101											L=750
242A	69002-02200	BAND,HOSE	2	101											
243A	72001-11800	HOLDER,PIPE	A/R	101											D=18
244A	68055-20048	HOSE,HIGH PRESSURE	1	101											
245A	68035-30053	HOSE,HIGH PRESSURE	1	101											
246A	68055-20045	HOSE,HIGH PRESSURE	1	101											
247A	68635-20040	HOSE,HIGH PRESSURE	1	101											
248A	68644-20047	HOSE,HIGH PRESSURE	1	101											
249A	68055-20022	HOSE,HIGH PRESSURE	1	101											
301A	41618-33370	PLATE	1	101											

MEMO

AIR BREATHER MOUNT



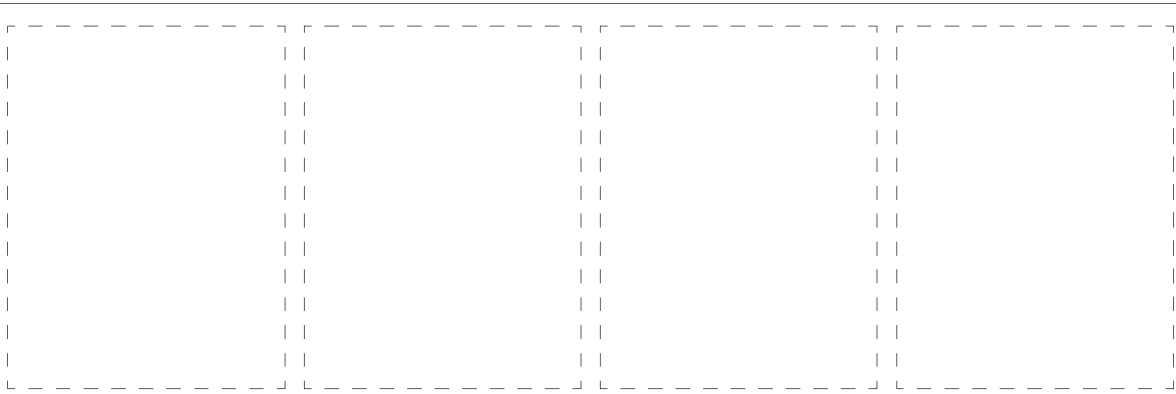
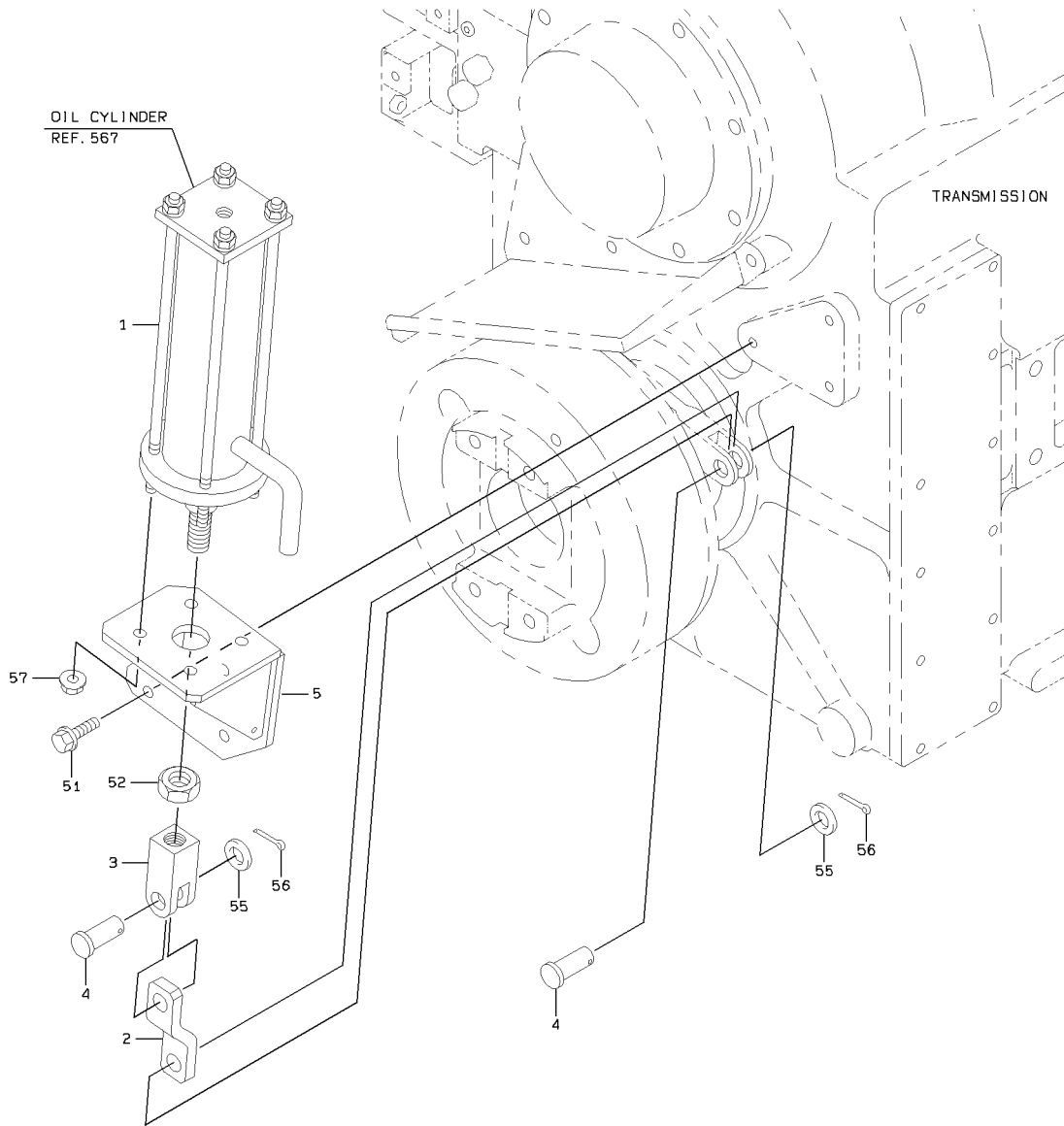
DETAIL OF PIPE HOLDER



AIR BREATHER MOUNT

SYM-BOL	PART NUMBER	PART NAME	UNIT Q,TY	SERIAL		REMARKS						
				(A)	(B)	N	P	D	(A)	(B)	(C)	(D)
1A	68055-10225	HOSE,HIGH PRESSURE	1	101	-							
2A	68035-10130	HOSE,HIGH PRESSURE	1	101	-	262						
2B	68035-10125	HOSE,HIGH PRESSURE	1	263	-		B					
3A	68055-10210	HOSE,HIGH PRESSURE	1	101	-	135						
3B	68045-10210	HOSE,HIGH PRESSURE	1	136	-		C					
4A	88241-03404	ADAPTER,ELBOW	2	101	-							
5A	30246-20730	ADAPTER,TEE	1	101	-	262		Y01				
5B	88241-07104	ADAPTER,ELBOW	2	263	-		B	Y01				
6A	72001-11200	HOLDER,PIPE	A/R	101	-							D=12
7A	30230-21780	ADAPTER	1	101	-							
8A	37600-20790	NUT	1	101	-							
14A	65210-12011	RING,O	1	101	-			01				
51A	62480-21081	NUT,FLANGED	A/R	101	-							
52A	62701-40121	WASHER,PLANE	1	101	-							

PARKING BRAKE GROUP

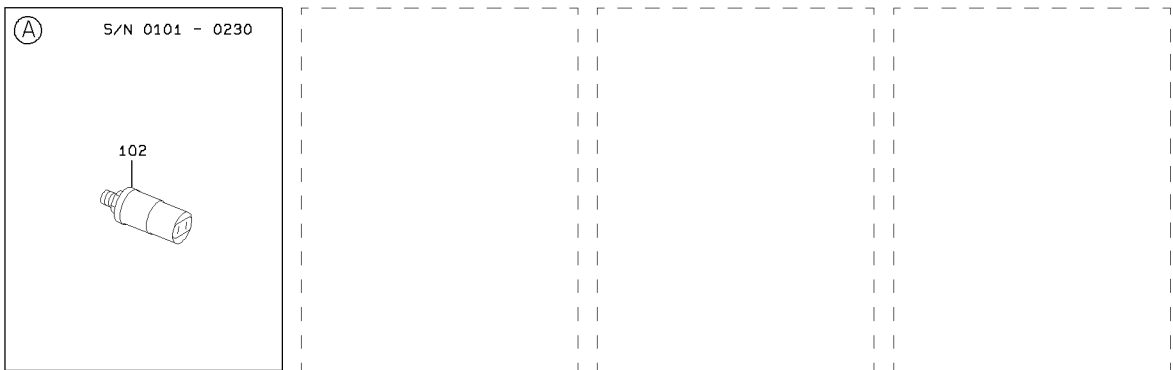
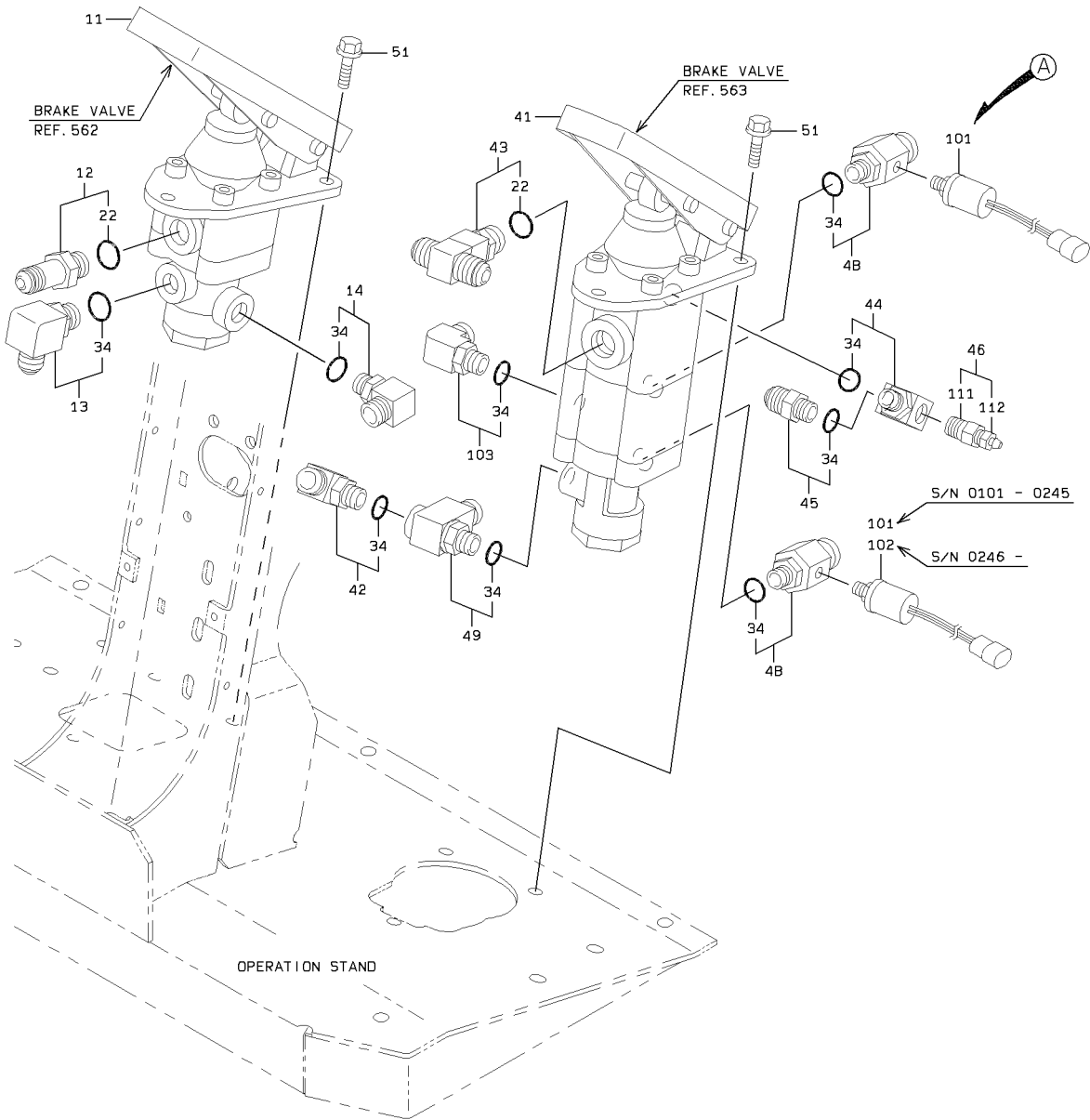


1-A

PARKING BRAKE GROUP

SYM-BOL	PART NUMBER	PART NAME	UNIT Q, TY	SERIAL		REMARKS						
				(A)	(B)	N	P	D	(A)	(B)	(C)	(D)
1A	34820-63450	CYLINDER ASSY,OIL	1	101	-							REF.567
2A	45110-20180	LINK	1	101	-	301						
2B	45110-24420	LINK	1	302	-		C					
3A	40901-45060	JOINT,YOKE	1	101	-							
4A	40044-20120	PIN,HEAD	2	101	-							40044-21360
5A	40900-52360	BRACKET	1	101	-							
51A	61802-10020	BOLT,FLANGED	3	101	-							
52A	62403-81201	NUT	1	101	-							
55A	62701-40181	WASHER,PLANE	2	101	-							
56A	63002-04032	PIN,SPLIT	2	101	-							
57A	62480-21101	NUT,FLANGED	4	101	-							

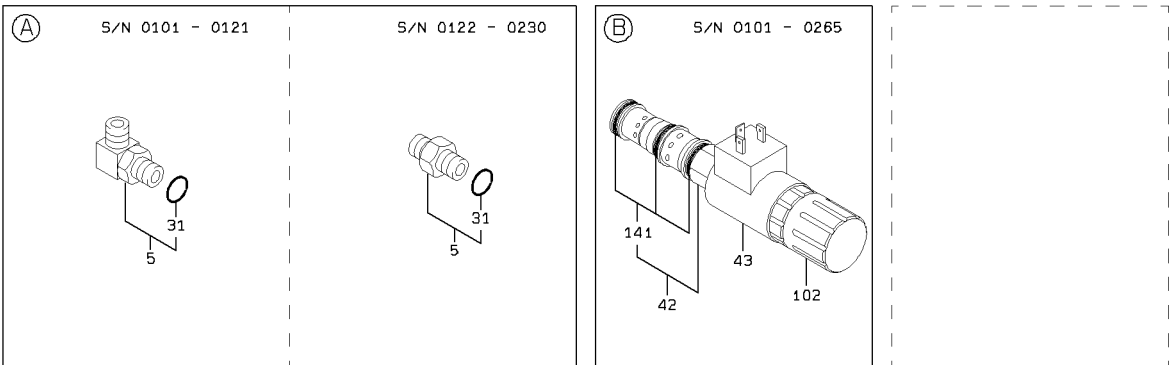
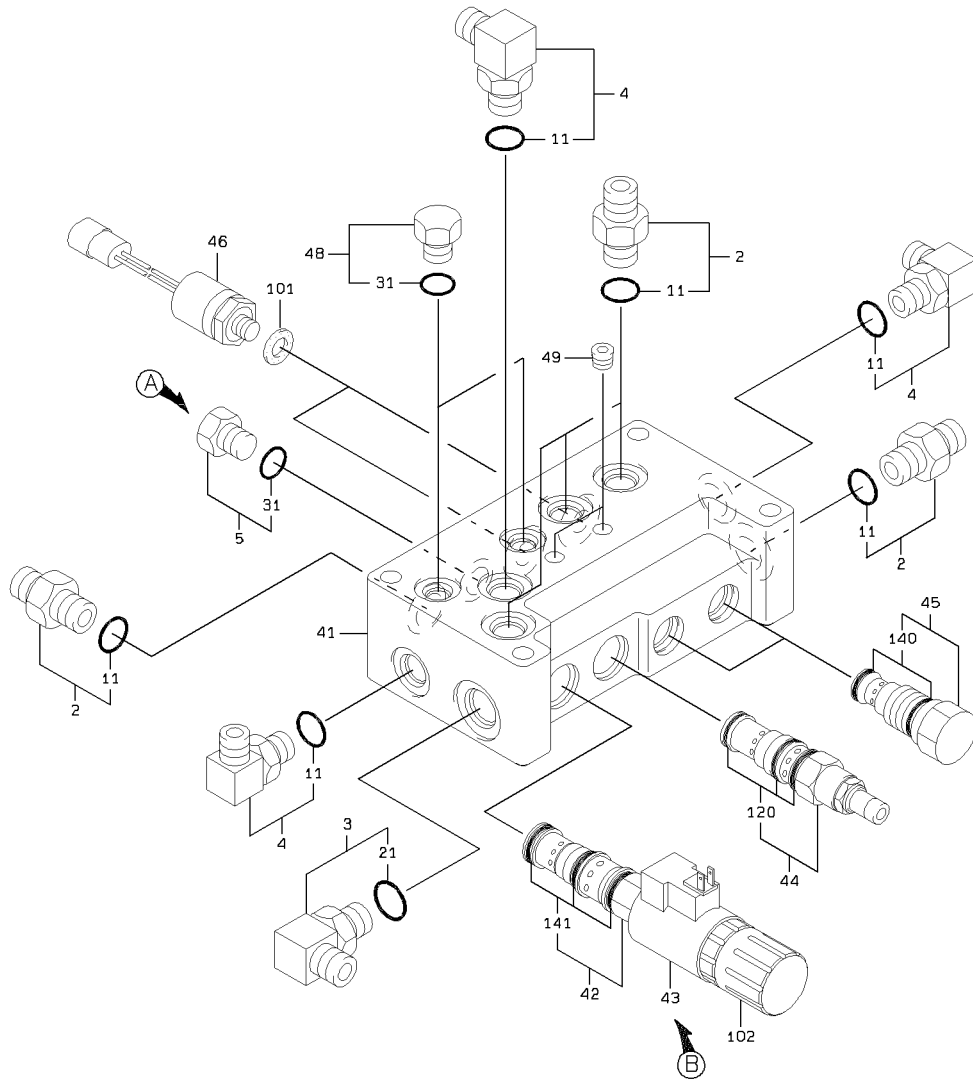
BRAKE VALVE GROUP



BRAKE VALVE GROUP

SYM-BOL	PART NUMBER	PART NAME	UNIT Q,TY	SERIAL		REMARKS						
				(A)	(B)	N	P	D	(A)	(B)	(C)	(D)
11A	38531-60510	VALVE ASSY,BRAKE	1	101	- 164							REF.562
11B	38531-60300	VALVE ASSY,BRAKE	1	165	-							REF.562
12A	40730-20530	FLARED FITTING	1	101	-				Y01			
13A	40732-20380	FLARED FITTING,ELB	1	101	-					Y02		
14A	88241-07106	ADAPTER,ELBOW	1	101	-					Y02		
22A	65210-12018	RING,O	1	101	-				01			
34A	65210-12014	RING,O	1	101	-					02		
41A	38531-60500	VALVE ASSY,BRAKE	1	101	- 164							REF.563
41B	38531-60290	VALVE ASSY,BRAKE	1	165	- 252							REF.563
41C	38531-60600	VALVE ASSY,BRAKE	1	253	-							REF.563
42A	88241-07106	ADAPTER,ELBOW	1	101	-					Y02		
43A	40733-20800	FLARED FITTING,TEE	1	101	-				Y01			
44A	30241-22550	ADAPTER,ELBOW	1	101	-					Y02		
45A	40730-20320	FLARED FITTING	1	101	-					Y02		
46A	35107-20030	SCREW,BLEED	1	101	-						Y03	
48A	30230-26200	ADAPTER	2	101	- 164					Y02		
48B	30230-24630	ADAPTER	2	165	-					Y02		
49A	30246-22100	ADAPTER,TEE	1	101	-					Y02		
51A	61802-08020	BOLT,FLANGED	6	101	-							
101A	35047-20270	SWITCH,PRESSURE	1	101	- 230							
101B	35047-20270	SWITCH,PRESSURE	2	231	- 245							
101C	35047-20270	SWITCH,PRESSURE	1	246	-							
102A	35047-60260	SWITCH,PRESSURE	1	101	- 230							
102B	35047-60610	SWITCH,PRESSURE	1	246	-							
103A	38903-21080	FITTING,ELBOW	1	101	-					Y02		
111A	38900-24160	FITTING	1	101	-						03	
112A	35107-60010	SCREW,BLEED	1	101	-						03	

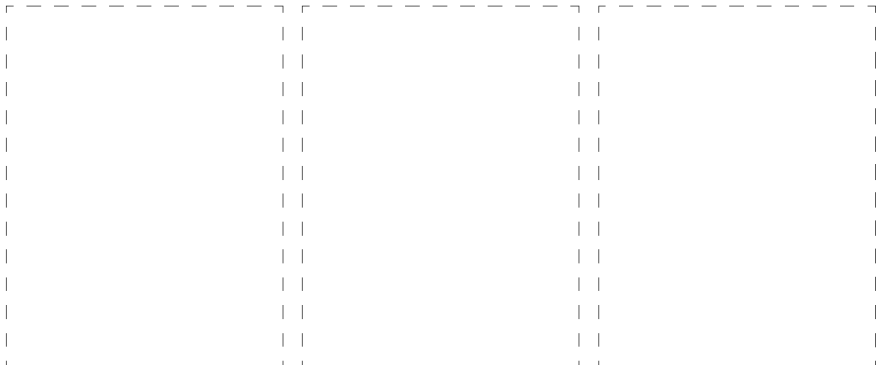
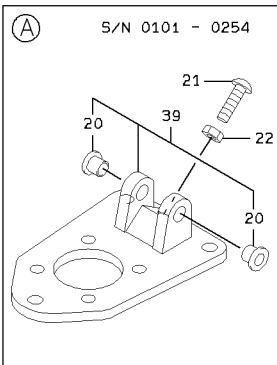
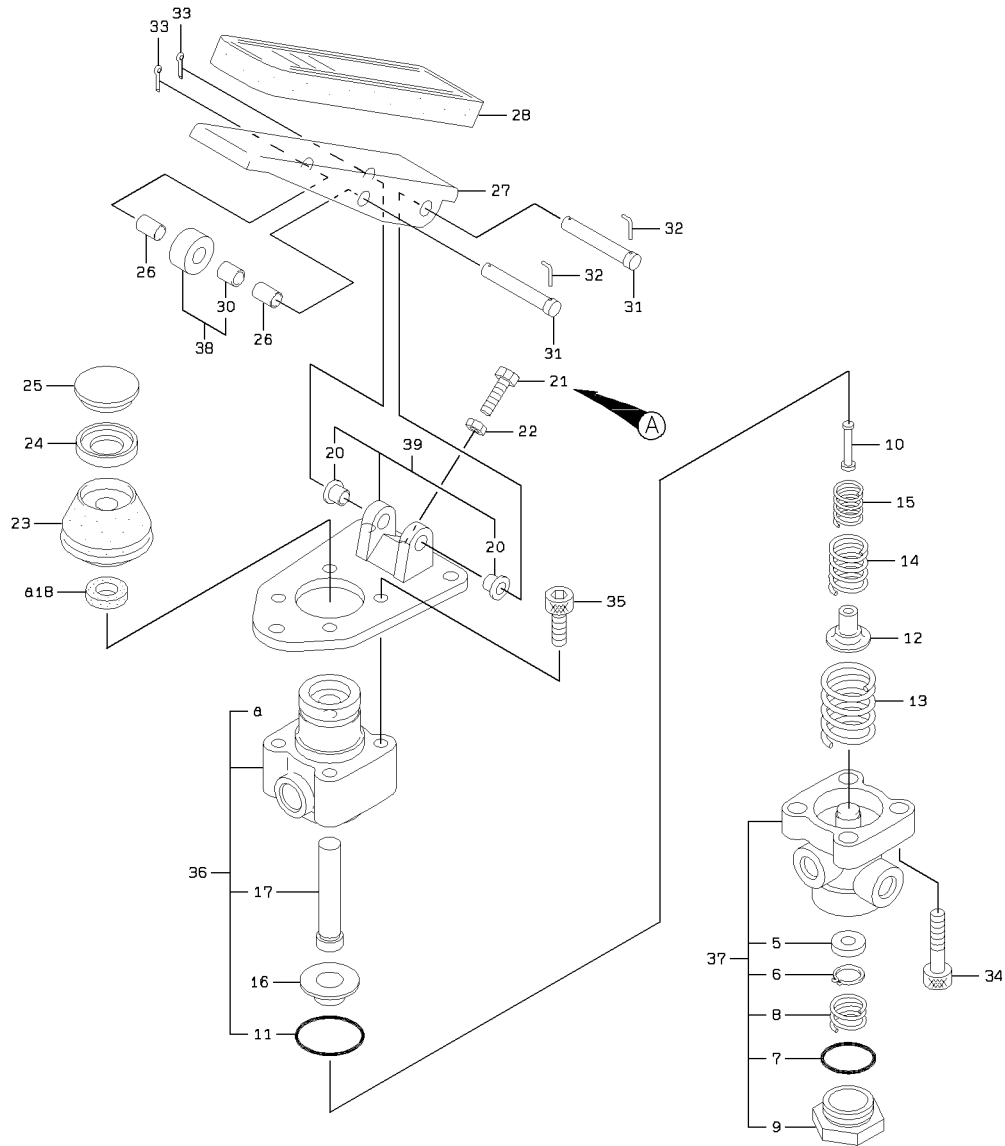
VALVE UNIT



VALVE UNIT

SYM-BOL	PART NUMBER	PART NAME	UNIT Q,TY	SERIAL		REMARKS								
				(A)	(B)	N	P	D	(A)	(B)	(C)	(D)	REMARK	
2A	88201-06706	ADAPTER	5	101	-						Y01			
3A	88241-07108	ADAPTER,ELBOW	1	101	-							Y02		
4A	88241-07106	ADAPTER,ELBOW	3	101	-						Y01			
5A	88241-07104	ADAPTER,ELBOW	1	101	-	121							Y03	
5B	88201-06704	ADAPTER	1	122	-	230	B						Y03	
5C	88390-21304	PLUG	1	231	-		B						Y03	
11A	65210-12014	RING,O	1	101	-					01				
21A	65210-12018	RING,O	1	101	-						02			65210-12048
31A	65210-12011	RING,O	1	101	-							03		
41A	41410-31930	BLOCK	1	101	-									
42A	38511-71020	VALVE ASSY	1	101	-						Y06			
43A	35910-70260	SOLENOID	1	101	-	265								
43B	35910-70390	SOLENOID	1	266	-		B							
44A	38567-70130	VALVE,REDUCING	1	101	-	246							Y04	
44B	38567-70170	VALVE,REDUCING	1	247	-	304	C						Y04	
44C	38567-70290	VALVE,REDUCING	1	305	-	409	C						Y04	
44D	38567-70300	VALVE,REDUCING	1	410	-		C						Y04	
45A	38554-60310	VALVE,CHECK	2	101	-					Y05				
46A	35047-60250	SWITCH,PRESSURE	2	101	-									
48A	88390-21304	PLUG	2	101	-							Y03		
49A	88390-16102	PLUG	2	101	-									
101A	88111-11490	WASHER,SEAL	2	101	-									
102A	37810-60200	KNOB	1	101	-									
120A	49327-72080	SEAL KIT	1	101	-								04	
140A	49327-72070	SEAL KIT	1	101	-					05				
141A	49327-74570	SEAL KIT	1	101	-						06			49327-72080

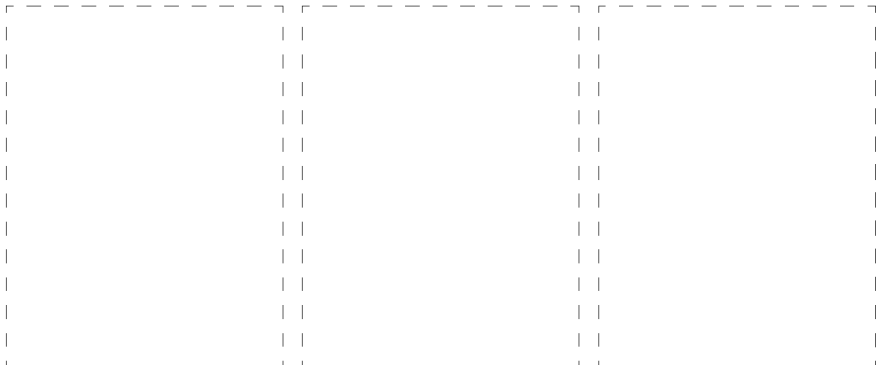
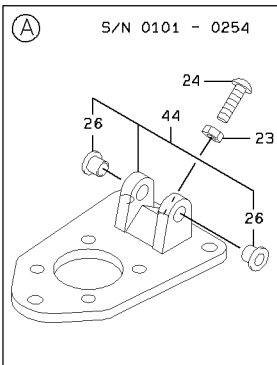
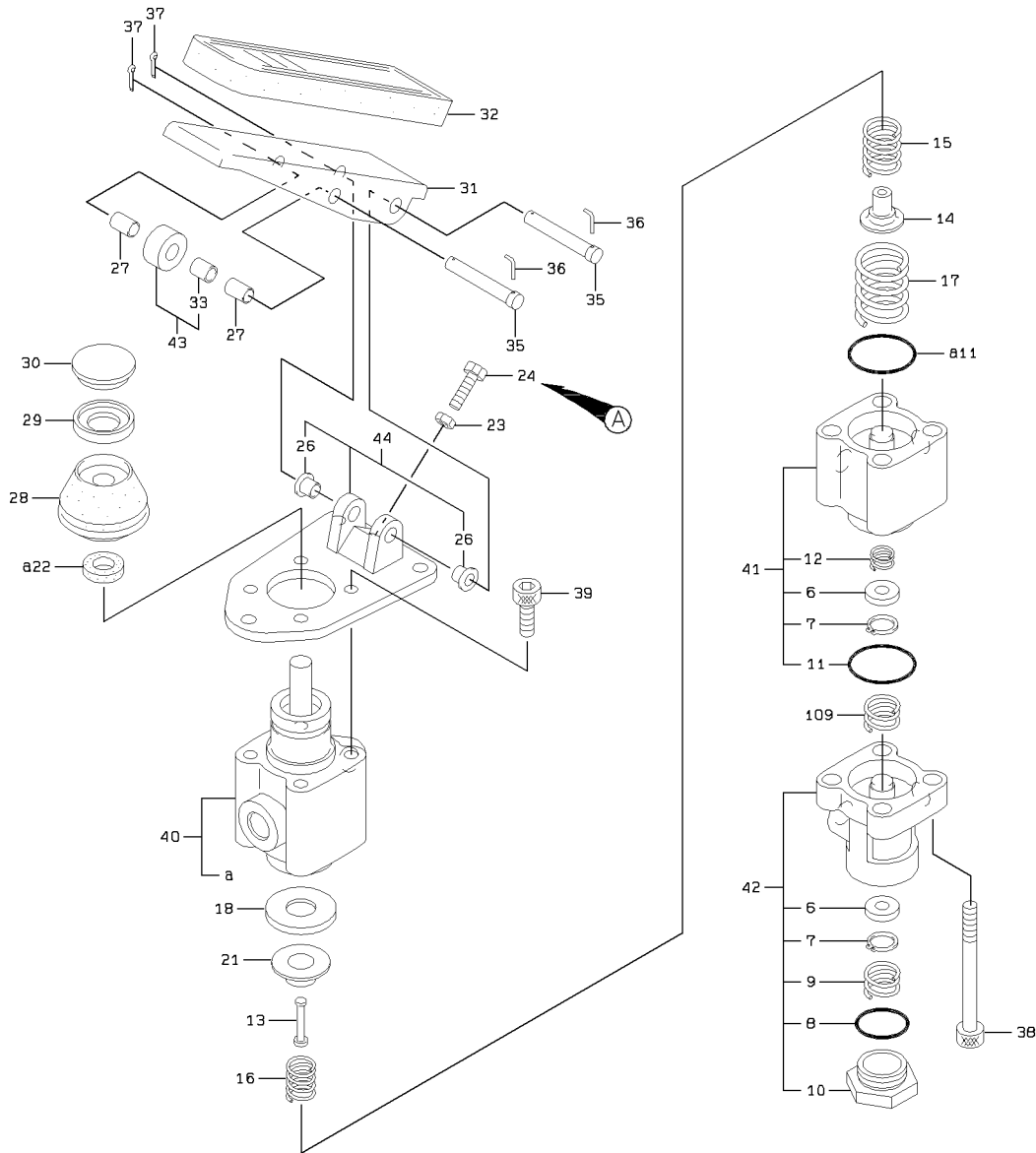
BRAKE VALVE



BRAKE VALVE

SYM-BOL	PART NUMBER	PART NAME	UNIT Q,TY	SERIAL		REMARKS								
				(A)	(B)	N	P	D	(A)	(B)	(C)	(D)	REMARK	
000A	38531-60510	VALVE ASSY,BRAKE	1	101	- 164									FR RH
000B	38531-60300	VALVE ASSY,BRAKE	1	165	-									FR RH
5A	44950-70520	RETAINER	1	101	-									
6A	45311-71480	RING,SNAP	1	101	-									
7A	65210-12032	RING,O	1	101	-									
8A	35600-76060	SPRING	1	101	-									
9A	37628-70170	NUT,CAP	1	101	-									
10A	45870-70720	ROD	1	101	-									
11A	65210-22045	RING,O	1	101	-									
12A	43550-70420	HOLDER	1	101	-									
13A	35600-76110	SPRING	1	101	- 164									
13B	35600-76270	SPRING	1	165	-									
14A	35600-76080	SPRING	1	101	- 164									
14B	35600-76240	SPRING	1	165	-									
15A	35600-76090	SPRING	1	101	- 231									
15B	35600-76250	SPRING	1	232	-									
16A	44950-70550	RETAINER	1	101	-									
17A	39960-72150	PISTON	1	101	-									
18A	34042-71440	SEAL,OIL	1	101	-									
20A	40840-72550	BUSHING	2	101	-									
21A	43900-73910	BOLT	1	101	- 254									
21B	43900-74190	BOLT	1	255	-									
22A	37600-72140	NUT	1	101	-									
23A	40790-70430	BOOT	1	101	- 231									
23B	40790-70500	BOOT	1	232	-									
24A	35440-70810	STOPPER	1	101	-									
25A	33920-70100	SEAT	1	101	-									
26A	31701-70850	COLLAR	2	101	-									
27A	43020-70070	PEDAL	1	101	-									
28A	32223-70050	COVER,PEDAL	1	101	-									
30A	40840-72560	BUSHING	1	101	-									
31A	40000-71310	PIN	2	101	-									
32A	40000-71320	PIN	2	101	-									
33A	40045-70130	PIN,SNAP	2	101	-									
34A	61101-10040	BOLT,SOCKET	4	101	-									61121-10040
35A	61101-10025	BOLT,SOCKET	4	101	-									61121-10025
36A	38511-71230	VALVE ASSY	1	101	-									
37A	38511-71240	VALVE ASSY	1	101	- 164									
37B	38511-71280	VALVE ASSY	1	165	-									
38A	45810-70030	ROLLER ASSY	1	101	-									
39A	40910-70090	BRACKET ASSY	1	101	- 254									
39B	40910-70120	BRACKET ASSY	1	255	-									

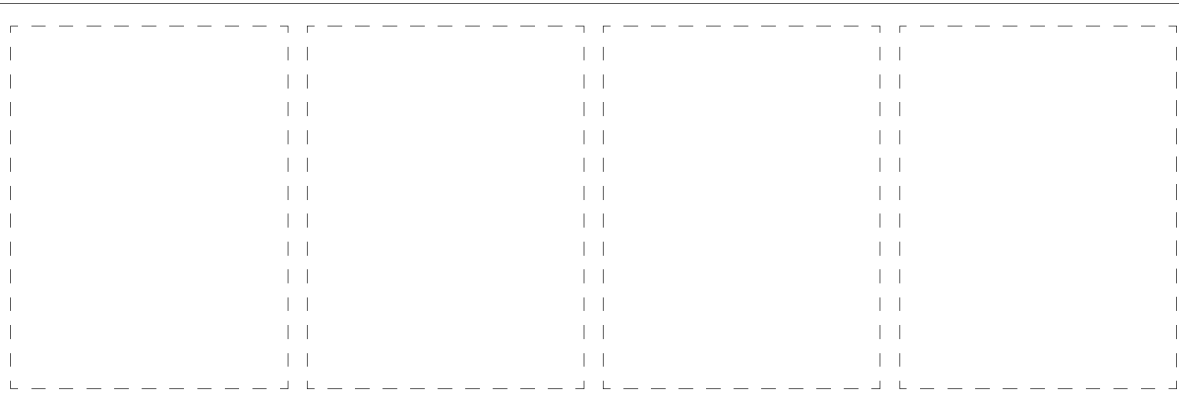
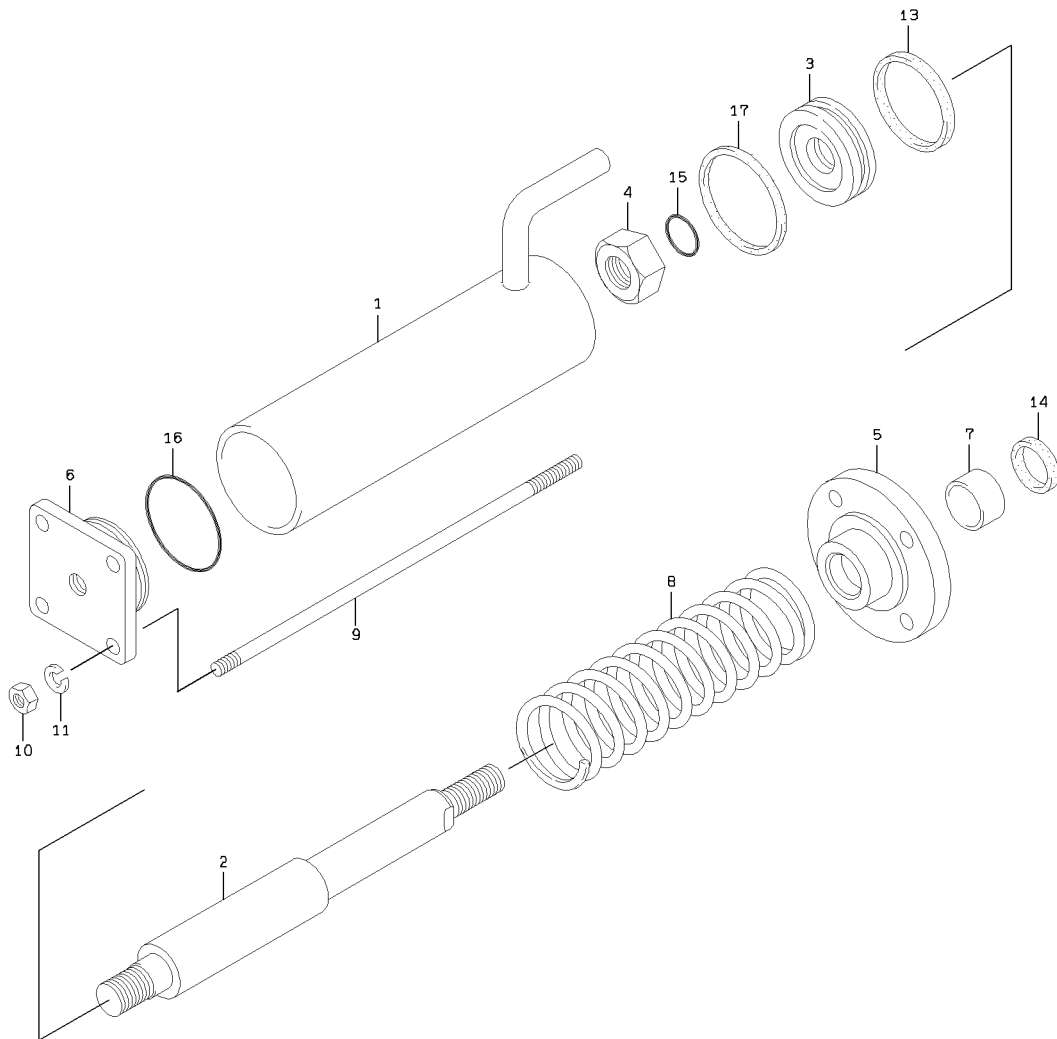
BRAKE VALVE



BRAKE VALVE

SYM-BOL	PART NUMBER	PART NAME	UNIT Q,TY	SERIAL		REMARKS							
				(A)	(B)	N	P	D	(A)	(B)	(C)	(D)	REMARK
000A	38531-60500	VALVE ASSY,BRAKE	1	101	- 164								FR LH
000B	38531-60290	VALVE ASSY,BRAKE	1	165	- 252								FR LH
000C	38531-60600	VALVE ASSY,BRAKE	1	253	-								FR LH
6A	44950-70520	RETAINER	1	101	-						02	03	
7A	45311-71480	RING,SNAP	1	101	-						02	03	
8A	65210-12032	RING,O	1	101	-							03	
9A	35600-76060	SPRING	1	101	-							03	
10A	37628-70170	NUT,CAP	1	101	-							03	
11A	65210-22045	RING,O	1	101	-				01	02			
12A	35600-76070	SPRING	1	101	-					02			
13A	45870-70720	ROD	1	101	-								
14A	43550-70420	HOLDER	1	101	-								
15A	35600-76080	SPRING	1	101	- 164								
15B	35600-76240	SPRING	1	165	- 252								
15C	35600-76340	SPRING	1	253	-								
16A	35600-76250	SPRING	1	101	-								35600-76090
17A	35600-76100	SPRING	1	101	- 164								
17B	35600-76260	SPRING	1	165	- 252								
17C	35600-77320	SPRING	1	253	-								
18A	44950-70530	RETAINER	1	101	-								
21A	44950-70540	RETAINER	1	101	-								
22A	34042-71440	SEAL,OIL	1	101	-					01			
23A	37600-72140	NUT	1	101	-								
24A	62256-51825	SCREW	1	101	- 254								
24B	43900-74190	BOLT	1	255	-								
26A	40840-72550	BUSHING	2	101	-						05		
27A	31701-70850	COLLAR	2	101	-								
28A	40790-70430	BOOT	1	101	- 231								
28B	40790-70500	BOOT	1	232	-								
29A	35440-70810	STOPPER	1	101	-								
30A	33920-70100	SEAT	1	101	-								
31A	43020-70070	PEDAL	1	101	-								
32A	32223-70050	COVER,PEDAL	1	101	-								
33A	40840-72560	BUSHING	1	101	-							04	
35A	40000-71310	PIN	2	101	-								
36A	40000-71320	PIN	2	101	-								
37A	40045-70130	PIN,SNAP	2	101	-								
38A	43956-71190	BOLT,SOCKET	4	101	-								61121-10105
39A	61121-10025	BOLT,SOCKET	4	101	- 164								
39B	61101-10025	BOLT,SOCKET	4	165	-								
40A	38511-71200	VALVE ASSY	1	101	-					Y01			
41A	38511-71210	VALVE ASSY	1	101	- 164						Y02		
41B	38511-71270	VALVE ASSY	1	165	-						Y02		
42A	38511-71220	VALVE ASSY	1	101	- 164							Y03	
42B	38511-71260	VALVE ASSY	1	165	-							Y03	
43A	45810-70030	ROLLER ASSY	1	101	- 164								Y04
43B	45810-70020	ROLLER ASSY	1	165	- 231								Y04
43C	45810-70030	ROLLER ASSY	1	232	-								Y04
44A	40910-70090	BRACKET ASSY	1	101	- 164						Y05		
44B	40910-70080	BRACKET ASSY	1	165	- 231						Y05		
44C	40910-70090	BRACKET ASSY	1	232	- 254						Y05		
44D	40910-70120	BRACKET ASSY	1	255	-						Y05		
109A	35600-76060	SPRING	1	101	-								

OIL CYLINDER



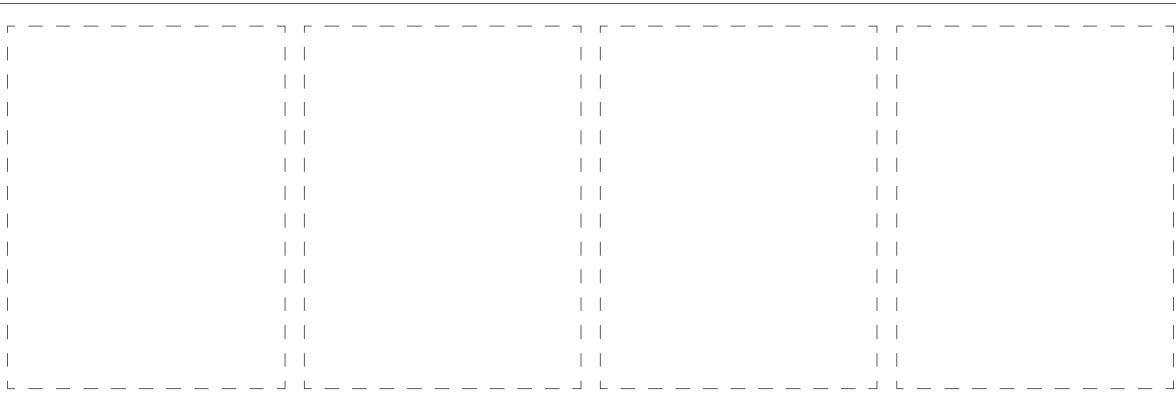
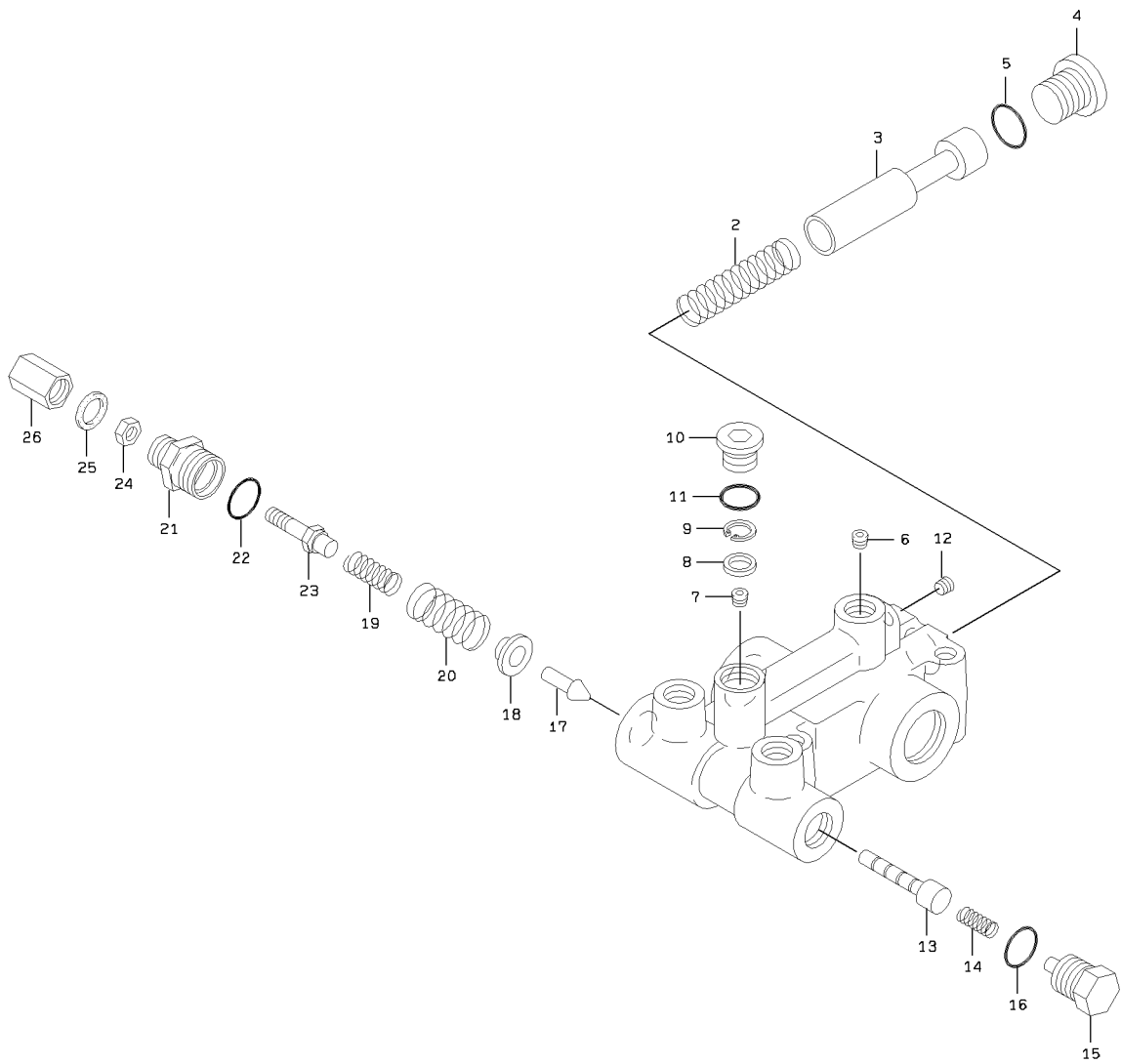
1-A

OIL CYLINDER

SYM-BOL	PART NUMBER	PART NAME	UNIT Q, TY	SERIAL		REMARKS						
				(A)	(B)	N	P	D	(A)	(B)	(C)	(D)
000A	34820-63450	CYLINDER ASSY,OIL	1	101	-							
1A	36725-70910	TUBE,CYLINDER	1	101	-							
2A	45886-70460	ROD,PISTON	1	101	-							
3A	39960-71250	PISTON	1	101	-							
4A	37652-70060	NUT,U	1	101	-							
5A	31289-70170	COVER,ROD	1	101	-							
6A	31285-70070	COVER,HEAD	1	101	-							
7A	88811-03020	BUSHING	1	101	-							
8A	35600-74210	SPRING	1	101	-							
9A	45884-70100	ROD,TIE	4	101	-							
10A	62401-81101	NUT	4	101	-							
11A	62721-10100	WASHER,SPRING	4	101	-							
13A	39661-70370	PACKING,U	1	101	-							
14A	34044-70460	SEAL,DUST	1	101	-							
15A	65210-22025	RING,O	1	101	-							
16A	65210-22065	RING,O	1	101	-							
17A	47171-70350	RING,WEAR	1	101	-							

UNLOADER VALVE (S/N 0101 -0 328)

<S/N 0101 - 0328>



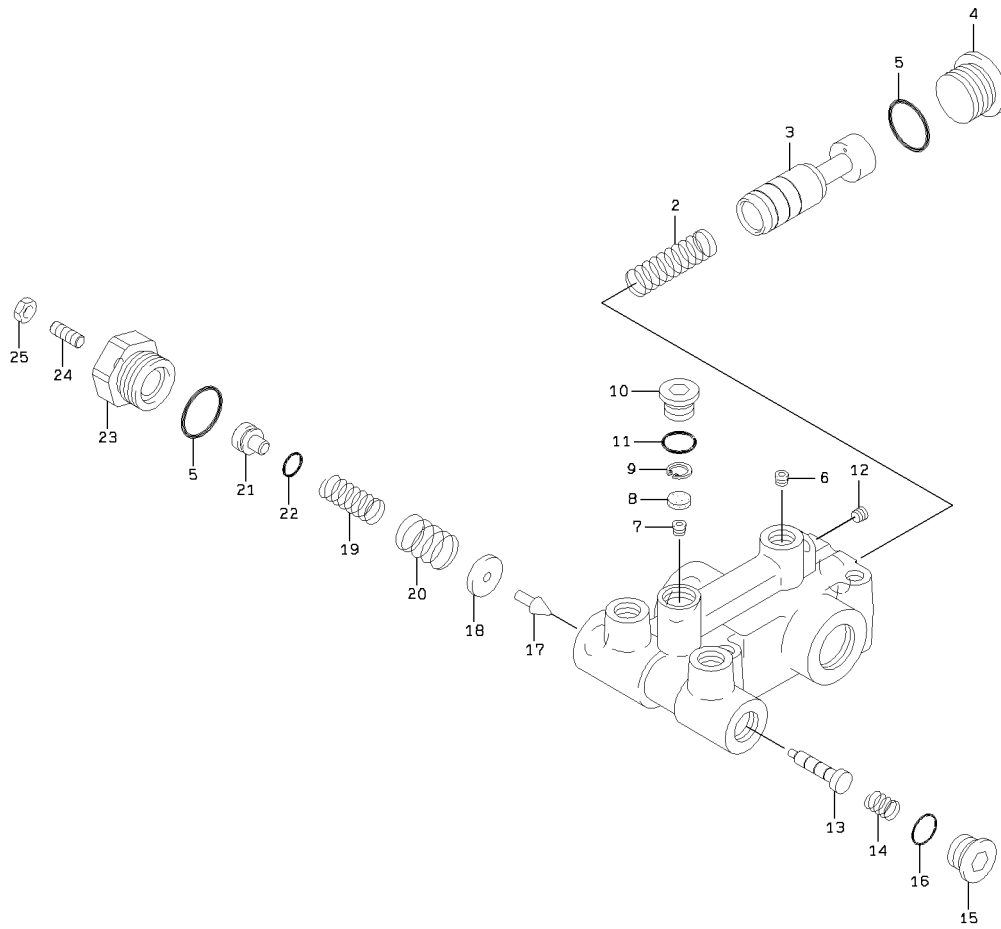
1-A

UNLOADER VALVE (S/N 0101 -0 328)

SYM-BOL	PART NUMBER	PART NAME	UNIT Q,TY	SERIAL			REMARKS						
				(A)	-	(B)	N	P	D	(A)	(B)	(C)	(D)
000A	38543-60160	VALVE,UNLOADER	1	101	-	328							
2A	35600-71450	SPRING	1	101	-	328							
3A	35570-70540	SPOOL	1	101	-	328							
4A	41530-73910	PLUG	1	101	-	328							
5A	65210-12029	RING,O	1	101	-	328							
6A	31053-70200	ORIFICE	1	101	-	328							
7A	31053-70700	ORIFICE	1	101	-	328							
8A	46000-71510	FILTER	1	101	-	328							
9A	63812-00014	RING,SNAP	1	101	-	328							
10A	41530-74580	PLUG	1	101	-	328							
11A	65210-12014	RING,O	1	101	-	328							
12A	41530-73930	PLUG	1	101	-	328							
13A	41585-70270	PLUNGER	1	101	-	328							
14A	35600-74850	SPRING	1	101	-	328							
15A	41530-73940	PLUG	1	101	-	328							
16A	65210-12021	RING,O	1	101	-	328							
17A	38560-70080	VALVE,PILOT	1	101	-	328							
18A	33930-70600	SEAT,SPRING	1	101	-	328							
19A	35600-74860	SPRING	1	101	-	328							
20A	35600-74870	SPRING	1	101	-	328							
21A	41530-73950	PLUG	1	101	-	328							
22A	65210-12026	RING,O	1	101	-	328							
23A	45870-70580	ROD	1	101	-	328							
24A	62402-81081	NUT	1	101	-	328							
25A	39600-72310	PACKING	1	101	-	328							
26A	32210-71960	CAP	1	101	-	328							

UNLOADER VALVE (S/N 0329 -)

<S/N 0329 - >

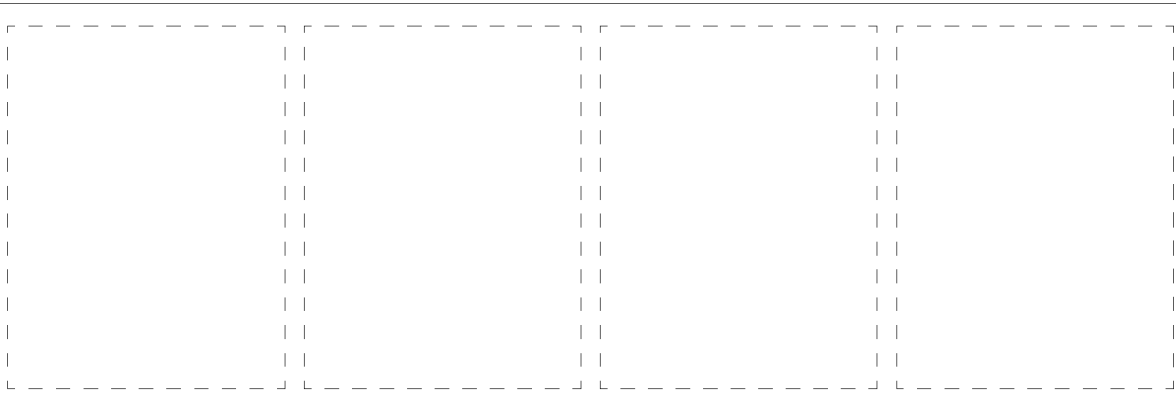
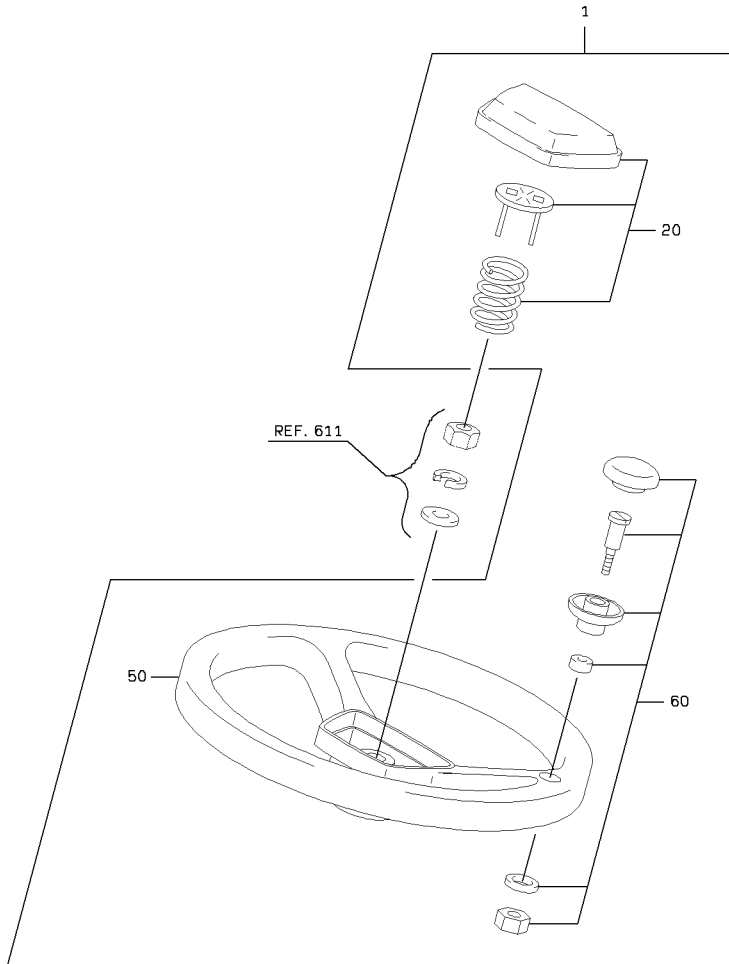


1-A

UNLOADER VALVE (S/N 0329 -)

SYM-BOL	PART NUMBER	PART NAME	UNIT Q,TY	SERIAL (A) - (B)	REMARKS					
					N	P	D	(A)	(B)	(C)
000A	38543-60280	VALVE,UNLOADER	1	329 -						
2A	35600-78090	SPRING	1	329 -						
3A	35570-71920	SPOOL	1	329 -						
4A	41530-73910	PLUG	1	329 -						
5A	65210-12029	RING,O	2	329 -						
6A	31053-70200	ORIFICE	1	329 -						
7A	31053-70700	ORIFICE	1	329 -						
8A	46000-71510	FILTER	1	329 -						
9A	63812-00014	RING,SNAP	1	329 -						
10A	41530-74580	PLUG	1	329 -						
11A	65210-12014	RING,O	1	329 -						
12A	41530-73930	PLUG	1	329 -						
13A	41585-70400	PLUNGER	1	329 -						
14A	35600-74850	SPRING	1	329 -						
15A	41530-71180	PLUG	1	329 -						
16A	47131-77400	RING,O	1	329 -						
17A	38560-70110	VALVE,PILOT	1	329 -						
18A	33930-71070	SEAT,SPRING	1	329 -						
19A	35600-78100	SPRING	1	329 -						
20A	35600-74870	SPRING	1	329 -						
21A	33920-70170	SEAT	1	329 -						
22A	47131-77410	RING,O	1	329 -						
23A	41530-75480	PLUG	1	329 -						
24A	35100-72340	SCREW	1	329 -						
25A	62402-81081	NUT	1	329 -						

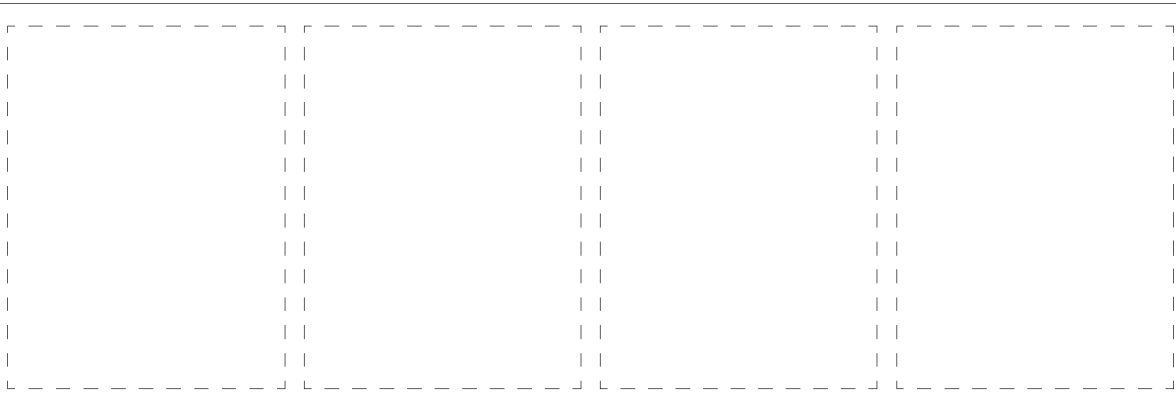
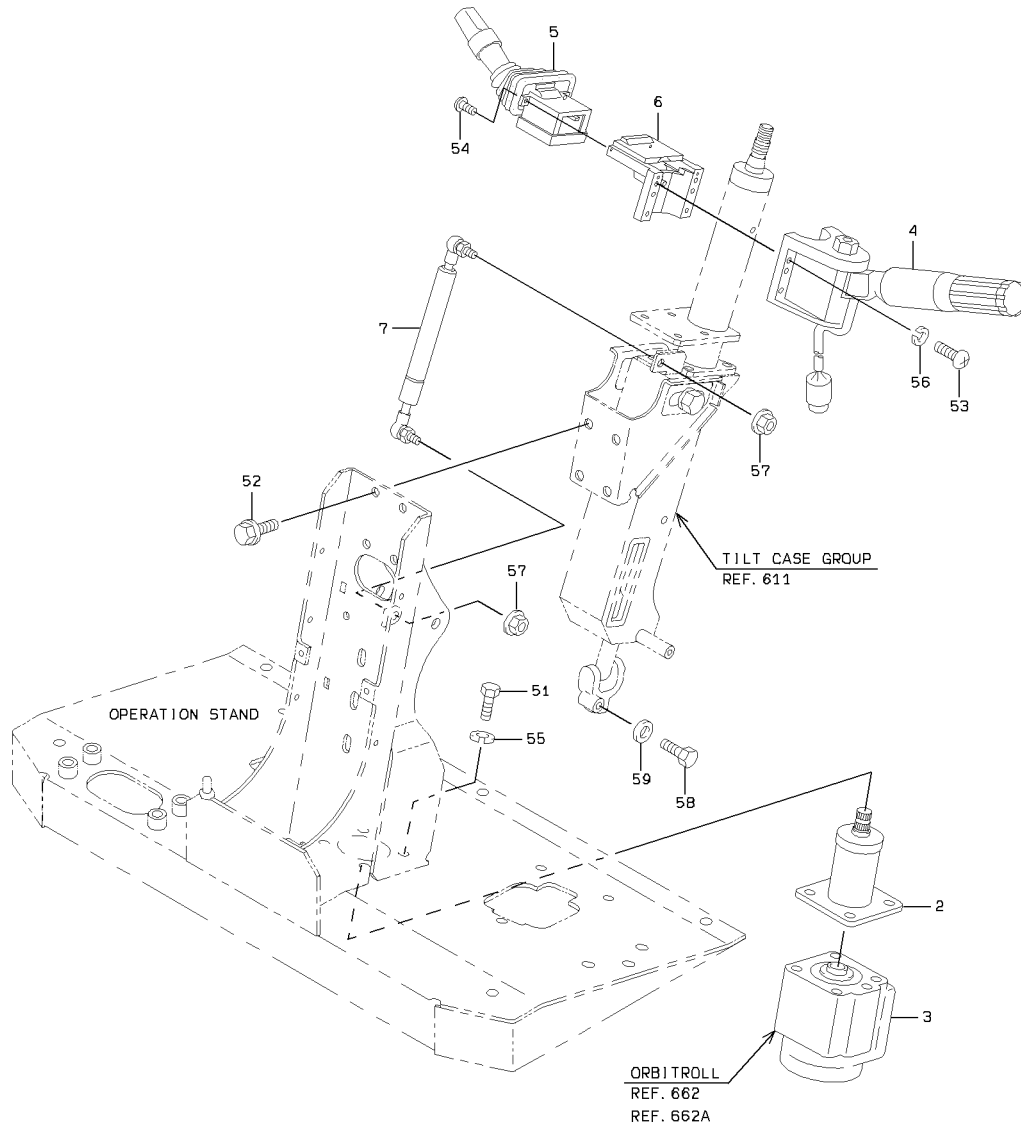
STEERING WHEEL MOUNT



STEERING WHEEL MOUNT

SYM-BOL	PART NUMBER	PART NAME	UNIT Q, TY	SERIAL (A) - (B)	REMARKS					
					N	P	D	(A)	(B)	(C)
1A	43415-60020	WHEEL ASSY,STEERIN	1	101 -				Y01		
20A	43301-70050	HORN ASSY	1	101 -				01		
50A	43420-70030	WHEEL,STEERING	1	101 -				01		
60A	37810-60140	KNOB	1	101 -				01		

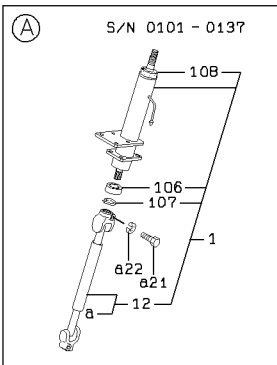
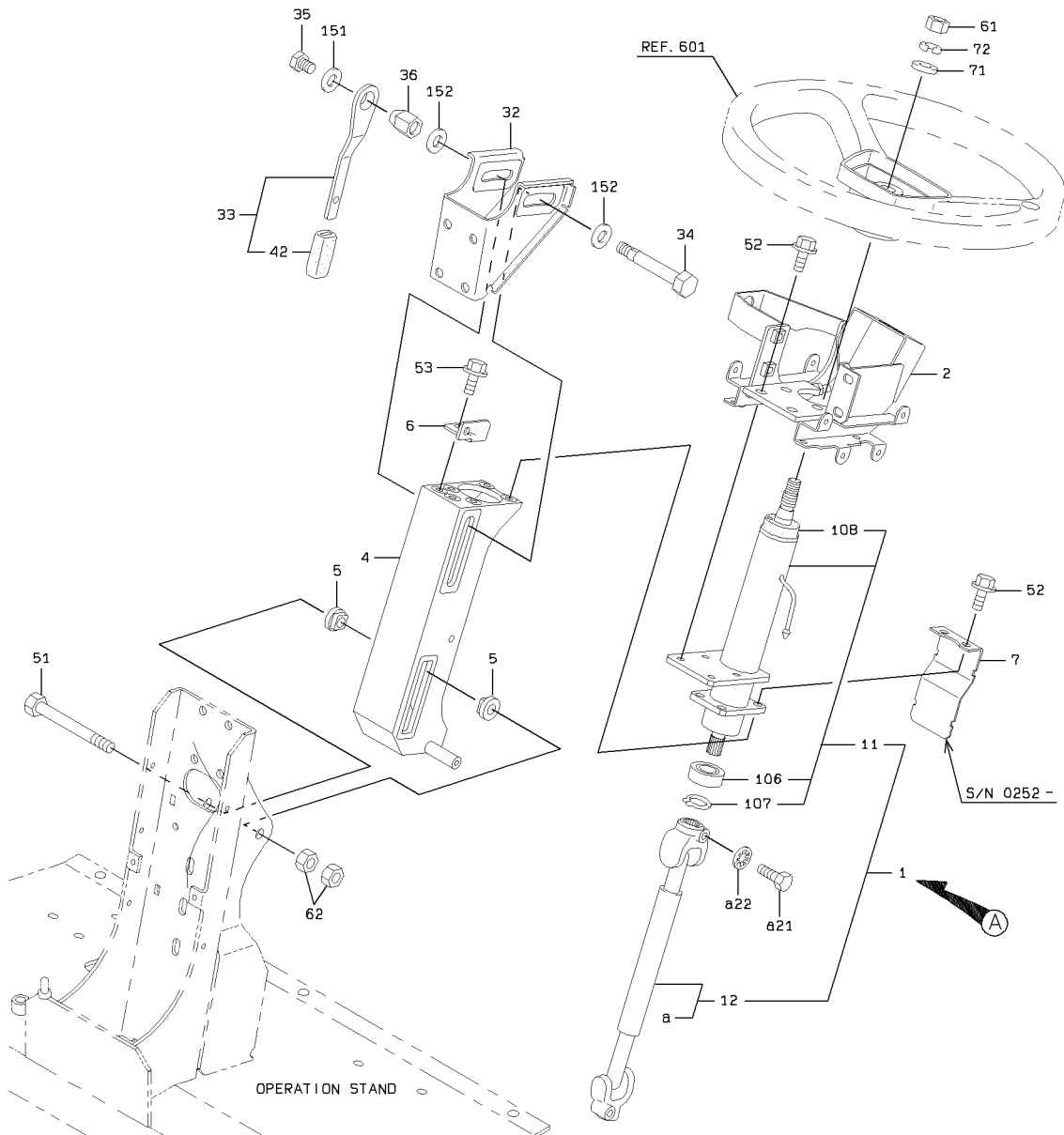
SHIFT LEVER GROUP



SHIFT LEVER GROUP

SYM-BOL	PART NUMBER	PART NAME	UNIT Q,TY	SERIAL		REMARKS						
				(A)	(B)	N	P	D	(A)	(B)	(C)	(D)
2A	34501-60170	SHAFT ASSY	1	101	-							
3A	31050-60360	ORBITROL(TM) ASSY	1	101	-	251						REF662
3B	31050-60610	ORBITROL(TM) ASSY	1	252	-							REF662A
4A	45625-60140	LEVER ASSY,SHIFT	1	101	-							
5A	35045-60020	SWITCH,FLASHER	1	101	-							
6A	40901-60090	BRACKET	1	101	-	274						
6B	40901-60160	BRACKET	1	275	-							
7A	35617-60090	SPRING,GAS	1	101	-							
51A	61275-06025	BOLT(UNIFY)	4	101	-							
52A	61802-08020	BOLT,FLANGED	4	101	-							
53A	62256-51520	SCREW	6	101	-							
54A	62256-29310	SCREW	2	101	-							
55A	62722-03100	WASHER,SPRING	4	101	-							
56A	62721-05100	WASHER,SPRING	6	101	-							
57A	62480-21081	NUT,FLANGED	2	101	-							
58A	61033-08025	BOLT	1	101	-							
59A	62721-08100	WASHER,SPRING	1	101	-							

TILT CASE GROUP

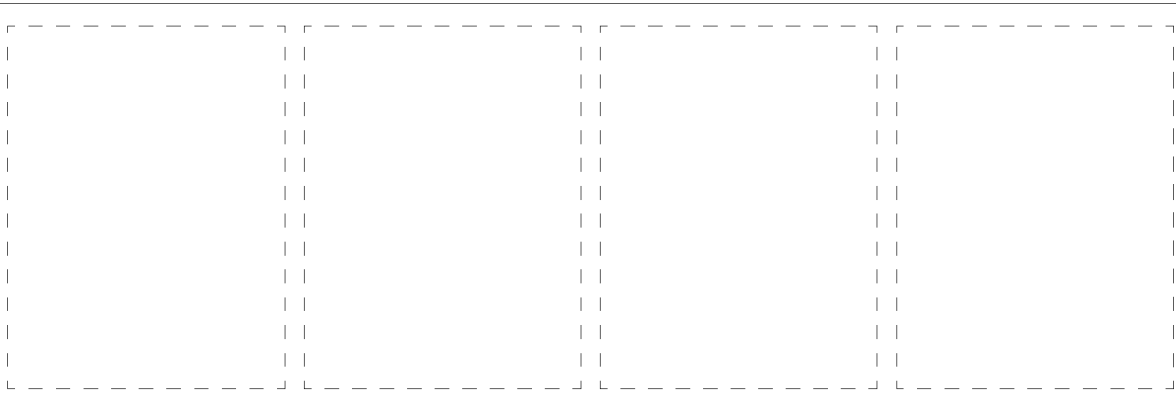
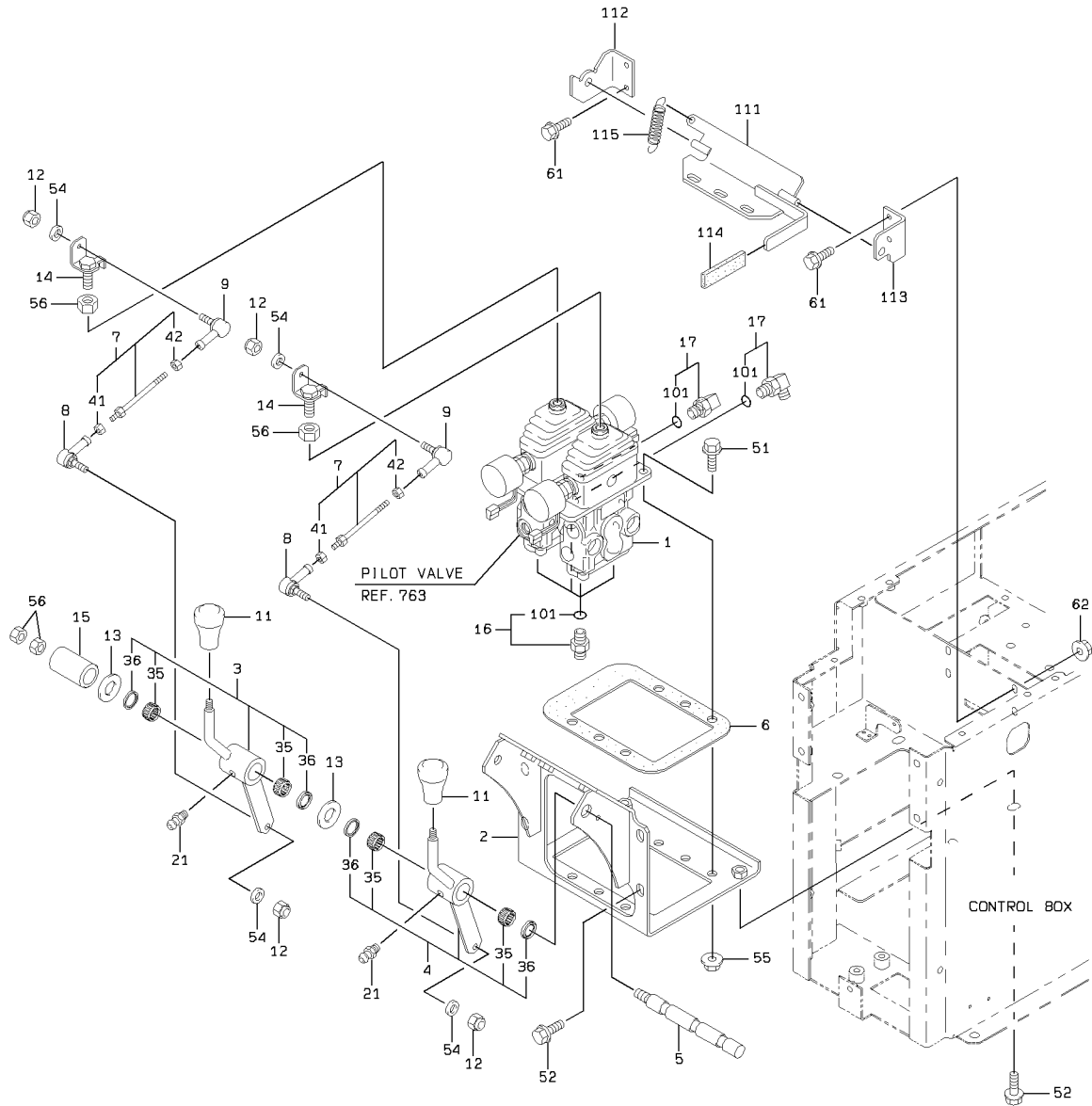


TILT CASE GROUP

SYM-BOL	PART NUMBER	PART NAME	UNIT Q,TY	SERIAL			REMARKS							
				(A)	-	(B)	N	P	D	(A)	(B)	(C)	(D)	REMARK
1A	34501-21290	SHAFT ASSY	1	101	-	137	N				Y01			
1B	34501-21990	SHAFT ASSY	1	138	-	252	C				Y01			
1C	34501-22550	SHAFT ASSY	1	253	-		C				Y01			
2A	40902-20030	BRACKET	1	101	-									
4A	40901-57900	BRACKET	1	101	-									
5A	40850-20550	BUSHING,ELASTIC	2	101	-									
6A	41606-56200	PLATE	1	101	-									
7A	41710-35550	PLATE	1	252	-									
11A	33311-70020	COLUMN ASSY	1	101	-						01		Y04	
12A	34944-70010	JOINT ASSY,INIVERS	1	101	-	137	N				01	Y02		
12B	34944-70020	JOINT ASSY,UNIVERS	1	138	-		C				01	Y02		
21A	61033-08025	BOLT	1	101	-							02		
22A	62721-08100	WASHER,SPRING	1	101	-	137						02		
22B	62761-17081	WASHER,TOOTH	1	138	-		C					02		
32A	40902-20110	BRACKET	1	101	-								Y03	
33A	45600-24210	LEVER	1	101	-									
34A	43900-24610	BOLT	1	101	-									
35A	43900-24230	BOLT	1	101	-									
36A	37600-24460	NUT	1	101	-									
42A	32224-20220	CAP,ELASTIC	1	101	-								03	
51A	61033-12110	BOLT	1	101	-									
52A	61802-08016	BOLT,FLANGED	8	101	-									
53A	61802-08012	BOLT,FLANGED	2	101	-									
61A	62403-81142	NUT	1	101	-									
62A	62401-81121	NUT	2	101	-									62401-91121
71A	62701-40141	WASHER,PLANE	1	101	-									
72A	62721-14100	WASHER,SPRING	1	101	-									
106A	42001-70530	BEARING,BALL	1	101	-								04	
107A	63811-00017	RING,SNAP	1	101	-								04	
108A	40845-70050	BUSHING,COLUMN	1	101	-								04	
151A	62710-18121	WASHER,PLANE	1	101	-									
152A	62710-18141	WASHER,PLANE	2	101	-									

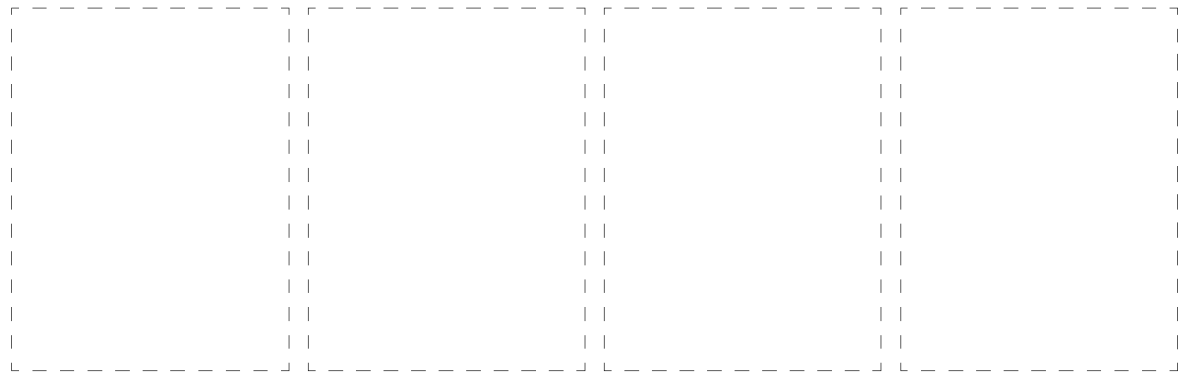
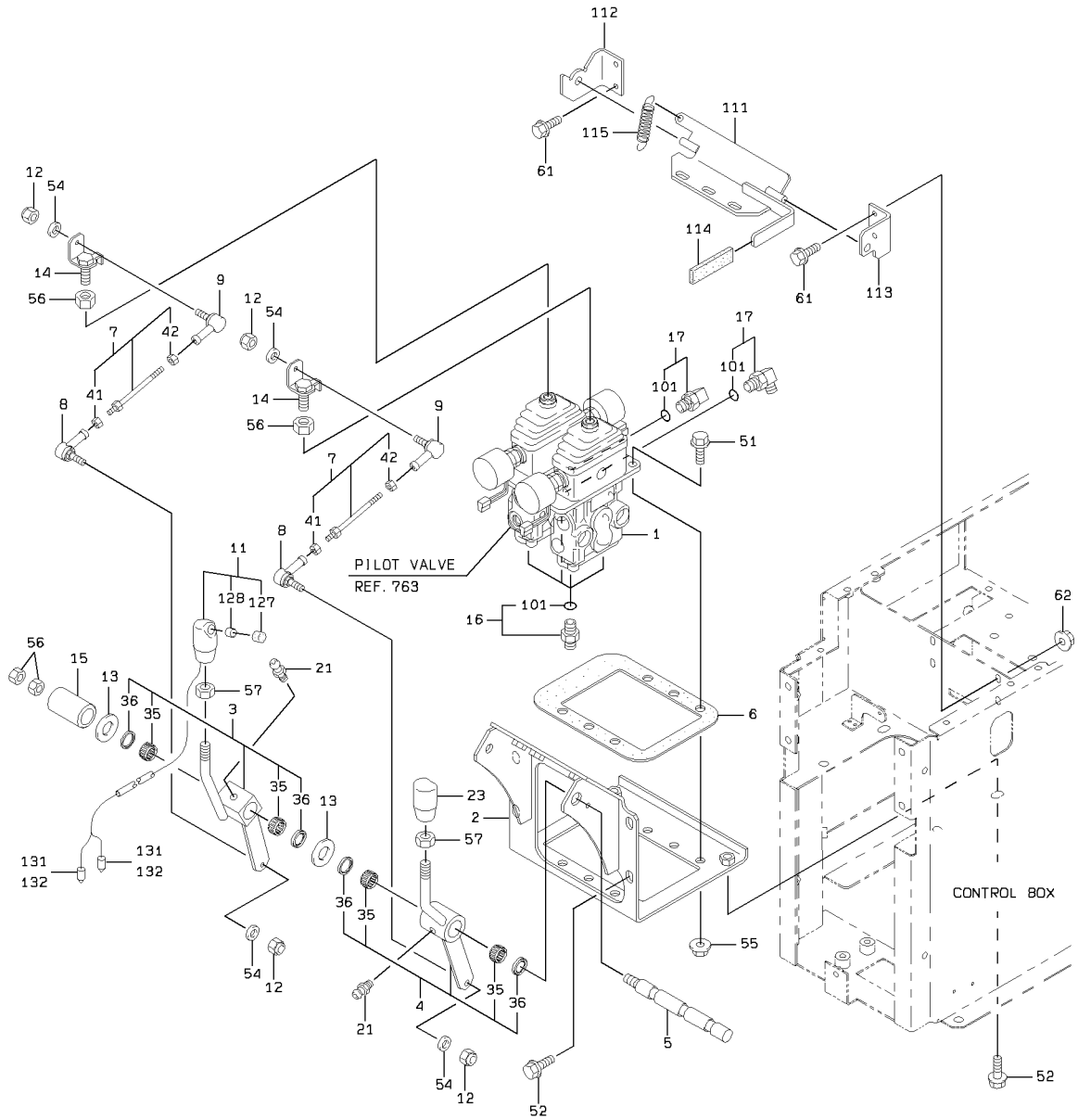
VALVE CONTROL GROUP (S/N 0101 - 0232)

<S/N 0101 - 0187>



VALVE CONTROL GROUP (S/N 0101 - 0232)

<S/N 0188 - 0232>



2-A

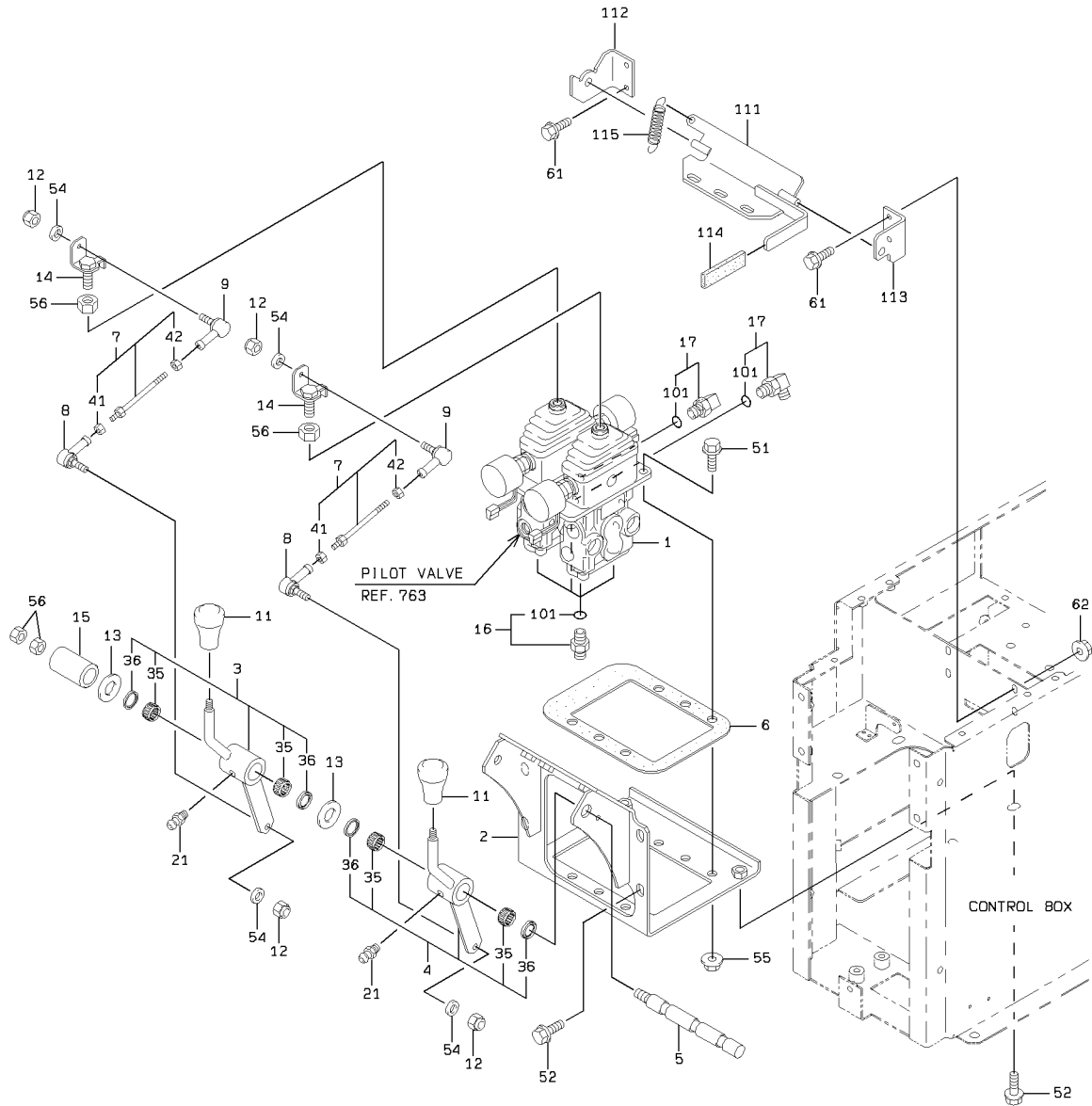
VALVE CONTROL GROUP (S/N 0101 - 0232)

SYM-BOL	PART NUMBER	PART NAME	UNIT Q,TY	SERIAL		REMARKS							
				(A)	(B)	N	P	D	(A)	(B)	(C)	(D)	REMARK
1A	38560-60360	VALVE,PILOT	1	101	232								REF.763
2A	41616-45240	PLATE	1	101	232								
3A	45600-23740	LEVER	1	101	187								
3B	45600-25360	LEVER	1	188	232	B			Y01				
4A	45600-23750	LEVER	1	101	187					Y02			
4B	45600-25180	LEVER	1	188	232	B			Y02				
5A	40000-35940	PIN	1	101	232								
6A	31990-22840	GASKET	1	101	232								
7A	64111-01001	ROD	2	101	232							Y03	
8A	34950-60020	JOINT,BALL	2	101	112								
8B	34950-20010	JOINT,BALL	2	113	232	C							
9A	34950-20020	JOINT,BALL	2	101	232								
11A	37810-60060	KNOB	2	101	187								
11B	37810-60220	KNOB	1	188	232	B			Y05				
12A	88031-06061	NUT,SELF-LOCKING	4	101	232								
13A	34200-22770	SHIM	A/R	101	232								T=1,2,2,3,3,2
14A	30020-24600	ARM	2	101	232								
15A	38720-41870	PIPE	1	101	232								
16A	88201-06704	ADAPTER	4	101	232							Y04	
17A	88241-07104	ADAPTER,ELBOW	2	101	232							Y04	
21A	75011-25400	NIPPLE,GREASE	2	101	232								
23A	37810-60210	KNOB	1	188	232	N							
35A	42006-70060	BEARING,NEEDLE	2	101	232				01	02			
36A	34000-70030	SEAL	2	101	232				01	02			
41A	62401-81061	NUT	1	101	232							03	
42A	62401-81067	NUT	1	101	232							03	
51A	61802-10025	BOLT,FLANGED	4	101	232								
52A	61802-10020	BOLT,FLANGED	6	101	232								
54A	62701-40061	WASHER,PLANE	4	101	232								
55A	62480-21101	NUT,FLANGED	4	101	232								
56A	62401-81121	NUT	4	101	232								
57A	62403-81122	NUT	2	188	232								
61A	61802-06016	BOLT,FLANGED	4	101	232								
62A	62480-21061	NUT,FLANGED	4	101	232								
101A	65210-12011	RING,O	1	101	232							04	
111A	41641-43690	PLATE	1	101	232								
112A	41618-51320	PLATE	1	101	232								
113A	41618-51330	PLATE	1	101	232								
114A	32224-20170	CAP,ELASTIC	1	101	232								
115A	35600-21900	SPRING	1	101	232								
127A	32224-70140	CAP,ELASTIC	1	188	232				05				
128A	45200-71350	RING	1	188	232				05				
131A	73221-00100	CAP,TERMINAL	2	188	232	N							
132A	73211-00100	TERMINAL	2	188	232								

MEMO

VALVE CONTROL GROUP (S/N 0233 - 0290)

<S/N 0233 - 0290>

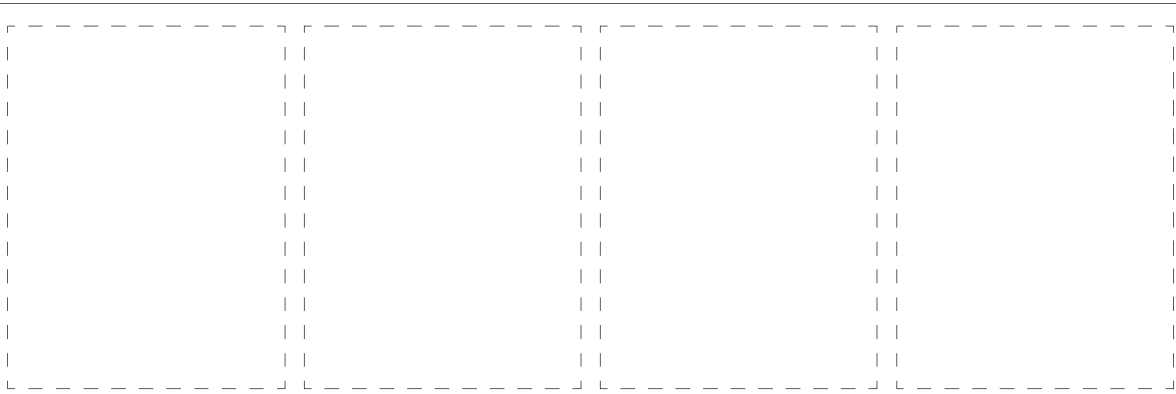
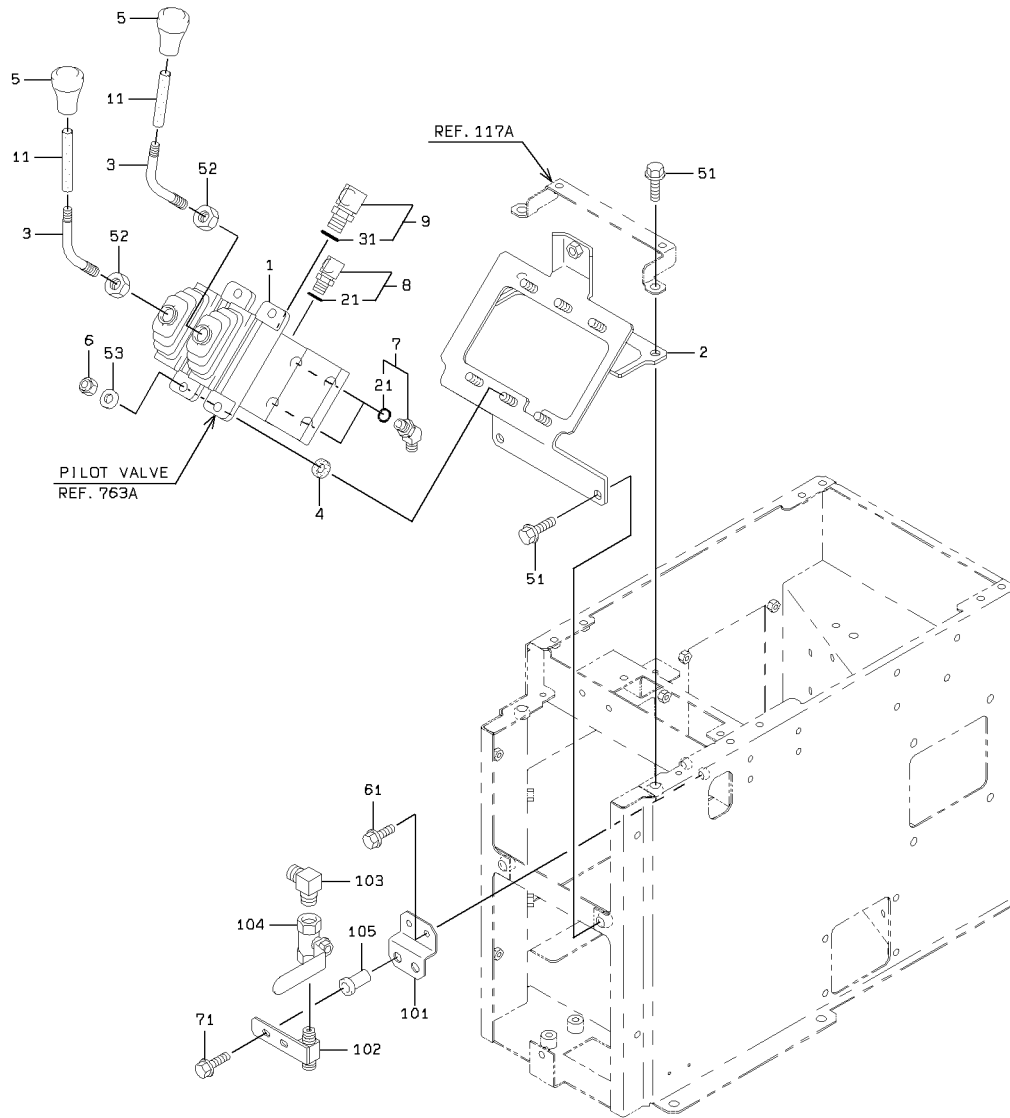


VALVE CONTROL GROUP (S/N 0233 - 0290)

SYM-BOL	PART NUMBER	PART NAME	UNIT Q,TY	SERIAL		REMARKS							
				(A)	(B)	N	P	D	(A)	(B)	(C)	(D)	REMARK
1A	38560-60360	VALVE,PILOT	1	233	-	290							REF.763
2A	41616-45240	PLATE	1	233	-	290							
3A	45600-23740	LEVER	1	233	-	290				Y01			
4A	45600-23750	LEVER	1	233	-	290				Y02			
5A	40000-35940	PIN	1	233	-	290							
6A	31990-22840	GASKET	1	233	-	290							
7A	64111-01001	ROD	2	233	-	290						Y03	
8A	34950-20010	JOINT,BALL	2	233	-	290							
9A	34950-20020	JOINT,BALL	2	233	-	290							
11A	37810-60060	KNOB	2	233	-	290							
12A	88031-06061	NUT,SELF-LOCKING	4	233	-	290							
13A	34200-22770	SHIM	A/R	233	-	290							T=1,2,2,3,3,2
14A	30020-24600	ARM	2	233	-	267							
14B	30020-25840	ARM	2	268	-	290	C						
15A	38720-41870	PIPE	1	233	-	290							
16A	88201-06704	ADAPTER	4	233	-	290						Y04	
17A	88241-07104	ADAPTER,ELBOW	2	233	-	290						Y04	
21A	75011-25400	NIPPLE,GREASE	2	233	-	290							
35A	42006-70060	BEARING,NEEDLE	2	233	-	290			01	02			
36A	34000-70030	SEAL	2	233	-	290			01	02			
41A	62401-81061	NUT	1	233	-	290					03		
42A	62401-81067	NUT	1	233	-	290					03		
51A	61802-10025	BOLT,FLANGED	4	233	-	290							
52A	61802-10020	BOLT,FLANGED	6	233	-	290							
54A	62701-40061	WASHER,PLANE	4	233	-	290							
55A	62480-21101	NUT,FLANGED	4	233	-	290							
56A	62401-81121	NUT	4	233	-	290							
61A	61802-06016	BOLT,FLANGED	4	233	-	290							
62A	62480-21061	NUT,FLANGED	4	233	-	290							
101A	65210-12011	RING,O	1	233	-	290						04	
111A	41641-43690	PLATE	1	233	-	290							
112A	41618-51320	PLATE	1	233	-	290							
113A	41618-51330	PLATE	1	233	-	290							
114A	32224-20170	CAPELASTIC	1	233	-	290							
115A	35600-21900	SPRING	1	233	-	290							

VALVE CONTROL GROUP (S/N 0291 -)

<S/N 0291 - >



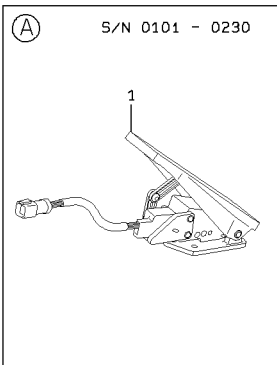
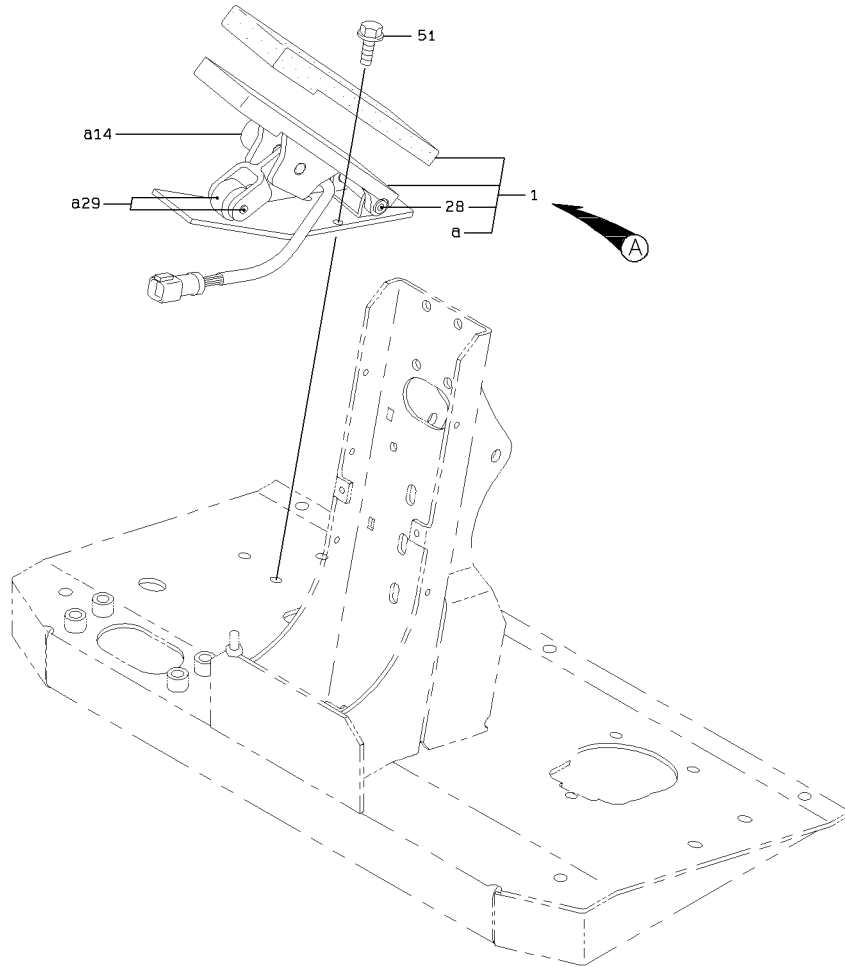
1-A

VALVE CONTROL GROUP (S/N 0291 -)

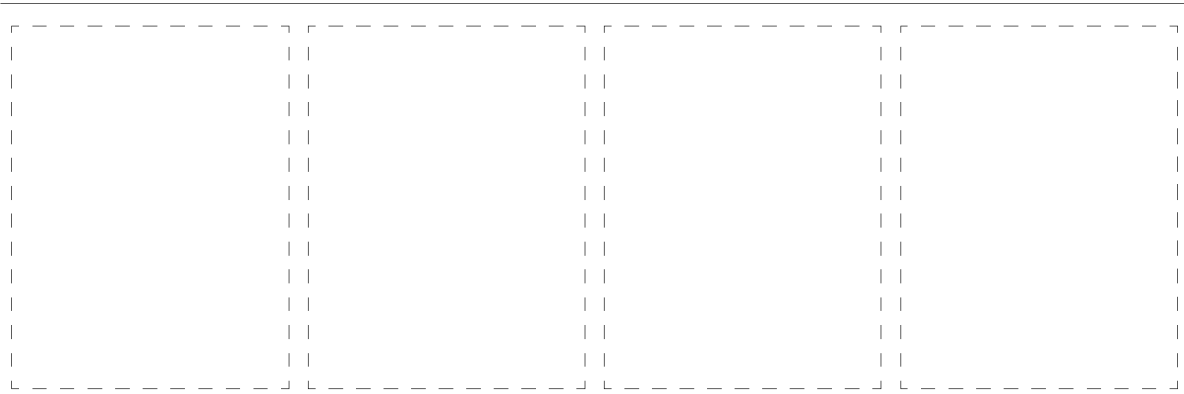
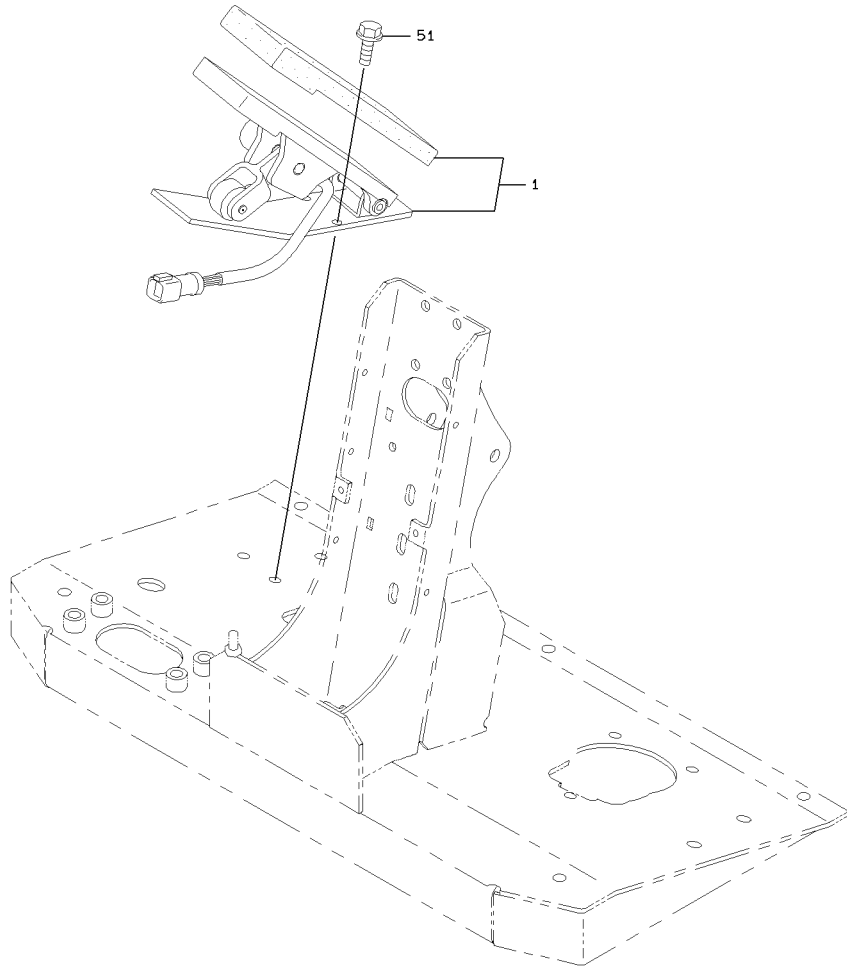
SYM-BOL	PART NUMBER	PART NAME	UNIT Q,TY	SERIAL		REMARKS						
				(A)	(B)	N	P	D	(A)	(B)	(C)	(D)
1A	38560-60650	VALVE,PILOT	1	291	- 304							REF.763A
1B	38560-60710	VALVE,PILOT	1	305	- 408							REF.763A
1C	38560-60820	VALVE,PILOT	1	409	- 410							REF.763B
1D	38560-60900	VALVE,PILOT	1	411	-							REF.763C
2A	40902-42040	BRACKET	1	291	-							
3A	45870-28920	ROD	2	291	-							
4A	33713-29770	SHEET,RUBBER	4	291	-							
5A	37810-60060	KNOB	2	291	-							
6A	88031-06101	NUT,SELF-LOCKING	4	291	-							
7A	88241-07204	ADAPTER,ELBOW	4	291	-				Y01			
8A	88241-07104	ADAPTER,ELBOW	1	291	-				Y01			
9A	30241-21320	ADAPTER,ELBOW	1	291	-					Y02		
11A	36733-20200	TUBE,VINYL	2	291	-							
21A	65210-12011	RING,O	1	291	-				01			
31A	65210-12014	RING,O	1	291	-					02		
51A	61802-10020	BOLT,FLANGED	4	291	-							
52A	62403-81121	NUT	2	291	-							
53A	62701-40101	WASHER,PLANE	4	291	-							
61A	61802-06010	BOLT,FLANGED	2	291	-							
71A	61802-06025	BOLT,FLANGED	2	291	-							
101A	41750-34750	PLATE	1	291	-							
102A	30230-21720	ADAPTER	1	291	-							
103A	88241-03404	ADAPTER,ELBOW	1	291	- 387							
103B	30241-25820	ADAPTER,ELBOW	1	388	-				B			
104A	38510-60500	VALVE	1	291	-							
105A	37600-21210	NUT	2	291	-							

FUEL CONTROL GROUP

<S/N 0101 - 0329>



FUEL CONTROL GROUP



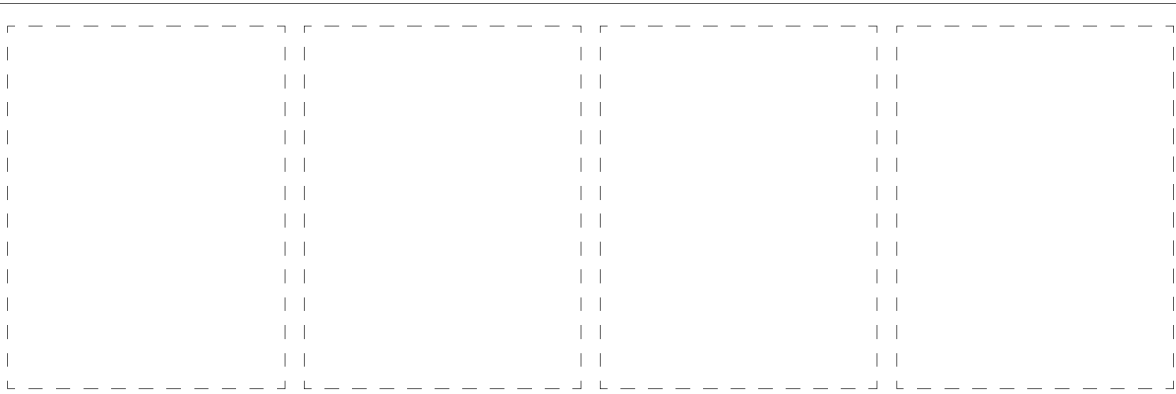
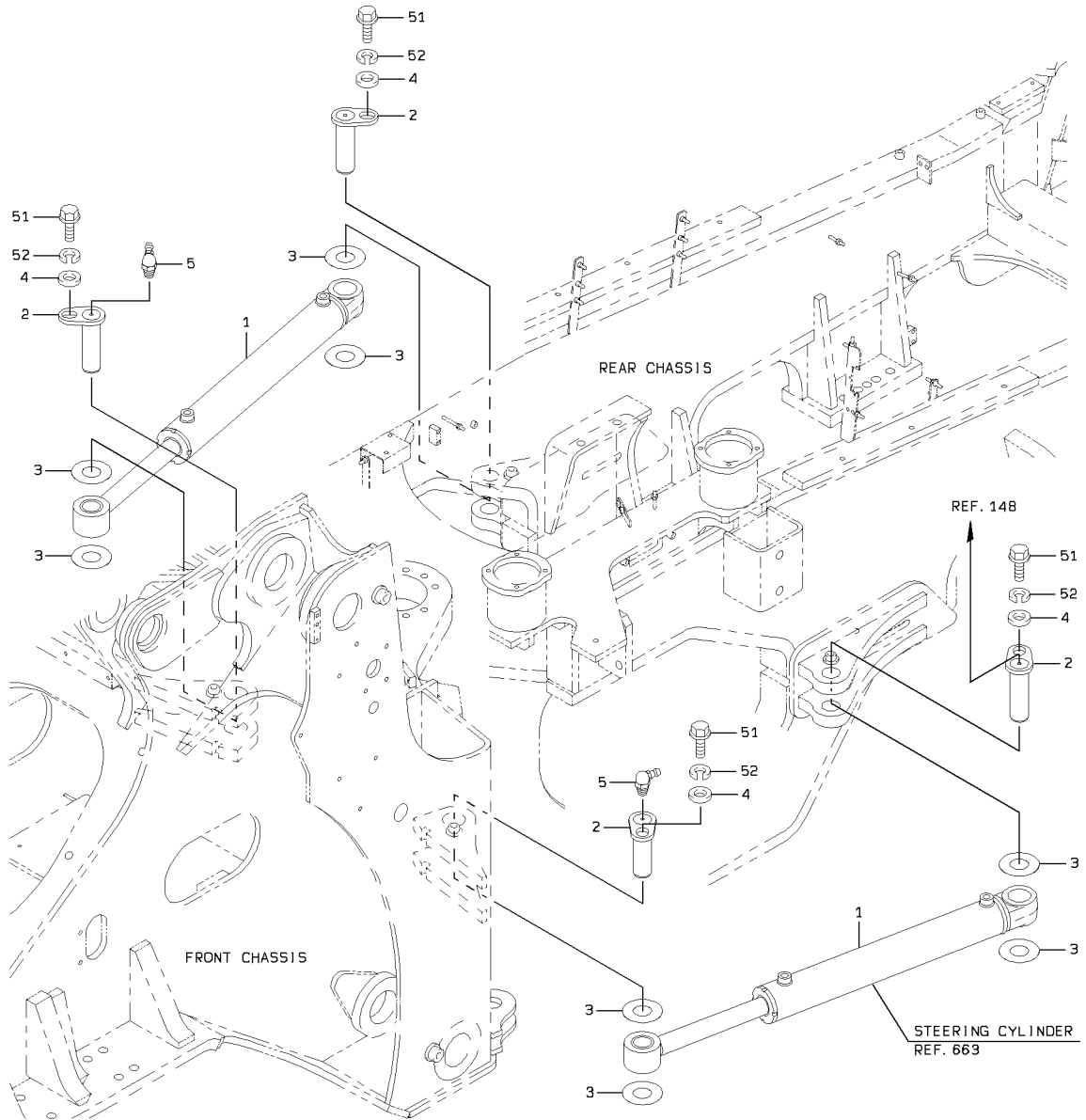
2-A

FUEL CONTROL GROUP

SYM-BOL	PART NUMBER	PART NAME	UNIT Q,TY	SERIAL		REMARKS				REMARK	
				(A)	(B)	N	P	D	(A)		(B)
1A	43022-60060	PEDAL ASSY,ACCEL	1	101	152	N					43022-60050
1B	43022-60070	PEDAL ASSY,ACCEL	1	153	230	C					
1C	43022-20180	PEDAL ASSY,ACCEL	1	231	329	B	Y01				
1D	43022-60040	PEDAL ASSY,ACCEL	1	330		A					
14A	35820-70190	SENSOR	1	231	329	D	01				
28A	40061-70030	PIN KIT	1	231	329	D	01				
29A	45810-70040	ROLLER ASSY	1	231	329	N	D	01			
51A	61802-08020	BOLT,FLANGED	3	101							

MEMO

STEERING CYLINDER GROUP



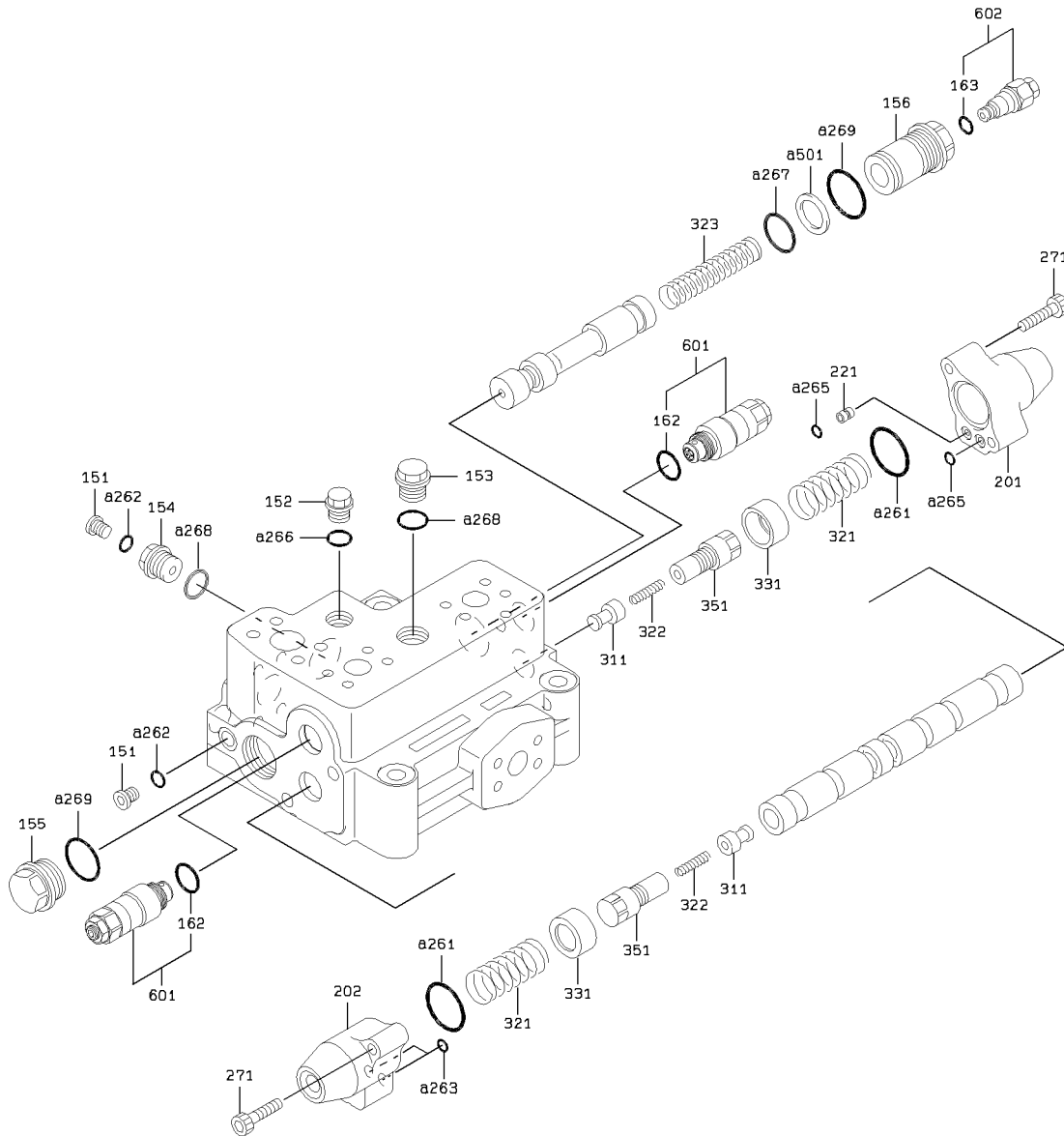
STEERING CYLINDER GROUP

SYM-BOL	PART NUMBER	PART NAME	UNIT Q, TY	SERIAL		REMARKS						
				(A)	(B)	N	P	D	(A)	(B)	(C)	(D)
1A	34820-63960	CYLINDER ASSY,OIL	2	101	-							REF.663
2A	40000-25600	PIN	4	101	-							D=50 X 168L
3A	41621-20110	PLATE	A/R	101	-							T=1.0
4A	46011-20150	WASHER,PLANE	4	101	-							
5A	75011-45400	NIPPLE,GREASE	2	101	-							
51A	61802-16020	BOLT,FLANGED	4	101	-							
52A	62721-16100	WASHER,SPRING	4	101	-							

STEERING VALVE (S/N 0101 - 0185)

<S/N 0101 - 0185>

(NOTE):KIT(SYMBOL 700) CONSISTS OF THE PARTS WITH a.



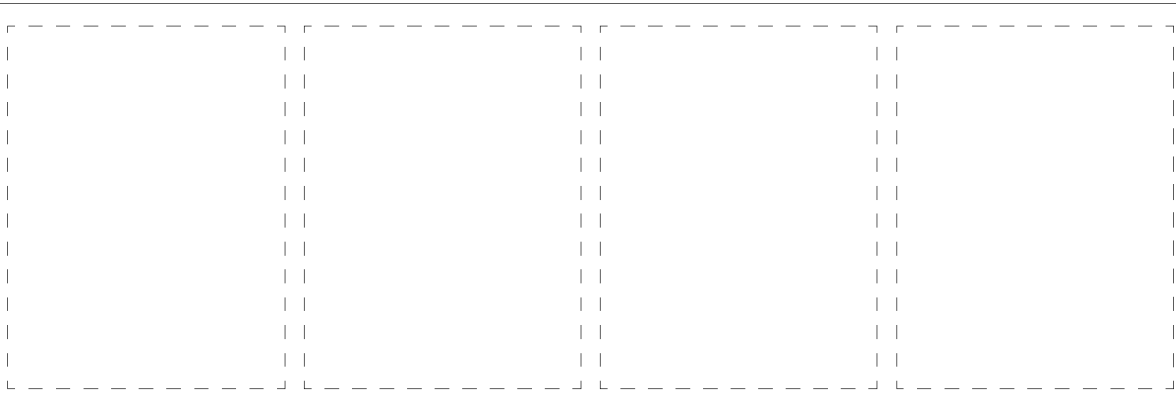
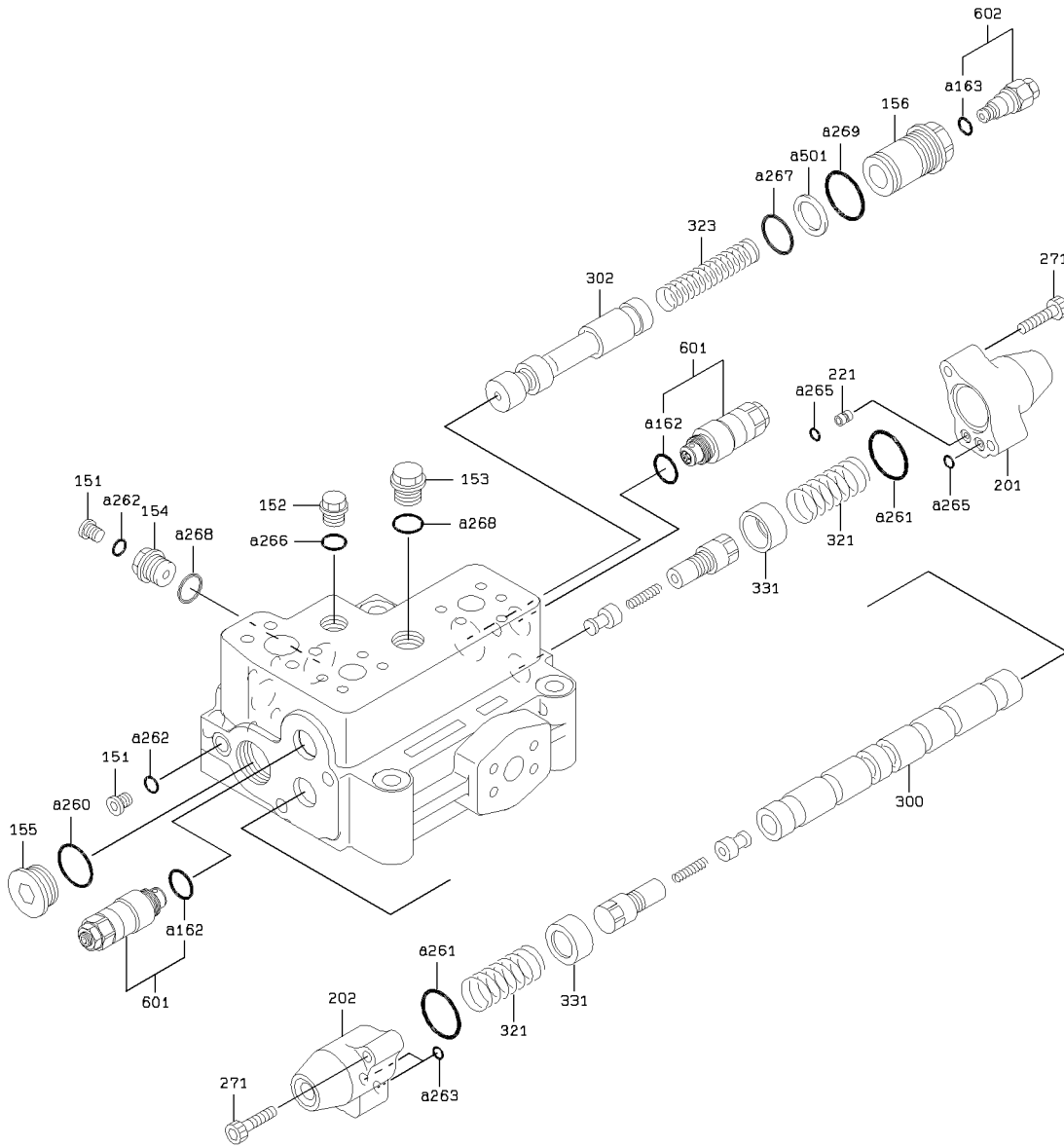
STEERING VALVE (S/N 0101 - 0185)

SYM-BOL	PART NUMBER	PART NAME	UNIT Q,TY	SERIAL		REMARKS							
				(A)	(B)	N	P	D	(A)	(B)	(C)	(D)	REMARK
000A	38523-60490	VALVE ASSY,STEERIN	1	101	-	185							
151A	41530-72790	PLUG	2	101	-	185							
152A	41530-73560	PLUG	1	101	-	185							
153A	41530-74150	PLUG	1	101	-	185							
154A	41530-74240	PLUG	1	101	-	185							
155A	41530-74250	PLUG	1	101	-	185							
156A	41530-74480	PLUG	1	101	-	185							
162A	65210-12024	RING,O	1	101	-	185			01				
163A	65210-12018	RING,O	1	101	-	185				02			
201A	32210-72200	CAP	1	101	-	185							
202A	32210-72210	CAP	1	101	-	185							
221A	31053-70630	ORIFICE	1	101	-	185							
261A	65210-22045	RING,O	2	101	-	185						K1	
262A	65210-12011	RING,O	2	101	-	185						K1	
263A	65210-12010	RING,O	2	101	-	185						K1	
265A	65219-12012	RING,O	2	101	-	185						K1	65210-12125
266A	65210-12024	RING,O	1	101	-	185						K1	
267A	65210-12026	RING,O	1	101	-	185						K1	
268A	65210-12029	RING,O	2	101	-	185						K1	
269A	65210-12042	RING,O	2	101	-	185						K1	
271A	61101-10045	BOLT,SOCKET	4	101	-	185							
311A	44074-70460	POPPET	2	101	-	185							
321A	35600-75880	SPRING	2	101	-	185							
322A	35600-75640	SPRING	2	101	-	185							
323A	35600-75890	SPRING	1	101	-	185							
331A	44955-70380	RETAINER,SPRING	2	101	-	185							
351A	41530-74270	PLUG	2	101	-	185							
501A	65240-21026	RING,BACK-UP	1	101	-	185						K1	
601A	38565-71460	VALVE,RELIEF	2	101	-	185			Y01				
602A	38565-71470	VALVE,RELIEF	1	101	-	185				Y02			
700A	49327-73230	SEAL KIT	1	101	-	185						QK1	

STEERING VALVE (S/N 0186 -)

<S/N 0186 - >

(NOTE):KIT(SYMBOL 700) CONSISTS OF THE PARTS WITH a.



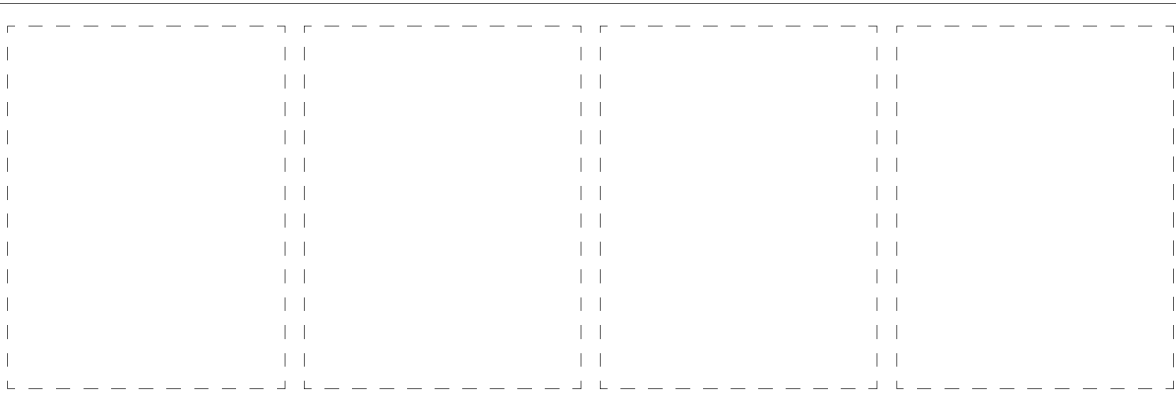
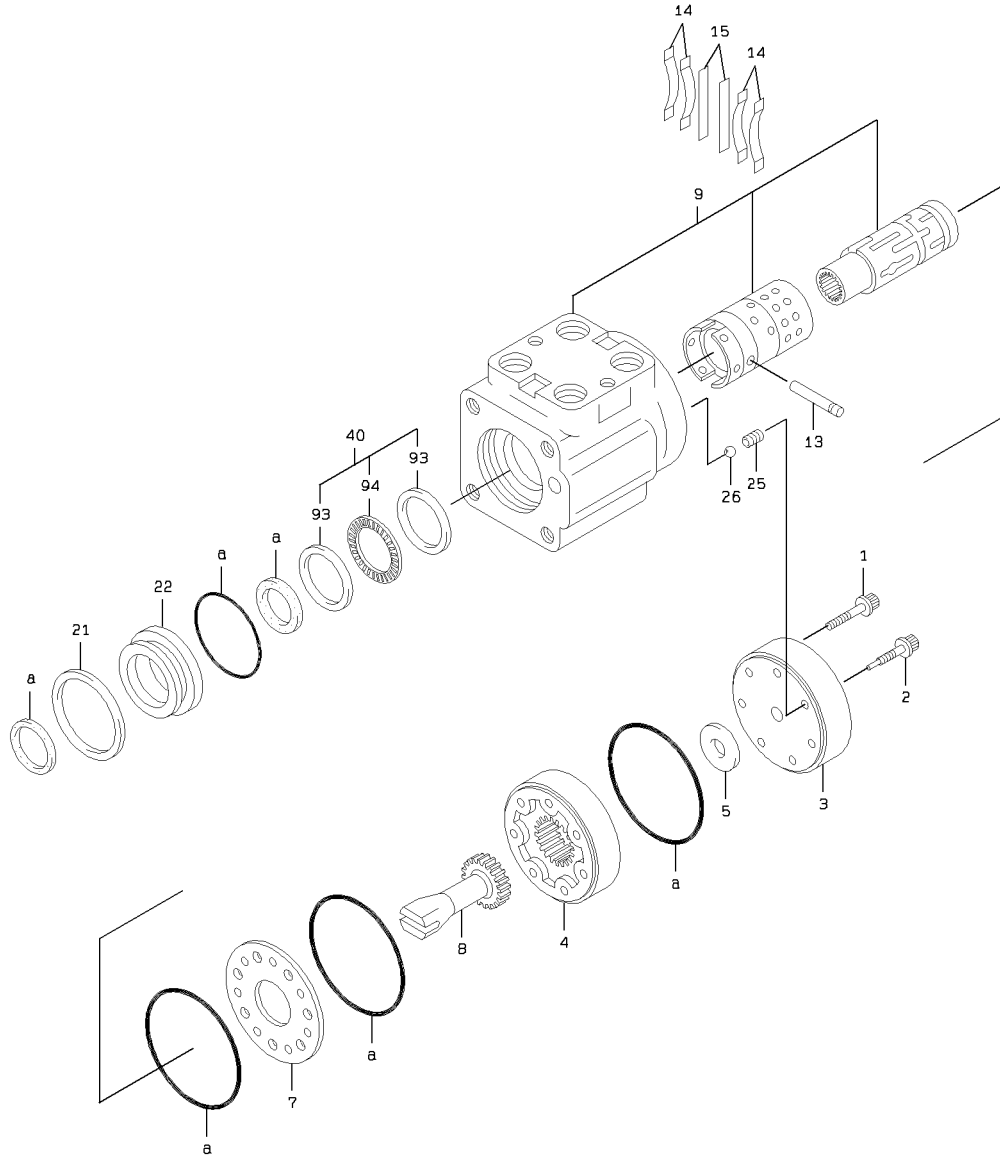
STEERING VALVE (S/N 0186 -)

SYM-BOL	PART NUMBER	PART NAME	UNIT Q,TY	SERIAL		REMARKS							
				(A)	(B)	N	P	D	(A)	(B)	(C)	(D)	REMARK
000A	38523-60590	VALVE ASSY,STEERIN	1	186	- 207								
000B	38523-60620	VALVE ASSY,STEERIN	1	208	- 263								
000C	38523-60690	VALVE ASSY,STEERIN	1	264	-								
151A	41530-72790	PLUG	2	186	-								
152A	41530-73560	PLUG	1	186	-								
153A	41530-74150	PLUG	1	186	-								
154A	41530-74240	PLUG	1	186	-								
155A	41530-74830	PLUG	1	186	-								
156A	41530-74480	PLUG	1	186	-								
162A	65210-12024	RING,O	1	186	-				01			K1	
163A	65210-12018	RING,O	1	186	-					02		K1	
201A	32210-72200	CAP	1	186	-								
202A	32210-72210	CAP	1	186	-								
221A	31053-70630	ORIFICE	1	186	- 207								
221B	31053-70650	ORIFICE	1	208	-								
260A	65210-12040	RING,O	1	186	-							K1	
261A	65210-22045	RING,O	2	186	-							K1	
262A	65210-12011	RING,O	2	186	-							K1	
263A	65210-12010	RING,O	2	186	-							K1	
265A	65219-12012	RING,O	2	186	-							K1	47131-76080
266A	65210-12024	RING,O	1	186	-							K1	
267A	65210-12026	RING,O	1	186	-							K1	
268A	65210-12029	RING,O	2	186	-							K1	
269A	65210-12042	RING,O	1	186	-							K1	
271A	61101-10045	BOLT,SOCKET	4	186	-								
300A	35570-71320	SPOOL	1	186	- 263								
300B	35575-70230	SPOOL ASSY	1	264	-								
302A	35570-71090	SPOOL	1	186	-								
321A	35600-75880	SPRING	2	186	-								
323A	35600-75890	SPRING	1	186	-								
331A	44955-70380	RETAINER,SPRING	2	186	-								
501A	65240-21026	RING,BACK-UP	1	186	-							K1	
601A	38565-71460	VALVE,RELIEF	2	186	-				Y01				
602A	38565-71470	VALVE,RELIEF	1	186	-					Y02			
700A	49327-73570	SEAL KIT	1	186	-							QK1	

ORBITROLL (S/N 0101 - 0251)

<S/N 0101 - 0251>

(NOTE):KIT(SYMBOL 70) CONSISTS OF THE PARTS WITH a.



1-A

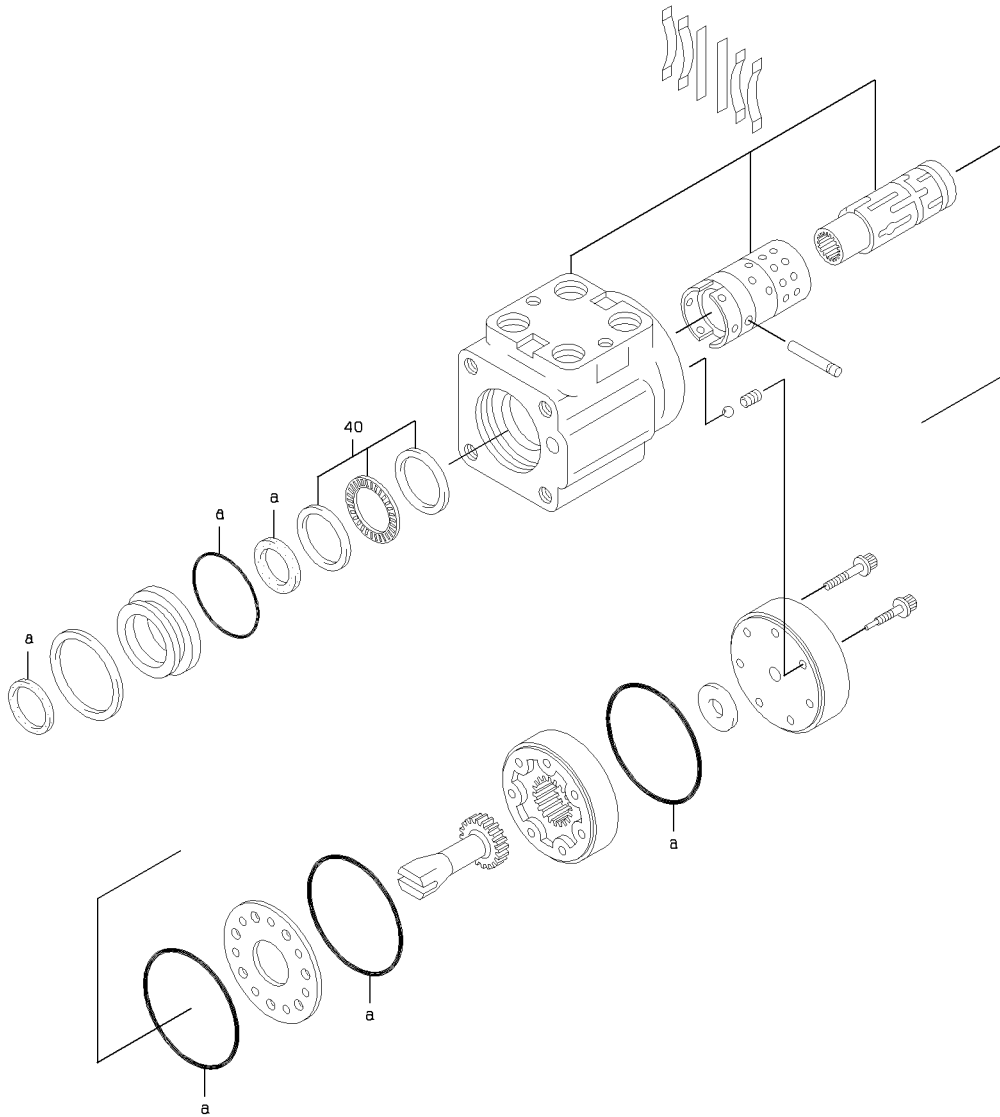
ORBITROLL (S/N 0101 - 0251)

SYM-BOL	PART NUMBER	PART NAME	UNIT Q,TY	SERIAL			REMARKS						
				(A)	-	(B)	N	P	D	(A)	(B)	(C)	(D)
000A	31050-60360	ORBITROL(TM) ASSY	1	101	-	251							
1A	35100-70390	SCREW	6	101	-	251							
2A	35100-71530	SCREW	1	101	-	251							
3A	41657-70010	PLATE,END	1	101	-	251							
4A	45715-70040	ROTOR ASSY	1	101	-	251							
5A	35700-70720	SPACER	1	101	-	251							
7A	41641-70090	PLATE	1	101	-	251							
8A	34500-70080	SHAFT	1	101	-	251							
9A	33110-70480	CASE ASSY	1	101	-	251							
13A	40000-70010	PIN	1	101	-	251							
14A	35600-70240	SPRING	4	101	-	251							
15A	35600-72200	SPRING	2	101	-	251							
21A	45323-70010	RING,RETAINER	1	101	-	251							
22A	44953-70230	RETAINER,SEAL	1	101	-	251							
25A	30230-70230	ADAPTER	1	101	-	251							
26A	43751-70310	BALL	1	101	-	251							
40A	49612-70010	BEARING KIT	1	101	-	251				Y01			
70A	49327-72150	SEAL KIT	1	101	-	251							
93A	45410-70010	RACE	2	101	-	251				01			
94A	42006-70080	BEARING,NEEDLE	1	101	-	251				01			

ORBITROLL (S/N 0252-)

<S/N 0252 - >

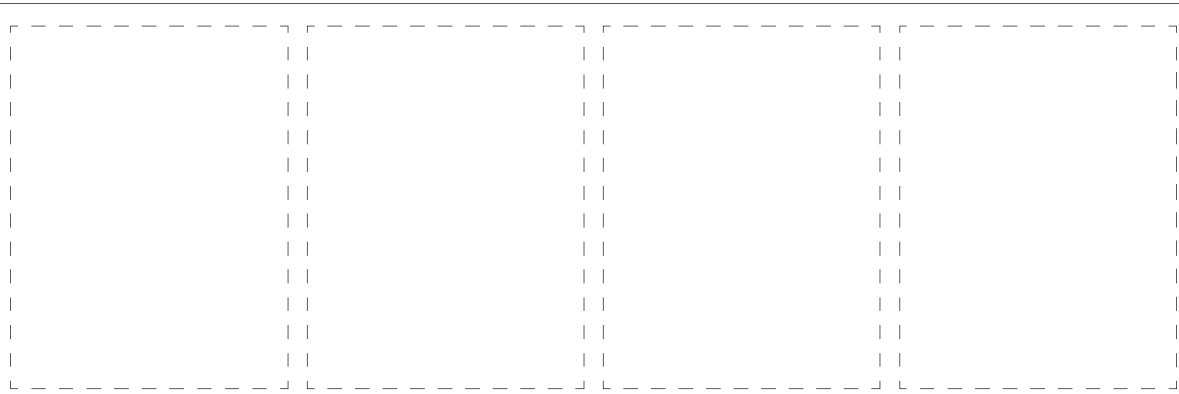
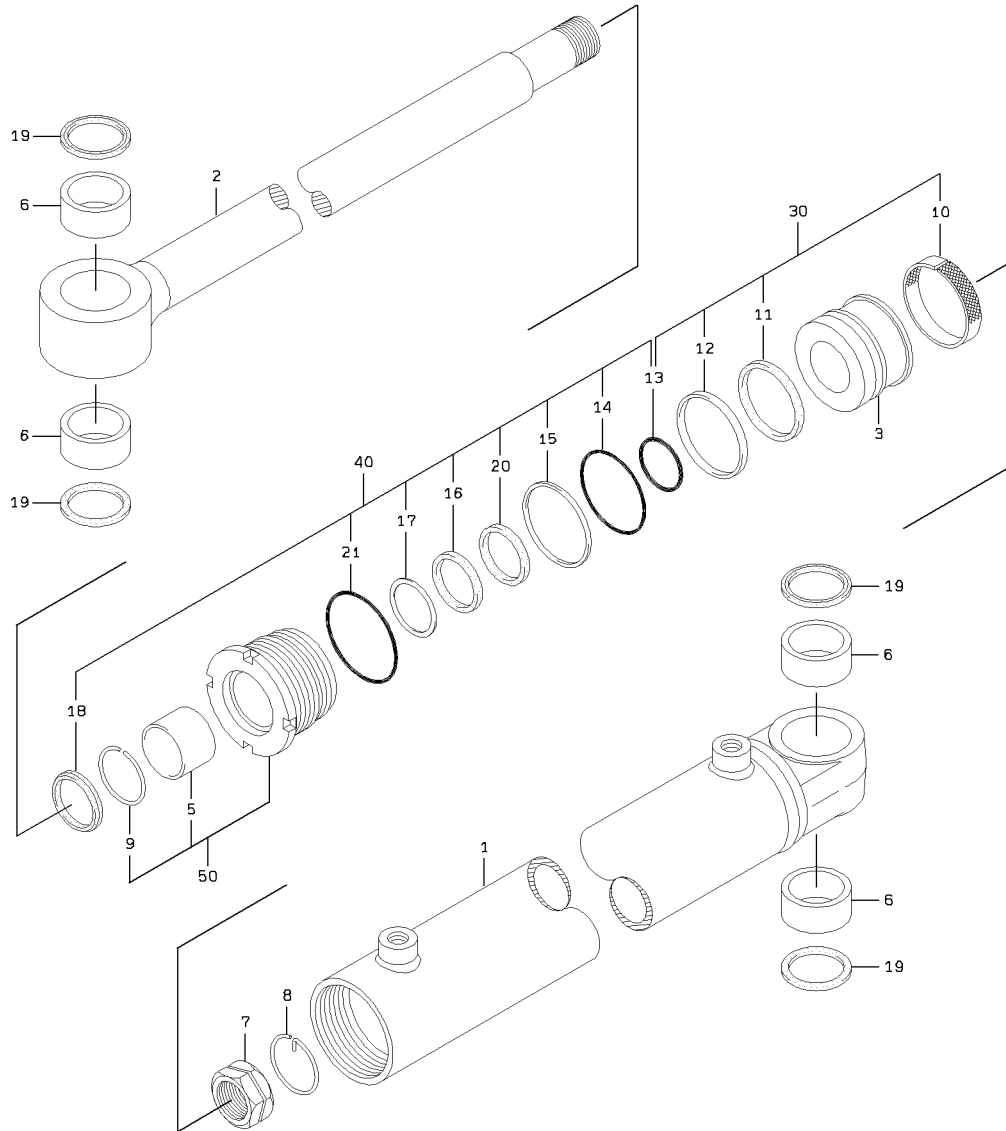
(NOTE):KIT(SYMBOL 70) CONSISTS OF THE PARTS WITH a.



ORBITROLL (S/N 0252-)

SYM-BOL	PART NUMBER	PART NAME	UNIT Q,TY	SERIAL (A) - (B)	REMARKS					
					N	P	D	(A)	(B)	(C)
000A	31050-60610	ORBITROL(TM) ASSY	1	252 -						
40A	49612-70010	BEARING KIT	1	252 -						
70A	49327-73720	SEAL KIT	1	252 -						

STEERING CYLINDER



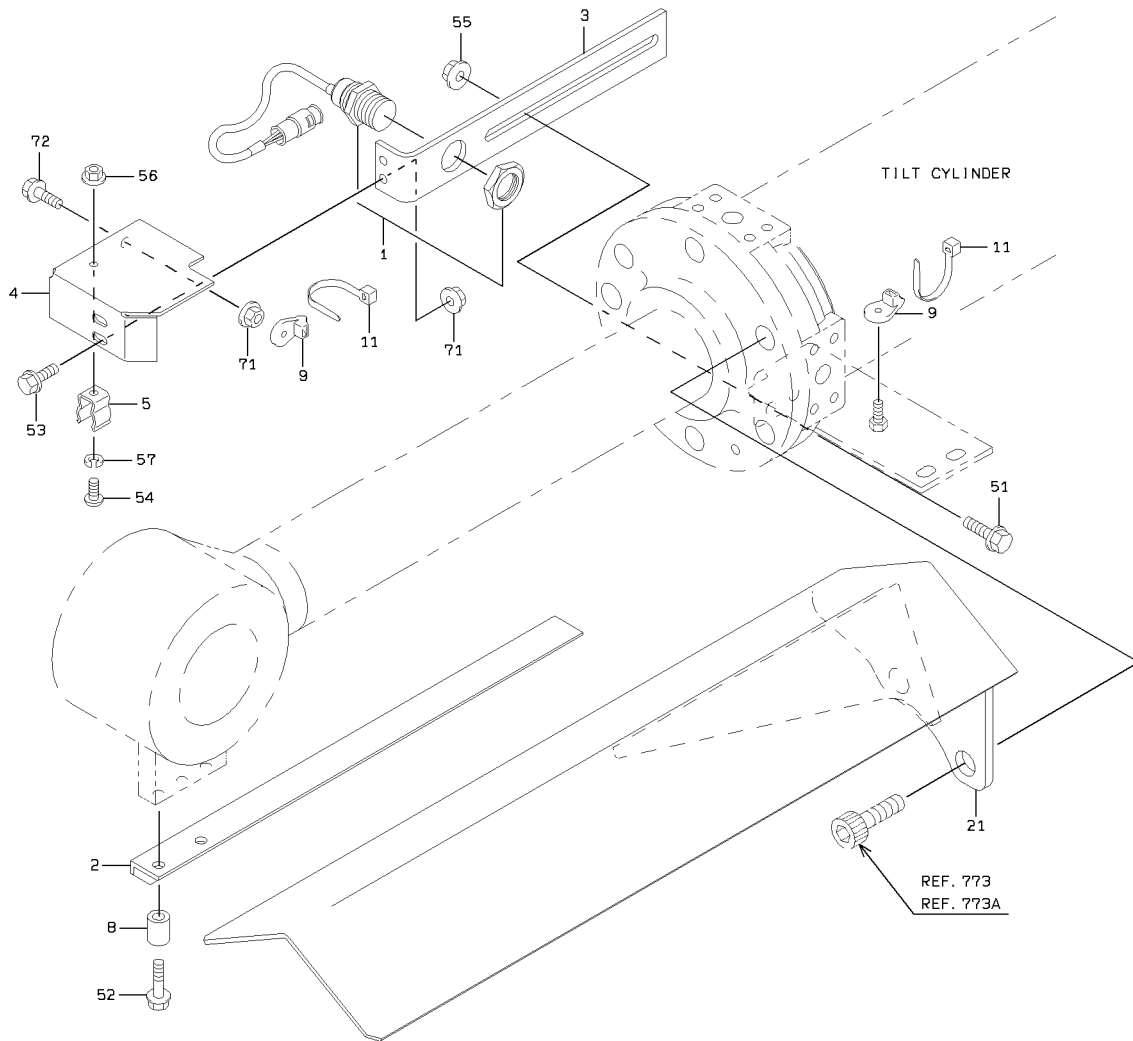
1-A

STEERING CYLINDER

SYM-BOL	PART NUMBER	PART NAME	UNIT Q, TY	SERIAL		REMARKS						
				(A)	(B)	N	P	D	(A)	(B)	(C)	(D)
000A	34820-63960	CYLINDER ASSY,OIL	2	101	-							
1A	36725-71960	TUBE,CYLINDER	1	101	-							
2A	45886-70260	ROD,PISTON	1	101	-							
3A	39960-70440	PISTON	1	101	-							
5A	88811-05030	BUSHING	1	101	-						01	
6A	40840-20680	BUSHING	4	101	-							
7A	37636-70100	NUT,PISTON	1	101	-							
8A	46926-70150	RING,LOCK	1	101	-							
9A	45200-70040	RING,STOP	1	101	-						01	
10A	65431-12124	RING,WEAR	1	101	-					K1		
11A	65421-12124	RING,SQUARE	1	101	-					K1		
12A	65412-12127	RING,SLIPPER	1	101	-					K1		
13A	65210-12038	RING,O	1	101	-					K1	K2	
14A	65210-22085	RING,O	1	101	-						K2	
15A	65240-32085	RING,BACK-UP	1	101	-						K2	
16A	65446-01109	PACKING,U	1	101	-						K2	
17A	65473-04630	RING,BACK-UP	1	101	-						K2	
18A	65455-02607	RING,SCRAPER	1	101	-						K2	
19A	65051-00708	SEAL,DUST	4	101	-							
20A	65462-05660	RING,BUFFER	1	101	-						K2	
21A	65210-22090	RING,O	1	101	-						K2	
30A	49327-60290	SEAL KIT	1	101	-					QK1		
40A	49327-72580	SEAL KIT	1	101	-						QK2	
50A	31265-70220	COVER ASSY,ROD	1	101	-						Y01	

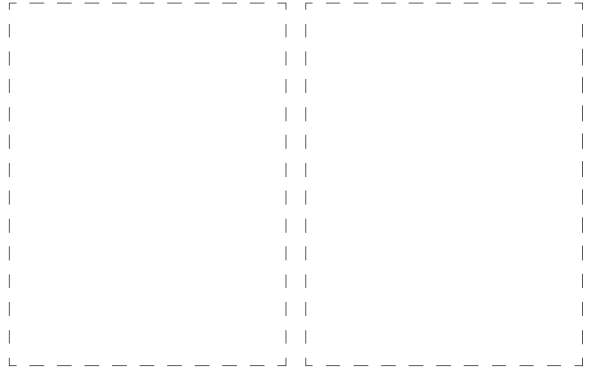
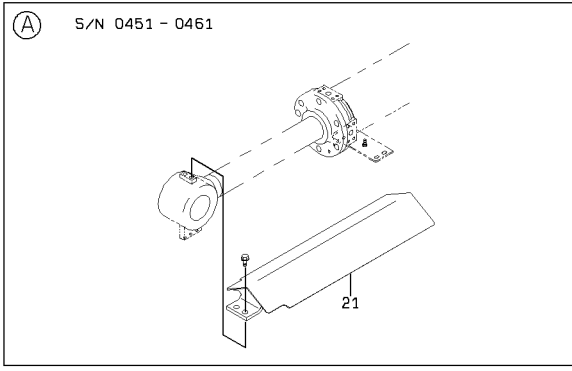
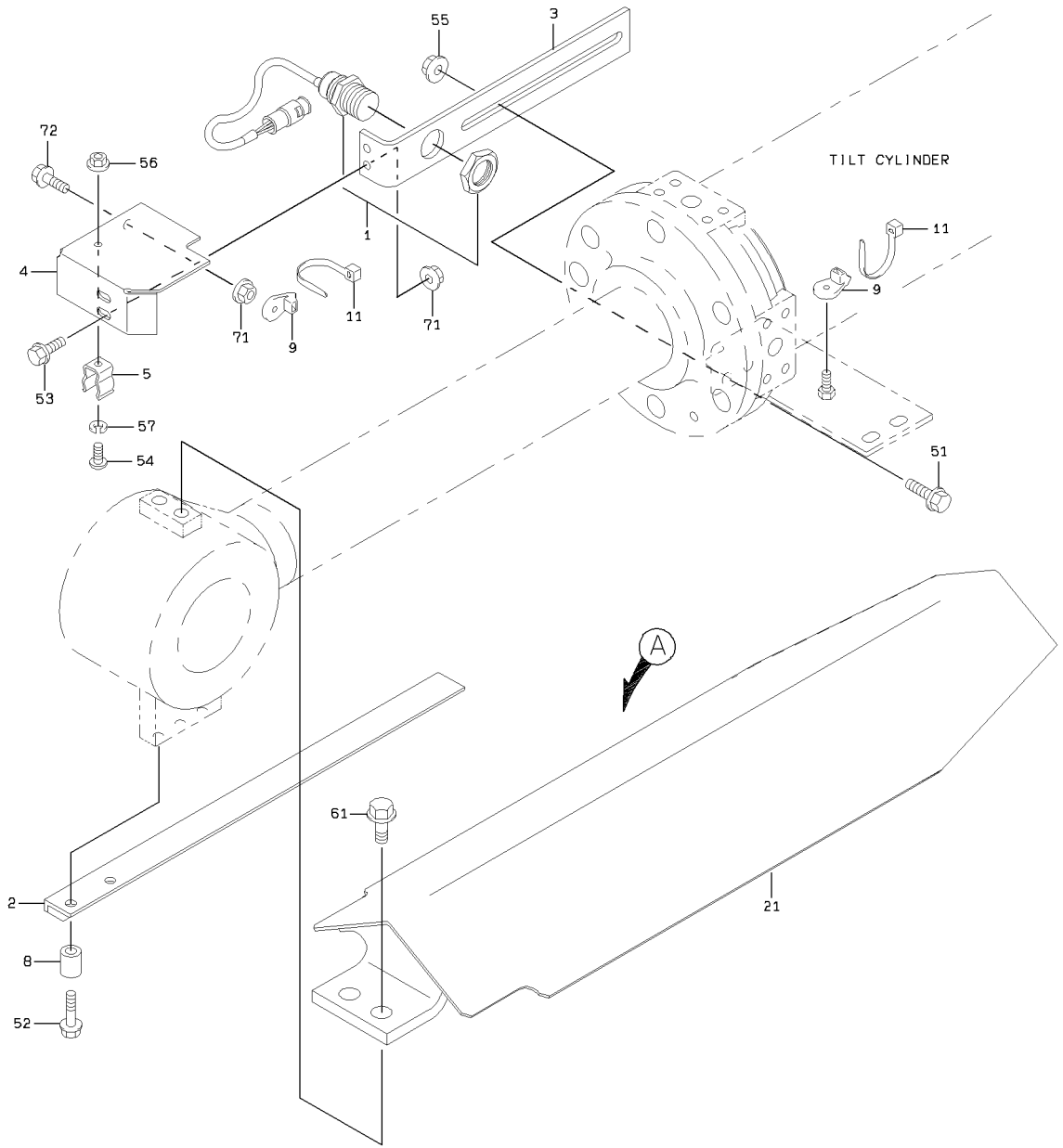
BUCKET POSITIONER GROUP

<S/N 0101 - 0450>



BUCKET POSITIONER GROUP

<S/N 0462 - >



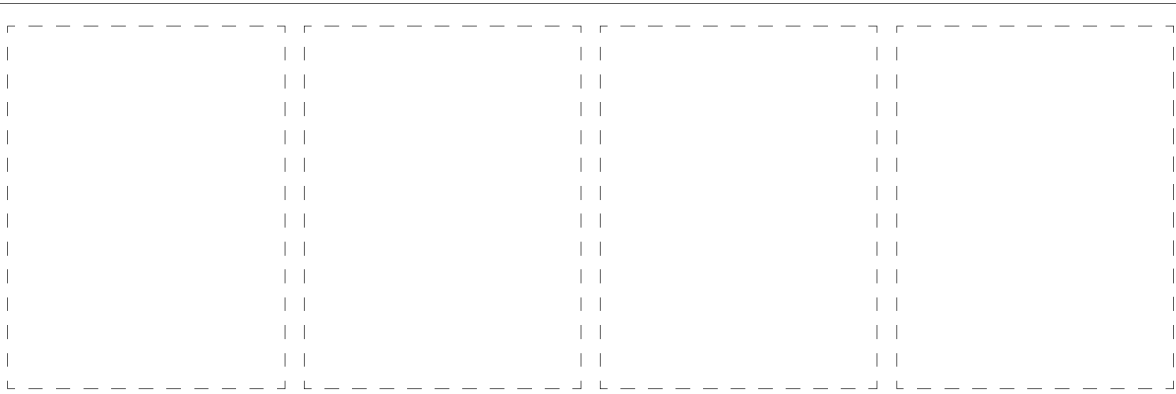
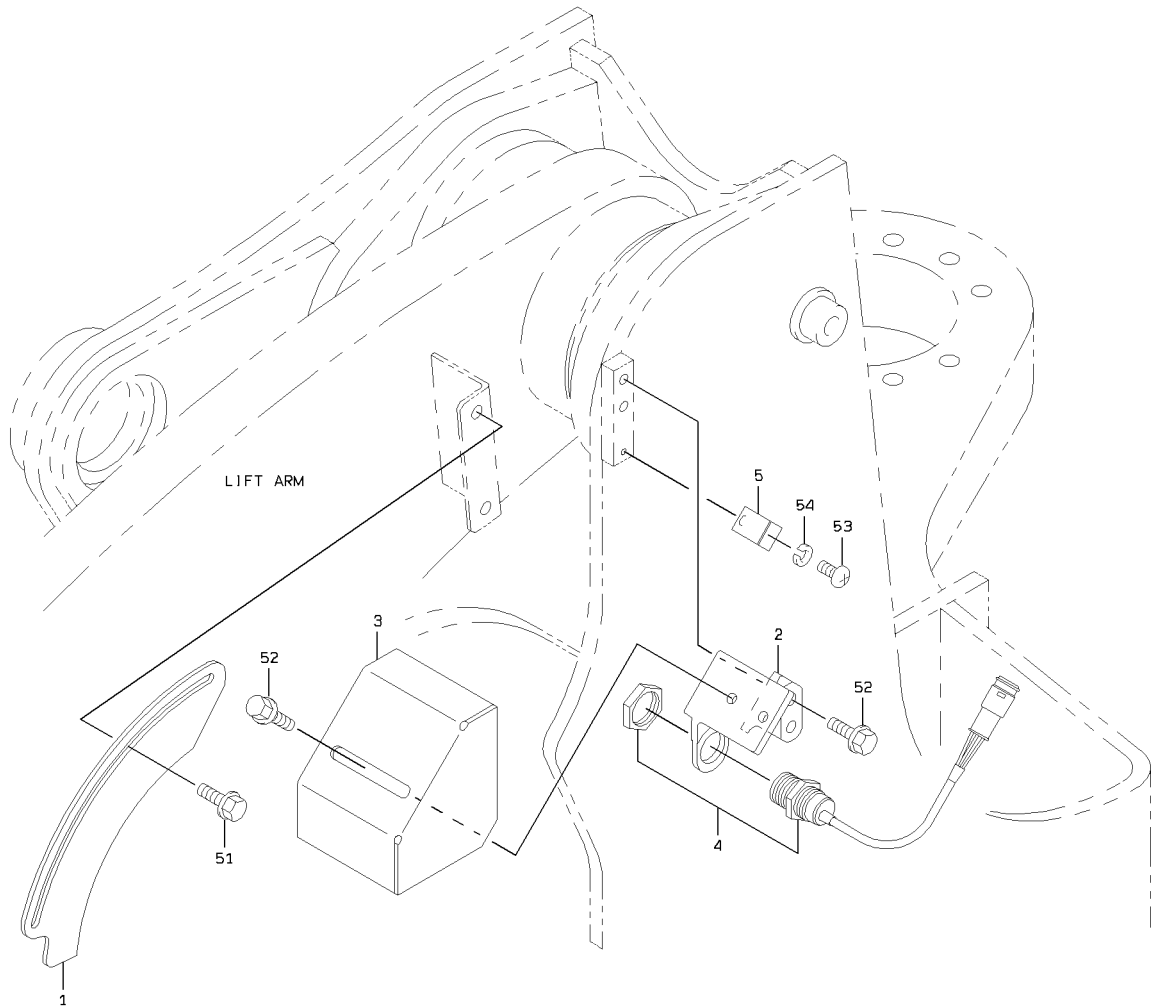
2-A

BUCKET POSITIONER GROUP

SYM-BOL	PART NUMBER	PART NAME	UNIT Q,TY	SERIAL		REMARKS						
				(A)	(B)	N	P	D	(A)	(B)	(C)	(D)
1A	35051-70040	SWITCH,PROXIMITY	1	101	-							
2A	30502-28700	ANGLE	1	101	-							
3A	41611-26980	PLATE	1	101	-							
3B	41751-30270	PLATE	1	321	-							
4A	41605-51370	PLATE	1	101	-							
5A	43571-20150	HOLDER,SPRING	1	101	-							D=15
8A	43780-37490	BOSS	2	101	-							
9A	32923-70120	CLAMP,HOSE	2	101	-							FR M8
11A	32923-70090	CLAMP,HOSE	2	101	-							L=202
21A	31205-33390	COVER	2	101	-							
21B	31205-54150	COVER	2	273	-							
21C	31200-44780	COVER	1	451	-							
21D	31200-44980	COVER	1	462	-							
51A	61802-12030	BOLT,FLANGED	2	101	-							
52A	61802-10045	BOLT,FLANGED	2	101	-							
53A	61802-08020	BOLT,FLANGED	2	101	-							
54A	62256-51612	SCREW	1	101	-							
55A	62480-21121	NUT,FLANGED	2	101	-							
56A	62480-21061	NUT,FLANGED	1	101	-							
57A	62721-06100	WASHER,SPRING	1	101	-							
61A	61802-12025	BOLT,FLANGED	1	451	-							
71A	62480-21081	NUT,FLANGED	3	101	-							
72A	61802-08025	BOLT,FLANGED	1	101	-							

MEMO

KICKOUT GROUP



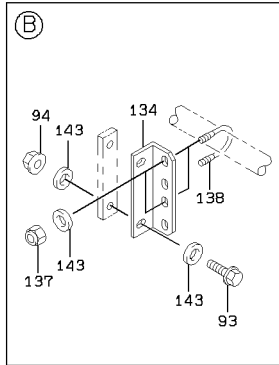
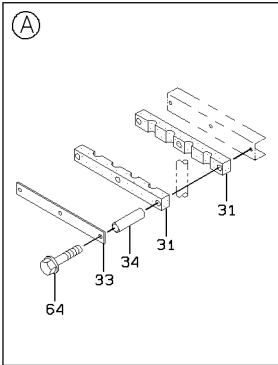
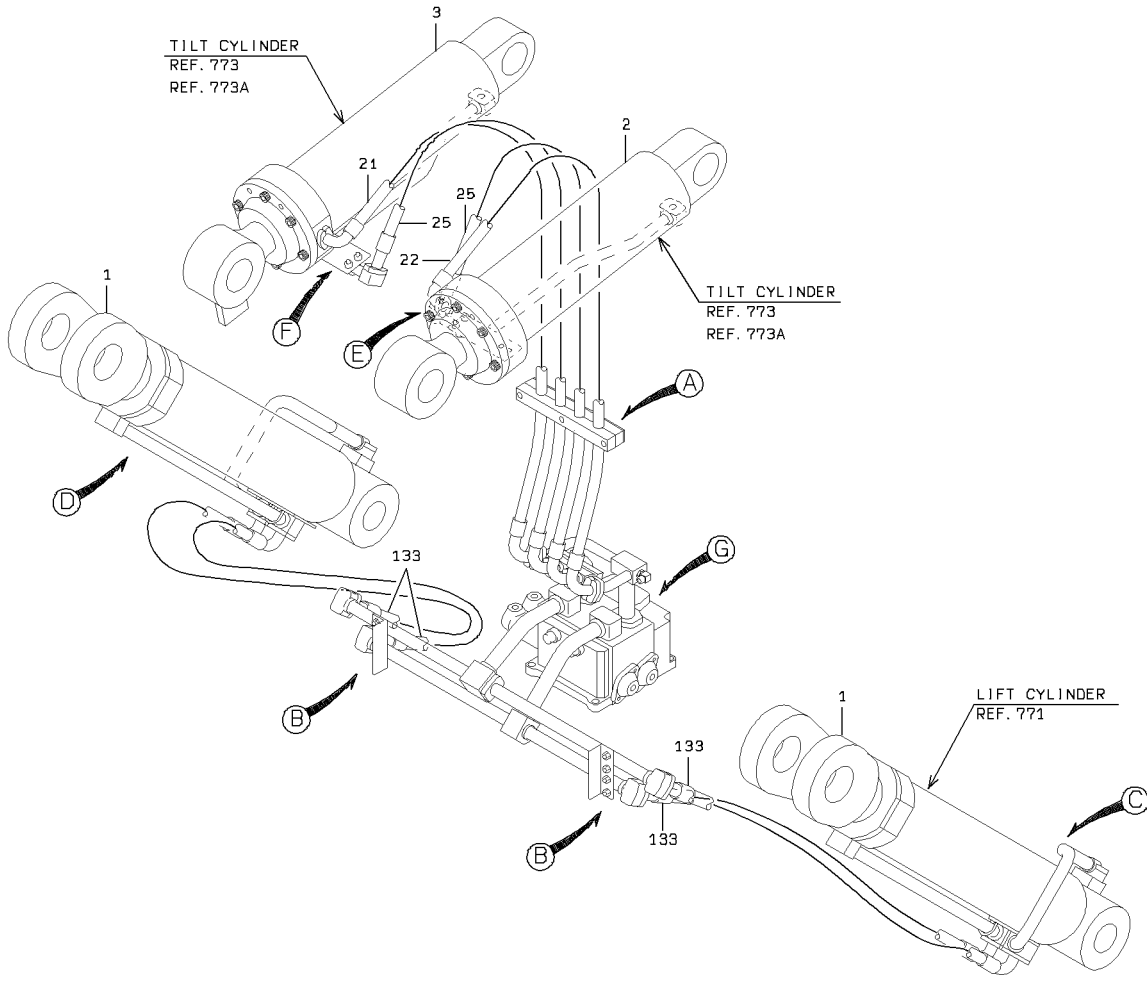
1-A

KICKOUT GROUP

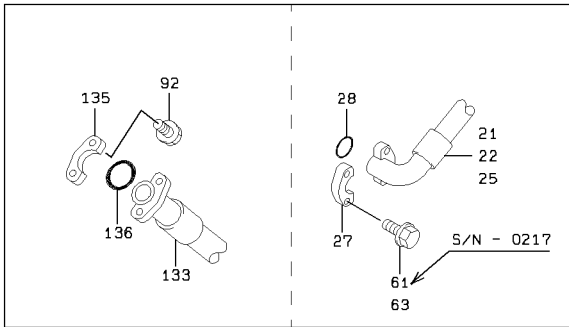
SYM-BOL	PART NUMBER	PART NAME	UNIT Q,TY	SERIAL (A) - (B)	REMARKS					
					N	P	D	(A)	(B)	(C)
1A	41641-38770	PLATE	1	101 -						
2A	40901-45090	BRACKET	1	101 -						
3A	31200-36330	COVER	1	101 -						
4A	35051-70040	SWITCH,PROXIMITY	1	101 -						
5A	43571-20150	HOLDER,SPRING	1	101 -						
51A	61802-10020	BOLT,FLANGED	2	101 -						D=15
52A	61802-10016	BOLT,FLANGED	4	101 -						
53A	62256-51612	SCREW	1	101 -						
54A	62721-06100	WASHER,SPRING	1	101 -						

LOADING HYDRAULIC LINE - FRONT CHASSIS (S/N 0101 - 0290)

<S/N 0101 - 0290>

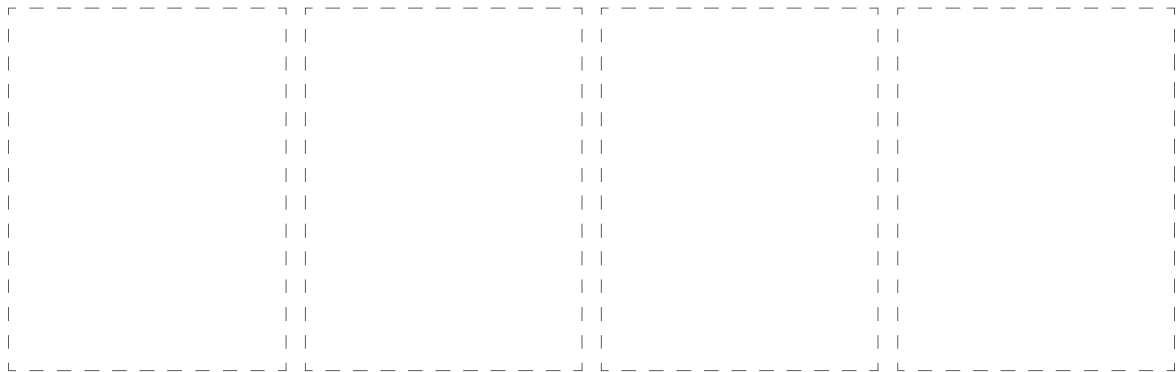
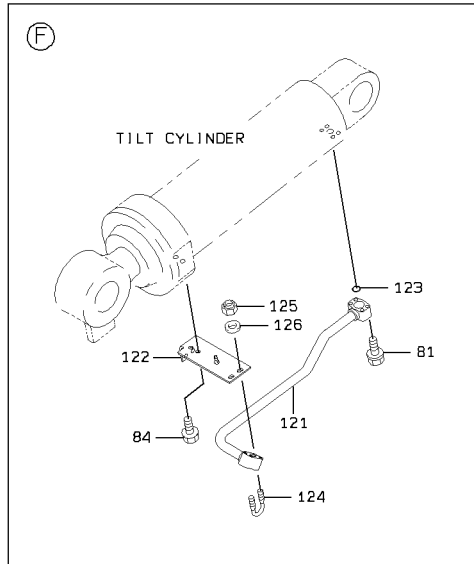
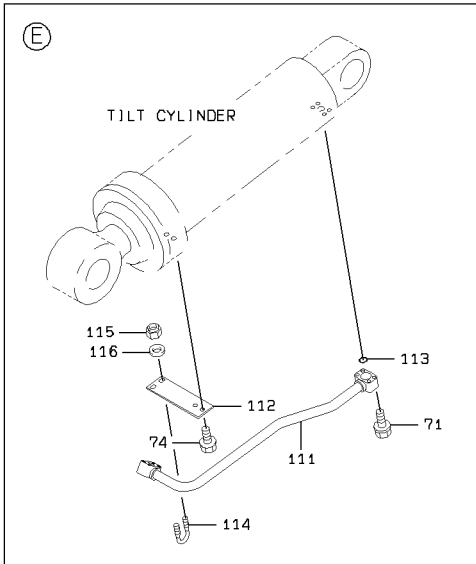
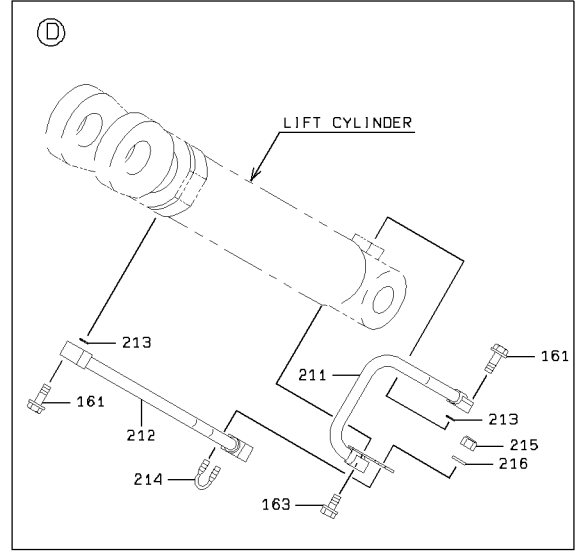
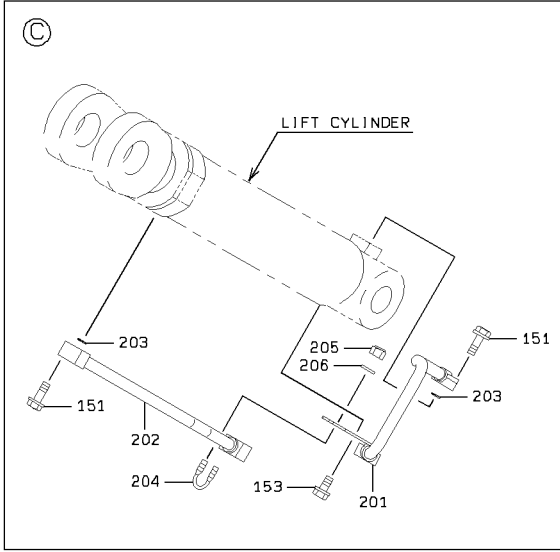


DETAIL OF SPLIT FLANGE



LOADING HYDRAULIC LINE - FRONT CHASSIS (S/N 0101 - 0290)

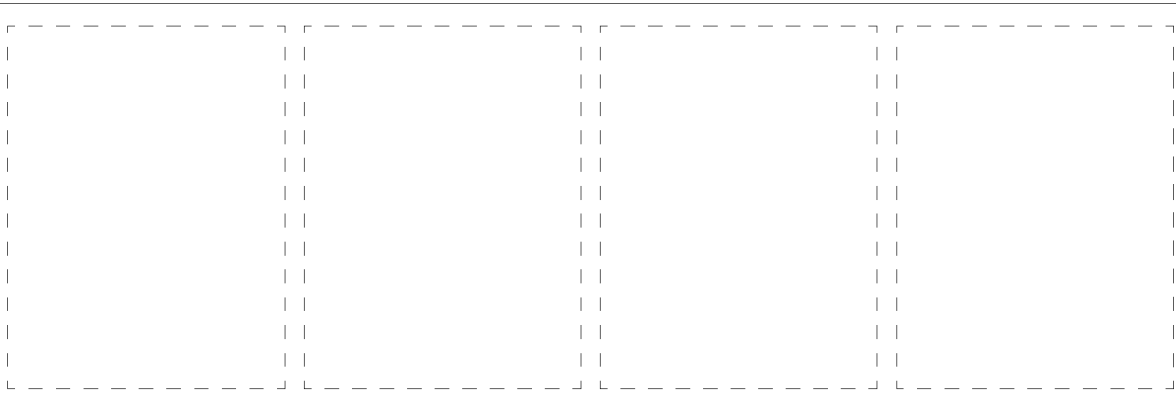
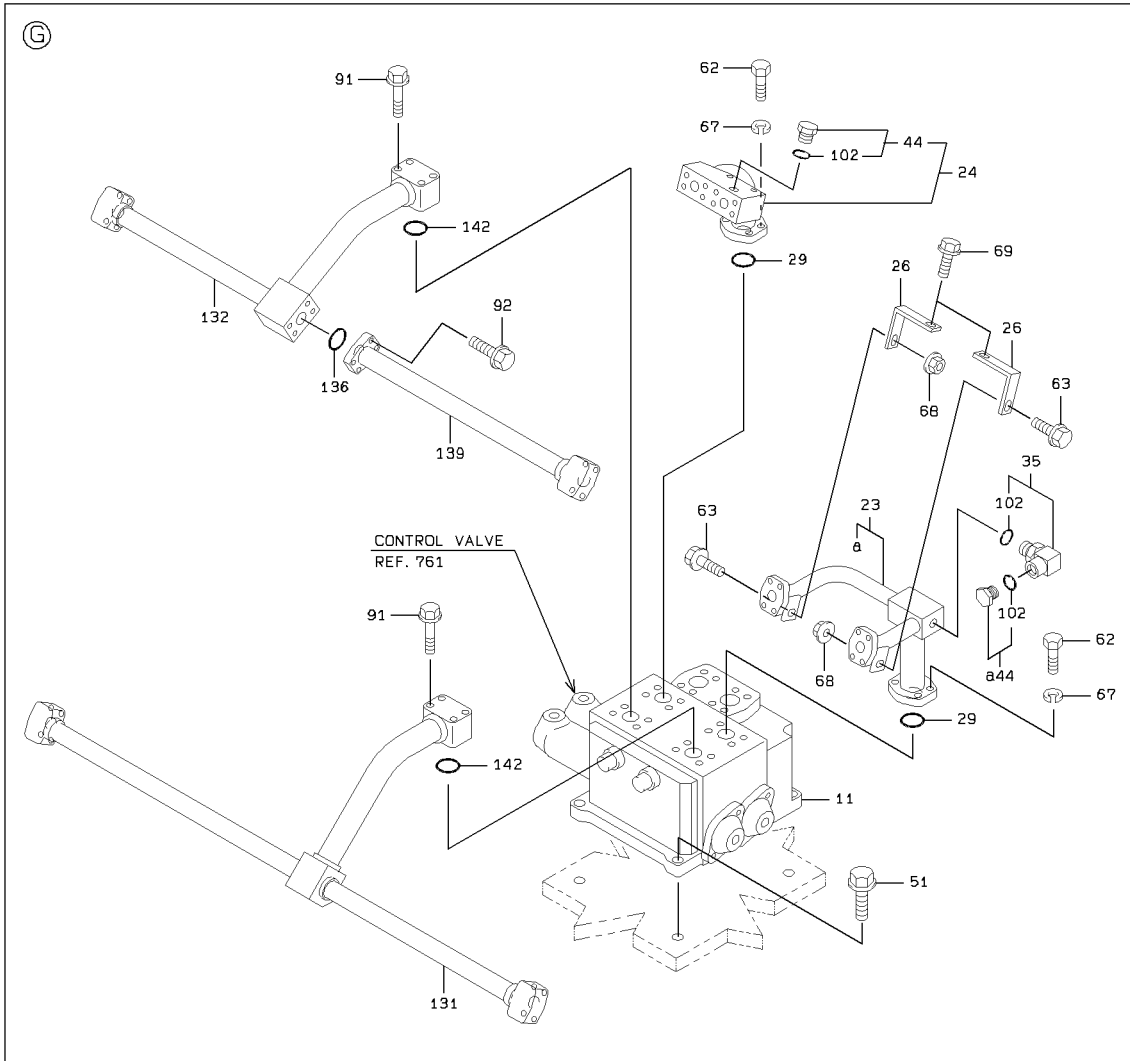
<S/N 0101 - 0290>



2-A

LOADING HYDRAULIC LINE - FRONT CHASSIS (S/N 0101 - 0290)

<S/N 0101 - 0290>



LOADING HYDRAULIC LINE - FRONT CHASSIS (S/N 0101 - 0290)

SYM-BOL	PART NUMBER	PART NAME	UNIT Q.TY	SERIAL		REMARKS						
				(A)	(B)	N	P	D	(A)	(B)	(C)	(D)
1A	34820-22430	CYLINDER ASSY,OIL	2	101	- 290							REF.771
2A	34820-64640	CYLINDER ASSY,OIL	1	101	- 272							REF.773-1(LH)
2B	34820-66250	CYLINDER ASSY,OIL	1	273	- 290							REF.773A-1(LH)
3A	34820-64650	CYLINDER ASSY,OIL	1	101	- 272							REF.773-101(RH)
3B	34820-66260	CYLINDER ASSY,OIL	1	273	- 290							REF.773A-111(R)
11A	38532-60940	VALVE ASSY,MULTIPL	1	101	- 290							REF.761
21A	43113-70880	HOSE,HIGH PRESSURE	1	101	- 290							FR RH
22A	43113-70870	HOSE,HIGH PRESSURE	1	101	- 290							FR LH
23A	38755-52660	PIPE,OIL	1	101	- 290							
24A	38755-52640	PIPE,OIL	1	101	- 217							
24B	38775-28600	PIPE,OIL	1	218	- 290							
25A	68678-50150	HOSE,HIGH PRESSURE	2	101	- 290							
26A	30502-24620	ANGLE	2	101	- 135							
26B	41608-24810	PLATE	2	136	- 290							
27A	69811-19210	FLANGE,SPLIT	16	101	- 290							
28A	65220-31019	RING,O	8	101	- 290							
29A	65220-31027	RING,O	2	101	- 290							
31A	32923-20680	CLAMP,HOSE	2	101	- 290							
33A	41605-43570	PLATE	1	101	- 290							
34A	38720-20390	PIPE	3	101	- 290							
35A	30960-60010	ELBOW	1	101	- 290							
44A	88390-21304	PLUG	1	101	- 290							
51A	61802-12050	BOLT,FLANGED	4	101	- 290							
61A	61802-10025	BOLT,FLANGED	32	101	- 217							
62A	61057-12035	BOLT	8	101	- 290							
63A	61802-10030	BOLT,FLANGED	2	101	- 217							
63B	61802-10030	BOLT,FLANGED	34	218	- 290							
64A	61802-10085	BOLT,FLANGED	3	101	- 290							
67A	62721-12100	WASHER,SPRING	8	101	- 290							
68A	62480-21101	NUT,FLANGED	2	101	- 290							
69A	61802-10020	BOLT,FLANGED	2	101	- 290							
71A	61802-10045	BOLT,FLANGED	4	101	- 290							
74A	61802-12020	BOLT,FLANGED	2	101	- 290							
81A	61802-10045	BOLT,FLANGED	4	101	- 290							
84A	61802-12020	BOLT,FLANGED	2	101	- 290							
91A	61802-12065	BOLT,FLANGED	8	101	- 290							
92A	61802-10030	BOLT,FLANGED	36	101	- 290							
93A	61802-10045	BOLT,FLANGED	4	101	- 290							
94A	62480-21101	NUT,FLANGED	4	101	- 290							
102A	65210-12011	RING,O	1	101	- 290							
111A	38755-50610	PIPE,OIL	1	101	- 290							
112A	41611-28530	PLATE	1	101	- 272							
112B	41750-43950	PLATE	1	273	- 290							
113A	65220-31019	RING,O	1	101	- 290							
114A	43962-20020	BOLT,U	1	101	- 290							
115A	88031-06101	NUT,SELF-LOCKING	2	101	- 290							
116A	46011-21230	WASHER,PLANE	2	101	- 290							
121A	38755-90220	PIPE,OIL	1	101	- 290							
122A	41612-34980	PLATE	1	101	- 272							
122B	41750-43960	PLATE	1	273	- 290							
123A	65220-31019	RING,O	1	101	- 290							
124A	43962-20020	BOLT,U	1	101	- 290							
125A	88031-06101	NUT,SELF-LOCKING	2	101	- 290							
126A	46011-21230	WASHER,PLANE	2	101	- 290							
131A	38775-22310	PIPE,OIL	1	101	- 290							
132A	38755-56890	PIPE,OIL	1	101	- 290							
133A	68678-60104	HOSE,HIGH PRESSURE	4	101	- 290							
134A	30502-41610	ANGLE	2	101	- 290							
135A	69811-25210	FLANGE,SPLIT	16	101	- 290							
136A	65220-31024	RING,O	9	101	- 290							
137A	88031-06101	NUT,SELF-LOCKING	8	101	- 290							
138A	43962-20030	BOLT,U	4	101	- 290							
139A	38755-56910	PIPE,OIL	1	101	- 290							
142A	65220-31027	RING,O	2	101	- 290							
143A	46011-21300	WASHER,PLANE	16	101	- 290							
151A	61802-10050	BOLT,FLANGED	8	101	- 290							

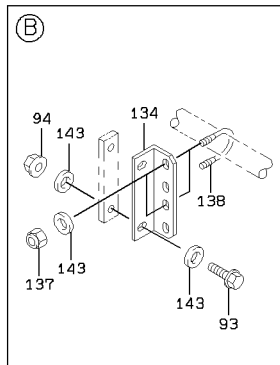
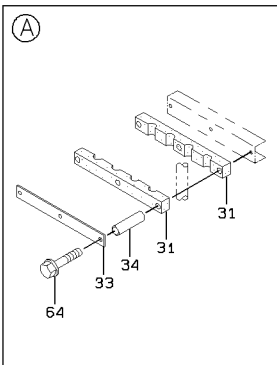
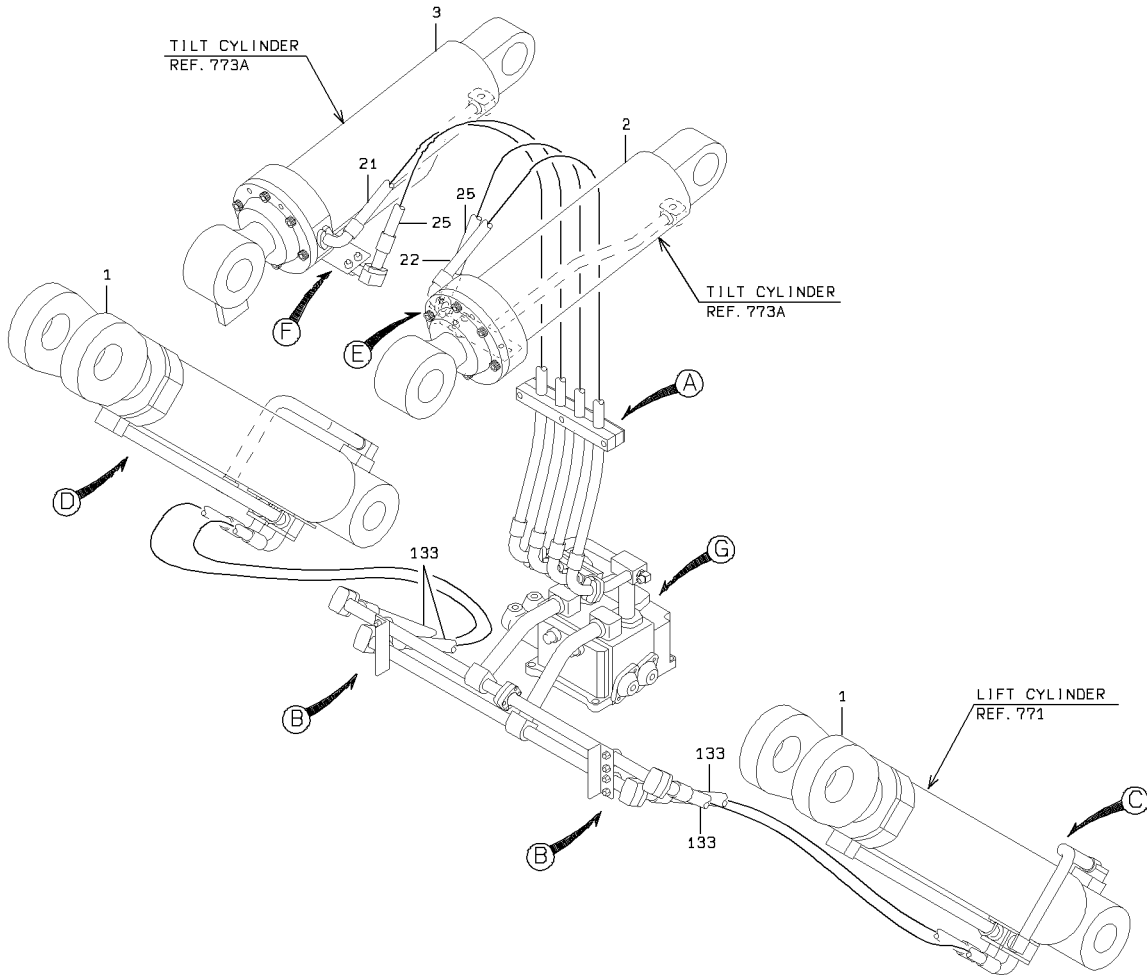
LOADING HYDRAULIC LINE - FRONT CHASSIS (S/N 0101 - 0290)

SYM-BOL	PART NUMBER	PART NAME	UNIT Q,TY	SERIAL		REMARKS							
				(A)	(B)	N	P	D	(A)	(B)	(C)	(D)	REMARK
153A	61802-10020	BOLT,FLANGED	2	101	-	290							
161A	61802-10050	BOLT,FLANGED	8	101	-	290							
163A	61802-10020	BOLT,FLANGED	2	101	-	290							
201A	38755-37580	PIPE,OIL	1	101	-	290						FR LH	
202A	38755-50640	PIPE,OIL	1	101	-	290						FR LH	
203A	65220-31024	RING,O	2	101	-	290							
204A	43962-20030	BOLT,U	1	101	-	290							
205A	88031-06101	NUT,SELF-LOCKING	2	101	-	290							
206A	46011-21300	WASHER,PLANE	2	101	-	290							
211A	38755-37590	PIPE,OIL	1	101	-	290						FR RH	
212A	38755-50630	PIPE,OIL	1	101	-	290						FR RH	
213A	65220-31024	RING,O	2	101	-	290							
214A	43962-20030	BOLT,U	1	101	-	290							
215A	88031-06101	NUT,SELF-LOCKING	2	101	-	290							
216A	46011-21300	WASHER,PLANE	2	101	-	290							

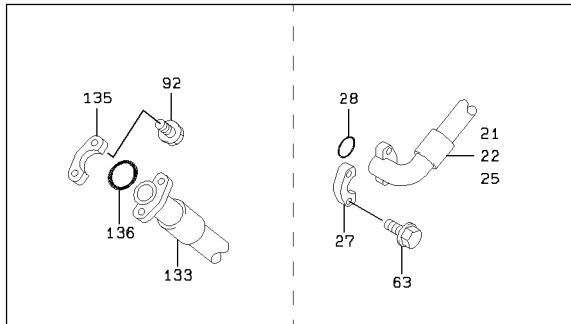
MEMO

LOADING HYDRAULIC LINE - FRONT CHASSIS (S/N 0291 -)

<S/N 0291 - >



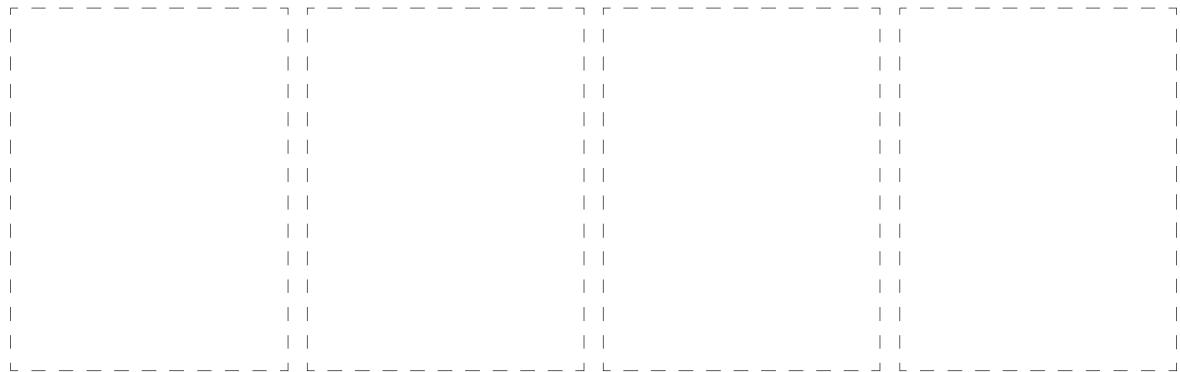
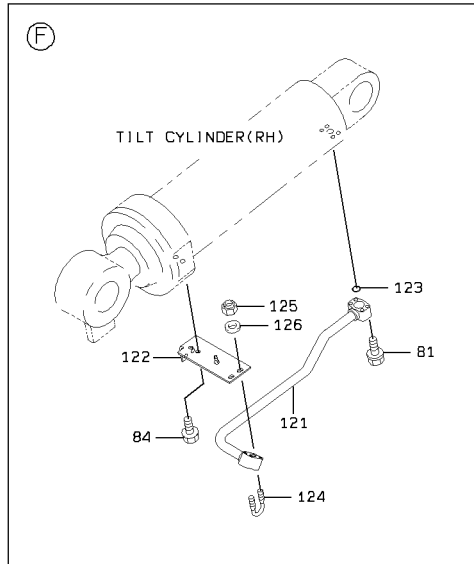
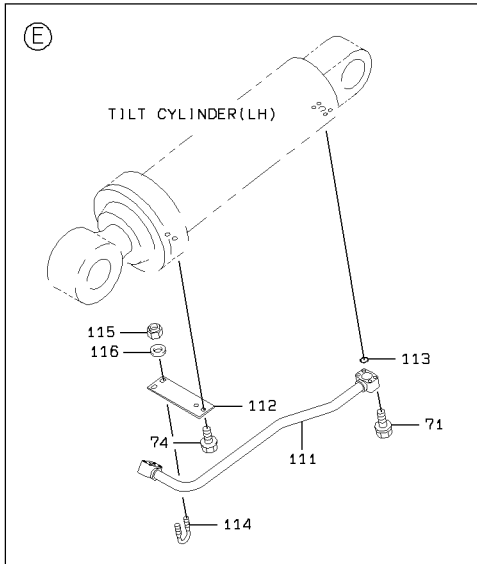
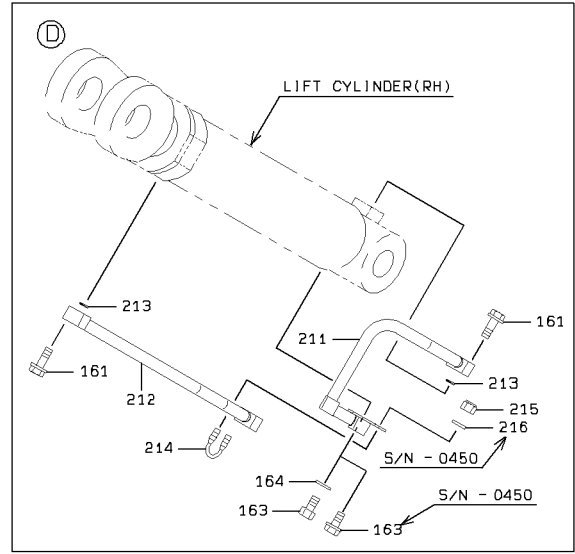
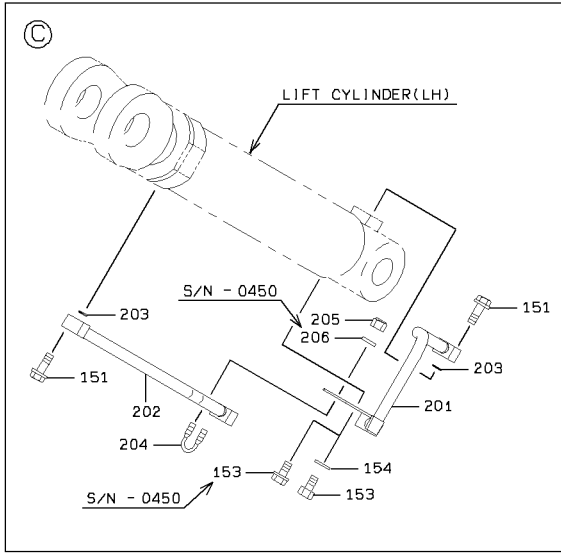
DETAIL OF SPLIT FLANGE



1-A

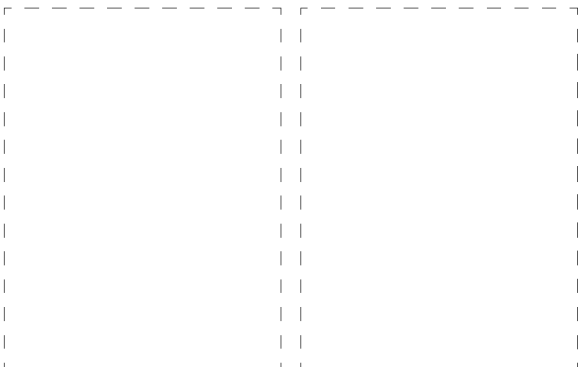
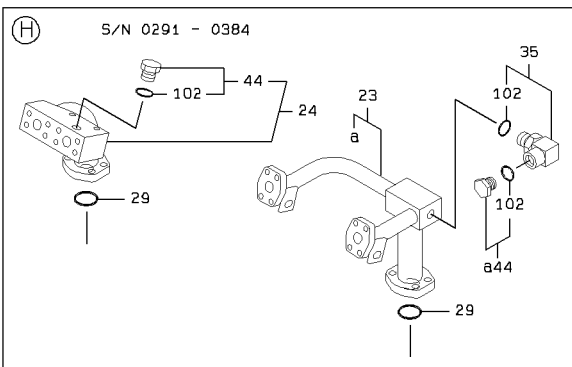
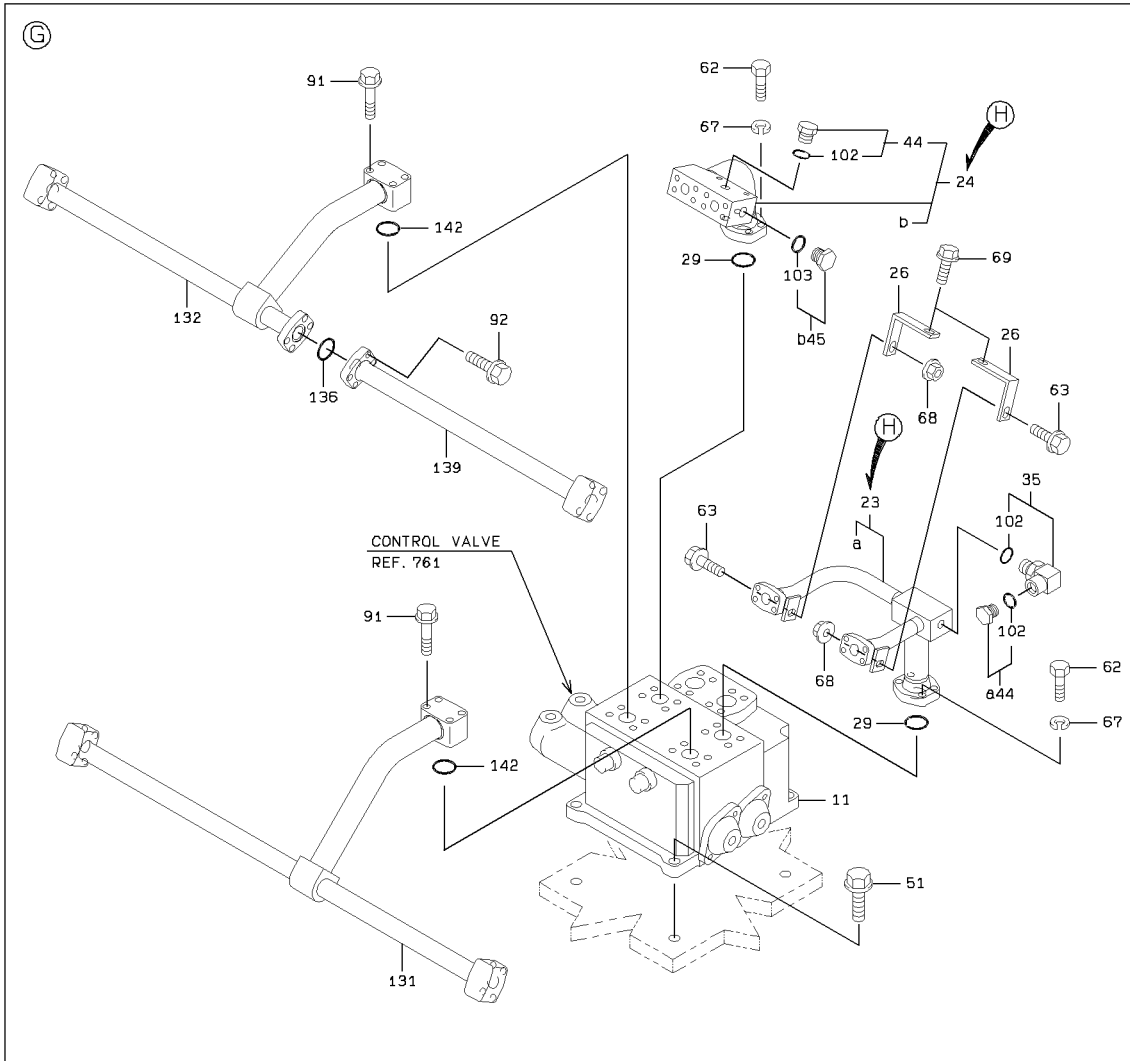
LOADING HYDRAULIC LINE - FRONT CHASSIS (S/N 0291 -)

<S/N 0291 - >



LOADING HYDRAULIC LINE - FRONT CHASSIS (S/N 0291 -)

<S/N 0291 - >



LOADING HYDRAULIC LINE - FRONT CHASSIS (S/N 0291 -)

SYM-BOL	PART NUMBER	PART NAME	UNIT Q.TY	SERIAL		REMARKS						
				(A)	(B)	N	P	D	(A)	(B)	(C)	(D)
1A	34820-22430	CYLINDER ASSY,OIL	2	291	-							REF.771
2A	34820-66250	CYLINDER ASSY,OIL	1	291	-	398						REF.773A-1(LH)
2B	34820-67420	CYLINDER ASSY,OIL	1	399	-		C					REF.773A-1(LH)
3A	34820-66260	CYLINDER ASSY,OIL	1	291	-	398						REF.773A-111(R)
3B	34820-67430	CYLINDER ASSY,OIL	1	399	-		C					REF.773A-111(R)
11A	38532-60940	VALVE ASSY,MULTIPL	1	291	-							REF.761
21A	43113-70880	HOSE,HIGH PRESSURE	1	291	-	364						FR RH
21B	43113-57710	HOSE,HIGH PRESSURE	1	365	-		C					FR RH
22A	43113-70870	HOSE,HIGH PRESSURE	1	291	-	364						FR LH
22B	43113-57700	HOSE,HIGH PRESSURE	1	365	-		C					FR LH
23A	38755-52660	PIPE,OIL	1	291	-	384				Y03		
23B	38775-32210	PIPE,OIL	1	385	-		B			Y03		
24A	38775-28600	PIPE,OIL	1	291	-	384		Y01				
24B	38775-32190	PIPE,OIL	1	385	-		B				Y04	
25A	68678-50150	HOSE,HIGH PRESSURE	2	291	-	364						
25B	68678-58150	HOSE,HIGH PRESSURE	2	365	-	384	C					
25C	68678-58147	HOSE,HIGH PRESSURE	1	385	-		B					
26A	41608-24810	PLATE	2	291	-							
27A	69811-19210	FLANGE,SPLIT	16	291	-							
28A	65220-31019	RING,O	8	291	-							
29A	65220-31027	RING,O	2	291	-							
31A	32923-20680	CLAMP,HOSE	2	291	-	364						
31B	32923-21070	CLAMP,HOSE	2	365	-		B					
33A	41605-43570	PLATE	1	291	-							
34A	38720-20390	PIPE	3	291	-							
35A	30960-60010	ELBOW	1	291	-				Y02			
44A	88390-21304	PLUG	1	291	-			01	Y02	03	04	(41530-71540)
45A	88390-21308	PLUG	1	385	-			Y05			04	
51A	61802-12050	BOLT,FLANGED	4	291	-							
62A	61057-12035	BOLT	8	291	-							
63A	61802-10030	BOLT,FLANGED	34	291	-							
64A	61802-10085	BOLT,FLANGED	3	291	-							
67A	62721-12100	WASHER,SPRING	8	291	-							
68A	62480-21101	NUT,FLANGED	2	291	-							
69A	61802-10020	BOLT,FLANGED	2	291	-							
71A	61802-10045	BOLT,FLANGED	4	291	-	410						
71B	61802-10050	BOLT,FLANGED	4	411	-		B					
74A	61802-12020	BOLT,FLANGED	2	291	-							
81A	61802-10045	BOLT,FLANGED	4	291	-	410						
81B	61802-10050	BOLT,FLANGED	4	411	-		B					
84A	61802-12020	BOLT,FLANGED	2	291	-							
91A	61802-12065	BOLT,FLANGED	8	291	-							
92A	61802-10030	BOLT,FLANGED	36	291	-							
93A	61802-10045	BOLT,FLANGED	4	291	-							
94A	62480-21101	NUT,FLANGED	4	291	-							
102A	65210-12011	RING,O	1	291	-				02			
103A	65210-12018	RING,O	1	385	-			05				
111A	38755-50610	PIPE,OIL	1	291	-							FR LH
112A	41750-43950	PLATE	1	291	-							
113A	65220-31019	RING,O	1	291	-							65220-31029
114A	43962-20020	BOLT,U	1	291	-							
115A	88031-06101	NUT,SELF-LOCKING	2	291	-							
116A	46011-21230	WASHER,PLANE	2	291	-							
121A	38755-90220	PIPE,OIL	1	291	-							FR RH
122A	41750-43960	PLATE	1	291	-							
123A	65220-31019	RING,O	1	291	-							65220-31029
124A	43962-20020	BOLT,U	1	291	-							
125A	88031-06101	NUT,SELF-LOCKING	2	291	-							
126A	46011-21230	WASHER,PLANE	2	291	-							
131A	38775-32290	PIPE,OIL	1	291	-							
132A	38775-32300	PIPE,OIL	1	291	-							
133A	68678-60104	HOSE,HIGH PRESSURE	4	291	-							
134A	30502-41610	ANGLE	2	291	-							
135A	69811-25210	FLANGE,SPLIT	16	291	-							
136A	65220-31024	RING,O	9	291	-							
137A	88031-06101	NUT,SELF-LOCKING	8	291	-							

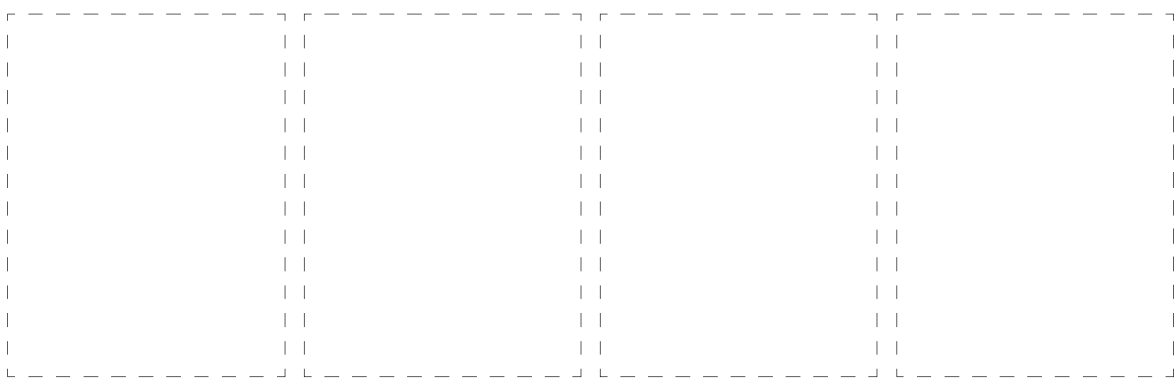
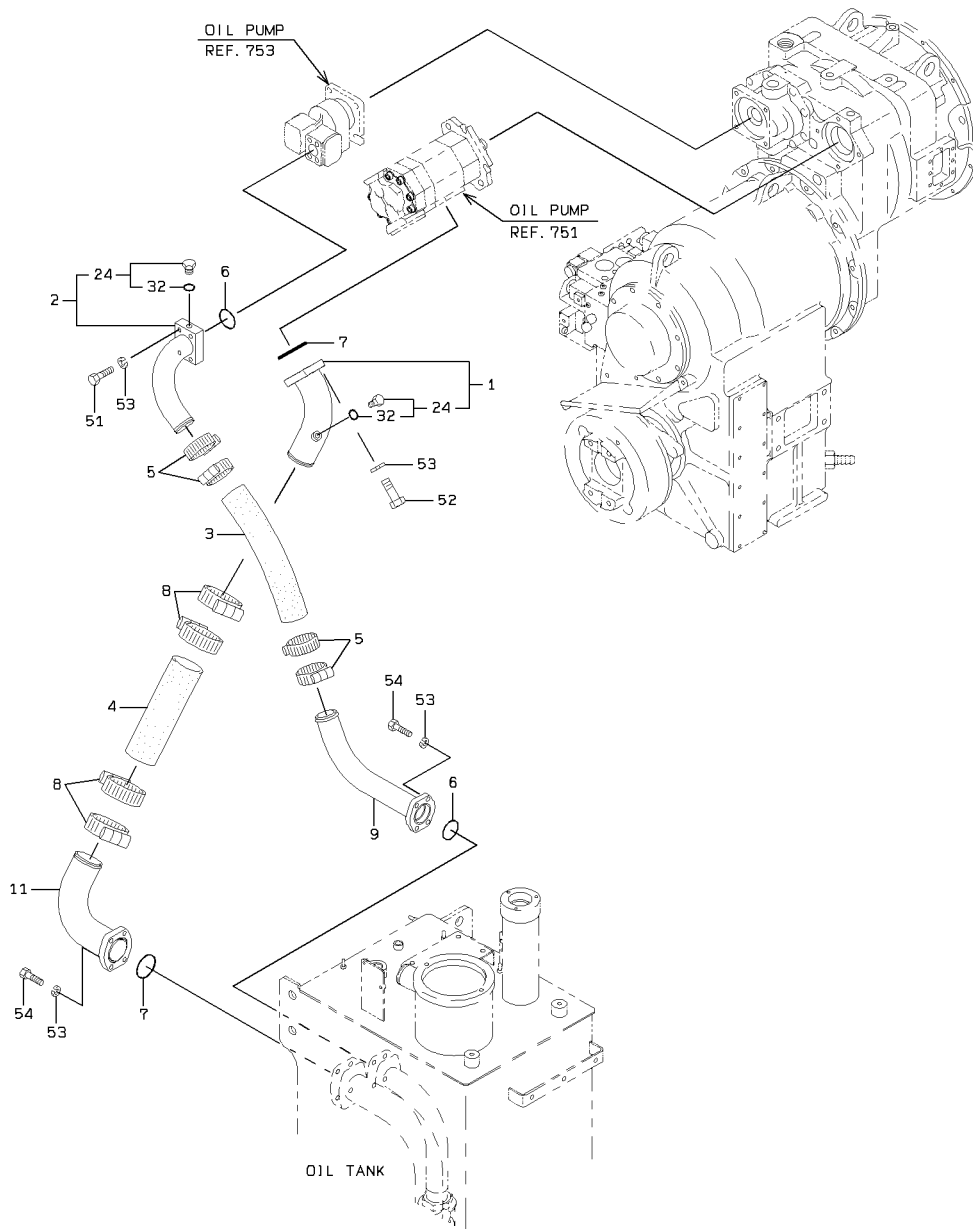
LOADING HYDRAULIC LINE - FRONT CHASSIS (S/N 0291 -)

SYM-BOL	PART NUMBER	PART NAME	UNIT Q,TY	SERIAL		REMARKS						
				(A)	(B)	N	P	D	(A)	(B)	(C)	(D)
138A	43962-20030	BOLT,U	4	291	-							
139A	38775-32330	PIPE,OIL	1	291	-							
142A	65220-31027	RING,O	2	291	-							
143A	46011-21300	WASHER,PLANE	16	291	-							
151A	61802-10050	BOLT,FLANGED	8	291	-							
153A	61802-10020	BOLT,FLANGED	2	291	-	450						
153B	61033-10025	BOLT	2	451	-		B					
154A	62710-18101	WASHER,PLANE	4	451	-							
161A	61802-10050	BOLT,FLANGED	8	291	-							
163A	61802-10020	BOLT,FLANGED	2	291	-	450						
163B	61033-10025	BOLT	2	451	-		B					
164A	62710-18101	WASHER,PLANE	4	451	-							
201A	38775-32240	PIPE,OIL	1	291	-	450						FR LH
201B	38775-43070	PIPE,OIL	1	451	-		B					
202A	38775-32260	PIPE,OIL	1	291	-							FR LH
203A	65220-31024	RING,O	2	291	-							
204A	43962-20030	BOLT,U	1	291	-							
205A	88031-06101	NUT,SELF-LOCKING	2	291	-							
206A	46011-21300	WASHER,PLANE	2	291	-	450		D				
211A	38775-32250	PIPE,OIL	1	291	-	450						FR RH
211B	38775-43080	PIPE,OIL	1	451	-		B					
212A	38775-32270	PIPE,OIL	1	291	-							FR RH
213A	65220-31024	RING,O	2	291	-							
214A	43962-20030	BOLT,U	1	291	-							
215A	88031-06101	NUT,SELF-LOCKING	2	291	-							
216A	46011-21300	WASHER,PLANE	2	291	-	450		D				

MEMO

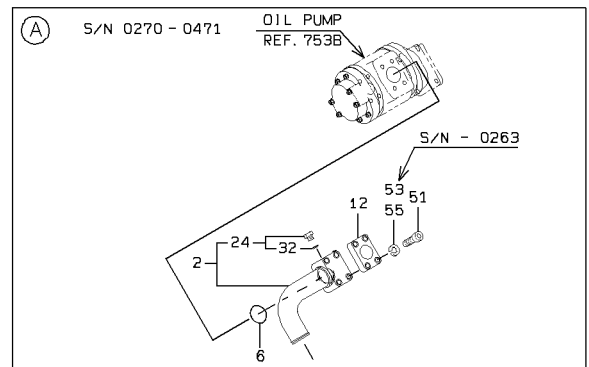
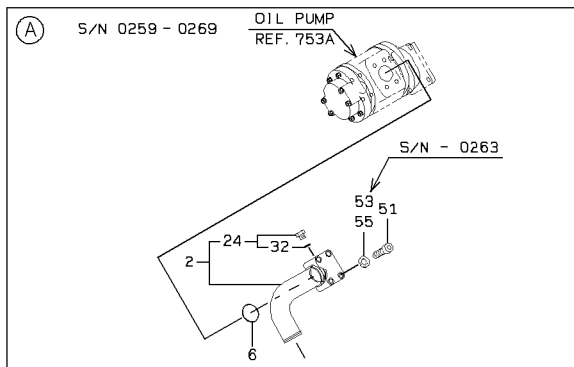
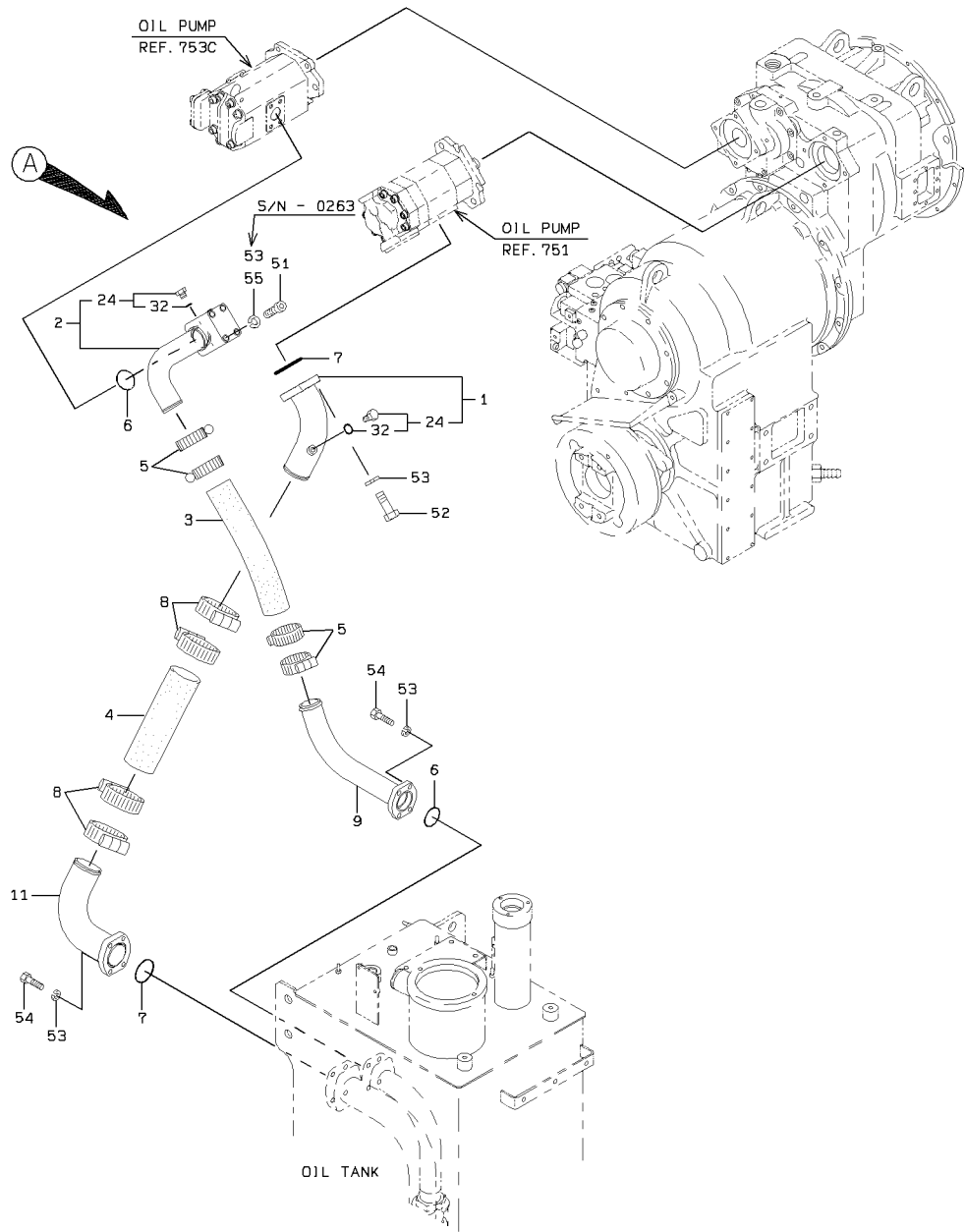
LOADING HYDRAULIC LINE - REAR CHASSIS (FOR SUCTION)

<S/N 0101 - 0258>



LOADING HYDRAULIC LINE - REAR CHASSIS (FOR SUCTION)

<S/N 0472 - >



2-B

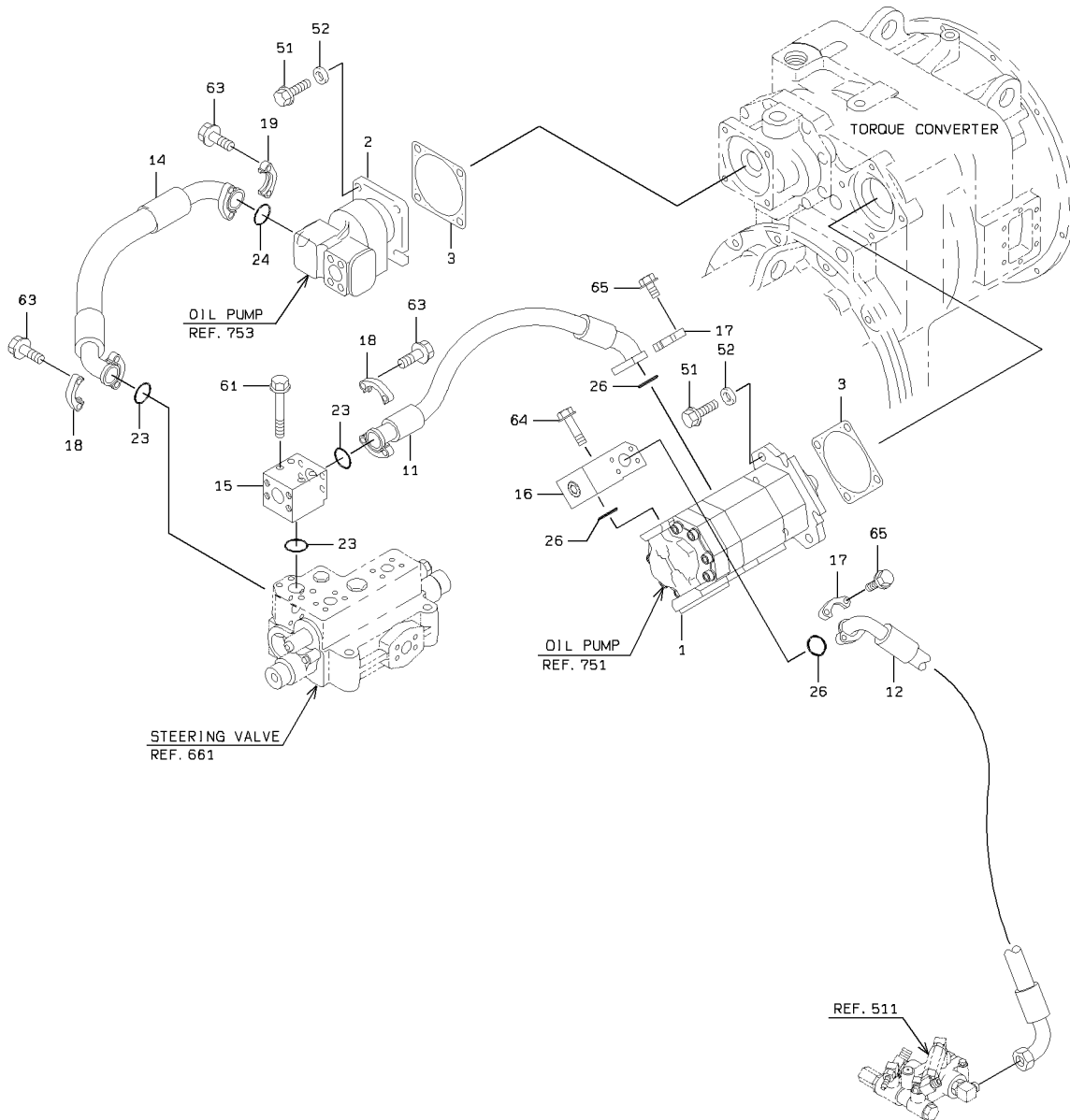
LOADING HYDRAULIC LINE - REAR CHASSIS (FOR SUCTION)

SYM-BOL	PART NUMBER	PART NAME	UNIT Q,TY	SERIAL		REMARKS							
				(A)	(B)	N	P	D	(A)	(B)	(C)	(D)	REMARK
1A	38775-20860	PIPE,OIL	1	101	-						Y01		
2A	38755-54190	PIPE,OIL	1	101	-	258							
2B	38775-31070	PIPE,OIL	1	259	-	269	B					Y03	
2C	38775-31940	PIPE,OIL	1	270	-	471	C					Y03	
2D	38775-43640	PIPE,OIL	1	472	-		C						
3A	67041-60040	HOSE,HEAT RESISTIN	1	101	-	230							L=400
3B	67041-60042	HOSE,HEAT RESISTIN	1	231	-	258	C						L=420
3C	67041-60053	HOSE,HEAT RESISTIN	1	259	-		B						L=530
4A	67041-75032	HOSE,HEAT RESISTIN	1	101	-	230							L=320
4B	67041-75035	HOSE,HEAT RESISTIN	1	231	-		C						L=350
5A	69030-09200	BAND,HOSE-HIGH TOR	2	101	-	230							
5B	69030-09200	BAND,HOSE-HIGH TOR	4	231	-								
6A	65220-41006	RING,O	2	101	-	470							
6B	65220-41006	RING,O	3	471	-	471							
6C	65220-41006	RING,O	2	472	-								
7A	65220-41010	RING,O	2	101	-								
8A	69030-10500	BAND,HOSE-HIGH TOR	2	101	-	230							
8B	69030-10500	BAND,HOSE-HIGH TOR	4	231	-								
9A	38755-38430	PIPE,OIL	1	101	-								
11A	38775-21950	PIPE,OIL	1	101	-								
12A	40510-26940	FLANGE	1	471	-	472	D						
24A	88390-21304	PLUG	1	101	-				01	Y02	03		
32A	65210-12011	RING,O	1	101	-					02			
51A	61057-12050	BOLT	4	101	-	258							
51B	61101-12075	BOLT	4	259	-	470	B						
51C	61101-12085	BOLT,SOCKET	4	471	-		B						
52A	61057-12040	BOLT	4	101	-								
53A	62721-12100	WASHER,SPRING	16	101	-	263							
53B	62721-12100	WASHER,SPRING	12	264	-								
54A	61057-12035	BOLT	8	101	-								
55A	62731-12100	WASHER,SPRING	4	264	-								

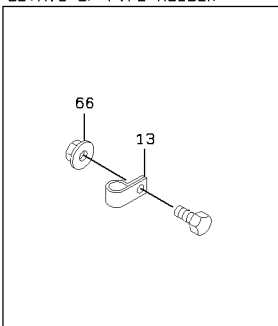
MEMO

LOADING HYDRAULIC LINE - REAR CHASSIS (FOR PUMP)

<S/N 0101 - 0258>

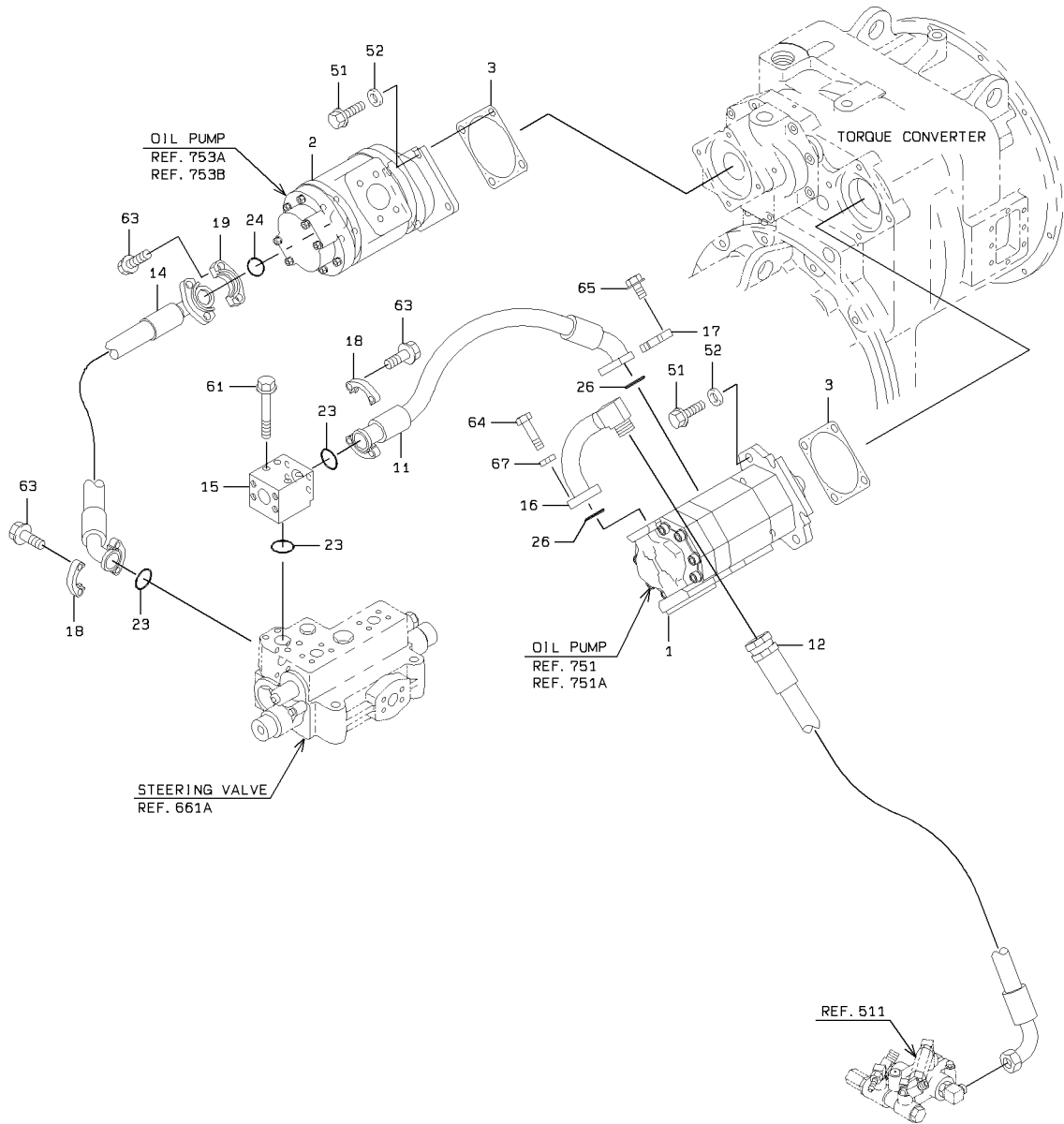


DETAIL OF PIPE HOLDER

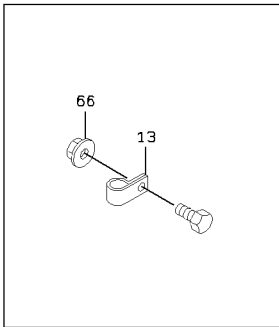


LOADING HYDRAULIC LINE - REAR CHASSIS (FOR PUMP)

<S/N 0259 - 0466>



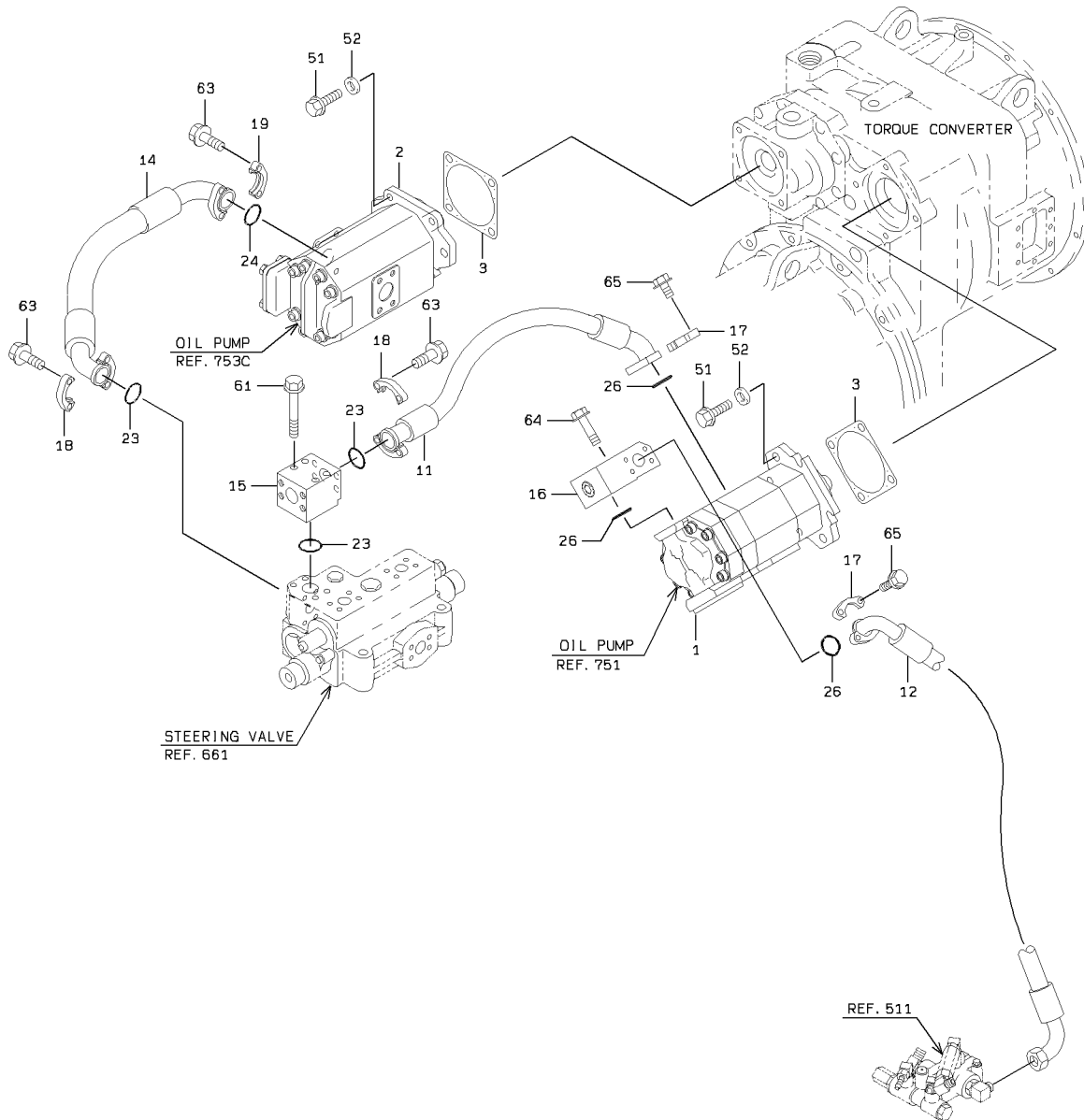
DETAIL OF PIPE HOLDER



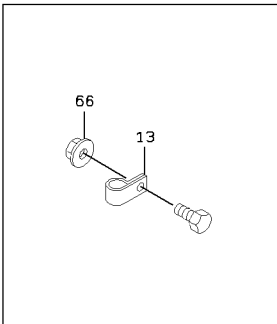
2-A

LOADING HYDRAULIC LINE - REAR CHASSIS (FOR PUMP)

<S/N 0467 - >



DETAIL OF PIPE HOLDER

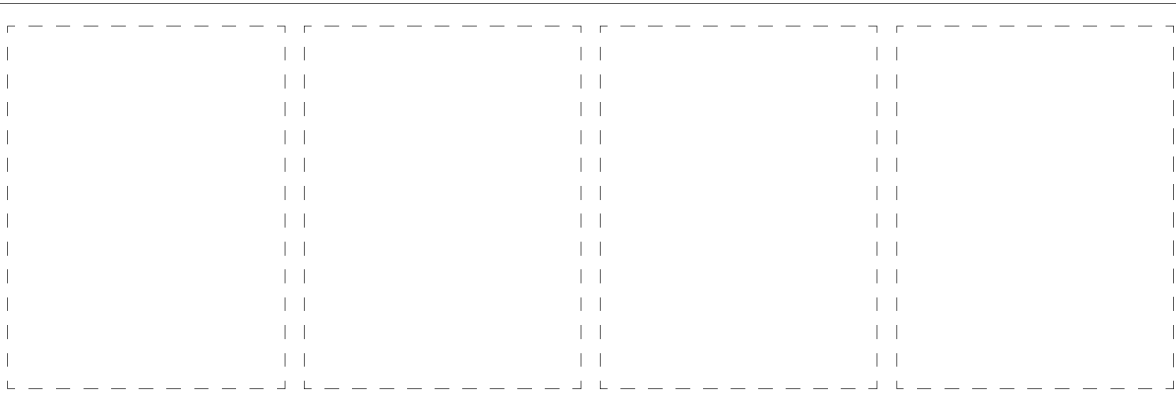
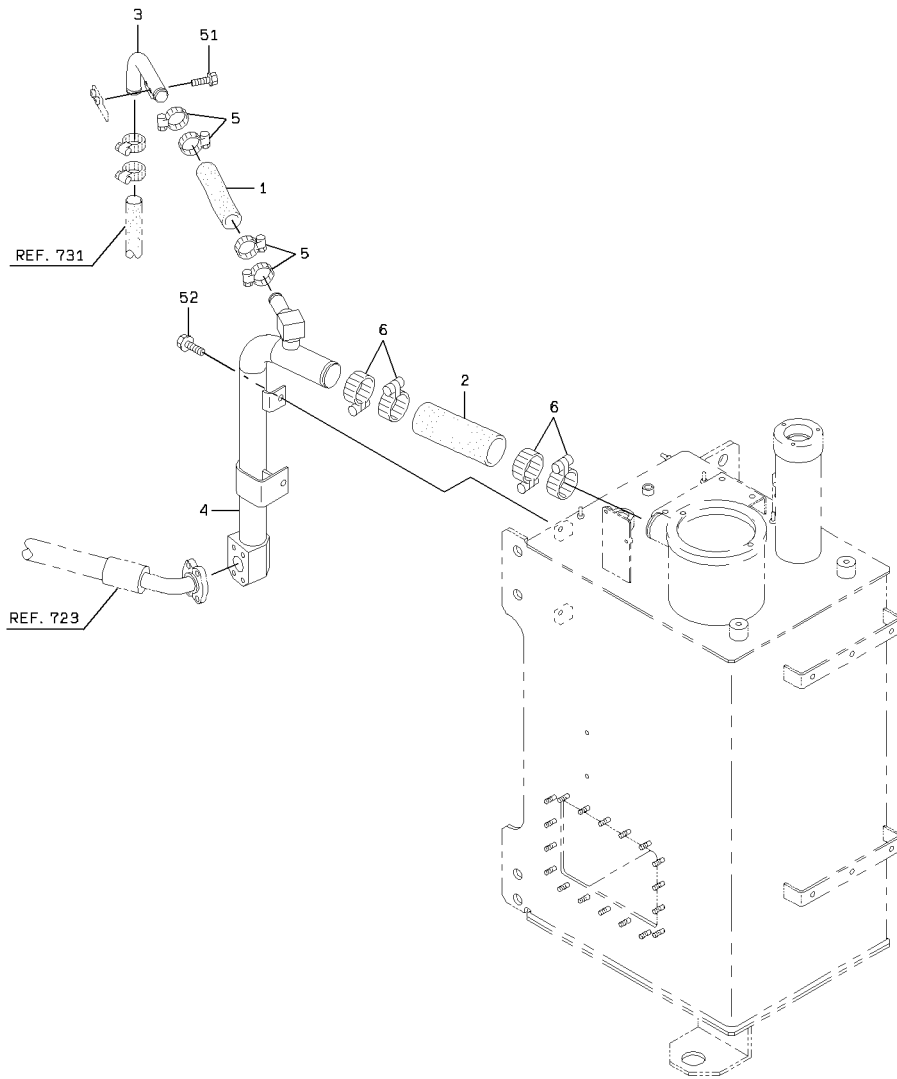


3-A

LOADING HYDRAULIC LINE - REAR CHASSIS (FOR PUMP)

SYM-BOL	PART NUMBER	PART NAME	UNIT Q,TY	SERIAL			REMARKS						
				(A)	-	(B)	N	P	D	(A)	(B)	(C)	(D)
1A	44083-61150	PUMP ASSY,OIL	1	101	-	386							REF.751
1B	44083-61890	PUMP ASSY,OIL	1	387	-		C						REF.751A
2A	44093-61560	PUMP,OIL	1	101	-	237							REF.753
2B	44093-61710	PUMP,OIL	1	238	-	258	C						REF.753
2C	44083-61640	PUMP ASSY,OIL	1	259	-	398	B						REF.753A
2D	44083-62090	PUMP ASSY,OIL	1	399	-	466	C						REF.753B
2E	44083-61880	PUMP ASSY,OIL	1	467	-		C						REF.753C
3A	31990-20550	GASKET	2	101	-								
11A	43113-37730	HOSE,HIGH PRESSURE	1	101	-								
12A	43113-38350	HOSE,HIGH PRESSURE	1	101	-	258							
12B	68635-60120	HOSE,HIGH PRESSURE	1	259	-	405	B						68635-60125
12C	68635-60123	HOSE,HIGH PRESSURE	1	406	-		B						
13A	72010-37000	HOLDER,HOSE	A/R	101	-								D=37
14A	43113-29900	HOSE,HIGH PRESSURE	1	101	-	153							
14B	43113-42590	HOSE,HIGH PRESSURE	1	154	-	258	C						
14C	43113-49610	HOSE,HIGH PRESSURE	1	259	-		B						43113-48790
15A	41410-30740	BLOCK	1	101	-								
16A	41410-33470	BLOCK	1	101	-	258							
16B	38775-31900	PIPE,OIL	1	259	-		B						38775-31080
17A	69811-25210	FLANGE,SPLIT	4	101	-	258							
17B	69811-25210	FLANGE,SPLIT	2	259	-								
18A	69811-32210	FLANGE,SPLIT	4	101	-								
19A	69811-38210	FLANGE,SPLIT	2	101	-								
23A	65220-31027	RING,O	3	101	-								
24A	65220-41003	RING,O	1	101	-								
26A	65220-31024	RING,O	3	101	-	258							
26B	65220-31024	RING,O	2	259	-								
51A	61802-12035	BOLT,FLANGED	8	101	-								
52A	62710-18121	WASHER,PLANE	8	101	-								
61A	61802-12095	BOLT,FLANGED	4	101	-								
63A	61802-12030	BOLT,FLANGED	12	101	-								
64A	61802-10075	BOLT,FLANGED	4	101	-	258							
64B	61033-10035	BOLT	4	259	-		B						
65A	61802-10030	BOLT,FLANGED	8	101	-	258							
65B	61802-10030	BOLT,FLANGED	4	259	-								
66A	62480-21081	NUT,FLANGED	A/R	101	-								
67A	62721-10100	WASHER,SPRING	4	259	-								

LOADING HYDRAULIC LINE - REAR CHASSIS (FOR RETURN)



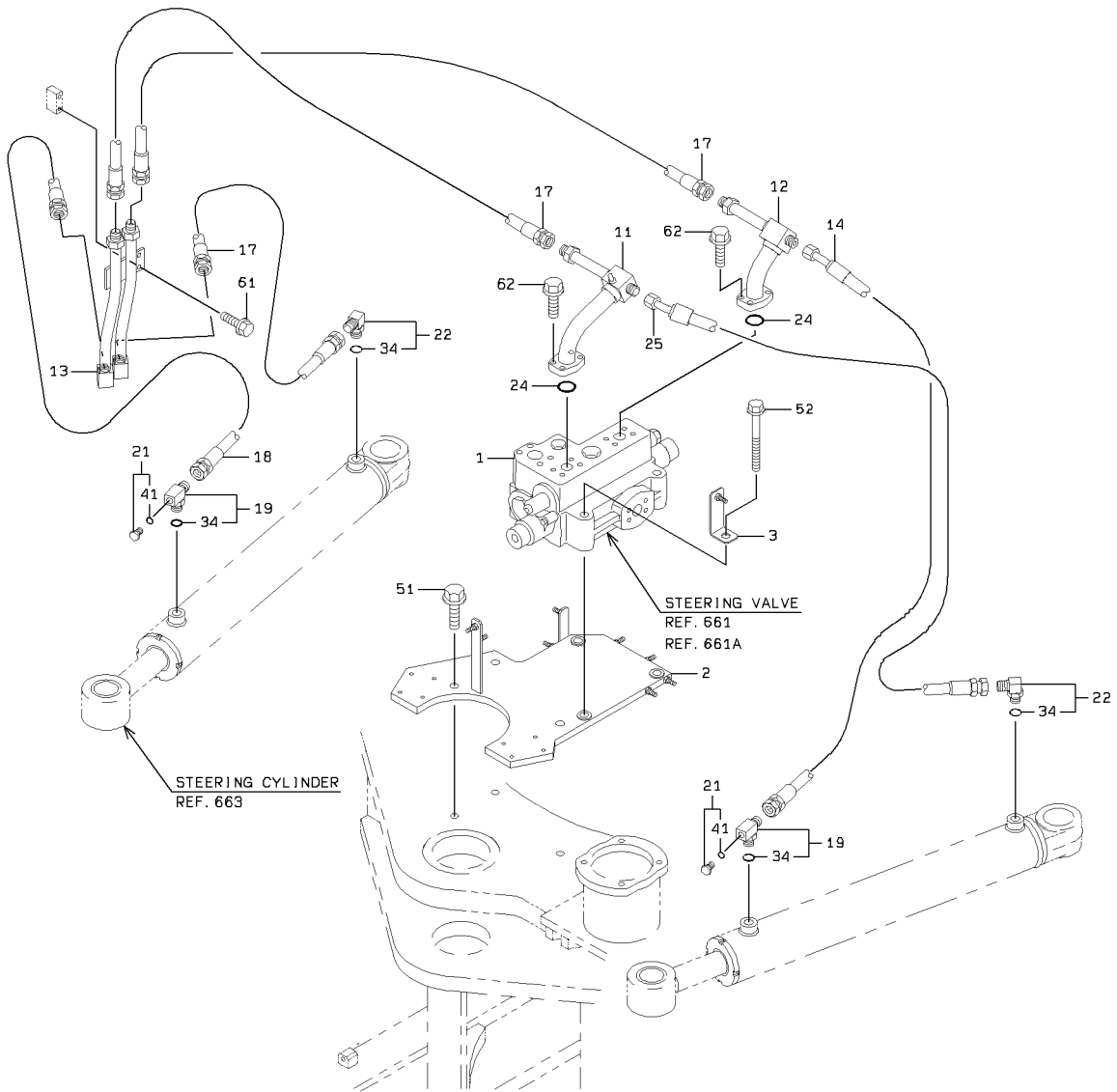
1-A

LOADING HYDRAULIC LINE - REAR CHASSIS (FOR RETURN)

SYM-BOL	PART NUMBER	PART NAME	UNIT Q, TY	SERIAL		REMARKS						
				(A)	(B)	N	P	D	(A)	(B)	(C)	(D)
1A	67040-32000	HOSE,HEAT RESISTIN	1 M	101	-							L=190
2A	67040-60000	HOSE,HEAT RESISTIN	1 M	101	-							L=210
3A	38755-59350	PIPE,OIL	1	101	-							
4A	38775-23270	PIPE,OIL	1	101	-							
5A	69002-05700	BAND,HOSE	4	101	-							
6A	69002-08200	BAND,HOSE	4	101	-							
51A	61802-08020	BOLT,FLANGED	2	101	-							
52A	61802-12020	BOLT,FLANGED	2	101	-							

LOADING HYDRAULIC LINE - STEERING CYLINDER (S/N 0101 - 0290)

<S/N 0101 - 0290>



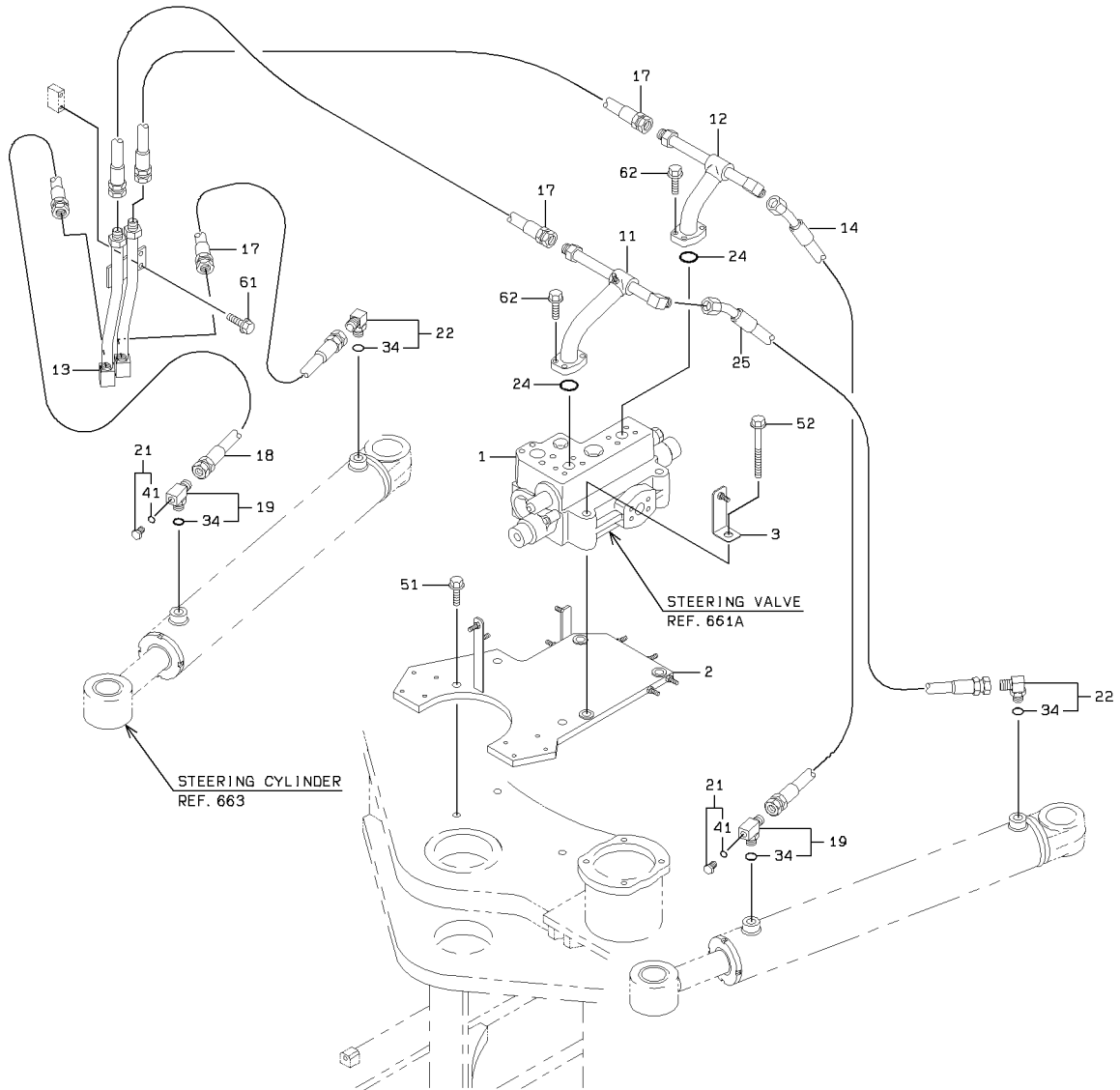
1-A

LOADING HYDRAULIC LINE - STEERING CYLINDER (S/N 0101 - 0290

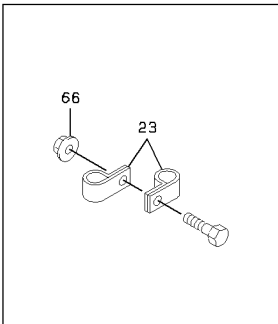
SYM-BOL	PART NUMBER	PART NAME	UNIT Q,TY	SERIAL		REMARKS						
				(A)	(B)	N	P	D	(A)	(B)	(C)	(D)
1A	38523-60490	VALVE ASSY,STEERIN	1	101	- 185							REF.661
1B	38523-60590	VALVE ASSY,STEERIN	1	186	- 207	A						REF.661A
1C	38523-60620	VALVE ASSY,STEERIN	1	208	- 263	C						REF.661A
1D	38523-60690	VALVE ASSY,STEERIN	1	264	- 290	C						REF.661A
2A	41641-43680	PLATE	1	101	- 246							
2B	41641-49610	PLATE	1	247	- 290	C						
3A	41618-48610	PLATE	1	101	- 290							
11A	38755-59490	PIPE,OIL	1	101	- 123							
11B	38775-23810	PIPE,OIL	1	124	- 290	C						
12A	38755-37530	PIPE,OIL	1	101	- 290							
13A	38755-39420	PIPE,OIL	1	101	- 290							
14A	68645-38130	HOSE,HIGH PRESSURE	1	101	- 290							
17A	68655-38054	HOSE,HIGH PRESSURE	3	101	- 290							
18A	68655-38077	HOSE,HIGH PRESSURE	1	101	- 290							
19A	30246-20120	ADAPTER,TEE	2	101	- 290			Y01				
21A	88390-21304	PLUG	2	101	- 290				Y02			
22A	88241-07108	ADAPTER,ELBOW	2	101	- 290			Y01				
23A	72001-12500	HOLDER,PIPE	A/R	101	- 290							D=25
24A	65220-31024	RING,O	2	101	- 290							
25A	68645-38135	HOSE,HIGH PRESSURE	1	101	- 290							
34A	65210-12018	RING,O	1	101	- 290			01				
41A	65210-12011	RING,O	1	101	- 290				02			
51A	61802-16030	BOLT,FLANGED	3	101	- 290							
52A	61802-16105	BOLT,FLANGED	3	101	- 290							
61A	61802-08020	BOLT,FLANGED	2	101	- 290							
62A	61802-10030	BOLT,FLANGED	8	101	- 290							
66A	62480-21081	NUT,FLANGED	A/R	101	- 290							

LOADING HYDRAULIC LINE - STEERING CYLINDER (S/N 0291 -)

<S/N 0291 - >



DETAIL OF PIPE HOLDER

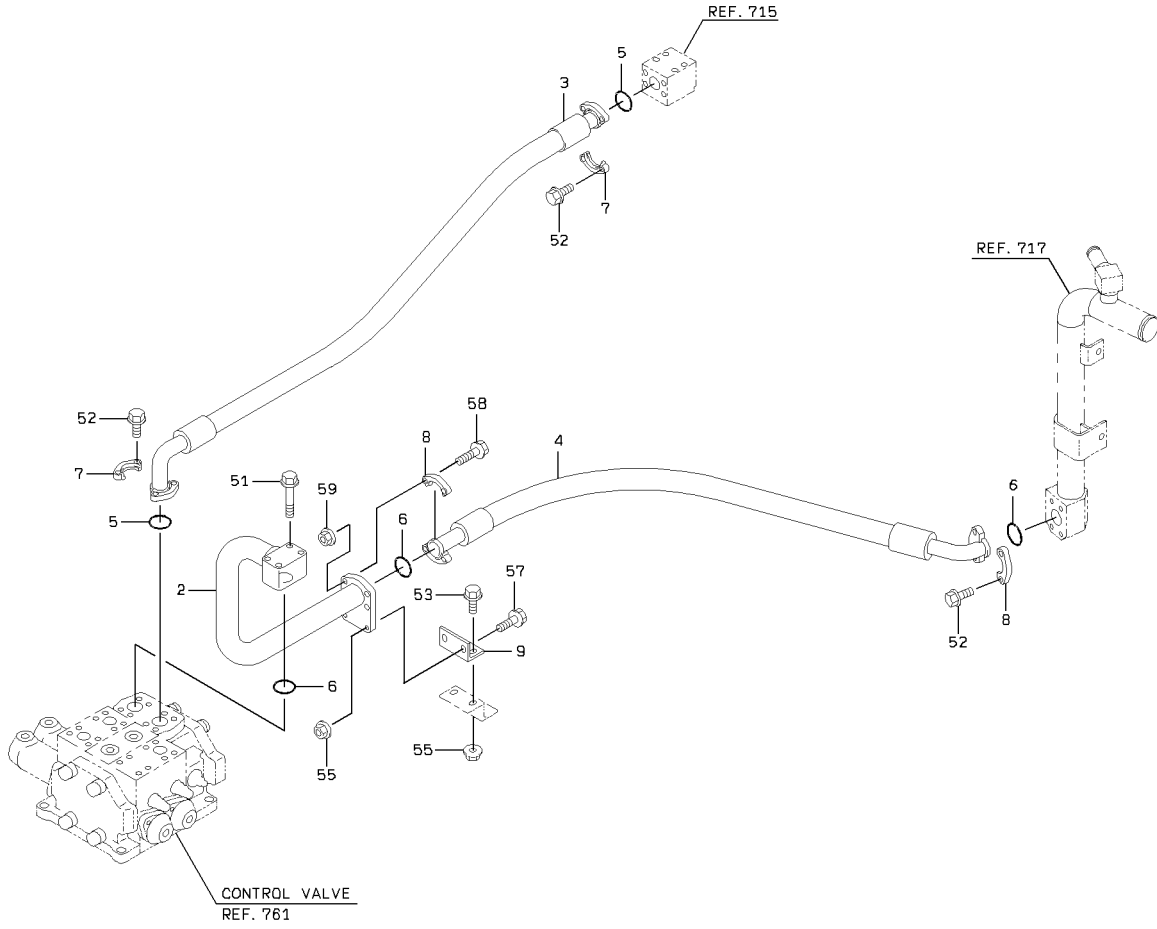


1-A

LOADING HYDRAULIC LINE - STEERING CYLINDER (S/N 0291 -)

SYM-BOL	PART NUMBER	PART NAME	UNIT Q,TY	SERIAL (A) - (B)	REMARKS					
					N	P	D	(A)	(B)	(C)
1A	38523-60690	VALVE ASSY,STEERIN	1	291 -						REF.661A
2A	41641-49610	PLATE	1	291 -						
3A	41618-48610	PLATE	1	291 -						
11A	38775-32230	PIPE,OIL	1	291 -						
12A	38775-32340	PIPE,OIL	1	291 -						
13A	38775-32280	PIPE,OIL	1	291 -						
14A	68645-38123	HOSE,HIGH PRESSURE	1	291 -						
17A	68655-38054	HOSE,HIGH PRESSURE	3	291 -						
18A	68655-38077	HOSE,HIGH PRESSURE	1	291 -						
19A	30246-20120	ADAPTER,TEE	2	291 -				Y01		
21A	88390-21304	PLUG	2	291 -					Y02	
22A	88241-07108	ADAPTER,ELBOW	2	291 -				Y01		
23A	72001-12500	HOLDER,PIPE	A/R	291 -						D=25
24A	65220-31024	RING,O	2	291 -						
25A	68645-38130	HOSE,HIGH PRESSURE	1	291 -						
34A	65210-12018	RING,O	1	291 -				01		
41A	65210-12011	RING,O	1	291 -					02	
51A	61802-16030	BOLT,FLANGED	3	291 -						
52A	61802-16105	BOLT,FLANGED	3	291 -						
61A	61802-08020	BOLT,FLANGED	2	291 -						
62A	61802-10030	BOLT,FLANGED	8	291 -						
66A	62480-21081	NUT,FLANGED	A/R	291 -						

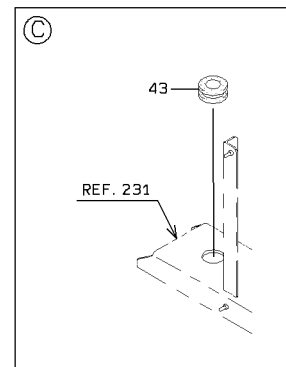
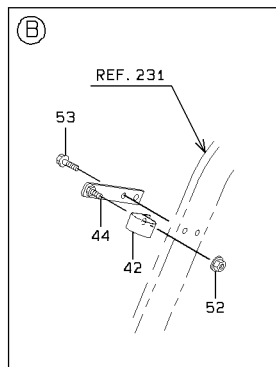
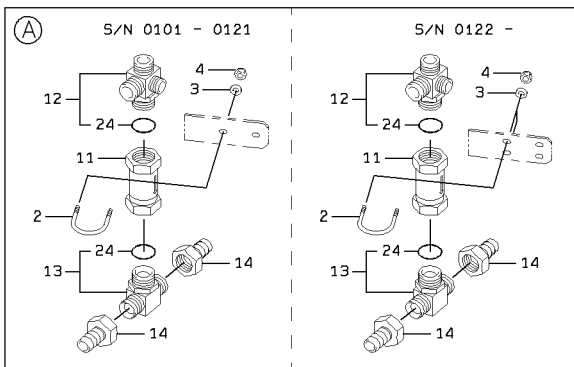
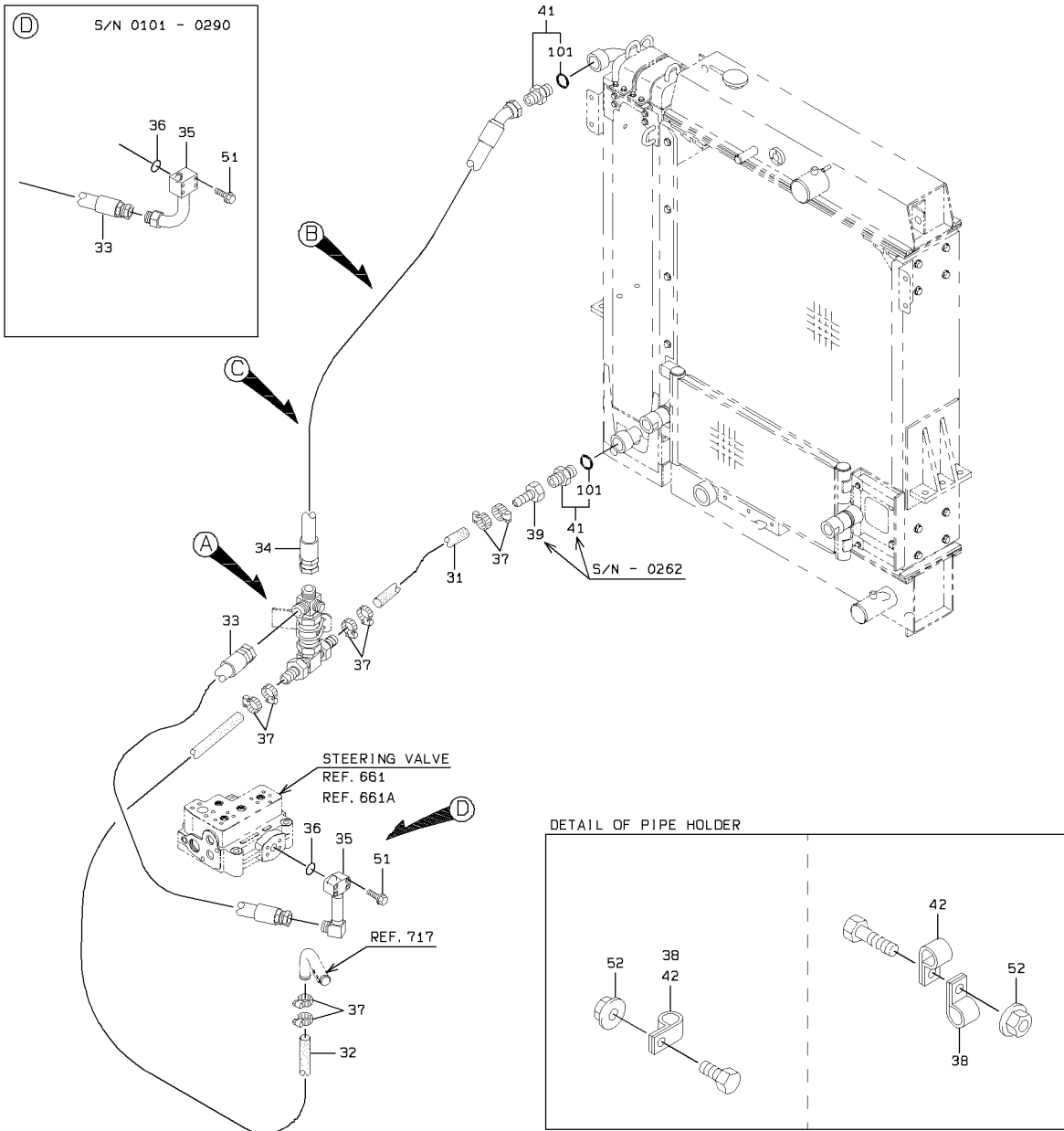
LOADING HYDRAULIC LINE - CENTER PIN



LOADING HYDRAULIC LINE - CENTER PIN

SYM-BOL	PART NUMBER	PART NAME	UNIT Q, TY	SERIAL		REMARKS						
				(A)	(B)	N	P	D	(A)	(B)	(C)	(D)
2A	38755-38680	PIPE,OIL	1	101	-							
3A	68678-70127	HOSE,HIGH PRESSURE	1	101	-	121						
3B	68678-70129	HOSE,HIGH PRESSURE	1	122	-		C					
4A	68279-80137	HOSE,HIGH PRESSURE	1	101	-	230						
4B	68270-80137	HOSE,HIGH PRESSURE	1	231	-		C					
5A	65220-31027	RING,O	2	101	-							
6A	65220-41003	RING,O	3	101	-							
7A	69811-32210	FLANGE,SPLIT	4	101	-							
8A	69811-38210	FLANGE,SPLIT	4	101	-							
9A	41600-26160	PLATE	1	101	-							
51A	61802-12075	BOLT,FLANGED	4	101	-							
52A	61802-12030	BOLT,FLANGED	12	101	-							
53A	61802-10030	BOLT,FLANGED	2	101	-							
55A	62480-21101	NUT,FLANGED	4	101	-							
57A	61802-10040	BOLT,FLANGED	2	101	-							
58A	61802-12050	BOLT,FLANGED	4	101	-							
59A	62480-21121	NUT,FLANGED	4	101	-							

LOADING HYDRAULIC LINE - OIL COOLER

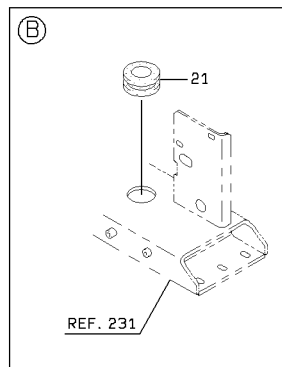
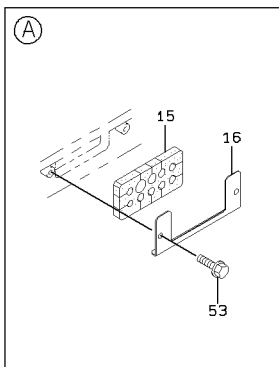
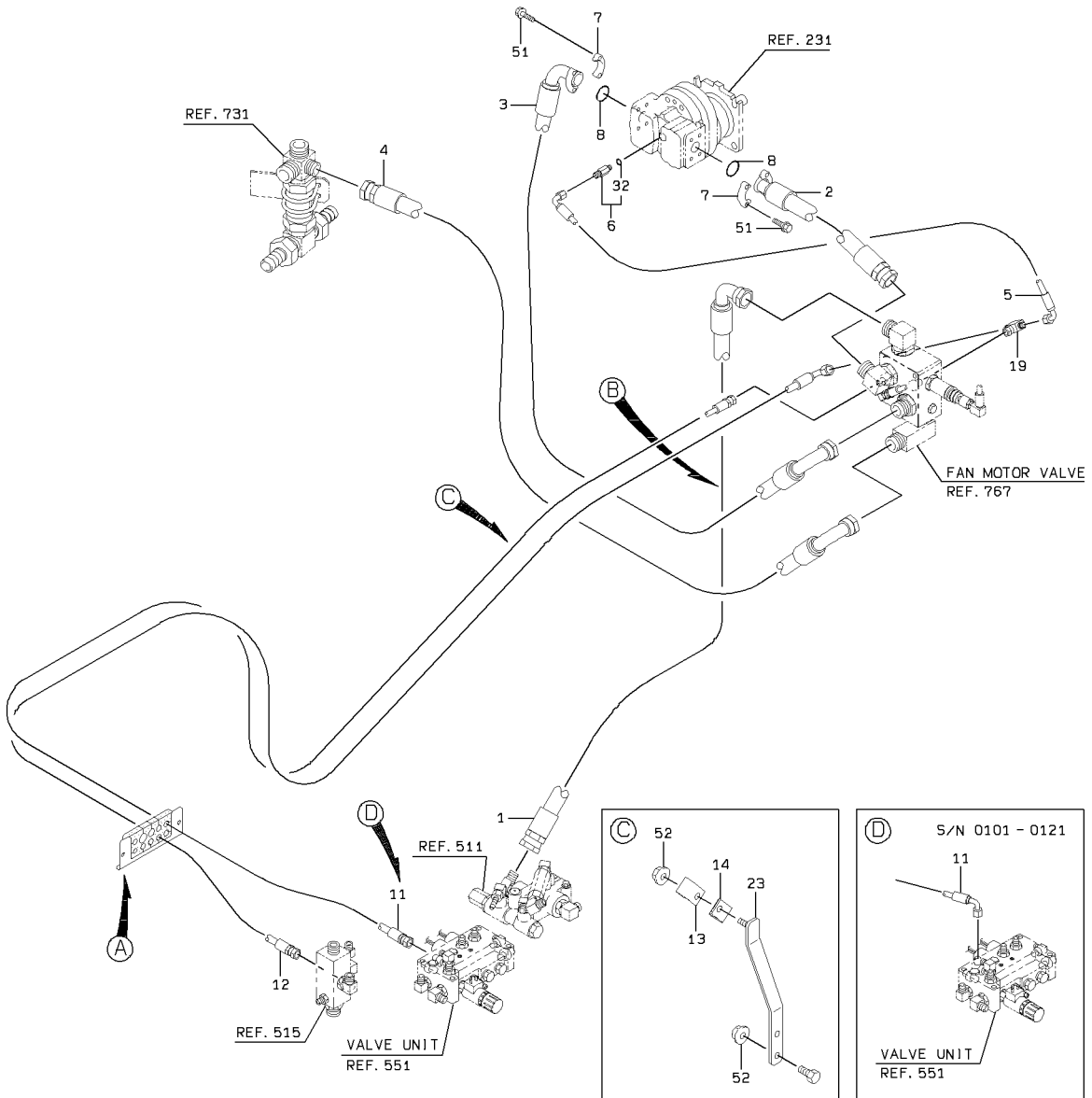


LOADING HYDRAULIC LINE - OIL COOLER

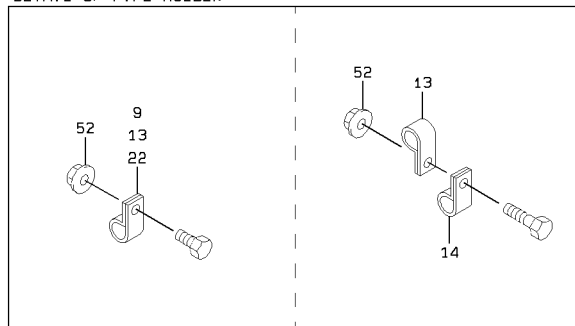
SYM-BOL	PART NUMBER	PART NAME	UNIT Q,TY	SERIAL		REMARKS								
				(A)	(B)	N	P	D	(A)	(B)	(C)	(D)	REMARK	
2A	61750-10871	BOLT,U	1	101	-	121								
2B	61750-10871	BOLT,U	2	122	-									
3A	62701-40101	WASHER,PLANE	2	101	-	121								
3B	62701-40081	WASHER,PLANE	4	122	-		C							
4A	88031-06101	NUT,SELF-LOCKING	2	101	-	121								
4B	88031-06081	NUT,SELF-LOCKING	4	122	-		C							
11A	38534-60180	VALVE ASSY,CHECK	1	101	-	262	N							
11B	38534-60330	VALVE ASSY,CHECK	1	263	-		C							
12A	38905-20100	FITTING,CROSS	1	101	-				Y01					
13A	38905-20120	FITTING,CROSS	1	101	-				Y01					
14A	88511-03200	NIPPLE,HOSE	2	101	-									
24A	65210-12044	RING,O	1	101	-				01					
31A	67040-32000	HOSE,HEAT RESISTIN	1 M	101	-	258							L=380	
31B	67040-32000	HOSE,HEAT RESISTIN	1 M	259	-	262							L=420	
31C	67040-32000	HOSE,HEAT RESISTIN	1 M	263	-		B						L=500	
32A	67040-32000	HOSE,HEAT RESISTIN	4 M	101	-								L=3900	
33A	43113-38490	HOSE,HIGH PRESSURE	1	101	-	290								
33B	43113-37930	HOSE,HIGH PRESSURE	1	291	-		B							
34A	68245-70138	HOSE,HIGH PRESSURE	1	101	-									
35A	38755-59390	PIPE,OIL	1	101	-	290								
35B	38775-32350	PIPE,OIL	1	291	-		B							
36A	65220-31024	RING,O	1	101	-									
37A	69002-05200	BAND,HOSE	8	101	-									
38A	72010-49000	HOLDER,HOSE	A/R	101	-	121							D=49	
38B	72010-46000	HOLDER,HOSE	A/R	122	-		B						D=46	
39A	88511-03200	NIPPLE,HOSE	1	101	-	262	D							
41A	88201-06720	ADAPTER	2	101	-	262			Y02					
41B	88201-06720	ADAPTER	1	263	-				Y02					
42A	72010-43000	HOLDER,HOSE	A/R	101	-								D=43	
43A	65801-50090	BUSHING,ELASTIC	1	101	-									
44A	41618-33210	PLATE	1	101	-									
51A	61802-10065	BOLT,FLANGED	4	101	-	290								
51B	61802-10060	BOLT,FLANGED	4	291	-		B							
52A	62480-21081	NUT,FLANGED	A/R	101	-									
53A	61802-08035	BOLT,FLANGED	2	101	-									
101A	65210-12038	RING,O	1	101	-				02					

HYDRAULIC LINE - FAN MOTOR

<S/N 0101 - 0230>



DETAIL OF PIPE HOLDER

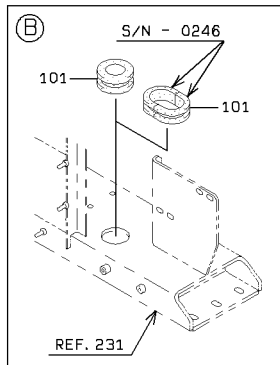
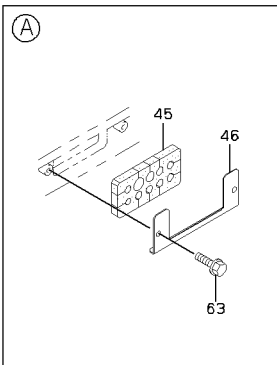
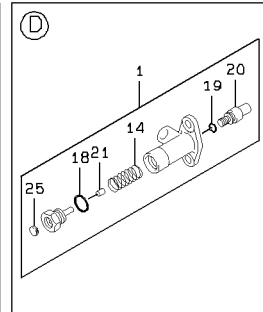
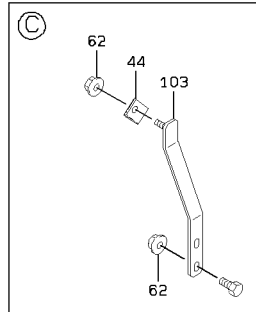
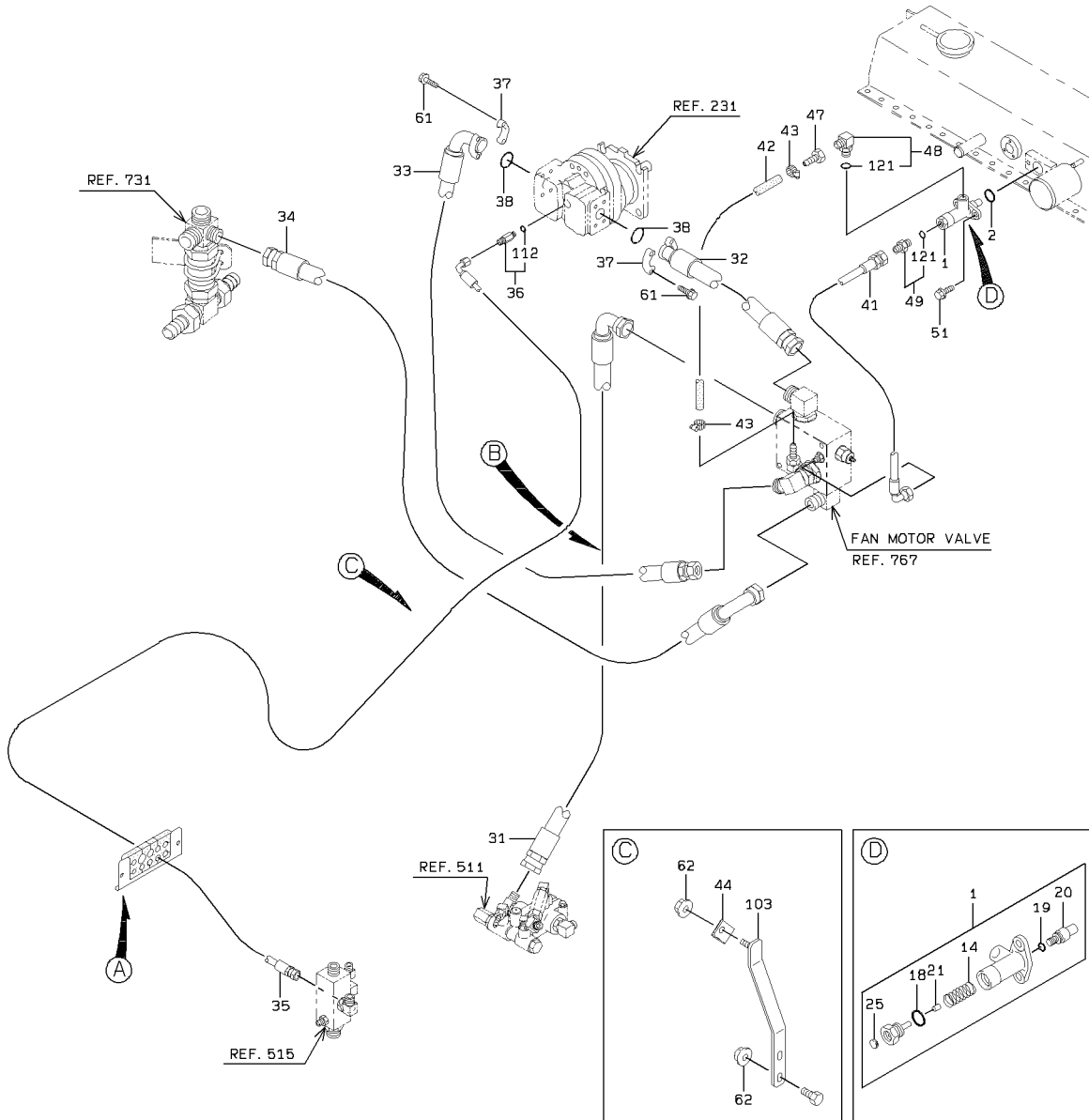


HYDRAULIC LINE - FAN MOTOR

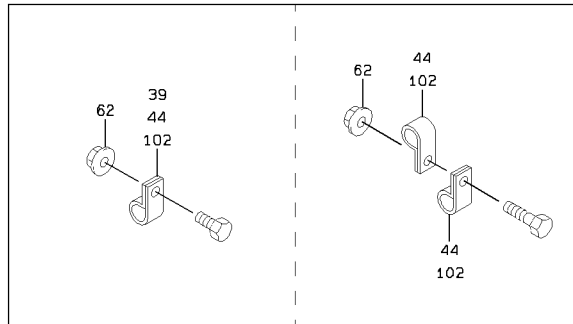
SYM-BOL	PART NUMBER	PART NAME	UNIT Q,TY	SERIAL		REMARKS						
				(A)	(B)	N	P	D	(A)	(B)	(C)	(D)
1A	68635-60350	HOSE,HIGH PRESSURE	1	101	- 122							
1B	68635-60345	HOSE,HIGH PRESSURE	1	123	- 230	C						
2A	68657-60034	HOSE,HIGH PRESSURE	1	101	- 121							
2B	68657-60033	HOSE,HIGH PRESSURE	1	122	- 158	C						
2C	68657-60031	HOSE,HIGH PRESSURE	1	159	- 230	C						
3A	43113-37940	HOSE,HIGH PRESSURE	1	101	- 230							
4A	68235-60105	HOSE,HIGH PRESSURE	1	101	- 230							
5A	43113-37970	HOSE,HIGH PRESSURE	1	101	- 230				Y01			
6A	30230-24800	ADAPTER	1	101	- 230							
7A	69811-25210	FLANGE,SPLIT	4	101	- 230							
8A	65220-31024	RING,O	2	101	- 230							
9A	72010-37000	HOLDER,HOSE	A/R	101	- 230							D=37
11A	68035-10370	HOSE,HIGH PRESSURE	1	101	- 121							
11B	68055-10370	HOSE,HIGH PRESSURE	1	122	- 230	B						
12A	68035-20380	HOSE,HIGH PRESSURE	1	101	- 230							
13A	72001-11200	HOLDER,PIPE	A/R	101	- 230							D=12
14A	72001-11500	HOLDER,PIPE	A/R	101	- 230							D=15
15A	33057-20930	GROMMET	1	101	- 230							
16A	41607-20620	PLATE	1	101	- 230							
19A	38904-21380	FITTING,TEE	1	101	- 230							
21A	65801-50090	BUSHING,ELASTIC	1	101	- 230							
22A	72010-34000	HOLDER,HOSE	A/R	101	- 230							D=34
23A	41618-39430	PLATE	1	101	- 230							
32A	65231-00041	RING,O	1	101	- 230				01			
51A	61802-10030	BOLT,FLANGED	8	101	- 230							
52A	62480-21081	NUT,FLANGED	A/R	101	- 230							
53A	61802-08012	BOLT,FLANGED	2	101	- 230							

HYDRAULIC LINE - FAN MOTOR

<S/N 0231 - 0263>

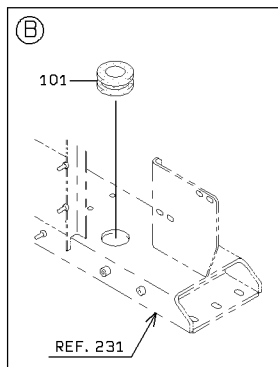
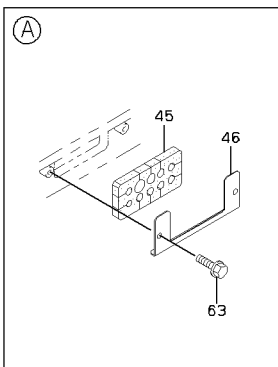
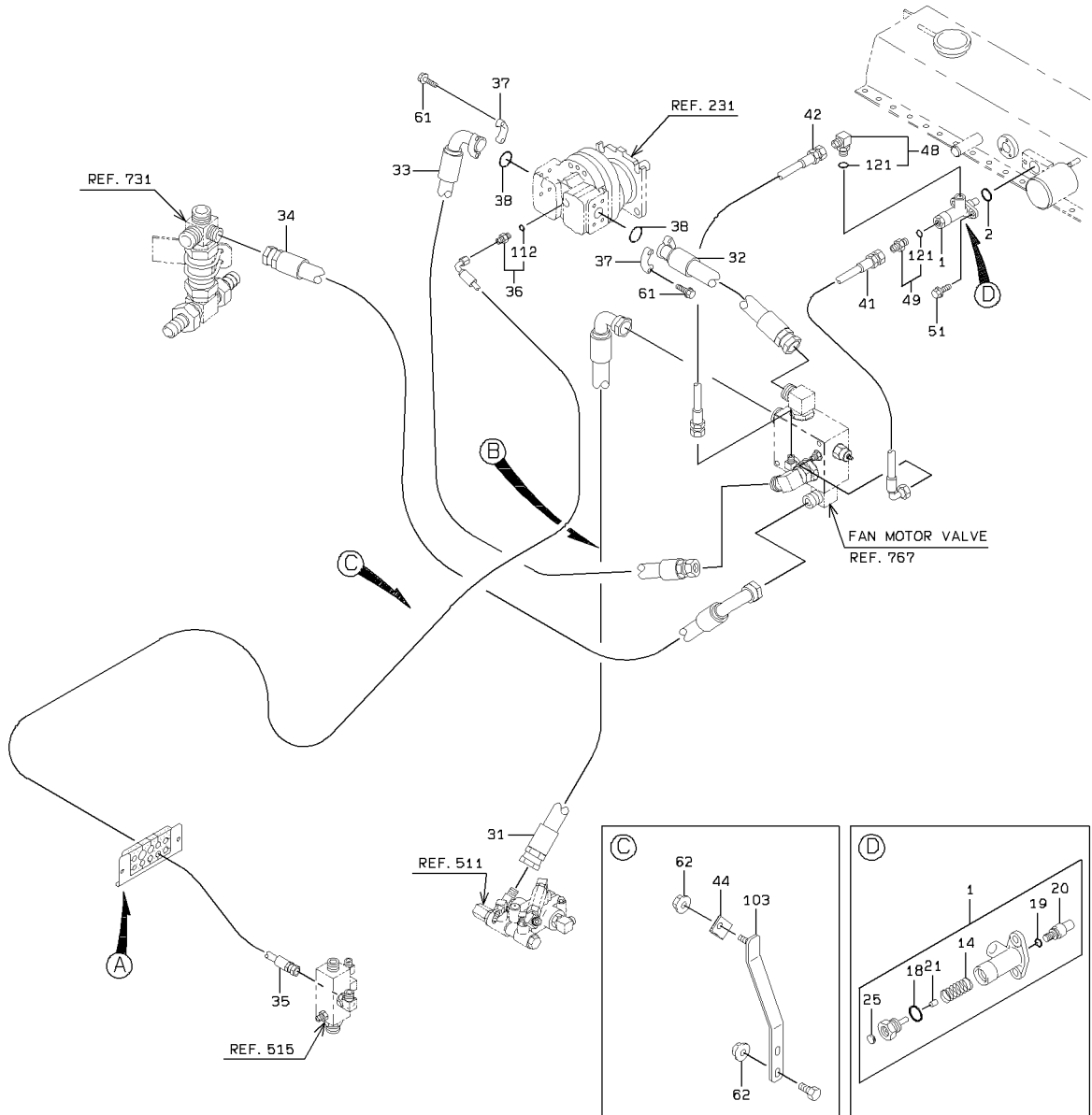


DETAIL OF PIPE HOLDER

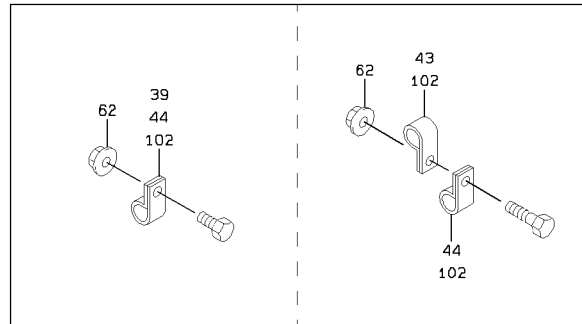


HYDRAULIC LINE - FAN MOTOR

<S/N 0264 - 0466>

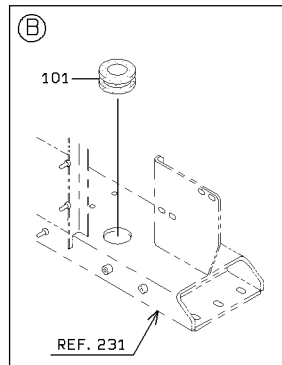
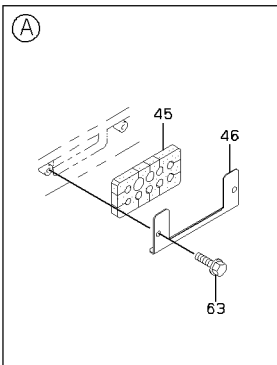
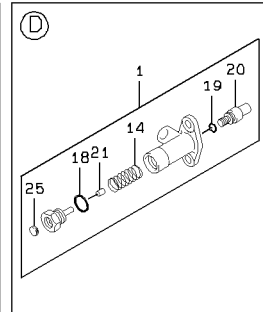
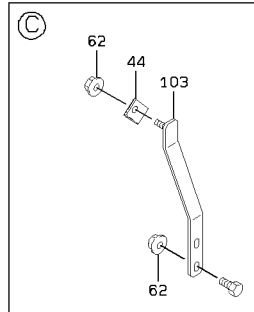
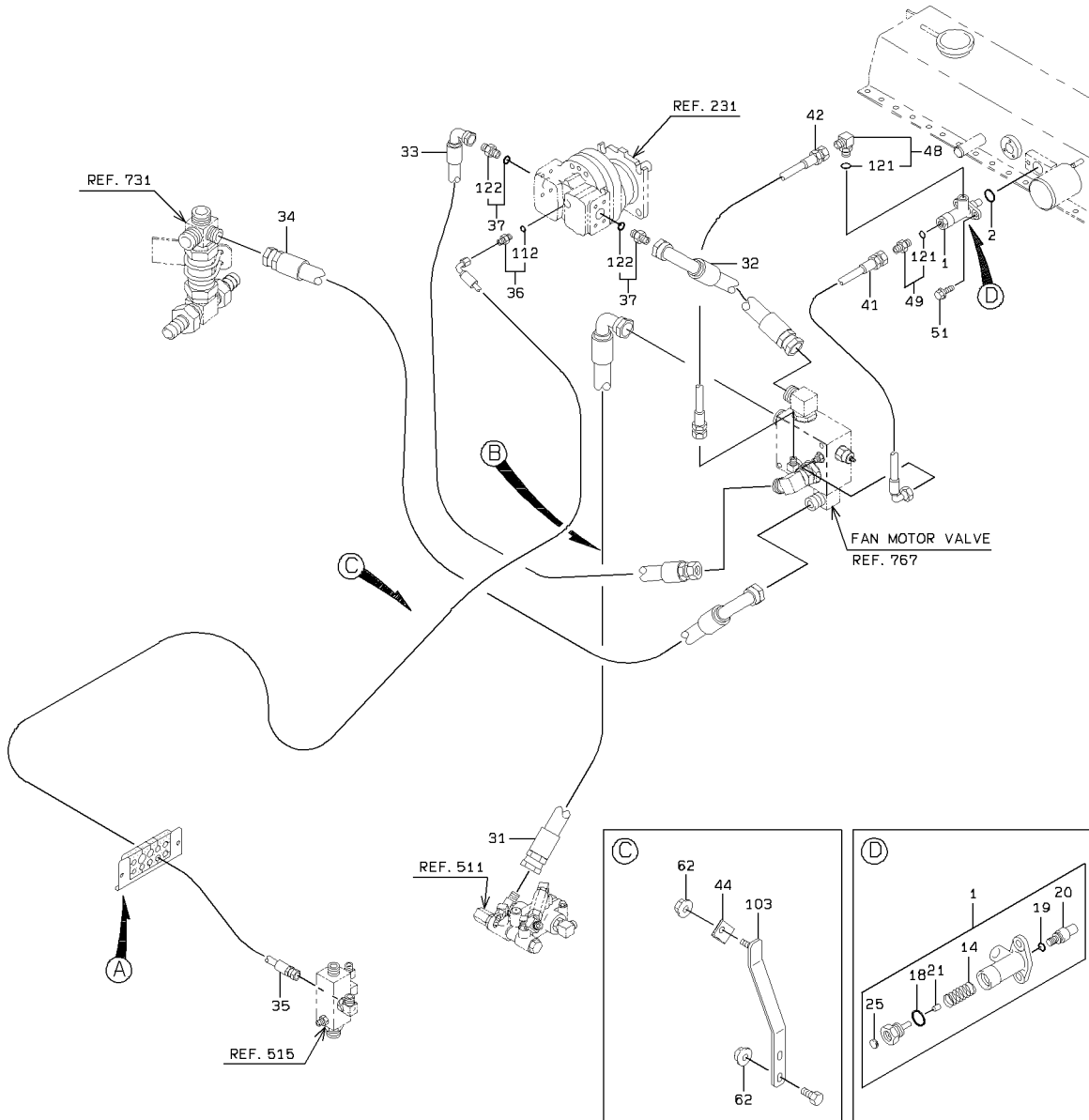


DETAIL OF PIPE HOLDER

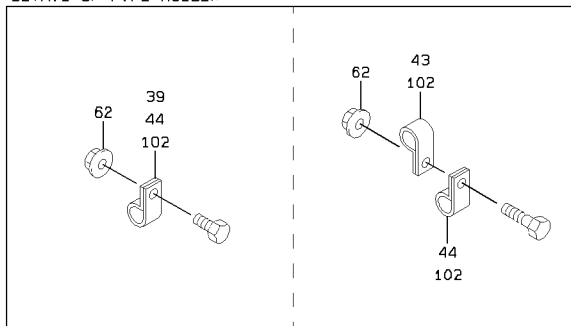


HYDRAULIC LINE - FAN MOTOR

<S/N 0467 - >



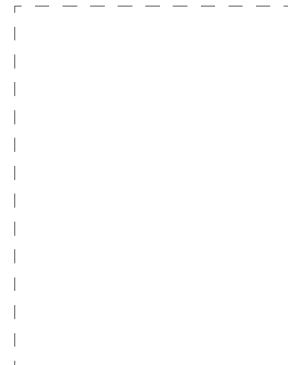
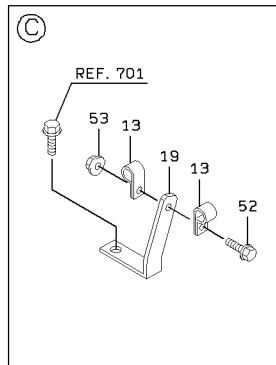
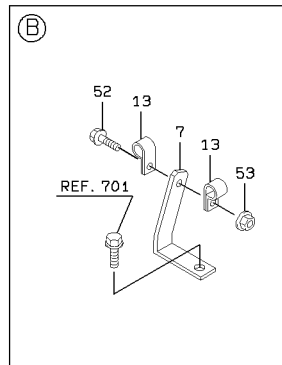
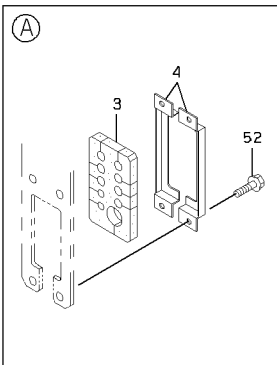
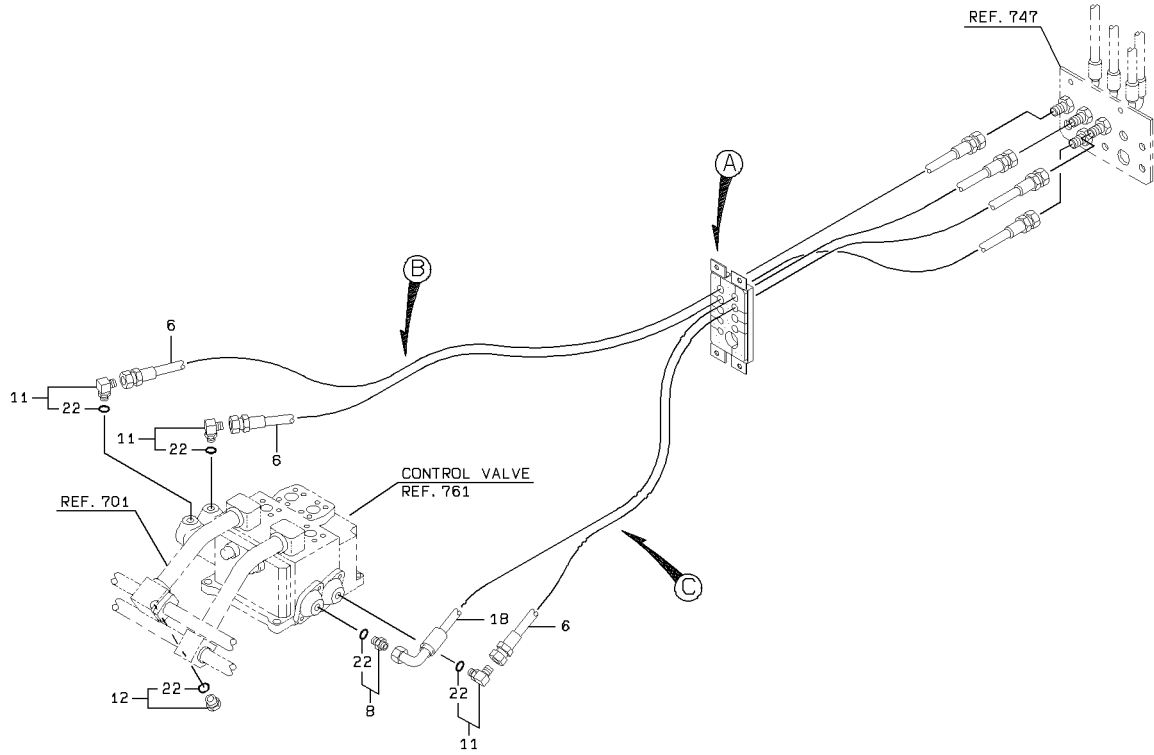
DETAIL OF PIPE HOLDER



HYDRAULIC LINE - FAN MOTOR

SYM-BOL	PART NUMBER	PART NAME	UNIT Q,TY	SERIAL		REMARKS							
				(A)	(B)	N	P	D	(A)	(B)	(C)	(D)	REMARK
1A	38511-60170	VALVE ASSY	1	231	-						Y01		
2A	47131-21870	RING,O	1	231	-								
14A	35600-76610	SPRING	1	231	-						01		
18A	65210-11018	RING,O	1	231	-						01		
19A	65210-16010	RING,O	1	231	-						01		
20A	30980-70350	ELEMENT	1	231	-						01		
21A	31053-70710	ORIFICE	1	231	-						01		
25A	40330-70560	FILTER	1	231	-						01		
31A	68635-60330	HOSE,HIGH PRESSURE	1	231	-								
32A	68657-60033	HOSE,HIGH PRESSURE	1	231	-	466							
32B	68635-60051	HOSE,HIGH PRESSURE	1	467	-	470	B						
32C	68635-60048	HOSE,HIGH PRESSURE	1	471	-		B						
33A	68258-60098	HOSE,HIGH PRESSURE	1	231	-	466							
33B	68235-60054	HOSE,HIGH PRESSURE	1	467	-	470	B						
33C	68235-60046	HOSE,HIGH PRESSURE	1	471	-		B						
34A	68235-60103	HOSE,HIGH PRESSURE	1	231	-	466							
34B	68235-60110	HOSE,HIGH PRESSURE	1	467	-		B						
35A	43113-45190	HOSE,HIGH PRESSURE	1	231	-	466							
35B	68035-20430	HOSE,HIGH PRESSURE	1	467	-	470	B						
35C	68035-20410	HOSE,HIGH PRESSURE	1	471	-		B						
36A	30230-24800	ADAPTER	1	231	-	263					Y02		
36B	88201-06804	ADAPTER	1	264	-	466	B				Y02		
36C	30241-21330	ADAPTER,ELBOW	1	467	-		B						
37A	69811-25210	FLANGE,SPLIT	4	231	-	466							
37B	88201-06716	ADAPTER	2	467	-		B					Y03	
38A	65220-31024	RING,O	2	231	-	466		D					
39A	72010-37000	HOLDER,HOSE	A/R	231	-								
41A	68635-10150	HOSE,HIGH PRESSURE	1	231	-								
42A	67040-08000	HOSE,HEAT RESISTIN	2 M	231	-	263							L=1500
42B	68055-10150	HOSE,HIGH PRESSURE	1	264	-		B						
43A	69002-02200	BAND,HOSE	2	231	-	263							
43B	72001-11200	HOLDER,PIPE	3	264	-		B						
44A	72001-11500	HOLDER,PIPE	A/R	231	-								
45A	33057-20930	GROMMET	1	231	-								
46A	41607-20620	PLATE	1	231	-								
47A	88511-03041	NIPPLE,HOSE	1	231	-	263		D					
48A	88241-07104	ADAPTER,ELBOW	1	231	-							Y04	
49A	88201-06704	ADAPTER	1	231	-							Y04	
51A	61802-10016	BOLT,FLANGED	2	231	-								
61A	61802-10030	BOLT,FLANGED	8	231	-	466		D					
62A	62480-21081	NUT,FLANGED	A/R	231	-								
63A	61802-08012	BOLT,FLANGED	2	231	-								
101A	65801-50090	BUSHING,ELASTIC	1	231	-	235							
101B	65801-40090	BUSHING,ELASTIC	2	236	-	246	B						
101C	65801-50090	BUSHING,ELASTIC	1	247	-		B						
102A	72010-34000	HOLDER,HOSE	A/R	231	-								
103A	41618-39430	PLATE	1	231	-	235							
103B	41620-48360	PLATE	1	236	-		C						
112A	65231-00041	RING,O	1	231	-						02		
121A	65210-12011	RING,O	1	231	-							04	
122A	65210-12029	RING,O	1	467	-						03		

PILOT HYDRAULIC LINE - FRONT CHASSIS



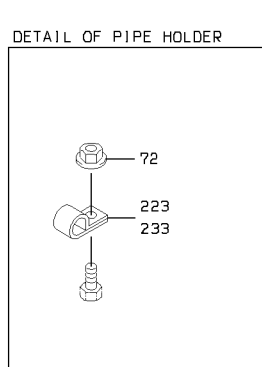
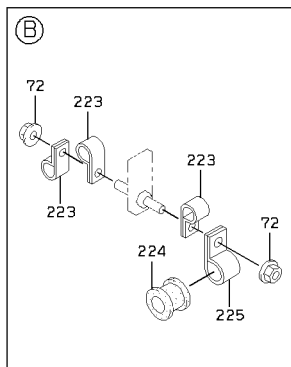
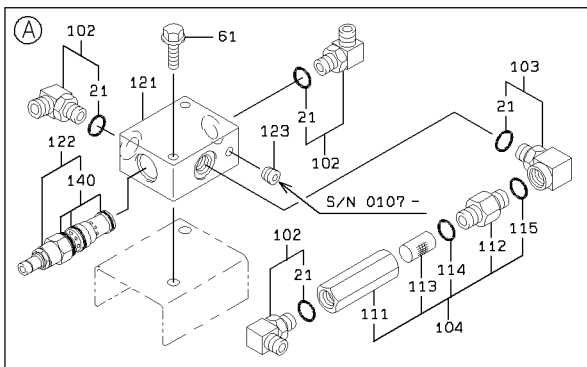
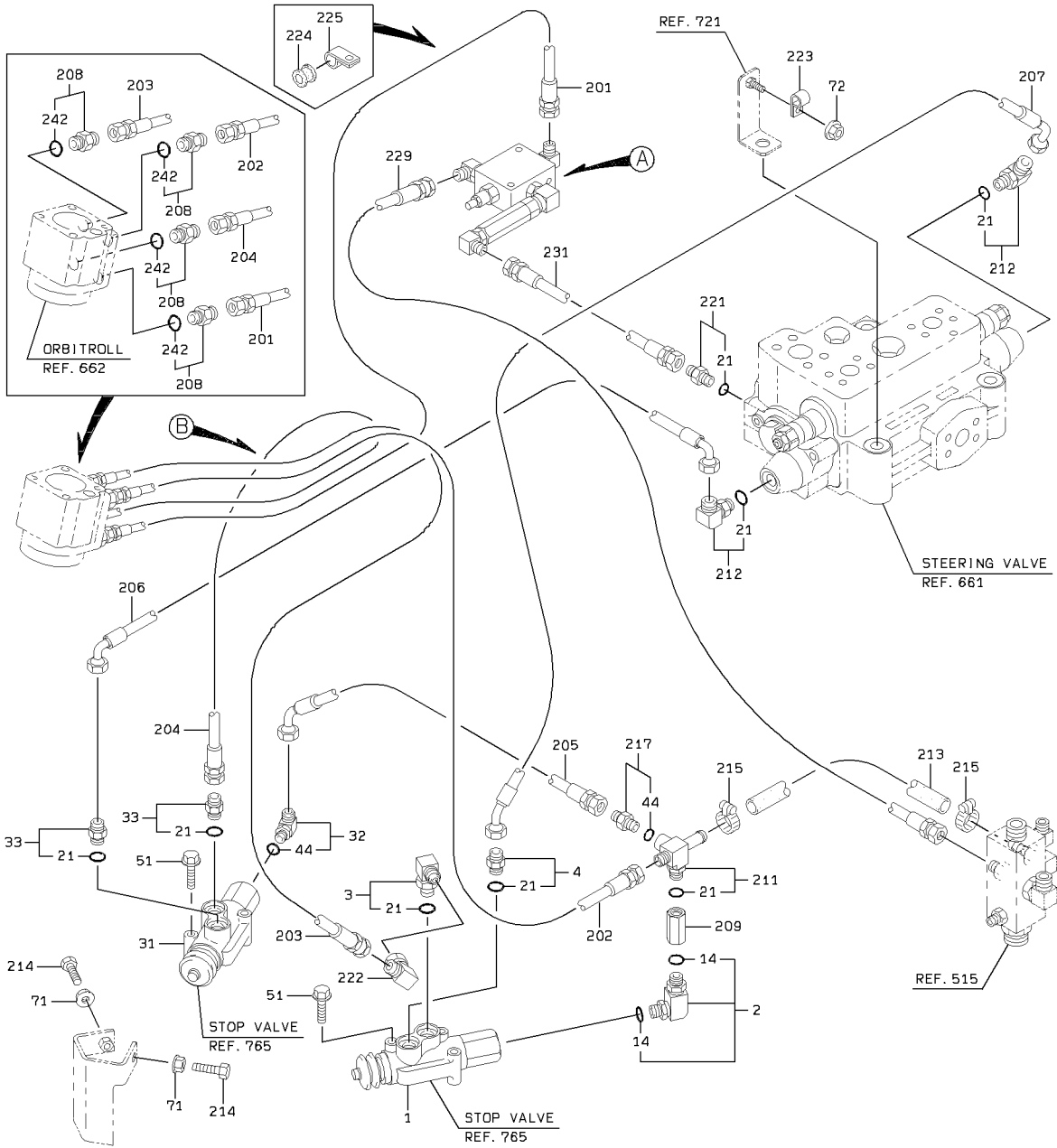
1-A

PILOT HYDRAULIC LINE - FRONT CHASSIS

SYM-BOL	PART NUMBER	PART NAME	UNIT Q,TY	SERIAL		REMARKS						
				(A)	(B)	N	P	D	(A)	(B)	(C)	(D)
3A	33057-21060	GROMMET	1	101	-							
4A	31205-20940	COVER	2	101	-							
6A	68055-20150	HOSE,HIGH PRESSURE	3	101	-							
7A	41607-27790	PLATE	1	101	-							
8A	30230-23900	ADAPTER	1	101	-				Y01			
11A	88241-07106	ADAPTER,ELBOW	3	101	-				Y01			FR RH
12A	88390-21306	PLUG	1	101	-				Y01			
13A	72001-11500	HOLDER,PIPE	4	101	-							D=15
18A	68035-20165	HOSE,HIGH PRESSURE	1	101	-			469				
18B	68035-20155	HOSE,HIGH PRESSURE	1	470	-							
19A	41607-27780	PLATE	1	101	-			413				FR LH
19B	41716-22310	PLATE	1	414	-		C					
22A	65210-12014	RING,O	1	101	-				01			
52A	61802-08020	BOLT,FLANGED	6	101	-							
53A	62480-21081	NUT,FLANGED	2	101	-							

PILOT HYDRAULIC LINE - REAR CHASSIS (S/N 0101 - 0230)

<S/N 0101 - 0230>

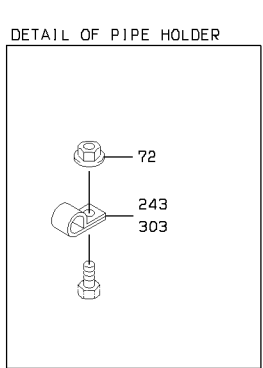
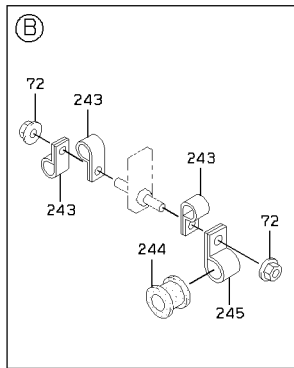
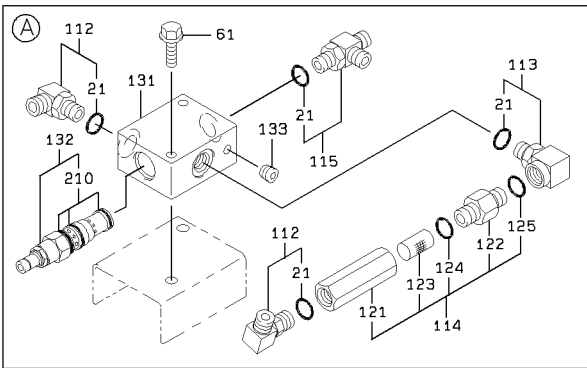
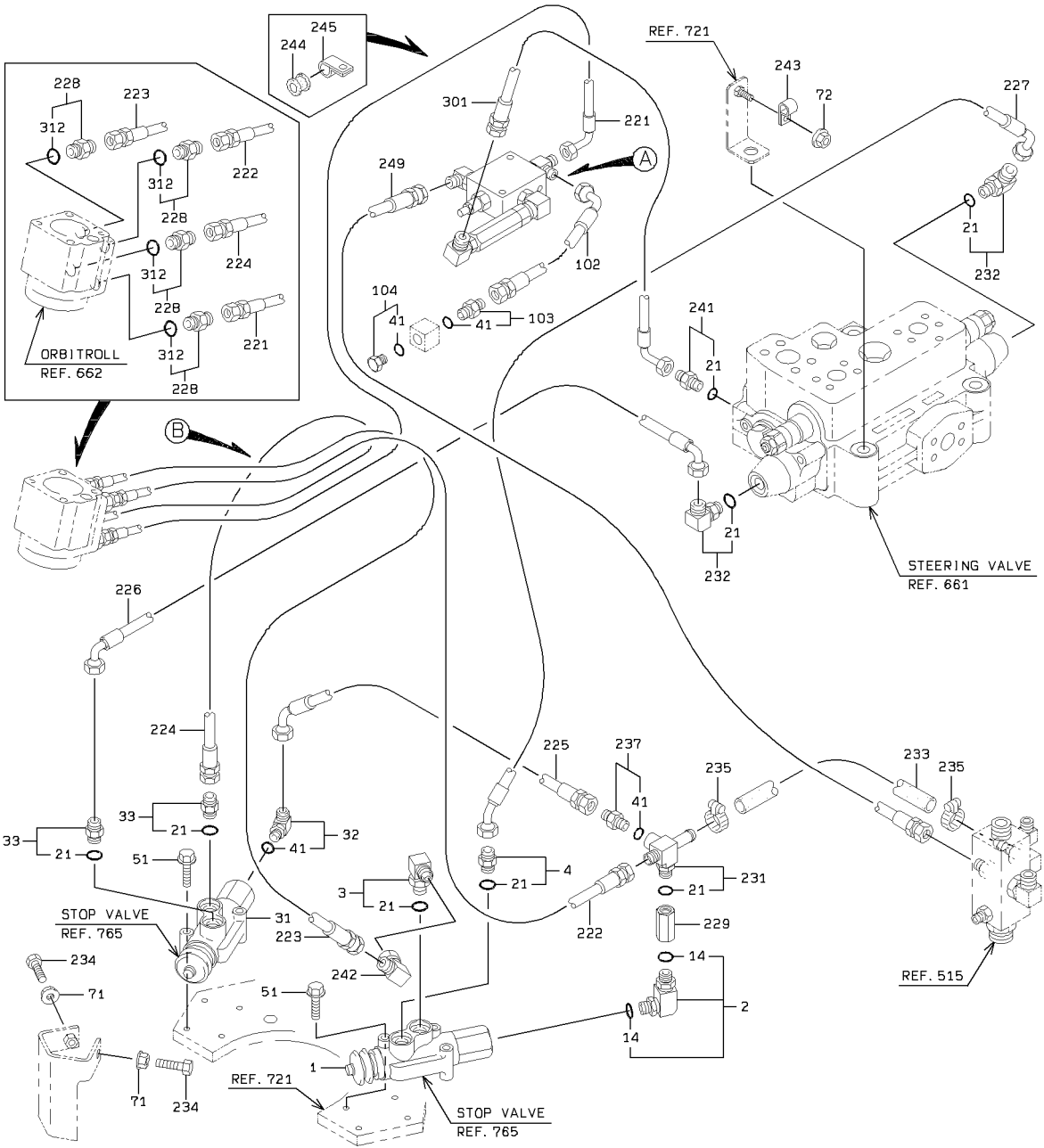


PILOT HYDRAULIC LINE - REAR CHASSIS (S/N 0101 - 0230)

SYM-BOL	PART NUMBER	PART NAME	UNIT Q,TY	SERIAL		REMARKS					REMARK	
				(A)	(B)	N	P	D	(A)	(B)		(C)
1A	38510-20160	VALVE	1	101	-	230						REF.765 (LH)
2A	38903-20690	FITTING,ELBOW	1	101	-	230			Y01			
3A	88241-07106	ADAPTER,ELBOW	1	101	-	230				Y02		
4A	88201-06706	ADAPTER	1	101	-	230				Y02		
14A	65210-12011	RING,O	2	101	-	230			01			
21A	65210-12014	RING,O	1	101	-	230				02		
31A	38510-20160	VALVE	1	101	-	230					Y03	REF.765 (RH)
32A	88241-07104	ADAPTER,ELBOW	1	101	-	230						
33A	88201-06706	ADAPTER	2	101	-	230				Y02		
44A	65210-12011	RING,O	1	101	-	230					03	
51A	61802-08060	BOLT,FLANGED	6	101	-	230						
61A	61802-08055	BOLT,FLANGED	2	101	-	230						
71A	62480-21121	NUT,FLANGED	2	101	-	230						
72A	62480-21081	NUT,FLANGED	A/R	101	-	230						
102A	88241-07106	ADAPTER,ELBOW	3	101	-	230				Y02		
103A	30241-60070	ADAPTER,ELBOW	1	101	-	230				Y02		
104A	40337-60370	FILTER ASSY,LINE	1	101	-	230					Y04	
111A	33100-70690	CASE	1	101	-	230					04	
112A	37710-70390	NIPPLE	1	101	-	230					04	
113A	30981-70720	ELEMENT,FILTER	1	101	-	230					04	
114A	65210-12018	RING,O	1	101	-	230					04	
115A	65210-12014	RING,O	1	101	-	230					04	
121A	41410-31950	BLOCK	1	101	-	106						
121B	41410-34270	BLOCK	1	107	-	230	C					
122A	38567-70170	VALVE,REDUCING	1	101	-	230			Y05			
123A	88390-16102	PLUG	1	107	-	230						
140A	49327-72080	SEAL KIT	1	101	-	230			05			
201A	68055-20115	HOSE,HIGH PRESSURE	1	101	-	230						
202A	68055-20075	HOSE,HIGH PRESSURE	1	101	-	230						
203A	68055-20060	HOSE,HIGH PRESSURE	1	101	-	230						
204A	68055-20066	HOSE,HIGH PRESSURE	1	101	-	230						
205A	68045-10042	HOSE,HIGH PRESSURE	1	101	-	230						
206A	68033-20023	HOSE,HIGH PRESSURE	1	101	-	230						
207A	68044-20068	HOSE,HIGH PRESSURE	1	101	-	230						
208A	30230-20150	ADAPTER	4	101	-	230				Y06		
209A	30244-20020	ADAPTER,SOCKET	1	101	-	230						
211A	37715-21230	NIPPLE,HOSE	1	101	-	230				Y02		
212A	88241-07106	ADAPTER,ELBOW	2	101	-	230				Y02		
213A	67040-12000	HOSE,HEAT RESISTIN	1 M	101	-	230						L=710
214A	43900-20790	BOLT	2	101	-	230						
215A	69002-03100	BAND,HOSE	2	101	-	230						
217A	88201-06704	ADAPTER	1	101	-	230					Y03	
221A	88201-06706	ADAPTER	1	101	-	230				Y02		
222A	30242-20190	ADAPTER,ELBOW UNIO	1	101	-	230						
223A	72001-11500	HOLDER,PIPE	A/R	101	-	230						D=15
224A	65801-16220	BUSHING,ELASTIC	2	101	-	230						
225A	72001-12500	HOLDER,PIPE	2	101	-	230						D=25
229A	68055-20150	HOSE,HIGH PRESSURE	1	101	-	230						
231A	68655-20023	HOSE,HIGH PRESSURE	1	101	-	230						
233A	72001-11200	HOLDER,PIPE	A/R	101	-	230						D=12
242A	65231-00081	RING,O	1	101	-	230				06		

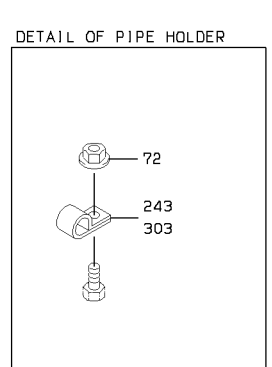
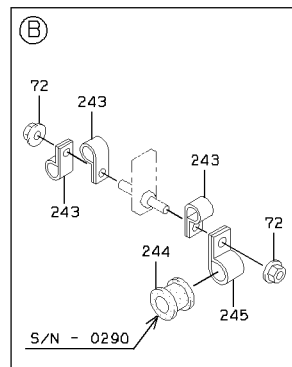
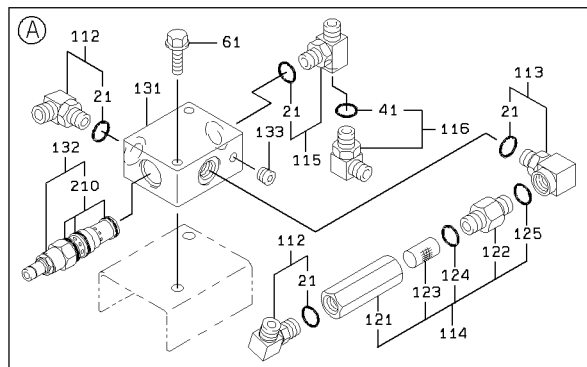
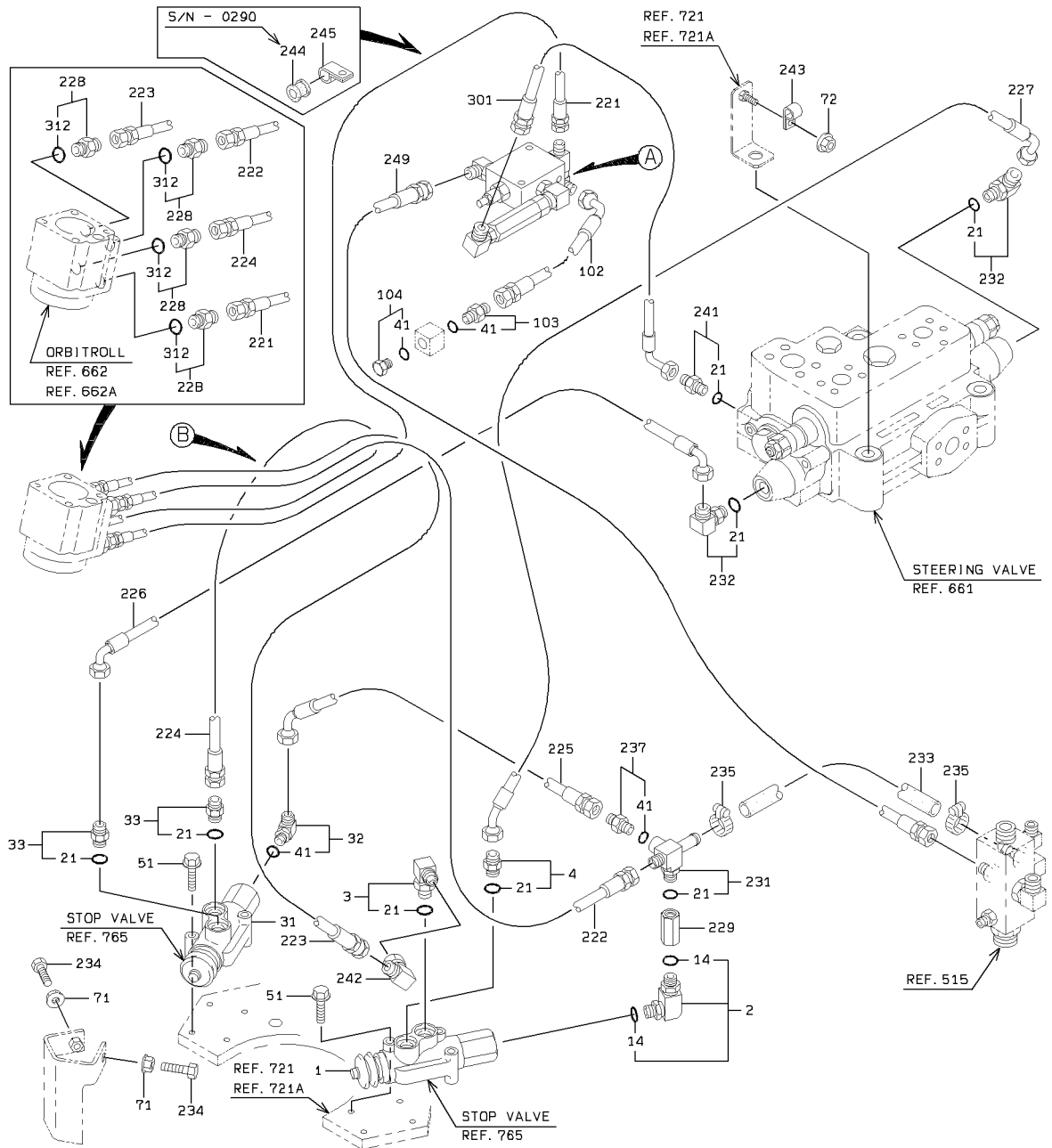
PILOT HYDRAULIC LINE - REAR CHASSIS (S/N 0231 -)

<S/N 0231 - 0246>



PILOT HYDRAULIC LINE - REAR CHASSIS (S/N 0231 -)

<S/N 0247 - >



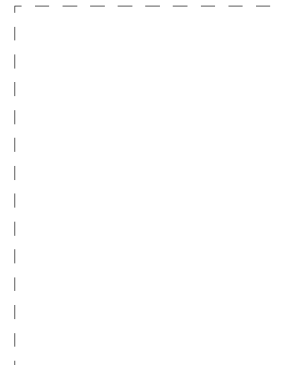
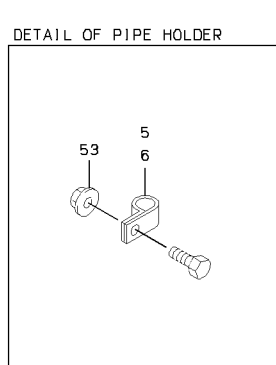
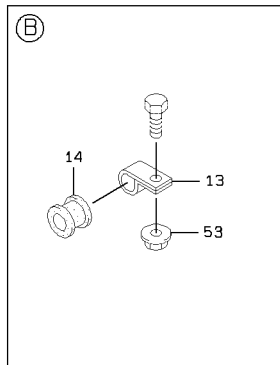
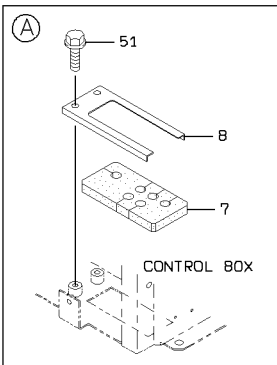
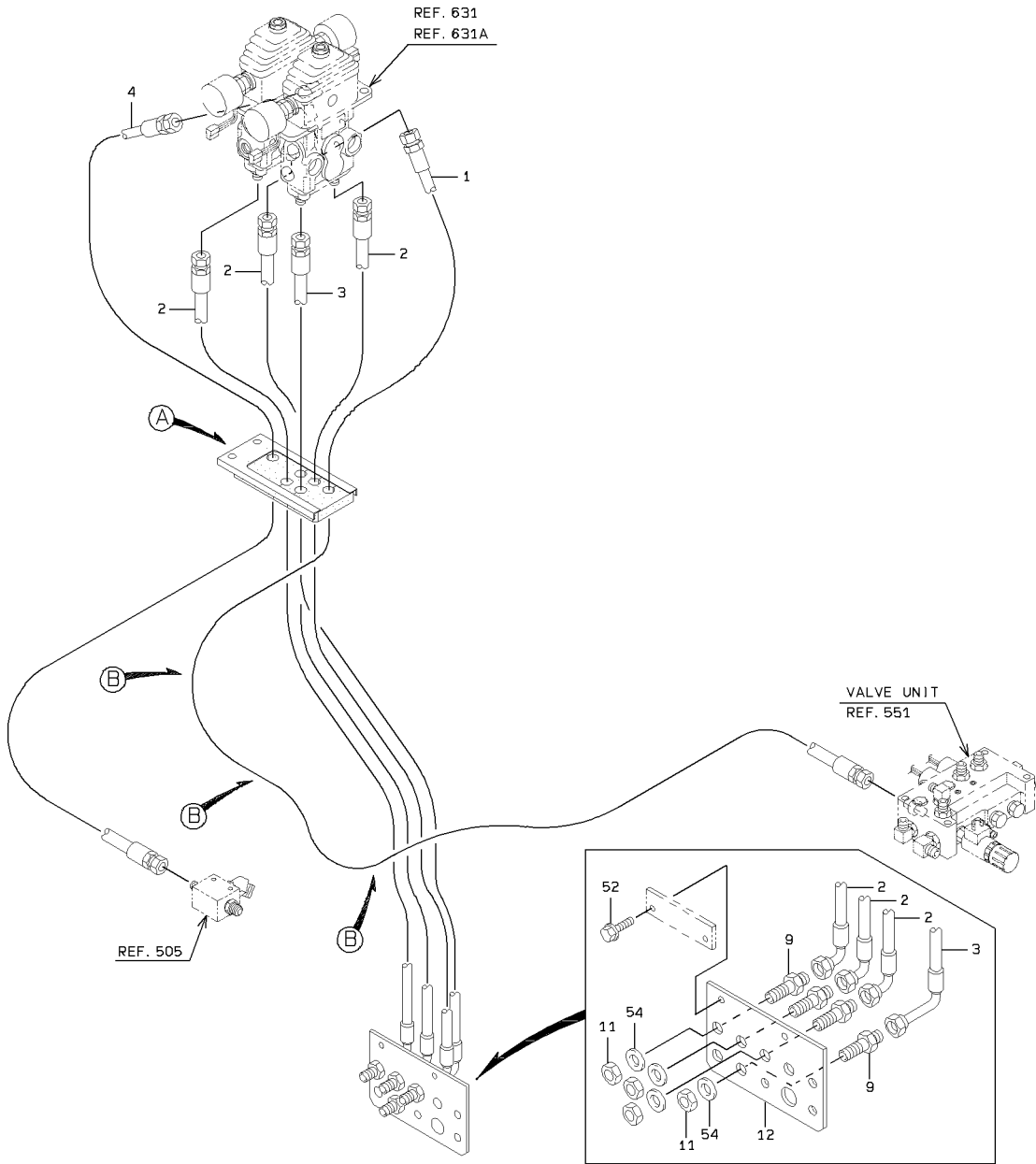
PILOT HYDRAULIC LINE - REAR CHASSIS (S/N 0231 -)

SYM-BOL	PART NUMBER	PART NAME	UNIT Q.TY	SERIAL		REMARKS							
				(A)	(B)	N	P	D	(A)	(B)	(C)	(D)	REMARK
1A	38510-20160	VALVE	1	231	410								REF.765 (LH)
1B	38510-20510	VALVE	1	411	-	A							REF.765 (LH)
2A	38903-20690	FITTING,ELBOW	1	231	-				Y01				
3A	88241-07106	ADAPTER,ELBOW	1	231	-					Y02			
4A	88201-06706	ADAPTER	1	231	-					Y02			
14A	65210-12011	RING,O	2	231	-				01				
21A	65210-12014	RING,O	1	231	-					02			
31A	38510-20160	VALVE	1	231	410								REF.765 (RH)
31B	38510-20510	VALVE	1	411	-	A							REF.765 (RH)
32A	88241-07104	ADAPTER,ELBOW	1	231	-					Y03			
33A	88201-06706	ADAPTER	2	231	-					Y02			
41A	65210-12011	RING,O	1	231	-						03		
51A	61802-08060	BOLT,FLANGED	6	231	-								
61A	61802-08055	BOLT,FLANGED	2	231	-								
71A	62480-21121	NUT,FLANGED	2	231	-								
72A	62480-21081	NUT,FLANGED	A/R	231	-								
102A	68045-10040	HOSE,HIGH PRESSURE	1	231	246								
102B	68045-10036	HOSE,HIGH PRESSURE	1	247	-	C							
103A	88201-06704	ADAPTER	1	231	-					Y03			
104A	88390-21304	PLUG	1	231	-					Y03			
112A	88241-07106	ADAPTER,ELBOW	2	231	-					Y02			
113A	30241-60070	ADAPTER,ELBOW	1	231	-					Y02			
114A	40337-60370	FILTER ASSY,LINE	1	231	-						Y04		
115A	30246-21500	ADAPTER,TEE	1	231	246					Y02			
115B	30246-20150	ADAPTER,TEE	1	247	290	B				Y02			
115C	30246-24420	ADAPTER,TEE	1	291	-	A				Y02			
116A	88241-07104	ADAPTER,ELBOW	1	247	-						Y03		
121A	33100-70690	CASE	1	231	-							04	
122A	37710-70390	NIPPLE	1	231	-							04	
123A	30981-70720	ELEMENT,FILTER	1	231	-							04	
124A	65210-12018	RING,O	1	231	-							04	
125A	65210-12014	RING,O	1	231	-							04	
131A	41410-34270	BLOCK	1	231	-								
132A	38567-70170	VALVE,REDUCING	1	231	409				Y05				
132B	38567-70300	VALVE,REDUCING	1	410	-				Y05				
133A	88390-16102	PLUG	1	231	-								
210A	49327-72080	SEAL KIT	1	231	-					05			
221A	68035-20120	HOSE,HIGH PRESSURE	1	231	246								
221B	68055-20115	HOSE,HIGH PRESSURE	1	247	-	B							
222A	68055-20075	HOSE,HIGH PRESSURE	1	231	-								
223A	68055-20060	HOSE,HIGH PRESSURE	1	231	469								
223B	68055-20063	HOSE,HIGH PRESSURE	1	470	-								
224A	68055-20066	HOSE,HIGH PRESSURE	1	231	-								
225A	68045-10042	HOSE,HIGH PRESSURE	1	231	-								
226A	68033-20023	HOSE,HIGH PRESSURE	1	231	-								
227A	68044-20068	HOSE,HIGH PRESSURE	1	231	-								
228A	30230-20150	ADAPTER	4	231	-					Y06			
229A	30244-20020	ADAPTER,SOCKET	1	231	-								
231A	37715-21230	NIPPLE,HOSE	1	231	-					Y02			
232A	88241-07106	ADAPTER,ELBOW	2	231	-					Y02			
233A	67040-12000	HOSE,HEAT RESISTIN	1 M	231	-								L=710
234A	43900-20790	BOLT	2	231	-								
235A	69002-03100	BAND,HOSE	2	231	-								
237A	88201-06704	ADAPTER	1	231	-						Y03		
241A	88201-06706	ADAPTER	1	231	-					Y02			
242A	30242-20190	ADAPTER,ELBOW UNIO	1	231	-								
243A	72001-11500	HOLDER,PIPE	A/R	231	-								D=15
244A	65801-16220	BUSHING,ELASTIC	2	231	290			D					
245A	72001-12500	HOLDER,PIPE	2	231	290								D=25
245B	43573-20350	HOLDER,PIPE	2	291	-	B							D=15
249A	68055-20150	HOSE,HIGH PRESSURE	1	231	-								
301A	68635-20046	HOSE,HIGH PRESSURE	1	231	-								
303A	72001-11200	HOLDER,PIPE	A/R	231	-								D=12
312A	65231-00081	RING,O	1	231	-					06			

MEMO

PILOT HYDRAULIC LINE - CONTROL BOX (S/N 0101 - 0290)

<S/N 0101 - 0290>



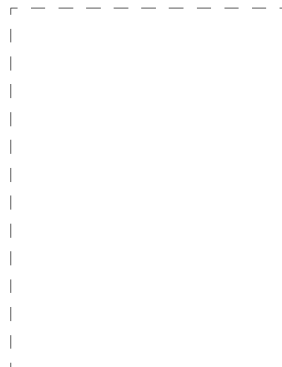
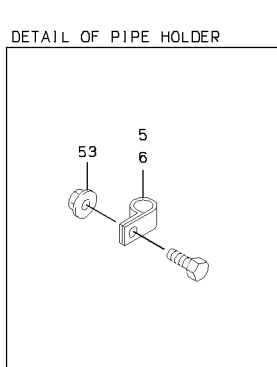
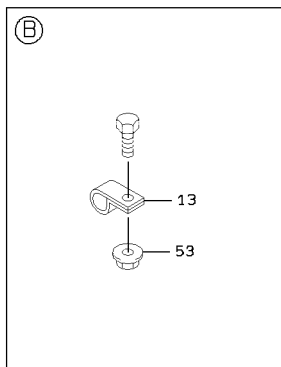
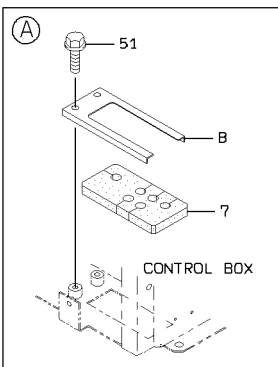
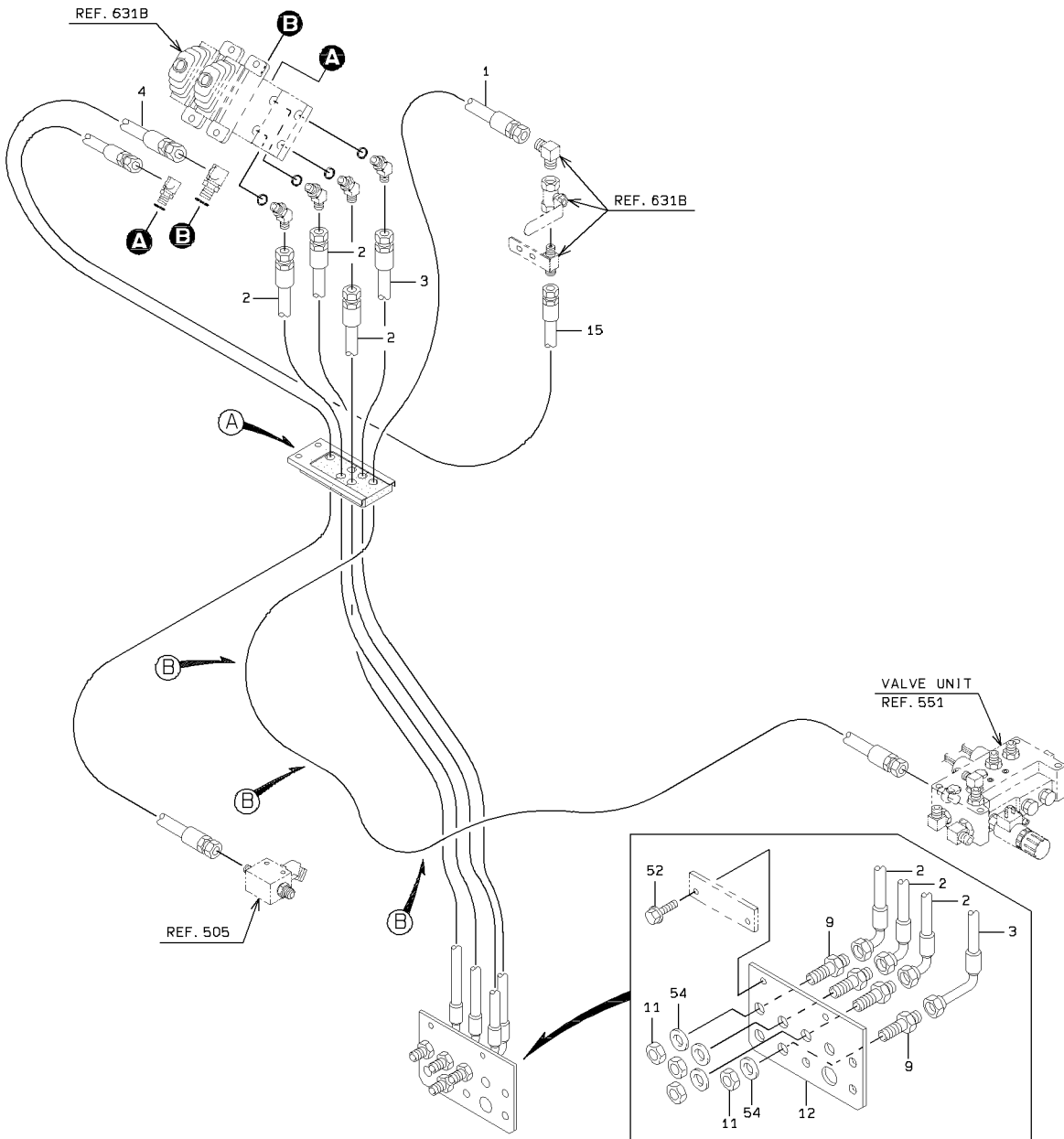
1-A

PILOT HYDRAULIC LINE - CONTROL BOX (S/N 0101 - 0290)

SYM-BOL	PART NUMBER	PART NAME	UNIT Q,TY	SERIAL		REMARKS							
				(A)	(B)	N	P	D	(A)	(B)	(C)	(D)	REMARK
1A	43113-38230	HOSE,HIGH PRESSURE	1	101	-	290							
2A	43113-35980	HOSE,HIGH PRESSURE	3	101	-	290							
3A	43113-35990	HOSE,HIGH PRESSURE	1	101	-	290							
4A	43113-37960	HOSE,HIGH PRESSURE	1	101	-	290							
5A	72010-49000	HOLDER,HOSE	A/R	101	-	290							D=49
6A	72001-11500	HOLDER,PIPE	A/R	101	-	290							D=15
7A	33057-20600	GROMMET	1	101	-	290							
8A	41612-22950	PLATE	1	101	-	290							
9A	30230-20600	ADAPTER	4	101	-	290							
11A	37600-20680	NUT	4	101	-	290							
12A	41618-27260	PLATE	1	101	-	290							
13A	72001-12500	HOLDER,PIPE	3	101	-	290							D=25
14A	65801-16220	BUSHING,ELASTIC	3	101	-	290							
51A	61802-08012	BOLT,FLANGED	2	101	-	290							
52A	61802-08016	BOLT,FLANGED	2	101	-	290							
53A	62480-21081	NUT,FLANGED	A/R	101	-	290							
54A	62701-40161	WASHER,PLANE	4	101	-	290							

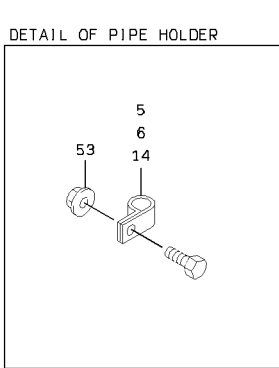
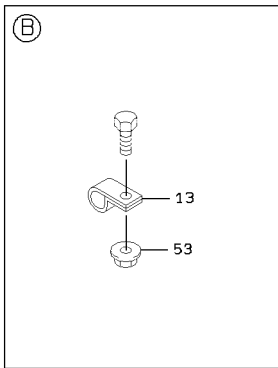
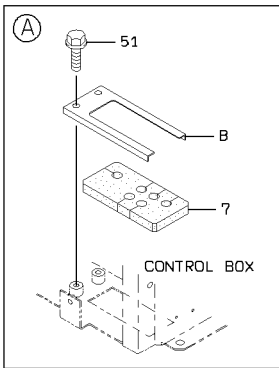
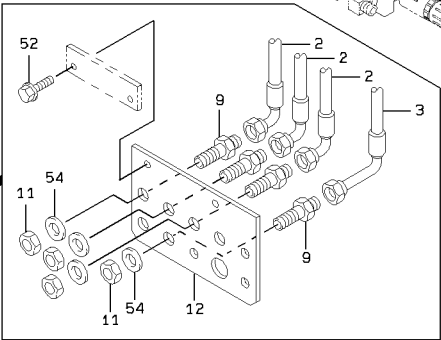
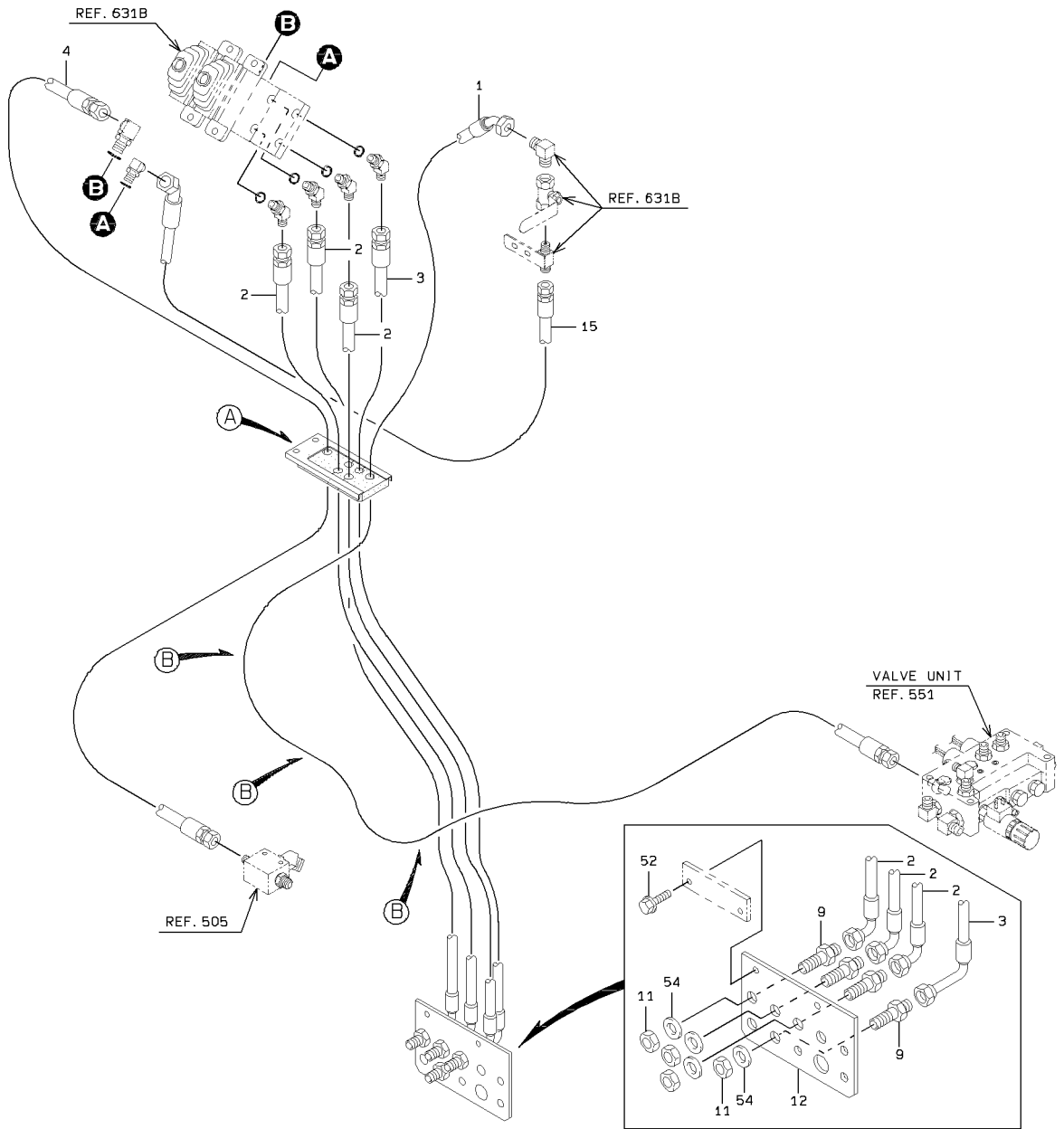
PILOT HYDRAULIC LINE - CONTROL BOX (S/N 0291 -)

<S/N 0291 - 0387>



PILOT HYDRAULIC LINE - CONTROL BOX (S/N 0291 -)

<S/N 0388 - >



2-A

PILOT HYDRAULIC LINE - CONTROL BOX (S/N 0291 -)

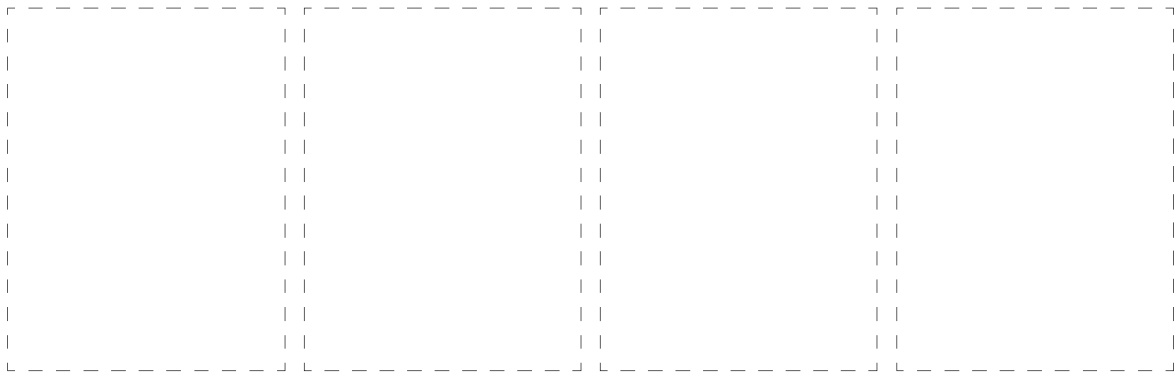
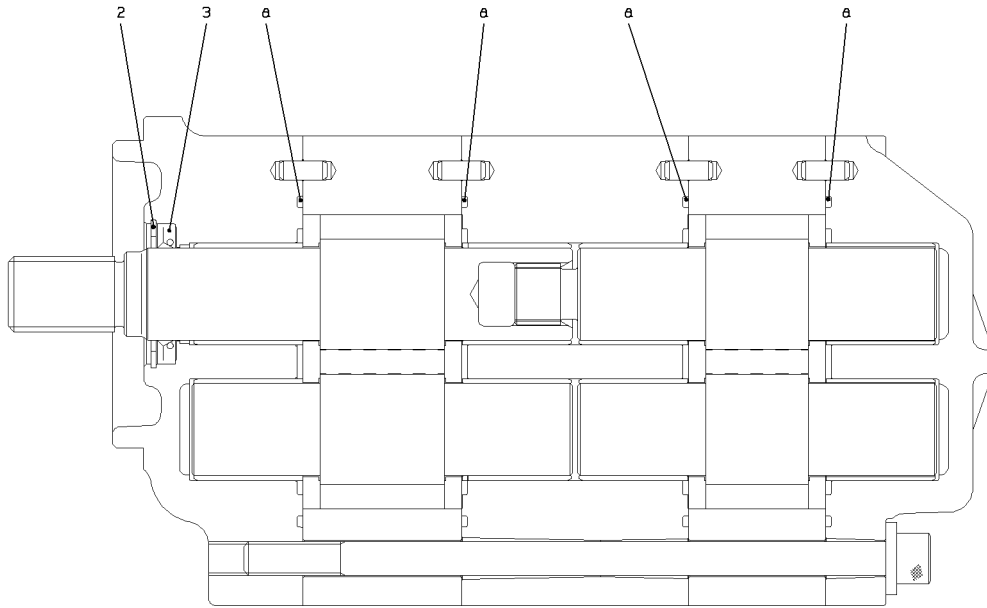
SYM-BOL	PART NUMBER	PART NAME	UNIT Q,TY	SERIAL		REMARKS						
				(A)	(B)	N	P	D	(A)	(B)	(C)	(D)
1A	43113-49890	HOSE,HIGH PRESSURE	1	291	387							
1B	68045-20265	HOSE,HIGH PRESSURE	1	388		B						
2A	43113-28270	HOSE,HIGH PRESSURE	3	291								
3A	43113-49440	HOSE,HIGH PRESSURE	1	291								
4A	43113-49920	HOSE,HIGH PRESSURE	1	291								
5A	72010-49000	HOLDER,HOSE	A/R	291								D=49
6A	72001-11500	HOLDER,PIPE	A/R	291								D=15
7A	33057-20600	GROMMET	1	291								
8A	41612-22950	PLATE	1	291								
9A	30230-20600	ADAPTER	4	291								
11A	37600-20680	NUT	4	291								
12A	41618-27260	PLATE	1	291								
13A	43573-20350	HOLDER,PIPE	3	291								D=15
14A	72001-11200	HOLDER,PIPE	A/R	388								D=12
15A	68055-10050	HOSE,HIGH PRESSURE	1	291	387							
15B	68045-10060	HOSE,HIGH PRESSURE	1	388		B						
51A	61802-08012	BOLT,FLANGED	2	291								
52A	61802-08016	BOLT,FLANGED	2	291								
53A	62480-21081	NUT,FLANGED	A/R	291								
54A	62701-40161	WASHER,PLANE	4	291								

MEMO

OIL PUMP (S/N 0101 - 0386)

<S/N 0101 - 0386>

(NOTE):KIT(SYMBOL 30) CONSISTS OF THE PARTS WITH a.



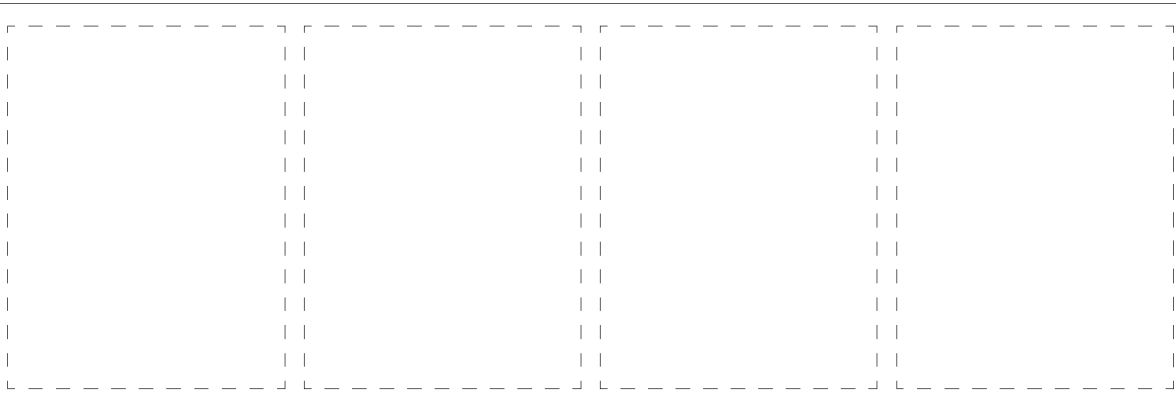
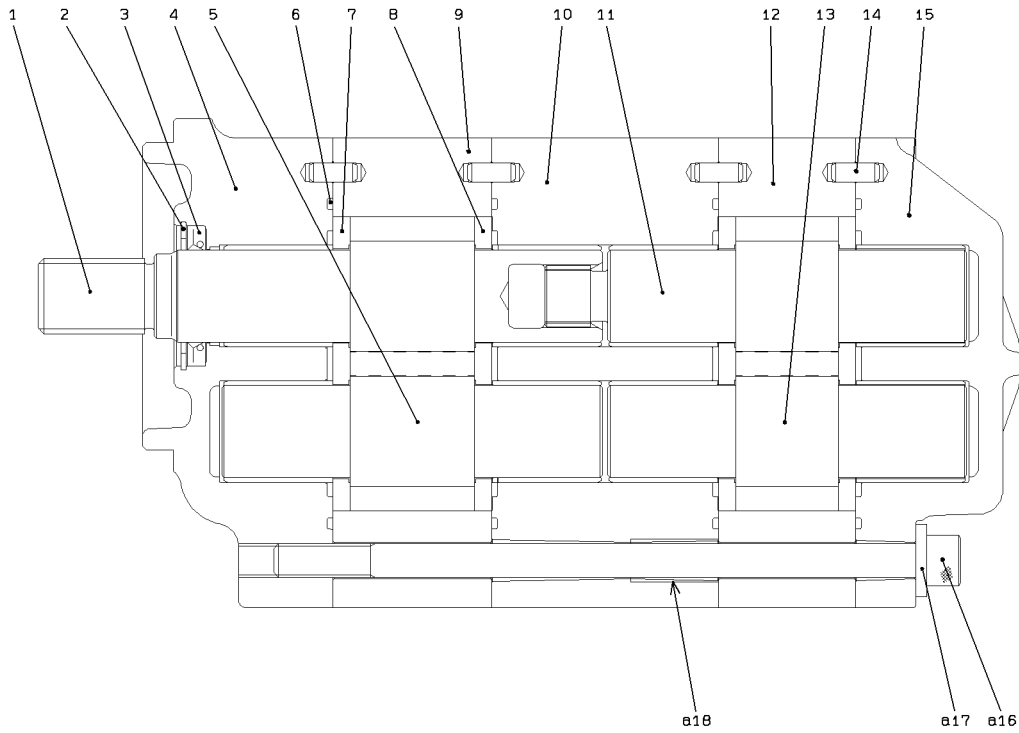
OIL PUMP (S/N 0101 - 0386)

SYM-BOL	PART NUMBER	PART NAME	UNIT Q, TY	SERIAL			REMARKS						
				(A)	-	(B)	N	P	D	(A)	(B)	(C)	(D)
000A	44083-61150	PUMP ASSY,OIL	1	101	-	386							
2A	45311-71470	RING,SNAP	1	101	-	386							
3A	34042-71450	SEAL,OIL	1	101	-	386							
30A	49327-73650	SEAL KIT	1	101	-	386							

OIL PUMP (S/N 0387 -)

<S/N 0387 - >

(NOTE):KIT(SYMBOL 40) CONSISTS OF THE PARTS WITH a.



1-A

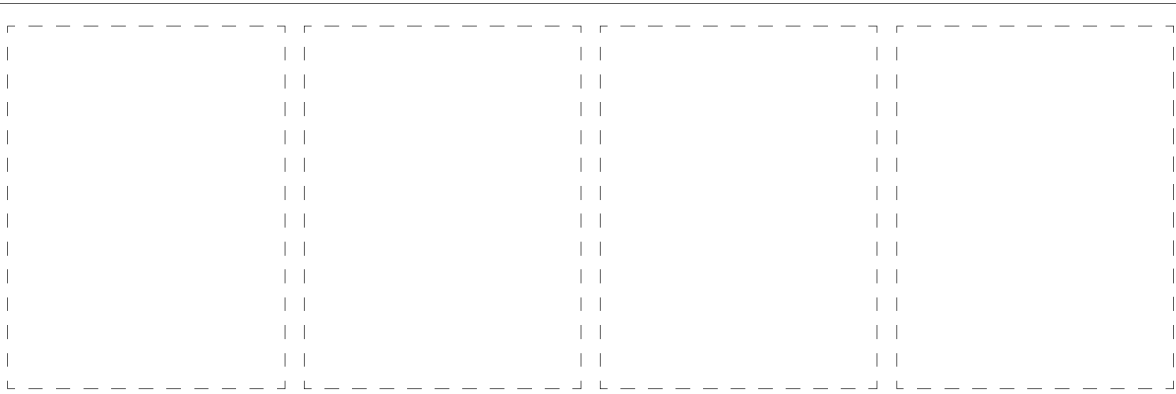
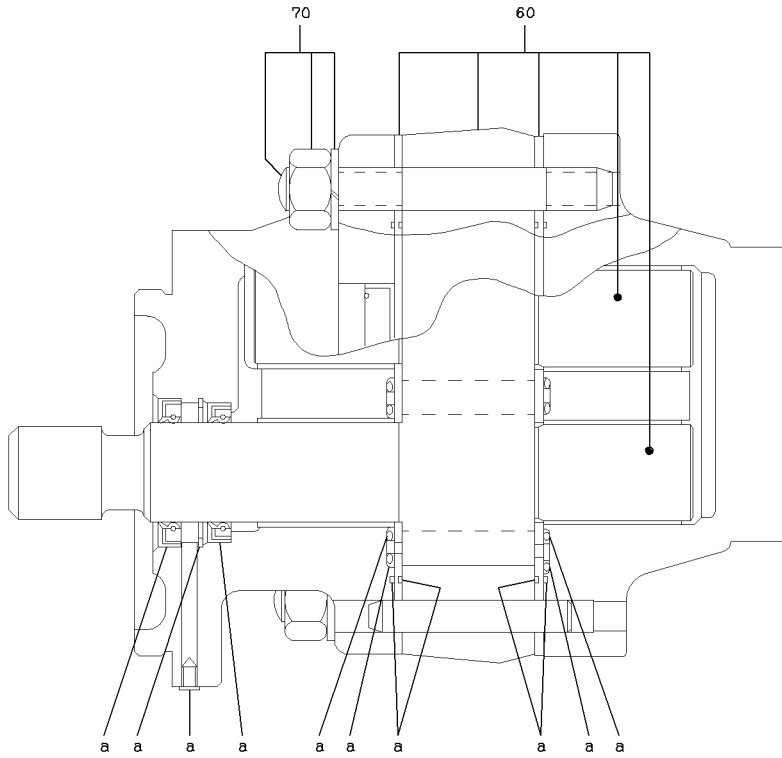
OIL PUMP (S/N 0387 -)

SYM-BOL	PART NUMBER	PART NAME	UNIT Q, TY	SERIAL (A) - (B)	REMARKS				REMARK
					N	P	D		
000A	44083-61890	PUMP ASSY,OIL	1	387 -					
1A	32428-70490	GEAR,DRIVE	1	387 -					
2A	45311-71470	RING,SNAP	1	387 -					
3A	34042-71450	SEAL,OIL	1	387 -					
4A	40900-72170	BRACKET	1	387 -					
5A	32429-70430	GEAR,DRIVEN	1	387 -					
6A	49327-73650	SEAL KIT	2	387 -					
7A	41645-70580	PLATE	2	387 -					
8A	41645-70590	PLATE	2	387 -					
9A	33122-70050	CASE,GEAR	1	387 -					
10A	32284-70240	CARRIER ASSY	1	387 -					
11A	32428-70500	GEAR,DRIVE	1	387 -					
12A	33122-70060	CASE,GEAR	1	387 -					
13A	32429-70440	GEAR,DRIVEN	1	387 -					
14A	40000-71800	PIN	8	387 -					
15A	31210-70390	COVER	1	387 -					
16A	43900-74470	BOLT	1	387 -				K1	
17A	46000-71830	WASHER	1	387 -				K1	
18A	35750-70680	SLEEVE	1	387 -				K1	
40A	49621-90030	BOLT KIT	8	387 -				QK1	

OIL PUMP (S/N 0101 - 0258)

<S/N 0101 - 0258>

(NOTE):KIT(SYMBOL 50) CONSISTS OF THE PARTS WITH a.



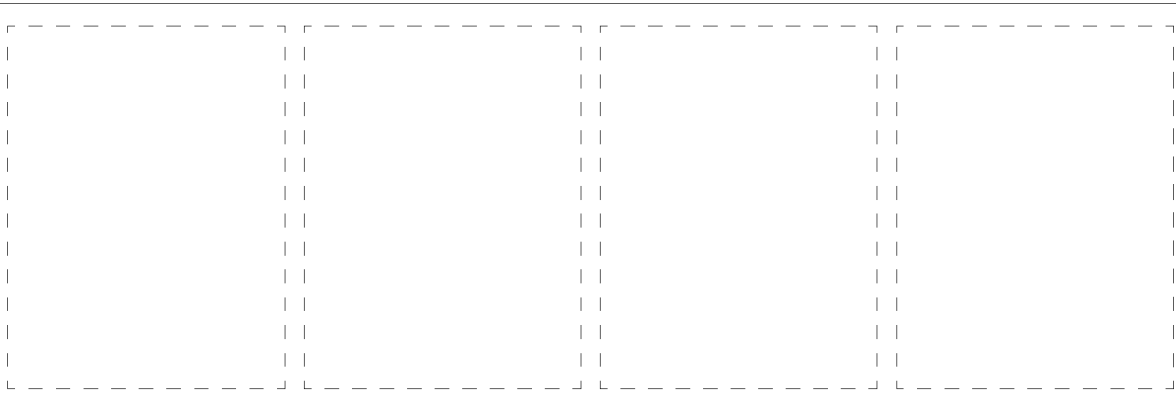
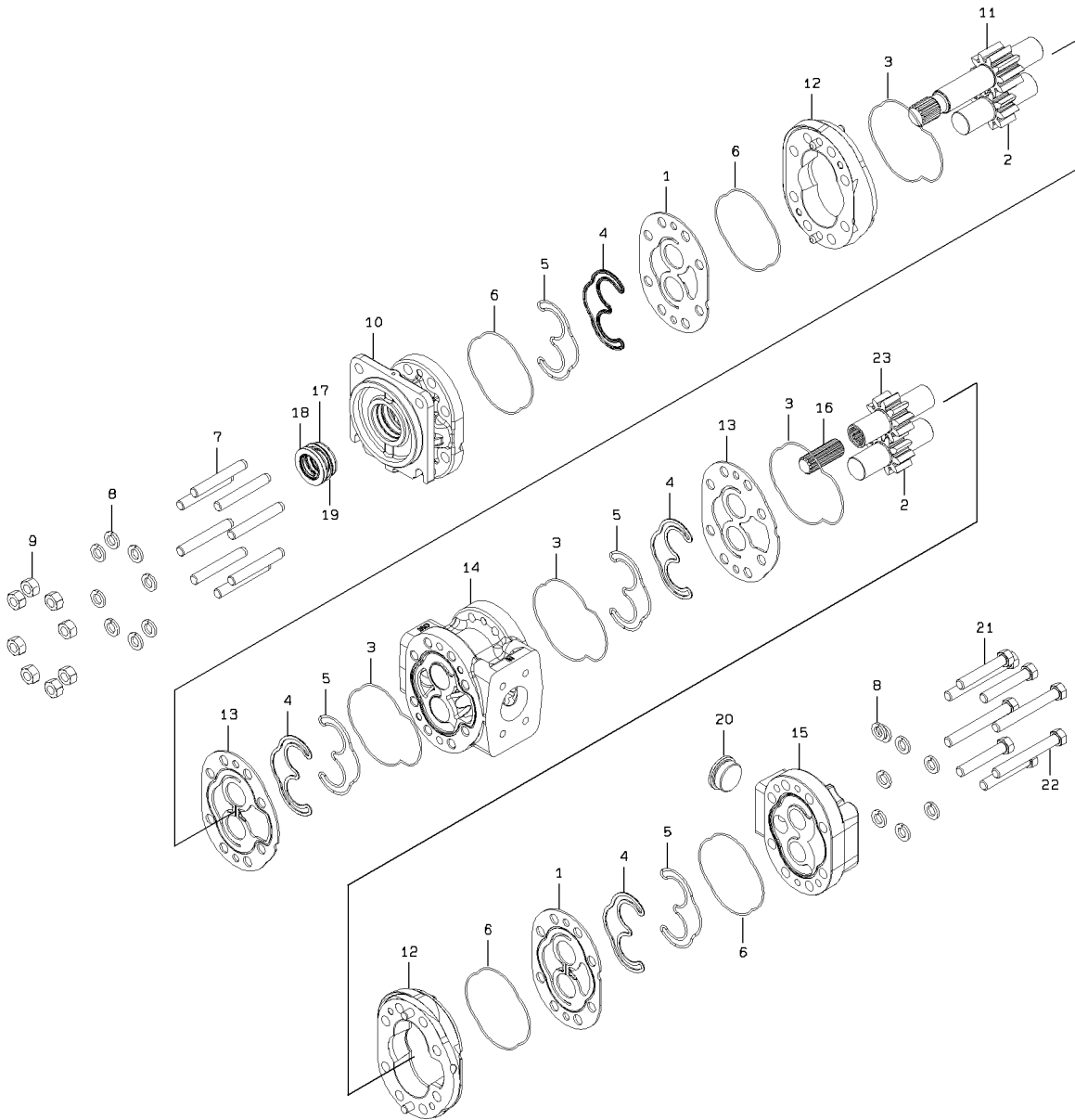
1-A

OIL PUMP (S/N 0101 - 0258)

SYM-BOL	PART NUMBER	PART NAME	UNIT Q, TY	SERIAL			REMARKS						
				(A)	-	(B)	N	P	D	(A)	(B)	(C)	(D)
000A	44093-61560	PUMP,OIL	1	101	-	237							
000B	44093-61710	PUMP,OIL	1	238	-	258	C						
50A	49327-72450	SEAL KIT	1	101	-	258							
60A	44085-70180	PUMP KIT	1	101	-	258							
70A	49621-70130	BOLT KIT	1	101	-	258							

OIL PUMP (S/N 0259 - 0398)

<S/N 0259 - 0398>



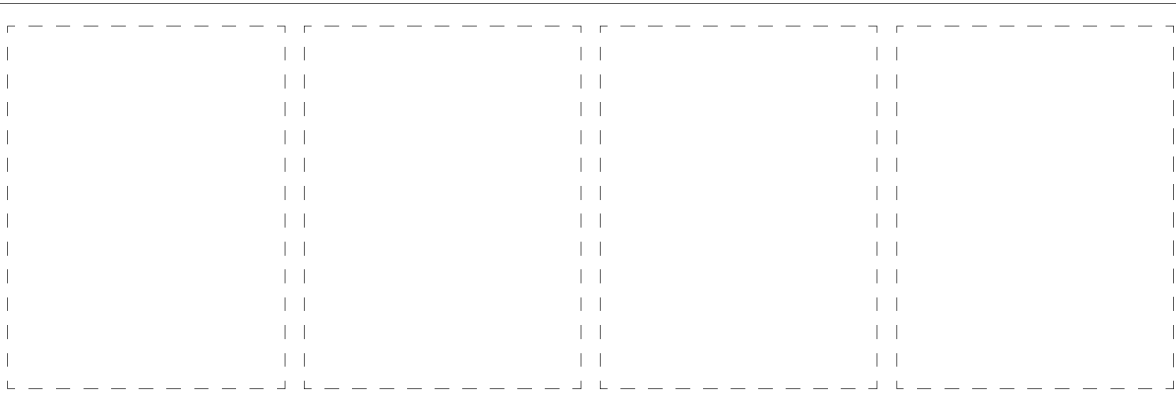
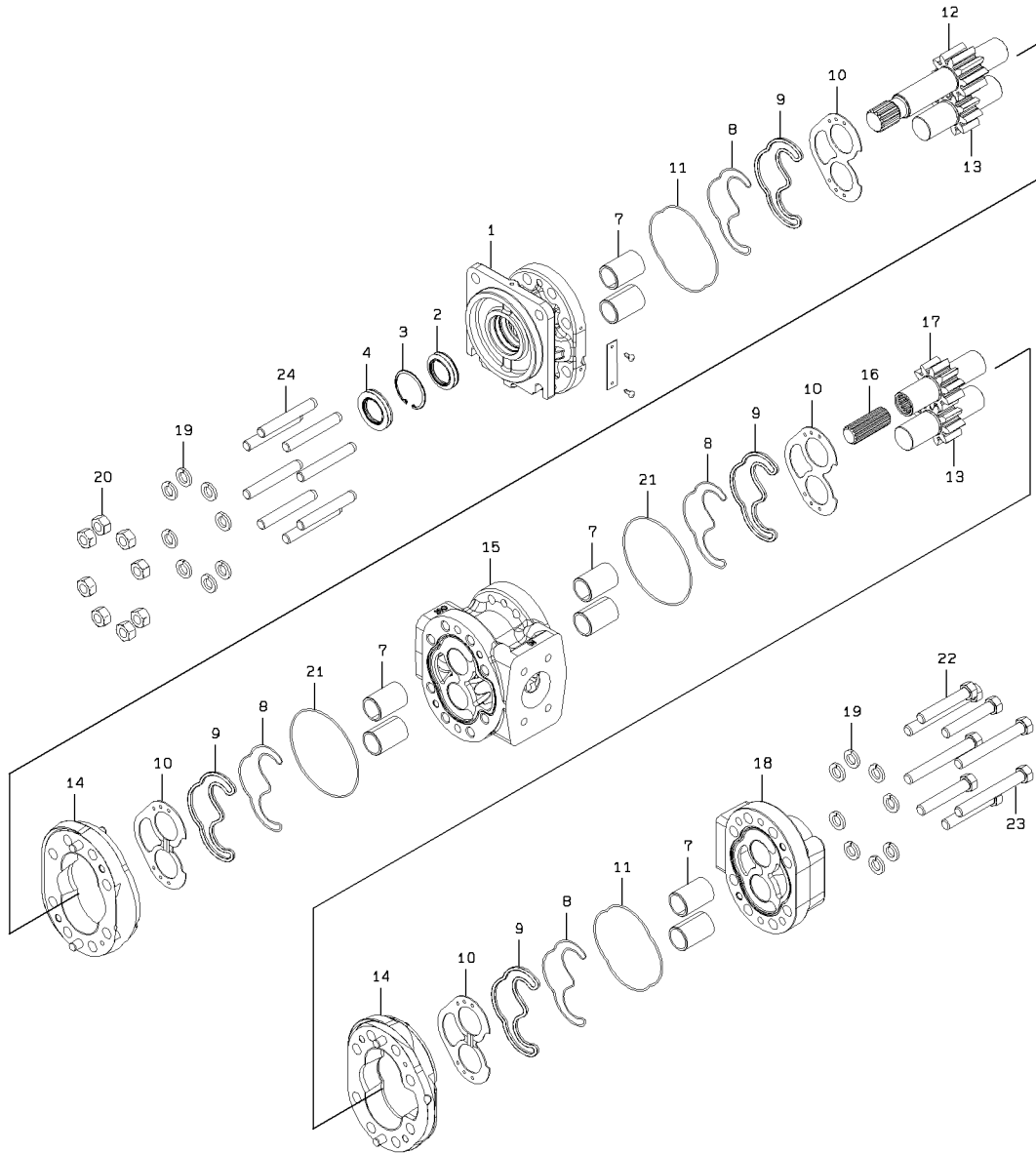
1-A

OIL PUMP (S/N 0259 - 0398)

SYM-BOL	PART NUMBER	PART NAME	UNIT Q,TY	SERIAL			REMARKS						
				(A)	-	(B)	N	P	D	(A)	(B)	(C)	(D)
000A	44083-61640	PUMP ASSY,OIL	1	259	-	398							
1A	41690-70190	PLATE,PRESSURE	2	259	-	398							
2A	32429-70340	GEAR,DRIVEN	2	259	-	398							
3A	47131-75910	RING,O	4	259	-	398							
4A	44953-70340	RETAINER,SEAL	4	259	-	398							
5A	34000-70710	SEAL	4	259	-	398							
6A	47131-74720	RING,O	4	259	-	398							
7A	40035-70010	PIN,TAPER	8	259	-	398							
8A	46013-70530	WASHER,SPRING	16	259	-	398	N						
9A	37600-71790	NUT	8	259	-	398	N						
10A	31284-70160	COVER,FRONT	1	259	-	398							
11A	32428-70410	GEAR,DRIVE	1	259	-	398							
12A	45590-70070	PORT	2	259	-	398							
13A	41656-70260	PLATE,WEAR	2	259	-	398	N						
14A	45590-70090	PORT	1	259	-	398							
15A	31287-70060	COVER,REAR	1	259	-	398							
16A	31160-72100	COUPLING	1	259	-	398							
17A	34000-70700	SEAL	1	259	-	398							
18A	34000-70690	SEAL	1	259	-	398							
19A	45323-70250	RING,RETAINER	1	259	-	398	N						
20A	41530-75240	PLUG	1	259	-	398							
21A	43900-74220	BOLT	4	259	-	398							
22A	43900-73860	BOLT	4	259	-	398							
23A	32428-70400	GEAR,DRIVE	1	259	-	398							

OIL PUMP (S/N 0399 - 0466)

<S/N 0399 - 0466>



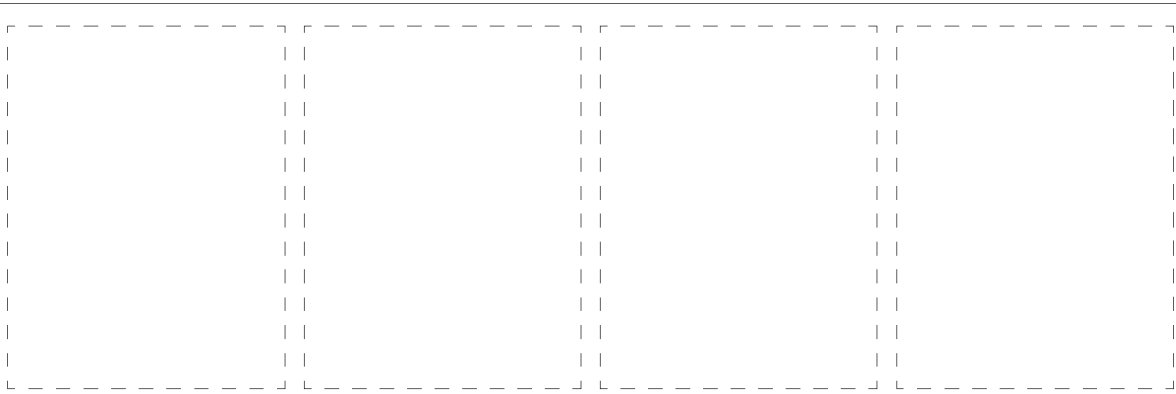
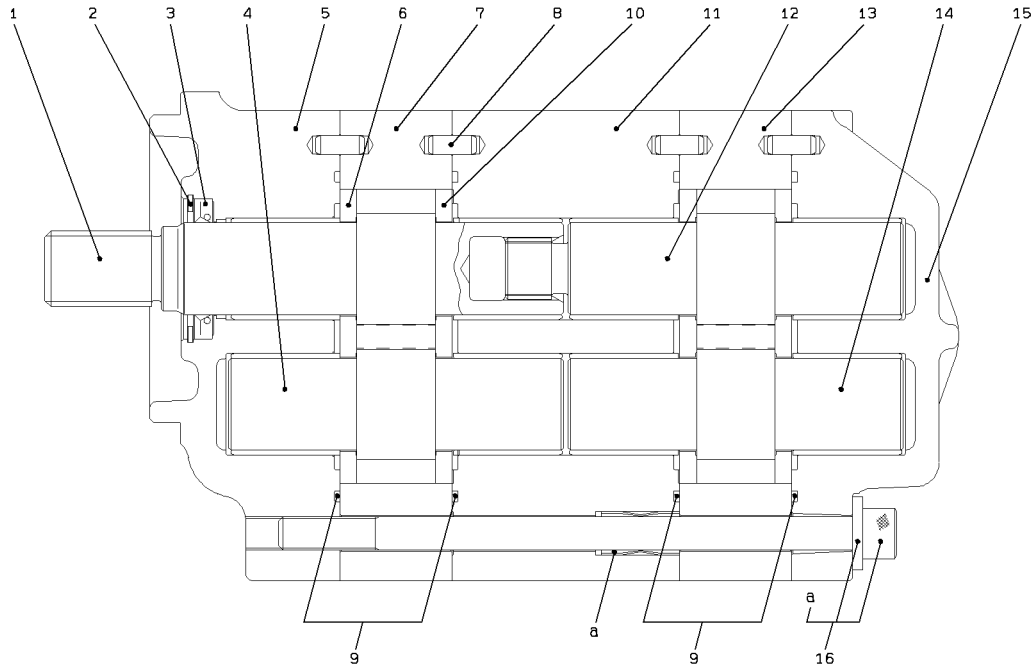
1-A

OIL PUMP (S/N 0399 - 0466)

SYM-BOL	PART NUMBER	PART NAME	UNIT Q,TY	SERIAL		REMARKS							
				(A)	(B)	N	P	D	(A)	(B)	(C)	(D)	REMARK
000A	44083-62090	PUMP ASSY,OIL	1	399	- 466								
1A	31284-70200	COVER,FRONT	1	399	- 466								
2A	34000-70700	SEAL	1	399	- 466								
3A	45323-70250	RING,RETAINER	1	399	- 466	N							
4A	34000-70690	SEAL	1	399	- 466								
7A	40840-73140	BUSHING	8	399	- 466								
8A	34000-70710	SEAL	4	399	- 466								
9A	44953-70340	RETAINER,SEAL	4	399	- 466								
10A	41656-70390	PLATE,WEAR	4	399	- 466								
11A	47131-74720	RING,O	2	399	- 466								
12A	32428-70600	GEAR,DRIVE	1	399	- 466								
13A	32429-70340	GEAR,DRIVEN	2	399	- 466								
14A	37900-71040	HOUSING	2	399	- 466								
15A	37900-71050	HOUSING	1	399	- 466								
16A	31160-72100	COUPLING	1	399	- 466								
17A	32428-70400	GEAR,DRIVE	1	399	- 466								
18A	32400-70730	GEAR	1	399	- 466								
19A	46013-70530	WASHER,SPRING	16	399	- 466	N							
20A	37600-71790	NUT	8	399	- 466	N							
21A	47131-77740	RING,O	2	399	- 466								
22A	43900-74650	BOLT	4	399	- 466								
23A	43900-74660	BOLT	4	399	- 466								
24A	43955-70550	BOLT,STUD	8	399	- 466								

OIL PUMP (S/N 0467 -)

<S/N 0467 - >

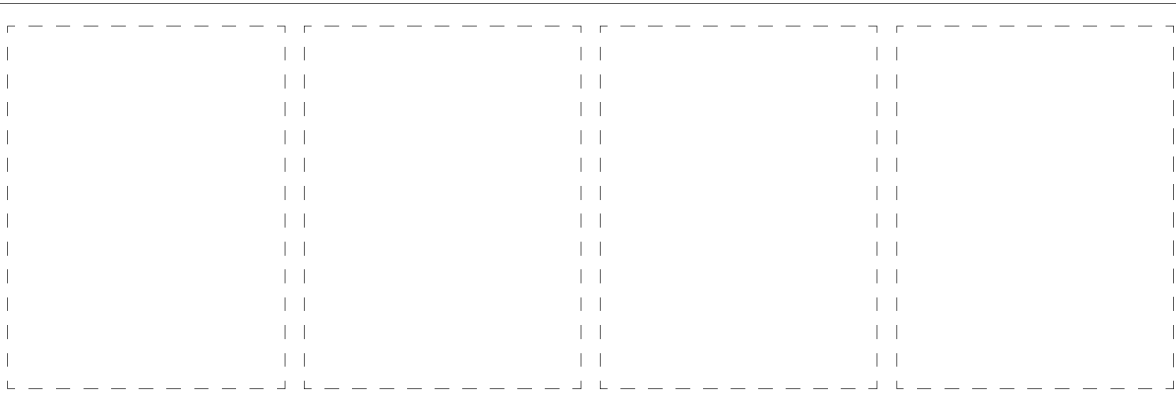
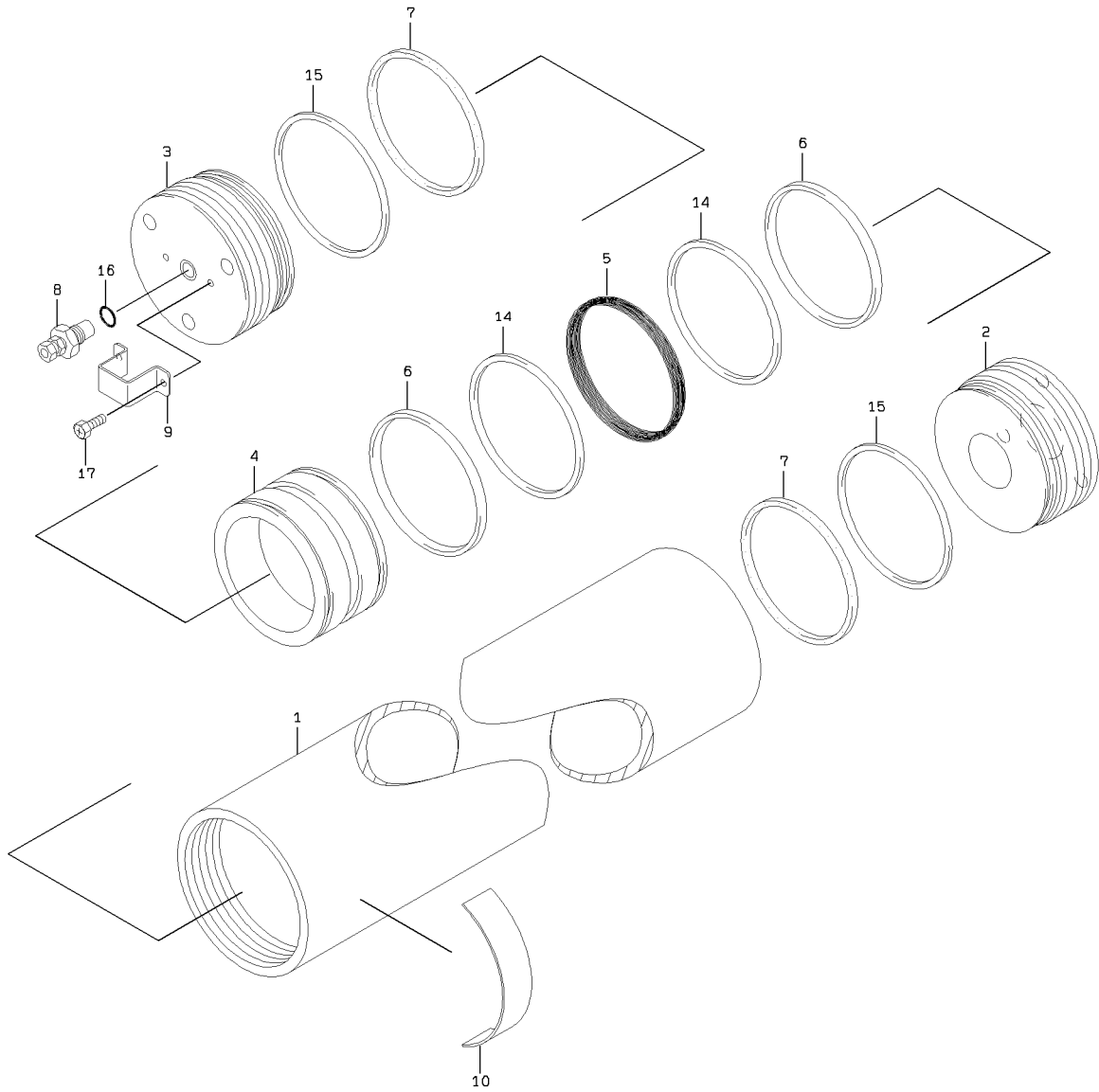


1-A

OIL PUMP (S/N 0467 -)

SYM-BOL	PART NUMBER	PART NAME	UNIT Q, TY	SERIAL		REMARKS						
				(A)	(B)	N	P	D	(A)	(B)	(C)	(D)
000A	44083-61880	PUMP ASSY,OIL	1	467	-							
1A	32428-70470	GEAR,DRIVE	1	467	-							
2A	45311-71470	RING,SNAP	1	467	-							
3A	34042-71450	SEAL,OIL	1	467	-							
4A	32429-70420	GEAR,DRIVEN	1	467	-							
5A	40900-72170	BRACKET	1	467	-							
6A	41645-70580	PLATE	2	467	-							
7A	33122-70100	CASE,GEAR	1	467	-							
8A	40000-71800	PIN	8	467	-							
9A	49327-73650	SEAL KIT	2	467	-							
10A	41645-70590	PLATE	2	467	-							
11A	32284-70260	CARRIER ASSY	1	467	-							
12A	32428-70480	GEAR,DRIVE	1	467	-							
13A	33122-70100	CASE,GEAR	1	467	-							
14A	32429-70420	GEAR,DRIVEN	1	467	-							
15A	31210-70380	COVER	1	467	-							
16A	49621-90050	BOLT KIT	8	467	-							

ACCUMULATOR

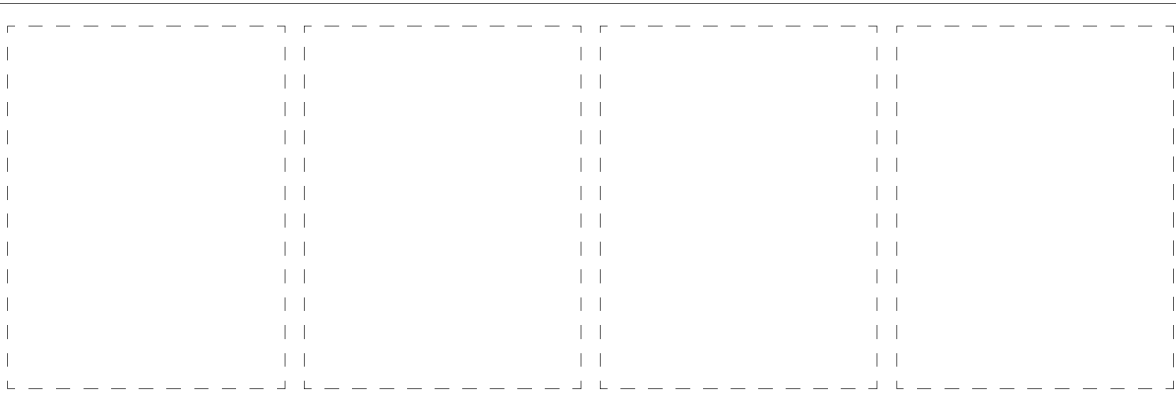
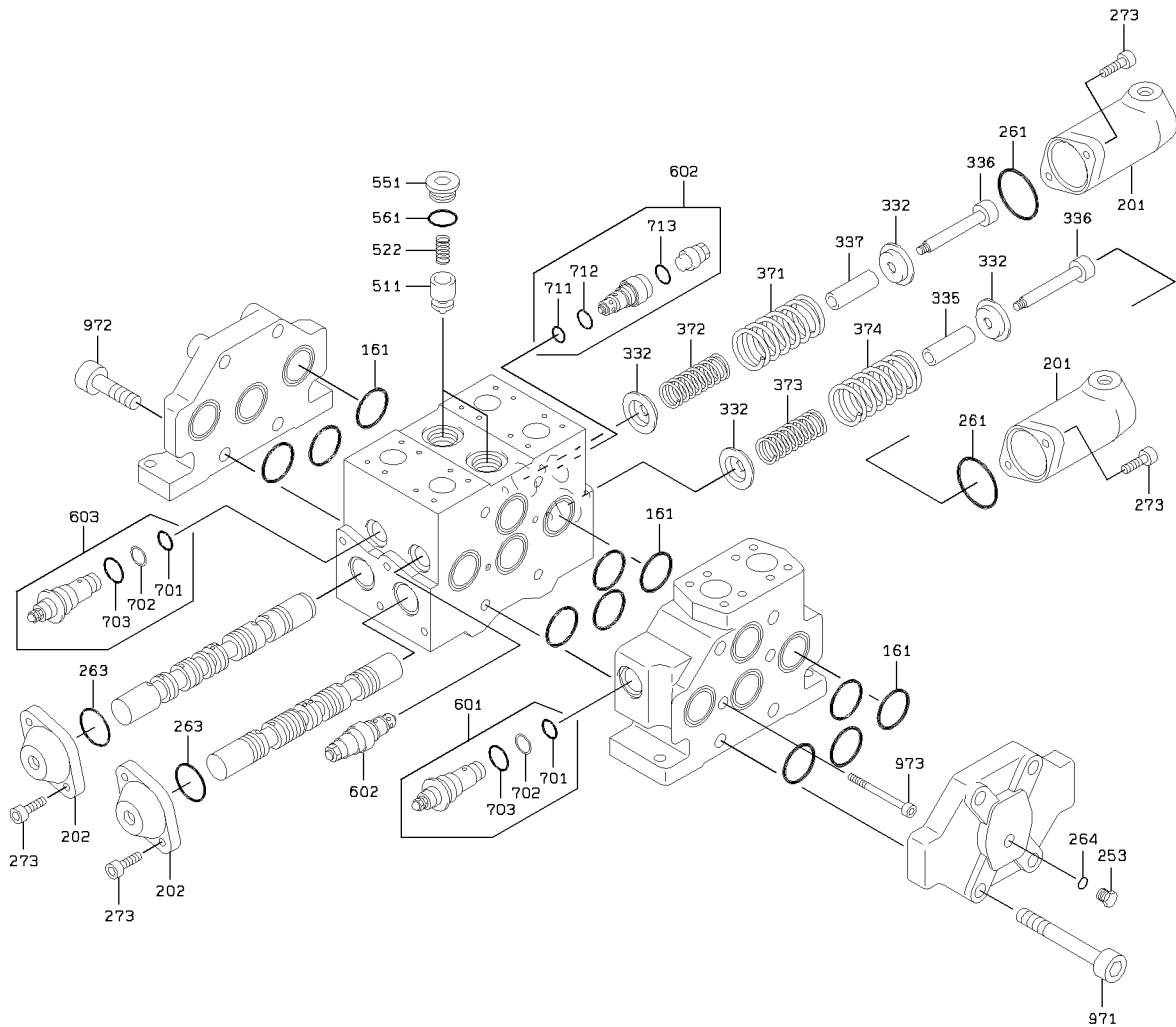


1-A

ACCUMULATOR

SYM-BOL	PART NUMBER	PART NAME	UNIT Q,TY	SERIAL (A) - (B)	REMARKS					
					N	P	D	(A)	(B)	(C)
000A	30100-60510	ACCUMULATOR ASSY	2	101 -						
1A	34800-70380	CYLINDER	1	101 -						
2A	32210-72240	CAP	1	101 -						
3A	32210-72250	CAP	1	101 -						
4A	39960-72130	PISTON	1	101 -						
5A	47131-75750	RING,O	1	101 -						
6A	45200-71280	RING	2	101 -						
7A	34000-70850	SEAL	2	101 -						
8A	38511-71130	VALVE ASSY	1	101 -						
9A	48979-70060	PROTECTOR	1	101 -						
10A	41678-70040	PLATE,NAME	1	101 -						
14A	46000-71490	WASHER	2	101 -						
15A	46000-71500	WASHER	2	101 -						
16A	47131-75760	RING,O	1	101 -						
17A	35100-71970	SCREW	2	101 -						

CONTROL VALVE

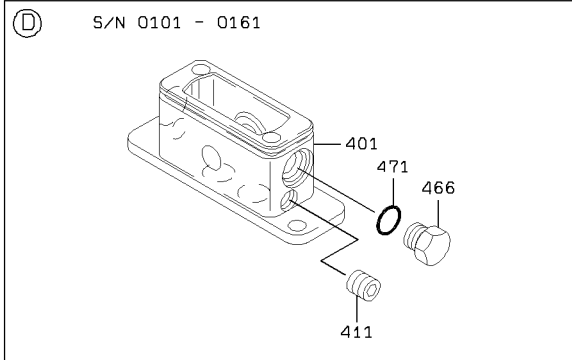
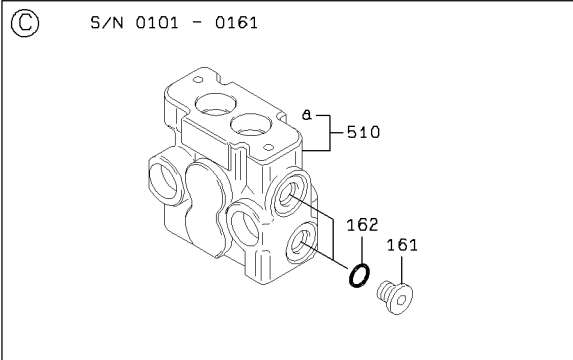
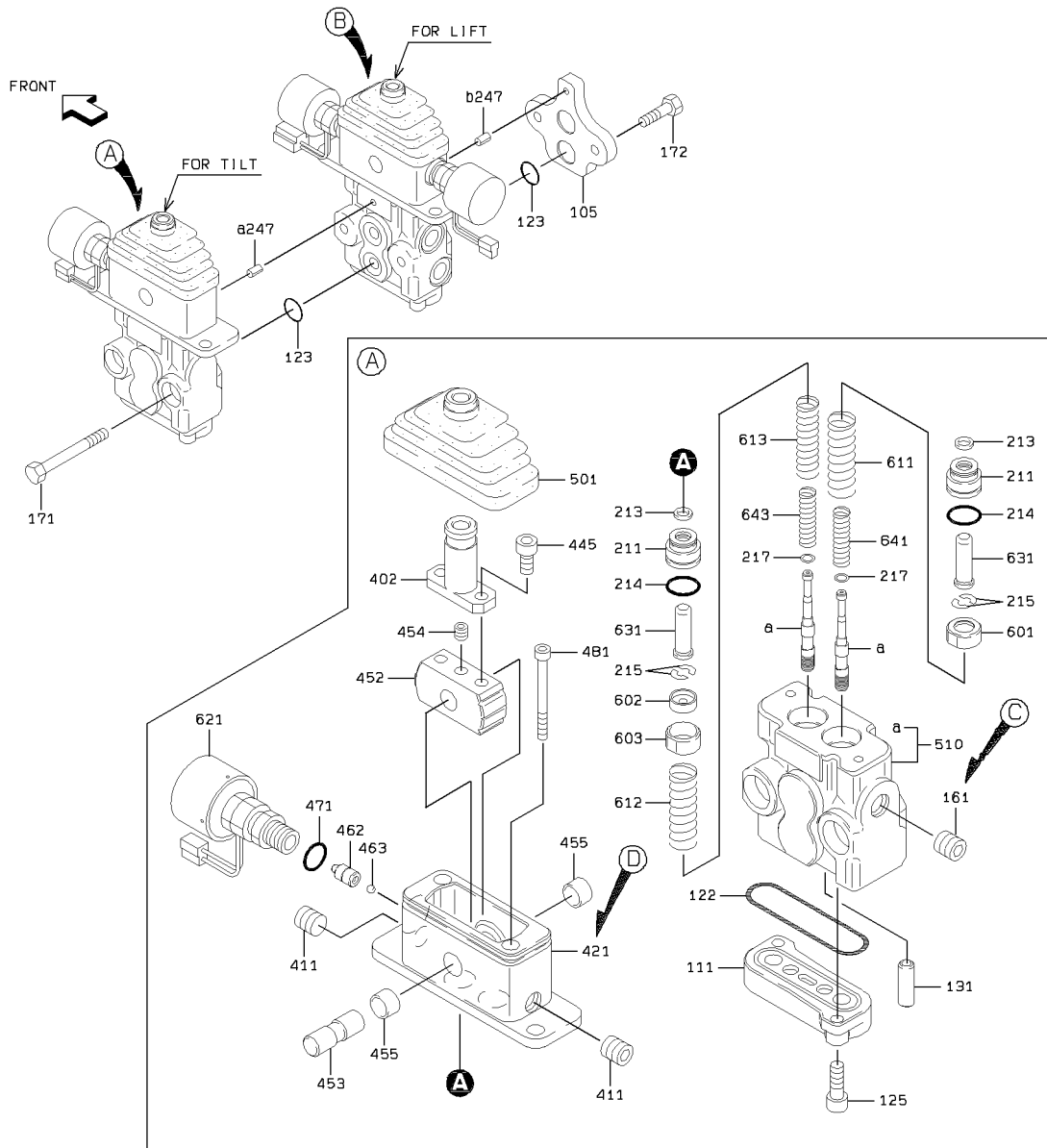


CONTROL VALVE

SYM-BOL	PART NUMBER	PART NAME	UNIT Q,TY	SERIAL (A) - (B)	REMARKS					
					N	P	D	(A)	(B)	(C)
000A	38532-60940	VALVE ASSY,MULTIPL	1	101 -						
161A	65210-12050	RING,O	11	101 -						
201A	31200-72570	COVER	2	101 -						
202A	31200-71040	COVER	2	101 -						
253A	41530-71210	PLUG	1	101 -						
261A	65210-22065	RING,O	2	101 -						
263A	65210-22055	RING,O	2	101 -						
264A	65210-12011	RING,O	1	101 -						
273A	61101-10025	BOLT,SOCKET	8	101 -						
332A	44955-70180	RETAINER,SPRING	4	101 -						
335A	35440-70220	STOPPER	1	101 -						
336A	43900-71280	BOLT	2	101 -						
337A	35440-70210	STOPPER	1	101 -						
371A	35600-71790	SPRING	1	101 -						
372A	35600-71800	SPRING	1	101 -						
373A	35600-72760	SPRING	1	101 -						
374A	35600-73340	SPRING	1	101 -						
511A	44074-70220	POPPET	2	101 -						
522A	35600-71820	SPRING	2	101 -						
551A	41530-71220	PLUG	2	101 -						
561A	65210-12029	RING,O	2	101 -						
601A	38565-70730	VALVE,RELIEF	1	101 -			Y01			
602A	38565-71020	VALVE,RELIEF	2	101 -				Y02		
603A	38565-71360	VALVE,RELIEF	1	101 -					Y03	
701A	65210-12018	RING,O	1	101 -			01		03	
702A	65240-31018	RING,BACK-UP	1	101 -			01		03	
703A	65210-12030	RING,O	1	101 -			01		03	
711A	65210-12018	RING,O	1	101 -				02		
712A	65210-12024	RING,O	1	101 -				02		
713A	65210-12022	RING,O	1	101 -				02		
971A	61101-18140	BOLT,SOCKET	4	101 -						
972A	61101-18060	BOLT,SOCKET	4	101 -						
973A	61101-08095	BOLT,SOCKET	2	101 -						

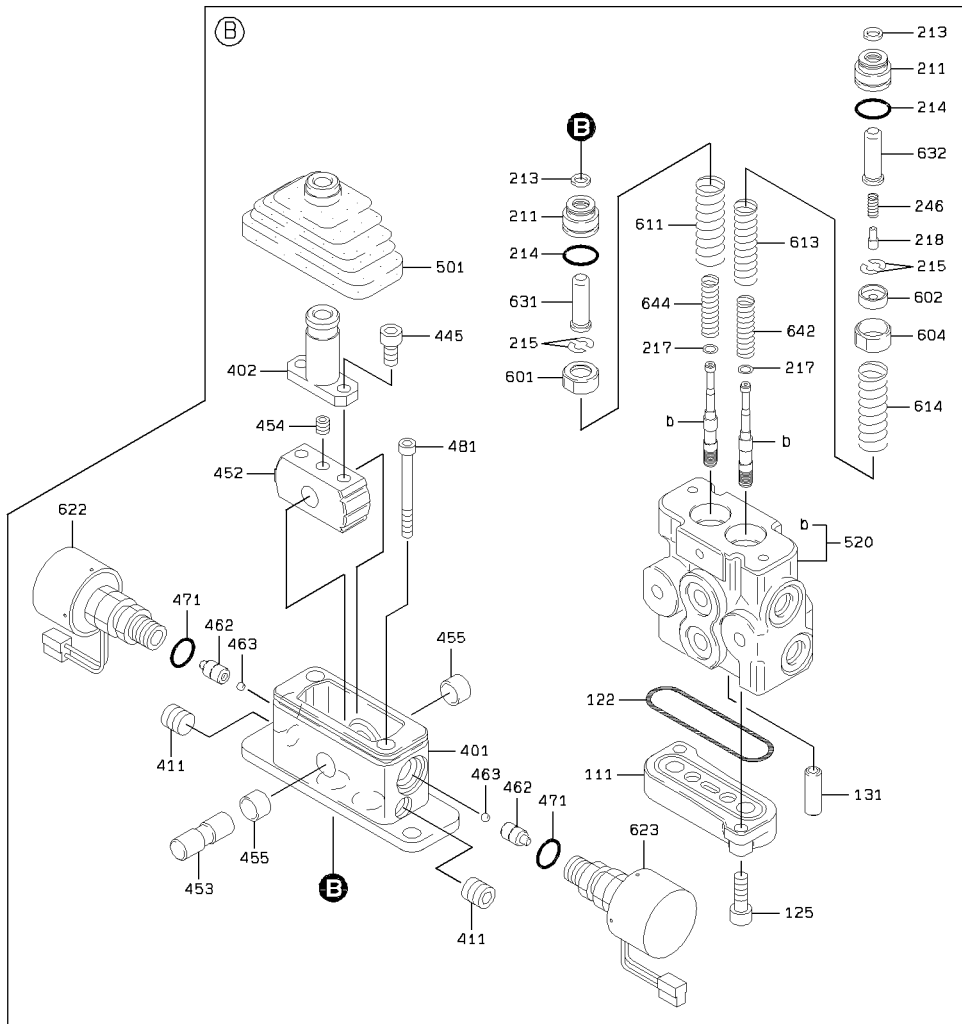
PILOT VALVE (S/N 0101 - 0290)

<S/N 0101 - 0290>



PILOT VALVE (S/N 0101 - 0290)

<S/N 0101 - 0290>



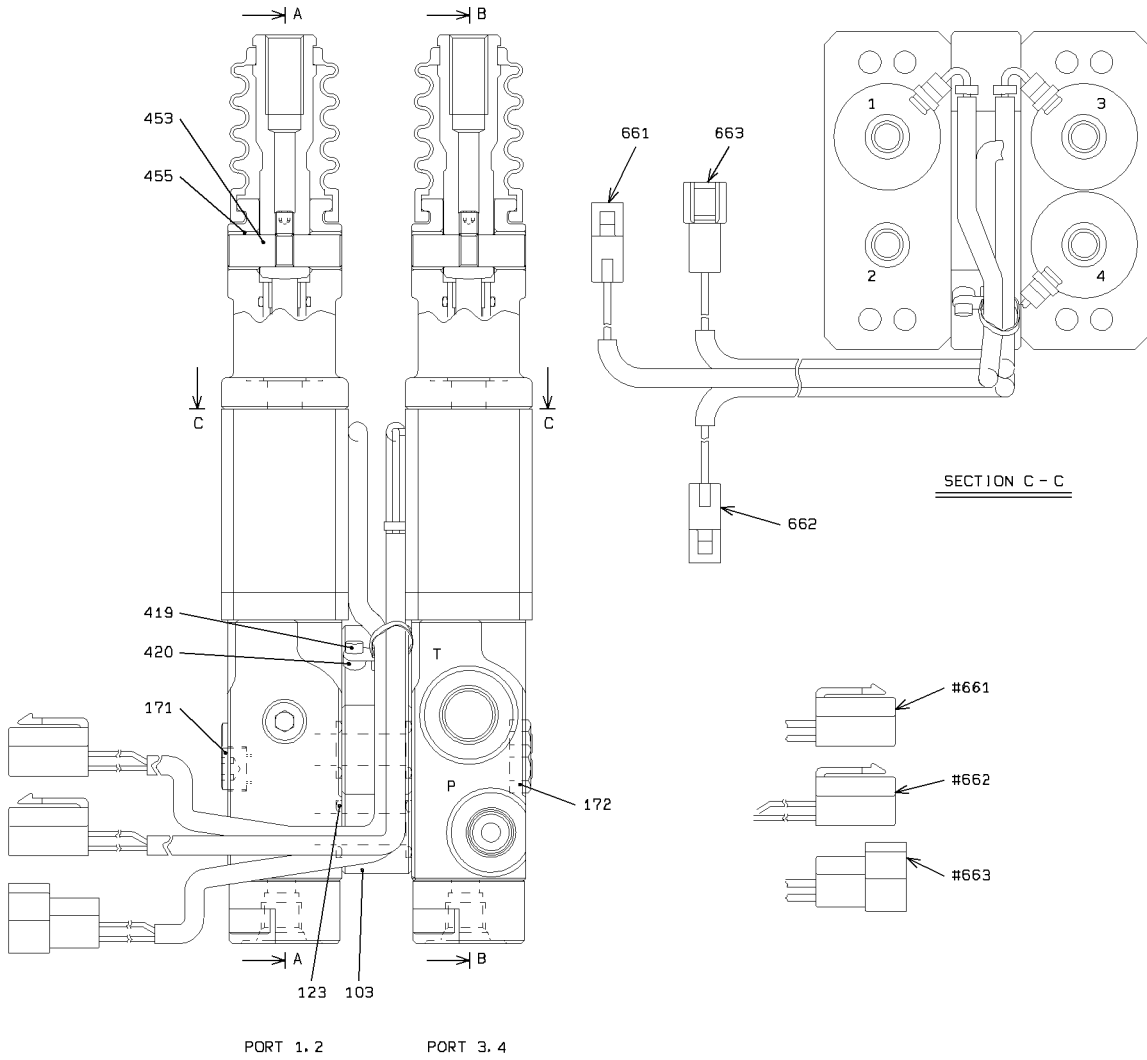
PILOT VALVE (S/N 0101 - 0290)

SYM-BOL	PART NUMBER	PART NAME	UNIT Q.TY	SERIAL		REMARKS								
				(A)	(B)	N	P	D	(A)	(B)	(C)	(D)	REMARK	
000A	38560-60360	VALVE,PILOT	1	101	-	290								
105A	41600-70750	PLATE	1	101	-	290								
111A	41600-70890	PLATE	2	101	-	290								
122A	65210-22060	RING,O	2	101	-	290								
123A	65210-12018	RING,O	4	101	-	290								
125A	61101-08020	BOLT,SOCKET	4	101	-	290								
131A	40840-71600	BUSHING	2	101	-	290								
161A	41530-72790	PLUG	2	101	-	161								
161B	41530-71250	PLUG	1	162	-	290	B							
162A	65210-12011	RING,O	2	101	-	161		D						
171A	61033-08050	BOLT	2	101	-	290								
172A	61033-08025	BOLT	2	101	-	290								
211A	41530-72410	PLUG	4	101	-	290								
213A	34000-70600	SEAL	4	101	-	290								
214A	65210-12020	RING,O	4	101	-	290								
215A	46011-70380	WASHER,PLANE	8	101	-	290								
217A	34200-70850	SHIM	4	101	-	290								
218A	33930-70430	SEAT,SPRING	1	101	-	290								
246A	35600-73970	SPRING	1	101	-	290								
247A	63011-05010	PIN,SPRING	1	101	-	290				01				
401A	31200-72080	COVER	2	101	-	161								
401B	31200-72080	COVER	1	162	-	290								
402A	45600-70190	LEVER	2	101	-	290								
411A	43956-70690	BOLT,SOCKET	4	101	-	290								
421A	31200-73260	COVER	1	162	-	290								
445A	61101-08016	BOLT,SOCKET	4	101	-	290								
452A	37200-70060	DISC	2	101	-	290								
453A	31611-70020	CAMSHAFT	2	101	-	290								
454A	43956-70680	BOLT,SOCKET	2	101	-	290								
455A	88811-01410	BUSHING	4	101	-	290								
462A	43550-70210	HOLDER	3	101	-	290								
463A	43751-70110	BALL	3	101	-	290								
466A	41530-72780	PLUG	1	101	-	161	D							
471A	65210-12016	RING,O	4	101	-	161								
471B	65210-12016	RING,O	3	162	-	290								
481A	61101-06060	BOLT,SOCKET	4	101	-	290								
501A	40790-70200	BOOT	2	101	-	290								
510A	33110-70380	CASE ASSY	1	101	-	161	N							
510B	33110-70680	CASE ASSY	1	162	-	290		B		Y01				
520A	33110-70370	CASE ASSY	1	101	-	290				Y01				
601A	33930-70330	SEAT,SPRING	2	101	-	290								
602A	33930-70460	SEAT,SPRING	2	101	-	290								
603A	33930-70450	SEAT,SPRING	1	101	-	290								
604A	33930-70440	SEAT,SPRING	1	101	-	290								
611A	35600-73940	SPRING	2	101	-	290								
612A	35600-73930	SPRING	1	101	-	290								
613A	35600-73920	SPRING	2	101	-	290								
614A	35600-73910	SPRING	1	101	-	290								
621A	35910-70200	SOLENOID	1	101	-	290								35910-70140
622A	35910-70220	SOLENOID	1	101	-	290								35910-70120
623A	35910-70210	SOLENOID	1	101	-	290								35910-70130
631A	45887-70280	ROD,PUSH	3	101	-	290								
632A	45887-70270	ROD,PUSH	1	101	-	290								
641A	35600-73950	SPRING	1	101	-	290								
642A	35600-74270	SPRING	1	101	-	290								
643A	35600-74340	SPRING	1	101	-	290								
644A	35600-74360	SPRING	1	101	-	290								

MEMO

PILOT VALVE (S/N 0291 - 0408)

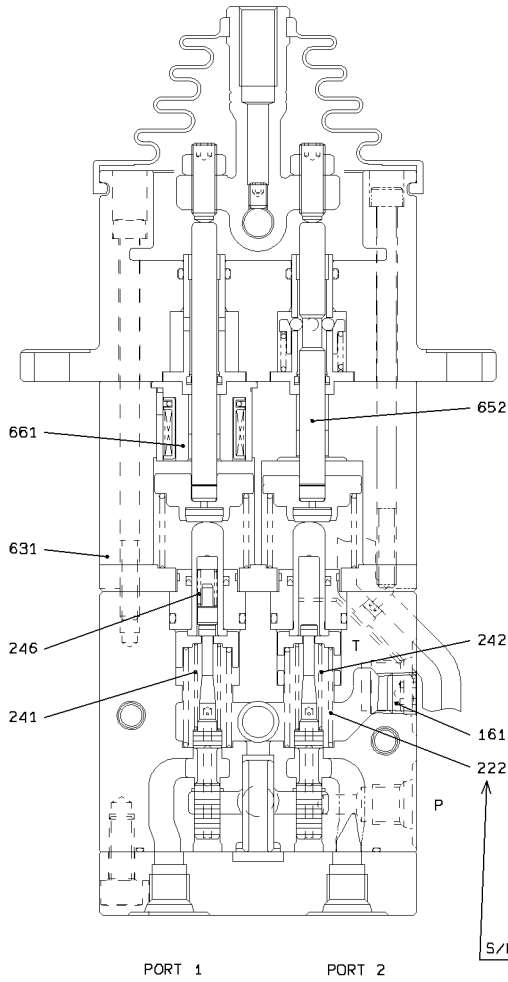
<S/N 0291 - 0408>



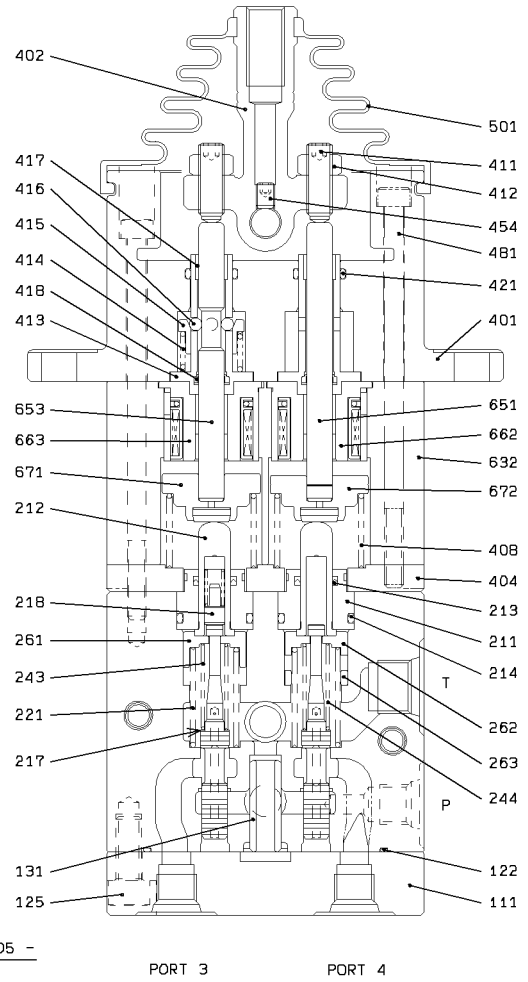
1-A

PILOT VALVE (S/N 0291 - 0408)

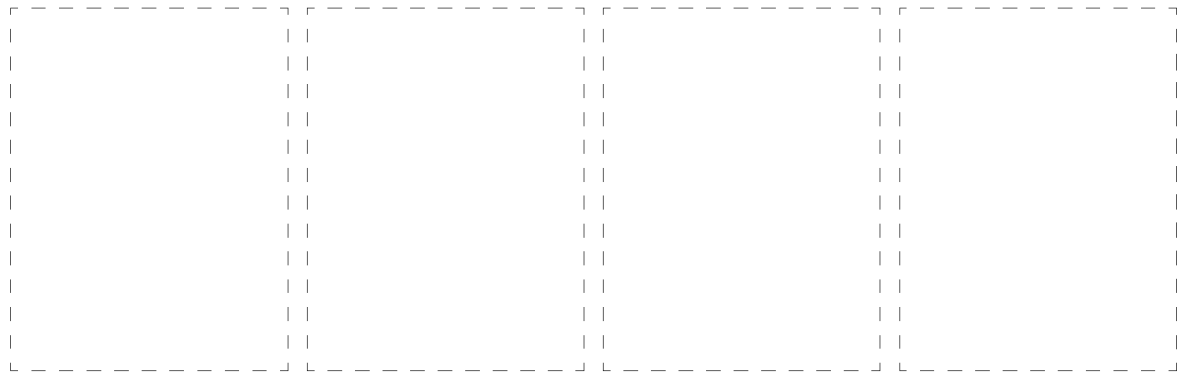
<S/N 0291 - 0408>



SECTION A - A



SECTION B - B



2-B

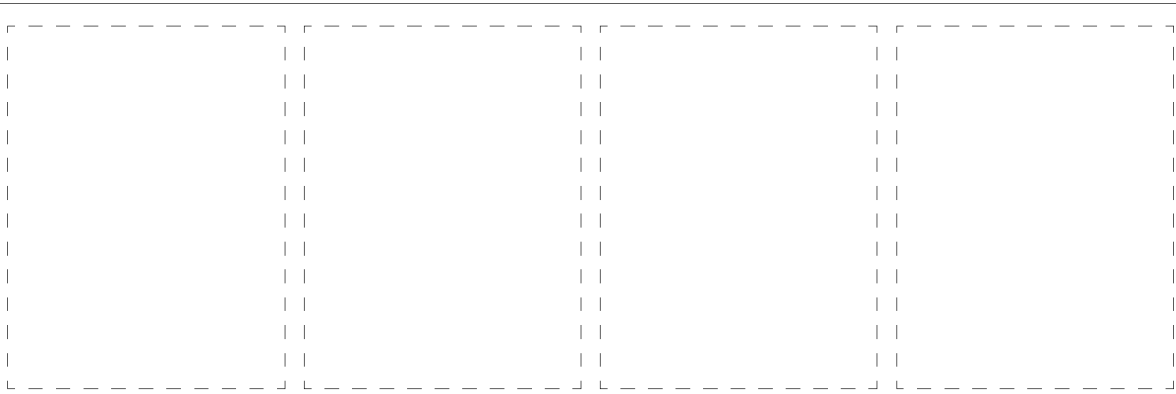
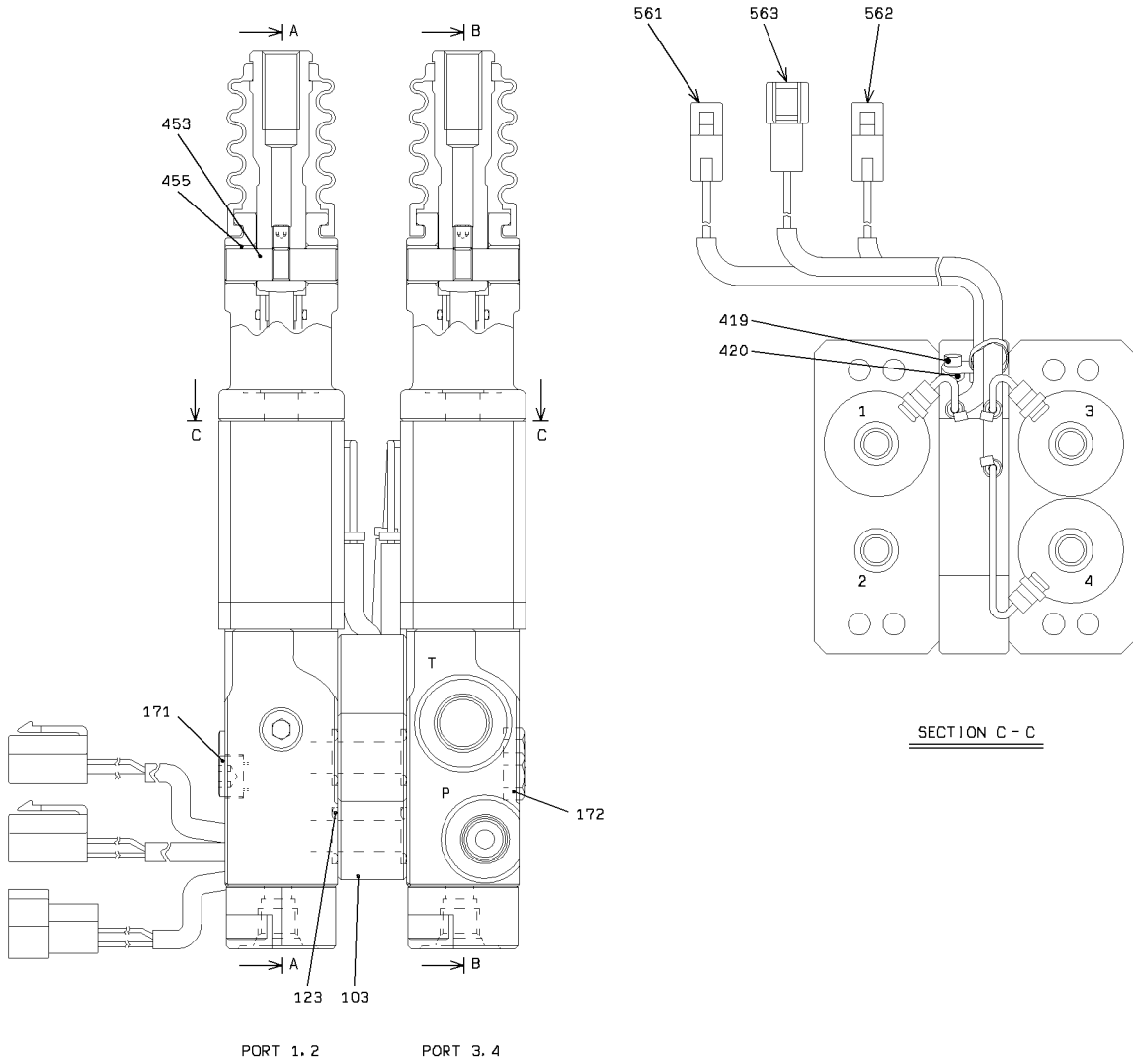
PILOT VALVE (S/N 0291 - 0408)

SYM-BOL	PART NUMBER	PART NAME	UNIT Q,TY	SERIAL		REMARKS								
				(A)	(B)	N	P	D	(A)	(B)	(C)	(D)	REMARK	
000A	38560-60650	VALVE,PILOT	1	291	-	304								
000B	38560-60710	VALVE,PILOT	1	305	-	408	C							
103A	41681-70170	PLATE,VALVE	1	291	-	304								
103B	41681-70180	PLATE,VALVE	1	305	-	408	C							
111A	41600-71740	PLATE	2	291	-	408								
122A	47131-76900	RING,O	2	291	-	408								
123A	65210-12014	RING,O	4	291	-	408								
125A	61101-08020	BOLT,SOCKET	4	291	-	408								
131A	40840-73020	BUSHING	2	291	-	408								
161A	41530-75250	PLUG	1	291	-	304								
161B	41530-75290	PLUG	1	305	-	408	C							
171A	61101-08090	BOLT,SOCKET	2	291	-	408								
172A	62401-61081	NUT	2	291	-	408								
211A	41530-75260	PLUG	4	291	-	304								
211B	41530-72410	PLUG	4	305	-	408	C							
212A	45887-70390	ROD,PUSH	4	291	-	408								
213A	34000-71020	SEAL	4	291	-	408								
214A	65210-12020	RING,O	4	291	-	408								
217A	46000-71780	WASHER	4	291	-	408								
218A	33930-71020	SEAT,SPRING	2	291	-	408								PORT 1,3
221A	35600-77510	SPRING	4	291	-	304								
221B	35600-77700	SPRING	2	305	-	408	C							
222A	35600-77510	SPRING	2	305	-	408								
241A	35600-77580	SPRING	1	291	-	408								PORT 1
242A	35600-77590	SPRING	1	291	-	408								PORT 2
243A	35600-77600	SPRING	1	291	-	408								PORT 3
244A	35600-77610	SPRING	1	291	-	408								PORT 4
246A	35600-77540	SPRING	2	291	-	408								PORT 1,3
261A	33930-71000	SEAT,SPRING	2	291	-	408								PORT 1,3
262A	33930-71010	SEAT,SPRING	2	291	-	408								PORT 2,4
263A	35700-71970	SPACER	2	291	-	408								PORT 2,4
401A	31210-70320	COVER	2	291	-	408								
402A	45600-70480	LEVER	2	291	-	408								
404A	41610-70010	PLATE	2	291	-	408								
408A	35600-76620	SPRING	4	291	-	408								
411A	35104-70180	SCREW,SET	4	291	-	408								
412A	37600-72680	NUT	4	291	-	408								
413A	40840-73080	BUSHING	4	291	-	408								
414A	35600-77550	SPRING	2	291	-	408								PORT 2,3
415A	45200-71570	RING	2	291	-	408								PORT 2,3
416A	43751-70470	BALL	8	291	-	408								
417A	40840-72670	BUSHING	5	291	-	408								
418A	35110-70050	SCRAPER	4	291	-	408								
419A	43956-71340	BOLT,SOCKET	1	291	-	408								
420A	33190-70650	CABLE	1	291	-	408								
421A	65219-12012	RING,O	4	291	-	408								
453A	34500-70790	SHAFT	2	291	-	408								
454A	61131-06008	BOLT,SOCKET	2	291	-	408								
455A	40840-73040	BUSHING	4	291	-	408								
481A	43956-71350	BOLT,SOCKET	8	291	-	408								
501A	40790-70560	BOOT	2	291	-	408								
631A	33100-70890	CASE	1	291	-	408								PORT 1,2
632A	33100-70900	CASE	1	291	-	408								PORT 3,4
651A	45887-70400	ROD,PUSH	2	291	-	408								PORT 1,4
652A	45887-70410	ROD,PUSH	1	291	-	408								PORT 2
653A	45887-70420	ROD,PUSH	1	291	-	408								PORT 3
661A	33300-71170	CONNECTOR	1	291	-	408								PORT 1
662A	33300-71180	CONNECTOR	1	291	-	408								PORT 4
663A	33300-71190	CONNECTOR	1	291	-	408								PORT 3
671A	41600-71750	PLATE	2	291	-	408								PORT 1,3
672A	41600-71760	PLATE	2	291	-	408								PORT 2,4

MEMO

PILOT VALVE (S/N 0409 - 0410)

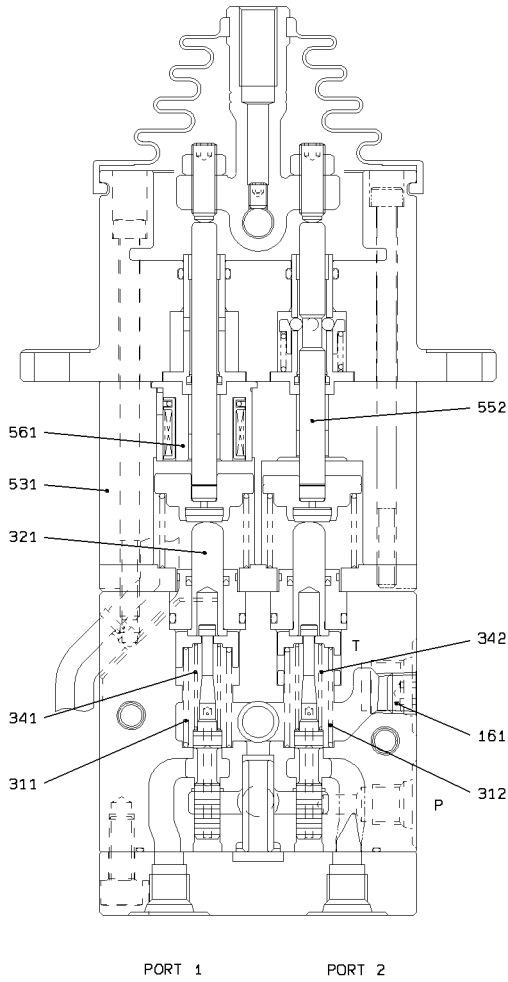
< S/N 0409 - 0410 >



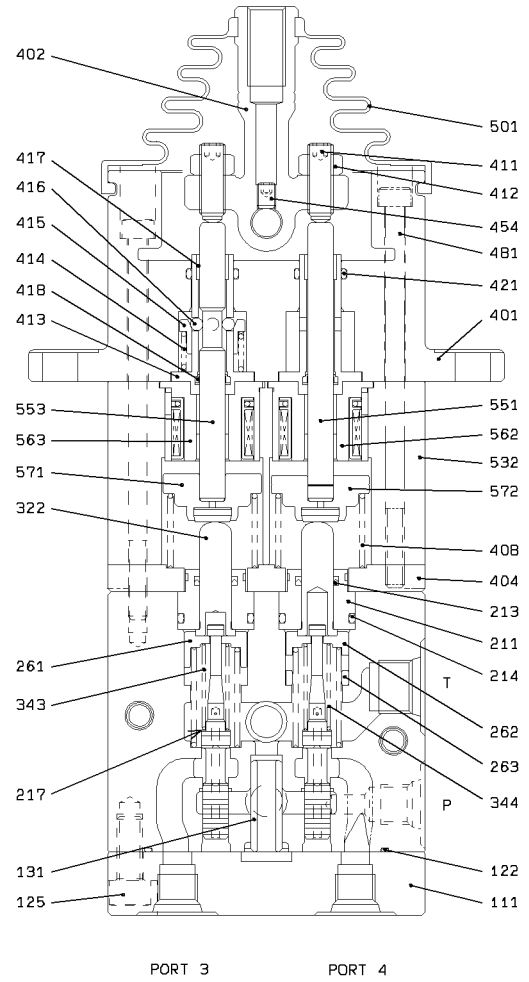
1-A

PILOT VALVE (S/N 0409 - 0410)

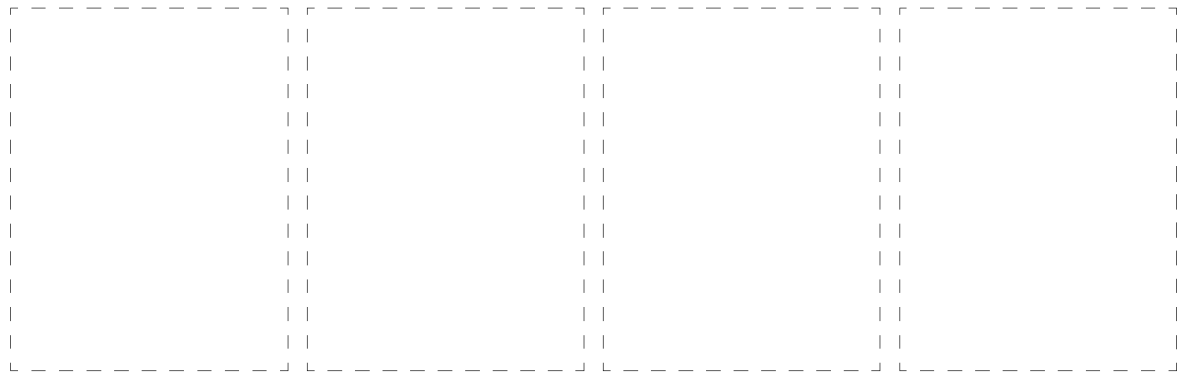
< S/N 0409 - 0410 >



SECTION A - A



SECTION B - B



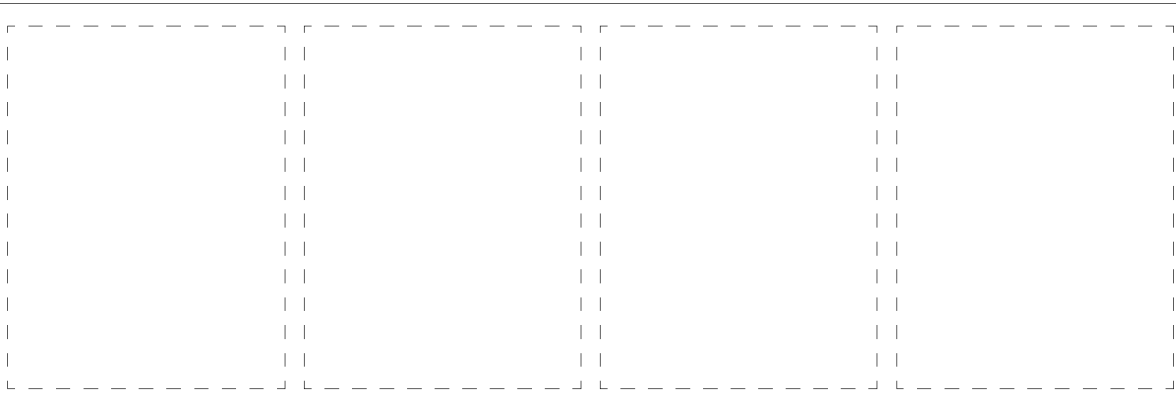
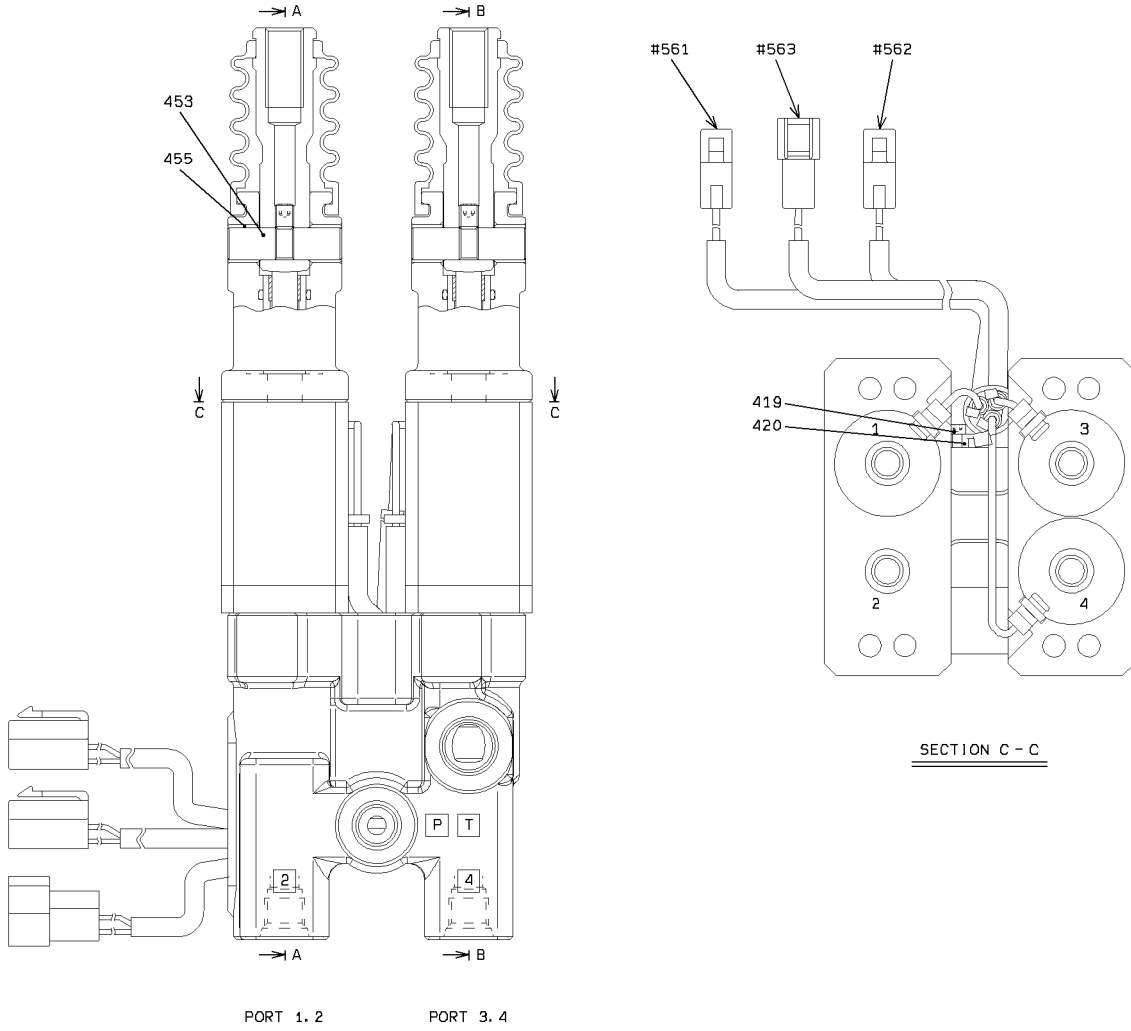
2-A

PILOT VALVE (S/N 0409 - 0410)

SYM-BOL	PART NUMBER	PART NAME	UNIT Q.TY	SERIAL		REMARKS									
				(A)	(B)	N	P	D	(A)	(B)	(C)	(D)	REMARK		
000A	38560-60820	VALVE,PILOT	1	409	-	410									
103A	41681-70180	PLATE,VALVE	1	409	-	410									
111A	41600-71740	PLATE	2	409	-	410									
122A	47131-76900	RING,O	2	409	-	410									
123A	65210-12014	RING,O	4	409	-	410									
125A	61101-08020	BOLT,SOCKET	4	409	-	410									
131A	40840-73020	BUSHING	2	409	-	410									
161A	41530-75290	PLUG	1	409	-	410									
171A	61101-08090	BOLT,SOCKET	2	409	-	410									
172A	62401-61081	NUT	2	409	-	410									
211A	41530-75260	PLUG	4	409	-	410									
213A	34000-71020	SEAL	4	409	-	410									
214A	65210-12020	RING,O	4	409	-	410									
217A	46000-71780	WASHER	4	409	-	410									
261A	33930-71000	SEAT,SPRING	2	409	-	410									
262A	33930-71010	SEAT,SPRING	2	409	-	410									
263A	35700-71970	SPACER	2	409	-	410									
311A	35600-77700	SPRING	2	409	-	410									
312A	35600-77510	SPRING	2	409	-	410									
321A	45887-70280	ROD,PUSH	3	409	-	410									
322A	45887-70430	ROD,PUSH	1	409	-	410									
341A	35600-78070	SPRING	1	409	-	410									
342A	35600-77590	SPRING	1	409	-	410									
343A	35600-78600	SPRING	1	409	-	410									
344A	35600-77610	SPRING	1	409	-	410									
401A	31210-70320	COVER	2	409	-	410									
402A	45600-70480	LEVER	2	409	-	410									
404A	41610-70010	PLATE	2	409	-	410									
408A	35600-76620	SPRING	4	409	-	410									
411A	35104-70180	SCREW,SET	4	409	-	410									
412A	37600-72680	NUT	4	409	-	410									
413A	40840-73080	BUSHING	4	409	-	410									
414A	35600-77550	SPRING	2	409	-	410									
415A	45200-71570	RING	2	409	-	410									
416A	43751-70470	BALL	8	409	-	410									
417A	40840-72670	BUSHING	5	409	-	410									
418A	35110-70050	SCRAPER	4	409	-	410									
419A	43956-71340	BOLT,SOCKET	1	409	-	410									
420A	32925-70020	CLAMP,CABLE	1	409	-	410									
421A	65219-12012	RING,O	4	409	-	410									
453A	34500-70790	SHAFT	2	409	-	410									
454A	61131-06008	BOLT,SOCKET	2	409	-	410									
455A	40840-73040	BUSHING	4	409	-	410									
481A	43956-71350	BOLT,SOCKET	8	409	-	410									
501A	40790-70560	BOOT	2	409	-	410									
531A	33100-70890	CASE	1	409	-	410									
532A	33100-70900	CASE	1	409	-	410									
551A	45887-70400	ROD,PUSH	2	409	-	410									
552A	45887-70410	ROD,PUSH	1	409	-	410									
553A	45887-70420	ROD,PUSH	1	409	-	410									
561A	35910-70430	SOLENOID	1	409	-	410									
562A	35910-70410	SOLENOID	1	409	-	410									
563A	35910-70420	SOLENOID	1	409	-	410									
571A	41600-71750	PLATE	2	409	-	410									
572A	41600-71760	PLATE	2	409	-	410									

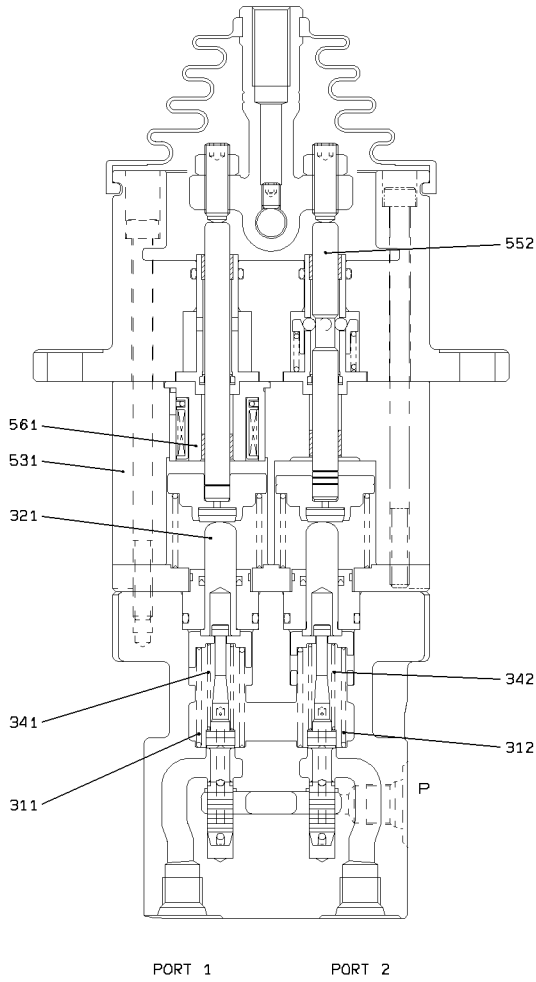
MEMO

PILOT VALVE (S/N 0411 -)

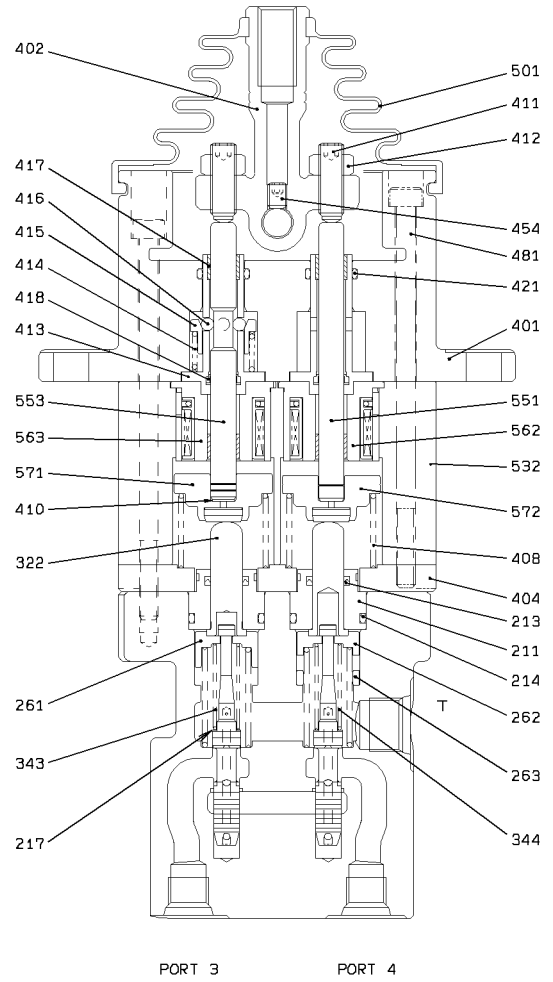


1-A

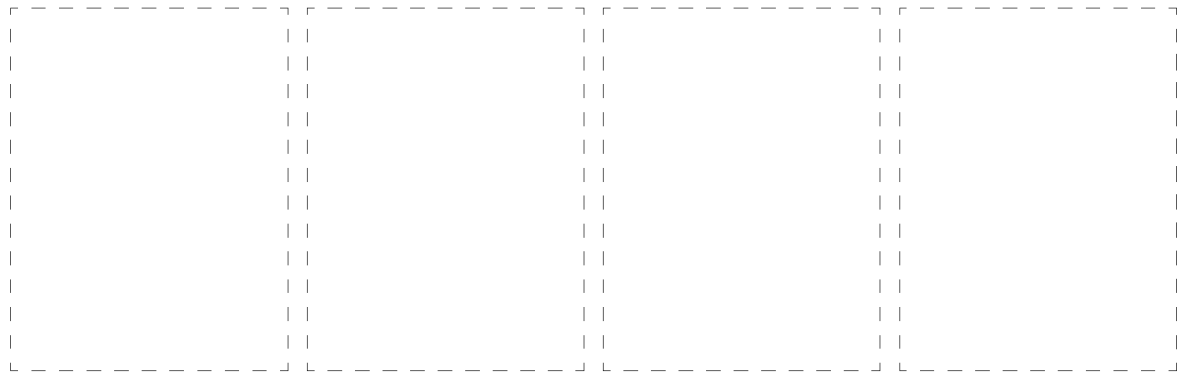
PILOT VALVE (S/N 0411 -)



SECTION A - A



SECTION B - B



2-A

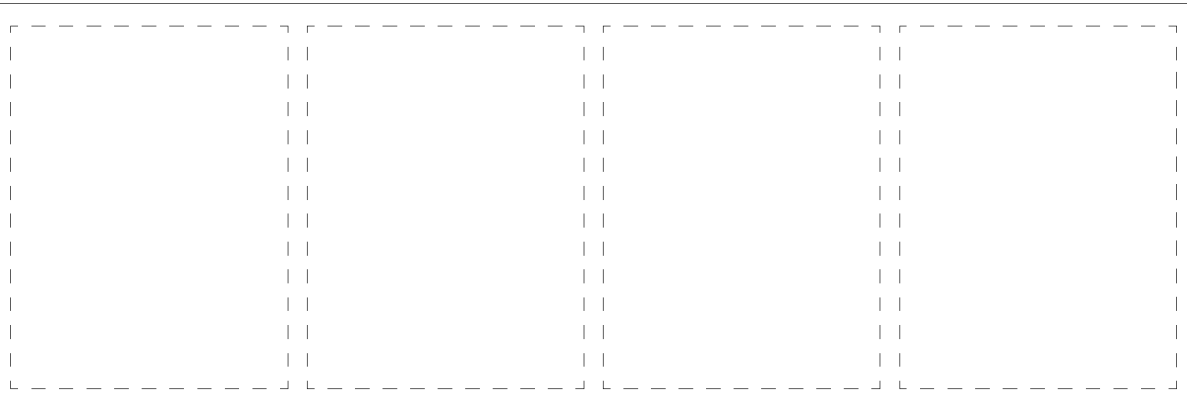
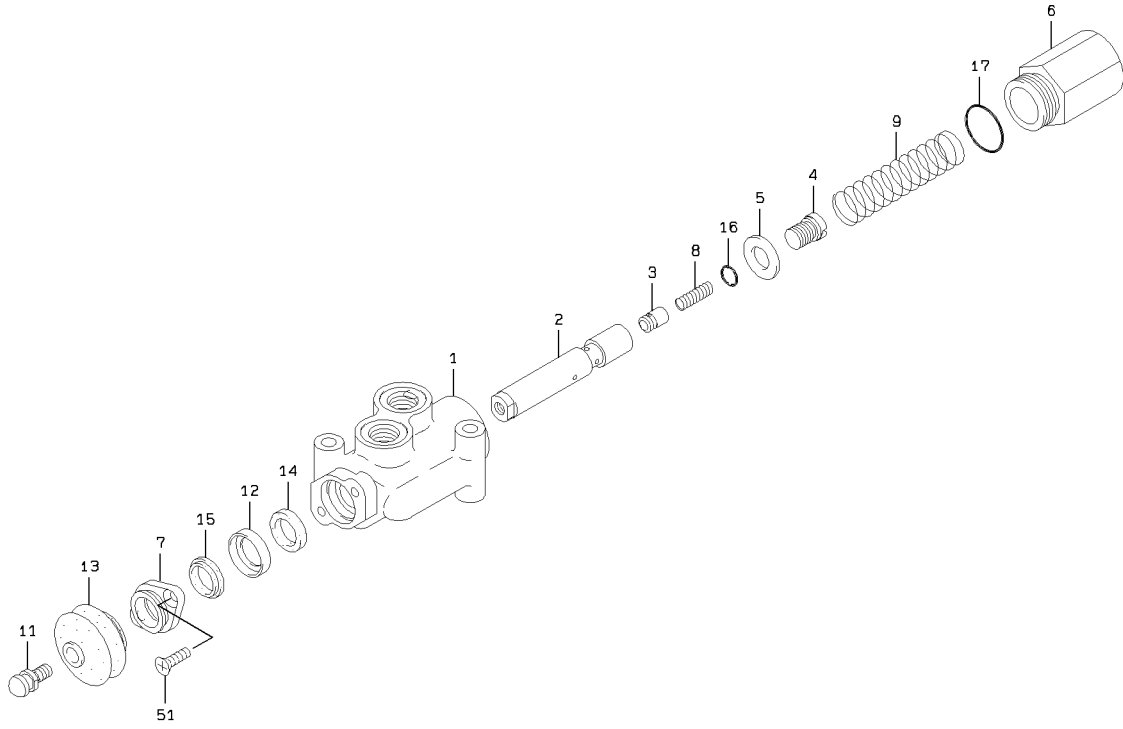
PILOT VALVE (S/N 0411 -)

SYM-BOL	PART NUMBER	PART NAME	UNIT Q,TY	SERIAL (A) - (B)	REMARKS					
					N	P	D	(A)	(B)	(C)
000A	38560-60900	VALVE,PILOT	1	411 -						
211A	41530-75260	PLUG	4	411 -						
213A	34000-71020	SEAL	4	411 -						
214A	65210-12020	RING,O	4	411 -						
217A	46000-71780	WASHER	4	411 -						
261A	33930-71000	SEAT,SPRING	2	411 -						
262A	33930-71010	SEAT,SPRING	2	411 -						
263A	35700-71970	SPACER	2	411 -						
311A	35600-77700	SPRING	2	411 -						
312A	35600-77510	SPRING	2	411 -						
321A	45887-70280	ROD,PUSH	3	411 -						
322A	45887-70430	ROD,PUSH	1	411 -						
341A	35600-78070	SPRING	1	411 -						
342A	35600-77590	SPRING	1	411 -						
343A	35600-78600	SPRING	1	411 -						
344A	35600-77610	SPRING	1	411 -						
401A	31210-70320	COVER	2	411 -						
402A	45600-70480	LEVER	2	411 -						
404A	41610-70010	PLATE	2	411 -						
408A	35600-76620	SPRING	4	411 -						
410A	34200-71740	SHIM	2	411 -						
411A	35104-70180	SCREW,SET	4	411 -						
412A	37600-72680	NUT	4	411 -						
413A	40840-73080	BUSHING	4	411 -						
414A	35600-77550	SPRING	2	411 -						
415A	45200-71570	RING	2	411 -						
416A	43751-70470	BALL	8	411 -						
417A	40840-72670	BUSHING	5	411 -						
418A	35110-70050	SCRAPER	4	411 -						
419A	43956-71340	BOLT,SOCKET	1	411 -						
420A	32925-70020	CLAMP,CABLE	1	411 -						
421A	65219-12012	RING,O	4	411 -						
453A	34500-70790	SHAFT	2	411 -						
454A	61131-06008	BOLT,SOCKET	2	411 -						
455A	40840-73040	BUSHING	4	411 -						
481A	43956-71350	BOLT,SOCKET	8	411 -						
501A	40790-70560	BOOT	2	411 -						
531A	33100-70890	CASE	1	411 -						
532A	33100-70900	CASE	1	411 -						
551A	45887-70400	ROD,PUSH	2	411 -						
552A	45887-70470	ROD,PUSH	1	411 -						
553A	45887-70450	ROD,PUSH	1	411 -						
561A	35910-70430	SOLENOID	1	411 -						
562A	35910-70410	SOLENOID	1	411 -						
563A	35910-70420	SOLENOID	1	411 -						
571A	41600-71750	PLATE	2	411 -						
572A	41600-71760	PLATE	2	411 -						

MEMO

STOP VALVE

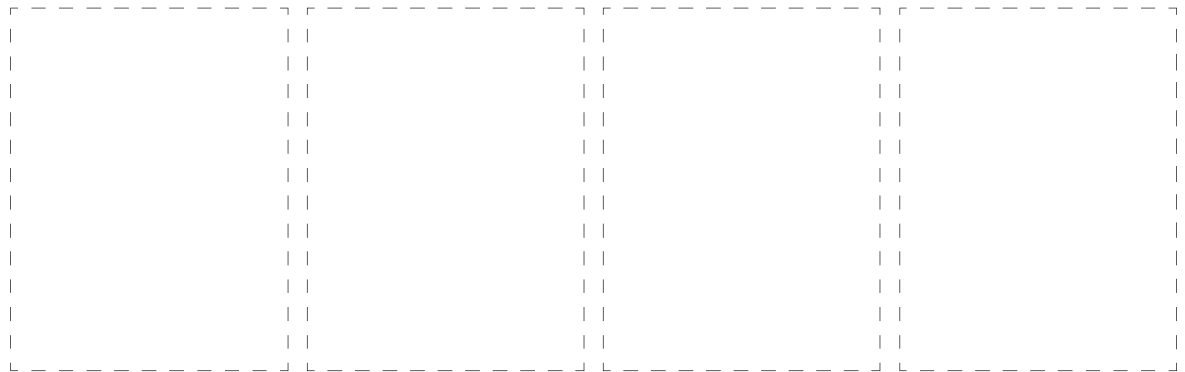
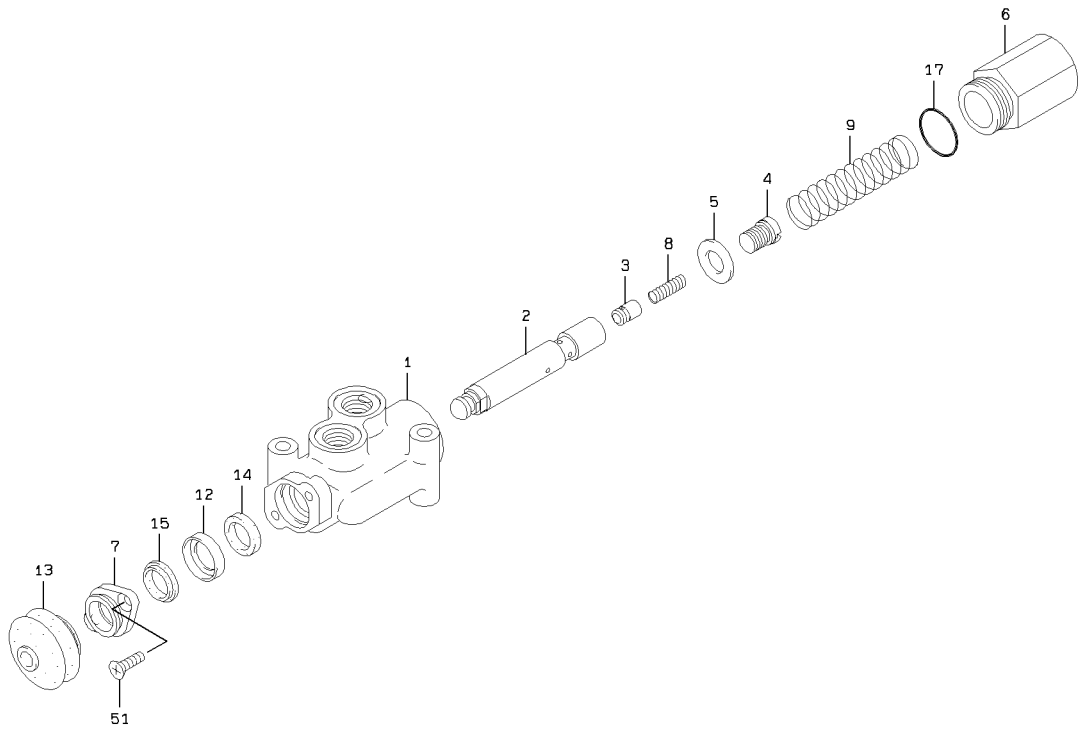
<S/N 0101 - 0290>



1-A

STOP VALVE

<S/N 0291 - >



2-A

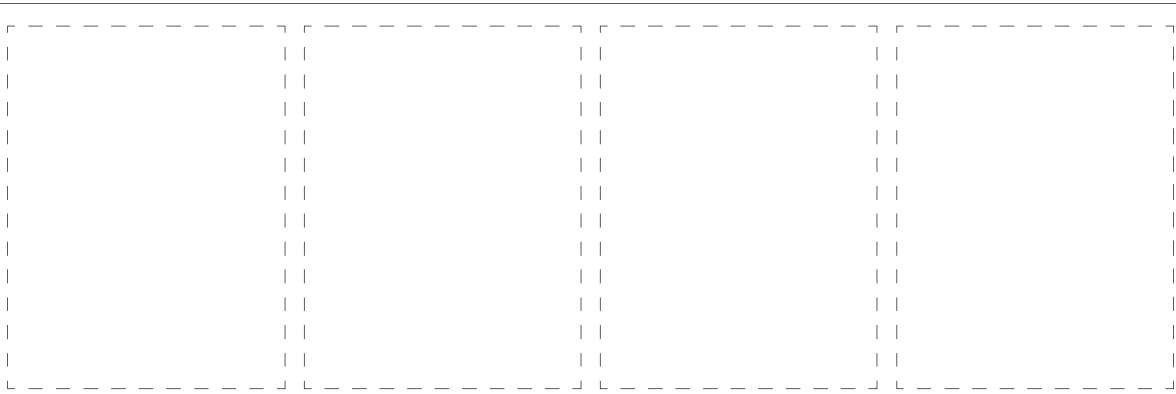
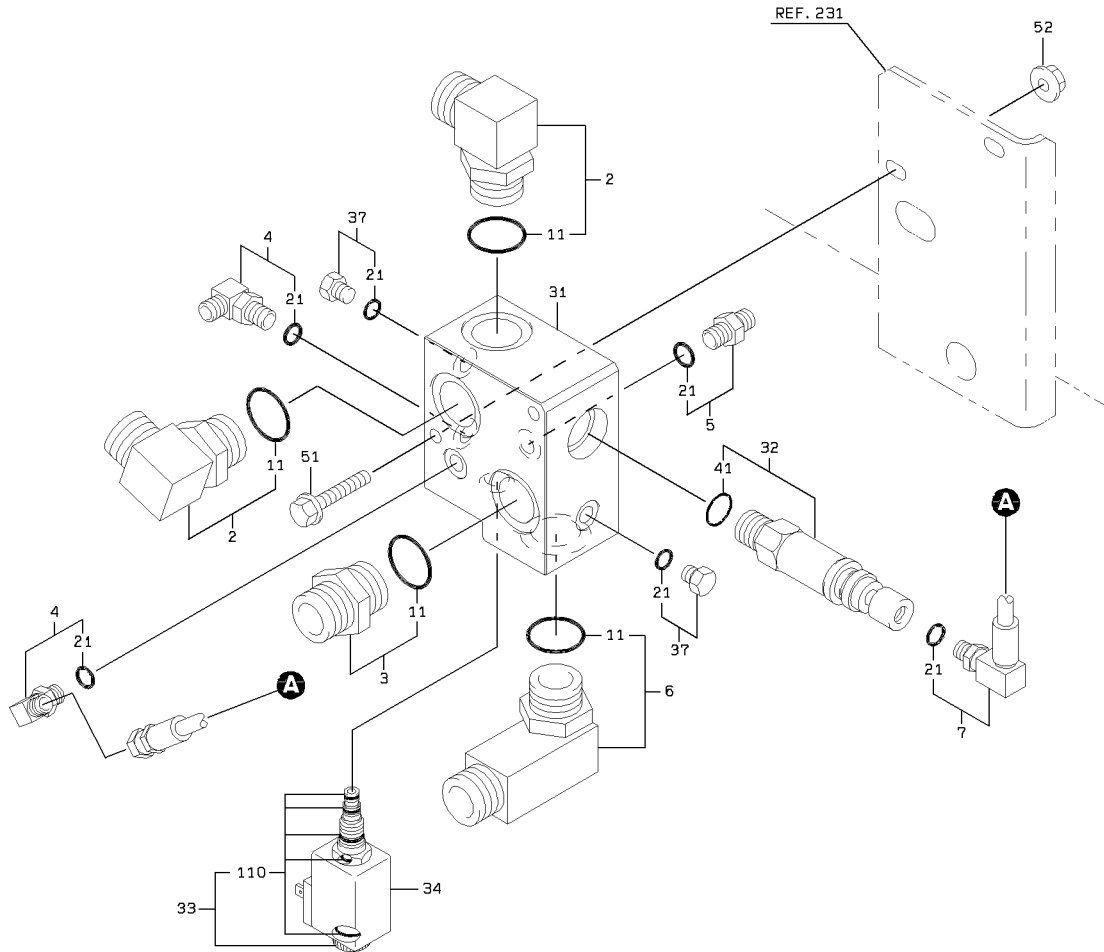
STOP VALVE

SYM-BOL	PART NUMBER	PART NAME	UNIT Q,TY	SERIAL		REMARKS							
				(A)	(B)	N	P	D	(A)	(B)	(C)	(D)	REMARK
000A	38510-20160	VALVE	1	101	410								
000B	38510-20510	VALVE	1	411		A							
1A	37900-22170	HOUSING	1	101									
2A	35570-20050	SPOOL	1	101	290								
2B	35570-20320	SPOOL	1	291	410	C							
2C	35570-20340	SPOOL	1	411		B							
3A	44074-20040	POPPET	1	101	410								
3B	44074-20200	POPPET	1	411									
4A	41530-20930	PLUG	1	101	290								
4B	41530-22790	PLUG	1	291		A							
5A	46000-20920	WASHER	1	101									
6A	41530-20920	PLUG	1	101	410								
6B	41530-23320	PLUG	1	411		B							
7A	40510-22130	FLANGE	1	101	409								
7B	40510-26400	FLANGE	1	410		C							
8A	35600-21710	SPRING	1	101									
9A	35600-21700	SPRING	1	101									
11A	43900-23070	BOLT	1	101	290	D							
12A	35700-20810	SPACER	1	101									
13A	40790-20210	BOOT	1	101									
14A	39661-70390	PACKING,U	1	101									
15A	34044-70660	SEAL,DUST	1	101									
16A	65210-12011	RING,O	1	101	290	D							
17A	65210-12029	RING,O	1	101									
51A	62257-51616	SCREW	2	101									

MEMO

FAN MOTOR VALVE (S/N 0101 - 0230)

<S/N 0101 - 0230>

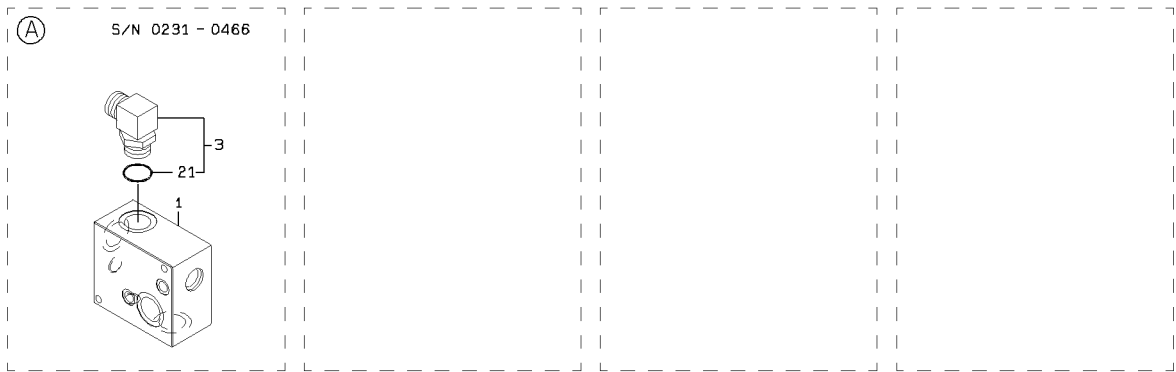
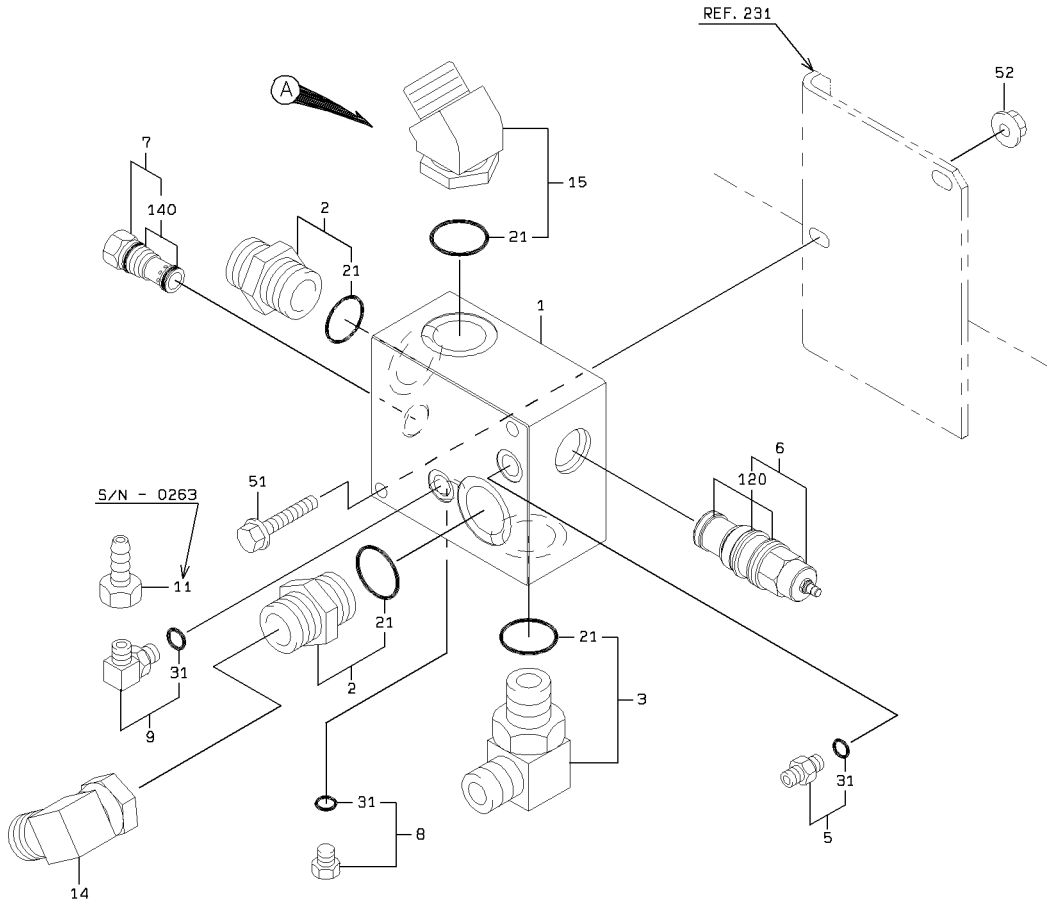


FAN MOTOR VALVE (S/N 0101 - 0230)

SYM-BOL	PART NUMBER	PART NAME	UNIT Q,TY	SERIAL		REMARKS								
				(A)	(B)	N	P	D	(A)	(B)	(C)	(D)	REMARK	
2A	88241-07116	ADAPTER,ELBOW	2	101	230						Y01			
3A	88201-06716	ADAPTER	1	101	230						Y01			
4A	88241-07104	ADAPTER,ELBOW	2	101	230						Y02			
5A	88201-06704	ADAPTER	1	101	230						Y02			
6A	30241-23580	ADAPTER,ELBOW	1	101	230						Y01			
7A	43113-38310	HOSE,HIGH PRESSURE	1	101	230						Y02			
11A	65210-12029	RING,O	1	101	230						01			
21A	65210-12011	RING,O	1	101	230						02			
31A	41410-33430	BLOCK	1	101	230									
32A	38565-60840	VALVE,RELIEF	1	101	230							Y03		
33A	38510-71010	VALVE	1	101	230								Y04	
34A	35910-70250	SOLENOID	1	101	230									
37A	88390-21304	PLUG	2	101	230						Y02			
41A	65210-12024	RING,O	1	101	230							03		
51A	61802-10095	BOLT,FLANGED	2	101	230									
52A	62480-21101	NUT,FLANGED	2	101	230									
110A	49327-73020	SEAL KIT	1	101	230								04	

FAN MOTOR VALVE (S/N 0231 -)

<S/N 0467 - >

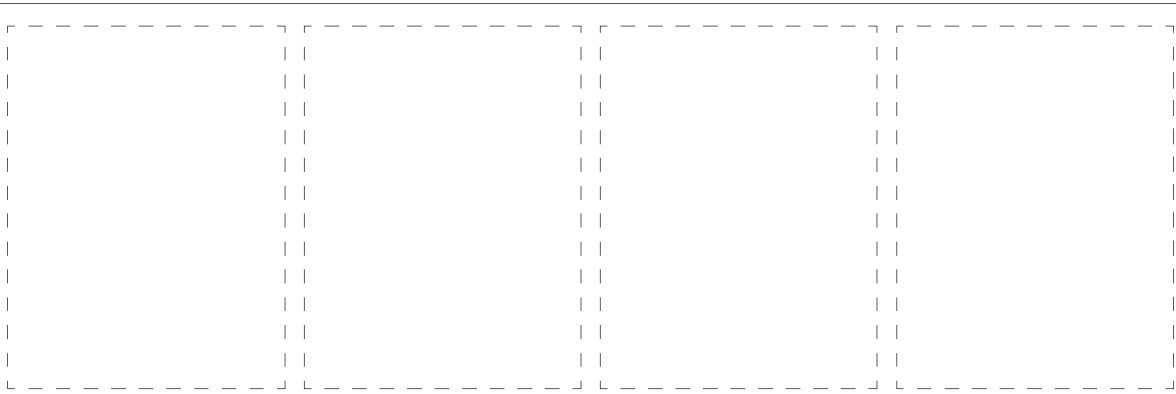
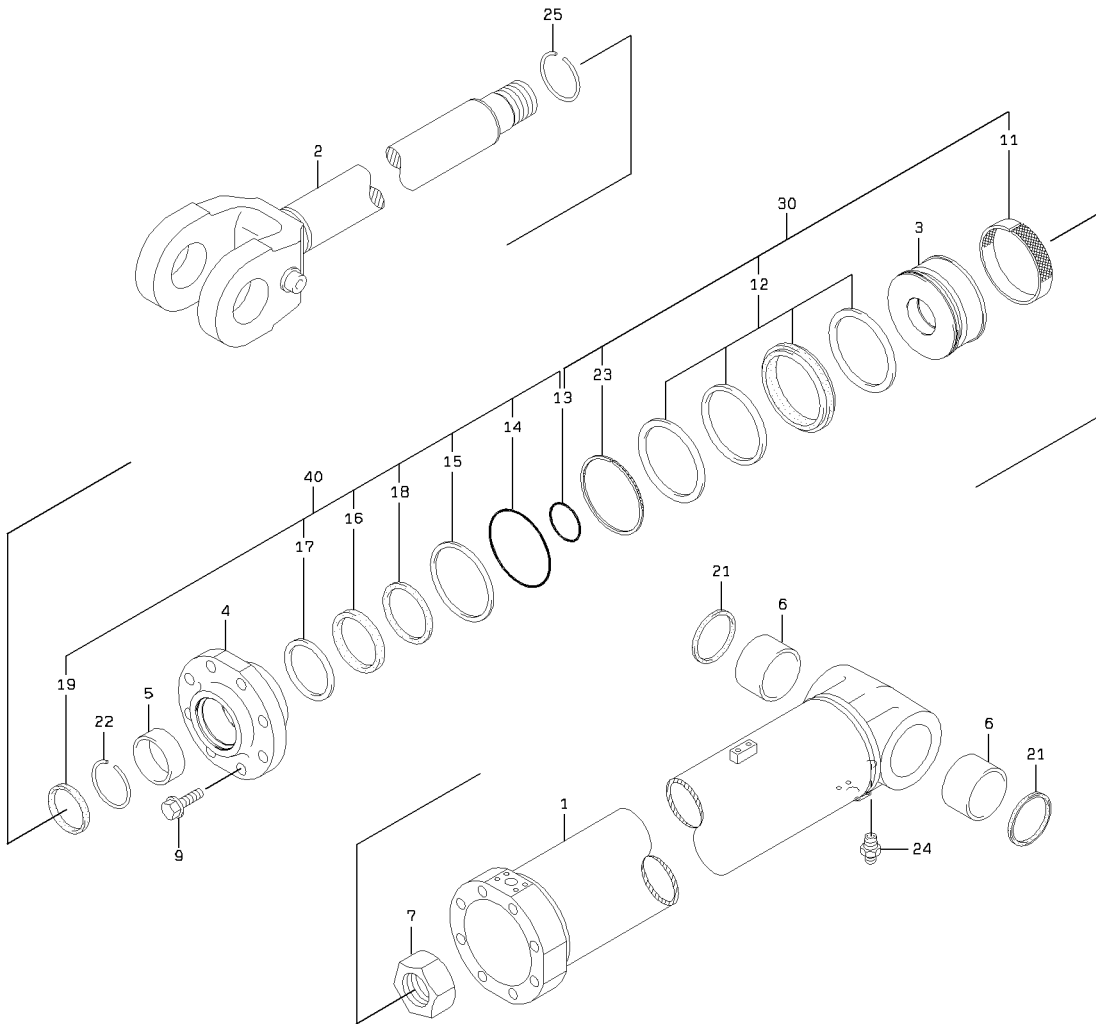


1-C

FAN MOTOR VALVE (S/N 0231 -)

SYM-BOL	PART NUMBER	PART NAME	UNIT Q,TY	SERIAL		REMARKS							
				(A)	(B)	N	P	D	(A)	(B)	(C)	(D)	REMARK
1A	41410-35740	BLOCK	1	231	-								
2A	88201-06716	ADAPTER	2	231	-					Y01			
3A	88241-07116	ADAPTER,ELBOW	2	231	-	466				Y01			
3B	88241-07116	ADAPTER,ELBOW	1	467	-					Y01			
5A	88201-06704	ADAPTER	1	231	-					Y02			
6A	38565-71810	VALVE,RELIEF	1	231	-						Y03		
7A	38554-60420	VALVE,CHECK	1	231	-							Y04	
8A	88390-21504	PLUG	1	231	-					Y02			
9A	88241-07104	ADAPTER,ELBOW	1	231	-					Y02			
11A	88511-03041	NIPPLE,HOSE	1	231	-	263	D						
14A	30242-20160	ADAPTER,ELBOW UNIO	1	231	-								
15A	88241-07216	ADAPTER,ELBOW	1	467	-					Y01			
21A	65210-12029	RING,O	1	231	-					01			
31A	65210-12011	RING,O	1	231	-						02		
51A	61802-10095	BOLT,FLANGED	2	231	-								
52A	62480-21101	NUT,FLANGED	2	231	-								
120A	49327-72900	SEAL KIT	1	231	-							03	
140A	49327-72340	SEAL KIT	1	231	-								04

LIFT CYLINDER



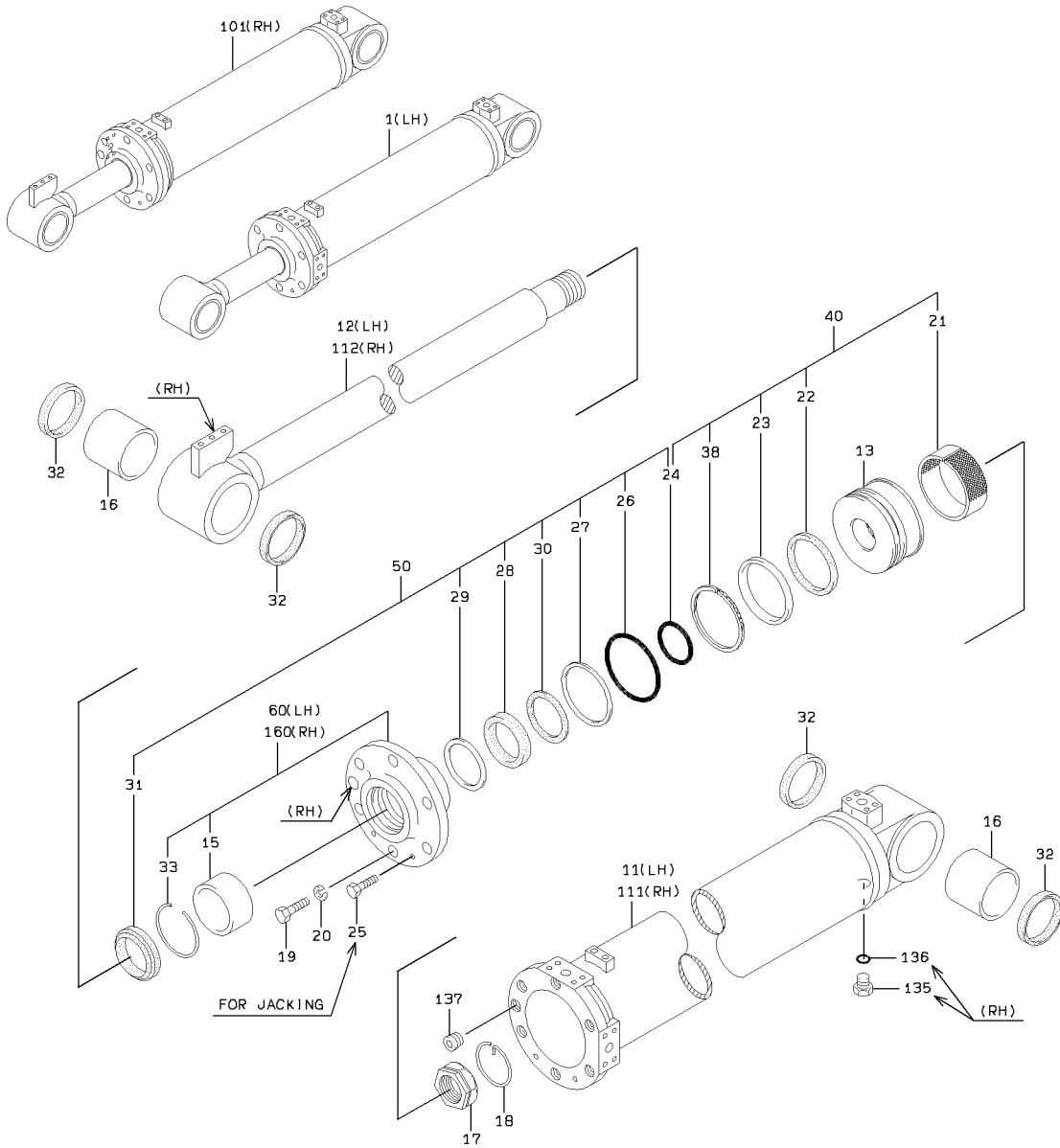
1-A

LIFT CYLINDER

SYM-BOL	PART NUMBER	PART NAME	UNIT Q, TY	SERIAL		REMARKS						
				(A)	(B)	N	P	D	(A)	(B)	(C)	(D)
000A	34820-22430	CYLINDER ASSY,OIL	2	101	-							
1A	36725-20690	TUBE,CYLINDER	1	101	-							
2A	45886-20610	ROD,PISTON	1	101	-							
3A	39960-70780	PISTON	1	101	-							
4A	31289-20660	COVER,ROD	1	101	-							
5A	40840-23550	BUSHING	1	101	-							
6A	63422-46680	BUSHING	2	101	-							
7A	37636-20240	NUT,PISTON	1	101	-							
9A	61805-24075	BOLT,FLANGED	8	101	-							
11A	65431-24248	RING,WEAR	1	101	-					K1		
12A	49328-70010	SEAL SET	1	101	-					K1		
13A	65210-22080	RING,O	1	101	-					K1	K2	
14A	65210-22180	RING,O	1	101	-						K2	
15A	65240-32180	RING,BACK-UP	1	101	-						K2	
16A	65446-05712	PACKING,U	1	101	-						K2	
17A	65473-07130	RING,BACK-UP	1	101	-						K2	
18A	65464-06460	RING,BUFFER	1	101	-						K2	
19A	65455-04308	RING,SCRAPER	1	101	-						K2	
21A	65051-02007	SEAL,DUST	2	101	-							
22A	45315-20190	RING,STOP	1	101	-							
23A	47171-70130	RING,WEAR	1	101	-					K1		
24A	75011-25400	NIPPLE,GREASE	1	101	-							
25A	45315-20200	RING,STOP	1	101	-							
30A	49327-60350	SEAL KIT	1	101	-					QK1		FR PISTON
40A	49327-60720	SEAL KIT	1	101	-						QK2	FR ROD COVER

TILT CYLINDER (S/N 0101 - 0272)

<S/N 0101 - 0272>

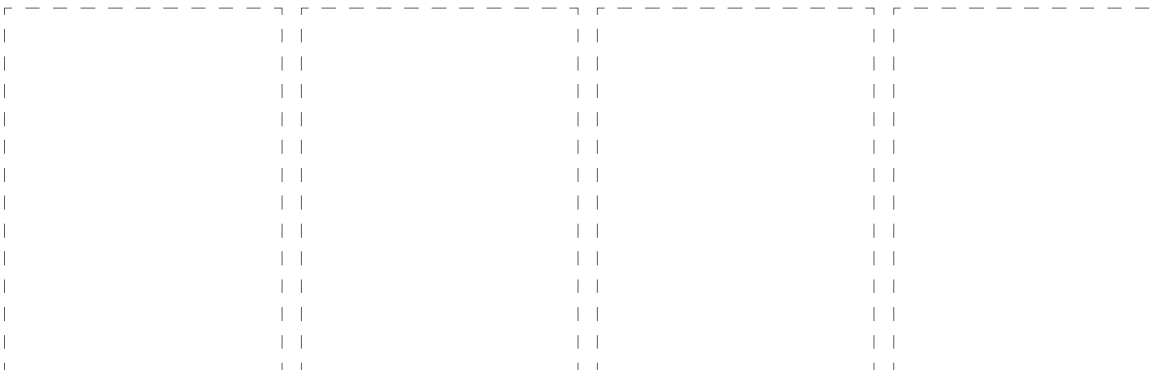
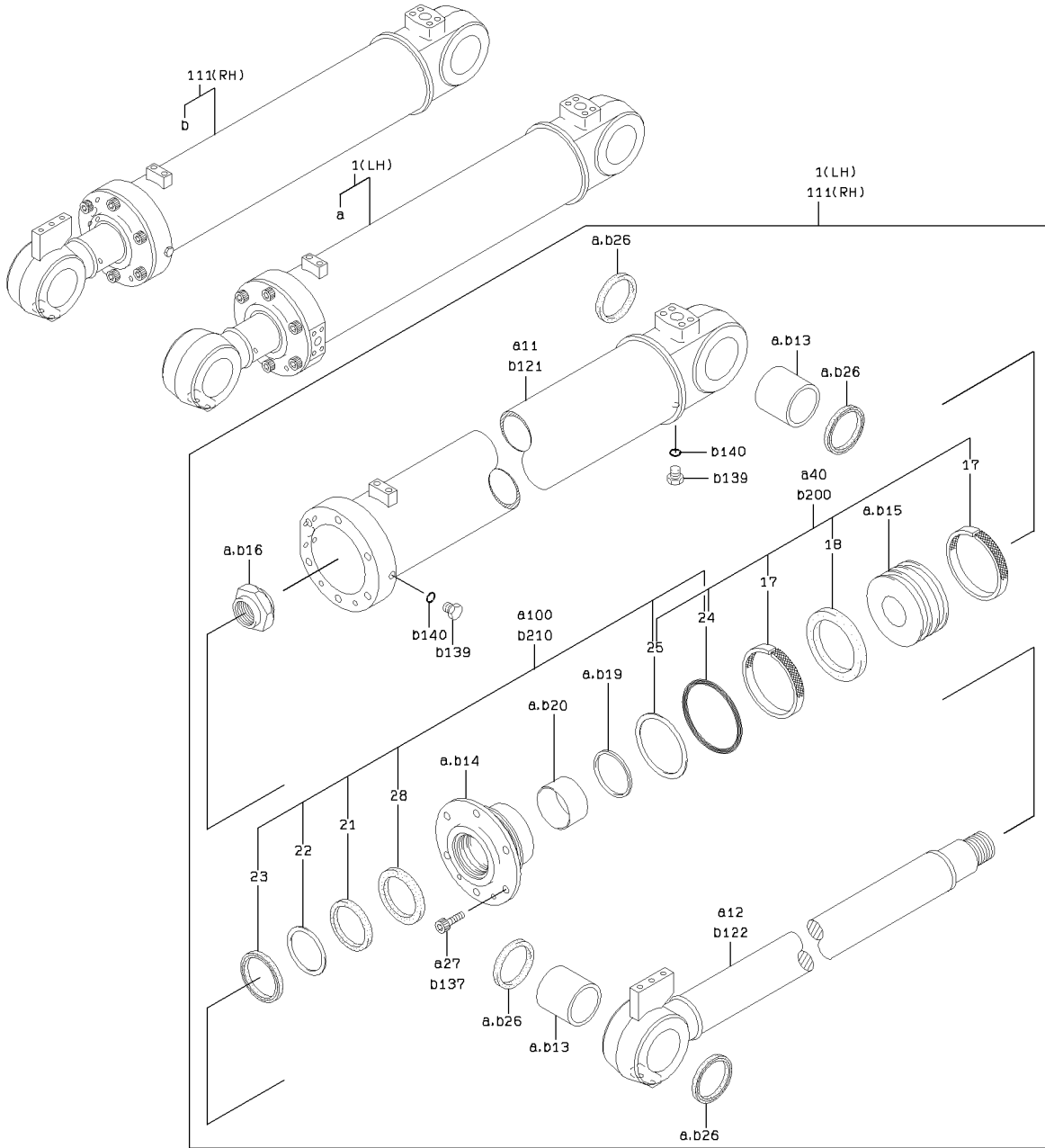


TILT CYLINDER (S/N 0101 - 0272)

SYM-BOL	PART NUMBER	PART NAME	UNIT Q,TY	SERIAL		REMARKS							
				(A)	(B)	N	P	D	(A)	(B)	(C)	(D)	REMARK
1A	34820-64640	CYLINDER ASSY,OIL	1	101	- 272				Y01				FR LH
11A	36725-72030	TUBE,CYLINDER	1	101	- 272				01				FR LH
12A	45886-72280	ROD,PISTON	1	101	- 272				01				FR LH
13A	39960-70790	PISTON	1	101	- 272				01		03		
15A	88811-08040	BUSHING	1	101	- 272					02		04	
16A	40840-71590	BUSHING	2	101	- 272				01		03		
17A	37600-20230	NUT,PISTON	1	101	- 272				01		03		
18A	45315-70010	RING,STOP	1	101	- 272				01		03		
19A	43900-70480	BOLT	6	101	- 272				01		03		
20A	62721-24100	WASHER,SPRING	6	101	- 272				01		03		
21A	65431-21217	RING,WEAR	1	101	- 272						K1		
22A	65421-21215	RING,SQUARE	1	101	- 272						K1		
23A	65412-21215	RING,SLIPPER	1	101	- 272						K1		
24A	65212-30624	RING,O	1	101	- 272						K1		K2
25A	61034-10025	BOLT	2	101	- 272				01		03		
26A	65212-31544	RING,O	1	101	- 272								K2
27A	47194-70150	RING,BACK-UP	1	101	- 272								K2
28A	65446-04809	PACKING,U	1	101	- 272								K2
29A	65473-09930	RING,BACK-UP	1	101	- 272								K2
30A	65464-06260	RING,BUFFER	1	101	- 272								K2
31A	65455-03808	RING,SCRAPER	1	101	- 272								K2
32A	65051-01906	SEAL,DUST	4	101	- 272				01		03		
33A	45315-70040	RING,STOP	1	101	- 272						02		04
38A	47171-70140	RING,WEAR	1	101	- 272						K1		
40A	49327-60650	SEAL KIT	1	101	- 272				01	QK1	03		FR PISTON
50A	49327-60730	SEAL KIT	1	101	- 272				01		03	QK2	FR ROD COVER
60A	31265-60280	COVER ASSY,ROD	1	101	- 272				01	Y02			FR LH
101A	34820-64650	CYLINDER ASSY,OIL	1	101	- 272						Y03		FR RH
111A	36725-72260	TUBE,CYLINDER	1	101	- 272						03		FR RH
112A	45886-72290	ROD,PISTON	1	101	- 272						03		FR RH
135A	41530-71210	PLUG	1	101	- 272						03		FR RH
136A	65210-12011	RING,O	1	101	- 272						03		FR RH
137A	88390-16104	PLUG	1	101	- 272						03		FR RH
160A	31265-70310	COVER ASSY,ROD	1	101	- 272						03	Y04	FR RH

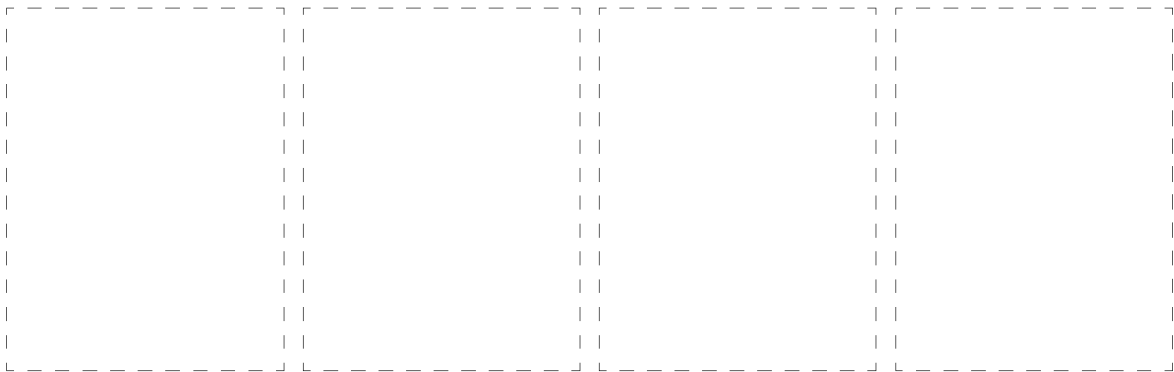
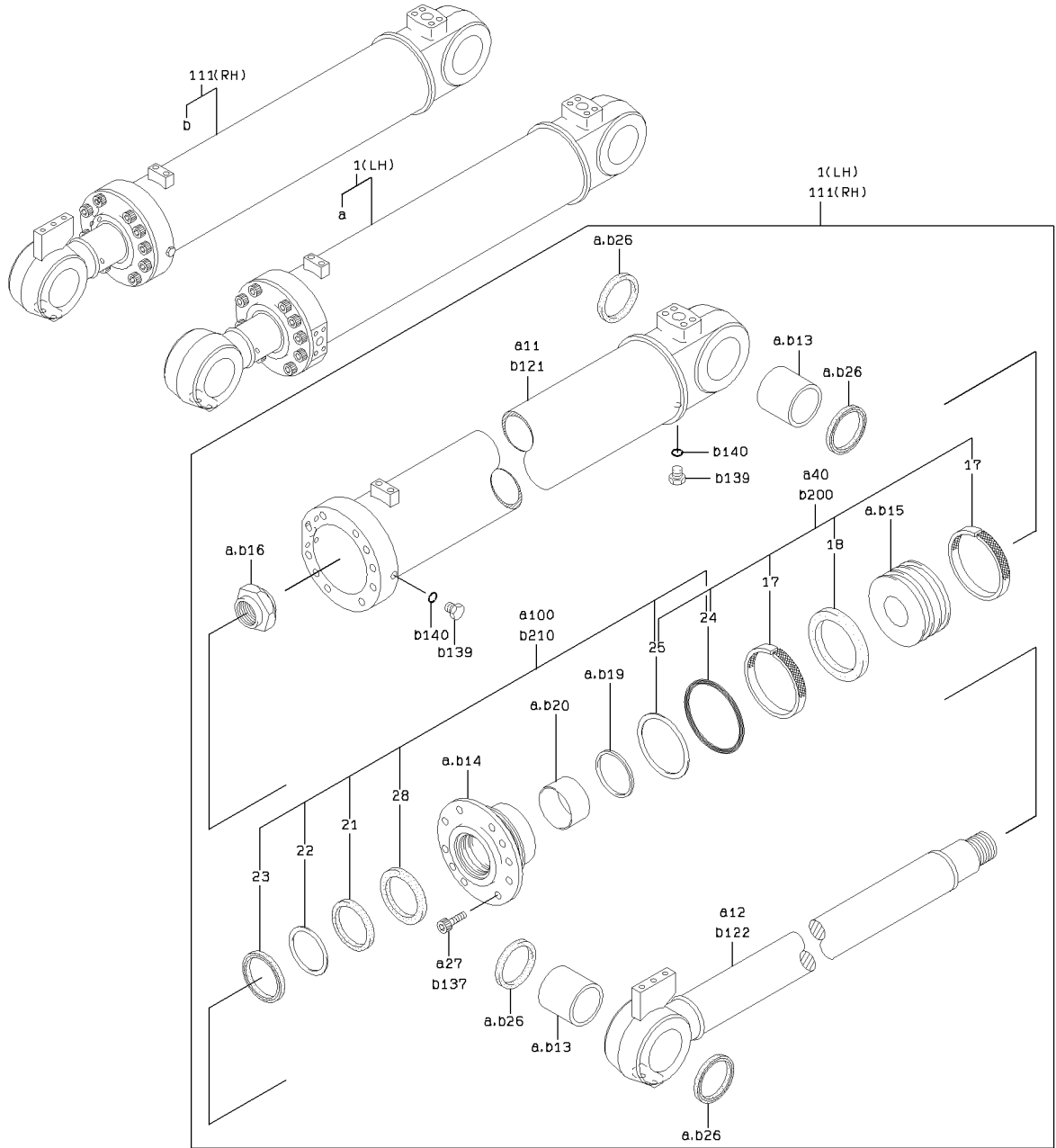
TILT CYLINDER (S/N 0273 -)

<S/N 0273 - 0450>



TILT CYLINDER (S/N 0273 -)

<S/N 0451 - >



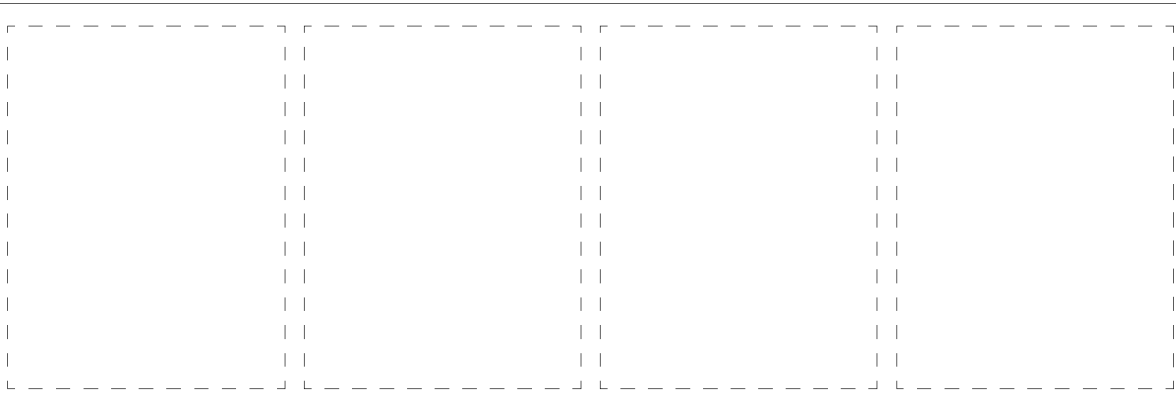
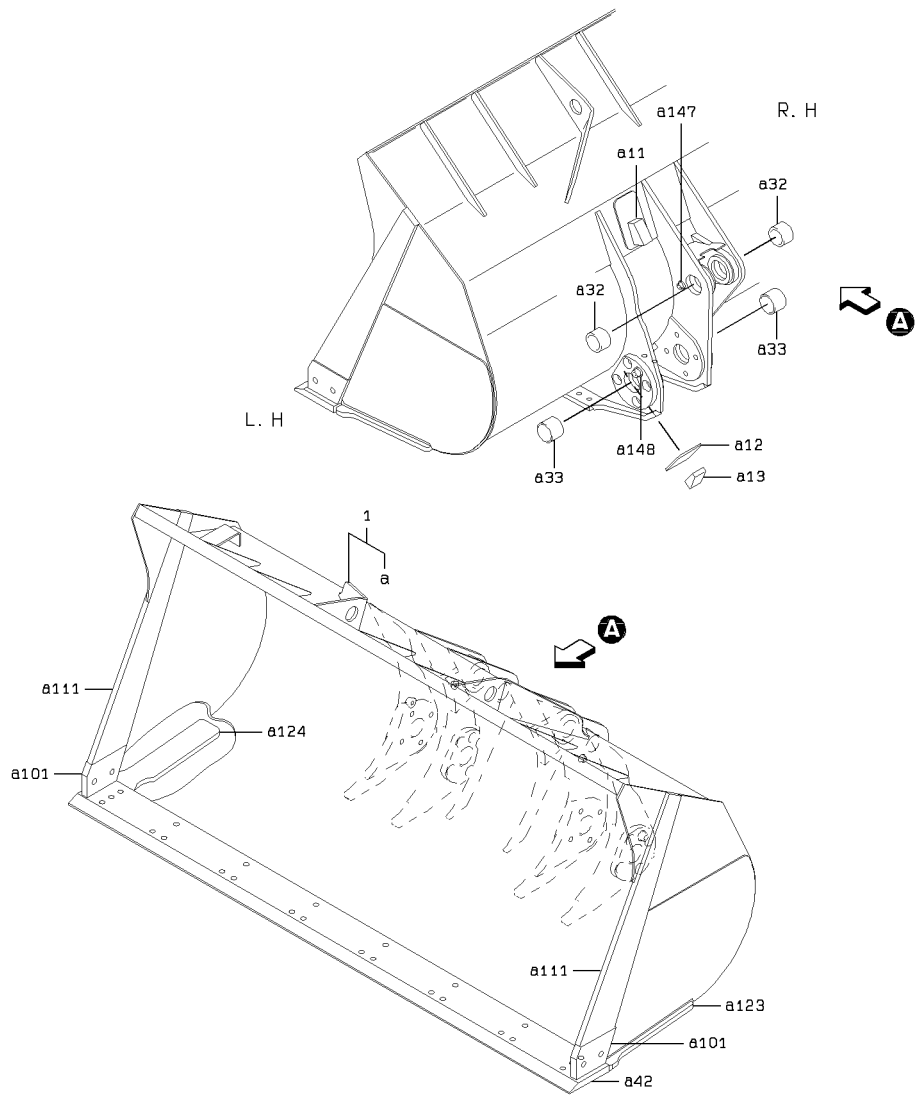
2-A

TILT CYLINDER (S/N 0273 -)

SYM-BOL	PART NUMBER	PART NAME	UNIT Q,TY	SERIAL		REMARKS							
				(A)	(B)	N	P	D	(A)	(B)	(C)	(D)	REMARK
1A	34820-66250	CYLINDER ASSY,OIL	1	273	398								FR LH
1B	34820-67420	CYLINDER ASSY,OIL	1	399	450								FR LH
1C	34820-68540	CYLINDER ASSY,OIL	1	451									
11A	36725-73290	TUBE,CYLINDER	1	273	409								
11B	36725-73990	TUBE,CYLINDER	1	410	450								
11C	36725-74070	TUBE,CYLINDER	1	451									
12A	45871-70100	ROD ASSY	1	273	450								
12B	45871-70590	ROD ASSY	1	451									
13A	40840-72940	BUSHING	2	273									02
14A	33100-70880	CASE	1	273	450								02
14B	42760-70190	HEAD	1	451									02
15A	39960-72460	PISTON	1	273									02
16A	37600-72650	NUT	1	273									02
17A	47171-70740	RING,WEAR	2	273									
18A	39600-73000	PACKING	1	273									
19A	32970-70410	CLIP	1	273									02
20A	40840-72950	BUSHING	1	273									02
21A	39600-73010	PACKING	1	273									K4 K2
22A	47194-71520	RING,BACK-UP	1	273									K4 K2
23A	34044-70980	SEAL,DUST	1	273	398								K4 K2
23B	34044-71200	SEAL,DUST	1	399									K4 K2
24A	47131-76830	RING,O	1	273									K4 K2
25A	47194-71530	RING,BACK-UP	1	273									K4 K2
26A	34044-70990	SEAL,DUST	4	273									02
27A	43954-70010	BOLT,SQUARE NECK	6	273	450								
27B	43954-70050	BOLT,SQUARE NECK	10	451									
28A	47195-70090	RING,BUFFER	1	273									K4 K2
40A	49327-73970	SEAL KIT	1	273	328								FR PISTON(LH)
40B	49327-73860	SEAL KIT	1	329									FR PISTON(LH)
100A	49327-73980	SEAL KIT	1	273	328								FR ROD COVER(L)
100B	49327-73870	SEAL KIT	1	329	398								FR ROD COVER(L)
100C	49327-74710	SEAL KIT	1	399									FR ROD COVER(L)
111A	34820-66260	CYLINDER ASSY,OIL	1	273	398								Y02 FR RH
111B	34820-67430	CYLINDER ASSY,OIL	1	399	450								Y02 FR RH
111C	34820-68550	CYLINDER ASSY,OIL	1	451									Y02
121A	36725-73280	TUBE,CYLINDER	1	273	409								02
121B	36725-74000	TUBE,CYLINDER	1	410	450								02
121C	36725-74060	TUBE,CYLINDER	1	451									02
122A	45871-70090	ROD ASSY	1	273	450								02
122B	45871-70600	ROD ASSY	1	451									02
137A	43954-70010	BOLT,SQUARE NECK	6	273	450								02
137B	43954-70040	BOLT,SQUARE NECK	10	451									02
139A	41530-75190	PLUG	2	273									02
140A	47131-76840	RING,O	2	273									02
200A	49327-73950	SEAL KIT	1	273	328								02 FR PISTON(RH)
200B	49327-73860	SEAL KIT	1	329									02 FR PISTON(RH)
210A	49327-73960	SEAL KIT	1	273	328								02 FR ROD COVER(R)
210B	49327-73870	SEAL KIT	1	329	398								02 FR ROD COVER(R)
210C	49327-74710	SEAL KIT	1	399									02 FR ROD COVER(R)

MEMO

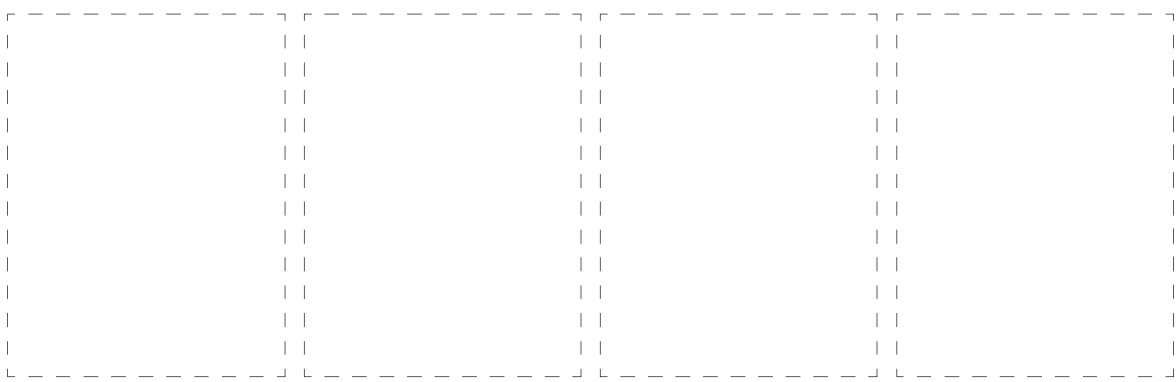
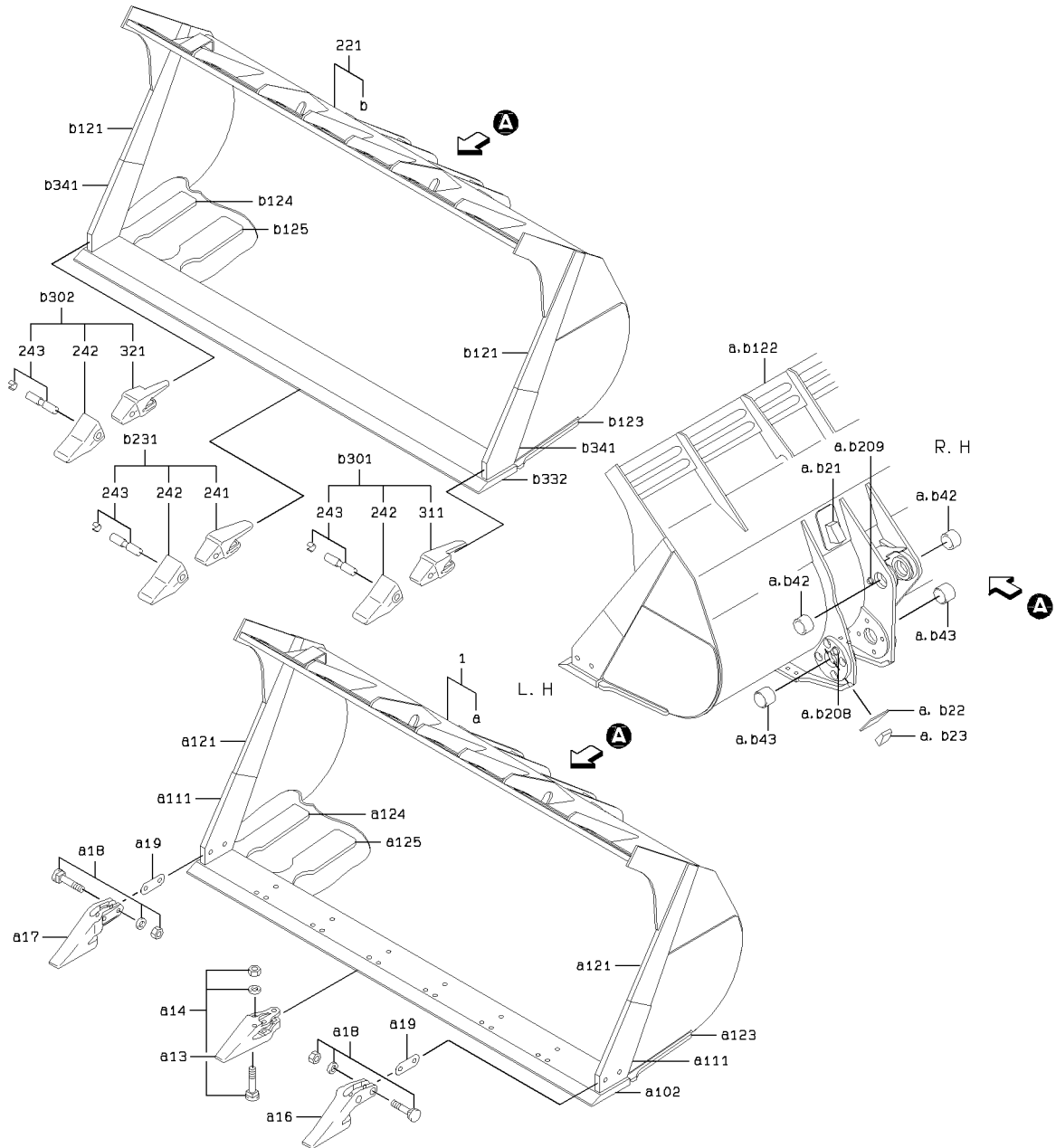
BUCKET (FOR GENERAL PURPOSE)



BUCKET (FOR GENERAL PURPOSE)

SYM-BOL	PART NUMBER	PART NAME	UNIT Q, TY	SERIAL		REMARKS							
				(A)	(B)	N	P	D	(A)	(B)	(C)	(D)	REMARK
1A	38311-30910	BUCKET ASSY	1	101	-					Y01			GSN 977
11A	41603-44910	PLATE	2	101	-					01			WELDING
12A	41600-20610	PLATE	2	101	-					01			T=9-25 (WELDIN
13A	41625-20210	STOPPER	2	101	-					01			WELDING
32A	40840-23800	BUSHING	4	101	-					01			
33A	63422-45730	BUSHING	4	101	-					01			
42A	30930-20290	EDGE	1	101	-					01			T=38
101A	30938-21340	EDGE,SIDE	2	101	-					01			T=38
111A	30938-21830	EDGE,SIDE	2	101	-					01			T=32
123A	41635-52760	PLATE	1	101	-					01			T=25 (LH)
124A	41635-52770	PLATE	1	101	-					01			T=25 (RH)
147A	41621-20320	PLATE	2	101	-					01			WELDING
148A	41621-20340	PLATE	2	101	-					01			WELDING

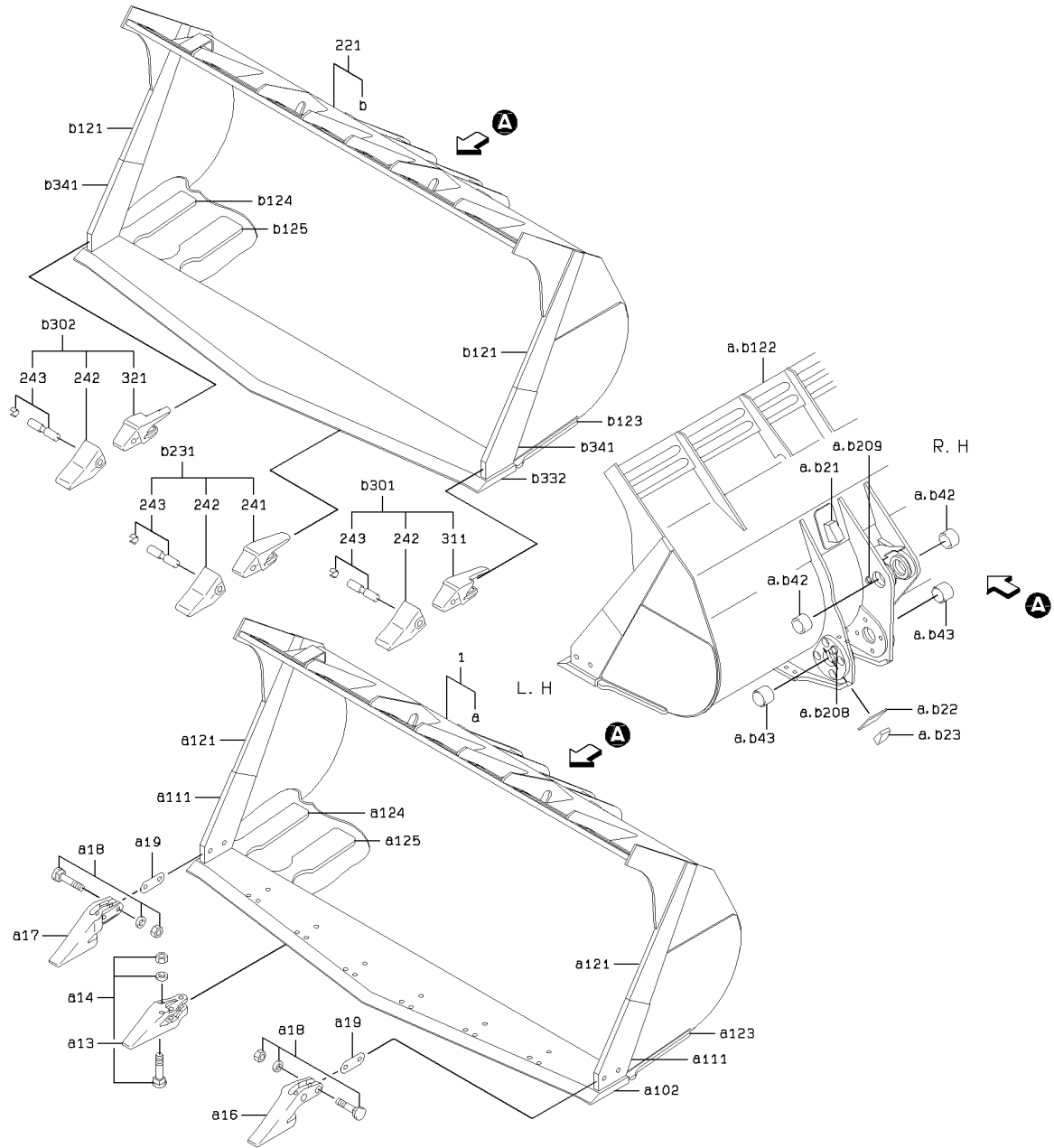
BUCKET (FOR ROCK-RS)



BUCKET (FOR ROCK-RS)

SYM-BOL	PART NUMBER	PART NAME	UNIT Q,TY	SERIAL		REMARKS								
				(A)	(B)	N	P	D	(A)	(B)	(C)	(D)	REMARK	
1A	38311-31210	BUCKET ASSY	1	101	-						Y01			RST 977
13A	36800-20350	TOOTH	6	101	-						01			
14A	43925-20560	BOLT SET	18	101	-						01			
16A	36815-20220	TOOTH,CORNER	1	101	-						01			FR LH
17A	36815-20210	TOOTH,CORNER	1	101	-						01			FR RH
18A	43925-20540	BOLT SET	4	101	-						01			
19A	34200-20950	SHIM	A/R	101	-						01			T=0.3
21A	41603-44910	PLATE	2	101	-						01	02		WELDING
22A	41600-20610	PLATE	2	101	-						01	02		T=9-25 (WELDIN
23A	41625-20210	STOPPER	2	101	-						01	02		WELDING
42A	40840-23800	BUSHING	4	101	-						01	02		
43A	63422-45730	BUSHING	4	101	-						01	02		
102A	30930-20200	EDGE	1	101	-						01			T=45
111A	30938-21330	EDGE,SIDE	2	101	-						01			T=38
121A	30938-21820	EDGE,SIDE	2	101	-						01	02		T=32
122A	31820-20270	GUAED,SPILL	1	101	-						01	02		
123A	41635-53090	PLATE	1	101	-						01	02		T=25 (LH)
124A	41635-53100	PLATE	1	101	-						01	02		T=25 (RH)
125A	41635-31950	PLATE	3	101	-						01	02		T=12
208A	41621-20340	PLATE	2	101	-						01	02		WELDING
209A	41621-20320	PLATE	2	101	-						01	02		WELDING
221A	38311-31320	BUCKET ASSY	1	101	-							Y02		RSA 977
231A	36805-20190	TOOTH ASSY	6	101	-							02	Y03	
241A	30245-20280	ADAPTER,TOOTH	1	101	-								03	
242A	36800-20450	TOOTH	1	101	-						05		03	04
243A	40000-39440	PIN	1	101	-						05		03	04
301A	36810-20150	TOOTH ASSY,CORNER	1	101	-							02	Y04	FR LH
302A	36810-20160	TOOTH ASSY,CORNER	1	101	-						Y05	02		FR RH
311A	30245-20290	ADAPTER,TOOTH	1	101	-								04	
321A	30245-20300	ADAPTER,TOOTH	1	101	-						05			
332A	30930-20270	EDGE	1	101	-							02		T=45
341A	30938-21880	EDGE,SIDE	2	101	-							02		T=38

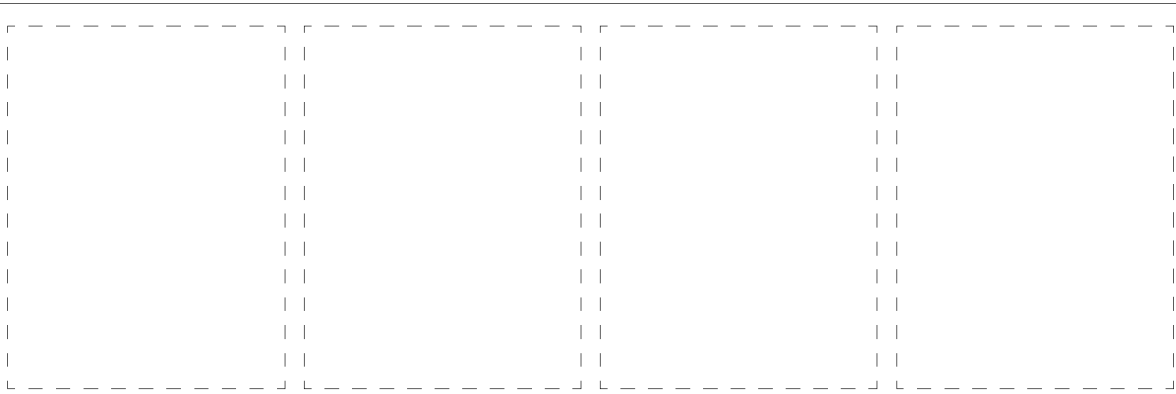
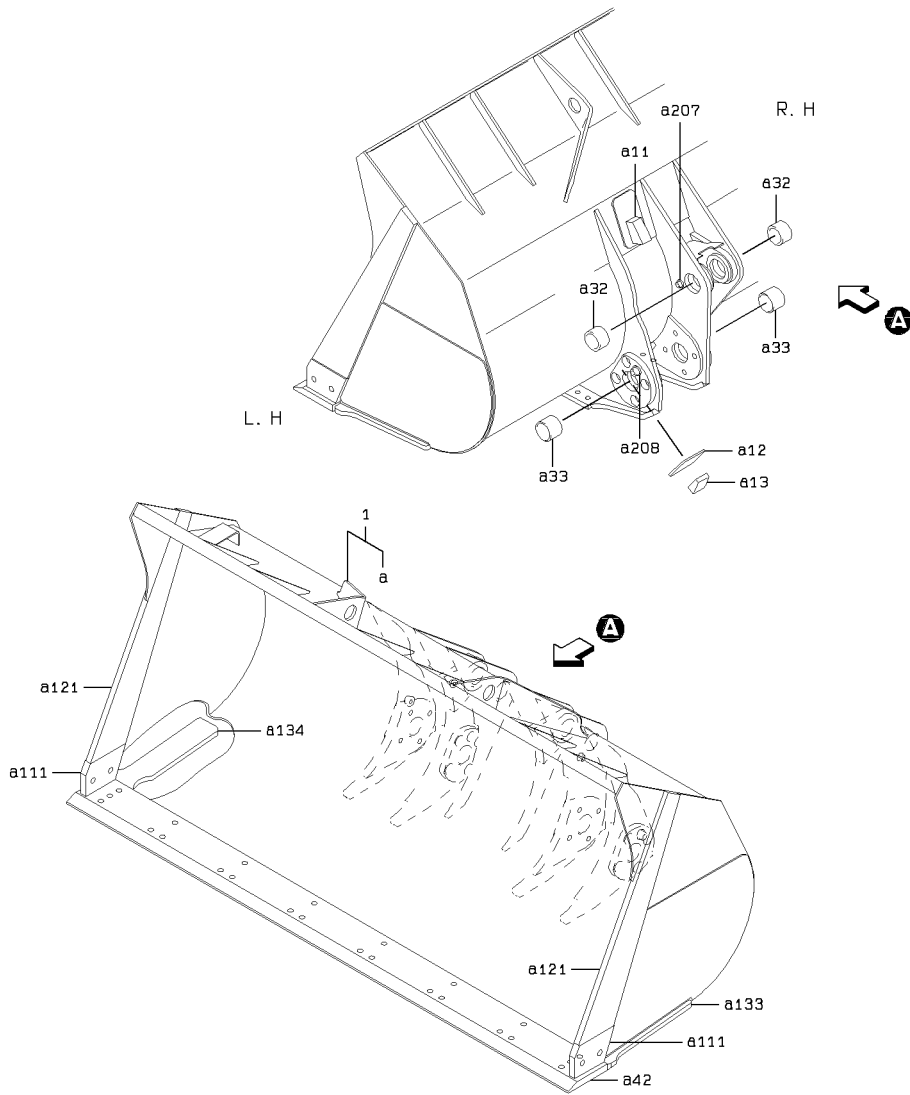
BUCKET (FOR ROCK-RV)



BUCKET (FOR ROCK-RV)

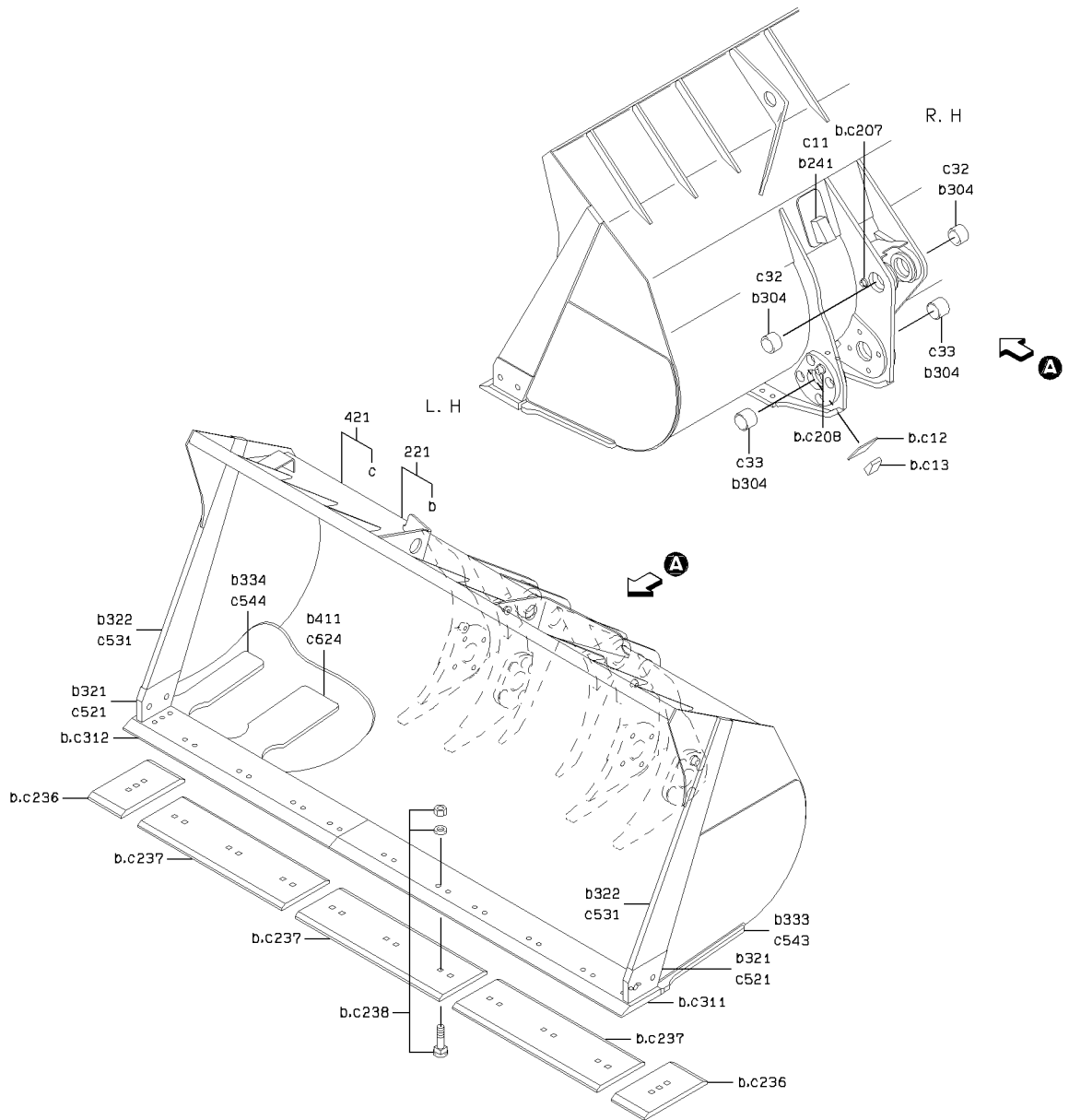
SYM-BOL	PART NUMBER	PART NAME	UNIT Q,TY	SERIAL		REMARKS								
				(A)	(B)	N	P	D	(A)	(B)	(C)	(D)	REMARK	
1A	38311-31170	BUCKET ASSY	1	101	-						Y01			RVT 977
13A	36800-20350	TOOTH	6	101	-						01			
14A	43925-20560	BOLT SET	18	101	-						01			
16A	36815-20220	TOOTH,CORNER	1	101	-						01			FR LH
17A	36815-20210	TOOTH,CORNER	1	101	-						01			FR RH
18A	43925-20540	BOLT SET	4	101	-						01			
19A	34200-20950	SHIM	A/R	101	-						01			T=0.3
21A	41603-44910	PLATE	2	101	-						01	02		WELDING
22A	41600-20610	PLATE	2	101	-						01	02		T=9-25 (WELDIN
23A	41625-20210	STOPPER	2	101	-						01	02		WELDING
42A	40840-23800	BUSHING	4	101	-						01	02		
43A	63422-45730	BUSHING	4	101	-						01	02		
102A	30930-21120	EDGE	1	101	-						01			T=45
111A	30938-21330	EDGE,SIDE	2	101	-						01			T=38
121A	30938-21820	EDGE,SIDE	2	101	-						01	02		T=32
122A	31820-20270	GUAED,SPILL	1	101	-						01	02		
123A	41635-53090	PLATE	1	101	-						01	02		T=25 (LH)
124A	41635-53100	PLATE	1	101	-						01	02		T=25 (RH)
125A	41635-31950	PLATE	3	101	-						01	02		T=12
208A	41621-20340	PLATE	2	101	-						01	02		WELDING
209A	41621-20320	PLATE	2	101	-						01	02		WELDING
221A	38311-31360	BUCKET ASSY	1	101	-							Y02		RVA 977
231A	36805-20190	TOOTH ASSY	6	101	-							02	Y03	
241A	30245-20280	ADAPTER,TOOTH	1	101	-								03	
242A	36800-20450	TOOTH	1	101	-						05		03	04
243A	40000-39440	PIN	1	101	-						05		03	04
301A	36810-20150	TOOTH ASSY,CORNER	1	101	-							02	Y04	FR LH
302A	36810-20160	TOOTH ASSY,CORNER	1	101	-						Y05	02		FR RH
311A	30245-20290	ADAPTER,TOOTH	1	101	-								04	
321A	30245-20300	ADAPTER,TOOTH	1	101	-						05			
332A	30930-22340	EDGE	1	101	-							02		T=45
341A	30938-21880	EDGE,SIDE	2	101	-							02		T=38

BUCKET



1-A

BUCKET



2-A

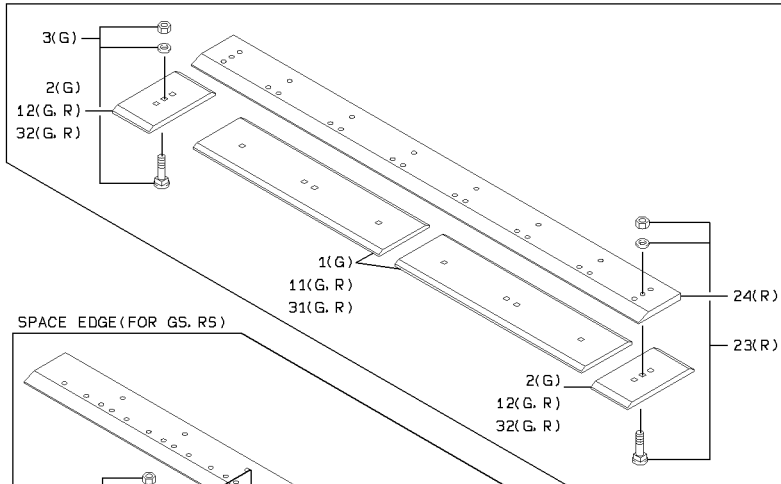
BUCKET

SYM-BOL	PART NUMBER	PART NAME	UNIT Q.TY	SERIAL		REMARKS								
				(A)	(B)	N	P	D	(A)	(B)	(C)	(D)	REMARK	
1A	38311-31440	BUCKET ASSY	1	101	-				Y01					FOR HIGH LIFT
11A	41603-44910	PLATE	2	101	-				01			03		WELDING
12A	41600-20610	PLATE	2	101	-				01	02		03		T=9-25 (WELDIN
13A	41625-20210	STOPPER	2	101	-				01	02		03		WELDING
32A	40840-23800	BUSHING	4	101	-				01			03		
33A	63422-45730	BUSHING	4	101	-				01			03		
42A	30930-20290	EDGE	1	101	-				01					T=38
111A	30938-21340	EDGE,SIDE	2	101	-				01					T=38
121A	30938-21930	EDGE,SIDE	2	101	-				01					T=32
133A	41635-45800	PLATE	1	101	-				01					T=25 (LH)
134A	41635-45810	PLATE	1	101	-				01					T=25 (RH)
207A	41621-20320	PLATE	2	101	-				01	02		03		WELDING
208A	41621-20340	PLATE	2	101	-				01	02		03		WELDING
221A	38311-32700	BUCKET ASSY	1	101	-					Y02				7M3 FOR CHARK
236A	30935-20580	EDGE,WEAR	2	101	-					02		03		
237A	30935-20710	EDGE,WEAR	3	101	-					02		03		
238A	43925-20550	BOLT SET	24	101	-					02		03		
241A	41600-39620	PLATE	2	101	-					02				WELDING
304A	63422-45730	BUSHING	8	101	-					02				
311A	30930-23980	EDGE	1	101	-					02		03		T=38 (LH)
312A	30930-23990	EDGE	1	101	-					02		03		T=38 (RH)
321A	30938-22520	EDGE,SIDE	2	101	-					02				T=38
322A	30938-22530	EDGE,SIDE	2	101	-					02				T=32
333A	41635-53320	PLATE	1	101	-					02				T=25 (LH)
334A	41635-53330	PLATE	1	101	-					02				T=25 (RH)
411A	41635-32470	PLATE	2	101	-					02				T=12
421A	38311-33810	BUCKET ASSY	1	101	-						Y03			7.5M3 FOR CHAR
521A	30938-24310	EDGE,SIDE	2	101	-							03		T=38
531A	30938-24300	EDGE,SIDE	2	101	-							03		T=32
543A	41636-59450	PLATE	1	101	-							03		T=25 (LH)
544A	41636-59460	PLATE	1	101	-							03		T=25 (RH)
624A	41636-59580	PLATE	2	101	-							03		T=12

MEMO

BUCKET OPTION PARTS

WEAR EDGE (FOR GS, RS)



SPACE EDGE (FOR GS, RS)

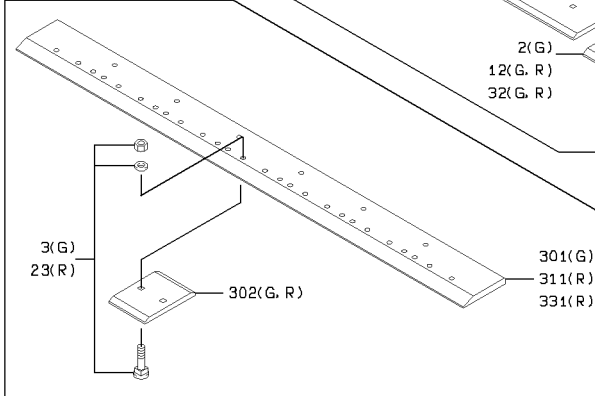
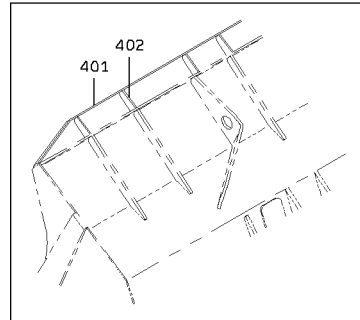
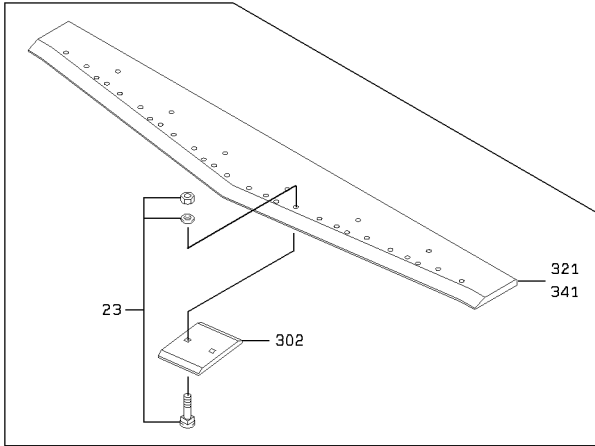


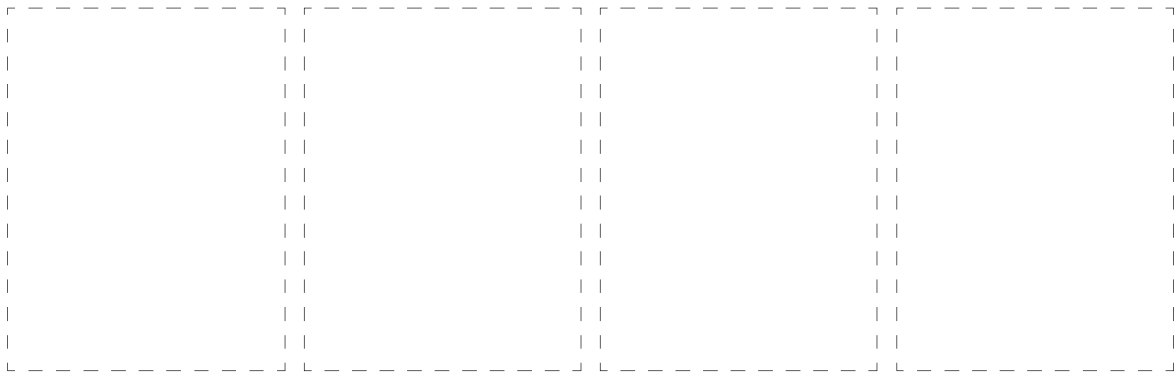
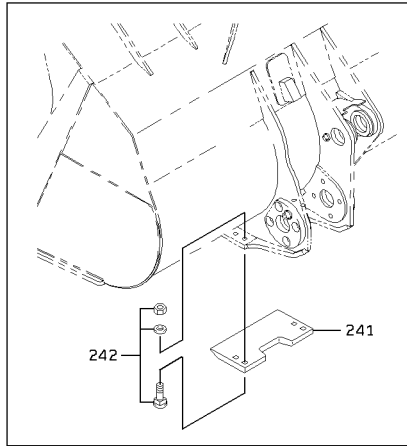
PLATE (FOR GS)



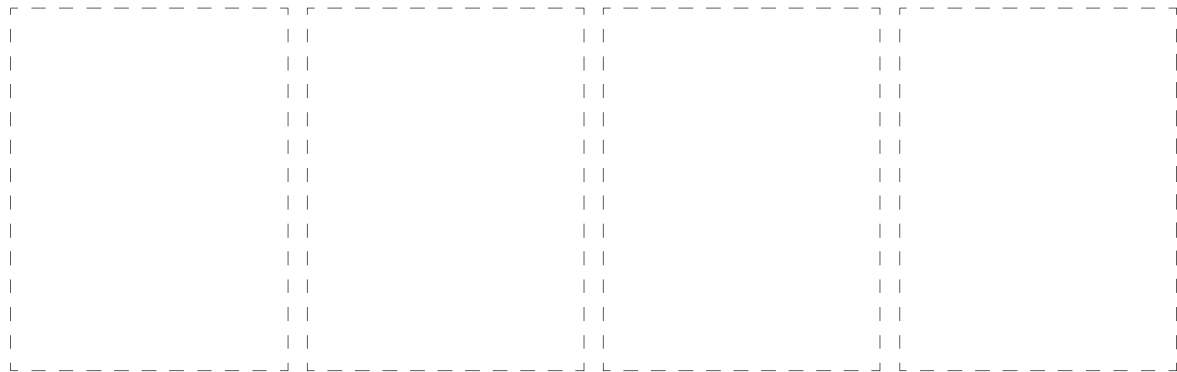
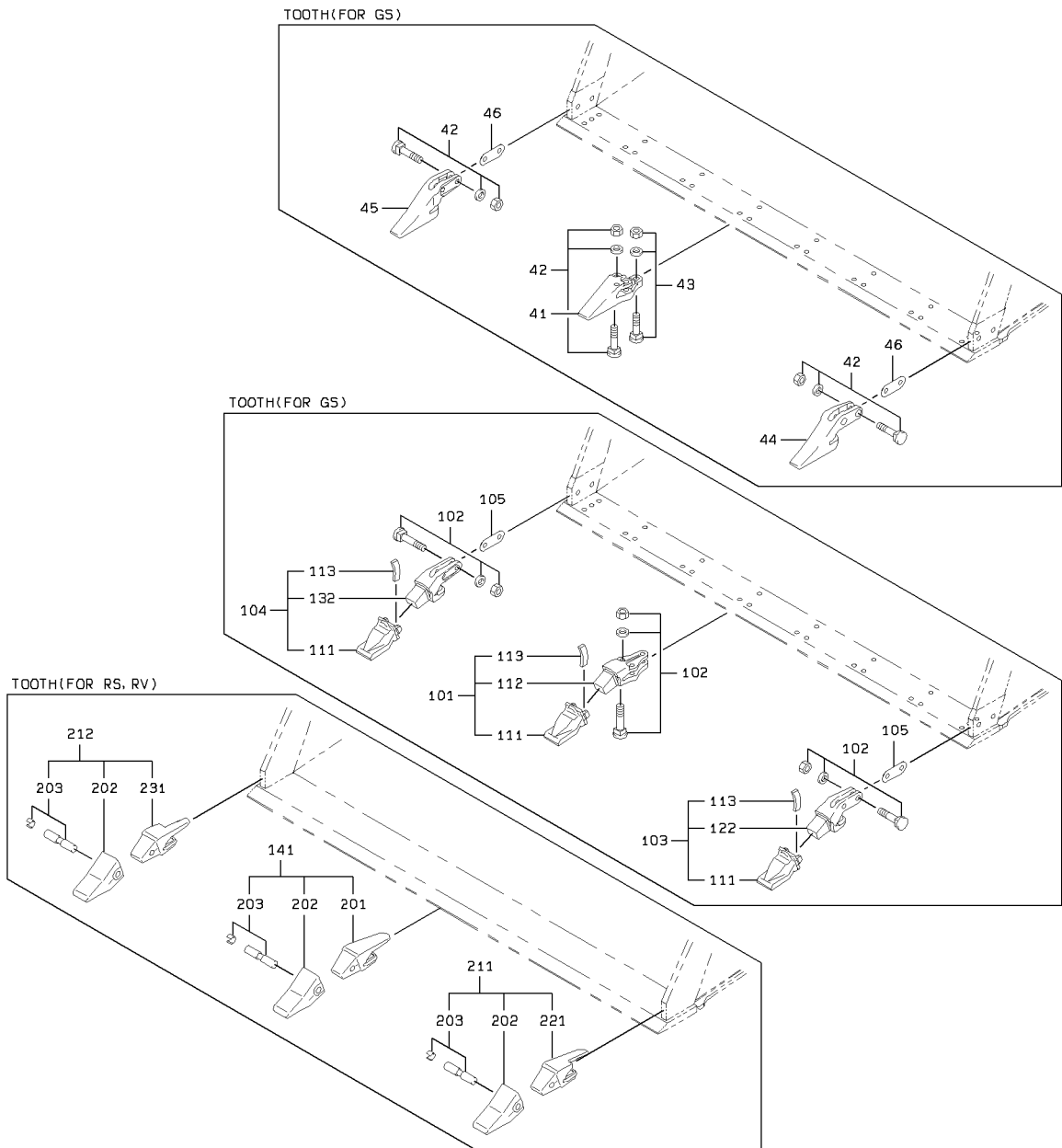
SPACE EDGE (FOR RV)



WEAR PLATE

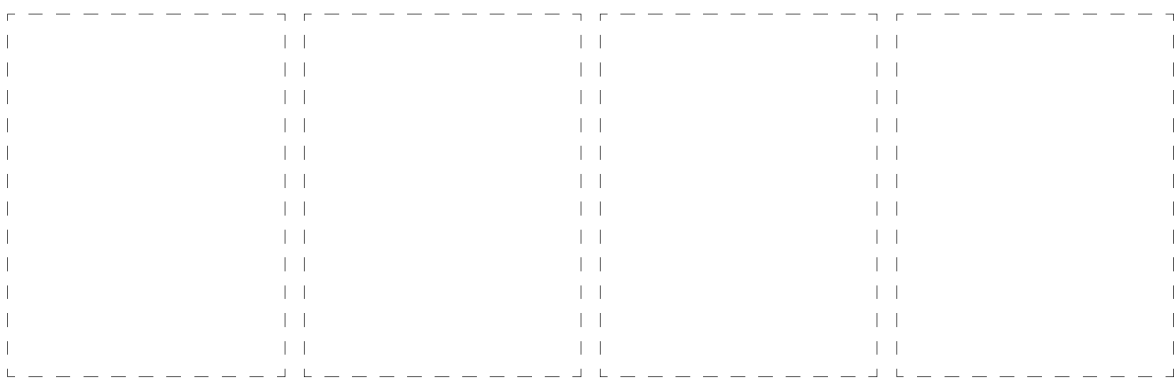
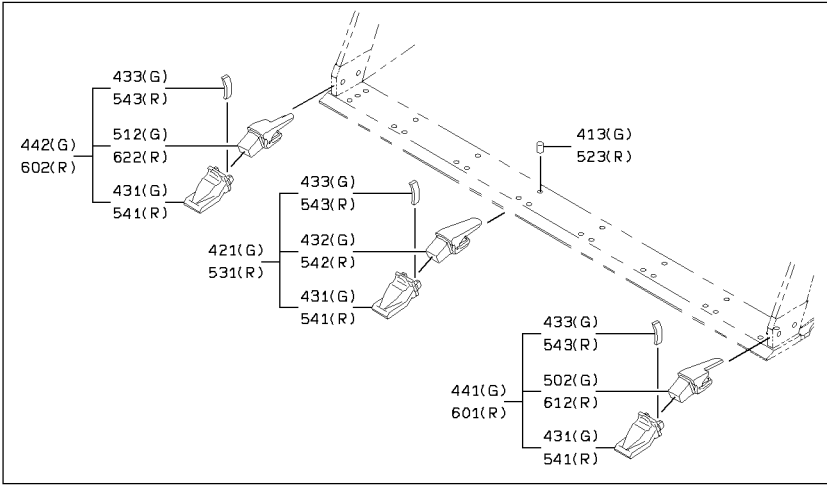


BUCKET OPTION PARTS



BUCKET OPTION PARTS

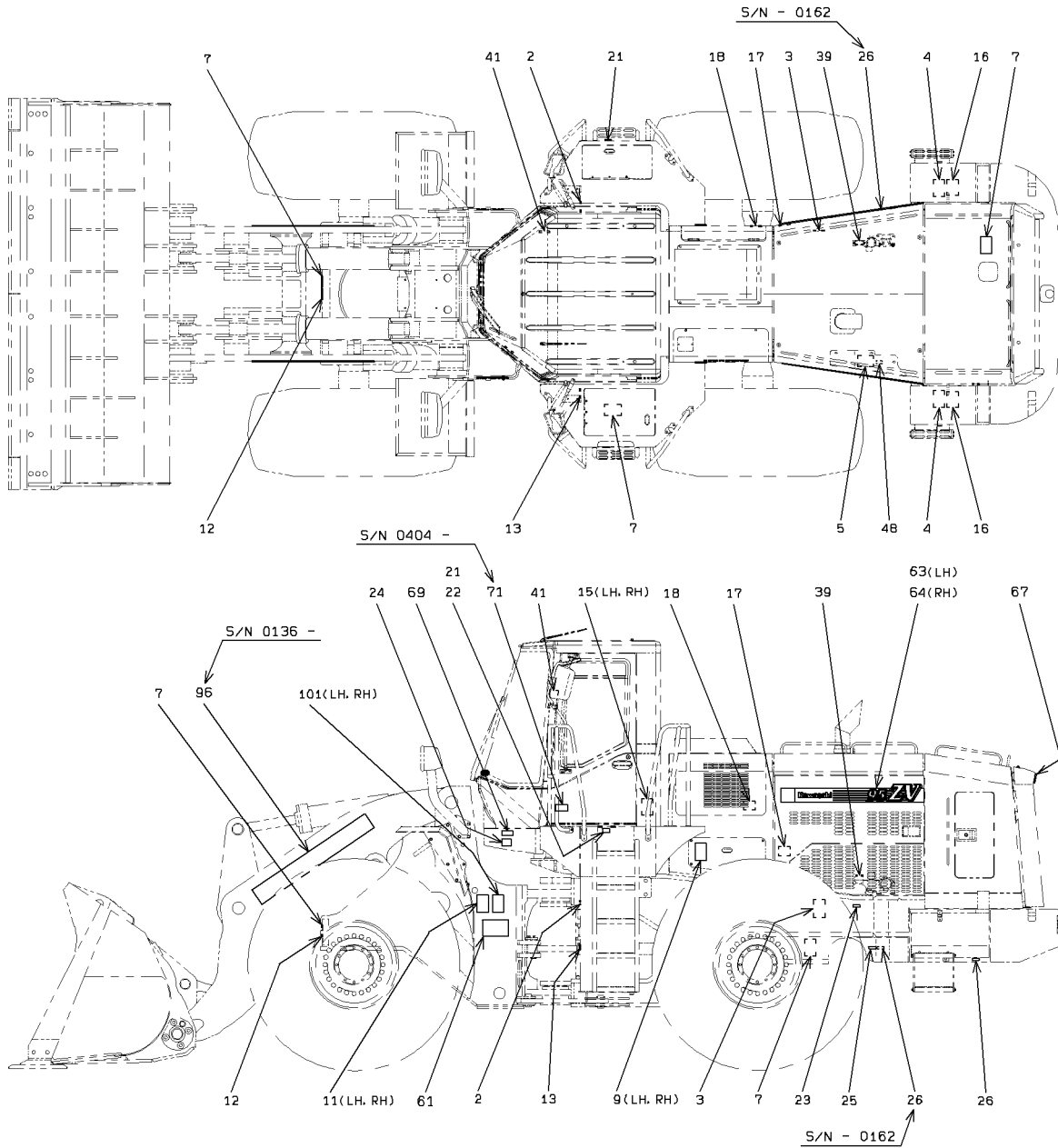
TOOTH(FOR GS. RS. RV)



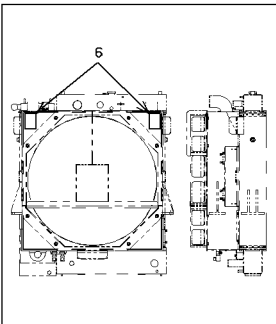
BUCKET OPTION PARTS

SYM-BOL	PART NUMBER	PART NAME	UNIT Q.TY	SERIAL		REMARKS							
				(A)	(B)	N	P	D	(A)	(B)	(C)	(D)	REMARK
1A	30935-20170	EDGE,WEAR	2	101	-								FR GS
2A	30935-20180	EDGE,WEAR	2	101	-								FR GS
3A	43925-20550	BOLT SET	14	101	-								FR GS
11A	30935-21410	EDGE,WEAR	2	101	-								FR GS,RS
12A	30935-21420	EDGE,WEAR	2	101	-								FR GS,RS
23A	43925-20570	BOLT SET	14	101	-								FR RS,RV
24A	03501-15770	EDGE	1	101	-								FR RS
31A	30935-21470	EDGE,WEAR	2	101	-								FR GS,RS
32A	30935-21480	EDGE,WEAR	2	101	-								FR GS,RS
41A	36800-20340	TOOTH	6	101	-								FR GS
42A	43925-20540	BOLT SET	16	101	-								FR GS
43A	43925-20550	BOLT SET	6	101	-								FR GS
44A	36815-20190	TOOTH,CORNER	1	101	-								FR GS(LH)
45A	36815-20200	TOOTH,CORNER	1	101	-								FR GS(RH)
46A	34200-20950	SHIM	A/R	101	-								FR GS(T=0.3)
101A	36805-20210	TOOTH ASSY	6	101	-				Y01				FR GS
102A	43925-20540	BOLT SET	22	101	-								FR GS
103A	36810-20250	TOOTH ASSY,CORNER	1	101	-					Y02			FR GS(LH)
104A	36810-20260	TOOTH ASSY,CORNER	1	101	-						Y03		FR GS(RH)
105A	34200-20950	SHIM	A/R	101	-								FR GS(T=0.3)
111A	36800-60070	TOOTH	1	101	-				01	02	03		
112A	30245-60060	ADAPTER,TOOTH	1	101	-				01				
113A	40000-60030	PIN	1	101	-				01	02	03		
122A	30245-60040	ADAPTER,TOOTH	1	101	-					02			
132A	30245-60050	ADAPTER,TOOTH	1	101	-						03		
141A	36805-20190	TOOTH ASSY	6	101	-							Y04	FR RS,RV
201A	30245-20280	ADAPTER,TOOTH	1	101	-							04	
202A	36800-20450	TOOTH	1	101	-				05	06		04	
203A	40000-39440	PIN	1	101	-				05	06		04	
211A	36810-20150	TOOTH ASSY,CORNER	1	101	-				Y05				FR RS,RV(LH)
212A	36810-20160	TOOTH ASSY,CORNER	1	101	-					Y06			FR RS,RV(RH)
221A	30245-20290	ADAPTER,TOOTH	1	101	-				05				
231A	30245-20300	ADAPTER,TOOTH	1	101	-					06			
241A	41656-20460	PLATE,WEAR	2	101	-								
242A	43925-20490	BOLT SET	8	101	-								
301A	30930-20310	EDGE	1	101	-								FR GS
302A	30936-20030	EDGE,SPACE	7	101	-								FR GS,RS,RV
311A	30930-20320	EDGE	1	101	-								FR RS
321A	30930-21020	EDGE	1	101	-								FR RV
331A	30930-22330	EDGE	1	101	-								FR RS
341A	30930-22350	EDGE	1	101	-								FR RV
401A	41619-20440	PLATE	1	101	-								FR GS(WELDING)
402A	41607-52230	PLATE	8	101	-								FR GS(WELDING)
413A	41530-21690	PLUG	22	101	-								FR GS
421A	36805-20290	TOOTH ASSY	6	101	-						Y07		FR GS
431A	36800-60070	TOOTH	1	101	-				09		07	08	
432A	30245-60130	ADAPTER,TOOTH	1	101	-						07		
433A	40000-60030	PIN	1	101	-				09		07	08	
441A	36810-20340	TOOTH ASSY,CORNER	1	101	-							Y08	FR GS(LH)
442A	36810-20350	TOOTH ASSY,CORNER	1	101	-				Y09				FR GS(RH)
502A	30245-20380	ADAPTER,TOOTH	1	101	-							08	
512A	30245-20390	ADAPTER,TOOTH	1	101	-				09				
523A	41530-21840	PLUG	18	101	-								FR RS,RV
531A	36805-20300	TOOTH ASSY	6	101	-					Y10			FR RS,RV
541A	36800-60070	TOOTH	1	101	-					10	11	12	
542A	30245-60140	ADAPTER,TOOTH	1	101	-					10			
543A	40000-60030	PIN	1	101	-					10	11	12	
601A	36810-20360	TOOTH ASSY,CORNER	1	101	-							Y11	FR RS,RV(LH)
602A	36810-20370	TOOTH ASSY,CORNER	1	101	-							Y12	FR RS,RV(RH)
612A	30245-20410	ADAPTER,TOOTH	1	101	-						11		
622A	30245-20420	ADAPTER,TOOTH	1	101	-							12	

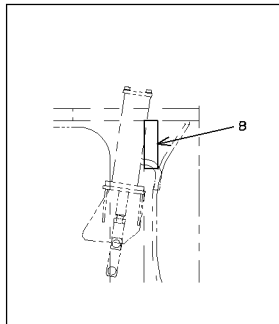
MARKING GROUP



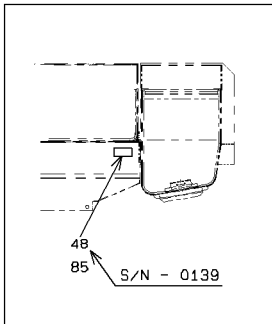
RADIATOR



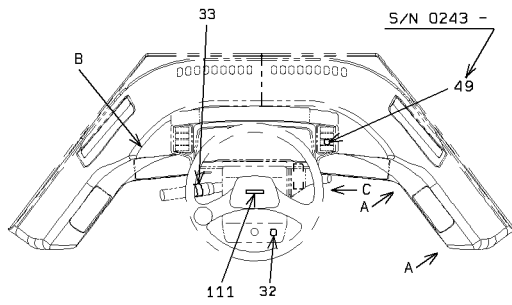
PARKING BRAKE



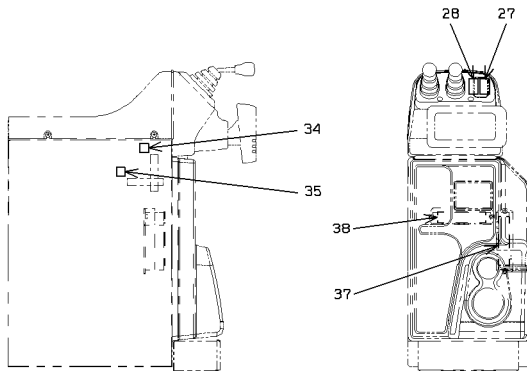
AIR CONDITIONER UNIT



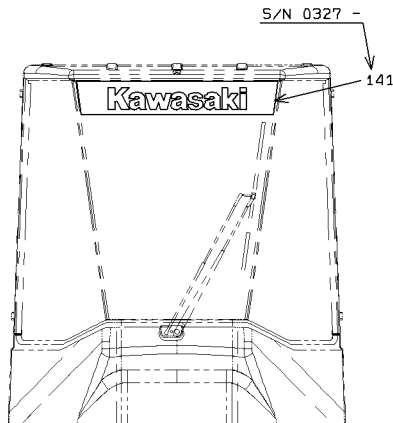
MARKING GROUP



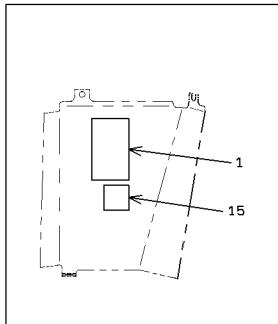
SYMBOL	LABEL KIT
120	LABEL KIT
1	WARNING LABEL (READ MANUAL)
2	WARNING LABEL (CHECK T/C OIL)
3	WARNING LABEL (CAUGHT)
4	WARNING LABEL (BATTERY GAS)
5	WARNING LABEL (BELT)
6	WARNING LABEL (FAN)
7	WARNING LABEL (HOT FLUID)
8	WARNING LABEL (COMP'D SPRING)
9	WARNING LABEL (ACCUMULATOR)
101	WARNING LABEL (AXLE)



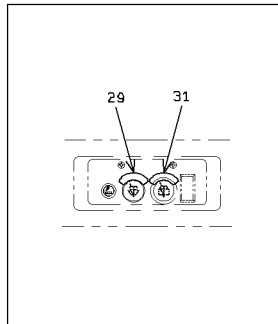
SYMBOL	LABEL KIT
130	LABEL KIT
11	DANGER LABEL (CAUGHT)
12	DANGER LABEL (BOOM)
13	CAUTION LABEL (ARTIC. STOPPER)
15	DANGER LABEL (ROPS)
16	CAUTION LABEL (BATTERY LIQUID)
17	CAUTION LABEL (ETHER CYLINDER)
18	WARNING LABEL (AIR CLEANER)
21	FUEL LABEL
22	HYDRAULIC OIL LABEL
23	TIRE AIR PRESSURE LABEL
24	GAUGE PORT LABEL
25	E/G OIL DRAIN LABEL (OIL PAN)
26	R/D COOLING WATER DRAIN LABEL
27	CONTROL LABEL (HOIST ARM)
28	CONTROL LABEL (BUCKET)
29	FRONT WIPER LABEL
31	REAR WIPER LABEL (OPTION)
32	PARKING BRAKE LABEL
33	SHIFT LEVER LABEL (F↔R)
34	LOCK LABEL
35	UNLOCK LABEL
36	STARTER S/W LABEL
37	FUSE LABEL (CAB)
38	FUSE LABEL (FRAME)
39	FUSE LABEL
41	INDICATOR LIST LABEL
4B	CAUTION LABEL (AIR CONDITIONER)



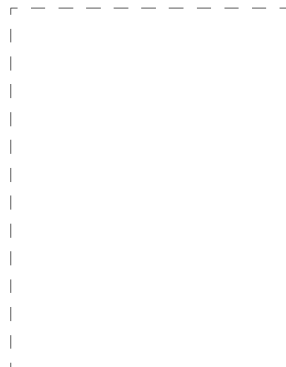
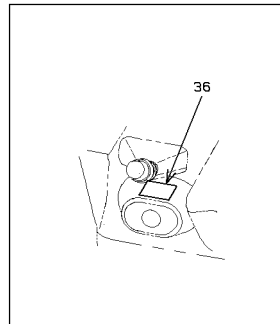
VIEW A - A



VIEW B



VIEW C






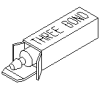






MARKING GROUP



SYM-BOL	PART NUMBER	PART NAME	UNIT Q,TY	SERIAL		REMARKS								
				(A)	(B)	N	P	D	(A)	(B)	(C)	(D)	REMARK	
49A	44770-55040	LABEL	1	243	-									
61A	44794-22590	LABEL,LUBRICATION	1	101	-									
63A	44770-50680	LABEL	1	101	-									FR LH
64A	44770-50690	LABEL	1	101	-									FR RH
67A	44770-49210	LABEL	1	101	-									
69A	41668-20020	PLATE,SERIAL NUMBE	1	101	-	251								
69B	41668-20630	PLATE,SERIAL NUMBE	1	252	-		N	C						
71A	44774-21330	LABEL	1	404	-									MADE IN JAPAN
85A	44841-20990	LABEL	1	140	-									
96A	44770-34230	LABEL	2	136	-									
111A	44770-47130	LABEL	1	101	-									
120A	44771-22200	LABEL KIT	1	101	-	251								
120B	44771-22540	LABEL KIT	1	252	-		C							
130A	44771-22140	LABEL KIT	1	101	-									
141A	44770-57270	LABEL	1	327	-									

MEMO

REPAIR & MAINTENANCE PARTS

SYMBOL	OUTWARD FORM	PART NUMBER	PART NAME	CONTENT	DESCRIPTION
11		48977-90560	MARIGOLD YELLOW	1	PAINT(S/N 0311 -)
15		41262-70020	BRAKE OIL	1L	WET DISC BRAKE ONLY
17		48977-90580	CHRISTMAS FIR GREEN	1	PAINT(S/N 0311 -) (FOR REAR GRILLE & BRACKET OF REAR LAMP etc.)
19		48977-90380	BLACK	1	PAINT (FOR HANDRAIL & MIRROR STAY etc.)
20		48977-90400	MIDIUM GRAY	1	PAINT (FOR FLOOR BOARD & INSIDE OF CAB etc.)
21		39651-70010	SEALANT	250G	THEEE BOND 1215
23		45860-70010	LIQUID. LOCKING	250CC	LOCK TITE 262
27		45860-70020	LIQUID. LOCKING	250CC	LOCK TITE(PLASTIC GASKET)
28		45860-70030	LIQUID. LOCKING	250G	THEEE BOND 1327
29		45860-70040	LIQUID. LOCKING	250G	THEEE BOND 1374

S/N 0101 - 0310

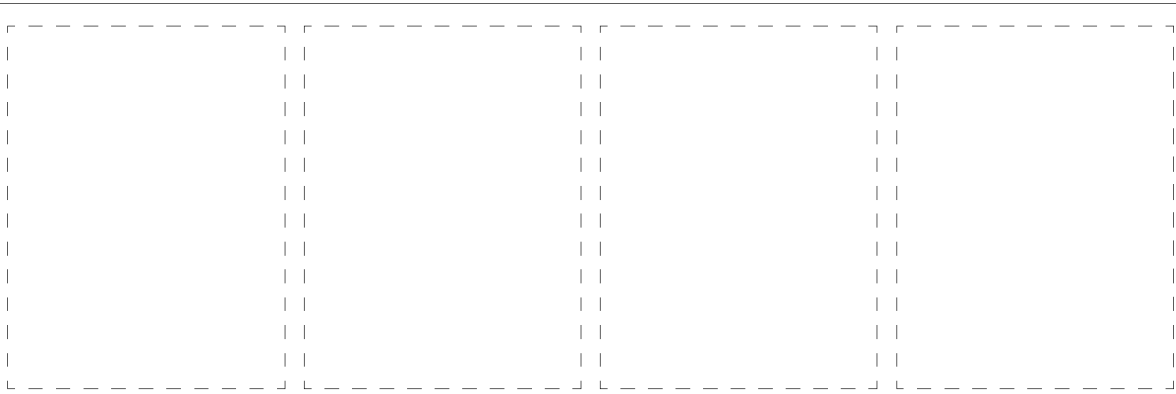
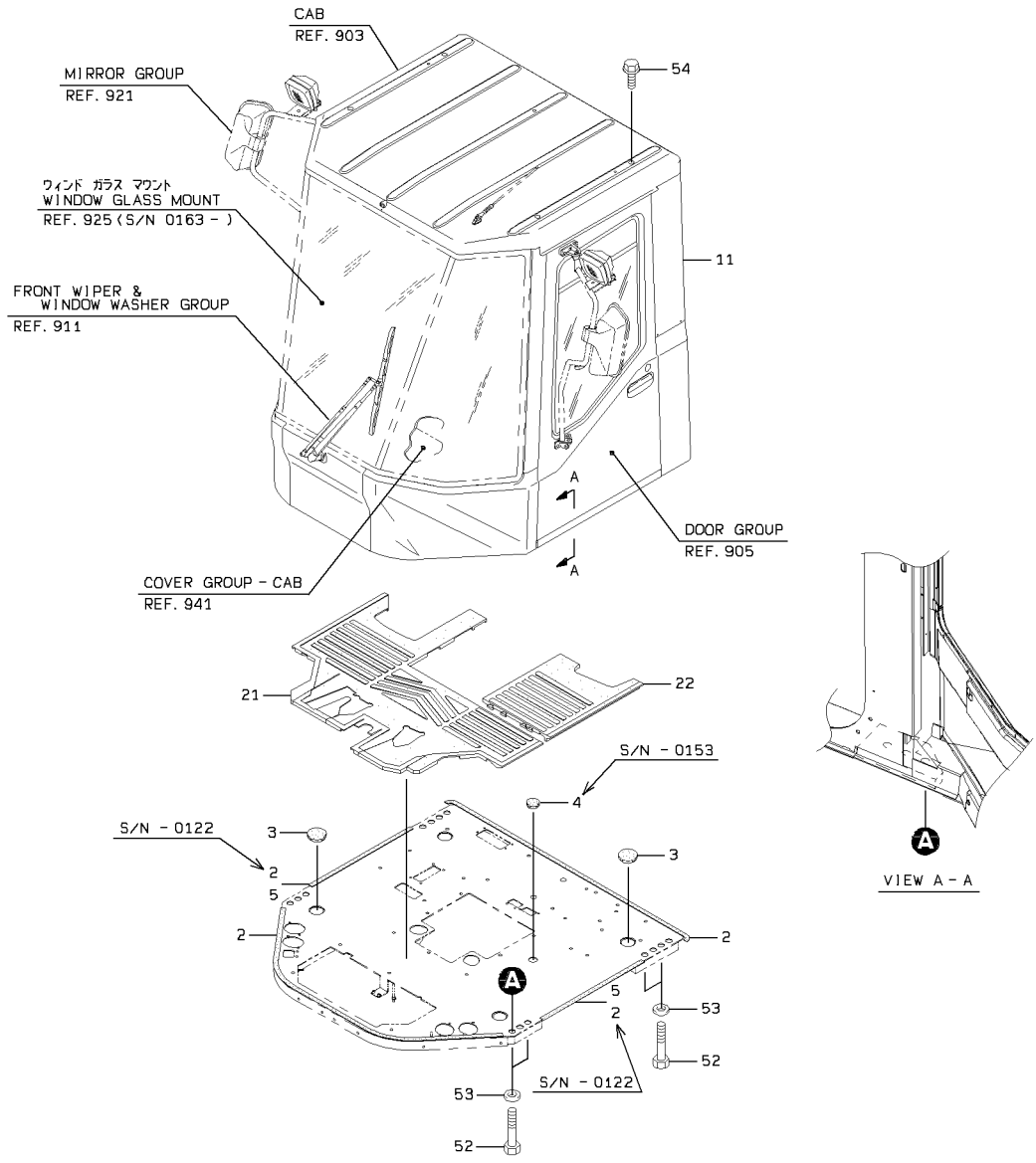
SYMBOL	OUTWARD FORM	PART NUMBER	PART NAME	CONTENT	DESCRIPTION
11		48977-20100	SUNFLOWER YELLOW	1	PAINT
17		48977-20060	AUTHENT GREEN	1	PAINT (FOR REAR GRILLE & BRACKET OF REAR LAMP etc.)

REPAIR & MAINTENANCE PARTS

SYM-BOL	PART NUMBER	PART NAME	UNIT Q, TY	SERIAL			REMARKS						
				(A)	-	(B)	N	P	D	(A)	(B)	(C)	(D)
11A	48977-20100	PAINT	1	101	-	310							
11B	48977-90560	PAINT	1	311	-		B						
15A	41262-70020	BRAKE FLUID	1	101	-								
17A	48977-20060	PAINT	1	101	-	310							
17B	48977-90580	PAINT	1	311	-		B						
19A	48977-90380	PAINT	1	101	-								
20A	48977-90400	PAINT	1	101	-								
21A	39651-70010	SEALANT	1	101	-								
23A	45860-70010	LIQUID, LOCKING	1	101	-								
27A	45860-70020	LIQUID, LOCKING	1	101	-								
28A	45860-70030	LIQUID, LOCKING	1	101	-								
29A	45860-70040	LIQUID, LOCKING	1	101	-								

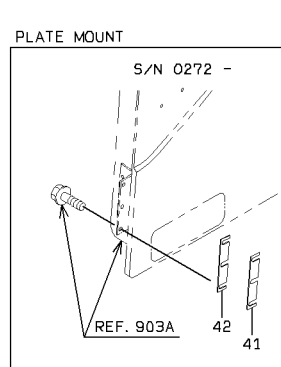
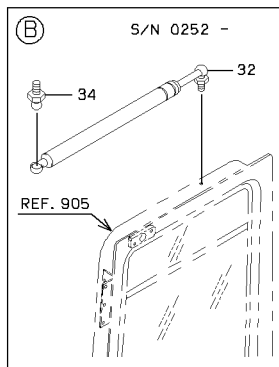
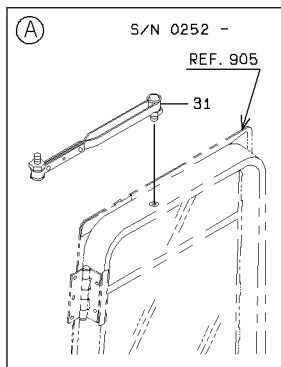
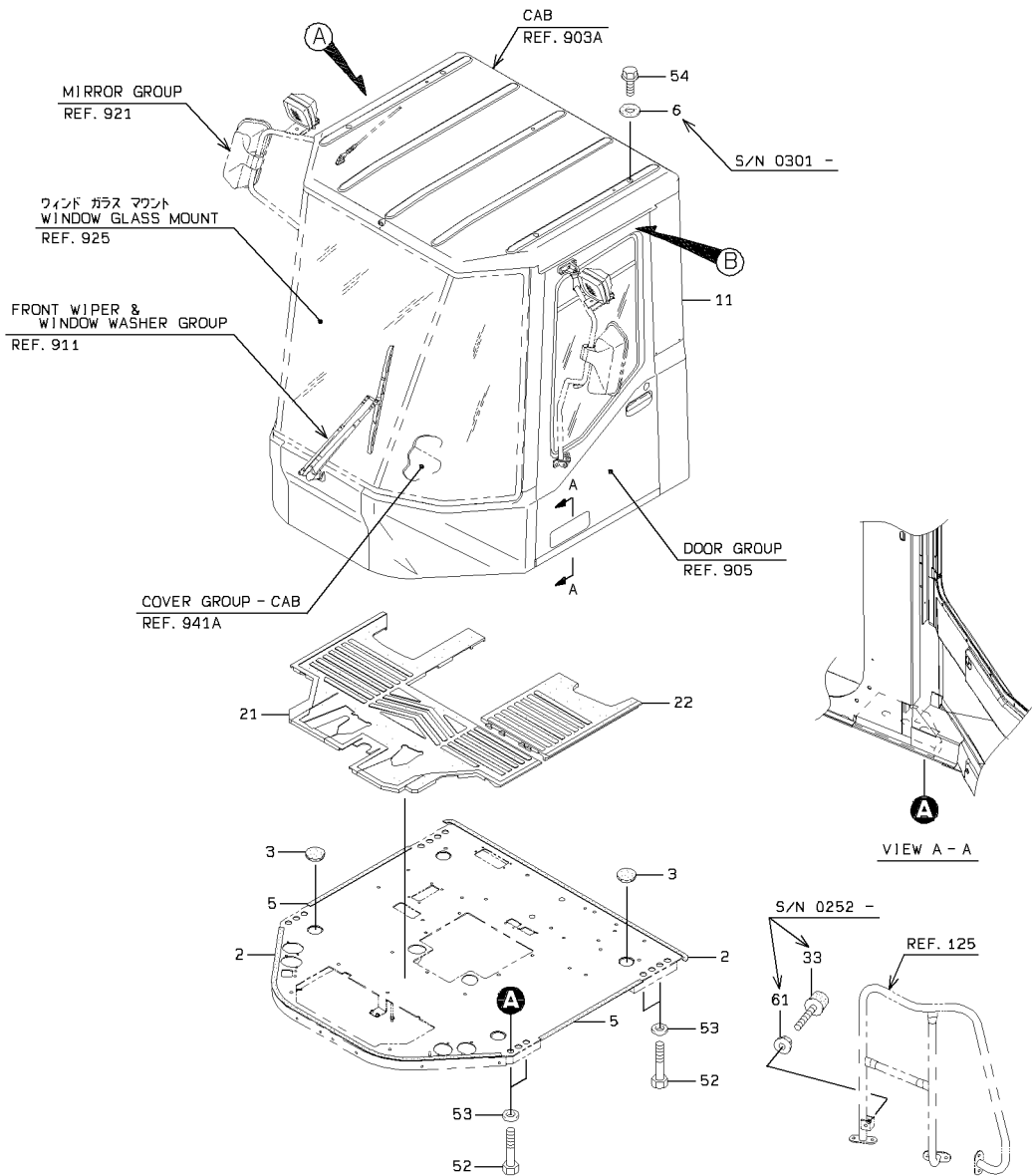
CAB MOUNT

<S/N 0101 - 0187>



CAB MOUNT

<S/N 0188 - >



2-D

CAB MOUNT

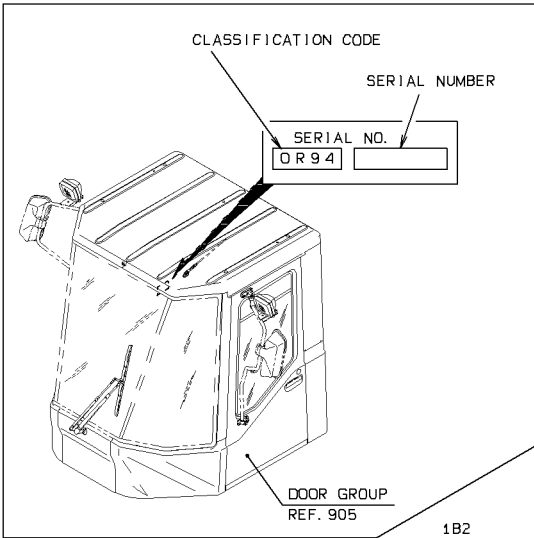
SYM-BOL	PART NUMBER	PART NAME	UNIT Q,TY	SERIAL		REMARKS								
				(A)	(B)	N	P	D	(A)	(B)	(C)	(D)	REMARK	
2A	31990-71420	GASKET	2	101	-	122								
2B	35680-52840	SPONGE	2	123	-		B							
3A	41533-20160	PLUG,ELASTIC	4	101	-									
4A	41533-20140	PLUG,ELASTIC	1	101	-	153	D							
5A	35680-51710	SPONGE	2	123	-									
6A	88111-11600	WASHER,SEAL	4	301	-									
11A	32264-21040	CAB ASSY	1	101	-	187								REF.903-911,91
11B	32264-21390	CAB ASSY	1	188	-	251	B							REF.903A-911,9
11C	32264-21870	CAB ASSY	1	252	-		B							REF.903A-911,9
21A	44184-23540	MAT,FLOOR	1	101	-									
22A	44184-23560	MAT,FLOOR	1	101	-									
31A	30021-20890	ARM ASSY	1	252	-									FR RH
32A	35617-60120	SPRING,GAS	1	252	-	320								FR LH
32B	35617-60140	SPRING,GAS	1	321	-		C							FR LH
33A	35440-21810	STOPPER	1	252	-									
34A	43900-25010	BOLT	1	252	-									FR LH
41A	41710-57760	PLATE	A/R	272	-									T=1
42A	41710-57770	PLATE	A/R	272	-									T=2
52A	61005-24080	BOLT	8	101	-									
53A	62710-18241	WASHER,PLANE	8	101	-									
54A	61802-16018	BOLT,FLANGED	4	101	-									
61A	62480-21101	NUT,FLANGED	1	252	-									

MEMO

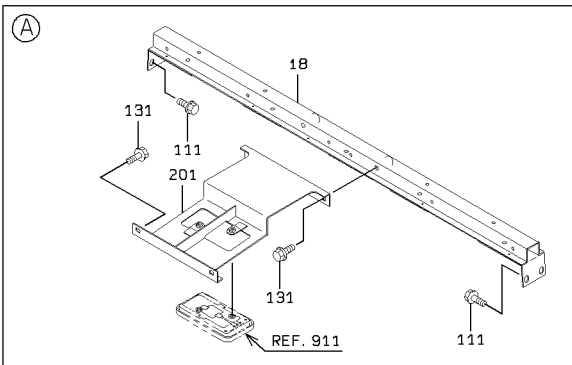
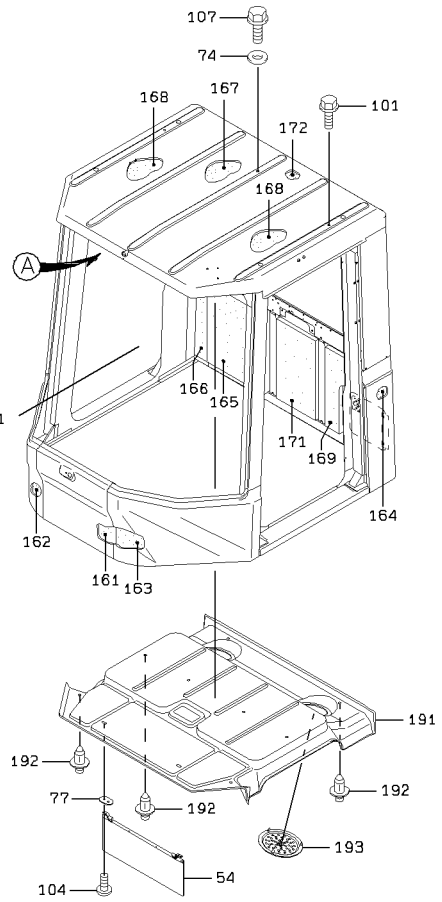
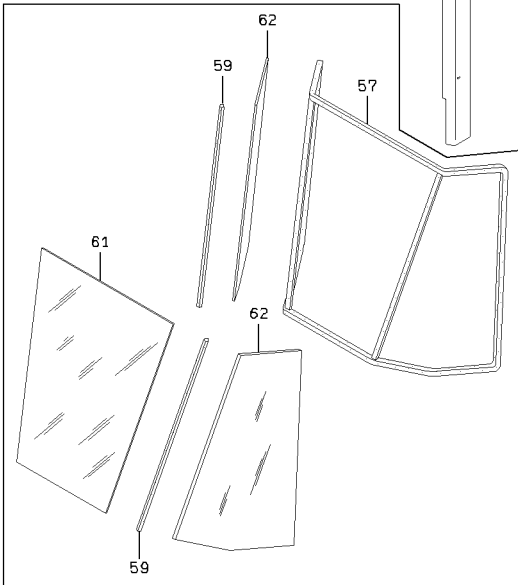
CAB (S/N 0101 - 0116)

<S/N 0101 - 0116>

(NOTE): SERIAL NUMBER INDICATES THE CAB SERIAL NUMBER.



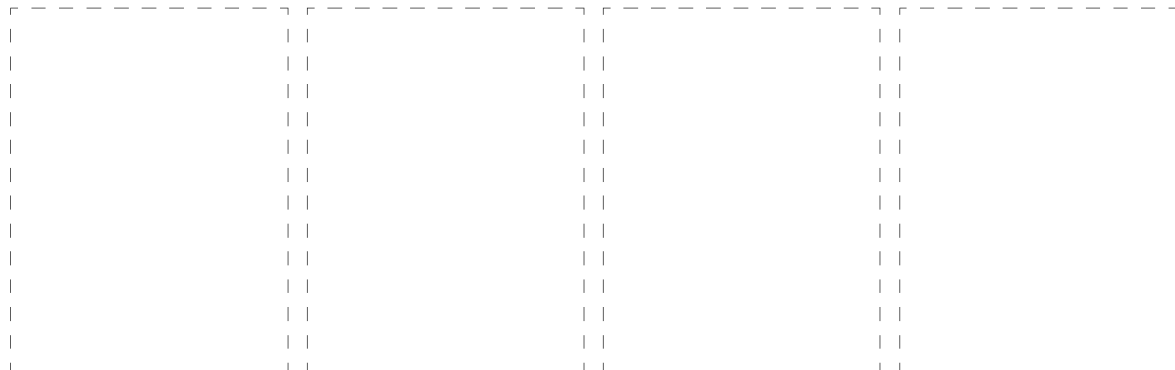
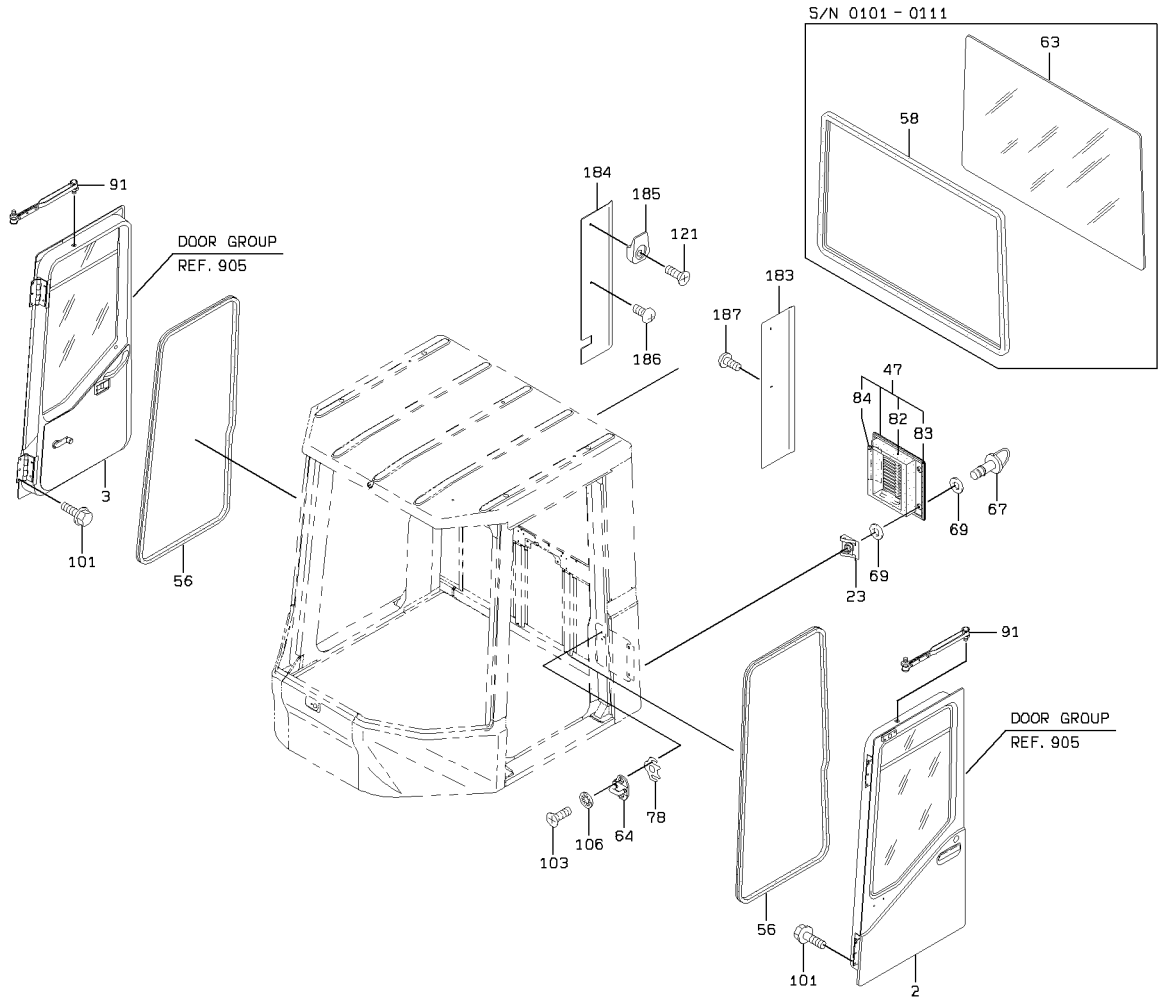
S/N 0101 - 0111



CAB (S/N 0101 - 0116)

<S/N 0101 - 0116>

(NOTE): SERIAL NUMBER INDICATES THE CAB SERIAL NUMBER.



CAB (S/N 0101 - 0116)

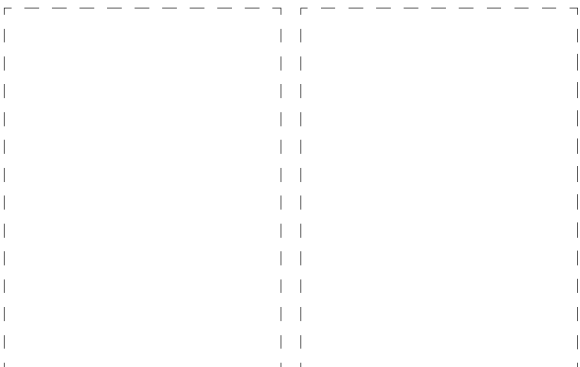
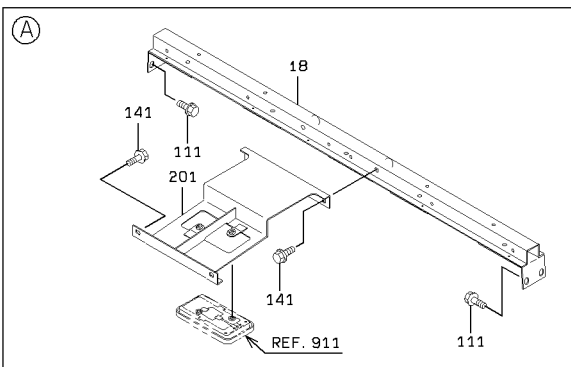
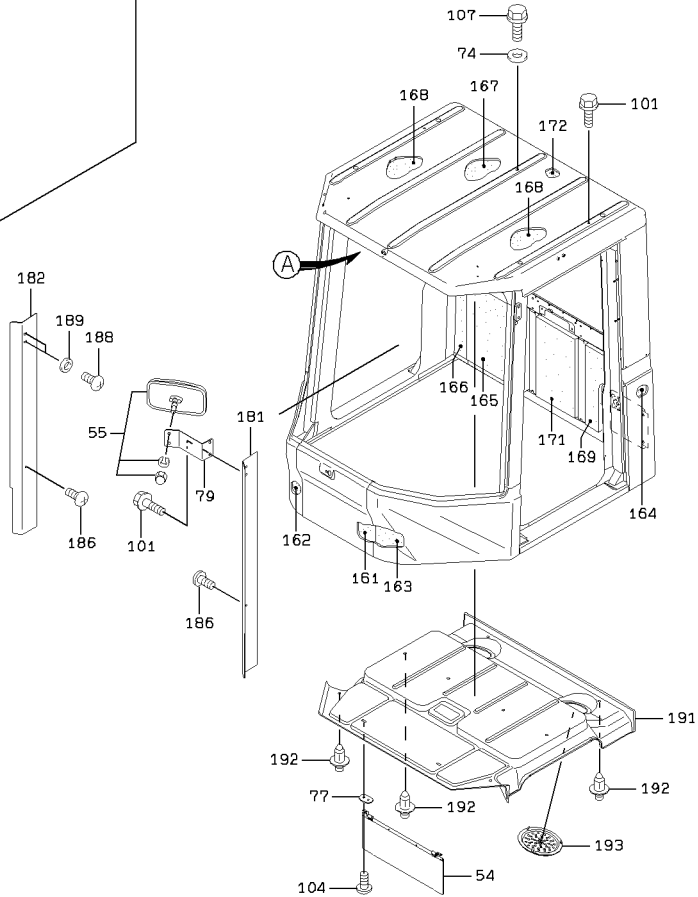
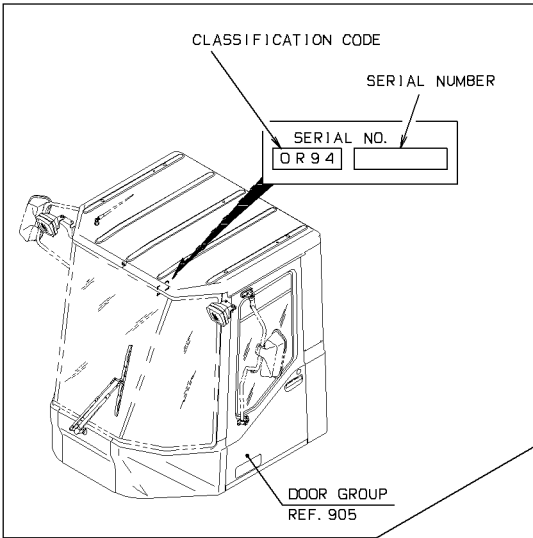
SYM-BOL	PART NUMBER	PART NAME	UNIT Q.TY	SERIAL		REMARKS							
				(A)	(B)	N	P	D	(A)	(B)	(C)	(D)	REMARK
000A	32264-21040	CAB ASSY	1	101	-	116							INC.905,911,91
2A	37521-20550	DOOR ASSY	1	101	-	109							REF.905-1 (LH)
2B	37521-21030	DOOR ASSY	1	110	-	116							REF.905-1 (LH)
3A	37521-20560	DOOR ASSY	1	101	-	109							REF.905-141(RH)
3B	37521-21040	DOOR ASSY	1	110	-	116							REF.905-141(RH)
18A	41617-30720	PLATE	1	101	-	116							
23A	41635-38650	PLATE	2	101	-	116							WELDING
47A	31236-24970	COVER ASSY	1	101	-	116							
54A	38191-20060	VISOR,SUN	1	101	-	116							
55A	44344-70020	MIRROR,ROOM	1	101	-	116							
56A	34041-60070	STRIP, SEAL	2	101	-	116							FR D00R OPEN
57A	34041-60280	STRIP, SEAL	1	101	-	111							FR FRONT
58A	34041-60250	STRIP, SEAL	1	101	-	111							FR REAR
59A	34041-60270	STRIP, SEAL	2	101	-	111							FR FRONT SIDE
61A	32011-21540	GLASS,WINDOW	1	101	-	111							FR FRONT
62A	32011-21550	GLASS,WINDOW	2	101	-	111							FR FRONT SIDE
63A	32011-21500	GLASS,WINDOW	1	101	-	111							FR REAR
64A	32150-60030	CATCH	2	101	-	116							
67A	32150-20250	CATCH	2	101	-	116							
69A	46000-21020	WASHER	4	101	-	116							
74A	46023-20120	WASHER,SEAL	1	101	-	116							
77A	41615-24340	PLATE	2	101	-	116							
78A	41603-45670	PLATE	2	101	-	116							
79A	41605-41290	PLATE	1	101	-	116							
82A	35680-44010	SPONGE	1	101	-	116							
83A	35680-51230	SPONGE	1	101	-	116							
84A	34041-23970	STRIP, SEAL	1	101	-	116							
91A	30021-20820	ARM ASSY	2	101	-	116							
101A	61802-08016	BOLT,FLANGED	16	101	-	116							
103A	62257-51820	SCREW	4	101	-	116							
104A	35100-20310	SCREW	4	101	-	116							
106A	62761-37081	WASHER,TOOTH	4	101	-	116							
107A	61802-12016	BOLT,FLANGED	1	101	-	116							
111A	61802-08016	BOLT,FLANGED	4	101	-	116							
121A	62257-51620	SCREW	1	101	-	116							
131A	61802-06016	BOLT,FLANGED	4	101	-	116							
161A	35680-43840	SPONGE	1	101	-	116							FR RH
162A	35680-43850	SPONGE	1	101	-	116							FR LH
163A	35680-43860	SPONGE	1	101	-	116							FR LH
164A	35680-44270	SPONGE	1	101	-	116							FR RH
165A	35680-45930	SPONGE	1	101	-	116							FR RH
166A	35680-44280	SPONGE	1	101	-	116							FR RH
167A	35680-43900	SPONGE	1	101	-	116							
168A	35680-43910	SPONGE	2	101	-	116							
169A	35680-45940	SPONGE	1	101	-	116							FR LH
171A	35680-45950	SPONGE	1	101	-	116							
172A	35680-47570	SPONGE	1	101	-	116							
181A	41617-35180	PLATE	1	101	-	116							FR LH
182A	41617-35190	PLATE	1	101	-	116							FR RH
183A	41618-30180	PLATE	1	101	-	116							FR LH
184A	41618-30190	PLATE	1	101	-	116							FR RH
185A	38110-70040	HANGER	1	101	-	116							
186A	35100-20400	SCREW	4	101	-	116							
187A	35100-20280	SCREW	2	101	-	116							
191A	45370-60090	ROOF ASSY	1	101	-	116							
192A	45020-70160	RIVET	10	101	-	116							
193A	33070-60020	GRILLE	2	101	-	116							
201A	41618-30000	PLATE	1	101	-	116							

MEMO

CAB (S/N 0117 -)

<S/N 0117 - >

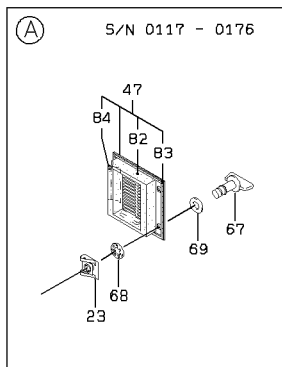
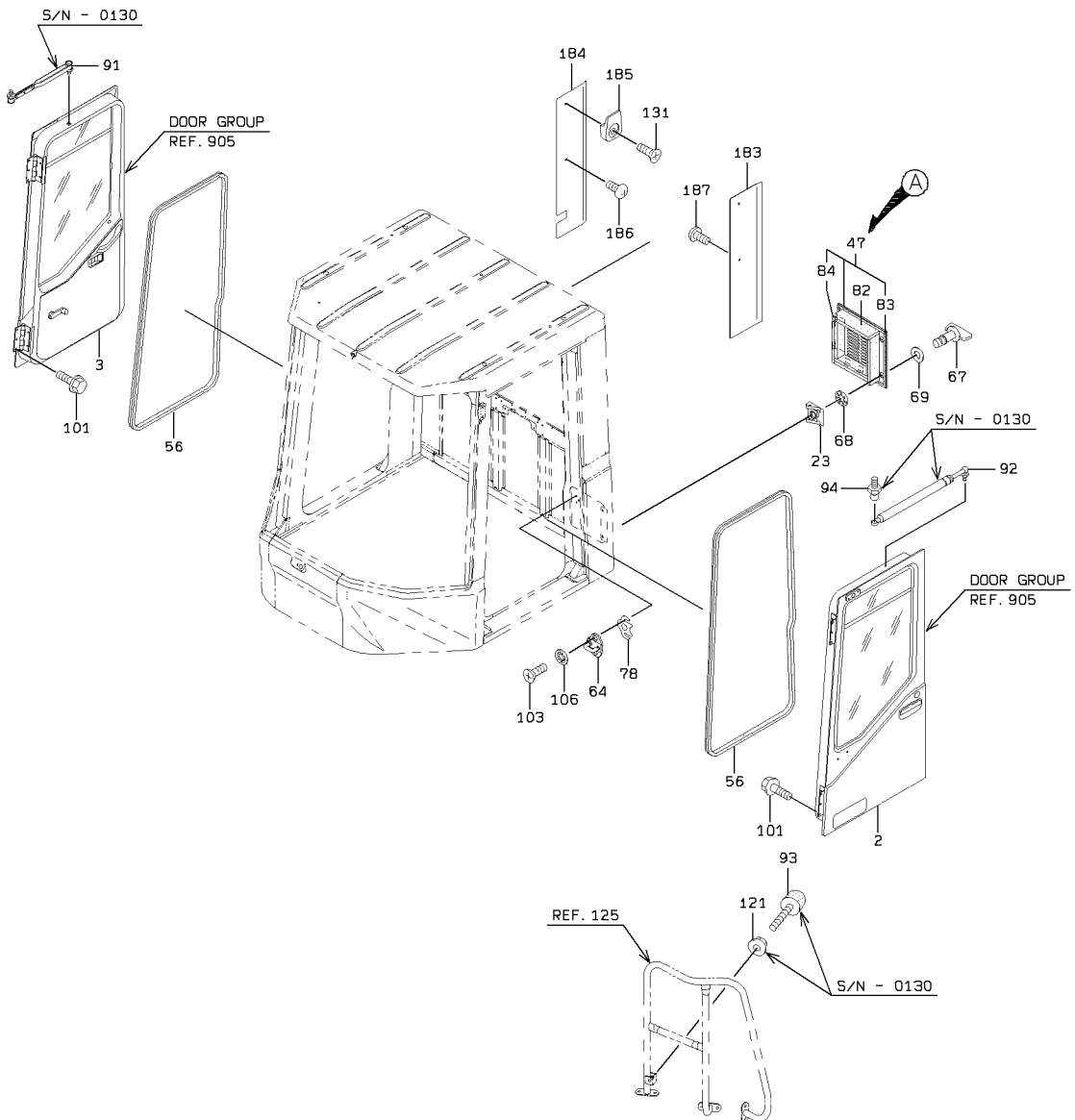
(NOTE): SERIAL NUMBER INDICATES THE CAB SERIAL NUMBER.



CAB (S/N 0117 -)

<S/N 0117 - >

(NOTE): SERIAL NUMBER INDICATES THE CAB SERIAL NUMBER.



2-C

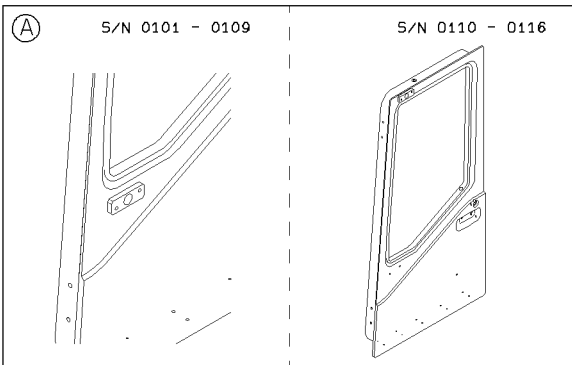
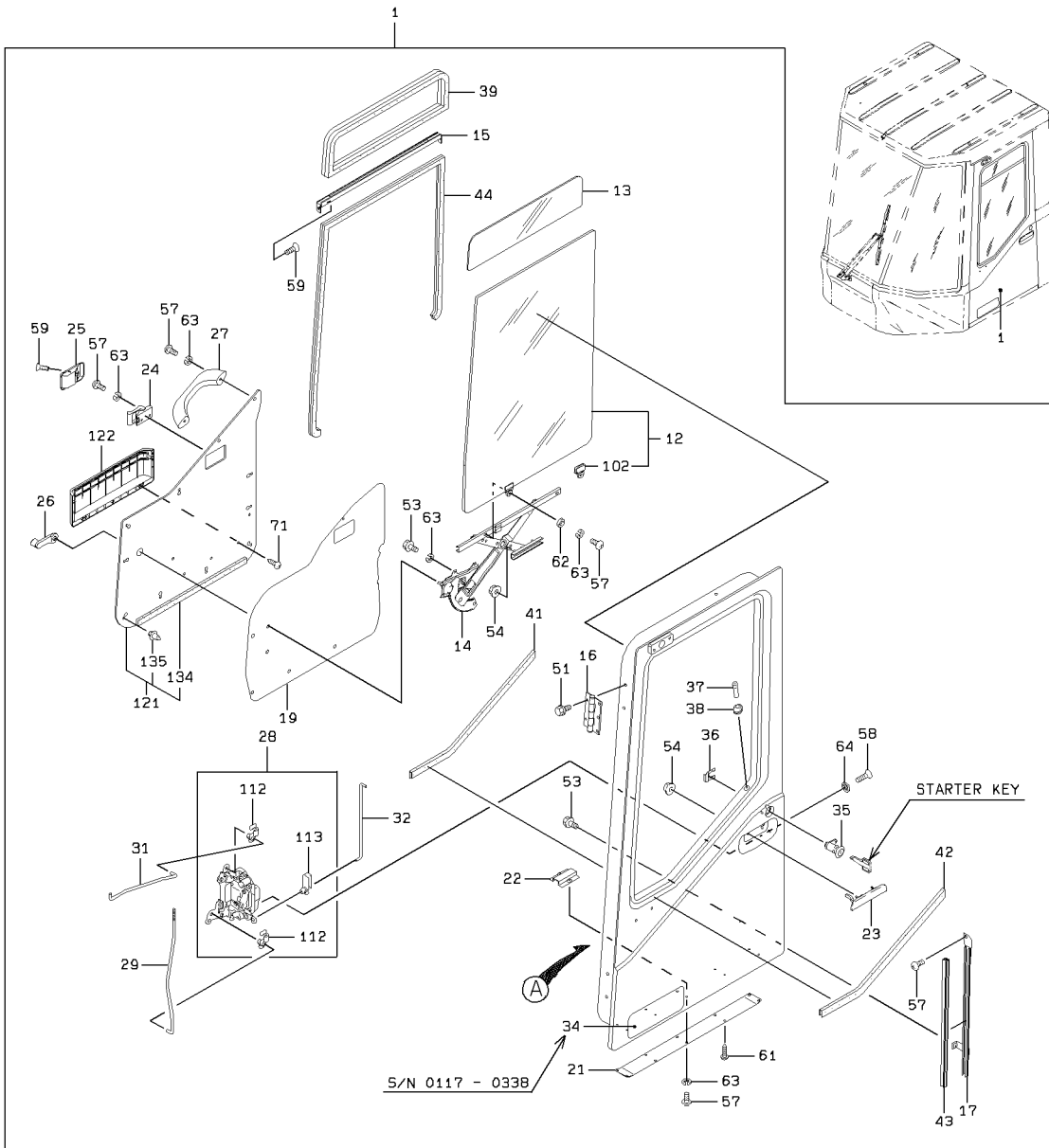
CAB (S/N 0117 -)

SYM-BOL	PART NUMBER	PART NAME	UNIT Q.TY	SERIAL		REMARKS							
				(A)	(B)	N	P	D	(A)	(B)	(C)	(D)	REMARK
000A	32264-21390	CAB ASSY	1	117	130								INC.905,911,91
000B	32264-21870	CAB ASSY	1	131		B							INC.905,911,91
2A	37521-21120	DOOR ASSY	1	117									REF.905-1(LH)
3A	37521-21040	DOOR ASSY	1	117									REF.905-141(RH)
18A	41617-30720	PLATE	1	117									
23A	41635-38650	PLATE	2	117									WELDING
47A	31236-26300	COVER ASSY	1	117	176				Y01				
47B	31236-30450	COVER ASSY	1	177		B			Y01				
54A	38191-20060	VISOR,SUN	1	117									
55A	44344-70020	MIRROR,ROOM	1	117									
56A	34041-60070	STRIP, SEAL	2	117									FR D00R OPEN
64A	32150-60030	CATCH	2	117									
67A	32150-20390	CATCH	2	117	410								
67B	32150-20580	CATCH	2	411		B			WA1				
68A	46000-23760	WASHER	2	117	410								
68B	46000-25610	WASHER	2	411		B			A1				
69A	46000-21020	WASHER	2	117	410								
69B	46000-25620	WASHER	2	411		B			A1				
74A	46023-20120	WASHER,SEAL	1	117									
77A	41615-24340	PLATE	2	117									
78A	41603-45670	PLATE	2	117									
79A	41605-41290	PLATE	1	117									
82A	35680-54510	SPONGE	1	117	176				01				
82B	35681-21580	SPONGE	1	177		B							
83A	35680-51230	SPONGE	1	117					01				
84A	34041-23970	STRIP, SEAL	1	117					01				
91A	30021-20890	ARM ASSY	1	117	130			D					FR RH
92A	35617-60120	SPRING,GAS	1	117	130			D					FR LH
93A	35440-21810	STOPPER	1	117	130			D					
94A	43900-25010	BOLT	1	117	130			D					FR LH
101A	61802-08016	BOLT,FLANGED	16	117									
103A	62257-51820	SCREW	4	117									
104A	35100-20310	SCREW	4	117									
106A	62761-37081	WASHER,TOOTH	4	117									
107A	61802-12016	BOLT,FLANGED	1	117									
111A	61802-08016	BOLT,FLANGED	4	117									
121A	62480-21101	NUT,FLANGED	1	117	130			D					
131A	62257-51620	SCREW	1	117									
141A	61802-06016	BOLT,FLANGED	4	117									
161A	35680-43840	SPONGE	1	117									
162A	35680-43850	SPONGE	1	117									FR RH
163A	35680-43860	SPONGE	1	117									FR LH
164A	35680-44270	SPONGE	1	117									FR LH
165A	35680-45930	SPONGE	1	117									FR RH
166A	35680-44280	SPONGE	1	117									FR RH
167A	35680-43900	SPONGE	1	117									
168A	35680-43910	SPONGE	2	117									
169A	35680-45940	SPONGE	1	117									FR LH
171A	35680-45950	SPONGE	1	117									
172A	35680-47570	SPONGE	1	117									
181A	41617-35180	PLATE	1	117									FR LH
182A	41619-43450	PLATE	1	117									FR RH
183A	41618-30180	PLATE	1	117									FR LH
184A	41618-30190	PLATE	1	117									FR RH
185A	38110-70040	HANGER	1	117									
186A	35100-20400	SCREW	3	117									
187A	35100-20280	SCREW	2	117									
188A	35100-20520	SCREW	2	117									
189A	46011-20180	WASHER,PLANE	2	117									
191A	45370-60090	ROOF ASSY	1	117									
192A	45020-70160	RIVET	10	117									
193A	33070-60020	GRILLE	2	117									
201A	41618-30000	PLATE	1	117									

MEMO

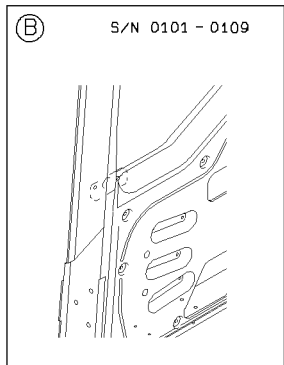
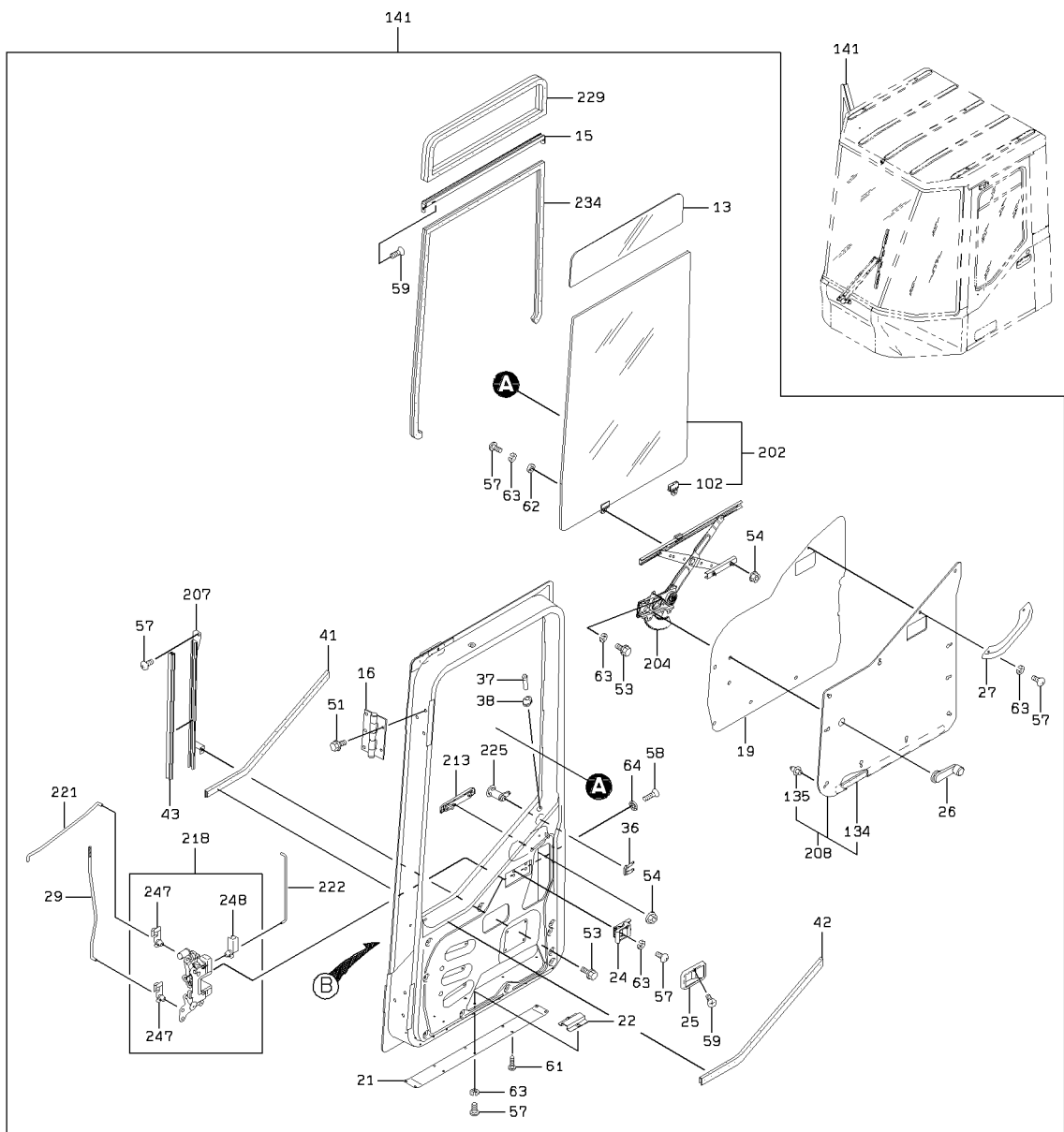
DOOR GROUP

(NOTE): SERIAL NUMBER INDICATES THE CAB SERIAL NUMBER.



DOOR GROUP

(NOTE): SERIAL NUMBER INDICATES THE CAB SERIAL NUMBER.



2-B

DOOR GROUP

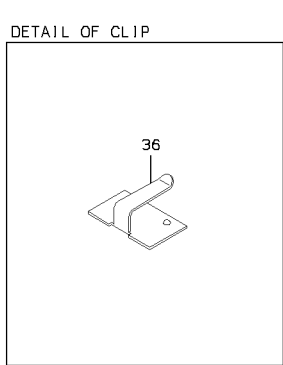
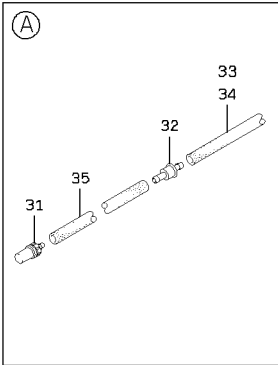
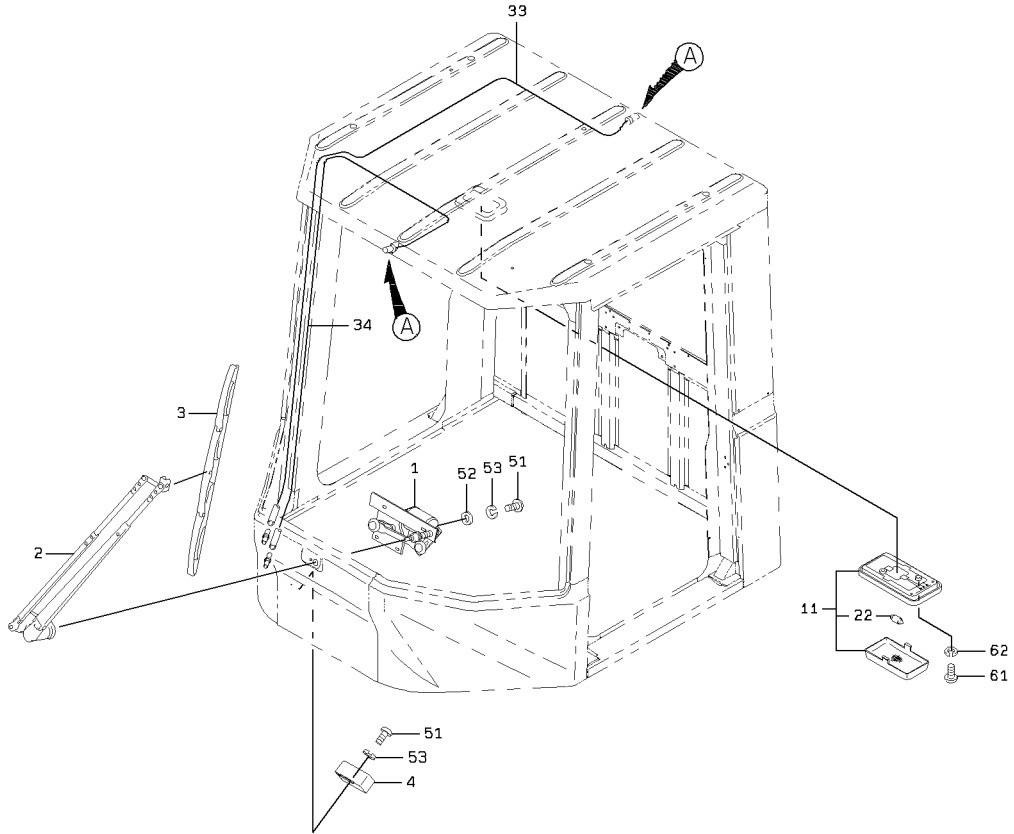
SYM-BOL	PART NUMBER	PART NAME	UNIT Q, TY	SERIAL		REMARKS							
				(A)	(B)	N	P	D	(A)	(B)	(C)	(D)	REMARK
1A	37521-20550	DOOR ASSY	1	101	- 109								FR LH
1B	37521-21030	DOOR ASSY	1	110	- 116								FR LH
1C	37521-21120	DOOR ASSY	1	117	-	B							FR LH
12A	32011-60240	GLASS, WINDOW	1	101	-								
13A	32011-60260	GLASS, WINDOW	1	101	-								
14A	45460-60030	REGULATOR	1	101	-								
15A	33530-20010	SASH	1	101	-								
16A	39890-21000	HINGE	2	101	-								
17A	45433-20130	RAIL	1	101	-								
19A	33712-20070	SHEET, CAB	1	101	-								
21A	41601-35410	PLATE	1	101	-								
22A	35440-21400	STOPPER	1	101	-								
23A	38126-60020	HANDLE, DOOR	1	101	-								
24A	38126-60010	HANDLE, DOOR	1	101	-								
25A	31140-60010	CUP	1	101	-								
26A	38120-60050	HANDLE	1	101	-								
27A	38120-20410	HANDLE	1	101	-								
28A	45850-60020	LOCK ASSY, DOOR	1	101	-								
29A	45870-23320	ROD	1	101	-								
31A	38171-30740	BAR, ROUND	1	101	-								
32A	38171-21920	BAR, ROUND	1	101	-								
34A	41700-20210	PLATE, ELASTIC	1	117	- 338	D							
35A	34800-70210	CYLINDER	1	101	-								
36A	32970-70040	CLIP	1	101	-								
37A	37810-60090	KNOB	1	101	-								
38A	33057-60030	GROMMET	1	101	-								
39A	34041-60090	STRIP, SEAL	1	101	-								
41A	34041-60120	STRIP, SEAL	1	101	-								
42A	34041-60180	STRIP, SEAL	1	101	-								
43A	34041-60140	STRIP, SEAL	1	101	-								
44A	34041-60110	STRIP, SEAL	1	101	-								
51A	61802-08016	BOLT, FLANGED	4	101	-								
53A	61802-06010	BOLT, FLANGED	5	101	-								
54A	62480-21061	NUT, FLANGED	4	101	-								
57A	62256-51610	SCREW	9	101	-								
58A	62257-51620	SCREW	3	101	-								
59A	62257-51512	SCREW	3	101	-								
61A	62261-16016	SCREW, TAPPING	8	101	-								
62A	62701-40061	WASHER, PLANE	6	101	-								
63A	62721-06100	WASHER, SPRING	8	101	-								
64A	62761-37061	WASHER, TOOTH	3	101	-								
71A	62256-51416	SCREW	5	101	-								
102A	43550-20590	HOLDER	2	101	-								
112A	43550-60050	HOLDER	2	101	-								
113A	43550-60070	HOLDER	1	101	-								
121A	39750-21780	PANEL	1	101	-								
122A	31140-60020	CUP	1	101	-								
134A	35680-33290	SPONGE	1	101	-								
135A	32970-20030	CLIP	9	101	-								
141A	37521-20560	DOOR ASSY	1	101	- 109								
141B	37521-21040	DOOR ASSY	1	110	-	B							
202A	32011-60250	GLASS, WINDOW	1	101	-								
204A	45460-60040	REGULATOR	1	101	-								
207A	45433-20120	RAIL	1	101	-								
208A	39750-22310	PANEL	1	101	-								
213A	38126-60030	HANDLE, DOOR	1	101	-								
218A	45850-60010	LOCK ASSY, DOOR	1	101	-								
221A	38171-30690	BAR, ROUND	1	101	-								
222A	38171-21930	BAR, ROUND	1	101	-								
225A	34800-70220	CYLINDER	1	101	-								
229A	34041-60080	STRIP, SEAL	1	101	-								
234A	34041-60100	STRIP, SEAL	1	101	-								
247A	43550-60040	HOLDER	2	101	-								
248A	43550-60060	HOLDER	1	101	-								

MEMO

FRONT WIPER & WINDOW WASHER GROUP

<S/N 0101 - 0116>

(NOTE): SERIAL NUMBER INDICATES THE CAB SERIAL NUMBER.

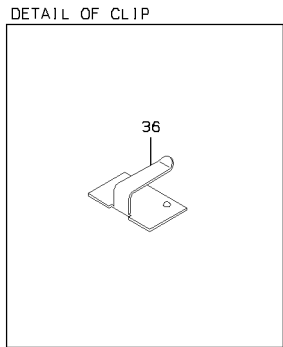
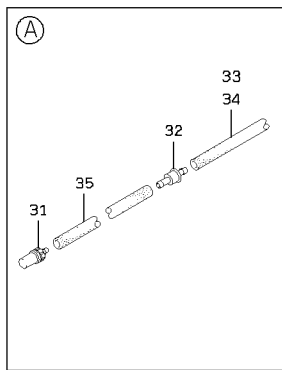
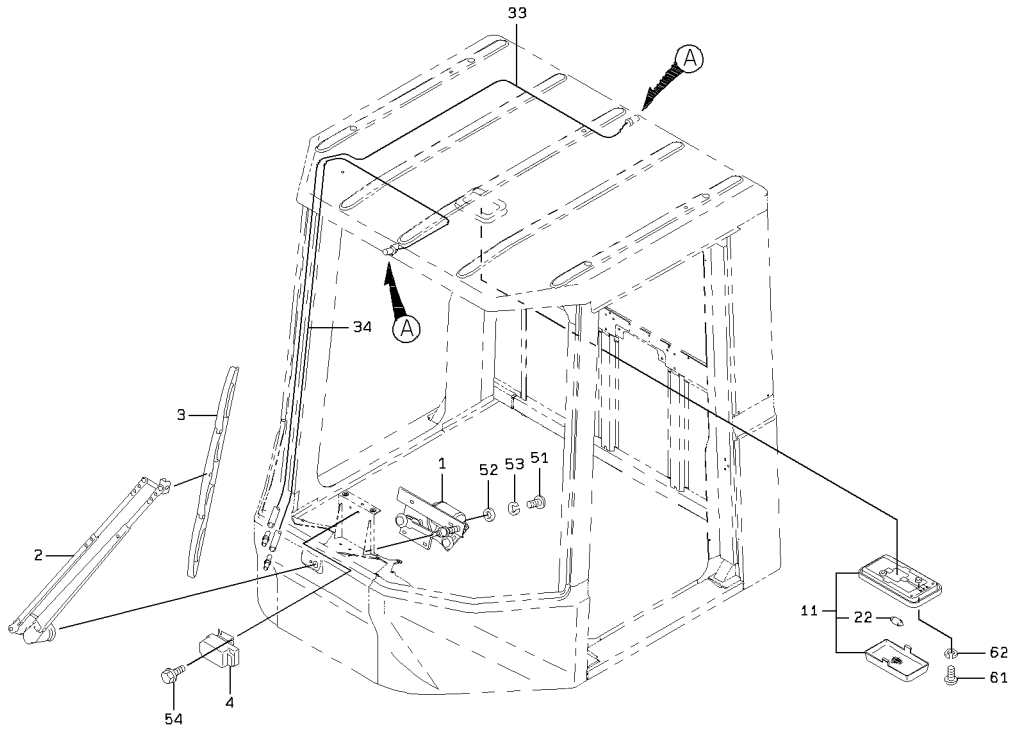


1-A

FRONT WIPER & WINDOW WASHER GROUP

<S/N 0117 - >

(NOTE): SERIAL NUMBER INDICATES THE CAB SERIAL NUMBER.



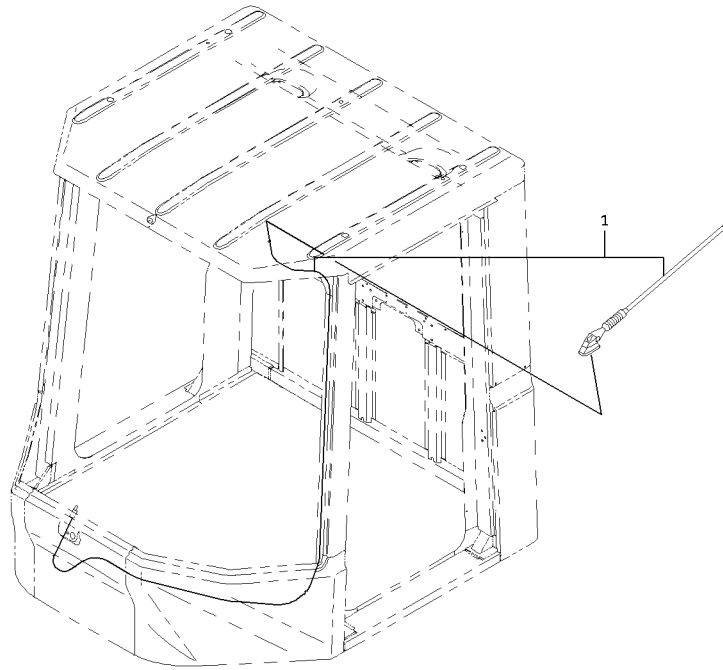
2-A

FRONT WIPER & WINDOW WASHER GROUP

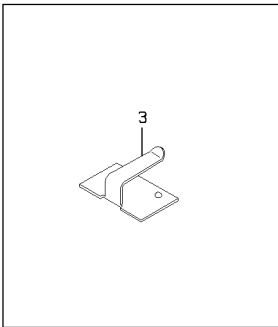
SYM-BOL	PART NUMBER	PART NAME	UNIT Q, TY	SERIAL		REMARKS							
				(A)	(B)	N	P	D	(A)	(B)	(C)	(D)	REMARK
1A	44487-60100	MOTOR ASSY,WIPER	1	101	-								
2A	30035-60060	ARM,WIPER	1	101	-								L=750
3A	41321-60020	BLADE,WIPER	1	101	-								L=714
4A	45051-60020	RELAY ASSY	1	101	-								
11A	44860-20070	LAMP	1	101	-				Y01				
22A	38480-70630	BULB	1	101	-				01				24V10W
31A	37740-20080	NOZZLE	1	101	-								
32A	38554-70810	VALVE,CHECK	2	101	-								
33A	67031-07000	TUBE,VINYL	6 M	101	-								L=5400
34A	67031-07000	TUBE,VINYL	5 M	101	-								L=4600
35A	67031-07000	TUBE,VINYL	1 M	101	-								L=100 X QTY 2
36A	32970-70210	CLIP	A/R	101	-								
51A	62256-51616	SCREW	6	101	-	116							
51B	62256-51616	SCREW	4	117	-								
52A	62701-40061	WASHER,PLANE	4	101	-	176							
52B	46011-21630	WASHER,PLANE	4	177	-		C						
53A	62721-06100	WASHER,SPRING	6	101	-	116							
53B	62721-06100	WASHER,SPRING	4	117	-								
54A	61802-06016	BOLT,FLANGED	2	117	-								
61A	62256-51520	SCREW	2	101	-								
62A	62721-05100	WASHER,SPRING	2	101	-								

MEMO

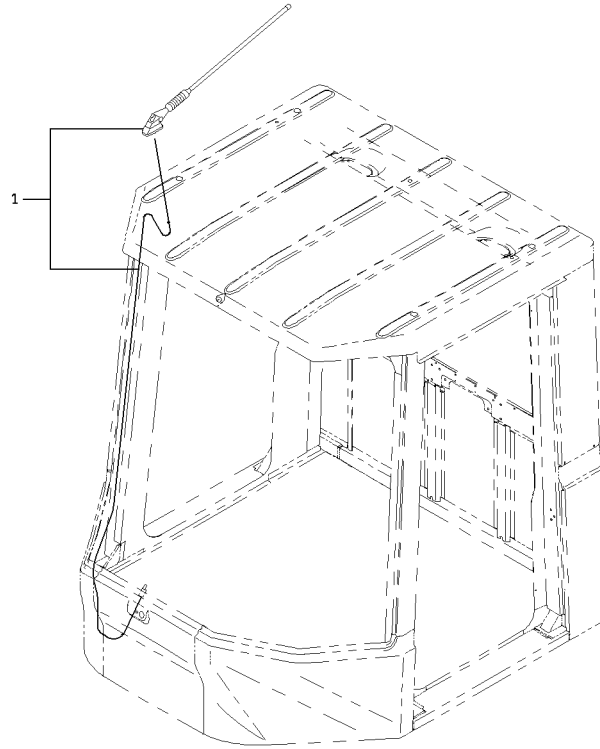
<S/N 0101 - 0187>



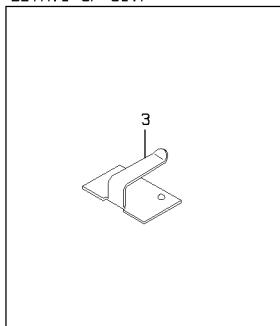
DETAIL OF CLIP



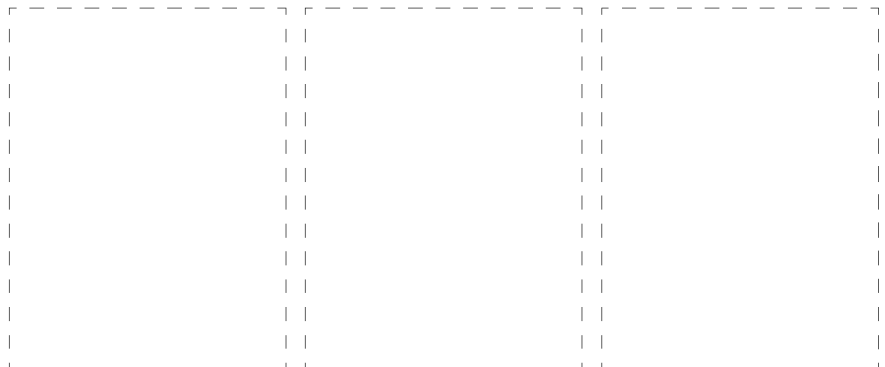
1-A



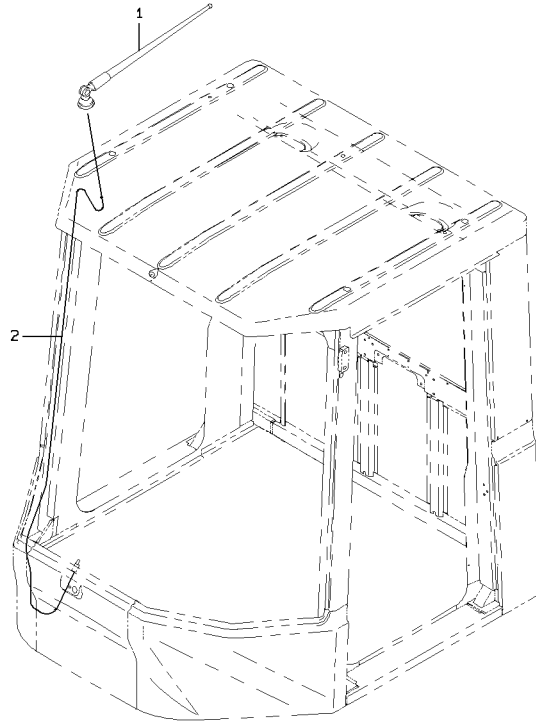
DETAIL OF CLIP



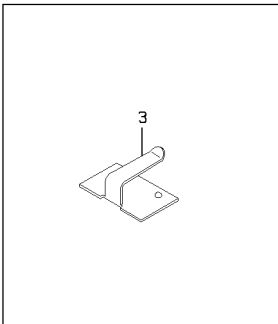
2-A



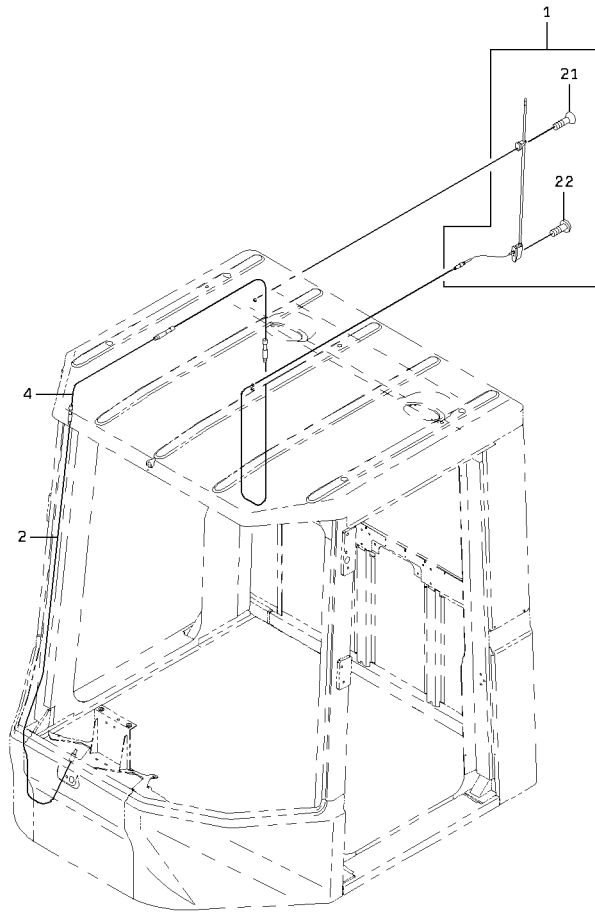
<S/N 0252 - 0408>



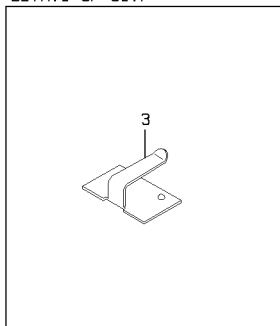
DETAIL OF CLIP



3-A



DETAIL OF CLIP



4-A

ELECTRICAL PARTS GROUP

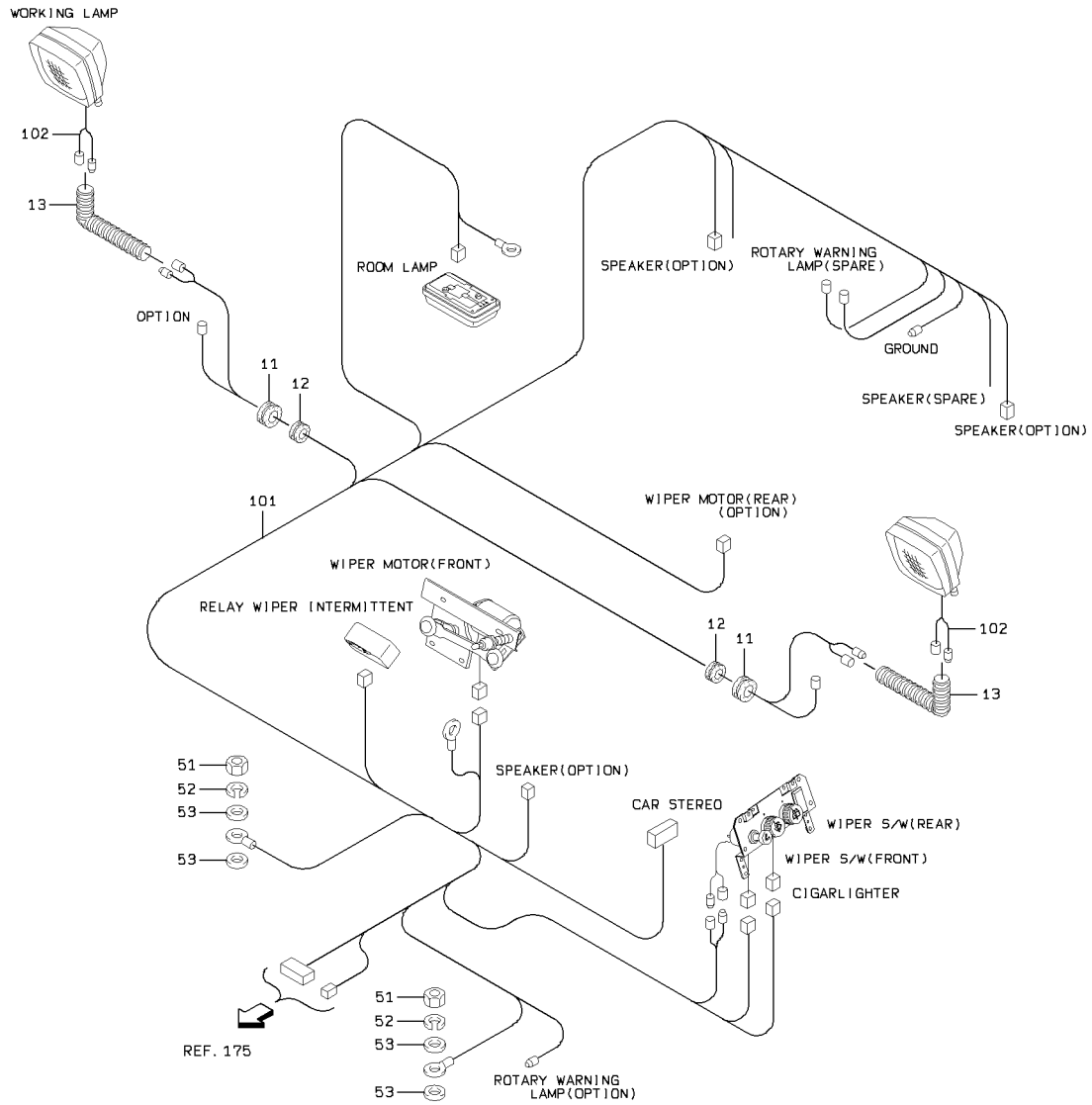
SYM-BOL	PART NUMBER	PART NAME	UNIT Q.TY	SERIAL		REMARKS								
				(A)	(B)	N	P	D	(A)	(B)	(C)	(D)	REMARK	
1A	30510-60120	ANTENNA	1	101	251									
1B	30510-60140	ANTENNA	1	252	301	B		WA1						
1C	30510-60230	ANTENNA	1	302	408	C								
1D	30510-60240	ANTENNA	1	409		B			Y01					
2A	33190-60090	CABLE	1	252	301			A1						
2B	33190-60130	CABLE	1	302	328	C								
2C	33190-60160	CABLE	1	329		A								
3A	32970-70210	CLIP	A/R	101										
4A	33190-60150	CABLE	1	409										
21A	62257-51420	SCREW	1	409						01				
22A	62256-51420	SCREW	1	409						01				

MEMO

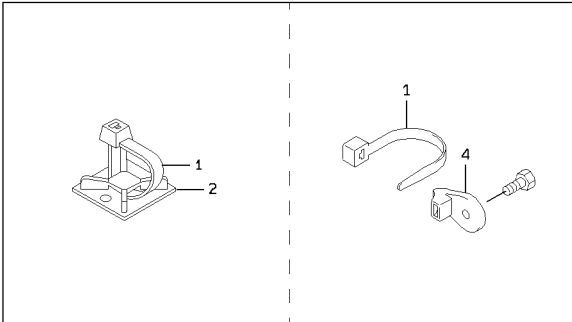
ELECTRICAL WIRING - CAB

<S/N 0101 - 0116>

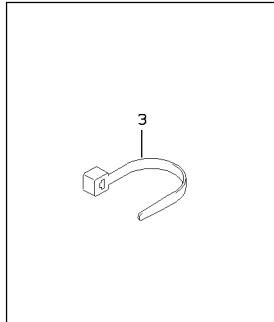
(NOTE): SERIAL NUMBER INDICATES THE CAB SERIAL NUMBER.



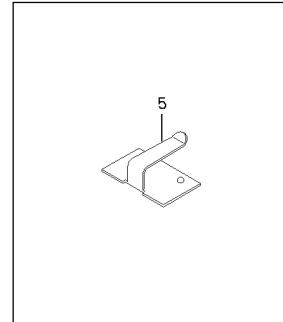
DETAIL OF STUD MOUNT



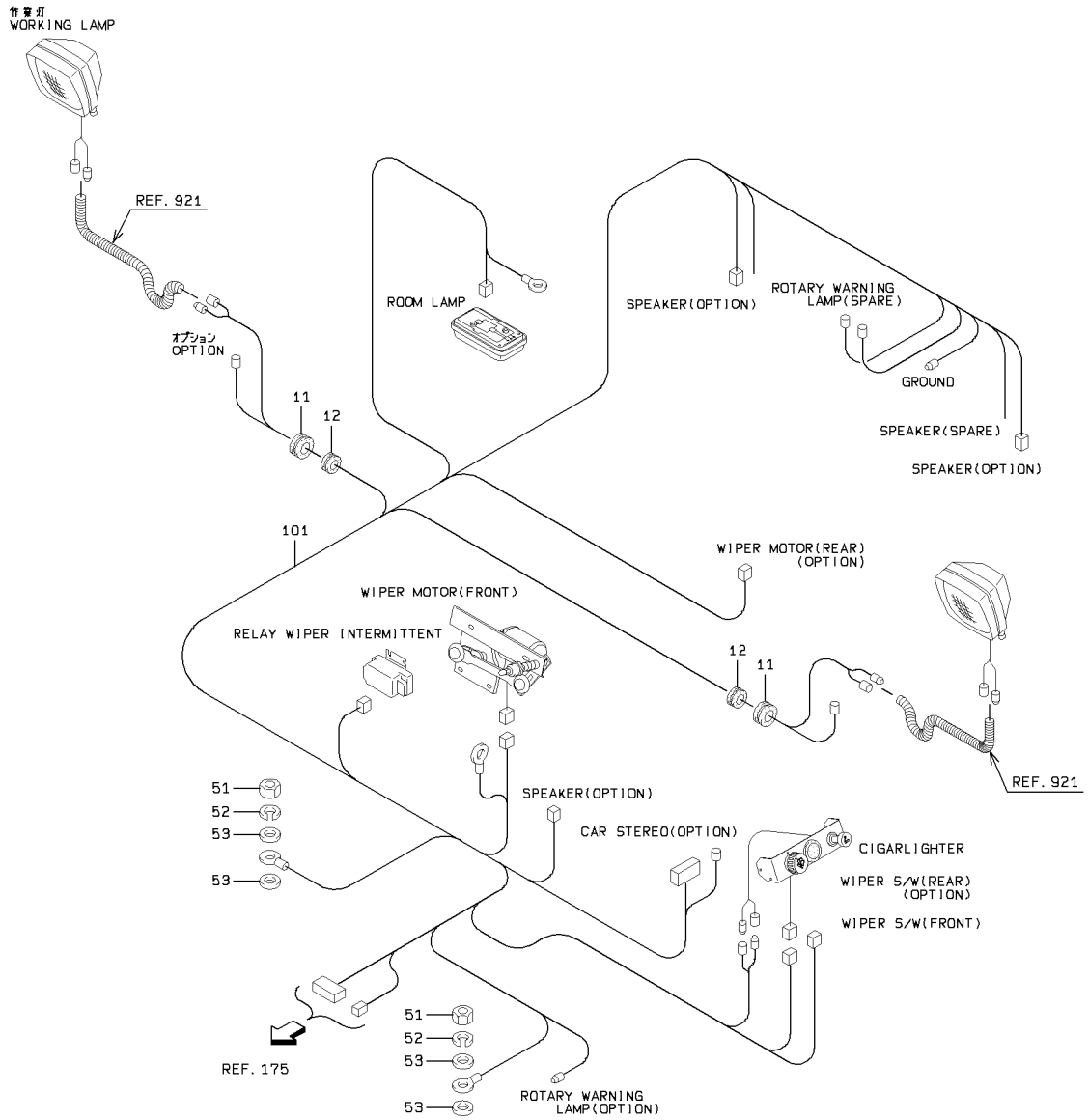
DETAIL OF CLAMP



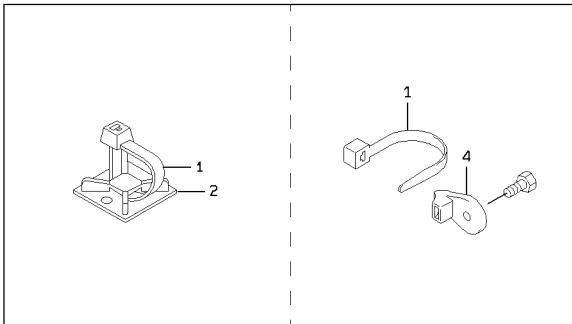
DETAIL OF CLIP



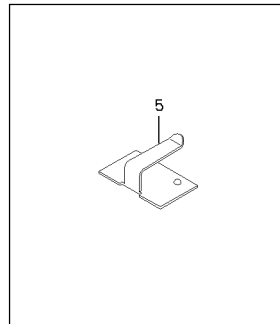
(NOTE): SERIAL NUMBER INDICATES THE CAB SERIAL NUMBER.



DETAIL OF STUD MOUNT



DETAIL OF CLIP

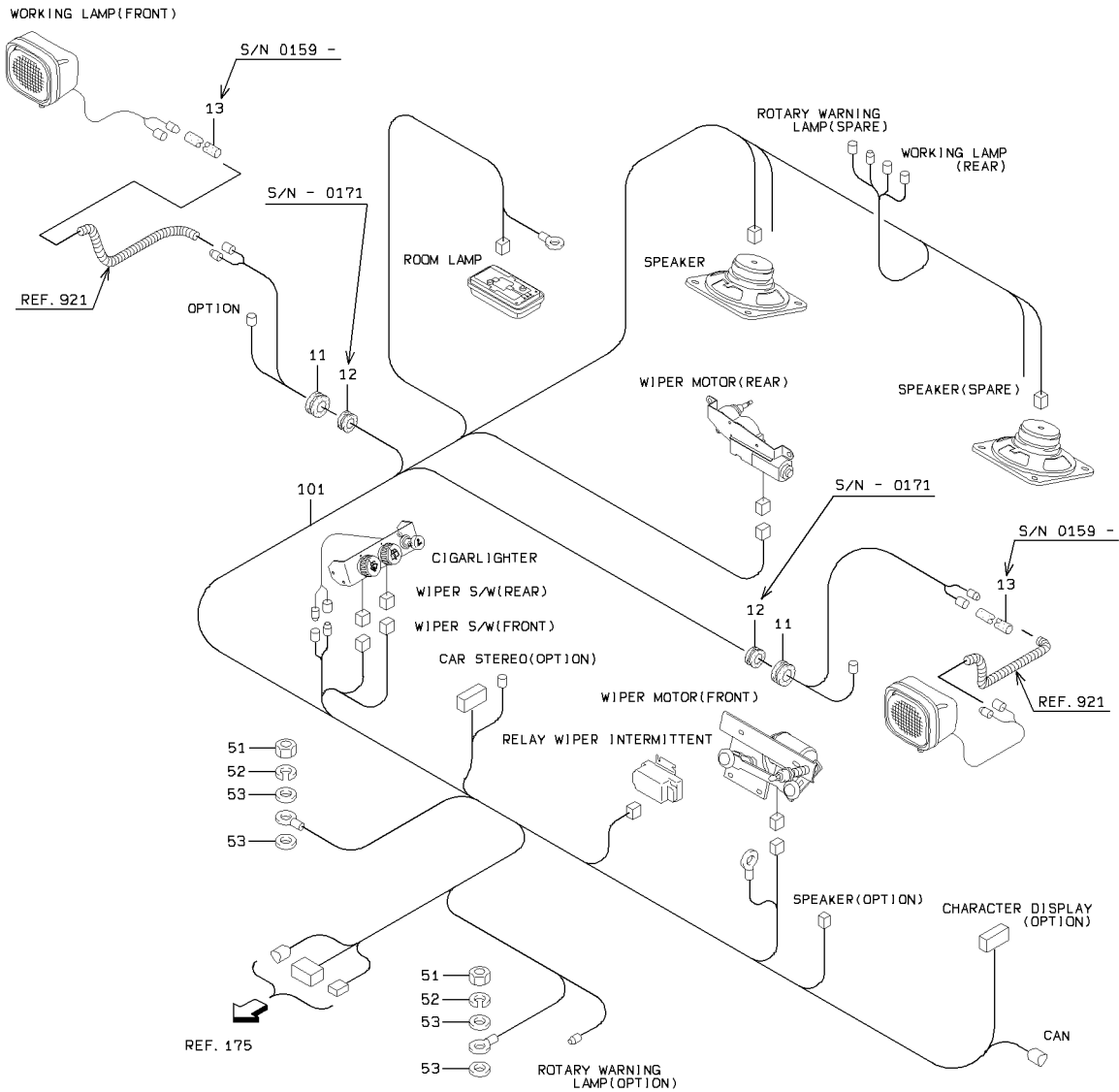


2-A

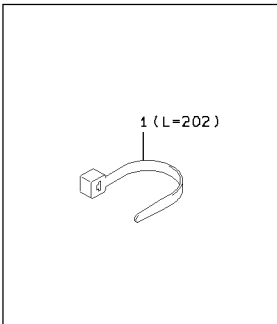
ELECTRICAL WIRING - CAB

<S/N 0144 - >

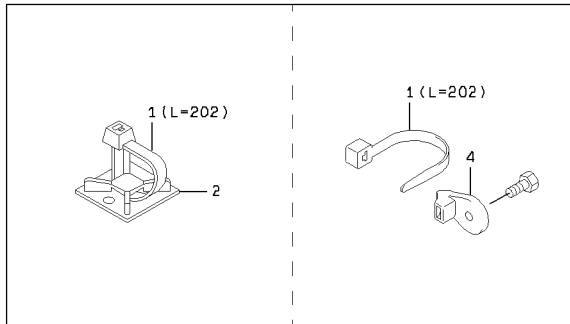
(NOTE): SERIAL NUMBER INDICATES THE CAB SERIAL NUMBER.



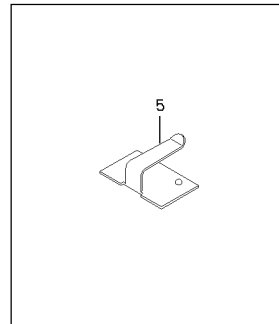
DETAIL OF CLAMP



DETAIL OF STUD MOUNT



DETAIL OF CLIP

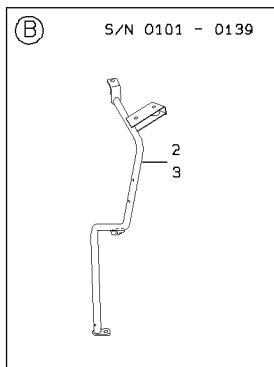
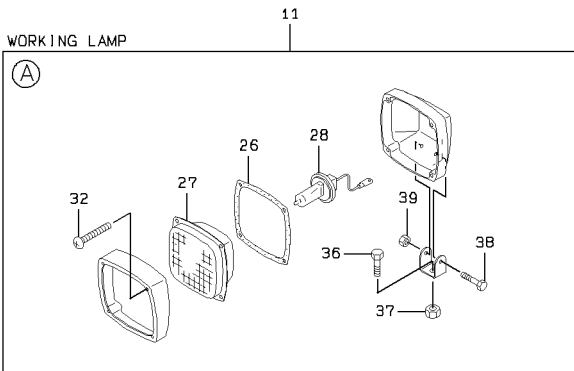
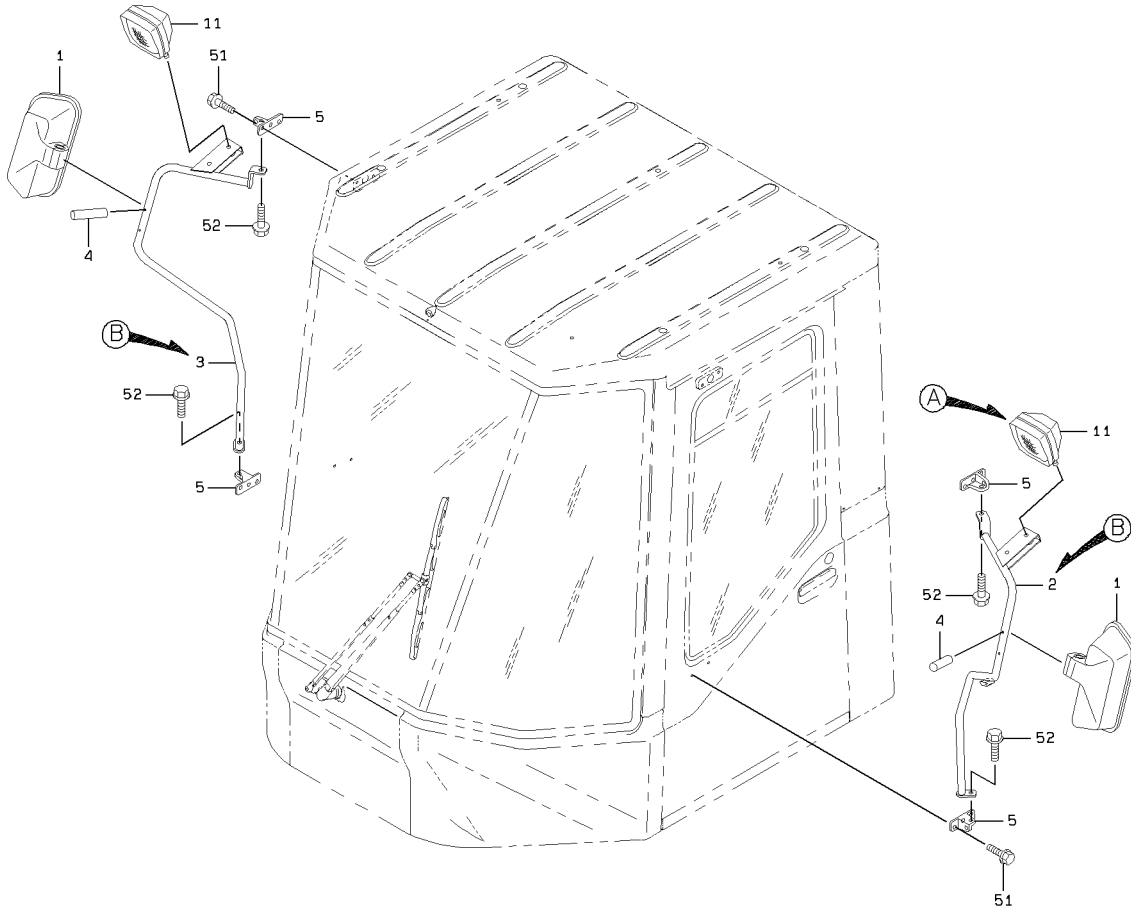


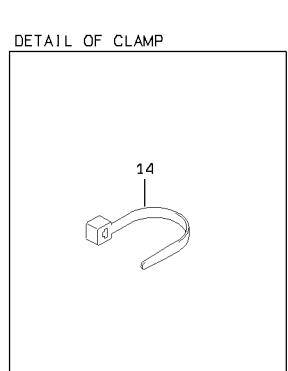
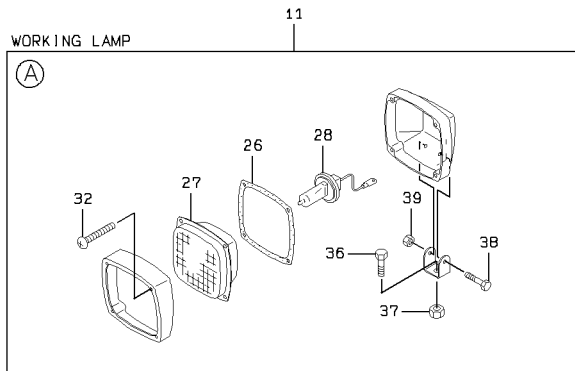
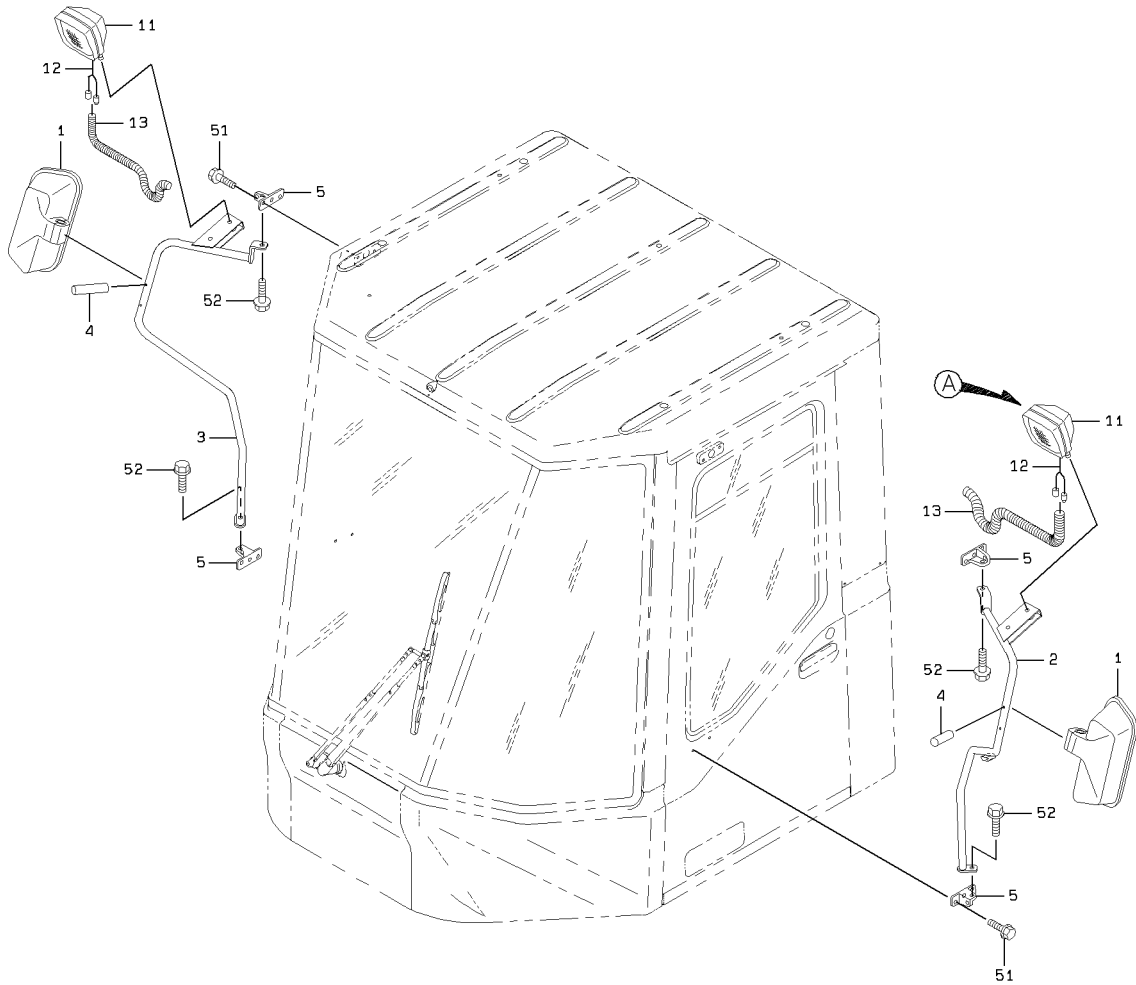
ELECTRICAL WIRING - CAB

SYM-BOL	PART NUMBER	PART NAME	UNIT Q.TY	SERIAL		REMARKS						
				(A)	(B)	N	P	D	(A)	(B)	(C)	(D)
1A	32923-70090	CLAMP,HOSE	A/R	101	-							L=202
2A	32923-70190	CLAMP,HOSE	A/R	101	-							
3A	32923-70100	CLAMP,HOSE	A/R	101	-							L=382
4A	32923-70120	CLAMP,HOSE	A/R	101	-							FR M8
5A	32970-70210	CLIP	A/R	101	-							
11A	65801-10016	BUSHING,ELASTIC	2	101	-							
12A	65801-08016	BUSHING,ELASTIC	2	101	-							
13A	36724-20070	TUBE,CONDUIT	2	101	-							
13B	36700-20630	TUBE	2	159	-							
51A	62401-81101	NUT	2	101	-							
52A	62721-10100	WASHER,SPRING	2	101	-							
53A	46011-21650	WASHER,PLANE	4	101	-							
101A	33193-25290	CABLE ASSY	1	101	-							CAB
101B	33193-32480	CABLE ASSY	1	117	-							CAB
101C	33193-41410	CABLE ASSY	1	123	-							CAB
101D	33193-52510	CABLE ASSY	1	144	-							CAB
101E	33193-54970	CABLE ASSY	1	149	-							CAB
101F	33194-20950	CABLE ASSY	1	159	-							CAB
102A	33191-56830	CABLE ASSY	2	101	-							WORKING LAMP

MIRROR GROUP (S/N 0101 - 0263)

<S/N 0101 - 0187>

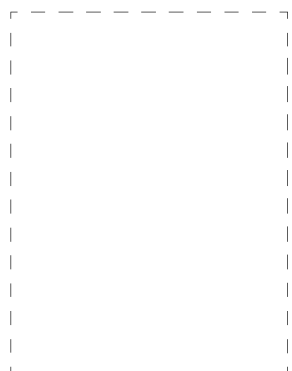
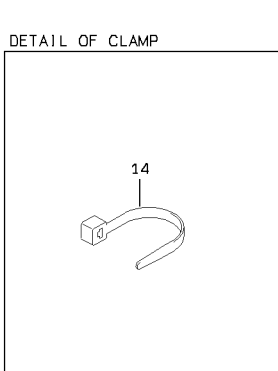
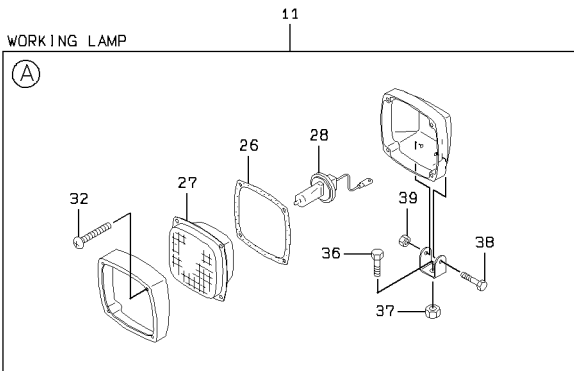
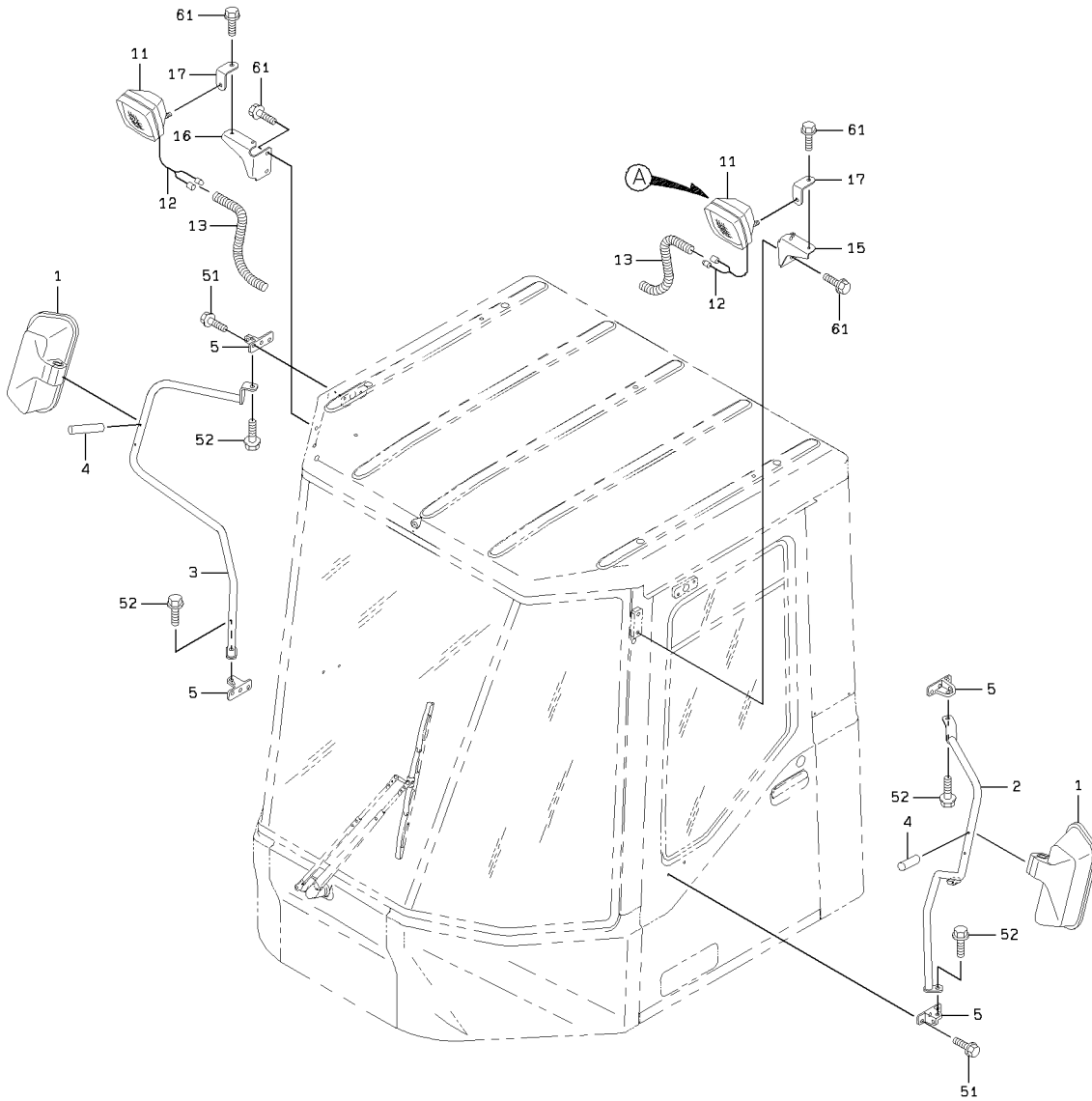




2-A

MIRROR GROUP (S/N 0101 - 0263)

<S/N 0252 - 0263>



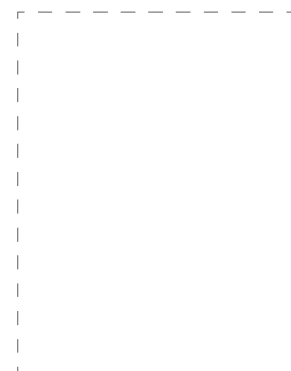
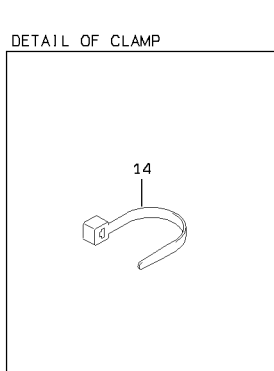
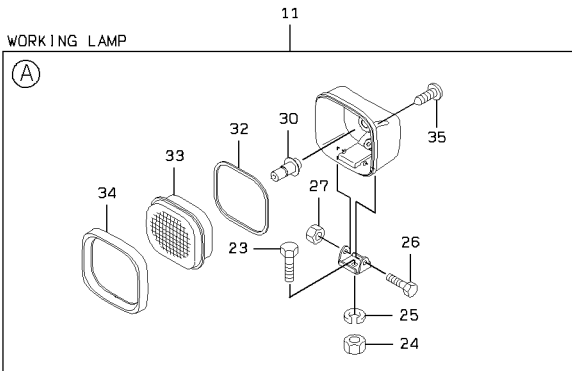
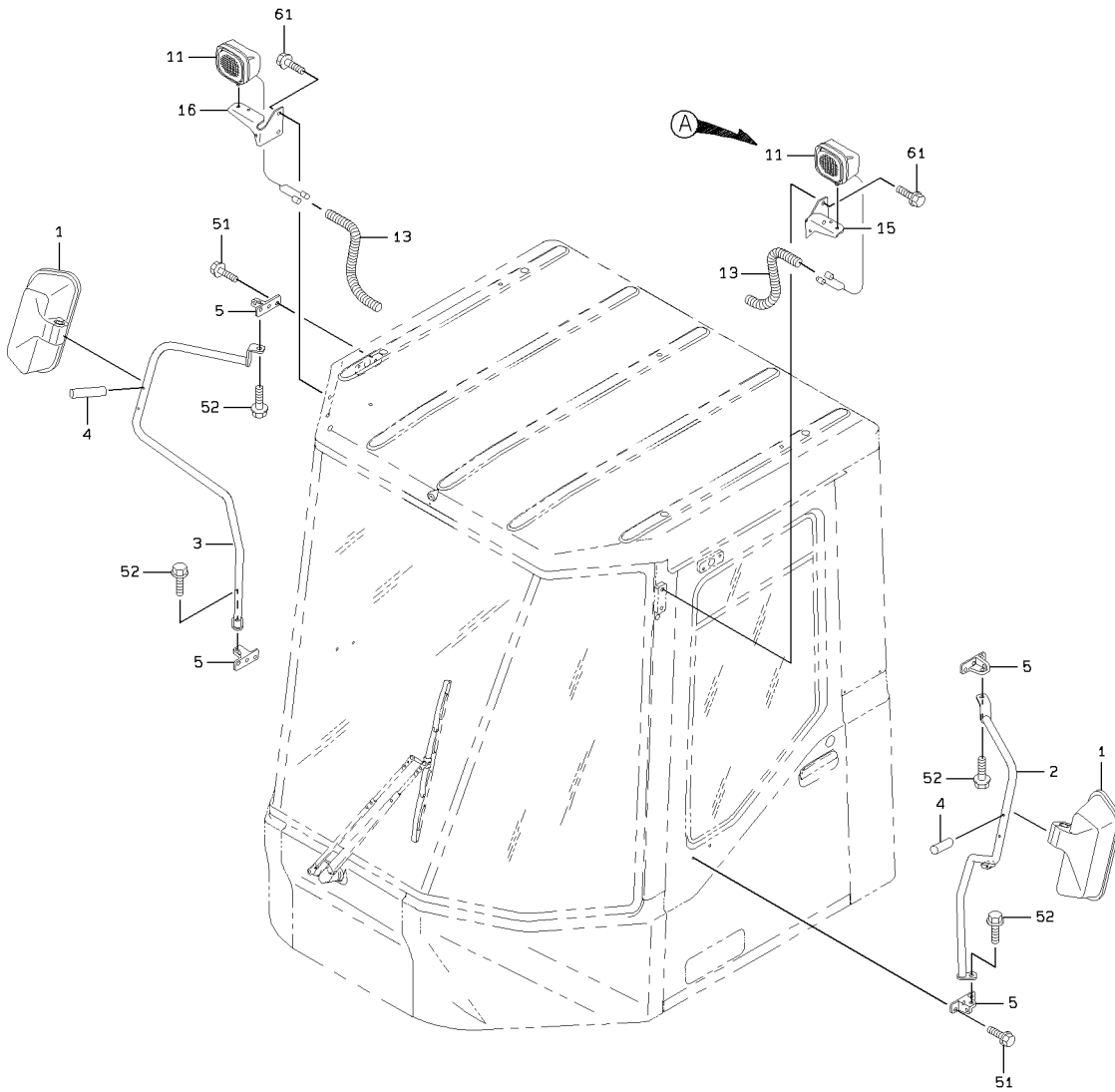
3-A

MIRROR GROUP (S/N 0101 - 0263)

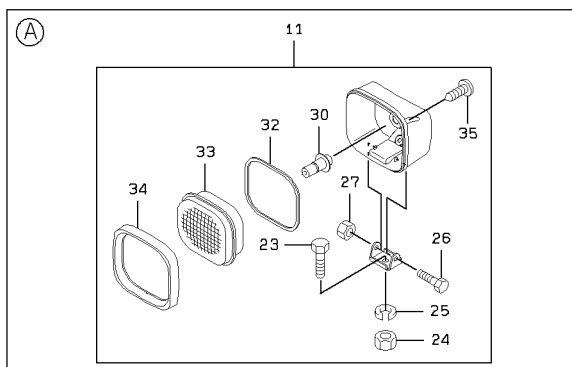
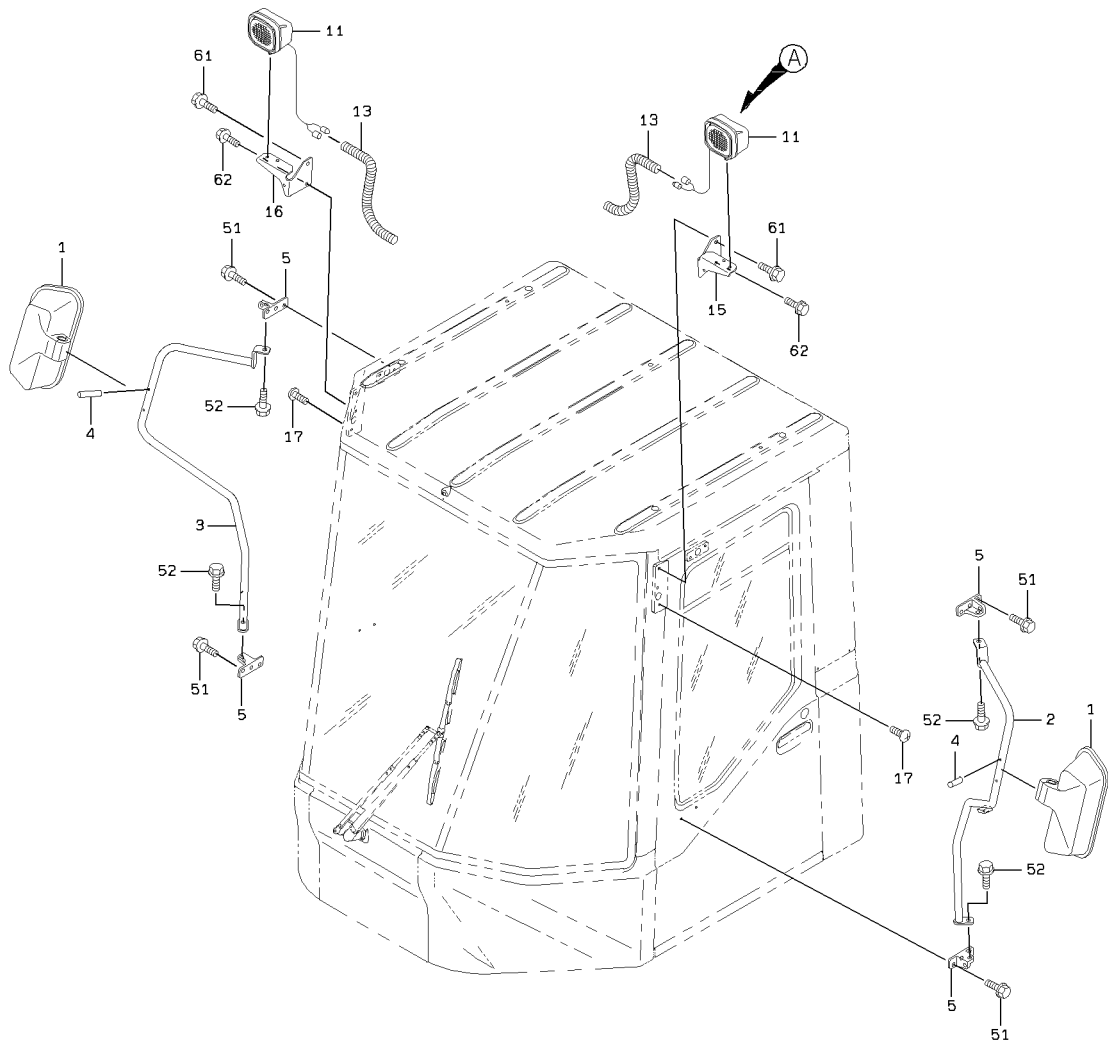
SYM-BOL	PART NUMBER	PART NAME	UNIT Q,TY	SERIAL		REMARKS								
				(A)	(B)	N	P	D	(A)	(B)	(C)	(D)	REMARK	
1A	44340-60130	MIRROR	2	101	- 263									
2A	35210-22860	STAY	1	101	- 139									FR LH
2B	35210-23150	STAY	1	140	- 141									FR LH
2C	35210-23240	STAY	1	142	- 251									FR LH
2D	35210-24060	STAY	1	252	- 263									FR LH
3A	35210-22940	STAY	1	101	- 139									FR RH
3B	35210-23160	STAY	1	140	- 141									FR RH
3C	35210-23250	STAY	1	142	- 251									FR RH
3D	35210-24070	STAY	1	252	- 263									FR RH
4A	40000-27270	PIN	2	101	- 263									
5A	40901-58320	BRACKET	4	101	- 263									
11A	44890-60190	LAMP,HEAD	2	101	- 263					Y01				
12A	33191-56830	CABLE ASSY	2	188	- 263									WORKING LAMP
13A	36724-70100	TUBE,CONDUIT	2	188	- 263									
14A	32923-70100	CLAMP,HOSE	A/R	188	- 263									L=382
15A	40902-38630	BRACKET	1	252	- 263									FR LH
16A	40902-38750	BRACKET	1	252	- 263									FR RH
17A	41620-53760	PLATE	2	252	- 263									
26A	31990-71580	GASKET	1	101	- 263					01				
27A	45701-70670	LENS	1	101	- 263					01				
28A	38480-70410	BULB	1	101	- 263					01				24V70W
32A	35106-70180	SCREW,TAPPING	4	101	- 263					01				
36A	61034-10028	BOLT	1	101	- 263					01				
37A	37600-71930	NUT	1	101	- 263					01				
38A	43900-73040	BOLT	1	101	- 263					01				
39A	37600-71940	NUT	1	101	- 263					01				
51A	61802-08016	BOLT,FLANGED	8	101	- 263									
52A	61802-12020	BOLT,FLANGED	4	101	- 263									
61A	61802-10016	BOLT,FLANGED	6	252	- 263									

MIRROR GROUP (S/N 0264 -)

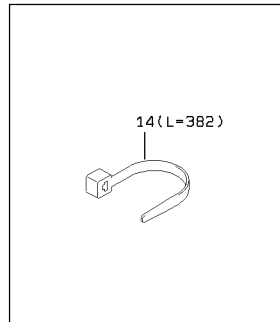
<S/N 0264 - 0408>



1-A



クランプ 部詳細
DETAIL OF CLAMP



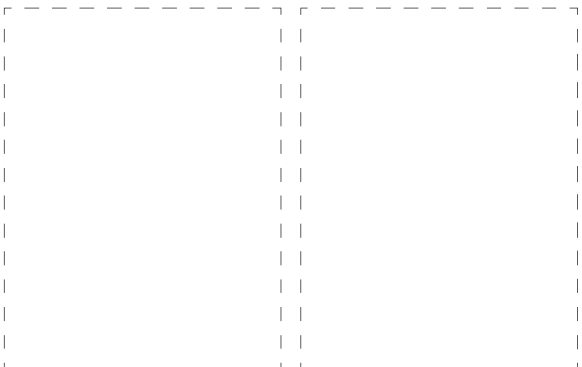
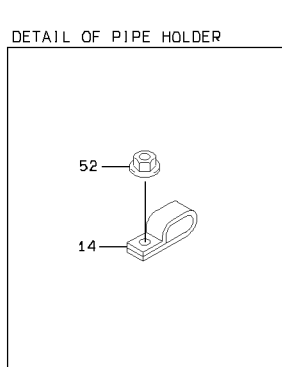
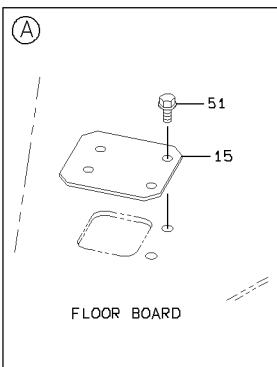
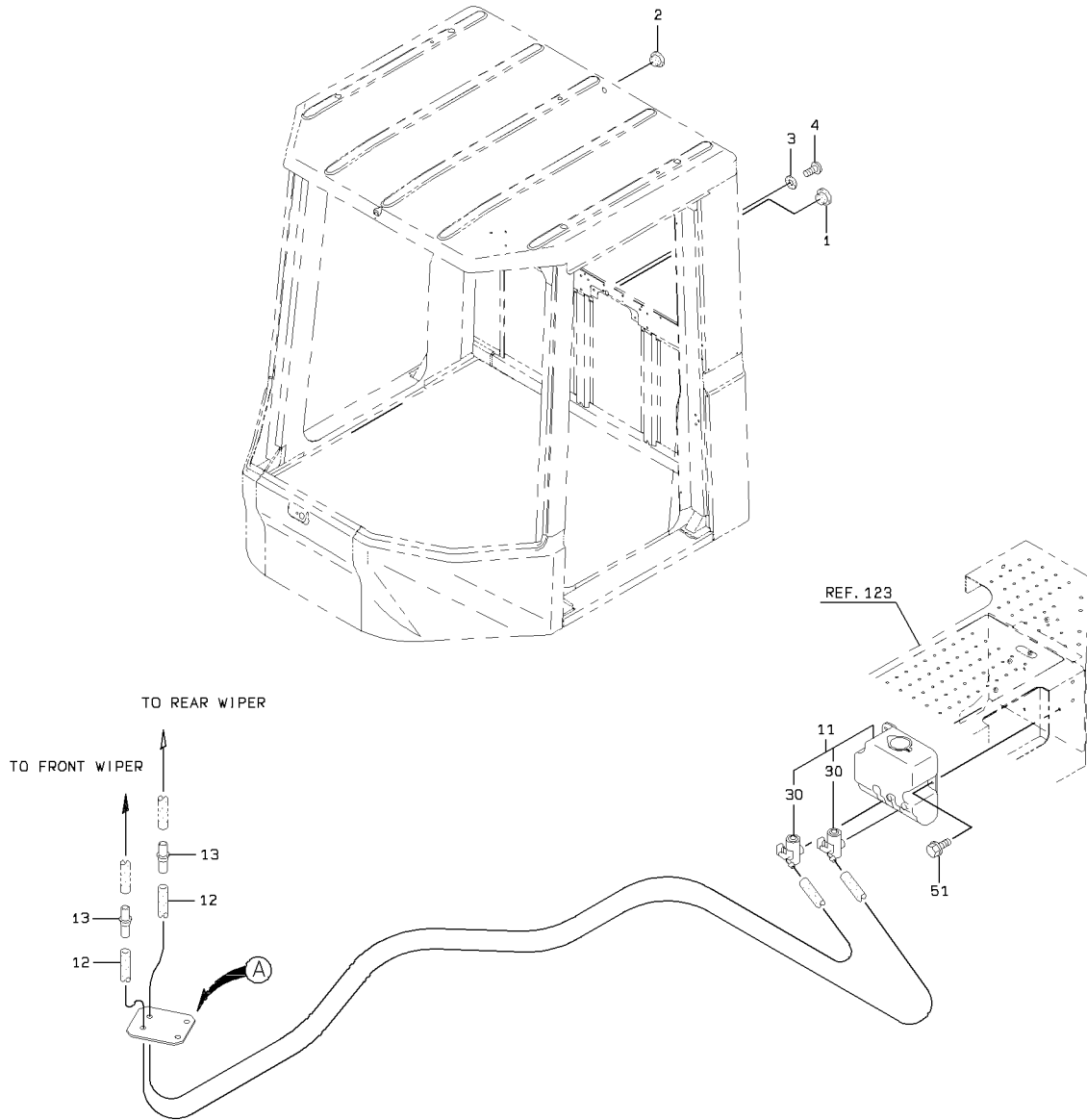
2-A

MIRROR GROUP (S/N 0264 -)

SYM-BOL	PART NUMBER	PART NAME	UNIT Q,TY	SERIAL		REMARKS								
				(A)	(B)	N	P	D	(A)	(B)	(C)	(D)	REMARK	
1A	44340-60130	MIRROR	2	264	-									
2A	35210-24060	STAY	1	264	-									FR LH
3A	35210-24070	STAY	1	264	-									FR RH
4A	40000-27270	PIN	2	264	-									
5A	40901-58320	BRACKET	4	264	-									
11A	44890-60260	LAMP,HEAD	2	264	-					Y01				
13A	36724-70100	TUBE,CONDUIT	2	264	-									
14A	32923-70100	CLAMP,HOSE	AVR	264	-									L=382
15A	41750-36900	PLATE	1	264	-	268								FR LH
15B	41750-42120	PLATE	1	269	-	408	B							FR LH
15C	41750-54520	PLATE	1	409	-		B							
16A	41750-36920	PLATE	1	264	-	268								FR RH
16B	41750-42130	PLATE	1	269	-	408	B							FR RH
16C	41750-54530	PLATE	1	409	-		B							
17A	35100-20860	SCREW	2	409	-									
23A	61001-08020	BOLT	1	264	-				01					
24A	62401-81081	NUT	1	264	-				01					
25A	62721-08100	WASHER,SPRING	1	264	-				01					
26A	61001-06050	BOLT	1	264	-				01					
27A	37600-72340	NUT	1	264	-				01					
30A	38480-70770	BULB	1	264	-				01					24V55W
32A	31990-71750	GASKET	1	264	-				01					
33A	45701-70800	LENS	1	264	-				01					
34A	40600-70920	FRAME	1	264	-				01					
35A	62261-14018	SCREW,TAPPING	4	264	-				01					
51A	61802-08016	BOLT,FLANGED	8	264	-									
52A	61802-12020	BOLT,FLANGED	4	264	-									
61A	61802-10016	BOLT,FLANGED	4	264	-	408								
61B	61802-10016	BOLT,FLANGED	2	409	-									
62A	61802-05012	BOLT,FLANGED	2	409	-									

MEMO

REAR WIPER & WINDOW WASHER GROUP

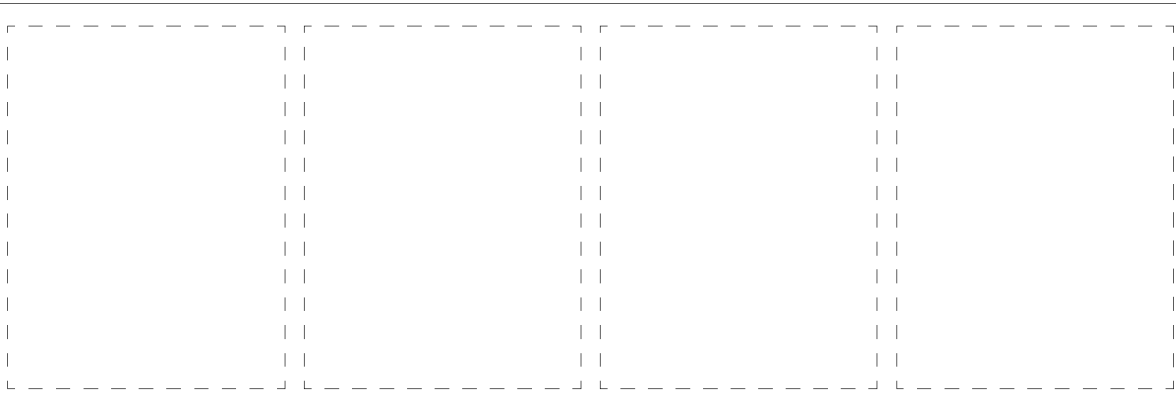
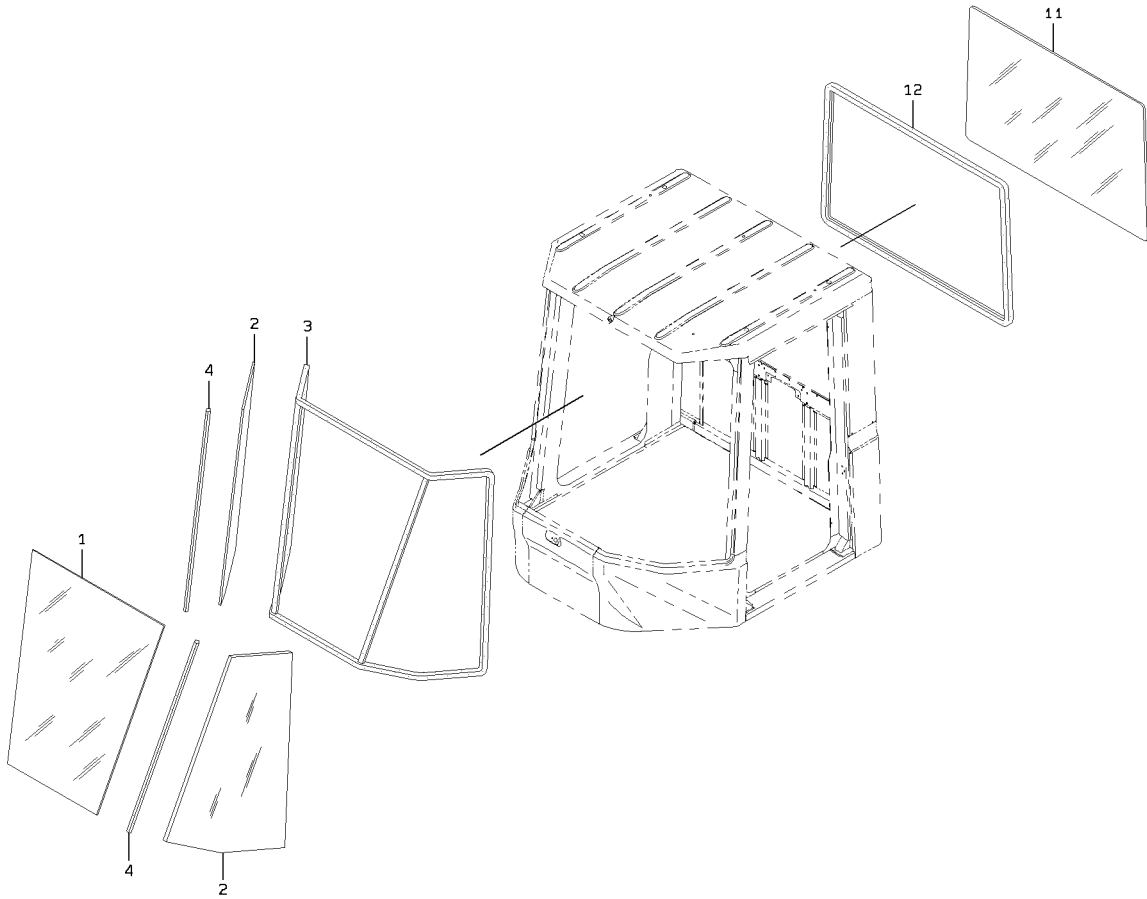


REAR WIPER & WINDOW WASHER GROUP

SYM-BOL	PART NUMBER	PART NAME	UNIT Q, TY	SERIAL (A) - (B)	REMARKS				REMARK
					N	P	D	(A) (B) (C) (D)	
1A	33057-70160	GROMMET	1	101 -					
2A	41530-70040	PLUG	1	101 -					
3A	88111-10500	WASHER, SEAL	1	101 -					
4A	35100-20020	SCREW	1	101 -					
11A	30771-60010	WINDOW WASHER ASSY	1	101 -			Y01		
12A	67031-07000	TUBE, VINYL	4 M	101 -					L=3200 X QTY
13A	37715-20020	NIPPLE, HOSE	2	101 -					
14A	72001-20600	HOLDER, PIPE	A/R	101 -					D=6.35 X QTY
15A	41605-26980	PLATE	1	101 -					
30A	44081-70070	PUMP ASSY	2	101 -			01		
51A	61802-06016	BOLT, FLANGED	5	101 -					
52A	62480-21081	NUT, FLANGED	A/R	101 -					

WINDOW GLASS MOUNT (S/N 0163 -)

<S/N 0163 - >

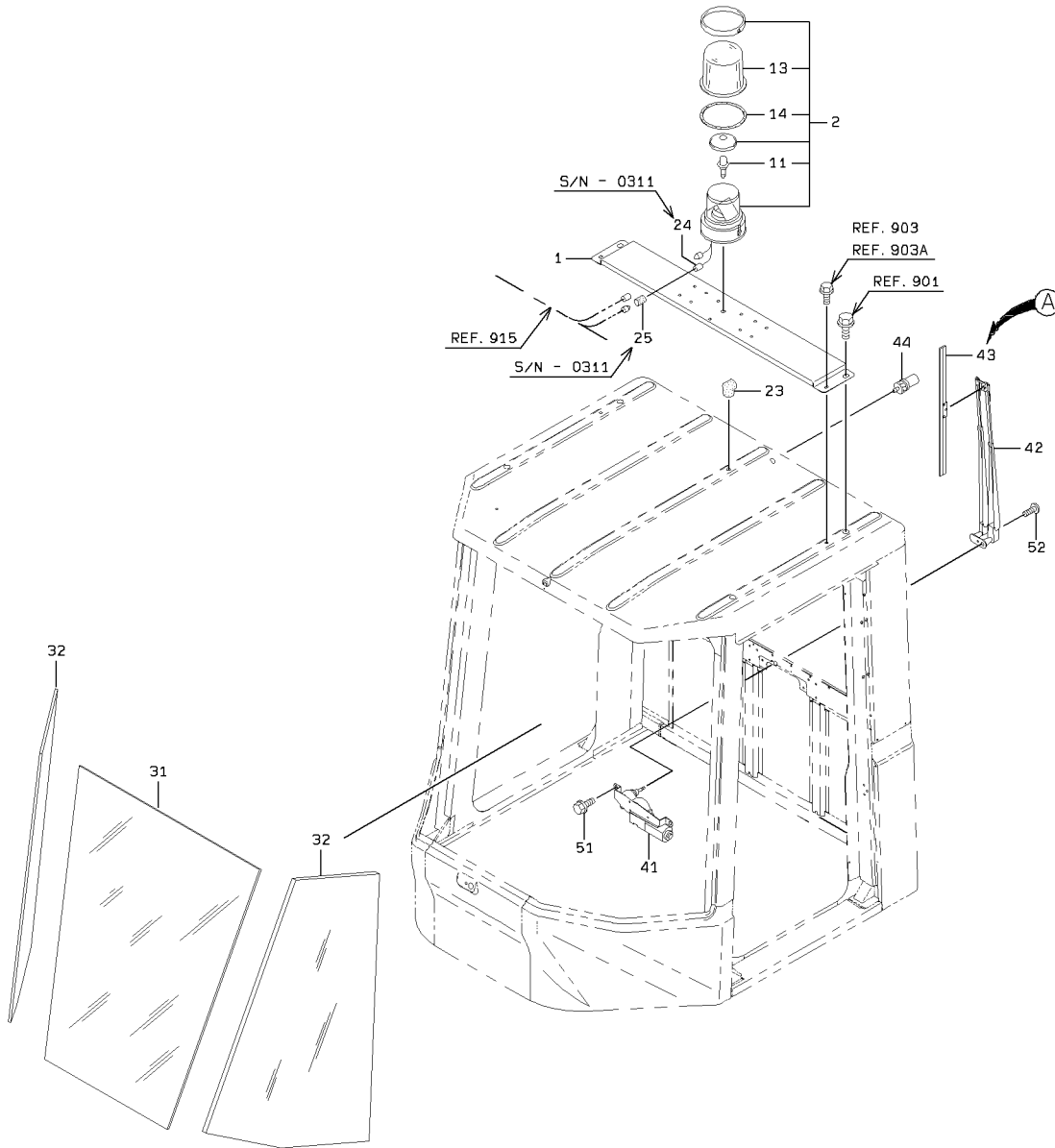


1-A

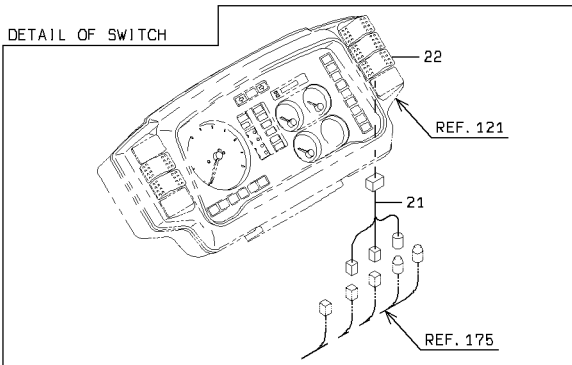
WINDOW GLASS MOUNT (S/N 0163 -)

SYM-BOL	PART NUMBER	PART NAME	UNIT Q, TY	SERIAL (A) - (B)	REMARKS				REMARK
					N	P	D		
1A	32011-21540	GLASS, WINDOW	1	163 -					FR FRONT
2A	32011-21550	GLASS, WINDOW	2	163 -					FR FRONT SIDE
3A	34041-60280	STRIP, SEAL	1	163 -					FR FRONT
4A	34041-60270	STRIP, SEAL	2	163 -					FR FRONT SIDE
11A	32011-21500	GLASS, WINDOW	1	163 -					FR REAR
12A	34041-60250	STRIP, SEAL	1	163 -					FR REAR

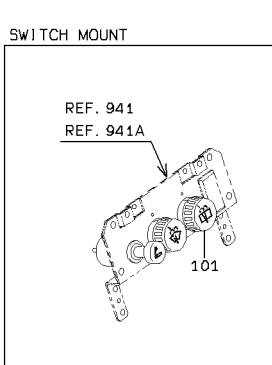
CAB OPTION PARTS



DETAIL OF SWITCH

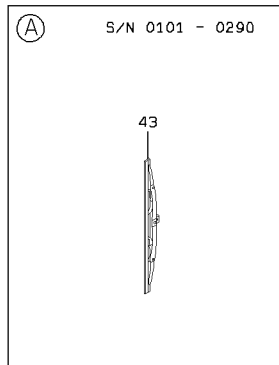


SWITCH MOUNT



(A)

S/N 0101 - 0290

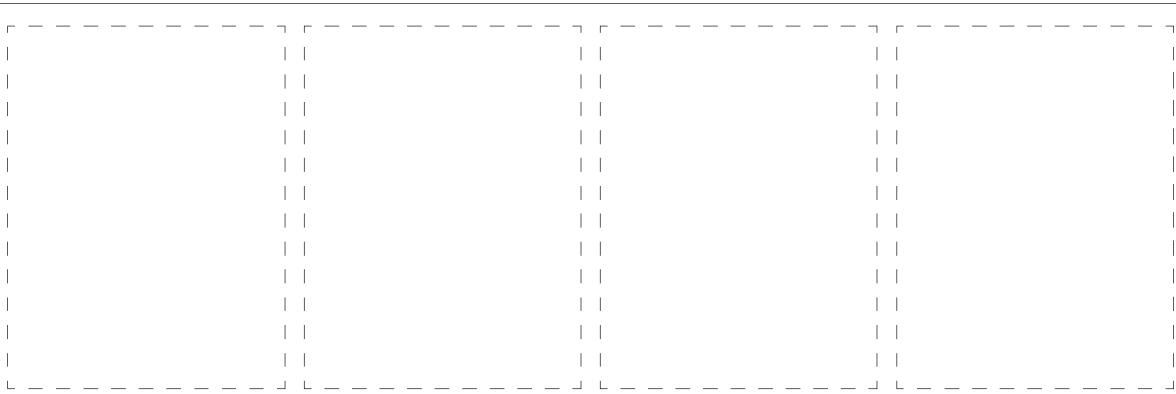
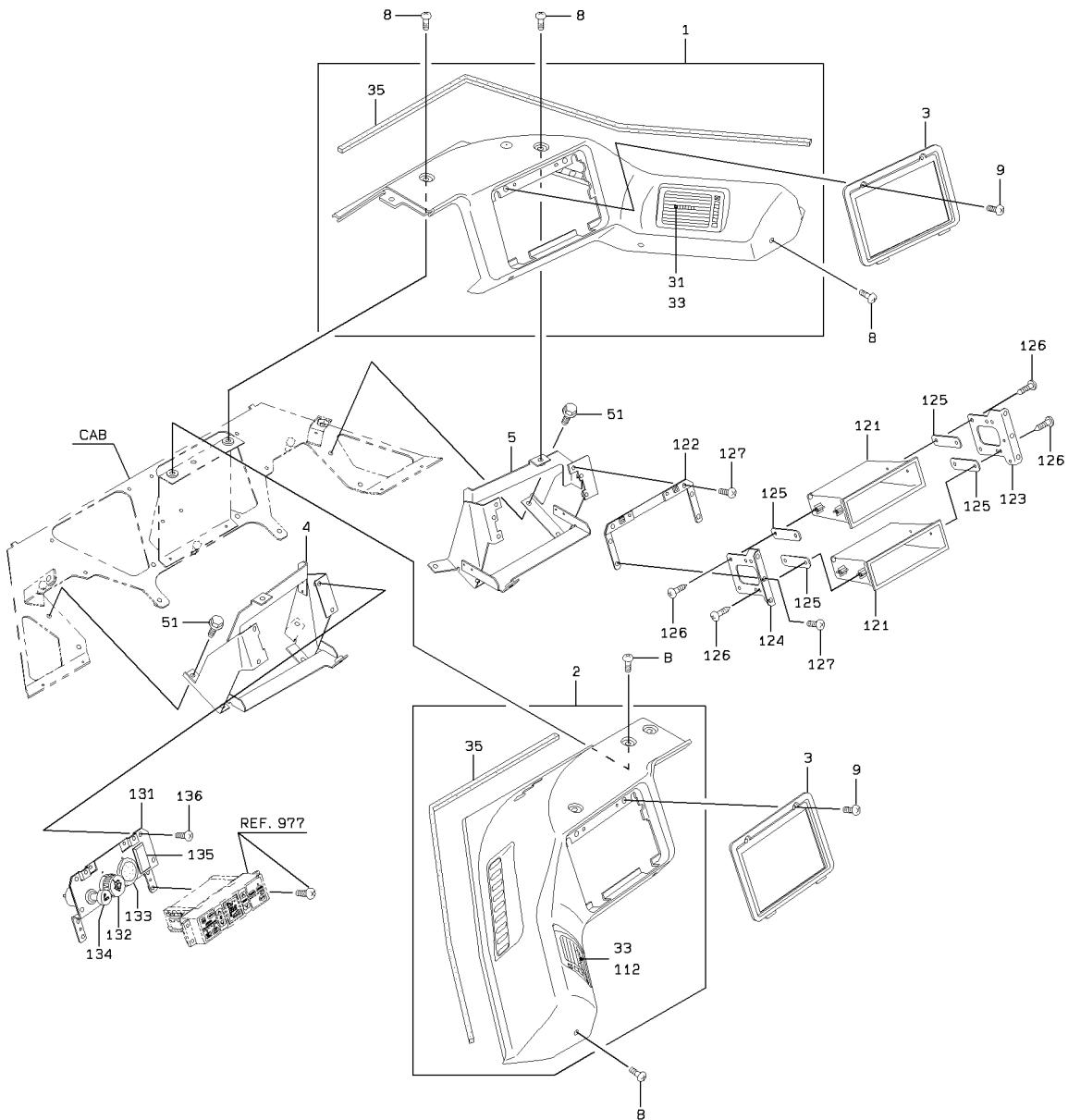


CAB OPTION PARTS

SYM-BOL	PART NUMBER	PART NAME	UNIT Q,TY	SERIAL		REMARKS								
				(A)	(B)	N	P	D	(A)	(B)	(C)	(D)	REMARK	
1A	41618-56280	PLATE	1	101	-									
2A	44894-60040	LAMP,ROTARY WARNIN	1	101	-					Y01				
11A	38480-70780	BULB	1	101	-					01				24V55W(H3)
13A	45701-70640	LENS	1	101	-					01				
14A	39600-72240	PACKING	1	101	-					01				
21A	33191-47860	CABLE ASSY	1	101	-									
22A	35010-60320	SWITCH	1	101	-									ROTARY WARNING
23A	32215-70060	CAP,TERMINAL	1	101	-									
24A	73212-00100	TERMINAL	1	101	-	311	N	D						
25A	73222-00100	CAP,TERMINAL	1	101	-	311	N	D						
31A	32011-21690	GLASS,WINDOW	1	101	-									FRONT
32A	32011-21700	GLASS,WINDOW	2	101	-									FRONT SIDE
41A	44487-60070	MOTOR ASSY,WIPER	1	101	-									
42A	30035-60040	ARM,WIPER	1	101	-									L=550
43A	41321-60040	BLADE,WIPER	1	101	-	290								L=450
43B	41321-70090	BLADE,WIPER	1	291	-		A							L=450
44A	37740-20080	NOZZLE	1	101	-									
51A	61802-08012	BOLT,FLANGED	2	101	-									
52A	35100-20180	SCREW	1	101	-									
101A	35067-60070	SWITCH,WIPER	1	101	-									

COVER GROUP - CAB (S/N 0101 - 0187)

<S/N 0101 - 0187>

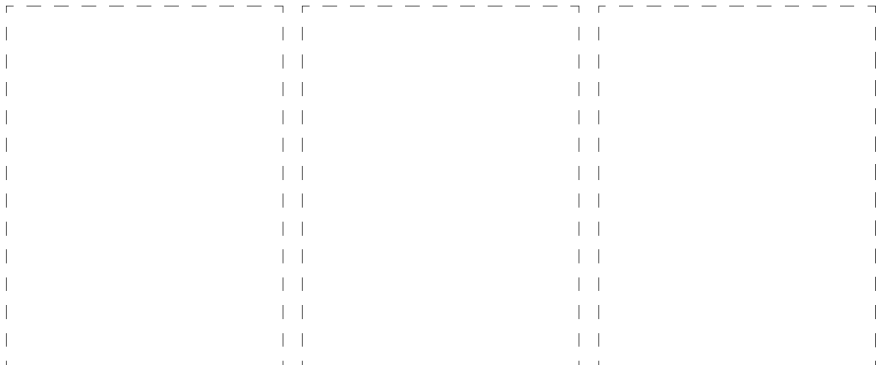
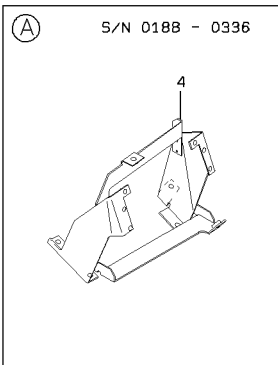
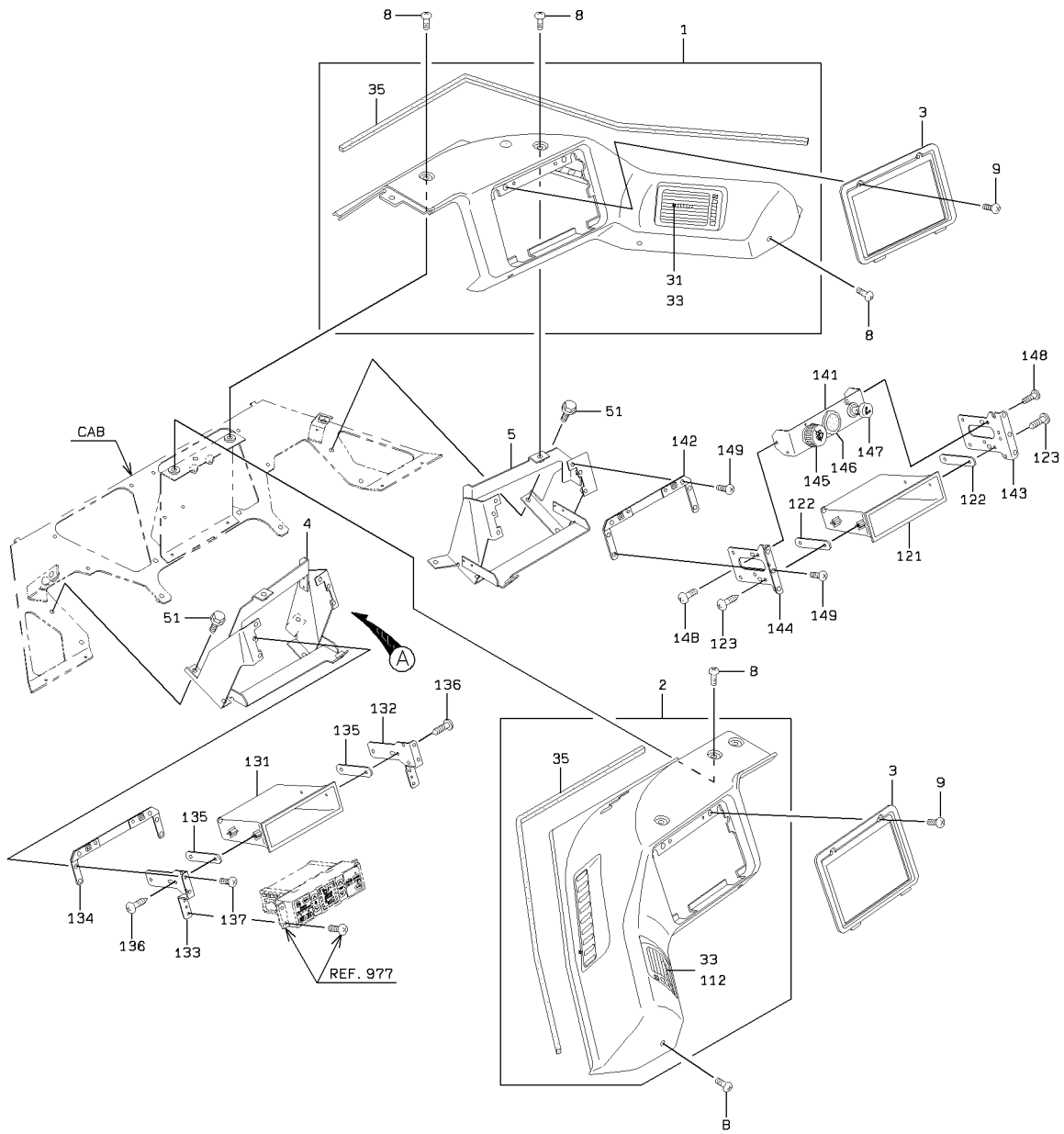


COVER GROUP - CAB (S/N 0101 - 0187)

SYM-BOL	PART NUMBER	PART NAME	UNIT Q,TY	SERIAL			REMARKS								
				(A)	-	(B)	N	P	D	(A)	(B)	(C)	(D)	REMARK	
1A	31200-60300	COVER	1	101	-	187						Y01			FR RH
2A	31200-60310	COVER	1	101	-	187							Y02		FR LH
3A	31200-60100	COVER	2	101	-	187									
4A	40901-57960	BRACKET	1	101	-	187									FR LH
5A	40901-57970	BRACKET	1	101	-	187									FR RH
8A	35100-20200	SCREW	11	101	-	187									
9A	35100-20280	SCREW	4	101	-	187									
31A	33070-70100	GRILLE	1	101	-	187						01			
33A	40900-60110	BRACKET	1	101	-	187						01	02		
35A	35680-70100	SPONGE	1	101	-	187						01	02		
51A	61802-08016	BOLT,FLANGED	10	101	-	187									
112A	33070-70110	GRILLE	1	101	-	187							02		
121A	43800-23450	BOX	2	101	-	187									
122A	41613-51300	PLATE	1	101	-	187									
123A	41610-26860	PLATE	1	101	-	187									FR RH
124A	41610-26870	PLATE	1	101	-	187									FR LH
125A	41613-53150	PLATE	4	101	-	187									
126A	35106-20020	SCREW,TAPPING	8	101	-	187									
127A	35100-20280	SCREW	6	101	-	187									
131A	41613-51320	PLATE	1	101	-	187									
132A	35067-60060	SWITCH,WIPER	1	101	-	187									FR FRONT
133A	41530-70740	PLUG	1	101	-	187									
134A	34180-60010	CIGARLIGHTER	1	101	-	187									
135A	32224-60020	CAP,ELASTIC	1	101	-	187									
136A	35100-20280	SCREW	4	101	-	187									

COVER GROUP - CAB (S/N 0188 -)

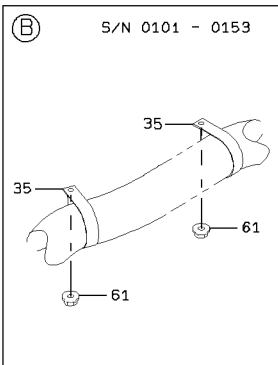
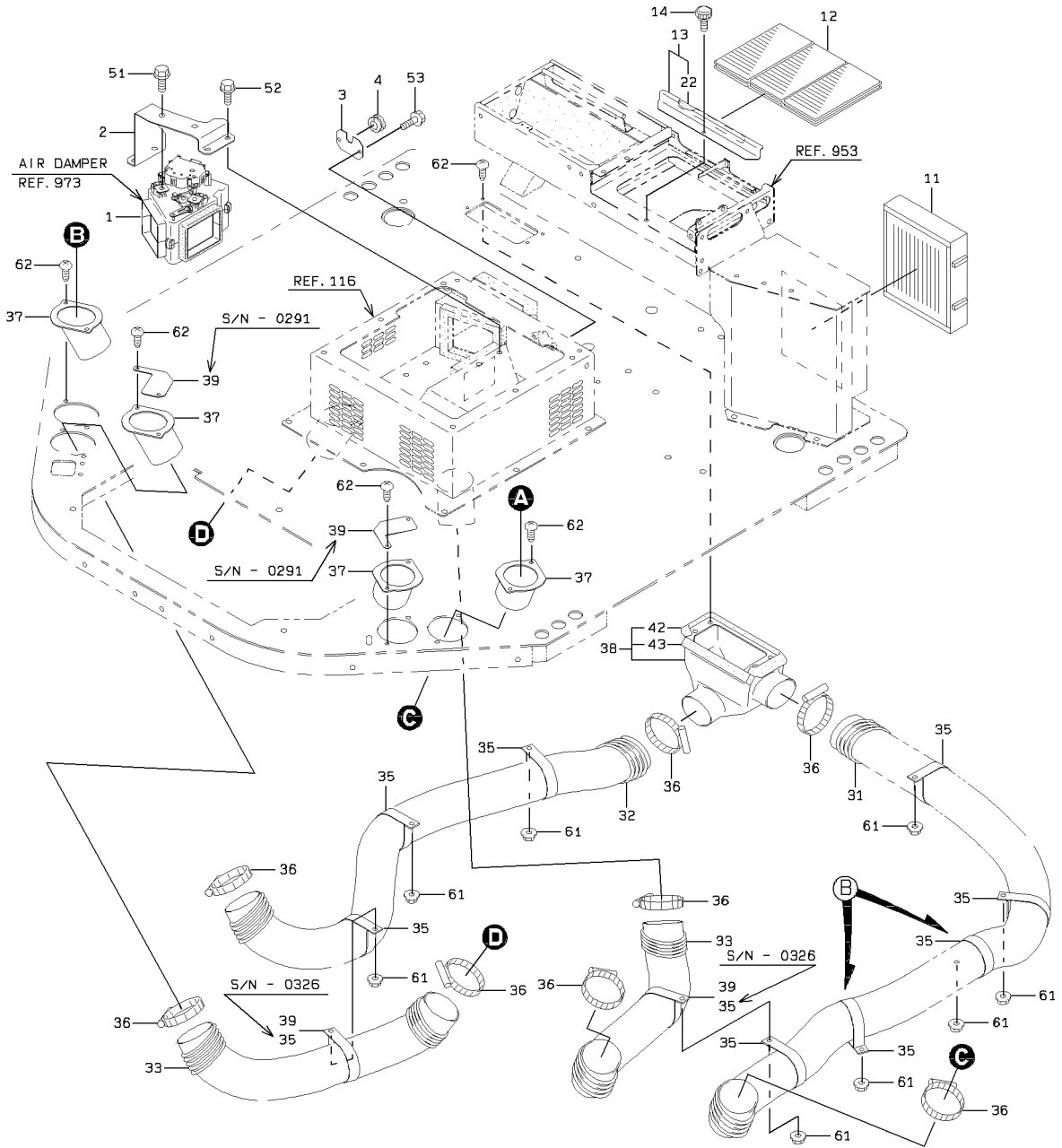
<S/N 0188 - >



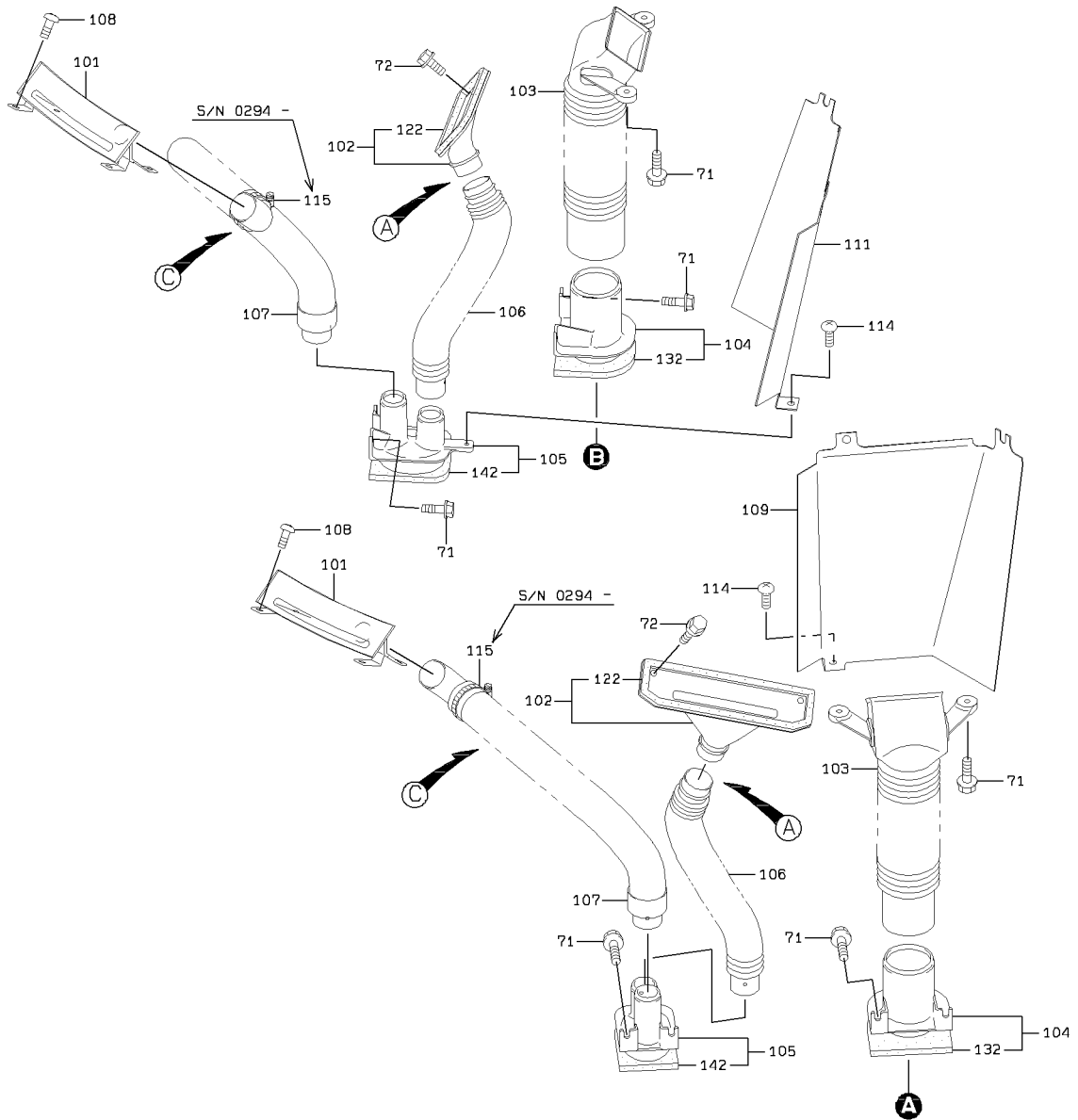
COVER GROUP - CAB (S/N 0188 -)

SYM-BOL	PART NUMBER	PART NAME	UNIT Q,TY	SERIAL		REMARKS							
				(A)	(B)	N	P	D	(A)	(B)	(C)	(D)	REMARK
1A	31200-60300	COVER	1	188	-								FR RH
2A	31200-60310	COVER	1	188	-								FR LH
3A	31200-60100	COVER	2	188	-								
4A	40902-26510	BRACKET	1	188	-								FR LH
4B	40902-50690	BRACKET	1	337	-								FR LH
5A	40901-57970	BRACKET	1	188	-								FR RH
8A	35100-20200	SCREW	11	188	-								
9A	35100-20280	SCREW	4	188	-								
31A	33070-70100	GRILLE	1	188	-								
33A	40900-60110	BRACKET	1	188	-								
35A	35680-70100	SPONGE	1	188	-								
51A	61802-08016	BOLT,FLANGED	10	188	-								
112A	33070-70110	GRILLE	1	188	-								
121A	43800-23450	BOX	1	188	-								
122A	41613-53150	PLATE	2	188	-								
123A	35106-20020	SCREW,TAPPING	4	188	-								
131A	43800-23450	BOX	1	188	-								
132A	41619-30180	PLATE	1	188	-								FR RH
133A	41619-30190	PLATE	1	188	-								FR LH
134A	41619-30200	PLATE	1	188	-								
135A	41613-53150	PLATE	2	188	-								
136A	35106-20020	SCREW,TAPPING	4	188	-								
137A	35100-20280	SCREW	6	188	-								
141A	41619-50010	PLATE	1	188	-								
142A	41613-51300	PLATE	1	188	-								
143A	41619-31080	PLATE	1	188	-								FR RH
144A	41619-31090	PLATE	1	188	-								FR LH
145A	35067-60060	SWITCH,WIPER	1	188	-								FR FRONT
146A	41530-70740	PLUG	1	188	-								
147A	34180-60010	CIGARLIGHTER	1	188	-								
148A	35100-20020	SCREW	4	188	-								
149A	35100-20280	SCREW	6	188	-								

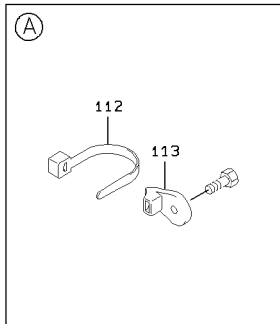
AIR DUCT GROUP - FLOOR BOARD



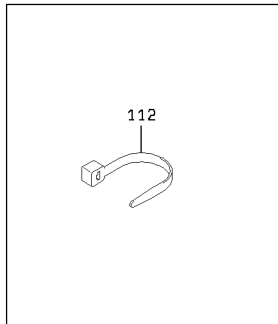
AIR DUCT GROUP - FLOOR BOARD



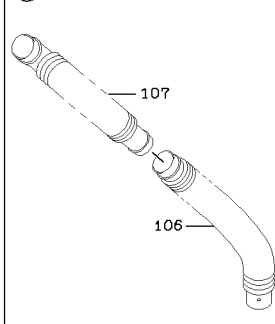
DETAIL OF STUD MOUNT



DETAIL OF CLAMP



S/N 0101 - 0291

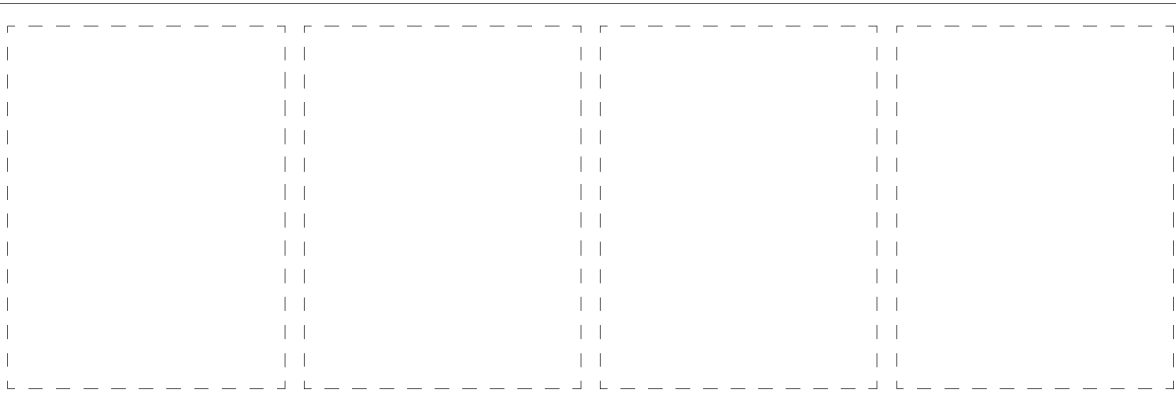
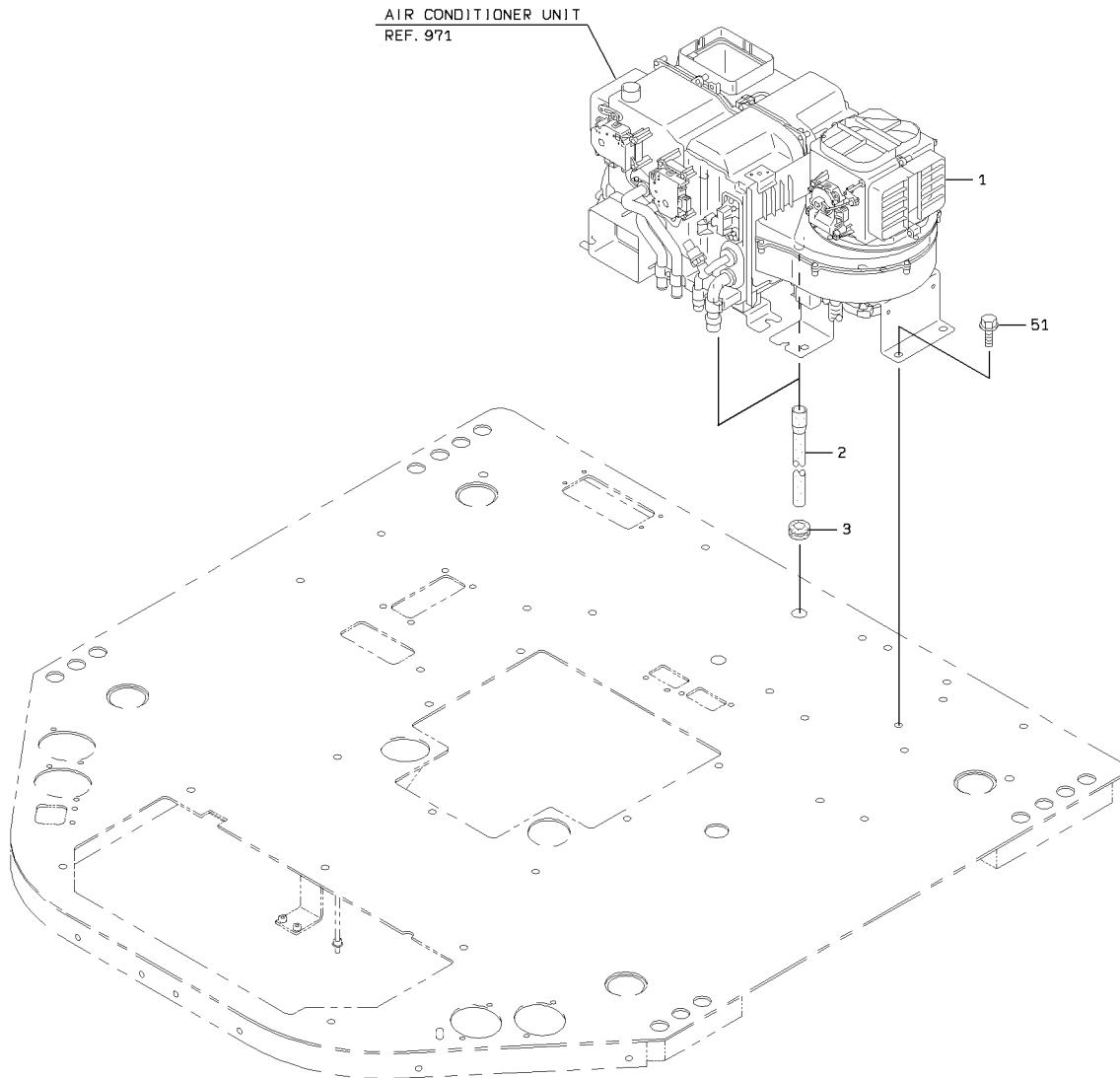


AIR DUCT GROUP - FLOOR BOARD

SYM-BOL	PART NUMBER	PART NAME	UNIT Q,TY	SERIAL		REMARKS						
				(A)	(B)	N	P	D	(A)	(B)	(C)	(D)
1A	36505-60050	DAMPER ASSY	1	101	-							REF.973
2A	41617-44760	PLATE	1	101	-							
3A	41617-45590	PLATE	1	101	-							
4A	65801-10060	BUSHING,ELASTIC	1	101	-							
11A	40330-60270	FILTER	1	101	-							
12A	40330-70380	FILTER	1	101	-							
13A	31236-25040	COVER ASSY	1	101	-				Y01			
14A	35100-20220	SCREW	1	101	-	153						
14B	35100-20710	SCREW	1	154	-		B					
22A	35680-44020	SPONGE	1	101	-				01			
31A	43111-22310	HOSE,AIR	1	101	-							
32A	43111-20380	HOSE,AIR	1	101	-							
33A	43111-20100	HOSE,AIR	2	101	-	326						
33B	43111-24310	HOSE,AIR	2	327	-		B					43111-24070
35A	72010-86000	HOLDER,HOSE	10	101	-	326						
35B	72010-86000	HOLDER,HOSE	8	327	-							
36A	69002-09800	BAND,HOSE	8	101	-							
37A	36430-23360	DUCT	4	101	-							
38A	36431-21130	DUCT ASSY	1	101	-				Y02			
39A	41618-41490	PLATE	2	101	-	291	D					
39B	72010-93000	HOLDER,HOSE	2	327	-							
42A	35680-50170	SPONGE	1	101	-					02		
43A	35680-50180	SPONGE	1	101	-					02		
51A	61802-10016	BOLT,FLANGED	2	101	-							
52A	61802-08016	BOLT,FLANGED	4	101	-							
53A	61802-06012	BOLT,FLANGED	2	101	-							
61A	62480-21081	NUT,FLANGED	8	101	-							
62A	35100-20200	SCREW	12	101	-							
71A	61802-08016	BOLT,FLANGED	12	101	-							
72A	61802-06016	BOLT,FLANGED	4	101	-							
101A	37743-60030	NOZZLE ASSY,DEFROS	2	101	-							
102A	37743-20010	NOZZLE ASSY,DEFROS	2	101	-					Y03		
103A	36430-60030	DUCT	2	101	-							
104A	36431-21030	DUCT ASSY	2	101	-						Y04	
105A	36431-21040	DUCT ASSY	2	101	-			Y05				
106A	36435-60010	DUCT,DEFROSTER	4	101	-	291						
106B	36435-60010	DUCT,DEFROSTER	2	292	-							
107A	36430-60060	DUCT	2	101	-	291						
107B	36435-60020	DUCT,DEFROSTER	2	292	-		B					
108A	35100-20200	SCREW	8	101	-							
109A	41618-38280	PLATE	1	101	-							FR LH
111A	41618-38290	PLATE	1	101	-							FR RH
112A	32923-70100	CLAMP,HOSE	A/R	101	-							L=382
113A	32923-70120	CLAMP,HOSE	A/R	101	-							FR M8
114A	35100-20330	SCREW	2	101	-							
115A	69002-07600	BAND,HOSE	2	294	-							
122A	35680-47920	SPONGE	1	101	-					03		
132A	35680-47910	SPONGE	1	101	-						04	
142A	35680-47900	SPONGE	1	101	-				05			

MEMO

AIR CONDITIONER MOUNT

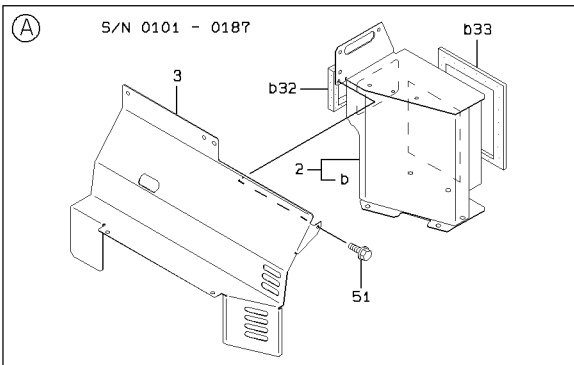
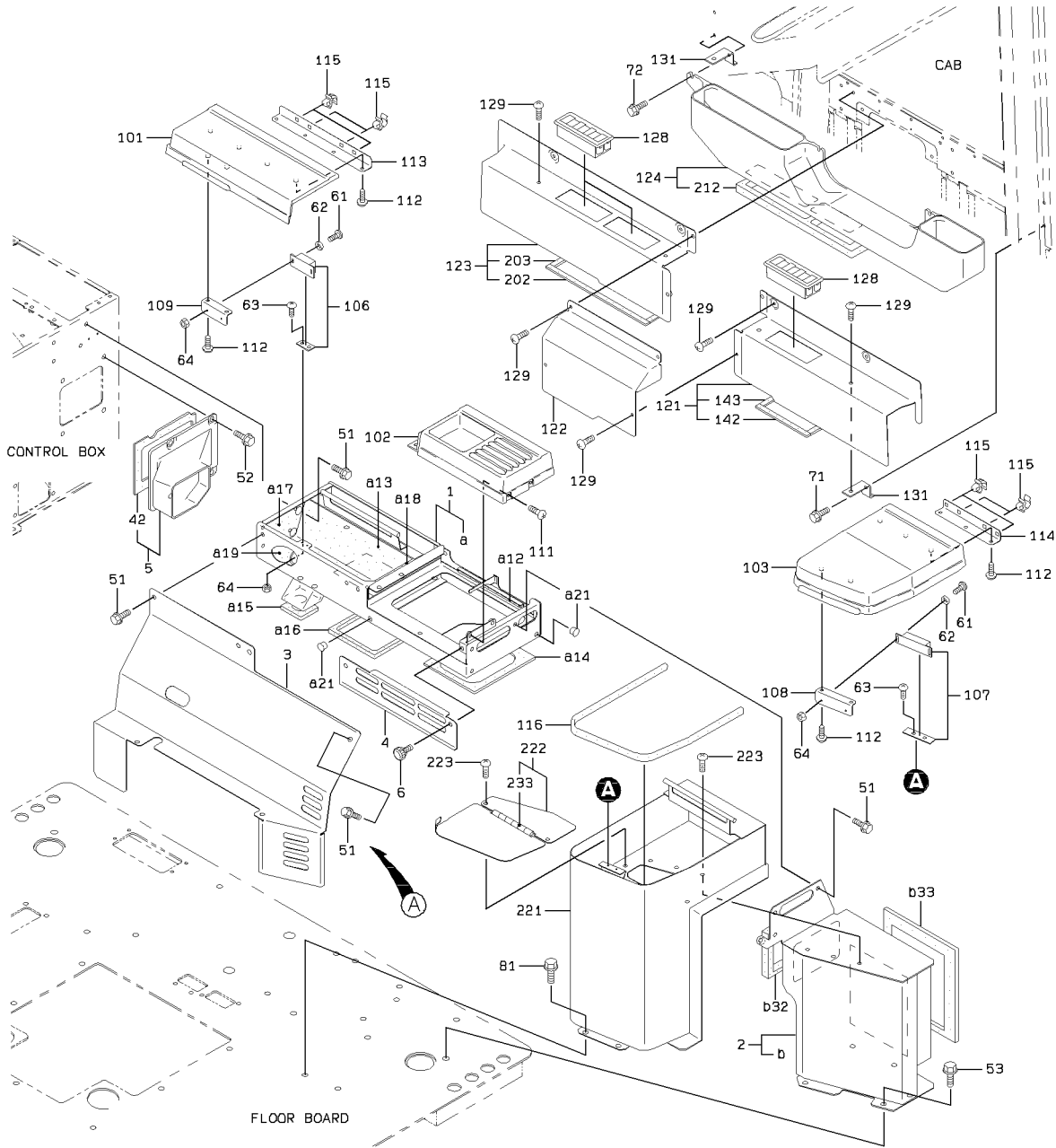


1-A

AIR CONDITIONER MOUNT

SYM-BOL	PART NUMBER	PART NAME	UNIT Q,TY	SERIAL		REMARKS					
				(A)	(B)	N	P	D	(A)	(B)	(C)
1A	30890-60080	AIR CONDITIONER UN	1	101	-						REF.971,972,97
2A	43100-60100	HOSE	2	101	-	256					L=420
2B	43100-60110	HOSE	2	257	-		C				L=1300
3A	65801-20060	BUSHING,ELASTIC	2	101	-						
51A	61802-10020	BOLT,FLANGED	8	101	-						

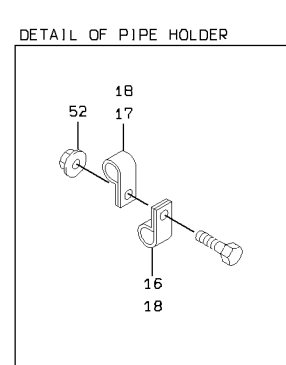
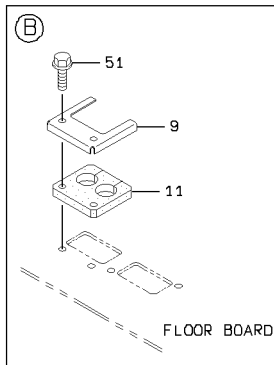
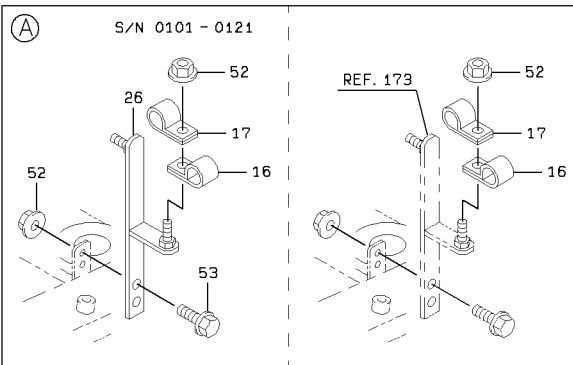
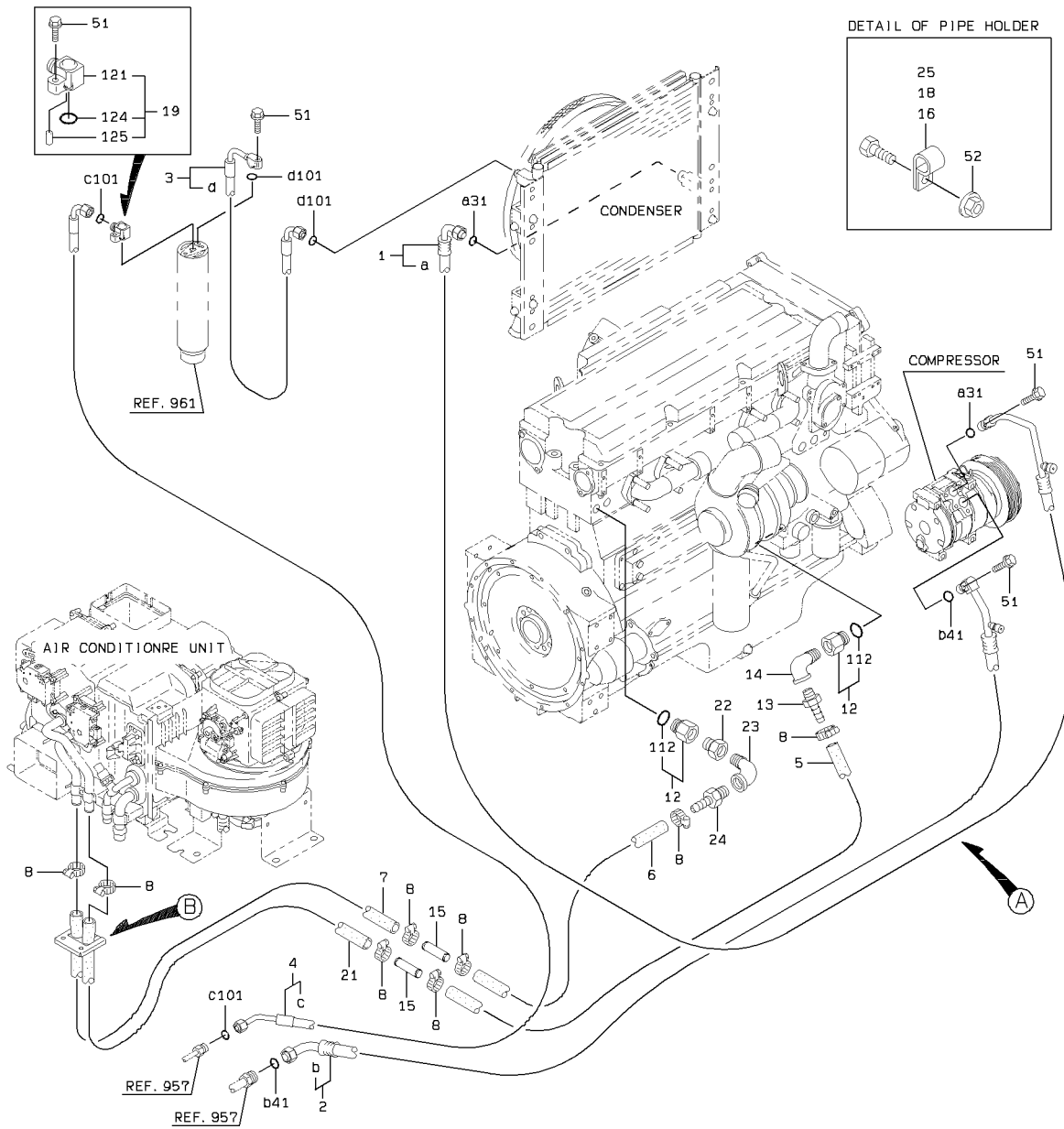
AIR CONDITIONER COVER GROUP



AIR CONDITIONER COVER GROUP

SYM-BOL	PART NUMBER	PART NAME	UNIT Q,TY	SERIAL		REMARKS							
				(A)	(B)	N	P	D	(A)	(B)	(C)	(D)	REMARK
1A	43805-21090	BOX ASSY	1	101	-						Y01		
2A	43805-21100	BOX ASSY	1	101	-	187					Y02		
2B	43805-21390	BOX ASSY	1	188	-		B				Y02		
3A	31205-42380	COVER	1	101	-	187							
3B	31205-47160	COVER	1	188	-		B						
4A	41618-31850	PLATE	1	101	-								
5A	36431-21060	DUCT ASSY	1	101	-							Y03	
6A	35100-20220	SCREW	2	101	-	153							
6B	35100-20710	SCREW	2	154	-		B						
12A	35680-44020	SPONGE	1	101	-						01		
13A	35680-48160	SPONGE	1	101	-						01		
14A	35680-44350	SPONGE	1	101	-						01		
15A	35680-48060	SPONGE	1	101	-						01		
16A	35680-48050	SPONGE	1	101	-						01		
17A	35680-48170	SPONGE	1	101	-						01		
18A	35680-48180	SPONGE	1	101	-						01		
19A	35680-48190	SPONGE	1	101	-						01		
21A	41530-21050	PLUG	4	101	-						01		
32A	35680-44320	SPONGE	1	101	-						02		
33A	35680-44430	SPONGE	1	101	-						02		
42A	35680-48010	SPONGE	1	101	-							03	
51A	61802-06016	BOLT,FLANGED	12	101	-								
52A	61802-08016	BOLT,FLANGED	4	101	-								
53A	61802-10016	BOLT,FLANGED	3	101	-								
61A	62256-51308	SCREW	4	101	-								
62A	62701-40031	WASHER,PLANE	4	101	-								
63A	62257-51310	SCREW	4	101	-								
64A	62401-81031	NUT	6	101	-								
71A	61802-06012	BOLT,FLANGED	1	101	-								
72A	61802-06020	BOLT,FLANGED	3	101	-								
81A	61802-10020	BOLT,FLANGED	2	101	-								
101A	31200-60380	COVER	1	101	-								
102A	31200-60390	COVER	1	101	-								
103A	31200-60400	COVER	1	101	-								
106A	32155-70020	CATCH,MAGNET	1	101	-								
107A	32155-70100	CATCH,MAGNET	1	101	-								
108A	41617-32670	PLATE	1	101	-								
109A	41617-32660	PLATE	1	101	-								
111A	35100-20200	SCREW	4	101	-								
112A	35106-20020	SCREW,TAPPING	11	101	-								
113A	41618-27000	PLATE	1	101	-								
114A	41617-38690	PLATE	1	101	-								
115A	43550-70290	HOLDER	8	101	-								
116A	34041-23950	STRIP, SEAL	1	101	-								
121A	31231-20910	COVER ASSY	1	101	-							Y04	FR LH
122A	31205-42330	COVER	1	101	-	391							
122B	31206-21540	COVER	1	392	-		C						
123A	31231-20900	COVER ASSY	1	101	-						Y05		FR RH
124A	36431-21090	DUCT ASSY	1	101	-						Y06		
128A	33070-60010	GRILLE	3	101	-								
129A	35100-20010	SCREW	12	101	-								
131A	41617-42610	PLATE	4	101	-								
142A	35680-48040	SPONGE	2	101	-							04	
143A	35680-48030	SPONGE	2	101	-							04	
202A	35680-48020	SPONGE	2	101	-						05		
203A	35680-48030	SPONGE	2	101	-						05		
212A	35680-48070	SPONGE	1	101	-							06	
221A	43800-26230	BOX	1	101	-								
222A	31236-24960	COVER ASSY	1	101	-							Y07	
223A	35100-20010	SCREW	5	101	-								
233A	39890-21290	HINGE	1	101	-							07	WELDING

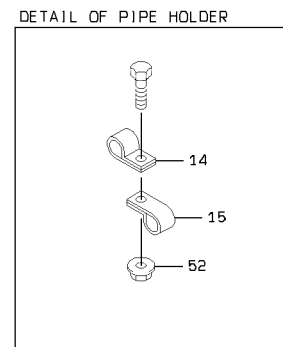
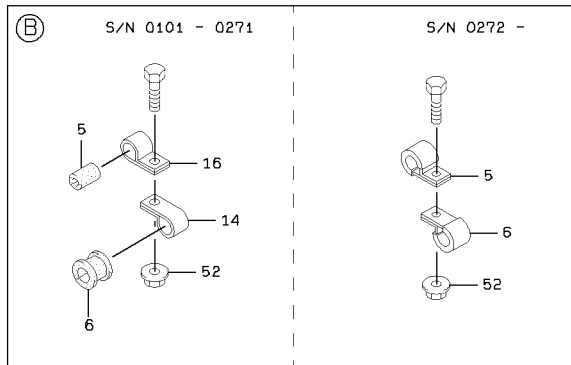
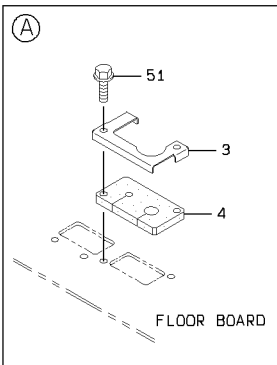
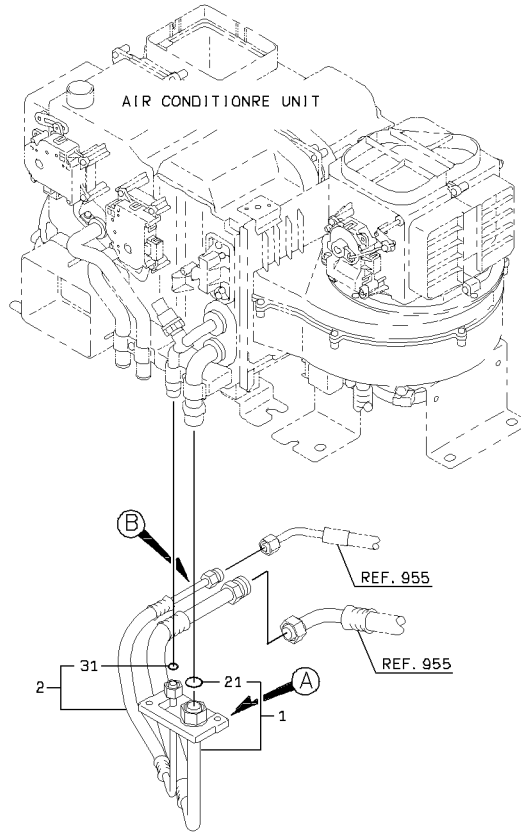
AIR CONDITIONER LINE - REAR CHASSIS



AIR CONDITIONER LINE - REAR CHASSIS

SYM-BOL	PART NUMBER	PART NAME	UNIT Q,TY	SERIAL		REMARKS								
				(A)	(B)	N	P	D	(A)	(B)	(C)	(D)	REMARK	
1A	43124-23720	HOSE,COOLER	1	101	-						Y01			
2A	43124-23730	HOSE,COOLER	1	101	-						Y02			
3A	43124-23200	HOSE,COOLER	1	101	-							Y03		
4A	43124-23740	HOSE,COOLER	1	101	-							Y03		
5A	67230-15000	HOSE,WATER	3 M	101	-									L=2100
6A	67230-15000	HOSE,WATER	1 M	101	-									L=550
7A	67230-15000	HOSE,WATER	2 M	101	-									L=1200
8A	69002-02300	BAND,HOSE	8	101	-									
9A	41613-40250	PLATE	1	101	-									
11A	33057-21070	GROMMET	1	101	-									
12A	38906-21220	FITTING,BUSHING	2	101	-							Y04		
13A	88511-01120	NIPPLE,HOSE	1	101	-									
14A	69205-06000	FITTING,ELBOW	1	101	-									
15A	38730-70020	PIPE	2	101	-									
16A	72001-12000	HOLDER,PIPE	A/R	101	-									D=20
17A	72001-12200	HOLDER,PIPE	A/R	101	-									D=22
18A	72001-12500	HOLDER,PIPE	A/R	101	-									D=25
19A	38900-60050	FITTING	1	101	-						Y05			
21A	67230-15000	HOSE,WATER	2 M	101	-									L=1100
22A	69210-06040	FITTING,BUSHING	1	101	-									
23A	69205-04000	FITTING,ELBOW	1	101	-									
24A	37715-20600	NIPPLE,HOSE	1	101	-	202								
24B	37715-23490	NIPPLE,HOSE	1	203	-		C							
25A	72001-11800	HOLDER,PIPE	A/R	101	-									D=18
26A	41618-41430	PLATE	1	101	-	121	D							
31A	47131-73770	RING,O	2	101	-			01						
41A	47131-73780	RING,O	2	101	-				02					
51A	61802-06025	BOLT,FLANGED	6	101	-									
52A	62480-21081	NUT,FLANGED	A/R	101	-									
53A	61802-08020	BOLT,FLANGED	2	101	-	121	D							
101A	47131-73790	RING,O	2	101	-							03		
112A	65231-00121	RING,O	1	101	-								04	
121A	34940-70260	JOINT	1	101	-			05						
124A	47131-73550	RING,O	1	101	-			05						
125A	40000-71380	PIN	1	101	-			05						

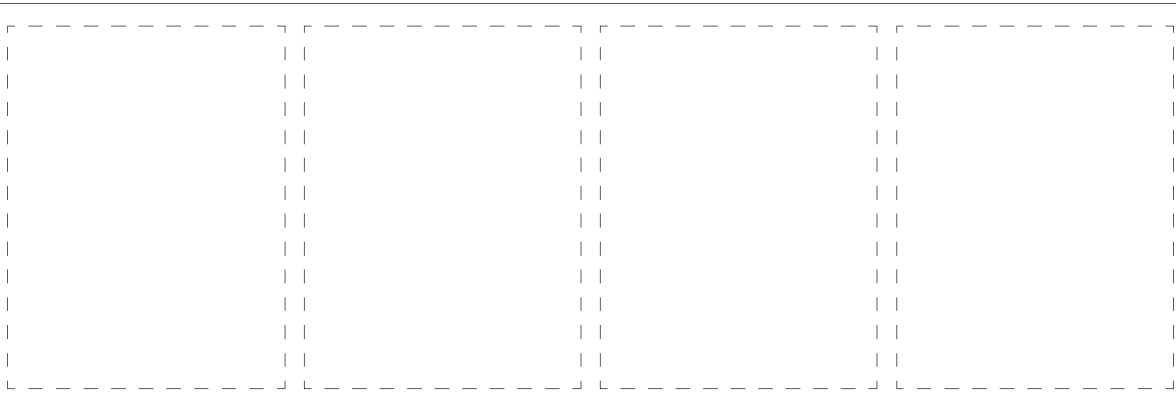
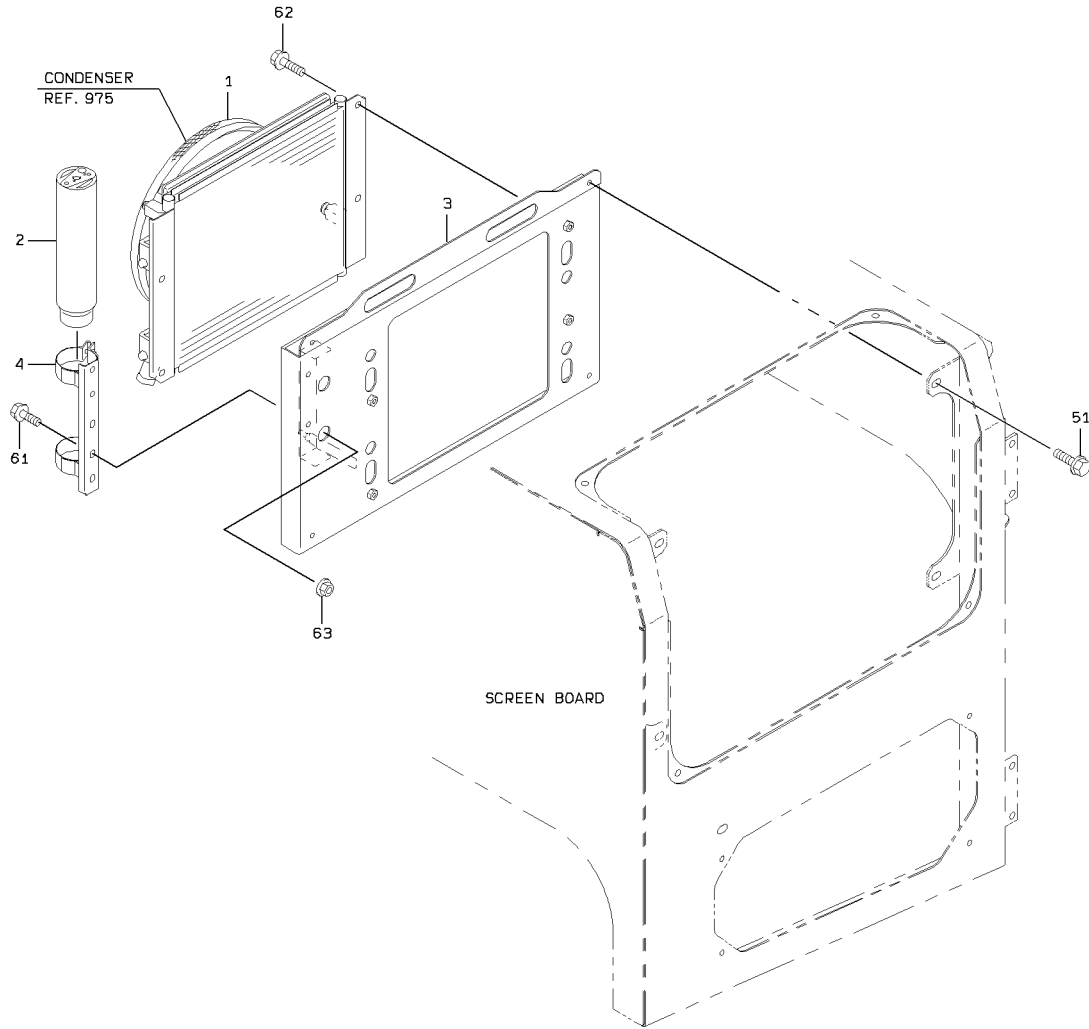
AIR CONDITIONER LINE - FLOOR BOARD



AIR CONDITIONER LINE - FLOOR BOARD

SYM-BOL	PART NUMBER	PART NAME	UNIT Q, TY	SERIAL		REMARKS							
				(A)	(B)	N	P	D	(A)	(B)	(C)	(D)	REMARK
1A	43124-22900	HOSE,COOLER	1	101	-						Y01		
2A	43124-22910	HOSE,COOLER	1	101	-							Y02	
3A	41617-38180	PLATE	1	101	-								
4A	33057-21080	GROMMET	1	101	-								
5A	40850-20530	BUSHING,ELASTIC	1	101	-	271							
5B	43573-20310	HOLDER,PIPE	1	272	-		B						
6A	40850-20520	BUSHING,ELASTIC	1	101	-	271							
6B	43573-20350	HOLDER,PIPE	1	272	-		B						
14A	72001-11800	HOLDER,PIPE	A/R	101	-								D=18
15A	72001-11200	HOLDER,PIPE	A/R	101	-								D=12
16A	72001-11500	HOLDER,PIPE	1	101	-	271	D						D=15
21A	47131-73780	RING,O	1	101	-						01		47131-73770
31A	47131-73790	RING,O	1	101	-						02		
51A	61802-06025	BOLT,FLANGED	2	101	-								
52A	62480-21081	NUT,FLANGED	A/R	101	-								

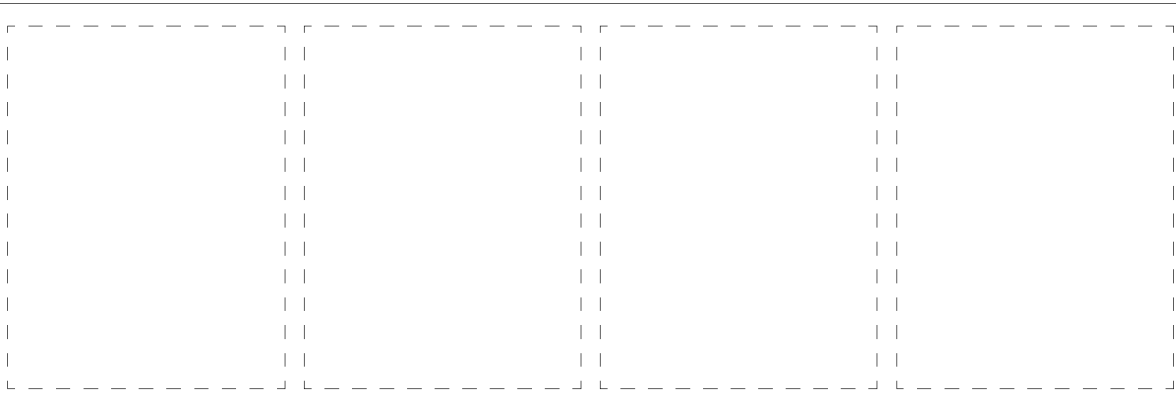
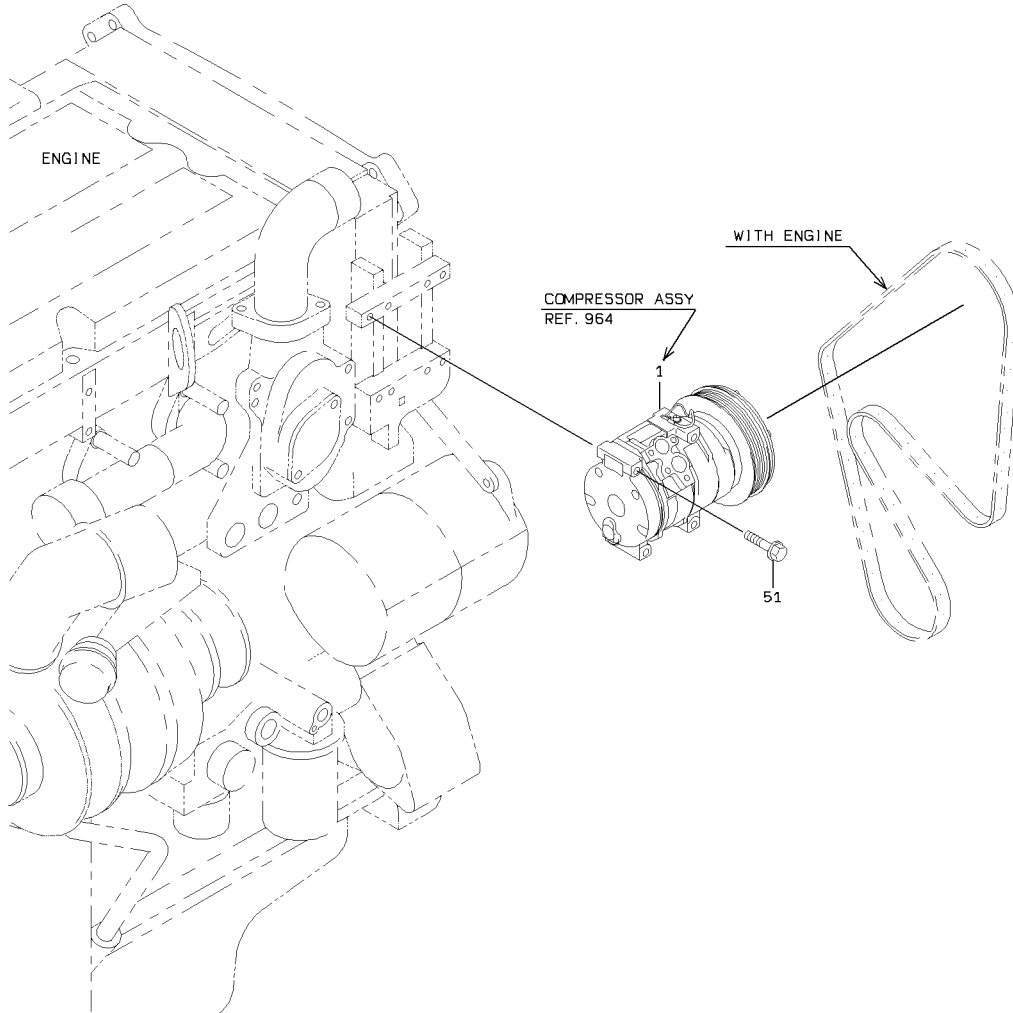
CONDENSER MOUNT



CONDENSER MOUNT

SYM-BOL	PART NUMBER	PART NAME	UNIT Q,TY	SERIAL			REMARKS					
				(A)	-	(B)	N	P	D	(A)	(B)	(C)
1A	33360-60060	CONDENSER	1	101	-	137						REF975
1B	33360-60080	CONDENSER	1	138	-	150	C					REF975
1C	33360-60090	CONDENSER	1	151	-		B					REF975A
2A	36200-60020	TANK	1	101	-							
3A	40902-20680	BRACKET	1	101	-							
4A	40900-60060	BRACKET	1	101	-							
51A	61802-12025	BOLT,FLANGED	4	101	-							
61A	61802-08016	BOLT,FLANGED	2	101	-							
62A	61802-10025	BOLT,FLANGED	4	101	-							
63A	62480-21081	NUT,FLANGED	2	101	-							

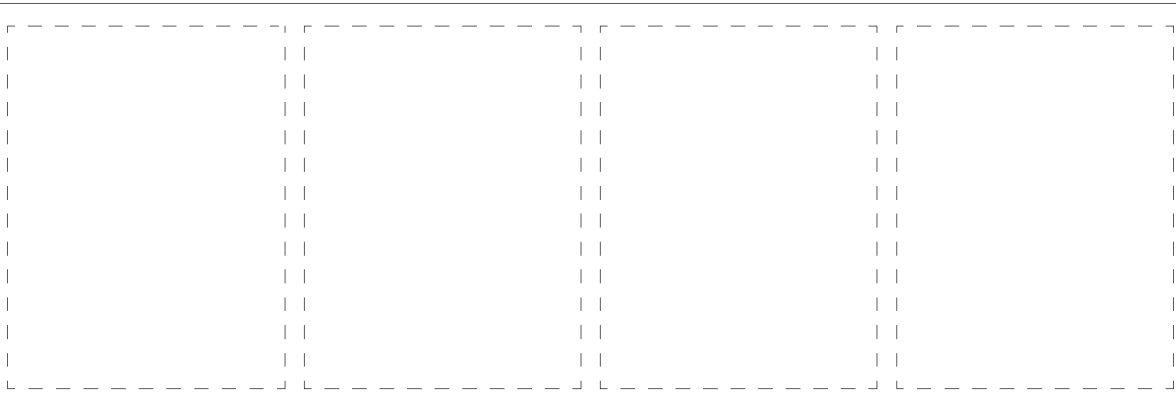
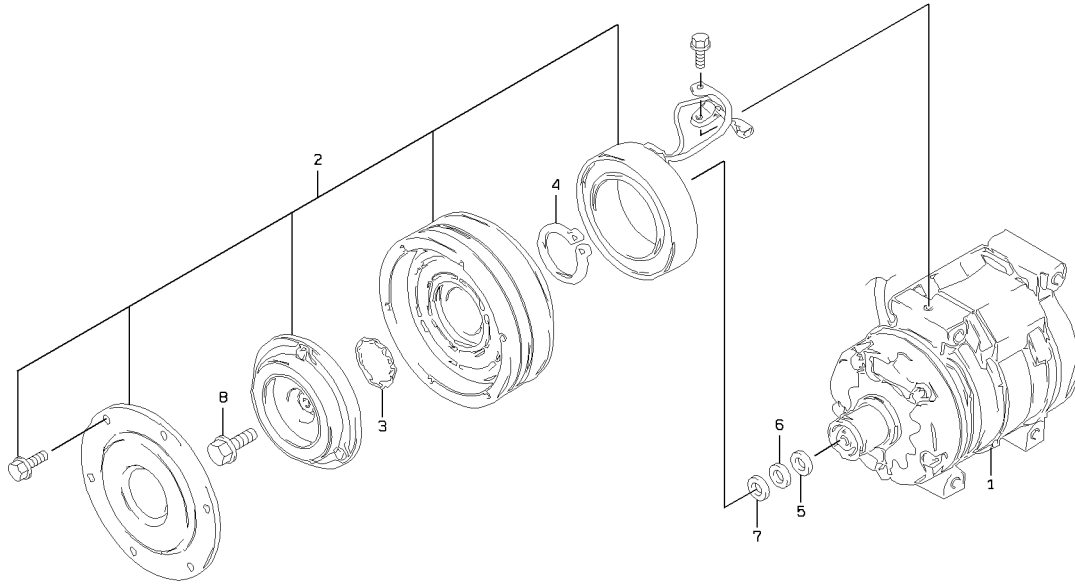
COMPRESSOR MOUNT



COMPRESSOR MOUNT

SYM-BOL	PART NUMBER	PART NAME	UNIT Q, TY	SERIAL (A) - (B)	REMARKS				REMARK
					N	P	D		
1A	33470-60140	COMPRESSOR ASSY	1	101 -					REF964
51A	61802-08075	BOLT, FLANGED	4	101 -					

COMPRESSOR ASSY



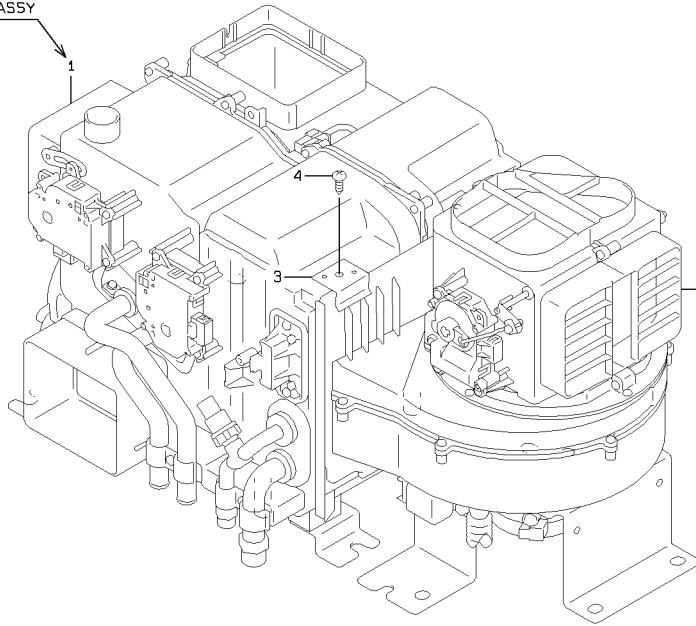
COMPRESSOR ASSY

SYM-BOL	PART NUMBER	PART NAME	UNIT Q, TY	SERIAL		REMARKS				REMARK	
				(A)	(B)	N	P	D	(A)		(B)
000A	33470-60140	COMPRESSOR ASSY	1	101	-						
1A	33470-70090	COMPRESSOR ASSY	1	101	-						
2A	32872-70270	CLUTCH ASSY	1	101	-						
3A	45311-71700	RING, SNAP	1	101	-						
4A	45311-70920	RING, SNAP	1	101	-						
5A	46000-70950	WASHER	1	101	-						
6A	46000-70960	WASHER	1	101	-						
7A	46000-70970	WASHER	1	101	-						
8A	43963-70010	BOLT, FLANGED	1	101	-						

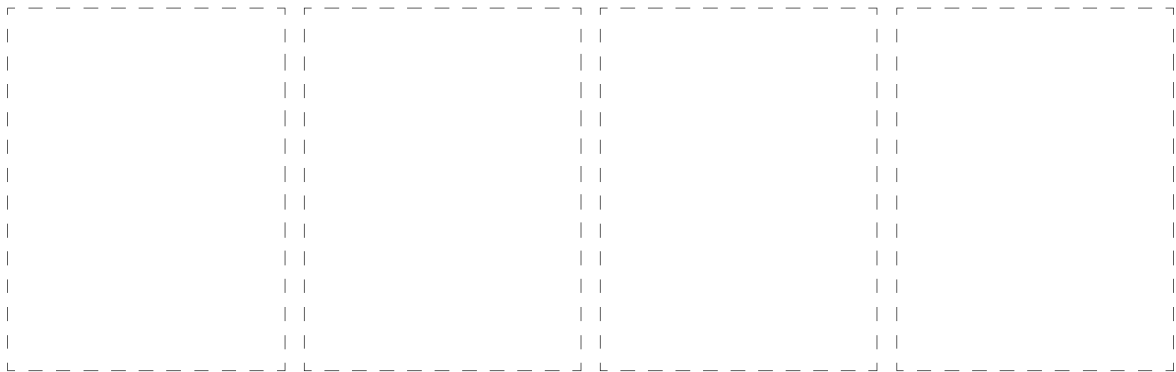
AIR CONDITIONER UNIT MOUNT

(NOTE): SERIAL NUMBER INDICATES THE AIR CONDITIONER UNIT SERIAL NUMBER.

AIR CONDITIONER UNIT ASSY
REF. 972 (S/N 3240 -)



BLOWER ASSY
REF. 974 (S/N 3240 -)



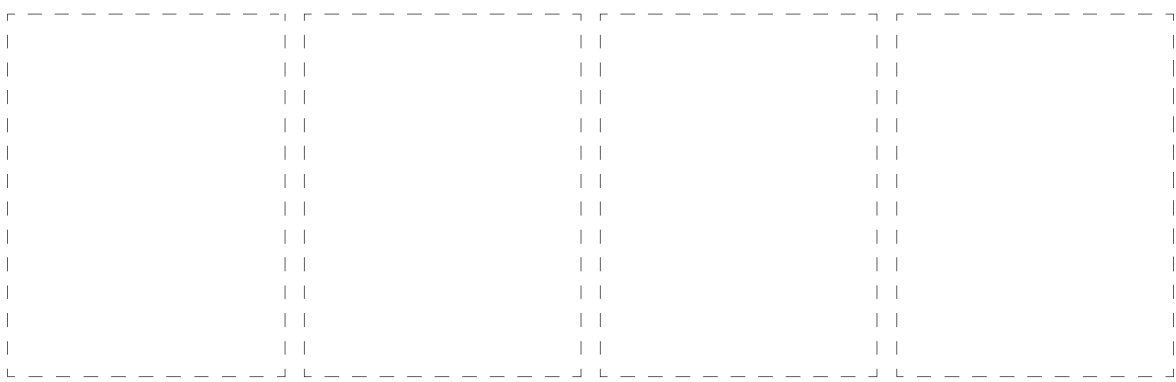
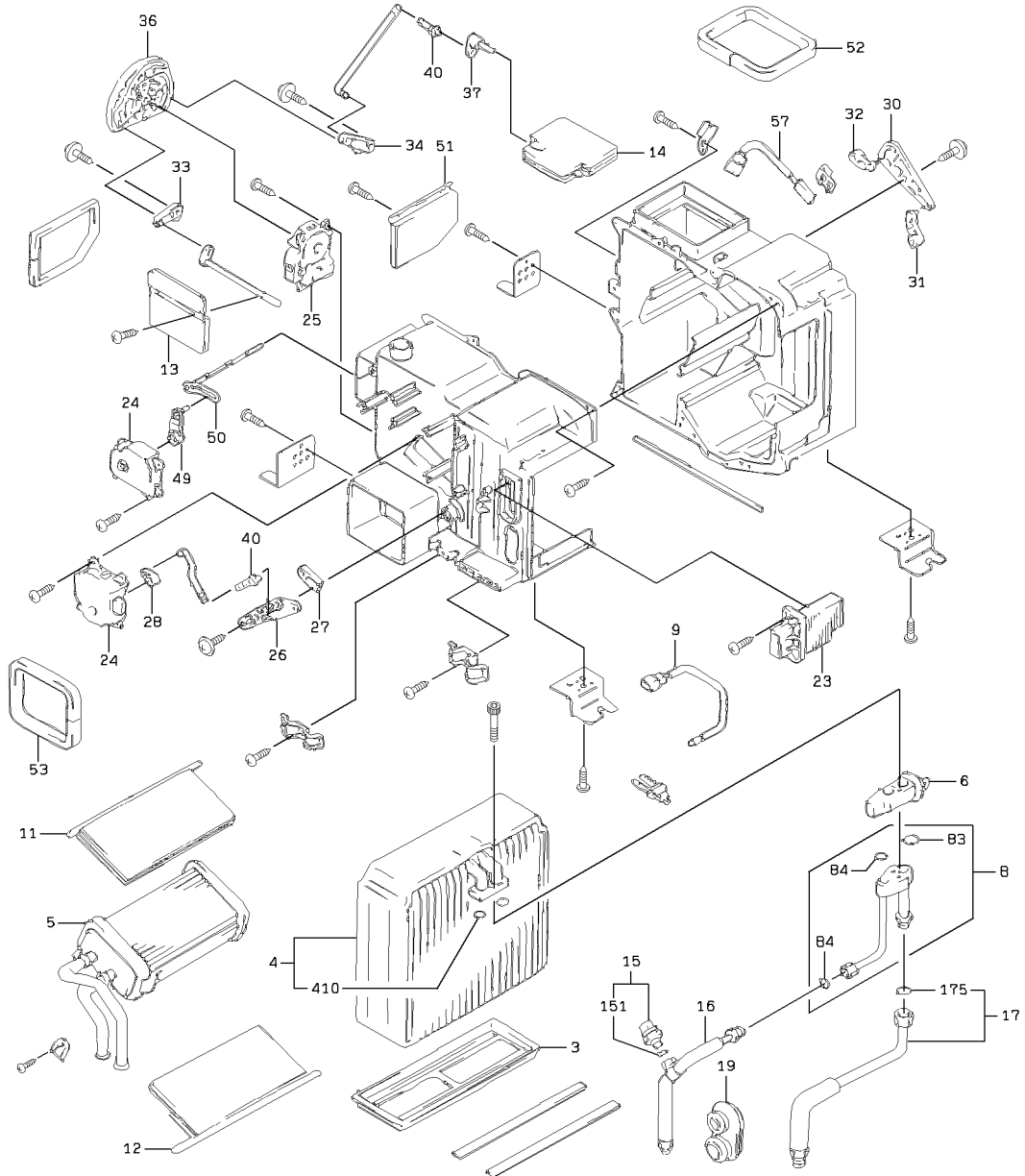
AIR CONDITIONER UNIT MOUNT

SYM-BOL	PART NUMBER	PART NAME	UNIT Q, TY	SERIAL		REMARKS						
				(A)	(B)	N	P	D	(A)	(B)	(C)	(D)
000A	30890-60080	AIR CONDITIONER UN	1	592	-							INC.SEC.972,97
1A	44571-70020	UNIT ASSY	1	592	-	3239						
1B	44571-70030	UNIT ASSY	1	3240	-		B					REF.972
2A	41351-70030	BLOWER ASSY	1	592	-	3239						
2B	41351-70070	BLOWER ASSY	1	3240	-		B					REF.974
3A	40900-71680	BRACKET	2	592	-							
4A	35106-70070	SCREW,TAPPING	2	592	-							

AIR CONDITIONER UNIT ASSY (S/N 3240 -)

<S/N 3240 - >

(NOTE):SERIAL NUMBER INDICATES THE AIR CONDITIONER UNIT SERIAL NUMBER.

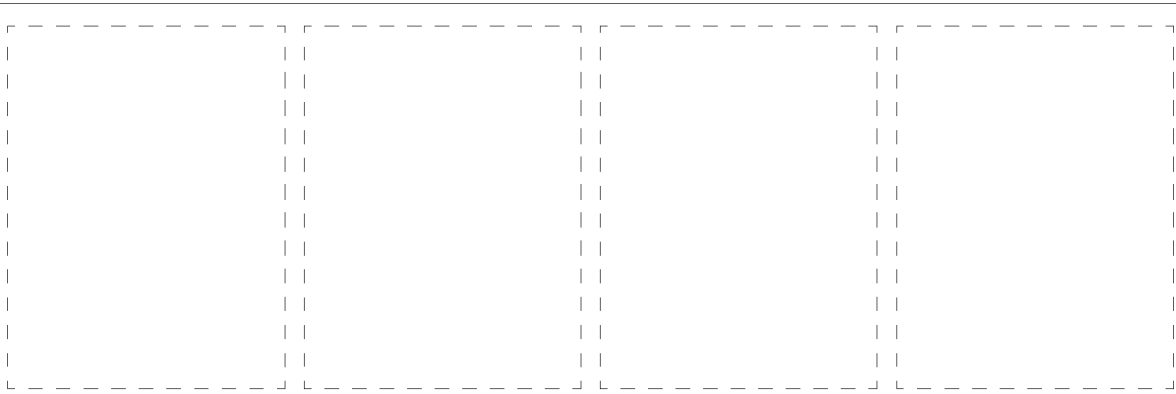
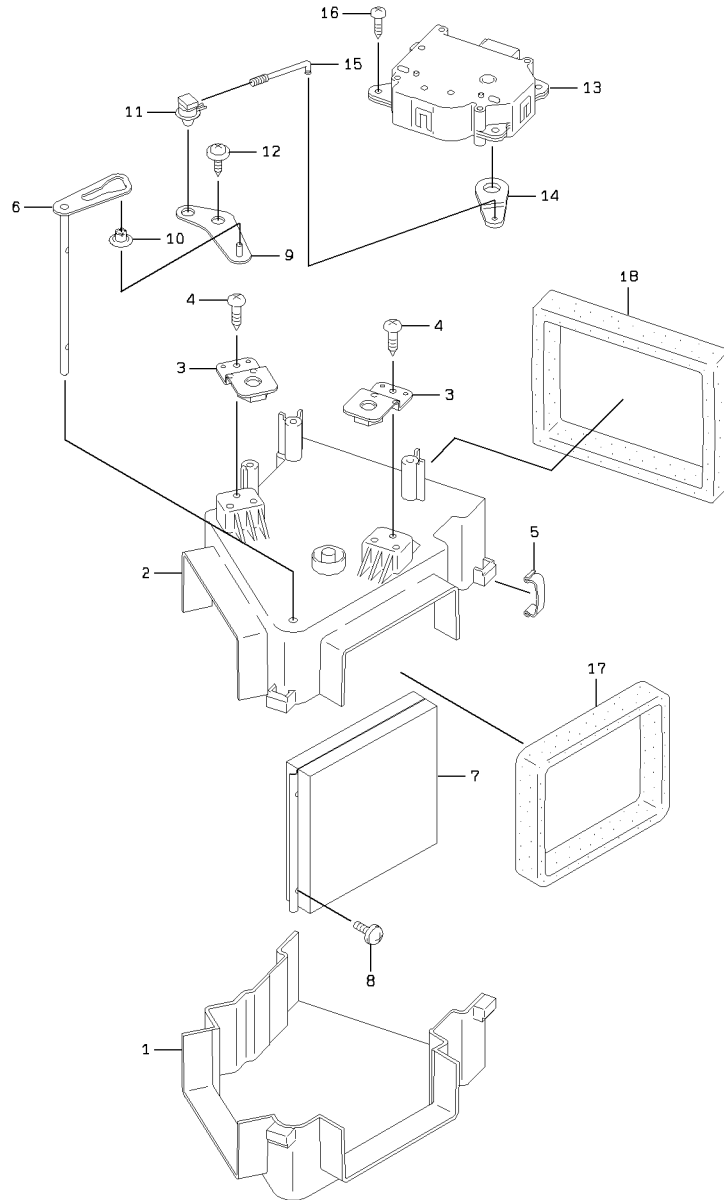


AIR CONDITIONER UNIT ASSY (S/N 3240 -)

SYM-BOL	PART NUMBER	PART NAME	UNIT Q,TY	SERIAL (A) - (B)	REMARKS						
					N	P	D	(A)	(B)	(C)	(D)
000A	44571-70030	UNIT ASSY	1	3240 -							
3A	41600-71550	PLATE	1	3240 -							
4A	30999-70120	EVAPORATOR	1	3240 -				Y01			
5A	33281-71920	CORE ASSY	1	3240 -							
6A	38510-71300	VALVE	1	3240 -							(38510-71190)
8A	49290-70210	TUBE KIT	1	3240 -					Y02		
9A	33441-70160	THERMOSTAT	1	3240 -							
11A	37521-70540	DOOR ASSY	1	3240 -							
12A	37521-70550	DOOR ASSY	1	3240 -							
13A	37521-70560	DOOR ASSY	1	3240 -							
14A	37521-70570	DOOR ASSY	1	3240 -							
15A	35047-70220	SWITCH,PRESSURE	1	3240 -						Y03	
16A	36700-70420	TUBE	1	3240 -							
17A	36700-70430	TUBE	1	3240 -							Y04
19A	33057-70750	GROMMET	1	3240 -							
23A	45531-70150	RESISTOR	1	3240 -							
24A	33480-70140	SERVO ASSY	2	3240 -							
25A	33480-70150	SERVO ASSY	1	3240 -							
26A	41645-70530	PLATE	1	3240 -							
27A	45600-70500	LEVER	1	3240 -							
28A	45600-70510	LEVER	1	3240 -							
30A	41645-70540	PLATE	1	3240 -							
31A	45600-70520	LEVER	1	3240 -							
32A	45600-70530	LEVER	1	3240 -							
33A	41645-70550	PLATE	1	3240 -							
34A	41645-70560	PLATE	1	3240 -							
36A	41645-70570	PLATE	1	3240 -							
37A	45600-70540	LEVER	1	3240 -							
40A	32920-70530	CLAMP	2	3240 -							
49A	45600-70550	LEVER	1	3240 -							
50A	45624-70050	LEVER ASSY,CONTROL	1	3240 -							
51A	37521-70580	DOOR ASSY	1	3240 -							
52A	39600-73790	PACKING	1	3240 -							
53A	39600-73800	PACKING	1	3240 -							
57A	35820-70170	SENSOR	1	3240 -							
83A	47131-73740	RING,O	1	3240 -						02	
84A	47131-73550	RING,O	2	3240 -						02	
151A	47131-73760	RING,O	1	3240 -							03
175A	47131-73740	RING,O	1	3240 -							04
410A	47131-73740	RING,O	2	3240 -				01			

AIR DAMPER

(NOTE): SERIAL NUMBER INDICATES THE AIR DAMPER SERIAL NUMBER.



1-A

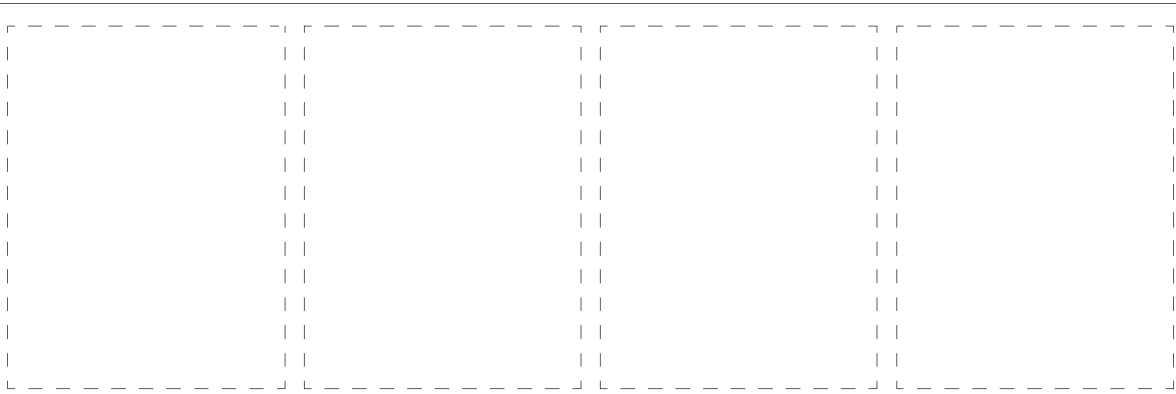
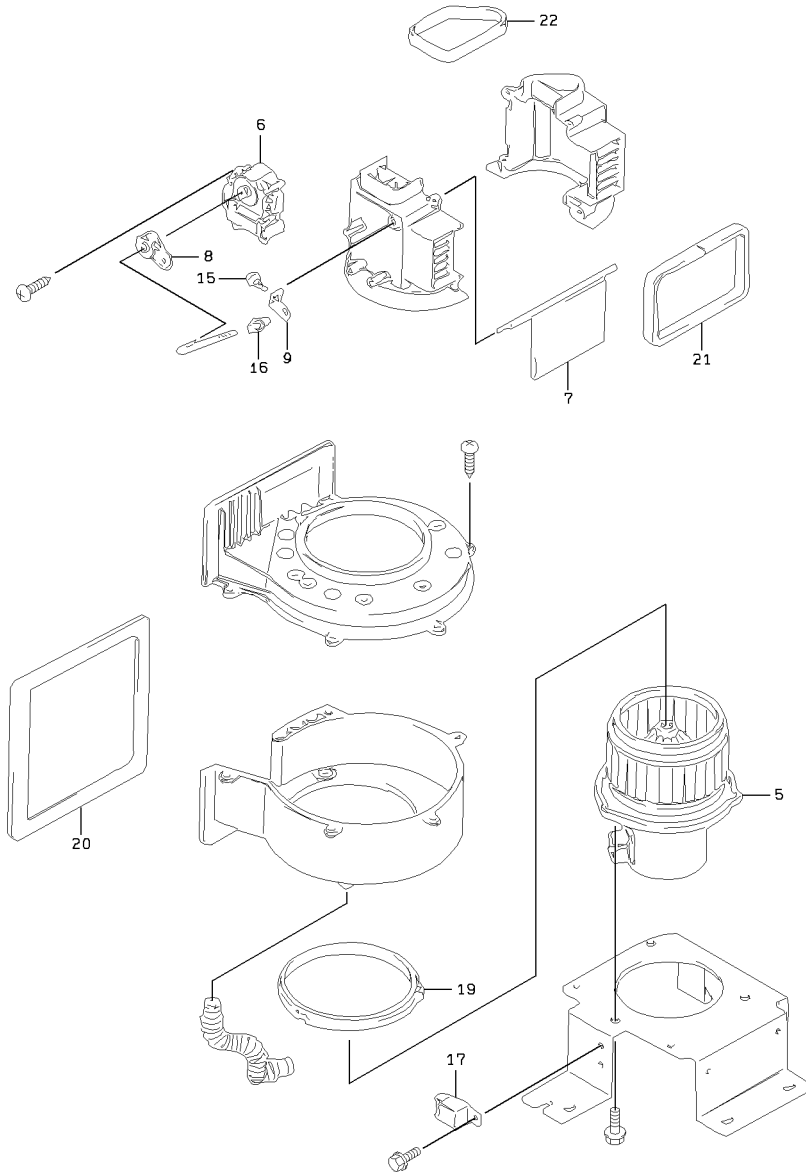
AIR DAMPER

SYM-BOL	PART NUMBER	PART NAME	UNIT Q,TY	SERIAL (A) - (B)	REMARKS					
					N	P	D	(A)	(B)	(C)
000A	36505-60050	DAMPER ASSY	1	69 -						
1A	33100-70710	CASE	1	69 -						
2A	33100-70720	CASE	1	69 -						
3A	40900-71710	BRACKET	2	69 -						
4A	35106-70060	SCREW,TAPPING	6	69 -						
5A	35600-74280	SPRING	3	69 -						
6A	45600-70410	LEVER	1	69 -						
7A	37521-70530	DOOR ASSY	1	69 -						
8A	35100-71250	SCREW	2	69 -						
9A	45600-70420	LEVER	1	69 -						
10A	40840-71510	BUSHING	1	69 -						
11A	32920-70530	CLAMP	1	69 -						
12A	35106-70270	SCREW,TAPPING	1	69 -						
13A	33480-70100	SERVO ASSY	1	69 -						
14A	45600-70430	LEVER	1	69 -						
15A	34500-70730	SHAFT	1	69 -						
16A	35106-70100	SCREW,TAPPING	3	69 -						
17A	39600-72710	PACKING	1	69 -						
18A	39600-72720	PACKING	1	69 -						

BLOWER ASSY

<S/N 3240 - >

(NOTE):SERIAL NUMBER INDICATES THE AIR CONDITIONER UNIT SERIAL NUMBER.



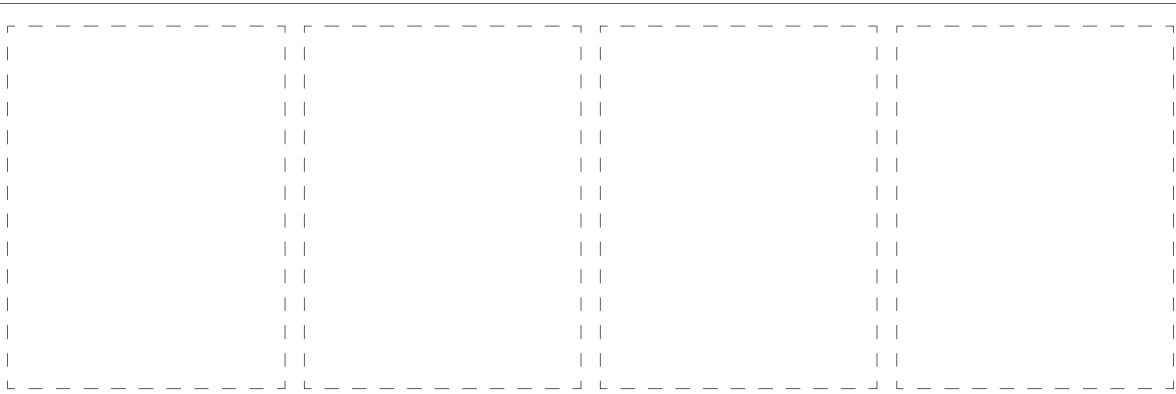
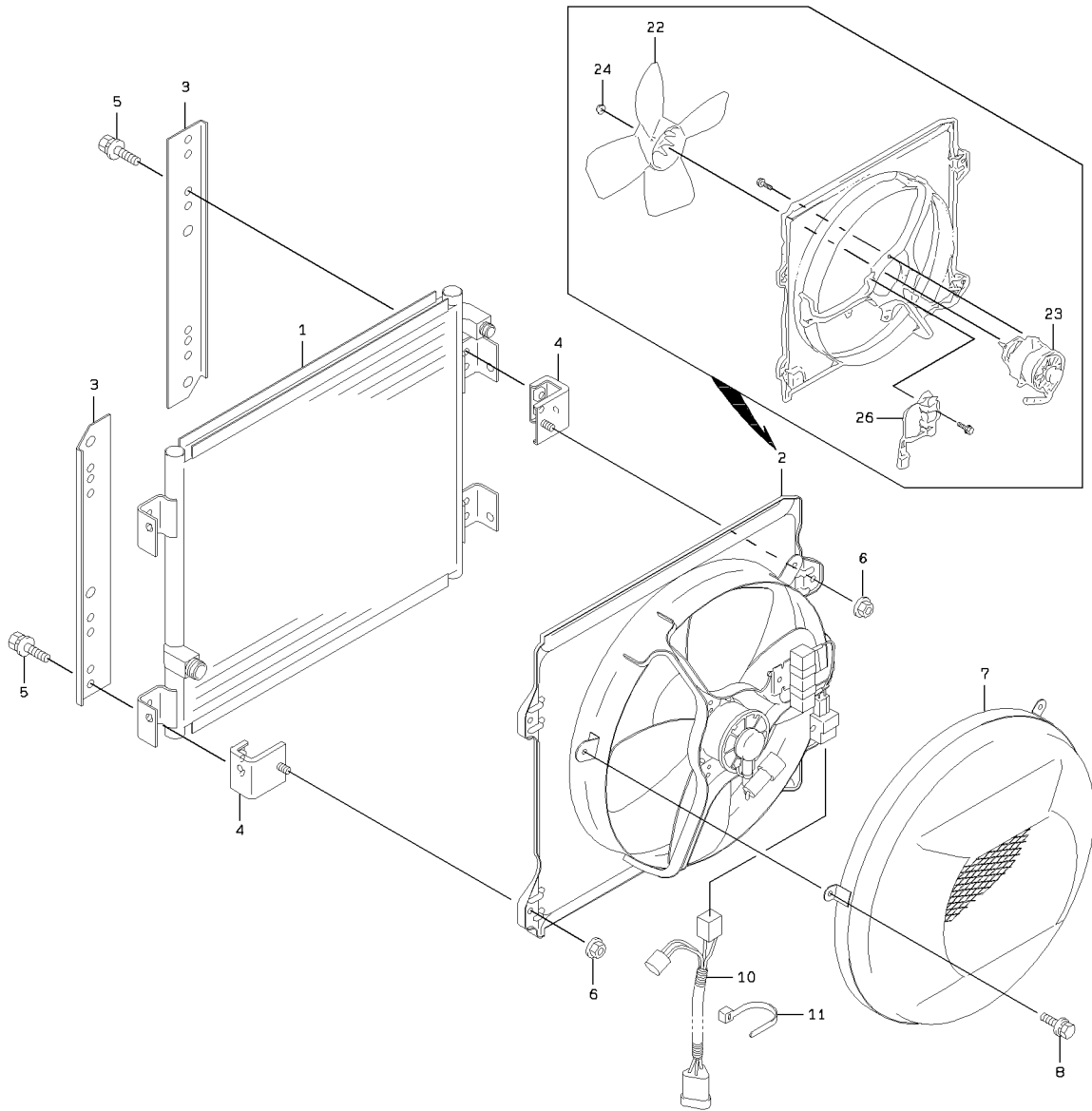
BLOWER ASSY

SYM-BOL	PART NUMBER	PART NAME	UNIT Q,TY	SERIAL (A) - (B)	REMARKS					
					N	P	D	(A)	(B)	(C)
000A	41351-70070	BLOWER ASSY	1	3240 -						
5A	40205-70080	FAN ASSY	1	3240 -						
6A	33480-70100	SERVO ASSY	1	3240 -						
7A	37521-70590	DOOR ASSY	1	3240 -						
8A	45600-70560	LEVER	1	3240 -						
9A	45600-70570	LEVER	1	3240 -						
15A	35100-71250	SCREW	1	3240 -						
16A	32920-70530	CLAMP	1	3240 -						
17A	45050-60030	RELAY	1	3240 -						
19A	39600-71830	PACKING	1	3240 -						
20A	39600-73810	PACKING	1	3240 -						
21A	39600-73820	PACKING	1	3240 -						
22A	39600-73830	PACKING	1	3240 -						

CONDENSER (S/N 0672 - 8159)

<S/N 0672 - 8159>

(NOTE):SERIAL NUMBER INDICATES THE CONDENSER SERIAL NUMBER.



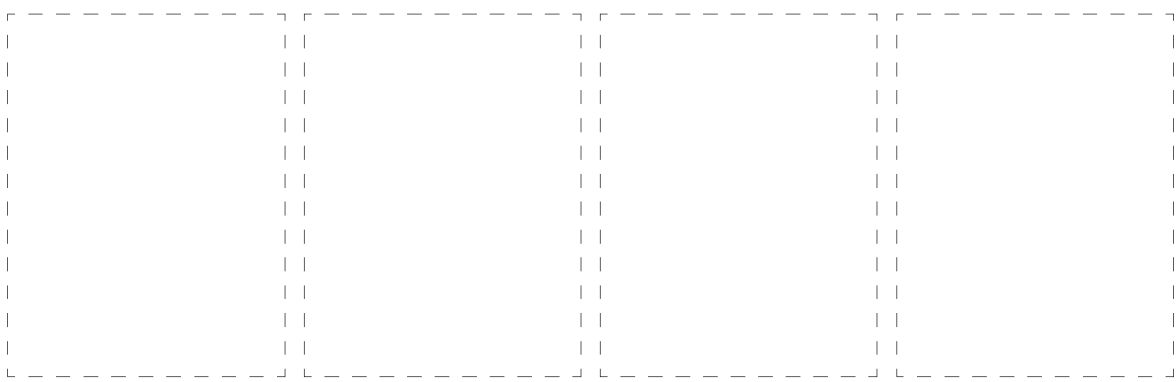
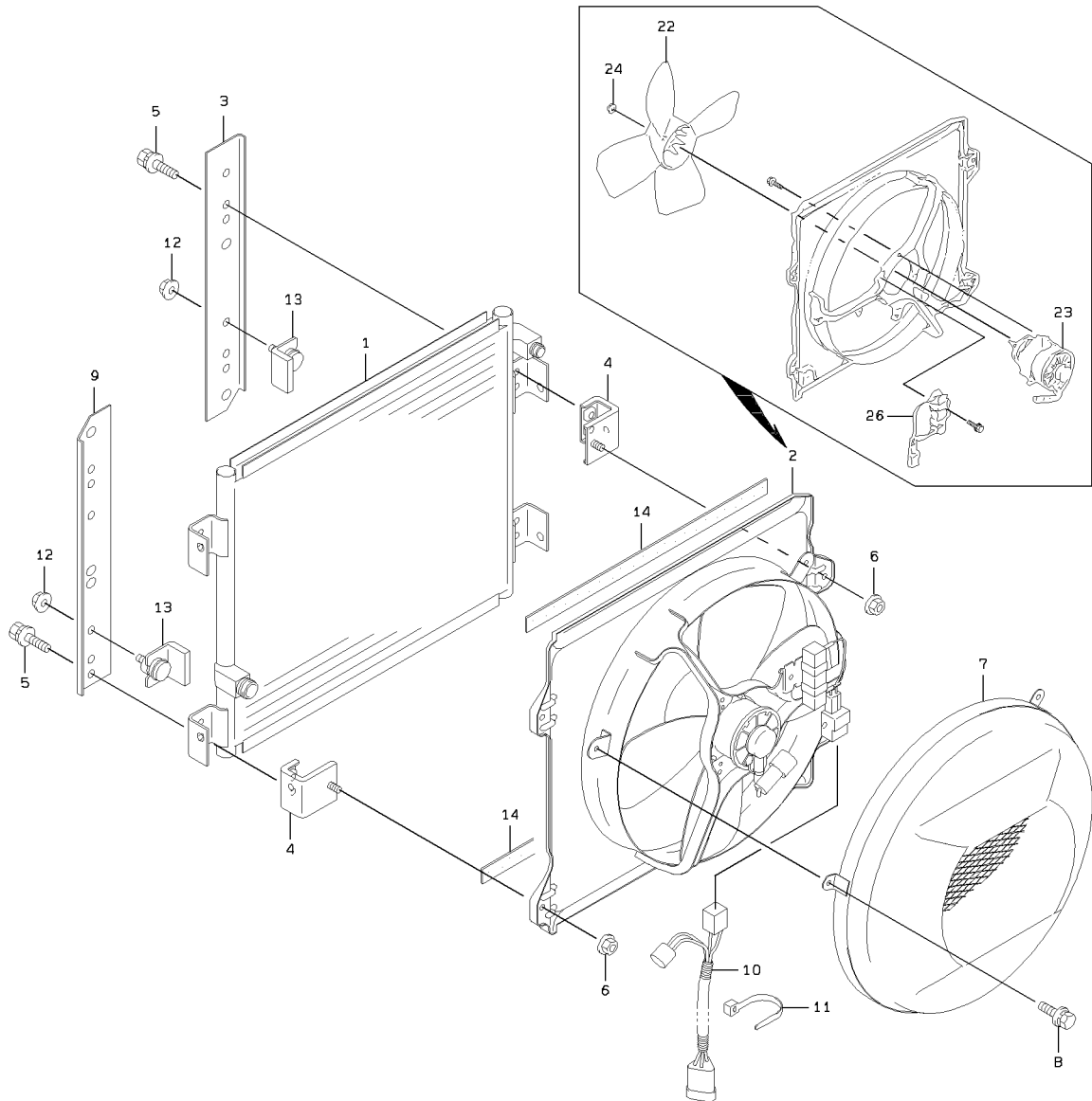
CONDENSER (S/N 0672 - 8159)

SYM-BOL	PART NUMBER	PART NAME	UNIT Q,TY	SERIAL		REMARKS							
				(A)	(B)	N	P	D	(A)	(B)	(C)	(D)	REMARK
000A	33360-60060	CONDENSER	1	672	8019								
000B	33360-60080	CONDENSER	1	8020	8159	C							
1A	33281-71190	CORE ASSY	1	672	8019	N							
1B	33281-71300	CORE ASSY	1	8020	8159	C							
2A	41351-70040	BLOWER ASSY	1	672	8159			Y01					
3A	40900-71740	BRACKET	2	672	8159								
4A	40900-71750	BRACKET	4	672	8159								
5A	43932-70660	BOLT,W/WASHER	8	672	8159								
6A	37638-70030	NUT,FLANGED	4	672	8159								
7A	31200-73130	COVER	1	672	8019								
7B	31200-73220	COVER	1	8020	8159	C							
8A	43932-70450	BOLT,W/WASHER	3	672	8159								
10A	33197-70020	HARNESS	1	672	8019								
10B	33197-70080	HARNESS	1	8020	8159	C							
11A	32970-70360	CLIP	1	672	8159								
22A	40205-70060	FAN ASSY	1	672	8159			01					
23A	44480-70020	MOTOR ASSY	1	672	8159			01					
24A	37600-71420	NUT	4	672	8159			01					
26A	45531-70140	RESISTER	1	672	8159			01					

CONDENSER (S/N 8160 -)

<S/N 8160 - >

(NOTE): SERIAL NUMBER INDICATES THE CONDENSER SERIAL NUMBER.

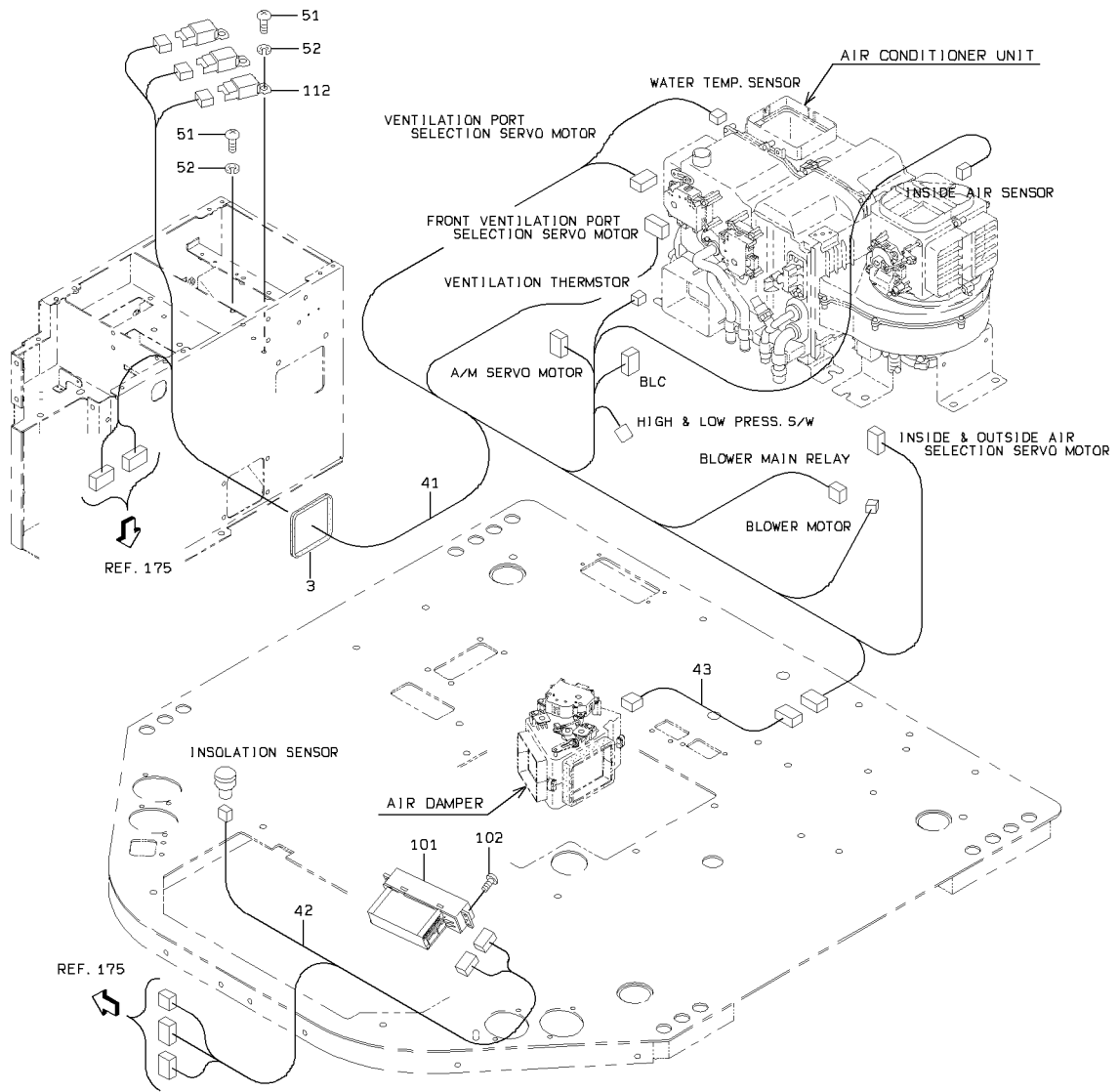


CONDENSER (S/N 8160 -)

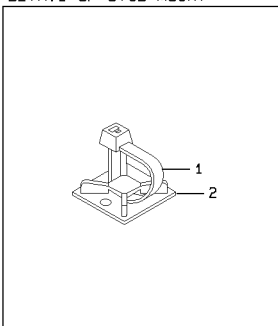
SYM-BOL	PART NUMBER	PART NAME	UNIT Q,TY	SERIAL (A) - (B)	REMARKS					
					N	P	D	(A)	(B)	(C)
000A	33360-60090	CONDENSER	1	8160 -						
1A	33281-71410	CORE ASSY	1	8160 -						
2A	41351-70040	BLOWER ASSY	1	8160 -				Y01		
3A	40900-71790	BRACKET	1	8160 -						FR RH
4A	40900-71750	BRACKET	4	8160 -						
5A	43932-70670	BOLT,W/WASHER	8	8160 -						
6A	37638-70030	NUT,FLANGED	4	8160 -						
7A	31200-73220	COVER	1	8160 -						
8A	43932-70450	BOLT,W/WASHER	3	8160 -						
9A	40900-71810	BRACKET	1	8160 -						FR LH
10A	33197-70080	HARNES	1	8160 -						
11A	32970-70360	CLIP	1	8160 -						
12A	37600-72470	NUT	4	8160 -						
13A	40900-71800	BRACKET	4	8160 -						
14A	39600-72810	PACKING	2	8160 -	N					
22A	40205-70060	FAN ASSY	1	8160 -				01		
23A	44480-70020	MOTOR ASSY	1	8160 -				01		
24A	37600-71420	NUT	4	8160 -				01		
26A	45531-70140	RESISTER	1	8160 -				01		

ELECTRICAL PARTS GROUP (FOR AIR CONDITIONER)

<S/N 0101 - 0290>



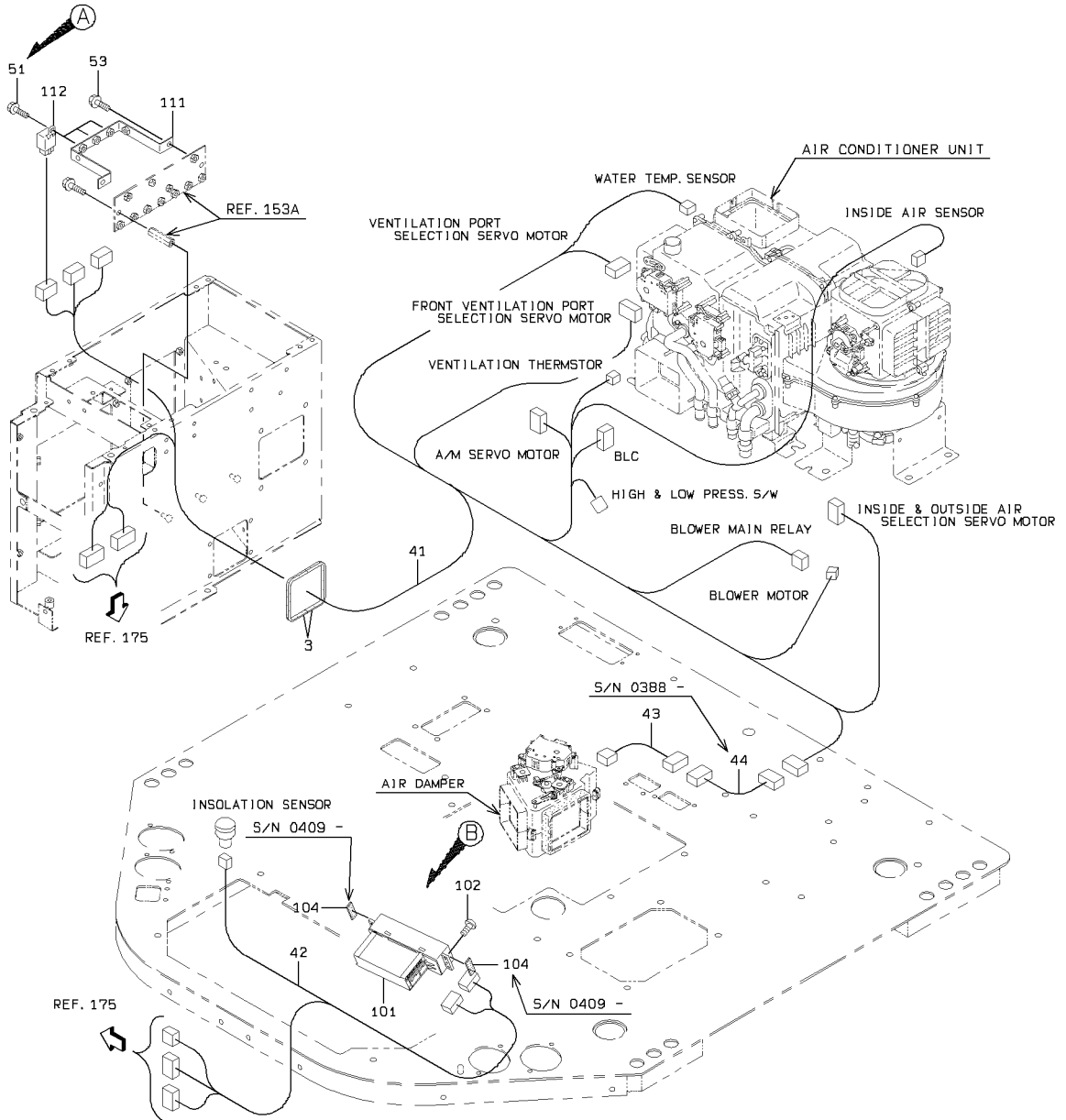
DETAIL OF STUD MOUNT



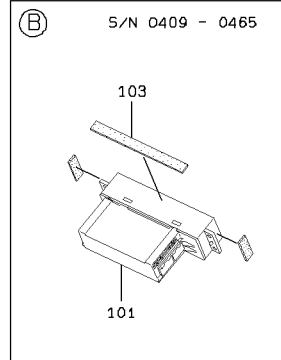
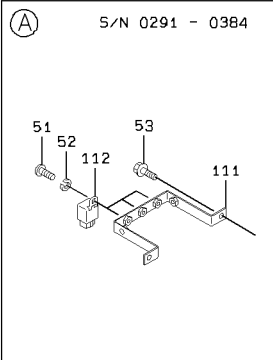
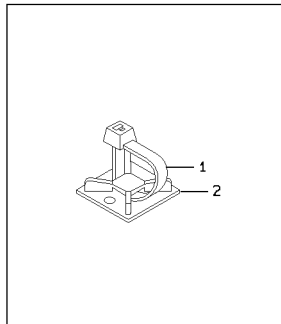
1-A

ELECTRICAL PARTS GROUP (FOR AIR CONDITIONER)

<S/N 0291 - >



DETAIL OF STUD MOUNT



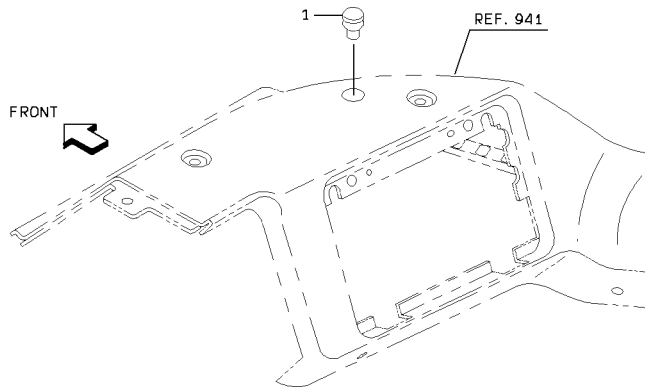
2-C

ELECTRICAL PARTS GROUP (FOR AIR CONDITIONER)

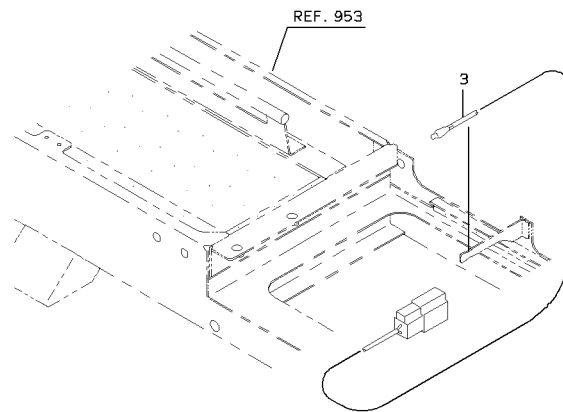
SYM-BOL	PART NUMBER	PART NAME	UNIT Q,TY	SERIAL		REMARKS								
				(A)	(B)	N	P	D	(A)	(B)	(C)	(D)	REMARK	
1A	32923-70090	CLAMP,HOSE	A/R	101	-									
2A	32923-70190	CLAMP,HOSE	A/R	101	-									
3A	40850-70280	BUSHING,ELASTIC	1	101	-	290								
3B	40850-70280	BUSHING,ELASTIC	2	291	-									
41A	33193-26600	CABLE ASSY	1	101	-	292								AIRCON UNIT
41B	33193-51410	CABLE ASSY	1	293	-		C							AIRCON UNIT
42A	33193-25910	CABLE ASSY	1	101	-									AIRCON PANEL
43A	33193-25920	CABLE ASSY	1	101	-									DEF SERVO MOTO
44A	33190-60180	CABLE	1	388	-									
51A	62256-51616	SCREW	4	101	-	290								
51B	62256-51616	SCREW	3	291	-	384								
51C	61802-06012	BOLT,FLANGED	3	385	-		B							
52A	62721-06100	WASHER,SPRING	4	101	-	290								
52B	62721-06100	WASHER,SPRING	3	291	-	384		D						
53A	61802-08016	BOLT,FLANGED	2	291	-									
101A	39754-60050	PANEL ASSY,CONTROL	1	101	-	291								
101B	39754-60070	PANEL ASSY,CONTROL	1	292	-		C							
102A	35100-20180	SCREW	4	101	-									
103A	33713-29920	SHEET,RUBBER	1	409	-	465		D						
104A	33713-31580	SHEET,RUBBER	2	409	-									
111A	41750-43970	PLATE	1	291	-									
112A	45050-60050	RELAY	3	101	-									

MEMO

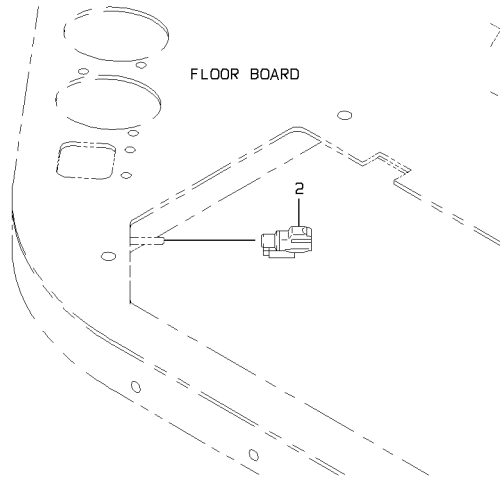
SENSOR MOUNT (FOR AIR CONDITIONER)



INSULATION SENSOR

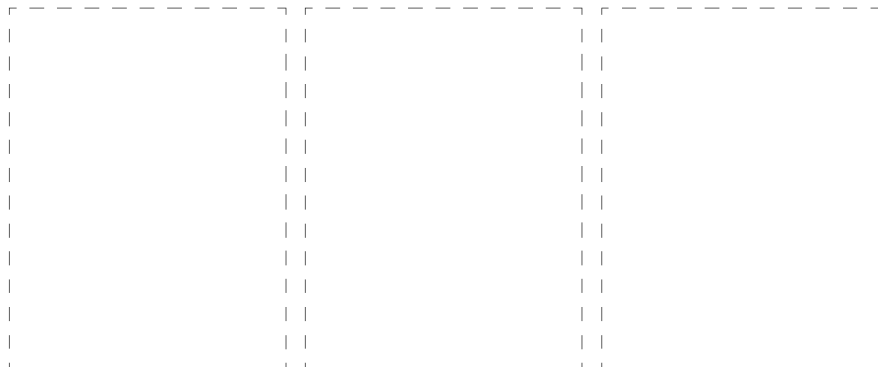
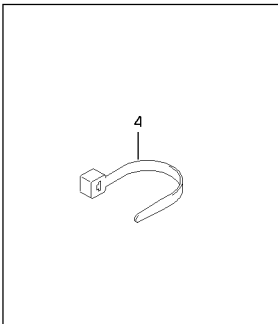


INSIDE AIR THERMO SENSOR



OUTSIDE AIR THERMO SENSOR

DETAIL OF CLAMP

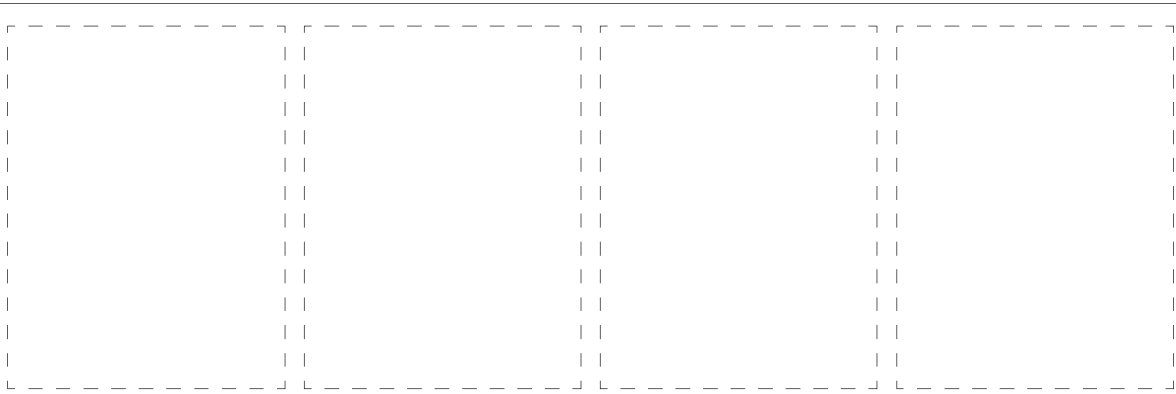
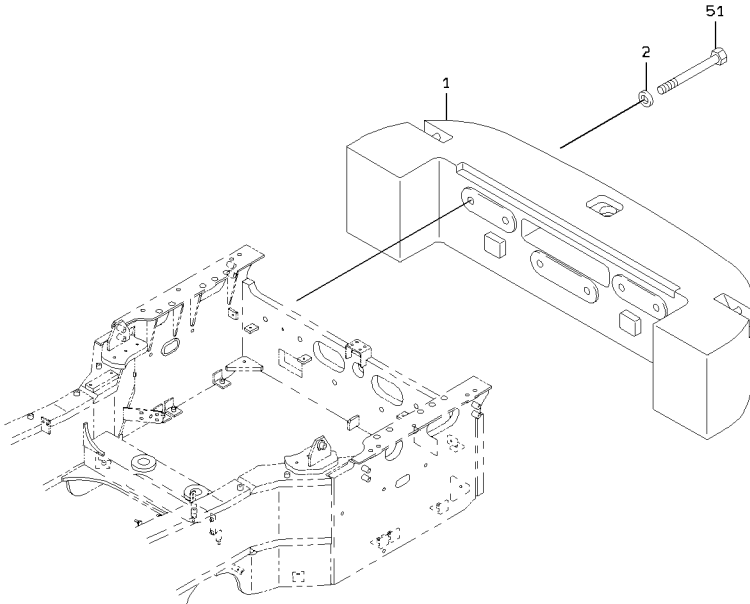


1-A

SENSOR MOUNT (FOR AIR CONDITIONER)

SYM-BOL	PART NUMBER	PART NAME	UNIT Q,TY	SERIAL (A) - (B)	REMARKS				REMARK
					N	P	D	(A) (B) (C) (D)	
1A	35820-60090	SENSOR	1	101 -					SUNSHINE
2A	35829-60060	SENSOR,TEMPERATURE	1	101 -					OUTSIDE AIR
3A	35829-60070	SENSOR,TEMPERATURE	1	101 -					INSIDE AIR
4A	32923-70090	CLAMP,HOSE	A/R	101 -					L=202

WEIGHT MOUNT

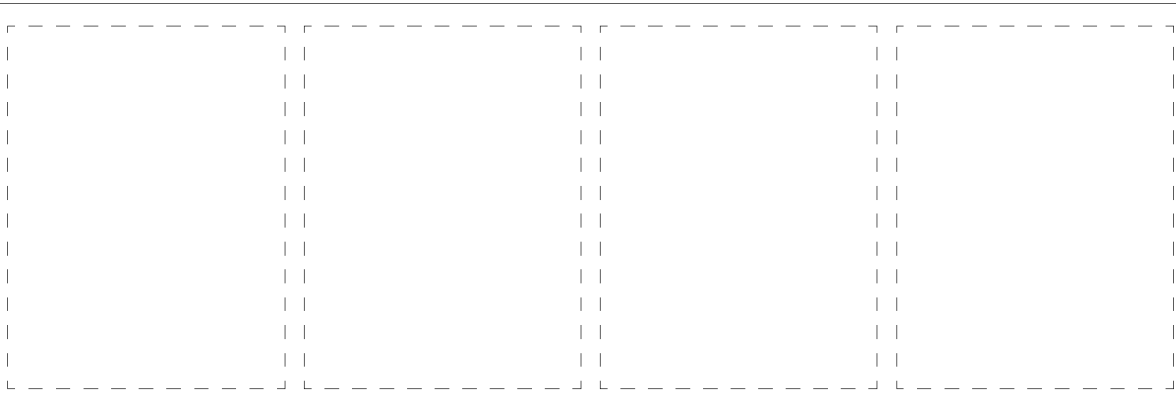
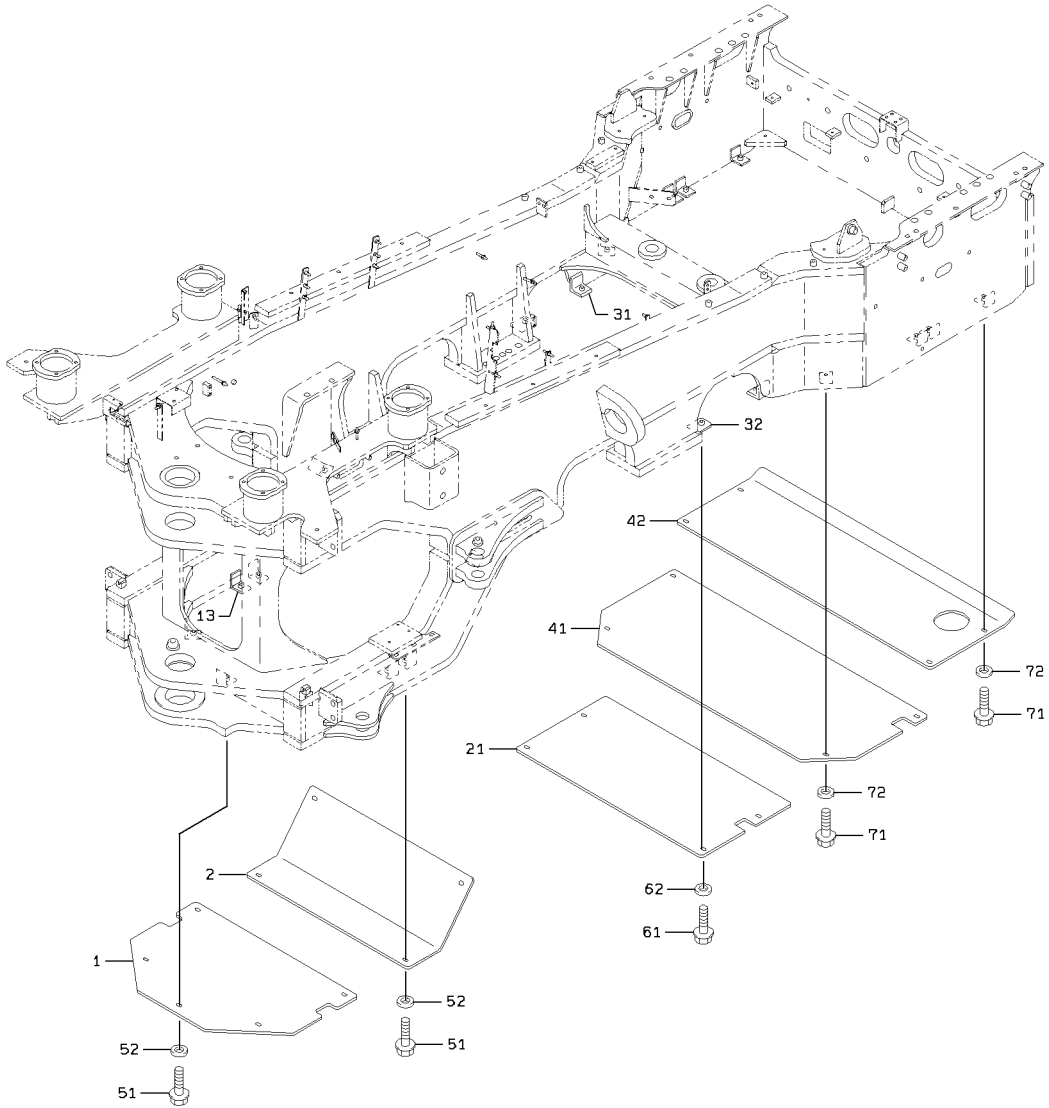


1-A

WEIGHT MOUNT

SYM-BOL	PART NUMBER	PART NAME	UNIT Q,TY	SERIAL (A) - (B)	REMARKS					
					N	P	D	(A)	(B)	(C)
1A	30780-23200	WEIGHT	1	101 -						
2A	46011-21980	WASHER,PLANE	6	101 -						
51A	61033-24360	BOLT	6	101 -						

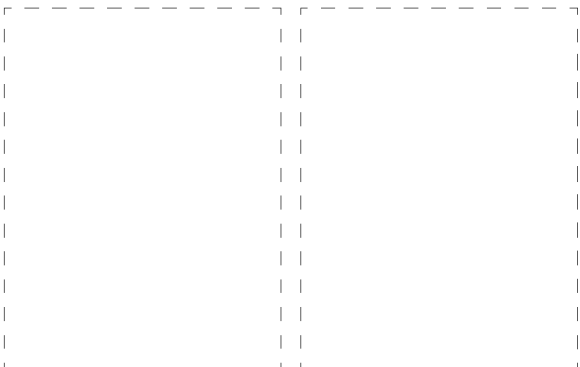
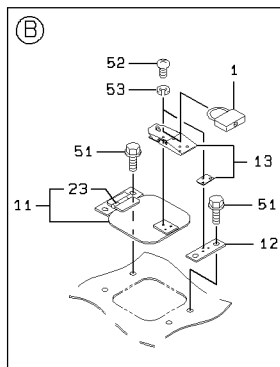
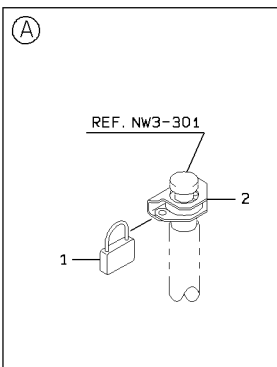
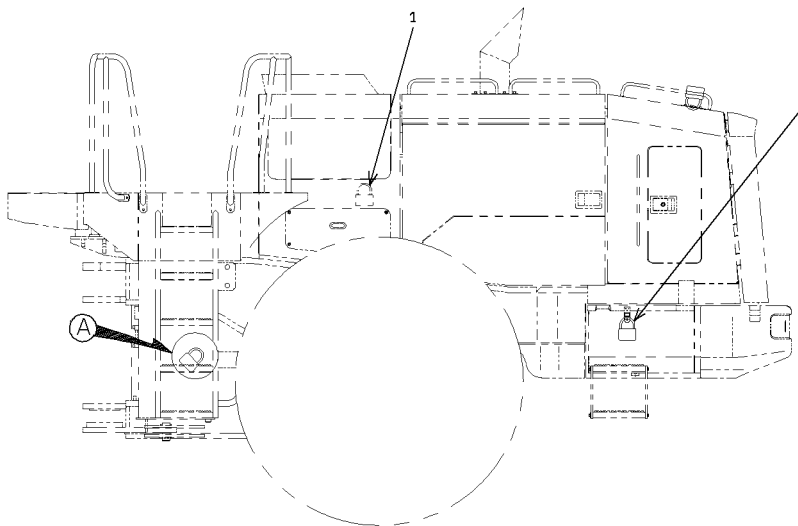
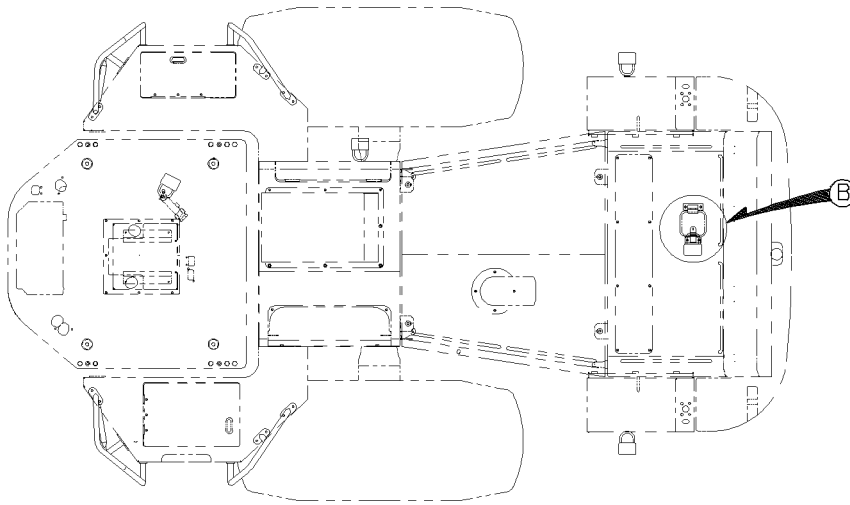
GUARD MOUNT



GUARD MOUNT

SYM-BOL	PART NUMBER	PART NAME	UNIT Q, TY	SERIAL		REMARKS						
				(A)	(B)	N	P	D	(A)	(B)	(C)	(D)
1A	41612-36090	PLATE	1	101	-							
2A	41612-37520	PLATE	1	101	-							
13A	30502-25480	ANGLE	9	101	-							WELDING
21A	41606-58270	PLATE	1	101	-							
31A	40900-56890	BRACKET	2	101	-							WELDING
32A	41618-31650	PLATE	2	101	-							WELDING
41A	41606-58090	PLATE	1	101	-	235						
41B	41609-57010	PLATE	1	236	-		B					
42A	41607-46320	PLATE	1	101	-	235						
42B	41609-57020	PLATE	1	236	-		B					
51A	61802-12040	BOLT, FLANGED	9	101	-							
52A	62710-18121	WASHER, PLANE	9	101	-							
61A	61802-12040	BOLT, FLANGED	4	101	-							
62A	62710-18121	WASHER, PLANE	4	101	-							
71A	61802-12040	BOLT, FLANGED	8	101	-							
72A	62710-18121	WASHER, PLANE	8	101	-							

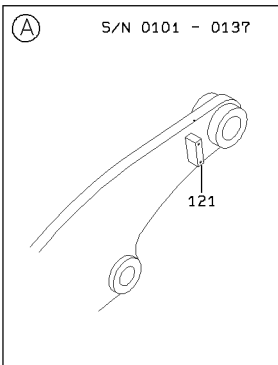
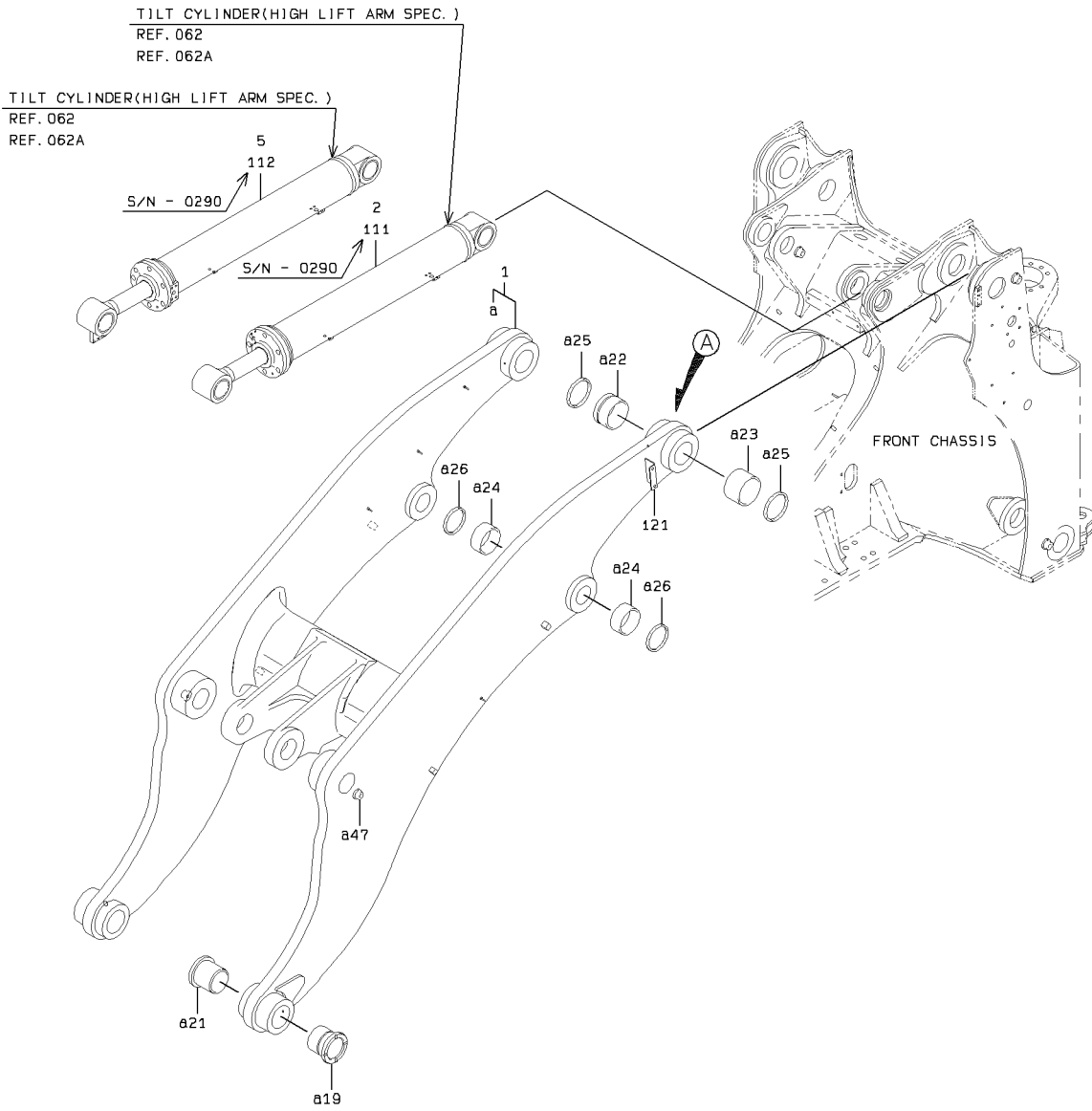
LOCK GROUP



LOCK GROUP

SYM-BOL	PART NUMBER	PART NAME	UNIT Q,TY	SERIAL (A) - (B)	REMARKS				
					N P D	(A)	(B)	(C) (D)	REMARK
1A	45830-20010	LOCK	5	101 -					
2A	41612-51390	PLATE	1	101 -					
11A	31241-20190	COVER ASSY	1	101 -		Y01			
12A	41612-33760	PLATE	1	101 -					
13A	32150-60020	CATCH	1	101 - 300					
13B	32150-60050	CATCH	1	301 -	C				
23A	39890-70570	HINGE	1	101 -		01			WELDING
51A	61802-10020	BOLT,FLANGED	4	101 -					
52A	62256-51406	SCREW	6	101 -					
53A	62721-04100	WASHER,SPRING	6	101 -					

LIFT ARM (HIGH LIFT ARM SPEC.)

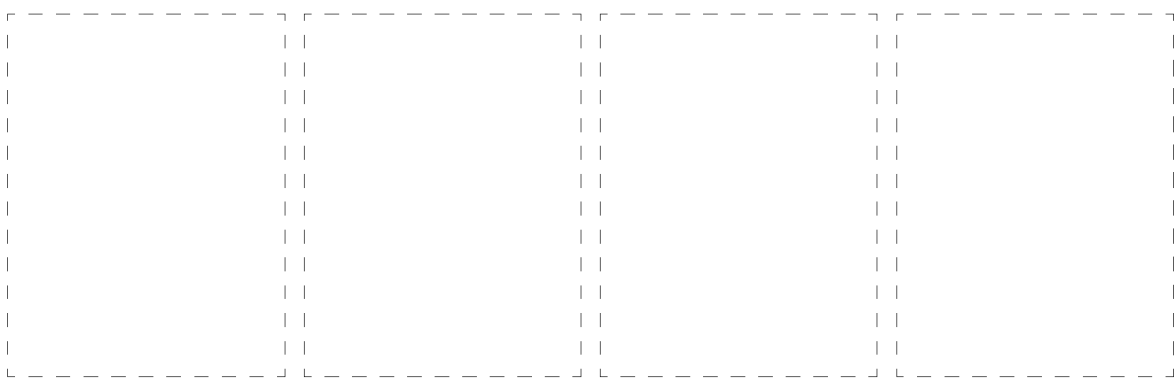
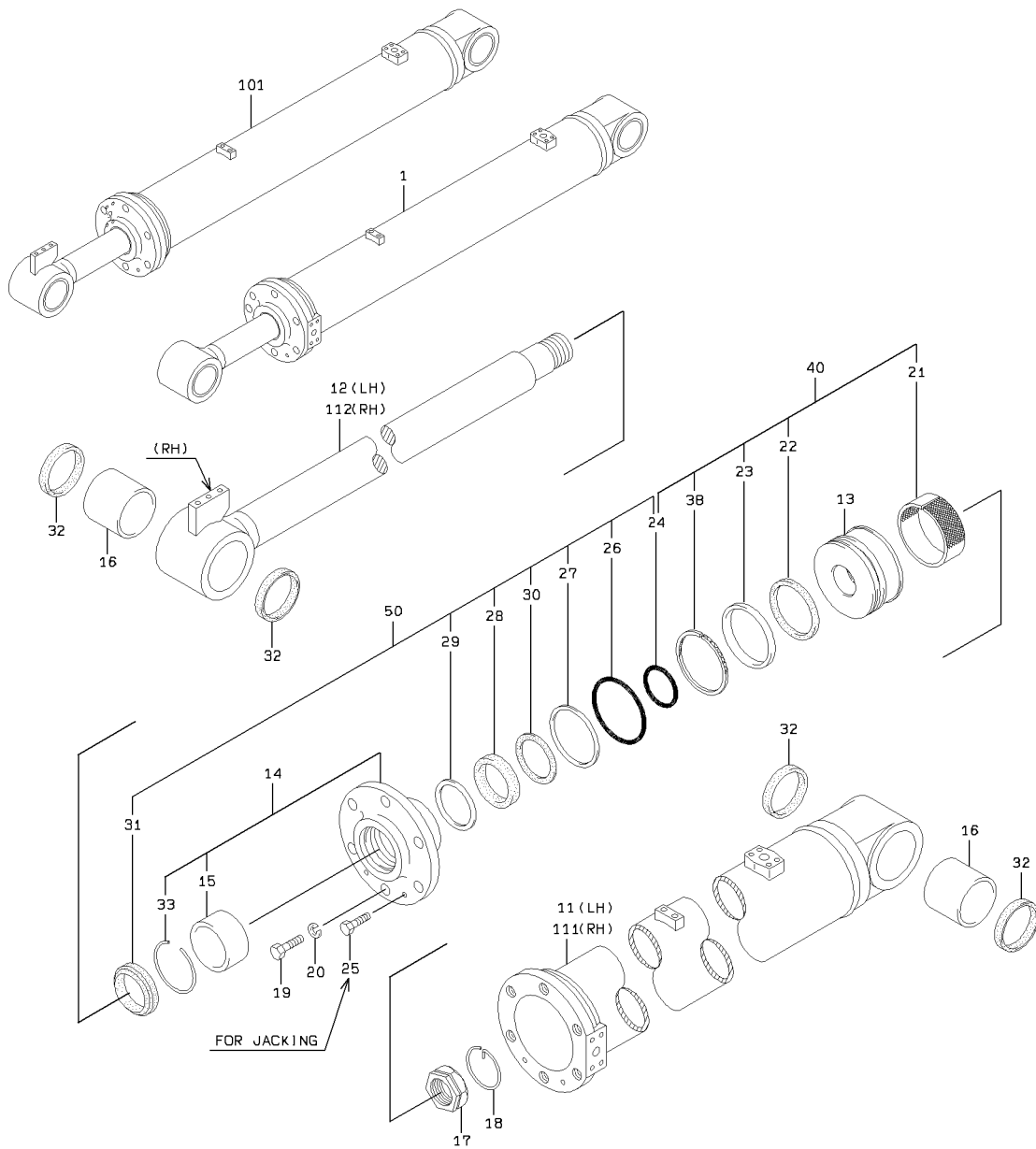


LIFT ARM (HIGH LIFT ARM SPEC.)

SYM-BOL	PART NUMBER	PART NAME	UNIT Q,TY	SERIAL			REMARKS								
				(A)	-	(B)	N	P	D	(A)	(B)	(C)	(D)	REMARK	
1A	30040-22970	ARM ASSY,LIFT	1	101	-	135									
1B	30040-23410	ARM ASSY,LIFT	1	136	-	250	B				Y01				
1C	30040-23880	ARM ASSY,LIFT	1	251	-	271	C				Y01				
1D	30040-24500	ARM ASSY,LIFT	1	272	-		C				Y01				
2A	34820-66320	CYLINDER ASSY,OIL	1	291	-										REF.062A-1 (LH)
5A	34820-66330	CYLINDER ASSY,OIL	1	291	-										REF.062A-101(R)
19A	40840-25360	BUSHING	2	101	-						01				
21A	40840-25430	BUSHING	2	101	-						01				
22A	40840-00010	BUSHING	2	101	-						01				
23A	63422-47780	BUSHING	2	101	-						01				
24A	63422-46490	BUSHING	4	101	-						01				
25A	65051-02209	SEAL,DUST	4	101	-						01				
26A	65051-02007	SEAL,DUST	4	101	-						01				
47A	41621-20340	PLATE	2	101	-						01				WELDING
111A	34820-90240	CYLINDER ASSY,OIL	1	101	-	290	D								REF.062-1 (LH)
112A	34820-90250	CYLINDER ASSY,OIL	1	101	-	290	D								REF.062-101(RH)
121A	41611-00010	PLATE	1	101	-	137									WELDING
121B	41607-21690	PLATE	1	138	-		C								WELDING

TILT CYLINDER (HIGH LIFT ARM SPEC.) (S/N 0101 - 0290)

<S/N 0101 - 0290>

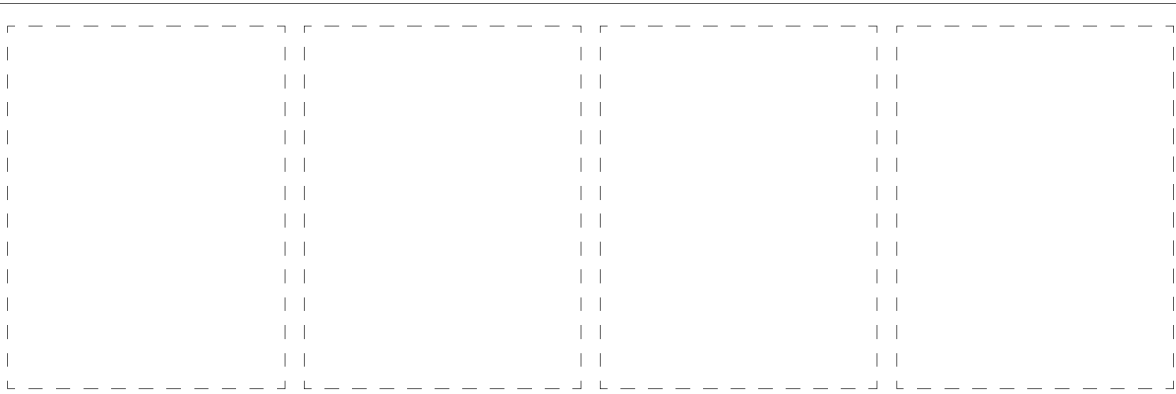
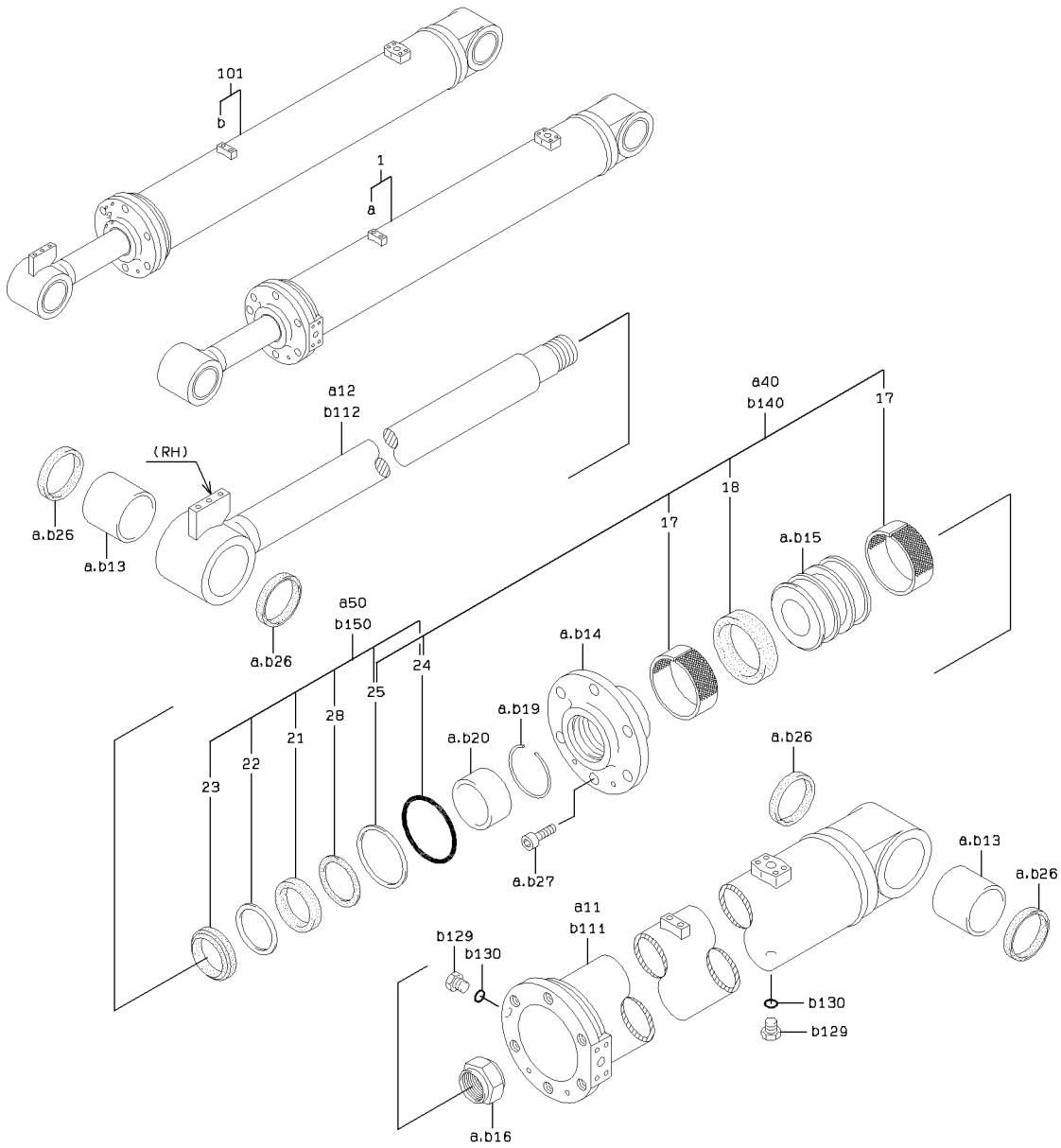


TILT CYLINDER (HIGH LIFT ARM SPEC.) (S/N 0101 - 0290)

SYM-BOL	PART NUMBER	PART NAME	UNIT Q,TY	SERIAL		REMARKS							
				(A)	(B)	N	P	D	(A)	(B)	(C)	(D)	REMARK
1A	34820-90240	CYLINDER ASSY,OIL	1	101	- 290					Y01			FR LH
11A	36725-72810	TUBE,CYLINDER	1	101	- 290					01			FR LH
12A	45886-71740	ROD,PISTON	1	101	- 290					01			FR LH
13A	39960-70790	PISTON	1	101	- 290					01		03	
14A	31265-60280	COVER ASSY,ROD	1	101	- 290					01	Y02		03
15A	88811-08040	BUSHING	1	101	- 290						02		
16A	40840-71590	BUSHING	2	101	- 290					01			03
17A	37600-20230	NUT,PISTON	1	101	- 290					01			03
18A	45315-70010	RING,STOP	1	101	- 290					01			03
19A	43900-70480	BOLT	6	101	- 290					01			03
20A	62721-24100	WASHER,SPRING	6	101	- 290					01			03
21A	65431-21217	RING,WEAR	1	101	- 290						K1		
22A	65421-21215	RING,SQUARE	1	101	- 290						K1		
23A	65412-21215	RING,SLIPPER	1	101	- 290						K1		
24A	65212-30624	RING,O	1	101	- 290						K1	K2	
25A	61002-10025	BOLT	2	101	- 290					01			03
26A	65212-31544	RING,O	1	101	- 290							K2	
27A	47194-70150	RING,BACK-UP	1	101	- 290							K2	
28A	65446-04809	PACKING,U	1	101	- 290							K2	
29A	65473-09930	RING,BACK-UP	1	101	- 290							K2	
30A	65464-06260	RING,BUFFER	1	101	- 290							K2	
31A	65455-03808	RING,SCRAPER	1	101	- 290							K2	
32A	65051-01906	SEAL,DUST	4	101	- 290					01			03
33A	45315-70040	RING,STOP	1	101	- 290						02		
38A	47171-70140	RING,WEAR	1	101	- 290						K1		
40A	49327-60650	SEAL KIT	1	101	- 290					01	QK1		03 FR PISTON
50A	49327-60730	SEAL KIT	1	101	- 290					01		QK2	03 FR ROD COVER
101A	34820-90250	CYLINDER ASSY,OIL	1	101	- 290							Y03	FR RH
111A	36725-72820	TUBE,CYLINDER	1	101	- 290								03 FR RH
112A	45886-71750	ROD,PISTON	1	101	- 290								03 FR RH

TILT CYLINDER (HIGH LIFT ARM SPEC.) (S/N 0291 -)

<S/N 0291 - >

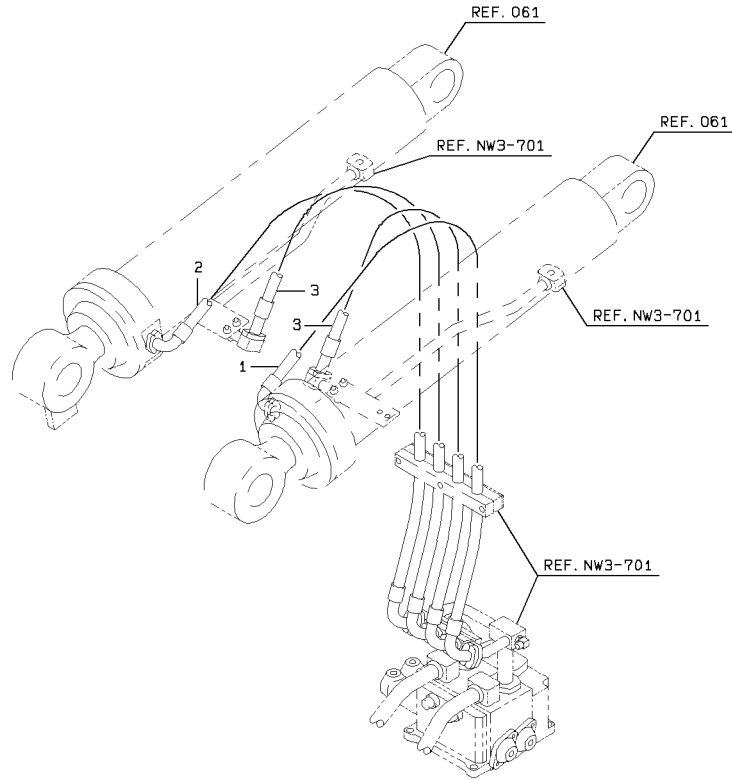


1-A

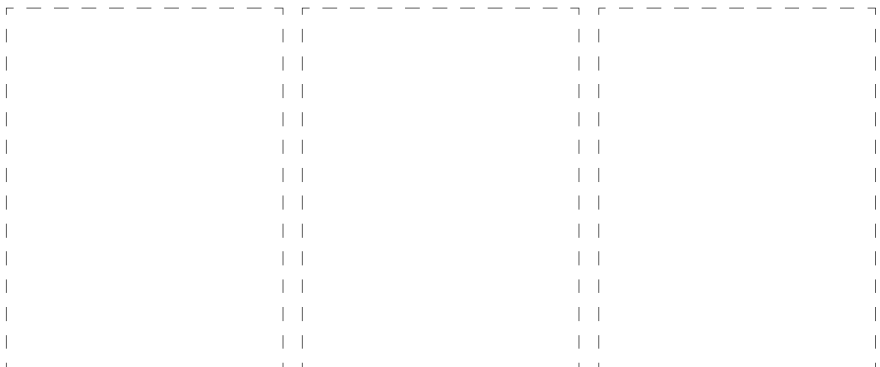
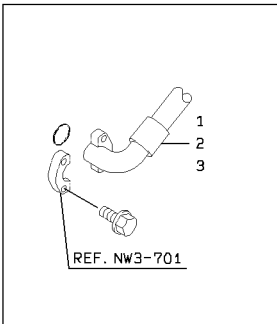
TILT CYLINDER (HIGH LIFT ARM SPEC.) (S/N 0291 -)

SYM-BOL	PART NUMBER	PART NAME	UNIT Q,TY	SERIAL		REMARKS						
				(A)	(B)	N	P	D	(A)	(B)	(C)	(D)
1A	34820-66320	CYLINDER ASSY,OIL	1	291	-				Y01			FR LH
11A	36704-70030	TUBE ASSY,CYLINDER	1	291	-				01			FR LH
12A	45871-70100	ROD ASSY	1	291	-				01			FR LH
13A	40840-72940	BUSHING	2	291	-				01		03	
14A	33100-70880	CASE	1	291	-				01		03	
15A	39960-72460	PISTON	1	291	-				01		03	
16A	37600-72650	NUT	1	291	-				01		03	
17A	47171-70740	RING,WEAR	2	291	-				K3	K1		
18A	39600-73000	PACKING	1	291	-				K3	K1		
19A	32970-70410	CLIP	1	291	-				01		03	
20A	40840-72950	BUSHING	1	291	-				01		03	
21A	39600-73010	PACKING	1	291	-						K2	K4
22A	47194-71520	RING,BACK-UP	1	291	-						K2	K4
23A	34044-70980	SEAL,DUST	1	291	-						K2	K4
24A	47131-76830	RING,O	1	291	-				K3	K1	K2	K4
25A	47194-71530	RING,BACK-UP	1	291	-				K3	K1	K2	K4
26A	34044-70990	SEAL,DUST	4	291	-				01		03	
27A	43954-70010	BOLT,SQUARE NECK	6	291	-				01		03	
28A	47195-70090	RING,BUFFER	1	291	-						K2	K4
40A	49327-73970	SEAL KIT	1	291	-				01	QK1		FR PISTON (LH)
50A	49327-73980	SEAL KIT	1	291	-				01		QK2	FR ROD COVER (
101A	34820-66330	CYLINDER ASSY,OIL	1	291	-						Y03	FR RH
111A	36704-70040	TUBE ASSY,CYLINDER	1	291	-						03	FR RH
112A	45871-70090	ROD ASSY	1	291	-						03	FR RH
129A	41530-75190	PLUG	2	291	-						03	FR RH
130A	47131-76840	RING,O	2	291	-						03	FR RH
140A	49327-73950	SEAL KIT	1	291	-				QK3		03	FR PISTON (RH)
150A	49327-73960	SEAL KIT	1	291	-						03	QK4

HYDRAULIC LINE (HIGH LIFT ARM SPEC.)



DETAIL OF SPLIT FLANGE

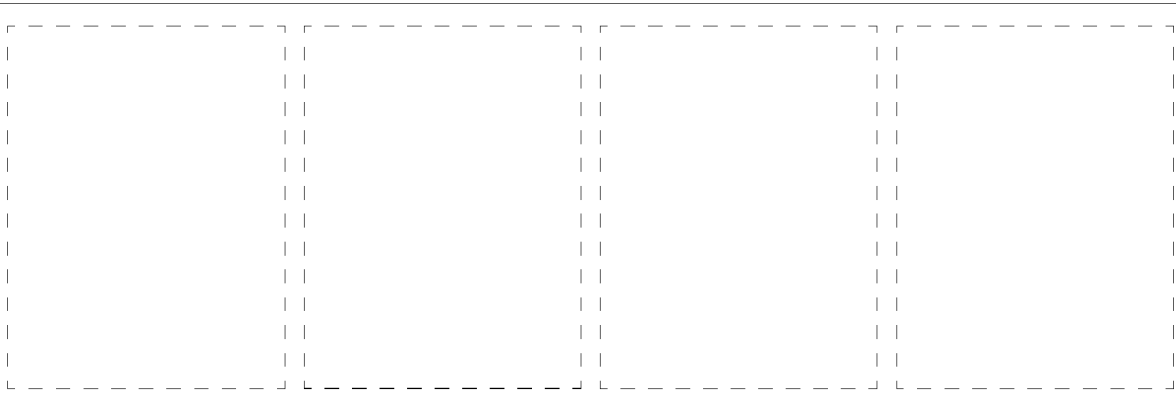
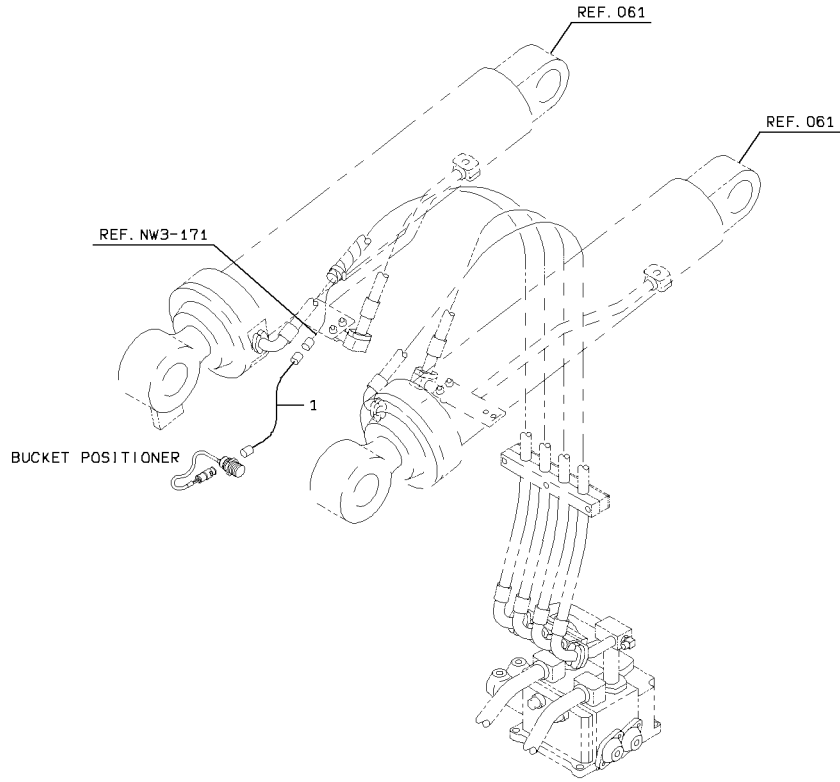


1-A

HYDRAULIC LINE (HIGH LIFT ARM SPEC.)

SYM-BOL	PART NUMBER	PART NAME	UNIT Q, TY	SERIAL		REMARKS						
				(A)	(B)	N	P	D	(A)	(B)	(C)	(D)
1A	43113-27910	HOSE,HIGH PRESSURE	1	101	- 290							FR LH
1B	43103-20180	HOSE,HIGH PRESSURE	1	291	-	B						FR LH
2A	43113-27920	HOSE,HIGH PRESSURE	1	101	- 290							FR RH
2B	43103-20190	HOSE,HIGH PRESSURE	1	291	-	B						FR RH
3A	68678-50187	HOSE,HIGH PRESSURE	2	101	- 290							
3B	68678-58187	HOSE,HIGH PRESSURE	2	291	-	B						

CABLE MOUNT (HIGH LIFT ARM SPEC.)



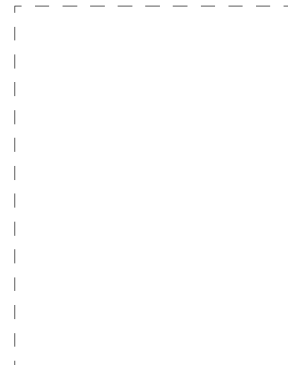
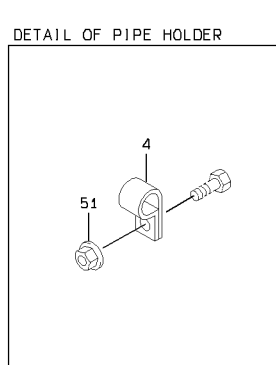
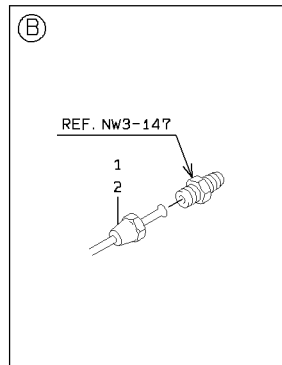
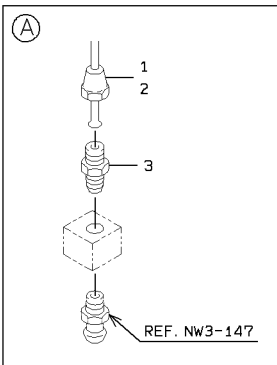
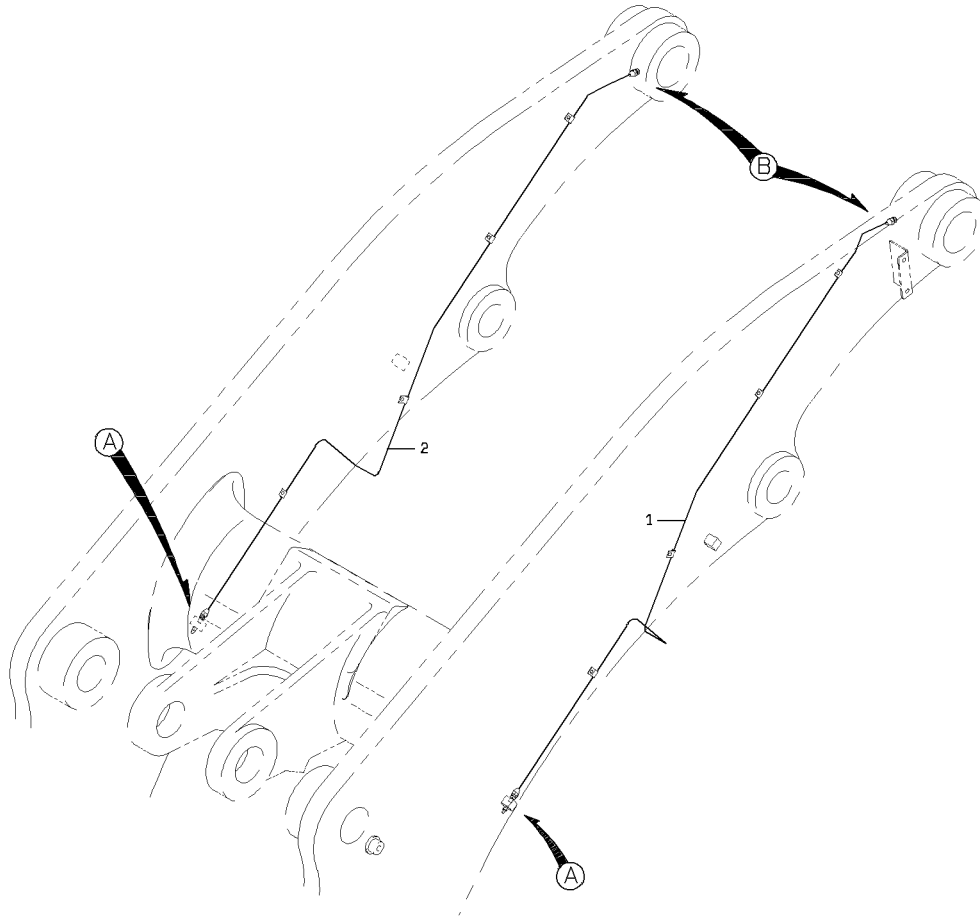
1-A

CABLE MOUNT (HIGH LIFT ARM SPEC.)

SYM-BOL	PART NUMBER	PART NAME	UNIT Q,TY	SERIAL (A) - (B)	REMARKS				REMARK
					N	P	D	(A) (B) (C) (D)	
1A	33191-55860	CABLE ASSY	1	101 -					BUCKET POSITIO

GREASE PIPING (HIGH LIFT ARM SPEC.)

<S/N 0101 - 0250>

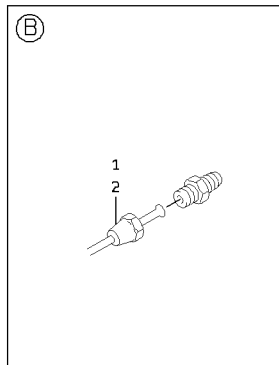
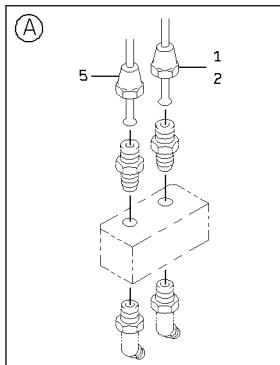
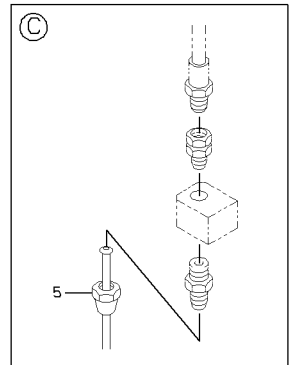
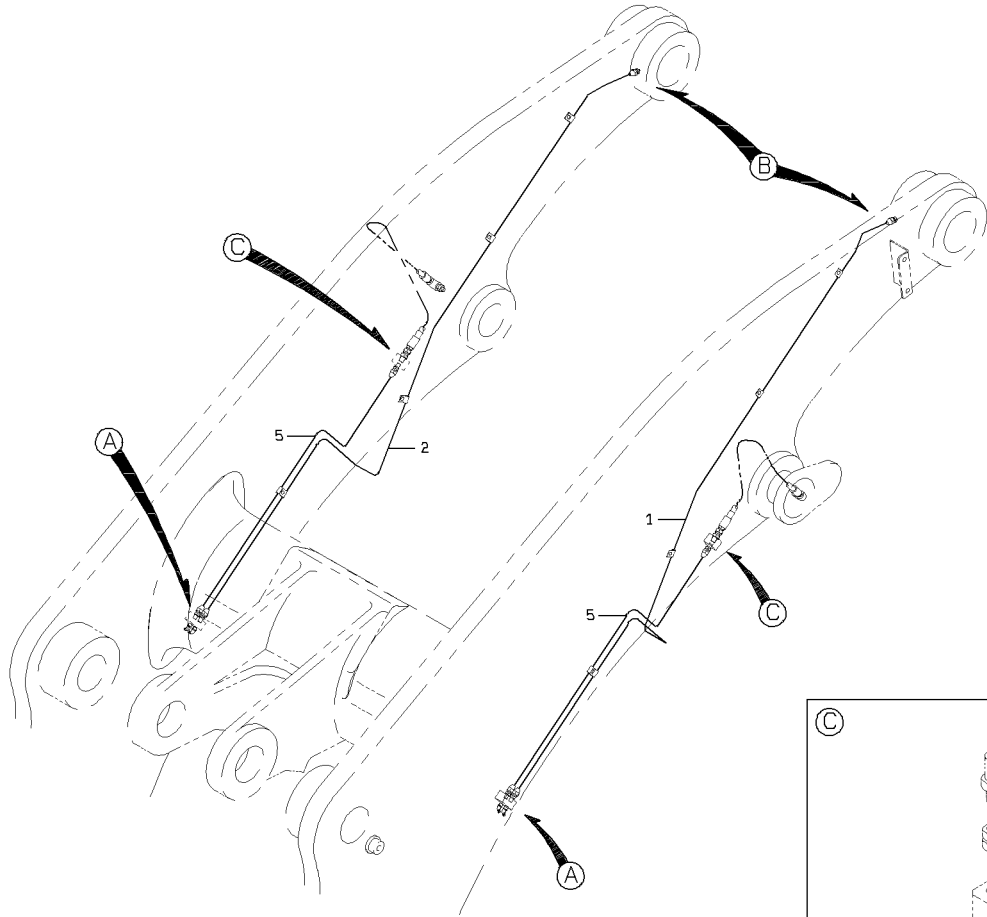


1-A

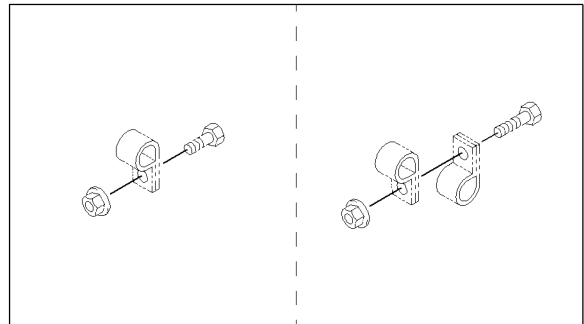
GREASE PIPING (HIGH LIFT ARM SPEC.)

<S/N 0251 - >

(NOTE): REFER TO STANDARD CATALOG(REF. NW3-147) FOR NO SYMBOL PARTS.



DETAIL OF PIPE HOLDER



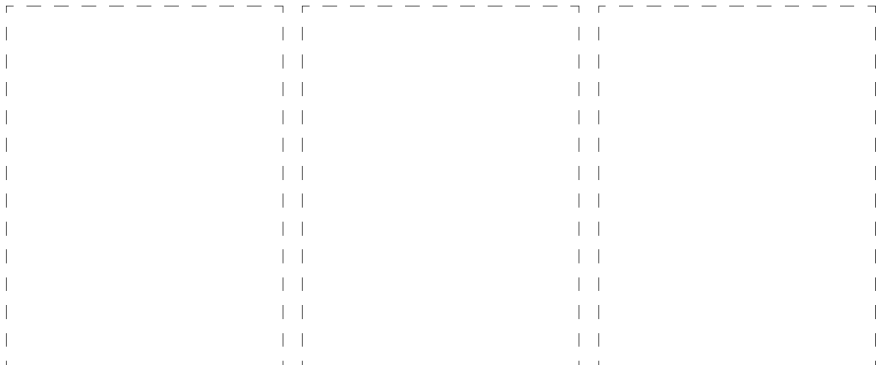
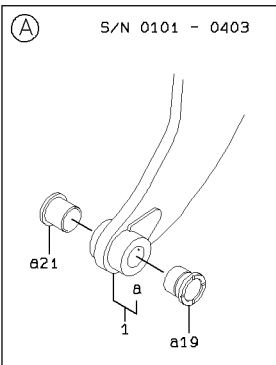
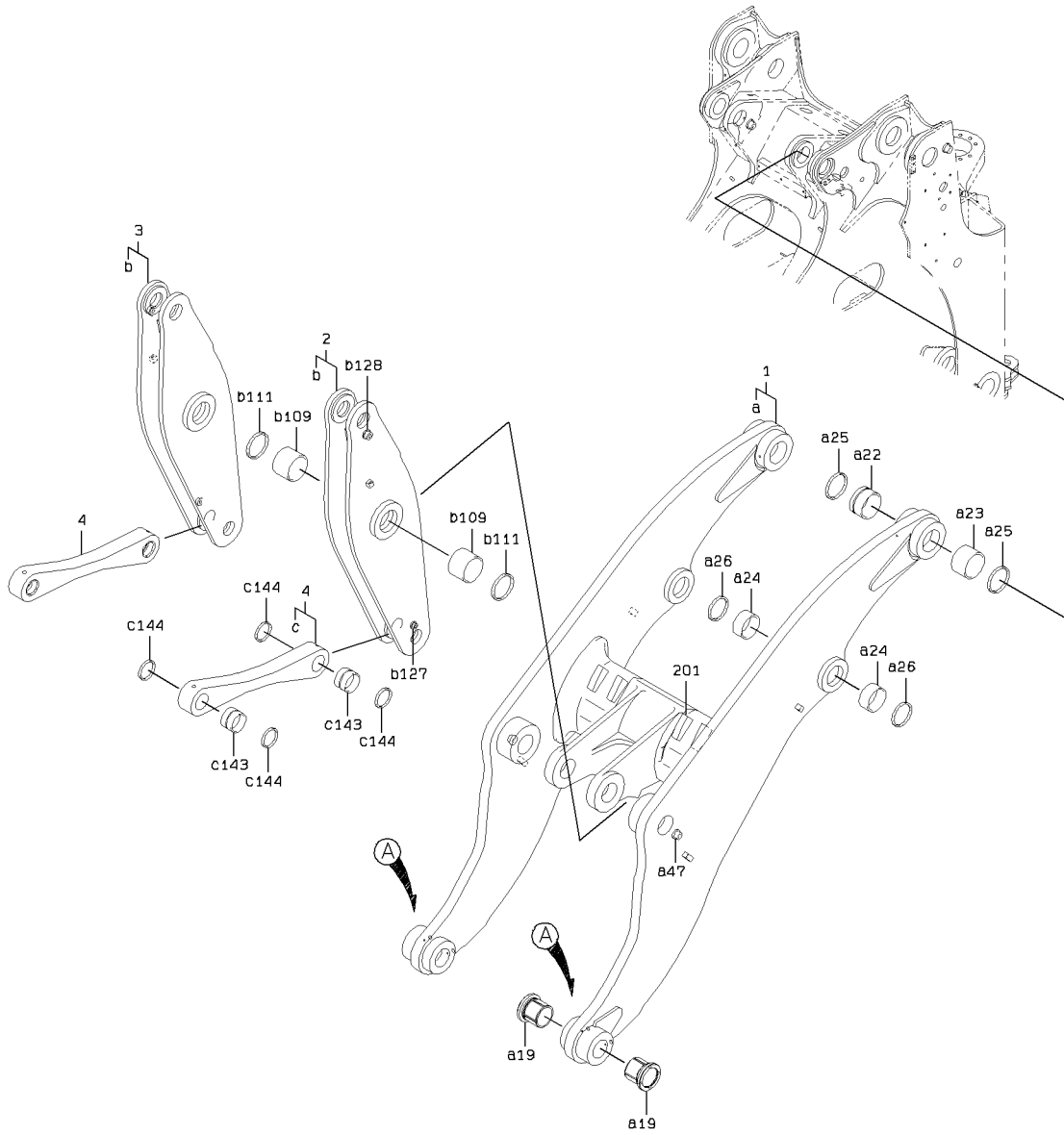
2-A

GREASE PIPING (HIGH LIFT ARM SPEC.)

SYM-BOL	PART NUMBER	PART NAME	UNIT Q,TY	SERIAL		REMARKS						
				(A)	(B)	N	P	D	(A)	(B)	(C)	(D)
1A	38705-37020	PIPE ASSY,FLARED	1	101	-							FR LH
2A	38705-37030	PIPE ASSY,FLARED	1	101	-							FR RH
3A	69100-10600	FLARED FITTING	2	101	-	250	D					
4A	72001-10600	HOLDER,PIPE	A/R	101	-	250	D					D=6.35
5A	38705-57670	PIPE ASSY,FLARED	2	251	-							
51A	62480-21081	NUT,FLANGED	A/R	101	-	250	D					

MEMO

LIFT ARM (SHORT BOOM)

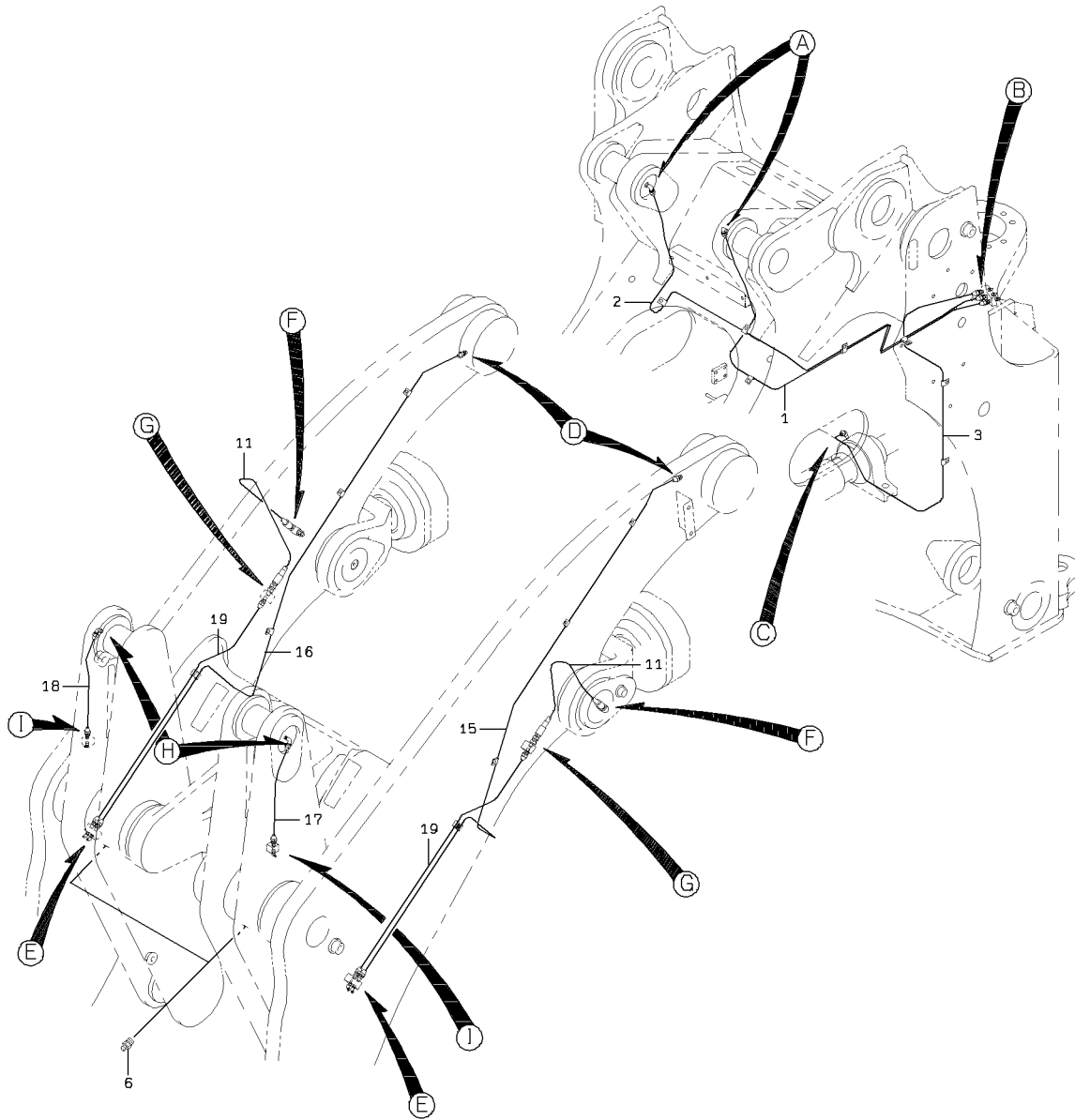


1-A

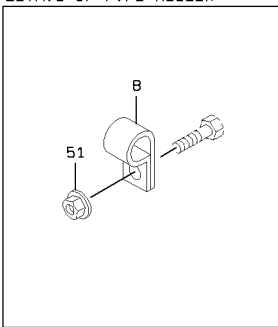
LIFT ARM (SHORT BOOM)

SYM-BOL	PART NUMBER	PART NAME	UNIT Q, TY	SERIAL		REMARKS							
				(A)	(B)	N	P	D	(A)	(B)	(C)	(D)	REMARK
1A	30040-23980	ARM ASSY,LIFT	1	101	- 271								
1B	30040-24540	ARM ASSY,LIFT	1	272	- 403	C				Y01			
1C	30040-25360	ARM ASSY,LIFT	1	404	-	C				Y01			
2A	45610-23180	LEVER ASSY	1	101	-					Y02			FR LH
3A	45610-23190	LEVER ASSY	1	101	-					Y02			FR RH
4A	45125-21500	LINK,BUCKET	2	101	-						Y03		
19A	40840-25360	BUSHING	2	101	- 403					01			
19B	40840-26190	BUSHING	4	404	-	B				01			
21A	40840-25430	BUSHING	2	101	- 403	D				01			
22A	40840-00010	BUSHING	2	101	-					01			
23A	63422-47780	BUSHING	2	101	-					01			
24A	63422-46490	BUSHING	4	101	-					01			
25A	65051-02209	SEAL,DUST	4	101	-					01			
26A	65051-02007	SEAL,DUST	4	101	-					01			
47A	41621-20340	PLATE	2	101	-					01			WELDING
109A	63422-47880	BUSHING	2	101	-						02		
111A	65051-02209	SEAL,DUST	2	101	-						02		
127A	41621-20320	PLATE	1	101	-						02		WELDING
128A	41621-20340	PLATE	1	101	-						02		WELDING
143A	40840-25150	BUSHING	2	101	-							03	
144A	65051-01608	SEAL,DUST	4	101	-							03	
201A	41608-23940	PLATE	4	101	-								WELDING

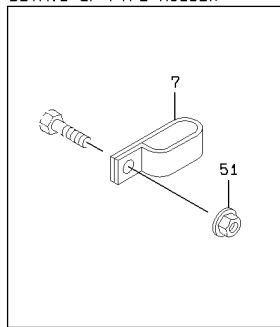
GREASE PIPING (SHORT BOOM)



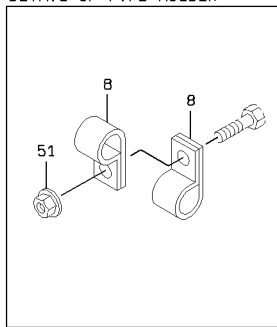
DETAIL OF PIPE HOLDER



DETAIL OF PIPE HOLDER

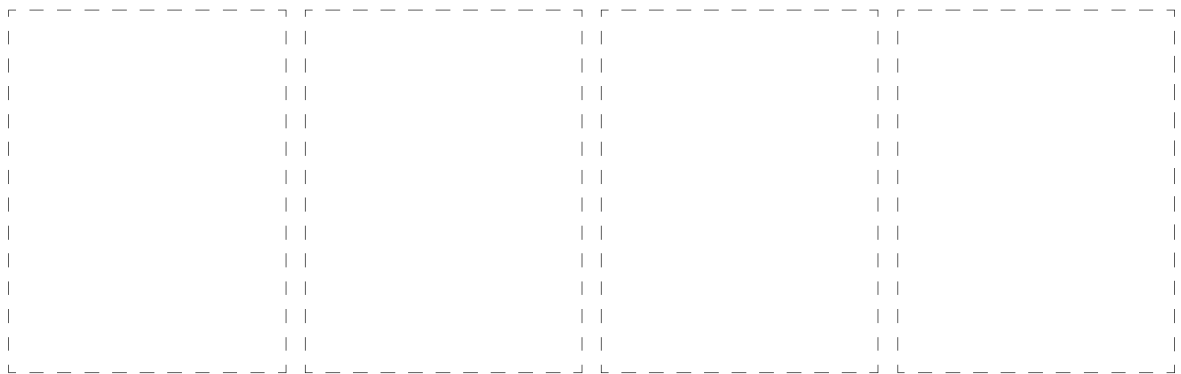
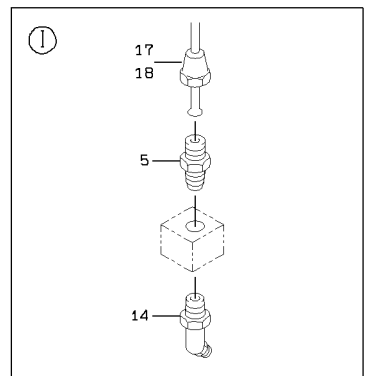
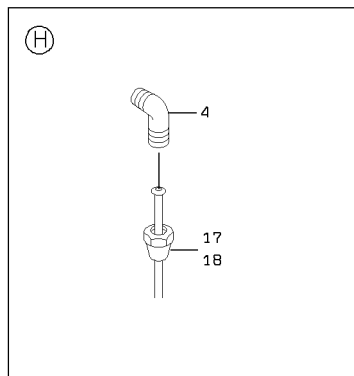
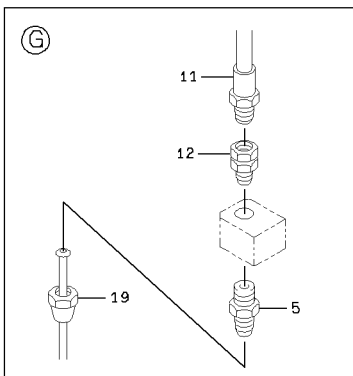
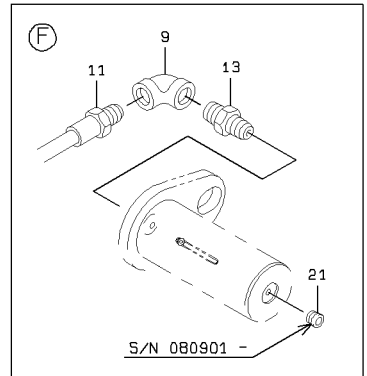
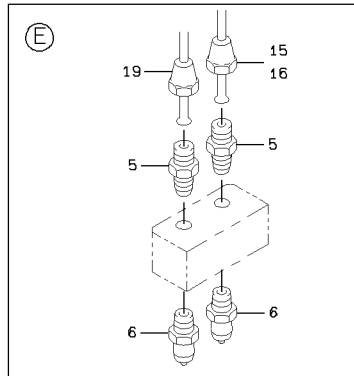
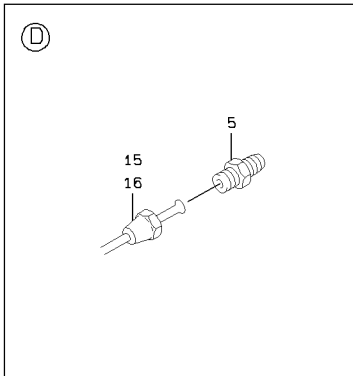
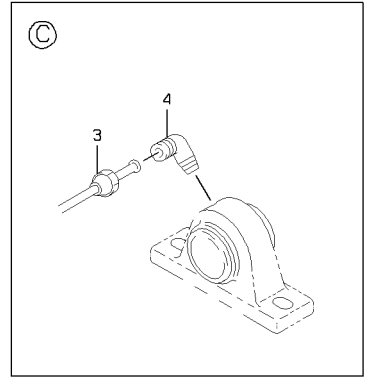
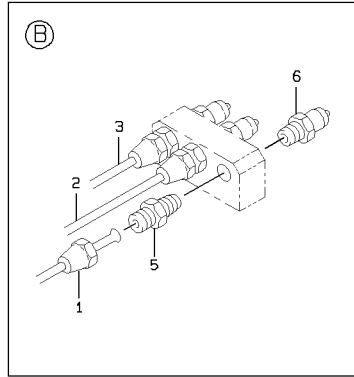
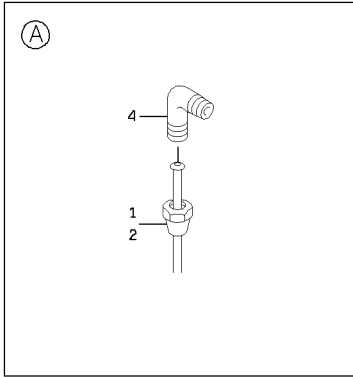


DETAIL OF PIPE HOLDER



1-A

GREASE PIPING (SHORT BOOM)



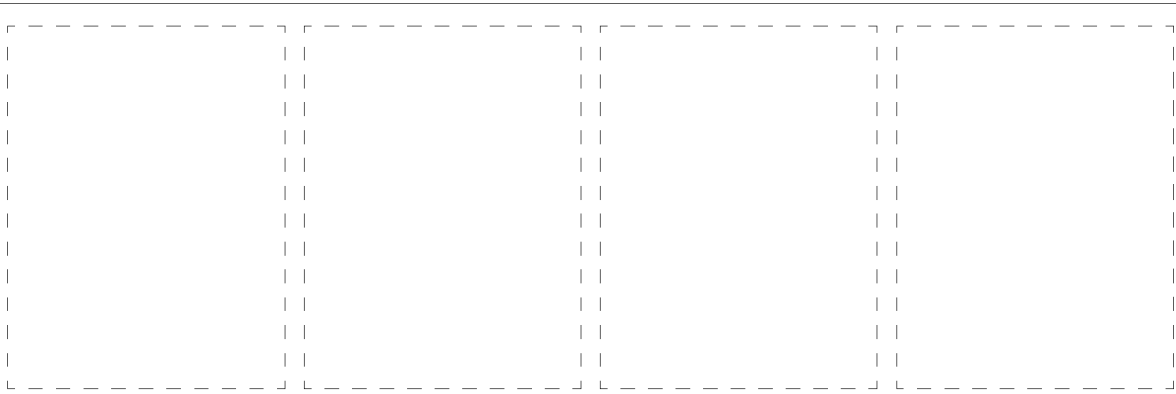
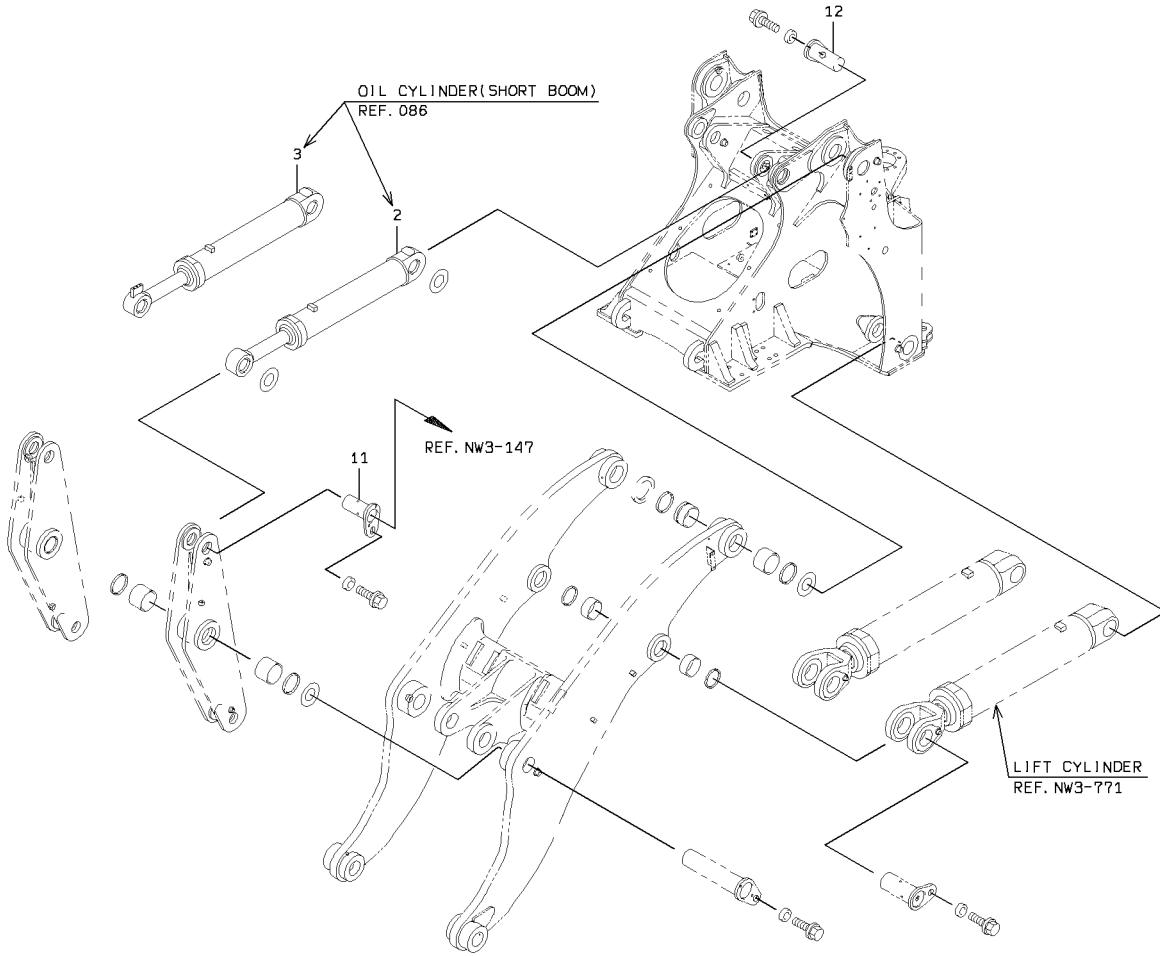
GREASE PIPING (SHORT BOOM)

SYM-BOL	PART NUMBER	PART NAME	UNIT Q,TY	SERIAL		REMARKS						
				(A)	(B)	N	P	D	(A)	(B)	(C)	(D)
1A	38705-34780	PIPE ASSY,FLARED	1	101	-							TILT CYL.(LH)
2A	38705-34790	PIPE ASSY,FLARED	1	101	-							TILT CYL.(RH)
3A	38705-57130	PIPE ASSY,FLARED	1	101	-							PILLOW UNIT
4A	69100-20600	FLARED FITTING,ELB	5	101	-							
5A	69100-10600	FLARED FITTING	13	101	-							
6A	75011-25400	NIPPLE,GREASE	9	101	-							
7A	72001-20600	HOLDER,PIPE	A/R	101	-							D=6.35 X Q'TY
8A	72001-10600	HOLDER,PIPE	A/R	101	-							D=6.35
9A	88340-12604	FITTING,ELBOW	2	101	-							
11A	68612-10040	HOSE,HIGH PRESSURE	2	101	-							LIFT CYL.
12A	88221-00604	ADAPTER,UNION	2	101	-							
13A	88302-40402	FITTING,NIPPLE	2	101	-							
14A	75011-45400	NIPPLE,GREASE	2	101	-							
15A	38705-59170	PIPE ASSY,FLARED	1	101	-							LIFT ARM (LH)
16A	38705-59180	PIPE ASSY,FLARED	1	101	-							LIFT ARM (RH)
17A	38705-51970	PIPE ASSY,FLARED	1	101	-							TILT LEVER (LH)
18A	38705-51980	PIPE ASSY,FLARED	1	101	-							TILT LEVER (RH)
19A	38705-59190	PIPE ASSY,FLARED	2	101	-							
21A	88390-16102	PLUG	2	101	-							
51A	62480-21081	NUT,FLANGED	A/R	101	-							

MEMO

OIL CYLINDER MOUNT (SHORT BOOM)

(NOTE):REFER TO STANDARD CATALOG(REF. NW2-103) FOR NO SYMBOL PARTS.

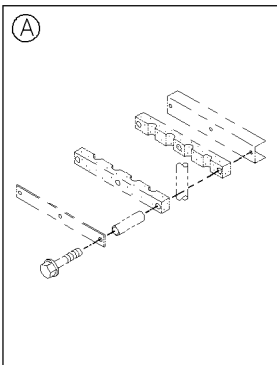
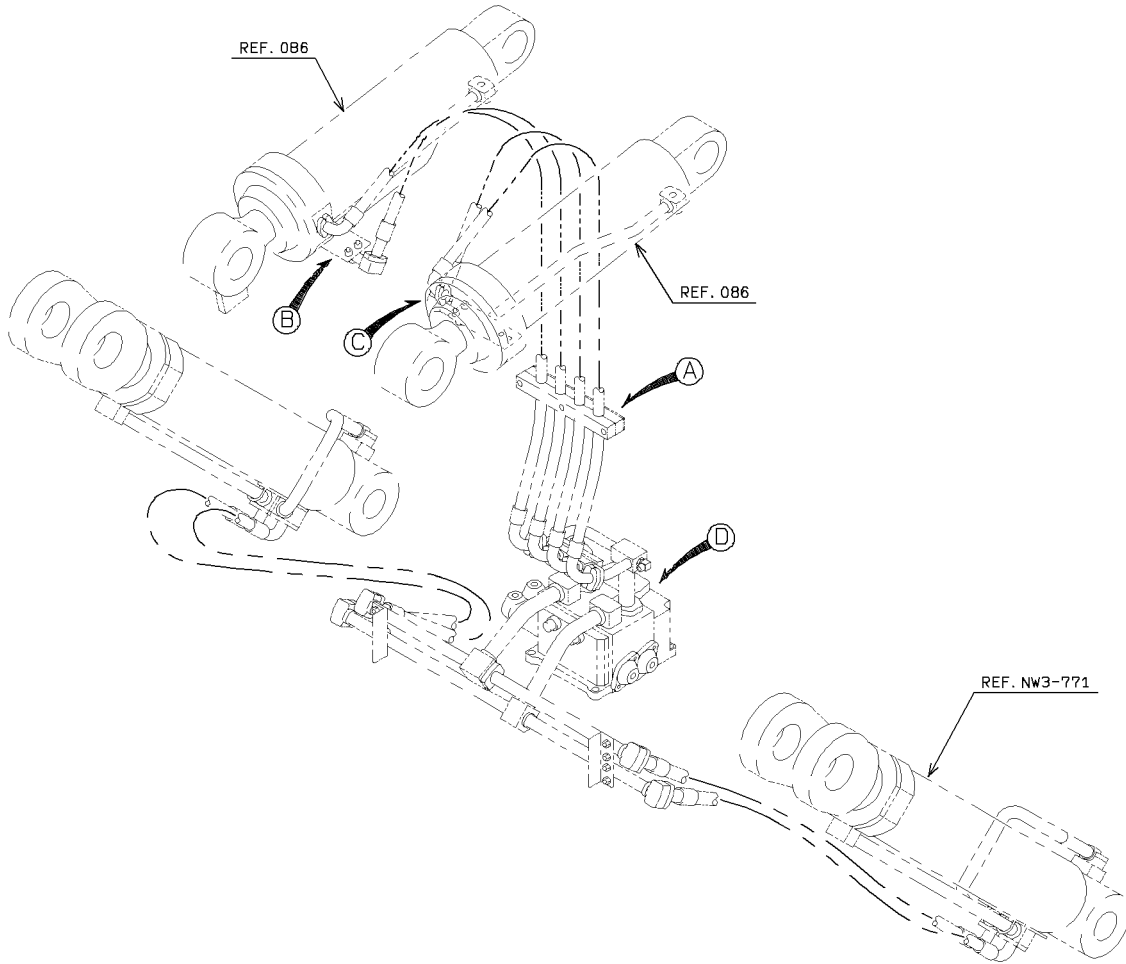


OIL CYLINDER MOUNT (SHORT BOOM)

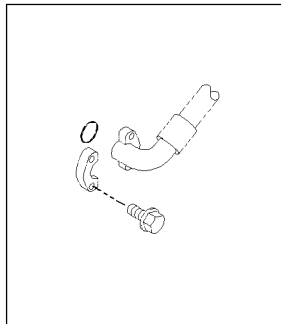
SYM-BOL	PART NUMBER	PART NAME	UNIT Q,TY	SERIAL (A) - (B)	REMARKS					
					N	P	D	(A)	(B)	(C)
2A	34820-65850	CYLINDER ASSY,OIL	1	101 -						REF.086-1 (LH)
3A	34820-65860	CYLINDER ASSY,OIL	1	101 -						REF.086-101(RH)
11A	40000-34270	PIN	2	101 -						D=90 X 203L
12A	40000-34290	PIN	2	101 -						T=90 X 220L

HYDRAULIC LINE - BUCKET (SHORT BOOM)

(NOTE): REFER TO STANDARD CATALOG (REF. NW2-701) FOR NO SYMBOL PARTS.



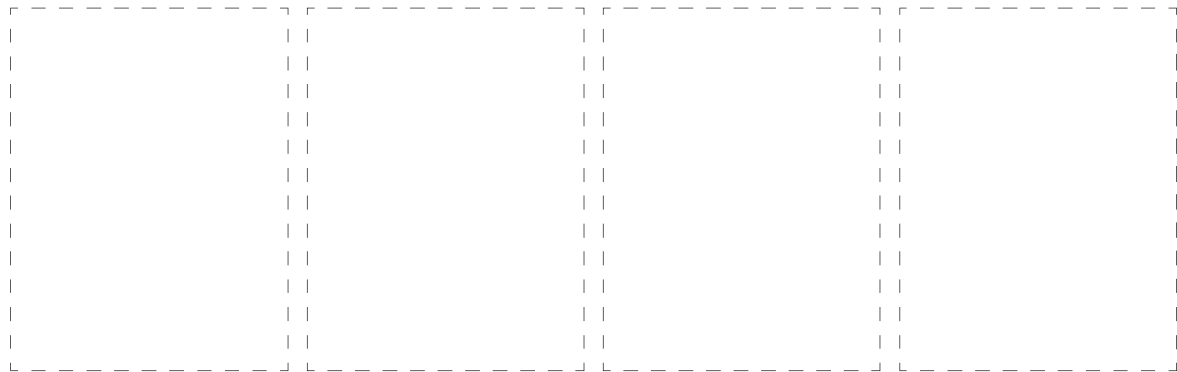
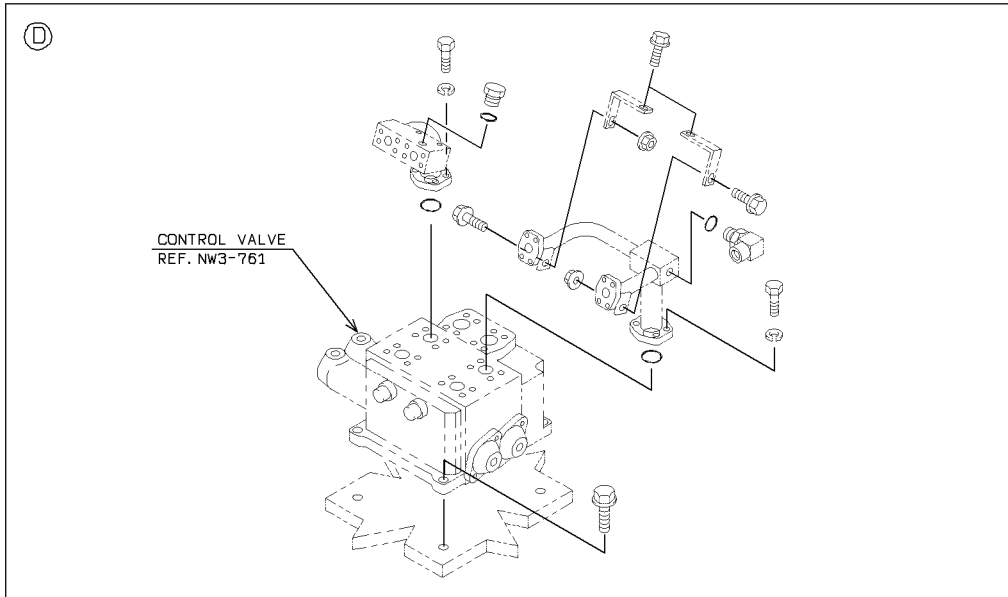
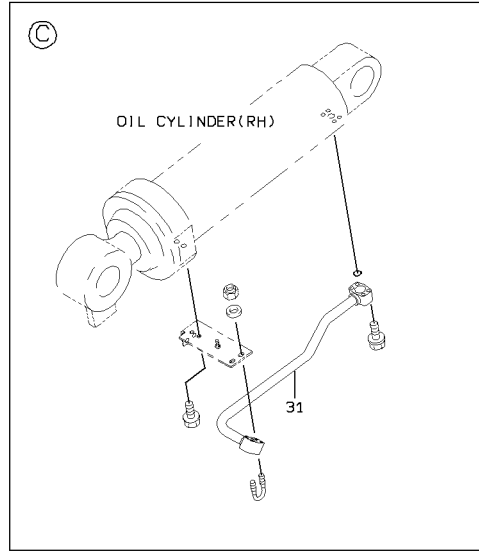
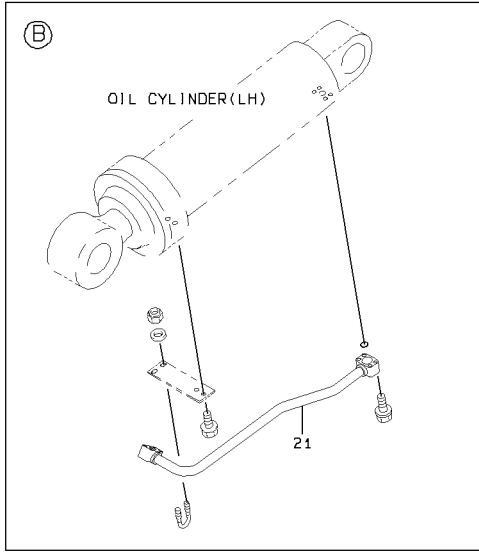
DETAIL OF SPLIT FLANGE



1-A

HYDRAULIC LINE - BUCKET (SHORT BOOM)

(NOTE): REFER TO STANDARD CATALOG(REF. NW2-701) FOR NO SYMBOL PARTS.



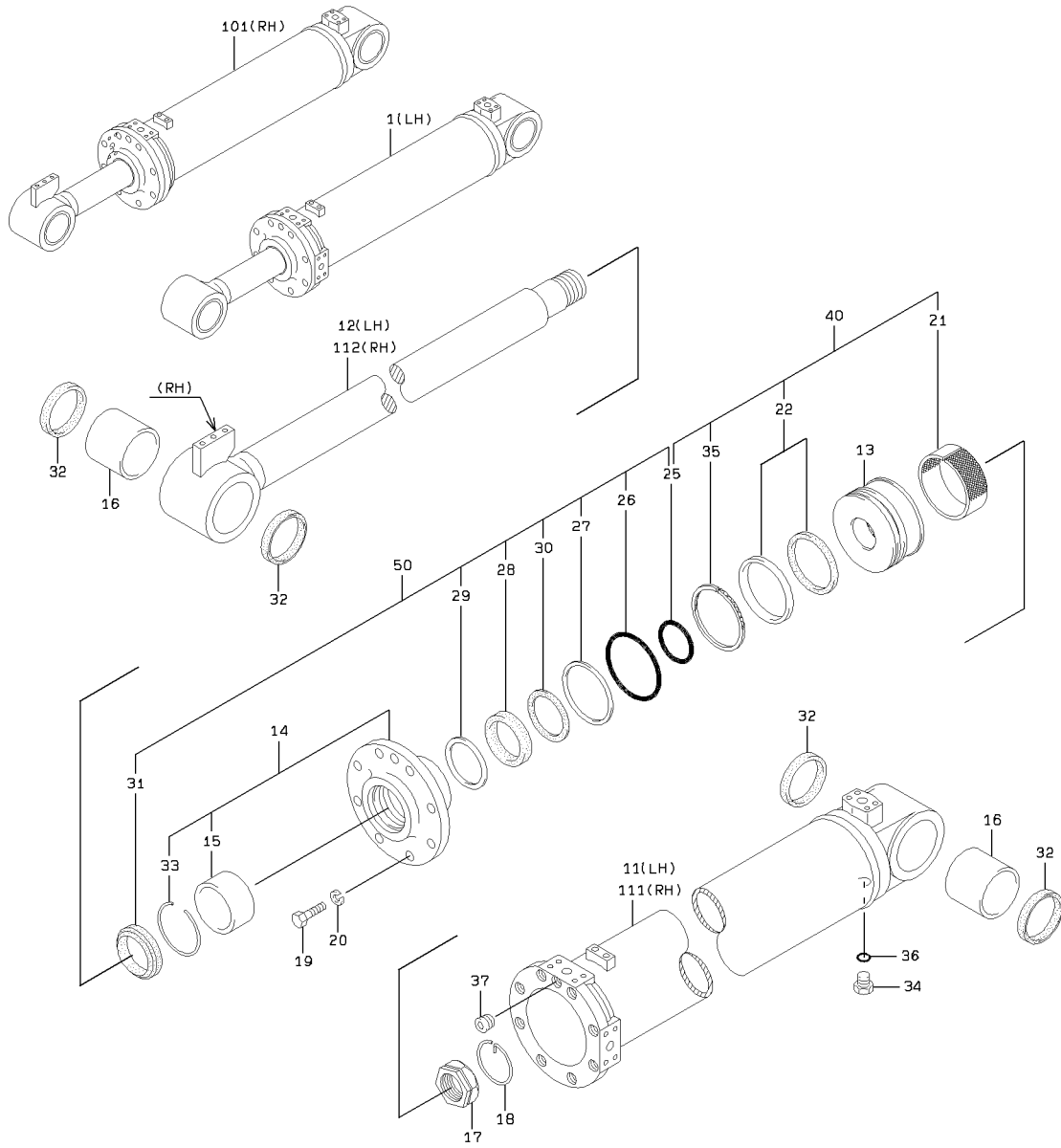
2-A

HYDRAULIC LINE - BUCKET (SHORT BOOM)

SYM-BOL	PART NUMBER	PART NAME	UNIT Q,TY	SERIAL (A) - (B)	REMARKS				REMARK
					N	P	D	(A) (B) (C) (D)	
21A	38775-29290	PIPE,OIL	1	101 -					FR LH
31A	38775-29300	PIPE,OIL	1	101 -					FR RH

MEMO

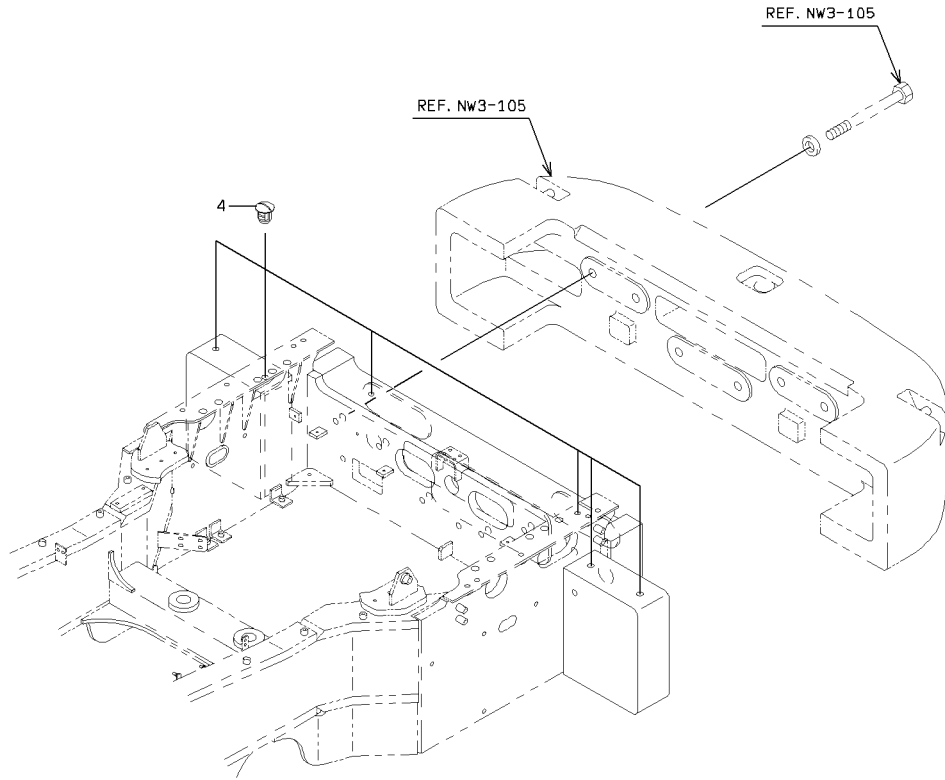
OIL CYLINDER (SHORT BOOM)



OIL CYLINDER (SHORT BOOM)

SYM-BOL	PART NUMBER	PART NAME	UNIT Q,TY	SERIAL		REMARKS							
				(A)	(B)	N	P	D	(A)	(B)	(C)	(D)	REMARK
1A	34820-65850	CYLINDER ASSY,OIL	1	101	-					Y01			FR LH
11A	36725-73090	TUBE,CYLINDER	1	101	-					01			FR LH
12A	45886-72940	ROD,PISTON	1	101	-					01			FR LH
13A	39960-70850	PISTON	1	101	-					01		03	
14A	31265-60150	COVER ASSY,ROD	1	101	-					01	Y02	03	
15A	88811-09040	BUSHING	1	101	-							02	
16A	63422-45830	BUSHING	2	101	-					01		03	
17A	37636-70060	NUT,PISTON	1	101	-					01		03	
18A	45315-70130	RING,STOP	1	101	-					01		03	
19A	43900-71100	BOLT	8	101	-					01		03	
20A	62721-22100	WASHER,SPRING	8	101	-					01		03	
21A	65431-23237	RING,WEAR	1	101	-							K1	
22A	49328-70030	SEAL SET	1	101	-							K1	
25A	65210-22070	RING,O	1	101	-							K1	K2
26A	65210-22170	RING,O	1	101	-								K2
27A	65240-32170	RING,BACK-UP	1	101	-								K2
28A	65446-05210	PACKING,U	1	101	-								K2
29A	65473-10330	RING,BACK-UP	1	101	-								K2
30A	65463-01640	RING,BUFFER	1	101	-								K2
31A	65455-04008	RING,SCRAPER	1	101	-								K2
32A	65051-02007	SEAL,DUST	4	101	-					01		03	
33A	45315-70140	RING,STOP	1	101	-						02		
34A	41530-71210	PLUG	1	101	-					01		03	
35A	47171-70190	RING,WEAR	1	101	-							K1	
36A	65210-12011	RING,O	1	101	-					01		03	
37A	88390-16104	PLUG	1	101	-					01		03	
40A	49327-60520	SEAL KIT	1	101	-					01	QK1	03	
50A	49327-71440	SEAL KIT	1	101	-					01		03	QK2
101A	34820-65860	CYLINDER ASSY,OIL	1	101	-							Y03	FR RH
111A	36725-73100	TUBE,CYLINDER	1	101	-							03	FR RH
112A	45886-72950	ROD,PISTON	1	101	-							03	FR RH

WEIGHT MOUNT (SHORT BOOM)

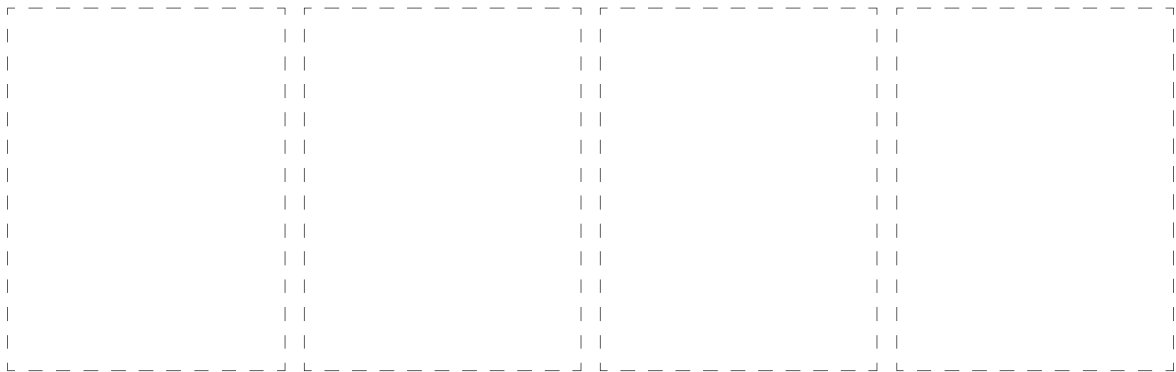
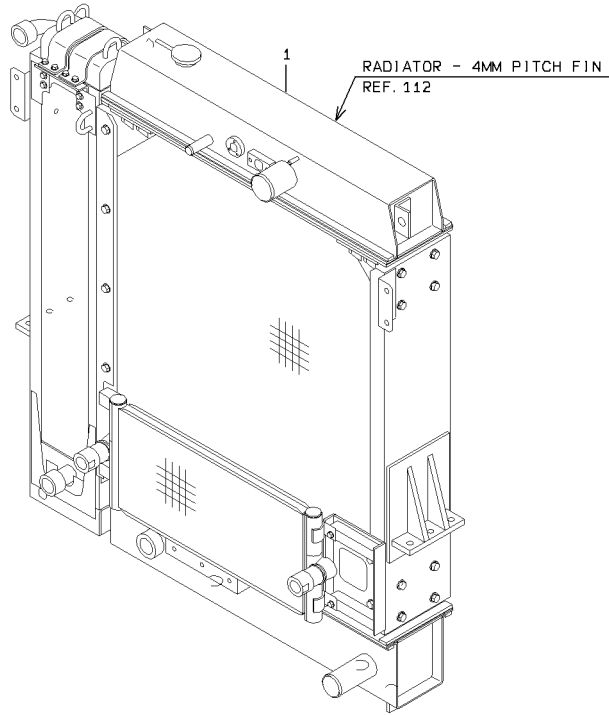


1-A

WEIGHT MOUNT (SHORT BOOM)

SYM-BOL	PART NUMBER	PART NAME	UNIT Q.TY	SERIAL (A) - (B)	REMARKS						
					N	P	D	(A)	(B)	(C)	(D)
4A	32210-20780	CAP	6	101 -							

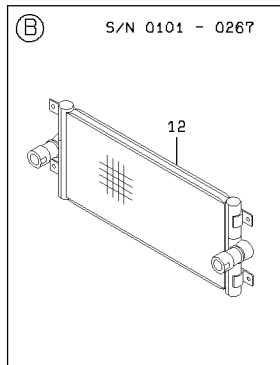
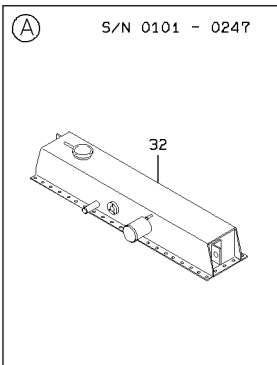
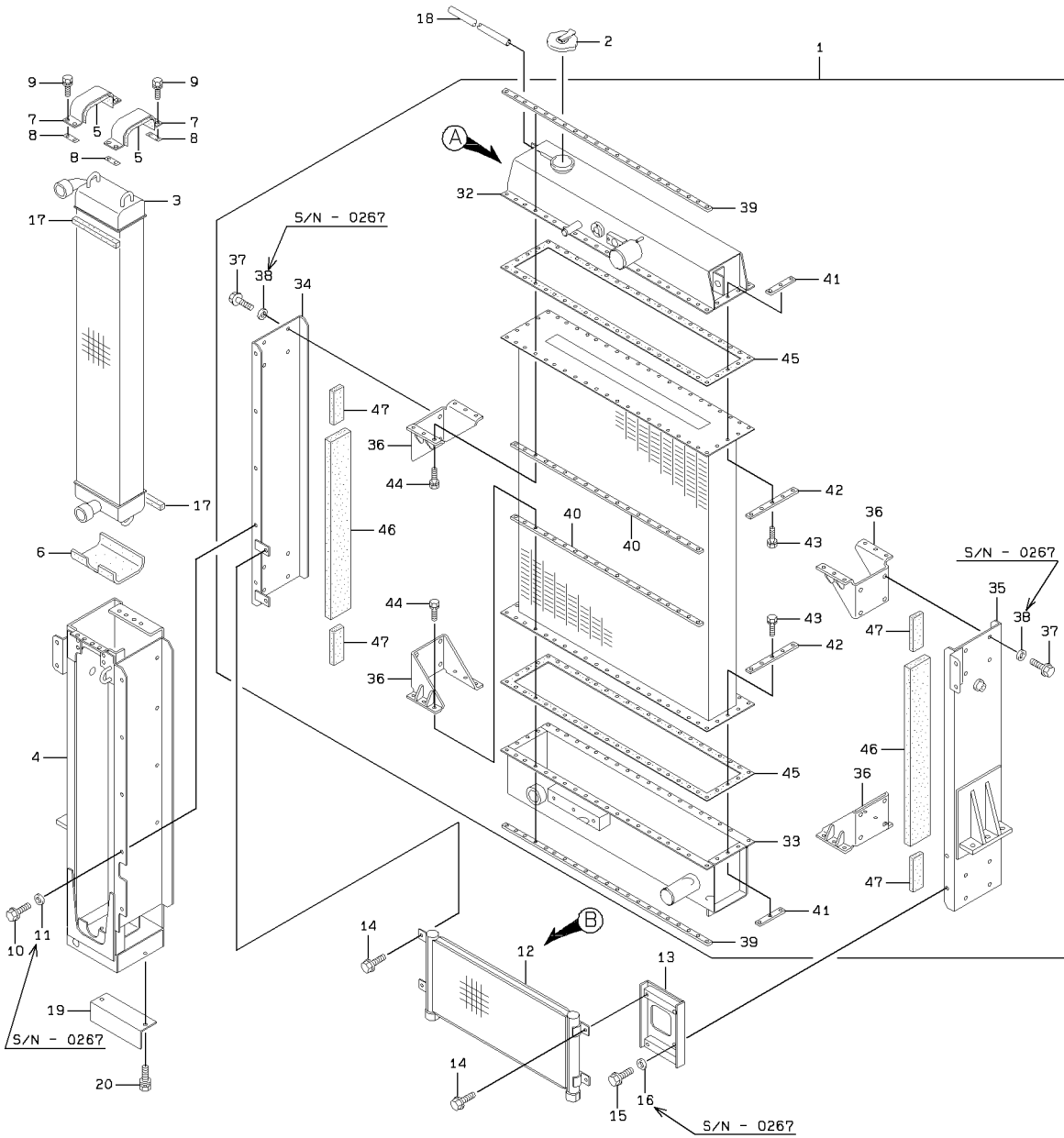
RADIATOR GROUP - 4MM PITCH FIN



RADIATOR GROUP - 4MM PITCH FIN

SYM-BOL	PART NUMBER	PART NAME	UNIT Q,TY	SERIAL			REMARKS							
				(A)	-	(B)	N	P	D	(A)	(B)	(C)	(D)	REMARK
1A	44721-63060	RADIATOR ASSY	1	101	-	246								REF.112
1B	44721-63600	RADIATOR ASSY	1	247	-	267	B							REF.112
1C	44721-63980	RADIATOR ASSY	1	268	-		B							REF.112

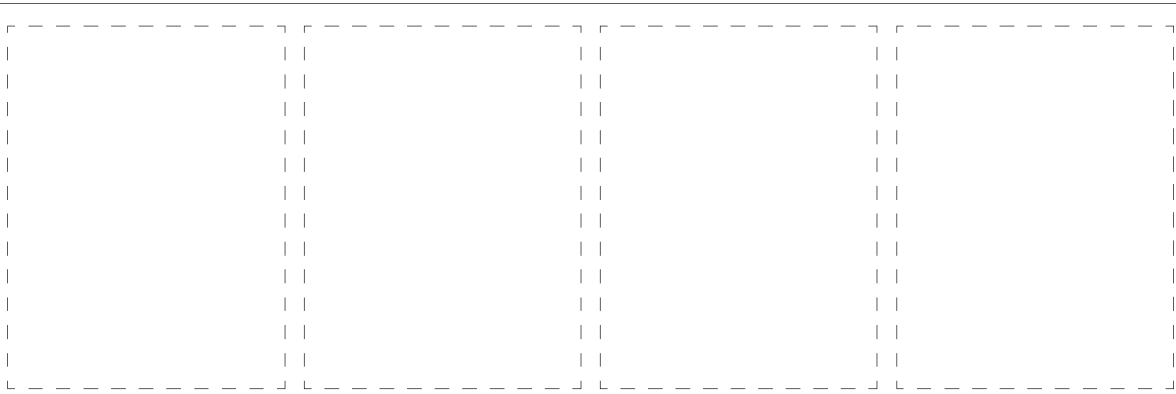
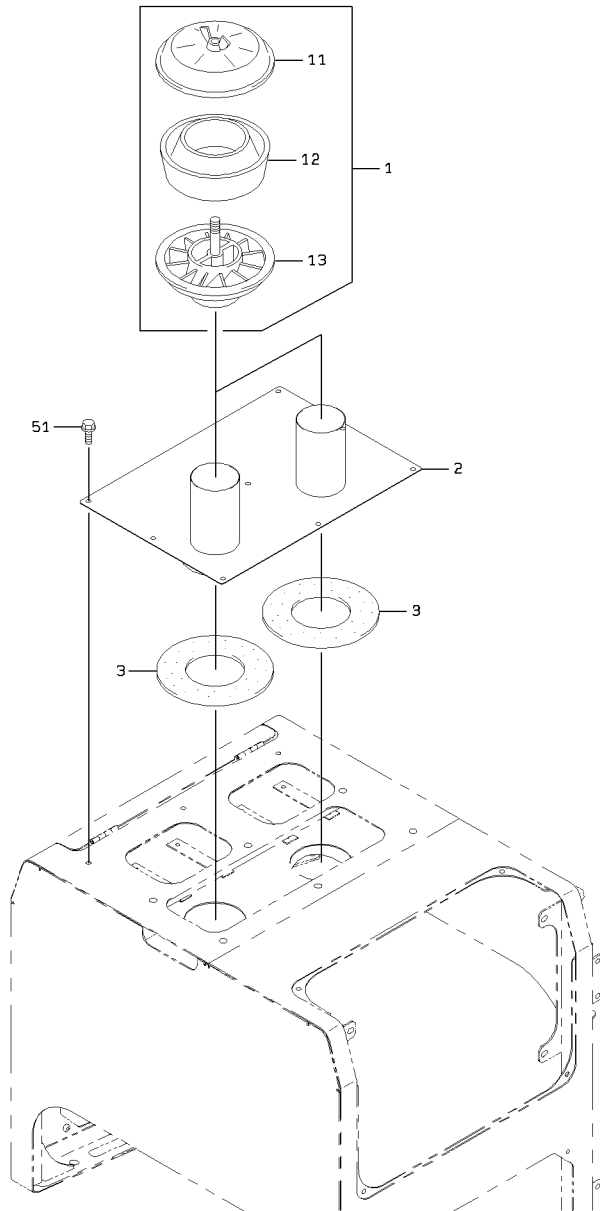
RADIATOR - 4MM PITCH FIN



RADIATOR - 4MM PITCH FIN

SYM-BOL	PART NUMBER	PART NAME	UNIT Q,TY	SERIAL		REMARKS							
				(A)	(B)	N	P	D	(A)	(B)	(C)	(D)	REMARK
000A	44721-63060	RADIATOR ASSY	1	101	- 246								
000B	44721-63600	RADIATOR ASSY	1	247	- 267	B							
000C	44721-63980	RADIATOR ASSY	1	268	-	B							
1A	33281-71320	CORE ASSY	1	101	- 246				Y01				
1B	33281-71620	CORE ASSY	1	247	- 267	B			Y01				
1C	33281-72060	CORE ASSY	1	268	-	B			Y01				
2A	32211-70230	CAP ASSY	1	101	-								
3A	32816-70370	COOLER,OIL	1	101	- 267								
3B	32816-70470	COOLER,OIL	1	268	-	B							
4A	40600-70900	FRAME	1	101	-								
5A	33713-70240	SHEET,RUBBER	2	101	-								
6A	33713-70250	SHEET,RUBBER	1	101	-								
7A	32920-70760	CLAMP	2	101	-								
8A	34200-71620	SHIM	A/R	101	-								
9A	43925-70190	BOLT SET	8	101	- 267								
9B	49620-70150	BOLT ASSY	1	268	-	B							
10A	43900-73830	BOLT	10	101	- 267								
10B	49620-70160	BOLT ASSY	1	268	-	B							
11A	46000-70860	WASHER	10	101	- 267		D						
12A	32810-70020	COOLER	1	101	- 267								
12B	32810-70030	COOLER	1	268	-	B							
13A	40900-71650	BRACKET	1	101	-								
14A	43963-70160	BOLT,FLANGED	4	101	-								
15A	43900-73490	BOLT	2	101	- 267								
15B	49620-70140	BOLT ASSY	2	268	-	B							
16A	46000-70860	WASHER	2	101	- 267		D						
17A	39600-72680	PACKING	2	101	-								
18A	36733-70080	TUBE,VINYL	1	101	-							L=2000	
19A	40900-71640	BRACKET	1	101	-								
20A	43925-70230	BOLT,W/WASHER	2	101	- 267								
20B	43925-70270	BOLT SET	2	268	-	B							
32A	36200-70930	TANK	1	101	- 246				01				
32B	36200-71260	TANK	1	247	-	B			01				
33A	36200-70920	TANK	1	101	-				01				
34A	33600-70250	SUPPORT	1	101	-				01			FR RH	
35A	33600-70240	SUPPORT	1	101	-				01			FR LH	
36A	45090-70030	RIB	4	101	-				01				
37A	43900-73490	BOLT	16	101	- 267				01				
37B	49620-70140	BOLT ASSY	16	268	-	B			01				
38A	46000-70860	WASHER	16	101	- 267		D		01				
39A	41600-71380	PLATE	4	101	-				01				
40A	41600-71370	PLATE	4	101	-				01				
41A	41611-70440	PLATE	4	101	-				01				
42A	41600-70440	PLATE	4	101	-				01				
43A	43925-70170	BOLT SET	72	101	-				01				
44A	43925-70210	BOLT SET	24	101	-				01				
45A	31990-71730	GASKET	2	101	- 267				01				
45B	31990-71370	GASKET	2	268	-	B			01				
46A	39600-72340	PACKING	2	101	-				01				
47A	39600-72490	PACKING	4	101	-				01				

PRECLEANER MOUNT

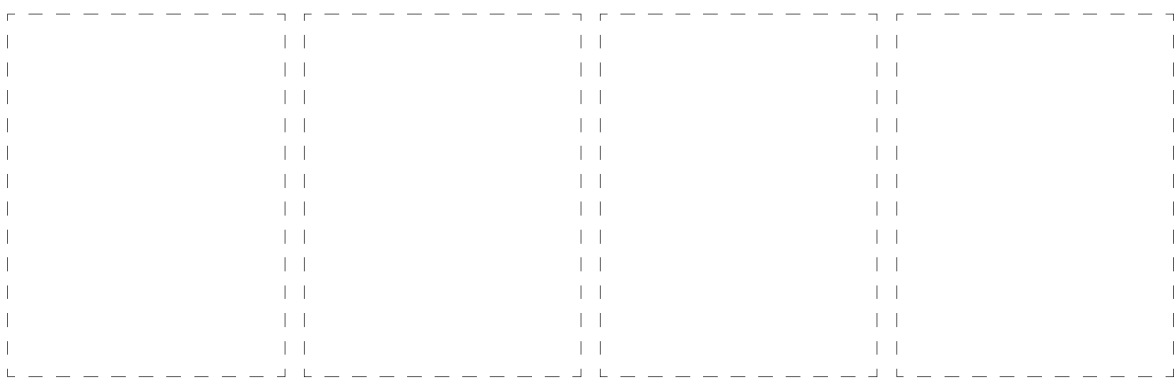
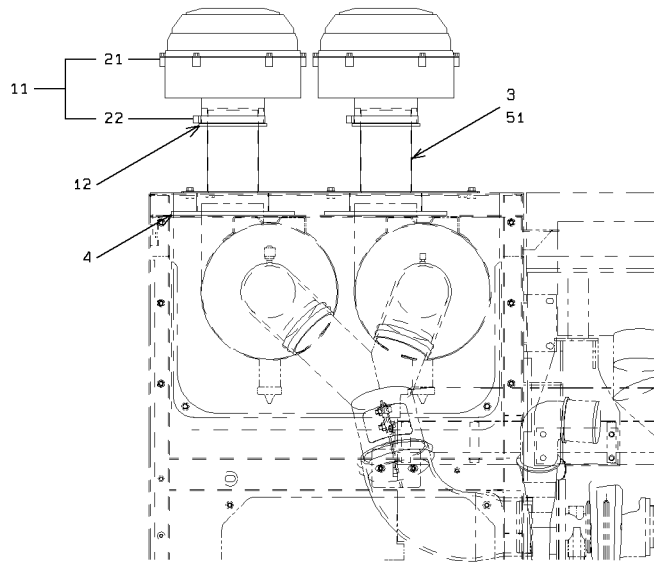


1-A

PRECLEANER MOUNT

SYM-BOL	PART NUMBER	PART NAME	UNIT Q,TY	SERIAL (A) - (B)	REMARKS					
					N	P	D	(A)	(B)	(C)
1A	42730-70060	PRECLEANER	2	101 -				Y01		
2A	36430-23430	DUCT	1	101 -						
3A	31990-21300	GASKET	2	101 -						
11A	31200-70400	COVER	1	101 -				01		
12A	43890-70090	BODY	1	101 -				01		
13A	35755-70010	SLEEVE ASSY	1	101 -				01		
51A	61802-10020	BOLT,FLANGED	8	101 -						

PRECLEANER MOUNT(MEINTENANCE-FREE)

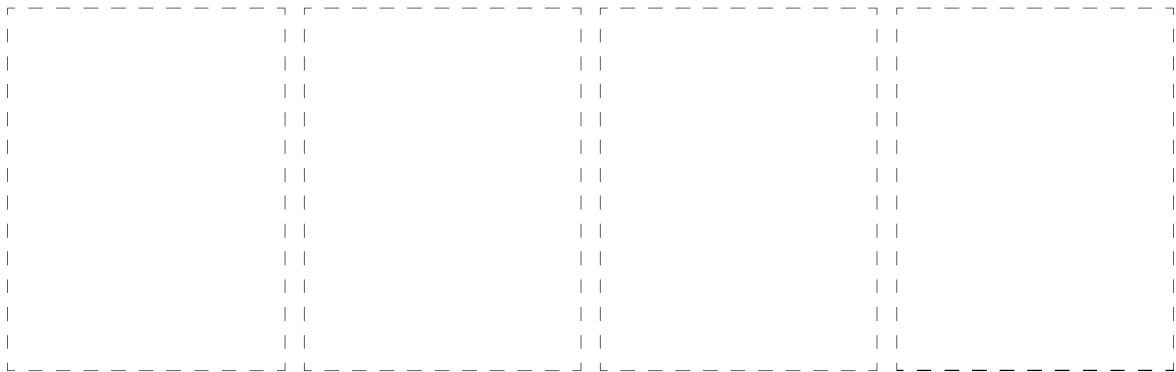
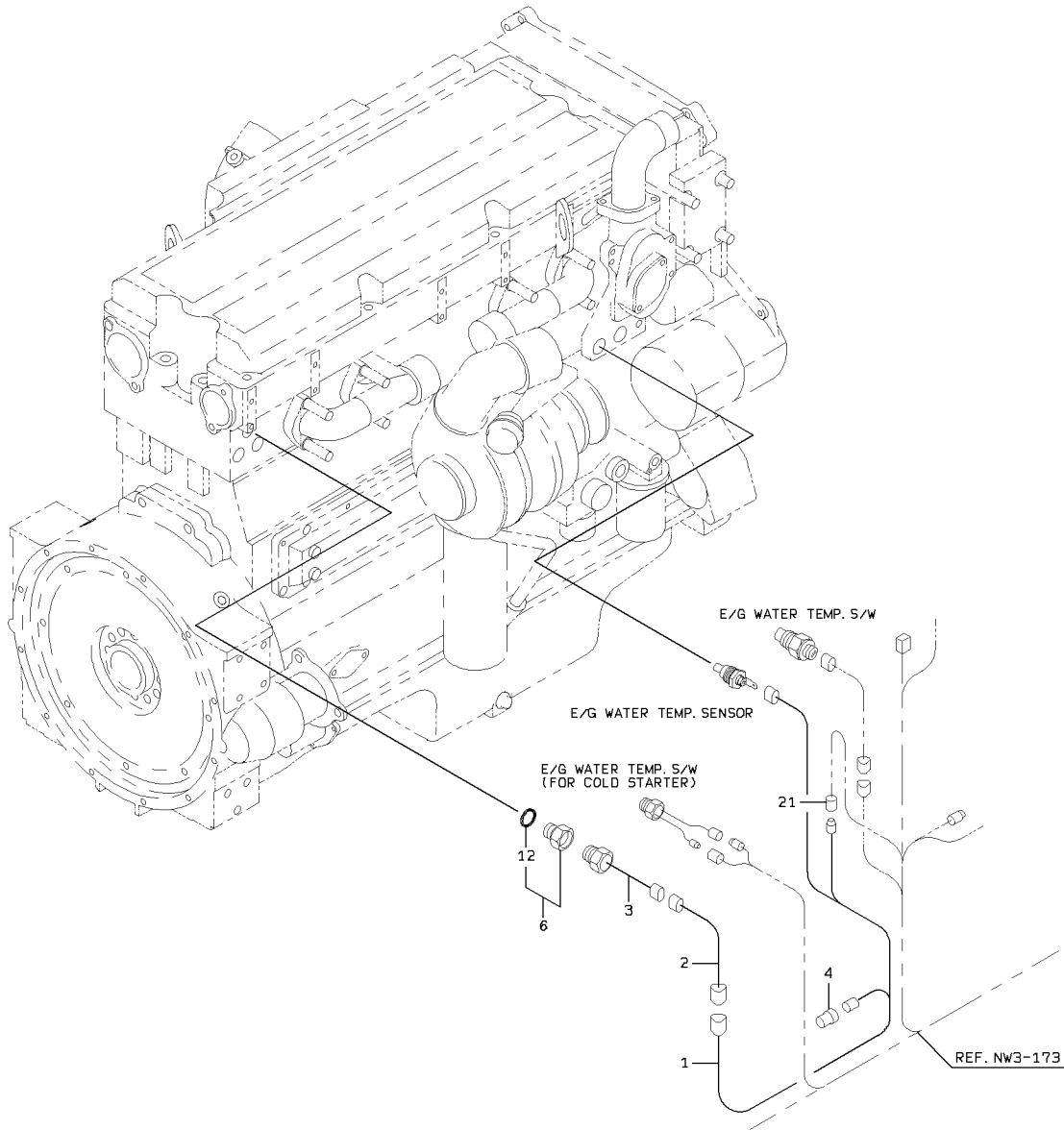


1-A

PRECLEANER MOUNT(MEINTENANCE-FREE)

SYM-BOL	PART NUMBER	PART NAME	UNIT Q,TY	SERIAL		REMARKS						
				(A)	(B)	N	P	D	(A)	(B)	(C)	(D)
3A	36430-23430	DUCT	1	101	-							
4A	31990-21300	GASKET	2	101	-							
11A	42730-20020	PRECLEANER	2	101	-					Y01		
12A	36430-23770	DUCT	2	101	-							
21A	42730-70110	PRECLEANER	1	101	-					01		
22A	32920-70870	CLAMP	1	101	-					01		
51A	61802-10020	BOLT,FLANGED	8	101	-							

CABLE MOUNT (GAUGE GROUP)

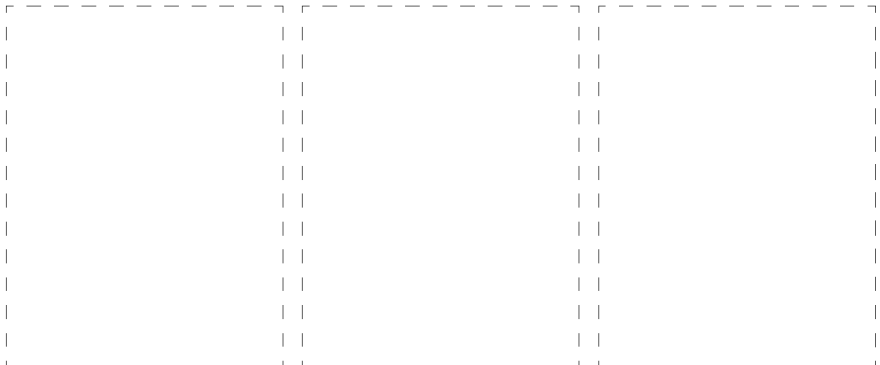
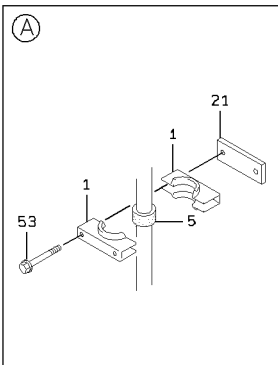
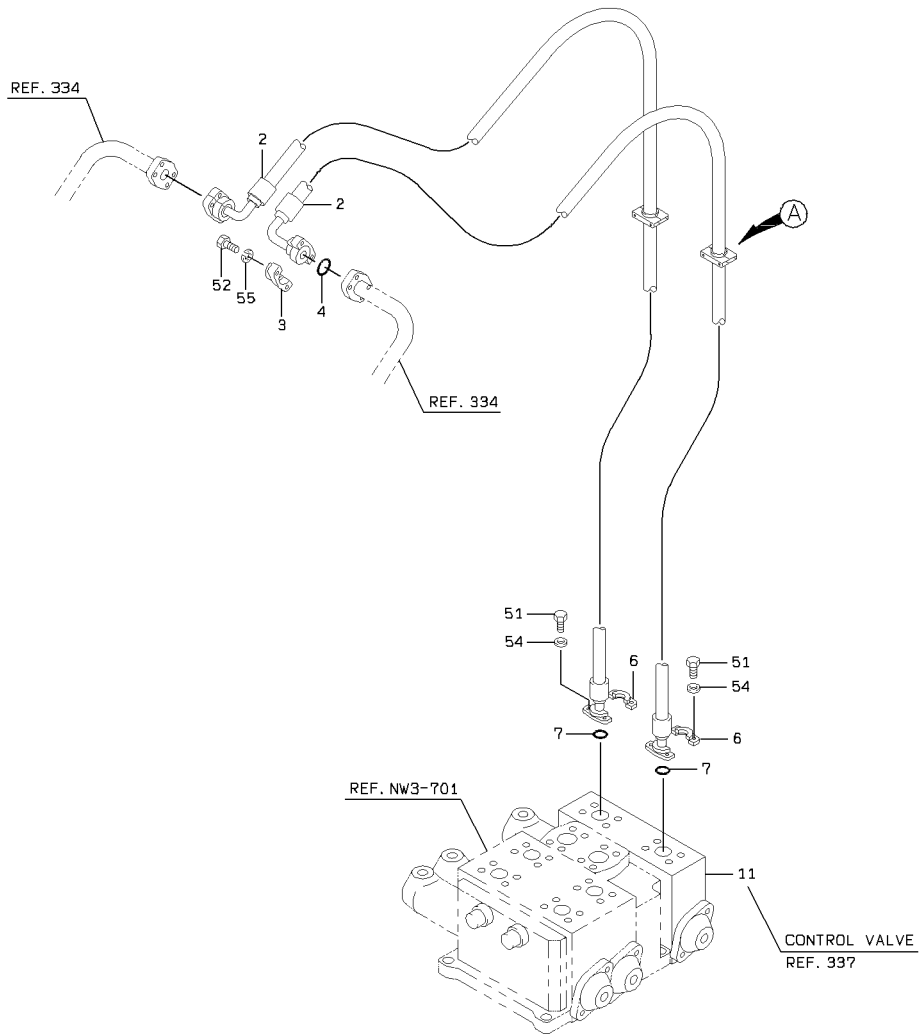


1-A

CABLE MOUNT (GAUGE GROUP)

SYM-BOL	PART NUMBER	PART NAME	UNIT Q, TY	SERIAL		REMARKS						
				(A)	(B)	N	P	D	(A)	(B)	(C)	(D)
1A	33193-30920	CABLE ASSY	1	451	-							
2A	33193-28970	CABLE ASSY	1	451	-							
3A	50401-04860	SWITCH, TEMPERATURE	1	451	-							
4A	45531-20110	RESISTOR	1	451	-							
6A	30230-25660	ADAPTER	1	451	-				Y01			
12A	65231-00121	RING, O	1	451	-				01			
21A	73212-00100	TERMINAL	1	451	-	N						

FRONT CHASSIS HYDRAULIC LINE (3 WAY PIPING)

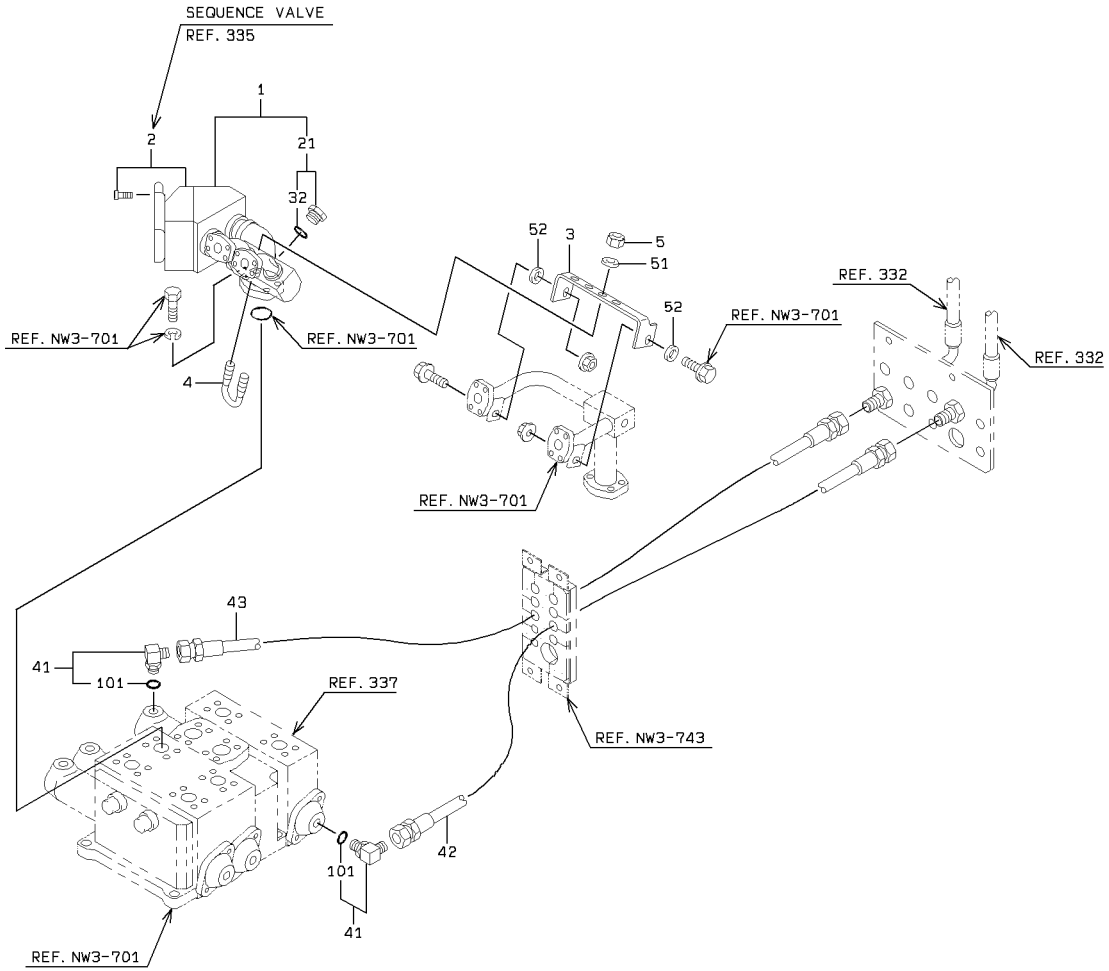


FRONT CHASSIS HYDRAULIC LINE (3 WAY PIPING)

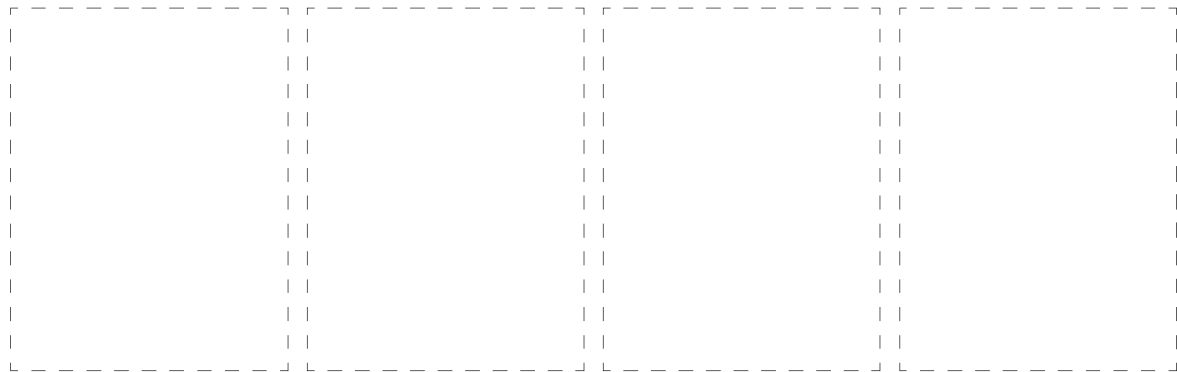
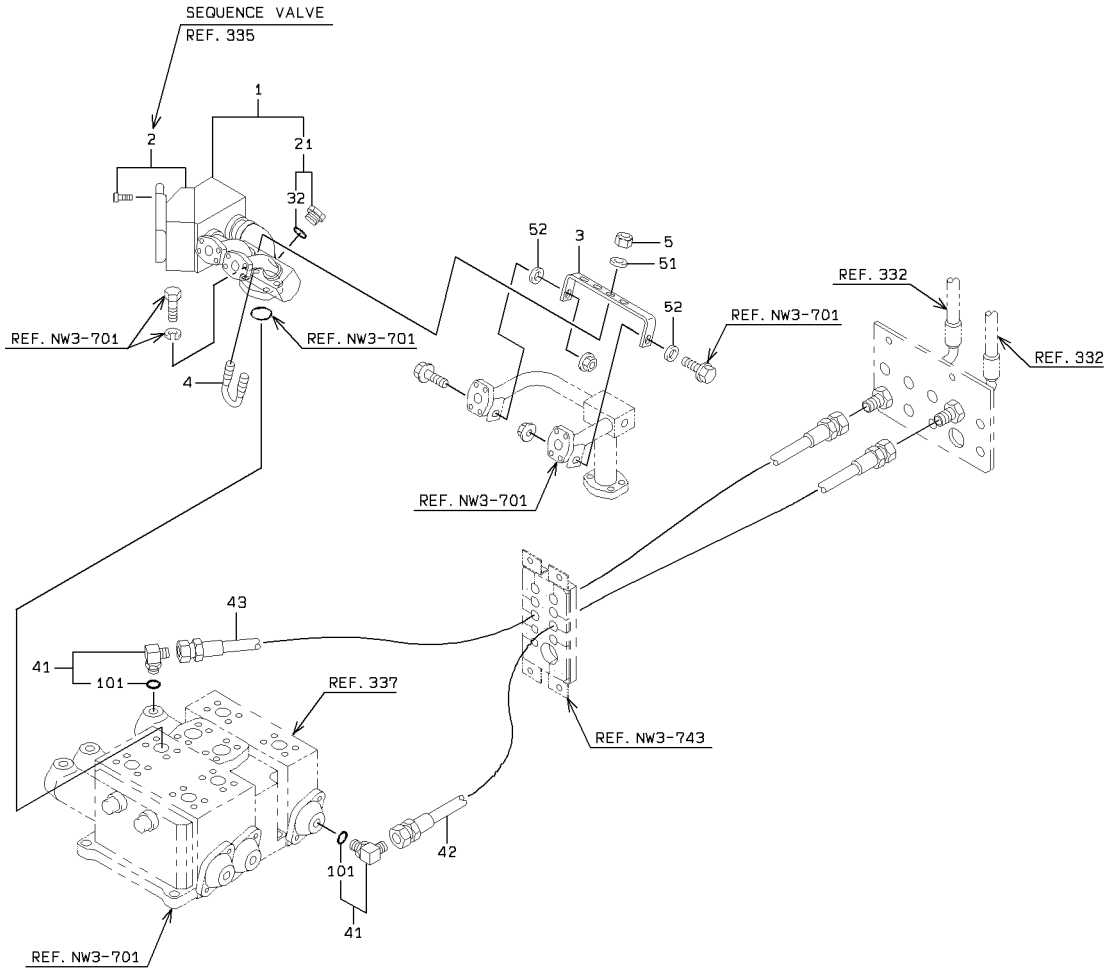
SYM-BOL	PART NUMBER	PART NAME	UNIT Q,TY	SERIAL		REMARKS						
				(A)	(B)	N	P	D	(A)	(B)	(C)	(D)
1A	32920-20140	CLAMP	2	101	-							
2A	43113-71650	HOSE,HIGH PRESSURE	2	101	-							
3A	69811-19210	FLANGE,SPLIT	4	101	-							
4A	65220-31019	RING,O	2	101	-							
5A	40850-70080	BUSHING,ELASTIC	2	101	-							
6A	69811-32210	FLANGE,SPLIT	4	101	-							
7A	65220-31027	RING,O	2	101	-							
11A	38532-60670	VALVE ASSY,MULTIPL	1	101	-							REF.337
21A	41611-26580	PLATE	2	101	-							WELDING
51A	61057-12035	BOLT	8	101	-							
52A	61057-10030	BOLT	8	101	-							
52B	61275-06030	BOLT(UNIFY)	8	272	-							
53A	61802-10100	BOLT,FLANGED	4	101	-							
54A	62722-87100	WASHER,SPRING	8	101	-							
54B	62721-12100	WASHER,SPRING	8	272	-							
55A	62722-03100	WASHER,SPRING	8	101	-							

FRONT PILOT HYDRAULIC LINE (3 WAY PIPING)

<S/N 0101 - 0387>



FRONT PILOT HYDRAULIC LINE (3 WAY PIPING)



2-A

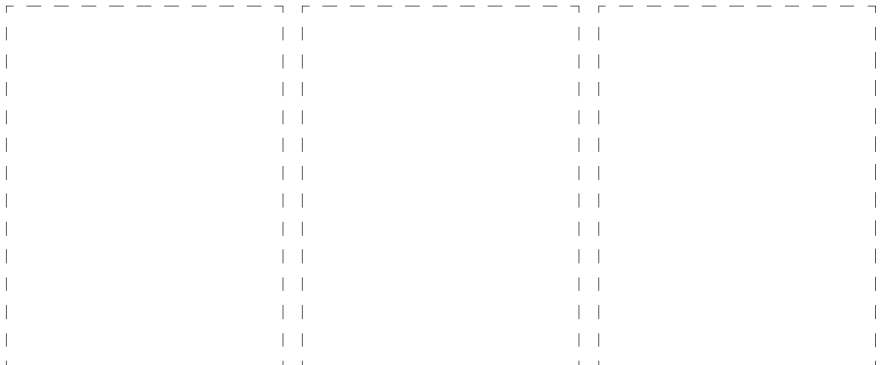
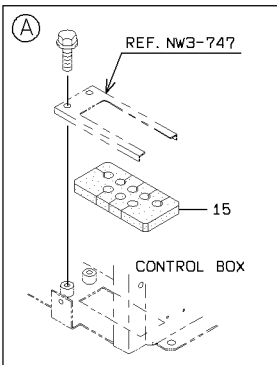
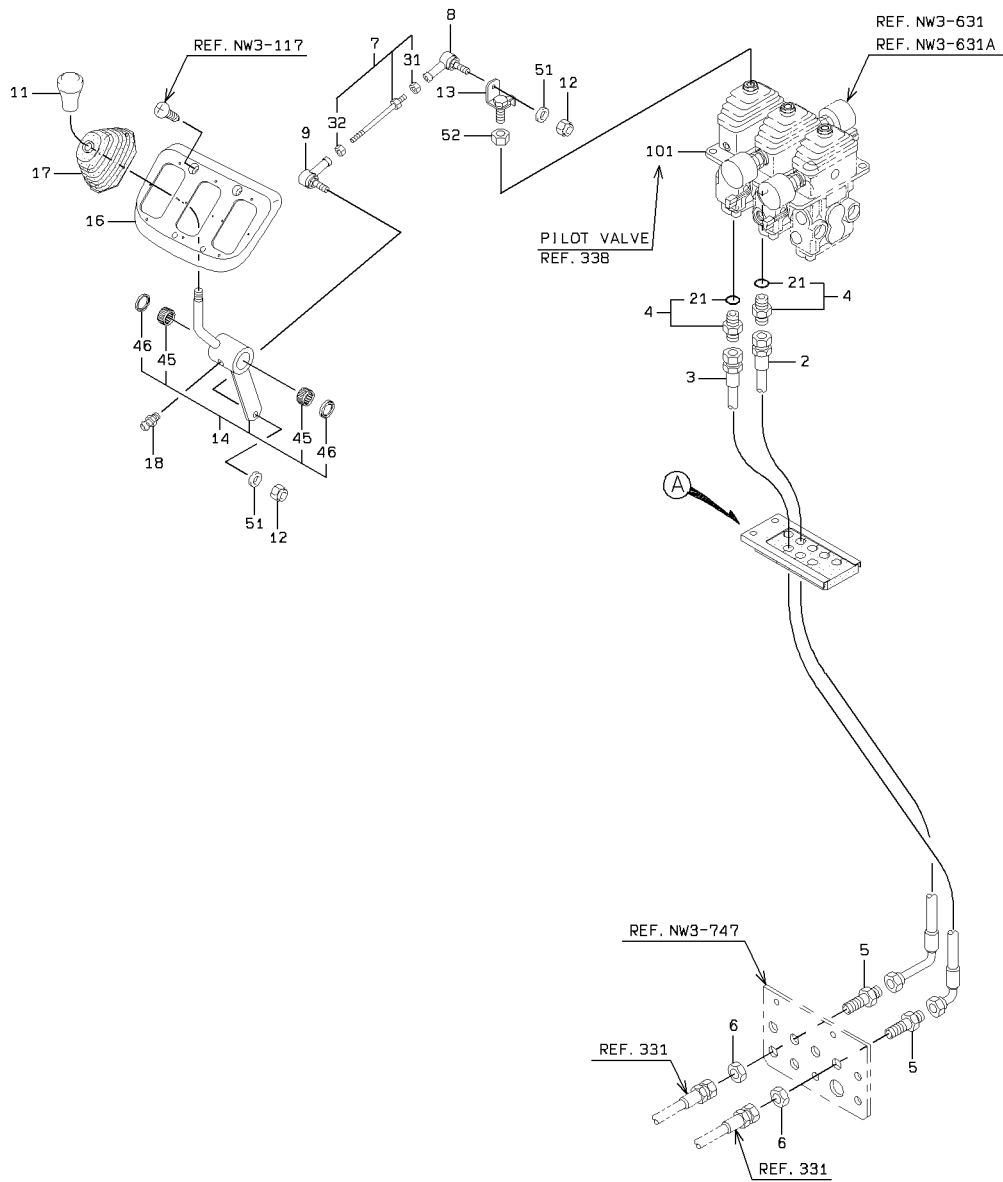
FRONT PILOT HYDRAULIC LINE (3 WAY PIPING)

SYM-BOL	PART NUMBER	PART NAME	UNIT Q, TY	SERIAL		REMARKS								
				(A)	(B)	N	P	D	(A)	(B)	(C)	(D)	REMARK	
1A	38755-39080	PIPE,OIL	1	101	387									
1B	38775-39060	PIPE,OIL	1	388	409	B				Y01				
1C	38775-41640	PIPE,OIL	1	410		C				Y01				
2A	38549-20010	VALVE,SEQUENCE	1	101										
3A	41615-21140	PLATE	1	101	387									
3B	41752-37060	PLATE	1	388		B								
4A	43962-20020	BOLT,U	2	101										
5A	88031-06101	NUT,SELF-LOCKING	4	101										
21A	88390-21304	PLUG	1	101						01	Y02			
32A	65210-12011	RING,O	1	101							02			
41A	88241-07106	ADAPTER,ELBOW	2	101								Y03		
42A	68055-20120	HOSE,HIGH PRESSURE	1	101										
43A	68055-20122	HOSE,HIGH PRESSURE	1	101										
51A	62701-40101	WASHER,PLANE	4	101										
52A	62710-18101	WASHER,PLANE	2	101										
101A	65210-12014	RING,O	1	101								03		

MEMO

PILOT HYDRAULIC LINE (3 WAY PIPING) (S/N 0101 - 0290)

<S/N 0101 - 0290>



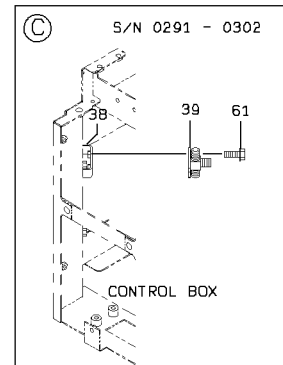
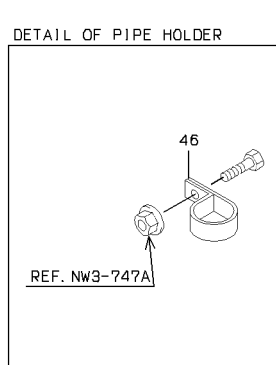
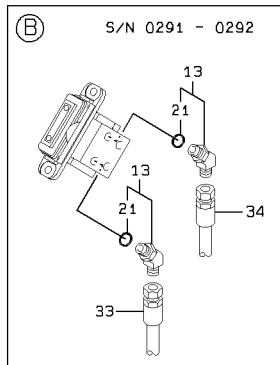
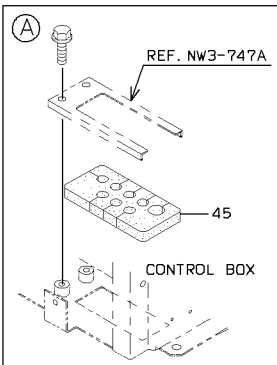
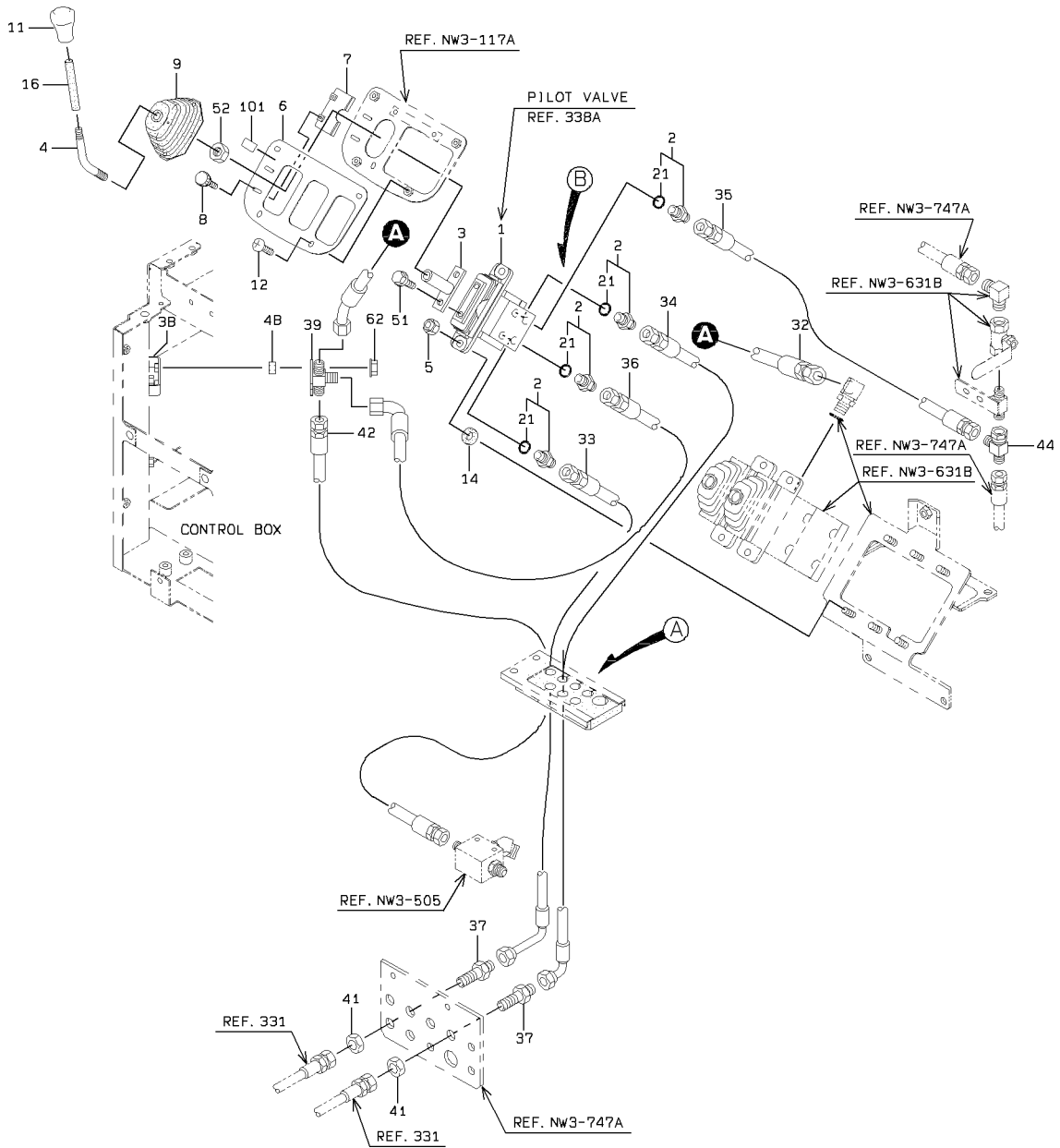
1-A

PILOT HYDRAULIC LINE (3 WAY PIPING) (S/N 0101 - 0290)

SYM-BOL	PART NUMBER	PART NAME	UNIT Q,TY	SERIAL		REMARKS								
				(A)	(B)	N	P	D	(A)	(B)	(C)	(D)	REMARK	
2A	43113-35990	HOSE,HIGH PRESSURE	1	101	-	290								
3A	43113-35980	HOSE,HIGH PRESSURE	1	101	-	290								
4A	88201-06704	ADAPTER	2	101	-	290				Y01				
5A	30230-20600	ADAPTER	2	101	-	290								
6A	37600-20680	NUT	2	101	-	290								
7A	64111-01001	ROD	1	101	-	290					Y02			
8A	34950-20010	JOINT,BALL	1	101	-	290								
9A	34950-20020	JOINT,BALL	1	101	-	290								
11A	37810-60060	KNOB	1	101	-	290								
12A	88031-06061	NUT,SELF-LOCKING	2	101	-	290								
13A	30020-24600	ARM	1	101	-	267								
13B	30020-25840	ARM	1	268	-	290	C							
14A	45600-23850	LEVER	1	101	-	290						Y03		
15A	33057-20610	GROMMET	1	101	-	290								
16A	03501-19200	COVER	1	101	-	290								
17A	40790-60070	BOOT	1	101	-	290								
18A	75011-25400	NIPPLE,GREASE	1	101	-	290								
21A	65210-12011	RING,O	1	101	-	290				01				
31A	62401-81061	NUT	1	101	-	290					02			
32A	62401-81067	NUT	1	101	-	290					02			
45A	42006-70060	BEARING,NEEDLE	2	101	-	290						03		
46A	34000-70030	SEAL	2	101	-	290						03		
51A	62701-40061	WASHER,PLANE	2	101	-	290								
52A	62402-81121	NUT	1	101	-	290								
101A	38560-60320	VALVE,PILOT	1	101	-	290								REF.338

PILOT HYDRAULIC LINE (3 WAY PIPING) (S/N 0291 -)

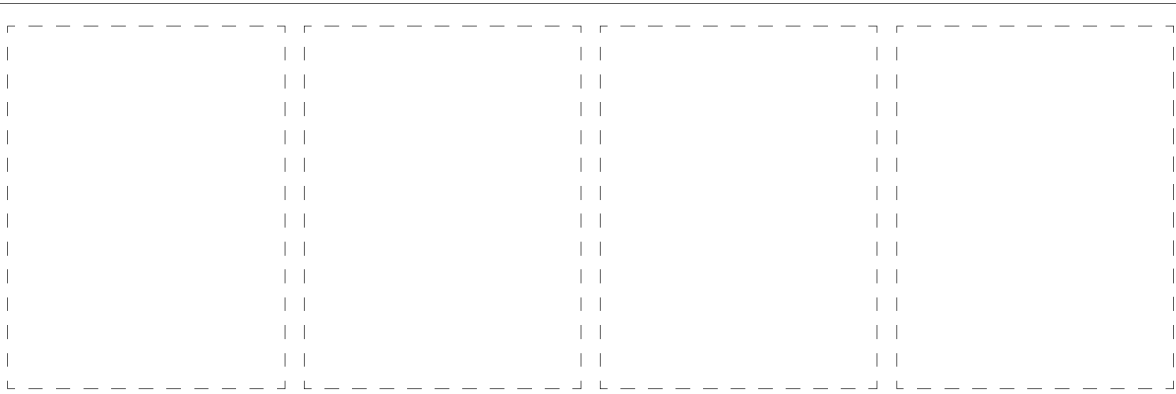
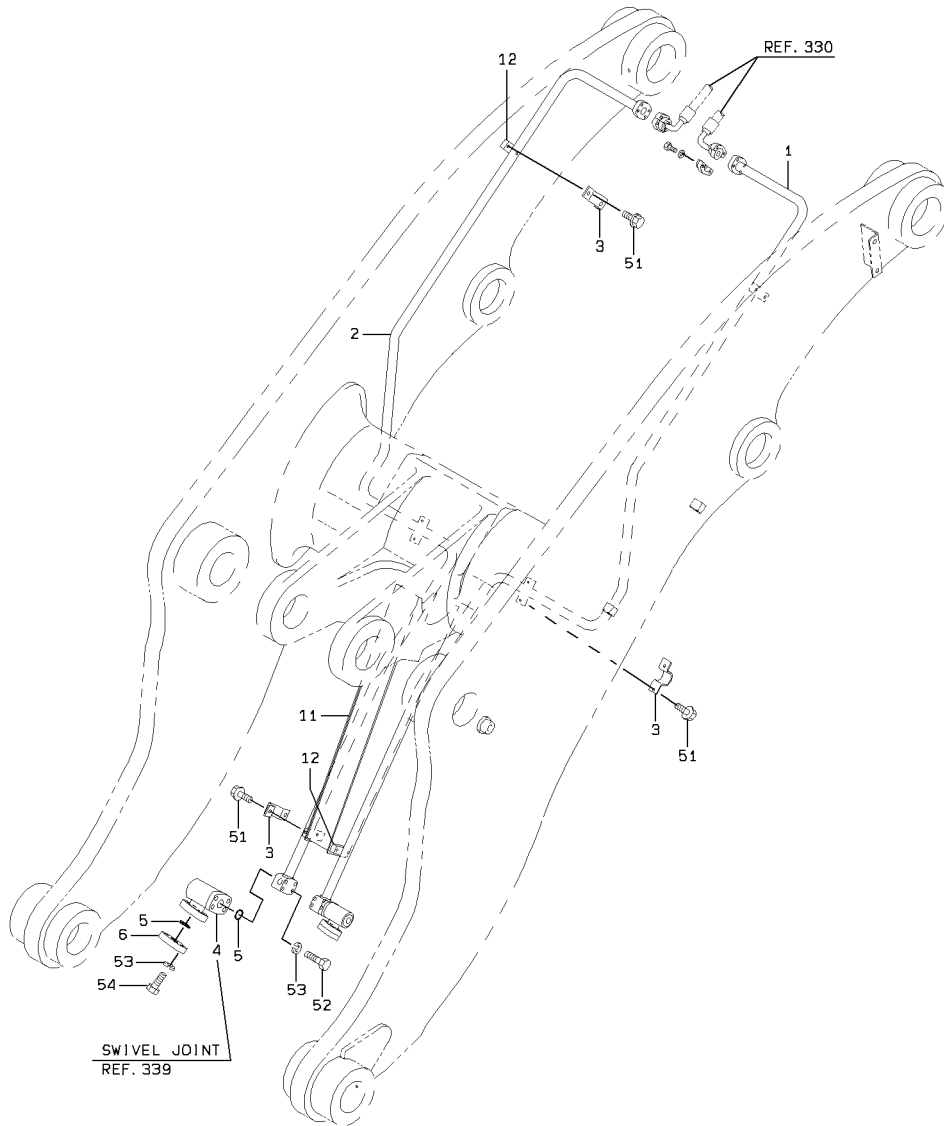
<S/N 0291 - >



PILOT HYDRAULIC LINE (3 WAY PIPING) (S/N 0291 -)

SYM-BOL	PART NUMBER	PART NAME	UNIT Q,TY	SERIAL		REMARKS						
				(A)	(B)	N	P	D	(A)	(B)	(C)	(D)
1A	38560-60640	VALVE,PILOT	1	291	-							REF.338A
2A	88201-06704	ADAPTER	2	291	-	292				Y01		
2B	88201-06704	ADAPTER	4	293	-					Y01		
3A	40902-42060	BRACKET	1	291	-							
4A	45870-28920	ROD	1	291	-							
5A	88031-06101	NUT,SELF-LOCKING	2	291	-							
6A	41711-21910	PLATE	1	291	-							
7A	41750-47380	PLATE	1	291	-							
8A	35100-20830	SCREW	2	291	-							
9A	03501-74740	BOOT	1	291	-							
11A	37810-60060	KNOB	1	291	-							
12A	35100-20200	SCREW	4	291	-							
13A	88241-07204	ADAPTER,ELBOW	2	291	-	292	D	Y01				
14A	33713-29770	SHEET,RUBBER	2	291	-							
16A	36733-20200	TUBE,VINYL	1	291	-							
21A	65210-12011	RING,O	1	291	-					01		
32A	68045-10022	HOSE,HIGH PRESSURE	1	291	-							
33A	43113-29670	HOSE,HIGH PRESSURE	1	291	-							
34A	43113-34430	HOSE,HIGH PRESSURE	1	291	-							
35A	68055-10025	HOSE,HIGH PRESSURE	1	291	-							
36A	68035-10023	HOSE,HIGH PRESSURE	1	291	-							
37A	30230-20600	ADAPTER	2	291	-							
38A	03501-70400	BOX ASSY	1	291	-	302	D					
39A	30246-24450	ADAPTER,TEE	1	291	-							
41A	37600-20680	NUT	2	291	-							
42A	43113-23230	HOSE,HIGH PRESSURE	1	291	-							
44A	30246-23060	ADAPTER,TEE	1	291	-							
45A	33057-20610	GROMMET	1	291	-							
46A	72010-55000	HOLDER,HOSE	A/R	291	-							D=55
48A	45200-24190	RING	2	303	-	315						
48B	45200-29730	RING	2	316	-		C					
51A	61802-08012	BOLT,FLANGED	2	291	-							
52A	62403-81121	NUT	1	291	-							
61A	61802-06012	BOLT,FLANGED	2	291	-	302	D					
62A	62480-21061	NUT,FLANGED	2	303	-							
101A	44771-22590	LABEL KIT	1	291	-							44770-56040

OIL PIPE MOUNT (3 WAY PIPING)

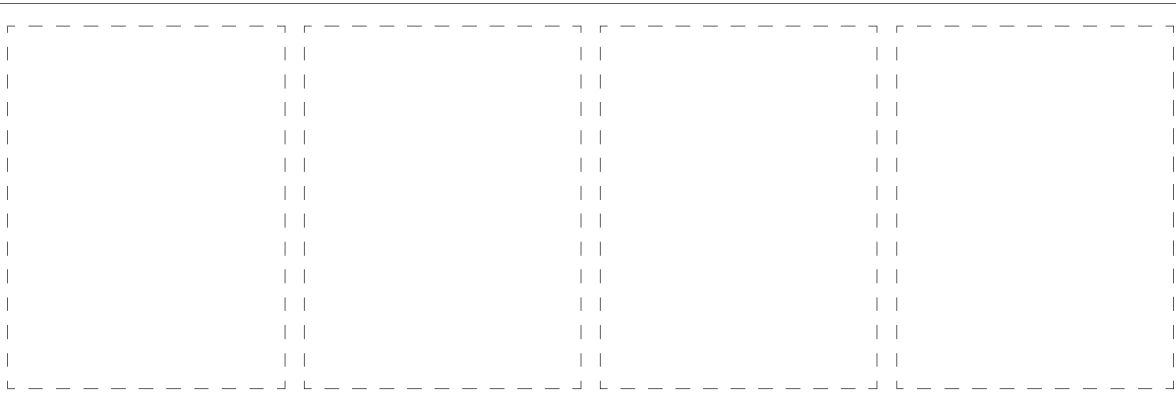
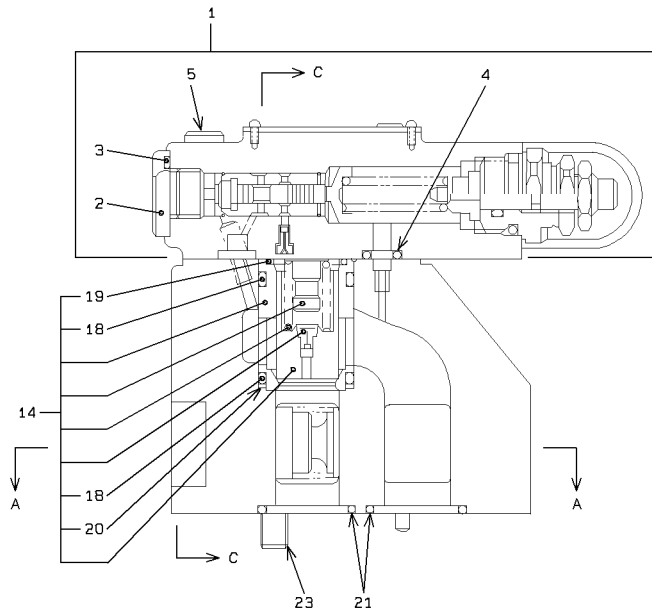
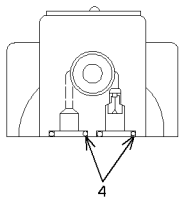
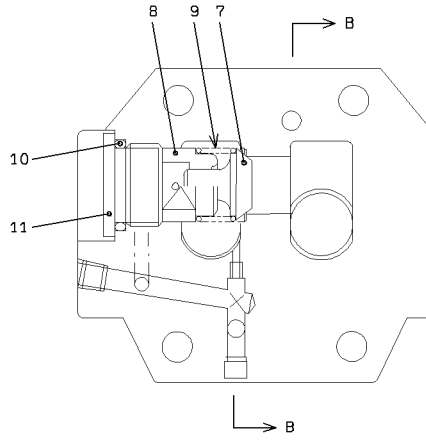
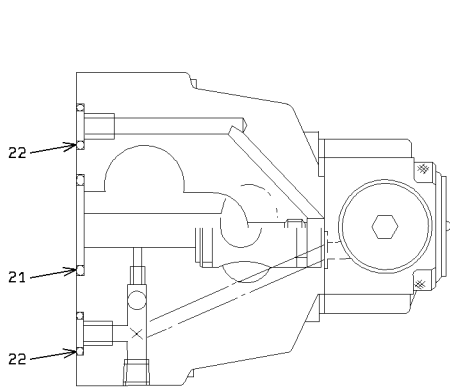


1-A

OIL PIPE MOUNT (3 WAY PIPING)

SYM-BOL	PART NUMBER	PART NAME	UNIT Q,TY	SERIAL		REMARKS						
				(A)	(B)	N	P	D	(A)	(B)	(C)	(D)
1A	38775-22690	PIPE,OIL	1	101	-	135						FR LH
1B	38775-24500	PIPE,OIL	1	136	-		B					FR LH
2A	38775-22700	PIPE,OIL	1	101	-	135						FR RH
2B	38775-24520	PIPE,OIL	1	136	-		B					FR RH
3A	43573-20030	HOLDER,PIPE	6	101	-							
4A	34947-20020	JOINT,SWIVEL	2	101	-							REF.339
5A	65220-31019	RING,O	4	101	-							
6A	41641-20300	PLATE	2	101	-							
11A	40900-35470	BRACKET	1	101	-	135						WELDING
11B	40902-25890	BRACKET	1	136	-		B					WELDING
12A	41611-21660	PLATE	6	101	-							WELDING
51A	61802-08012	BOLT,FLANGED	12	101	-							
52A	61275-06055	BOLT(UNIFY)	8	101	-							
53A	62722-03100	WASHER,SPRING	16	101	-							
54A	61275-06030	BOLT(UNIFY)	8	101	-							

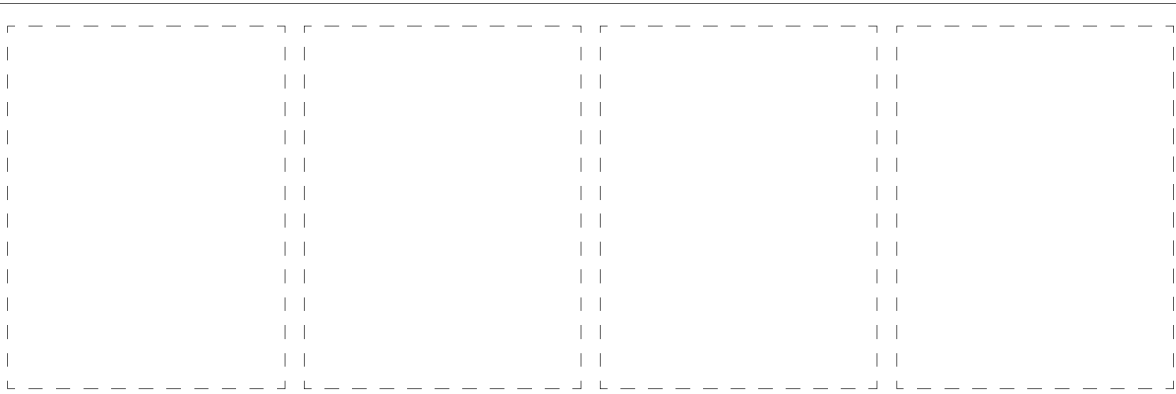
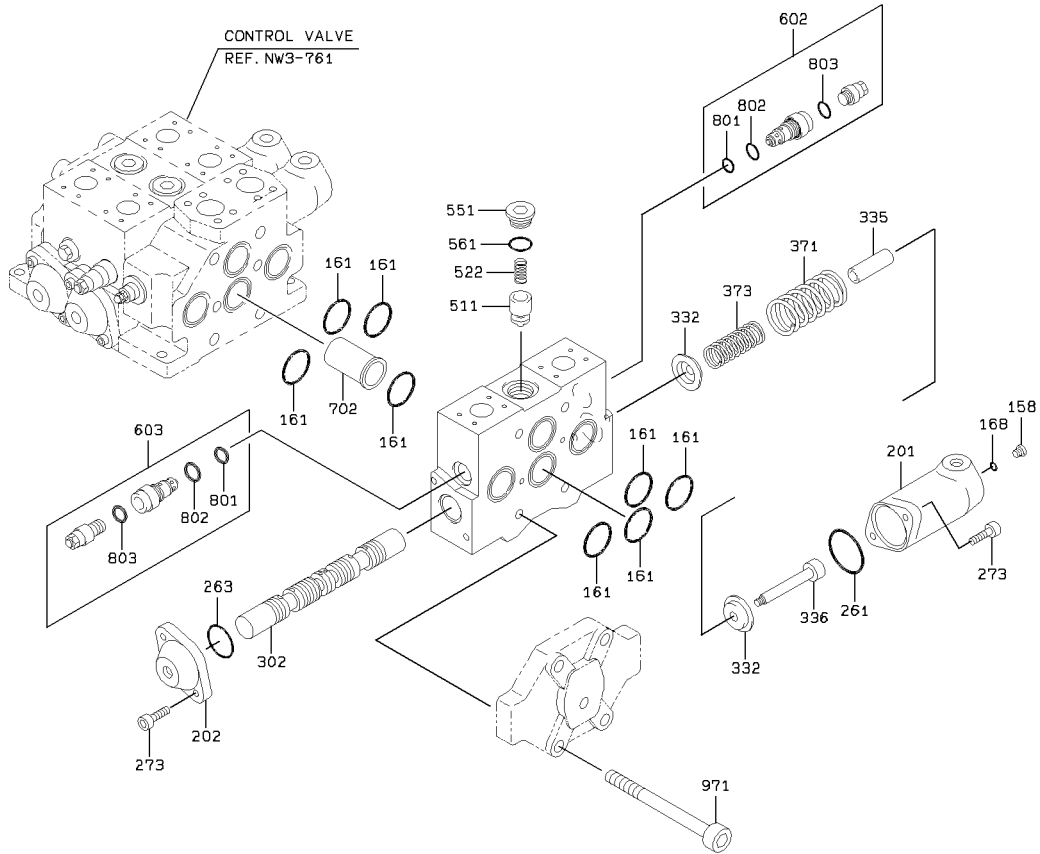
SEQUENCE VALVE



SEQUENCE VALVE

SYM-BOL	PART NUMBER	PART NAME	UNIT Q, TY	SERIAL		REMARKS						
				(A)	(B)	N	P	D	(A)	(B)	(C)	(D)
000A	38549-20010	VALVE,SEQUENCE	1	101	-							DZ30-2-K31/210
1A	38560-70050	VALVE,PILOT	1	101	-				Y01			DZC-2-K31/210-
2A	41530-71950	PLUG	1	101	-				01			
3A	65210-12020	RING,O	1	101	-				01			
4A	65210-12010	RING,O	3	101	-				01			
5A	61101-08040	BOLT,SOCKET	4	101	-				01			
7A	44074-70210	POPPET	1	101	-							
8A	40840-71060	BUSHING	1	101	-							
9A	35600-72550	SPRING	1	101	-							
10A	65210-12029	RING,O	1	101	-							
11A	41530-72070	PLUG	1	101	-							
14A	41585-70110	PLUNGER	1	101	-					Y02		DZ-ASY-44
18A	47131-72400	RING,O	2	101	-					02		
19A	47131-72410	RING,O	1	101	-					02		
20A	47194-70580	RING,BACK-UP	1	101	-					02		
21A	65210-22035	RING,O	2	101	-							
22A	65210-12010	RING,O	2	101	-							
23A	61101-10060	BOLT,SOCKET	6	101	-							

CONTROL VALVE



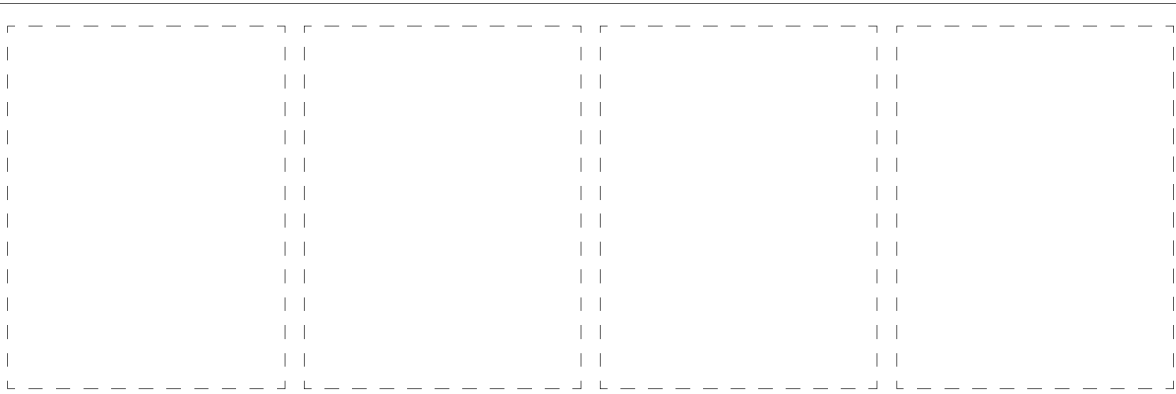
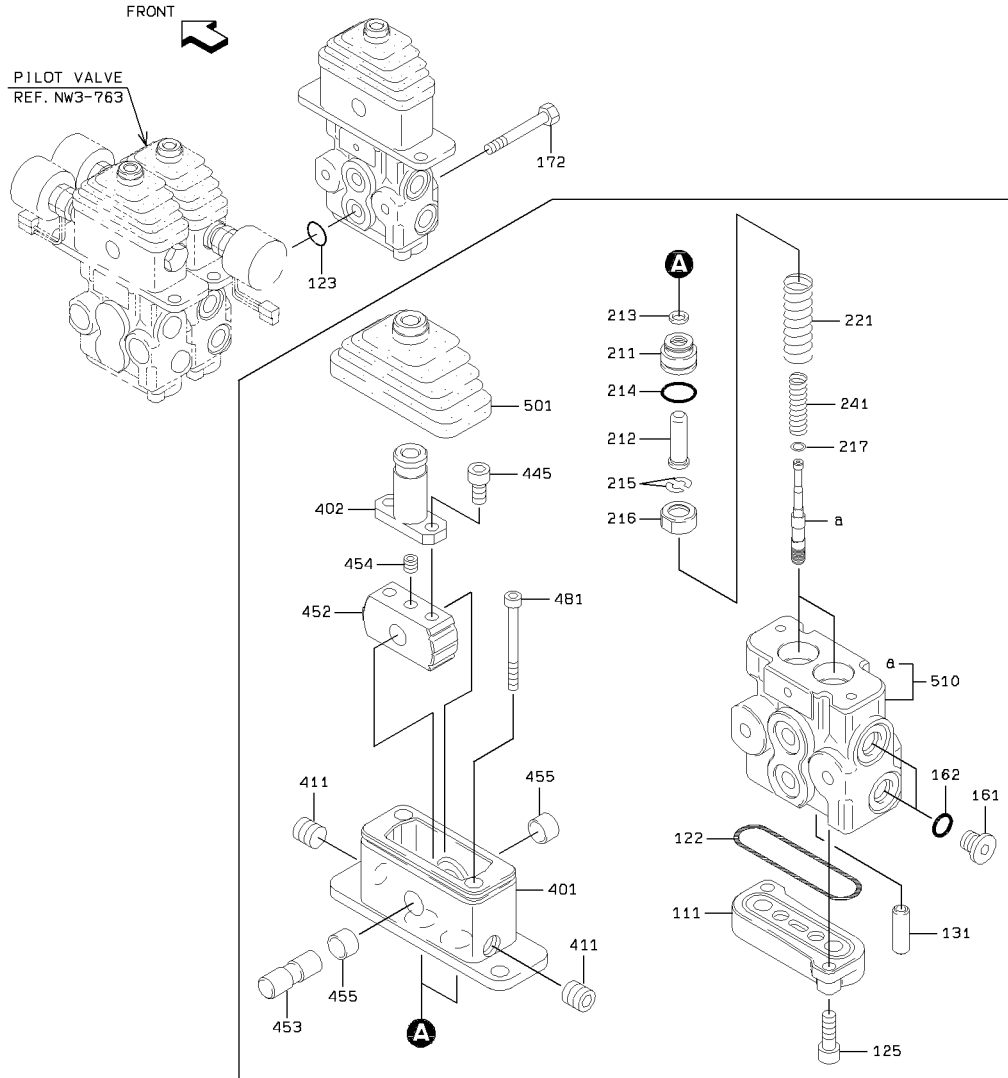
1-A

CONTROL VALVE

SYM-BOL	PART NUMBER	PART NAME	UNIT Q, TY	SERIAL (A) - (B)	REMARKS					
					N	P	D	(A)	(B)	(C)
000A	38532-60670	VALVE ASSY,MULTIPL	1	101 -						
158A	41530-71190	PLUG	1	101 -						
161A	65210-12050	RING,O	8	101 -						
168A	65210-12008	RING,O	1	101 -						
201A	31200-71030	COVER	1	101 -						
202A	31200-71040	COVER	1	101 -						
261A	65210-22065	RING,O	1	101 -						
263A	65210-22055	RING,O	1	101 -						
273A	61101-10025	BOLT,SOCKET	4	101 -						
302A	35570-70090	SPOOL	1	101 -						
332A	44955-70180	RETAINER,SPRING	2	101 -						
335A	35440-70220	STOPPER	1	101 -						
336A	43900-71280	BOLT	1	101 -						
371A	35600-71790	SPRING	1	101 -						
373A	35600-71810	SPRING	1	101 -						
511A	44074-70110	POPPET	1	101 -						
522A	35600-71820	SPRING	1	101 -						
551A	41530-71220	PLUG	1	101 -						
561A	65210-12029	RING,O	1	101 -						
602A	38565-70740	VALVE,RELIEF	1	101 -			Y01			
603A	38565-71630	VALVE,RELIEF	1	101 -			Y01			
702A	35750-70470	SLEEVE	1	101 -						
801A	65210-12018	RING,O	1	101 -			01			
802A	65210-12024	RING,O	1	101 -			01			
803A	65210-12022	RING,O	1	101 -			01			
971A	61101-18225	BOLT,SOCKET	4	101 -						

PILOT VALVE (S/N 0101 - 0290)

<S/N 0101 - 0290>

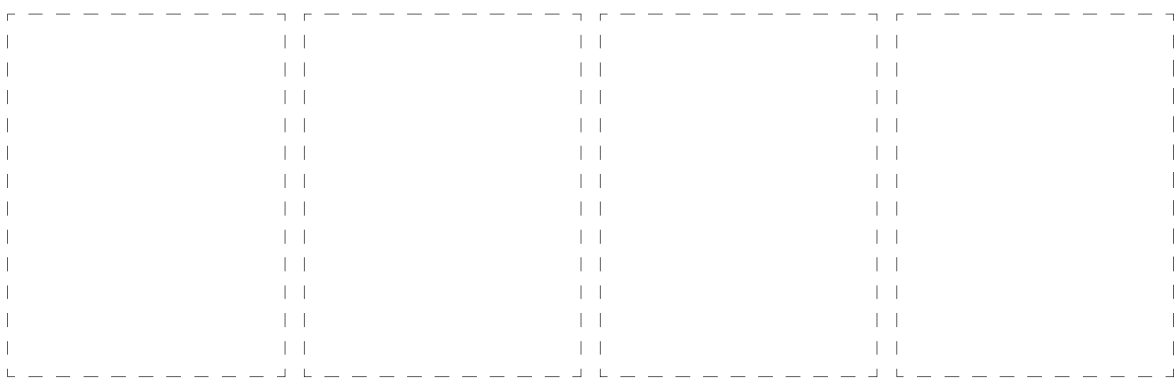
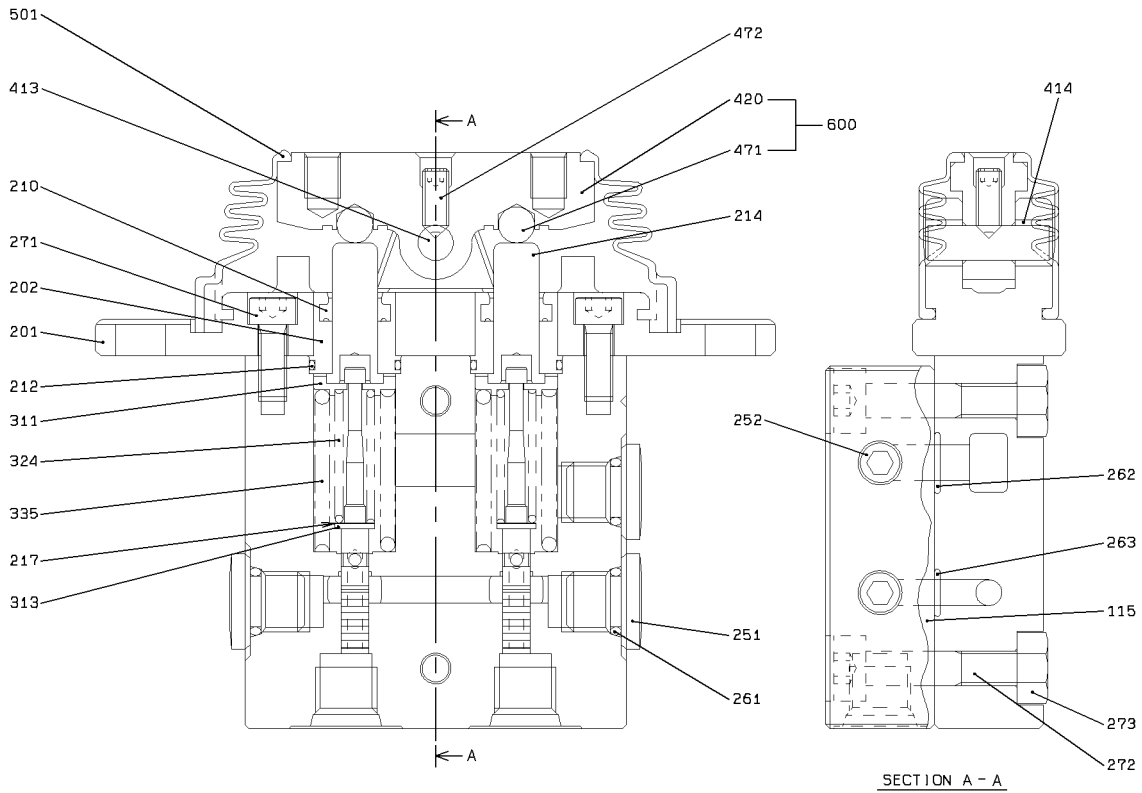


PILOT VALVE (S/N 0101 - 0290)

SYM-BOL	PART NUMBER	PART NAME	UNIT Q,TY	SERIAL		REMARKS						
				(A)	(B)	N	P	D	(A)	(B)	(C)	(D)
000A	38560-60320	VALVE,PILOT	1	101	-	290						
111A	41600-70890	PLATE	1	101	-	290						
122A	65210-22060	RING,O	1	101	-	290						
123A	65210-12018	RING,O	2	101	-	290						
125A	61101-08020	BOLT,SOCKET	2	101	-	290						
131A	40840-71600	BUSHING	2	101	-	290						
161A	41530-72790	PLUG	2	101	-	290						
162A	65210-12011	RING,O	2	101	-	290						
172A	61033-08050	BOLT	2	101	-	290						
211A	41530-72410	PLUG	2	101	-	290						
212A	45887-70280	ROD,PUSH	2	101	-	290						
213A	34000-70600	SEAL	2	101	-	290						
214A	65210-12020	RING,O	2	101	-	290						
215A	46011-70380	WASHER,PLANE	2	101	-	290						
216A	33930-70330	SEAT,SPRING	2	101	-	290						
217A	34200-70850	SHIM	2	101	-	290						
221A	35600-73940	SPRING	2	101	-	290						
241A	35600-73950	SPRING	2	101	-	290						
401A	31200-72130	COVER	1	101	-	290						
402A	45600-70190	LEVER	1	101	-	290						
411A	43956-70690	BOLT,SOCKET	2	101	-	290						
445A	61101-08016	BOLT,SOCKET	2	101	-	290						
452A	37200-70070	DISC	1	101	-	290						
453A	31611-70020	CAMSHAFT	1	101	-	290						
454A	43956-70680	BOLT,SOCKET	1	101	-	290						
455A	88811-01410	BUSHING	2	101	-	290						
481A	61101-06060	BOLT,SOCKET	2	101	-	290						
501A	40790-70200	BOOT	1	101	-	290						
510A	33110-70400	CASE ASSY	1	101	-	290	N					

PILOT VALVE (S/N 0291 -)

<S/N 0291 - >



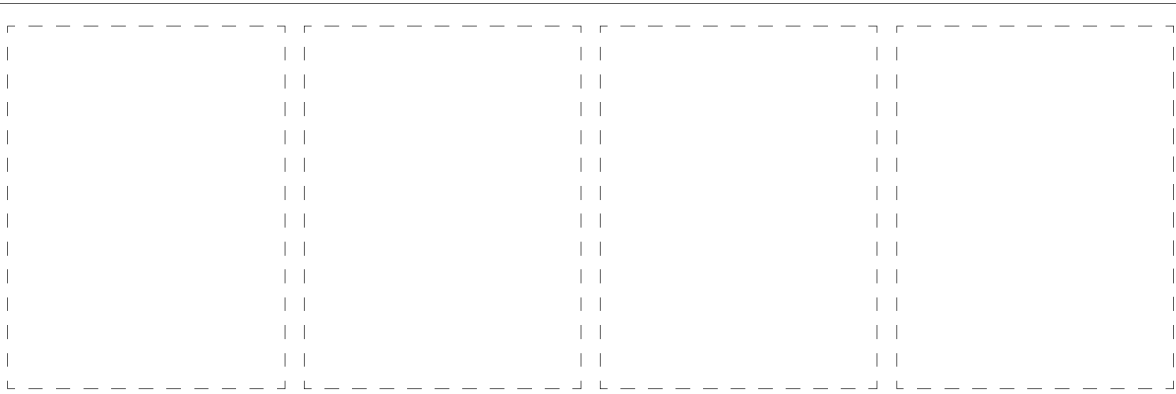
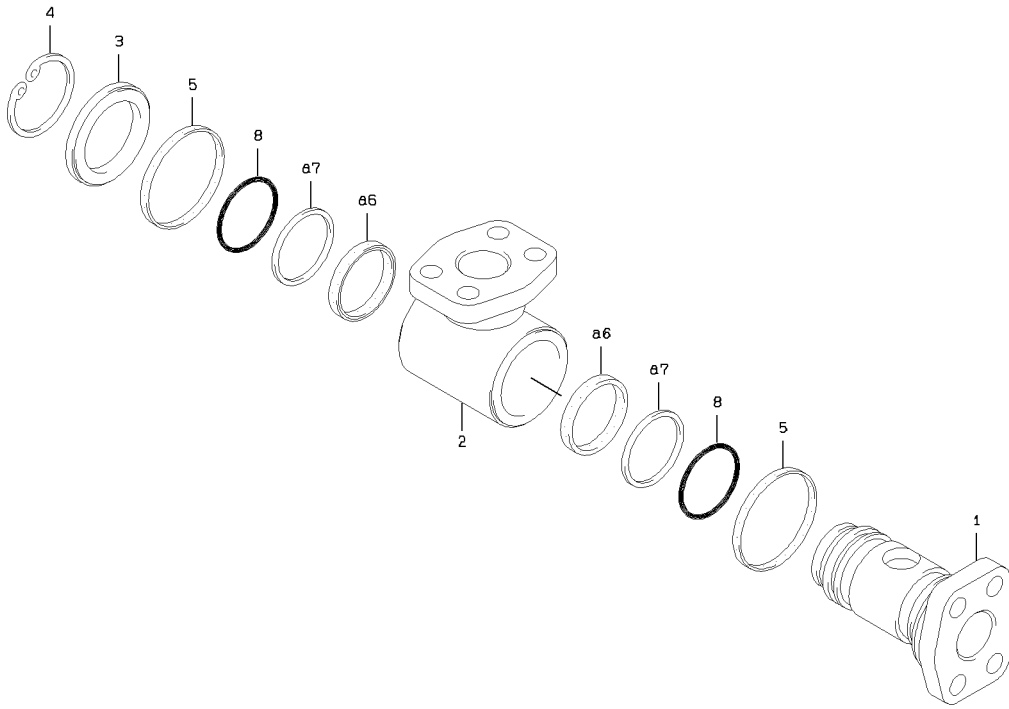
1-A

PILOT VALVE (S/N 0291 -)

SYM-BOL	PART NUMBER	PART NAME	UNIT Q,TY	SERIAL		REMARKS					
				(A)	(B)	N	P	D	(A)	(B)	(C)
000A	38560-60640	VALVE,PILOT	1	291	-						
115A	41600-71770	PLATE	1	291	-						
201A	31205-70220	COVER	1	291	-						
202A	41530-75150	PLUG	2	291	-						
210A	39600-72960	PACKING	2	291	-						
212A	47131-76700	RING,O	2	291	-						
214A	45887-70380	ROD,PUSH	2	291	-						
217A	34200-71720	SHIM	2	291	-						
251A	41530-72790	PLUG	3	291	-						
252A	41530-73550	PLUG	2	291	-						
261A	65210-12011	RING,O	3	291	-						
262A	65210-12010	RING,O	1	291	-						
263A	65210-12008	RING,O	1	291	-						
271A	61101-06016	BOLT,SOCKET	2	291	-						
272A	61101-08040	BOLT,SOCKET	2	291	-						
273A	62401-81081	NUT	2	291	-						
311A	33930-70980	SEAT,SPRING	2	291	-						
313A	46000-71760	WASHER	2	291	-						
324A	35600-77560	SPRING	2	291	-						
335A	35600-77350	SPRING	2	291	-						
413A	31611-70040	CAMSHAFT	1	291	-						
414A	40840-72670	BUSHING	2	291	-						
420A	31600-70020	CAM	1	291	-					01	
471A	43751-70300	BALL	2	291	-					01	
472A	35104-70170	SCREW,SET	1	291	-						
501A	40790-70540	BOOT	1	291	-						
600A	31605-70010	CAM ASSY	1	291	-					Y01	

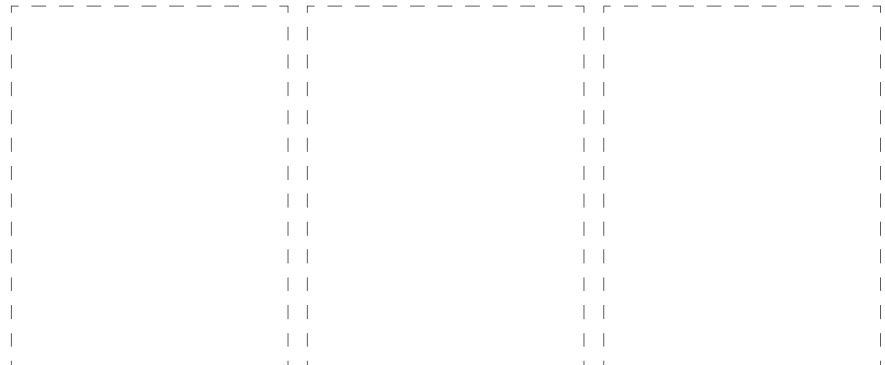
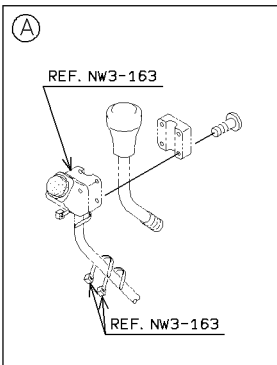
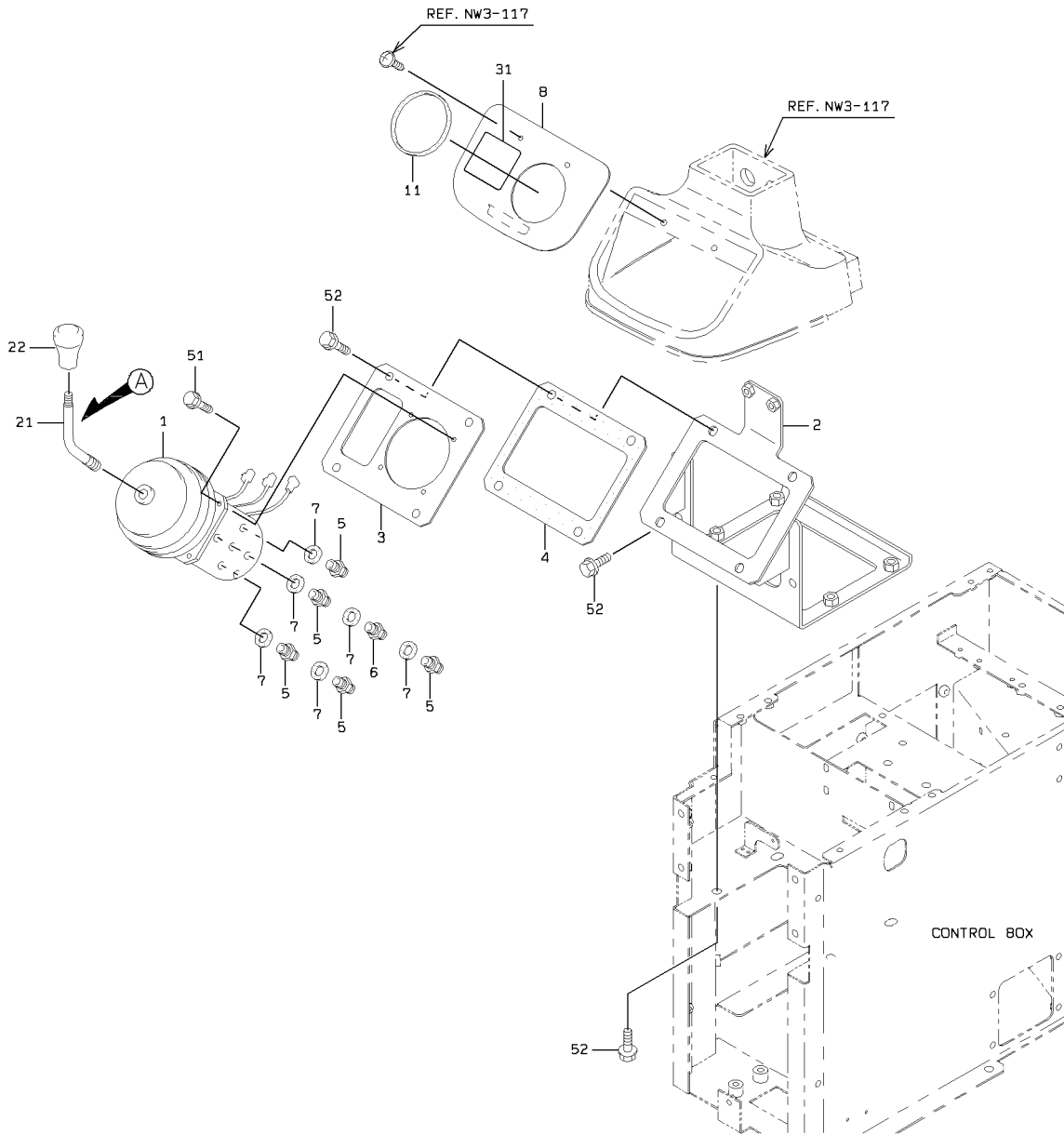
SWIVEL JOINT

(NOTE):KIT(SYMBOL 10) CONSISTS OF THE PARTS WITH a.



1-8

CONTROL GROUP (FOR SINGLE LEVER)

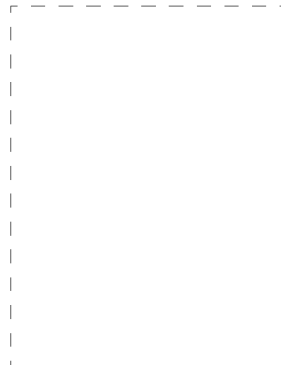
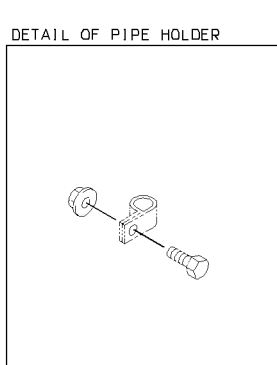
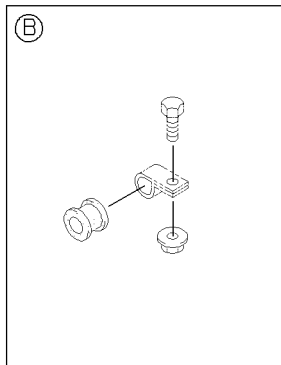
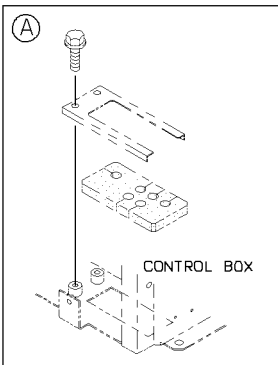
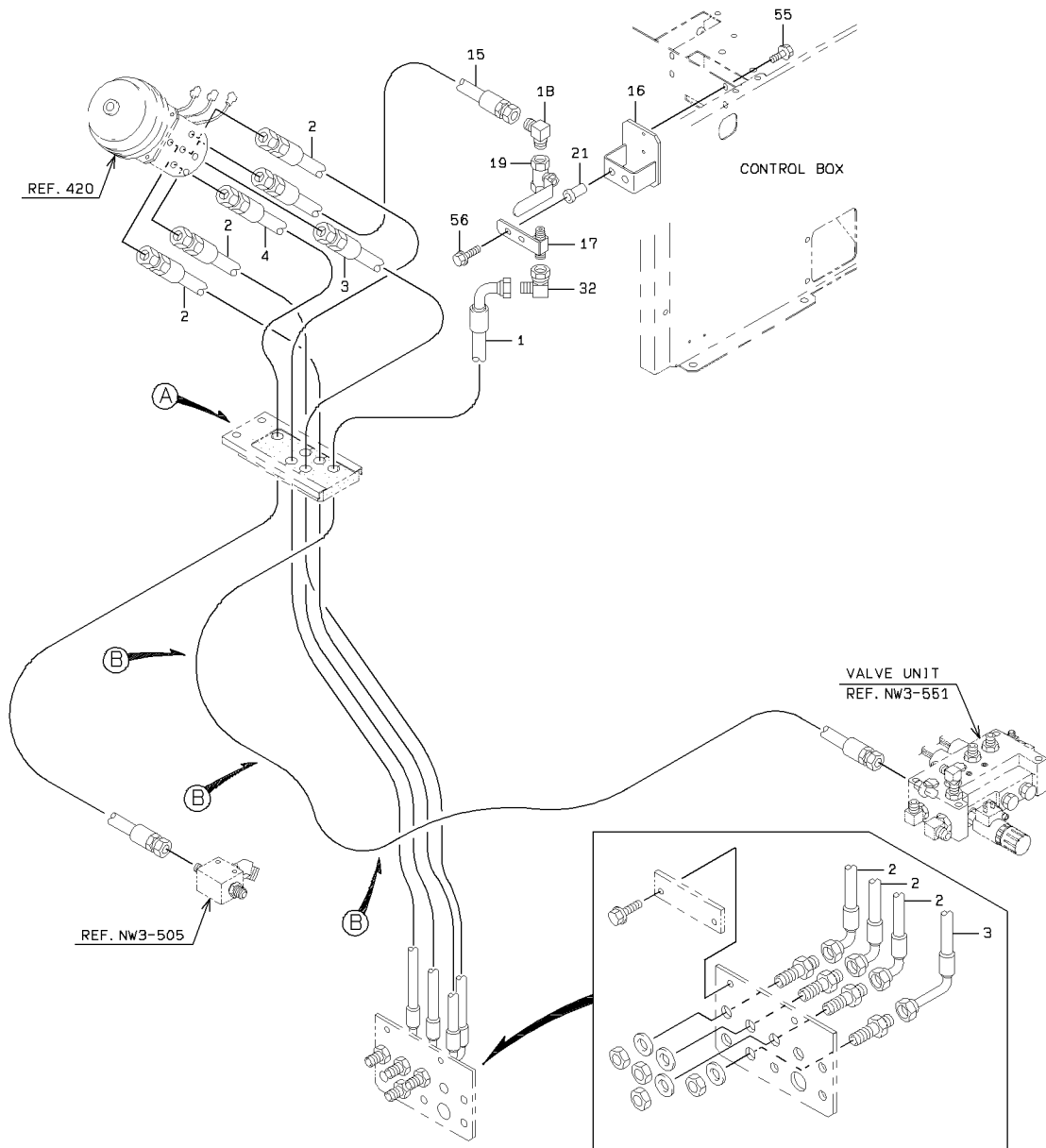


CONTROL GROUP (FOR SINGLE LEVER)

SYM-BOL	PART NUMBER	PART NAME	UNIT Q,TY	SERIAL		REMARKS					
				(A)	(B)	N	P	D	(A)	(B)	(C)
1A	38560-20180	VALVE,PILOT	1	101	-						38560-20190
2A	40901-47440	BRACKET	1	101	-						
3A	41610-50960	PLATE	1	101	-						
4A	31990-23180	GASKET	1	101	-						
5A	88201-06704	ADAPTER	5	101	-						
6A	40330-60180	FILTER	1	101	-						
7A	88111-11200	WASHER,SEAL	6	101	-						
8A	41610-50980	PLATE	1	101	-						
11A	34041-21760	STRIP, SEAL	1	101	-						L=250
21A	38730-50930	PIPE	1	101	-						
22A	37810-60060	KNOB	1	101	-						
31A	44785-20100	LABEL,MANUAL	1	101	-						230
31B	44785-22160	LABEL,MANUAL	1	231	-					C	
51A	61802-06025	BOLT,FLANGED	4	101	-						
52A	61802-10020	BOLT,FLANGED	10	101	-						

PILOT HYDRAULIC LINE (FOR HYDRAULIC SINGLE LEVER)

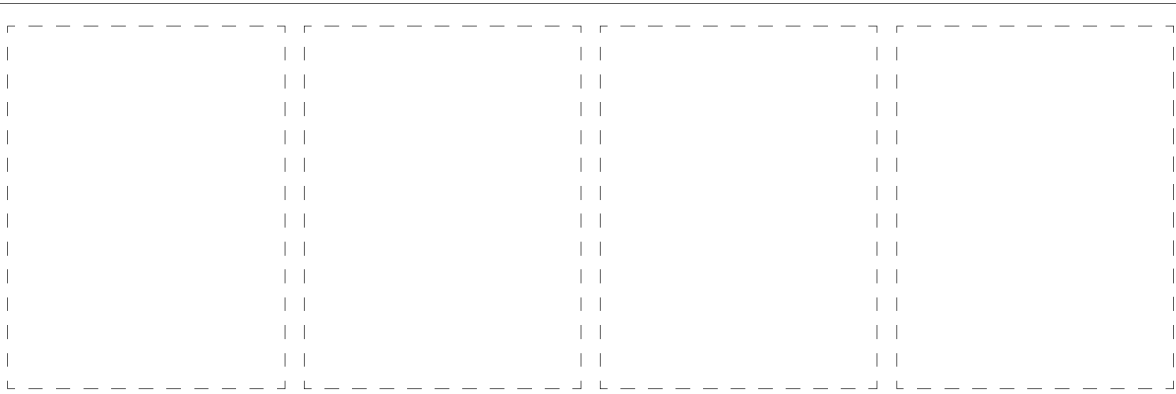
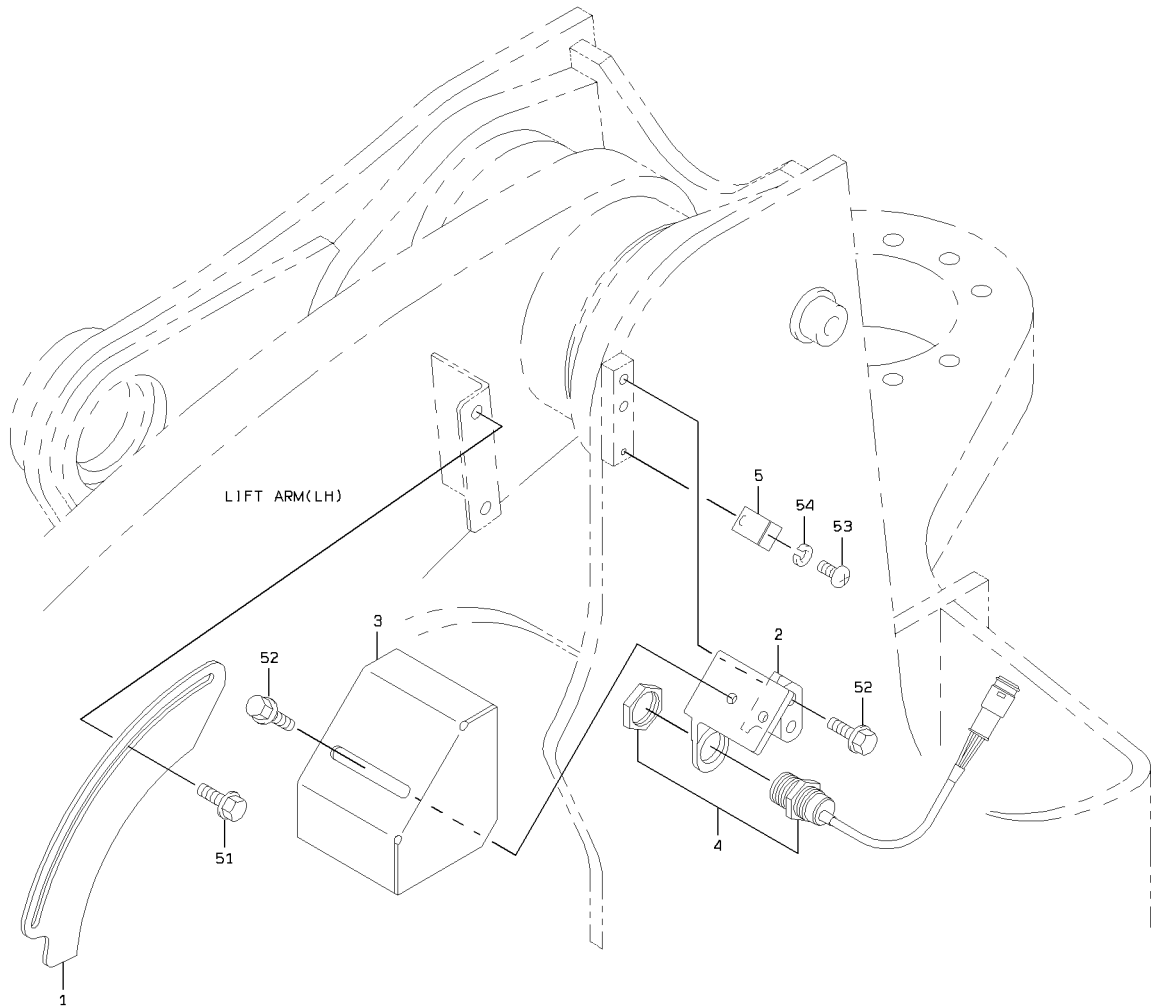
(NOTE): REFER TO STANDARD CATALOG(REF. NW3-747) FOR NO SYMBOL PARTS.



PILOT HYDRAULIC LINE (FOR HYDRAULIC SINGLE LEVER)

SYM-BOL	PART NUMBER	PART NAME	UNIT Q, TY	SERIAL		REMARKS					
				(A)	(B)	N	P	D	(A)	(B)	(C)
1A	43113-39040	HOSE,HIGH PRESSURE	1	101	-						
2A	43113-34440	HOSE,HIGH PRESSURE	3	101	-						
3A	43113-34450	HOSE,HIGH PRESSURE	1	101	-						
4A	43113-30270	HOSE,HIGH PRESSURE	1	101	-						
15A	68055-10044	HOSE,HIGH PRESSURE	1	101	-						
16A	40901-38030	BRACKET	1	101	-						
17A	30230-21720	ADAPTER	1	101	-						
18A	88241-03404	ADAPTER,ELBOW	1	101	-						
19A	38510-60030	VALVE	1	101	-						
21A	37600-21210	NUT	2	101	-						
32A	30242-20100	ADAPTER,ELBOW UNIO	1	101	-						
55A	61802-06010	BOLT,FLANGED	2	101	-						
56A	61802-06025	BOLT,FLANGED	2	101	-						

KICKOUT GROUP

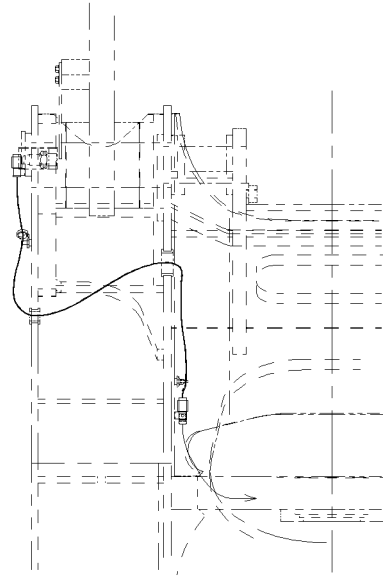
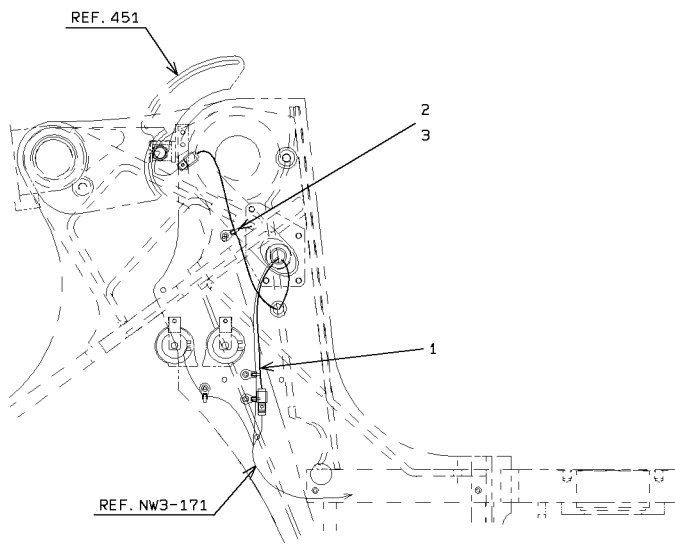


1-A

KICKOUT GROUP

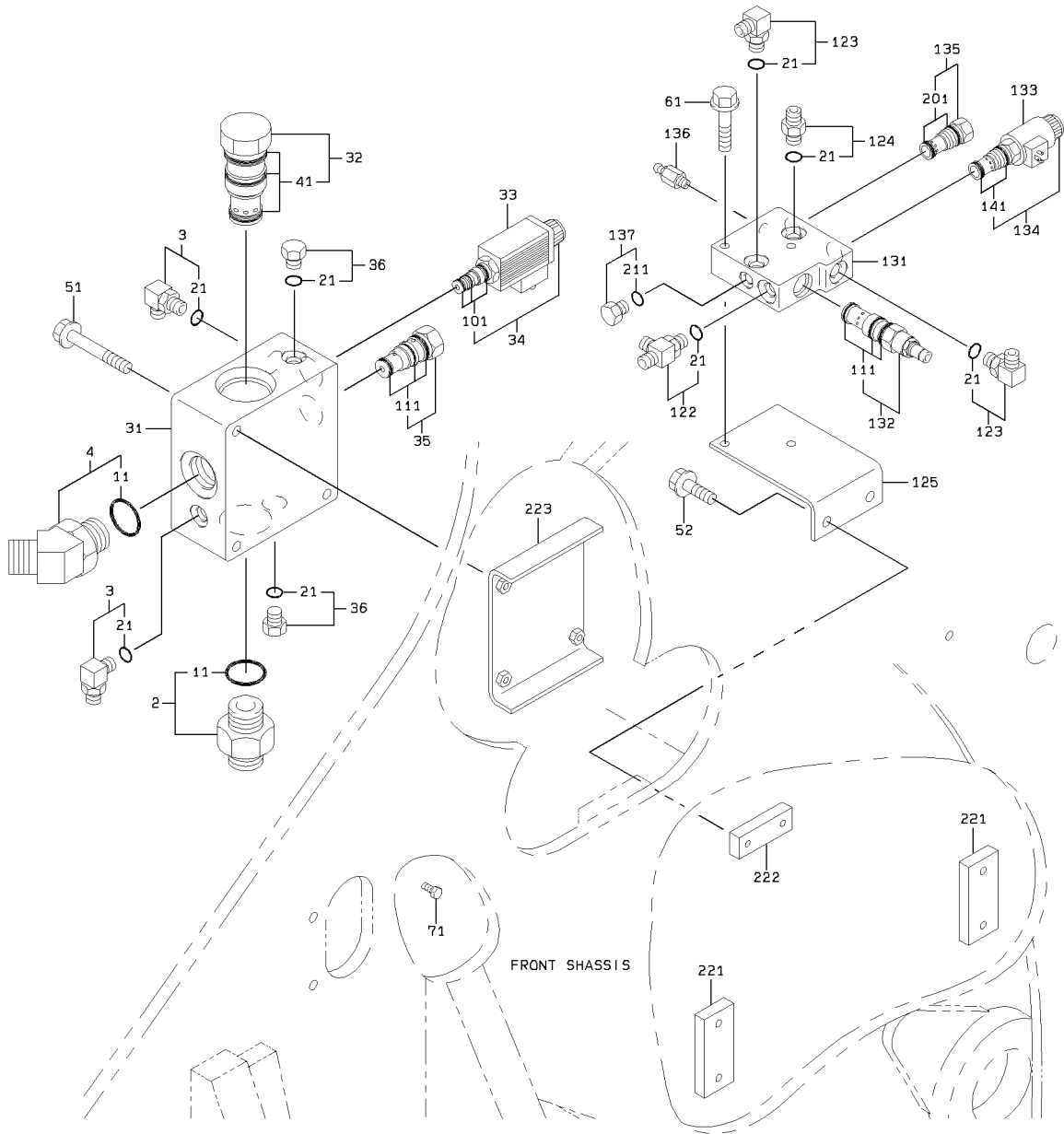
SYM-BOL	PART NUMBER	PART NAME	UNIT Q, TY	SERIAL (A) - (B)	REMARKS						
					N	P	D	(A)	(B)	(C)	(D)
1A	41641-38770	PLATE	1	101 -							
2A	40901-45090	BRACKET	1	101 -							
3A	31200-36330	COVER	1	101 -							
4A	35051-70040	SWITCH, PROXIMITY	1	101 -							
5A	43571-20150	HOLDER, SPRING	1	101 -							
51A	61802-10020	BOLT, FLANGED	2	101 -							D=15
52A	61802-10016	BOLT, FLANGED	4	101 -							
53A	62256-51612	SCREW	1	101 -							
54A	62721-06100	WASHER, SPRING	1	101 -							

CABLE MOUNT (KICKOUT)



1-A

VIBRATION DAMPER-CONTROL VALVE

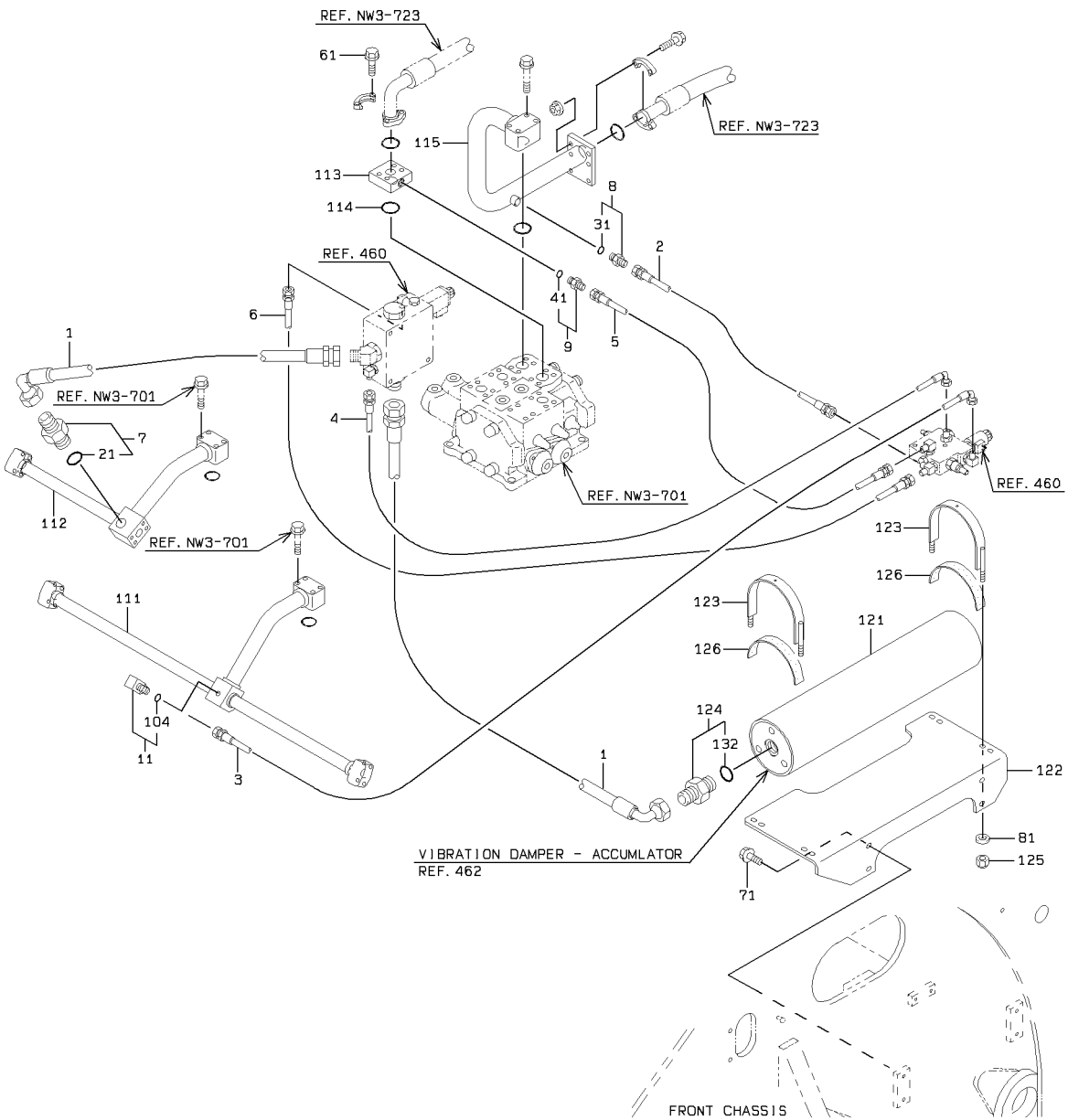


VIBRATION DAMPER-CONTROL VALVE

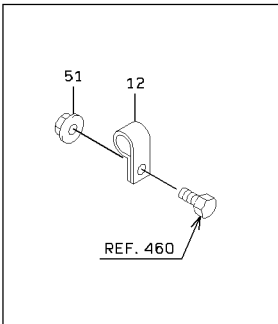
SYM-BOL	PART NUMBER	PART NAME	UNIT Q,TY	SERIAL		REMARKS								
				(A)	(B)	N	P	D	(A)	(B)	(C)	(D)	REMARK	
2A	88201-06716	ADAPTER	1	101	-						Y01			
3A	88241-07104	ADAPTER,ELBOW	2	101	-						Y02			
4A	88241-07216	ADAPTER,ELBOW	1	101	-						Y01			
11A	65210-12029	RING,O	1	101	-						01			
21A	65210-12011	RING,O	1	101	-						02			
31A	41410-31850	BLOCK	1	101	-									
32A	38534-70030	VALVE ASSY,CHECK	1	101	-							Y03		
33A	35910-70250	SOLENOID	1	101	-								Y04	
34A	38510-71010	VALVE	1	101	-						Y05			
35A	38510-20290	VALVE	1	101	-						Y02			
36A	88390-21304	PLUG	2	101	-							03		
41A	49327-72520	SEAL KIT	1	101	-									
51A	61802-10095	BOLT,FLANGED	3	101	-									
52A	61802-08016	BOLT,FLANGED	2	101	-									
61A	61802-08050	BOLT,FLANGED	2	101	-									
71A	61033-08020	BOLT	1	142	-								04	WELDING
101A	49327-73020	SEAL KIT	1	101	-									
111A	49327-72080	SEAL KIT	1	101	-						05			
122A	30246-22370	ADAPTER,TEE	1	101	-						Y02			
123A	88241-07104	ADAPTER,ELBOW	2	101	-						Y02			
124A	88201-06704	ADAPTER	1	101	-						Y02			
125A	40901-59190	BRACKET	1	101	-									
131A	41410-33770	BLOCK	1	101	-	408								
131B	41410-40240	BLOCK	1	409	-		C							
132A	38567-70120	VALVE,REDUCING	1	101	-						Y05			
133A	35910-70260	SOLENOID	1	101	-									
134A	38511-71000	VALVE ASSY	1	101	-						Y06			
135A	38554-60420	VALVE,CHECK	1	101	-							Y07		
136A	35107-70010	SCREW,BLEED	1	101	-									
137A	88390-21302	PLUG	1	101	-							Y08		
141A	49327-72070	SEAL KIT	1	101	-						06			
201A	49327-72340	SEAL KIT	1	101	-							07		
211A	65210-12008	RING,O	1	101	-								08	
221A	41612-51240	PLATE	2	101	-	230								WELDING
221B	41607-50910	PLATE	2	231	-		B							WELDING
222A	41611-46780	PLATE	1	101	-									WELDING
223A	41606-28160	PLATE	1	101	-									WELDING

VIBRATION DAMPER-HYDRAULIC LINE

<S/N 0101 - 0290>

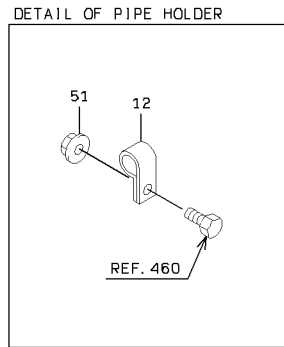
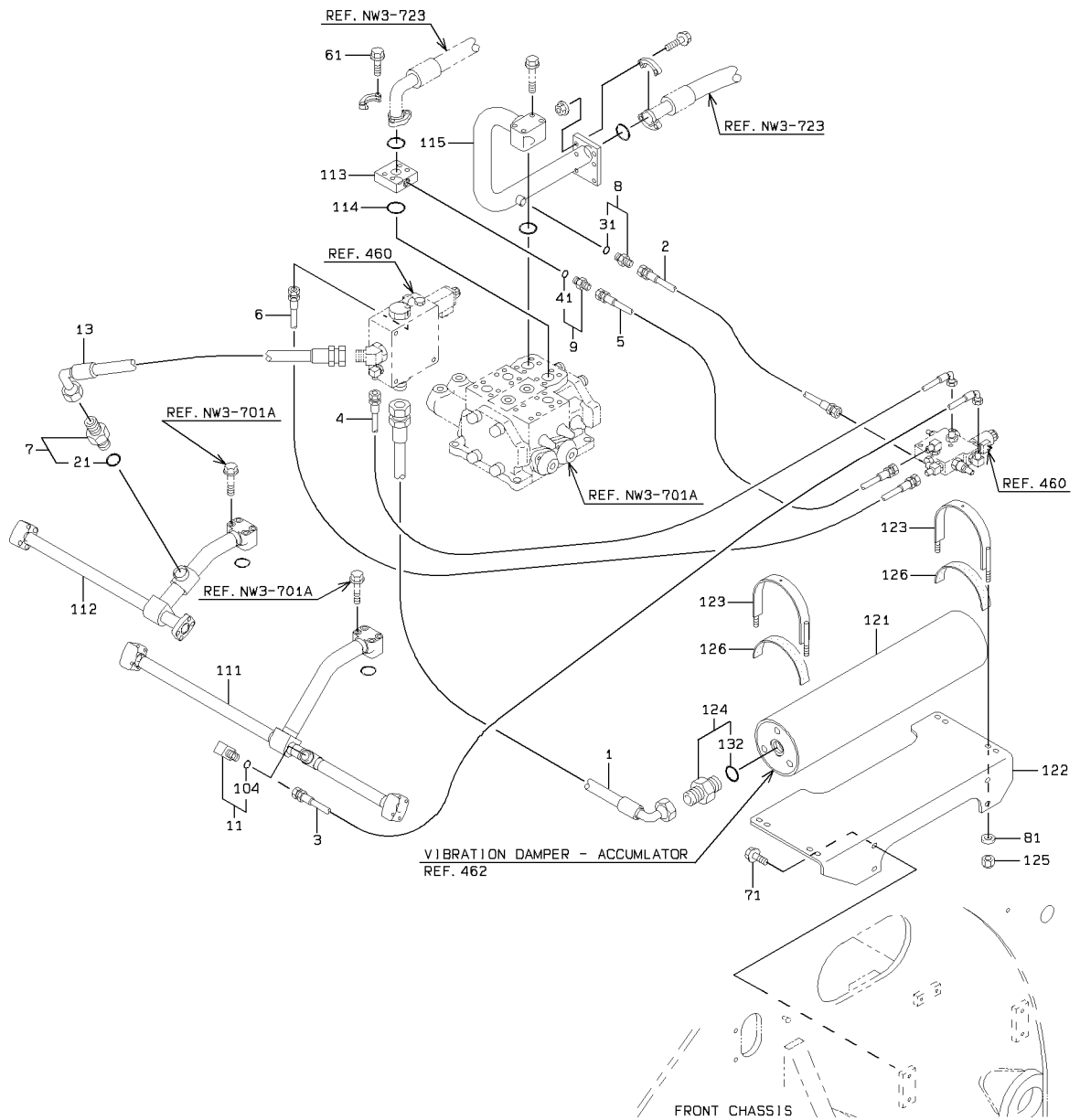


DETAIL OF PIPE HOLDER



VIBRATION DAMPER-HYDRAULIC LINE

<S/N 0291 - >



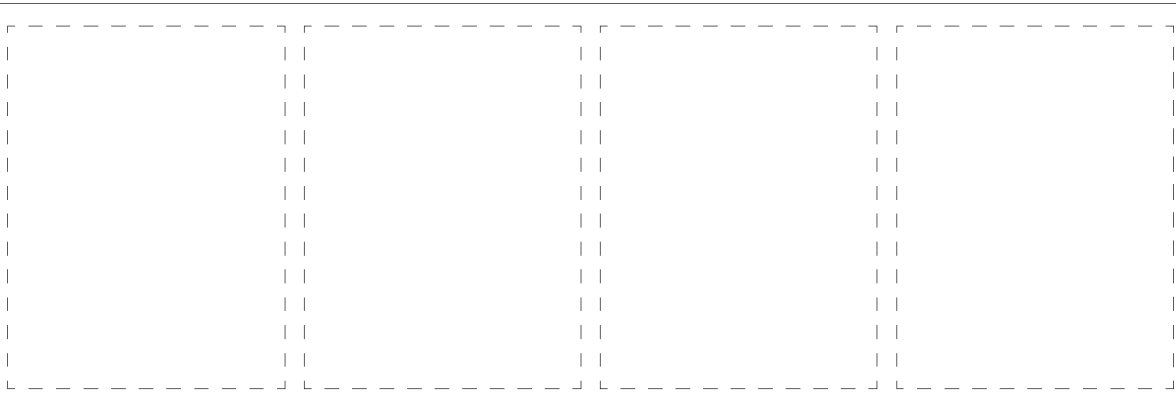
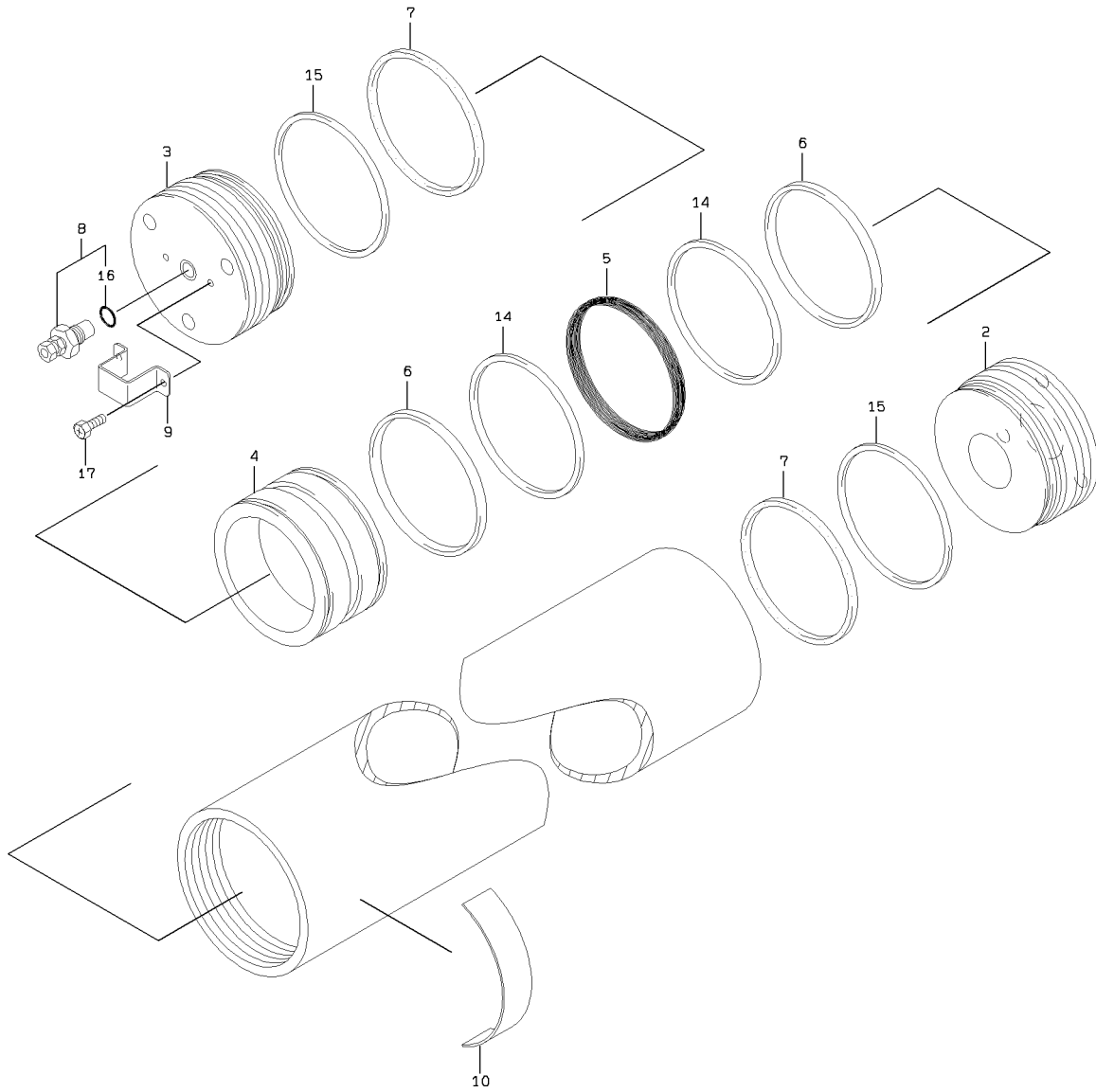
2-A

VIBRATION DAMPER-HYDRAULIC LINE

SYM-BOL	PART NUMBER	PART NAME	UNIT Q,TY	SERIAL		REMARKS							
				(A)	(B)	N	P	D	(A)	(B)	(C)	(D)	REMARK
1A	68635-60053	HOSE,HIGH PRESSURE	2	101	290								
1B	68635-60053	HOSE,HIGH PRESSURE	1	291									
2A	68055-20066	HOSE,HIGH PRESSURE	1	101	141								
2B	68055-20050	HOSE,HIGH PRESSURE	1	142									
3A	68635-10080	HOSE,HIGH PRESSURE	1	101	141								
3B	68635-10100	HOSE,HIGH PRESSURE	1	142	290								
3C	68635-10090	HOSE,HIGH PRESSURE	1	291									
4A	68635-10068	HOSE,HIGH PRESSURE	1	101									
5A	68655-10060	HOSE,HIGH PRESSURE	1	101									
6A	68055-10065	HOSE,HIGH PRESSURE	1	101									
7A	88201-06816	ADAPTER	1	101					Y01				
8A	88201-06706	ADAPTER	1	101					Y02				
9A	88201-06704	ADAPTER	1	101						Y03			
11A	30241-23720	ADAPTER,ELBOW	1	101							Y04		
12A	72001-11200	HOLDER,PIPE	A/R	142								D=12	
13A	68635-60048	HOSE,HIGH PRESSURE	1	291									
21A	65231-00161	RING,O	1	101					01				
31A	65210-12014	RING,O	1	101						02			
41A	65210-12011	RING,O	1	101							03		
51A	62480-21081	NUT,FLANGED	A/R	142									
61A	61802-12050	BOLT,FLANGED	4	101	317								
61B	61802-12060	BOLT,FLANGED	4	318									
71A	61802-12025	BOLT,FLANGED	4	101									
81A	62701-40121	WASHER,PLANE	4	101									
104A	65231-00061	RING,O	1	101								04	
111A	38775-22320	PIPE,OIL	1	101	290								
111B	38775-32310	PIPE,OIL	1	291					B				
112A	38775-22030	PIPE,OIL	1	101	290								
112B	38775-32320	PIPE,OIL	1	291					B				
113A	41410-32720	BLOCK	1	101									
114A	65220-31027	RING,O	1	101									
115A	38755-59750	PIPE,OIL	1	101									
121A	30100-60550	ACCUMULATOR ASSY	1	101									REF.462
122A	40902-24520	BRACKET	1	101	161								
122B	40902-30050	BRACKET	1	162	230				C				
122C	40902-31030	BRACKET	1	231					B				
123A	38670-21760	BAND	2	101									
124A	30230-25900	ADAPTER	1	101						Y05			
125A	88031-06121	NUT,SELF-LOCKING	4	101									
126A	33713-22540	SHEET,RUBBER	2	101									
132A	65231-00201	RING,O	1	101						05			

MEMO

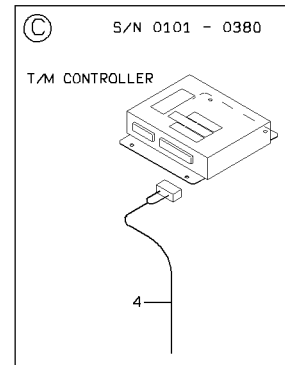
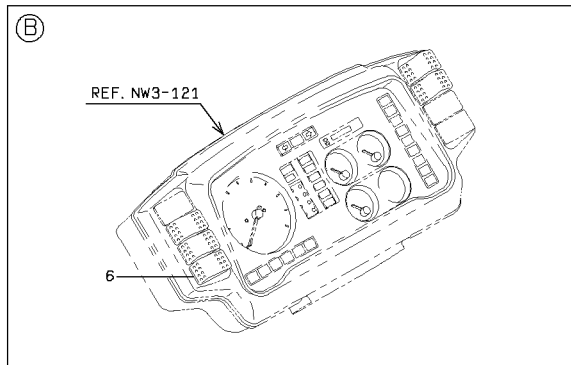
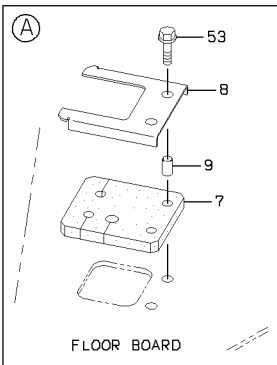
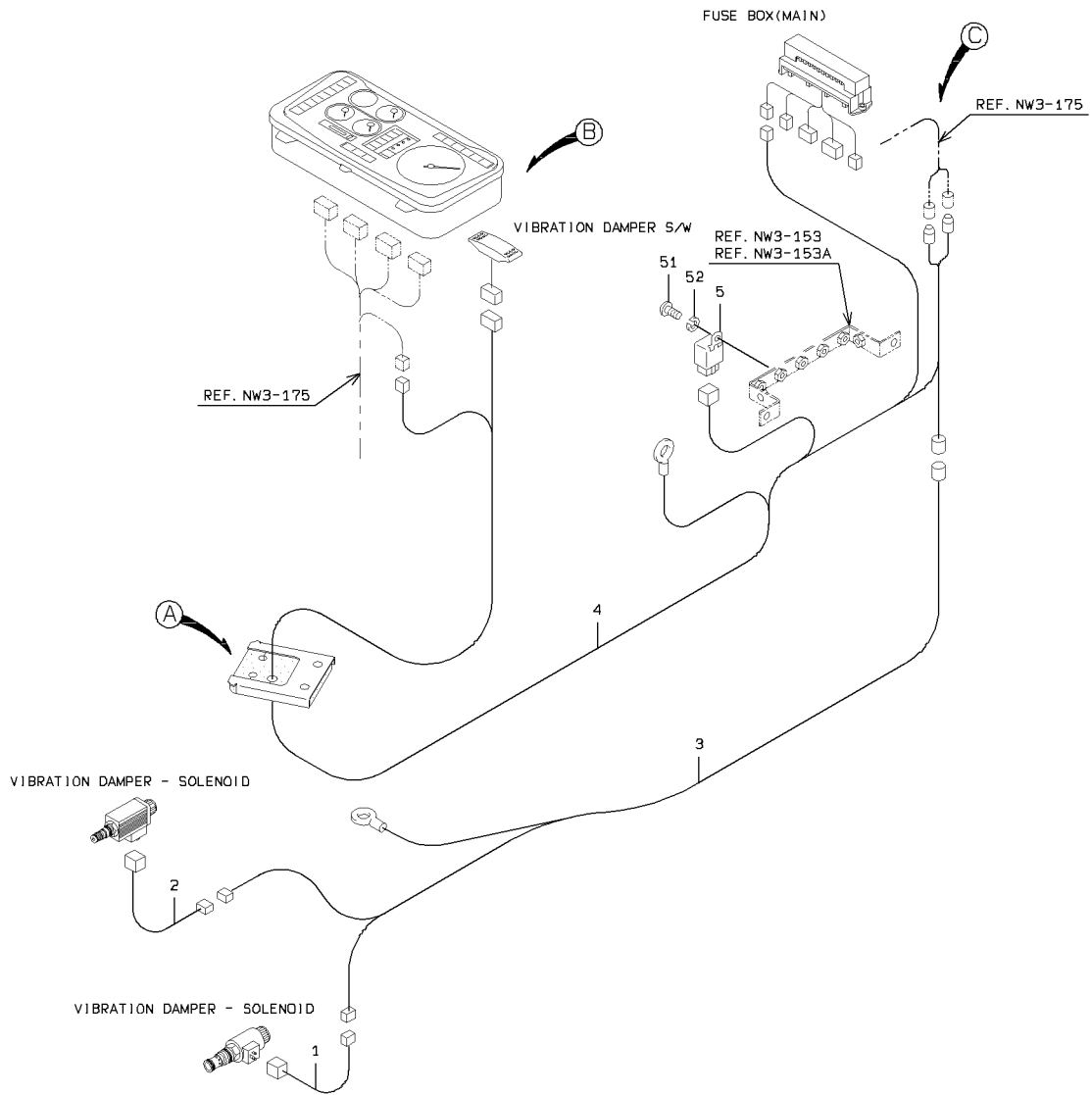
VIBRATION DAMPER-ACCUMULATOR



VIBRATION DAMPER-ACCUMULATOR

SYM-BOL	PART NUMBER	PART NAME	UNIT Q,TY	SERIAL		REMARKS						
				(A)	(B)	N	P	D	(A)	(B)	(C)	(D)
000A	30100-60550	ACCUMULATOR ASSY	1	101	-							
2A	32210-72380	CAP	1	101	-							
3A	32210-72390	CAP	1	101	-							
4A	39960-72210	PISTON	1	101	-							
5A	47131-76010	RING,O	1	101	-							
6A	45200-71330	RING	2	101	-							
7A	34000-70940	SEAL	2	101	-							
8A	38511-71330	VALVE ASSY	1	101	-			Y01				
9A	48979-70060	PROTECTOR	1	101	-							
10A	41678-70040	PLATE,NAME	1	101	-							
14A	46000-71620	WASHER	2	101	-							
15A	46000-71660	WASHER	2	101	-							46000-71500
16A	47131-75760	RING,O	1	101	-			01				
17A	35100-71970	SCREW	2	101	-							

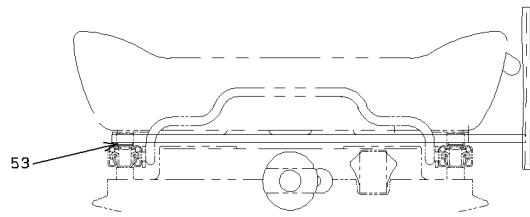
VIBRATION DAMPER-ELECTRICAL WIRING



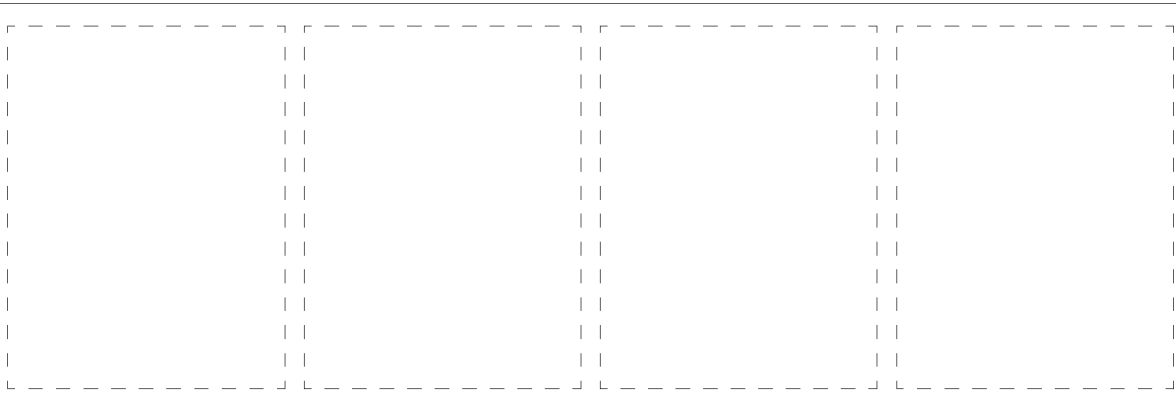
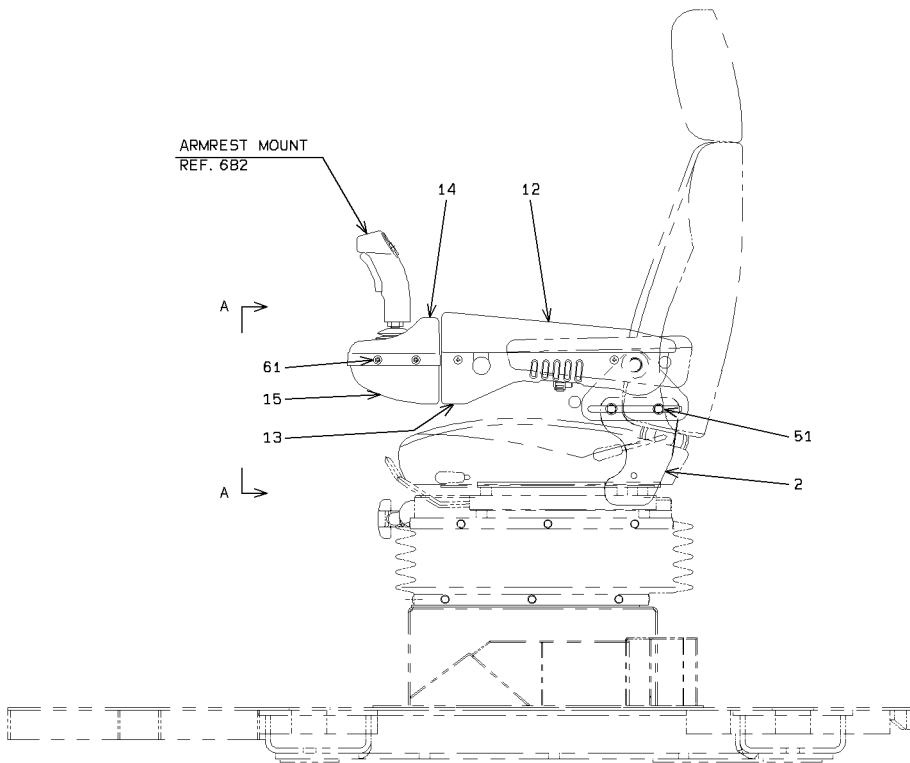
VIBRATION DAMPER-ELECTRICAL WIRING

SYM-BOL	PART NUMBER	PART NAME	UNIT Q,TY	SERIAL		REMARKS						
				(A)	(B)	N	P	D	(A)	(B)	(C)	(D)
1A	33193-22030	CABLE ASSY	1	101	-							SOLENOID
2A	33193-22040	CABLE ASSY	1	101	-							SOLENOID
3A	33193-26220	CABLE ASSY	1	101	-							VIBRATION-SOLE
4A	33193-26230	CABLE ASSY	1	101	-							VIBRATION DAMP
4B	33194-25170	CABLE ASSY	1	373	-							VIBRATION DAMP
5A	45050-70310	RELAY	1	101	-							
6A	35010-60340	SWITCH	1	101	-							
7A	33057-20830	GROMMET	1	101	-							
8A	41613-40210	PLATE	1	101	-							
9A	35750-22780	SLEEVE	2	101	-							
51A	62256-51610	SCREW	1	101	-							
52A	62721-06100	WASHER,SPRING	1	101	-							
53A	61802-06025	BOLT,FLANGED	2	101	-							

STICK STEERING GROUP



VIEW A-A

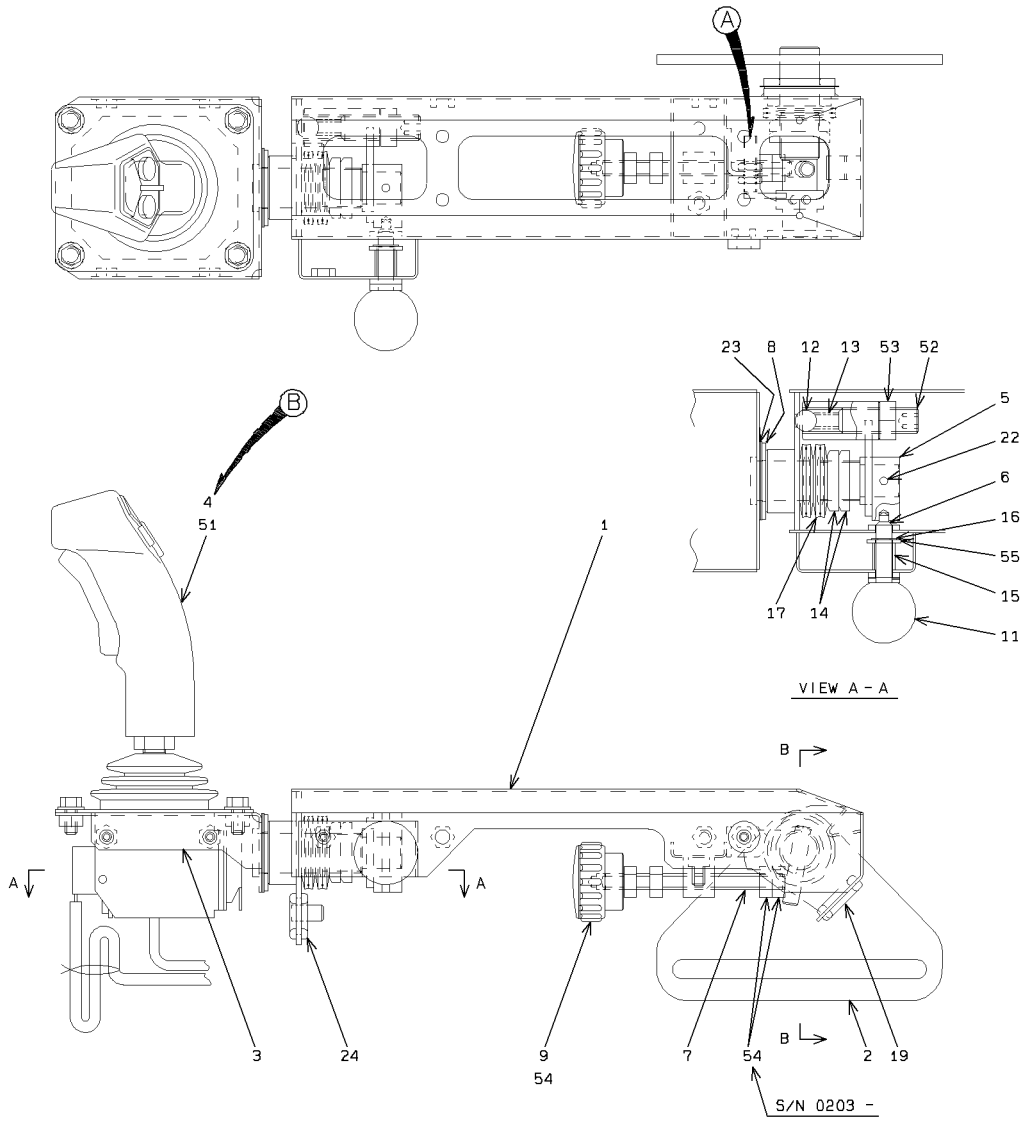


1-A

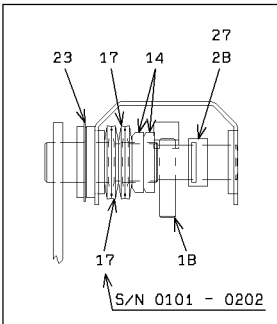
STICK STEERING GROUP

SYM-BOL	PART NUMBER	PART NAME	UNIT Q,TY	SERIAL		REMARKS					
				(A)	(B)	N	P	D	(A)	(B)	(C)
2A	40902-30600	BRACKET	1	101	-						
12A	30062-20060	ARMREST	1	101	-						
13A	31200-29930	COVER	1	101	-						
14A	31200-29940	COVER	1	101	-						
15A	31200-29950	COVER	1	101	-						
51A	61802-10025	BOLT,FLANGED	2	101	-						
53A	62701-40081	WASHER,PLANE	12	101	-						
61A	62256-51620	SCREW	12	101	-						

ARMREST ASSY

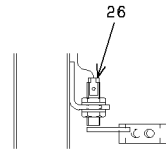


VIEW B - B

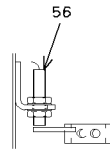


(A)

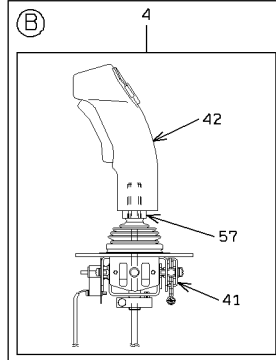
S/N 0101 - 0252



S/N 0253 -



(B)

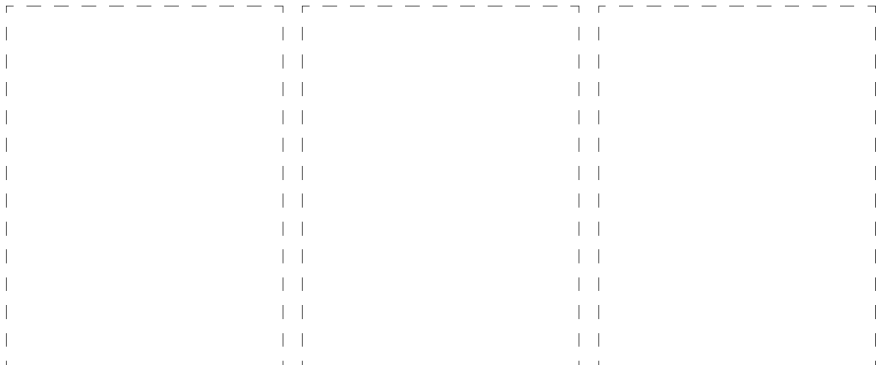
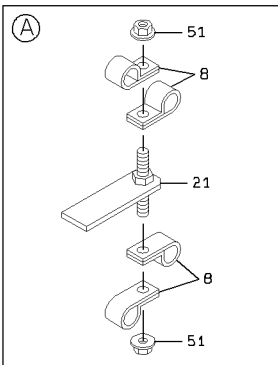
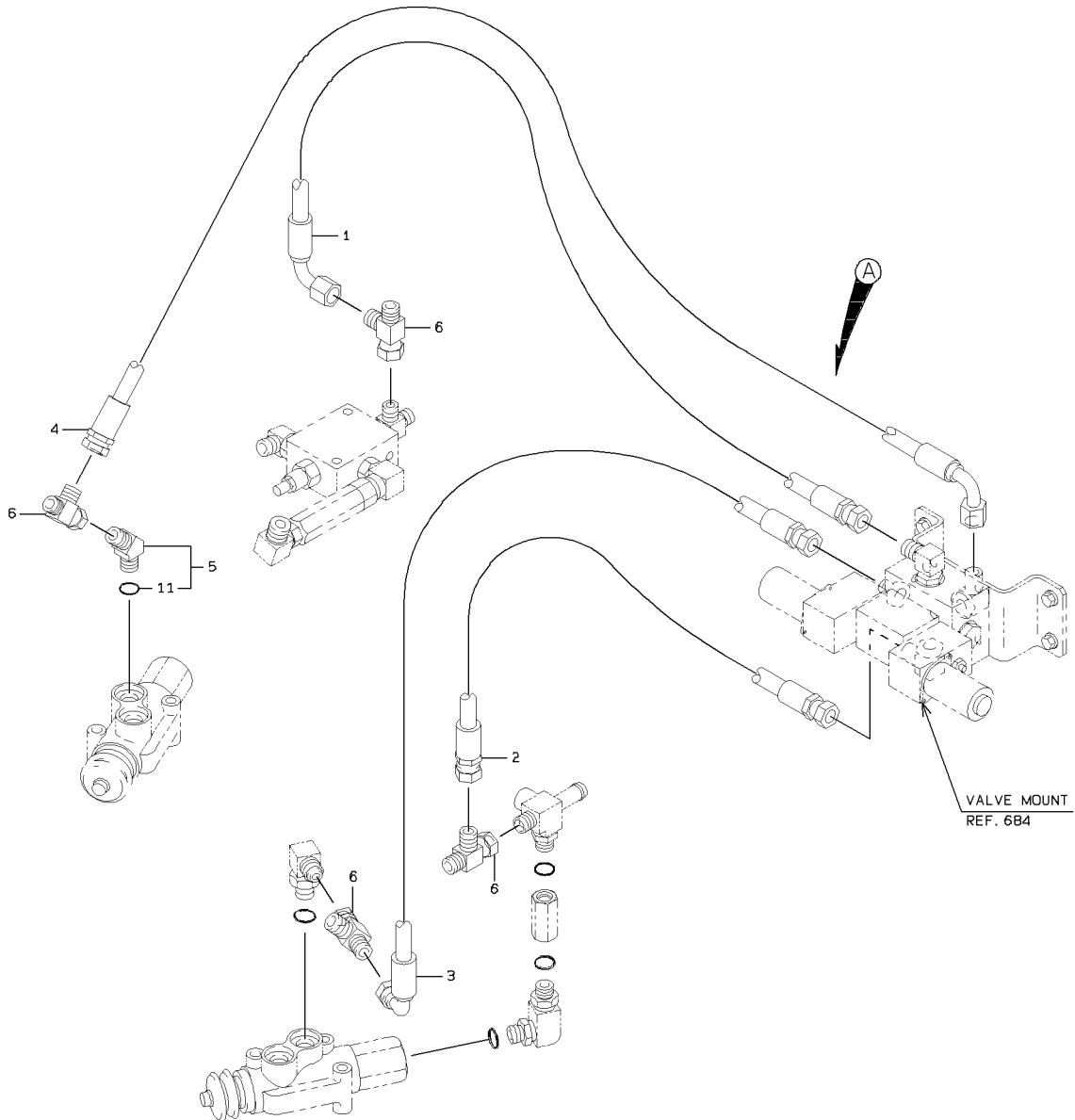


ARMREST ASSY

SYM-BOL	PART NUMBER	PART NAME	UNIT Q,TY	SERIAL			REMARKS							
				(A)	-	(B)	N	P	D	(A)	(B)	(C)	(D)	REMARK
1A	40901-37540	BRACKET	1	101	-	336								
1B	40902-51260	BRACKET	1	337	-		C							
2A	41619-53100	PLATE	1	101	-									
3A	40901-24460	BRACKET	1	101	-									
4A	45625-20360	LEVER ASSY,SHIFT	1	101	-	300			Y01					
4B	45625-20370	LEVER ASSY,SHIFT	1	301	-		C		Y01					
5A	30020-23490	ARM	1	101	-									
6A	40000-28270	PIN	1	101	-									
7A	45870-23030	ROD	1	101	-									
8A	46011-21560	WASHER,PLANE	1	101	-									
9A	37810-70340	KNOB	1	101	-									
11A	37810-70430	KNOB	1	101	-									
12A	43751-20040	BALL	1	101	-									
13A	35600-73680	SPRING	1	101	-									
14A	62521-11005	NUT,BEARING	4	101	-									
15A	35600-73650	SPRING	1	101	-									
16A	63813-00008	RING,SNAP	1	101	-									
17A	88120-12400	WASHER,CONICAL SPR	8	101	-	202								
17B	88120-12400	WASHER,CONICAL SPR	6	203	-									
18A	63011-10050	PIN,SPRING	1	101	-									
19A	65801-20016	BUSHING,ELASTIC	1	101	-									
22A	63011-05050	PIN,SPRING	1	101	-									
23A	46033-70150	WASHER,THRUST	4	101	-									
24A	65801-16032	BUSHING,ELASTIC	1	101	-									
26A	35051-20060	SWITCH,PROXIMITY	1	101	-	252								
26B	35051-20100	SWITCH,PROXIMITY	1	253	-		A							
27A	31600-20120	CAM	1	101	-									
28A	63011-05032	PIN,SPRING	1	101	-									
41A	35063-60160	SWITCH,LEVER	1	101	-				01					
42A	37810-60190	KNOB	1	101	-	300			01					
42B	37810-60350	KNOB	1	301	-		C		01					
51A	61802-06016	BOLT,FLANGED	4	101	-									
52A	61133-16050	BOLT,SOCKET	1	101	-									
53A	62401-81161	NUT	1	101	-									
54A	62401-81101	NUT	1	101	-	202								
54B	62401-81101	NUT	3	203	-									
55A	62701-40101	WASHER,PLANE	1	101	-									
56A	62761-17081	WASHER,TOOTH	2	253	-									
57A	62403-81141	NUT	1	101	-				01					

HYDRAULIC LINE

(NOTE): REFER TO STANDARD CATALOG(REF. NW3-745) FOR NO SYMBOL PARTS.

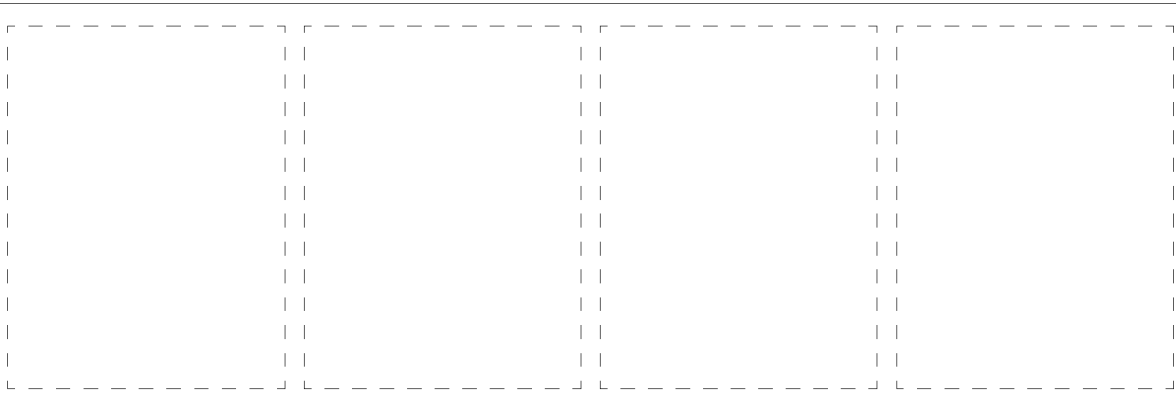
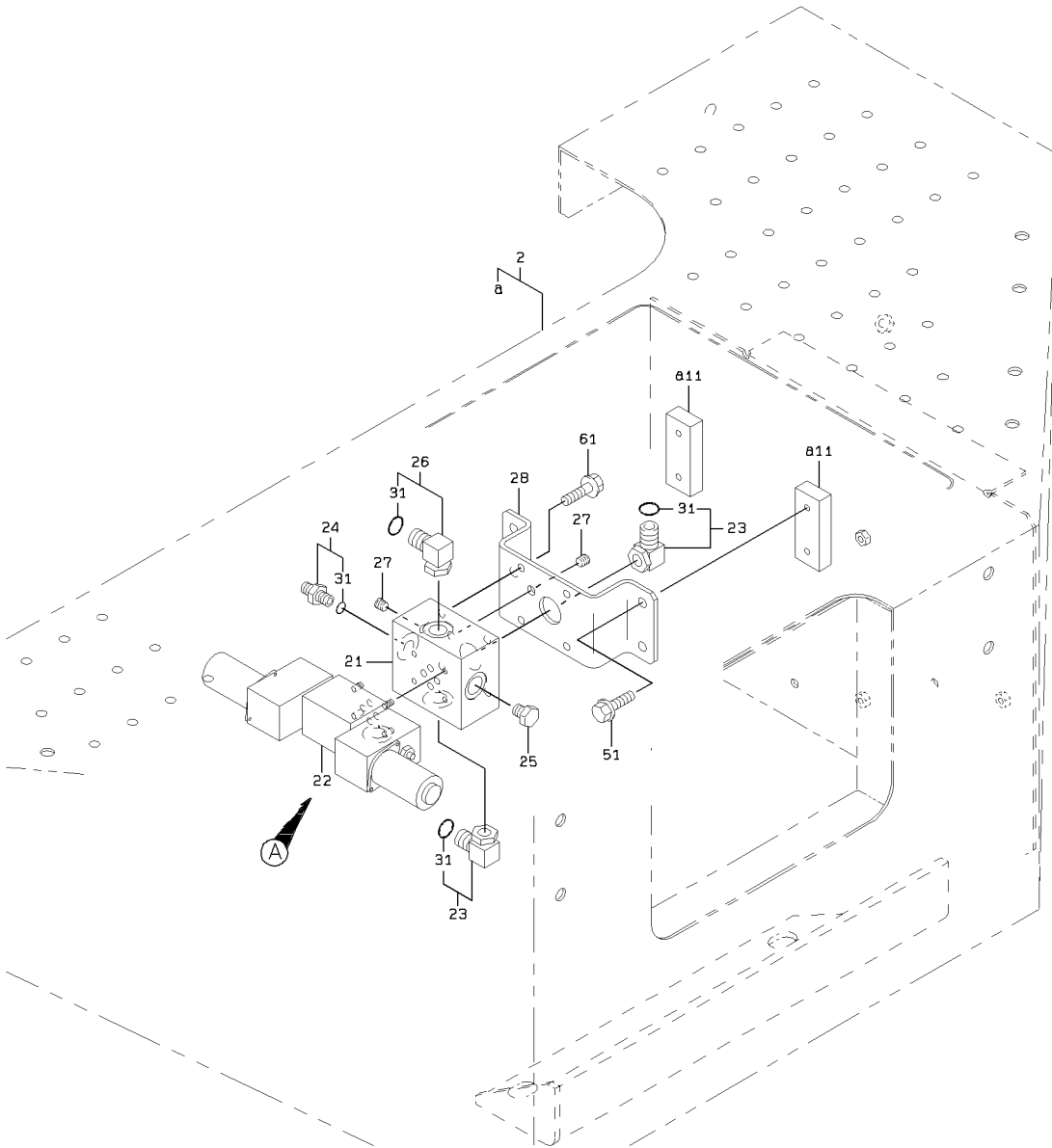


1-A

HYDRAULIC LINE

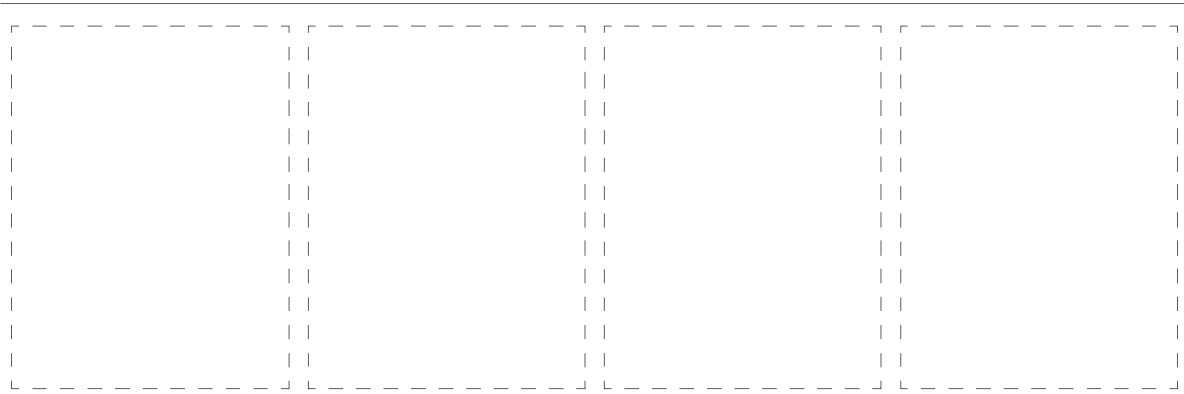
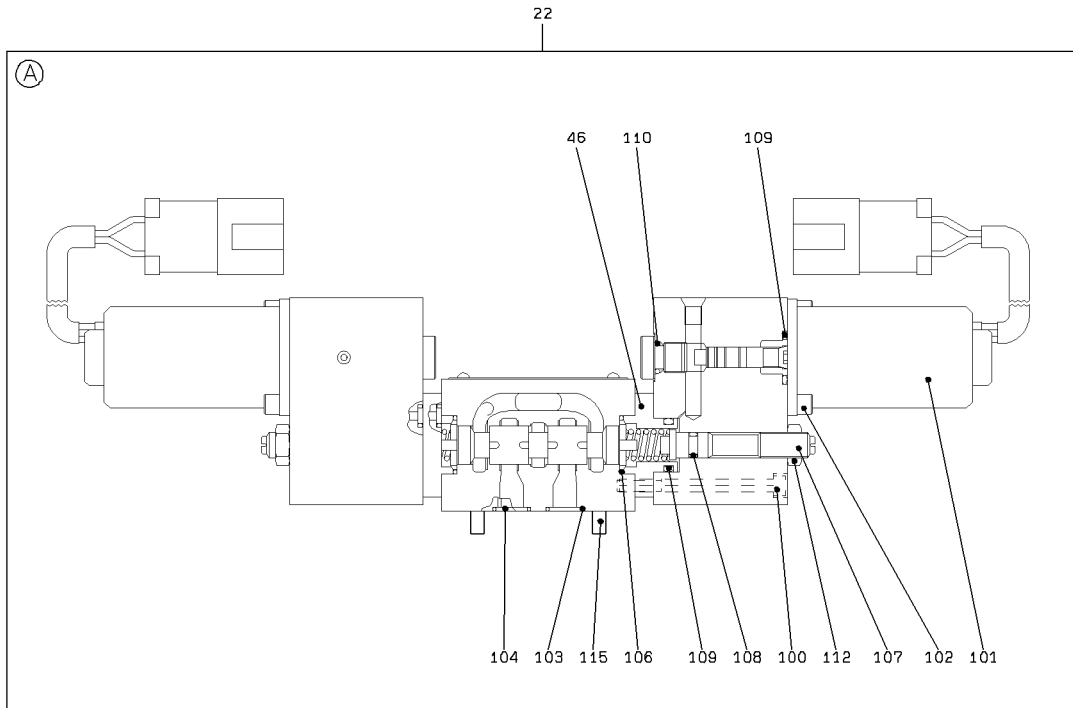
SYM-BOL	PART NUMBER	PART NAME	UNIT Q, TY	SERIAL (A) - (B)	REMARKS					
					N	P	D	(A)	(B)	(C)
1A	68035-20180	HOSE,HIGH PRESSURE	1	101 -						
2A	68055-20170	HOSE,HIGH PRESSURE	1	101 -						
3A	68035-20170	HOSE,HIGH PRESSURE	1	101 -						
4A	68035-20190	HOSE,HIGH PRESSURE	1	101 -						
5A	88241-07206	ADAPTER,ELBOW	1	101 -				Y01		
6A	30246-20660	ADAPTER,TEE	4	101 -						
8A	72001-11500	HOLDER,PIPE	4	101 -						
11A	65210-12014	RING,O	1	101 -				01		
21A	41618-50800	PLATE	1	101 -						WELDING
51A	62480-21081	NUT,FLANGED	2	101 -						

VALVE MOUNT



1-A

VALVE MOUNT



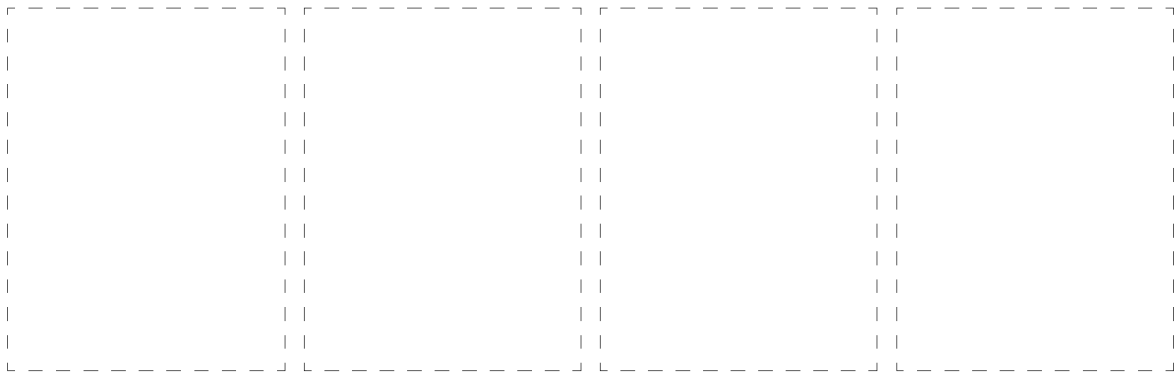
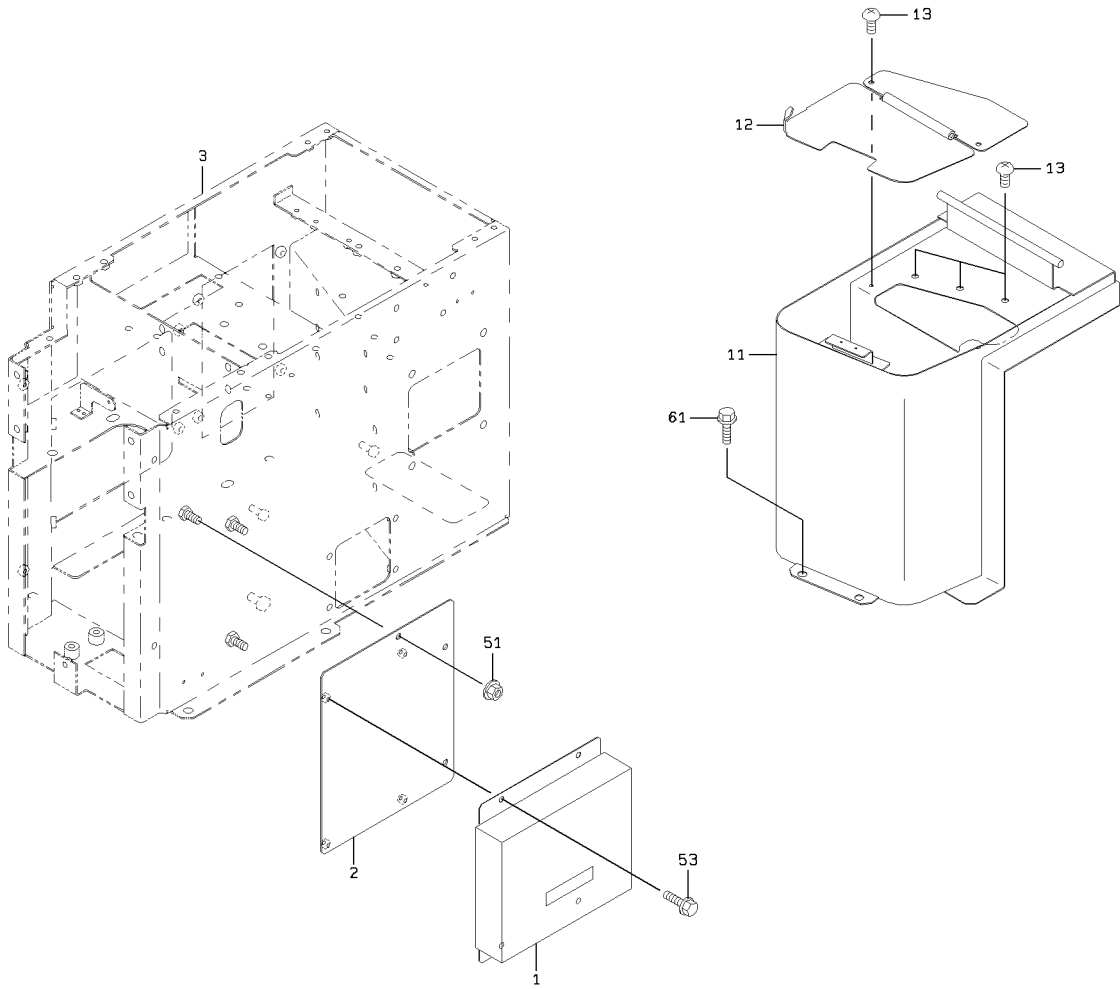
2-A

VALVE MOUNT

SYM-BOL	PART NUMBER	PART NAME	UNIT Q,TY	SERIAL		REMARKS									
				(A)	(B)	N	P	D	(A)	(B)	(C)	(D)	REMARK		
2A	03501-44990	DECK	1	101	-						Y01				
11A	41607-41030	PLATE	2	101	-						01				WELDING
21A	41410-34110	BLOCK	1	101	-										
22A	38524-60060	VALVE ASSY,SOLENOI	1	101	-								Y03		
23A	88241-07106	ADAPTER,ELBOW	2	101	-								Y02		
24A	88201-06706	ADAPTER	1	101	-								Y02		
25A	88390-21306	PLUG	1	101	-										
26A	30241-21490	ADAPTER,ELBOW	1	101	-								Y02		
27A	88390-16102	PLUG	2	101	-										
28A	41607-40370	PLATE	1	101	-										
31A	65210-12014	RING,O	1	101	-								02		
46A	31930-70200	GUIDE	2	101	-									03	
51A	61802-08016	BOLT,FLANGED	4	101	-										
61A	61802-08016	BOLT,FLANGED	4	101	-										
100A	43956-70830	BOLT,SOCKET	4	101	-									03	
101A	35910-70150	SOLENOID	2	101	-									03	
102A	43956-70620	BOLT,SOCKET	4	101	-									03	
103A	65220-31007	RING,O	4	101	-									03	
104A	65210-12003	RING,O	9	101	-									03	
106A	47131-74360	RING,O	2	101	-									03	
107A	35100-71440	SCREW	2	101	-									03	
108A	65210-12005	RING,O	2	101	-									03	
109A	65210-12014	RING,O	4	101	-									03	
110A	65210-12008	RING,O	2	101	-									03	
112A	62403-81081	NUT	2	101	-									03	
115A	61101-05050	BOLT,SOCKET	4	101	-									03	

MEMO

BOX MOUNT



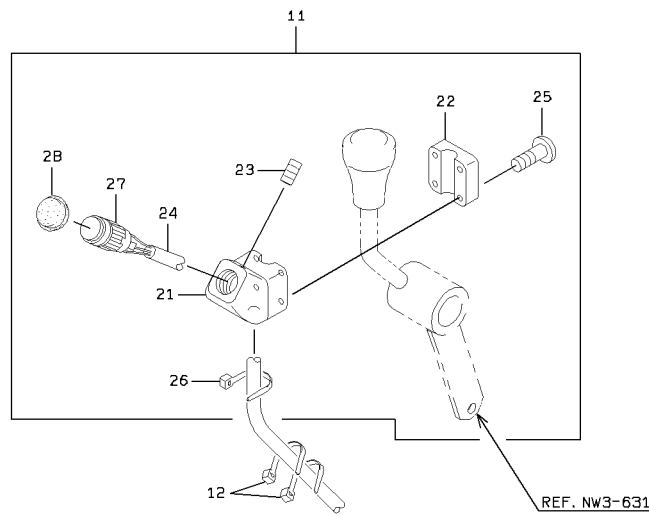
1-A

BOX MOUNT

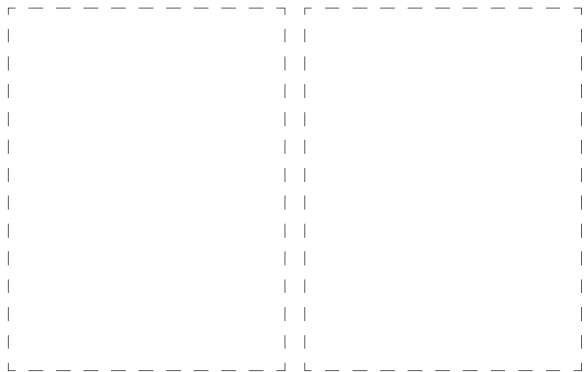
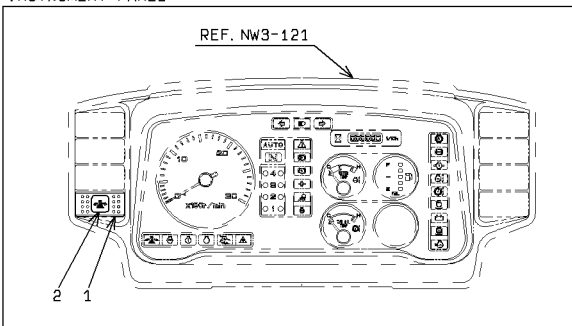
SYM-BOL	PART NUMBER	PART NAME	UNIT Q, TY	SERIAL (A) - (B)	REMARKS					
					N	P	D	(A)	(B)	(C)
1A	33410-61420	CONTROLLER UNIT	1	101 -						
2A	41605-55240	PLATE	1	101 -						
3A	03501-44750	BOX	1	101 -						
11A	43800-27440	BOX	1	101 -						
12A	31236-26880	COVER ASSY	1	101 -						
13A	35100-20010	SCREW	5	101 -						
51A	62480-21101	NUT, FLANGED	3	101 -						
53A	61802-06010	BOLT, FLANGED	4	101 -						
61A	61802-10020	BOLT, FLANGED	2	101 -						

SWITCH MOUNT

(NOTE):REFER TO STANDARD CATALOG(REF. NW3-631) FOR NO SYMBOL PARTS.



INSTRUMENT PANEL

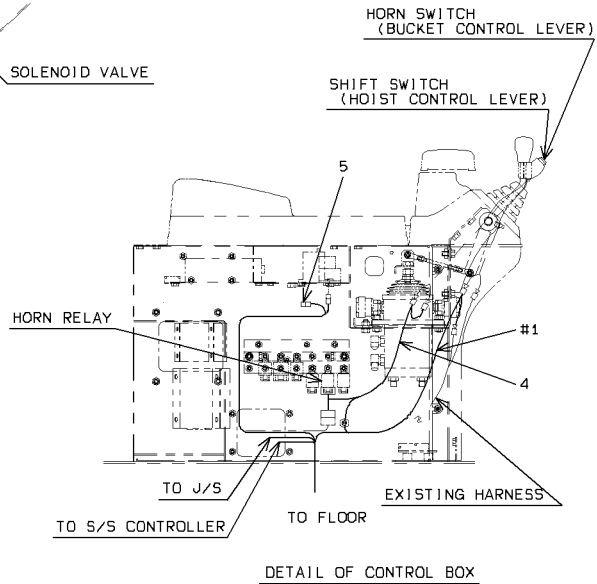
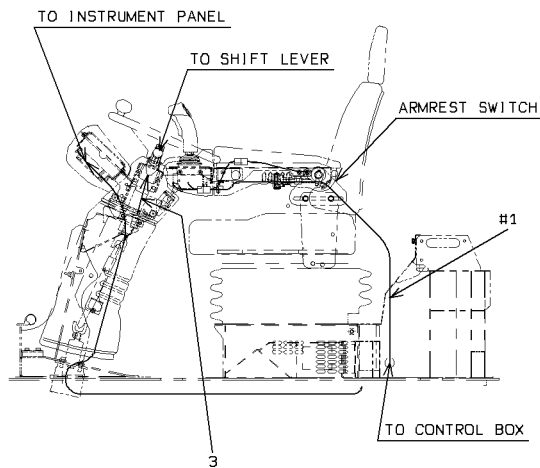
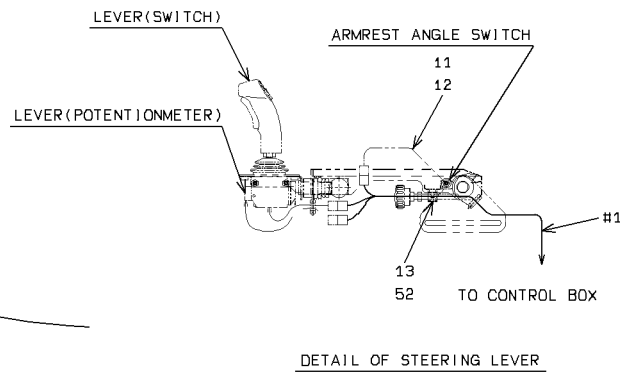
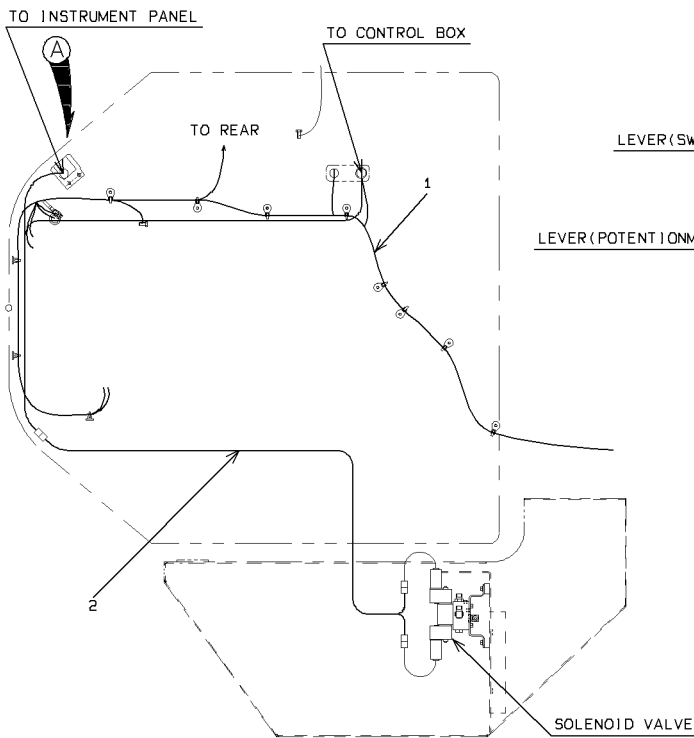


1-A

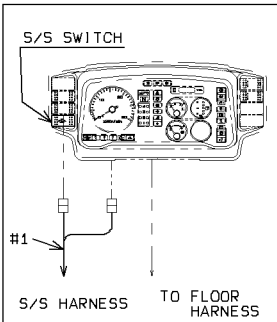
SWITCH MOUNT

SYM-BOL	PART NUMBER	PART NAME	UNIT Q, TY	SERIAL (A) - (B)	REMARKS					
					N	P	D	(A)	(B)	(C)
1A	35010-60640	SWITCH	1	101 -						
2A	44770-55580	LABEL	1	101 -						
11A	35020-60070	SWITCH ASSY	1	101 -				Y01		
12A	32923-70090	CLAMP,HOSE	2	101 -						
21A	33100-70300	CASE	1	101 -				01		
22A	43550-70160	HOLDER	1	101 -				01		
23A	35104-70030	SCREW,SET	1	101 -				01		
24A	33191-70260	CABLE ASSY	1	101 -				01		
25A	62256-51420	SCREW	4	101 -				01		
26A	38670-70250	BAND	1	101 -				01		
27A	35046-70080	SWITCH,PUSH	1	101 -				01		
28A	40790-70180	BOOT	1	101 -				01		

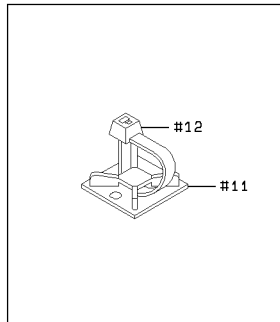
CABLE MOUNT



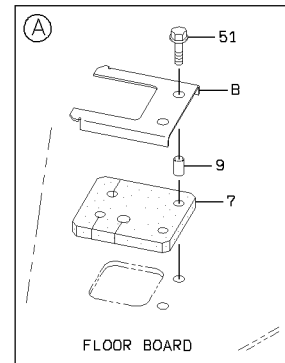
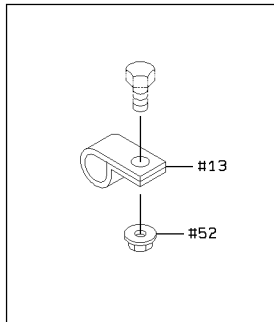
DETAIL OF INSTRUMENT PANEL



DETAIL OF STUD MOUNT



DETAIL OF PIPE HOLDER

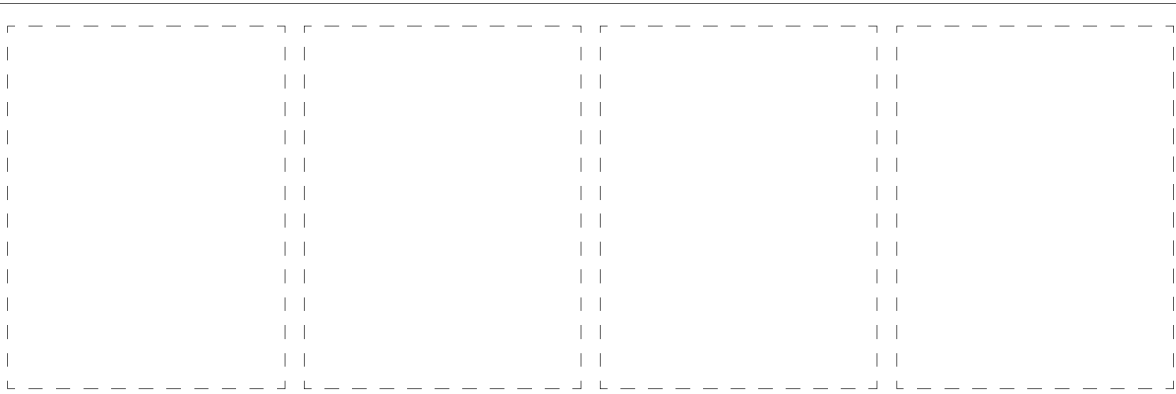
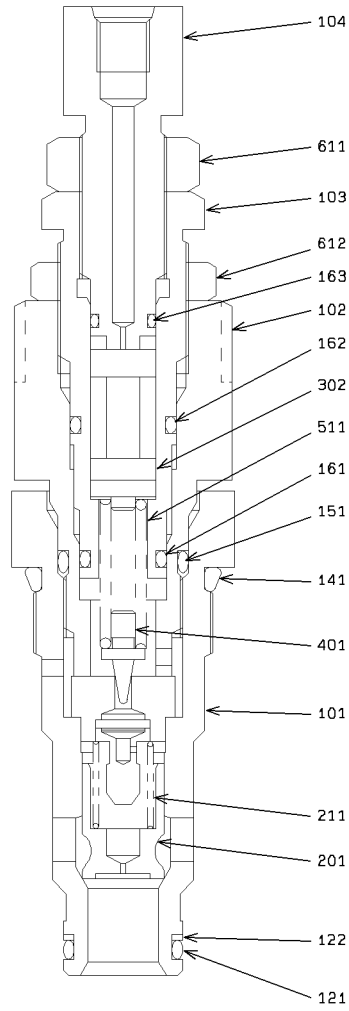


1-A

CABLE MOUNT

SYM-BOL	PART NUMBER	PART NAME	UNIT Q, TY	SERIAL		REMARKS						
				(A)	(B)	N	P	D	(A)	(B)	(C)	(D)
1A	33193-37520	CABLE ASSY	1	101	-							FLOOR
2A	33193-31940	CABLE ASSY	1	101	-							REAR
3A	33191-44870	CABLE ASSY	1	101	-							SHIFT LEVER
4A	33193-31930	CABLE ASSY	1	101	-							HORN
5A	33191-46470	CABLE ASSY	1	101	-							MODEL SELECT
7A	33057-20830	GROMMET	1	101	-							
8A	41613-40210	PLATE	1	101	-							
9A	35750-22780	SLEEVE	2	101	-							
11A	32923-70190	CLAMP,HOSE	5	101	-							
12A	32923-70090	CLAMP,HOSE	5	101	-							
13A	72001-11500	HOLDER,PIPE	1	101	-							
51A	61802-06025	BOLT,FLANGED	2	101	-							
52A	62480-21081	NUT,FLANGED	1	101	-							

MULTI CONTROL VALVE

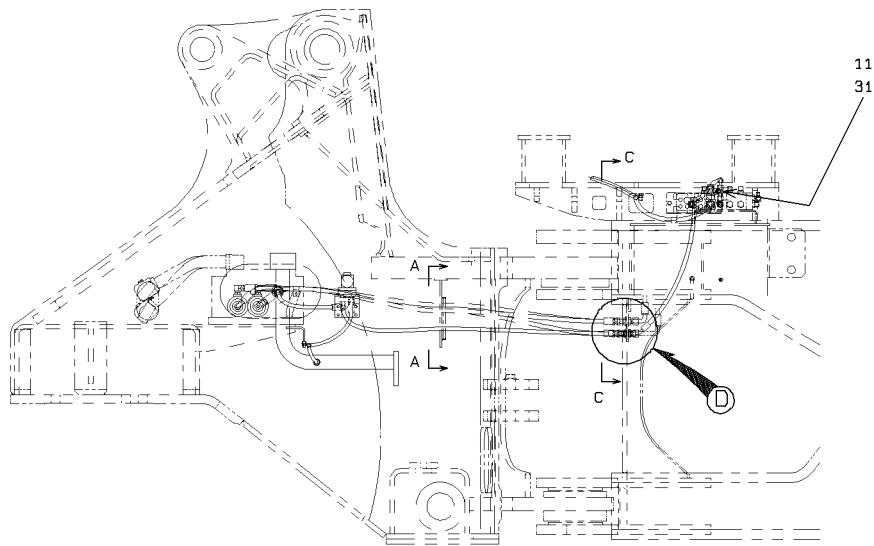
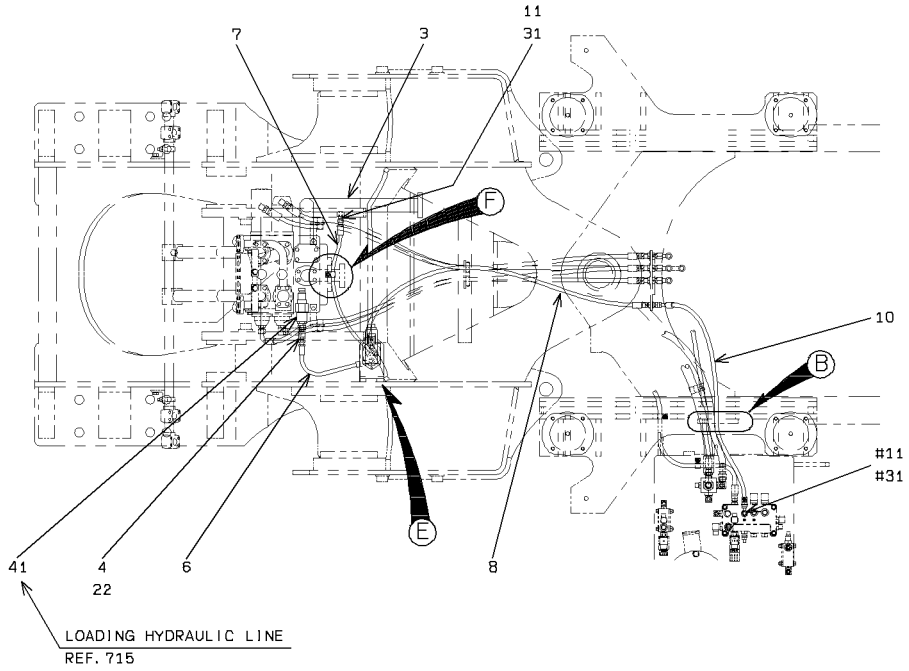


1-A

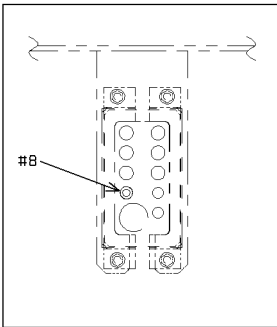
MULTI CONTROL VALVE

SYM-BOL	PART NUMBER	PART NAME	UNIT Q, TY	SERIAL (A) - (B)	REMARKS					
					N	P	D	(A)	(B)	(C)
000A	38565-60720	VALVE,RELIEF	1	101 -						
101A	43890-71190	BODY	1	101 -						
102A	41530-75200	PLUG	1	101 -						
103A	41530-75210	PLUG	1	101 -						
104A	41530-75220	PLUG	1	101 -						
121A	65210-12018	RING,O	1	101 -						
122A	65240-31018	RING,BACK-UP	1	101 -						
141A	65210-12030	RING,O	1	101 -						
151A	65210-12020	RING,O	1	101 -						
161A	65210-12012	RING,O	1	101 -						
162A	65210-12016	RING,O	1	101 -						
163A	65210-12009	RING,O	1	101 -						
201A	41585-70360	PLUNGER	1	101 -						
211A	35600-74930	SPRING	1	101 -						
302A	39960-72470	PISTON	1	101 -						
401A	44074-70480	POPPET	1	101 -						
511A	35600-74920	SPRING	1	101 -						
611A	37600-71990	NUT	1	101 -						
612A	37600-72000	NUT	1	101 -						

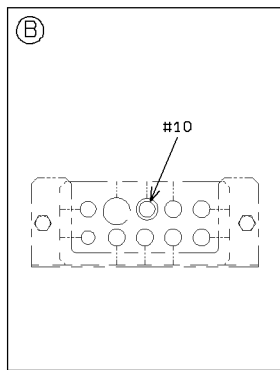
HYDRAULIC LINE (TWO-STEP RELIEF VALVE)



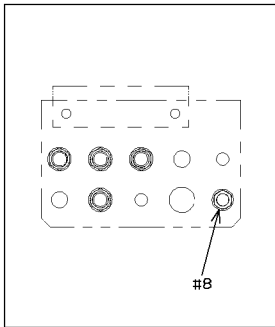
SECTION A-A



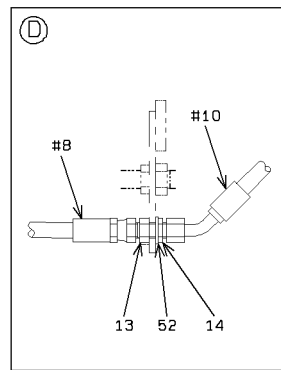
(B)



SECTION C-C

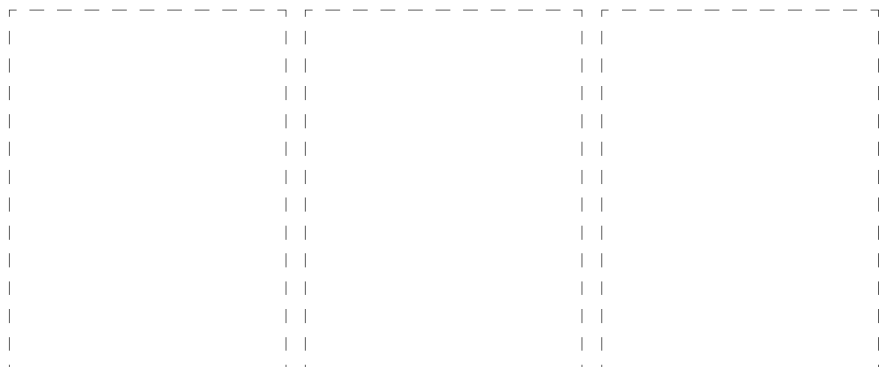
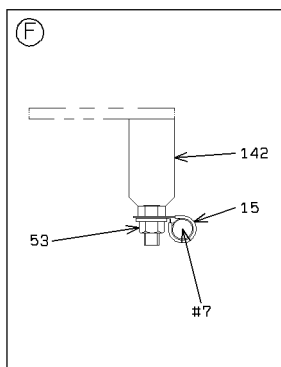
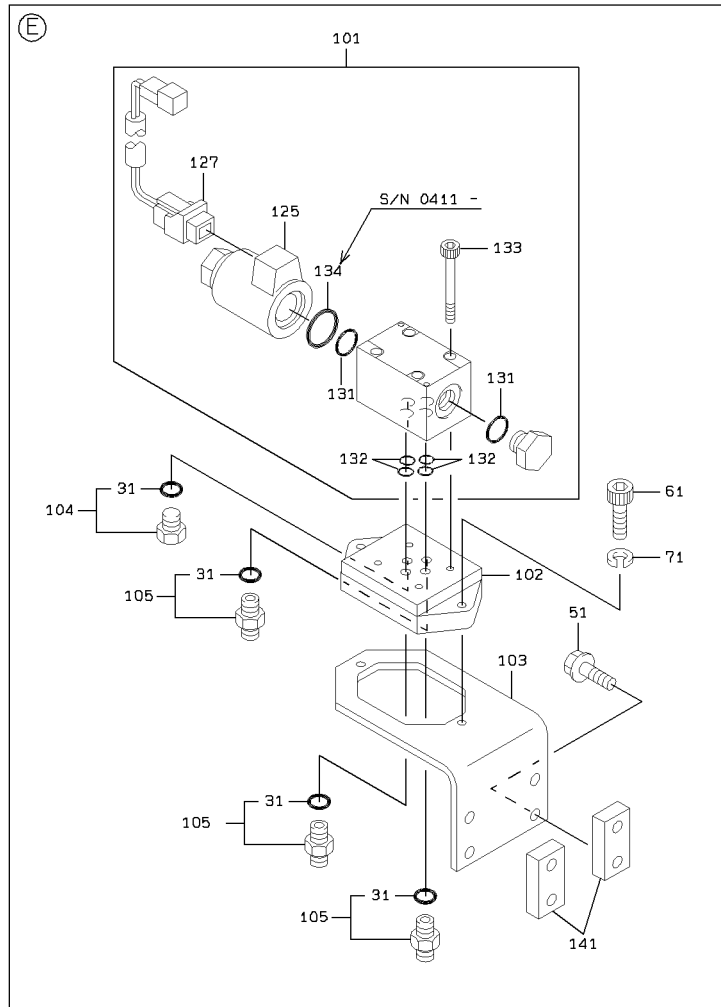


(D)



1-A

HYDRAULIC LINE (TWO-STEP RELIEF VALVE)



2-B

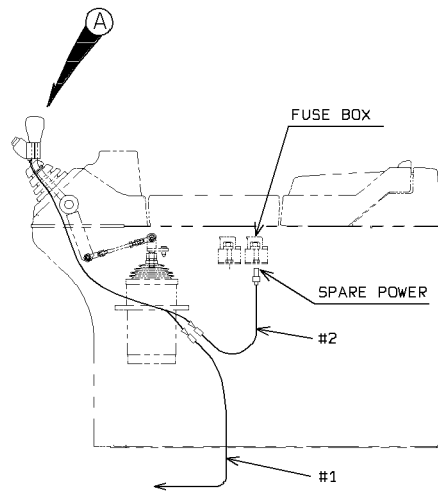
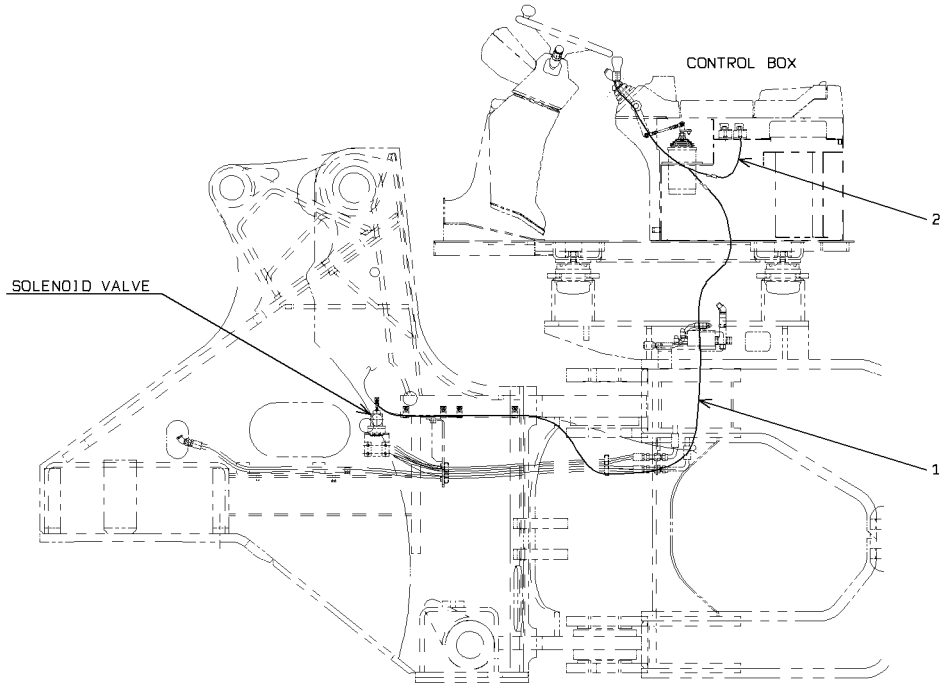
HYDRAULIC LINE (TWO-STEP RELIEF VALVE)

SYM-BOL	PART NUMBER	PART NAME	UNIT Q,TY	SERIAL		REMARKS							
				(A)	(B)	N	P	D	(A)	(B)	(C)	(D)	REMARK
3A	38755-56920	PIPE,OIL	1	101	-								
4A	30230-23300	ADAPTER	1	101	-				Y01				
6A	68635-10040	HOSE,HIGH PRESSURE	1	101	-								
7A	68055-10062	HOSE,HIGH PRESSURE	1	101	-								
8A	68635-10130	HOSE,HIGH PRESSURE	1	101	-								
10A	43113-39890	HOSE,HIGH PRESSURE	1	101	-								
11A	88201-06704	ADAPTER	2	101	-				Y02				
13A	30230-21780	ADAPTER	1	101	-								
14A	37600-20790	NUT	1	101	-								
15A	72001-11200	HOLDER,PIPE	1	101	-								
22A	65210-12008	RING,O	1	101	-				01				
31A	65210-12011	RING,O	1	101	-					02			
41A	38565-60720	VALVE,RELIEF	1	101	-								REF.715
51A	61802-08016	BOLT,FLANGED	4	101	-								
52A	62701-40121	WASHER,PLANE	1	101	-								
53A	62480-21081	NUT,FLANGED	1	101	-								
61A	61103-06016	BOLT,SOCKET	2	101	-								
71A	62731-06100	WASHER,SPRING	2	101	-								
101A	38553-60630	VALVE,SOLENOID	1	101	-	410				Y03			
101B	38553-61510	VALVE,SOLENOID	1	411	-					Y03			
102A	41410-60130	BLOCK	1	101	-								
103A	41603-39850	PLATE	1	101	-								
104A	88390-21304	PLUG	1	101	-				Y02				
105A	88201-06704	ADAPTER	3	101	-				Y02				
125A	35910-70400	SOLENOID	1	101	-	410					03		
125B	35910-70500	SOLENOID	1	411	-						03		
127A	33197-70090	HARNESS	1	101	-						03		
131A	65210-12018	RING,O	2	101	-						03		
132A	65210-12009	RING,O	4	101	-	410					03		
132B	47131-71320	RING,O	4	411	-						03		
133A	61101-05045	BOLT,SOCKET	4	101	-						03		
134A	47131-78030	RING,O	1	411	-						03		
141A	41612-33370	PLATE	2	101	-								WELDING
142A	41619-22510	PLATE	2	101	-								WELDING

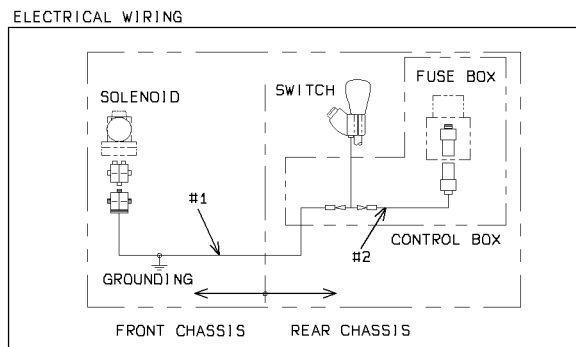
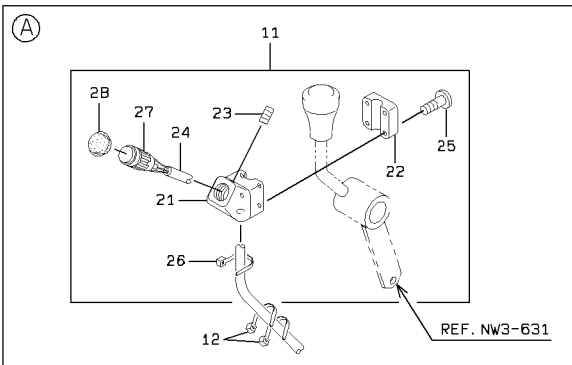
MEMO

CABLE MOUNT (TWO-STEP RELIEF VALVE)

<S/N 0101 - 0409>

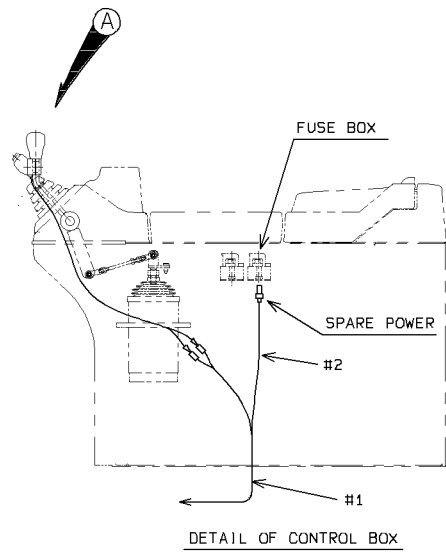
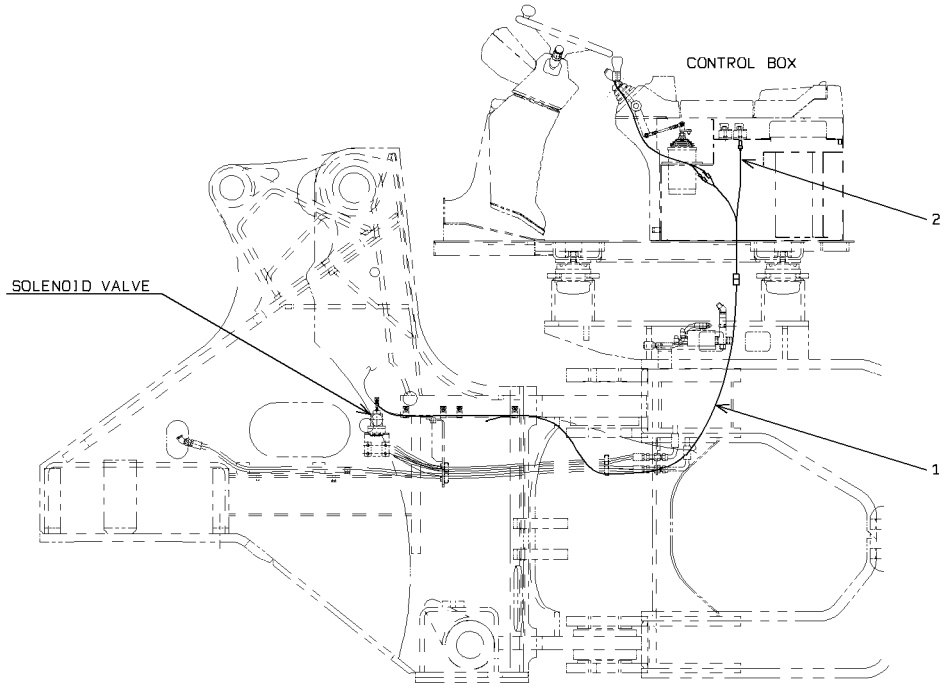


DETAIL OF CONTROL BOX

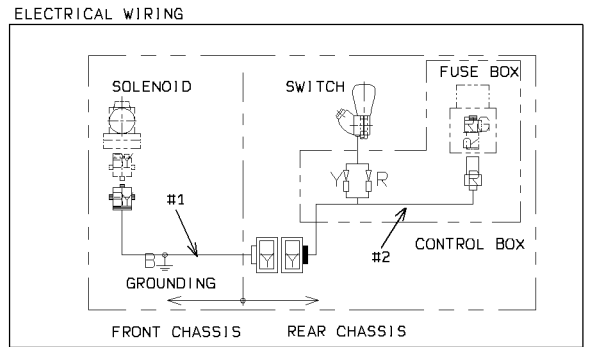
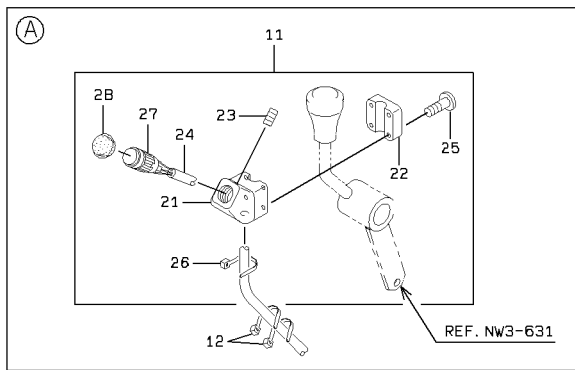


CABLE MOUNT (TWO-STEP RELIEF VALVE)

<S/N 0410 - >



DETAIL OF CONTROL BOX



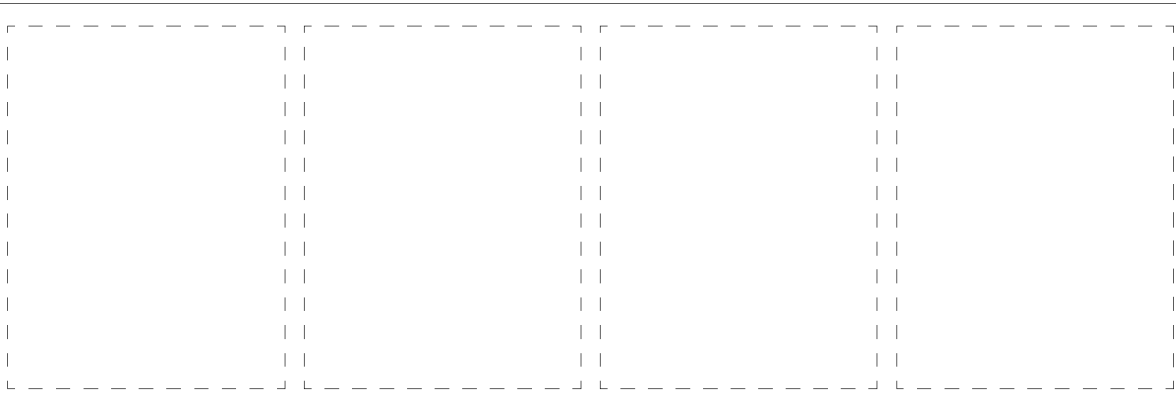
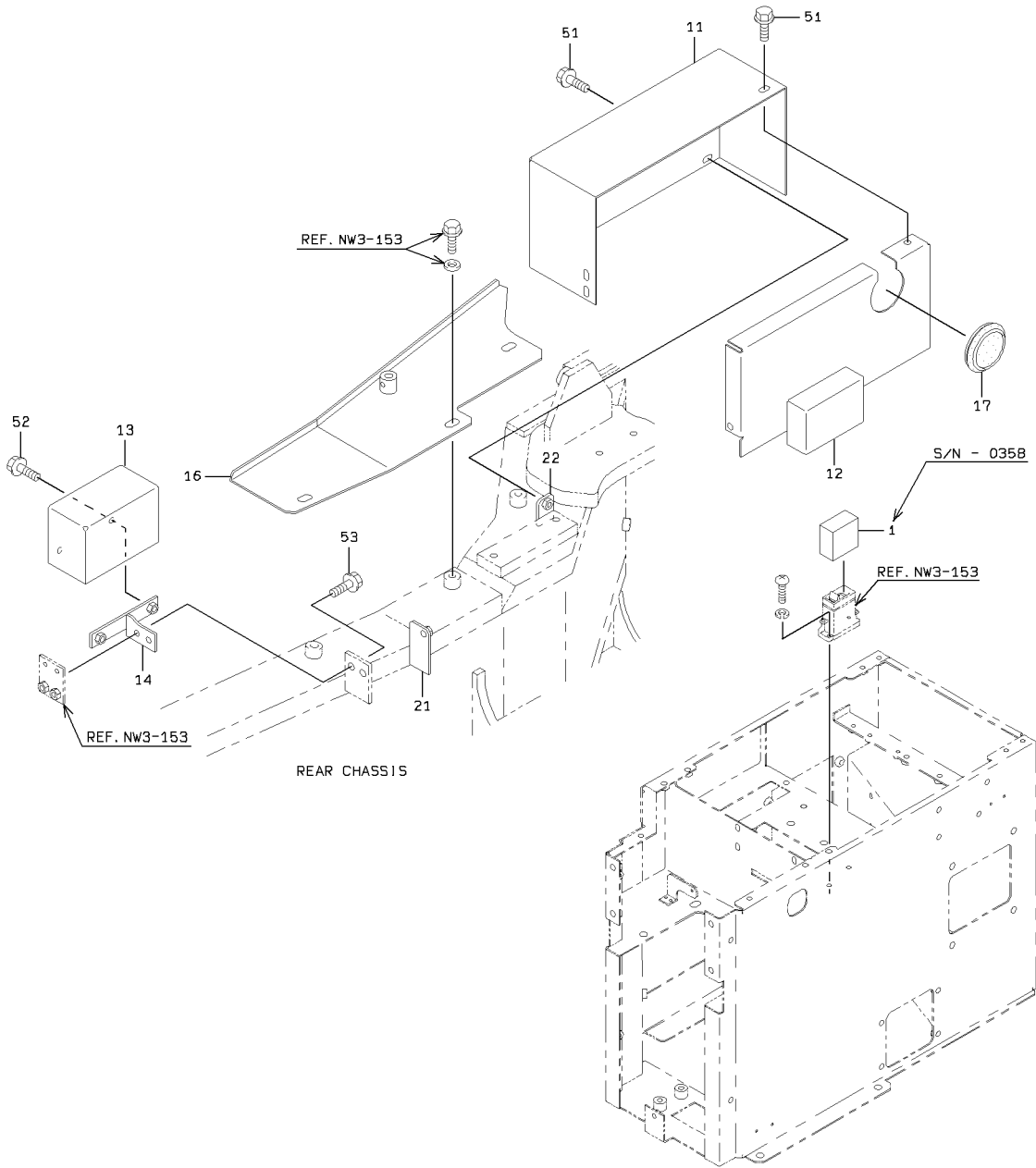
1-A

CABLE MOUNT (TWO-STEP RELIEF VALVE)

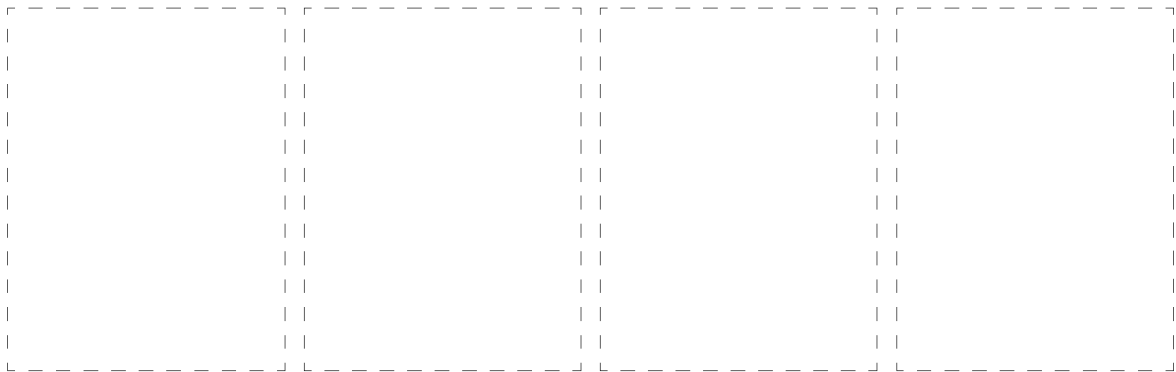
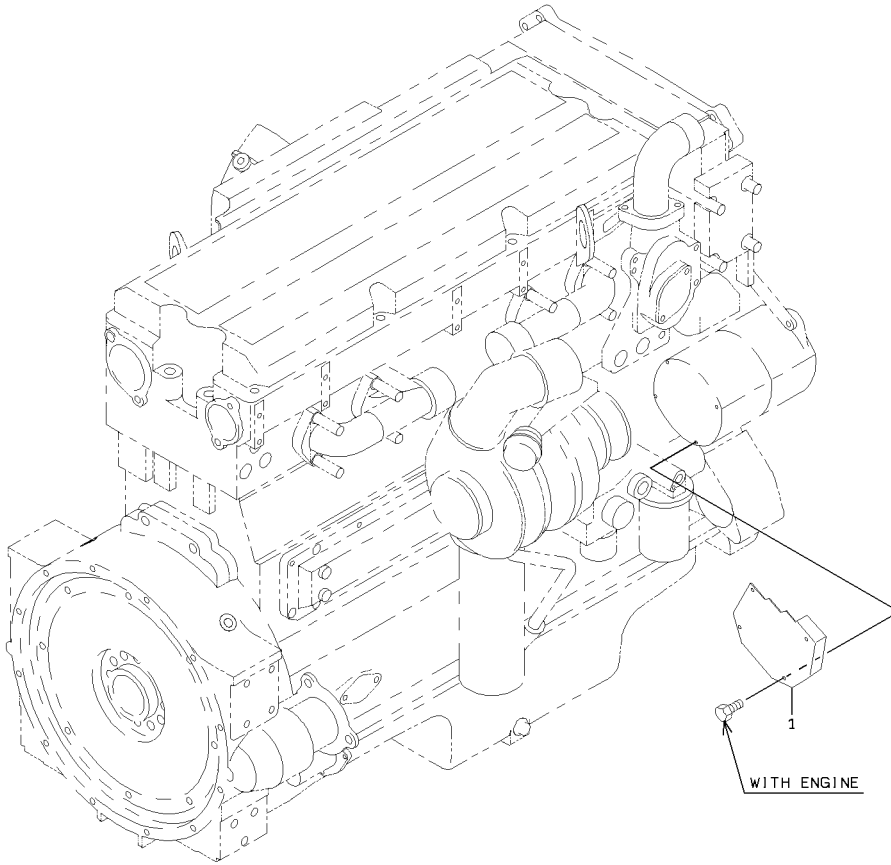
SYM-BOL	PART NUMBER	PART NAME	UNIT Q,TY	SERIAL		REMARKS							
				(A)	(B)	N	P	D	(A)	(B)	(C)	(D)	REMARK
1A	33191-55390	CABLE ASSY	1	101	409								
1B	33194-29170	CABLE ASSY	1	410		B							
2A	33191-55400	CABLE ASSY	1	101	409								
2B	33194-29120	CABLE ASSY	1	410		B							
11A	35020-60070	SWITCH ASSY	1	101					Y01				
12A	32923-70090	CLAMP,HOSE	2	101									
21A	33100-70300	CASE	1	101					01				
22A	43550-70160	HOLDER	1	101					01				
23A	35104-70030	SCREW,SET	1	101					01				
24A	33191-70260	CABLE ASSY	1	101					01				
25A	62256-51420	SCREW	4	101					01				
26A	38670-70250	BAND	1	101					01				
27A	35046-70080	SWITCH,PUSH	1	101					01				
28A	40790-70180	BOOT	1	101					01				

MEMO

COVER MOUNT - TERMINAL



COVER MOUNT - ALTERNATOR



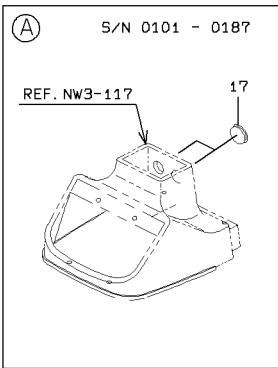
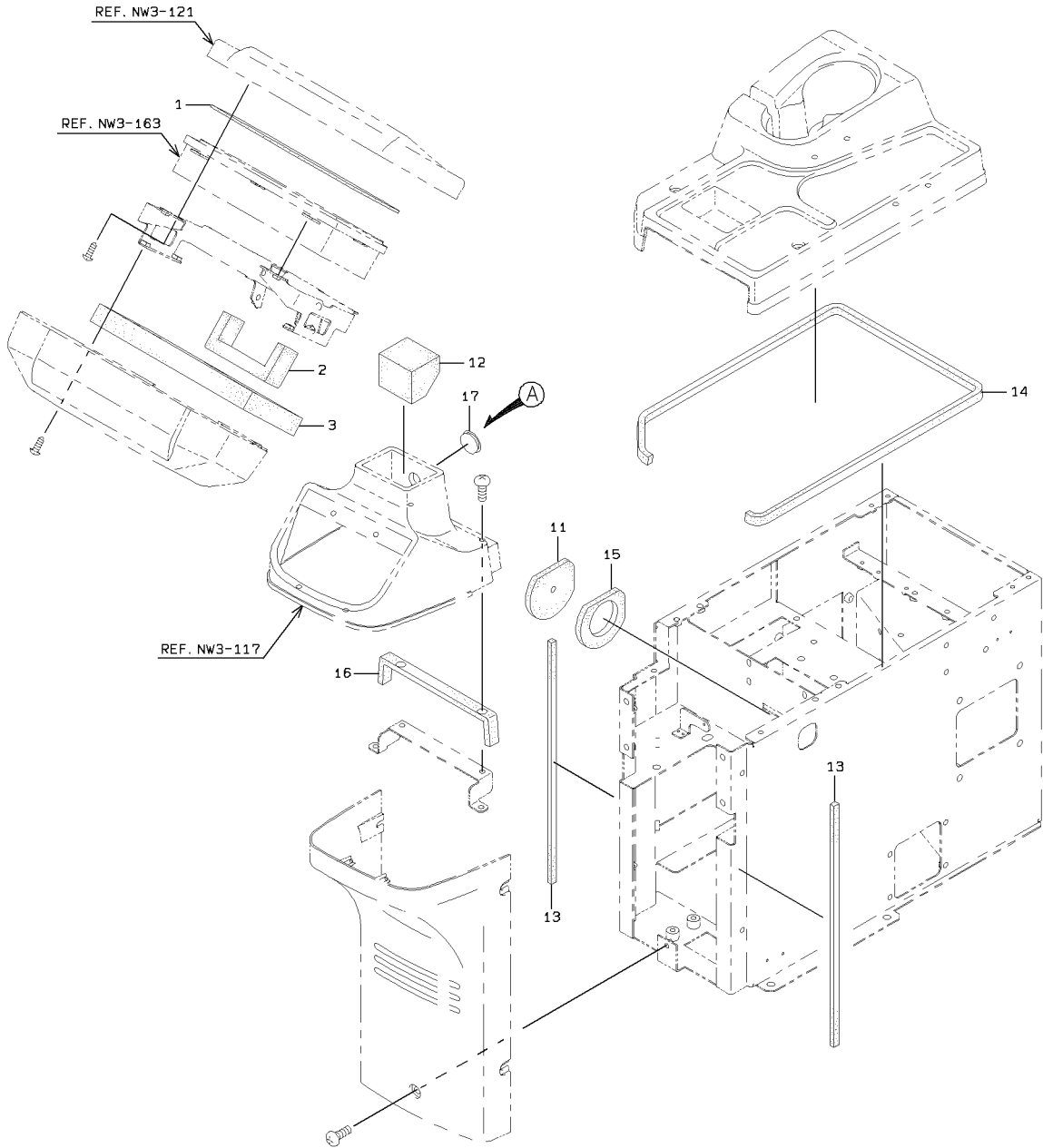
1-A

COVER MOUNT - ALTERNATOR

SYM-BOL	PART NUMBER	PART NAME	UNIT Q, TY	SERIAL (A) - (B)	REMARKS				REMARK
					N	P	D		
1A	41619-41950	PLATE	1	101 -					

SPONGE MOUNT (PROTECTION AGAINST DUST SPEC.)

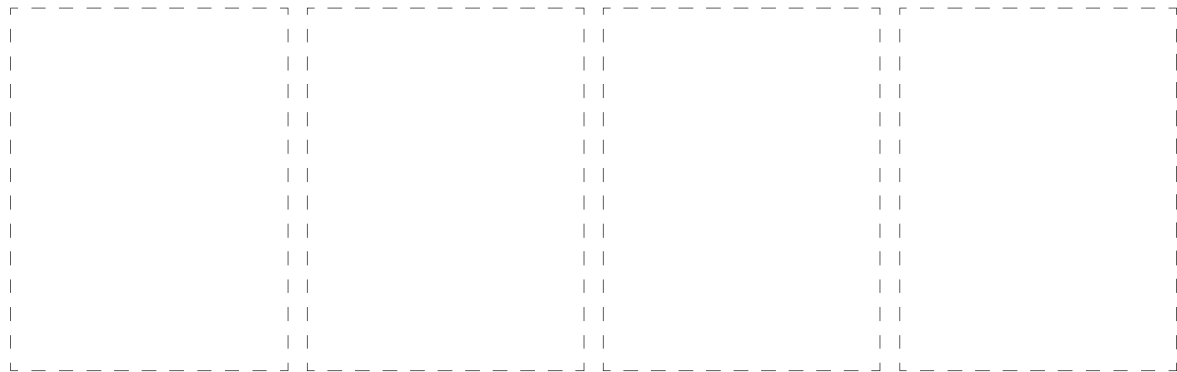
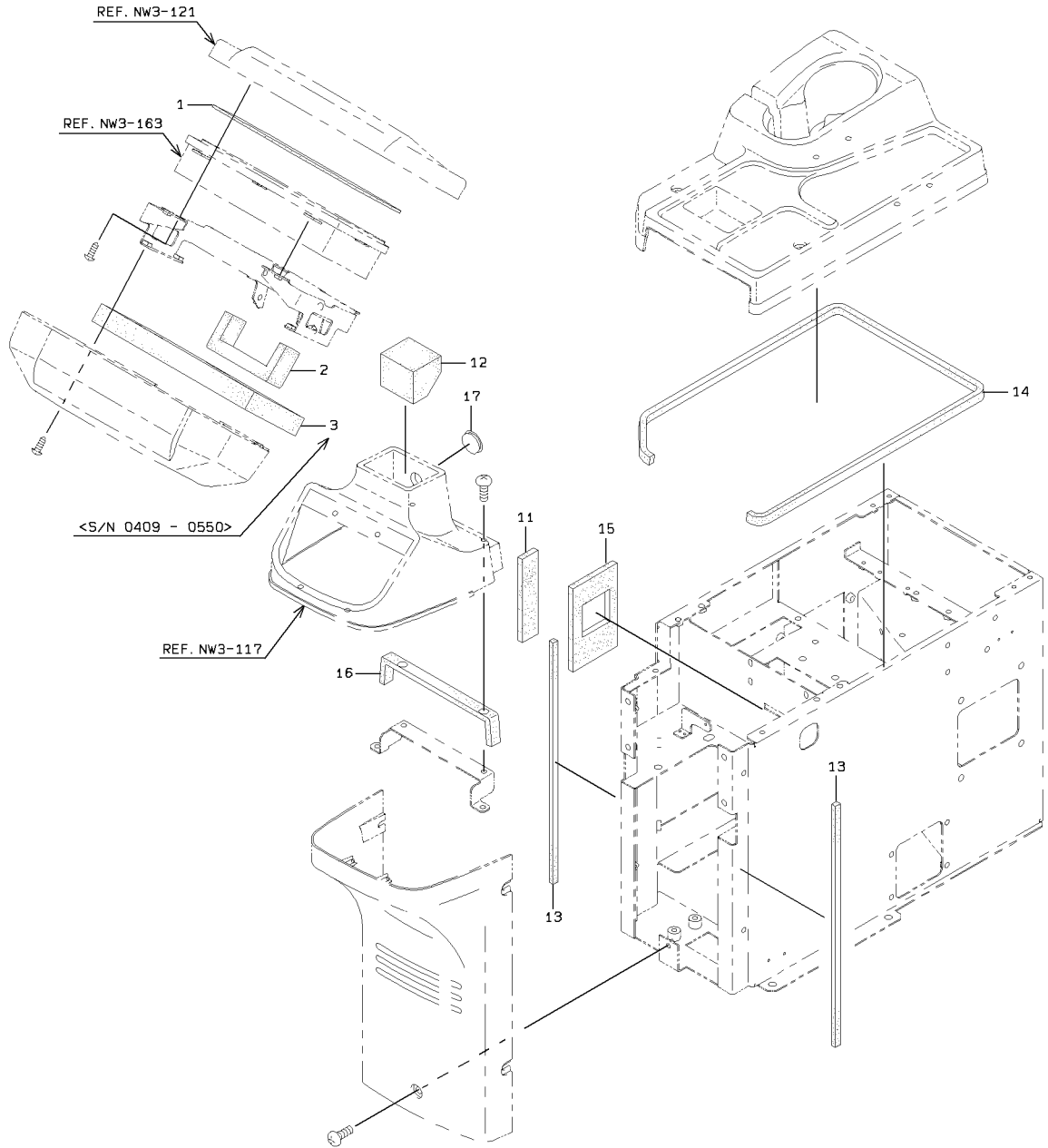
<S/N 0101 - 0450>



1-A

SPONGE MOUNT (PROTECTION AGAINST DUST SPEC.)

<S/N 0451 - >



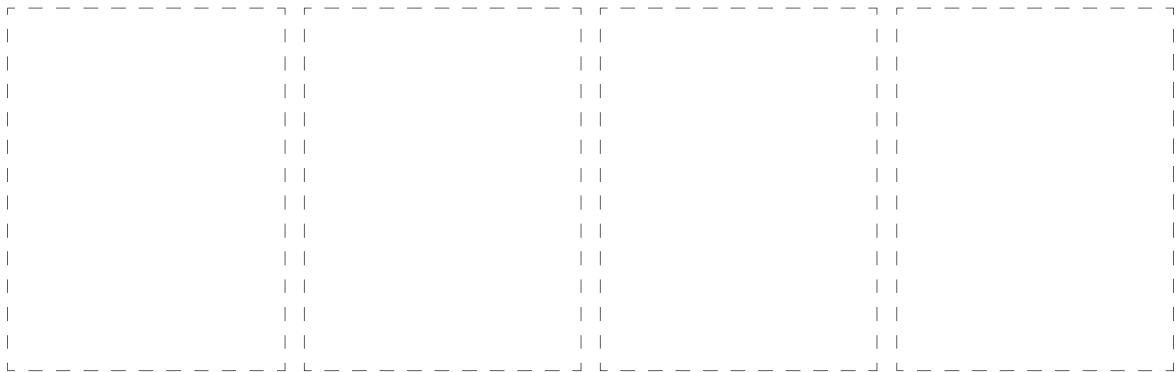
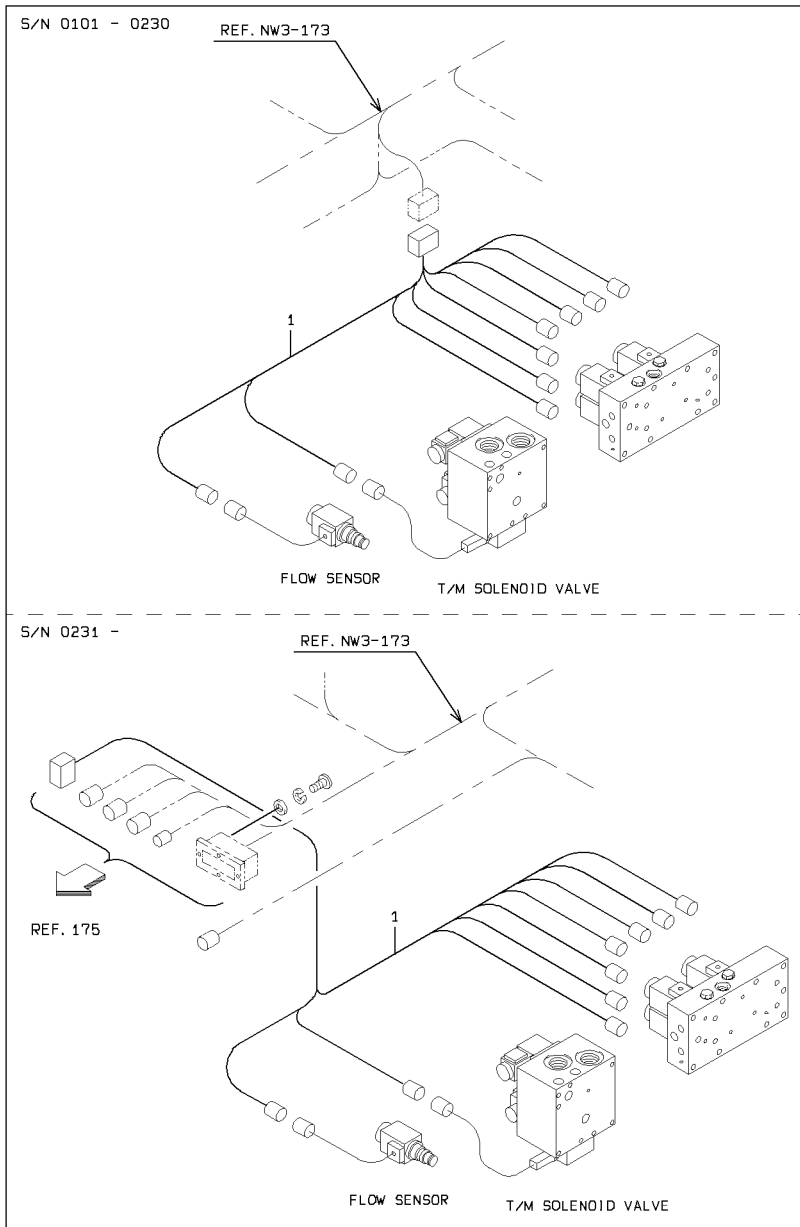
2-A

SPONGE MOUNT (PROTECTION AGAINST DUST SPEC.)

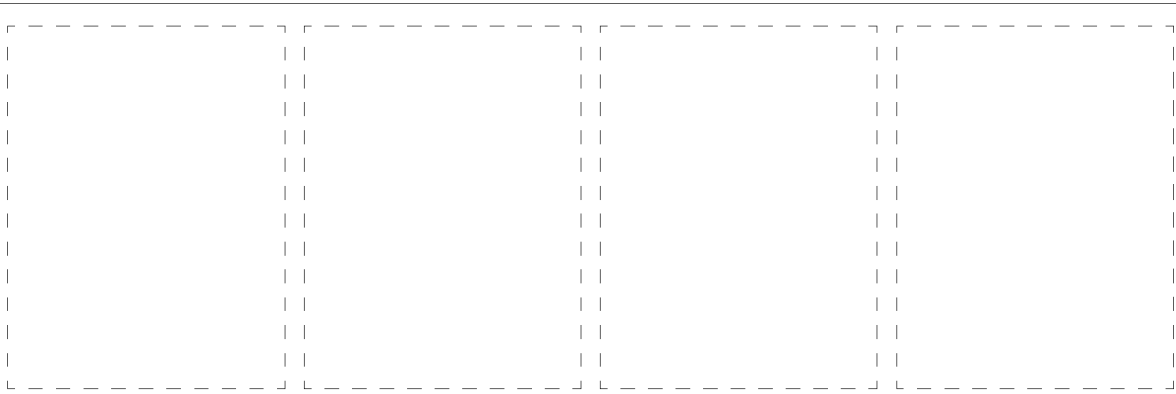
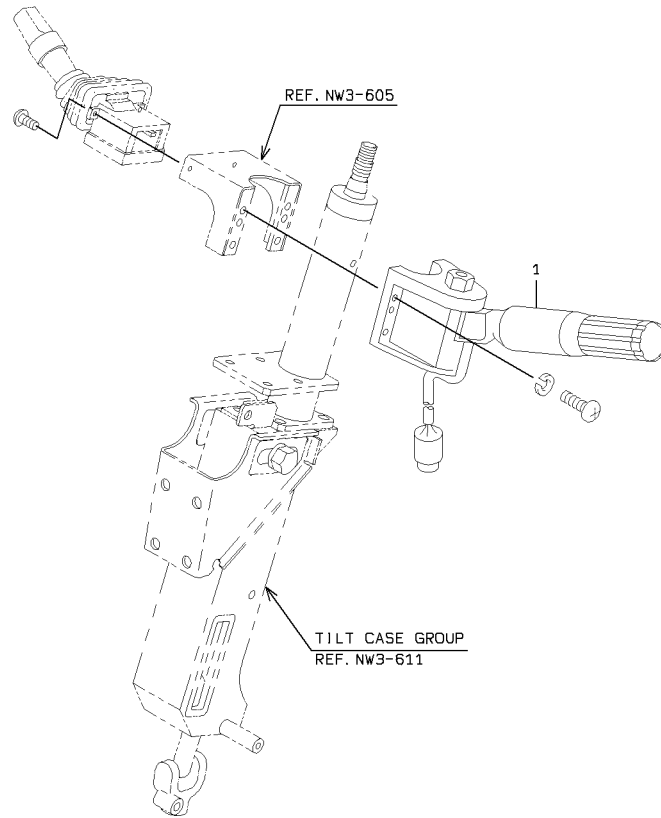
SYM-BOL	PART NUMBER	PART NAME	UNIT Q.TY	SERIAL		REMARKS							
				(A)	(B)	N	P	D	(A)	(B)	(C)	(D)	REMARK
1A	35680-36270	SPONGE	1	101	-								
2A	35680-51070	SPONGE	1	101	-								
3A	35680-36290	SPONGE	1	101	-								
3B	35681-33960	SPONGE	1	409	-								
11A	35680-42470	SPONGE	1	101	-								
11B	35681-28540	SPONGE	1	451	-								
12A	35680-42480	SPONGE	1	101	-								
12B	35681-28560	SPONGE	1	451	-								
13A	35680-54710	SPONGE	1	101	-								
14A	35680-54690	SPONGE	1	101	-								
15A	35680-42510	SPONGE	1	101	-								
15B	35681-28550	SPONGE	1	451	-								
16A	35680-54700	SPONGE	1	101	-								
17A	41530-74140	PLUG	2	101	-								
17B	41530-74140	PLUG	1	188	-								

MEMO

CABLE MOUNT (PROTECTION AGAINST DUST SPEC.)



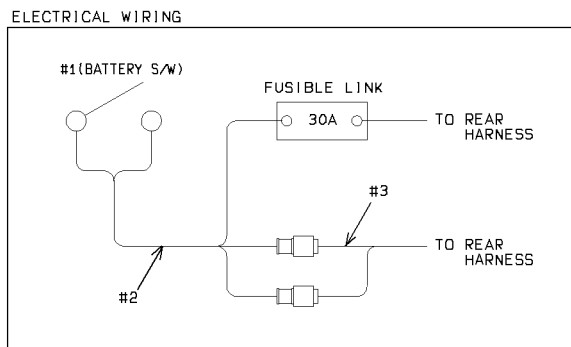
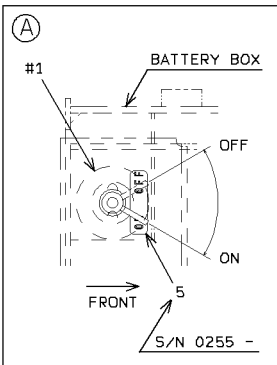
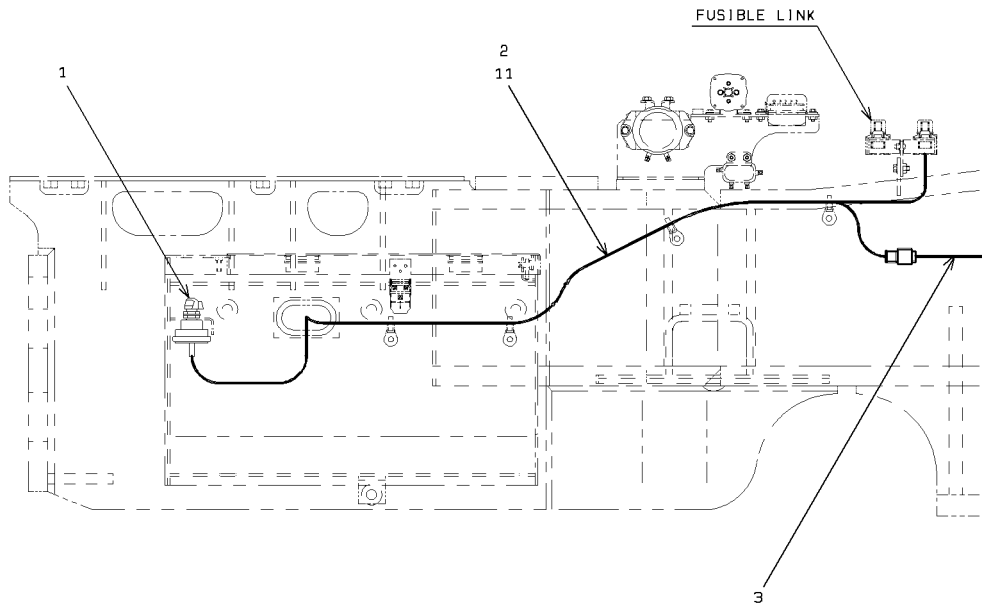
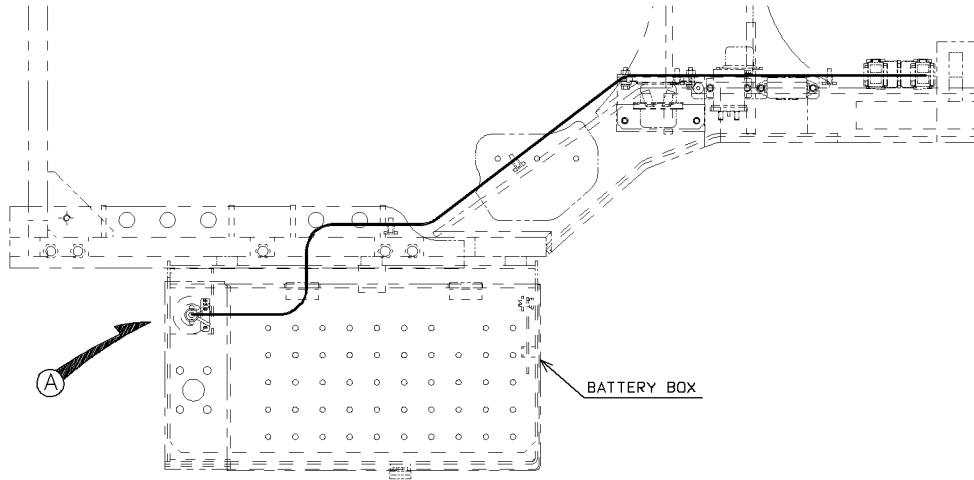
SHIFT LEVER (PROTECTION AGAINST DUST SPEC.)



1-A

SWITCH MOUNT (BATTERY ON/OFF)

(NOTE): THIS ILLUSTRATION SHOWS 'RIGHT HAND'

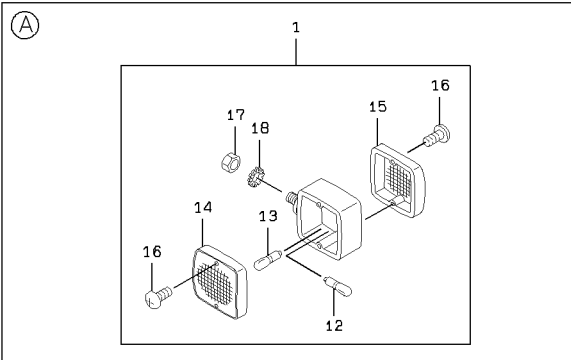
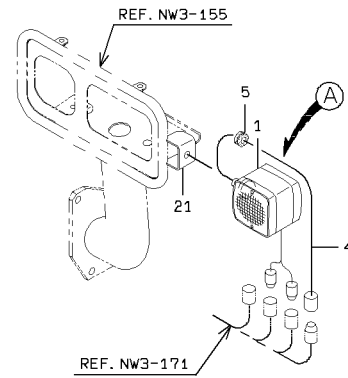
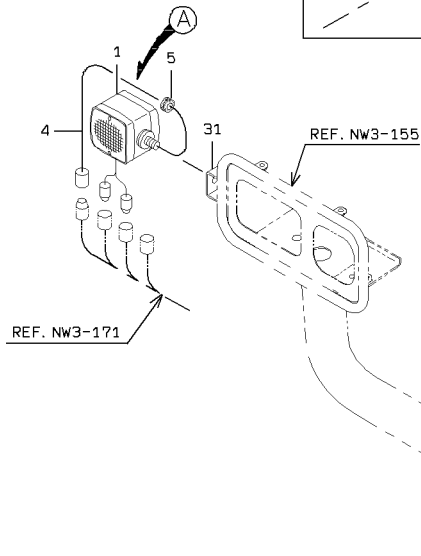
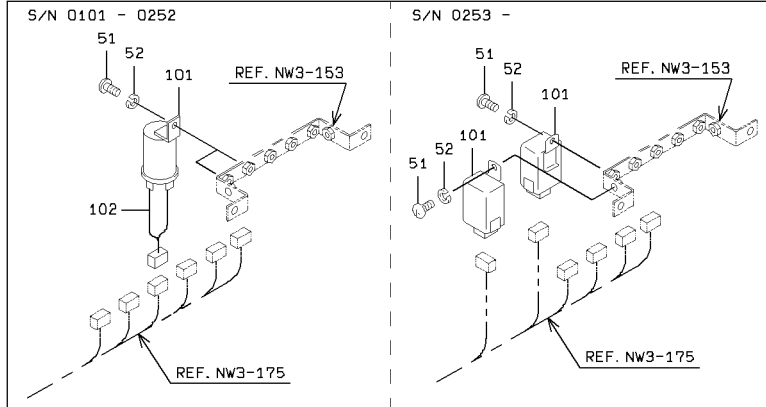


SWITCH MOUNT (BATTERY ON/OFF)

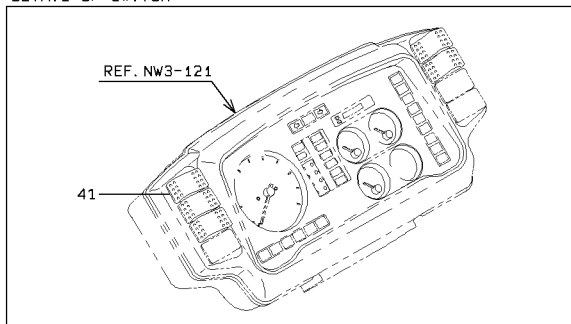
SYM-BOL	PART NUMBER	PART NAME	UNIT Q, TY	SERIAL		REMARKS							
				(A)	(B)	N	P	D	(A)	(B)	(C)	(D)	REMARK
1A	35043-60010	SWITCH,BATTERY	1	101	-								
2A	33193-43450	CABLE ASSY	1	101	-								BATTERY ON/OFF
3A	03501-66400	CABLE ASSY	1	101	-								
3B	33193-46960	CABLE ASSY	1	255	-								REAR CHASSIS(R
3C	33193-49720	CABLE ASSY	1	272	-								REAR CHASSIS(R
3D	33193-51840	CABLE ASSY	1	291	-								REAR CHASSIS(R
5A	44770-51330	LABEL	1	255	-								
11A	32215-70080	CAP,TERMINAL	2	101	-								

4 WAY FLASHER

DETAIL OF FLASHER UNIT

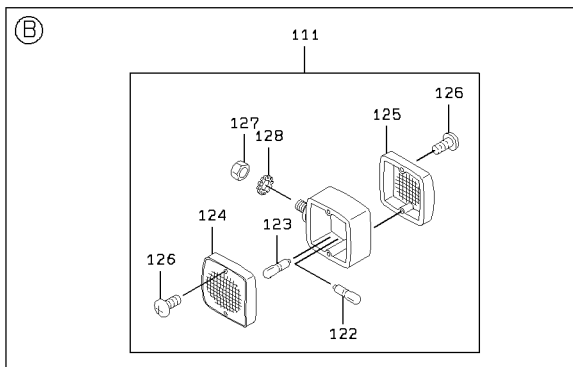
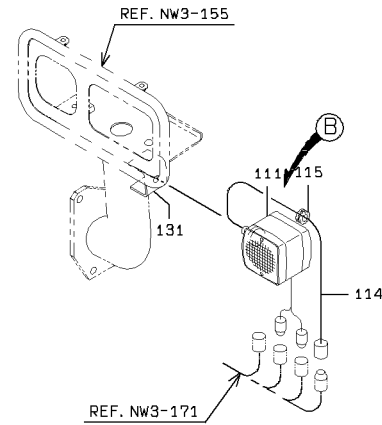
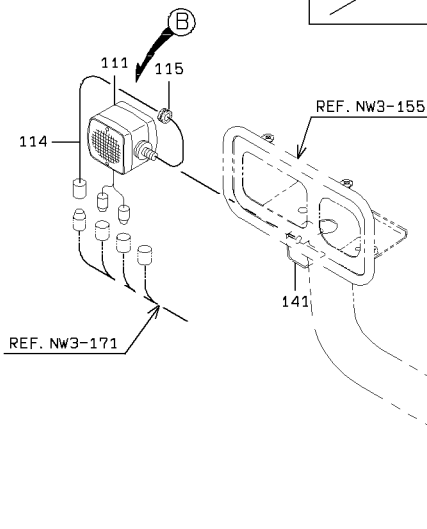
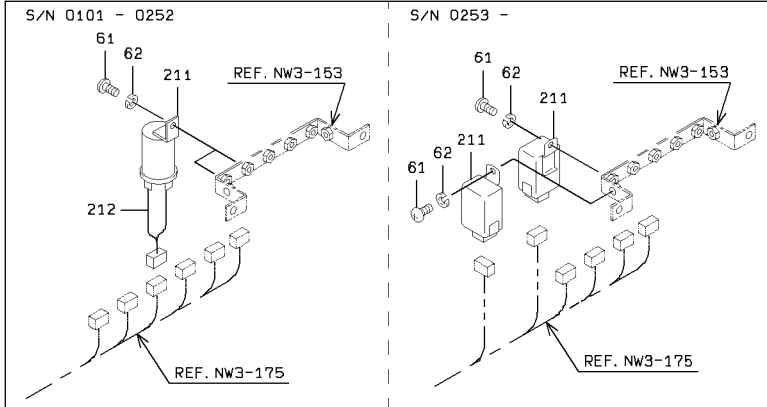


DETAIL OF SWITCH

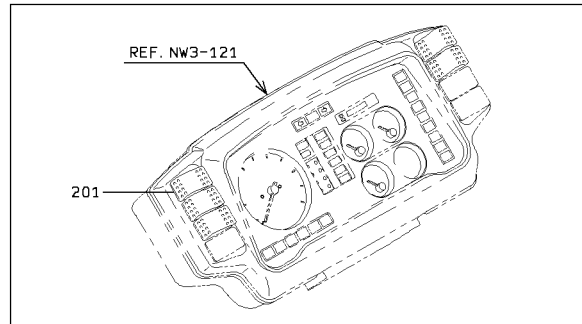


4 WAY FLASHER

DETAIL OF FLASHER UNIT



DETAIL OF SWITCH

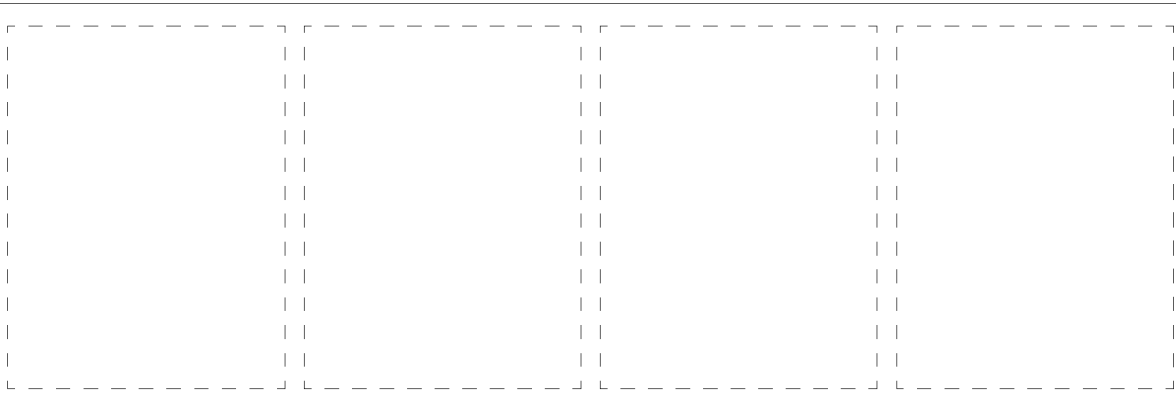
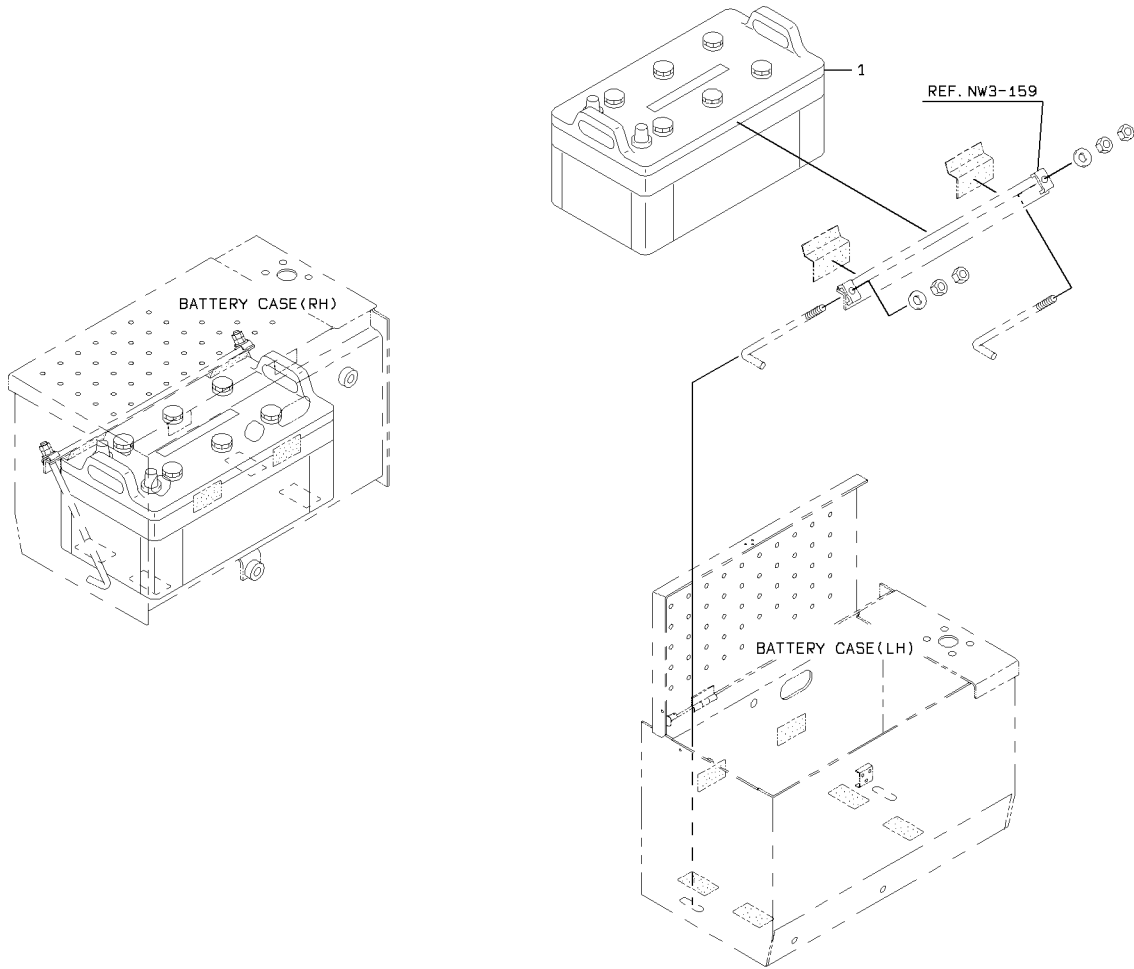


4 WAY FLASHER

SYM-BOL	PART NUMBER	PART NAME	UNIT Q,TY	SERIAL		REMARKS													
				(A)	(B)	N	P	D	(A)	(B)	(C)	(D)	REMARK						
1A	44881-60320	LAMP,COMBINATION	2	101	300														
1B	44881-60330	LAMP,COMBINATION	2	301															
4A	33190-35750	CABLE	2	101															F.COMBINATION-
5A	65801-10032	BUSHING,ELASTIC	2	101															
12A	38480-70930	BULB	1	101															24V25W
13A	38480-70940	BULB	1	101															24V5W
14A	45701-70030	LENS	1	101	300														
14B	45701-71030	LENS	1	301															
15A	45701-70040	LENS	1	101	300														
15B	45701-71040	LENS	1	301															
16A	35100-20030	SCREW	4	101															
17A	62403-81122	NUT	1	101															
18A	62761-27121	WASHER,TOOTH	1	101															
21A	41618-25840	PLATE	1	101	267														
21B	41710-54100	PLATE	1	268															
31A	41618-25840	PLATE	1	101	267														
31B	41710-54100	PLATE	1	268															
41A	35010-60260	SWITCH	1	101															
51A	62256-51610	SCREW	2	101															
52A	62721-06100	WASHER,SPRING	2	101															
61A	62256-51610	SCREW	2	101															
62A	62721-06100	WASHER,SPRING	2	101															
101A	40495-70010	FLASHER UNIT	2	101	252														
101B	40495-60020	FLASHER UNIT	2	253															
102A	33191-44210	CABLE ASSY	2	101	252														
111A	44881-60320	LAMP,COMBINATION	2	101	300														
111B	44881-60330	LAMP,COMBINATION	2	301															
114A	33190-35750	CABLE	2	101															
115A	65801-10032	BUSHING,ELASTIC	2	101	413														
115B	65801-10060	BUSHING,ELASTIC	2	414															
122A	38480-70930	BULB	1	101															
123A	38480-70940	BULB	1	101															
124A	45701-70030	LENS	1	101	300														
124B	45701-71030	LENS	1	301															
125A	45701-70040	LENS	1	101	300														
125B	45701-71040	LENS	1	301															
126A	35100-20030	SCREW	4	101															
127A	62403-81122	NUT	1	101															
128A	62761-27121	WASHER,TOOTH	1	101															
131A	41619-29270	PLATE	1	101	254														
131B	41619-29930	PLATE	1	255															
141A	41619-29270	PLATE	1	101	254														
141B	41619-29930	PLATE	1	255															
201A	35010-60260	SWITCH	1	101															
211A	40495-70010	FLASHER UNIT	2	101	252														
211B	40495-60020	FLASHER UNIT	2	253															
212A	33191-44210	CABLE ASSY	2	101	252														

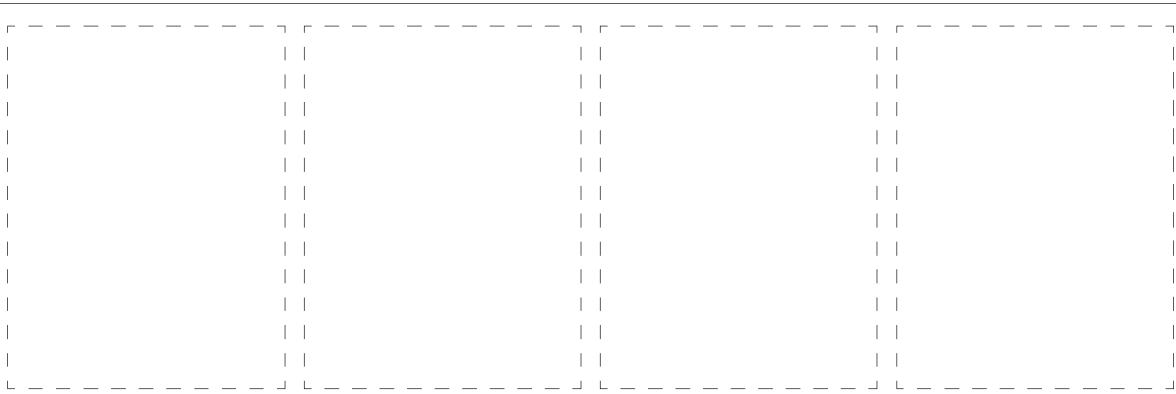
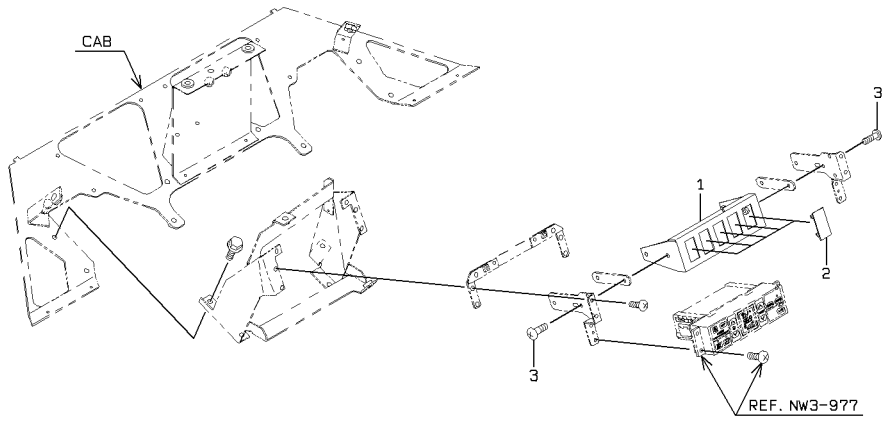
MEMO

BATTERY MOUNT (LARGE CAPACITY)



SWITCH MOUNT (FOR ADD ON SWITCH) (S/N 0188 -)

<S/N 0188 - >

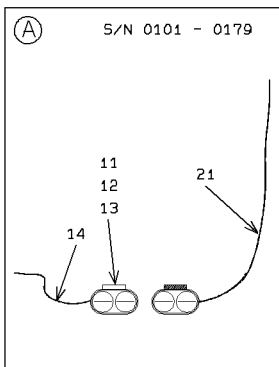
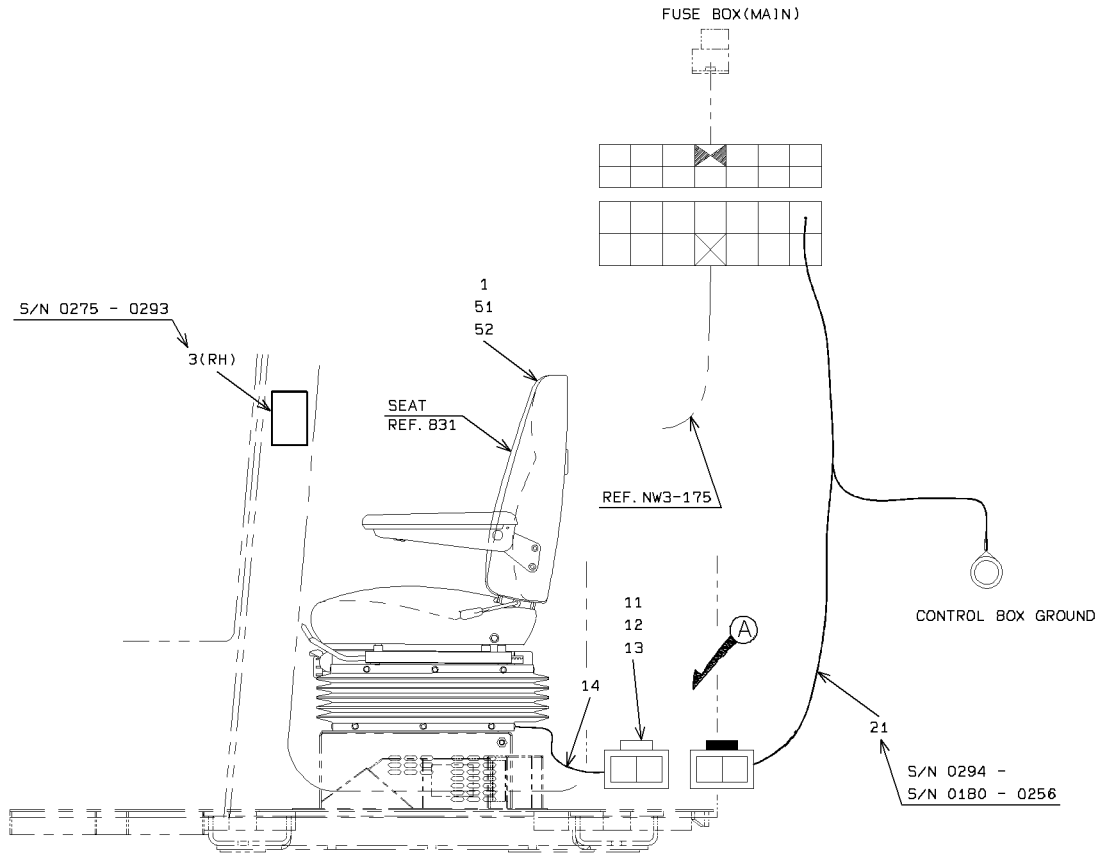


1-A

SWITCH MOUNT (FOR ADD ON SWITCH) (S/N 0188 -)

SYM-BOL	PART NUMBER	PART NAME	UNIT Q,TY	SERIAL (A) - (B)	REMARKS					
					N	P	D	(A)	(B)	(C)
1A	41750-39350	PLATE	1	188 -						
2A	41530-60080	PLUG	5	188 -						
3A	35100-20020	SCREW	4	188 -						

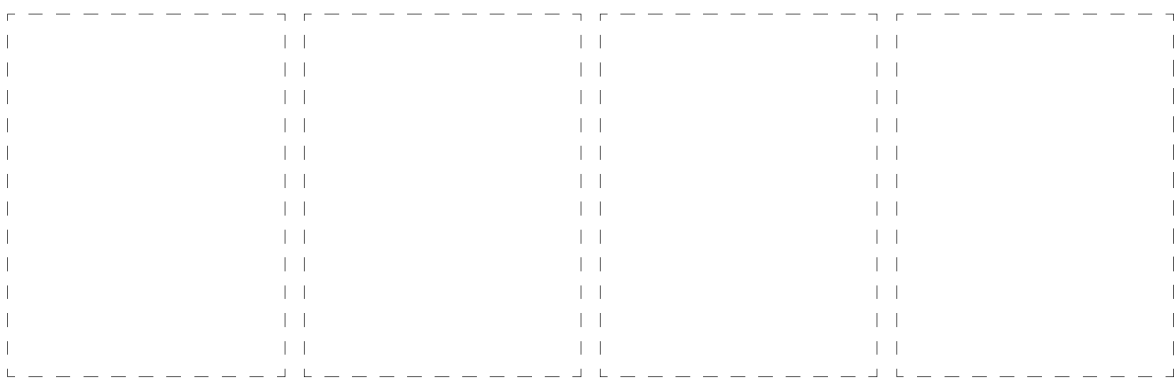
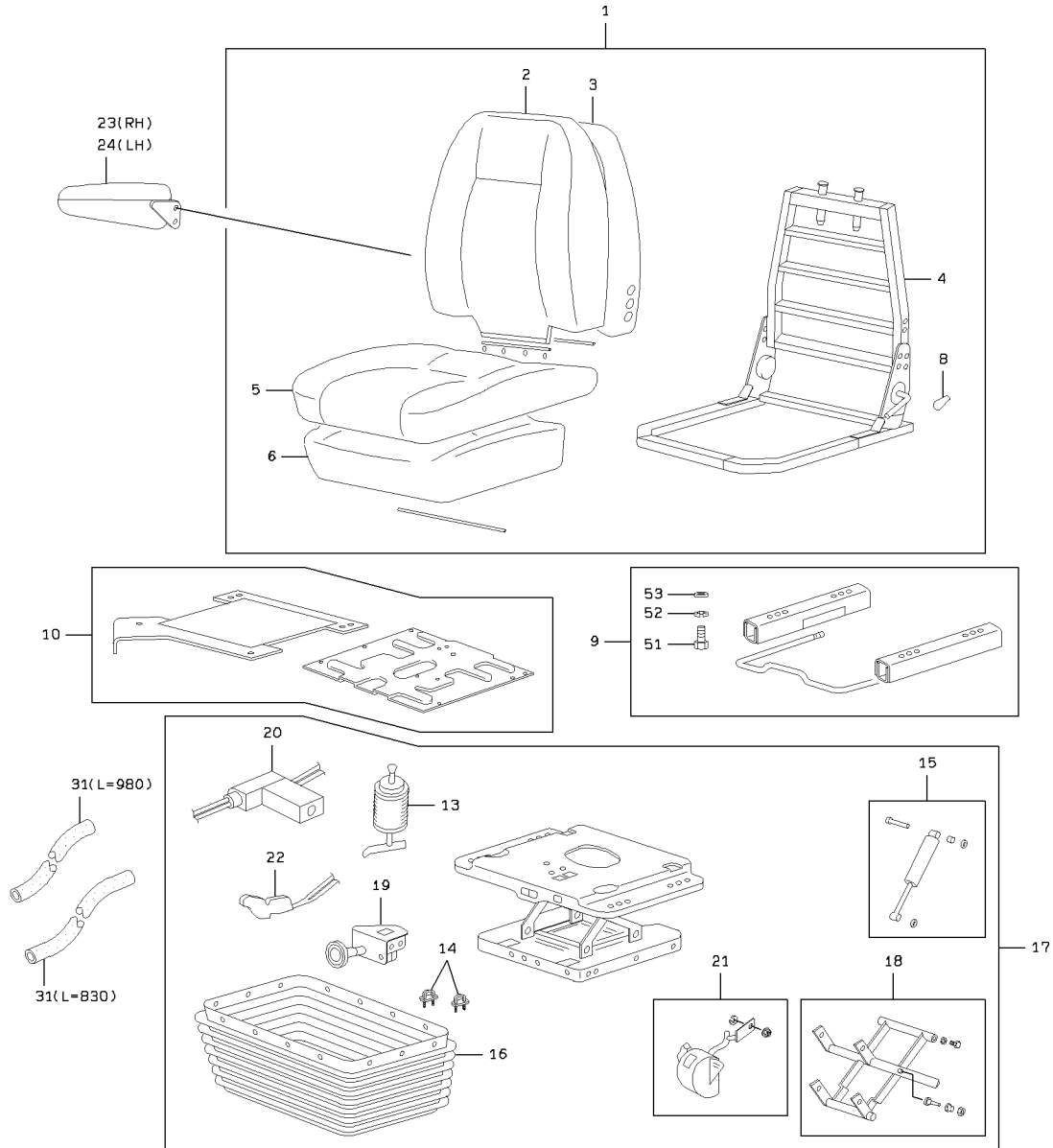
AIR SUSPENSION SEAT GROUP



AIR SUSPENSION SEAT GROUP

SYM-BOL	PART NUMBER	PART NAME	UNIT Q, TY	SERIAL		REMARKS						
				(A)	(B)	N	P	D	(A)	(B)	(C)	(D)
1A	33921-60690	SEAT ASSY	1	101	-							REF.831
3A	44770-55880	LABEL	1	275	-	293	D					
11A	31523-70330	COUPLER,CABLE	1	101	-	179						
11B	31523-70190	COUPLER,CABLE	1	180	-		B					
12A	35930-70440	TERMINAL	2	101	-	179						
12B	35930-70350	TERMINAL	2	180	-		B					
13A	41533-70290	PLUG,ELASTIC	2	101	-	179						
13B	30930-23820	EDGE	2	180	-		B					
14A	36724-70030	TUBE	1	101	-							
21A	33193-33090	CABLE ASSY	1	101	-	179						
21B	33193-35930	CABLE ASSY	1	180	-	256	B	D				
21C	33193-35930	CABLE ASSY	1	294	-							
51A	61802-08016	BOLT,FLANGED	4	101	-							
52A	62480-21081	NUT,FLANGED	4	101	-							

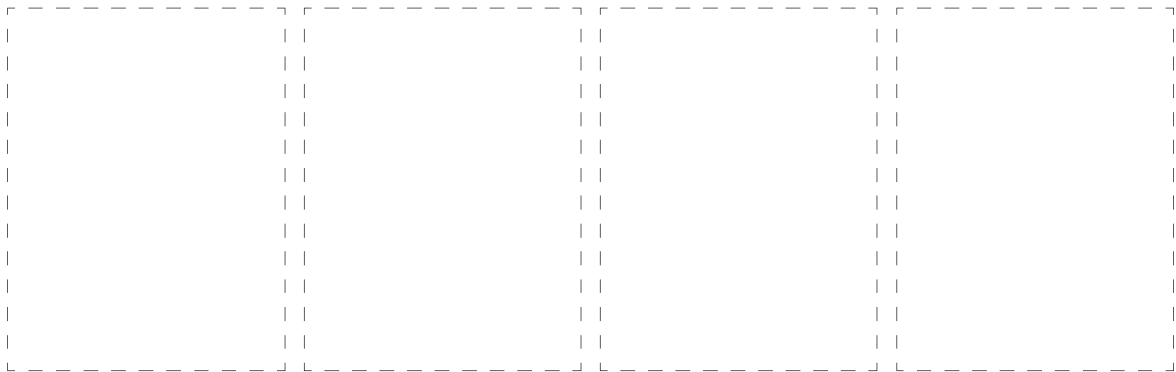
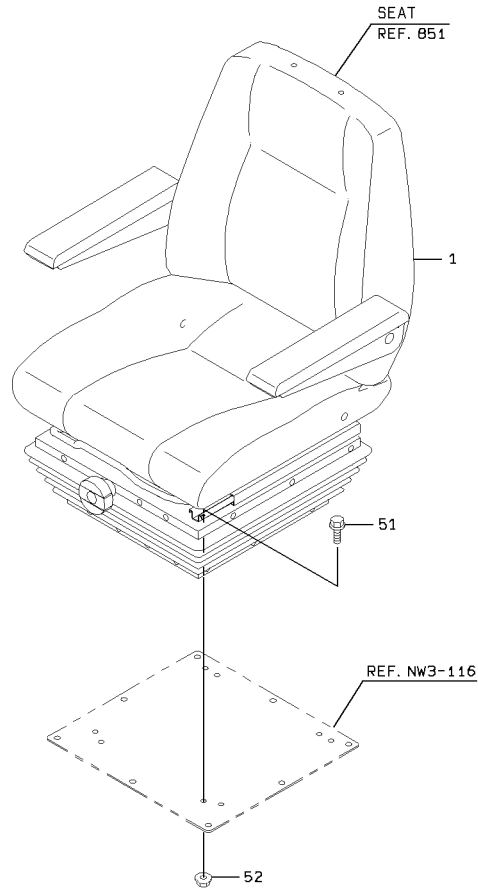
SEAT



SEAT

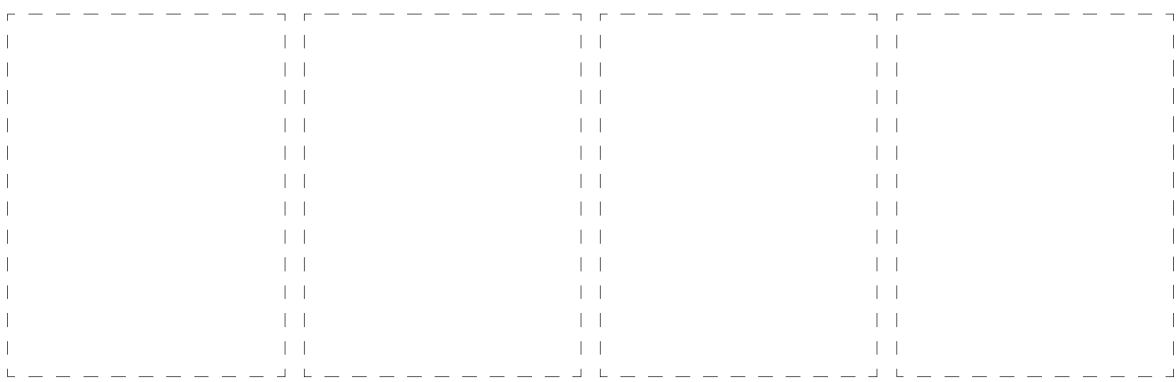
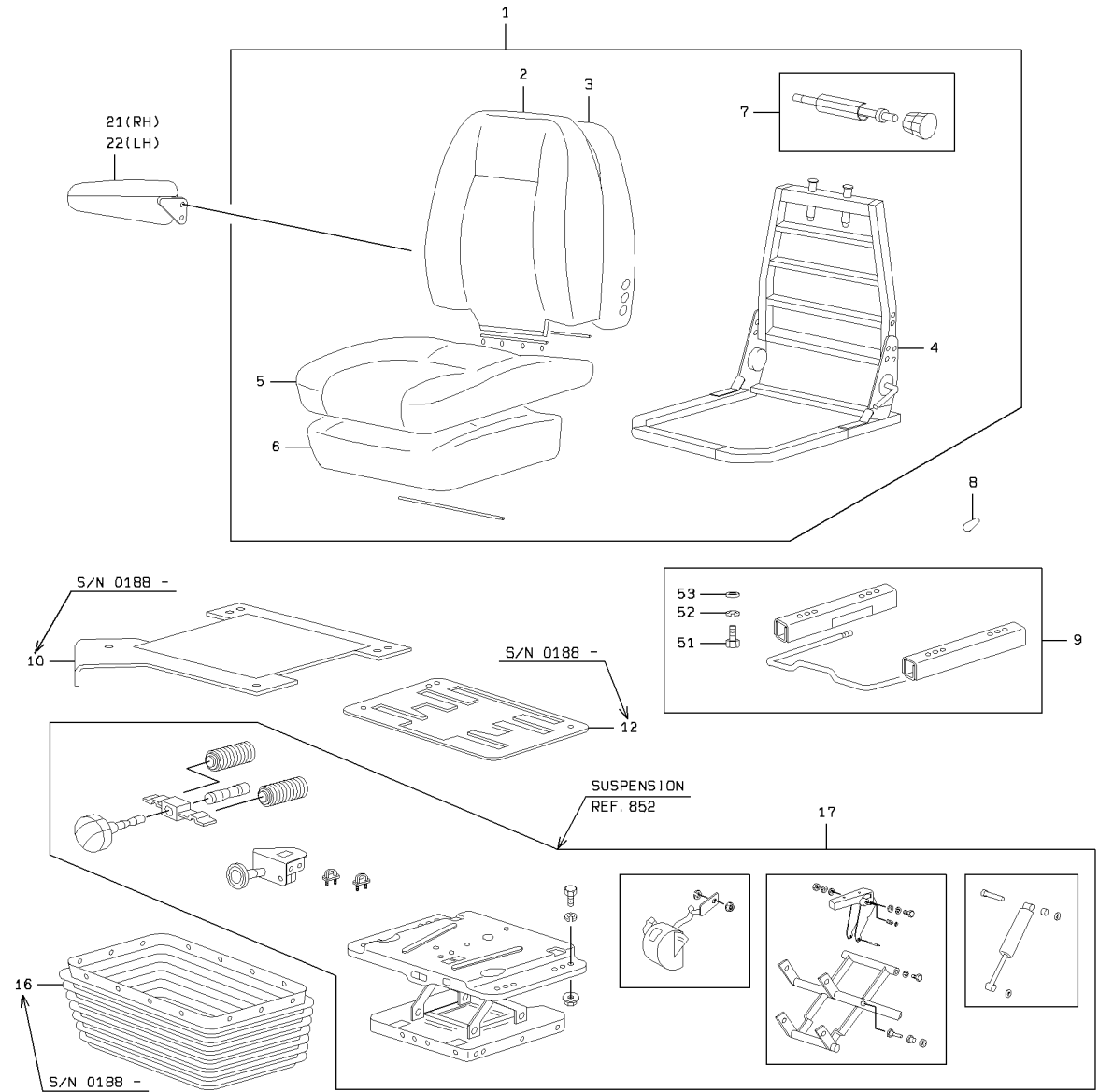
SYM-BOL	PART NUMBER	PART NAME	UNIT Q,TY	SERIAL		REMARKS							
				(A)	(B)	N	P	D	(A)	(B)	(C)	(D)	REMARK
000A	33921-60690	SEAT ASSY	1	101	-								
1A	33921-70260	SEAT ASSY	1	101	-				Y01				
2A	31275-70100	COVER,SEAT	1	101	-				01				
3A	33924-70310	SEAT BACK	1	101	-				01				
4A	40600-71050	FRAME	1	101	-				01				
5A	31275-70040	COVER,SEAT	1	101	-				01				
6A	33923-70330	SEAT CUSHION	1	101	-				01				
8A	37810-70660	KNOB	1	101	-				01				
9A	35720-70010	SLIDE ASSY	1	101	-				Y02				
10A	41650-70300	PLATE ASSY	1	101	-								
13A	49212-70080	SPRING KIT	1	101	-						03		
14A	35430-70010	STOPPER ASSY	1	101	-						03		
15A	36505-70090	DAMPER ASSY	1	101	-						03		
16A	31241-70300	COVER ASSY	1	101	-						03		
17A	33500-70080	SUSPENSION ASSY	1	101	-					Y03			
18A	49612-70050	BEARING KIT	1	101	-						03		
19A	30212-70070	ADJUSTOR ASSY	1	101	-						03		
20A	49160-70030	COMPRESSOR KIT	1	101	-						03		
21A	30641-70010	INJECTOR ASSY	1	101	-						03		
22A	38538-70080	VALVE KIT	1	101	-						03		
23A	30062-70420	ARMREST	1	101	-								FR RH
24A	30062-70430	ARMREST	1	101	-								FR LH
31A	43111-24560	HOSE,AIR	2	101	-								
51A	35100-20900	SCREW	6	101	-					02			
52A	62721-08100	WASHER,SPRING	6	101	-					02			
53A	62710-18081	WASHER,PLANE	6	101	-					02			

SEAT MOUNT



1-A

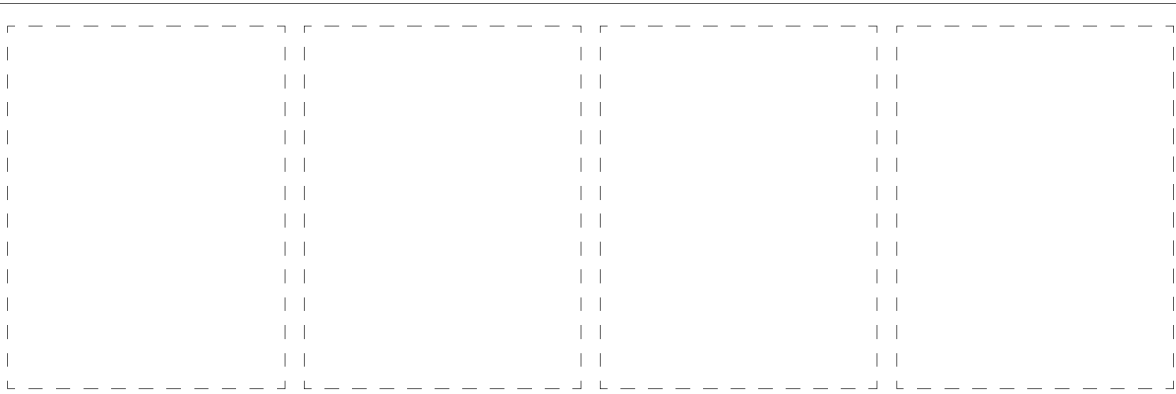
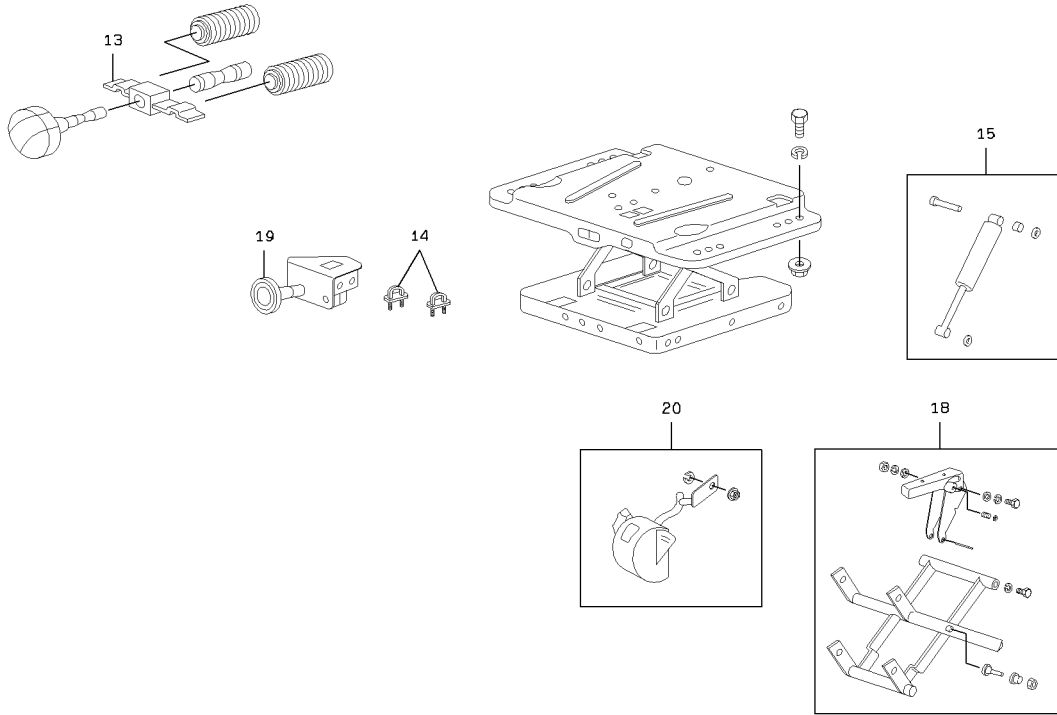
SEAT



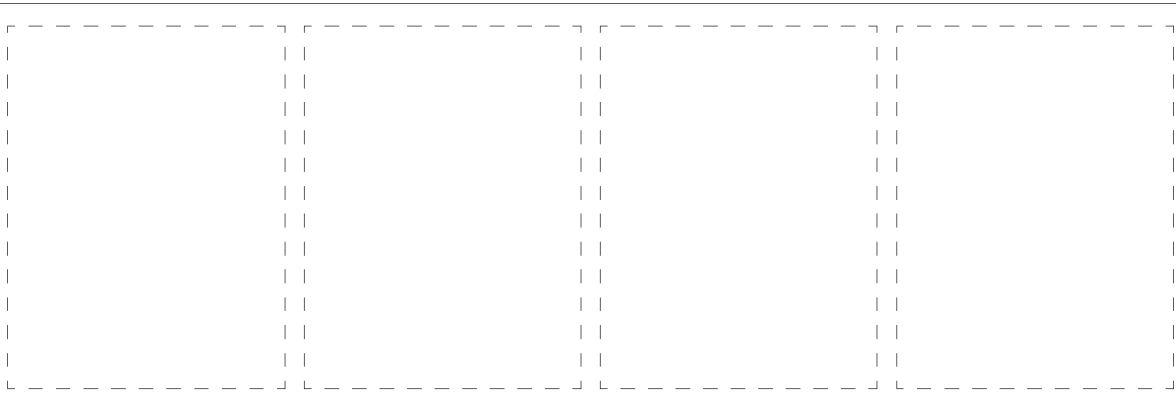
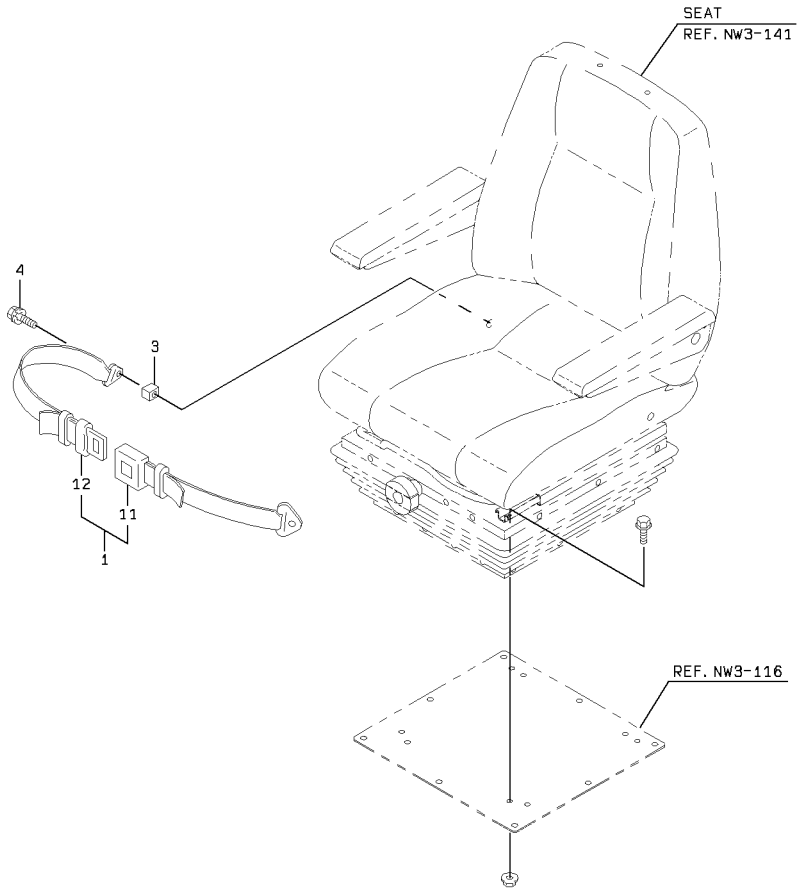
SEAT

SYM-BOL	PART NUMBER	PART NAME	UNIT Q,TY	SERIAL		REMARKS				REMARK	
				(A)	(B)	N	P	D	(A)		(B)
000A	33921-60680	SEAT ASSY	1	101	- 187						INC. SEC.852
000B	33921-60720	SEAT ASSY	1	188	-	B					INC. SEC.852
1A	33921-70240	SEAT ASSY	1	101	- 187			Y01			
1B	33921-70250	SEAT ASSY	1	188	-	B			Y02		
2A	31275-70100	COVER,SEAT	1	101	- 187			01			
2B	31275-70150	COVER,SEAT	1	188	-	B			02		
3A	33924-70100	SEAT BACK	1	101	-			01	02		
4A	40600-70950	FRAME	1	101	-			01	02		
5A	31275-70140	COVER,SEAT	1	101	- 187			01			
5B	31275-70120	COVER,SEAT	1	188	-	B			02		
6A	33923-70330	SEAT CUSHION	1	101	-			01	02		
7A	33610-70310	SUPPORT ASSY	1	101	-			01	02		
8A	37810-70580	KNOB	1	101	-					Y03	
9A	35720-70010	SLIDE ASSY	1	101	-						
10A	41650-70170	PLATE ASSY	1	188	-						
12A	41650-70180	PLATE ASSY	1	188	-						
16A	31241-70230	COVER ASSY	1	188	-						
17A	33500-70060	SUSPENSION ASSY	1	101	-						REF.852
21A	30062-70420	ARMREST	1	101	-						FR RH
22A	30062-70430	ARMREST	1	101	-						FR LH
51A	35100-20900	SCREW	6	101	-					03	
52A	62721-08100	WASHER,SPRING	6	101	-					03	
53A	62710-18081	WASHER,PLANE	6	101	-					03	

SUSPENSION



SEAT BELT

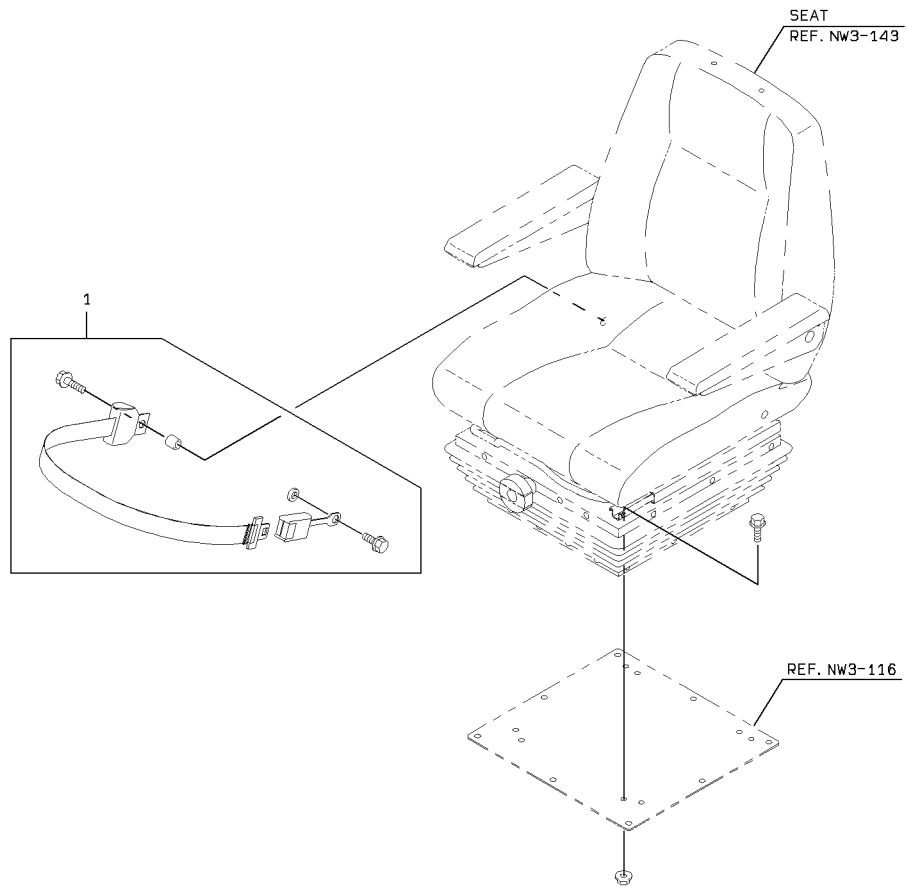


1-A

SEAT BELT

SYM-BOL	PART NUMBER	PART NAME	UNIT Q, TY	SERIAL (A) - (B)	REMARKS					
					N	P	D	(A)	(B)	(C)
1A	43005-60010	BELT,SEAT	1	101 -				Y01		
3A	41603-43670	PLATE	2	101 -						
4A	43932-60020	BOLT,W/WASHER	2	101 -						
11A	43005-70120	BELT,SEAT	1	101 -				01		
12A	43005-70130	BELT,SEAT	1	101 -				01		

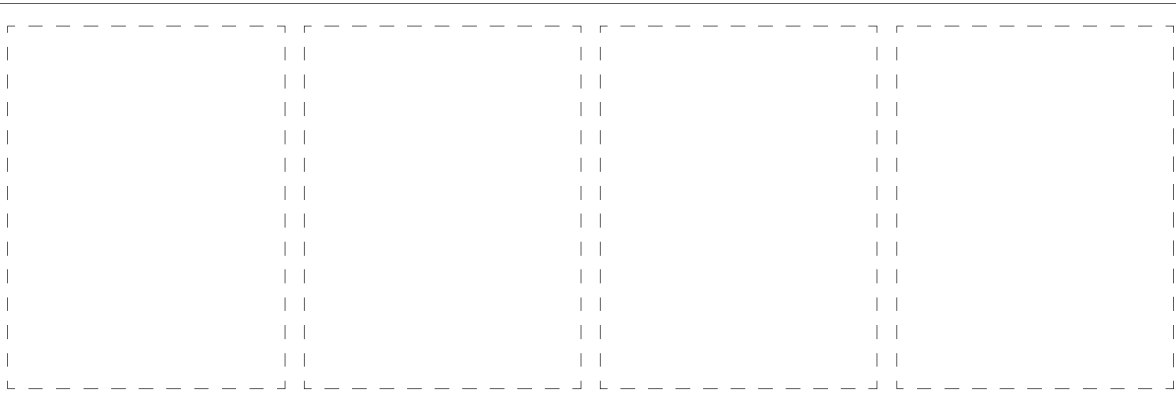
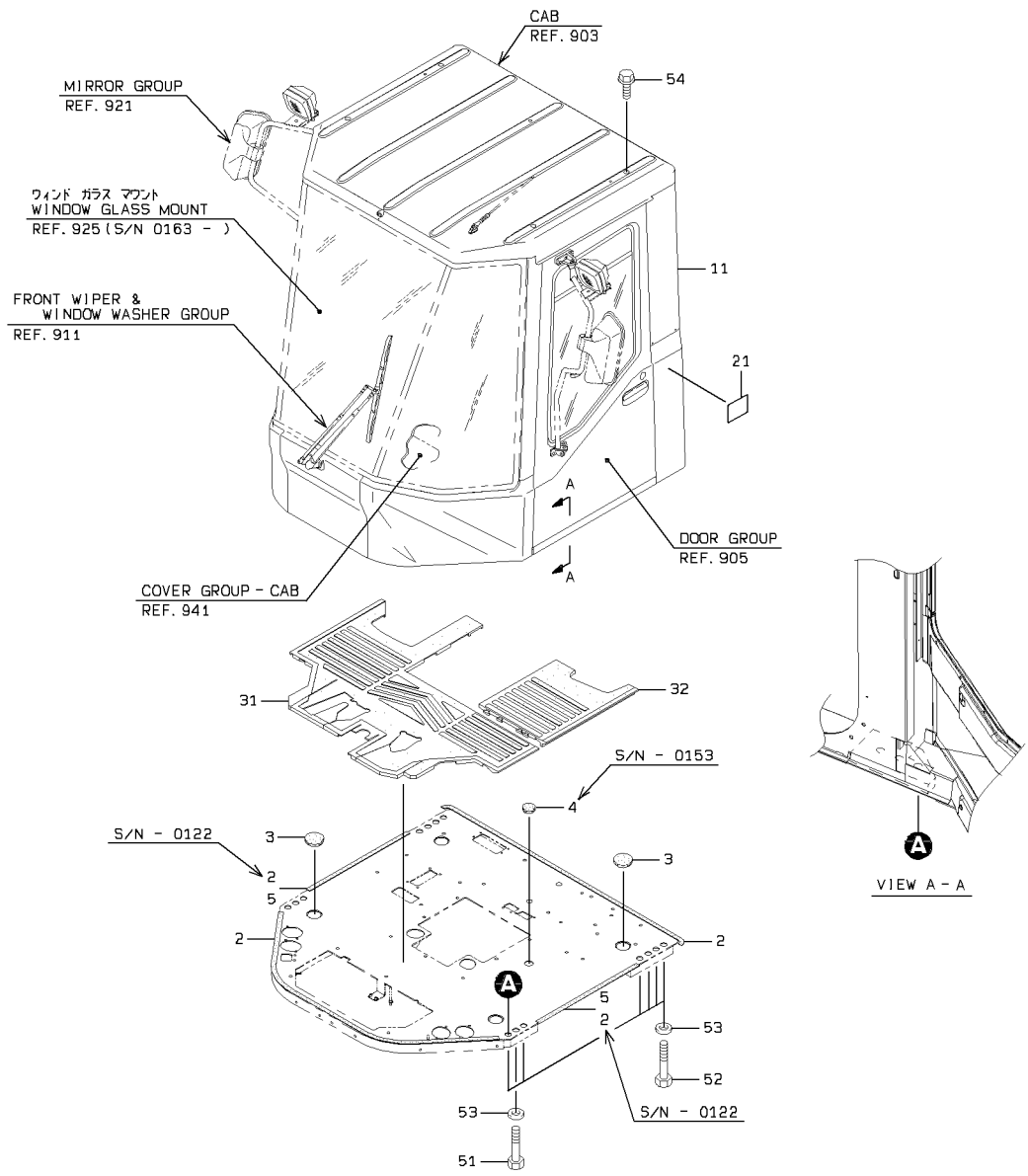
SEAT BELT (ROLL-UP TYPE)



1-A

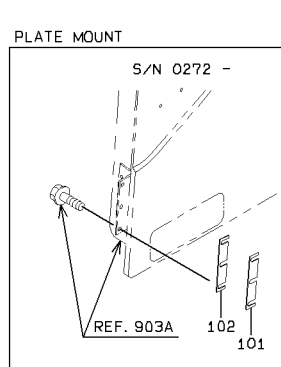
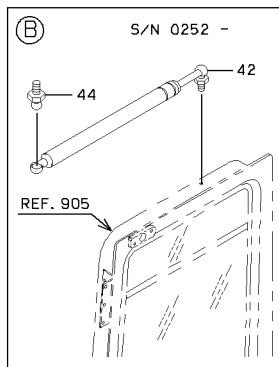
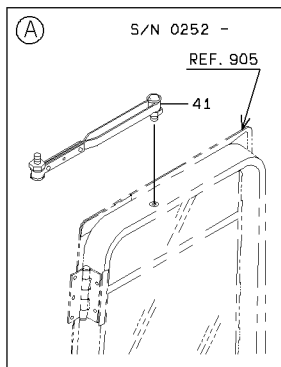
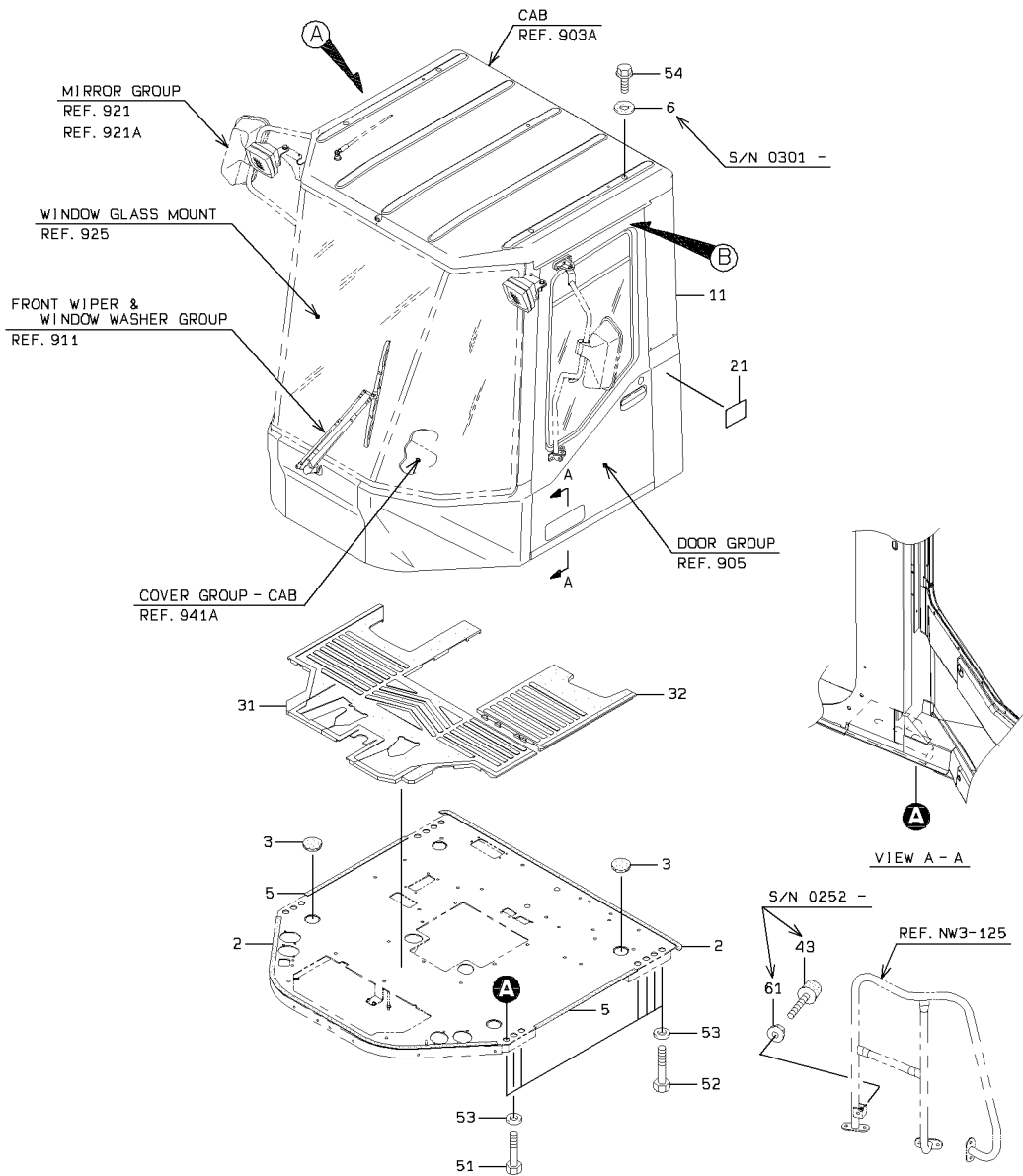
CAB MOUNT

<S/N 0101 - 0187>



CAB MOUNT

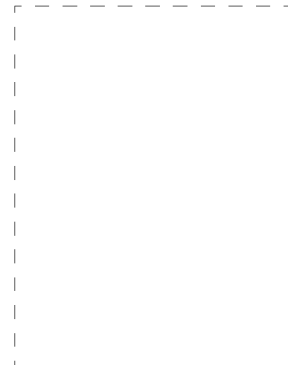
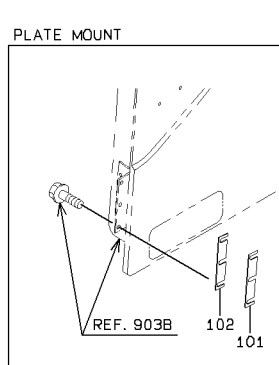
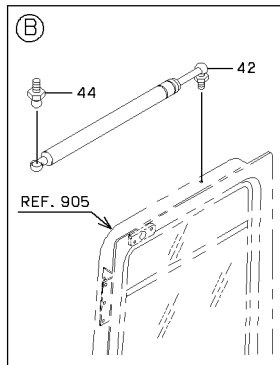
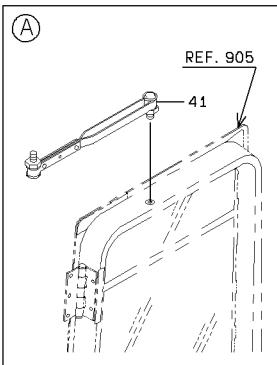
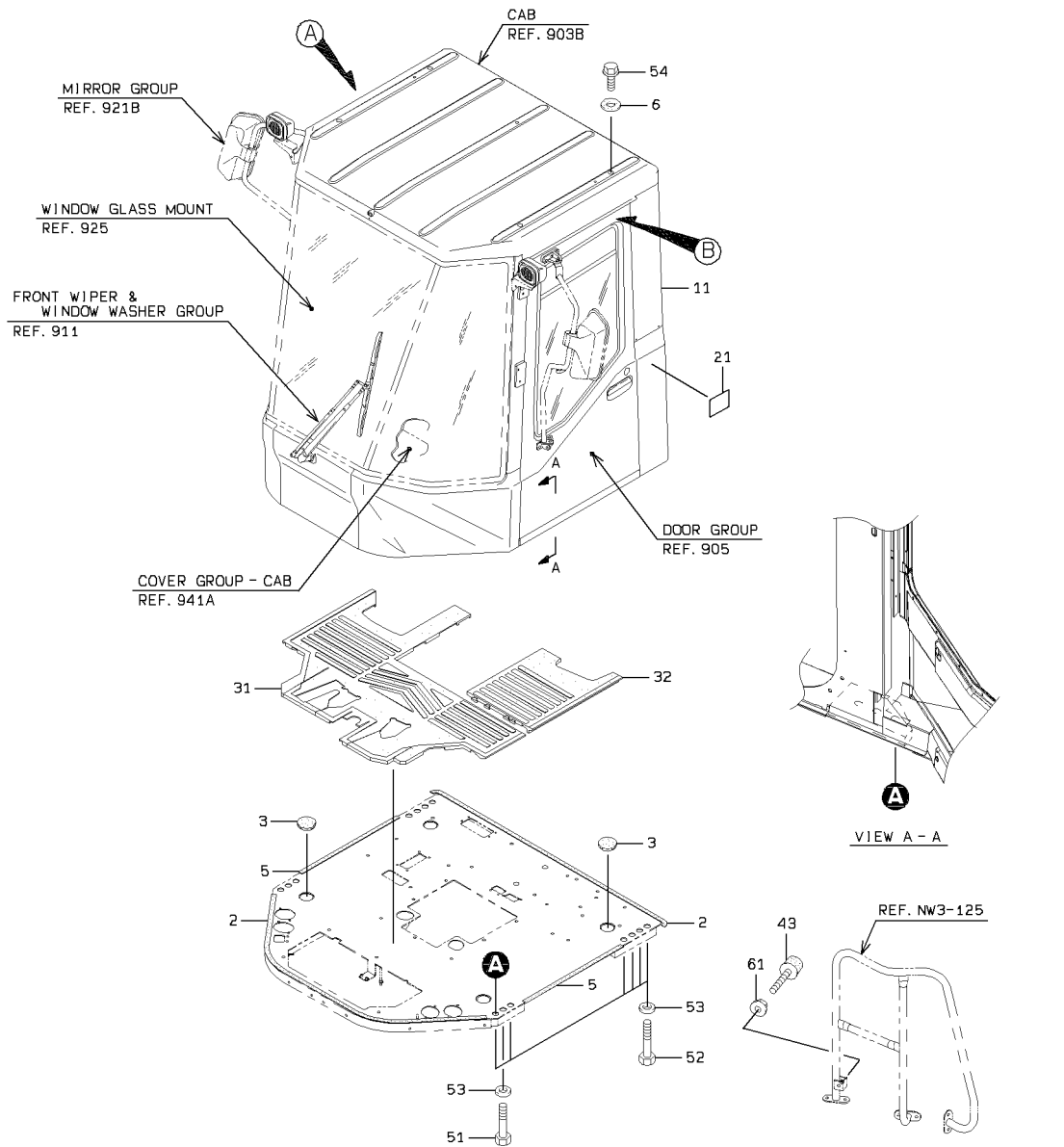
<S/N 0188 - 0386>



2-C

CAB MOUNT

<S/N 0387 - >



3-A

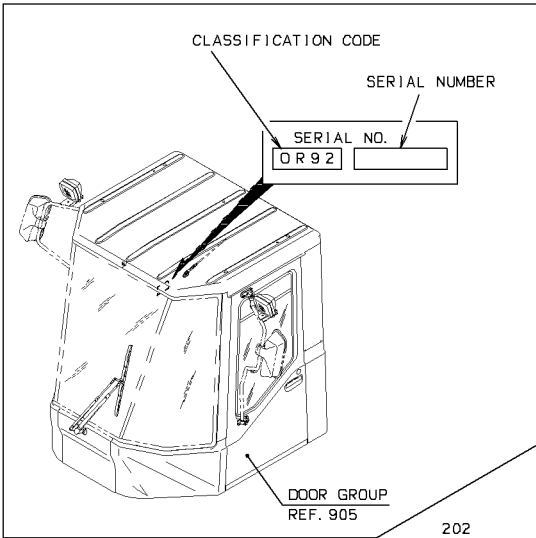
CAB MOUNT

SYM-BOL	PART NUMBER	PART NAME	UNIT Q, TY	SERIAL			REMARKS							
				(A)	-	(B)	N	P	D	(A)	(B)	(C)	(D)	REMARK
2A	31990-71420	GASKET	2	101	-	122								
2B	35680-52840	SPONGE	2	123	-		B							
3A	41533-20160	PLUG,ELASTIC	4	101	-									
4A	41533-20140	PLUG,ELASTIC	1	101	-	153	D							
5A	35680-51700	SPONGE	2	123	-									
6A	88111-11600	WASHER,SEAL	4	301	-									
11A	32266-20250	CAB ASSY,ROPS	1	101	-	187								REF.903-911,91
11B	32266-20410	CAB ASSY,ROPS	1	188	-	251	B							REF.903A-911,9
11C	32266-20540	CAB ASSY,ROPS	1	252	-	386	B							REF.903A-911,9
11D	32266-20820	CAB ASSY,ROPS	1	387	-		B							REF.903B-911,9
21A	44783-21280	LABEL,SPECIFICATIO	1	101	-									
31A	44184-23540	MAT,FLOOR	1	101	-									
32A	44184-23560	MAT,FLOOR	1	101	-									
41A	30021-20890	ARM ASSY	1	252	-									FR RH
42A	35617-60120	SPRING,GAS	1	252	-	320								FR LH
42B	35617-60140	SPRING,GAS	1	321	-		C							FR LH
43A	35440-21810	STOPPER	1	252	-									
44A	43900-25010	BOLT	1	252	-									FR LH
51A	61005-24070	BOLT	2	101	-									
52A	61005-24080	BOLT	12	101	-									
53A	62710-18241	WASHER,PLANE	14	101	-									
54A	61802-16018	BOLT,FLANGED	4	101	-									
61A	62480-21101	NUT,FLANGED	1	252	-									
101A	41710-57760	PLATE	A/R	272	-									T=1
102A	41710-57770	PLATE	A/R	272	-									T=2

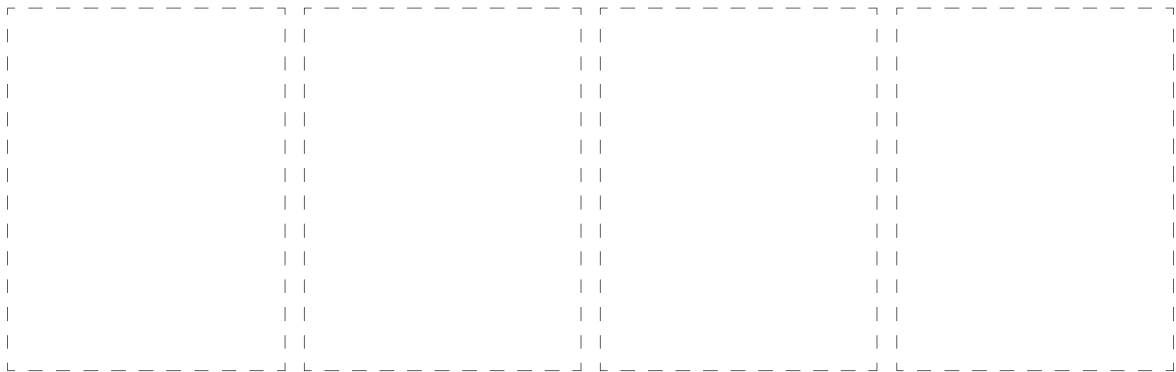
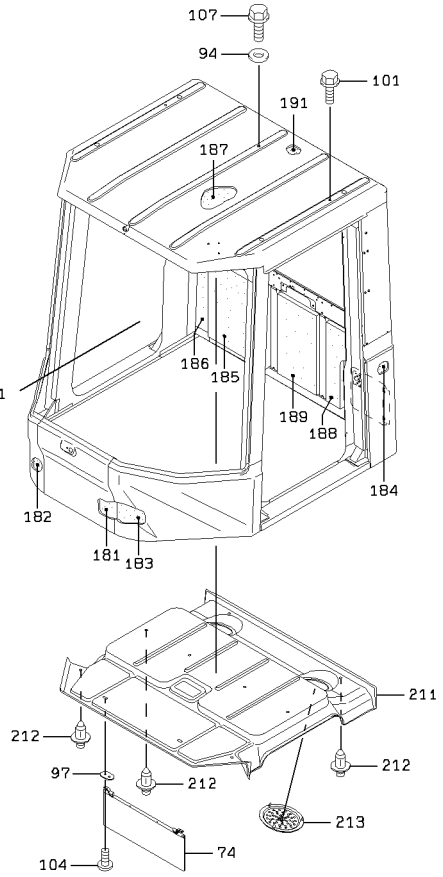
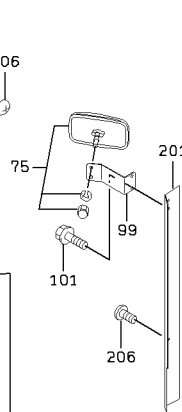
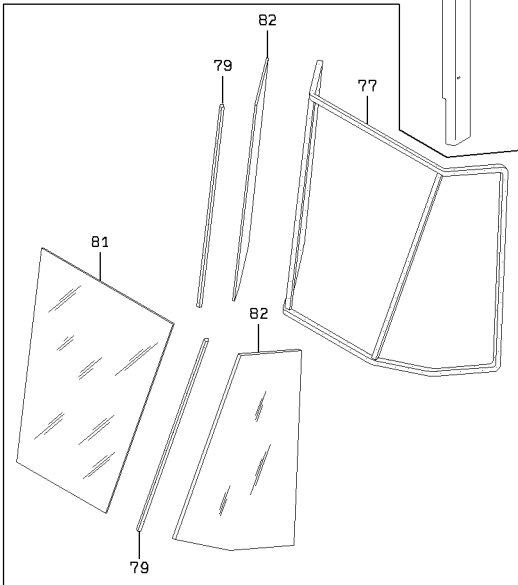
CAB (S/N 0140 - 0194)

<S/N 0140 - 0194>

(NOTE): SERIAL NUMBER INDICATES THE CAB SERIAL NUMBER.



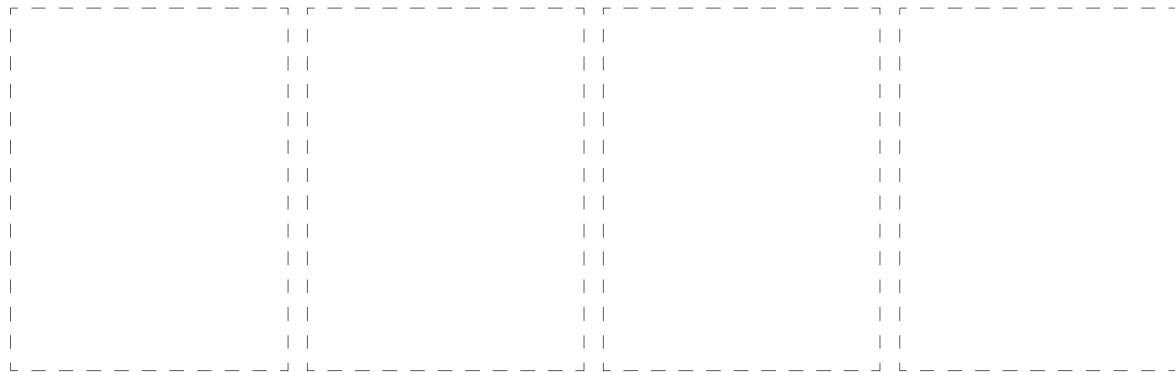
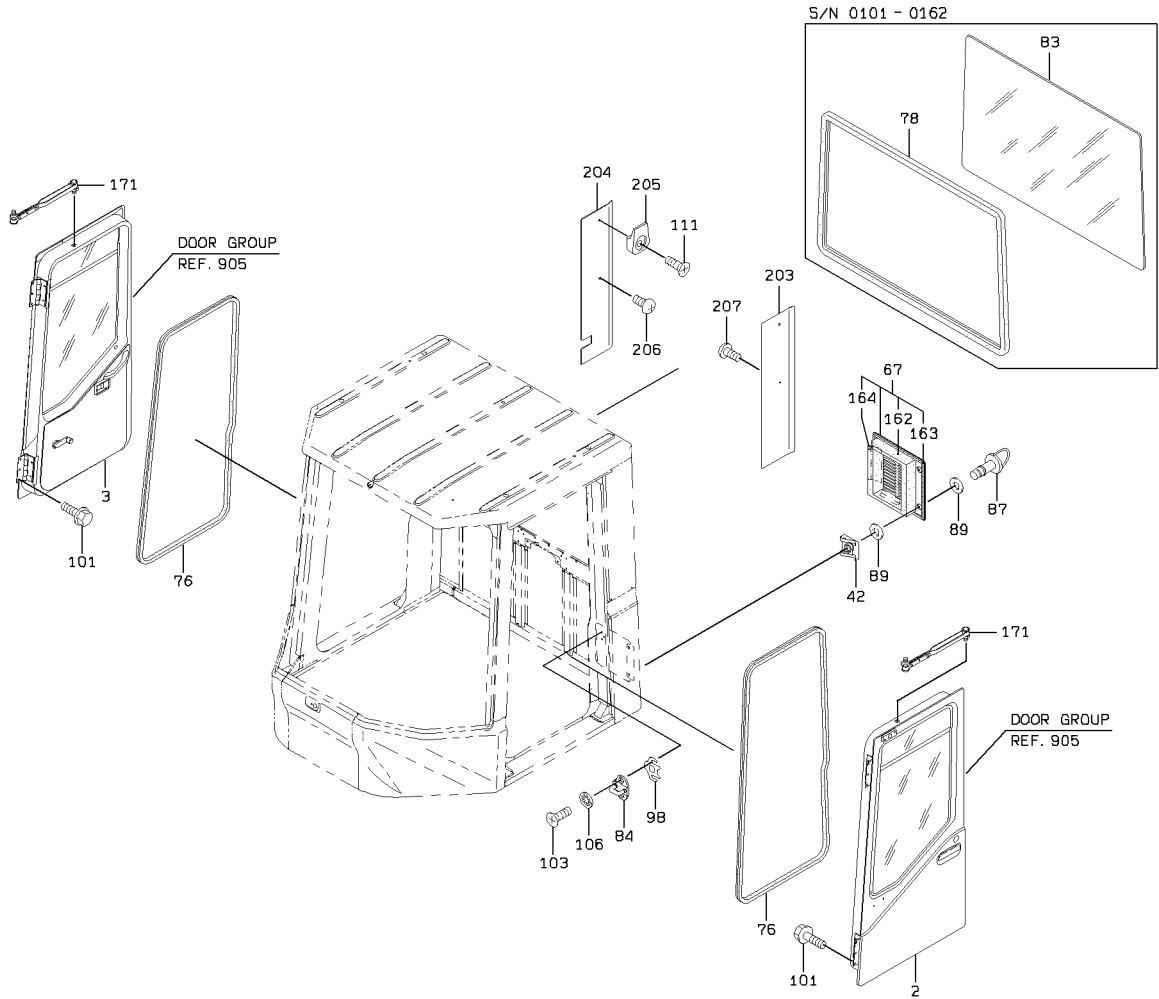
S/N 0101 - 0162



CAB (S/N 0140 - 0194)

<S/N 0140 - 0194>

(NOTE):SERIAL NUMBER INDICATES THE CAB SERIAL NUMBER.



2-A

CAB (S/N 0140 - 0194)

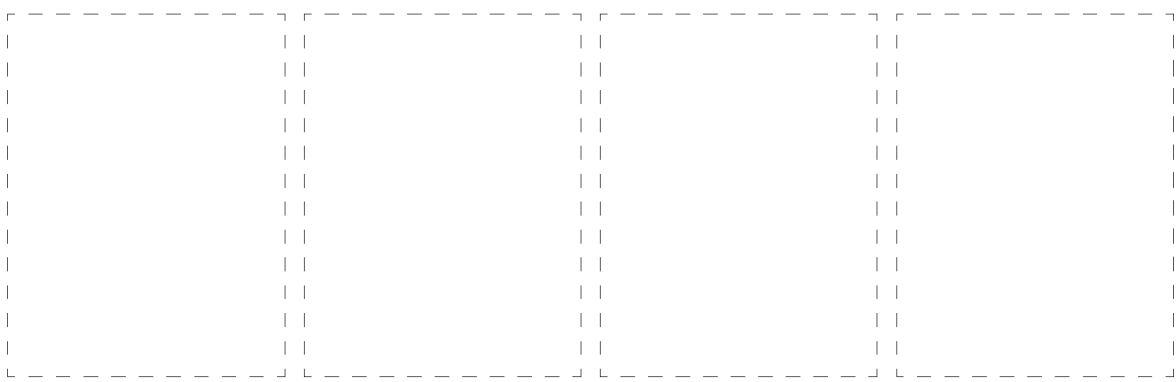
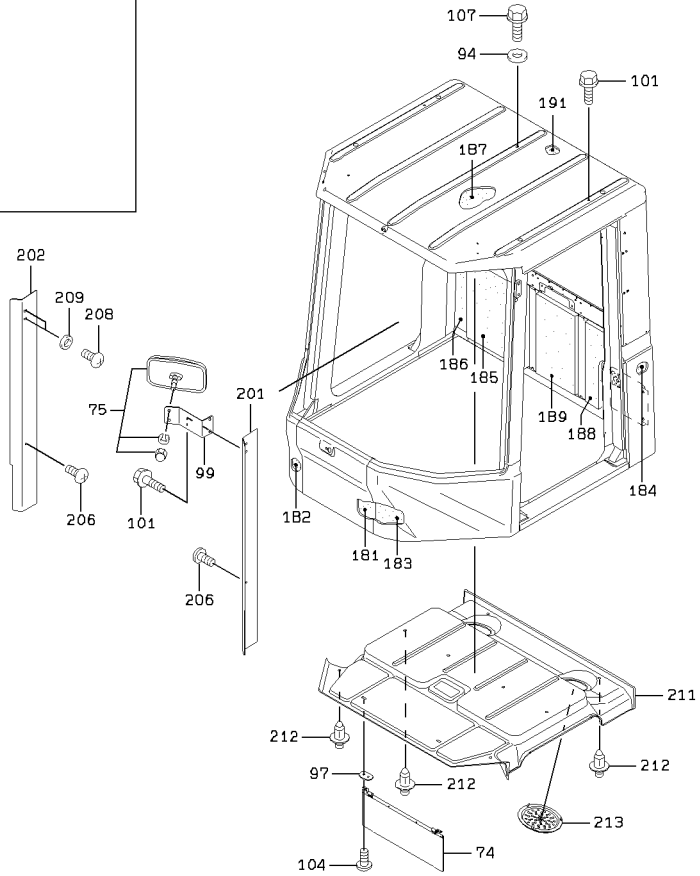
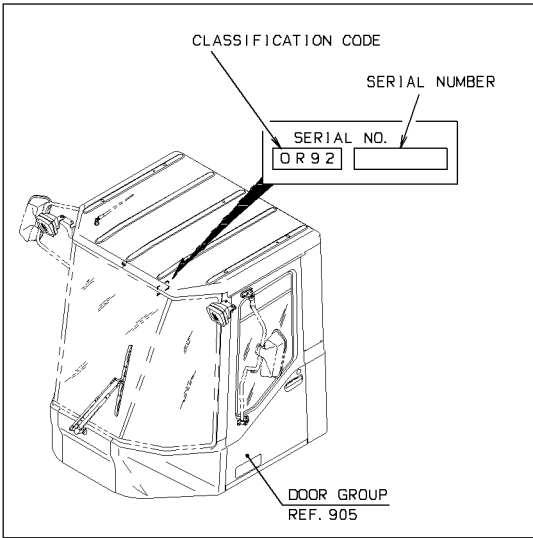
SYM-BOL	PART NUMBER	PART NAME	UNIT Q.TY	SERIAL		REMARKS							
				(A)	(B)	N	P	D	(A)	(B)	(C)	(D)	REMARK
000A	32266-20250	CAB ASSY,ROPS	1	101	-	194							INC.905,911,91
2A	37521-20550	DOOR ASSY	1	101	-	141							REF.905-1(LH)
2B	37521-21030	DOOR ASSY	1	142	-	194	B						REF.901-1(LH)
3A	37521-20560	DOOR ASSY	1	101	-	141							REF.905-141(RH)
3B	37521-21040	DOOR ASSY	1	142	-	194	B						REF.905-141(RH)
42A	41635-38650	PLATE	2	101	-	194							WELDING
67A	31236-24970	COVER ASSY	1	101	-	194			Y01				
74A	38191-20060	VISOR,SUN	1	101	-	194							
75A	44344-70020	MIRROR,ROOM	1	101	-	194							
76A	34041-60070	STRIP, SEAL	2	101	-	194							FR D00R OPEN
77A	34041-60280	STRIP, SEAL	1	101	-	162				D			FR FRONT
78A	34041-60250	STRIP, SEAL	1	101	-	162				D			FR REAR
79A	34041-60270	STRIP, SEAL	2	101	-	162				D			FR FRONT SIDE
81A	32011-21540	GLASS,WINDOW	1	101	-	162				D			FR FRONT
82A	32011-21550	GLASS,WINDOW	2	101	-	162				D			FR FRONT SIDE
83A	32011-21500	GLASS,WINDOW	1	101	-	162				D			FR REAR
84A	32150-60030	CATCH	2	101	-	194							
87A	32150-20250	CATCH	2	101	-	194							
89A	46000-21020	WASHER	4	101	-	194							
94A	46023-20120	WASHER,SEAL	1	101	-	194							
97A	41615-24340	PLATE	2	101	-	194							
98A	41603-45670	PLATE	2	101	-	194							
99A	41605-41290	PLATE	1	101	-	194							
101A	61802-08016	BOLT,FLANGED	16	101	-	194							
103A	62257-51820	SCREW	4	101	-	194							
104A	35100-20310	SCREW	4	101	-	194							
106A	62761-37081	WASHER,TOOTH	4	101	-	194							
107A	61802-12016	BOLT,FLANGED	1	101	-	194							
111A	62257-51620	SCREW	1	101	-	194							
162A	35680-44010	SPONGE	1	101	-	194					01		
163A	35680-51230	SPONGE	1	101	-	194					01		
164A	34041-23970	STRIP, SEAL	1	101	-	194					01		
171A	30021-20820	ARM ASSY	1	101	-	194							FR LH
181A	35680-43840	SPONGE	1	101	-	194							FR RH
182A	35680-43850	SPONGE	1	101	-	194							FR LH
183A	35680-43860	SPONGE	1	101	-	194							FR LH
184A	35680-43870	SPONGE	1	101	-	194							FR LH
185A	35680-45930	SPONGE	1	101	-	194							FR RH
186A	35680-43890	SPONGE	1	101	-	194							FR RH
187A	35680-44180	SPONGE	1	101	-	194							FR LH
188A	35680-45940	SPONGE	1	101	-	194							FR LH
189A	35680-45950	SPONGE	1	101	-	194							FR LH
191A	35680-47570	SPONGE	1	101	-	194							FR LH
201A	41617-35180	PLATE	1	101	-	194							FR RH
202A	41617-35190	PLATE	1	101	-	194							FR LH
203A	41617-35200	PLATE	1	101	-	194							FR LH
204A	41617-35210	PLATE	1	101	-	194							FR RH
205A	38110-70040	HANGER	1	101	-	194							
206A	35100-20400	SCREW	4	101	-	194							
207A	35100-20280	SCREW	2	101	-	194							
211A	45370-60090	ROOF ASSY	1	101	-	194							
212A	45020-70160	RIVET	10	101	-	194							
213A	33070-60020	GRILLE	2	101	-	194							

MEMO

CAB (S/N 0195 - 0423)

<S/N 0195 - 0423>

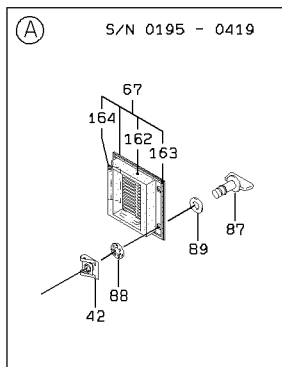
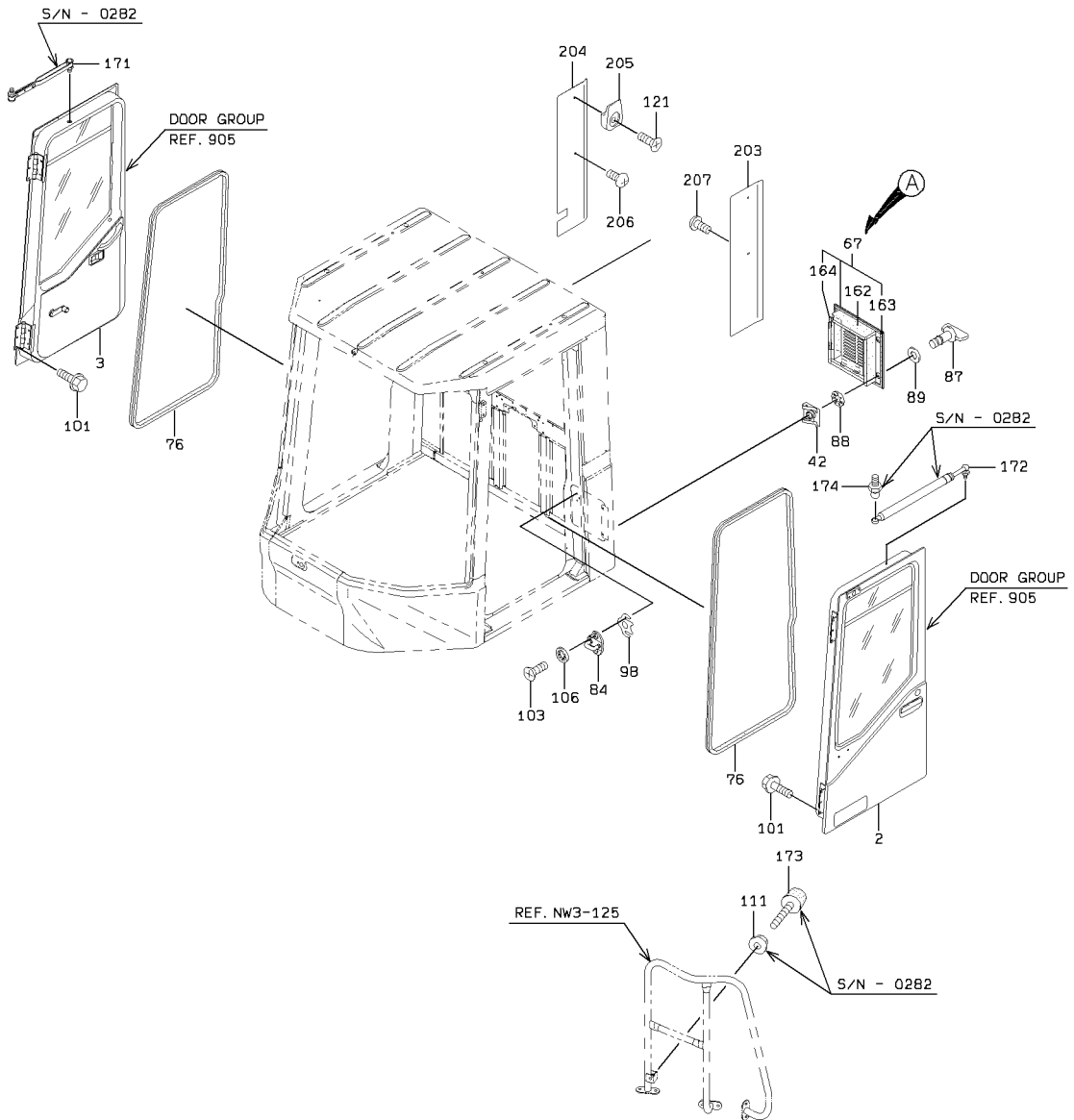
(NOTE):SERIAL NUMBER INDICATES THE CAB SERIAL NUMBER.



CAB (S/N 0195 - 0423)

<S/N 0195 - 0423>

(NOTE): SERIAL NUMBER INDICATES THE CAB SERIAL NUMBER.



2-C

CAB (S/N 0195 - 0423)

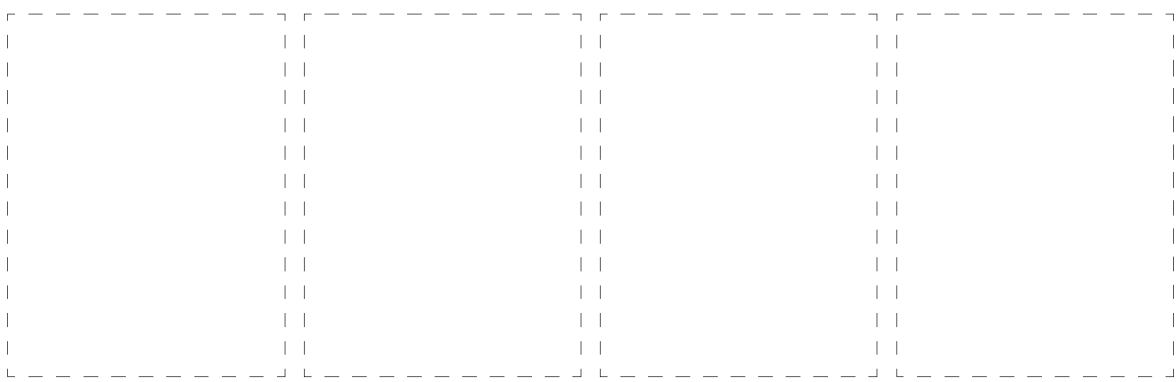
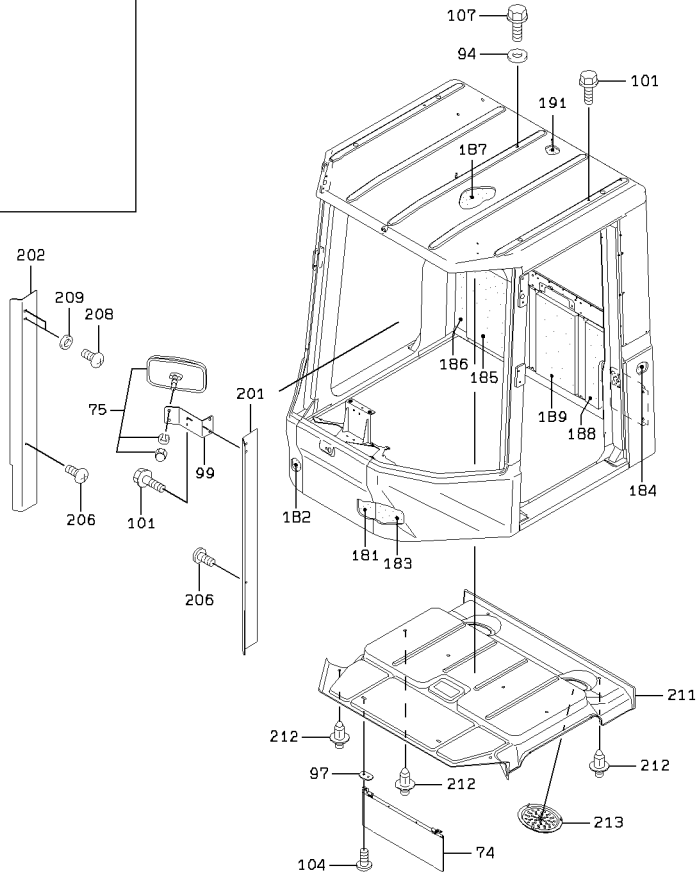
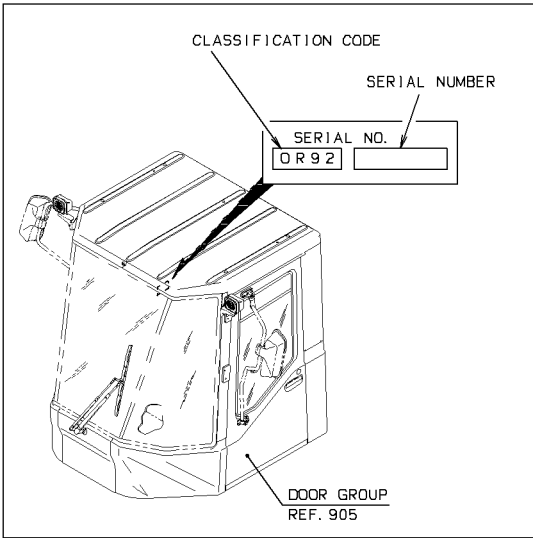
SYM-BOL	PART NUMBER	PART NAME	UNIT Q.TY	SERIAL		REMARKS									
				(A)	(B)	N	P	D	(A)	(B)	(C)	(D)	REMARK		
000A	32266-20410	CAB ASSY,ROPS	1	195	-	282									INC.905,911,91
000B	32266-20540	CAB ASSY,ROPS	1	283	-	423	B								INC.905,911,91
2A	37521-21120	DOOR ASSY	1	195	-	423									REF.905-1(LH)
3A	37521-21040	DOOR ASSY	1	195	-	423									REF.905-141(RH)
42A	41635-38650	PLATE	2	195	-	423									WELDING
67A	31236-26300	COVER ASSY	1	195	-	419				Y01					
67B	31236-30450	COVER ASSY	1	420	-	423	B			Y01					
74A	38191-20060	VISOR,SUN	1	195	-	423									
75A	44344-70020	MIRROR,ROOM	1	195	-	423									
76A	34041-60070	STRIP, SEAL	2	195	-	423									FR D00R OPEN
84A	32150-60030	CATCH	2	195	-	423									
87A	32150-20390	CATCH	2	195	-	423									
88A	46000-23760	WASHER	2	195	-	423									
89A	46000-21020	WASHER	2	195	-	423									
94A	46023-20120	WASHER,SEAL	1	195	-	423									
97A	41615-24340	PLATE	2	195	-	423									
98A	41603-45670	PLATE	2	195	-	423									
99A	41605-41290	PLATE	1	195	-	423									
101A	61802-08016	BOLT,FLANGED	16	195	-	423									
103A	62257-51820	SCREW	4	195	-	423									
104A	35100-20310	SCREW	4	195	-	423									
106A	62761-37081	WASHER,TOOTH	4	195	-	423									
107A	61802-12016	BOLT,FLANGED	1	195	-	423									
111A	62480-21101	NUT,FLANGED	1	195	-	282				D					
121A	62257-51620	SCREW	1	195	-	423									
162A	35680-54510	SPONGE	1	195	-	419					01				
162B	35681-21580	SPONGE	1	420	-	423	B								
163A	35680-51230	SPONGE	1	195	-	423					01				
164A	34041-23970	STRIP, SEAL	1	195	-	423					01				
171A	30021-20890	ARM ASSY	1	195	-	282				D					FR RH
172A	35617-60120	SPRING,GAS	1	195	-	282				D					FR LH
173A	35440-21810	STOPPER	1	195	-	282				D					
174A	43900-25010	BOLT	1	195	-	282				D					FR LH
181A	35680-43840	SPONGE	1	195	-	423									
182A	35680-43850	SPONGE	1	195	-	423									FR RH
183A	35680-43860	SPONGE	1	195	-	423									FR LH
184A	35680-43870	SPONGE	1	195	-	423									FR LH
185A	35680-45930	SPONGE	1	195	-	423									FR RH
186A	35680-43890	SPONGE	1	195	-	423									FR RH
187A	35680-44180	SPONGE	1	195	-	423									
188A	35680-45940	SPONGE	1	195	-	423									FR LH
189A	35680-45950	SPONGE	1	195	-	423									
191A	35680-47570	SPONGE	1	195	-	423									
201A	41617-35180	PLATE	1	195	-	423									FR LH
202A	41619-43450	PLATE	1	195	-	423									FR RH
203A	41617-35200	PLATE	1	195	-	423									FR LH
204A	41617-35210	PLATE	1	195	-	423									FR RH
205A	38110-70040	HANGER	1	195	-	423									
206A	35100-20400	SCREW	3	195	-	423									
207A	35100-20280	SCREW	2	195	-	423									
208A	35100-20520	SCREW	2	195	-	423									
209A	46011-20180	WASHER,PLANE	2	195	-	423									
211A	45370-60090	ROOF ASSY	1	195	-	423									
212A	45020-70160	RIVET	10	195	-	423									
213A	33070-60020	GRILLE	2	195	-	423									

MEMO

CAB (S/N 0424 -)

<S/N 0424 - >

(NOTE): SERIAL NUMBER INDICATES THE CAB SERIAL NUMBER.

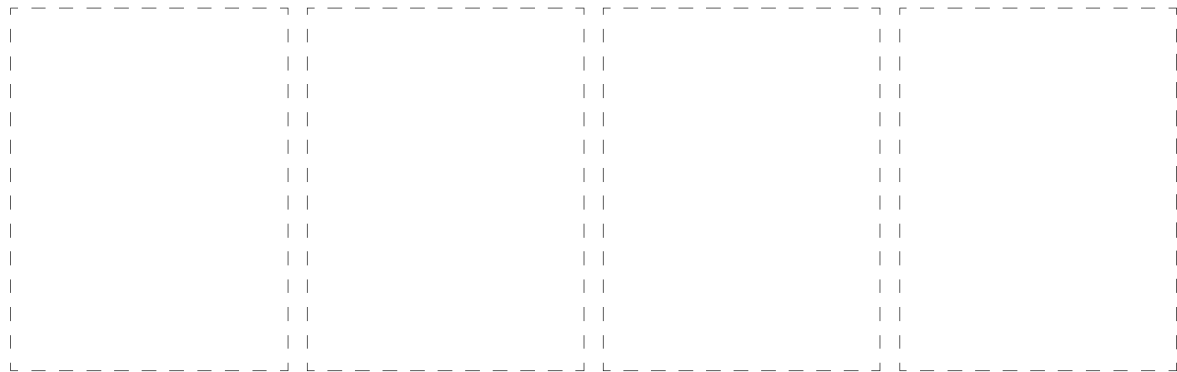
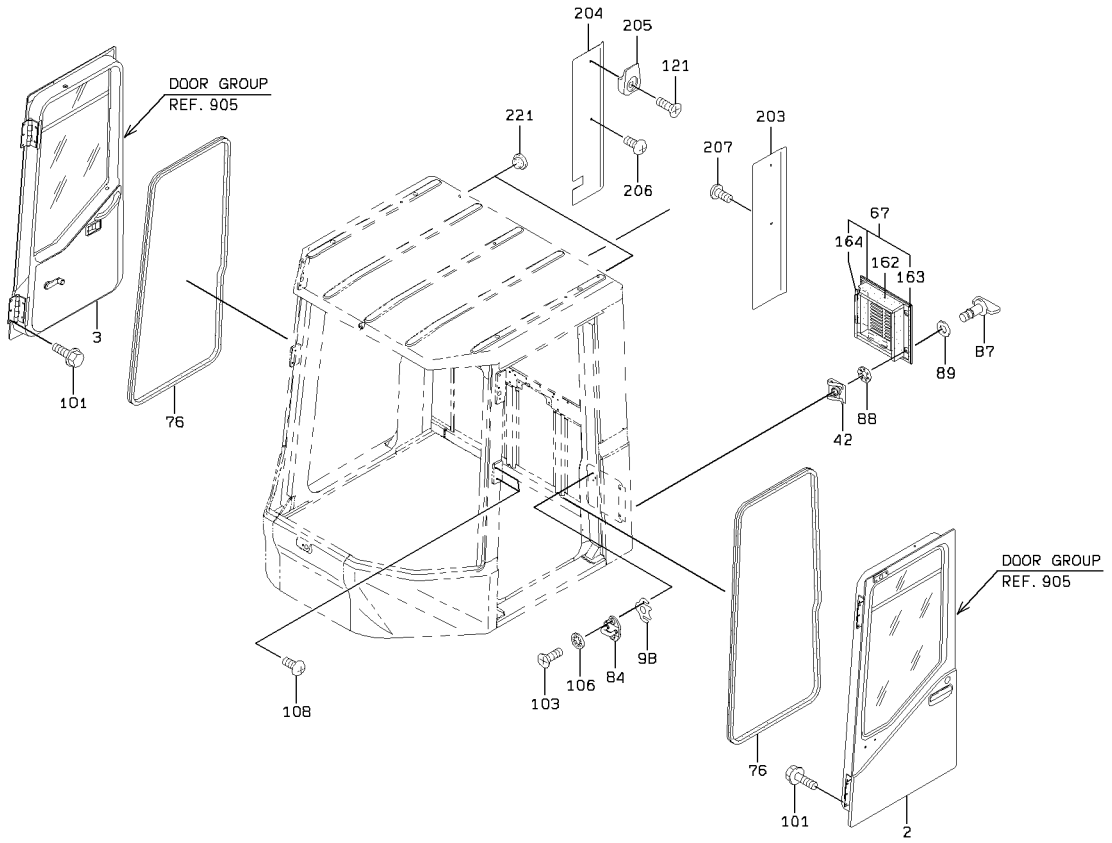


1-A

CAB (S/N 0424 -)

<S/N 0424 - >

(NOTE): SERIAL NUMBER INDICATES THE CAB SERIAL NUMBER.



2-A

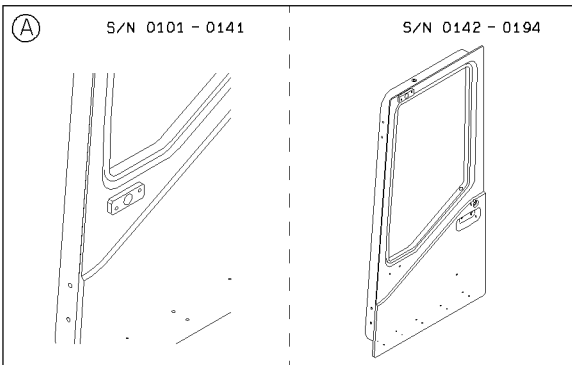
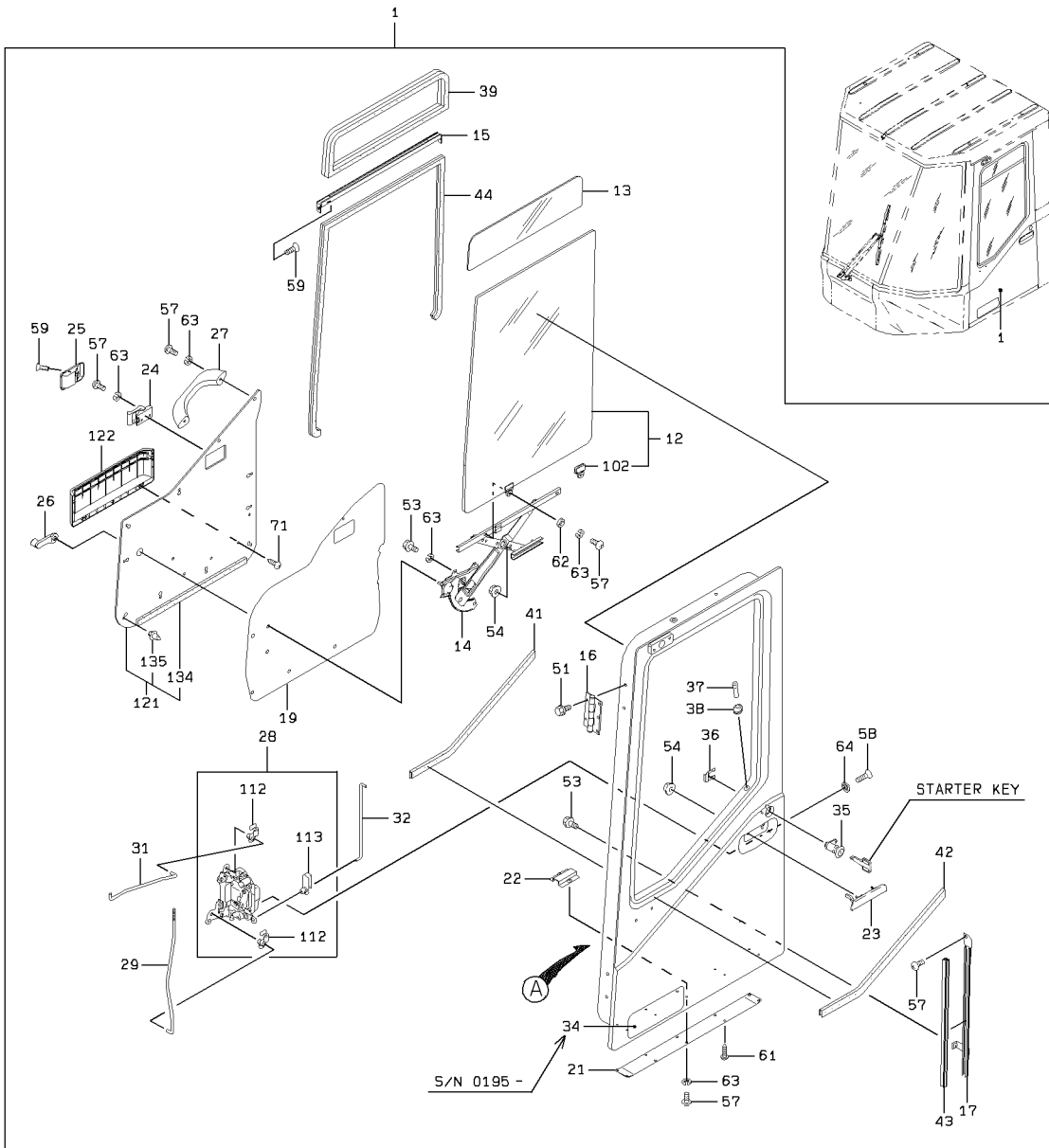
CAB (S/N 0424 -)

SYM-BOL	PART NUMBER	PART NAME	UNIT Q,TY	SERIAL		REMARKS							
				(A)	(B)	N	P	D	(A)	(B)	(C)	(D)	REMARK
000A	32266-20820	CAB ASSY,ROPS	1	424	-								INC.905,911,91
2A	37521-21120	DOOR ASSY	1	424	-								REF.905-1(LH)
3A	37521-21040	DOOR ASSY	1	424	-								REF.905-141(RH)
42A	41635-38650	PLATE	2	424	-								WELDING
67A	31236-30450	COVER ASSY	1	424	-					Y01			
74A	38191-20060	VISOR,SUN	1	424	-								
75A	44344-70020	MIRROR,ROOM	1	424	-								
76A	34041-60070	STRIP, SEAL	2	424	-								FR D00R OPEN
84A	32150-60030	CATCH	2	424	-								
87A	32150-20390	CATCH	2	424	-	448							
87B	32150-20580	CATCH	2	449	-		B			WA1			
88A	46000-23760	WASHER	2	424	-	448							
88B	46000-25610	WASHER	2	449	-		B			A1			
89A	46000-21020	WASHER	2	424	-	448							
89B	46000-25620	WASHER	2	449	-		B			A1			
94A	46023-20120	WASHER,SEAL	1	424	-								
97A	41615-24340	PLATE	2	424	-								
98A	41603-45670	PLATE	2	424	-								
99A	41605-41290	PLATE	1	424	-								
101A	61802-08016	BOLT,FLANGED	16	424	-								
103A	62257-51820	SCREW	4	424	-								
104A	35100-20310	SCREW	4	424	-								
106A	62761-37081	WASHER,TOOTH	4	424	-								
107A	61802-12016	BOLT,FLANGED	1	424	-								
108A	35100-20860	SCREW	4	424	-								
121A	62257-51620	SCREW	1	424	-								
162A	35681-21580	SPONGE	1	424	-								
163A	35680-51230	SPONGE	1	424	-					01			
164A	34041-23970	STRIP, SEAL	1	424	-					01			
181A	35680-43840	SPONGE	1	424	-								
182A	35680-43850	SPONGE	1	424	-								FR RH
183A	35680-43860	SPONGE	1	424	-								FR LH
184A	35680-43870	SPONGE	1	424	-								FR LH
185A	35680-45930	SPONGE	1	424	-								FR RH
186A	35680-43890	SPONGE	1	424	-								FR RH
187A	35680-44180	SPONGE	1	424	-								
188A	35680-45940	SPONGE	1	424	-								FR LH
189A	35680-45950	SPONGE	1	424	-								
191A	35680-47570	SPONGE	1	424	-								
201A	41617-35180	PLATE	1	424	-								FR LH
202A	41619-43450	PLATE	1	424	-								FR RH
203A	41617-35200	PLATE	1	424	-								FR LH
204A	41617-35210	PLATE	1	424	-								FR RH
205A	38110-70040	HANGER	1	424	-								
206A	35100-20400	SCREW	3	424	-								
207A	35100-20280	SCREW	2	424	-								
208A	35100-20520	SCREW	2	424	-								
209A	46011-20180	WASHER,PLANE	2	424	-								
211A	45370-60090	ROOF ASSY	1	424	-								
212A	45020-70160	RIVET	10	424	-								
213A	33070-60020	GRILLE	2	424	-								
221A	41530-70790	PLUG	2	424	-								

MEMO

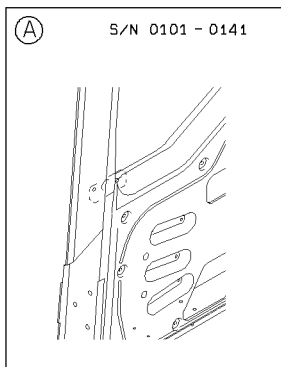
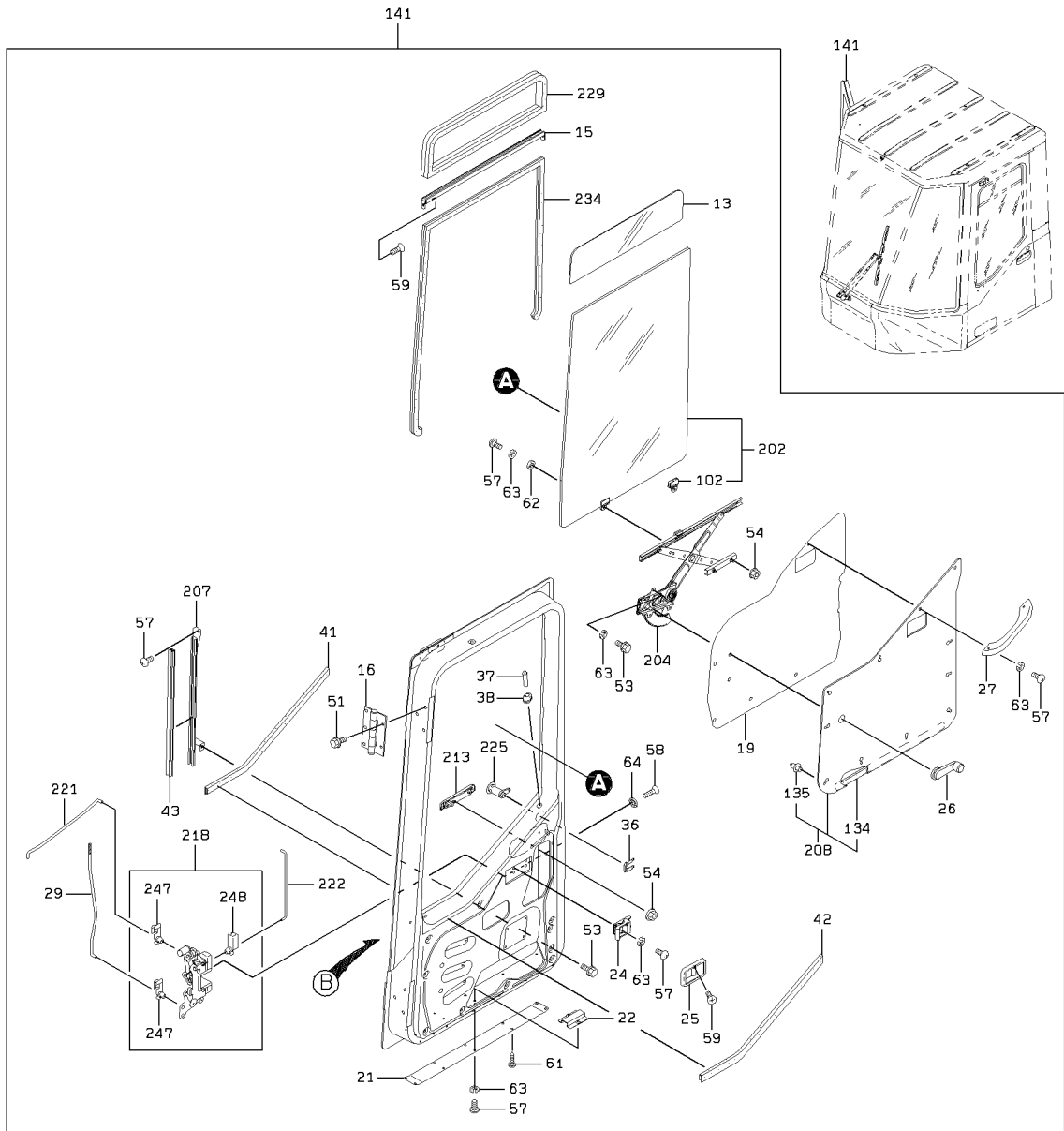
DOOR GROUP

(NOTE): SERIAL NUMBER INDICATES THE CAB SERIAL NUMBER.



DOOR GROUP

(NOTE): SERIAL NUMBER INDICATES THE CAB SERIAL NUMBER.



2-A

DOOR GROUP

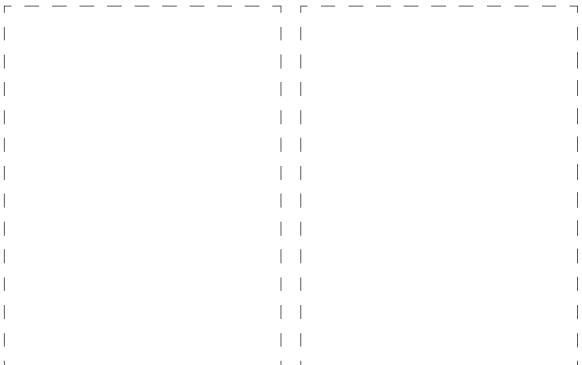
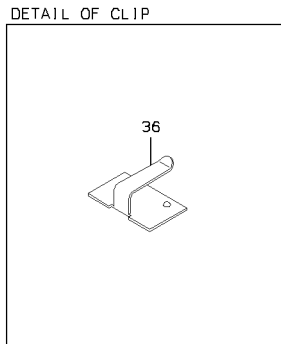
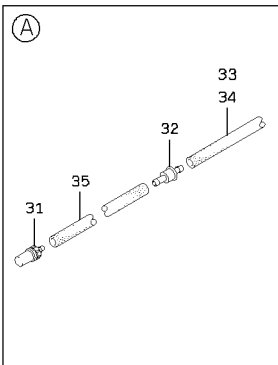
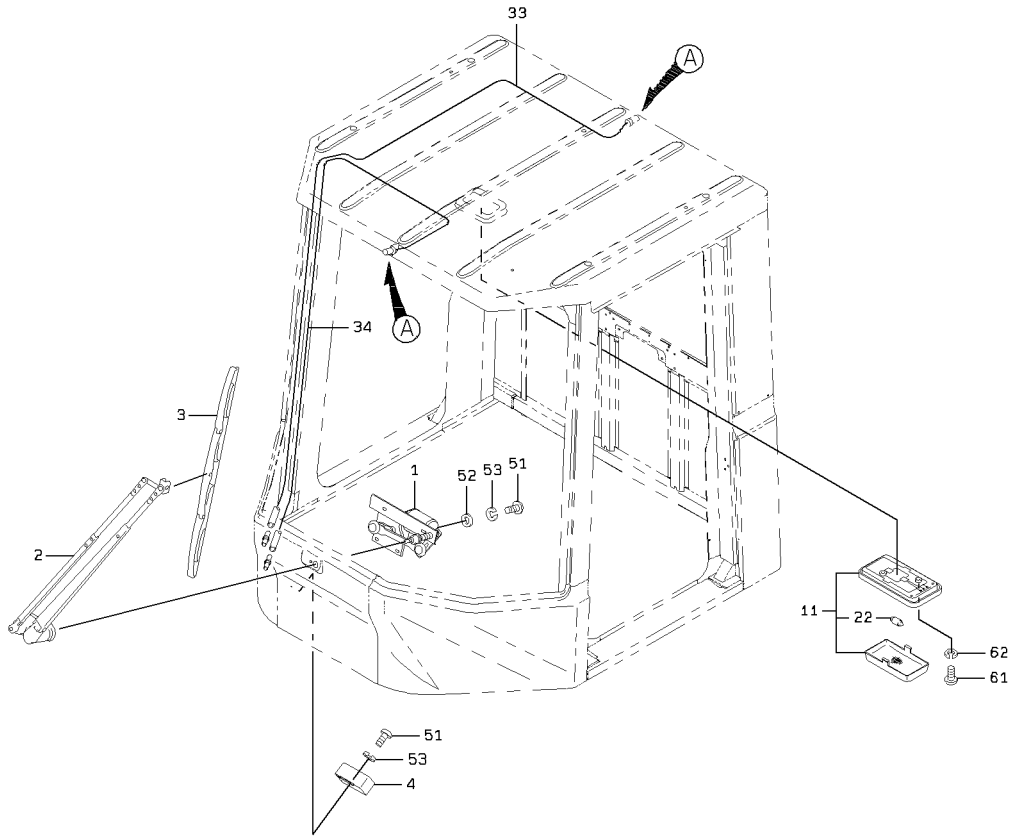
SYM-BOL	PART NUMBER	PART NAME	UNIT Q.TY	SERIAL		REMARKS							
				(A)	(B)	N	P	D	(A)	(B)	(C)	(D)	REMARK
1A	37521-20550	DOOR ASSY	1	101	141								FR LH
1B	37521-21030	DOOR ASSY	1	142	194								FR LH
1C	37521-21120	DOOR ASSY	1	195		B							FR LH
12A	32011-60240	GLASS,WINDOW	1	101									
13A	32011-60260	GLASS,WINDOW	1	101									
14A	45460-60030	REGULATOR	1	101									
15A	33530-20010	SASH	1	101									
16A	39890-21000	HINGE	2	101									
17A	45433-20130	RAIL	1	101									
19A	33712-20070	SHEET,CAB	1	101									
21A	41601-35410	PLATE	1	101									
22A	35440-21400	STOPPER	1	101									
23A	38126-60020	HANDLE,DOOR	1	101									
24A	38126-60010	HANDLE,DOOR	1	101									
25A	31140-60010	CUP	1	101									
26A	38120-60050	HANDLE	1	101									
27A	38120-20410	HANDLE	1	101									
28A	45850-60020	LOCK ASSY,DOOR	1	101									
29A	45870-23320	ROD	1	101									
31A	38171-30740	BAR,ROUND	1	101									
32A	38171-21920	BAR,ROUND	1	101									
34A	41700-20210	PLATE,ELASTIC	1	195	338	D							
35A	34800-70210	CYLINDER	1	101									
36A	32970-70040	CLIP	1	101									
37A	37810-60090	KNOB	1	101									
38A	33057-60030	GROMMET	1	101									
39A	34041-60090	STRIP, SEAL	1	101									
41A	34041-60120	STRIP, SEAL	1	101									
42A	34041-60180	STRIP, SEAL	1	101									
43A	34041-60140	STRIP, SEAL	1	101									
44A	34041-60110	STRIP, SEAL	1	101									
51A	61802-08016	BOLT,FLANGED	4	101									
53A	61802-06010	BOLT,FLANGED	5	101									
54A	62480-21061	NUT,FLANGED	4	101									
57A	62256-51610	SCREW	9	101									
58A	62257-51620	SCREW	3	101									
59A	62257-51512	SCREW	3	101									
61A	62261-16016	SCREW,TAPPING	8	101									
62A	62701-40061	WASHER,PLANE	2	101									
63A	62721-06100	WASHER,SPRING	12	101									
64A	62761-37061	WASHER,TOOTH	3	101									
71A	62256-51416	SCREW	5	101									
102A	43550-20590	HOLDER	2	101									
112A	43550-60050	HOLDER	2	101									
113A	43550-60070	HOLDER	1	101									
121A	39750-21780	PANEL	1	101									
122A	31140-60020	CUP	1	101									
134A	35680-33290	SPONGE	1	101									
135A	32970-20030	CLIP	9	101									
141A	37521-20560	DOOR ASSY	1	101	141								
141B	37521-21040	DOOR ASSY	1	142		B							
202A	32011-60250	GLASS,WINDOW	1	101									
204A	45460-60040	REGULATOR	1	101									
207A	45433-20120	RAIL	1	101									
208A	39750-22310	PANEL	1	101									
213A	38126-60030	HANDLE,DOOR	1	101									
218A	45850-60010	LOCK ASSY,DOOR	1	101									
221A	38171-30690	BAR,ROUND	1	101									
222A	38171-21930	BAR,ROUND	1	101									
225A	34800-70220	CYLINDER	1	101									
229A	34041-60080	STRIP, SEAL	1	101									
234A	34041-60100	STRIP, SEAL	1	101									
247A	43550-60040	HOLDER	2	101									
248A	43550-60060	HOLDER	1	101									

MEMO

FRONT WIPER & WINDOW WASHER GROUP

<S/N 0101 - 0194>

(NOTE): SERIAL NUMBER INDICATES THE CAB SERIAL NUMBER.

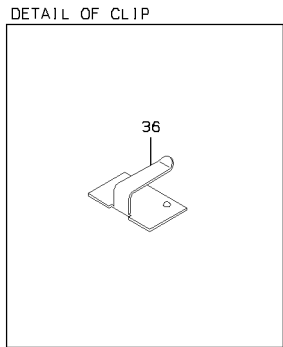
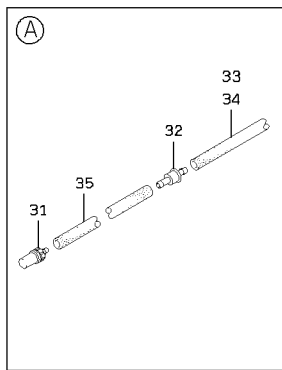
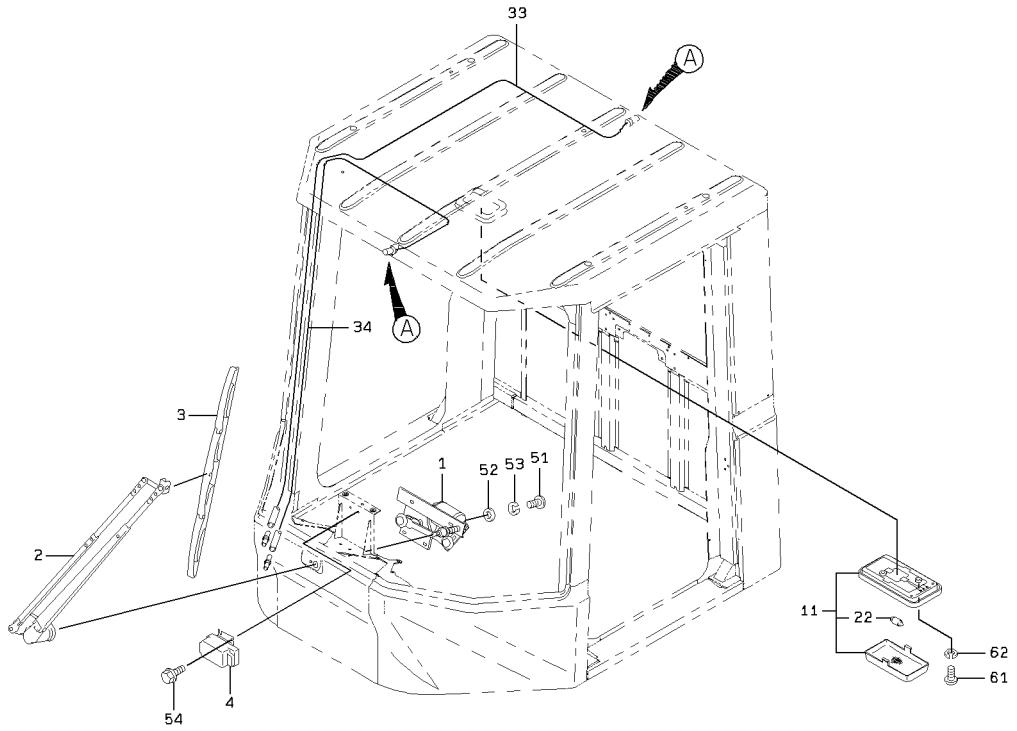


1-A

FRONT WIPER & WINDOW WASHER GROUP

<S/N 0195 - >

(NOTE): SERIAL NUMBER INDICATES THE CAB SERIAL NUMBER.



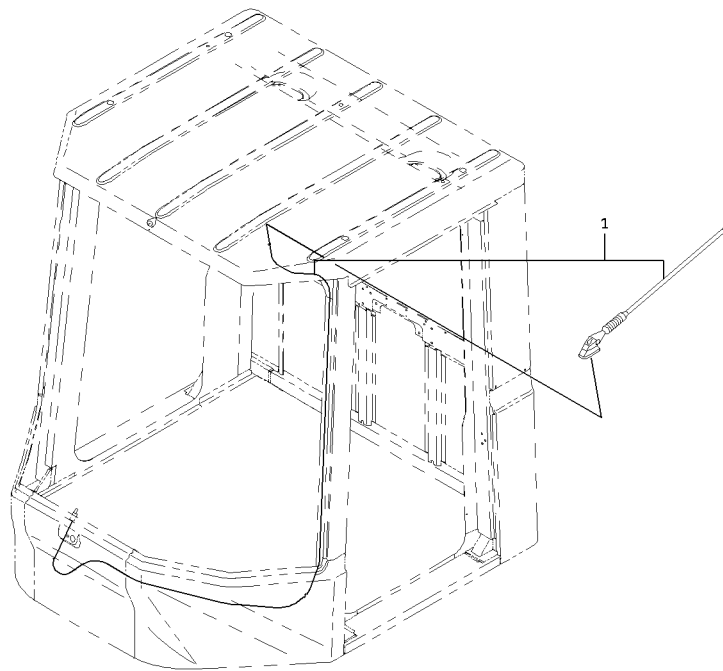
2-A

FRONT WIPER & WINDOW WASHER GROUP

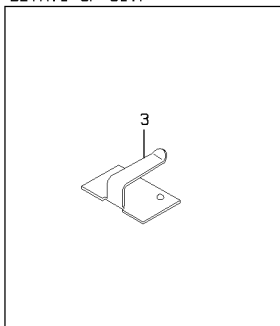
SYM-BOL	PART NUMBER	PART NAME	UNIT Q, TY	SERIAL		REMARKS								
				(A)	(B)	N	P	D	(A)	(B)	(C)	(D)	REMARK	
1A	44487-60100	MOTOR ASSY,WIPER	1	101	-									
2A	30035-60060	ARM,WIPER	1	101	-									L=750
3A	41321-60020	BLADE,WIPER	1	101	-									L=714
4A	45051-60020	RELAY ASSY	1	101	-									
11A	44860-20070	LAMP	1	101	-					Y01				
22A	38480-70630	BULB	1	101	-					01				24V10W
31A	37740-20080	NOZZLE	1	101	-									
32A	38554-70810	VALVE,CHECK	2	101	-									
33A	67031-07000	TUBE,VINYL	6 M	101	-									L=5400
34A	67031-07000	TUBE,VINYL	5 M	101	-									L=4600
35A	67031-07000	TUBE,VINYL	1 M	101	-									L=100 X QTY 2
36A	32970-70210	CLIP	A/R	101	-									
51A	62256-51616	SCREW	6	101	-	194								
51B	62256-51616	SCREW	4	195	-									
52A	62701-40061	WASHER,PLANE	4	101	-	425								
52B	46011-21630	WASHER,PLANE	4	426	-		C							
53A	62721-06100	WASHER,SPRING	6	101	-	194								
53B	62721-06100	WASHER,SPRING	4	195	-									
54A	61802-06016	BOLT,FLANGED	2	195	-									
61A	62256-51520	SCREW	2	101	-									
62A	62721-05100	WASHER,SPRING	2	101	-									

MEMO

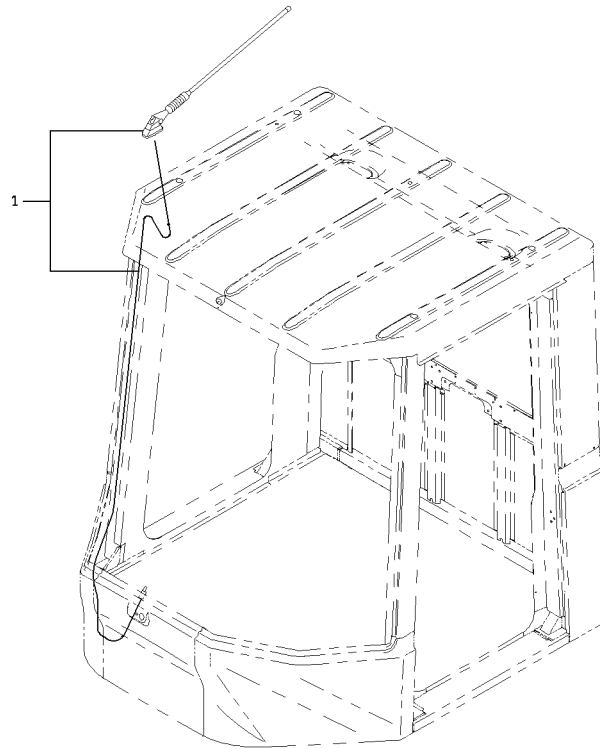
<S/N 0101 - 0187>



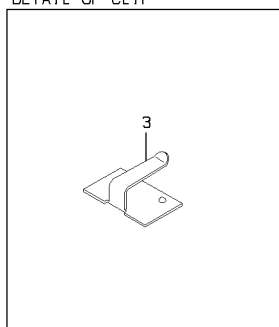
DETAIL OF CLIP



1-A



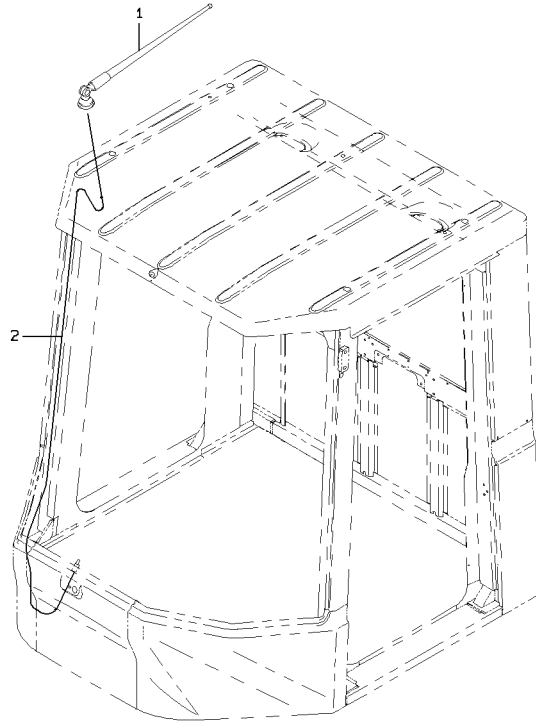
DETAIL OF CLIP



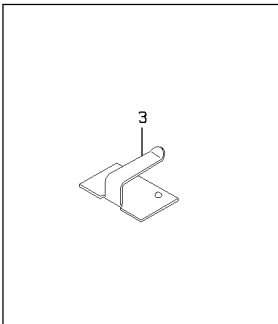
2-A



<S/N 0252 - 0386>



DETAIL OF CLIP

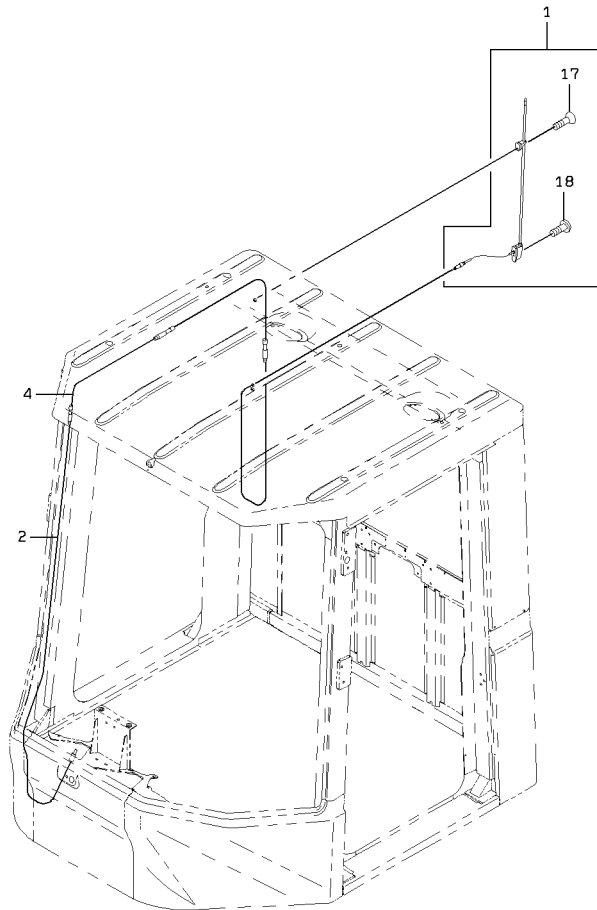


3-A

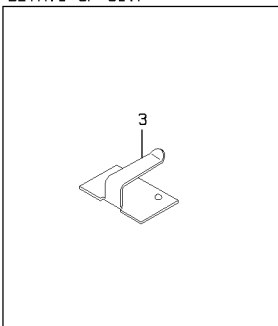
ELECTRICAL PARTS GROUP (S/N 0101 - 0386)

SYM-BOL	PART NUMBER	PART NAME	UNIT Q,TY	SERIAL			REMARKS						
				(A)	-	(B)	N	P	D	(A)	(B)	(C)	(D)
1A	30510-60120	ANTENNA	1	101	-	251							
1B	30510-60140	ANTENNA	1	252	-	301	B	WA1					
1C	30510-60230	ANTENNA	1	302	-	386	C						
2A	33190-60090	CABLE	1	252	-	301		A1					
2B	33190-60130	CABLE	1	302	-	328	C						
2C	33190-60160	CABLE	1	329	-	386	A						
3A	32970-70210	CLIP	A/R	101	-	386							

<S/N 0387 - >



DETAIL OF CLIP



1-A

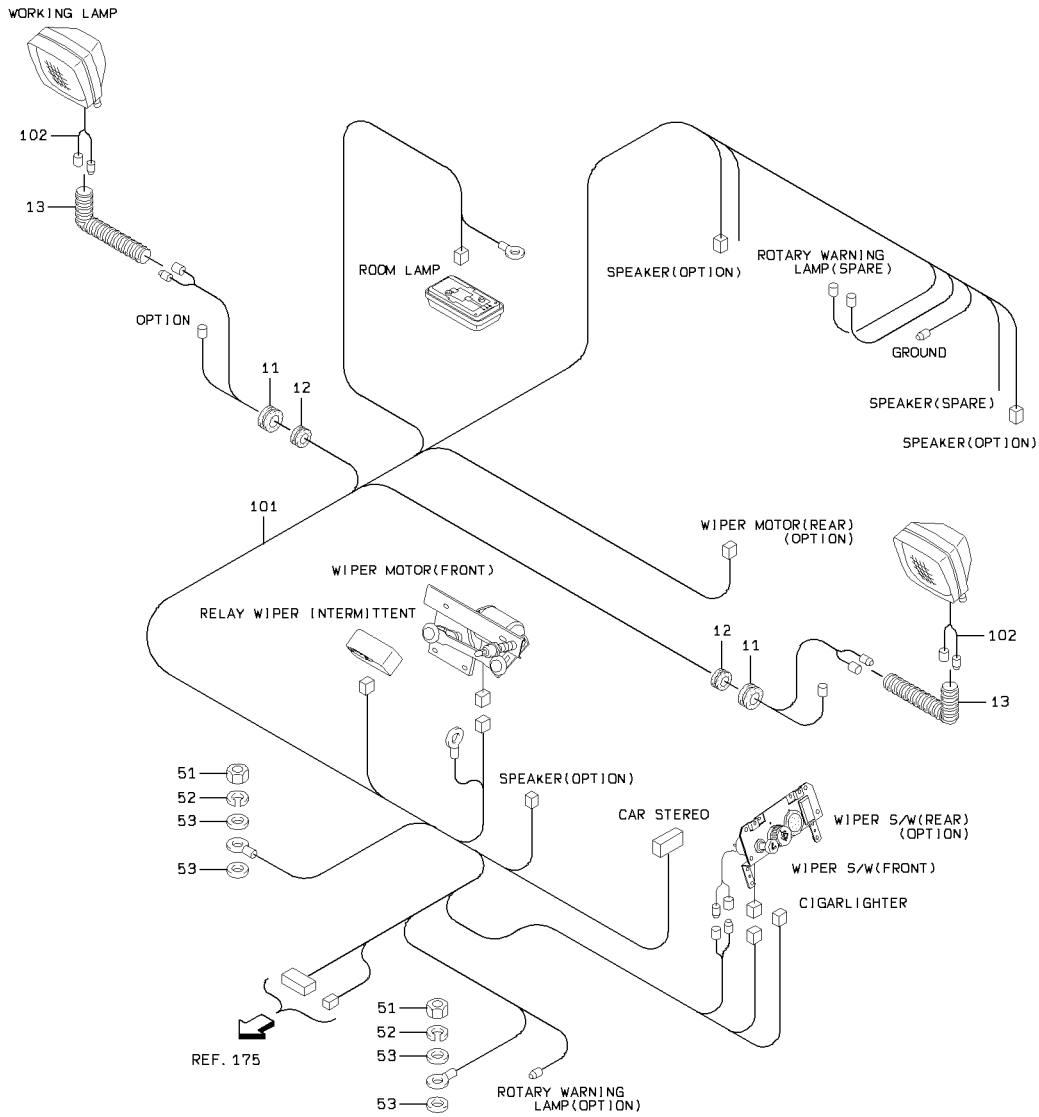
ELECTRICAL PARTS GROUP (S/N 0387 -)

SYM-BOL	PART NUMBER	PART NAME	UNIT Q,TY	SERIAL (A) - (B)	REMARKS					
					N	P	D	(A)	(B)	(C)
1A	30510-60240	ANTENNA	1	387 -				Y01		
2A	33190-60160	CABLE	1	387 -						
3A	32970-70210	CLIP	A/R	387 -						
4A	33190-60150	CABLE	1	387 -						
17A	62257-51420	SCREW	1	387 -				01		
18A	62256-51420	SCREW	1	387 -				01		

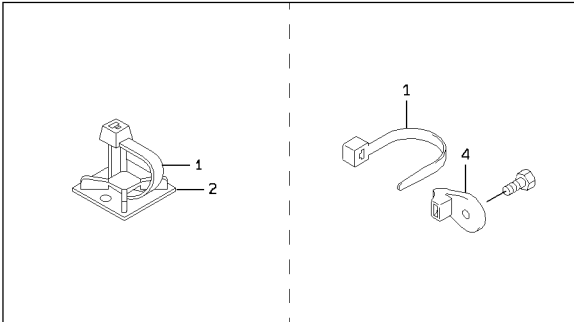
ELECTRICAL WIRING - CAB

<S/N 0101 - 0194>

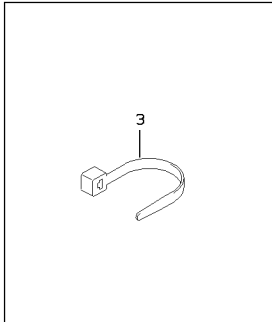
(NOTE): SERIAL NUMBER INDICATES THE CAB SERIAL NUMBER.



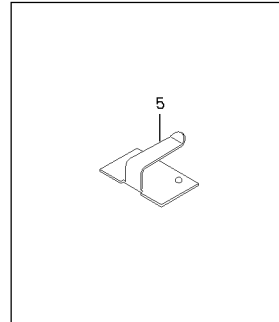
DETAIL OF STUD MOUNT



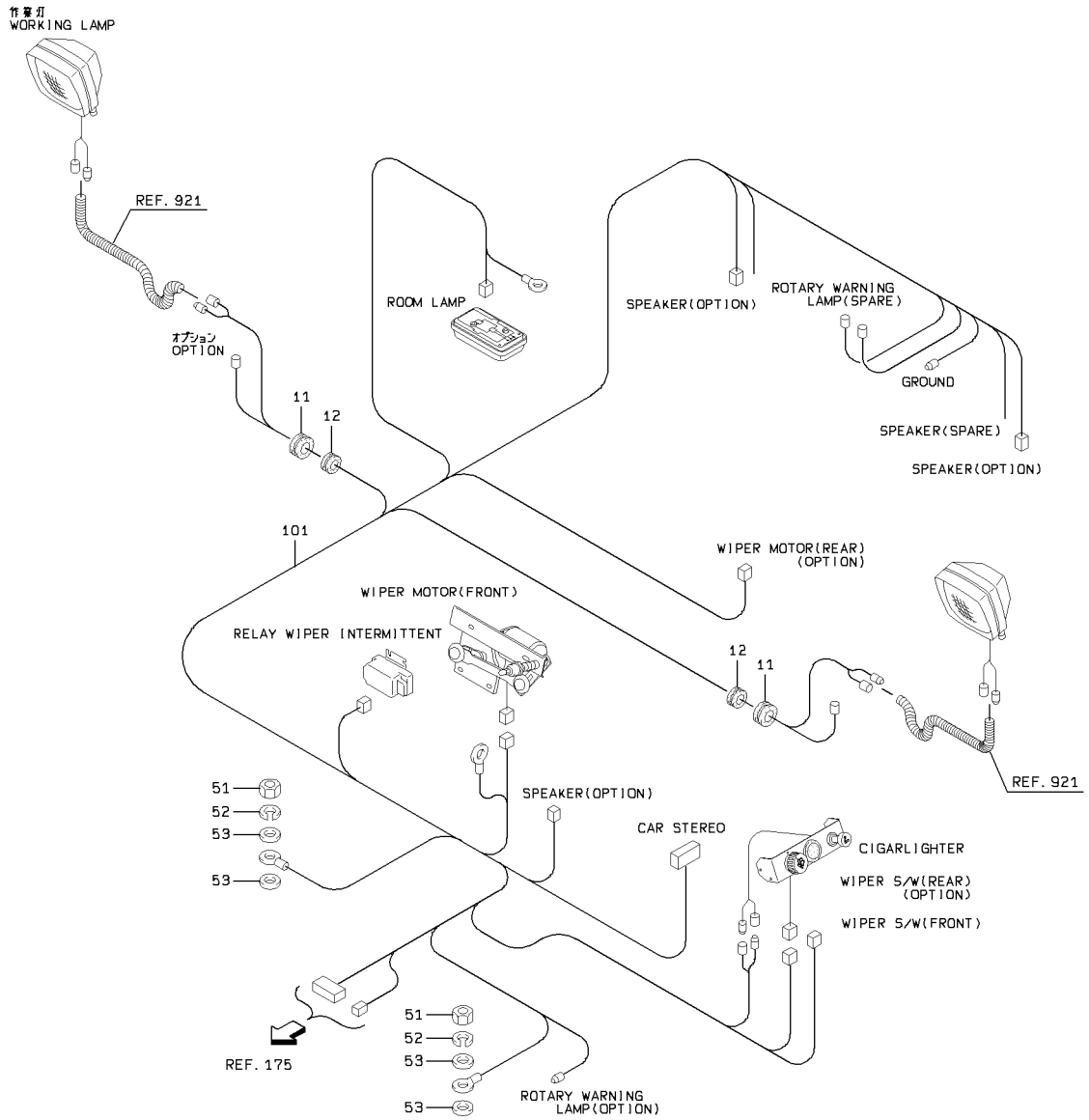
DETAIL OF CLAMP



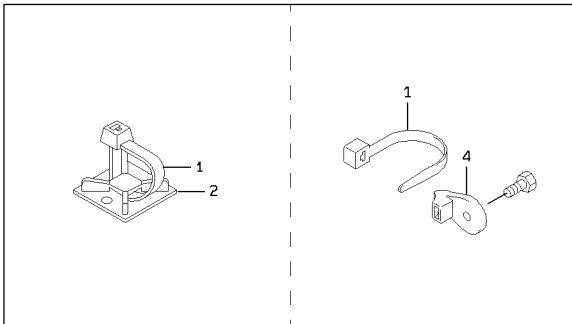
DETAIL OF CLIP



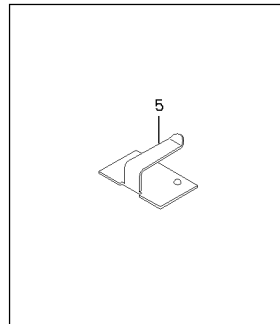
(NOTE): SERIAL NUMBER INDICATES THE CAB SERIAL NUMBER.



DETAIL OF STUD MOUNT



DETAIL OF CLIP

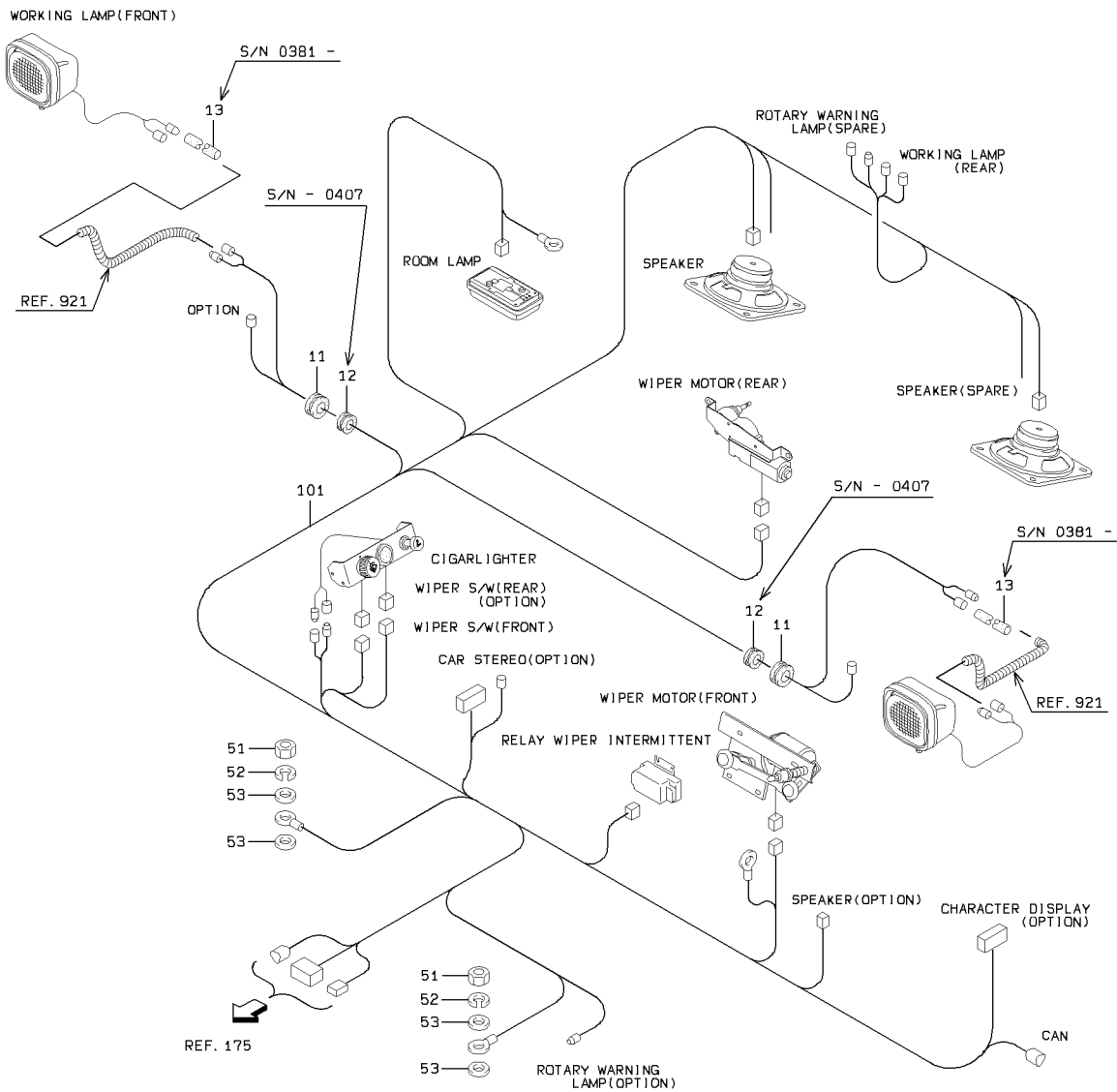


2-A

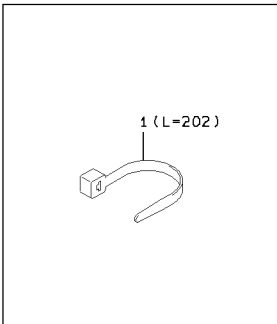
ELECTRICAL WIRING - CAB

<S/N 0346 - >

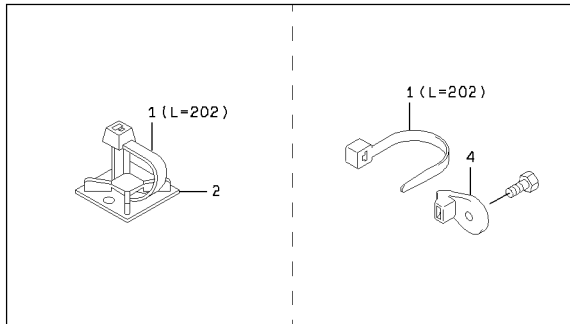
(NOTE): SERIAL NUMBER INDICATES THE CAB SERIAL NUMBER.



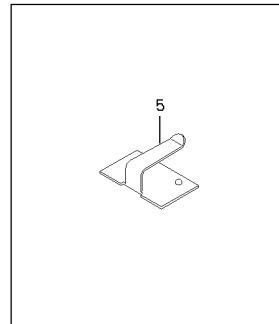
DETAIL OF CLAMP



DETAIL OF STUD MOUNT



DETAIL OF CLIP



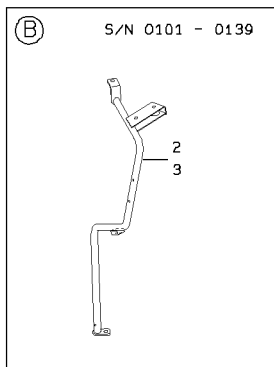
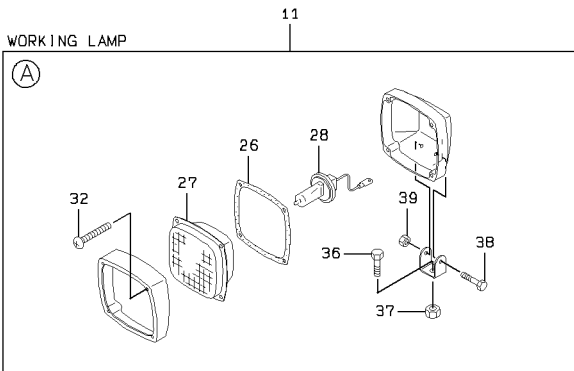
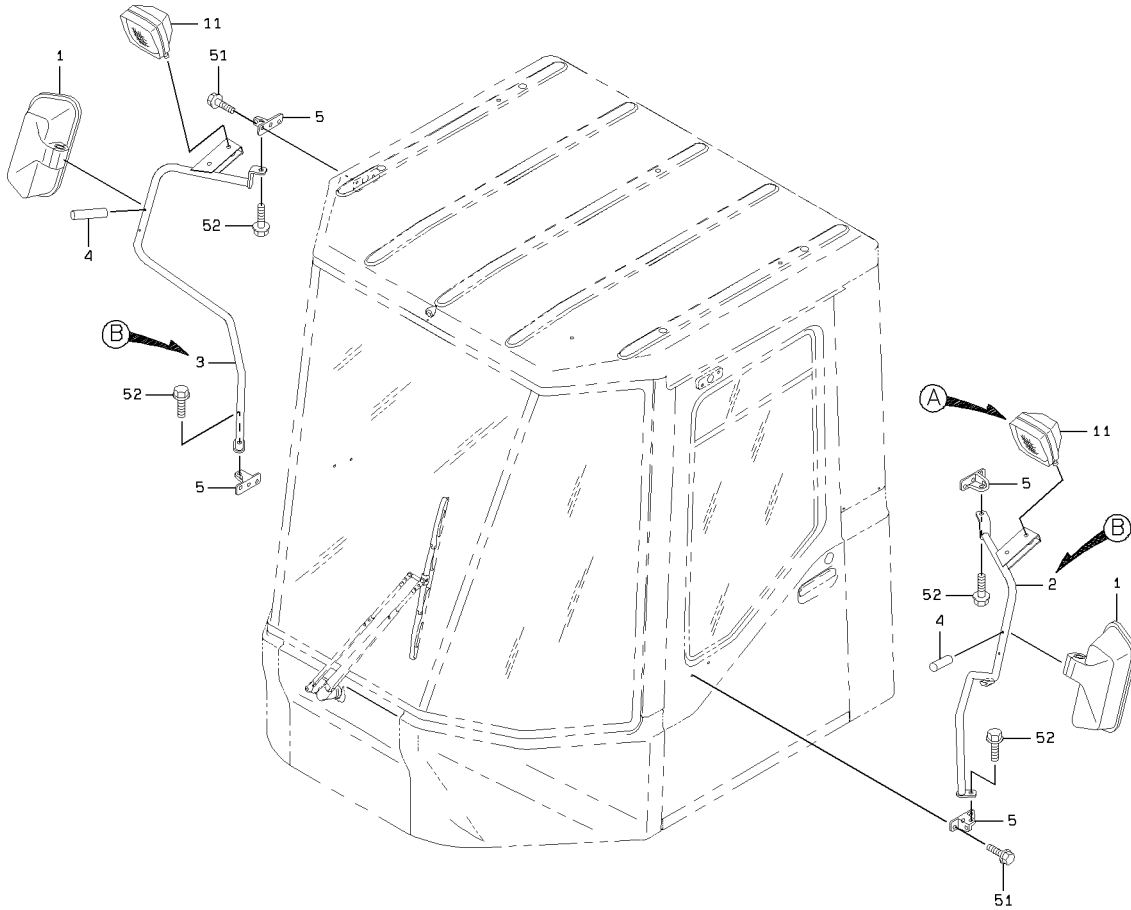
3-A

ELECTRICAL WIRING - CAB

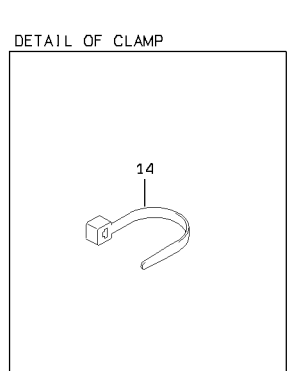
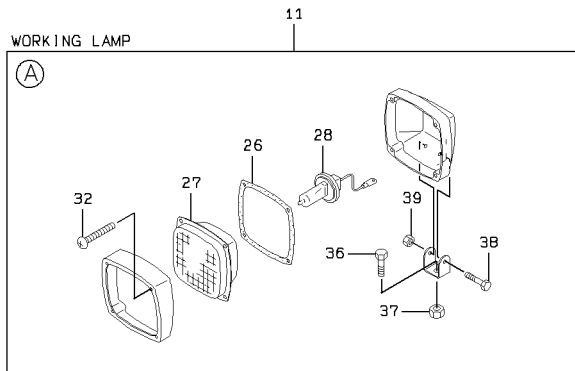
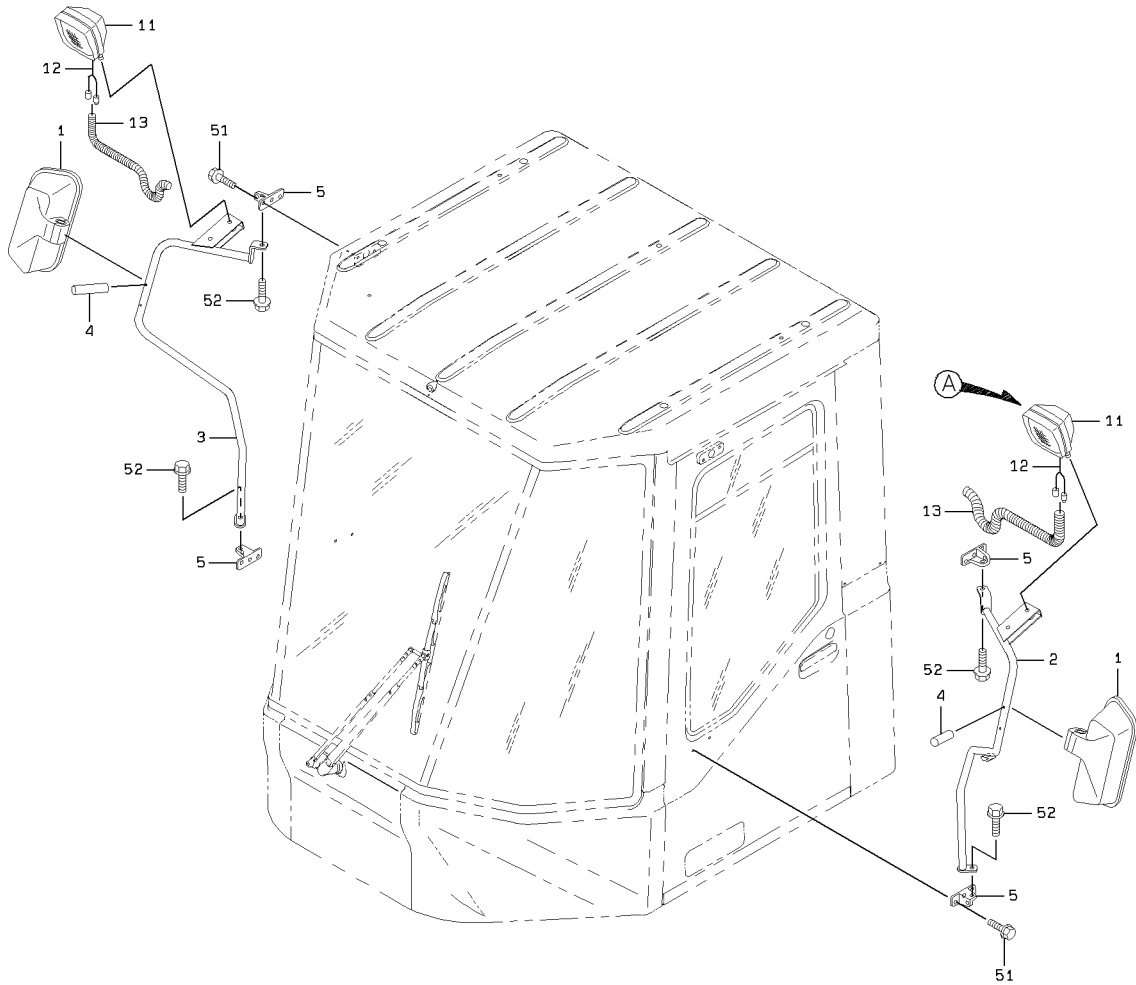
SYM-BOL	PART NUMBER	PART NAME	UNIT Q,TY	SERIAL		REMARKS						
				(A)	(B)	N	P	D	(A)	(B)	(C)	(D)
1A	32923-70090	CLAMP,HOSE	A/R	101	-							L=202
2A	32923-70190	CLAMP,HOSE	A/R	101	-							
3A	32923-70100	CLAMP,HOSE	A/R	101	-	194		D				L=382
4A	32923-70120	CLAMP,HOSE	A/R	101	-							FR M8
5A	32970-70210	CLIP	A/R	101	-							
11A	65801-10016	BUSHING,ELASTIC	2	101	-							
12A	65801-08016	BUSHING,ELASTIC	2	101	-	407		D				
13A	36724-20070	TUBE,CONDUIT	2	101	-	194		D				
13B	36700-20630	TUBE	2	381	-							
51A	62401-81101	NUT	2	101	-							
52A	62721-10100	WASHER,SPRING	2	101	-							
53A	46011-21650	WASHER,PLANE	4	101	-							
101A	33193-25290	CABLE ASSY	1	101	-	194						CAB
101B	33193-32480	CABLE ASSY	1	195	-	231		B				CAB
101C	33193-41410	CABLE ASSY	1	232	-	345		C				CAB
101D	33193-52510	CABLE ASSY	1	346	-	349		C				CAB
101E	33193-54970	CABLE ASSY	1	350	-	380		B				CAB
101F	33194-20950	CABLE ASSY	1	381	-			C				CAB
102A	33191-56830	CABLE ASSY	2	101	-	194		D				WORKING LAMP

MIRROR GROUP (S/N 0101 - 0268)

<S/N 0101 - 0187>



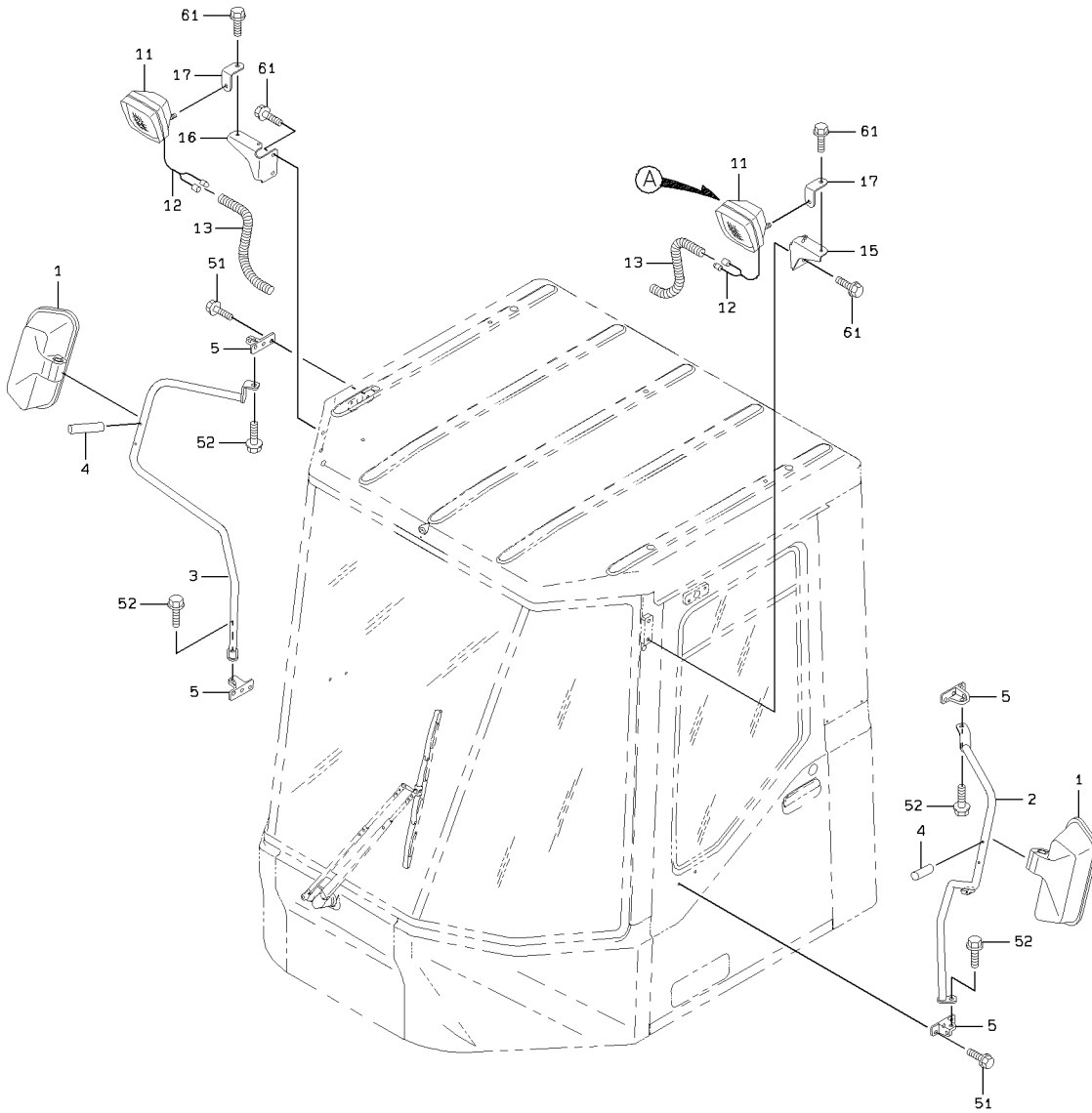
1-A



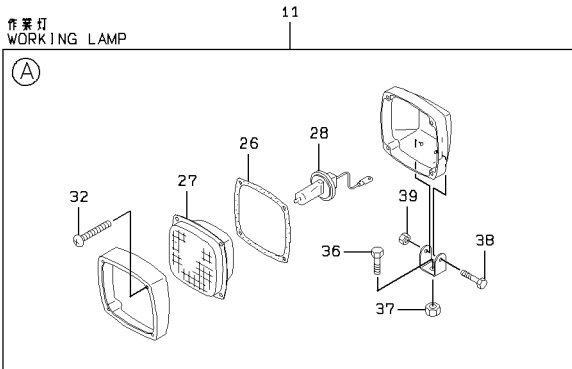
2-A

MIRROR GROUP (S/N 0101 - 0268)

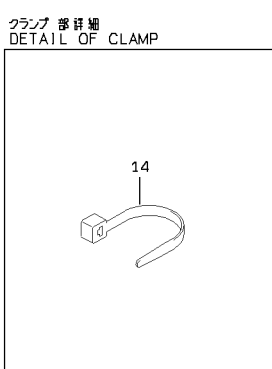
<S/N 0252 - 0268>



作業灯
WORKING LAMP



クランプ 部詳細
DETAIL OF CLAMP



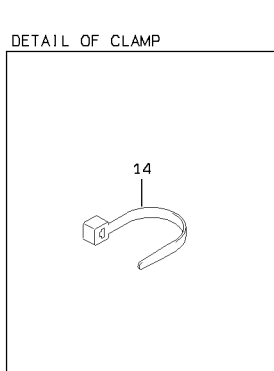
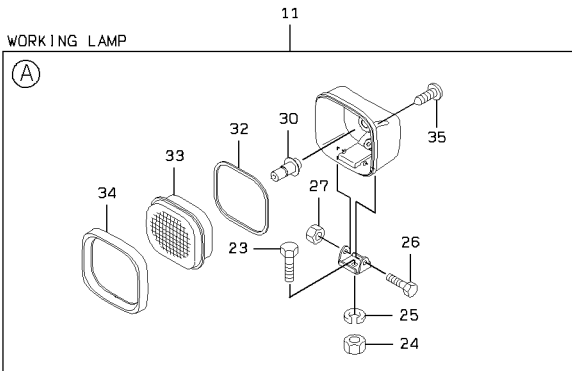
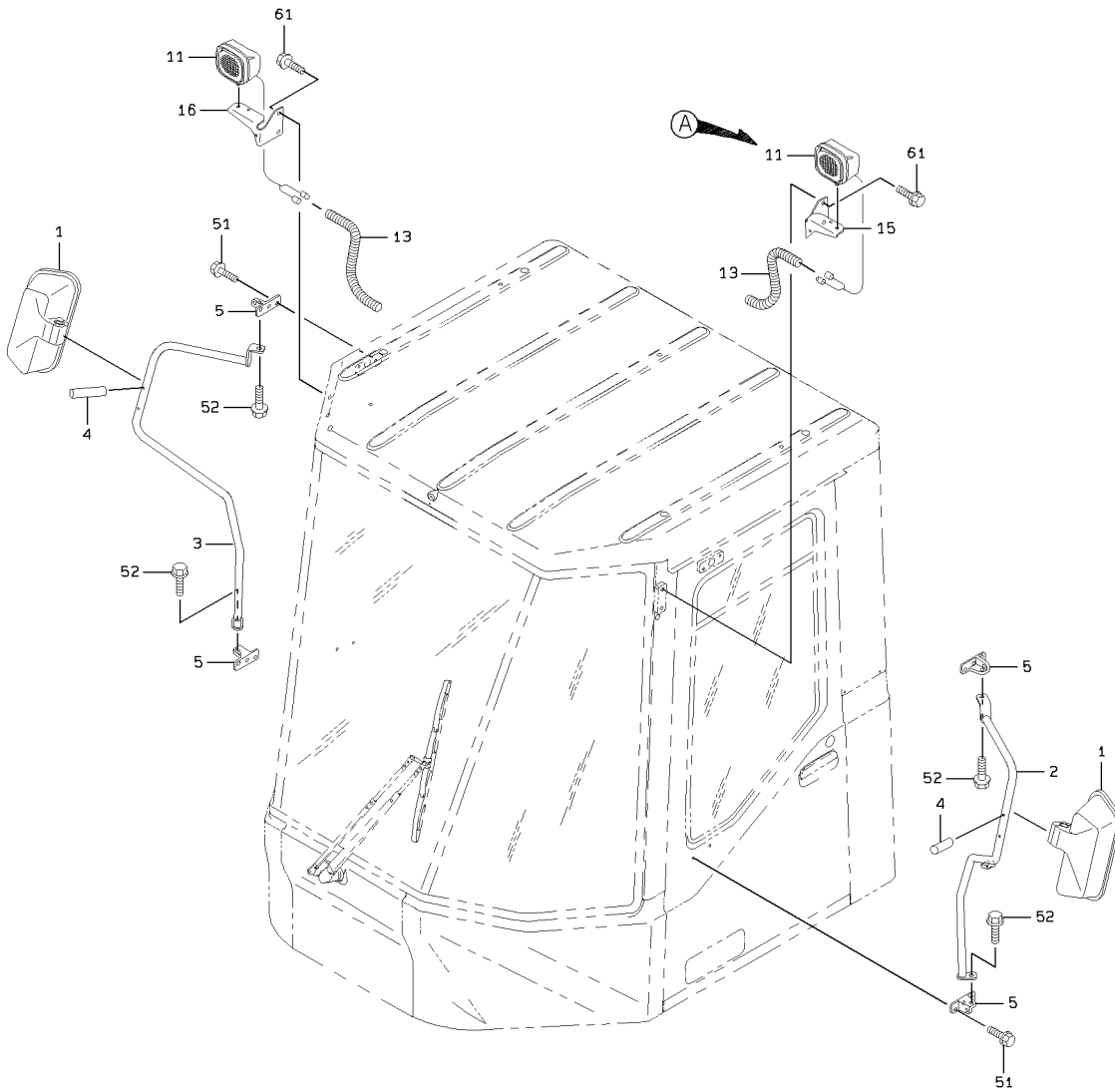
3-A

MIRROR GROUP (S/N 0101 - 0268)

SYM-BOL	PART NUMBER	PART NAME	UNIT Q,TY	SERIAL		REMARKS							
				(A)	(B)	N	P	D	(A)	(B)	(C)	(D)	REMARK
1A	44340-60130	MIRROR	2	101	- 268								
2A	35210-22860	STAY	1	101	- 139								FR LH
2B	35210-23150	STAY	1	140	- 141								FR LH
2C	35210-23240	STAY	1	142	- 251								FR LH
2D	35210-24060	STAY	1	252	- 268								FR LH
3A	35210-22940	STAY	1	101	- 139								FR RH
3B	35210-23160	STAY	1	140	- 141								FR RH
3C	35210-23250	STAY	1	142	- 251								FR RH
3D	35210-24070	STAY	1	251	- 268								FR RH
4A	40000-27270	PIN	2	101	- 268								
5A	40901-58320	BRACKET	4	101	- 268								
11A	44890-60190	LAMP,HEAD	2	101	- 268					Y01			
12A	33191-56830	CABLE ASSY	2	188	- 268								WORKING LAMP
13A	36724-70100	TUBE,CONDUIT	2	188	- 268								
14A	32923-70100	CLAMP,HOSE	A/R	188	- 268								L=382
15A	40902-38630	BRACKET	1	252	- 268								FR LH
16A	40902-38750	BRACKET	1	252	- 268								FR RH
17A	41620-53760	PLATE	2	252	- 268								
26A	31990-71580	GASKET	1	101	- 268					01			
27A	45701-70670	LENS	1	101	- 268					01			
28A	38480-70410	BULB	1	101	- 268					01			24V70W
32A	35106-70180	SCREW,TAPPING	4	101	- 268					01			
36A	61034-10028	BOLT	1	101	- 268					01			
37A	37600-71930	NUT	1	101	- 268					01			
38A	43900-73040	BOLT	1	101	- 268					01			
39A	37600-71940	NUT	1	101	- 268					01			
51A	61802-08016	BOLT,FLANGED	8	101	- 268								
52A	61802-12020	BOLT,FLANGED	4	101	- 268								
61A	61802-10016	BOLT,FLANGED	6	252	- 268								

MIRROR GROUP (S/N 0269 - 0386)

<S/N 0269 - 0386>



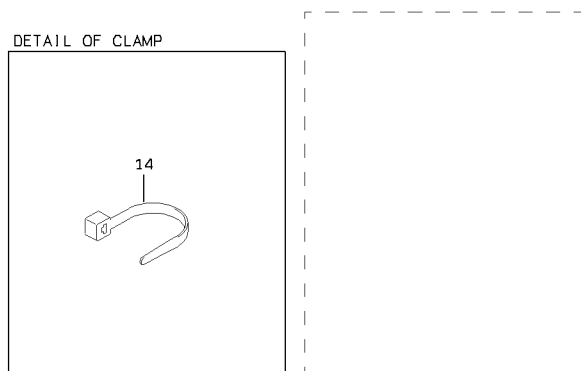
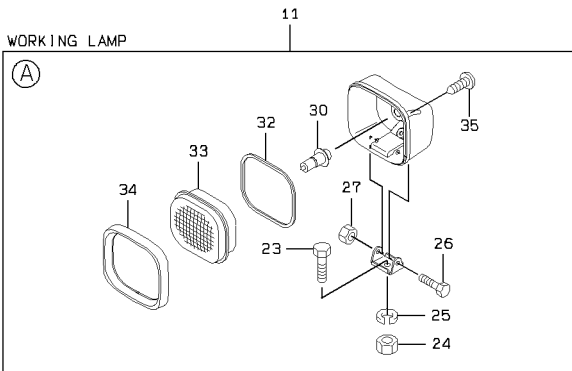
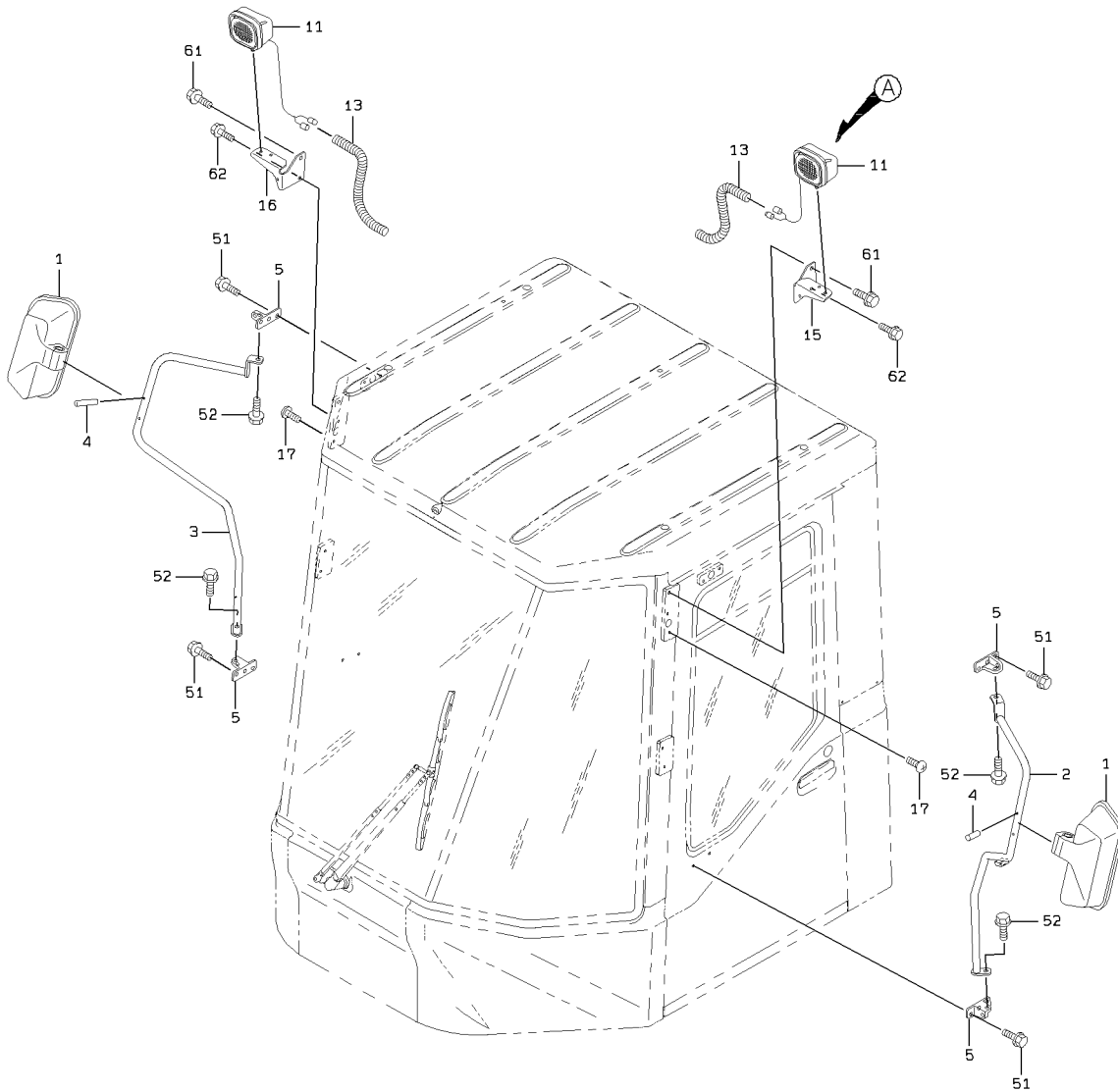
1-A

MIRROR GROUP (S/N 0269 - 0386)

SYM-BOL	PART NUMBER	PART NAME	UNIT Q,TY	SERIAL		REMARKS							
				(A)	(B)	N	P	D	(A)	(B)	(C)	(D)	REMARK
1A	44340-60130	MIRROR	2	269	- 386								
2A	35210-24060	STAY	1	269	- 386								FR LH
3A	35210-24070	STAY	1	269	- 386								FR RH
4A	40000-27270	PIN	2	269	- 386								
5A	40901-58320	BRACKET	4	269	- 386								
11A	44890-60260	LAMP,HEAD	2	269	- 386				Y01				
13A	36724-70100	TUBE,CONDUIT	2	269	- 386								
14A	32923-70100	CLAMP,HOSE	A/R	269	- 386								L=382
15A	41750-42120	PLATE	1	269	- 386								FR LH
16A	41750-42130	PLATE	1	269	- 386								FR RH
23A	61001-08020	BOLT	1	269	- 386				01				
24A	62401-81081	NUT	1	269	- 386				01				
25A	62721-08100	WASHER,SPRING	1	269	- 386				01				
26A	61001-06050	BOLT	1	269	- 386				01				
27A	37600-72340	NUT	1	269	- 386				01				
30A	38480-70770	BULB	1	269	- 386				01				24V55W
32A	31990-71750	GASKET	1	269	- 386				01				
33A	45701-70800	LENS	1	269	- 386				01				
34A	40600-70920	FRAME	1	269	- 386				01				
35A	62261-14018	SCREW,TAPPING	4	269	- 386				01				
51A	61802-08016	BOLT,FLANGED	8	269	- 386								
52A	61802-12020	BOLT,FLANGED	4	269	- 386								
61A	61802-10016	BOLT,FLANGED	4	269	- 386								

MIRROR GROUP (S/N 0387 -)

<S/N 0387 - >

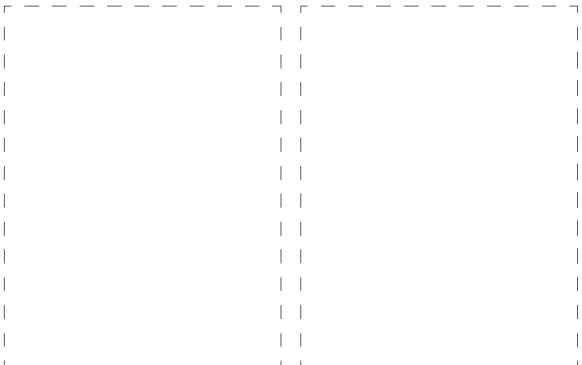
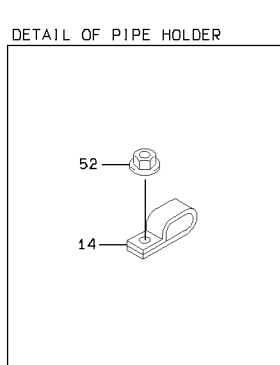
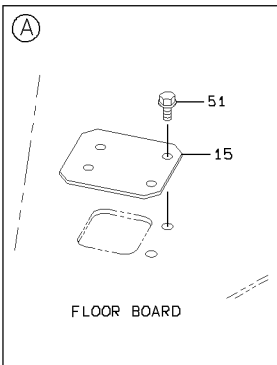
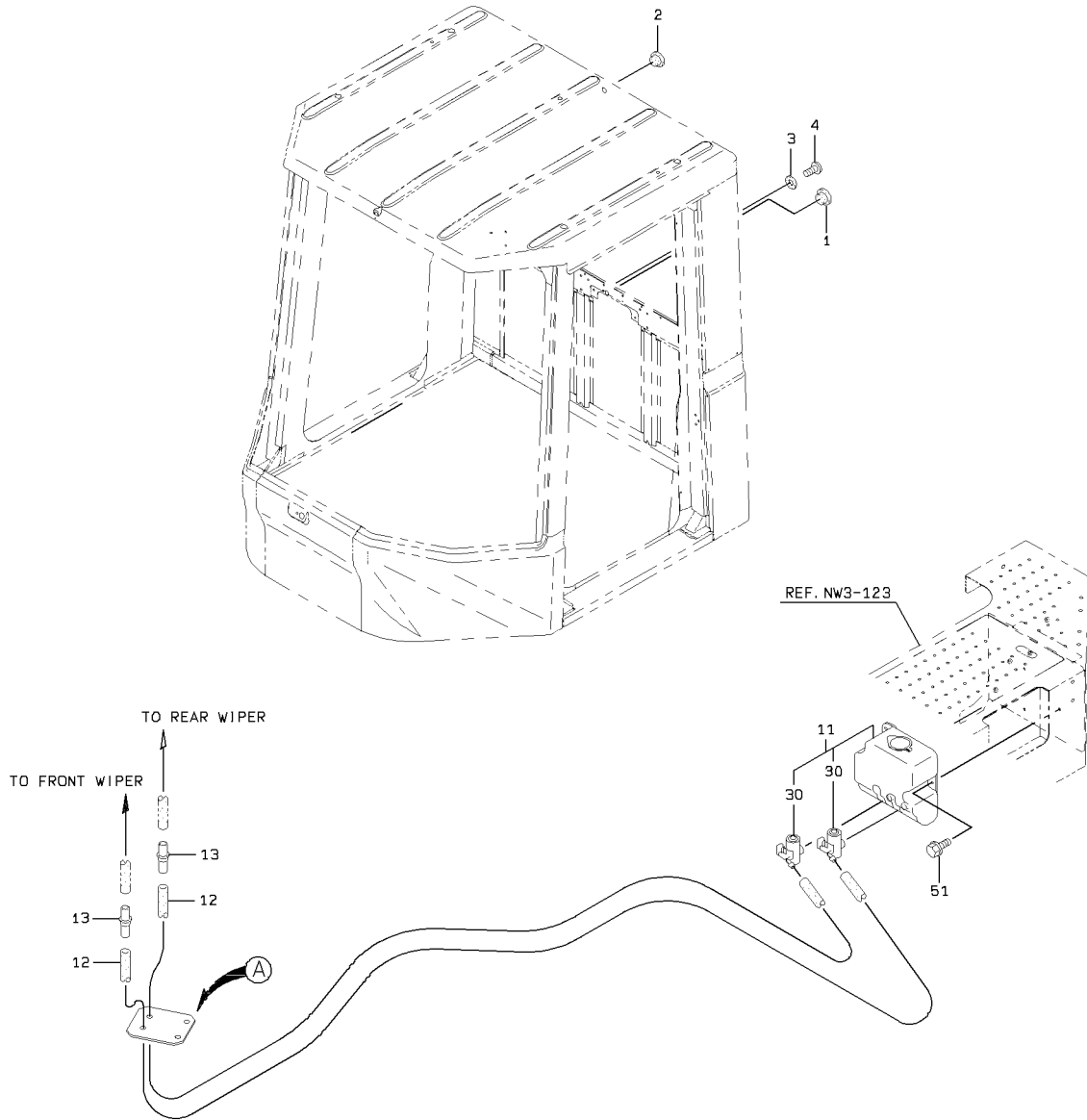


1-A

MIRROR GROUP (S/N 0387 -)

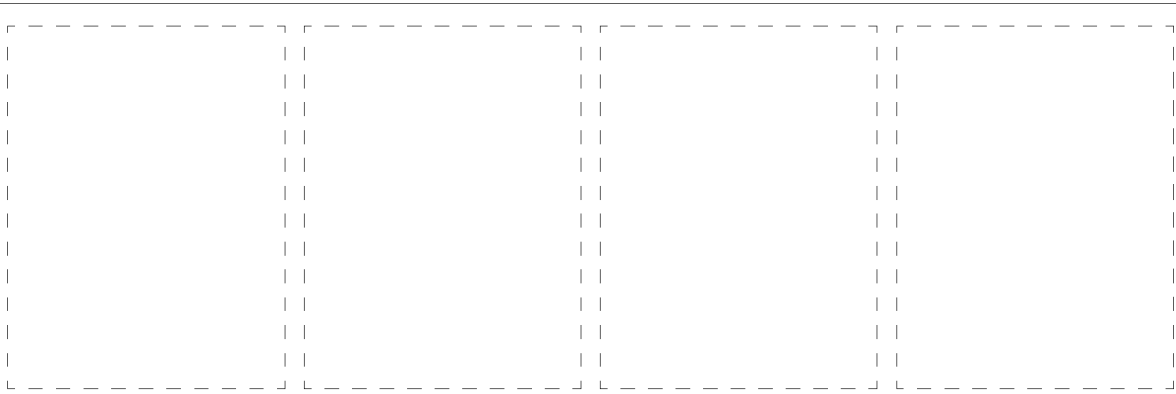
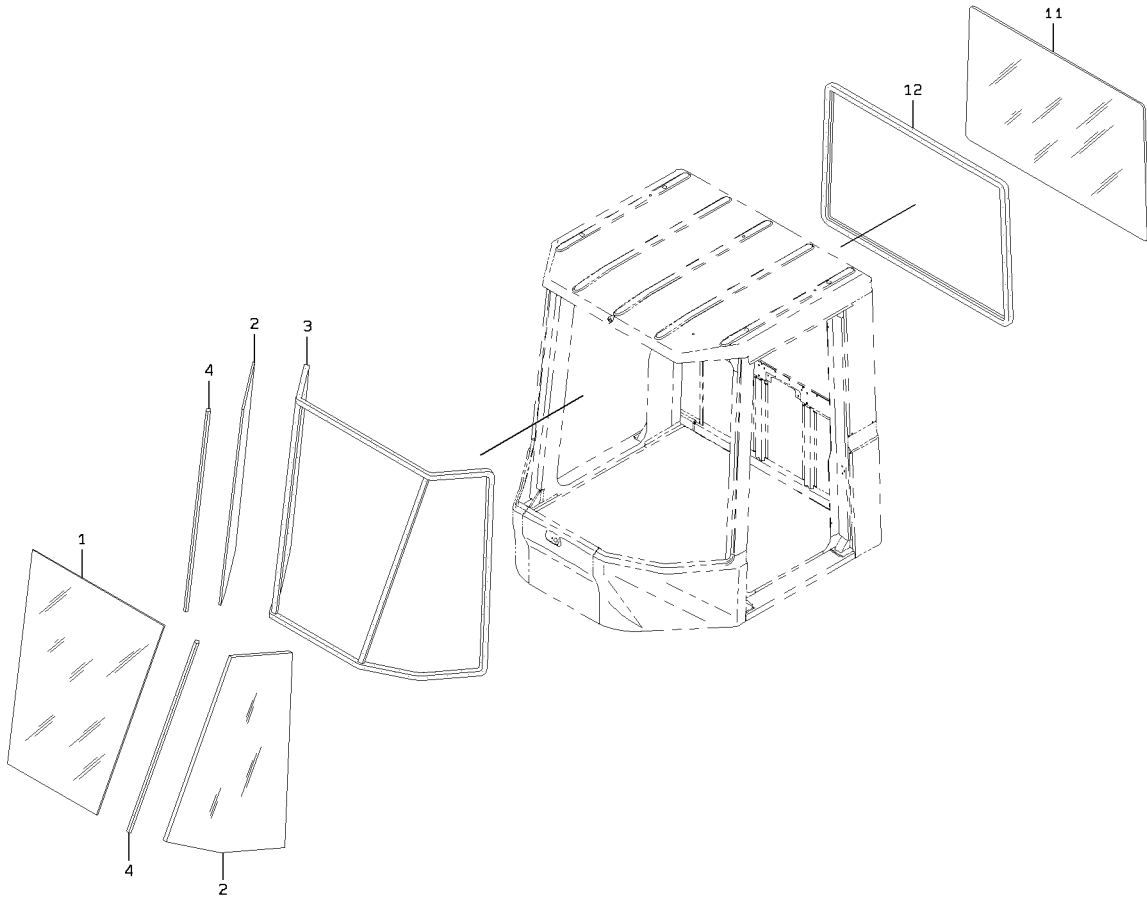
SYM-BOL	PART NUMBER	PART NAME	UNIT Q,TY	SERIAL (A) - (B)	REMARKS						
					N	P	D	(A)	(B)	(C)	(D)
1A	44340-60130	MIRROR	2	387 -							
2A	35210-24060	STAY	1	387 -							FR LH
3A	35210-24070	STAY	1	387 -							FR RH
4A	40000-27270	PIN	2	387 -							
5A	40901-58320	BRACKET	4	387 -							
11A	44890-60260	LAMP,HEAD	2	387 -				Y01			HALOGEN LAMP
13A	36724-70100	TUBE,CONDUIT	2	387 -							L=330
14A	32923-70100	CLAMP,HOSE	A/R	387 -							L=382
15A	41750-54520	PLATE	1	387 -							FR LH
16A	41750-54530	PLATE	1	387 -							FR RH
17A	35100-20860	SCREW	2	387 -							
23A	61001-08020	BOLT	1	387 -				01			
24A	62401-81081	NUT	1	387 -				01			
25A	62721-08100	WASHER,SPRING	1	387 -				01			
26A	61001-06050	BOLT	1	387 -				01			
27A	37600-72340	NUT	1	387 -				01			
30A	38480-70770	BULB	1	387 -				01			24V55W(H3)
32A	31990-71750	GASKET	1	387 -				01			
33A	45701-70800	LENS	1	387 -				01			
34A	40600-70920	FRAME	1	387 -				01			
35A	62261-14018	SCREW,TAPPING	4	387 -				01			
51A	61802-08016	BOLT,FLANGED	8	387 -							
52A	61802-12020	BOLT,FLANGED	4	387 -							
61A	61802-10012	BOLT,FLANGED	2	387 -							
62A	61802-08012	BOLT,FLANGED	2	387 -							

REAR WIPER & WINDOW WASHER GROUP



WINDOW GLASS MOUNT

<S/N 0163 - >

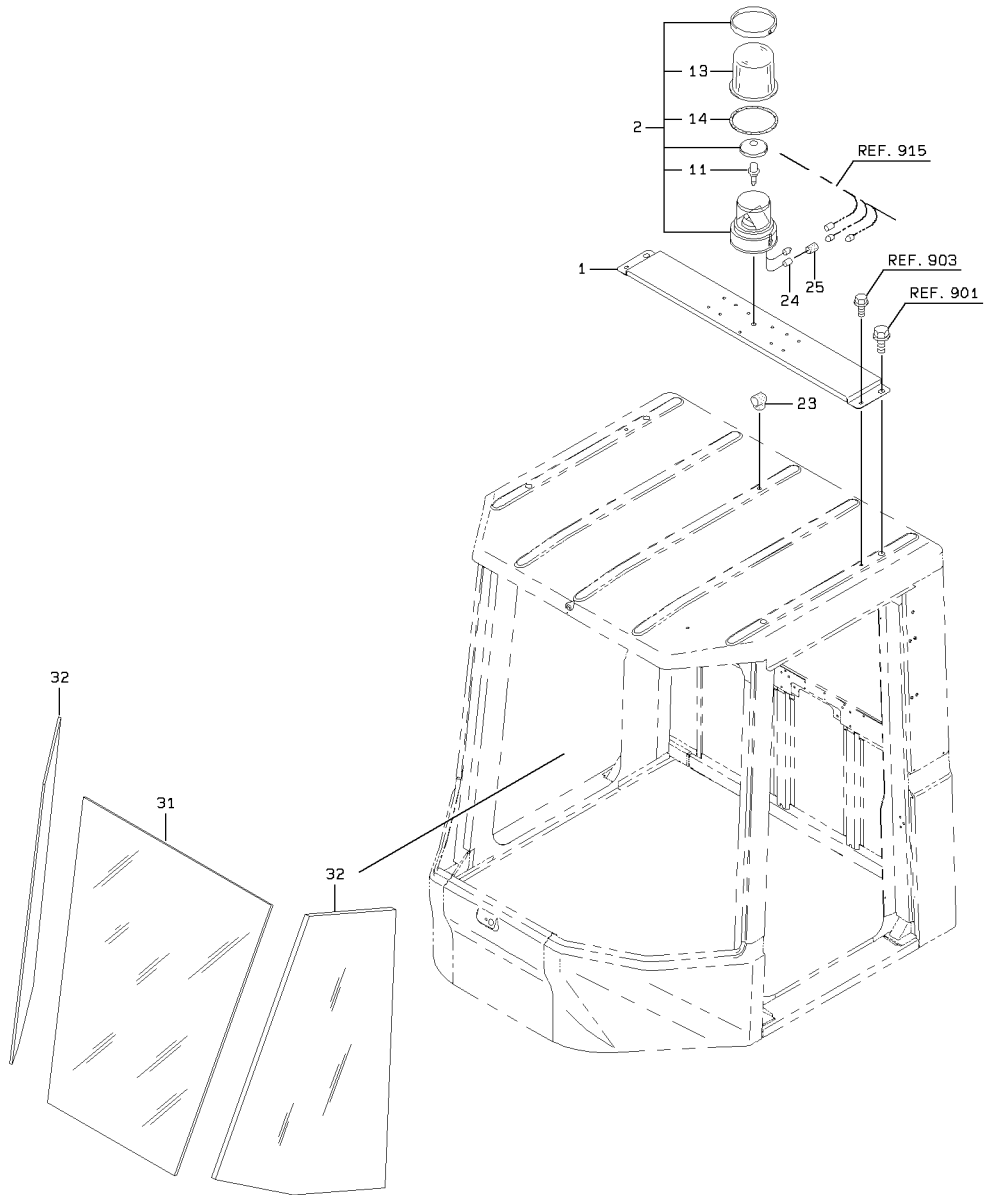


1-A

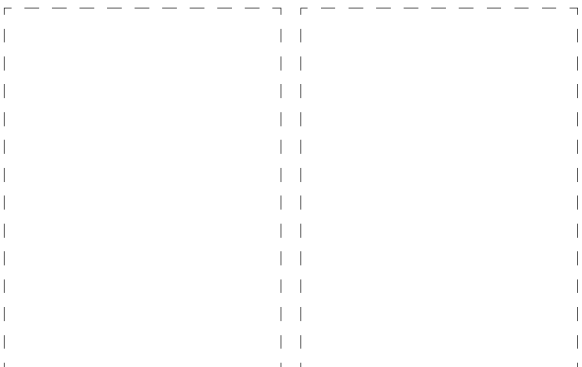
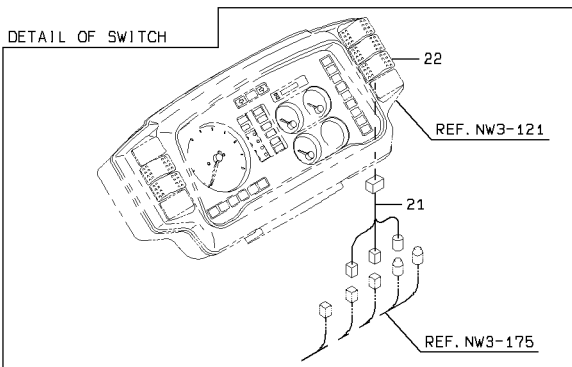
WINDOW GLASS MOUNT

SYM-BOL	PART NUMBER	PART NAME	UNIT Q,TY	SERIAL (A) - (B)	REMARKS						
					N	P	D	(A)	(B)	(C)	(D)
1A	32011-21540	GLASS,WINDOW	1	163 -							FR FRONT
2A	32011-21550	GLASS,WINDOW	2	163 -							FR FRONT SIDE
3A	34041-60280	STRIP, SEAL	1	163 -							FR FRONT
4A	34041-60270	STRIP, SEAL	2	163 -							FR FRONT SIDE
11A	32011-22090	GLASS,WINDOW	1	163 -							FR REAR
12A	34041-60300	STRIP, SEAL	1	163 -							FR REAR

CAB OPTION PARTS



DETAIL OF SWITCH



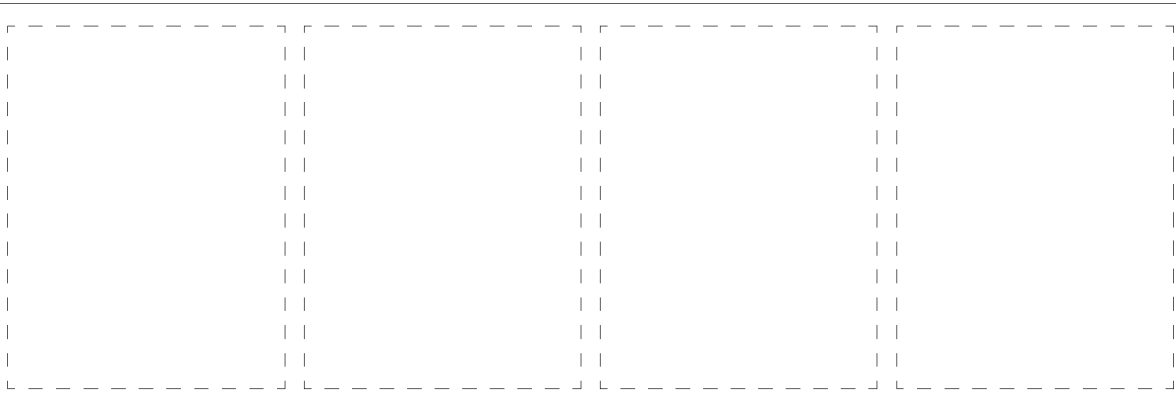
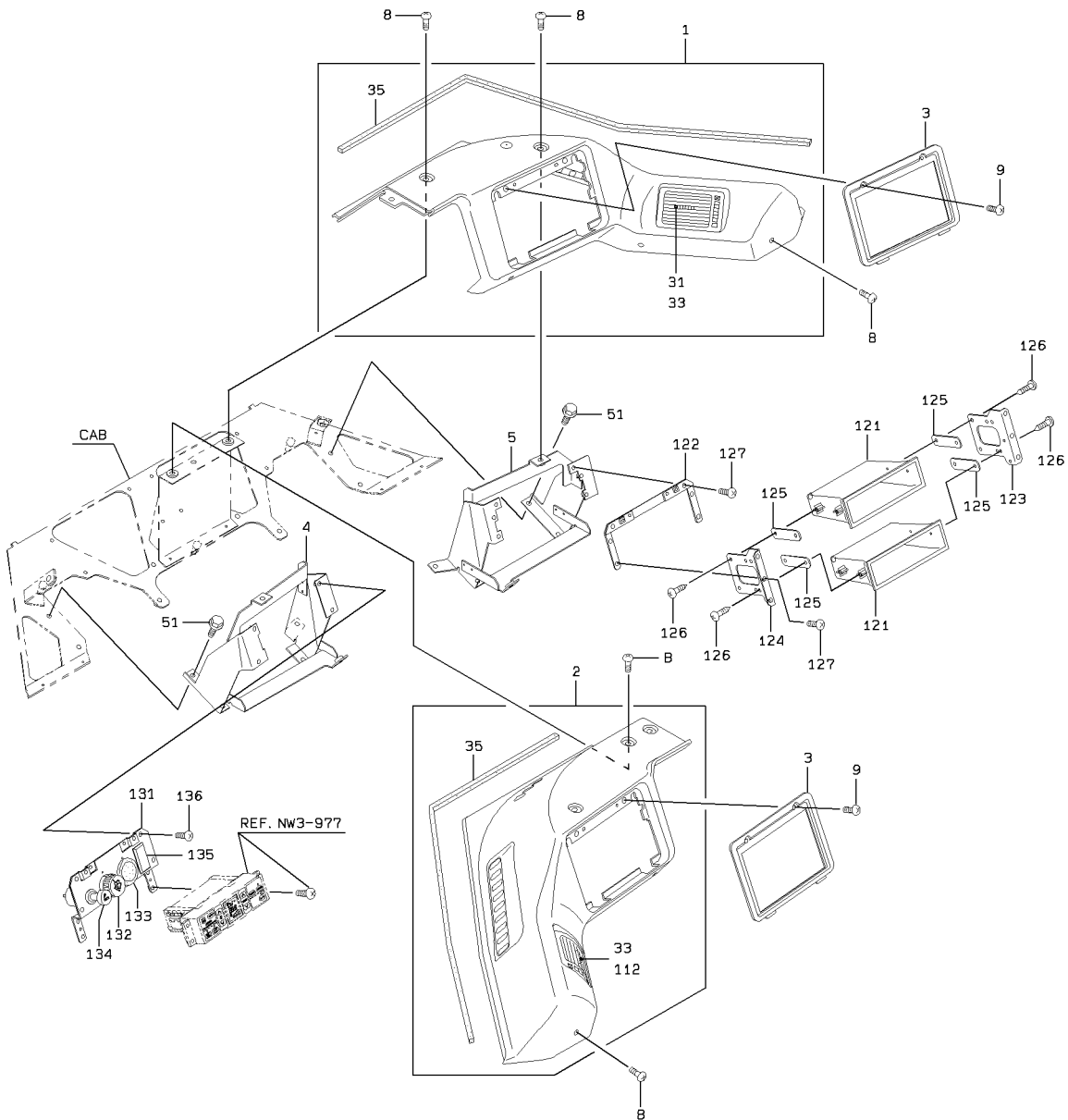
1-A

CAB OPTION PARTS

SYM-BOL	PART NUMBER	PART NAME	UNIT Q,TY	SERIAL		REMARKS							
				(A)	(B)	N	P	D	(A)	(B)	(C)	(D)	REMARK
1A	41618-56280	PLATE	1	101	-								
2A	44894-60040	LAMP,ROTARY WARNIN	1	101	-					Y01			
11A	38480-70780	BULB	1	101	-					01			24V55W(H3)
13A	45701-70640	LENS	1	101	-					01			
14A	39600-72240	PACKING	1	101	-					01			
21A	33191-47860	CABLE ASSY	1	101	-								
22A	35010-60320	SWITCH	1	101	-								ROTARY WARNING
23A	32215-70060	CAP,TERMINAL	1	101	-								
24A	73212-00100	TERMINAL	1	101	-	311	N	D					
25A	73222-00100	CAP,TERMINAL	1	101	-	311	N	D					
31A	32011-21690	GLASS,WINDOW	1	101	-								FRONT
32A	32011-21700	GLASS,WINDOW	2	101	-								FRONT SIDE

COVER GROUP - CAB (S/N 0101 - 0187)

<S/N 0101 - 0187>



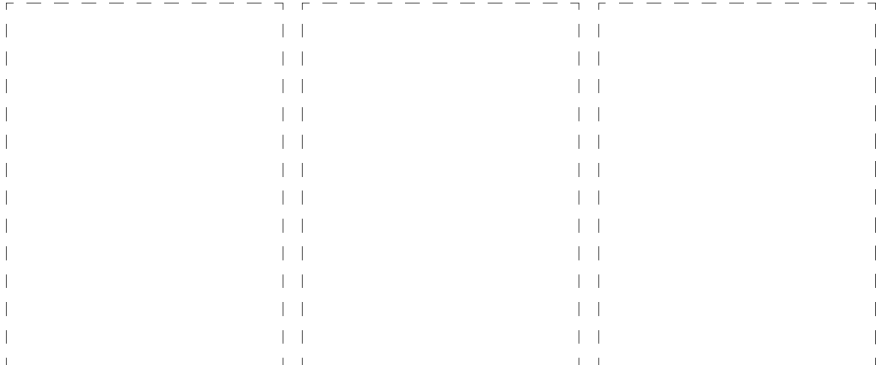
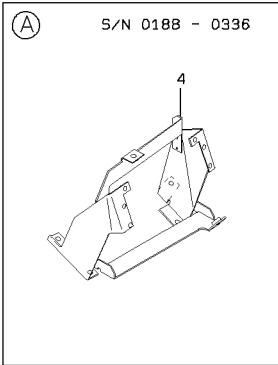
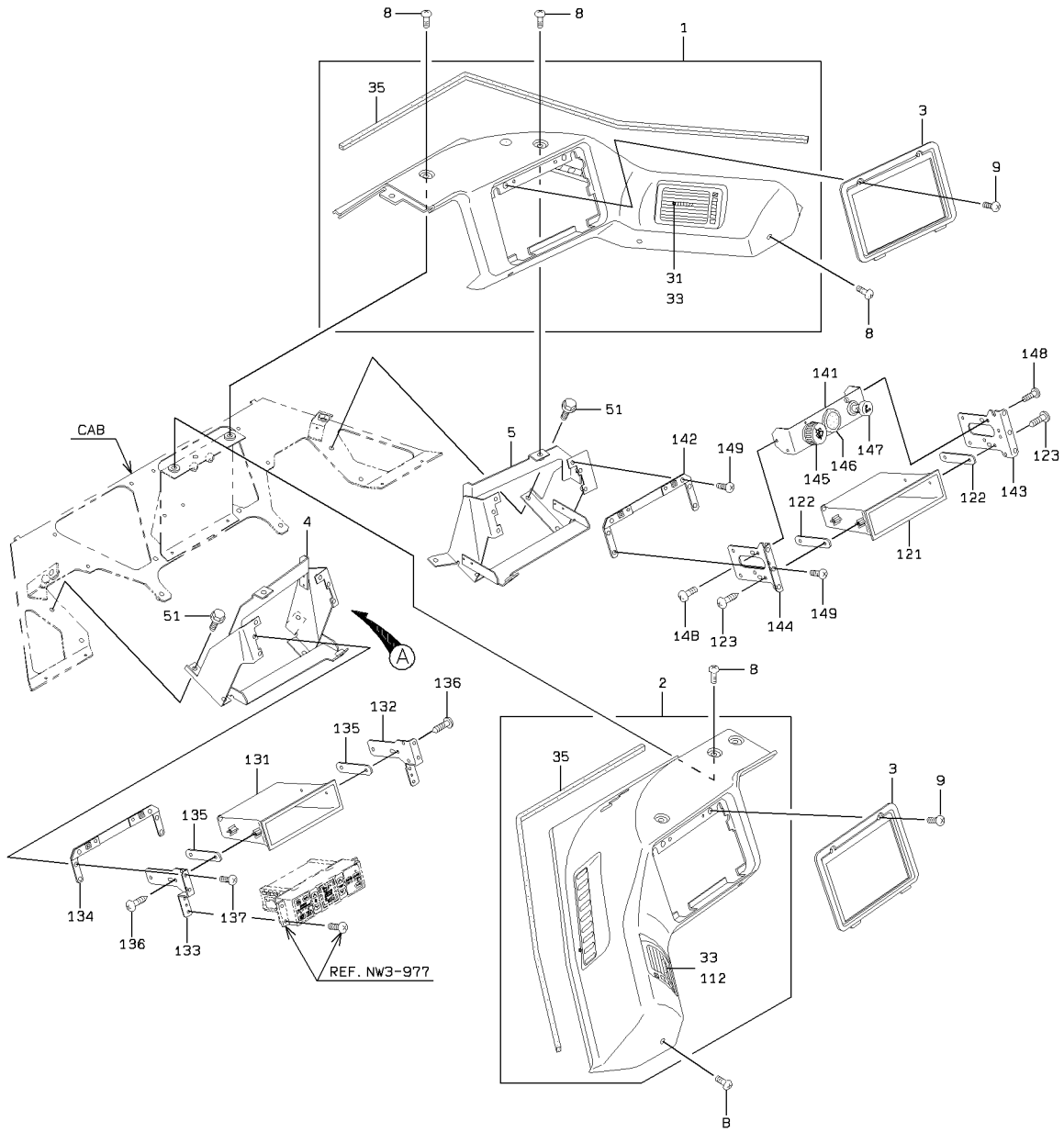
1-A

COVER GROUP - CAB (S/N 0101 - 0187)

SYM-BOL	PART NUMBER	PART NAME	UNIT Q,TY	SERIAL			REMARKS							
				(A)	-	(B)	N	P	D	(A)	(B)	(C)	(D)	REMARK
1A	31200-60300	COVER	1	101	-	187						Y01		FR RH
2A	31200-60310	COVER	1	101	-	187							Y02	FR LH
3A	31200-60100	COVER	2	101	-	187								
4A	40901-57960	BRACKET	1	101	-	187								FR LH
5A	40901-57970	BRACKET	1	101	-	187								FR RH
8A	35100-20200	SCREW	11	101	-	187								
9A	35100-20280	SCREW	4	101	-	187								
31A	33070-70100	GRILLE	1	101	-	187						01		
33A	40900-60110	BRACKET	1	101	-	187						01	02	
35A	35680-70100	SPONGE	1	101	-	187						01	02	
51A	61802-08016	BOLT,FLANGED	10	101	-	187								
112A	33070-70110	GRILLE	1	101	-	187							02	
121A	43800-23450	BOX	2	101	-	187								
122A	41613-51300	PLATE	1	101	-	187								
123A	41610-26860	PLATE	1	101	-	187								FR RH
124A	41610-26870	PLATE	1	101	-	187								FR LH
125A	41613-53150	PLATE	4	101	-	187								
126A	35106-20020	SCREW,TAPPING	8	101	-	187								
127A	35100-20280	SCREW	6	101	-	187								
131A	41613-51320	PLATE	1	101	-	187								
132A	35067-60060	SWITCH,WIPER	1	101	-	187								FR FRONT
133A	41530-70740	PLUG	1	101	-	187								
134A	34180-60010	CIGARLIGHTER	1	101	-	187								
135A	32224-60020	CAP,ELASTIC	1	101	-	187								
136A	35100-20280	SCREW	4	101	-	187								

COVER GROUP - CAB (S/N 0188 -)

<S/N 0188 - >



COVER GROUP - CAB (S/N 0188 -)

SYM-BOL	PART NUMBER	PART NAME	UNIT Q,TY	SERIAL		REMARKS							
				(A)	(B)	N	P	D	(A)	(B)	(C)	(D)	REMARK
1A	31200-60300	COVER	1	188	-								FR RH
2A	31200-60310	COVER	1	188	-								FR LH
3A	31200-60100	COVER	2	188	-								
4A	40902-26510	BRACKET	1	188	-								FR LH
4B	40902-50690	BRACKET	1	337	-								FR LH
5A	40901-57970	BRACKET	1	188	-								FR RH
8A	35100-20200	SCREW	11	188	-								
9A	35100-20280	SCREW	4	188	-								
31A	33070-70100	GRILLE	1	188	-								
33A	40900-60110	BRACKET	1	188	-								
35A	35680-70100	SPONGE	1	188	-								
51A	61802-08016	BOLT,FLANGED	10	188	-								
112A	33070-70110	GRILLE	1	188	-								
121A	43800-23450	BOX	1	188	-								
122A	41613-53150	PLATE	2	188	-								
123A	35106-20020	SCREW,TAPPING	4	188	-								
131A	43800-23450	BOX	1	188	-								
132A	41619-30180	PLATE	1	188	-								FR RH
133A	41619-30190	PLATE	1	188	-								FR LH
134A	41619-30200	PLATE	1	188	-								
135A	41613-53150	PLATE	2	188	-								
136A	35106-20020	SCREW,TAPPING	4	188	-								
137A	35100-20280	SCREW	6	188	-								
141A	41619-50010	PLATE	1	188	-								
142A	41613-51300	PLATE	1	188	-								
143A	41619-31080	PLATE	1	188	-								FR RH
144A	41619-31090	PLATE	1	188	-								FR LH
145A	35067-60060	SWITCH,WIPER	1	188	-								FR FRONT
146A	41530-70740	PLUG	1	188	-								
147A	34180-60010	CIGARLIGHTER	1	188	-								
148A	35100-20020	SCREW	4	188	-								
149A	35100-20280	SCREW	6	188	-								

MEMO

PARTS No. INDEX

PARTS No. INDEX

PART NUMBER	PAGE-SYM	PART NUMBER	PAGE-SYM	PART NUMBER	PAGE-SYM	PART NUMBER	PAGE-SYM				
00515	-01500	25- 1A	30230	-20590	164- 227A	30245	-20410	392- 612A	30930	-23990	387- 312A
	-01790	25- 1B		-20600	326- 9A		-20420	392- 622A	30935	-20170	392- 1A
03501	-15770	392- 24A		-20600	329- 9A		-60040	392- 122A		-20180	392- 2A
	-19200	536- 16A		-20600	536- 5A		-60050	392- 132A		-20580	387- 236A
	-44750	580- 3A		-20600	538- 37A		-60060	392- 112A		-20710	387- 237A
	-44990	577- 2A		-21720	258- 102A		-60130	392- 432A		-21410	392- 11A
	-50760	596- 16A		-21720	554- 17A		-60140	392- 542A		-21420	392- 12A
	-66400	608- 3A		-21780	228- 7A	30246	-20120	304- 19A		-21470	392- 31A
	-70400	538- 38A		-21780	589- 13A		-20120	306- 19A		-21480	392- 32A
	-74740	538- 9A		-21980	123- 14A		-20150	323- 115B	30936	-20030	392- 302A
30020	-23490	572- 5A		-22300	216- 113A		-20660	574- 6A	30938	-21330	382- 111A
	-24600	253- 14A		-23300	589- 4A		-20730	228- 5A		-21330	384- 111A
	-24600	256- 14A		-23890	220- 105A		-21500	323- 115A		-21340	380- 101A
	-24600	536- 13A		-23890	222- 25A		-22100	232- 49A		-21340	387- 111A
	-25840	256- 14B		-23900	318- 8A		-22370	560- 122A		-21820	382- 121A
	-25840	536- 13B		-23990	225- 235A		-22840	225- 4A		-21820	384- 121A
30021	-20820	405- 91A		-24630	232- 48B		-22900	220- 108A		-21830	380- 111A
	-20820	637- 171A		-24800	312- 6A		-22900	222- 28A		-21880	382- 341A
	-20890	401- 31A		-24800	316- 36A		-22950	225- 24A		-21880	384- 341A
	-20890	409- 91A		-25660	78- 9A		-23060	538- 44A		-21930	387- 121A
	-20890	634- 41A		-25660	78- 9B		-24420	323- 115C		-22520	387- 321A
	-20890	641- 171A		-25660	78- 9C		-24450	538- 39A		-22530	387- 322A
30035	-60040	442- 42A		-25660	528- 6A	30250	-20070	156- 48A		-24300	387- 531A
	-60060	417- 2A		-25900	563- 124A		-20070	159- 48A		-24310	387- 521A
	-60060	653- 2A		-26030	78- 8A		-20240	153- 9A	30960	-60010	284- 35A
30040	-22880	6- 1A		-26200	232- 48A	30320	-60030	31- 23A		-60010	290- 35A
	-22970	490- 1A		-30740	164- 76A		-60030	34- 23A	30980	-70350	316- 20A
	-23400	6- 1B		-70230	270- 25A	30502	-24620	284- 26A	30981	-20060	22- 4A
	-23410	490- 1B	30241	-21320	258- 9A		-25480	486- 13A		-70330	22- 143A
	-23830	6- 1C		-21330	316- 36C		-28700	277- 2A		-70340	156- 4A
	-23880	490- 1C		-21490	577- 26A		-41610	284- 134A		-70500	148- 22A
	-23980	504- 1A		-22460	127- 27A		-41610	290- 134A		-70510	148- 23A
	-24490	6- 1D		-22550	232- 44A	30510	-60120	423- 1A		-70720	218- 43A
	-24500	490- 1D		-23580	368- 6A		-60120	658- 1A		-70720	320- 113A
	-24540	504- 1B		-23620	123- 12A		-60140	423- 1B		-70720	323- 123A
	-25310	6- 1E		-23620	127- 12A		-60140	658- 1B		-70990	22- 40A
	-25360	504- 1C		-23660	153- 3B		-60230	423- 1C	30999	-70120	468- 4A
30062	-20060	570- 12A		-23720	563- 11A		-60230	658- 1C	31003	-61310	110- 1A
	-60050	31- 31A		-23920	218- 5A		-60240	423- 1D		-61740	110- 1B
	-60050	34- 31A		-23930	218- 7A		-60240	660- 1A		-62030	110- 1C
	-70420	68- 21A		-24650	218- 7B	30582	-20480	189- 112A	31050	-60360	248- 3A
	-70420	620- 23A		-25250	164- 75A		-20480	193- 112A		-60360	270- 000A
	-70420	624- 21A		-25820	258- 103B	30641	-70010	70- 20A		-60610	248- 3B
	-70430	68- 22A		-60070	320- 103A		-70010	620- 21A		-60610	272- 000A
	-70430	620- 24A		-60070	323- 113A		-70010	626- 20A	31053	-70200	242- 6A
	-70430	624- 22A	30242	-20020	123- 7A	30650	-70020	156- 22A		-70200	244- 6A
30100	-60510	225- 2A		-20100	554- 32A	30654	-70060	159- 23A		-70630	266- 221A
	-60510	344- 000A		-20160	370- 14A	30721	-20100	166- 202A		-70630	268- 221A
	-60550	563- 121A		-20190	216- 16B	30725	-20030	166- 205A		-70650	268- 221B
	-60550	566- 000A		-20190	320- 222A	30771	-60010	438- 11A		-70700	242- 7A
30111	-21310	188- 000A		-20190	323- 242A		-60010	674- 11A		-70700	244- 7A
	-21740	188- 000B		-20210	225- 5A	30780	-23170	12- 111A		-70710	316- 21A
	-22000	188- 000C		-20220	225- 5B		-23200	484- 1A	31115	-70010	159- 4A
	-22050	188- 000D		-20360	216- 16A		-25980	12- 111B	31140	-60010	413- 25A
30112	-21640	192- 000A		-20450	153- 8A	30890	-60080	452- 1A		-60010	649- 25A
	-22020	192- 000B		-20470	123- 27A		-60080	466- 000A		-60020	413- 122A
	-22570	192- 000C	30244	-20020	320- 209A	30930	-20200	382- 102A		-60020	649- 122A
	-22730	192- 000D		-20020	323- 229A		-20270	382- 332A	31160	-72100	338- 16A
	-23100	192- 000E	30245	-20280	382- 241A		-20290	380- 42A		-72100	340- 16A
	-23170	192- 000F		-20280	384- 241A		-20290	387- 42A	31200	-27120	110- 41A
30212	-70020	182- 34A		-20280	392- 201A		-20310	392- 301A		-29930	570- 13A
	-70060	70- 13A		-20290	382- 311A		-20320	392- 311A		-29940	570- 14A
	-70060	626- 13A		-20290	384- 311A		-21020	392- 321A		-29950	570- 15A
	-70070	70- 19A		-20290	392- 221A		-21120	384- 102A		-36330	280- 3A
	-70070	620- 19A		-20300	382- 321A		-22330	392- 331A		-36330	556- 3A
	-70070	626- 19A		-20300	384- 321A		-22340	384- 332A		-36700	44- 24A
30230	-20150	320- 208A		-20300	392- 231A		-22350	392- 341A		-36700	46- 24A
	-20150	323- 228A		-20380	392- 502A		-23820	618- 13B		-37290	38- 32A
	-20550	164- 204A		-20390	392- 512A		-23980	387- 311A		-38820	150- 13A

PARTS No. INDEX

PART NUMBER	PAGE-SYM	PART NUMBER	PAGE-SYM	PART NUMBER	PAGE-SYM	PART NUMBER	PAGE-SYM
31200 -38830	150- 12A	31205 -46500	596- 12A	31281 -20020	166- 209A	31990 -27550	186- 34B
-38920	150- 14A	-47160	454- 3B	31284 -70160	338- 10A	-28430	170- 23C
-40290	150- 12B	-50490	123- 5B	-70200	340- 1A	-28430	186- 33C
-41010	150- 13B	-50490	127- 5A	31285 -70070	240- 6A	-70570	148- 29A
-44780	277- 21C	-50500	123- 36A	31287 -70060	338- 15A	-71280	170- 49A
-44980	277- 21D	-50500	127- 36A	-70080	134- 13A	-71280	186- 36A
-45520	150- 13C	-54150	277- 21B	31289 -20660	372- 4A	-71300	86- 21A
-60030	36- 21A	-70120	92- 12A	-70170	240- 5A	-71370	522- 45B
-60040	36- 22A	-70120	94- 12A	31523 -70190	618- 11B	-71420	401- 2A
-60060	36- 24A	-70220	548- 201A	-70330	618- 11A	-71420	634- 2A
-60100	444- 3A	31206 -21540	454- 122B	31600 -20120	572- 27A	-71580	88- 116A
-60100	446- 3A	-24830	38- 12B	-70020	548- 420A	-71580	432- 26A
-60100	680- 3A	-24840	38- 32B	31605 -70010	548- 600A	-71580	668- 26A
-60100	682- 3A	31210 -20990	22- 3A	31611 -70020	349- 453A	-71730	138- 45A
-60110	31- 3A	-21090	170- 15A	-70020	546- 453A	-71730	140- 34A
-60140	31- 1A	-21230	170- 16A	-70040	548- 413A	-71730	522- 45A
-60140	34- 1A	-22490	88- 1A	31701 -70850	236- 26A	-71750	86- 42A
-60270	31- 2A	-22810	170- 16B	-70850	238- 27A	-71750	435- 32A
-60300	444- 1A	-23270	170- 15B	31820 -20270	382- 122A	-71750	670- 32A
-60300	446- 1A	-70010	148- 26A	-20270	384- 122A	-71750	672- 32A
-60300	680- 1A	-70320	353- 401A	31823 -21990	120- 21A	-71760	88- 12A
-60300	682- 1A	-70320	357- 401A	-22020	120- 23A	-72140	18- 111A
-60310	444- 2A	-70320	361- 401A	-22180	120- 23B	32010 -70090	96- 16A
-60310	446- 2A	-70380	342- 15A	-22190	120- 22A	32011 -21500	405- 63A
-60310	680- 2A	-70390	334- 15A	-22440	120- 22B	-21500	440- 11A
-60310	682- 2A	31231 -20110	168- 109A	-22450	120- 21B	-21500	637- 83A
-60320	31- 4A	-20830	60- 1A	31827 -21720	56- 1A	-21540	405- 61A
-60320	34- 4A	-20900	454- 123A	-22090	58- 1A	-21540	440- 1A
-60340	36- 23A	-20910	454- 121A	-23270	58- 1B	-21540	637- 81A
-60380	454- 101A	-70440	22- 142A	31828 -20490	86- 5A	-21540	676- 1A
-60390	454- 102A	31236 -24960	454- 222A	-20600	86- 5B	-21550	405- 62A
-60400	454- 103A	-24970	405- 47A	31930 -21020	166- 238A	-21550	440- 2A
-60410	36- 25A	-24970	637- 67A	-21040	166- 238B	-21550	637- 82A
-60420	31- 2B	-24990	56- 34A	-70200	577- 46A	-21550	676- 2A
-60420	34- 2A	-24990	58- 34A	31990 -20020	18- 13A	-21690	442- 31A
-60450	34- 4B	-25040	449- 13A	-20030	22- 14A	-21690	678- 31A
-70400	524- 11A	-25300	49- 11A	-20320	18- 32A	-21700	442- 32A
-71030	544- 201A	-25310	49- 12A	-20410	170- 23A	-21700	678- 32A
-71040	346- 202A	-26300	409- 47A	-20410	186- 33A	-22090	676- 11A
-71040	544- 202A	-26300	641- 67A	-20550	300- 3A	-60240	413- 12A
-72080	349- 401A	-26880	580- 12A	-20870	168- 21A	-60240	649- 12A
-72080	349- 401B	-27640	53- 11A	-20870	186- 14A	-60250	413- 202A
-72130	546- 401A	-27650	53- 12A	-20880	168- 110A	-60250	649- 202A
-72570	346- 201A	-30450	409- 47B	-20970	164- 18A	-60260	413- 13A
-73130	474- 7A	-30450	641- 67B	-20970	170- 18A	-60260	649- 13A
-73180	130- 3A	-30450	645- 67A	-20970	186- 11A	32110 -60010	49- 19A
-73180	132- 1A	31241 -20050	170- 141A	-20970	186- 32A	-60010	53- 19A
-73190	130- 5A	-20060	182- 23A	-21300	524- 3A	-60010	56- 112A
-73220	474- 7B	-20190	488- 11A	-21300	526- 4A	-60010	58- 3A
-73220	476- 7A	-20310	188- 5A	-21720	170- 46A	-60010	58- 112A
-73260	349- 421A	-20310	192- 5A	-21720	186- 34A	-70150	92- 103A
-73480	132- 11A	-70230	68- 16A	-21970	170- 48A	-70150	94- 103A
-73590	134- 1A	-70230	624- 16A	-21970	186- 35A	-70150	96- 103A
-90310	220- 39A	-70300	620- 16A	-22060	164- 19A	32112 -20010	120- 17A
-90310	222- 9A	31265 -60150	516- 14A	-22060	186- 12A	32150 -20210	31- 16A
-90320	220- 41A	-60280	374- 60A	-22140	164- 216A	-20210	34- 16A
-90320	222- 11A	-60280	492- 14A	-22140	186- 13A	-20210	34- 16B
31205 -20940	318- 4A	-70220	274- 50A	-22840	253- 6A	-20250	405- 67A
-33390	277- 21A	-70310	374- 160A	-22840	256- 6A	-20250	637- 87A
-38980	3- 101A	31274 -20020	596- 1A	-23180	552- 4A	-20340	60- 3A
-40170	123- 5A	31275 -70040	620- 5A	-23760	170- 11A	-20390	409- 67A
-40920	44- 109A	-70100	68- 2A	-23760	186- 31A	-20390	641- 87A
-40920	46- 109A	-70100	620- 2A	-26690	168- 21B	-20390	645- 87A
-42330	454- 122A	-70100	624- 2A	-26690	186- 14B	-20580	409- 67B
-42380	454- 3A	-70120	624- 5B	-27420	170- 23B	-20580	645- 87B
-42900	38- 12A	-70130	68- 5B	-27420	186- 33B	-60020	12- 204A
-42970	218- 121A	-70140	68- 5A	-27500	164- 216B	-60020	44- 103A
-45900	596- 13A	-70140	624- 5A	-27500	186- 13B	-60020	46- 103A
-46490	596- 11A	-70150	624- 2B	-27550	170- 46B	-60020	488- 13A

PARTS No. INDEX

PART NUMBER	PAGE-SYM	PART NUMBER	PAGE-SYM	PART NUMBER	PAGE-SYM	PART NUMBER	PAGE-SYM
33930	-71010	34041	-60250	34256	-23750	34940	-70260
	-71020		-60250	34257	-25900	34944	-70010
	-71070		-60250		-26320		-70020
34000	-70030		-60270		-26480	34947	-20020
	-70030		-60270	34500	-20570		-20020
	-70030		-60270		-24570	34950	-20010
	-70600		-60270		-24570		-20010
	-70600		-60280		-24890		-20010
	-70690		-60280		-25620		-20020
	-70690		-60280		-70080		-20020
	-70700		-60280		-70190		-20020
	-70700		-60300		-70730		-60020
	-70710	34042	-60390		-70790	35010	-60260
	-70710		-60390		-70790		-60260
	-70850		-60590		-70790		-60270
	-70910		-60590	34501	-20210		-60270
	-70910		-60590		-20230		-60270
	-70940		-60590		-21290		-60280
	-71020		-60590		-21990		-60280
	-71020		-60660		-22550		-60280
	-71020		-60660		-60170		-60320
	-71040		-70440	34507	-20210		-60320
	-71040		-70440	34511	-20560		-60340
34041	-21500		-70450		-20560		-60460
	-21650		-70450	34517	-20060		-60460
	-21760		-71440	34527	-20220		-60460
	-22660		-71440	34528	-70260		-60570
	-22660		-71450		-70260		-60640
	-22770		-71450	34715	-70030		-60860
	-22770		-71450	34800	-70210		-60860
	-23440		-71550		-70210	35020	-60070
	-23440	34043	-70010		-70220		-60070
	-23540		-70010		-70220		-60070
	-23540	34044	-20260		-70380		-60070
	-23950		-70460	34820	-22430		-60070
	-23970		-70660		-22430	35021	-60020
	-23970		-70980		-22430		-60020
	-23970		-70980		-63450		-60020
	-23970		-70990		-63450	35037	-20020
	-23970		-70990		-63960		-20200
	-24000		-71200		-63960		-60030
	-24010	34047	-60040		-64640	35043	-60010
	-24040		-60040		-64640	35045	-60020
	-24040	34180	-60010		-64650	35046	-70080
	-24190		-60010		-64650		-70080
	-24190		-60010		-65850		-70080
	-24200		-60010		-65850		-70080
	-24220	34200	-20950		-65860		-70080
	-24280		-20950		-65860	35047	-20270
	-24280		-20950		-66250		-20270
	-60070		-20950		-66250		-20270
	-60070		-21210		-66250		-60250
	-60070		-21210		-66260		-60260
	-60070		-21260		-66260		-60610
	-60070		-21290		-66260		-70220
	-60080		-22770		-66320	35048	-60040
	-60080		-22770		-66320		-60040
	-60090		-25900		-66330		-60050
	-60090		-25910		-66330		-60050
	-60100		-25920		-67420	35051	-20060
	-60100		-27650		-67420		-20100
	-60110		-70850		-67430		-60080
	-60110		-70850		-67430		-60080
	-60120		-71620		-68540		-70040
	-60120		-71620		-68550		-70040
	-60140		-71620		-90240		-70040
	-60140		-71720		-90240		-70040
	-60180		-71740		-90250	35063	-60160
	-60180	34256	-23220		-90250	35065	-60050
						35067	-60060
							444- 132A

PARTS No. INDEX

PART NUMBER	PAGE-SYM	PART NUMBER	PAGE-SYM	PART NUMBER	PAGE-SYM	PART NUMBER	PAGE-SYM				
35067	-60060	446- 145A	35100	-20860	435- 17A	35210	-23240	432- 2C	35600	-60150	188- 58A
	-60060	680- 132A		-20860	645- 108A		-23240	668- 2C		-60150	192- 58A
	-60060	682- 145A		-20860	672- 17A		-23250	432- 3C		-70240	270- 14A
	-60070	442- 101A		-20900	68- 51A		-23250	668- 3C		-71450	242- 2A
35100	-20010	28- 42A		-20900	620- 51A		-24060	432- 2D		-71770	184- 12A
	-20010	454- 129A		-20900	624- 51A		-24060	435- 2A		-71790	346- 371A
	-20010	454- 223A		-70390	270- 1A		-24060	668- 2D		-71790	544- 371A
	-20010	580- 13A		-71250	470- 8A		-24060	670- 2A		-71800	346- 372A
	-20020	36- 27A		-71250	472- 15A		-24060	672- 2A		-71810	544- 373A
	-20020	438- 4A		-71440	577- 107A		-24070	432- 3D		-71820	346- 522A
	-20020	446- 148A		-71530	270- 2A		-24070	435- 3A		-71820	544- 522A
	-20020	616- 3A		-71970	344- 17A		-24070	668- 3D		-72130	182- 36A
	-20020	674- 4A		-71970	566- 17A		-24070	670- 3A		-72140	182- 35A
	-20020	682- 148A		-72340	244- 24A		-24070	672- 3A		-72200	270- 15A
	-20030	611- 16A		-72830	96- 17A	35211	-60050	60- 5A		-72550	542- 9A
	-20030	611- 126A		-72840	96- 18A	35370	-20070	41- 12A		-72760	346- 373A
	-20180	442- 52A	35104	-70030	92- 123A		-20590	41- 11A		-73340	346- 374A
	-20180	479- 102A		-70030	94- 123A	35371	-20100	41- 2A		-73650	572- 15A
	-20200	31- 19A		-70030	96- 123A	35430	-70010	70- 14A		-73680	572- 13A
	-20200	31- 35A		-70030	582- 23A		-70010	620- 14A		-73910	349- 614A
	-20200	34- 19A		-70030	593- 23A		-70010	626- 14A		-73920	349- 613A
	-20200	36- 33A		-70170	548- 472A	35440	-20960	60- 9A		-73930	349- 612A
	-20200	444- 8A		-70180	353- 411A		-21400	413- 22A		-73940	349- 611A
	-20200	446- 8A		-70180	357- 411A		-21400	649- 22A		-73940	546- 221A
	-20200	449- 62A		-70180	361- 411A		-21810	401- 33A		-73950	349- 641A
	-20200	449- 108A	35106	-20020	31- 21A		-21810	409- 93A		-73950	546- 241A
	-20200	454- 111A		-20020	34- 21A		-21810	634- 43A		-73970	349- 246A
	-20200	538- 12A		-20020	36- 29A		-21810	641- 173A		-74210	240- 8A
	-20200	680- 8A		-20020	444- 126A		-70210	346- 337A		-74270	349- 642A
	-20200	682- 8A		-20020	446- 123A		-70220	346- 335A		-74280	470- 5A
	-20220	449- 14A		-20020	446- 136A		-70220	544- 335A		-74340	349- 643A
	-20220	454- 6A		-20020	454- 112A		-70810	236- 24A		-74360	349- 644A
	-20280	83- 53B		-20020	680- 126A		-70810	238- 29A		-74850	242- 14A
	-20280	405- 187A		-20020	682- 123A	35510	-20360	177- 21A		-74850	244- 14A
	-20280	409- 187A		-20020	682- 136A		-20420	202- 19A		-74860	242- 19A
	-20280	444- 9A		-70060	470- 4A		-20420	206- 19A		-74870	242- 20A
	-20280	444- 127A		-70070	466- 4A		-20420	208- 19A		-74870	244- 20A
	-20280	444- 136A		-70100	470- 16A		-20560	173- 20A		-74920	586- 511A
	-20280	446- 9A		-70170	31- 41A		-20570	177- 22A		-74930	586- 211A
	-20280	446- 137A		-70180	88- 122A		-20810	202- 19B		-75640	266- 322A
	-20280	446- 149A		-70180	432- 32A		-20810	208- 19B		-75880	266- 321A
	-20280	637- 207A		-70180	668- 32A	35513	-70270	114- 1A		-75880	268- 321A
	-20280	641- 207A		-70270	470- 12A	35530	-60020	22- 18B		-75890	266- 323A
	-20280	645- 207A	35107	-20030	232- 46A		-70020	22- 18A		-75890	268- 323A
	-20280	680- 9A		-20040	188- 38A	35570	-20050	365- 2A		-76030	22- 144A
	-20280	680- 127A		-20040	192- 38A		-20320	365- 2B		-76060	236- 8A
	-20280	680- 136A		-60010	189- 142A		-20340	365- 2C		-76060	238- 9A
	-20280	682- 9A		-60010	193- 142A		-70090	544- 302A		-76060	238- 109A
	-20280	682- 137A		-60010	232- 112A		-70540	242- 3A		-76070	238- 12A
	-20280	682- 149A		-70010	560- 136A		-71090	268- 302A		-76080	236- 14A
	-20310	405- 104A		-70030	188- 38B		-71320	268- 300A		-76080	238- 15A
	-20310	409- 104A		-70030	192- 38B		-71920	244- 3A		-76090	236- 15A
	-20310	637- 104A	35110	-70050	353- 418A	35575	-70020	184- 11A		-76100	238- 17A
	-20310	641- 104A		-70050	357- 418A		-70230	268- 300B		-76110	236- 13A
	-20310	645- 104A		-70050	361- 418A	35600	-20120	22- 6A		-76240	236- 14B
	-20330	34- 26A	35175	-20430	36- 1A		-20240	188- 45A		-76240	238- 15B
	-20330	449- 114A		-20520	28- 1A		-20240	192- 45A		-76250	236- 15B
	-20400	405- 186A		-20680	28- 1B		-20460	164- 206A		-76250	238- 16A
	-20400	409- 186A		-20820	28- 1C		-20470	164- 207A		-76260	238- 17B
	-20400	637- 206A		-21110	28- 1D		-20480	173- 66A		-76270	236- 13B
	-20400	641- 206A	35203	-20020	166- 203A		-20480	177- 66A		-76340	238- 15C
	-20400	645- 206A	35210	-22860	432- 2A		-20480	180- 66A		-76610	316- 14A
	-20520	409- 188A		-22860	668- 2A		-20490	173- 67A		-76620	353- 408A
	-20520	641- 208A		-22940	432- 3A		-20490	177- 67A		-76620	357- 408A
	-20520	645- 208A		-22940	668- 3A		-21120	90- 1A		-76620	361- 408A
	-20680	36- 28A		-23150	432- 2B		-21700	365- 9A		-77320	238- 17C
	-20710	449- 14B		-23150	668- 2B		-21710	365- 8A		-77350	548- 335A
	-20710	454- 6B		-23160	432- 3B		-21900	253- 115A		-77510	353- 221A
	-20830	538- 8A		-23160	668- 3B		-21900	256- 115A		-77510	353- 222A

PARTS No. INDEX

PART NUMBER	PAGE-SYM	PART NUMBER	PAGE-SYM	PART NUMBER	PAGE-SYM	PART NUMBER	PAGE-SYM
35600	-77510	35680	-43910	409-	168A	35680	-51230
	-77510		-44010	405-	82A		-51230
	-77540		-44010	637-	162A		-51230
	-77550		-44020	449-	22A		-51230
	-77550		-44020	454-	12A		-51700
	-77550		-44180	637-	187A		-51710
	-77560		-44180	641-	187A		-52840
	-77580		-44180	645-	187A		-52840
	-77590		-44270	405-	164A		-54510
	-77590		-44270	409-	164A		-54510
	-77590		-44280	405-	166A		-54690
	-77600		-44280	409-	166A		-54700
	-77610		-44320	454-	32A		-54710
	-77610		-44350	454-	14A		-55950
	-77610		-44430	454-	33A		-70100
	-77700		-44440	28-	12A		-70100
	-77700		-44450	28-	13A		-70100
	-77700		-44460	28-	14A		-70100
	-77950		-45930	405-	165A	35681	-20070
	-78070		-45930	409-	165A		-20080
	-78070		-45930	637-	185A		-21580
	-78090		-45930	641-	185A		-21580
	-78100		-45930	645-	185A		-21580
	-78600		-45940	405-	169A		-28540
	-78600		-45940	409-	169A		-28550
	-78600		-45940	637-	188A		-28560
35617	-60090		-45940	641-	188A		-33960
	-60120		-45940	645-	188A	35700	-20180
	-60120		-45940	405-	171A		-20190
	-60120		-45950	409-	171A		-20200
	-60140		-45950	637-	189A		-20500
	-60140		-45950	641-	189A		-20570
35680	-33290		-45950	645-	189A		-20570
	-33290		-47570	405-	172A		-20720
	-36270		-47570	409-	172A		-20810
	-36290		-47570	637-	191A		-21180
	-42470		-47570	641-	191A		-21450
	-42480		-47570	645-	191A		-70720
	-42510		-47900	449-	142A		-71970
	-43480		-47910	449-	132A		-71970
	-43480		-47920	449-	122A		-71970
	-43520		-48010	454-	42A		-72030
	-43530		-48020	454-	202A	35720	-70010
	-43530		-48030	454-	143A		-70010
	-43640		-48030	454-	203A		-70010
	-43840		-48040	454-	142A	35750	-20380
	-43840		-48050	454-	16A		-20440
	-43840		-48060	454-	15A		-20830
	-43840		-48070	454-	212A		-21020
	-43840		-48090	123-	17A		-22080
	-43850		-48090	127-	17A		-22090
	-43850		-48100	123-	16A		-22450
	-43850		-48100	127-	16A		-22460
	-43850		-48120	123-	25A		-22740
	-43850		-48120	127-	25A		-22780
	-43860		-48130	123-	18A		-22780
	-43860		-48130	127-	18A		-23740
	-43860		-48140	123-	23A		-23740
	-43860		-48140	127-	23A		-23790
	-43860		-48150	123-	22A		-24680
	-43870		-48150	127-	22A		-24680
	-43870		-48160	454-	13A		-24720
	-43870		-48170	454-	17A		-24720
	-43890		-48180	454-	18A		-70410
	-43890		-48190	454-	19A		-70470
	-43890		-50170	449-	42A		-70680
	-43900		-50180	449-	43A		-90010
	-43900		-51070	601-	2A	35755	-70010
	-43910		-51230	405-	83A	35820	-60090
				409-	83A		409- 83A
				637-	163A		637- 163A
				641-	163A		641- 163A
				645-	163A	35824	-20010
				634-	5A	35828	-60240
				401-	5A		-60280
				401-	5A		-60310
				401-	2B	35829	-60050
				634-	2B		-60050
				409-	82A		-60060
				641-	162A		-60070
				601-	14A		-60140
				601-	16A		-60170
				601-	13A	35830	-70010
				28-	12B	35910	-70030
				444-	35A		-70150
				446-	35A		-70200
				680-	35A		-70210
				682-	35A		-70220
				127-	39A		-70250
				127-	19A		-70250
				409-	82B		-70260
				641-	162B		-70260
				645-	162A		-70260
				601-	11B		-70390
				601-	15B		-70390
				601-	12B		-70400
				601-	3B		-70410
				168-	7A		-70410
				168-	9A		-70420
				168-	10A		-70420
				188-	53A		-70430
				49-	103A		-70430
				53-	103A		-70500
				3-	45A	35930	-70010
				365-	12A		-70010
				150-	17A		-70350
				38-	3A		-70440
				270-	5A	36200	-60020
				353-	263A		-70920
				357-	263A		-70920
				361-	263A		-70930
				136-	36A		-70930
				68-	9A		-71260
				620-	9A		-71260
				624-	9A		-71260
				110-	11A		-71360
				177-	41A	36229	-23020
				14-	4A		-23530
				173-	45A		-23760
				168-	112A		-24160
				168-	111A		-25310
				170-	6A		-25570
				170-	7A	36233	-22920
				166-	224A		-24030
				568-	9A		-24280
				584-	9A		-25310
				188-	59A	36405	-70020
				193-	59A		-70020
				108-	133A	36406	-20030
				189-	59B		-20090
				193-	59B	36430	-23360
				189-	59C		-23430
				193-	59C		-23430
				114-	49A		-23770
				544-	702A		-60030
				334-	18A		-60060
				22-	26A	36431	-21030
				524-	13A		-21040
				482-	1A		-21060
				468-	57A		468- 57A
				261-	14A		261- 14A
				78-	1A		78- 1A
				18-	15B		18- 15B
				18-	15C		18- 15C
				18-	15D		18- 15D
				78-	4A		78- 4A
				164-	59A		164- 59A
				482-	2A		482- 2A
				482-	3A		482- 3A
				164-	59B		164- 59B
				164-	59C		164- 59C
				148-	31A		148- 31A
				184-	14A		184- 14A
				577-	101A		577- 101A
				349-	621A		349- 621A
				349-	623A		349- 623A
				349-	622A		349- 622A
				368-	34A		368- 34A
				560-	33A		560- 33A
				225-	43A		225- 43A
				234-	43A		234- 43A
				560-	133A		560- 133A
				225-	43B		225- 43B
				234-	43B		234- 43B
				589-	125A		589- 125A
				357-	562A		357- 562A
				361-	562A		361- 562A
				357-	563A		357- 563A
				361-	563A		361- 563A
				357-	561A		357- 561A
				361-	561A		361- 561A
				589-	125B		589- 125B
				103-	143A		103- 143A
				108-	123A		108- 123A
				618-	12B		618- 12B
				618-	12A		618- 12A
				460-	2A		460- 2A
				138-	33A		138- 33A
				522-	33A		522- 33A
				138-	32A		138- 32A
				522-	32A		522- 32A
				138-	32B		

PARTS No. INDEX

PART NUMBER	PAGE-SYM	PART NUMBER	PAGE-SYM	PART NUMBER	PAGE-SYM	PART NUMBER	PAGE-SYM				
36431	-21090	454- 124A	36810	-20160	392- 212A	37421	-21060	110- 2D	37600	-25320	120- 63B
	-21130	449- 38A		-20250	392- 103A		-21060	164- 000D		-70660	184- 16A
36435	-60010	449- 106A		-20260	392- 104A		-21960	164- 000E		-71420	474- 24A
	-60010	449- 106B		-20340	392- 441A	37521	-20550	405- 2A		-71420	476- 24A
	-60020	449- 107B		-20350	392- 442A		-20550	413- 1A		-71790	132- 9A
36436	-20670	123- 3A		-20360	392- 601A		-20550	637- 2A		-71790	134- 7A
	-20850	123- 3B		-20370	392- 602A		-20550	649- 1A		-71790	338- 9A
	-21010	127- 3A	36815	-20190	392- 44A		-20560	405- 3A		-71790	340- 20A
36500	-20010	177- 102A		-20200	392- 45A		-20560	413- 141A		-71930	88- 127A
36505	-60050	449- 1A		-20210	382- 17A		-20560	637- 3A		-71930	432- 37A
	-60050	470- 000A		-20210	384- 17A		-20560	649- 141A		-71930	668- 37A
	-70060	70- 15A		-20220	382- 16A		-21030	405- 2B		-71940	88- 129A
	-70060	626- 15A		-20220	384- 16A		-21030	413- 1B		-71940	432- 39A
	-70090	620- 15A	37200	-70060	349- 452A		-21030	637- 2B		-71940	668- 39A
36700	-20630	428- 13B		-70070	546- 452A		-21030	649- 1B		-71990	586- 611A
	-20630	664- 13B	37212	-20010	173- 16A		-21040	405- 3B		-72000	586- 612A
	-70420	468- 16A		-20010	180- 16A		-21040	409- 3A		-72140	236- 22A
	-70430	468- 17A		-20190	188- 19A		-21040	413- 141B		-72140	238- 23A
	-90010	22- 22A		-20190	192- 19A		-21040	637- 3B		-72340	86- 37A
36704	-70030	494- 11A		-20200	188- 28A		-21040	641- 3A		-72340	435- 27A
	-70040	494- 111A		-20200	192- 28A		-21040	645- 3A		-72340	670- 27A
36724	-20070	428- 13A		-60020	173- 18A		-21040	649- 141B		-72340	672- 27A
	-20070	664- 13A		-60020	177- 18A		-21120	409- 2A		-72350	88- 20A
	-70030	618- 14A	37213	-20050	173- 15A		-21120	413- 1C		-72470	476- 12A
	-70100	432- 13A		-20050	180- 15A		-21120	641- 2A		-72650	377- 16A
	-70100	435- 13A		-20170	188- 20A		-21120	645- 2A		-72650	494- 16A
	-70100	668- 13A		-20170	192- 20A		-21120	649- 1C		-72680	353- 412A
	-70100	670- 13A		-60070	177- 19A		-70530	470- 7A		-72680	357- 412A
	-70100	672- 13A		-60340	173- 17A		-70540	468- 11A		-72680	361- 412A
36725	-20690	372- 1A		-60340	173- 214A		-70550	468- 12A	37616	-20020	188- 23A
	-70910	240- 1A		-60340	177- 214A		-70560	468- 13A		-20020	192- 23A
	-71960	274- 1A		-60540	188- 20B		-70570	468- 14A	37618	-70010	148- 24A
	-72030	374- 11A		-60540	192- 20B		-70580	468- 51A		-70020	148- 25A
	-72260	374- 111A	37220	-60030	83- 5B		-70590	472- 7A	37628	-70010	148- 27A
	-72810	492- 11A		-60040	83- 5C	37582	-20030	173- 24A		-70170	236- 9A
	-72820	492- 111A		-60060	83- 5D	37584	-20030	180- 29A		-70170	238- 10A
	-73090	516- 11A		-60070	83- 5E		-20050	173- 23A	37636	-20240	372- 7A
	-73100	516- 111A	37290	-27380	38- 1A	37585	-20070	182- 6A		-70060	516- 17A
	-73280	377- 121A		-27390	38- 2A	37600	-20230	374- 17A		-70100	274- 7A
	-73290	377- 11A		-29110	38- 1B		-20230	492- 17A	37638	-70030	474- 6A
	-73990	377- 11B		-32230	38- 1C		-20250	182- 12A		-70030	476- 6A
	-74000	377- 121B		-32240	38- 2B		-20290	202- 12A	37652	-70060	240- 4A
	-74060	377- 121C	37301	-21590	192- 1A		-20290	206- 12A	37710	-70390	218- 42A
	-74070	377- 11C		-21590	206- 000A		-20290	208- 12A		-70390	320- 112A
36733	-20200	258- 11A		-21780	188- 1A		-20360	202- 1A		-70390	323- 122A
	-20200	538- 16A		-21780	202- 000A		-20360	206- 1A	37713	-60020	114- 21A
	-70080	138- 19A		-22010	192- 1B		-20360	208- 1A		-60020	116- 11A
	-70080	140- 16A		-22010	206- 000B		-20420	180- 57A	37715	-20020	438- 13A
	-70080	522- 18A		-22690	192- 1C		-20540	173- 90A		-20020	674- 13A
36800	-20340	392- 41A		-22690	208- 000A		-20550	180- 91A		-20600	456- 24A
	-20350	382- 13A		-23140	188- 1B		-20670	220- 107A		-20990	159- 103A
	-20350	384- 13A		-23140	202- 000B		-20670	222- 27A		-21230	320- 211A
	-20450	382- 242A		-23150	192- 1D		-20680	326- 11A		-21230	323- 231A
	-20450	384- 242A		-23150	208- 000B		-20680	329- 11A		-22640	112- 9A
	-20450	392- 202A		-23180	192- 1E		-20680	536- 6A		-23020	142- 9B
	-60070	392- 111A		-23180	208- 000C		-20680	538- 41A		-23080	142- 9A
	-60070	392- 431A		-23250	188- 1C		-20790	228- 8A		-23490	456- 24B
	-60070	392- 541A		-23250	202- 000C		-20790	589- 14A	37740	-20080	417- 31A
36805	-20190	382- 231A	37381	-20080	208- 4A		-21210	258- 105A		-20080	442- 44A
	-20190	384- 231A	37419	-20170	164- 132A		-21210	554- 21A		-20080	653- 31A
	-20190	392- 141A		-20170	166- 102A		-21270	166- 223A	37743	-20010	449- 102A
	-20210	392- 101A		-20200	164- 132B		-21330	123- 26A		-60030	449- 101A
	-20290	392- 421A		-20200	166- 102B		-21330	222- 8A	37810	-60060	253- 11A
	-20300	392- 531A	37421	-20310	110- 2A		-21330	225- 236A		-60060	256- 11A
36810	-20150	382- 301A		-20310	164- 000A		-21750	31- 22A		-60060	258- 5A
	-20150	384- 301A		-20990	110- 2B		-21750	34- 22A		-60060	536- 11A
	-20150	392- 211A		-20990	164- 000B		-24460	250- 36A		-60060	538- 11A
	-20160	382- 302A		-21050	110- 2C		-24550	80- 38A		-60060	552- 22A
	-20160	384- 302A		-21050	164- 000C		-24550	83- 38A		-60090	413- 37A

PARTS No. INDEX

PART NUMBER	PAGE-SYM	PART NUMBER	PAGE-SYM	PART NUMBER	PAGE-SYM	PART NUMBER	PAGE-SYM				
37810	-60090	649- 37A	38171	-21930	649- 222A	38511	-71230	236- 36A	38560	-60640	538- 1A
	-60140	246- 60A		-30690	413- 221A		-71240	236- 37A		-60640	548- 000A
	-60190	572- 42A		-30690	649- 221A		-71260	238- 42B		-60650	258- 1A
	-60200	234- 102A		-30740	413- 31A		-71270	238- 41B		-60650	353- 000A
	-60210	253- 23A		-30740	649- 31A		-71280	236- 37B		-60710	258- 1B
	-60220	253- 11B		-33100	49- 13A		-71330	566- 8A		-60710	353- 000B
	-60350	572- 42B		-33100	53- 13A	38523	-60490	266- 000A		-60820	258- 1C
	-70340	572- 9A		-37560	53- 13B		-60490	304- 1A		-60820	357- 000A
	-70430	572- 11A	38191	-20060	405- 54A		-60590	268- 000A		-60900	258- 1D
	-70580	68- 8A		-20060	409- 54A		-60590	304- 1B		-60900	361- 000A
	-70580	624- 8A		-20060	637- 74A		-60620	268- 000B		-70050	542- 1A
	-70660	620- 8A		-20060	641- 74A		-60620	304- 1C		-70080	242- 17A
37900	-21360	182- 8A		-20060	645- 74A		-60690	268- 000C		-70110	244- 17A
	-21490	177- 3A	38311	-30910	380- 1A		-60690	304- 1D	38565	-20040	22- 5A
	-21510	177- 5A		-31170	384- 1A		-60690	306- 1A		-60720	586- 000A
	-22170	365- 1A		-31210	382- 1A	38524	-60060	577- 22A		-60720	589- 41A
	-22270	188- 4A		-31320	382- 221A	38530	-60070	22- 13A		-60840	368- 32A
	-22270	192- 4A		-31360	384- 221A		-60180	22- 13B		-70730	346- 601A
	-23140	170- 132A		-31440	387- 1A	38531	-60290	232- 41B		-70740	544- 602A
	-23150	164- 131A		-32700	387- 221A		-60290	238- 000B		-71020	346- 602A
	-23550	177- 2A		-33810	387- 421A		-60300	232- 11B		-71360	346- 603A
	-23560	177- 4A	38480	-70410	88- 118A		-60300	236- 000B		-71460	266- 601A
	-23590	173- 1A		-70410	432- 28A		-60500	232- 41A		-71460	268- 601A
	-25000	164- 131B		-70410	668- 28A		-60500	238- 000A		-71470	266- 602A
	-25640	208- 5A		-70420	92- 25A		-60510	232- 11A		-71470	268- 602A
	-71040	340- 14A		-70420	94- 25A		-60510	236- 000A		-71630	544- 603A
	-71050	340- 15A		-70440	92- 26A		-60600	232- 41C		-71810	370- 6A
37904	-20250	202- 10A		-70440	94- 26A		-60600	238- 000C		-72000	136- 38A
	-20260	202- 20A		-70630	417- 22A	38532	-60670	530- 11A	38567	-70020	184- 43A
	-20260	206- 20A		-70630	653- 22A		-60670	544- 000A		-70120	560- 132A
	-20260	208- 20A		-70770	86- 40A		-60940	284- 11A		-70130	234- 44A
	-20470	206- 10A		-70770	435- 30A		-60940	290- 11A		-70150	225- 132A
	-20840	206- 10B		-70770	670- 30A		-60940	346- 000A		-70170	234- 44B
	-21010	208- 10A		-70770	672- 30A	38534	-60180	310- 11A		-70170	320- 122A
	-21170	208- 10B		-70780	442- 11A		-60330	310- 11B		-70170	323- 132A
	-21200	202- 10B		-70780	678- 11A		-70030	560- 32A		-70290	234- 44C
37910	-20960	188- 2A		-70850	86- 23A	38538	-70040	184- 220A		-70300	234- 44D
	-20990	192- 2A		-70870	88- 23A		-70080	620- 22A		-70300	323- 132B
	-21170	188- 2B		-70920	88- 24A	38542	-60050	213- 23A	38670	-21760	563- 123A
38050	-20140	173- 6A		-70930	88- 22A		-70020	184- 42A		-21850	225- 3A
	-20380	180- 7A		-70930	611- 12A		-70060	184- 41A		-70250	92- 126A
38052	-20390	188- 12B		-70930	611- 122A		-70070	184- 49A		-70250	94- 126A
	-20390	192- 12B		-70940	611- 13A	38543	-60160	218- 1A		-70250	96- 126A
	-20550	188- 12A		-70940	611- 123A		-60160	242- 000A		-70250	582- 26A
	-20550	192- 12A	38510	-20160	320- 1A		-60280	218- 1B		-70250	593- 26A
38055	-20380	188- 3A		-20160	320- 31A		-60280	244- 000A	38677	-70710	145- 6A
	-20380	192- 3A		-20160	323- 1A	38549	-20010	533- 2A		-70840	145- 24A
38110	-70040	405- 185A		-20160	323- 31A		-20010	542- 000A	38705	-34780	74- 1A
	-70040	409- 185A		-20160	365- 000A	38553	-20390	170- 5A		-34780	507- 1A
	-70040	637- 205A		-20190	18- 25A		-20390	184- 31A		-34790	74- 2A
	-70040	641- 205A		-20290	560- 35A		-60170	170- 8A		-34790	507- 2A
	-70040	645- 205A		-20510	323- 1B		-60170	184- 2A		-34810	76- 1A
38120	-20410	413- 27A		-20510	323- 31B		-60630	589- 101A		-34930	76- 5A
	-20410	649- 27A		-20510	365- 000B		-61510	589- 101B		-37020	501- 1A
	-60050	413- 26A		-60030	554- 19A		-70440	184- 44A		-37030	501- 2A
	-60050	649- 26A		-60470	213- 22A	38554	-20110	216- 111A		-40340	74- 19A
38126	-60010	413- 24A		-60500	258- 104A		-60310	234- 45A		-44790	220- 102A
	-60010	649- 24A		-71010	368- 33A		-60420	370- 7A		-44790	222- 22A
	-60020	413- 23A		-71010	560- 34A		-60420	560- 135A		-44800	220- 103A
	-60020	649- 23A		-71300	468- 6A		-70810	417- 32A		-44800	222- 23A
	-60030	413- 213A	38511	-60170	316- 1A		-70810	653- 32A		-49370	220- 31A
	-60030	649- 213A		-70640	22- 145A		-71520	136- 23A		-49380	220- 32A
38130	-28150	41- 21A		-71000	560- 134A	38559	-70010	148- 30A		-49620	74- 15A
	-28170	41- 22A		-71020	225- 42A	38560	-20180	552- 1A		-49630	74- 16A
	-28180	41- 23A		-71020	234- 42A		-60320	536- 101A		-51920	74- 3A
	-28190	41- 24A		-71130	344- 8A		-60320	546- 000A		-51940	216- 5A
38171	-21920	413- 32A		-71200	238- 40A		-60360	253- 1A		-51970	74- 17A
	-21920	649- 32A		-71210	238- 41A		-60360	256- 1A		-51970	507- 17A
	-21930	413- 222A		-71220	238- 42A		-60360	349- 000A		-51980	74- 18A

PARTS No. INDEX

PART NUMBER	PAGE-SYM	PART NUMBER	PAGE-SYM	PART NUMBER	PAGE-SYM	PART NUMBER	PAGE-SYM
38705	-51980	507- 18A	38775	-22320	563- 111A	39600	-72680
	-51990	225- 234A		-22690	540- 1A		522- 17A
	-52520	216- 6A		-22700	540- 2A		470- 17A
	-52530	216- 7A		-23270	302- 4A		470- 18A
	-52540	216- 8A		-23810	304- 11B		476- 14A
	-52880	18- 16A		-24500	540- 1B		548- 210A
	-53380	150- 21A		-24520	540- 2B		377- 18A
	-53580	76- 3A		-28600	284- 24B		494- 18A
	-53590	76- 4A		-28600	290- 24A		377- 21A
	-54920	225- 234B		-29290	513- 21A		494- 21A
	-57130	74- 3B		-29300	513- 31A		468- 52A
	-57130	507- 3A		-31070	295- 2B		468- 53A
	-57270	74- 15B		-31900	300- 16B		472- 20A
	-57280	74- 16B		-31940	295- 2C		472- 21A
	-57620	74- 15C		-32190	290- 24B		472- 22A
	-57630	74- 16C		-32210	290- 23B	39651	398- 21A
	-57670	501- 5A		-32230	306- 11A	39661	550- 6A
	-57990	150- 21B		-32240	291- 201A		240- 13A
	-58370	164- 71A		-32250	291- 211A		240- 13A
	-59170	507- 15A		-32260	291- 202A	39750	365- 14A
	-59180	507- 16A		-32270	291- 212A		413- 121A
	-59190	507- 19A		-32280	306- 13A		649- 121A
38706	-22700	222- 1A		-32290	290- 131A		413- 208A
	-22710	222- 2A		-32300	290- 132A		649- 208A
	-25240	225- 234C		-32310	563- 111B	39751	40000
38720	-20390	284- 34A		-32320	563- 112B	39753	-22620
	-20390	290- 34A		-32330	291- 139A		34- 29A
	-41870	253- 15A		-32340	306- 12A		96- 11A
	-41870	256- 15A		-32350	310- 35B		92- 1A
38730	-50930	552- 21A		-39060	533- 1B		94- 1A
	-70020	456- 15A		-41640	533- 1C		96- 1A
38752	-21530	142- 7A		-43070	291- 201B	39754	479- 101A
38753	-21740	148- 7A		-43080	291- 211B		479- 101B
	-22570	145- 1A		-43640	295- 2D		80- 16A
	-22580	145- 2A	38900	-24160	232- 111A		83- 16A
	-23750	148- 7B		-24170	189- 141A	39880	80- 15A
38755	-37530	304- 12A		-24170	193- 141A		83- 15A
	-37580	285- 201A		-24480	225- 141A		80- 14A
	-37590	285- 211A		-60050	456- 19A		80- 106A
	-38300	164- 24A	38901	-20140	170- 22A		83- 14A
	-38430	295- 9A	38902	-70070	164- 25A		80- 106A
	-38680	308- 2A	38903	-20690	320- 2A		83- 14A
	-39080	533- 1A		-20690	323- 2A		84- 106A
	-39420	304- 13A		-21080	232- 103A		80- 23A
	-44080	156- 123A		-21250	110- 19A		83- 23A
	-44080	159- 123A		-70240	170- 26A		80- 13A
	-50610	284- 111A	38904	-21380	312- 19A		83- 13A
	-50610	290- 111A	38905	-20100	310- 12A		80- 115A
	-50630	285- 212A		-20120	310- 13A		80- 122A
	-50640	285- 202A	38906	-21220	112- 1A	39890	84- 115A
	-52640	284- 24A		-21220	456- 12A		84- 122A
	-52660	284- 23A	39600	-60310	197- 17A		80- 114A
	-52660	290- 23A		-60350	197- 19A		84- 114A
	-54190	295- 2A		-60350	200- 19A		80- 105A
	-56890	284- 132A		-60480	200- 17A		83- 105A
	-56910	284- 139A		-60510	200- 19B		46- 124A
	-56920	589- 3A		-71670	22- 39A		49- 23A
	-59350	302- 3A		-71830	472- 19A		53- 23A
	-59390	310- 35A		-72240	442- 14A		44- 38A
	-59490	304- 11A		-72240	678- 14A		46- 38A
	-59750	563- 115A		-72310	242- 25A		49- 36A
	-90220	284- 121A		-72340	138- 46A		53- 36A
	-90220	290- 121A		-72340	140- 35A		413- 16A
38765	-26390	150- 2A		-72340	522- 46A		649- 16A
	-26610	150- 11A		-72490	138- 47A		123- 43A
38775	-20860	295- 1A		-72490	140- 36A		127- 43A
	-21950	295- 11A		-72490	522- 47A		454- 233A
	-22030	563- 112A		-72680	138- 18A		56- 103A
	-22310	284- 131A		-72680	140- 15A	39960	58- 103A
							38- 44A
							38- 25A
							12- 203A
							60- 22A
							488- 23A
							173- 9A
							40010
							-20090
							-20090
							-20090
							-20100
							180- 9A
							173- 12A
							177- 10A
							177- 11A
							177- 99A
							188- 18A
							192- 18A
							188- 18B
							192- 18B
							274- 3A
							372- 3A
							374- 13A
							492- 13A
							516- 13A
							240- 3A
							344- 4A
							236- 17A
							566- 4A
							377- 15A
							494- 15A
							586- 302A
							177- 39A
							168- 108A
							264- 2A
							8- 1A
							8- 21A
							8- 5A
							8- 9A
							8- 8A
							8- 7A
							8- 3A
							8- 6A
							173- 38A
							177- 40A
							432- 4A
							435- 4A
							668- 4A
							670- 4A
							672- 4A
							572- 6A
							8- 4A
							510- 11A
							510- 12A
							12- 212A
							253- 5A
							256- 5A
							12- 221A
							382- 243A
							384- 243A
							392- 203A
							8- 21B
							173- 38B
							8- 4B
							8- 4C
							392- 113A
							392- 433A
							392- 543A
							270- 13A
							236- 31A
							238- 35A
							236- 32A
							238- 36A
							456- 125A
							334- 14A
							342- 8A
							170- 202A
							177- 96A
							182- 22A
							193- 119A

PARTS No. INDEX

PART NUMBER	PAGE-SYM	PART NUMBER	PAGE-SYM	PART NUMBER	PAGE-SYM	PART NUMBER	PAGE-SYM				
40010	-20190	164- 209A	40600	-70920	86- 44A	40840	-26050	189- 60B	40900	-71710	470- 3A
	-20200	180- 50A		-70920	435- 34A		-26050	193- 60B		-71740	474- 3A
	-20390	202- 44A		-70920	670- 34A		-26190	6- 19B		-71750	474- 4A
	-20390	206- 44A		-70920	672- 34A		-26190	504- 19B		-71750	476- 4A
	-20390	208- 34A		-70950	68- 4A		-60080	197- 22A		-71790	476- 3A
40021	-20040	177- 53A		-70950	624- 4A		-60120	197- 23A		-71800	476- 13A
	-20050	173- 51A		-71050	620- 4A		-60290	197- 23B		-71810	476- 9A
	-20060	177- 52A	40730	-20030	216- 22A		-60290	200- 23A		-72170	334- 4A
40033	-20030	189- 132A		-20040	220- 4A		-60340	200- 22A		-72170	342- 5A
	-20030	193- 132A		-20320	232- 45A		-60420	203- 132B	40901	-24460	572- 3A
	-20100	12- 214A		-20360	216- 114A		-60420	209- 122B		-37540	572- 1A
40034	-20260	14- 1A		-20530	232- 12A		-71060	542- 8A		-38030	554- 16A
	-20270	14- 6A	40732	-20030	164- 72A		-71510	470- 10A		-44050	156- 3A
40035	-20030	120- 31A		-20140	220- 3A		-71590	374- 16A		-44620	31- 32A
	-70010	338- 7A		-20380	232- 13A		-71590	492- 16A		-45060	230- 3A
40040	-20170	188- 14A		-20440	216- 112A		-71600	349- 131A		-45090	280- 2A
	-20170	192- 14A	40733	-20800	232- 43A		-71600	546- 131A		-45090	556- 2A
	-20730	173- 38C		-21270	222- 7A		-72550	236- 20A		-47440	552- 2A
40044	-20120	230- 4A	40740	-20010	18- 34A		-72550	238- 26A		-52220	120- 15A
	-21740	197- 5A	40790	-20210	365- 13A		-72560	236- 30A		-57810	110- 3A
	-21740	200- 5A		-20430	34- 27A		-72560	238- 33A		-57820	110- 4A
40045	-20180	12- 222A		-60070	31- 7A		-72670	353- 417A		-57900	250- 4A
	-20220	12- 213A		-60070	34- 7A		-72670	357- 417A		-57960	444- 4A
	-20330	12- 222B		-60070	536- 17A		-72670	361- 417A		-57960	680- 4A
	-70130	236- 33A		-70180	92- 128A		-72670	548- 414A		-57970	444- 5A
	-70130	238- 37A		-70180	94- 128A		-72940	377- 13A		-57970	446- 5A
40061	-70030	261- 28A		-70180	96- 128A		-72940	494- 13A		-57970	680- 5A
40200	-60010	120- 12A		-70180	582- 28A		-72950	377- 20A		-57970	682- 5A
	-60110	120- 12B		-70180	593- 28A		-72950	494- 20A		-58090	150- 4A
40205	-70060	474- 22A		-70200	349- 501A		-73020	353- 131A		-58250	148- 8A
	-70060	476- 22A		-70200	546- 501A		-73020	357- 131A		-58320	432- 5A
	-70080	472- 5A		-70430	236- 23A		-73040	353- 455A		-58320	435- 5A
40314	-60060	18- 18A		-70430	238- 28A		-73040	357- 455A		-58320	668- 5A
40330	-60040	170- 21A		-70500	236- 23B		-73040	361- 455A		-58320	670- 5A
	-60170	22- 16A		-70500	238- 28B		-73080	353- 413A		-58320	672- 5A
	-60180	552- 6A		-70540	548- 501A		-73080	357- 413A		-58620	145- 8A
	-60200	18- 17A		-70560	353- 501A		-73080	361- 413A		-58630	145- 9A
	-60270	449- 11A		-70560	357- 501A		-73140	132- 10A		-58640	150- 3A
	-60400	18- 17B		-70560	361- 501A		-73140	134- 8A		-58840	123- 4A
	-70380	449- 12A	40810	-20020	80- 34A		-73140	340- 7A		-58840	127- 4A
	-70560	316- 25A		-20020	83- 34A		-73240	203- 132A		-58940	142- 22A
40335	-60020	22- 17A		-60030	88- 141A		-73240	209- 122A		-59190	560- 125A
40337	-60210	156- 11A		-60140	88- 141B	40845	-70050	250- 108A		-60090	248- 6A
	-60370	218- 6A	40840	-00010	6- 22A	40850	-20110	120- 3A		-60160	248- 6B
	-60370	320- 104A		-00010	490- 22A		-20130	110- 12A	40902	-20030	250- 2A
	-60370	323- 114A		-00010	504- 22A		-20190	110- 7A		-20070	80- 41A
	-60450	159- 11A		-20450	12- 101A		-20520	458- 6A		-20070	83- 41A
40410	-24810	3- 41A		-20500	202- 14A		-20530	458- 5A		-20110	250- 32A
	-24820	3- 42A		-20500	206- 14A		-20550	250- 5A		-20350	225- 1A
	-25740	3- 41B		-20500	208- 14A		-20660	110- 7B		-20680	460- 3A
	-25750	3- 42B		-20680	274- 6A		-70080	530- 5A		-21530	120- 14A
	-28650	3- 41C		-21200	14- 2A		-70280	479- 3A		-24520	563- 122A
	-28660	3- 42C		-23050	189- 122A		-70280	479- 3B		-24980	120- 14B
40495	-60020	611- 101B		-23050	193- 122A	40900	-35470	540- 11A		-25590	120- 14C
	-60020	611- 211B		-23550	372- 5A		-52360	230- 5A		-25600	120- 15B
	-70010	611- 101A		-23800	380- 32A		-54630	150- 5A		-25890	540- 11B
	-70010	611- 211A		-23800	382- 42A		-56890	486- 31A		-26510	446- 4A
40510	-21360	182- 9A		-23800	384- 42A		-60060	460- 4A		-26510	682- 4A
	-21370	182- 10A		-23800	387- 32A		-60110	444- 33A		-27820	31- 32B
	-22130	365- 7A		-24810	189- 60A		-60110	446- 33A		-28010	596- 14A
	-24070	120- 13A		-24810	193- 60A		-60110	680- 33A		-28030	159- 3A
	-26150	120- 13B		-25150	504- 143A		-60110	682- 33A		-30050	563- 122B
	-26400	365- 7B		-25360	6- 19A		-71640	138- 20A		-30410	225- 1B
	-26940	295- 12A		-25360	490- 19A		-71640	140- 17A		-30600	570- 2A
40600	-37550	60- 4A		-25360	504- 19A		-71640	522- 19A		-31030	563- 122C
	-70510	86- 22A		-25430	6- 21A		-71650	138- 13A		-31790	120- 15C
	-70900	138- 4A		-25430	490- 21A		-71650	140- 12A		-31880	120- 15D
	-70900	140- 4A		-25430	504- 21A		-71650	522- 13A		-33050	31- 32C
	-70900	522- 4A		-25570	177- 210A		-71680	466- 3A		-34990	120- 14D

PARTS No. INDEX

PART NUMBER	PAGE-SYM	PART NUMBER	PAGE-SYM	PART NUMBER	PAGE-SYM	PART NUMBER	PAGE-SYM	
40902	-35520	145- 12A	41410 -90010	22- 21A	41530 -74480	266- 156A	41600 -71750	353- 671A
	-35530	145- 7A	41441 -70120	114- 45A	-74480	268- 156A	-71750	357- 571A
	-35820	120- 14E	41530 -20530	112- 8A	-74580	242- 10A	-71750	361- 571A
	-36400	159- 3B	-20560	123- 34A	-74580	244- 10A	-71760	353- 672A
	-37830	120- 14F	-20560	127- 34A	-74830	268- 155A	-71760	357- 572A
	-38430	120- 15E	-20610	170- 52A	-75150	548- 202A	-71760	361- 572A
	-38630	432- 15A	-20920	365- 6A	-75190	377- 139A	-71770	548- 115A
	-38630	668- 15A	-20930	365- 4A	-75190	494- 129A	41601 -22790	170- 68A
	-38750	432- 16A	-21050	454- 21A	-75200	586- 102A	-28860	156- 124A
	-38750	668- 16A	-21600	188- 57A	-75210	586- 103A	-28860	159- 124A
	-42040	258- 2A	-21600	192- 57A	-75220	586- 104A	-35410	413- 21A
	-42060	538- 3A	-21690	392- 413A	-75240	338- 20A	-35410	649- 21A
	-42350	145- 8B	-21840	392- 523A	-75250	353- 161A	-48190	31- 11A
	-50690	446- 4B	-22530	188- 57B	-75260	353- 211A	41603 -39850	589- 103A
	-50690	682- 4B	-22530	192- 57B	-75260	357- 211A	-43670	628- 3A
	-51260	572- 1B	-22740	34- 28A	-75260	361- 211A	-44910	380- 11A
	-53730	159- 3C	-22790	365- 4B	-75290	353- 161B	-44910	382- 21A
40910	-70080	238- 44B	-23320	365- 6B	-75290	357- 161A	-44910	384- 21A
	-70090	236- 39A	-60080	34- 41A	-75420	136- 21A	-44910	387- 11A
	-70090	238- 44A	-60080	92- 34A	-75430	136- 25A	-45670	405- 78A
	-70090	238- 44C	-60080	94- 34A	-75480	244- 23A	-45670	409- 78A
	-70120	236- 39B	-60080	94- 34B	41533 -20040	108- 4A	-45670	637- 98A
	-70120	238- 44D	-60080	96- 34A	-20040	182- 62A	-45670	641- 98A
40968	-24830	86- 1A	-60080	616- 2A	-20080	108- 134A	-45670	645- 98A
	-24840	86- 2A	-70040	438- 2A	-20140	401- 4A	41605 -26980	438- 15A
41100	-60020	197- 21A	-70040	674- 2A	-20140	634- 4A	-26980	674- 15A
	-60020	200- 21A	-70460	60- 15A	-20160	401- 3A	-41290	405- 79A
	-60030	202- 29A	-70740	444- 133A	-20160	634- 3A	-41290	409- 79A
	-60030	206- 29A	-70740	446- 146A	-70290	618- 13A	-41290	637- 99A
	-60030	208- 29A	-70740	680- 133A	41535 -20010	22- 11A	-41290	641- 99A
41101	-60010	164- 217A	-70740	682- 146A	-20040	188- 35A	-41290	645- 99A
41195	-60020	83- 4B	-70790	645- 221A	-20040	192- 35A	-42640	170- 9A
	-70020	80- 4A	-71180	244- 15A	-20080	188- 35B	-43570	284- 33A
	-70020	83- 4A	-71190	544- 158A	-20080	192- 35B	-43570	290- 33A
41200	-60040	182- 13A	-71210	346- 253A	-20130	18- 25B	-43690	18- 19A
41262	-70020	398- 15A	-71210	374- 135A	-20130	22- 11B	-50850	44- 105A
41321	-60020	417- 3A	-71210	516- 34A	41585 -20010	164- 203A	-50850	46- 105A
	-60020	653- 3A	-71220	346- 551A	-70110	542- 14A	-51370	277- 4A
	-60040	442- 43A	-71220	544- 551A	-70270	242- 13A	-53600	108- 132A
	-70090	442- 43B	-71250	349- 161B	-70360	586- 201A	-55240	580- 2A
41351	-70030	466- 2A	-71950	542- 2A	-70400	244- 13A	-57120	12- 147A
	-70040	474- 2A	-72070	542- 11A	41600 -20610	380- 12A	41606 -26420	64- 12A
	-70040	476- 2A	-72360	170- 47A	-20610	382- 22A	-28160	560- 223A
	-70070	466- 2B	-72410	349- 211A	-20610	384- 22A	-29400	62- 2A
	-70070	472- 000A	-72410	353- 211B	-20610	387- 12A	-56200	250- 6A
41410	-30740	300- 15A	-72410	546- 211A	-22280	6- 201A	-56330	64- 1A
	-31850	560- 31A	-72780	349- 466A	-26160	308- 9A	-56570	62- 8A
	-31880	184- 1A	-72790	266- 151A	-36100	12- 211A	-56580	62- 9A
	-31930	234- 41A	-72790	268- 151A	-39620	387- 241A	-58080	64- 11A
	-31950	225- 41A	-72790	349- 161A	-48260	80- 112A	-58090	486- 41A
	-31950	225- 131A	-72790	546- 161A	-48260	84- 112A	-58160	58- 2A
	-31950	320- 121A	-72790	548- 251A	-53130	49- 14A	-58270	486- 21A
	-32030	112- 7A	-73550	548- 252A	-53130	53- 14A	-59390	123- 9A
	-32530	220- 1A	-73560	266- 152A	-54800	164- 215A	-59390	127- 9A
	-32580	216- 21A	-73560	268- 152A	-70440	138- 42A	-59400	123- 29A
	-32720	563- 113A	-73910	242- 4A	-70440	140- 31A	-59400	127- 29A
	-33390	110- 5A	-73910	244- 4A	-70440	522- 42A	-59410	123- 31A
	-33400	110- 6A	-73930	242- 12A	-70750	349- 105A	-59410	127- 31A
	-33430	368- 31A	-73930	244- 12A	-70890	349- 111A	-59420	123- 11A
	-33470	300- 16A	-73940	242- 15A	-70890	546- 111A	-59420	127- 11A
	-33770	560- 131A	-73950	242- 21A	-71370	138- 40A	41607 -20620	312- 16A
	-34110	577- 21A	-74140	601- 17A	-71370	140- 29A	-20620	316- 46A
	-34270	225- 41B	-74140	601- 17B	-71370	522- 40A	-21240	88- 2A
	-34270	225- 131B	-74150	266- 153A	-71380	138- 39A	-21690	490- 121B
	-34270	320- 121B	-74150	268- 153A	-71380	140- 28A	-22180	62- 1A
	-34270	323- 131A	-74240	266- 154A	-71380	522- 39A	-22540	44- 101A
	-35740	370- 1A	-74240	268- 154A	-71550	468- 3A	-22540	46- 101A
	-40240	560- 131B	-74250	266- 155A	-71740	353- 111A	-22560	44- 107A
	-60130	589- 102A	-74270	266- 351A	-71740	357- 111A	-27750	49- 16A

PARTS No. INDEX

PART NUMBER	PAGE-SYM	PART NUMBER	PAGE-SYM	PART NUMBER	PAGE-SYM	PART NUMBER	PAGE-SYM				
41607	-27760	49- 17A	41613	-51300	444- 122A	41618	-30000	405- 201A	41619	-50010	446- 141A
	-27780	318- 19A		-51300	446- 142A		-30000	409- 201A		-50010	682- 141A
	-27790	318- 7A		-51300	680- 122A		-30180	405- 183A		-53100	572- 2A
	-34520	64- 2A		-51300	682- 142A		-30180	409- 183A	41620	-24500	31- 33C
	-40370	577- 28A		-51320	444- 131A		-30190	405- 184A		-25950	46- 104A
	-41030	577- 11A		-51320	680- 131A		-30190	409- 184A		-27340	150- 23B
	-44140	103- 201A		-53150	444- 125A		-30450	150- 23A		-48360	316- 103B
	-46320	486- 42A		-53150	446- 122A		-31320	28- 2A		-53760	432- 17A
	-50910	560- 221B		-53150	446- 135A		-31650	486- 32A		-53760	668- 17A
	-51020	25- 21A		-53150	680- 125A		-31850	454- 4A	41621	-20110	264- 3A
	-52230	392- 402A		-53150	682- 122A		-32880	120- 2A		-20200	8- 18A
41608	-23790	49- 16B		-53150	682- 135A		-32890	120- 9A		-20290	8- 14A
	-23790	53- 16A	41615	-21140	533- 3A		-33070	56- 5A		-20320	6- 127A
	-23800	49- 17B		-22330	120- 4A		-33070	58- 5A		-20320	380- 147A
	-23800	53- 17A		-22510	166- 206A		-33080	56- 6A		-20320	382- 209A
	-23940	6- 201B		-24340	405- 77A		-33080	58- 6A		-20320	384- 209A
	-23940	504- 201A		-24340	409- 77A		-33210	310- 44A		-20320	387- 207A
	-24810	284- 26B		-24340	637- 97A		-33220	80- 31A		-20320	504- 127A
	-24810	290- 26A		-24340	641- 97A		-33220	83- 31A		-20340	3- 31A
41609	-42910	46- 112A		-24340	645- 97A		-33370	225- 301A		-20340	6- 47A
	-43470	145- 13A		-29600	177- 211A		-34940	44- 104A		-20340	6- 128A
	-46120	62- 12A	41616	-39070	31- 34A		-35800	3- 44A		-20340	380- 148A
	-51020	108- 81A		-39080	31- 33A		-38280	449- 109A		-20340	382- 208A
	-57010	486- 41B		-44430	220- 112A		-38290	449- 111A		-20340	384- 208A
	-57020	486- 42B		-44430	222- 32A		-39430	312- 23A		-20340	387- 208A
41610	-26860	444- 123A		-45240	253- 2A		-39430	316- 103A		-20340	490- 47A
	-26860	680- 123A		-45240	256- 2A		-41280	220- 115A		-20340	504- 47A
	-26870	444- 124A	41617	-30720	405- 18A		-41280	222- 35A		-20340	504- 128A
	-26870	680- 124A		-30720	409- 18A		-41430	103- 203A		-21060	173- 14A
	-30180	31- 12A		-31910	28- 41A		-41430	456- 26A		-21060	180- 14A
	-50960	552- 3A		-31930	31- 5A		-41490	449- 39A		-21070	177- 47A
	-50980	552- 8A		-31930	34- 5A		-48610	304- 3A		-21710	14- 3A
	-70010	353- 404A		-32040	31- 13A		-48610	306- 3A		-21730	188- 22A
	-70010	357- 404A		-32040	34- 13A		-50800	574- 21A		-21730	192- 22A
	-70010	361- 404A		-32050	31- 14A		-51320	253- 112A		-21740	197- 15A
41611	-00010	490- 121A		-32050	34- 14A		-51320	256- 112A		-21740	200- 15A
	-20140	18- 12A		-32650	31- 6A		-51330	253- 113A		-24500	8- 17A
	-20150	90- 12A		-32650	34- 6A		-51330	256- 113A		-25080	166- 226A
	-21660	540- 12A		-32660	454- 109A		-54110	103- 202A		-25120	8- 13A
	-22180	22- 9A		-32670	454- 108A		-56280	442- 1A		-28760	197- 16A
	-23340	41- 14A		-34940	36- 31A		-56280	678- 1A		-28760	200- 16A
	-26580	530- 21A		-35180	405- 181A	41619	-20440	392- 401A		-30710	166- 213A
	-26980	277- 3A		-35180	409- 181A		-22510	589- 142A		-30990	197- 24B
	-28530	284- 112A		-35180	637- 201A		-29270	611- 131A	41625	-20210	380- 13A
	-46780	560- 222A		-35180	641- 201A		-29270	611- 141A		-20210	382- 23A
	-70440	138- 41A		-35180	645- 201A		-29930	611- 131B		-20210	384- 23A
	-70440	140- 30A		-35190	405- 182A		-29930	611- 141B		-20210	387- 13A
	-70440	522- 41A		-35190	637- 202A		-30180	446- 132A	41635	-31950	382- 125A
41612	-22950	326- 8A		-35200	637- 203A		-30180	682- 132A		-31950	384- 125A
	-22950	329- 8A		-35200	641- 203A		-30190	446- 133A		-32470	387- 411A
	-33370	589- 141A		-35200	645- 203A		-30190	682- 133A		-38650	31- 18A
	-33760	488- 12A		-35210	637- 204A		-30200	446- 134A		-38650	34- 18A
	-34980	284- 122A		-35210	641- 204A		-30200	682- 134A		-38650	405- 23A
	-36090	486- 1A		-35210	645- 204A		-31080	446- 143A		-38650	409- 23A
	-36550	49- 102A		-38180	458- 3A		-31080	682- 143A		-38650	637- 42A
	-36550	53- 102A		-38690	454- 114A		-31090	446- 144A		-38650	641- 42A
	-36670	98- 16A		-42610	454- 131A		-31090	682- 144A		-38650	645- 42A
	-37520	486- 2A		-44760	449- 2A		-36060	31- 34B		-45800	387- 133A
	-38880	102- 61A		-45590	449- 3A		-36060	34- 34A		-45810	387- 134A
	-39600	112- 6A		-46070	108- 6A		-38970	31- 33B		-52760	380- 123A
	-51240	560- 221A	41618	-25840	611- 21A		-39010	31- 35B		-52770	380- 124A
	-51390	488- 2A		-25840	611- 31A		-39010	34- 32A		-53090	382- 123A
41613	-34920	31- 9A		-26570	80- 32A		-40090	28- 2B		-53090	384- 123A
	-35410	31- 8A		-26570	83- 32A		-41270	596- 21A		-53100	382- 124A
	-35410	34- 8A		-27000	454- 113A		-41280	596- 22A		-53100	384- 124A
	-37210	108- 142A		-27260	326- 12A		-41950	598- 1A		-53320	387- 333A
	-40210	568- 8A		-27260	329- 12A		-43450	409- 182A		-53330	387- 334A
	-40210	584- 8A		-28500	80- 111A		-43450	641- 202A	41636	-59450	387- 543A
	-40250	456- 9A		-28500	84- 111A		-43450	645- 202A		-59460	387- 544A

PARTS No. INDEX

PART NUMBER	PAGE-SYM	PART NUMBER	PAGE-SYM	PART NUMBER	PAGE-SYM	PART NUMBER	PAGE-SYM				
41636	-59580	387- 624A	41750	-36900	435- 15A	43020	-70070	236- 27A	43113	-49890	329- 1A
41641	-20300	540- 6A		-36920	435- 16A		-70070	238- 31A		-49920	329- 4A
	-20330	202- 13A		-39350	616- 1A	43022	-20180	261- 1C		-57700	290- 22B
	-20330	206- 13A		-42120	435- 15B		-60040	261- 1D		-57710	290- 21B
	-20330	208- 13A		-42120	670- 15A		-60060	261- 1A		-70870	284- 22A
	-38770	280- 1A		-42130	435- 16B		-60070	261- 1B		-70870	290- 22A
	-38770	556- 1A		-42130	670- 16A	43100	-60100	452- 2A		-70880	284- 21A
	-40500	25- 11A		-43950	284- 112B		-60110	452- 2B		-70880	290- 21A
	-40510	25- 12A		-43950	290- 112A	43103	-20180	496- 1B		-71650	530- 2A
	-43680	304- 2A		-43960	284- 122B		-20190	496- 2B	43124	-22900	458- 1A
	-43690	253- 111A		-43960	290- 122A	43110	-24060	142- 3A		-22910	458- 2A
	-43690	256- 111A		-43970	479- 111A		-24340	142- 1A		-23200	456- 3A
	-49430	120- 16A		-43990	34- 9A		-24370	142- 2A		-23720	456- 1A
	-49610	304- 2B		-44010	34- 11A	43111	-20100	449- 33A		-23730	456- 2A
	-49610	306- 2A		-44450	28- 2C		-20380	449- 32A		-23740	456- 4A
	-51690	25- 11B		-47380	538- 7A		-22250	148- 3A	43300	-60060	80- 131A
	-51750	25- 12B		-47440	34- 12A		-22260	148- 4A		-60060	84- 131A
	-70090	270- 7A		-54520	435- 15C		-22310	449- 31A		-60070	80- 132A
41645	-70530	468- 26A		-54520	672- 15A		-22590	145- 5A		-60070	84- 132A
	-70540	468- 30A		-54530	435- 16C		-22590	145- 5C		-60090	84- 131B
	-70550	468- 33A		-54530	672- 16A		-22650	145- 3A		-60100	84- 132B
	-70560	468- 34A	41751	-30270	277- 3B		-22660	145- 4A	43301	-70050	246- 20A
	-70570	468- 36A	41752	-25600	83- 7B		-22660	145- 4B	43415	-60020	246- 1A
	-70580	334- 7A		-37060	533- 3B		-22660	145- 4C	43420	-70030	246- 50A
	-70580	342- 6A	42001	-60030	177- 84A		-23620	148- 4B	43424	-61300	213- 2A
	-70590	334- 8A		-60060	166- 201A		-24310	449- 33B		-62020	213- 2B
	-70590	342- 10A		-60250	168- 12B		-24470	145- 5B	43550	-20590	413- 102A
	-70800	96- 15A		-70530	250- 106A		-24490	145- 14A		-20590	649- 102A
41650	-70170	68- 10A	42003	-20030	202- 24A		-24560	620- 31A		-20680	102- 17A
	-70170	624- 10A		-20030	206- 24A		-24890	145- 5D		-20680	108- 12A
	-70180	68- 12A		-20030	208- 24A		-25020	145- 3B		-21180	108- 12B
	-70180	624- 12A		-60150	166- 236A		-25030	145- 4D		-21270	102- 17B
	-70300	620- 10A		-60300	182- 26A	43113	-23230	538- 42A		-60040	413- 247A
41656	-20460	392- 241A	42004	-60100	14- 8A		-25480	156- 42A		-60040	649- 247A
	-70250	132- 6A		-60300	173- 87A		-27910	496- 1A		-60050	413- 112A
	-70260	132- 7A		-60390	202- 7A		-27920	496- 2A		-60050	649- 112A
	-70260	338- 13A		-60390	206- 7A		-28270	329- 2A		-60060	413- 248A
	-70390	134- 16A		-60390	208- 7A		-29670	538- 33A		-60060	649- 248A
	-70390	340- 10A		-70020	202- 11A		-29900	300- 14A		-60070	413- 113A
41657	-70010	270- 3A		-70020	206- 11A		-30270	554- 4A		-60070	649- 113A
	-70100	114- 46A		-70020	208- 11A		-32800	218- 101B		-60100	98- 15A
41668	-20020	395- 69A		-70160	188- 25A		-34430	538- 34A		-60100	102- 14A
	-20630	395- 69B		-70160	192- 25A		-34440	554- 2A		-70050	108- 13A
41677	-70010	22- 207A	42006	-60040	168- 105A		-34450	554- 3A		-70050	184- 15A
41678	-70040	344- 10A		-60050	168- 106A		-35980	326- 2A		-70160	92- 122A
	-70040	566- 10A		-70060	253- 35A		-35980	536- 3A		-70160	94- 122A
41681	-70170	353- 103A		-70060	256- 35A		-35990	326- 3A		-70160	96- 122A
	-70180	353- 103B		-70060	536- 45A		-35990	536- 2A		-70160	582- 22A
	-70180	357- 103A		-70080	270- 94A		-37730	300- 11A		-70160	593- 22A
41690	-70190	338- 1A		-70280	177- 54A		-37900	218- 101A		-70210	349- 462A
41694	-70150	114- 48A	42017	-60070	14- 9A		-37930	310- 33B		-70290	454- 115A
41700	-20210	413- 34A	42060	-70450	116- 1A		-37940	312- 3A		-70420	236- 12A
	-20210	649- 34A	42730	-20020	526- 11A		-37960	326- 4A		-70420	238- 14A
41710	-35550	250- 7A		-70060	524- 1A		-37970	312- 5A	43571	-20140	102- 11A
	-53970	127- 37A		-70110	526- 21A		-38210	225- 231A		-20150	102- 12A
	-54100	611- 21B	42750	-70220	116- 2A		-38220	225- 232A		-20150	277- 5A
	-54100	611- 31B		-70480	114- 3A		-38230	326- 1A		-20150	280- 5A
	-56870	34- 3A		-70760	116- 2B		-38310	368- 7A		-20150	556- 5A
	-57760	401- 41A	42752	-60800	110- 31A		-38350	300- 12A		-20160	18- 21A
	-57760	634- 101A		-60800	114- 000A		-38490	310- 33A		-20160	102- 13A
	-57770	401- 42A	42753	-60450	110- 32A		-39040	554- 1A		-60040	18- 21B
	-57770	634- 102A		-60450	116- 000A		-39890	589- 10A		-60040	102- 15A
41711	-21910	538- 6A		-60690	110- 32B		-42590	300- 14B		-60060	102- 16A
	-22850	108- 81B		-60690	116- 000B		-45190	316- 35A		-60060	108- 11A
41716	-22310	318- 19B	42760	-70190	377- 14B		-48160	159- 42B	43573	-20030	540- 3A
41750	-28230	34- 33A	43005	-60010	628- 1A		-49440	329- 3A		-20300	216- 14B
	-30770	3- 46A		-70120	628- 11A		-49610	300- 14C		-20310	458- 5B
	-33960	83- 8A		-70130	628- 12A		-49620	159- 42C		-20350	323- 245B
	-34750	258- 101A	43006	-60020	630- 1A		-49710	164- 42B		-20350	329- 13A

PARTS No. INDEX

PART NUMBER	PAGE-SYM	PART NUMBER	PAGE-SYM	PART NUMBER	PAGE-SYM	PART NUMBER	PAGE-SYM				
43573	-20350	458- 6B	43900	-71280	346- 336A	43956	-20020	192- 44A	44184	-23560	634- 32A
	-20460	216- 137B		-71280	544- 336A		-20210	189- 61A	44300	-60600	150- 1A
43711	-22270	44- 11A		-72420	114- 47A		-20210	193- 61A		-61110	150- 1B
	-22870	46- 11A		-73040	88- 128A		-20310	188- 44B	44340	-60130	432- 1A
	-23060	46- 11B		-73040	432- 38A		-20310	192- 44B		-60130	435- 1A
43751	-20040	572- 12A		-73040	668- 38A		-70300	184- 47A		-60130	668- 1A
	-70110	349- 463A		-73490	138- 15A		-70310	184- 48A		-60130	670- 1A
	-70300	548- 471A		-73490	138- 37A		-70620	577- 102A		-60130	672- 1A
	-70310	270- 26A		-73490	522- 15A		-70680	349- 454A	44344	-70020	405- 55A
	-70470	353- 416A		-73490	522- 37A		-70680	546- 454A		-70020	409- 55A
	-70470	357- 416A		-73830	138- 10A		-70690	349- 411A		-70020	637- 75A
	-70470	361- 416A		-73830	522- 10A		-70690	546- 411A		-70020	641- 75A
	-70480	132- 13A		-73860	338- 22A		-70830	577- 100A		-70020	645- 75A
43780	-23200	120- 5A		-73910	236- 21A		-71190	238- 38A	44361	-70050	92- 24A
	-23200	123- 32A		-74190	236- 21B		-71340	353- 419A		-70050	94- 24A
	-23200	127- 32A		-74190	238- 24B		-71340	357- 419A	44370	-70070	92- 23A
	-37490	277- 8A		-74220	338- 21A		-71340	361- 419A		-70070	94- 23A
43800	-23080	36- 11A		-74370	136- 34A		-71350	353- 481A	44450	-20020	177- 222A
	-23450	444- 121A		-74380	136- 29A		-71350	357- 481A	44480	-70020	474- 23A
	-23450	446- 121A		-74470	334- 16A		-71350	361- 481A		-70020	476- 23A
	-23450	446- 131A		-74650	340- 22A	43962	-20020	284- 114A	44487	-60070	442- 41A
	-23450	680- 121A		-74660	340- 23A		-20020	284- 124A		-60100	417- 1A
	-23450	682- 121A	43925	-20340	177- 95A		-20020	290- 114A		-60100	653- 1A
	-23450	682- 131A		-20490	392- 242A		-20020	290- 124A	44571	-70020	466- 1A
	-26230	454- 221A		-20540	382- 18A		-20020	533- 4A		-70030	466- 1B
	-26560	12- 121A		-20540	384- 18A		-20030	284- 138A		-70030	468- 000A
	-26570	12- 122A		-20540	392- 42A		-20030	285- 204A	44612	-70520	114- 2A
	-27440	580- 11A		-20540	392- 102A		-20030	285- 214A	44621	-20400	202- 2A
	-28640	12- 121B		-20550	387- 238A		-20030	291- 138A		-20410	206- 2A
	-28650	12- 122B		-20550	392- 3A		-20030	291- 204A		-20410	208- 2A
43805	-20890	28- 21A		-20550	392- 43A		-20030	291- 214A	44721	-62710	123- 1A
	-21090	454- 1A		-20560	382- 14A		-20040	156- 125A		-62710	138- 000A
	-21100	454- 2A		-20560	384- 14A		-20040	159- 125A		-63060	520- 1A
	-21390	454- 2B		-20570	392- 23A		-20970	150- 6A		-63060	522- 000A
	-21740	28- 21B		-21160	197- 4A		-21290	145- 11A		-63570	123- 1B
43871	-20440	80- 2A		-21160	200- 4A	43963	-70010	464- 8A		-63570	138- 000B
	-20440	83- 2A		-21270	189- 204A		-70160	138- 14A		-63600	520- 1B
	-20450	80- 3A		-70170	138- 43A		-70160	140- 13A		-63600	522- 000B
	-20450	83- 3A		-70170	140- 32A		-70160	522- 14A		-63960	127- 1A
	-20460	80- 45A		-70170	522- 43A	44074	-20040	365- 3A		-63960	140- 000A
	-20460	83- 45A		-70190	138- 9A		-20200	365- 3B		-63980	520- 1C
	-70150	80- 121A		-70190	522- 9A		-70110	544- 511A		-63980	522- 000C
	-70150	84- 121A		-70210	138- 44A		-70210	542- 7A	44730	-20450	41- 1A
43890	-20070	550- 2A		-70210	140- 33A		-70220	346- 511A		-20840	41- 1B
	-70090	524- 12A		-70210	522- 44A		-70460	266- 311A	44770	-34230	395- 96A
	-70140	132- 16A		-70230	138- 21A		-70480	586- 401A		-47130	395- 111A
	-70380	22- 31A		-70230	522- 20A	44081	-20050	168- 20A		-49210	395- 67A
	-70420	86- 20A		-70270	140- 18A		-20250	168- 20B		-50680	395- 63A
	-71190	586- 101A		-70270	522- 20B		-70070	438- 30A		-50690	395- 64A
	-71300	134- 18A	43931	-20100	110- 58A		-70070	674- 30A		-51330	608- 5A
43900	-20790	320- 214A	43932	-60020	628- 4A	44083	-61150	300- 1A		-55040	395- 49A
	-20790	323- 234A		-70450	474- 8A		-61150	332- 000A		-55580	582- 2A
	-22800	166- 218A		-70450	476- 8A		-61640	300- 2C		-55830	34- 24A
	-23070	365- 11A		-70660	474- 5A		-61640	338- 000A		-55880	618- 3A
	-23760	14- 12A		-70670	476- 5A		-61880	300- 2E		-57270	395- 141A
	-24230	250- 35A	43953	-90010	22- 23A		-61880	342- 000A	44771	-22140	395- 130A
	-24420	60- 14A	43954	-70010	377- 27A		-61890	300- 1B		-22200	395- 120A
	-24610	250- 34A		-70010	377- 137A		-61890	334- 000A		-22540	395- 120B
	-25010	401- 34A		-70010	494- 27A		-62090	300- 2D		-22590	538- 101A
	-25010	409- 94A		-70040	377- 137B		-62090	340- 000A	44774	-21330	395- 71A
	-25010	634- 44A		-70050	377- 27B	44085	-70180	336- 60A	44783	-21280	634- 21A
	-25010	641- 174A	43955	-20070	202- 43A	44093	-61560	300- 2A	44785	-20100	552- 31A
	-25040	22- 63B		-20070	206- 43A		-61560	336- 000A		-22160	552- 31B
	-25040	22- 63C		-20070	208- 33A		-61710	300- 2B	44794	-22590	395- 61A
	-70480	374- 19A		-20290	170- 95A		-61710	336- 000B	44810	-70050	38- 24A
	-70480	492- 19A		-70350	132- 19A	44160	-60010	170- 62A		-70050	38- 43A
	-70690	114- 10A		-70350	134- 19A	44184	-23540	401- 21A		-70050	123- 8A
	-70690	116- 3A		-70550	340- 24A		-23540	634- 31A		-70050	123- 8B
	-71100	516- 19A	43956	-20020	188- 44A		-23560	401- 22A		-70050	127- 8A

PARTS No. INDEX

PART NUMBER	PAGE-SYM	PART NUMBER	PAGE-SYM	PART NUMBER	PAGE-SYM	PART NUMBER	PAGE-SYM				
44820	-20520	34- 25A	45050	-70310	568- 5A	45200	-25380	206- 116A	45315	-70010	492- 18A
44822	-20660	49- 46A		-70350	80- 35A		-25380	208- 106A		-70040	374- 33A
	-20660	53- 46A		-70350	80- 35B		-25950	188- 55A		-70040	492- 33A
	-20800	49- 2A		-70350	83- 35A		-25950	192- 55A		-70130	516- 18A
	-20800	53- 2A	45051	-60020	417- 4A		-27040	8- 31A		-70140	516- 33A
	-60160	25- 2A		-60020	653- 4A		-27110	60- 8A	45323	-70010	270- 21A
44841	-20990	395- 85A	45058	-20010	80- 42A		-27590	197- 27A		-70250	132- 3A
44860	-20070	417- 11A		-20010	83- 42A		-27990	110- 8A		-70250	134- 3A
	-20070	653- 11A	45090	-70030	138- 36A		-29140	200- 24A		-70250	338- 19A
44881	-60300	88- 3A		-70030	140- 26A		-29730	538- 48B		-70250	340- 3A
	-60310	88- 4A		-70030	522- 36A		-29910	203- 117A	45324	-60350	213- 14A
	-60320	611- 1A	45110	-20180	230- 2A		-29910	208- 107A	45370	-60090	405- 191A
	-60320	611- 111A		-24420	230- 2B		-29920	203- 118A		-60090	409- 191A
	-60330	611- 1B	45125	-20730	6- 4A		-29920	208- 108A		-60090	637- 211A
	-60330	611- 111B		-21470	6- 4B		-29930	203- 119A		-60090	641- 211A
44890	-60190	88- 101A		-21500	504- 4A		-29930	208- 109A		-60090	645- 211A
	-60190	432- 11A	45200	-20590	14- 7A		-29940	203- 120A	45375	-24190	49- 1A
	-60190	668- 11A		-20800	168- 8A		-29940	209- 110A		-25080	53- 1A
	-60240	86- 3A		-20800	177- 49A		-29950	203- 121A	45410	-70010	270- 93A
	-60260	86- 4A		-22260	177- 98A		-29950	209- 111A	45433	-20120	413- 207A
	-60260	435- 11A		-23640	44- 2A		-30430	8- 31B		-20120	649- 207A
	-60260	670- 11A		-23640	46- 2A		-30880	188- 55B		-20130	413- 17A
	-60260	672- 11A		-23640	56- 4A		-30880	192- 55B		-20130	649- 17A
44894	-60040	442- 2A		-23640	58- 4A		-60100	213- 12A	45460	-60030	413- 14A
	-60040	678- 2A		-24190	538- 48A		-70040	274- 9A		-60030	649- 14A
44950	-20190	180- 46A		-24950	550- 3A		-71280	344- 6A		-60040	413- 204A
	-20310	180- 46B		-25240	202- 101A		-71330	566- 6A		-60040	649- 204A
	-70280	182- 32A		-25240	206- 101A		-71350	253- 128A	45531	-20110	528- 4A
	-70520	236- 5A		-25240	208- 41A		-71570	353- 415A		-70140	474- 26A
	-70520	238- 6A		-25250	202- 102A		-71570	357- 415A		-70140	476- 26A
	-70530	238- 18A		-25250	206- 102A		-71570	361- 415A		-70150	468- 23A
	-70540	238- 21A		-25250	208- 42A		-71610	136- 37A	45590	-70070	338- 12A
	-70550	236- 16A		-25260	202- 103A	45282	-70180	213- 13A		-70090	338- 14A
44951	-20050	202- 4A		-25260	206- 103A	45301	-60100	180- 59A	45600	-23740	253- 3A
	-20050	206- 4A		-25260	208- 43A		-60100	186- 42A		-23740	256- 3A
44953	-20230	182- 5A		-25270	202- 104A		-60130	173- 58A		-23750	253- 4A
	-70230	270- 22A		-25270	206- 104A		-60130	186- 41A		-23750	256- 4A
	-70340	132- 5A		-25270	208- 44A		-60140	166- 214A		-23850	536- 14A
	-70340	134- 5A		-25280	202- 105A		-60140	186- 15A		-24210	250- 33A
	-70340	338- 4A		-25280	206- 105A		-60150	166- 215A		-24960	31- 36A
	-70340	340- 9A		-25280	208- 45A		-60150	186- 16A		-24960	34- 35A
	-70380	132- 4A		-25290	202- 106A	45311	-20070	18- 33A		-25180	253- 4B
	-70380	134- 4A		-25290	206- 106A		-20160	177- 71A		-25360	253- 3B
44955	-20010	173- 13A		-25290	208- 46A		-20170	173- 73A		-70050	182- 38A
	-20010	180- 13A		-25290	208- 46A		-20170	173- 73A		-70190	349- 402A
	-70180	346- 332A		-25300	202- 107A		-20270	188- 13A		-70190	546- 402A
	-70180	544- 332A		-25300	206- 107A		-20270	192- 13A		-70190	546- 402A
	-70380	266- 331A		-25300	208- 47A		-20320	173- 101A		-70410	470- 6A
	-70380	268- 331A		-25310	202- 108A		-20320	180- 101A		-70420	470- 9A
	-70380	268- 331A		-25310	206- 108A		-20340	177- 69A		-70430	470- 14A
44956	-20190	188- 21A		-25310	208- 48A		-20350	173- 68A		-70480	353- 402A
	-20190	192- 21A		-25320	202- 109A		-20350	177- 68A		-70480	357- 402A
44960	-20030	202- 5A		-25320	206- 109A		-20360	173- 70A		-70480	361- 402A
	-20030	206- 5A		-25320	208- 49A		-20370	177- 72A		-70500	468- 27A
45020	-70160	405- 192A		-25330	202- 111A		-20380	177- 74A		-70510	468- 28A
	-70160	409- 192A		-25330	206- 111A		-20540	197- 24A		-70520	468- 31A
	-70160	637- 212A		-25330	208- 101A		-20560	197- 25A		-70530	468- 32A
	-70160	641- 212A		-25340	202- 112A		-20560	200- 25A		-70540	468- 37A
	-70160	645- 212A		-25340	206- 112A		-20610	550- 4A		-70550	468- 49A
45040	-70120	213- 11A		-25340	208- 102A		-70800	22- 146A		-70560	472- 8A
45050	-60030	472- 17A		-25350	202- 113A		-70920	464- 4A		-70570	472- 9A
	-60050	479- 112A		-25350	206- 113A		-71470	332- 2A	45610	-22070	6- 2A
	-60090	83- 39A		-25350	208- 103A		-71470	334- 2A		-22090	6- 3A
	-70290	80- 36A		-25360	202- 114A		-71470	342- 2A		-22710	6- 2B
	-70290	83- 36A		-25360	206- 114A		-71480	236- 6A		-22730	6- 3B
	-70310	80- 33A		-25360	208- 104A		-71480	238- 7A		-23180	504- 2A
	-70310	80- 33B		-25370	202- 115A		-71700	464- 3A		-23190	504- 3A
	-70310	80- 33C		-25370	206- 115A	45315	-20190	372- 22A	45624	-70050	468- 50A
	-70310	83- 33A		-25370	208- 105A		-20200	372- 25A	45625	-20360	572- 4A
	-70310	83- 33B		-25380	202- 116A		-70010	374- 18A		-20370	572- 4B

PARTS No. INDEX

PART NUMBER	PAGE-SYM	PART NUMBER	PAGE-SYM	PART NUMBER	PAGE-SYM	PART NUMBER	PAGE-SYM	
45625	-60140	248- 4A	45887 -70270	349- 632A	46000 -71780	361- 217A	46031 -20210	192- 27A
	-60180	606- 1A	-70280	349- 631A	-71830	334- 17A	46033 -70150	572- 23A
	-60200	606- 1B	-70280	357- 321A	46011 -20020	110- 14A	46926 -70150	274- 8A
45701	-70030	611- 14A	-70280	361- 321A	-20050	3- 47A	47131 -20210	188- 52A
	-70030	611- 124A	-70280	546- 212A	-20050	31- 37A	-20210	192- 52A
	-70040	611- 15A	-70380	548- 214A	-20050	34- 36A	-20240	78- 12A
	-70040	611- 125A	-70390	353- 212A	-20150	120- 7A	-20270	188- 43A
	-70640	442- 13A	-70400	353- 651A	-20150	264- 4A	-20270	192- 43A
	-70640	678- 13A	-70400	357- 551A	-20170	8- 12A	-20280	188- 34A
	-70670	88- 117A	-70400	361- 551A	-20170	14- 13A	-20280	192- 34A
	-70670	432- 27A	-70410	353- 652A	-20180	25- 13A	-20320	170- 149A
	-70670	668- 27A	-70410	357- 552A	-20180	53- 63B	-20320	186- 43A
	-70800	86- 43A	-70420	353- 653A	-20180	60- 11A	-20560	170- 200A
	-70800	435- 33A	-70420	357- 553A	-20180	409- 189A	-20560	186- 44A
	-70800	670- 33A	-70430	357- 322A	-20180	641- 209A	-21000	188- 33A
	-70800	672- 33A	-70430	361- 322A	-20180	645- 209A	-21000	192- 33A
	-70810	88- 13A	-70450	361- 553A	-20190	12- 205A	-21390	550- 8A
	-70820	88- 34A	-70470	361- 552A	-20200	120- 24A	-21710	164- 202A
	-70830	88- 15A	45980 -24050	49- 101A	-20250	110- 13A	-21710	186- 17A
	-70840	88- 36A	-24050	53- 101A	-20510	60- 13A	-21870	316- 2A
	-70850	88- 17A	-24060	49- 104A	-20630	38- 5A	-21950	164- 202B
	-70860	88- 38A	-24060	53- 104A	-20630	53- 3A	-21950	186- 17B
	-71030	611- 14B	-29760	53- 104B	-20940	8- 11A	-60060	170- 201A
	-71030	611- 124B	46000 -20160	177- 43A	-20950	8- 24A	-60060	186- 45A
	-71040	611- 15B	-20310	173- 42A	-21170	110- 17A	-60110	197- 26A
	-71040	611- 125B	-20310	177- 42A	-21230	284- 116A	-71120	213- 8A
	-71250	96- 13A	-20310	177- 42B	-21230	284- 126A	-71320	589- 132B
	-71260	96- 14A	-20920	365- 5A	-21230	290- 116A	-72140	184- 131A
45715	-70040	270- 4A	-21020	31- 17A	-21230	290- 126A	-72140	184- 203A
45810	-70020	238- 43B	-21020	34- 17A	-21300	41- 73A	-72150	184- 128A
	-70030	236- 38A	-21020	34- 17B	-21300	49- 18A	-72160	184- 206A
	-70030	238- 43A	-21020	405- 69A	-21300	49- 18B	-72160	184- 214A
	-70030	238- 43C	-21020	409- 69A	-21300	53- 18A	-72400	542- 18A
	-70040	261- 29A	-21020	637- 89A	-21300	148- 9A	-72410	542- 19A
45830	-20010	488- 1A	-21020	641- 89A	-21300	284- 143A	-73230	22- 311A
45850	-60010	413- 218A	-21020	645- 89A	-21300	285- 206A	-73550	456- 124A
	-60010	649- 218A	-23420	166- 139A	-21300	285- 216A	-73550	468- 84A
	-60020	413- 28A	-23430	166- 138A	-21300	291- 143A	-73740	468- 83A
	-60020	649- 28A	-23440	166- 234A	-21300	291- 206A	-73740	468- 175A
45860	-70010	398- 23A	-23760	409- 68A	-21300	291- 216A	-73740	468- 410A
	-70020	398- 27A	-23760	641- 88A	-21480	166- 222A	-73760	468- 151A
	-70030	398- 28A	-23760	645- 88A	-21560	572- 8A	-73770	456- 31A
	-70040	398- 29A	-24590	177- 216A	-21630	417- 52B	-73780	456- 41A
45870	-20010	90- 13A	-24660	177- 43B	-21630	653- 52B	-73780	458- 21A
	-23030	572- 7A	-24880	177- 215A	-21650	98- 53A	-73790	456- 101A
	-23320	413- 29A	-24900	177- 217A	-21650	102- 53A	-73790	458- 31A
	-23320	649- 29A	-25610	409- 68B	-21650	102- 53B	-74360	577- 106A
	-26590	36- 26A	-25610	645- 88B	-21650	108- 53A	-74720	338- 6A
	-28920	258- 3A	-25620	409- 69B	-21650	428- 53A	-74720	340- 11A
	-28920	538- 4A	-25620	645- 89B	-21650	664- 53A	-75750	344- 5A
	-70580	242- 23A	-70650	182- 42A	-21980	12- 112A	-75760	344- 16A
	-70720	236- 10A	-70860	138- 11A	-21980	484- 2A	-75760	566- 16A
	-70720	238- 13A	-70860	138- 16A	-22320	110- 84A	-75900	132- 20A
45871	-70090	377- 122A	-70860	138- 38A	-23670	188- 58B	-75900	134- 14A
	-70090	494- 112A	-70860	522- 11A	-23670	193- 58B	-75910	132- 21A
	-70100	377- 12A	-70860	522- 16A	-70380	349- 215A	-75910	338- 3A
	-70100	494- 12A	-70860	522- 38A	-70380	546- 215A	-76010	566- 5A
	-70590	377- 12B	-70950	464- 5A	46013 -70530	132- 8A	-76700	548- 212A
	-70600	377- 122B	-70960	464- 6A	-70530	134- 6A	-76830	377- 24A
45884	-70100	240- 9A	-70970	464- 7A	-70530	338- 8A	-76830	494- 24A
45886	-20610	372- 2A	-71490	344- 14A	-70530	340- 19A	-76840	377- 140A
	-70260	274- 2A	-71500	344- 15A	46023 -20120	405- 74A	-76840	494- 130A
	-70460	240- 2A	-71510	242- 8A	-20120	409- 74A	-76900	353- 122A
	-71740	492- 12A	-71510	244- 8A	-20120	637- 94A	-76900	357- 122A
	-71750	492- 112A	-71620	566- 14A	-20120	641- 94A	-77210	136- 31A
	-72280	374- 12A	-71660	566- 15A	-20120	645- 94A	-77230	136- 33A
	-72290	374- 112A	-71760	548- 313A	-70270	159- 24A	-77260	136- 22A
	-72940	516- 12A	-71780	353- 217A	-90010	22- 25A	-77270	136- 26A
	-72950	516- 112A	-71780	357- 217A	46031 -20210	188- 27A	-77270	136- 41A

PARTS No. INDEX

PART NUMBER	PAGE-SYM	PART NUMBER	PAGE-SYM	PART NUMBER	PAGE-SYM	PART NUMBER	PAGE-SYM
47131	-77280	136- 27A	48976	-61070	120- 11F	49612	-70010
	-77280	136- 40A		-61070	136- 000A		-70010
	-77290	136- 28A		-61110	120- 11D		-70040
	-77300	136- 30A		-61110	132- 000A		-70040
	-77310	136- 32A		-61310	120- 11E		-70050
	-77400	244- 16A		-61310	134- 000A	49620	-70140
	-77410	244- 22A	48977	-20060	398- 17A		-70140
	-77640	134- 15A		-20100	398- 11A		-70140
	-77740	340- 21A		-90380	398- 19A		-70140
	-78030	589- 134A		-90400	398- 20A		-70150
	-90010	22- 24A		-90560	398- 11B		-70150
47142	-20170	173- 61A		-90580	398- 17B		-70160
	-20170	180- 61A	48979	-70060	344- 9A		-70160
	-20170	186- 47A		-70060	566- 9A	49621	-70130
	-20180	173- 60A	49160	-70030	620- 20A		-90030
	-20180	180- 60A	49212	-70080	620- 13A		-90050
	-20180	186- 46A	49290	-70210	468- 8A	49691	-90380
	-20190	173- 62A	49327	-60290	274- 30A		-90390
	-20190	177- 62A		-60350	372- 30A		-90400
	-20190	186- 48A		-60520	516- 40A		-90640
	-20200	173- 65A		-60650	374- 40A		-90650
	-20200	177- 65A		-60650	492- 40A		-90970
	-20200	186- 49A		-60720	372- 40A		-90980
	-20210	177- 64A		-60730	374- 50A		-91920
	-20210	186- 51A		-60730	492- 50A		-91930
	-60110	177- 212A		-71440	516- 50A		-91940
	-60110	186- 52A		-72070	234- 140A		-91950
47148	-60080	188- 32A		-72070	560- 141A		-91960
	-60080	192- 32A		-72080	225- 110A		-91970
	-60090	188- 31A		-72080	234- 120A		-91980
	-60090	192- 31A		-72080	320- 140A	50401	-00100
47171	-20130	202- 18A		-72080	323- 210A		-00100
	-20130	206- 18A		-72080	560- 111A		-00140
	-20130	208- 18A		-72150	270- 70A		-00140
	-20350	197- 14A		-72340	370- 140A		-00210
	-20350	200- 14A		-72340	560- 201A		-00330
	-21070	188- 16A		-72450	336- 50A		-00690
	-21070	192- 16A		-72520	560- 41A		-00690
	-21120	188- 17A		-72580	274- 40A		-02860
	-21120	192- 17A		-72900	370- 120A		-03650
	-21510	188- 16B		-73020	368- 110A		-04720
	-21510	192- 16B		-73020	560- 101A		-04860
	-21560	202- 18B		-73230	266- 700A	61001	-06050
	-21560	208- 18B		-73310	130- 50A		-06050
	-70130	372- 23A		-73570	268- 700A		-06050
	-70140	374- 38A		-73650	332- 30A		-06050
	-70140	492- 38A		-73650	334- 6A		-08020
	-70190	516- 35A		-73650	342- 9A		-08020
	-70350	240- 17A		-73720	272- 70A		-08020
	-70740	377- 17A		-73750	550- 10A		-08020
	-70740	494- 17A		-73860	377- 40B	61002	-10025
47194	-20130	550- 7A		-73860	377- 200B		-10045
	-70150	374- 27A		-73870	377- 100B	61005	-08025
	-70150	492- 27A		-73870	377- 210B		-10025
	-70580	542- 20A		-73950	377- 200A		-10035
	-71520	377- 22A		-73950	494- 140A		-10090
	-71520	494- 22A		-73960	377- 210A		-12030
	-71530	377- 25A		-73960	494- 150A		-12035
	-71530	494- 25A		-73970	377- 40A		-16045
	-71750	136- 39A		-73970	494- 40A		-16050
47195	-70090	377- 28A		-73980	377- 100A		-16050
	-70090	494- 28A		-73980	494- 50A		-16065
48974	-70020	184- 13A		-74220	132- 50A		-16110
48976	-60420	120- 11A		-74570	234- 141A		-20045
	-60420	130- 000A		-74710	377- 100C		-20055
	-60560	120- 11B		-74710	377- 210C		-20055
	-60560	130- 000B	49328	-70010	372- 12A		-20060
	-60850	120- 11C		-70030	516- 22A		-20060
	-60850	130- 000C	49457	-70060	213- 15A		-24070
61005	-24080	401- 52A					
	-24080	634- 52A					
61006	-24055	202- 52A					
	-24055	206- 52A					
	-24055	208- 52A					
61013	-16120	202- 17A					
	-16120	206- 17A					
	-16120	208- 17A					
	-20030	188- 51A					
	-20030	192- 51A					
61014	-12070	110- 82A					
	-12080	110- 81A					
61033	-06060	83- 58A					
	-08016	168- 62A					
	-08020	53- 61B					
	-08020	66- 51A					
	-08020	560- 71A					
	-08025	248- 58A					
	-08025	250- 21A					
	-08025	349- 172A					
	-08050	349- 171A					
	-08050	546- 172A					
	-10020	102- 65A					
	-10020	110- 91A					
	-10020	202- 53A					
	-10020	206- 53A					
	-10020	208- 53A					
	-10025	168- 52A					
	-10025	168- 61A					
	-10025	291- 153B					
	-10025	291- 163B					
	-10035	145- 56C					
	-10035	173- 201A					
	-10035	300- 64B					
	-10060	145- 54B					
	-10090	168- 51A					
	-12025	38- 54B					
	-12030	120- 66A					
	-12050	189- 103A					
	-12050	193- 102A					
	-12075	38- 51B					
	-12110	250- 51A					
	-12190	177- 202A					
	-14035	120- 62A					
	-14050	120- 62B					
	-16020	202- 54A					
	-16020	206- 54A					
	-16020	208- 54A					
	-20080	110- 83B					
	-24360	12- 51A					
	-24360	484- 51A					
61034	-10025	374- 25A					
	-10028	88- 126A					
	-10028	432- 36A					
	-10028	668- 36A					
	-10070	166- 163A					
61057	-10030	530- 52A					
	-12035	284- 62A					
	-12035	290- 62A					
	-12035	295- 54A					
	-12035	530- 51A					
	-12040	295- 52A					
	-12050	295- 51A					
61101	-05045	589- 133A					
	-05050	577- 115A					
	-06016	548- 271A					
	-06030	184- 45A					
	-06045	184- 46A					
	-06060	349- 481A					

PARTS No. INDEX

PART NUMBER	PAGE-SYM	PART NUMBER	PAGE-SYM	PART NUMBER	PAGE-SYM	PART NUMBER	PAGE-SYM				
61101	-06060	546- 481A	61802	-06016	38- 74A	61802	-08016	329- 52A	61802	-08035	150- 57A
	-08016	22- 38A		-06016	80- 51A		-08016	405- 101A		-08035	310- 53A
	-08016	349- 445A		-06016	80- 82A		-08016	405- 111A		-08050	112- 52A
	-08016	546- 445A		-06016	83- 51A		-08016	409- 101A		-08050	560- 61A
	-08020	349- 125A		-06016	83- 51B		-08016	409- 111A		-08055	225- 71A
	-08020	353- 125A		-06016	83- 82A		-08016	413- 51A		-08055	320- 61A
	-08020	357- 125A		-06016	83- 82B		-08016	432- 51A		-08055	323- 61A
	-08020	546- 125A		-06016	86- 52A		-08016	435- 51A		-08060	320- 51A
	-08040	542- 5A		-06016	102- 63A		-08016	444- 51A		-08060	323- 51A
	-08040	548- 272A		-06016	108- 56A		-08016	446- 51A		-08065	220- 51A
	-08090	353- 171A		-06016	108- 56B		-08016	449- 52A		-08075	462- 51A
	-08090	357- 171A		-06016	153- 81A		-08016	449- 71A		-10012	672- 61A
	-08095	346- 973A		-06016	170- 84A		-08016	454- 52A		-10016	8- 71A
	-10025	236- 35A		-06016	253- 61A		-08016	460- 61A		-10016	49- 62A
	-10025	238- 39B		-06016	256- 61A		-08016	479- 53A		-10016	49- 62B
	-10025	346- 273A		-06016	405- 131A		-08016	560- 52A		-10016	53- 62A
	-10025	544- 273A		-06016	409- 141A		-08016	577- 51A		-10016	80- 71A
	-10040	236- 34A		-06016	417- 54A		-08016	577- 61A		-10016	83- 71A
	-10045	266- 271A		-06016	438- 51A		-08016	589- 51A		-10016	120- 71A
	-10045	268- 271A		-06016	449- 72A		-08016	596- 51A		-10016	150- 61A
	-10060	542- 23A		-06016	454- 51A		-08016	618- 51A		-10016	164- 156A
	-10070	170- 82A		-06016	572- 51A		-08016	622- 51A		-10016	189- 105A
	-12025	189- 104A		-06016	653- 54A		-08016	637- 101A		-10016	193- 104A
	-12025	193- 103A		-06016	674- 51A		-08016	641- 101A		-10016	220- 72A
	-12050	166- 153A		-06020	220- 74A		-08016	645- 101A		-10016	222- 62A
	-12075	295- 51B		-06020	222- 64A		-08016	649- 51A		-10016	280- 52A
	-12085	295- 51C		-06020	454- 72A		-08016	668- 51A		-10016	316- 51A
	-18060	346- 972A		-06025	258- 71A		-08016	670- 51A		-10016	432- 61A
	-18140	346- 971A		-06025	456- 51A		-08016	672- 51A		-10016	435- 61A
	-18225	544- 971A		-06025	458- 51A		-08016	680- 51A		-10016	435- 61B
61103	-06016	589- 61A		-06025	552- 51A		-08016	682- 51A		-10016	449- 51A
61121	-10025	238- 39A		-06025	554- 56A		-08020	25- 61A		-10016	454- 53A
61131	-05010	170- 92A		-06025	568- 53A		-08020	28- 52A		-10016	556- 52A
	-05020	22- 63A		-06025	584- 51A		-08020	31- 61B		-10016	668- 61A
	-06008	353- 454A		-06070	216- 51A		-08020	49- 61A		-10016	670- 61A
	-06008	357- 454A		-08012	18- 61A		-08020	53- 61A		-10020	3- 52B
	-06008	361- 454A		-08012	18- 61B		-08020	60- 52A		-10020	25- 71A
61133	-16050	572- 52A		-08012	80- 52A		-08020	102- 71A		-10020	28- 51A
61261	-10065	110- 53A		-08012	83- 52A		-08020	108- 57A		-10020	28- 61A
	-10090	110- 54A		-08012	83- 52B		-08020	142- 51A		-10020	44- 71A
61275	-06020	156- 53A		-08012	108- 58A		-08020	142- 51B		-10020	46- 71A
	-06025	248- 51A		-08012	150- 55A		-08020	166- 161C		-10020	49- 65A
	-06030	530- 52B		-08012	164- 99A		-08020	170- 85A		-10020	53- 65A
	-06030	540- 54A		-08012	166- 161A		-08020	218- 61A		-10020	56- 51A
	-06055	540- 52A		-08012	250- 53A		-08020	220- 73A		-10020	58- 51A
	-07035	110- 59A		-08012	312- 53A		-08020	222- 63A		-10020	62- 52A
61750	-10871	310- 2A		-08012	316- 63A		-08020	225- 82A		-10020	62- 52B
	-10871	310- 2B		-08012	326- 51A		-08020	232- 51A		-10020	102- 72A
61802	-05012	22- 54A		-08012	329- 51A		-08020	248- 52A		-10020	120- 72A
	-05012	435- 62A		-08012	442- 51A		-08020	261- 51A		-10020	170- 83A
	-06010	31- 51A		-08012	538- 51A		-08020	277- 53A		-10020	170- 151A
	-06010	258- 61A		-08012	540- 51A		-08020	302- 51A		-10020	197- 54A
	-06010	413- 53A		-08012	672- 62A		-08020	304- 61A		-10020	200- 54A
	-06010	554- 55A		-08016	31- 61A		-08020	306- 61A		-10020	220- 61A
	-06010	580- 53A		-08016	36- 61A		-08020	318- 52A		-10020	222- 51A
	-06010	649- 53A		-08016	62- 51A		-08020	456- 53A		-10020	230- 51A
	-06012	83- 61C		-08016	64- 51A		-08020	596- 52A		-10020	253- 52A
	-06012	83- 61D		-08016	66- 51B		-08025	49- 71A		-10020	256- 52A
	-06012	88- 61A		-08016	80- 63B		-08025	53- 71A		-10020	258- 51A
	-06012	449- 53A		-08016	80- 151A		-08025	60- 55A		-10020	280- 51A
	-06012	454- 71A		-08016	83- 63A		-08025	80- 91A		-10020	284- 69A
	-06012	479- 51C		-08016	84- 151A		-08025	83- 91A		-10020	285- 153A
	-06012	538- 61A		-08016	88- 52A		-08025	123- 53A		-10020	285- 163A
	-06016	28- 71A		-08016	88- 61B		-08025	127- 53A		-10020	290- 69A
	-06016	31- 51B		-08016	108- 71A		-08025	277- 72A		-10020	291- 153A
	-06016	31- 62A		-08016	112- 51A		-08025	596- 53A		-10020	291- 163A
	-06016	34- 51A		-08016	166- 161B		-08030	80- 81A		-10020	452- 51A
	-06016	34- 61A		-08016	250- 52A		-08030	83- 81A		-10020	454- 81A
	-06016	38- 64A		-08016	326- 52A		-08030	108- 61A		-10020	488- 51A

PARTS No. INDEX

PART NUMBER	PAGE-SYM	PART NUMBER	PAGE-SYM	PART NUMBER	PAGE-SYM	PART NUMBER	PAGE-SYM
-10020	524- 51A	-12016	405- 107A	-16030	304- 51A	62256	-51610 98- 57A
-10020	526- 51A	-12016	409- 107A	-16030	306- 51A		-51610 102- 54A
-10020	552- 52A	-12016	637- 107A	-16040	120- 62C		-51610 108- 54A
-10020	556- 51A	-12016	641- 107A	-16045	12- 61A		-51610 413- 57A
-10020	580- 61A	-12016	645- 107A	-16055	110- 51A		-51610 568- 51A
-10025	36- 51A	-12020	3- 51A	-16080	44- 51A		-51610 611- 51A
-10025	36- 51B	-12020	22- 61A	-16080	46- 51A		-51610 611- 61A
-10025	41- 51A	-12020	86- 51A	-16080	110- 52A		-51610 649- 57A
-10025	41- 71A	-12020	284- 74A	-16090	56- 52A		-51612 83- 67A
-10025	145- 51A	-12020	284- 84A	-16090	58- 52A		-51612 277- 54A
-10025	145- 51B	-12020	290- 74A	-16105	304- 52A		-51612 280- 53A
-10025	148- 51A	-12020	290- 84A	-16105	306- 52A		-51612 556- 53A
-10025	156- 52A	-12020	302- 52A	-20032	8- 51A		-51615 90- 51A
-10025	159- 53A	-12020	432- 52A	-20032	8- 62A		-51616 80- 92A
-10025	170- 88A	-12020	435- 52A	-20032	14- 52A		-51616 83- 92A
-10025	182- 52A	-12020	668- 52A	-20045	14- 51A		-51616 417- 51A
-10025	253- 51A	-12020	670- 52A	-20065	8- 61A		-51616 417- 51B
-10025	256- 51A	-12020	672- 52A	-20075	110- 83A		-51616 479- 51A
-10025	284- 61A	-12025	38- 54A	-20130	110- 57A		-51616 479- 51B
-10025	460- 62A	-12025	41- 52A	-20175	110- 55A		-51616 653- 51A
-10025	570- 51A	-12025	41- 52B	-24050	22- 51A		-51616 653- 51B
-10030	3- 52A	-12025	88- 51A	-24055	18- 51A		-51620 80- 54A
-10030	145- 56A	-12025	120- 73A	-24060	18- 51B		-51620 570- 61A
-10030	148- 52A	-12025	277- 61A	61805	-24075	189- 251A	-51625 80- 54B
-10030	182- 53A	-12025	460- 51A	-24075	193- 251A		-51625 83- 54A
-10030	284- 63A	-12025	563- 71A	-24075	372- 9A		-51820 31- 63A
-10030	284- 63B	-12030	64- 61A	62256	-29310	248- 54A	-51825 238- 24A
-10030	284- 92A	-12030	123- 51A	-51308	454- 61A	62257	-51310 454- 63A
-10030	290- 63A	-12030	127- 51A	-51312	102- 56A		-51420 423- 21A
-10030	290- 92A	-12030	159- 52A	-51312	108- 82A		-51420 660- 17A
-10030	300- 65A	-12030	164- 154A	-51316	46- 76A		-51512 413- 59A
-10030	300- 65B	-12030	166- 164A	-51406	488- 52A		-51512 649- 59A
-10030	304- 62A	-12030	170- 81A	-51410	12- 71A		-51616 365- 51A
-10030	306- 62A	-12030	170- 155A	-51410	38- 61A		-51620 405- 121A
-10030	308- 53A	-12030	225- 51A	-51410	38- 71A		-51620 409- 131A
-10030	312- 51A	-12030	277- 51A	-51412	80- 62A		-51620 413- 58A
-10030	316- 61A	-12030	300- 63A	-51412	83- 62A		-51620 637- 111A
-10035	41- 61A	-12030	308- 52A	-51412	92- 51A		-51620 641- 121A
-10035	60- 54A	-12035	120- 61A	-51412	94- 51A		-51620 645- 121A
-10035	145- 56B	-12035	120- 61B	-51412	96- 51A		-51620 649- 58A
-10035	150- 52A	-12035	120- 61C	-51416	44- 72A		-51820 405- 103A
-10035	166- 162A	-12035	300- 51A	-51416	46- 72A		-51820 409- 103A
-10040	308- 57A	-12040	150- 51A	-51416	60- 58A		-51820 637- 103A
-10045	277- 52A	-12040	486- 51A	-51416	80- 53A		-51820 641- 103A
-10045	284- 71A	-12040	486- 61A	-51416	413- 71A		-51820 645- 103A
-10045	284- 81A	-12040	486- 71A	-51416	649- 71A	62261	-14018 86- 45A
-10045	284- 93A	-12045	123- 52A	-51420	80- 53B		-14018 435- 35A
-10045	290- 71A	-12045	127- 52A	-51420	83- 53A		-14018 670- 35A
-10045	290- 81A	-12050	38- 55A	-51420	92- 125A		-14018 672- 35A
-10045	290- 93A	-12050	284- 51A	-51420	94- 125A		-14020 31- 63B
-10050	284- 151A	-12050	290- 51A	-51420	96- 51B		-14020 34- 62A
-10050	285- 161A	-12050	308- 58A	-51420	96- 125A		-15025 86- 25A
-10050	290- 71B	-12050	563- 61A	-51420	423- 22A		-16016 413- 61A
-10050	290- 81B	-12055	170- 154A	-51420	582- 25A		-16016 649- 61A
-10050	291- 151A	-12060	563- 61B	-51420	593- 25A	62262	-14010 36- 32A
-10050	291- 161A	-12065	284- 91A	-51420	660- 18A	62401	-61081 353- 172A
-10055	145- 54A	-12065	290- 91A	-51512	123- 55A		-61081 357- 172A
-10060	310- 51B	-12075	38- 51A	-51512	123- 55B		-81031 46- 79A
-10065	218- 51A	-12075	308- 51A	-51512	127- 55A		-81031 454- 64A
-10065	310- 51A	-12090	120- 51A	-51520	248- 53A		-81041 12- 72A
-10075	300- 64A	-12095	300- 61A	-51520	417- 61A		-81041 44- 73A
-10080	225- 72A	-16018	401- 54A	-51520	653- 61A		-81041 46- 73A
-10085	36- 52A	-16018	634- 54A	-51530	88- 19A		-81041 60- 59A
-10085	284- 64A	-16020	8- 52A	-51608	18- 66A		-81061 90- 54A
-10085	290- 64A	-16020	120- 52A	-51610	78- 51A		-81061 153- 83A
-10095	368- 51A	-16020	264- 51A	-51610	80- 61A		-81061 253- 41A
-10095	370- 51A	-16025	110- 56A	-51610	80- 61B		-81061 256- 41A
-10095	560- 51A	-16025	225- 52A	-51610	83- 61A		-81061 536- 31A
-10100	530- 53A	-16030	182- 57A	-51610	83- 61B		-81067 253- 42A

PARTS No. INDEX

PART NUMBER	PAGE-SYM	PART NUMBER	PAGE-SYM	PART NUMBER	PAGE-SYM	PART NUMBER	PAGE-SYM				
62721	-06100	80- 55A	62761	-17081	250- 22B	63813	-00008	572- 16A	65210	-12011	370- 31A
	-06100	80- 64A		-17081	572- 56A		-00010	53- 15B		-12011	374- 136A
	-06100	80- 64B		-27121	611- 18A	63815	-00125	166- 221A		-12011	516- 36A
	-06100	83- 55A		-27121	611- 128A	64111	-01001	253- 7A		-12011	533- 32A
	-06100	83- 55B		-37061	413- 64A		-01001	256- 7A		-12011	536- 21A
	-06100	83- 64A		-37061	649- 64A		-01001	536- 7A		-12011	538- 21A
	-06100	83- 64B		-37081	405- 106A	65051	-00708	274- 19A		-12011	546- 162A
	-06100	90- 53A		-37081	409- 106A		-01608	6- 143A		-12011	548- 261A
	-06100	98- 58A		-37081	637- 106A		-01608	504- 144A		-12011	560- 21A
	-06100	102- 55A		-37081	641- 106A		-01906	374- 32A		-12011	563- 41A
	-06100	108- 55A		-37081	645- 106A		-01906	492- 32A		-12011	589- 31A
	-06100	277- 57A	63002	-02016	60- 6A		-02007	6- 26A		-12012	586- 161A
	-06100	280- 54A		-03020	12- 74A		-02007	14- 11A		-12014	164- 13A
	-06100	413- 63A		-04032	230- 56A		-02007	372- 21A		-12014	170- 13A
	-06100	417- 53A	63011	-05010	349- 247A		-02007	490- 26A		-12014	170- 101A
	-06100	417- 53B		-05025	173- 80A		-02007	504- 26A		-12014	186- 18A
	-06100	479- 52A		-05025	177- 80A		-02007	516- 32A		-12014	186- 53A
	-06100	479- 52B		-05032	572- 28A		-02209	6- 25A		-12014	216- 41A
	-06100	556- 54A		-05050	572- 22A		-02209	6- 111A		-12014	218- 21A
	-06100	568- 52A		-06025	177- 56A		-02209	490- 25A		-12014	218- 34A
	-06100	611- 52A		-10016	188- 15A		-02209	504- 25A		-12014	218- 45A
	-06100	611- 62A		-10016	192- 15A		-02209	504- 111A		-12014	220- 24A
	-06100	649- 63A		-10050	572- 18A		-02510	14- 10A		-12014	225- 31A
	-06100	653- 53A	63021	-08012	202- 27A		-02610	8- 32A		-12014	232- 34A
	-06100	653- 53B		-08012	206- 27A	65054	-06714	202- 3A		-12014	234- 11A
	-08100	68- 52A		-08012	208- 27A		-06714	206- 3A		-12014	242- 11A
	-08100	80- 152A	63422	-43315	6- 142A	65210	-11018	316- 18A		-12014	244- 11A
	-08100	84- 152A		-45730	380- 33A		-12003	577- 104A		-12014	258- 31A
	-08100	86- 35A		-45730	382- 43A		-12005	577- 108A		-12014	318- 22A
	-08100	168- 64A		-45730	384- 43A		-12008	544- 168A		-12014	320- 21A
	-08100	248- 59A		-45730	387- 33A		-12008	548- 263A		-12014	320- 115A
	-08100	250- 22A		-45730	387- 304A		-12008	560- 211A		-12014	323- 21A
	-08100	435- 25A		-45830	516- 16A		-12008	577- 110A		-12014	323- 125A
	-08100	620- 52A		-46490	6- 24A		-12008	589- 22A		-12014	353- 123A
	-08100	624- 52A		-46490	490- 24A		-12009	586- 163A		-12014	357- 123A
	-08100	670- 25A		-46490	504- 24A		-12009	589- 132A		-12014	533- 101A
	-08100	672- 25A		-46680	372- 6A		-12010	142- 32A		-12014	563- 31A
	-10100	98- 52A		-47780	6- 23A		-12010	266- 263A		-12014	574- 11A
	-10100	102- 52A		-47780	490- 23A		-12010	268- 263A		-12014	577- 31A
	-10100	102- 52B		-47780	504- 23A		-12010	542- 4A		-12014	577- 109A
	-10100	108- 52A		-47880	6- 109A		-12010	542- 22A		-12016	349- 471A
	-10100	166- 165A		-47880	504- 109A		-12010	548- 262A		-12016	349- 471B
	-10100	182- 41A	63811	-00012	49- 15A		-12011	164- 111A		-12016	586- 162A
	-10100	240- 11A		-00012	53- 15A		-12011	184- 21A		-12018	153- 21A
	-10100	300- 67A		-00017	250- 107A		-12011	186- 21A		-12018	216- 32A
	-10100	428- 52A		-00035	168- 18A		-12011	186- 21B		-12018	218- 44A
	-10100	664- 52A		-00042	166- 141A		-12011	218- 111A		-12018	225- 221A
	-12100	284- 67A		-00045	168- 17A		-12011	225- 211A		-12018	232- 22A
	-12100	290- 67A		-00045	202- 25A		-12011	228- 14A		-12018	234- 21A
	-12100	295- 53A		-00045	206- 25A		-12011	234- 31A		-12018	266- 163A
	-12100	295- 53B		-00045	208- 25A		-12011	253- 101A		-12018	268- 163A
	-12100	530- 54B		-00055	168- 16A		-12011	256- 101A		-12018	290- 103A
	-14100	86- 16A		-00055	177- 79A		-12011	258- 21A		-12018	304- 34A
	-14100	250- 72A		-00060	173- 78A		-12011	266- 262A		-12018	306- 34A
	-16100	202- 57A		-00065	166- 235A		-12011	268- 262A		-12018	320- 114A
	-16100	206- 57A		-00065	173- 76A		-12011	284- 102A		-12018	323- 124A
	-16100	208- 57A		-00065	177- 76A		-12011	290- 102A		-12018	346- 701A
	-16100	264- 52A		-00070	182- 27A		-12011	295- 32A		-12018	346- 711A
	-20100	14- 53A		-00075	188- 29A		-12011	304- 41A		-12018	349- 123A
	-22100	516- 20A		-00075	192- 29A		-12011	306- 41A		-12018	544- 801A
	-24100	374- 20A		-00078	173- 75A		-12011	316- 121A		-12018	546- 123A
	-24100	492- 20A		-00078	180- 75A		-12011	320- 14A		-12018	586- 121A
62722	-03100	156- 54A	63812	-00014	242- 9A		-12011	320- 44A		-12018	589- 131A
	-03100	248- 55A		-00014	244- 9A		-12011	323- 14A		-12020	349- 214A
	-03100	530- 55A		-00048	177- 55A		-12011	323- 41A		-12020	353- 214A
	-03100	540- 53A		-00055	168- 113A		-12011	346- 264A		-12020	357- 214A
	-87100	530- 54A		-00090	182- 24A		-12011	349- 162A		-12020	361- 214A
62731	-06100	589- 71A		-00100	168- 19A		-12011	365- 16A		-12020	542- 3A
	-12100	295- 55A		-00120	166- 237A		-12011	368- 21A		-12020	546- 214A

PARTS No. INDEX

PART NUMBER	PAGE-SYM	PART NUMBER	PAGE-SYM	PART NUMBER	PAGE-SYM	PART NUMBER	PAGE-SYM				
65210	-12020	586- 151A	65210	-22045	236- 11A	65220	-31027	284- 29A	65801	-10032	102- 7A
	-12021	170- 14A		-22045	238- 11A		-31027	284- 142A		-10032	611- 5A
	-12021	186- 54A		-22045	266- 261A		-31027	290- 29A		-10032	611- 115A
	-12021	242- 16A		-22045	268- 261A		-31027	291- 142A		-10060	449- 4A
	-12022	346- 713A		-22055	346- 263A		-31027	300- 23A		-10060	611- 115B
	-12022	544- 803A		-22055	544- 263A		-31027	308- 5A		-16032	60- 7A
	-12024	123- 112A		-22060	22- 19A		-31027	530- 7A		-16032	572- 24A
	-12024	127- 112A		-22060	349- 122A		-31027	563- 114A		-16220	216- 15A
	-12024	153- 31A		-22060	546- 122A		-41003	300- 24A		-16220	320- 224A
	-12024	164- 231A		-22065	240- 16A		-41003	308- 6A		-16220	323- 244A
	-12024	170- 111A		-22065	346- 261A		-41006	295- 6A		-16220	326- 14A
	-12024	186- 27A		-22065	544- 261A		-41006	295- 6B		-20016	102- 9A
	-12024	186- 55A		-22070	516- 25A		-41006	295- 6C		-20016	572- 19A
	-12024	216- 101A		-22080	372- 13A		-41010	295- 7A		-20060	452- 3A
	-12024	220- 11A		-22085	274- 14A	65231	-00041	312- 32A		-25160	98- 5A
	-12024	266- 162A		-22090	182- 25A		-00041	316- 112A		-25250	216- 137A
	-12024	266- 266A		-22090	186- 61A		-00061	563- 104A		-31032	98- 13B
	-12024	268- 162A		-22090	274- 21A		-00081	225- 14A		-31060	98- 13A
	-12024	268- 266A		-22100	202- 23A		-00081	320- 242A		-31060	102- 5A
	-12024	346- 712A		-22100	206- 23A		-00081	323- 312A		-31060	102- 5B
	-12024	368- 41A		-22100	208- 23A		-00121	78- 22A		-31160	98- 12A
	-12024	544- 802A		-22125	182- 17A		-00121	112- 12A		-40060	102- 8A
	-12026	242- 22A		-22125	186- 58A		-00121	456- 112A		-40090	316- 101B
	-12026	266- 267A		-22160	182- 28A		-00121	528- 12A		-50090	127- 38A
	-12026	268- 267A		-22160	186- 62A		-00161	156- 31A		-50090	310- 43A
	-12028	216- 124A		-22165	22- 7A		-00161	563- 21A		-50090	312- 21A
	-12029	123- 104A		-22170	516- 26A		-00201	563- 132A		-50090	316- 101A
	-12029	127- 104A		-22180	372- 14A	65240	-21026	266- 501A		-50090	316- 101C
	-12029	159- 31A		-22220	202- 22A		-21026	268- 501A		-50190	98- 11A
	-12029	164- 101A		-22220	206- 22A		-31018	346- 702A		-63032	3- 102A
	-12029	170- 121A		-22220	208- 22A		-31018	586- 122A		-63032	38- 4A
	-12029	186- 19A		-22250	188- 56A		-32085	274- 15A		-63032	44- 102A
	-12029	186- 56A		-22250	192- 56A		-32170	516- 27A		-63032	46- 102A
	-12029	218- 11A		-28060	173- 94A		-32180	372- 15A		-63060	102- 6A
	-12029	242- 5A		-28060	186- 57A	65412	-12127	274- 12A	67015	-00001	31- 15A
	-12029	244- 5A	65211	-32204	202- 26A		-12125	374- 23A		-00001	34- 15A
	-12029	266- 268A		-32204	206- 26A		-21215	492- 23A	67031	-07000	417- 33A
	-12029	268- 268A		-32204	208- 26A	65421	-12124	274- 11A		-07000	417- 34A
	-12029	316- 122A	65212	-30624	374- 24A		-21215	374- 22A		-07000	417- 35A
	-12029	346- 561A		-30624	492- 24A		-21215	492- 22A		-07000	438- 12A
	-12029	365- 17A		-31544	374- 26A	65431	-12124	274- 10A		-07000	653- 33A
	-12029	368- 11A		-31544	492- 26A		-12127	374- 21A		-07000	653- 34A
	-12029	370- 21A	65219	-12012	266- 265A		-21217	492- 21A		-07000	653- 35A
	-12029	542- 10A		-12012	268- 265A		-23237	516- 21A		-07000	674- 12A
	-12029	544- 561A		-12012	353- 421A		-24248	372- 11A	67040	-06000	18- 2A
	-12029	560- 11A		-12012	357- 421A	65446	-01109	274- 16A		-08000	316- 42A
	-12030	346- 703A		-12012	361- 421A		-04809	374- 28A		-09000	142- 6A
	-12030	586- 141A	65220	-31007	577- 103A		-04809	492- 28A		-09000	142- 6B
	-12032	236- 7A		-31019	284- 28A		-05210	516- 28A		-09000	225- 241A
	-12032	238- 8A		-31019	284- 113A		-05712	372- 16A		-12000	320- 213A
	-12038	156- 111A		-31019	284- 123A	65455	-02607	274- 18A		-12000	323- 233A
	-12038	159- 111A		-31019	290- 28A		-03808	374- 31A		-19000	110- 21A
	-12038	164- 121A		-31019	290- 113A		-03808	492- 31A		-19000	112- 4A
	-12038	186- 22A		-31019	290- 123A		-04008	516- 31A		-25000	142- 5A
	-12038	225- 204A		-31019	530- 4A		-04308	372- 19A		-32000	156- 44A
	-12038	274- 13A		-31019	540- 5A	65462	-05660	274- 20A		-32000	159- 44A
	-12038	310- 101A		-31024	284- 136A	65463	-01640	516- 30A		-32000	302- 1A
	-12040	268- 260A		-31024	285- 203A	65464	-06260	374- 30A		-32000	310- 31A
	-12042	266- 269A		-31024	285- 213A		-06260	492- 30A		-32000	310- 31B
	-12042	268- 269A		-31024	290- 136A		-06460	372- 18A		-32000	310- 31C
	-12044	310- 24A		-31024	291- 203A	65473	-04630	274- 17A		-32000	310- 32A
	-12050	346- 161A		-31024	291- 213A		-07130	372- 17A		-38000	142- 4A
	-12050	544- 161A		-31024	300- 26A		-09930	374- 29A		-38000	142- 4B
	-12060	182- 18A		-31024	300- 26B		-09930	492- 29A		-60000	302- 2A
	-12060	186- 59A		-31024	304- 24A		-10330	516- 29A	67041	-60040	295- 3A
	-12090	8- 33A		-31024	306- 24A	65801	-08016	428- 12A		-60042	295- 3B
	-16010	316- 19A		-31024	310- 36A		-08016	664- 12A		-60053	295- 3C
	-22025	240- 15A		-31024	312- 8A		-10016	428- 11A		-75032	295- 4A
	-22035	542- 21A		-31024	316- 38A		-10016	664- 11A		-75035	295- 4B

PARTS No. INDEX

PART NUMBER	PAGE-SYM	PART NUMBER	PAGE-SYM	PART NUMBER	PAGE-SYM	PART NUMBER	PAGE-SYM				
67059	-38000	170- 41A	68235	-60079	164- 42A	68678	-50150	290- 25A	69811	-25210	316- 37A
67230	-15000	456- 5A		-60103	316- 34A		-50187	496- 3A		-32210	300- 18A
	-15000	456- 6A		-60105	312- 4A		-58147	290- 25C		-32210	308- 7A
	-15000	456- 7A		-60110	316- 34B		-58150	290- 25B		-32210	530- 6A
	-15000	456- 21A	68245	-50345	153- 2B		-58187	496- 3B		-38210	300- 19A
68033	-20023	320- 206A		-50350	153- 2A		-60104	284- 133A		-38210	308- 8A
	-20023	323- 226A		-70138	310- 34A		-60104	290- 133A	71061	-34600	213- 3A
68035	-10023	538- 36A	68255	-50034	123- 6A		-70127	308- 3A	72001	-10600	18- 4A
	-10125	228- 2B		-70342	156- 43A		-70129	308- 3B		-10600	18- 27A
	-10130	228- 2A		-70342	159- 43A	69002	-02200	225- 242A		-10600	74- 8A
	-10370	312- 11A	68258	-60098	316- 33A		-02200	316- 43A		-10600	76- 6A
	-20120	323- 221A	68270	-80137	308- 4B		-02300	18- 3A		-10600	501- 4A
	-20155	318- 18B	68279	-80137	308- 4A		-02300	456- 8A		-10600	507- 8A
	-20165	318- 18A	68612	-10040	74- 11A		-03100	142- 16A		-11000	142- 21A
	-20170	574- 3A		-10040	507- 11A		-03100	320- 215A		-11000	150- 24A
	-20180	574- 1A	68634	-60057	156- 41A		-03100	323- 235A		-11000	164- 73A
	-20190	574- 4A		-60062	159- 41A		-03800	98- 4A		-11200	220- 35A
	-20380	312- 12A	68635	-10040	589- 6A		-03800	110- 22A		-11200	220- 104A
	-20410	316- 35C		-10068	563- 4A		-03800	112- 5A		-11200	222- 5A
	-20430	316- 35B		-10080	563- 3A		-05200	156- 49A		-11200	222- 24A
	-30053	225- 245A		-10090	563- 3C		-05200	159- 49A		-11200	228- 6A
	-30230	153- 1C		-10100	563- 3B		-05200	310- 37A		-11200	312- 13A
	-30240	153- 1B		-10130	589- 8A		-05700	170- 43A		-11200	316- 43B
68044	-20068	320- 207A		-10150	316- 41A		-05700	302- 5A		-11200	320- 233A
	-20068	323- 227A		-20040	225- 247A		-07600	449- 115A		-11200	323- 303A
68045	-10022	538- 32A		-20046	323- 301A		-08200	302- 6A		-11200	329- 14A
	-10036	323- 102B		-30135	220- 101A		-09800	449- 36A		-11200	458- 15A
	-10040	323- 102A		-30135	222- 21A	69030	-04400	142- 15A		-11200	563- 12A
	-10042	320- 205A		-60048	316- 32C		-06700	142- 14A		-11200	589- 15A
	-10042	323- 225A		-60048	563- 13A		-07900	142- 13A		-11500	102- 4A
	-10060	329- 15B		-60051	316- 32B		-09200	142- 12A		-11500	312- 14A
	-10210	228- 3B		-60053	563- 1A		-09200	295- 5A		-11500	316- 44A
	-20265	329- 1B		-60053	563- 1B		-09200	295- 5B		-11500	318- 13A
68055	-10025	538- 35A		-60058	159- 41B		-10500	295- 8A		-11500	320- 223A
	-10044	554- 15A		-60120	300- 12B		-10500	295- 8B		-11500	323- 243A
	-10050	329- 15A		-60123	300- 12C		-15600	148- 5A		-11500	326- 6A
	-10062	589- 7A		-60330	316- 31A		-15600	148- 5B		-11500	329- 6A
	-10065	563- 6A		-60345	312- 1B		-18100	148- 6A		-11500	458- 16A
	-10150	316- 42B		-60350	312- 1A	69081	-23000	98- 14A		-11500	574- 8A
	-10210	228- 3A	68644	-20047	225- 248A	69100	-10600	74- 5A		-11500	584- 13A
	-10225	228- 1A	68645	-20135	216- 3A		-10600	74- 5B		-11800	108- 8A
	-10370	312- 11B		-38123	306- 14A		-10600	76- 7A		-11800	142- 19A
	-20022	225- 249A		-38130	304- 14A		-10600	501- 3A		-11800	153- 6A
	-20045	225- 246A		-38130	306- 25A		-10600	507- 5A		-11800	216- 12A
	-20048	225- 244A		-38135	304- 25A		-20600	18- 26A		-11800	225- 243A
	-20050	563- 2B		-50060	216- 1A		-20600	74- 4A		-11800	456- 25A
	-20060	320- 203A		-50062	216- 1B		-20600	76- 8A		-11800	458- 14A
	-20060	323- 223A		-50150	222- 3A		-20600	200- 21B		-12000	225- 239A
	-20063	323- 223B		-60113	159- 42A		-20600	507- 4A		-12000	456- 16A
	-20066	320- 204A	68655	-10060	563- 5A		-21000	150- 22A		-12200	456- 17A
	-20066	323- 224A		-20023	320- 231A		-21200	220- 36A		-12500	216- 14A
	-20066	563- 2A		-20045	216- 4A		-21200	220- 106A		-12500	216- 135A
	-20075	320- 202A		-20122	225- 233A		-21200	222- 6A		-12500	220- 111A
	-20075	323- 222A		-20125	225- 233B		-21200	222- 26A		-12500	222- 31A
	-20115	320- 201A		-30135	220- 114A	69203	-14000	170- 32A		-12500	304- 23A
	-20115	323- 221B		-30135	222- 34A	69205	-04000	456- 23A		-12500	306- 23A
	-20120	533- 42A		-30170	216- 131A		-06000	112- 2A		-12500	320- 225A
	-20122	533- 43A		-30190	216- 132A		-06000	456- 14A		-12500	323- 245A
	-20150	318- 6A		-38054	304- 17A		-14000	170- 27A		-12500	326- 13A
	-20150	320- 229A		-38054	306- 17A	69210	-06040	456- 22A		-12500	456- 18A
	-20150	323- 249A		-38077	304- 18A	69212	-14000	123- 33A		-20600	74- 7A
	-20170	574- 2A		-38077	306- 18A	69811	-19210	284- 27A		-20600	438- 14A
	-30230	153- 11A		-50127	216- 2A		-19210	290- 27A		-20600	507- 7A
	-30235	153- 1A		-50150	220- 33A		-19210	530- 3A		-20600	674- 14A
	-30260	153- 11C	68657	-60031	312- 2C		-25210	284- 135A	72010	-28000	153- 7A
	-30270	153- 11B		-60033	312- 2B		-25210	290- 135A		-31000	110- 23A
68235	-50090	216- 133A		-60033	316- 32A		-25210	300- 17A		-31000	216- 13A
	-60046	316- 33C		-60034	312- 2A		-25210	300- 17B		-31000	216- 136A
	-60054	316- 33B	68678	-50150	284- 25A		-25210	312- 7A		-34000	312- 22A

PARTS No. INDEX

PART NUMBER	PAGE-SYM	PART NUMBER	PAGE-SYM	PART NUMBER	PAGE-SYM	PART NUMBER	PAGE-SYM
72010	-34000	316- 102A	88031 -06061	536- 12A	88201 -06704	589- 105A	88241 -07108
	-37000	142- 18A	-06081	310- 4B	-06706	216- 23A	-07108
	-37000	300- 13A	-06101	44- 106A	-06706	225- 22A	-07108
	-37000	312- 9A	-06101	46- 106A	-06706	225- 122A	-07112
	-37000	316- 39A	-06101	145- 52A	-06706	225- 143A	-07116
	-43000	156- 102A	-06101	148- 11A	-06706	234- 2A	-07116
	-43000	159- 102A	-06101	150- 8A	-06706	320- 4A	-07116
	-43000	310- 42A	-06101	156- 126A	-06706	320- 33A	-07116
	-46000	142- 23A	-06101	159- 126A	-06706	320- 221A	-07116
	-46000	156- 101A	-06101	258- 6A	-06706	323- 4A	-07116
	-46000	159- 101A	-06101	284- 115A	-06706	323- 33A	-07120
	-46000	310- 38B	-06101	284- 125A	-06706	323- 241A	-07120
	-49000	310- 38A	-06101	284- 137A	-06706	563- 8A	-07204
	-49000	326- 5A	-06101	285- 205A	-06706	577- 24A	-07204
	-49000	329- 5A	-06101	285- 215A	-06712	153- 4A	-07206
	-55000	142- 17A	-06101	290- 115A	-06716	159- 12A	-07212
	-55000	170- 69A	-06101	290- 125A	-06716	164- 35A	-07212
	-55000	538- 46A	-06101	290- 137A	-06716	170- 35A	-07212
	-73000	142- 24A	-06101	291- 205A	-06716	316- 37B	-07216
	-86000	449- 35A	-06101	291- 215A	-06716	368- 3A	-07216
	-86000	449- 35B	-06101	310- 4A	-06716	370- 2A	-07220
	-93000	449- 39B	-06101	533- 5A	-06716	560- 2A	88302 -40402
73211	-00100	253- 132A	-06101	538- 5A	-06720	156- 121A	-40402
73212	-00100	442- 24A	-06121	120- 6A	-06720	159- 121A	88340 -12604
	-00100	528- 21A	-06121	225- 7A	-06720	310- 41A	-12604
	-00100	678- 24A	-06121	563- 125A	-06720	310- 41B	88370 -12006
73221	-00100	253- 131A	-06241	202- 45A	-06804	316- 36B	-12006
73222	-00100	442- 25A	-06241	206- 45A	-06816	156- 12A	-12006
	-00100	678- 25A	-06241	208- 35A	-06816	563- 7A	-12006
73301	-19089	90- 11A	88111 -10500	438- 3A	88221 -00604	74- 12A	88390 -16102
	-19579	90- 11B	-10500	674- 3A	-00604	507- 12A	-16102
	-24589	614- 1A	-10800	166- 219A	88241 -03404	228- 4A	-16102
75011	-25400	8- 16A	-10800	186- 26A	-03404	258- 103A	-16102
	-25400	14- 16A	-11200	188- 42A	-03404	554- 18A	-16102
	-25400	74- 6A	-11200	192- 42A	-03416	156- 45A	-16102
	-25400	74- 6B	-11200	552- 7A	-03416	159- 45A	-16102
	-25400	76- 9A	-11490	234- 101A	-06916	156- 13A	-16102
	-25400	114- 32A	-11600	401- 6A	-07104	218- 102A	-16102
	-25400	202- 28A	-11600	634- 6A	-07104	228- 5B	-16102
	-25400	208- 28A	-11690	78- 3A	-07104	234- 5A	-16102
	-25400	253- 21A	-11690	164- 58A	-07104	253- 17A	-16102
	-25400	256- 21A	-11690	186- 23A	-07104	256- 17A	-16102
	-25400	372- 24A	-12090	164- 226A	-07104	258- 8A	-16104
	-25400	507- 6A	-12090	186- 25A	-07104	316- 48A	-16104
	-25400	536- 18A	-12490	18- 43A	-07104	320- 32A	-16104
	-45400	14- 15A	-12490	22- 12A	-07104	323- 32A	-16106
	-45400	74- 14A	-13090	188- 41A	-07104	323- 116A	-16106
	-45400	74- 14B	-13090	192- 41A	-07104	368- 4A	-16106
	-45400	76- 11A	-14200	164- 205A	-07104	370- 9A	-16116
	-45400	206- 28A	-14200	186- 24A	-07104	560- 3A	-21302
	-45400	264- 5A	88120 -12000	14- 14A	-07104	560- 123A	-21302
	-45400	507- 14A	-12400	572- 17A	-07106	218- 3A	-21302
78101	-06013	177- 85A	-12400	572- 17B	-07106	225- 23A	-21304
	-06207	168- 14A	88201 -06704	234- 5B	-07106	225- 123A	-21304
	-06209	168- 12A	-06704	253- 16A	-07106	225- 145A	-21304
	-06211	168- 11A	-06704	256- 16A	-07106	232- 14A	-21304
	-06214	182- 14A	-06704	316- 49A	-07106	232- 42A	-21304
	-06309	168- 13A	-06704	320- 217A	-07106	234- 4A	-21304
	-06922	173- 86A	-06704	323- 103A	-07106	318- 11A	-21304
78112	-06313	166- 217A	-06704	323- 237A	-07106	320- 3A	-21304
78247	-32034	188- 24A	-06704	368- 5A	-07106	320- 102A	-21304
	-32034	192- 24A	-06704	370- 5A	-07106	320- 212A	-21304
78281	-32020	180- 88A	-06704	536- 4A	-07106	323- 3A	-21304
	-32021	180- 89A	-06704	538- 2A	-07106	323- 112A	-21304
88001	-41101	41- 15A	-06704	538- 2B	-07106	323- 232A	-21304
	-61101	188- 47A	-06704	552- 5A	-07106	533- 41A	-21304
	-61101	192- 47A	-06704	560- 124A	-07106	577- 23A	-21304
88031	-06061	253- 12A	-06704	563- 9A	-07108	153- 3A	-21306
	-06061	256- 12A	-06704	589- 11A	-07108	225- 146A	-21306
							234- 3A
							304- 22A
							306- 22A
							220- 2A
							159- 13A
							170- 67A
							218- 2A
							368- 2A
							370- 3A
							370- 3B
							156- 46A
							159- 46A
							258- 7A
							538- 13A
							574- 5A
							170- 34A
							216- 24A
							220- 2B
							370- 15A
							560- 4A
							164- 54A
							74- 13A
							507- 13A
							74- 9A
							507- 9A
							220- 44A
							220- 113A
							222- 14A
							222- 33A
							8- 15A
							74- 21A
							168- 107A
							184- 6A
							189- 115A
							193- 115A
							225- 44A
							225- 133A
							234- 49A
							320- 123A
							323- 133A
							507- 21A
							577- 27A
							184- 5A
							374- 137A
							516- 37A
							164- 53A
							170- 53A
							184- 4A
							164- 214A
							189- 62A
							193- 62A
							560- 137A
							164- 51A
							184- 3A
							225- 142A
							234- 5C
							234- 48A
							284- 44A
							290- 44A
							295- 24A
							304- 21A
							306- 21A
							323- 104A
							368- 37A
							533- 21A
							560- 36A
							589- 104A
							318- 12A
							577- 25A

PARTS No. INDEX

PART NUMBER	PAGE-SYM	PART NUMBER	PAGE-SYM	PART NUMBER	PAGE-SYM	PART NUMBER	PAGE-SYM
88390	-21308	290-	45A				
	-21312	202-	31A				
	-21504	370-	8A				
	-21512	164-	214B				
88511	-01120	456-	13A				
	-01121	112-	3A				
	-01240	123-	33B				
	-01240	170-	36A				
	-03041	316-	47A				
	-03041	370-	11A				
	-03060	218-	4A				
	-03080	225-	147A				
	-03121	170-	33A				
	-03200	156-	47A				
	-03200	159-	47A				
	-03200	310-	14A				
	-03200	310-	39A				
88811	-01410	349-	455A				
	-01410	546-	455A				
	-03020	240-	7A				
	-05030	274-	5A				
	-08040	374-	15A				
	-08040	492-	15A				
	-09040	516-	15A				

KCM Corporation

2680 Oka Inami-cho Kako-gun, Hyogo 675-1113

All rights reserved, No copy allowed without written consent.

Printed in Japan

93315-00158

