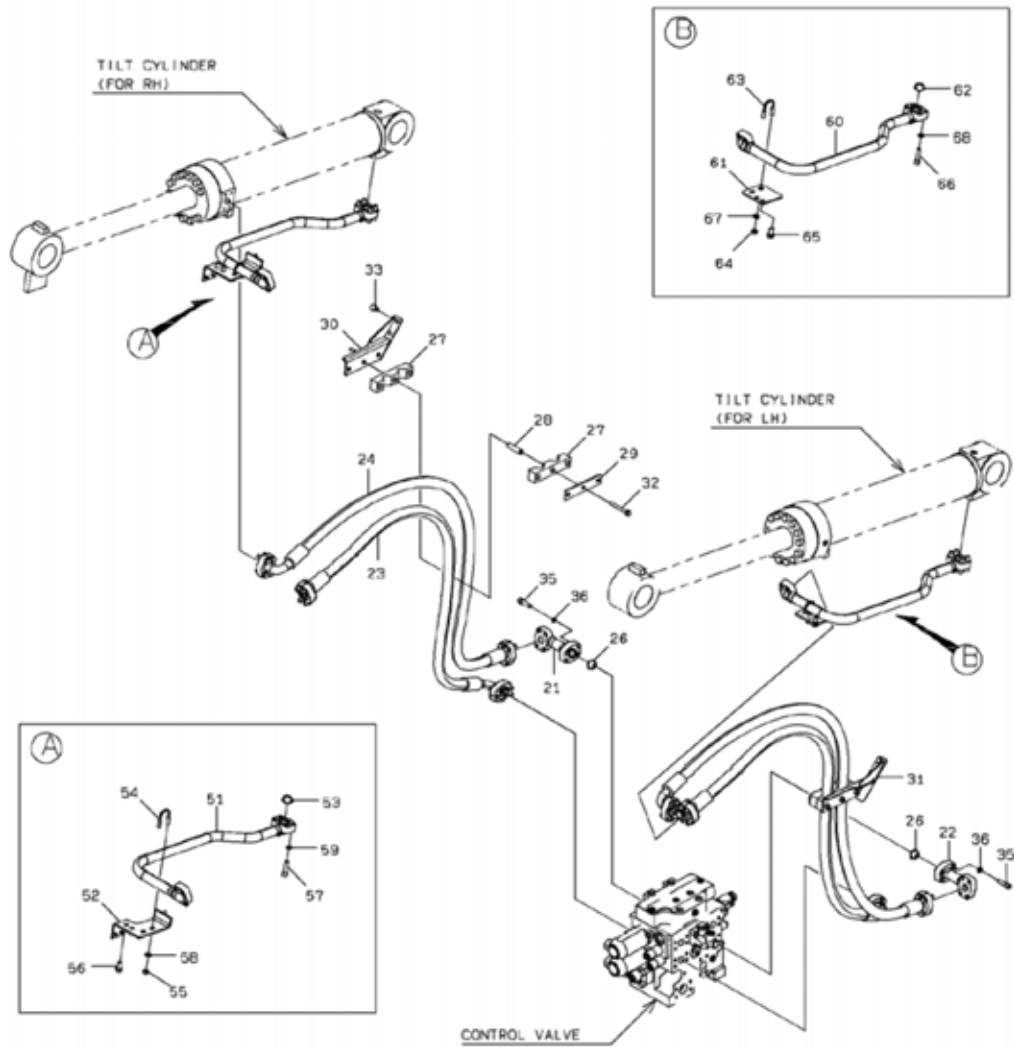


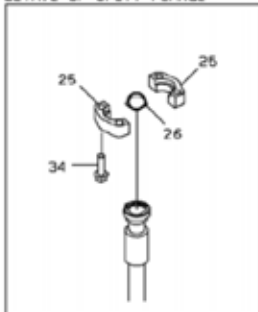
**OIL CYLINDER MOUNT(FOR SHORT BOOM)**

SYM-BOL	PART NUMBER	PART NAME	UNIT Q,TY	SERIAL (A) - (B)	REMARKS				REMARKS
					N	P	D	(A) (B) (C) (D)	
21A	34820-67620	CYLINDER ASSY,OIL	2	5101 -					
22A	34820-69010	CYLINDER ASSY,OIL	1	5101 -					
23A	34820-69020	CYLINDER ASSY,OIL	1	5101 -					

# HYDRAULIC LINE /BUCKET(FOR SHORT BOOM)



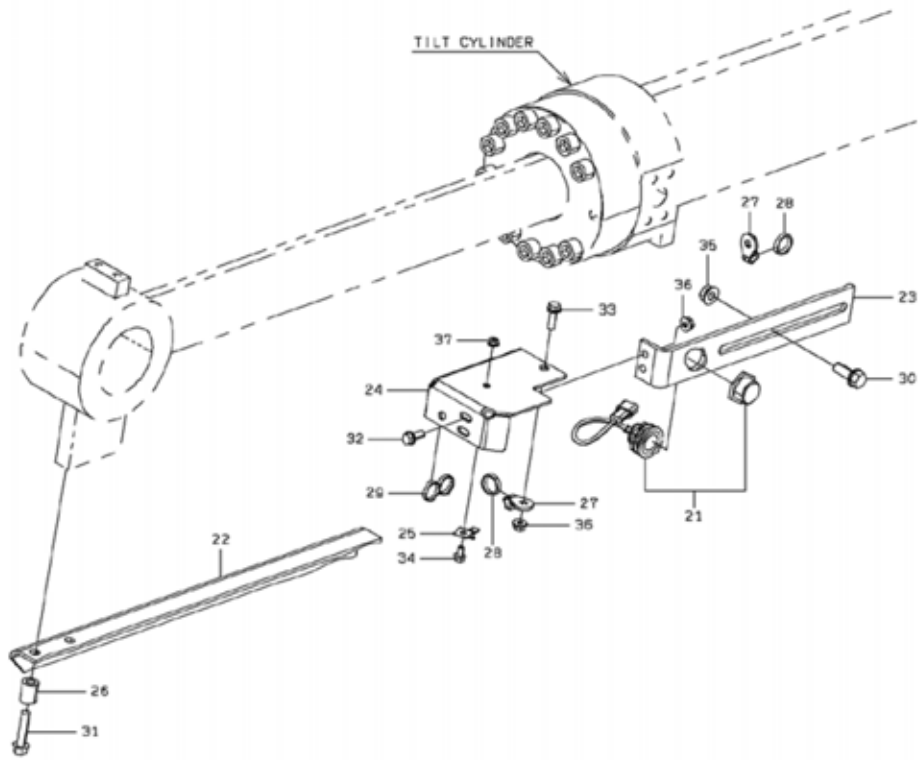
DETAIL OF SPLIT FLANGE



1-A



# BUCKET POSITIONER GROUP(FOR SHORT BOOM)

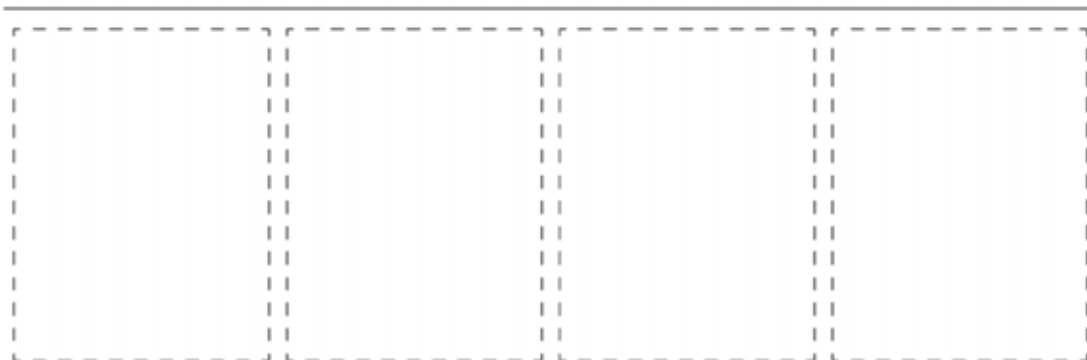
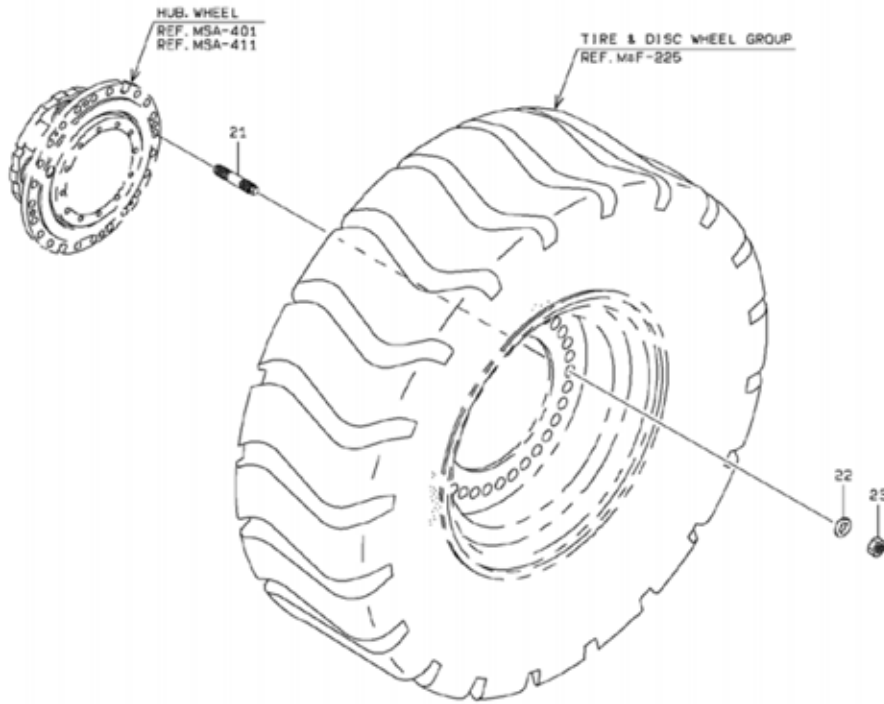


**BUCKET POSITIONER GROUP(FOR SHORT BOOM)**

SYM-BOL	PART NUMBER	PART NAME	UNIT Q,TY	SERIAL (A) - (B)	REMARKS						
					N	P	D	(A)	(B)	(C)	(D)
21A	35051-60160	SWITCH,PROXIMITY	1	5101 -							
22A	30502-28700	ANGLE	1	5101 -							
23A	41751-30270	PLATE	1	5101 -							
24A	41716-25610	PLATE	1	5101 -							
25A	43550-21210	HOLDER	1	5101 -							
26A	43780-37490	BOSS	2	5101 -							
27A	32923-70120	CLAMP,HOSE	3	5101 -							FR M8
28A	32923-70090	CLAMP,HOSE	3	5101 -							L=202
29A	32923-70210	CLAMP,HOSE	1	5101 -							L=395
30A	61802-12030	BOLT,FLANGED	2	5101 -							
31A	61802-10045	BOLT,FLANGED	2	5101 -							
32A	61802-08020	BOLT,FLANGED	2	5101 -							
33A	61802-08025-7	BOLT,FLANGED	1	5101 -							
34A	61802-06012	BOLT,FLANGED	1	5101 -							
35A	62480-21121	NUT,FLANGED	2	5101 -							
36A	62480-21081	NUT,FLANGED	3	5101 -							
37A	62480-21061	NUT,FLANGED	1	5101 -							

# WHEEL HUB STUDS

(NOTE): FIX WHEEL DISC WITH #21, 22, 23  
FIX ALL WHEEL DISCS LIKE THIS DRAWING.



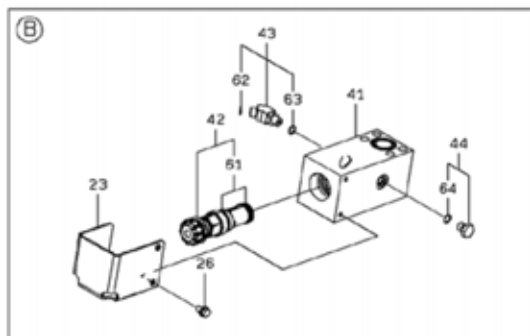
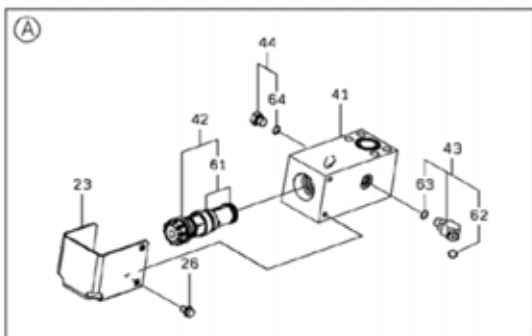
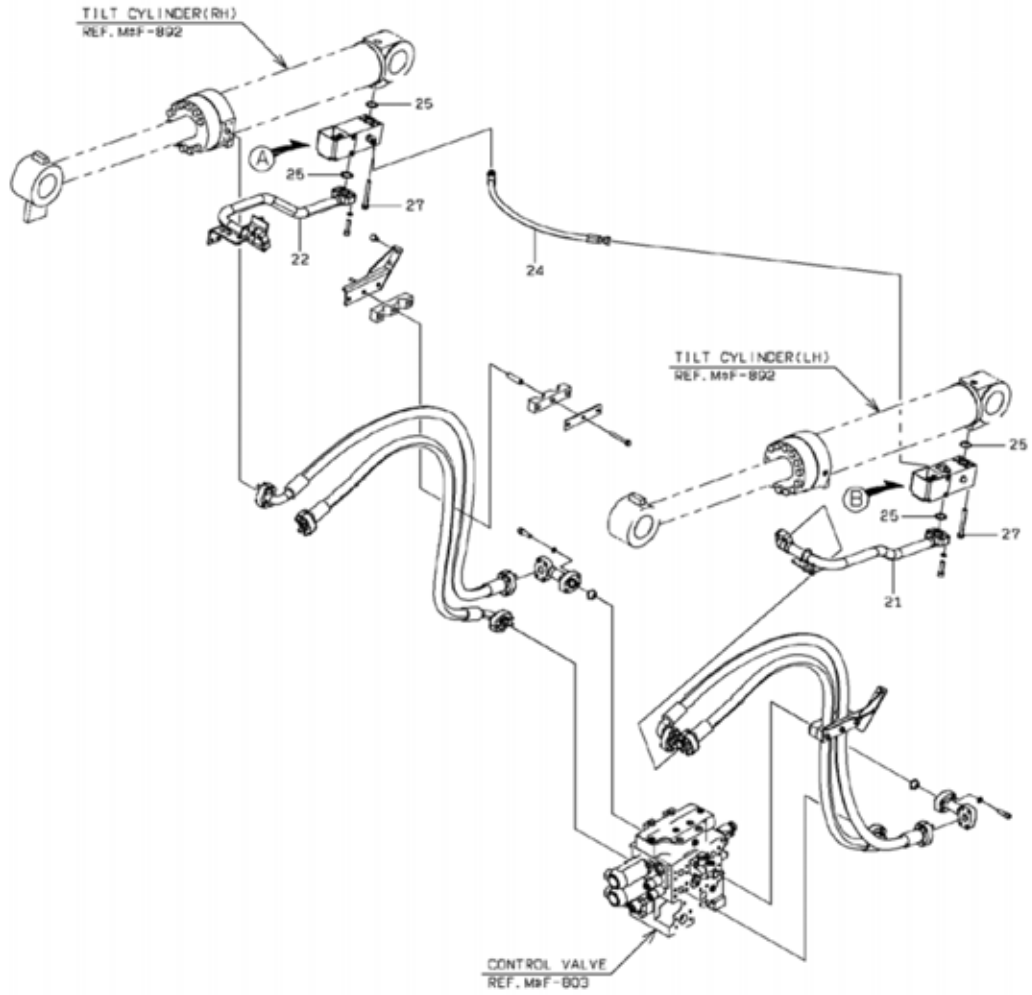
1-A

### WHEEL HUB STUDS

SYM-BOL	PART NUMBER	PART NAME	UNIT Q,TY	SERIAL (A) - (B)	REMARKS					
					N	P	D	(A)	(B)	(C)
21A	43955-60010	BOLT,STUD	88	5001 -						
22A	46011-20600	WASHER,PLANE	88	5001 -						
23A	62401-81242	NUT	88	5001 -						

# OIL PIPE MOUNT (3-WAY PIPING/FOR DUEL LEVER W/CUSHION DUMP)

(NOTE): REFER TO STANDARD CATALOG(REF.M#F-807) FOR NO SYMBOL PARTS.

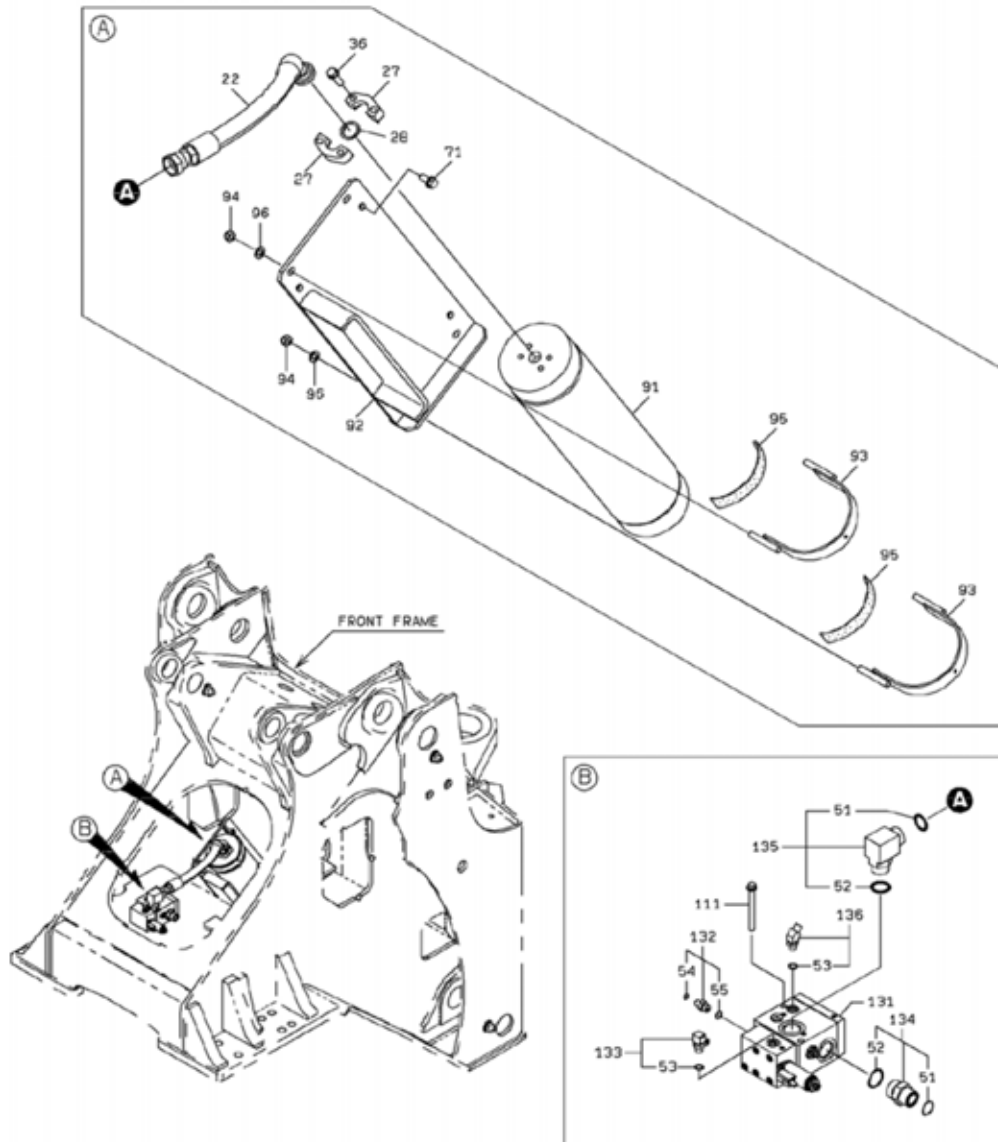


1-A

**OIL PIPE MOUNT (3-WAY PIPING/FOR DUEL LEVER W/CUSHION DUMP)**

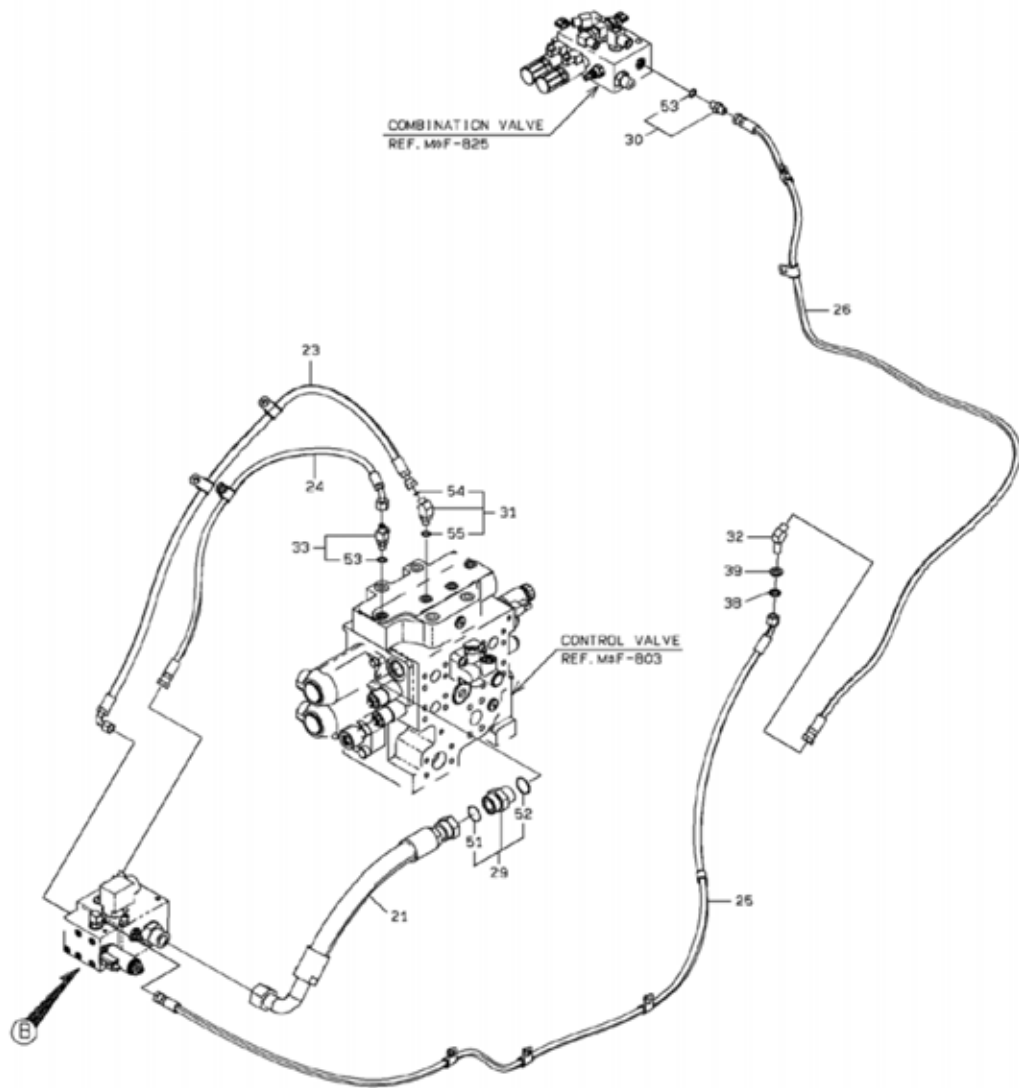
SYM-BOL	PART NUMBER	PART NAME	UNIT Q,TY	SERIAL (A) - (B)	REMARKS				REMARKS
					N	P	D	(A) (B) (C) (D)	
21A	38775-44290	PIPE,OIL	1	5001 -					FR LH
22A	38775-44300	PIPE,OIL	1	5001 -					FR RH
23A	31206-29220	COVER	2	5001 -					
24A	68855-10056	HOSE,HIGH PRESSURE	1	5001 -					
25A	65220-31024	RING,O	2	5001 -					
26A	61802-08012	BOLT,FLANGED	6	5001 -					
27A	61802-12100	BOLT,FLANGED	8	5001 -					
41A	41410-41520	BLOCK	2	5001 -					
42A	38561-70360	VALVE,FLOW CONTROL	2	5001 -		Y01			
43A	88255-30904	ADAPTER,ELBOW	2	5001 -			Y02		
44A	88390-21304	PLUG	2	5001 -				Y03	
61A	49327-72490	SEAL KIT	1	5001 -		01			
62A	47131-21720	RING,O	1	5001 -			02		
63A	65210-12011	RING,O	1	5001 -			02		
64A	65210-12011	RING,O	1	5001 -				03	

# RIDE CONTROL - HYDRAULIC LINE



1-A

# RIDE CONTROL - HYDRAULIC LINE



2-A

RIDE CONTROL – HYDRAULIC LINE

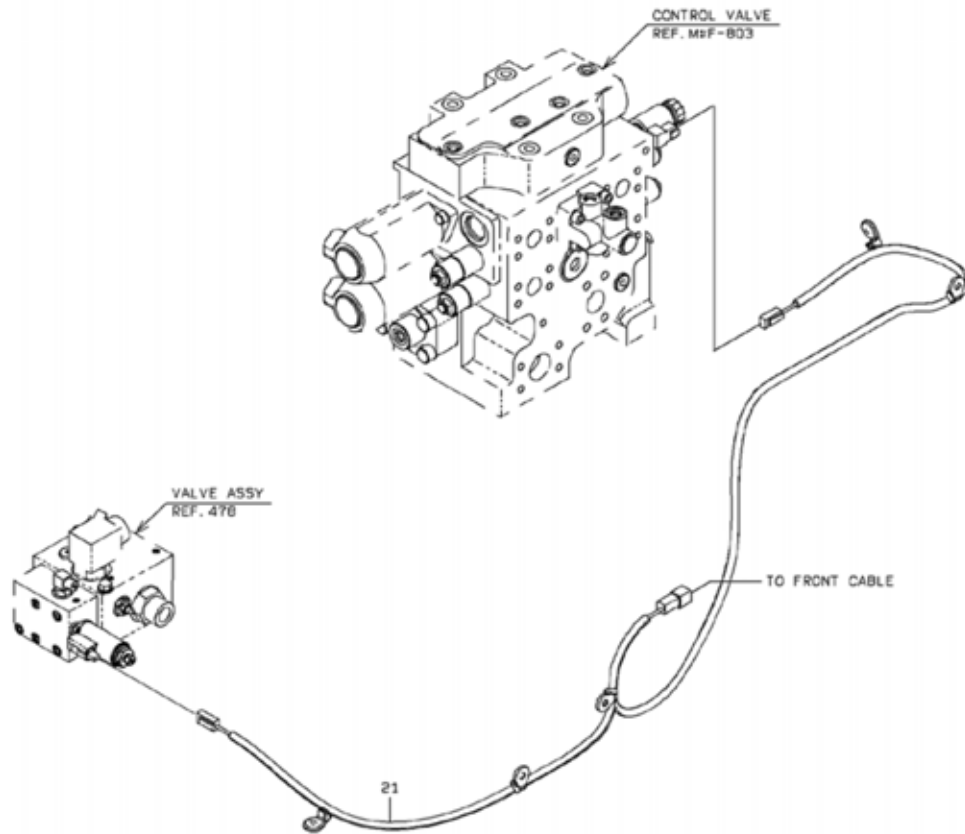
SYM-BOL	PART NUMBER	PART NAME	UNIT Q,TY	SERIAL (A) - (B)	REMARKS							
					N	P	D	(A)	(B)	(C)	(D)	REMARKS
21A	68835-60053	HOSE,HIGH PRESSURE	1	5001 -								
22A	68850-60063	HOSE,HIGH PRESSURE	1	5001 -								
23A	68835-10111	HOSE,HIGH PRESSURE	1	5001 -								
24A	68035-10087	HOSE,HIGH PRESSURE	1	5001 -								
25A	68045-10218	HOSE,HIGH PRESSURE	1	5001 -								
26A	68055-10202	HOSE,HIGH PRESSURE	1	5001 -								
27A	69811-25420	FLANGE,SPLIT	2	5001 -								
28A	65220-31024	RING,O	1	5001 -								
29A	88215-12316	ADAPTER	1	5001 -				Y01				
30A	88201-06704	ADAPTER	1	5001 -					Y02			
31A	88255-30904	ADAPTER,ELBOW	1	5001 -						Y03		
32A	30241-21020	ADAPTER,ELBOW	1	5001 -								
33A	30246-21540	ADAPTER,TEE	1	5001 -					Y02			
34A	43573-20280	HOLDER,PIPE	7	5001 -								D=12
35A	43573-20350	HOLDER,PIPE	2	5001 -								D=15
36A	61802-12040	BOLT,FLANGED	4	5001 -								
37A	62480-21081	NUT,FLANGED	9	5001 -								
38A	37600-20790	NUT	1	5001 -								
39A	62701-40121-7	WASHER,PLANE	1	5001 -								
51A	47131-21030-7	RING,O	1	5001 -				01				
52A	65210-12029	RING,O	1	5001 -				01				
53A	65210-12011	RING,O	1	5001 -					02			
54A	47131-21720	RING,O	1	5001 -						03		
55A	65210-12011	RING,O	1	5001 -						03		
71A	61802-12025	BOLT,FLANGED	4	5001 -								
91A	30100-61390-7	ACCUMULATOR ASSY	1	5001 -								
92A	40902-59610	BRACKET	1	5001 -								
93A	38670-22290	BAND	2	5001 -								
94A	88031-06121	NUT,SELF-LOCKING	4	5001 -								
95A	33713-22540	SHEET,RUBBER	2	5001 -								
96A	62701-40121-7	WASHER,PLANE	4	5001 -								
111A	61802-10100	BOLT,FLANGED	2	5001 -								
131A	38511-60380	VALVE ASSY	1	5001 -								REF.MSA-231
132A	88215-10904	ADAPTER	1	5001 -						Y03		
133A	88241-07104	ADAPTER,ELBOW	1	5001 -					Y02			
134A	88215-12316	ADAPTER	1	5001 -				Y01				
135A	88255-12316	ADAPTER,ELBOW	1	5001 -					Y01			
136A	88241-07204	ADAPTER,ELBOW	1	5001 -					Y02			

---

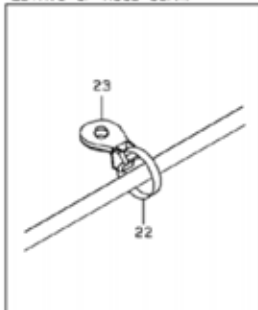
MEMO

---

# RIDE CONTROL - ELECTRICAL WIRING

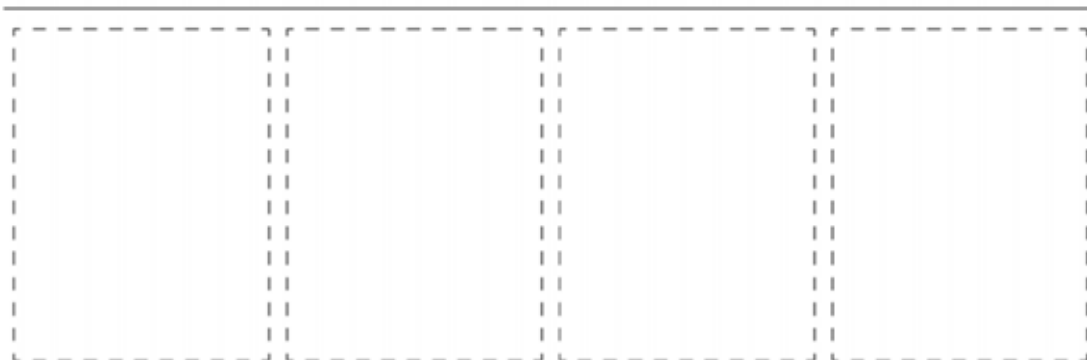
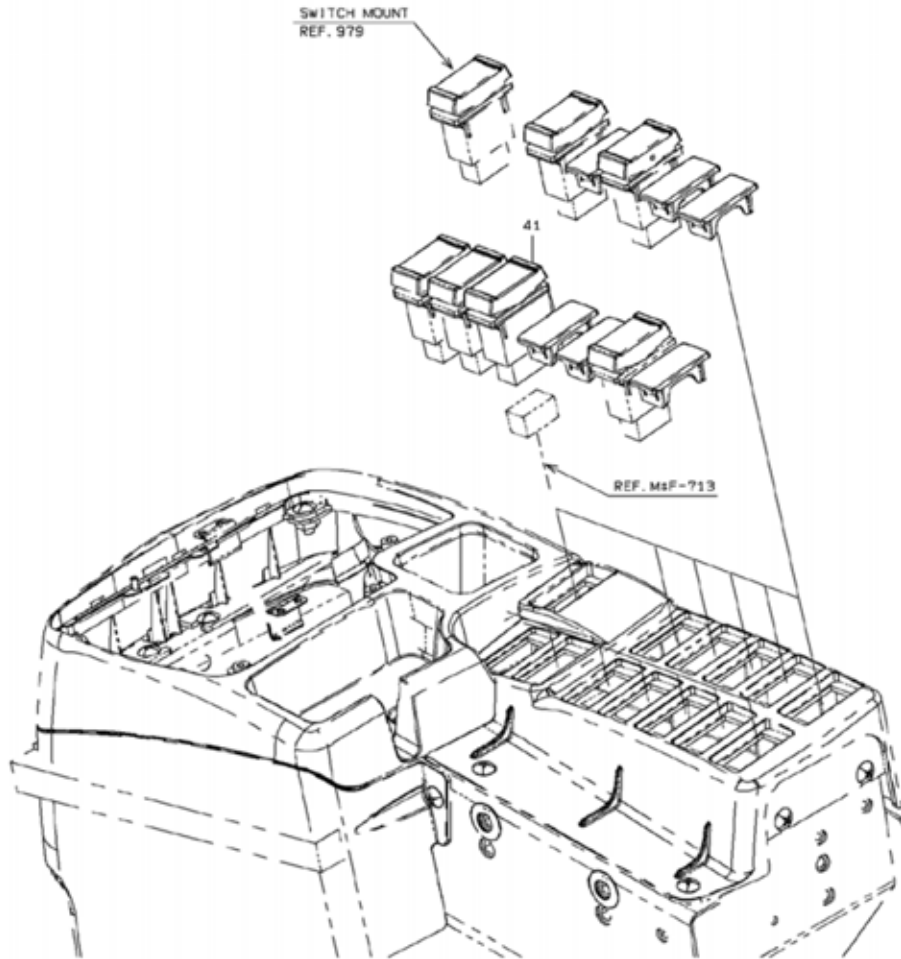


DETAIL OF HOSE CLAMP



1-4

# RIDE CONTROL - ELECTRICAL WIRING



2-A

### RIDE CONTROL – ELECTRICAL WIRING

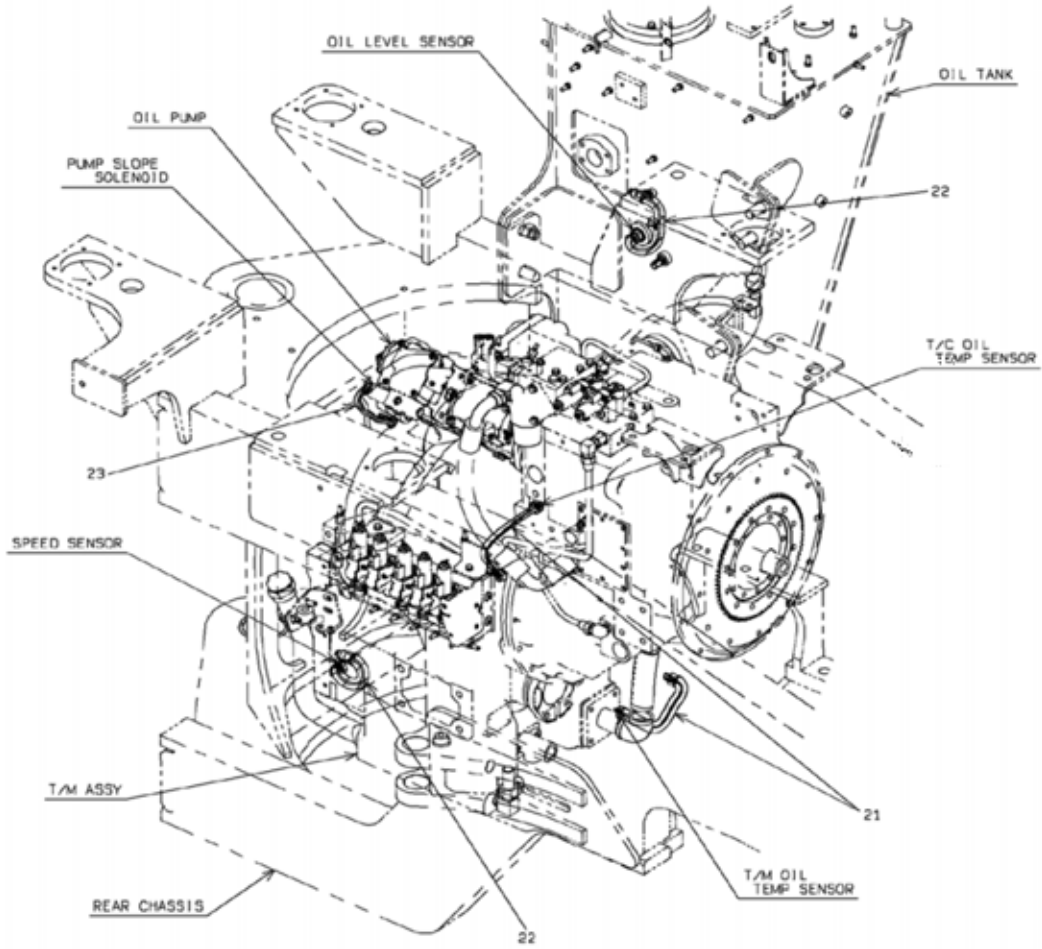
SYM-BOL	PART NUMBER	PART NAME	UNIT Q,TY	SERIAL (A) - (B)	REMARKS				REMARKS
					N	P	D	(A) (B) (C) (D)	
21A	33194-38240	CABLE ASSY	1	5001 -					L=202 FR M8
22A	32923-70090	CLAMP,HOSE	5	5001 -					
23A	32923-70120	CLAMP,HOSE	5	5001 -					
41A	35010-61040	SWITCH	1	5001 -					

---

MEMO

---

# INSULATOR MOUNT (FIRE SLEEVE)

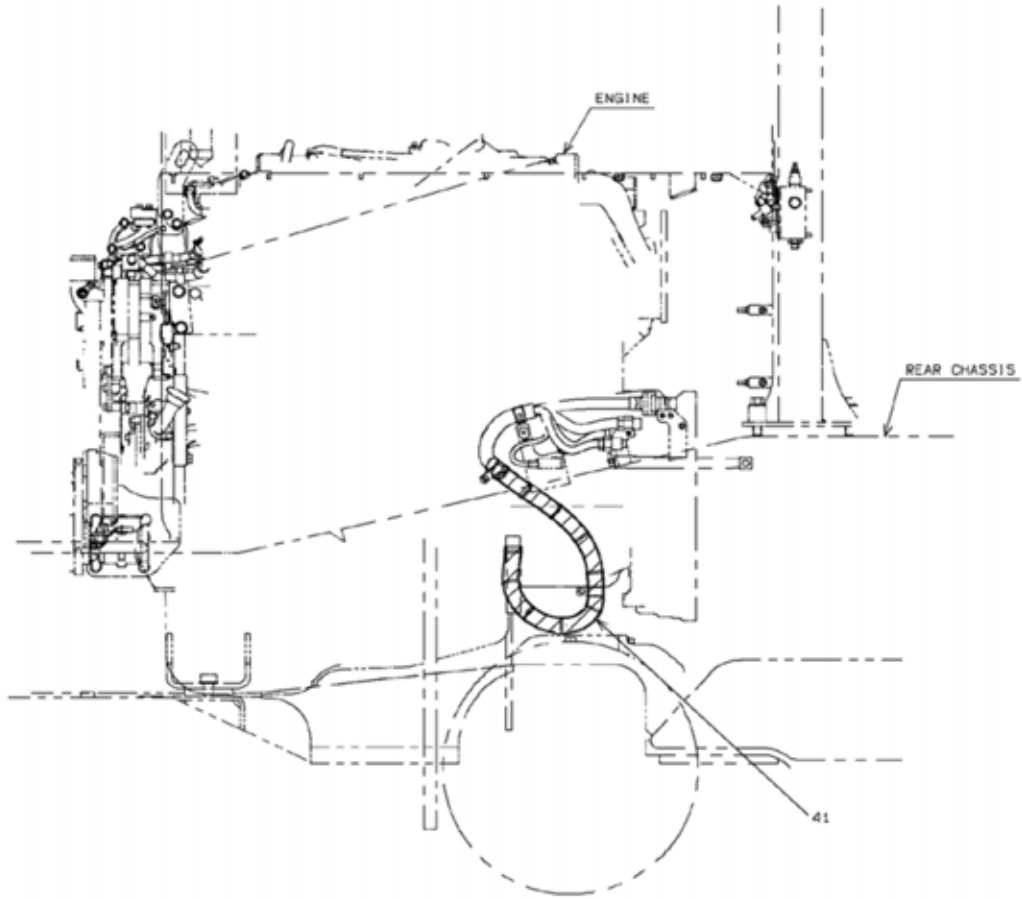


DETAIL OF STUD MOUNT

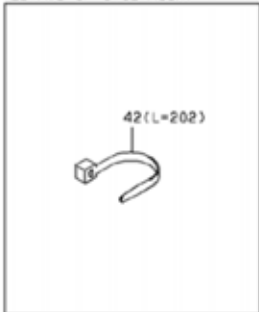


1-A

# INSULATOR MOUNT (FIRE SLEEVE)

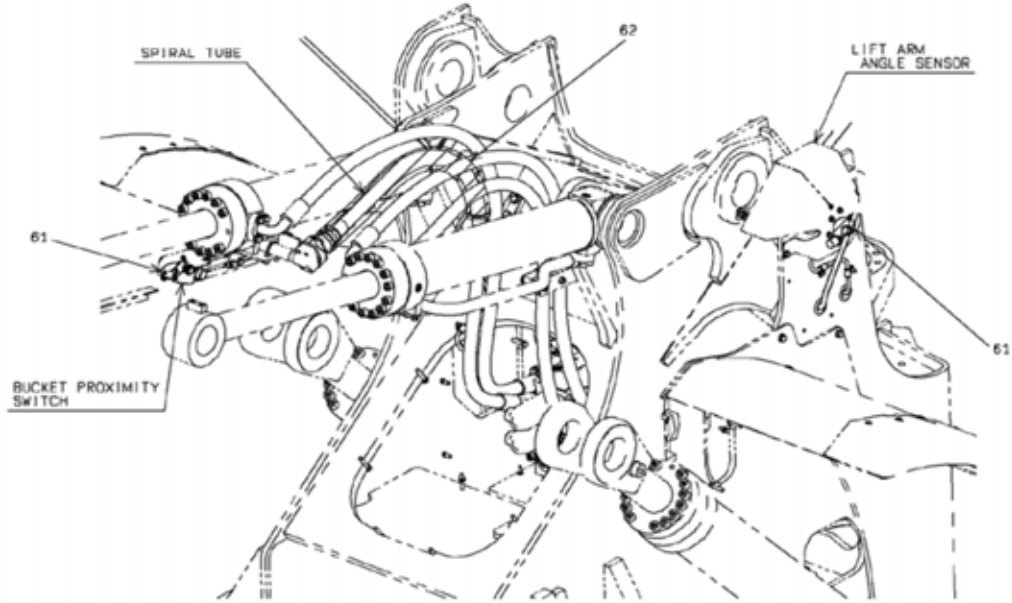


DETAIL OF STUD MOUNT



2-A

# INSULATOR MOUNT (FIRE SLEEVE)

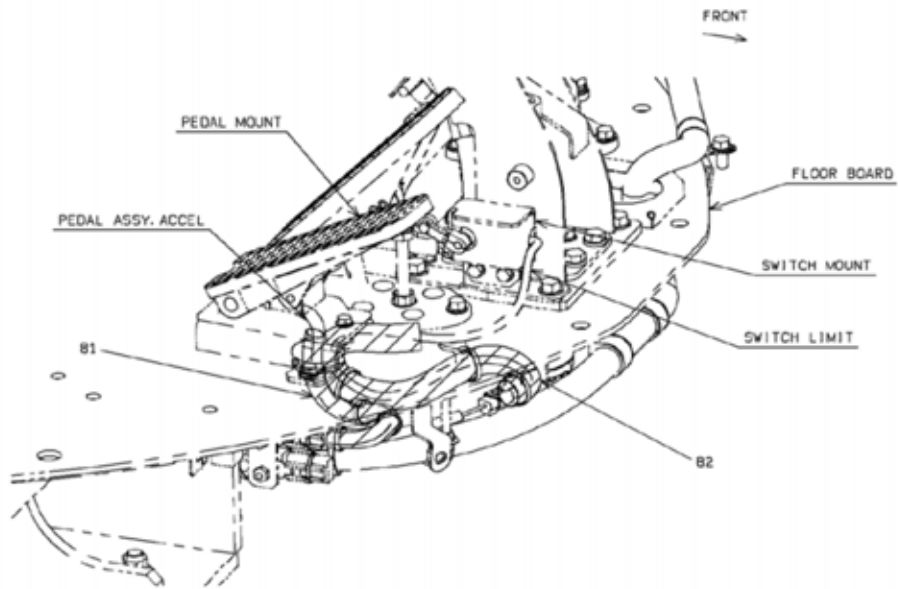


DETAIL OF STUD MOUNT



3-A

# INSULATOR MOUNT (FIRE SLEEVE)



DETAIL OF STUD MOUNT



4-A

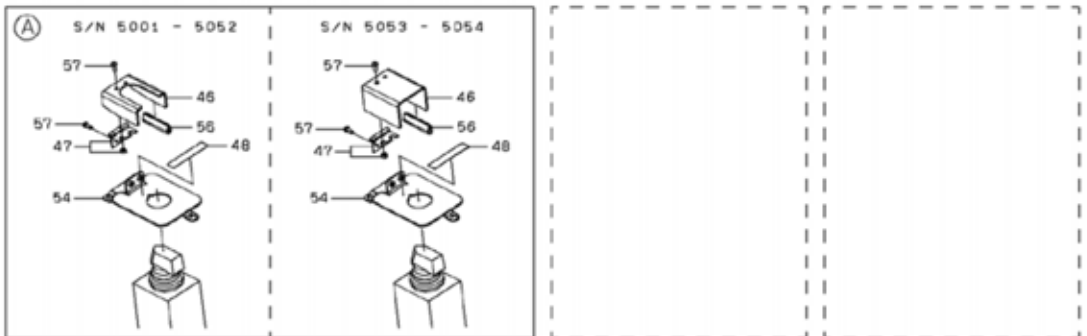
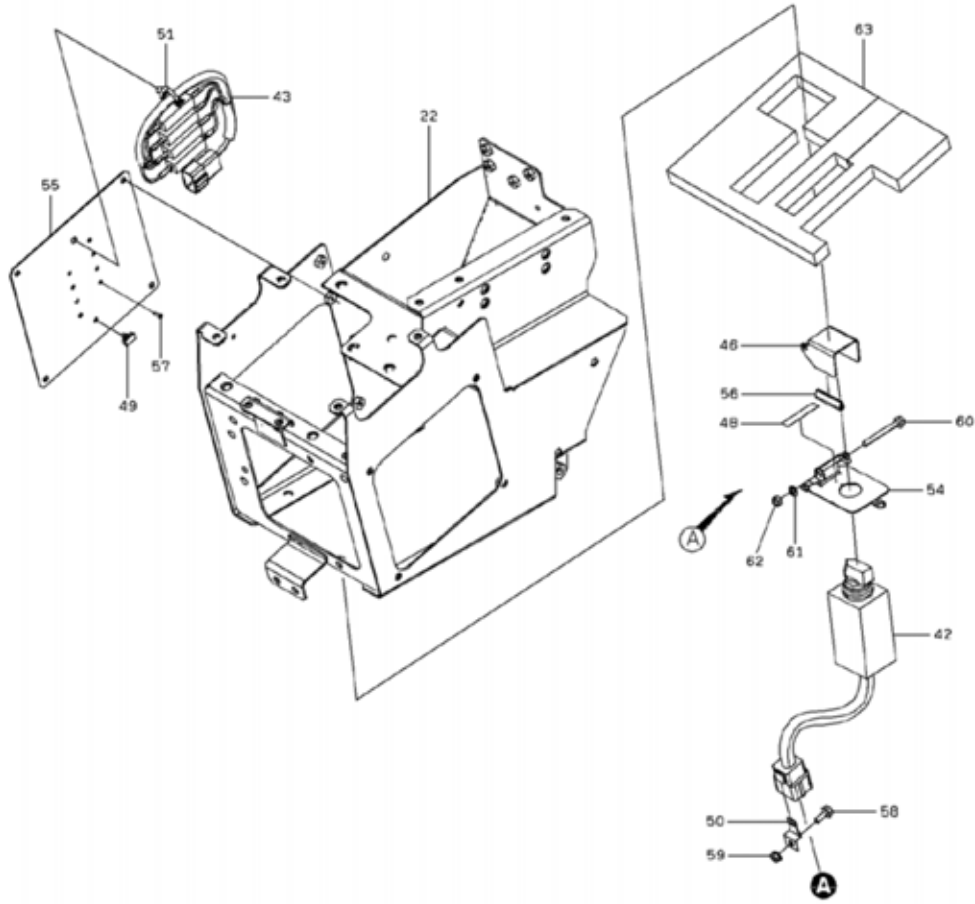
### INSULATOR MOUNT (FIRE SLEEVE)

SYM-BOL	PART NUMBER	PART NAME	UNIT Q,TY	SERIAL (A) - (B)	REMARKS				REMARKS
					N	P	D	(C) (D)	
21A	30610-24200-7	INSULATOR	2	5001 -					L=320
22A	30610-24210-7	INSULATOR	2	5001 -					L=275
23A	30610-24220-7	INSULATOR	1	5001 -					L=220
24A	32923-70140	CLAMP,HOSE	10	5001 -					L=202
41A	30610-24250-7	INSULATOR	1	5001 -					140 X 820
42A	32923-70140	CLAMP,HOSE	10	5001 -					L=202
61A	30610-24230-7	INSULATOR	2	5001 -					L=190
62A	30610-24240-7	INSULATOR	1	5001 -					L=850
63A	32923-70140	CLAMP,HOSE	6	5001 -					L=202
81A	30610-25040-7	INSULATOR	1	5001 -					L=260
82A	30610-24060-7	INSULATOR	1	5001 -					L=400
83A	32923-70140	CLAMP,HOSE	7	5001 -					L=202

---

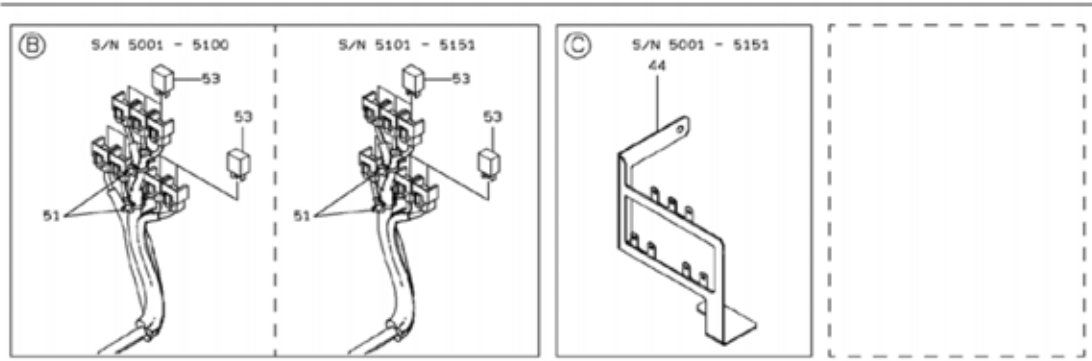
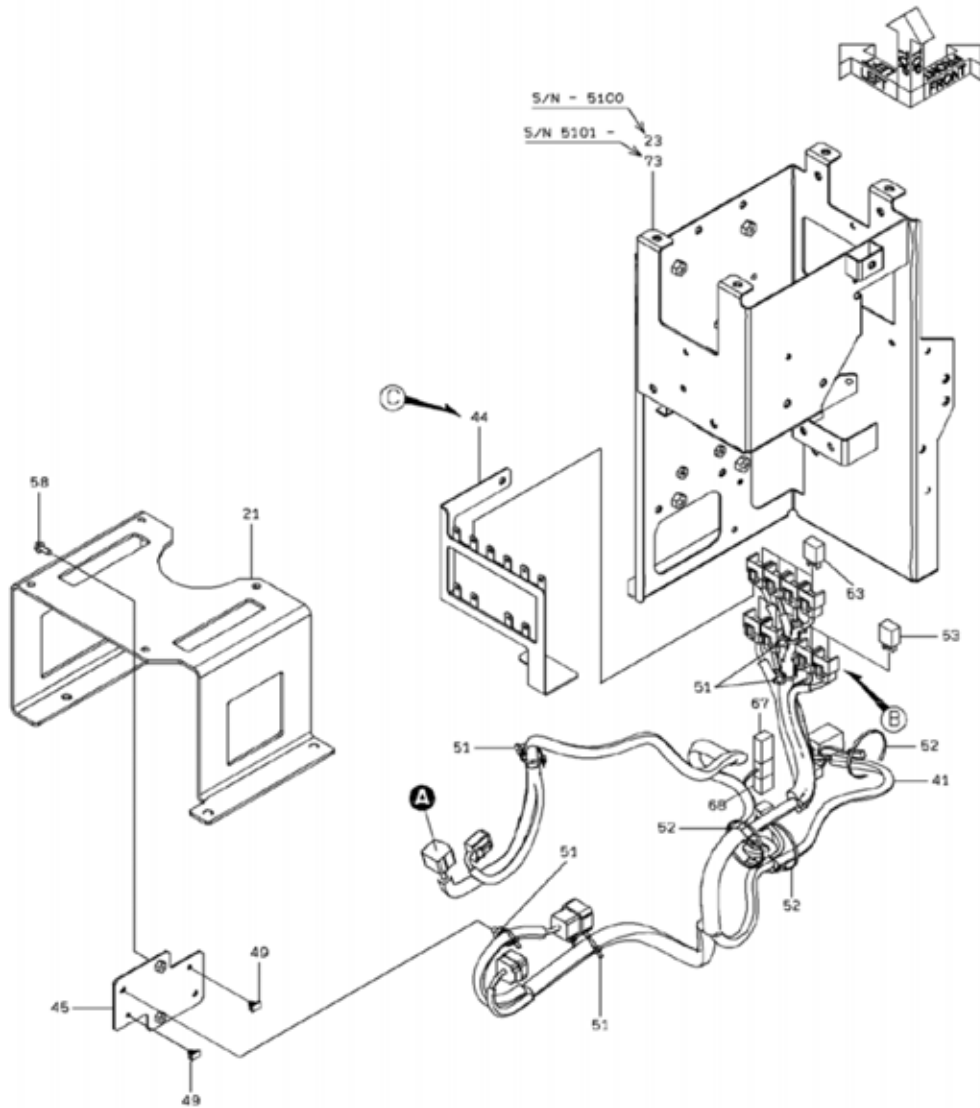
MEMO

# SWITCH MOUNT (T/M OVER RIDE)



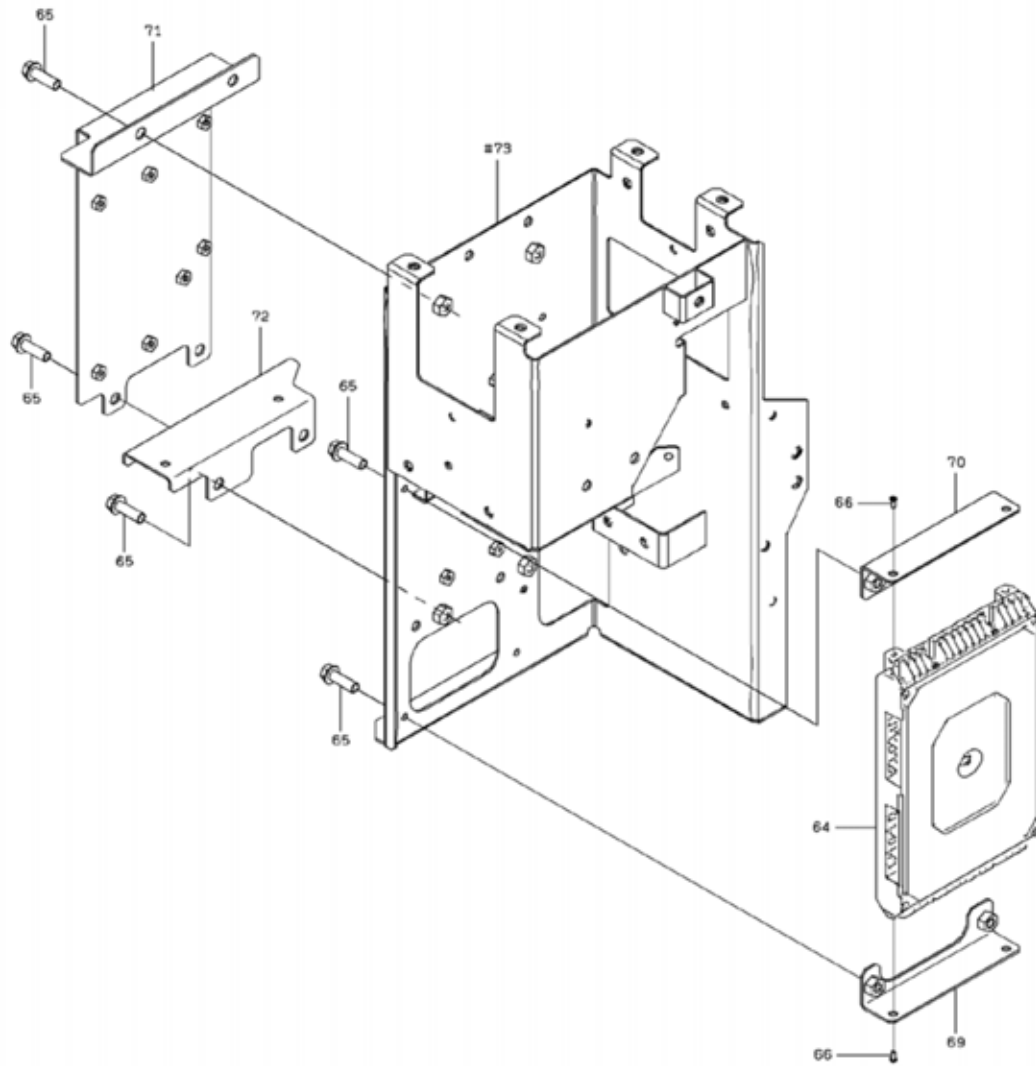
1-A

# SWITCH MOUNT (T/M OVER RIDE)

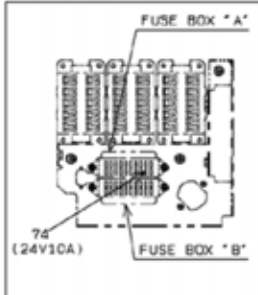


2-B

### SWITCH MOUNT (T/M OVER RIDE)



DETAIL OF FUSE

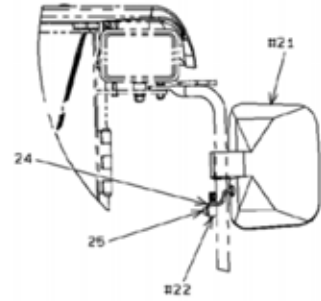
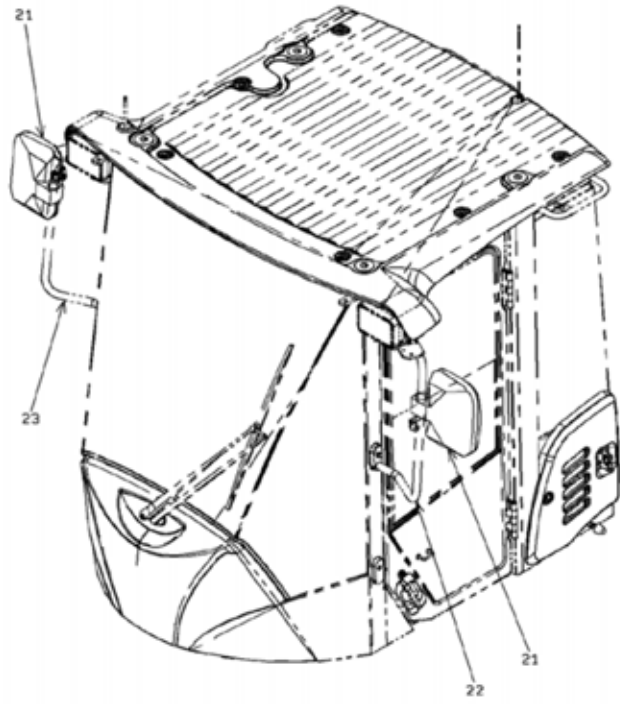


3-A

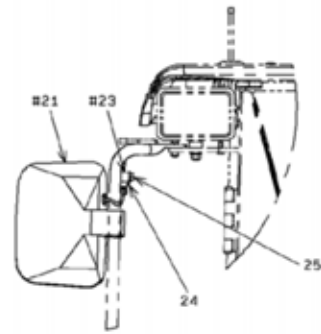
## SWITCH MOUNT (T/M OVER RIDE)

SYM-BOL	PART NUMBER	PART NAME	UNIT Q,TY	SERIAL		REMARKS						
				(A)	(B)	N	P	D	(A)	(B)	(C)	(D)
21A	03502-17560	BRACKET	1	5001	-							
22A	03502-17570	BOX	1	5001	-							
23A	03502-17580	BRACKET	1	5001	- 5100				D			
41A	33194-41100	CABLE ASSY	1	5001	- 5100							
41B	33194-45580	CABLE ASSY	1	5101	- 5151				B			
41C	33194-47290	CABLE ASSY	1	5152	-				C			
42A	35020-21270	SWITCH ASSY	1	5001	-							
43A	45531-20360	RESISTOR	1	5001	- 5100							
43B	45531-20730	RESISTOR	1	5101	-				B			
44A	41754-48000	PLATE	1	5001	- 5151							
44B	41755-32870	PLATE	1	5152	-				C			
45A	41754-48010	PLATE	1	5001	-							
46A	41717-52140	PLATE	1	5001	- 5052							
46B	41718-26810	PLATE	1	5053	- 5054				B			
46C	41718-30400	PLATE	1	5055	-				B			
47A	39890-24440	HINGE	1	5001	- 5054					D		
48A	44770-52750	LABEL	1	5001	-							
49A	32970-20080	CLIP	3	5001	-							
50A	43550-20890	HOLDER	1	5001	-							
51A	32925-20010	CLAMP,CABLE	6	5001	-							
52A	32923-70150	CLAMP,HOSE	1	5001	- 5151							L=382
52B	32923-70150	CLAMP,HOSE	3	5152	-							
53A	45050-60130	RELAY	7	5001	- 5046							
53B	45050-60130	RELAY	6	5047	- 5151				C			
53C	45050-60140	RELAY	8	5152	-				C			
54A	41754-47950	PLATE	1	5001	- 5052							
54B	41754-54150	PLATE	1	5053	- 5054				B			
54C	41754-55230	PLATE	1	5055	-				B			
55A	41754-50250	PLATE	1	5001	- 5100							
55B	41755-23040	PLATE	1	5101	-				C			
56A	34041-26410	STRIP, SEAL	2	5001	- 5054							
56B	34041-23460	STRIP, SEAL	2	5055	-				C			
57B	62256-51308	SCREW	6	5047	- 5100							
57C	62256-51308	SCREW	8	5101	-							
58A	61802-06016	BOLT,FLANGED	3	5001	-							
59A	62480-21061	NUT,FLANGED	1	5001	-							
60A	61802-06055	BOLT,FLANGED	1	5001	-							
61A	62701-40061	WASHER,PLANE	1	5001	-							
62A	88031-06061	NUT,SELF-LOCKING	1	5001	-							
63A	35681-40560	SPONGE	1	5001	-							
64A	33410-63950	CONTROLLER UNIT	1	5101	-							
65A	61802-10016	BOLT,FLANGED	10	5101	-							
66A	80104-60616	SCREW	4	5101	-							
67A	31523-70930	COUPLER,CABLE	1	5101	-							
68A	31523-70910	COUPLER,CABLE	1	5101	-							
69A	41755-22930	PLATE	1	5101	-							
70A	41755-22940	PLATE	1	5101	-							
71A	41755-22910	PLATE	1	5101	-							
72A	41755-22900	PLATE	1	5101	-							
73A	40903-36730	BRACKET	1	5101	-							
74A	39880-20170	FUSE	1	5109	-							

# MIRROR MOUNT (HOT WIRE)



DETAIL OF "L. H." SIDES

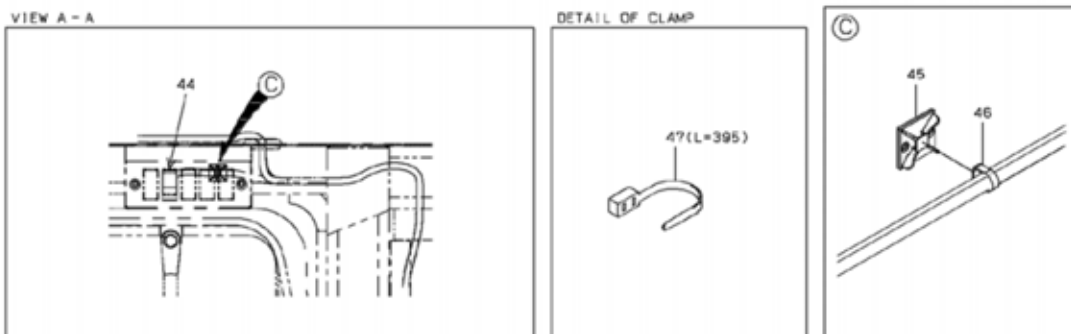
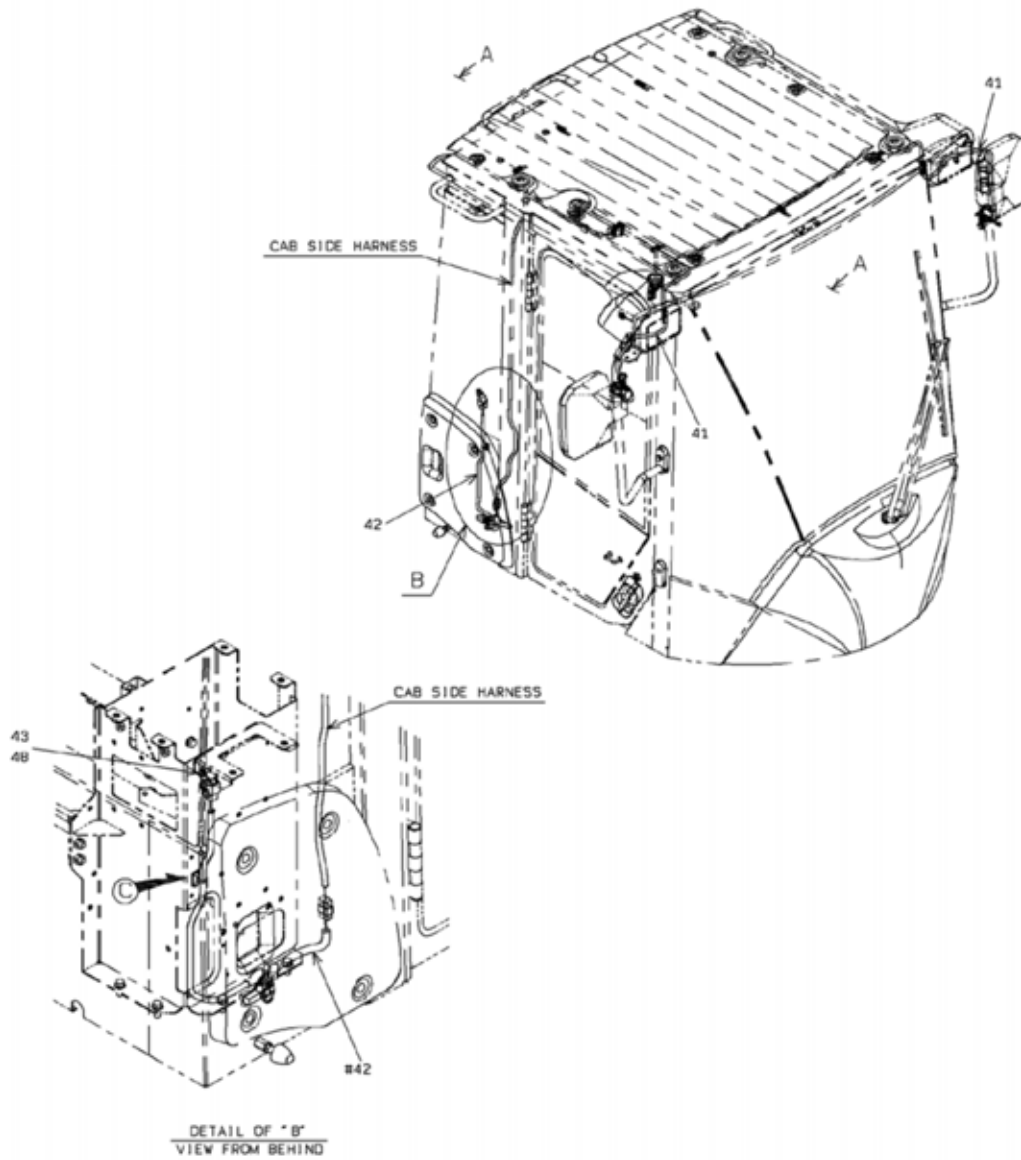


DETAIL OF "R. H." SIDES



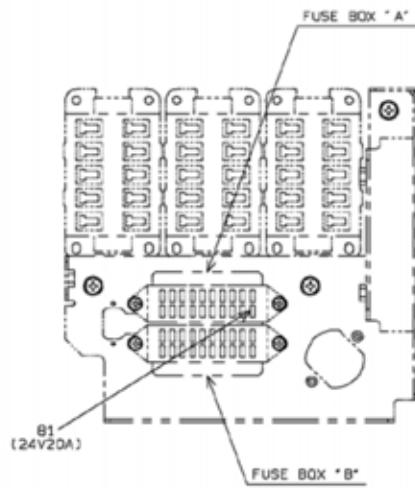
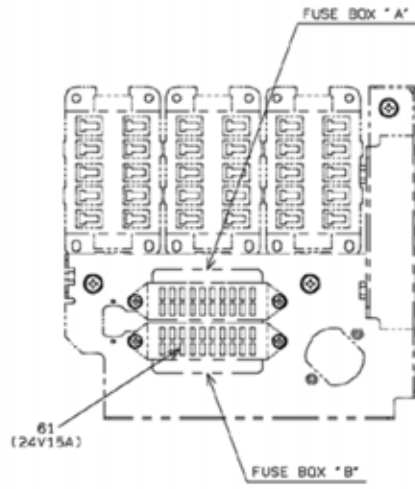
1-A

# MIRROR MOUNT (HOT WIRE)



2-A

# MIRROR MOUNT (HOT WIRE)

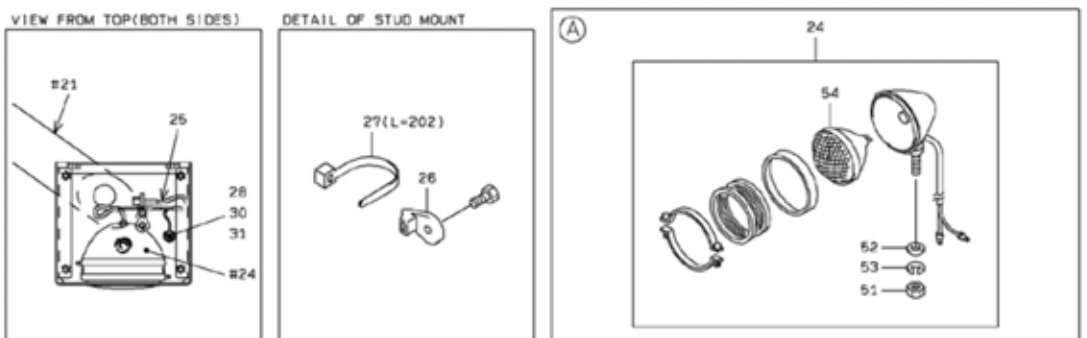
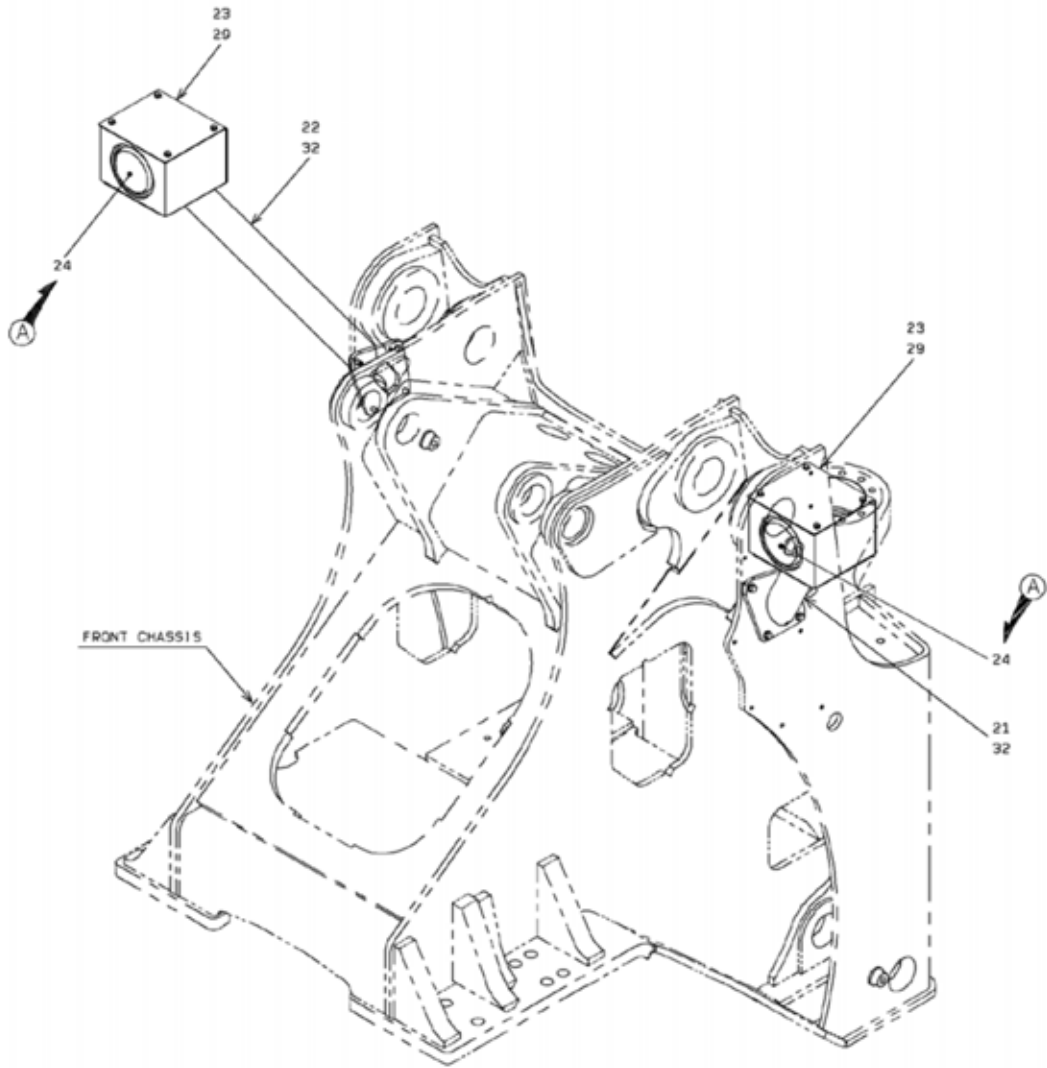


3-A

MIRROR MOUNT (HOT WIRE)

SYM-BOL	PART NUMBER	PART NAME	UNIT Q,TY	SERIAL		REMARKS								
				(A)	(B)	N	P	D	(A)	(B)	(C)	(D)	REMARKS	
21A	44340-20250	MIRROR	2	5001	-									
22A	03502-12960	STAY	1	5001	-	5152								FR LH
22B	35210-25930	STAY	1	5153	-	5166								FR LH
22C	35210-25780	STAY	1	5167	-									FR LH
23A	03502-12970	STAY	1	5001	-	5152								FR RH
23B	35210-25940	STAY	1	5153	-	5166								FR RH
23C	35210-25790	STAY	1	5167	-									FR RH
24A	43550-70460	HOLDER	2	5001	-									
25A	43932-70830	BOLT,W/WASHER	2	5001	-	5151								
25B	80102-71016	BOLT,W/WASHER	2	5152	-									
41A	33194-38140	CABLE ASSY	2	5001	-									HEATER MIRROR
42A	33194-43050	CABLE ASSY	1	5001	-									RELAY SIDE
43A	45050-60130	RELAY	1	5001	-									
44A	35010-61050	SWITCH	1	5001	-									
45A	32923-70190	CLAMP,HOSE	2	5001	-									
46A	32923-70090	CLAMP,HOSE	2	5001	-									L=202
47A	32923-70210	CLAMP,HOSE	7	5001	-									L=395
48A	80104-60620	SCREW	1	5001	-									
61A	39880-20180	FUSE	1	5001	-									24V15A
81A	39880-20190	FUSE	1	5001	-									24V20A

# FRONT LAMP MOUNT (STEEL TYPE)

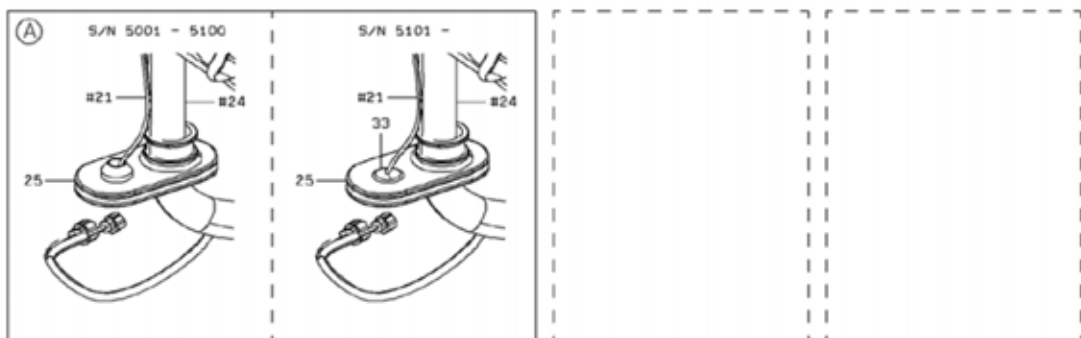
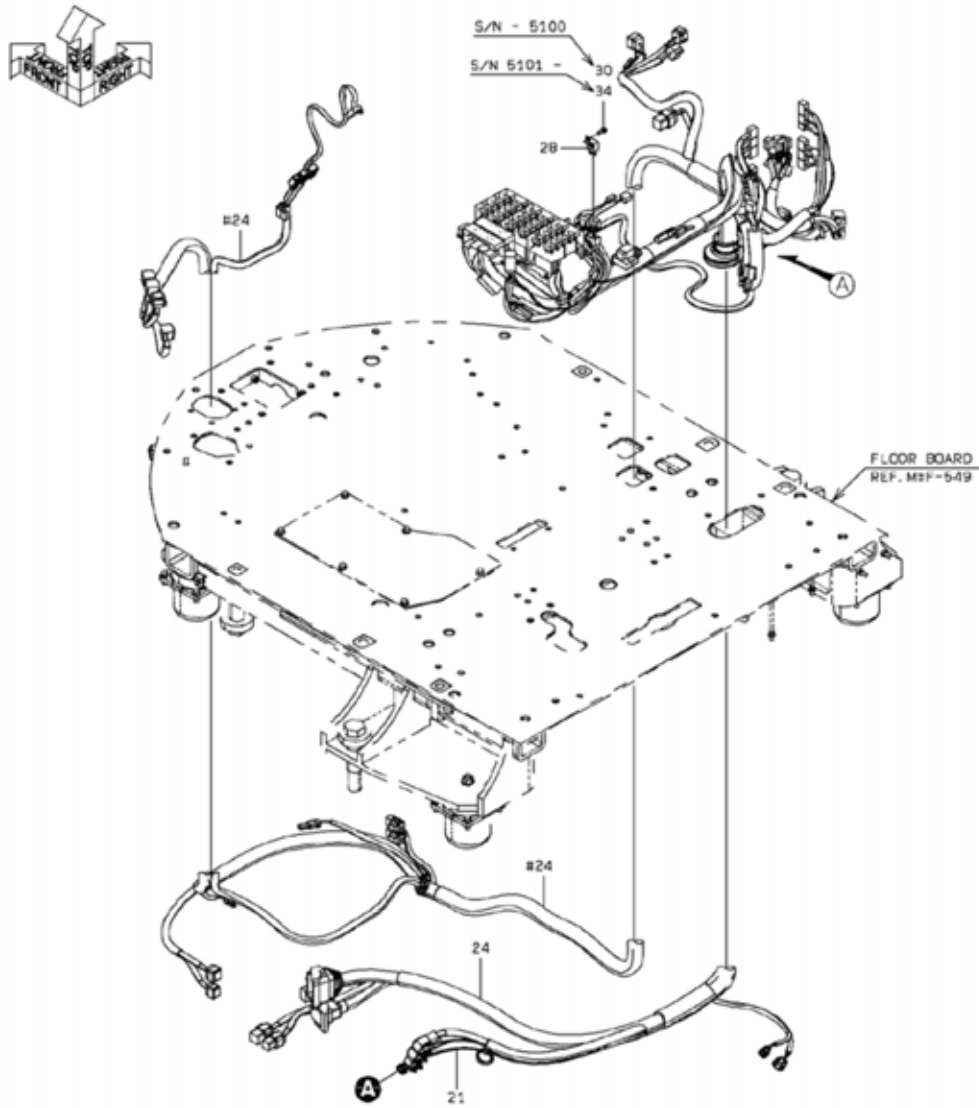


1-A

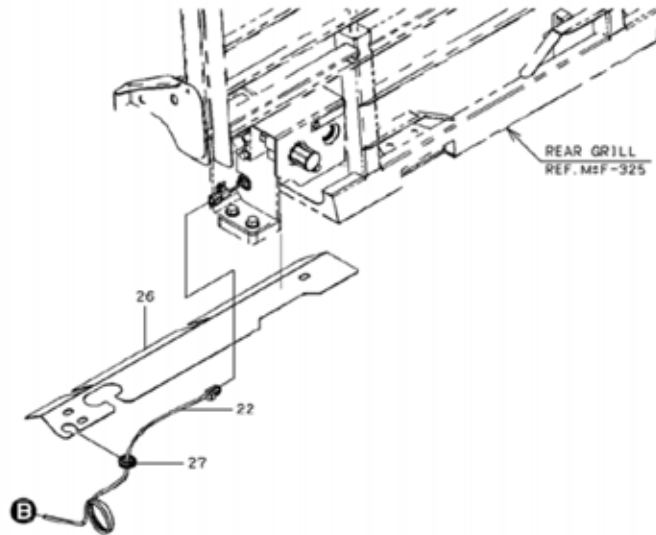
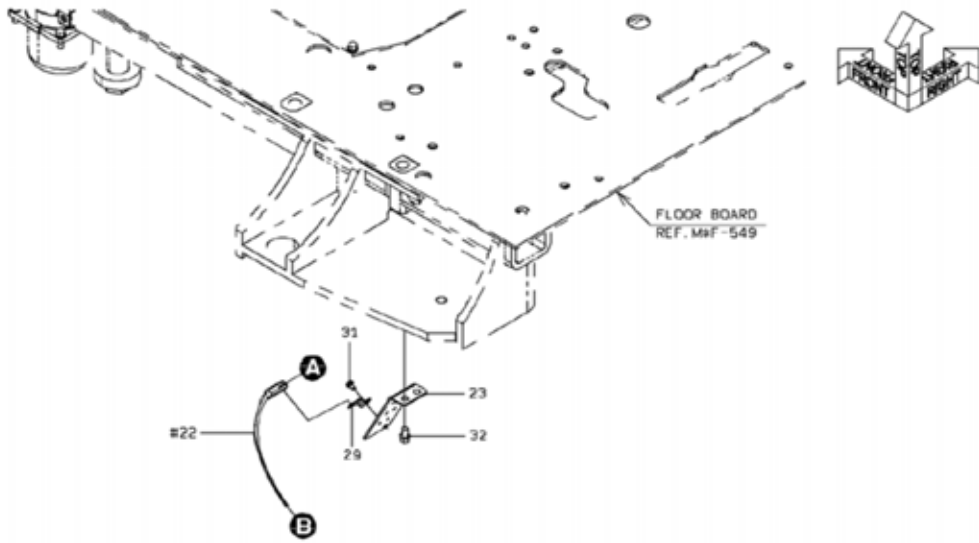
**FRONT LAMP MOUNT (STEEL TYPE)**

SYM-BOL	PART NUMBER	PART NAME	UNIT Q,TY	SERIAL (A) - (B)	REMARKS					
					N	P	D	(A)	(B)	(C)
21A	40968-28610	BRACKET,LAMP	1	5001 -						FR LH
22A	40968-28620	BRACKET,LAMP	1	5001 -						FR RH
23A	41717-23610	PLATE	2	5001 -						
24A	44890-60230	LAMP,HEAD	2	5001 -				Y01		
25A	33194-38190	CABLE ASSY	2	5001 -						
26A	32923-70120	CLAMP,HOSE	2	5001 -						FR M8
27A	32923-70140	CLAMP,HOSE	2	5001 -						L=202
28A	46011-21650	WASHER,PLANE	4	5001 -						
29A	61802-08016-7	BOLT,FLANGED	12	5001 -						
30A	62721-10100	WASHER,SPRING	2	5001 -						
31A	62401-81101	NUT	2	5001 -						
32A	61802-12025	BOLT,FLANGED	8	5001 -						
51A	62401-81142	NUT	1	5001 -				01		
52A	62701-40141	WASHER,PLANE	1	5001 -				01		
53A	62721-14100	WASHER,SPRING	1	5001 -				01		
54A	44860-70110	LAMP	1	5001 -				01		24V75/70W(H4)

### CABLE MOUNT (E/G SHUT DOWN SWITCH)



### CABLE MOUNT (E/G SHUT DOWN SWITCH)



2-A

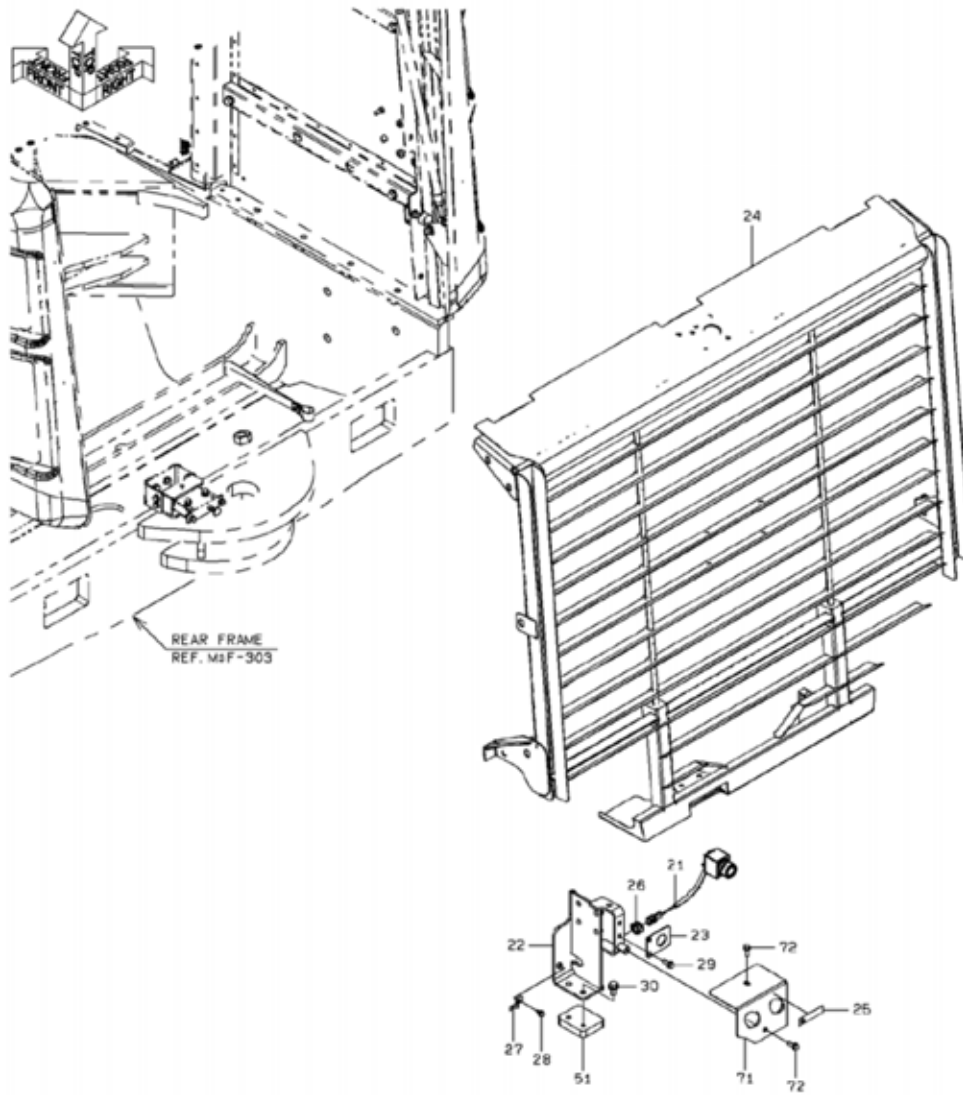
**CABLE MOUNT (E/G SHUT DOWN SWITCH)**

SYM-BOL	PART NUMBER	PART NAME	UNIT Q,TY	SERIAL (A) - (B)	REMARKS				REMARKS
					N	P	D	(A) (B) (C) (D)	
21A	33194-39710	CABLE ASSY	1	5001 -					
22A	33194-37350	CABLE ASSY	1	5001 -					
23A	41754-47510	PLATE	1	5001 -					
24A	03502-15330	CABLE ASSY	1	5001 -					
25A	03502-13180	BUSHING,ELASTIC	1	5001 - 5100					
25B	03502-20940	BUSHING,ELASTIC	1	5101 -			C		
26A	03502-15220	PLATE	1	5001 -					
27A	65801-16016	BUSHING,ELASTIC	1	5001 -					
28A	45050-60130	RELAY	1	5001 -					
29A	43550-20680	HOLDER	1	5001 -					
30A	35100-72440	SCREW	1	5001 - 5100			D		
31A	61802-06010	BOLT,FLANGED	1	5001 -					
32A	61802-10016	BOLT,FLANGED	2	5001 -					
33A	41530-74140	PLUG	1	5101 -					
34A	80104-60620	SCREW	1	5101 -					

---

MEMO

### SWITCH MOUNT (E/G SHUT DOWN SWITCH)



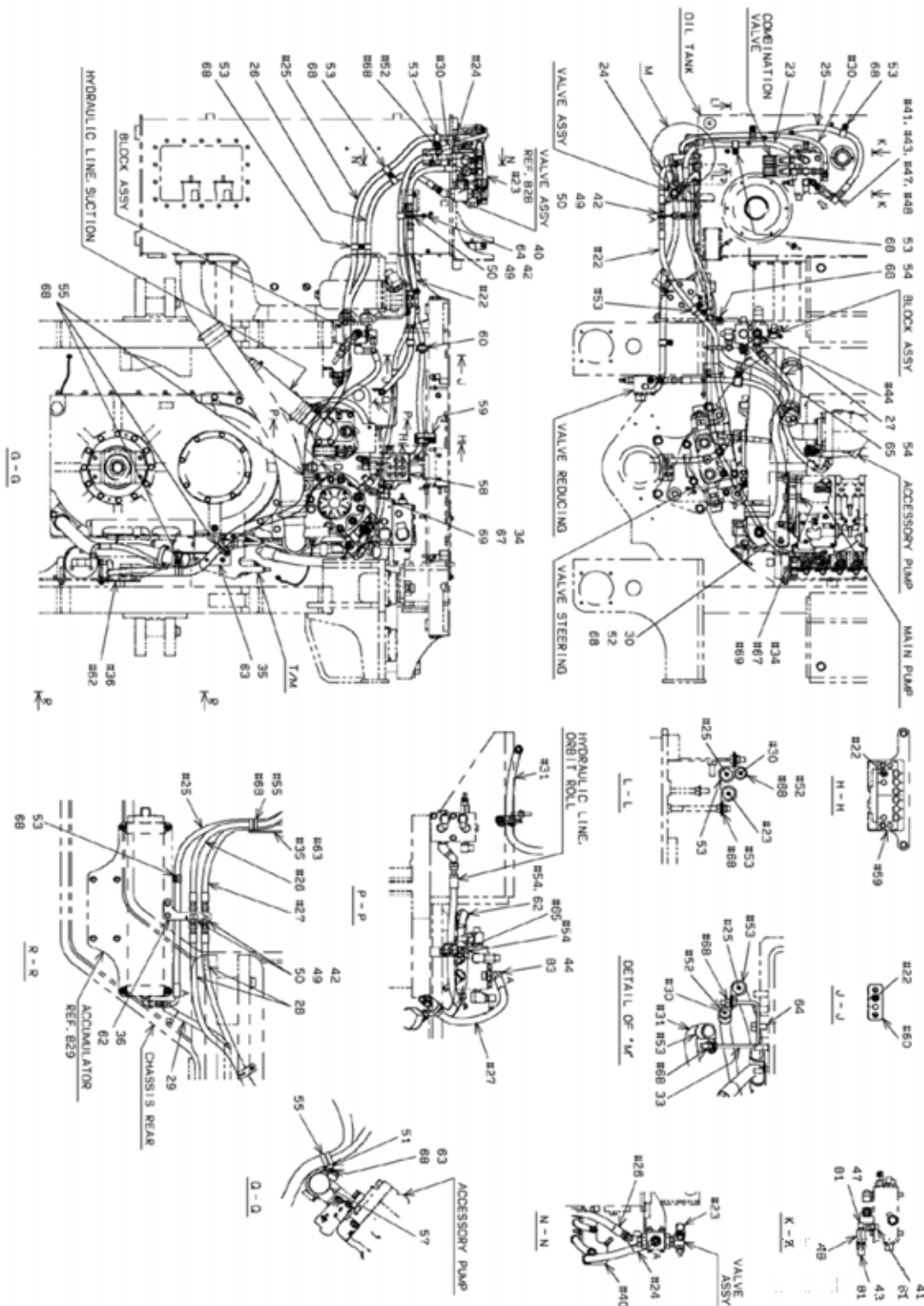
1-A

### SWITCH MOUNT (E/G SHUT DOWN SWITCH)

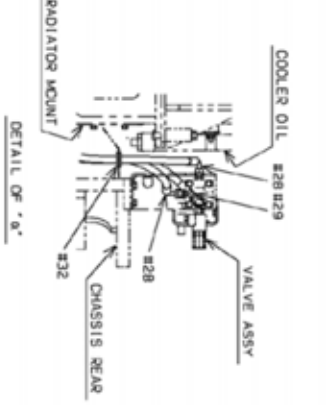
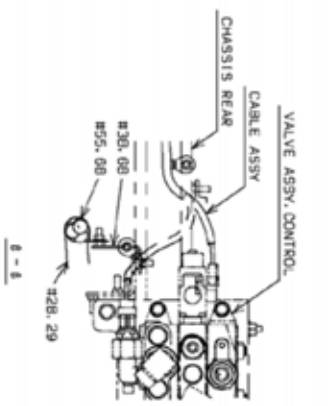
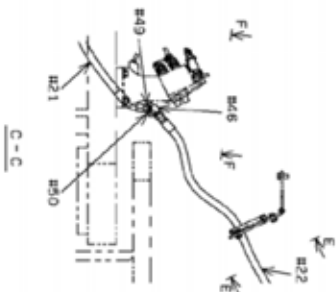
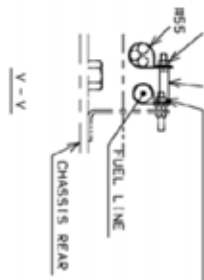
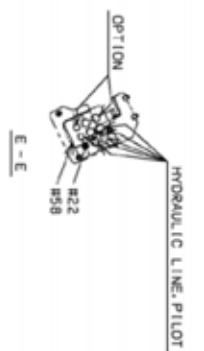
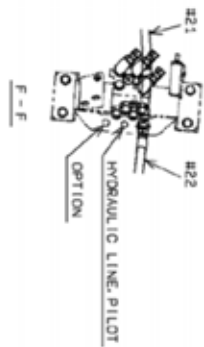
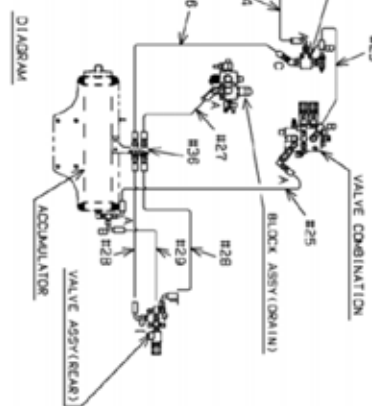
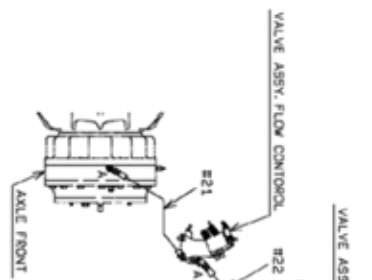
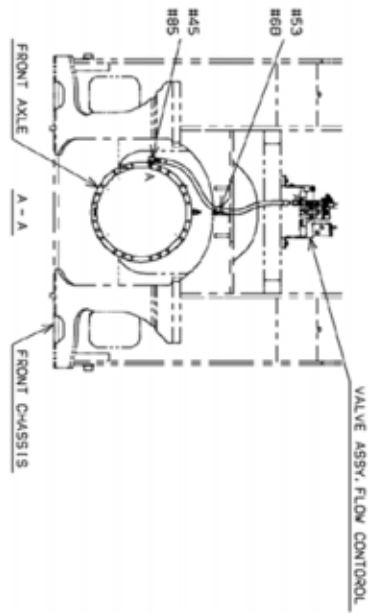
SYM-BOL	PART NUMBER	PART NAME	UNIT Q, TY	SERIAL		REMARKS					
				(A)	(B)	N	P	D	(A)	(B)	(C)
21A	35055-20220	SWITCH,BUTTON	1	5001	-						
22A	40903-28910	BRACKET	1	5001	-						
23A	41717-34870	PLATE	1	5001	-						
24A	03502-15210	MODIFICATION	1	5001	-						
25A	44770-51920	LABEL	1	5001	-						
26A	65801-16060	BUSHING,ELASTIC	1	5001	-						
27A	43550-21210	HOLDER	1	5001	-						
28A	61802-06010	BOLT,FLANGED	1	5001	-						
29A	61802-08020	BOLT,FLANGED	2	5001	-						
30A	61802-12020	BOLT,FLANGED	2	5001	-						
51A	41717-34350	PLATE	1	5001	-						WELDING
71A	31206-29540	COVER	1	5001	-						
72A	61802-08020	BOLT,FLANGED	2	5001	-						



PARKING BRAKE LINE (OVERRIDE/HEAT RESISTING TYPE)



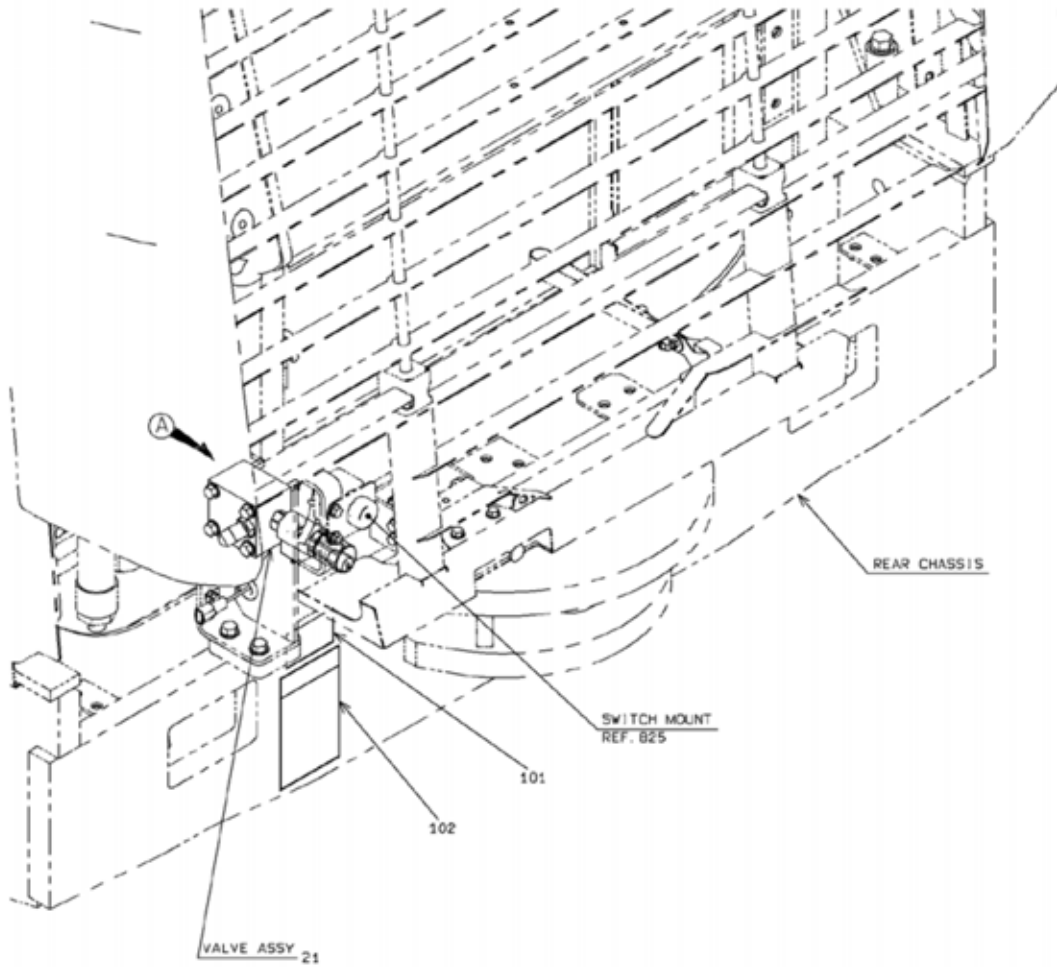
# PARKING BRAKE LINE (OVERRIDE/HEAT RESISTING TYPE)



## PARKING BRAKE LINE (OVERRIDE/HEAT RESISTING TYPE)

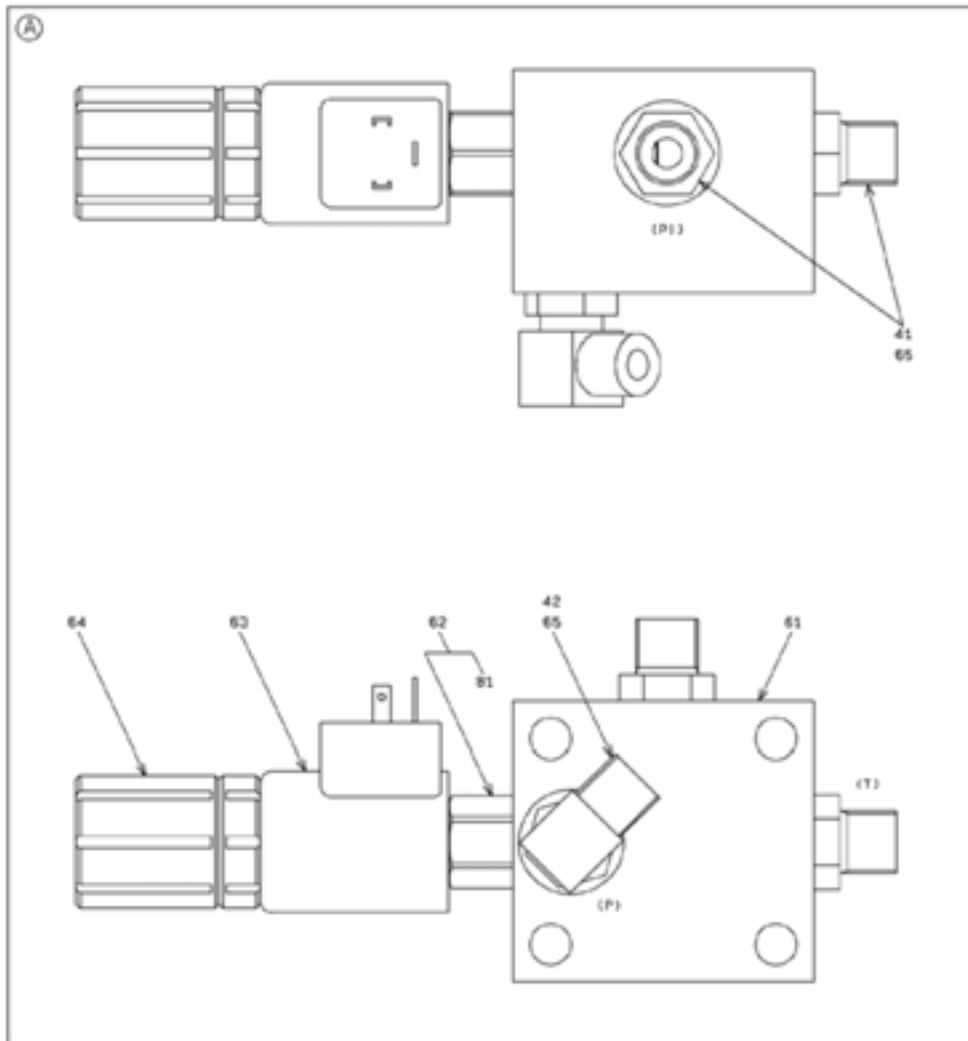
SYM-BOL	PART NUMBER	PART NAME	UNIT Q,TY	SERIAL (A) - (B)	REMARKS					REMARKS
					N	P	D	(A)	(B)	
21A	43103-20600	HOSE,HIGH PRESSURE	1	5001 -						
22A	43103-25410	HOSE,HIGH PRESSURE	1	5001 -						
23A	43103-26100	HOSE,HIGH PRESSURE	1	5001 -						
24A	43103-25420	HOSE,HIGH PRESSURE	1	5001 -						
25A	43103-25430	HOSE,HIGH PRESSURE	1	5001 -						
26A	43103-25440	HOSE,HIGH PRESSURE	1	5001 -						
27A	43103-25450	HOSE,HIGH PRESSURE	1	5001 -						
28A	43103-25460	HOSE,HIGH PRESSURE	2	5001 -						
29A	43103-25470	HOSE,HIGH PRESSURE	1	5001 -						
30A	43103-26110	HOSE,HIGH PRESSURE	1	5001 -						
31A	43103-25740	HOSE,HIGH PRESSURE	1	5001 -						
32A	65801-50032	BUSHING,ELASTIC	1	5001 -						
33A	41754-39500	PLATE	1	5001 -						
34A	41754-39510	PLATE	1	5001 -						
35A	41754-39520	PLATE	1	5001 -						
36A	41717-34730	PLATE	1	5001 -						
37A	41754-39400	PLATE	1	5001 -						
38A	41754-43340	PLATE	1	5001 -						
39A	41754-43350	PLATE	1	5001 -						
40A	41754-32560	PLATE	1	5001 -						
41A	88201-06704	ADAPTER	1	5001 -				Y01		
42A	30230-20600	ADAPTER	3	5001 -						
43A	30241-20890	ADAPTER,ELBOW	1	5001 -				Y01		
44A	30241-21330	ADAPTER,ELBOW	1	5001 -					Y02	
45A	88241-07106	ADAPTER,ELBOW	1	5001 -					Y03	
46A	30241-20900	ADAPTER,ELBOW	1	5001 -						
47A	30242-20150	ADAPTER,ELBOW UNION	1	5001 -				Y01		
48A	38554-20130	VALVE,CHECK	1	5001 -						
49A	37600-20680	NUT	4	5001 -						
50A	62701-40161	WASHER,PLANE	4	5001 -						
51A	35700-21070	SPACER	1	5001 -						
52A	43573-20290	HOLDER,PIPE	6	5001 -						D=16
53A	43573-20360	HOLDER,PIPE	16	5001 -						D=20
54A	87020-31000	HOLDER,PIPE	2	5001 -						D=31
55A	87020-34000	HOLDER,PIPE	12	5001 -						D=34
56A	87020-46000	HOLDER,PIPE	3	5001 -						D=46
57A	72010-58000	HOLDER,HOSE	1	5001 -						D=58
58A	33057-23340	GROMMET	1	5001 -						
59A	33057-23350	GROMMET	1	5001 -						
60A	33057-23360	GROMMET	1	5001 -						
61A	61802-08016-7	BOLT,FLANGED	3	5001 -						
62A	61802-08020	BOLT,FLANGED	2	5001 -						
63A	61802-08025-7	BOLT,FLANGED	3	5001 -						
64A	61802-10016	BOLT,FLANGED	4	5001 -						
65A	61802-10050	BOLT,FLANGED	1	5001 -						
66A	61802-16025	BOLT,FLANGED	1	5001 -						
67A	61802-16050	BOLT,FLANGED	2	5001 -						
68A	62480-21081	NUT,FLANGED	32	5001 -						
69A	62480-21161	NUT,FLANGED	2	5001 -						
81A	65210-12011	RING,O	1	5001 -				01		
83A	65210-12018	RING,O	1	5001 -					02	
85A	65210-12014	RING,O	1	5001 -						03

# VALVE MOUNT (PARKING OVERRIDE/HEAT RESISTING TYPE)



1-A

# VALVE MOUNT (PARKING OVERRIDE/HEAT RESISTING TYPE)



2-A

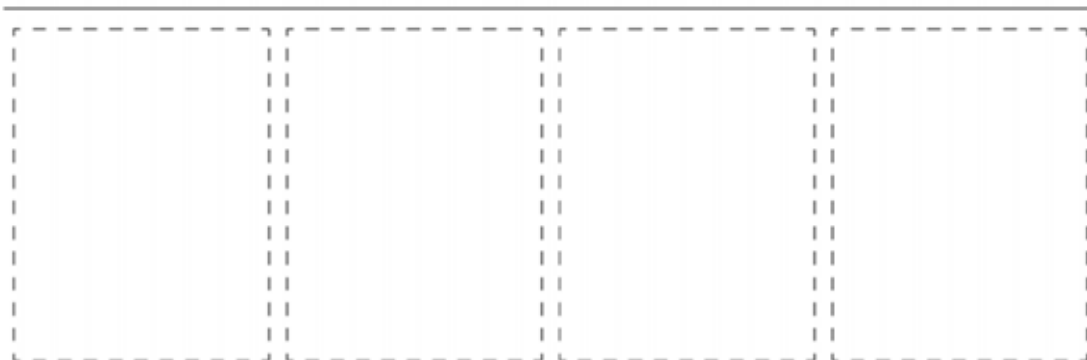
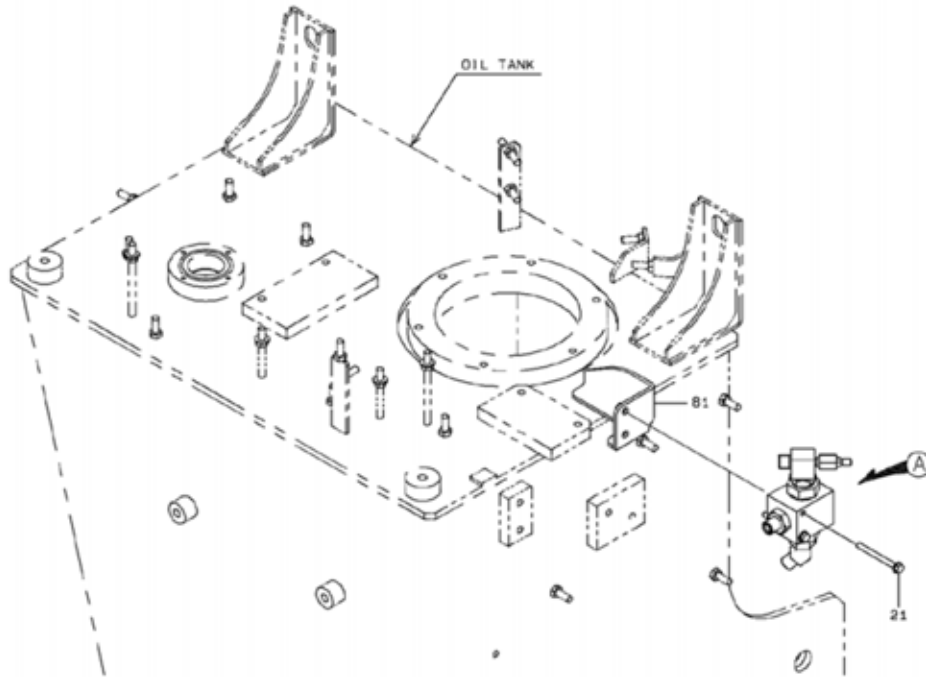
**VALVE MOUNT (PARKING OVERRIDE/HEAT RESISTING TYPE)**

SYM-BOL	PART NUMBER	PART NAME	UNIT Q,TY	SERIAL (A) - (B)	REMARKS				REMARKS
					N	P	D	(A) (B) (C) (D)	
21A	61802-10080	BOLT,FLANGED	4	5001 -					
41A	88201-06706	ADAPTER	2	5001 -			Y01		
42A	88241-07106	ADAPTER,ELBOW	1	5001 -			Y01		
61A	41410-35470	BLOCK	1	5001 -					
62A	38511-71470	VALVE ASSY	1	5001 -				Y02	
63A	35910-70260	SOLENOID	1	5001 -					
64A	37810-60200	KNOB	1	5001 -					
65A	65210-12014	RING,O	1	5001 -			01		
81A	49327-72080	SEAL KIT	1	5001 -				02	
101A	44770-52340	LABEL	1	5001 -					
102A	44787-24500	LABEL,WARNING	1	5001 -					

---

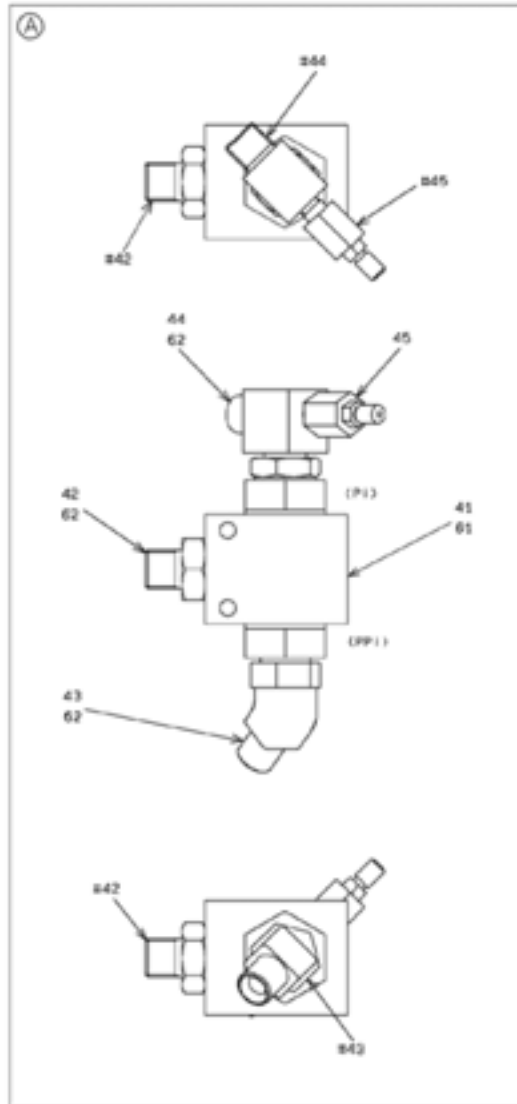
MEMO

# VALVE MOUNT (PARKING OVERRIDE/HEAT RESISTING TYPE)



1-A

# VALVE MOUNT (PARKING OVERRIDE/HEAT RESISTING TYPE)



2-A

**VALVE MOUNT (PARKING OVERRIDE/HEAT RESISTING TYPE)**

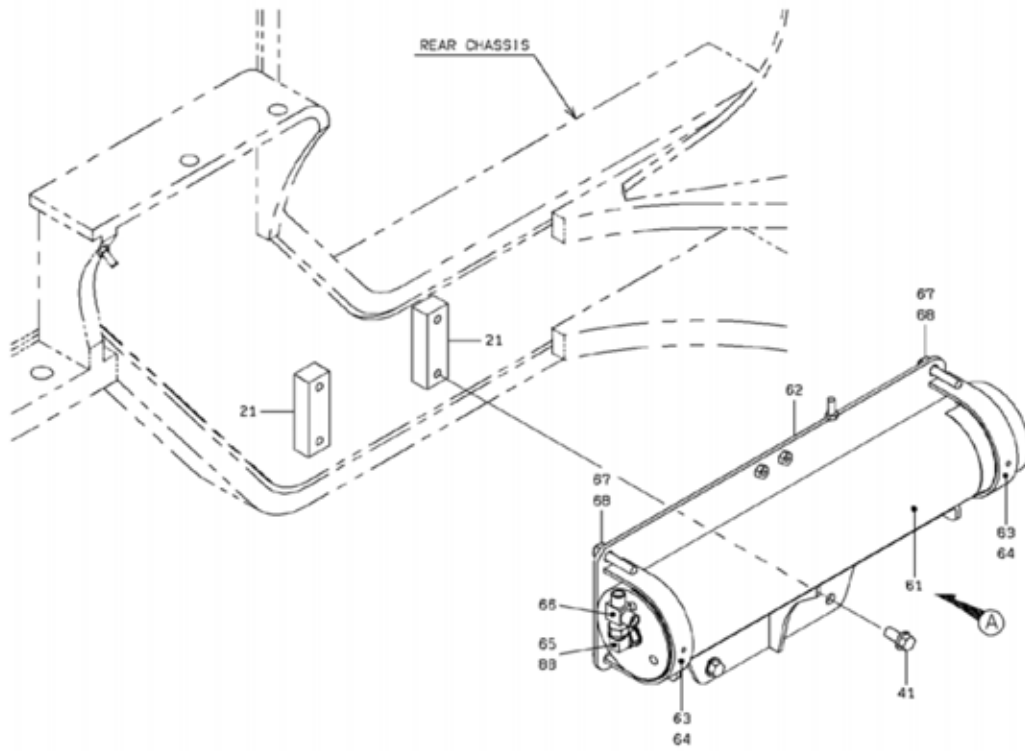
SYM-BOL	PART NUMBER	PART NAME	UNIT Q,TY	SERIAL		REMARKS							
				(A)	(B)	N	P	D	(A)	(B)	(C)	(D)	REMARKS
21A	61802-06065	BOLT,FLANGED	2	5001	-								
41A	38554-20110	VALVE,CHECK	1	5001	-				Y01				
42A	30230-22450	ADAPTER	1	5001	-					Y02			
43A	30241-21220	ADAPTER,ELBOW	1	5001	-					Y02			
44A	30241-27460	ADAPTER,ELBOW	1	5001	-					Y02			
45A	35107-70010	SCREW,BLEED	1	5001	-								
61A	65210-12028	RING,O	2	5001	-				01				
62A	65210-12018	RING,O	1	5001	-					02			
81A	41754-39380	PLATE	1	5001	-								WELDING

---

MEMO

---

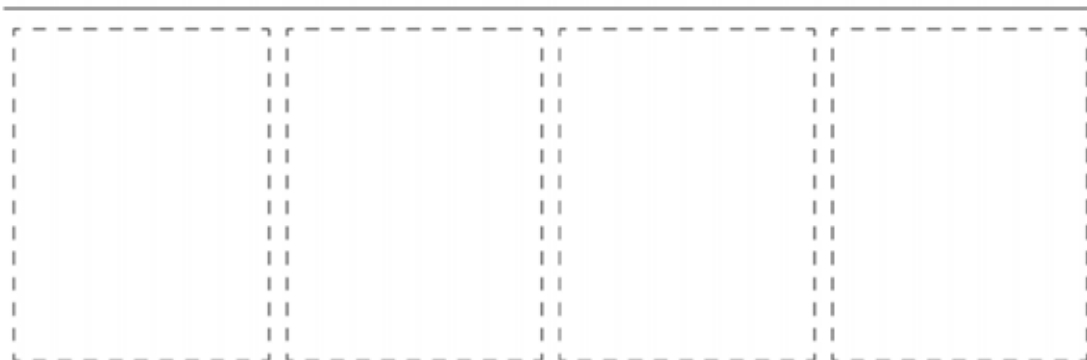
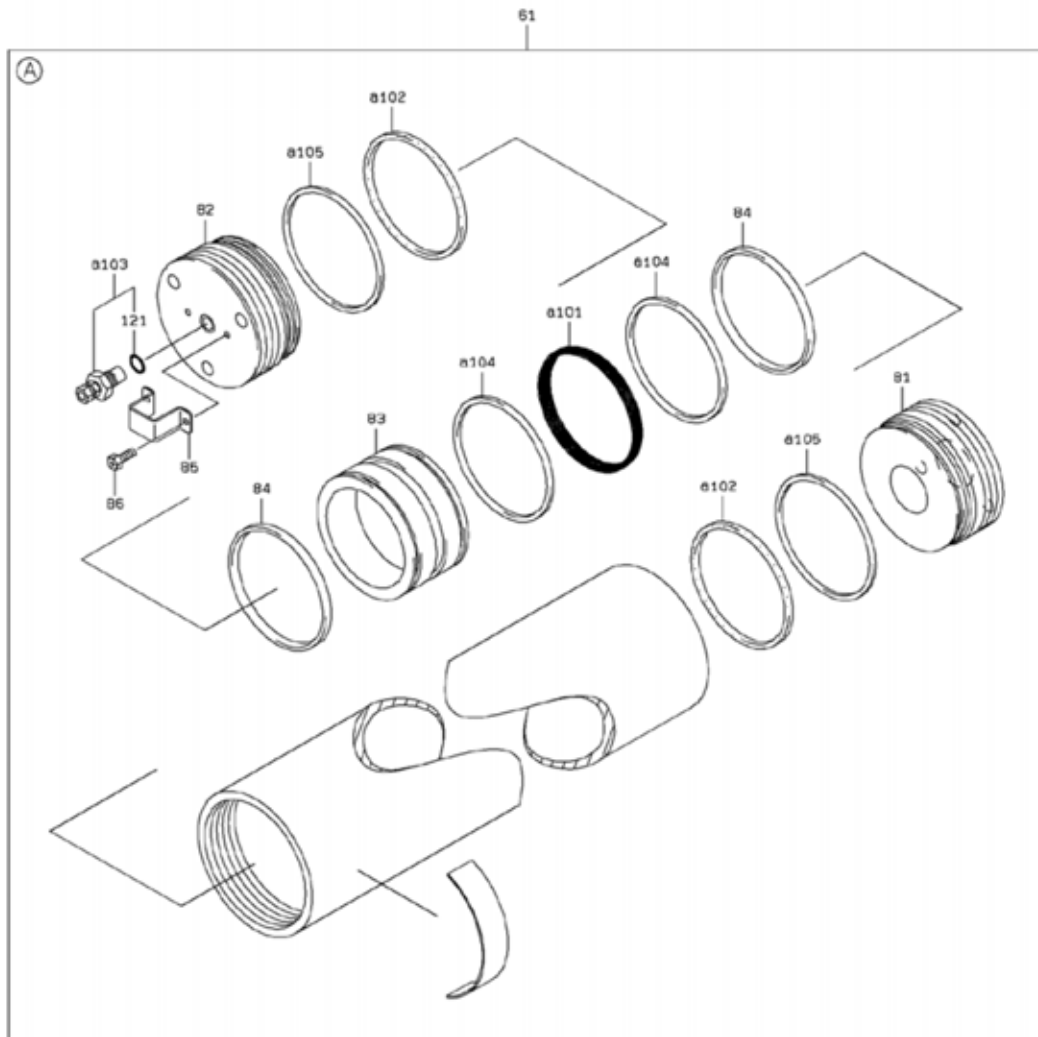
# ACCUMULATOR MOUNT(PARKING OVERRIDE SPEC.)



1-A

# ACCUMULATOR MOUNT(PARKING OVERRIDE SPEC.)

(NOTE):KIT(SYMBOL B7) CONSISTS OF THE PARTS WITH a.



2-A

**ACCUMULATOR MOUNT(PARKING OVERRIDE SPEC.)**

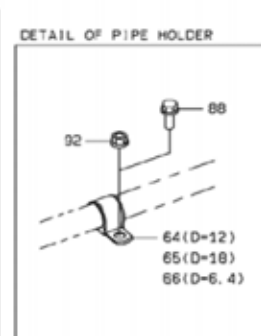
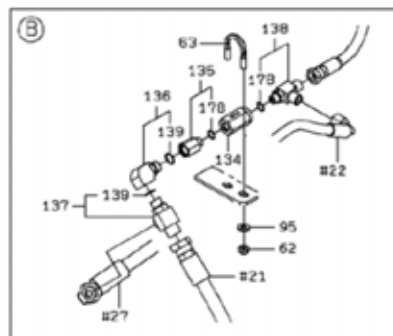
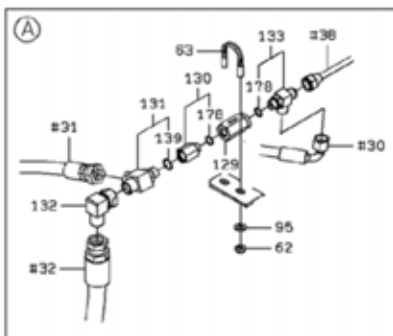
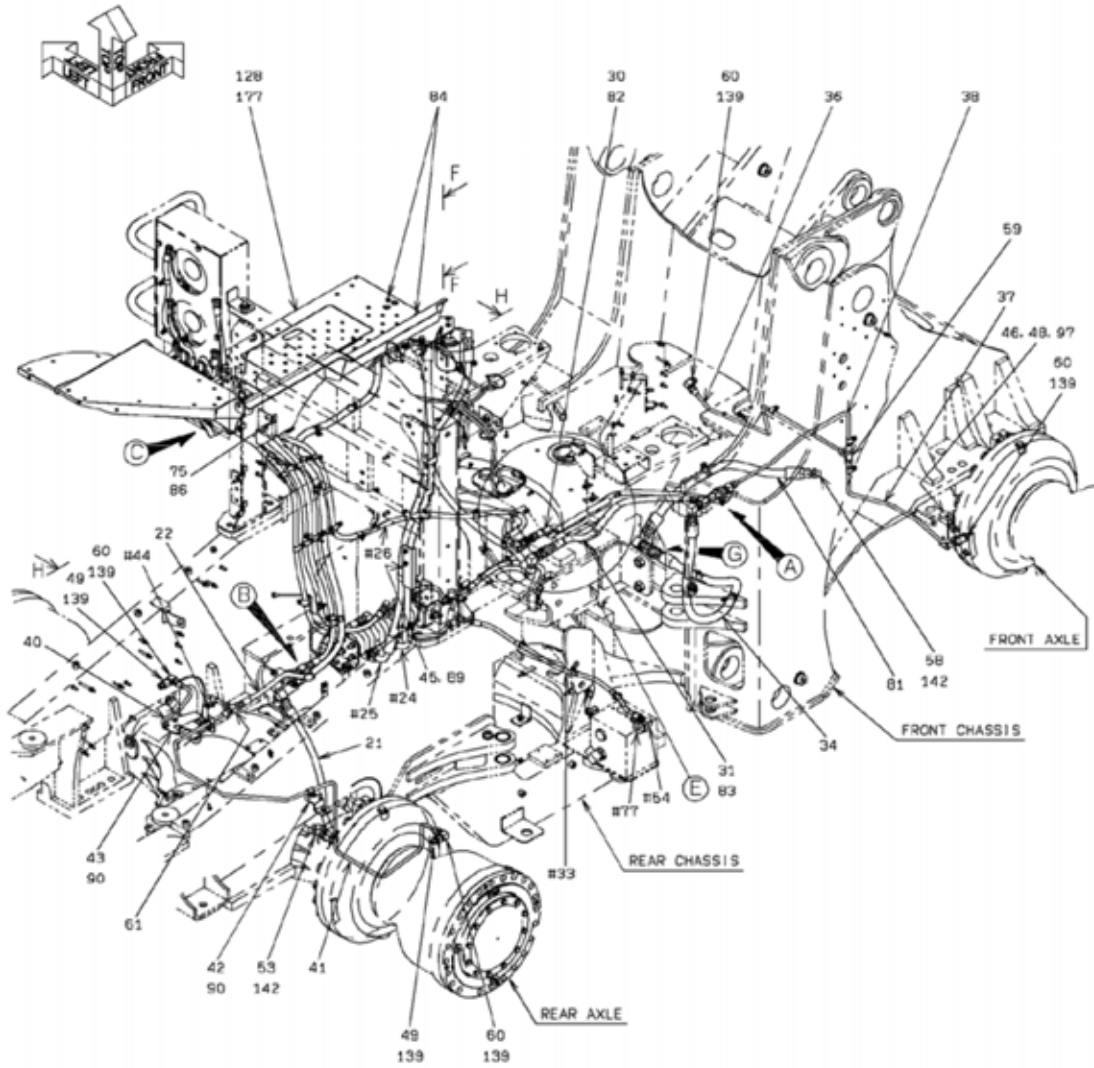
SYM-BOL	PART NUMBER	PART NAME	UNIT Q,TY	SERIAL (A) - (B)	REMARKS						
					N	P	D	(A)	(B)	(C)	(D)
21A	41717-34340	PLATE	2	5001 -							WELDING
41A	61802-12025	BOLT,FLANGED	4	5001 -							
61A	30100-60830-7	ACCUMULATOR ASSY	1	5001 -				Y01			
62A	40903-28940	BRACKET	1	5001 -							
63A	38670-21850	BAND	2	5001 -							
64A	33713-22540	SHEET,RUBBER	2	5001 -							
65A	30241-20310	ADAPTER,ELBOW	1	5001 -				Y02			
66A	30246-20660	ADAPTER,TEE	1	5001 -							
67A	88031-06121	NUT,SELF-LOCKING	4	5001 -							
68A	62701-40121-7	WASHER,PLANE	4	5001 -							
81A	32210-72240-7	CAP	1	5001 -				01			
82A	32210-72250-7	CAP	1	5001 -				01			
83A	39960-72130-7	PISTON	1	5001 -				01			
84A	45200-71280-7	RING	2	5001 -				01			
85A	48979-70060-7	PROTECTOR	1	5001 -				01			
86A	35100-71970-7	SCREW	2	5001 -				01			
87A	49691-71210-7	REPAIR KIT	1	5001 -				01			QK1
88A	65231-00081	RING,O	1	5001 -					02		
101A	47131-77370-7	RING,O	1	5001 -							K1
102A	34000-70850-7	SEAL	2	5001 -							K1
103A	38511-71550-7	VALVE ASSY	1	5001 -					Y03		K1
104A	46000-71490-7	WASHER	2	5001 -							K1
105A	46000-71500-7	WASHER	2	5001 -							K1
121A	47131-75760-7	RING,O	1	5001 -					03		

---

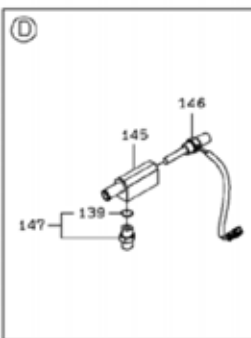
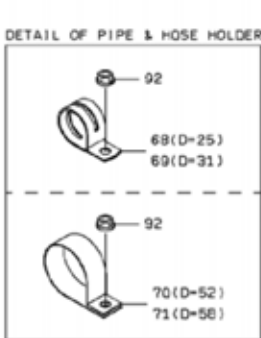
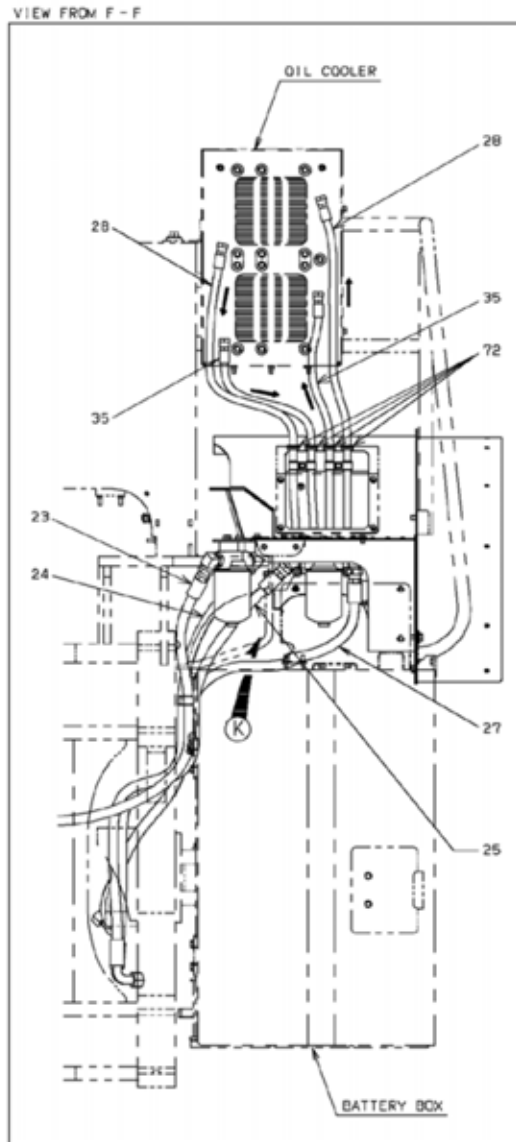
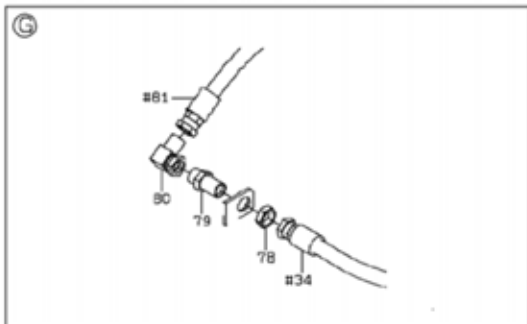
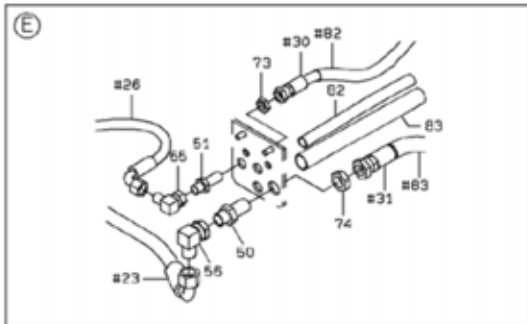
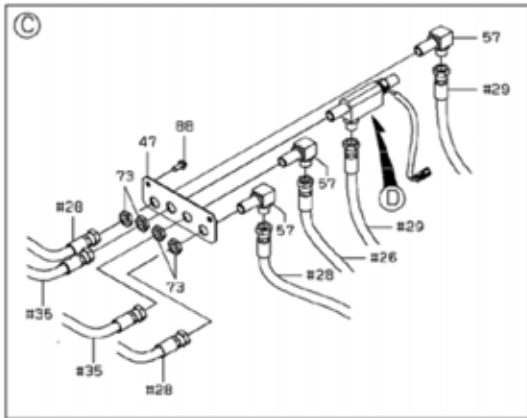
MEMO

---

# HYDRAULIC LINE - AXLE OIL COOLER



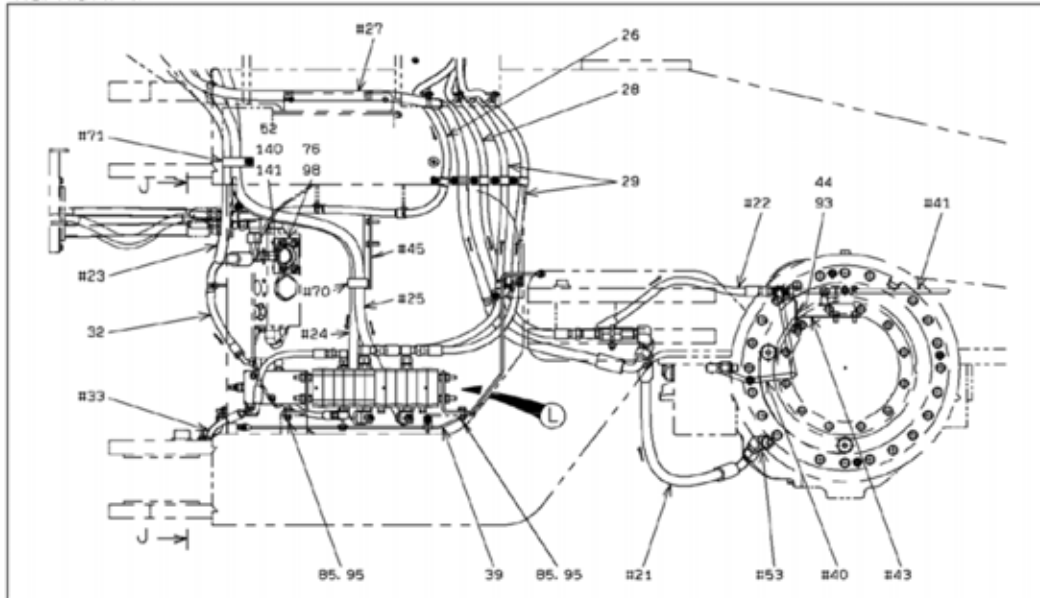
# HYDRAULIC LINE - AXLE OIL COOLER



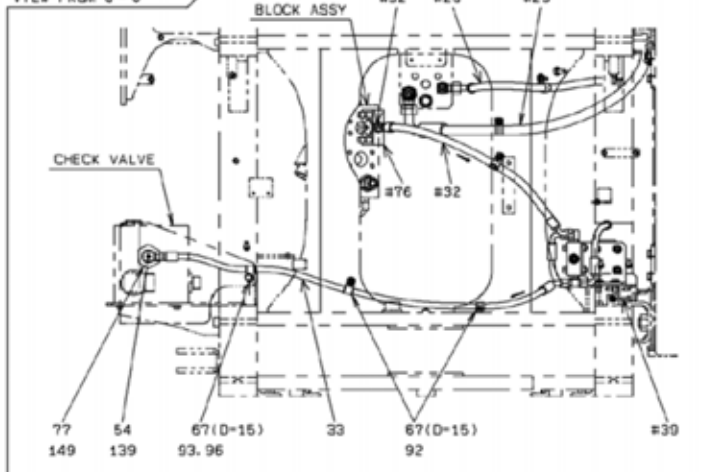
2-A

# HYDRAULIC LINE - AXLE OIL COOLER

VIEW FROM H-H

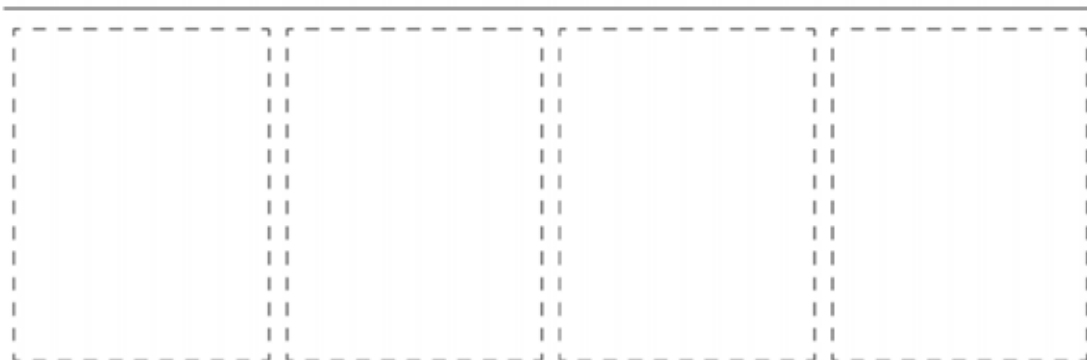
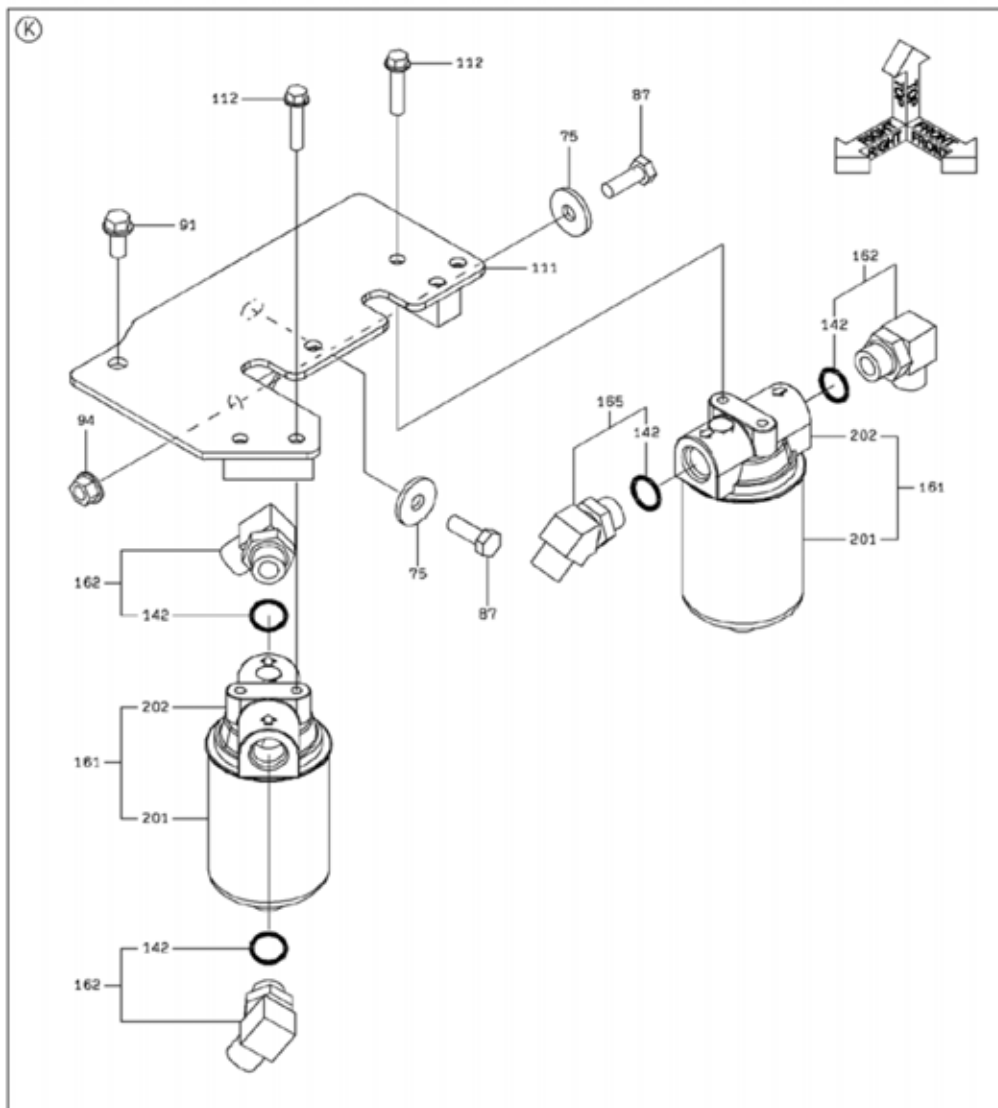


VIEW FROM J-J



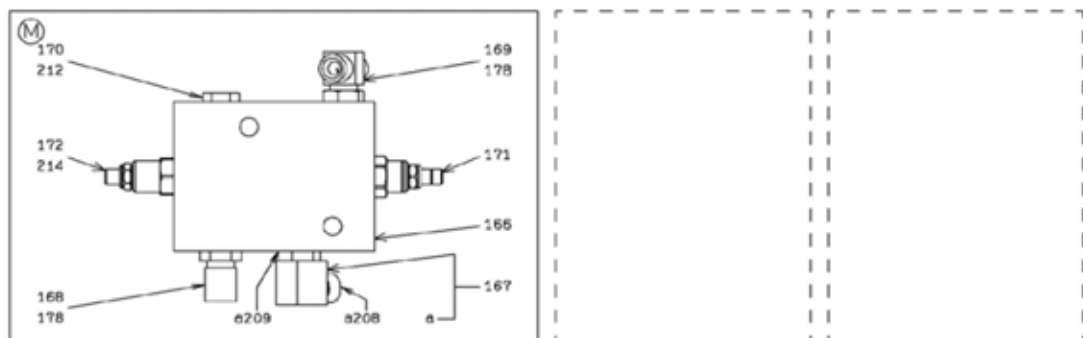
3-A

# HYDRAULIC LINE - AXLE OIL COOLER



4-A

# HYDRAULIC LINE - AXLE OIL COOLER



5-9

## HYDRAULIC LINE - AXLE OIL COOLER

SYM-BOL	PART NUMBER	PART NAME	UNIT Q,TY	SERIAL		REMARKS						
				(A)	(B)	N	P	D	(A)	(B)	(C)	(D)
21A	68235-50078	HOSE,HIGH PRESSURE	1	5151	-							
22A	68035-30053	HOSE,HIGH PRESSURE	1	5151	-							
23A	68235-50130	HOSE,HIGH PRESSURE	1	5151	-							
24A	68235-50145	HOSE,HIGH PRESSURE	1	5151	-							
25A	68235-50150	HOSE,HIGH PRESSURE	1	5151	-							
26A	68035-30172	HOSE,HIGH PRESSURE	1	5151	-							
27A	68235-50215	HOSE,HIGH PRESSURE	1	5151	-							
28A	68055-30122	HOSE,HIGH PRESSURE	3	5151	-							
29A	68055-30142	HOSE,HIGH PRESSURE	2	5151	-							
30A	68035-30095	HOSE,HIGH PRESSURE	1	5151	-							
31A	68255-40083	HOSE,HIGH PRESSURE	1	5151	-							
32A	68845-20071	HOSE,HIGH PRESSURE	1	5151	-							
33A	68045-20118	HOSE,HIGH PRESSURE	1	5151	-							
34A	43103-30800	HOSE,HIGH PRESSURE	1	5151	-							
35A	68055-30097	HOSE,HIGH PRESSURE	2	5151	-							
36A	38706-37540	PIPE ASSY,FLARED	1	5151	-							
37A	38706-37550	PIPE ASSY,FLARED	1	5151	-							
38A	38706-37360	PIPE ASSY,FLARED	1	5151	-							
39A	38706-37590	PIPE ASSY,FLARED	1	5151	-							
40A	38706-37400	PIPE ASSY,FLARED	1	5151	-							
41A	38706-37530	PIPE ASSY,FLARED	1	5151	-							
42A	41755-38190	PLATE	1	5151	-							
43A	41755-35630	PLATE	1	5151	-	5164						
43B	41755-50290	PLATE	1	5165	-		C					
44A	41755-35660	PLATE	1	5151	-							
45A	41755-35920	PLATE	1	5151	-							
46A	41755-38260	PLATE	1	5151	-							
47A	41719-31310	PLATE	1	5151	-							
48A	35700-20270	SPACER	2	5151	-							
49A	30230-21910	ADAPTER	2	5151	-				Y01			
50A	30230-21980	ADAPTER	1	5151	-							
51A	30230-22020	ADAPTER	1	5151	-							
52A	88215-11106	ADAPTER	1	5151	-				Y02			
53A	88241-07212	ADAPTER,ELBOW	1	5151	-					Y03		
54A	30241-21330	ADAPTER,ELBOW	1	5151	-			Y01				
55A	30242-20220	ADAPTER,ELBOW UNION	1	5151	-							
56A	30242-20020	ADAPTER,ELBOW UNION	1	5151	-							
57A	30241-26390	ADAPTER,ELBOW	3	5151	-							
58A	30230-21250	ADAPTER	1	5151	-	5164				Y03		
58B	88201-06712	ADAPTER	1	5165	-		C			Y03		
59A	69100-51200	FLARED FITTING,TEE	1	5151	-							
60A	40732-20440	FLARED FITTING,ELBOW	4	5151	-			Y01				
61A	40733-21160	FLARED FITTING,TEE	1	5151	-							
62A	88031-06101	NUT,SELF-LOCKING	4	5151	-							
63A	43962-20030	BOLT,U	2	5151	-							
64A	43573-20280	HOLDER,PIPE	6	5151	-						D=12	
65A	43573-20300	HOLDER,PIPE	27	5151	-						D=18	
66A	43573-20330	HOLDER,PIPE	2	5151	-							
67A	43573-20350	HOLDER,PIPE	3	5151	-						D=15	
68A	87020-25000	HOLDER,PIPE	6	5151	-						D=25	
69A	87020-31000	HOLDER,PIPE	4	5151	-						D=31	
70A	72010-52000	HOLDER,HOSE	1	5151	-						D=52	
71A	72010-58000	HOLDER,HOSE	1	5151	-						D=58	
72A	65801-20032	BUSHING,ELASTIC	4	5151	-							
73A	37600-20670	NUT	5	5151	-							
74A	37600-21330	NUT	1	5151	-							
75A	46011-20630	WASHER,PLANE	1	5151	-							
76A	40510-27430	FLANGE	1	5151	-							
77A	30230-24180	ADAPTER	1	5151	-					Y04		
78A	37600-23680	NUT	1	5151	-							
79A	30230-24050	ADAPTER	1	5151	-							
80A	30242-20160	ADAPTER,ELBOW UNION	1	5151	-							
81A	68255-60090	HOSE,HIGH PRESSURE	1	5151	-	5164						
81B	43103-31610	HOSE,HIGH PRESSURE	1	5165	-		B					
82A	69081-19000	TUBE,SPIRAL	1 M	5151	-						L=300 X Q'TY 2	
83A	69081-23000-7	TUBE,SPIRAL	1 M	5151	-						L=350 X Q'TY 2	

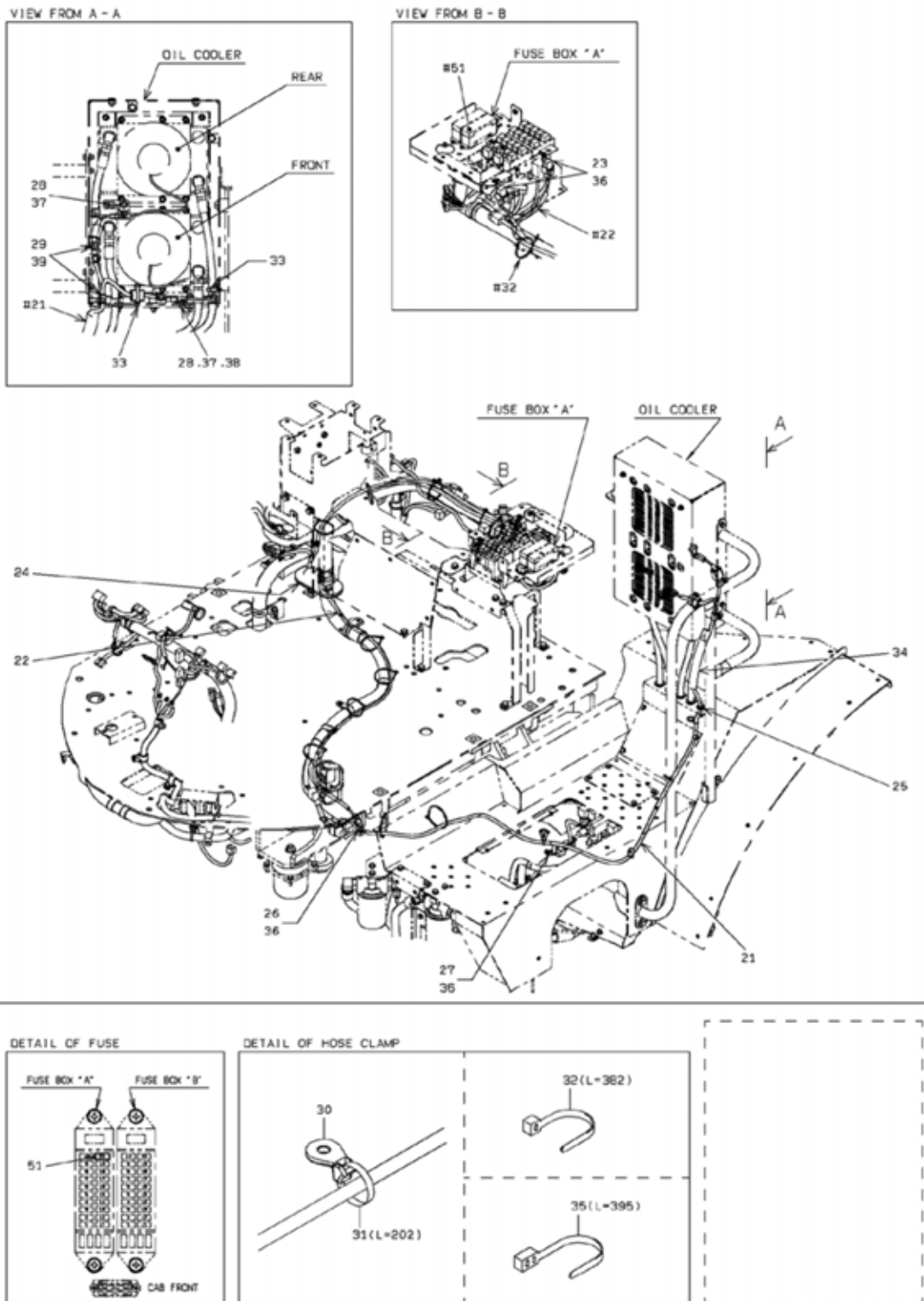
## HYDRAULIC LINE - AXLE OIL COOLER

SYM-BOL	PART NUMBER	PART NAME	UNIT Q,TY	SERIAL		REMARKS							
				(A)	(B)	N	P	D	(A)	(B)	(C)	(D)	REMARKS
84A	61802-10020	BOLT,FLANGED	2	5151	-								
85A	61033-10030	BOLT	4	5151	-								
86A	61033-12025	BOLT	3	5151	-								
87A	61033-12035	BOLT	2	5151	-								
88A	61802-08020	BOLT,FLANGED	6	5151	-								
89A	61802-08025-7	BOLT,FLANGED	2	5151	-								
90A	61802-10016	BOLT,FLANGED	3	5151	-								
91A	61802-12025	BOLT,FLANGED	1	5151	-								
92A	62480-21081	NUT,FLANGED	38	5151	-								
93A	62480-21101-7	NUT,FLANGED	3	5151	-								
94A	62480-21121	NUT,FLANGED	1	5151	-								
95A	62710-18101	WASHER,PLANE	8	5151	-								
96A	61802-10030	BOLT,FLANGED	1	5151	-								
97A	61802-10045	BOLT,FLANGED	2	5151	-								
98A	61101-14030	BOLT,SOCKET	4	5151	-								
111A	41755-38500	PLATE	1	5151	-								
112A	61802-10045	BOLT,FLANGED	4	5151	-								
113A	44090-60110	PUMP UNIT	1	5151	-								
114A	41719-36130	PLATE	1	5151	-								
115A	41755-35320	PLATE	1	5151	-								
116A	30230-26720	ADAPTER	1	5151	-				Y05				
117A	30230-20450	ADAPTER	2	5151	-				Y05				
118A	30241-20310	ADAPTER,ELBOW	1	5151	-					Y06			
119A	30241-28640	ADAPTER,ELBOW	2	5151	-						Y07		
120A	30242-20190	ADAPTER,ELBOW UNION	1	5151	-								
121A	30242-20220	ADAPTER,ELBOW UNION	2	5151	-								
122A	68035-20030	HOSE,HIGH PRESSURE	1	5151	-								
123A	68035-20032	HOSE,HIGH PRESSURE	1	5151	-								
124A	35107-70030	SCREW,BLEED	2	5151	-								
125A	61802-10055	BOLT,FLANGED	2	5151	-								
126A	62721-12100	WASHER,SPRING	8	5151	-								
127A	62421-81075	NUT(UNIFY)	8	5151	-								
128A	37290-34010	DECK	1	5151	-							Y08	
129A	38554-71500	VALVE,CHECK	1	5151	-								
130A	38906-21060	FITTING,BUSHING	1	5151	-				Y09				
131A	30246-20800	ADAPTER,TEE	1	5151	-				Y01				
132A	30242-20020	ADAPTER,ELBOW UNION	1	5151	-								
133A	40733-20520	FLARED FITTING,TEE	1	5151	-				Y09				
134A	38554-71500	VALVE,CHECK	1	5151	-								
135A	38906-21060	FITTING,BUSHING	1	5151	-				Y09				
136A	30241-22380	ADAPTER,ELBOW	1	5151	-				Y01				
137A	30246-20800	ADAPTER,TEE	1	5151	-				Y01				
138A	30246-20760	ADAPTER,TEE	1	5151	-				Y09				
139A	65210-12018	RING,O	1	5151	-				01				
140A	47131-21010	RING,O	1	5151	-					02			
141A	65210-12014	RING,O	1	5151	-					02			
142A	65210-12024	RING,O	1	5151	-						03		
145A	30246-27140	ADAPTER,TEE	1	5151	-								
146A	30653-20060	INDICATOR,THERMO	1	5151	-								
147A	88201-06708	ADAPTER	1	5151	-				Y01				
149A	65210-12044	RING,O	1	5151	-							04	
161A	40337-60440	FILTER ASSY,LINE	1	5151	-					Y10			
162A	88241-07112	ADAPTER,ELBOW	2	5151	-						Y03		
165A	88241-07212	ADAPTER,ELBOW	1	5151	-						Y03		
166A	41410-42400	BLOCK	1	5151	-								
166B	41410-42750	BLOCK	1	5153	-								
167A	88255-11106	ADAPTER,ELBOW	1	5151	-						Y11		
168A	88241-07106	ADAPTER,ELBOW	1	5151	-							Y08	
169A	30246-21200	ADAPTER,TEE	1	5151	-							Y08	
170A	88390-21304	PLUG	1	5151	-							Y12	
171A	38567-70500	VALVE,REDUCING	1	5151	-								
172A	38561-70210	VALVE,FLOW CONTROL	1	5151	-				Y13				
173A	65231-00101	RING,O	1	5151	-				05				
175A	65231-00081	RING,O	1	5151	-						06		
177A	39890-21870	HINGE	1	5151	-							08	WELDING
178A	65210-12014	RING,O	1	5151	-				09				

### HYDRAULIC LINE – AXLE OIL COOLER

SYM-BOL	PART NUMBER	PART NAME	UNIT Q, TY	SERIAL (A) - (B)	REMARKS					REMARKS	
					N	P	D	(A)	(B)		(C)
201A	40344-70090	FILTER,CARTRIDGE	1	5151 -					10		
202A	31285-70100	COVER,HEAD	1	5151 -					10		
208A	47131-21010	RING,O	1	5151 -						11	
209A	65210-12014	RING,O	1	5151 -						11	
212A	65210-12011	RING,O	1	5151 -							12
213A	65231-00121	RING,O	1	5151 -						07	
214A	49327-72070	SEAL KIT	1	5151 -				13			

# CABLE MOUNT - AXLE OIL COOLER

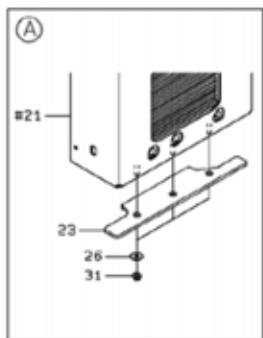
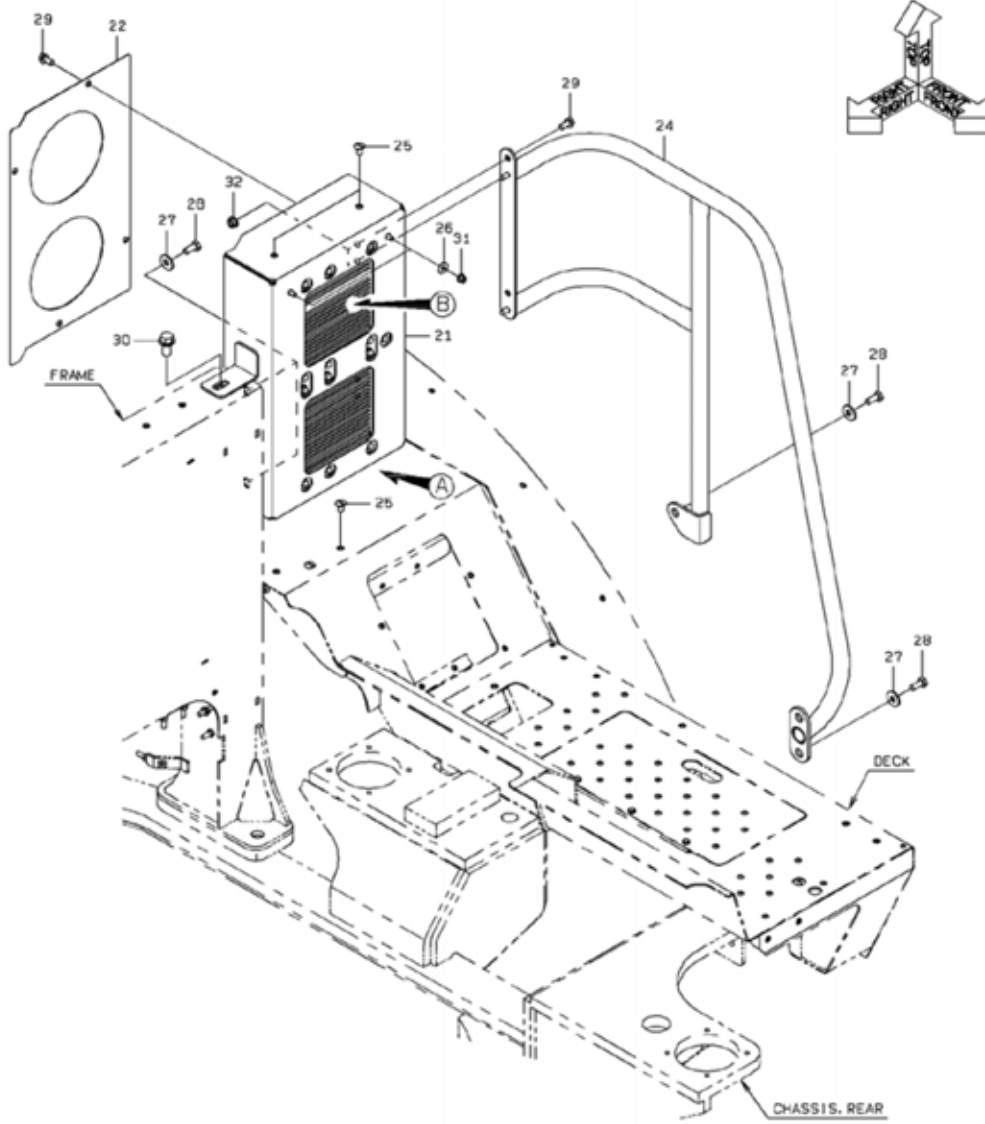


1-A

### CABLE MOUNT – AXLE OIL COOLER

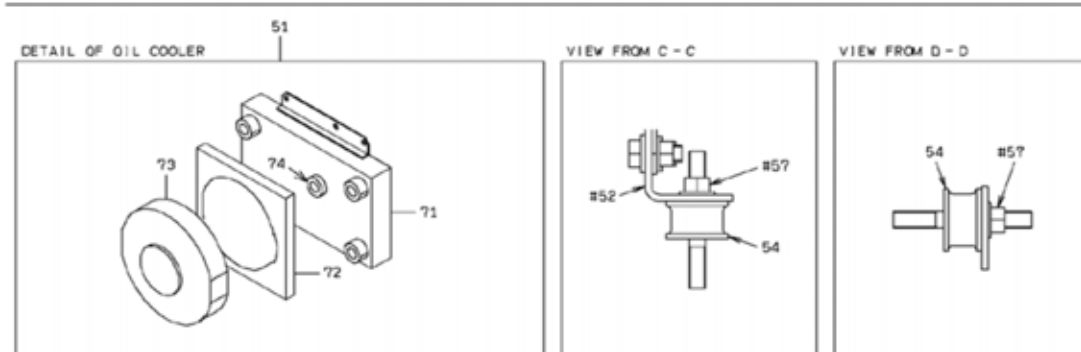
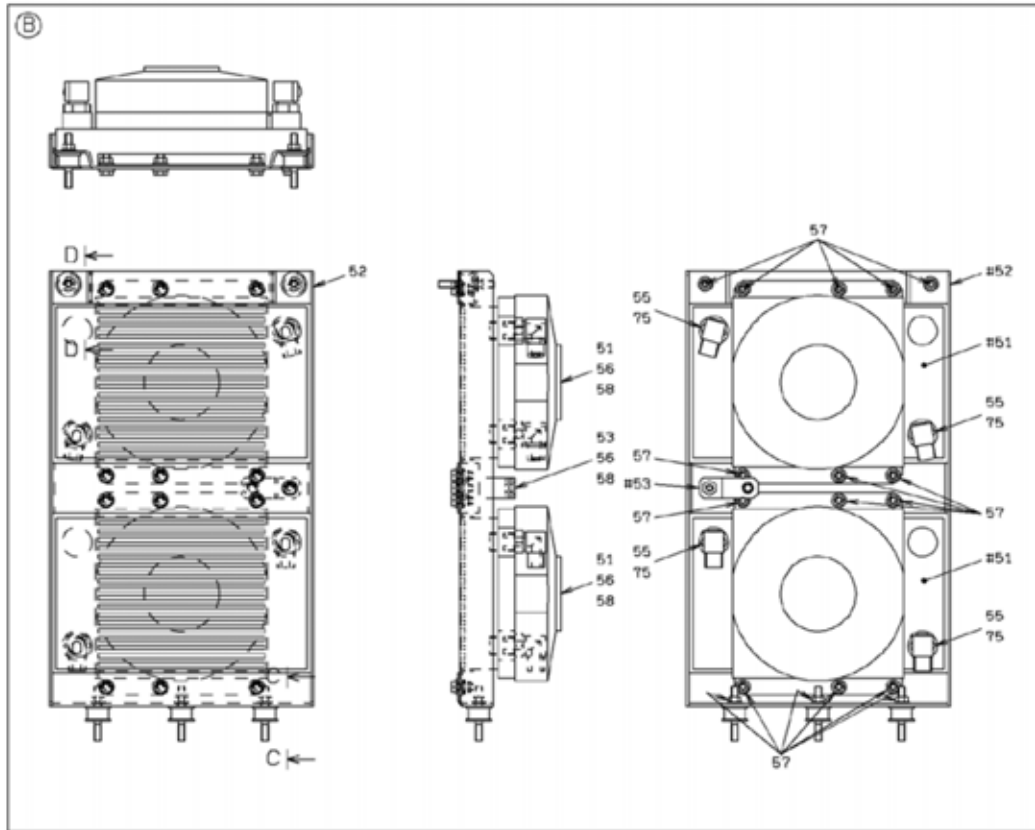
SYM- BOL	PART NUMBER	PART NAME	UNIT Q,TY	SERIAL (A) - (B)	REMARKS							
					N	P	D	(A)	(B)	(C)	(D)	REMARKS
21A	33194-48190	CABLE ASSY	1	5151 -								
22A	33194-47610	CABLE ASSY	1	5151 -								
23A	45050-60130	RELAY	2	5151 -								
24A	03502-19650	BUSHING ELASTIC	1	5151 -								
25A	65801-10032	BUSHING,ELASTIC	1	5151 -								
26A	43550-21210	HOLDER	1	5151 -								
27A	43550-21270	HOLDER	1	5151 -								
28A	43550-70460	HOLDER	2	5151 -								
29A	43573-20340	HOLDER,PIPE	2	5151 -							D=10	
30A	32923-70120	CLAMP,HOSE	2	5151 -							FR M8	
31A	32923-70090	CLAMP,HOSE	2	5151 -							L=202	
32A	32923-70100	CLAMP,HOSE	10	5151 -							L=382	
33A	32925-20050	CLAMP,CABLE	2	5151 -								
34A	69081-19000	TUBE,SPIRAL	1 M	5151 -							L=250	
35A	32923-70210	CLAMP,HOSE	2	5151 -							L=395	
36A	61802-06012	BOLT,FLANGED	4	5151 -								
37A	61802-10016	BOLT,FLANGED	2	5151 -								
38A	62480-21101-7	NUT,FLANGED	1	5151 -								
39A	62480-21081	NUT,FLANGED	2	5151 -								
51A	39880-20190	FUSE	1	5151 -							24V20A	

# AXLE OIL COOLER MOUNT



1-A

# AXLE OIL COOLER MOUNT



2-A

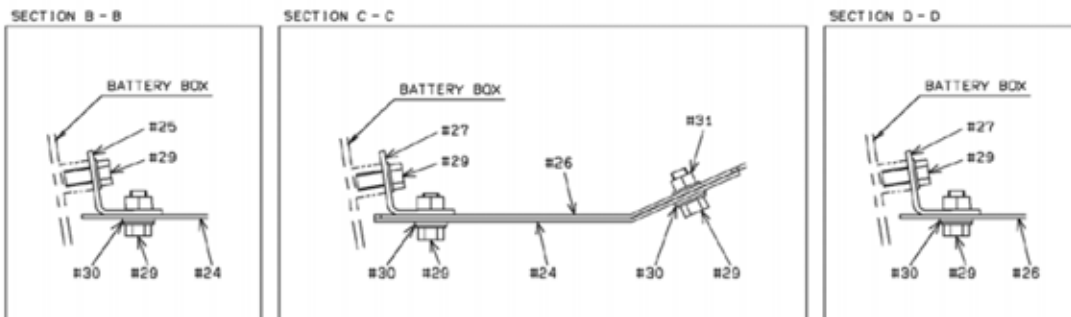
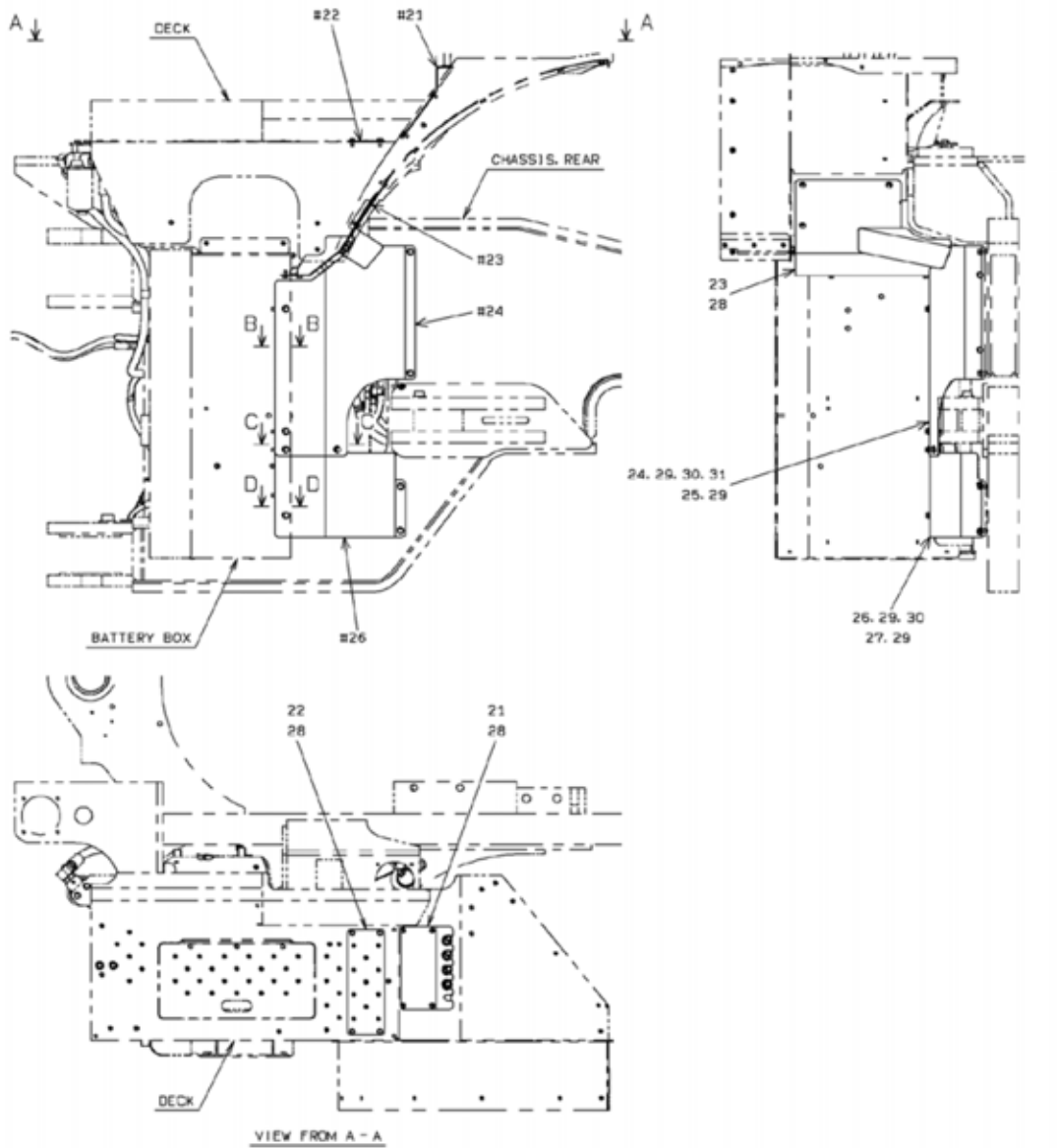
**AXLE OIL COOLER MOUNT**

SYM-BOL	PART NUMBER	PART NAME	UNIT Q,TY	SERIAL (A) - (B)	REMARKS						
					N	P	D	(A)	(B)	(C)	(D)
21A	40903-39920	BRACKET	1	5151 -							
22A	41719-43780	PLATE	1	5151 -							
23A	41719-46320	PLATE	1	5151 -							
24A	38130-38230	HANDRAIL	1	5151 -							
25A	32210-72920	CAP	4	5151 -							
26A	46011-20180	WASHER,PLANE	5	5151 -							
27A	46011-21300	WASHER,PLANE	5	5151 -							
28A	61033-10025	BOLT	5	5151 -							
29A	61802-10020	BOLT,FLANGED	6	5151 -							
30A	61802-16030	BOLT,FLANGED	1	5151 -							
31A	62480-21081	NUT,FLANGED	5	5151 -							
32A	62480-21101-7	NUT,FLANGED	4	5151 -							
51A	32816-60690	COOLER,OIL	2	5151 -				Y01			
52A	41754-51860	PLATE	1	5151 -							
53A	41754-56330	PLATE	1	5151 -							
54A	44822-70060	RUBBER,CUSHION	5	5151 -							
55A	88241-07108	ADAPTER,ELBOW	4	5151 -					Y02		
56A	61033-08020-7	BOLT	13	5151 -							
57A	62480-21081	NUT,FLANGED	17	5151 -							
58A	80102-22008	WASHER,PLANE	13	5151 -							
71A	44720-70660	RADIATOR	1	5151 -				01			
72A	33100-71350	CASE	1	5151 -				01			
73A	40200-70190	FAN	1	5151 -				01			
74A	41530-76340	PLUG	1	5151 -				01			
75A	65210-12018	RING,O	1	5151 -					02		

---

MEMO

# COVER MOUNT - AXLE OIL COOLER



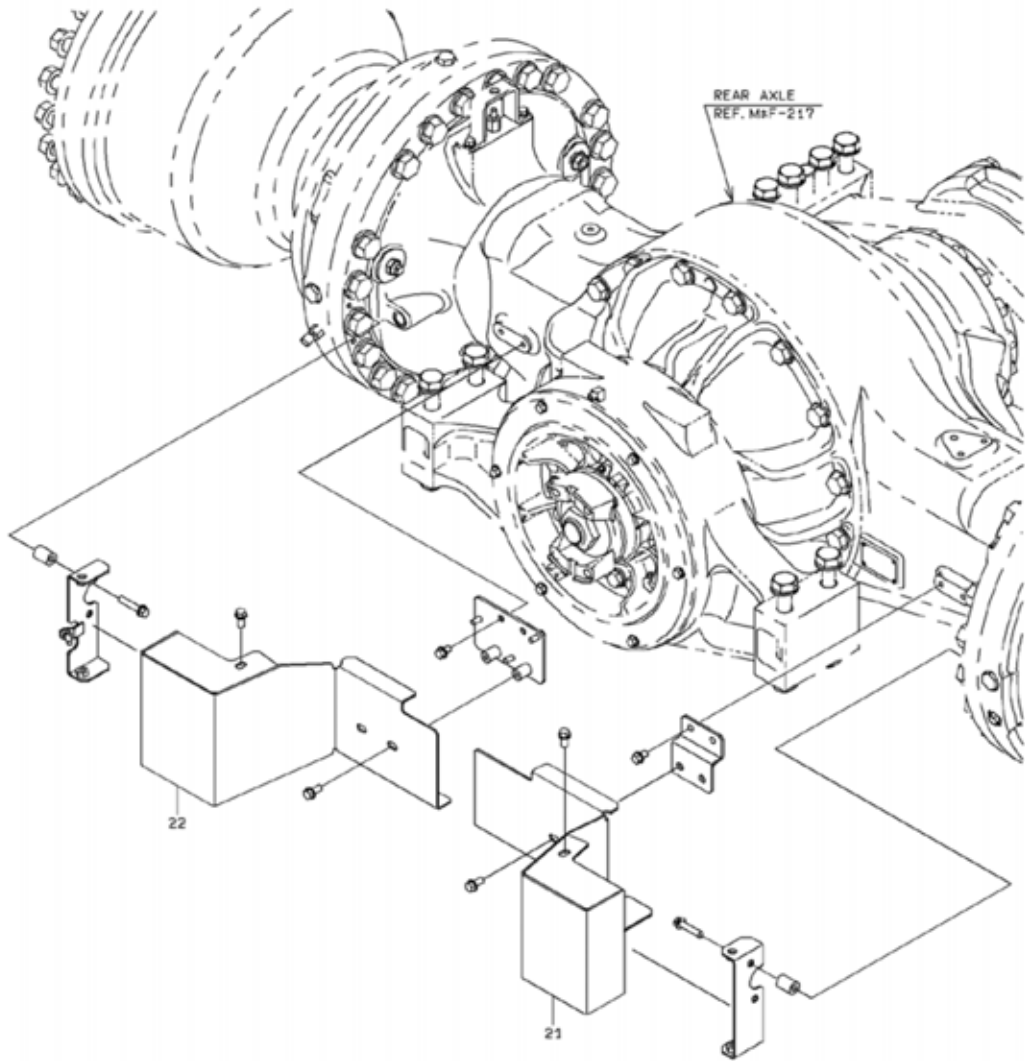
1-A

### COVER MOUNT – AXLE OIL COOLER

SYM- BOL	PART NUMBER	PART NAME	UNIT Q, TY	SERIAL (A) - (B)	REMARKS					
					N	P	D	(A)	(B)	(C)
21A	41755-39110	PLATE	1	5151 -						
22A	41719-44560	PLATE	1	5151 -						
23A	31206-33210	COVER	1	5151 -						
24A	31206-33220	COVER	1	5151 -						
25A	41755-39070	PLATE	1	5151 -						
26A	31206-33230	COVER	1	5151 -						
27A	41755-39080	PLATE	1	5151 -						
28A	61802-08016-7	BOLT, FLANGED	8	5151 -						
29A	61802-10020	BOLT, FLANGED	13	5151 -						
30A	62701-40101	WASHER, PLANE	9	5151 -						
31A	62480-21101-7	NUT, FLANGED	1	5151 -						

# COVER MOUNT - AXLE OIL COOLER

(NOTE): REFER TO STANDARD CATALOG(REF. M&F-362) FOR NO SYMBOL PARTS.



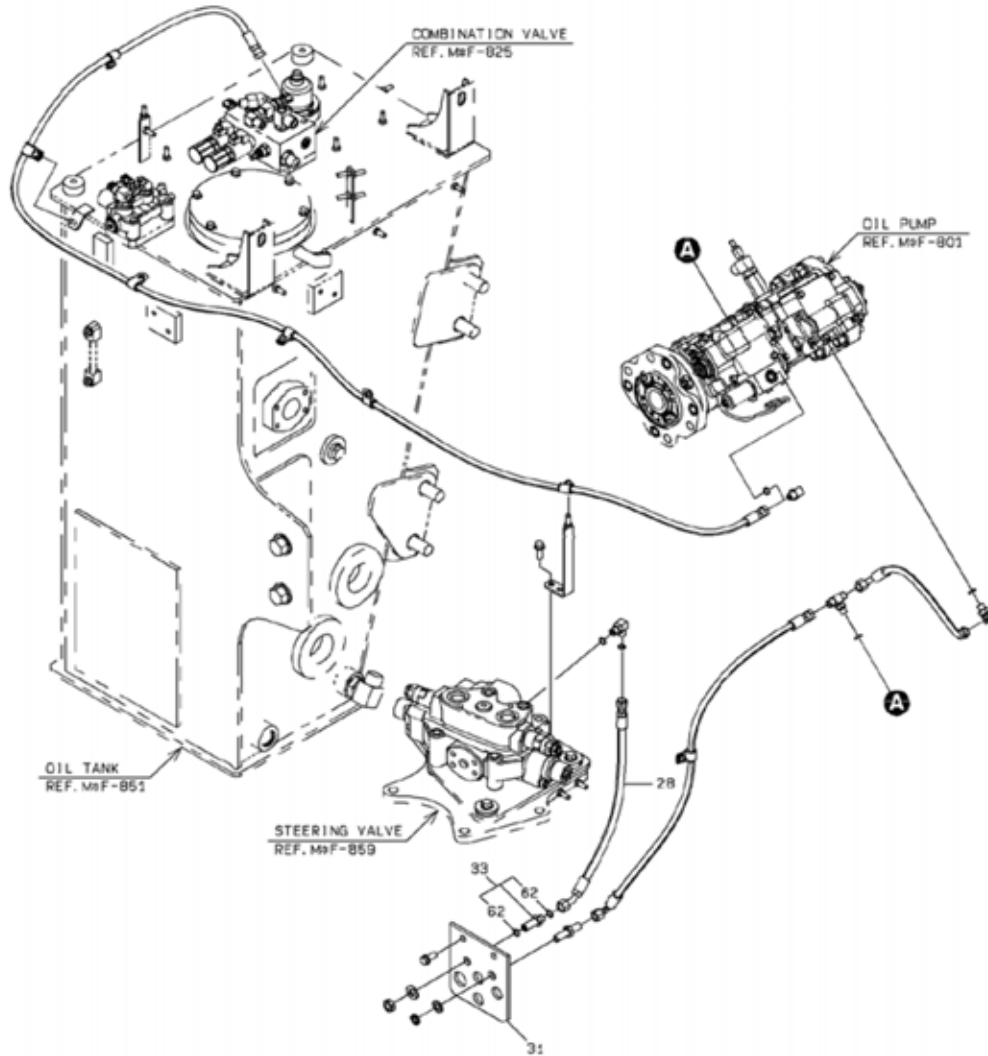
1-A

**COVER MOUNT – AXLE OIL COOLER**

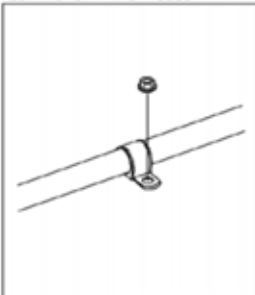
SYM-BOL	PART NUMBER	PART NAME	UNIT Q,TY	SERIAL (A) - (B)	REMARKS				REMARKS
					N	P	D	(A) (B) (C) (D)	
21A	31206-33090	COVER	1	5151 - 5164					
21B	31206-34260	COVER	1	5165 -	C				
22A	31206-33100	COVER	1	5151 - 5164					
22B	31206-34270	COVER	1	5165 -	C				

# PILOT PIPING – AXLE OIL COOLER

(NOTE): REFER TO STANDARD CATALOG(REF. M&F-833) FOR NO SYMBOL PARTS.



DETAIL OF PIPE HOLDER



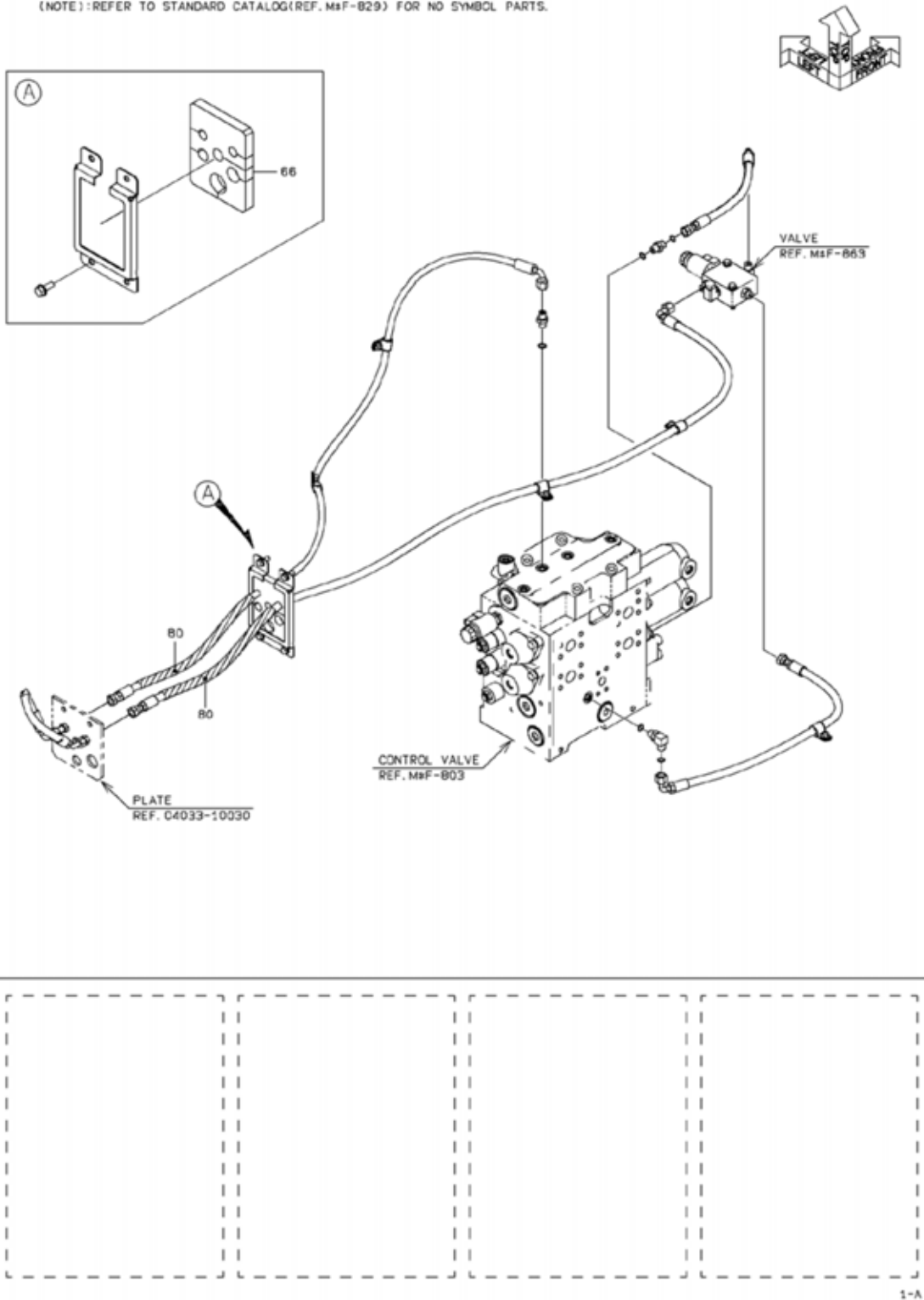
1-A

**PILOT PIPING – AXLE OIL COOLER**

SYM-BOL	PART NUMBER	PART NAME	UNIT Q,TY	SERIAL (A) - (B)	REMARKS						
					N	P	D	(A)	(B)	(C)	(D)
28A	68845-10047	HOSE,HIGH PRESSURE	1	5152 -							
31A	41719-43080	PLATE	1	5152 -							
33A	30230-31560	ADAPTER	1	5152 -				Y01			
62A	47131-21720	RING,O	2	5152 -				01			

# PILOT PIPING - AXLE OIL COOLER

(NOTE): REFER TO STANDARD CATALOG (REF. M&F-B29) FOR NO SYMBOL PARTS.

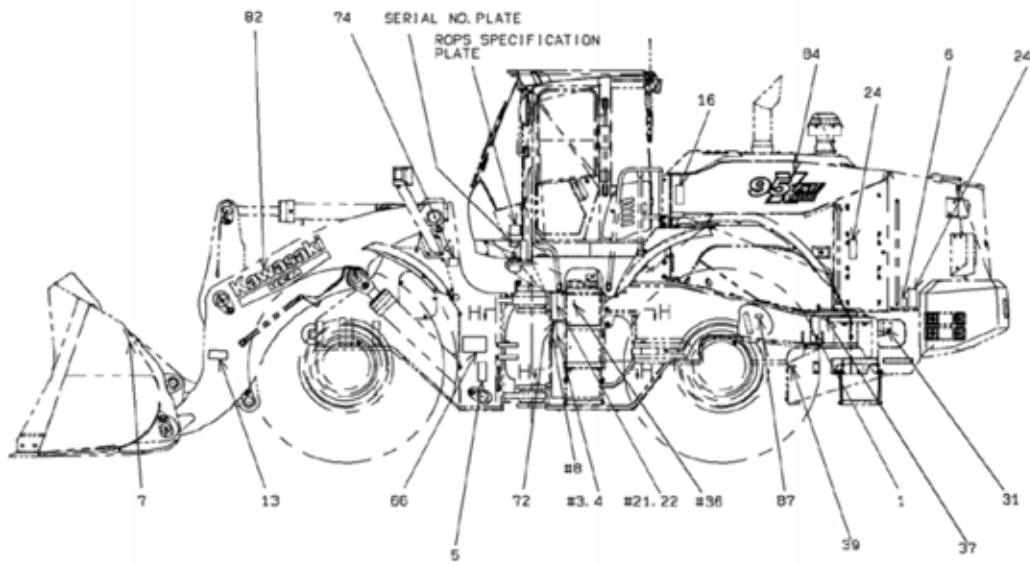
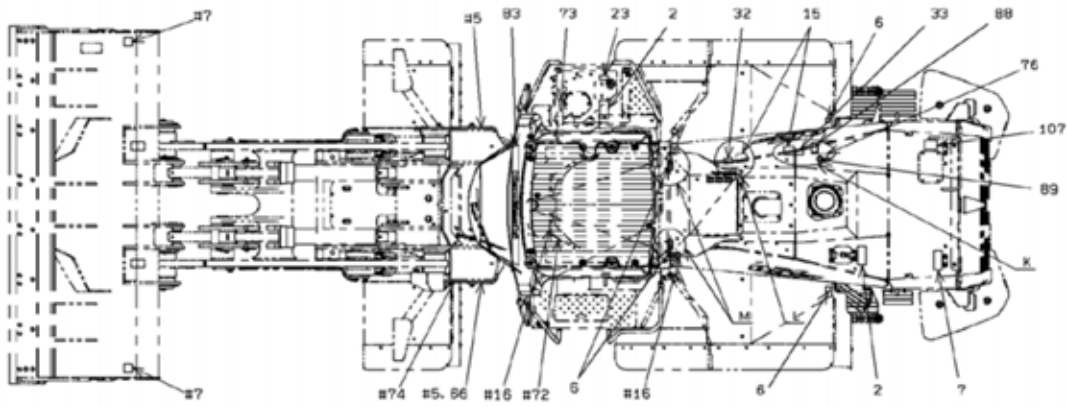


1-A

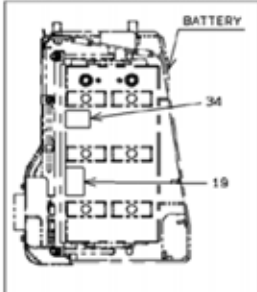
**PILOT PIPING – AXLE OIL COOLER**

SYM-BOL	PART NUMBER	PART NAME	UNIT Q,TY	SERIAL (A) - (B)	REMARKS						
					N	P	D	(A)	(B)	(C)	(D)
66A 80A	33057-23760 69081-11000-7	GROMMET TUBE, SPIRAL	1 1 M	5152 - 5152 -							L=350 X QTY 2

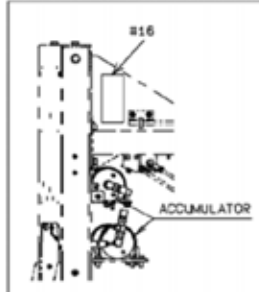
MARKING GROUP (FOR XTREME SPEC.)



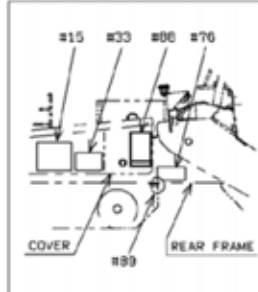
VIEW H-H (2 PLACE)



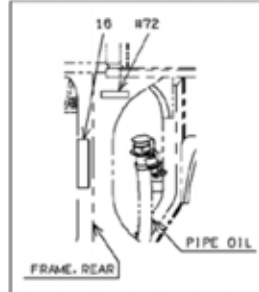
#16 LABELLING DETAIL



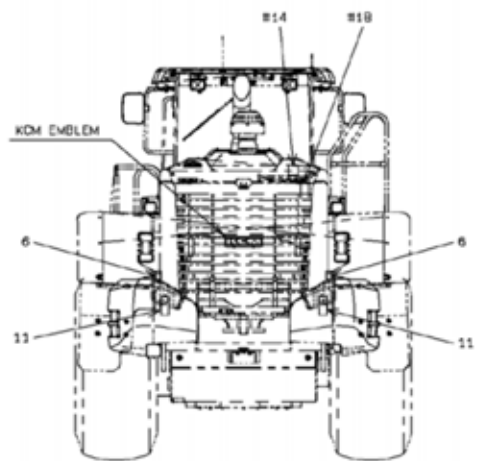
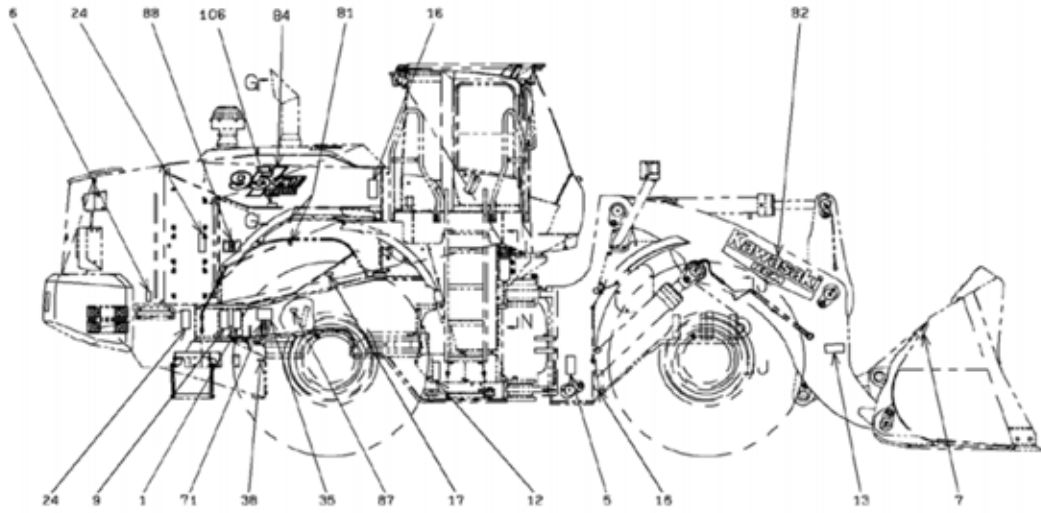
DETAIL OF "K"



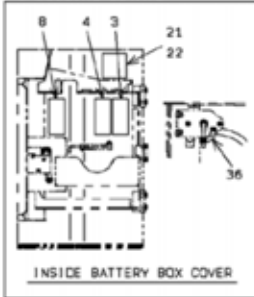
#16, #72 LABELLING DETAIL



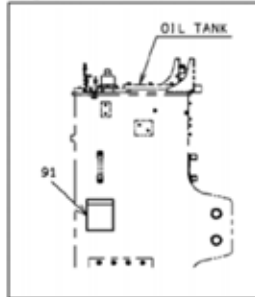
MARKING GROUP (FOR XTREME SPEC.)



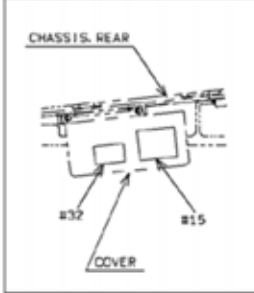
#3, 4, B, 21, 22, 36  
LABELLING DETAIL



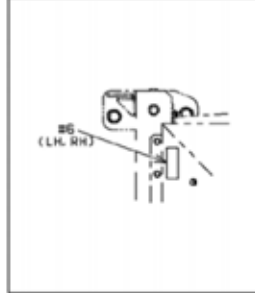
VIEW N - N



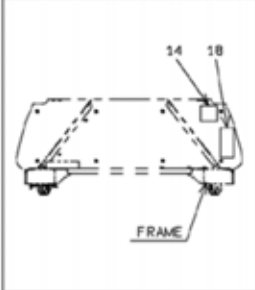
DETAIL OF "L"



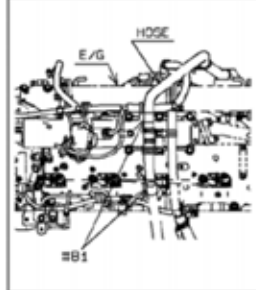
DETAIL OF "M"



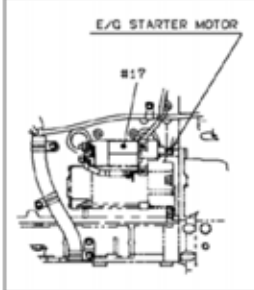
VIEW G - G



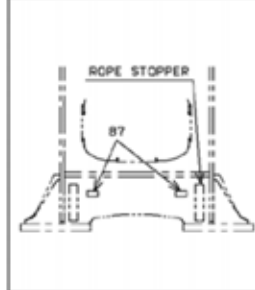
#81 LABELLING DETAIL



#17 LABELLING DETAIL

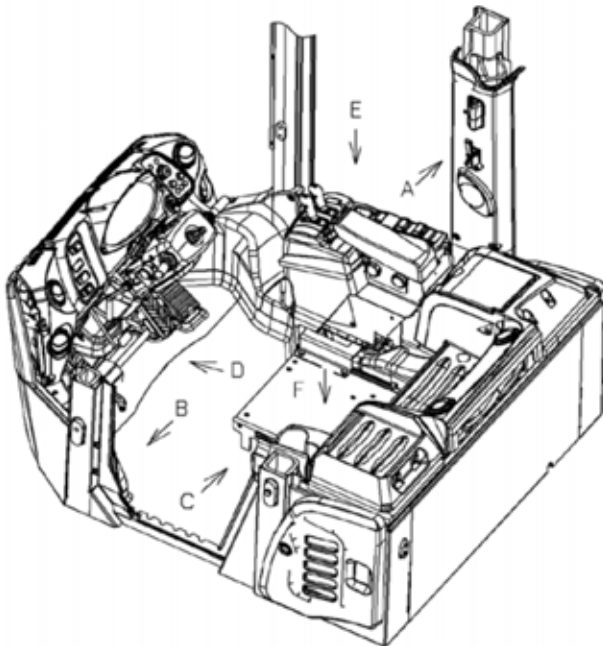


VIEW J - J

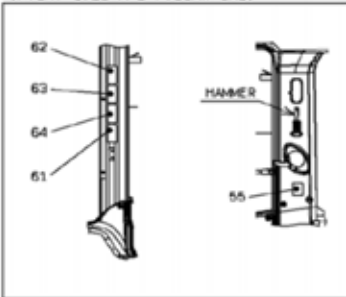


2-B

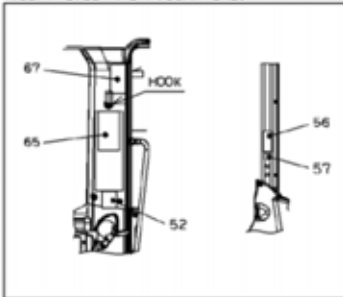
MARKING GROUP (FOR XTREME SPEC.)



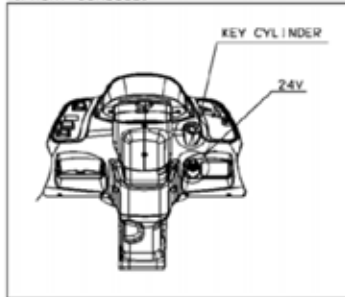
VIEW FROM "A"  
(RIGHT SIDE A, B PILLAR CAB)



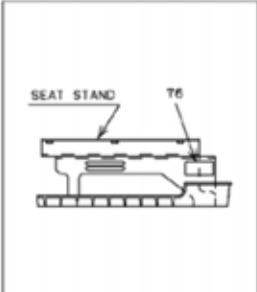
VIEW FROM "B"  
(LEFT SIDE A, B PILLAR CAB)



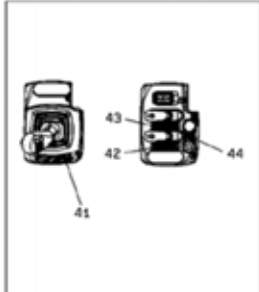
VIEW FROM "D"  
(FRONT CONSOLE)



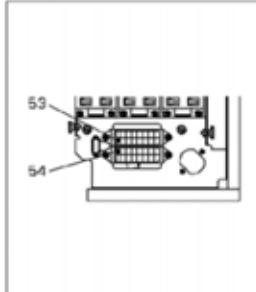
VIEW FROM "C"  
(SEAT STAND)



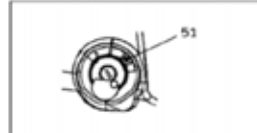
VIEW FROM "E"



VIEW FROM "F" (ELECTRICAL  
EQUIPMENT BOX IN CAB)



DETAIL OF KEY CYLINDER



DETAIL OF 24V



3-A

MARKING GROUP (FOR XTREME SPEC.)

SYMBOL	LABEL KIT
151	
41	LABEL(MF LEVER)
42	LABEL(BUCKET CONTROL)
43	LABEL(BOOM CONTROL)
44	LABEL(HOLD)
45	LABEL(24V)
51	LABEL. ENGLISH(STARTER SWITCH)
55	LABEL. ENGLISH(ARTICULATE STOPPER)
56	LABEL. ENGLISH(PARKING BRAKE)
61	WARNING LABEL(SEAT BELT)
62	WARNING LABEL(OPERATION MANUAL)
63	WARNING LABEL(ELECTRIFICATION)
64	WARNING LABEL(UNLOCK)
65	LABEL. ENGLISH(SWITCH EXPLANATION)
67	WARNING LABEL(BACK BUZZER)
76	LABEL. ENGLISH(A/C REFRIGERANT)

SYMBOL	LABEL KIT
153	
88	WARNING LABEL(E/G OIL)
89	LABEL(E/G OIL CAP)
91	WARNING LABEL(HYDRAULIC OIL)

SYMBOL	LABEL KIT
152	
1	WARNING LABEL(INVOLVEMENT)
2	WARNING LABEL(BLOWING HEAT CARRIER)
3	WARNING LABEL(BURST)
4	WARNING LABEL(ELECTRIFICATION)
5	WARNING LABEL(DENGR:BE CRUSHED)
6	WARNING LABEL(AMBUSTION)
7	WARNING LABEL(CAUTION FALL)
8	WARNING LABEL(AMBUSTION)
9	WARNING LABEL(WARNIG:BELT ROTATION)
11	WARNING LABEL(BE RUN OVER)
12	WARNING LABEL(ARTICULATE STOPPER)
13	WARNING LABEL(BOOM DROPPING)
14	WARNING LABEL(AIR CLEANER)
15	WARNING LABEL(FUEL FILTER)
16	WARNING LABEL(ACCUMULATOR)
17	WARNING LABEL(E/G)
18	WARNING LABEL(NO SPRAY OF ETHER)
19	WARNING LABEL(BATTERY)
21	WARNING LABEL(BATERY CUT OFF S/W)
22	WARNING LABEL(BATERY CUT OFF S/W)
23	WARNING LABEL(OIL TANK)
24	WARNING LABEL(WARNING FAN ROTATION)
31	FUEL LABEL
32	CAUTION LABEL(FUEL)
33	CAUTION LABEL(FUEL)
34	CAUTION LABEL(BATTERY)
35	LABEL(LUBICATION TO R AXLE)
36	LABEL(BATTERY SWITCH)
37	LABEL(TIRE PRESSURE)
38	LABEL(E/G OIL DRAIN)
39	LABEL(COOLANT DRAIN)
72	LABEL. ENGLISH(T/M OIL)
73	LABEL. ENGLISH(HYDRAULIC OIL)
74	LABEL. ENGLISH(RESALE)
76	LABEL. ENGLISH(A/C REFRIGERANT)
87	CAUTION LABEL(HOOK)



4-A

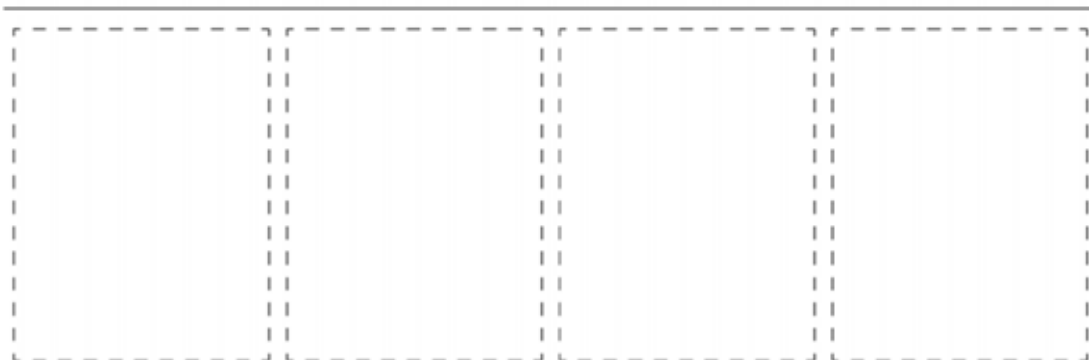
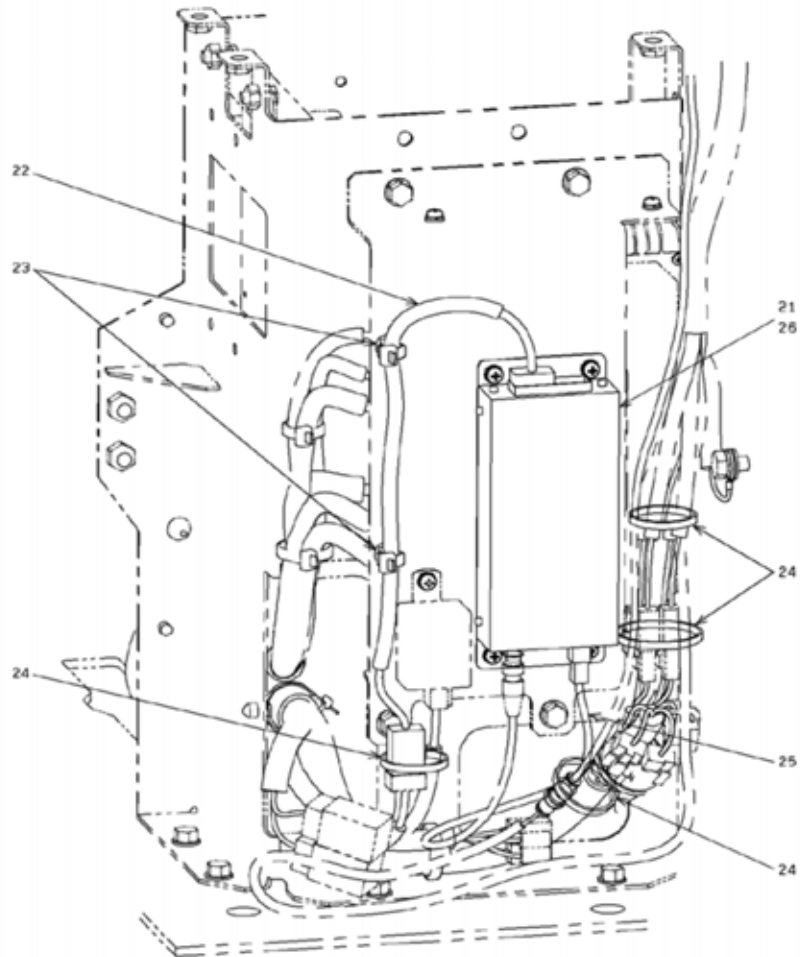
**MARKING GROUP (FOR XTREME SPEC.)**

SYM-BOL	PART NUMBER	PART NAME	UNIT Q,TY	SERIAL		REMARKS							
				(A)	(B)	N	P	D	(A)	(B)	(C)	(D)	REMARKS
52A	44841-22190	LABEL,ENGLISH	1	5001	-	5198							RELAY BOX
52B	44841-22830	LABEL,ENGLISH	1	5199	-								
53A	44841-22450	LABEL,ENGLISH	1	5001	-								
54A	44841-22490	LABEL,ENGLISH	1	5001	-								FUSE BOX-A
57A	44841-22060	LABEL,ENGLISH	1	5001	-								FUSE BOX-B
66A	44794-24240	LABEL,LUBRICATION	1	5001	-								WIPER/IDLE STOP RELA
71A	44841-21870	LABEL,ENGLISH	1	5001	-								GREASE/REAR AXLE
81A	44787-24980	LABEL,WARNING	2	5001	-								YELLOW
82A	44774-24650	LABEL	2	5001	-								KAWASAKI/KCM
83A	44774-22640-7	LABEL	1	5001	-								KAWASAKI
84A	44774-27530	LABEL	2	5001	-								
106A	44787-25880	LABEL,WARNING	1	5169	-								
107A	44787-25890	LABEL,WARNING	1	5169	-								
151A	44771-23880-7	LABEL KIT	1	5001	-								
152A	44771-23890-7	LABEL KIT	1	5001	-								
153A	44771-23920-7	LABEL KIT	1	5001	-								

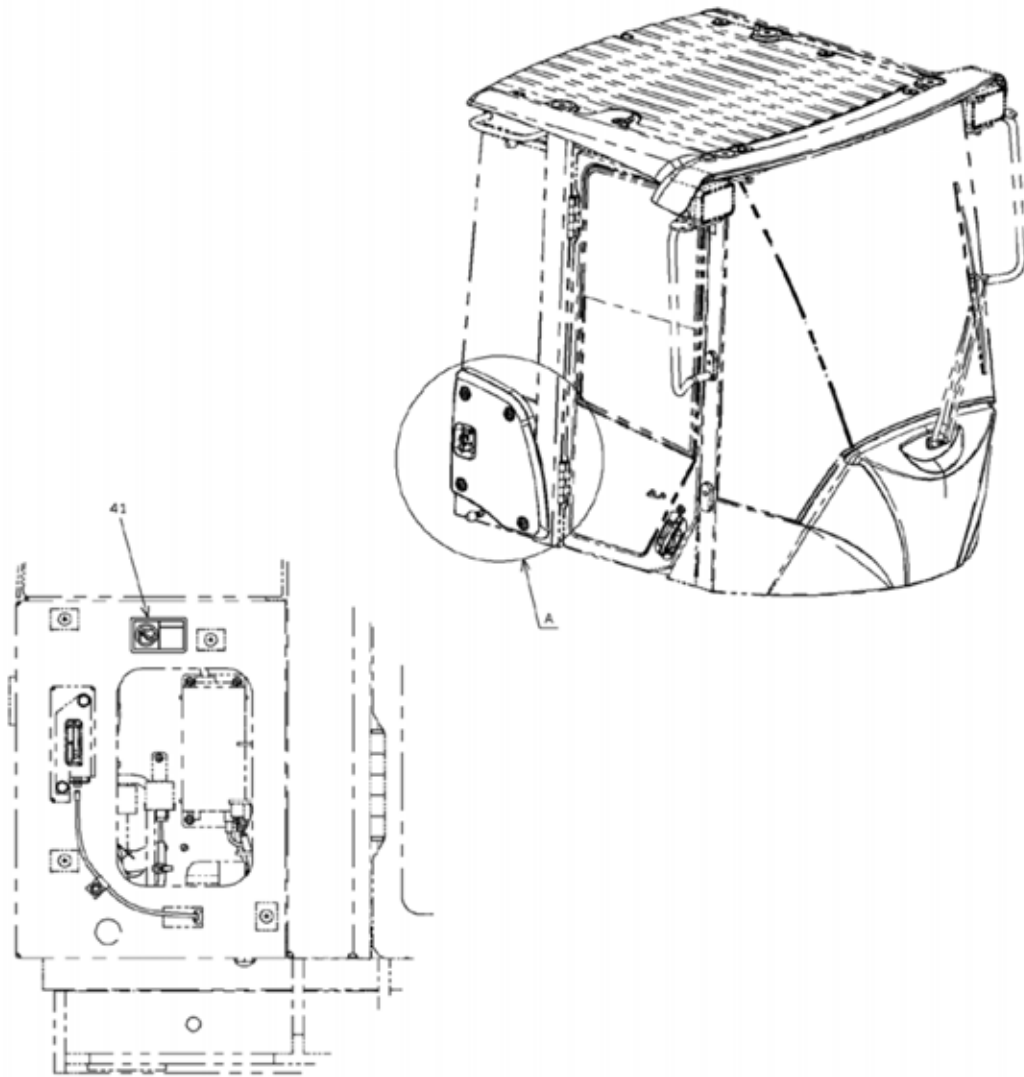
---

MEMO

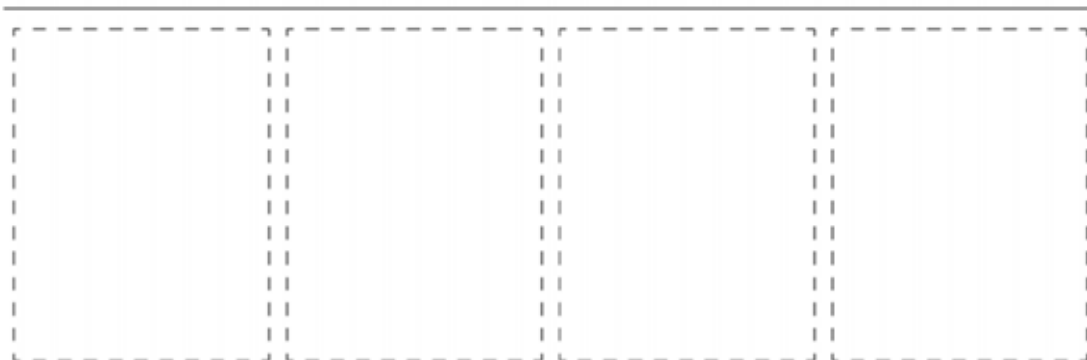
---



1-A



DETAIL OF 'A'



2-A

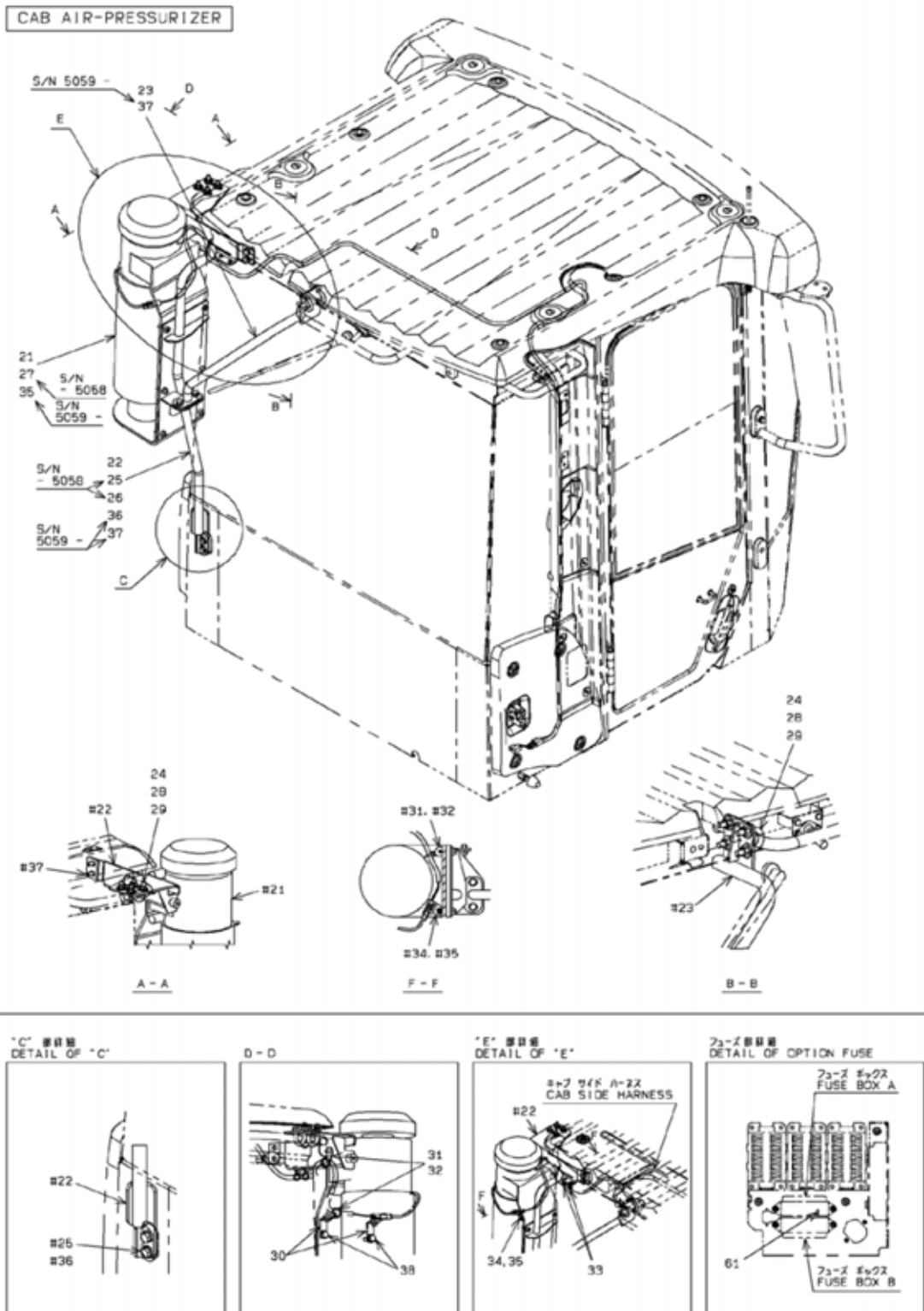
GPS

SYM-BOL	PART NUMBER	PART NAME	UNIT Q,TY	SERIAL (A) - (B)	REMARKS					
					N	P	D	(A)	(B)	(C)
21A	33410-63540	CONTROLLER UNIT	1	5001 -						
22A	33194-36240	CABLE ASSY	1	5001 -						
23A	32925-20050	CLAMP,CABLE	2	5001 -						
24A	32923-70090	CLAMP,HOSE	4	5001 -						L=202
25A	33190-47250	CABLE	1	5001 -						
26A	80104-60616	SCREW	4	5001 -						(35100-72430)
41A	44787-25020	LABEL,WARNING	1	5001 -						

---

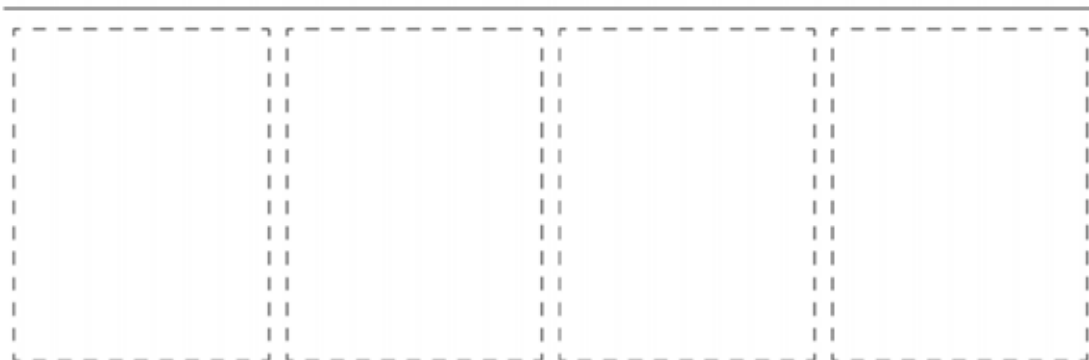
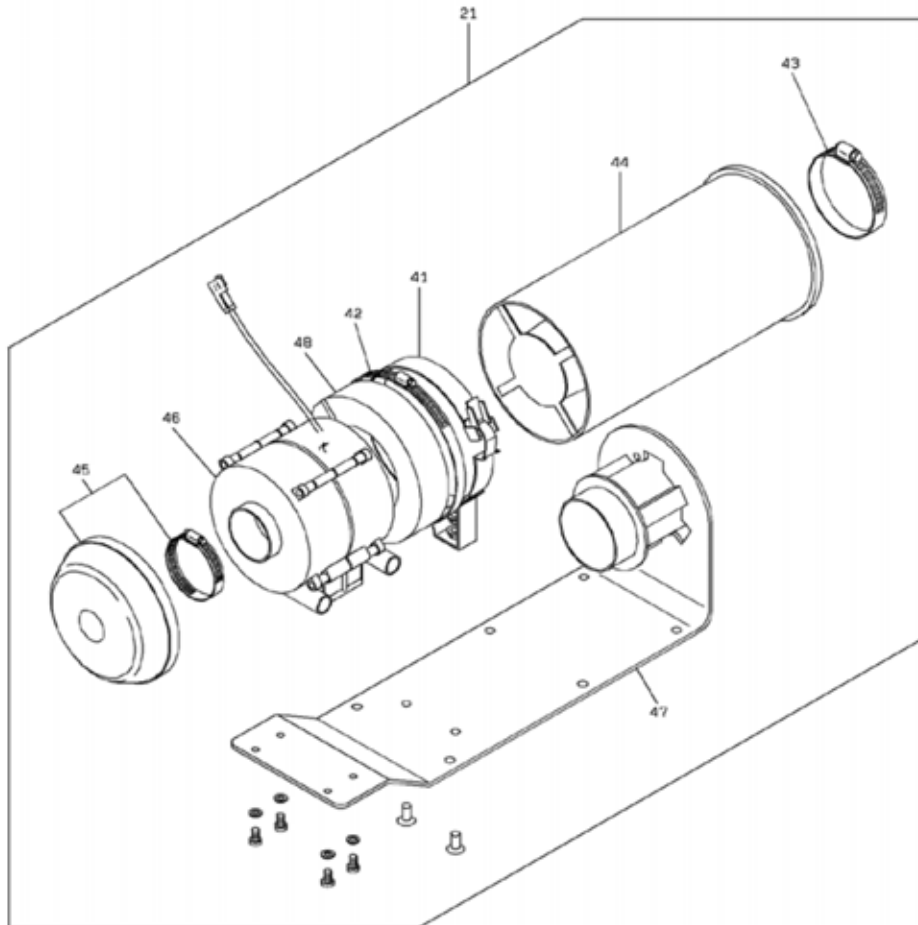
MEMO

CAB ACCESSORIES MOUNT



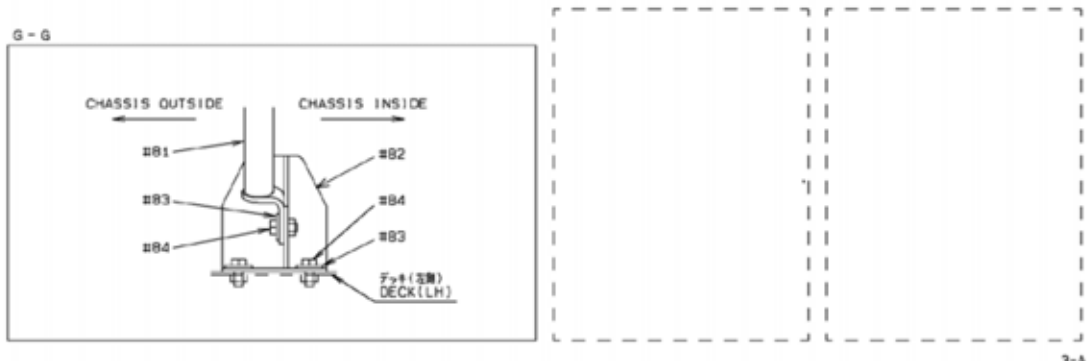
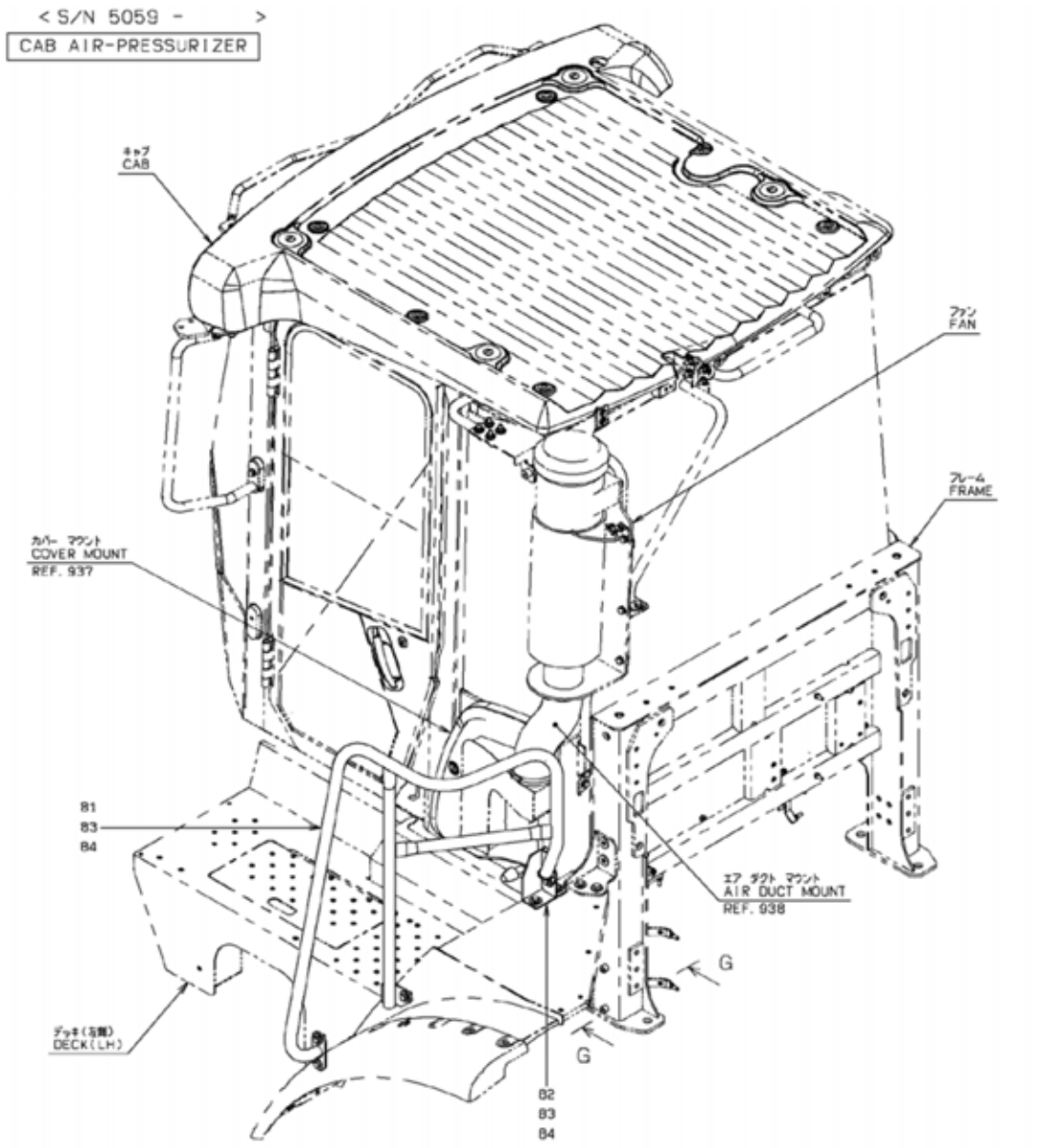
# CAB ACCESSORIES MOUNT

CAB AIR-PRESSURIZER



2-A

# CAB ACCESSORIES MOUNT



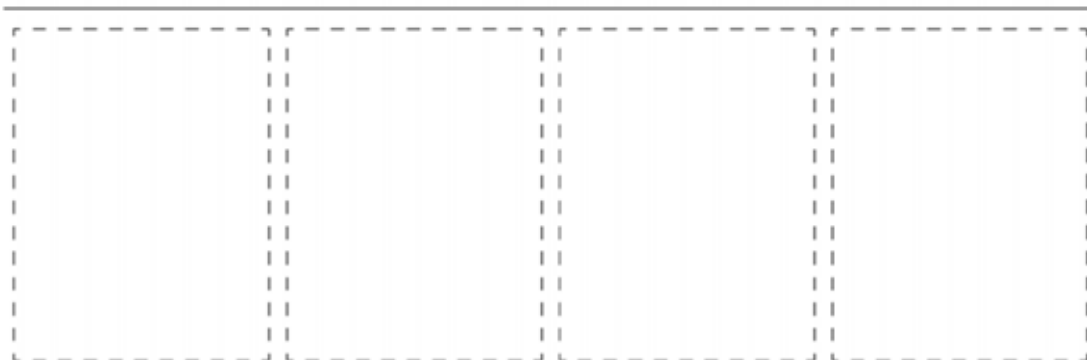
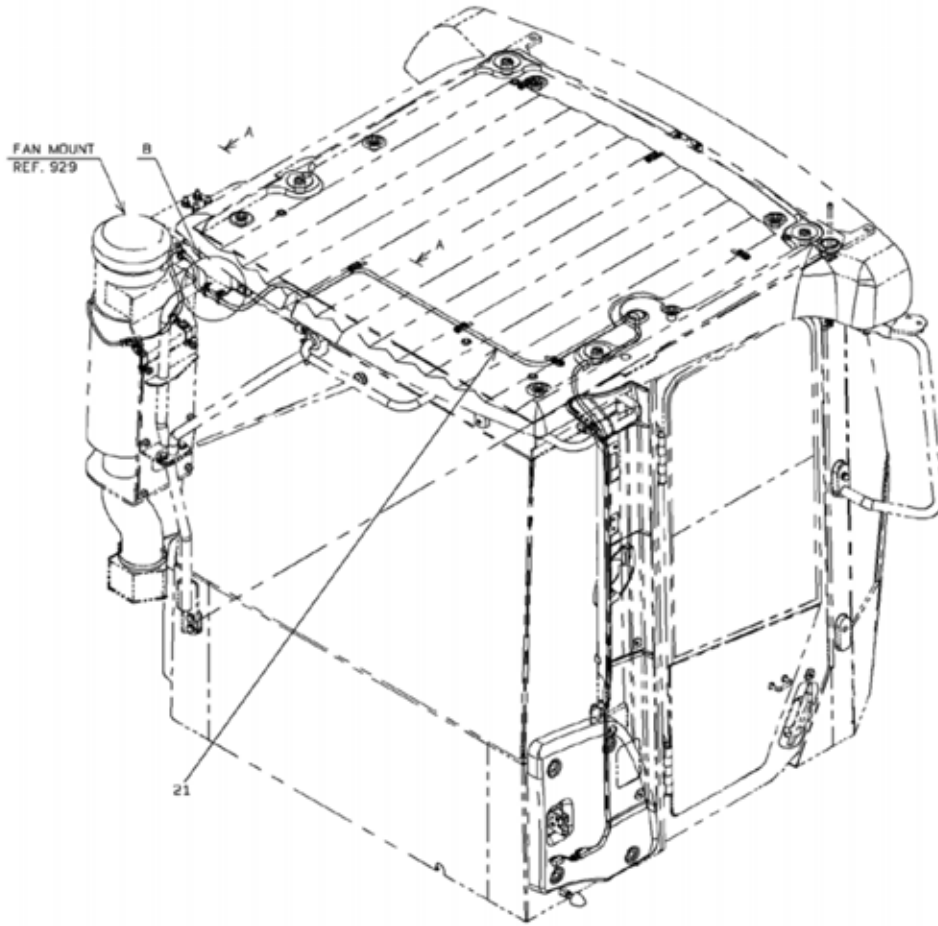
3-A

**CAB ACCESSORIES MOUNT**

SYM-BOL	PART NUMBER	PART NAME	UNIT Q,TY	SERIAL		REMARKS						
				(A)	(B)	N	P	D	(A)	(B)	(C)	(D)
21A	40205-60020-7	FAN ASSY	1	5001	-						Y01	
22A	40910-22350	BRACKET ASSY	1	5001	-							
23A	40903-26720	BRACKET	1	5001	-							
24A	43962-21500	BOLT,U	4	5001	-							
25A	43932-70730	BOLT,W/WASHER	2	5001	-	5058					D	
26A	43932-70740	BOLT,W/WASHER	4	5001	-	5058					D	
27A	43932-70750	BOLT SET,SQUARE NECK	6	5001	-	5058					D	
28A	88031-06101	NUT,SELF-LOCKING	8	5001	-							
29A	46011-20190	WASHER,PLANE	8	5001	-							
30A	41754-24690	PLATE	2	5059	-							
31A	32923-70120	CLAMP,HOSE	2	5059	-							FR M8
32A	32923-70090	CLAMP,HOSE	2	5059	-							L=202
33A	32923-70210	CLAMP,HOSE	2	5059	-							L=395
34A	43550-70460	HOLDER	1	5059	-							
35A	62480-21081	NUT,FLANGED	1	5059	-							
36A	80102-71020	BOLT,W/WASHER	2	5059	-							
37A	80102-71025	BOLT,W/WASHER	4	5059	-							
38A	80102-71030	BOLT,W/WASHER	6	5059	-							
41A	32920-71070-7	CLAMP	1	5001	-						01	
42A	44839-70090-7	CLAMP ASSY	1	5001	-						01	
43A	32920-71080-7	CLAMP	1	5001	-						01	
44A	40330-70710-7	FILTER	1	5001	-						01	
45A	32210-72910-7	CAP	1	5001	-						01	
46A	42730-70190-7	PRECLEANER	1	5001	-						01	
47A	41650-70410-7	PLATE ASSY	1	5001	-						01	
48A	30230-70620-7	ADAPTER	1	5001	-						01	
61A	39880-20190	FUSE	1	5059	-							24V20A
81A	38130-37610	HANDRAIL	1	5101	-							FR LH
82A	41755-21710	PLATE	1	5101	-							
83A	46011-21300	WASHER,PLANE	1	5101	-							
84A	61033-10025	BOLT	1	5101	-							

# CAB OPTION PARTS

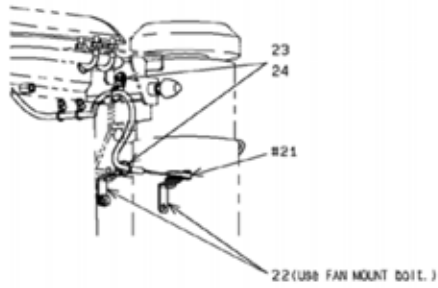
<S/N 5001 ~ 5058>  
CAB AIR-PRESSURIZER



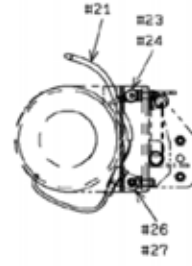
1-A

# CAB OPTION PARTS

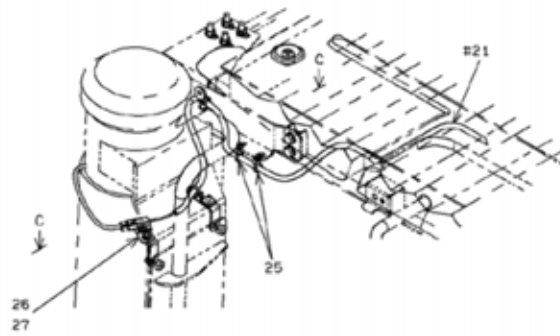
<S/N 5001 ~ 5058>  
CAB AIR-PRESSURIZER



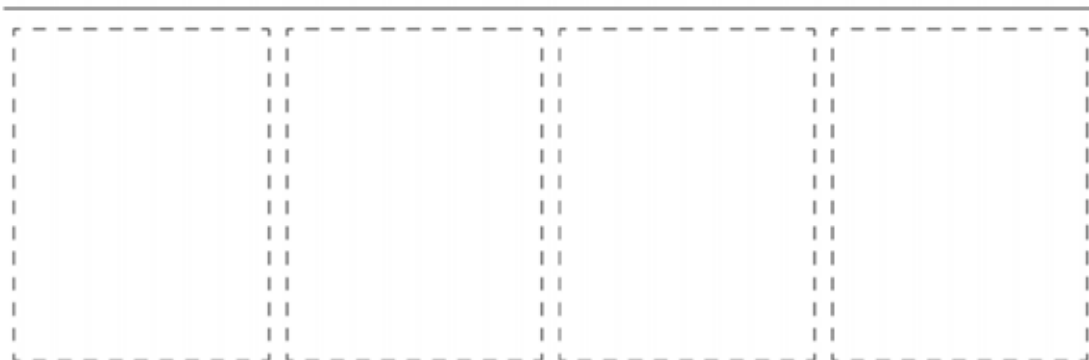
A - A



C - C



DETAIL OF "B"



2-A

**CAB OPTION PARTS**

SYM-BOL	PART NUMBER	PART NAME	UNIT Q,TY	SERIAL (A) - (B)	REMARKS						
					N	P	D	(A)	(B)	(C)	(D)
21A	33194-37450	CABLE ASSY	1	5001 - 5058							
22A	41754-24690	PLATE	2	5001 - 5058							
23A	32923-70120	CLAMP,HOSE	2	5001 - 5058							
24A	32923-70090	CLAMP,HOSE	2	5001 - 5058							FR M8
25A	32923-70210	CLAMP,HOSE	2	5001 - 5058							L=202
26A	43550-70460	HOLDER	1	5001 - 5058							L=395
27A	62480-21081	NUT,FLANGED	1	5001 - 5058							

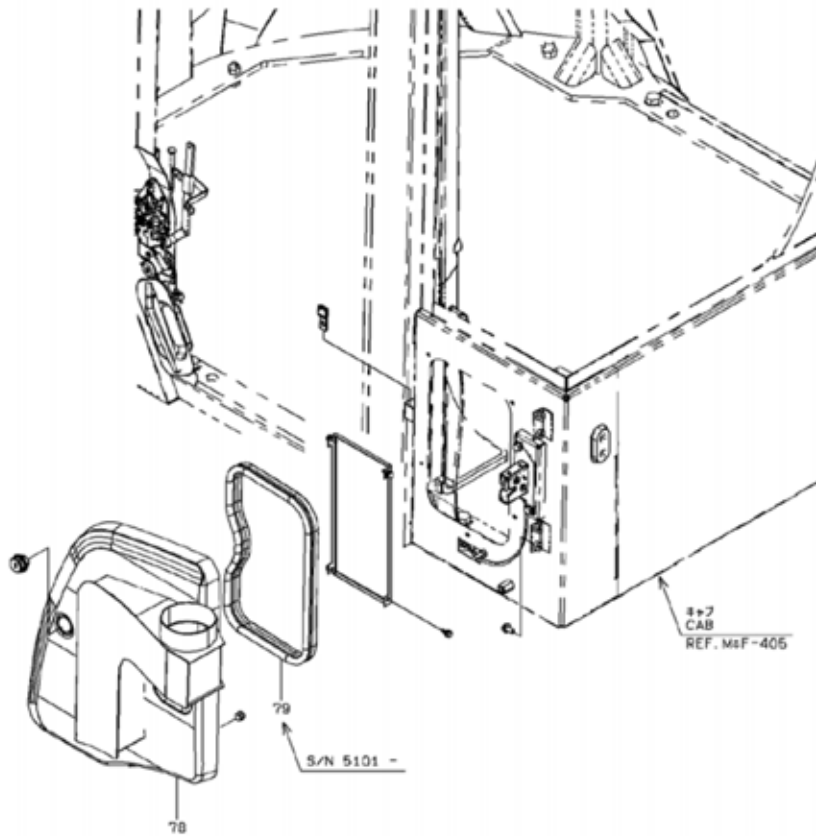
---

MEMO

# COVER MOUNT

## CAB AIR-PRESSURIZER

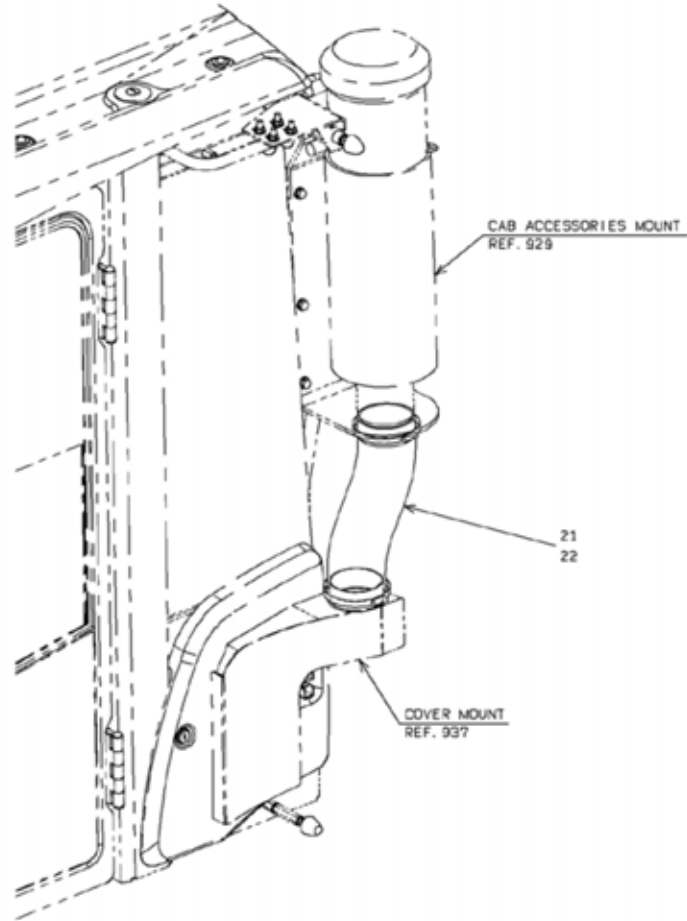
(NOTE): REFER TO STANDARD CATALOG (REF. M4F-405) FOR NO SYMBOL PARTS.





# AIR DUCT MOUNT

CAB AIR-PRESSURIZER

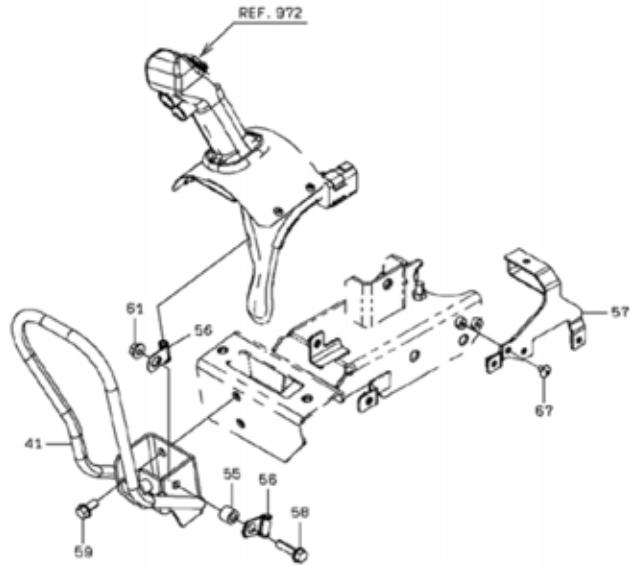


1-A

### AIR DUCT MOUNT

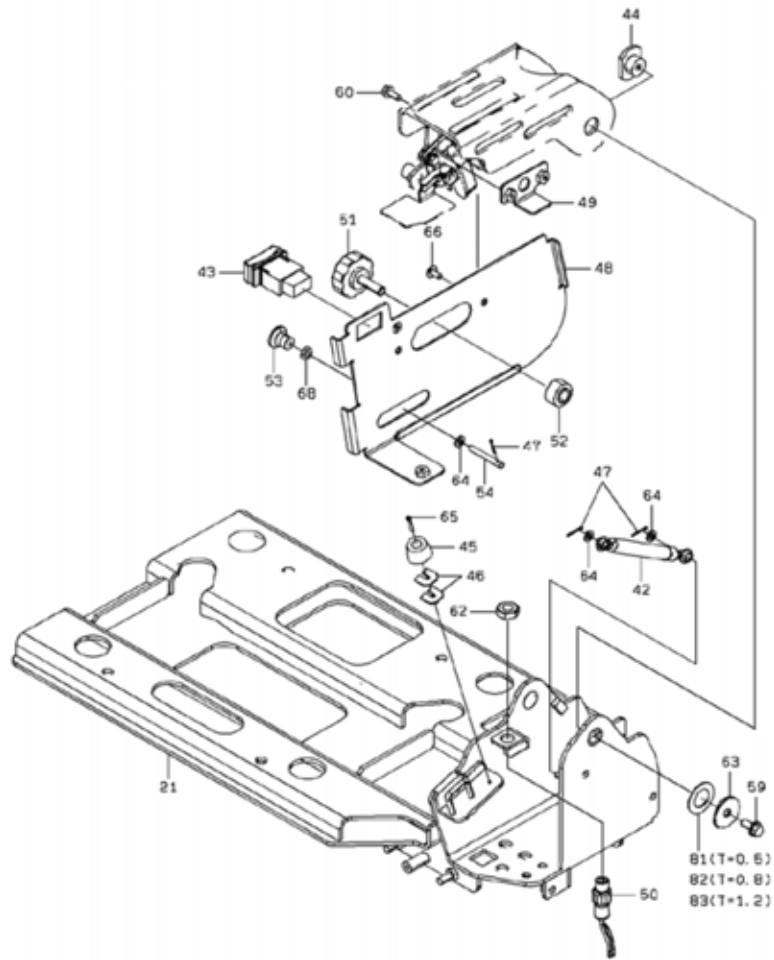
SYM-BOL	PART NUMBER	PART NAME	UNIT Q,TY	SERIAL (A) - (B)	REMARKS					
					N	P	D	(A)	(B)	(C)
21A	43111-24410	HOSE,AIR	1	5001 -						
22A	69002-12700-7	BAND,HOSE	2	5001 -						

# JOYSTICK STEERING GROUP



1-A

# JOYSTICK STEERING GROUP



2-A

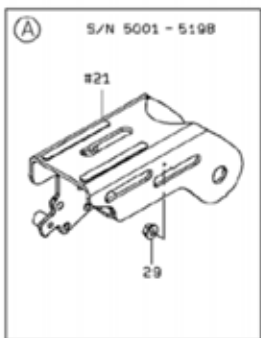
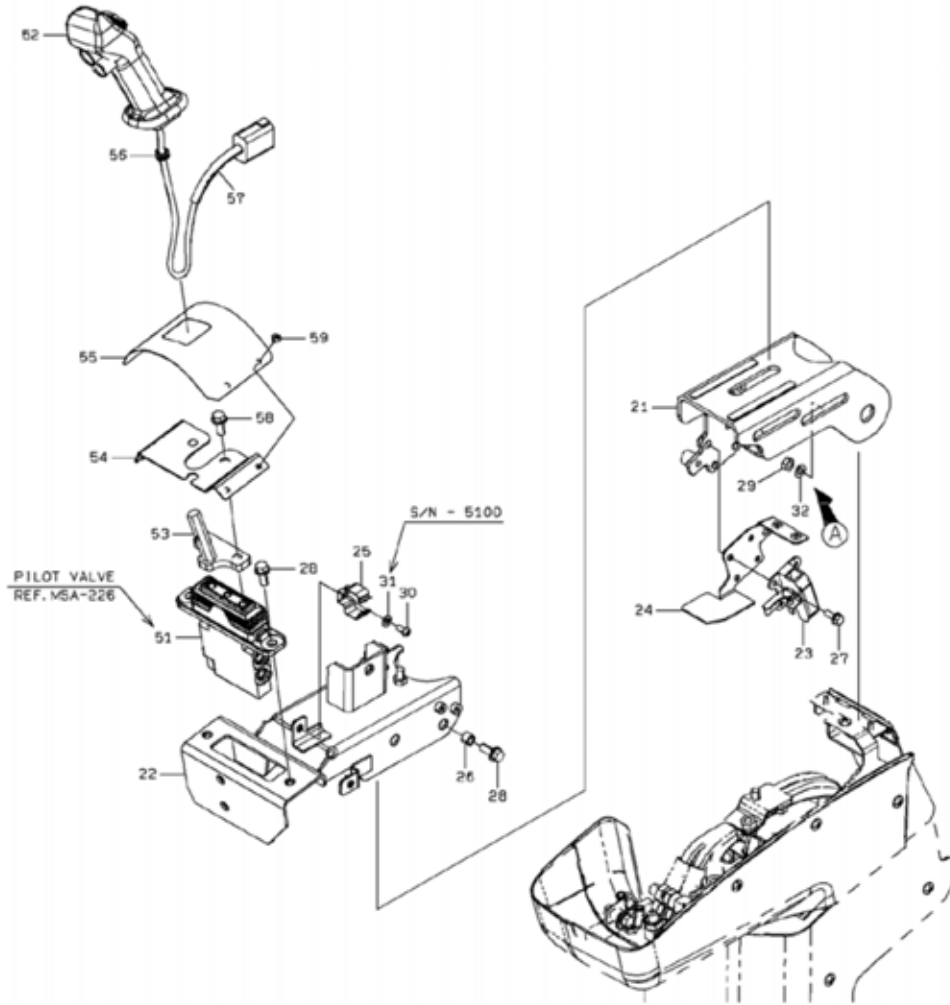
### JOYSTICK STEERING GROUP

SYM-BOL	PART NUMBER	PART NAME	UNIT Q,TY	SERIAL		REMARKS						
				(A)	(B)	N	P	D	(A)	(B)	(C)	(D)
21A	40903-29590	BRACKET	1	5001	-							
41A	38130-36860	HANDRAIL	1	5001	-							
42A	35617-20040	SPRING,GAS	1	5001	-							
43A	35010-61070	SWITCH	1	5001	-							
44A	40044-22420	PIN,HEAD	2	5001	-							
45A	35440-21640	STOPPER	1	5001	-							
46A	34200-25370	SHIM	2	5001	-							
47A	63002-02016	PIN,SPLIT	3	5001	-							
48A	41754-48430	PLATE	1	5001	-							
49A	41754-38390	PLATE	1	5001	-							
50A	35057-70010	SWITCH,MICRO	1	5001	-							
51A	37810-60400	KNOB	1	5001	-							
52A	35700-23070	SPACER	1	5001	-							
53A	37810-20460	KNOB	1	5001	-							
54A	45870-30710	ROD	1	5001	-							
55A	43780-44750	BOSS	1	5001	-							
56A	43573-20330	HOLDER,PIPE	2	5001	-							D=6.4
57A	41754-48490	PLATE	1	5001	-	5166						
57B	41755-51310	PLATE	1	5167	-		C					
58A	61802-08030	BOLT,FLANGED	1	5001	-							
59A	61802-08016-7	BOLT,FLANGED	4	5001	-							
60A	61802-06016	BOLT,FLANGED	2	5001	-							
61A	62480-21081	NUT,FLANGED	1	5001	-							
62A	62403-81142	NUT	1	5001	-							
63A	46011-23180	WASHER,PLANE	2	5001	-							
64A	62701-40061	WASHER,PLANE	3	5001	-							
65A	62256-51320	SCREW	1	5001	-	5100						
65B	80106-91320	SCREW	1	5101	-		A					
66A	35100-72470	SCREW	2	5001	-	5058						
66B	80106-50612	SCREW	2	5059	-		A					
67A	35100-20680	SCREW	2	5001	-	5058						
67B	80106-50608	SCREW	2	5059	-		A					
68A	62403-81061	NUT	1	5001	-							
81A	34200-28840	SHIM	2	5001	-							T=0.5
82A	34200-28850	SHIM	2	5001	-							T=0.8
83A	34200-28860	SHIM	2	5001	-							T=1.2

---

MEMO

# CONTROL VALVE GROUP(FOR JOYSTICK STEERING)

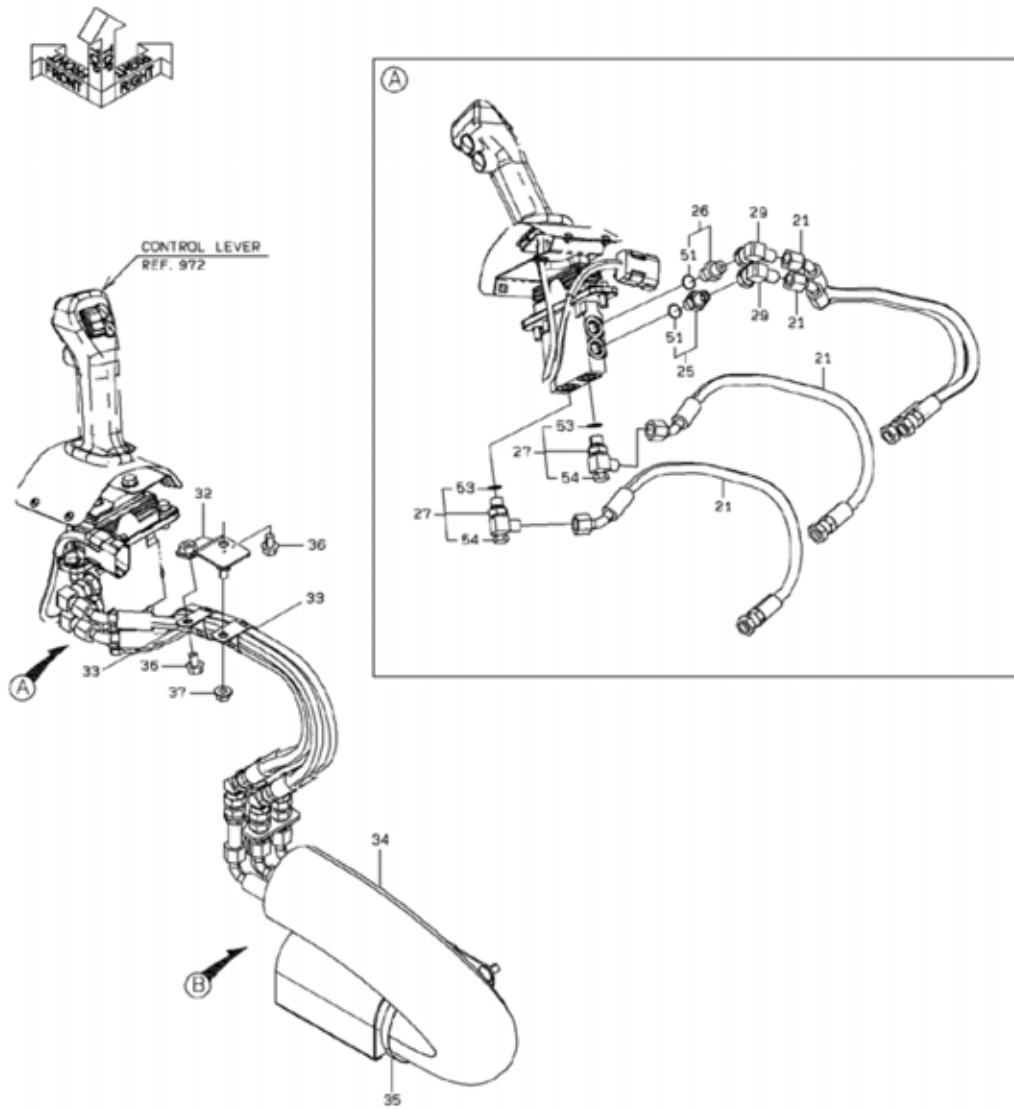


1-C

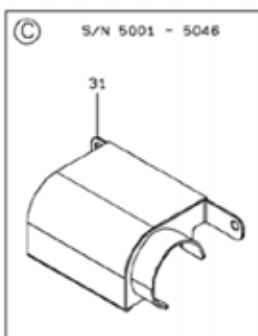
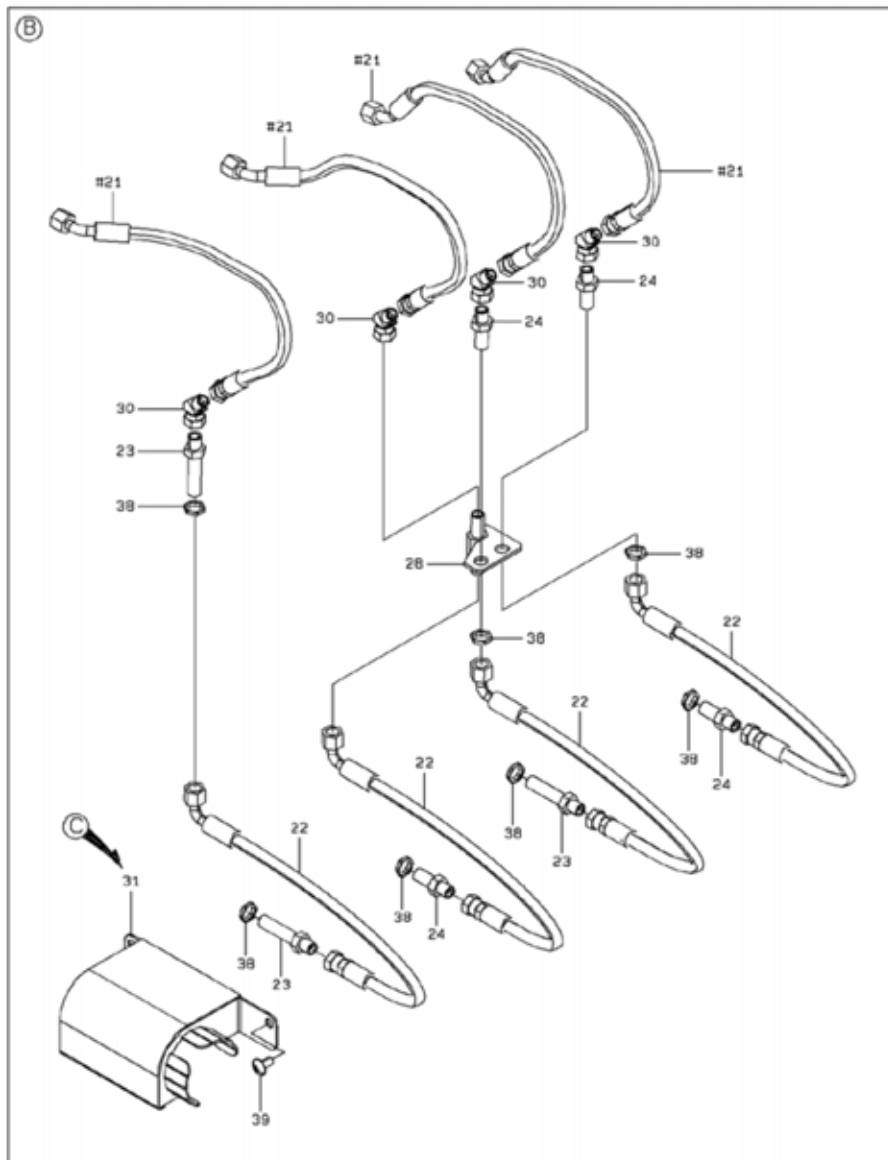
**CONTROL VALVE GROUP(FOR JOYSTICK STEERING)**

SYM-BOL	PART NUMBER	PART NAME	UNIT Q,TY	SERIAL		REMARKS							
				(A)	(B)	N	P	D	(A)	(B)	(C)	(D)	REMARKS
21A	40903-29580	BRACKET	1	5001	- 5042			H					
21B	40903-30810	BRACKET	1	5043	-			B	WA1				
22A	40903-30600	BRACKET	1	5001	- 5042			H					
22B	40903-30820	BRACKET	1	5043	-			B	A1				
23A	32151-20220	CATCH ASSY	1	5001	-								
24A	41754-48440	PLATE	1	5001	-								
25A	43571-60060	HOLDER,SPRING	1	5001	-								DT 12 POLE
26A	38721-36690	PIPE	2	5001	-								
27A	61802-06016	BOLT,FLANGED	4	5001	- 5198								
27B	80102-60620	BOLT,W/WASHER	4	5199	-			A					
28A	61802-08020	BOLT,FLANGED	4	5001	- 5198								
28B	80102-60825	BOLT,W/WASHER	4	5199	-			A					
29A	62480-21081	NUT,FLANGED	2	5001	- 5198								
29B	80109-50008	NUT	2	5199	-			C					
30A	62256-51612	SCREW	1	5001	- 5100								
30B	80106-70612	SCREW	1	5101	-			A					
31A	62721-06100	WASHER,SPRING	1	5001	- 5100					D			
32A	80102-22008	WASHER,PLANE	2	5199	-								
51A	38560-60910	VALVE,PILOT	1	5001	-								
52A	37810-60380	KNOB	1	5001	- 5198								
52B	37810-60430	KNOB	1	5199	-			C					
53A	45600-26380	LEVER	1	5001	-								
54A	41754-43660	PLATE	1	5001	-								
55A	41717-46130	PLATE	1	5001	-								
56A	65801-06016	BUSHING,ELASTIC	1	5001	-								
57A	36724-70040	TUBE,CONDUIT	1	5001	-								
58A	61802-08016-7	BOLT,FLANGED	2	5001	- 5198								
58B	80102-60816	BOLT,W/WASHER	2	5199	-			A					
59A	35100-72890	SCREW	4	5001	- 5058								
59B	80106-50408	SCREW	4	5059	-			A					

# CONTROL LEVER HYDRAULIC LINE(FOR JOYSTICK STEERING)



# CONTROL LEVER HYDRAULIC LINE(FOR JOYSTICK STEERING)



2-A

**CONTROL LEVER HYDRAULIC LINE(FOR JOYSTICK STEERING)**

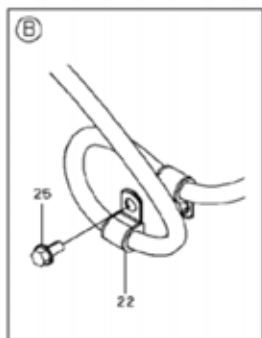
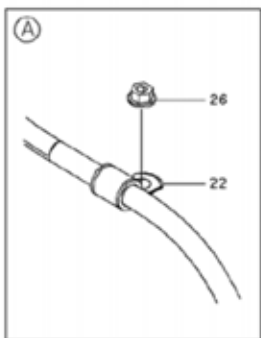
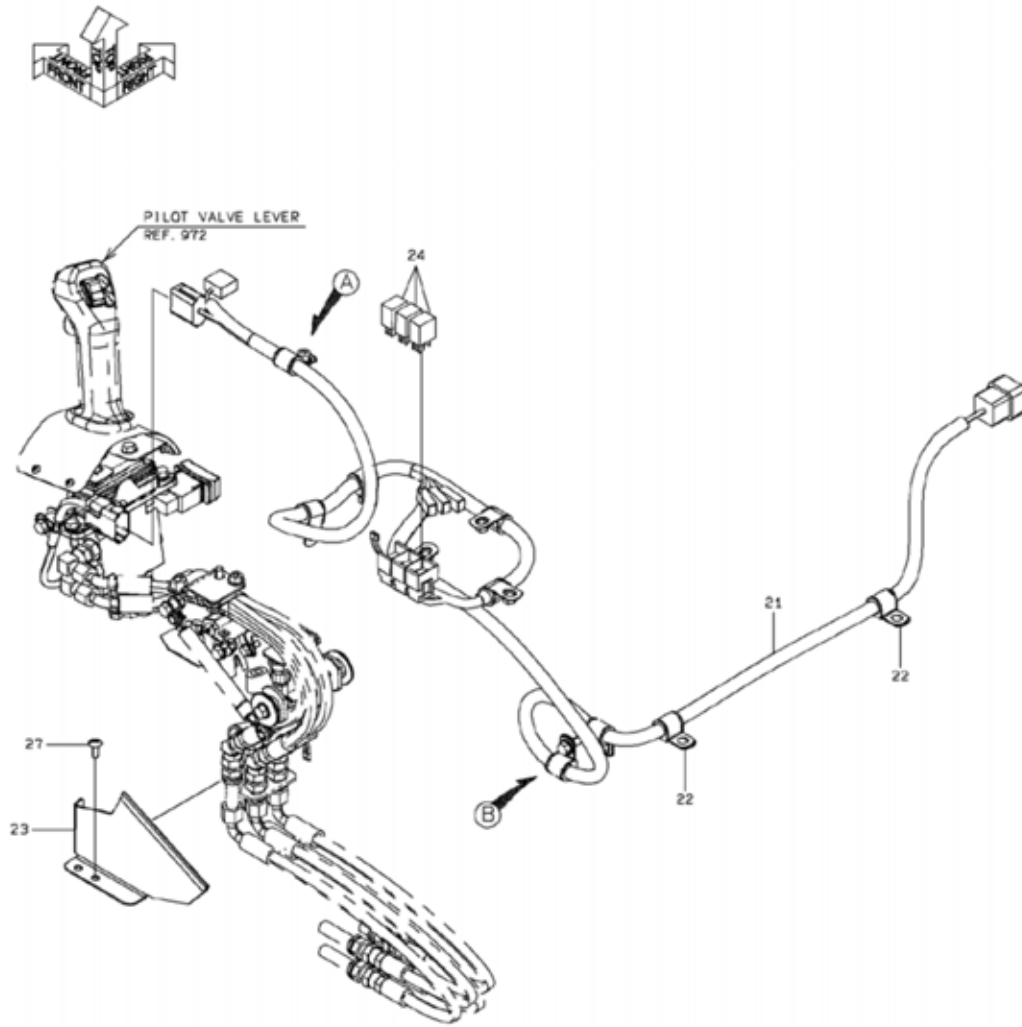
SYM-BOL	PART NUMBER	PART NAME	UNIT Q,TY	SERIAL		REMARKS						
				(A)	(B)	N	P	D	(A)	(B)	(C)	(D)
21A	68045-10048	HOSE,HIGH PRESSURE	4	5001	-							
22A	68035-10057	HOSE,HIGH PRESSURE	4	5001	-							
23A	30230-30250	ADAPTER	3	5001	-							
24A	30230-21780	ADAPTER	4	5001	-							
25A	30230-30790	ADAPTER	1	5001	-					Y01		
26A	88201-06704	ADAPTER	1	5001	-					Y01		
27A	30241-27300	ADAPTER,ELBOW	2	5001	-					Y02		
28A	30230-30900	ADAPTER	1	5001	-							
29A	30242-20100	ADAPTER,ELBOW UNION	2	5001	-							
30A	30242-20870	ADAPTER,ELBOW UNION	4	5001	-							
31A	31206-29370	COVER	1	5001	-	5046						
31B	31206-30740	COVER	1	5047	-		B					
32A	41754-32950	PLATE	1	5001	-	5060						
32B	41755-22330	PLATE	1	5061	-		C					
33A	87020-28000	HOLDER,PIPE	2	5001	-							D=28
34A	43111-25310	HOSE,AIR	1	5001	-							
35A	69002-09800-7	BAND,HOSE	1	5001	-							
36A	61802-08012	BOLT,FLANGED	2	5001	-							
37A	62480-21081	NUT,FLANGED	1	5001	-							
38A	37600-20790	NUT	7	5001	-							
39A	35100-20870	SCREW	2	5001	-	5046						
39B	35100-72480	SCREW	2	5047	-	5058	B					
39C	80106-50820	SCREW	2	5059	-		A					
51A	65210-12011	RING,O	1	5001	-					01		
53A	65210-12011	RING,O	1	5001	-						02	
54A	88390-14202	PLUG	1	5001	-						02	

---

MEMO

---

# ELECTRICAL WIRING (FOR JOYSTICK STEERING)

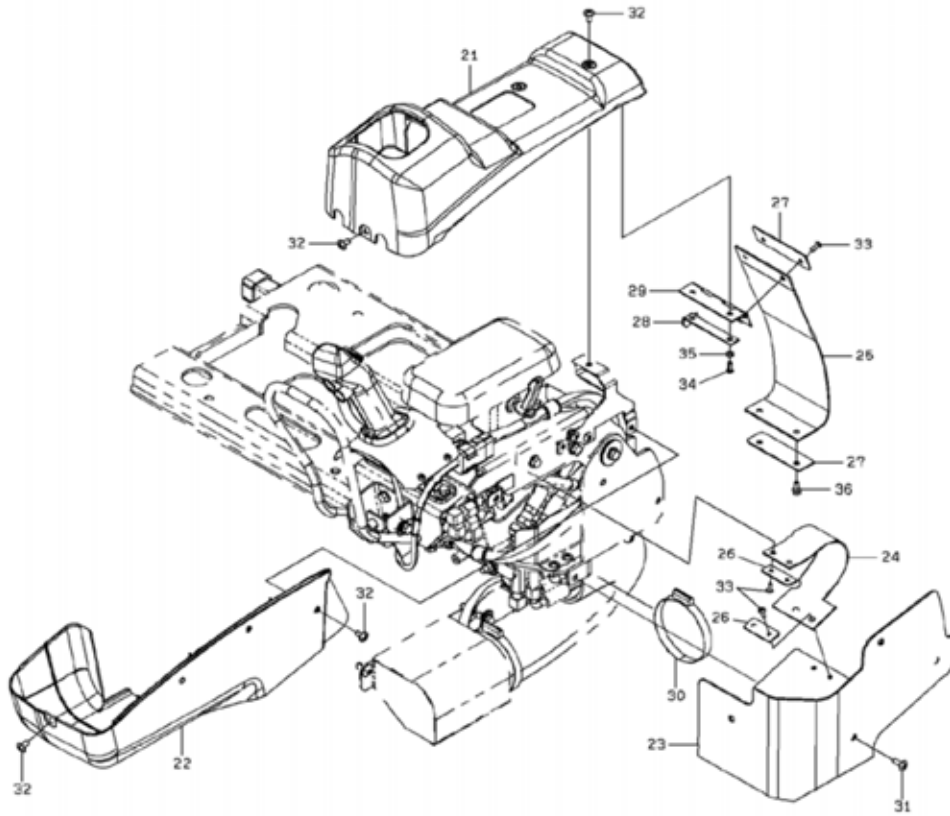


1-A

**ELECTRICAL WIRING (FOR JOYSTICK STEERING)**

SYM-BOL	PART NUMBER	PART NAME	UNIT Q,TY	SERIAL (A) - (B)	REMARKS				REMARKS
					N	P	D	(A) (B) (C) (D)	
21A	33194-39790	CABLE ASSY	1	5001 -					D=15
22A	43573-20350	HOLDER,PIPE	10	5001 -					
23A	41717-45000	PLATE	1	5001 -					
24A	45050-60140	RELAY	3	5001 -					
25A	61802-08016-7	BOLT,FLANGED	2	5001 -					
26A	62480-21081	NUT,FLANGED	6	5001 -					
27A	35100-20010	SCREW	2	5001 - 5058					A
27B	80106-50616	SCREW	2	5059 -					

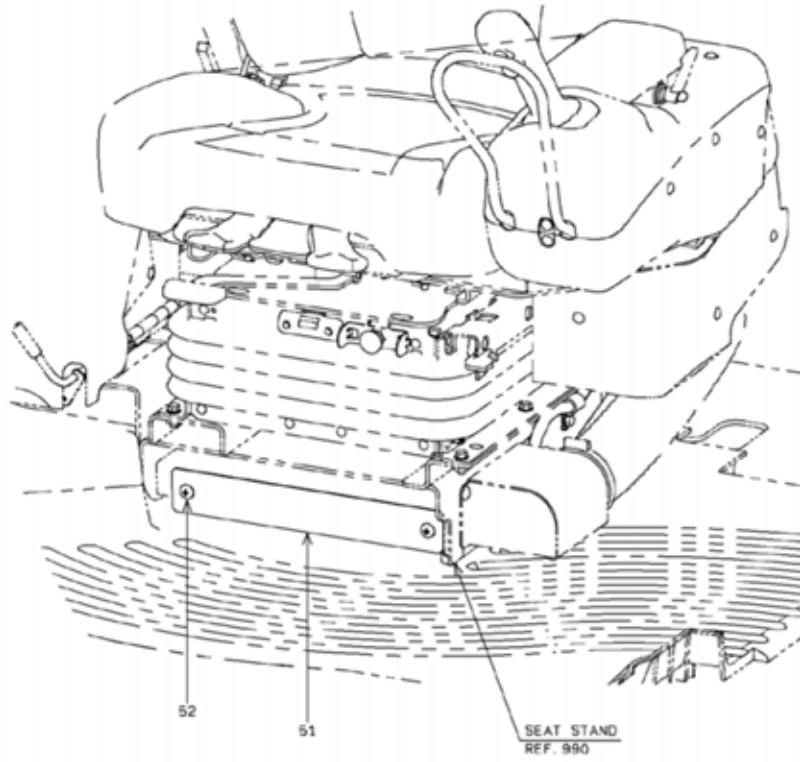
# COVER MOUNT(FOR JOYSTICK STEERING)



1-A

# COVER MOUNT(FOR JOYSTICK STEERING)

< S/N 5047 - >



2-A

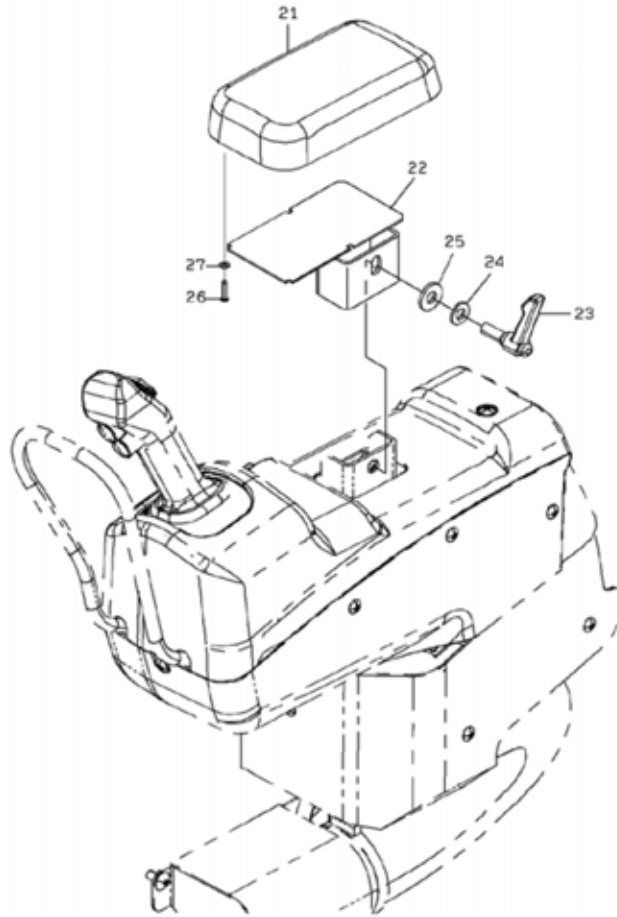
**COVER MOUNT(FOR JOYSTICK STEERING)**

SYM-BOL	PART NUMBER	PART NAME	UNIT Q,TY	SERIAL (A) - (B)	REMARKS					
					N	P	D	(A)	(B)	(C)
21A	31200-45340	COVER	1	5001 -						
22A	31200-45350	COVER	1	5001 -						
23A	31206-30110	COVER	1	5001 - 5046						
23B	31206-30350	COVER	1	5047 -	A					
24A	33713-33610	SHEET,RUBBER	1	5001 -						
25A	33713-33720	SHEET,RUBBER	1	5001 -						
26A	41717-32860	PLATE	2	5001 -						
27A	41717-30880	PLATE	2	5001 -						
28A	41717-48160	PLATE	1	5001 -						
29A	39890-24360	HINGE	1	5001 -						
30A	69002-09800-7	BAND,HOSE	1	5001 -						
31A	35100-20010	SCREW	4	5001 - 5058						
31B	80106-50616	SCREW	4	5059 -	A					
32A	35100-72470	SCREW	9	5001 - 5058						
32B	80106-50612	SCREW	9	5059 - 5166	A					
32C	80106-50610	SCREW	9	5167 -	C					
33A	35100-20290	SCREW	6	5001 - 5058						
33B	80106-50410	SCREW	6	5059 -	A					
34A	35106-20130	SCREW,TAPPING	2	5001 - 5058						
34B	81044-05012	SCREW,TAPPING	2	5059 -	A					
35A	62701-40051	WASHER,PLANE	2	5001 -						
36A	61802-05012	BOLT,FLANGED	2	5001 -						
51A	41717-59080	PLATE	1	5047 -						
52A	35100-72480	SCREW	2	5047 - 5058						
52B	80106-50820	SCREW	2	5059 -	A					

---

MEMO

# ARMREST MOUNT (FOR JOYSTICK STEERING)

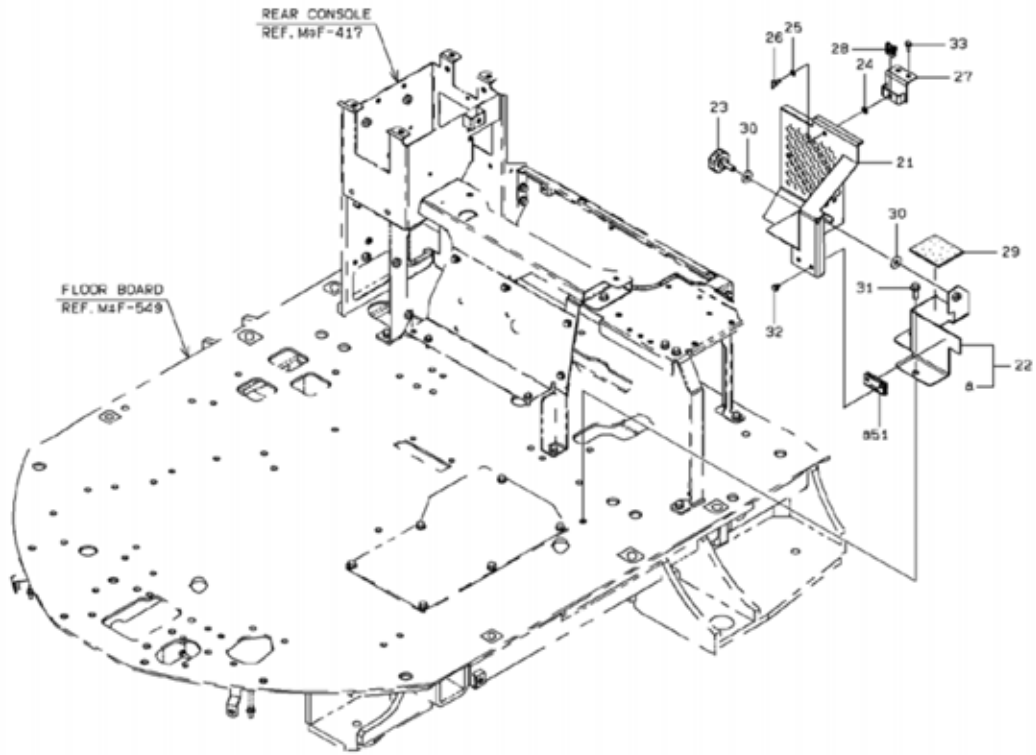


1-A

**ARMREST MOUNT (FOR JOYSTICK STEERING)**

SYM-BOL	PART NUMBER	PART NAME	UNIT Q,TY	SERIAL (A) - (B)	REMARKS					
					N	P	D	(A)	(B)	(C)
21A	30062-60050	ARMREST	1	5001 -						
22A	40903-29860	BRACKET	1	5001 - 5042						
22B	40903-30800	BRACKET	1	5043 -			B			
23A	45600-24960	LEVER	1	5001 -						
24A	62710-18101	WASHER,PLANE	1	5001 -						
25A	46011-20190	WASHER,PLANE	1	5001 -						
26A	62261-14020	SCREW,TAPPING	4	5001 -						
27A	62701-20041	WASHER,PLANE	4	5001 -						

# COVER MOUNT (FOR JOYSTICK STEERING)



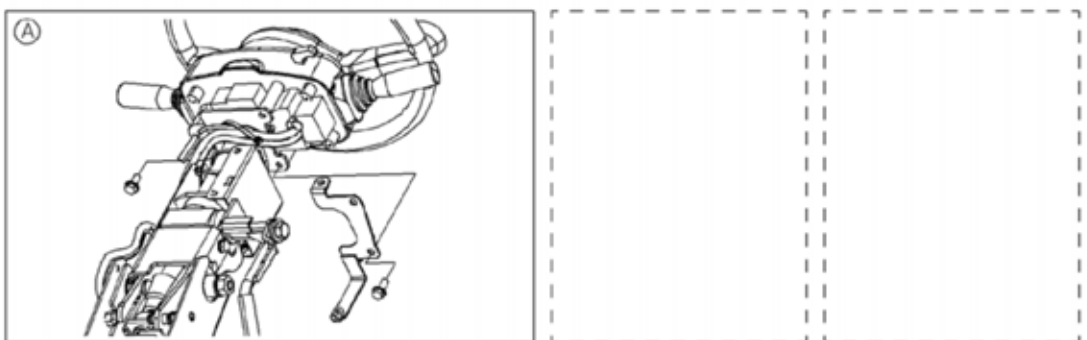
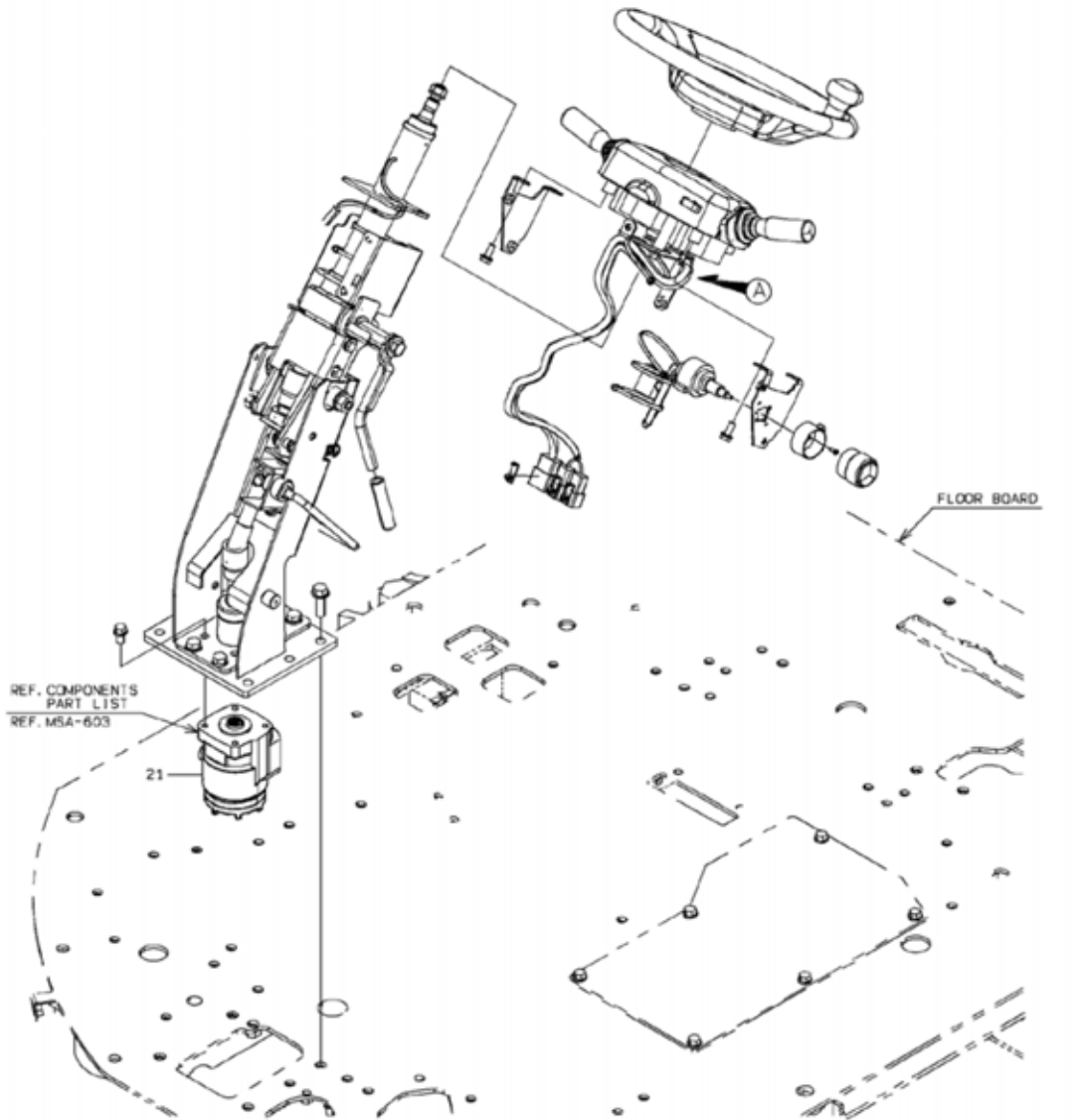
1-A

**COVER MOUNT (FOR JOYSTICK STEERING)**

SYM-BOL	PART NUMBER	PART NAME	UNIT Q,TY	SERIAL (A) - (B)	REMARKS						
					N	P	D	(A)	(B)	(C)	(D)
21A	31206-29880	COVER	1	5001 -							
22A	40903-29500	BRACKET	1	5001 -				Y01			
23A	37810-60400	KNOB	1	5001 -							
24A	46000-25610	WASHER	1	5001 -							
25A	46000-25620	WASHER	1	5001 -							
26A	32150-20580	CATCH	1	5001 -							
27A	41754-43320	PLATE	1	5001 -							
28A	41635-38650	PLATE	1	5001 -							
29A	35681-39830	SPONGE	1	5001 -							
30A	46011-20190	WASHER,PLANE	2	5001 -							
31A	61802-10025	BOLT,FLANGED	2	5001 -							
32A	61802-06010	BOLT,FLANGED	2	5001 -							
33A	61802-06016	BOLT,FLANGED	2	5001 -							
51A	39890-22570	HINGE	1	5001 -				01			WELDING

# SHIFT LEVER GROUP (FOR JOYSTICK STEERING)

(NOTE): REFER TO STANDARD CATALOG(REF.M&F-502) FOR NO SYMBOL PARTS.

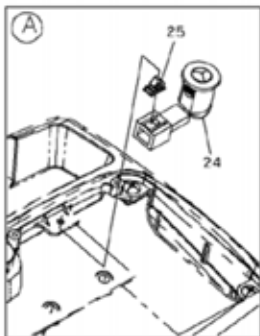
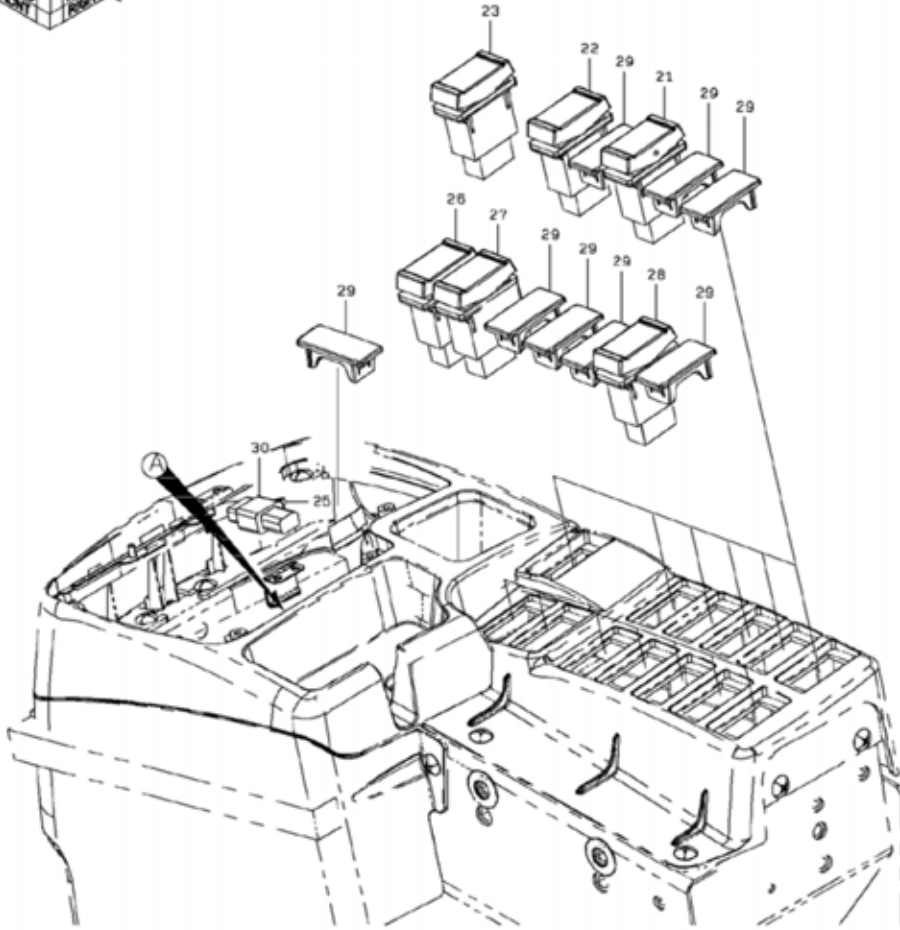


1-A

### SHIFT LEVER GROUP (FOR JOYSTICK STEERING)

SYM-BOL	PART NUMBER	PART NAME	UNIT Q,TY	SERIAL (A) - (B)	REMARKS				REMARKS
					N	P	D	(A) (B) (C) (D)	
21A	31050-60770	ORBITROL(TM) ASSY	1	5001 -					REF.MSA-603

# SWITCH MOUNT (FOR JOYSTICK STEERING)

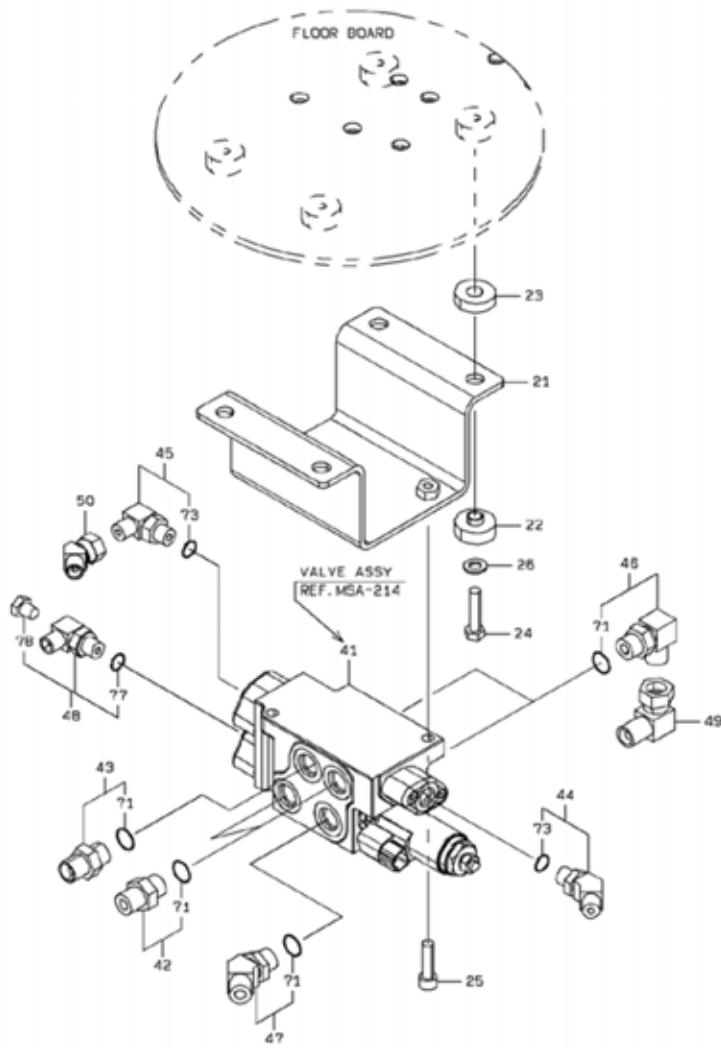


1-A

### SWITCH MOUNT (FOR JOYSTICK STEERING)

SYM-BOL	PART NUMBER	PART NAME	UNIT Q,TY	SERIAL (A) - (B)	REMARKS					
					N	P	D	(A)	(B)	(C)
21A	35010-60980	SWITCH	1	5001 -						
22A	35010-60920	SWITCH	1	5001 -						
23A	35010-61000	SWITCH	1	5001 -						
24A	35046-60060	SWITCH,PUSH	1	5001 -						
25A	32970-20080	CLIP	2	5001 -						
26A	35010-61010	SWITCH	1	5001 -						
27A	35010-60970	SWITCH	1	5001 -						
28A	35010-60940	SWITCH	1	5001 -						
29A	41530-60180	PLUG	8	5001 -						
30A	33305-21210	CONNECTOR ASSY	1	5001 -						

# VALVE MOUNT (FOR JOYSTICK STEERING)

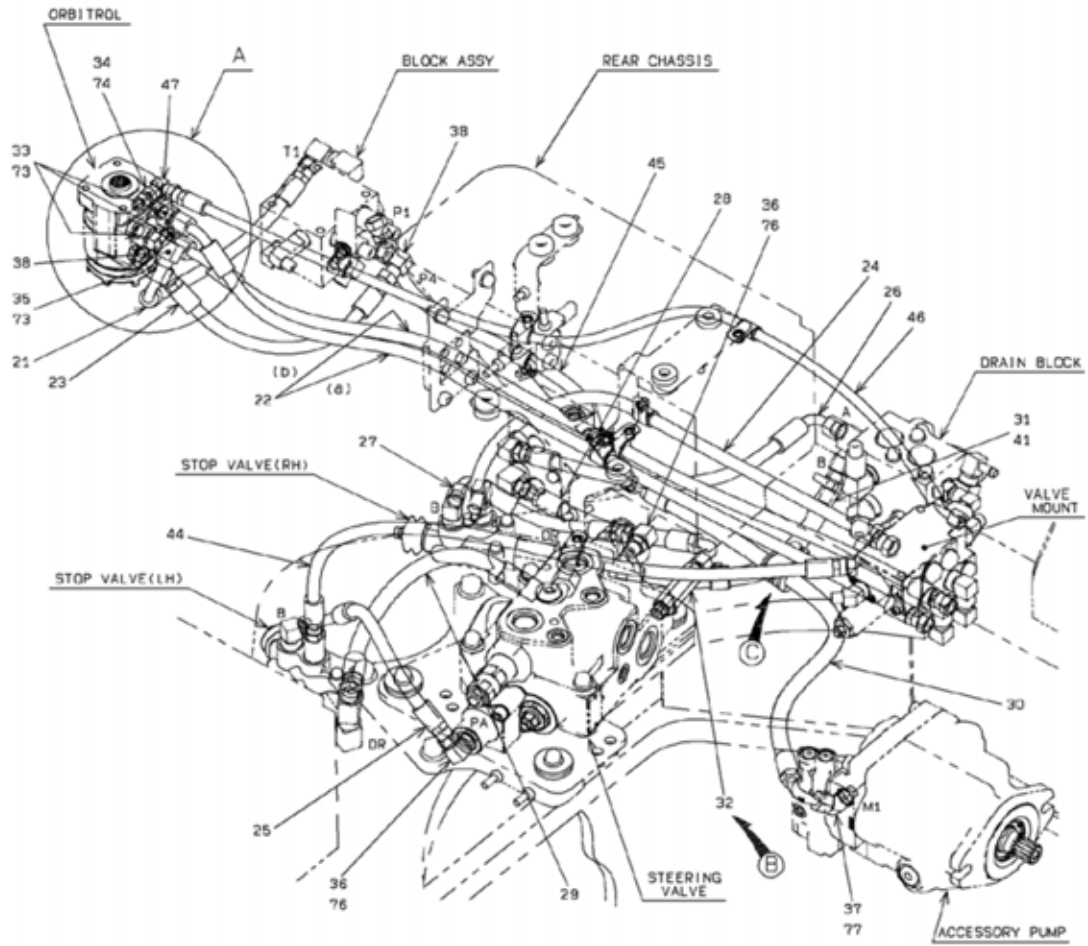


1-A

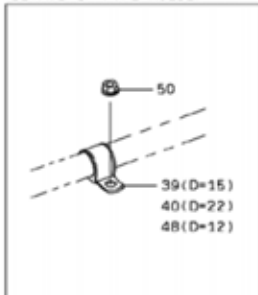
**VALVE MOUNT (FOR JOYSTICK STEERING)**

SYM-BOL	PART NUMBER	PART NAME	UNIT Q,TY	SERIAL		REMARKS							
				(A)	(B)	N	P	D	(A)	(B)	(C)	(D)	REMARKS
21A	41754-37790	PLATE	1	5001	-								
22A	40850-20880	BUSHING,ELASTIC	4	5001	-								
23A	40850-20890	BUSHING,ELASTIC	4	5001	-								
24A	61033-08035	BOLT	4	5001	-								
25A	61101-08030	BOLT,SOCKET	2	5001	-								
26A	62701-40081	WASHER,PLANE	4	5001	-								
41A	38511-60460	VALVE ASSY	1	5001	-								REF.MSA-214
42A	88201-06706	ADAPTER	2	5001	-				Y01				
43A	30230-24270	ADAPTER	1	5001	-				Y01				
44A	88241-07204	ADAPTER,ELBOW	1	5001	-					Y02			
45A	88241-07104	ADAPTER,ELBOW	1	5001	-					Y02			
46A	88241-07106	ADAPTER,ELBOW	2	5001	-				Y01				
47A	88241-07206	ADAPTER,ELBOW	1	5001	-				Y01				
48A	30241-27300	ADAPTER,ELBOW	1	5001	-						Y03		
49A	30242-20190	ADAPTER,ELBOW UNION	2	5001	-								
50A	30242-20870	ADAPTER,ELBOW UNION	1	5001	-								
71A	65210-12014	RING,O	1	5001	-				01				
73A	65210-12011	RING,O	1	5001	-					02			
77A	65210-12011	RING,O	1	5001	-						03		
78A	88390-14202	PLUG	1	5001	-						03		

ORBITROLL HYDRAULIC LINE (FOR JOYSTICK STEERING)

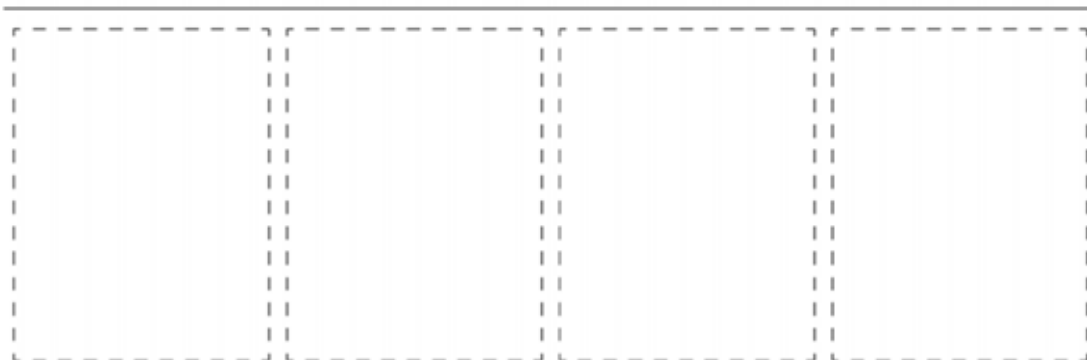
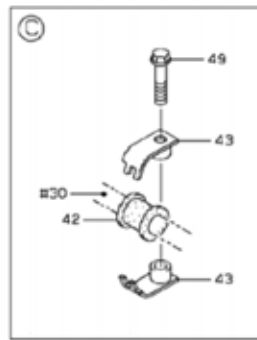
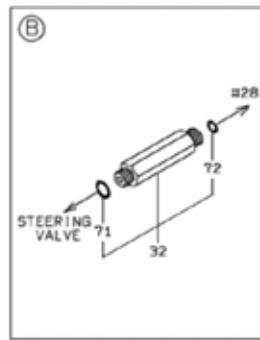
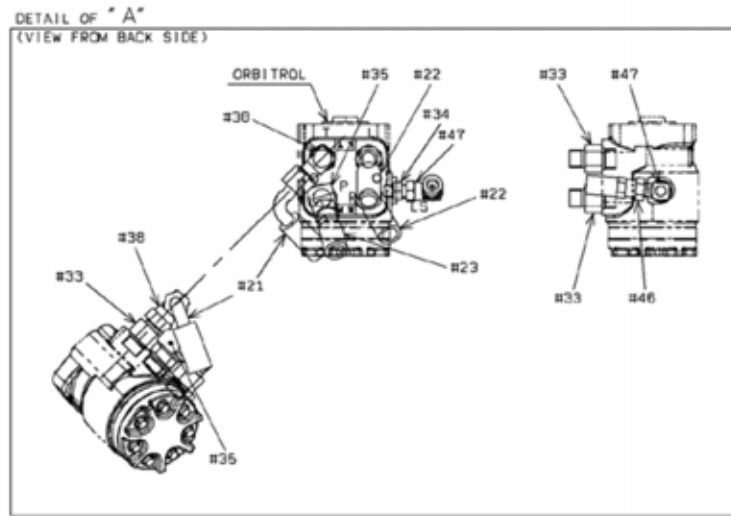


DETAIL OF PIPE HOLDER



1-A

# ORBITROLL HYDRAULIC LINE (FOR JOYSTICK STEERING)



2-A

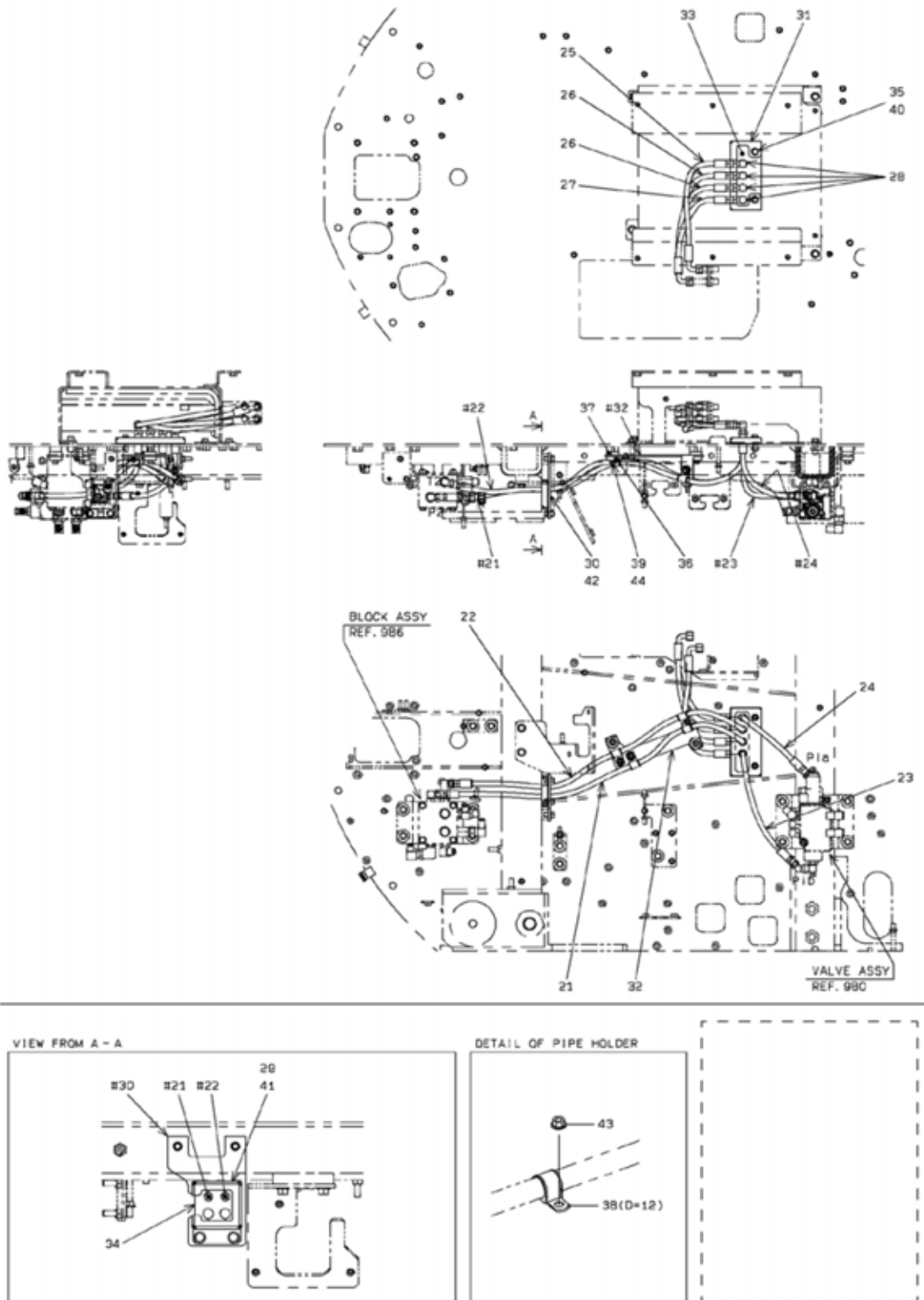
**ORBITROLL HYDRAULIC LINE (FOR JOYSTICK STEERING)**

SYM-BOL	PART NUMBER	PART NAME	UNIT Q,TY	SERIAL		REMARKS						
				(A)	(B)	N	P	D	(A)	(B)	(C)	(D)
21A	68035-20038	HOSE,HIGH PRESSURE	1	5001	-							
22A	68045-20108	HOSE,HIGH PRESSURE	2	5001	-							
23A	68055-20035	HOSE,HIGH PRESSURE	1	5001	-							
24A	68035-20073	HOSE,HIGH PRESSURE	1	5001	-							
25A	68035-20034	HOSE,HIGH PRESSURE	1	5001	-							
26A	68035-20044-7	HOSE,HIGH PRESSURE	1	5001	-							
27A	68035-20024	HOSE,HIGH PRESSURE	1	5001	-							
28A	68835-20029-7	HOSE,HIGH PRESSURE	1	5001	-							
29A	68035-30042-7	HOSE,HIGH PRESSURE	1	5001	-							
30A	68835-20075-7	HOSE,HIGH PRESSURE	1	5001	-							
31A	67040-12000	HOSE,HEAT RESISTING LP	1	5001	-							L=340
32A	30230-30550	ADAPTER	1	5001	-				Y01			
33A	30230-20150	ADAPTER	3	5001	-				Y02			
34A	88201-06804	ADAPTER	1	5001	-					Y03		
35A	30241-21040	ADAPTER,ELBOW	1	5001	-				Y02			
36A	88241-07106	ADAPTER,ELBOW	2	5001	-						Y04	
37A	88255-51109	ADAPTER,ELBOW	1	5001	-				Y05			
38A	30242-20190	ADAPTER,ELBOW UNION	2	5001	-							
39A	43573-20350	HOLDER,PIPE	5	5001	-							D=15
40A	43573-20460	HOLDER,PIPE	1	5001	-							D=22
41A	69002-02300-7	BAND,HOSE	2	5001	-							
42A	88820-00028	BUSHING,ELASTIC	1	5001	-							
43A	32923-21300	CLAMP,HOSE	2	5001	-							
44A	68055-20086	HOSE,HIGH PRESSURE	1	5001	-							
45A	68055-20045	HOSE,HIGH PRESSURE	1	5001	-							
46A	68045-10115	HOSE,HIGH PRESSURE	1	5001	-							
47A	30242-20100	ADAPTER,ELBOW UNION	1	5001	-							
48A	43573-20280	HOLDER,PIPE	3	5001	-							D=12
49A	61802-10050	BOLT,FLANGED	1	5001	-							
50A	62480-21081	NUT,FLANGED	9	5001	-							
71A	65210-12014	RING,O	1	5001	-				01			
72A	47131-21010	RING,O	1	5001	-				01			
73A	65231-00081	RING,O	1	5001	-					02		
74A	65231-00041	RING,O	1	5001	-						03	
76A	65210-12014	RING,O	1	5001	-							04
77A	65231-00061	RING,O	1	5001	-				05			

---

MEMO

PILOT HYDRAULIC LINE (FOR JOYSTICK STEERING)



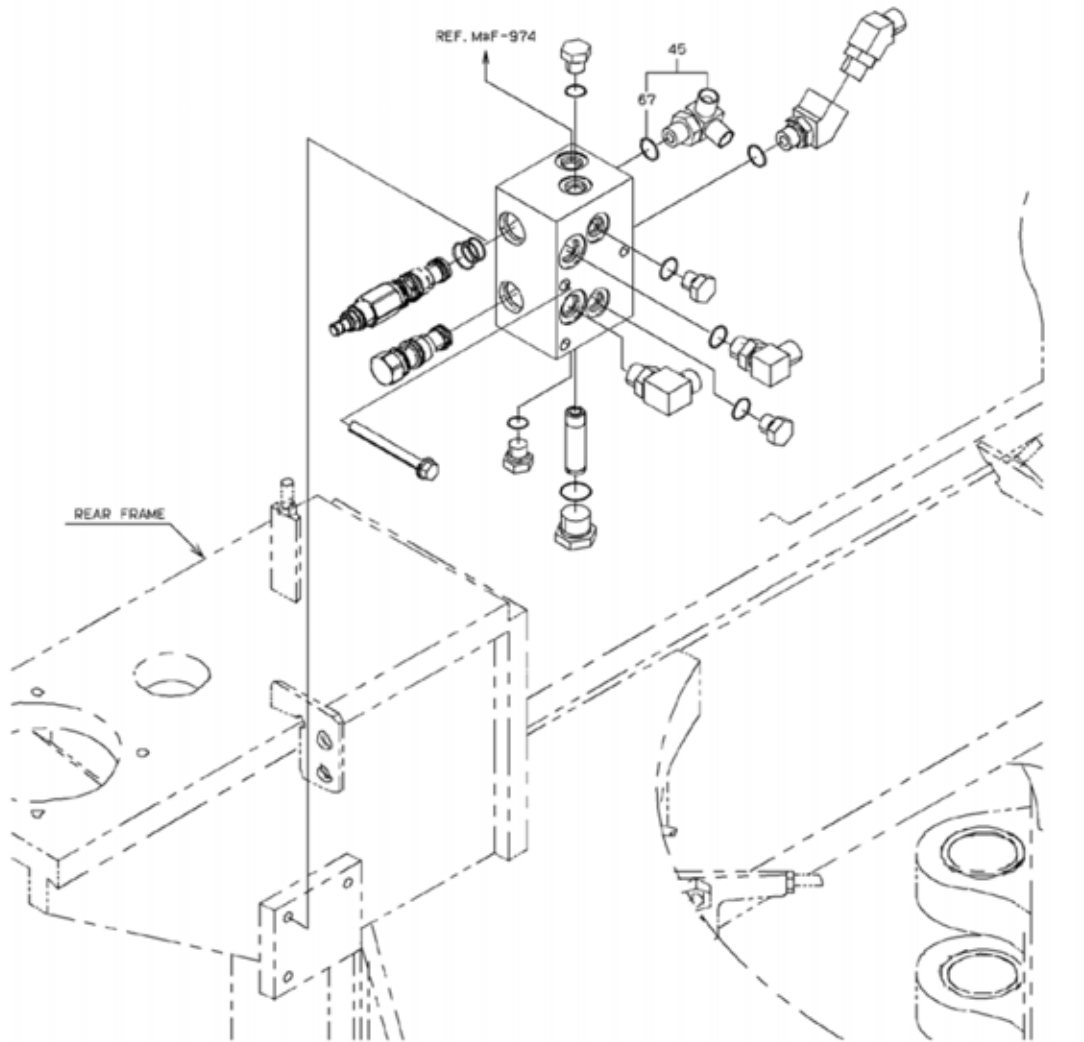
1-A

**PILOT HYDRAULIC LINE (FOR JOYSTICK STEERING)**

SYM-BOL	PART NUMBER	PART NAME	UNIT Q,TY	SERIAL		REMARKS							
				(A)	(B)	N	P	D	(A)	(B)	(C)	(D)	REMARKS
21A	68055-10092	HOSE,HIGH PRESSURE	1	5001	-								
22A	68055-10090	HOSE,HIGH PRESSURE	1	5001	-								
23A	68055-10042	HOSE,HIGH PRESSURE	1	5001	-								
24A	68055-10033	HOSE,HIGH PRESSURE	1	5001	-								
25A	68035-10036	HOSE,HIGH PRESSURE	1	5001	-								
26A	68035-10033	HOSE,HIGH PRESSURE	2	5001	-								
27A	68035-10030	HOSE,HIGH PRESSURE	1	5001	-								
28A	30241-22090	ADAPTER,ELBOW	4	5001	-								
29A	41715-55510	PLATE	1	5001	-								
30A	41753-48460	PLATE	1	5001	-								
31A	41715-52960	PLATE	1	5001	-								
32A	41754-46690	PLATE	1	5001	-								
33A	33057-23520	GROMMET	1	5001	-								
34A	33057-23530	GROMMET	1	5001	-								
35A	38721-32100	PIPE	2	5001	-								
36A	40850-20880	BUSHING,ELASTIC	2	5001	-								
37A	40850-20890	BUSHING,ELASTIC	2	5001	-								
38A	43573-20280	HOLDER,PIPE	4	5001	-								D=12
39A	61033-08035	BOLT	2	5001	-								
40A	61802-08035	BOLT,FLANGED	2	5001	-								
41A	61802-08016-7	BOLT,FLANGED	2	5001	-								
42A	61802-10016	BOLT,FLANGED	2	5001	-								
43A	62480-21081	NUT,FLANGED	4	5001	-								
44A	62701-40081	WASHER,PLANE	2	5001	-								

# REDUCING VALVE MOUNT (FOR JOYSTICK STEERING)

(NOTE): REFER TO STANDARD CATALOG(REF. M#F-863) FOR NO SYMBOL PARTS.

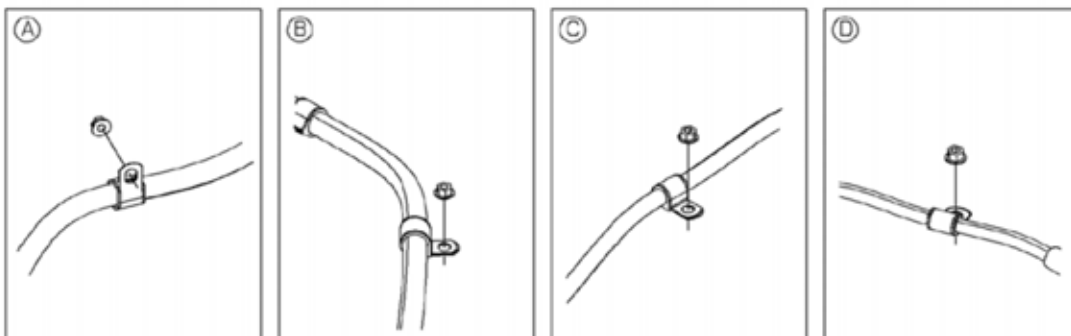
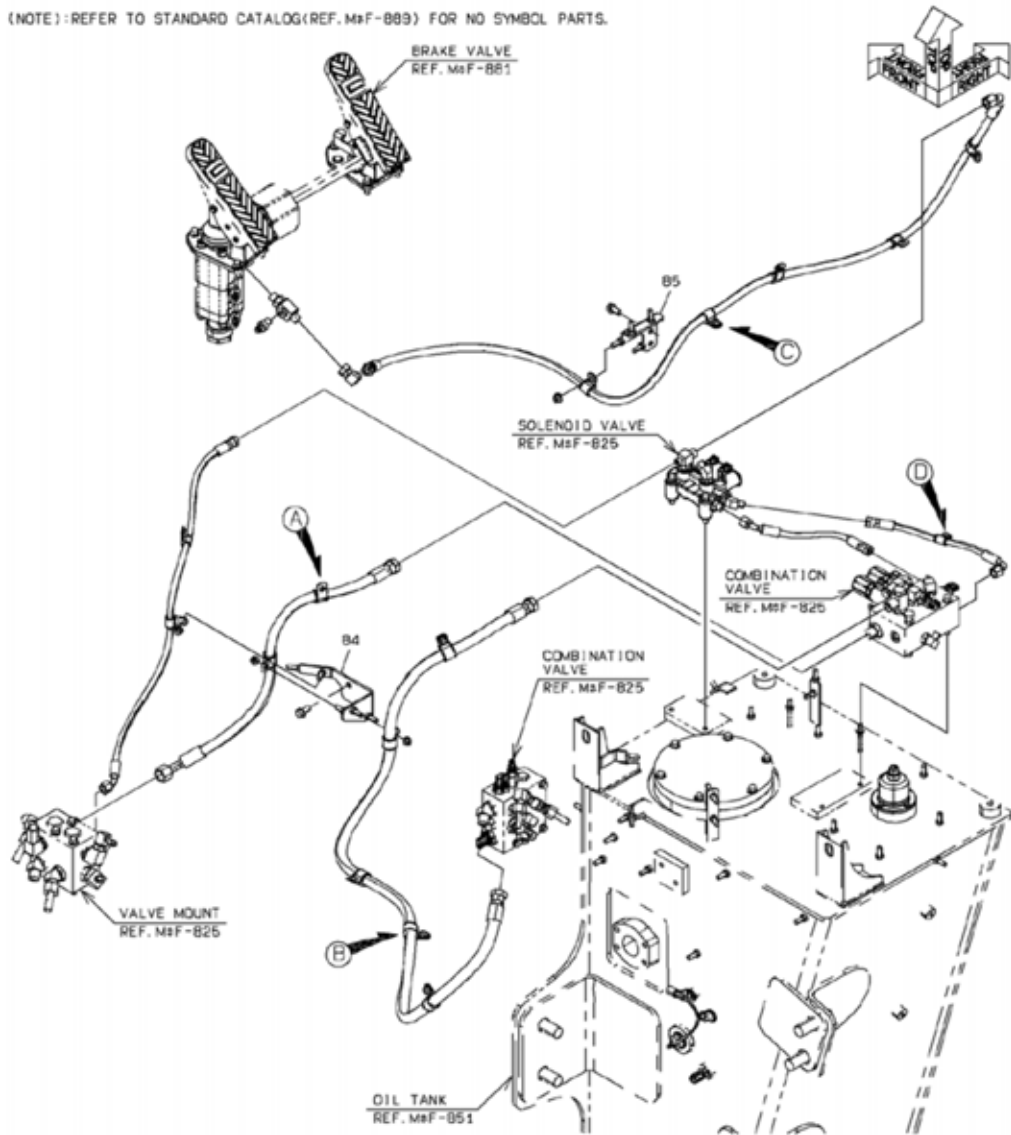


1-A



# BRAKE LINE (REAR CHASSIS)/(FOR JOYSTICK STEERING)

(NOTE): REFER TO STANDARD CATALOG(REF. M&F-889) FOR NO SYMBOL PARTS.



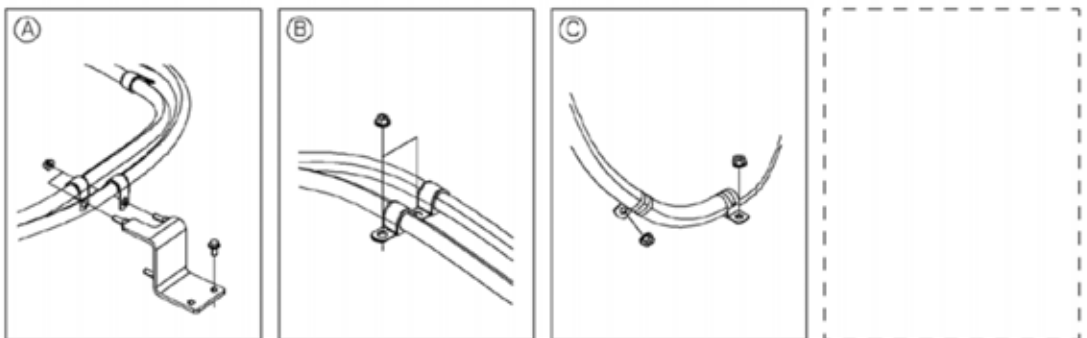
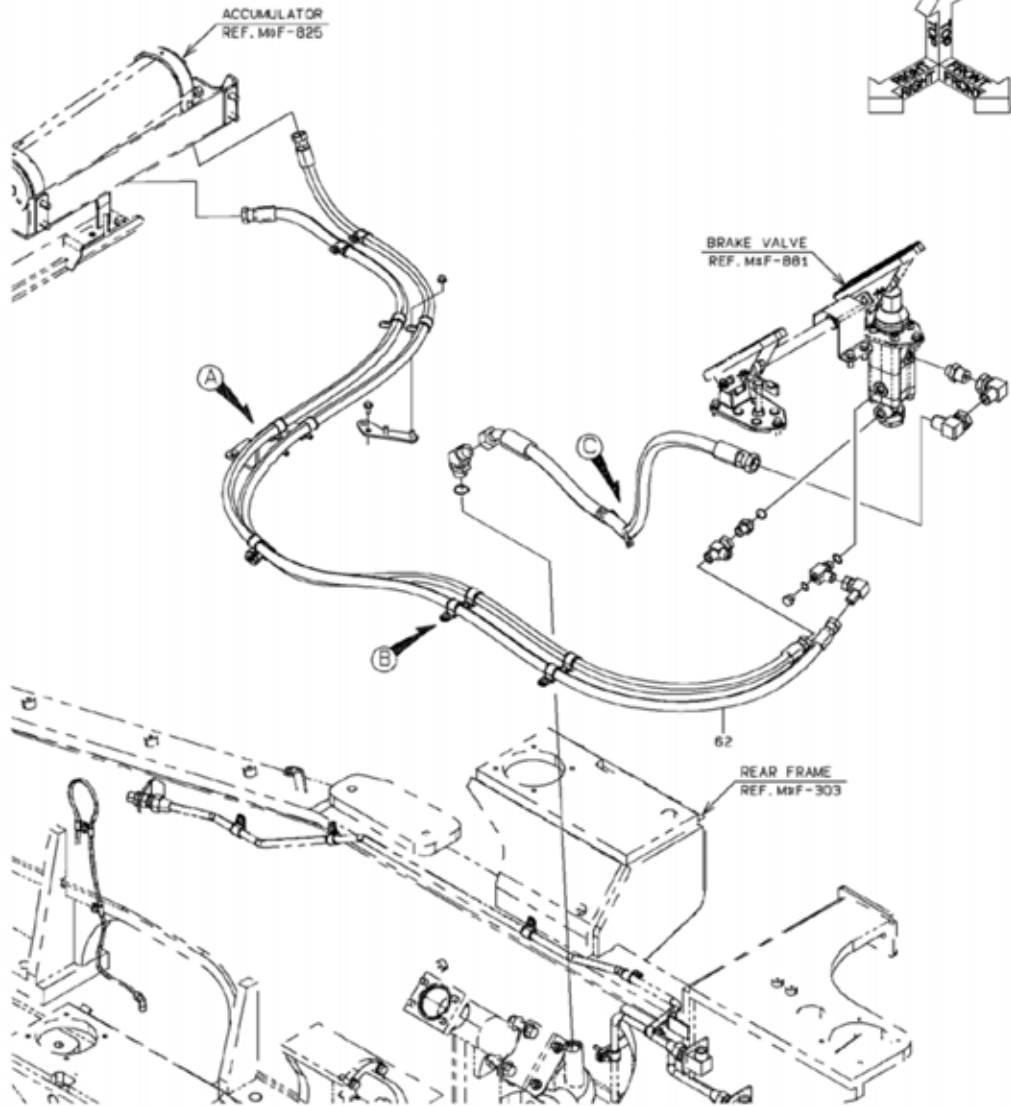
1-A

**BRAKE LINE (REAR CHASSIS)/(FOR JOYSTICK STEERING)**

SYM-BOL	PART NUMBER	PART NAME	UNIT Q,TY	SERIAL (A) - (B)	REMARKS				REMARKS
					N	P	D	(A) (B) (C) (D)	
84A	41754-47200	PLATE	1	5001 -					
85A	41754-47220	PLATE	1	5001 -					

# BRAKE PIPING (FLOOR BOARD)/(FOR JOYSTICK STEERING)

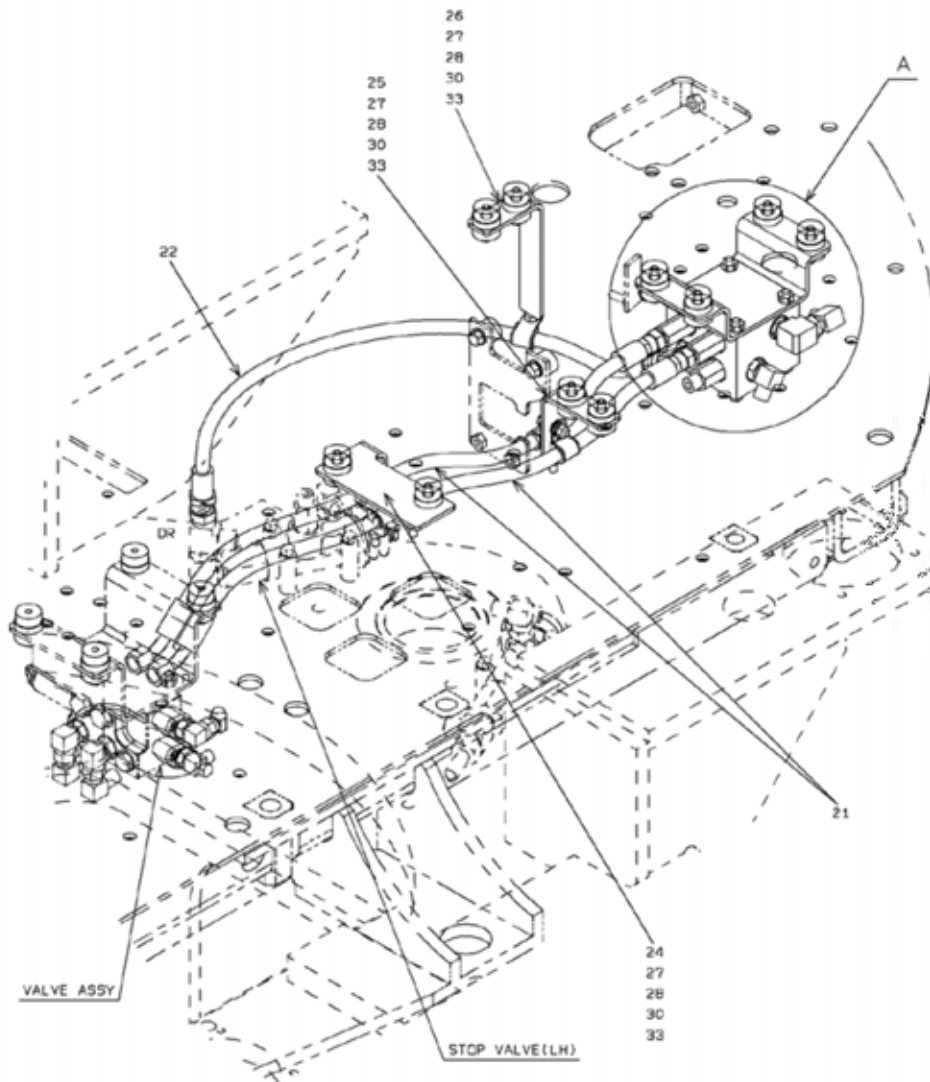
(NOTE): REFER TO STANDARD CATALOG(REF.M#F-887) FOR NO SYMBOL PARTS.



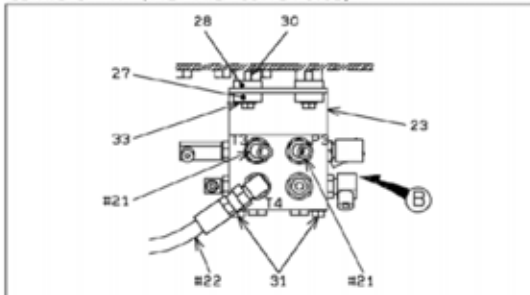
1-A



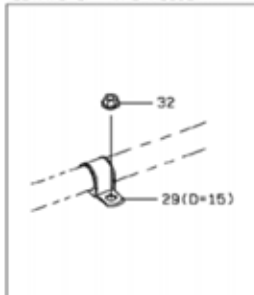
# PILOT HYDRAULIC LINE(FOR JOYSTICK STEERING))



DETAIL OF "A" (VIEW FROM BOTTOM SIDE)

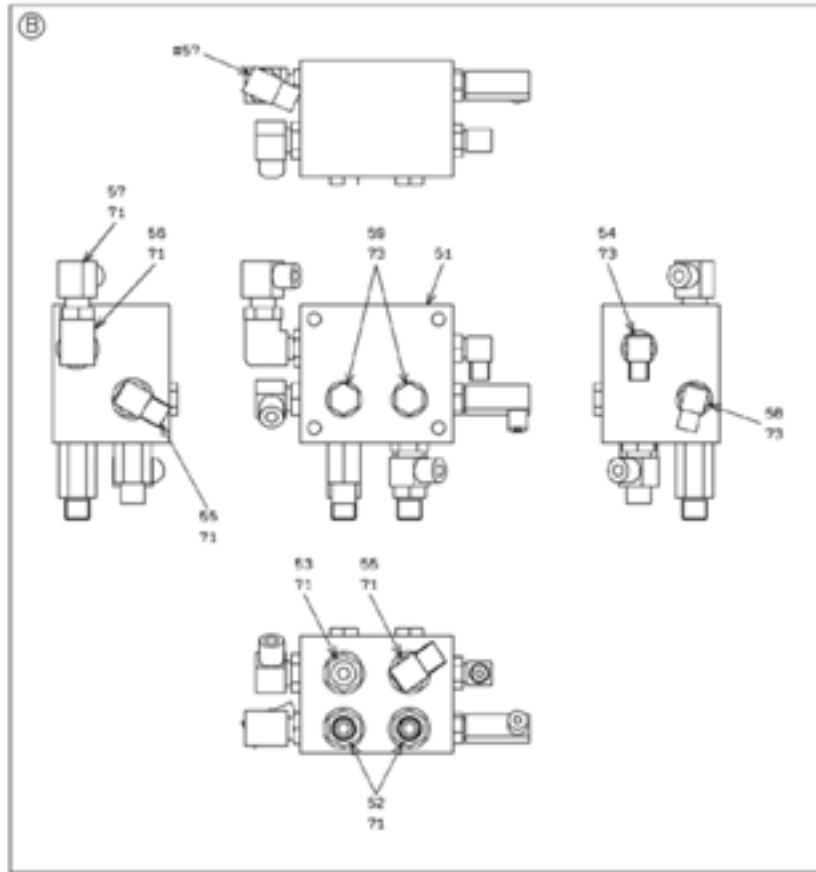


DETAIL OF PIPE HOLDER



1-A

# PILOT HYDRAULIC LINE(FOR JOYSTICK STEERING))



2-A

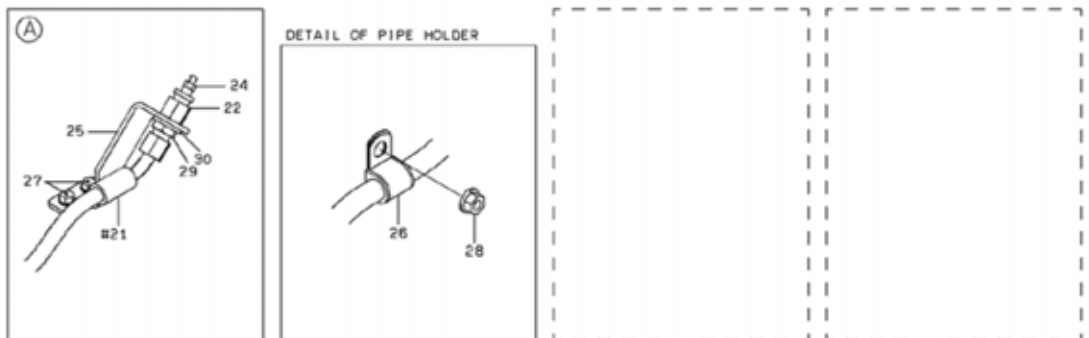
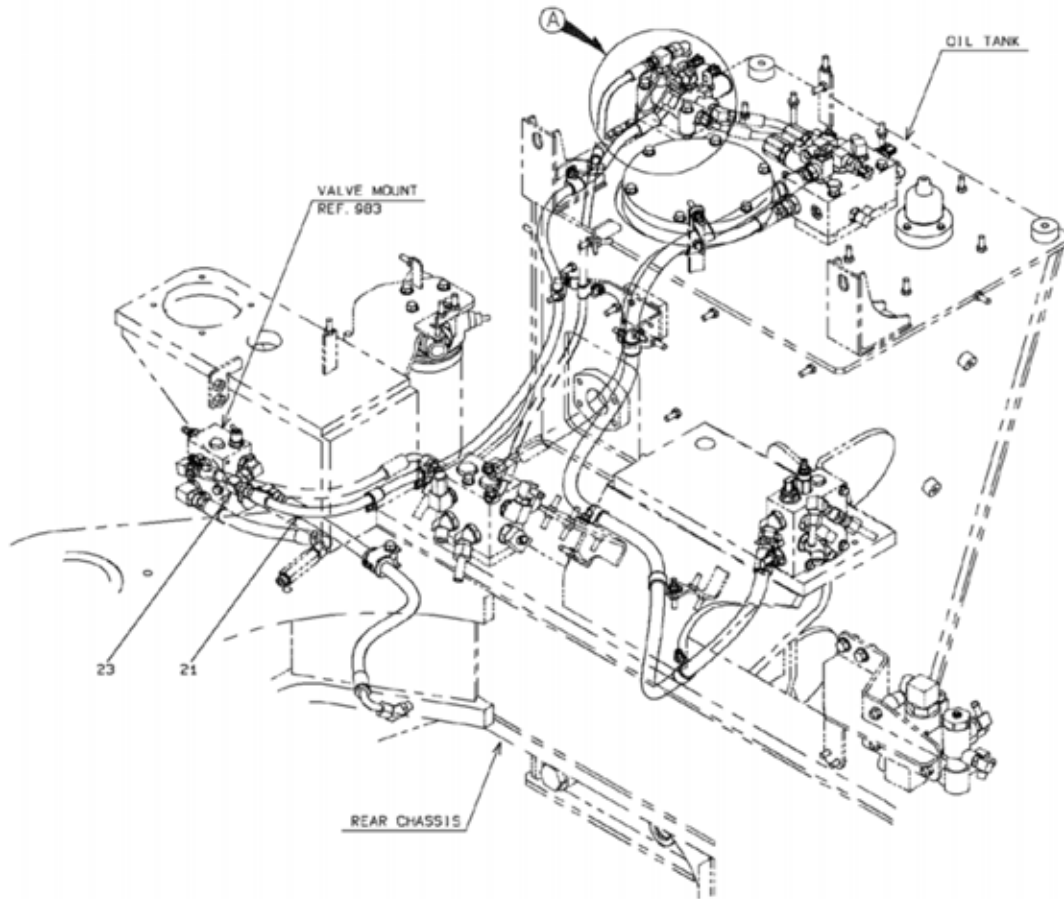
**PILOT HYDRAULIC LINE(FOR JOYSTICK STEERING))**

SYM-BOL	PART NUMBER	PART NAME	UNIT Q,TY	SERIAL		REMARKS						
				(A)	(B)	N	P	D	(A)	(B)	(C)	(D)
21A	68045-20081	HOSE,HIGH PRESSURE	2	5001	-							
22A	43103-27280	HOSE,HIGH PRESSURE	1	5001	-							
23A	41754-46730	PLATE	1	5001	-							
24A	41754-46760	PLATE	1	5001	-							
25A	41754-46770	PLATE	1	5001	-							
26A	41754-46780	PLATE	1	5001	-							
27A	40850-20880	BUSHING,ELASTIC	10	5001	-							
28A	40850-20890	BUSHING,ELASTIC	10	5001	-							
29A	43573-20350	HOLDER,PIPE	5	5001	-							D=15
30A	61033-08035	BOLT	10	5001	-							
31A	61802-08095	BOLT,FLANGED	4	5001	-							
32A	62480-21081	NUT,FLANGED	5	5001	-							
33A	62701-40081	WASHER,PLANE	10	5001	-							
51A	41410-41100	BLOCK	1	5001	-							
52A	30230-29780	ADAPTER	2	5001	-				Y01			
53A	30230-20400	ADAPTER	1	5001	-				Y01			
54A	88241-07104	ADAPTER,ELBOW	1	5001	-					Y02		
55A	88241-07106	ADAPTER,ELBOW	2	5001	-				Y01			
56A	30241-60070	ADAPTER,ELBOW	1	5001	-				Y01			
57A	30241-20150	ADAPTER,ELBOW	1	5001	-				Y01			
58A	30241-20820	ADAPTER,ELBOW	1	5001	-					Y02		
59A	88390-21304	PLUG	2	5001	-					Y02		
71A	65210-12014	RING,O	1	5001	-				01			
73A	65210-12011	RING,O	1	5001	-					02		

---

MEMO

# PILOT HYDRAULIC LINE(FOR JOYSTICK STEERING)



1-A

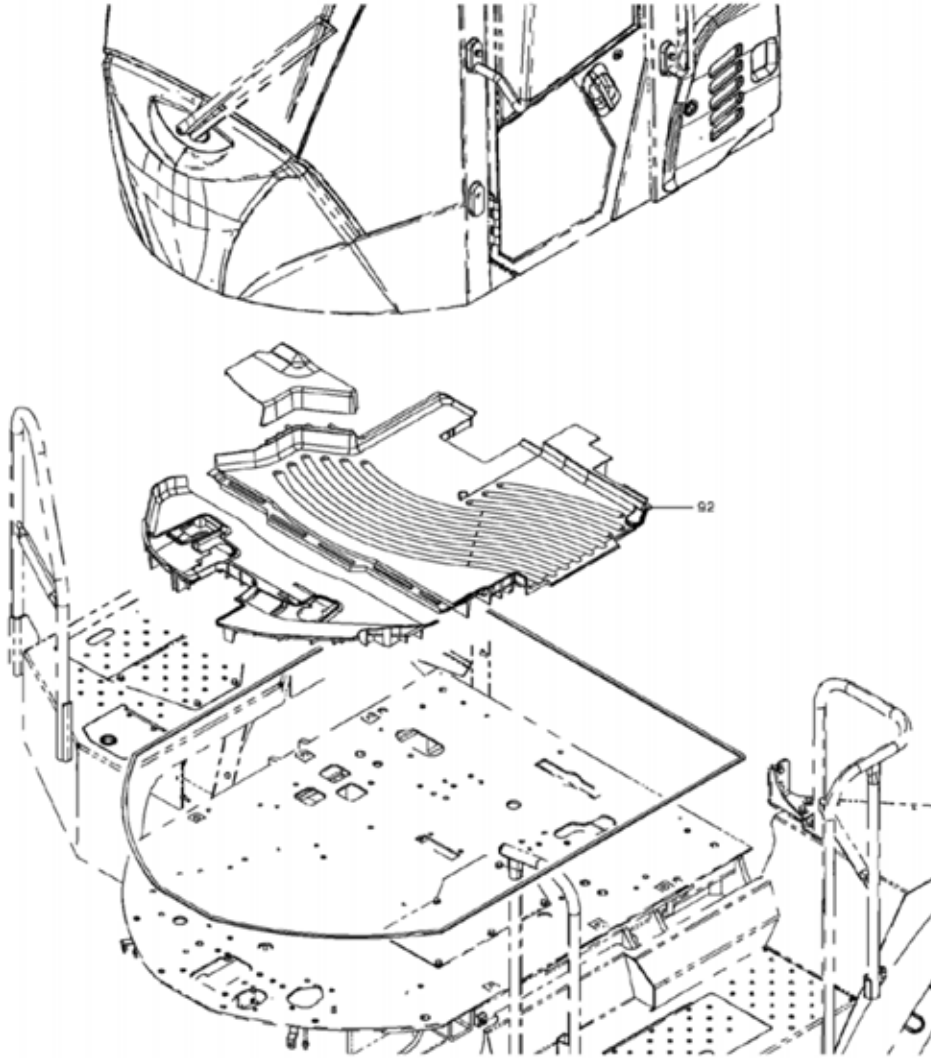
**PILOT HYDRAULIC LINE(FOR JOYSTICK STEERING)**

SYM-BOL	PART NUMBER	PART NAME	UNIT Q,TY	SERIAL		REMARKS						
				(A)	(B)	N	P	D	(A)	(B)	(C)	(D)
21A	68045-20130	HOSE,HIGH PRESSURE	1	5001	-							
22A	30230-30920	ADAPTER	1	5001	-							
23A	30242-20190	ADAPTER,ELBOW UNION	1	5001	-							
24A	35107-20040	SCREW,BLEED	1	5001	-							
25A	41717-50330	PLATE	1	5001	-							
26A	43573-20350	HOLDER,PIPE	4	5001	-							D=15
27A	61802-08016-7	BOLT,FLANGED	2	5001	-							
28A	62480-21081	NUT,FLANGED	4	5001	-							
29A	37600-20680	NUT	1	5001	-							
30A	62701-40161	WASHER,PLANE	1	5001	-							

# FLOOR MAT MOUNT (FOR JOYSTICK STEERING)

TYPE : SEARS

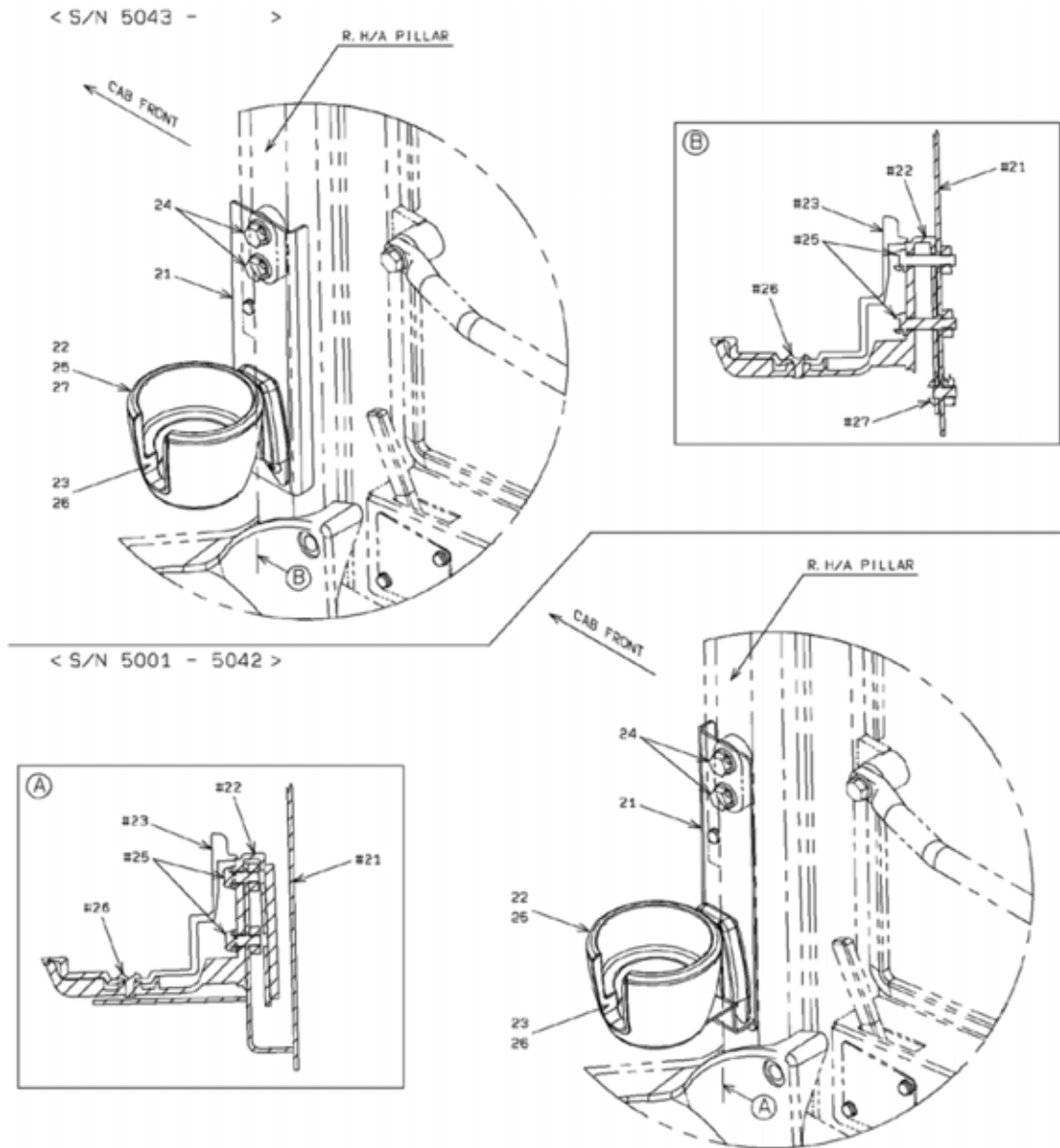
(NOTE):REFER TO STANDARD CATALOG(REF.MMF-401) FOR NO SYMBOL PARTS.



1-A



# HOLDER MOUNT (FOR JOYSTICK STEERING)



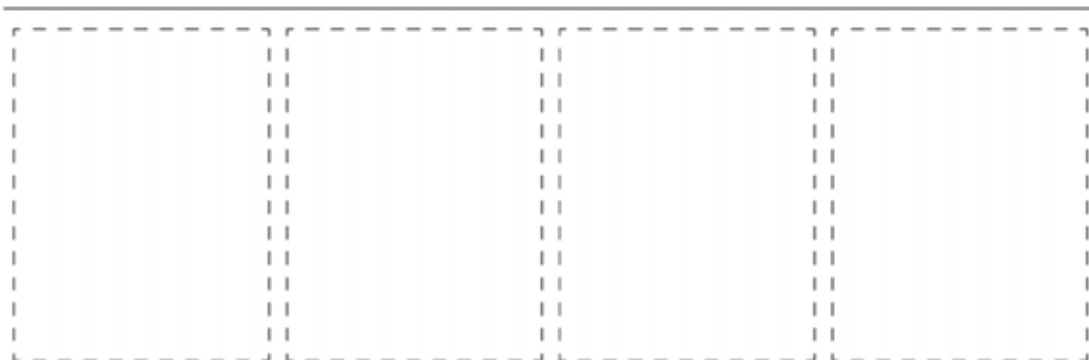
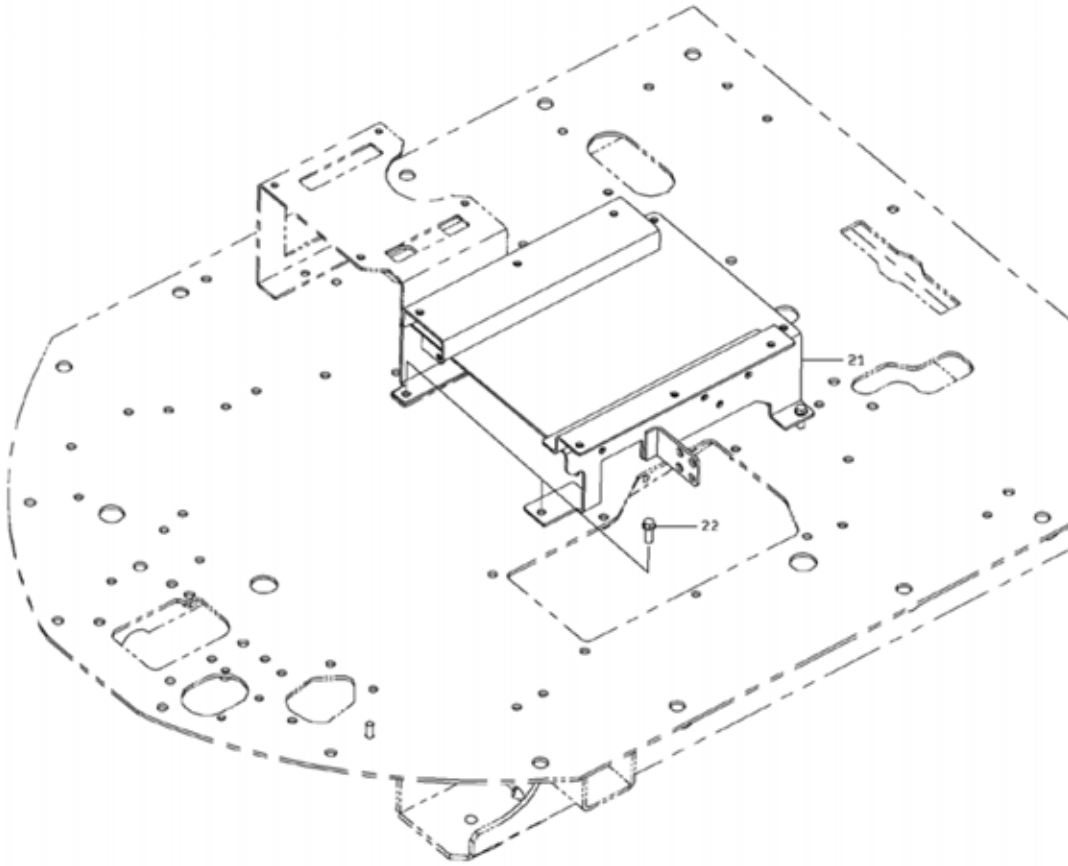
1-A

### HOLDER MOUNT (FOR JOYSTICK STEERING)

SYM-BOL	PART NUMBER	PART NAME	UNIT Q,TY	SERIAL (A) - (B)	REMARKS				REMARKS
					N	P	D	(A) (B) (C) (D)	
21A	40903-30230	BRACKET	1	5001 - 5042					
21B	40903-30740	BRACKET	1	5043 -	C				
22A	43550-21290	HOLDER	1	5001 -					
23A	43550-21300	HOLDER	1	5001 -					
24A	43932-20060	BOLT,W/WASHER	2	5001 -					
25A	35100-72430	SCREW	2	5001 - 5042					
25B	35100-72960	SCREW	2	5043 - 5100	C				
25C	80104-60630	SCREW	2	5101 -	A				
26A	35106-20150	SCREW,TAPPING	1	5001 -					
27A	35100-72470	SCREW	1	5043 - 5100					
27B	80106-50612	SCREW	1	5101 -	A				

# SEAT STAND MOUNT (FOR JOYSTICK STEERING)

TYPE : SEARS

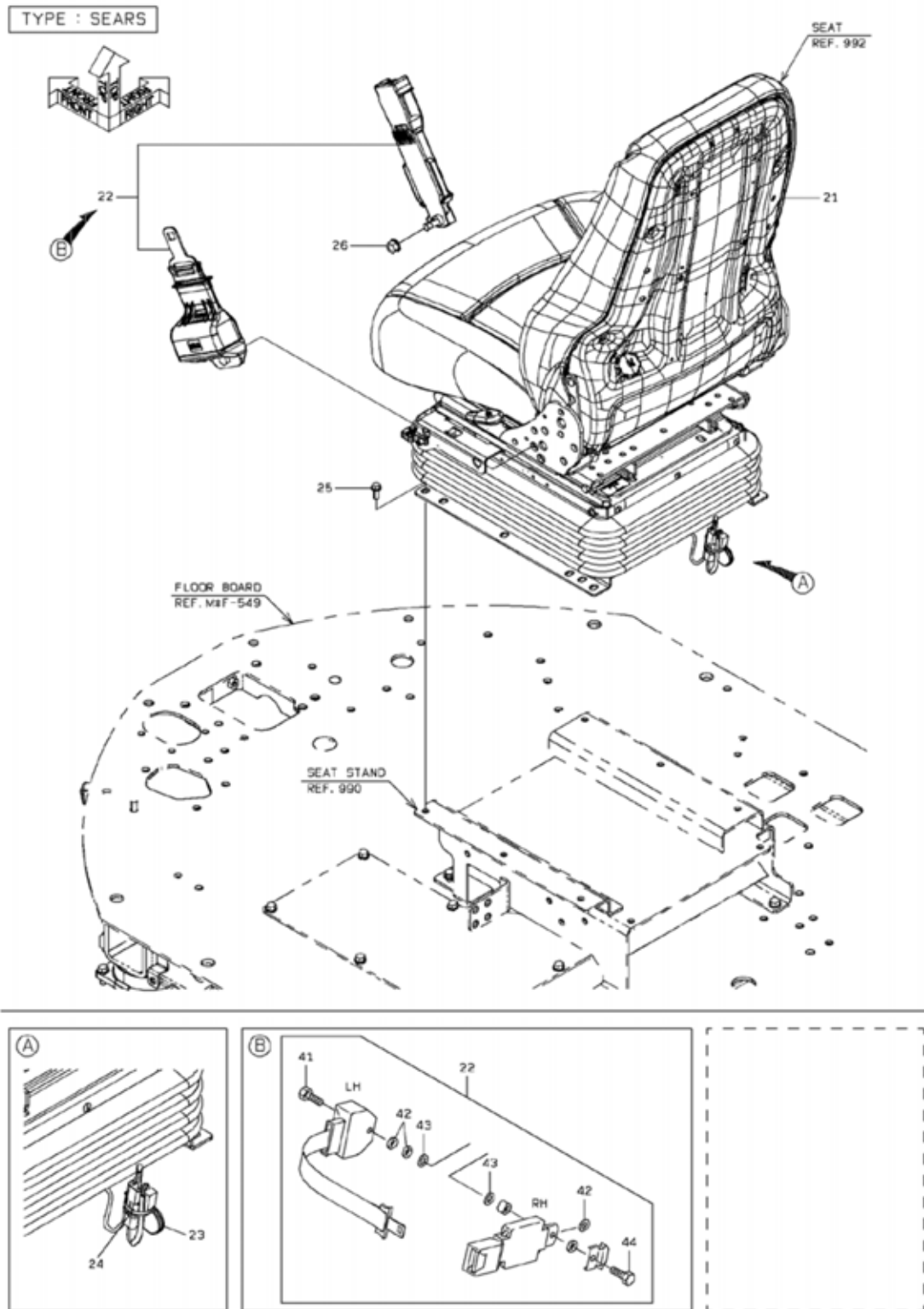


1-A

**SEAT STAND MOUNT (FOR JOYSTICK STEERING)**

SYM-BOL	PART NUMBER	PART NAME	UNIT Q,TY	SERIAL (A) - (B)	REMARKS					
					N	P	D	(A)	(B)	(C)
21A	35195-21420	STAND,SEAT	1	5001 - 5046						
21B	35195-21500	STAND,SEAT	1	5047 -	B					
22A	61802-10030	BOLT,FLANGED	4	5001 -						

# AIR SUSPENSION SEAT (FOR JOYSTICK STEERING)

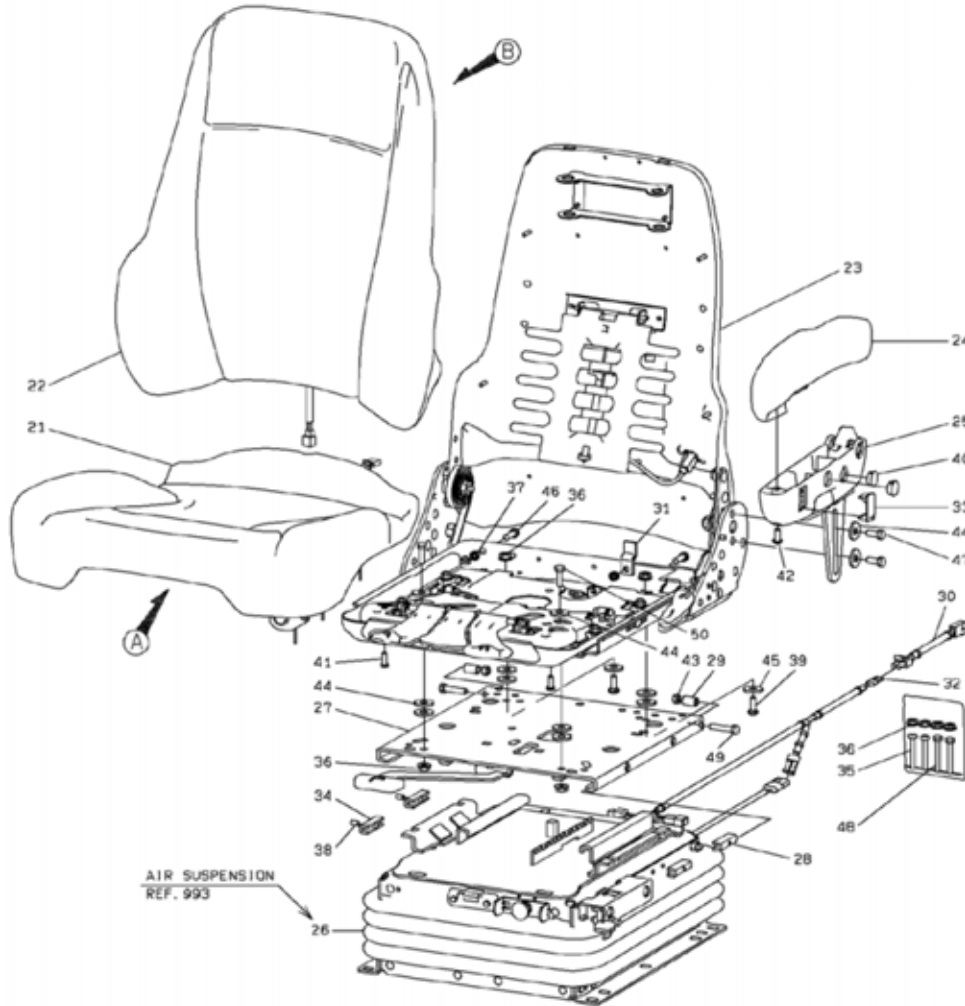


### AIR SUSPENSION SEAT (FOR JOYSTICK STEERING)

SYM-BOL	PART NUMBER	PART NAME	UNIT Q,TY	SERIAL		REMARKS						
				(A)	(B)	N	P	D	(A)	(B)	(C)	(D)
21A	33921-60940-7	SEAT ASSY	1	5001	-							REF.992
22A	43005-60080-7	BELT,SEAT	1	5001	-				Y01			
23A	41533-20180	PLUG,ELASTIC	1	5001	-							
24A	32925-20010	CLAMP,CABLE	1	5001	-							
25A	61802-08020	BOLT,FLANGED	6	5001	-							
26A	62480-21121	NUT,FLANGED	1	5001	-							
41A	43900-74570-7	BOLT	1	5001	-				01			
42A	46011-70630-7	WASHER,PLANE	3	5001	-				01			
43A	44950-70760-7	RETAINER	2	5001	-				01			
44A	43900-74580-7	BOLT	1	5001	-				01			

# SEAT (FOR JOYSTICK STEERING)

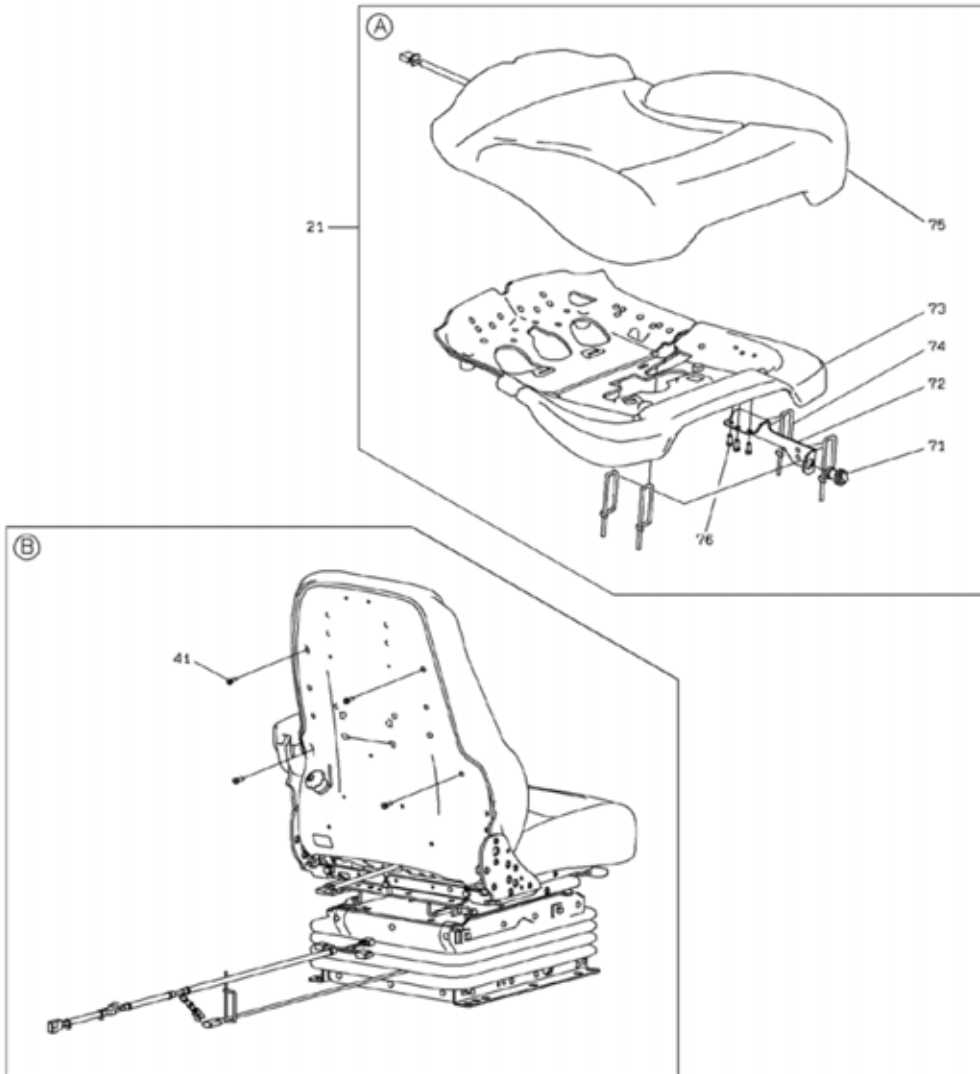
TYPE : SEARS



1-A

# SEAT (FOR JOYSTICK STEERING)

TYPE : SEARS



2-A

**SEAT (FOR JOYSTICK STEERING)**

SYM-BOL	PART NUMBER	PART NAME	UNIT Q,TY	SERIAL (A) - (B)	REMARKS							
					N	P	D	(A)	(B)	(C)	(D)	REMARKS
000A	33921-60940-7	SEAT ASSY	1	5001 -								
21A	33923-70410	SEAT CUSHION	1	5001 -				Y01				
22A	33924-70430	SEAT BACK	1	5001 -								
23A	33924-70380	SEAT BACK	1	5001 -								
24A	30062-70520-7	ARMREST	1	5001 -								FR LH
25A	40910-70250-7	BRACKET ASSY	1	5001 -								FR LH
26A	33500-70120	SUSPENSION ASSY	1	5001 -								REF.993
27A	35720-70040	SLIDE ASSY	1	5001 -								
28A	41433-70010	BLOCK,SLIDE	2	5001 -								
29A	35700-72080	SPACER	2	5001 -								
30A	33197-70160-7	HARNESS	1	5001 -								
31A	40900-72410-7	BRACKET	1	5001 -								
32A	33197-70220	HARNESS	1	5001 -								
33A	41530-75900-7	PLUG	1	5001 -								
34A	41433-70020	BLOCK,SLIDE	2	5001 -								
35A	35100-72990	SCREW	2	5001 -								
36A	37600-73160-7	NUT	4	5001 -								
37A	37600-73130-7	NUT	1	5001 -								
38A	46926-70270	WASHER,LOCK	2	5001 -								
39A	43900-74920	BOLT	2	5001 -								
40A	41530-75910-7	PLUG	2	5001 -								
41A	43900-74420-7	BOLT	6	5001 -								
42A	35100-72760-7	SCREW	1	5001 -								
43A	37600-72850-7	NUT	2	5001 -								
44A	46000-71890-7	WASHER	12	5001 -								
45A	46000-71900-7	WASHER	2	5001 -								
46A	43900-74870-7	BOLT	1	5001 -								
47A	43900-74880-7	BOLT	2	5001 -								
48A	43900-75200	BOLT	2	5001 -								
49A	43900-74740	BOLT	2	5001 -								
50A	43900-74940	BOLT	2	5001 -								
71A	35010-70800	SWITCH	1	5001 -				01				
72A	40900-72560	BRACKET	1	5001 -				01				
73A	33920-70220	SEAT	1	5001 -				01				
74A	32925-70030-7	CLAMP,CABLE	4	5001 -				01				
75A	33920-70230	SEAT	1	5001 -				01				
76A	43900-75060	BOLT	3	5001 -				01				

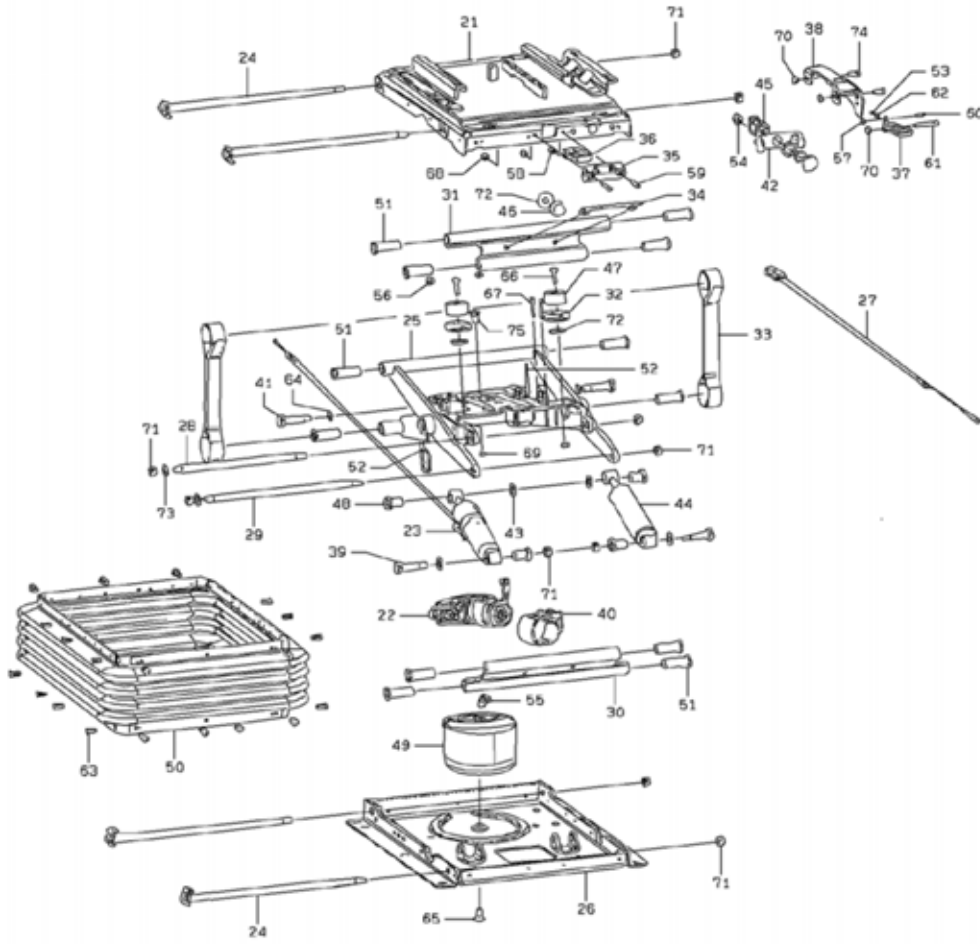
---

MEMO

---

# AIR SUSPENSION (FOR JOYSTICK STEERING)

TYPE : SEARS

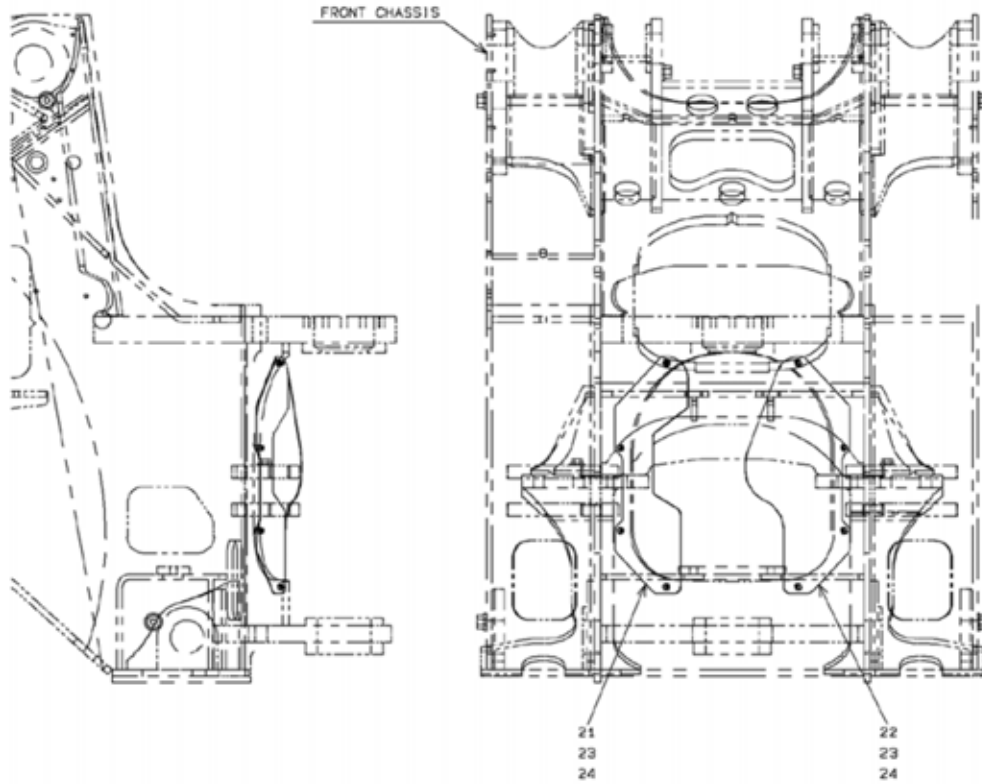


1-A

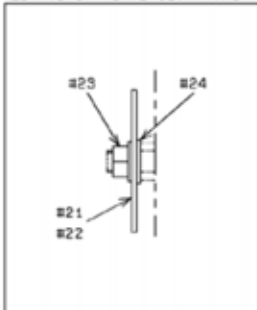


# COVER MOUNT (HITCH AREA GUARD/FRONT)

HEAT RESISTING TYPE



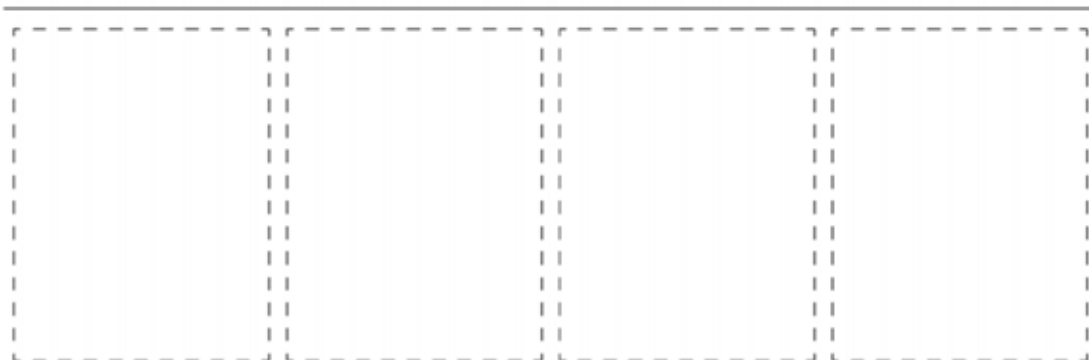
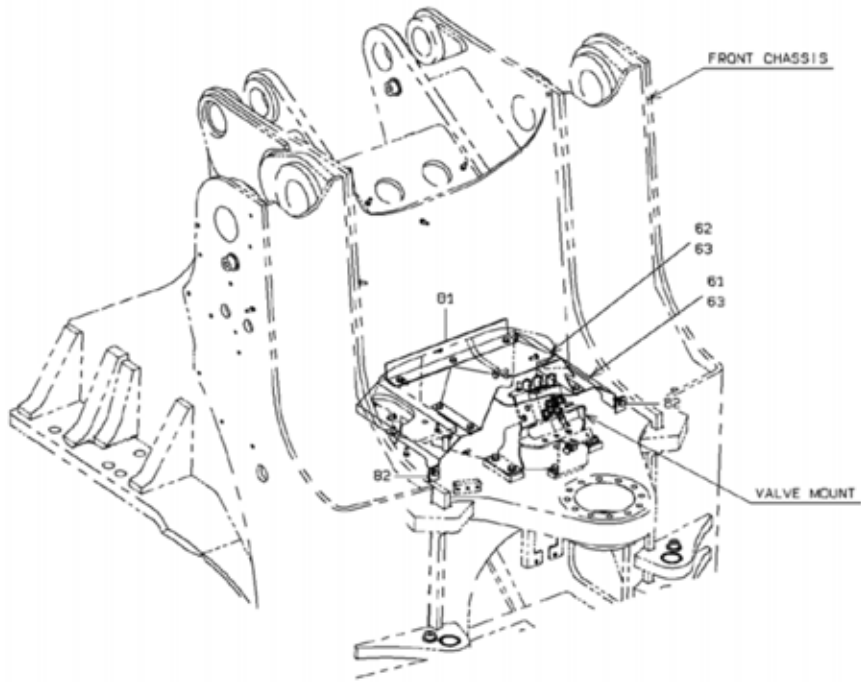
DETAIL OF PLATE JOINTING



1-A

# COVER MOUNT (HITCH AREA GUARD/FRONT)

HEAT RESISTING TYPE



2-A

**COVER MOUNT (HITCH AREA GUARD/FRONT)**

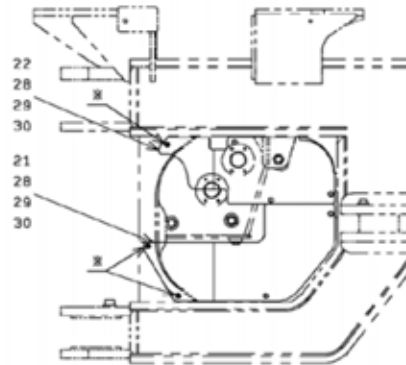
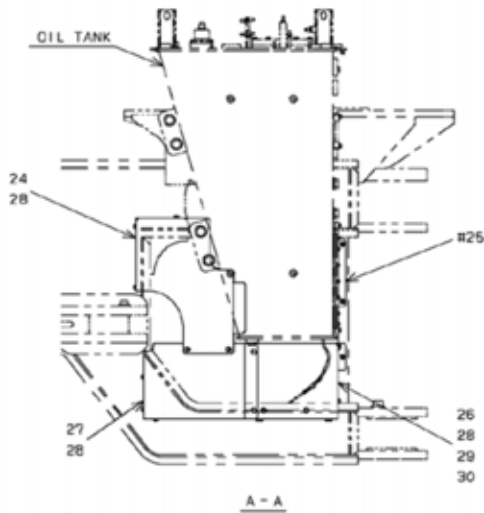
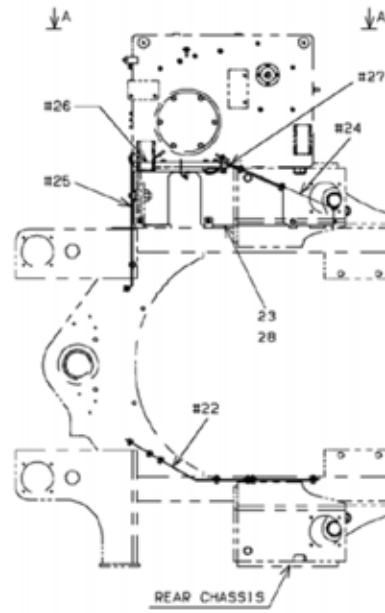
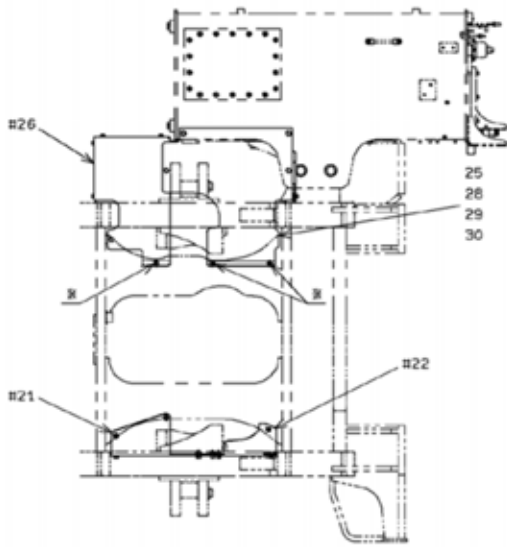
SYM-BOL	PART NUMBER	PART NAME	UNIT Q,TY	SERIAL (A) - (B)	REMARKS					
					N	P	D	(A)	(B)	(C)
21A	41717-30050	PLATE	1	5001 -						
22A	41717-30060	PLATE	1	5001 -						
23A	62480-21101-7	NUT,FLANGED	8	5001 -						
24A	62701-40101	WASHER,PLANE	8	5001 -						
61A	41754-44550	PLATE	1	5001 -						
62A	41717-45130	PLATE	1	5001 -						
63A	61802-10020	BOLT,FLANGED	9	5001 -						
81A	41717-45140	PLATE	1	5001 -						WELDING
82A	41717-45150	PLATE	2	5001 -						WELDING

---

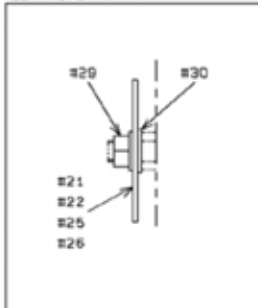
MEMO

# COVER MOUNT (HITCH AREA GUARD/REAR)

HEAT RESISTING TYPE



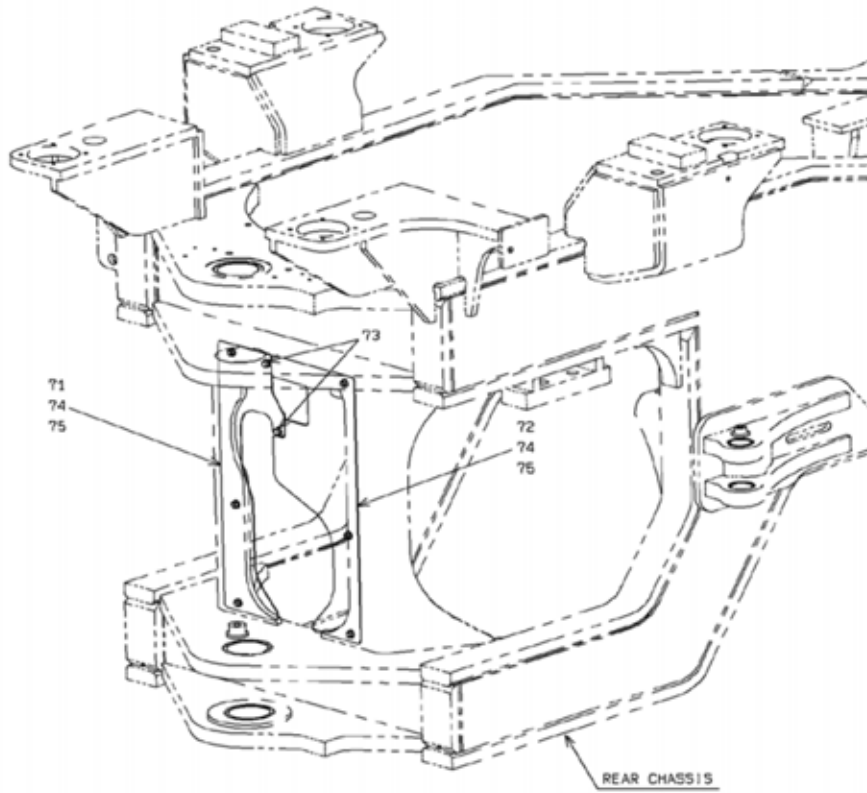
DETAIL OF \* PART



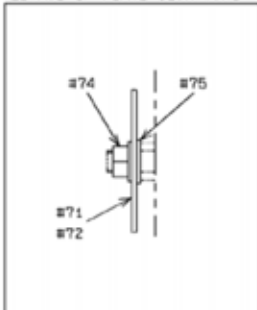
1-A

# COVER MOUNT (HITCH AREA GUARD/REAR)

HEAT RESISTING TYPE



DETAIL OF PLATE JOINTTING



2-A

**COVER MOUNT (HITCH AREA GUARD/REAR)**

SYM-BOL	PART NUMBER	PART NAME	UNIT Q,TY	SERIAL (A) - (B)	REMARKS				REMARKS
					N	P	D	(A) (B) (C) (D)	
21A	41754-36050	PLATE	1	5001 -					
22A	41717-28960	PLATE	1	5001 -					
23A	41717-28970	PLATE	1	5001 -					
24A	41717-45160	PLATE	1	5001 -					
25A	41717-45170	PLATE	1	5001 -					
26A	31206-30080	COVER	1	5001 -					
27A	31206-30170	COVER	1	5001 -					
28A	61802-10020	BOLT,FLANGED	26	5001 -					
29A	62480-21101-7	NUT,FLANGED	6	5001 -					
30A	62701-40101	WASHER,PLANE	6	5001 -					
71A	41717-28980	PLATE	1	5001 -					
72A	41754-36060	PLATE	1	5001 -					
73A	61802-10020	BOLT,FLANGED	2	5001 -					
74A	62480-21101-7	NUT,FLANGED	6	5001 -					
75A	62701-40101	WASHER,PLANE	6	5001 -					

---

MEMO

---

MEMO

---

# PARTS No. INDEX

## PARTS No. INDEX

PART NUMBER	PAGE-SYM	PART NUMBER	PAGE-SYM	PART NUMBER	PAGE-SYM	PART NUMBER	PAGE-SYM				
03502	-08080	171- 67A	30230	-24270	634- 43A	30242	-20100	617- 29A	30610	-24200-	531- 21A
	-12110	477- 63A		-26390	361- 180A		-20100	637- 47A		-24210-	531- 22A
	-12120	477- 64A		-26390	427- 65A		-20110	38- 23A		-24220-	531- 23A
	-12960	540- 22A		-26720	571- 116A		-20150	552- 47A		-24230-	531- 61A
	-12970	540- 23A		-28580	8- 24A		-20160	6- 44A		-24240-	531- 62A
	-13180	545- 25A		-28580	10- 25A		-20160	55- 94A		-24250-	531- 41A
	-15210	548- 24A		-29680	409- 27A		-20160	570- 80A		-25040-	531- 81A
	-15220	545- 26A		-29740	401- 125A		-20190	355- 50A		-25130	244- 22B
	-15320	490- 21A		-29780	649- 52A		-20190	361- 176A	30653	-20060	571- 146A
	-15330	545- 24A		-29850	422- 523A		-20190	361- 184A	30654	-70060	55- 63A
	-17260	654- 92A		-29950	361- 181A		-20190	406- 49A	30771	-60010-	184- 21A
	-17560	536- 21A		-30110	181- 62A		-20190	432- 88A	30780	-26790-	73- 21A
	-17570	536- 22A		-30120	202- 62A		-20190	571- 120A		-26800-	73- 22A
	-17580	536- 23A		-30130	377- 34A		-20190	634- 49A		-26830-	467- 21A
	-19650	574- 24A		-30250	617- 23A		-20190	637- 38A		-26840-	467- 22A
	-20940	545- 25B		-30530	412- 25A		-20190	652- 23A		-27000-	470- 21A
1200-	60850	205- 42A		-30550	377- 32A		-20220	31- 28A		-27000-	220- 21A
30020	-70320	666- 36A		-30550	637- 32A		-20220	361- 53A	30890	-60150	224- 000A
30021	-20890	162- 36A		-30590	38- 22A		-20220	427- 68A		-60160	220- 21B
	-70030	666- 25A		-30790	617- 25A		-20220	570- 55A		-60160	224- 000B
30035	-60030	176- 22A		-30810	338- 37A		-20220	571- 121A	30930	-70250-	452- 21A
	-60180	178- 22A		-30870	427- 23A		-20280	432- 28A		-70260-	450- 21A
30040	-25700	447- 21A		-30900	617- 28A		-20630	55- 95A	30935	-20170-	450- 102A
	-26020	495- 21A		-30920	652- 22A		-20650	31- 27A		-20170-	452- 102A
	-26070	503- 21A		-31560	584- 33A		-20650	41- 36A		-20180-	450- 101A
30062	-60050	626- 21A		-70620-	600- 48A		-20770	361- 185A		-20180-	452- 101A
	-60070	387- 64A	30241	-20150	649- 57A		-20770	377- 38A	30938	-70240-	452- 23A
	-70520-	250- 24A		-20310	563- 65A		-20870	617- 30A		-70250-	452- 24A
	-70520-	663- 24A		-20310	571- 118A		-20870	634- 50A		-70260-	452- 25A
30100	-60510-	361- 41A		-20690	401- 129A	30246	-20050	31- 30A		-70280-	450- 23A
	-60510-	361- 49A		-20690	406- 44A		-20150	361- 177A		-70290-	450- 24A
	-60830-	563- 61A		-20820	649- 58A		-20280	427- 69A		-70300-	450- 25A
	-60890	409- 101A		-20890	381- 34A		-20340	361- 44A	30960	-20350	41- 42A
	-61390-	521- 91A		-20890	552- 43A		-20340	361- 52A		-20350	239- 39A
	-61470	409- 101B		-20900	438- 24A		-20660	563- 66A		-20360	41- 42B
30111	-21980	60- 21A		-20900	552- 46A		-20760	406- 45A		-60010	373- 135A
	-22190	60- 21B		-21020	367- 39A		-20760	571- 138A		-60010	401- 193A
30112	-23060	62- 41A		-21020	373- 72A		-20800	571- 131A		-70330	666- 55A
	-23290	62- 41B		-21020	521- 32A		-20800	571- 137A	30981	-60260	392- 89A
30230	-20150	377- 33A		-21040	377- 35A		-21200	571- 169A		-70480	44- 42A
	-20150	637- 33A		-21040	637- 35A		-21240	361- 186A		-70490	44- 41A
	-20400	362- 304A		-21220	559- 43A		-21520	362- 308A		-70720	362- 227A
	-20400	406- 42A		-21330	552- 44A		-21540	521- 33A		-70720	401- 66A
	-20400	649- 53A		-21330	570- 54A		-21550	381- 38A		-70990	392- 88A
	-20450	355- 97A		-22090	640- 28A		-21920	432- 87A		-71040	41- 91A
	-20450	571- 117A		-22320	401- 43A		-22270	361- 178A	30999	-70140	226- 25A
	-20600	438- 29A		-22380	571- 136A		-22720	351- 44A		-70150	226- 51A
	-20600	552- 42A		-23520	355- 43A		-24230	642- 45A	31003	-63190	3- 21A
	-21180	355- 53A		-23580	6- 43A		-24270	31- 29A		-63320	3- 21B
	-21250	401- 124A		-23660	41- 34A		-24420	361- 177B	31050	-60750	214- 21A
	-21250	570- 58A		-25350	361- 183A		-25890	409- 30A		-60770	630- 21A
	-21410	362- 302A		-26200	334- 25A		-25910	409- 29A	31053	-20010	36- 27A
	-21590	427- 64A		-26390	570- 57A		-26180	41- 37A	31102	-60070-	188- 21A
	-21780	617- 24A		-27270	381- 33A		-26230	351- 86A		-60170	188- 21B
	-21890	6- 24A		-27300	617- 27A		-26350	406- 50A	31103	-60070	332- 21A
	-21910	570- 49A		-27300	634- 48A		-26400	362- 191A	31115	-70010	55- 61A
	-21960	351- 84A		-27460	559- 44A		-26510	427- 25A		-70060	55- 61B
	-21980	570- 50A		-27550	343- 76A		-26520	381- 509A		-29720	486- 21A
	-22020	31- 25A		-28640	571- 119A		-27140	571- 145A	31200	-29720	110- 21A
	-22020	355- 98A		-60030	31- 26A		-27480	432- 87B		-44560	110- 22A
	-22020	432- 27A		-60070	362- 305A	30320	-60050	211- 44A		-44810	110- 41A
	-22020	570- 51A		-60070	457- 42A	30502	-28700	390- 22A		-44830	110- 42A
	-22450	559- 42A		-60070	649- 56A		-28700	514- 22A		-44950	205- 43A
	-22740	381- 32A	30242	-20020	41- 35A	30510	-60280	202- 21A		-44960	205- 44A
	-23280	361- 112A		-20020	427- 67A		-60290	202- 61A		-45340	623- 21A
	-23280	457- 41A		-20020	570- 56A		-60320	202- 41A		-45350	623- 22A
	-24050	55- 89A		-20020	571- 132A	30610	-20930-	492- 21A		-45590	205- 43B
	-24050	570- 79A		-20050	427- 24A		-23700	90- 21A		-45600	205- 44B
	-24180	570- 77A		-20060	55- 93A		-24060-	531- 82A		-45670	110- 23A

## PARTS No. INDEX

PART NUMBER	PAGE-SYM	PART NUMBER	PAGE-SYM	PART NUMBER	PAGE-SYM	PART NUMBER	PAGE-SYM
31200	110- 24A	31206	-30080	31812	-21600	32215	-70080
-49250	110- 21B	-30090	673- 26A	-21730	78- 22A	-70100	267- 114A
-49260	110- 22B	-30100	473- 21A	-21740	78- 21B	-70150	267- 111B
-49290	110- 61A	-30110	473- 22A	-21900	78- 22B	32224	-20160- 50- 21A
-49300	110- 62A	-30170	623- 23A	-21910	78- 21C	-20330	106- 66A
-60480	387- 26A	-30330	673- 27A	-22040	78- 22C	32266	-21000 155- 21A
-60500	387- 23A	-30350	83- 25B	-22050	78- 21D	-21000	162- 000A
-60530	211- 21A	-30740	623- 23B	-22470	78- 22D	-21160	155- 21B
-60540	211- 22A	-31000	617- 31B	-22480	78- 21E	-21160	162- 000B
-60550	211- 23A	-31530	148- 22B	31990	78- 22E	32280	-70190- 318- 42A
-60560	211- 24A	-32240	136- 73B	-28640	392- 46A	32812	-70200 224- 21A
-60620	211- 48A	-32250	116- 59B	-70710	26- 53A	-70200	226- 000A
-60630	258- 26A	-32260	116- 70A	-71160	44- 48A	-70210	224- 21B
-60700	211- 45A	-32340	116- 61B	-72220	41- 77A	-70210	226- 000B
-60710	211- 46A	-32400	141- 42C	-72290	41- 92A	32813	-70340 19- 22A
-60720	211- 47A	-32510	141- 43C	-72300	198- 42A	-70350	19- 23A
-60730	387- 24A	-32530	83- 26B	-72310	26- 82A	-70420	19- 522A
-60770	306- 33A	-32570	83- 39B	-72400	196- 48A	-70430	19- 523A
-60780	384- 30A	-33090	131- 24B	32010	316- 46A	-70450	19- 22B
-60800	220- 113A	-33100	582- 21A	-70080	293- 263A	-70460	19- 522B
-60820	205- 21A	-33210	582- 22A	32011	163- 75A	-70470	19- 523B
-60830	205- 41A	-33220	580- 23A	-60590	163- 76A	-70480	19- 522C
-60840	205- 41B	-33230	580- 24A	-60600	163- 77A	32815	-60260 12- 21A
-60860	205- 42B	-33230	580- 26A	-60610	167- 21A	-60290	12- 501A
-60890	387- 22A	-33820	116- 59C	-60650	162- 71A	32816	-60650 8- 21A
-60900	387- 25A	-34060	136- 71B	-60660	162- 72A	-60650	10- 51A
-60910	384- 54A	-34070	136- 72B	-60670	163- 73A	-60690	577- 51A
-60920	205- 47A	-34260	582- 21B	32121	292- 241A	32872	-70310 232- 22A
-60930	205- 48A	-34270	582- 22B	32150	274- 22A	32920	-21780 46- 35A
-60970	306- 33B	-34550	116- 70B	-20580	628- 26A	-60080	48- 43A
-70440	230- 25A	-60010	392- 54A	-60050	106- 23A	-70870	48- 62A
-71020	44- 45A	31210	-70130	-60050	136- 25A	-71030	666- 40A
31206	-25190 83- 27A	31220	-20010 110- 1A	32151	-20200 234- 63A	-71060	292- 131A
-26030	16- 52A	-20020	110- 2A	-20220	614- 23A	-71070	600- 41A
-26620	131- 23A	-20140	110- 2B	-60100	106- 54A	-71080	600- 43A
-26810	297- 43A	-20160	110- 3A	-70130	141- 48A	-71110	226- 28A
-27230	116- 52A	31231	-22260 220- 84A	32153	-60260 84- 61A	32923	-20080 343- 34A
-27730	288- 21A	-60040	163- 85A	-60270	84- 62A	-21140	409- 36A
-28130	477- 21A	-60050	163- 78A	32210	-20950 211- 51A	-21200	343- 35A
-28190	477- 66A	-60080	606- 78A	-20970	123- 54A	-21230	338- 27A
-28200	477- 67A	31236	-31510 106- 52A	-20970	126- 26A	-21230	512- 27A
-28440	148- 21A	-31520	106- 53A	-20990	83- 44A	-21300	377- 43A
-28450	148- 22A	-32750	78- 27A	-20990	83- 44A	-21300	637- 43A
-28470	136- 22A	-32760	78- 28A	-60210	384- 31A	-21310	409- 38A
-28600	16- 53A	31241	-20190 454- 41A	-60220	220- 85A	-21310	343- 48A
-28610	16- 54A	31264	-24040 83- 21A	-70360	267- 118A	-21330	355- 104A
-28630	274- 21A	-24060	83- 22A	-70360	267- 119A	-21330	338- 503A
-28720	116- 59A	-24070	83- 23A	-70360	268- 541A	-21410	344- 509A
-28730	116- 61A	-24080	83- 24A	-70360	282- 521A	-21420	344- 510A
-28740	116- 60A	-24250	83- 23B	-71700	162- 58B	-21430	409- 508A
-28750	83- 25A	-24260	83- 24B	-72240	563- 81A	-70090	186- 22A
-28760	83- 26A	-24550	83- 23C	-72250	563- 82A	-70090	198- 24A
-28810	131- 41A	-24560	83- 24C	-72790	19- 43A	-70090	202- 43A
-28820	131- 42A	-24680	83- 21B	-72830	36- 52A	-70090	208- 23A
-28840	131- 24A	-24690	83- 22B	-72870	116- 36A	-70090	208- 23B
-28900	83- 28A	-24700	83- 23D	-72880	73- 26A	-70090	260- 22A
-28910	83- 39A	-24710	83- 24D	-72880	467- 26A	-70090	260- 22B
-28940	141- 42A	-25320	83- 23E	-72900	292- 128A	-70090	260- 22C
-28950	136- 71A	-25330	83- 24E	-72910	600- 45A	-70090	266- 22A
-28960	136- 72A	-25360	83- 21C	-72920	112- 26A	-70090	271- 22A
-28970	141- 43A	-25370	83- 22C	-72920	116- 36B	-70090	271- 22B
-29040	131- 25A	31271	-20230 46- 32A	-72920	116- 36C	-70090	271- 83A
-29220	518- 23A	31273	-60030 258- 24A	-72920	119- 41A	-70090	292- 211A
-29370	617- 31A	-60040	258- 25A	-72920	577- 25A	-70090	292- 211B
-29540	548- 71A	31285	-70100 572- 202A	32211	-70430 36- 52B	-70090	297- 45A
-29620	141- 42B	31523	-70910 536- 68A	32215	-20150 267- 116A	-70090	310- 163A
-29630	141- 43B	-70930	536- 67A	-20180	267- 117A	-70090	314- 29A
-29700	136- 21A	31701	-20150 176- 25A	-70050	267- 115A	-70090	318- 29A
-29880	628- 21A	-70950	19- 25A	-70060	267- 112A	-70090	321- 36A
		31812	-21590 78- 21A				

## PARTS No. INDEX

PART NUMBER	PAGE-SYM	PART NUMBER	PAGE-SYM	PART NUMBER	PAGE-SYM	PART NUMBER	PAGE-SYM
32923	-70090	32925	-20010	33070	-23510	33194	-38350
	390- 28A		271- 32A		190- 22A		271- 46A
	-70090		-20010	33100	-71180		260- 34A
	390- 28B		271- 32B		41- 74A		-38410
	-70090		-20010		-71270		271- 81A
	392- 61A		271- 84A		292- 127A		-38480
	-70090		-20010		-71280		301- 22A
	454- 21B		272- 503A		-71350		577- 72A
	-70090		-20010		-71350		-39710
	514- 28A		292- 213A		33110	-70760	292- 121A
	-70090		-20010		-70770		293- 262A
	525- 22A		292- 213B		-70780		226- 21A
	-70090		-20010		-70780		226- 21A
	540- 46A		321- 34A		-70790		226- 22A
	-70090		-20010		-70790		226- 23A
	574- 31A		536- 51A		-70800		228- 21A
	-70090		-20010		-70810		228- 22A
	595- 24A		660- 24A		-70820		228- 22A
	-70090		-20020		-70830		228- 23A
	600- 32A		271- 33A		33190	-27870	266- 51A
	-70090		-20030			-37780	266- 49A
	603- 24A		271- 34A			-43820	271- 49A
	-70100		-20030			-45520	282- 23A
	214- 29A		384- 33A			-45950	266- 41A
	-70100		-20040			-46220	266- 43A
	214- 29B		271- 35A			-46840	266- 40A
	-70100		-20050			-47250	595- 25A
	256- 43A		271- 36A			-47370	266- 42A
	-70100		-20050			-47380	266- 48A
	266- 23A		574- 33A			-47390	266- 44A
	-70100		-20050			-47410	266- 39A
	271- 23A		595- 23A			-47740	266- 51B
	-70100		-70010			-47750	266- 44B
	292- 23A		666- 52A			-47780	266- 48B
	-70100		-70030			-47850	266- 48C
	367- 514A		250- 30A			-47870	267- 506A
	-70100		-70030			-47880	267- 507A
	574- 32A		663- 74A			-47890	267- 508A
	-70120		-70030			-47900	267- 509A
	208- 24A	32962	44- 21A			-47910	267- 510A
	-70120		271- 37A			-47920	267- 511A
	260- 21A	32970	-20080			-47930	268- 515A
	-70120		271- 37B			-47940	268- 516A
	266- 21A		-20080			-47950	268- 518A
	-70120		271- 37C			-47970	282- 501A
	271- 21A		-20080			-60210	202- 64A
	-70120		292- 212A			33194	-35910
	271- 21B		306- 26A				-36140
	-70120		-20080				-36220
	276- 23A		536- 49A				310- 162A
	-70120		-20080				292- 217A
	297- 44A		632- 25A				595- 22A
	-70120		-20120				186- 21A
	314- 28A		205- 22A				321- 27A
	-70120		-20140				-36360
	318- 26A		162- 43B				321- 28A
	-70120		-20150				208- 21A
	390- 27A		220- 67A				306- 32A
	-70120		-20150				545- 22A
	390- 27B		258- 27A				603- 21A
	-70120		-20160				266- 35A
	392- 60A		214- 31A				260- 33A
	-70120		-20160				271- 45A
	514- 27A		384- 32A				271- 48A
	-70120		-20190				266- 36A
	525- 23A		162- 42A				266- 37A
	-70120		-20800				318- 25A
	542- 26A		267- 97A				540- 41A
	-70120		-60020				266- 38A
	574- 30A		167- 64A				266- 45A
	-70120		-60020				266- 46A
	600- 31A		171- 64A				542- 25A
	-70120		-70020				266- 50A
	603- 23A		44- 47A				525- 21A
	-70140		-70210				266- 52A
	208- 502A		181- 27A				260- 35A
	-70140		-70210				266- 47A
	260- 501A		181- 47A				266- 47A
	-70140		-70210				
	267- 501A		202- 23A				
	-70140		-70210				
	267- 501B		202- 42A				
	-70140		-70210				
	271- 501A		202- 67A				
	-70140		-70520				
	272- 532A		666- 63A				
	-70140		-70550				
	293- 501A		84- 66A				
	-70140		33057	-22330			
	318- 502A			367- 28A			
	-70140		-22570	162- 41A			
	321- 503A		-22640	267- 78A			
	-70140		-22680	167- 61B			
	531- 24A		-22680	171- 61B			
	-70140		-22830	367- 26A			
	531- 42A		-22890	367- 27A			
	-70140		-22920	181- 26A			
	531- 63A		-22920	181- 46A			
	-70140		-22930	162- 44A			
	531- 83A		-22940	162- 45A			
	-70140		-23090	292- 151A			
	542- 27A		-23330	373- 526A			
	-70150		-23340	367- 506A			
	267- 502A		-23340	552- 58A			
	-70150		-23350	367- 507A			
	271- 502A		-23350	552- 59A			
	-70150		-23360	367- 508A			
	536- 52A		-23360	552- 60A			
	-70150		-23500	373- 66A			
	536- 52B		-23520	640- 33A			
	-70190		-23530	640- 34A			
	208- 22A		-23660	162- 44B			
	-70190		-23760	586- 66A			
	321- 35A						
	-70190						
	540- 45A						
	-70210						
	288- 25A						
	-70210						
	390- 29A						
	-70210						
	514- 29A						
	-70210						
	540- 47A						
	-70210						
	574- 35A						
	-70210						
	600- 33A						
	-70210						
	603- 25A						
	-70210						
	220- 24A						
32925	-20010						
	-20010						
	-20010						

## PARTS No. INDEX

PART NUMBER	PAGE-SYM	PART NUMBER	PAGE-SYM	PART NUMBER	PAGE-SYM	PART NUMBER	PAGE-SYM
33258	-20310	33713	-32870	34041	-26000	34500	-70870
33281	-72530		94- 22A		96- 32A		666- 24A
	-72540		-33110		98- 32A		666- 28A
33305	-20990		-33120		16- 60A		666- 29A
	-21030		-33350		220- 115A		-70960
	-21090		-33400		-26320		228- 27A
	-21090		-33420		-26320	34750	-70020
	-21090		-33430		-26410		666- 23A
	-21090		-33440		-26480		-70030
	-21100		-33570		-26480	34800	-60080
	-21110		-33610		-26480		666- 44A
	-21190		-33720		-26480		167- 53A
	-21210		-34890		-26480		171- 53A
33310	-60010		-35160		-26480	34820	-67620
33360	-20060		-35160		-26490		-67620
	-60120		-35160		-26500		495- 171A
	-60120	33920	-70220		-26500		510- 21A
	-21330		-70230		-26500		440- 22A
	-21360		-70230		-26500		440- 23A
	-63180		-70230		-26720		394- 21A
	-63290		-70230		-26720		-68940
	-63540		-70230		-27000		495- 173A
	-63560		-70230		-27050		510- 22A
	-63580		-70230		-27060		510- 23A
	-63610		-70230		-27170		239- 35A
	-63950		-70230		-27350		3- 54A
	-63950		-70230		-27580		101- 21A
	-63960		-70230		-27590		194- 81A
	-63980		-70230		-27720		292- 62B
	-64560		-70230		-27720		292- 62A
	-65030		-70230		-27820		306- 22A
	-65090		-70230		-27900		292- 102A
	-65180		-70230		-27900		292- 61A
	-65310		-70230		-27940		292- 63A
	-65360		-70230		-28020		306- 23A
	-65500		-70230		-28050		632- 22A
33440	-70010		-70230		-28070		306- 29A
33441	-70170		-70230		-28430		632- 28A
33460	-60270		-70230		-28430		306- 28A
	-60320		-70230		-28440		632- 27A
	-60360		-70230		-28320		306- 21A
33470	-60200		-70230		-60340		632- 21A
	-60200		-70230		-60360		306- 24A
	-70120		-70230		-60360		632- 23A
	-70130		-70230		-60380		306- 27A
33480	-70160		-70230		-60390		632- 26A
	-70170		-70230		34044		306- 31A
33500	-70120		-70230		-20350		525- 41A
	-70120		-70230		-20350		540- 44A
33531	-20250		-70230		-70660		611- 43A
	-20260		-70230		34180		306- 31B
	-60210		-70230		-20350		663- 71A
33621	-21960		-70230		-20350		536- 42A
	-22030		-70230		34200		216- 23A
33713	-20030		-70230		-25370		292- 81A
	-20080		-70230		-28400		282- 21A
	-20110		-70230		-28420		306- 25A
	-21350		-70230		-28420		632- 24A
	-22540		-70230		-28840		427- 26A
	-22540		-70230		-28850		427- 26B
	-22540		-70230		-28860		242- 53A
	-22540		-70230		-28940		390- 21A
	-22820		-70230		34256		514- 21A
	-22820		-70230		-25230		548- 21A
	-28760		-70230		-25300		611- 50A
	-28910		-70230		-25320		297- 41A
	-29880		-70230		-25550		214- 25A
	-29880		-70230		-25770		192- 23A
	-32760		-70230		34257		211- 57A
			-70230		-28590		244- 31A
			-70230		-28660		258- 32A
			-70230		-28670		387- 28A
			-70230		-28700		620- 27A
			-70230		-28920		623- 31A
			-70230		-29000		
			-70230		-29100		
			-70230		34500		
			-70230		-24570		
			-70230		-28930		
			-70230		230- 23A		



## PARTS No. INDEX

PART NUMBER	PAGE-SYM	PART NUMBER	PAGE-SYM	PART NUMBER	PAGE-SYM	PART NUMBER	PAGE-SYM	
36430	-60320	258- 21A	37600 -73170	196- 46A	38171 -42620	101- 34A	38675 -20250	36- 24A
	-60330	220- 63A		316- 42A	-42630	101- 35A	38677 -70410	36- 28A
	-60340	258- 22A	37612 -20120	409- 33A	-43310	101- 37B	-70710	24- 34A
	-60350	220- 72C	37618 -70010	44- 43A	-43950	106- 35A	-70770	24- 35A
36505	-70130	666- 49A	-70070	44- 44A	38191 -20130	163- 93A	38691 -70050	666- 46A
36700	-70440	666- 51A	37628 -70010	44- 46A	38311 -61120	450- 000A	-70060	666- 47A
	-70450	236- 42A	37715 -20020	184- 23A	-61170	452- 000A	38706 -30360	444- 36A
	-70460	236- 43A	-20740	361- 118A	38450 -60050	280- 21A	-30360	499- 36A
	-90010	392- 82A	-20740	362- 311A	38480 -70630	194- 41A	-30360	507- 36A
36724	-20360	41- 29A	-20790	31- 83A	-70850	314- 51A	-30370	444- 37A
	-20460	41- 28B	-21000	31- 32A	-70930	314- 52A	-30370	499- 37A
	-20470	41- 28A	-21000	41- 38A	-70940	314- 53A	-30370	507- 37A
	-20480	41- 27A	-21000	355- 100A	-71100	196- 49A	-32140	444- 61A
	-20490	41- 29B	-21680	362- 310A	-71100	198- 41A	-32170	444- 65A
	-20490	41- 112A	-22640	22- 26A	-71120	316- 45A	-32630	444- 23A
	-20510	41- 30A	-22640	38- 27A	38510 -20560	406- 41A	-32630	499- 23A
	-20520	41- 31A	-23490	239- 50A	-20560	406- 46A	-32630	507- 23A
	-70040	614- 57A	-23520	351- 88A	-60470	66- 24A	-32640	444- 38A
37013	-20030	463- 131A	-23880	41- 39A	-71320	666- 45A	-32640	499- 38A
37290	-33160	116- 51A	-24270	55- 86A	-71410	226- 52A	-32660	444- 34A
	-33190	116- 58A	-24990	31- 79A	38511 -60380	521- 131A	-32670	444- 35A
	-33430	116- 51B	-60040	184- 23B	-60390	355- 51A	-33250	422- 21A
	-33530	116- 51C	37740 -20280	181- 61A	-60460	634- 41A	-33260	422- 22A
	-33850	116- 51D	-20290	181- 41A	-60560	362- 193A	-34290	435- 22A
	-33870	116- 58B	37810 -20460	611- 53A	-71020	362- 212A	-34300	435- 23A
	-34010	571- 128A	-20640	220- 152A	-71020	401- 212A	-34790	432- 21A
37391	-70010	228- 25A	-20650	167- 58A	-71470	555- 62A	-34800	432- 22A
37421	-21930	52- 21A	-20650	171- 58A	-71550	563- 103A	-34860	444- 62A
37500	-60030	220- 151A	-60200	362- 215A	-71880	362- 234A	-34870	444- 63A
37521	-22610	162- 22A	-60200	555- 64A	38521 -60680	401- 121A	-34880	444- 64A
	-22610	171- 000A	-60380	614- 52A	38523 -61160	396- 21A	-35030	444- 21A
	-22780	162- 21A	-60400	220- 114A	-61250	396- 21B	-35030	499- 21A
	-22780	167- 000A	-60400	387- 65A	38524 -60280	362- 188A	-35030	507- 21A
	-70600	226- 29A	-60400	611- 51A	38528 -60030	373- 131A	-35040	444- 22A
	-70610	226- 30A	-60400	628- 23A	38530 -60170	392- 48A	-35040	499- 22A
	-70620	228- 29A	-60430	614- 52B	38531 -61100	415- 21A	-35040	507- 22A
37600	-20670	31- 33A	-70710	666- 37A	-61150	415- 21B	-35730	432- 22B
	-20670	355- 103A	-70760	292- 125A	-61260	415- 21C	-35760	444- 34B
	-20670	432- 30A	-70770	301- 25A	38532 -62090	336- 21A	-35770	444- 35B
	-20670	570- 73A	37811 -70020	216- 22A	-62200	336- 21B	-35780	432- 501A
	-20680	438- 25A	37900 -27170	406- 71A	-62270	336- 21C	-35790	432- 502A
	-20680	552- 49A	-70960	666- 21A	38542 -60050	66- 25A	-35800	435- 521A
	-20680	652- 29A	-70970	666- 35A	38543 -60330	361- 111A	-35810	435- 522A
	-20790	367- 40A	37904 -70160	666- 26A	38554 -20110	559- 41A	-35820	422- 501A
	-20790	373- 74A	38050 -70160	232- 53A	-20120	181- 22A	-35830	422- 502A
	-20790	381- 41A	38120 -20960	94- 42A	-20120	181- 42A	-35840	444- 64B
	-20790	521- 38A	-20960	234- 58A	-20130	552- 48A	-35850	444- 65B
	-20790	617- 38A	-60220	214- 30A	-60420	362- 224A	-36340	499- 35A
	-21330	570- 74A	-60250	167- 70B	-60730	355- 42A	-36350	499- 34A
	-23680	55- 96A	-70220	167- 70A	-71160	401- 63A	-36710	507- 38A
	-23680	570- 78A	38122 -20070	167- 65B	-71440	351- 46A	-36720	507- 34A
	-25690	46- 38A	-20080	171- 65B	-71500	571- 129A	-36730	507- 35A
	-26100	34- 29A	38126 -60120	167- 65A	-71500	571- 134A	-36760	435- 22B
	-26300	343- 83A	-60130	171- 65A	38559 -70010	44- 49A	-36770	435- 23B
	-26380	230- 31A	38130 -34580	171- 24A	38560 -60870	384- 21A	-36910	422- 22B
	-71310	477- 41A	-34600	167- 24A	-60910	614- 51A	-37360	570- 38A
	-71310	477- 81A	-35150	128- 21A	38561 -70210	571- 172A	-37400	570- 40A
	-72340	316- 44A	-35360	162- 25A	-70360	518- 42A	-37530	570- 41A
	-72850	663- 43A	-35880	126- 21A	38562 -60370	355- 41A	-37540	570- 36A
	-72900	666- 56A	-35900	126- 23A	38567 -70290	362- 214A	-37550	570- 37A
	-72910	666- 57A	-36490	126- 22A	-70300	401- 62A	-37590	570- 39A
	-72920	666- 58A	-36500	126- 24A	-70360	362- 225A	-37970	422- 21B
	-72930	666- 68A	-36860	611- 41A	-70500	571- 171A	38720 -20390	338- 28A
	-72940	666- 69A	-37610	600- 81A	-70540	362- 235A	-20390	343- 37A
	-72950	666- 70A	-38230	577- 24A	38670 -21850	361- 45A	-20390	512- 28A
	-72960	666- 71A	38171 -41480	101- 36A	-21850	361- 54A	-20970	343- 36A
	-73130	250- 31A	-42080	101- 37A	-21850	563- 63A	-43560	409- 34A
	-73130	663- 37A	-42080	234- 53A	-22190	409- 104A	38721 -32100	267- 81A
	-73160	663- 36A	-42130	141- 50A	-22290	521- 93A	-32100	292- 153A

## PARTS No. INDEX

PART NUMBER	PAGE-SYM	PART NUMBER	PAGE-SYM	PART NUMBER	PAGE-SYM	PART NUMBER	PAGE-SYM
38721	367- 29A	39600	62- 68A	40000	26580	40495	60030
	640- 35A		19- 42A		26580	40510	26400
	614- 26A		73100		503- 139A		26440
38730	239- 37A		19- 44A		26590		26980
	242- 31A		19- 46A		26590		27430
38731	41- 32A		19- 47A		26610	40600	48410
	41- 114A		19- 41A		26610		48480
	41- 33A		19- 50A		26610		48490
	239- 36A		19- 45A		34290		48500
38753	24- 21A		19- 48A		35100		48510
	24- 22A		19- 51A		45860		48520
	24- 23A		19- 52A		45860		48840
	24- 24A		19- 49A		45860		49160
	24- 24B		427- 43A		46270		51120
	24- 22B		226- 53A		46270		51130
38754	239- 38A		226- 57A		46290		51140
	239- 38B		228- 35A		46290		51740
38765	46- 22B	39661	406- 82A		47010		52790
	46- 24A	39700	216- 21A		47010		71320
	46- 23A	39753	292- 41A		47010	40604	70550
	46- 22A		292- 41B		47030		70590
	46- 25A	39880	536- 74A		47030	40730	20320
	46- 23B		540- 61A		47530		20320
	46- 25B		540- 81A		48160		20490
38768	46- 26A		574- 51A		48420	40732	20140
38775	348- 25A		600- 61A		49270		20140
	340- 21A		70220		49270		20380
	340- 24A		70220		49270		20440
	340- 25A		70230		49290		21020
	340- 22A		70350		49290	40733	20520
	340- 23A	39890	116- 87A		49460		21160
	338- 51A		116- 88A		49910		21160
	338- 60A		480- 41A		50730	40740	20050
	338- 21A		116- 81A		51130	40790	20210
	512- 21A		571- 177A	40033	60020		70630
	338- 22A		84- 87A	40034	20260		70650
	512- 22A		84- 88A		20270		70690
	346- 21A		628- 51A	40044	21740	40810	60120
	346- 22A		234- 81A		22420		70180
	346- 23A		116- 82A	40045	20210	40840	20450
	346- 24A		84- 81A	40200	60140		24310
	348- 26A		84- 84A		60190		26380
	343- 45A		220- 131A		70190		26380
	343- 46A		167- 51A	40205	60020		26380
	348- 27A		171- 51A		70090		26390
	338- 60B		141- 81A	40314	60120		26390
	338- 51B		234- 81B	40330	20620		26390
	518- 21A		84- 82A		60400		26440
	518- 22A		84- 85A		60510		26440
	512- 60A		84- 87B		60570		26440
	512- 51A		84- 88B		70710		26450
38900	334- 26A		623- 29A	40335	60150		26450
	457- 21A		536- 47A	40336	60060		26450
	457- 21B		220- 131B	40337	60440		26460
	432- 111A		141- 72A		60450		26460
	666- 54A		141- 72B		60640		26460
38901	503- 93A		84- 87C	40338	60240		26500
	422- 583A		84- 88C		60270		26500
	26- 24A		136- 51A		60340		26500
38903	373- 73A		106- 81A	40344	70090		26540
	361- 178B		454- 61A	40410	32430		26540
38904	427- 70A		116- 83A		32880		26540
38905	31- 95A	39953	452- 22A		32970		26560
38906	571- 130A		450- 22A		32980		26560
	571- 135A	39960	563- 83A		32990		60290
	355- 48A	40000	394- 22A		33350		60340
	362- 195A		447- 131A	40460	60030		73590
39600	181- 63A		495- 131A	40462	20080	40850	20060
	62- 67A		503- 131A		20080		20060

## PARTS No. INDEX

PART NUMBER	PAGE-SYM	PART NUMBER	PAGE-SYM	PART NUMBER	PAGE-SYM	PART NUMBER	PAGE-SYM
40850	-20060	40903	-27670	41410	-41460	41615	-34640
	55- 22A		83- 32A		362- 301A		119- 32A
	396- 25A		-27680		518- 41A	41621	-20110
	3- 49A		83- 33A		422- 24A		394- 23A
	-20160		-28020		-41670		-20200
	8- 26A		-28310		422- 24A		447- 145A
	-20680		-28310		571- 166A		-20200
	3- 45A		-28400		571- 166B		495- 145A
	-20700		-28400		362- 223B		-20200
	634- 22A		-28450		392- 81A		503- 145A
	-20880		-28910		-43080		-20290
	640- 36A		-28910		90010		447- 143A
	-20880		-28940		41433		-20290
	649- 27A		-28940		-70010		495- 143A
	-20890		-28990		663- 28A		-20290
	634- 23A		-28990		-70020		503- 143A
	-20890		-29000		663- 34A		-20320
	640- 37A		-29000		230- 24A		68- 42A
	-20890		-29030		41470		-20320
	649- 28A		-29030		-70010		447- 69A
	-20920		-29200		41530		-20320
	297- 22A		-29200		-20530		495- 69A
	-20930		-29500		22- 32A		-20320
	253- 61A		-29500		38- 26A		503- 69A
	-20990		-29580		-22790		-20340
	292- 21A		-29580		406- 74A		68- 41A
	-20990		-29590		422- 561A		-20340
	367- 513A		-29590		427- 27A		447- 70A
	-21040		-29650		60- 501A		-20340
	292- 22B		-29650		62- 501A		447- 91A
	-60120		-29860		406- 76A		-20340
	234- 54A		-30230		-23360		495- 70A
	-60130		-30230		406- 76A		-20340
	256- 42A		-30240		-23500		503- 70A
	-60150		-30240		427- 28A		-20340
	292- 22A		-30490		205- 82A		480- 42A
	-60160		-30490		-60080		-21170
	220- 86A		-30500		205- 82B		68- 63A
	-60190		-30500		384- 34A		-21710
	171- 66A		-30600		205- 82B		-21740
	-60200		-30740		292- 64A		62- 65A
	256- 41A		-30740		306- 30A		-24500
	-70010		-30800		632- 29A		447- 144A
	234- 24A		-30810		427- 28B		495- 144A
	-70280		-30820		-60200		-24500
	384- 35A		-33310		-73070		503- 144A
40900	-60170		-33310		41- 76A		447- 142A
	242- 25A		-33430		545- 33A		495- 142A
	-72410		-33830		41- 78A		503- 142A
	250- 28A		-33830		250- 29A		447- 147A
	-72410		-33880		663- 33A		495- 147A
	663- 31A		-33950		-75900		503- 147A
	-72560		-33990		250- 32A		62- 66A
40902	-36230		-34010		663- 40A		-70660
	3- 42A		-36730		226- 58A		452- 27A
	3- 43A		-38340		577- 74A		-70670
	-36240		-39360		310- 95A		41635
	3- 50A		-39920		248- 23A		-38650
	-59430		-40660		321- 29B		310- 88A
	521- 92A		-40910		660- 23A		628- 28A
	-59610		-42220		26- 55A		83- 38A
	666- 38A		-42280		392- 44A		55- 21A
	-70060		-42350		144- 21A		332- 22D
	666- 42A		-70250		310- 87A		292- 122A
	-70070		-70250		230- 30A		292- 123A
	236- 23A		-71930		226- 24A		226- 34A
	-70090		-71940		452- 26A		226- 35A
	236- 27A		-71960		450- 26A		228- 32A
	-70100		-71970		450- 28A		76- 47A
	232- 30A		-71980		452- 28A		16- 42A
	-20850		41101		409- 35A		16- 43A
	220- 112A		-60010		41605		16- 44A
	312- 21A		-60040		-44140		-29690
	-23010		-60140		338- 29A		-29710
	211- 49A		41321		512- 29A		94- 61A
	-23520		-70080		123- 44A		94- 62A
	106- 22A		-70080		123- 52A		94- 61B
	-23690		-70090		123- 61A		94- 62B
	155- 22A		-70090		123- 69A		76- 46B
	-24170		41410		343- 32A		76- 47B
	211- 41A		-32030		454- 42A		16- 42B
	-24290		-32030		101- 32A		16- 42C
	297- 42A		-35470		503- 92A		16- 42D
	-24380		-36110		8- 23A		16- 43B
	174- 21A		-40920		10- 24A		292- 126A
	-24540		-41000		150- 23A		600- 47A
	230- 22A		-41050		396- 24A		68- 91A
	101- 25A		-41100		253- 23A		70- 41A
	-24600		-41100				463- 111A
	101- 26A		-41290				163- 80A
	-24610		-41440				84- 70A
	316- 22A		-41450				162- 43A
	-24870						112- 44A
	316- 23A						
	-24900						
	205- 122A						
	-25200						
	174- 26A						
	-25230						
	205- 102A						
	-25290						
	220- 153A						
	-25770						
	101- 23A						
	-25780						
	101- 24A						
	-25860						
	454- 22A						
	-25900						
	6- 21A						
	-26330						
	36- 22A						
	-26720						
	600- 23A						
	-26880						
	387- 62A						
	-26920						
	361- 42A						
	-26930						
	361- 50A						
	-26940						
	234- 52A						
	-26970						
	41- 44A						
	-27030						
	373- 133A						
	-27060						
	343- 29A						
	-27490						
	332- 22A						
	-27540						
	106- 21A						





## PARTS No. INDEX

PART NUMBER	PAGE-SYM	PART NUMBER	PAGE-SYM	PART NUMBER	PAGE-SYM	PART NUMBER	PAGE-SYM
43103	-26230	381- 504A		43550	-21210	271- 31A	
	-26240	381- 505A			-21210	288- 26A	
	-26250	381- 506A			-21210	390- 25A	
	-26260	355- 501A			-21210	392- 59A	
	-26270	381- 508A			-21210	514- 25A	
	-26280	351- 501A			-21210	548- 27A	
	-26290	31- 501A			-21210	574- 26A	
	-26300	31- 502A			-21230	167- 59A	
	-26310	31- 521A			-21230	171- 59A	
	-26320	31- 522A			-21260	266- 33A	
	-26330	31- 523A			-21270	266- 30A	
	-26370	381- 507A			-21270	271- 44A	
	-26380	432- 521A			-21270	412- 29A	
	-26390	432- 522A			-21270	574- 27A	
	-26400	432- 523A			-21290	656- 22A	
	-26420	6- 502A			-21300	656- 23A	
	-27160	422- 23A			-21480	266- 30B	
	-27280	649- 22A			-60020	266- 29A	
	-27340	422- 521A			-60100	266- 32A	
	-28990	427- 501B			-60110	101- 45A	
	-29000	427- 502B			-60110	141- 51A	
	-30800	570- 34A			-60110	234- 57B	
	-31610	570- 81B			-70290	234- 57A	
43110	-27050	22- 21A			-70460	540- 24A	
	-27060	22- 22A			-70460	574- 28A	
43111	-23380	94- 122A			-70460	600- 34A	
	-24410	608- 21A			-70460	603- 26A	
	-24950	44- 22A			-70530	236- 26A	
	-24990	24- 25A		43571	-20150	266- 34A	
	-25020	24- 26A			-60060	614- 25A	
	-25310	617- 34A		43573	-20280	239- 44A	
	-25510	24- 27A			-20280	332- 32A	
	-25980	44- 22B			-20280	367- 36A	
43113	-28810	444- 501A			-20280	373- 75A	
	-31340	367- 21A			-20280	381- 44A	
	-41220	367- 512A			-20280	422- 36A	
	-53580	373- 502A			-20280	432- 90A	
	-53580	377- 503A			-20280	435- 28A	
	-55100	432- 530A			-20280	435- 28B	
	-57780	373- 525A			-20280	521- 34A	
43124	-26100	242- 22A			-20280	570- 64A	
	-26110	242- 23A			-20280	637- 48A	
	-26130	239- 21A			-20280	640- 38A	
	-26340	239- 25A			-20290	22- 38A	
	-26350	239- 23A			-20290	22- 38B	
	-26550	239- 22A			-20290	36- 33A	
	-26560	239- 24A			-20290	36- 33B	
43300	-20050	278- 22C			-20290	267- 68A	
	-20060	278- 21C			-20290	268- 520A	
	-60090	278- 21A			-20290	367- 510A	
	-60100	278- 22A			-20290	373- 527A	
	-60140	278- 21B			-20290	381- 510A	
	-60150	278- 22B			-20290	432- 531A	
43420	-20030	214- 23A			-20290	552- 52A	
	-20030	216- 000A			-20300	22- 38C	
43424	-61250	66- 21A			-20300	31- 74A	
43550	-20680	271- 29A			-20300	31- 74B	
	-20680	545- 29A			-20300	31- 74C	
	-20890	266- 31A			-20300	267- 69A	
	-20890	271- 30A			-20300	271- 28A	
	-20890	536- 50A			-20300	271- 28B	
	-21160	167- 62A			-20300	432- 91A	
	-21160	171- 62A			-20300	570- 65A	
	-21170	167- 60A			-20310	239- 45A	
	-21170	171- 60A			-20310	242- 27A	
	-21210	260- 26A			-20310	268- 524A	
	-21210	266- 28A			-20310	272- 513A	
	-21210	266- 28B			-20330	422- 37A	
	-21210	266- 28C			-20330	432- 31A	
43573	-20330			43573	-20330	444- 70A	
	-20330				-20330	570- 66A	
	-20330				-20330	611- 56A	
	-20340				-20340	26- 27A	
	-20340				-20340	36- 31A	
	-20340				-20340	36- 31B	
	-20340				-20340	260- 23A	
	-20340				-20340	260- 23B	
	-20340				-20340	267- 70A	
	-20340				-20340	268- 521A	
	-20340				-20340	271- 38A	
	-20340				-20340	574- 29A	
	-20350				-20350	239- 46A	
	-20350				-20350	242- 28A	
	-20350				-20350	260- 24A	
	-20350				-20350	267- 71A	
	-20350				-20350	367- 35A	
	-20350				-20350	373- 26A	
	-20350				-20350	373- 76A	
	-20350				-20350	377- 39A	
	-20350				-20350	381- 45A	
	-20350				-20350	409- 31A	
	-20350				-20350	432- 32A	
	-20350				-20350	432- 92A	
	-20350				-20350	438- 27A	
	-20350				-20350	521- 35A	
	-20350				-20350	570- 67A	
	-20350				-20350	620- 22A	
	-20350				-20350	637- 39A	
	-20350				-20350	649- 29A	
	-20350				-20350	652- 26A	
	-20360				-20360	3- 58A	
	-20360				-20360	31- 36A	
	-20360				-20360	31- 96A	
	-20360				-20360	239- 47A	
	-20360				-20360	267- 96A	
	-20360				-20360	268- 523A	
	-20360				-20360	282- 24A	
	-20360				-20360	367- 509A	
	-20360				-20360	373- 504A	
	-20360				-20360	373- 528A	
	-20360				-20360	377- 511A	
	-20360				-20360	381- 511A	
	-20360				-20360	409- 507A	
	-20360				-20360	432- 93A	
	-20360				-20360	432- 532A	
	-20360				-20360	438- 503A	
	-20360				-20360	552- 53A	
	-20370				-20370	41- 47A	
	-20370				-20370	271- 39A	
	-20370				-20370	292- 214B	
	-20370				-20370	422- 38A	
	-20370				-20370	427- 525A	
	-20460				-20460	22- 39A	
	-20460				-20460	239- 49A	
	-20460				-20460	239- 49B	
	-20460				-20460	242- 29A	
	-20460				-20460	272- 510A	
	-20460				-20460	355- 102A	
	-20460				-20460	377- 40A	
	-20460				-20460	427- 74A	
	-20460				-20460	432- 94A	
	-20460				-20460	637- 40A	
	-20520				-20520	31- 504A	
	-20520				-20520	31- 524A	
	-20520				-20520	239- 48A	
	-20520				-20520	239- 48B	
	-20520				-20520	242- 30A	
	-20520				-20520	267- 72A	
43573	-20520			43573	-20520	271- 26A	
	-20520				-20520	292- 214A	
	-20520				-20520	432- 533A	
	-20530				-20530	41- 46A	
	-20530				-20530	41- 46B	
	-20530				-20530	41- 115A	
	-20530				-20530	260- 25A	
	-20530				-20530	267- 73A	
	-20530				-20530	268- 522A	
	-20530				-20530	272- 509A	
	-20530				-20530	427- 524A	
	-20530				-20530	432- 534A	
	-20540				-20540	3- 57A	
	-20540				-20540	3- 57B	
	-20540				-20540	267- 74A	
	-20540				-20540	267- 74B	
	-20540				-20540	271- 27A	
	-20540				-20540	293- 502A	
	-20540				-20540	351- 89A	
	-20540				-20540	422- 522A	
	-20550				-20550	267- 75A	
	-20550				-20550	271- 40A	
	-20550				-20550	272- 504A	
	-20560				-20560	272- 511A	
	-20560				-20560	292- 215A	
	-20030			43581	-20030	94- 125A	
	-26			43658	-26	343- 103B	
	-26				-26	362- 265B	
	-26				-26	401- 154B	
	-20720			43712	-20720	253- 21A	
	-70490			43751	-70490		

## PARTS No. INDEX

PART NUMBER	PAGE-SYM	PART NUMBER	PAGE-SYM	PART NUMBER	PAGE-SYM	PART NUMBER	PAGE-SYM	
43900	-74580	660- 44A	44180 -21070	384- 62A	44822 -70060	577- 54A	45311 -20560	62- 73A
	-74700	318- 41A	-21080	384- 61A	-70660	84- 63A	-70920	232- 24A
	-74740	663- 49A	-21090	384- 60A	-70660	84- 64A	-71700	232- 23A
	-74870	250- 36A	44184 -24080	155- 91A	44839 -70090	600- 42A	45324 -70250	66- 43A
	-74870	663- 46A	-24100	155- 92A	44841 -21870	463- 71A	45360 -60020	211- 43A
	-74880	250- 37A	-60030	155- 93A	-21870	591- 71A	-60020	220- 82A
	-74880	663- 47A	44340 -20250	540- 21A	-21930	463- 53A	45375 -26840	87- 25A
	-74910	198- 47A	-70230	192- 21A	-22020	463- 52A	-26850	87- 26A
	-74920	663- 39A	-70260	192- 22A	-22040	463- 54A	-27050	87- 21A
	-74940	663- 50A	44487 -60150	176- 21A	-22060	463- 57A	-27060	87- 22A
	-74950	226- 55A	-60190	178- 21A	-22060	591- 57A	-27070	87- 23A
	-74960	226- 56A	44720 -70660	577- 71A	-22180	463- 54B	-27080	87- 24A
	-75060	663- 76A	44721 -64910	16- 41A	-22190	463- 52B	-27300	87- 25B
	-75200	663- 48A	-64910	19- 1A	-22190	591- 52A	-27310	87- 26B
43925	-21160	62- 21A	-64950	16- 41B	-22450	463- 53B	-27450	87- 23B
	-21530	60- 22A	-64950	19- 1B	-22450	591- 53A	-27460	87- 21B
43932	-20030	163- 83A	-65000	16- 501A	-22490	463- 54C	-27720	87- 24B
	-20040	167- 30A	-65000	19- 501A	-22490	591- 54A	-60010	162- 30A
	-20040	171- 30A	-65060	16- 501B	-22830	463- 52C	-60030	162- 31A
	-20040	258- 30A	-65060	19- 501B	-22830	591- 52B	45520 -70070	236- 22A
	-20060	656- 24A	-72250	19- 21A	44860 -20210	194- 61A	45531 -20290	271- 42A
	-70470	232- 54A	-72320	19- 521A	-60120	194- 21A	-20350	272- 512A
	-70690	211- 55A	-72380	19- 521B	-60230	194- 61B	-20360	536- 43A
	-70700	163- 84A	-72390	19- 521C	-70110	542- 54A	-20730	536- 43B
	-70700	211- 54A	44730 -20850	123- 41A	44881 -60390	314- 26A	45600 -24960	626- 23A
	-70710	178- 26A	-20860	123- 49A	-60490	318- 21A	-26380	614- 53A
	-70710	214- 36A	44770 -51920	548- 25A	44890 -60230	542- 24A	-60090	384- 23A
	-70710	220- 89A	-52340	555- 101A	-60330	198- 21A	-60100	214- 24A
	-70730	211- 56A	-52750	536- 48A	-60340	196- 21A	-60100	301- 000A
	-70730	600- 25A	44771 -23850	463- 200A	-60350	314- 25A	-60130	214- 24B
	-70740	600- 26A	-23880	463- 151A	-60370	316- 21A	-60130	301- 000B
	-70750	600- 27A	-23880	591- 151A	44950 -70750	666- 32A	-70600	226- 31A
	-70790	258- 34A	-23890	463- 152A	-70760	248- 43A	-70610	226- 32A
	-70810	162- 49A	-23890	591- 152A	-70760	660- 43A	-70620	228- 28A
	-70820	162- 50A	-23920	463- 153A	45040 -70250	198- 44A	45610 -24110	288- 22A
	-70830	540- 25A	-23920	591- 153A	45050 -60120	224- 26A	-24220	447- 22A
	-70840	236- 24A	44774 -22060	463- 82A	-60120	228- 34A	-24220	495- 22A
	-70840	236- 44A	-22640	463- 83A	-60130	312- 25A	-24240	447- 23A
	-70850	236- 25A	-22640	591- 83A	-60130	536- 53A	-24240	495- 23A
43953	-20300	3- 55A	-23370	463- 84A	-60130	536- 53B	-24390	503- 22A
	-90010	392- 83A	-24650	463- 82B	-60130	540- 43A	-24410	503- 23A
43955	-60010	516- 21A	-24650	591- 82A	-60130	545- 28A	-70100	301- 21A
43956	-71480	666- 59A	-27530	591- 84A	-60130	574- 23A	-70110	301- 24A
	-71490	666- 60A	44787 -24500	555- 102A	-60140	271- 82A	45624 -70070	226- 33A
	-71500	666- 61A	-24980	463- 81A	-60140	304- 21A	45701 -70770	194- 42A
	-71510	666- 74A	-24980	591- 81A	-60140	312- 22A	-71030	314- 54A
	-71520	666- 75A	-25020	463- 171A	-60140	536- 53C	-71040	314- 55A
43962	-20030	338- 54A	-25020	595- 41A	-60140	620- 24A	-71160	318- 43A
	-20030	338- 63A	-25880	463- 106A	45058 -20010	310- 81A	-71170	318- 44A
	-20030	340- 34A	-25880	591- 106A	45110 -24920	167- 54A	-71180	318- 45A
	-20030	512- 54A	-25890	463- 107A	-24920	171- 54A	-71240	198- 43A
	-20030	512- 63A	-25890	591- 107A	-25010	167- 56A	-71270	196- 47A
	-20030	570- 63A	44794 -24240	463- 66A	-25020	167- 63A	-71280	316- 47A
	-20140	422- 585A	-24240	591- 66A	-25030	171- 56A	45715 -70220	232- 52A
	-20300	346- 30A	44810 -60010	83- 43B	-25040	171- 63A	45785 -20270	488- 22A
	-21470	24- 36A	-70050	116- 53A	-70240	666- 30A	-20300	488- 21A
	-21500	600- 24A	-70050	116- 63A	-70250	666- 31A	45830 -20050	454- 21A
	-21590	106- 36A	-70050	116- 63B	45125 -21850	447- 24A	-20160	106- 54B
43963	-70010	232- 28A	-70050	141- 47A	-21850	495- 24A	-60060	83- 43A
	-70190	666- 67A	44822 -22000	162- 46A	-21980	503- 24A	-60060	141- 49A
	44074 -20200	406- 73A	-22030	167- 27A	45200 -20590	68- 67A	-60060	163- 79A
	44081 -70070	184- 41A	-22030	171- 27A	-26890	3- 46A	-60100	83- 42A
	44083 -62410	334- 21A	-22070	211- 53A	-28690	3- 46B	-70310	84- 65A
	-62430	334- 22A	-22130	162- 46B	-28850	101- 43A	-70320	167- 79A
	-62500	334- 22B	-22150	220- 154B	-29140	62- 72A	-70320	171- 82A
	-62530	334- 22C	-22250	220- 154C	-71280	563- 84A	-70330	167- 80A
44090	-60110	571- 113A	-60370	253- 22A	-71530	66- 41A	-70330	171- 83A
44180	-21030	384- 58A	-60380	163- 81A	-71680	41- 75A	-70340	167- 79B
	-21040	384- 59A	-60390	167- 31A	45282 -70030	66- 42A	-70340	171- 82B

## PARTS No. INDEX

PART NUMBER	PAGE-SYM	PART NUMBER	PAGE-SYM	PART NUMBER	PAGE-SYM	PART NUMBER	PAGE-SYM	
45830	-70350	167- 80B	46011 -20660	463- 113A	47131 -21030-	343- 108A	50101 -04450	310- 86A
	-70350	171- 83B	-20940	447- 140A	-21030-	361- 141A	-04650	6- 61A
	-70360	84- 69A	-20940	495- 140A	-21030-	521- 51A	-04660	46- 27A
45850	-60050	167- 52A	-20940	503- 140A	-21060	409- 61A	-04670	46- 28A
	-60060	171- 52A	-20950	447- 146A	-21060	409- 63A	-04720	285- 23A
	-70130	167- 80C	-20950	495- 146A	-21060	409- 65A	-04740	285- 25A
	-70130	171- 83C	-20950	503- 146A	-21720	355- 79A	-04750	46- 34A
	-70140	167- 79C	-21220	3- 52A	-21720	355- 81A	-04760	266- 59A
	-70140	171- 82C	-21300	116- 34A	-21720	361- 135A	-04760	285- 27A
45870	-20010	280- 24A	-21300	119- 79A	-21720	373- 92A	-04770	285- 26A
	-30220	101- 22A	-21300	126- 25A	-21720	381- 62A	-04820	310- 134A
	-30260	384- 22A	-21300	131- 26A	-21720	381- 63A	-04840	310- 131A
	-30560	167- 57A	-21300	256- 24A	-21720	381- 65A	-04850	310- 132A
	-30560	171- 57A	-21300	288- 23A	-21720	401- 157A	-04860	310- 133A
	-30570	167- 55A	-21300	577- 27A	-21720	401- 541A	-04870	6- 41A
	-30570	171- 55A	-21300	600- 83A	-21720	409- 68A	-04890	267- 79A
	-30710	611- 54A	-21440	343- 84A	-21720	409- 121A	-04900	310- 85A
	-70790	666- 34A	-21640	266- 65A	-21720	518- 62A	-05010	285- 28A
45980	-30470	101- 33A	-21650	208- 27A	-21720	521- 54A	-05030	285- 24A
46000	-20920	406- 75A	-21650	260- 36A	-21720	584- 62A	-05040	46- 21A
	-25600	211- 50A	-21650	266- 64A	-21930-	392- 502A	-05050	285- 21A
	-25610	244- 26A	-21650	266- 64B	-22030	447- 148A	-05060	285- 22A
	-25610	274- 23A	-21650	271- 52A	-22030	495- 148A	-05070	46- 33A
	-25610	628- 24A	-21650	271- 52B	-22030	503- 148A	-05420	6- 41B
	-25620	274- 24A	-21650	282- 25A	-22040	447- 149A	-05530	46- 28B
	-25620	628- 25A	-21650	292- 220A	-22040	495- 149A	-05540	46- 21B
	-25780	106- 37A	-21650	542- 28A	-22040	503- 149A	-05550	6- 61B
	-70950	232- 25A	-21980-	73- 27A	-71120-	66- 23A	61001 -06050	316- 43A
	-70960	232- 26A	-21980-	467- 27A	-73550	236- 61A	-08020	316- 41A
	-70970	232- 27A	-21980-	470- 22A	-73550	242- 52A	61005 -16050	155- 25A
	-71490-	563- 104A	-22320	64- 26A	-73730	226- 71A	-16110	155- 26A
	-71500-	563- 105A	-22710	381- 43A	-73740	226- 72A	-20050	155- 27A
	-71840	19- 27A	-22930	106- 58A	-73770	239- 84A	-20055	62- 75A
	-71890-	250- 35A	-22930	167- 69A	-73770	239- 85A	-20060	62- 76A
	-71890-	663- 44A	-22930	171- 70A	-73780	239- 81A	-20070	155- 28A
	-71890-	666- 72A	-23180	119- 38A	-73780	242- 51A	-20120	155- 29A
	-71900-	663- 45A	-23180	611- 63A	-73790	239- 82A	-20130	155- 30A
	-71900-	666- 73A	-23260	46- 36A	-73790	239- 83A	-30170	253- 26A
	-71950	666- 43A	-23260	271- 64A	-75760-	563- 121A	61014 -12070	64- 24A
	-71980	198- 46A	-23320	48- 24A	-76510-	66- 44A	-12080	64- 23A
46011	-20050	90- 22A	-24090	162- 54A	-77370-	563- 101A	61033 -05012	26- 60A
	-20050	112- 46A	-24100	162- 55A	-77960	41- 93A	-08020-	577- 56A
	-20050	119- 39A	-70630-	248- 42A	-78010-	318- 46A	-08030	266- 53A
	-20050	392- 52A	-70630-	660- 42A	-78720	392- 87A	-08035	634- 24A
	-20150	394- 24A	46013 -70860	196- 45A	-78730	343- 103A	-08035	640- 39A
	-20170	68- 73A	46023 -70270	55- 64A	-78730	362- 265A	-08035	649- 30A
	-20170	447- 141A	-90010	392- 85A	-78730	401- 154A	-10016	131- 27A
	-20170	495- 141A	46024 -20070	387- 66A	-90010	392- 84A	-10016	136- 26A
	-20170	503- 141A	46926 -70270	663- 38A	47171 -20350	62- 64A	-10016	208- 25A
	-20180	316- 25A	-70280	666- 64A	48965 -70060	19- 29A	-10020	116- 27A
	-20180	321- 25A	47131 -20220	62- 74A	-70080	19- 26A	-10020	288- 31A
	-20180	332- 26A	-21010	361- 137A	48971 -70150	666- 48A	-10025	126- 27A
	-20180	577- 26A	-21010	362- 233A	48976 -61370	34- 21A	-10025	577- 28A
	-20190	94- 76A	-21010	377- 62A	48979 -70060-	563- 85A	-10025	600- 84A
	-20190	106- 57A	-21010	377- 67A	49060 -70100	41- 79A	-10030	116- 28A
	-20190	230- 26A	-21010	401- 68A	49290 -70250	226- 54A	-10030	571- 85A
	-20190	234- 66A	-21010	571- 140A	49327 -72070	572- 214A	-10035	141- 59A
	-20190	600- 29A	-21010	572- 208A	-72080	362- 262A	-12025	116- 29A
	-20190	626- 25A	-21010	637- 72A	-72080	401- 81A	-12025	571- 86A
	-20190	628- 30A	-21020	343- 42A	-72080	555- 81A	-12030	116- 30A
	-20200	76- 49A	-21020	343- 102A	-72340	362- 264A	-12035	480- 23A
	-20200	94- 77A	-21020	343- 111A	-72490	518- 61A	-12035	571- 87A
	-20200	106- 27A	-21020	355- 75A	-74570	362- 261A	-12040	482- 23A
	-20200	234- 32A	-21020	355- 77A	-74570	401- 231A	-14035	336- 22A
	-20330	3- 51A	-21020	355- 122A	49457 -70100-	66- 45A	-14045	230- 32A
	-20600	516- 22A	-21020	361- 139A	49480 -60010	162- 33A	-14090	3- 63A
	-20630	55- 23A	-21020	401- 155A	49620 -70180	19- 28A	-16040	162- 58C
	-20630	116- 35A	-21020	401- 161A	49691 -71210-	563- 87A	-20080	64- 25A
	-20630	570- 75A	-21030-	343- 106A	49724 -20040	6- 201A	-20120	3- 62A

## PARTS No. INDEX

PART NUMBER	PAGE-SYM	PART NUMBER	PAGE-SYM	PART NUMBER	PAGE-SYM	PART NUMBER	PAGE-SYM
61033	24115	61802	08012	61802	08025	61802	10020
	73- 28A		266- 55A		310- 98A		8- 30A
	24400		08012		332- 28A		10- 29A
	467- 28A		08012		08025		10- 54A
61057	12040		08012		08025		16- 72A
	12040		08016		08025		26- 29A
61101	05020		08016		08025		36- 36A
	08030		08016		08025		41- 49A
	12040		08016		08030		44- 24A
	12040		08016		08030		48- 23A
	12040		08016		08030		58- 23A
	12045		08016		08030		62- 78A
	12045		08016		08030		76- 50A
	12055		08016		08030		78- 25A
	12055		08016		08035		78- 25B
	14030		08016		08035		87- 31A
	14030		08016		08035		87- 31B
	14045		08016		08040		94- 23A
61511	06020		08016		08045		94- 78A
61708	10620		08016		08045		94- 126A
	10620		08016		08050		96- 37A
61720	10634		08016		08050		96- 37B
61725	10844		08016		08055		106- 29A
61802	05010		08016		08060		106- 61A
	05010		08016		08060		112- 48A
	05012		08016		08075		119- 45A
	05012		08016		08075		123- 24A
	05012		08016		08075		123- 64A
	06010		08016		08075		123- 72A
	06010		08016		08095		131- 44A
	06010		08016		10012		136- 27A
	06010		08016		10012		136- 79A
	06010		08016		10016		141- 57A
	06010		08016		10016		146- 24A
	06010		08020		10016		150- 25A
	06010		08020		10016		174- 32A
	06010		08020		10016		198- 25A
	06010		08020		10016		220- 116A
	06010		08020		10016		234- 28B
	06012		08020		10016		239- 58A
	06012		08020		10016		253- 62A
	06012		08020		10016		256- 25A
	06012		08020		10016		271- 53A
	06012		08020		10016		288- 28A
	06016		08020		10016		292- 221A
	06016		08020		10016		292- 221B
	06016		08020		10016		297- 25A
	06016		08020		10016		310- 62A
	06016		08020		10016		314- 30A
	06016		08020		10016		316- 26A
	06016		08020		10016		321- 37A
	06016		08020		10016		324- 28A
	06016		08020		10016		340- 37A
	06016		08020		10016		367- 45A
	06016		08020		10016		409- 81A
	06016		08020		10016		422- 41A
	06020		08020		10016		432- 95A
	06020		08020		10016		454- 44A
	06025		08020		10016		473- 26A
	06025		08020		10016		477- 24A
	06035		08020		10016		477- 65A
	06040		08020		10016		477- 68A
	06055		08020		10016		571- 84A
	06065		08020		10016		577- 29A
	06065		08025		10016		580- 29A
	08012		08025		10016		669- 63A
	08012		08025		10016		673- 28A
	08012		08025		10016		673- 73A
	08012		08025		10016		24- 39A
	08012		08025		10016		46- 39A

## PARTS No. INDEX

PART NUMBER	PAGE-SYM	PART NUMBER	PAGE-SYM	PART NUMBER	PAGE-SYM	PART NUMBER	PAGE-SYM
61802	-10025	61802	-12020	61802	-12115	62401	-81101
	55- 24A		78- 26A		343- 54A		266- 62A
	83- 47A		112- 27A		16- 23A		266- 62B
	83- 47B		123- 25A		106- 31A		271- 50A
	119- 81A		150- 26A		394- 26A		271- 50B
	123- 47A		338- 33A		447- 151A		282- 28A
	123- 56A		343- 51A		495- 151A		292- 218A
	174- 31A		343- 85A		503- 151A		542- 31A
	220- 68A		373- 111A		3- 66A		34- 30A
	220- 117A		404- 23A		552- 66A		248- 26A
	234- 28A		512- 33A		76- 52A		280- 29A
	253- 25A		548- 30A		396- 28A		46- 44A
	253- 42A		16- 74B		577- 30A		542- 51A
	266- 58A		78- 26B		34- 33A		3- 70A
	282- 27A		119- 46A		46- 43A		516- 23A
	321- 30A		123- 26A		76- 53A		387- 70A
	367- 46A		141- 58A		346- 35A		384- 27A
	381- 46A		198- 26A		552- 67A		384- 28A
	384- 36A		234- 29B		3- 67A	62403	-81061
	387- 69A		314- 31A		3- 68A		611- 68A
	415- 23A		338- 56A		16- 24A		611- 62A
	473- 27A		338- 65A		68- 77A	62421	-81074
	488- 24A		343- 52A		447- 150A		234- 30A
	628- 31A		351- 21A		495- 150A		571- 127A
	6- 26A		361- 93A		503- 150A	62423	-81095
	94- 24A		401- 101A		68- 76A	62480	-21051
	222- 28A		512- 56A		76- 54A		188- 22A
	246- 22A		512- 65A		3- 69A		141- 62A
	271- 54A		521- 71A		24045		234- 69A
	392- 62A		542- 32A		141- 21A		318- 28A
	571- 96A		563- 41A		392- 21A		321- 33A
	658- 22A		571- 91A		26- 30A		390- 37A
	83- 48A		3- 64A	61805	-12035		514- 37A
	123- 48A		41- 51A		46- 41A		536- 59A
	123- 57A		76- 51A		60- 23A		3- 71A
	258- 31A		94- 79A		62- 23A		3- 71B
	343- 49A		106- 30A	62256	-51308		22- 42A
	46- 40A		220- 25A		536- 57B		22- 42B
	401- 131A		234- 29A		536- 57C		26- 31A
	123- 65A		348- 38A		611- 65A		31- 37A
	123- 73A		361- 21A		454- 45A		31- 88A
	136- 80A		390- 30A		116- 55A		31- 97A
	390- 31A		490- 43A		116- 67A		36- 37A
	422- 42A		514- 30A		141- 60A		41- 52A
	477- 25A		155- 31A		116- 67B		41- 52B
	514- 31A		214- 32A		136- 28A		41- 119A
	571- 97A		334- 29A		84- 53A		55- 101A
	571- 112A		3- 65A		310- 139A		94- 127A
	377- 44A		34- 32A		234- 25A		101- 52A
	552- 65A		34- 32B		266- 61A		101- 52B
	637- 49A		338- 34A		412- 30A		106- 33A
	41- 50A		338- 34B		614- 30A		106- 33B
	348- 37A		340- 36A		292- 42A		106- 63A
	361- 153A		396- 26A		152- 22A		141- 73A
	409- 41A		512- 34A		141- 61A		184- 26A
	422- 43A		521- 36A	62257	-51616		239- 59A
	571- 125A		16- 74A		406- 85A		239- 59B
	340- 38A		46- 42A	62262	-14010		239- 59C
	361- 154B		55- 25A		214- 35A		242- 33A
	361- 92A		10- 30A		220- 83A		260- 40A
	16- 73A		12- 24A	62271	-15016		260- 40B
	361- 154A		338- 38A		116- 73A		266- 63A
	555- 21A		8- 31A		136- 32A		266- 63B
	338- 32A		10- 31A		167- 71A		271- 58A
	343- 50A		34- 34A		171- 73A		271- 58B
	512- 32A		343- 53A		188- 22B		282- 29A
	521- 111A		355- 106A		297- 48A		288- 32A
	6- 27A		348- 39A		152- 25A		327- 24A
	362- 281A		396- 27A		36- 38A		332- 33A
	6- 28A		518- 27A		90- 23A		348- 40A
					101- 54A		351- 92A
					141- 63A		355- 107A
					260- 39A		

## PARTS No. INDEX

PART NUMBER	PAGE-SYM	PART NUMBER	PAGE-SYM	PART NUMBER	PAGE-SYM	PART NUMBER	PAGE-SYM
62480	-21081	62480	-21121	62701	-40161	62731	-12100
-21081	367- 47A	-21121	404- 24A	-40161	438- 26A	-12100	338- 68A
-21081	373- 27A	-21121	514- 35A	-40161	552- 50A	-12100	340- 40A
-21081	373- 78A	-21121	571- 94A	-40201	652- 30A	-12100	512- 36A
-21081	377- 45A	-21121	660- 26A	-40201	31- 38A	-12100	512- 59A
-21081	381- 47A	-21161	46- 45A	-40201	355- 108A	-12100	512- 68A
-21081	390- 36A	-21161	253- 27A	-40201	409- 42A	-14100	343- 56A
-21081	409- 43A	-21161	346- 36A	-40201	432- 34A	-14100	343- 87A
-21081	422- 44A	-21161	552- 69A	62710	-18081	63002	-01612
-21081	427- 77A	-21201	64- 28A	-18081	84- 57A	-02016	171- 74A
-21081	432- 33A	62701	-20041	-18081	327- 25A	-02016	106- 25A
-21081	432- 96A	-20051	626- 27A	-18101	8- 32A	-02016	611- 47A
-21081	435- 30A	-40041	297- 49A	-18101	112- 49A	-02525	141- 55A
-21081	435- 30B	-40041	116- 57A	-18101	119- 50A	-02525	234- 56A
-21081	438- 32A	-40041	116- 68A	-18101	119- 83A	-03220	101- 41A
-21081	444- 40A	-40041	116- 68B	-18101	148- 25A	-04025	101- 42A
-21081	444- 72A	-40041	136- 30A	-18101	571- 95A	63422	-36375
-21081	463- 116A	-40041	141- 65A	-18101	626- 24A	-45730-	68- 21A
-21081	499- 40A	-40051	623- 35A	-18121	8- 33A	-45730-	450- 29A
-21081	507- 40A	-40061	31- 89A	-18121	10- 32A	63813	-00010
-21081	514- 36A	-40061	41- 55A	-18121	24- 40A	65051	-01906-
-21081	521- 37A	-40061	41- 121A	-18121	119- 51A	-01906-	447- 67A
-21081	552- 68A	-40061	152- 23A	-18121	234- 31A	-01906-	495- 67A
-21081	571- 92A	-40061	167- 32A	-18121	480- 24A	-02007	503- 67A
-21081	574- 39A	-40061	536- 61A	-18121	482- 24A	-02007	68- 71A
-21081	577- 31A	-40061	611- 64A	-18141	3- 72A	-02007	447- 66A
-21081	577- 57A	-40081	36- 39A	-18141	230- 27A	-02007	495- 66A
-21081	600- 35A	-40081	101- 56A	-18141	336- 23A	-02209	503- 66A
-21081	603- 27A	-40081	106- 32A	-18161	76- 55A	-02209	447- 43A
-21081	611- 61A	-40081	106- 32B	-18161	155- 32A	-02209	447- 65A
-21081	614- 29A	-40081	106- 62A	-18161	162- 61A	-02209	495- 43A
-21081	617- 37A	-40081	119- 49A	-18161	334- 30A	-02209	495- 65A
-21081	620- 26A	-40081	230- 35A	-18181	68- 79A	-02209	503- 43A
-21081	637- 50A	-40081	239- 60A	-18201	3- 73A	-02209	503- 65A
-21081	640- 43A	-40081	288- 35A	-18201	62- 77A	-02510-	68- 70A
-21081	649- 32A	-40081	332- 29A	-18201	64- 27A	65210	-12011
-21081	652- 28A	-40081	332- 29B	-18201	155- 33A	-12011	31- 111A
-21101-	26- 61A	-40081	387- 71A	62721	-04100	-12011	343- 105A
-21101-	41- 53A	-40081	422- 587A	-04100	84- 54A	-12011	346- 71A
-21101-	83- 49A	-40081	634- 26A	-04100	116- 56A	-12011	355- 74A
-21101-	83- 49B	-40081	640- 44A	-04100	116- 69A	-12011	355- 82A
-21101-	87- 32A	-40101	649- 33A	-04100	116- 69B	-12011	361- 134A
-21101-	94- 81A	-40101	94- 80A	-04100	136- 31A	-12011	361- 136A
-21101-	101- 53A	-40101	94- 80B	-04100	141- 66A	-12011	364- 41A
-21101-	106- 34A	-40101	101- 57A	-04100	141- 66A	-12011	373- 91A
-21101-	116- 32A	-40101	136- 29A	-05100	454- 46A	-12011	373- 93A
-21101-	116- 74A	-40101	141- 64A	-05100	26- 62A	-12011	381- 61A
-21101-	119- 47A	-40101	234- 62A	-06100	297- 50A	-12011	381- 64A
-21101-	119- 82A	-40101	338- 58A	-06100	310- 140A	-12011	384- 51A
-21101-	146- 25A	-40101	338- 67A	-06100	141- 67A	-12011	401- 82A
-21101-	148- 24A	-40101	340- 41A	-06100	152- 24A	-12011	401- 158A
-21101-	155- 72A	-40101	346- 37A	-06100	267- 66A	-12011	401- 542A
-21101-	256- 26A	-40101	409- 107A	-06100	292- 43A	-12011	406- 87A
-21101-	271- 59A	-40101	473- 64A	-06100	412- 31A	-12011	409- 69A
-21101-	310- 138A	-40101	512- 58A	-06100	614- 31A	-12011	409- 122A
-21101-	392- 65A	-40101	512- 67A	-08100	387- 72A	-12011	412- 51A
-21101-	473- 63A	-40101	580- 30A	-10100	208- 26A	-12011	422- 541A
-21101-	571- 93A	-40101	669- 24A	-10100	260- 41A	-12011	427- 94A
-21101-	574- 38A	-40101	673- 30A	-10100	267- 67A	-12011	432- 113B
-21101-	577- 32A	-40121-	673- 75A	-10100	267- 67B	-12011	518- 63A
-21101-	580- 31A	-40121-	46- 47A	-10100	271- 51A	-12011	518- 64A
-21101-	669- 23A	-40121-	141- 71A	-10100	271- 51B	-12011	521- 53A
-21101-	673- 29A	-40121-	361- 48A	-10100	282- 30A	-12011	521- 55A
-21101-	673- 74A	-40121-	361- 57A	-12100	292- 219A	-12011	552- 81A
-21121	34- 35A	-40121-	367- 41A	-12100	542- 30A	-12011	572- 212A
-21121	116- 33A	-40121-	373- 79A	-14100	346- 38A	-12011	617- 51A
-21121	198- 27A	-40121-	381- 48A	-16100	348- 42A	-12011	617- 53A
-21121	248- 26B	-40121-	521- 39A	-20100	571- 126A	-12011	634- 73A
-21121	280- 28A	-40121-	521- 96A	62731	-12100	-12011	634- 77A
-21121	390- 35A	-40141	563- 68A	-12100	542- 53A	-12014	649- 73A
			542- 52A	-12100	394- 27A	-12014	361- 131A
				-12100	68- 78A	-12014	361- 138A
				-12100	338- 36A	-12014	362- 240A
				-12100	338- 59A		

## PARTS No. INDEX

PART NUMBER	PAGE-SYM	PART NUMBER	PAGE-SYM	PART NUMBER	PAGE-SYM	PART NUMBER	PAGE-SYM
65210	-12014	65210	-16014	65801	-25060	68035	-20032
	373- 41A		422- 565A		239- 43A		571- 123A
	377- 61A		392- 56A		285- 43A		377- 25A
	377- 65A		392- 57A		96- 36A		637- 25A
	384- 52A		334- 23A		-31016		637- 21A
	401- 67A	65220	-31019		-31032		377- 26A
	401- 69A		-31024		-31032		637- 26A
	406- 86A		-31024		-31032		373- 22A
	412- 52A		-31024		-31160		377- 23A
	422- 61A		-31024		-40032		373- 23A
	422- 563A		-31024		-40060		637- 24A
	427- 29A		-31024		-50032		373- 21A
	427- 41A		-31024		-50190		432- 79A
	432- 113A		-31024		-63032		377- 29A
	435- 51A		-31024		-63060		637- 29A
	438- 51A		-31024	67001	-40000		570- 22A
	457- 61A		-31024		-40000		31- 22A
	552- 85A		-31027		-40000		570- 30A
	555- 65A		-31027		-60000		31- 91A
	571- 141A		-41003	67017	-00001		570- 26A
	571- 178A		-41006		-07000		432- 77A
	572- 209A		-41006	67031	-07000		31- 92A
	634- 71A		-41010		-07000		432- 77B
	637- 71A		-41010		-07000		367- 38A
	637- 76A	65231	-00041		-07000		617- 21A
	642- 67A		-00041	67040	-08000		432- 80A
	649- 71A		-00041		-09000		637- 46A
	334- 71A		-00061		-09000		521- 25A
	362- 219A		-00061		-09000		377- 22A
	362- 232A		-00061		-09000		377- 24A
	401- 83A		-00061		-09000		649- 21A
	401- 156A		-00081		-09000		438- 28A
	409- 64A		-00081		-09000		367- 24A
	427- 96A		-00081		-09000		637- 22A
	552- 83A		-00081		-12000		570- 33A
	559- 62A		-00081		-12000		652- 21A
	571- 139A		-00101		-12000		438- 21A
	577- 75A		-00101		-12000		432- 76A
	38- 51A		-00121		-12000		432- 76B
	41- 72A		-00121		-12000		640- 24A
	344- 112A		-00121		-12000		640- 23A
	355- 76A		-00121		-12000		640- 22A
	401- 151A		-00141		-15000		640- 21A
	401- 162A		-00161		-15000		367- 25A
	406- 88A	65601	-00900		-19000		521- 26A
	409- 62A		-00900		-25000		381- 21A
	412- 53A	65801	-06016		-25000		637- 23A
	422- 63A		-06016		-32000		637- 45A
	427- 92A		-06016		-50000		637- 44A
	571- 142A		-08016	67041	-60030		438- 22A
	559- 61A		-08016		-75080		570- 35A
	6- 45A		-08016	67230	-15000		570- 28A
	8- 55A		-10016		-15000		570- 29A
	10- 55A		-10016		-15000		570- 21A
	26- 81A		-10032		-15000		570- 23A
	31- 52A		-10032		-15000		570- 24A
	55- 65A		-10060		-15000		570- 25A
	343- 107A		-12032		-15000		570- 27A
	351- 62A		-12032		-15000		355- 91A
	361- 140A		-12060	68035	-10025		6- 22A
	361- 142A		-16016		-10030		348- 23A
	362- 335A		-16060		-10033		351- 82A
	364- 43A		-20016		-10033		55- 82A
	406- 84A		-20032		-10036		427- 21B
	412- 54A		-20032		-10057		427- 63A
	521- 52A		-20032		-10087		6- 23A
	55- 123A		-20060		-10120		55- 81A
	343- 101A		-20060		-20024		351- 81A
	351- 61A		-20060		-20024		570- 31A
	571- 149A		-25032		-20030		427- 22B



## PARTS No. INDEX

PART NUMBER	PAGE-SYM	PART NUMBER	PAGE-SYM	PART NUMBER	PAGE-SYM	PART NUMBER	PAGE-SYM				
80106	-80514	194- 82B	88031	-06081	101- 55A	88215	-11308	409- 28A	88255	-11106	571- 167A
	-80514	205- 83B		-06081	119- 48A		-11908	401- 123A		-11908	401- 127A
	-80514	205- 103B		-06081	239- 61A		-11912	343- 72A		-11912	343- 74A
	-80514	205- 123B		-06081	288- 27A		-12316	521- 29A		-11912	355- 45A
	-80610	162- 56B		-06081	332- 27A		-12316	521- 134A		-11912	401- 128A
	-80614	162- 53B		-06081	332- 27B		-31917	355- 99A		-11916	361- 116A
	-80614	162- 53C		-06081	422- 586A	88221	-00604	444- 31A		-12316	343- 43A
	-80614	167- 67B		-06101	8- 27A		-00604	499- 31A		-12316	361- 117A
	-80614	171- 68B		-06101	46- 46A		-00604	507- 31A		-12316	521- 135A
	-80614	181- 29B		-06101	94- 82A	88241	-03608	22- 29A		-30904	401- 522A
	-80614	181- 45B		-06101	101- 59A		-06908	361- 43A		-30904	518- 43A
	-80614	205- 104B		-06101	123- 46A		-06908	361- 51A		-30904	521- 31A
	-80616	167- 29B		-06101	123- 55A		-07104	31- 94A		-31106	401- 42A
	-80616	167- 68B		-06101	123- 63A		-07104	361- 174A		-32316	343- 75A
	-80616	171- 29B		-06101	123- 71A		-07104	364- 21A		-40907	381- 37A
	-80616	171- 69B		-06101	150- 27A		-07104	373- 70A		-41917	355- 46A
	-80620	176- 26B		-06101	338- 55A		-07104	381- 35A		-42321	343- 44A
	-80816	178- 24B		-06101	338- 64A		-07104	384- 24A		-50907	355- 47A
	-80820	220- 118B		-06101	340- 35A		-07104	521- 133A		-51109	377- 37A
	-80825	163- 95B		-06101	346- 33A		-07104	634- 45A		-51109	637- 37A
	-80835	162- 57B		-06101	409- 106A		-07104	649- 54A	88300	-12108	22- 28A
	-91320	611- 65B		-06101	488- 23A		-07106	361- 113A		-12108	38- 29A
80109	-01016	208- 25B		-06101	512- 55A		-07106	361- 175A	88302	-40402	444- 32A
	-50008	106- 38A		-06101	512- 64A		-07106	373- 25A		-40402	499- 32A
	-50008	387- 70B		-06101	570- 62A		-07106	373- 137A		-40402	507- 32A
	-50008	614- 29B		-06101	600- 28A		-07106	377- 36A	88340	-12604	444- 29A
	-50010	94- 81B		-06121	8- 28A		-07106	401- 41A		-12604	499- 29A
81043	-04008	214- 35B		-06121	10- 27A		-07106	406- 43A		-12604	507- 29A
81044	-05012	211- 27B		-06121	24- 37A		-07106	406- 48A		-12708	22- 30A
	-05012	211- 59B		-06121	361- 47A		-07106	438- 23A		-12708	38- 30A
	-05012	220- 83B		-06121	361- 56A		-07106	552- 45A	88372	-51208	22- 31A
	-05012	258- 33B		-06121	521- 94A		-07106	555- 42A	88390	-14202	617- 54A
	-05012	384- 38B		-06121	563- 67A		-07106	571- 168A		-14202	634- 78A
	-05012	623- 34B	88111	-11200	392- 51A		-07106	634- 46A		-16102	444- 39A
81045	-05016	211- 58B		-11400	427- 30A		-07106	637- 36A		-16102	499- 39A
87010	-00062	348- 33A		-11890	26- 28A		-07106	649- 55A		-16102	507- 39A
87011	-00062	348- 34A		-12490	3- 53A		-07108	577- 55A		-21304	343- 79A
87020	-25000	427- 75A		-12490	26- 54A		-07112	571- 162A		-21304	346- 51A
	-25000	570- 68A		-12490	392- 45A		-07116	6- 25A		-21304	361- 119A
	-28000	617- 33A	88120	-11200	46- 48A		-07116	6- 42A		-21304	362- 216A
	-31000	3- 59A		-11200	101- 58A		-07116	55- 42A		-21304	362- 229A
	-31000	31- 35A	88201	-06704	361- 172A		-07124	343- 73A		-21304	364- 22A
	-31000	55- 97A		-06704	362- 189A		-07124	351- 42A		-21304	373- 138A
	-31000	348- 35A		-06704	373- 68A		-07204	362- 192A		-21304	401- 64A
	-31000	351- 90A		-06704	384- 26A		-07204	521- 136A		-21304	401- 194A
	-31000	552- 54A		-06704	521- 30A		-07204	634- 44A		-21304	412- 21A
	-31000	570- 69A		-06704	552- 41A		-07206	373- 136A		-21304	427- 71A
	-34000	552- 55A		-06704	617- 26A		-07206	634- 47A		-21304	518- 44A
	-37000	31- 503A		-06706	361- 179A		-07208	361- 182A		-21304	571- 170A
	-37000	55- 98A		-06706	373- 24A		-07208	362- 306A		-21304	649- 59A
	-37000	348- 504A		-06706	373- 134A		-07212	422- 27A		-21306	362- 190A
	-37000	351- 502A		-06706	384- 25A		-07212	427- 66A		-21306	362- 228A
	-40000	55- 99A		-06706	406- 47A		-07212	570- 53A		-21306	412- 22A
	-40000	55- 504A		-06706	555- 41A		-07212	571- 165A		-21308	362- 309A
	-43000	267- 76A		-06706	634- 42A		-07216	55- 91A		-21308	401- 65A
	-43000	292- 215B		-06708	361- 173A		-07216	351- 43A		-21312	412- 23A
	-46000	55- 100A		-06708	362- 303A		-07216	362- 307A		-21316	26- 56B
	-46000	55- 505A		-06708	571- 147A		-07220	55- 92A		-21316	364- 24A
	-46000	271- 41A		-06712	570- 58B	88255	-10904	355- 54A		-21316	412- 24A
	-46000	293- 503A		-06716	55- 43A		-10904	361- 114A		-21324	343- 78A
	-46000	367- 37A		-06716	55- 90A		-10904	373- 71A		-21324	351- 47A
	-46000	552- 56A		-06716	351- 85A		-10904	381- 36A		-21516	26- 56A
	-52000	267- 77A		-06804	637- 34A		-10904	401- 126A	88511	-01060	31- 78A
	-52000	367- 511A		-06806	355- 44A		-10904	401- 192A		-01081	239- 51A
88031	-06061	31- 81A	88215	-10904	355- 52A		-10904	401- 521A		-01120	38- 28A
	-06061	41- 54A		-10904	373- 69A		-10904	409- 32A		-03060	355- 49A
	-06061	41- 120A		-10904	401- 191A		-10904	409- 103A		-03060	362- 187A
	-06061	106- 64A		-10904	521- 132A		-11106	361- 115A		-03060	381- 39A
	-06061	536- 62A		-11106	570- 52A		-11106	401- 44A		-03080	22- 27A

## PARTS No. INDEX

PART NUMBER	PAGE-SYM	PART NUMBER	PAGE-SYM	PART NUMBER	PAGE-SYM	PART NUMBER	PAGE-SYM
88511	-03080		31- 31A				
	-03080		41- 41A				
	-03080		362- 312A				
	-03080		406- 51A				
	-03120		41- 40A				
	-03160		351- 45A				
	-03200		55- 87A				
88820	-00028		377- 42A				
	-00028		637- 42A				
	-00032		409- 37A				
	-00040		343- 47A				
	-00040		355- 105A				
	-00062		348- 32A				
YA000-0	7846		332- 34A				
YA000-4	8010		310- 41B				
	8138		288- 24B				
YA000-5	2438		332- 21B				
	2919		214- 22B				
	5535		332- 31A				
YA400-0	3657		174- 23B				
YA400-3	9087		174- 21B				

# **KCM Corporation**

2680 Oka Inami-cho Kako-gun, Hyogo 675-1113

All rights reserved, No copy allowed without written consent.

Printed in Japan



