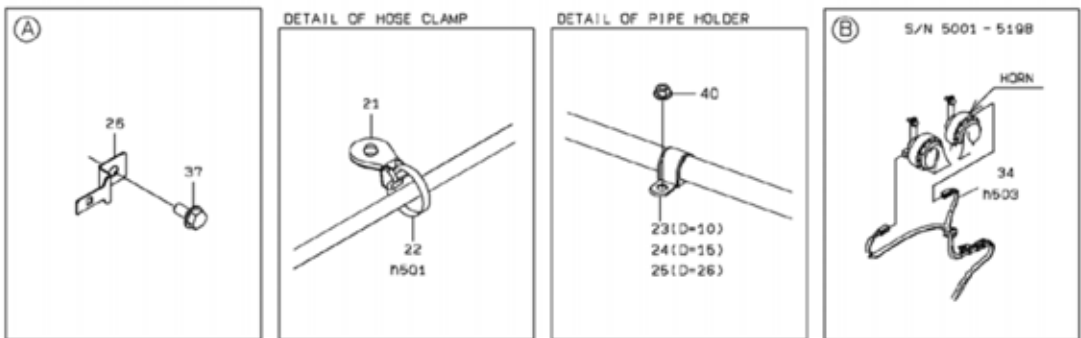
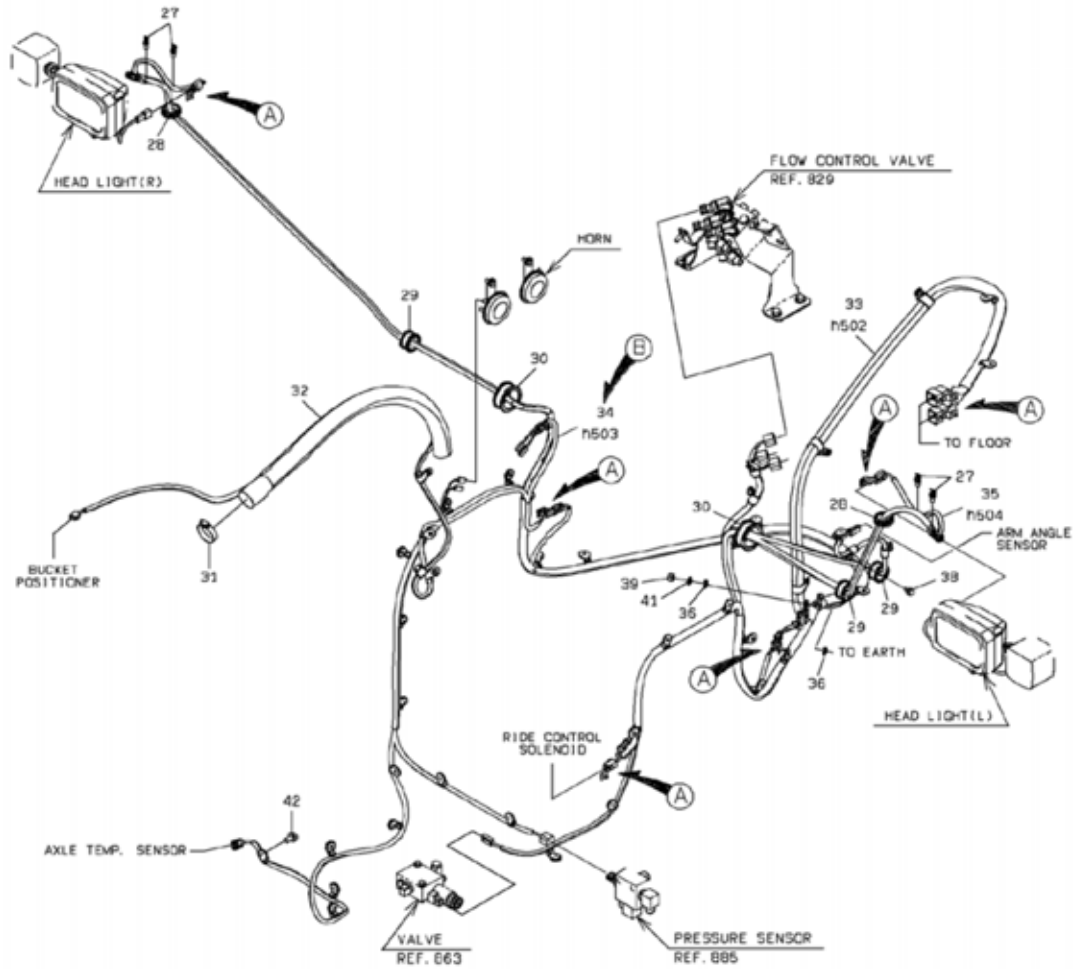


FRONT CONSOLE

SYM-BOL	PART NUMBER	PART NAME	UNIT Q,TY	SERIAL		REMARKS						
				(A)	(B)	N	P	D	(A)	(B)	(C)	(D)
21A	36430-60320	DUCT	1	5001	-							
22A	36430-60340	DUCT	1	5001	-							
23A	41715-23990	PLATE	1	5001	- 5152							
23B	40903-33950	BRACKET	1	5153	-	C						
24A	31273-60030	COVER,SIDE	1	5001	-							
25A	31273-60040	COVER,SIDE	1	5001	-							
26A	31200-60630	COVER	1	5001	-							
27A	32970-20150	CLIP	2	5001	-							
28A	41715-45740	PLATE	1	5001	-							
29A	41715-45750	PLATE	1	5001	-							
30A	43932-20040	BOLT,W/WASHER	5	5001	- 5152							
30B	80102-71030	BOLT,W/WASHER	5	5153	-	C						
31A	61802-10035	BOLT,FLANGED	1	5001	- 5152							
31B	80102-71035	BOLT,W/WASHER	1	5153	-	C						
32A	35100-20010	SCREW	13	5001	- 5100							
32B	80106-50616	SCREW	13	5101	-	A						
33A	35106-20130	SCREW,TAPPING	1	5001	- 5100							
33B	81044-05012	SCREW,TAPPING	1	5101	-	A						
34A	43932-70790	BOLT,W/WASHER	4	5001	- 5100							
34B	80102-81025	BOLT,W/WASHER	4	5101	-	A						

ELECTRICAL WIRING (FRONT)

(NOTE):THE PREFIX OF "h" MEANS HEAR RESISTING TYPE.



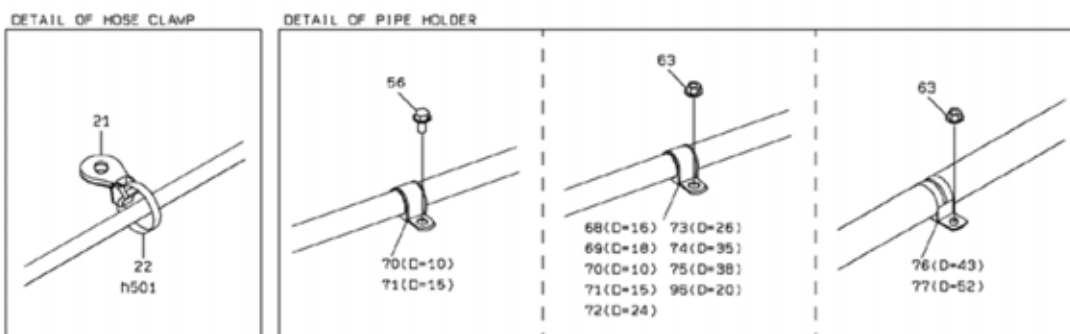
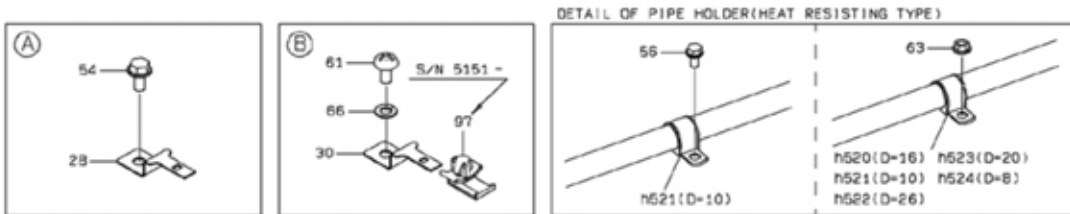
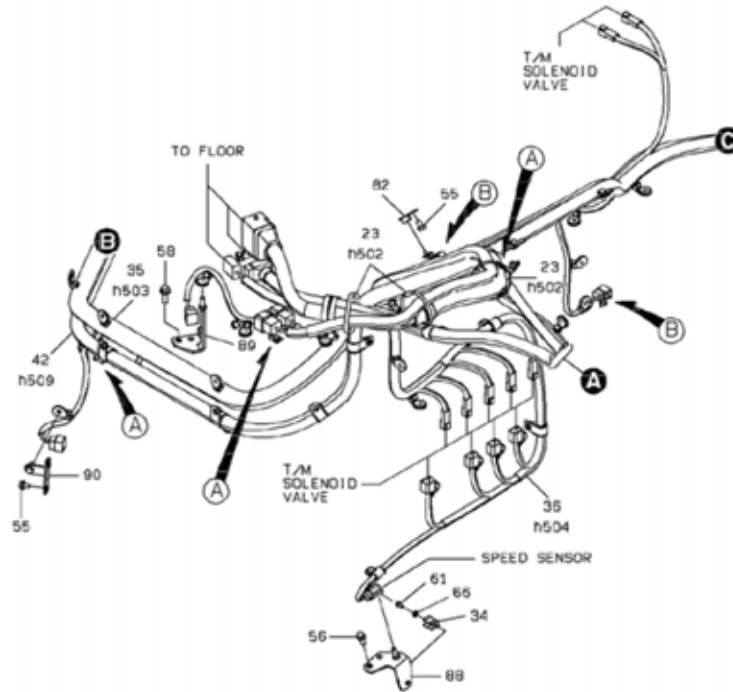
1-C

ELECTRICAL WIRING (FRONT)

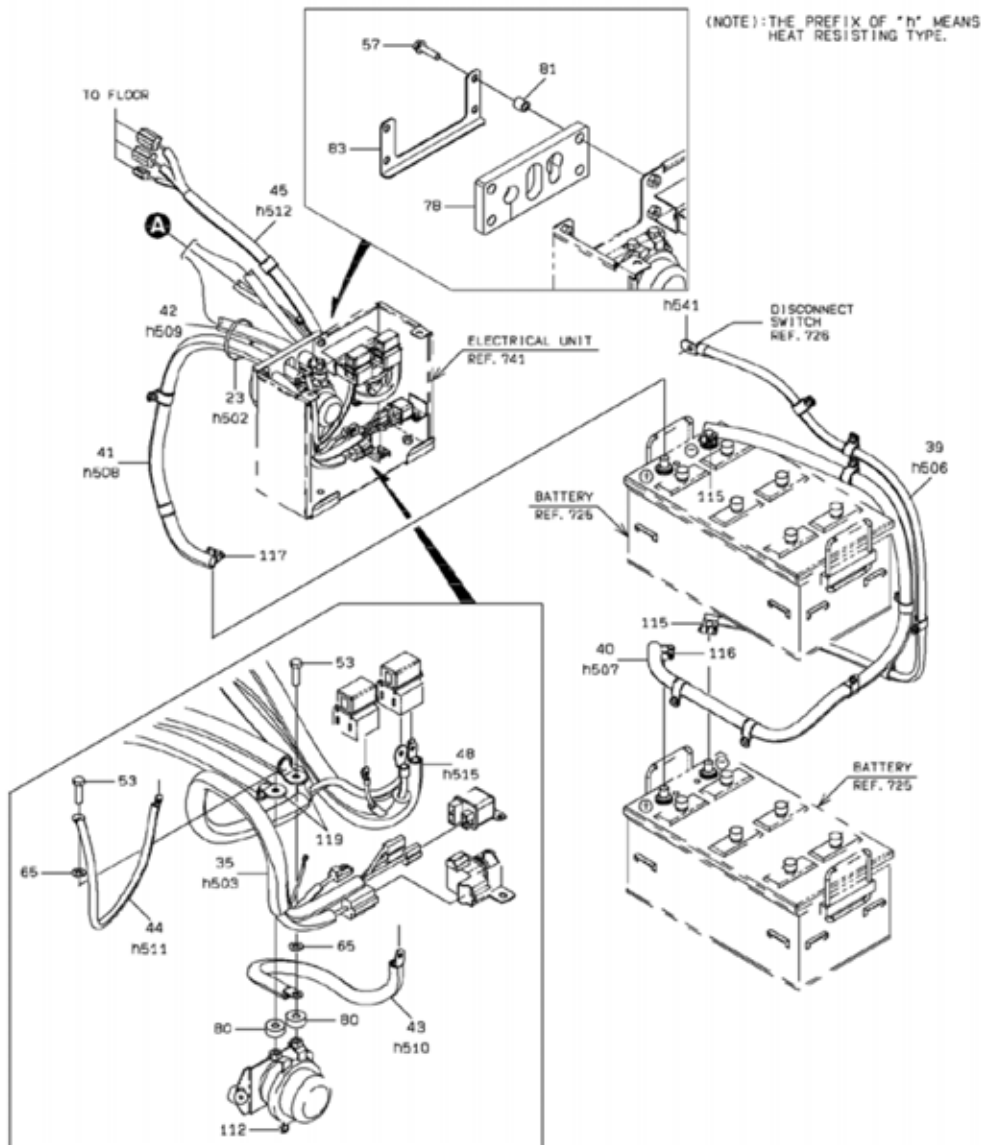
SYM-BOL	PART NUMBER	PART NAME	UNIT Q,TY	SERIAL		REMARKS						
				(A)	(B)	N	P	D	(A)	(B)	(C)	(D)
21A	32923-70120	CLAMP,HOSE	35	5001	-	5168						FR M8
21B	32923-70120	CLAMP,HOSE	32	5169	-							FR M8
22A	32923-70090	CLAMP,HOSE	35	5001	-	5176						L=202
22B	32923-70090	CLAMP,HOSE	33	5177	-	5198						L=202
22C	32923-70090	CLAMP,HOSE	32	5199	-							L=202
23A	43573-20340	HOLDER,PIPE	5	5001	-	5168						D=10
23B	43573-20340	HOLDER,PIPE	9	5169	-							D=10
24A	43573-20350	HOLDER,PIPE	2	5001	-							D=15
25A	43573-20530	HOLDER,PIPE	3	5001	-							D=26
26A	43550-21210	HOLDER	7	5001	-							D=26
27A	32925-20010	CLAMP,CABLE	4	5001	-							
28A	65801-31032	BUSHING,ELASTIC	2	5001	-							
29A	65801-31160	BUSHING,ELASTIC	3	5001	-							
30A	65801-50190	BUSHING,ELASTIC	2	5001	-							
31A	69002-05200-7	BAND,HOSE	1	5001	-							
32A	69081-23000-7	TUBE,SPIRAL	1 M	5001	-							L=800
33A	33194-37650	CABLE ASSY	1	5001	-	5012						FRONT MAIN
33B	33194-39990	CABLE ASSY	1	5013	-	5042	C					FRONT MAIN
33C	33194-42190	CABLE ASSY	1	5043	-		C					FRONT MAIN
34A	33194-38410	CABLE ASSY	1	5001	-	5176						HORN
34B	33194-50560	CABLE ASSY	1	5177	-	5198	B					HORN
34C	33194-54130	CABLE ASSY	1	5199	-		B					HORN
35A	33194-38270	CABLE ASSY	1	5001	-							ANGLE SENSOR
36A	46011-21650	WASHER,PLANE	2	5001	-							
37A	61802-06010	BOLT,FLANGED	7	5001	-							
38A	61802-08012	BOLT,FLANGED	1	5001	-	5168						
38B	61802-08012	BOLT,FLANGED	3	5169	-	5182						
38C	61802-08012	BOLT,FLANGED	1	5183	-							
39A	62401-81101	NUT	1	5001	-							
40A	62480-21081	NUT,FLANGED	9	5001	-	5168						
40B	62480-21081	NUT,FLANGED	11	5169	-							
41A	62721-10100	WASHER,SPRING	1	5001	-							
42A	61802-10016	BOLT,FLANGED	2	5183	-							
501A	32923-70140	CLAMP,HOSE	22	5001	-							OPT L=202
502A	33194-40780	CABLE ASSY	1	5001	-							OPT FRONT MAIN
503A	33194-41200	CABLE ASSY	1	5001	-							OPT HORN
504A	33194-41210	CABLE ASSY	1	5001	-							OPT ANGLE SENSOR

ELECTRICAL WIRING (REAR)

(NOTE):THE PREFIX OF "h" MEANS HEAT RESISTING TYPE.



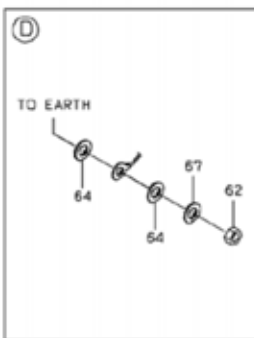
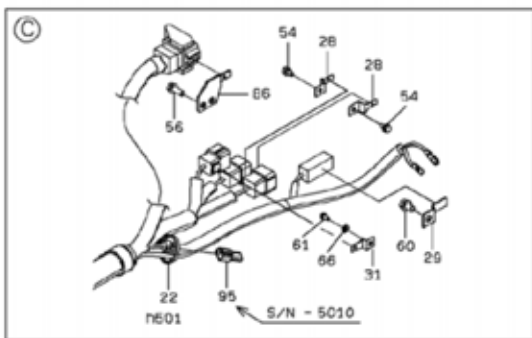
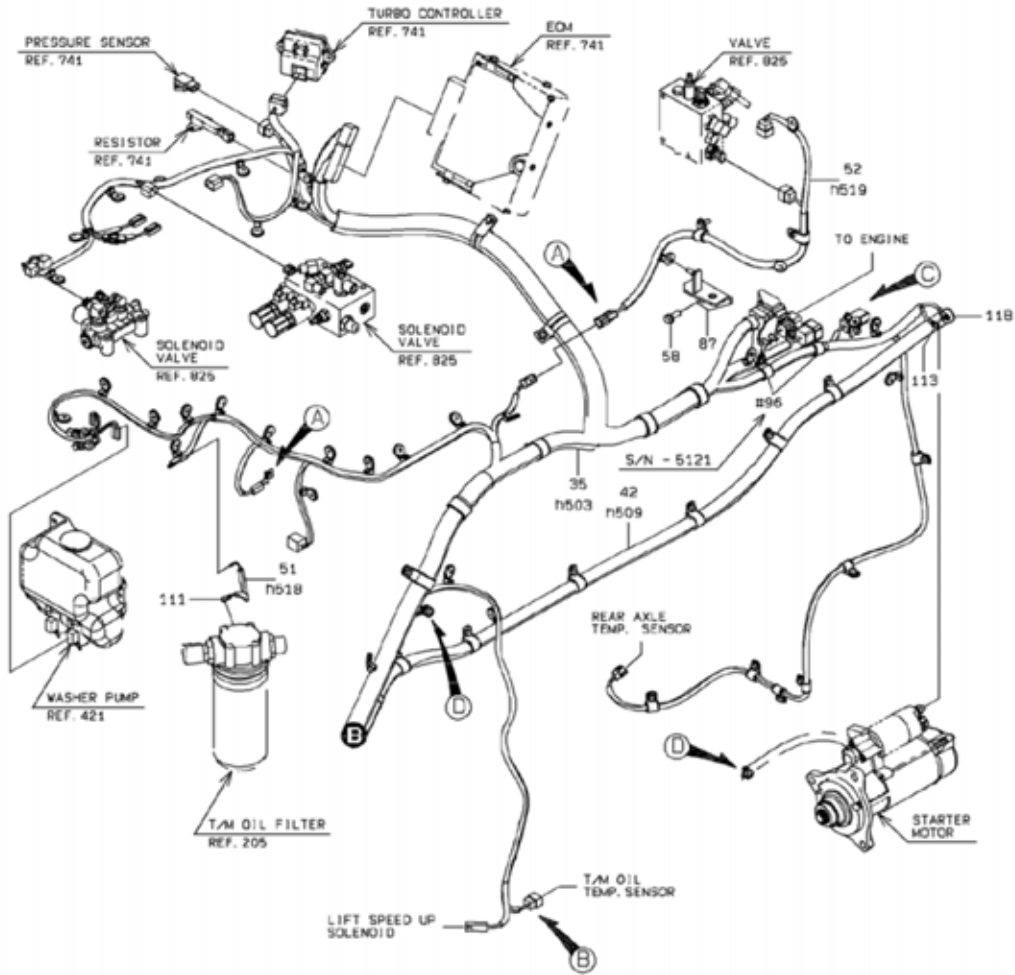
ELECTRICAL WIRING (REAR)



2-B

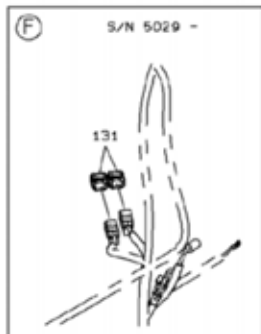
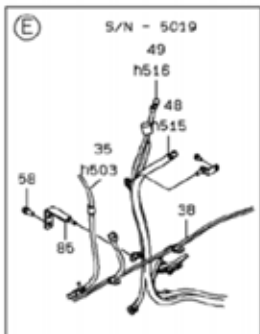
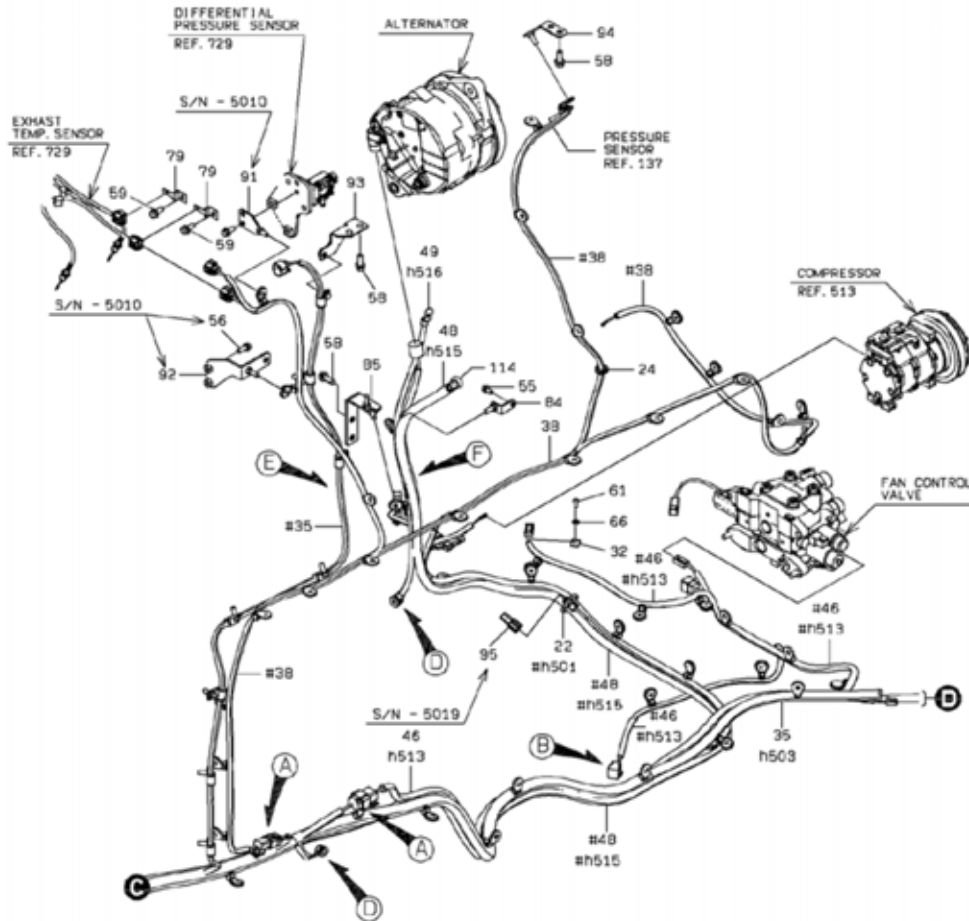
ELECTRICAL WIRING (REAR)

(NOTE): THE PREFIX OF "h" MEANS HEAT RESISTING TYPE.



ELECTRICAL WIRING (REAR)

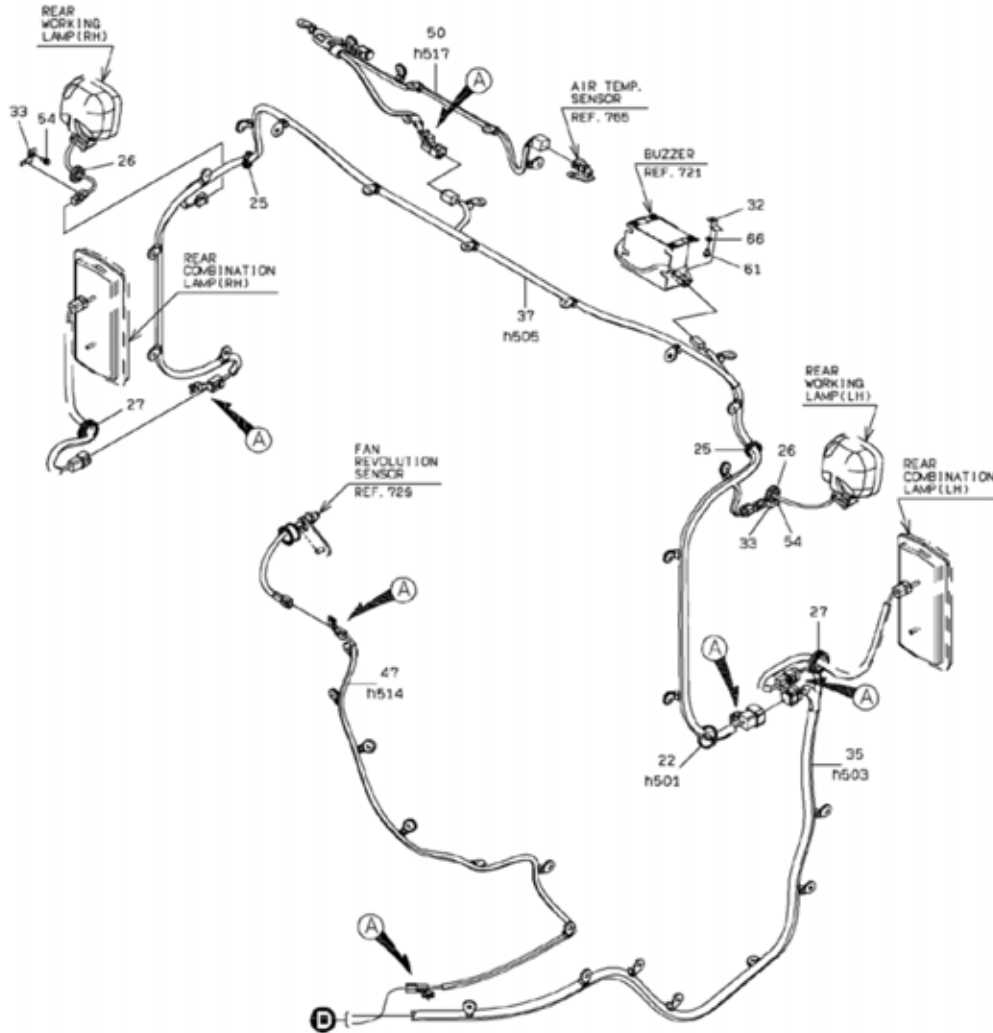
(NOTE): THE PREFIX OF "H" MEANS HEAT RESISTING TYPE.



4-B

ELECTRICAL WIRING (REAR)

(NOTE): THE PREFIX OF "h" MEANS HEAT RESISTING TYPE.



ELECTRICAL WIRING (REAR)

SYM-BOL	PART NUMBER	PART NAME	UNIT Q,TY	SERIAL		REMARKS						
				(A)	(B)	N	P	D	(A)	(B)	(C)	(D)
21A	32923-70120	CLAMP,HOSE	A/R	5001	-							FR M8
22A	32923-70090	CLAMP,HOSE	A/R	5001	-							L=202
23A	32923-70100	CLAMP,HOSE	4	5001	-							L=382
24A	65801-12032	BUSHING,ELASTIC	1	5001	-							
25A	65801-20016	BUSHING,ELASTIC	2	5001	-							
26A	65801-20032	BUSHING,ELASTIC	2	5001	-							
27A	65801-31032	BUSHING,ELASTIC	2	5001	-							
28A	43550-21210	HOLDER	16	5001	-	5010						
28B	43550-21210	HOLDER	15	5011	-	5019						
28C	43550-21210	HOLDER	17	5020	-							
29A	43550-60020	HOLDER	1	5001	-							
30A	43550-21270	HOLDER	4	5001	-	5150						
30B	43550-21480	HOLDER	4	5151	-		C					
31A	43550-20890	HOLDER	1	5001	-							
32A	43550-60100	HOLDER	2	5001	-							DT 2-4 POLE
33A	43550-21260	HOLDER	2	5001	-							
34A	43571-20150	HOLDER,SPRING	1	5001	-							AMP 2-4 POLE
35A	33194-37640	CABLE ASSY	1	5001	-	5010						REAR MAIN
35B	33194-39980	CABLE ASSY	1	5011	-	5019	C					REAR MAIN
35C	33194-40250	CABLE ASSY	1	5020	-	5055	C					REAR MAIN
35D	33194-43340	CABLE ASSY	1	5056	-	5150	C					REAR MAIN
35E	33194-46860	CABLE ASSY	1	5151	-		B					REAR MAIN
36A	33194-37810	CABLE ASSY	1	5001	-							T/M
37A	33194-37820	CABLE ASSY	1	5001	-	5150						REAR GRILLE
37B	33194-46870	CABLE ASSY	1	5151	-		B					REAR GRILLE
38A	33194-38150	CABLE ASSY	1	5001	-	5010						E/G ROOM 1
38B	33194-40050	CABLE ASSY	1	5011	-		C					E/G ROOM 1
39A	33190-47410	CABLE	1	5001	-							DISCONNECT S/W-BATT.
40A	33190-46840	CABLE	1	5001	-							BATTERY(+)-(-)
41A	33190-45950	CABLE	1	5001	-							BATT.(+)-BATT. RELAY
42A	33190-47370	CABLE	1	5001	-							BATT. RELAY-STARTER
43A	33190-46220	CABLE	1	5001	-							BATT. RELAY-FUSIBLE
44A	33190-47390	CABLE	1	5001	-	5010						BATT. RELAY-FUSIBLE
44B	33190-47750	CABLE	1	5011	-		C					BATT. RELAY-FUSIBLE
45A	33194-38160	CABLE ASSY	1	5001	-							R. CONSOLE-FUSIBLE L
46A	33194-38170	CABLE ASSY	1	5001	-	5010						COOLING FAN
46B	33194-39970	CABLE ASSY	1	5011	-		C					COOLING FAN
47A	33194-38340	CABLE ASSY	1	5001	-							FAN REVOLUTION SENSO
48A	33190-47380	CABLE	1	5001	-	5010						ALTERNATOR-FUSIBLE L
48B	33190-47780	CABLE	1	5011	-	5019	C					ALTERNATOR-FUSIBLE L
48C	33190-47850	CABLE	1	5020	-		C					ALTERNATOR-FUSIBLE L
49A	33190-37780	CABLE	1	5001	-							ALTERNATOR-GROUND
50A	33194-38250	CABLE ASSY	1	5001	-	5150						R. GRILLE-R. CAMERA
50B	33194-46880	CABLE ASSY	1	5151	-		B					R. GRILLE-R. CAMERA
51A	33190-27870	CABLE	1	5001	-	5010						T/M OIL FILTER
51B	33190-47740	CABLE	1	5011	-		C					T/M OIL FILTER
52A	33194-38260	CABLE ASSY	1	5001	-							E/G ROOM 2(BRAKE)
53A	61033-08030	BOLT	2	5001	-							
54A	61802-06010	BOLT,FLANGED	18	5001	-	5010						
54B	61802-06010	BOLT,FLANGED	17	5011	-	5019						
54C	61802-06010	BOLT,FLANGED	19	5020	-							
55A	61802-08012	BOLT,FLANGED	4	5001	-							
56A	61802-08020	BOLT,FLANGED	15	5001	-	5010						
56B	61802-08020	BOLT,FLANGED	13	5011	-							
57A	61802-08030	BOLT,FLANGED	4	5001	-							
58A	61802-10025	BOLT,FLANGED	10	5001	-							
59A	50101-04760	BOLT,FLANGED	2	5001	-							YZ0280508200
60A	61802-10012	BOLT,FLANGED	1	5001	-							
61A	62256-51610	SCREW	8	5001	-							
62A	62401-81101	NUT	4	5001	-	5019						
62B	62401-81101	NUT	5	5020	-							
63A	62480-21081	NUT,FLANGED	51	5001	-	5010						
63B	62480-21081	NUT,FLANGED	54	5011	-							
64A	46011-21650	WASHER,PLANE	8	5001	-	5019						
64B	46011-21650	WASHER,PLANE	10	5020	-							
65A	46011-21640	WASHER,PLANE	2	5001	-							

ELECTRICAL WIRING (REAR)

SYM-BOL	PART NUMBER	PART NAME	UNIT Q,TY	SERIAL		REMARKS						
				(A)	(B)	N	P	D	(A)	(B)	(C)	(D)
66A	62721-06100	WASHER,SPRING	8	5001	-							
67A	62721-10100	WASHER,SPRING	4	5001	-	5019						
67B	62721-10100	WASHER,SPRING	5	5020	-							
68A	43573-20290	HOLDER,PIPE	1	5001	-							D=16
69A	43573-20300	HOLDER,PIPE	6	5001	-							D=18
70A	43573-20340	HOLDER,PIPE	17	5001	-							D=10
71A	43573-20350	HOLDER,PIPE	2	5001	-							D=15
72A	43573-20520	HOLDER,PIPE	1	5001	-							D=24
73A	43573-20530	HOLDER,PIPE	20	5001	-							D=26
74A	43573-20540	HOLDER,PIPE	4	5001	-	5010						D=35
74B	43573-20540	HOLDER,PIPE	5	5011	-							D=35
75A	43573-20550	HOLDER,PIPE	6	5001	-							D=38
76A	87020-43000	HOLDER,PIPE	2	5001	-							D=43
77A	87020-52000	HOLDER,PIPE	1	5001	-							D=52
78A	33057-22640	GROMMET	1	5001	-							
79A	50101-04890	HOLDER	2	5001	-							YZ8976028701
80A	35700-22290	SPACER	2	5001	-							
81A	38721-32100	PIPE	4	5001	-							
82A	41714-46250	PLATE	1	5001	-							
83A	41716-26690-7	PLATE	1	5001	-							
84A	41753-30940	PLATE	1	5001	-							
85A	41754-31440	PLATE	1	5001	-	5019						
85B	41754-42540	PLATE	1	5020	-				C			
86A	41754-31530	PLATE	1	5001	-	5028						
86B	41754-46750	PLATE	1	5029	-				C			
87A	41754-31550	PLATE	1	5001	-							
88A	41754-31580	PLATE	1	5001	-							
89A	41754-31610	PLATE	1	5001	-							
90A	41754-31620	PLATE	1	5001	-							
91A	41754-31630	PLATE	1	5001	-	5010			D			
92A	41754-31650	PLATE	1	5001	-	5010			D			
93A	41754-31670	PLATE	1	5001	-							
94A	41754-31730	PLATE	1	5001	-							
95A	33305-21090	CONNECTOR ASSY	2	5001	-	5010						
95B	33305-21090	CONNECTOR ASSY	1	5011	-	5019			D			
96A	43573-20360	HOLDER,PIPE	2	5011	-							D=20
97A	32970-20800	CLIP	4	5151	-							
111A	32215-70150	CAP,TERMINAL	1	5001	-	5010						
111B	32215-70100	CAP,TERMINAL	1	5011	-				B			
112A	32215-70050	CAP,TERMINAL	1	5001	-							
113A	32215-70060	CAP,TERMINAL	1	5001	-							
114A	32215-70080	CAP,TERMINAL	1	5001	-							
115A	32215-20180	CAP,TERMINAL	2	5001	-							
116A	32215-20150	CAP,TERMINAL	1	5001	-							
117A	32215-20160	CAP,TERMINAL	1	5001	-							
118A	32210-70360	CAP	3	5001	-							
119A	32210-70360	CAP	2	5051	-							
131A	33305-21190	CONNECTOR ASSY	2	5029	-							
501A	32923-70140	CLAMP,HOSE	153	5001	-							OPT L=202
501B	32923-70140	CLAMP,HOSE	146	5151	-							OPT L=202
502A	32923-70150	CLAMP,HOSE	4	5001	-							OPT L=382
503A	33194-40790	CABLE ASSY	1	5001	-							OPT REAR MAIN
503B	33194-46890	CABLE ASSY	1	5151	-				B			REAR MAIN
504A	33194-41040	CABLE ASSY	1	5001	-							OPT T/M
505A	33194-41030	CABLE ASSY	1	5001	-							OPT REAR GRILLE
505B	33194-46900	CABLE ASSY	1	5151	-				B			REAR GRILLE
506A	33190-47870	CABLE	1	5001	-							OPT DISCONNECT S/W-B
507A	33190-47880	CABLE	1	5001	-							OPT BATTERY(+)-(-)
508A	33190-47890	CABLE	1	5001	-							OPT BATTERY(+)-RELAY
509A	33190-47900	CABLE	1	5001	-							OPT BATT. RELAY-STAR
510A	33190-47910	CABLE	1	5001	-							OPT BATT. RELAY-FUSI
511A	33190-47920	CABLE	1	5001	-							OPT BATT. RELAY-FUSI
512A	33194-41160	CABLE ASSY	1	5001	-	5108						OPT R. CONSOLE-FUSIB
512B	33194-46690	CABLE ASSY	1	5109	-				C			R. CONSOLE-FUSIBLE L
513A	33194-41170	CABLE ASSY	1	5001	-							OPT COOLING FAN
514A	33194-41180	CABLE ASSY	1	5001	-							OPT FAN REVOLUTION S

ELECTRICAL WIRING (REAR)

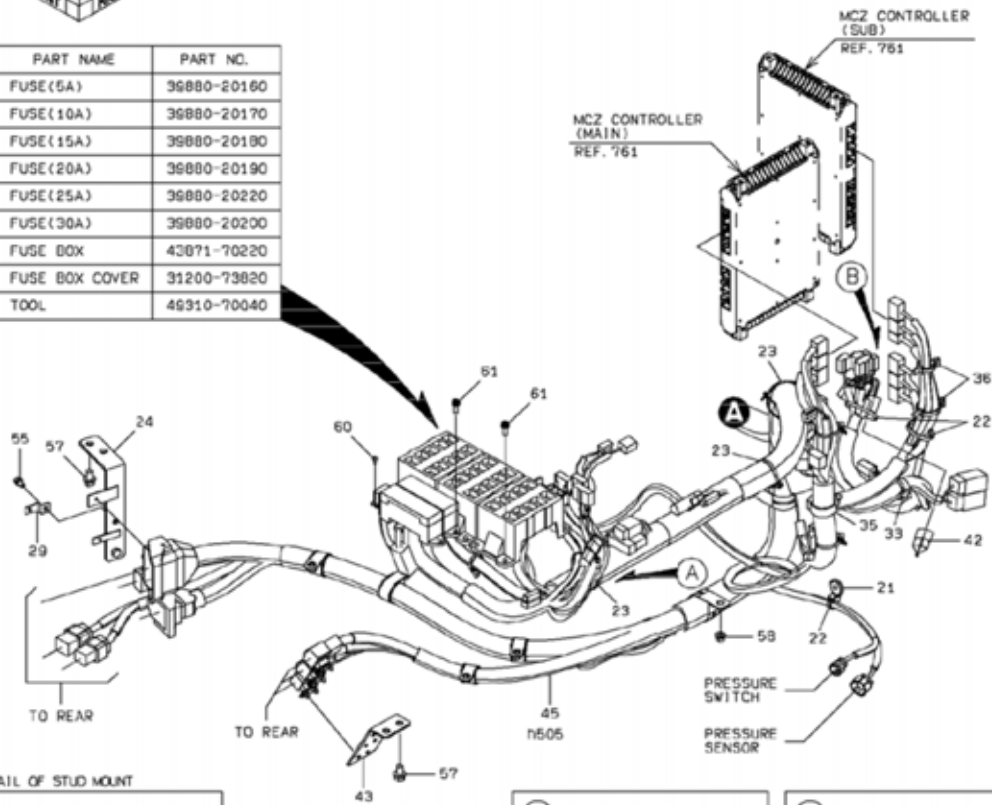
SYM-BOL	PART NUMBER	PART NAME	UNIT Q,TY	SERIAL		REMARKS						
				(A)	(B)	N	P	D	(A)	(B)	(C)	(D)
515A	33190-47930	CABLE	1	5001	-							OPT ALTERNATOR-FUSIB
516A	33190-47940	CABLE	1	5001	-							OPT ALTERNATOR-GROUN
517A	33194-41250	CABLE ASSY	1	5001	-							OPT R. GRILLE-R. CAM
517B	33194-46910	CABLE ASSY	1	5151	-			B				CAMERA
518A	33190-47950	CABLE	1	5001	-							OPT T/M OIL FILTER
519A	33194-41190	CABLE ASSY	1	5001	-							OPT E/G ROOM 2(BRAKE
520A	43573-20290	HOLDER,PIPE	2	5001	-							OPT D=16
521A	43573-20340	HOLDER,PIPE	12	5001	-							OPT D=10
522A	43573-20530	HOLDER,PIPE	1	5001	-	5108		D				OPT D=26
523A	43573-20360	HOLDER,PIPE	4	5001	-							OPT D=20
524A	43573-20310	HOLDER,PIPE	1	5001	-							OPT D=8
541A	32210-70360	CAP	1	5001	-							OPT

ELECTRICAL WIRING (FLOOR)

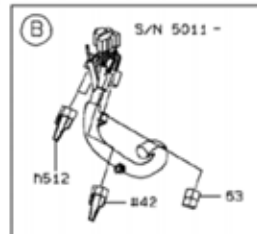
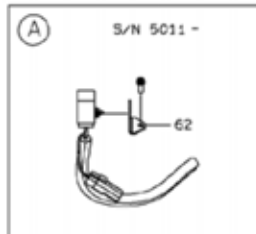
(NOTE):THE PREFIX OF "h" MEANS HEAT RESISTING TYPE.



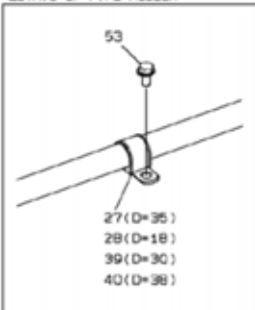
PART NAME	PART NO.
FUSE(5A)	36880-20160
FUSE(10A)	36880-20170
FUSE(15A)	36880-20180
FUSE(20A)	36880-20190
FUSE(25A)	36880-20220
FUSE(30A)	36880-20200
FUSE BOX	43871-70220
FUSE BOX COVER	31200-73820
TOOL	49310-70040



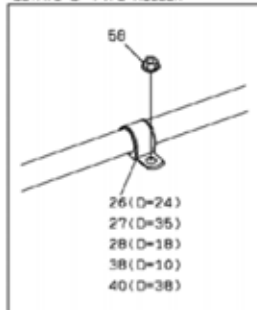
DETAIL OF STUD MOUNT



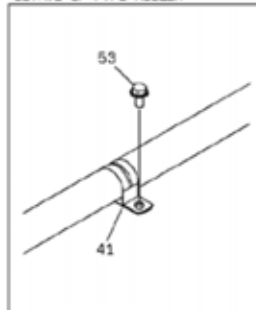
DETAIL OF PIPE HOLDER



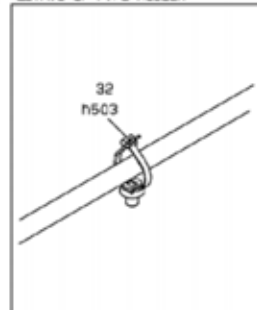
DETAIL OF PIPE HOLDER



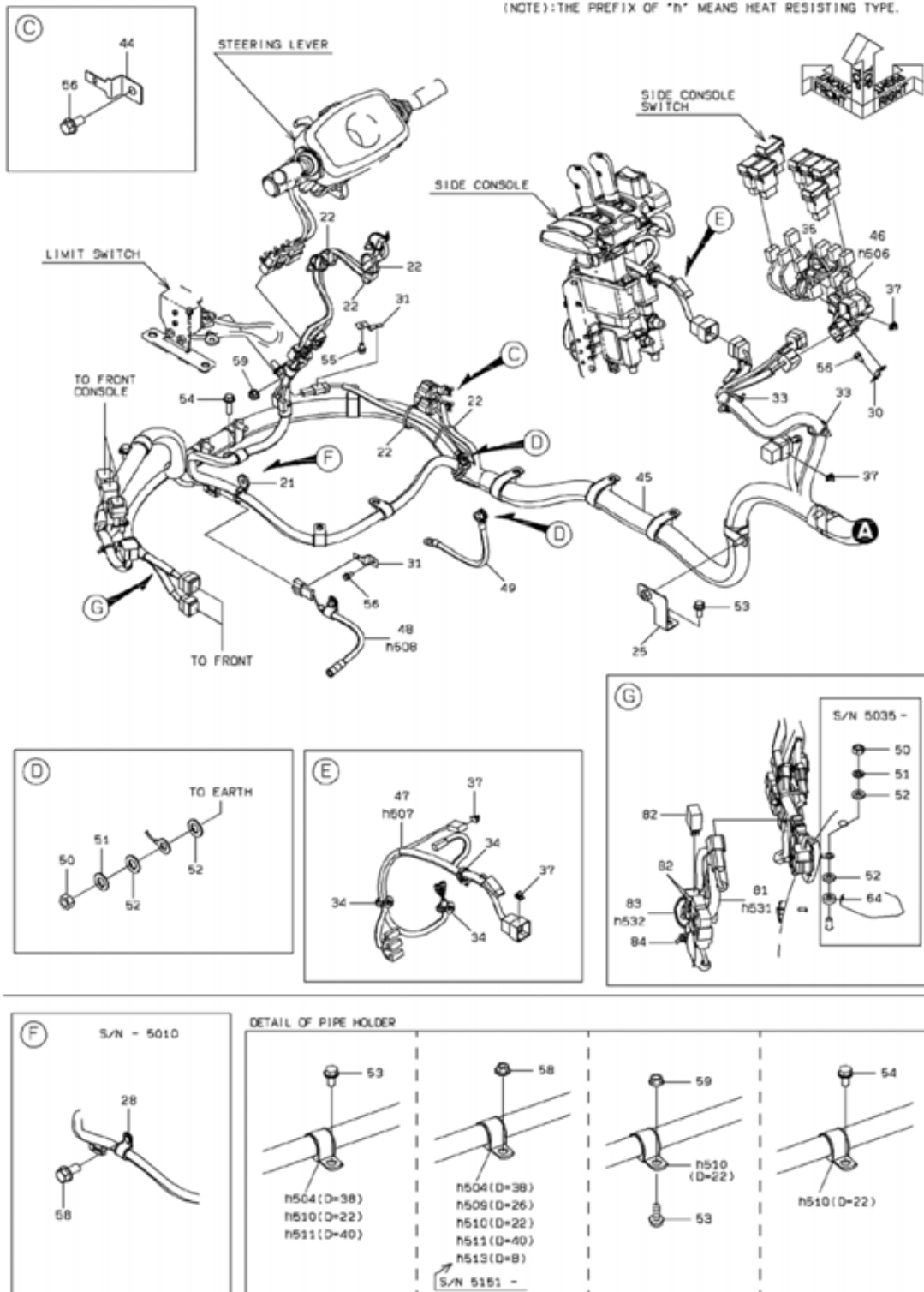
DETAIL OF PIPE HOLDER



DETAIL OF PIPE HOLDER



ELECTRICAL WIRING (FLOOR)



2-B

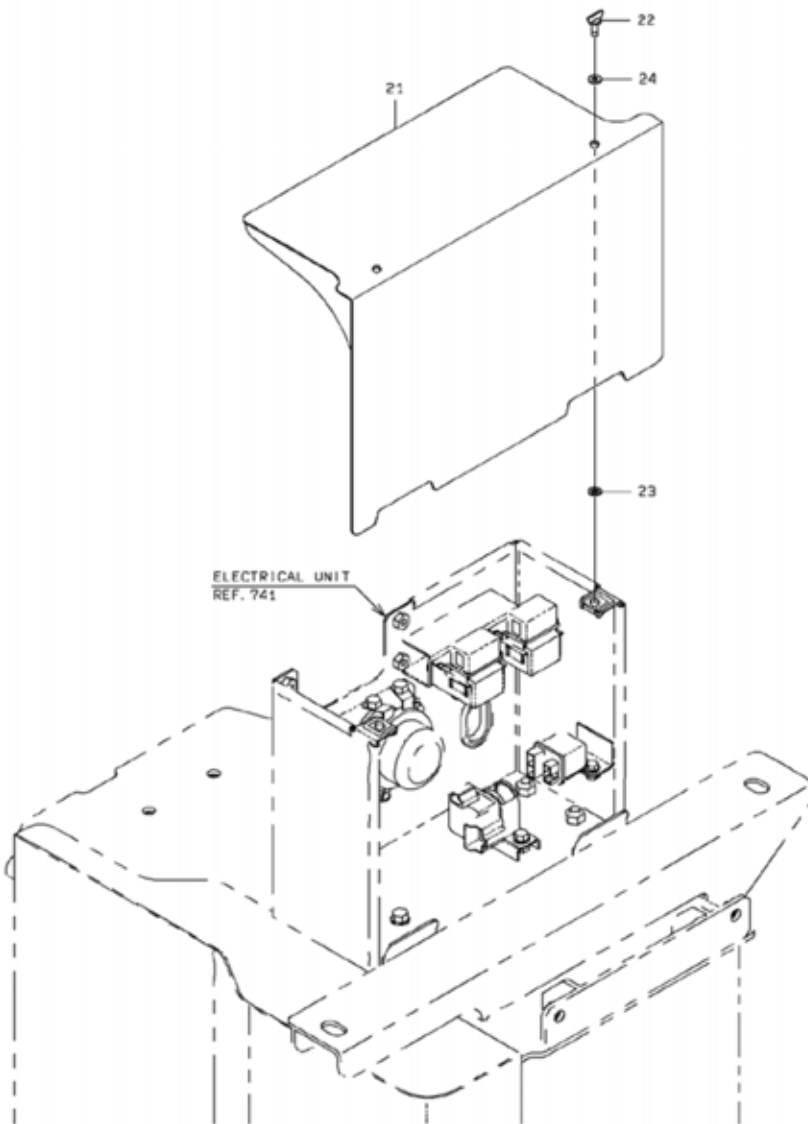
ELECTRICAL WIRING (FLOOR)

SYM-BOL	PART NUMBER	PART NAME	UNIT Q,TY	SERIAL		REMARKS						
				(A)	(B)	N	P	D	(A)	(B)	(C)	(D)
21A	32923-70120	CLAMP,HOSE	1	5001	-	5010						FR M8
21B	32923-70120	CLAMP,HOSE	2	5011	-							FR M8
22A	32923-70090	CLAMP,HOSE	8	5001	-	5019						L=202
22B	32923-70090	CLAMP,HOSE	10	5020	-							L=202
23A	32923-70100	CLAMP,HOSE	3	5001	-							L=382
24A	41754-29770	PLATE	1	5001	-							
25A	41753-29280-7	PLATE	1	5001	-							
26A	43573-20520	HOLDER,PIPE	1	5001	-							D=24
27A	43573-20540	HOLDER,PIPE	6	5001	-							D=35
28A	43573-20300	HOLDER,PIPE	8	5001	-	5010						D=18
28B	43573-20300	HOLDER,PIPE	7	5011	-							D=18
29A	43550-20680	HOLDER	1	5001	-							
30A	43550-20890	HOLDER	1	5001	-							
31A	43550-21210	HOLDER	2	5001	-							
32A	32925-20010	CLAMP,CABLE	8	5001	-	5010						
32B	32925-20010	CLAMP,CABLE	7	5011	-							
33A	32925-20020	CLAMP,CABLE	3	5001	-							
34A	32925-20030	CLAMP,CABLE	3	5001	-							
35A	32925-20040	CLAMP,CABLE	2	5001	-							
36A	32925-20050	CLAMP,CABLE	3	5001	-							
37A	32970-20080	CLIP	4	5001	-	5010						
37B	32970-20080	CLIP	5	5011	-	5034						
37C	32970-20080	CLIP	4	5035	-							
38A	43573-20340	HOLDER,PIPE	1	5001	-							D=10
39A	43573-20370	HOLDER,PIPE	2	5001	-							D=30
40A	43573-20550	HOLDER,PIPE	4	5001	-							D=38
41A	87020-46000	HOLDER,PIPE	3	5001	-							D=46
42A	45531-20290	RESISTOR	1	5001	-							
43A	41716-57790-7	PLATE	1	5001	-							
44A	43550-21270	HOLDER	2	5001	-							
45A	33194-37660	CABLE ASSY	1	5001	-	5010						REAR CONSOLE
45B	33194-39890	CABLE ASSY	1	5011	-	5028	C					REAR CONSOLE
45C	33194-40490	CABLE ASSY	1	5029	-	5058	C					REAR CONSOLE
45D	33194-42960	CABLE ASSY	1	5059	-		C					REAR CONSOLE
46A	33194-38350	CABLE ASSY	1	5001	-							SIDE CONSOLE 1
47A	33194-36140	CABLE ASSY	1	5001	-							SIDE CONSOLE 2
48A	33194-37800	CABLE ASSY	1	5001	-	5100						PRESSURE SENSOR
48B	33194-42700	CABLE ASSY	1	5101	-		B					PRESSURE LAMP S/W
49A	33190-43820	CABLE	1	5001	-							GROUND(F-R)
50A	62401-81101	NUT	2	5001	-	5034						
50B	62401-81101	NUT	3	5035	-							
51A	62721-10100	WASHER,SPRING	2	5001	-	5034						
51B	62721-10100	WASHER,SPRING	3	5035	-							
52A	46011-21650	WASHER,PLANE	4	5001	-	5034						
52B	46011-21650	WASHER,PLANE	6	5035	-							
53A	61802-10020	BOLT,FLANGED	10	5001	-							
54A	61802-10030	BOLT,FLANGED	1	5001	-							
55A	61802-06010	BOLT,FLANGED	2	5001	-							
56A	61802-06012	BOLT,FLANGED	4	5001	-							
57A	61802-10016	BOLT,FLANGED	4	5001	-							
58A	62480-21081	NUT,FLANGED	15	5001	-	5010						
58B	62480-21081	NUT,FLANGED	14	5011	-							
59A	62480-21101-7	NUT,FLANGED	1	5001	-							
60A	35100-60030	SCREW	2	5001	-							
61A	35100-72440	SCREW	16	5001	-	5010						
61B	35100-72440	SCREW	17	5011	-	5058						
61C	80104-60620	SCREW	17	5059	-		C					
62A	41716-41110-7	PLATE	1	5011	-							
63A	33360-20060	CONDENSER	1	5011	-							
64A	46011-23260	WASHER,PLANE	1	5035	-							
81A	33194-38480	CABLE ASSY	1	5001	-							
82A	45050-60140	RELAY	3	5001	-							
83A	32923-70090	CLAMP,HOSE	1	5001	-							L=202
84A	32925-20010	CLAMP,CABLE	1	5001	-							
501A	32923-70140	CLAMP,HOSE	10	5001	-							OPT L=202
502A	32923-70150	CLAMP,HOSE	4	5001	-							OPT L=382

ELECTRICAL WIRING (FLOOR)

SYM-BOL	PART NUMBER	PART NAME	UNIT Q,TY	SERIAL (A) - (B)	REMARKS			
					N	P	D	REMARKS
503A	32925-20010	CLAMP,CABLE	9	5001 -				OPT
504A	43573-20550	HOLDER,PIPE	6	5001 -				OPT D=38
505A	33194-41020	CABLE ASSY	1	5001 - 5108				OPT REAR CONSOLE
505B	33194-45240	CABLE ASSY	1	5109 -	C			REAR CONSOLE
506A	33194-41060	CABLE ASSY	1	5001 -				OPT SIDE CONSOLE 1
507A	33194-41070	CABLE ASSY	1	5001 -				OPT OPT SIDE CONSOLE
508A	33194-41290	CABLE ASSY	1	5001 - 5100				OPT PRESSURE SENSOR
508B	33194-44830	CABLE ASSY	1	5101 -	B			PRESSURE SENSOR
509A	43573-20530	HOLDER,PIPE	1	5001 -				OPT D=26
510A	43573-20460	HOLDER,PIPE	6	5001 -				OPT D=22
511A	43573-20560	HOLDER,PIPE	6	5001 -				OPT D=40
512A	45531-20350	RESISTOR	2	5001 -				OPT
513A	43573-20310	HOLDER,PIPE	1	5101 -				D=8
531A	33194-41400	CABLE ASSY	1	5001 -				OPT IDLE STOP
532A	32923-70140	CLAMP,HOSE	1	5001 -				OPT L=202

RELAY UNIT MOUNT

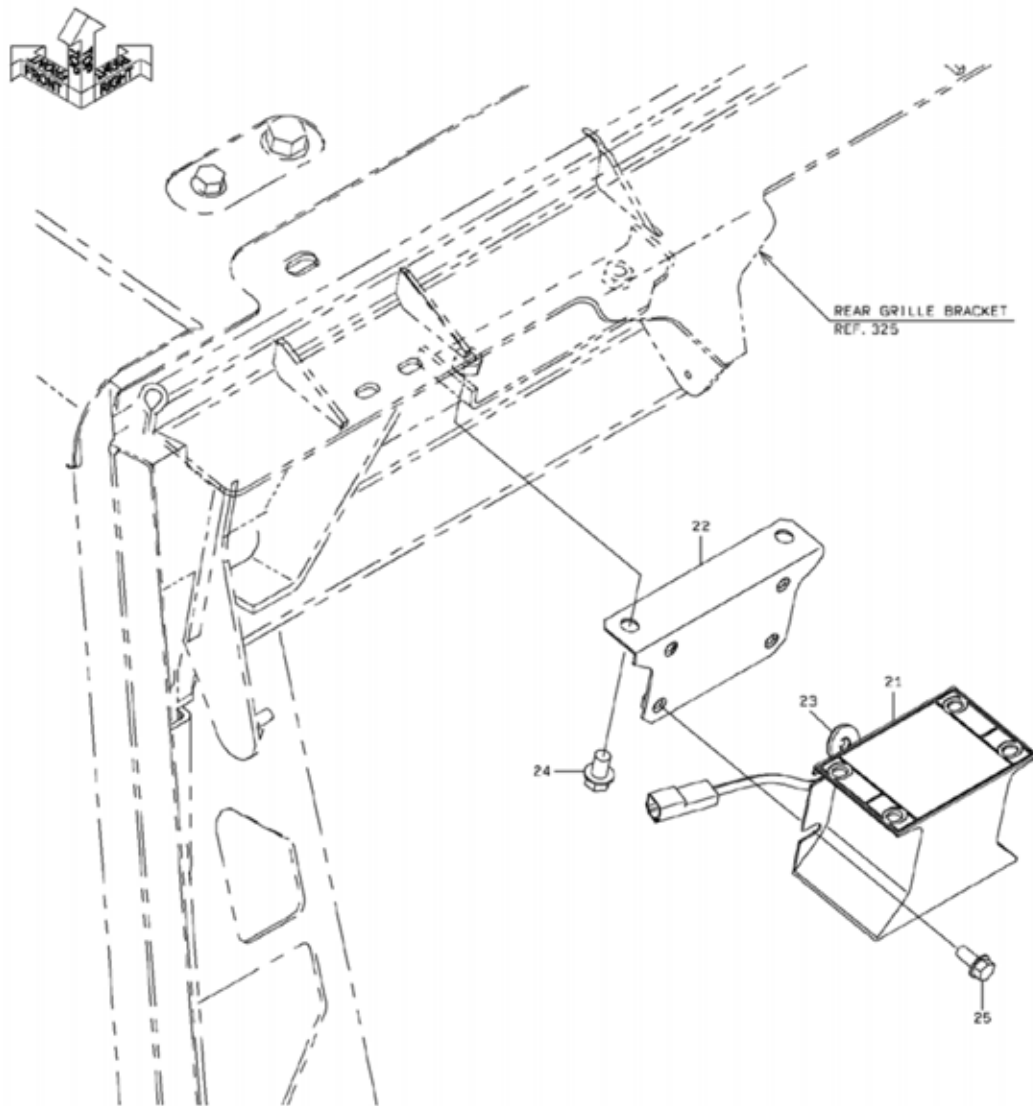


1-A

RELAY UNIT MOUNT

SYM-BOL	PART NUMBER	PART NAME	UNIT Q,TY	SERIAL (A) - (B)	REMARKS					
					N	P	D	(A)	(B)	(C)
21A	31206-28630-7	COVER	1	5001 -						
22A	32150-20580	CATCH	2	5001 -						
23A	46000-25610	WASHER	2	5001 -						
24A	46000-25620	WASHER	2	5001 -						

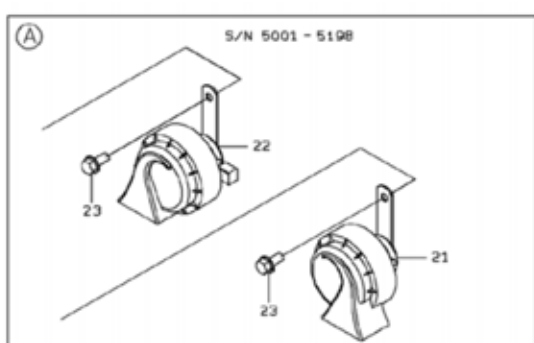
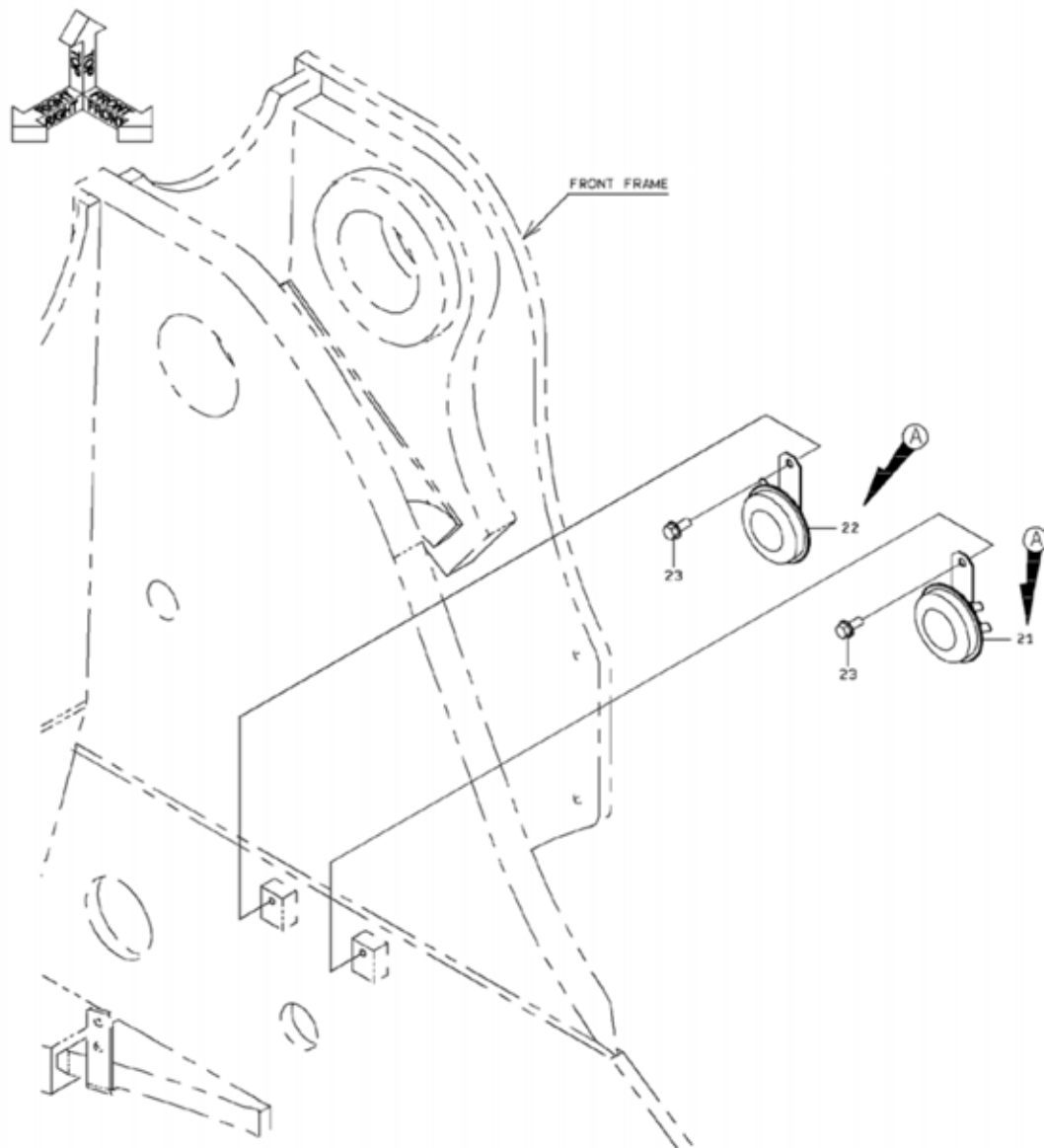
BUZZER MOUNT



BUZZER MOUNT

SYM-BOL	PART NUMBER	PART NAME	UNIT Q,TY	SERIAL (A) - (B)	REMARKS						
					N	P	D	(A)	(B)	(C)	(D)
21A	40810-60120	BUZZER	1	5001 -							
22A	41753-37480	PLATE	1	5001 -							
23A	32923-70120	CLAMP,HOSE	1	5001 -							
24A	61802-10016	BOLT,FLANGED	2	5001 -							FR M8
25A	61802-08016-7	BOLT,FLANGED	4	5001 -							

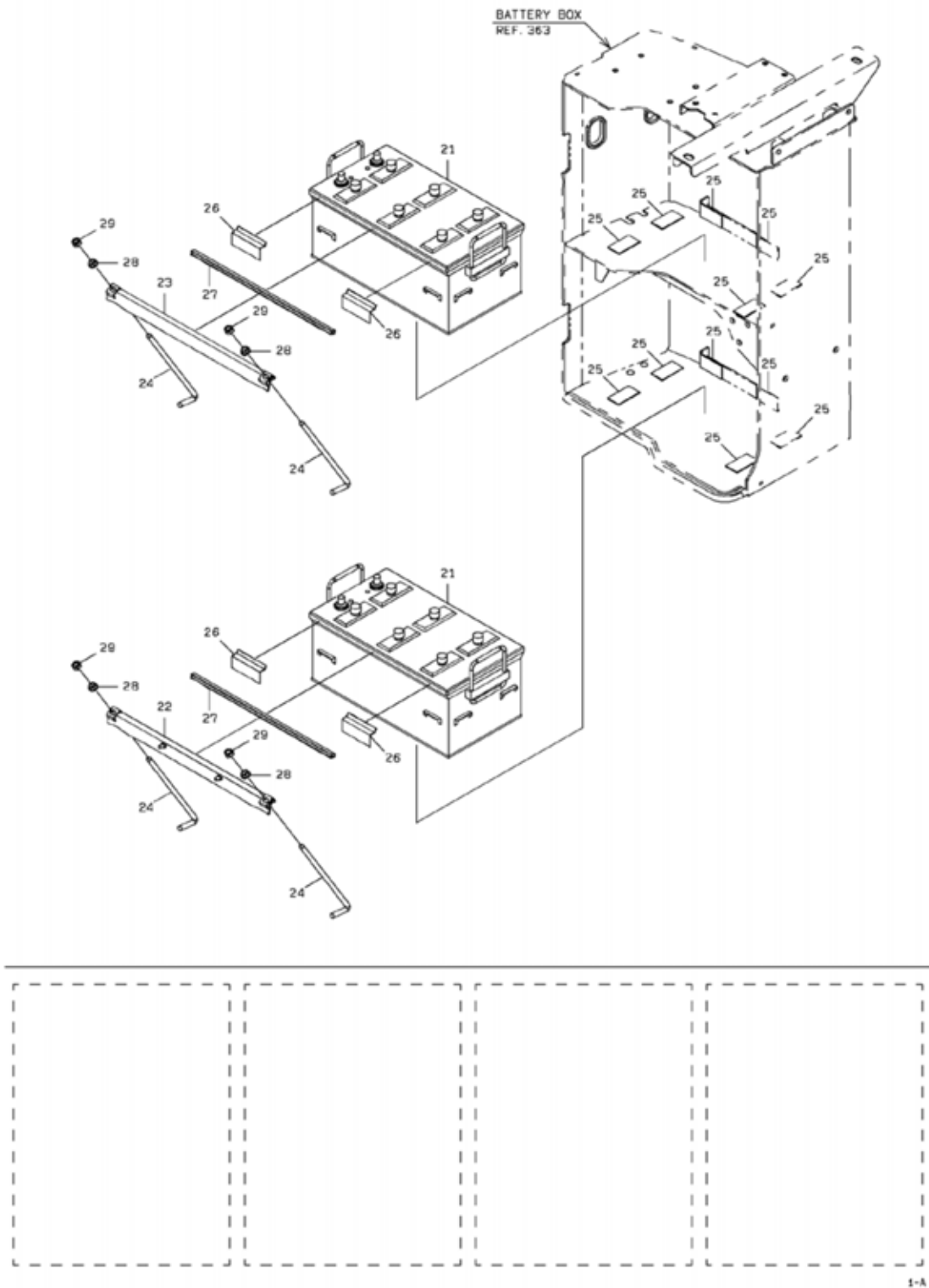
HORN MOUNT



HORN MOUNT

SYM-BOL	PART NUMBER	PART NAME	UNIT Q,TY	SERIAL		REMARKS						
				(A)	(B)	N	P	D	(A)	(B)	(C)	(D)
21A	43300-60090	HORN	1	5001	- 5176							LOW
21B	43300-60140	HORN	1	5177	- 5198	B						LOW
21C	43300-20060	HORN	1	5199	-	B						LOW
22A	43300-60100	HORN	1	5001	- 5176							HIGH
22B	43300-60150	HORN	1	5177	- 5198	B						HIGH
22C	43300-20050	HORN	1	5199	-	B						HIGH
23A	61802-08016-7	BOLT,FLANGED	2	5001	-							

BATTERY



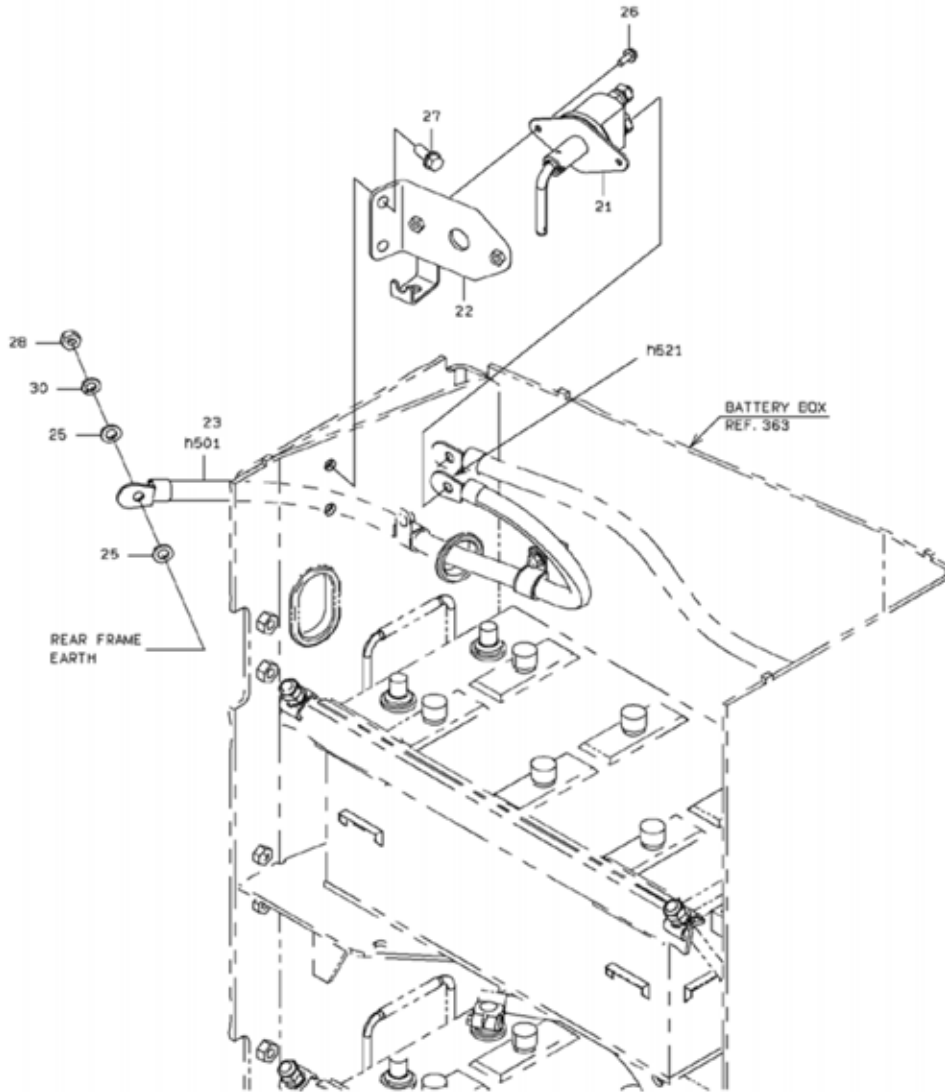
1-A

BATTERY

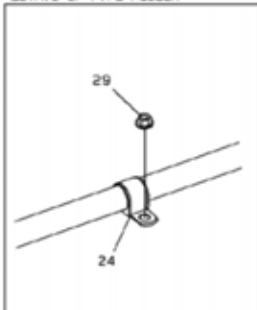
SYM-BOL	PART NUMBER	PART NAME	UNIT Q,TY	SERIAL (A) - (B)	REMARKS					
					N	P	D	(A)	(B)	(C)
21A	38450-60050-7	BATTERY	2	5001 -						
22A	41754-30740	PLATE	1	5001 -						
23A	41611-20150	PLATE	1	5001 -						
24A	45870-20010	ROD	4	5001 -						
25A	33713-20110	SHEET,RUBBER	12	5001 -						
26A	33713-20030	SHEET,RUBBER	4	5001 -						
27A	34041-27940	STRIP, SEAL	2	5001 -						
28A	62480-21121	NUT,FLANGED	4	5001 -						
29A	62401-81121	NUT	4	5001 -						

BATTERY SWITCH MOUNT

(NOTE): THE PREFIX OF "N" MEANS HEAT RESISTING TYPE.



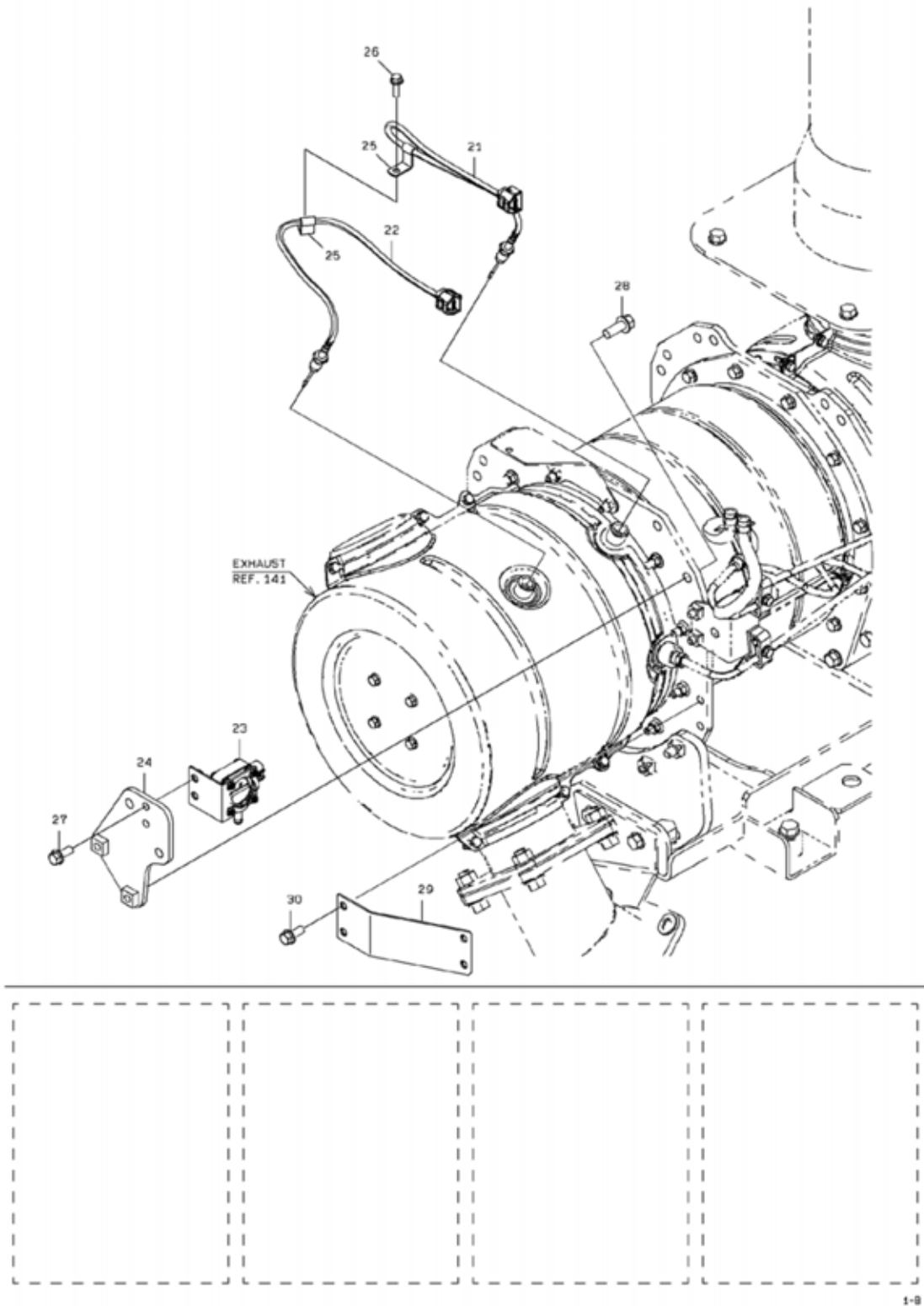
DETAIL OF PIPE HOLDER



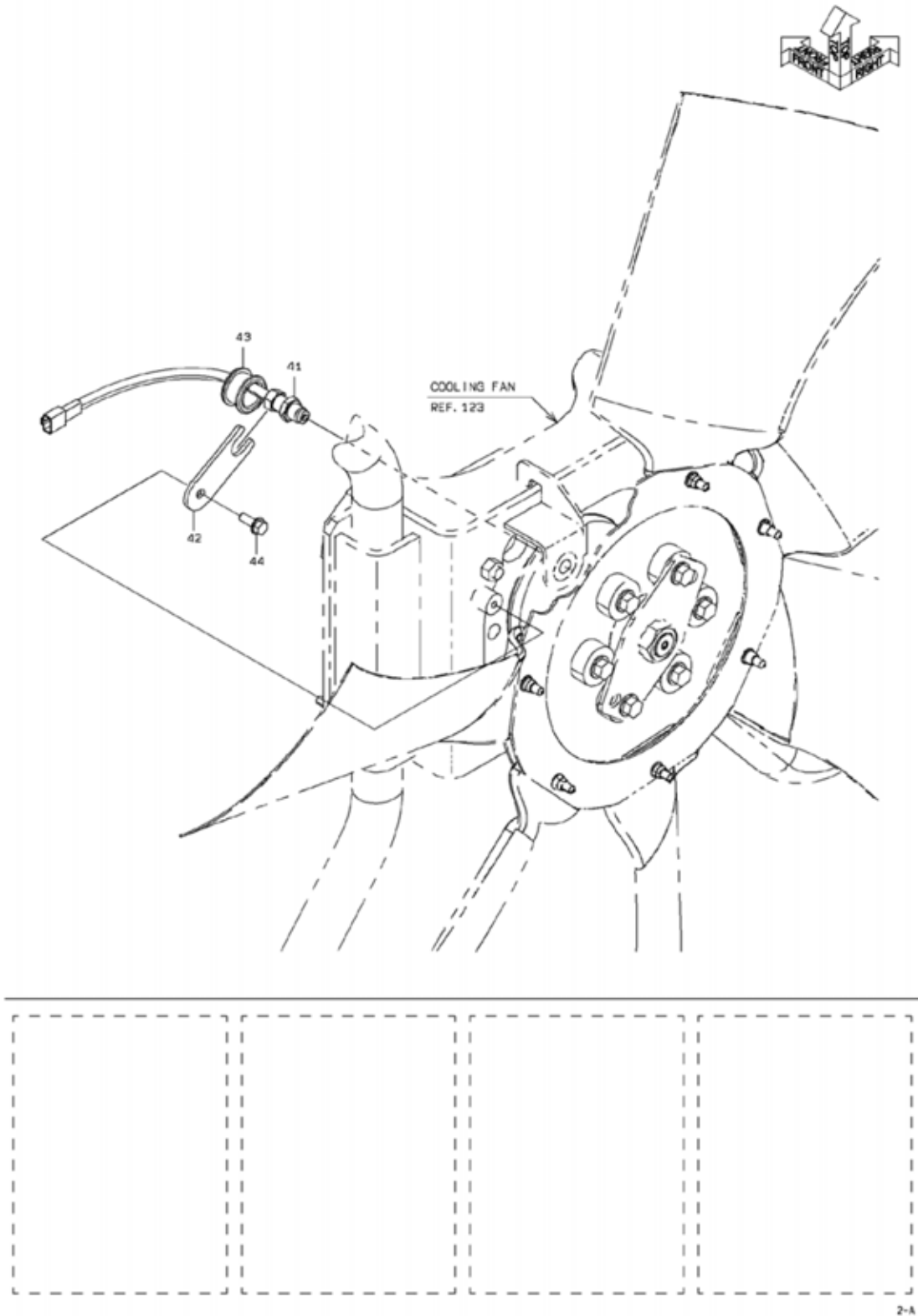
BATTERY SWITCH MOUNT

SYM-BOL	PART NUMBER	PART NAME	UNIT Q,TY	SERIAL		REMARKS						
				(A)	(B)	N	P	D	(A)	(B)	(C)	(D)
21A	35043-60020	SWITCH,BATTERY	1	5001	-							
22A	41754-30840	PLATE	1	5001	-	5010						
22B	41754-41770	PLATE	1	5011	-		C					
23A	33190-45520	CABLE	1	5001	-							
24A	43573-20360	HOLDER,PIPE	2	5001	-							D=20
25A	46011-21650	WASHER,PLANE	2	5001	-							
26A	61802-06016	BOLT,FLANGED	2	5001	-							
27A	61802-10025	BOLT,FLANGED	2	5001	-							
28A	62401-81101	NUT	1	5001	-							
29A	62480-21081	NUT,FLANGED	2	5001	-							
30A	62721-10100	WASHER,SPRING	1	5001	-							
501A	33190-47970	CABLE	1	5001	-							OPT SWITCH-GROUND
521A	32210-70360	CAP	1	5001	-							OPT

ELECTRICAL PARTS (SENSORS)



ELECTRICAL PARTS (SENSORS)



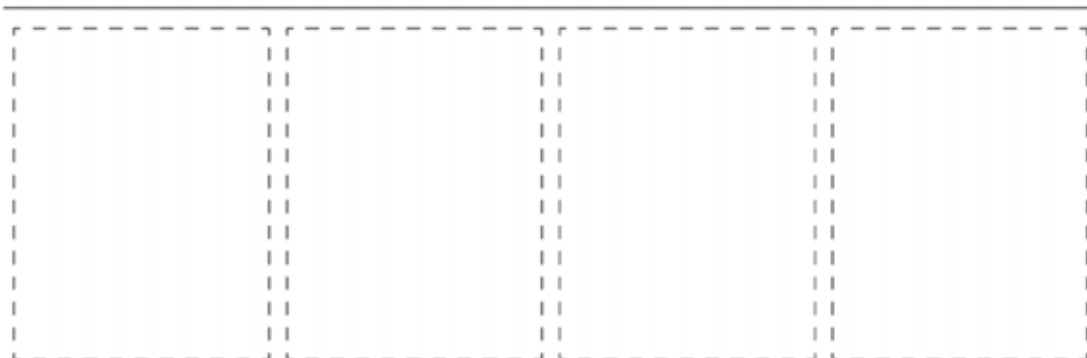
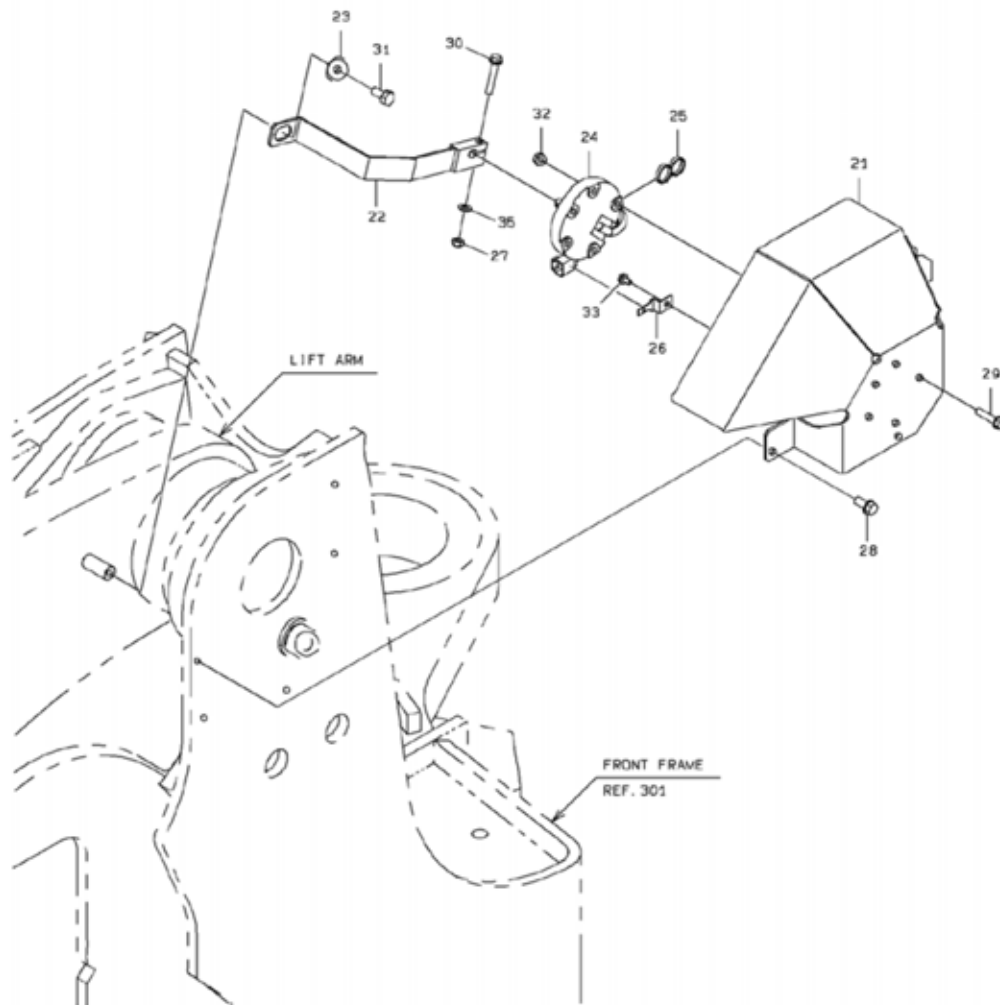
2-A

ELECTRICAL PARTS (SENSORS)

SYM-BOL	PART NUMBER	PART NAME	UNIT Q,TY	SERIAL		REMARKS						
				(A)	(B)	N	P	D	(A)	(B)	(C)	(D)
21A	50101-05050	SENSOR,TEMPERATURE	1	5001	-							YZ8973599895
22A	50101-05060	SENSOR,TEMPERATURE	1	5001	-							YZ8973599875
23A	50101-04720	SENSOR	1	5001	-							YZ8973603682
24A	50101-05030	PLATE	1	5001	-							YZ8981542390
25A	50101-04740	CLIP	2	5001	-							YZ0952073050
26A	50101-04770	BOLT,FLANGED	1	5001	-							YZ0280506160
27A	50101-04760	BOLT,FLANGED	2	5001	-							YZ0280508200
28A	50101-05010	BOLT,FLANGED	2	5001	-							YZ0280510250
29A	41754-38890	PLATE	1	5001	-							
30A	61802-08020	BOLT,FLANGED	2	5001	-							
41A	35820-20170	SENSOR	1	5001	-							
42A	41717-21030-7	PLATE	1	5001	-							
43A	65801-25160	BUSHING,ELASTIC	1	5001	-							
44A	61802-08020	BOLT,FLANGED	1	5001	-							

MEMO

LIFT ARM AUTO-LEVELER SYSTEM

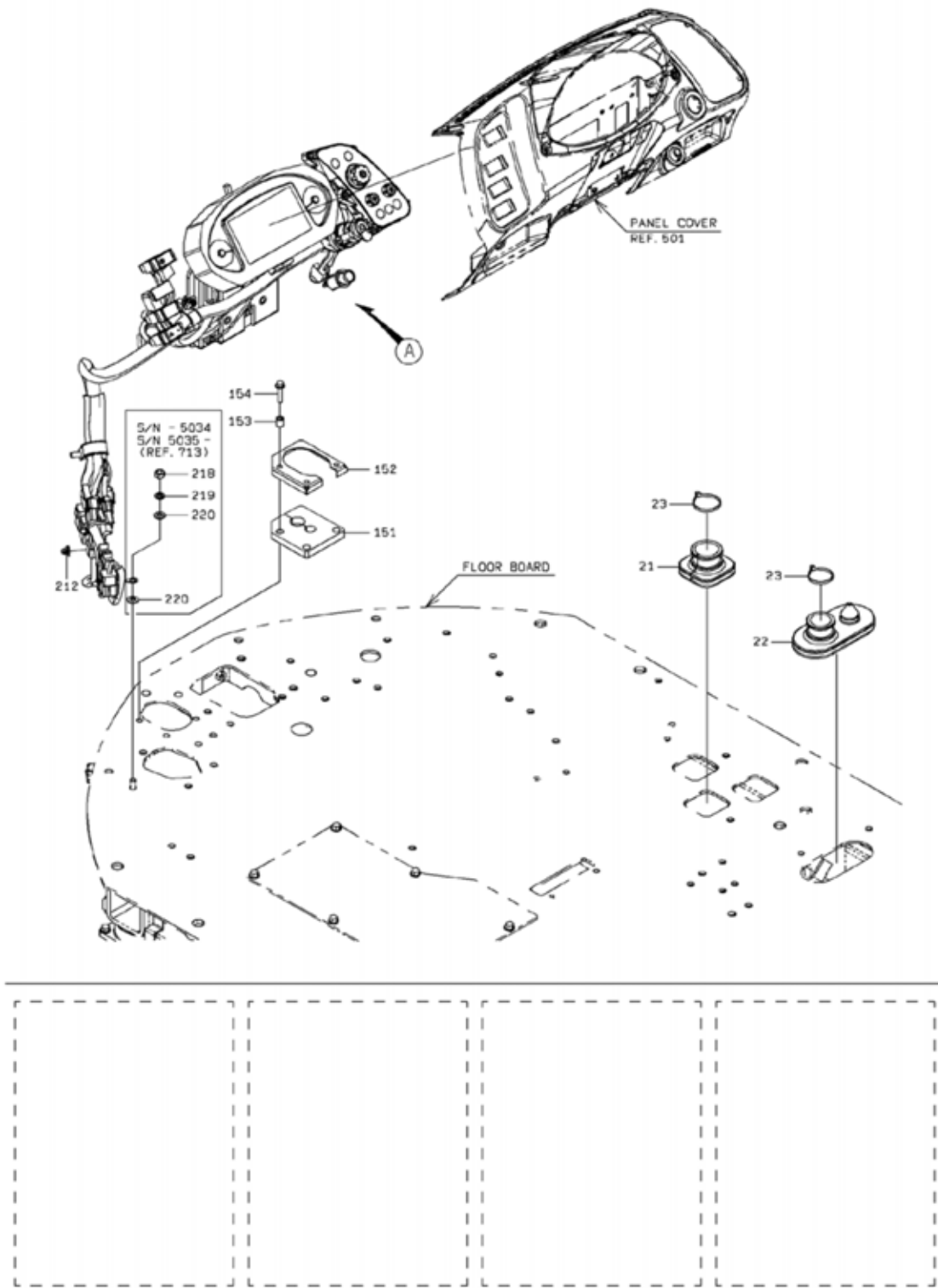


1-A

LIFT ARM AUTO-LEVELER SYSTEM

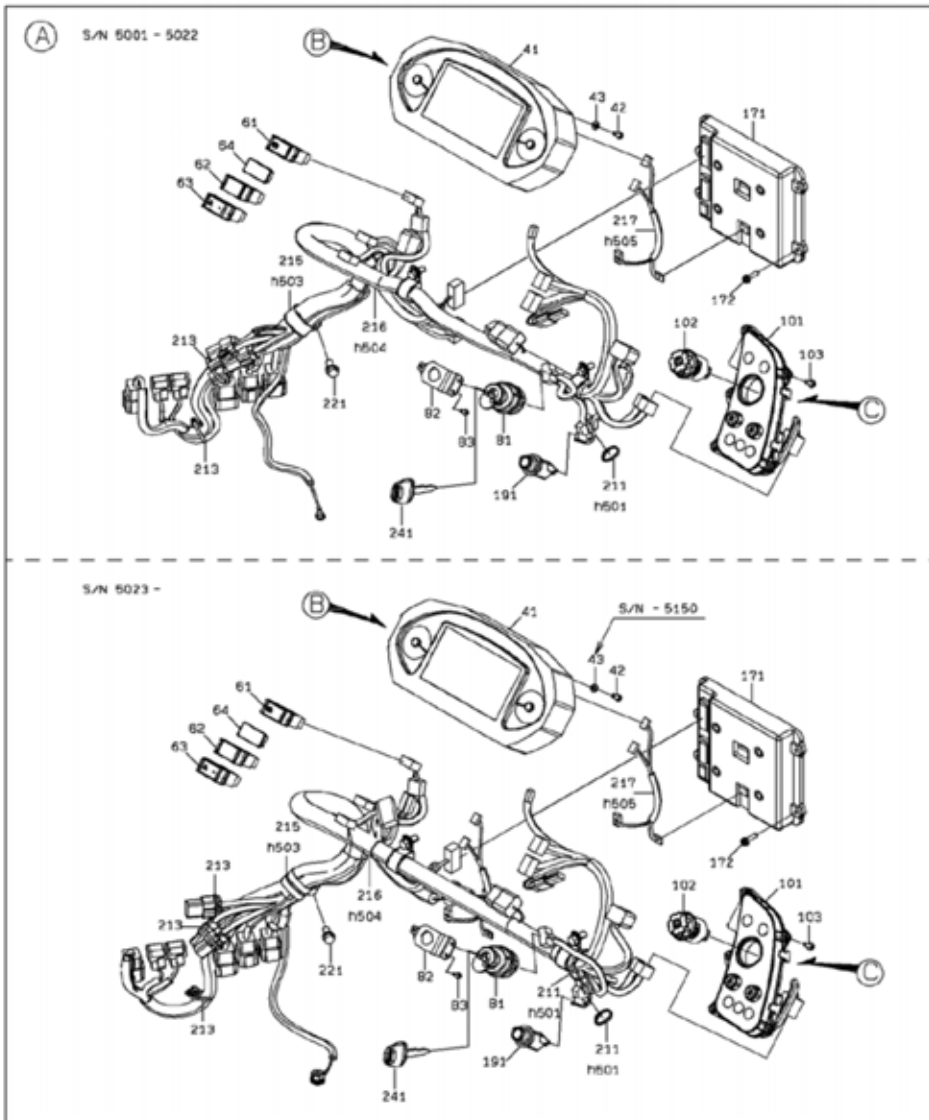
SYM-BOL	PART NUMBER	PART NAME	UNIT Q,TY	SERIAL		REMARKS						
				(A)	(B)	N	P	D	(A)	(B)	(C)	(D)
21A	31206-27730-7	COVER	1	5001	-							
22A	45610-24110	LEVER ASSY	1	5001	-							
23A	46011-21300	WASHER,PLANE	1	5001	-							
24A	35831-60010	SENSOR,POSITION	1	5001	-	5198						
24B	YA000-48138	SENSOR,POSITION	1	5199	-		C					
25A	32923-70210	CLAMP,HOSE	1	5001	-							L=395
26A	43550-21210	HOLDER	1	5001	-							
27A	88031-06081	NUT,SELF-LOCKING	1	5001	-							
28A	61802-10020	BOLT,FLANGED	3	5001	-							
29A	61802-08035	BOLT,FLANGED	5	5001	-							
30A	61802-08045	BOLT,FLANGED	1	5001	-							
31A	61033-10020	BOLT	1	5001	-							
32A	62480-21081	NUT,FLANGED	5	5001	-							
33A	61802-06010	BOLT,FLANGED	1	5001	-							
35A	62701-40081	WASHER,PLANE	1	5001	-							

ELECTRICAL PARTS (INSTRUMENT PANEL)

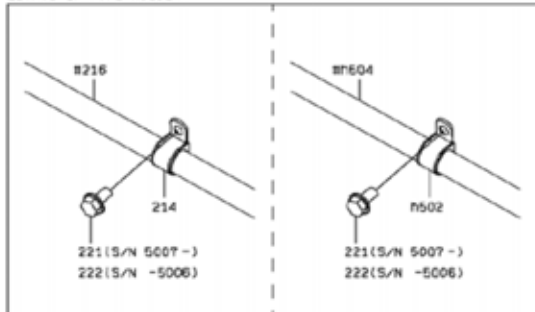


ELECTRICAL PARTS (INSTRUMENT PANEL)

(NOTE):THE PREFIX OF "h" MEANS HEAT RESISTING TYPE.

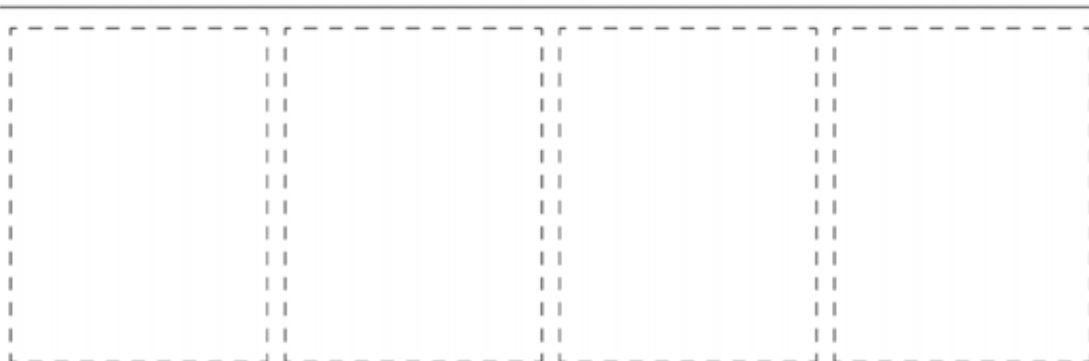
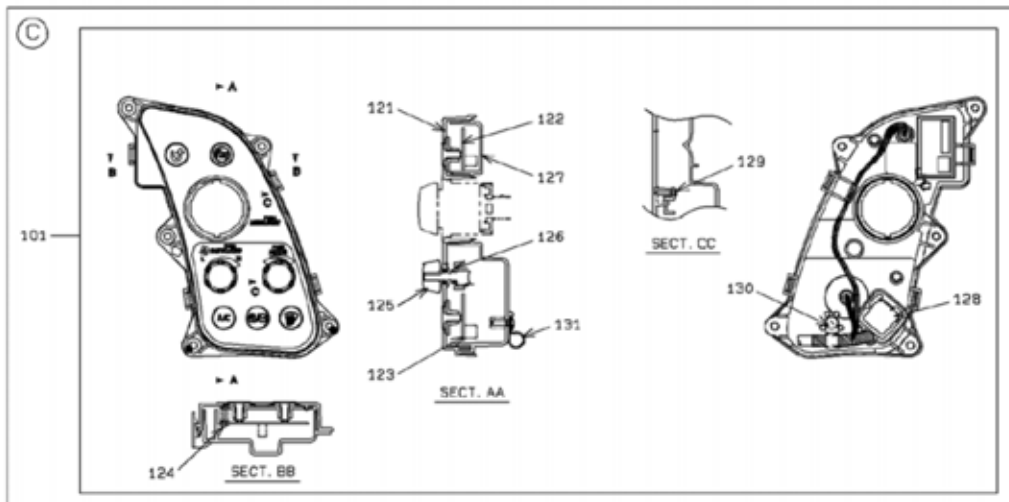
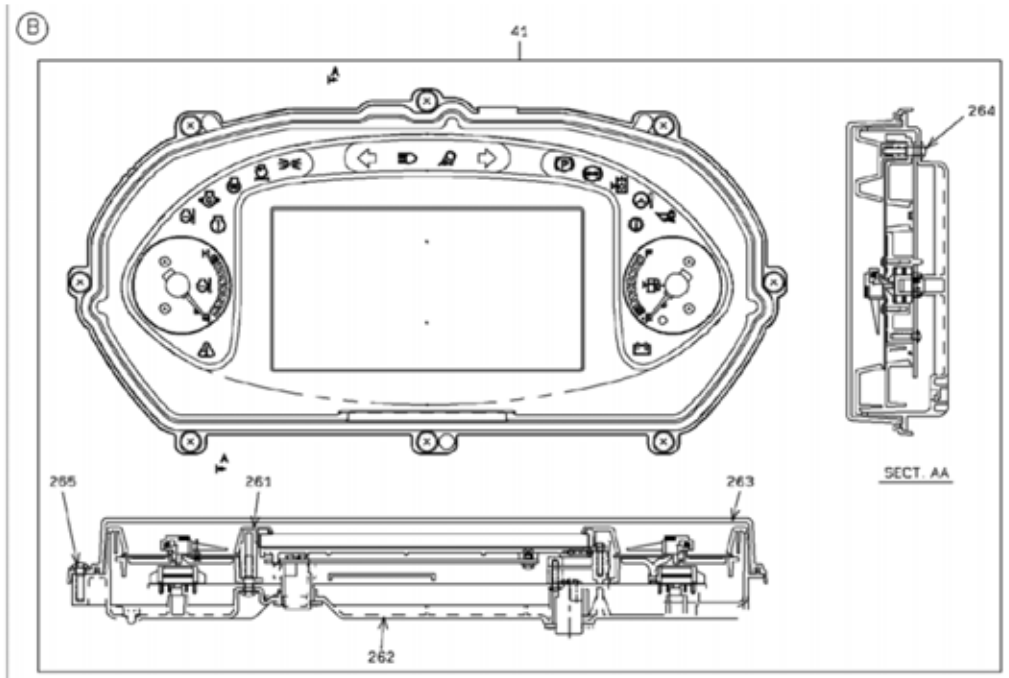


DETAIL OF PIPE HOLDER



2-8

ELECTRICAL PARTS (INSTRUMENT PANEL)



ELECTRICAL PARTS (INSTRUMENT PANEL)

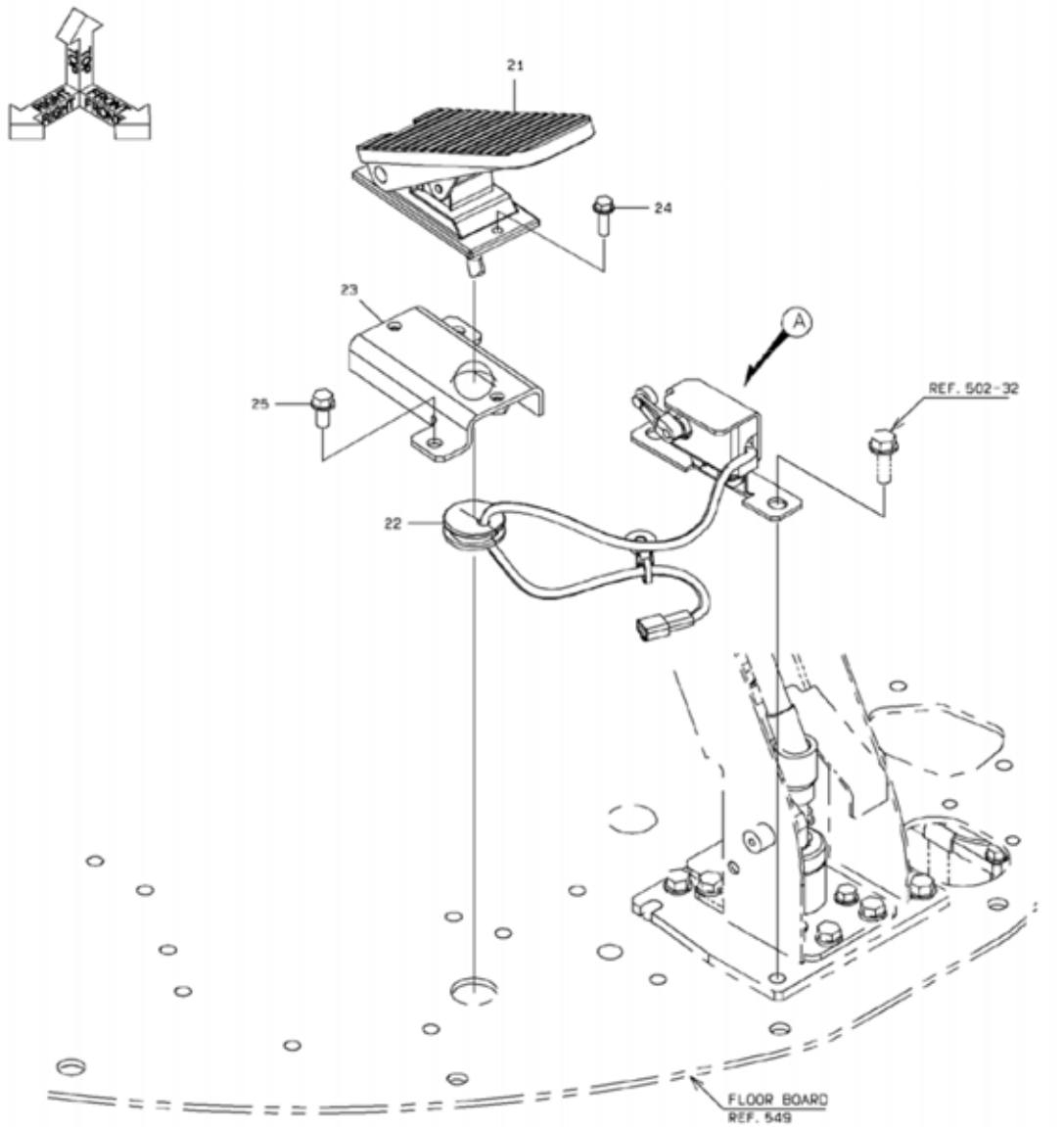
SYM-BOL	PART NUMBER	PART NAME	UNIT Q, TY	SERIAL		REMARKS													
				(A)	(B)	N	P	D	(A)	(B)	(C)	(D)	REMARKS						
21A	40850-20990	BUSHING,ELASTIC	1	5001	-														
22A	40850-60150	BUSHING,ELASTIC	1	5001	-	5010													
22B	40850-21040	BUSHING,ELASTIC	1	5011	-				C										
23A	32923-70100	CLAMP,HOSE	2	5001	-														L=382
41A	39753-60720	PANEL ASSY,INSTRUMENT	1	5001	-	5100							Y02						
41B	39753-60820	PANEL ASSY,INSTRUMENT	1	5101	-				B				Y02						
42A	62256-51614	SCREW	6	5001	-	5100													
42B	80104-60614	SCREW	6	5101	-	5150													
42C	80104-50614	SCREW	6	5151	-	5151			C										
42D	80104-60614	SCREW	6	5152	-				C										
43A	62721-06100	WASHER,SPRING	6	5001	-	5100				D									
61A	35010-60890	SWITCH	1	5001	-														
62A	35010-60760	SWITCH	1	5001	-	5151													
62B	35010-20760	SWITCH	1	5152	-				C										
63A	35010-60900	SWITCH	1	5001	-														
64A	41530-60180	PLUG	1	5001	-														
81A	35021-60070	SWITCH ASSY,STARTER	1	5001	-														
82A	41753-29380-7	PLATE	1	5001	-														
83A	35106-20100	SCREW,TAPPING	3	5001	-														
101A	43845-60070	BOX,SWITCH	1	5001	-								Y01						
102A	35010-60870	SWITCH	1	5001	-														
103A	35106-20110	SCREW,TAPPING	5	5001	-														
121A	33110-70760	CASE ASSY	1	5001	-								01						
122A	41645-70760	PLATE	1	5001	-								01						
123A	41645-70770	PLATE	1	5001	-								01						
124A	35100-72770	SCREW	8	5001	-								01						
125A	37810-70760	KNOB	2	5001	-								01						
126A	41650-70400	PLATE ASSY	1	5001	-								01						
127A	33100-71270	CASE	1	5001	-								01						
128A	32210-72900	CAP	1	5001	-								01						
129A	35100-72770	SCREW	3	5001	-								01						
130A	35100-72780	SCREW	1	5001	-								01						
131A	32920-71060	CLAMP	1	5001	-								01						
151A	33057-23090	GROMMET	1	5001	-														
152A	41715-50970-7	PLATE	1	5001	-														
153A	38721-32100	PIPE	3	5001	-														
154A	61802-08035	BOLT,FLANGED	3	5001	-														
171A	33410-63610	CONTROLLER UNIT	1	5001	-	5054													
171B	33410-63980	CONTROLLER UNIT	1	5055	-	5100			C										
171C	33410-64560	CONTROLLER UNIT	1	5101	-	5176			B										
171D	33410-65180	CONTROLLER UNIT	1	5177	-				C										
172A	35100-72450	SCREW	4	5001	-	5100													
172B	80104-60625	SCREW	4	5101	-				A										
191A	34180-60020	CIGARLIGHTER	1	5001	-														
211A	32923-70090	CLAMP,HOSE	1	5001	-	5022													L=202
211B	32923-70090	CLAMP,HOSE	2	5023	-														L=202
212A	32970-20080	CLIP	1	5001	-														
213A	32925-20010	CLAMP,CABLE	2	5001	-	5022													
213B	32925-20010	CLAMP,CABLE	3	5023	-														
214A	43573-20520	HOLDER,PIPE	2	5001	-	5022													D=24
214B	43573-20370	HOLDER,PIPE	2	5023	-				C										D=30
215A	43573-20560	HOLDER,PIPE	1	5001	-	5022													D=40
215B	87020-43000	HOLDER,PIPE	1	5023	-				C										D=43
216A	33194-35910	CABLE ASSY	1	5001	-	5022													
216B	33194-38560	CABLE ASSY	1	5023	-	5044			C										
216C	33194-42430	CABLE ASSY	1	5045	-				C										
217A	33194-36230	CABLE ASSY	1	5001	-														
218A	62401-81101	NUT	1	5001	-	5034				D									
219A	62721-10100	WASHER,SPRING	1	5001	-	5034				D									
220A	46011-21650	WASHER,PLANE	2	5001	-	5034				D									
221A	61802-10020	BOLT,FLANGED	1	5001	-	5006													
221B	61802-10020	BOLT,FLANGED	3	5007	-	5034			B										
221C	61802-10016	BOLT,FLANGED	3	5035	-				C										
222A	61802-08020	BOLT,FLANGED	2	5001	-	5006				D									
241A	32121-60010	KEY,STARTER	1	5001	-														
261A	41645-70780	PLATE	1	5001	-								02						

ELECTRICAL PARTS (INSTRUMENT PANEL)

SYM-BOL	PART NUMBER	PART NAME	UNIT Q,TY	SERIAL		REMARKS								
				(A)	(B)	N	P	D	(A)	(B)	(C)	(D)	REMARKS	
262A	33110-70770	CASE ASSY	1	5001	-							02		
263A	32010-70080	GLASS	1	5001	-							02		
264A	35100-72790	SCREW	9	5001	-							02		
265A	35100-72800	SCREW	8	5001	-							02		
501A	32923-70140	CLAMP,HOSE	2	5001	-									OPT L=202
502A	43573-20540	HOLDER,PIPE	1	5001	-									OPT D=35
503A	87020-46000	HOLDER,PIPE	1	5001	-									OPT D=46
504A	33194-41050	CABLE ASSY	1	5001	-									OPT FRONT CONSOLE
505A	33194-41240	CABLE ASSY	1	5001	-									OPT DSZ MONITOR

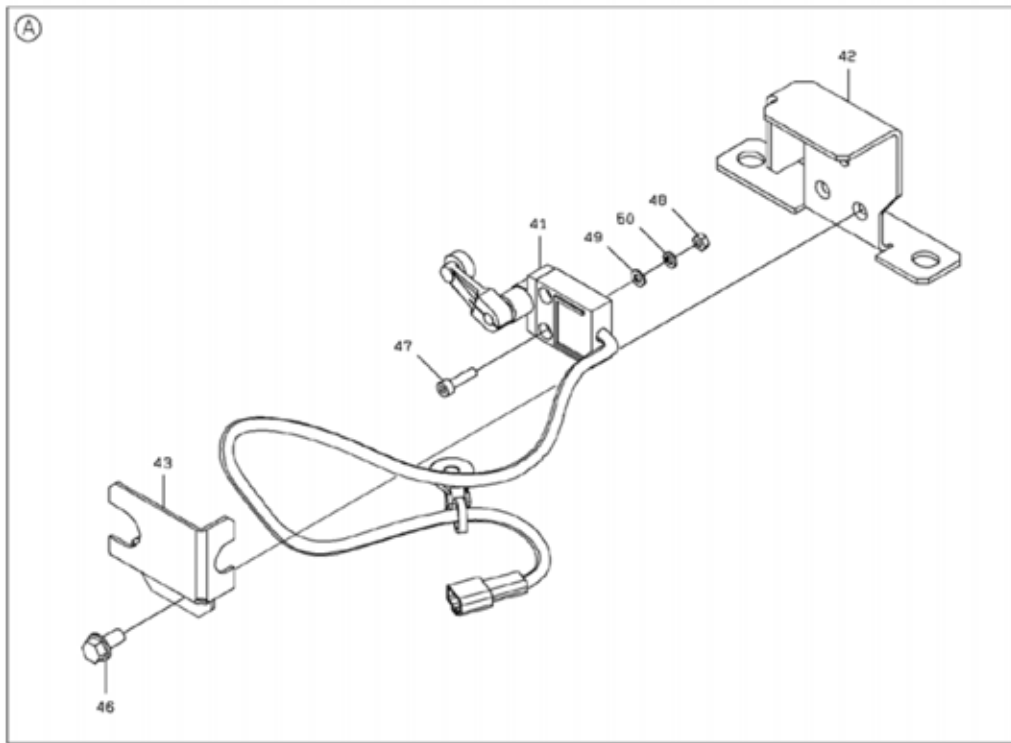
MEMO

ELECTRICAL PARTS (FLOOR BOARD)

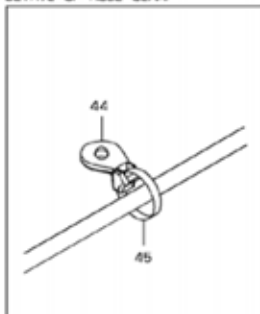


1-A

ELECTRICAL PARTS (FLOOR BOARD)



DETAIL OF HOSE CLAMP



2-A

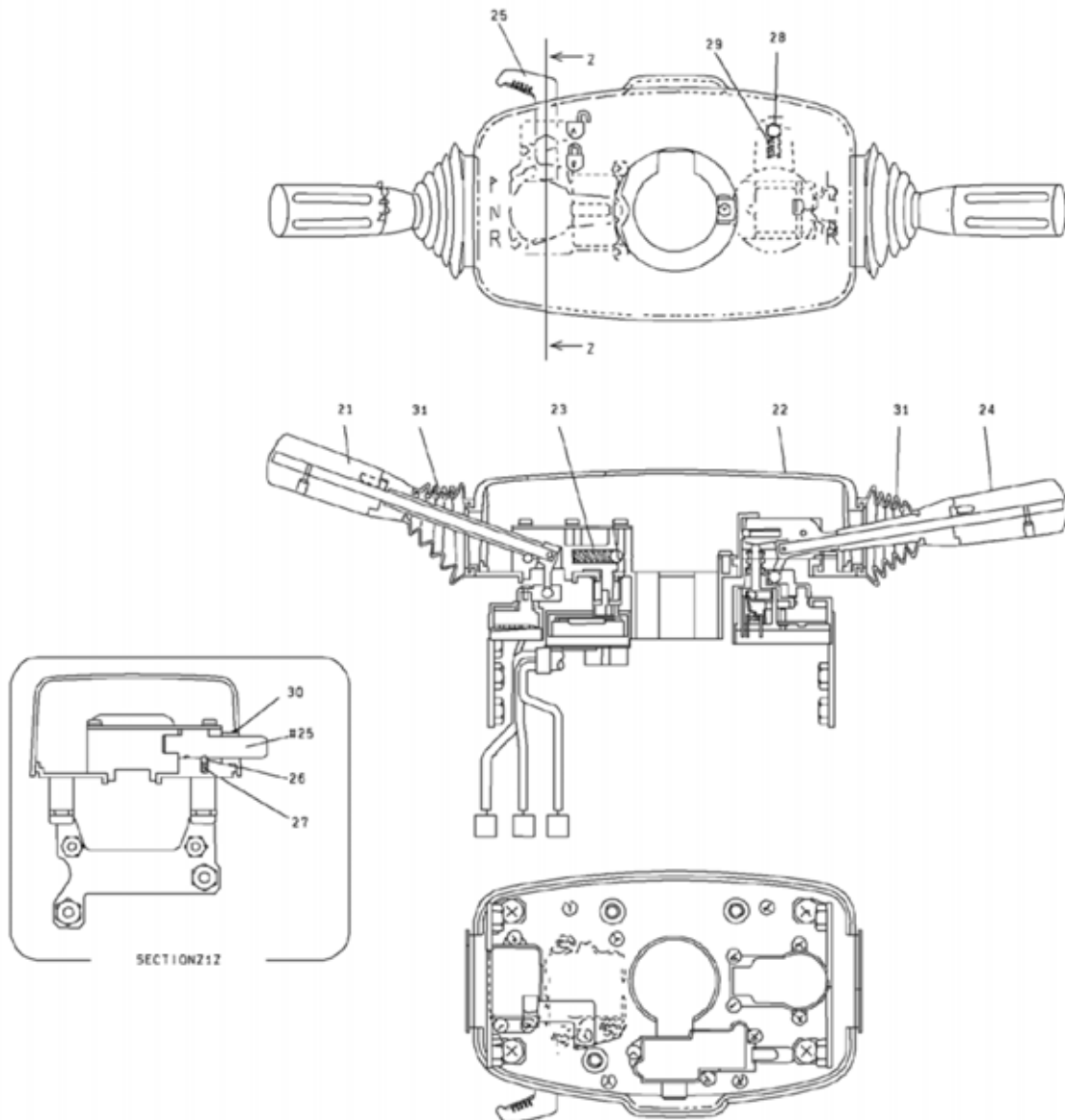
ELECTRICAL PARTS (FLOOR BOARD)

SYM-BOL	PART NUMBER	PART NAME	UNIT Q,TY	SERIAL		REMARKS						
				(A)	(B)	N	P	D	(A)	(B)	(C)	(D)
21A	43022-60130	PEDAL ASSY,ACCEL	1	5001	-							
22A	40850-20920	BUSHING,ELASTIC	1	5001	-							
23A	41753-29940-7	PLATE	1	5001	-							
24A	61802-08025-7	BOLT,FLANGED	2	5001	-							
25A	61802-10020	BOLT,FLANGED	2	5001	-							
41A	35062-20240	SWITCH,LIMIT	1	5001	-							
42A	40903-24290-7	BRACKET	1	5001	-							
43A	31206-26810-7	COVER	1	5001	-							
44A	32923-70120	CLAMP,HOSE	1	5001	-							FR M8
45A	32923-70090	CLAMP,HOSE	1	5001	-							L=202
46A	61802-08016-7	BOLT,FLANGED	2	5001	-							
47A	61101-05020	BOLT,SOCKET	2	5001	-							
48A	62401-81051	NUT	2	5001	-							
49A	62701-20051	WASHER,PLANE	2	5001	-							
50A	62721-05100	WASHER,SPRING	2	5001	-							

MEMO

COLUMN LEVER

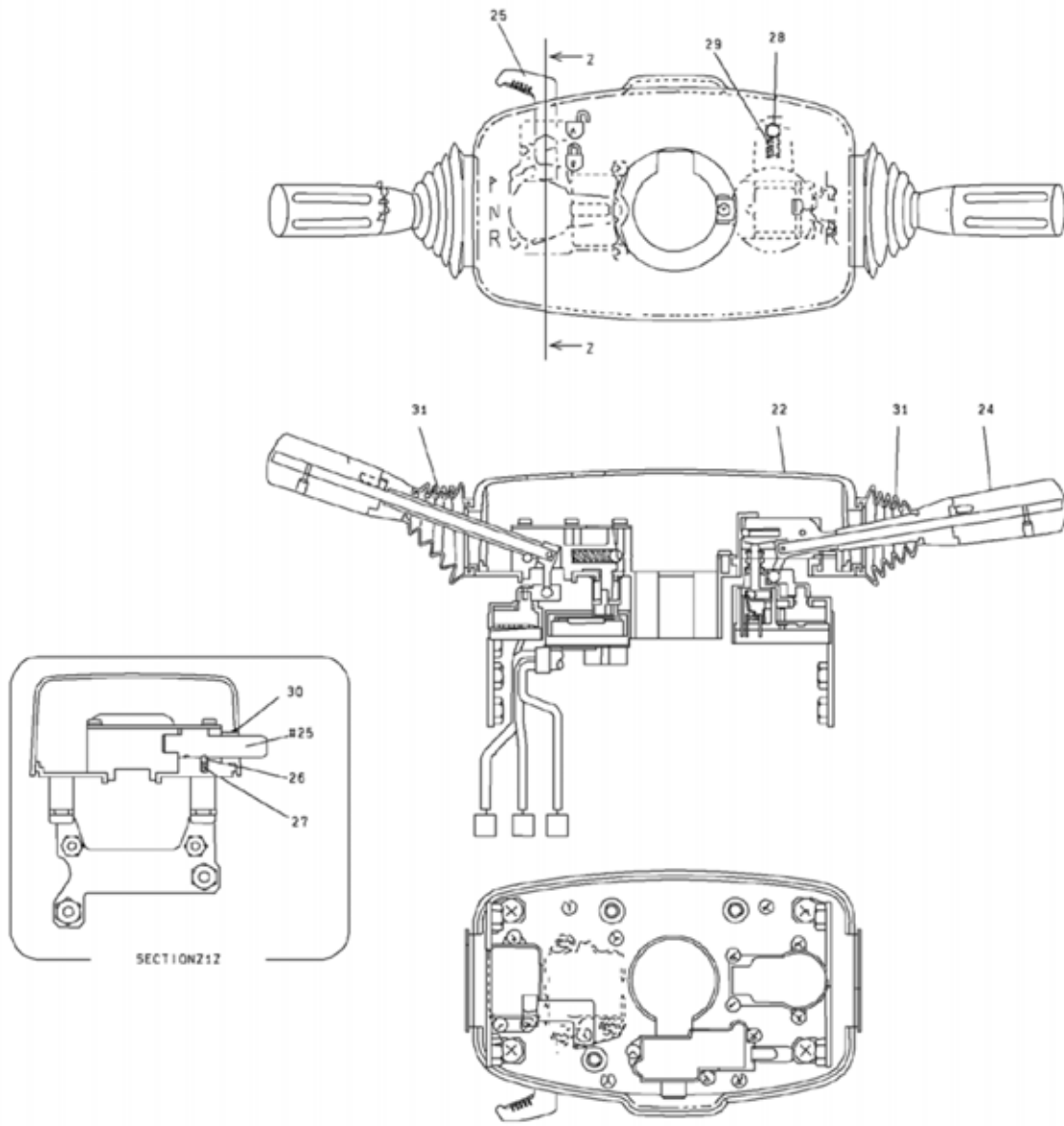
< S/N 5001 - 5186 >



1-C

COLUMN LEVER

< S/N 5187 - >



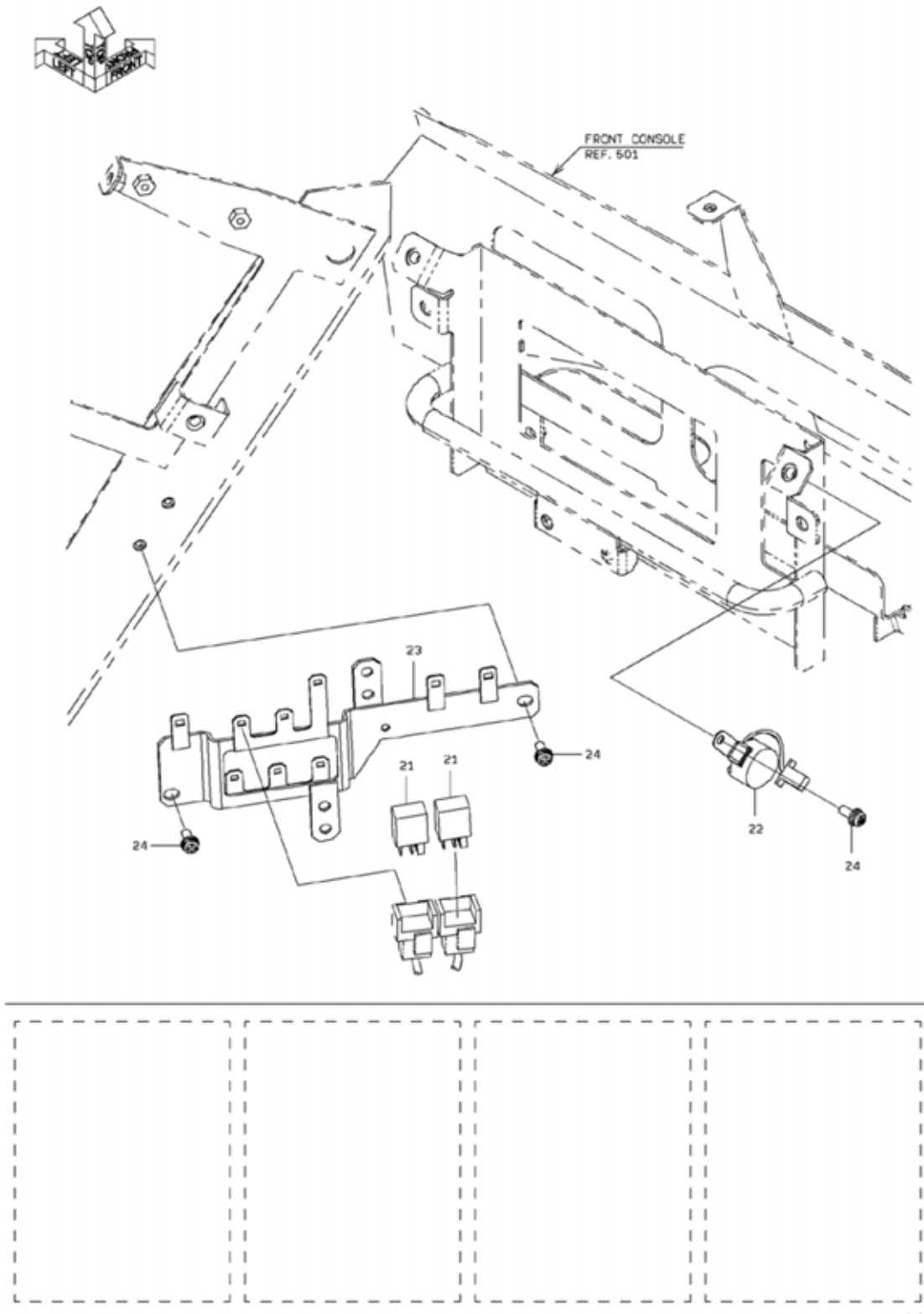
2-A

COLUMN LEVER

SYM-BOL	PART NUMBER	PART NAME	UNIT Q,TY	SERIAL (A) - (B)	REMARKS									
					N	P	D	(A)	(B)	(C)	(D)	REMARKS		
000A	45600-60100	LEVER	1	5001 - 5186										
000B	45600-60130	LEVER	1	5187 -		C								
21A	45610-70100	LEVER ASSY	1	5001 - 5186			D							
22A	33100-71280	CASE	1	5001 -										
23A	35600-79180	SPRING	1	5001 - 5186				D						
24A	45610-70110	LEVER ASSY	1	5001 -										
25A	37810-70770	KNOB	1	5001 -										
26A	43751-70490	BALL	1	5001 -										
27A	35600-79190	SPRING	1	5001 -										
28A	43751-70500	BALL	1	5001 -										
29A	35600-79200	SPRING	1	5001 -										
30A	40840-73590	BUSHING	1	5001 -										
31A	40790-70690	BOOT	2	5001 -										

MEMO

ELECTRICAL PARTS (FRONT CONSOLE)

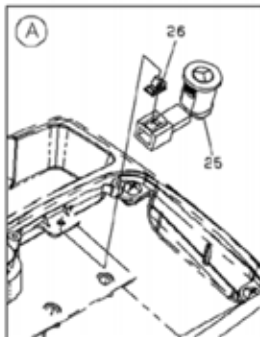
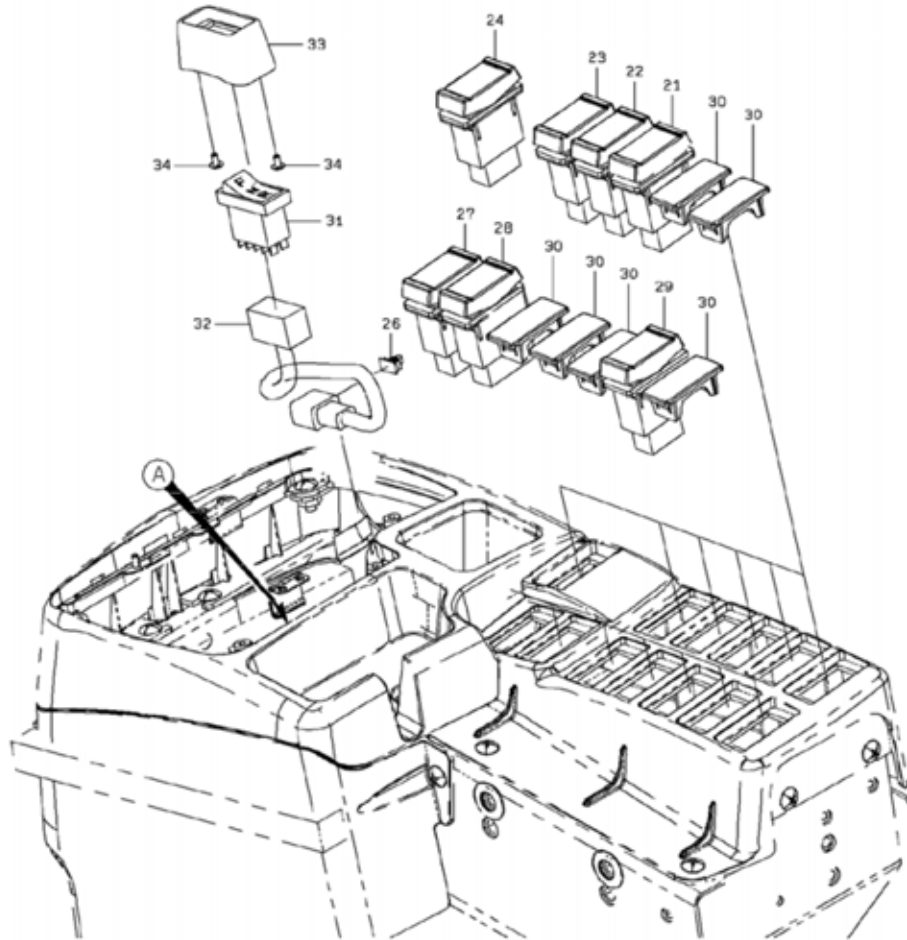


1-4

ELECTRICAL PARTS (FRONT CONSOLE)

SYM-BOL	PART NUMBER	PART NAME	UNIT Q,TY	SERIAL (A) - (B)	REMARKS				REMARKS
					N	P	D	(A) (B) (C) (D)	
21A	45050-60140	RELAY	2	5001 -					
22A	40810-70180	BUZZER	1	5001 -					
23A	41753-58030	PLATE	1	5001 - 5022					
23B	41754-43250	PLATE	1	5023 -	C				
24A	35100-72430	SCREW	3	5001 - 5100					
24B	80104-60616	SCREW	3	5101 -	A				

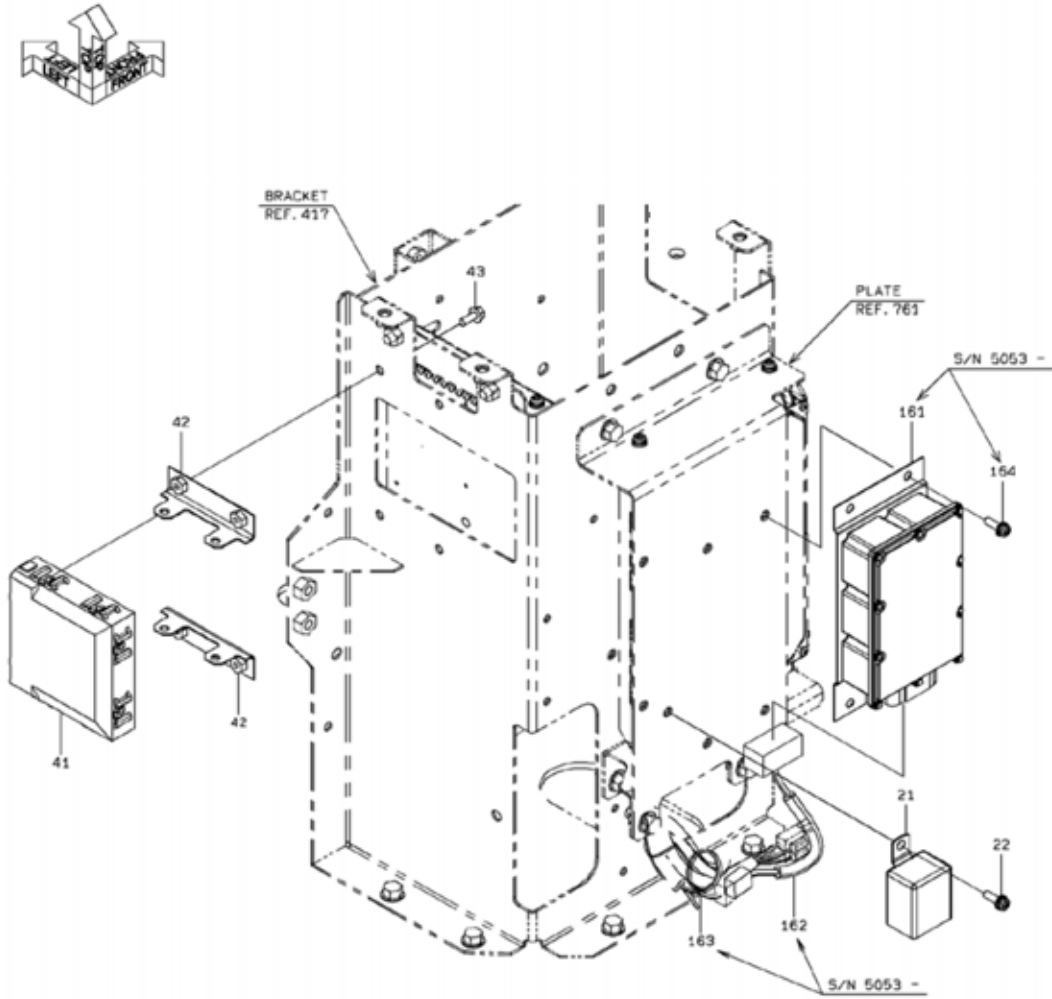
ELECTRICAL PARTS (RIGHT CONSOLE)



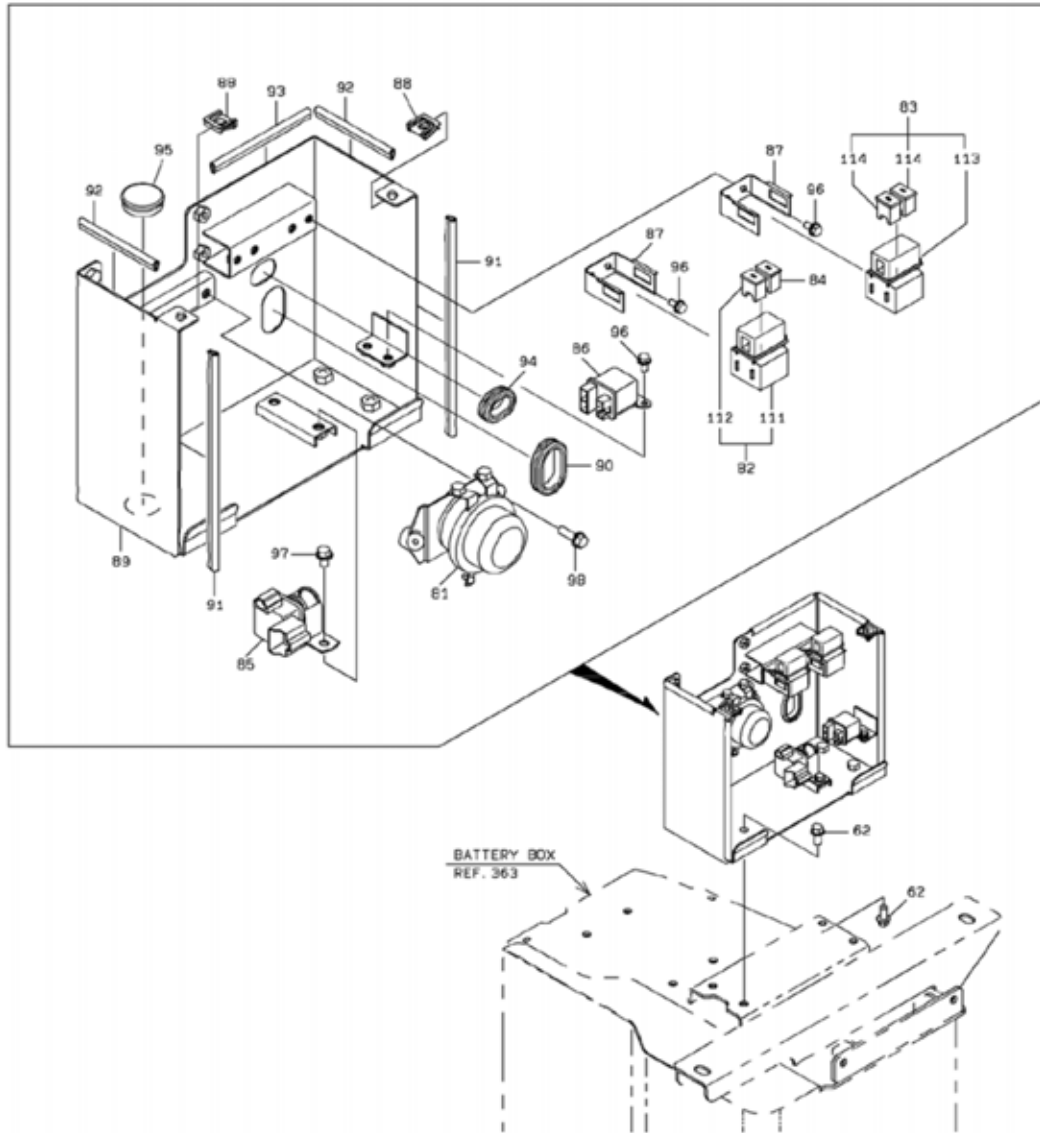
ELECTRICAL PARTS (RIGHT CONSOLE)

SYM-BOL	PART NUMBER	PART NAME	UNIT Q,TY	SERIAL		REMARKS						
				(A)	(B)	N	P	D	(A)	(B)	(C)	(D)
21A	35010-60980	SWITCH	1	5001	-							FAN
22A	35010-60790	SWITCH	1	5001	-							FR SWITCH
23A	35010-60920	SWITCH	1	5001	-							EP MODE
24A	35010-61000	SWITCH	1	5001	-							LEVER LOCK-OFF
25A	35046-60060	SWITCH,PUSH	1	5001	-							HOLD
26A	32970-20080	CLIP	2	5001	-							
27A	35010-61010	SWITCH	1	5001	-							CLUTCH CUT-OFF
28A	35010-60970	SWITCH	1	5001	-							T/M
29A	35010-60940	SWITCH	1	5001	-							DPF
30A	41530-60180	PLUG	6	5001	-							
31A	35010-61030	SWITCH	1	5001	- 5151							FNR
31B	35010-61100	SWITCH	1	5152	-					C		
32A	33194-37300	CABLE ASSY	1	5001	- 5151							FR CONNECTION
32B	33194-40080	CABLE ASSY	1	5152	-					C		
33A	31200-60770	COVER	1	5001	- 5151							
33B	31200-60970	COVER	1	5152	-					C		
34A	35106-20100	SCREW,TAPPING	2	5001	-							

ELECTRICAL PARTS (REAR)

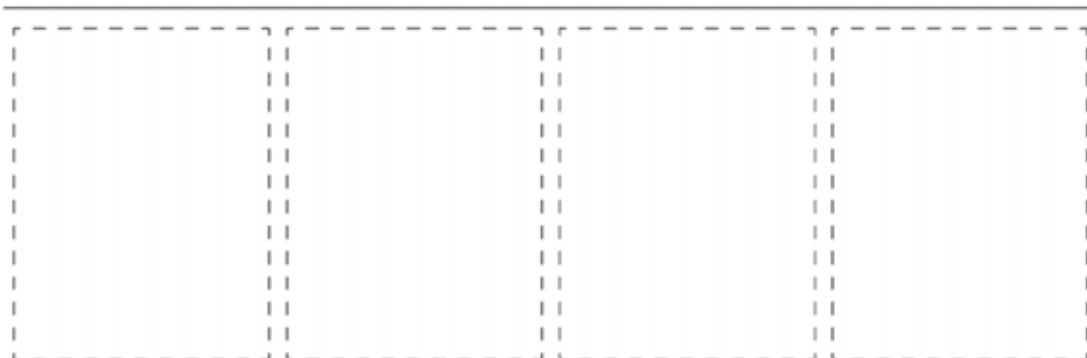
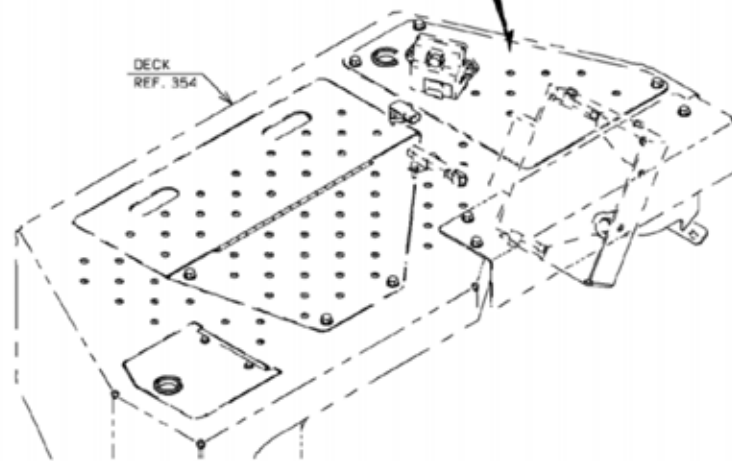
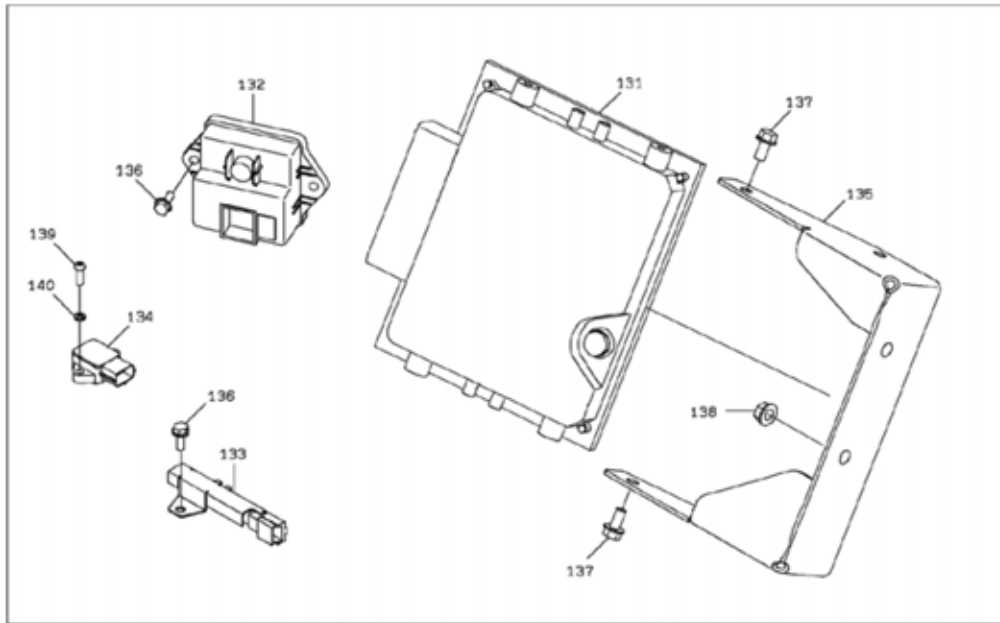


ELECTRICAL PARTS (REAR)



2-B

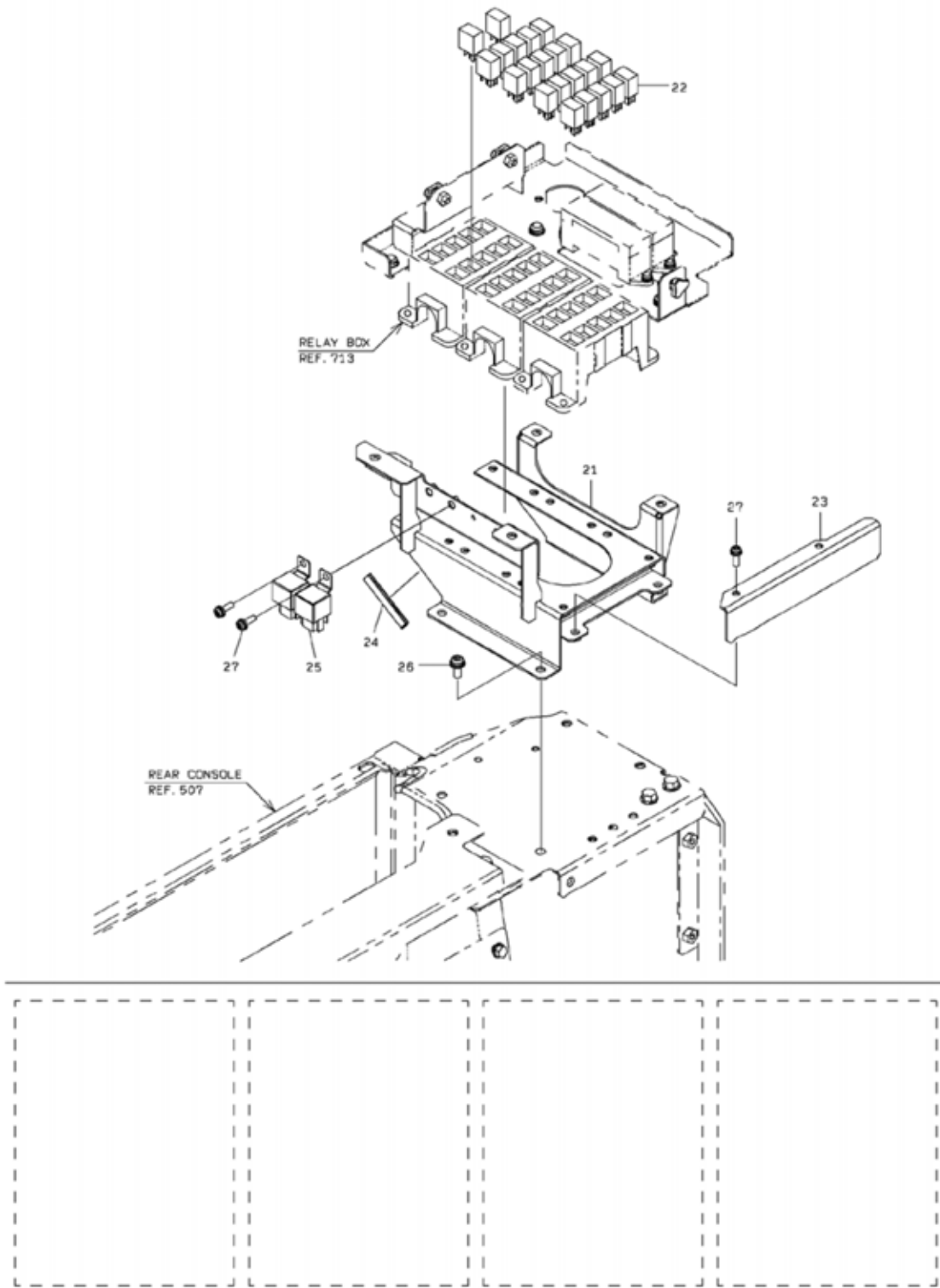
ELECTRICAL PARTS (REAR)



ELECTRICAL PARTS (REAR)

SYM-BOL	PART NUMBER	PART NAME	UNIT Q,TY	SERIAL		REMARKS								
				(A)	(B)	N	P	D	(A)	(B)	(C)	(D)	REMARKS	
21A	40495-60030	FLASHER UNIT	1	5001	-									
22A	35100-72430	SCREW	1	5001	-	5100								
22B	80104-60616	SCREW	1	5101	-	5174				A				
22C	80104-60612	SCREW	1	5175	-					C				
41A	33410-63180	CONTROLLER UNIT	1	5001	-	5198								FR A/C
41B	YA000-48010	CONTROLLER UNIT	1	5199	-					A				
42A	41753-29290	PLATE	2	5001	-									
43A	61802-06016	BOLT,FLANGED	4	5001	-	5198								
43B	80102-60616	BOLT,W/WASHER	4	5199	-					C				
62A	61802-10020	BOLT,FLANGED	4	5001	-									
81A	45058-20010	RELAY,BATTERY	1	5001	-									
82A	43871-20190	BOX,FUSE	1	5001	-						Y01			
83A	43871-20700	BOX,FUSE	1	5001	-	5055					Y02			
83B	43871-20710	BOX,FUSE	1	5056	-					C	Y02			
84A	39880-70220	FUSE	1	5001	-									24V70A
85A	50101-04900	RELAY	1	5001	-									YZ8980056310
86A	50101-04450	RELAY	1	5001	-									YZ8944607060
87A	41600-48260	PLATE	2	5001	-									
88A	41635-38650	PLATE	2	5001	-									
89A	43800-31190	BOX	1	5001	-									
90A	65801-40032	BUSHING,ELASTIC	1	5001	-									
91A	34041-24990	STRIP, SEAL	2	5001	-									
92A	34041-20820	STRIP, SEAL	2	5001	-									
93A	34041-22660	STRIP, SEAL	1	5001	-									
94A	65801-25032	BUSHING,ELASTIC	1	5001	-									
95A	41533-20140	PLUG,ELASTIC	1	5001	-									
96A	61802-06012	BOLT,FLANGED	6	5001	-									
97A	61802-08012	BOLT,FLANGED	2	5001	-									
98A	61802-08025-7	BOLT,FLANGED	2	5001	-									
111A	43871-70150	BOX,FUSE	1	5001	-						01			
112A	39880-70220	FUSE	1	5001	-						01			24V70A
113A	43871-70150	BOX,FUSE	1	5001	-							02		
114A	39880-70230	FUSE	2	5001	-	5055						02		24V/100A
114B	39880-70350	FUSE	2	5056	-					B		02		24V140A
131A	50101-04840	CONTROLLER UNIT	1	5001	-									FR E/G(MODUL)YZ89817
132A	50101-04850	CONTROLLER UNIT	1	5001	-									FOR E/G(TURBO)YZ8981
133A	50101-04860	RESISTOR	1	5001	-									YZ8973576130
134A	50101-04820	SENSOR,PRESSURE	1	5001	-									YZ8972177780
135A	41716-56080-7	PLATE	1	5001	-									
136A	61802-06016	BOLT,FLANGED	4	5001	-									
137A	61802-08016-7	BOLT,FLANGED	4	5001	-									
138A	62480-21101-7	NUT,FLANGED	2	5001	-									
139A	62256-51516	SCREW	2	5001	-									
140A	62721-05100	WASHER,SPRING	2	5001	-									
161A	33410-63290	CONTROLLER UNIT	1	5053	-	5176								
161B	33410-65090	CONTROLLER UNIT	1	5177	-					C				
162A	33194-36220	CABLE ASSY	1	5053	-									
163A	32923-70090	CLAMP,HOSE	1	5053	-									L=202
164A	35100-72430	SCREW	4	5053	-	5100								
164B	80104-60616	SCREW	4	5101	-	5174				A				
164C	80104-60612	SCREW	4	5175	-					C				

ELECTRICAL EQUIPMENT MOUNT (REAR CONSOLE)

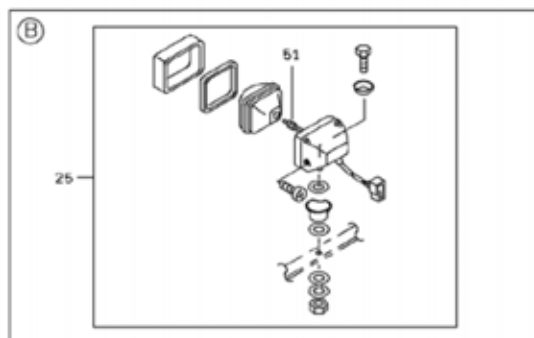
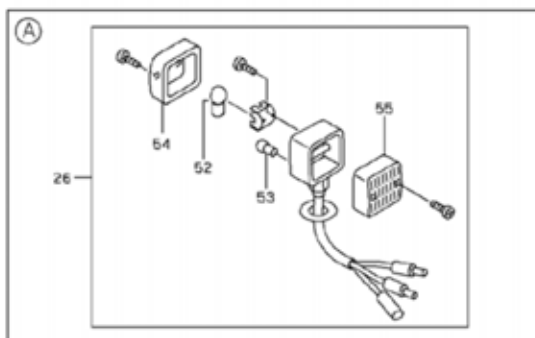
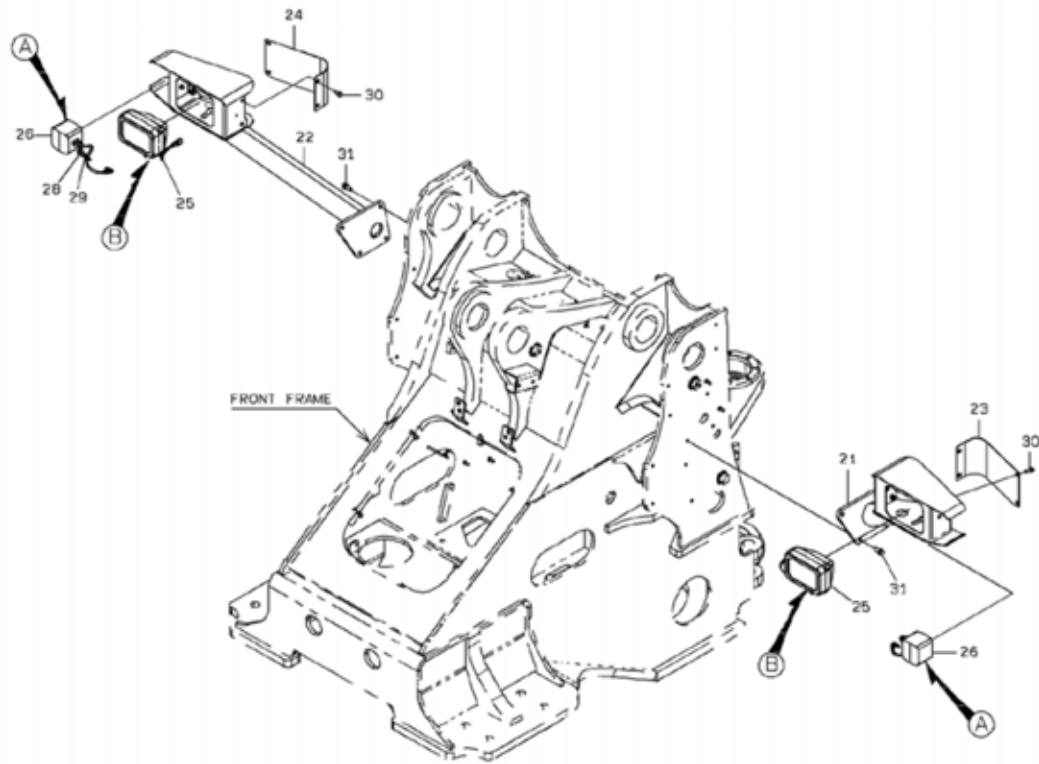


1-A

ELECTRICAL EQUIPMENT MOUNT (REAR CONSOLE)

SYM-BOL	PART NUMBER	PART NAME	UNIT Q,TY	SERIAL (A) - (B)	REMARKS				REMARKS
					N	P	D	(A) (B) (C) (D)	
21A	40903-21510-7	BRACKET	1	5001 -					
22A	45050-60140	RELAY	22	5001 -					
23A	41715-24490-7	PLATE	1	5001 -					
24A	34041-23040	STRIP, SEAL	2	5001 - 5198					
24B	34041-28430	STRIP, SEAL	2	5199 -	C				L=70
25A	45050-60130	RELAY	2	5001 -					
26A	35100-72460	SCREW	4	5001 - 5100					
26B	80104-60820	SCREW	4	5101 -	A				
27A	35100-72440	SCREW	4	5001 - 5100					
27B	80104-60620	SCREW	4	5101 -	A				

HEAD LIGHT

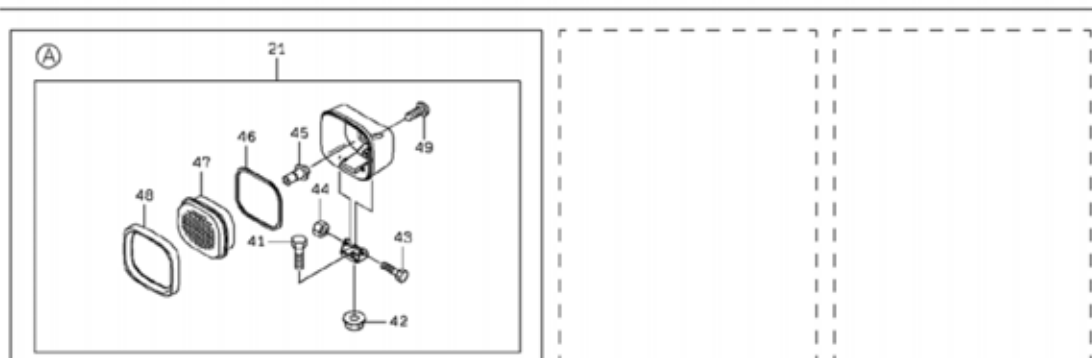
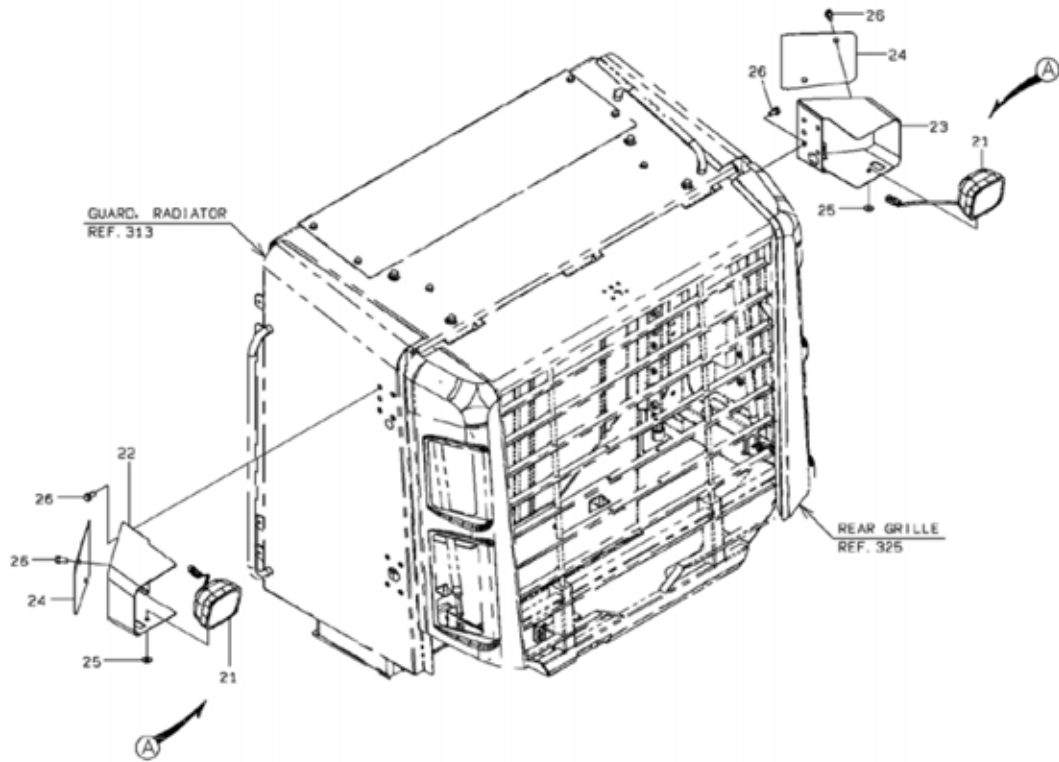


1-4

HEAD LIGHT

SYM-BOL	PART NUMBER	PART NAME	UNIT Q,TY	SERIAL (A) - (B)	REMARKS							
					N	P	D	(A)	(B)	(C)	(D)	REMARKS
21A	40968-28320	BRACKET,LAMP	1	5001 -								
22A	40968-28330	BRACKET,LAMP	1	5001 -								
23A	41716-23700-7	PLATE	1	5001 -								
24A	41716-23710-7	PLATE	1	5001 -								
25A	44890-60350	LAMP,HEAD	2	5001 -				Y01				
26A	44881-60390	LAMP,COMBINATION	2	5001 -					Y02			
28A	32923-70120	CLAMP,HOSE	2	5001 -								FR M8
29A	32923-70090	CLAMP,HOSE	2	5001 -								L=202
30A	61802-10020	BOLT,FLANGED	8	5001 -								
31A	61802-12025	BOLT,FLANGED	8	5001 -								
51A	38480-70850	BULB	1	5001 -				01				24V75/70W(H4)
52A	38480-70930	BULB	1	5001 -					02			24V25W
53A	38480-70940	BULB	1	5001 -					02			24V5W
54A	45701-71030	LENS	1	5001 -					02			
55A	45701-71040	LENS	1	5001 -					02			

WORKING LAMP



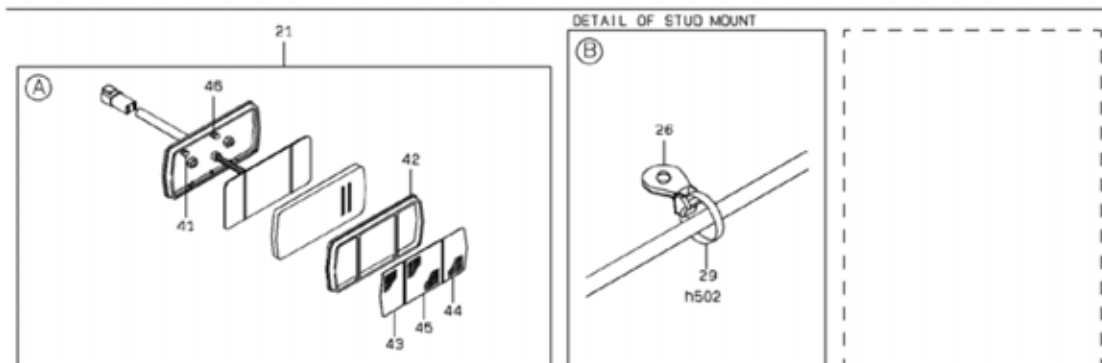
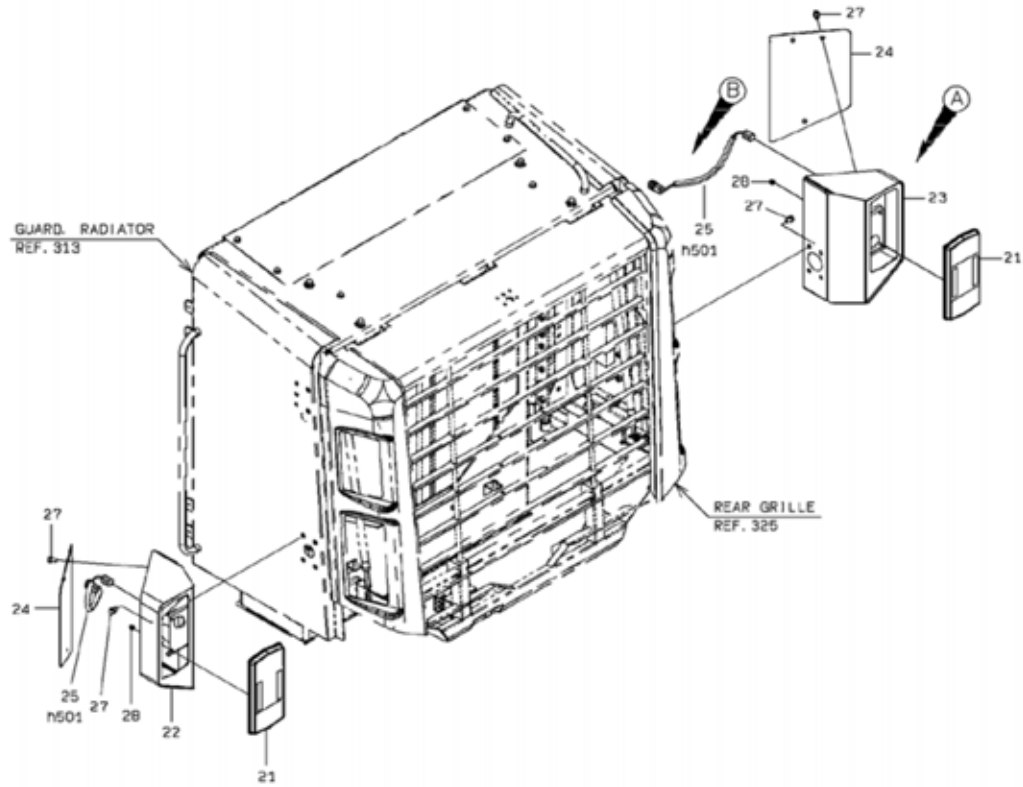
1-A

WORKING LAMP

SYM-BOL	PART NUMBER	PART NAME	UNIT Q,TY	SERIAL		REMARKS						
				(A)	(B)	N	P	D	(A)	(B)	(C)	(D)
21A	44890-60370	LAMP,HEAD	2	5001	-						Y01	
22A	40903-24860-7	BRACKET	1	5001	-							
23A	40903-24870-7	BRACKET	1	5001	-							
24A	41716-21600-7	PLATE	2	5001	-							
25A	46011-20180	WASHER,PLANE	2	5001	-							
26A	61802-10020	BOLT,FLANGED	12	5001	-							
41A	61001-08020	BOLT	1	5001	-						01	
42A	37600-73180	NUT	1	5001	-						01	
43A	61001-06050	BOLT	1	5001	-						01	
44A	37600-72340	NUT	1	5001	-						01	
45A	38480-71120	BULB	1	5001	-						01	24V55W(H3)
46A	31990-72400	GASKET	1	5001	-						01	
47A	45701-71280	LENS	1	5001	-						01	
48A	40600-71320	FRAME	1	5001	-						01	
49A	62261-14018	SCREW,TAPPING	4	5001	-						01	

REAR COMBINATION LAMP

(NOTE): THE PREFIX OF "h" MEANS HEAT RESISTING TYPE.



1-9

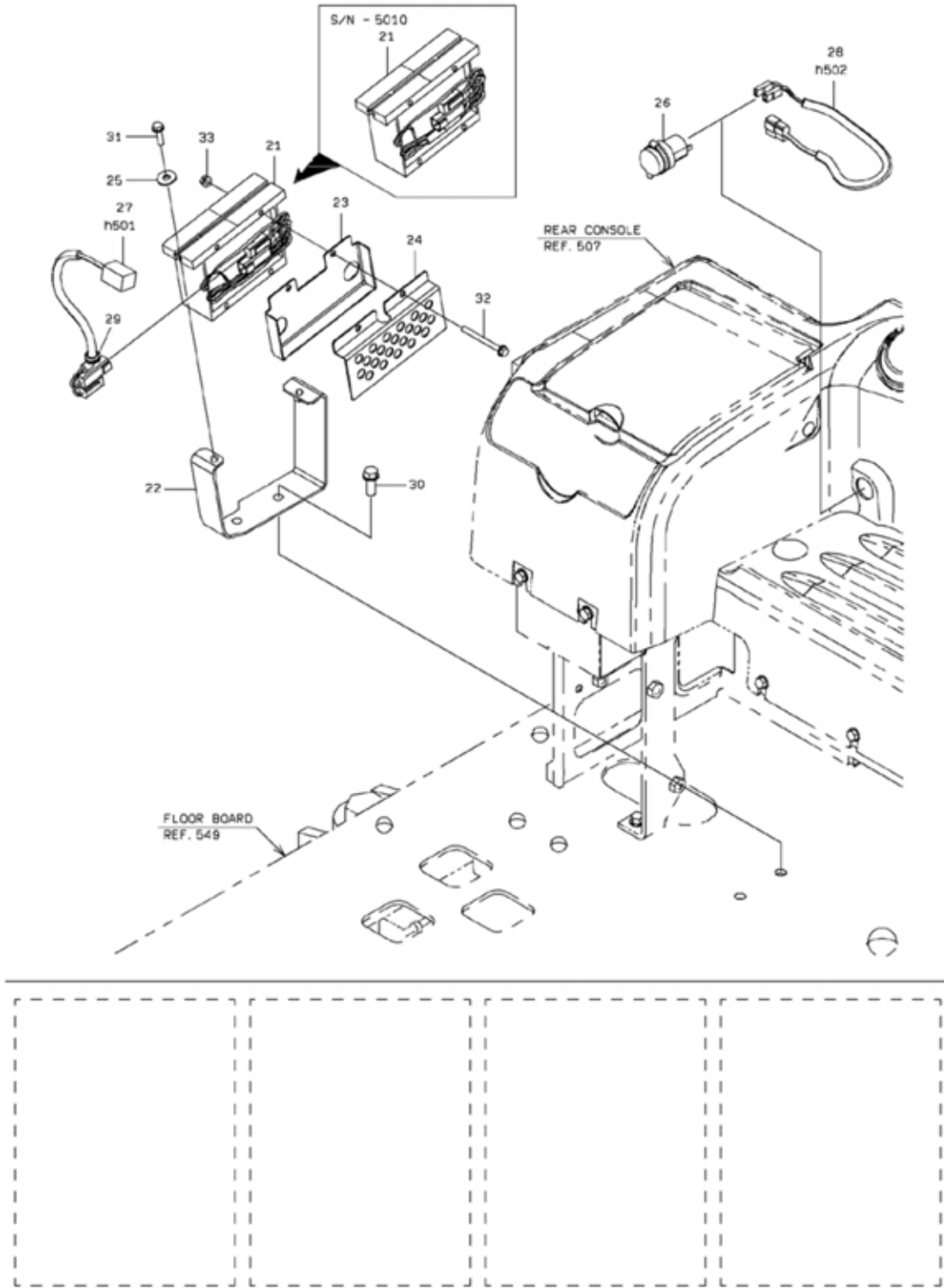
REAR COMBINATION LAMP

SYM-BOL	PART NUMBER	PART NAME	UNIT Q,TY	SERIAL (A) - (B)	REMARKS					
					N	P	D	(A)	(B)	(C)
21A	44881-60490-7	LAMP,COMBINATION	2	5001 -				Y01		
22A	40968-28000-7	BRACKET,LAMP	1	5001 -						
23A	40968-28010-7	BRACKET,LAMP	1	5001 -						
24A	41715-56600-7	PLATE	2	5001 -						
25A	33194-38020	CABLE ASSY	2	5001 -						
26A	32923-70120	CLAMP,HOSE	2	5001 -						FR M8
27A	61802-10016	BOLT,FLANGED	14	5001 -						
28A	62480-21061	NUT,FLANGED	4	5001 -						
29A	32923-70090	CLAMP,HOSE	2	5036 -						L=202
41A	43900-74700-7	BOLT	2	5001 -				01		
42A	32280-70190-7	CARRIER	1	5001 -				01		
43A	45701-71160-7	LENS	1	5001 -				01		AMBER(TURN)
44A	45701-71170-7	LENS	1	5001 -				01		CLEAR(BACKUP)
45A	45701-71180-7	LENS	1	5001 -				01		RED(STOP/TAIL)
46A	47131-78010-7	RING,O	2	5001 -				01		
501A	33194-41430	CABLE ASSY	2	5001 -						OPT
502A	32923-70140	CLAMP,HOSE	2	5001 -						OPT L=202

ELECTRICAL EQUIPMENT MOUNT

< S/N 5001 - 5016 >

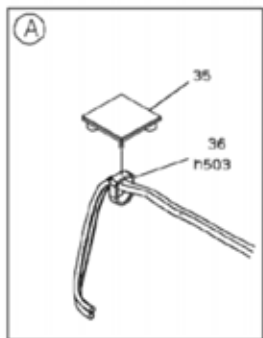
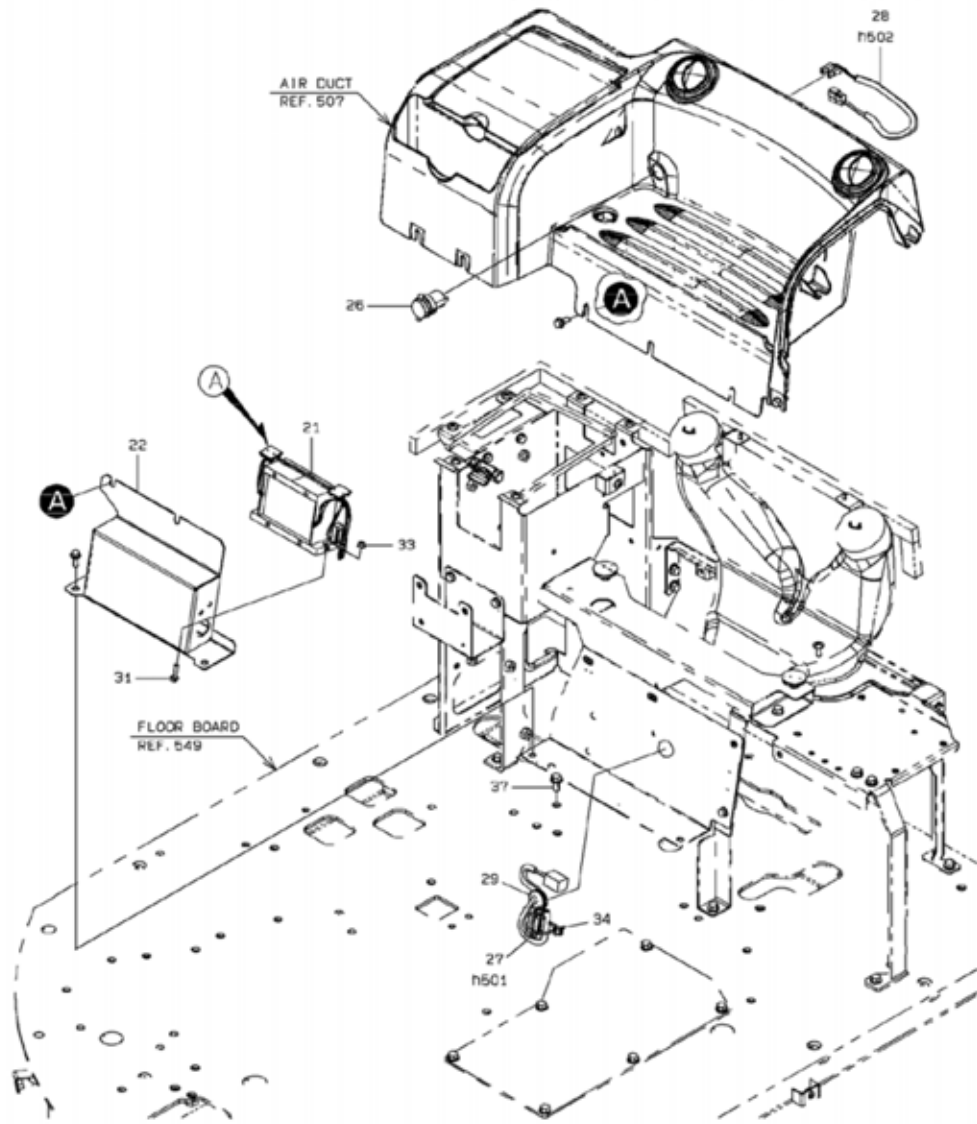
(NOTE): THE PREFIX OF "h" MEANS HEAT RESISTING TYPE.



ELECTRICAL EQUIPMENT MOUNT

< S/N 5017 - >

(NOTE): THE PREFIX OF "H" MEANS HEAT RESISTING TYPE.



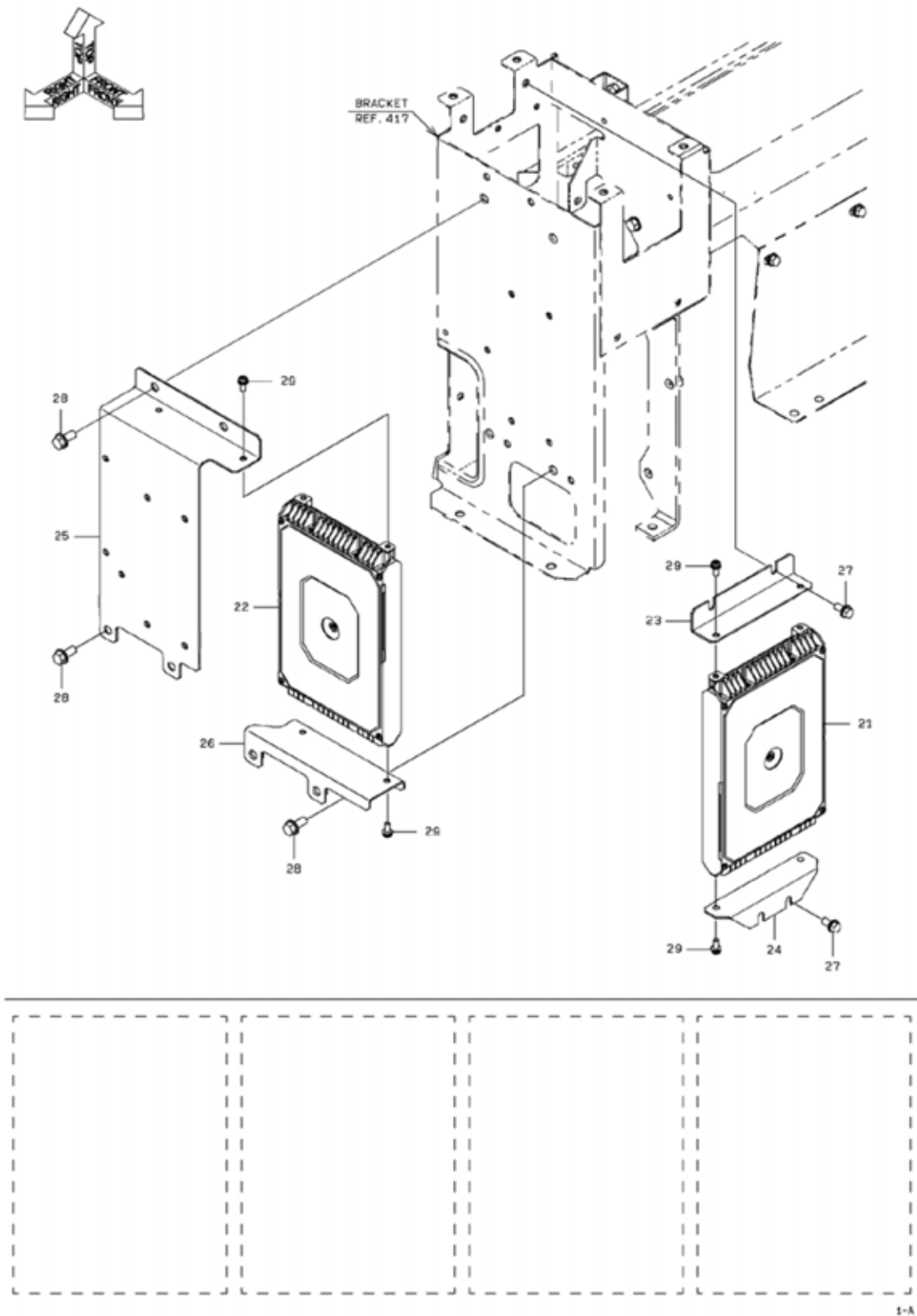
2-A

ELECTRICAL EQUIPMENT MOUNT

SYM-BOL	PART NUMBER	PART NAME	UNIT Q,TY	SERIAL		REMARKS								
				(A)	(B)	N	P	D	(A)	(B)	(C)	(D)	REMARKS	
21A	33460-60270-7	CONVERTER	1	5001	- 5010									
21B	33460-60320-7	CONVERTER	1	5011	- 5151				C					
21C	33460-60360-7	CONVERTER	1	5152	-				C					
22A	41753-49100	PLATE	1	5001	- 5016									
22B	40903-28310	BRACKET	1	5017	- 5052				C					
22C	40903-30240	BRACKET	1	5053	-				C					
23A	41715-26110	PLATE	1	5001	- 5016					D				
24A	41716-38530	PLATE	1	5001	- 5016					D				
25A	46011-20180	WASHER,PLANE	2	5001	- 5016					D				
26A	35902-60020-7	SOCKET ASSY	1	5001	-									
27A	33194-36350	CABLE ASSY	1	5001	- 5058									DC-DC CONVERTER
27B	33194-43610	CABLE ASSY	1	5059	-				C					DC-DC CONVERTER
28A	33194-36360	CABLE ASSY	1	5001	-									SOCKET
29A	65801-08016	BUSHING,ELASTIC	1	5001	- 5016									
29B	41533-20180	PLUG,ELASTIC	1	5017	-				C					
30A	61802-10025	BOLT,FLANGED	2	5001	- 5016					D				
31A	61802-06025	BOLT,FLANGED	2	5001	-									
32A	61802-06065	BOLT,FLANGED	2	5001	- 5016					D				
33A	62480-21061	NUT,FLANGED	2	5001	-									
34A	32925-20010	CLAMP,CABLE	1	5017	-									
35A	32923-70190	CLAMP,HOSE	2	5017	-									
36A	32923-70090	CLAMP,HOSE	2	5017	-									L=202
37A	61802-10020	BOLT,FLANGED	2	5017	-									
501A	33194-41300	CABLE ASSY	1	5001	- 5058									OPT DC-DC CONVERTER
501B	33194-47420	CABLE ASSY	1	5059	-				B					OPT DC-DC CONVERTER
502A	33194-41390	CABLE ASSY	1	5001	-									OPT SOCKET
503A	32923-70140	CLAMP,HOSE	2	5001	-									OPT L=202

MEMO

MAIN CONTROLLER

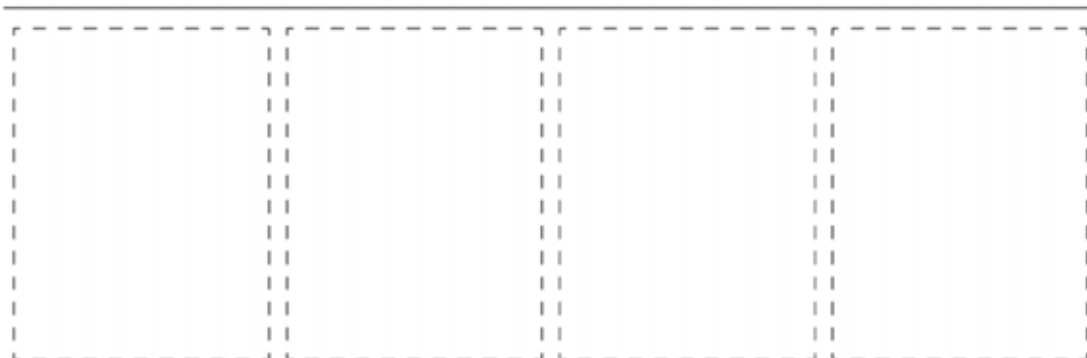
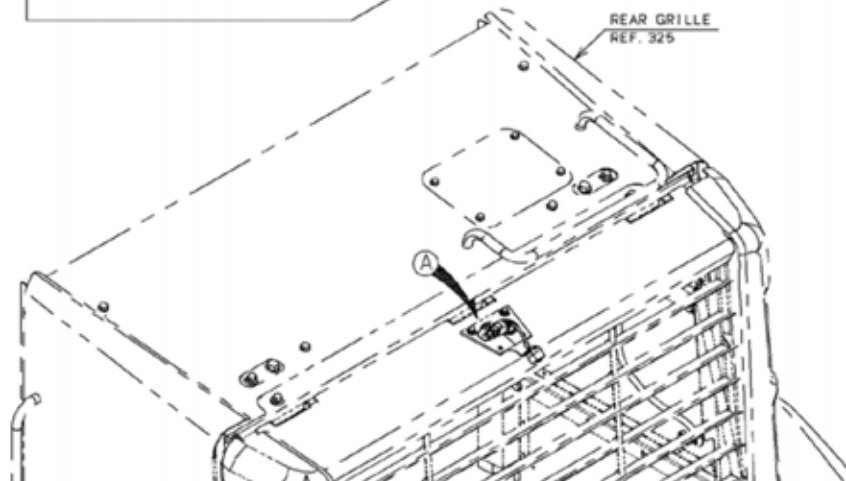
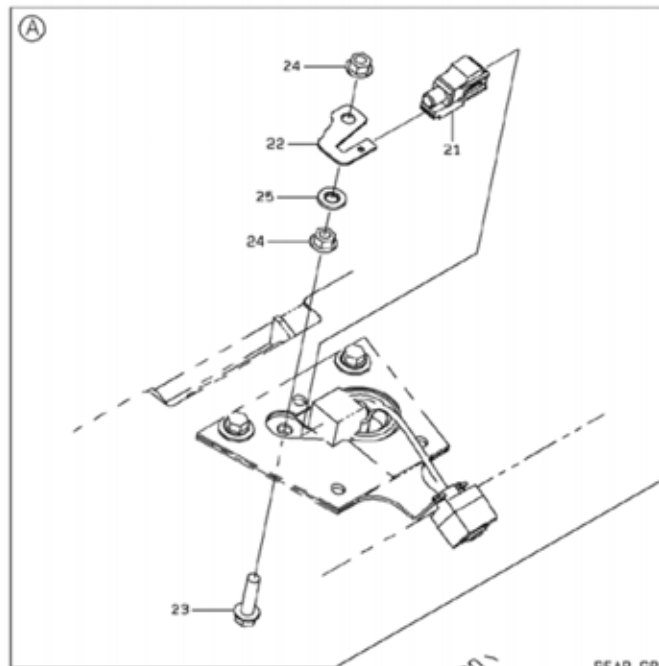


MAIN CONTROLLER

SYM-BOL	PART NUMBER	PART NAME	UNIT Q,TY	SERIAL		REMARKS								
				(A)	(B)	N	P	D	(A)	(B)	(C)	(D)	REMARKS	
21A	33410-63560	CONTROLLER UNIT	1	5001	- 5052					H				
21B	33410-63950	CONTROLLER UNIT	1	5053	- 5150					C				
21C	33410-21330	CONTROLLER UNIT	1	5151	- 5151					C				
21D	33410-21360	CONTROLLER UNIT	1	5152	- 5178					C				
21E	33410-65310	CONTROLLER UNIT	1	5179	- 5198					C				
21F	33410-65500	CONTROLLER UNIT	1	5199	-					C				
22A	33410-63580	CONTROLLER UNIT	1	5001	- 5052					H				
22B	33410-63960	CONTROLLER UNIT	1	5053	- 5151					C				
22C	33410-65030	CONTROLLER UNIT	1	5152	- 5178					C				
22D	33410-65360	CONTROLLER UNIT	1	5179	-					C				
23A	41715-20530-7	PLATE	1	5001	-									
24A	41716-27570-7	PLATE	1	5001	-									
25A	41753-34930	PLATE	1	5001	- 5166									
25B	41755-48890	PLATE	1	5167	- 5174					C				
25C	41755-54240	PLATE	1	5175	-					B				
26A	41753-43650	PLATE	1	5001	- 5174									
26B	41755-54440	PLATE	1	5175	-					B				
27A	61802-08016-7	BOLT,FLANGED	4	5001	- 5174									
27B	80102-60820	BOLT,W/WASHER	4	5175	-					C				
28A	61802-10020	BOLT,FLANGED	6	5001	- 5174									
28B	80102-71020	BOLT,W/WASHER	6	5175	-					C				
29A	35100-72430	SCREW	8	5001	- 5100									
29B	80104-60616	SCREW	8	5101	-					A				

SENSOR MOUNT (TEMPERATURE)

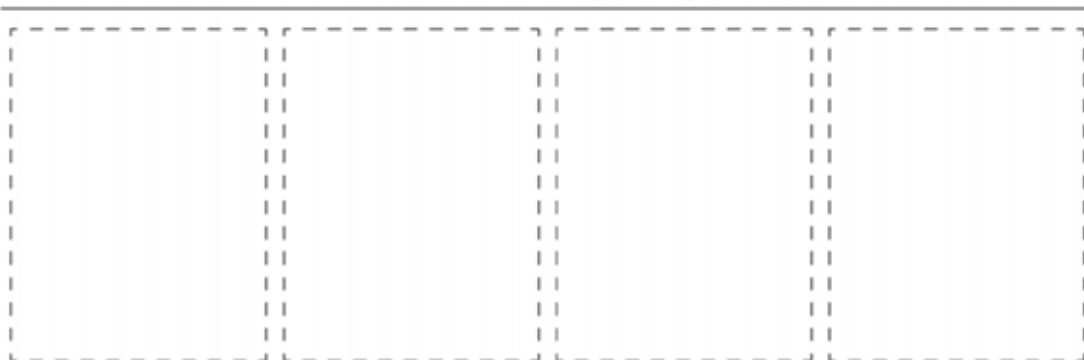
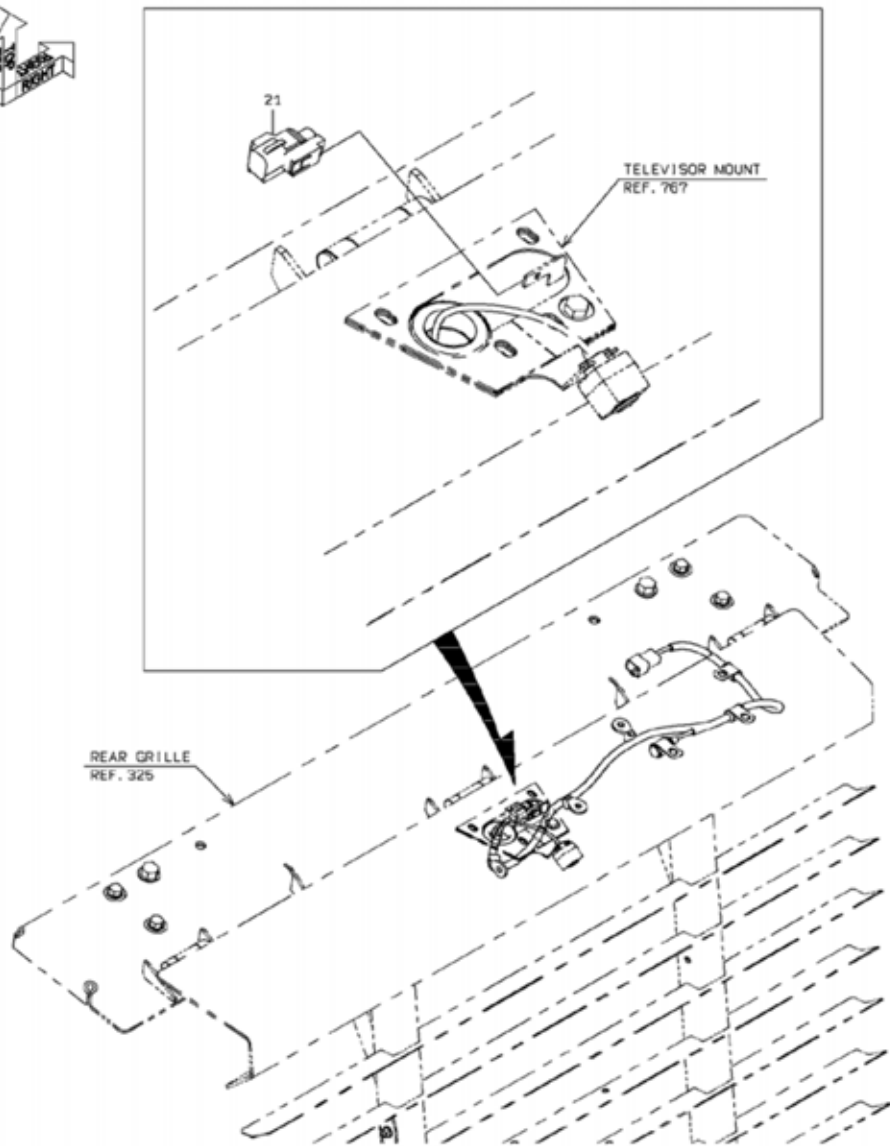
< S/N 5001 - 5150 >



1-A

SENSOR MOUNT (TEMPERATURE)

< S/N 5151 - >



2-A

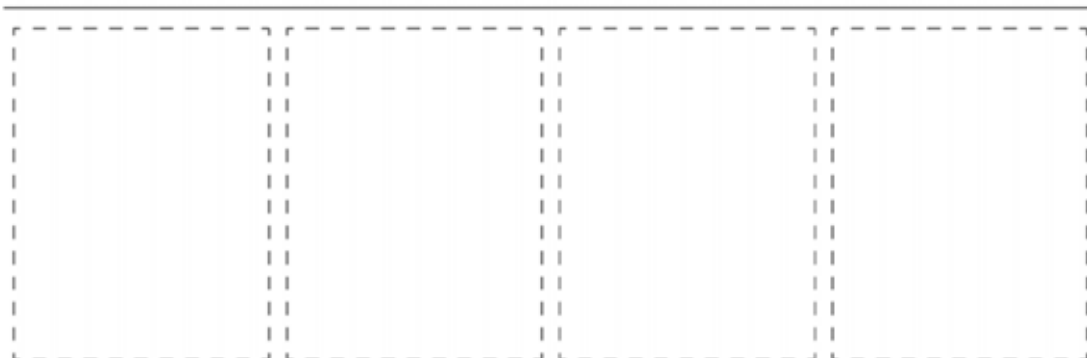
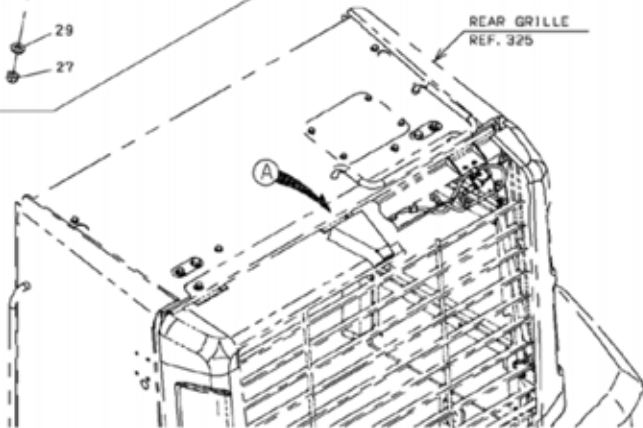
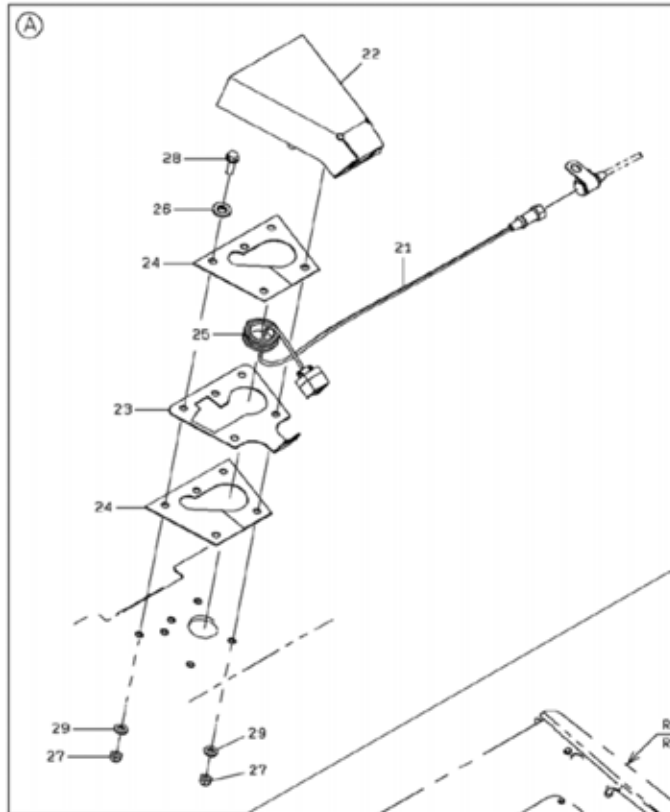
SENSOR MOUNT (TEMPERATURE)

SYM-BOL	PART NUMBER	PART NAME	UNIT Q,TY	SERIAL		REMARKS						
				(A)	(B)	N	P	D	(A)	(B)	(C)	(D)
21A	35829-60060	SENSOR,TEMPERATURE	1	5001	-							OUTSIDE AIR
22A	41716-57760	PLATE	1	5001	- 5150							
23A	61802-08030	BOLT,FLANGED	1	5001	- 5150							
24A	62480-21081	NUT,FLANGED	2	5001	- 5150							
25A	62710-18081	WASHER,PLANE	1	5001	- 5150							

MEMO

TELEVISOR MOUNT

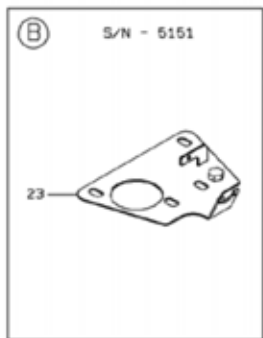
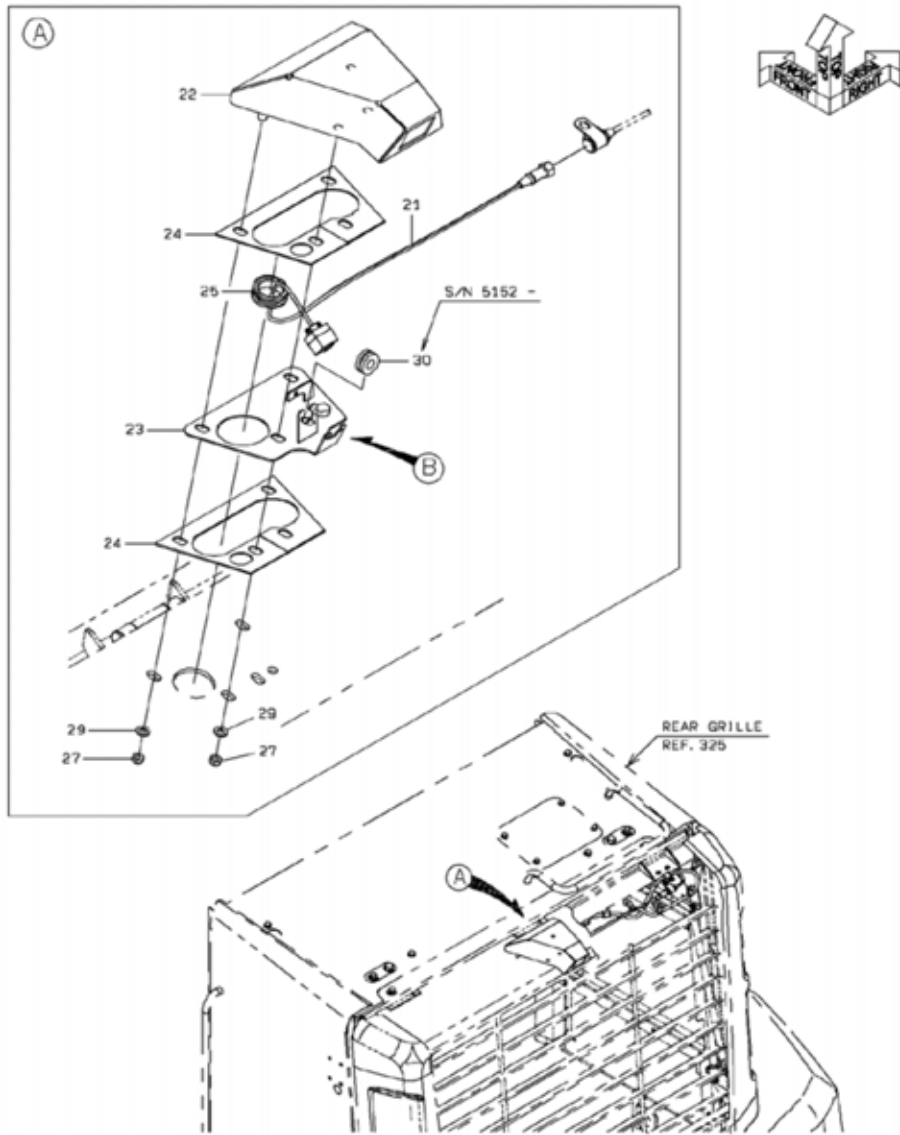
< S/N 5001 - 5150 >



1-A

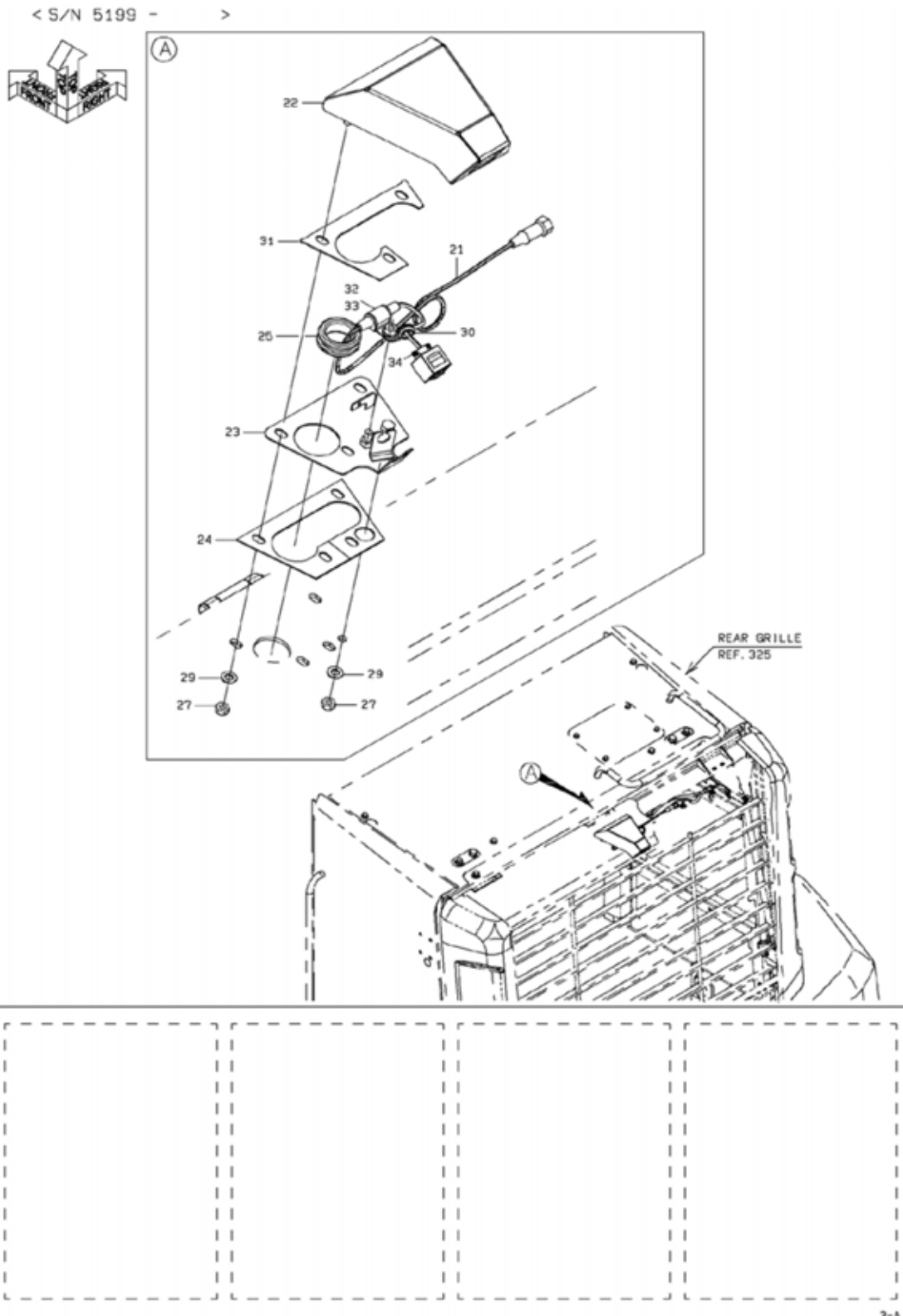
TELEVISOR MOUNT

< S/N 5151 - 5198 >



2-8

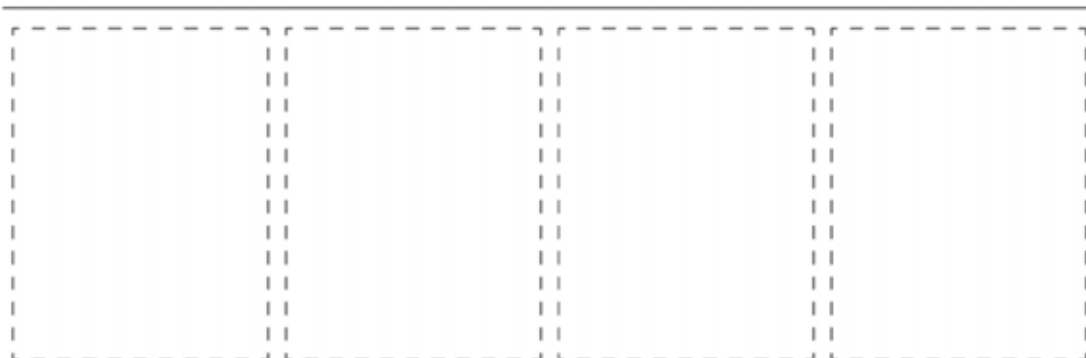
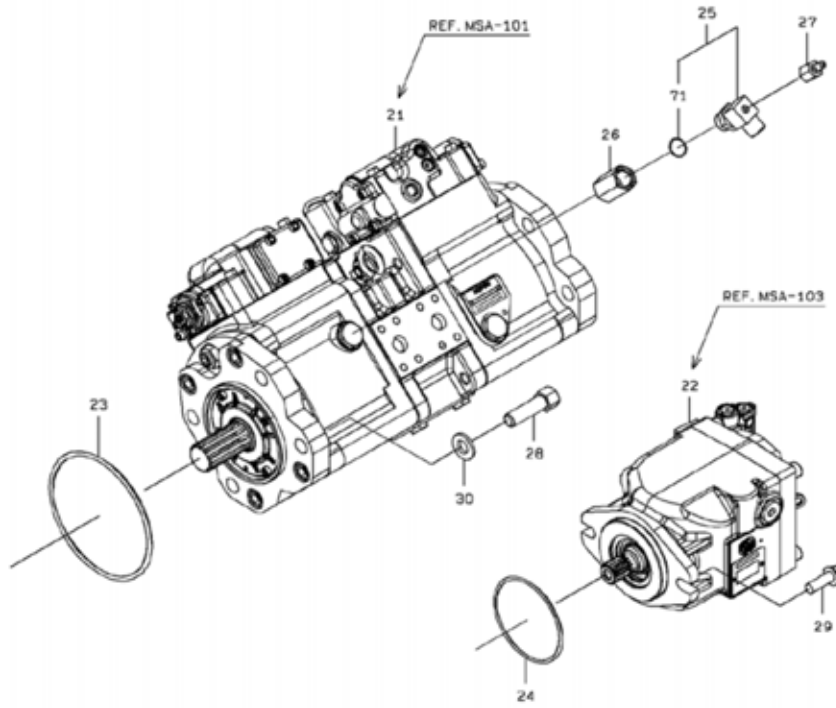
TELEVISOR MOUNT



TELEVISOR MOUNT

SYM-BOL	PART NUMBER	PART NAME	UNIT Q,TY	SERIAL		REMARKS								
				(A)	(B)	N	P	D	(A)	(B)	(C)	(D)	REMARKS	
21A	31103-60070	CAMERA,TELEVISION	1	5001	- 5198									
21B	YA000-52438	CAMERA,TELEVISION	1	5199	-	B								
22A	40903-27490	BRACKET	1	5001	- 5150									
22B	40903-28400	BRACKET	1	5151	- 5151	B								
22C	40903-39360	BRACKET	1	5152	- 5198	C								
22D	41642-21140	PLATE	1	5199	-	B								
23A	41716-56700	PLATE	1	5001	- 5150									
23B	41754-37010	PLATE	1	5151	- 5151	B								
23C	41755-35840	PLATE	1	5152	- 5198	C								
23D	41756-30380	PLATE	1	5199	-	B								
24A	33713-33400	SHEET,RUBBER	2	5001	- 5150									
24B	33713-33570	SHEET,RUBBER	2	5151	- 5151	B								
24C	33713-35160	SHEET,RUBBER	2	5152	- 5198	C								
24D	33713-35160	SHEET,RUBBER	1	5199	-									
25A	65801-31060	BUSHING,ELASTIC	1	5001	-									
26A	46011-20180	WASHER,PLANE	2	5001	- 5150	D								
27A	88031-06081	NUT,SELF-LOCKING	5	5001	- 5198									
27B	88031-06081	NUT,SELF-LOCKING	4	5199	-									
28A	61802-08025-7	BOLT,FLANGED	2	5001	- 5150	D								
29A	62701-40081	WASHER,PLANE	5	5001	- 5198									
29B	62701-40081	WASHER,PLANE	4	5199	-									
30A	65801-08016	BUSHING,ELASTIC	1	5152	-									
31A	YA000-55535	SHEET,RUBBER	1	5199	-									
32A	43573-20280	HOLDER,PIPE	1	5199	-								D=12	
33A	62480-21081	NUT,FLANGED	1	5199	-									
34A	YA000-07846	SCREW	2	5199	-									

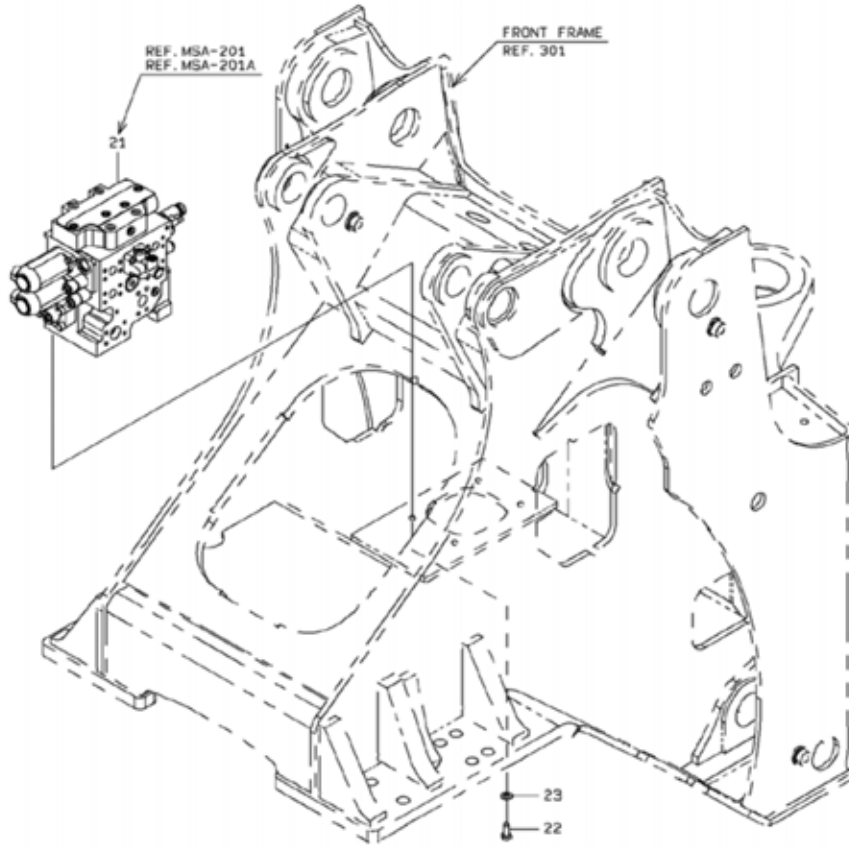
PUMP DEVICE



PUMP DEVICE

SYM-BOL	PART NUMBER	PART NAME	UNIT Q,TY	SERIAL		REMARKS						
				(A)	(B)	N	P	D	(A)	(B)	(C)	(D)
21A	44083-62410	PUMP ASSY,OIL	1	5001	-							REF.MSA-101
22A	44083-62430	PUMP ASSY,OIL	1	5001	- 5150							REF.MSA-103
22B	44083-62500	PUMP ASSY,OIL	1	5151	- 5151							REF.MSA-103
22C	44083-62530	PUMP ASSY,OIL	1	5152	-		C					
23A	65210-26125	RING,O	1	5001	-							
24A	65220-41020	RING,O	1	5001	-							
25A	30241-26200	ADAPTER,ELBOW	1	5001	-					Y01		
26A	38900-20730	FITTING	1	5001	-							
27A	35107-70010	SCREW,BLEED	1	5001	-							
28A	43900-26580	BOLT	4	5001	-							
29A	61802-12035	BOLT,FLANGED	2	5001	-							
30A	62710-18161	WASHER,PLANE	4	5001	-							
71A	65210-12018	RING,O	1	5001	-					01		

CONTROL VALVE (2-SPOOL)

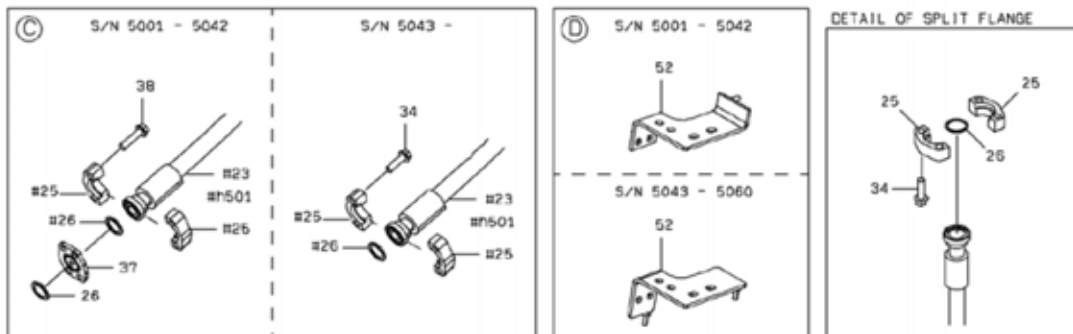
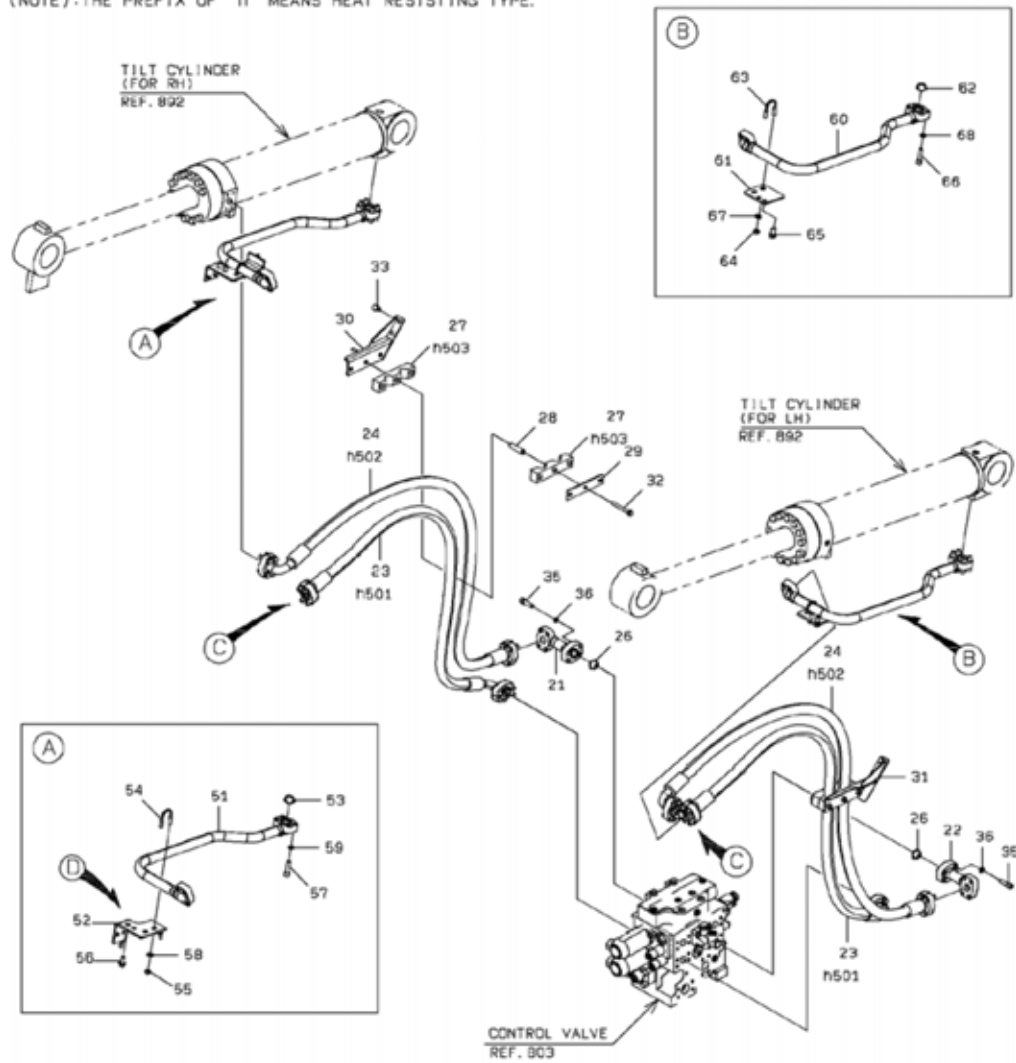


CONTROL VALVE (2-SPOOL)

SYM-BOL	PART NUMBER	PART NAME	UNIT Q, TY	SERIAL		REMARKS						
				(A)	(B)	N	P	D	(A)	(B)	(C)	(D)
21A	38532-62090	VALVE ASSY,MULTIPLE CON	1	5001	- 5042							REF.MSA-201
21B	38532-62200	VALVE ASSY,MULTIPLE CON	1	5043	- 5100							REF.MSA-201A
21C	38532-62270	VALVE ASSY,MULTIPLE CON	1	5101	-							REF.MSA-201A
22A	61033-14035	BOLT	4	5001	-							
23A	62710-18141	WASHER,PLANE	4	5001	-							

MAIN PIPING (FRONT CHASSIS)

(NOTE): THE PREFIX OF 'H' MEANS HEAT RESISTING TYPE.

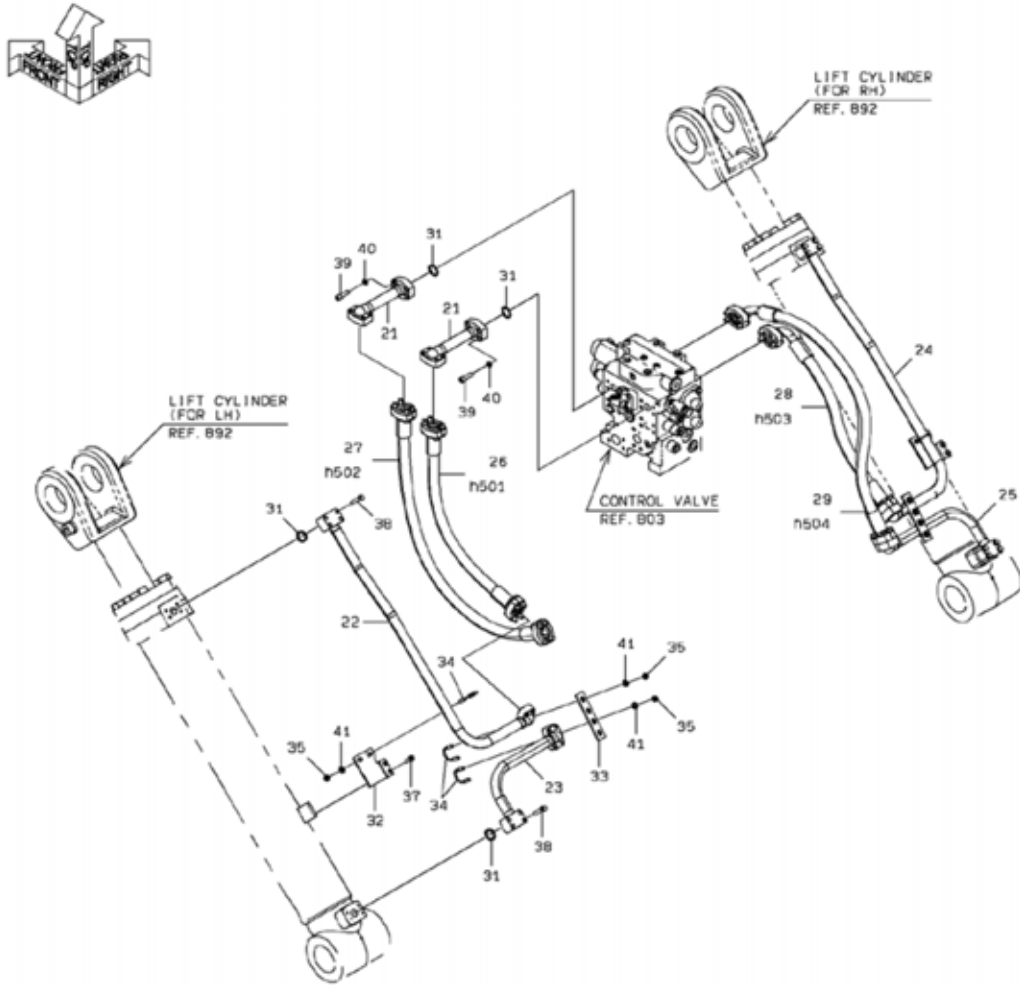


MAIN PIPING (FRONT CHASSIS)

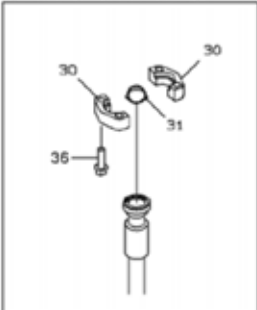
SYM-BOL	PART NUMBER	PART NAME	UNIT Q,TY	SERIAL		REMARKS							
				(A)	(B)	N	P	D	(A)	(B)	(C)	(D)	REMARKS
21A	38775-42340	PIPE,OIL	1	5001	-								
22A	38775-42350	PIPE,OIL	1	5001	-								
23A	68878-60178	HOSE,HIGH PRESSURE	2	5001	-								
24A	68878-60212	HOSE,HIGH PRESSURE	2	5001	-								
25A	69811-25420	FLANGE,SPLIT	16	5001	-								
26A	65220-31024	RING,O	12	5001	- 5042								
26B	65220-31024	RING,O	10	5043	-								
27A	32923-21230	CLAMP,HOSE	4	5001	-								
28A	38720-20390	PIPE	6	5001	-								
29A	41608-25140	PLATE	2	5001	-								
30A	41753-51870	PLATE	1	5001	-								
31A	41753-51880	PLATE	1	5001	-								
32A	61802-10085	BOLT,FLANGED	6	5001	-								
33A	61802-12020	BOLT,FLANGED	4	5001	-								
34A	61802-12040	BOLT,FLANGED	24	5001	- 5042								
34B	61802-12040	BOLT,FLANGED	32	5043	-								
35A	61101-12040	BOLT,SOCKET	8	5001	-								
36A	62731-12100	WASHER,SPRING	8	5001	-								
37A	30230-30810	ADAPTER	2	5001	- 5042					D			
38A	61802-12050	BOLT,FLANGED	8	5001	- 5042					D			
51A	38775-42320	PIPE,OIL	1	5001	- 5042								FR RH
51B	38775-44280	PIPE,OIL	1	5043	-					C			FR RH
52A	41752-59230	PLATE	1	5001	- 5042								FR RH
52B	41754-48790	PLATE	1	5043	- 5060					C			FR RH
52C	41754-59710	PLATE	1	5061	-					C			FR RH
53A	65220-31024	RING,O	1	5001	-								
54A	43962-20030	BOLT,U	1	5001	-								
55A	88031-06101	NUT,SELF-LOCKING	2	5001	-								
56A	61802-12025	BOLT,FLANGED	2	5001	-								
57A	61101-12045	BOLT,SOCKET	4	5001	-								
58A	62701-40101	WASHER,PLANE	2	5001	-								
59A	62731-12100	WASHER,SPRING	4	5001	-								
60A	38775-42330	PIPE,OIL	1	5001	- 5042								FR LH
60B	38775-44270	PIPE,OIL	1	5043	-					C			FR LH
61A	41714-44610	PLATE	1	5001	-								FR LH
62A	65220-31024	RING,O	1	5001	-								
63A	43962-20030	BOLT,U	1	5001	-								
64A	88031-06101	NUT,SELF-LOCKING	2	5001	-								
65A	61802-12025	BOLT,FLANGED	2	5001	-								
66A	61101-12045	BOLT,SOCKET	4	5001	-								
67A	62701-40101	WASHER,PLANE	2	5001	-								
68A	62731-12100	WASHER,SPRING	4	5001	-								
501A	43103-25750	HOSE,HIGH PRESSURE	2	5001	-								OPT
502A	43103-25760	HOSE,HIGH PRESSURE	2	5001	-								OPT
503A	32923-21410	CLAMP,HOSE	4	5001	-								OPT

MAIN PIPING (BOOM)

(NOTE): THE PREFIX OF "H" MEANS HEAT RESISTING TYPE.



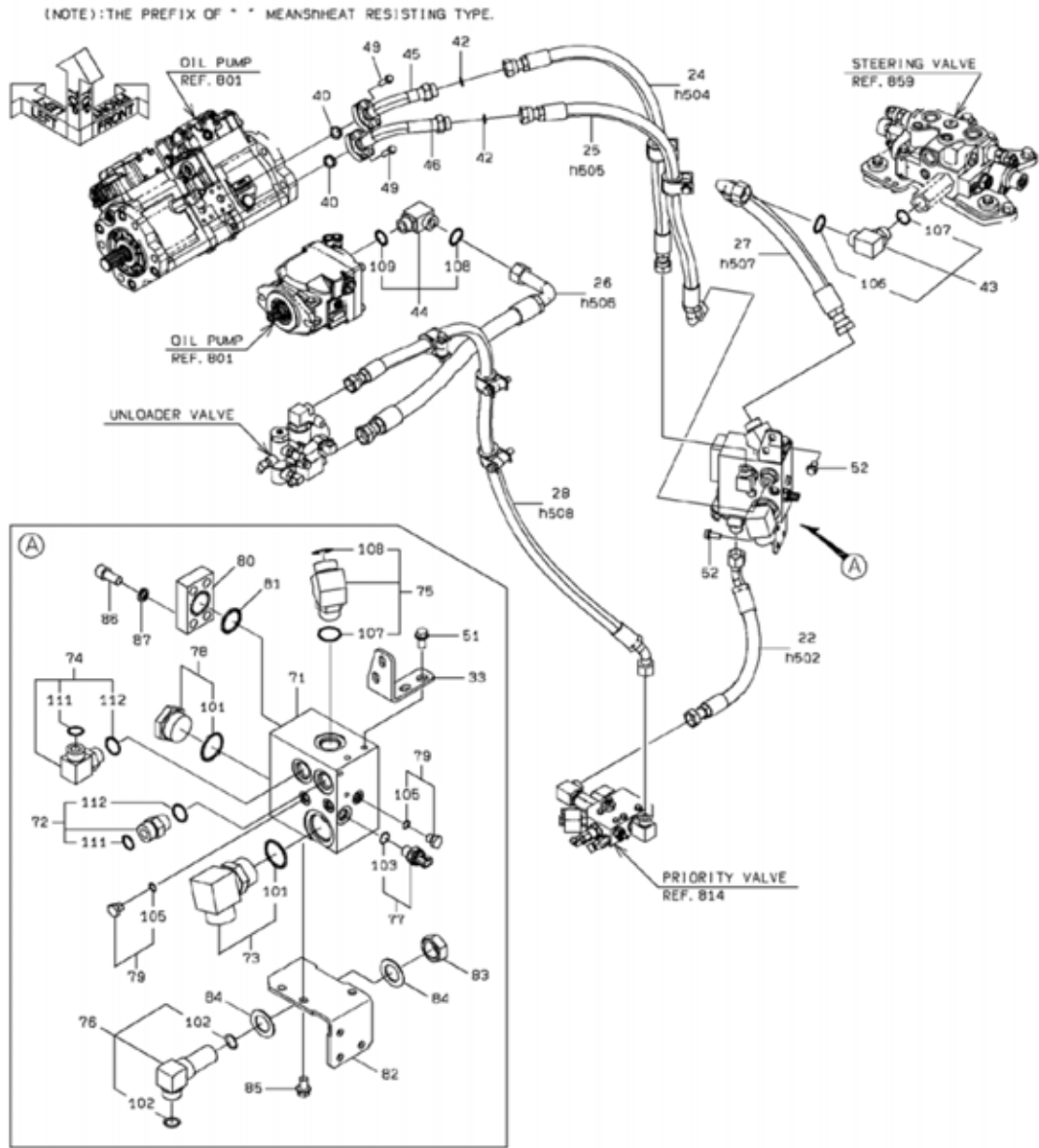
DETAIL OF SPLIT FLANGE



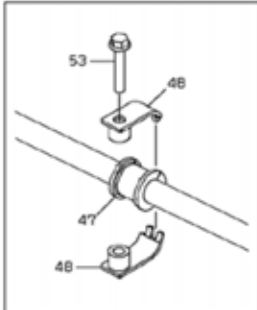
MAIN PIPING (BOOM)

SYM-BOL	PART NUMBER	PART NAME	UNIT Q,TY	SERIAL		REMARKS								
				(A)	(B)	N	P	D	(A)	(B)	(C)	(D)	REMARKS	
21A	38775-40770	PIPE,OIL	2	5001	-									
22A	38775-41130	PIPE,OIL	1	5001	-									FR LH
23A	38775-41140	PIPE,OIL	1	5001	-									FR LH
24A	38775-41110	PIPE,OIL	1	5001	-									FR RH
25A	38775-41120	PIPE,OIL	1	5001	-									FR RH
26A	68877-60083	HOSE,HIGH PRESSURE	1	5001	-									
27A	68877-60125	HOSE,HIGH PRESSURE	1	5001	-									
28A	68878-60082	HOSE,HIGH PRESSURE	1	5001	-									
29A	68878-60118	HOSE,HIGH PRESSURE	1	5001	-									
30A	69811-25420	FLANGE,SPLIT	16	5001	-									
31A	65220-31024	RING,O	14	5001	-									
32A	41714-47350	PLATE	2	5001	-									
33A	41714-47360	PLATE	2	5001	-									
34A	43962-20030	BOLT,U	6	5001	-									
35A	88031-06101	NUT,SELF-LOCKING	12	5001	-									
36A	61802-12040	BOLT,FLANGED	32	5001	-									
37A	61802-10020	BOLT,FLANGED	4	5001	-									
38A	61802-10060	BOLT,FLANGED	16	5001	-									
39A	61101-12040	BOLT,SOCKET	8	5001	-									
40A	62731-12100	WASHER,SPRING	8	5001	-									
41A	62701-40101	WASHER,PLANE	12	5001	-									
501A	43103-25770	HOSE,HIGH PRESSURE	1	5001	-									OPT
502A	43103-25780	HOSE,HIGH PRESSURE	1	5001	-									OPT
503A	43103-25790	HOSE,HIGH PRESSURE	1	5001	-									OPT
504A	43103-25800	HOSE,HIGH PRESSURE	1	5001	-									OPT

MAIN PIPING (PUMP)

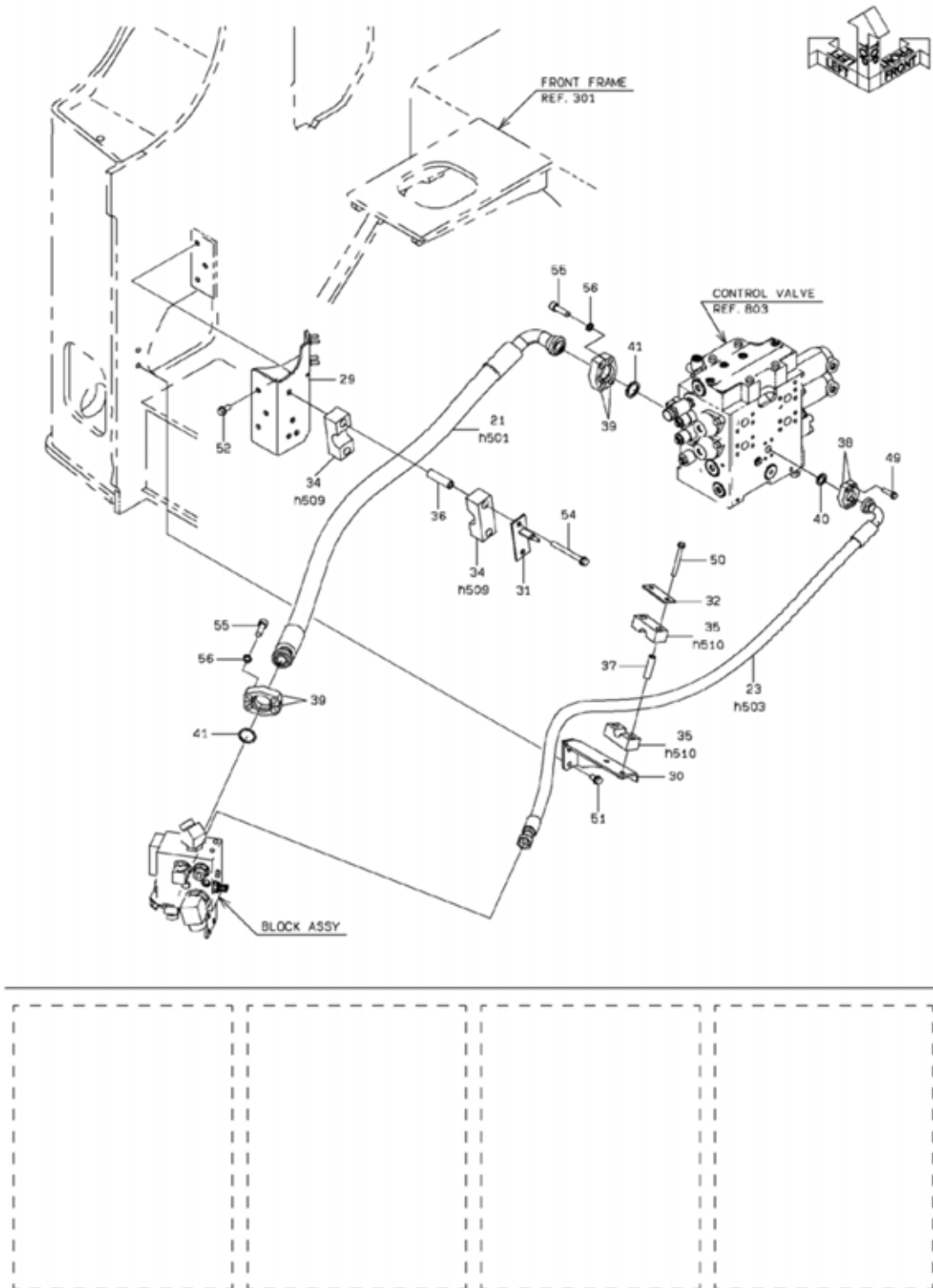


DETAIL OF HOSE CLAMP



MAIN PIPING (PUMP)

(NOTE): THE PREFIX OF "H" MEANS HEAT RESISTING TYPE.



2-B

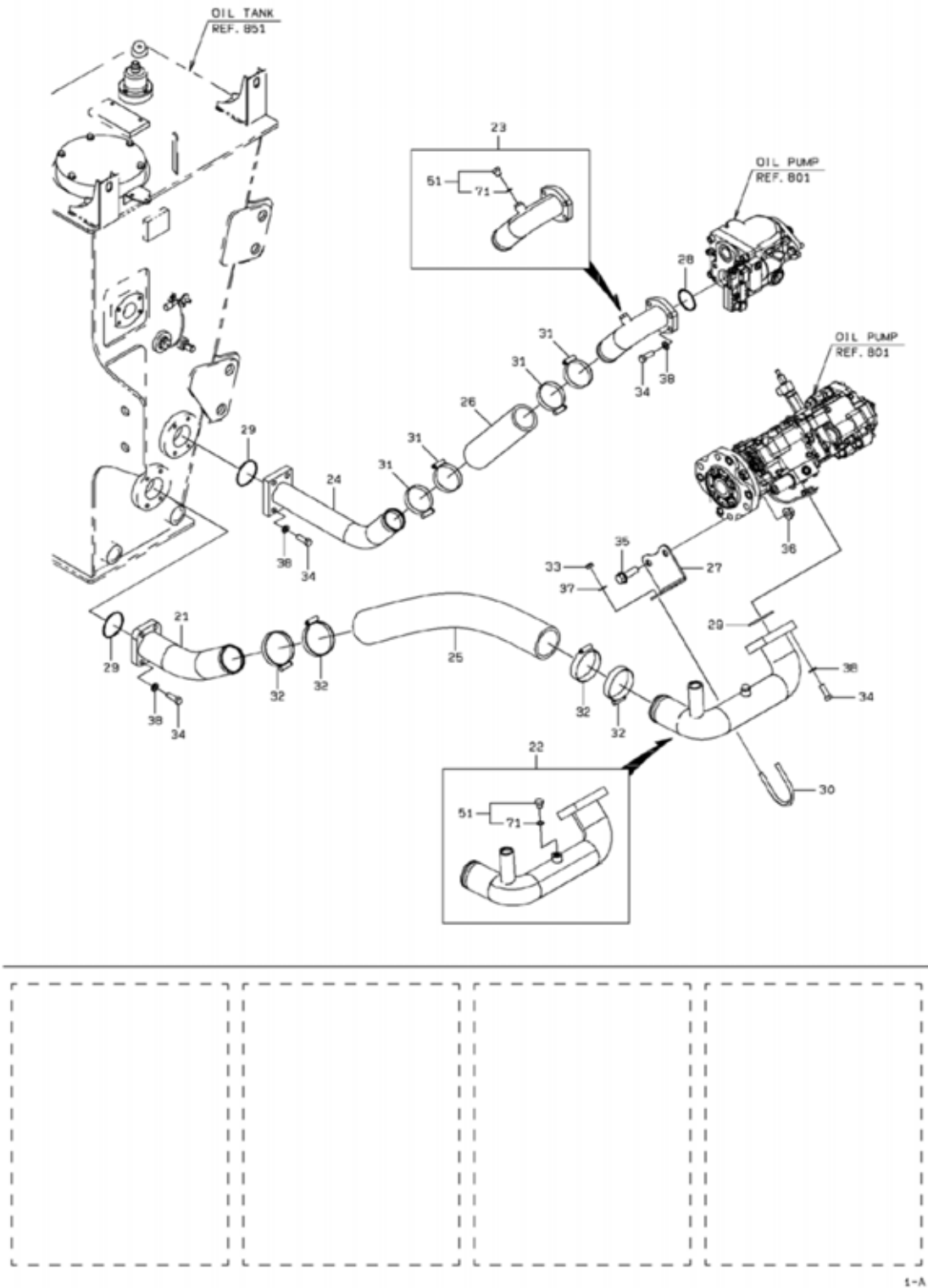
MAIN PIPING (PUMP)

SYM-BOL	PART NUMBER	PART NAME	UNIT Q,TY	SERIAL		REMARKS							
				(A)	(B)	N	P	D	(A)	(B)	(C)	(D)	REMARKS
21A	68878-70145-7	HOSE,HIGH PRESSURE	1	5001	-								
22A	68845-50050-7	HOSE,HIGH PRESSURE	1	5001	-								
23A	68858-50175-7	HOSE,HIGH PRESSURE	1	5001	-								
24A	68855-50090-7	HOSE,HIGH PRESSURE	1	5001	-								
25A	68835-50091-7	HOSE,HIGH PRESSURE	1	5001	-								
26A	43103-23990	HOSE,HIGH PRESSURE	1	5001	-								
27A	68835-60059-7	HOSE,HIGH PRESSURE	1	5001	-								
28A	68845-50168-7	HOSE,HIGH PRESSURE	1	5001	-								
29A	40903-27060	BRACKET	1	5001	-	5010							
29B	40903-29030	BRACKET	1	5011	-		C						
30A	41754-26900	PLATE	1	5001	-								
31A	41754-26890	PLATE	1	5001	-								
32A	41611-42170	PLATE	1	5001	-								
33A	41716-56010	PLATE	1	5001	-								
34A	32923-20080	CLAMP,HOSE	2	5001	-								
35A	32923-21200	CLAMP,HOSE	2	5001	-								
36A	38720-20970	PIPE	2	5001	-								
37A	38720-20390	PIPE	2	5001	-								
38A	69811-19420	FLANGE,SPLIT	2	5001	-								
39A	69811-32420	FLANGE,SPLIT	4	5001	-								
40A	65220-31019	RING,O	3	5001	-								
41A	65220-31027	RING,O	2	5001	-								
42A	47131-21020	RING,O	2	5001	-								
43A	88255-12316	ADAPTER,ELBOW	1	5001	-				Y05				
44A	88255-42321	ADAPTER,ELBOW	1	5001	-					Y06			
45A	38775-43890	PIPE,OIL	1	5001	-								
46A	38775-43900	PIPE,OIL	1	5001	-								
47A	88820-00040	BUSHING,ELASTIC	5	5001	-								
48A	32923-21330	CLAMP,HOSE	10	5001	-								
49A	61802-10035	BOLT,FLANGED	12	5001	-								
50A	61802-10085	BOLT,FLANGED	2	5001	-								
51A	61802-12020	BOLT,FLANGED	4	5001	-								
52A	61802-12025	BOLT,FLANGED	8	5001	-								
53A	61802-12065	BOLT,FLANGED	5	5001	-								
54A	61802-12115	BOLT,FLANGED	2	5001	-								
55A	61101-14045	BOLT,SOCKET	8	5001	-								
56A	62731-14100	WASHER,SPRING	8	5001	-								
71A	41410-41440	BLOCK	1	5001	-								
72A	88215-11912	ADAPTER	1	5001	-								
73A	88241-07124	ADAPTER,ELBOW	1	5001	-				Y01			Y07	
74A	88255-11912	ADAPTER,ELBOW	1	5001	-							Y07	
75A	88255-32316	ADAPTER,ELBOW	1	5001	-				Y05				
76A	30241-27550	ADAPTER,ELBOW	1	5001	-					Y02			
77A	35830-60120	SENSOR,PRESSURE	1	5001	-	5194						Y03	
77B	35830-20060	SENSOR,PRESSURE	1	5195	-		A					Y03	
78A	88390-21324	PLUG	1	5001	-				Y01				
79A	88390-21304	PLUG	2	5001	-	5168							Y04
79B	80018-85002	PLUG	2	5169	-		A						
80A	40510-26980	FLANGE	1	5001	-								
81A	65220-31027	RING,O	1	5001	-								
82A	41754-29170	PLATE	1	5001	-								
83A	37600-26300	NUT	1	5001	-								
84A	46011-21440	WASHER,PLANE	2	5001	-								
85A	61802-12020	BOLT,FLANGED	3	5001	-								
86A	61101-14030	BOLT,SOCKET	4	5001	-								
87A	62731-14100	WASHER,SPRING	4	5001	-								
101A	65210-12044	RING,O	1	5001	-				01				
102A	47131-21020	RING,O	2	5001	-					02			
103A	47131-78730	RING,O	1	5001	-	5194						03	
103B	43658-26	RING,O	1	5195	-		B					03	
105A	65210-12011	RING,O	1	5001	-	5168							04
106A	47131-21030-7	RING,O	1	5001	-				05				
107A	65210-12029	RING,O	1	5001	-				05				
108A	47131-21030-7	RING,O	1	5001	-					06			
109A	65231-00161	RING,O	1	5001	-					06			
111A	47131-21020	RING,O	1	5001	-							07	

MAIN PIPING (PUMP)

SYM-BOL	PART NUMBER	PART NAME	UNIT Q, TY	SERIAL (A) - (B)	REMARKS						
					N	P	D	(A)	(B)	(C)	(D)
112A	65210-12024	RING,O	1	5001 -						07	
501A	43103-25810	HOSE,HIGH PRESSURE	1	5001 -							OPT
502A	43103-25820	HOSE,HIGH PRESSURE	1	5001 -							OPT
503A	43103-25830	HOSE,HIGH PRESSURE	1	5001 -							OPT
504A	43103-25840	HOSE,HIGH PRESSURE	1	5001 -							OPT
505A	43103-25850	HOSE,HIGH PRESSURE	1	5001 -							OPT
506A	43103-25860	HOSE,HIGH PRESSURE	1	5001 -							OPT
507A	43103-25870	HOSE,HIGH PRESSURE	1	5001 -							OPT
508A	43103-25880	HOSE,HIGH PRESSURE	1	5001 -							OPT
509A	32923-21420	CLAMP,HOSE	2	5001 -							OPT
510A	32923-21430	CLAMP,HOSE	2	5001 -							OPT

MAIN PIPING (SUCTION)



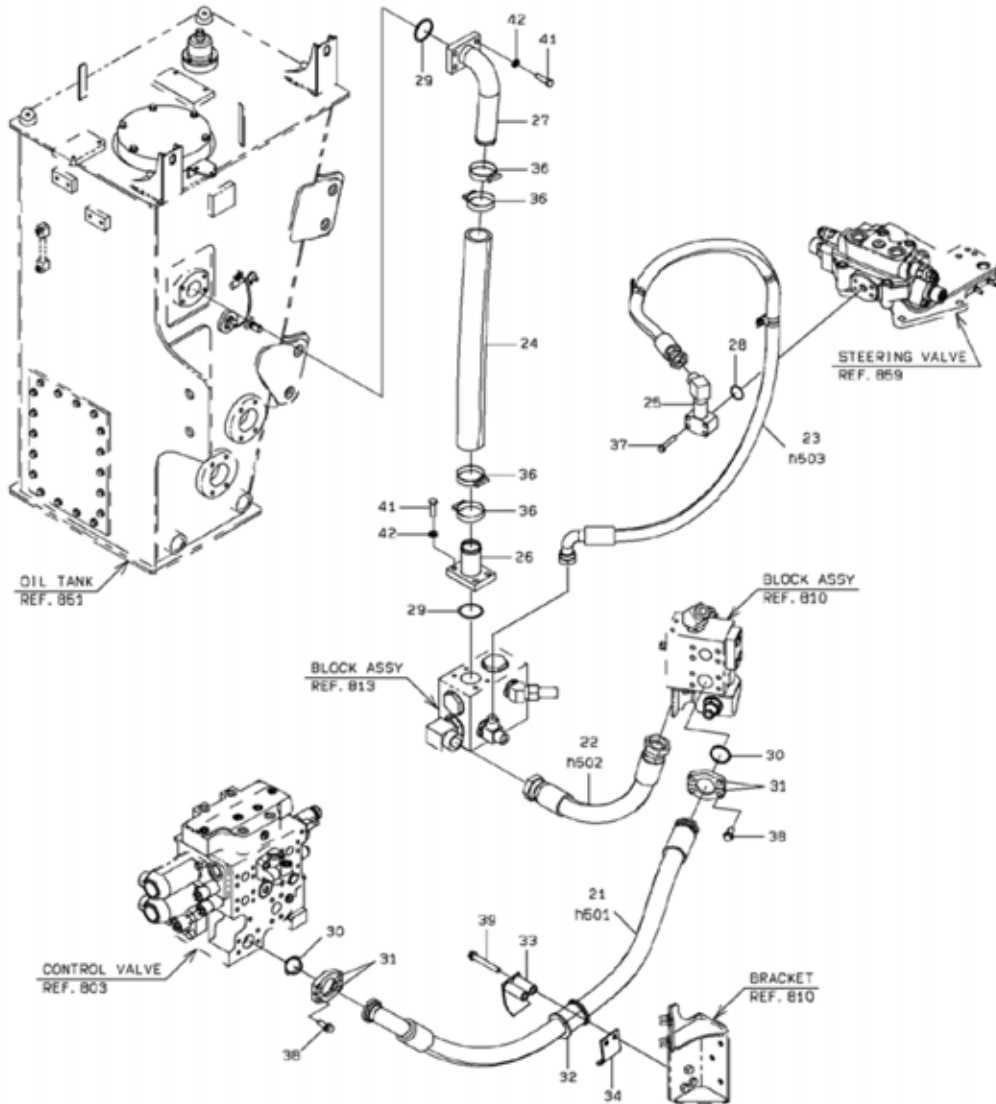
1-A

MAIN PIPING (SUCTION)

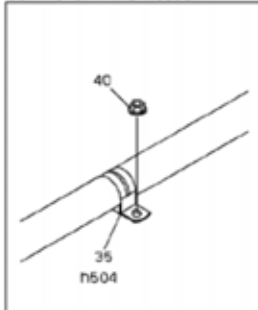
SYM-BOL	PART NUMBER	PART NAME	UNIT Q,TY	SERIAL		REMARKS						
				(A)	(B)	N	P	D	(A)	(B)	(C)	(D)
21A	38775-43450	PIPE,OIL	1	5001	-							
22A	38775-43600	PIPE,OIL	1	5001	-					Y01		
23A	38775-43610	PIPE,OIL	1	5001	-					Y01		
24A	38775-43620	PIPE,OIL	1	5001	-							
25A	67041-75080	HOSE,HEAT RESISTING LP	1	5001	-							
26A	67041-60030	HOSE,HEAT RESISTING LP	1	5001	-							
27A	41714-40930	PLATE	1	5001	-							
28A	65220-41006	RING,O	1	5001	-							
29A	65220-41010	RING,O	3	5001	-							
30A	43962-20300	BOLT,U	1	5001	-							
31A	69030-09200	BAND,HOSE-HIGH TORQUE	4	5001	-							
32A	69030-10500	BAND,HOSE-HIGH TORQUE	4	5001	-							
33A	88031-06101	NUT,SELF-LOCKING	2	5001	-							
34A	61057-12040	BOLT	16	5001	-							
35A	61802-16050	BOLT,FLANGED	2	5001	-							
36A	62480-21161	NUT,FLANGED	2	5001	-							
37A	62701-40101	WASHER,PLANE	2	5001	-							
38A	62721-12100	WASHER,SPRING	16	5001	-							
51A	88390-21304	PLUG	1	5001	-					01	Y02	
71A	65210-12011	RING,O	1	5001	-						02	

MAIN PIPING (RETURN)

(NOTE): THE PREFIX OF "h" MEANS HEAT RESISTING TYPE.



DETAIL OF PIPE HOLDER

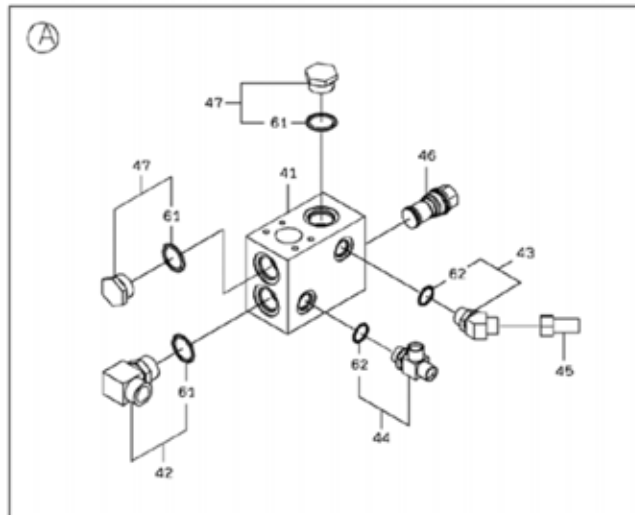
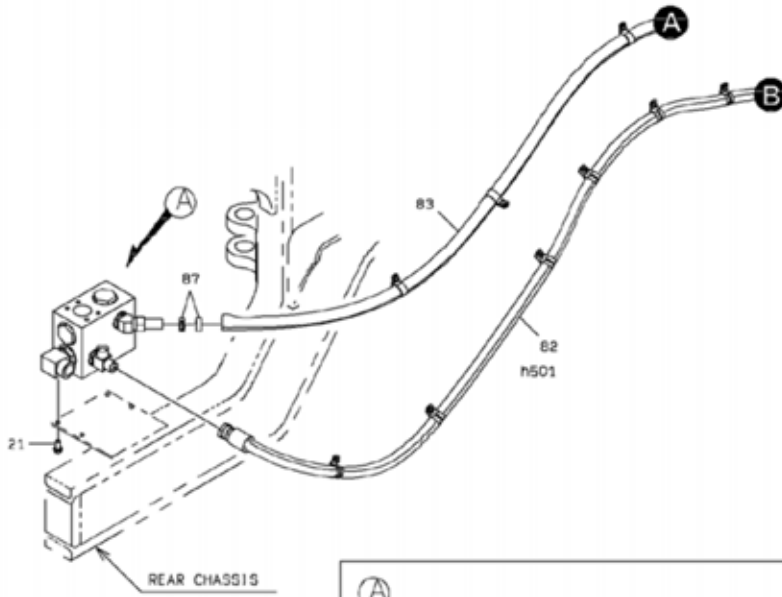


MAIN PIPING (RETURN)

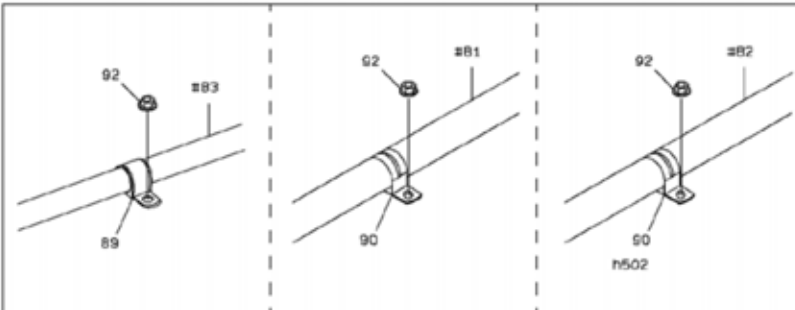
SYM-BOL	PART NUMBER	PART NAME	UNIT Q,TY	SERIAL		REMARKS								
				(A)	(B)	N	P	D	(A)	(B)	(C)	(D)	REMARKS	
21A	68278-80163-7	HOSE,HIGH PRESSURE	1	5001	-									
22A	68255-80056-7	HOSE,HIGH PRESSURE	1	5001	-									
23A	68235-60205-7	HOSE,HIGH PRESSURE	1	5001	-									
24A	67040-50000	HOSE,HEAT RESISTING LP	1 M	5001	-									L=700
25A	38775-38880	PIPE,OIL	1	5001	-									
26A	38775-43710	PIPE,OIL	1	5001	-									
27A	38775-43910	PIPE,OIL	1	5001	-									
28A	65220-31024	RING,O	1	5001	-									
29A	65220-41006	RING,O	2	5001	-									
30A	65220-41003	RING,O	2	5001	-									
31A	69811-38210-7	FLANGE,SPLIT	4	5001	-									
32A	88820-00062	BUSHING,ELASTIC	1	5001	-									
33A	87010-00062	CLAMP,HOSE	1	5001	-									
34A	87011-00062	CLAMP,HOSE	1	5001	-									
35A	87020-31000	HOLDER,PIPE	3	5001	-									D=31
36A	69030-07900	BAND,HOSE-HIGH TORQUE	4	5001	-									
37A	61802-10055	BOLT,FLANGED	4	5001	-									
38A	61802-12030	BOLT,FLANGED	8	5001	-									
39A	61802-12090	BOLT,FLANGED	2	5001	-									
40A	62480-21081	NUT,FLANGED	3	5001	-									
41A	61057-12040	BOLT	8	5001	-									
42A	62721-12100	WASHER,SPRING	8	5001	-									
501A	43103-25890	HOSE,HIGH PRESSURE	1	5001	-									OPT
502A	43103-25900	HOSE,HIGH PRESSURE	1	5001	-									OPT
503A	43103-25910	HOSE,HIGH PRESSURE	1	5001	-									OPT
504A	87020-37000	HOLDER,PIPE	3	5001	-									OPT D=37

MAIN PIPING (OIL COOLER)

(NOTE): THE PREFIX OF "H" MEANS HEAT RESISTING TYPE.

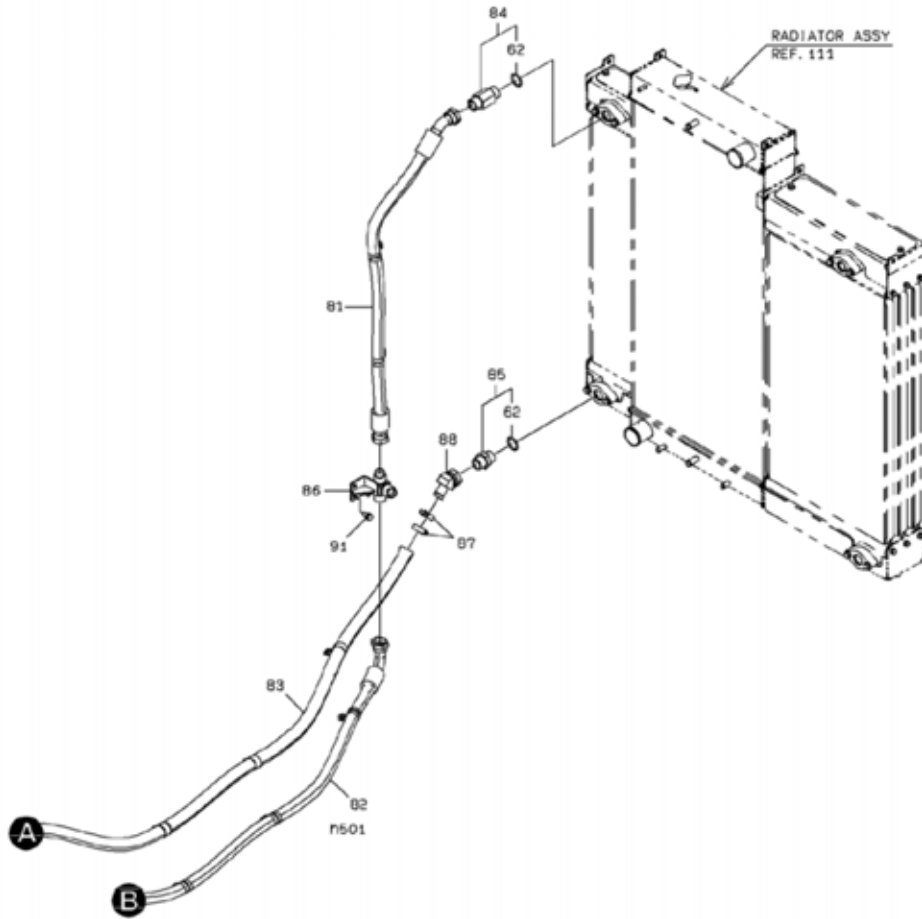


DETAIL OF PIPE HOLDER



MAIN PIPING (OIL COOLER)

(NOTE): THE PREFIX OF "N" MEANS HEAT RESISTING TYPE.



2-B

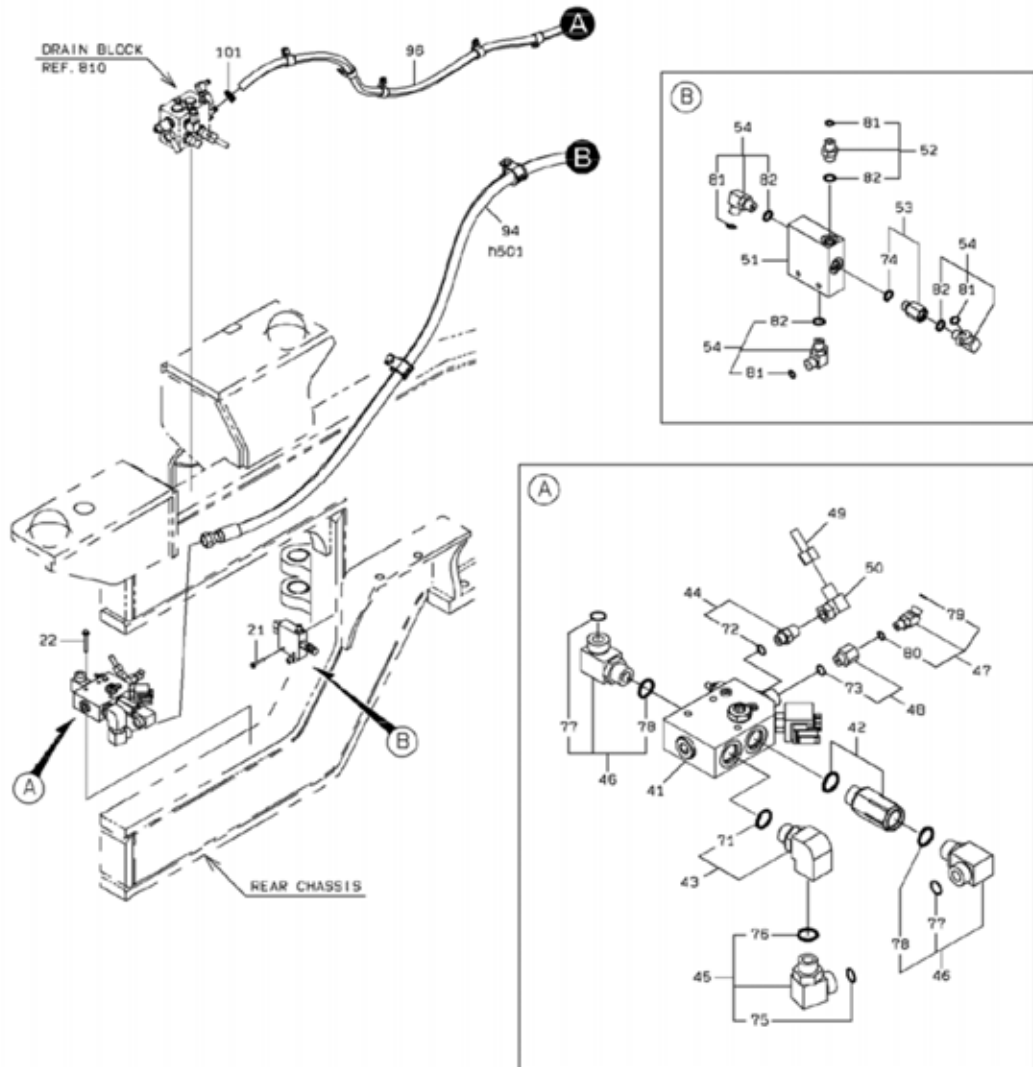
MAIN PIPING (OIL COOLER)

SYM-BOL	PART NUMBER	PART NAME	UNIT Q,TY	SERIAL		REMARKS								
				(A)	(B)	N	P	D	(A)	(B)	(C)	(D)	REMARKS	
21A	61802-12025	BOLT,FLANGED	4	5001	-									
41A	41410-41050	BLOCK	1	5001	-									
42A	88241-07124	ADAPTER,ELBOW	1	5001	-					Y01				
43A	88241-07216	ADAPTER,ELBOW	1	5001	-						Y02			
44A	30246-22720	ADAPTER,TEE	1	5001	-						Y02			
45A	88511-03160	NIPPLE,HOSE	1	5001	-									
46A	38554-71440	VALVE,CHECK	1	5001	-									
47A	88390-21324	PLUG	2	5001	-					Y01				
61A	65210-12044	RING,O	1	5001	-					01				
62A	65210-12029	RING,O	1	5001	-						02			
81A	68245-60120-7	HOSE,HIGH PRESSURE	1	5001	-									
82A	68235-60371-7	HOSE,HIGH PRESSURE	1	5001	-									
83A	67040-25000	HOSE,HEAT RESISTING LP	4 M	5001	-									L=3540
84A	30230-21960	ADAPTER	1	5001	-						Y02			
85A	88201-06716	ADAPTER	1	5001	-						Y02			
86A	30246-26230	ADAPTER,TEE	1	5001	-									
87A	69002-03800-7	BAND,HOSE	4	5001	-									
88A	37715-23520	NIPPLE,HOSE	1	5001	-									
89A	43573-20540	HOLDER,PIPE	6	5001	-									D=35
90A	87020-31000	HOLDER,PIPE	11	5001	-									D=31
91A	61802-10016	BOLT,FLANGED	2	5001	-									
92A	62480-21081	NUT,FLANGED	17	5001	-									
501A	43103-26280	HOSE,HIGH PRESSURE	1	5001	-									OPT
502A	87020-37000	HOLDER,PIPE	9	5001	-									OPT D=37

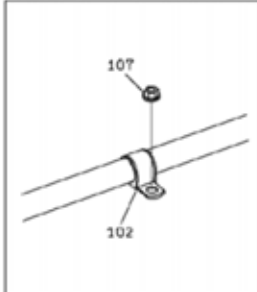
MEMO

MAIN PIPING (FAN MOTOR)

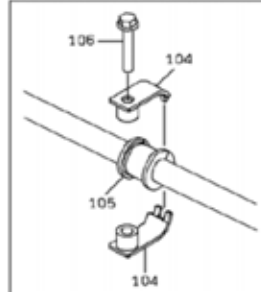
(NOTE): THE PREFIX OF 'N' MEANS HEAT RESISTING TYPE.



DETAIL OF PIPE HOLDER



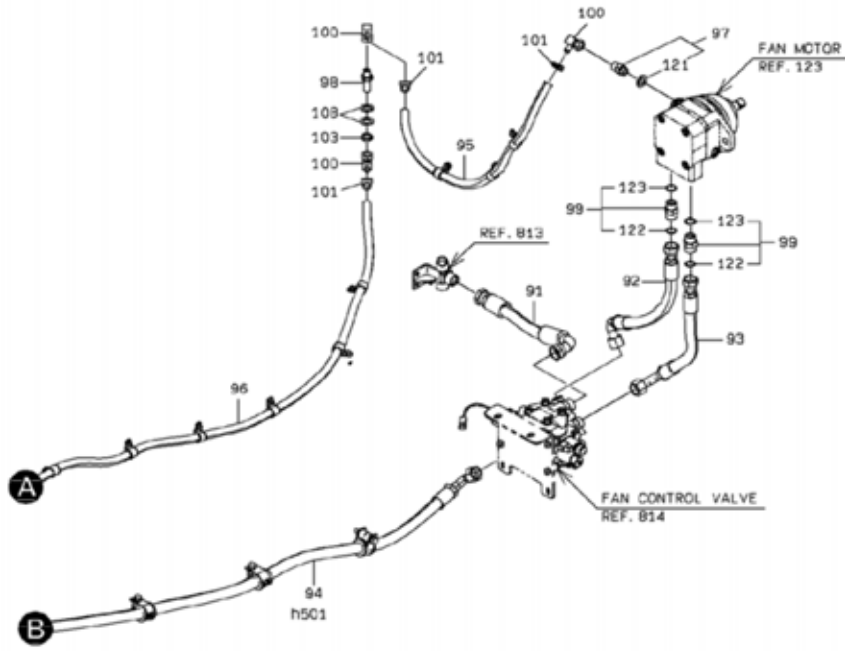
DETAIL OF HOSE CLAMP



1-8

MAIN PIPING (FAN MOTOR)

(NOTE):THE PREFIX OF "h" MEANS HEAT RESISTING TYPE.



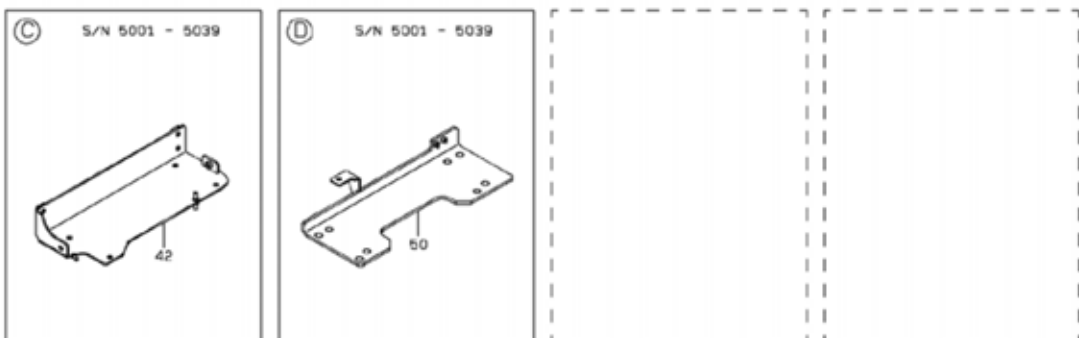
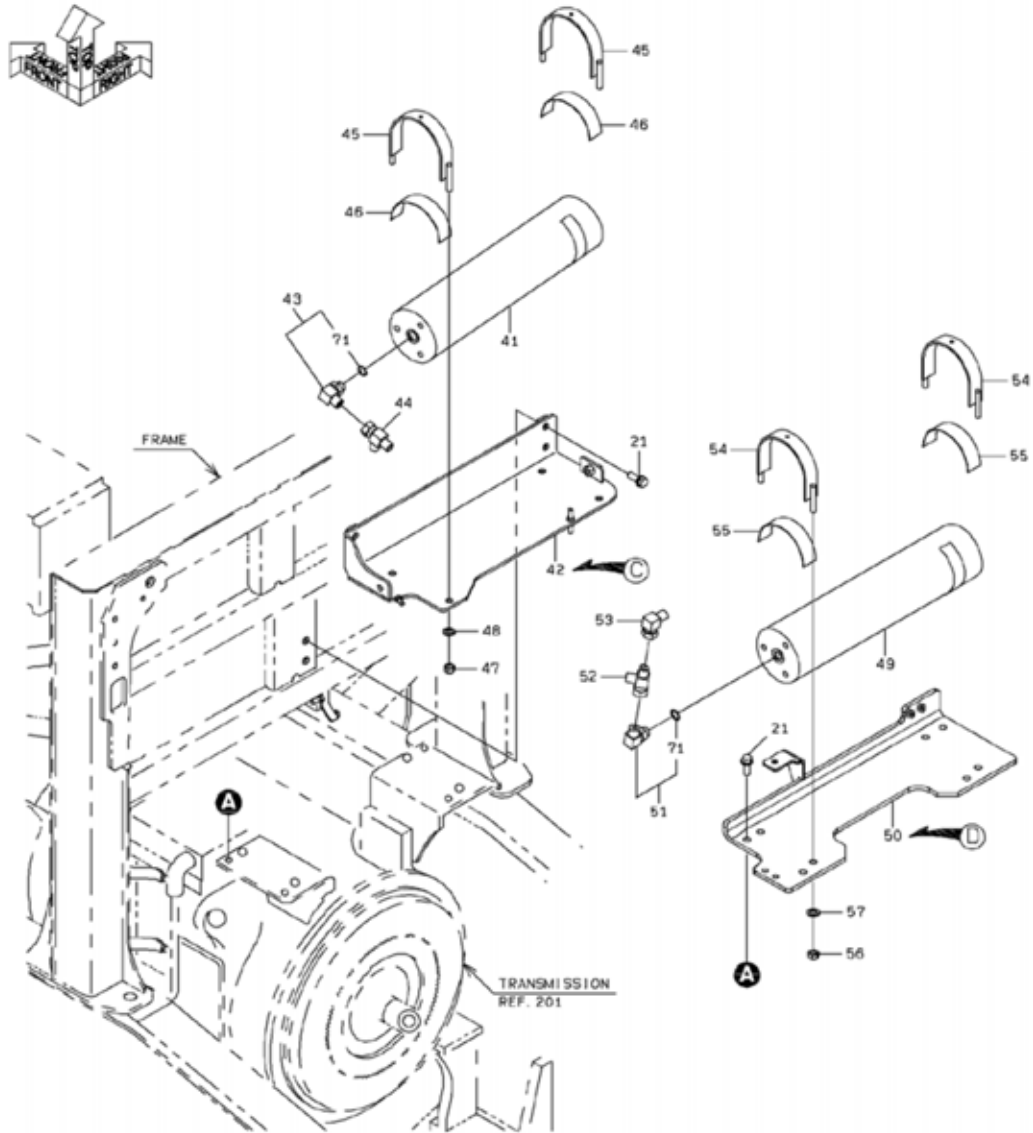
2-C

MAIN PIPING (FAN MOTOR)

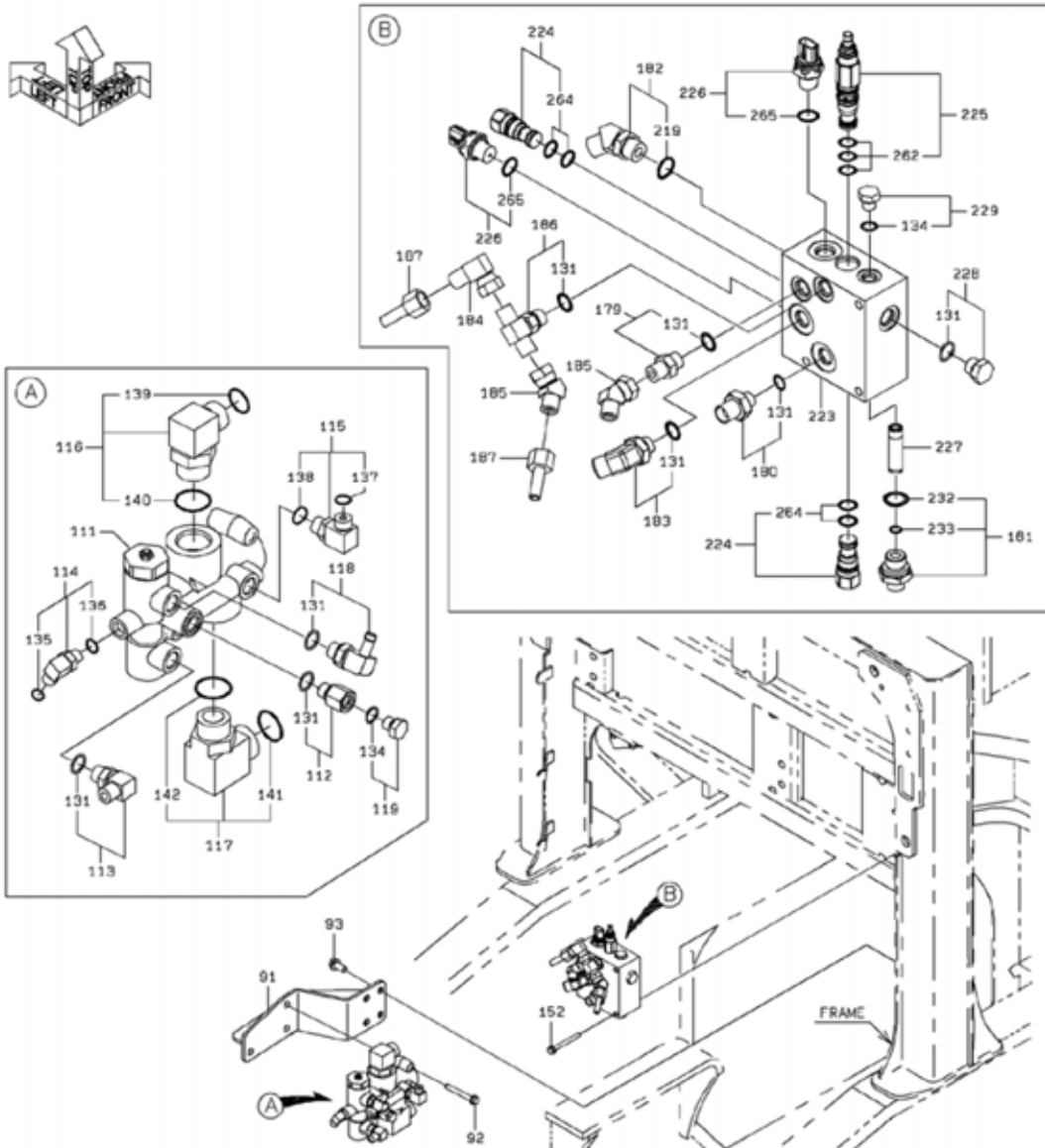
SYM-BOL	PART NUMBER	PART NAME	UNIT Q,TY	SERIAL		REMARKS								
				(A)	(B)	N	P	D	(A)	(B)	(C)	(D)	REMARKS	
21A	61802-06040	BOLT,FLANGED	2	5001	-									
22A	61802-08060	BOLT,FLANGED	3	5001	-									
41A	38562-60370	VALVE,PRIORITY	1	5001	-									
42A	38554-60730	VALVE,CHECK	1	5001	-									
43A	30241-23520	ADAPTER,ELBOW	1	5001	-					Y01				
44A	88201-06806	ADAPTER,UNION	1	5001	-					Y02				
45A	88255-11912	ADAPTER,ELBOW	1	5001	-					Y05				
46A	88255-41917	ADAPTER,ELBOW	2	5001	-					Y06				
47A	88255-50907	ADAPTER,ELBOW	1	5001	-						Y07			
48A	38906-21500	FITTING,BUSHING	1	5001	-						Y03			
49A	88511-03060	NIPPLE,HOSE	1	5001	-									
50A	30242-20190	ADAPTER,ELBOW UNION	1	5001	-									
51A	38511-60390	VALVE ASSY	1	5001	-									
52A	88215-10904	ADAPTER	1	5001	-								Y08	
53A	30230-21180	ADAPTER	1	5001	-								Y04	
54A	88255-10904	ADAPTER,ELBOW	3	5001	-								Y08	
71A	65231-00121	RING,O	1	5001	-					01				
72A	65231-00061	RING,O	1	5001	-						02			
73A	65231-00061	RING,O	1	5001	-							03		
74A	65210-12011	RING,O	1	5001	-								04	
75A	47131-21020	RING,O	1	5001	-					05				
76A	65210-12024	RING,O	1	5001	-					05				
77A	47131-21020	RING,O	1	5001	-						06			
78A	65231-00121	RING,O	1	5001	-						06			
79A	47131-21720	RING,O	1	5001	-							07		
80A	65231-00041	RING,O	1	5001	-							07		
81A	47131-21720	RING,O	1	5001	-								08	
82A	65210-12011	RING,O	1	5001	-								08	
91A	68235-60045-7	HOSE,HIGH PRESSURE	1	5001	-									
92A	68835-50055-7	HOSE,HIGH PRESSURE	1	5001	-									
93A	68835-50059-7	HOSE,HIGH PRESSURE	1	5001	-									
94A	68835-50310-7	HOSE,HIGH PRESSURE	1	5001	-									
95A	67040-12000	HOSE,HEAT RESISTING LP	1 M	5001	-									L=940
96A	67040-12000	HOSE,HEAT RESISTING LP	4 M	5001	-									L=3350
97A	30230-20450	ADAPTER	1	5001	-					Y09				
98A	30230-22020	ADAPTER	1	5001	-									
99A	88215-31917	ADAPTER	2	5001	-					Y10				
100A	37715-21000	NIPPLE,HOSE	3	5001	-									
101A	69002-02300-7	BAND,HOSE	4	5001	-									
102A	43573-20460	HOLDER,PIPE	14	5001	-									D=22
103A	37600-20670	NUT	1	5001	-									
104A	32923-21330	CLAMP,HOSE	10	5001	-									
105A	88820-00040	BUSHING,ELASTIC	5	5001	-									
106A	61802-12065	BOLT,FLANGED	5	5001	-									
107A	62480-21081	NUT,FLANGED	14	5001	-									
108A	62701-40201	WASHER,PLANE	2	5001	-									
121A	65231-00101	RING,O	1	5001	-					09				
122A	47131-21020	RING,O	1	5001	-						10			
123A	65231-00121	RING,O	1	5001	-						10			
501A	43103-26260	HOSE,HIGH PRESSURE	1	5001	-									OPT

MEMO

ACCUMULATOR MOUNT

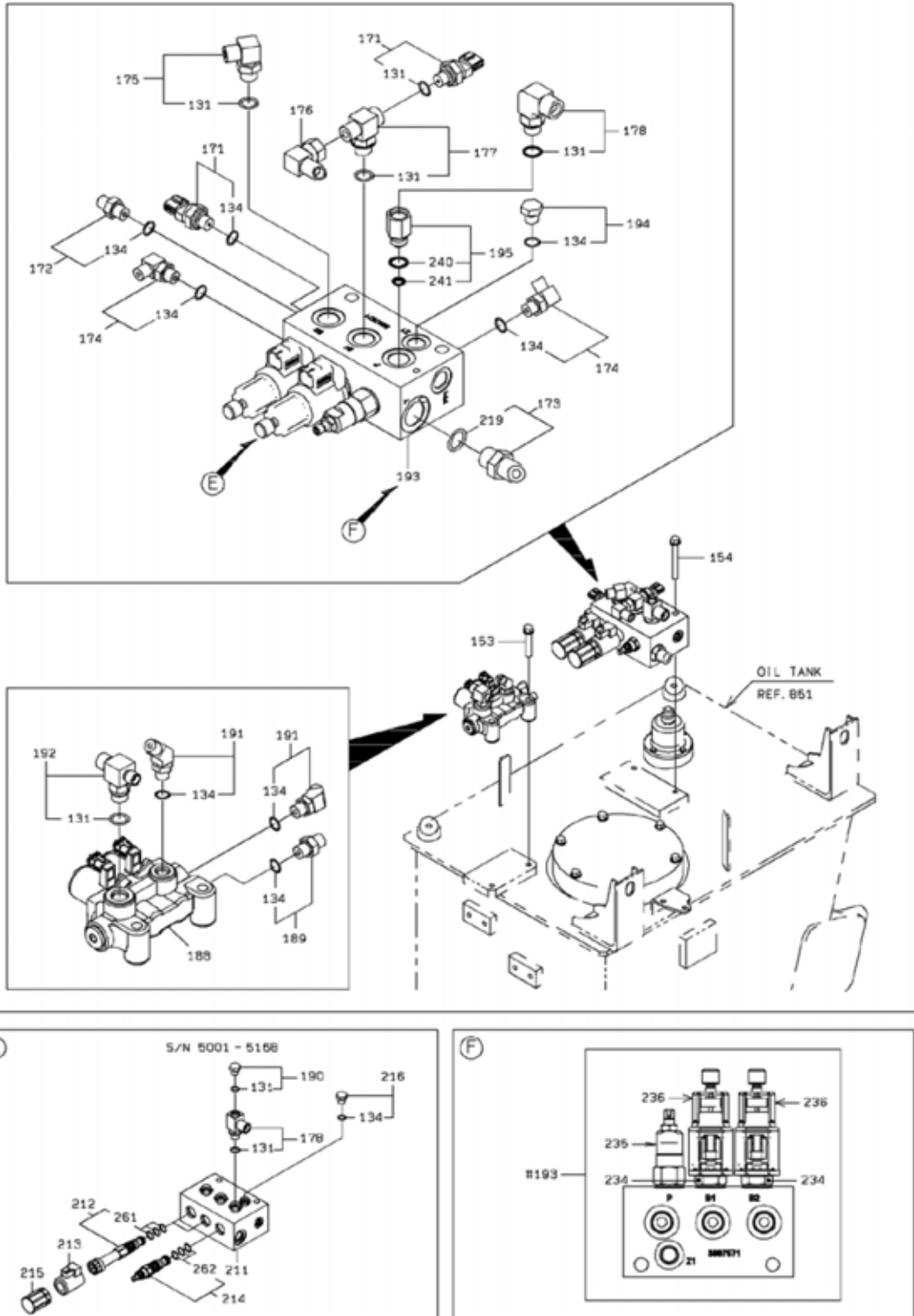


ACCUMULATOR MOUNT



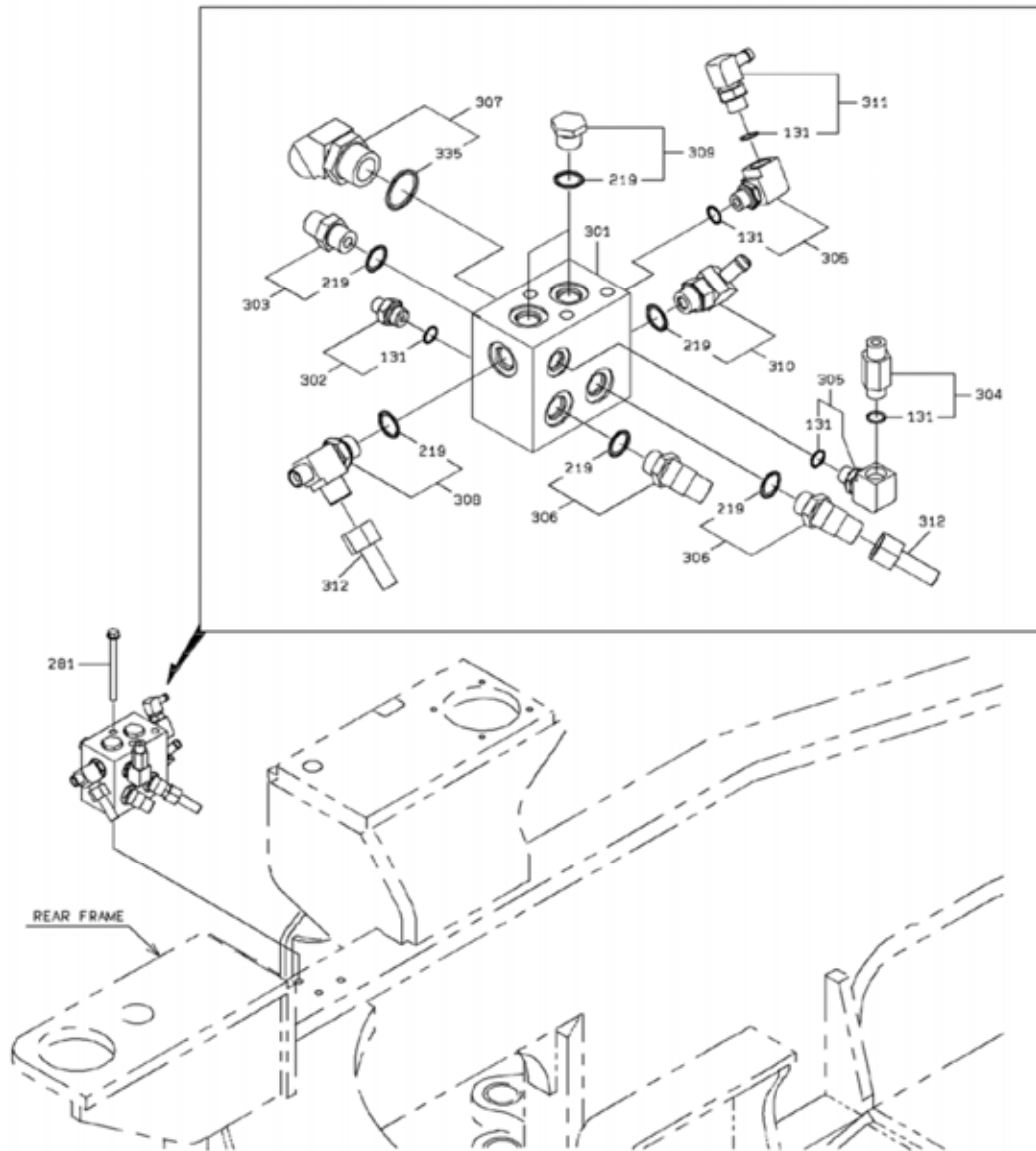
2-B

ACCUMULATOR MOUNT



3-C

ACCUMULATOR MOUNT



4-B

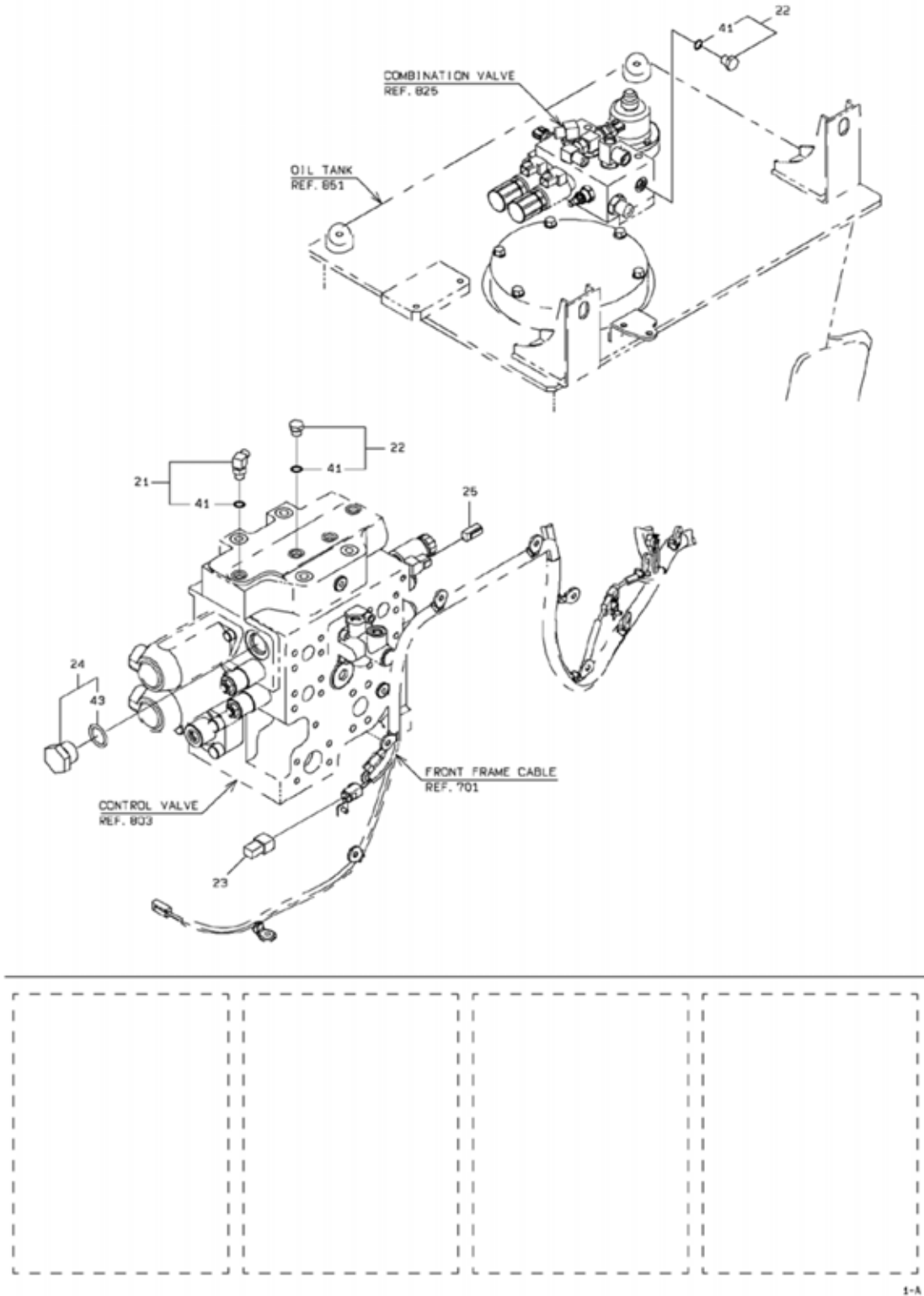
ACCUMULATOR MOUNT

SYM-BOL	PART NUMBER	PART NAME	UNIT Q,TY	SERIAL		REMARKS								
				(A)	(B)	N	P	D	(A)	(B)	(C)	(D)	REMARKS	
21A	61802-12030	BOLT,FLANGED	8	5001	-									
41A	30100-60510-7	ACCUMULATOR ASSY	1	5001	-									
42A	40903-26920	BRACKET	1	5001	-	5039								
42B	40903-30490	BRACKET	1	5040	-			C						
43A	88241-06908	ADAPTER,ELBOW	1	5001	-				Y01					
44A	30246-20340	ADAPTER,TEE	1	5001	-									
45A	38670-21850	BAND	2	5001	-									
46A	33713-22540	SHEET,RUBBER	2	5001	-									
47A	88031-06121	NUT,SELF-LOCKING	4	5001	-									
48A	62701-40121-7	WASHER,PLANE	4	5001	-									
49A	30100-60510-7	ACCUMULATOR ASSY	1	5001	-									
50A	40903-26930	BRACKET	1	5001	-	5039								
50B	40903-30500	BRACKET	1	5040	-			C						
51A	88241-06908	ADAPTER,ELBOW	1	5001	-				Y01					
52A	30246-20340	ADAPTER,TEE	1	5001	-									
53A	30242-20220	ADAPTER,ELBOW UNION	1	5001	-									
54A	38670-21850	BAND	2	5001	-									
55A	33713-22540	SHEET,RUBBER	2	5001	-									
56A	88031-06121	NUT,SELF-LOCKING	4	5001	-									
57A	62701-40121-7	WASHER,PLANE	4	5001	-									
71A	65231-00081	RING,O	1	5001	-				01					
91A	41754-27250	PLATE	1	5001	-									
92A	61802-10070	BOLT,FLANGED	3	5001	-									
93A	61802-12025	BOLT,FLANGED	4	5001	-									
111A	38543-60330	VALVE,UNLOADER	1	5001	-									
112A	30230-23280	ADAPTER	1	5001	-					Y02				
113A	88241-07106	ADAPTER,ELBOW	1	5001	-					Y02				
114A	88255-10904	ADAPTER,ELBOW	1	5001	-					Y10				
115A	88255-11106	ADAPTER,ELBOW	1	5001	-						Y11			
116A	88255-11916	ADAPTER,ELBOW	1	5001	-							Y12		
117A	88255-12316	ADAPTER,ELBOW	1	5001	-				Y13					
118A	37715-20740	NIPPLE,HOSE	1	5001	-					Y02				
119A	88390-21304	PLUG	1	5001	-	5168					Y03			
119B	80018-85002	PLUG	1	5169	-			C			Y03			
131A	65210-12014	RING,O	1	5001	-					02				
134A	65210-12011	RING,O	1	5001	-						03			
135A	47131-21720	RING,O	1	5001	-					10				
136A	65210-12011	RING,O	1	5001	-					10				
137A	47131-21010	RING,O	1	5001	-						11			
138A	65210-12014	RING,O	1	5001	-						11			
139A	47131-21020	RING,O	1	5001	-							12		
140A	65210-12029	RING,O	1	5001	-							12		
141A	47131-21030-7	RING,O	1	5001	-				13					
142A	65210-12029	RING,O	1	5001	-				13					
152A	61802-08075	BOLT,FLANGED	3	5001	-									
153A	61802-10055	BOLT,FLANGED	2	5001	-									
154A	61802-10080	BOLT,FLANGED	2	5001	-	5168								
154B	61802-10065	BOLT,FLANGED	2	5169	-			B						
171A	35830-60130	SENSOR,PRESSURE	2	5001	-						Y03			
172A	88201-06704	ADAPTER	1	5001	-						Y03			
173A	88201-06708	ADAPTER	1	5001	-							Y04		
174A	88241-07104	ADAPTER,ELBOW	2	5001	-						Y03			
175A	88241-07106	ADAPTER,ELBOW	1	5001	-				Y02					
176A	30242-20190	ADAPTER,ELBOW UNION	1	5001	-									
177A	30246-20150	ADAPTER,TEE	1	5001	-	5168				Y02				
177B	30246-24420	ADAPTER,TEE	1	5169	-			B		Y02				
178A	30246-22270	ADAPTER,TEE	1	5001	-	5168				Y02				
178B	38903-21080	FITTING,ELBOW	1	5169	-			B		Y02				
179A	88201-06706	ADAPTER	1	5001	-					Y02				
180A	30230-26390	ADAPTER	1	5001	-					Y02				
181A	30230-29950	ADAPTER	1	5001	-				Y09					
182A	88241-07208	ADAPTER,ELBOW	1	5001	-						Y04			
183A	30241-25350	ADAPTER,ELBOW	1	5001	-					Y02				
184A	30242-20190	ADAPTER,ELBOW UNION	1	5001	-									
185A	30242-20770	ADAPTER,ELBOW UNION	2	5001	-									
186A	30246-21240	ADAPTER,TEE	1	5001	-					Y02				

ACCUMULATOR MOUNT

SYM-BOL	PART NUMBER	PART NAME	UNIT Q,TY	SERIAL		REMARKS							
				(A)	(B)	N	P	D	(A)	(B)	(C)	(D)	REMARKS
187A	88511-03060	NIPPLE,HOSE	2	5001	-								
188A	38524-60280	VALVE ASSY,SOLENOID	1	5001	-								
189A	88201-06704	ADAPTER	1	5001	-								
190A	88390-21306	PLUG	1	5001	- 5168							Y03	
191A	30246-26400	ADAPTER,TEE	1	5001	-							Y02	
192A	88241-07204	ADAPTER,ELBOW	2	5001	-							Y03	
193A	38511-60560	VALVE ASSY	1	5169	-								
194A	80018-85002	PLUG	1	5169	-								
195A	38906-22150	FITTING,BUSHING	1	5169	-								
211A	41410-41450	BLOCK	1	5001	- 5168								
212A	38511-71020	VALVE ASSY	2	5001	- 5168							Y06	
213A	35910-70390	SOLENOID	2	5001	- 5168								
214A	38567-70290	VALVE,REDUCING	1	5001	- 5168							Y07	
215A	37810-60200	KNOB	2	5001	- 5168								
216A	88390-21304	PLUG	1	5001	- 5168							Y03	
219A	65210-12018	RING,O	1	5001	-								04
223A	41410-40920	BLOCK	1	5001	- 5178								
223B	41410-43080	BLOCK	1	5179	-								C
224A	38554-60420	VALVE,CHECK	2	5001	-								Y08
225A	38567-70360	VALVE,REDUCING	1	5001	-							Y07	
226A	35830-60120	SENSOR,PRESSURE	2	5001	- 5194								
226B	35830-20060	SENSOR,PRESSURE	2	5195	-								A
227A	30981-70720	ELEMENT,FILTER	1	5001	-								Y13
228A	88390-21306	PLUG	1	5001	- 5168								Y13
228B	80018-85003	PLUG	1	5169	-								Y02
229A	88390-21304	PLUG	1	5001	- 5168								Y01
229B	80018-85002	PLUG	1	5169	-								C
232A	65210-12018	RING,O	1	5001	-								09
233A	47131-21010	RING,O	1	5001	-								09
234A	38511-71880	VALVE ASSY	2	5169	-								
235A	38567-70540	VALVE,REDUCING	1	5169	-								
236A	35910-70560	SOLENOID	2	5169	-								
240A	65210-12014	RING,O	1	5169	-								
241A	40330-20620	FILTER	1	5169	-								
261A	49327-74570	SEAL KIT	1	5001	- 5168								06
262A	49327-72080	SEAL KIT	1	5001	- 5168								07
264A	49327-72340	SEAL KIT	1	5001	-								08
265A	47131-78730	RING,O	1	5001	- 5194								13
265B	43658-26	RING,O	1	5195	-								13
281A	61802-10125	BOLT,FLANGED	3	5001	-								
301A	41410-41460	BLOCK	1	5001	-								
302A	30230-21410	ADAPTER	1	5001	-								Y02
303A	88201-06708	ADAPTER	1	5001	-								Y04
304A	30230-20400	ADAPTER	1	5001	-								Y02
305A	30241-60070	ADAPTER,ELBOW	2	5001	-								Y02
306A	88241-07208	ADAPTER,ELBOW	2	5001	-								Y04
307A	88241-07216	ADAPTER,ELBOW	1	5001	-								Y05
308A	30246-21520	ADAPTER,TEE	1	5001	-								Y04
309A	88390-21308	PLUG	2	5001	- 5168								Y04
309B	80018-85004	PLUG	2	5169	-								Y04
310A	37715-21680	NIPPLE,HOSE	1	5001	-								Y04
311A	37715-20740	NIPPLE,HOSE	1	5001	-								Y02
312A	88511-03080	NIPPLE,HOSE	2	5001	-								
335A	65210-12029	RING,O	1	5001	-								05

PLUG MOUNT (WITHOUT RIDE CONTROL)

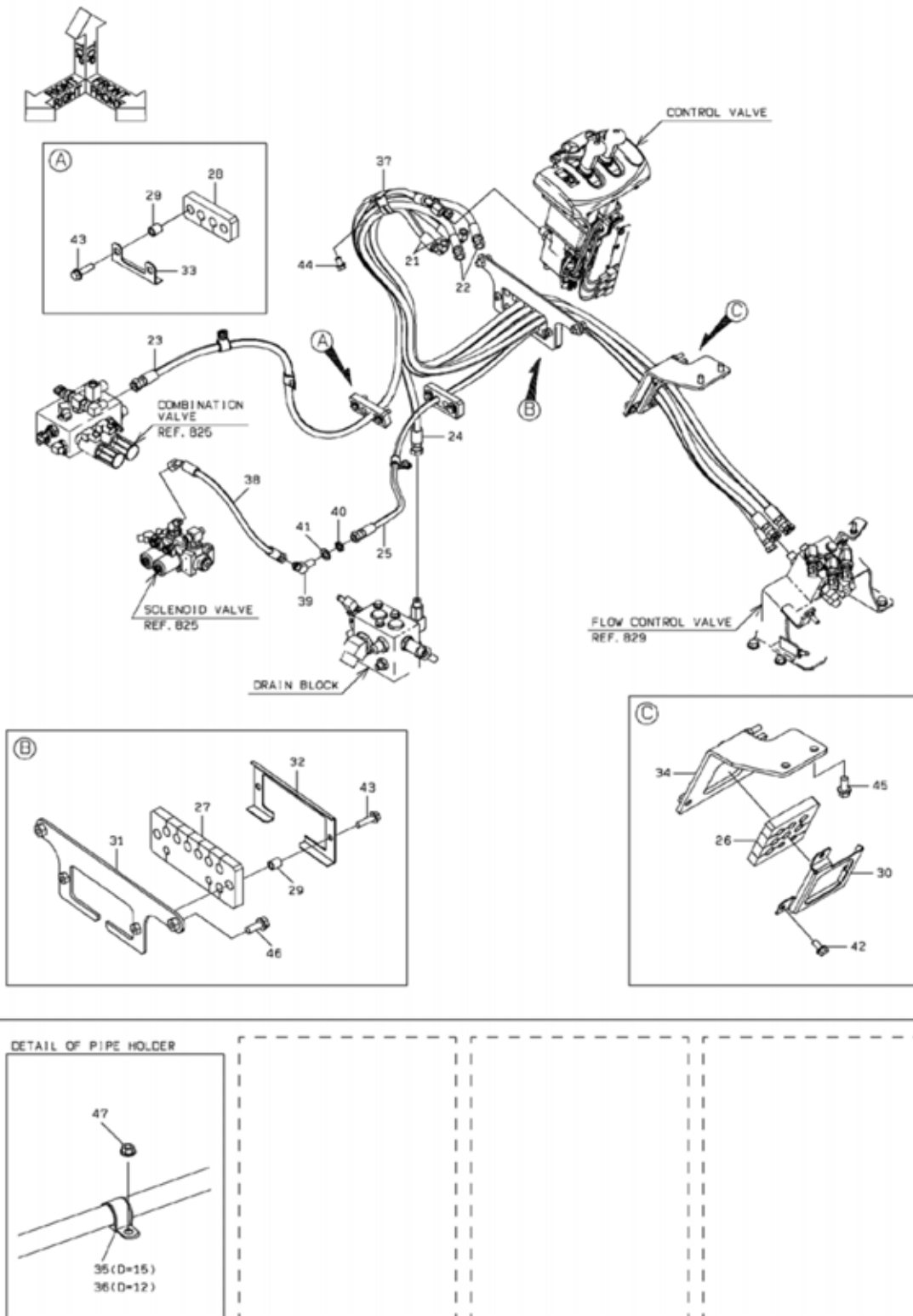


1-A

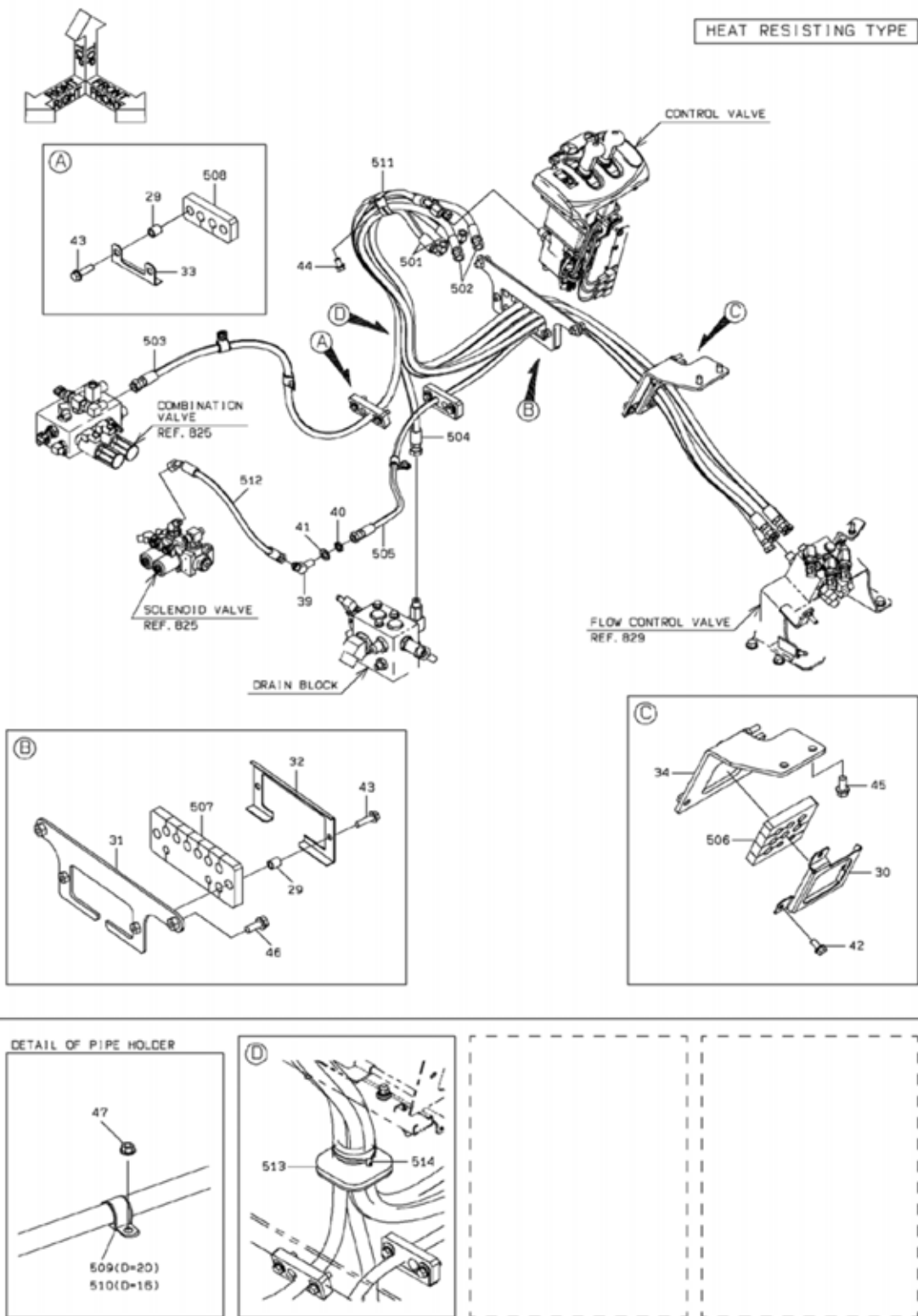
PLUG MOUNT (WITHOUT RIDE CONTROL)

SYM-BOL	PART NUMBER	PART NAME	UNIT Q,TY	SERIAL		REMARKS							
				(A)	(B)	N	P	D	(A)	(B)	(C)	(D)	REMARKS
21A	88241-07104	ADAPTER,ELBOW	1	5001	-						Y01		
22A	88390-21304	PLUG	2	5001	-	5168					Y01		
22B	80018-85002	PLUG	2	5169	-			C			Y01		
23A	33305-21030	CONNECTOR ASSY	1	5001	-								
24A	88390-21316	PLUG	1	5001	-						Y02		
25A	33305-20990	CONNECTOR ASSY	1	5001	-								
41A	65210-12011	RING,O	1	5001	-						01		
43A	65210-12029	RING,O	1	5001	-							02	

PILOT PIPING



PILOT PIPING

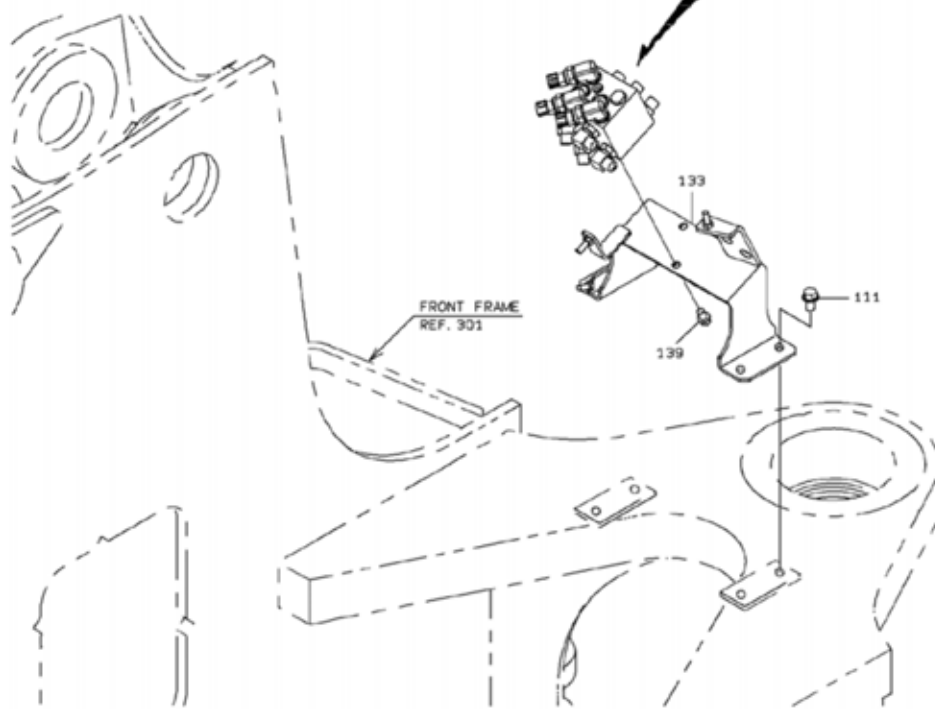
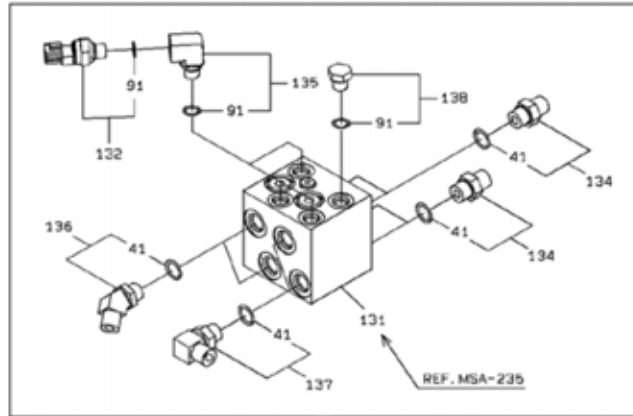


PILOT PIPING

SYM-BOL	PART NUMBER	PART NAME	UNIT Q,TY	SERIAL		REMARKS						
				(A)	(B)	N	P	D	(A)	(B)	(C)	(D)
21A	43113-31340	HOSE,HIGH PRESSURE	2	5001	-							
22A	43103-22510	HOSE,HIGH PRESSURE	2	5001	-							
23A	43103-23970	HOSE,HIGH PRESSURE	1	5001	-							
24A	68045-20090	HOSE,HIGH PRESSURE	1	5001	-							
25A	68055-10165	HOSE,HIGH PRESSURE	1	5001	-							
26A	33057-22830	GROMMET	1	5001	-							
27A	33057-22890	GROMMET	1	5001	-							
28A	33057-22330	GROMMET	2	5001	-							
29A	38721-32100	PIPE	6	5001	-							
30A	41715-59920	PLATE	1	5001	-							
31A	41753-55260	PLATE	1	5001	-							
32A	41716-27280	PLATE	1	5001	-							
33A	41714-48570	PLATE	2	5001	-							
34A	41753-51240	PLATE	1	5001	-							
35A	43573-20350	HOLDER,PIPE	2	5001	-							D=15
36A	43573-20280	HOLDER,PIPE	1	5001	-							D=12
37A	87020-46000	HOLDER,PIPE	1	5001	-							D=46
38A	68045-10042	HOSE,HIGH PRESSURE	1	5001	-							
39A	30241-21020	ADAPTER,ELBOW	1	5001	-							
40A	37600-20790	NUT	1	5001	-							
41A	62701-40121-7	WASHER,PLANE	1	5001	-							
42A	61802-08016-7	BOLT,FLANGED	3	5001	-							
43A	61802-08030	BOLT,FLANGED	6	5001	-							
44A	61802-10016	BOLT,FLANGED	1	5001	-							
45A	61802-10020	BOLT,FLANGED	2	5001	-							
46A	61802-10025	BOLT,FLANGED	2	5001	-							
47A	62480-21081	NUT,FLANGED	3	5001	-							
501A	43103-26160	HOSE,HIGH PRESSURE	2	5001	-							OPT
502A	43103-26170	HOSE,HIGH PRESSURE	2	5001	-							OPT
503A	43103-26180	HOSE,HIGH PRESSURE	1	5001	-							OPT
504A	43103-26190	HOSE,HIGH PRESSURE	1	5001	-							OPT
505A	43103-26200	HOSE,HIGH PRESSURE	1	5001	-							OPT
506A	33057-23340	GROMMET	1	5001	-							OPT
507A	33057-23350	GROMMET	1	5001	-							OPT
508A	33057-23360	GROMMET	2	5001	-							OPT
509A	43573-20360	HOLDER,PIPE	2	5001	-							OPT D=20
510A	43573-20290	HOLDER,PIPE	1	5001	-							OPT D=16
511A	87020-52000	HOLDER,PIPE	1	5001	-							OPT D=52
512A	43113-41220	HOSE,HIGH PRESSURE	1	5001	-							OPT
513A	40850-20990	BUSHING,ELASTIC	1	5001	-							OPT
514A	32923-70100	CLAMP,HOSE	1	5001	-							OPT L=382

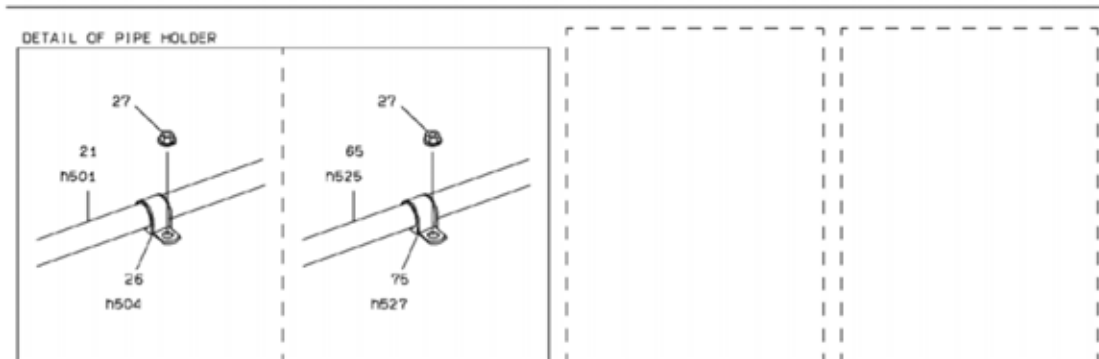
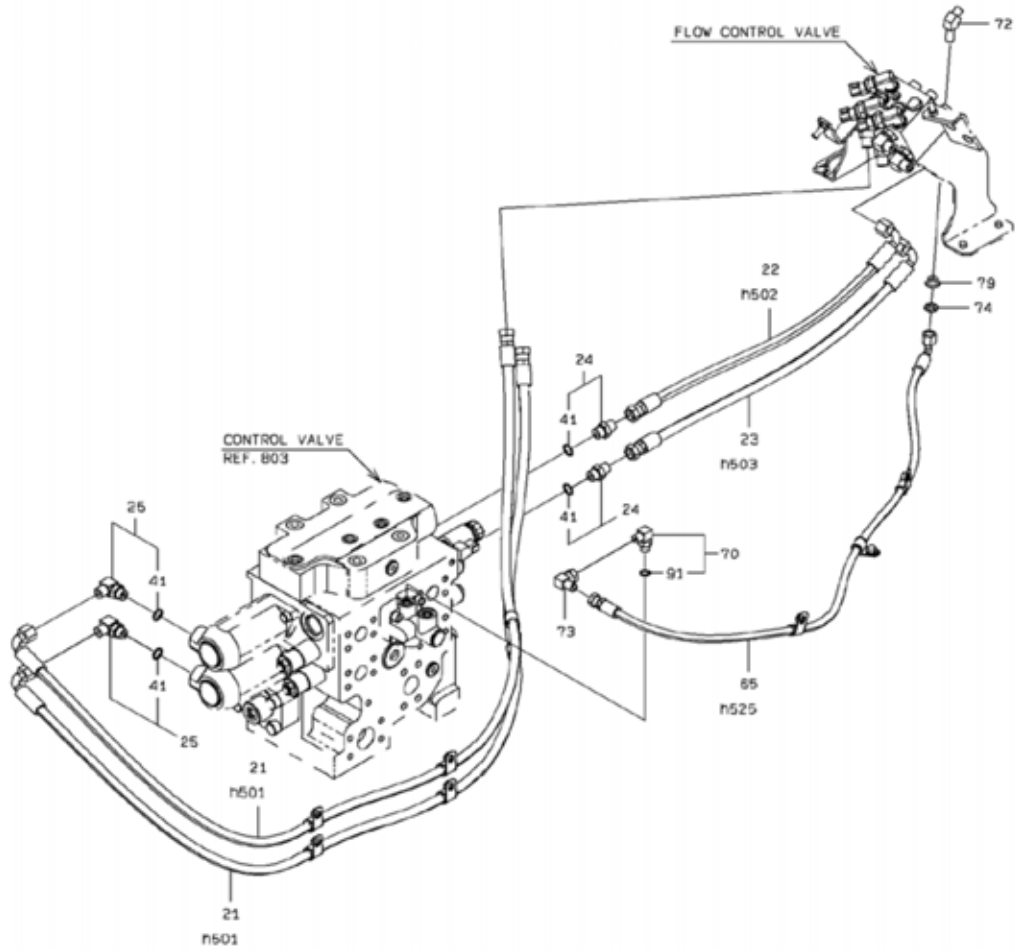
MEMO

PILOT PIPING



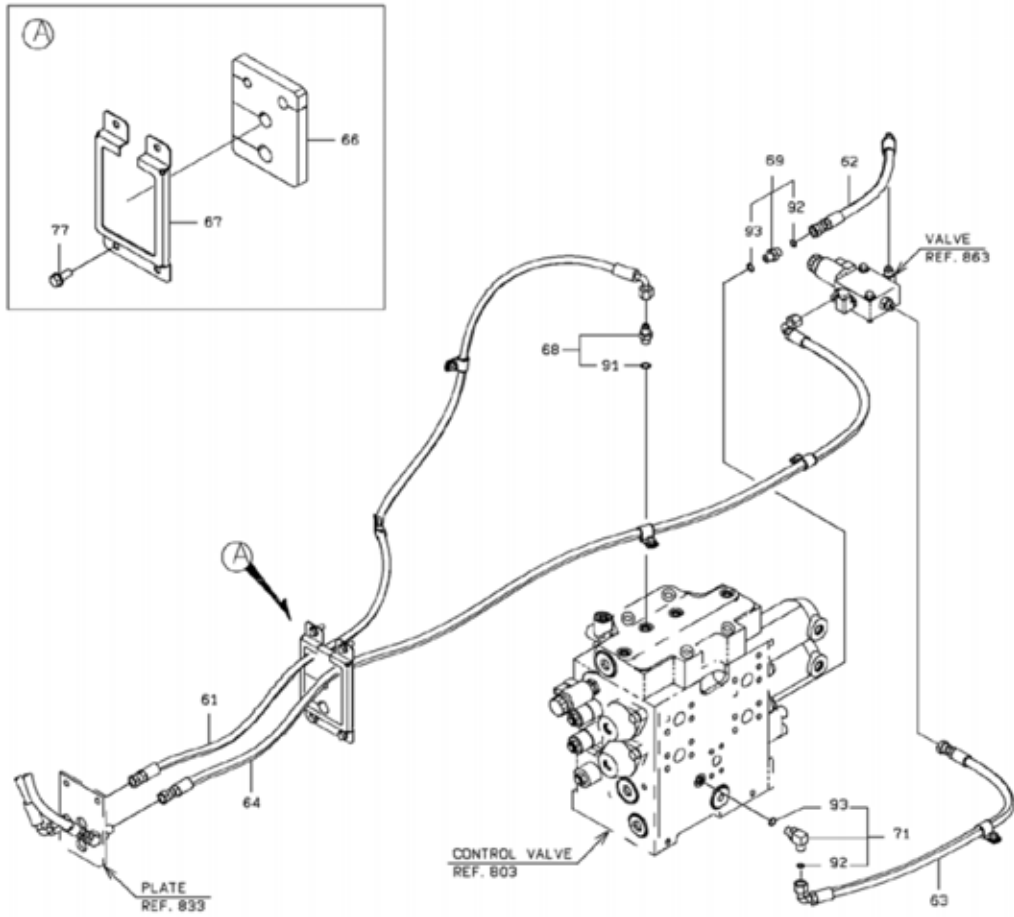
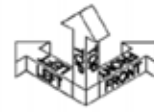
PILOT PIPING

(NOTE):THE PREFIX OF "h" MEANS HEAT RESISTING TYPE.

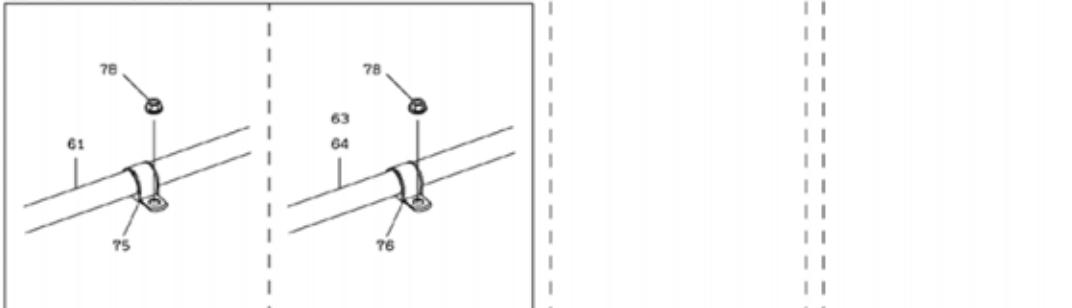


2-8

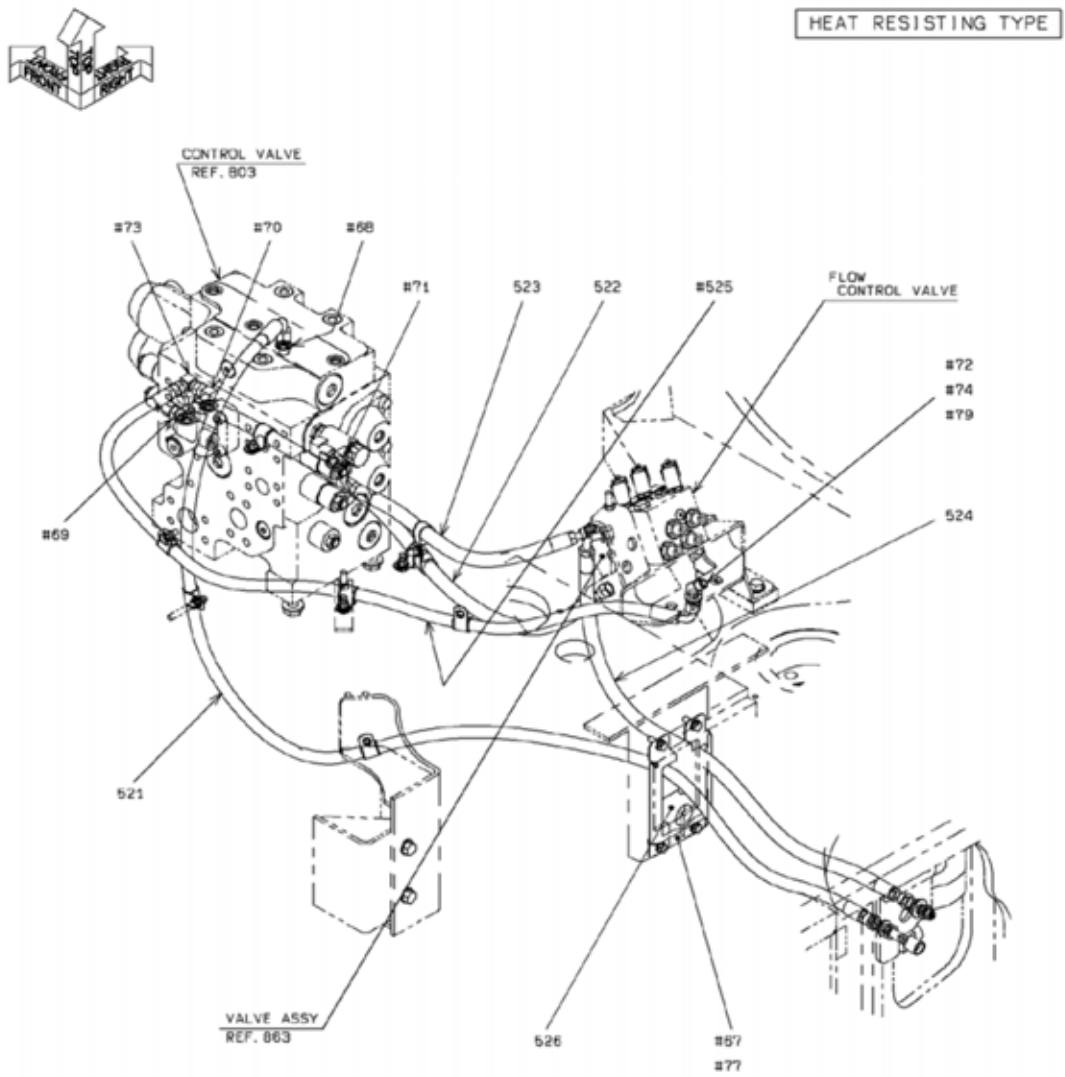
PILOT PIPING



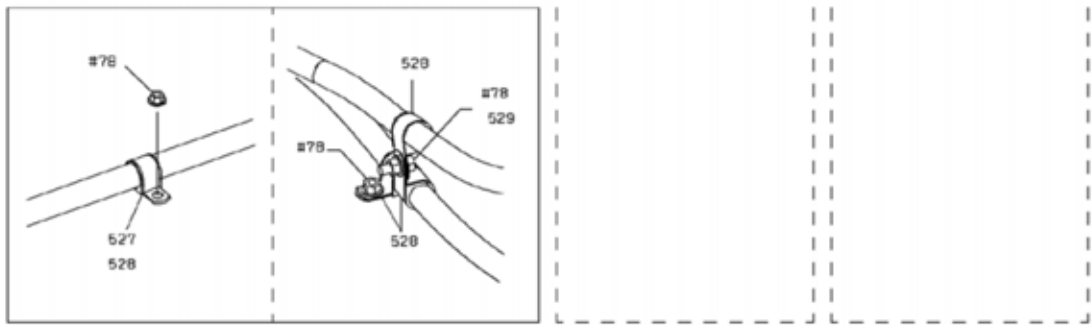
DETAIL OF PIPE HOLDER



PILOT PIPING



DETAIL OF PIPE HOLDER



4-A

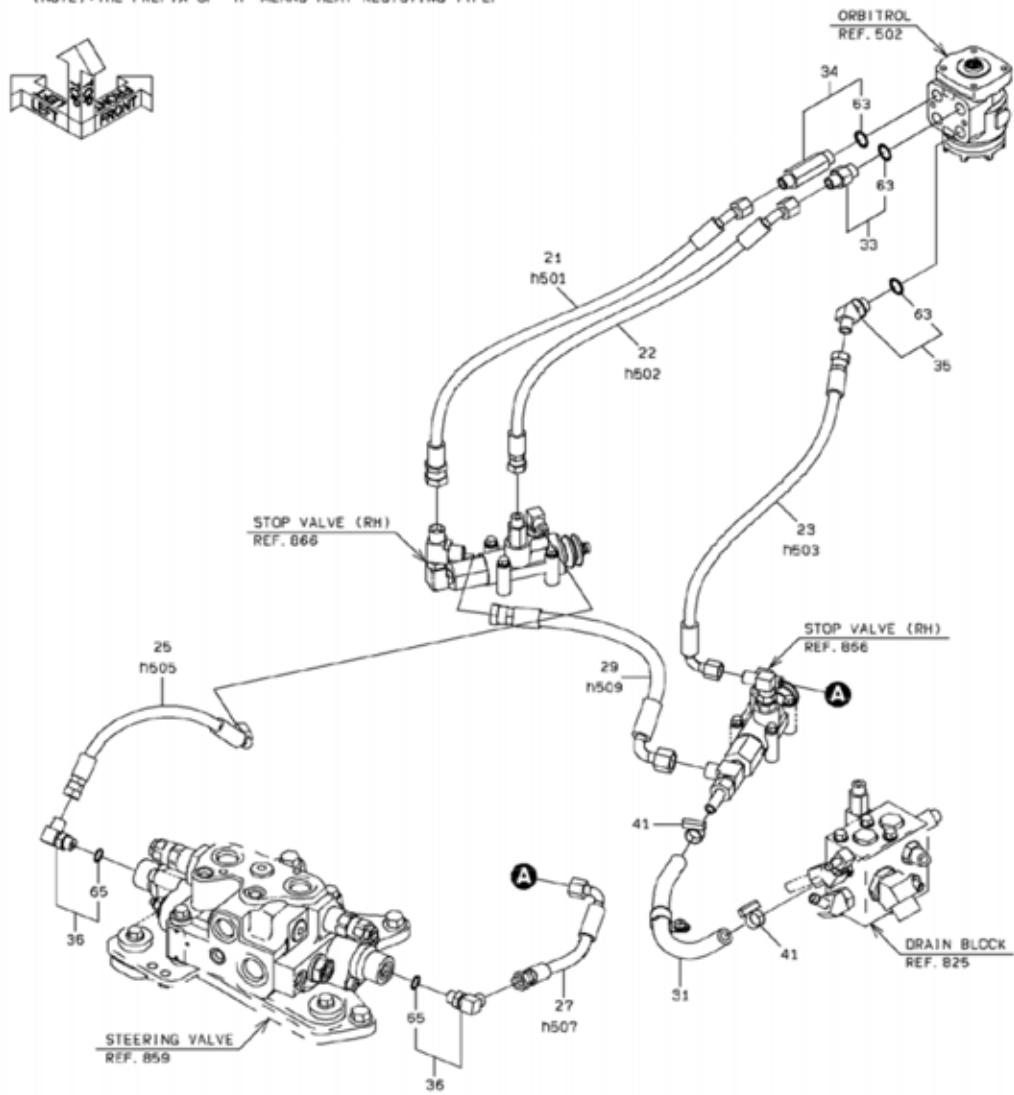
PILOT PIPING

SYM-BOL	PART NUMBER	PART NAME	UNIT Q,TY	SERIAL		REMARKS													
				(A)	(B)	N	P	D	(A)	(B)	(C)	(D)	REMARKS						
21A	68035-20180	HOSE,HIGH PRESSURE	2	5001	-														
22A	68035-20055-7	HOSE,HIGH PRESSURE	1	5001	-														
23A	68035-20060	HOSE,HIGH PRESSURE	1	5001	-														
24A	88201-06706	ADAPTER	2	5001	-							Y01							
25A	88241-07106	ADAPTER,ELBOW	2	5001	-							Y01							
26A	43573-20350	HOLDER,PIPE	6	5001	-														D=15
27A	62480-21081	NUT,FLANGED	6	5001	-														
41A	65210-12014	RING,O	1	5001	-							01							
61A	68635-10181-7	HOSE,HIGH PRESSURE	1	5001	-														
62A	68835-10035-7	HOSE,HIGH PRESSURE	1	5001	-														
63A	68835-10070-7	HOSE,HIGH PRESSURE	1	5001	-														
64A	68835-10191-7	HOSE,HIGH PRESSURE	1	5001	-														
65A	68035-10120	HOSE,HIGH PRESSURE	1	5001	-														
66A	33057-23500	GROMMET	1	5001	-														
67A	41717-47500	PLATE	1	5001	-														
68A	88201-06704	ADAPTER	1	5001	-								Y02						
69A	88215-10904	ADAPTER	1	5001	-									Y03					
70A	88241-07104	ADAPTER,ELBOW	1	5001	-								Y02						
71A	88255-10904	ADAPTER,ELBOW	1	5001	-									Y03					
72A	30241-21020	ADAPTER,ELBOW	1	5001	-														
73A	38903-20980	ADAPTER,TEE	1	5001	-														
74A	37600-20790	NUT	1	5001	-														
75A	43573-20280	HOLDER,PIPE	5	5001	-														D=12
76A	43573-20350	HOLDER,PIPE	3	5001	-														D=15
77A	61802-08020	BOLT,FLANGED	4	5001	-														
78A	62480-21081	NUT,FLANGED	8	5001	-														
79A	62701-40121-7	WASHER,PLANE	1	5001	-														
91A	65210-12011	RING,O	1	5001	-								02						
92A	47131-21720	RING,O	1	5001	-									03					
93A	65210-12011	RING,O	1	5001	-									03					
111A	61802-12020	BOLT,FLANGED	4	5001	-														
131A	38528-60030	VALVE ASSY,FLOW CONTOR	1	5001	-														REF.MSA-235
132A	35830-60130	SENSOR,PRESSURE	3	5001	-								Y02						
133A	40903-27030	BRACKET	1	5001	-														
134A	88201-06706	ADAPTER	4	5001	-							Y01							
135A	30960-60010	ELBOW	3	5001	-								Y02						
136A	88241-07206	ADAPTER,ELBOW	2	5001	-							Y01							
137A	88241-07106	ADAPTER,ELBOW	2	5001	-							Y01							
138A	88390-21304	PLUG	1	5001	-									Y02					
138B	80018-85002	PLUG	1	5169	-									Y02					
139A	61802-10016	BOLT,FLANGED	2	5001	-														
501A	43103-20610	HOSE,HIGH PRESSURE	2	5001	-														OPT
502A	43113-53580	HOSE,HIGH PRESSURE	1	5001	-														OPT
503A	43103-20270	HOSE,HIGH PRESSURE	1	5001	-														OPT
504A	43573-20360	HOLDER,PIPE	6	5001	-														OPT D=20
521A	43103-26120	HOSE,HIGH PRESSURE	1	5001	-														OPT
522A	43103-26130	HOSE,HIGH PRESSURE	1	5001	-														OPT
523A	43103-26140	HOSE,HIGH PRESSURE	1	5001	-														OPT
524A	43103-26150	HOSE,HIGH PRESSURE	1	5001	-														OPT
525A	43113-57780	HOSE,HIGH PRESSURE	1	5001	-														OPT
526A	33057-23330	GROMMET	1	5001	-														OPT
527A	43573-20290	HOLDER,PIPE	5	5001	-														OPT D=16
528A	43573-20360	HOLDER,PIPE	4	5001	-														OPT D=20
529A	61802-08020	BOLT,FLANGED	1	5001	-														OPT

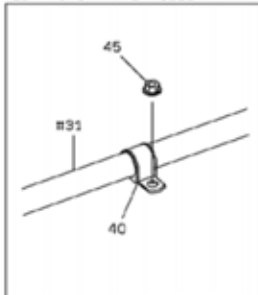
MEMO

PILOT PIPING

(NOTE): THE PREFIX OF "h" MEANS HEAT RESISTING TYPE.

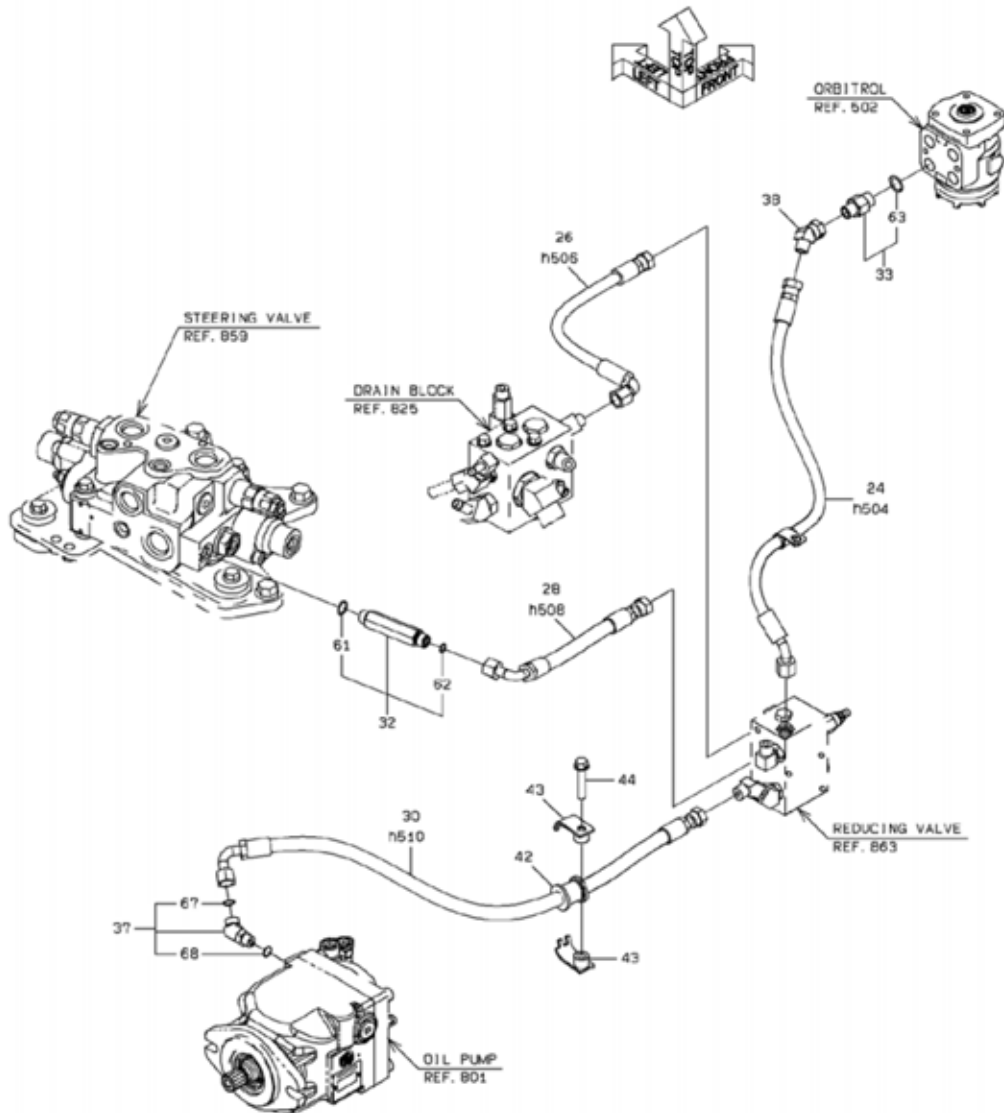


DETAIL OF PIPE HOLDER

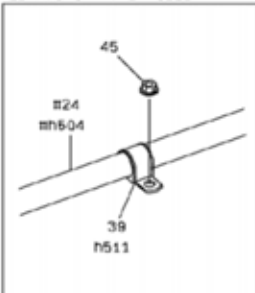


PILOT PIPING

(NOTE): THE PREFIX OF "H" MEANS HEAT RESISTING TYPE.



DETAIL OF PIPE HOLDER



2-B

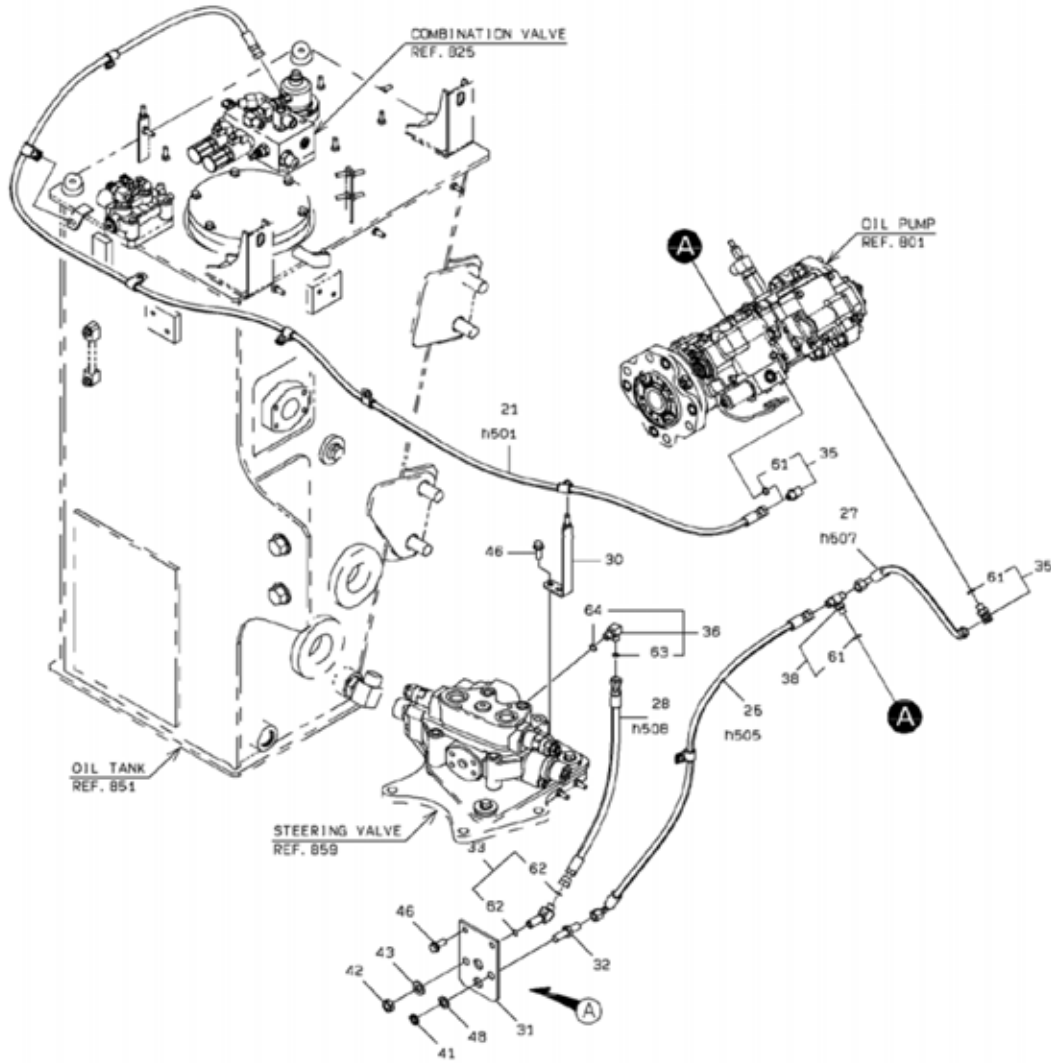
PILOT PIPING

SYM-BOL	PART NUMBER	PART NAME	UNIT Q,TY	SERIAL		REMARKS							
				(A)	(B)	N	P	D	(A)	(B)	(C)	(D)	REMARKS
21A	43103-24050	HOSE,HIGH PRESSURE	1	5001	-								
22A	68045-20058-7	HOSE,HIGH PRESSURE	1	5001	-								
23A	68035-20055-7	HOSE,HIGH PRESSURE	1	5001	-								
24A	68045-20065-7	HOSE,HIGH PRESSURE	1	5001	-								
25A	68035-20034	HOSE,HIGH PRESSURE	1	5001	-								
26A	68035-20044-7	HOSE,HIGH PRESSURE	1	5001	-								
27A	68035-20024	HOSE,HIGH PRESSURE	1	5001	-								
28A	68835-20029-7	HOSE,HIGH PRESSURE	1	5001	-								
29A	68035-30042-7	HOSE,HIGH PRESSURE	1	5001	-								
30A	68835-20075-7	HOSE,HIGH PRESSURE	1	5001	-								
31A	67040-12000	HOSE,HEAT RESISTING LP	1 M	5001	-								L=340
32A	30230-30550	ADAPTER	1	5001	-				Y01				
33A	30230-20150	ADAPTER	2	5001	-				Y02				
34A	30230-30130	ADAPTER	1	5001	-				Y02				
35A	30241-21040	ADAPTER,ELBOW	1	5001	-				Y02				
36A	88241-07106	ADAPTER,ELBOW	2	5001	-					Y03			
37A	88255-51109	ADAPTER,ELBOW	1	5001	-						Y04		
38A	30242-20770	ADAPTER,ELBOW UNION	1	5001	-								
39A	43573-20350	HOLDER,PIPE	1	5001	-								D=15
40A	43573-20460	HOLDER,PIPE	1	5001	-								D=22
41A	69002-02300-7	BAND,HOSE	2	5001	-								
42A	88820-00028	BUSHING,ELASTIC	1	5001	-								
43A	32923-21300	CLAMP,HOSE	2	5001	-								
44A	61802-10050	BOLT,FLANGED	1	5001	-								
45A	62480-21081	NUT,FLANGED	2	5001	-								
61A	65210-12014	RING,O	1	5001	-				01				
62A	47131-21010	RING,O	1	5001	-				01				
63A	65231-00081	RING,O	1	5001	-					02			
65A	65210-12014	RING,O	1	5001	-						03		
67A	47131-21010	RING,O	1	5001	-							04	
68A	65231-00061	RING,O	1	5001	-							04	
501A	43103-26020	HOSE,HIGH PRESSURE	1	5001	-								OPT
502A	43103-26030	HOSE,HIGH PRESSURE	1	5001	-								OPT
503A	43113-53580	HOSE,HIGH PRESSURE	1	5001	-								OPT
504A	43103-23310	HOSE,HIGH PRESSURE	1	5001	-								OPT
505A	43103-26040	HOSE,HIGH PRESSURE	1	5001	-								OPT
506A	43103-26050	HOSE,HIGH PRESSURE	1	5001	-								OPT
507A	43103-26060	HOSE,HIGH PRESSURE	1	5001	-								OPT
508A	43103-26070	HOSE,HIGH PRESSURE	1	5001	-								OPT
509A	43103-26080	HOSE,HIGH PRESSURE	1	5001	-								OPT
510A	43103-26090	HOSE,HIGH PRESSURE	1	5001	-								OPT
511A	43573-20360	HOLDER,PIPE	1	5001	-								OPT D=20

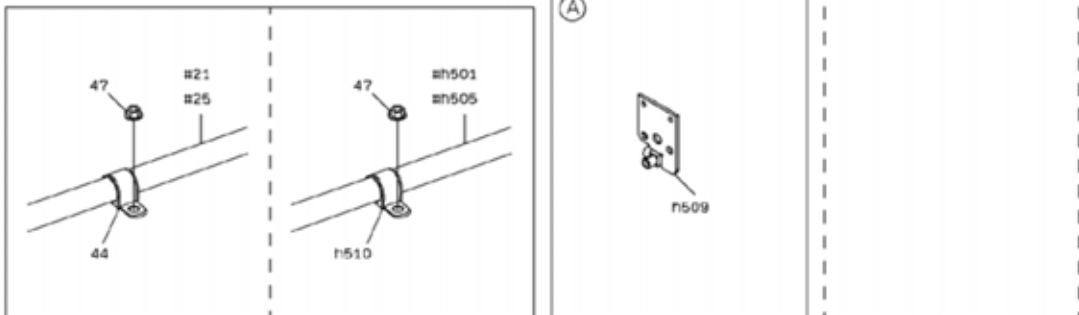
MEMO

PILOT PIPING

(NOTE): THE PREFIX OF "H" MEANS HEAT RESISTING TYPE.

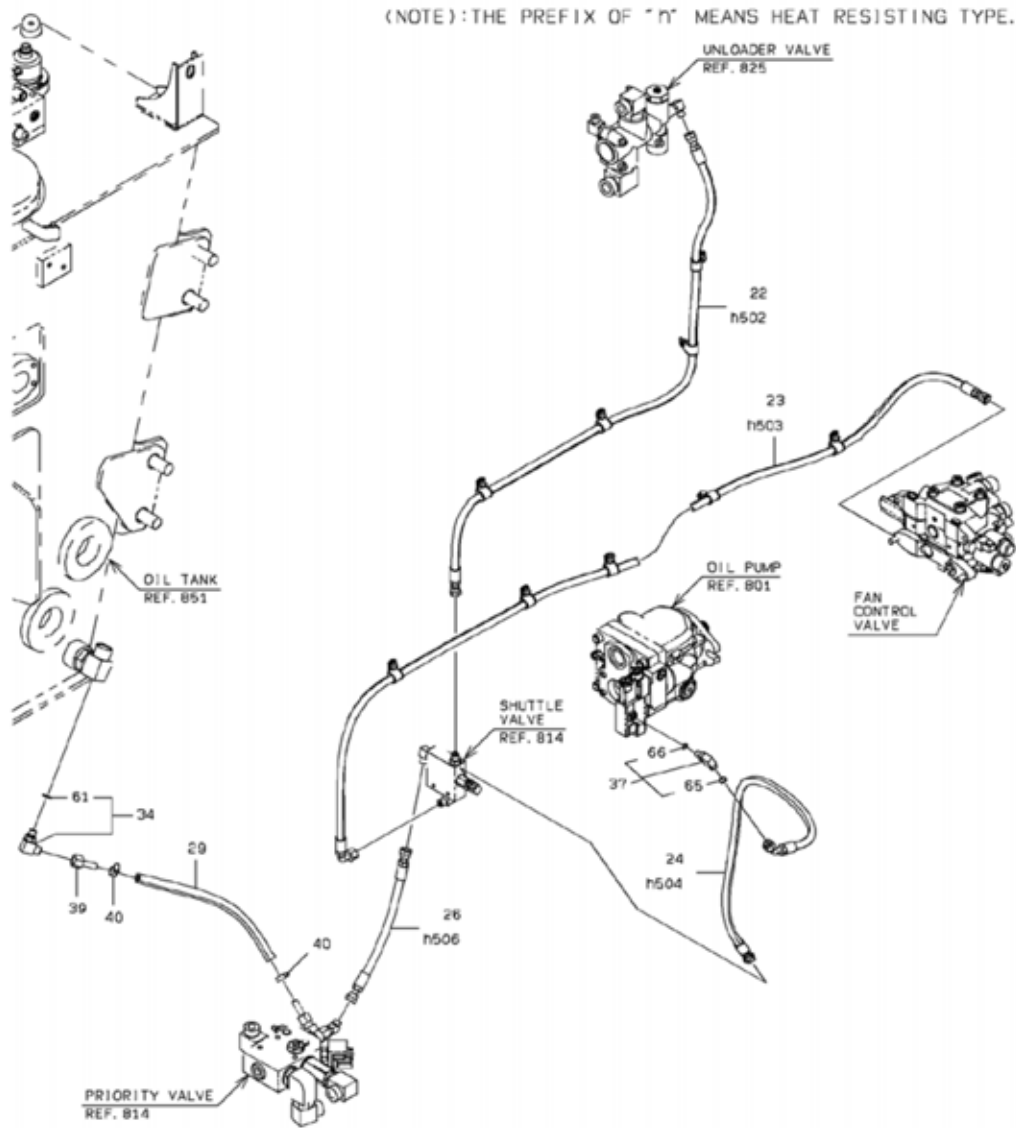


DETAIL OF PIPE HOLDER

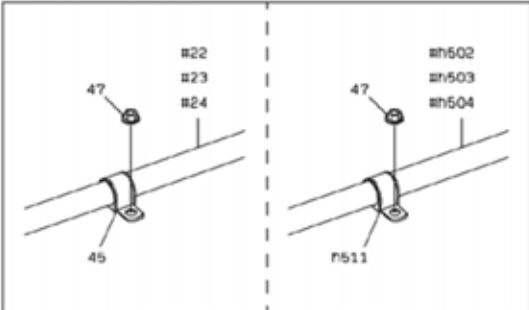


1-8

PILOT PIPING



DETAIL OF PIPE HOLDER



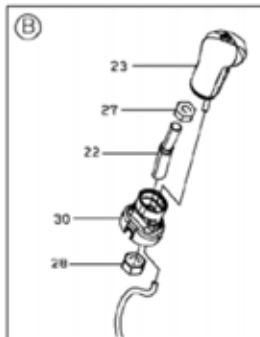
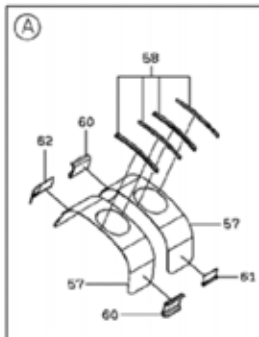
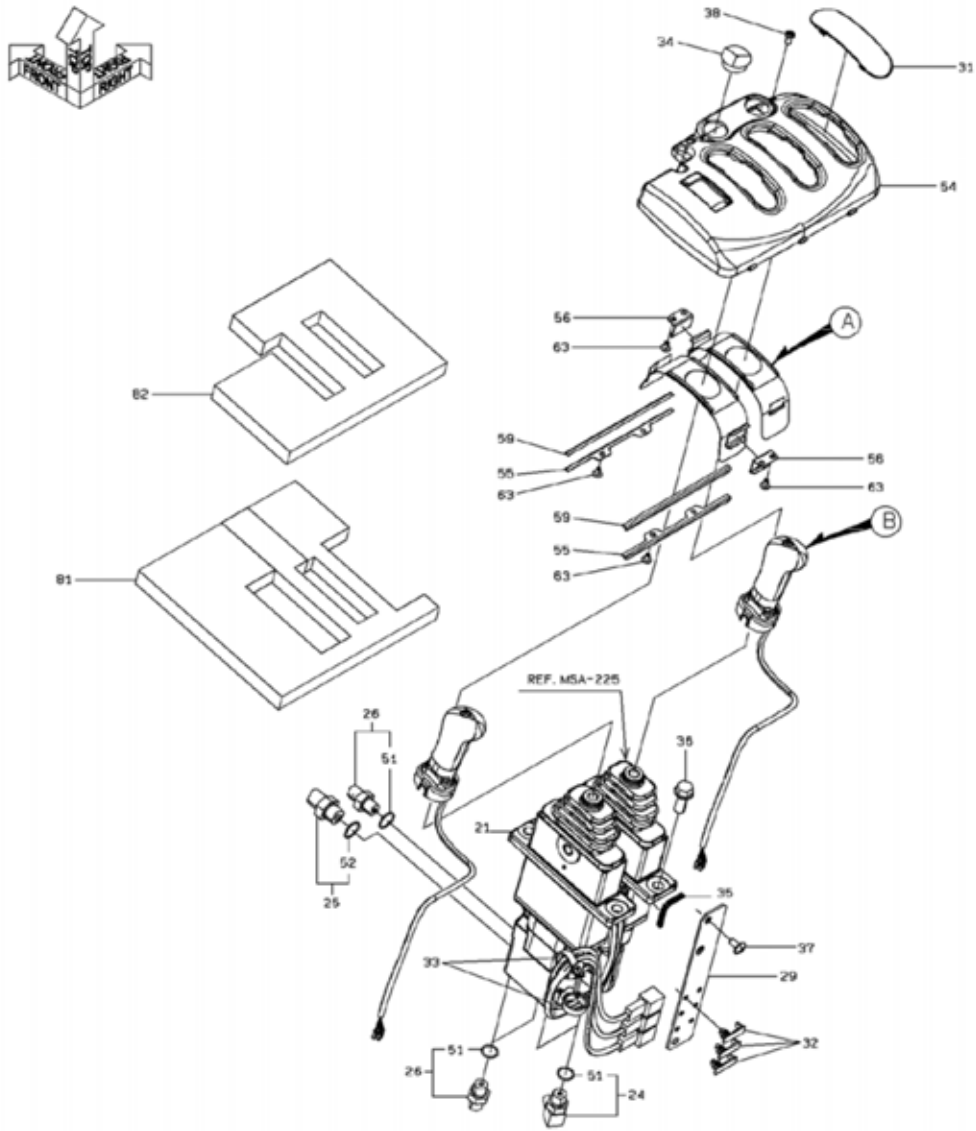
2-8

PILOT PIPING

SYM-BOL	PART NUMBER	PART NAME	UNIT Q,TY	SERIAL		REMARKS						
				(A)	(B)	N	P	D	(A)	(B)	(C)	(D)
21A	68055-10260-7	HOSE,HIGH PRESSURE	1	5001	-							
22A	68855-10137-7	HOSE,HIGH PRESSURE	1	5001	-							
23A	68835-10293-7	HOSE,HIGH PRESSURE	1	5001	-							
24A	68845-10097-7	HOSE,HIGH PRESSURE	1	5001	-							
25A	68635-10085-7	HOSE,HIGH PRESSURE	1	5001	-							
26A	68855-10034-7	HOSE,HIGH PRESSURE	1	5001	-							
27A	68635-10038-7	HOSE,HIGH PRESSURE	1	5001	-							
28A	68855-10047-7	HOSE,HIGH PRESSURE	1	5001	-							
29A	67040-09000	HOSE,HEAT RESISTING LP	1 M	5001	-							L=370
30A	41754-28770	PLATE	1	5001	-							
31A	41716-55170	PLATE	1	5001	-							
32A	30230-22740	ADAPTER	1	5001	-							
33A	30241-27270	ADAPTER,ELBOW	1	5001	-				Y02			
34A	30241-20890	ADAPTER,ELBOW	1	5001	-			Y01				
35A	88241-07104	ADAPTER,ELBOW	2	5001	-			Y01				
36A	88255-10904	ADAPTER,ELBOW	1	5001	-					Y03		
37A	88255-40907	ADAPTER,ELBOW	1	5001	-						Y04	
38A	30246-21550	ADAPTER,TEE	1	5001	-			Y01				
39A	88511-03060	NIPPLE,HOSE	1	5001	-							
40A	69002-02200-7	BAND,HOSE	2	5001	-							
41A	37600-20790	NUT	1	5001	-							
42A	62423-81095	NUT(UNIFY)	1	5001	-							
43A	46011-22710	WASHER,PLANE	1	5001	-							
44A	43573-20280	HOLDER,PIPE	7	5001	-							D=12
45A	43573-20350	HOLDER,PIPE	13	5001	-							D=15
46A	61802-10025	BOLT,FLANGED	4	5001	-							
47A	62480-21081	NUT,FLANGED	20	5001	-							
48A	62701-40121-7	WASHER,PLANE	1	5001	-							
61A	65210-12011	RING,O	1	5001	-			01				
62A	47131-21720	RING,O	2	5001	-				02			
63A	47131-21720	RING,O	1	5001	-					03		
64A	65210-12011	RING,O	1	5001	-					03		
65A	47131-21720	RING,O	1	5001	-						04	
66A	65231-00041	RING,O	1	5001	-						04	
501A	43103-26110	HOSE,HIGH PRESSURE	1	5001	-							OPT
502A	43103-26210	HOSE,HIGH PRESSURE	1	5001	-							OPT
503A	43103-26220	HOSE,HIGH PRESSURE	1	5001	-							OPT
504A	43103-26230	HOSE,HIGH PRESSURE	1	5001	-							OPT
505A	43103-26240	HOSE,HIGH PRESSURE	1	5001	-							OPT
506A	43103-26250	HOSE,HIGH PRESSURE	1	5001	-							OPT
507A	43103-26370	HOSE,HIGH PRESSURE	1	5001	-							OPT
508A	43103-26270	HOSE,HIGH PRESSURE	1	5001	-							OPT
509A	30246-26520	ADAPTER,TEE	1	5001	-							OPT
510A	43573-20290	HOLDER,PIPE	7	5001	-							OPT D=16
511A	43573-20360	HOLDER,PIPE	13	5001	-							OPT D=20

MEMO

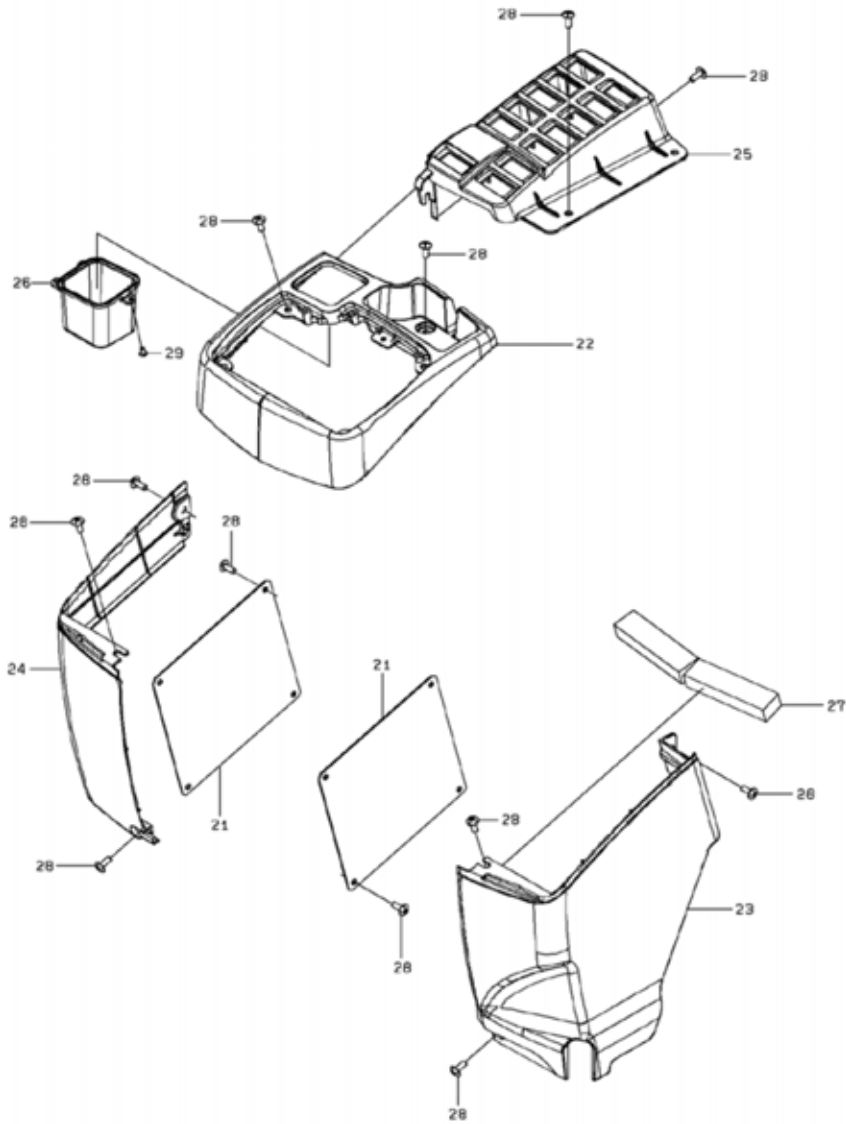
PILOT PIPING (2-SPOOL)



PILOT PIPING (2-SPOOL)

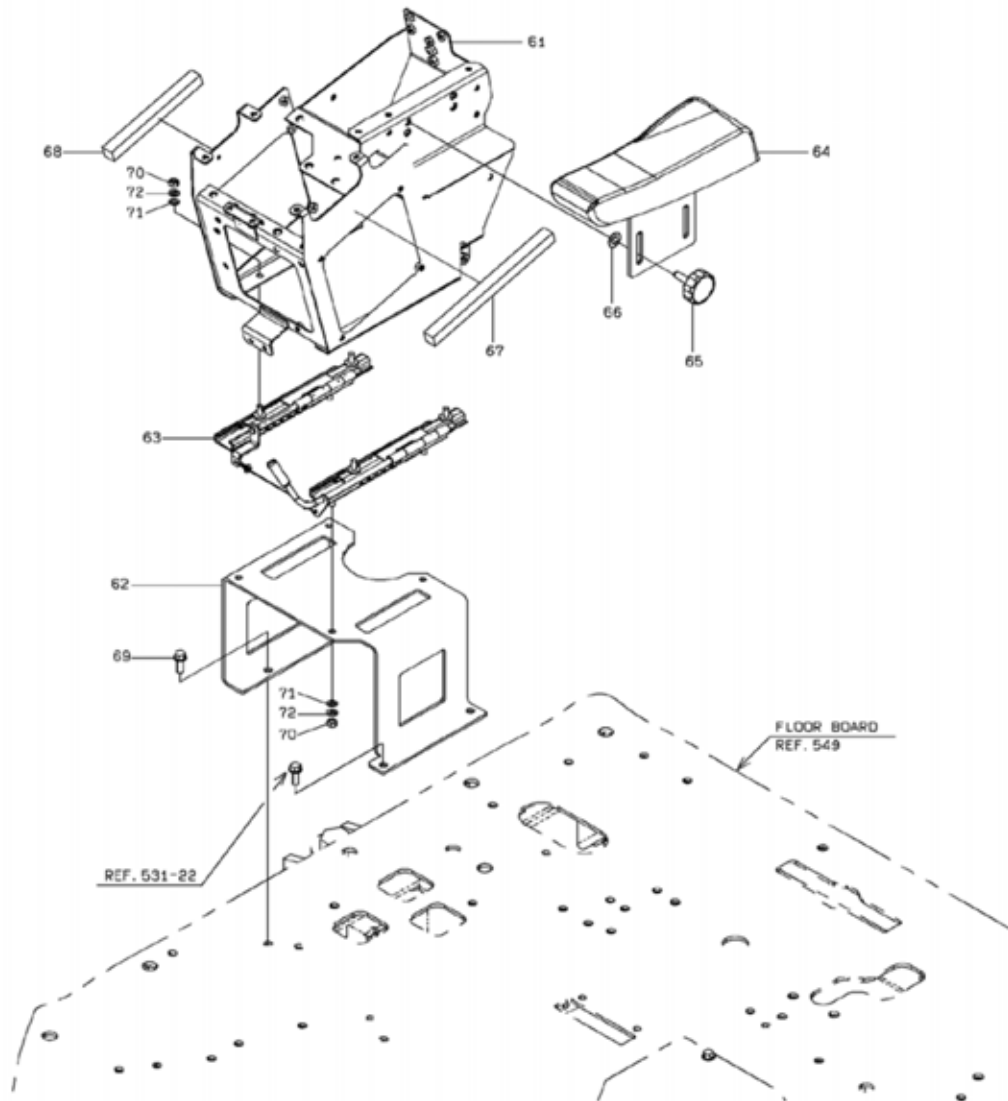
SYM-BOL	PART NUMBER	PART NAME	UNIT Q,TY	SERIAL		REMARKS							
				(A)	(B)	N	P	D	(A)	(B)	(C)	(D)	REMARKS
21A	38560-60870	VALVE,PILOT	1	5001	-								REF.MSA-225
22A	45870-30260	ROD	2	5001	-								
23A	45600-60090	LEVER	2	5001	-								
24A	88241-07104	ADAPTER,ELBOW	2	5001	-				Y01				
25A	88201-06706	ADAPTER	1	5001	-					Y02			
26A	88201-06704	ADAPTER	3	5001	-				Y01				
27A	62401-92101	NUT	2	5001	-								
28A	62401-92121	NUT	2	5001	-								
29A	41716-20100	PLATE	1	5001	-								
30A	31200-60780	COVER	2	5001	-								
31A	32210-60210	CAP	1	5001	-								
32A	32970-20160	CLIP	3	5001	-								
33A	32925-20030	CLAMP,CABLE	2	5001	-								
34A	41530-60160	PLUG	1	5001	-								
35A	40850-70280	BUSHING,ELASTIC	1	5001	-								
36A	61802-10025	BOLT,FLANGED	4	5001	-								
37A	35100-72470	SCREW	2	5001	-								5022
37B	35100-20330	SCREW	2	5023	-								5100
37C	80106-50610	SCREW	2	5101	-				A				
38A	35106-20130	SCREW,TAPPING	3	5001	-								5100
38B	81044-05012	SCREW,TAPPING	3	5101	-				A				
51A	65210-12011	RING,O	1	5001	-					01			
52A	65210-12014	RING,O	1	5001	-						02		
54A	31200-60910	COVER	1	5001	-								
55A	41715-58530	PLATE	2	5001	-								
56A	41716-39450	PLATE	2	5001	-								
57A	41715-60160	PLATE	2	5001	-								
58A	44180-21030	MAT	4	5001	-								
59A	44180-21040	MAT	2	5001	-								
60A	44180-21090	MAT	2	5001	-								
61A	44180-21080	MAT	1	5001	-								
62A	44180-21070	MAT	1	5001	-								
63A	35106-20100	SCREW,TAPPING	8	5001	-								
81A	35681-37630	SPONGE	1	5001	-								
82A	35681-37640	SPONGE	1	5001	-								

CONTROL BOX



1-A

CONTROL BOX



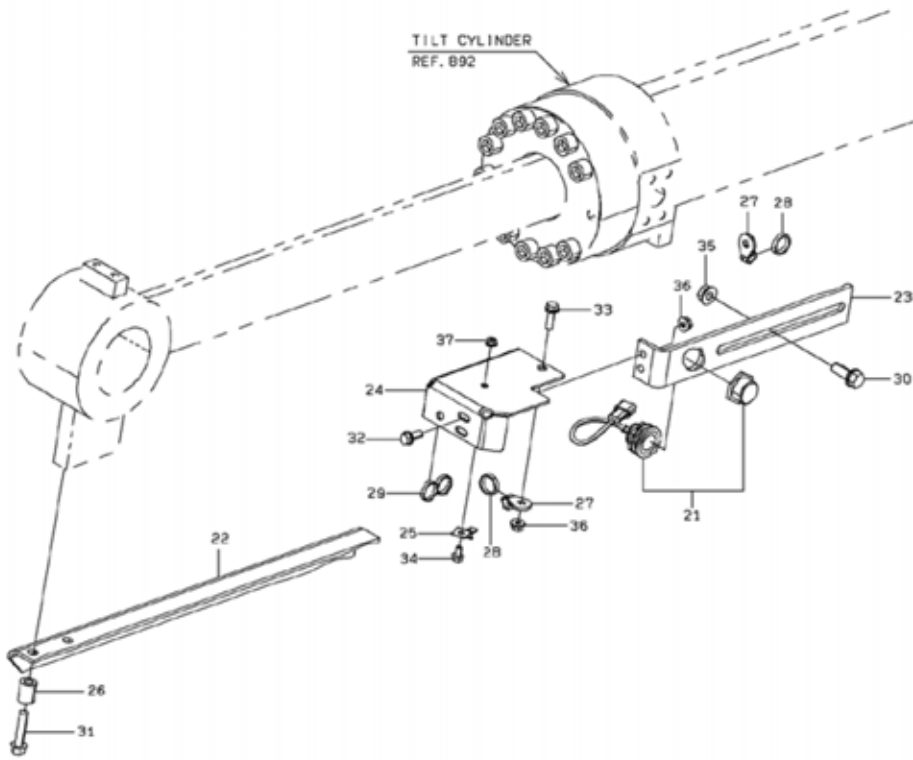
1-A

CONTROL BOX

SYM-BOL	PART NUMBER	PART NAME	UNIT Q,TY	SERIAL		REMARKS						
				(A)	(B)	N	P	D	(A)	(B)	(C)	(D)
21A	41714-53270	PLATE	2	5001	-							
22A	31200-60890	COVER	1	5001	-							
23A	31200-60500	COVER	1	5001	-							
24A	31200-60730	COVER	1	5001	-							
25A	31200-60900	COVER	1	5001	-							
26A	31200-60480	COVER	1	5001	-							
27A	35681-37420	SPONGE	2	5001	- 5154							
27B	35681-40880	SPONGE	2	5155	-	A						
28A	35100-20010	SCREW	25	5001	- 5100							
28B	80106-50616	SCREW	25	5101	- 5151	A						
28C	80106-50616	SCREW	23	5152	-							
29A	35106-20100	SCREW,TAPPING	3	5001	-							
61A	43800-31060	BOX	1	5001	- 5198							
61B	43800-32290	BOX	1	5199	-	C						
62A	40903-26880	BRACKET	1	5001	-							
63A	35720-60010	SLIDE ASSY	1	5001	-							
64A	30062-60070	ARMREST	1	5001	-							
65A	37810-60400	KNOB	2	5001	-							
66A	46024-20070	WASHER,CONICAL SPRING	2	5001	-							
67A	35681-35980	SPONGE	1	5001	- 5156							
67B	35681-40860	SPONGE	1	5157	-	A						
68A	35681-35990	SPONGE	1	5001	- 5156							
68B	35681-40870	SPONGE	1	5157	-	A						
69A	61802-10025	BOLT,FLANGED	3	5001	- 5198							
69B	80102-71025	BOLT,W/WASHER	3	5199	-	C						
70A	62401-92081	NUT	8	5001	- 5198							
70B	80109-50008	NUT	8	5199	-	C						
71A	62701-40081	WASHER,PLANE	8	5001	- 5198							
71B	80015-90108	WASHER,PLANE	8	5199	-	C						
72A	62721-08100	WASHER,SPRING	8	5001	- 5198							
72B	80015-90908	WASHER,SPRING	8	5199	-	C						

MEMO

BUCKET POSITIONER GROUP



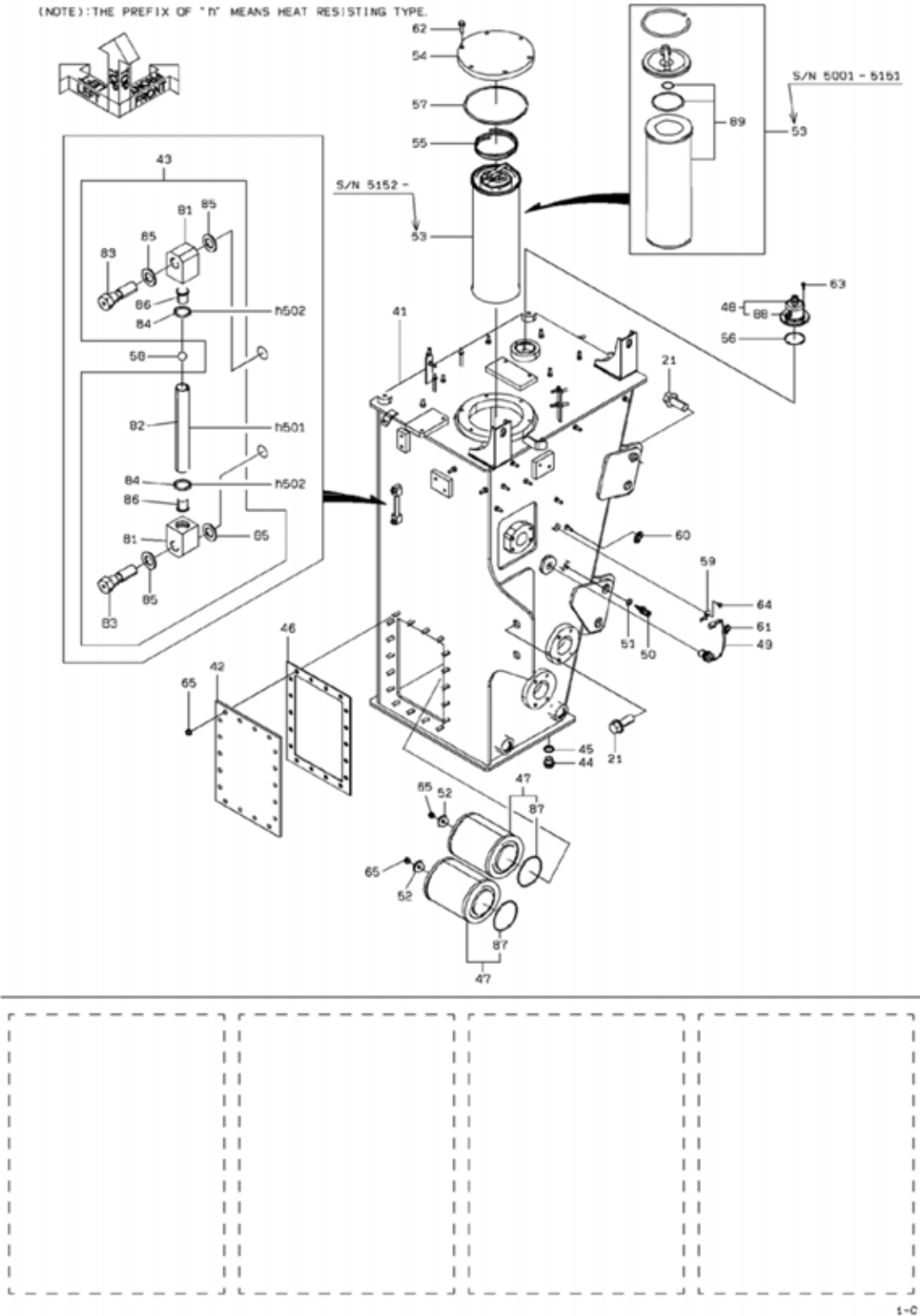
0-A

BUCKET POSITIONER GROUP

SYM-BOL	PART NUMBER	PART NAME	UNIT Q,TY	SERIAL		REMARKS						
				(A)	(B)	N	P	D	(A)	(B)	(C)	(D)
21A	35051-60160	SWITCH,PROXIMITY	1	5001	-							
22A	30502-28700	ANGLE	1	5001	-							
23A	41751-30270	PLATE	1	5001	-							
24A	41716-25610	PLATE	1	5001	-							
25A	43550-21210	HOLDER	1	5001	-							
26A	43780-37490	BOSS	2	5001	-							
27A	32923-70120	CLAMP,HOSE	2	5001	-	5042						FR M8
27B	32923-70120	CLAMP,HOSE	3	5043	-							FR M8
28A	32923-70090	CLAMP,HOSE	2	5001	-	5042						L=202
28B	32923-70090	CLAMP,HOSE	3	5043	-							L=202
29A	32923-70210	CLAMP,HOSE	1	5001	-							L=395
30A	61802-12030	BOLT,FLANGED	2	5001	-							
31A	61802-10045	BOLT,FLANGED	2	5001	-							
32A	61802-08020	BOLT,FLANGED	2	5001	-							
33A	61802-08025-7	BOLT,FLANGED	1	5001	-							
34A	61802-06012	BOLT,FLANGED	1	5001	-							
35A	62480-21121	NUT,FLANGED	2	5001	-							
36A	62480-21081	NUT,FLANGED	3	5001	-							
37A	62480-21061	NUT,FLANGED	1	5001	-							

OIL TANK

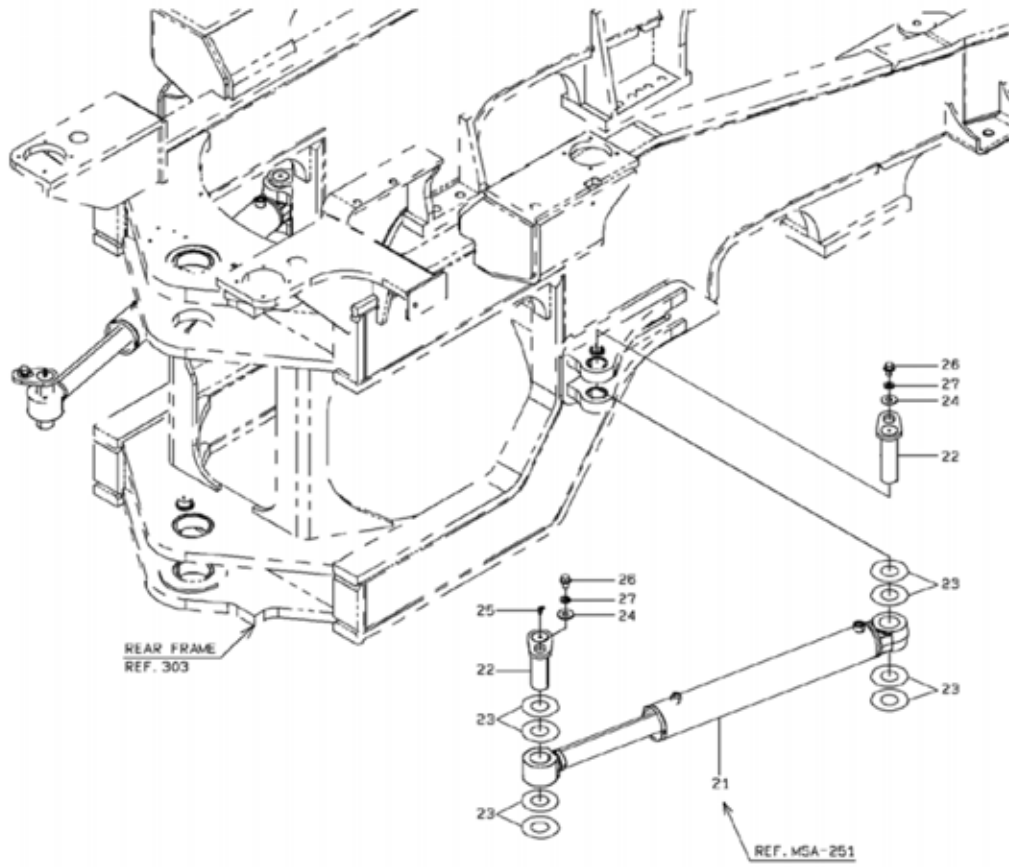
(NOTE): THE PREFIX OF "H" MEANS HEAT RESISTING TYPE.



OIL TANK

SYM-BOL	PART NUMBER	PART NAME	UNIT Q,TY	SERIAL		REMARKS							
				(A)	(B)	N	P	D	(A)	(B)	(C)	(D)	REMARKS
21A	61802-24060	BOLT,FLANGED	6	5001	-								
41A	36229-25410	TANK,OIL	1	5001	-	5010							
41B	36229-25790	TANK,OIL	1	5024	-	5028							
41C	36229-25920	TANK,OIL	1	5029	-		C						
42A	41611-22180	PLATE	1	5001	-								
43A	33258-20010	GAUGE,LEVEL	1	5001	-				Y01				
44A	41535-20130	PLUG,MAGNET	2	5001	-								
45A	88111-12490	WASHER,SEAL	2	5001	-								
46A	31990-20030	GASKET	1	5001	-								
47A	40335-60150	FILTER ASSY,SUCTION	2	5001	-				Y02				
48A	38530-60170	VALVE ASSY,BREATHER	1	5001	-					Y03			
49A	35824-60040	SENSOR,OIL LEVEL	1	5001	-								
50A	35829-60160	SENSOR,TEMPERATURE	1	5001	-								
51A	88111-11200	WASHER,SEAL	1	5001	-								
52A	46011-20050	WASHER,PLANE	2	5001	-								
53A	40338-60240	FILTER ASSY,RETURN	1	5001	-	5151			Y05				
53B	40338-60270	FILTER ASSY,RETURN	1	5152	-	5166	C						
53C	40338-60340	FILTER ASSY,RETURN	1	5167	-		C						
54A	31206-60010	COVER	1	5001	-								
55A	35600-24220	SPRING	1	5001	-								
56A	65210-22060	RING,O	1	5001	-								
57A	65210-22190	RING,O	1	5001	-								
58A	40740-20050	FLOAT	1	5001	-								
59A	43550-21210	HOLDER	1	5001	-								
60A	32923-70120	CLAMP,HOSE	1	5001	-								FR M8
61A	32923-70090	CLAMP,HOSE	1	5001	-								L=202
62A	61802-10030	BOLT,FLANGED	6	5001	-								
63A	61802-05012	BOLT,FLANGED	4	5001	-								
64A	61802-06010	BOLT,FLANGED	1	5001	-								
65A	62480-21101-7	NUT,FLANGED	20	5001	-								
81A	41410-90010	BLOCK	2	5001	-				01				
82A	36700-90010	TUBE	1	5001	-				01				
83A	43953-90010	BOLT,JOINT	2	5001	-				01				
84A	47131-90010	RING,O	2	5001	-				01				
85A	46023-90010	WASHER,SEAL	4	5001	-				01				
86A	35750-90010	SLEEVE	2	5001	-				01				
87A	47131-78720	RING,O	1	5001	-					02			
88A	30981-70990	ELEMENT,FILTER	1	5001	-						03		
89A	30981-60260	ELEMENT,FILTER	1	5001	-	5151			05				ELEMENT ASSY(W/ORING
501A	33258-20310-7	GAUGE,LEVEL	1	5001	-								OPT
502A	47131-21930-7	RING,O	2	5001	-								OPT

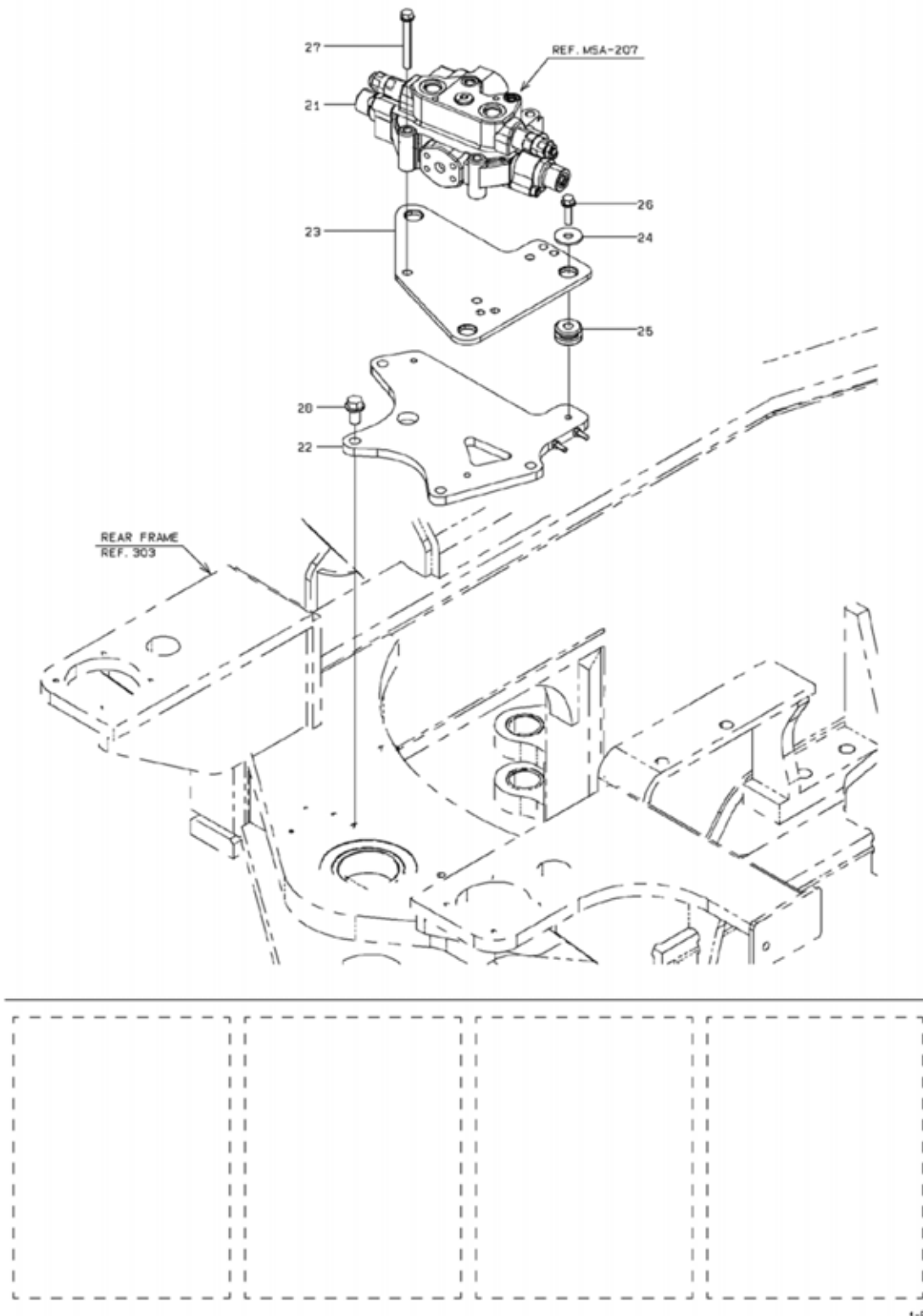
STEERING PARTS (STEERING CYLINDER)



STEERING PARTS (STEERING CYLINDER)

SYM-BOL	PART NUMBER	PART NAME	UNIT Q,TY	SERIAL (A) - (B)	REMARKS				REMARKS
					N	P	D	(A) (B) (C) (D)	
21A	34820-67950	CYLINDER ASSY,OIL	2	5001 -					REF.MSA-251
22A	40000-25600	PIN	4	5001 -					
23A	41621-20110	PLATE	16	5001 -					
24A	46011-20150	WASHER,PLANE	4	5001 -					
25A	75011-42300	NIPPLE,GREASE	2	5001 - 5039					
25B	75011-45400	NIPPLE,GREASE	2	5040 -	C				
26A	61802-16020	BOLT,FLANGED	4	5001 -					
27A	62721-16100	WASHER,SPRING	4	5001 -					

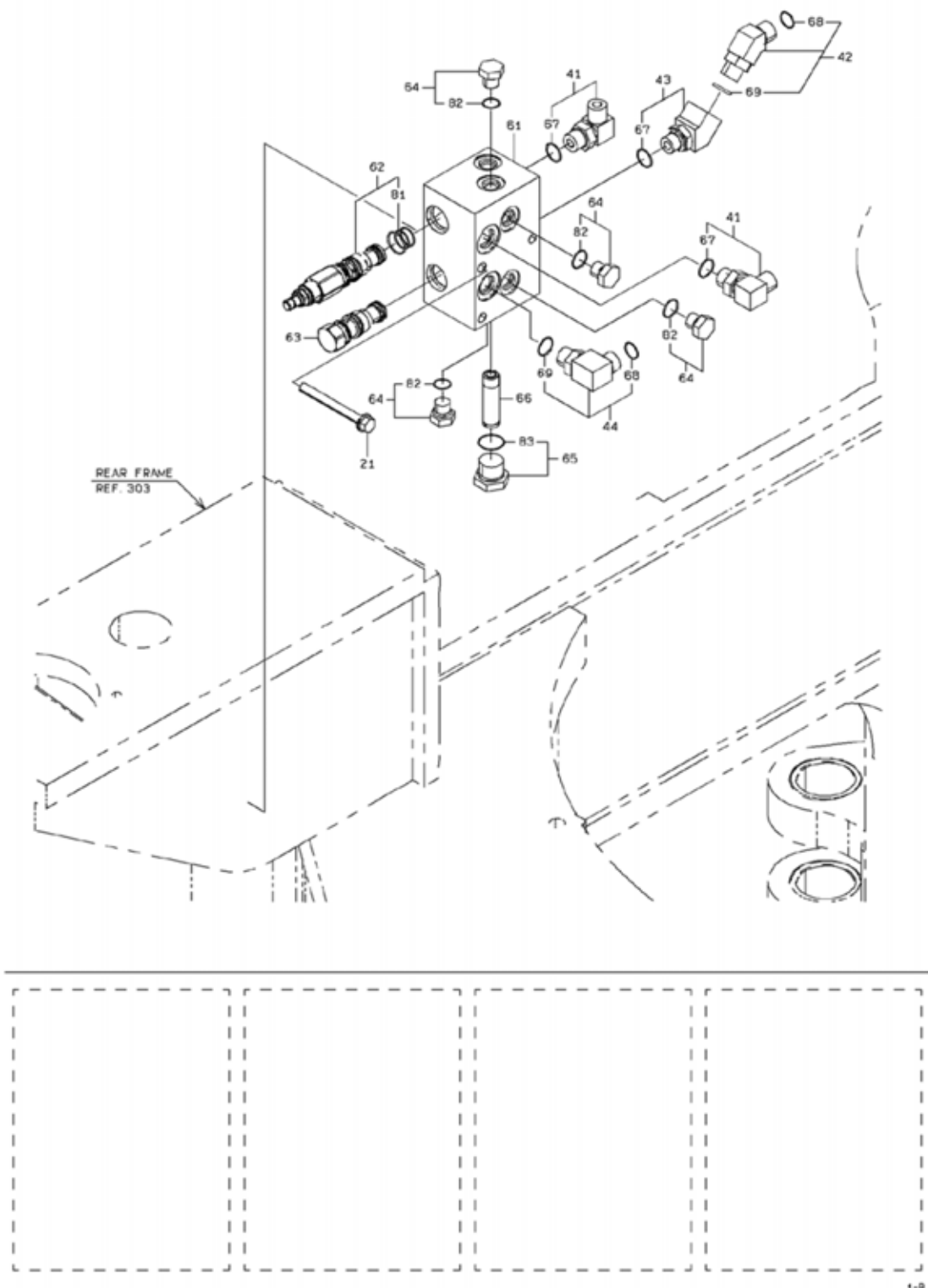
STEERING PARTS (STEERING VALVE)



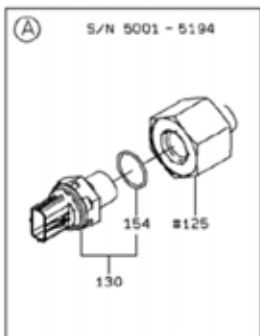
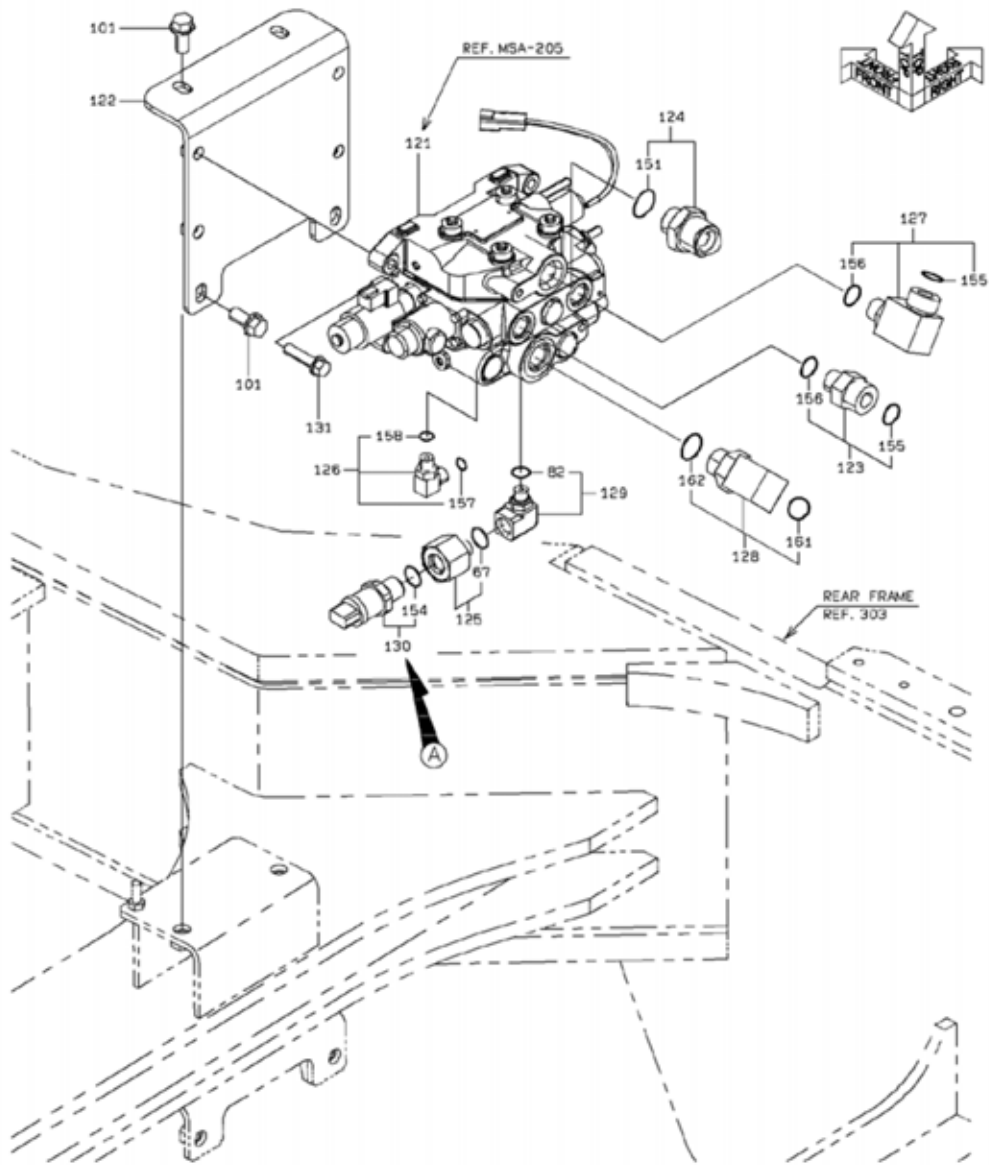
STEERING PARTS (STEERING VALVE)

SYM-BOL	PART NUMBER	PART NAME	UNIT Q,TY	SERIAL		REMARKS						
				(A)	(B)	N	P	D	(A)	(B)	(C)	(D)
21A	38523-61160	VALVE ASSY,STEERING	1	5001	-	5108						REF.MSA-207
21B	38523-61250	VALVE ASSY,STEERING	1	5109	-		C					REF.MSA-207
22A	41754-27070	PLATE	1	5001	-							
23A	41754-27080	PLATE	1	5001	-							
24A	41615-22330	PLATE	3	5001	-							
25A	40850-20060	BUSHING,ELASTIC	3	5001	-							
26A	61802-12040	BOLT,FLANGED	3	5001	-							
27A	61802-12100	BOLT,FLANGED	3	5001	-							
28A	61802-16030	BOLT,FLANGED	4	5001	-							

VALVE MOUNT

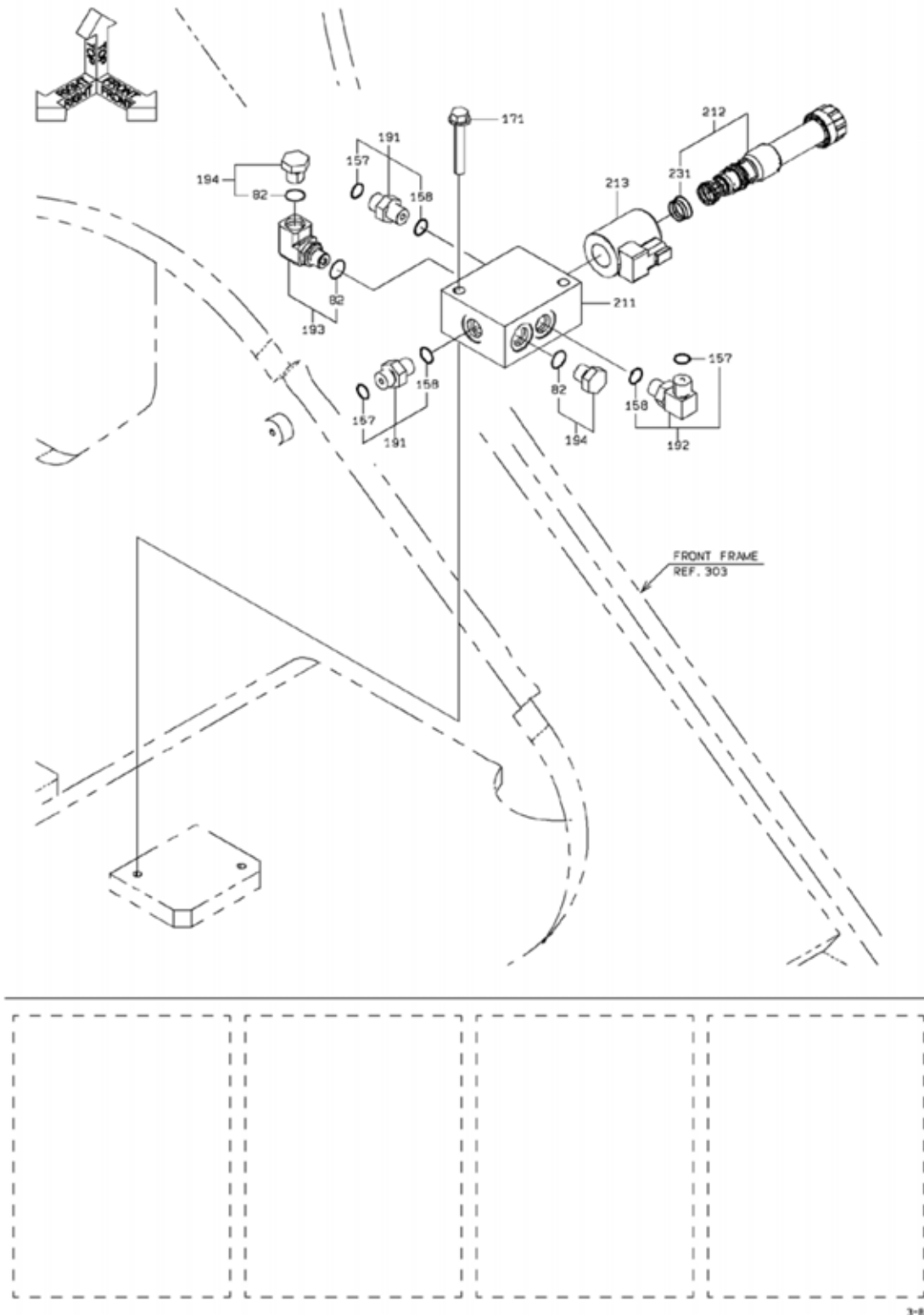


VALVE MOUNT



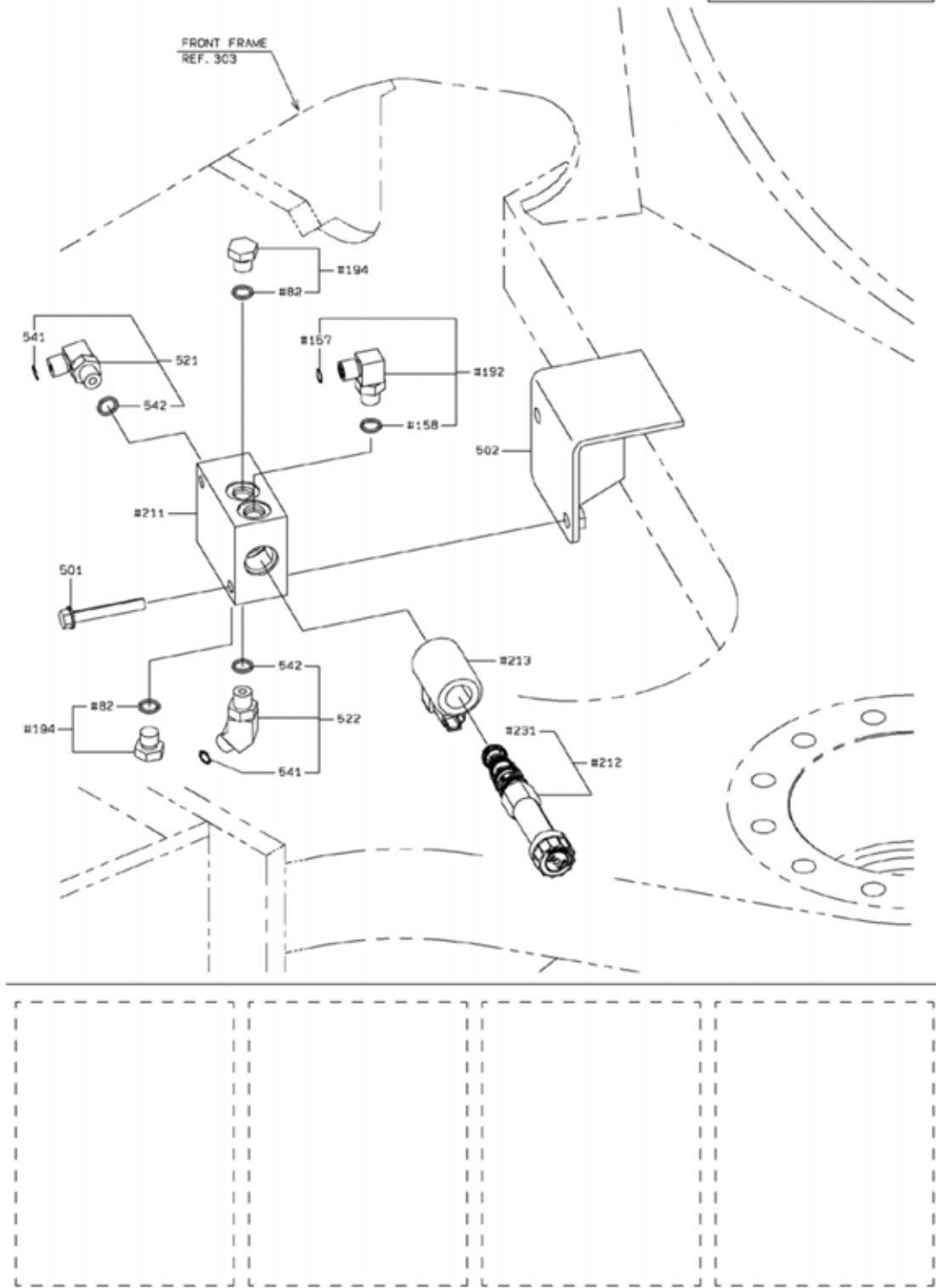
2-C

VALVE MOUNT



VALVE MOUNT

HEAT RESISTING TYPE



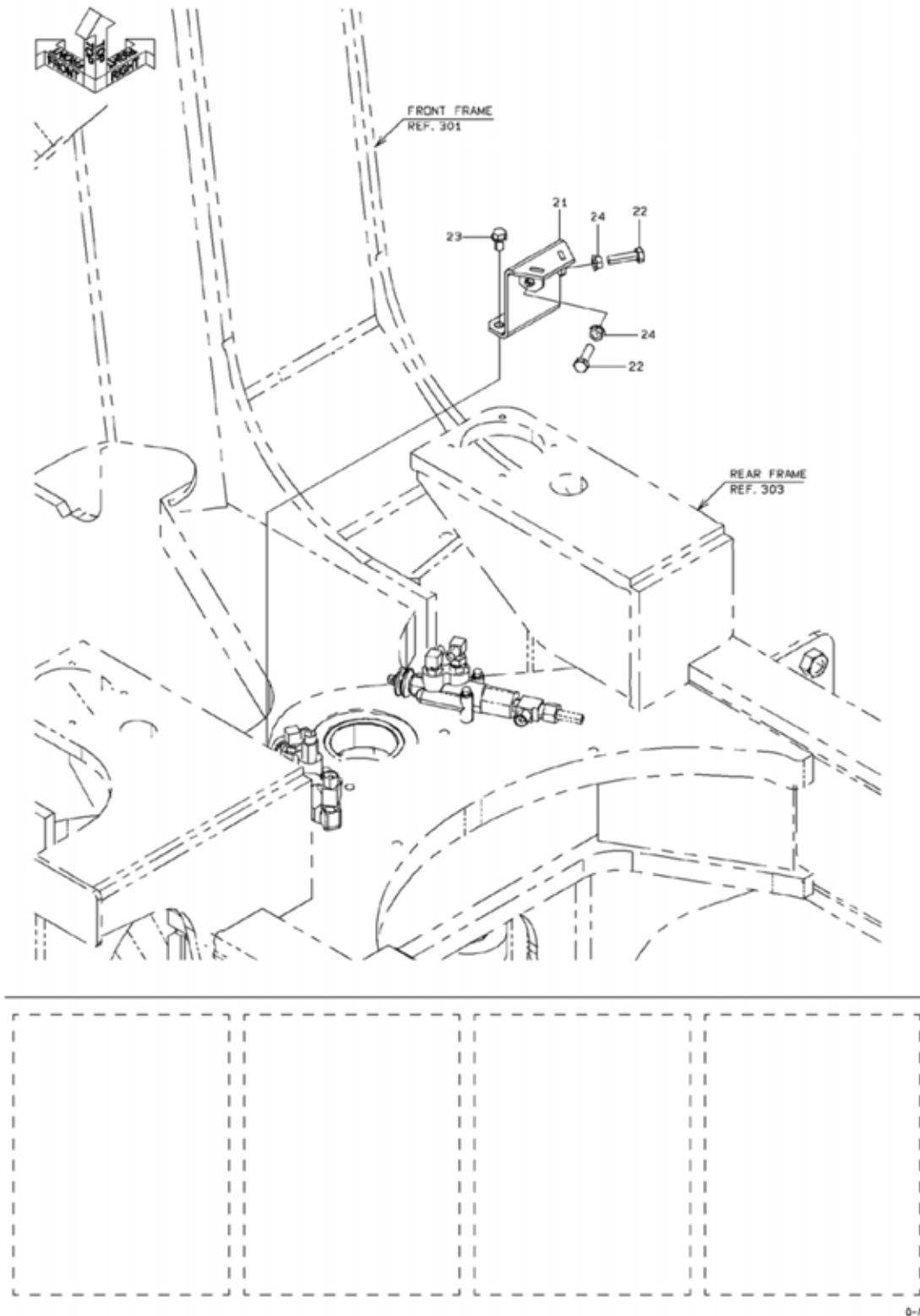
4-A

VALVE MOUNT

SYM-BOL	PART NUMBER	PART NAME	UNIT Q,TY	SERIAL		REMARKS								
				(A)	(B)	N	P	D	(A)	(B)	(C)	(D)	REMARKS	
21A	61802-08075	BOLT,FLANGED	3	5001	-									
41A	88241-07106	ADAPTER,ELBOW	2	5001	-				Y01					
42A	88255-31106	ADAPTER,ELBOW	1	5001	-							Y08		
43A	30241-22320	ADAPTER,ELBOW	1	5001	-				Y01					
44A	88255-11106	ADAPTER,ELBOW	1	5001	-							Y08		
61A	41410-41000	BLOCK	1	5001	-									
62A	38567-70300	VALVE,REDUCING	1	5001	-					Y02				
63A	38554-71160	VALVE,CHECK	1	5001	-									
64A	88390-21304	PLUG	4	5001	-							Y03		
65A	88390-21308	PLUG	1	5001	-								Y04	
66A	30981-70720	ELEMENT,FILTER	1	5001	-									
67A	65210-12014	RING,O	1	5001	-				01					
68A	47131-21010	RING,O	1	5001	-								08	
69A	65210-12014	RING,O	1	5001	-								08	
81A	49327-72080	SEAL KIT	1	5001	-					02				
82A	65210-12011	RING,O	1	5001	-							03		
83A	65210-12018	RING,O	1	5001	-								04	
101A	61802-12025	BOLT,FLANGED	4	5001	-									
121A	38521-60680	VALVE ASSY,CONTROL	1	5001	-									REF.MSA-205
122A	41754-27980	PLATE	1	5001	-									
123A	88215-11908	ADAPTER	1	5001	-				Y09					
124A	30230-21250	ADAPTER	1	5001	-				Y05					
125A	30230-29740	ADAPTER	1	5001	-				Y01					
126A	88255-10904	ADAPTER,ELBOW	1	5001	-					Y10				
127A	88255-11908	ADAPTER,ELBOW	1	5001	-				Y09					
128A	88255-11912	ADAPTER,ELBOW	1	5001	-							Y11		
129A	30241-20690	ADAPTER,ELBOW	1	5001	-							Y03		
130A	35830-60120	SENSOR,PRESSURE	1	5001	-	5194						Y07		
130B	35830-20060	SENSOR,PRESSURE	1	5195	-		A					Y07		
131A	61802-10040	BOLT,FLANGED	4	5001	-									
151A	65210-12024	RING,O	1	5001	-				05					
154A	47131-78730	RING,O	1	5001	-	5194						07		
154B	43658-26	RING,O	1	5195	-		B					07		
155A	47131-21020	RING,O	1	5001	-				09					
156A	65210-12018	RING,O	1	5001	-				09					
157A	47131-21720	RING,O	1	5001	-					10				
158A	65210-12011	RING,O	1	5001	-					10				
161A	47131-21020	RING,O	1	5001	-							11		
162A	65210-12024	RING,O	1	5001	-							11		
171A	61802-08050	BOLT,FLANGED	2	5001	-									
191A	88215-10904	ADAPTER	2	5001	-					Y10				
192A	88255-10904	ADAPTER,ELBOW	1	5001	-					Y10				
193A	30960-60010	ELBOW	1	5001	-							Y03		
194A	88390-21304	PLUG	2	5001	-	5168						Y03		
194B	80018-85002	PLUG	2	5169	-		C					Y03		
211A	41410-41290	BLOCK	1	5001	-									
212A	38511-71020	VALVE ASSY	1	5001	-								Y06	
213A	35910-70390	SOLENOID	1	5001	-									
231A	49327-74570	SEAL KIT	1	5001	-								06	
501A	61802-08055	BOLT,FLANGED	2	5001	-									OPT
502A	41754-47210	PLATE	1	5001	-									OPT WELDING
521A	88255-10904	ADAPTER,ELBOW	1	5001	-							Y12		OPT
522A	88255-30904	ADAPTER,ELBOW	1	5001	-							Y12		OPT
541A	47131-21720	RING,O	1	5001	-							12		OPT
542A	65210-12011	RING,O	1	5001	-							12		OPT

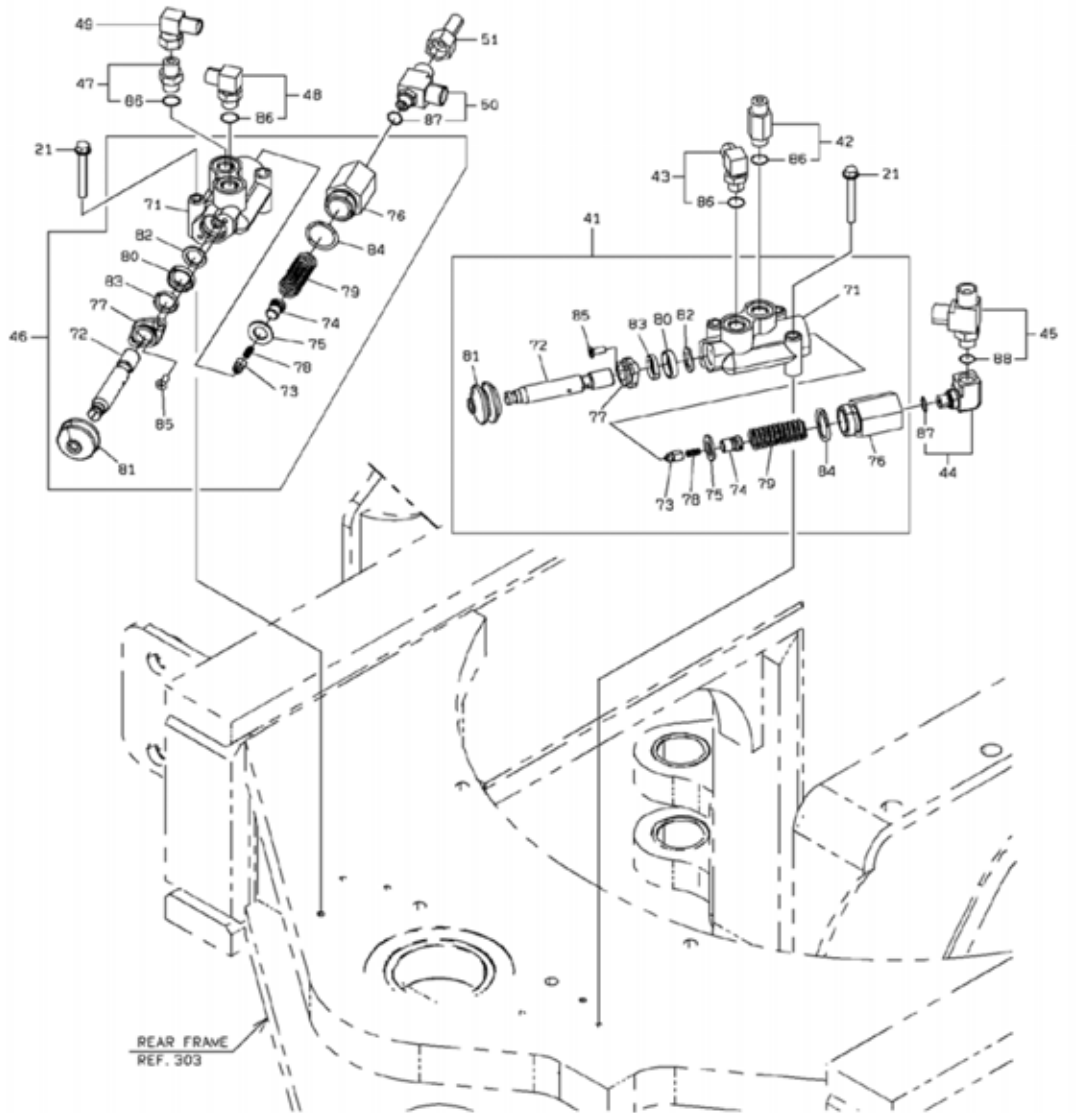
MEMO

STEERING PARTS (STOP VALVE PLATE)



0-A

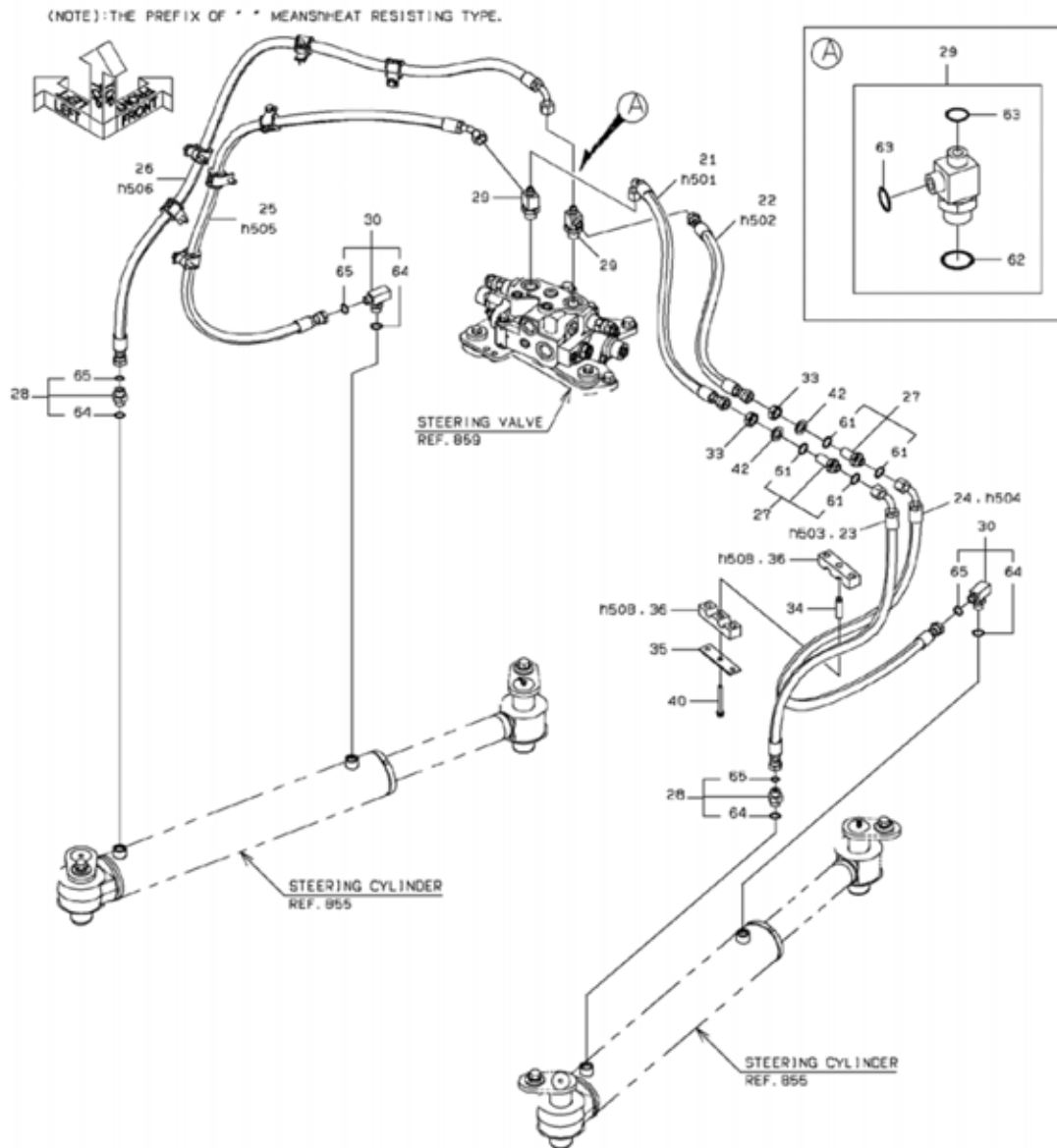
STEERING PARTS (STOP VALVE)



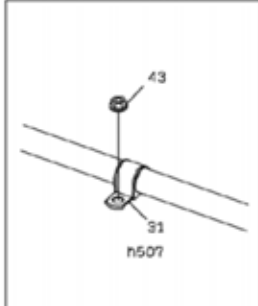
STEERING PARTS (STOP VALVE)

SYM-BOL	PART NUMBER	PART NAME	UNIT Q,TY	SERIAL		REMARKS								
				(A)	(B)	N	P	D	(A)	(B)	(C)	(D)	REMARKS	
21A	61802-08060	BOLT,FLANGED	6	5001	-									
41A	38510-20560	VALVE	1	5001	-					Y01				
42A	30230-20400	ADAPTER	1	5001	-						Y02			
43A	88241-07106	ADAPTER,ELBOW	1	5001	-						Y02			
44A	30241-20690	ADAPTER,ELBOW	1	5001	-							Y03		
45A	30246-20760	ADAPTER,TEE	1	5001	-								Y04	
46A	38510-20560	VALVE	1	5001	-					Y01				
47A	88201-06706	ADAPTER	1	5001	-						Y02			
48A	88241-07106	ADAPTER,ELBOW	1	5001	-						Y02			
49A	30242-20190	ADAPTER,ELBOW UNION	1	5001	-							Y03		
50A	30246-26350	ADAPTER,TEE	1	5001	-								Y03	
51A	88511-03080	NIPPLE,HOSE	1	5001	-									
71A	37900-27170	HOUSING	1	5001	-					01				
72A	35570-20350	SPOOL	1	5001	-					01				
73A	44074-20200	POPPET	1	5001	-					01				
74A	41530-22790	PLUG	1	5001	-					01				
75A	46000-20920	WASHER	1	5001	-					01				
76A	41530-23360	PLUG	1	5001	-					01				
77A	40510-26400	FLANGE	1	5001	-					01				
78A	35600-21710	SPRING	1	5001	-					01				
79A	35600-21700	SPRING	1	5001	-					01				
80A	35700-20810	SPACER	1	5001	-					01				
81A	40790-20210	BOOT	1	5001	-					01				
82A	39661-70390	PACKING,U	1	5001	-					01				
83A	34044-70660	SEAL,DUST	1	5001	-					01				
84A	65210-12029	RING,O	1	5001	-					01				
85A	62257-51616	SCREW	2	5001	-					01				
86A	65210-12014	RING,O	1	5001	-						02			
87A	65210-12011	RING,O	1	5001	-							03		
88A	65210-12024	RING,O	1	5001	-								04	

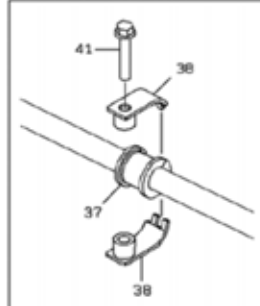
STEERING PIPING



DETAIL OF PIPE HOLDER

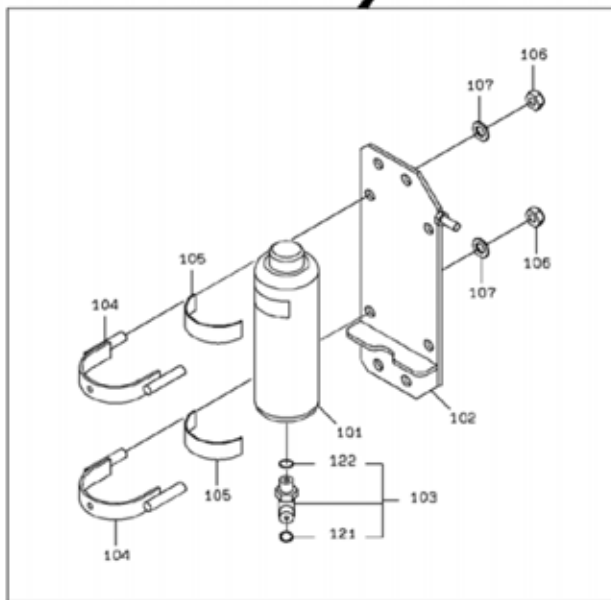
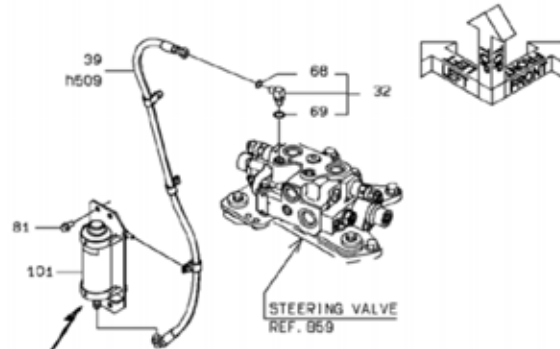


DETAIL OF HOSE CLAMP



STEERING PIPING

(NOTE): THE PREFIX OF "H" MEANS HEAT RESISTING TYPE.



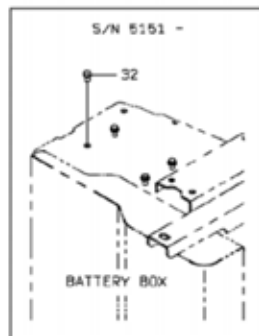
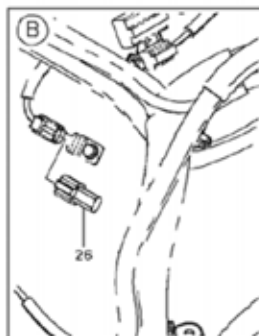
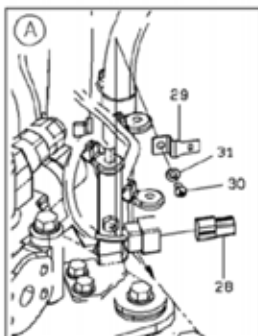
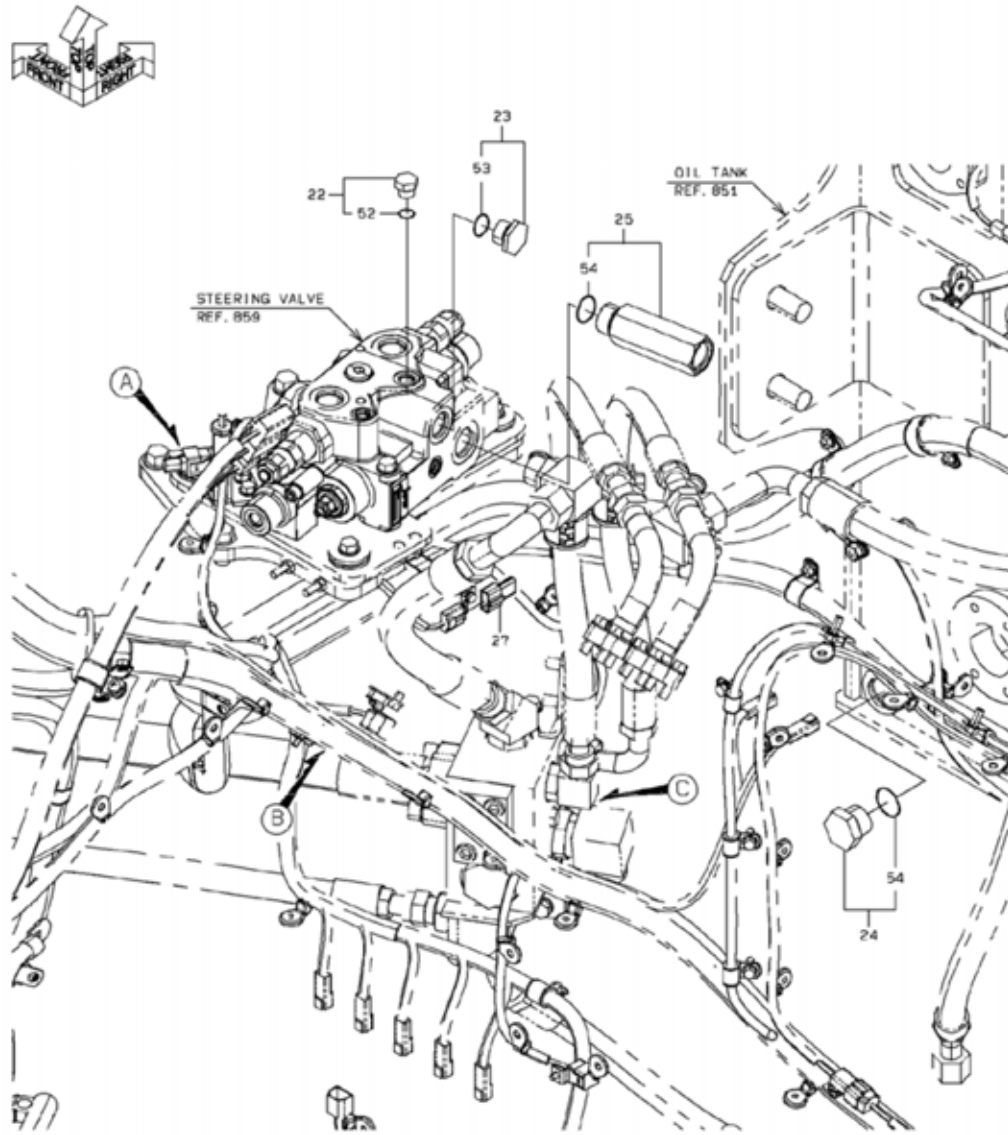
2-B

STEERING PIPING

SYM-BOL	PART NUMBER	PART NAME	UNIT Q,TY	SERIAL		REMARKS							
				(A)	(B)	N	P	D	(A)	(B)	(C)	(D)	REMARKS
21A	68835-30077-7	HOSE,HIGH PRESSURE	1	5001	-								
22A	68855-30063-7	HOSE,HIGH PRESSURE	1	5001	-								
23A	68835-38084-7	HOSE,HIGH PRESSURE	1	5001	-								
24A	68835-38131-7	HOSE,HIGH PRESSURE	1	5001	-								
25A	68845-38155-7	HOSE,HIGH PRESSURE	1	5001	-								
26A	68835-38168-7	HOSE,HIGH PRESSURE	1	5001	-								
27A	30230-29680	ADAPTER	2	5001	-				Y01				
28A	88215-11308	ADAPTER	2	5001	-					Y03			
29A	30246-25910	ADAPTER,TEE	2	5001	-					Y02			
30A	30246-25890	ADAPTER,TEE	2	5001	-						Y03		
31A	43573-20350	HOLDER,PIPE	3	5001	-								
32A	88255-10904	ADAPTER,ELBOW	1	5001	-						Y04		D=15
33A	37612-20120	NUT(UNIFY)	2	5001	-								
34A	38720-43560	PIPE	3	5001	-								
35A	41605-44140	PLATE	1	5001	-								
36A	32923-21140	CLAMP,HOSE	2	5001	-								
37A	88820-00032	BUSHING,ELASTIC	7	5001	-								
38A	32923-21310	CLAMP,HOSE	14	5001	-								
39A	68835-10108-7	HOSE,HIGH PRESSURE	1	5001	-								
40A	61802-08075	BOLT,FLANGED	3	5001	-								
41A	61802-10055	BOLT,FLANGED	7	5001	-								
42A	62701-40201	WASHER,PLANE	2	5001	-								
43A	62480-21081	NUT,FLANGED	3	5001	-								
61A	47131-21060	RING,O	2	5001	-				01				
62A	65210-12024	RING,O	1	5001	-					02			
63A	47131-21060	RING,O	2	5001	-					02			
64A	65210-12018	RING,O	1	5001	-						03		
65A	47131-21060	RING,O	1	5001	-						03		
68A	47131-21720	RING,O	1	5001	-							04	
69A	65210-12011	RING,O	1	5001	-							04	
81A	61802-10020	BOLT,FLANGED	4	5001	-								
101A	30100-60890	ACCUMULATOR ASSY	1	5001	-	5102							
101B	30100-61470	ACCUMULATOR ASSY	1	5103	-		C						
102A	41754-27210	PLATE	1	5001	-	5010							
102B	41754-40410	PLATE	1	5011	-		B						
103A	88255-10904	ADAPTER,ELBOW	1	5001	-				Y05				
104A	38670-22190	BAND	2	5001	-								
105A	33713-28910	SHEET,RUBBER	2	5001	-								
106A	88031-06101	NUT,SELF-LOCKING	4	5001	-								
107A	62701-40101	WASHER,PLANE	4	5001	-								
121A	47131-21720	RING,O	1	5001	-				05				
122A	65210-12011	RING,O	1	5001	-				05				
501A	43103-25920	HOSE,HIGH PRESSURE	1	5001	-								OPT
502A	43103-25930	HOSE,HIGH PRESSURE	1	5001	-								OPT
503A	43103-25940	HOSE,HIGH PRESSURE	1	5001	-								OPT
504A	43103-25950	HOSE,HIGH PRESSURE	1	5001	-								OPT
505A	43103-25960	HOSE,HIGH PRESSURE	1	5001	-								OPT
506A	43103-25970	HOSE,HIGH PRESSURE	1	5001	-								OPT
507A	43573-20360	HOLDER,PIPE	3	5001	-								OPT D=20
508A	32923-21440	CLAMP,HOSE	2	5001	-								OPT
509A	43103-25980	HOSE,HIGH PRESSURE	1	5001	-								OPT

MEMO

PLUG MOUNT

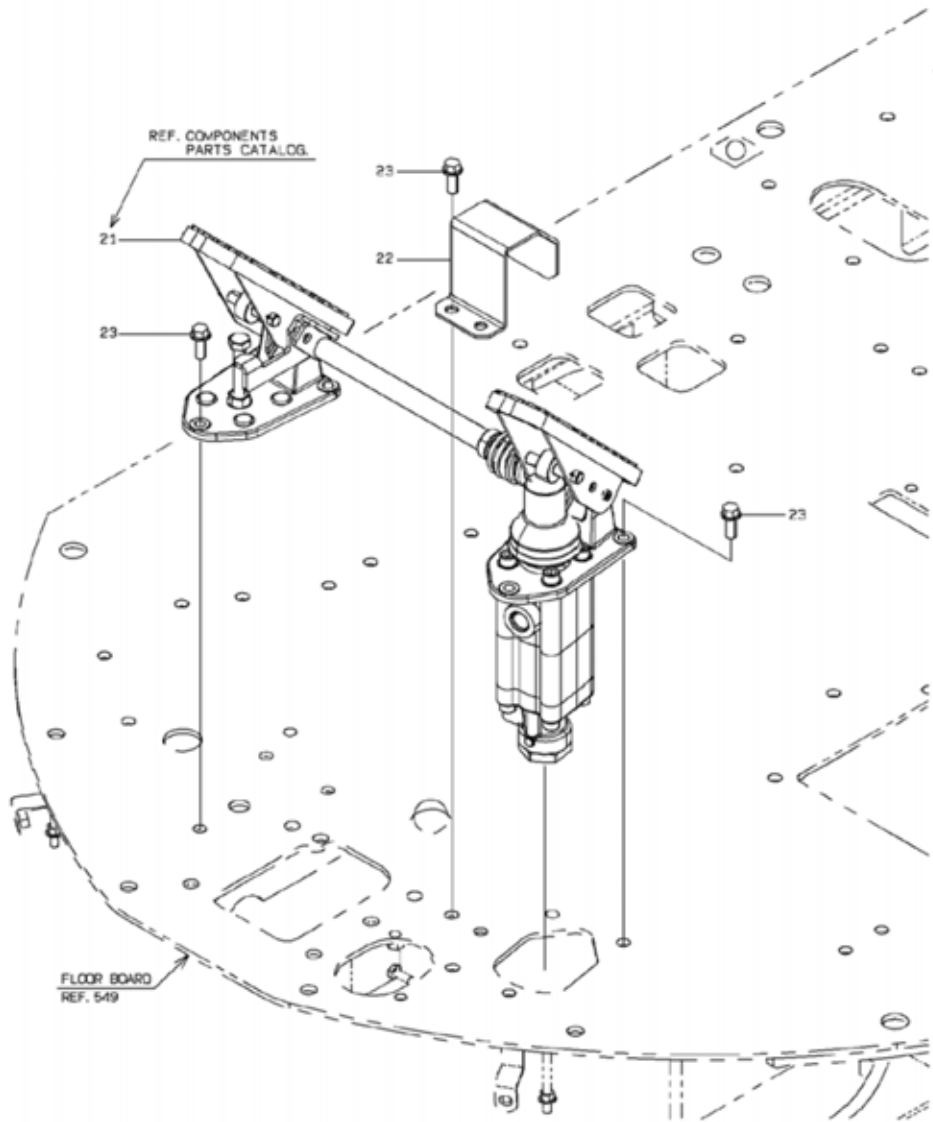


PLUG MOUNT

SYM-BOL	PART NUMBER	PART NAME	UNIT Q,TY	SERIAL		REMARKS								
				(A)	(B)	N	P	D	(A)	(B)	(C)	(D)	REMARKS	
21A	88390-21304	PLUG	1	5001	- 5054			D		Y01				
22A	88390-21306	PLUG	1	5001	- 5168						Y02			
22B	80018-85003	PLUG	1	5169	-			C		Y02				
23A	88390-21312	PLUG	1	5001	- 5168						Y03			
23B	80018-85006	PLUG	1	5169	-			C			Y03			
24A	88390-21316	PLUG	1	5001	-							Y04		
25A	30230-30530	ADAPTER	1	5001	-							Y04		
26A	33305-21090	CONNECTOR ASSY	1	5001	-									
27A	33305-21100	CONNECTOR ASSY	1	5001	-									
28A	33305-21110	CONNECTOR ASSY	1	5001	-									
29A	43550-21270	HOLDER	1	5001	-									
30A	62256-51610	SCREW	1	5001	-									
31A	62721-06100	WASHER,SPRING	1	5001	-									
32A	61802-10016	BOLT,FLANGED	4	5151	-									
51A	65210-12011	RING,O	1	5001	- 5054			D	01					
52A	65210-12014	RING,O	1	5001	-					02				
53A	65210-12024	RING,O	1	5001	-						03			
54A	65210-12029	RING,O	1	5001	-							04		

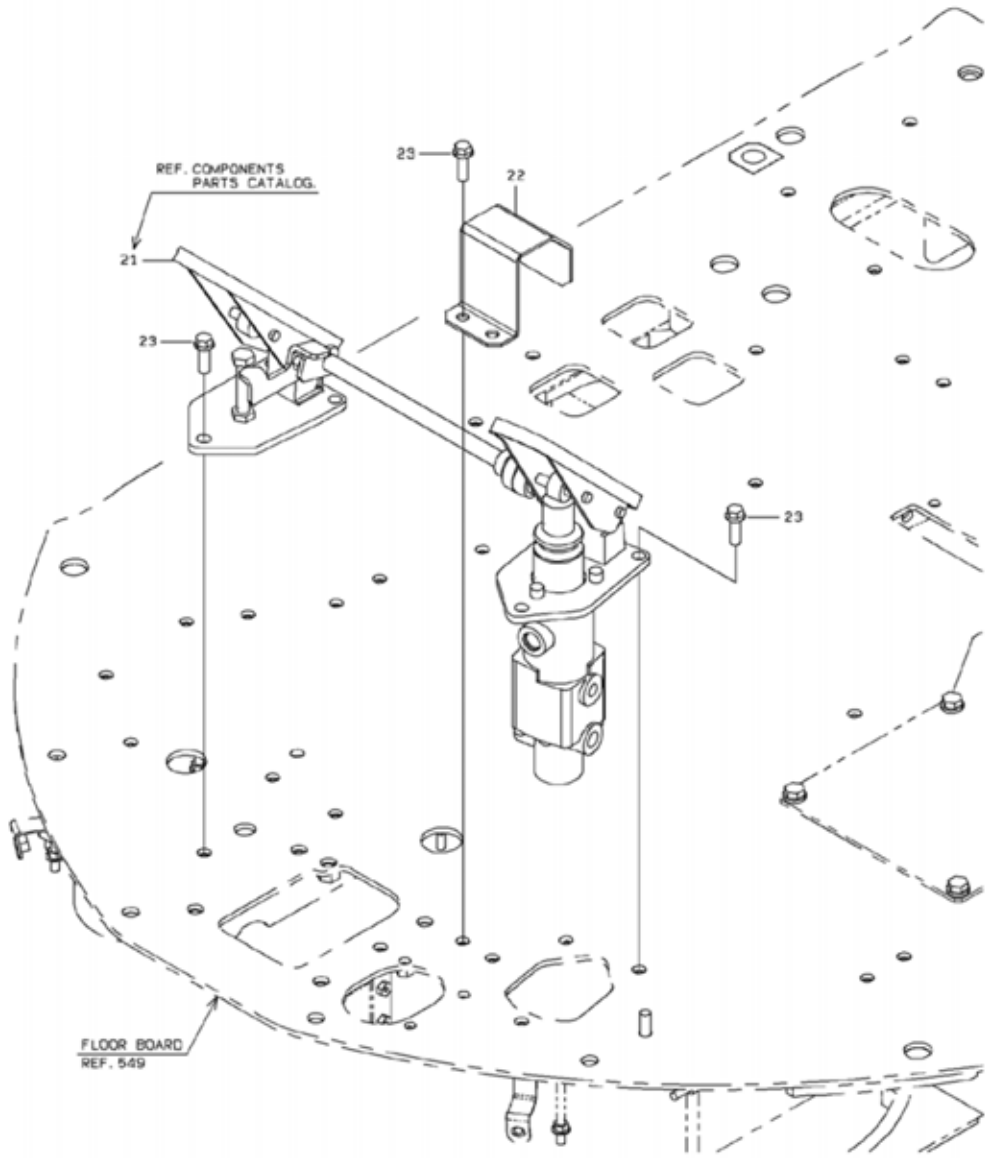
BRAKE SYSTEM (BRAKE VALVE)

< S/N 5001 - 5168 >



BRAKE SYSTEM (BRAKE VALVE)

< S/N 5169 - >



2-A

BRAKE SYSTEM (BRAKE VALVE)

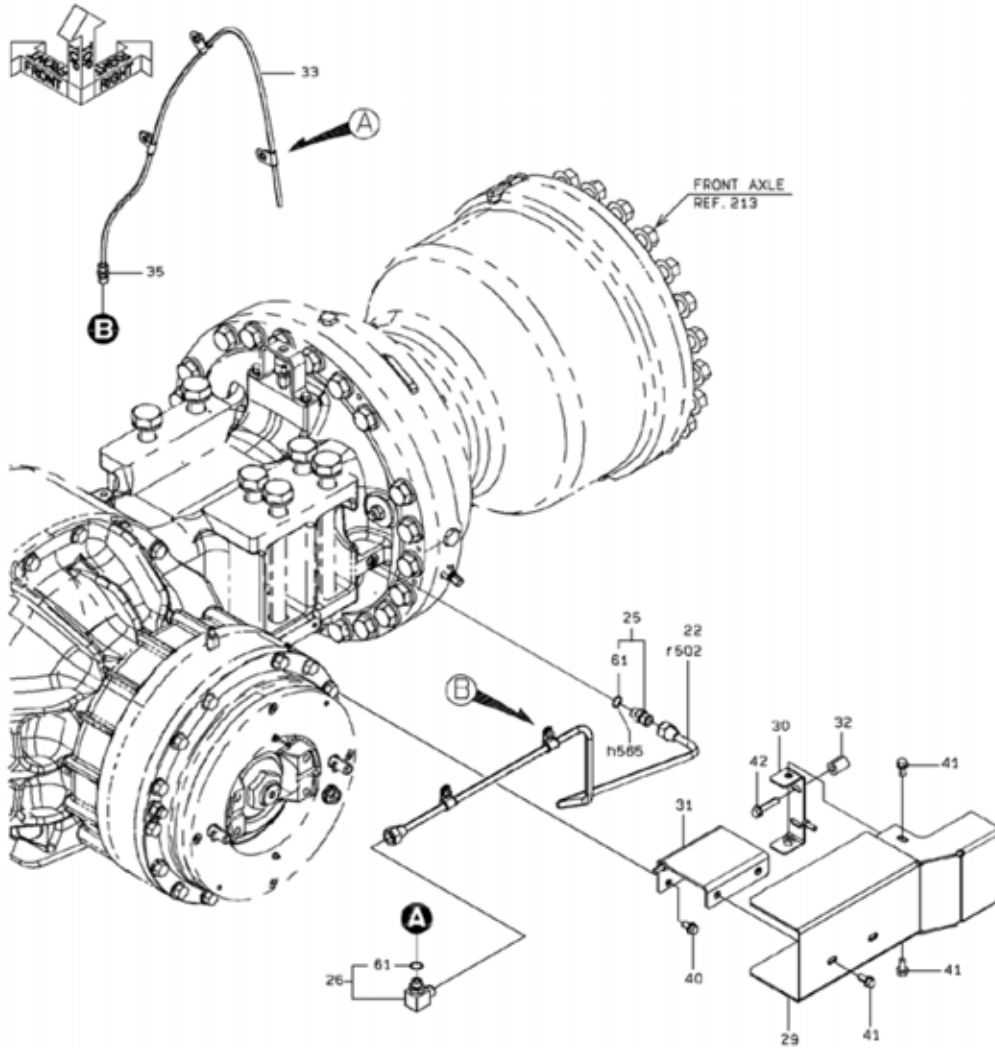
SYM-BOL	PART NUMBER	PART NAME	UNIT Q,TY	SERIAL		REMARKS							
				(A)	(B)	N	P	D	(A)	(B)	(C)	(D)	REMARKS
21A	38531-61100	VALVE ASSY,BRAKE	1	5001	- 5042								REF.MSA-215
21B	38531-61150	VALVE ASSY,BRAKE	1	5043	- 5168	C							REF.MSA-215
21C	38531-61260	VALVE ASSY,BRAKE	1	5169	-	B							
22A	41715-24790	PLATE	1	5001	-								
23A	61802-10025	BOLT,FLANGED	8	5001	- 5168								
23B	80102-71030	BOLT,W/WASHER	8	5169	-	B							

MEMO

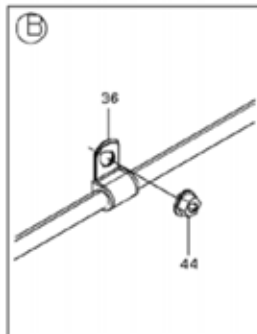
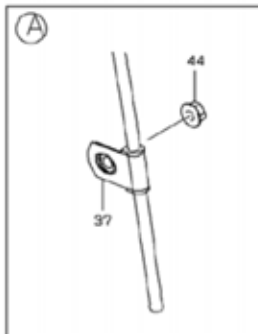
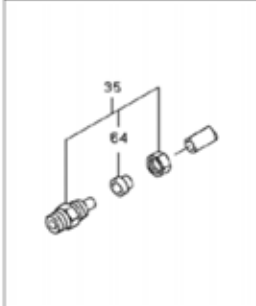
BRAKE PIPING (FRONT CHASSIS)

< S/N 5001 - 5168 >

(NOTE): THE PREFIX OF "H" MEANS HEAT RESISTING TYPE.
THE PREFIX OF "R" MEANS RUST PREVENTION TYPE.



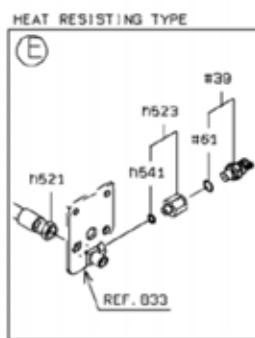
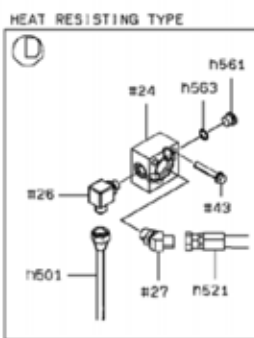
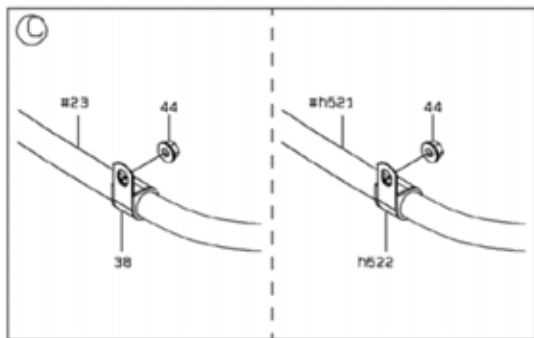
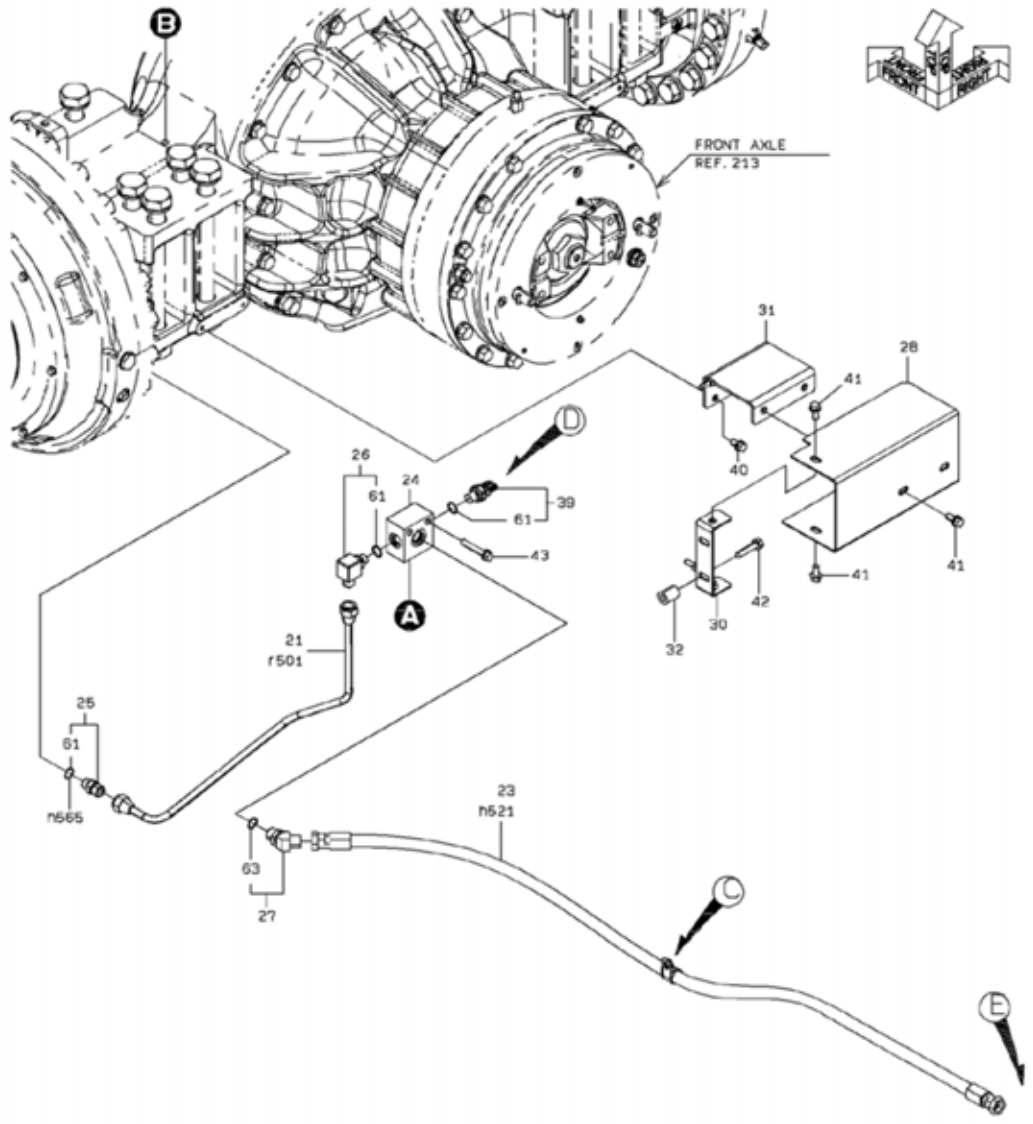
DETAIL OF TUBE FITTING



1-C

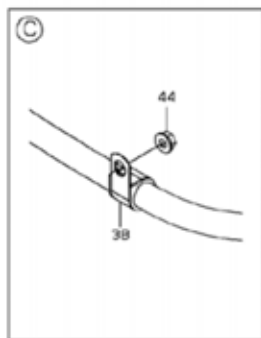
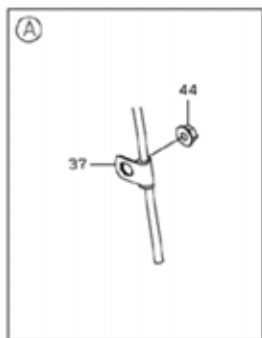
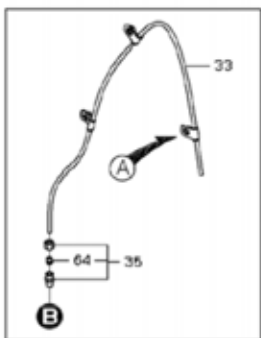
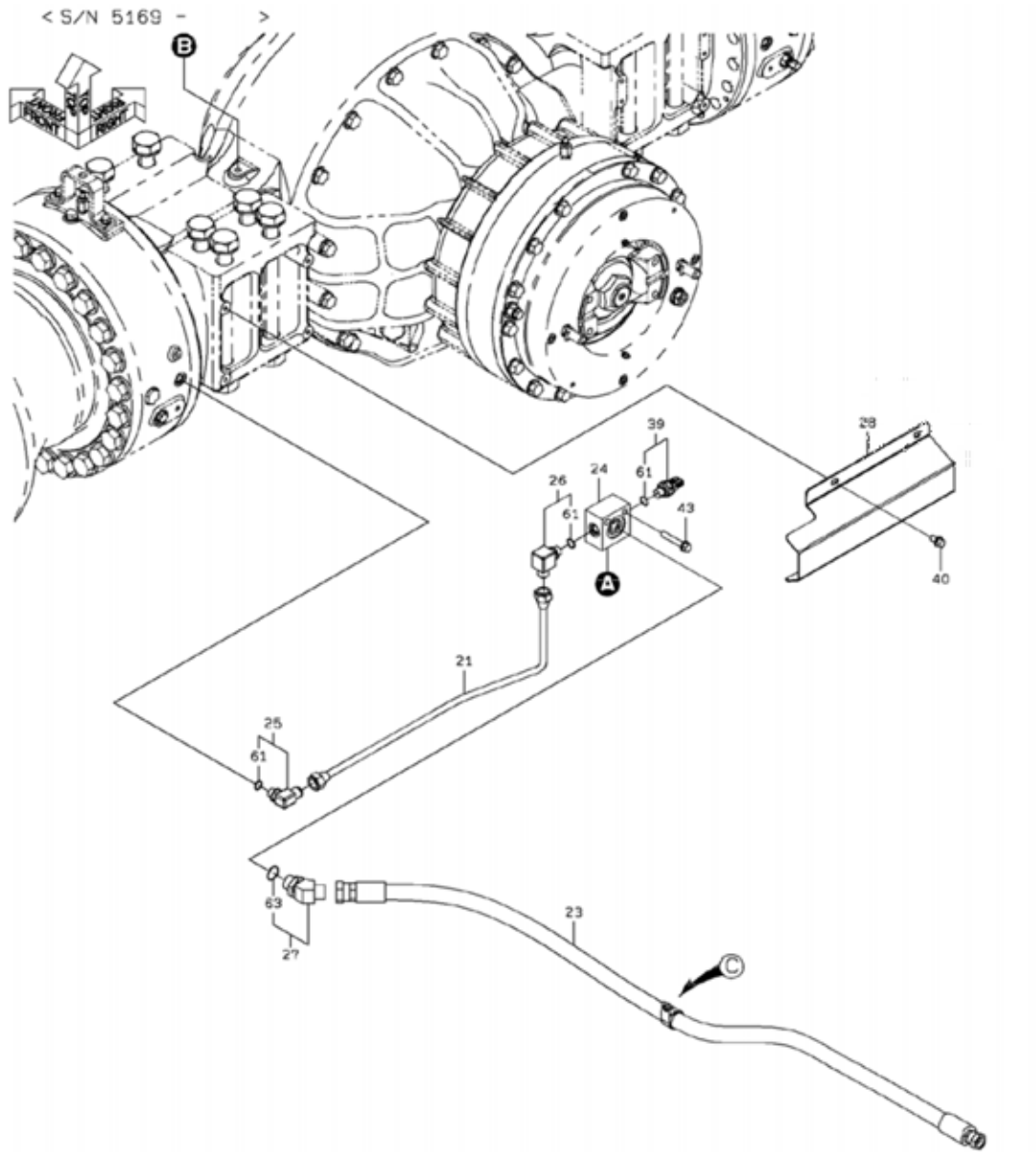
BRAKE PIPING (FRONT CHASSIS)

< S/N 5001 - 5168 >
 (NOTE): THE PREFIX OF "h" MEANS HEAT RESISTING TYPE.
 THE PREFIX OF "r" MEANS RUST PREVENTION TYPE.



2-C

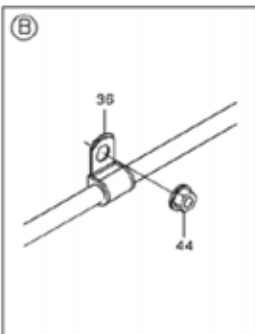
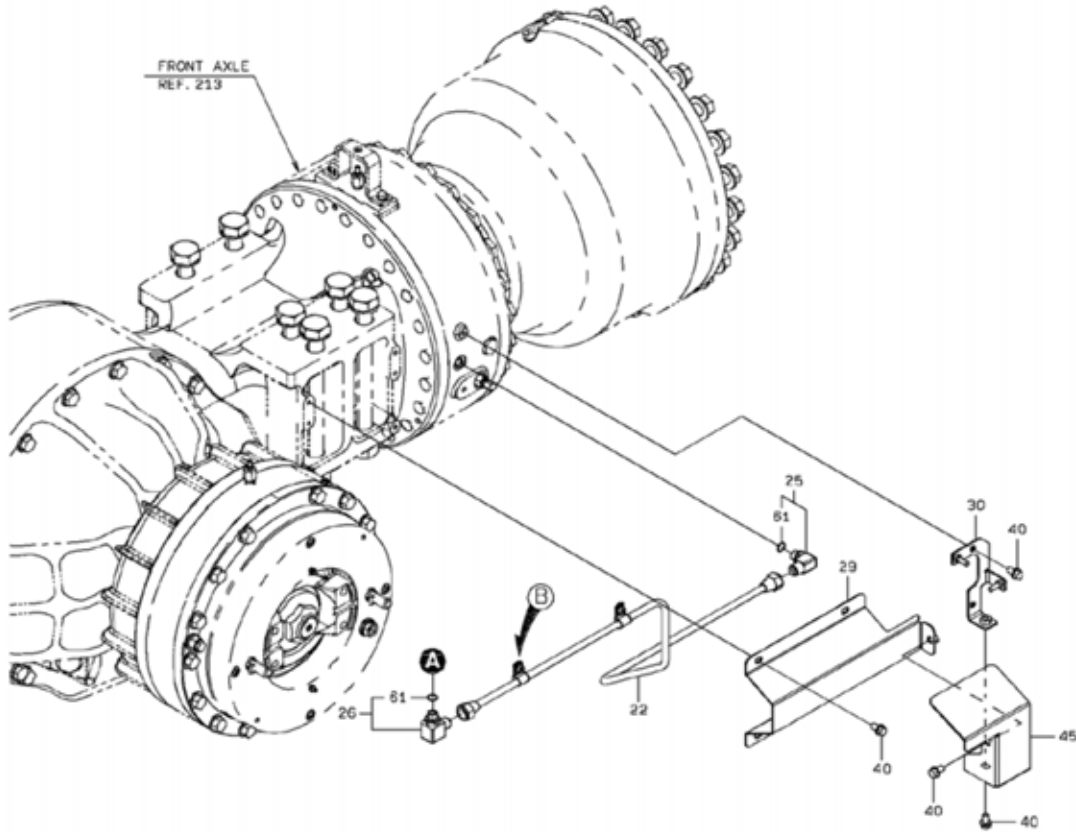
BRAKE PIPING (FRONT CHASSIS)



3-A

BRAKE PIPING (FRONT CHASSIS)

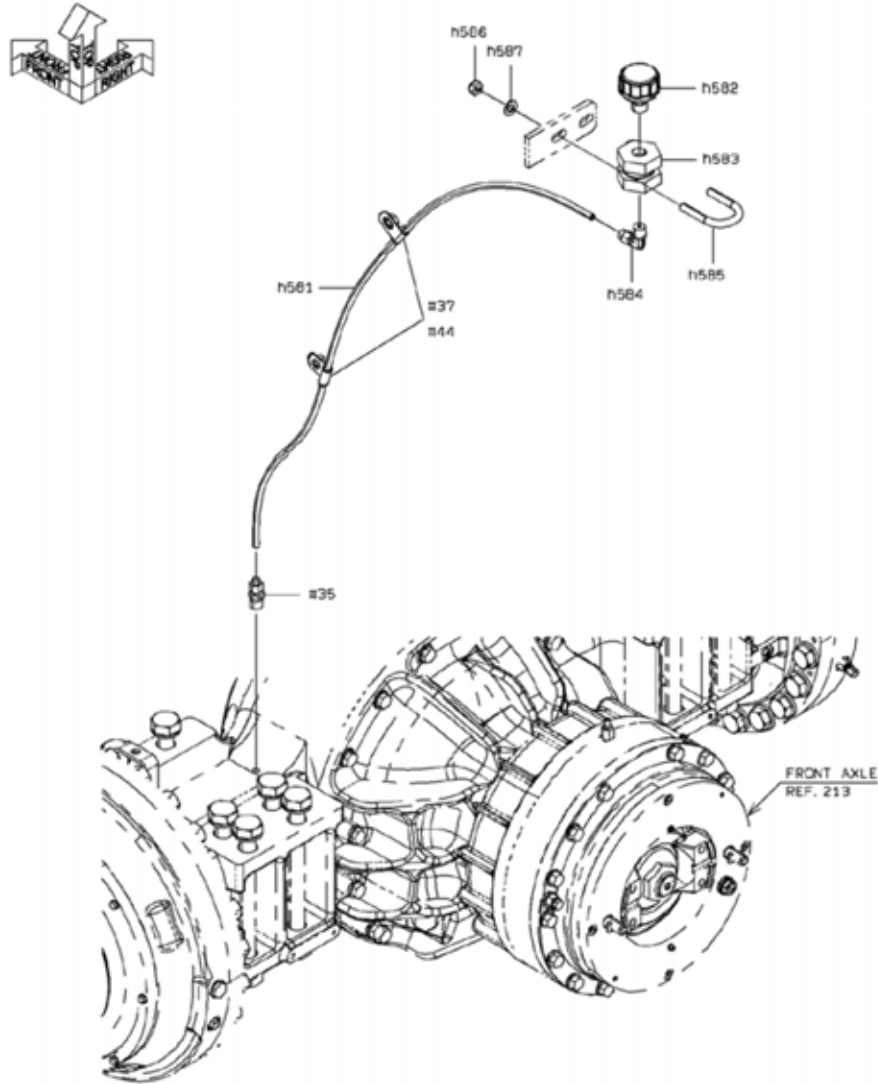
< S/N 5169 - >



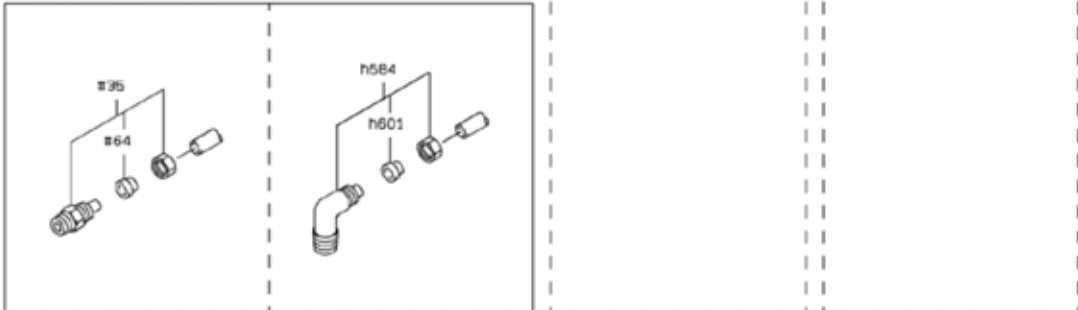
4-A

BRAKE PIPING (FRONT CHASSIS)

(NOTE): THE PREFIX OF "h" MEANS HEAT RESISTING TYPE.



DETAIL OF TUBE FITTING



3-A

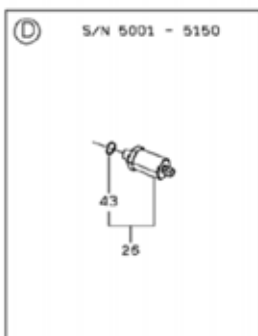
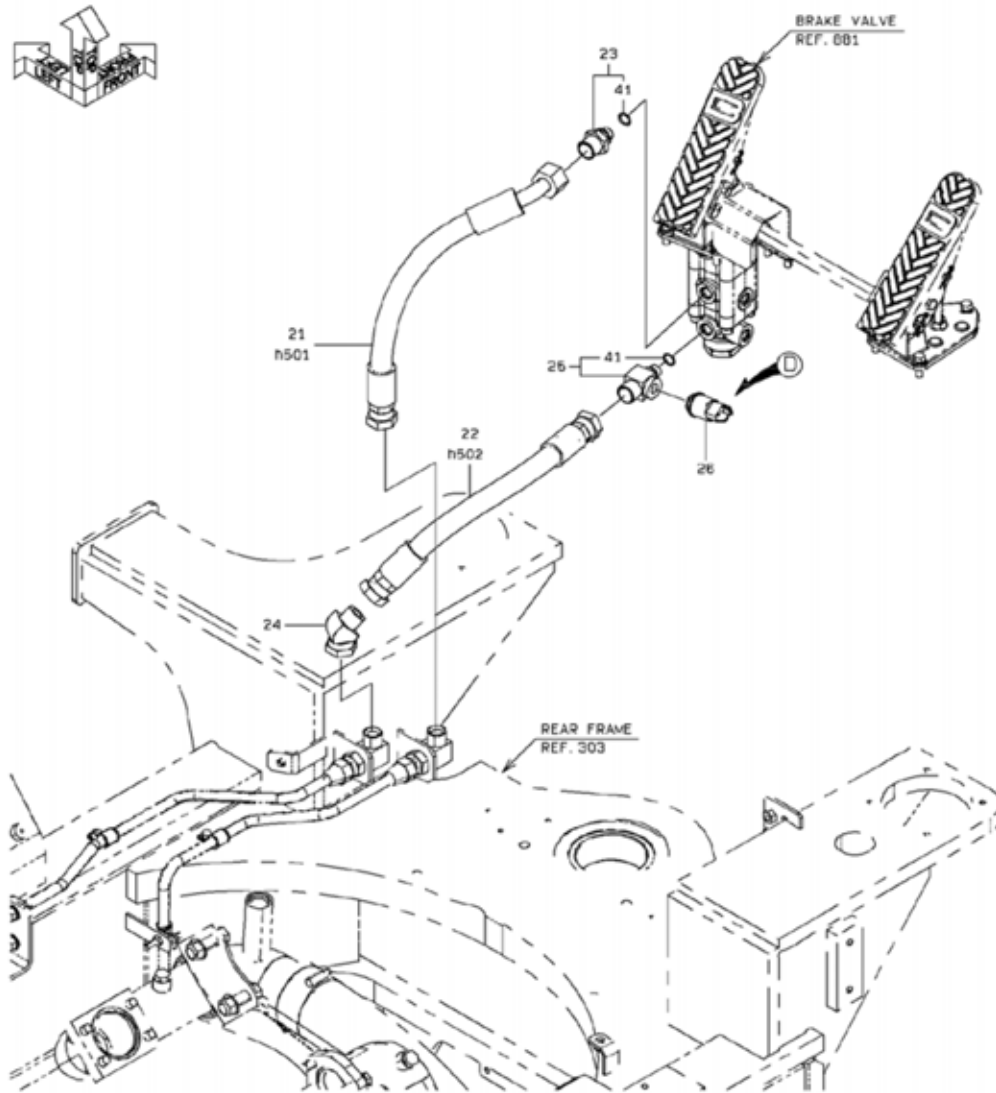
BRAKE PIPING (FRONT CHASSIS)

SYM-BOL	PART NUMBER	PART NAME	UNIT Q,TY	SERIAL		REMARKS									
				(A)	(B)	N	P	D	(A)	(B)	(C)	(D)	REMARKS		
21A	38706-33250	PIPE ASSY,FLARED	1	5001	-	5168									
21B	38706-37970	PIPE ASSY,FLARED	1	5169	-		B								
22A	38706-33260	PIPE ASSY,FLARED	1	5001	-	5168									
22B	38706-36910	PIPE ASSY,FLARED	1	5169	-		B								
23A	43103-27160	HOSE,HIGH PRESSURE	1	5001	-										
24A	41410-41670	BLOCK	1	5001	-										
25A	40730-20320	FLARED FITTING	2	5001	-	5168			Y01						
25B	40732-20140	FLARED FITTING,ELBOW	2	5169	-		B		Y01						
26A	40732-20380	FLARED FITTING,ELBOW	2	5001	-				Y01						
27A	88241-07212	ADAPTER,ELBOW	1	5001	-				Y02						
28A	41715-25390	PLATE	1	5001	-	5168									
28B	41718-38020	PLATE	1	5169	-		B								
29A	41715-25020	PLATE	1	5001	-	5168									
29B	41754-58660	PLATE	1	5169	-		B								
30A	41753-35220	PLATE	2	5001	-	5168									
30B	41754-58670	PLATE	1	5169	-		B								
31A	41754-30060	PLATE	2	5001	-	5168				D					
32A	35700-20270	SPACER	4	5001	-	5168				D					
33A	67001-40000	TUBE,NYLON	1 M	5001	-									L=1000	
35A	69021-10404	TUBE FITTING	1	5001	-						Y03				
36A	43573-20280	HOLDER,PIPE	2	5001	-									D=12	
37A	43573-20330	HOLDER,PIPE	3	5001	-									D=6.4	
38A	43573-20370	HOLDER,PIPE	1	5001	-									D=30	
39A	35830-60140	SENSOR,PRESSURE	1	5001	-				Y01						
40A	61802-10016	BOLT,FLANGED	4	5001	-	5168									
40B	61802-10016	BOLT,FLANGED	12	5169	-										
41A	61802-10020	BOLT,FLANGED	8	5001	-	5168				D					
42A	61802-10045	BOLT,FLANGED	4	5001	-	5168				D					
43A	61802-10055	BOLT,FLANGED	2	5001	-										
44A	62480-21081	NUT,FLANGED	6	5001	-										
45A	41718-38040	PLATE	1	5169	-										
61A	65210-12014	RING,O	1	5001	-				01						
63A	65210-12024	RING,O	1	5001	-					02					
64A	69029-04000	SLEEVE,FITTING	1	5005	-						03				
501A	38706-35820	PIPE ASSY,FLARED	1	5001	-										OPT
502A	38706-35830	PIPE ASSY,FLARED	1	5001	-										OPT
521A	43103-27340	HOSE,HIGH PRESSURE	1	5001	-										OPT
522A	43573-20540	HOLDER,PIPE	1	5001	-										OPT D=35
523A	30230-29850	ADAPTER	1	5001	-						Y04				OPT
541A	65210-12011	RING,O	1	5001	-							04			OPT
561A	41530-23310	PLUG	1	5001	-										OPT
563A	65210-12014	RING,O	1	5001	-										OPT
565A	65210-16014	RING,O	2	5001	-										OPT
581A	67001-40000	TUBE,NYLON	1 M	5001	-										OPT L=895
582A	41101-60010	BREATHER ASSY	1	5001	-										OPT
583A	38901-20850	FITTING,SOCKET	1	5001	-										OPT
584A	69022-10404	TUBE FITTING,ELBOW	1	5001	-				Y05						OPT
585A	43962-20140	BOLT,U	1	5001	-										OPT
586A	88031-06081	NUT,SELF-LOCKING	2	5001	-										OPT
587A	62701-40081	WASHER,PLANE	2	5001	-										OPT
601A	69029-04000	SLEEVE,FITTING	1	5001	-				05						OPT

BRAKE PIPING (FLOOR BOARD)

< S/N 5001 - 5168 >

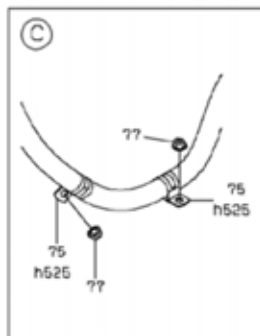
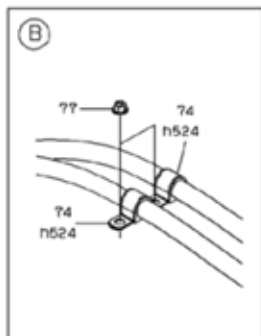
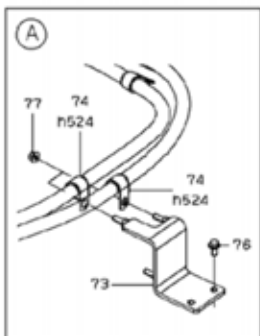
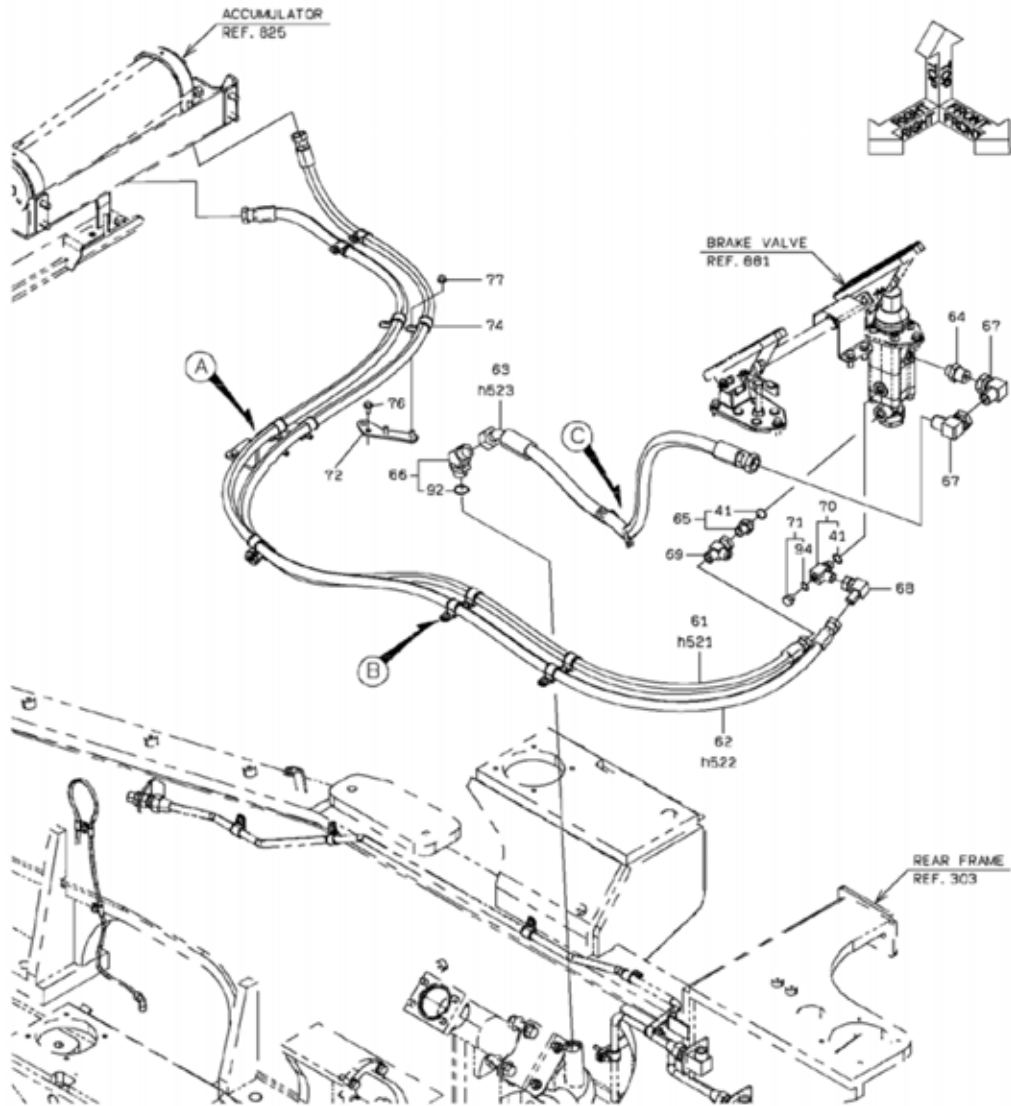
(NOTE): THE PREFIX OF 'h' MEANS HEAT RESISTING TYPE.



BRAKE PIPING (FLOOR BOARD)

< S/N 5001 - 5168 >

(NOTE): THE PREFIX OF "h" MEANS HEAT RESISTING TYPE.

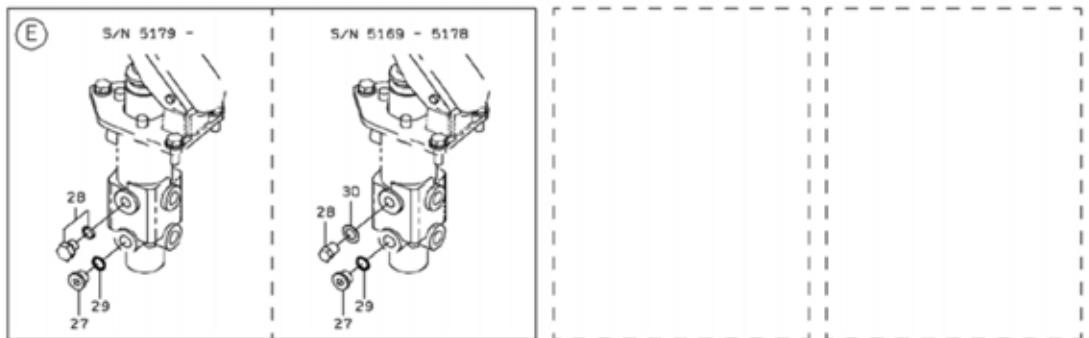
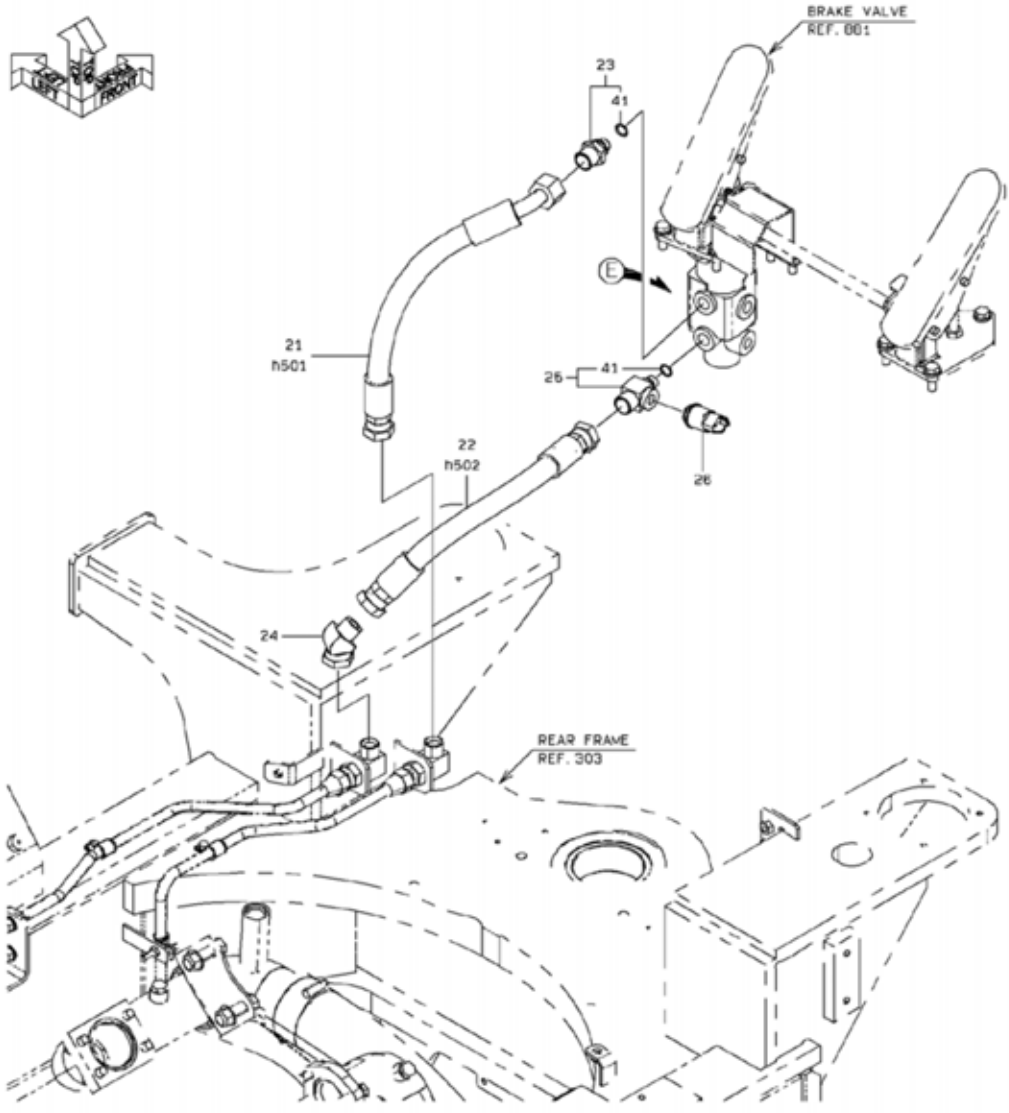


2-C

BRAKE PIPING (FLOOR BOARD)

< S/N 5169 - >

(NOTE): THE PREFIX OF "H" MEANS HEAT RESISTING TYPE.

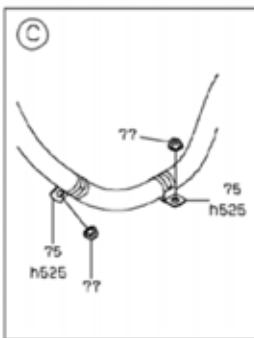
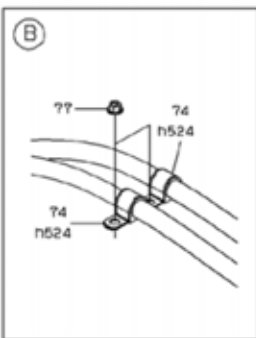
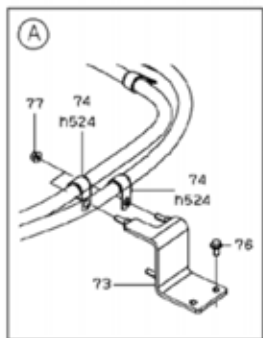
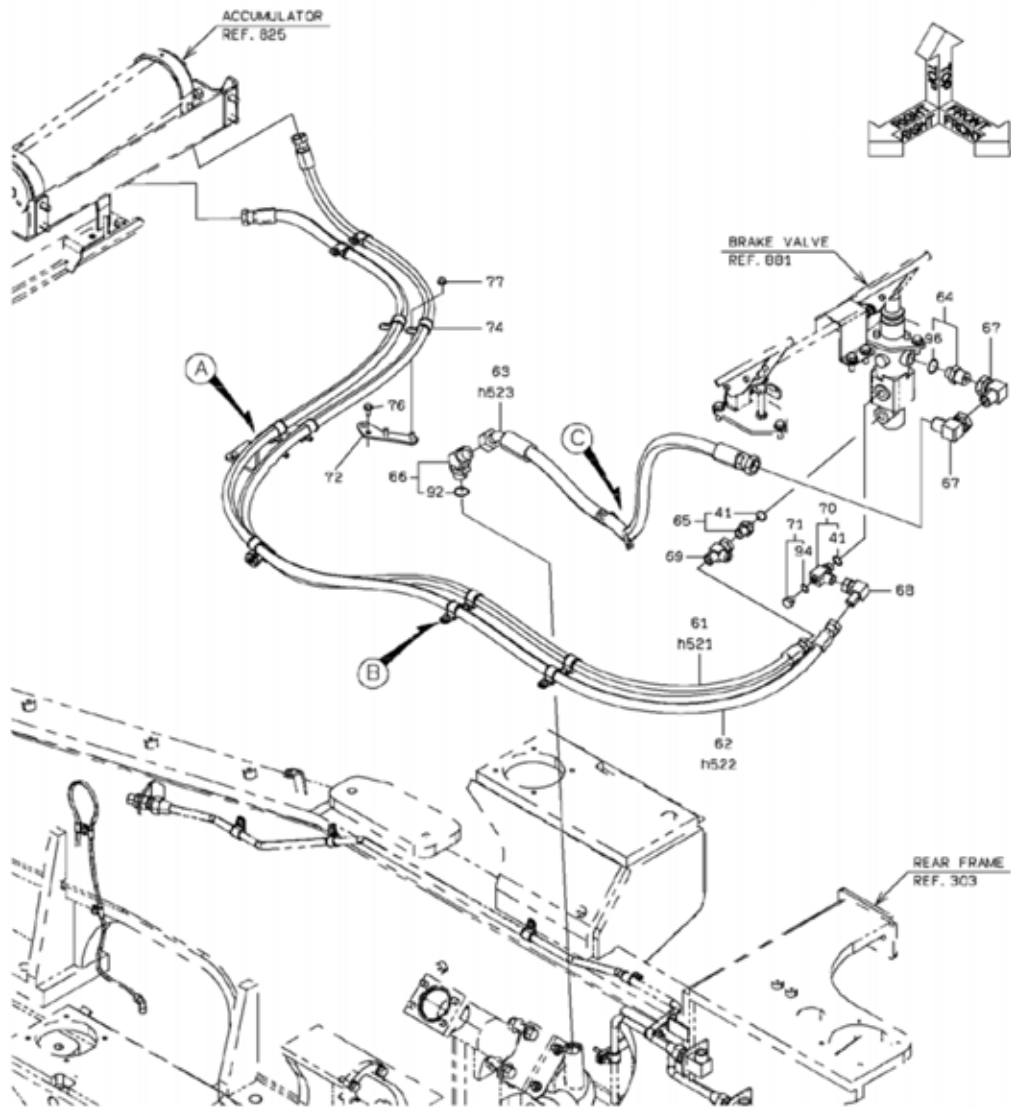


3-A

BRAKE PIPING (FLOOR BOARD)

< S/N 5169 - >

(NOTE): THE PREFIX OF "h" MEANS HEAT RESISTING TYPE.



4-A

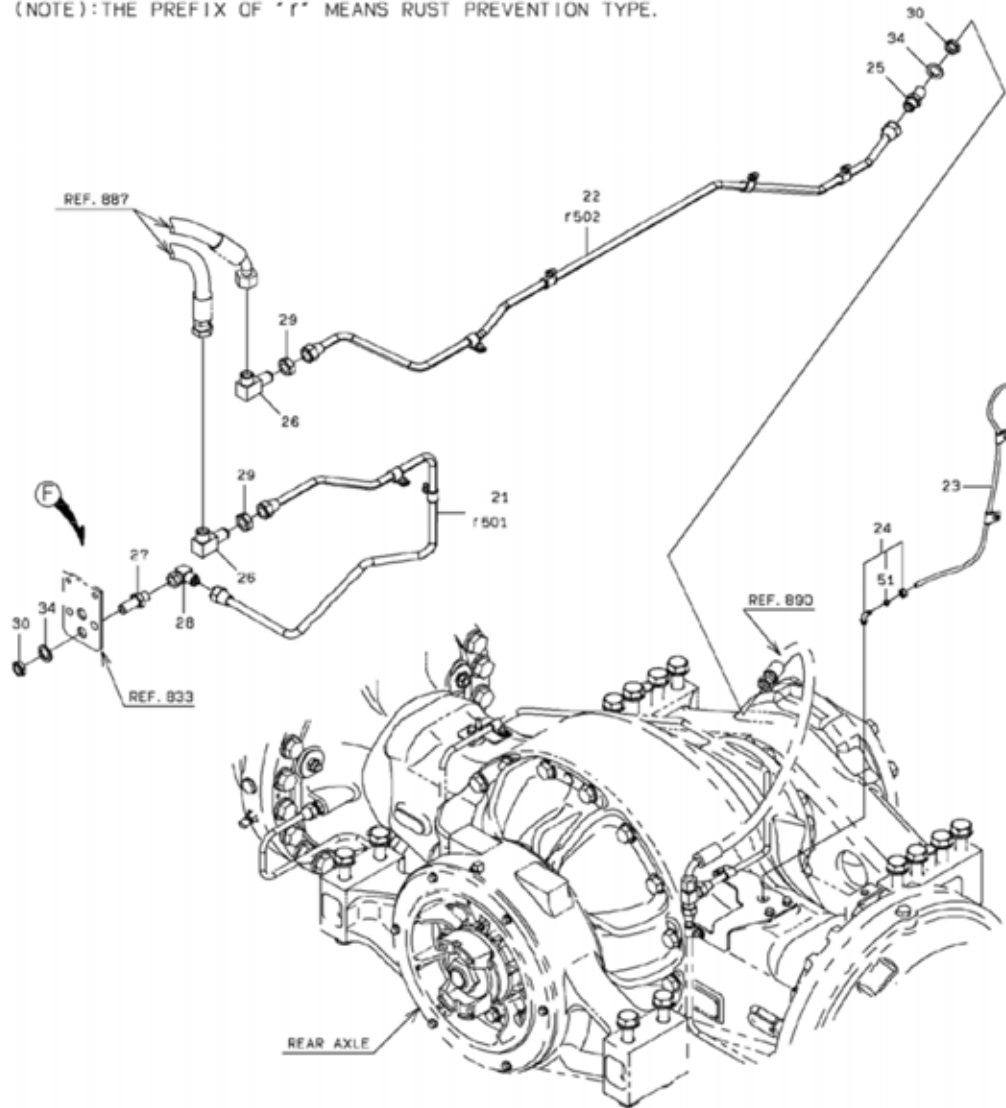
BRAKE PIPING (FLOOR BOARD)

SYM-BOL	PART NUMBER	PART NAME	UNIT Q,TY	SERIAL		REMARKS								
				(A)	(B)	N	P	D	(A)	(B)	(C)	(D)	REMARKS	
21A	68645-50046	HOSE,HIGH PRESSURE	1	5001	-	5050								
21B	68245-50046	HOSE,HIGH PRESSURE	1	5051	-									
22A	68655-50041	HOSE,HIGH PRESSURE	1	5001	-	5050								
22B	68255-50041	HOSE,HIGH PRESSURE	1	5051	-									
23A	30230-30870	ADAPTER	1	5001	-					Y01				
24A	30242-20050	ADAPTER,ELBOW UNION	1	5001	-									
25A	30246-26510	ADAPTER,TEE	1	5001	-					Y01				
26A	35047-60720	SWITCH,PRESSURE	1	5001	-	5100						Y04		
26B	35047-60790	SWITCH,PRESSURE	1	5101	-		B					Y04		
27A	41530-23310	PLUG	1	5169	-									
28A	41530-23500	PLUG	1	5169	-	5178								
28B	41530-60200	PLUG	1	5179	-		C							
29A	65210-12014	RING,O	1	5169	-									
30A	88111-11400	WASHER,SEAL	1	5169	-	5178	D							
41A	65210-12014	RING,O	1	5001	-				01					
43A	39600-74260	PACKING	1	5001	-							04		
61A	68655-30276	HOSE,HIGH PRESSURE	1	5001	-									
62A	68655-30280	HOSE,HIGH PRESSURE	1	5001	-									
63A	68245-50110	HOSE,HIGH PRESSURE	1	5001	-									
64A	30230-21590	ADAPTER	1	5001	-					Y01				
65A	30230-26390	ADAPTER	1	5001	-						Y02			
66A	88241-07212	ADAPTER,ELBOW	1	5001	-									
67A	30242-20020	ADAPTER,ELBOW UNION	2	5001	-									
68A	30242-20220	ADAPTER,ELBOW UNION	1	5001	-									
69A	30246-20280	ADAPTER,TEE	1	5001	-					Y01				
70A	38904-21880	FITTING,TEE	1	5001	-									
71A	88390-21304	PLUG	1	5001	-	5168						Y03		
71B	80018-85002	PLUG	1	5169	-		C					Y03		
72A	41754-27730	PLATE	1	5001	-									
73A	41754-29280	PLATE	1	5001	-									
74A	43573-20460	HOLDER,PIPE	12	5001	-								D=22	
75A	87020-25000	HOLDER,PIPE	2	5001	-								D=25	
76A	61802-08016-7	BOLT,FLANGED	4	5001	-									
77A	62480-21081	NUT,FLANGED	14	5001	-									
92A	65210-12024	RING,O	1	5001	-						02			
94A	65210-12011	RING,O	1	5001	-	5168						03		
96A	65210-12018	RING,O	1	5001	-									
501A	43103-25650	HOSE,HIGH PRESSURE	1	5001	-	5100								OPT
501B	43103-28990	HOSE,HIGH PRESSURE	1	5101	-		B							OPT
502A	43103-25660	HOSE,HIGH PRESSURE	1	5001	-	5100								OPT
502B	43103-29000	HOSE,HIGH PRESSURE	1	5101	-		B							OPT
521A	43103-25620	HOSE,HIGH PRESSURE	1	5001	-									OPT
522A	43103-25630	HOSE,HIGH PRESSURE	1	5001	-									OPT
523A	43103-25640	HOSE,HIGH PRESSURE	1	5001	-									OPT
524A	43573-20530	HOLDER,PIPE	12	5001	-									OPT D=26
525A	43573-20370	HOLDER,PIPE	2	5001	-									OPT D=30

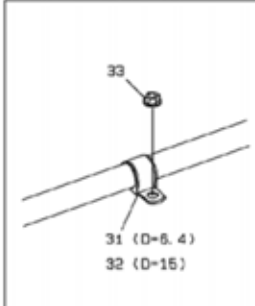
MEMO

BRAKE PIPING (REAR CHASSIS)

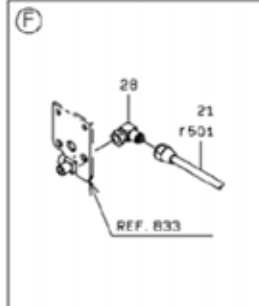
(NOTE): THE PREFIX OF "r" MEANS RUST PREVENTION TYPE.



DETAIL OF PIPE HOLDER



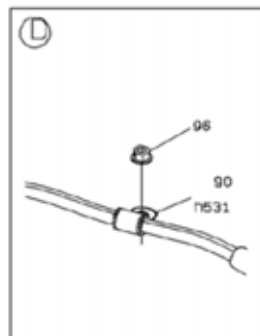
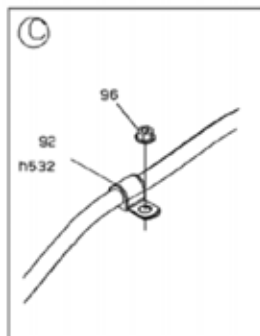
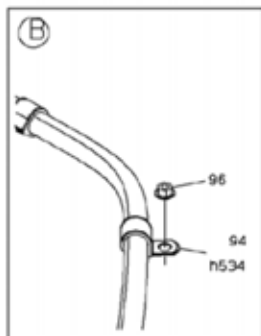
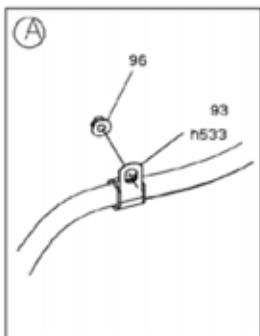
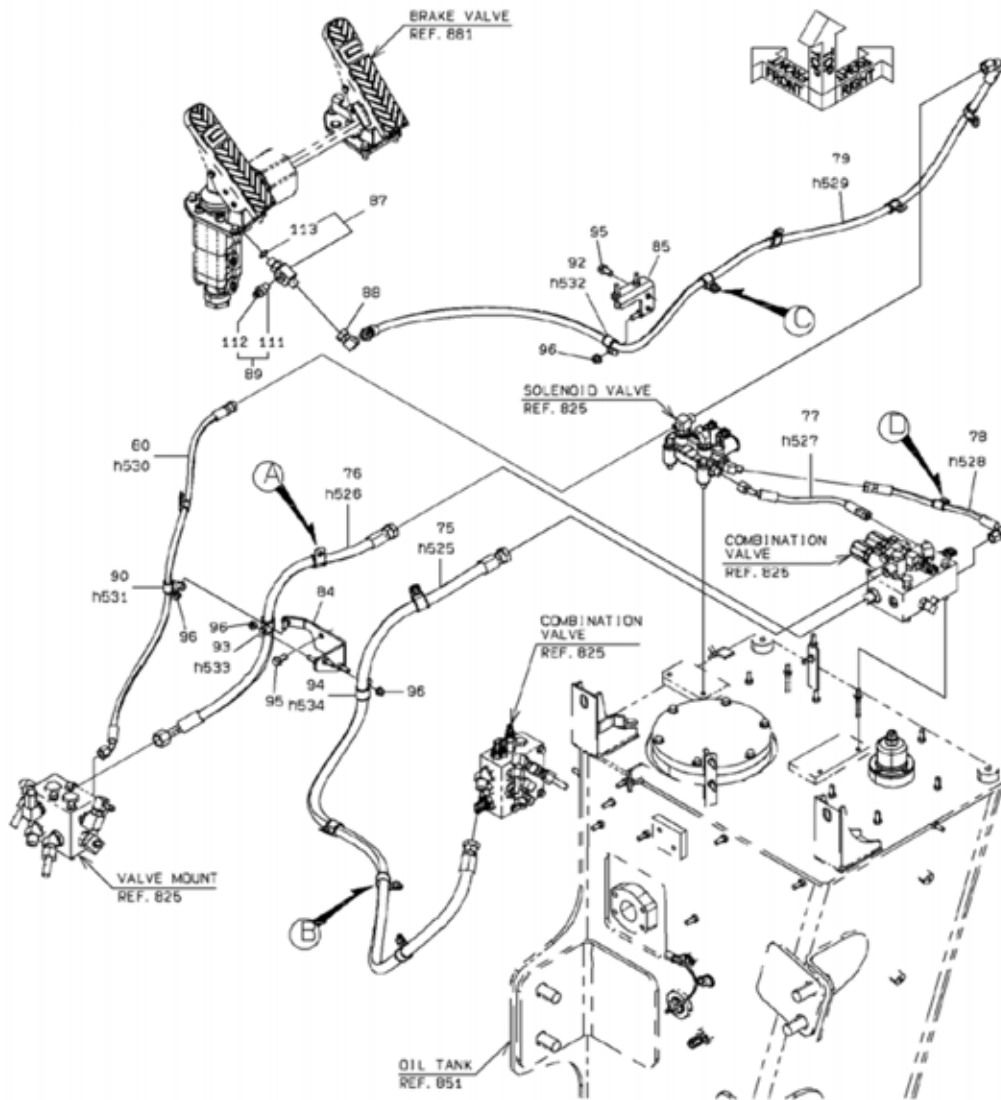
HEAT-PROOF TYPE.



1-8

BRAKE PIPING (REAR CHASSIS)

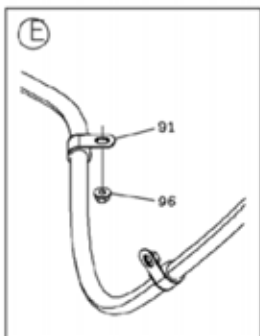
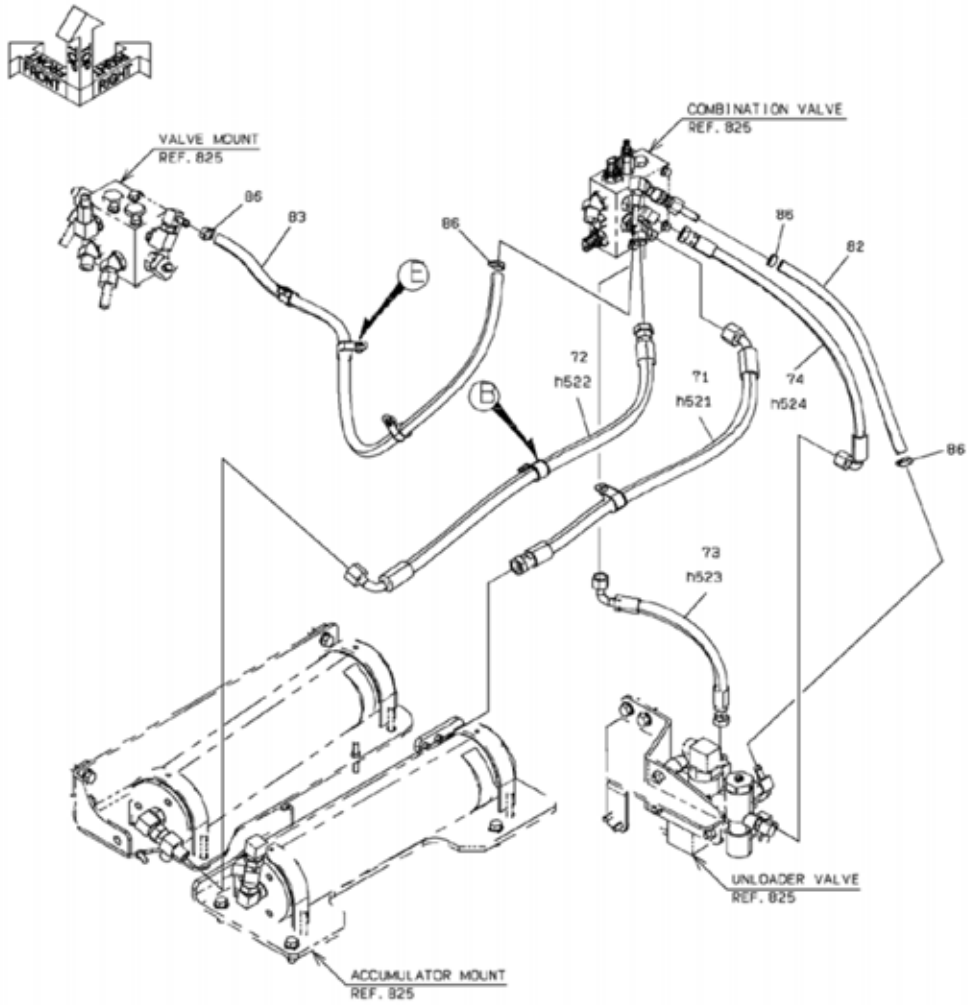
(NOTE): THE PREFIX OF "n" MEANS HEAT RESISTING TYPE.



2-C

BRAKE PIPING (REAR CHASSIS)

(NOTE): THE PREFIX OF "H" MEANS HEAT RESISTING TYPE.

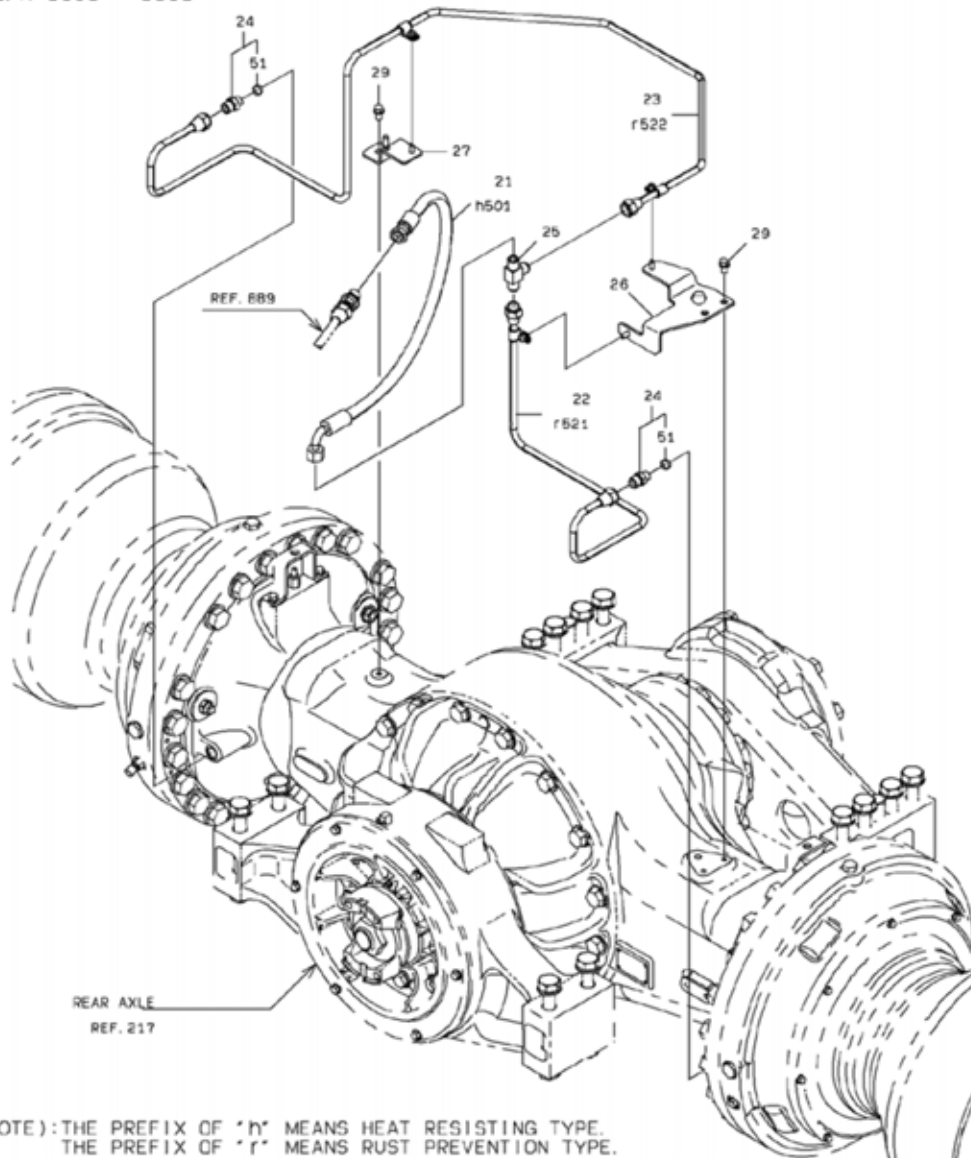


BRAKE PIPING (REAR CHASSIS)

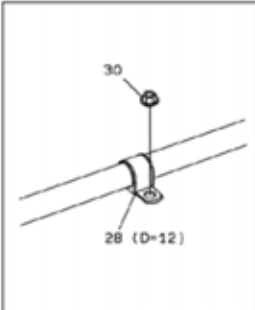
SYM-BOL	PART NUMBER	PART NAME	UNIT Q,TY	SERIAL		REMARKS												
				(A)	(B)	N	P	D	(A)	(B)	(C)	(D)	REMARKS					
21A	38706-34790	PIPE ASSY,FLARED	1	5001	-													
22A	38706-34800	PIPE ASSY,FLARED	1	5001	-	5010												
22B	38706-35730	PIPE ASSY,FLARED	1	5011	-		B											
23A	67001-40000	TUBE,NYLON	1 M	5001	-													L=800
24A	69022-10404	TUBE FITTING,ELBOW	1	5001	-													
25A	40730-20490	FLARED FITTING	1	5001	-													
26A	40732-21020	FLARED FITTING,ELBOW	2	5001	-													
27A	30230-22020	ADAPTER	1	5001	-													
28A	30242-20280	ADAPTER,ELBOW UNION	1	5001	-													
29A	62403-81222	NUT	2	5001	-													
30A	37600-20670	NUT	2	5001	-													
31A	43573-20330	HOLDER,PIPE	3	5001	-													D=6.4
32A	43573-20350	HOLDER,PIPE	6	5001	-													D=15
33A	62480-21081	NUT,FLANGED	8	5001	-													
34A	62701-40201	WASHER,PLANE	2	5001	-													
51A	69029-04000	SLEEVE,FITTING	1	5001	-													
71A	68645-30070	HOSE,HIGH PRESSURE	1	5001	-													
72A	68635-30083	HOSE,HIGH PRESSURE	1	5001	-													
73A	68835-20036	HOSE,HIGH PRESSURE	1	5001	-													
74A	68635-20056	HOSE,HIGH PRESSURE	1	5001	-													
75A	68655-30193	HOSE,HIGH PRESSURE	1	5001	-													
76A	68045-30075	HOSE,HIGH PRESSURE	1	5001	-	5168												
76B	68045-30077	HOSE,HIGH PRESSURE	1	5169	-		B											
77A	68045-10028	HOSE,HIGH PRESSURE	1	5001	-	5168												
77B	68045-10030-7	HOSE,HIGH PRESSURE	1	5169	-		B											
78A	68035-10033	HOSE,HIGH PRESSURE	1	5001	-													
79A	68035-20192	HOSE,HIGH PRESSURE	1	5001	-													
80A	68045-10093	HOSE,HIGH PRESSURE	1	5001	-													
82A	67040-09000	HOSE,HEAT RESISTING LP	1 M	5001	-													L=400
83A	67040-09000	HOSE,HEAT RESISTING LP	2 M	5001	-													L=1300
84A	41754-32810	PLATE	1	5001	-													
85A	41754-26830	PLATE	1	5001	-													
86A	69002-02200-7	BAND,HOSE	4	5001	-													
87A	30246-21920	ADAPTER,TEE	1	5001	-	5168												
87B	30246-27480	ADAPTER,TEE	1	5169	-		B											
88A	30242-20190	ADAPTER,ELBOW UNION	1	5001	-													
89A	35107-20030	SCREW,BLEED	1	5001	-													
90A	43573-20280	HOLDER,PIPE	3	5001	-													D=12
91A	43573-20300	HOLDER,PIPE	3	5001	-													D=18
92A	43573-20350	HOLDER,PIPE	5	5001	-													D=15
93A	43573-20360	HOLDER,PIPE	2	5001	-													D=20
94A	43573-20460	HOLDER,PIPE	7	5001	-													D=22
95A	61802-10020	BOLT,FLANGED	4	5001	-													
96A	62480-21081	NUT,FLANGED	20	5001	-													
111A	38900-24160	FITTING	1	5001	-													
112A	35107-60010	SCREW,BLEED	1	5001	-													
113A	65210-12014	RING,O	1	5001	-	5168												
113B	65210-12011	RING,O	1	5169	-		B											
501A	38706-35780	PIPE ASSY,FLARED	1	5001	-													
502A	38706-35790	PIPE ASSY,FLARED	1	5001	-													
521A	43103-26380	HOSE,HIGH PRESSURE	1	5001	-													
522A	43103-26390	HOSE,HIGH PRESSURE	1	5001	-													
523A	43103-26400	HOSE,HIGH PRESSURE	1	5001	-													
524A	43103-21930	HOSE,HIGH PRESSURE	1	5001	-													
525A	43103-25700	HOSE,HIGH PRESSURE	1	5001	-													
526A	43103-25710	HOSE,HIGH PRESSURE	1	5001	-													
527A	43103-25720	HOSE,HIGH PRESSURE	1	5001	-													
528A	43103-25730	HOSE,HIGH PRESSURE	1	5001	-													
529A	43103-25740	HOSE,HIGH PRESSURE	1	5001	-													
530A	43113-55100	HOSE,HIGH PRESSURE	1	5001	-													
531A	43573-20290	HOLDER,PIPE	3	5001	-													
532A	43573-20360	HOLDER,PIPE	5	5001	-													
533A	43573-20520	HOLDER,PIPE	2	5001	-													
534A	43573-20530	HOLDER,PIPE	7	5001	-													

BRAKE PIPING (REAR AXLE)

< S/N 5001 - 5168 >



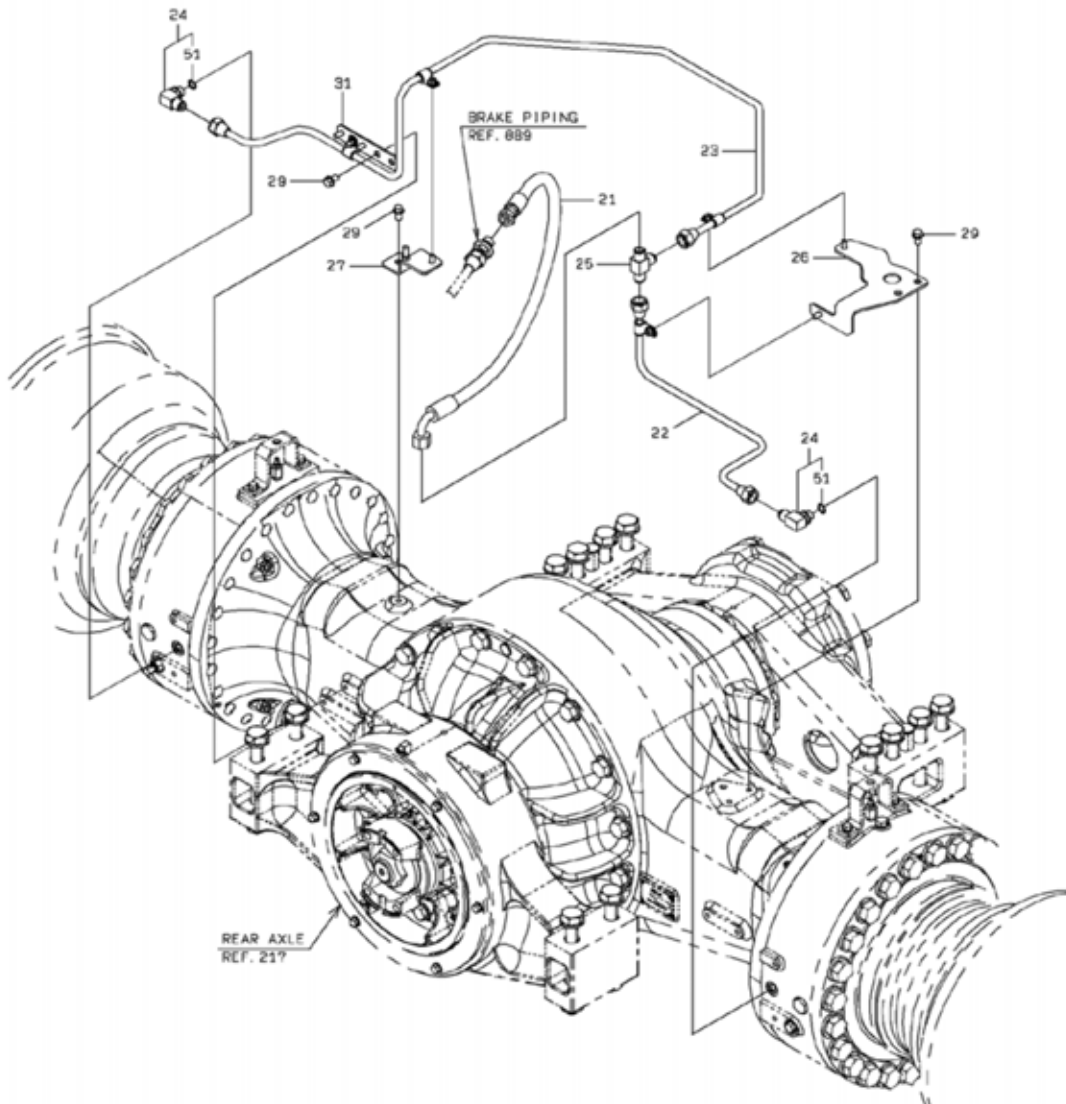
DETAIL OF PIPE HOLDER



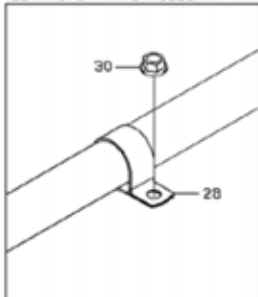
1-8

BRAKE PIPING (REAR AXLE)

< S/N 5169 - >



DETAIL OF PIPE HOLDER



2-A

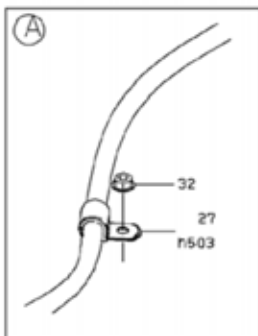
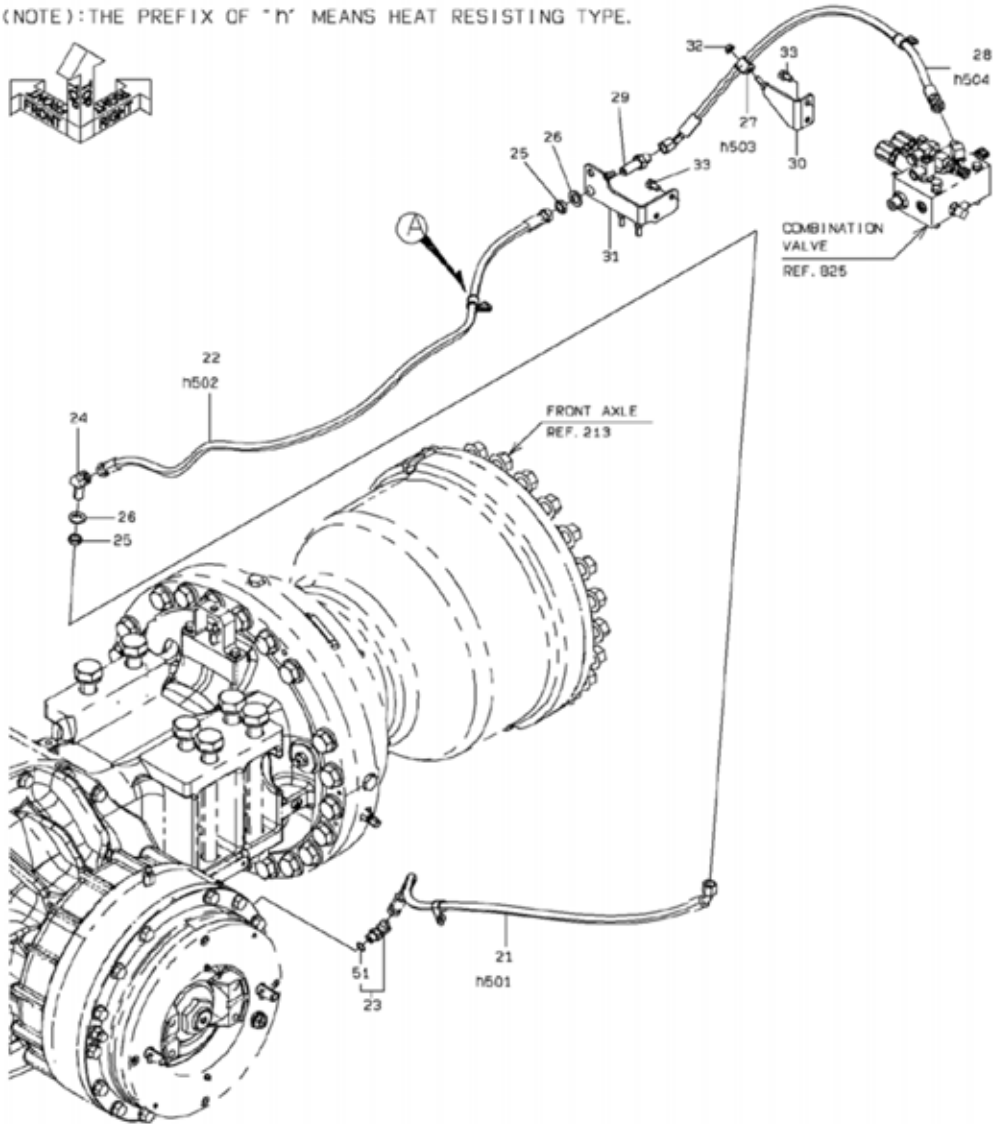
BRAKE PIPING (REAR AXLE)

SYM-BOL	PART NUMBER	PART NAME	UNIT Q,TY	SERIAL		REMARKS							
				(A)	(B)	N	P	D	(A)	(B)	(C)	(D)	REMARKS
21A	68635-30085	HOSE,HIGH PRESSURE	1	5001	-								
22A	38706-34290	PIPE ASSY,FLARED	1	5001	- 5168								
22B	38706-36760	PIPE ASSY,FLARED	1	5169	-								
23A	38706-34300	PIPE ASSY,FLARED	1	5001	- 5168	B							
23B	38706-36770	PIPE ASSY,FLARED	1	5169	-	B							
24A	40730-20320	FLARED FITTING	2	5001	- 5168				Y01				
24B	40732-20140	FLARED FITTING,ELBOW	2	5169	-	B			Y01				
25A	40733-21160	FLARED FITTING,TEE	1	5001	-								
26A	41754-26170	PLATE	1	5001	-								
27A	41753-59920	PLATE	1	5001	-								
28A	43573-20280	HOLDER,PIPE	3	5001	- 5168								D=12
28B	43573-20280	HOLDER,PIPE	4	5169	-								D=12
29A	61802-10016	BOLT,FLANGED	3	5001	- 5168								
29B	61802-10016	BOLT,FLANGED	5	5169	-								
30A	62480-21081	NUT,FLANGED	3	5001	- 5168								
30B	62480-21081	NUT,FLANGED	4	5169	-								
31A	41755-49300	PLATE	1	5169	-								
51A	65210-12014	RING,O	1	5001	-				01				
501A	43103-23020	HOSE,HIGH PRESSURE	1	5001	-								OPT
521A	38706-35800	PIPE ASSY,FLARED	1	5001	-								OPT
522A	38706-35810	PIPE ASSY,FLARED	1	5001	-								OPT

MEMO

PARKING BRAKE

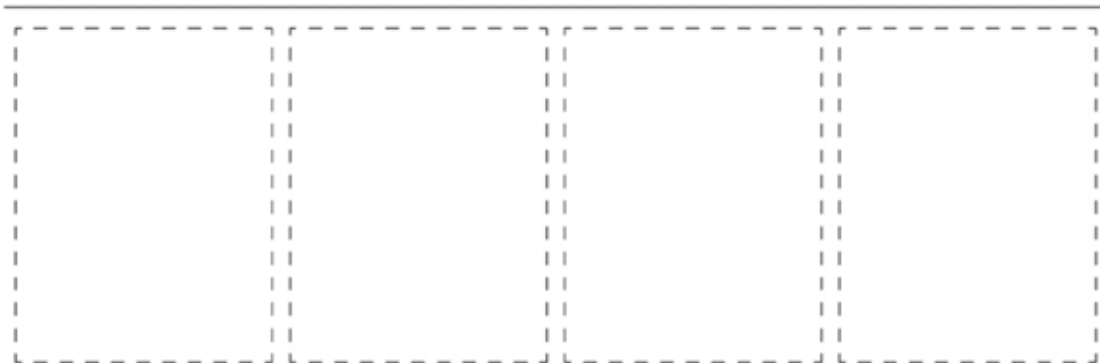
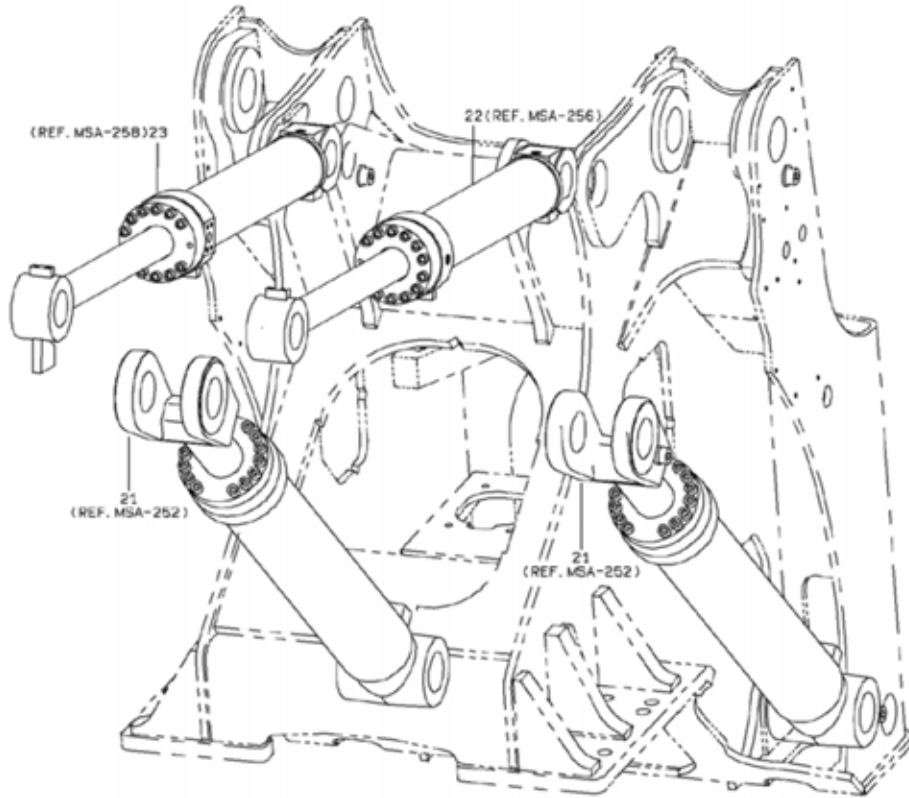
(NOTE): THE PREFIX OF "H" MEANS HEAT RESISTING TYPE.



PARKING BRAKE

SYM-BOL	PART NUMBER	PART NAME	UNIT Q,TY	SERIAL (A) - (B)	REMARKS						
					N	P	D	(A)	(B)	(C)	(D)
21A	68045-20135	HOSE,HIGH PRESSURE	1	5001 -							
22A	68055-20158	HOSE,HIGH PRESSURE	1	5001 -							
23A	88241-07106	ADAPTER,ELBOW	1	5001 -				Y01			
24A	30241-20900	ADAPTER,ELBOW	1	5001 -							
25A	37600-20680	NUT	2	5001 -							
26A	62701-40161	WASHER,PLANE	2	5001 -							
27A	43573-20350	HOLDER,PIPE	4	5001 -							D=15
28A	68045-20083	HOSE,HIGH PRESSURE	1	5001 -							
29A	30230-20600	ADAPTER	1	5001 -							
30A	41754-32550	PLATE	1	5001 -							
31A	41754-32560	PLATE	1	5001 -							
32A	62480-21081	NUT,FLANGED	4	5001 -							
33A	61802-10016	BOLT,FLANGED	4	5001 -							
51A	65210-12014	RING,O	1	5001 -				01			
501A	43103-20600	HOSE,HIGH PRESSURE	1	5001 -							OPT
502A	43103-25410	HOSE,HIGH PRESSURE	1	5001 -							OPT
503A	43573-20360	HOLDER,PIPE	4	5001 -							OPT D=20
504A	43103-25610	HOSE,HIGH PRESSURE	1	5001 -							OPT

OIL CYLINDER MOUNT

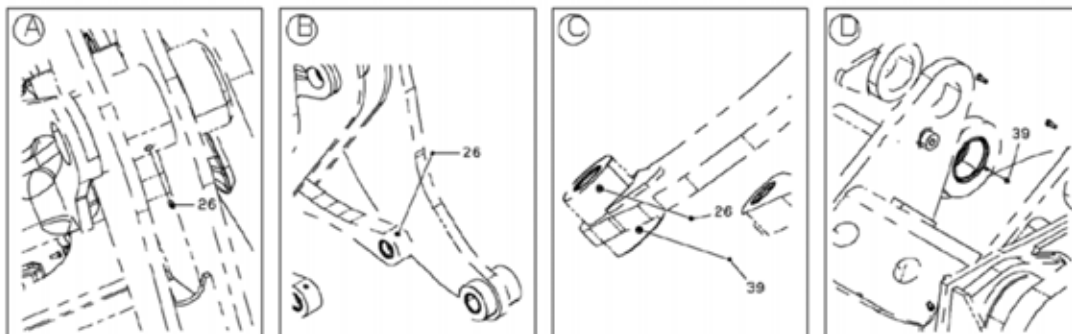
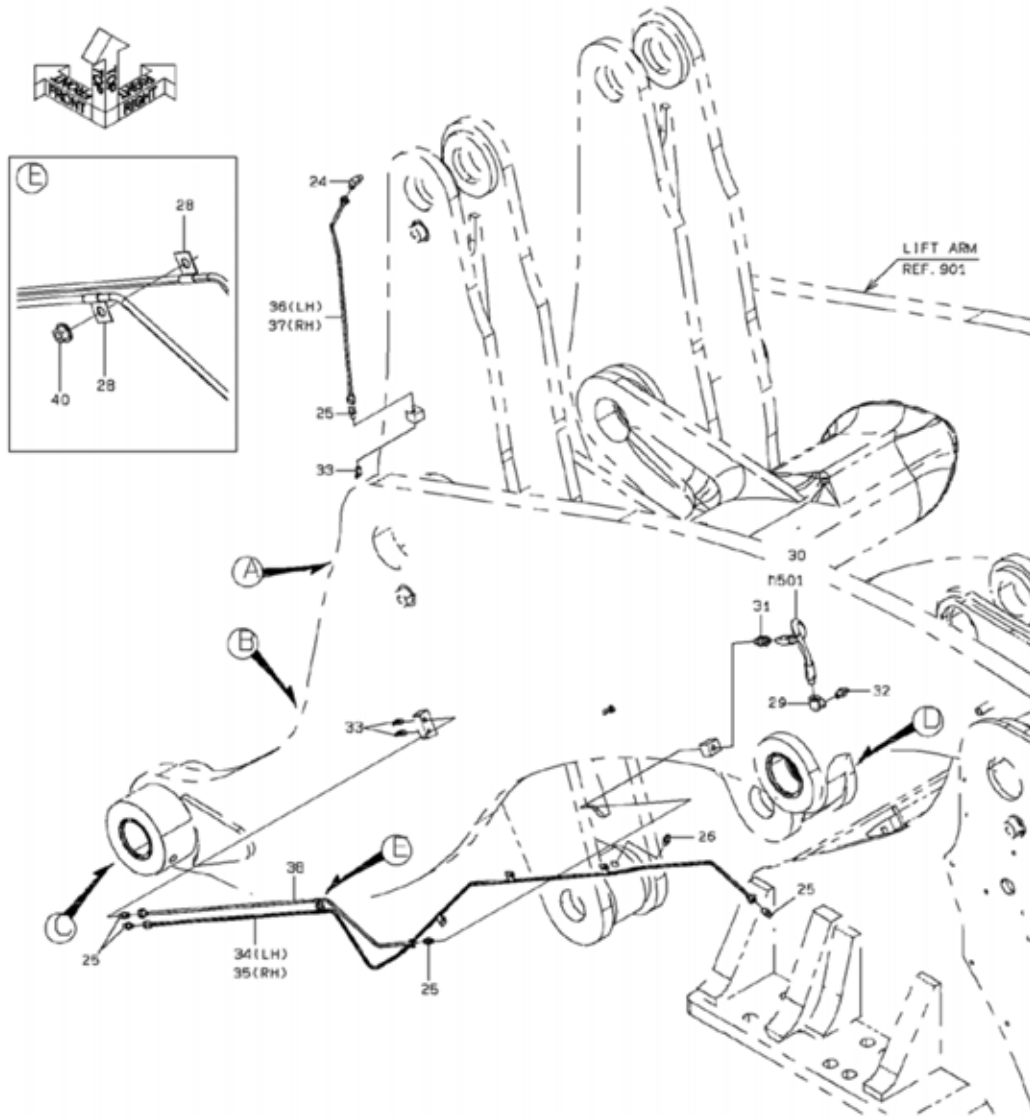


OIL CYLINDER MOUNT

SYM-BOL	PART NUMBER	PART NAME	UNIT Q,TY	SERIAL (A) - (B)	REMARKS					
					N	P	D	(A)	(B)	(C)
21A	34820-67620	CYLINDER ASSY,OIL	2	5001 -						REF.MSA-252
22A	34820-67630	CYLINDER ASSY,OIL	1	5001 -						REF.MSA-256(LH)
23A	34820-67940	CYLINDER ASSY,OIL	1	5001 -						REF.MSA-258(RH)

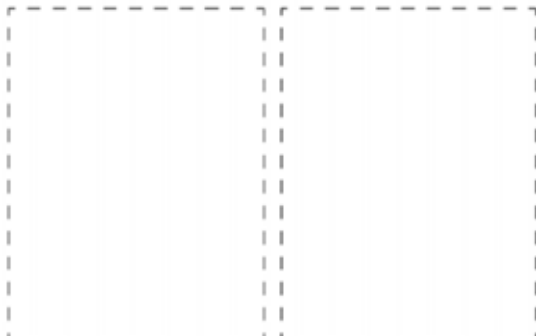
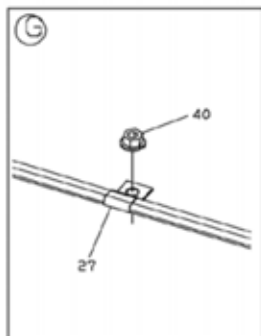
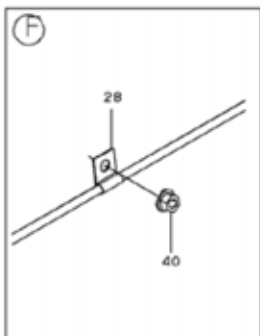
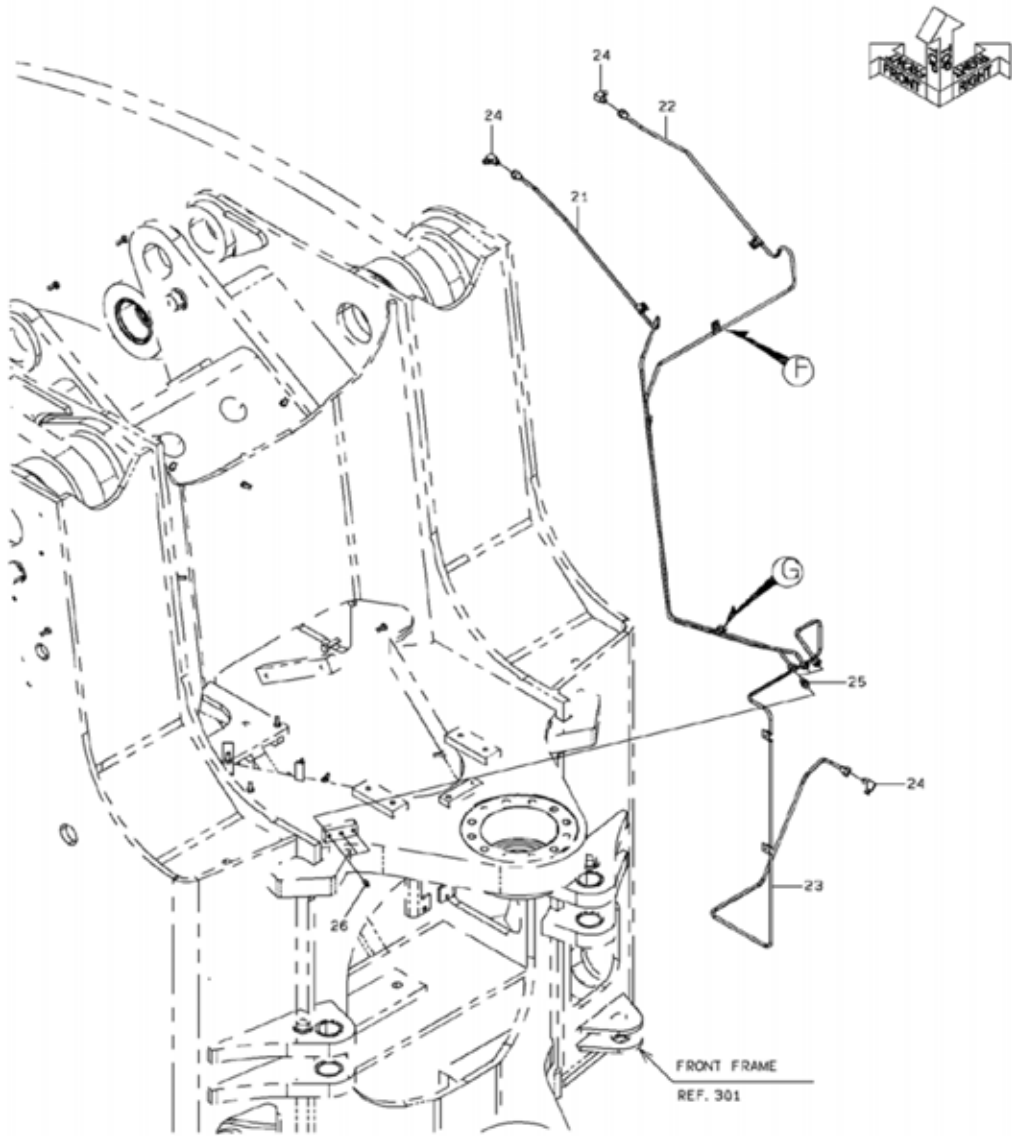
GREASE PIPING

(NOTE): THE PREFIX OF "N" MEANS HEAT RESISTING TYPE.



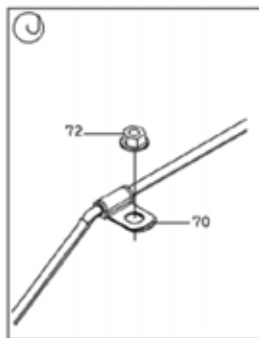
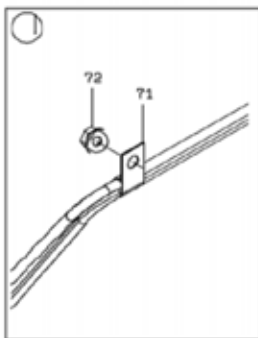
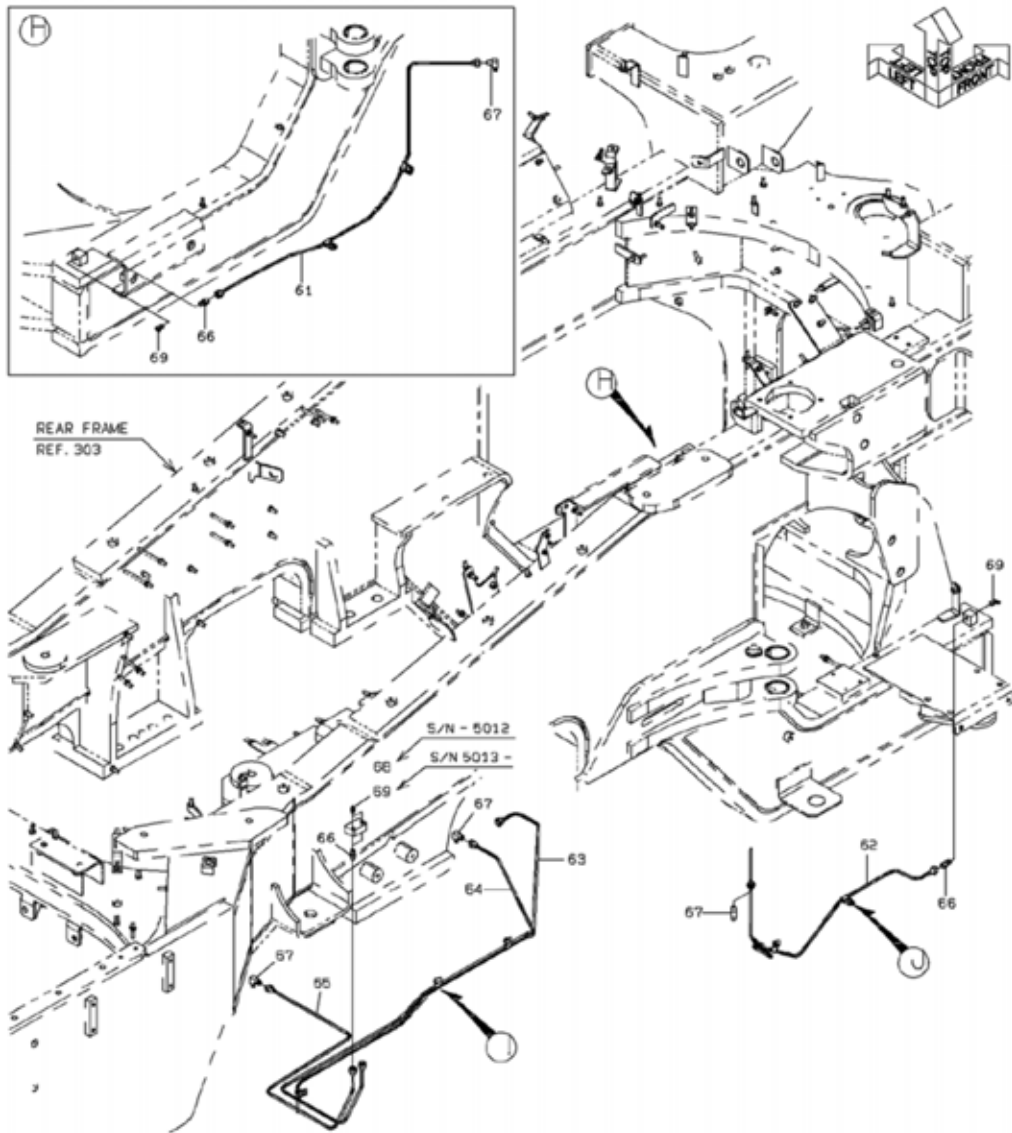
1-8

GREASE PIPING



D-A

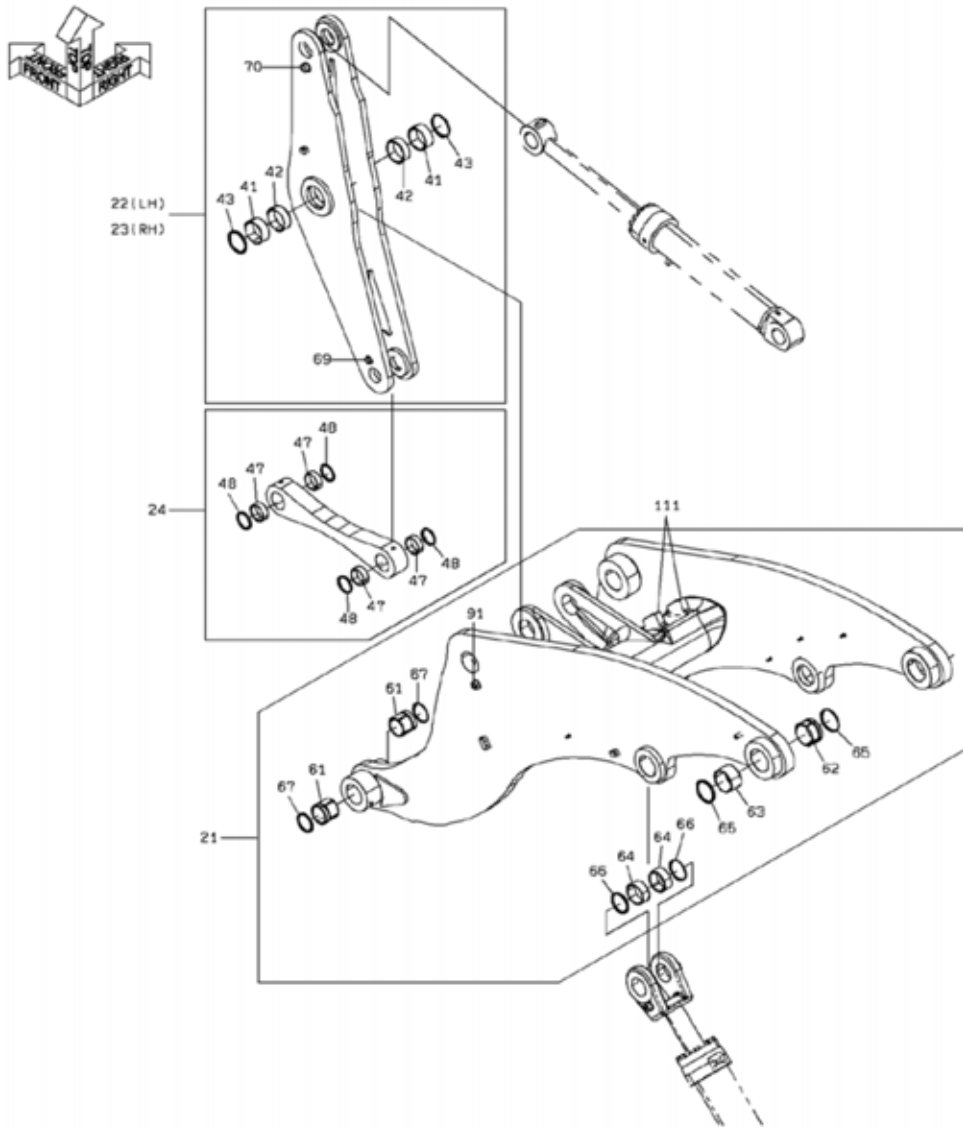
GREASE PIPING



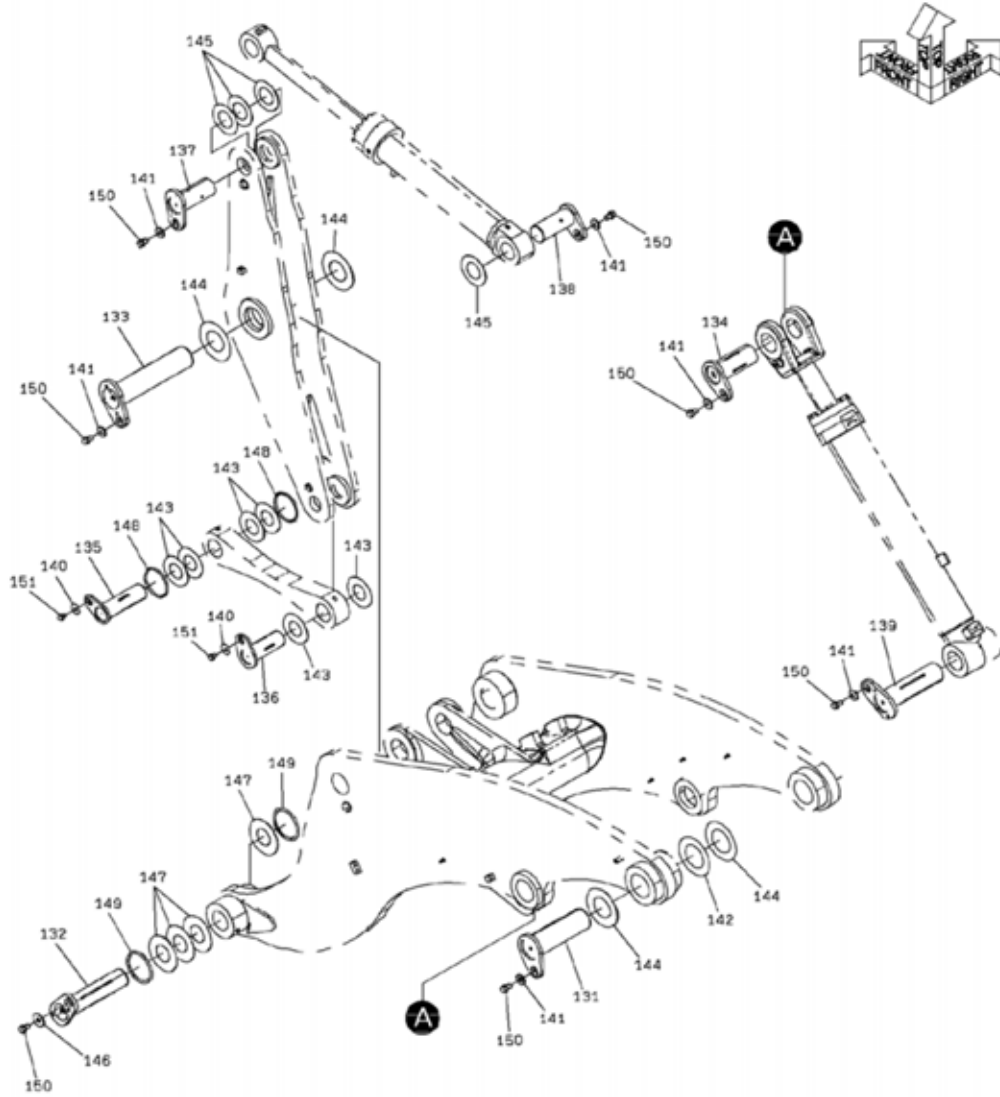
GREASE PIPING

SYM-BOL	PART NUMBER	PART NAME	UNIT Q,TY	SERIAL		REMARKS								
				(A)	(B)	N	P	D	(A)	(B)	(C)	(D)	REMARKS	
21A	38706-35030	PIPE ASSY,FLARED	1	5001	-									
22A	38706-35040	PIPE ASSY,FLARED	1	5001	-									
23A	38706-32630	PIPE ASSY,FLARED	1	5001	-									
24A	69100-20600	FLARED FITTING,ELBOW	5	5001	-									
25A	69100-10600	FLARED FITTING	13	5001	-									
26A	75011-25400	NIPPLE,GREASE	11	5001	-									
27A	72001-20600	HOLDER,PIPE	2	5001	-									D=6.35 X QTY 2
28A	72001-10600	HOLDER,PIPE	15	5001	-									D=6.35
29A	88340-12604	FITTING,ELBOW	2	5001	-									
30A	68612-10040	HOSE,HIGH PRESSURE	2	5001	-									
31A	88221-00604	ADAPTER,UNION	2	5001	-									
32A	88302-40402	FITTING,NIPPLE	2	5001	-									
33A	75011-45400	NIPPLE,GREASE	6	5001	-									
34A	38706-32660	PIPE ASSY,FLARED	1	5001	- 5019									FR LH
34B	38706-35760	PIPE ASSY,FLARED	1	5020	-			C						FR LH
35A	38706-32670	PIPE ASSY,FLARED	1	5001	- 5019									FR RH
35B	38706-35770	PIPE ASSY,FLARED	1	5020	-			C						FR RH
36A	38706-30360	PIPE ASSY,FLARED	1	5001	-									FR LH
37A	38706-30370	PIPE ASSY,FLARED	1	5001	-									FR RH
38A	38706-32640	PIPE ASSY,FLARED	2	5001	-									
39A	88390-16102	PLUG	4	5001	-									PT 1/8
40A	62480-21081	NUT,FLANGED	15	5001	-									
61A	38706-32140	PIPE ASSY,FLARED	1	5001	-									
62A	38706-34860	PIPE ASSY,FLARED	1	5001	-									
63A	38706-34870	PIPE ASSY,FLARED	1	5001	-									
64A	38706-34880	PIPE ASSY,FLARED	1	5001	- 5019									
64B	38706-35840	PIPE ASSY,FLARED	1	5020	-			B						
65A	38706-32170	PIPE ASSY,FLARED	1	5001	- 5019									
65B	38706-35850	PIPE ASSY,FLARED	1	5020	-			B						
66A	69100-10600	FLARED FITTING	4	5001	-									
67A	69100-20600	FLARED FITTING,ELBOW	4	5001	-									
68A	75011-25400	NIPPLE,GREASE	2	5001	- 5012				D					
69A	75011-45400	NIPPLE,GREASE	2	5001	- 5012									
69B	75011-45400	NIPPLE,GREASE	4	5013	-			C						
70A	43573-20330	HOLDER,PIPE	6	5001	-									D=6.4
71A	72001-20600	HOLDER,PIPE	2	5001	-									D=6.35 X QTY 2
72A	62480-21081	NUT,FLANGED	8	5001	-									
501A	43113-28810	HOSE,HIGH PRESSURE	2	5001	-									OPT

LIFT ARM



LIFT ARM



2-A

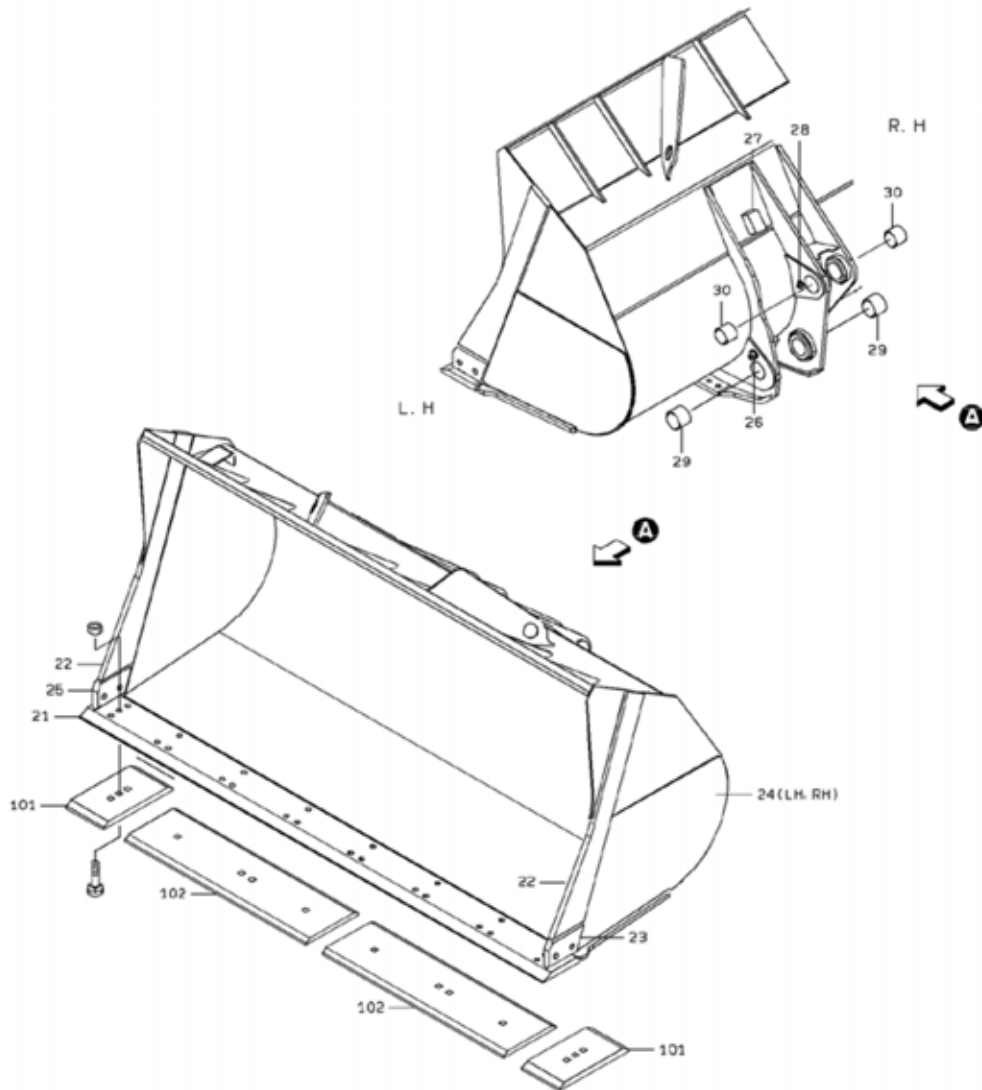
LIFT ARM

SYM-BOL	PART NUMBER	PART NAME	UNIT Q,TY	SERIAL		REMARKS								
				(A)	(B)	N	P	D	(A)	(B)	(C)	(D)	REMARKS	
21A	30040-25700	ARM ASSY,LIFT	1	5001	-						Y01			
22A	45610-24220	LEVER ASSY	1	5001	-						Y02			FR LH
23A	45610-24240	LEVER ASSY	1	5001	-						Y02			FR RH
24A	45125-21850	LINK,BUCKET	2	5001	-							Y03		
41A	40840-26450	BUSHING	2	5001	-							02		
42A	40840-26540	BUSHING	2	5001	-							02		
43A	65051-02209	SEAL,DUST	2	5001	-							02		
47A	40840-26440	BUSHING	4	5001	-								03	
48A	34044-20350	SEAL,DUST	4	5001	-								03	
61A	40840-26500	BUSHING	4	5001	-					01				
62A	40840-26390	BUSHING	2	5001	-					01				
63A	40840-26380	BUSHING	2	5001	-					01				
64A	40840-26460	BUSHING	4	5001	-					01				
65A	65051-02209	SEAL,DUST	4	5001	-					01				
66A	65051-02007	SEAL,DUST	4	5001	-					01				
67A	65051-01906-7	SEAL,DUST	4	5001	-					01				
69A	41621-20320-7	BOSS	1	5001	-							02		WELDING
70A	41621-20340-7	BOSS	1	5001	-							02		WELDING
91A	41621-20340-7	BOSS	2	5001	-					01				WELDING
111A	41716-40050	PLATE	4	5001	-									WELDING
131A	40000-26170	PIN	2	5001	-									D=110X 353L
132A	40000-47010	PIN	2	5001	-									D= 90X 403L
133A	40000-26610	PIN	2	5001	-									D=110X 493L
134A	40000-45860	PIN	2	5001	-									D=100X 243L
135A	40000-47030	PIN	2	5001	-	5054								D= 80X 266L
135B	40000-49290	PIN	2	5055	-					C				D= 80X 276L
136A	40000-46270	PIN	2	5001	-	5054								D= 80X 216L
136B	40000-49270	PIN	2	5055	-					C				D= 80X 266L
137A	40000-46290	PIN	2	5001	-									D= 90X 223L
138A	40000-26590	PIN	2	5001	-									D= 90X 213L
139A	40000-26580	PIN	2	5001	-									D=100X 263L
140A	46011-20940	WASHER,PLANE	4	5001	-									
141A	46011-20170	WASHER,PLANE	12	5001	-									
142A	41621-25120	PLATE	2	5001	-									T=4.5
143A	41621-20290	PLATE	12	5001	-									T=1
144A	41621-24500	PLATE	8	5001	-									T=1
145A	41621-20200	PLATE	8	5001	-									T=1
146A	46011-20950	WASHER,PLANE	2	5001	-									
147A	41621-30390	PLATE	8	5001	-									T=1
148A	47131-22030	RING,O	4	5001	-									
149A	47131-22040	RING,O	4	5001	-									
150A	61802-20032	BOLT,FLANGED	14	5001	-									
151A	61802-16020	BOLT,FLANGED	4	5001	-									

MEMO

BUCKET

PIN-ON GP BUCKET



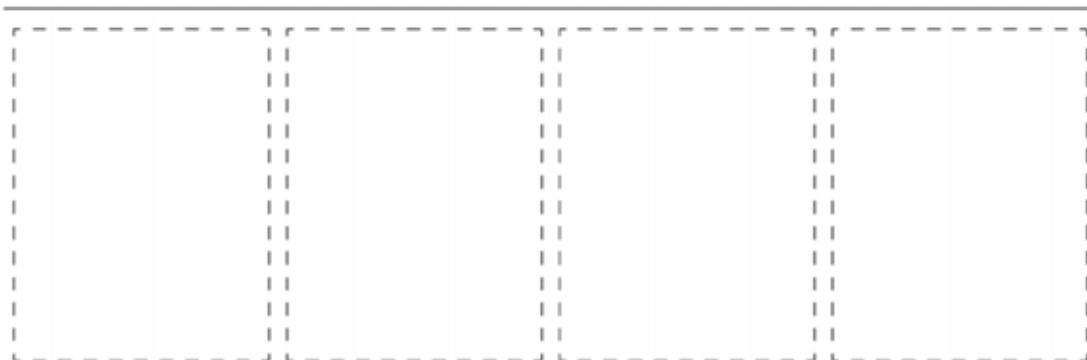
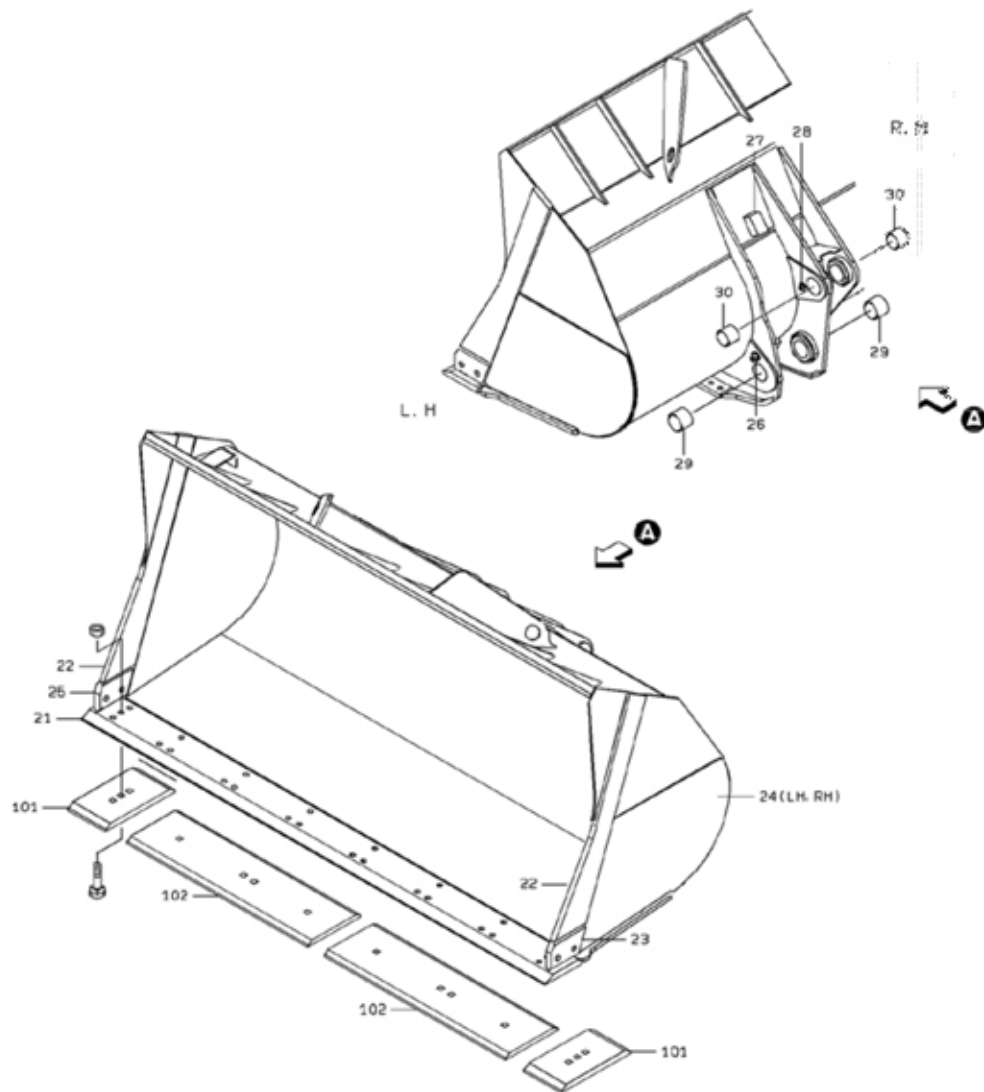
1-A

BUCKET

SYM-BOL	PART NUMBER	PART NAME	UNIT Q,TY	SERIAL (A) - (B)	REMARKS				REMARKS
					N	P	D	(A) (B) (C) (D)	
000A	38311-61120-7	BUCKET ASSY	1	5001 -					PIN-ON GP
21A	30930-70260-7	EDGE	1	5001 -					
22A	39953-70160-7	BIT,SIDE	2	5001 -					
23A	30938-70280-7	EDGE,SIDE	1	5001 -					
24A	30938-70290-7	EDGE,SIDE	2	5001 -					
25A	30938-70300-7	EDGE,SIDE	1	5001 -					
26A	41600-71960-7	PLATE	2	5001 -					
27A	41621-70670-7	PLATE	2	5001 -					
28A	41600-71970-7	PLATE	2	5001 -					
29A	63422-45730-7	BUSHING	4	5001 -					
30A	40840-26560-7	BUSHING	4	5001 -					
101A	30935-20180-7	EDGE,WEAR	2	5001 -					
102A	30935-20170-7	EDGE,WEAR	2	5001 -					

BUCKET

PIN-ON MH BUCKET

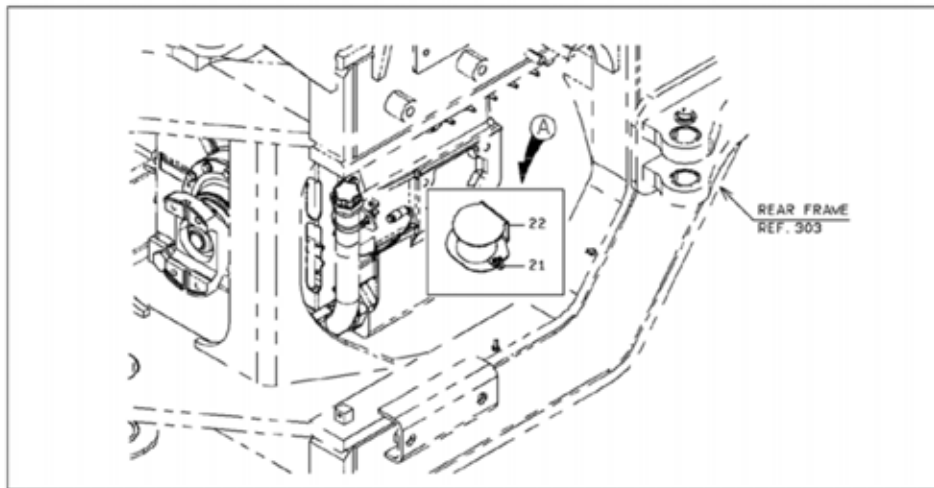
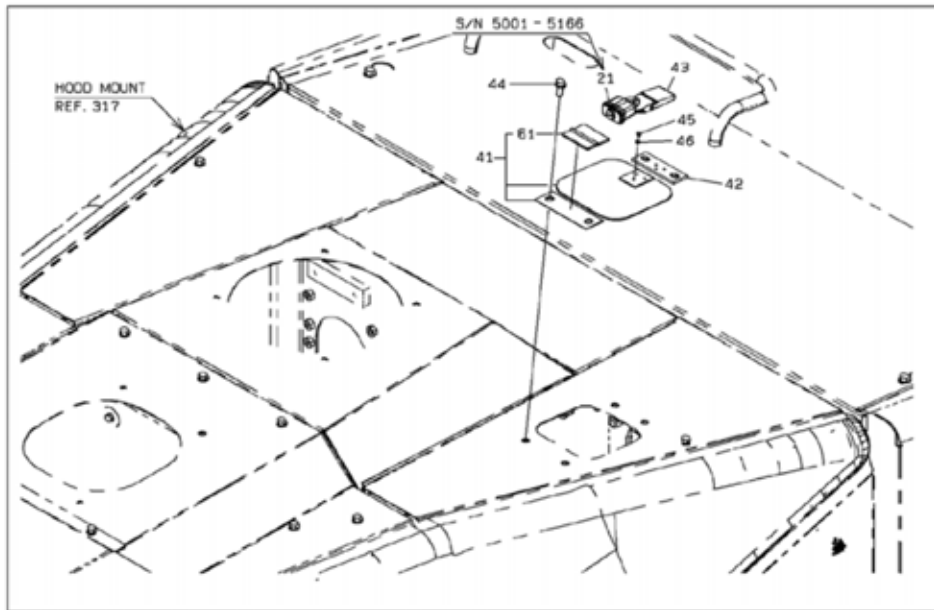


1-A

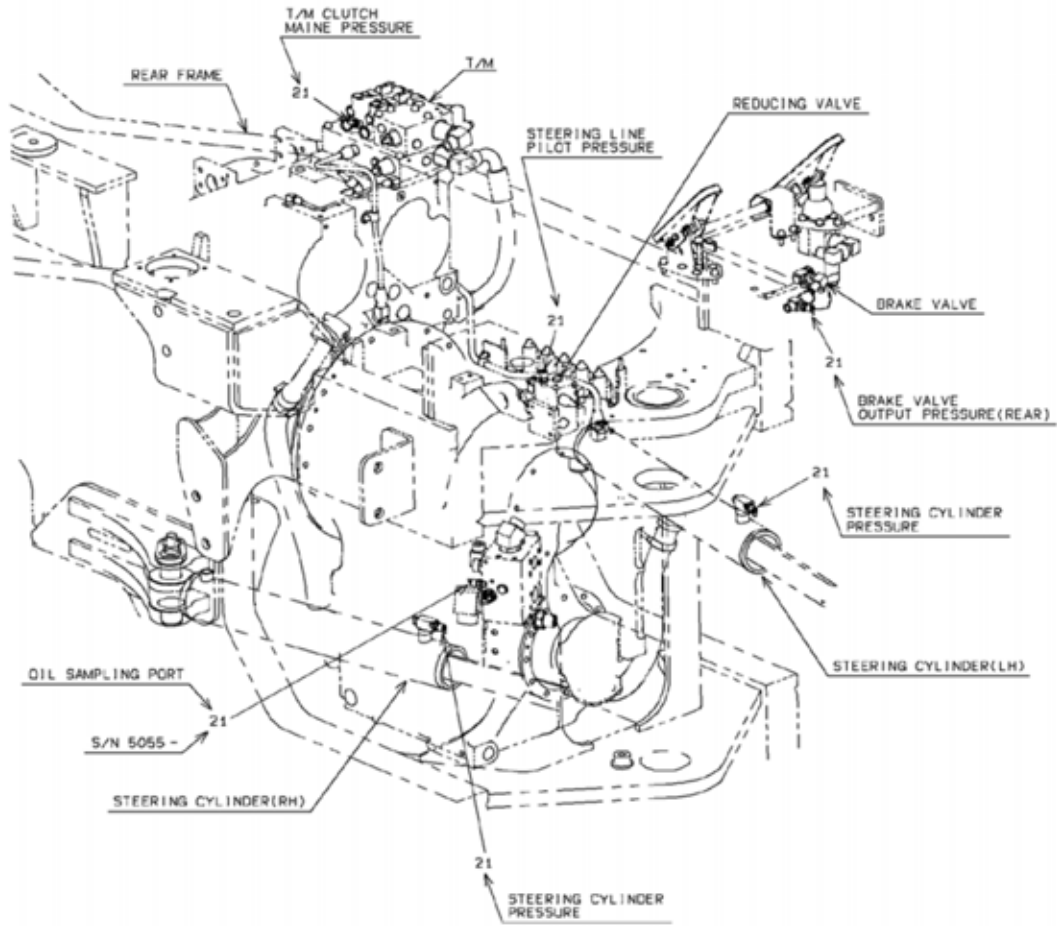
BUCKET

SYM-BOL	PART NUMBER	PART NAME	UNIT Q,TY	SERIAL (A) - (B)	REMARKS				REMARKS
					N	P	D	(A) (B) (C) (D)	
000A	38311-61170-7	BUCKET ASSY	1	5001 -					PIN-ON MH
21A	30930-70250-7	EDGE	1	5001 -					
22A	39953-70150-7	BIT,SIDE	2	5001 -					
23A	30938-70240-7	EDGE,SIDE	1	5001 -					
24A	30938-70250-7	EDGE,SIDE	2	5001 -					
25A	30938-70260-7	EDGE,SIDE	1	5001 -					
26A	41600-71940-7	PLATE	2	5001 -					
27A	41621-70660-7	PLATE	2	5001 -					
28A	41600-71980-7	PLATE	2	5001 -					
29A	63422-45730-7	BUSHING	4	5001 -					
30A	40840-26560-7	BUSHING	4	5001 -					
101A	30935-20180-7	EDGE,WEAR	2	5001 -					
102A	30935-20170-7	EDGE,WEAR	2	5001 -					

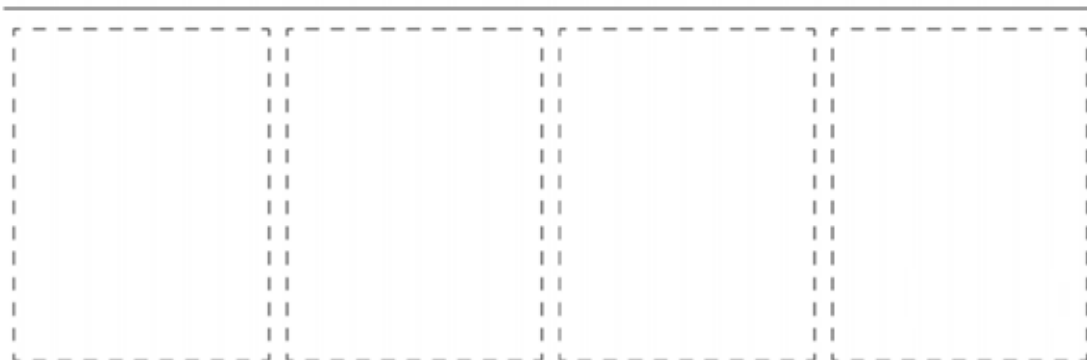
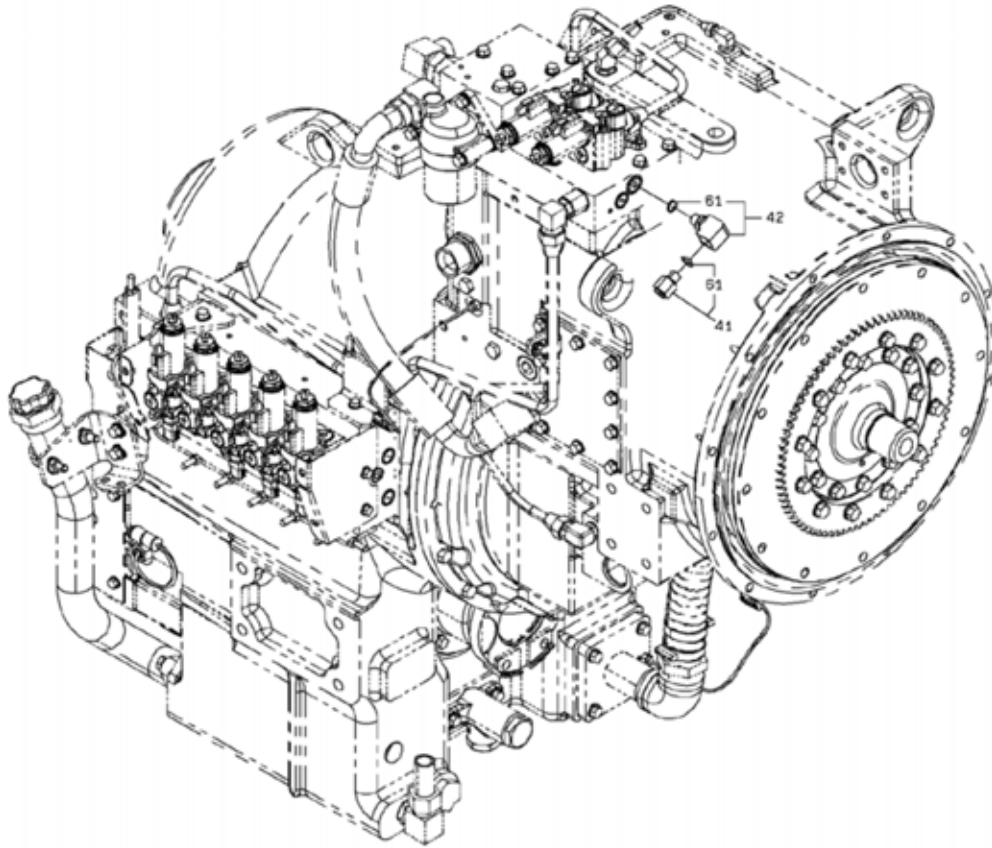
LOCK GROUP



GAUGE MOUNT



GAUGE MOUNT



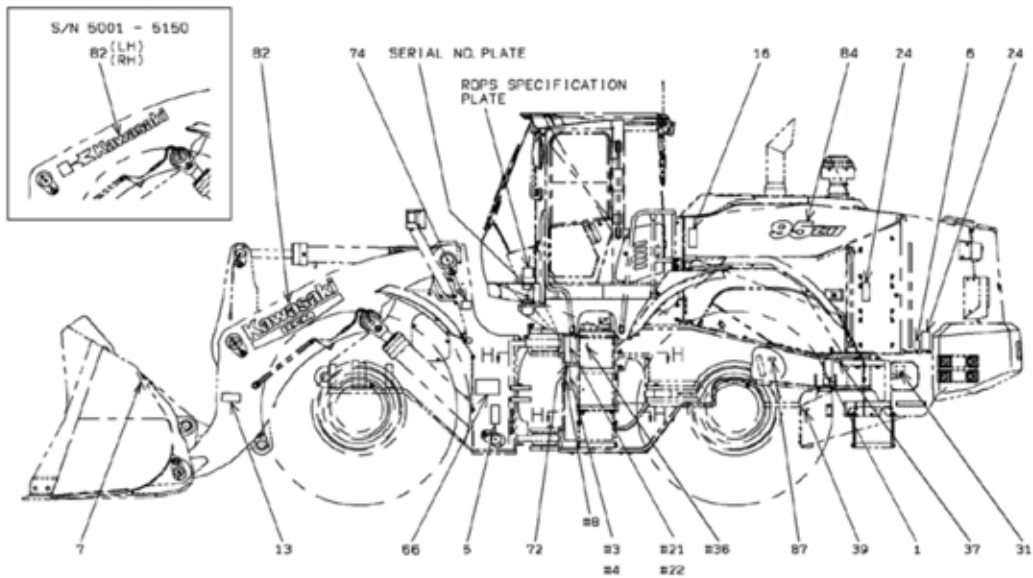
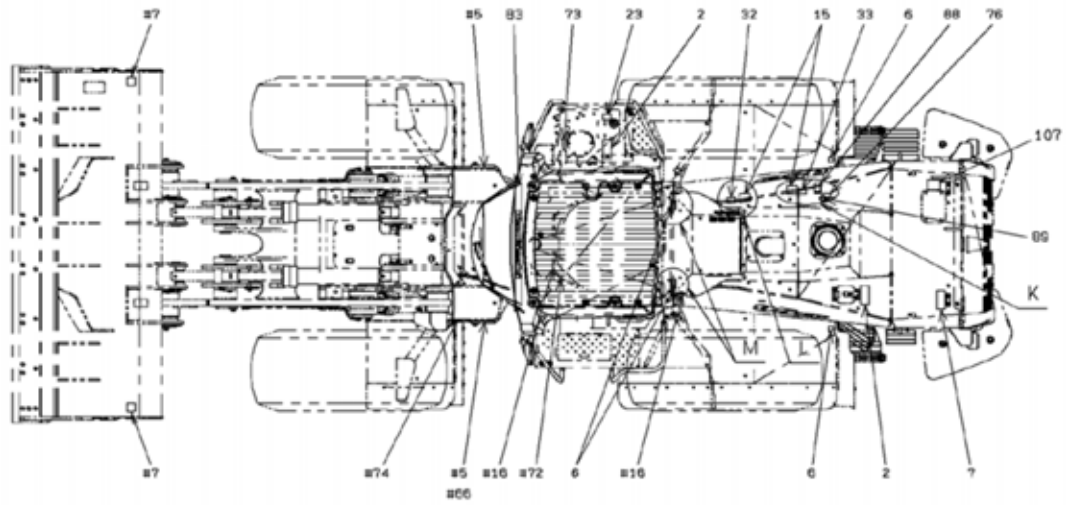
2-A

GAUGE MOUNT

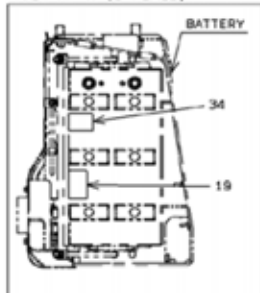
SYM-BOL	PART NUMBER	PART NAME	UNIT Q,TY	SERIAL (A) - (B)	REMARKS						
					N	P	D	(A)	(B)	(C)	(D)
21A	38900-23510-7	FITTING	5	5001 - 5054							WITH O-RING
21B	38900-23510-7	FITTING	6	5055 -							WITH O-RING
41A	30230-23280	ADAPTER	1	5001 -				Y01			
42A	30241-60070	ADAPTER,ELBOW	1	5001 -				Y01			
61A	65210-12014	RING,O	1	5001 -				01			

MEMO

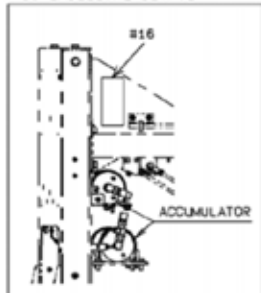
MARKING GROUP



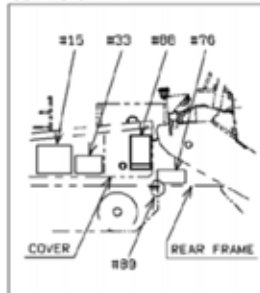
VIEW H-H (2 PLACE)



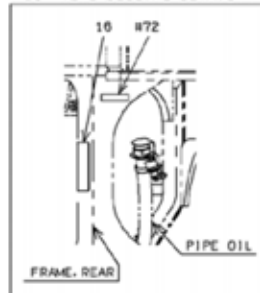
#16 LABELLING DETAIL



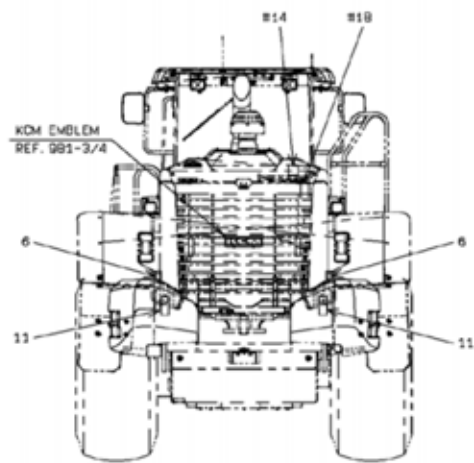
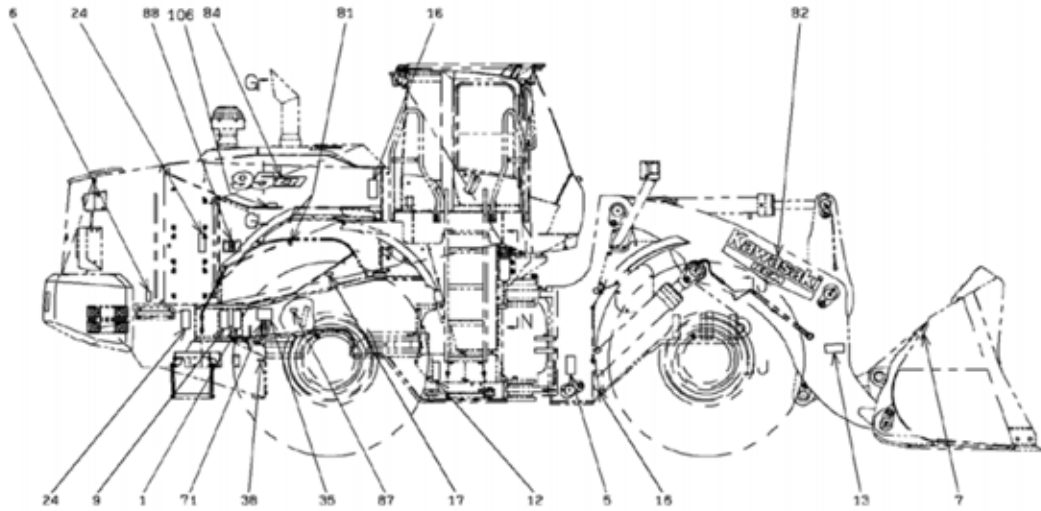
DETAIL OF "K"



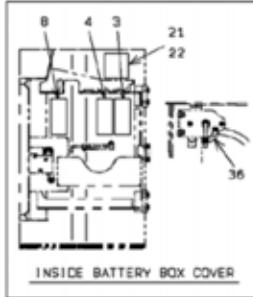
#16, #72 LABELLING DETAIL



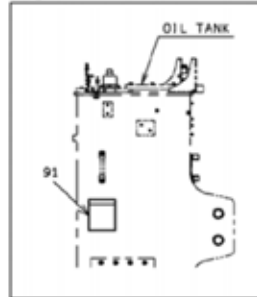
MARKING GROUP



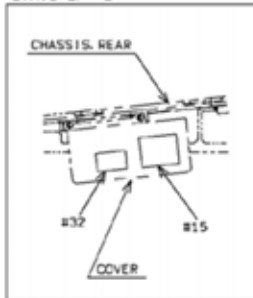
#3, 4, B, 21, 22, 36 LABELLING DETAIL



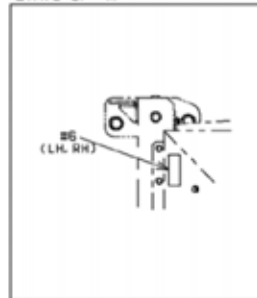
VIEW N-N



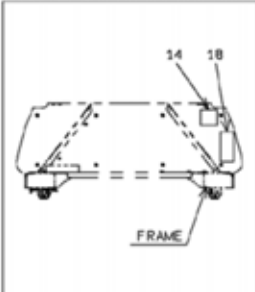
DETAIL OF 'L'



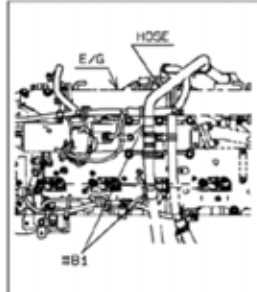
DETAIL OF 'M'



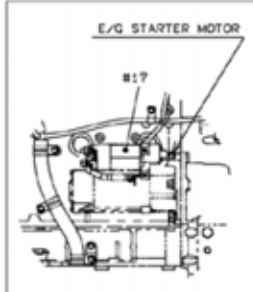
VIEW G-G



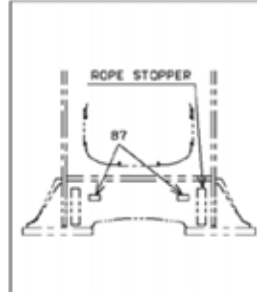
#81 LABELLING DETAIL



#17 LABELLING DETAIL

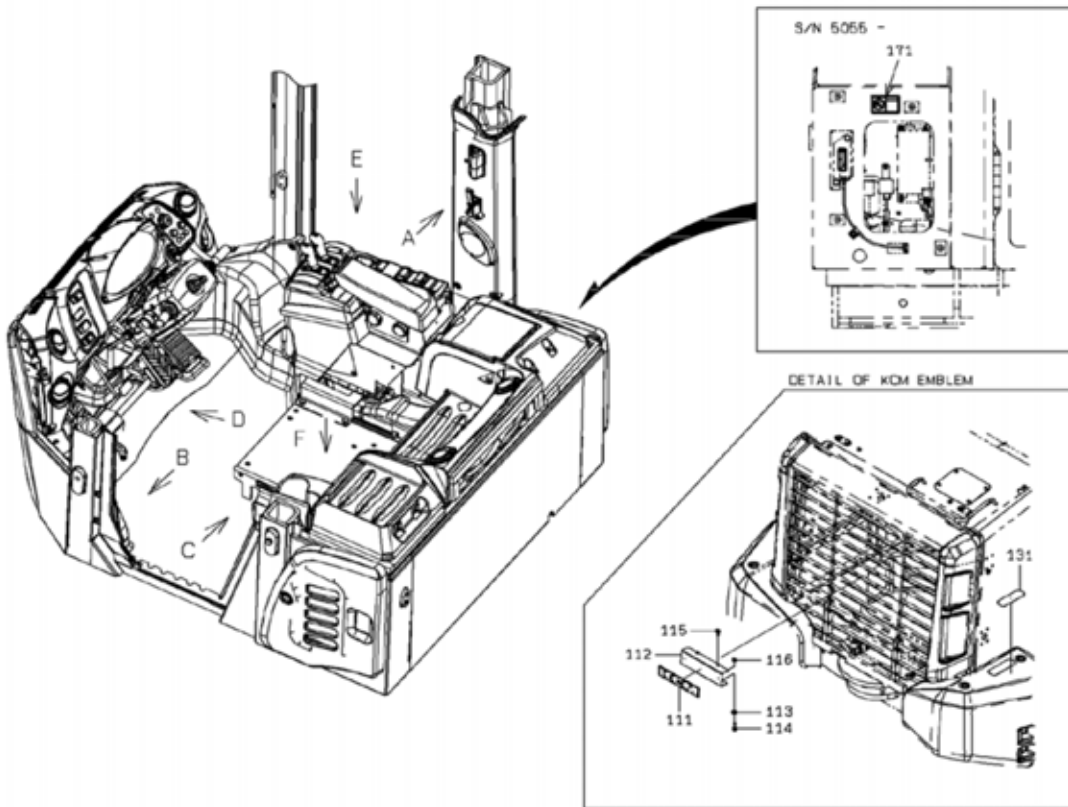


VIEW J-J

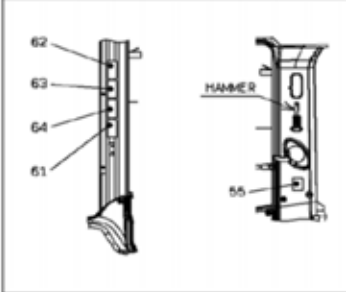


2-C

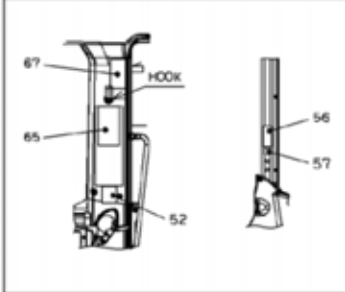
MARKING GROUP



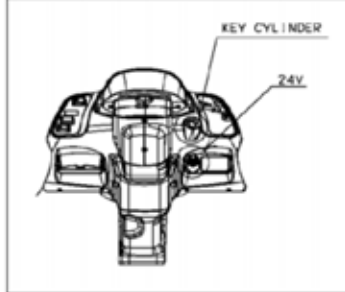
VIEW FROM "A"
(RIGHT SIDE A, B PILLAR CAB)



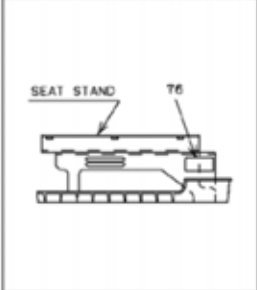
VIEW FROM "B"
(LEFT SIDE A, B PILLAR CAB)



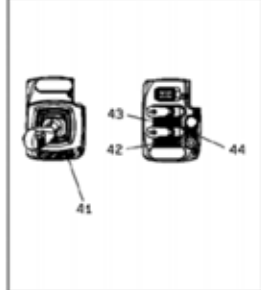
VIEW FROM "D"
(FRONT CONSOLE)



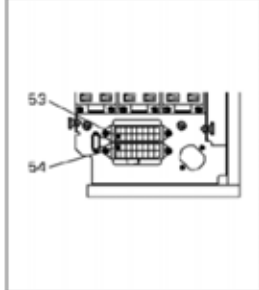
VIEW FROM "C"
(SEAT STAND)



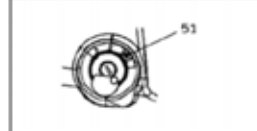
VIEW FROM "E"



VIEW FROM "F" (ELECTRICAL
EQUIPMENT BOX IN CAB)



DETAIL OF KEY CYLINDER



DETAIL OF 24V



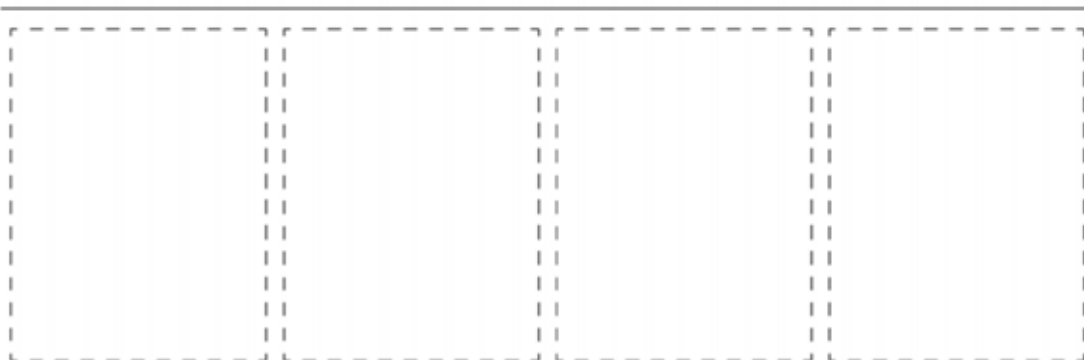
MARKING GROUP

SYMBOL	LABEL KIT
151	LABEL KIT
51	LABEL. ENGLISH(STARTER SWITCH)
55	LABEL. ENGLISH(ARTICULATE STOPPER)
56	LABEL. ENGLISH(PARKING BRAKE)
61	WARNING LABEL(SEAT BELT)
62	WARNING LABEL(OPERATION MANUAL)
63	WARNING LABEL(ELECTRIFICATION)
64	WARNING LABEL(UNLOCK)
65	LABEL. ENGLISH(SWITCH EXPLANATION)
67	WARNING LABEL(BACK BUZZER)
76	LABEL. ENGLISH(A/C REFRIGERANT)
200	LABEL KIT

SYMBOL	LABEL KIT
150	LABEL KIT
88	WARNING LABEL(E/G OIL)
89	LABEL(E/G OIL CAP)
91	WARNING LABEL(HYDRAULIC OIL)

SYMBOL	LABEL KIT
200	LABEL KIT
41	LABEL(MF LEVER)
42	LABEL(BUCKET CONTROL)
43	LABEL(BOOM CONTROL)
44	LABEL(HOLD)
45	LABEL(24V)

SYMBOL	LABEL KIT
152	LABEL KIT
1	WARNING LABEL(INVOLVEMENT)
2	WARNING LABEL(BLOWING HEAT CARRIER)
3	WARNING LABEL(BURST)
4	WARNING LABEL(ELECTRIFICATION)
5	WARNING LABEL(DENGR:BE CRUSHED)
6	WARNING LABEL(AMBUSTION)
7	WARNING LABEL(CAUTION FALL)
8	WARNING LABEL(AMBUSTION)
9	WARNING LABEL(WARNIG:BELT ROTATION)
11	WARNING LABEL(BE RUN OVER)
12	WARNING LABEL(ARTICULATE STOPPER)
13	WARNING LABEL(BOOM DROPPING)
14	WARNING LABEL(AIR CLEANER)
15	WARNING LABEL(FUEL FILTER)
16	WARNING LABEL(ACCUMULATOR)
17	WARNING LABEL(E/G)
18	WARNING LABEL(NO SPRAY OF ETHER)
19	WARNING LABEL(BATTERY)
21	WARNING LABEL(BATERY CUT OFF S/W)
22	WARNING LABEL(BATERY CUT OFF S/W)
23	WARNING LABEL(OIL TANK)
24	WARNING LABEL(WARNING FAN ROTATION)
31	FUEL LABEL
32	CAUTION LABEL(FUEL)
33	CAUTION LABEL(FUEL)
34	CAUTION LABEL(BATTERY)
35	LABEL(LUBICATION TO R AXLE)
36	LABEL(BATTERY SWITCH)
37	LABEL(TIRE PRESSURE)
38	LABEL(E/G OIL DRAIN)
39	LABEL(COOLANT DRAIN)
72	LABEL. ENGLISH(T/M OIL)
73	LABEL. ENGLISH(HYDRAULIC OIL)
74	LABEL. ENGLISH(RESALE)
76	LABEL. ENGLISH(A/C REFRIGERANT)
87	CAUTION LABEL(HOOK)



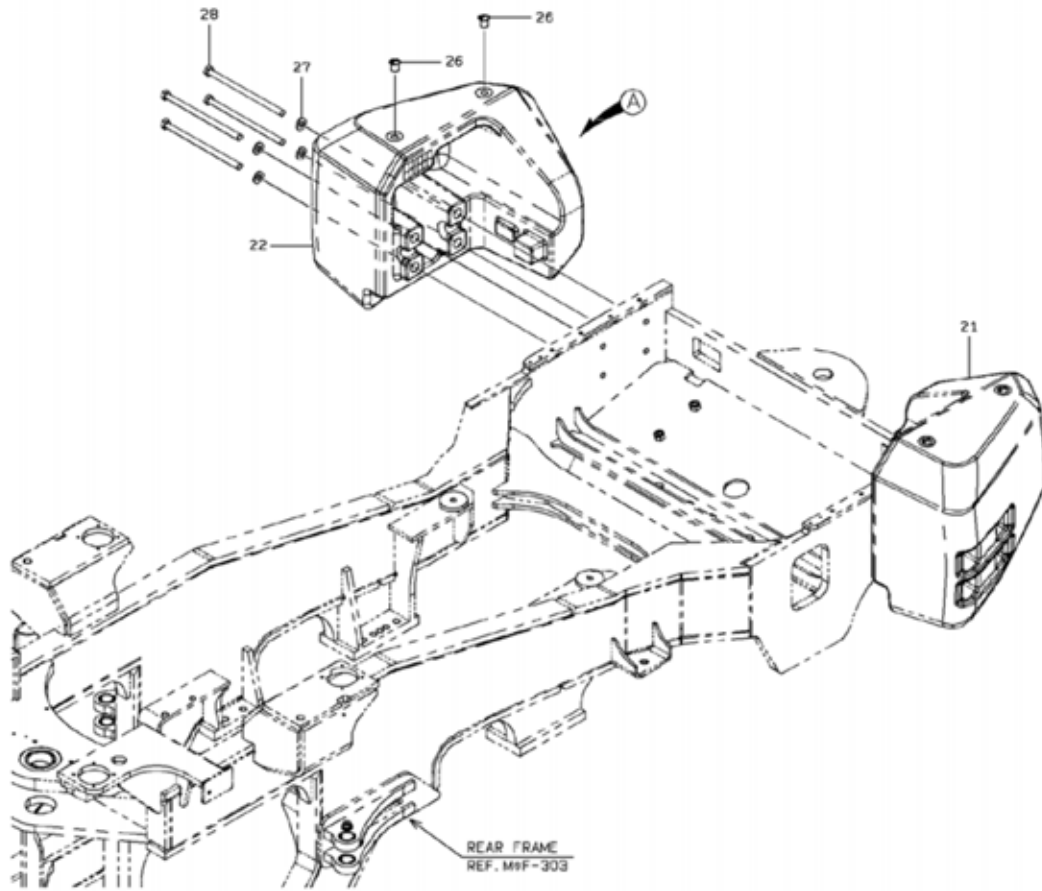
4-B

MARKING GROUP

SYM-BOL	PART NUMBER	PART NAME	UNIT Q,TY	SERIAL		REMARKS							
				(A)	(B)	N	P	D	(A)	(B)	(C)	(D)	REMARKS
52A	44841-22020	LABEL,ENGLISH	1	5001	- 5028								RELAY BOX
52B	44841-22190	LABEL,ENGLISH	1	5029	- 5198								RELAY BOX
52C	44841-22830	LABEL,ENGLISH	1	5199	-								
53A	44841-21930	LABEL,ENGLISH	1	5001	- 5060								FUSE BOX-A
53B	44841-22450	LABEL,ENGLISH	1	5061	-								FUSE BOX-A
54A	44841-22040	LABEL,ENGLISH	1	5001	- 5028								FUSE BOX-B
54B	44841-22180	LABEL,ENGLISH	1	5029	- 5060								FUSE BOX-B
54C	44841-22490	LABEL,ENGLISH	1	5061	-								FUSE BOX-B
57A	44841-22060	LABEL,ENGLISH	1	5001	-								WIPER/IDLE STOP RELA
66A	44794-24240	LABEL,LUBRICATION	1	5001	-								
71A	44841-21870	LABEL,ENGLISH	1	5001	-								GREASE/REAR AXLE
81A	44787-24980	LABEL,WARNING	2	5001	-								YELLOW
82A	44774-22060	LABEL	2	5001	- 5102								KAWASAKI
82B	44774-24650	LABEL	2	5103	-								KAWASAKI/KCM
83A	44774-22640-7	LABEL	1	5001	-								KAWASAKI
84A	44774-23370	LABEL	2	5001	-								
106A	44787-25880	LABEL,WARNING	1	5169	-								
107A	44787-25890	LABEL,WARNING	1	5169	-								
111A	41678-24820	PLATE,NAME	1	5001	-								KCM
112A	41716-55090	PLATE	1	5001	- 5150								
112B	41719-24930	PLATE	1	5151	-								
113A	46011-20660	WASHER,PLANE	2	5001	-								
114A	61802-08025-7	BOLT,FLANGED	2	5001	-								
115A	61802-08016-7	BOLT,FLANGED	2	5001	-								
116A	62480-21081	NUT,FLANGED	2	5001	-								
131A	37013-20030	TAPE,ANTISKID	2	5001	-								
151A	44771-23880-7	LABEL KIT	1	5001	-								Y01
152A	44771-23890-7	LABEL KIT	1	5001	-								
153A	44771-23920-7	LABEL KIT	1	5001	-								
171A	44787-25020	LABEL,WARNING	1	5055	-								
200A	44771-23850	LABEL KIT	1	5001	-								01

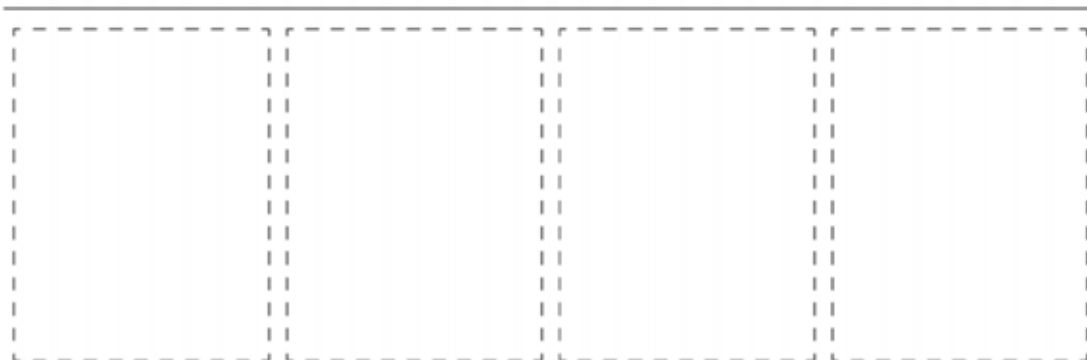
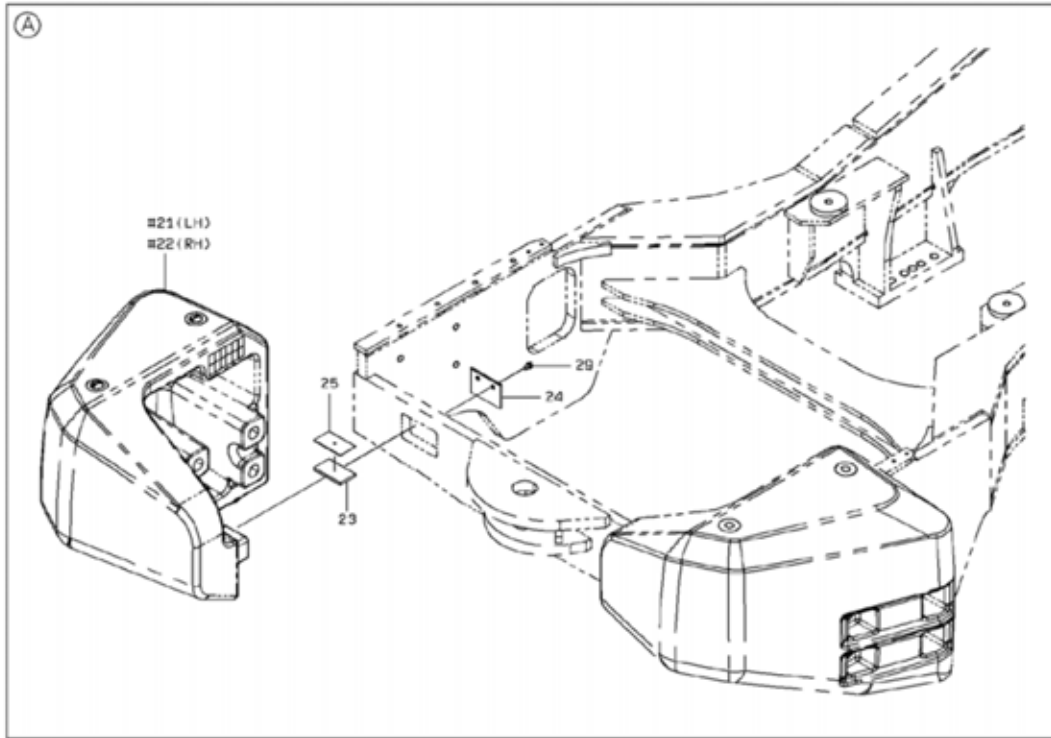
MEMO

WEIGHT MOUNT(ADDITIONAL-TYPE)



1-A

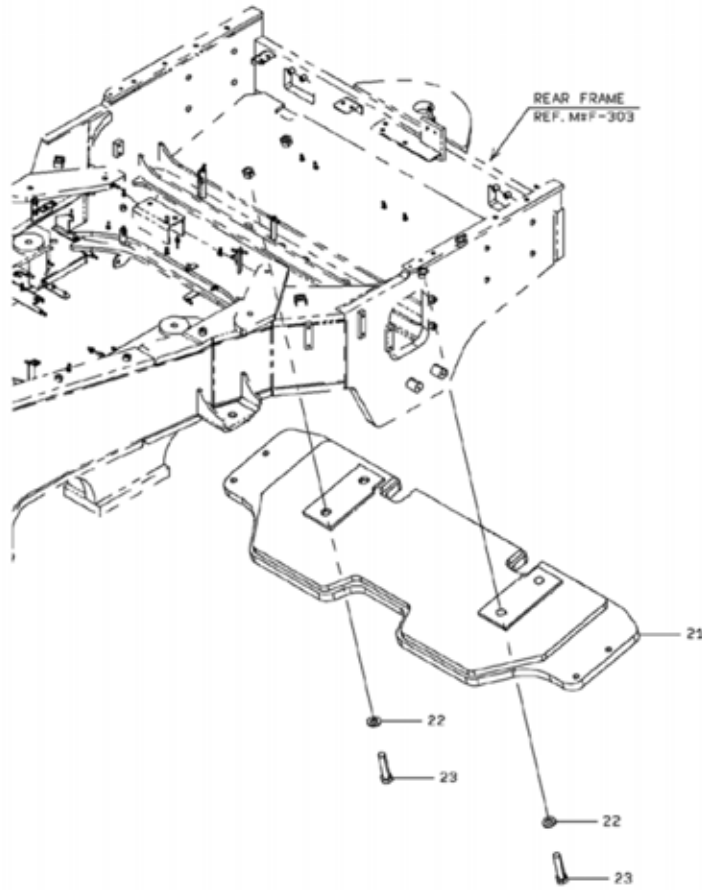
WEIGHT MOUNT(ADDITIONAL-TYPE)



2-A

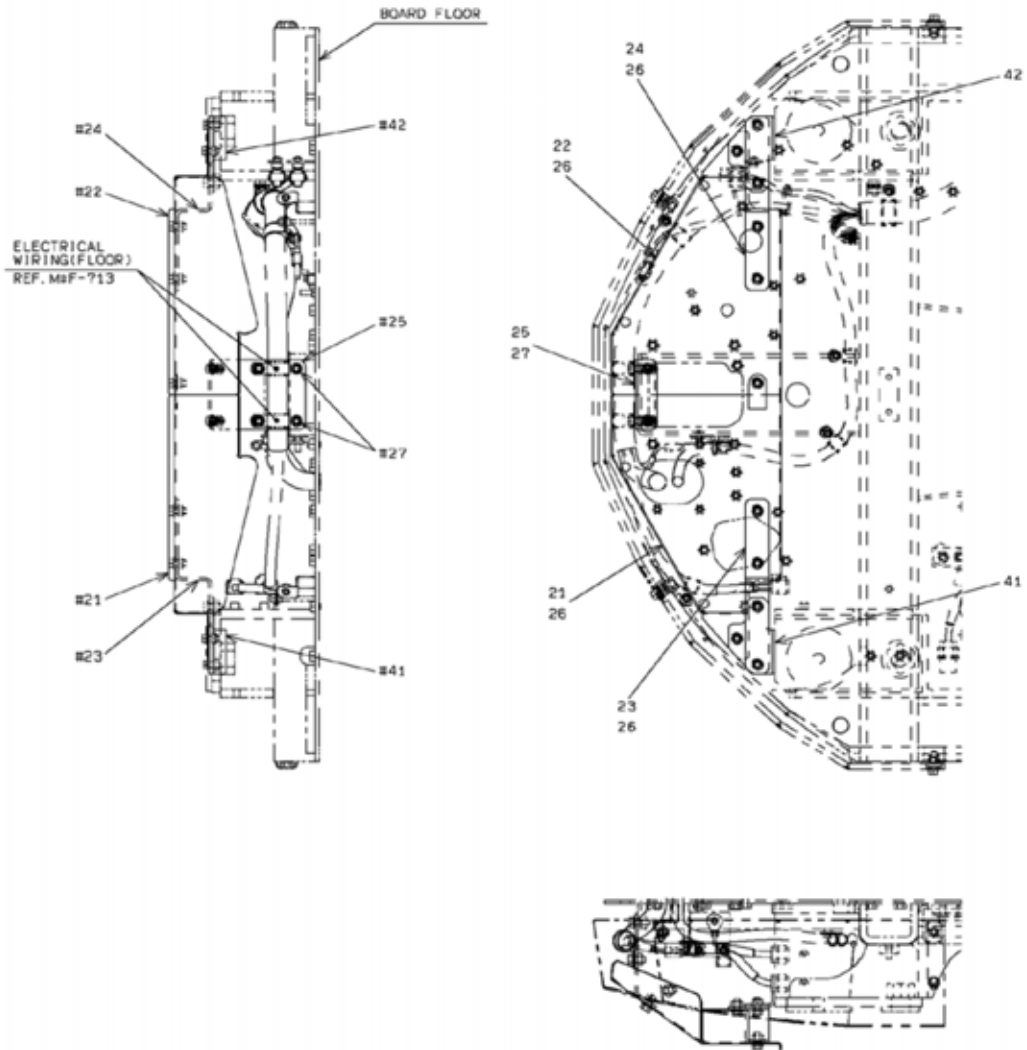
MEMO

WEIGHT MOUNT(FOR LOG)



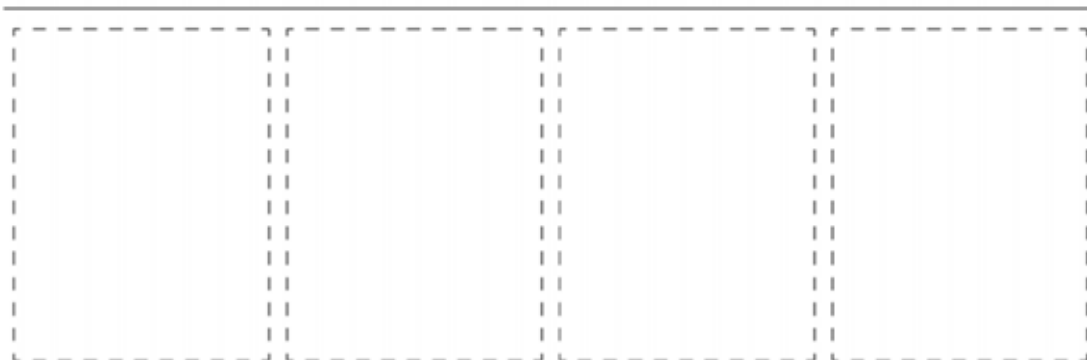
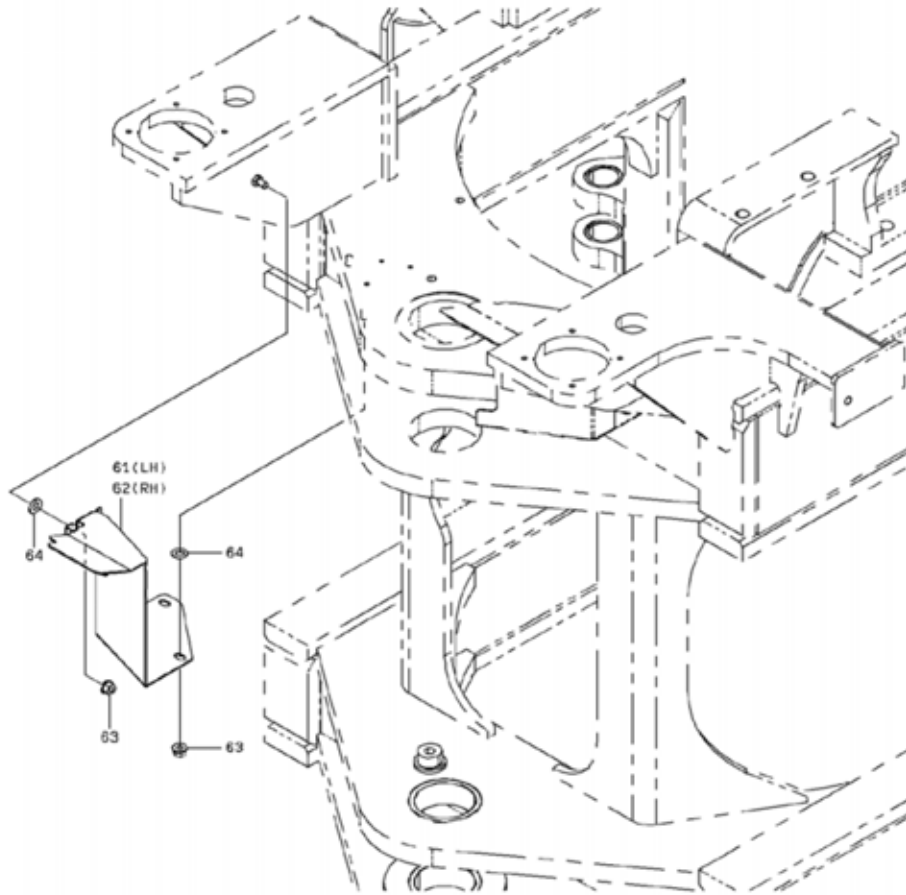
1-A

COVER MOUNT (CAB UNDER GUARD)



1-A

COVER MOUNT (CAB UNDER GUARD)



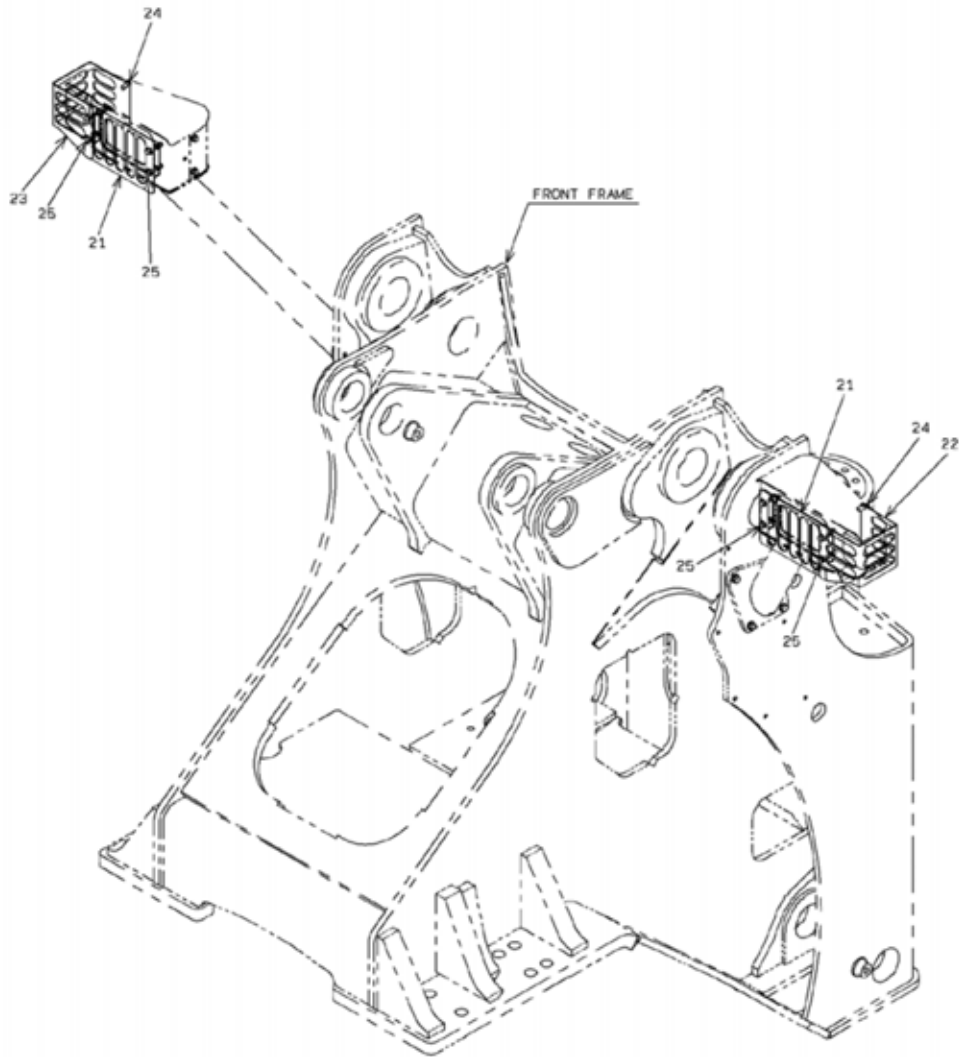
2-A

COVER MOUNT (CAB UNDER GUARD)

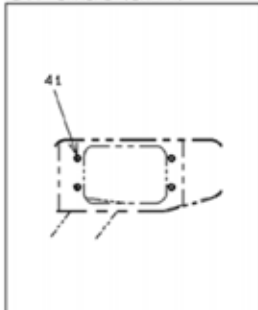
SYM-BOL	PART NUMBER	PART NAME	UNIT Q,TY	SERIAL (A) - (B)	REMARKS				REMARKS
					N	P	D	(A) (B) (C) (D)	
21A	31206-30090	COVER	1	5001 -					FR LH
22A	31206-30100	COVER	1	5001 -					FR RH
23A	41754-44610	PLATE	1	5001 -					FR LH
24A	41754-44620	PLATE	1	5001 -					FR RH
25A	41754-44630	PLATE	1	5001 -					
26A	61802-10020	BOLT,FLANGED	13	5001 -					
27A	61802-10025	BOLT,FLANGED	2	5001 -					
41A	41754-44590	PLATE	1	5001 -					FR LH(WELDING)
42A	41754-44600	PLATE	1	5001 -					FR RH(WELDING)
61A	41754-44650	PLATE	1	5001 -					FR LH
62A	41754-44660	PLATE	1	5001 -					FR RH
63A	62480-21101-7	NUT,FLANGED	6	5001 -					
64A	62701-40101	WASHER,PLANE	6	5001 -					

MEMO

COVER MOUNT (LAMP GUARD)

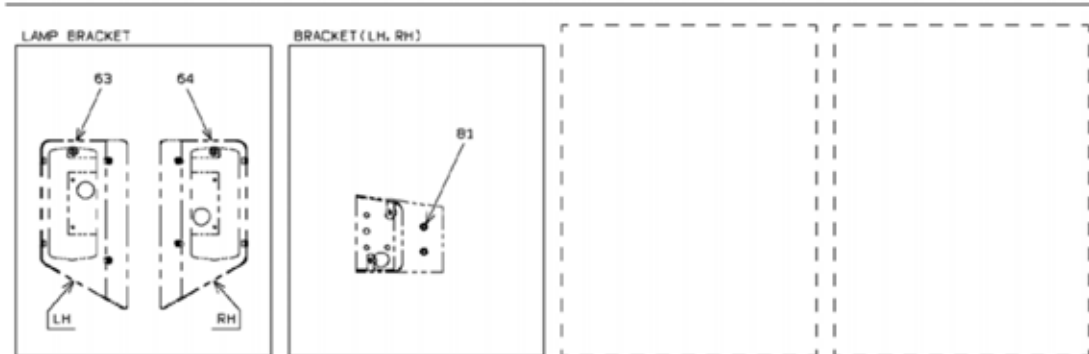
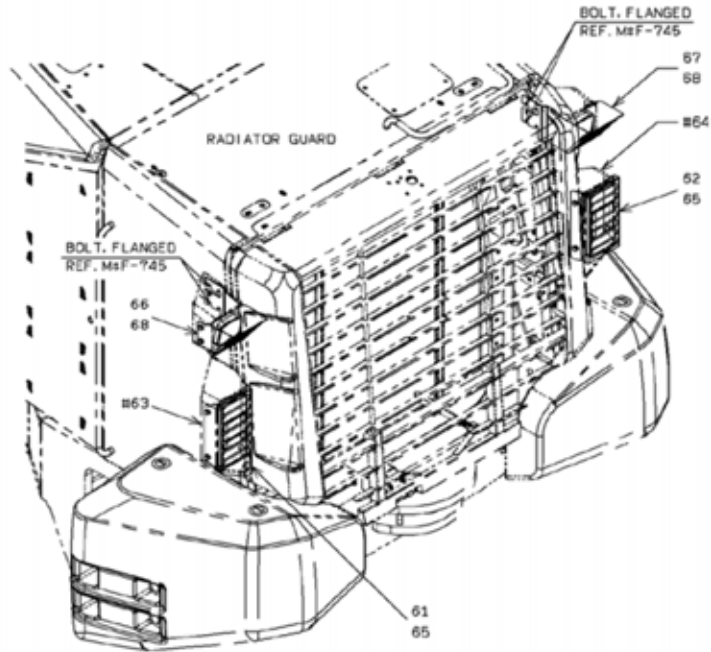


LAMP BRACKET (LH, RH)



1-A

COVER MOUNT (LAMP GUARD)



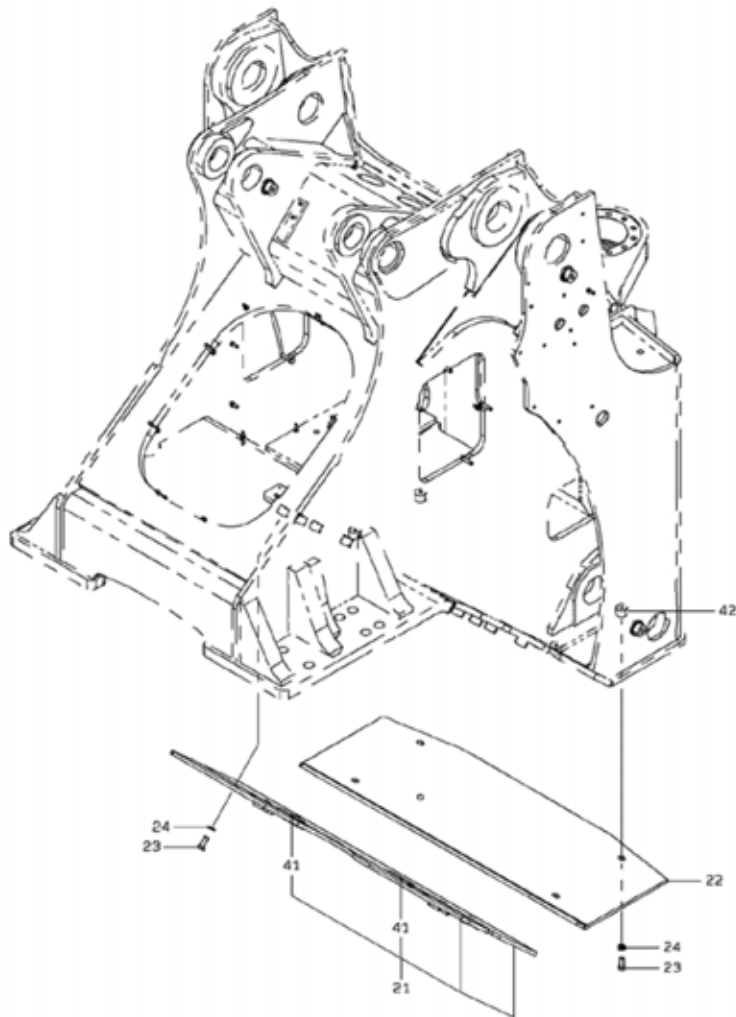
2-A

COVER MOUNT (LAMP GUARD)

SYM-BOL	PART NUMBER	PART NAME	UNIT Q,TY	SERIAL (A) - (B)	REMARKS				REMARKS
					N	P	D	(C) (D)	
21A	31206-28130	COVER	2	5001 -					
22A	41754-23410	PLATE	1	5001 -					FR LH
23A	41754-23430	PLATE	1	5001 -					FR RH
24A	61802-10020	BOLT,FLANGED	4	5001 -					
25A	61802-10045	BOLT,FLANGED	8	5001 -					
41A	37600-71310	NUT	8	5001 -					
61A	41754-23970	PLATE	1	5001 -					FR LH
62A	41754-23980	PLATE	1	5001 -					FR RH
63A	03502-12110	BRACKET,LAMP	1	5001 -					FR LH
64A	03502-12120	BRACKET,LAMP	1	5001 -					FR RH
65A	61802-10020	BOLT,FLANGED	8	5001 -					
66A	31206-28190	COVER	1	5001 -					FR LH
67A	31206-28200	COVER	1	5001 -					FR RH
68A	61802-10020	BOLT,FLANGED	4	5001 -					
81A	37600-71310	NUT	4	5001 -					

MEMO

BELLY GUARD

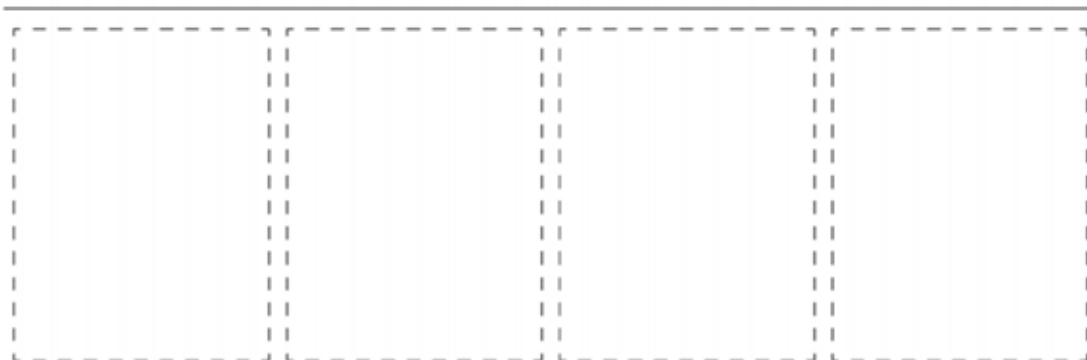
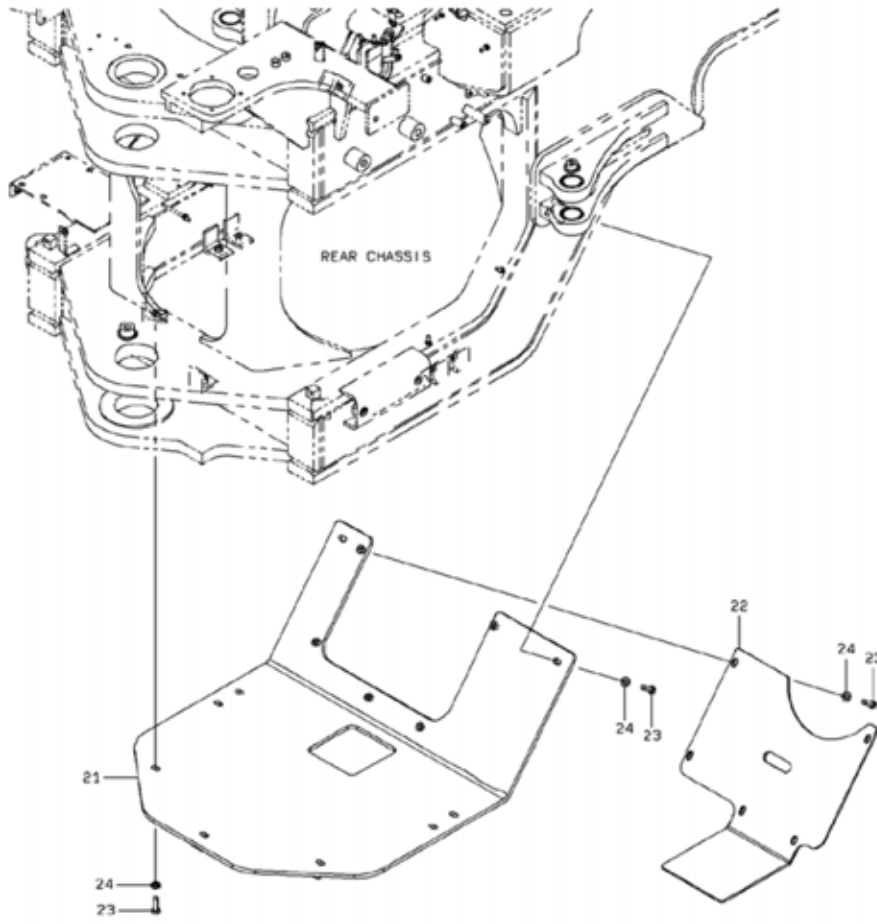


1-A

BELLY GUARD

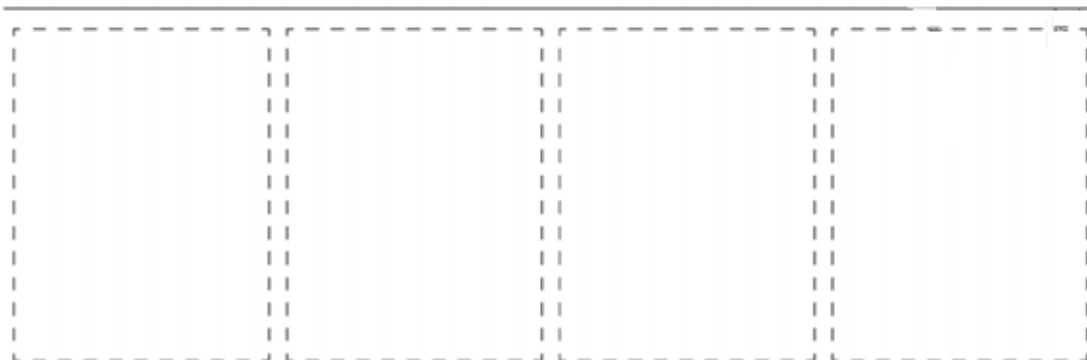
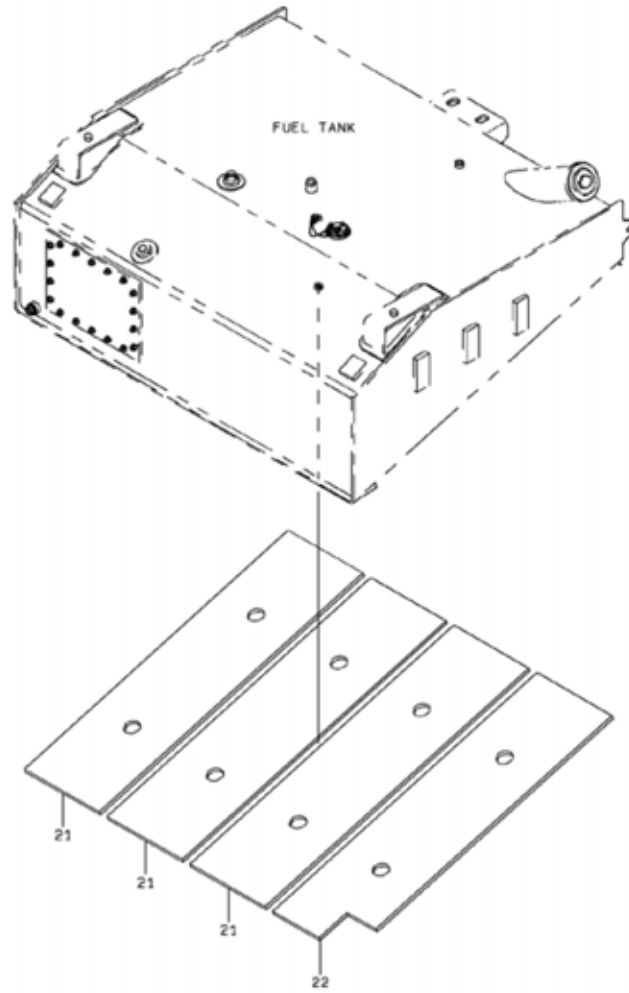
SYM-BOL	PART NUMBER	PART NAME	UNIT Q,TY	SERIAL (A) - (B)	REMARKS					
					N	P	D	(A)	(B)	(C)
21A	41754-36570	PLATE	1	5001 -				Y01		
22A	41754-36580	PLATE	1	5001 -						
23A	61033-12035	BOLT	12	5001 -						
24A	62710-18121	WASHER,PLANE	12	5001 -						
41A	39890-20930-7	HINGE	2	5001 -				01		WELDING
42A	41621-21170	PLATE	12	5001 -						WELDING

BELLY GUARD

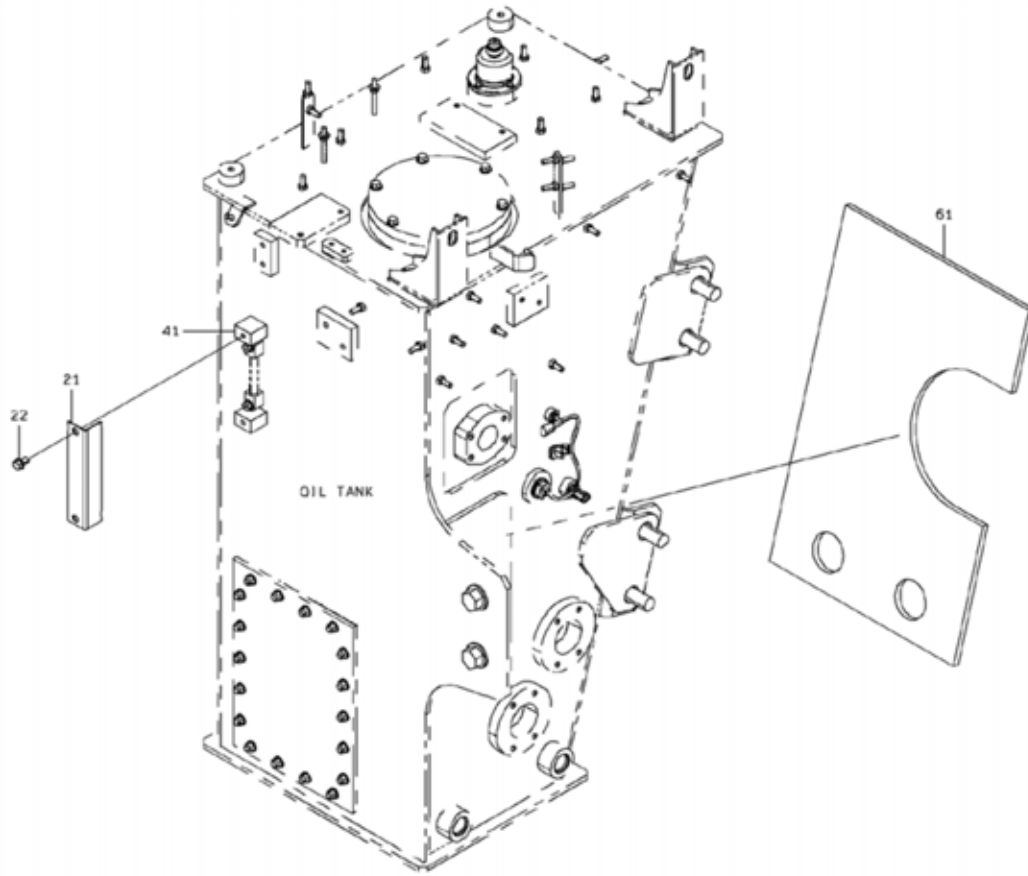


1-A

GUARD MOUNT (FUEL TANK)



COVER MOUNT (OIL TANK)



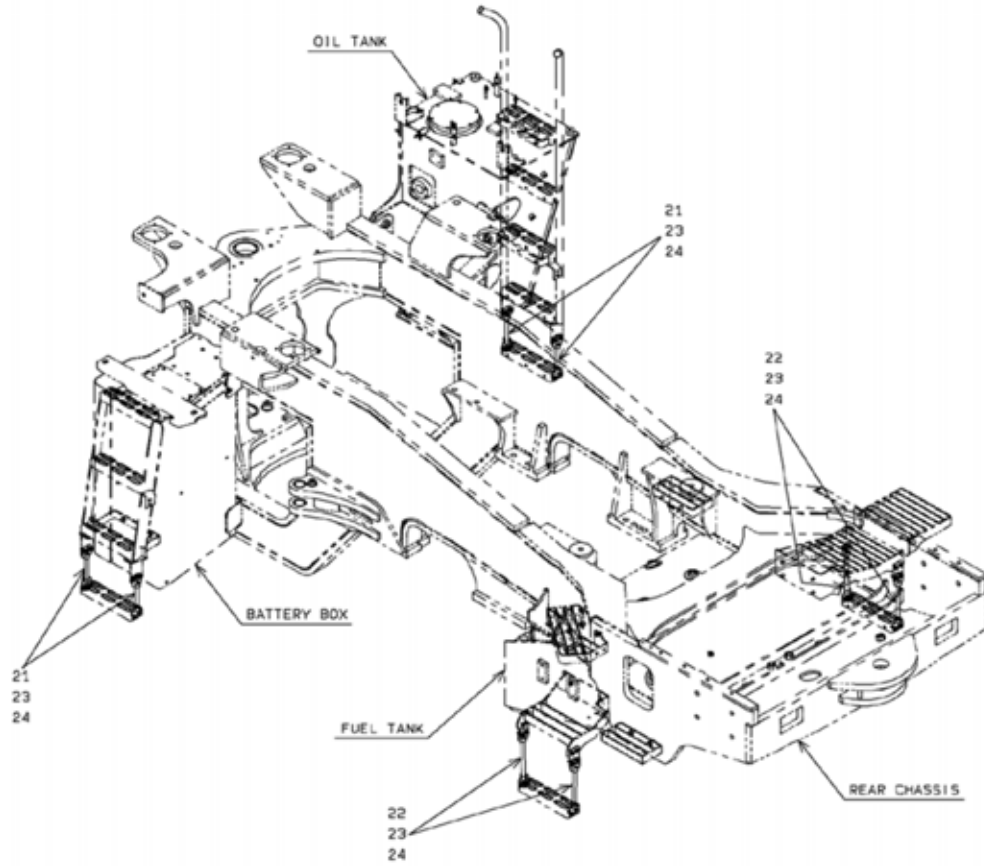
1-A

COVER MOUNT (OIL TANK)

SYM-BOL	PART NUMBER	PART NAME	UNIT Q,TY	SERIAL (A) - (B)	REMARKS						
					N	P	D	(A)	(B)	(C)	(D)
21A	31200-29720	COVER	1	5001 -							
22A	61802-10016	BOLT,FLANGED	2	5001 -							
41A	43780-24850	BOSS	2	5001 -							WELDING
61A	41717-39250	PLATE	1	5001 -							WELDING

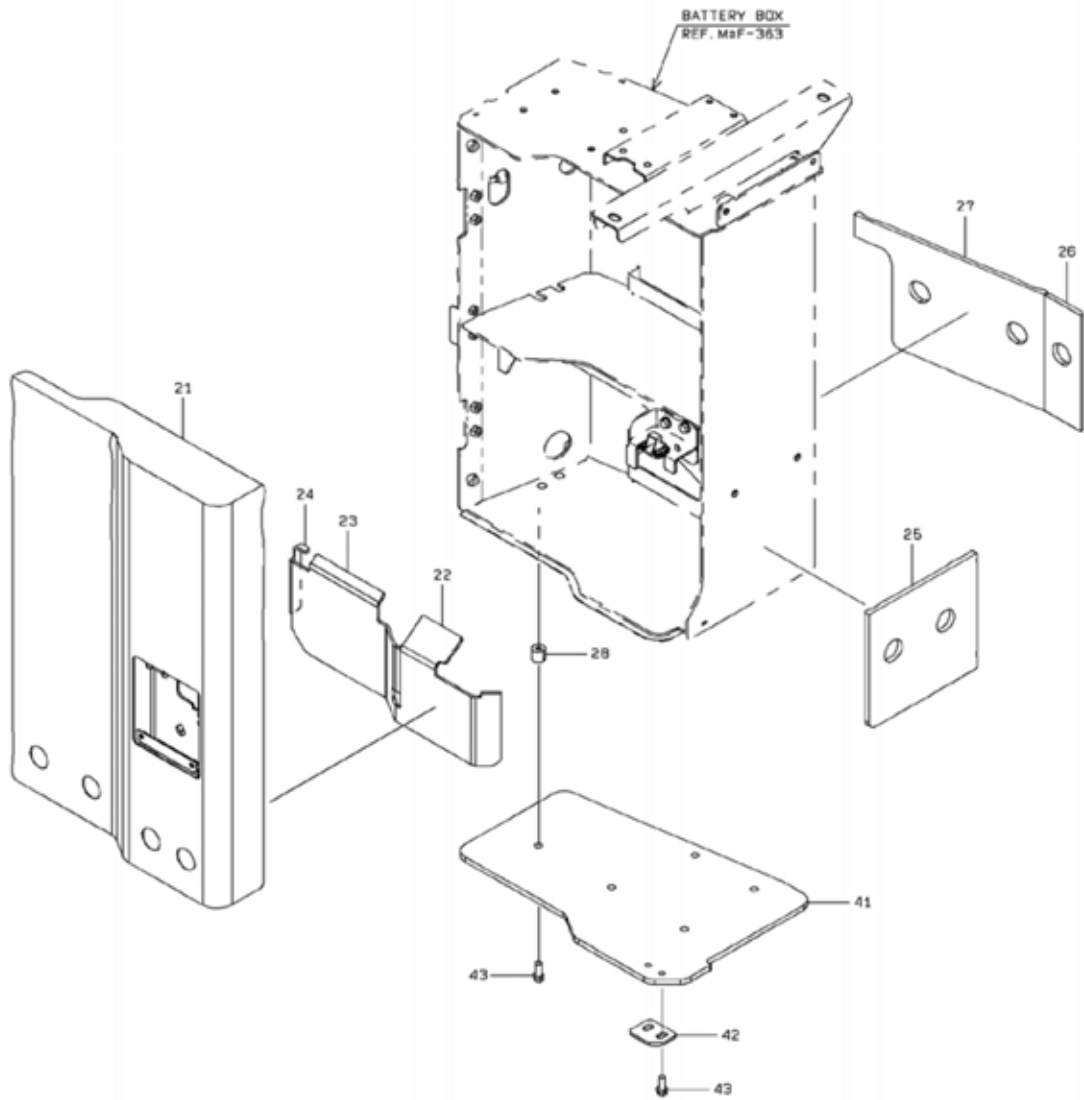
STEP MOUNT(STEEL CABLE)

(NOTE):REFER TO STANDARD CATALOG(REF.M#F-357) FOR NO SYMBOL PARTS.



1-A

BATTERY BOX GUARD

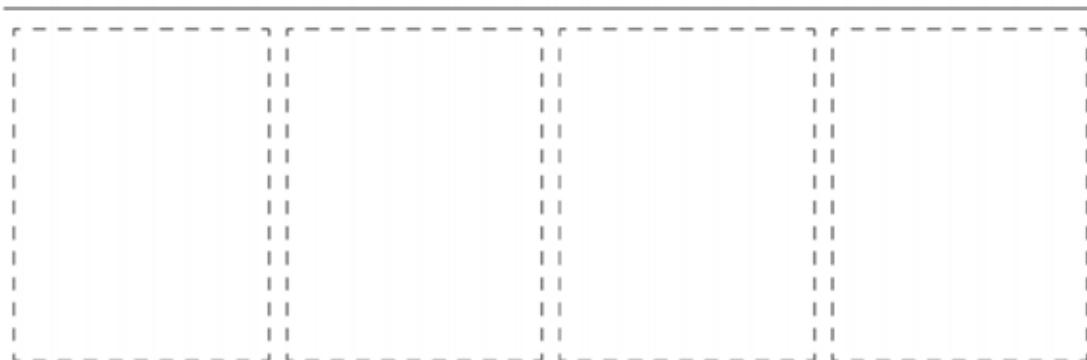
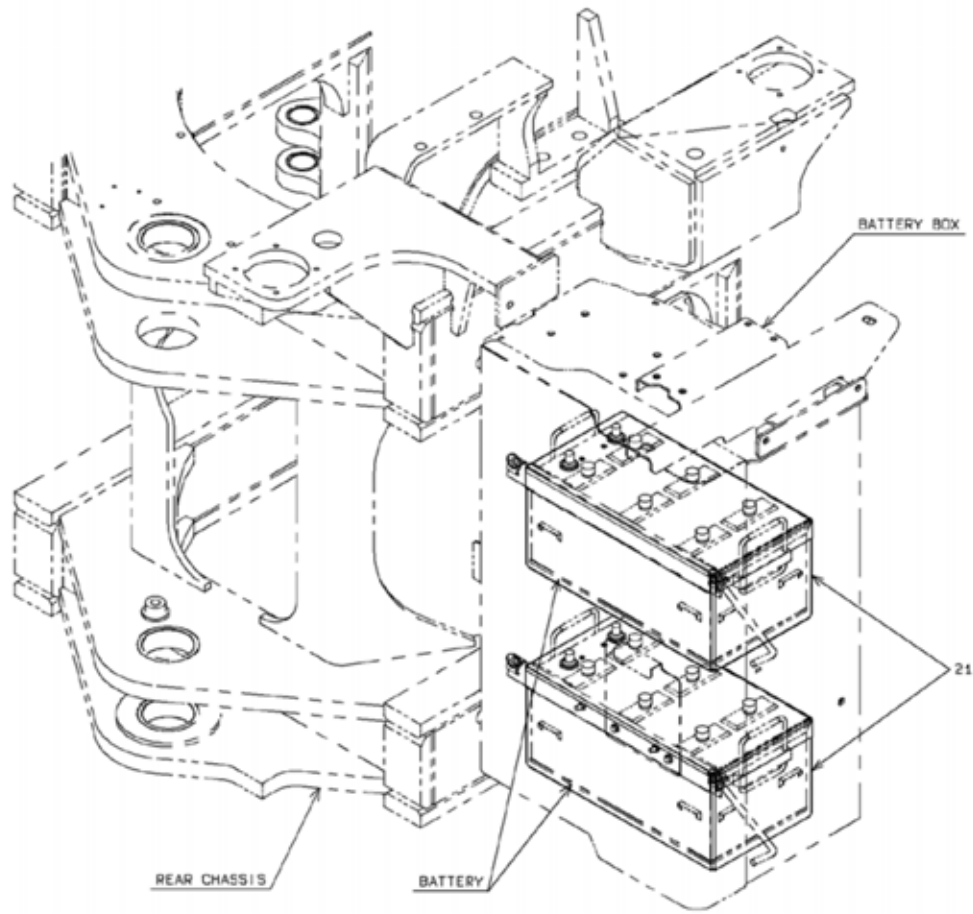


1-A

BATTERY BOX GUARD

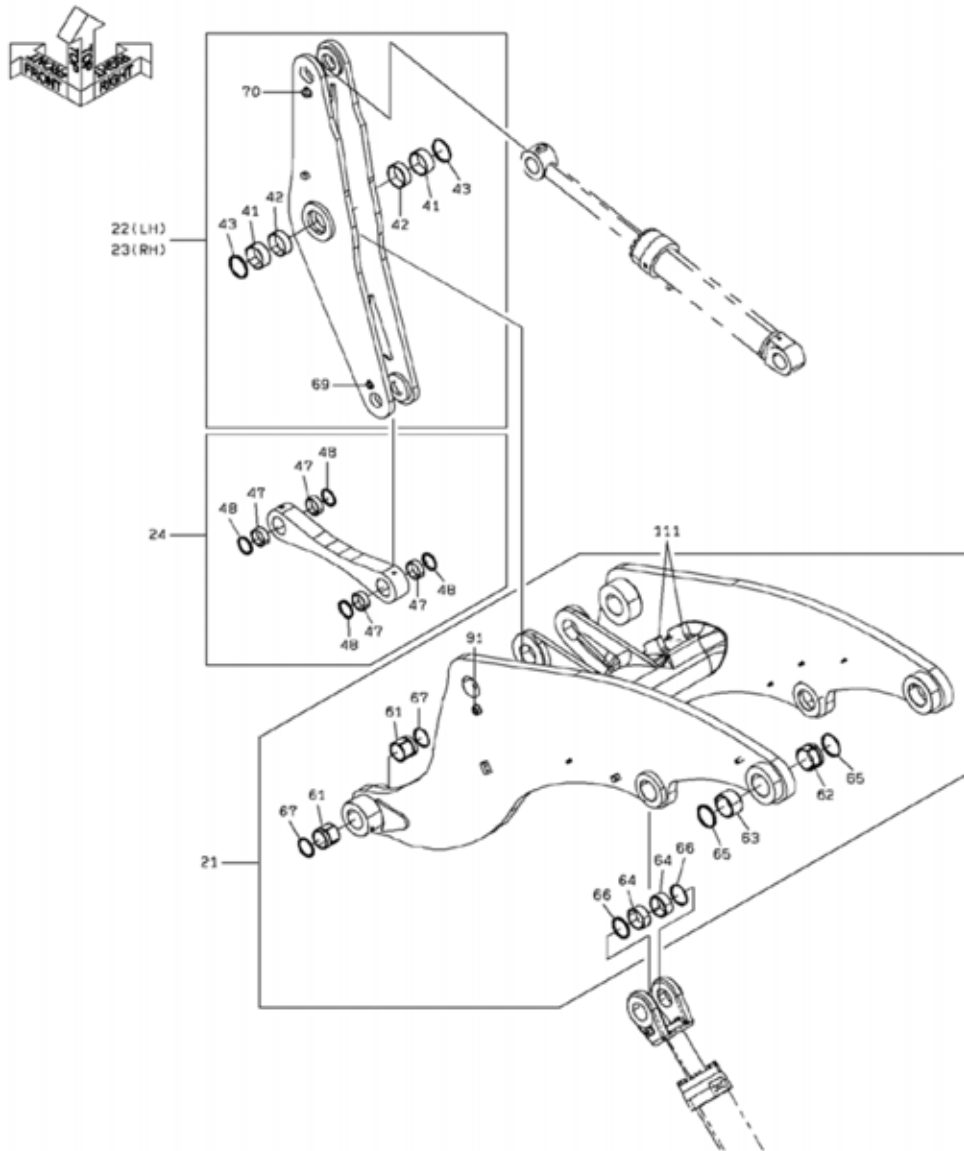
SYM-BOL	PART NUMBER	PART NAME	UNIT Q,TY	SERIAL (A) - (B)	REMARKS						
					N	P	D	(A)	(B)	(C)	(D)
21A	03502-15320	COVER	1	5001 -							
22A	41717-53230	PLATE	1	5001 -							WELDING
23A	41717-53240	PLATE	1	5001 -							WELDING
24A	41717-53250	PLATE	1	5001 -							WELDING
25A	41717-53260	PLATE	1	5001 -							WELDING
26A	41717-53270	PLATE	1	5001 -							WELDING
27A	41717-53280	PLATE	1	5001 -							WELDING
28A	43780-44700	BOSS	5	5001 -							WELDING
41A	41717-53290	PLATE	1	5001 -							
42A	41717-53300	PLATE	1	5001 -							
43A	61802-12030	BOLT,FLANGED	7	5001 -							

INSULATOR MOUNT



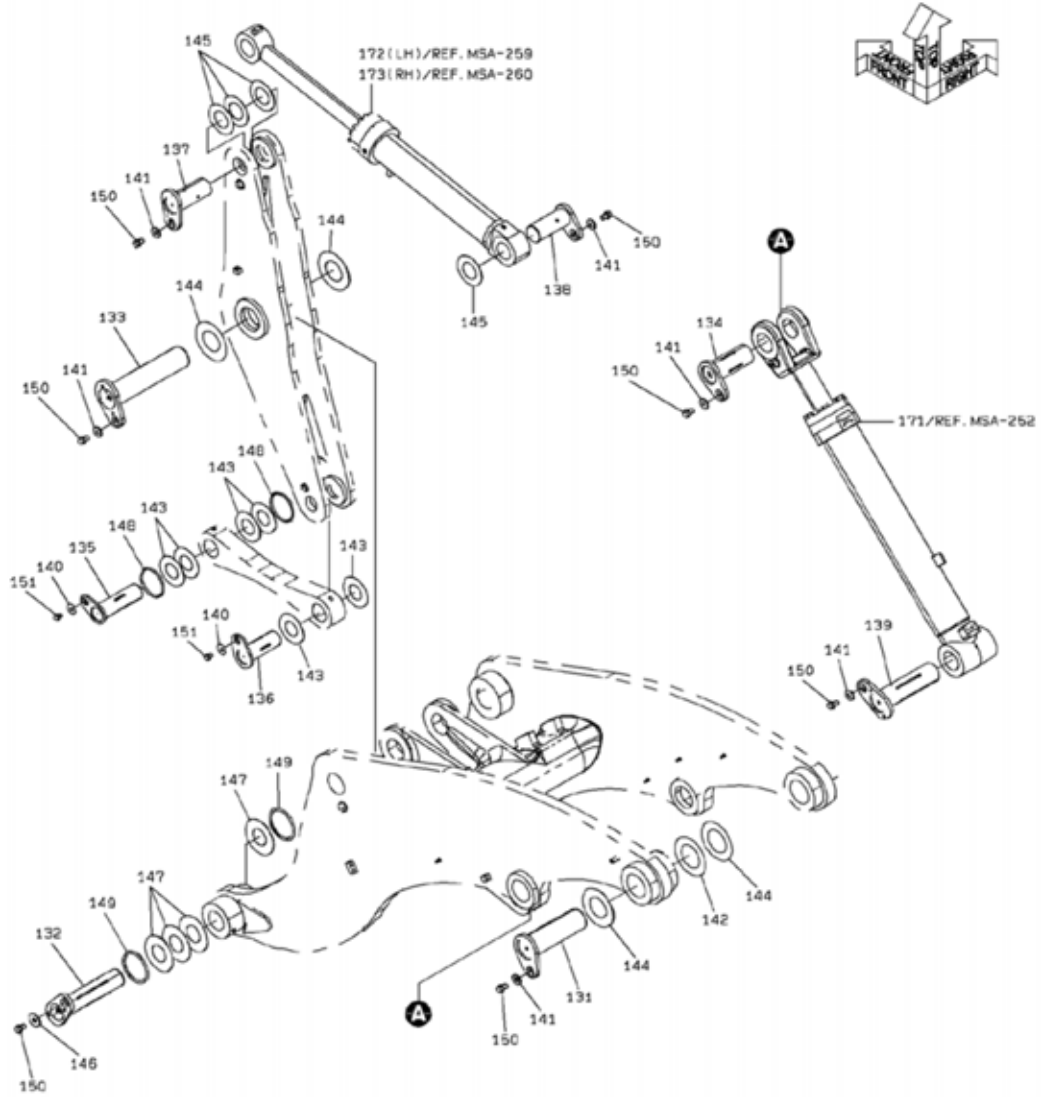
1-A

LIFT ARM(HIGH LIFT ARM SPEC.)



1-A

LIFT ARM(HIGH LIFT ARM SPEC.)



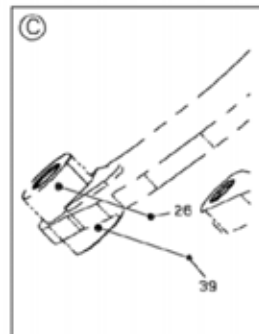
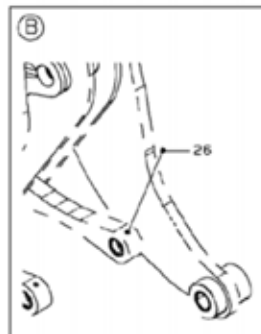
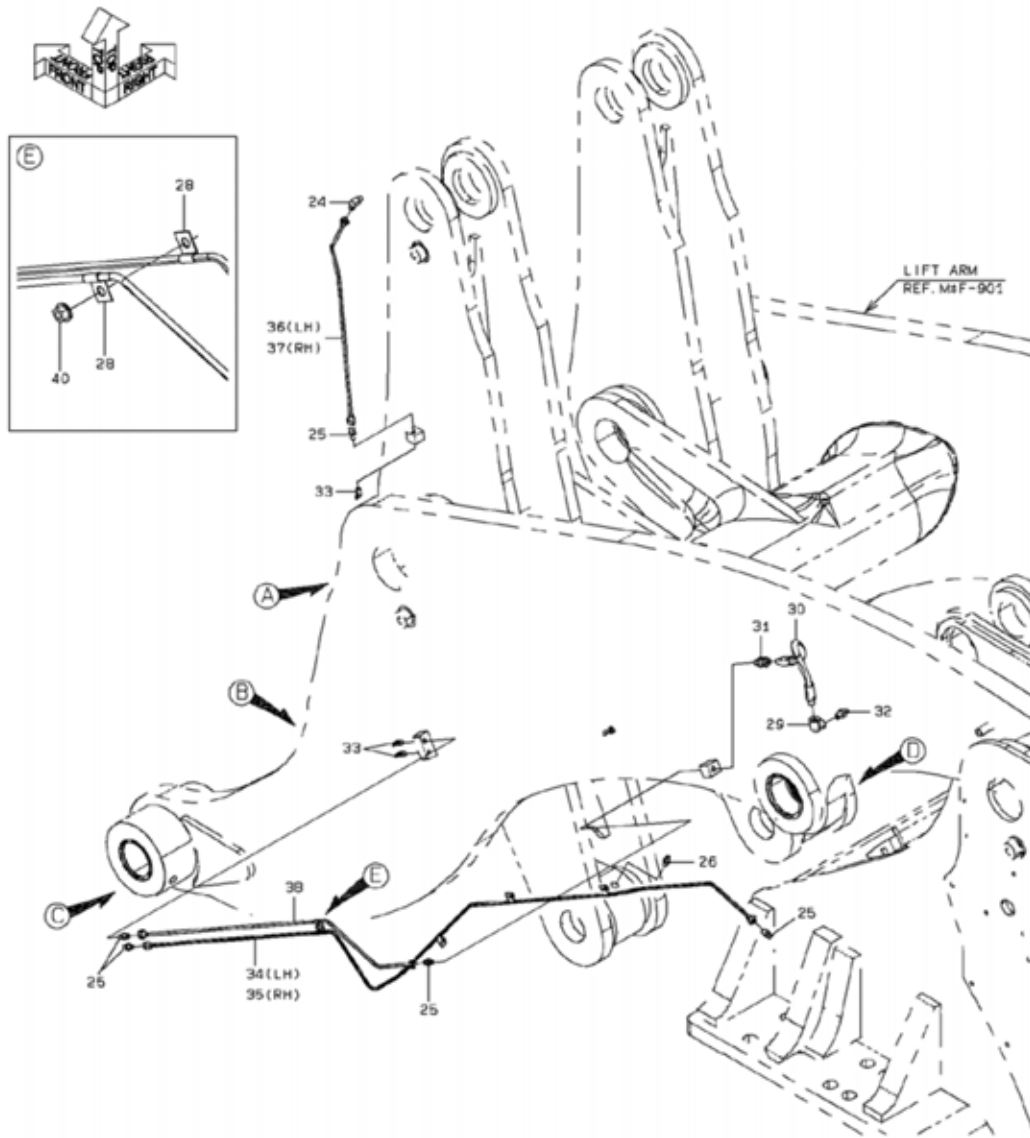
2-A

LIFT ARM(HIGH LIFT ARM SPEC.)

SYM-BOL	PART NUMBER	PART NAME	UNIT Q,TY	SERIAL		REMARKS								
				(A)	(B)	N	P	D	(A)	(B)	(C)	(D)	REMARKS	
21A	30040-26020	ARM ASSY,LIFT	1	5001	-						Y01			
22A	45610-24220	LEVER ASSY	1	5001	-						Y02			FR LH
23A	45610-24240	LEVER ASSY	1	5001	-						Y02			FR RH
24A	45125-21850	LINK,BUCKET	2	5001	-							Y03		
41A	40840-26450	BUSHING	2	5001	-							02		
42A	40840-26540	BUSHING	2	5001	-							02		
43A	65051-02209	SEAL,DUST	2	5001	-							02		
47A	40840-26440	BUSHING	4	5001	-								03	
48A	34044-20350	SEAL,DUST	4	5001	-								03	
61A	40840-26500	BUSHING	4	5001	-					01				
62A	40840-26390	BUSHING	2	5001	-					01				
63A	40840-26380	BUSHING	2	5001	-					01				
64A	40840-26460	BUSHING	4	5001	-					01				
65A	65051-02209	SEAL,DUST	4	5001	-					01				
66A	65051-02007	SEAL,DUST	4	5001	-					01				
67A	65051-01906-7	SEAL,DUST	4	5001	-					01				
69A	41621-20320-7	PLATE	1	5001	-							02		WELDING
70A	41621-20340-7	PLATE	1	5001	-							02		WELDING
91A	41621-20340-7	PLATE	2	5001	-					01				WELDING
111A	41716-40050	PLATE	4	5001	-									WELDING
131A	40000-26170	PIN	2	5001	-									D=110X 353L
132A	40000-47010	PIN	2	5001	-									D= 90X 403L
133A	40000-26610	PIN	2	5001	-									D=110X 493L
134A	40000-45860	PIN	2	5001	-									D=100X 243L
135A	40000-47030	PIN	2	5001	-									D= 80X 266L
135B	40000-49290	PIN	2	5055	-									D= 80X 276L
136A	40000-46270	PIN	2	5001	-									D= 80X 216L
136B	40000-49270	PIN	2	5055	-									D= 80X 266L
137A	40000-46290	PIN	2	5001	-									D= 90X 223L
138A	40000-26590	PIN	2	5001	-									D= 90X 213L
139A	40000-26580	PIN	2	5001	-									D=100X 263L
140A	46011-20940	WASHER,PLANE	4	5001	-									
141A	46011-20170	WASHER,PLANE	12	5001	-									
142A	41621-25120	PLATE	2	5001	-									T=4.5
143A	41621-20290	PLATE	12	5001	-									T=1
144A	41621-24500	PLATE	8	5001	-									T=1
145A	41621-20200	PLATE	8	5001	-									T=1
146A	46011-20950	WASHER,PLANE	2	5001	-									
147A	41621-30390	PLATE	8	5001	-									T=1
148A	47131-22030	RING,O	4	5001	-									
149A	47131-22040	RING,O	4	5001	-									
150A	61802-20032	BOLT,FLANGED	14	5001	-									
151A	61802-16020	BOLT,FLANGED	4	5001	-									
171A	34820-67620	CYLINDER ASSY,OIL	2	5001	-									REF.MSA-252
172A	34820-68940-7	CYLINDER ASSY,OIL	1	5001	-									FR LH/REF.MSA-259
173A	34820-68950-7	CYLINDER ASSY,OIL	1	5001	-									FR RH/REF.MSA-260

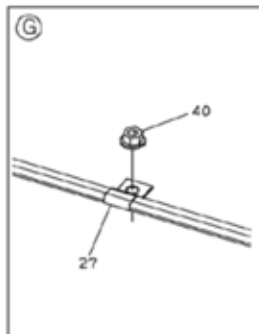
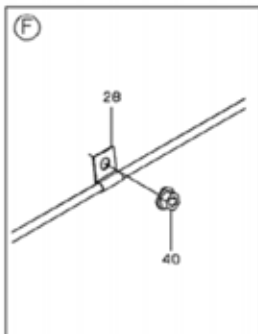
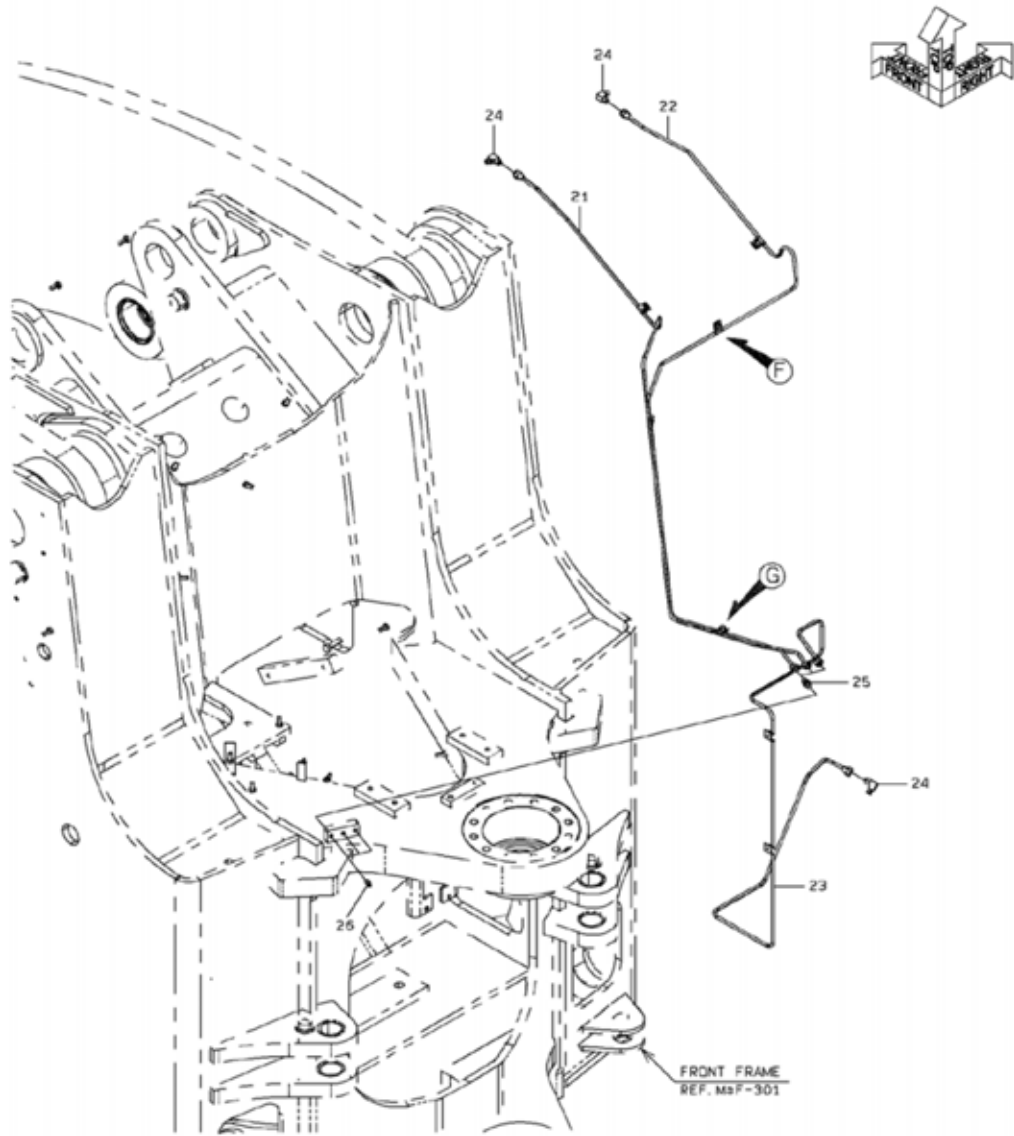
MEMO

GREASE PIPING(HIGH LIFT ARM SPEC.)



1-A

GREASE PIPING(HIGH LIFT ARM SPEC.)



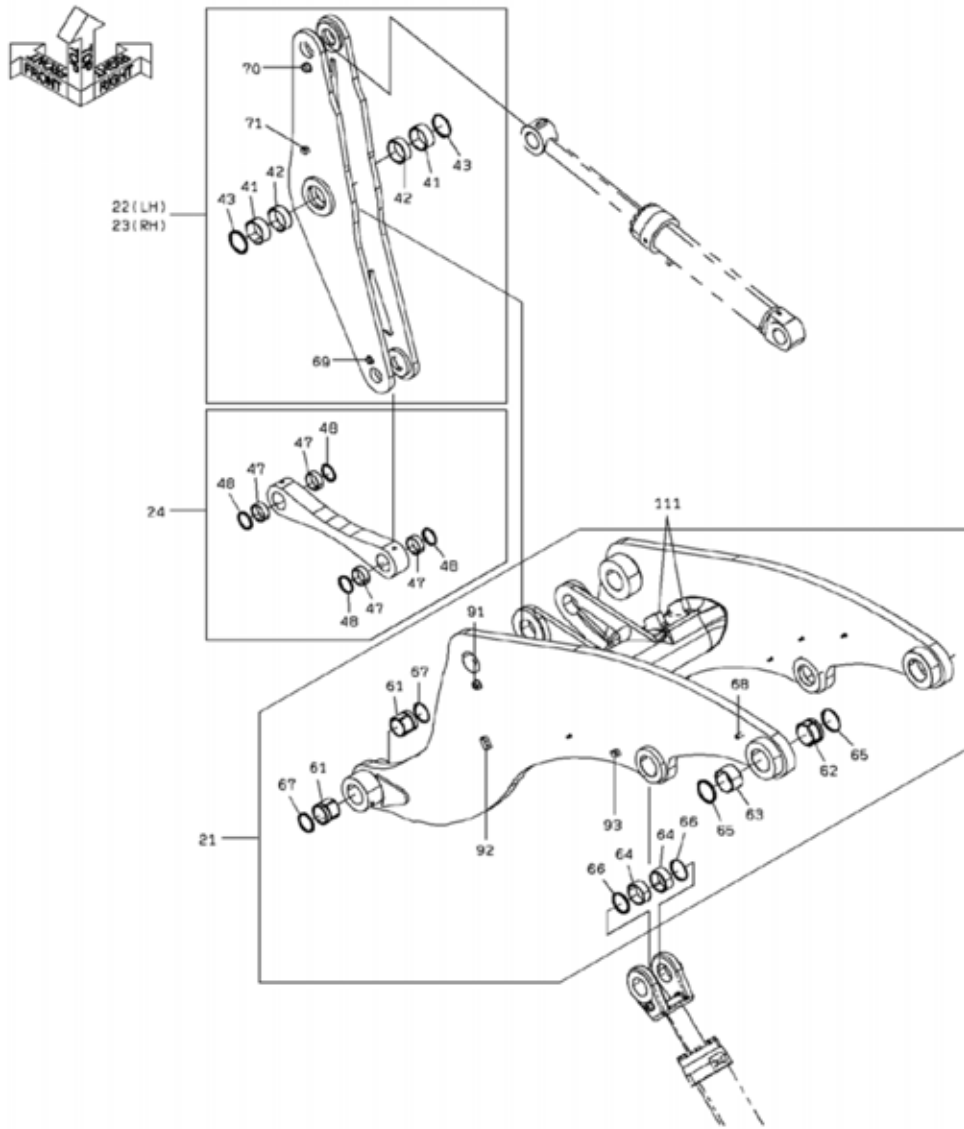
2-A

GREASE PIPING(HIGH LIFT ARM SPEC.)

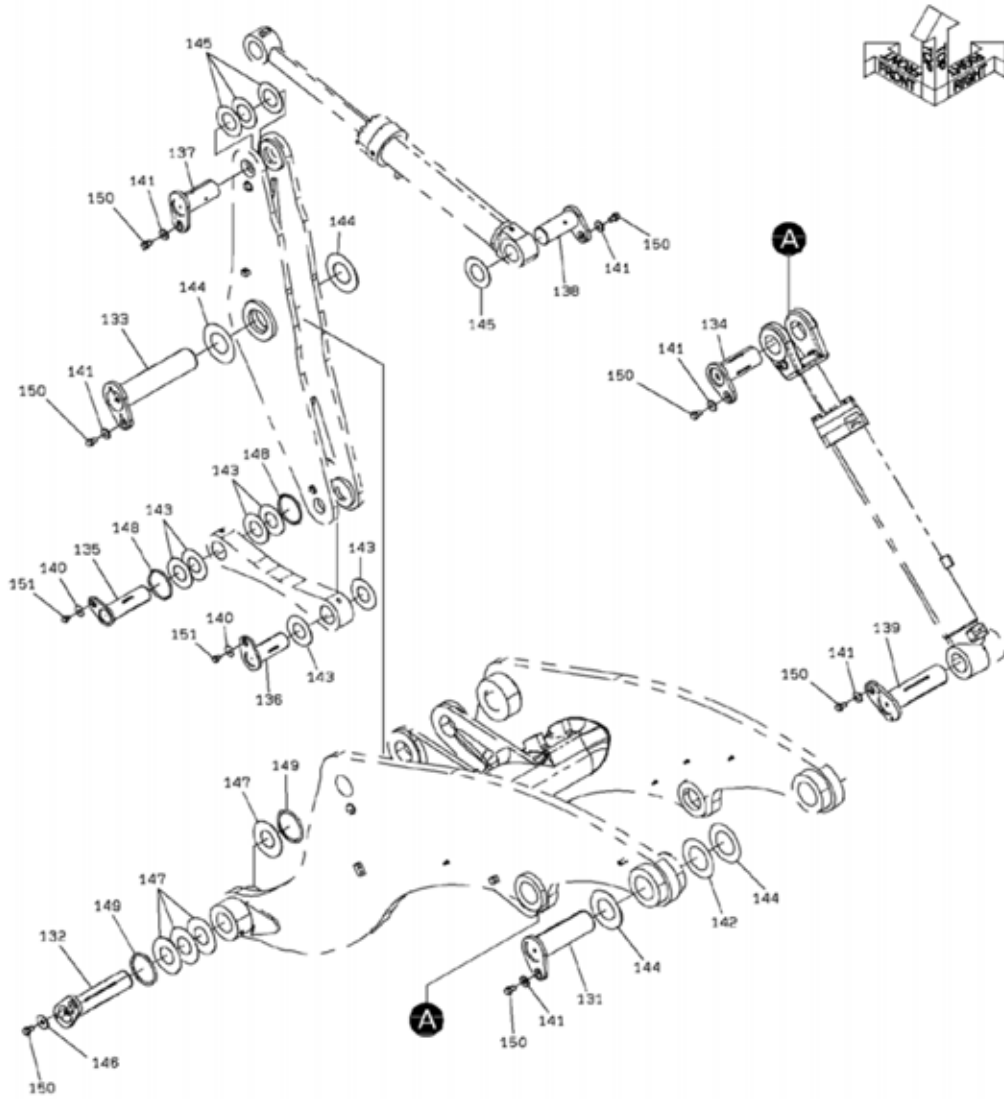
SYM-BOL	PART NUMBER	PART NAME	UNIT Q,TY	SERIAL		REMARKS							
				(A)	(B)	N	P	D	(A)	(B)	(C)	(D)	REMARKS
21A	38706-35030	PIPE ASSY,FLARED	1	5001	-								FR LH
22A	38706-35040	PIPE ASSY,FLARED	1	5001	-								FR RH
23A	38706-32630	PIPE ASSY,FLARED	1	5001	-								
24A	69100-20600	FLARED FITTING,ELBOW	5	5001	-								
25A	69100-10600	FLARED FITTING	13	5001	-								
26A	75011-25400	NIPPLE,GREASE	11	5001	-								
27A	72001-20600	HOLDER,PIPE	2	5001	-								D=6.35 X QTY 2
28A	72001-10600	HOLDER,PIPE	15	5001	-								D=6.35
29A	88340-12604	FITTING,ELBOW	2	5001	-								
30A	68612-10040	HOSE,HIGH PRESSURE	2	5001	-								
31A	88221-00604	ADAPTER,UNION	2	5001	-								
32A	88302-40402	FITTING,NIPPLE	2	5001	-								
33A	75011-45400	NIPPLE,GREASE	6	5001	-								
34A	38706-36350	PIPE ASSY,FLARED	1	5001	-								FR LH
35A	38706-36340	PIPE ASSY,FLARED	1	5001	-								FR RH
36A	38706-30360	PIPE ASSY,FLARED	1	5001	-								FR LH
37A	38706-30370	PIPE ASSY,FLARED	1	5001	-								FR RH
38A	38706-32640	PIPE ASSY,FLARED	2	5001	-								
39A	88390-16102	PLUG	4	5001	-								PT 1/8
40A	62480-21081	NUT,FLANGED	15	5001	-								

MEMO

LIFT ARM GROUP(FOR SHORT BOOM)



LIFT ARM GROUP(FOR SHORT BOOM)



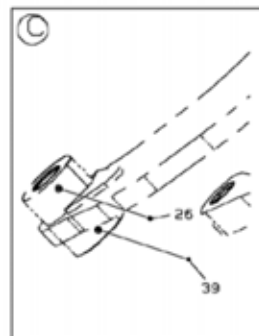
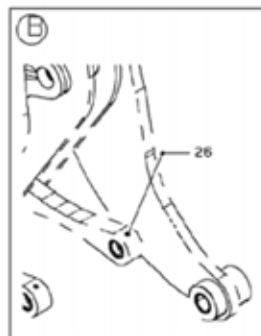
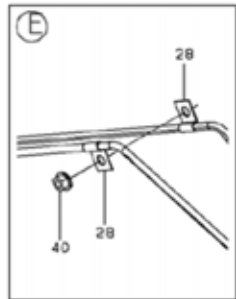
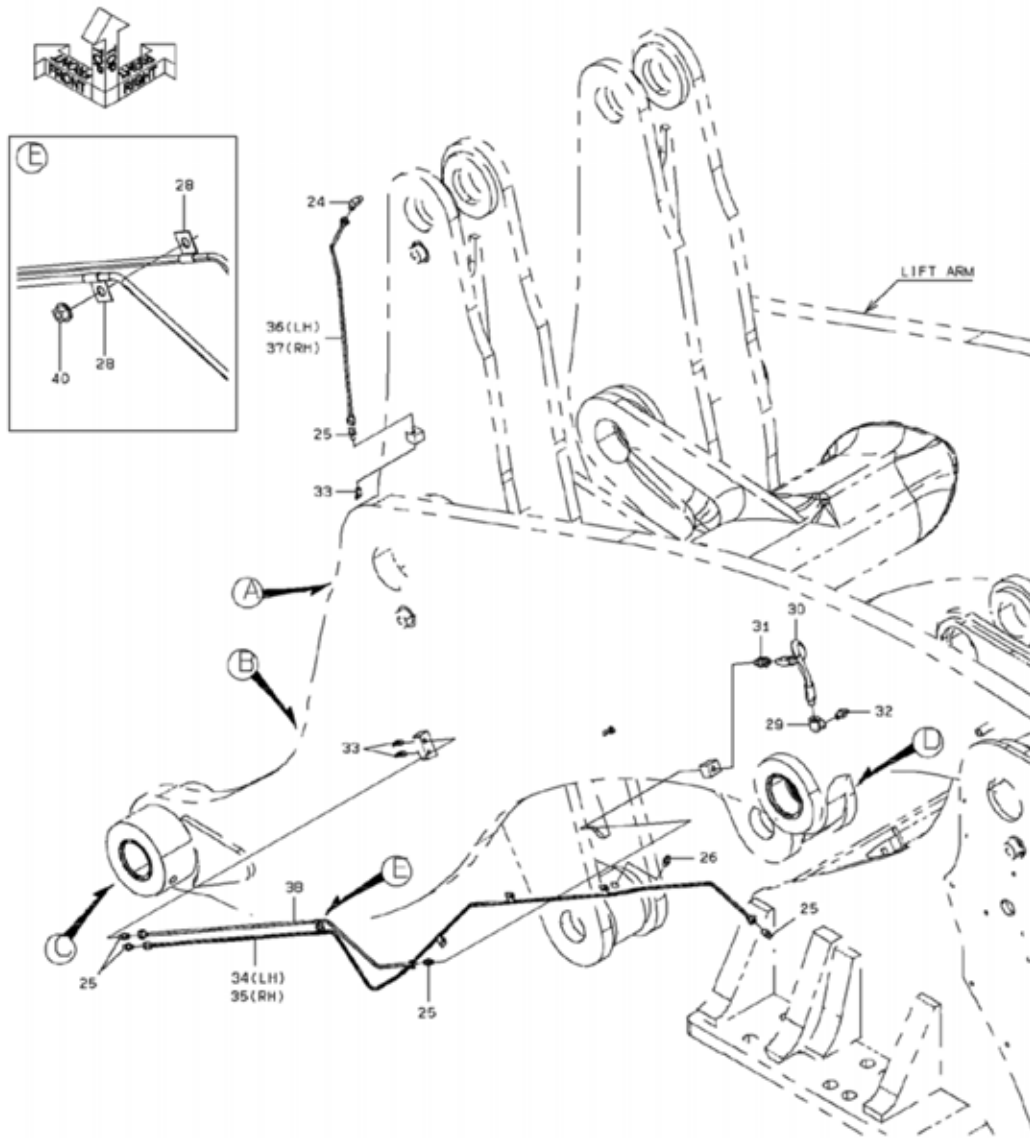
2-A

LIFT ARM GROUP(FOR SHORT BOOM)

SYM-BOL	PART NUMBER	PART NAME	UNIT Q,TY	SERIAL (A) - (B)	REMARKS					REMARKS
					N	P	D	(A)	(B)	
21A	30040-26070	ARM ASSY,LIFT	1	5101 -				Y01		
22A	45610-24390-7	LEVER ASSY	1	5101 -				Y02		
23A	45610-24410-7	LEVER ASSY	1	5101 -				Y02		
24A	45125-21980-7	LINK,BUCKET	2	5101 -					Y03	
41A	40840-26450	BUSHING	2	5101 -					02	
42A	40840-26540	BUSHING	2	5101 -					02	
43A	65051-02209	SEAL,DUST	2	5101 -					02	
47A	40840-26440	BUSHING	4	5101 -						03
48A	34044-20350	SEAL,DUST	4	5101 -						03
61A	40840-26500	BUSHING	4	5101 -				01		
62A	40840-26390	BUSHING	2	5101 -				01		
63A	40840-26380	BUSHING	2	5101 -				01		
64A	40840-26460	BUSHING	4	5101 -				01		
65A	65051-02209	SEAL,DUST	4	5101 -				01		
66A	65051-02007	SEAL,DUST	4	5101 -				01		
67A	65051-01906-7	SEAL,DUST	4	5101 -				01		
68A	43780-23710	BOSS	1	5101 -				01		WELDING
69A	41621-20320-7	PLATE	1	5101 -					02	WELDING
70A	41621-20340-7	PLATE	1	5101 -					02	WELDING
71A	41611-20010	PLATE	1	5101 -					02	WELDING
91A	41621-20340-7	PLATE	2	5101 -				01		WELDING
92A	41613-52180	PLATE	2	5101 -				01		WELDING
93A	38901-20030	FITTING,SOCKET	2	5101 -				01		
111A	41718-32550	PLATE	4	5101 -						WELDING
131A	40000-26170	PIN	2	5101 -						D=110X 353L
132A	40000-47010	PIN	2	5101 -						D= 90X 403L
133A	40000-26610	PIN	2	5101 -						D=110X 493L
134A	40000-45860	PIN	2	5101 -						D=100X 243L
135A	40000-49910	PIN	2	5101 -						
136A	40000-49270	PIN	2	5101 -						D= 80X 266L
137A	40000-49460	PIN	2	5101 -						D= 90X 223L
138A	40000-34290	PIN	2	5101 -						D= 90X 213L
139A	40000-26580	PIN	2	5101 -						D=100X 263L
140A	46011-20940	WASHER,PLANE	4	5101 -						
141A	46011-20170	WASHER,PLANE	12	5101 -						
142A	41621-25120	PLATE	2	5101 -						T=4.5
143A	41621-20290	PLATE	12	5101 -						T=1
144A	41621-24500	PLATE	8	5101 -						T=1
145A	41621-20200	PLATE	8	5101 -						T=1
146A	46011-20950	WASHER,PLANE	2	5101 -						
147A	41621-30390	PLATE	8	5101 -						T=1
148A	47131-22030	RING,O	4	5101 -						
149A	47131-22040	RING,O	4	5101 -						
150A	61802-20032	BOLT,FLANGED	14	5101 -						
151A	61802-16020	BOLT,FLANGED	4	5101 -						

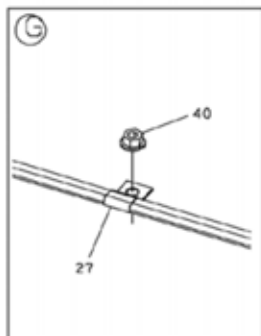
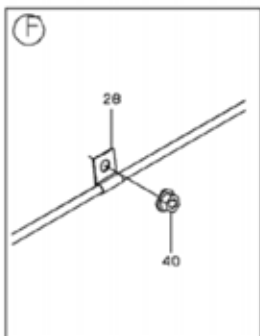
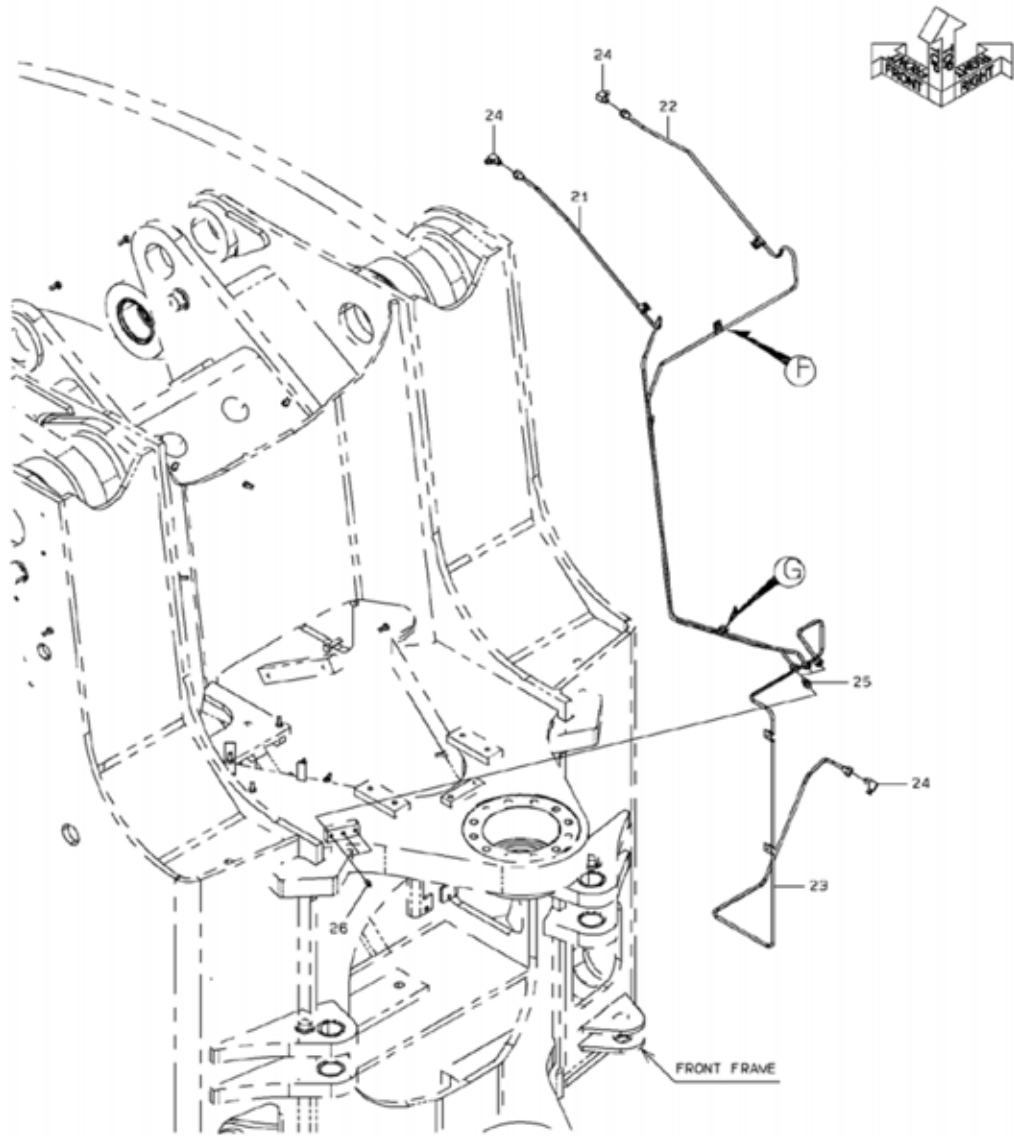
MEMO

GREASE PIPING(FOR SHORT BOOM)



1-A

GREASE PIPING(FOR SHORT BOOM)



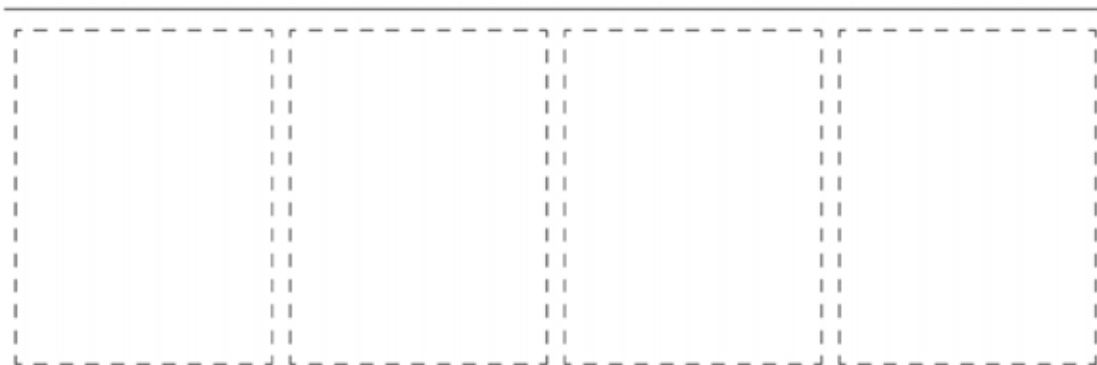
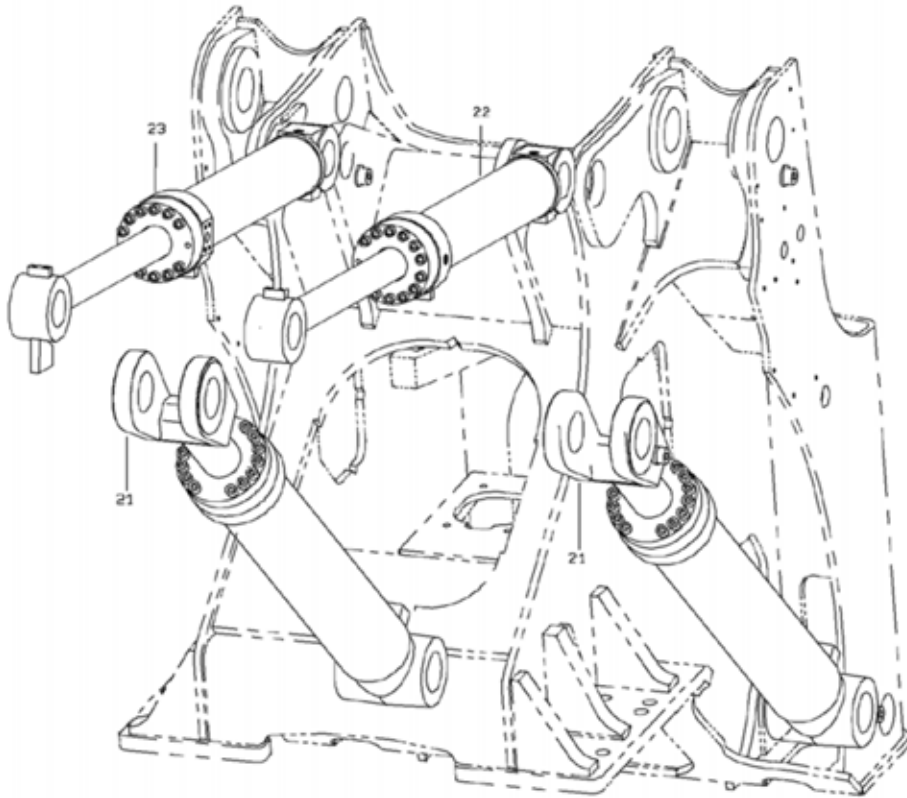
2-A

GREASE PIPING(FOR SHORT BOOM)

SYM-BOL	PART NUMBER	PART NAME	UNIT Q,TY	SERIAL		REMARKS							
				(A)	(B)	N	P	D	(A)	(B)	(C)	(D)	REMARKS
21A	38706-35030	PIPE ASSY,FLARED	1	5101	-								FR LH
22A	38706-35040	PIPE ASSY,FLARED	1	5101	-								FR RH
23A	38706-32630	PIPE ASSY,FLARED	1	5101	-								
24A	69100-20600	FLARED FITTING,ELBOW	5	5101	-								
25A	69100-10600	FLARED FITTING	13	5101	-								
26A	75011-25400	NIPPLE,GREASE	11	5101	-								
27A	72001-20600	HOLDER,PIPE	2	5101	-								D=6.35 X QTY 2
28A	72001-10600	HOLDER,PIPE	15	5101	-								D=6.35
29A	88340-12604	FITTING,ELBOW	2	5101	-								
30A	68612-10040	HOSE,HIGH PRESSURE	2	5101	-								
31A	88221-00604	ADAPTER,UNION	2	5101	-								
32A	88302-40402	FITTING,NIPPLE	2	5101	-								
33A	75011-45400	NIPPLE,GREASE	6	5101	-								
34A	38706-36720	PIPE ASSY,FLARED	1	5101	-								
35A	38706-36730	PIPE ASSY,FLARED	1	5101	-								
36A	38706-30360	PIPE ASSY,FLARED	1	5101	-								FR LH
37A	38706-30370	PIPE ASSY,FLARED	1	5101	-								FR RH
38A	38706-36710	PIPE ASSY,FLARED	2	5101	-								
39A	88390-16102	PLUG	4	5101	-								PT 1/8
40A	62480-21081	NUT,FLANGED	15	5101	-								

MEMO

OIL CYLINDER MOUNT(FOR SHORT BOOM)



1-A