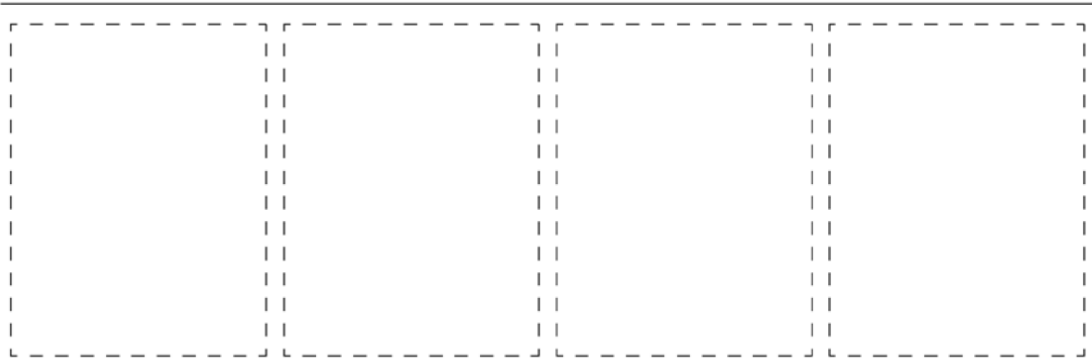
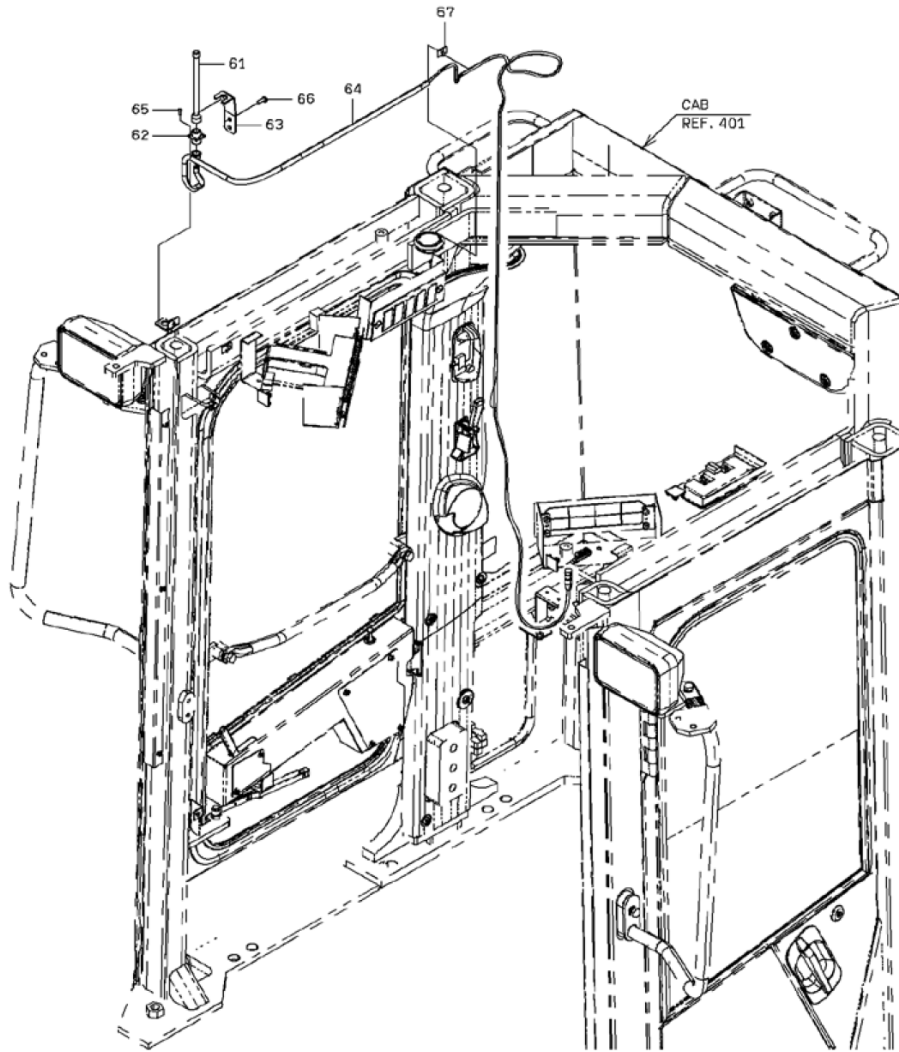


ANTENNA

< 0101 - 0197 >

(NOTE): SERIAL NUMBER INDICATES THE CAB SERIAL NUMBER.

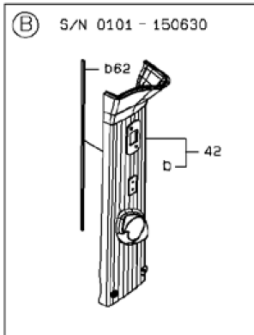
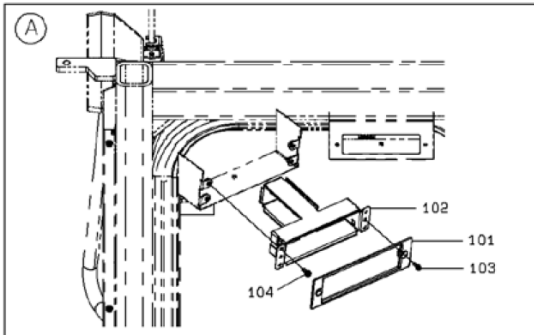
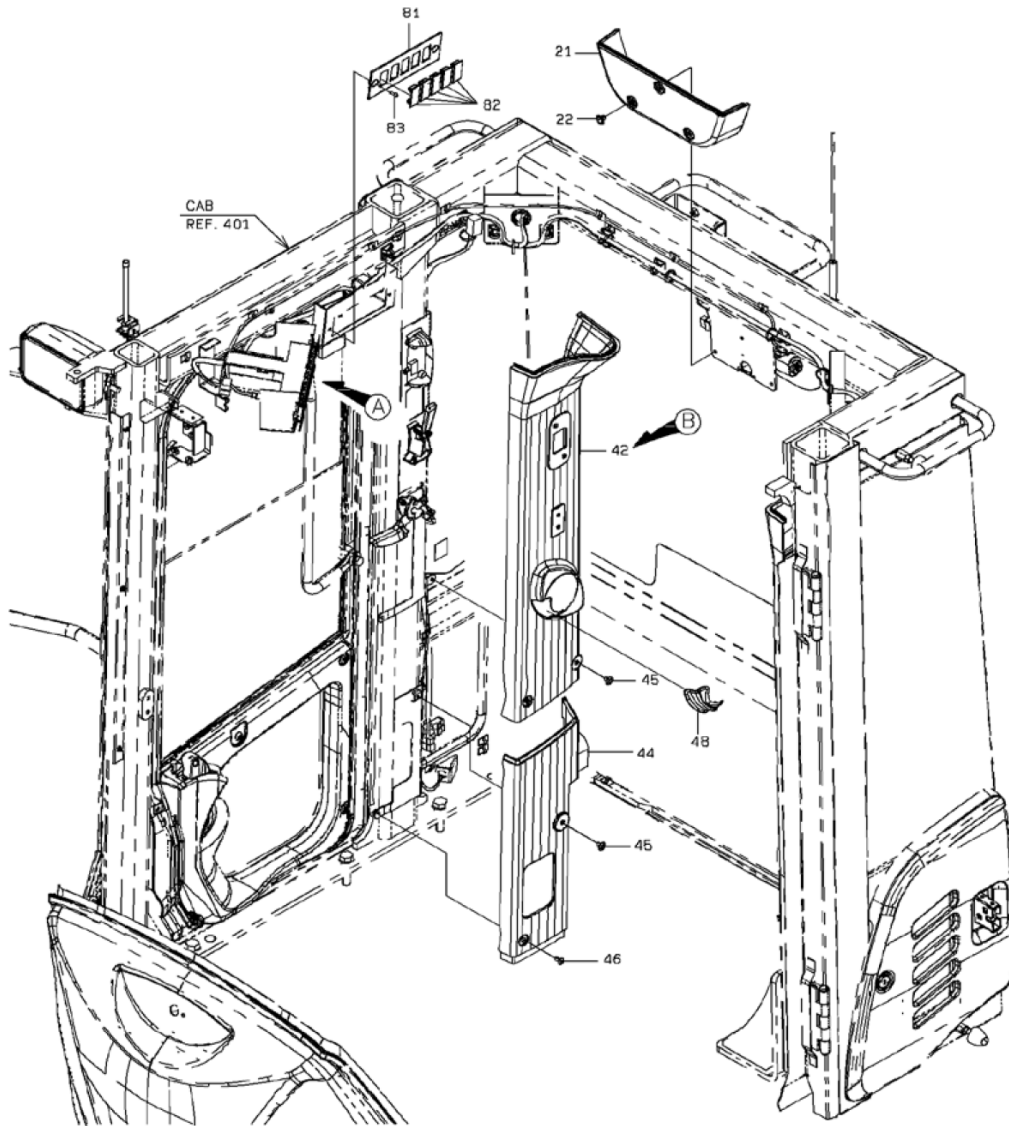


ANTENNA

SYM-BOL	PART NUMBER	PART NAME	UNIT Q,TY	SERIAL		REMARKS						
				(A)	(B)	N	P	D	(A)	(B)	(C)	(D)
21A	30510-60280	ANTENNA	1	101	-							
22A	35100-72670	SCREW	1	101	-	155						
22B	43900-60160	BOLT	1	156	-		C					
23A	32970-70210	CLIP	6	101	-							
41A	30510-60320	ANTENNA	1	101	-							
42A	32970-70210	CLIP	1	101	-							
43A	32923-70090	CLAMP,HOSE	1	101	-						L=202	
61A	30510-60290	ANTENNA	1	101	-	197		D				
62A	30230-30120	ADAPTER	1	101	-	197		D				
63A	41716-37730	PLATE	1	101	-	197		D				
64A	33190-60210	CABLE	1	101	-	197		D				
65A	35100-21180	SCREW	4	101	-	197		D				
66A	35100-72660	SCREW	2	101	-	197		D				
67A	32970-70210	CLIP	1	101	-	197		D				

COVER MOUNT

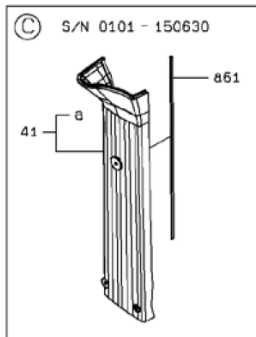
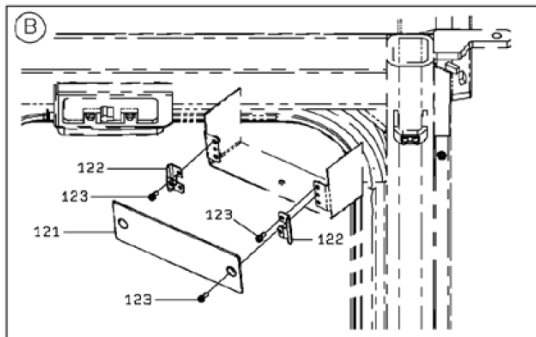
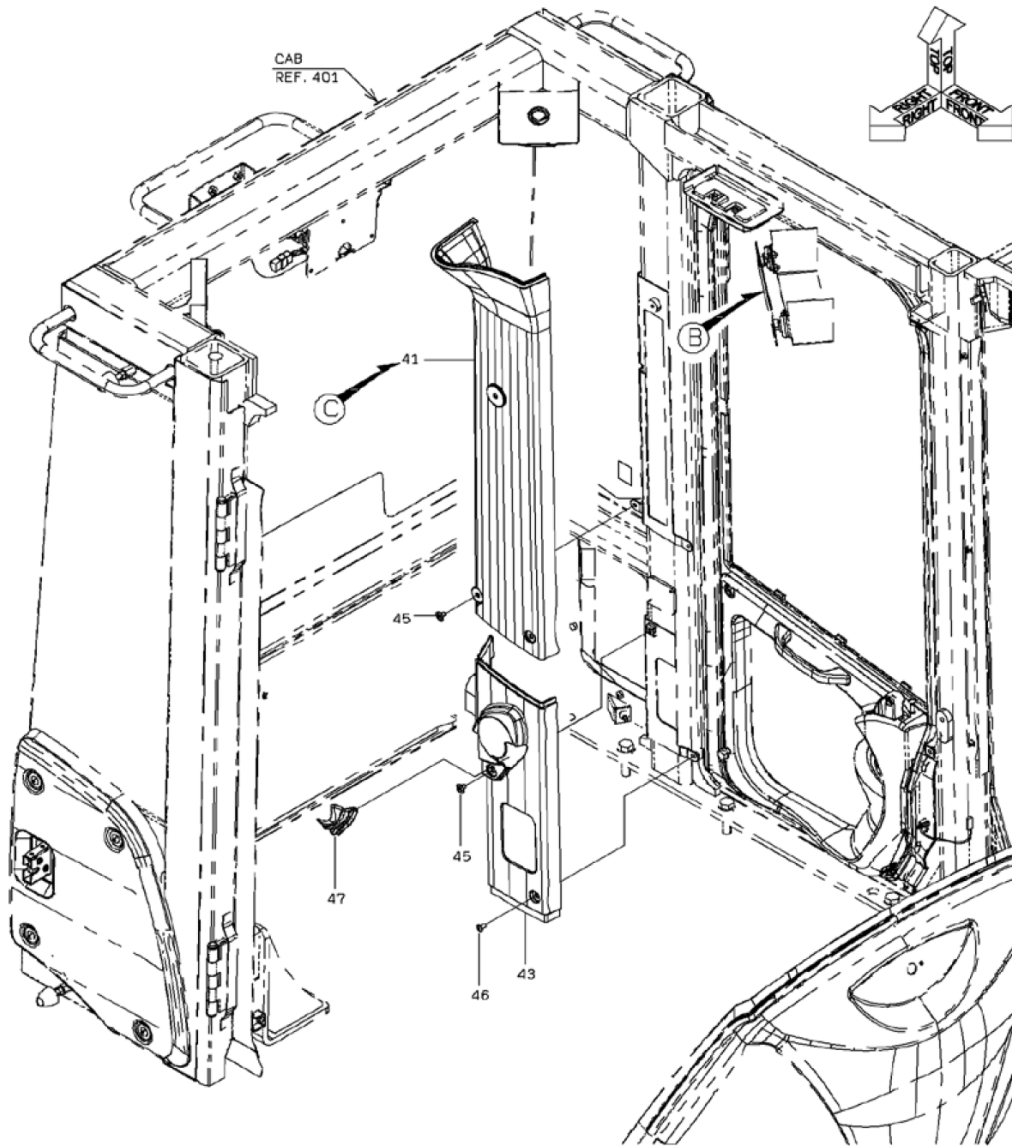
(NOTE): SERIAL NUMBER INDICATES THE CAB SERIAL NUMBER.



1-8

COVER MOUNT

(NOTE): SERIAL NUMBER INDICATES THE CAB SERIAL NUMBER.



2-B

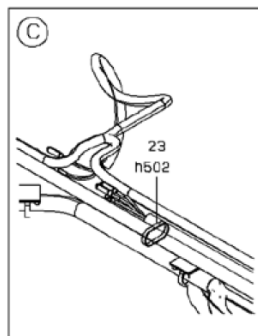
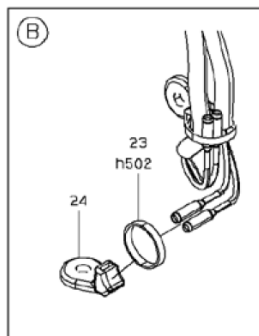
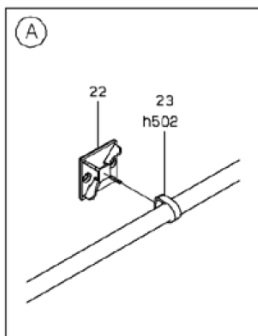
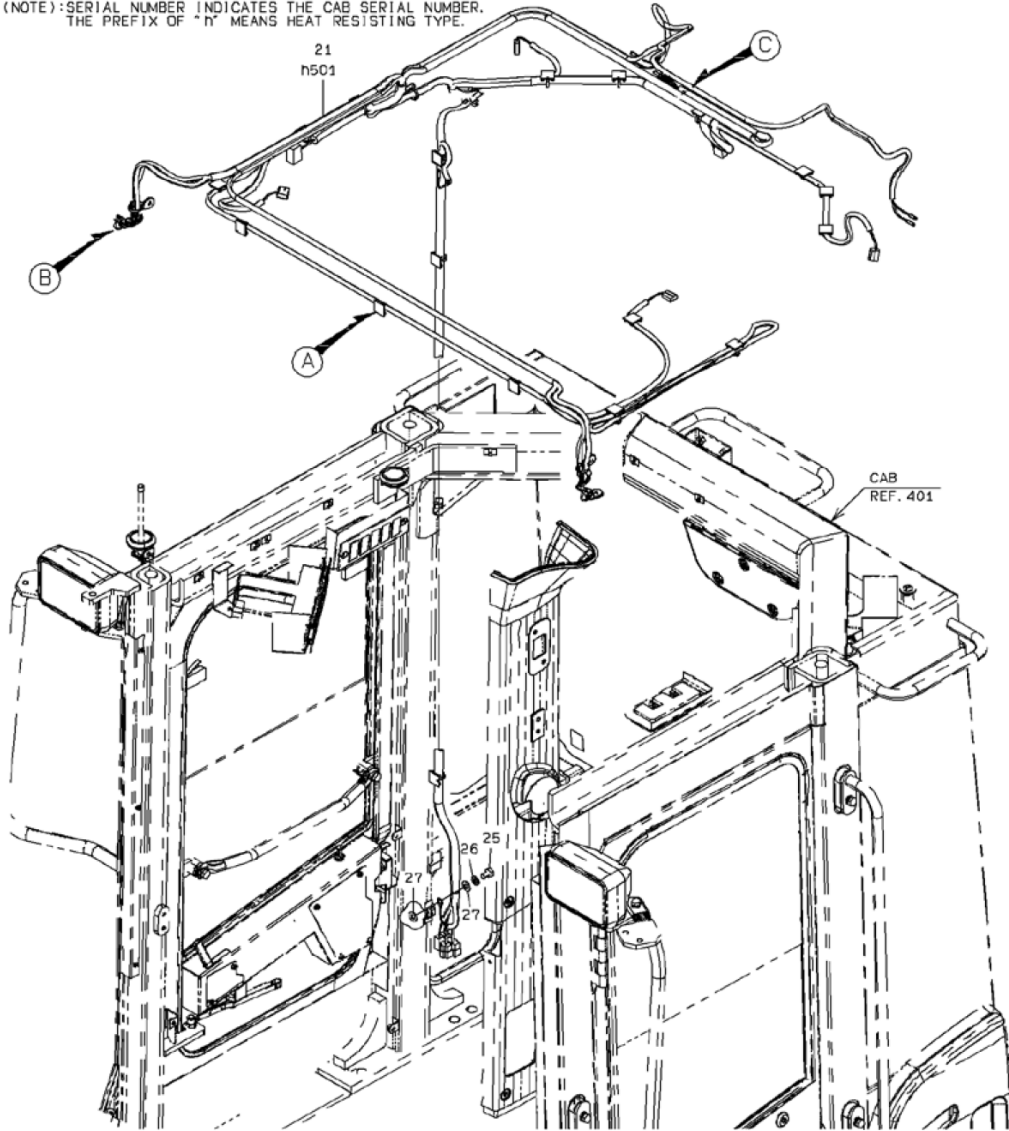
COVER MOUNT

SYM-BOL	PART NUMBER	PART NAME	UNIT Q,TY	SERIAL (A) - (B)	REMARKS							
					N	P	D	(A)	(B)	(C)	(D)	REMARKS
21A	31200-60820	COVER	1	101 -								
22A	32970-20120	CLIP	3	101 -								
41A	31200-60830	COVER	1	101 - 215				Y01				
41B	31200-60840	COVER	1	216 -	A							
42A	1200-60850	COVER	1	101 - 215				Y02				
42B	31200-60860	COVER	1	216 -	A							
43A	31200-44950	COVER	1	101 - 139								
43B	31200-45590	COVER	1	140 -	C							
44A	31200-44960	COVER	1	101 - 139								
44B	31200-45600	COVER	1	140 -	C							
45A	40462-20080	FASTENER	6	101 -								
46A	35100-72570	SCREW	4	101 - 197								
46B	80106-50614	SCREW	4	198 -	A							
47A	31200-60920	COVER	1	101 -								
48A	31200-60930	COVER	1	101 -								
61A	35680-60050	SPONGE	1	101 - 215				01				
62A	35680-60050	SPONGE	1	101 - 215					02			
81A	41715-60060-7	PLATE	1	101 -								
82A	41530-60080	PLUG	5	101 - 215								
82B	41530-60180	PLUG	5	216 -	C							
83A	35100-72610	SCREW	2	101 - 197								
83B	80106-80514	SCREW	2	198 -	A							
101A	41715-60180	PLATE	1	101 -								
102A	40903-25230	BRACKET	1	101 -								
103A	35100-72610	SCREW	2	101 - 197								
103B	80106-80514	SCREW	2	198 -	A							
104A	35100-72620	SCREW	4	101 - 197								
104B	80106-80614	SCREW	4	198 -	A							
121A	41715-60170	PLATE	1	101 -								
122A	40903-24900	BRACKET	2	101 -								
123A	35100-72610	SCREW	6	101 - 197								
123B	80106-80514	SCREW	6	198 -	A							

MEMO

ELECTRICAL WIRING (CAB)

(NOTE): SERIAL NUMBER INDICATES THE CAB SERIAL NUMBER.
THE PREFIX OF "H" MEANS HEAT RESISTING TYPE.

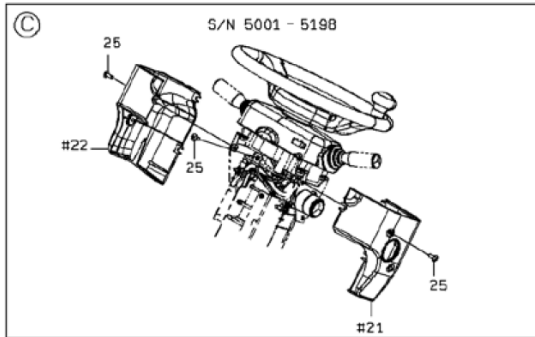
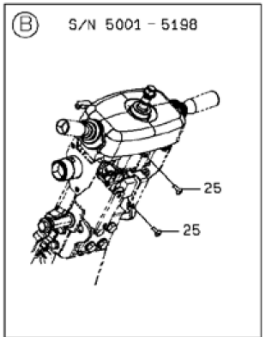
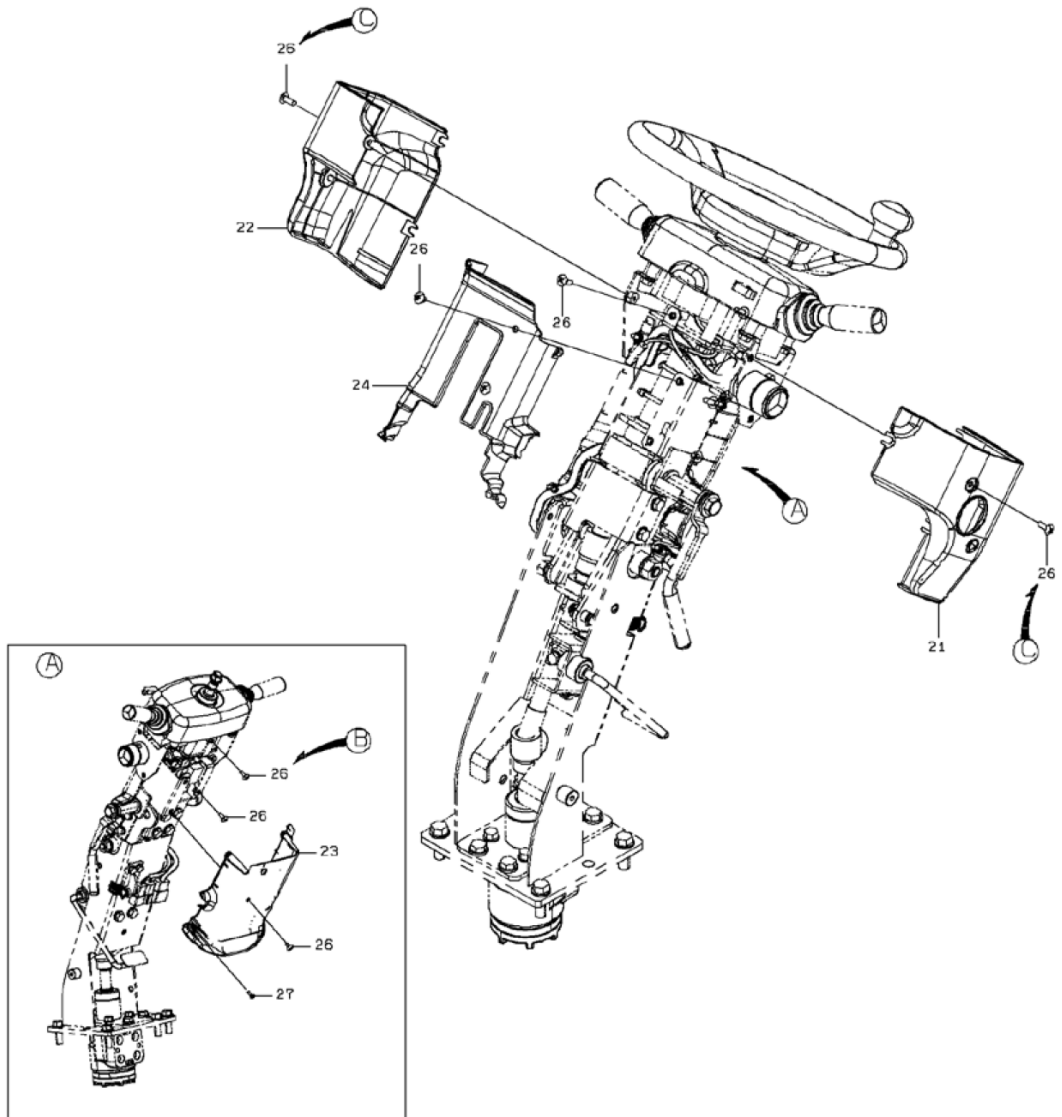


1-B

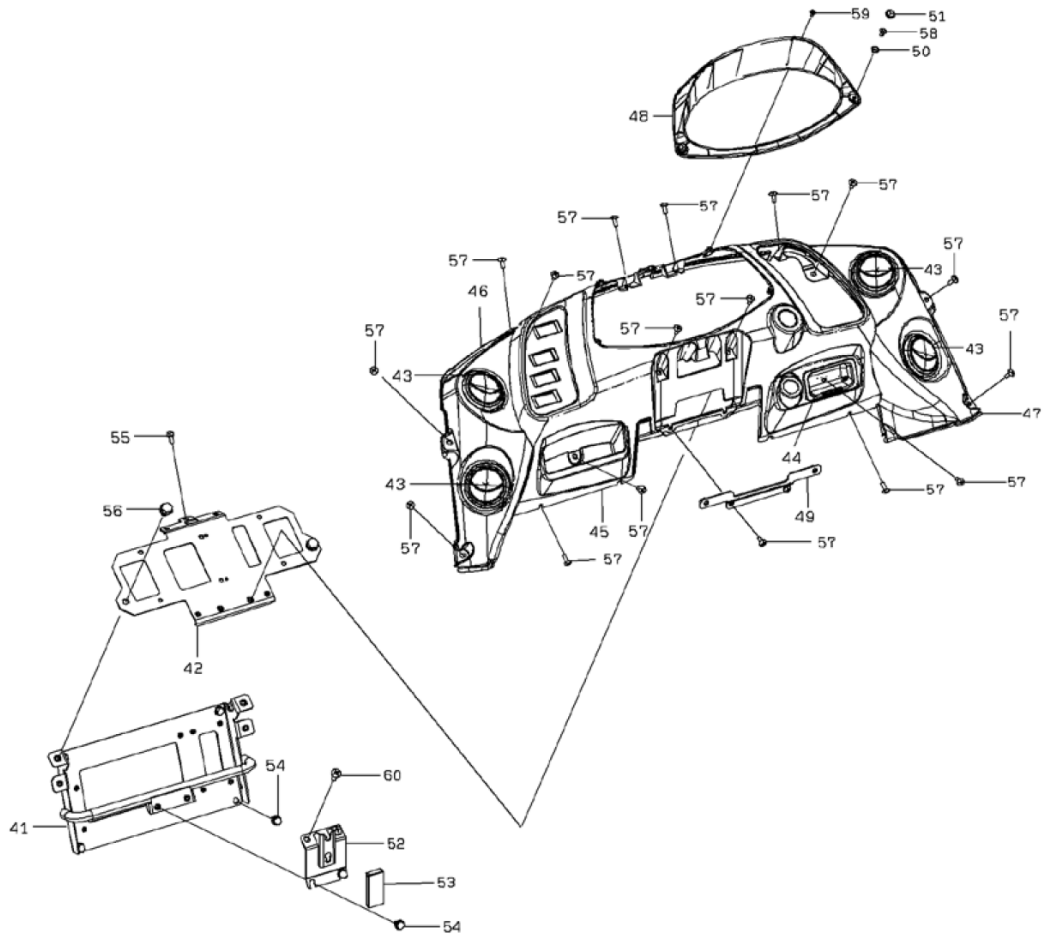
ELECTRICAL WIRING (CAB)

SYM-BOL	PART NUMBER	PART NAME	UNIT Q,TY	SERIAL		REMARKS						
				(A)	(B)	N	P	D	(A)	(B)	(C)	(D)
21A	33194-37020	CABLE ASSY	1	101	- 167							CAB
21B	33194-43320	CABLE ASSY	1	168	- 215	C						CAB
21C	33194-49050	CABLE ASSY	1	216	-	C						CAB MAIN
22A	32923-70190	CLAMP,HOSE	20	101	-							
23A	32923-70090	CLAMP,HOSE	25	101	- 201							L=202
23B	32923-70090	CLAMP,HOSE	28	202	-							L=202
24A	32923-70120	CLAMP,HOSE	4	101	-							FR M8
25A	61033-10016	BOLT	1	101	- 201							
25B	80109-01016	BOLT	1	202	-	A						
26A	62721-10100	WASHER,SPRING	1	101	-							
27A	46011-21650	WASHER,PLANE	2	101	-							
501A	33194-42070	CABLE ASSY	1	202	-							OPT CAB
502A	32923-70140	CLAMP,HOSE	28	202	-							OPT L=202

COVER MOUNT (STEERING COLUMN)



COVER MOUNT (STEERING COLUMN)



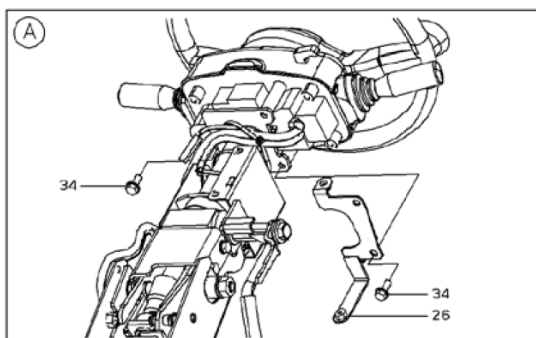
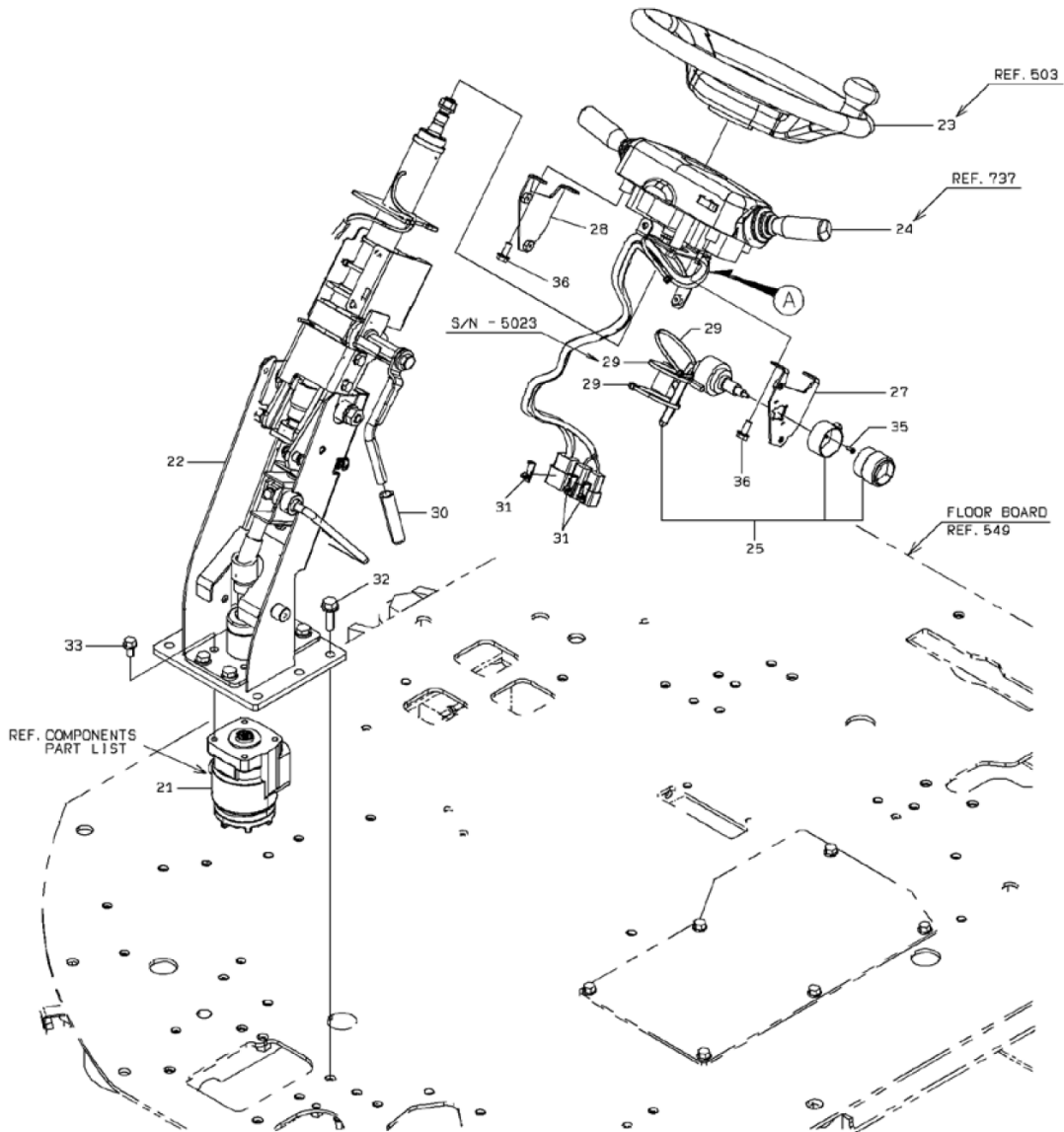
2-A

COVER MOUNT (STEERING COLUMN)

SYM-BOL	PART NUMBER	PART NAME	UNIT Q,TY	SERIAL (A) - (B)	REMARKS						
					N	P	D	(A)	(B)	(C)	(D)
21A	31200-60530	COVER	1	5001 -							
22A	31200-60540	COVER	1	5001 -							
23A	31200-60550	COVER	1	5001 -							
24A	31200-60560	COVER	1	5001 -							
25A	35100-20010	SCREW	7	5001 - 5100							
25B	80106-50616	SCREW	7	5101 - 5198	A	D					
26A	35100-20330	SCREW	4	5001 - 5100							
26B	80106-50610	SCREW	4	5101 - 5198	A						
26C	80106-50610	SCREW	11	5199 -							
27A	35106-20130	SCREW,TAPPING	4	5001 - 5100							
27B	81044-05012	SCREW,TAPPING	4	5101 -	A						
41A	40903-24170	BRACKET	1	5001 - 5006							
41B	40903-28450	BRACKET	1	5007 - 5022	B						
41C	40903-29650	BRACKET	1	5023 -	C						
42A	41753-54790	PLATE	1	5001 - 5152							
42B	40903-33430	BRACKET	1	5153 -	A						
43A	45360-60020	LOUVER	4	5001 -							
44A	30320-60050	ASHTRAY	1	5001 -							
45A	31200-60700	COVER	1	5001 -							
46A	31200-60710	COVER	1	5001 -							
47A	31200-60720	COVER	1	5001 -							
48A	31200-60620	COVER	1	5001 -							
49A	40903-23010	BRACKET	1	5001 -							
50A	46000-25600	WASHER	2	5001 -							
51A	32210-20950	CAP	2	5001 -							
52A	41753-54950	PLATE	1	5001 - 5022							
52B	41754-44470	PLATE	1	5023 -	C						
53A	44822-22070	RUBBER,CUSHION	1	5001 -							
54A	43932-70700	BOLT,W/WASHER	6	5001 - 5100							
54B	80102-60816	BOLT,W/WASHER	6	5101 -	A						
55A	43932-70690	BOLT,W/WASHER	1	5001 - 5100							
55B	80102-60616	BOLT,W/WASHER	1	5101 -	A						
56A	43932-70730	BOLT,W/WASHER	2	5001 - 5100							
56B	80102-71020	BOLT,W/WASHER	2	5101 -	A						
57A	35100-20010	SCREW	18	5001 - 5100							
57B	80106-50616	SCREW	18	5101 -	A						
58A	62271-15016	SCREW,TAPPING	2	5001 - 5100							
58B	81045-05016	SCREW,TAPPING	2	5101 -	A						
59A	35106-20130	SCREW,TAPPING	2	5001 - 5100							
59B	81044-05012	SCREW,TAPPING	2	5101 -	A						
60A	35100-72480	SCREW	2	5001 - 5100							
60B	80106-50820	SCREW	2	5101 -	A						

MEMO

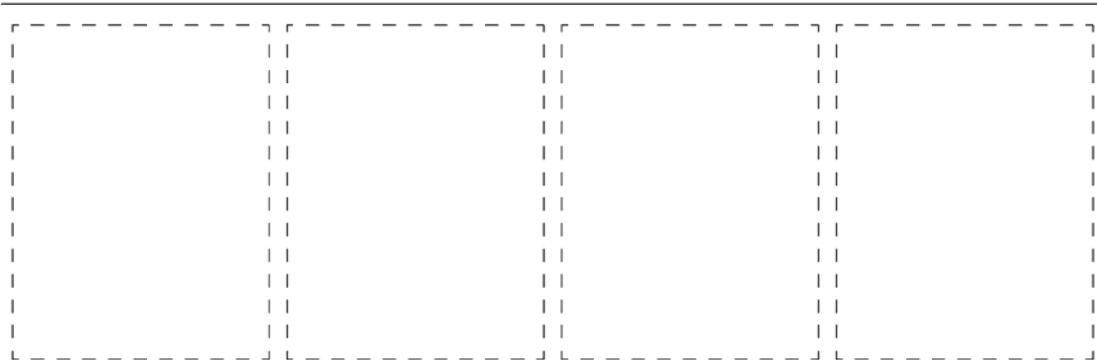
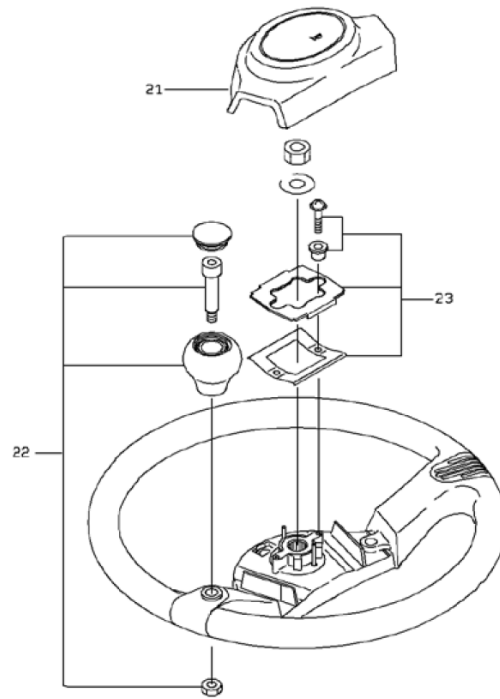
SHIFT LEVER GROUP



SHIFT LEVER GROUP

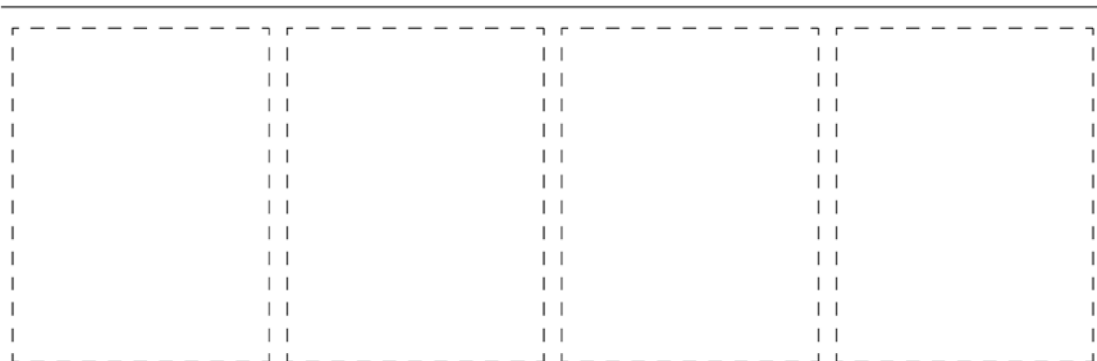
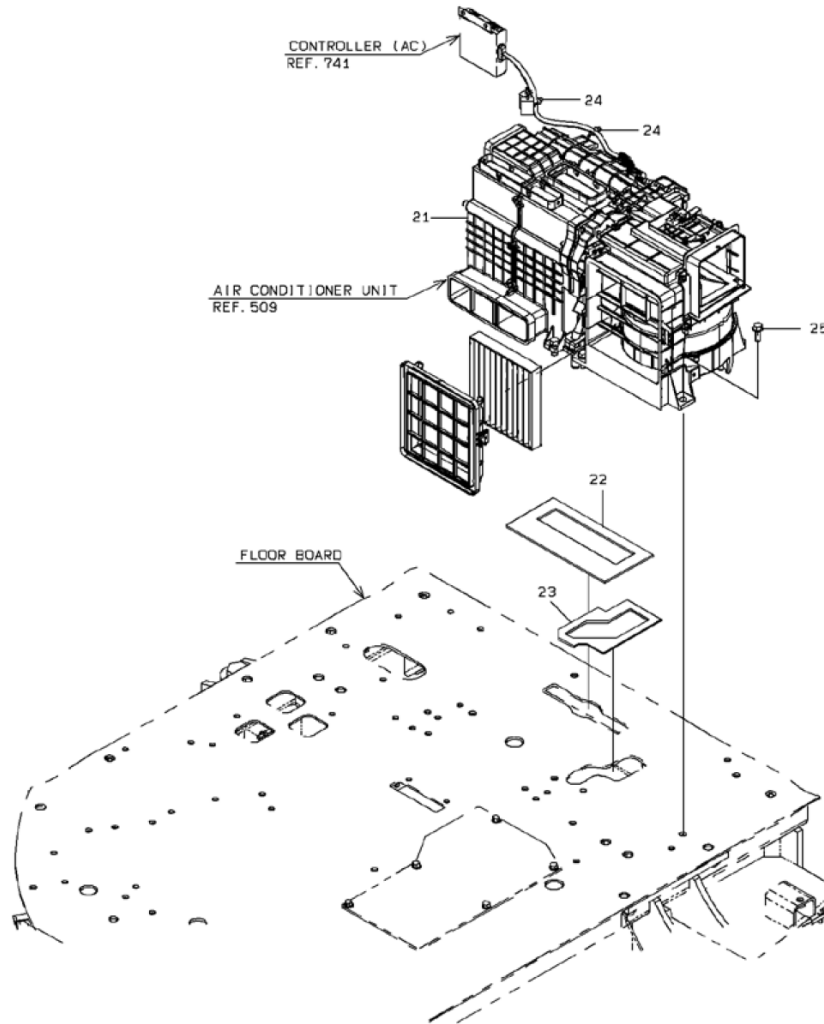
SYM-BOL	PART NUMBER	PART NAME	UNIT Q,TY	SERIAL		REMARKS							
				(A)	(B)	N	P	D	(A)	(B)	(C)	(D)	REMARKS
21A	31050-60750	ORBITROL(TM) ASSY	1	5001	-								REF.MSA-601
22A	33310-60010	COLUMN	1	5001	- 5198								
22B	YA000-52919	COLUMN	1	5199	-								
23A	43420-20030	WHEEL,STEERING	1	5001	-								REF.503
24A	45600-60100	LEVER	1	5001	- 5186								REF.737
24B	45600-60130	LEVER	1	5187	-								
25A	35067-60090	SWITCH,WIPER	1	5001	-								
26A	41753-29360-7	PLATE	1	5001	-								
27A	41753-34920	PLATE	1	5001	- 5023								
27B	41754-45540-7	PLATE	1	5024	-								
28A	41753-29340-7	PLATE	1	5001	-								
29A	32923-70100	CLAMP,HOSE	3	5001	- 5023								L=382
29B	32923-70100	CLAMP,HOSE	2	5024	-								L=382
30A	38120-60220	HANDLE	1	5001	-								
31A	32970-20160	CLIP	3	5001	-								
32A	61802-12035	BOLT,FLANGED	5	5001	-								
33A	61802-10016	BOLT,FLANGED	4	5001	-								
34A	61802-08020	BOLT,FLANGED	3	5001	-								
35A	62262-14010	SCREW,TAPPING	2	5001	- 5100								
35B	81043-04008	SCREW,TAPPING	2	5101	-								
36A	43932-70710	BOLT,W/WASHER	4	5001	- 5100								
36B	80102-60820	BOLT,W/WASHER	4	5101	- 5186								
36C	80102-60816	BOLT,W/WASHER	4	5187	-								

STEERING WHEEL



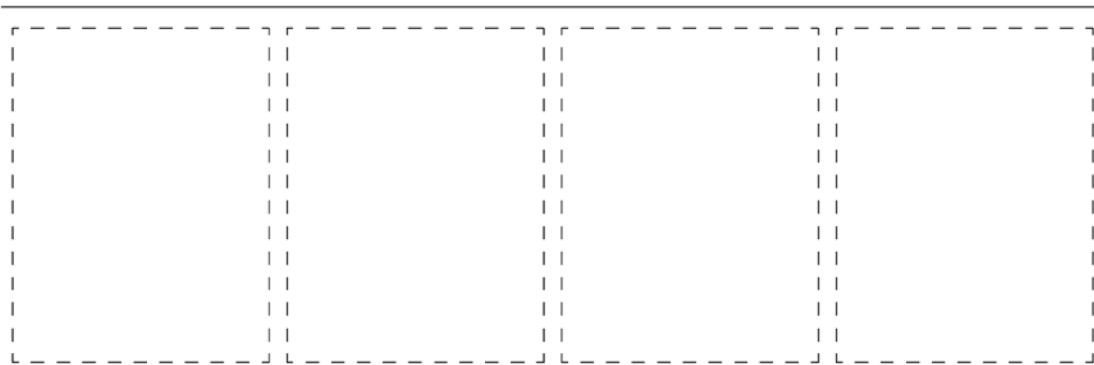
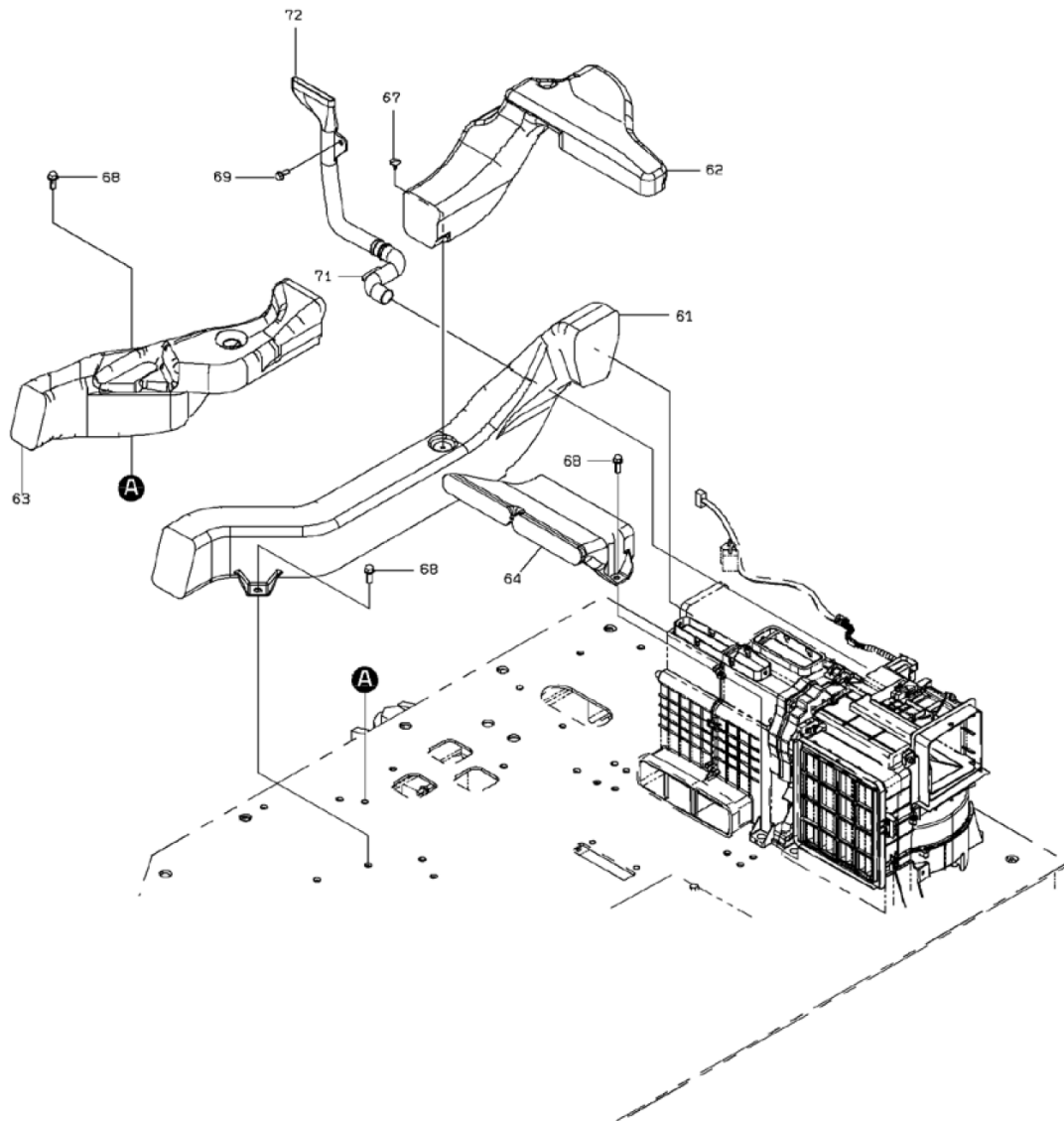
1-A

AIR CONDITIONER (AIR DUCT-REAR)



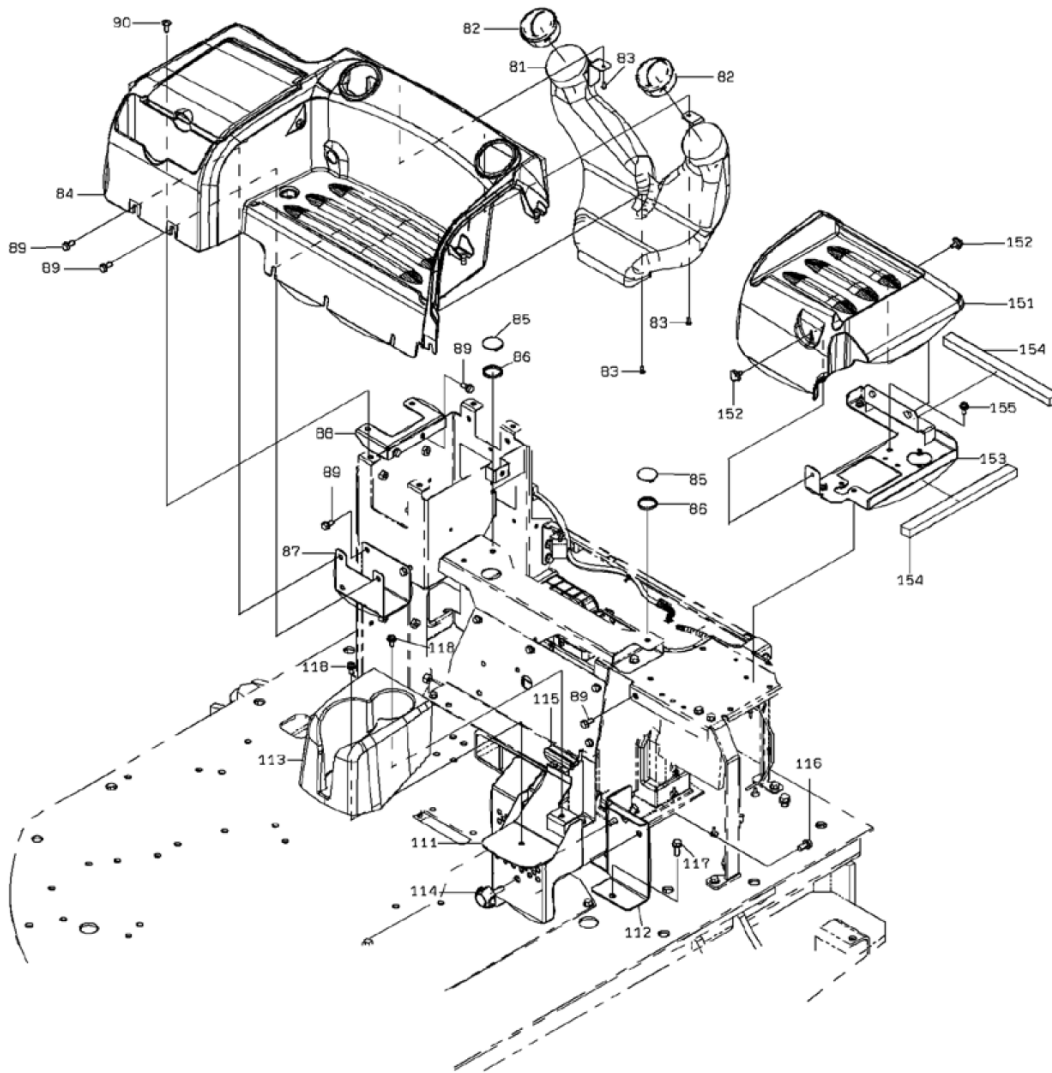
1-A

AIR CONDITIONER (AIR DUCT-REAR)

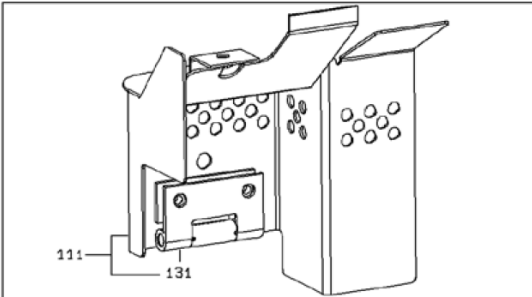


2-A

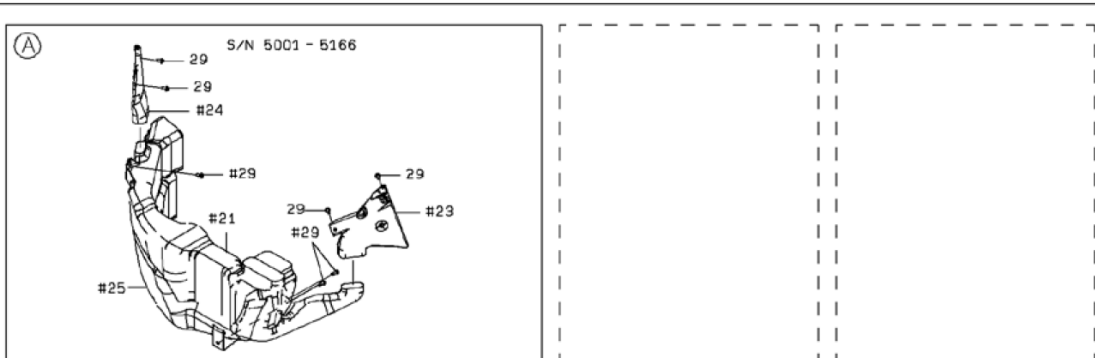
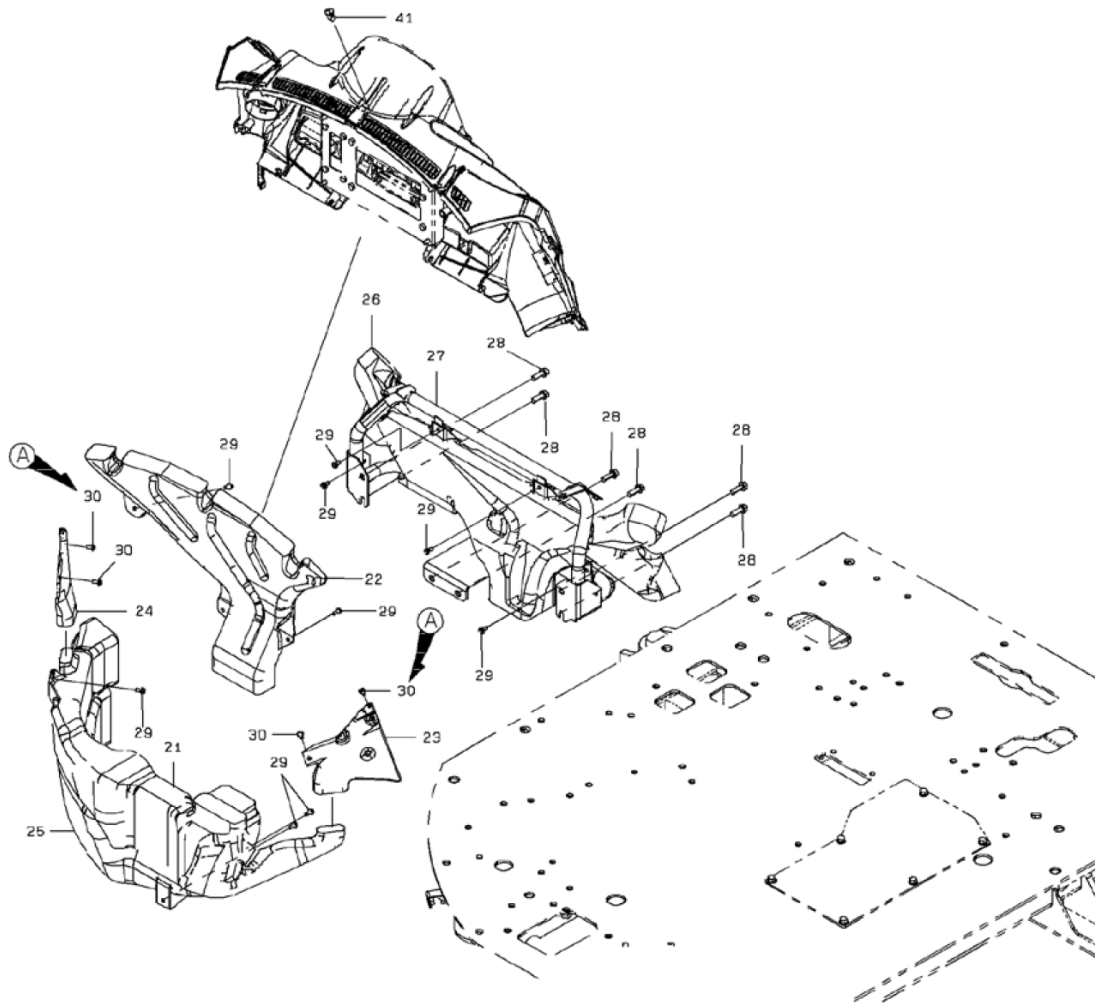
AIR CONDITIONER (AIR DUCT-REAR)



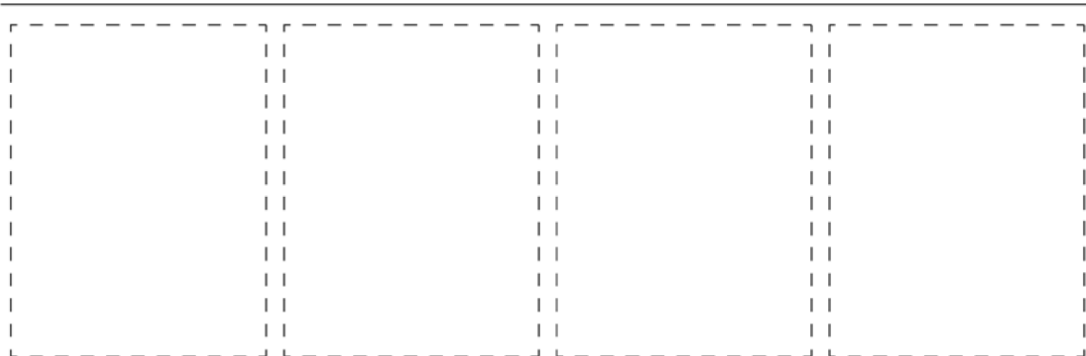
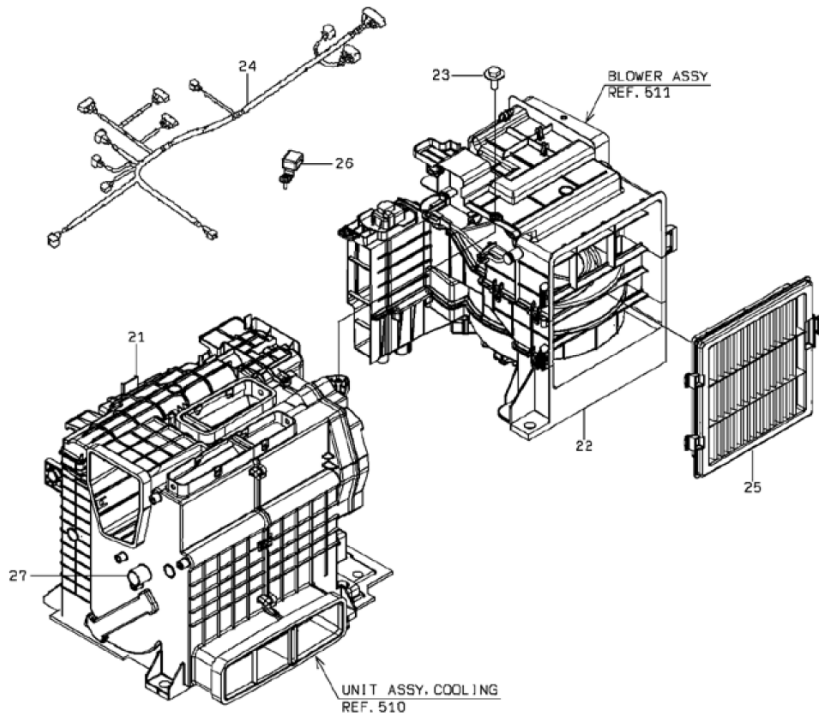
DETAIL OF HINGE



AIR CONDITIONER (AIR DUCT-FRONT)



AIR CONDITIONER UNIT

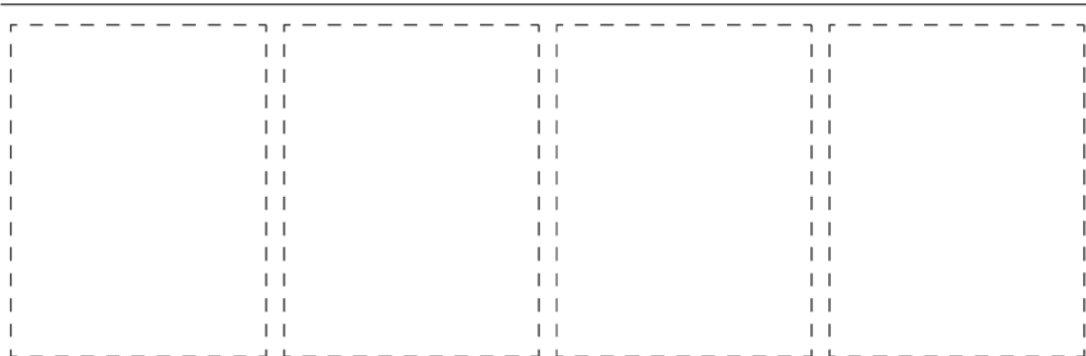
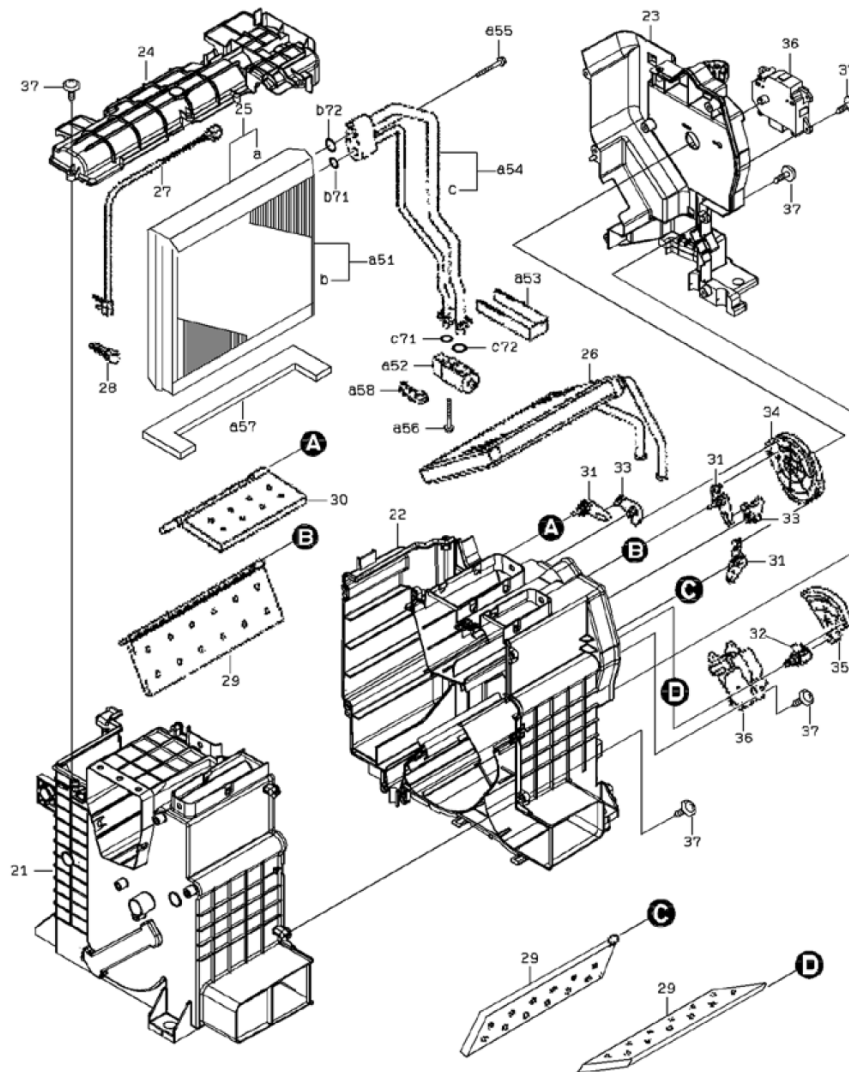


1-B

AIR CONDITIONER UNIT

SYM-BOL	PART NUMBER	PART NAME	UNIT Q,TY	SERIAL		REMARKS						
				(A)	(B)	N	P	D	(A)	(B)	(C)	(D)
000A	30890-60150	AIR CONDITIONER UNIT	1	5001	- 5166							
000B	30890-60160	AIR CONDITIONER UNIT	1	5167	-		C					
21A	32812-70200	COOLER ASSY,AIR	1	5001	- 5198							REF.510
21B	32812-70210	COOLER ASSY,AIR	1	5199	-		C					
22A	41351-70080	BLOWER ASSY	1	5001	- 5198							REF.511
22B	41351-70090	BLOWER ASSY	1	5199	-		C					
23A	35106-70330	SCREW,TAPPING	2	5001	-							
24A	33197-70170	HARNESS	1	5001	-							
25A	40330-60570	FILTER	1	5001	-							
26A	45050-60120	RELAY	1	5001	-							
27A	36430-25810	DUCT	1	5167	-							

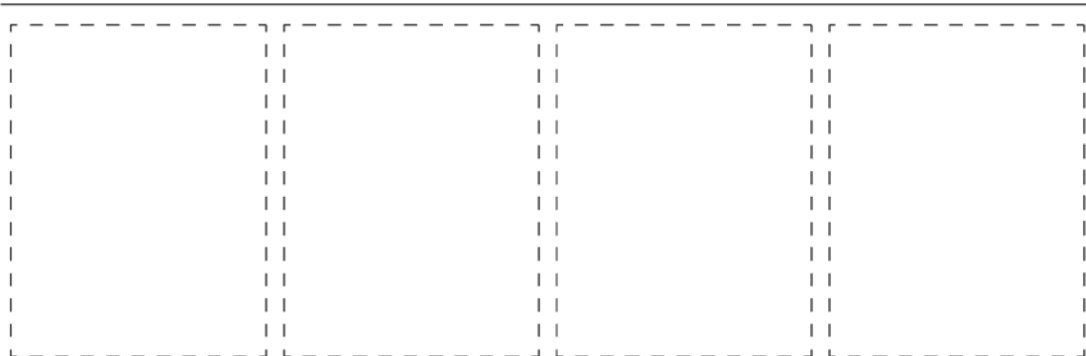
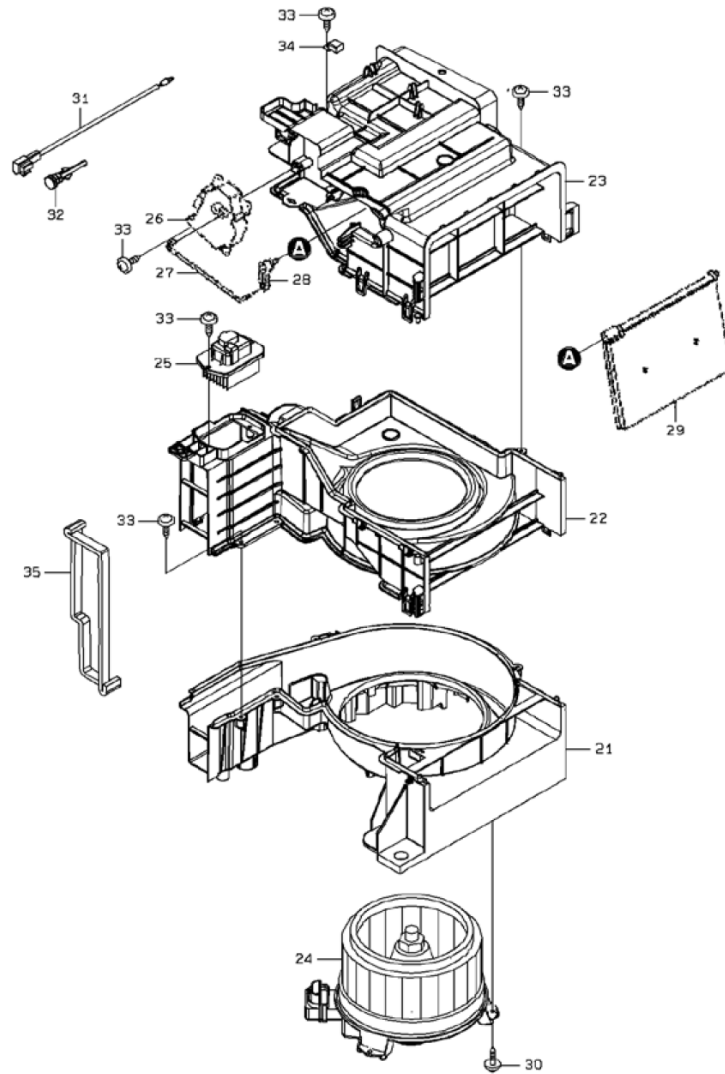
COOLING UNIT ASSY



COOLING UNIT ASSY

SYM-BOL	PART NUMBER	PART NAME	UNIT Q,TY	SERIAL		REMARKS								
				(A)	(B)	N	P	D	(A)	(B)	(C)	(D)	REMARKS	
000A	32812-70200	COOLER ASSY,AIR	1	5001	-	5198								
000B	32812-70210	COOLER ASSY,AIR	1	5199	-		C							
21A	33110-70780	CASE ASSY	1	5001	-									
22A	33110-70790	CASE ASSY	1	5001	-									
23A	33110-70800	CASE ASSY	1	5001	-									
24A	41600-71930	PLATE	1	5001	-									
25A	30999-70140	EVAPORATOR	1	5001	-				Y01					
26A	33281-72540	CORE ASSY	1	5001	-									
27A	33441-70170	THERMOSTAT	1	5001	-									
28A	32920-71110	CLAMP	1	5001	-									
29A	37521-70600	DOOR ASSY	3	5001	-									
30A	37521-70610	DOOR ASSY	1	5001	-									
31A	45600-70600	LEVER	3	5001	-									
32A	45600-70610	LEVER	1	5001	-									
33A	45624-70070	LEVER ASSY,CONTROL	2	5001	-									
34A	41645-70810	PLATE	1	5001	-									
35A	41645-70820	PLATE	1	5001	-									
36A	33480-70160	SERVO ASSY	2	5001	-									
37A	35106-70100	SCREW,TAPPING	23	5001	-									
51A	30999-70150	EVAPORATOR	1	5001	-				01	Y02				
52A	38510-71410	VALVE	1	5001	-				01					
53A	39600-74300	PACKING	1	5001	-				01					
54A	49290-70250	TUBE KIT	1	5001	-				01	Y02				
55A	43900-74950	BOLT	2	5001	-				01					
56A	43900-74960	BOLT	2	5001	-				01					
57A	39600-74310	PACKING	1	5001	-				01					
58A	41530-76040	PLUG	1	5001	-				01					
71A	47131-73730	RING,O	1	5001	-					02				
72A	47131-73740	RING,O	1	5001	-					02				

AIR CONDITIONER – FAN

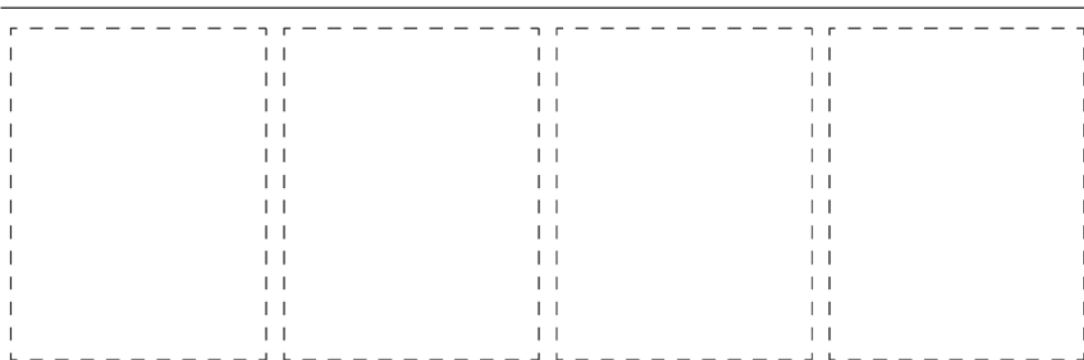
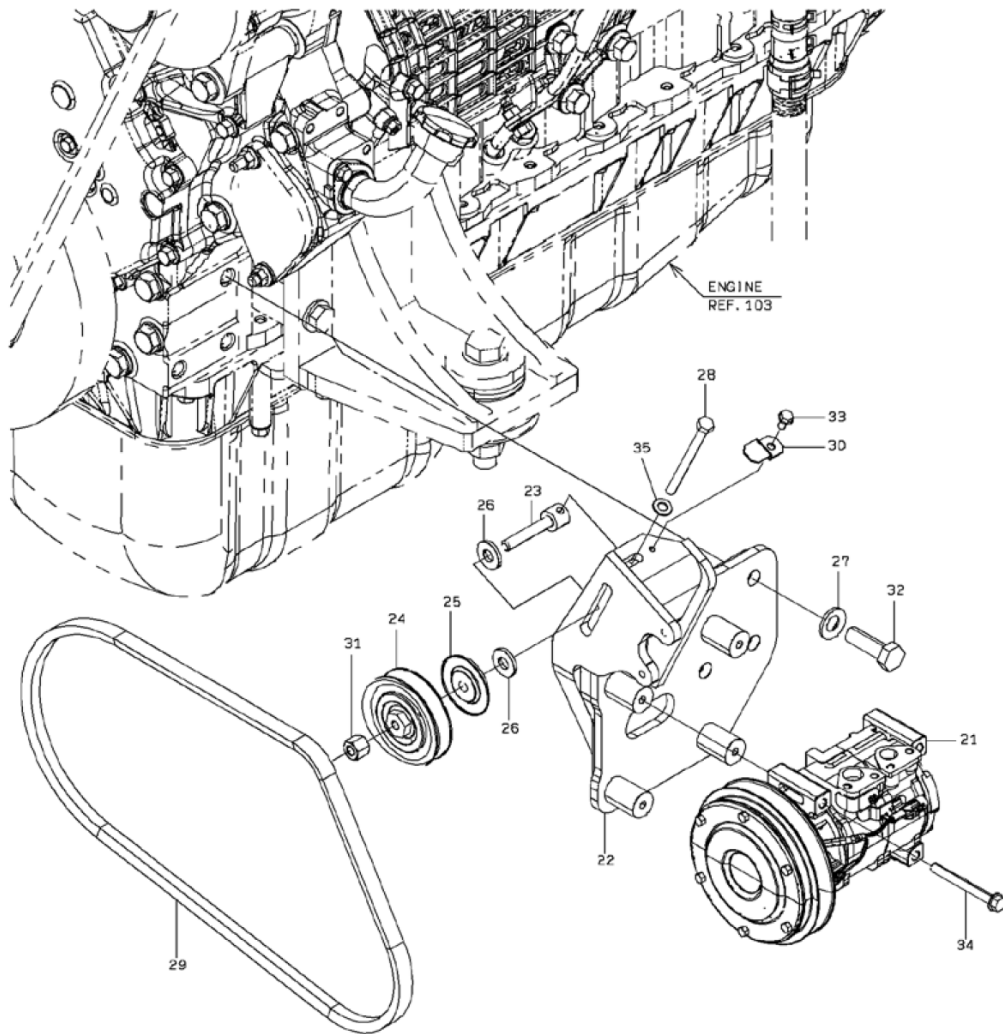


1-A

AIR CONDITIONER – FAN

SYM-BOL	PART NUMBER	PART NAME	UNIT Q,TY	SERIAL		REMARKS							
				(A)	(B)	N	P	D	(A)	(B)	(C)	(D)	REMARKS
000A	41351-70080	BLOWER ASSY	1	5001	-	5198							
000B	41351-70090	BLOWER ASSY	1	5199	-		C						
21A	33110-70810	CASE ASSY	1	5001	-								
22A	33110-70820	CASE ASSY	1	5001	-								
23A	33110-70830	CASE ASSY	1	5001	-								
24A	40205-70090	FAN ASSY	1	5001	-								
25A	37391-70010	TRANSISTOR	1	5001	-								
26A	33480-70170	SERVO ASSY	1	5001	-								
27A	34500-70960	SHAFT	1	5001	-								
28A	45600-70620	LEVER	1	5001	-								
29A	37521-70620	DOOR ASSY	1	5001	-								
30A	35106-70330	SCREW,TAPPING	3	5001	-								
31A	33440-70010	THERMO UNIT	1	5001	-								
32A	41645-70830	PLATE	1	5001	-								
33A	35106-70100	SCREW,TAPPING	12	5001	-								
34A	45050-60120	RELAY	1	5001	-								
35A	39600-74320	PACKING	1	5001	-								

A/C COMPRESSOR MOUNTING

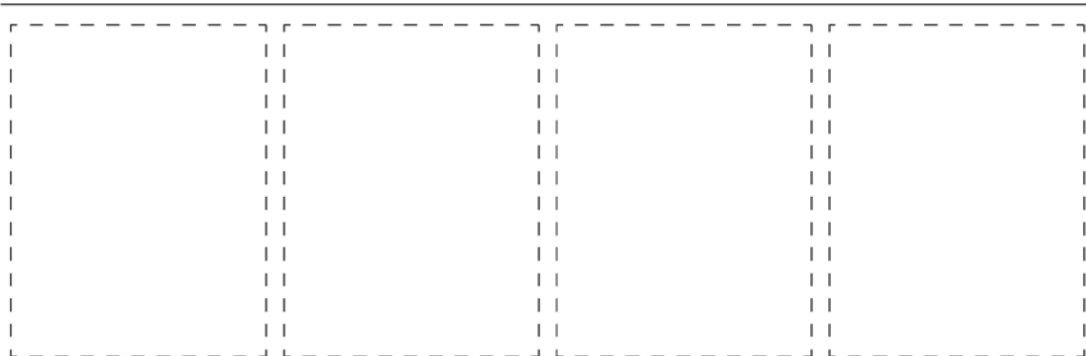
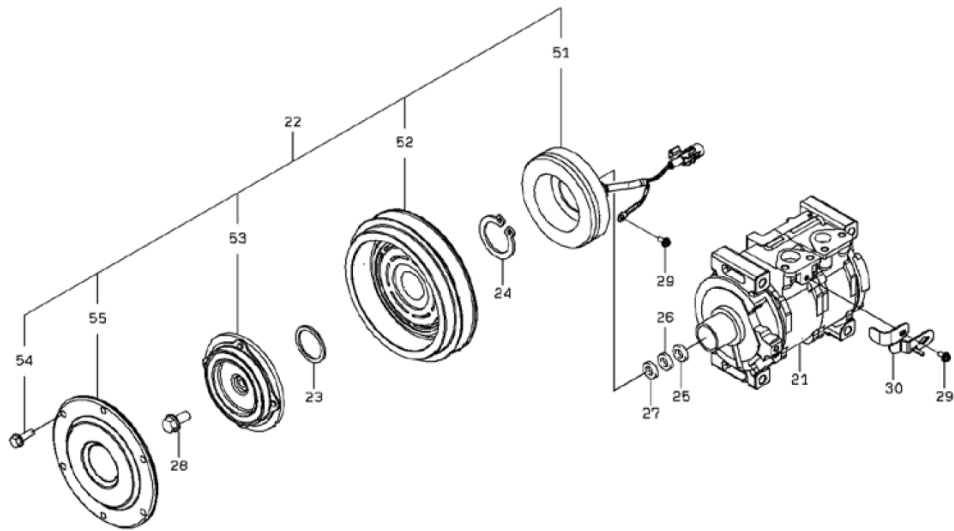


0-A

A/C COMPRESSOR MOUNTING

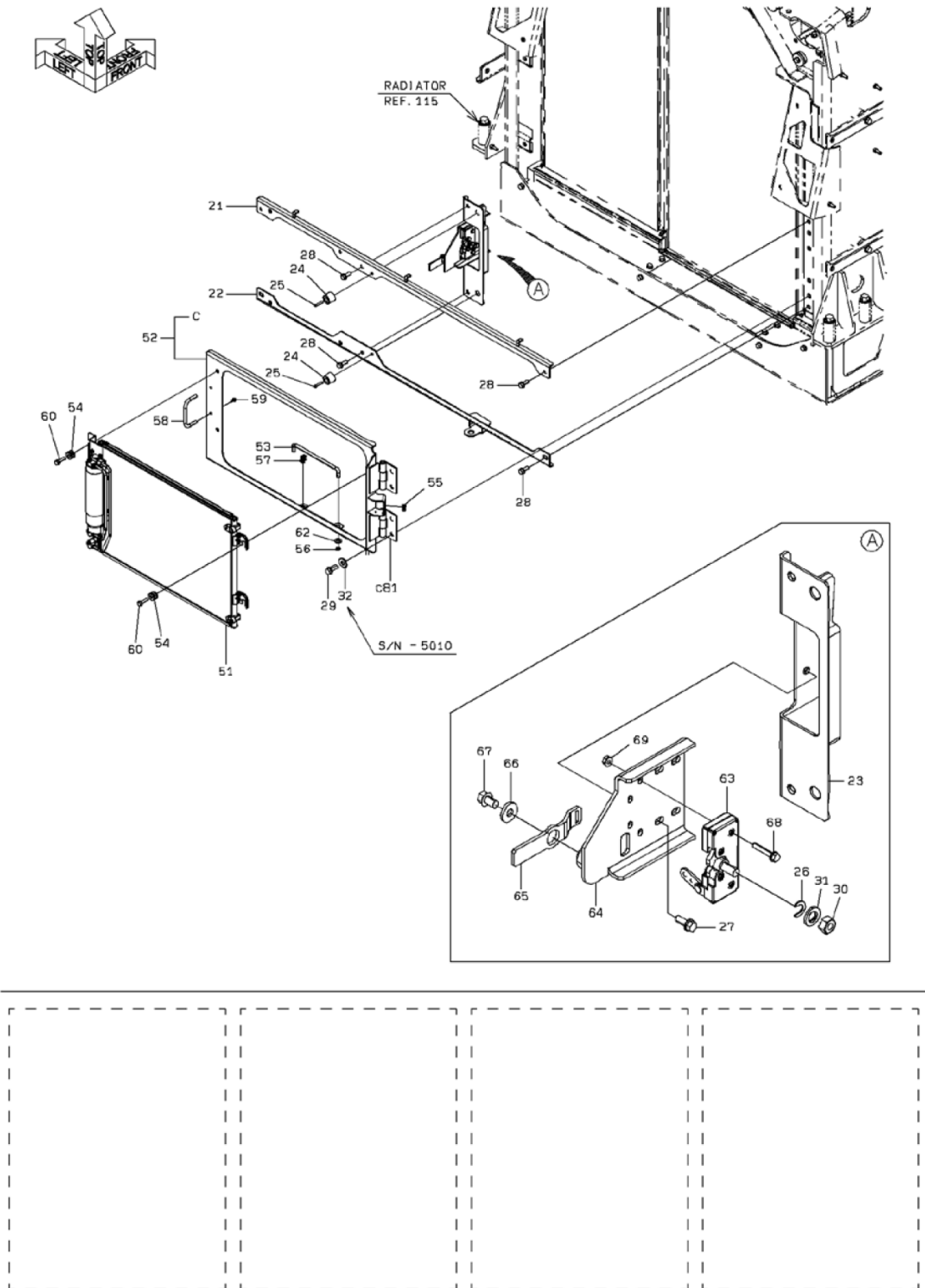
SYM-BOL	PART NUMBER	PART NAME	UNIT Q,TY	SERIAL			REMARKS						
				(A)	-	(B)	N	P	D	(A)	(B)	(C)	(D)
21A	33470-60200	COMPRESSOR ASSY	1	5001	-								
22A	40903-24540	BRACKET	1	5001	-								
23A	34500-28930	SHAFT	1	5001	-								
24A	41470-70010	PULLEY	1	5001	-								
25A	31200-70440	COVER	1	5001	-								
26A	46011-20190	WASHER,PLANE	2	5001	-								
27A	62710-18141	WASHER,PLANE	3	5001	-								
28A	43900-20370	BOLT	1	5001	-								
29A	43001-60090	BELT,V	1	5001	-								
30A	41600-54440	PLATE	1	5001	-								
31A	37600-26380	NUT	1	5001	-								
32A	61033-14045	BOLT	3	5001	-								
33A	61802-06012	BOLT,FLANGED	1	5001	-								
34A	61802-08075	BOLT,FLANGED	4	5001	-								
35A	62701-40081	WASHER,PLANE	1	5001	-								

COMPRESSOR ASSY



1-A

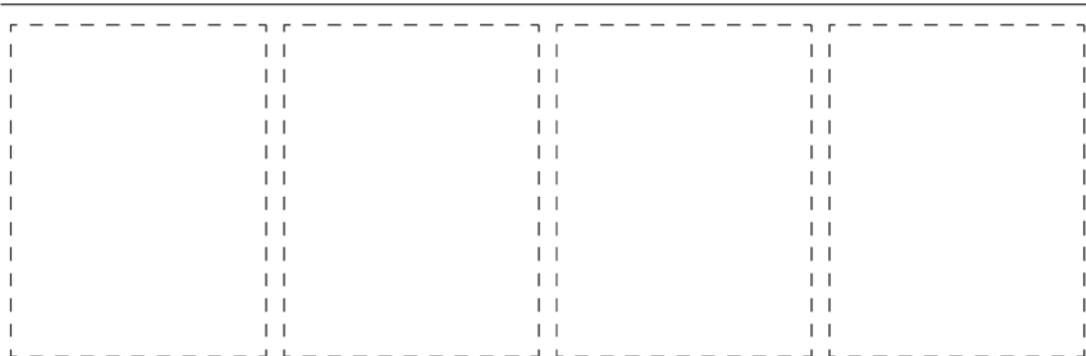
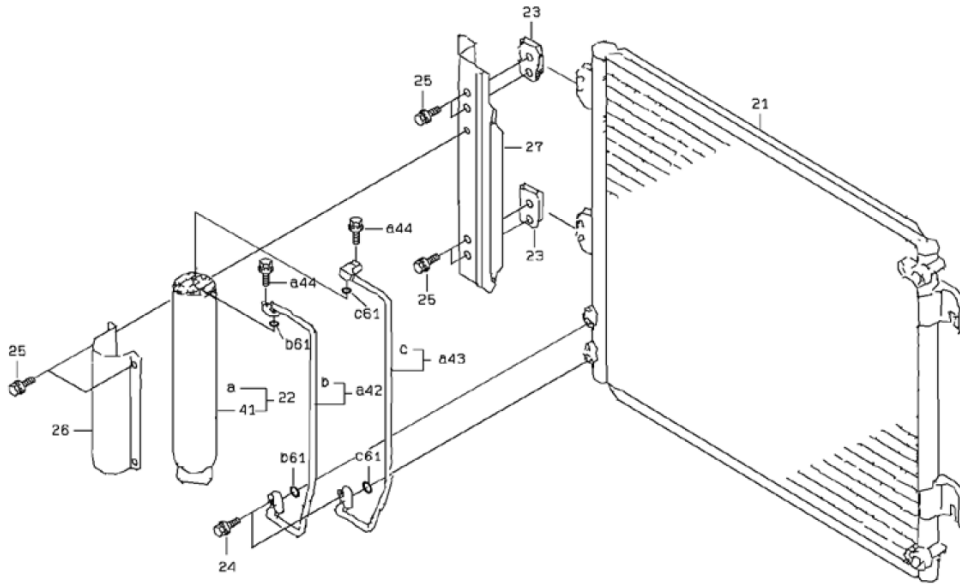
CONDENSER (AIR CONDITIONER)



CONDENSER (AIR CONDITIONER)

SYM-BOL	PART NUMBER	PART NAME	UNIT Q,TY	SERIAL		REMARKS						
				(A)	(B)	N	P	D	(A)	(B)	(C)	(D)
21A	41754-25930	PLATE	1	5001	-							
22A	41754-25940	PLATE	1	5001	-							
23A	41754-25950	PLATE	1	5001	-							
24A	40850-70010	BUSHING,ELASTIC	2	5001	-							
25A	62256-51530	SCREW	2	5001	-							
26A	34200-28400	SHIM	1	5001	-							T=1.6
27A	61802-08020	BOLT,FLANGED	4	5001	-							
28A	61802-10025	BOLT,FLANGED	6	5001	-	5010						
28B	61802-10020	BOLT,FLANGED	6	5011	-		B					
29A	61802-12030	BOLT,FLANGED	4	5001	-	5010						
29B	61802-12025	BOLT,FLANGED	4	5011	-		B					
30A	62421-81074	NUT(UNIFY)	1	5001	-							
31A	62710-18121	WASHER,PLANE	1	5001	-							
32A	46011-20200	WASHER,PLANE	4	5001	-	5010		D				
51A	33360-60120	CONDENSER	1	5001	-							REF.516
52A	40903-26940	BRACKET	1	5001	-	5010			Y01			
52B	40903-29000	BRACKET	1	5011	-		C		Y01			
53A	38171-42080	BAR,ROUND	1	5001	-							
54A	40850-60120	BUSHING,ELASTIC	4	5001	-							
55A	65801-10032	BUSHING,ELASTIC	1	5001	-							
56A	63002-02525	PIN,SPLIT	1	5001	-							
57A	43550-70290	HOLDER	1	5001	-	5164						
57B	43550-60110	HOLDER	1	5165	-		C					
58A	38120-20960	HANDLE	1	5001	-							
59A	61802-05010	BOLT,FLANGED	2	5001	-							
60A	61802-08030	BOLT,FLANGED	4	5001	-							
62A	62701-40101	WASHER,PLANE	1	5001	-							
63A	32151-20200	CATCH ASSY	1	5001	-							
64A	41752-43620	PLATE	1	5001	-	5055						
64B	41754-36990	PLATE	1	5056	-		C					
65A	41710-51040	PLATE	1	5001	-							
66A	46011-20190	WASHER,PLANE	1	5001	-							
67A	61802-10016	BOLT,FLANGED	1	5001	-							
68A	61802-06035	BOLT,FLANGED	4	5001	-							
69A	62480-21061	NUT,FLANGED	4	5001	-							
81A	39890-23250	HINGE	2	5001	-	5010			01			WELDING
81B	39890-23960	HINGE	2	5011	-		B		01			WELDING

CONDENSER ASSY

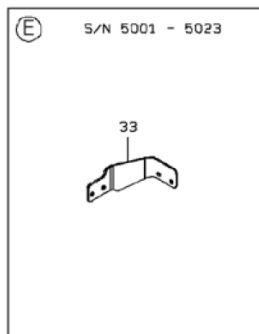
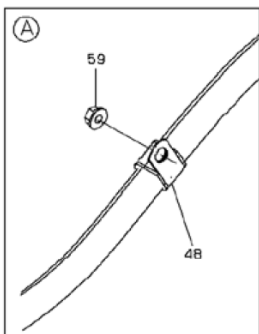
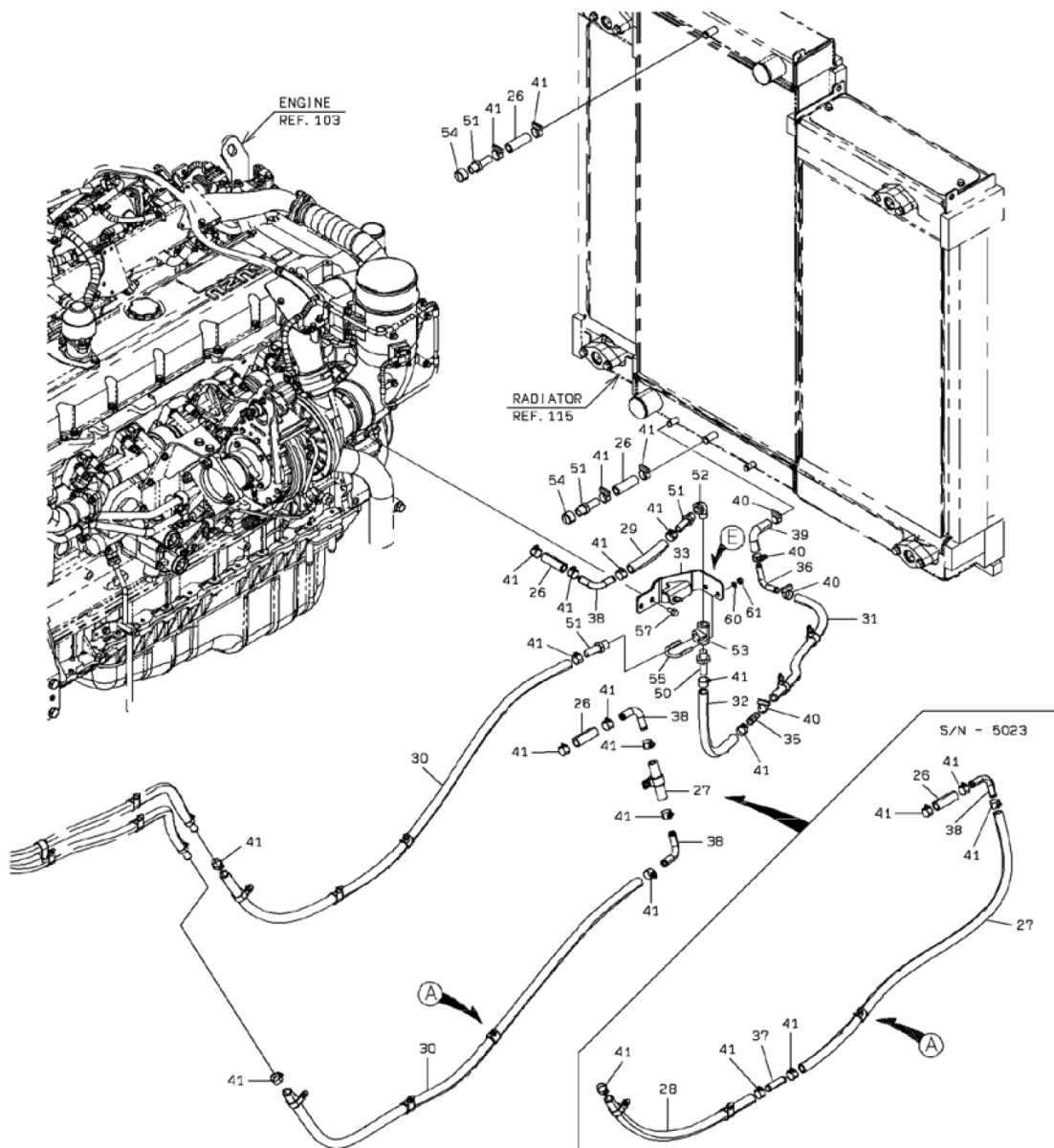


1-B

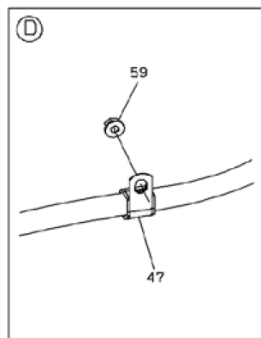
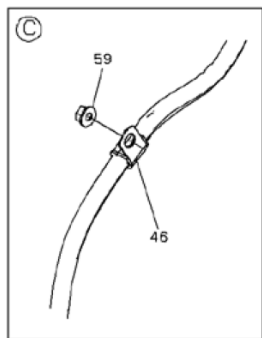
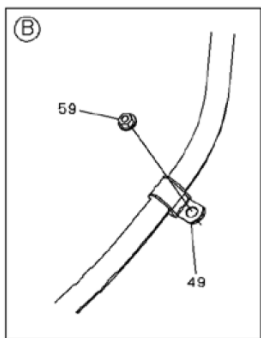
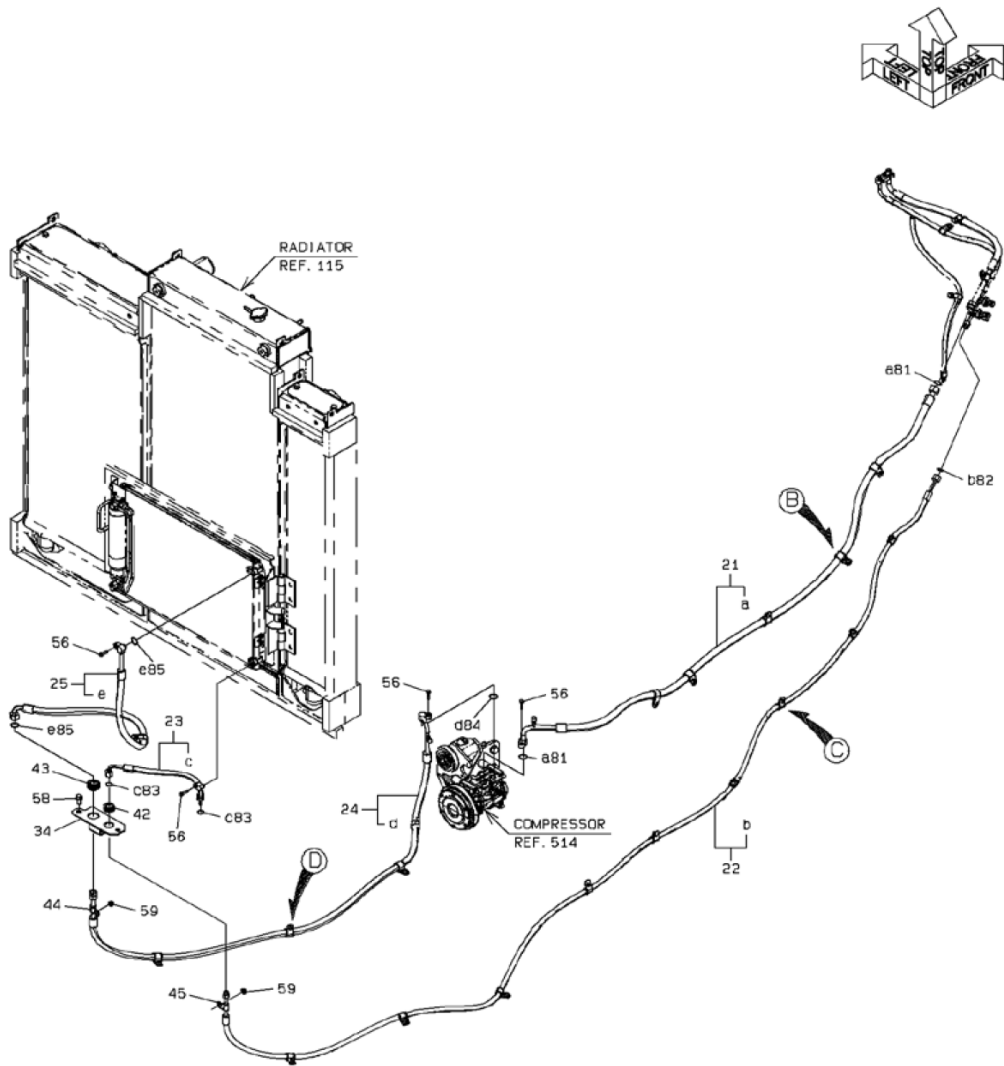
CONDENSER ASSY

SYM-BOL	PART NUMBER	PART NAME	UNIT Q,TY	SERIAL (A) - (B)	REMARKS						
					N	P	D	(A)	(B)	(C)	(D)
000A	33360-60120	CONDENSER	1	5001 -							
21A	33281-72530	CORE ASSY	1	5001 -							
22A	45520-70070	RECEIVER UNIT	1	5001 -				Y01			
23A	40902-70080	BRACKET	2	5001 -							
24A	43932-70840	BOLT,W/WASHER	2	5001 -							
25A	43932-70850	BOLT,W/WASHER	8	5001 -							
26A	43550-70530	HOLDER	1	5001 -							
27A	40902-70090	BRACKET	1	5001 -							
41A	36200-60020	TANK	1	5001 -				01			
42A	36700-70450	TUBE	1	5001 -				01	Y02		
43A	36700-70460	TUBE	1	5001 -				01	Y02		
44A	43932-70840	BOLT,W/WASHER	2	5001 -				01			
61A	47131-73550	RING,O	2	5001 -					02		

AIR-CONDITIONER PIPING (REAR CHASSIS)



AIR-CONDITIONER PIPING (REAR CHASSIS)



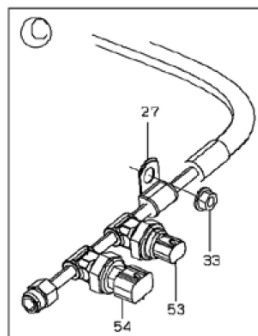
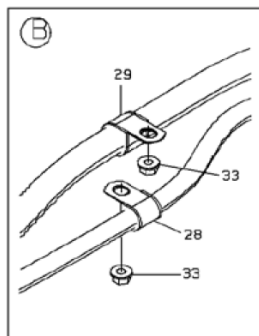
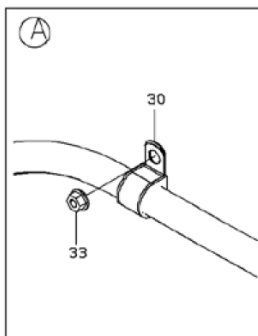
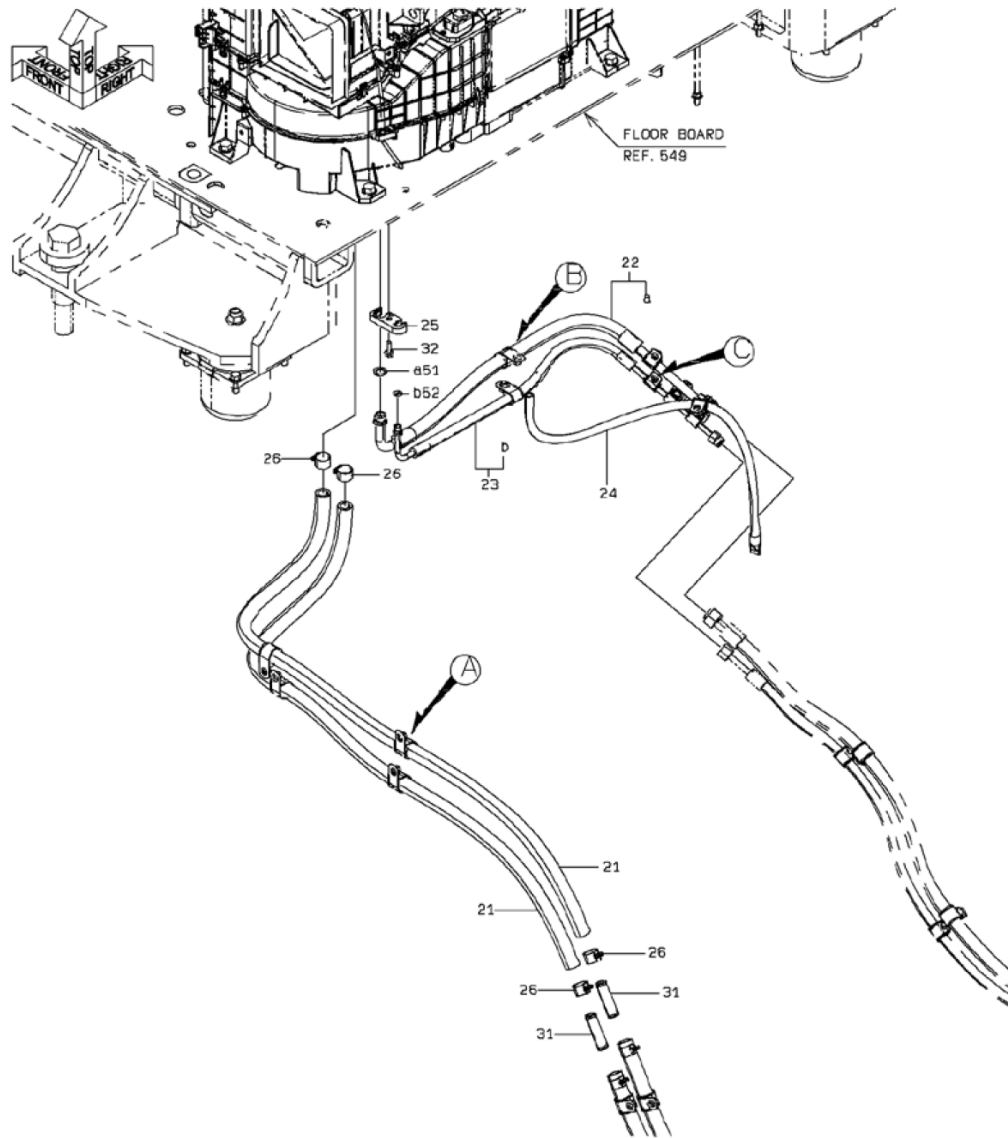
2-B

AIR-CONDITIONER PIPING (REAR CHASSIS)

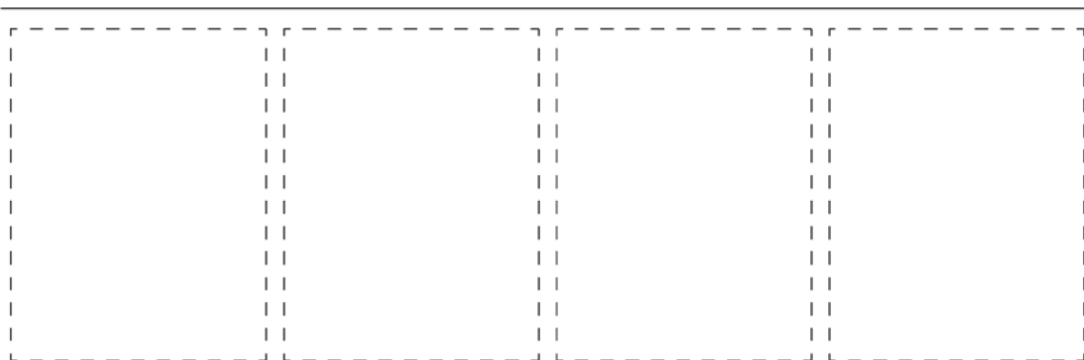
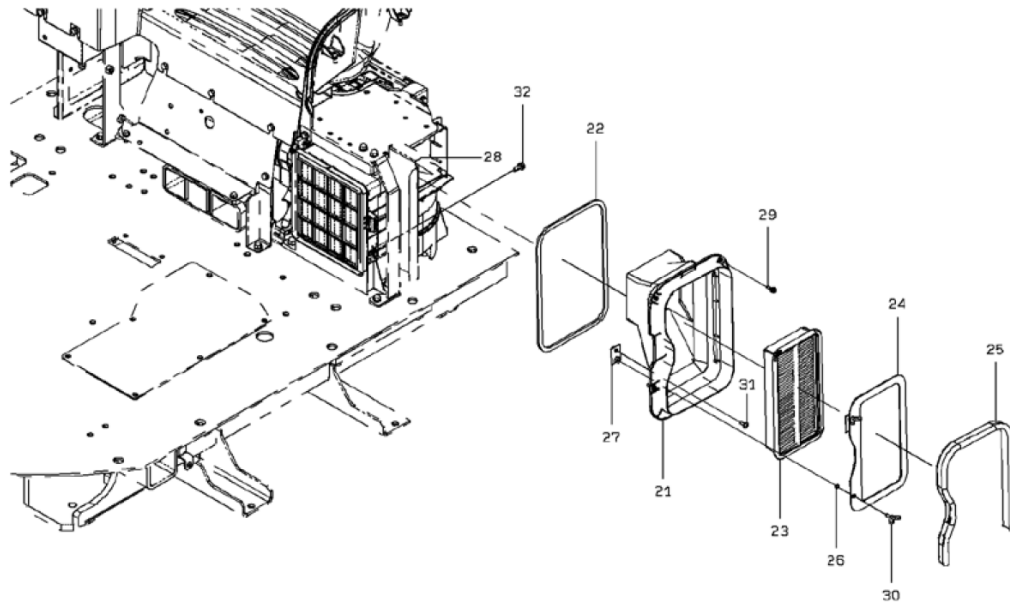
SYM-BOL	PART NUMBER	PART NAME	UNIT Q,TY	SERIAL		REMARKS														
				(A)	(B)	N	P	D	(A)	(B)	(C)	(D)	REMARKS							
21A	43124-26130	HOSE,COOLER	1	5001	-															
22A	43124-26550	HOSE,COOLER	1	5001	-															
23A	43124-26350	HOSE,COOLER	1	5001	-															
24A	43124-26560	HOSE,COOLER	1	5001	-															
25A	43124-26340	HOSE,COOLER	1	5001	-															
26A	67230-15000	HOSE,WATER	1 M	5001	-															L=70 X Q'TY 4
27A	67230-15000	HOSE,WATER	1 M	5001	-	5023														L=1000
27B	67230-15000	HOSE,WATER	1 M	5024	-															L=100
28A	67230-15000	HOSE,WATER	1 M	5001	-	5023														L=640
29A	67230-15000	HOSE,WATER	1 M	5001	-															L=140
30A	67230-15000	HOSE,WATER	2 M	5001	-	5023														L=1500
30B	67230-15000	HOSE,WATER	2 M	5024	-															L=1500XQ'TY2
31A	67040-12000	HOSE,HEAT RESISTING LP	1 M	5001	-															L=810
32A	67040-15000	HOSE,HEAT RESISTING LP	1 M	5001	-															L=490
33A	41717-35240	PLATE	1	5001	-	5023														
33B	41754-44730	PLATE	1	5024	-															
34A	41754-27030	PLATE	1	5001	-															
35A	34940-70080	JOINT	1	5001	-															
36A	38731-58290	PIPE	1	5001	-															
37A	38730-70020	PIPE	1	5001	-	5023														
38A	38754-70020	PIPE,ELBOW	2	5001	-	5023														
38B	38754-70020	PIPE,ELBOW	3	5024	-															
39A	30960-20350	ELBOW	1	5001	-															
40A	69002-02300-7	BAND,HOSE	4	5001	-															
41A	69002-02700-7	BAND,HOSE	18	5001	-															
42A	65801-20060	BUSHING,ELASTIC	1	5001	-															
43A	65801-25060	BUSHING,ELASTIC	1	5001	-															
44A	43573-20280	HOLDER,PIPE	1	5001	-															D=12
45A	43573-20310	HOLDER,PIPE	1	5001	-															D=8
46A	43573-20350	HOLDER,PIPE	9	5001	-															D=15
47A	43573-20360	HOLDER,PIPE	5	5001	-															D=20
48A	43573-20520	HOLDER,PIPE	6	5001	-	5023														D=24
48B	43573-20520	HOLDER,PIPE	7	5024	-															D=24
49A	43573-20460	HOLDER,PIPE	7	5001	-	5019														D=22
49B	43573-20460	HOLDER,PIPE	8	5020	-															D=22
50A	37715-23490	NIPPLE,HOSE	1	5001	-															
51A	88511-01081	NIPPLE,HOSE	4	5001	-															
52A	69205-04000	FITTING,ELBOW	1	5001	-															
53A	69207-04000	FITTING,TEE	1	5001	-															
54A	69211-04000	FITTING,CAP	2	5001	-															
55A	61725-10844	BOLT,U	1	5001	-															
56A	61802-06025	BOLT,FLANGED	4	5001	-															
57A	61802-10016	BOLT,FLANGED	2	5001	-															
58A	61802-10020	BOLT,FLANGED	2	5001	-															
59A	62480-21081	NUT,FLANGED	29	5001	-	5019														
59B	62480-21081	NUT,FLANGED	30	5020	-	5023														
59C	62480-21081	NUT,FLANGED	31	5024	-															
60A	62701-40081	WASHER,PLANE	2	5001	-															
61A	88031-06081	NUT,SELF-LOCKING	2	5001	-															
81A	47131-73780	RING,O	2	5001	-															
82A	47131-73790	RING,O	1	5001	-															
83A	47131-73790	RING,O	2	5001	-															
84A	47131-73770	RING,O	1	5001	-															
85A	47131-73770	RING,O	2	5001	-															

MEMO

AIR-CONDITIONER PIPING (FLOOR)



FILTER MOUNT

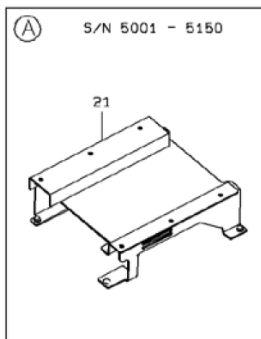
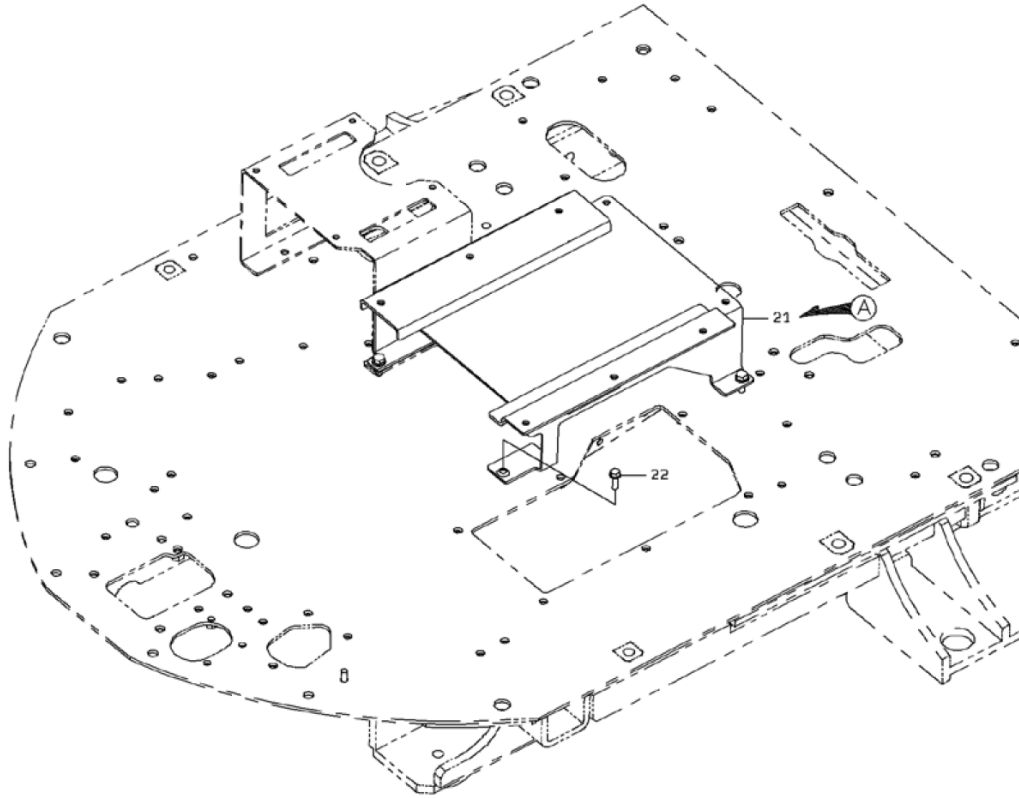


1-B

FILTER MOUNT

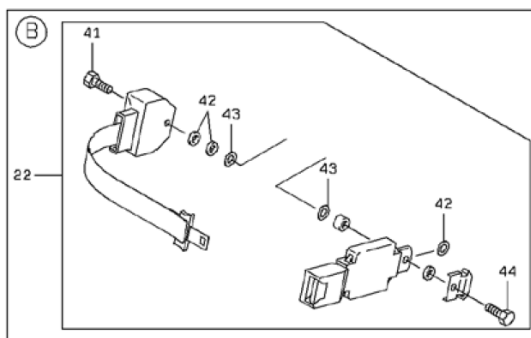
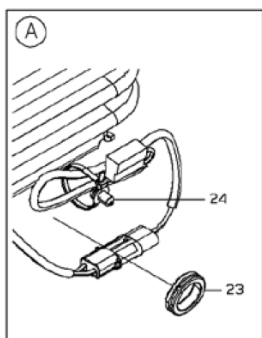
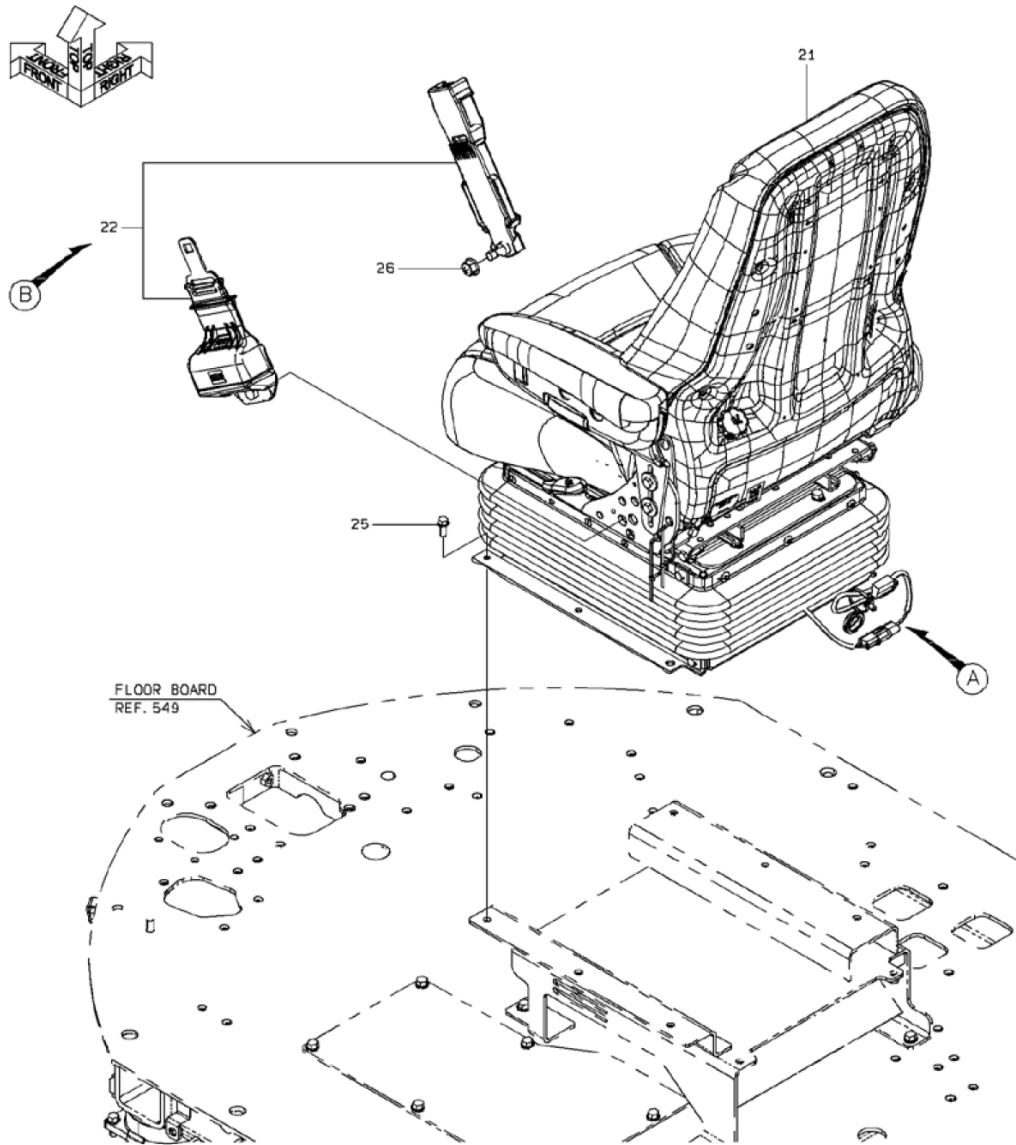
SYM-BOL	PART NUMBER	PART NAME	UNIT Q,TY	SERIAL		REMARKS						
				(A)	(B)	N	P	D	(A)	(B)	(C)	(D)
21A	36430-60280	DUCT	1	5001	-							
22A	35681-35630	SPONGE	1	5001	- 5152							
22B	30610-25130	INSULATOR	1	5153	-	A						
23A	40330-60510	FILTER	1	5001	-							
24A	41714-53090	PLATE	1	5001	-							
25A	34041-21610	STRIP, SEAL	1	5001	-							
26A	46000-25610	WASHER	2	5001	-							
27A	41753-29300	PLATE	2	5001	-							
28A	41753-29270	PLATE	1	5001	-							
29A	35100-72440	SCREW	5	5001	- 5100							
29B	80104-60620	SCREW	5	5101	-	A						
30A	61511-06020	BOLT,WING	2	5001	-							
31A	35100-20010	SCREW	2	5001	- 5100							
31B	80106-50616	SCREW	2	5101	-	A						
32A	61802-08020	BOLT,FLANGED	2	5001	- 5152							
32B	80102-60820	BOLT,W/WASHER	2	5153	-	C						

SEAT BASE



1-B

AIR SUSPENSION SEAT (SEARS)

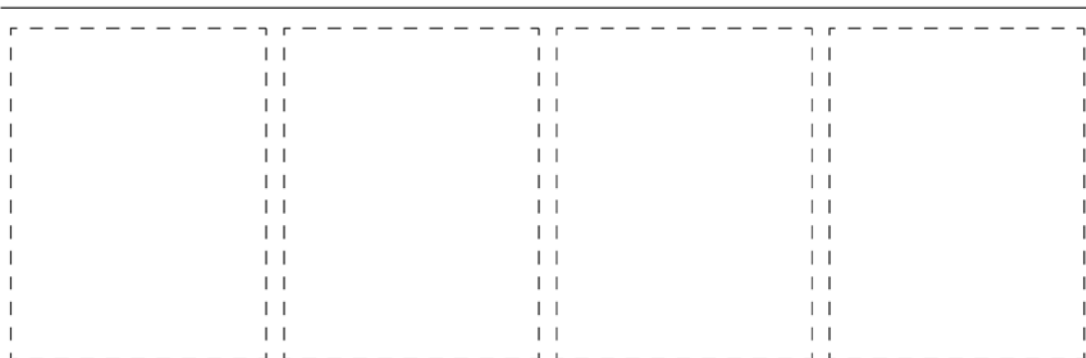
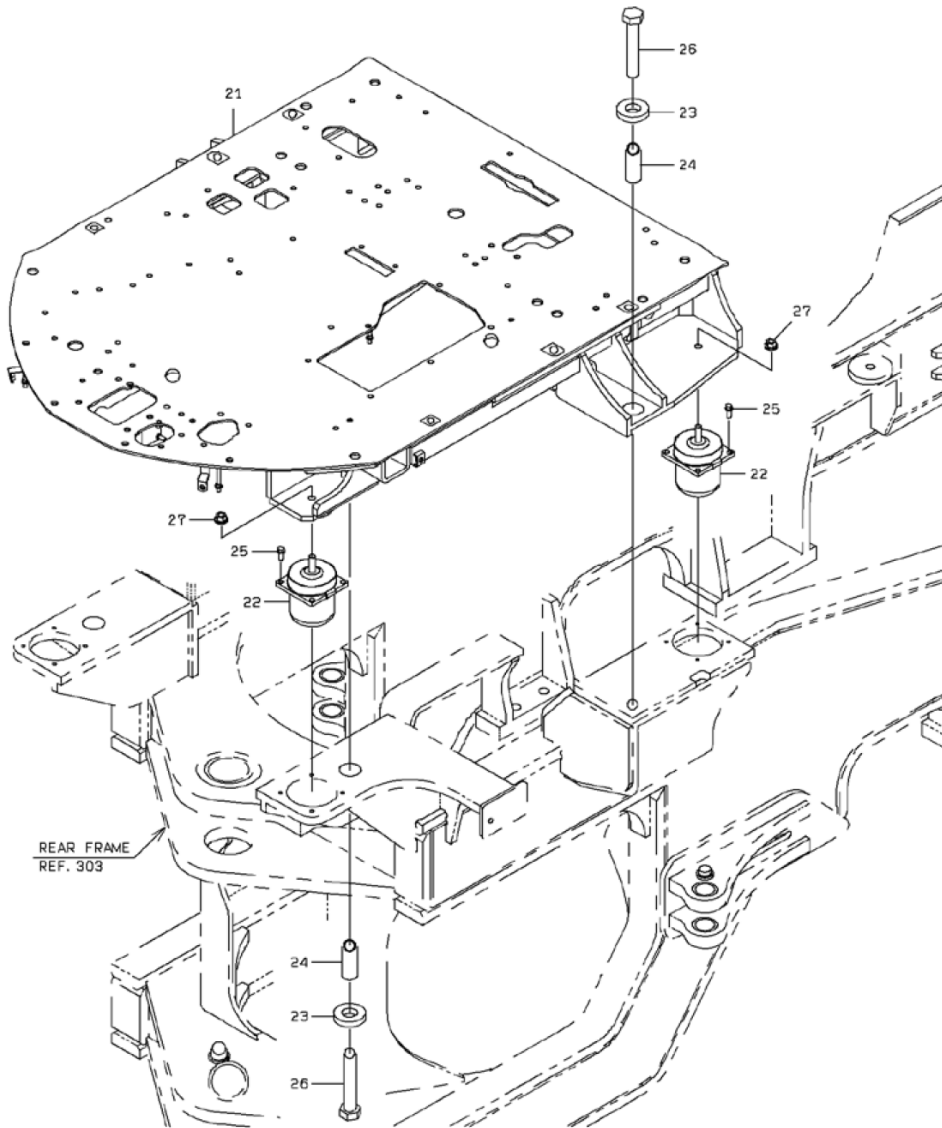


1-A

AIR SUSPENSION SEAT (SEARS)

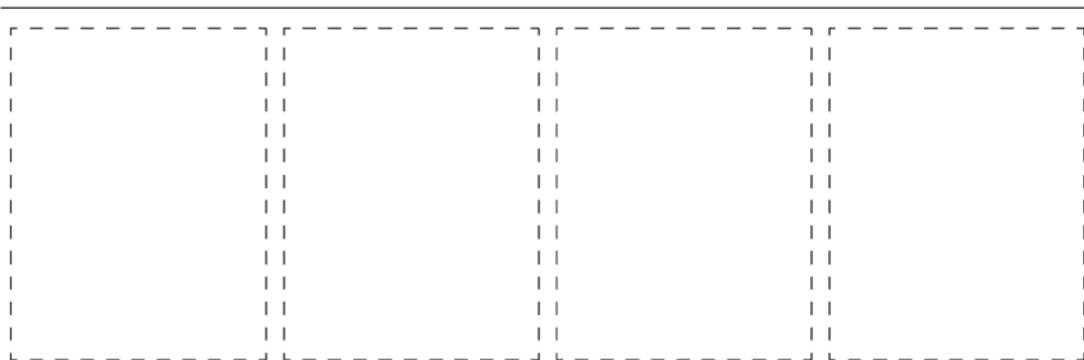
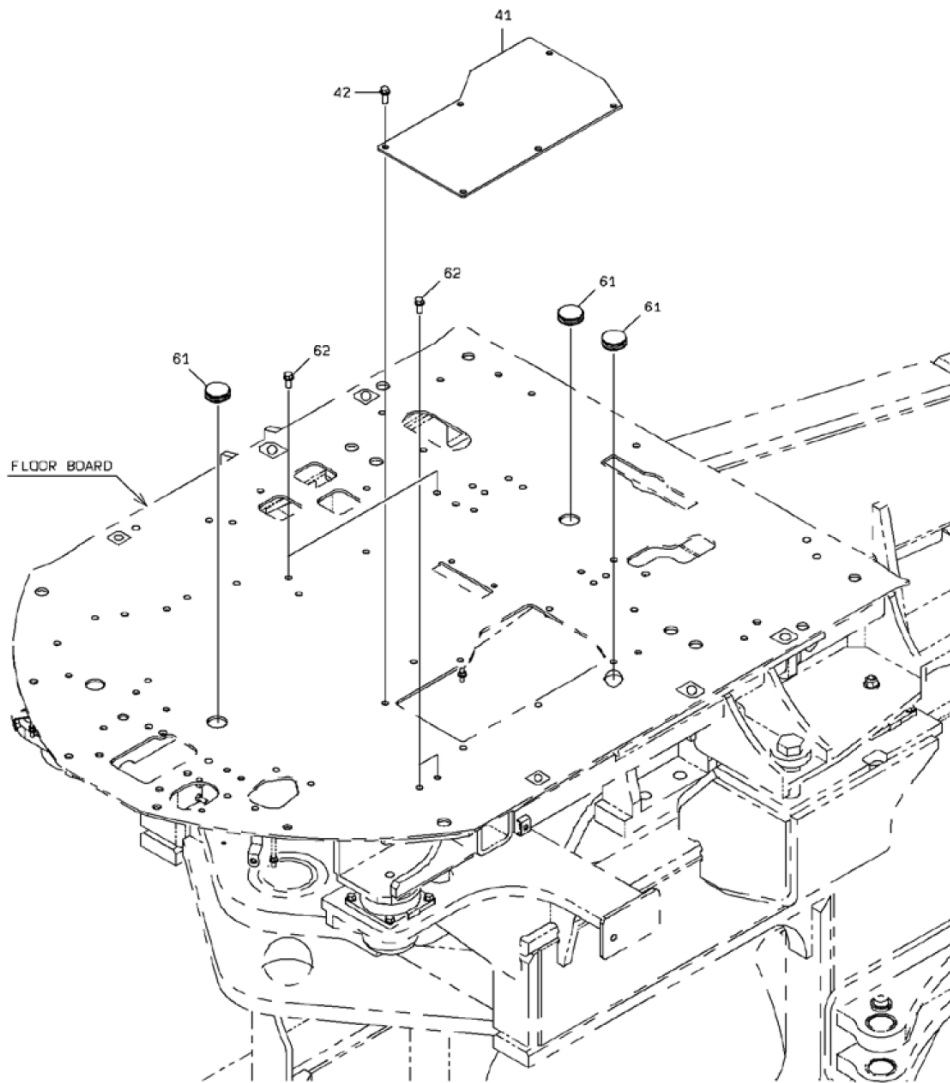
SYM-BOL	PART NUMBER	PART NAME	UNIT Q,TY	SERIAL (A) - (B)	REMARKS						
					N	P	D	(A)	(B)	(C)	(D)
21A	33921-60890-7	SEAT ASSY	1	5001 -							
22A	43005-60080-7	BELT,SEAT	1	5001 -				Y01			
23A	41533-20180	PLUG,ELASTIC	1	5001 -							
24A	32925-20010	CLAMP,CABLE	1	5001 -							
25A	61802-08020	BOLT,FLANGED	6	5001 -							
26A	62401-81121	NUT	1	5001 - 5016							
26B	62480-21121	NUT,FLANGED	1	5017 -	C						
41A	43900-74570-7	BOLT	1	5001 -				01			
42A	46011-70630-7	WASHER,PLANE	3	5001 -				01			
43A	44950-70760-7	RETAINER	2	5001 -				01			
44A	43900-74580-7	BOLT	1	5001 -				01			

FLOOR BOARD



1-A

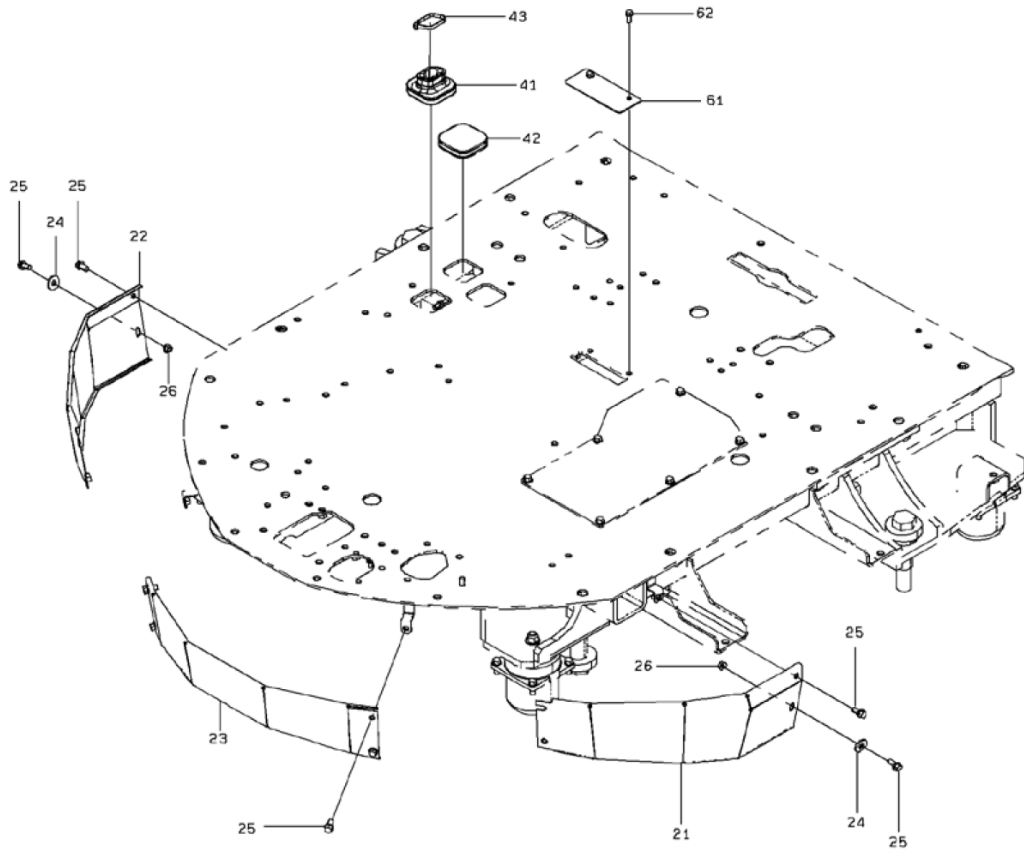
FLOOR BOARD



2-A

MEMO

COVER MOUNT (FLOOR BOARD)



1-A

COVER MOUNT (FLOOR BOARD)

SYM-BOL	PART NUMBER	PART NAME	UNIT Q,TY	SERIAL (A) - (B)	REMARKS						
					N	P	D	(A)	(B)	(C)	(D)
21A	41753-51030	PLATE	1	5001 -							
22A	41753-51040	PLATE	1	5001 -							
23A	41715-59460	PLATE	1	5001 -							
24A	46011-21300	WASHER,PLANE	2	5001 -							
25A	61802-10020	BOLT,FLANGED	8	5001 -							
26A	62480-21101-7	NUT,FLANGED	2	5001 -							
41A	40850-60200	BUSHING,ELASTIC	1	5001 -							
42A	40850-60130	BUSHING,ELASTIC	1	5001 -							
43A	32923-70100	CLAMP,HOSE	1	5001 -							L=382
61A	41716-23600	PLATE	1	5001 -							
62A	61802-08020	BOLT,FLANGED	2	5001 -							

FRONT CONSOLE

