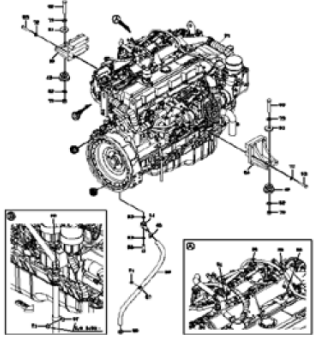


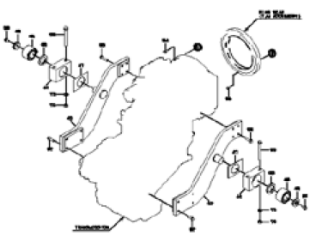
CONTENTS II

ENGINE SUPPORT



.....p.1

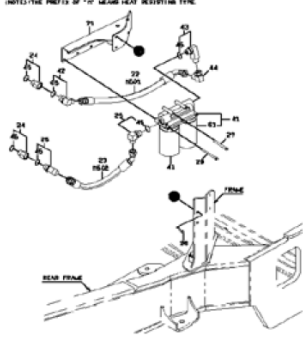
ENGINE SUPPORT



.....p.2

FILTER MOUNT

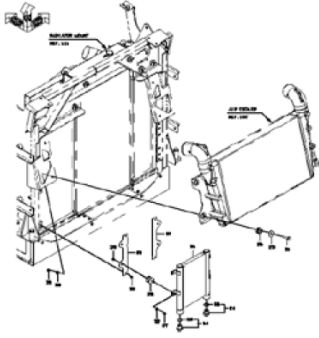
NOTE THE PROFILE OF "H" LEGS AND RESISTING TYPE



.....p.5

COOLING UNIT MOUNT

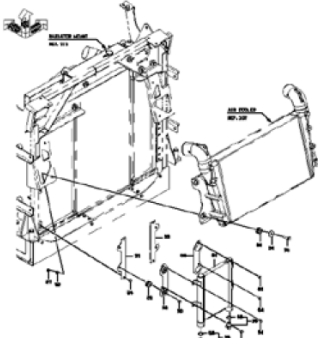
< S/N 5001 - 5003 >



.....p.7

COOLING UNIT MOUNT

< S/N 5004 - >



.....p.9

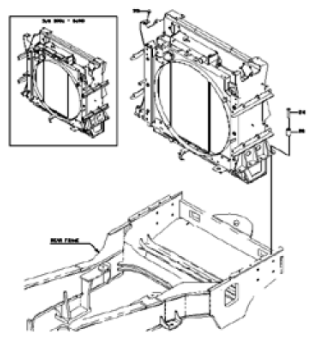
COOLING DEVICE

NOTE THE PROFILE OF "V" LEGS AND RESISTING TYPE



.....p.11

RADIATOR MOUNT

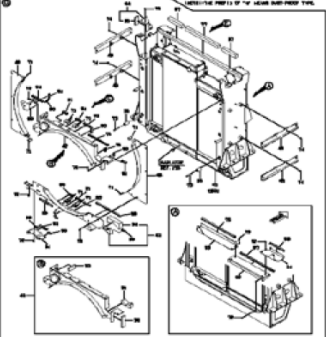


.....p.13

RADIATOR MOUNT

< S/N 5201 - 5202 >

NOTE THE PROFILE OF THE LEGS AND RESISTING TYPE

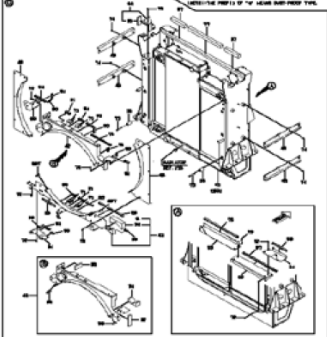


.....p.14

RADIATOR MOUNT

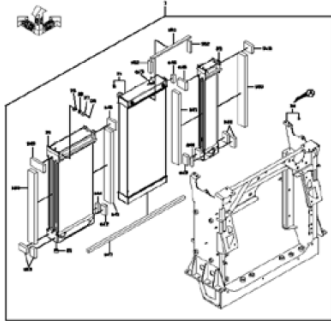
< S/N 5203 - >

NOTE THE PROFILE OF THE LEGS AND RESISTING TYPE



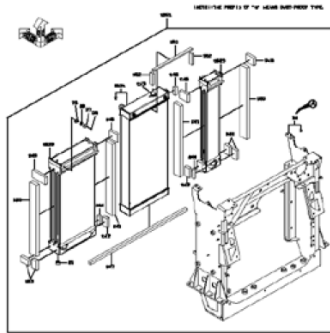
.....p.15

RADIATOR



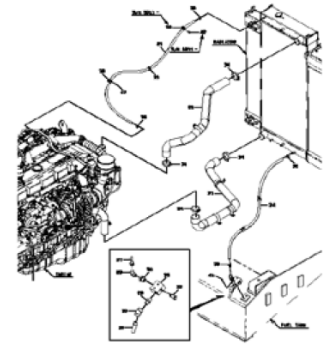
.....p.17

RADIATOR



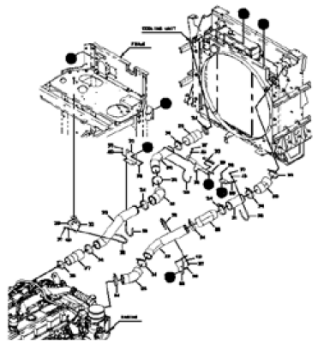
.....p.18

COOLING DEVICE PIPING



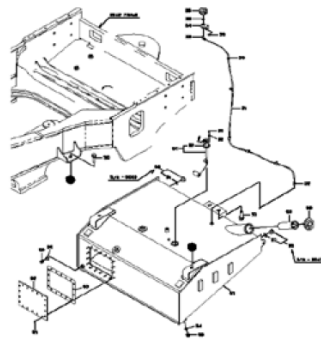
.....p.21

COOLING DEVICE PIPING



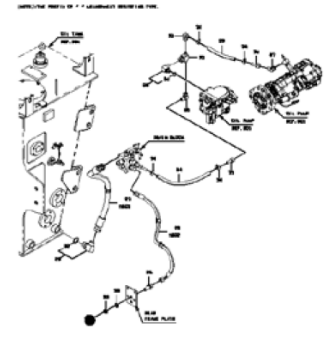
.....p.23

FUEL TANK GROUP



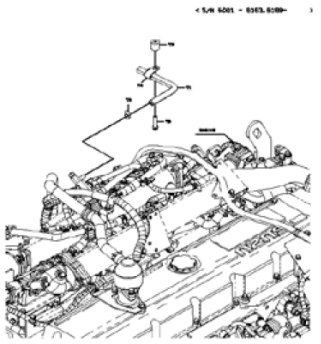
.....p.25

DRAIN LINE (RETURN LINES TO THE HYDRAULIC LINE)



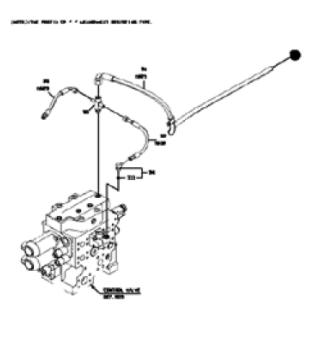
.....p.27

DRAIN LINE (RETURN LINES TO THE HYDRAULIC LINE)



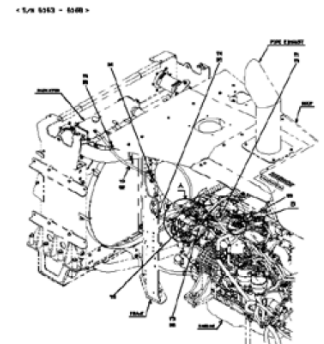
.....p.28

DRAIN LINE (RETURN LINES TO THE HYDRAULIC LINE)



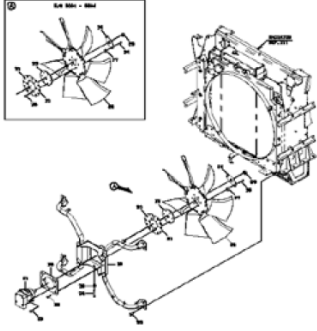
.....p.29

DRAIN LINE (RETURN LINES TO THE HYDRAULIC LINE)



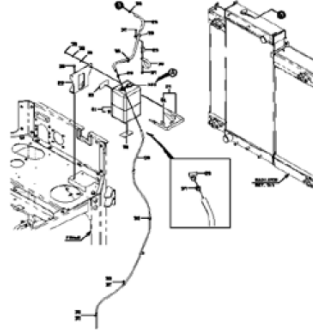
.....p.30

COOLING FAN MOUNT



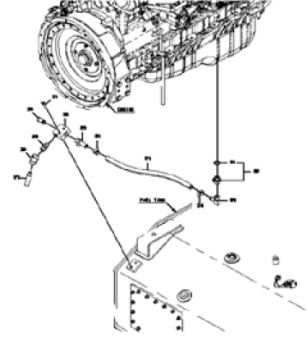
.....p.33

COOLANT SUB TANK GROUP



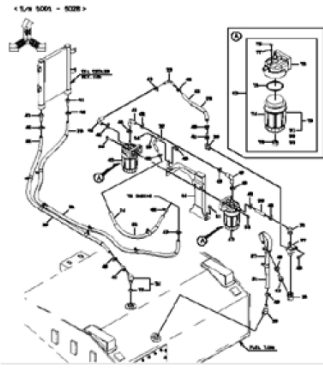
.....p.35

DRAIN LINE (OIL)



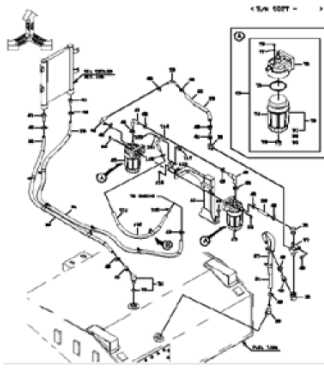
.....p.37

FUEL PIPING



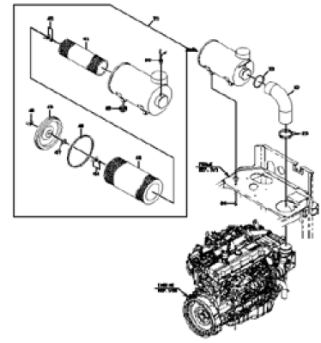
.....p.39

FUEL PIPING



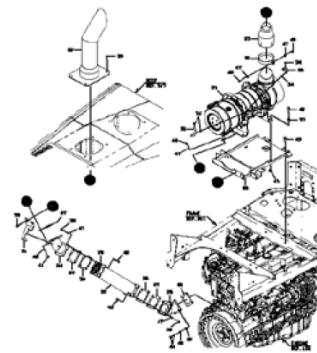
.....p.40

AIR CLEANER GROUP



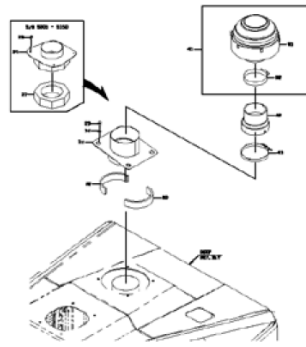
.....p.43

EXHAUST GROUP



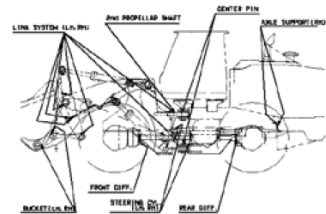
.....p.45

PRE CLEANER MOUNT



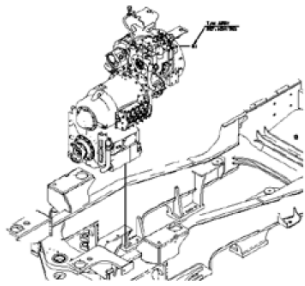
.....p.47

RAIN CAP



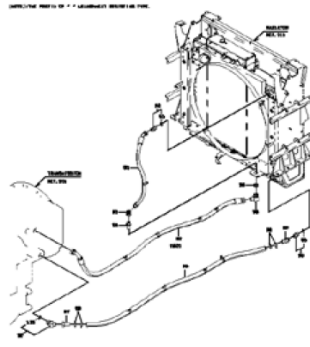
.....p.49

TRANSMISSION



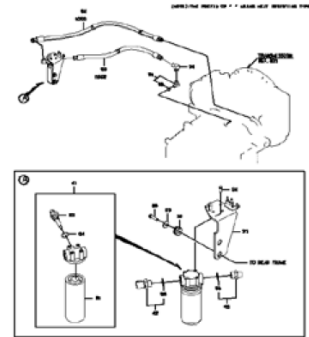
.....p.51

TORQUE CONVERTER PIPING



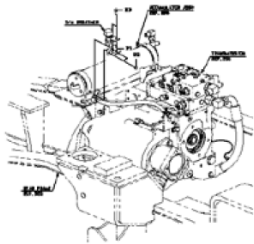
.....p.53

TORQUE CONVERTER PIPING



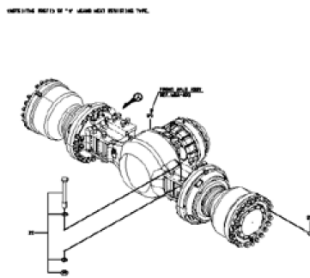
.....p.54

AIR BREATHER(T/M)



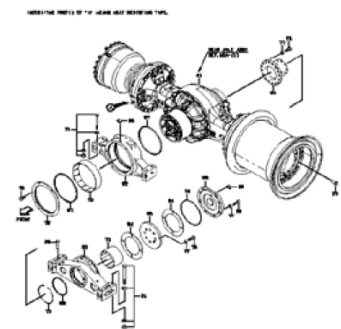
.....p.57

FRONT AXLE (TPD)



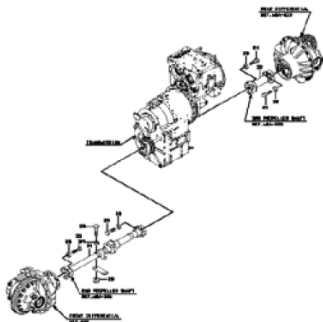
.....p.59

REAR AXLE (TPD)



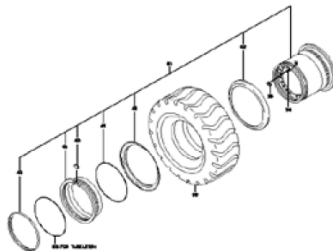
.....p.61

PROPELLER SHAFT



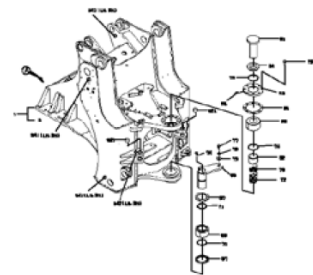
.....p.63

TIRE



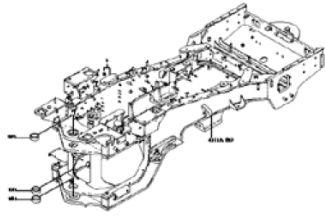
.....p.65

FRONT FRAME



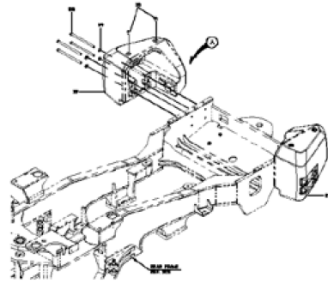
.....p.67

REAR FRAME



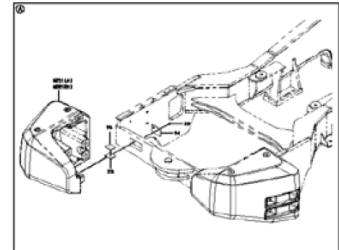
.....p.69

COUNTER WEIGHT



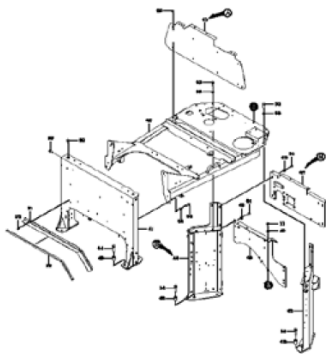
.....p.71

COUNTER WEIGHT



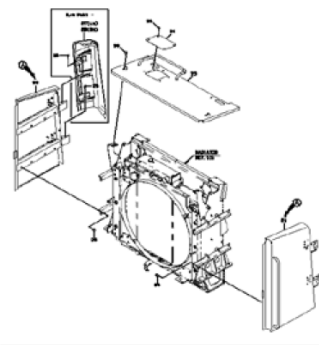
.....p.72

ENGINE ROOM MOUNT
(FRAME)



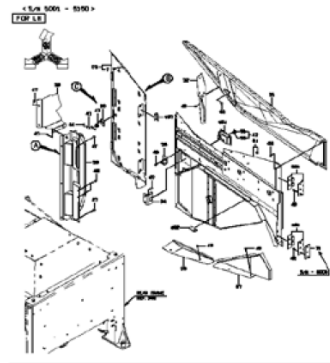
.....p.75

RADIATOR GUARD MOUNT



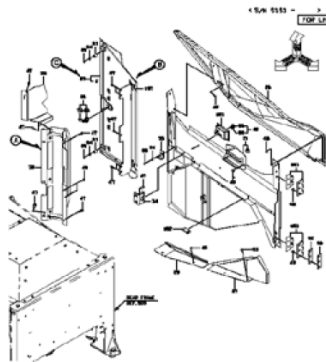
.....p.77

SIDE COVER MOUNT



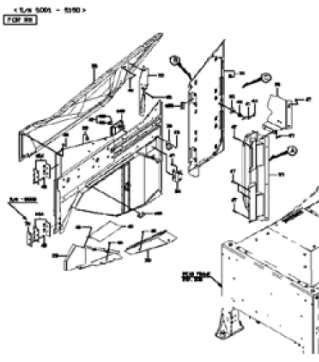
.....p.79

SIDE COVER MOUNT



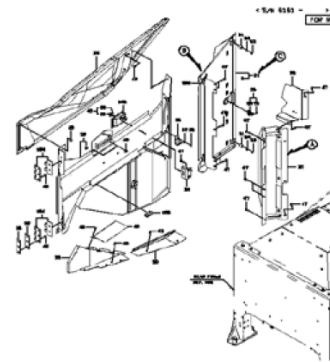
.....p.80

SIDE COVER MOUNT



.....p.81

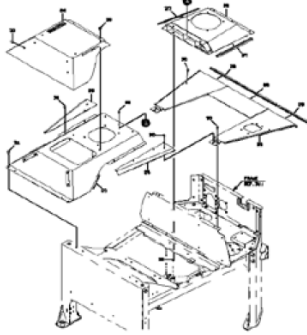
SIDE COVER MOUNT



.....p.82

HOOD MOUNT

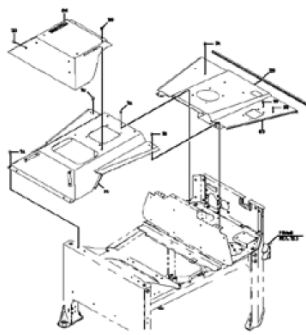
< 5/A 5005 - 5190 >



.....p.85

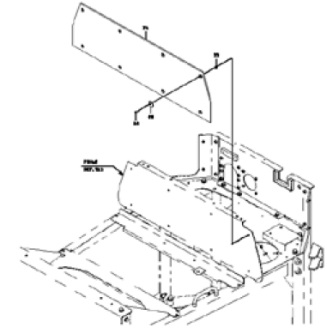
HOOD MOUNT

< 5/A 5151 - >



.....p.86

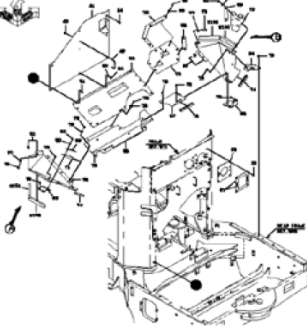
INSULATOR MOUNT



.....p.89

PARTITION PLATE MOUNT

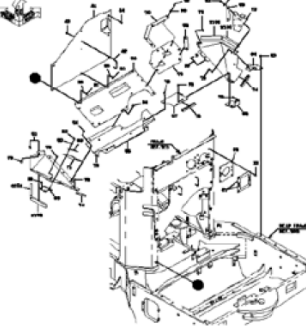
< 5/A 5005 - 5190 >



.....p.91

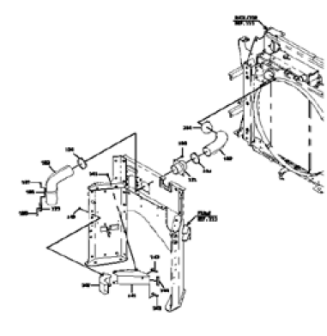
PARTITION PLATE MOUNT

< 5/A 5197 - >



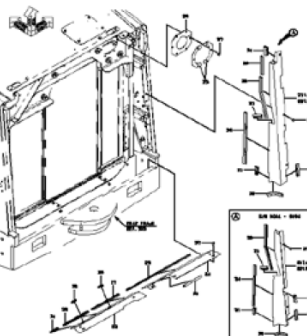
.....p.92

PARTITION PLATE MOUNT



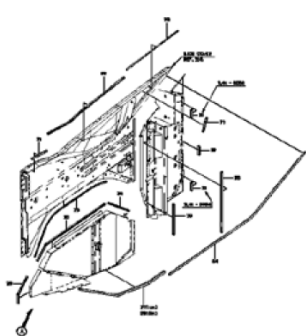
.....p.93

AIR BAFFLE GROUP



.....p.95

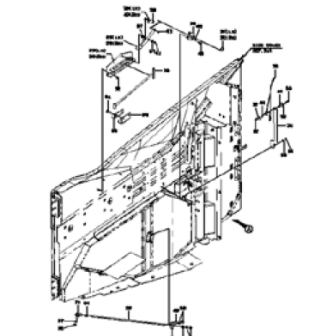
PACKING MOUNT (DOOR)



.....p.97

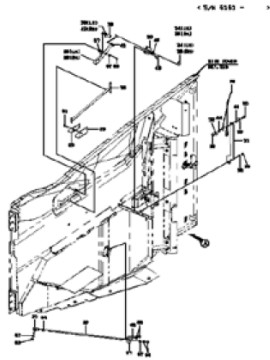
LOCK ASSY (DOOR)

< 5/A 5005 - 5190 >



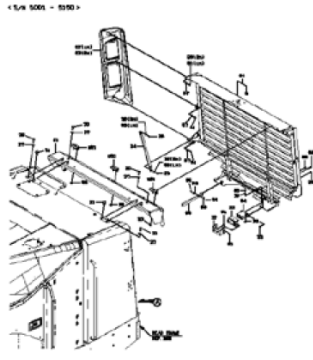
.....p.99

LOCK ASSY (DOOR)



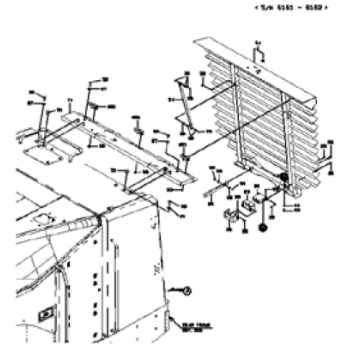
.....p.100

REAR GRILL MOUNT



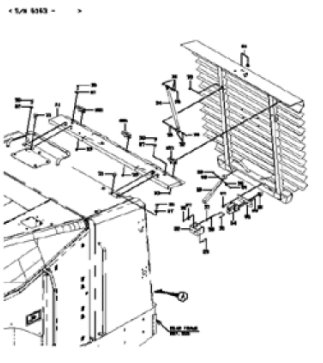
.....p.103

REAR GRILL MOUNT



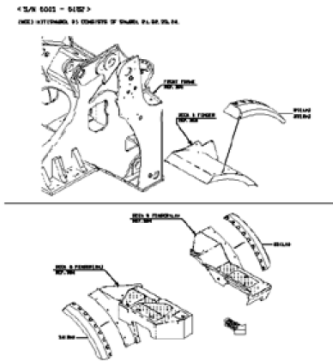
.....p.104

REAR GRILL MOUNT



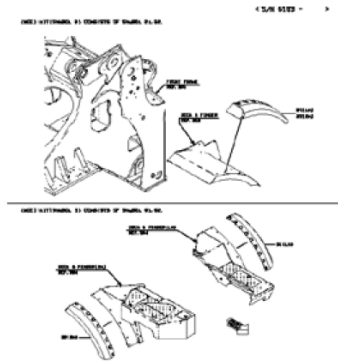
.....p.105

DECK & FENDER (COVER KIT)



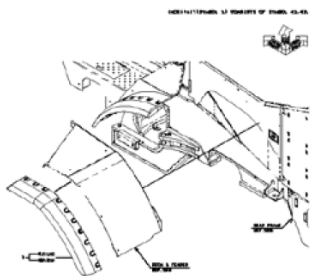
.....p.107

DECK & FENDER (COVER KIT)



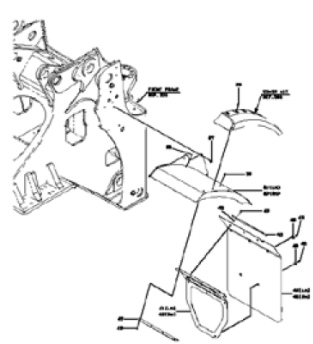
.....p.108

DECK & FENDER (COVER KIT)



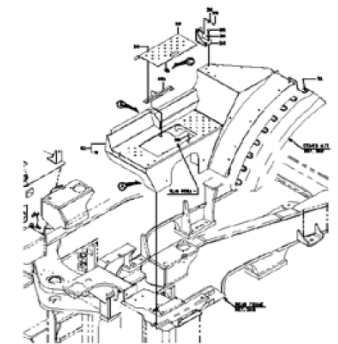
.....p.109

DECK & FENDER (FRONT)



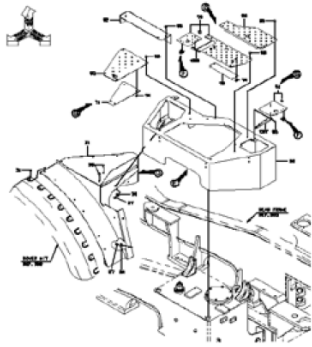
.....p.111

DECK & FENDER



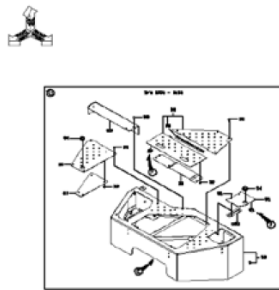
.....p.113

DECK & FENDER



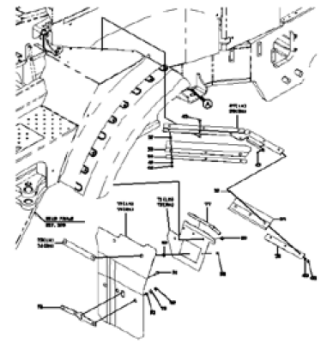
.....p.114

DECK & FENDER



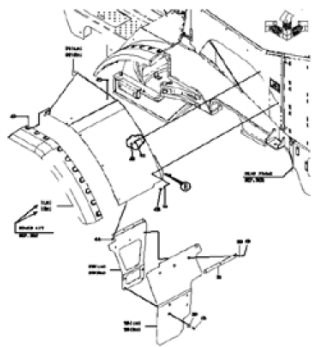
.....p.115

DECK & FENDER



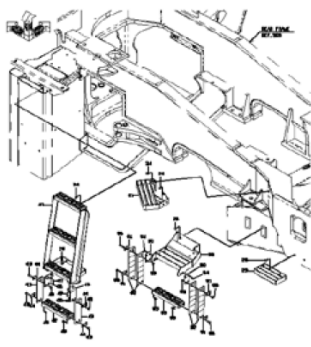
.....p.117

DECK & FENDER



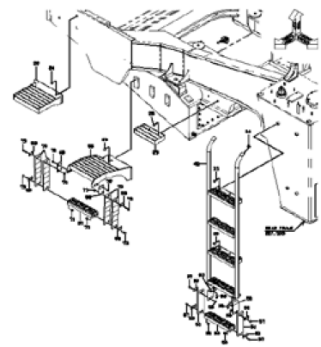
.....p.118

STEP & DECK MOUNT



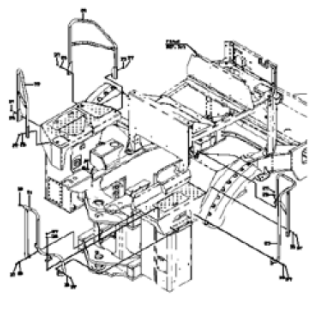
.....p.121

STEP & DECK MOUNT



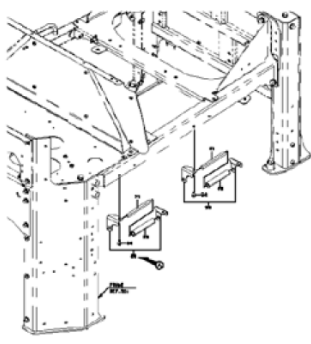
.....p.122

HANDRAIL MOUNT



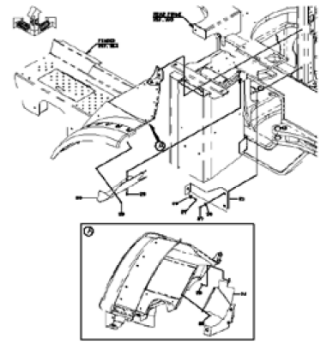
.....p.125

HANDRAIL MOUNT



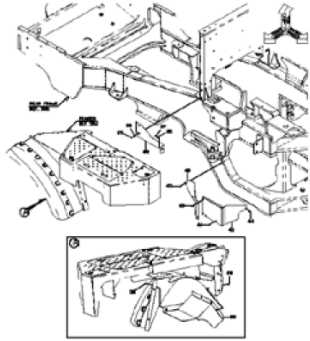
.....p.127

COVER MOUNT (CHASSIS)



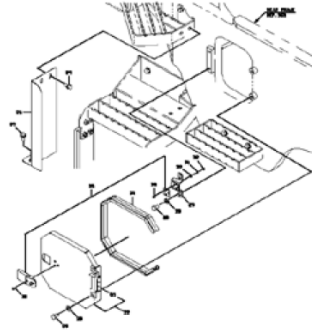
.....p.129

COVER MOUNT (CHASSIS)



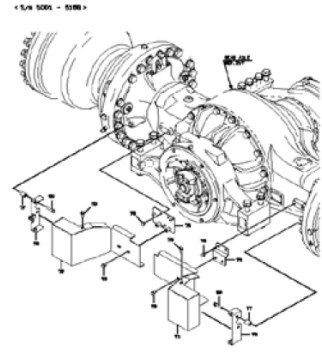
.....p.130

COVER MOUNT (CHASSIS)



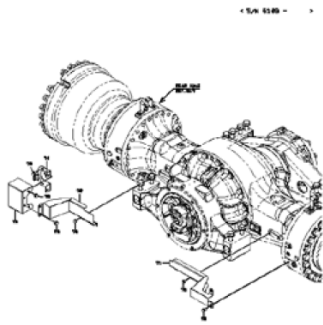
.....p.133

COVER MOUNT (CHASSIS)



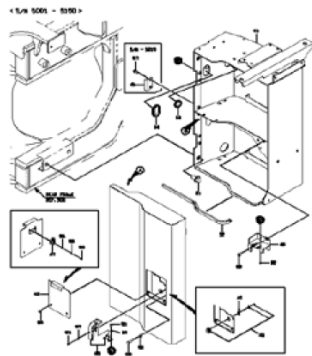
.....p.134

COVER MOUNT (CHASSIS)



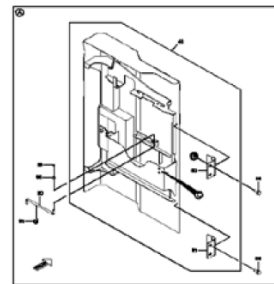
.....p.135

BATTERY BOX MOUNT



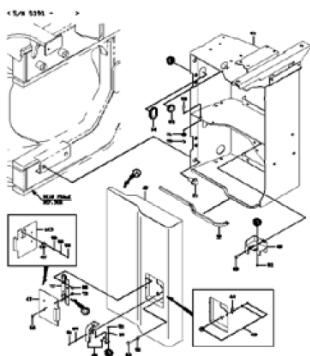
.....p.137

BATTERY BOX MOUNT



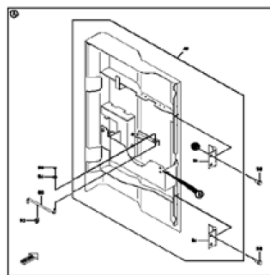
.....p.138

BATTERY BOX MOUNT



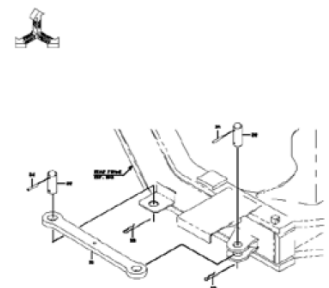
.....p.139

BATTERY BOX MOUNT



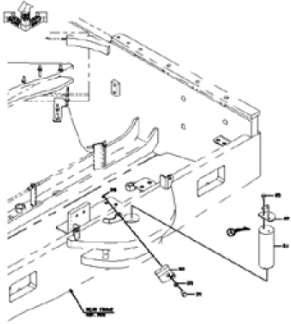
.....p.140

ARTICULATE STOPPER MOUNT



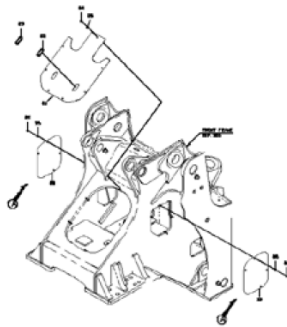
.....p.143

PIN MOUNT



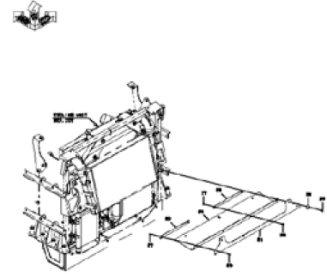
.....p.145

FRONT FRAME COVER (FOR 2-SPOOL)



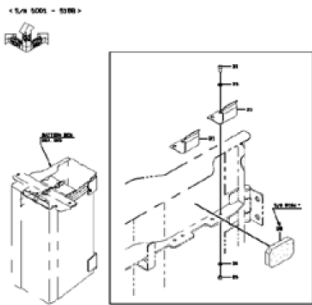
.....p.147

SHEET RUBBER MOUNT



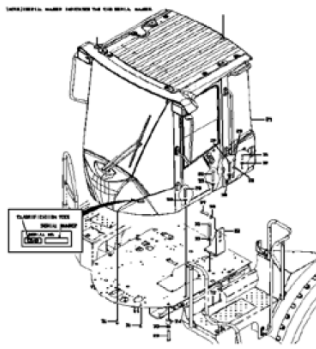
.....p.149

GREASE GUN MOUNT



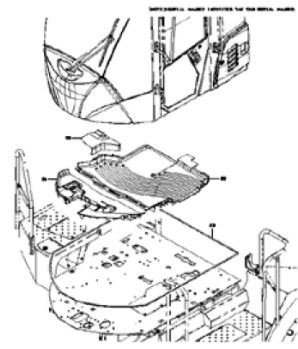
.....p.151

CAB MOUNT



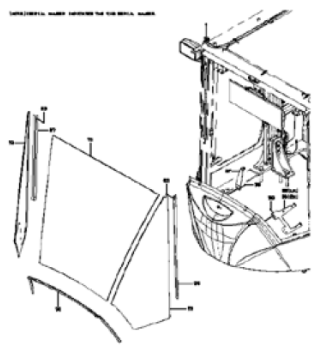
.....p.153

CAB MOUNT



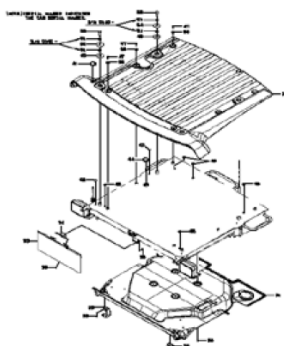
.....p.154

CAB



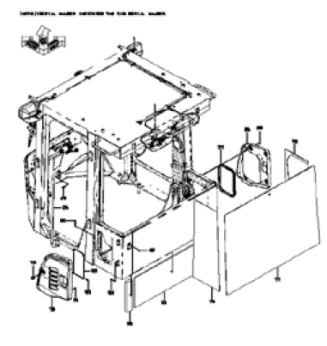
.....p.157

CAB



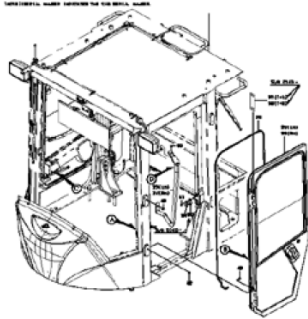
.....p.158

CAB



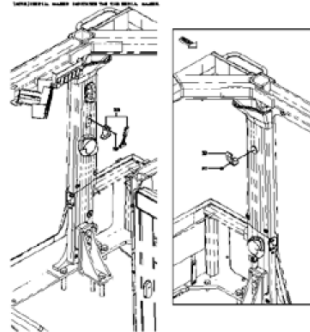
.....p.159

CAB



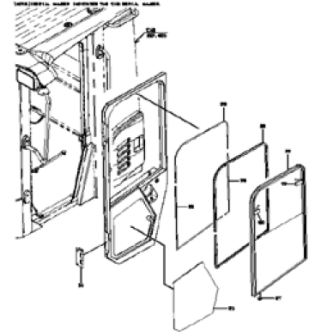
.....p.160

CAB



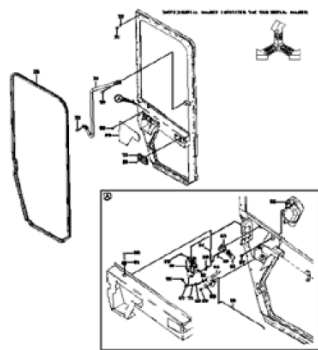
.....p.161

DOOR (LEFT)



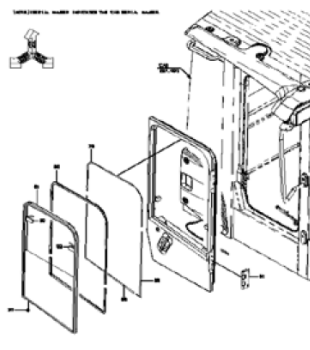
.....p.165

DOOR (LEFT)



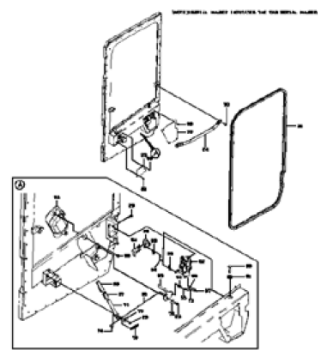
.....p.166

DOOR (RIGHT)



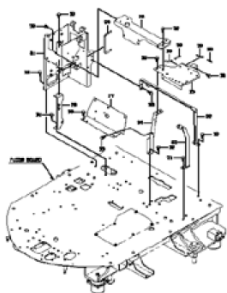
.....p.169

DOOR (RIGHT)



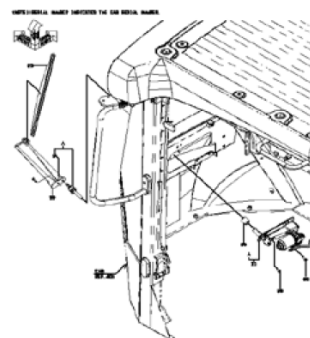
.....p.170

REAR CONSOLE



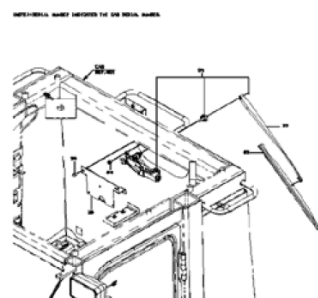
.....p.173

FRONT WIPER GROUP



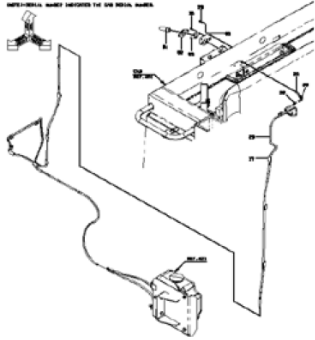
.....p.175

REAR WIPER GROUP



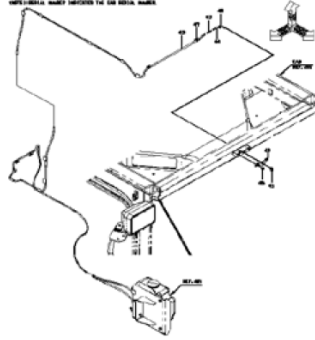
.....p.177

WINDOW WASHER GROUP



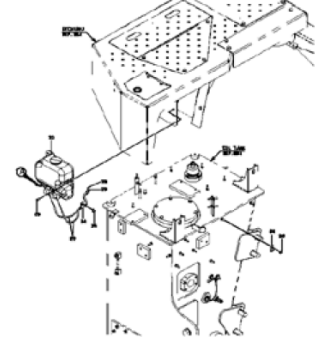
.....p.179

WINDOW WASHER GROUP



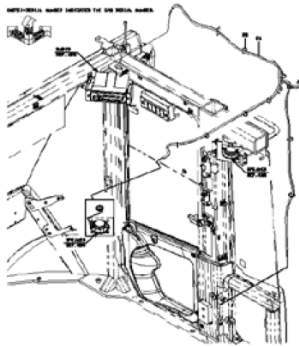
.....p.180

WASHER TANK



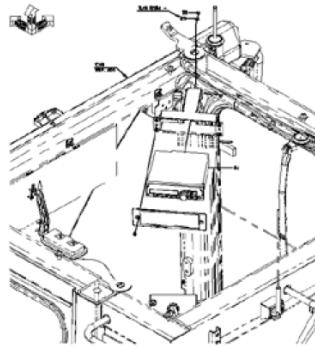
.....p.183

CABLE MOUNT – RADIO



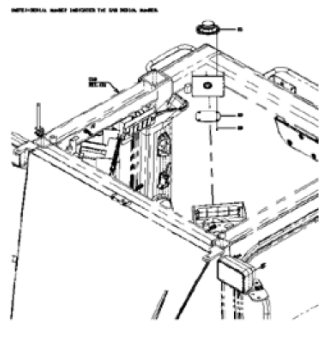
.....p.185

RADIO



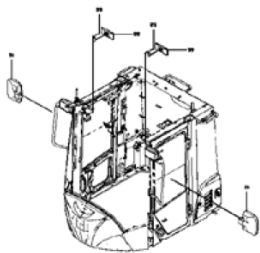
.....p.187

SPEAKER



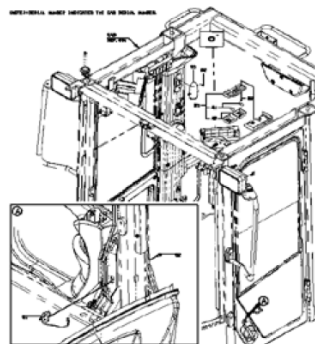
.....p.189

REAR VIEW MIRROR



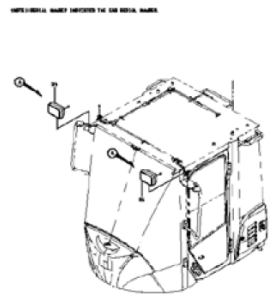
.....p.191

LAMP MOUNT



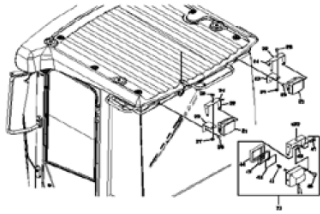
.....p.193

WORKING LAMP (CAB-FRONT)



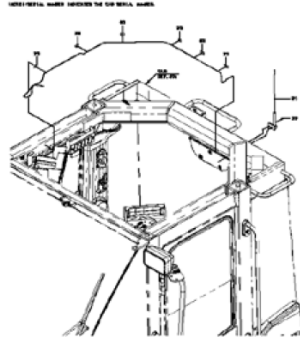
.....p.195

WORKING LAMP (CAB-REAR)



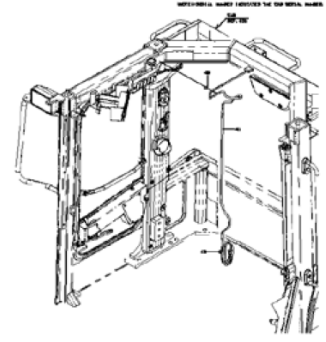
.....p.197

ANTENNA



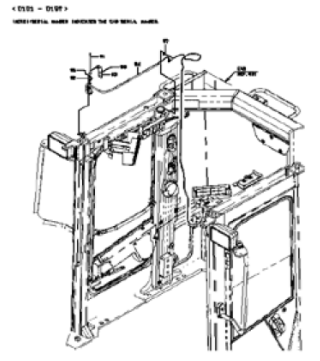
.....p.199

ANTENNA



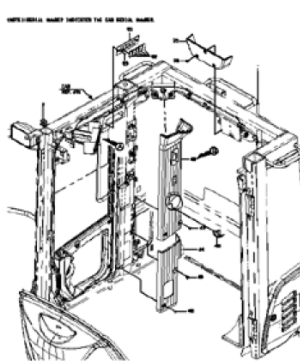
.....p.200

ANTENNA



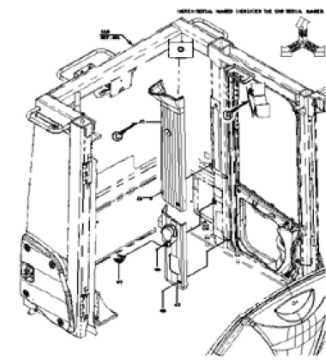
.....p.201

COVER MOUNT



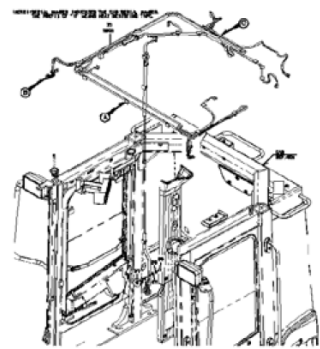
.....p.203

COVER MOUNT



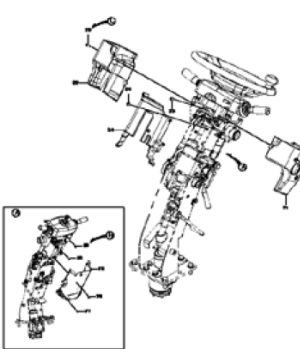
.....p.204

ELECTRICAL WIRING (CAB)



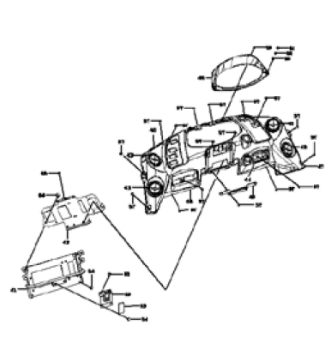
.....p.207

COVER MOUNT (STEERING COLUMN)



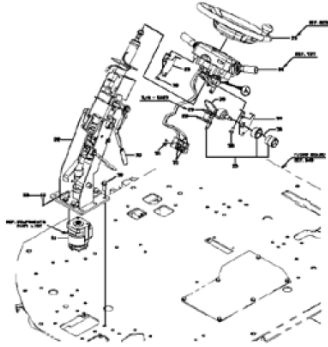
.....p.209

COVER MOUNT (STEERING COLUMN)



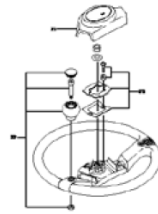
.....p.210

SHIFT LEVER GROUP



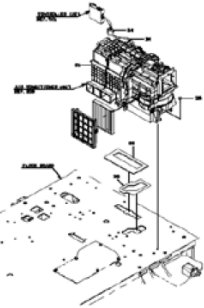
.....p.213

STEERING WHEEL



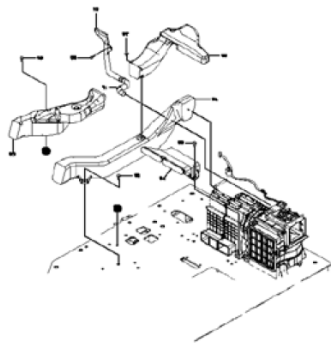
.....p.215

AIR CONDITIONER (AIR DUCT-REAR)



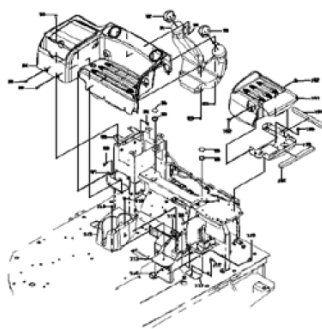
.....p.217

AIR CONDITIONER (AIR DUCT-REAR)



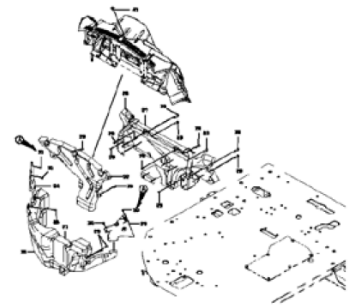
.....p.218

AIR CONDITIONER (AIR DUCT-REAR)



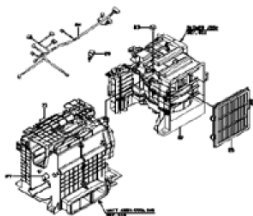
.....p.219

AIR CONDITIONER (AIR DUCT-FRONT)



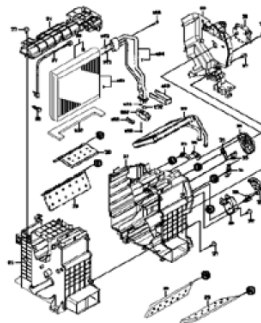
.....p.221

AIR CONDITIONER UNIT



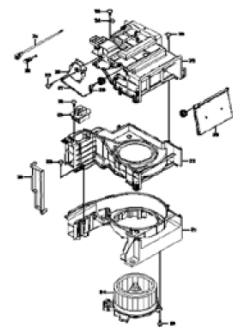
.....p.223

COOLING UNIT ASSY



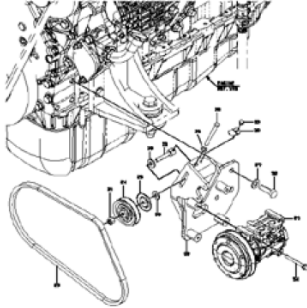
.....p.225

AIR CONDITIONER - FAN



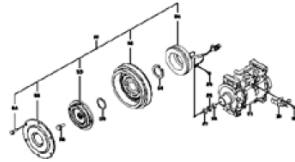
.....p.227

A/C COMPRESSOR MOUNTING



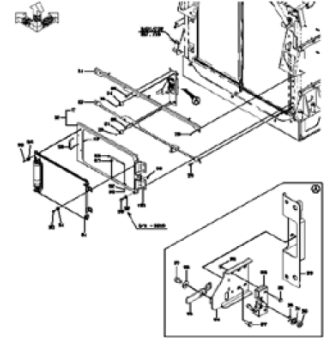
.....p.229

COMPRESSOR ASSY



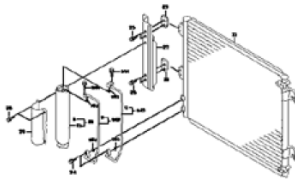
.....p.231

CONDENSER (AIR CONDITIONER)



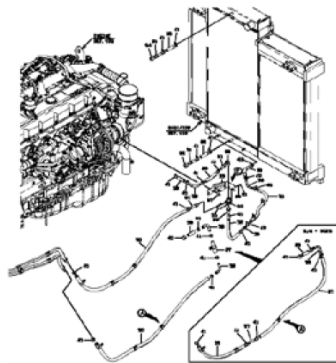
.....p.233

CONDENSER ASSY



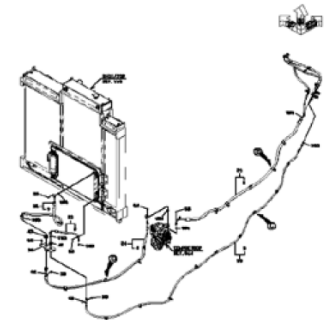
.....p.235

AIR-CONDITIONER PIPING (REAR CHASSIS)



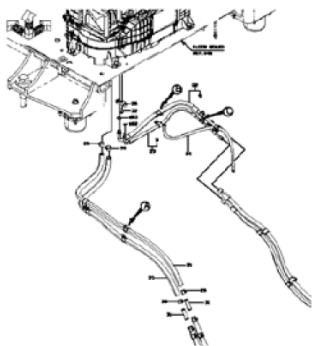
.....p.237

AIR-CONDITIONER PIPING (REAR CHASSIS)



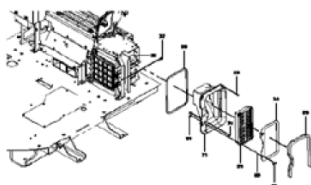
.....p.238

AIR-CONDITIONER PIPING (FLOOR)



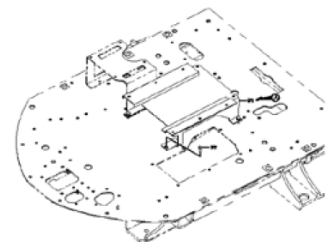
.....p.241

FILTER MOUNT



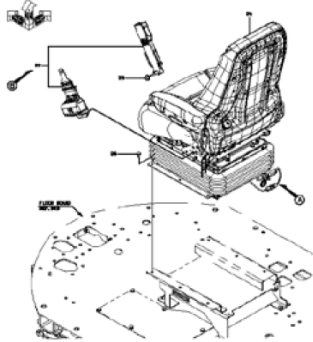
.....p.243

SEAT BASE



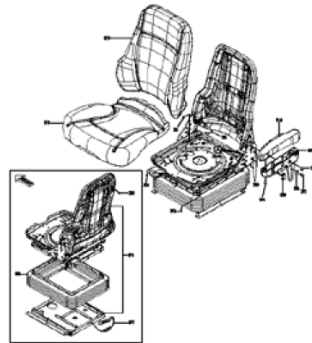
.....p.245

**AIR SUSPENSION SEAT
(SEARS)**



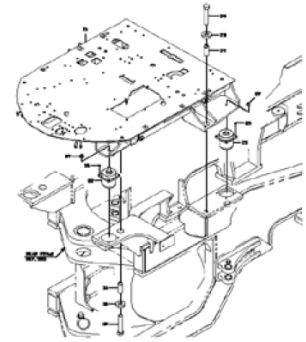
.....p.247

**SEAT (AIR
SUSPENSION)(SEARS)**



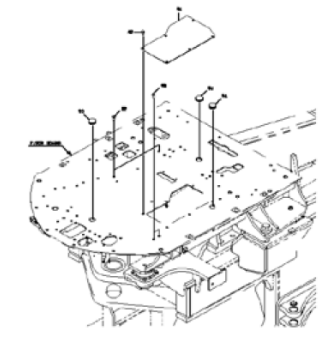
.....p.249

FLOOR BOARD



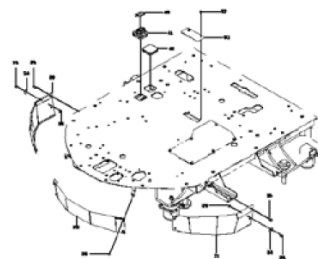
.....p.251

FLOOR BOARD



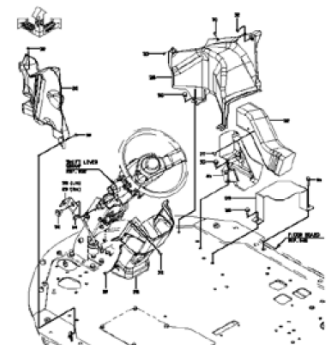
.....p.252

**COVER MOUNT (FLOOR
BOARD)**



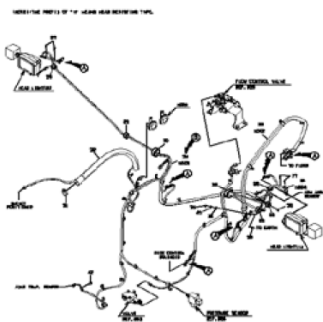
.....p.255

FRONT CONSOLE



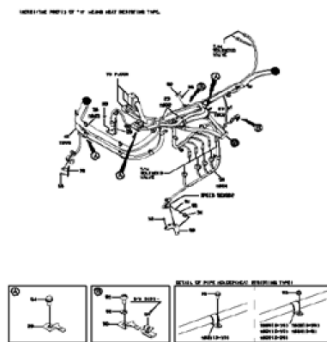
.....p.257

ELECTRICAL WIRING (FRONT)



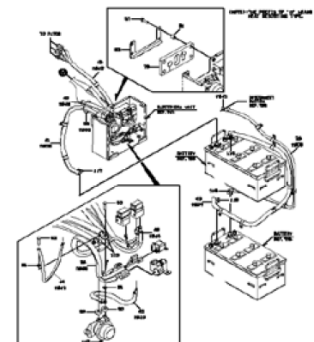
.....p.259

ELECTRICAL WIRING (REAR)



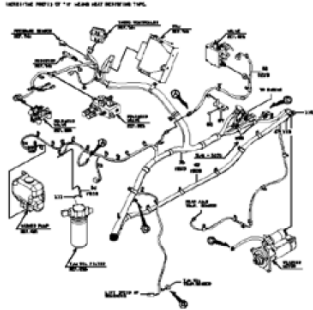
.....p.261

ELECTRICAL WIRING (REAR)



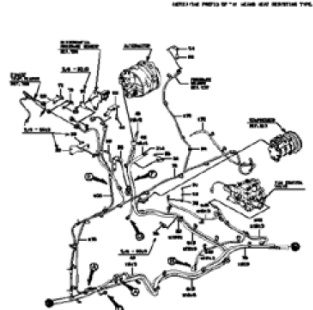
.....p.262

ELECTRICAL WIRING (REAR)



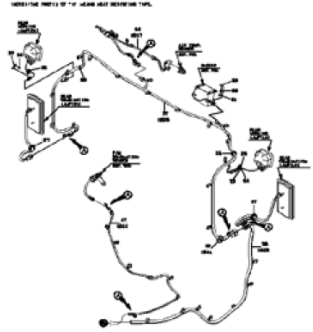
.....p.263

ELECTRICAL WIRING (REAR)



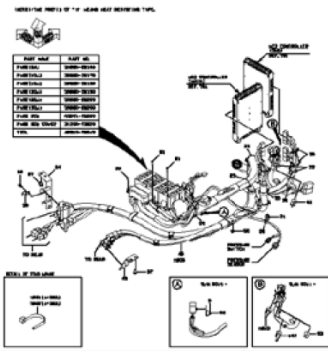
.....p.264

ELECTRICAL WIRING (REAR)



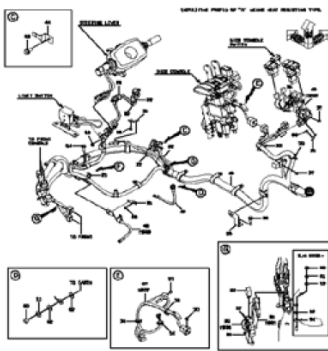
.....p.265

ELECTRICAL WIRING (FLOOR)



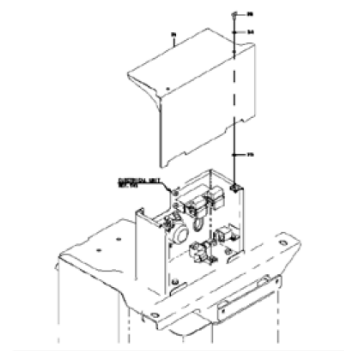
.....p.269

ELECTRICAL WIRING (FLOOR)



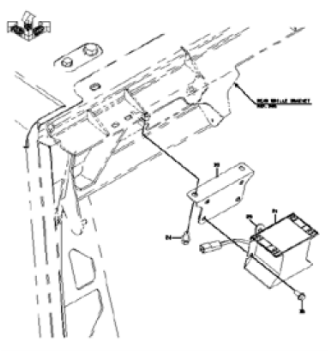
.....p.270

RELAY UNIT MOUNT



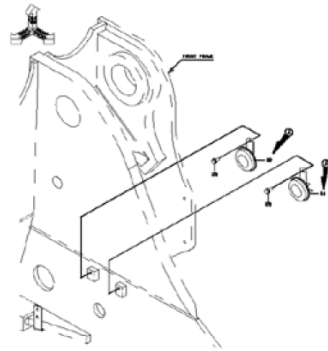
.....p.273

BUZZER MOUNT



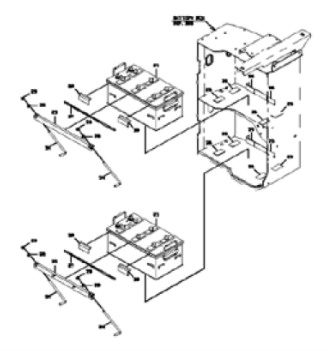
.....p.275

HORN MOUNT



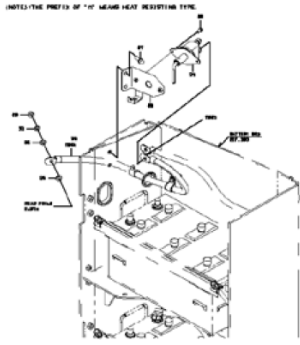
.....p.277

BATTERY



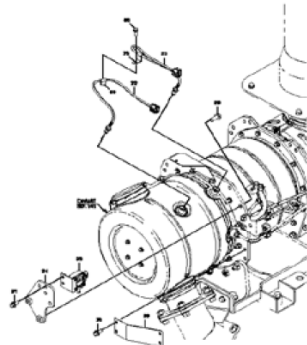
.....p.279

BATTERY SWITCH MOUNT



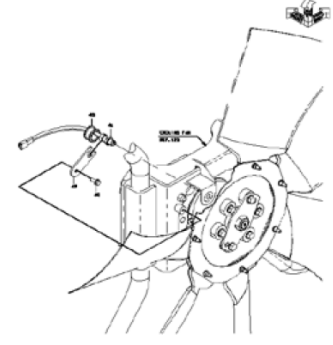
.....p.281

**ELECTRICAL PARTS
(SENSORS)**



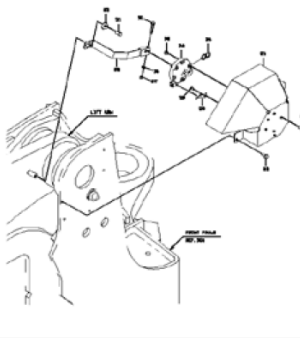
.....p.283

**ELECTRICAL PARTS
(SENSORS)**



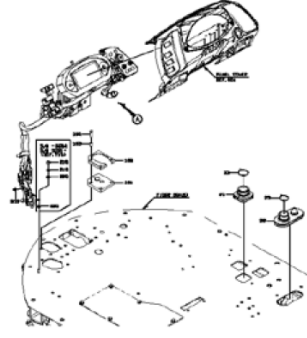
.....p.284

**LIFT ARM AUTO-LEVELER
SYSTEM**



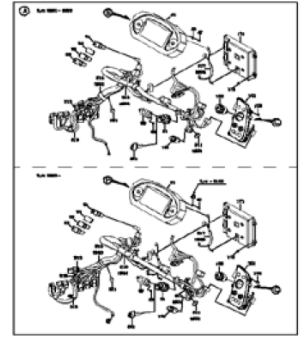
.....p.287

**ELECTRICAL PARTS
(INSTRUMENT PANEL)**



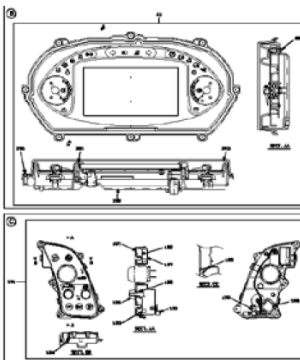
.....p.289

**ELECTRICAL PARTS
(INSTRUMENT PANEL)**



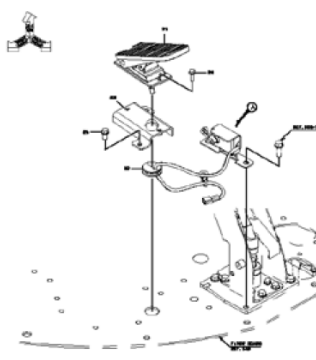
.....p.290

**ELECTRICAL PARTS
(INSTRUMENT PANEL)**



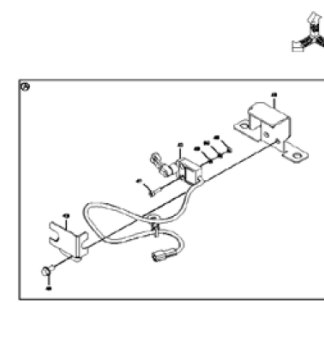
.....p.291

**ELECTRICAL PARTS (FLOOR
BOARD)**



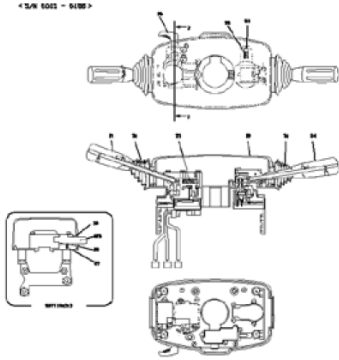
.....p.295

**ELECTRICAL PARTS (FLOOR
BOARD)**



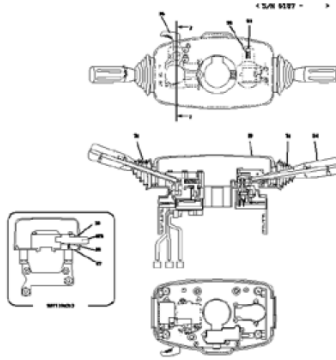
.....p.296

COLUMN LEVER



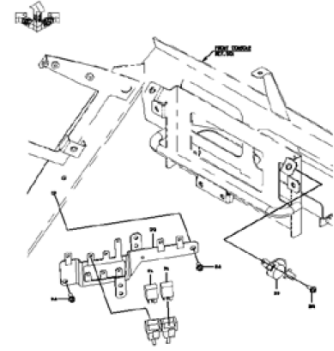
.....p.299

COLUMN LEVER



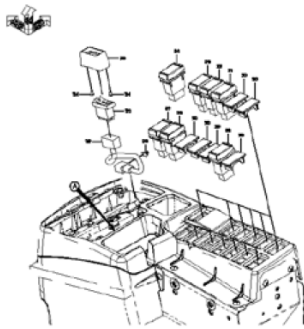
.....p.300

ELECTRICAL PARTS (FRONT CONSOLE)



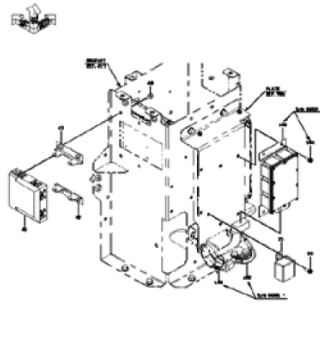
.....p.303

ELECTRICAL PARTS (RIGHT CONSOLE)



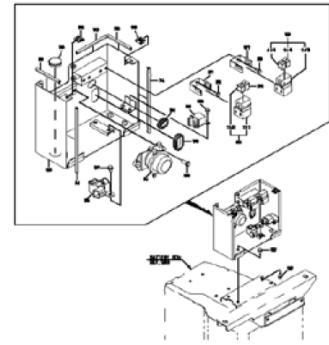
.....p.305

ELECTRICAL PARTS (REAR)



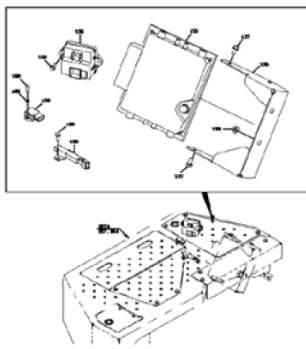
.....p.307

ELECTRICAL PARTS (REAR)



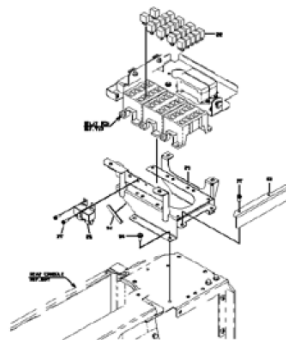
.....p.308

ELECTRICAL PARTS (REAR)



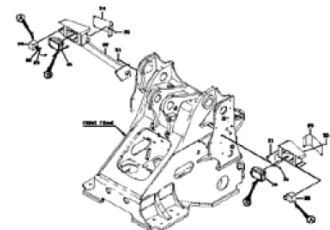
.....p.309

ELECTRICAL EQUIPMENT MOUNT (REAR CONSOLE)



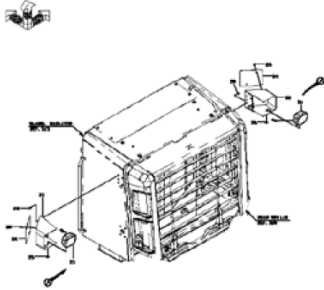
.....p.311

HEAD LIGHT



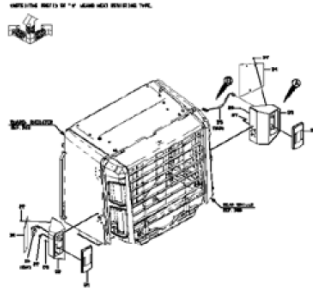
.....p.313

WORKING LAMP



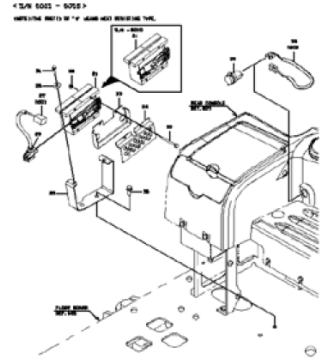
.....p.315

REAR COMBINATION LAMP



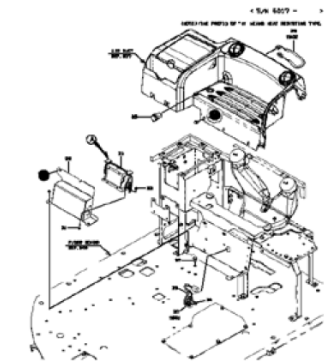
.....p.317

ELECTRICAL EQUIPMENT MOUNT



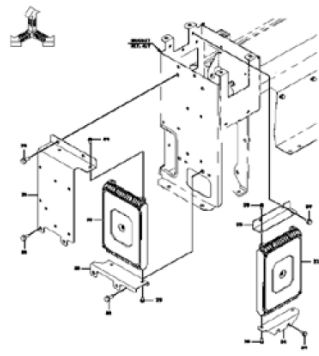
.....p.319

ELECTRICAL EQUIPMENT MOUNT



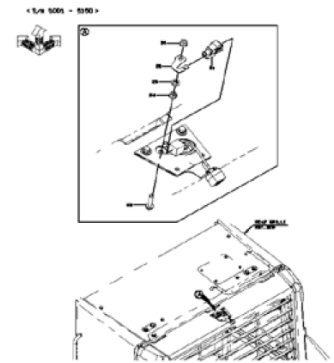
.....p.320

MAIN CONTROLLER



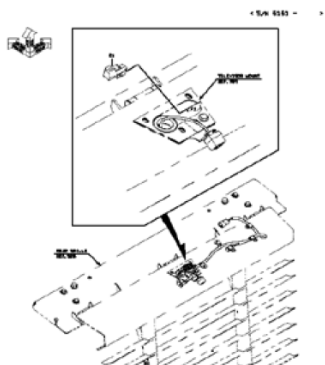
.....p.323

SENSOR MOUNT (TEMPERATURE)



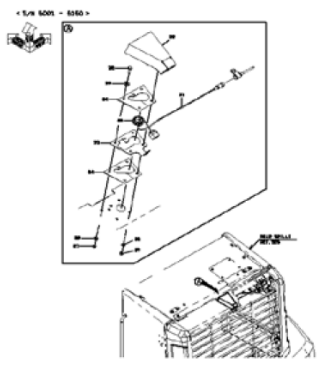
.....p.325

SENSOR MOUNT (TEMPERATURE)



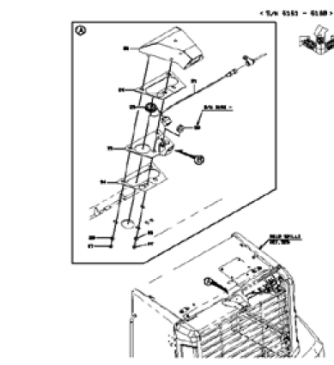
.....p.326

TELEVISOR MOUNT



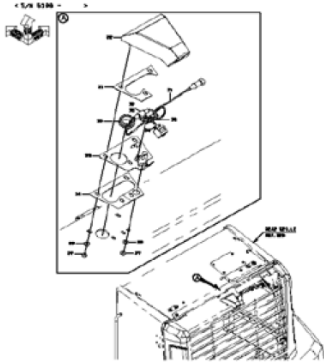
.....p.329

TELEVISOR MOUNT



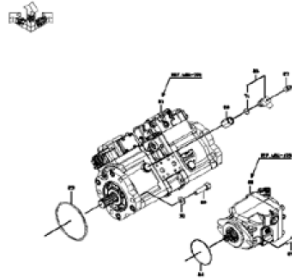
.....p.330

TELEVISOR MOUNT



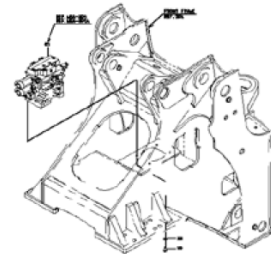
.....p.331

PUMP DEVICE



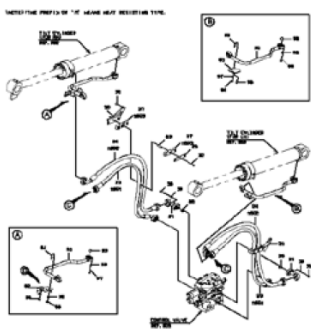
.....p.333

CONTROL VALVE (2-SPOOL)



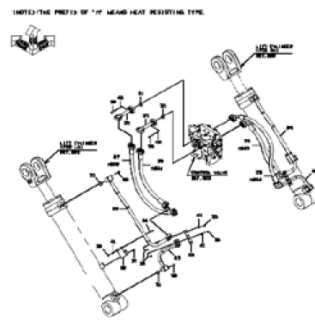
.....p.335

MAIN PIPING (FRONT CHASSIS)



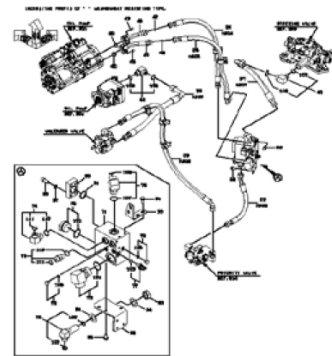
.....p.337

MAIN PIPING (BOOM)



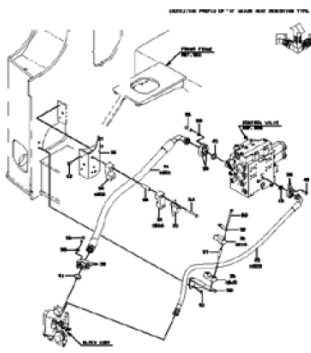
.....p.339

MAIN PIPING (PUMP)



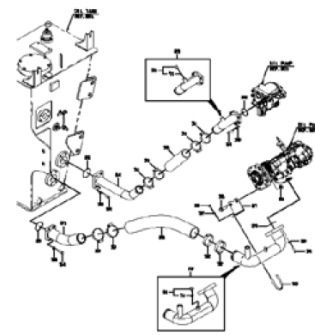
.....p.341

MAIN PIPING (PUMP)



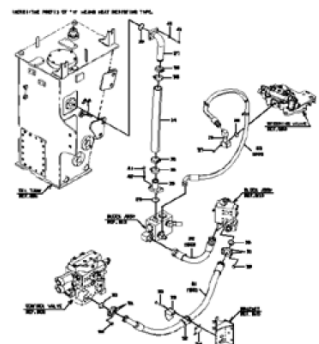
.....p.342

MAIN PIPING (SUCTION)



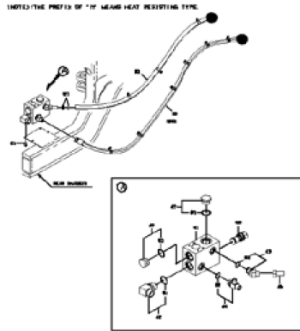
.....p.345

MAIN PIPING (RETURN)



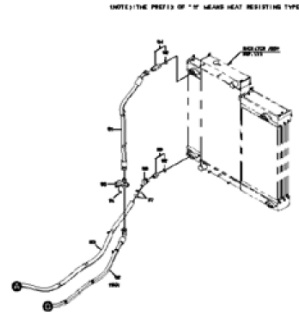
.....p.347

MAIN PIPING (OIL COOLER)



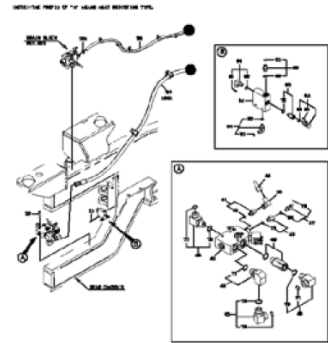
.....p.349

MAIN PIPING (OIL COOLER)



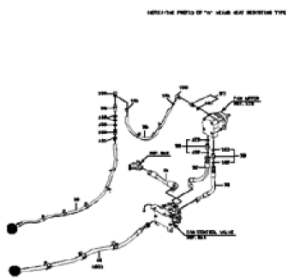
.....p.350

MAIN PIPING (FAN MOTOR)



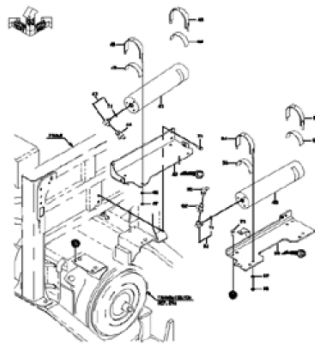
.....p.353

MAIN PIPING (FAN MOTOR)



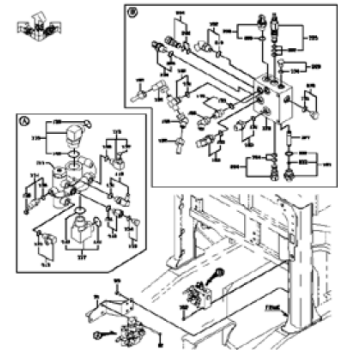
.....p.354

ACCUMULATOR MOUNT



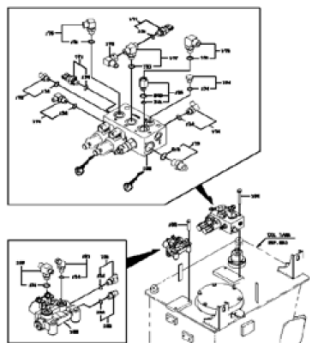
.....p.357

ACCUMULATOR MOUNT



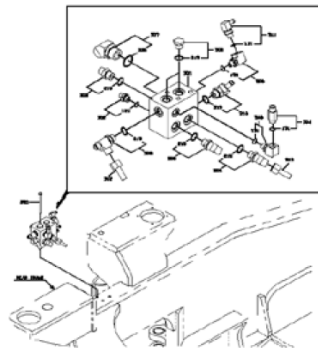
.....p.358

ACCUMULATOR MOUNT



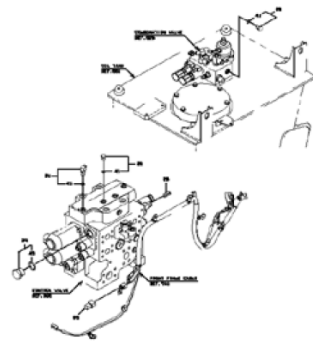
.....p.359

ACCUMULATOR MOUNT



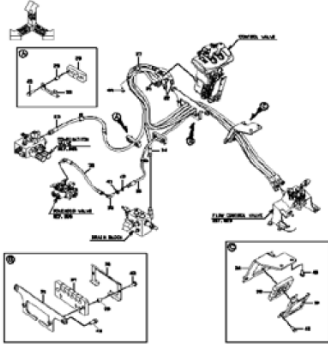
.....p.360

PLUG MOUNT (WITHOUT RIDE CONTROL)



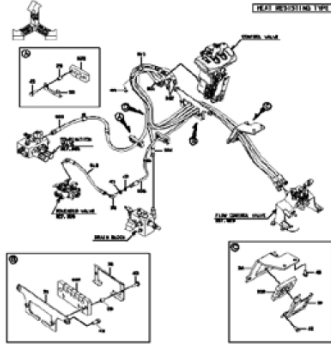
.....p.363

PILOT PIPING



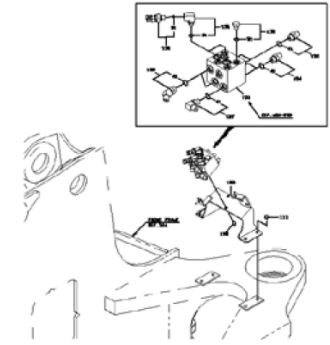
.....p.365

PILOT PIPING



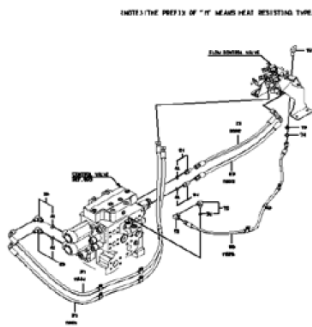
.....p.366

PILOT PIPING



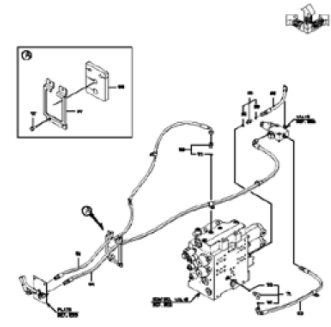
.....p.369

PILOT PIPING



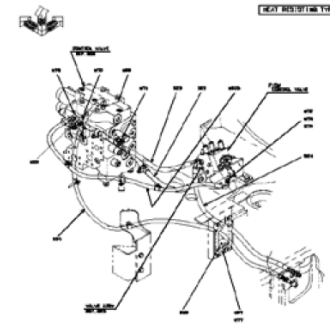
.....p.370

PILOT PIPING



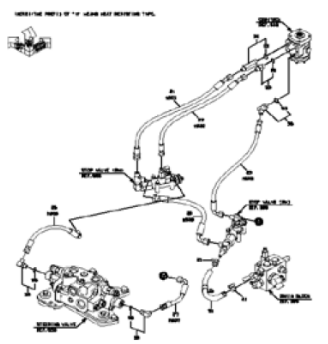
.....p.371

PILOT PIPING



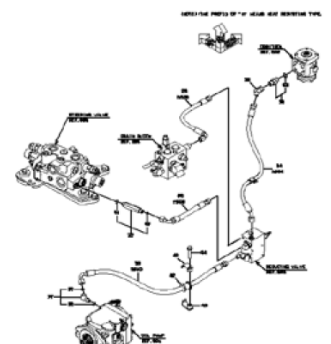
.....p.372

PILOT PIPING



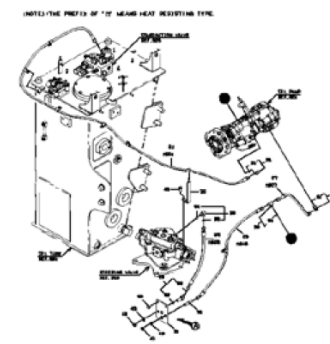
.....p.375

PILOT PIPING



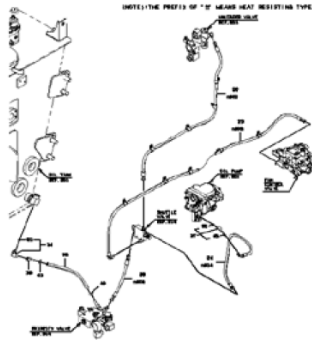
.....p.376

PILOT PIPING



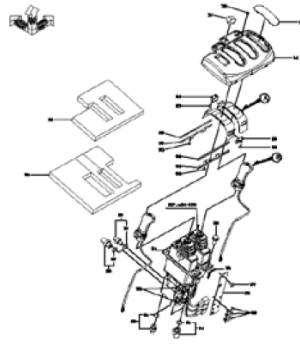
.....p.379

PILOT PIPING



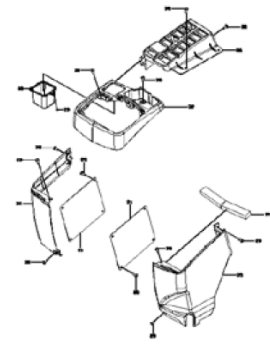
.....p.380

PILOT PIPING (2-SPOOL)



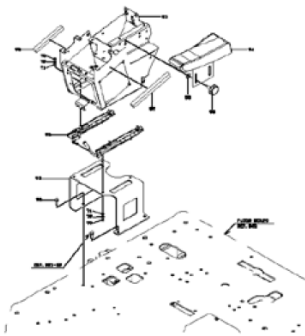
.....p.383

CONTROL BOX



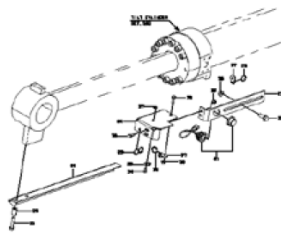
.....p.385

CONTROL BOX



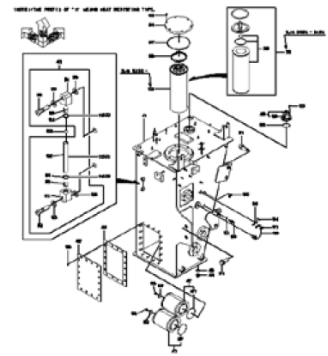
.....p.386

BUCKET POSITIONER GROUP



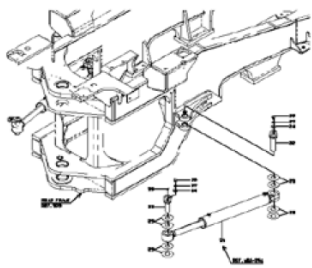
.....p.389

OIL TANK



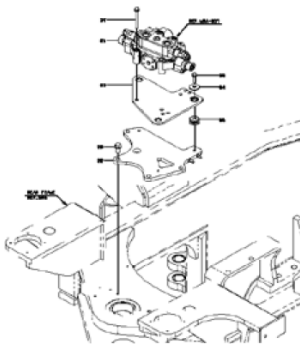
.....p.391

STEERING PARTS (STEERING CYLINDER)



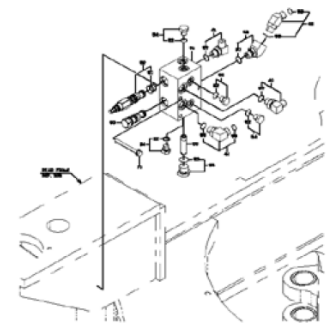
.....p.393

STEERING PARTS (STEERING VALVE)



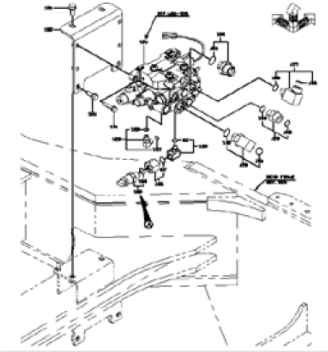
.....p.395

VALVE MOUNT



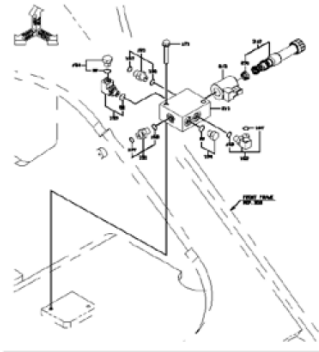
.....p.397

VALVE MOUNT



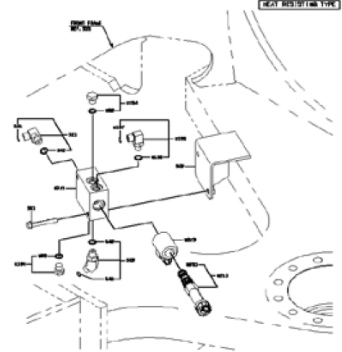
.....p.398

VALVE MOUNT



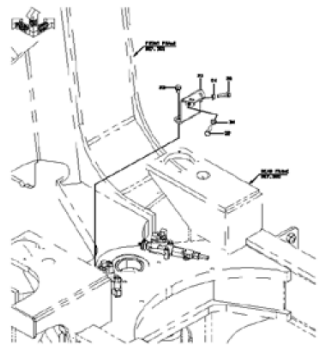
.....p.399

VALVE MOUNT



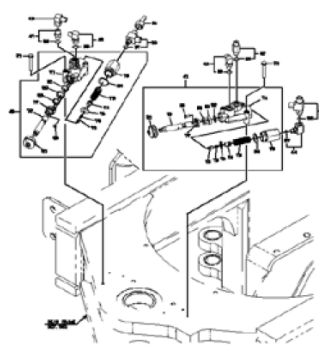
.....p.400

STEERING PARTS (STOP VALVE PLATE)



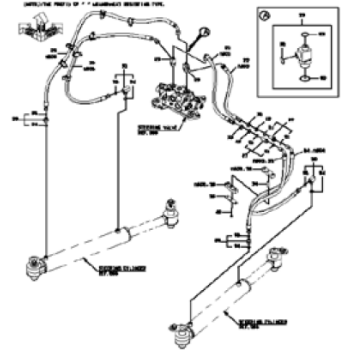
.....p.403

STEERING PARTS (STOP VALVE)



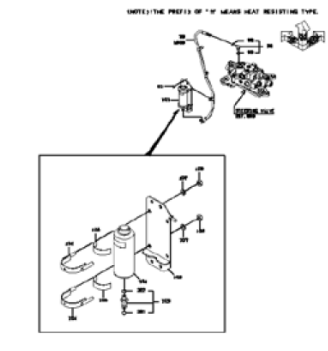
.....p.405

STEERING PIPING



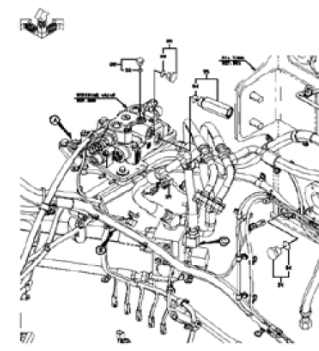
.....p.407

STEERING PIPING



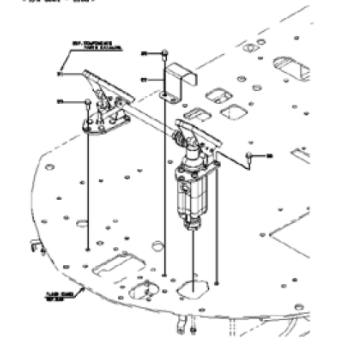
.....p.408

PLUG MOUNT



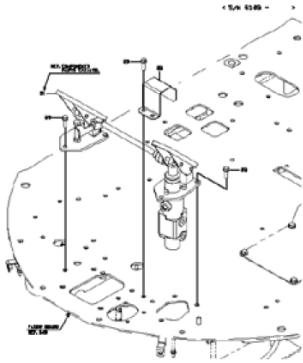
.....p.411

BRAKE SYSTEM (BRAKE VALVE)



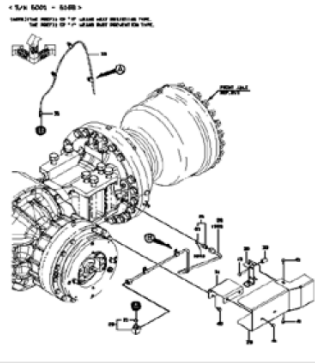
.....p.413

BRAKE SYSTEM (BRAKE VALVE)



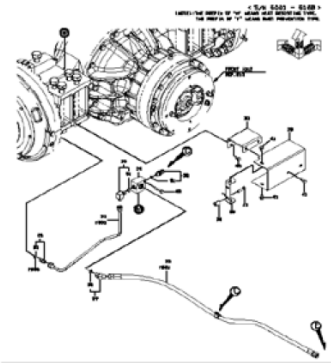
.....p.414

BRAKE PIPING (FRONT CHASSIS)



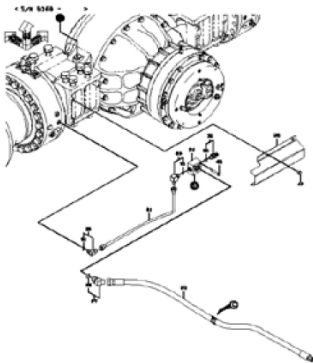
.....p.417

BRAKE PIPING (FRONT CHASSIS)



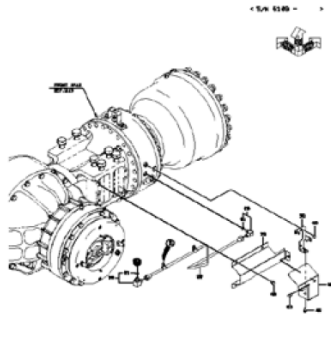
.....p.418

BRAKE PIPING (FRONT CHASSIS)



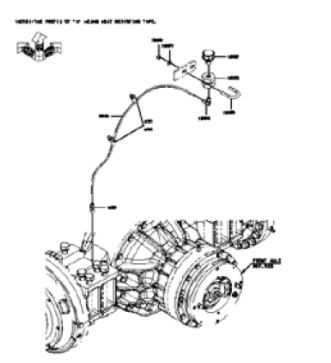
.....p.419

BRAKE PIPING (FRONT CHASSIS)



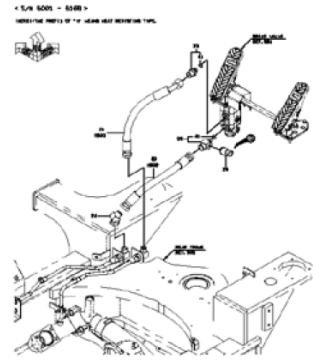
.....p.420

BRAKE PIPING (FRONT CHASSIS)



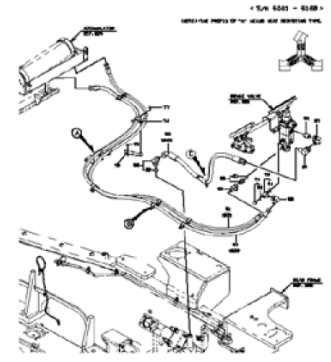
.....p.421

BRAKE PIPING (FLOOR BOARD)



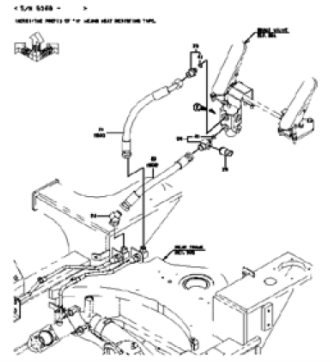
.....p.423

BRAKE PIPING (FLOOR BOARD)



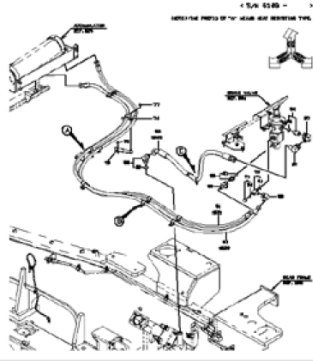
.....p.424

BRAKE PIPING (FLOOR BOARD)



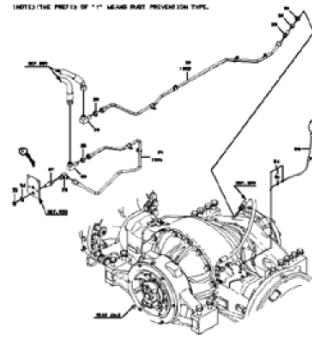
.....p.425

BRAKE PIPING (FLOOR BOARD)



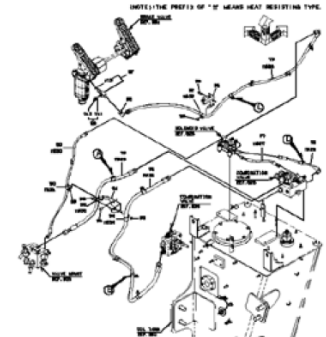
.....p.426

BRAKE PIPING (REAR CHASSIS)



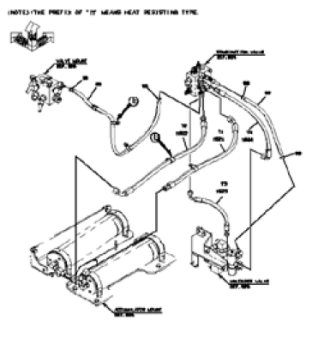
.....p.429

BRAKE PIPING (REAR CHASSIS)



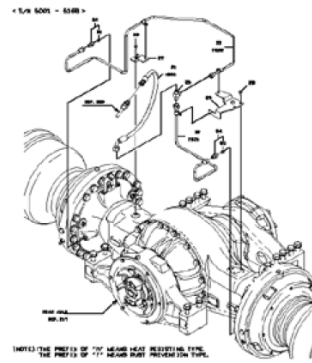
.....p.430

BRAKE PIPING (REAR CHASSIS)



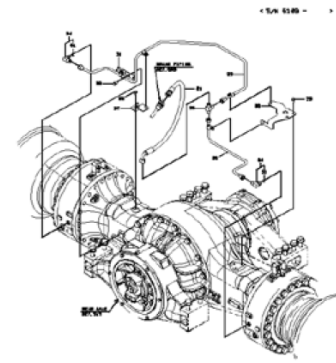
.....p.431

BRAKE PIPING (REAR AXLE)



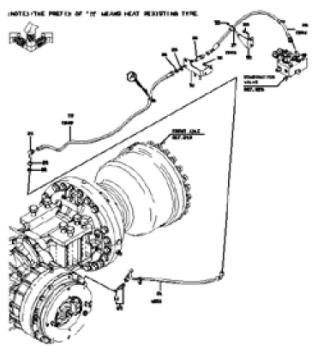
.....p.433

BRAKE PIPING (REAR AXLE)



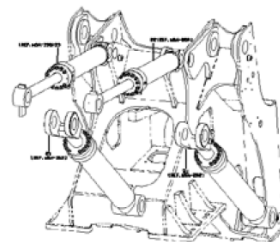
.....p.434

PARKING BRAKE



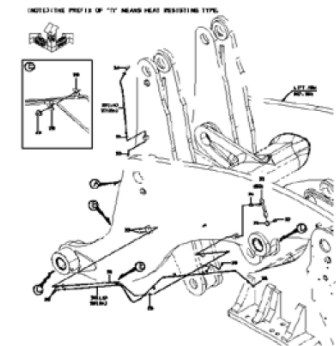
.....p.437

OIL CYLINDER MOUNT



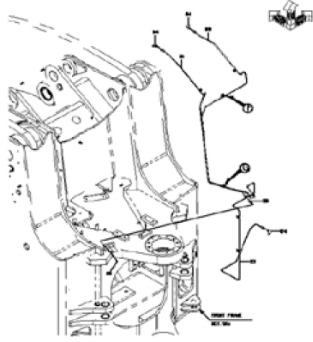
.....p.439

GREASE PIPING



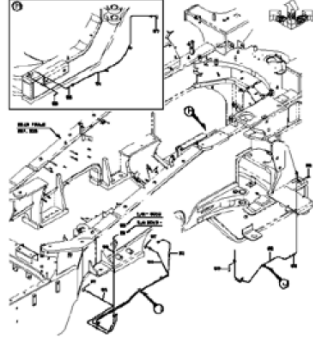
.....p.441

GREASE PIPING



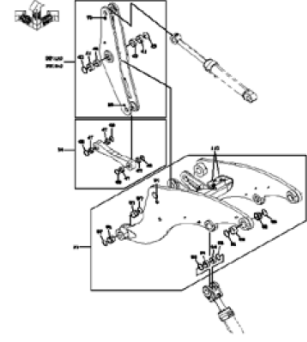
.....p.442

GREASE PIPING



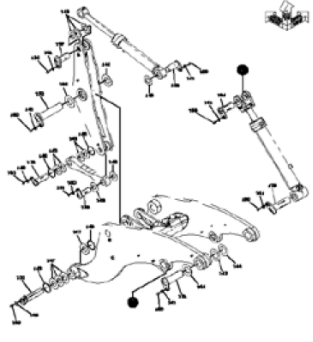
.....p.443

LIFT ARM



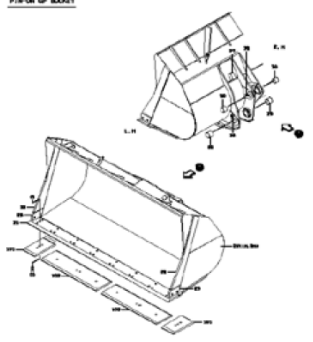
.....p.445

LIFT ARM



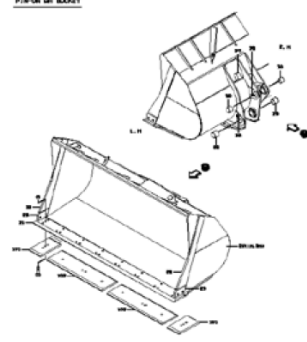
.....p.446

BUCKET



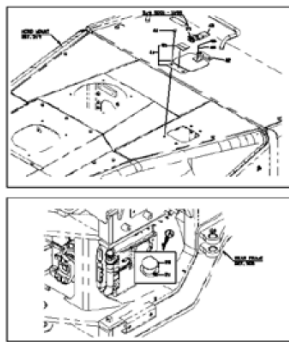
.....p.449

BUCKET



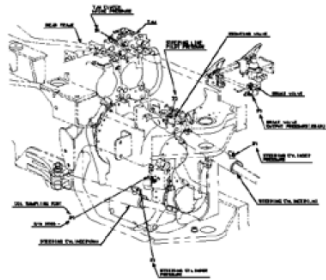
.....p.451

LOCK GROUP



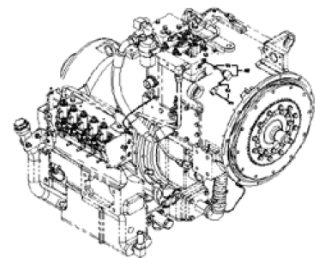
.....p.453

GAUGE MOUNT



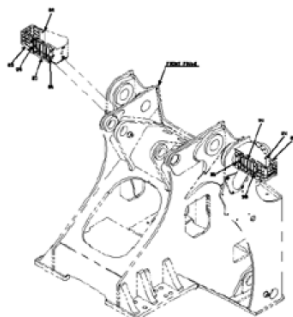
.....p.455

GAUGE MOUNT



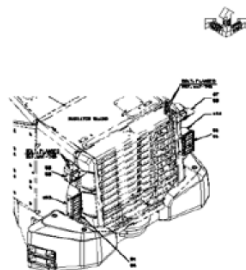
.....p.456

COVER MOUNT (LAMP GUARD)



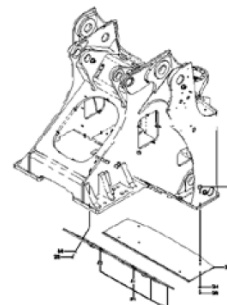
.....p.475

COVER MOUNT (LAMP GUARD)



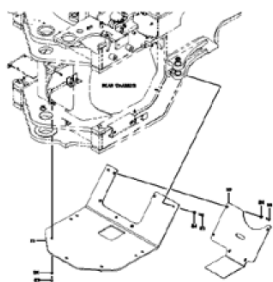
.....p.476

BELLY GUARD



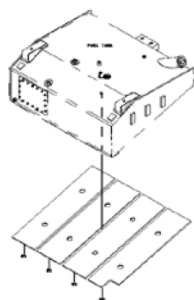
.....p.479

BELLY GUARD



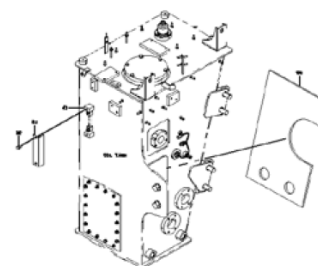
.....p.481

GUARD MOUNT (FUEL TANK)



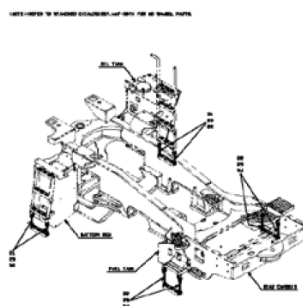
.....p.483

COVER MOUNT (OIL TANK)



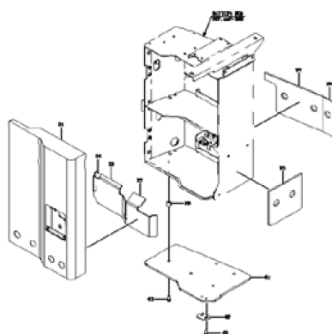
.....p.485

STEP MOUNT(STEEL CABLE)



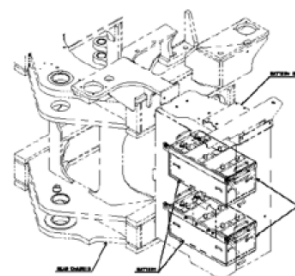
.....p.487

BATTERY BOX GUARD



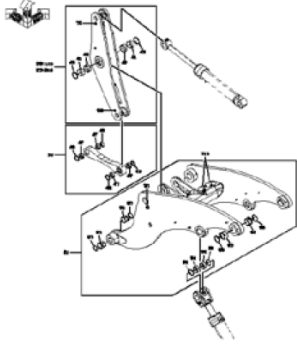
.....p.489

INSULATOR MOUNT



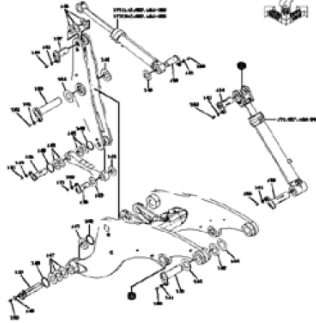
.....p.491

LIFT ARM(HIGH LIFT ARM SPEC.)



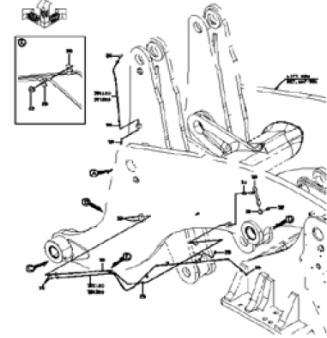
.....p.493

LIFT ARM(HIGH LIFT ARM SPEC.)



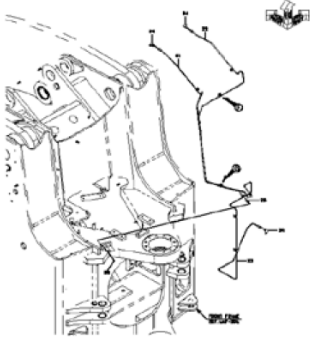
.....p.494

GREASE PIPING(HIGH LIFT ARM SPEC.)



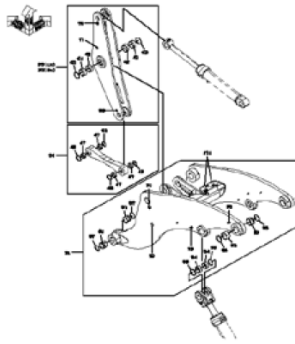
.....p.497

GREASE PIPING(HIGH LIFT ARM SPEC.)



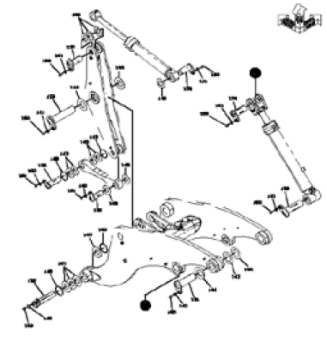
.....p.498

LIFT ARM GROUP(FOR SHORT BOOM)



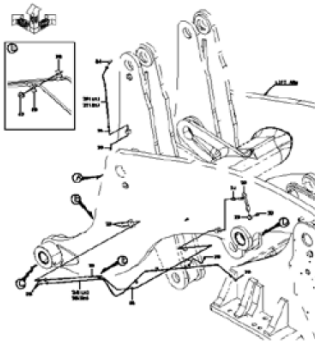
.....p.501

LIFT ARM GROUP(FOR SHORT BOOM)



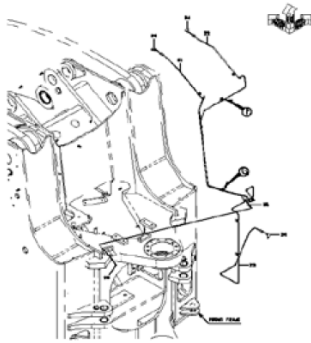
.....p.502

GREASE PIPING(FOR SHORT BOOM)



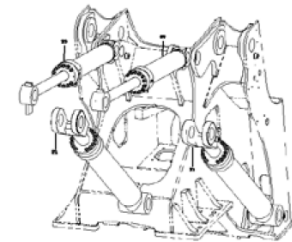
.....p.505

GREASE PIPING(FOR SHORT BOOM)



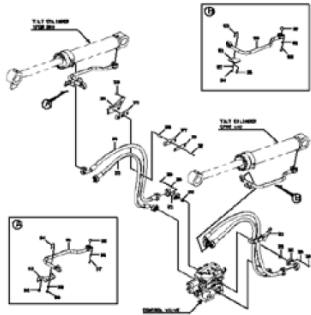
.....p.506

OIL CYLINDER MOUNT(FOR SHORT BOOM)



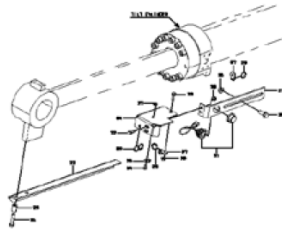
.....p.509

**HYDRAULIC LINE
/BUCKET(FOR SHORT BOOM)**



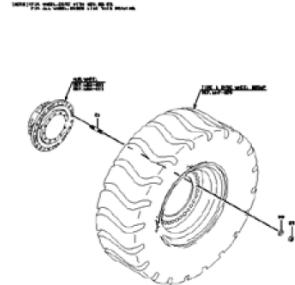
.....p.511

**BUCKET POSITIONER
GROUP(FOR SHORT BOOM)**



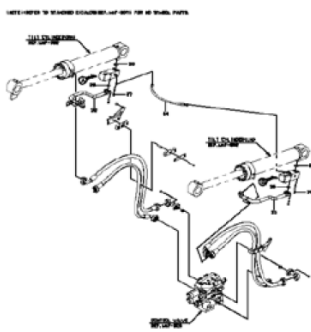
.....p.513

WHEEL HUB STUDS



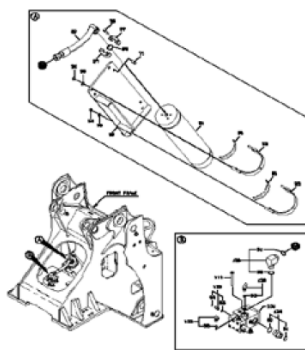
.....p.515

**OIL PIPE MOUNT (3-WAY
PIPING/FOR DUEL LEVER
W/CUSHION DUMP)**



.....p.517

**RIDE CONTROL - HYDRAULIC
LINE**



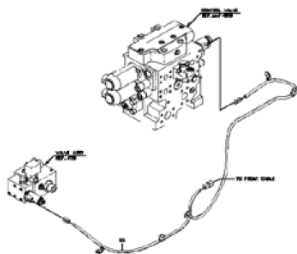
.....p.519

**RIDE CONTROL - HYDRAULIC
LINE**



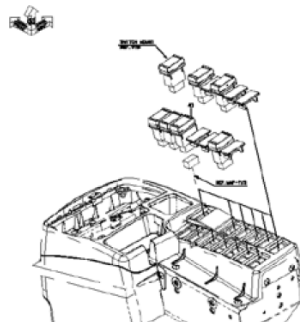
.....p.520

**RIDE CONTROL -
ELECTRICAL WIRING**



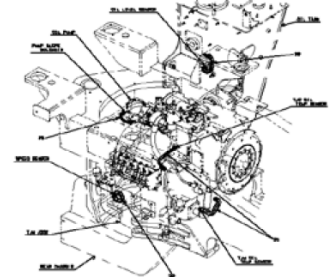
.....p.523

**RIDE CONTROL -
ELECTRICAL WIRING**



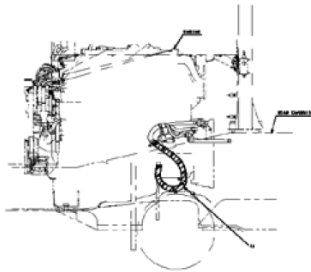
.....p.524

**INSULATOR MOUNT (FIRE
SLEEVE)**



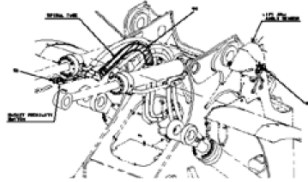
.....p.527

INSULATOR MOUNT (FIRE SLEEVE)



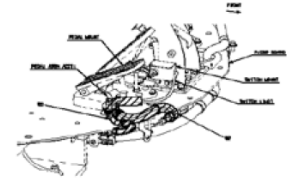
.....p.528

INSULATOR MOUNT (FIRE SLEEVE)



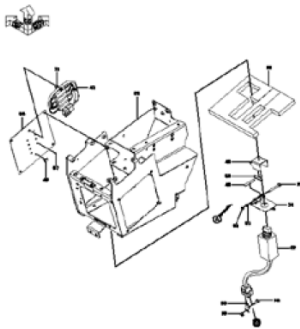
.....p.529

INSULATOR MOUNT (FIRE SLEEVE)



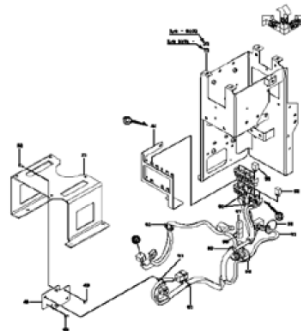
.....p.530

SWITCH MOUNT (T/M OVER RIDE)



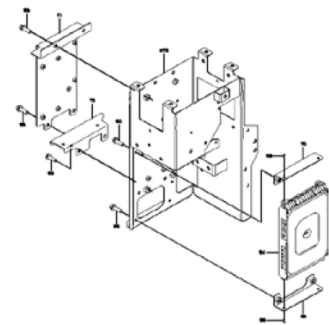
.....p.533

SWITCH MOUNT (T/M OVER RIDE)



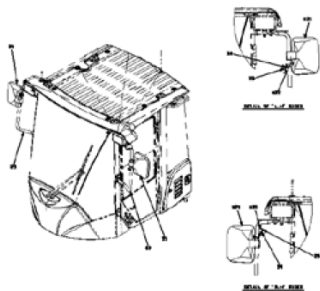
.....p.534

SWITCH MOUNT (T/M OVER RIDE)



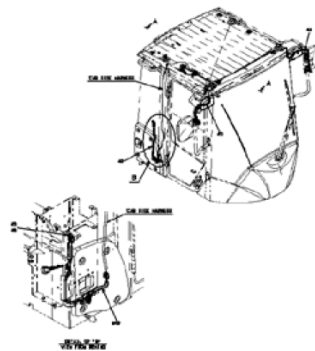
.....p.535

MIRROR MOUNT (HOT WIRE)



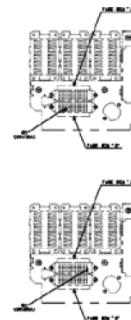
.....p.537

MIRROR MOUNT (HOT WIRE)



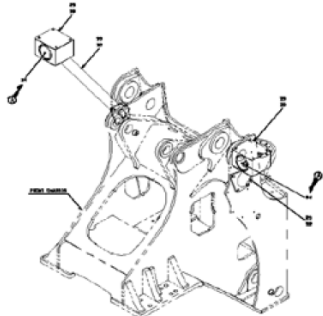
.....p.538

MIRROR MOUNT (HOT WIRE)



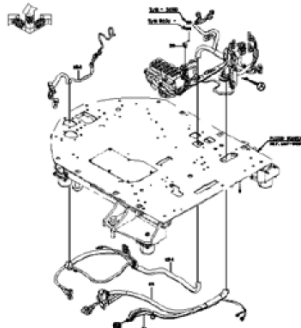
.....p.539

FRONT LAMP MOUNT (STEEL TYPE)



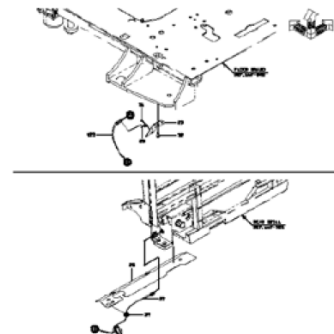
.....p.541

CABLE MOUNT (E/G SHUT DOWN SWITCH)



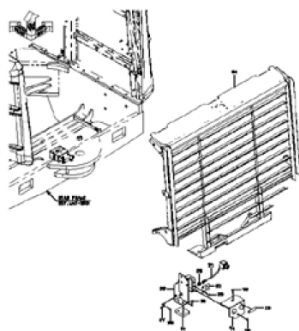
.....p.543

CABLE MOUNT (E/G SHUT DOWN SWITCH)



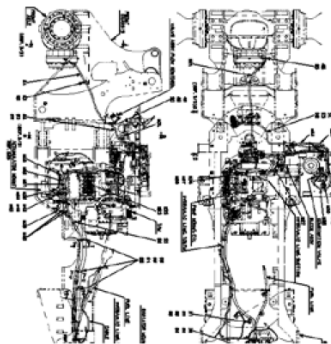
.....p.544

SWITCH MOUNT (E/G SHUT DOWN SWITCH)



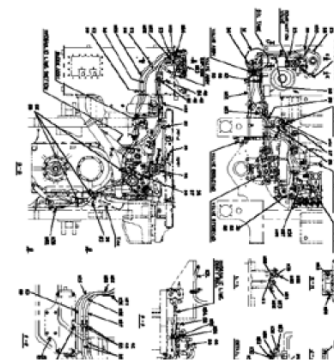
.....p.547

PARKING BRAKE LINE (OVERRIDE/HEAT RESISTING TYPE)



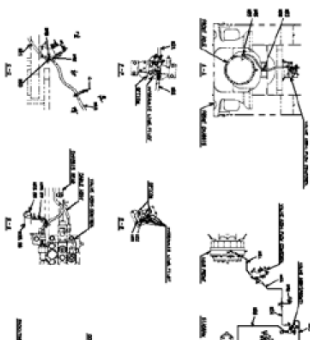
.....p.549

PARKING BRAKE LINE (OVERRIDE/HEAT RESISTING TYPE)



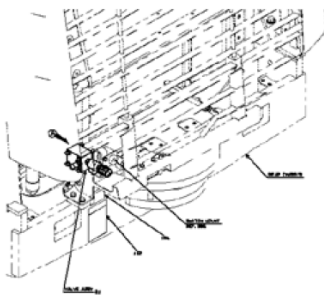
.....p.550

PARKING BRAKE LINE (OVERRIDE/HEAT RESISTING TYPE)



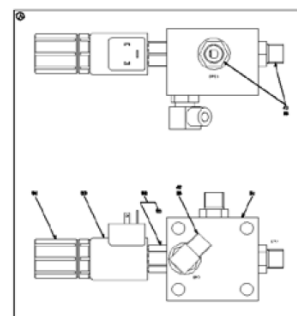
.....p.551

VALVE MOUNT (PARKING OVERRIDE/HEAT RESISTING TYPE)



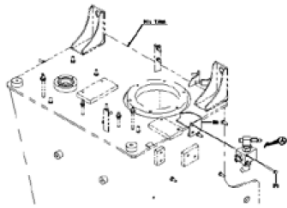
.....p.553

VALVE MOUNT (PARKING OVERRIDE/HEAT RESISTING TYPE)



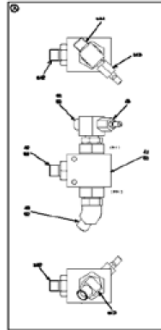
.....p.554

**VALVE MOUNT (PARKING
OVERRIDE/HEAT RESISTING
TYPE)**



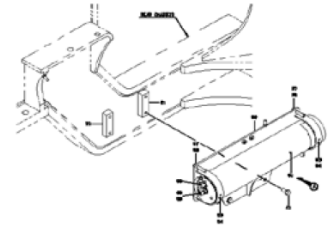
.....p.557

**VALVE MOUNT (PARKING
OVERRIDE/HEAT RESISTING
TYPE)**



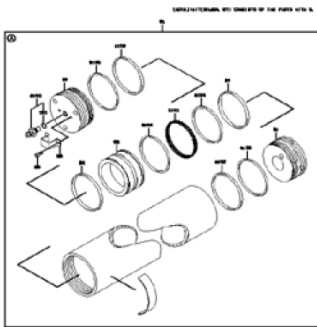
.....p.558

**ACCUMULATOR
MOUNT(PARKING OVERRIDE
SPEC.)**



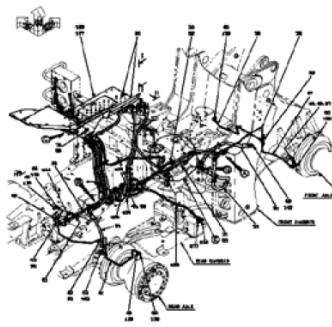
.....p.561

**ACCUMULATOR
MOUNT(PARKING OVERRIDE
SPEC.)**



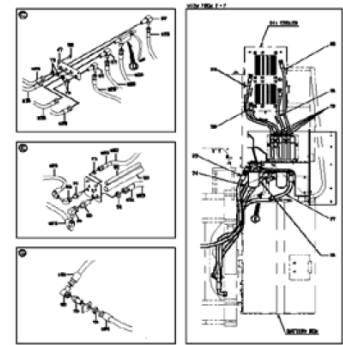
.....p.562

**HYDRAULIC LINE – AXLE OIL
COOLER**



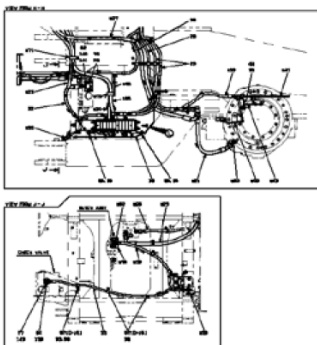
.....p.565

**HYDRAULIC LINE – AXLE OIL
COOLER**



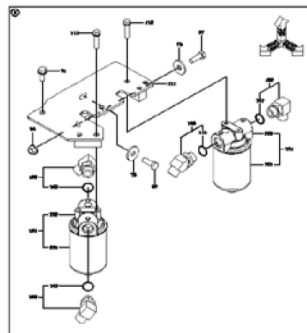
.....p.566

**HYDRAULIC LINE – AXLE OIL
COOLER**



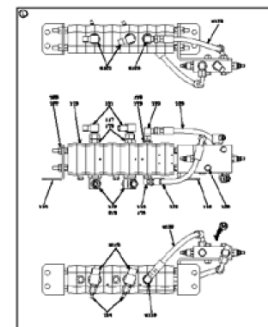
.....p.567

**HYDRAULIC LINE – AXLE OIL
COOLER**



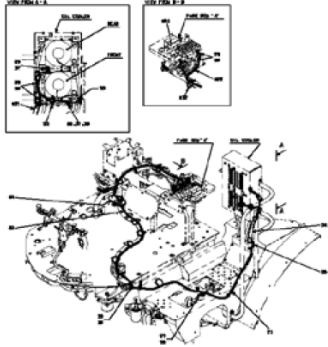
.....p.568

**HYDRAULIC LINE – AXLE OIL
COOLER**



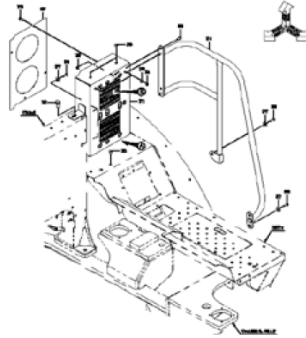
.....p.569

CABLE MOUNT – AXLE OIL COOLER



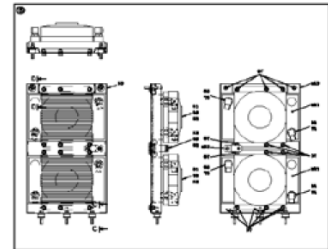
.....p.573

AXLE OIL COOLER MOUNT



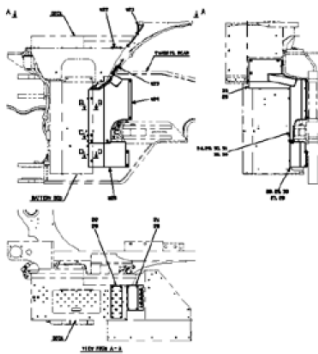
.....p.575

AXLE OIL COOLER MOUNT



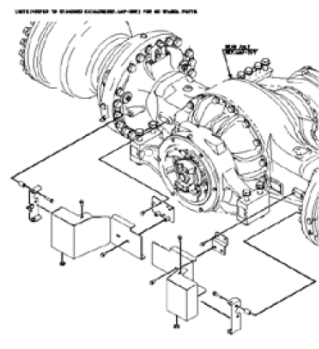
.....p.576

COVER MOUNT – AXLE OIL COOLER



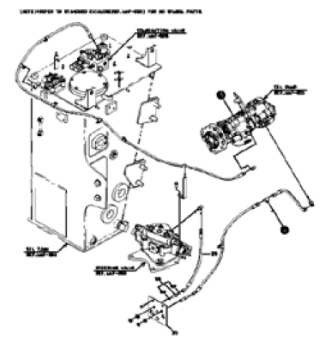
.....p.579

COVER MOUNT – AXLE OIL COOLER



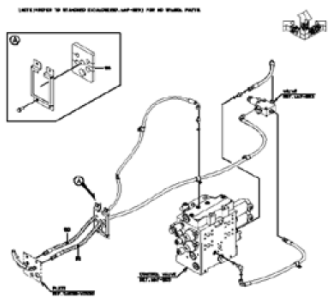
.....p.581

PILOT PIPING – AXLE OIL COOLER



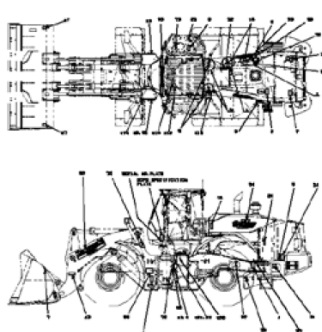
.....p.583

PILOT PIPING – AXLE OIL COOLER



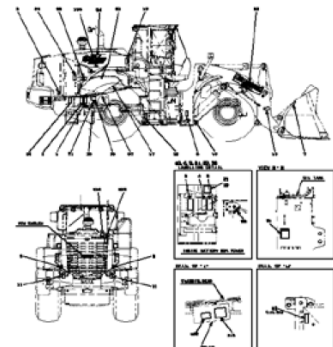
.....p.585

MARKING GROUP (FOR XTREME SPEC.)



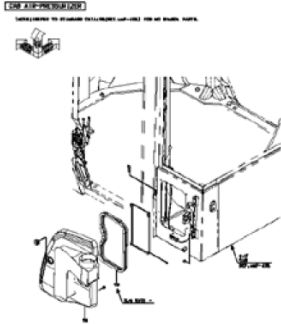
.....p.587

MARKING GROUP (FOR XTREME SPEC.)



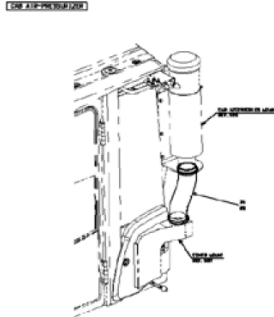
.....p.588

COVER MOUNT



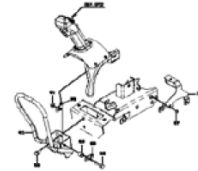
.....p.605

AIR DUCT MOUNT



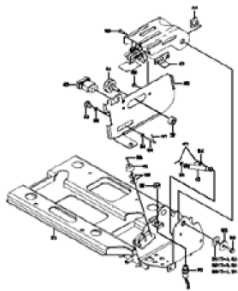
.....p.607

JOYSTICK STEERING GROUP



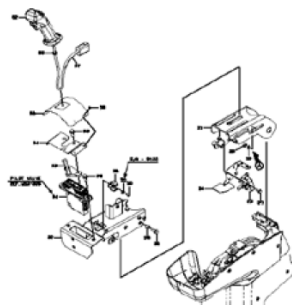
.....p.609

JOYSTICK STEERING GROUP



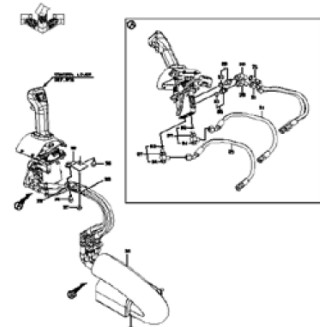
.....p.610

CONTROL VALVE GROUP(FOR JOYSTICK STEERING)



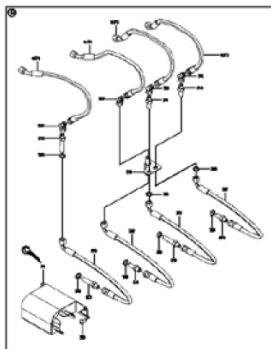
.....p.613

CONTROL LEVER HYDRAULIC LINE(FOR JOYSTICK STEERING)



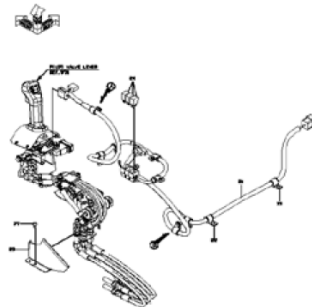
.....p.615

CONTROL LEVER HYDRAULIC LINE(FOR JOYSTICK STEERING)



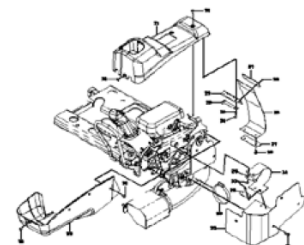
.....p.616

ELECTRICAL WIRING (FOR JOYSTICK STEERING)



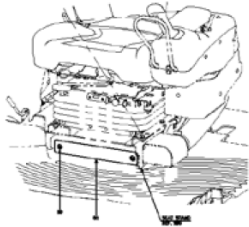
.....p.619

COVER MOUNT(FOR JOYSTICK STEERING)



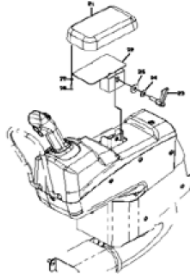
.....p.621

COVER MOUNT(FOR JOYSTICK STEERING)



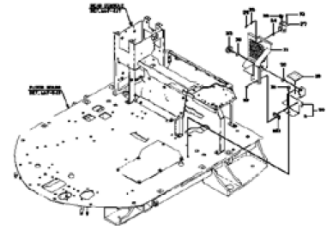
.....p.622

ARMREST MOUNT (FOR JOYSTICK STEERING)



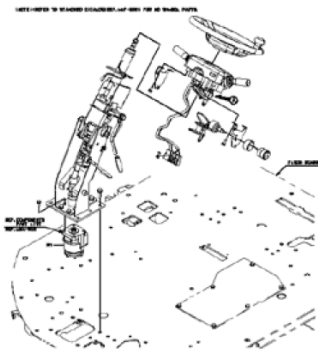
.....p.625

COVER MOUNT (FOR JOYSTICK STEERING)



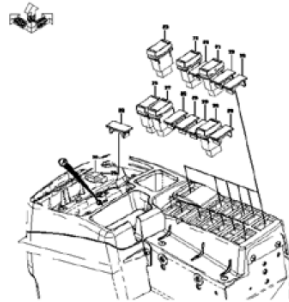
.....p.627

SHIFT LEVER GROUP (FOR JOYSTICK STEERING)



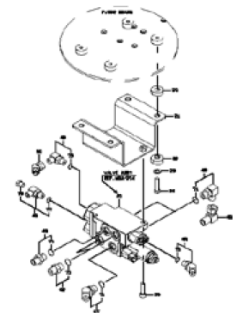
.....p.629

SWITCH MOUNT (FOR JOYSTICK STEERING)



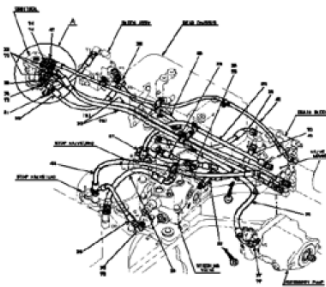
.....p.631

VALVE MOUNT (FOR JOYSTICK STEERING)



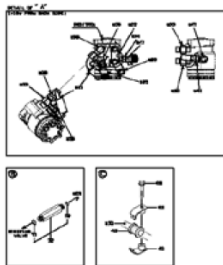
.....p.633

ORBITROLL HYDRAULIC LINE (FOR JOYSTICK STEERING)



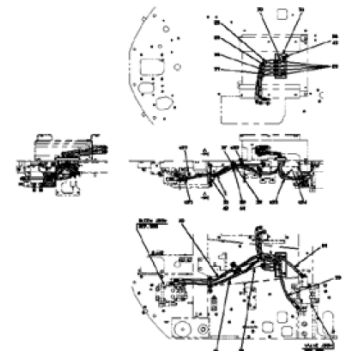
.....p.635

ORBITROLL HYDRAULIC LINE (FOR JOYSTICK STEERING)



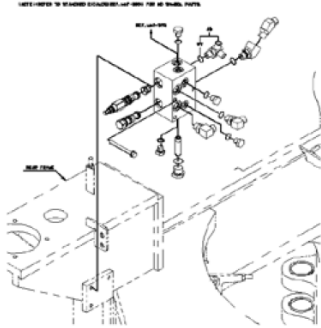
.....p.636

PILOT HYDRAULIC LINE (FOR JOYSTICK STEERING)



.....p.639

REDUCING VALVE MOUNT
(FOR JOYSTICK STEERING)



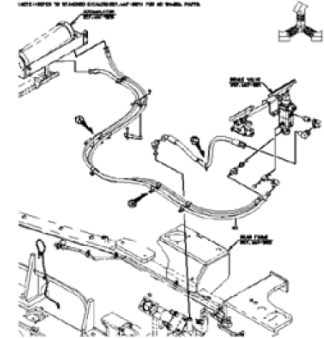
.....p.641

BRAKE LINE (REAR
CHASSIS)/(FOR JOYSTICK
STEERING)



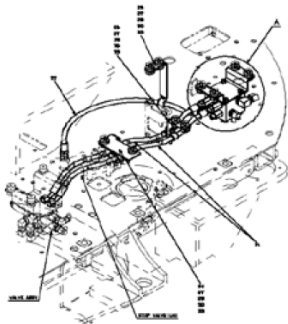
.....p.643

BRAKE PIPING (FLOOR
BOARD)/(FOR JOYSTICK
STEERING)



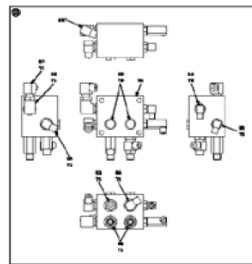
.....p.645

PILOT HYDRAULIC LINE(FOR
JOYSTICK STEERING))



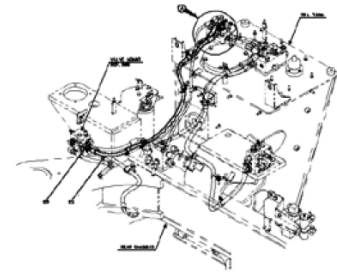
.....p.647

PILOT HYDRAULIC LINE(FOR
JOYSTICK STEERING))



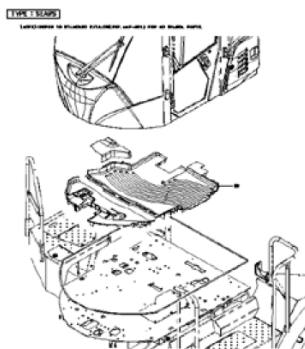
.....p.648

PILOT HYDRAULIC LINE(FOR
JOYSTICK STEERING)



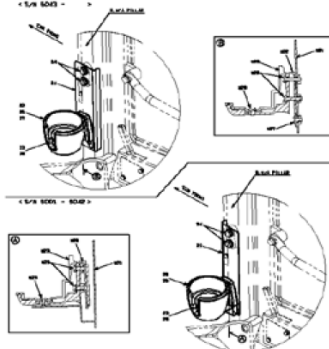
.....p.651

FLOOR MAT MOUNT (FOR
JOYSTICK STEERING)



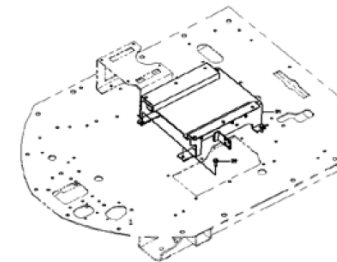
.....p.653

HOLDER MOUNT (FOR
JOYSTICK STEERING)



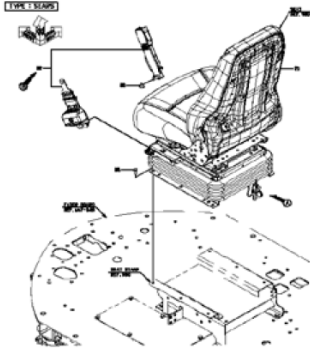
.....p.655

SEAT STAND MOUNT (FOR
JOYSTICK STEERING)



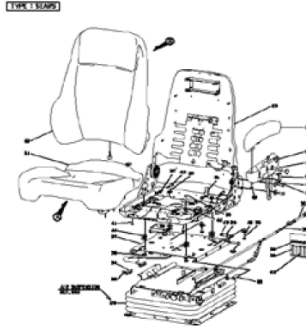
.....p.657

AIR SUSPENSION SEAT (FOR JOYSTICK STEERING)



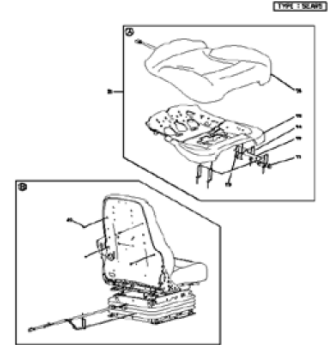
.....p.659

SEAT (FOR JOYSTICK STEERING)



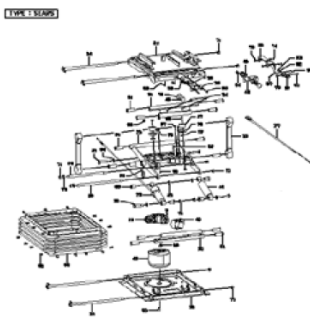
.....p.661

SEAT (FOR JOYSTICK STEERING)



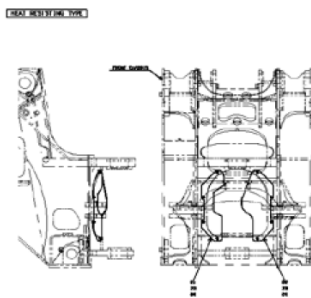
.....p.662

AIR SUSPENSION (FOR JOYSTICK STEERING)



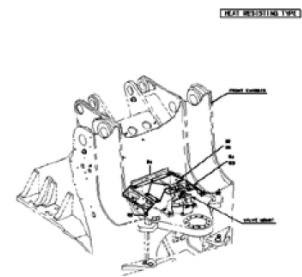
.....p.665

COVER MOUNT (HITCH AREA GUARD/FRONT)



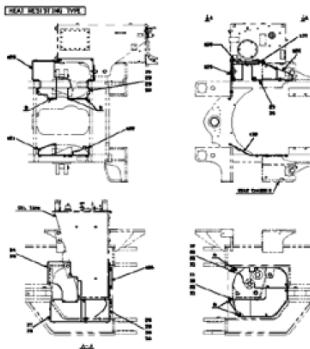
.....p.667

COVER MOUNT (HITCH AREA GUARD/FRONT)



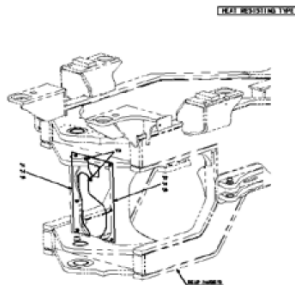
.....p.668

COVER MOUNT (HITCH AREA GUARD/REAR)



.....p.671

COVER MOUNT (HITCH AREA GUARD/REAR)



.....p.672

MEMO

PARTS NAME INDEX

PARTS NAME INDEX

	PART NAME	PAGE		PART NAME	PAGE
A	ACCUMULATOR ASSY	361,409,521,563	C	CAP ASSY	36
	ADAPTER	6,8,10,31,38,55,181,202...		CAP,ELASTIC	50,106
	ADAPTER,ELBOW	6,22,31,41,55,334,343...		CAP,TERMINAL	267
	ADAPTER,ELBOW UNIO	6,31,38,41,55,355,361...		CAR RADIO	188
	ADAPTER,TEE	31,41,351,361,362,373...		CARRIER	318
	ADAPTER,UNION	355,444,499,507		CARTRIDGE ASSY	55
	AIR CONDITIONER UN	220,224		CASE	41,292,301,577
	ANGLE	390,514		CASE ASSY	226,228,292,293
	ANTENNA	202		CATCH	106,136,274,454,628
	ARM	666		CATCH ASSY	106,141,234,614
	ARM ASSY	162,666		CATCH,DOOR	84
	ARM ASSY,LIFT	447,495,503		CHASSIS ASSY,FRONT	68
	ARM,WIPER	176,178		CHASSIS ASSY,REAR	70
	ARMREST	250,387,626,663		CIGARLIGHTER	292
	ASHTRAY	211		CLAMP	46,48,226,292,600,666
	AXLE ASSY,FRONT	60		CLAMP ASSY	600
AXLE ASSY,REAR	62	CLAMP,CABLE	220,248,250,260,271,272...		
B	BALL	301	CLAMP,HOSE	186,198,202,208,214,256...	
	BAND	361,409,521,563	CLEANER ASSY,AIR	44	
	BAND ASSY	36	CLIP	44,84,162,167,171,181...	
	BAND,HOSE	3,22,24,31,36,38,41,55...	CLUTCH ASSY	232	
	BAND,HOSE-HIGH TOR	22,44,346,348	COLLAR	19,176	
	BAR,ROUND	101,106,141,234	COLUMN	214	
	BATTERY	280	COMPRESSOR ASSY	230,232,666	
	BEARING	666	CONDENSER	234,236,271	
	BEARING,BALL	666	CONNECTOR ASSY	267,364,412,632	
	BEARING,SPHERICAL	68	CONTROLLER UNIT	292,310,324,536,595	
	BEARING,TAPER ROLL	68	CONVERTER	321	
	BELT	106,666	COOLER ASSY,AIR	224,226	
	BELT,SEAT	248,660	COOLER ASSY,OIL	19	
	BELT,V	230	COOLER,AIR	12	
	BIT,SIDE	450,452	COOLER,OIL	8,10,577	
	BLADE,WIPER	176,178	CORE ASSY	226,236	
	BLOCK	3,22,38,343,351,362,392...	COUPLER,CABLE	536	
	BLOCK,SLIDE	663	COVER	16,44,83,110,116,131...	
	BLOWER ASSY	224,228	COVER ASSY	78,106,163,220,454,606	
	BOARD ASSY,FLOOR	253	COVER ASSY,SIDE	83	
	BOLT	3,26,34,62,64,68,73,106...	COVER KIT	110	
	BOLT ASSY	19	COVER,HEAD	572	
	BOLT SET	60,62	COVER,INSULATION	46	
	BOLT SET,SQUARE NE	600	COVER,SIDE	258	
	BOLT,FLANGED	3,6,8,10,12,16,22,24...	CUSHION	19	
	BOLT,JOINT	3,392	CYLINDER	167,171	
	BOLT,SOCKET	297,338,340,343,512,571...	CYLINDER ASSY,OIL	394,440,495,510	
	BOLT,STUD	516	D	DAMPER ASSY	666
	BOLT,U	24,31,41,106,239,338...		DECK	116,571
	BOLT,W/WASHER	94,106,136,162,163,167...		DOOR ASSY	162,167,171,226,228
	BOLT,WING	244		DRIVER,LOCK RING	66
	BOOT	250,301,406,666	DUCT	48,94,220,222,224,244,258	
	BOSS	12,68,390,447,486,490...	E	EDGE	450,452
	BOX	141,310,387,536		EDGE,SIDE	450,452
	BOX,FUSE	310		EDGE,WEAR	450,452
	BOX,SWITCH	292		ELBOW	41,239,373,401,666
	BRACKET	3,6,34,36,41,83,101,106...		ELEMENT	6
	BRACKET ASSY	220,222,250,600,663		ELEMENT KIT,FILTER	41
	BRACKET,LAMP	314,318,477,542		ELEMENT,FILTER	41,44,362,392,401
	BREATHER ASSY	26,422		ENGINE	3
	BUCKET ASSY	450,452		EVAPORATOR	226
	BULB	194,196,198,314,316		F	FAN
	BUMPER	666	FAN ASSY		228,600
	BUSHING	62,68,70,301,447,450...	FASTENER		162,205
	BUSHING ELASTIC	574	FENDER		112,116,119
	BUSHING,ELASTIC	3,8,10,22,26,31,36,55...	FILLER ASSY,FUEL		26
	BUZZER	276,304	FILTER		26,224,244,362,600
C	CAB ASSY,ROPS	155,162	FILTER ASSY,FUEL		41
	CABLE	202,266,267,268,271,282...	FILTER ASSY,LINE		55,571
	CABLE ASSY	186,208,260,266,267,268...	FILTER ASSY,OIL	6	
	CAMERA,TELEVISION	332	FILTER ASSY,RETURN	392	
	CAP	19,36,73,83,112,116,119...	FILTER ASSY,SUCTIO	392	

PARTS NAME INDEX

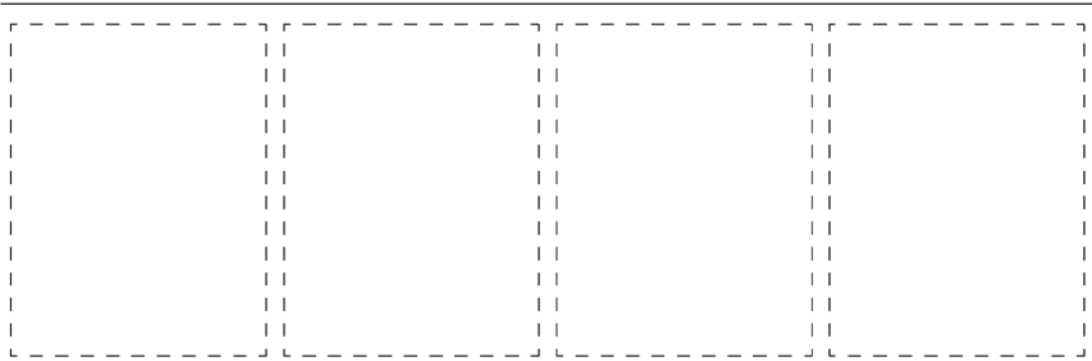
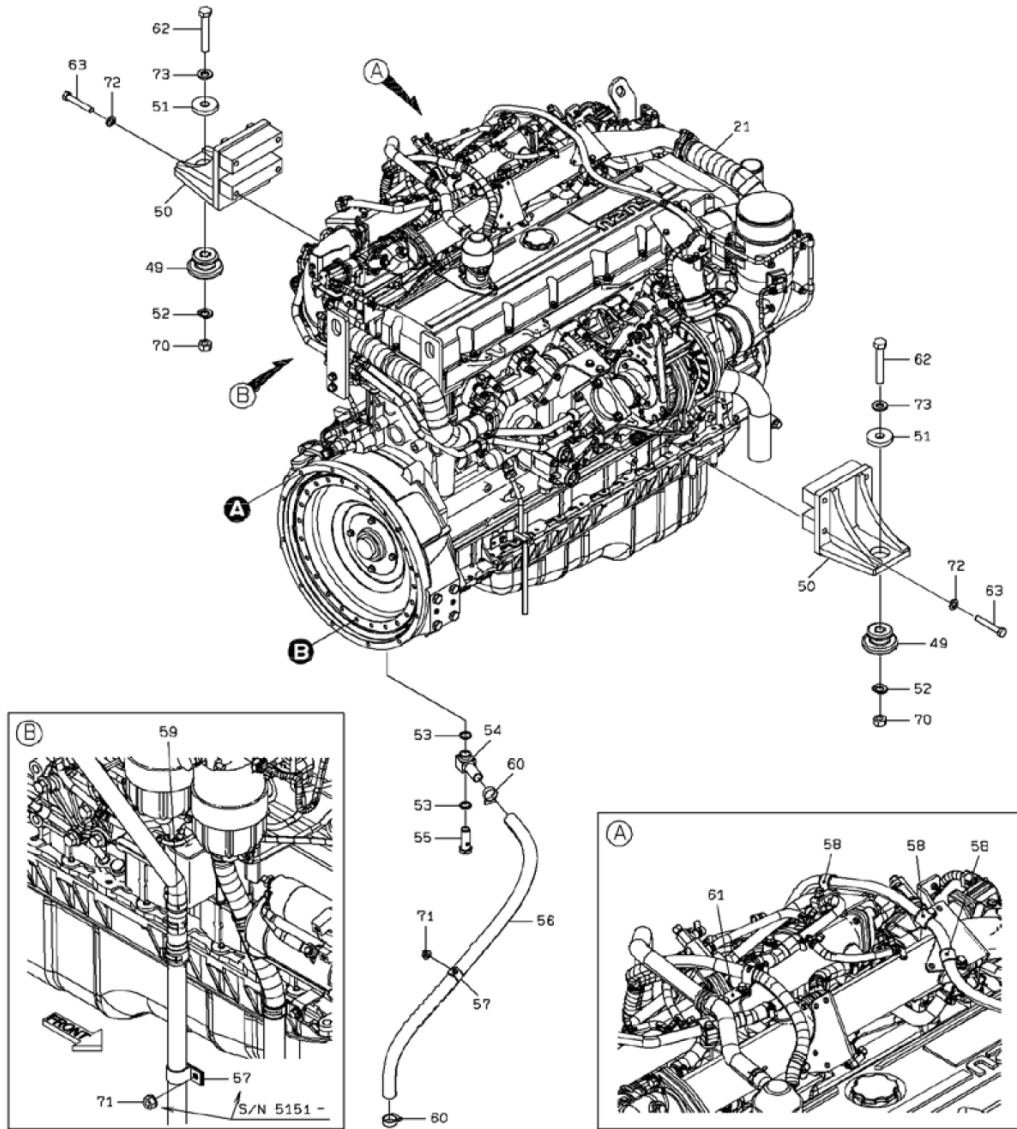
	PART NAME	PAGE		PART NAME	PAGE	
F	FILTER,CARTRIDGE	572	L	LEVER	214,226,228,301,384,614...	
	FITTING	334,432,457,666		LEVER ASSY	288,301,447,495,503	
	FITTING,BUSHING	22,355,362,571		LEVER ASSY,CONTROL	226	
	FITTING,CAP	239		LINK	167,171,666	
	FITTING,CROSS	31		LINK,BUCKET	447,495,503	
	FITTING,ELBOW	22,31,38,239,361,444...		LOCK	83,84,106,141,163,167...	
	FITTING,NIPPLE	22,38,444,499,507		LOCK ASSY,DOOR	167,171	
	FITTING,SOCKET	26,422,503		LOUVER	211,220	
	FITTING,TEE	31,239,427		M	MAT	384
	FLANGE	34,343,406,570			MAT,FLOOR	155,654
	FLANGE,SPLIT	338,340,343,348,512,521			MIRROR	192,540
	FLARED FITTING	422,432,435,444,499,507			MODIFICATION	548
	FLARED FITTING,ELB	62,422,432,435,444,499...			MOTOR ASSY,WIPER	176,178
	FLARED FITTING,TEE	435,570,571			MOTOR,OIL	34
	FLASHER UNIT	310			MUFFLER ASSY	46
	FLOAT	392		N	NIPPLE,GREASE	68,394,444,499,507
	FRAME	76,106,316			NIPPLE,HOSE	22,31,38,41,55,184,239...
FRAME ASSY	19	NOZZLE	181			
FUSE	310,536,540,574,600	NUT	3,31,34,36,46,55,90,94...			
G	GASKET	26,41,44,46,60,62,196...	NUT(UNIFY)		234,381,409,571	
	GAUGE,LEVEL	392	NUT,CAP		44	
	GLASS	293	NUT,FLANGED		3,22,26,31,34,36,41,46...	
	GLASS,WINDOW	162,163,167	NUT,SELF-LOCKING	8,10,24,31,41,46,94,101...		
	GRILLE	190	NUT,WING	44		
	GROMMET	162,167,171,181,267,292...	O	ORBITROL(TM) ASSY	214,630	
	GUARD ASSY,RADIATO	78		ORIFICE	36	
H	HAMMER	162	P	PACKING	19,62,181,226,228,427	
	HANDLE	94,167,214,234		PACKING,U	406	
	HANDLE ASSY	167,171		PAD	216	
	HANDLE,DOOR	167,171		PANEL ASSY,INSTRUM	292	
	HANDRAIL	126,128,162,167,171,577...		PEDAL ASSY,ACCEL	297	
	HARNESS	224,250,663,666		PIN	141,144,146,394,447,495...	
	HEAD ASSY	41		PIN,CENTER	68	
	HINGE	84,106,116,136,141,167...		PIN,HEAD	62,611	
	HOLDER	101,141,167,171,234,236...		PIN,SNAP	144	
	HOLDER,HOSE	22,36,94,552,570		PIN,SPLIT	101,106,141,171,234,611	
	HOLDER,PIPE	3,22,26,31,36,41,55,184...		PIN,SPRING	144	
	HOLDER,SPRING	266,614		PIPE	41,239,242,267,292,338...	
	HOOK	162		PIPE ASSY,EXHAUST	46	
	HORN	278		PIPE ASSY,FLARED	422,432,435,444,499,507...	
	HOSE	41,46,242		PIPE,AIR	24	
	HOSE,AIR	24,44,94,608,617		PIPE,ELBOW	239	
	HOSE,COOLER	239,242		PIPE,EXHAUST	46	
	HOSE,HEAT RESISTIN	3,22,31,36,38,55,128...		PIPE,OIL	338,340,343,346,348,512...	
	HOSE,HIGH PRESSURE	6,31,55,338,340,343,344...		PISTON	563	
	HOSE,WATER	22,239,242		PLATE	3,8,10,12,16,24,26,31...	
	HOUSING	406,666		PLATE ASSY	16,76,94,292,600	
	HOUSING ASSY	666		PLATE,ELASTIC	112,119,162	
	HUB	232		PLATE,EYE	68,70	
	I	INDICATOR,FILTER		55	PLATE,LOCK	84,163
		INDICATOR,THERMO		571	PLATE,NAME	463
		INSULATOR		90,244,492,531	PLUG	22,26,38,41,60,62,205...
	J	JOINT		239	PLUG,ELASTIC	248,310,321,660
		JOINT,BALL		101	PLUG,MAGNET	26,392
		JOINT,EYE		3	POPPET	406
K	KEY,STARTER	292	PRECLEANER	48,600		
	KNOB	167,171,220,292,301,362...	PROPELLERSHAFT ASS	64		
	KNOB ASSY,HANDLE	216	PROPELLERSHAFT ASS	64		
L	LABEL	463,536,548,555,591	PROTECTOR	563		
	LABEL KIT	463,591	PULLEY	230		
	LABEL,ENGLISH	463,591	PUMP ASSY	184		
	LABEL,LUBRICATION	463,591	PUMP ASSY,OIL	334		
	LABEL,WARNING	463,555,591,595	PUMP UNIT	571		
	LADDER	123	R	RADIATOR	577	
	LAMP	194,542		RADIATOR ASSY	16,19	
	LAMP,COMBINATION	314,318		RECEIVER UNIT	236	
	LAMP,HEAD	196,198,314,316,542		RELAY	224,228,271,304,310,312...	
	LATCH ASSY	83,116,141		RELAY,BATTERY	310	
	LENS	194,196,198,314,316,318		REPAIR KIT	563	

PARTS NAME INDEX

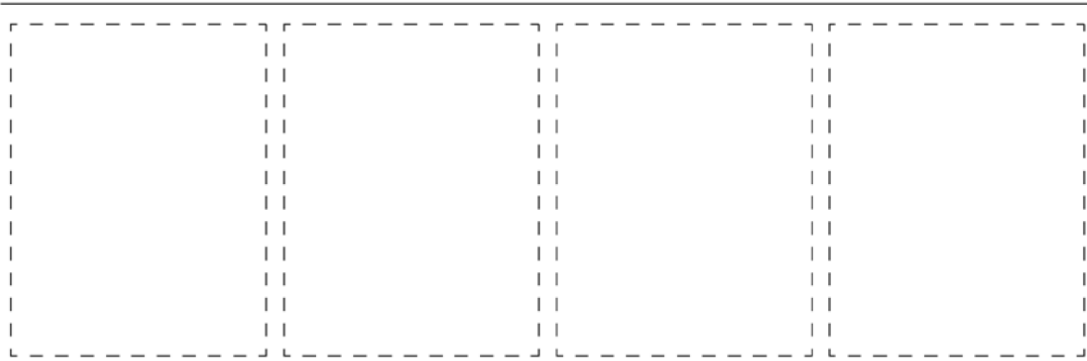
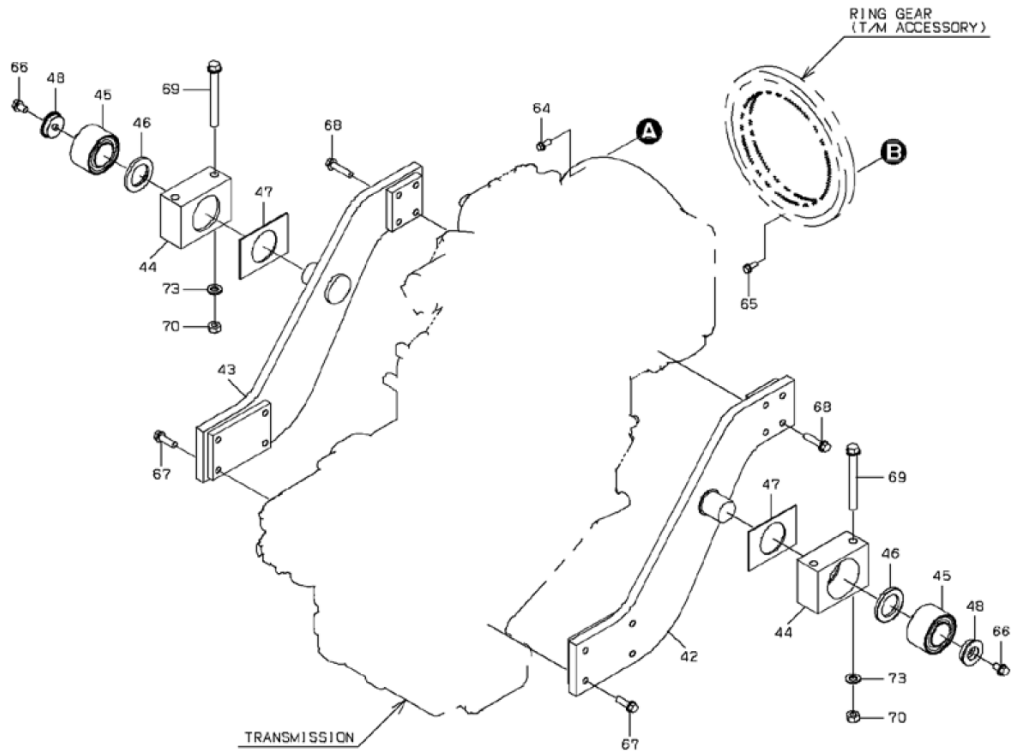
	PART NAME	PAGE		PART NAME	PAGE	
R	RESISTOR	271,272,310,536	T	TANK,FUEL	26	
	RETAINER	248,660,666		TANK,OIL	392	
	RIM	198		TANK,WATER	36	
	RING	3,41,62,66,68,101,563		TAPE,ANTISKID	463	
	RING,LOCK	66		THERMO UNIT	228	
	RING,O	6,8,10,26,31,38,41,55...		THERMOSTAT	226	
	RING,SIDE	66		TIRE ASSY,TUBELESS	66	
	RING,SNAP	62,141,232		TRANSISTOR	228	
	RING,WEAR	62		TRANSMISSION ASSY	52	
	ROD	101,167,171,280,384,611...		TRAY	220	
	ROOF	87,162		TUBE	236,392,666	
	ROPE,WIRE	488		TUBE FITTING	26,422	
	ROTOR ASSY	232		TUBE FITTING,ELBOW	26,422,432	
	RUBBER,CUSHION	84,162,163,167,171,211...		TUBE KIT	226	
	S	SASH ASSY		167,171	TUBE,CONDUIT	41,614
		SCREW		84,112,116,119,136,141...	TUBE,NYLON	26,422,432
		SCREW,BLEED		334,432,559,571,652	TUBE,SPIRAL	260,570,574,586
SCREW,TAPPING		196,198,211,214,220,224...	TUBE,VINYL	36,181,184		
SEAL		563	V	VALVE	66,226,406,666	
SEAL KIT		362,401,518,555,572		VALVE ASSY	355,362,401,521,555,563...	
SEAL,DUST		68,406,447,495,503		VALVE ASSY,BRAKE	415	
SEAT		663		VALVE ASSY,BREATHE	392	
SEAT ASSY		248,250,660,663		VALVE ASSY,CONTROL	401	
SEAT BACK		250,663		VALVE ASSY,FLOW CO	373	
SEAT CUSHION		250,663		VALVE ASSY,MULTIPL	336	
SENSOR		222,285		VALVE ASSY,SOLENOI	362	
SENSOR,FUEL LEVEL		26		VALVE ASSY,STEERIN	396	
SENSOR,OIL LEVEL		392		VALVE UNIT	66	
SENSOR,POSITION		288		VALVE,CHECK	181,351,355,362,401,552...	
SENSOR,PRESSURE		44,242,310,343,361,362...		VALVE,FLOW CONTROL	518,571	
SENSOR,TEMPERATURE		285,327,392		VALVE,PILOT	384,614	
SERVO ASSY		226,228	VALVE,PRIORITY	355		
SHAFT		62,228,230,666	VALVE,REDUCING	362,401,571		
SHEET,RUBBER		3,36,94,96,119,123,150...	VALVE,UNLOADER	361		
SHIM		68,73,234,467,611	VALVE,VACUATOR	44		
SHOCK ABSORBER		666	VISOR,SUN	163		
SLEEVE		3,34,68,76,101,155,392	W	WASHER	19,106,198,211,232,244...	
SLEEVE,FITTING		422,432		WASHER,CONICAL SPR	46,101,387	
SLIDE ASSY		387,663		WASHER,LOCK	663,666	
SOCKET ASSY		321		WASHER,PLANE	3,8,10,24,31,36,41,46...	
SOLENOID		362,401,555		WASHER,SEAL	3,26,55,392,427	
SPACER		16,31,46,101,136,146...		WASHER,SPRING	26,68,84,116,136,141...	
SPEAKER		190		WEIGHT	73,467,470	
SPONGE		16,48,76,94,155,163,205...		WHEEL,DISC	66	
SPOOL		406		WHEEL,STEERING	214,216	
SPRING		101,152,171,301,392,406...		WINDOW WASHER ASSY	184	
SPRING,GAS		162,611		WIRE	101	
STAND,SEAT		246,658		WRENCH,FILTER	6	
STATOR ASSY		232				
STAY		162,540				
STAY ASSY		106				
STEP		123				
STOPPER		83,84,106,119,155,611				
STRIKER		162				
STRIP, SEAL		16,24,76,87,94,96,98...				
SUPPORT,AXLE		62				
SUSPENSION ASSY		663,666				
SWITCH		194,292,306,525,540,611...				
SWITCH ASSY		216,536				
SWITCH ASSY,STARTE		292				
SWITCH,BATTERY		282				
SWITCH,BUTTON		548				
SWITCH,LIMIT		297				
SWITCH,MICRO		611				
SWITCH,PRESSURE	242,427					
SWITCH,PROXIMITY	390,514					
SWITCH,PUSH	306,632					
SWITCH,WIPER	214					
T	TANK	236				

MEMO

ENGINE SUPPORT



ENGINE SUPPORT



2-A

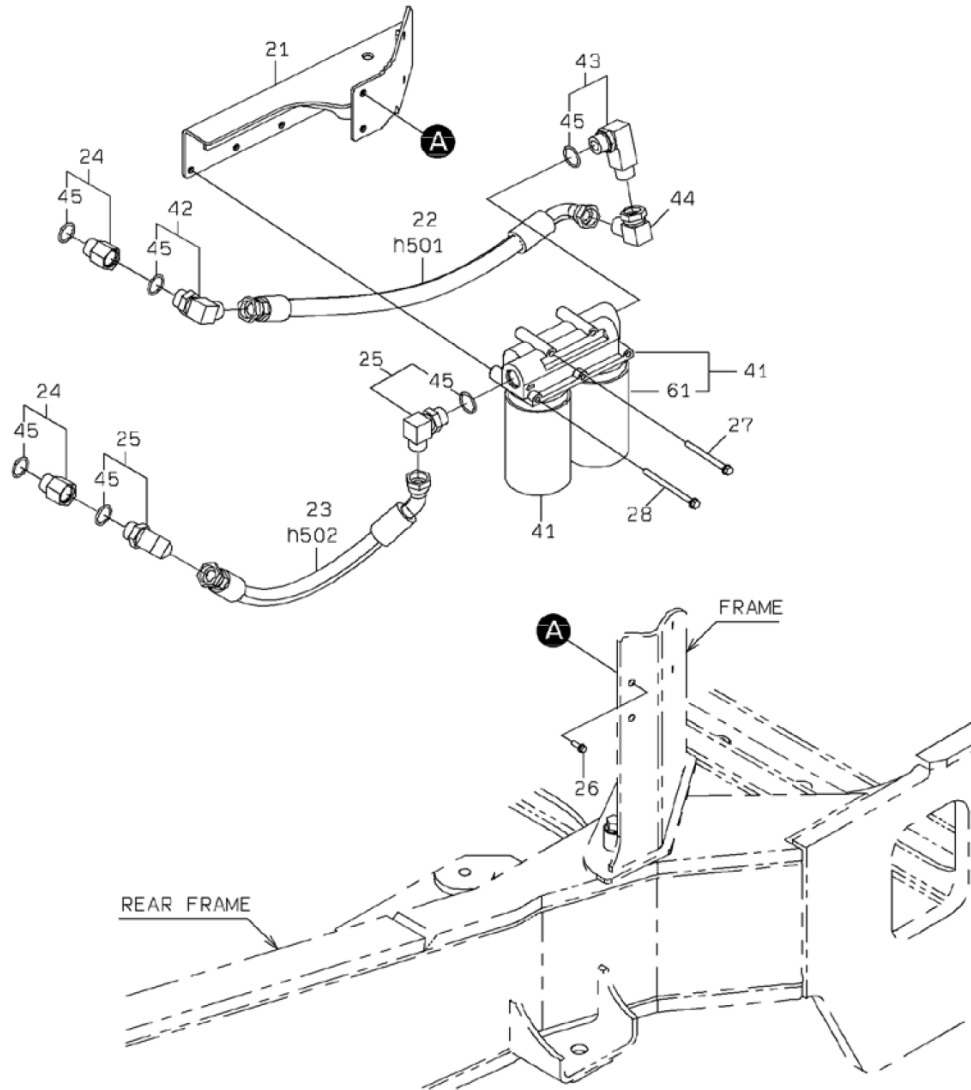
ENGINE SUPPORT

SYM-BOL	PART NUMBER	PART NAME	UNIT Q,TY	SERIAL		REMARKS								
				(A)	(B)	N	P	D	(A)	(B)	(C)	(D)	REMARKS	
21A	31003-63190	ENGINE	1	5001	-	5100								
21B	31003-63320	ENGINE	1	5101	-		C							
42A	40902-36230	BRACKET	1	5001	-									
43A	40902-36240	BRACKET	1	5001	-									
44A	41410-36110	BLOCK	2	5001	-									
45A	40850-20700	BUSHING,ELASTIC	2	5001	-									
46A	45200-26890	RING	2	5001	-	5010								
46B	45200-28690	RING	2	5011	-		C							
47A	33713-28760	SHEET,RUBBER	2	5001	-									
48A	35750-24440	SLEEVE	2	5001	-									
49A	40850-20160	BUSHING,ELASTIC	2	5001	-									
50A	40902-59430	BRACKET	2	5001	-									
51A	46011-20330	WASHER,PLANE	2	5001	-									
52A	46011-21220	WASHER,PLANE	2	5001	-									
53A	88111-12490	WASHER,SEAL	2	5001	-									
54A	34946-20230	JOINT,EYE	1	5001	-									
55A	43953-20300	BOLT,JOINT	1	5001	-									
56A	67040-25000	HOSE,HEAT RESISTING LP	2 M	5001	-									L=1040
57A	43573-20540	HOLDER,PIPE	1	5001	-	5150								D=35
57B	43573-20540	HOLDER,PIPE	2	5151	-									D=35
58A	43573-20360	HOLDER,PIPE	3	5001	-									D=20
59A	87020-31000	HOLDER,PIPE	1	5001	-									D=31
60A	69002-03800-7	BAND,HOSE	2	5001	-									
61A	41754-23910	PLATE	1	5001	-									
62A	61033-20120	BOLT	2	5001	-									
63A	61033-14090	BOLT	8	5001	-									
64A	61802-12030	BOLT,FLANGED	12	5001	-									
65A	61802-12040	BOLT,FLANGED	12	5001	-									
66A	61802-16025	BOLT,FLANGED	2	5001	-									
67A	61802-16055	BOLT,FLANGED	8	5001	-									
68A	61802-16070	BOLT,FLANGED	8	5001	-									
69A	61802-20185	BOLT,FLANGED	4	5001	-									
70A	62401-81201	NUT	6	5001	-									
71A	62480-21081	NUT,FLANGED	1	5001	-	5150								
71B	62480-21081	NUT,FLANGED	2	5151	-									
72A	62710-18141	WASHER,PLANE	8	5001	-									
73A	62710-18201	WASHER,PLANE	6	5001	-									

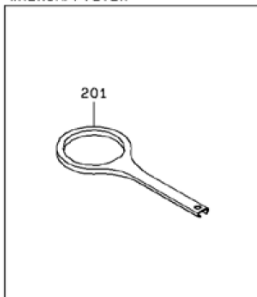
MEMO

FILTER MOUNT

(NOTE): THE PREFIX OF "n" MEANS HEAT RESISTING TYPE.



レンチ、フィルター
WRENCH, FILTER

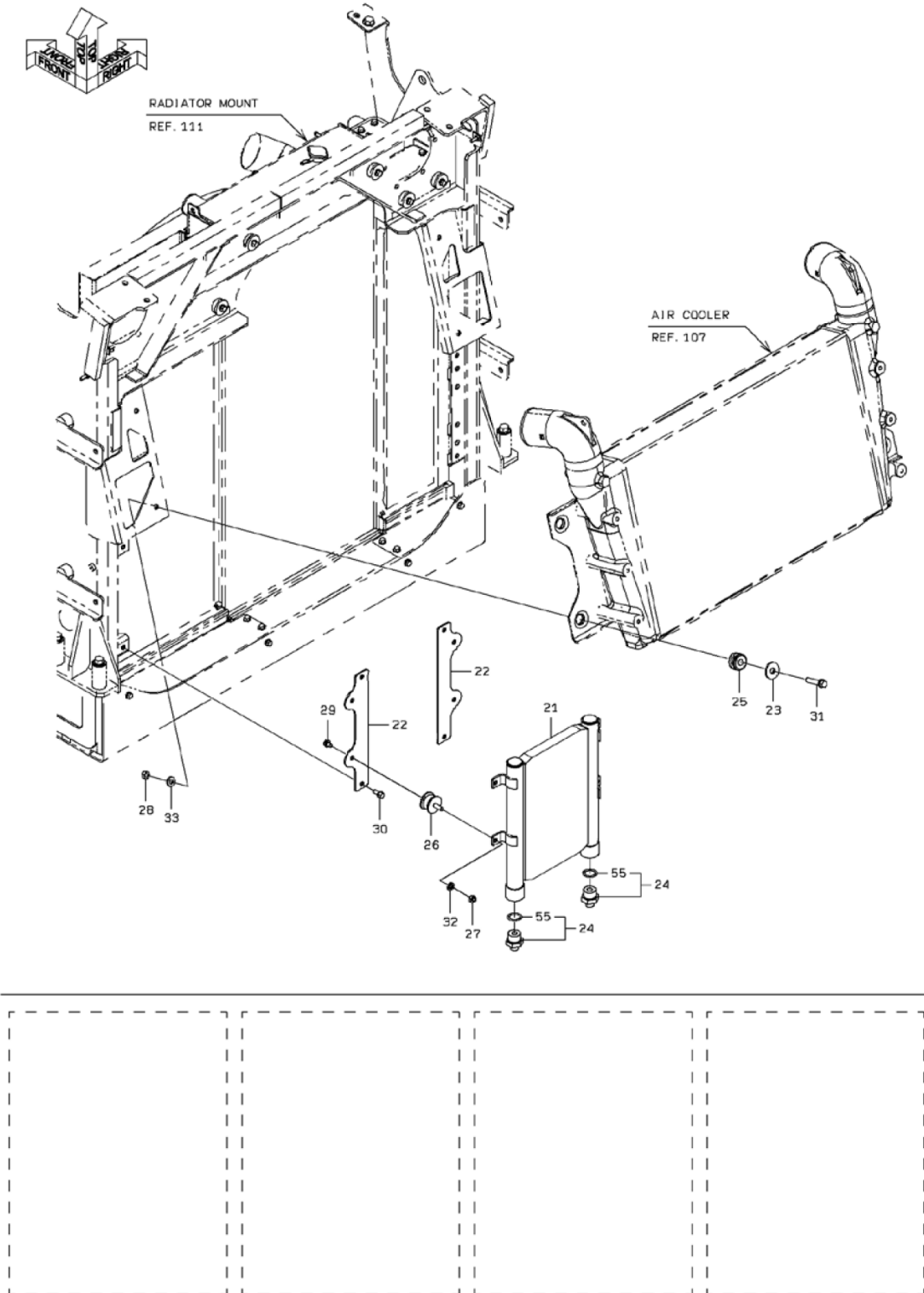


FILTER MOUNT

SYM-BOL	PART NUMBER	PART NAME	UNIT Q,TY	SERIAL		REMARKS						
				(A)	(B)	N	P	D	(A)	(B)	(C)	(D)
21A	40903-25900	BRACKET	1	5001	-							
22A	68235-60079	HOSE,HIGH PRESSURE	1	5001	-							
23A	68245-60057	HOSE,HIGH PRESSURE	1	5001	-							
24A	30230-21890	ADAPTER	2	5001	-						Y02	
25A	88241-07116	ADAPTER,ELBOW	2	5001	-						Y02	
26A	61802-10030	BOLT,FLANGED	2	5001	-							
27A	61802-10110	BOLT,FLANGED	2	5001	-							
28A	61802-10135	BOLT,FLANGED	3	5001	-							
41A	50101-04870	FILTER ASSY,OIL	1	5001	- 5166					Y01		YZ1132010192
41B	50101-05420	FILTER ASSY,OIL	1	5167	-	C				Y01		YZ8983042380
42A	88241-07116	ADAPTER,ELBOW	1	5001	-						Y02	
43A	30241-23580	ADAPTER,ELBOW	1	5001	-						Y02	
44A	30242-20160	ADAPTER,ELBOW UNION	1	5001	-							
45A	65210-12029	RING,O	1	5001	-						02	
61A	50101-04650	ELEMENT	2	5001	- 5166					01		YZ1132402322
61B	50101-05550	ELEMENT	2	5167	-	B				01		YZ8983020750
201A	49724-20040	WRENCH,FILTER	1	5001	-							
501A	43103-21690	HOSE,HIGH PRESSURE	1	5001	-							OPT
502A	43103-26420	HOSE,HIGH PRESSURE	1	5001	-							OPT

COOLING UNIT MOUNT

< S/N 5001 - 5023 >



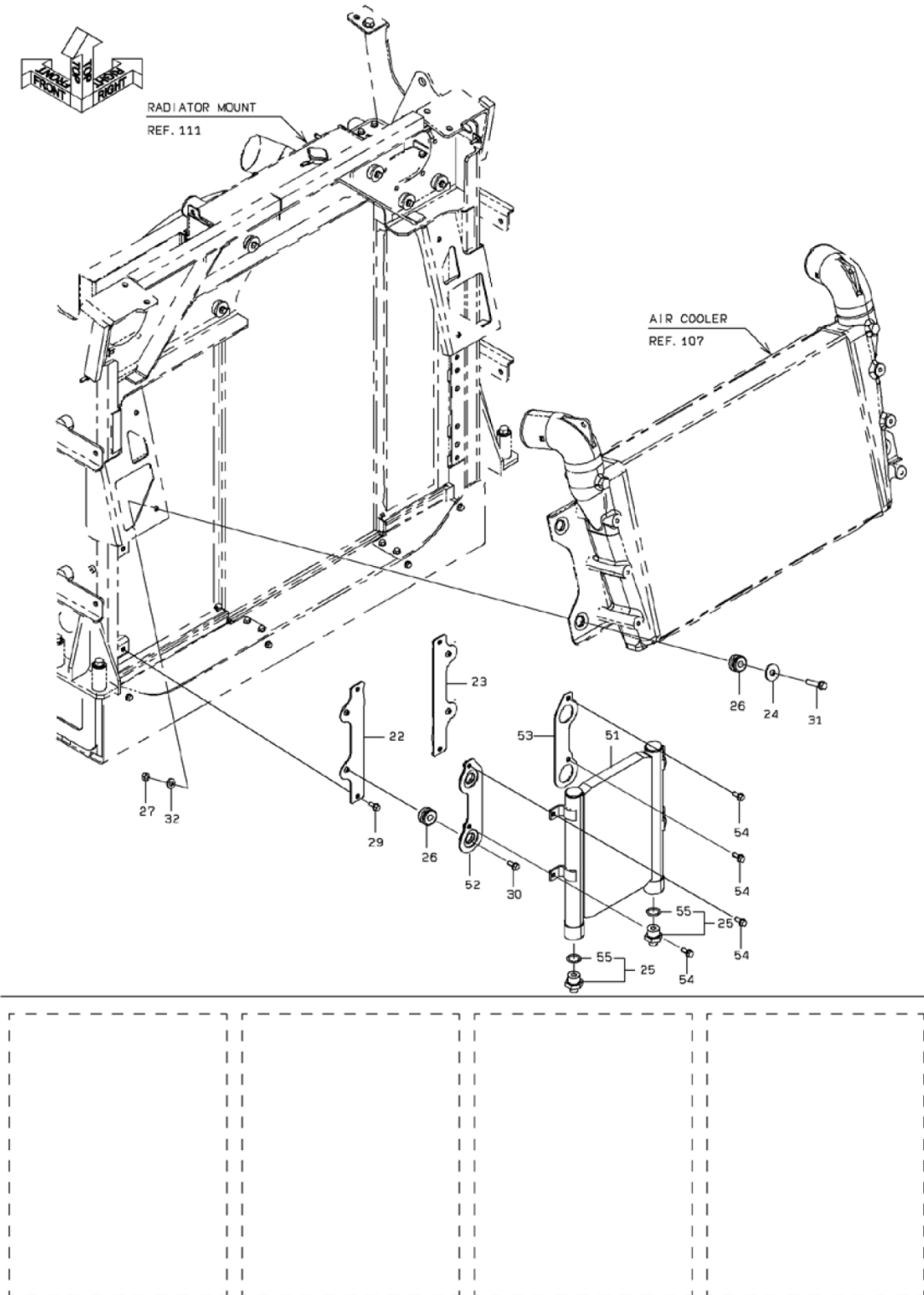
1-8

COOLING UNIT MOUNT

SYM-BOL	PART NUMBER	PART NAME	UNIT Q,TY	SERIAL		REMARKS							
				(A)	(B)	N	P	D	(A)	(B)	(C)	(D)	REMARKS
21A	32816-60650	COOLER,OIL	1	5001	-	5023							
22A	41716-51730	PLATE	2	5001	-	5023							
23A	41615-22330	PLATE	4	5001	-	5023							
24A	30230-28580	ADAPTER	2	5001	-	5023				Y01			
25A	40850-20060	BUSHING,ELASTIC	4	5001	-	5023							
26A	40850-20680	BUSHING,ELASTIC	4	5001	-	5023							
27A	88031-06101	NUT,SELF-LOCKING	4	5001	-	5023							
28A	88031-06121	NUT,SELF-LOCKING	4	5001	-	5023							
29A	61802-10012	BOLT,FLANGED	4	5001	-	5023							
30A	61802-10020	BOLT,FLANGED	4	5001	-	5023							
31A	61802-12055	BOLT,FLANGED	4	5001	-	5023							
32A	62710-18101	WASHER,PLANE	4	5001	-	5023							
33A	62710-18121	WASHER,PLANE	4	5001	-	5023							
55A	65210-12029	RING,O	1	5001	-	5023				01			

COOLING UNIT MOUNT

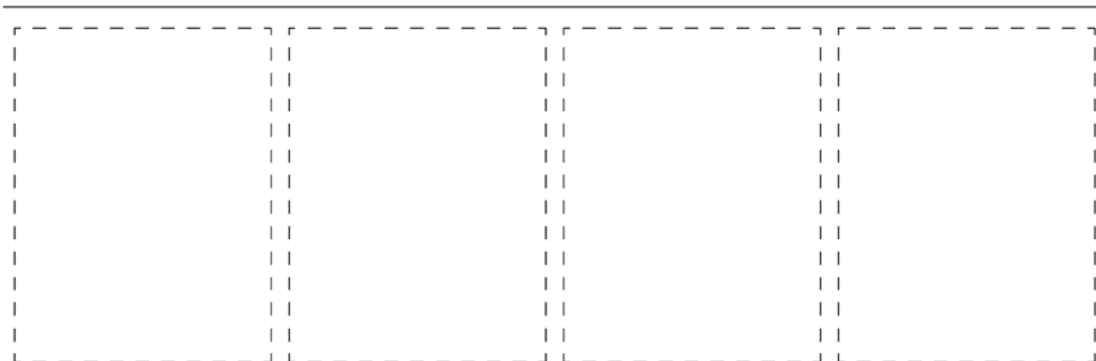
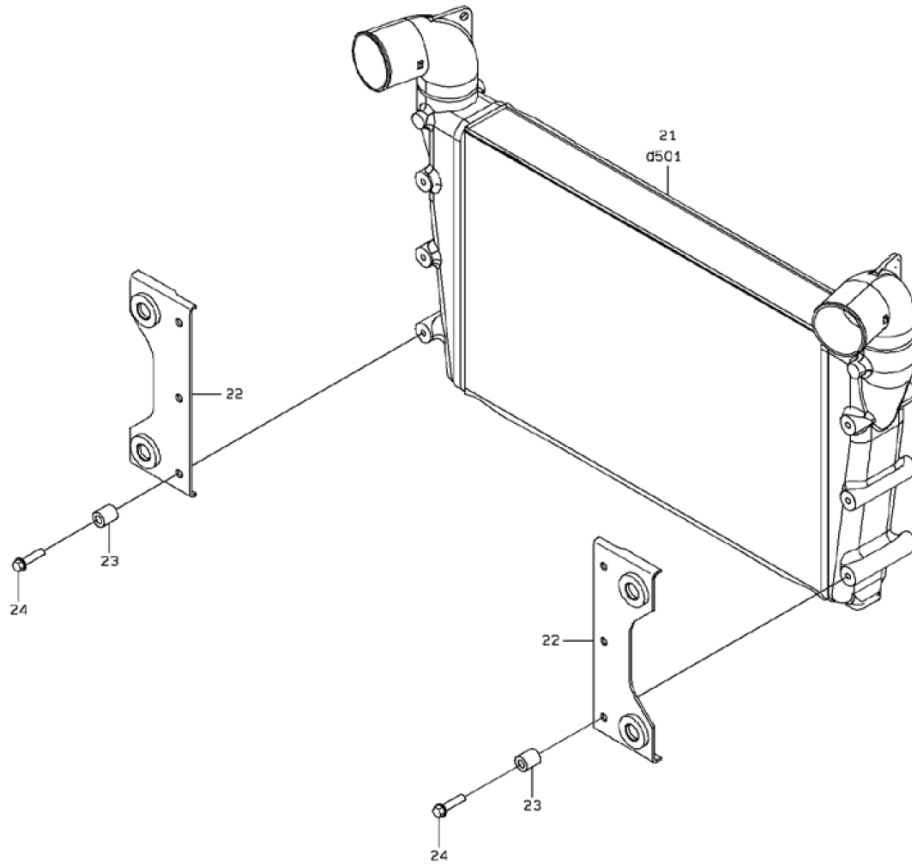
< S/N 5024 - >



1-A

COOLING DEVICE

(NOTE): THE PREFIX OF "d" MEANS DUST-PROOF TYPE.

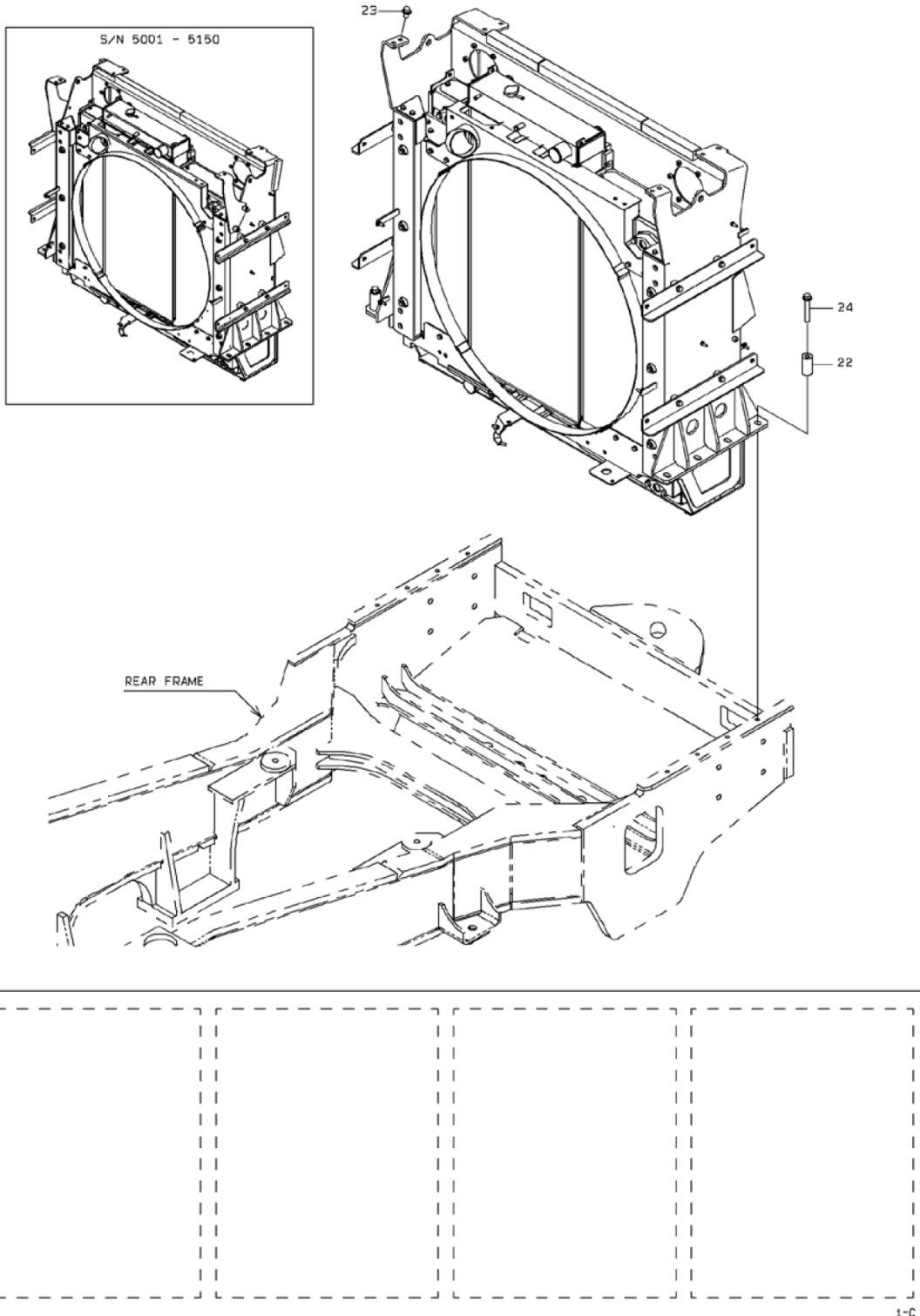


1-8

COOLING DEVICE

SYM-BOL	PART NUMBER	PART NAME	UNIT Q,TY	SERIAL (A) - (B)	REMARKS						
					N	P	D	(A)	(B)	(C)	(D)
21A	32815-60260	COOLER,AIR	1	5001 -							
22A	41753-42640	PLATE	2	5001 -							
23A	43780-24500	BOSS	6	5001 -							
24A	61802-12050	BOLT,FLANGED	6	5001 -							
501A	32815-60290	COOLER,AIR	1	5001 -							OPT

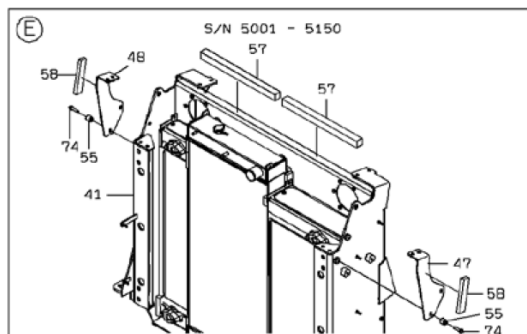
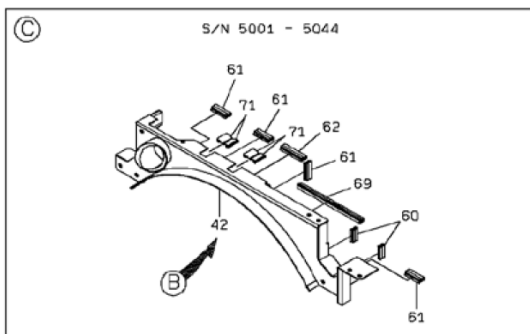
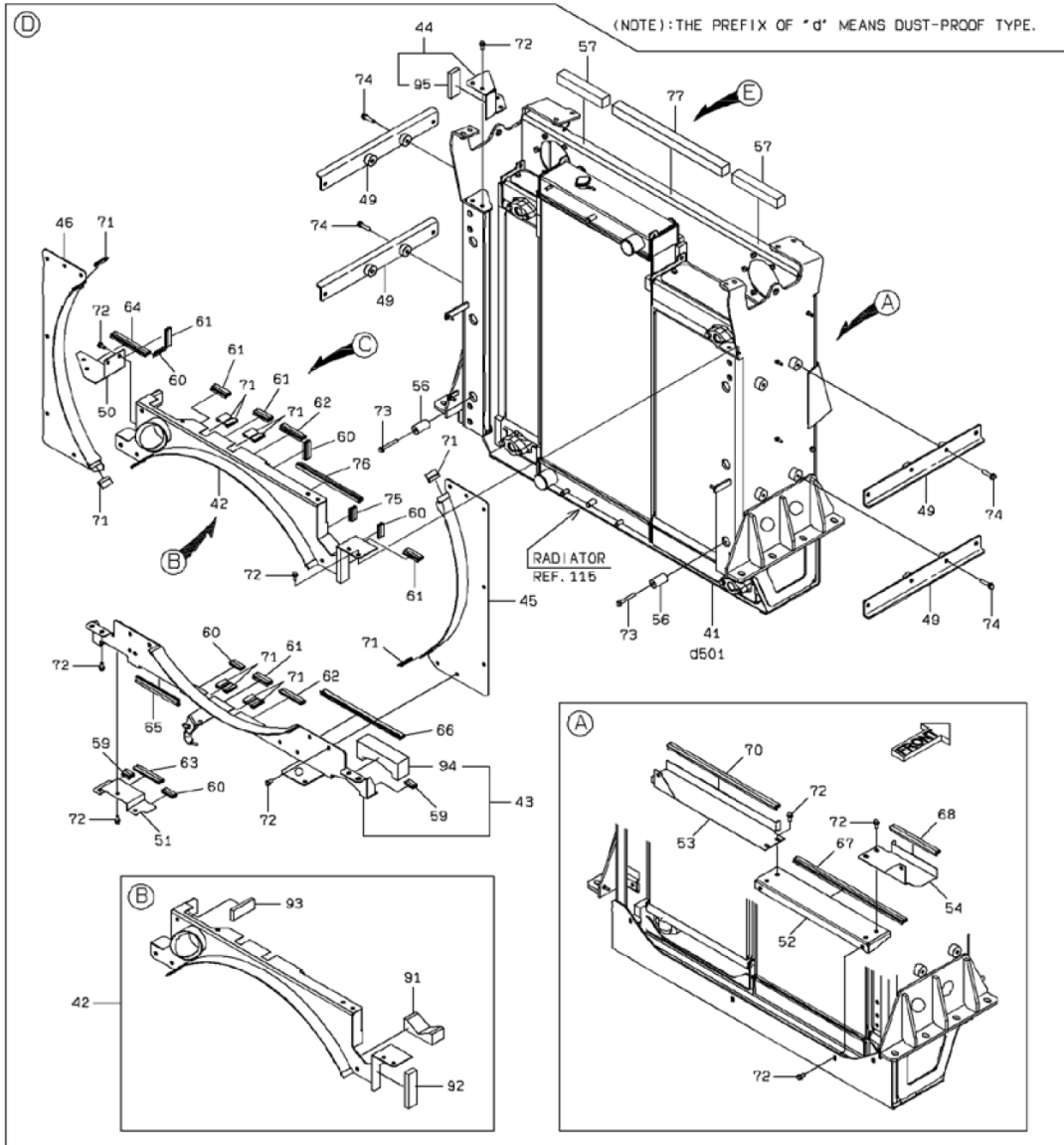
RADIATOR MOUNT



RADIATOR MOUNT

< S/N 5001 - 5198 >

(NOTE): THE PREFIX OF "d" MEANS DUST-PROOF TYPE.

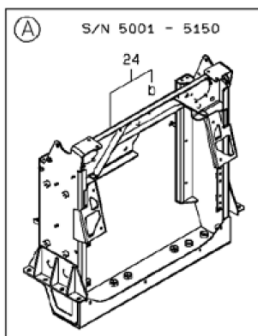
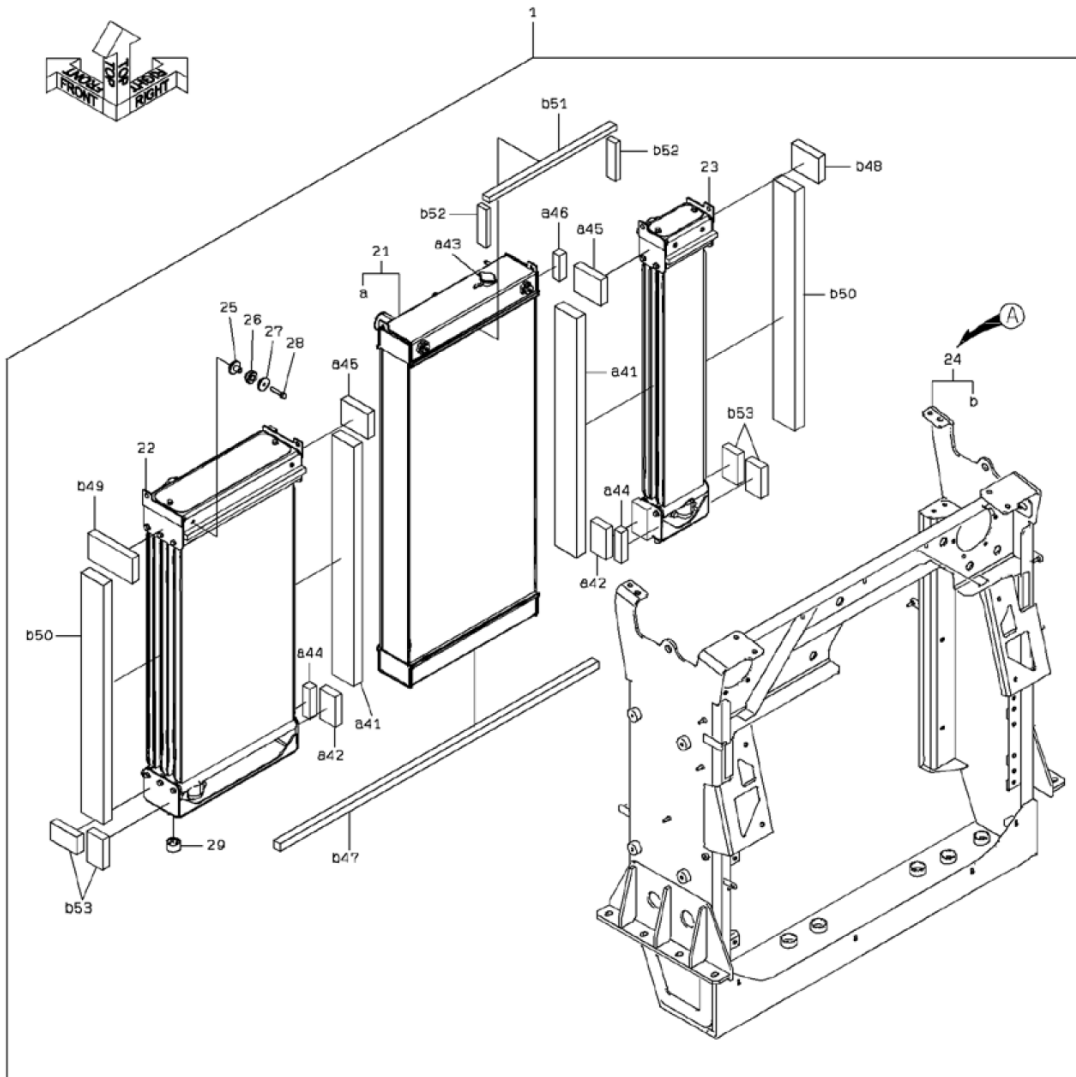


2-C

RADIATOR MOUNT

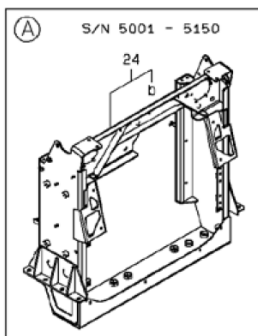
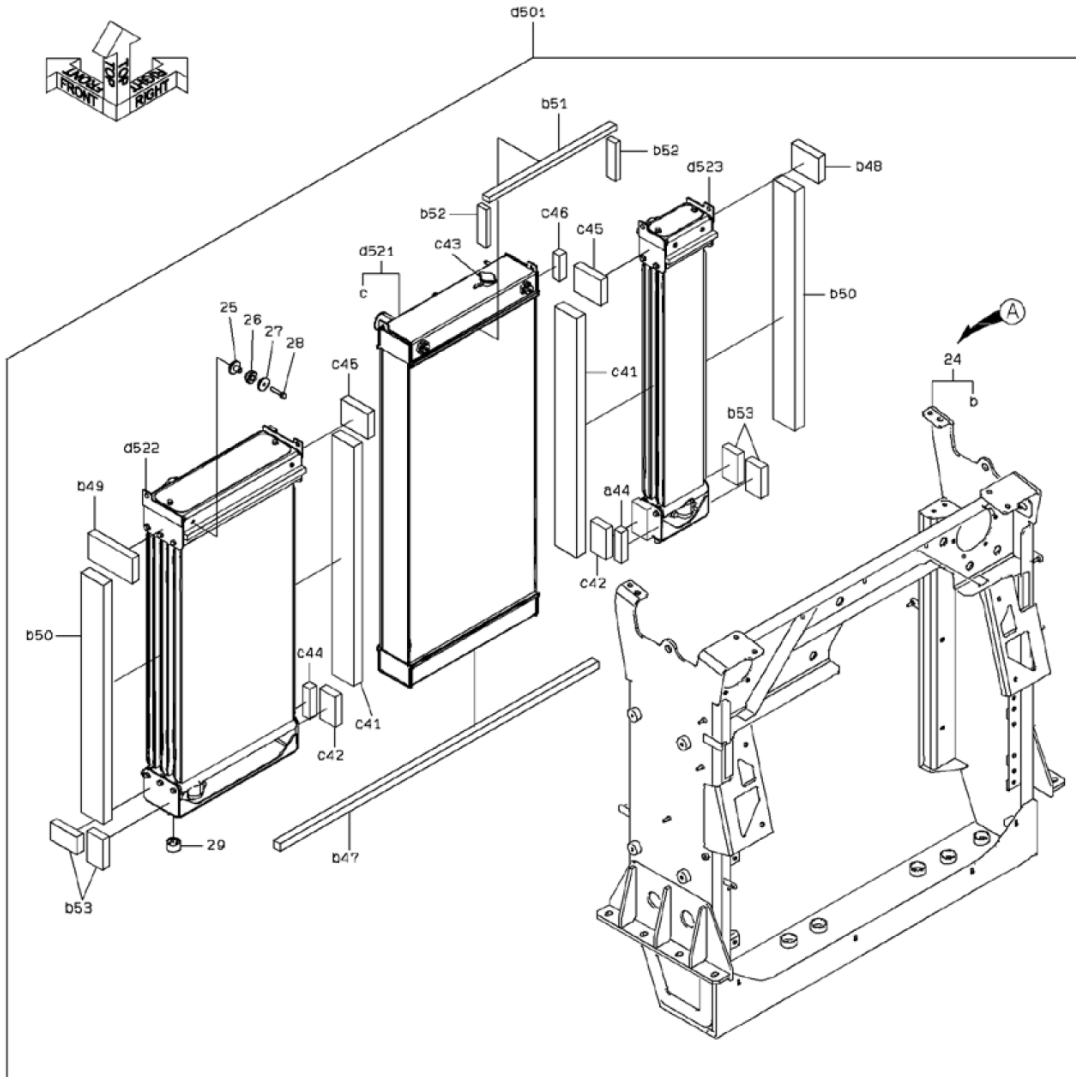
SYM-BOL	PART NUMBER	PART NAME	UNIT Q,TY	SERIAL		REMARKS								
				(A)	(B)	N	P	D	(A)	(B)	(C)	(D)	REMARKS	
22A	35700-21560	SPACER	8	5001	-									
23A	61802-16020	BOLT,FLANGED	2	5001	-									
24A	61802-16105	BOLT,FLANGED	8	5001	-									
41A	44721-64910	RADIATOR ASSY	1	5001	-	5150								
41B	44721-64950	RADIATOR ASSY	1	5151	-		B							
42A	41650-29650	PLATE ASSY	1	5001	-	5044					Y04			
42B	41650-30240	PLATE ASSY	1	5045	-	5194	C				Y04			
42C	41650-31270	PLATE ASSY	1	5195	-	5198	C				Y04			
42D	41650-31320	PLATE ASSY	1	5199	-		B				Y04			
43A	41650-29660	PLATE ASSY	1	5001	-	5198				Y02				
43B	41650-31330	PLATE ASSY	1	5199	-		B			Y02				
44A	41650-29670	PLATE ASSY	1	5001	-					Y03				
45A	41754-29030	PLATE	1	5001	-	5198								
45B	41756-24500	PLATE	1	5199	-		B						FR LH	
46A	41754-29040	PLATE	1	5001	-	5198								
46B	41756-24510	PLATE	1	5199	-		B						FR RH	
47A	41754-29720	PLATE	1	5001	-	5150								
48A	41754-29730	PLATE	1	5001	-	5150								
49A	41753-35720	PLATE	4	5001	-	5150								
49B	41719-23120	PLATE	4	5151	-		B							
50A	41715-42310	PLATE	1	5001	-									
51A	41715-42600	PLATE	1	5001	-									
52A	31206-26030	COVER	1	5001	-									
53A	31206-28600	COVER	1	5001	-									
54A	31206-28610	COVER	1	5001	-									
55A	35700-22000	SPACER	4	5001	-	5150		D						
56A	35700-22630	SPACER	6	5001	-									
57A	35681-37100	SPONGE	2	5001	-	5150								
57B	35681-42320	SPONGE	2	5151	-		B							
58A	35681-37090	SPONGE	2	5001	-	5150		D						
59A	34041-20320	STRIP, SEAL	2	5001	-								L=40	
60A	34041-26140	STRIP, SEAL	5	5001	-								L=54	
61A	34041-21550	STRIP, SEAL	6	5001	-	5044							L=75	
61B	34041-21550	STRIP, SEAL	5	5045	-								L=75	
62A	34041-25150	STRIP, SEAL	2	5001	-								L=110	
63A	34041-24590	STRIP, SEAL	1	5001	-								L=130	
64A	34041-26500	STRIP, SEAL	1	5001	-								L=180	
65A	34041-22150	STRIP, SEAL	1	5001	-								L=215	
66A	34041-23070	STRIP, SEAL	1	5001	-								L=410	
67A	34041-21140	STRIP, SEAL	1	5001	-								L=565	
68A	34041-21070	STRIP, SEAL	1	5001	-								L=235	
69A	34041-25890	STRIP, SEAL	1	5001	-	5044							L=320	
70A	34041-20250	STRIP, SEAL	1	5001	-								L=560	
71A	34041-27900	STRIP, SEAL	12	5001	-	5150							L=50	
71B	34041-27900	STRIP, SEAL	8	5151	-								L=50	
72A	61802-10020	BOLT,FLANGED	31	5001	-									
73A	61802-10080	BOLT,FLANGED	6	5001	-									
74A	61802-12045	BOLT,FLANGED	12	5001	-	5150								
74B	61802-12025	BOLT,FLANGED	8	5151	-		B							
75A	34041-27060	STRIP, SEAL	1	5045	-								L=90	
76A	34041-26480	STRIP, SEAL	1	5045	-								L=285	
77A	35681-42310	SPONGE	1	5151	-									
91A	35681-37040	SPONGE	1	5001	-						04			
92A	35681-37050	SPONGE	1	5001	-						04			
93A	35681-37060	SPONGE	1	5001	-							04		
94A	35681-37030	SPONGE	1	5001	-				02					
95A	35681-37060	SPONGE	1	5001	-					03				
96A	35681-44790	SPONGE	2	5199	-							04		
97A	35681-44790	SPONGE	2	5199	-				02					
501A	44721-65000	RADIATOR ASSY	1	5001	-	5150								OPT REF.115
501B	44721-65060	RADIATOR ASSY	1	5151	-		B							OPT REF.115

RADIATOR



RADIATOR

(NOTE): THE PREFIX OF "d" MEANS DUST-PROOF TYPE.



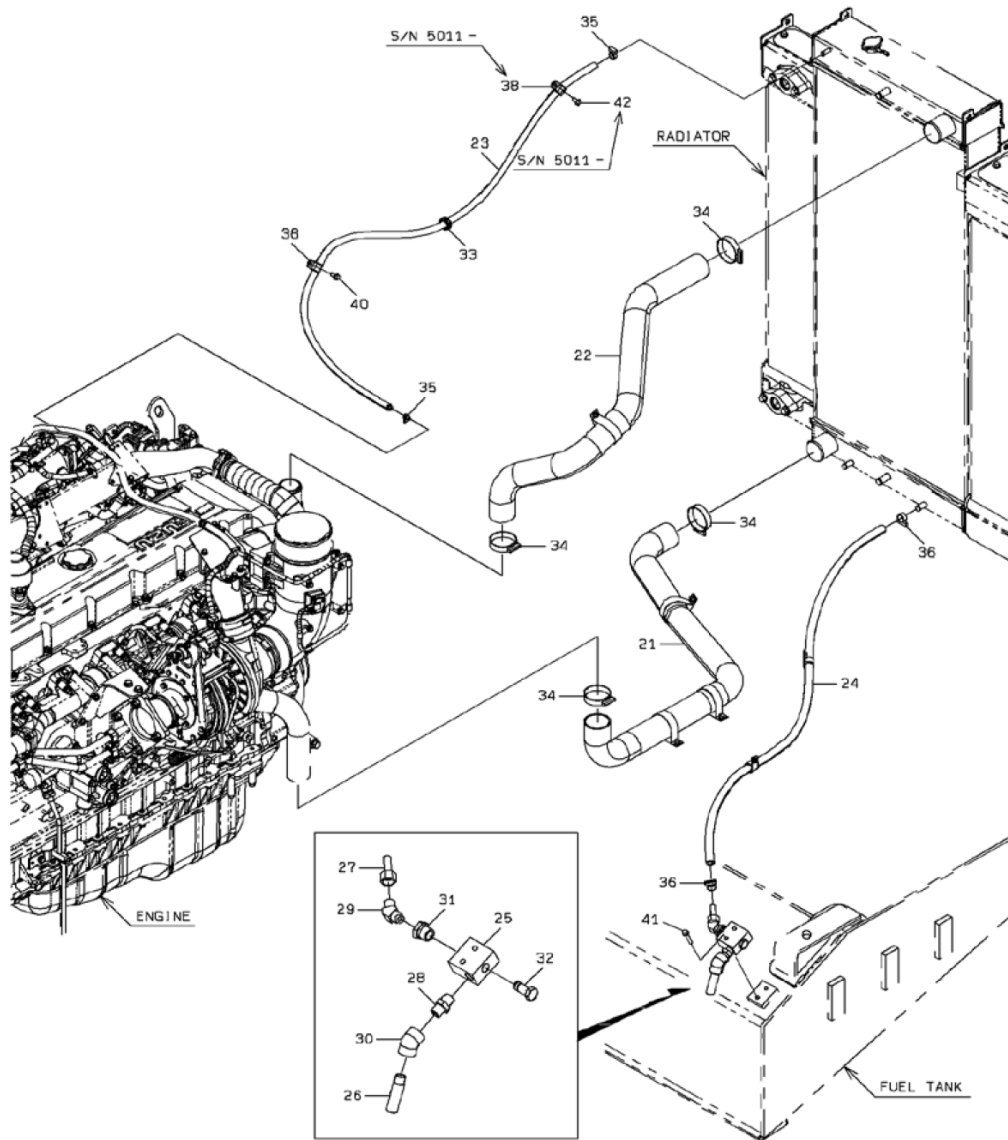
2-A

RADIATOR

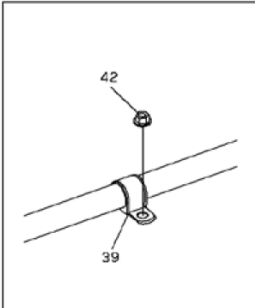
SYM-BOL	PART NUMBER	PART NAME	UNIT Q,TY	SERIAL		REMARKS								
				(A)	(B)	N	P	D	(A)	(B)	(C)	(D)	REMARKS	
1A	44721-64910	RADIATOR ASSY	1	5001	-	5150					Y01			
1B	44721-64950	RADIATOR ASSY	1	5151	-		B				Y01			
21A	44721-72250	RADIATOR ASSY	1	5001	-						01	Y02		
22A	32813-70340	COOLER ASSY,OIL	1	5001	-	5150					01			
22B	32813-70450	COOLER ASSY,OIL	1	5151	-		B				01			
23A	32813-70350	COOLER ASSY,OIL	1	5001	-						01			
24A	40604-70550	FRAME ASSY	1	5001	-	5150					01		Y03	04
24B	40604-70590	FRAME ASSY	1	5151	-		B				01		Y03	04
25A	31701-70950	COLLAR	6	5001	-						01			04
26A	48965-70080	CUSHION	6	5001	-						01			04
27A	46000-71840	WASHER	6	5001	-						01			04
28A	49620-70180	BOLT ASSY	6	5001	-						01			04
29A	48965-70060	CUSHION	6	5001	-						01			04
41A	39600-74170	PACKING	2	5001	-						05	02		
42A	39600-73100	PACKING	2	5001	-						05	02		
43A	32210-72790	CAP	1	5001	-						05	02		
44A	39600-73520	PACKING	2	5001	-						05	02		
45A	39600-74180	PACKING	2	5001	-						05	02		
46A	39600-74050	PACKING	1	5001	-						05	02		
47A	39600-74080	PACKING	1	5001	-								03	
48A	39600-74180	PACKING	1	5001	-								03	
49A	39600-74210	PACKING	1	5001	-								03	
50A	39600-74170	PACKING	2	5001	-								03	
51A	39600-74190	PACKING	1	5001	-								03	
52A	39600-74200	PACKING	2	5001	-								03	
53A	39600-73100	PACKING	4	5001	-								03	
501A	44721-65000	RADIATOR ASSY	1	5001	-	5150							Y04	OPT
501B	44721-65060	RADIATOR ASSY	1	5151	-		B						Y04	OPT
521A	44721-72320	RADIATOR ASSY	1	5001	-	5100					Y05			04
521B	44721-72380	RADIATOR ASSY	1	5101	-	5156	B				Y05			04
521C	44721-72390	RADIATOR ASSY	1	5157	-		B							04
522A	32813-70420	COOLER ASSY,OIL	1	5001	-	5150								04
522B	32813-70460	COOLER ASSY,OIL	1	5151	-	5156	B							04
522C	32813-70480	COOLER ASSY,OIL	1	5157	-		B							04
523A	32813-70430	COOLER ASSY,OIL	1	5001	-	5156								04
523B	32813-70470	COOLER ASSY,OIL	1	5157	-		B							04

MEMO

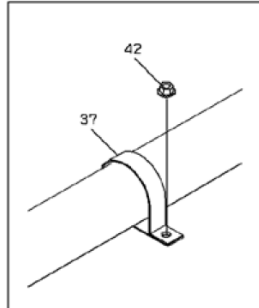
COOLING DEVICE PIPING



DETAIL OF PIPE HOLDER



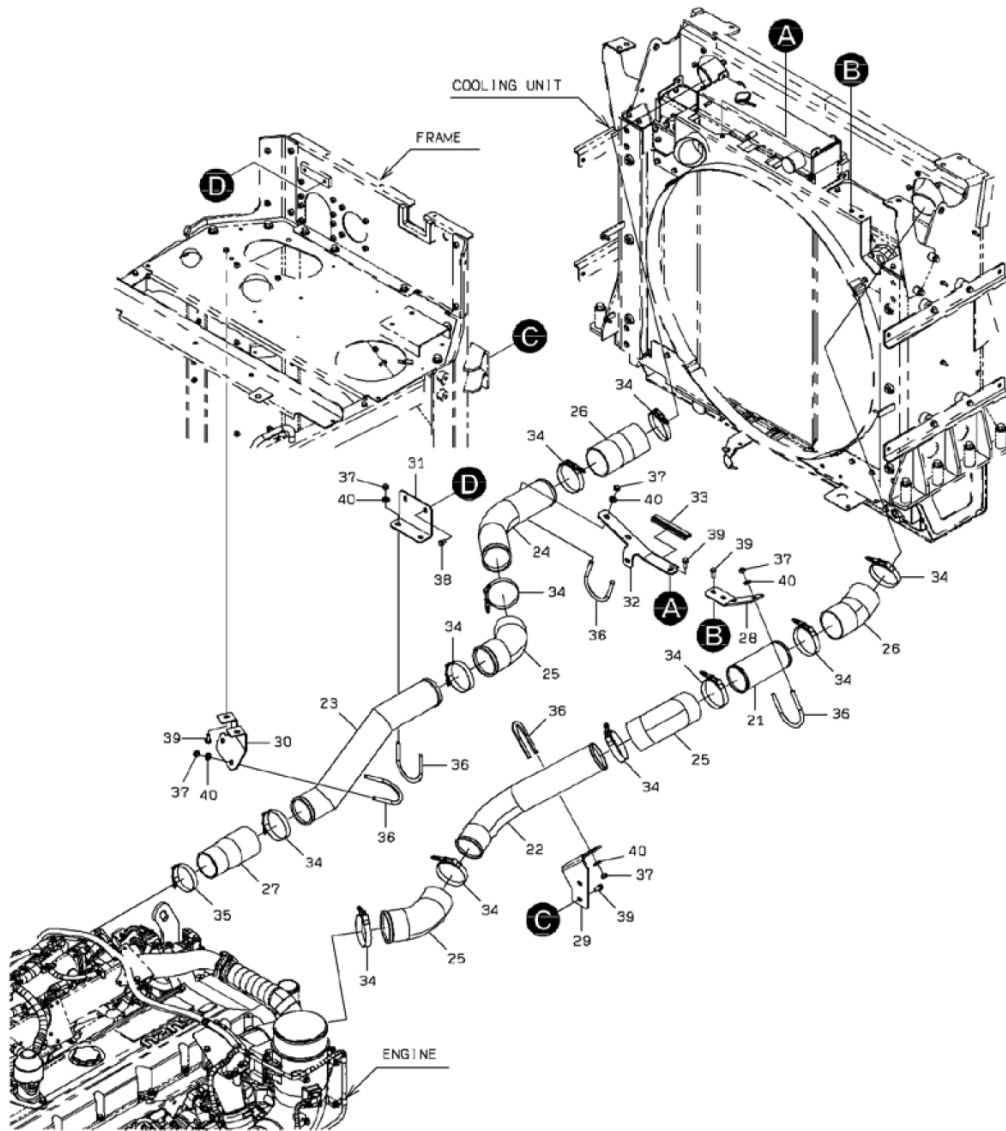
DETAIL OF HOSE HOLDER



COOLING DEVICE PIPING

SYM-BOL	PART NUMBER	PART NAME	UNIT Q, TY	SERIAL		REMARKS						
				(A)	(B)	N	P	D	(A)	(B)	(C)	(D)
21A	43110-27050	HOSE,WATER	1	5001	-							
22A	43110-27060	HOSE,WATER	1	5001	-							
23A	67040-09000	HOSE,HEAT RESISTING LP	2 M	5001	- 5010							L=1650
23B	67040-09000	HOSE,HEAT RESISTING LP	2 M	5011	-							L=1600
24A	67040-12000	HOSE,HEAT RESISTING LP	2 M	5001	-							L=1450
25A	41410-32030	BLOCK	1	5001	-							
26A	37715-22640	NIPPLE,HOSE	1	5001	-							
27A	88511-03080	NIPPLE,HOSE	1	5001	-							
28A	88300-12108	FITTING,NIPPLE	1	5001	-							
29A	88241-03608	ADAPTER,ELBOW	1	5001	-							
30A	88340-12708	FITTING,ELBOW	1	5001	-							
31A	88372-51208	FITTING,BUSHING	1	5001	-							
32A	41530-20530	PLUG	1	5001	-							
33A	65801-20060	BUSHING,ELASTIC	1	5001	-							
34A	69030-07900	BAND,HOSE-HIGH TORQUE	4	5001	-							
35A	69002-02200-7	BAND,HOSE	2	5001	-							
36A	69002-02300-7	BAND,HOSE	2	5001	-							
37A	72010-73000	HOLDER,HOSE	4	5001	-							D=73
38A	43573-20290	HOLDER,PIPE	1	5001	- 5010							D=16
38B	43573-20290	HOLDER,PIPE	2	5011	- 5168							D=16
38C	43573-20300	HOLDER,PIPE	2	5169	-							D=18
39A	43573-20460	HOLDER,PIPE	2	5001	-							D=22
40A	61802-08016-7	BOLT,FLANGED	1	5001	-							
41A	61802-08045	BOLT,FLANGED	2	5001	-							
42A	62480-21081	NUT,FLANGED	6	5001	- 5010							
42B	62480-21081	NUT,FLANGED	7	5011	-							

COOLING DEVICE PIPING

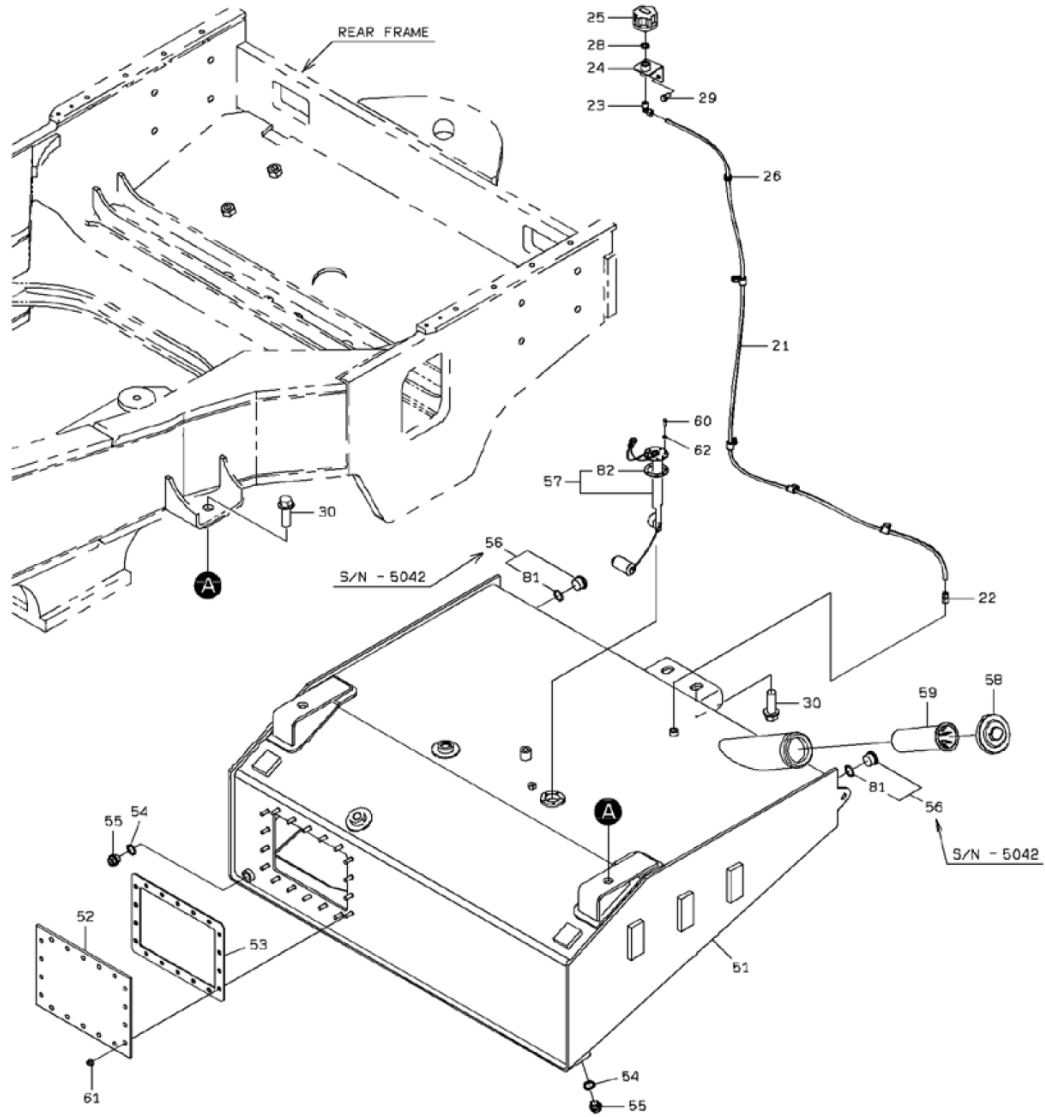


1-A

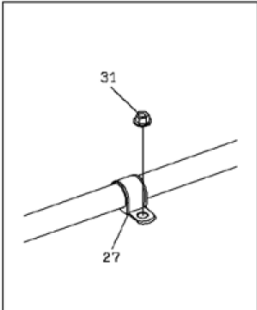
COOLING DEVICE PIPING

SYM-BOL	PART NUMBER	PART NAME	UNIT Q,TY	SERIAL		REMARKS						
				(A)	(B)	N	P	D	(A)	(B)	(C)	(D)
21A	38753-25850	PIPE,AIR	1	5001	-							
22A	38753-25980	PIPE,AIR	1	5001	-	5010						
22B	38753-26100	PIPE,AIR	1	5011	-		B					
23A	38753-25990	PIPE,AIR	1	5001	-							
24A	38753-26000	PIPE,AIR	1	5001	-	5010						
24B	38753-26090	PIPE,AIR	1	5011	-		C					
25A	43111-24990	HOSE,AIR	3	5001	-							
26A	43111-25020	HOSE,AIR	2	5001	-							
27A	43111-25510	HOSE,AIR	1	5001	-							
28A	41716-52190	PLATE	1	5001	-							
29A	41716-52200	PLATE	1	5001	-	5010						
29B	41717-39760	PLATE	1	5011	-		B					
30A	41716-52210	PLATE	1	5001	-							
31A	41716-52220	PLATE	1	5001	-							
32A	41754-27940	PLATE	1	5001	-	5010						
32B	41754-41130	PLATE	1	5011	-		C					
33A	34041-21590	STRIP, SEAL	1	5001	-							
34A	38677-70710-7	BAND,HOSE	11	5001	-							
35A	38677-70770	BAND,HOSE	1	5001	-							
36A	43962-21470	BOLT,U	5	5001	-							
37A	88031-06121	NUT,SELF-LOCKING	10	5001	-							
38A	61802-10016	BOLT,FLANGED	2	5001	-							
39A	61802-10025	BOLT,FLANGED	8	5001	-							
40A	62710-18121	WASHER,PLANE	10	5001	-							

FUEL TANK GROUP



DETAIL OF PIPE HOLDER



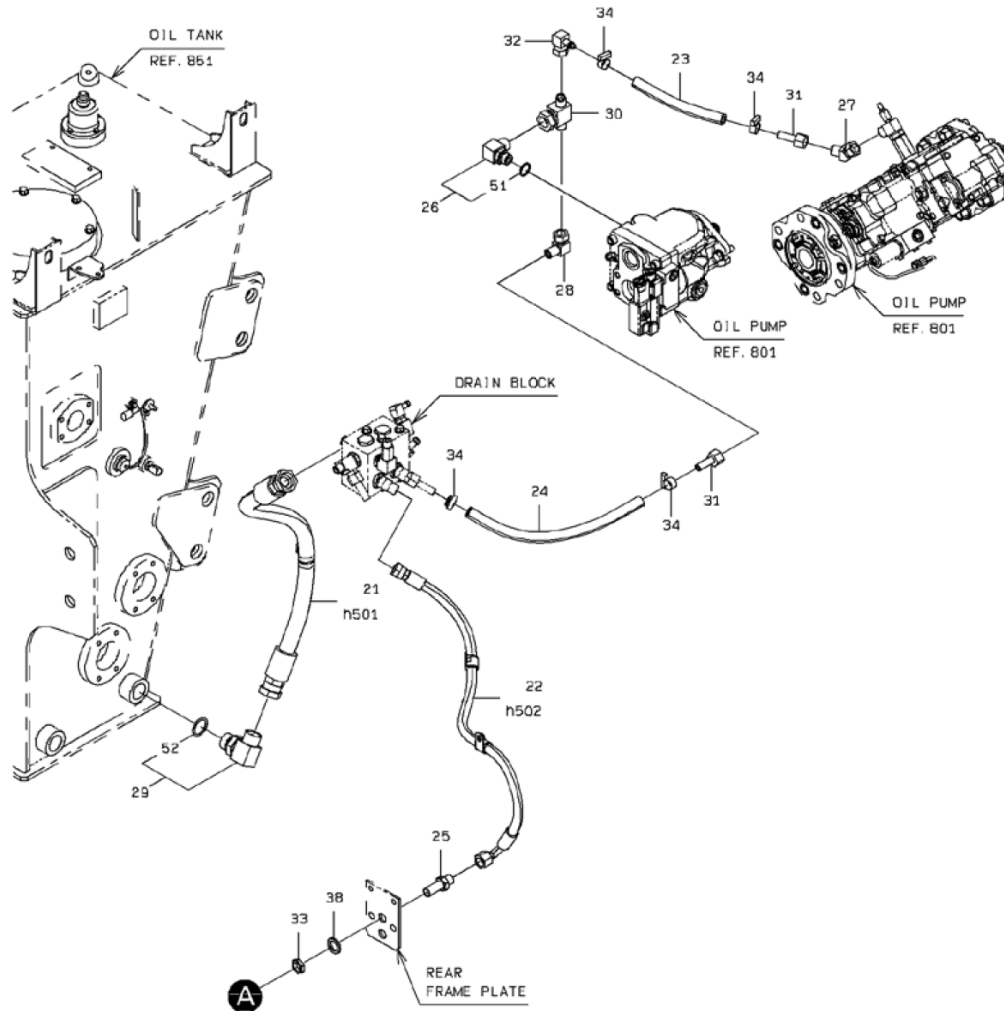
1-B

FUEL TANK GROUP

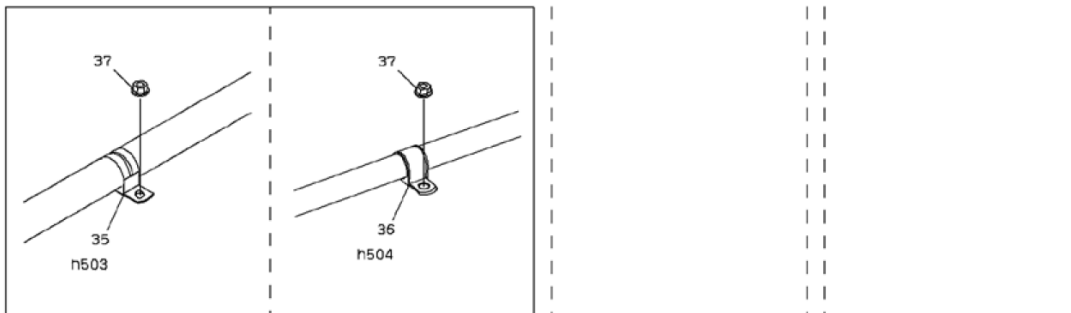
SYM-BOL	PART NUMBER	PART NAME	UNIT Q,TY	SERIAL		REMARKS						
				(A)	(B)	N	P	D	(A)	(B)	(C)	(D)
21A	67001-60000	TUBE,NYLON	3 M	5001	-							L=2150
22A	69021-10606	TUBE FITTING	1	5001	-							
23A	69022-10606	TUBE FITTING,ELBOW	1	5001	-							
24A	38901-21270	FITTING,SOCKET	1	5001	-							
25A	41101-60040	BREATHER ASSY	1	5001	-							
26A	65801-10060	BUSHING,ELASTIC	1	5001	-							
27A	43573-20340	HOLDER,PIPE	4	5001	-							D=10
28A	88111-11890	WASHER,SEAL	1	5001	-							
29A	61802-10020	BOLT,FLANGED	2	5001	-							
30A	61802-24070	BOLT,FLANGED	4	5001	-							
31A	62480-21081	NUT,FLANGED	4	5001	-							
51A	36233-25260	TANK,FUEL	1	5001	- 5166							
51B	36233-25640	TANK,FUEL	1	5167	-							
52A	41611-22180	PLATE	1	5001	-							
53A	31990-28640	GASKET	1	5001	-							
54A	88111-12490	WASHER,SEAL	2	5001	-							
55A	41535-20130	PLUG,MAGNET	2	5001	-							
56A	88390-21516	PLUG	2	5001	- 5035							
56B	88390-21316	PLUG	2	5036	- 5042							
57A	35828-60470	SENSOR,FUEL LEVEL	1	5001	-							
58A	40314-60120	FILLER ASSY,FUEL	1	5001	-							
59A	40330-60400	FILTER	1	5001	-							
60A	61033-05012	BOLT	5	5001	-							
61A	62480-21101-7	NUT,FLANGED	18	5001	-							
62A	62721-05100	WASHER,SPRING	5	5001	-							
81A	65210-12029	RING,O	1	5001	- 5042							
82A	31990-72300	GASKET	1	5001	-							

DRAIN LINE (RETURN LINES TO THE HYDRAULIC LINE)

(NOTE): THE PREFIX OF "h" MEANS HEAT RESISTING TYPE.



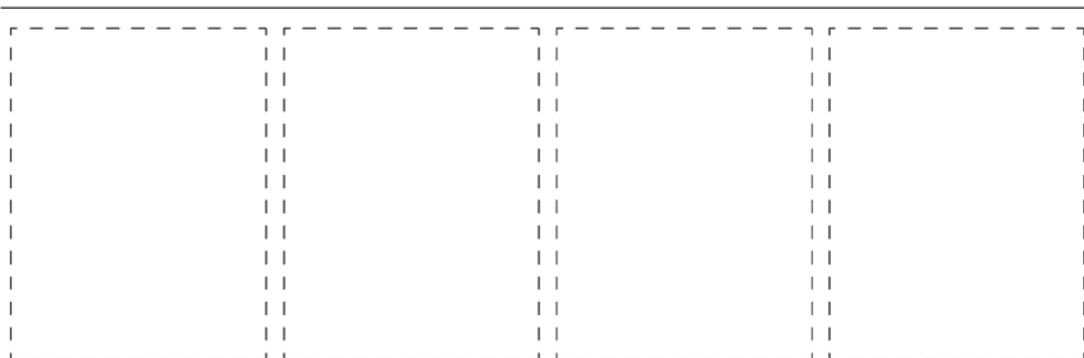
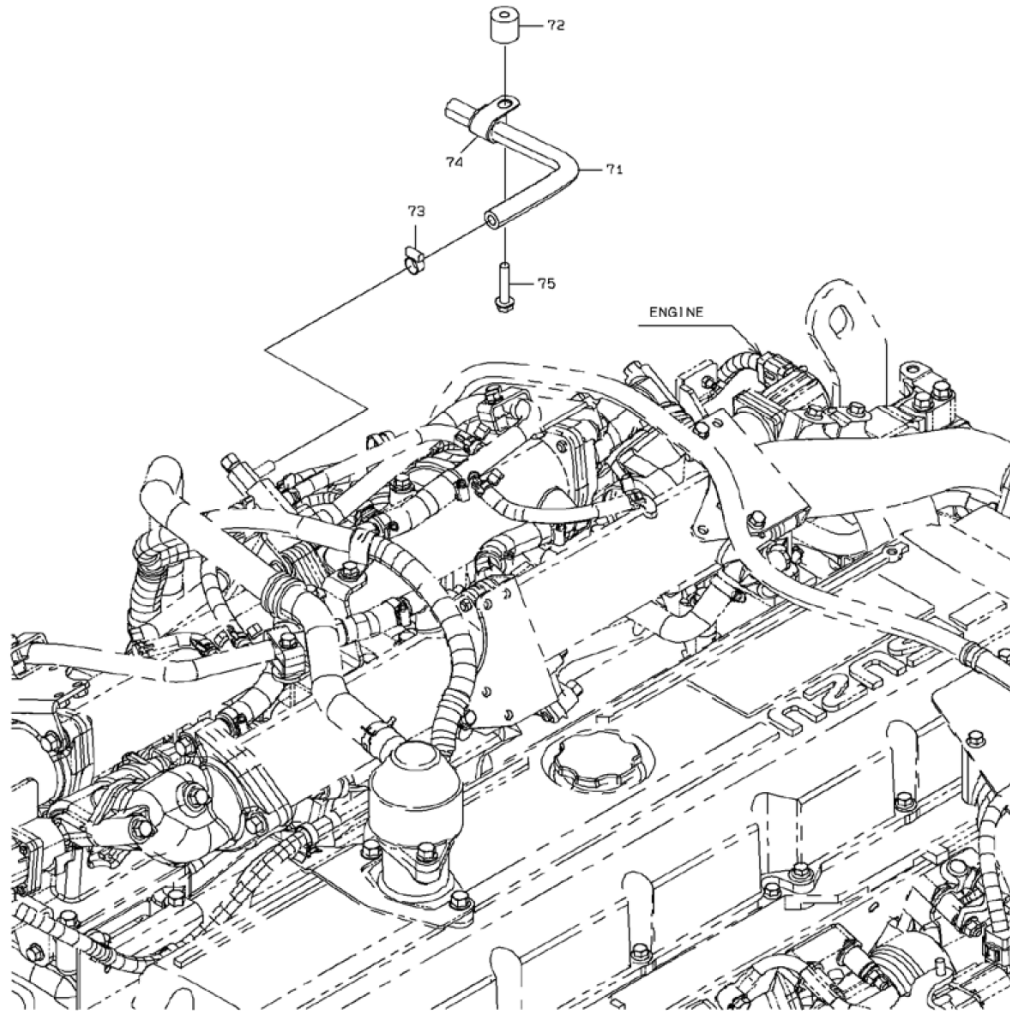
DETAIL OF PIPE HOLDER



1-8

DRAIN LINE (RETURN LINES TO THE HYDRAULIC LINE)

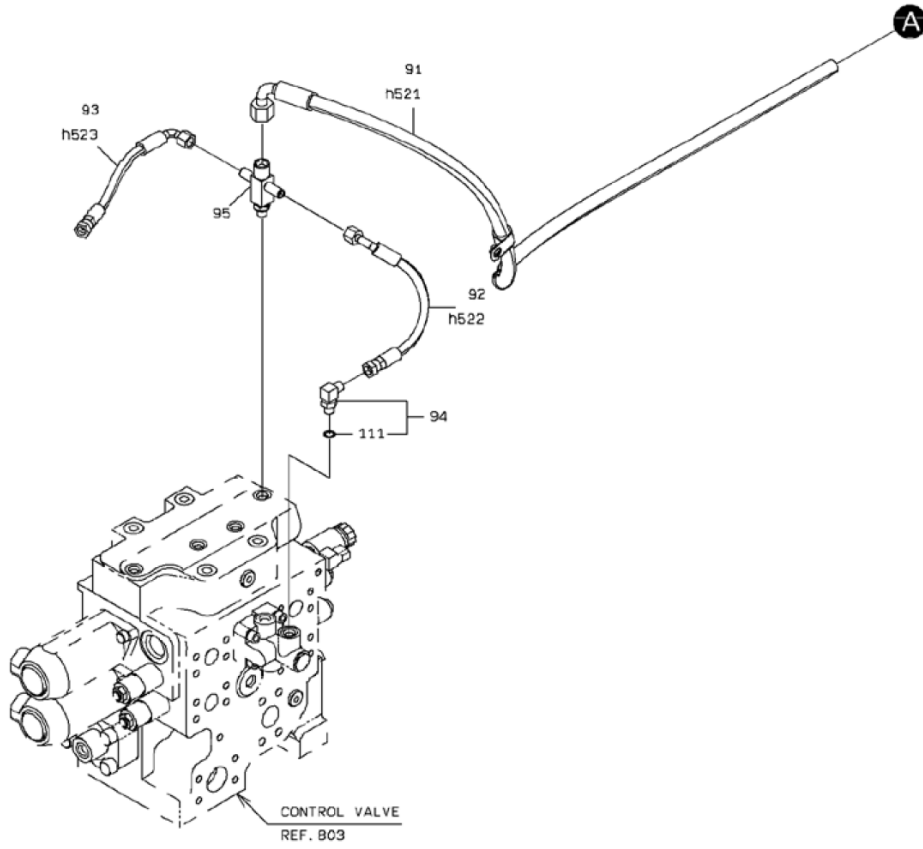
< S/N 5001 - 5153, 5169-)



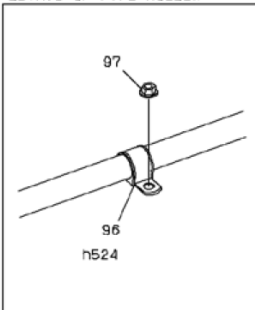
2-A

DRAIN LINE (RETURN LINES TO THE HYDRAULIC LINE)

(NOTE): THE PREFIX OF "h" MEANS HEAT RESISTING TYPE.



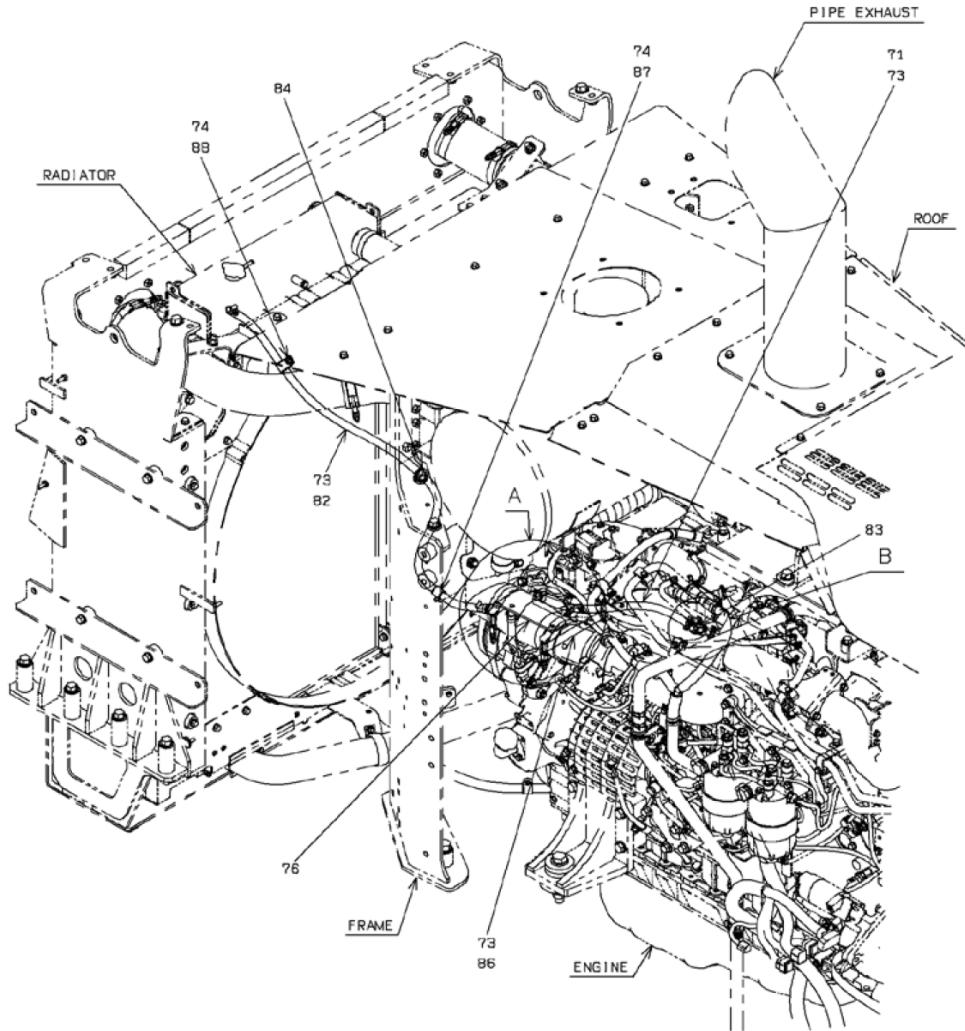
DETAIL OF PIPE HOLDER



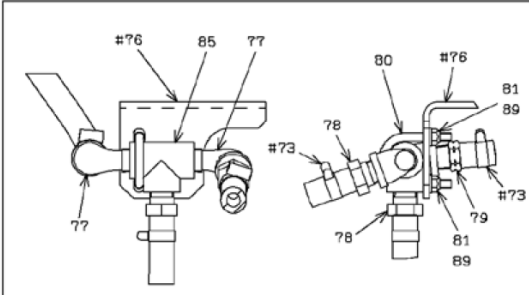
3-8

DRAIN LINE (RETURN LINES TO THE HYDRAULIC LINE)

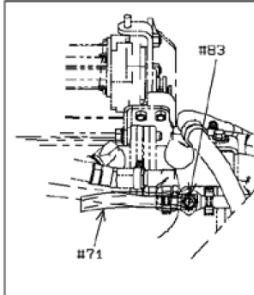
< S/N 5153 - 5168 >



"A" 部詳細
DETAIL OF "A"



"B" 部詳細
DETAIL OF "B"



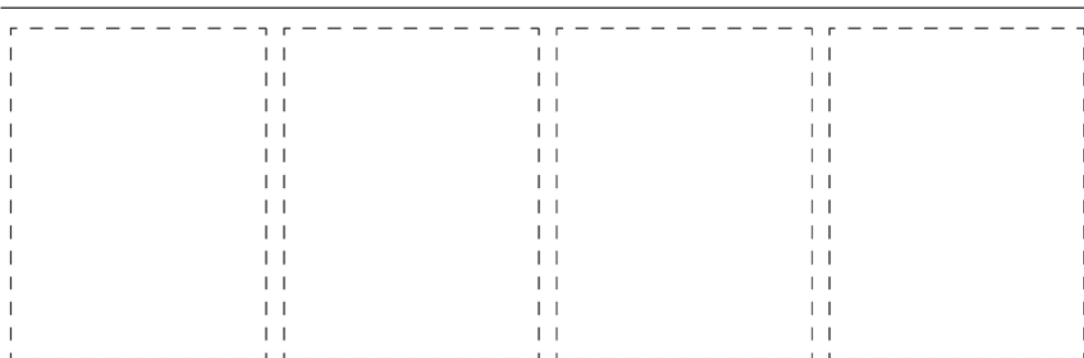
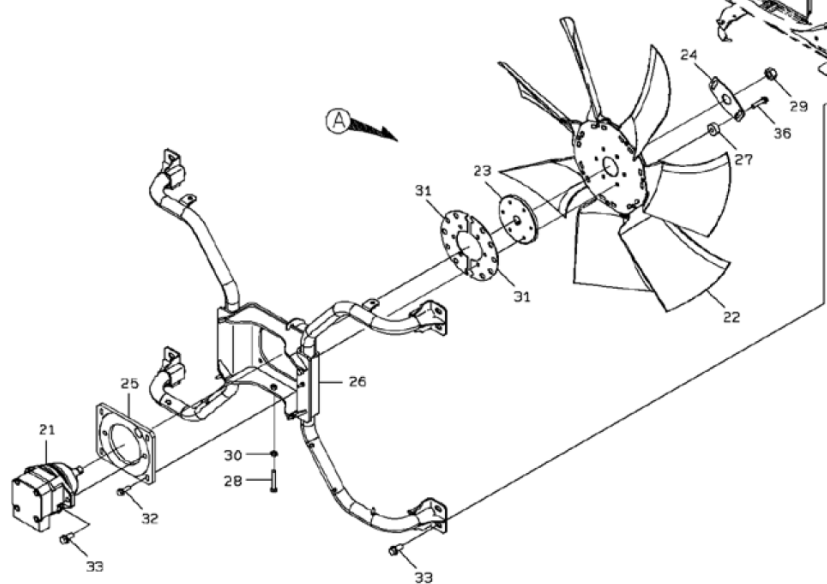
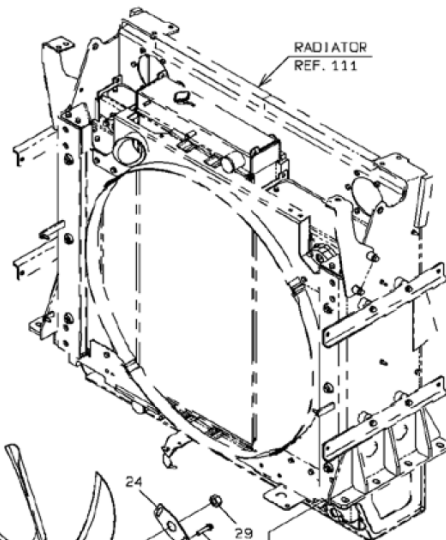
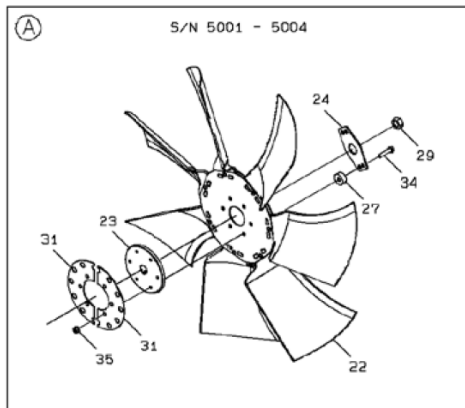
4-A

DRAIN LINE (RETURN LINES TO THE HYDRAULIC LINE)

SYM-BOL	PART NUMBER	PART NAME	UNIT Q,TY	SERIAL		REMARKS							
				(A)	(B)	N	P	D	(A)	(B)	(C)	(D)	REMARKS
21A	68255-60084-7	HOSE,HIGH PRESSURE	1	5001	-								
22A	68035-30085-7	HOSE,HIGH PRESSURE	1	5001	-								
23A	67040-12000	HOSE,HEAT RESISTING LP	1 M	5001	-								L=220
24A	67040-12000	HOSE,HEAT RESISTING LP	1 M	5001	-								L=400
25A	30230-22020	ADAPTER	1	5001	-								
26A	30241-60030	ADAPTER,ELBOW	1	5001	-					Y01			
27A	30242-20650	ADAPTER,ELBOW UNION	1	5001	-								
28A	30242-20220	ADAPTER,ELBOW UNION	1	5001	-								
29A	30246-24270	ADAPTER,TEE	1	5001	-					Y02			
30A	30246-20050	ADAPTER,TEE	1	5001	-								
31A	88511-03080	NIPPLE,HOSE	2	5001	-								
32A	37715-21000	NIPPLE,HOSE	1	5001	-								
33A	37600-20670	NUT	1	5001	-								
34A	69002-02300-7	BAND,HOSE	4	5001	-								
35A	87020-31000	HOLDER,PIPE	1	5001	-								D=31
36A	43573-20360	HOLDER,PIPE	2	5001	-								D=20
37A	62480-21081	NUT,FLANGED	3	5001	-								
38A	62701-40201	WASHER,PLANE	1	5001	-								
51A	65231-00141	RING,O	1	5001	-					01			
52A	65210-12029	RING,O	1	5001	-						02		
71A	67040-09000	HOSE,HEAT RESISTING LP	1 M	5001	-								L=370
72A	35700-21180	SPACER	1	5001	-								
73A	69002-02200-7	BAND,HOSE	1	5001	-	5152							
73B	69002-02200-7	BAND,HOSE	6	5153	-	5168							
73C	69002-02200-7	BAND,HOSE	1	5169	-								
74A	43573-20300	HOLDER,PIPE	1	5001	-	5152							D=18
74B	43573-20300	HOLDER,PIPE	2	5153	-	5168							D=18
74C	43573-20300	HOLDER,PIPE	1	5169	-								D=18
75A	61802-08040	BOLT,FLANGED	1	5001	-								
76A	41719-54240	PLATE	1	5153	-	5168				D			
77A	69205-03000	FITTING,ELBOW	2	5153	-	5168				D			
78A	88511-01060	NIPPLE,HOSE	2	5153	-	5168				D			
79A	37715-24990	NIPPLE,HOSE	1	5153	-	5168				D			
80A	61720-10634	BOLT,U	1	5153	-	5168				D			
81A	88031-06061	NUT,SELF-LOCKING	2	5153	-	5168				D			
82A	67040-09000	HOSE,HEAT RESISTING LP	2 M	5153	-	5168							L=1250
83A	37715-20790	NIPPLE,HOSE	1	5153	-	5168							
84A	65801-20060	BUSHING,ELASTIC	1	5153	-	5168				D			
85A	69207-03000	FITTING,TEE	1	5153	-	5168				D			
86A	67040-09000	HOSE,HEAT RESISTING LP	1 M	5153	-	5168							L=530
87A	61802-08016-7	BOLT,FLANGED	1	5153	-	5168				D			
88A	62480-21081	NUT,FLANGED	1	5153	-	5168				D			
89A	62701-40061	WASHER,PLANE	2	5153	-	5168				D			
91A	68035-30163-7	HOSE,HIGH PRESSURE	1	5001	-								
92A	68045-10030-7	HOSE,HIGH PRESSURE	1	5001	-								
93A	68035-10025	HOSE,HIGH PRESSURE	1	5001	-								
94A	88241-07104	ADAPTER,ELBOW	1	5001	-						Y03		
95A	38905-20560	FITTING,CROSS	1	5001	-								
96A	43573-20360	HOLDER,PIPE	2	5001	-								D=20
97A	62480-21081	NUT,FLANGED	2	5001	-								
111A	65210-12011	RING,O	1	5001	-						03		
501A	43103-26290	HOSE,HIGH PRESSURE	1	5001	-								OPT
502A	43103-26300	HOSE,HIGH PRESSURE	1	5001	-								OPT
503A	87020-37000	HOLDER,PIPE	1	5001	-								OPT D=37
504A	43573-20520	HOLDER,PIPE	2	5001	-								OPT D=24
521A	43103-26310	HOSE,HIGH PRESSURE	1	5001	-								OPT
522A	43103-26320	HOSE,HIGH PRESSURE	1	5001	-								OPT
523A	43103-26330	HOSE,HIGH PRESSURE	1	5001	-								OPT
524A	43573-20520	HOLDER,PIPE	2	5001	-								OPT D=24

MEMO

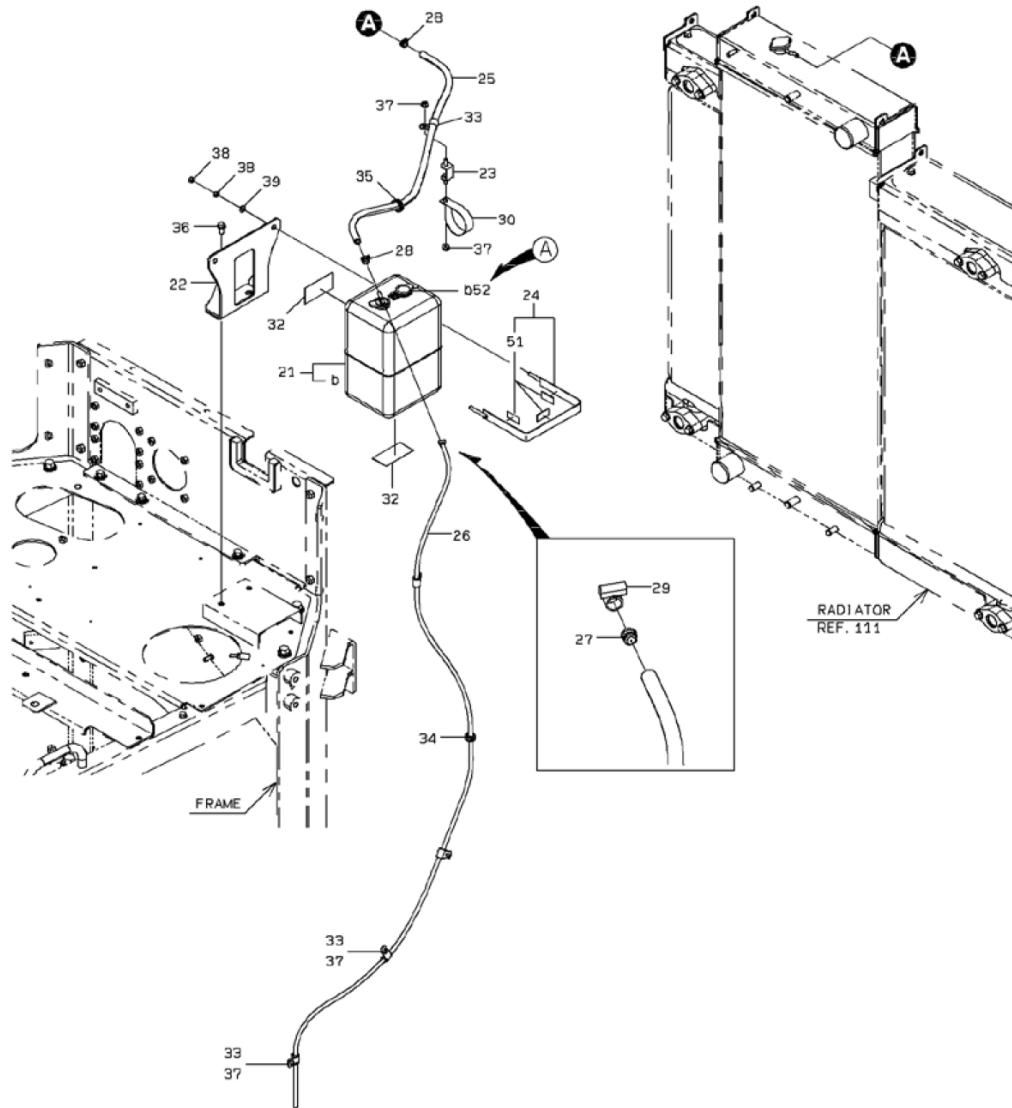
COOLING FAN MOUNT



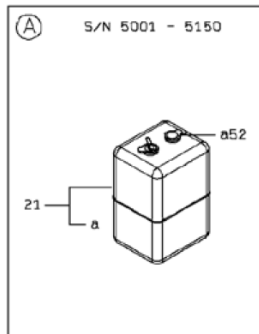
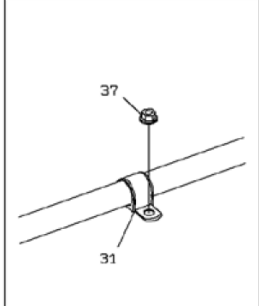
COOLING FAN MOUNT

SYM-BOL	PART NUMBER	PART NAME	UNIT Q,TY	SERIAL (A) - (B)	REMARKS						
					N	P	D	(A)	(B)	(C)	(D)
21A	48976-61370	MOTOR,OIL	1	5001 -							
22A	40200-60140	FAN	1	5001 - 5198							
22B	40200-60190	FAN	1	5199 -			C				
23A	40510-26440	FLANGE	1	5001 -							
24A	41714-47290	PLATE	1	5001 - 5060							
24B	41718-37940	PLATE	1	5061 -			C				
25A	41716-54670	PLATE	1	5001 -							
26A	40903-28020	BRACKET	1	5001 - 5010							
26B	40903-29200	BRACKET	1	5011 -			C				
27A	35750-25450	SLEEVE	6	5001 -							
28A	43900-20110	BOLT	1	5001 -							
29A	37600-26100	NUT	1	5001 -							
30A	62401-81121	NUT	1	5001 -							
31A	41716-43980	PLATE	2	5001 - 5004							
31B	41717-31460	PLATE	2	5005 -			C				
32A	61802-12040	BOLT,FLANGED	4	5001 - 5004							
32B	61802-12040	BOLT,FLANGED	10	5005 -							
33A	61802-16035	BOLT,FLANGED	10	5001 -							
34A	61802-12055	BOLT,FLANGED	6	5001 - 5004			D				
35A	62480-21121	NUT,FLANGED	6	5001 - 5004			D				
36A	61802-08012	BOLT,FLANGED	6	5005 -							

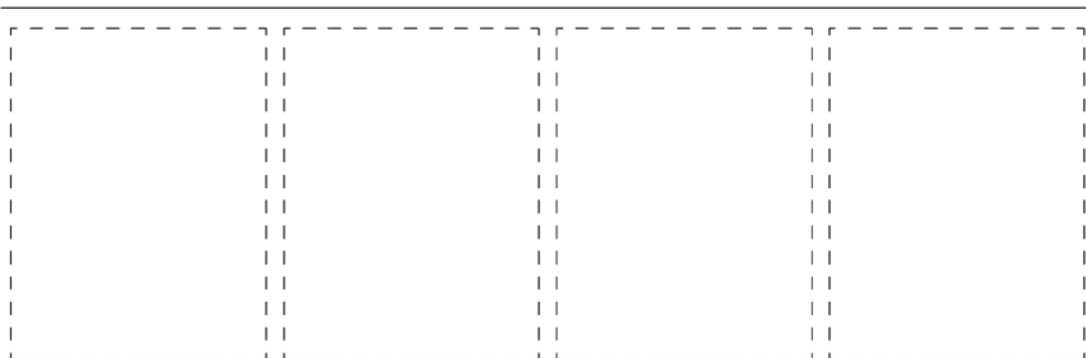
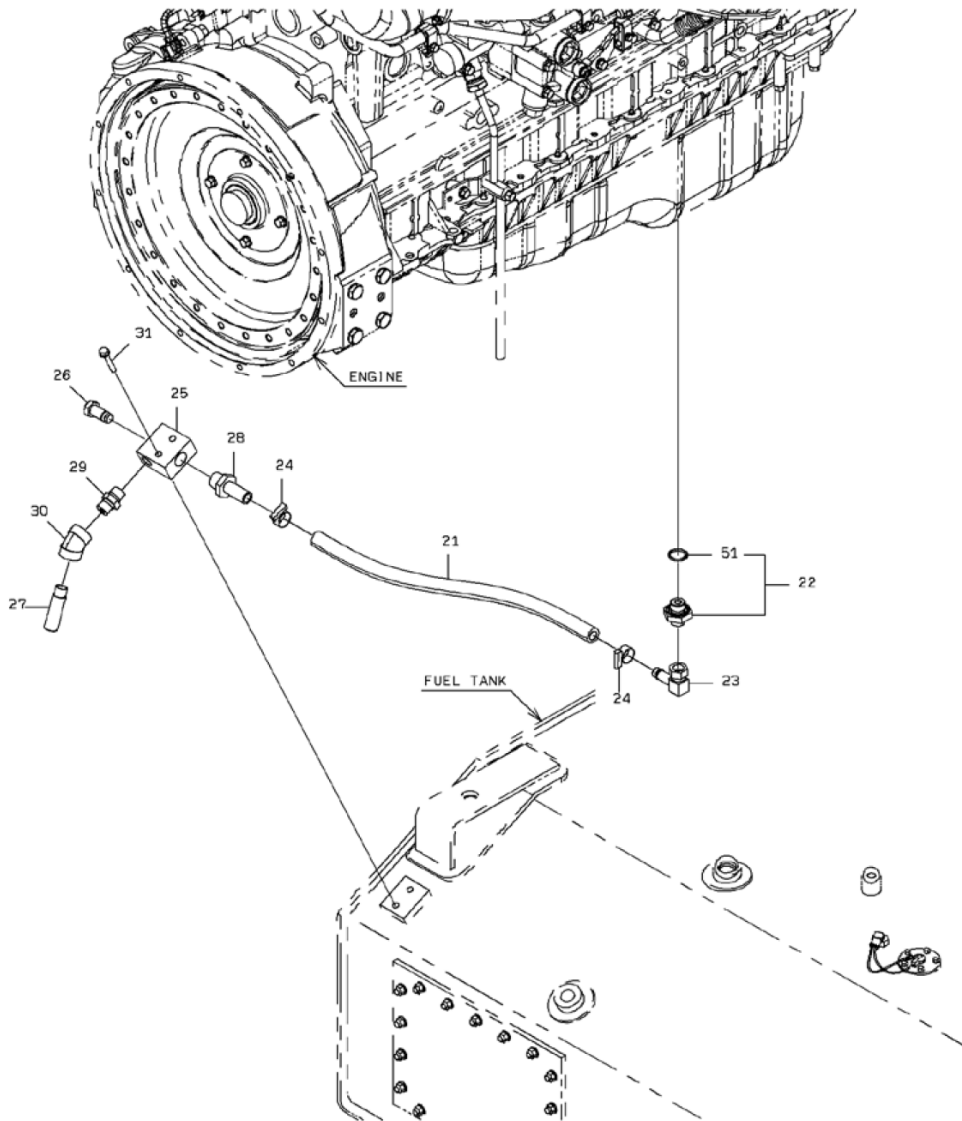
COOLANT SUB TANK GROUP



DETAIL OF PIPE HOLDER



DRAIN LINE (OIL)



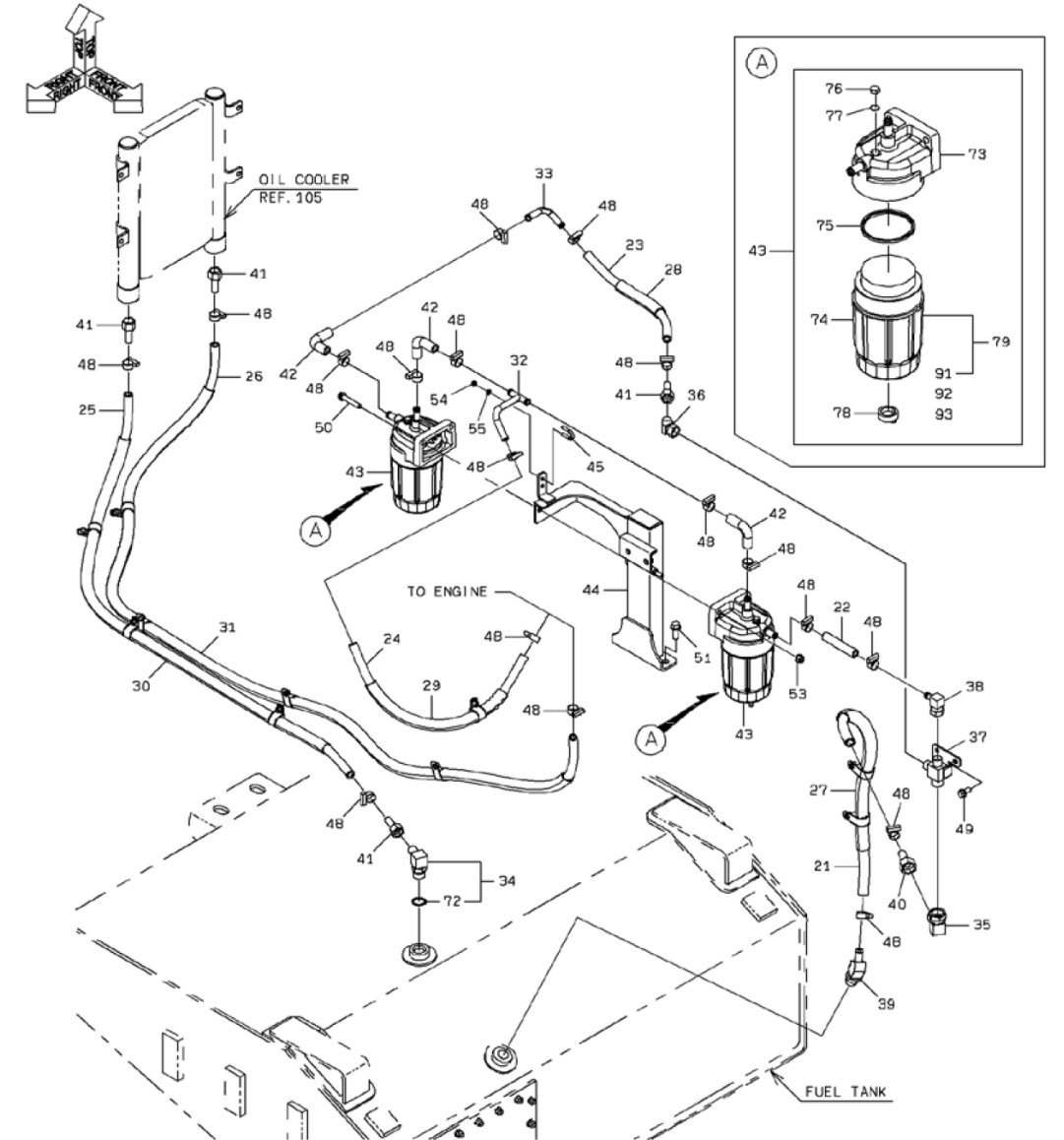
1-A

DRAIN LINE (OIL)

SYM-BOL	PART NUMBER	PART NAME	UNIT Q,TY	SERIAL (A) - (B)	REMARKS				REMARKS
					N	P	D	(A) (B) (C) (D)	
21A	67040-15000	HOSE,HEAT RESISTING LP	1 M	5001 -					L=570
22A	30230-30590	ADAPTER	1	5001 -			Y01		
23A	30242-20110	ADAPTER,ELBOW UNION	1	5001 -					
24A	69002-02700-7	BAND,HOSE	2	5001 -					
25A	41410-32030	BLOCK	1	5001 -					
26A	41530-20530	PLUG	1	5001 -					
27A	37715-22640	NIPPLE,HOSE	1	5001 -					
28A	88511-01120	NIPPLE,HOSE	1	5001 -					
29A	88300-12108	FITTING,NIPPLE	1	5001 -					
30A	88340-12708	FITTING,ELBOW	1	5001 -					
31A	61802-08050	BOLT,FLANGED	2	5001 -					
51A	65210-12024	RING,O	1	5001 -			01		

FUEL PIPING

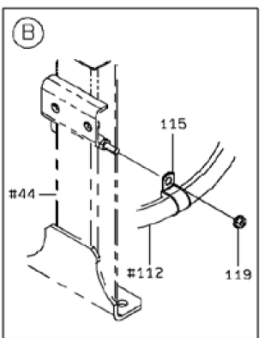
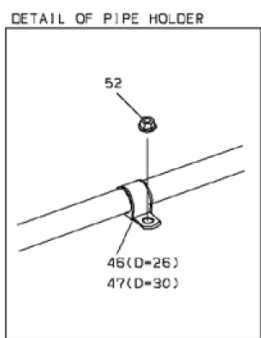
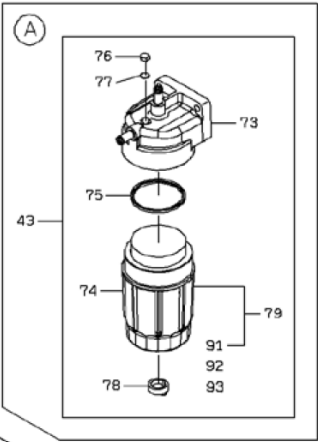
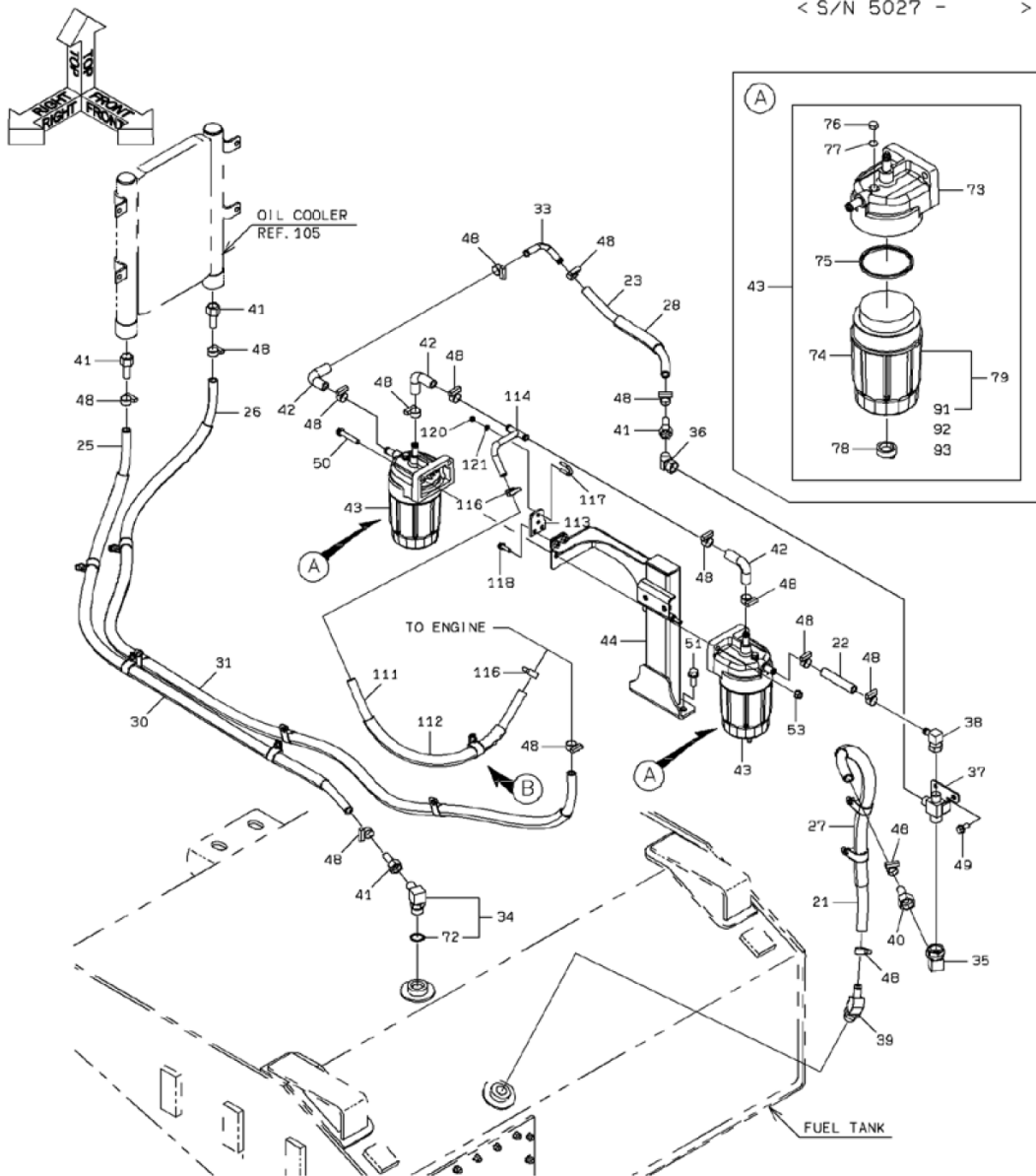
< S/N 5001 - 5026 >



1-8

FUEL PIPING

< S/N 5027 - >



2-A

FUEL PIPING

SYM-BOL	PART NUMBER	PART NAME	UNIT Q,TY	SERIAL		REMARKS								
				(A)	(B)	N	P	D	(A)	(B)	(C)	(D)	REMARKS	
21A	43100-22040	HOSE	1	5001	-									
22A	43100-22050	HOSE	1	5001	-									
23A	43100-22060	HOSE	1	5001	-									
24A	43100-22070	HOSE	1	5001	-	5026			D					
25A	43100-22080	HOSE	1	5001	-									
26A	43100-22090	HOSE	1	5001	-									
27A	36724-20480	TUBE,CONDUIT	1	5001	-									
28A	36724-20470	TUBE,CONDUIT	1	5001	-	5010								
28B	36724-20460	TUBE,CONDUIT	1	5011	-				C					
29A	36724-20360	TUBE,CONDUIT	1	5001	-	5010								
29B	36724-20490	TUBE,CONDUIT	1	5011	-	5026			C	D				
30A	36724-20510	TUBE,CONDUIT	1	5001	-									
31A	36724-20520	TUBE,CONDUIT	1	5001	-									
32A	38731-54410	PIPE	1	5001	-	5026			D					
33A	38731-58290	PIPE	1	5001	-									
34A	30241-23660	ADAPTER,ELBOW	1	5001	-					Y01				
35A	30242-20020	ADAPTER,ELBOW UNION	1	5001	-									
36A	30242-20650	ADAPTER,ELBOW UNION	1	5001	-									
37A	30246-26180	ADAPTER,TEE	1	5001	-									
38A	37715-21000	NIPPLE,HOSE	1	5001	-									
39A	37715-23880	NIPPLE,HOSE	1	5001	-									
40A	88511-03120	NIPPLE,HOSE	1	5001	-									
41A	88511-03080	NIPPLE,HOSE	4	5001	-									
42A	30960-20350	ELBOW	3	5001	-	5032								
42B	30960-20360	ELBOW	3	5033	-				C					
43A	40336-60060	FILTER ASSY,FUEL	2	5001	-					Y02				
44A	40903-26970	BRACKET	1	5001	-	5026								
44B	40903-28990	BRACKET	1	5027	-				B					
45A	61708-10620	BOLT,U	1	5001	-	5026				D				
46A	43573-20530	HOLDER,PIPE	8	5001	-	5026								D=26
46B	43573-20530	HOLDER,PIPE	7	5027	-									D=26
47A	43573-20370	HOLDER,PIPE	2	5001	-									D=30
48A	69002-02300-7	BAND,HOSE	18	5001	-	5026								
48B	69002-02300-7	BAND,HOSE	16	5027	-									
49A	61802-10020	BOLT,FLANGED	2	5001	-									
50A	61802-10055	BOLT,FLANGED	2	5001	-									
51A	61802-12030	BOLT,FLANGED	2	5001	-									
52A	62480-21081	NUT,FLANGED	10	5001	-	5026								
52B	62480-21081	NUT,FLANGED	9	5027	-									
53A	62480-21101-7	NUT,FLANGED	2	5001	-									
54A	88031-06061	NUT,SELF-LOCKING	2	5001	-	5026				D				
55A	62701-40061	WASHER,PLANE	2	5001	-	5026				D				
72A	65210-12024	RING,O	1	5001	-					01				
73A	42765-70070	HEAD ASSY	1	5001	-						02			
74A	33100-71180	CASE	1	5001	-						02			
75A	45200-71680	RING	1	5001	-						02			
76A	41530-73070	PLUG	1	5001	-						02			
77A	31990-71160	GASKET	1	5001	-						02			
78A	41530-75650	PLUG	1	5001	-						02			
79A	49060-70100	ELEMENT KIT,FILTER	1	5001	-						02	Y03		
91A	30981-71040	ELEMENT,FILTER	1	5001	-							03		
92A	31990-72220	GASKET	1	5001	-							03		
93A	47131-77960	RING,O	1	5001	-							03		
111A	43100-22070	HOSE	1	5027	-									
112A	36724-20490	TUBE,CONDUIT	1	5027	-									
113A	41754-44140	PLATE	1	5027	-									
114A	38731-54410	PIPE	1	5027	-									
115A	43573-20530	HOLDER,PIPE	1	5027	-									
116A	69002-02300-7	BAND,HOSE	2	5027	-									D=26
117A	61708-10620	BOLT,U	1	5027	-									
118A	61802-08025-7	BOLT,FLANGED	2	5027	-									
119A	62480-21081	NUT,FLANGED	1	5027	-									
120A	88031-06061	NUT,SELF-LOCKING	2	5027	-									
121A	62701-40061	WASHER,PLANE	2	5027	-									

MEMO

AIR CLEANER GROUP

