



93308-00570

Sep-2016

# *PARTS CATALOG*

*Wheel Loader*

# *70Z7B*

Powered by CUMMINS QSB6.7 Engine

Serial No. 70C8-5001 ~

# CONTENTS I

• Before Use

• Chassis No. and Manufacturer's Serial No.

• CONTENTS II

• PARTS NAME INDEX

• 70Z7B

## • PERIODIC REPLACEMENT PARTS

FILTER, ELEMENT, BELT PARTS .....	1
BUCKET PARTS .....	3
BULB, LENS PARTS .....	5

## • ENGINE

ENGINE .....	7
ENGINE SUPPORT .....	11
COOLING DEVICE (1) .....	13
COOLING DEVICE (2) .....	15
COOLING DEVICE (2)(WIDE) .....	17
COOLING DEVICE PARTS .....	19
RADIATOR PIPING .....	21
FAN PUMP .....	23
FAN PIPING (1-1) .....	25
FAN PIPING (1-2) .....	29
FUEL TANK .....	31
FUEL PIPING .....	35
EXHAUST DEVICE (1) .....	37
EXHAUST DEVICE (2) .....	41
AIR INTAKE DEVICE .....	43
RAIN CAP .....	45
PRE-CLEANER (SY-KLONE) .....	47
UREA WATER TANK PARTS (1) .....	49
* UREA WATER TANK .....	51
UREA WATER TANK PARTS (2) .....	53
UREA WATER TANK PIPING (1) .....	55

UREA WATER TANK PIPING (2) .....	57
----------------------------------	----

• POWER TRAIN

TRANSMISSION .....	59
TRANSMISSION PIPING (1) .....	61
TRANSMISSION PIPING (2) .....	63
PROPELLER SHAFT .....	65
AXLE SUPPORT (1) .....	67
AXLE SUPPORT (2) .....	69
FRONT AXLE (LSD) .....	71
REAR AXLE (LSD) .....	73
OSCILLATION STOPPER (8 DEG.) .....	75
OSCILLATION STOPPER (10 DEG.) .....	77
RADIAL TIRE (BRIDGESTONE)(20.5R25-L3-T/L-VJ TZ) .....	79
BIAS TIRE (BRIDGESTONE)(20.5-25-12PR-L3-T/L-VL2) .....	81
BIAS TIRE (BRIDGESTONE)(23.5-25-16PR-L3-T/L-VL2) .....	83
RADIAL TIRE (MICHELIN)(20.5R25-L3-T/L-XHA2) .....	85
BIAS TIRE (YOKOHAMA)(20.5-25-12PR-L3-T/L-Y575) .....	87
TIRE PARTS .....	89

• CHASSIS

FRONT FRAME (WITH LIFTING LUG) .....	91
REAR FRAME (WITH LIFTING LUG) .....	93
FRAME PARTS (1) .....	95
FRAME PARTS (2) .....	97
FRONT FRAME COVER .....	99
COUNTERWEIGHT .....	101
COUNTERWEIGHT SUPPORT .....	103
ENGINE COVER (1) .....	105
ENGINE COVER (2) .....	107
ENGINE COVER SUPPORT .....	109
RADIATOR COVER (CAP) .....	111
REAR GRILL .....	113
REAR GRILL PARTS .....	115
GAS SPRING (REAR GRILL) .....	117
SIDE PANEL (1) .....	119
SIDE PANEL (2) .....	121

SIDE PANEL (3) .....	123
SIDE PANEL (4) .....	125
FENDER (FRONT) .....	127
FLOOR BOARD (1) .....	129
FLOOR BOARD (2) .....	131
FULL REAR FENDER .....	135
GAS SPRING (WITHOUT FULL REAR FENDER) .....	137
GAS SPRING (WITH FULL REAR FENDER) .....	139
MUD GUARD .....	141
BATTERY BOX .....	143
BATTERY BOX SUPPORT .....	145
PLUG (WITHOUT REFLECTOR) .....	147

• CAB

CAB (MOBILE COMMUNICATIONS) .....	149
* CAB (1) .....	151
* CAB (2) .....	153
* CAB (3) .....	155
* CAB (4) .....	159
** DOOR (L) .....	161
** DOOR (R) .....	165
CAB GROUP .....	169
HANDRAIL (L) .....	171
HANDRAIL (R) .....	173
MAT (CAB RIGHT SIDE COVER) .....	175
FRONT CONSOLE (1) .....	177
FRONT CONSOLE (2) .....	179
FLOOR PARTS (REAR CONSOLE) .....	181
FLOOR PARTS (DRINK HOLDER) .....	183
REAR CONSOLE (1) .....	185
REAR CONSOLE (2) .....	187
RADIO .....	189
SUNVISOR .....	191
ROOM MIRROR .....	193
REARVIEW MIRROR .....	195
HEATER MIRROR .....	197
RELAY FOR HEATER MIRROR .....	199
FLOOR PLATE .....	201

FLOOR PLATE PARTS .....	203
RIGHT CONSOLE (1) .....	205
RIGHT CONSOLE (2) .....	207
WITHOUT RIGHT CONSOLE SLIDER PARTS .....	209
STEERING COLUMN .....	211
STEERING WHEEL .....	213
SEAT BASE .....	215
AIR SUSPENSION SEAT PARTS (SEARS) .....	217
HEAD REST (GRAMMER) .....	219
AIR CONDITIONER (1) .....	221
* AIR CONDITIONER UNIT .....	223
AIR CONDITIONER (2) .....	227
* COMPRESSOR .....	231
* CONDENSER UNIT .....	233
AIR CONDITIONER PARTS .....	235
AIR CONDITIONER COVER .....	237
DUCT (CAB)(1) .....	239
DUCT (CAB)(2) .....	241
DUCT (PRE-FILTER) .....	243
AIR FILTER .....	247
AIR FILTER (DOUBLE) .....	249
WASHER TANK .....	251
FLOOR MAT .....	253

## • ELECTRIC SYSTEM

BUCKET AUTO LEVELER .....	255
LIFT ARM AUTO LEVELER SYSTEM .....	257
HORN .....	259
HEAD LIGHT .....	261
ELECTRIC PARTS (FRONT) .....	263
ELECTRIC PARTS (REAR)(1) .....	265
ELECTRIC PARTS (REAR)(2) .....	267
ELECTRIC PARTS (REAR)(3) .....	269
ELECTRIC PARTS (REAR)(4) .....	271
ELECTRIC PARTS (REAR)(5) .....	273
ELECTRIC PARTS (REAR)(6) .....	275
ELECTRIC PARTS (REAR)(7) .....	277
ELECTRIC PARTS (REAR)(8) .....	279

ELECTRIC PARTS (REAR)(CLIP) .....	281
ELECTRIC PARTS (WITH RIDE CONTROL) .....	283
ELECTRIC PARTS (BATTERY BOX) .....	285
BATTERY CABLE .....	287
BATTERY (EXIDE) .....	289
BATTERY (HITACHI CHEMICAL) .....	291
LARGE CAPACITY BATTERY .....	293
BATTERY SWITCH .....	295
REAR COMBINATION LAMP .....	297
BACKUP ALARM .....	299
ELECTRIC PARTS (EMERGENCY STEERING) .....	301
ELECTRIC PARTS (FRONT CONSOLE)(1) .....	303
ELECTRIC PARTS (FRONT CONSOLE)(2) .....	305
ELECTRIC PARTS (FRONT CONSOLE)(3) .....	307
ELECTRIC PARTS (REAR CONSOLE)(1) .....	309
ELECTRIC PARTS (REAR CONSOLE)(2) .....	311
ELECTRIC PARTS (REAR CONSOLE)(3) .....	313
ELECTRIC PARTS (FLOOR) .....	315
ELECTRIC PARTS (STEERING COLUMN) .....	317
ELECTRIC PARTS (MULTI-FUNCTION LEVER) .....	319
ELECTRIC PARTS (RIGHT CONSOLE) .....	321
ELECTRIC PARTS (MONITOR) .....	323
START SWITCH .....	325
CONTROLLER (MC) .....	327
CONTROLLER (MC)(20k/m SPECIFICATIONS) .....	(327)
CONTROLLER (TRANSMISSION) .....	329
CONTROLLER (MOBILE COMMUNICATIONS) .....	331
CONTROLLER (SATELLITE COMMUNICATIONS) .....	333
12V POWER UNIT .....	335
ADDITIONAL WORK LIGHT (CAB FRONT) .....	337
ADDITIONAL WORK LIGHT (CAB REAR) .....	339
ADDITIONAL WORK LIGHT HARNESS .....	341
IDEL STOP PARTS .....	343

• HYDRAULIC SYSTEM

PUMP DEVICE .....	345
CONTROL VALVE .....	347
RIDE CONTROL PARTS .....	349

SIDE BRANCH PIPING .....	351
MAIN PIPING (1) .....	353
MAIN PIPING (2) .....	355
MAIN PIPING (3) .....	357
MAIN PIPING (4) .....	359
MAIN PIPING (5) .....	361
MAIN PIPING (3 SPOOL) .....	363
MAIN PIPING (3 SPOOL)(HIGH LIFT ARM) .....	365
MAIN PIPING (4 SPOOL) .....	367
PILOT PIPING (1) .....	369
PILOT PIPING (2) .....	371
PILOT PIPING (3) .....	375
PILOT PIPING (4)(WITHOUT RIDE CONTROL) .....	377
PILOT PIPING (4)(WITH RIDE CONTROL) .....	379
PILOT PIPING (5) .....	381
PILOT PIPING (WITHOUT EMERGENCY STEERING) .....	383
PILOT PIPING PARTS .....	385
PILOT PIPING (3 SPOOL) .....	387
PILOT PIPING (4 SPOOL) .....	389
PILOT PIPING (PROTECTOR HOSE) .....	391
PILOT HOSE COVER .....	393
MULTI-FUNCTION LEVER .....	395
PILOT PIPING (MULTI-FUNCTION LEVER) .....	397
MULTI-FUNCTION LEVER HARNESS .....	399
ADAPTER (MULTI-FUNCTION LEVER) .....	401
AUX LEVER (OUTSIDE) .....	403
PILOT PIPING (MULTI-FUNCTION LEVER, AUXILIARY LEVER (OUTSIDE)) .....	405
WORK LEVER .....	407
PILOT PIPING (WORK LEVER) .....	409
ELBOW (WORK LEVER) .....	411
WORK LEVER HARNESS .....	413
WORK LEVER COVER .....	415
RUBBER (WORK LEVER) .....	417
LEVER COVER CAP .....	419
AUXILIARY LEVER (INSIDE, OUTSIDE) .....	421
PILOT PIPING (AUXILIARY LEVER)(INSIDE) .....	423
PILOT PIPING (AUXILIARY LEVER)(OUTSIDE) .....	425
AUXILIARY LEVER COVER PARTS .....	427
AUXILIARY LEVER (2 LEVER)(INSIDE, OUTSIDE) .....	429

PILOT PIPING (AUXILIARY LEVER)(2 LEVER)(INSIDE) .....	431
PILOT PIPING (AUXILIARY LEVER)(2 LEVER)(OUTSIDE) .....	433
WORK LEVER, AUXILIARY LEVER (2 LEVER) COVER .....	435
AUXILIARY JOYSTICK LEVER .....	437
PILOT PIPING (MULTI-FUNCTION LEVER, AUXILIARY JOYSTICK LEVER) .....	439
PILOT PIPING (WORK LEVER, AUXILIARY JOYSTICK LEVER) .....	441
RUBBER (WORK LEVER, AUXILIARY JOYSTICK LEVER) .....	443
FNR SWITCH .....	445
RIGHT CONSOLE POCKET .....	447
OIL TANK .....	449
OIL TANK COVER .....	451
REMOTE DRAIN (HYDRALIC OIL)(EMERGENCY STEERING) .....	453
STEERING CYLINDER PARTS .....	455
STEERING PIPING (1) .....	457
STEERING PIPING (2) .....	459
STEERING PIPING (3) .....	461
STEERING PIPING (4) .....	463
STEERING PIPING (WITHOUT EMERGENCY STEERING) .....	467
STEERING PIPING (WITH EMERGENCY STEERING)(WITH RIDE CONTROL) .....	469
BRAKE PEDAL .....	471
BRAKE (LINKAGE) .....	473
BRAKE PIPING (1) .....	475
BRAKE PIPING (2) .....	477
BRAKE PIPING (3) .....	479
BRAKE PIPING (4) .....	481
PARKING BRAKE .....	483
LUBRICATE PIPING (1) .....	485
LUBRICATE PIPING (2) .....	487
OPTION PIPING PARTS .....	489

## • LOADER ATTACHMENT

LIFT ARM CYLINDER .....	491
BUCKET CYLINDER .....	493
BUCKET CYLINDER GUARD .....	495
LIFT ARM PARTS (1) .....	497
LIFT ARM PARTS (2) .....	499
LIFT ARM PARTS (3) .....	501
LIFT ARM .....	503

LIFT ARM (3 SPOOL) .....	505
HIGH LIFT ARM .....	507
HIGH LIFT ARM (3 SPOOL) .....	509

• TOOLS

TOOLS .....	511
* DRAIN HOSE (HYDRAULIC OIL) .....	513

• NAME PLATE

NAME PLATE (NAME OF COMPANY, MODEL NAME PLATE) .....	515
NAME PLATE (FRONT) .....	517
NAME PLATE (REAR)(1-1) .....	519
NAME PLATE (REAR)(1-2) .....	521
NAME PLATE (CAB) .....	525
NAME PLATE (BATTERY DISCONNECT) .....	527
NAME PLATE (RIDE CONTROL) .....	529
NAME PLATE (LIFTING LUG) .....	531
NAME PLATE (EMBLEM) .....	533
NAME PLATE (ANTI-SLIP TAPE) .....	535

•PARTS NO INDEX

# Before Use

## FOREWORD

- ⊙ According to KCM's continuous effort to improve the product quality, descriptions in the Parts Catalog may be slightly different from your machine. If any questionable points are found, feel free to contact your nearest KCM dealer.
- ⊙ For the engine parts, please refer to the parts catalog of diesel engine issued separately.

### 1. HOW TO ORDER PARTS

When ordering parts, please specify the following items.

- (1) Model/type
- (2) Product Identification Number
- (3) Part No.
- (4) Part Name
- (5) Q'ty
- (6) Purchaser's Name and Address

### 2. HOW TO USE THIS PARTS CATALOG

**PART NAME:** When the part is used as an inner part of an assembly part, the mark "r" is shown in front of the part name.

**Q'TY:** Indicates the number of the part used per machine. The quantity of an inner part is the number of the inner part necessary to organize one assembly part.

#### SYMBOLS USED IN THIS BOOK:

The symbols shown in the service code and interchangeability columns are used to indicate the following information.

- W: Requires additional processing at the job site. Ask your nearest KCM dealer.
- H: Indicate a precise part. Ask your nearest KCM dealer for its repair.
- D: Impossible to replace as a single part. Replace the part in an assembly unit.
- K: Contained in the service part kit.
- R: Indicate that the quantity of the part like shims differs depending on the machine serial No.
- S: To be supplied as repair or service parts.
- Z: Engine related parts.
- OS: Over-sized parts
- US: Undersized parts  
(Part with mark "OS, or US" is described in the next column under the standard size part column.)
- #: Indicates newly added parts to the equipment or component.
- Y: Interchangeable part without any constraint.

I: Used to indicate the part No. and quantity of the part to be used for the part concerned in the replacement part column. However, the part concerned is not used for the part shown with mark I.

T: Becomes interchangeable when combined.

P: Indicate the part prohibited to use. Use the part shown in the replacement part column.

**SERIAL No.:** The serial number corresponds to the last six-digit figure of the PIN (Product Identification Number) on the name-plate.

D: Represents the date of modification.  
(Example: D03/09: New modification part has been applied to the products manufactured in and after Sept 2003.)

H: Indicates the component manufacturing No.

F: Indicates the front attachment manufacturing No

#### REPLACEABLE PART:

Indicates the part No. and quantity per machine of the replacement part.

**NOTE:** When the part with mark Y, I, or P shown in the interchangeability column is ordered, the part shown in the replacement part column may be automatically supplied instead of the ordered part.

---

MEMO

---

## Chassis No. and Manufacturer's Serial No.

1. The chassis No. and the manufacturer's serial No. marked on the machine are indicated in this parts catalog as follows:

Serial No. shown in parts catalog	Chassis No.	Manufacturer's serial No.
5001	70C8-5001	70C8-5001

---

It is recommended to write the model name, the chassis No., the manufacturer's serial No. and the date of delivery of your machine in the table below to speed parts orders in the future.

<b>Model name</b>	
<b>Chassis No.</b>	
<b>Manufacturer's serial No.</b>	
<b>Date of delivery</b>	

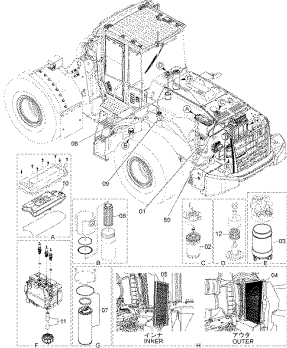
---

MEMO

---

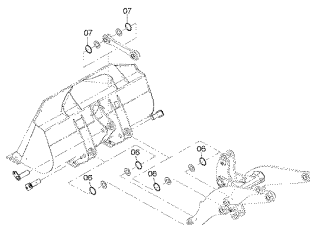
# CONTENTS II

**FILTER, ELEMENT, BELT PARTS**



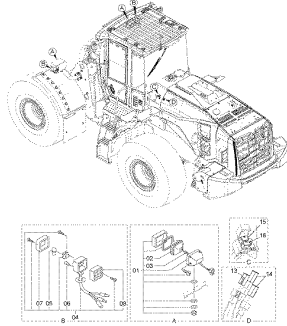
.....p.1

**BUCKET PARTS**



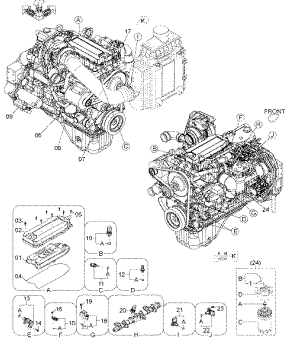
.....p.3

**BULB, LENS PARTS**



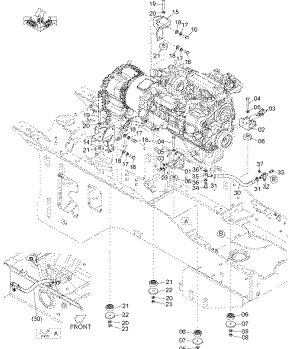
.....p.5

**ENGINE**



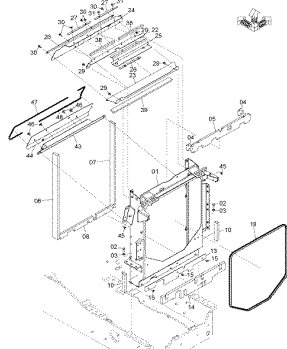
.....p.7

**ENGINE SUPPORT**



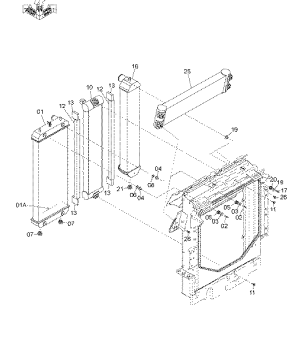
.....p.11

**COOLING DEVICE (1)**



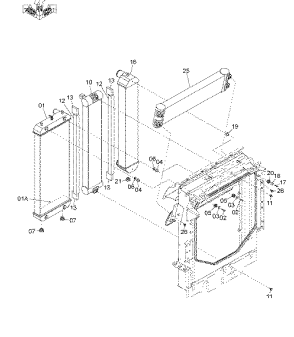
.....p.13

**COOLING DEVICE (2)**



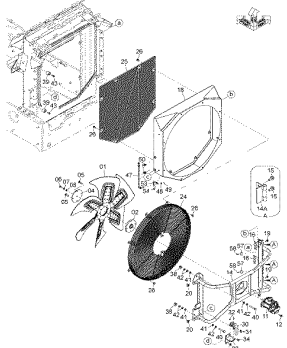
.....p.15

**COOLING DEVICE (2)(WIDE)**



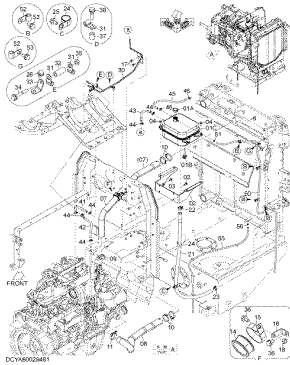
.....p.17

**COOLING DEVICE PARTS**



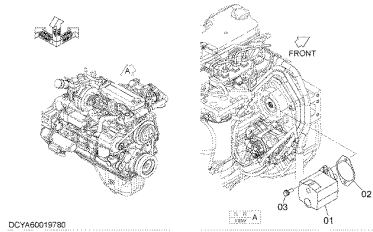
.....p.19

### RADIATOR PIPING



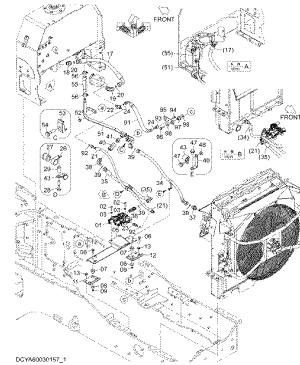
.....p.21

### FAN PUMP



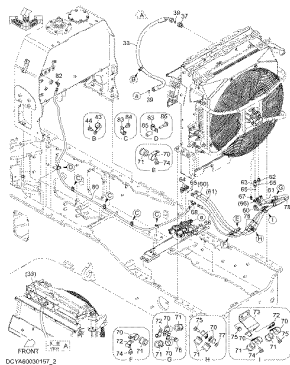
.....p.23

### FAN PIPING (1-1)



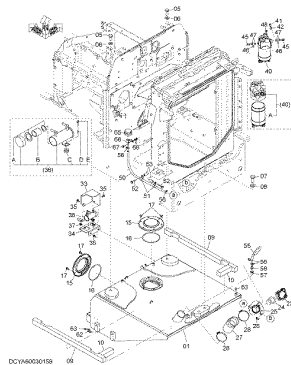
.....p.25

### FAN PIPING (1-2)



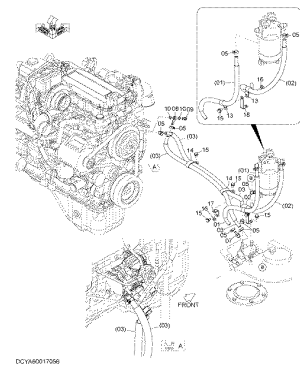
.....p.29

### FUEL TANK



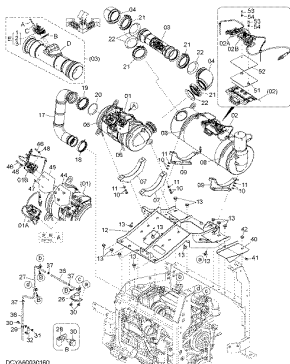
.....p.31

### FUEL PIPING



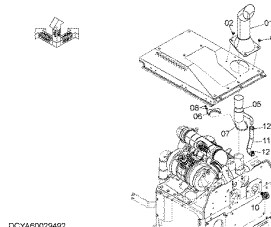
.....p.35

### EXHAUST DEVICE (1)



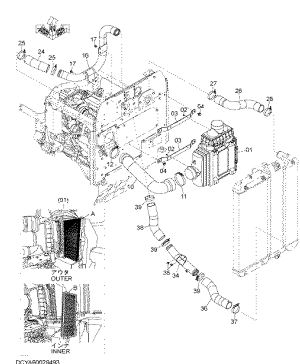
.....p.37

### EXHAUST DEVICE (2)



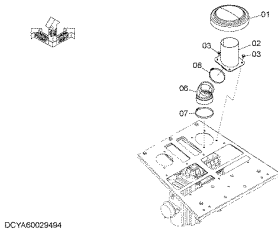
.....p.41

### AIR INTAKE DEVICE



.....p.43

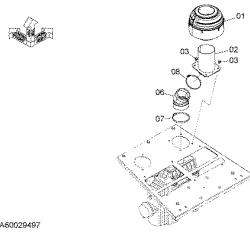
### RAIN CAP



DCYA60029494

.....p.45

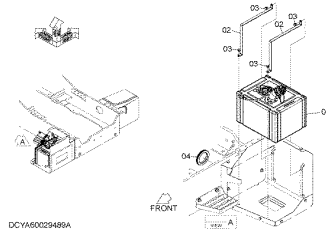
### PRE-CLEANER (SY-KLONE)



DCYA60029497

.....p.47

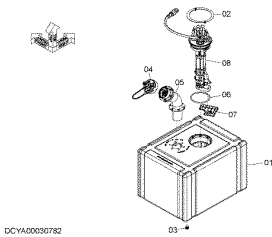
### UREA WATER TANK PARTS (1)



DCYA60029489A

.....p.49

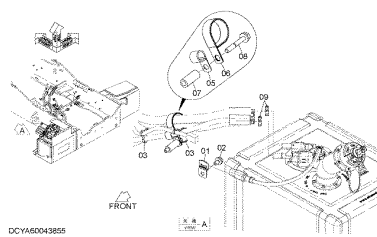
### \* UREA WATER TANK



DCYA00030782

.....p.51

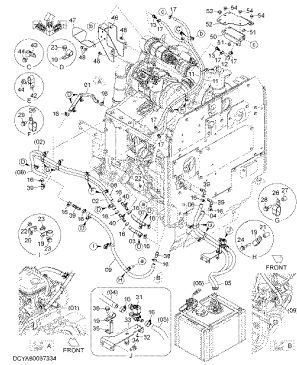
### UREA WATER TANK PARTS (2)



DCYA60043855

.....p.53

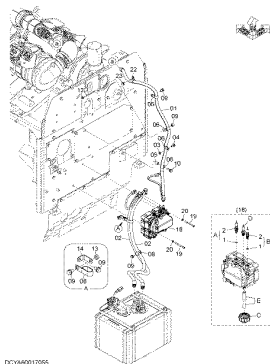
### UREA WATER TANK PIPING (1)



DCYX0007234

.....p.55

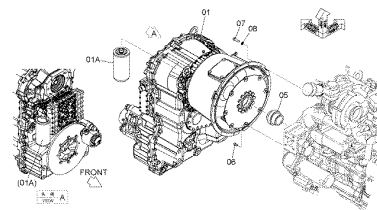
### UREA WATER TANK PIPING (2)



DCYX0007295

.....p.57

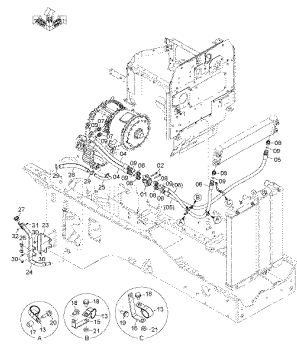
### TRANSMISSION



DCYA60019792

.....p.59

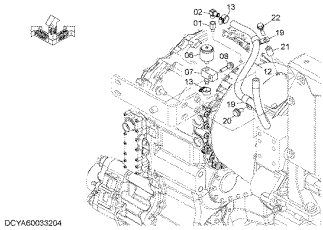
### TRANSMISSION PIPING (1)



DCYX00020254

.....p.61

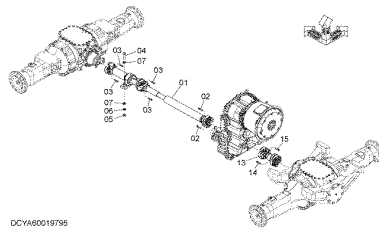
TRANSMISSION PIPING (2)



DCYA6003204

.....p.63

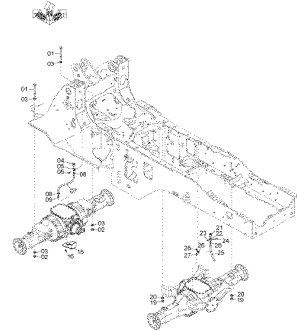
PROPELLER SHAFT



DCYA60019795

.....p.65

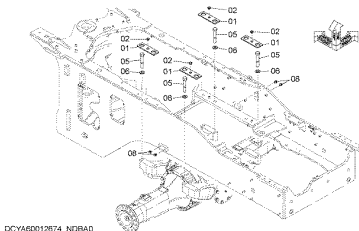
AXLE SUPPORT (1)



DCYV6004848

.....p.67

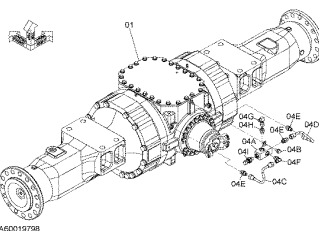
AXLE SUPPORT (2)



DCYA60012674\_NDBA0

.....p.69

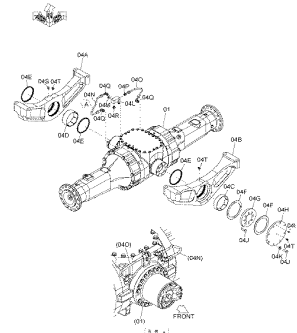
FRONT AXLE (LSD)



DCYA60019798

.....p.71

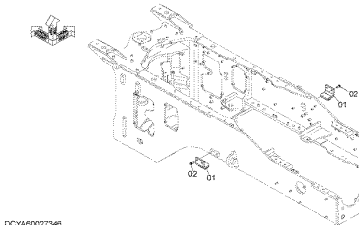
REAR AXLE (LSD)



DCYV60019801

.....p.73

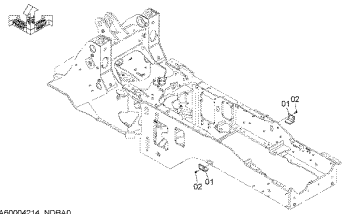
OSCILLATION STOPPER (8 DEG.)



DCYA60027346

.....p.75

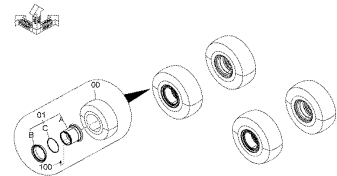
OSCILLATION STOPPER (10 DEG.)



DCYA60004214\_NDBA0

.....p.77

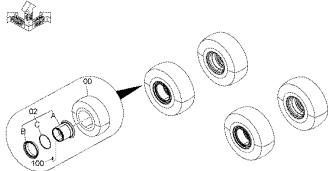
RADIAL TIRE (BRIDGESTONE)(20.5R25-L3-T/L-VJTZ)



DCYA600150398

.....p.79

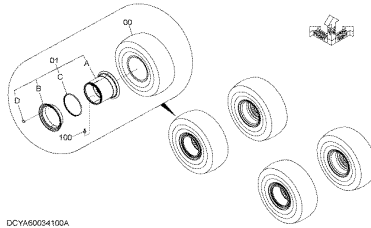
**BIAS TIRE  
(BRIDGESTONE)(20.5-25-  
12PR-L3-T/L-VL2)**



DCYA60015413\_F0770

.....p.81

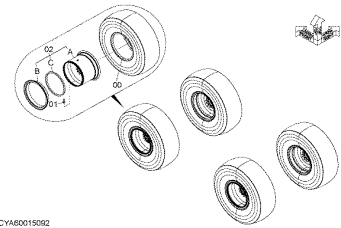
**BIAS TIRE  
(BRIDGESTONE)(23.5-25-  
16PR-L3-T/L-VL2)**



DCYA60054100A

.....p.83

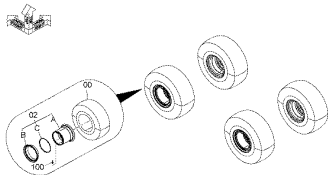
**RADIAL TIRE  
(MICHELIN)(20.5R25-L3-T/L-  
XHA2)**



DCYA60015092

.....p.85

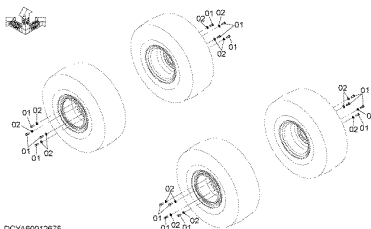
**BIAS TIRE (YOKOHAMA)(20.5-  
25-12PR-L3-T/L-Y575)**



DCYA60015414

.....p.87

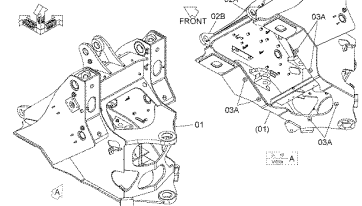
**TIRE PARTS**



DCYA60012675

.....p.89

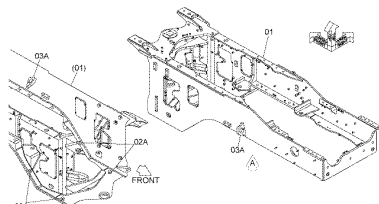
**FRONT FRAME (WITH LIFTING  
LUG)**



DCYA40022211

.....p.91

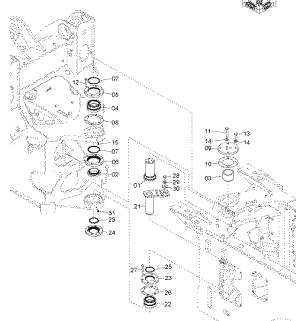
**REAR FRAME (WITH LIFTING  
LUG)**



DCYA40022215

.....p.93

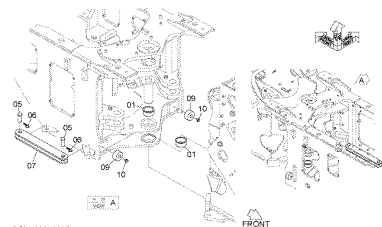
**FRAME PARTS (1)**



DCYA60019894

.....p.95

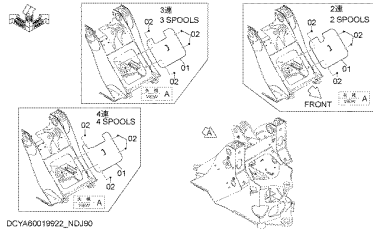
**FRAME PARTS (2)**



DCYA60019895

.....p.97

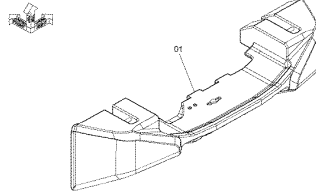
### FRONT FRAME COVER



DCYA60019922\_NDI90

.....p.99

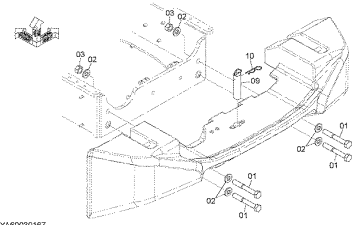
### COUNTERWEIGHT



DCYA60030161

.....p.101

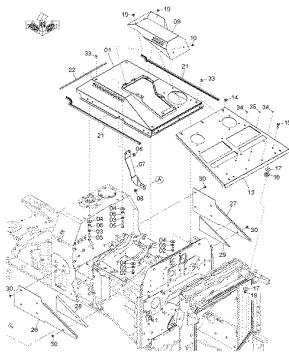
### COUNTERWEIGHT SUPPORT



DCYA60030167

.....p.103

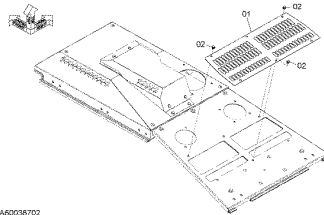
### ENGINE COVER (1)



DCYA60030170

.....p.105

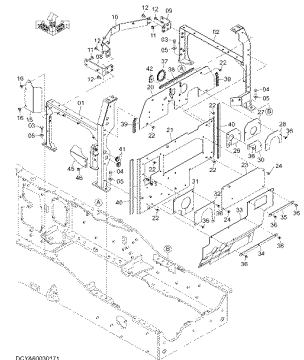
### ENGINE COVER (2)



DCYA600301702

.....p.107

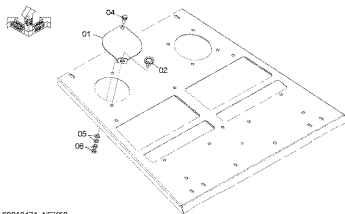
### ENGINE COVER SUPPORT



DCYA60030171

.....p.109

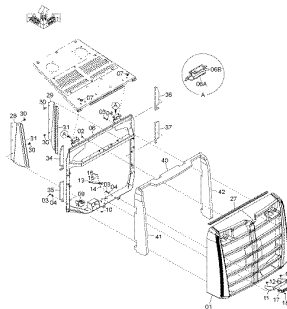
### RADIATOR COVER (CAP)



DCYA60019471\_NEK50

.....p.111

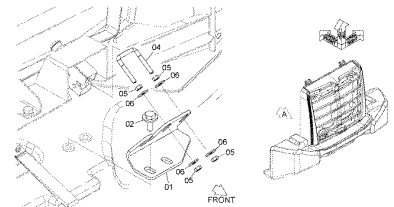
### REAR GRILL



DCYA60040627

.....p.113

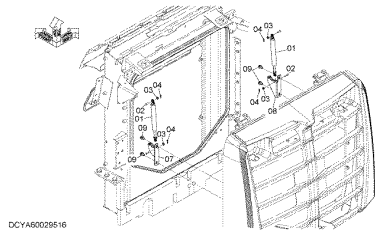
### REAR GRILL PARTS



DCYA60045535

.....p.115

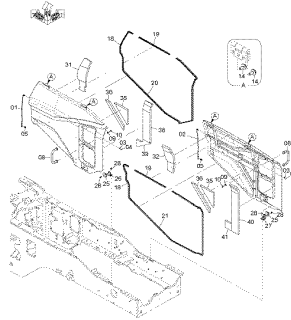
**GAS SPRING (REAR GRILL)**



DCY460029516

.....p.117

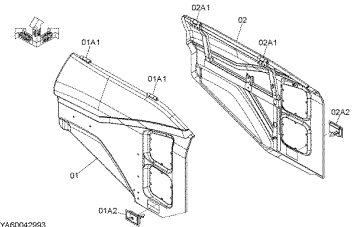
**SIDE PANEL (1)**



DCY46004564

.....p.119

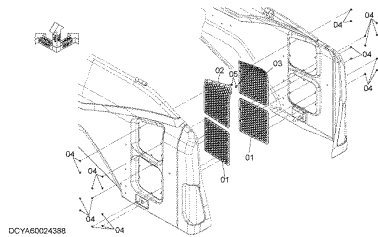
**SIDE PANEL (2)**



DCY460042993

.....p.121

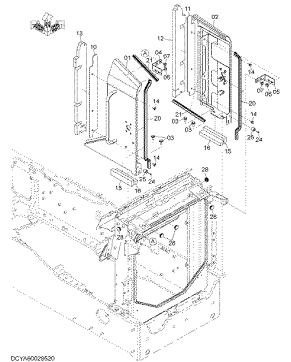
**SIDE PANEL (3)**



DCY460024388

.....p.123

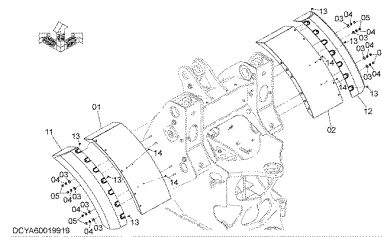
**SIDE PANEL (4)**



DCY460029520

.....p.125

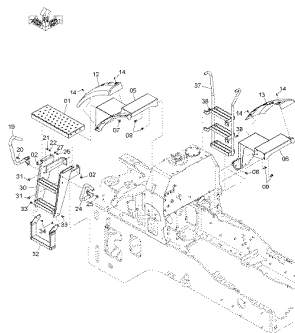
**FENDER (FRONT)**



DCY460019919

.....p.127

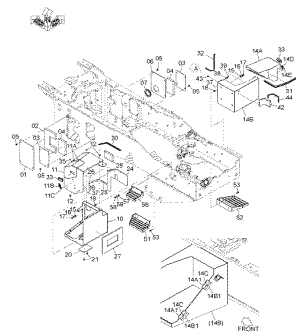
**FLOOR BOARD (1)**



DCY460030714

.....p.129

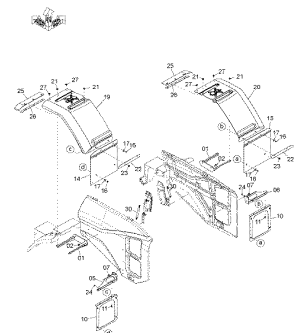
**FLOOR BOARD (2)**



DCY460030715

.....p.131

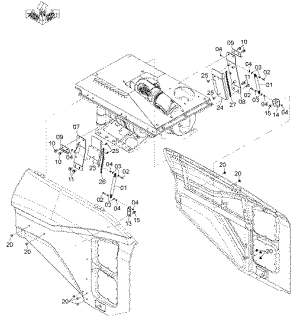
**FULL REAR FENDER**



DCY460009640

.....p.135

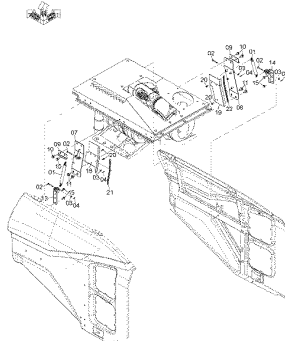
**GAS SPRING (WITHOUT FULL REAR FENDER)**



DCYA6002821

.....p.137

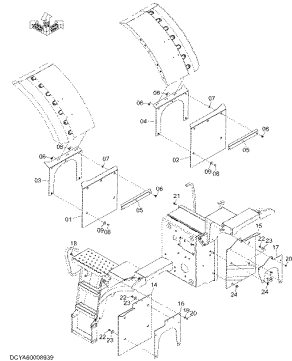
**GAS SPRING (WITH FULL REAR FENDER)**



DCYA6005622

.....p.139

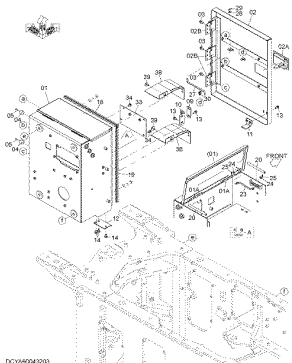
**MUD GUARD**



DCYA6009822

.....p.141

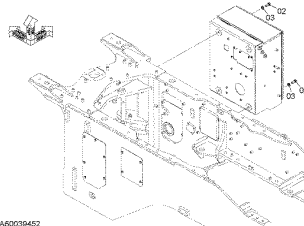
**BATTERY BOX**



DCYA6004200

.....p.143

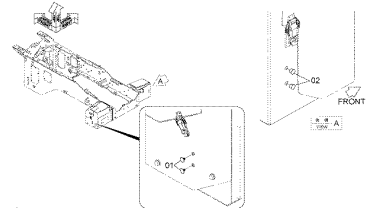
**BATTERY BOX SUPPORT**



DCYA60039452

.....p.145

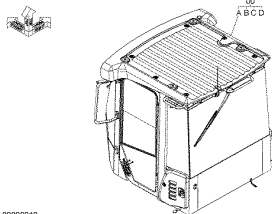
**PLUG (WITHOUT REFLECTOR)**



DCYA6004381

.....p.147

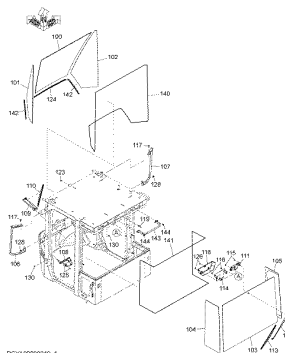
**CAB (MOBILE COMMUNICATIONS)**



DCYA00008210

.....p.149

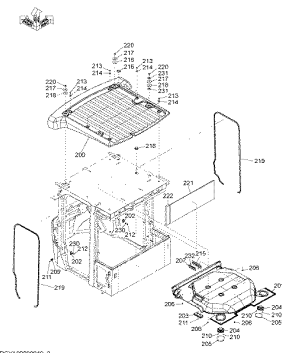
**\* CAB (1)**



DCYA00008910\_1

.....p.151

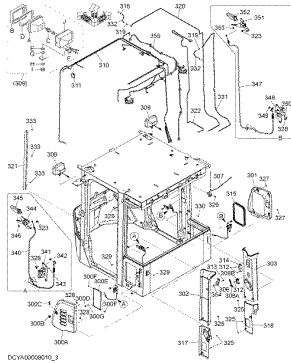
**\* CAB (2)**



DCYA00008910\_2

.....p.153

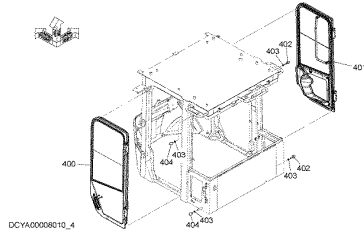
**\* CAB (3)**



DCYA00008010\_3

.....p.155

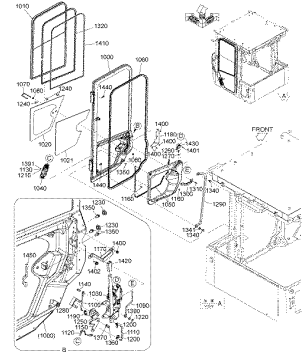
**\* CAB (4)**



DCYA00008010\_4

.....p.159

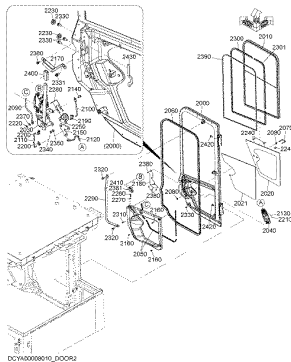
**\*\* DOOR (L)**



DCYA00008010\_DOOR1

.....p.161

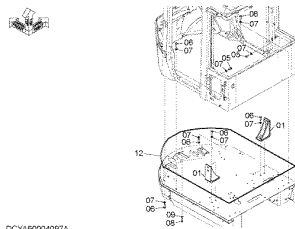
**\*\* DOOR (R)**



DCYA00008010\_DOOR2

.....p.165

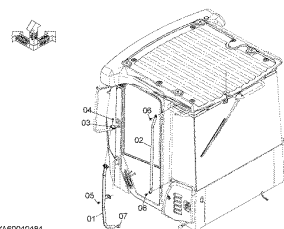
**CAB GROUP**



DCYA00004097A

.....p.169

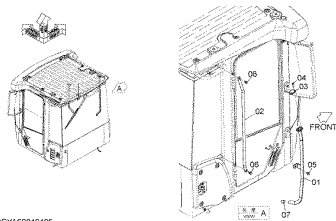
**HANDRAIL (L)**



DCYA00004048A

.....p.171

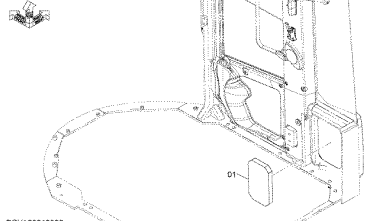
**HANDRAIL (R)**



DCYA00004048B

.....p.173

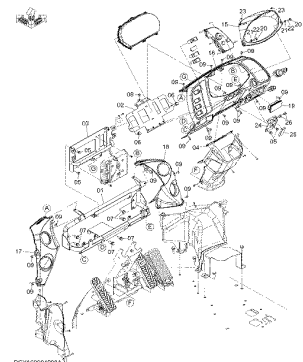
**MAT (CAB RIGHT SIDE COVER)**



DCYA0001689B

.....p.175

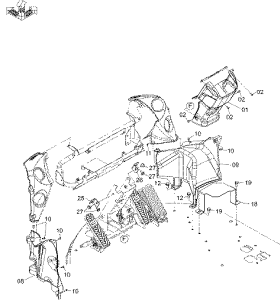
**FRONT CONSOLE (1)**



DCYA00004098A

.....p.177

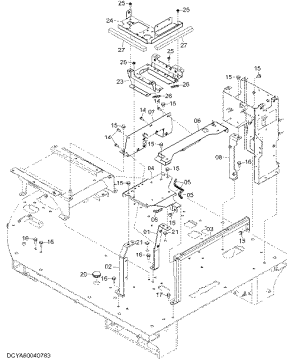
### FRONT CONSOLE (2)



DCYA6001909A

.....p.179

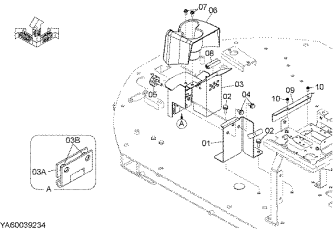
### FLOOR PARTS (REAR CONSOLE)



DCYA60040783

.....p.181

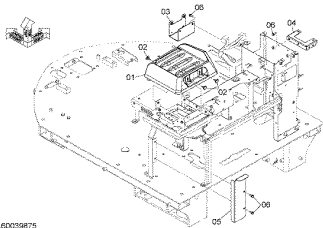
### FLOOR PARTS (DRINK HOLDER)



DCYA60029234

.....p.183

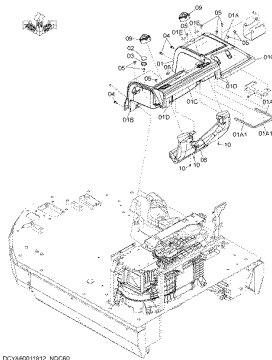
### REAR CONSOLE (1)



DCYA60039875

.....p.185

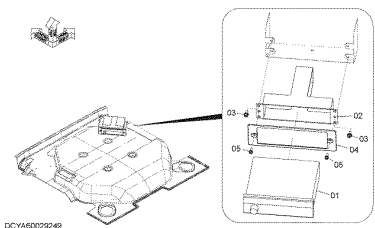
### REAR CONSOLE (2)



DCYA60011912\_NDC60

.....p.187

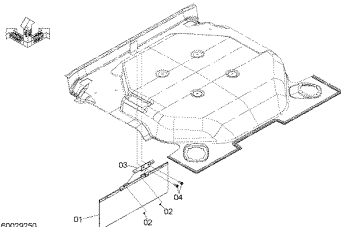
### RADIO



DCYA60029249

.....p.189

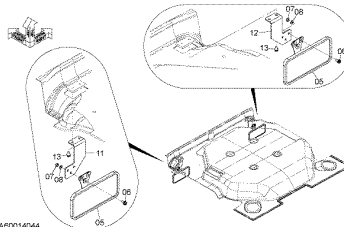
### SUNVISOR



DCYA60029250

.....p.191

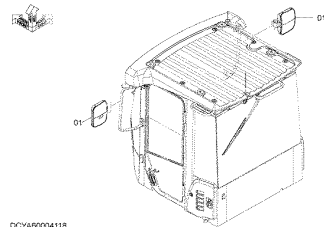
### ROOM MIRROR



DCYA60014044

.....p.193

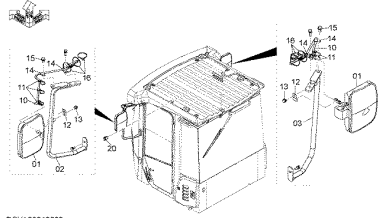
### REARVIEW MIRROR



DCYA60004118

.....p.195

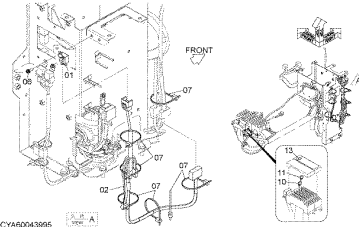
### HEATER MIRROR



DCYA60013063

.....p.197

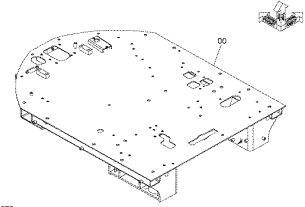
### RELAY FOR HEATER MIRROR



DCYA60043995

.....p.199

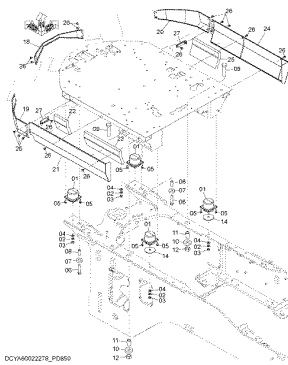
### FLOOR PLATE



DCYA40023578

.....p.201

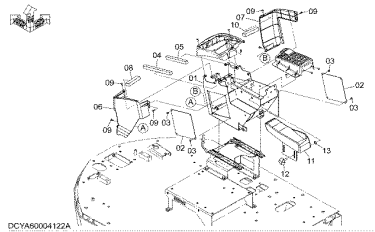
### FLOOR PLATE PARTS



DCYA60022278\_F0860

.....p.203

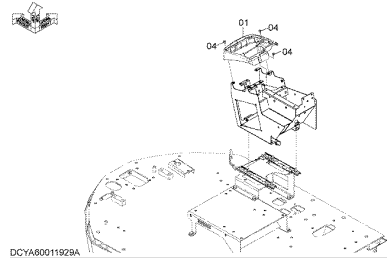
### RIGHT CONSOLE (1)



DCYA60041224

.....p.205

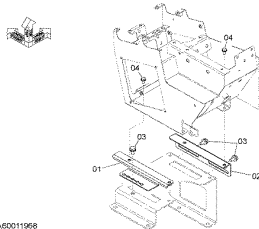
### RIGHT CONSOLE (2)



DCYA60011929A

.....p.207

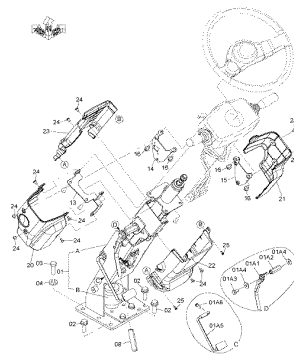
### WITHOUT RIGHT CONSOLE SLIDER PARTS



DCYA60011968

.....p.209

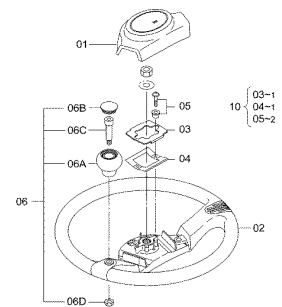
### STEERING COLUMN



DCYA6002079\_LF0860

.....p.211

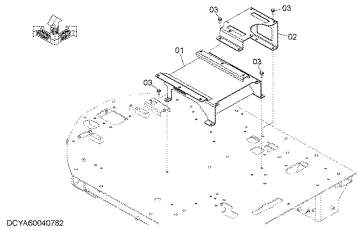
### STEERING WHEEL



DCYA60011942

.....p.213

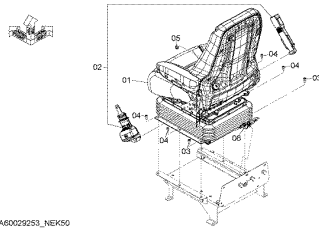
### SEAT BASE



DCYA60040782

.....p.215

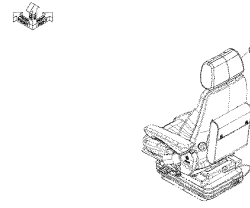
### AIR SUSPENSION SEAT PARTS (SEARS)



DCYA60029253\_NEK50

.....p.217

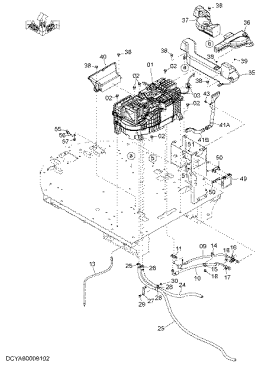
### HEAD REST (GRAMMER)



DCYR600016275A

.....p.219

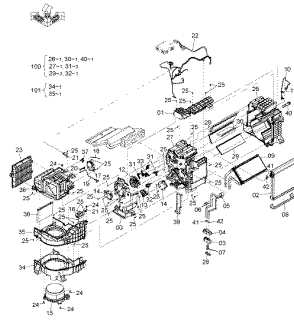
### AIR CONDITIONER (1)



DCYR60009102

.....p.221

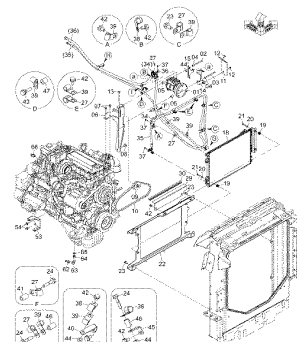
### \* AIR CONDITIONER UNIT



DCYR6000254A

.....p.223

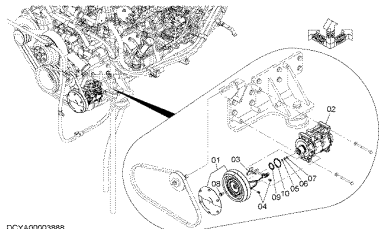
### AIR CONDITIONER (2)



DCYR60009135

.....p.227

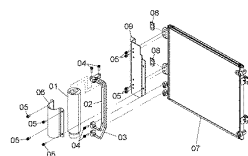
### \* COMPRESSOR



DCYA00003888

.....p.231

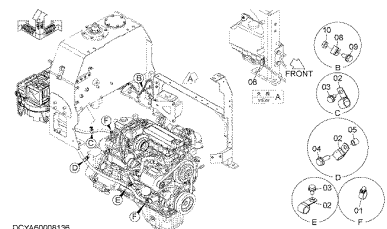
### \* CONDENSER UNIT



DCYA00003889

.....p.233

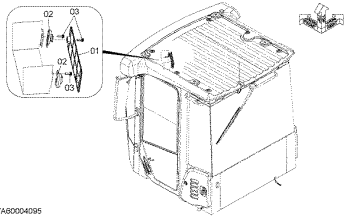
### AIR CONDITIONER PARTS



DCYA60009136

.....p.235

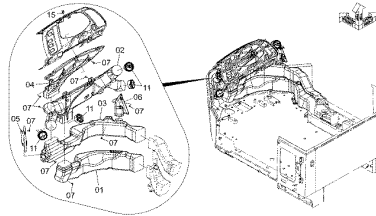
AIR CONDITIONER COVER



DCYA60004095

.....p.237

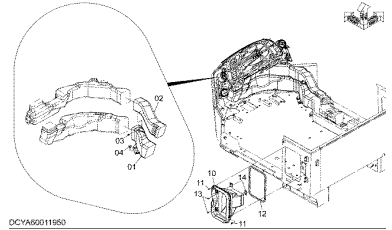
DUCT (CAB)(1)



DCYA60004254A

.....p.239

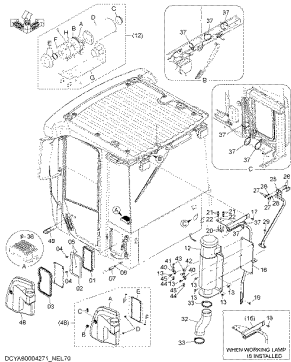
DUCT (CAB)(2)



DCYA60011550

.....p.241

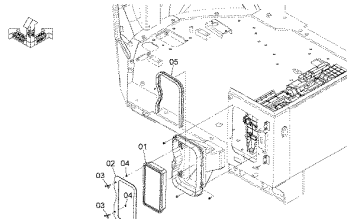
DUCT (PRE-FILTER)



DCYA60004271\_HEL70

.....p.243

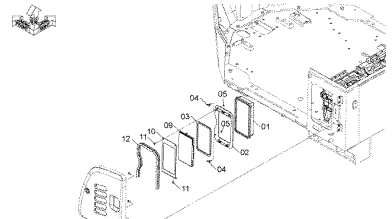
AIR FILTER



DCYA60004112

.....p.247

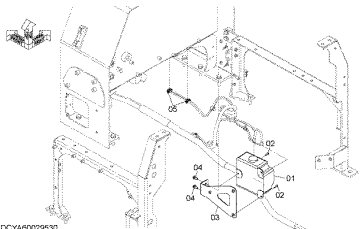
AIR FILTER (DOUBLE)



DCYA60004206A

.....p.249

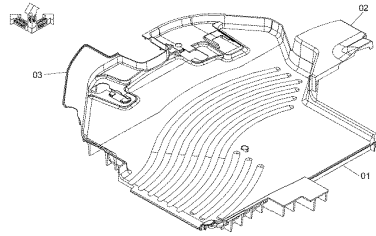
WASHER TANK



DCYA600026530

.....p.251

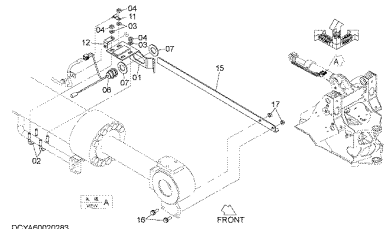
FLOOR MAT



DCYA60003639

.....p.253

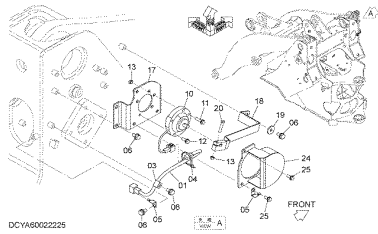
BUCKET AUTO LEVELER



DCYA600020283

.....p.255

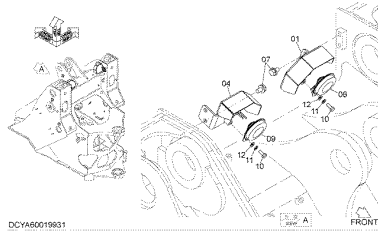
**LIFT ARM AUTO LEVELER SYSTEM**



DCYA60022225

.....p.257

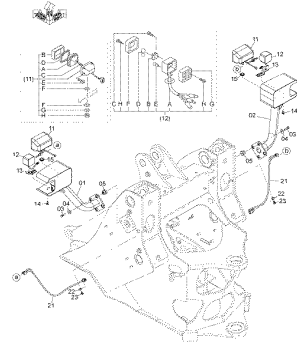
**HORN**



DCYA60019931

.....p.259

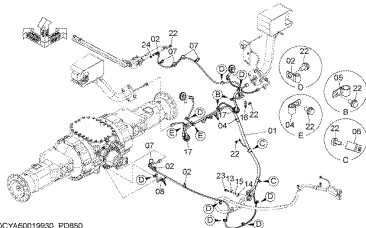
**HEAD LIGHT**



DCYA60034194

.....p.261

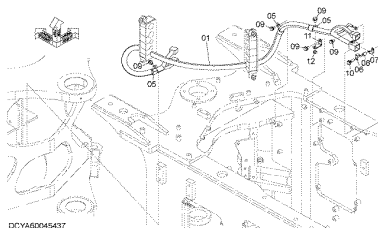
**ELECTRIC PARTS (FRONT)**



DCYA60019933\_FD850

.....p.263

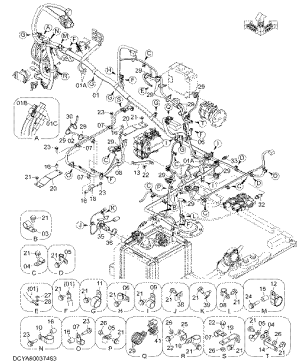
**ELECTRIC PARTS (REAR)(1)**



DCYA60045437

.....p.265

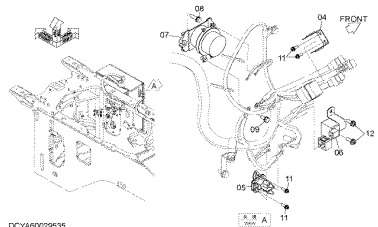
**ELECTRIC PARTS (REAR)(2)**



DCYA60037460

.....p.267

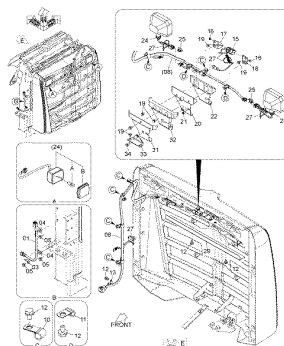
**ELECTRIC PARTS (REAR)(3)**



DCYA60029535

.....p.269

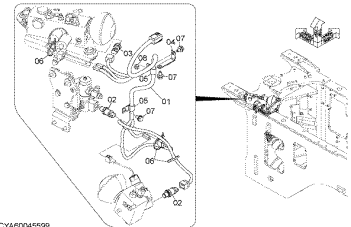
**ELECTRIC PARTS (REAR)(4)**



DCYA6002659

.....p.271

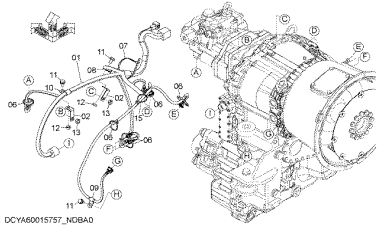
**ELECTRIC PARTS (REAR)(5)**



DCYA60045599

.....p.273

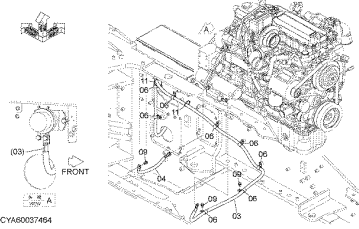
ELECTRIC PARTS (REAR)(6)



DCYA60015T57\_NDBA0

.....p.275

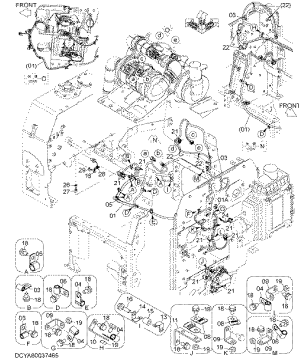
ELECTRIC PARTS (REAR)(7)



DCYA60037454

.....p.277

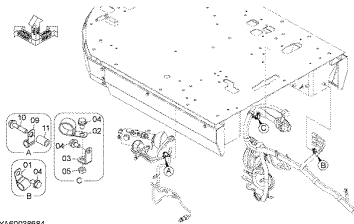
ELECTRIC PARTS (REAR)(8)



DCYA60037455

.....p.279

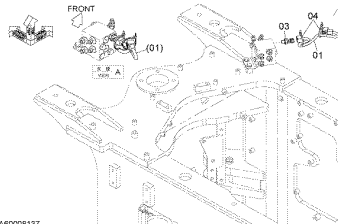
ELECTRIC PARTS (REAR)(CLIP)



DCYA6003854

.....p.281

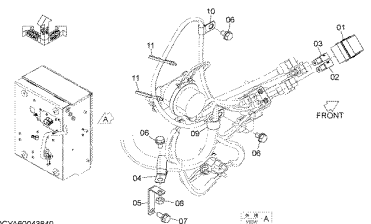
ELECTRIC PARTS (WITH RIDE CONTROL)



DCYA60008137

.....p.283

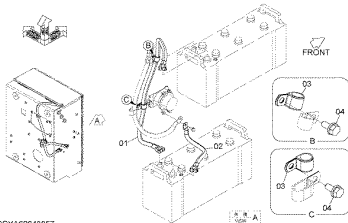
ELECTRIC PARTS (BATTERY BOX)



DCYA60043540

.....p.285

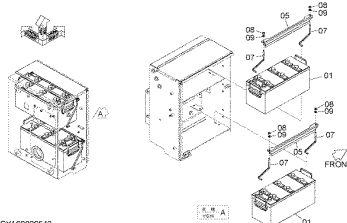
BATTERY CABLE



DCYA60043557

.....p.287

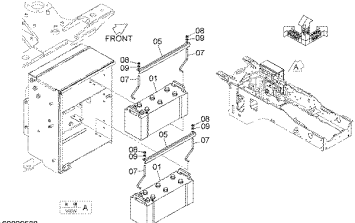
BATTERY (EXIDE)



DCYA60029540

.....p.289

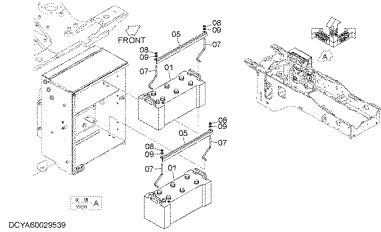
BATTERY (HITACHI CHEMICAL)



DCYA60029538

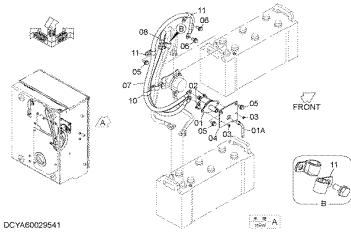
.....p.291

### LARGE CAPACITY BATTERY



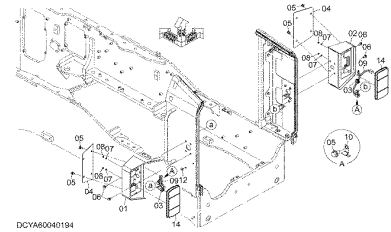
.....p.293

### BATTERY SWITCH



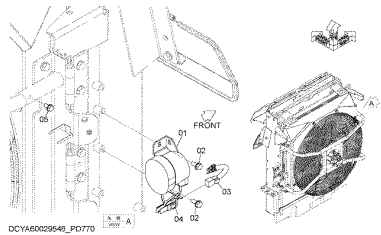
.....p.295

### REAR COMBINATION LAMP



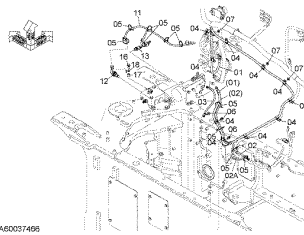
.....p.297

### BACKUP ALARM



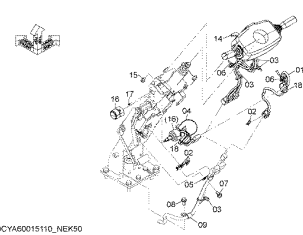
.....p.299

### ELECTRIC PARTS (EMERGENCY STEERING)



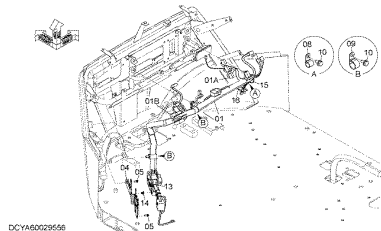
.....p.301

### ELECTRIC PARTS (FRONT CONSOLE)(1)



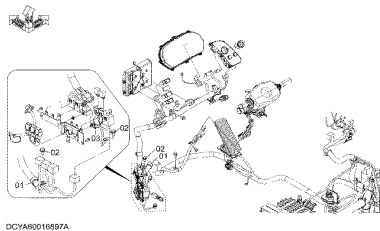
.....p.303

### ELECTRIC PARTS (FRONT CONSOLE)(2)



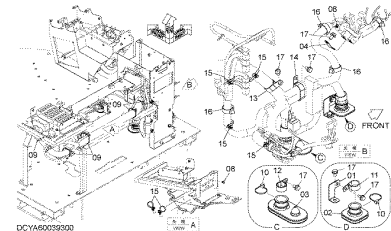
.....p.305

### ELECTRIC PARTS (FRONT CONSOLE)(3)



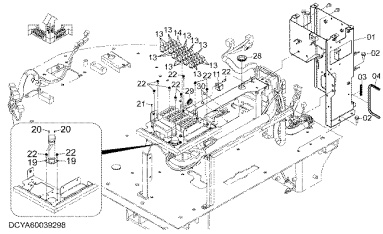
.....p.307

### ELECTRIC PARTS (REAR CONSOLE)(1)



.....p.309

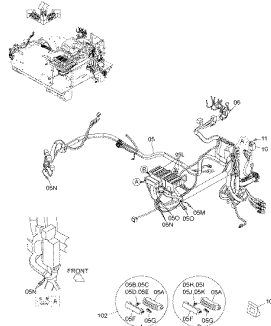
**ELECTRIC PARTS (REAR CONSOLE)(2)**



DCYA6003298

.....p.311

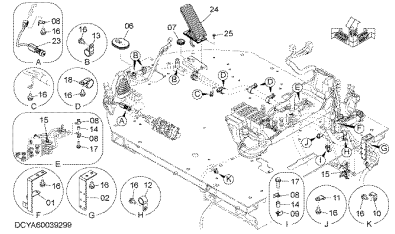
**ELECTRIC PARTS (REAR CONSOLE)(3)**



DCYA6003584

.....p.313

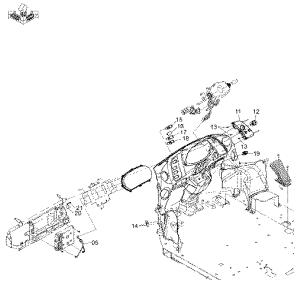
**ELECTRIC PARTS (FLOOR)**



DCYA6003299

.....p.315

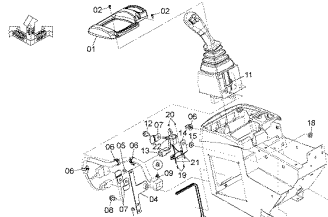
**ELECTRIC PARTS (STEERING COLUMN)**



DCYA6004132A

.....p.317

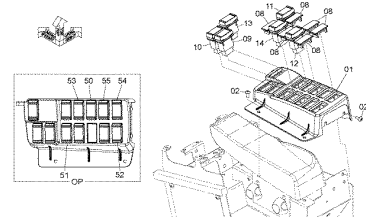
**ELECTRIC PARTS (MULTI-FUNCTION LEVER)**



DCYA6004828

.....p.319

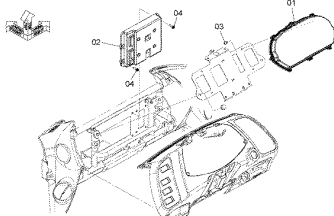
**ELECTRIC PARTS (RIGHT CONSOLE)**



DCYA60014750\_NEK50

.....p.321

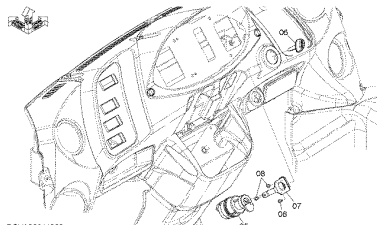
**ELECTRIC PARTS (MONITOR)**



DCYA6002957

.....p.323

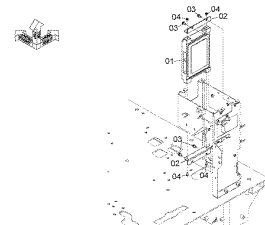
**START SWITCH**



DCYA60011966

.....p.325

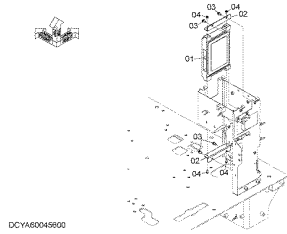
**CONTROLLER (MC)**



DCYA60045600

.....p.327

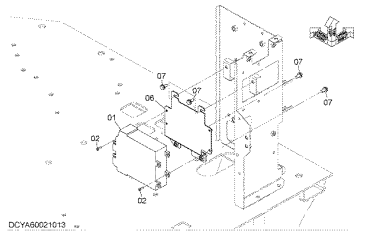
**CONTROLLER (MC)(20k/m SPECIFICATIONS)**



DCYA6004900

.....( p.327 )

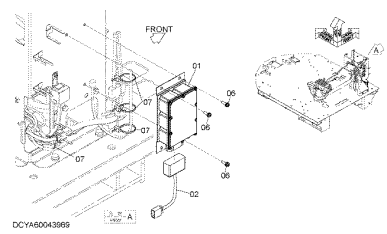
**CONTROLLER (TRANSMISSION)**



DCYA60021013

.....p.329

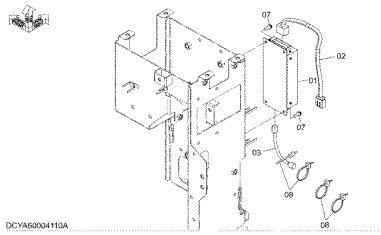
**CONTROLLER (MOBILE COMMUNICATIONS)**



DCYA60043689

.....p.331

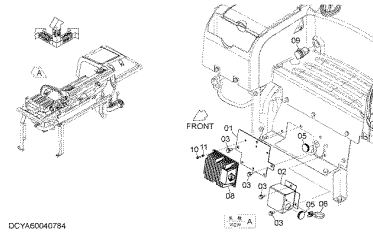
**CONTROLLER (SATELLITE COMMUNICATIONS)**



DCYA6004110A

.....p.333

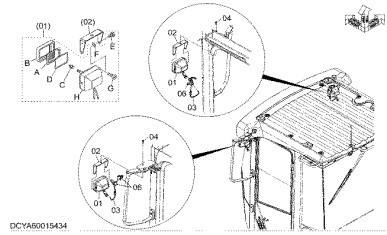
**12V POWER UNIT**



DCYA60040784

.....p.335

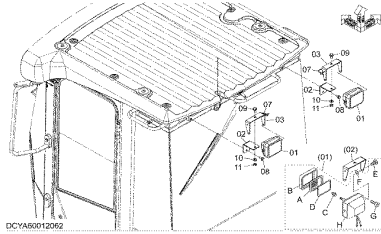
**ADDITIONAL WORK LIGHT (CAB FRONT)**



DCYA60015434

.....p.337

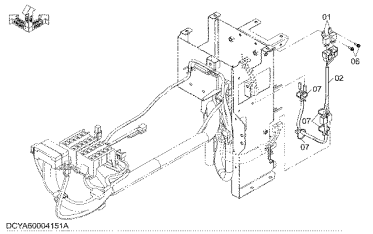
**ADDITIONAL WORK LIGHT (CAB REAR)**



DCYA60012052

.....p.339

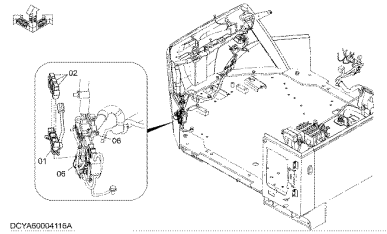
**ADDITIONAL WORK LIGHT HARNESS**



DCYA6004151A

.....p.341

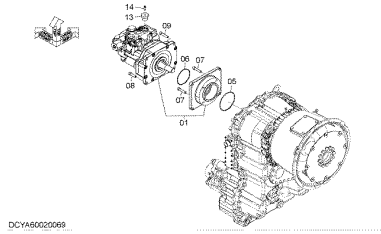
**IDEL STOP PARTS**



DCYA6004115A

.....p.343

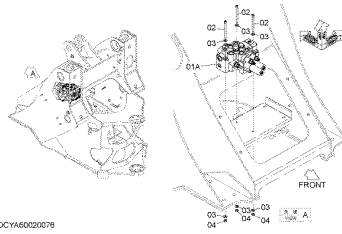
### PUMP DEVICE



DCYA6002069

.....p.345

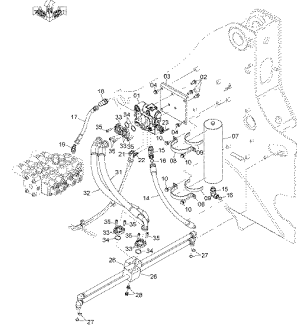
### CONTROL VALVE



DCYA6002070

.....p.347

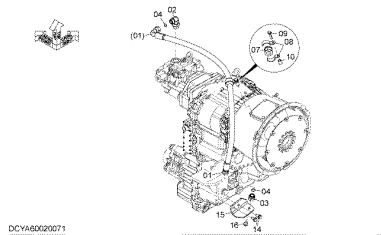
### RIDE CONTROL PARTS



DCYA6001148

.....p.349

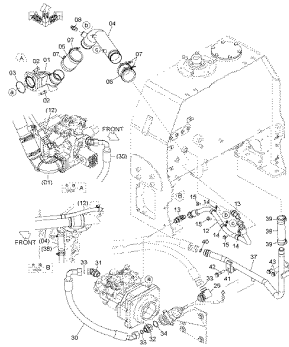
### SIDE BRANCH PIPING



DCYA6002071

.....p.351

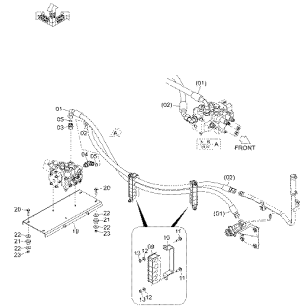
### MAIN PIPING (1)



DCYA6003708

.....p.353

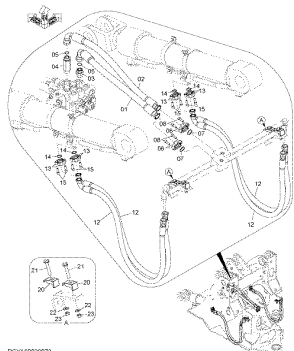
### MAIN PIPING (2)



DCYA6004520

.....p.355

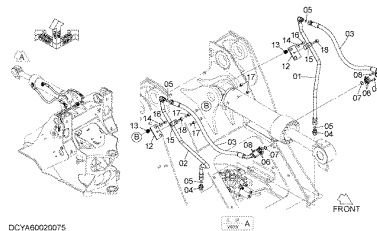
### MAIN PIPING (3)



DCYA6006073

.....p.357

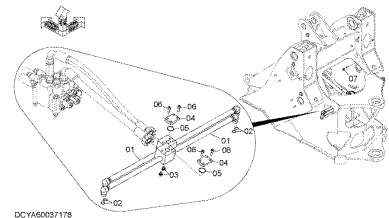
### MAIN PIPING (4)



DCYA6002075

.....p.359

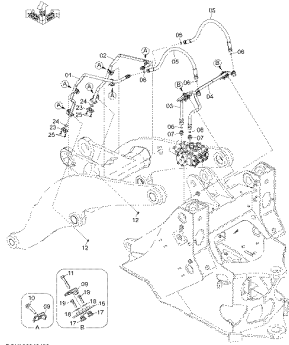
### MAIN PIPING (5)



DCYA6003178

.....p.361

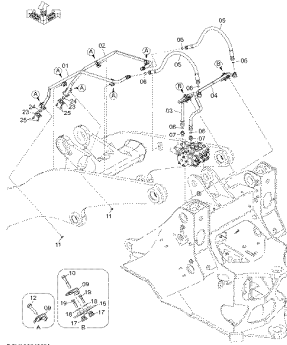
MAIN PIPING (3 SPOOL)



DCY46004846

.....p.363

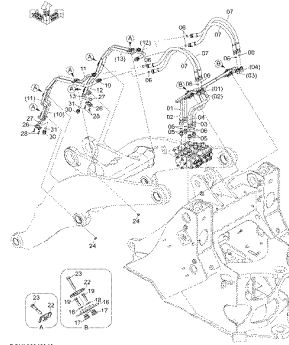
MAIN PIPING (3 SPOOL)(HIGH LIFT ARM)



DCY46004628

.....p.365

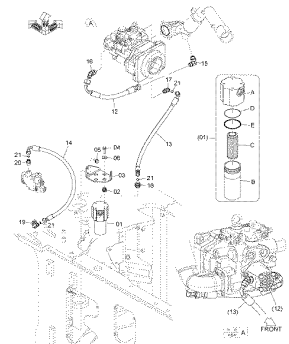
MAIN PIPING (4 SPOOL)



DCY46004595

.....p.367

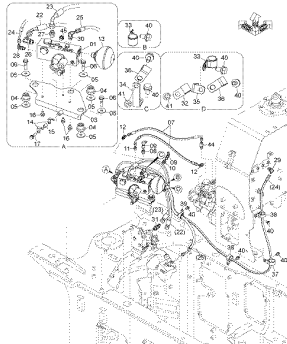
PILOT PIPING (1)



DCY46002082

.....p.369

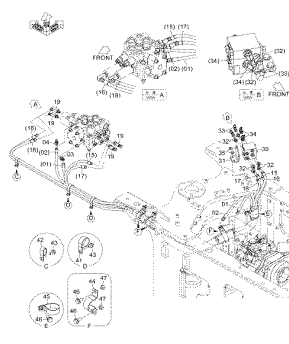
PILOT PIPING (2)



DCY46004574

.....p.371

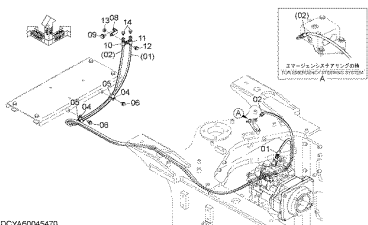
PILOT PIPING (3)



DCY46004547

.....p.375

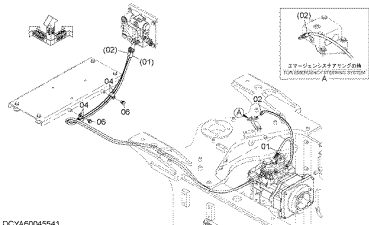
PILOT PIPING (4)(WITHOUT RIDE CONTROL)



DCY460045470

.....p.377

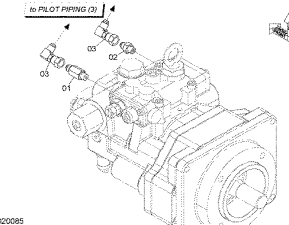
PILOT PIPING (4)(WITH RIDE CONTROL)



DCY460045541

.....p.379

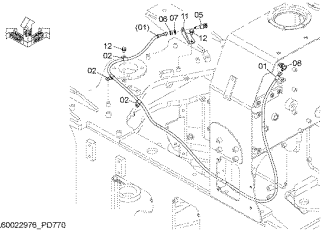
PILOT PIPING (5)



DCY46002085

.....p.381

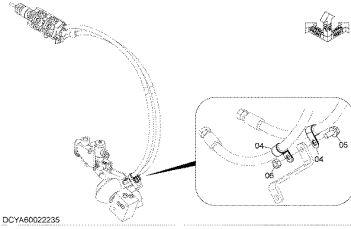
**PILOT PIPING (WITHOUT EMERGENCY STEERING)**



DCYA60022978\_PD778

.....p.383

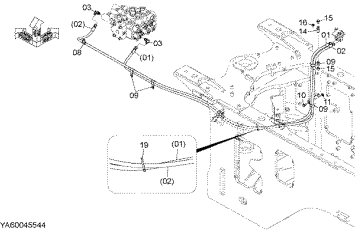
**PILOT PIPING PARTS**



DCYA60022235

.....p.385

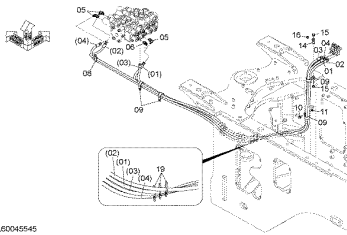
**PILOT PIPING (3 SPOOL)**



DCYA60045544

.....p.387

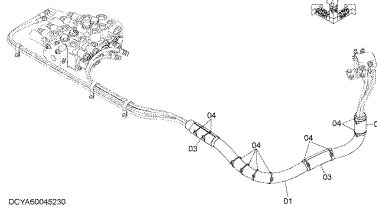
**PILOT PIPING (4 SPOOL)**



DCYA60045545

.....p.389

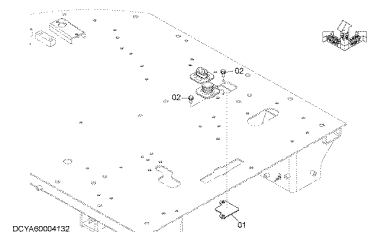
**PILOT PIPING (PROTECTOR HOSE)**



DCYA60045230

.....p.391

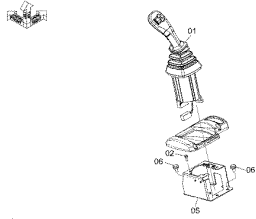
**PILOT HOSE COVER**



DCYA60004132

.....p.393

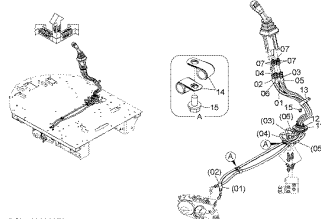
**MULTI-FUNCTION LEVER**



DCYA60004128A

.....p.395

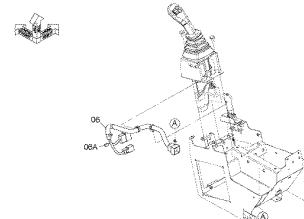
**PILOT PIPING (MULTI-FUNCTION LEVER)**



DCYA60039873

.....p.397

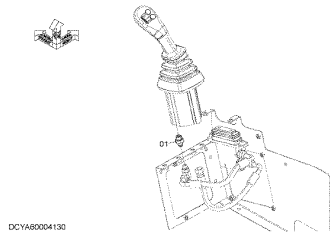
**MULTI-FUNCTION LEVER HARNESS**



DCYA60011976A

.....p.399

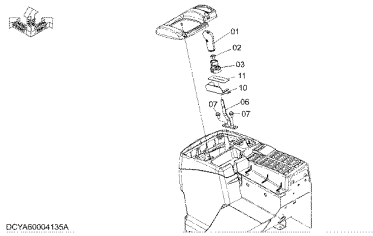
**ADAPTER (MULTI-FUNCTION LEVER)**



DCYA60004130

.....p.401

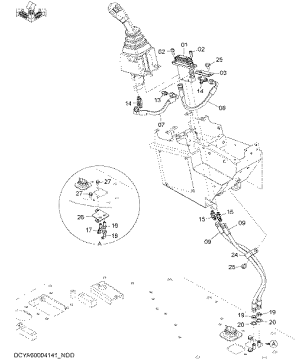
**AUX LEVER (OUTSIDE)**



DCYA60004135A

.....p.403

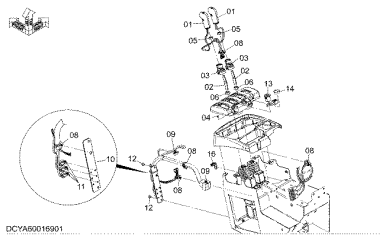
**PILOT PIPING (MULTI-FUNCTION LEVER, AUXILIARY LEVER (OUTSIDE))**



DCYA60004141\_N00

.....p.405

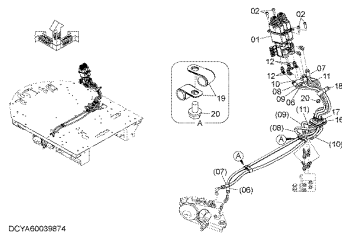
**WORK LEVER**



DCYA60016901

.....p.407

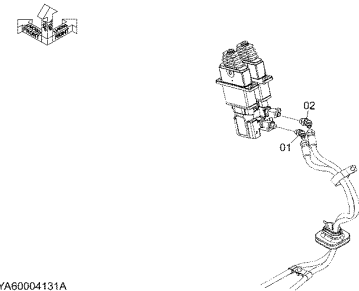
**PILOT PIPING (WORK LEVER)**



DCYA60039874

.....p.409

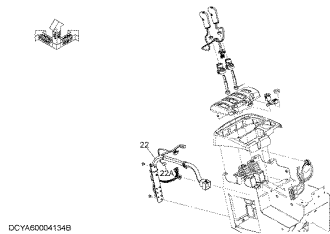
**ELBOW (WORK LEVER)**



DCYA60004131A

.....p.411

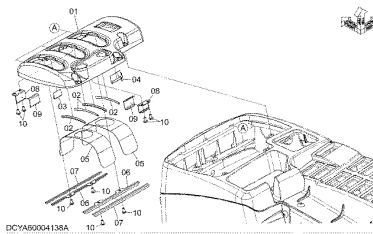
**WORK LEVER HARNESS**



DCYA60004134B

.....p.413

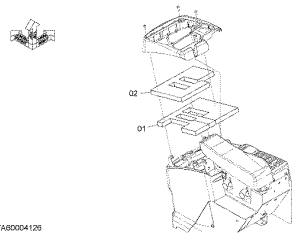
**WORK LEVER COVER**



DCYA60004138A

.....p.415

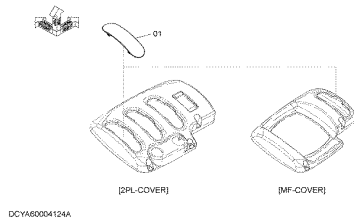
**RUBBER (WORK LEVER)**



DCYA60004126

.....p.417

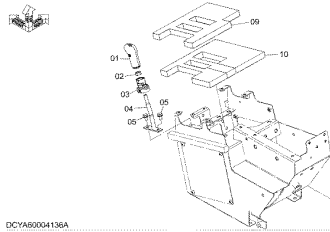
**LEVER COVER CAP**



DCYA60004124A

.....p.419

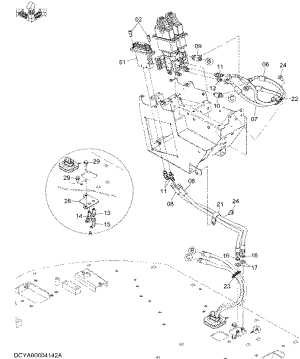
**AUXILIARY LEVER (INSIDE, OUTSIDE)**



DCYA60004136A

.....p.421

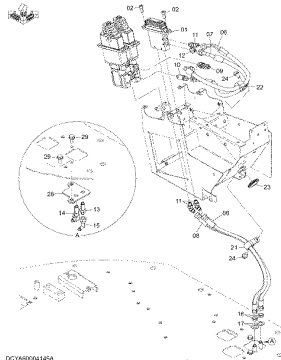
**PILOT PIPING (AUXILIARY LEVER)(INSIDE)**



DCYA60004142A

.....p.423

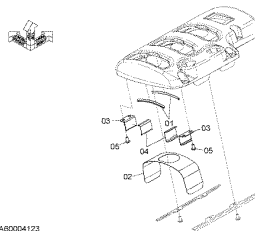
**PILOT PIPING (AUXILIARY LEVER)(OUTSIDE)**



DCYA60004145A

.....p.425

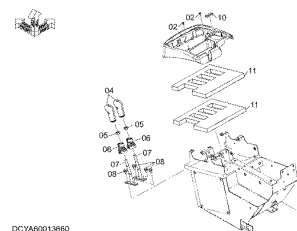
**AUXILIARY LEVER COVER PARTS**



DCYA60004123

.....p.427

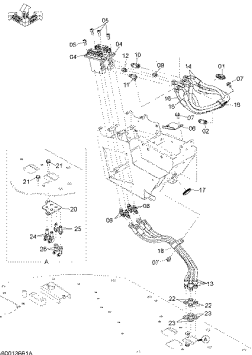
**AUXILIARY LEVER (2 LEVER)(INSIDE, OUTSIDE)**



DCYA60013850

.....p.429

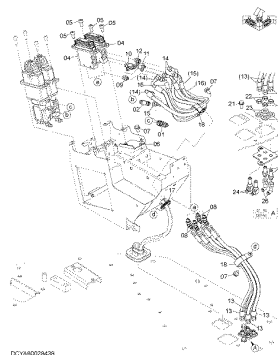
**PILOT PIPING (AUXILIARY LEVER)(2 LEVER)(INSIDE)**



DCYA60013851A

.....p.431

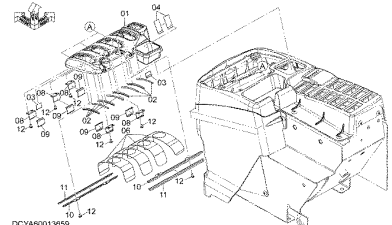
**PILOT PIPING (AUXILIARY LEVER)(2 LEVER)(OUTSIDE)**



DCYA6002848

.....p.433

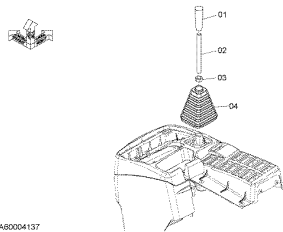
**WORK LEVER, AUXILIARY LEVER (2 LEVER) COVER**



DCYA60013859

.....p.435

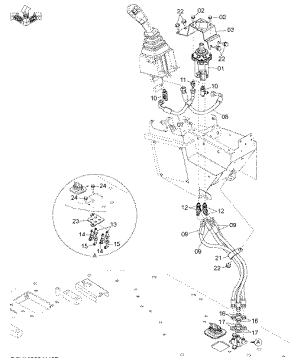
AUXILIARY JOYSTICK LEVER



DCYA60004137

.....p.437

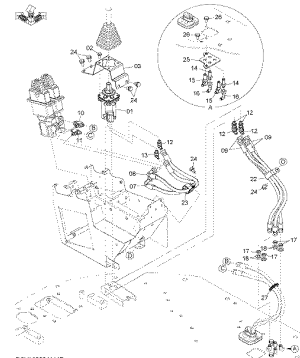
PILOT PIPING (MULTI-FUNCTION LEVER, AUXILIARY JOYSTICK LEVER)



DCYA60004145B

.....p.439

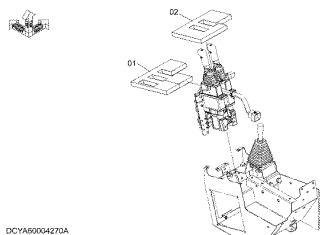
PILOT PIPING (WORK LEVER, AUXILIARY JOYSTICK LEVER)



DCYA60004146B

.....p.441

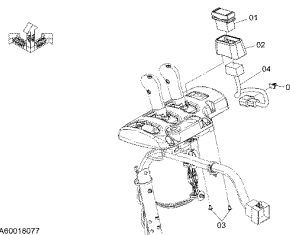
RUBBER (WORK LEVER, AUXILIARY JOYSTICK LEVER)



DCYA60004270A

.....p.443

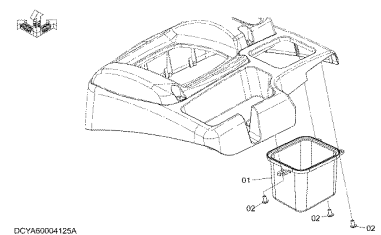
FNR SWITCH



DCYA60018077

.....p.445

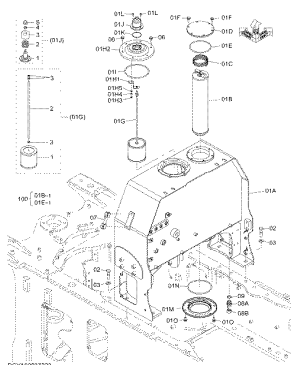
RIGHT CONSOLE POCKET



DCYA60004125A

.....p.447

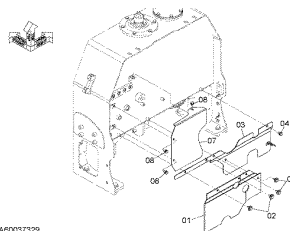
OIL TANK



DCYA6003728

.....p.449

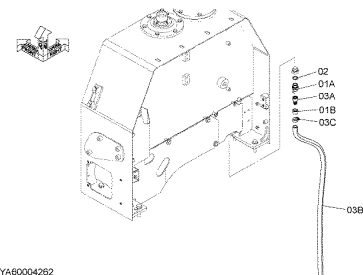
OIL TANK COVER



DCYA6003729

.....p.451

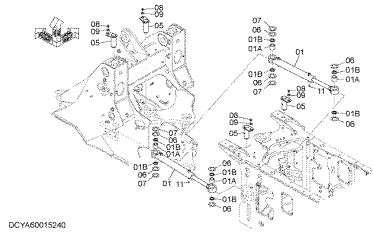
REMOTE DRAIN (HYDRALIC OIL)(EMERGENCY STEERING)



DCYA60004262

.....p.453

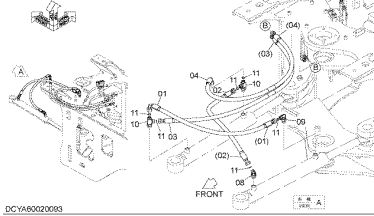
**STEERING CYLINDER PARTS**



DCYA60015240

.....p.455

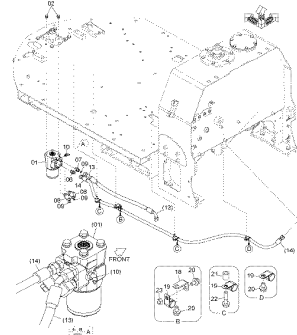
**STEERING PIPING (1)**



DCYA60020093

.....p.457

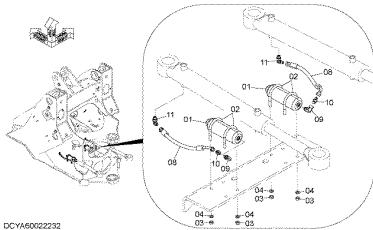
**STEERING PIPING (2)**



DCY4004952

.....p.459

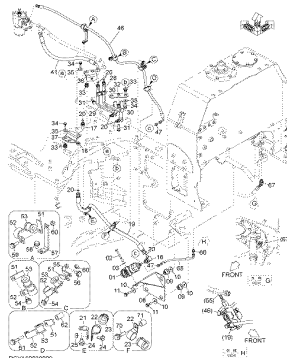
**STEERING PIPING (3)**



DCYA60022232

.....p.461

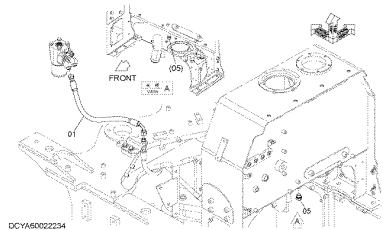
**STEERING PIPING (4)**



DCY4003009

.....p.463

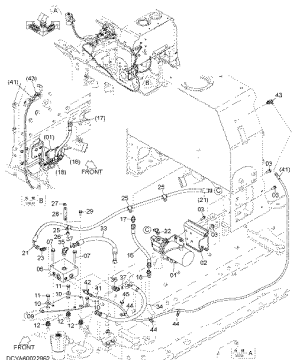
**STEERING PIPING (WITHOUT EMERGENCY STEERING)**



DCYA60022234

.....p.467

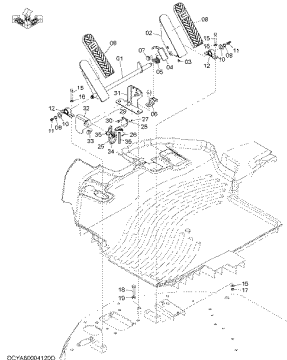
**STEERING PIPING (WITH EMERGENCY STEERING)(WITH RIDE CONTROL)**



DCY4002292

.....p.469

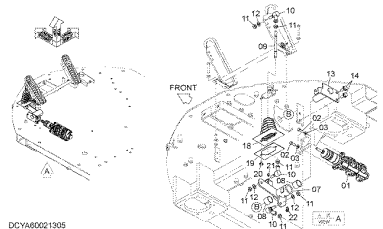
**BRAKE PEDAL**



DCY40004120

.....p.471

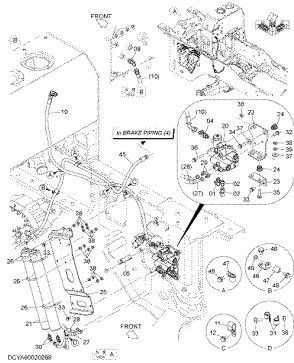
**BRAKE (LINKAGE)**



DCYA60021305

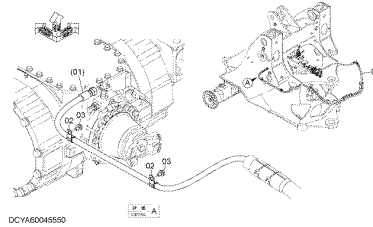
.....p.473

**BRAKE PIPING (1)**



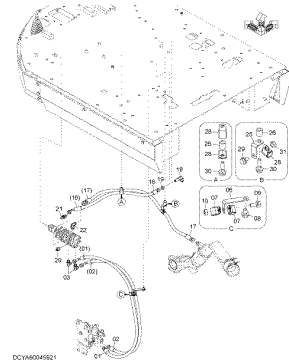
.....p.475

**BRAKE PIPING (2)**



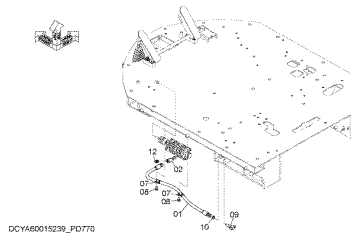
.....p.477

**BRAKE PIPING (3)**



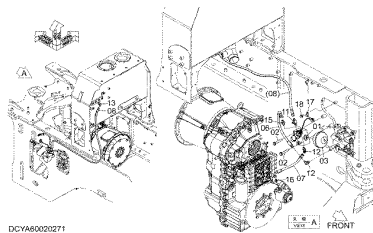
.....p.479

**BRAKE PIPING (4)**



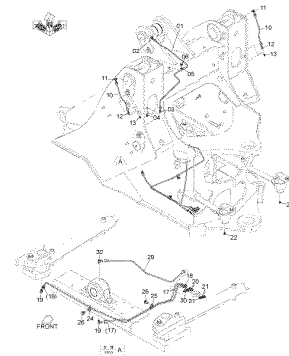
.....p.481

**PARKING BRAKE**



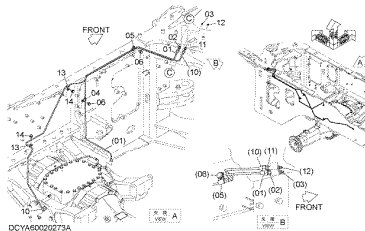
.....p.483

**LUBRICATE PIPING (1)**



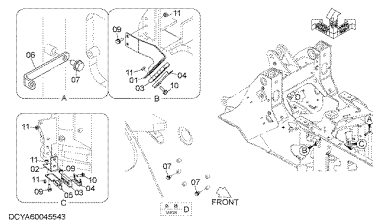
.....p.485

**LUBRICATE PIPING (2)**



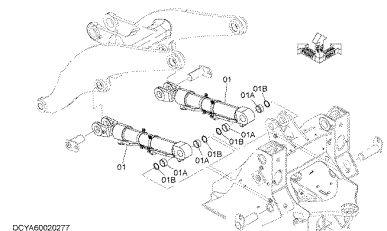
.....p.487

**OPTION PIPING PARTS**



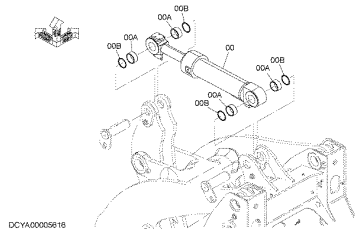
.....p.489

**LIFT ARM CYLINDER**



.....p.491

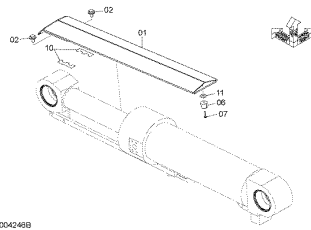
**BUCKET CYLINDER**



DCY460005918

.....p.493

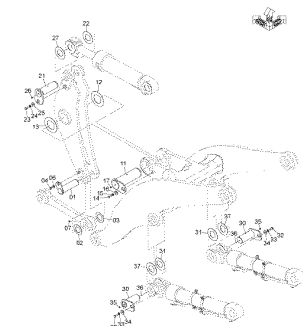
**BUCKET CYLINDER GUARD**



DCY460004246B

.....p.495

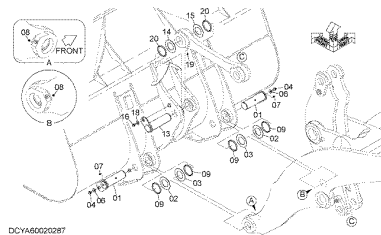
**LIFT ARM PARTS (1)**



DCY460002096

.....p.497

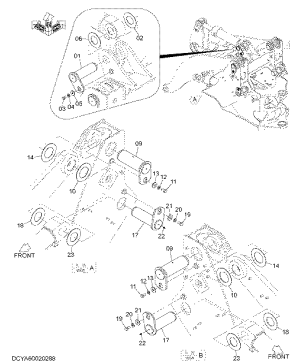
**LIFT ARM PARTS (2)**



DCY460002087

.....p.499

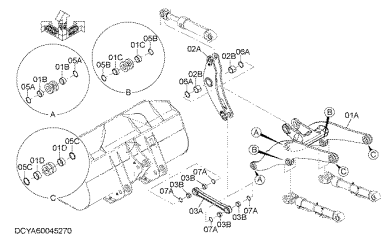
**LIFT ARM PARTS (3)**



DCY460002098

.....p.501

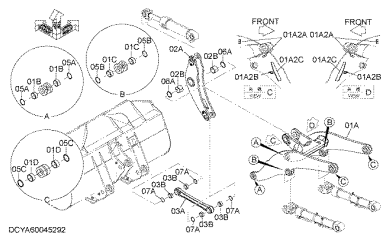
**LIFT ARM**



DCY4600045270

.....p.503

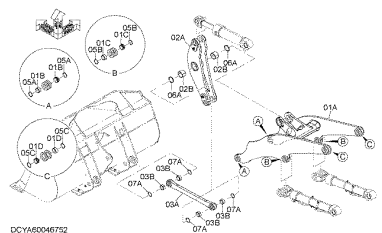
**LIFT ARM (3 SPOOL)**



DCY4600045292

.....p.505

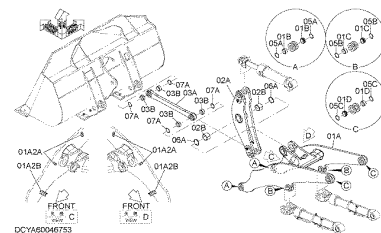
**HIGH LIFT ARM**



DCY4600046752

.....p.507

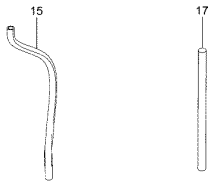
**HIGH LIFT ARM (3 SPOOL)**



DCY4600046753

.....p.509

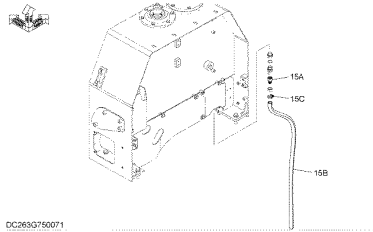
**TOOLS**



DCYA60017335A

.....p.511

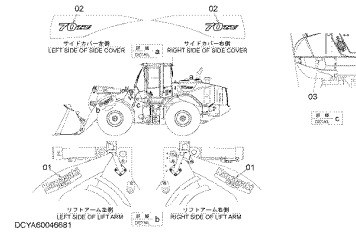
**\* DRAIN HOSE (HYDRAULIC OIL)**



DC2630750071

.....p.513

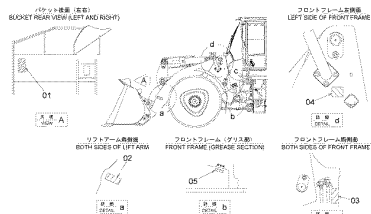
**NAME PLATE (NAME OF COMPANY, MODEL NAME PLATE)**



DCYA60049681

.....p.515

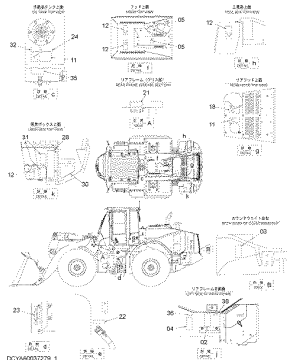
**NAME PLATE (FRONT)**



DCYA60041744

.....p.517

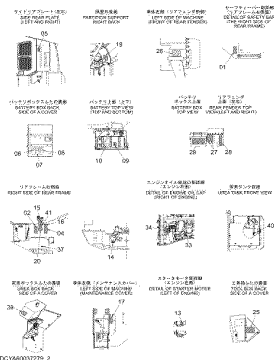
**NAME PLATE (REAR)(1-1)**



DCYA6003729\_1

.....p.519

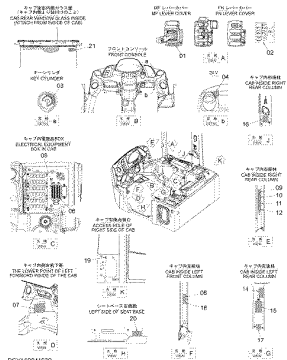
**NAME PLATE (REAR)(1-2)**



DCYA6003729\_2

.....p.521

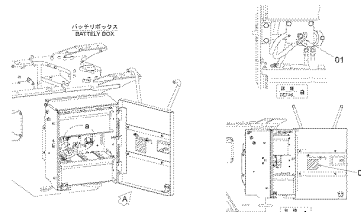
**NAME PLATE (CAB)**



DCYA60041639

.....p.525

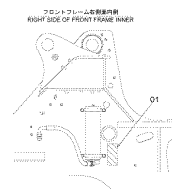
**NAME PLATE (BATTERY DISCONNECT)**



DCYA60041641

.....p.527

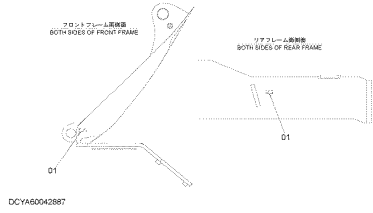
**NAME PLATE (RIDE CONTROL)**



DCYA60041746

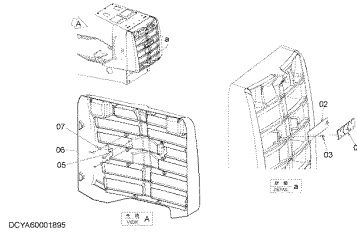
.....p.529

**NAME PLATE (LIFTING LUG)**



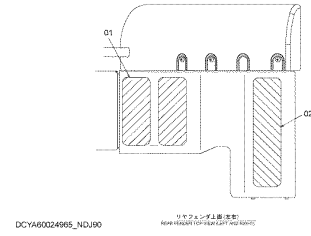
.....p.531

**NAME PLATE (EMBLEM)**



.....p.533

**NAME PLATE (ANTI-SLIP TAPE)**



.....p.535

---

MEMO

---

# PARTS NAME INDEX

## PARTS NAME INDEX

	PART NAME	PAGE		PART NAME	PAGE	
<b>A</b>	ACCUMULATOR	350,372,462,476,484	<b>C</b>	CONNECTOR	12,36,38,56,58,222	
	ADAPTER	32,33,36,64,68,229,244...		CONTROLLER	222,330,332,334	
	ADAPTER SOCKET	26,30,62,72,74,354,356...		COOLER ASSY,AIR	16,18	
	ADD.FRAME	92,94		COOLER ASSY,OIL	16,18	
	ADD.LIFT-ARM	506,510		CORE	224,234	
	AIR CONDITIONER AS	222,224		COUPLING	20,32	
	ALTERNATOR	8		COVER	8,32,38,39,74,100,106...	
	ANTENNA	156		COVER,BATTERY	144	
	ARM ASSY,LIFT	504,506,508,510		COVER.ENGINE	106	
	ASHTRAY	178		COVER,PEDAL	472	
	ASSY,BELL CRANK	504,506,508,510		COVER,REAR	106	
	ASSY,HOSE	27,384,470		COVER,SIDE	122,126	
	ASSY,LIFT ARM	504,506,508,510		CYL.,BUCKET	494	
	ASSY,PUSH ROD	504,506,508,510		CYL.,LIFT	492	
	ASSY,TIRE	80,82,84,86,88		CYLINDER	156,244	
AXLE ASSY,FRONT	72	CYLINDER ASSY,STEE	456			
AXLE ASSY,REAR	74	<b>D</b>	DECAL	520,523,526,532		
<b>B</b>	BAND		38,114,156	DECK	130	
	BAR,LOCK		98	DIODE	268,302,306,314,400,414	
	BASE	178	DOOR	160,162,166,224		
	BATTERY	290,292,294	DUCT	188,222,240,242		
	BEARING	96	<b>E</b>	EJECTOR	42	
	BEARING UNIT	472		ELBOW	26,30,38,64,68,72,74...	
	BELT	8		ELEMENT	2,450	
	BELT,V	2,228	ELEMENT,FILTER	2,370,450		
	BLOCK	72,74	ENGINE	8		
	BODY	156,262,338,340,450,454	EVAPORATOR	224		
	BOLT	8,12,14,16,18,20,32,39...	<b>F</b>	FAN	20	
	BOLT,EYE	12,112		FENDER	128,130,136	
	BOLT,SOCKET	20,26,32,38,58,60,218...		FILLER	32,52,62	
	BOLT,U	38,42,116,162,166,244...		FILTER	2,8,9,44,52,58,60,224...	
	BOLT,W/WASHER	12,14,16,18,20,22,24...		FILTER ASSY,FUEL	2,9,32	
BOLT,WING	244,248,250	FILTER ASSY,OIL		2,8		
BOOT	438,474	FILTER,SUCTION		2,450		
BOSS	20	FITTING		64,68,74,96,229,472,474...		
BOX	132,144	FLANGE		96,364,366,368		
BOX,FUSE	286,314	FLANGE,SPLIT		350,358,360		
BOX,RELAY	314	FLASHER		314		
BOX,TOOL	132	FLOAT		268		
BRACKET	12,14,20,22,26,27,30...	FLOOR		202		
BREATHER,AIR	32,62,64,68,346,450	FRAME		14,114,156,157,162,166...		
BULB	6,156,262,272,338,340	FRAME,FRONT		92		
BUSHING	32,74,96,98,456,474,492...	FRAME,REAR	94			
BUSHING,RUBBER	22,50,110,126,132,154...	FUSE	6,200,244,268,314			
BUZZER	300,318	FUSIBLE-LINK	6,268,286			
<b>C</b>	CAB	150	<b>G</b>	GASKET	8,24,32,38,156,262,280...	
	CAB (1)	150		GASKET,EXHAUST	38	
	CAB (2)	150		GAS-SPRING	136,138,140	
	CAB (3)	150		GAUGE,LEVEL	62,450	
	CAB (4)	150		GLASS	152,162,166	
	CABLE,BATTERY	278,288,296,302		GRILLE	114,154	
	CABLE,CONTROL	157		GRIP	157,212,404,408,422,430...	
	CAMERA	272		GROMMET	32	
	CAP	22,32,46,52,58,96,106...		GUARD	20,62,68,496	
	CASE	224,225		GUARD,FAN	20	
	CATALYST	38		GUIDE	60,162,166,224	
	CATCH	20,157		<b>H</b>	HAMMER	156
	CHECK,VALVE	156			HANDLE	114,132
	CLAMP	38,42,172,174,224,244...			HANDLE,DOOR	162,166
	CLAMP,CABLE	268			HANDRAIL	120,130,152,162,166,172...
	CLAMP,HOSE	22,27,32,36,38,42,44...	HARNESS		156,157,198,200,224,258...	
	CLAMP,PIPE	27,354,358,360,364,366...	HEAD		9,370	
	CLEANER,AIR	44	HINGE		20,114,122,132,144,184	
	CLIP	12,22,26,27,30,32,36...	HOLDER		20,120,144,162,166,234	
	CLUTCH,MAGNET	232	HOOK		156	
	COLLAR	16,18,22,26,30,32,54...	HORN		260	
	COLUMN ASSY	212	HOSE	26,27,30,62,64,156,157...		
	COMPRESSOR	228,232	HOSE,AIR	42,44,46,48,244		
	CONDENSER	228,234	HOSE,COOLER	222,228		

## PARTS NAME INDEX

	PART NAME	PAGE		PART NAME	PAGE	
H	HOSE,FUEL	32,36,512	P	PULLEY	228	
	HOSE,RUBBER	12,27,62,68,354		PUMP	346	
	HOSE,UREA	58		PUMP UNIT	470	
	HOSE,VINYL	22,454,514		PUMP,FUEL	32	
	HOSE,WATER	22,56,222		PUMP,GEAR	24	
	HOUSING	370		PUMP,UREA	58	
I	INDICATOR	280	R	RADIATOR	16,18	
	INJECTOR,UREA	38		RADIO	190	
	INSULATOR	170,212,242,250		REDUCER	346	
J	JOINT,BALL	474		REFLECTOR	262	
	JOINT,HOSE	12,56,229		RELAY	200,224,270,312,318,342...	
K	KEY	84		RELAY,BATTERY	270	
	KEY,PLATE	326		RESISTOR	280	
	KIT,REPAIR	314		REST,ARM	206	
	KIT,SWITCH	214		REST,HEAD	220	
	KNOB	162,166,184,186,206,214		RIM	80,82,84,86,88,338,340	
L	LAMP,FRONT	6,262		RING	52,157,162,166,232	
	LAMP,HEAD	6,156,262,338,340		RING,BACKUP	370	
	LAMP,REAR	298		RING,LOCK	80,82,84,86,88	
	LAMP,ROOM	154,156		RING,O	4,8,9,26,27,30,32,38...	
	LAMP,WORKING	272		RING,RETAINER	472	
	LENS	6,262,272,338,340		RING,SIDE	80,82,84,86,88	
	LENS,UNIT	6,156,262		RING,WEAR	74	
	LEVER	157,162,163,167,212,224...	ROD	144,162,166,290,292,294...		
	LEVER,ELECTRIC	304	ROD,PUSH	504,506,508,510		
	LEVER,R	157	ROD,SCREW	244		
	LIGHTER	318	ROOF	154		
	LIGHTER,CIGAR	336	RUBBER	12,14,16,18,20,26,27...		
	LINK	474,504,506,508,510	S	SAFETY-SIGN	526	
	LOCK	114,122,144		SASH	162,166	
	LOCK,DOOR	162,166		SCREW	8,9,20,32,36,56,114,124...	
	LOUVER	188,240		SCREW&SPACER	214	
	LUG,LIFTING	92,94		SCREW,SET	152	
	M	MAT		204	SCREW,TAPPING	178,180,188,212,224,304...
		MAT,FLOOR		254	SEAL	14,16,18,32,74,96,106...
MIRROR		194,196,198		SEAT,OPERATOR	218	
MONITOR		324		SEAT,SCREW	92,94,506,510	
MOTOR		224		SEATBELT	218	
MOTOR,OIL		20		SENSOR	8,52,222,240,258,280	
MUFFLER		38		SENSOR,NOX	38	
N	NAME-PLATE	200,516,518,520,522,523...		SENSOR,PRESSURE	8,268,274,284,302	
	NOZZLE	152	SENSOR,PRESSURE.	72		
	NUT	12,20,22,26,27,30,36...	SENSOR,TEMPERATURE	8,38,224,268		
	NUT,WD.	114,184	SHAFT	224		
O	ORIFICE,ADAPTER	72,74,462	SHAFT,PROPELLER	66		
P	PACKING	12,154,163,166,167,224,268	SHROUD	20		
	PAD	214,416,428,430,436	SPACER	20,38,96,106,204,228...		
	PANEL	156,244	SPEAKER	154		
	PARTS,AXLE	72,74	SPRING	118,214,450,472		
	PEDAL	212,472	STAND	216		
	PEDAL ASSY,BRAKE	472	STARTER	8		
	PEDAL,ACCELERATOR	316	STAY	20,120,144,152,198		
	PIN	20,96,98,104,118,120...	STEP	130,132,133		
	PIN,STOPPER	162,166	STOPPER	20,76,78,132,156,160...		
	PIPE	38,62,72,74,364,366,368...	STRAINER	32,450		
	PIPE,AIR	44,46,48	STRIKER	154		
	PIPE,EXHAUST	38,42	SUN-VISOR	192		
	PIPE,RETURN	27,354	SUPPORT	74,110		
	PIPE,SUCTION	354	SWITCH	154,256,296,304,318,322		
	PIPE,WATER	22	SWITCH,LEVEL	22,280		
	PLATE	12,14,74,110,120,124...	SWITCH,LIMIT	316,472		
	PLATE,LOCK	70,245	SWITCH,PRES.	302		
	PLUG	9,12,16,18,27,32,56,74...	SWITCH,PUSHBUT.	408		
	PLUG,DRAIN	52,450,454,514	SWITCH,START	326		
	PLUG,PLASTIC	128,138,148,298,312,408	SWITCH,TUMBLER	198,318,322,446		
	POCKET	448	T	TANK	52	
	PRECLEANER	48,244		TANK,FUEL	32	
	PROTECTOR	27,392		TANK,LIQUID	234	
	PULLER	314		TANK,OIL	450	



---

MEMO

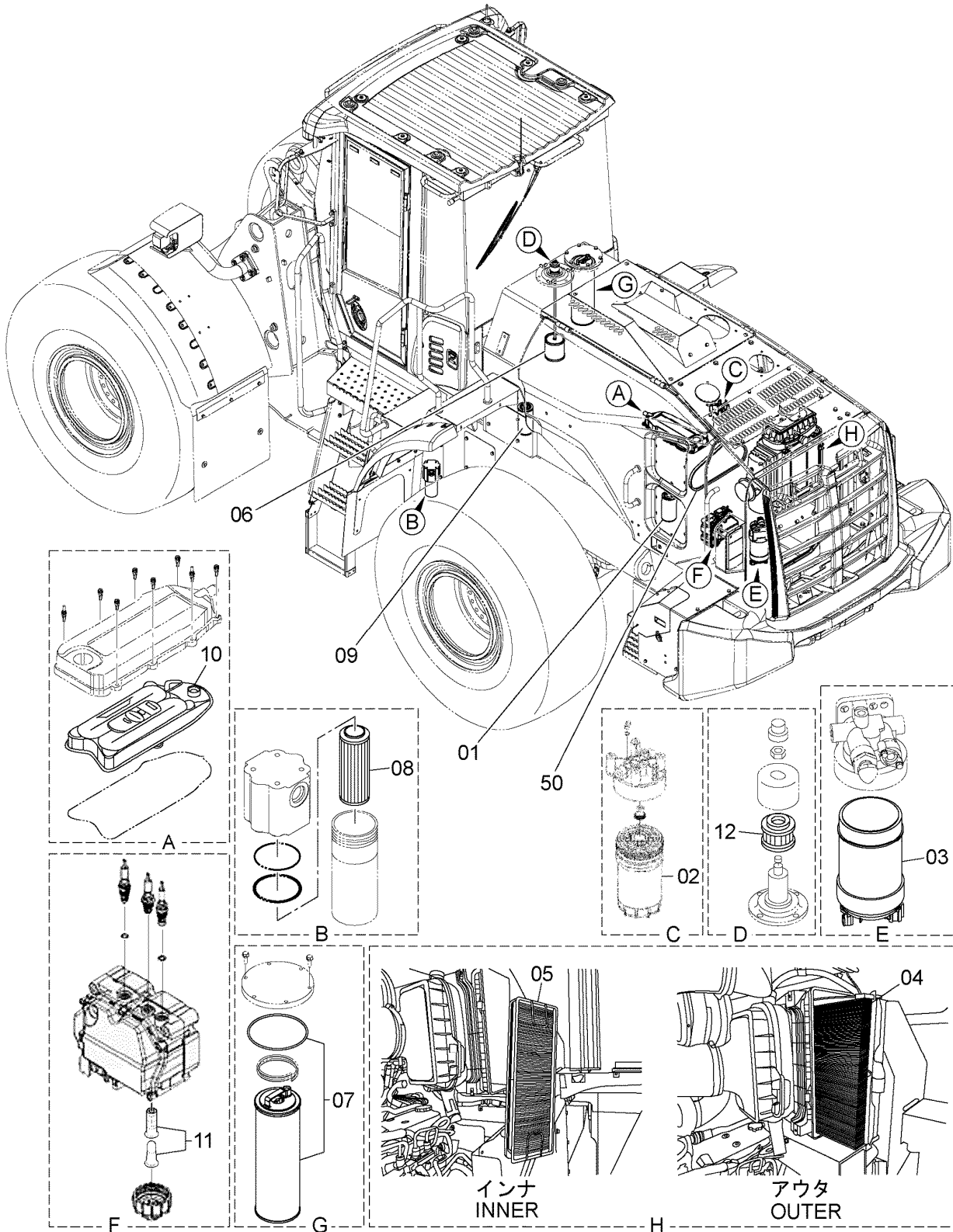
---

FILTER, ELEMENT, BELT PARTS  
 フィルタ、エレメント、ベルト部品

Applicable Model (適用機種): -

Mark(記号): -

Serial No. (適用号機): -



DCPD770\_PRP1

FILTER, ELEMENT, BELT PARTS  
 フィルタ、エレメント、ベルト部品

Applicable Model (適用機種): -

Mark(記号): -

Serial No. (適用号機): -

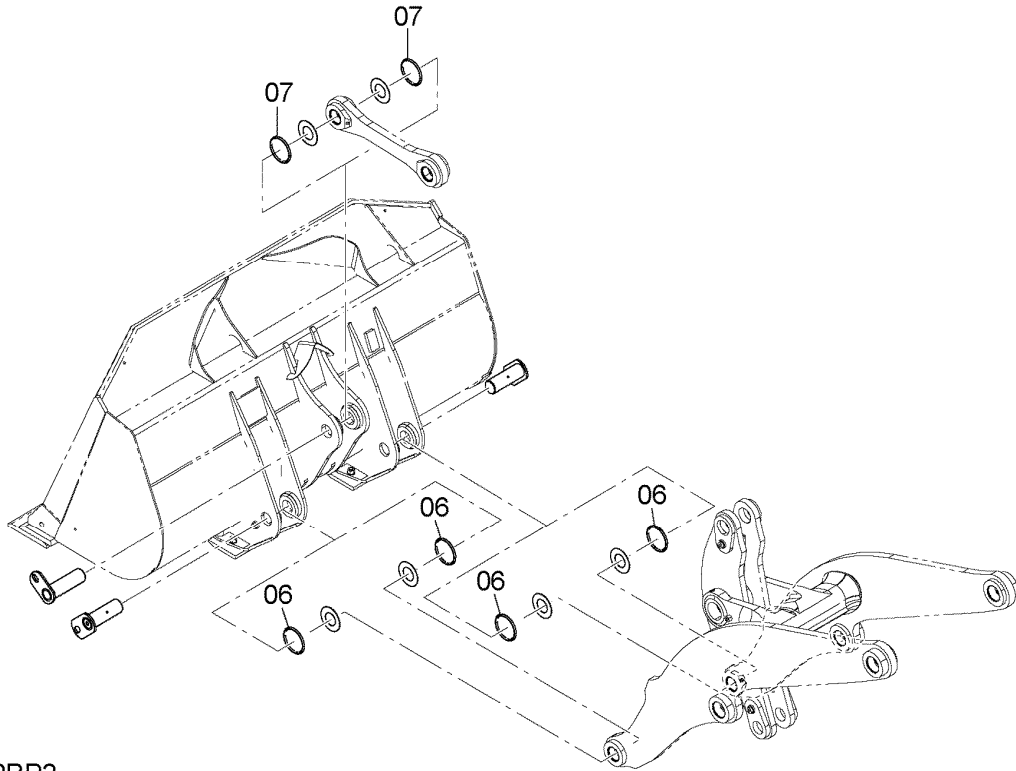
ITEM 符号	PART NO. 部品番号	PART NAME	部 品 名	Q' TY 数量	S. C サービ ス コード	SERIAL NO. 適用号機	ICA 互 換 性	REPLACEABLE PART 代 替 部 品	
								PART NO. 部品番号	Q' TY 数量
01	YQYA00019107	FILTER ASSY, OIL (ENGINE OIL FILTER)	フィルタ アツセン, オイル (エンジンオイルフィルタ)	1	Z	5001-			
02	YQYL00008001	FILTER ASSY, FUEL (FUEL MAIN FILTER)	フィルタ アツセン, フューエル (燃料メインフィルタ)	1	Z	5001-			
03	YQYL00008002	FILTER ASSY, FUEL	フィルタ アツセン, フューエル	1	Z	5001-			
04	YQYA00018804	(FUEL PRE-FILTER ELEMENT) (燃料プレフィルタ) FILTER (AIR CLEANER ELEMENT (OUTER)) (エアクリーナ (アウタ))	フィルタ	1	Z	5001-			
05	YQYA00018805	FILTER (AIR CLEANER ELEMENT (INNER)) (エアクリーナ (インナ))	フィルタ	1	Z	5001-			
06	YQ263F752091	FILTER, SUCTION (SUCTION FILTER)	フィルタ, サクション (サクションフィルタ)	1		5001-			
07	YQYA00049584	ELEMENT, FILTER (HYDRAULIC TANK OIL FILTER) (油圧タンクオイルフィルタ)	エレメント, フィルタ	1		5001-			
08	YQ2655742471	ELEMENT, FILTER (PILOT OIL FILTER)	エレメント, フィルタ (パイロットオイルフィルタ)	1		5001-			
09	YQ263G257012	FILTER (TRANSMISSION OIL FILTER) (トランスミッションオイルフィルタ)	フィルタ	1		5001-			
10	YQYA00018806	FILTER (CRANKCASE AIR BREATHER ELEMENT)	フィルタ	1	Z	5001-			
11	YQYL00008298	(クランクケースエアブリーザエレメント) FILTER (UREA SUPPLY MODULE MAIN FILTER) (尿素水サプライモジュールフィルタ)	フィルタ	1	Z	5001-			
12	YQ4437838	ELEMENT	エレメント	1		5001-			
50	YQ263F672001	(AIR BREATHER FILTER) BELT, V (AIR CONDITIONER DRIVE BELT) (エアコンディショナドライブベルト)	(エアブリーザフィルタ) ベルト, V	1		5001-			

# BUCKET PARTS バケット部品

Applicable Model (適用機種): -

Mark (記号): -

Serial No. (適用号機): -



DCPD770\_PR2

# BUCKET PARTS

## バケット部品

Applicable Model (適用機種): -

Mark(記号): -

Serial No. (適用号機): -

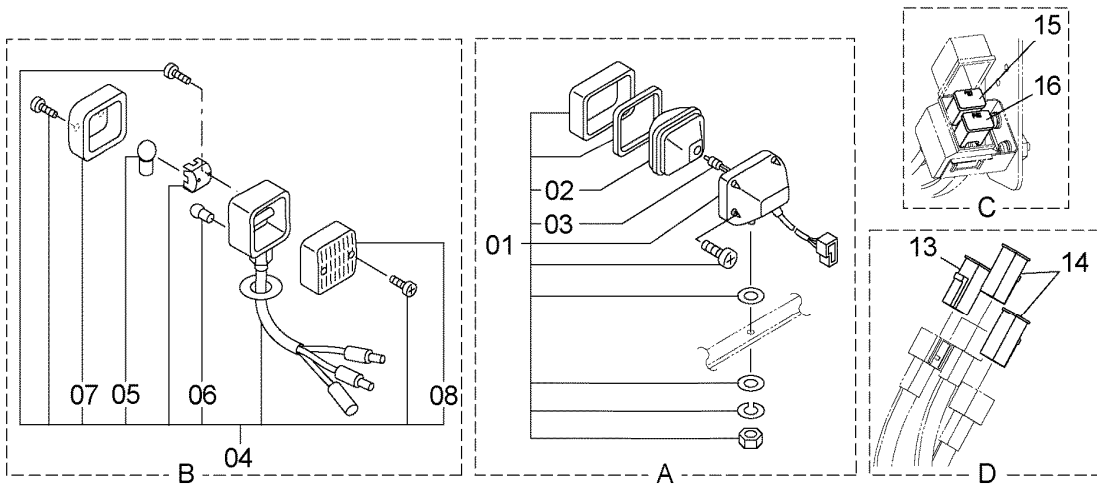
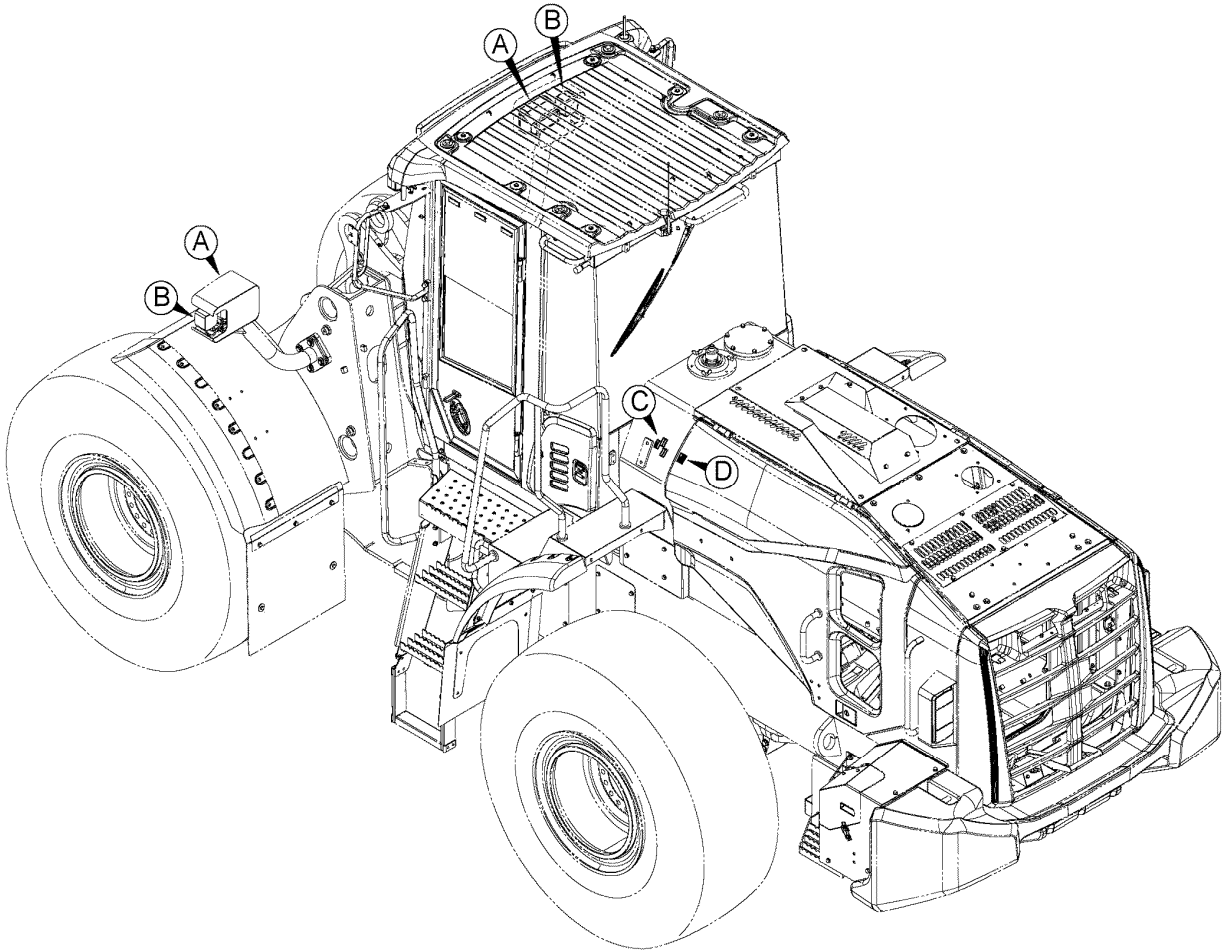
ITEM 符号	PART NO. 部品番号	PART NAME	部 品 名	Q' TY 数量	S. C サービ ス コート	SERIAL NO. 適用号機	ICA 互 換 性	REPLACEABLE PART 代 替 部 品	
								PART NO. 部品番号	Q' TY 数量
06	YQ2641872161	RING, 0	リング, 0	4		5001-			
07	YQ2641872161	RING, 0	リング, 0	2		5001-			

BULB, LENS PARTS  
バルブ、レンズ部品

Applicable Model (適用機種): -

Mark(記号): -

Serial No. (適用号機): -



DCPD770\_PRP3

BULB, LENS PARTS  
バルブ、レンズ部品

Applicable Model (適用機種): -

Mark(記号): -

Serial No. (適用号機): -

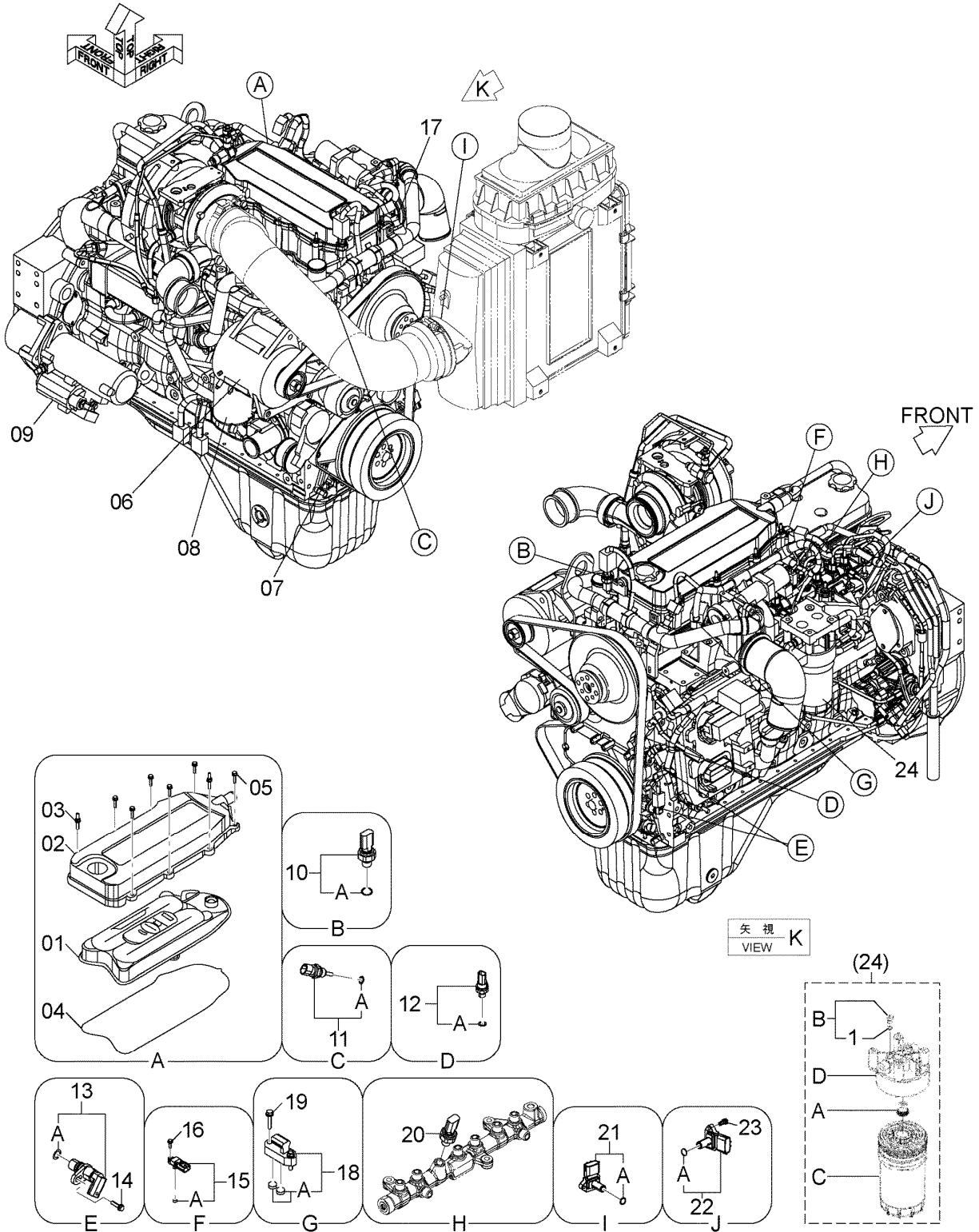
ITEM 符号	PART NO. 部品番号	PART NAME	部 品 名	Q' TY 数量	S. C サービ ス コード	SERIAL NO. 適用号機	ICA 互 換 性	REPLACEABLE PART 代 替 部 品	
								PART NO. 部品番号	Q' TY 数量
01	YQ4436232	LAMP, HEAD (FRONT COMBINATION LIGHT ASSEMBLY) (フロントコンビネーション)	ランプ, ヘッド	2		5001-			
02	YQ4434678	* LENS, UNIT	* レンズ, ユニット	2		5001-			
03	YQ4434679	* BULB (24V 75/70W)	* バルブ (24V 75/70W)	2		5001-			
04	YQ2640242432	LAMP, FRONT (TURN SIGNAL LIGHT)	ランプ, フロント (フロント方向指示灯)	2		5001-			
05	YQ2640247291	* BULB (24V 25W)	* バルブ (24V 25W)	2		5001-			
06	YQ2640247301	* BULB (24V 5W)	* バルブ (24V 5W)	2		5001-			
07	YQ2619247401	* LENS (FRONT)	* レンズ (フロント)	2		5001-			
08	YQ2619247411	* LENS (REAR)	* レンズ (リア)	2		5001-			
13	YQ4315323	FUSIBLE-LINK (45A)	ヒューズフルリンク (45A)	1		5001-			
14	YQ263G244421	FUSE (65A)	ヒューズ (65A)	2		5001-			
15	YQ4315073	FUSIBLE-LINK (70A)	ヒューズフルリンク (70A)	1		5001-			
16	YQYA00021809	FUSIBLE-LINK (140A)	ヒューズフルリンク (140A)	1		5001-			

# ENGINE エンジン

Applicable Model (適用機種): -

Mark(記号): -

Serial No.(適用号機): -



DCYA60029474

# ENGINE

## エンジン

Applicable Model (適用機種): -

Mark(記号): -

Serial No. (適用号機): -

ITEM 符号	PART NO. 部品番号	PART NAME	部 品 名	Q' TY 数量	S. C サービ ス コード	SERIAL NO. 適用号機	ICA 互 換 性	REPLACEABLE PART 代 替 部 品	
								PART NO. 部品番号	Q' TY 数量
	YQYA00022467	ENGINE	エンジン	1		5001-			
01	YQYA00018806	* FILTER	* フィルタ	1	Z	5001-			
02	YQYA00050138	* COVER	* カバー	1	Z	5001-			
03	YQYA00020140	* BOLT	* ボルト	5	Z	5001-			
04	YQYA00020147	* GASKET	* ガasket	1	Z	5001-			
05	YQYA00020148	* BOLT	* ボルト	3	Z	5001-			
06	YQYA00018807	* ALTERNATOR (65A)	* オルタネータ (65A)	1	Z	5001-			
07	YQYA00018808	* BELT	* ベルト	1	Z	5001-			
08	YQYA00019107	* FILTER ASSY. OIL	* フィルタ アッセン, オイル	1	Z	5001-			
09	YQYA00020859	* STARTER	* スタータ	1	Z	5001-			
10	YQYA00020875	* SENSOR, PRESSURE (EXHAUST GAS.)	* センサ, プレツシャ (排気圧センサ)	1	Z	5001-			
10A	YQYA00020925	** RING, O	** リンク, O	1	Z	5001-			
11	YQYA00020886	* SENSOR, TEMPERATURE (COOLANT)	* センサ, テンパラチャ (水温センサ)	1	Z	5001-			
11A	YQYA00020925	** RING, O	** リンク, O	1	Z	5001-			
12	YQYA00020917	* SENSOR, PRESSURE (OIL PRESSURE)	* センサ, プレツシャ (エンジンオイル圧スイッチ)	1	Z	5001-			
12A	+++++	** RING, O	** リンク, O	1	D	5001-			
13	YQYA00020924	* SENSOR (CAM OR CRANK)	* センサ (クランク/カム角度センサ)	2	Z	5001-			
13A	YQYA00020156	** RING, O	** リンク, O	1	Z	5001-			
14	YQYA00020157	* SCREW	* スクリュ	2	Z	5001-			
15	YQYA00020926	* SENSOR, PRESSURE (CRANKCASE BREATHER)	* センサ, プレツシャ (クランクケース圧センサ)	1	Z	5001-			
15A	YQYA00020163	** RING, O	** リンク, O	1	Z	5001-			
16	YQYA00020164	* SCREW	* スクリュ	1	Z	5001-			
17	YQYA00020927	* SENSOR, TEMPERATURE (EXHAUST GAS TEMPERATURE)	* センサ, テンパラチャ (排気ガス温度センサ)	1	Z	5001-			
18	YQYL00009623	(EGRカス温度センサ) * SENSOR, PRESSURE (EGR PRESSURE SENSOR)	* センサ, プレツシャ (EGR差圧センサ)	1	Z	5001-			
18A	YQYA00020208	** RING, O	** リンク, O	2	Z	5001-			
19	YQYA00021580	* SCREW	* スクリュ	2	Z	5001-			
20	YQYL00009475	* SENSOR, PRESSURE (FUEL RAIL PRESSURE SENSOR) (コモンレール圧力センサ)	* センサ, プレツシャ (燃料レール圧力センサ)	1	Z	5001-			
21	YQYA00020934	* SENSOR (AMBIENT AIR)	* センサ (吸気温度/圧力センサ)	1	Z	5001-			
21A	+++++	** RING, O	** リンク, O	1	D	5001-			
22	YQYA00020950	* SENSOR (INTAKE MANIFOLD) (インテークマニホルド温度圧力センサ)	* センサ (吸気温度/圧力センサ)	1	Z	5001-			
22A	YQYA00020207	** RING, O	** リンク, O	1	Z	5001-			

# ENGINE

## エンジン

Applicable Model (適用機種): -

Mark(記号): -

Serial No. (適用号機): -

ITEM 符号	PART NO. 部品番号	PART NAME	部 品 名	Q' TY 数量	S. C サービ ス コート	SERIAL NO. 適用号機	ICA 互 換 性	REPLACEABLE PART 代 替 部 品	
								PART NO. 部品番号	Q' TY 数量
23	YQYA00020196	* SCREW	* スクリュ	1	Z	5001-			
24	YQYA00050146	* FILTER ASSY, FUEL	* フィルタ アツセン, フューエル	1	Z	5001-			
24A	YQYA00050140	** FILTER	** フィルタ	1	Z	5001-			
24B	YQYA00050141	** PLUG	** プラグ	2	Z	5001-			
24B1	YQYA00050142	*** RING, O	*** リング, O	1	Z	5001-			
24C	YQYL00008001	** FILTER ASSY, FUEL	** フィルタ アツセン, フューエル	1	Z	5001-			
24D	+++++	** HEAD	** ヘッド	1	D	5001-			

---

MEMO

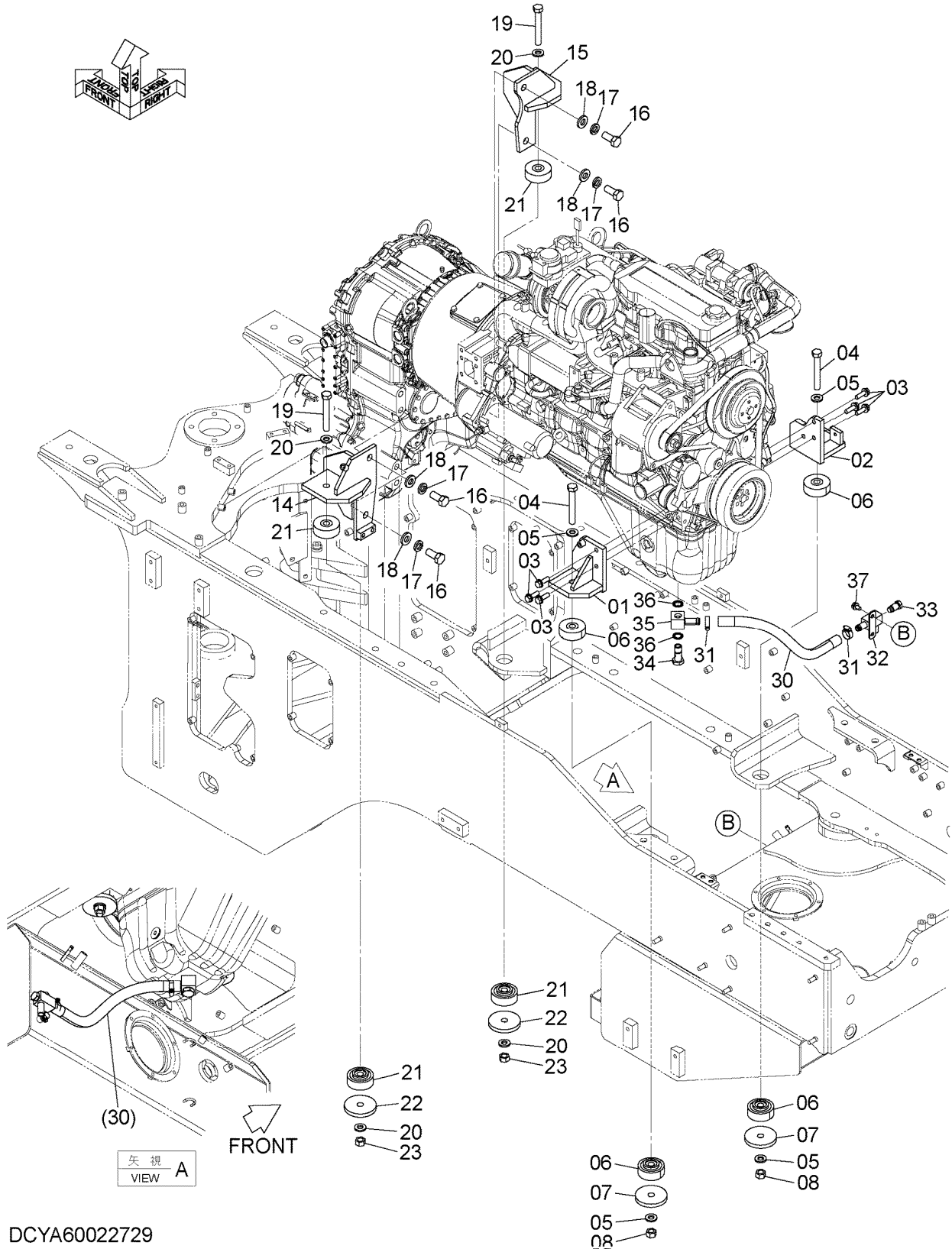
---

# ENGINE SUPPORT エンジン取付部品

Applicable Model (適用機種): -

Mark (記号): -

Serial No. (適用号機): -



DCYA60022729

# ENGINE SUPPORT

## エンジン取付部品

Applicable Model (適用機種): -

Mark(記号): -

Serial No. (適用号機): -

ITEM 符号	PART NO. 部品番号	PART NAME	部 品 名	Q' TY 数量	S. C サービ ス コート	SERIAL NO. 適用号機	ICA 互 換 性	REPLACEABLE PART 代 替 部 品	
								PART NO. 部品番号	Q' TY 数量
01	YQYA40010766	BRACKET	ブ ラケツ	1		5001-			
02	YQYA40010767	BRACKET	ブ ラケツ	1		5001-			
03	YQJ271240	BOLT, W/WASHER	ボ ルト (ワッシャ付)	6	D	5001-			
04	YQ0111618125	BOLT	ボ ルト	2		5001-			
05	YQJ222018	WASHER	ワッシャ	4		5001-			
06	YQ4643491	RUBBER	ラバ ー	4		5001-			
07	YQ263G102161	PLATE	プ レー	2		5001-			
08	YQ0140150018	NUT	ナツ	2		5001-			
14	YQYA40010888	BRACKET	ブ ラケツ	1		5001-			
15	YQYA40014608	BRACKET	ブ ラケツ	1		5001-			
16	YQ0111620045	BOLT	ボ ルト	4		5001-			
17	YQJ257220	WASHER, SPRING	ワッシャ, スプ リンク	4		5001-			
18	YQJ222020	WASHER	ワッシャ	4		5001-			
19	YQ0111618125	BOLT	ボ ルト	2		5001-			
20	YQJ222018	WASHER	ワッシャ	4		5001-			
21	YQ4629781	RUBBER	ラバ ー	4		5001-			
22	YQ263G102161	PLATE	プ レー	2		5001-			
23	YQ0140150018	NUT	ナツ	2		5001-			
30	YQYA00017840	HOSE, RUBBER	ホ ース, ラバ ー	1		5001-			
31	YQ2406762281	CLIP	クリップ	2		5001-			
32	YQYA40010770	CONNECTOR	コネクタ	1		5001-			
33	YQYA00016600	PLUG	プ ラク	1		5001-			
34	YQ263E102011	BOLT, EYE	ボ ルト, アイ	1		5001-			
35	YQ263E102001	JOINT, HOSE	ジ ョイント, ホ ース	1		5001-			
36	YQ263F102071	PACKING	パ ッキン	2	Z	5001-			
37	YQJ271020	BOLT, W/WASHER	ボ ルト (ワッシャ付)	2	D	5001-			

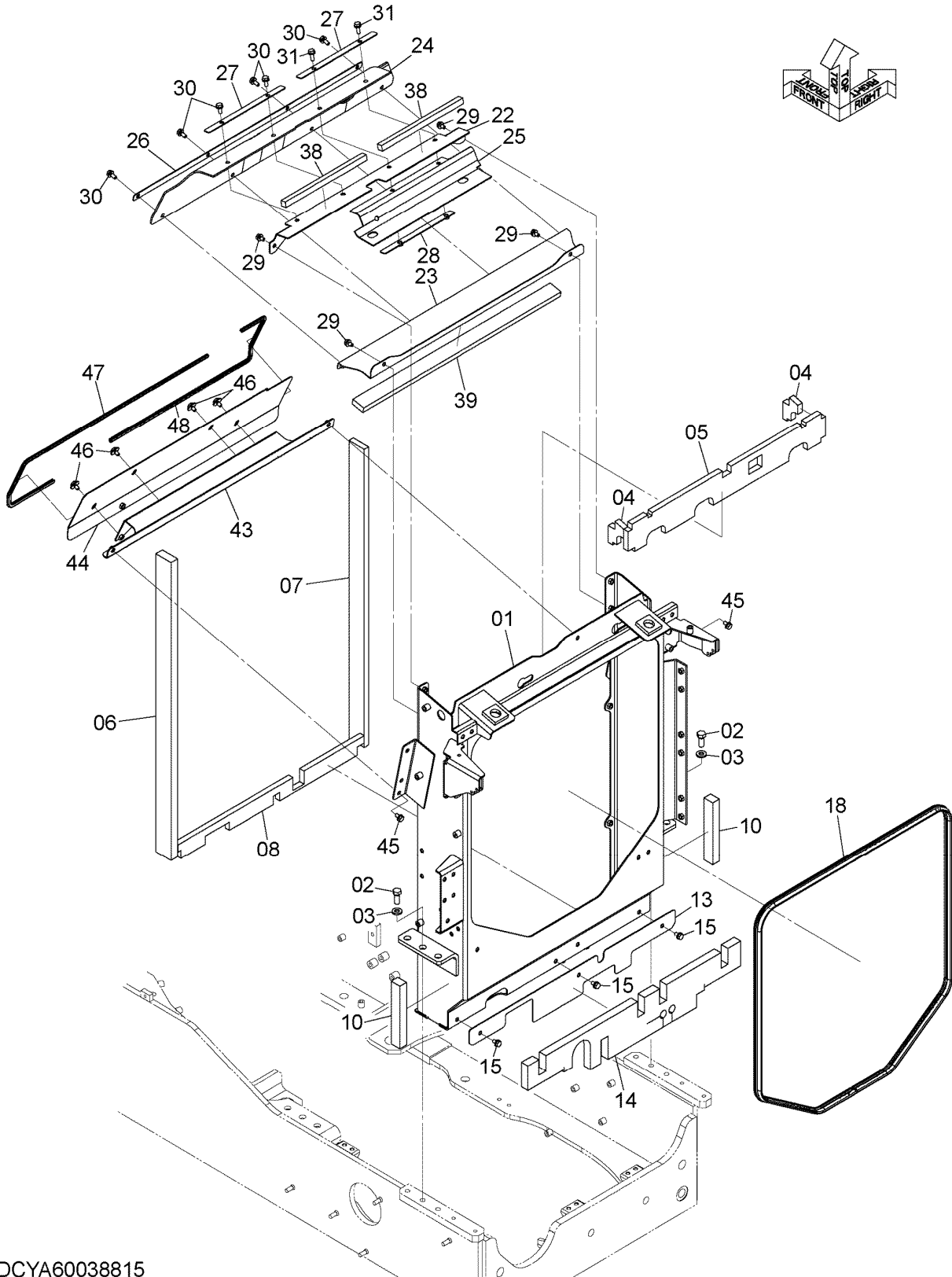
# COOLING DEVICE (1)

## 冷却装置 (1)

Applicable Model (適用機種): -

Mark(記号): -

Serial No. (適用号機): -



DCYA60038815

COOLING DEVICE (1)

冷却装置 (1)

Applicable Model (適用機種): -

Mark(記号): -

Serial No. (適用号機): -

ITEM 符号	PART NO. 部品番号	PART NAME	部 品 名	Q' TY 数量	S. C サービ ス コート	SERIAL NO. 適用号機	ICA 互 換 性	REPLACEABLE PART 代 替 部 品	
								PART NO. 部品番号	Q' TY 数量
01	YQYA40026936	FRAME	フレーム	1		5001-			
02	YQJ901640	BOLT	ボルト	6		5001-			
03	YQJ222016	WASHER	ワッシャ	6		5001-			
04	YQYA00027082	SEAL	シール	2		5001-			
05	YQYA00042134	SEAL	シール	1		5001-			
06	YQYA00019529	SEAL	シール	1		5001-			
07	YQYA00019530	SEAL	シール	1		5001-			
08	YQYA00042135	SEAL	シール	1		5001-			
10	YQ4425969	SEAL	シール	2		5001-			
13	YQYA00040539	BRACKET	ブラケット	1		5001-			
14	YQYA00040538	SEAL	シール	1		5001-			
15	YQJ271020	BOLT, W/WASHER	ボルト (ワッシャ付)	3	D	5001-			
18	YQ263G212721	SEAL	シール	1		5001-			
22	YQYA40026939	BRACKET	ブラケット	1		5001-			
23	YQYA40026938	BRACKET	ブラケット	1		5001-			
24	YQYA00040864	RUBBER	ラバー	1		5001-			
25	YQYA00040868	RUBBER	ラバー	1		5001-			
26	YQYA00040867	PLATE	プレート	1		5001-			
27	YQYA00040866	PLATE	プレート	2		5001-			
28	YQYA40027591	PLATE	プレート	1		5001-			
29	YQJ271020	BOLT, W/WASHER	ボルト (ワッシャ付)	4	D	5001-			
30	YQJ271025	BOLT, W/WASHER	ボルト (ワッシャ付)	6	D	5001-			
31	YQJ271030	BOLT, W/WASHER	ボルト (ワッシャ付)	2	D	5001-			
38	YQYC00000766	SEAL	シール	2		5001-			
39	YQXV00000989	SEAL	シール	1		5001-			
43	YQYA40026937	BRACKET	ブラケット	1		5001-			
44	YQYA40026941	BRACKET	ブラケット	1		5001-			
45	YQJ271020	BOLT, W/WASHER	ボルト (ワッシャ付)	2	D	5001-			
46	YQJ281020	BOLT, W/WASHER	ボルト (ワッシャ付)	4	D	5001-			
47	YQ4449136	TRIM	トリム	1		5001-			
48	YQ4601878	TRIM	トリム	1		5001-			

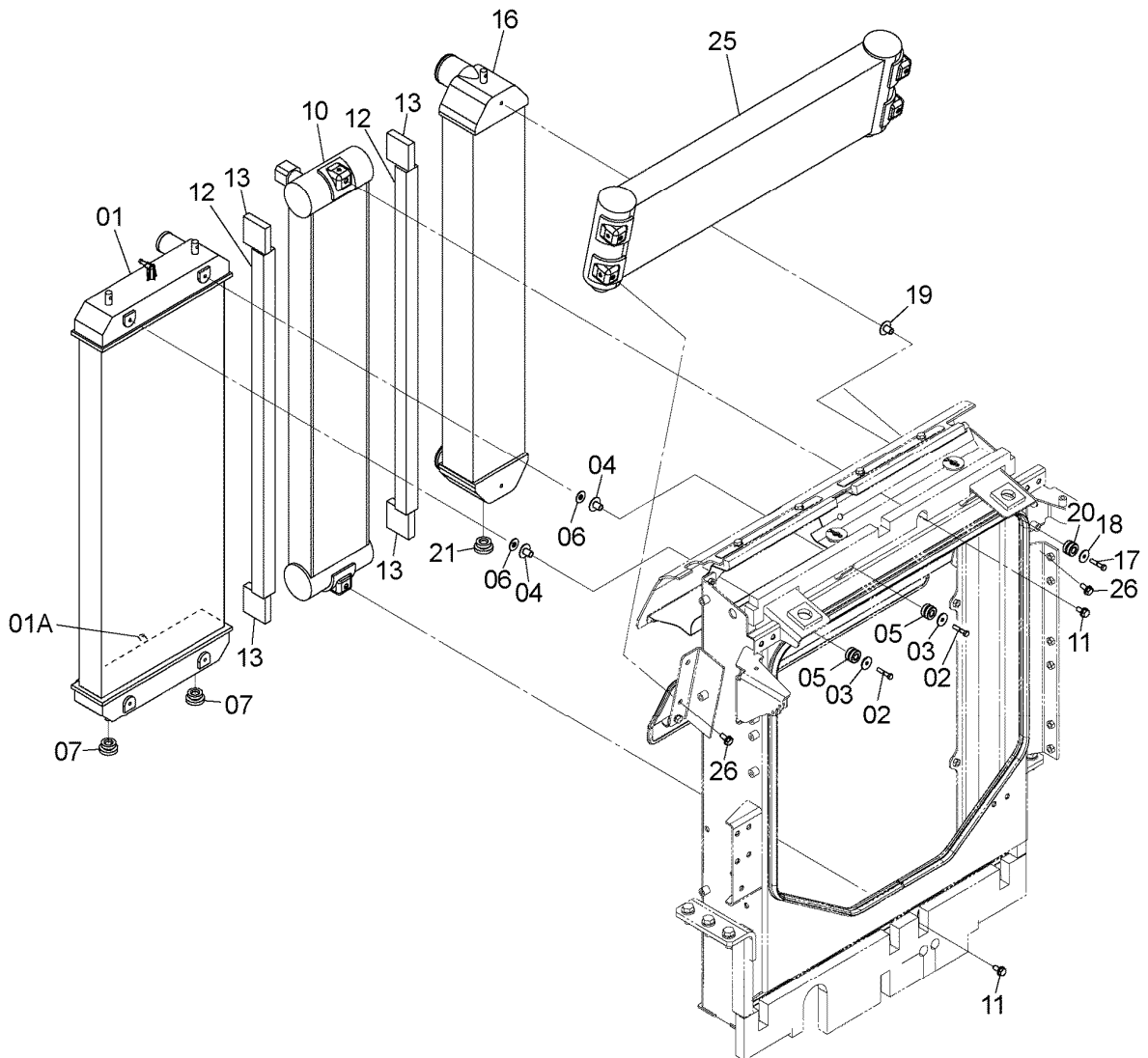
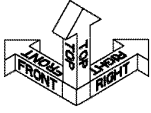
# COOLING DEVICE (2)

## 冷却装置 (2)

Applicable Model (適用機種): -

Mark(記号): -

Serial No. (適用号機): -



DCYA60029478A

COOLING DEVICE (2)

冷却装置 (2)

Applicable Model (適用機種): -

Mark(記号): -

Serial No. (適用号機): -

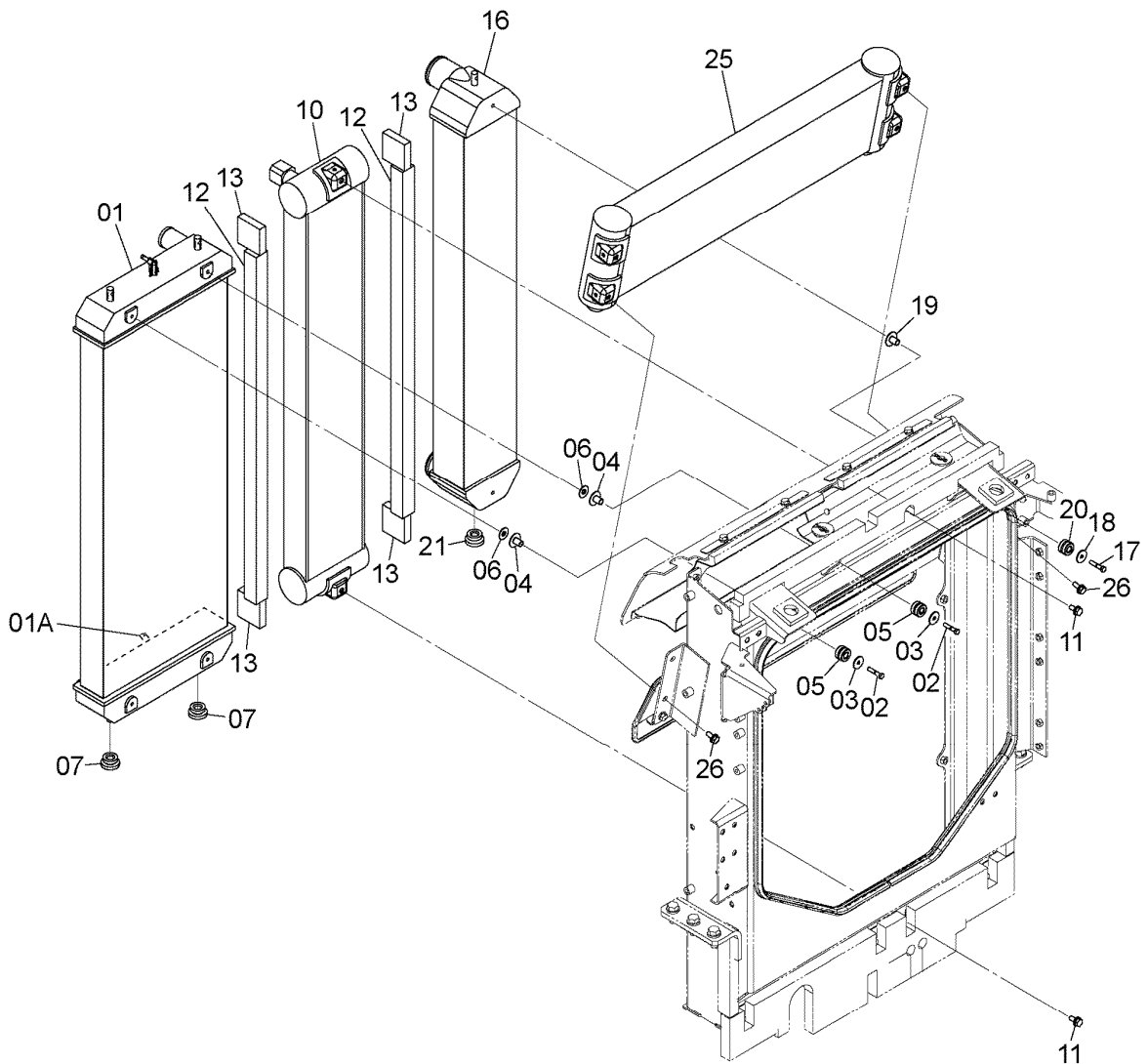
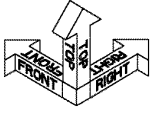
ITEM 符号	PART NO. 部品番号	PART NAME	部 品 名	Q' TY 数量	S. C サービ ス コート	SERIAL NO. 適用号機	ICA 互 換 性	REPLACEABLE PART 代 替 部 品	
								PART NO. 部品番号	Q' TY 数量
01	YQYA00017801	RADIATOR	ラジエータ	1		5001-			
01A	YQXB00001930	* PLUG	* プラグ	1		5001-			
02	YQ0110608040	BOLT	ボルト	2		5001-			
03	YQ4308365	WASHER, PLANE	ワッシャ, フレーン	2		5001-			
04	YQ263G212272	TUBE	チューブ	2		5001-			
05	YQ263G212251	RUBBER	ラバー	2		5001-			
06	YQYA00020480	COLLAR	カラー	2		5001-			
07	YQ263G212241	RUBBER	ラバー	2		5001-			
10	YQYA00017799	COOLER ASSY, OIL	クーラ アッセン, オイル	1		5001-			
11	YQJ271025	BOLT, W/WASHER	ボルト (ワッシャ付)	2	D	5001-			
12	YQYA00025014	SEAL	シール	2		5001-			
13	YQYA00025015	SEAL	シール	4		5001-			
16	YQYA00017802	COOLER ASSY, AIR	クーラ アッセン, エア	1		5001-			
17	YQ0110608040	BOLT	ボルト	1		5001-			
18	YQ4308365	WASHER, PLANE	ワッシャ, フレーン	1		5001-			
19	YQ263G212272	TUBE	チューブ	1		5001-			
20	YQ263G212251	RUBBER	ラバー	1		5001-			
21	YQ263G212241	RUBBER	ラバー	1		5001-			
25	YQYA00017800	COOLER ASSY, OIL	クーラ アッセン, オイル	1		5001-			
26	YQJ271025	BOLT, W/WASHER	ボルト (ワッシャ付)	4	D	5001-			

COOLING DEVICE (2) (WIDE)  
 冷却装置 (2) (ワイド)

Applicable Model (適用機種): -

Mark (記号): -

Serial No. (適用号機): -



DCYA60029479

COOLING DEVICE (2) (WIDE)

冷却装置 (2) (ワイド)

Applicable Model (適用機種): -

Mark(記号): -

Serial No. (適用号機): -

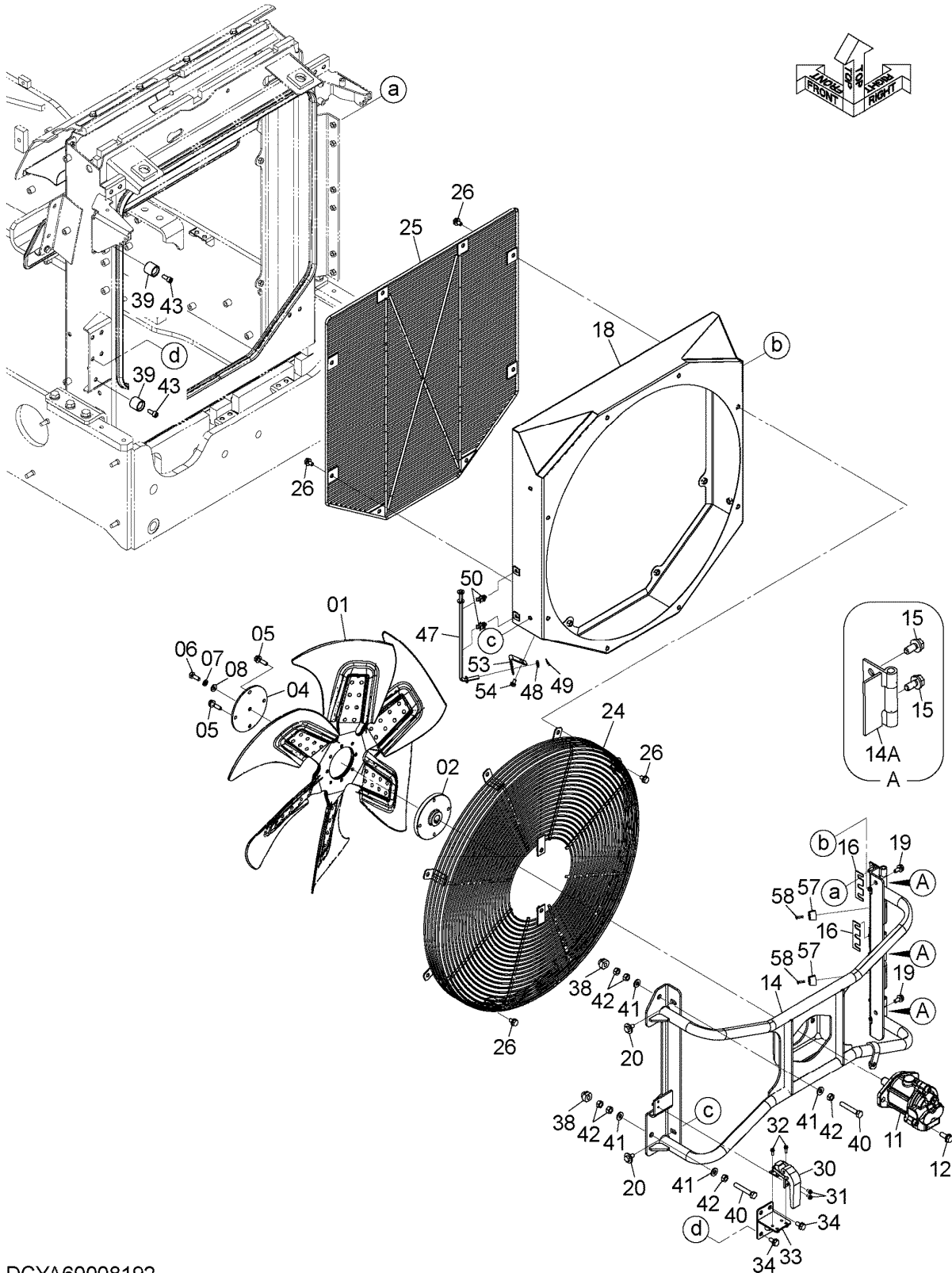
ITEM 符号	PART NO. 部品番号	PART NAME	部 品 名	Q' TY 数量	S. C サービ ス コート	SERIAL NO. 適用号機	ICA 互 換 性	REPLACEABLE PART 代 替 部 品	
								PART NO. 部品番号	Q' TY 数量
01	YQYA00019724	RADIATOR	ラジエータ	1		5001-			
01A	YQXB00001930	* PLUG	* プラグ	1		5001-			
02	YQ0110608040	BOLT	ボルト	2		5001-			
03	YQ4308365	WASHER, PLANE	ワッシャ, フレーン	2		5001-			
04	YQ263G212272	TUBE	チューブ	2		5001-			
05	YQ263G212251	RUBBER	ラバー	2		5001-			
06	YQYA00020480	COLLAR	カラー	2		5001-			
07	YQ263G212241	RUBBER	ラバー	2		5001-			
10	YQYA00019725	COOLER ASSY, OIL	クーラ アッセン, オイル	1		5001-			
11	YQJ271025	BOLT, W/WASHER	ボルト (ワッシャ付)	2	D	5001-			
12	YQYA00025014	SEAL	シール	2		5001-			
13	YQYA00025015	SEAL	シール	4		5001-			
16	YQYA00019726	COOLER ASSY, AIR	クーラ アッセン, エア	1		5001-			
17	YQ0110608040	BOLT	ボルト	1		5001-			
18	YQ4308365	WASHER, PLANE	ワッシャ, フレーン	1		5001-			
19	YQ263G212272	TUBE	チューブ	1		5001-			
20	YQ263G212251	RUBBER	ラバー	1		5001-			
21	YQ263G212241	RUBBER	ラバー	1		5001-			
25	YQYA00019727	COOLER ASSY, OIL	クーラ アッセン, オイル	1		5001-			
26	YQJ271025	BOLT, W/WASHER	ボルト (ワッシャ付)	4	D	5001-			

# COOLING DEVICE PARTS 冷却装置用品

Applicable Model (適用機種): -

Mark(記号): -

Serial No. (適用号機): -



DCYA60008192

# COOLING DEVICE PARTS

## 冷却装置用品

Applicable Model (適用機種): -

Mark(記号): -

Serial No. (適用号機): -

ITEM 符号	PART NO. 部品番号	PART NAME	部 品 名	Q' TY 数量	S. C サービ ス コート	SERIAL NO. 適用号機	ICA 互 換 性	REPLACEABLE PART 代 替 部 品	
								PART NO. 部品番号	Q' TY 数量
01	YQ263J210601	FAN	ファン	1		5001-			
02	YQ4713808	COUPLING	カップ リング	1		5001-			
04	YQYA00011206	STOPPER	ストッパ	1		5001-			
05	YQJ271040	BOLT, W/WASHER	ボルト (ワッシャ付)	4	D	5001-			
06	YQJ901030	BOLT	ボルト	1		5001-			
07	YQA590910	WASHER, SPRING	ワッシャ, スプリング	1		5001-			
08	YQJ222010	WASHER	ワッシャ	1		5001-			
11	YQYA00011207	MOTOR, OIL	モータ, オイル	1	H	5001-			
12	YQJ271235	BOLT, W/WASHER	ボルト (ワッシャ付)	2	D	5001-			
14	YQYA40026728	BRACKET	ブラケット	1		5001-			
14A	YQ263G212811	* HINGE	* ヒンジ	3	W	5001-			
15	YQJ271025	BOLT, W/WASHER	ボルト (ワッシャ付)	6	D	5001-			
16	YQ263G213451	SPACER (t=2.3mm)	スペーサ (t=2.3mm)	2	R	5001-			
18	YQYA40027526	SHROUD	シュラウド	1		5001-			
19	YQJ271025	BOLT, W/WASHER	ボルト (ワッシャ付)	2	D	5001-			
20	YQJ281025	BOLT, W/WASHER	ボルト (ワッシャ付)	2	D	5001-			
24	YQ263G210191	GUARD, FAN	ガード, ファン	1		5001-			
25	YQ263G210271	GUARD	ガード	1		5001-			
26	YQJ271020	BOLT, W/WASHER	ボルト (ワッシャ付)	16	D	5001-			
30	YQ263F212281	CATCH	キャッチ	1		5001-			
31	YQJ460614	SCREW	スクリュー	2		5001-			
32	YQJ460620	SCREW	スクリュー	4		5001-			
33	YQYA40003814	BRACKET	ブラケット	1		5001-			
34	YQJ271025	BOLT, W/WASHER	ボルト (ワッシャ付)	4	D	5001-			
38	YQ263F212261	PIN	ピン	2		5001-			
39	YQ263F212271	BOSS	ボス	2		5001-			
40	YQM261280	BOLT	ボルト	2		5001-			
41	YQJ222012	WASHER	ワッシャ	4		5001-			
42	YQJ950012	NUT	ナット	6		5001-			
43	YQJ781025	BOLT, SOCKET	ボルト, ソケット	2		5001-			
47	YQYA40026730	STAY	ステー	1		5001-			
48	YQA590110	WASHER, PLANE	ワッシャ, フレーン	1		5001-			
49	YQ2606742091	PIN	ピン	1		5001-			
50	YQ3016261115	HOLDER	ホルダ	2		5001-			
53	YQYA00040530	BRACKET	ブラケット	1		5001-			
54	YQJ260816	BOLT, W/WASHER	ボルト (ワッシャ付)	2	D	5001-			
57	YQ2609642411	RUBBER	ラバー	2		5001-			
58	YQJ850520	SCREW	スクリュー	2		5001-			

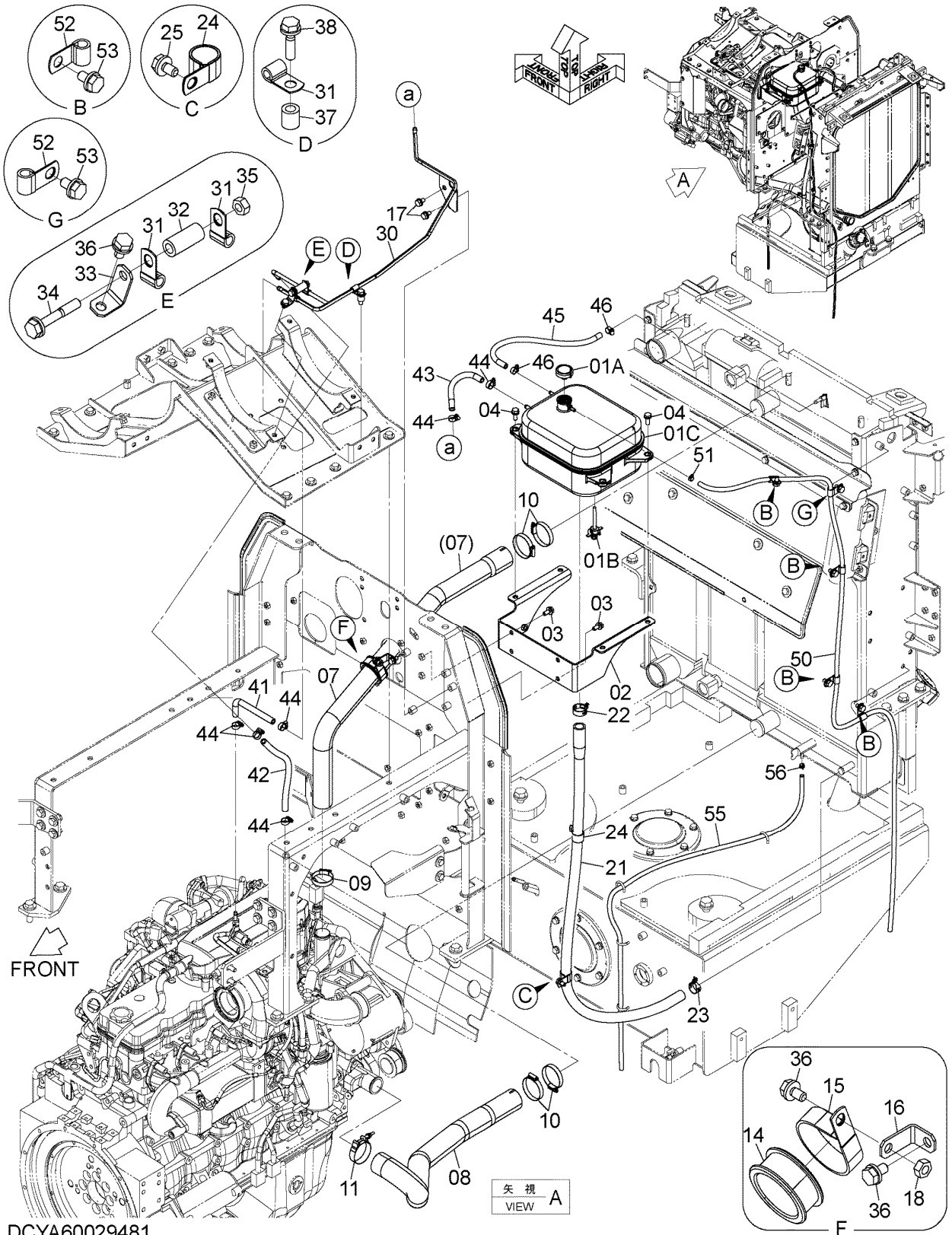
# RADIATOR PIPING

## ラジエータ配管

Applicable Model (適用機種): -

Mark (記号): -

Serial No. (適用号機): -



DCYA60029481

# RADIATOR PIPING

## ラジエータ配管

Applicable Model (適用機種): -

Mark(記号): -

Serial No. (適用号機): -

ITEM 符号	PART NO. 部品番号	PART NAME	部 品 名	Q' TY 数量	S. C サービ ス コート	SERIAL NO. 適用号機	ICA 互 換 性	REPLACEABLE PART 代 替 部 品	
								PART NO. 部品番号	Q' TY 数量
01	YQYA00036011	TANK, WATER	タンク, ウォータ	1		5001-			
01A	YQYA00038910	* CAP	* キャップ	1		5001-			
01B	YQYA00030345	* SWITCH, LEVEL	* スイッチ, レベル	1		5001-			
01C	+++++	* TANK, WATER	* タンク, ウォータ	1	D	5001-			
02	YQYA40027022	BRACKET	ブ ラケット	1		5001-			
03	YQJ271025	BOLT, W/WASHER	ボ ルト (ワッシャ付)	4	D	5001-			
04	YQJ271030	BOLT, W/WASHER	ボ ルト (ワッシャ付)	4	D	5001-			
07	YQYA00035356	HOSE, WATER	ホース, ウォータ	1		5001-			
08	YQYA00035355	HOSE, WATER	ホース, ウォータ	1		5001-			
09	YQ4504198	CLAMP, HOSE	クランプ, ホース	1		5001-			
10	YQ4504199	CLAMP, HOSE	クランプ, ホース	4		5001-			
11	YQ4285235	CLAMP, HOSE	クランプ, ホース	1		5001-			
14	YQ4259340	BUSHING, RUBBER	ブ ッシング, ラバ ー	1		5001-			
15	YQ4204136	CLIP	クリップ	1		5001-			
16	YQ263J222181	BRACKET	ブ ラケット	1		5001-			
17	YQJ271020	BOLT, W/WASHER	ボ ルト (ワッシャ付)	2	D	5001-			
18	YQJ950010	NUT	ナット	1		5001-			
21	YQYA00008500	HOSE, WATER	ホース, ウォータ	1		5001-			
22	YQYA00036493	CLIP	クリップ	1		5001-			
23	YQYA00036492	CLIP	クリップ	1		5001-			
24	YQ4192035	CLIP	クリップ	2		5001-			
25	YQJ271020	BOLT, W/WASHER	ボ ルト (ワッシャ付)	1	D	5001-			
30	YQYA40025693	PIPE, WATER	パ イプ, ウォータ	1		5001-			
31	YQ4190261	CLIP	クリップ	3		5001-			
32	YQ263E672151	COLLAR	カラー	1		5001-			
33	YQ263J222181	BRACKET	ブ ラケット	1		5001-			
34	YQJ271065	BOLT, W/WASHER	ボ ルト (ワッシャ付)	1	D	5001-			
35	YQJ950010	NUT	ナット	1		5001-			
36	YQJ271020	BOLT, W/WASHER	ボ ルト (ワッシャ付)	3	D	5001-			
37	YQ2655542141	COLLAR	カラー	1		5001-			
38	YQJ271040	BOLT, W/WASHER	ボ ルト (ワッシャ付)	1	D	5001-			
41	YQYA00034109	HOSE, WATER	ホース, ウォータ	1		5001-			
42	YQXV00001599	HOSE, WATER	ホース, ウォータ	1		5001-			
43	YQYA00022349	HOSE, WATER	ホース, ウォータ	1		5001-			
44	YQ4514700	CLAMP, HOSE	クランプ, ホース	6		5001-			
45	YQXV00000789	HOSE, WATER	ホース, ウォータ	1		5001-			
46	YQ4235205	CLAMP, HOSE	クランプ, ホース	2		5001-			
50	YQ4415068	HOSE, WATER	ホース, ウォータ	1		5001-			
51	YQ4425139	CLAMP, HOSE	クランプ, ホース	1		5001-			
52	YQ4190272	CLIP	クリップ	5		5001-			
53	YQJ271020	BOLT, W/WASHER	ボ ルト (ワッシャ付)	5	D	5001-			
55	YQ4689881	HOSE, VINYL	ホース, ビニール	1		5001-			
56	YQ4425139	CLAMP, HOSE	クランプ, ホース	1		5001-			

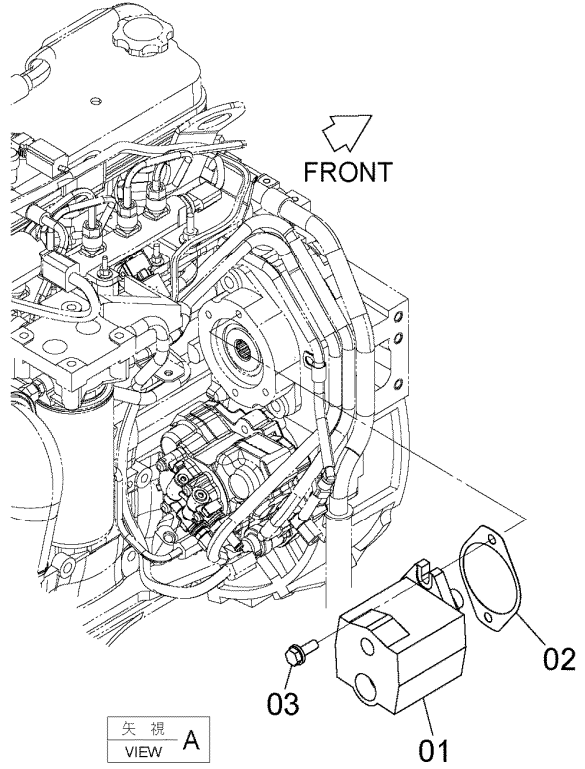
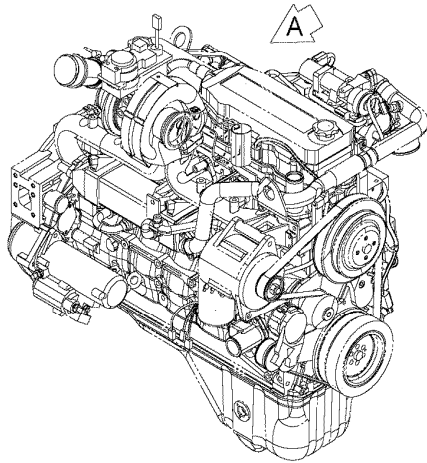
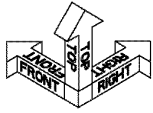
# FAN PUMP

## ファンポンプ

Applicable Model (適用機種): -

Mark (記号): -

Serial No. (適用号機): -



DCYA60019780

# FAN PUMP

## ファンポンプ

Applicable Model (適用機種): -

Mark(記号): -

Serial No. (適用号機): -

ITEM 符号	PART NO. 部品番号	PART NAME	部 品 名	Q' TY 数量	S. C サービ ス コード	SERIAL NO. 適用号機	ICA 互 換 性	REPLACEABLE PART 代 替 部 品	
								PART NO. 部品番号	Q' TY 数量
01	YQYA00016360	PUMP, GEAR	ポンプ,ギヤ	1	H	5001-			
02	YQ1630252092	GASKET	ガスケット	1		5001-			
03	YQJ271030	BOLT, W/WASHER	ボルト (ワッシャ付)	2	D	5001-			

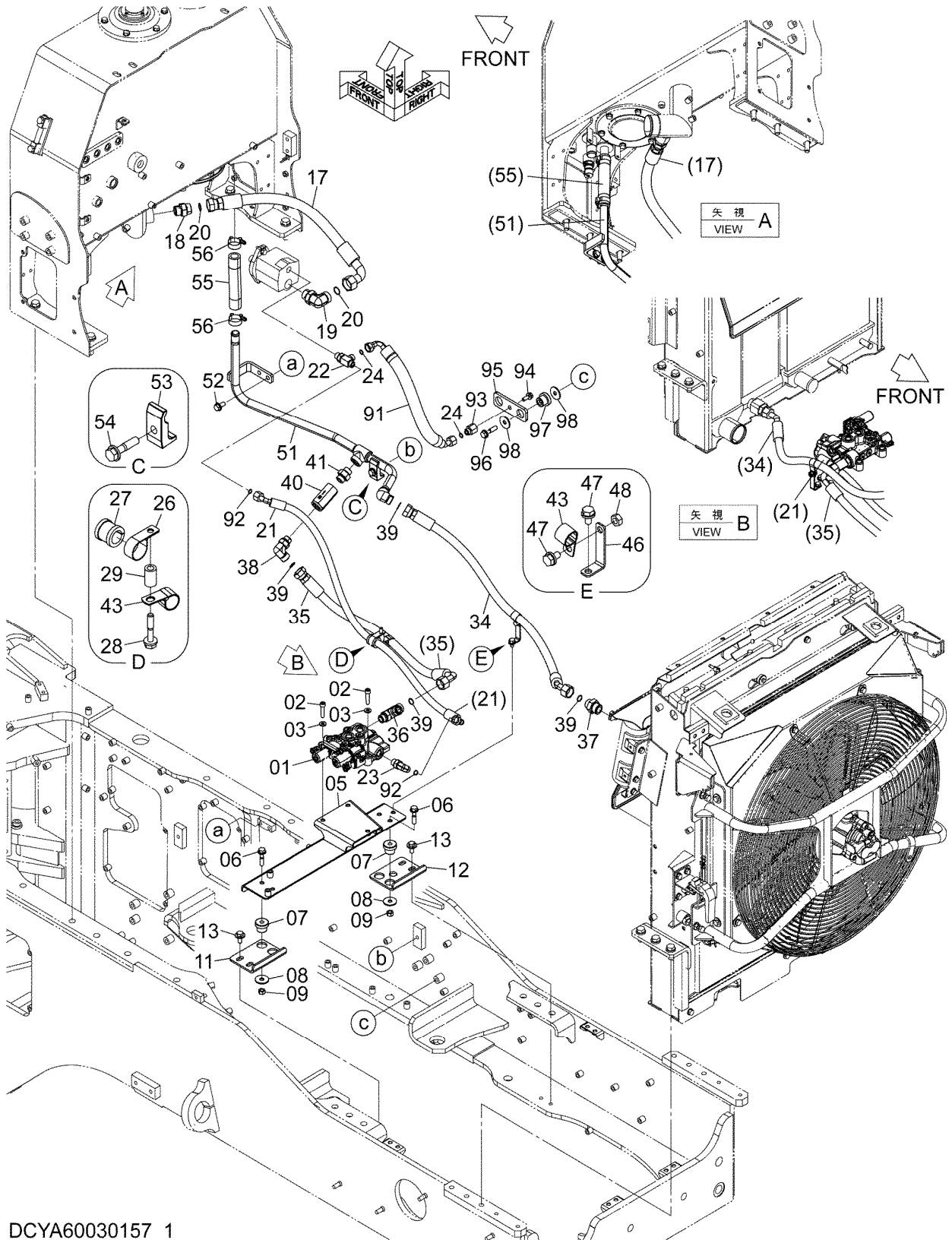
# FAN PIPING (1-1)

## ファン配管 (1-1)

Applicable Model (適用機種): -

Mark (記号): -

Serial No. (適用号機): -



DCYA60030157\_1

# FAN PIPING (1-1)

## ファン配管 (1-1)

Applicable Model (適用機種): -

Mark(記号): -

Serial No. (適用号機): -

ITEM 符号	PART NO. 部品番号	PART NAME	部 品 名	Q' TY 数量	S. C サービ ス コード	SERIAL NO. 適用号機	ICA 互 換 性	REPLACEABLE PART 代 替 部 品	
								PART NO. 部品番号	Q' TY 数量
01	+++++	VALVE, CONTROL (for assembly of machine) (本体組立用)	バルブ, コントロール	1	DH	5001-	I	YQYB60000510	1
01	YQYB60000510	VALVE, CONTROL (for transportation)	バルブ, コントロール (サービスマニュアル用)	1	S	5001-			
02	YQJ781045	BOLT, SOCKET	ボルト, ソケット	3		5001-			
03	YQJ222010	WASHER	ワッシャ	3		5001-			
05	YQYA40026244	BRACKET	ブラケット	1		5001-			
06	YQJ271255	BOLT, W/WASHER	ボルト (ワッシャ付)	4	D	5001-			
07	YQ2660642251	RUBBER	ラバー	4		5001-			
08	YQ2631212021	WASHER	ワッシャ	4		5001-			
09	YQJ950012	NUT	ナット	4		5001-			
11	YQYA00041594	BRACKET	ブラケット	1		5001-			
12	YQYA00041593	BRACKET	ブラケット	1		5001-			
13	YQJ281230	BOLT, W/WASHER	ボルト (ワッシャ付)	4	D	5001-			
17	YQXV00000260	HOSE	ホース	1		5001-			
18	YQA853188	ADAPTER SOCKET	アダプタ, ソケット	1		5001-			
18A	YQ4506429	* RING, O	* リング, O	1		5001-			
19	YQA853388	ELBOW	エルボ	1		5001-			
19A	YQ4506429	* RING, O	* リング, O	1		5001-			
20	YQ4187328	RING, O	リング, O	2		5001-			
21	YQYA00048542	HOSE	ホース	1		5001-			
22	YQA853444	TEE	ティー	1		5001-			
22A	YQ4506418	* RING, O	* リング, O	1		5001-			
23	YQA853344	ELBOW	エルボ	1		5001-			
23A	YQ4506418	* RING, O	* リング, O	1		5001-			
24	YQ4138938	RING, O	リング, O	2		5001-			
26	YQ2660242381	CLIP	クリップ	1		5001-			
27	YQ263E212621	RUBBER	ラバー	1		5001-			
28	YQJ271055	BOLT, W/WASHER	ボルト (ワッシャ付)	1	D	5001-			
29	YQ2675675841	COLLAR	カラー	1		5001-			
34	YQ4330789	HOSE	ホース	1		5001-			
35	YQXV00003537	HOSE	ホース	1		5001-			
36	YQA853466	TEE	ティー	1		5001-			
36A	YQ4506424	* RING, O	* リング, O	1		5001-			
37	YQA853186	ADAPTER SOCKET	アダプタ, ソケット	1		5001-			
37A	YQ4506429	* RING, O	* リング, O	1		5001-			
38	YQA853366	ELBOW	エルボ	1		5001-			
38A	YQ4506424	* RING, O	* リング, O	1		5001-			
39	YQ4187308	RING, O	リング, O	4		5001-			
40	YQ4651472	VALVE, CHECK	バルブ, チェック	1		5001-			
41	YQ4224932	ADAPTER SOCKET	アダプタ, ソケット	1		5001-			
41A	YQ4506424	* RING, O	* リング, O	1		5001-			
43	YQ4190263	CLIP	クリップ	2		5001-			
46	YQ2661242081	BRACKET	ブラケット	1		5001-			

# FAN PIPING (1-1)

## ファン配管 (1-1)

Applicable Model (適用機種): -

Mark(記号): -

Serial No. (適用号機): -

ITEM 符号	PART NO. 部品番号	PART NAME	部 品 名	Q' TY 数量	S. C サービ ス コート	SERIAL NO. 適用号機	ICA 互 換 性	REPLACEABLE PART 代 替 部 品	
								PART NO. 部品番号	Q' TY 数量
47	YQJ271020	BOLT, W/WASHER	ボルト (ワッシャ付)	2	D	5001-			
48	YQJ950010	NUT	ナット	1		5001-			
51	YQYA40026245	PIPE, RETURN	パイプ, リターン	1		5001-			
52	YQJ271230	BOLT, W/WASHER	ボルト (ワッシャ付)	2	D	5001-			
53	YQ4190126	CLAMP, PIPE	クランプ, パイプ	1		5001-			
54	YQJ271255	BOLT, W/WASHER	ボルト (ワッシャ付)	1	D	5001-			
55	YQ4033338	HOSE, RUBBER	ホース, ラバー	1		5001-			
56	YQ4296061	CLAMP, HOSE	クランプ, ホース	2		5001-			
91	YQYA60030679	ASSY, HOSE	アッシー, ホース	1		5001-			
91A	YQYA00048543	* HOSE	* ホース	1		5001-			
91B	YQ4635372	* PROTECTOR	* ブロークタ	1		5001-			
91C	YQ0491311200	* CLIP	* クリップ	1		5001-			
92	YQ4138938	RING, O	リング, O	2		5001-			
93	YQ4446638	PLUG	プラグ	1		5001-			
94	YQJ271030	BOLT, W/WASHER	ボルト (ワッシャ付)	1	D	5001-			
95	YQYA00048541	BRACKET	ブラケット	1		5001-			
96	YQJ271255	BOLT, W/WASHER	ボルト (ワッシャ付)	2	D	5001-			
97	YQ2660642251	RUBBER	ラバー	2		5001-			
98	YQ2631212021	WASHER	ワッシャ	4		5001-			

---

MEMO

---

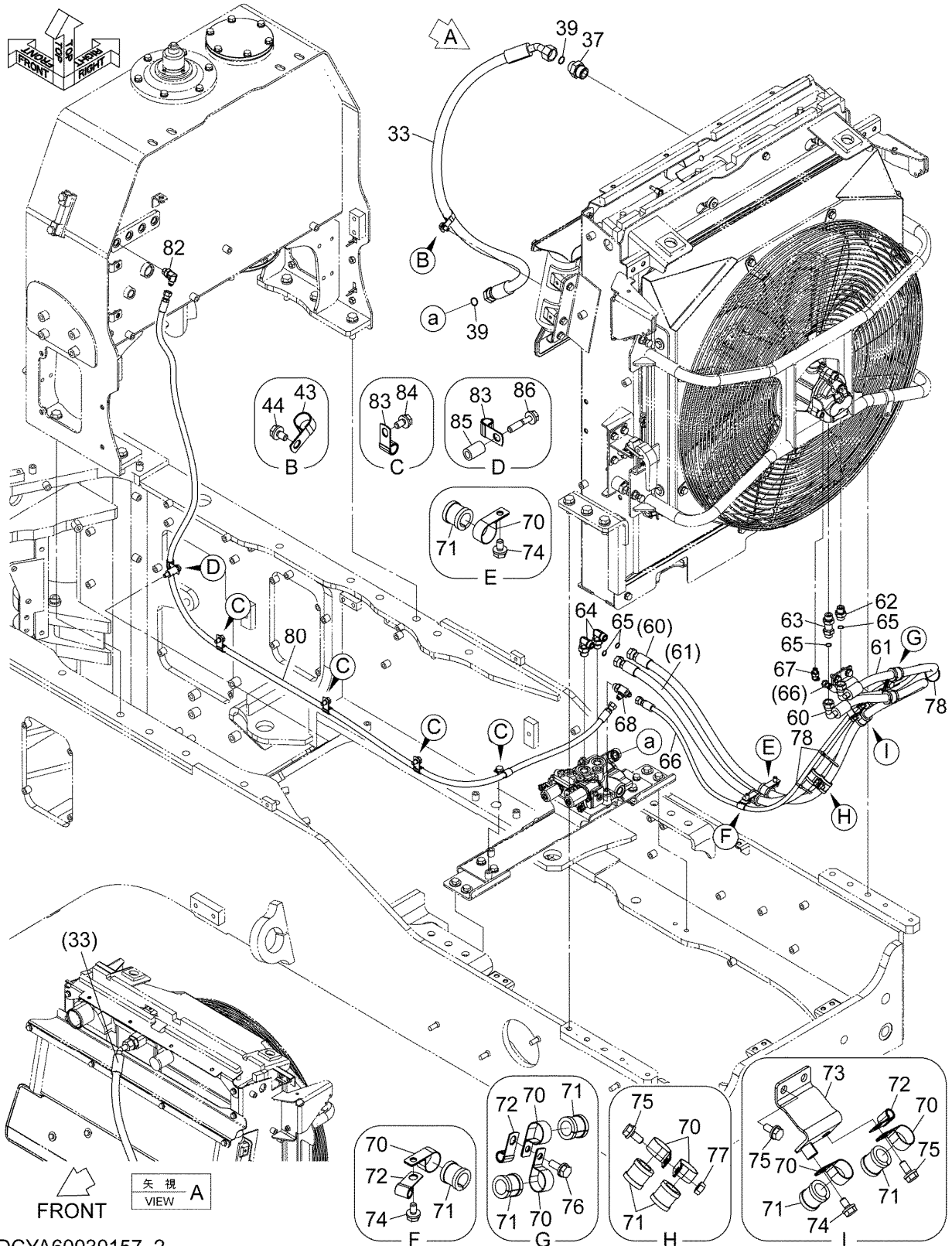
# FAN PIPING (1-2)

## ファン配管 (1-2)

Applicable Model (適用機種): -

Mark(記号): -

Serial No. (適用号機): -



DCYA60030157\_2

FAN PIPING (1-2)  
ファン配管 (1-2)

Applicable Model (適用機種): -

Mark(記号): -

Serial No. (適用号機): -

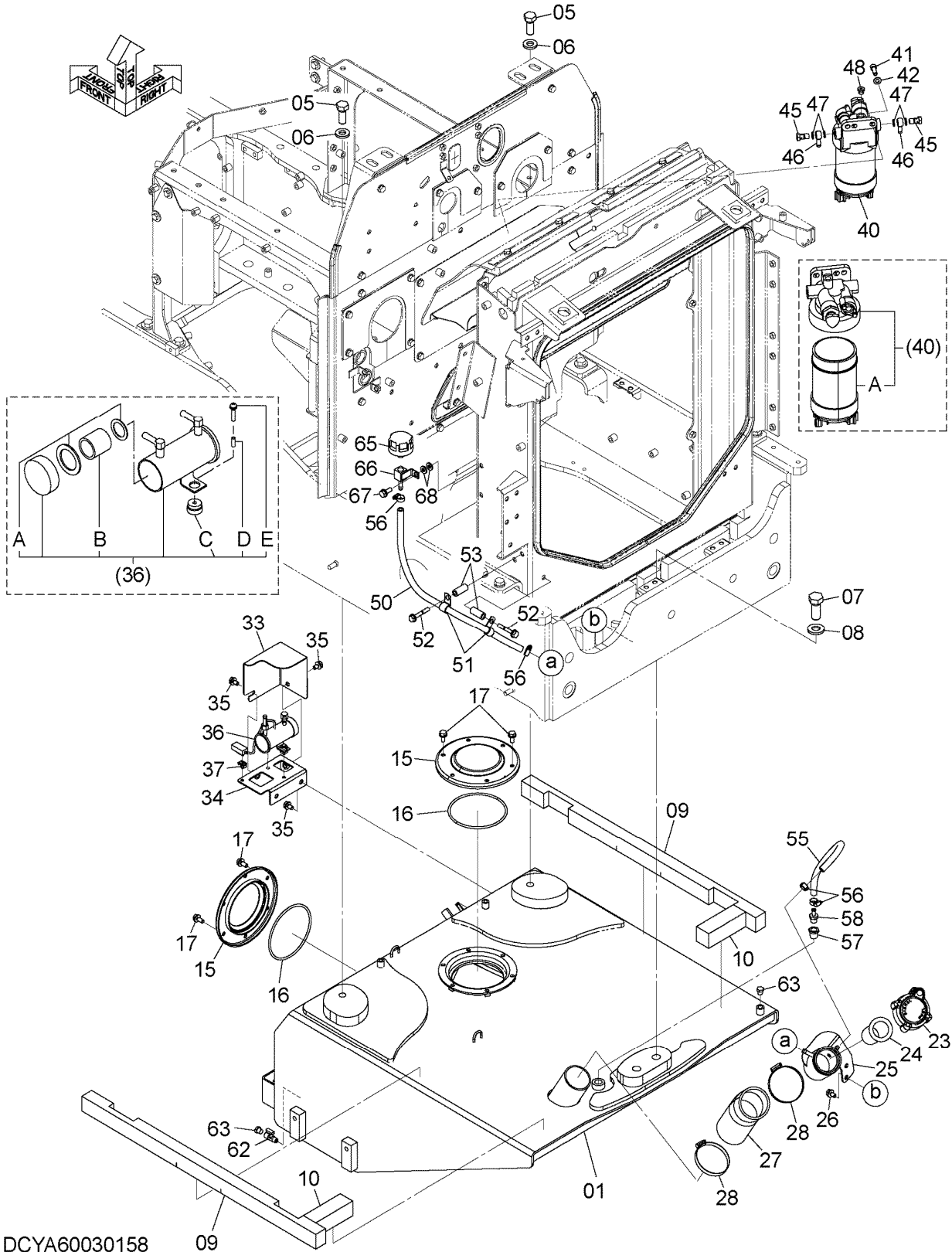
ITEM 符号	PART NO. 部品番号	PART NAME	部 品 名	Q' TY 数量	S. C サービ ス コート	SERIAL NO. 適用号機	ICA 互 換 性	REPLACEABLE PART 代 替 部 品	
								PART NO. 部品番号	Q' TY 数量
33	YQ4623955	HOSE	ホース	1		5001-			
37	YQA853186	ADAPTER SOCKET	アダプタ,ソケット	1		5001-			
37A	YQ4506429	* RING, O	* リング, O	1		5001-			
39	YQ4187308	RING, O	リング, O	2		5001-			
43	YQ4190263	CLIP	クリップ	1		5001-			
44	YQJ271020	BOLT, W/WASHER	ボルト (ワッシャ付)	1	D	5001-			
60	YQ4689099	HOSE	ホース	1		5001-			
61	YQ4636302	HOSE	ホース	1		5001-			
62	YQA853144	ADAPTER SOCKET	アダプタ,ソケット	1		5001-			
62A	YQ4506418	* RING, O	* リング, O	1		5001-			
63	YQ4199247	ADAPTER SOCKET	アダプタ,ソケット	1		5001-			
63A	YQ4506418	* RING, O	* リング, O	1		5001-			
64	YQA853344	ELBOW	エルボ	2		5001-			
64A	YQ4506418	* RING, O	* リング, O	1		5001-			
65	YQ4138938	RING, O	リング, O	4		5001-			
66	YQXV00001803	HOSE	ホース	1		5001-			
67	YQA852222	ELBOW	エルボ	1		5001-			
67A	YQ957366	* RING, O	* リング, O	1		5001-			
68	YQA852433	TEE	ティー	1		5001-			
68A	YQ4509180	* RING, O	* リング, O	1		5001-			
70	YQ2660242381	CLIP	クリップ	8		5001-			
71	YQ263E212621	RUBBER	ラバー	8		5001-			
72	YQ4190272	CLIP	クリップ	3		5001-			
73	YQYA40020994	BRACKET	ブラケット	1		5001-			
74	YQJ271020	BOLT, W/WASHER	ボルト (ワッシャ付)	3	D	5001-			
75	YQJ271025	BOLT, W/WASHER	ボルト (ワッシャ付)	4	D	5001-			
76	YQJ271030	BOLT, W/WASHER	ボルト (ワッシャ付)	1	D	5001-			
77	YQJ950010	NUT	ナット	1		5001-			
78	YQ4441695	CLIP	クリップ	3		5001-			
80	YQYA00017240	HOSE	ホース	1		5001-			
82	YQA852333	(LABEL: SA) ELBOW	(ラベル: SA) エルボ	1		5001-			
82A	YQ4509180	* RING, O	* リング, O	1		5001-			
83	YQ4190275	CLIP	クリップ	5		5001-			
84	YQJ271020	BOLT, W/WASHER	ボルト (ワッシャ付)	4	D	5001-			
85	YQ2675675841	COLLAR	カラー	1		5001-			
86	YQJ271050	BOLT, W/WASHER	ボルト (ワッシャ付)	1	D	5001-			

# FUEL TANK 燃料タンク

Applicable Model (適用機種): -

Mark(記号): -

Serial No. (適用号機): -



DCYA60030158

09

# FUEL TANK

## 燃料タンク

Applicable Model (適用機種): -

Mark(記号): -

Serial No. (適用号機): -

ITEM 符号	PART NO. 部品番号	PART NAME	部 品 名	Q' TY 数量	S. C サービ ス コート	SERIAL NO. 適用号機	ICA 互 換 性	REPLACEABLE PART 代 替 部 品	
								PART NO. 部品番号	Q' TY 数量
01	YQYA40013993	TANK, FUEL	タンク, フュエル	1		5001-			
05	YQJ922050	BOLT	ボルト	2		5001-			
06	YQJ222020	WASHER	ワッシャ	2		5001-			
07	YQJ922460	BOLT	ボルト	2		5001-			
08	YQJ222024	WASHER	ワッシャ	2		5001-			
09	YQYA00015783	SEAL	シール	2		5001-			
10	YQYA00019448	SEAL	シール	2		5001-			
15	YQ8023981	COVER	カバー	2		5001-			
16	YQA810160	RING, O	リング, O	2		5001-			
17	YQJ271025	BOLT, W/WASHER	ボルト (ワッシャ付)	12	D	5001-			
23	YQYA40003979	CAP	キャップ	1		5001-			
24	YQ2640222021	STRAINER	ストレーナ	1		5001-			
25	YQYA40026170	FILLER	フィルター	1		5001-			
26	YQJ271020	BOLT, W/WASHER	ボルト (ワッシャ付)	2	D	5001-			
27	YQYA00011968	HOSE, FUEL	ホース, フュエル	1		5001-			
28	YQ4503469	CLAMP, HOSE	クランプ, ホース	2		5001-			
33	YQYA00031052	COVER	カバー	1		5001-			
34	YQYA40015511	BRACKET	ブラケット	1		5001-			
35	YQJ271020	BOLT, W/WASHER	ボルト (ワッシャ付)	4	D	5001-			
36	YQYA00004386	PUMP, FUEL	ポンプ, フュエル	1		5001-			
36A	YQ4658052	* GASKET	* ガasket	1		5001-			
36B	YQ4658053	* STRAINER	* ストレーナ	1		5001-			
36C	YQ263G222511	* GROMMET	* グロメット	2		5001-			
36D	YQ263G222521	* COLLAR	* カラー	2		5001-			
36E	YQ263G222531	* SCREW	* スクリュー	2		5001-			
37	YQ263G244321	CLIP	クリップ	1		5001-			
40	YQYA00022314	FILTER ASSY, FUEL	フィルタ アッセン, フュエル	1	Z	5001-			
40A	YQYL00008002	* FILTER ASSY, FUEL	* フィルタ アッセン, フュエル	1	Z	5001-			
41	YQJ781030	BOLT, SOCKET	ボルト, ソケット	2		5001-			
42	YQA590110	WASHER, PLANE	ワッシャ, フレーン	2		5001-			
45	YQYA00021173	SCREW	スクリュー	2	Z	5001-			
46	YQYA00021175	COUPLING	カップリング	2	Z	5001-			
47	YQYA00021177	WASHER	ワッシャ	4	Z	5001-			
48	YQYA00038508	PLUG	プラグ	1	Z	5001-			
50	YQYA00020421	HOSE, FUEL	ホース, フュエル	1		5001-			
51	YQ4190273	CLIP	クリップ	2		5001-			
52	YQJ271065	BOLT, W/WASHER	ボルト (ワッシャ付)	2	D	5001-			
53	YQ263E672151	COLLAR	カラー	2		5001-			
55	YQYA00030759	HOSE, FUEL	ホース, フュエル	1		5001-			
56	YQ4514700	CLAMP, HOSE	クランプ, ホース	4		5001-			
57	YQ2404792381	BUSHING	ブッシング	1		5001-			
58	YQ2660222191	ADAPTER	アダプタ	1		5001-			
62	YQ4478378	VALVE, BALL	バルブ, ボール	1		5001-			
63	YQ2404792111	PLUG	プラグ	2		5001-			
65	YQYA00004397	BREATHER, AIR	ブリーザ, エア	1		5001-			

# FUEL TANK

## 燃料タンク

Applicable Model (適用機種): -

Mark(記号): -

Serial No. (適用号機): -

ITEM 符号	PART NO. 部品番号	PART NAME	部 品 名	Q' TY 数量	S. C サービ ス コード	SERIAL NO. 適用号機	ICA 互 換 性	REPLACEABLE PART 代 替 部 品	
								PART NO. 部品番号	Q' TY 数量
66	YQ563G050601	ADAPTER	アダプタ	1		5001-			
67	YQJ271030	BOLT, W/WASHER	ボルト (ワッシャ付)	1	D	5001-			
68	YQJ222010	WASHER	ワッシャ	2		5001-			

---

MEMO

---

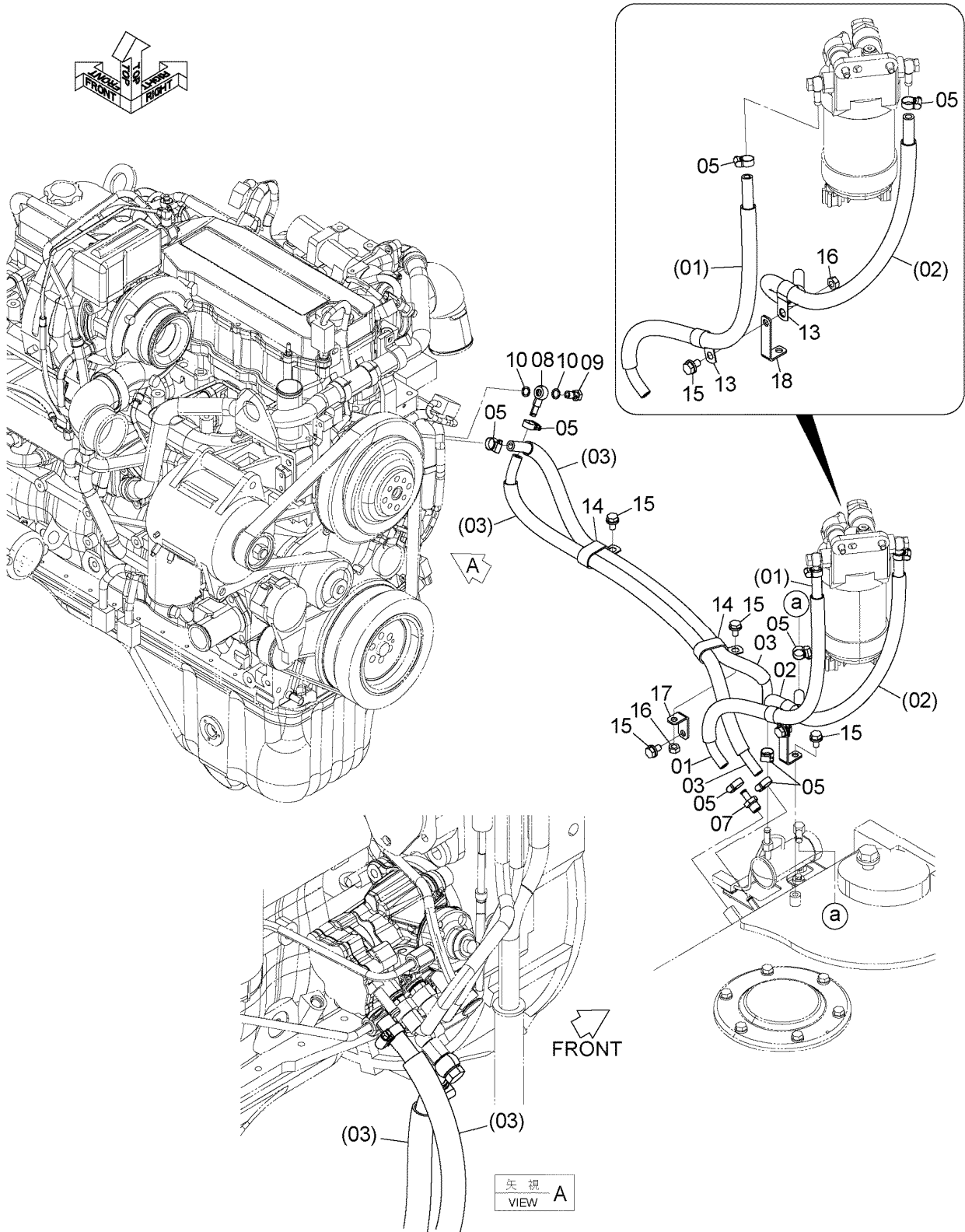
# FUEL PIPING

## 燃料配管

Applicable Model (適用機種): -

Mark (記号): -

Serial No. (適用号機): -



DCYA60017056

# FUEL PIPING

## 燃料配管

Applicable Model (適用機種): -

Mark(記号): -

Serial No. (適用号機): -

ITEM 符号	PART NO. 部品番号	PART NAME	部 品 名	Q' TY 数量	S. C サービ ス コード	SERIAL NO. 適用号機	ICA 互 換 性	REPLACEABLE PART 代 替 部 品	
								PART NO. 部品番号	Q' TY 数量
01	YQYA60016479	HOSE, FUEL	ホ-ス, フュエル	1		5001-			
01A	YQYA00022276	* HOSE, FUEL	* ホ-ス, フュエル	1		5001-			
01B	YQ4686489	* TUBE, FLEXIBLE	* チューブ, フレキシブル	1		5001-			
02	YQYA60017060	HOSE, FUEL	ホ-ス, フュエル	1		5001-			
02A	YQXV00002313	* HOSE, FUEL	* ホ-ス, フュエル	1		5001-			
02B	YQ4652306	* TUBE, FLEXIBLE	* チューブ, フレキシブル	1		5001-			
03	YQYA60017061	HOSE, FUEL	ホ-ス, フュエル	2		5001-			
03A	YQXV00002314	* HOSE, FUEL	* ホ-ス, フュエル	1		5001-			
03B	YQ4625600	* TUBE, FLEXIBLE	* チューブ, フレキシブル	1		5001-			
05	YQ4514700	CLAMP, HOSE	クランプ, ホ-ス	8		5001-			
07	YQ2660222191	ADAPTER	アダプタ	1		5001-			
08	YQ263F102141	CONNECTOR	コネクタ	1		5001-			
09	YQ263F102151	SCREW	スクリュ	1		5001-			
10	YQ263F102161	WASHER, SEAL	ワッシャ, シール	2		5001-			
13	YQ4190277	CLIP	クリップ	2		5001-			
14	YQ4192034	CLIP	クリップ	2		5001-			
15	YQJ271020	BOLT, W/WASHER	ボルト (ワッシャ付)	5	D	5001-			
16	YQJ950010	NUT	ナット	2		5001-			
17	YQ263J222181	BRACKET	ブラケット	1		5001-			
18	YQ2661242081	BRACKET	ブラケット	1		5001-			

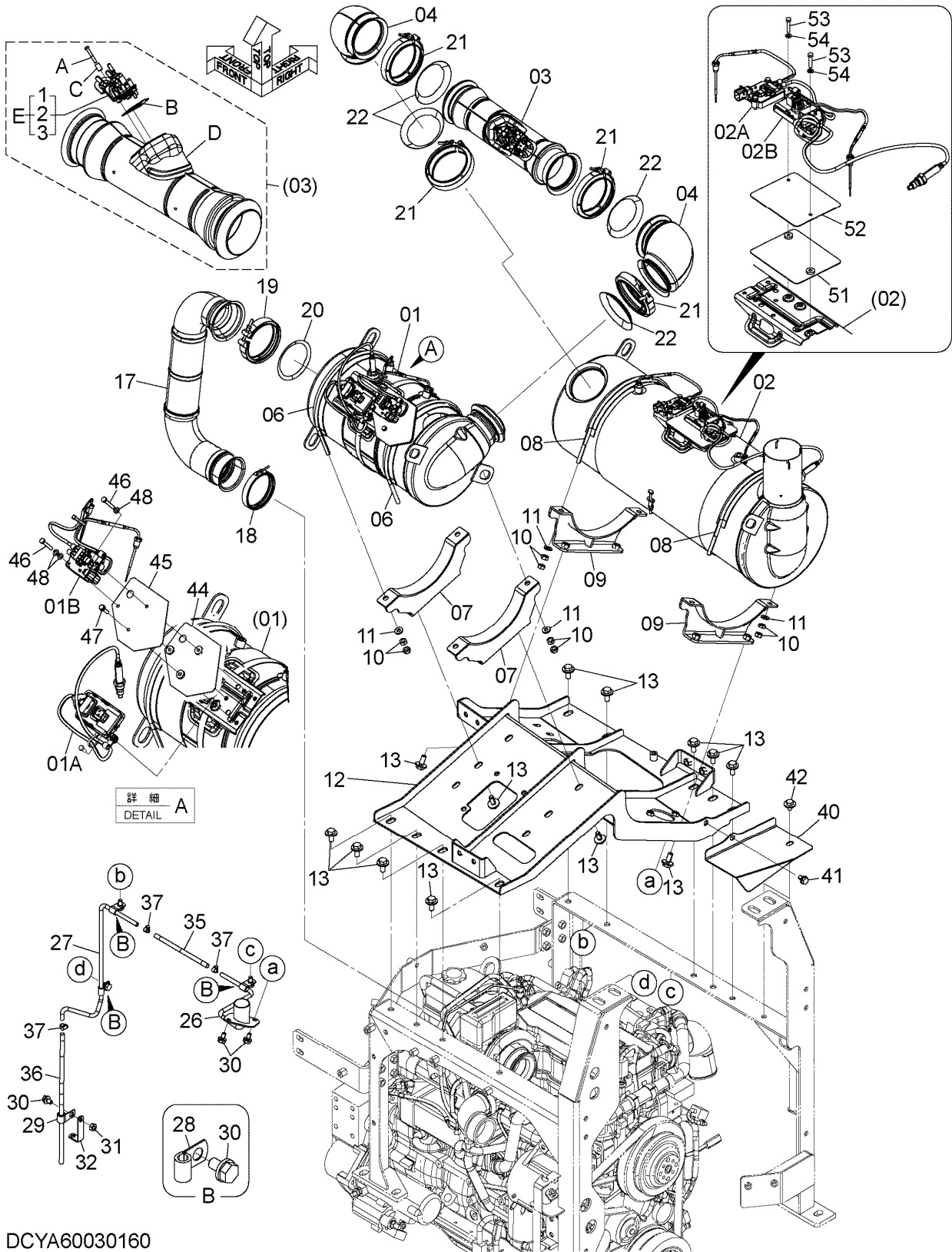
# EXHAUST DEVICE (1)

## 排氣裝置 (1)

Applicable Model (適用機種): -

Mark(記号): -

Serial No. (適用号機): -



DCYA60030160

# EXHAUST DEVICE (1)

## 排気装置 (1)

Applicable Model (適用機種): -

Mark(記号): -

Serial No. (適用号機): -

ITEM 符号	PART NO. 部品番号	PART NAME	部 品 名	Q' TY 数量	S. C サービ ス コート	SERIAL NO. 適用号機	ICA 互 換 性	REPLACEABLE PART 代 替 部 品	
								PART NO. 部品番号	Q' TY 数量
01	YQYA00040295	CATALYST	キャタリスト	1	Z	5001-			
01A	YQYL00009482	* SENSOR, NOX	* センサ, ノックス	1	Z	5001-			
01B	YQYL00009480	* SENSOR, TEMPERATURE	* センサ, テンパ°ラチャ	1	Z	5001-			
02	YQYA00040296	MUFFLER	マフラー	1	Z	5001-			
02A	YQYL00009479	* SENSOR, TEMPERATURE	* センサ, テンパ°ラチャ	1	Z	5001-			
02B	YQYL00009481	* SENSOR, NOX	* センサ, ノックス	1	Z	5001-			
03	YQYA00040297	INJECTOR, UREA	インジ°エクタ, ユリア	1	Z	5001-			
03A	YQYA00050159	* BOLT, SOCKET	* ホ°ルト, ソケット	3	Z	5001-			
03B	YQYA00050154	* GASKET	* ガ°スケツト	1	Z	5001-			
03C	YQYA00053178	* SPACER	* スパ°ーサ	3	Z	5001-			
03D	YQYA00053179	* PIPE, EXHAUST	* パ°イフ°, エキゾ°ースト	1	Z	5001-			
03E	YQYA00053180	* INJECTOR, UREA	* インジ°エクタ, ユリア	1	Z	5001-			
03E1	YQYA00050157	** COVER	** カハ°ー	1	Z	5001-			
03E2	YQYA00050156	** CONNECTOR	** コネクタ	1	Z	5001-			
03E3	YQYA00050155	** RING, O	** リンク°, O	1	Z	5001-			
04	YQYA00040298	ELBOW	エルボ°	2	Z	5001-			
06	YQYA40011268	BAND	バン°ド	2		5001-			
07	YQYA40014473	BRACKET	ブ°ラケツト	2		5001-			
08	YQYA40002476	BOLT, U	ホ°ルト, U	2		5001-			
09	YQYA40018318	BRACKET	ブ°ラケツト	2		5001-			
10	YQJ950010	NUT	ナツト	16		5001-			
11	YQJ222010	WASHER	ワッシャ	8		5001-			
12	YQYA40025427	BRACKET	ブ°ラケツト	1		5001-			
13	YQJ281230	BOLT, W/WASHER	ホ°ルト (ワッシャ付)	17	D	5001-			
17	YQYA00020100	PIPE, EXHAUST	パ°イフ°, エキゾ°ースト	1		5001-			
18	YQYA00020026	CLAMP	クランプ°	1	Z	5001-			
19	YQYA00020024	CLAMP	クランプ°	1	Z	5001-			
20	YQYA00021185	GASKET	ガ°スケツト	1	Z	5001-			
21	YQYL00007841	CLAMP	クランプ°	4	Z	5001-			
22	YQYL00007844	GASKET, EXHAUST	ガ°スケツト, エキゾ°ースト	4	Z	5001-			
26	YQYA40014472	PIPE	パ°イフ°	1		5001-			
27	YQYA00030623	PIPE	パ°イフ°	1		5001-			
28	YQ4190261	CLIP	クリップ°	3		5001-			
29	YQ4190253	CLIP	クリップ°	1		5001-			
30	YQJ271020	BOLT, W/WASHER	ホ°ルト (ワッシャ付)	6	D	5001-			
31	YQJ950010	NUT	ナツト	1		5001-			
32	YQ2661242081	BRACKET	ブ°ラケツト	1		5001-			
35	YQYA00029562	TUBE, PLASTIC	チューブ°, プラステック	1		5001-			
36	YQYD00004413	TUBE, PLASTIC	チューブ°, プラステック	1		5001-			
37	YQ4396451	CLAMP, HOSE	クランプ°, ホース	3		5001-			
40	YQYA00043115	COVER	カハ°ー	1		5001-			
41	YQJ271020	BOLT, W/WASHER	ホ°ルト (ワッシャ付)	1	D	5001-			
42	YQJ281020	BOLT, W/WASHER	ホ°ルト (ワッシャ付)	1	D	5001-			
44	YQYA40018687	COVER	カハ°ー	1		5001-			
45	YQYA00041315	COVER	カハ°ー	1		5001-			

# EXHAUST DEVICE (1)

## 排気装置 (1)

Applicable Model (適用機種): -

Mark(記号): -

Serial No. (適用号機): -

ITEM 符号	PART NO. 部品番号	PART NAME	部 品 名	Q' TY 数量	S. C サービ ス コート	SERIAL NO. 適用号機	ICA 互 換 性	REPLACEABLE PART 代 替 部 品	
								PART NO. 部品番号	Q' TY 数量
46	YQ0110606040	BOLT	ボルト	2		5001-			
47	YQJ260625	BOLT, W/WASHER	ボルト (ワッシャ付)	1	D	5001-			
48	YQA590106	WASHER, PLANE	ワッシャ, フレーン	3		5001-			
51	YQYA40002850	COVER	カバー	1		5001-			
52	YQYA00048413	COVER	カバー	1		5001-			
53	YQ0110606030	BOLT	ボルト	2		5001-			
54	YQA590106	WASHER, PLANE	ワッシャ, フレーン	2		5001-			

---

MEMO

---

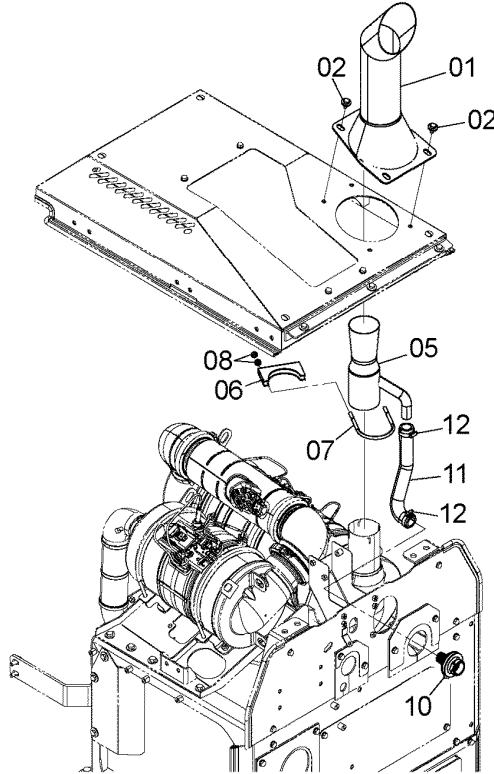
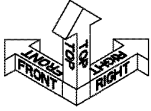
# EXHAUST DEVICE (2)

## 排氣裝置 (2)

Applicable Model (適用機種): -

Mark (記号): -

Serial No. (適用号機): -



DCYA60029492

# EXHAUST DEVICE (2)

## 排気装置 (2)

Applicable Model (適用機種): -

Mark(記号): -

Serial No. (適用号機): -

ITEM 符号	PART NO. 部品番号	PART NAME	部 品 名	Q' TY 数量	S. C サービ ス コート	SERIAL NO. 適用号機	I C A 互 換 性	REPLACEABLE PART 代 替 部 品	
								PART NO. 部品番号	Q' TY 数量
01	YQYA40023758	PIPE, EXHAUST	パイプ, エキゾースト	1		5001-			
02	YQJ281025	BOLT, W/WASHER	ボルト (ワッシャ付)	4	D	5001-			
05	YQYA00031718	EJECTOR	エジェクタ	1		5001-			
06	YQ263J232071	CLAMP	クランプ	1		5001-			
07	YQ263J232081	BOLT, U	ボルト, U	1		5001-			
08	YQJ950010	NUT	ナット	4		5001-			
10	YQYA00030211	VALVE, AIR	バルブ, エア	1		5001-			
11	YQYA00039030	HOSE, AIR	ホース, エア	1		5001-			
12	YQ4011675	CLAMP, HOSE	クランプ, ホース	2		5001-			

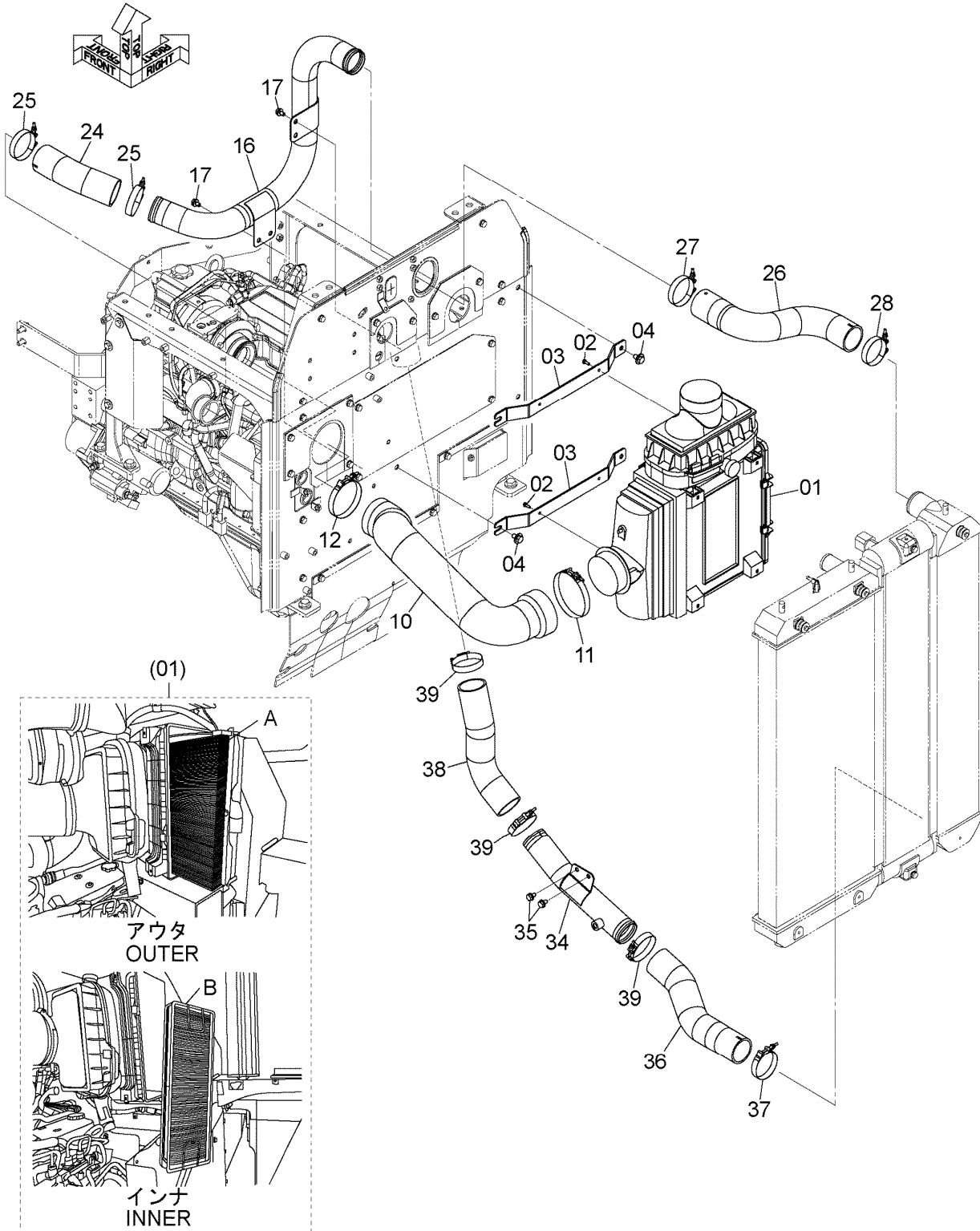
# AIR INTAKE DEVICE

## 吸気装置

Applicable Model (適用機種): -

Mark (記号): -

Serial No. (適用号機): -



DCYA60029493

# AIR INTAKE DEVICE

## 吸気装置

Applicable Model (適用機種): -

Mark(記号): -

Serial No. (適用号機): -

ITEM 符号	PART NO. 部品番号	PART NAME	部 品 名	Q' TY 数量	S. C サービ ス コート	SERIAL NO. 適用号機	ICA 互 換 性	REPLACEABLE PART 代 替 部 品	
								PART NO. 部品番号	Q' TY 数量
01	YQYA00031160	CLEANER, AIR	クリーナ, エア	1	Z	5001-			
01A	YQYA00018804	* FILTER (OUTER)	* フィルタ (アウタ)	1	Z	5001-			
01B	YQYA00018805	* FILTER (INNER)	* フィルタ (インナ)	1	Z	5001-			
02	YQJ260620	BOLT, W/WASHER	ボルト (ワッシャ付)	4	D	5001-			
03	YQYA00032579	BRACKET	ブ ラケツト	2		5001-			
04	YQJ281225	BOLT, W/WASHER	ボルト (ワッシャ付)	4	D	5001-			
10	YQYA00035353	HOSE, AIR	ホース, エア	1		5001-			
11	YQ4282492	CLAMP, HOSE	クランプ, ホース	1		5001-			
12	YQ4282486	CLAMP, HOSE	クランプ, ホース	1		5001-			
16	YQYA40017522	PIPE, AIR	パイプ, エア	1		5001-			
17	YQJ271020	BOLT, W/WASHER	ボルト (ワッシャ付)	4	D	5001-			
24	YQYA00035681	HOSE, AIR	ホース, エア	1		5001-			
25	YQ4282483	CLAMP, HOSE	クランプ, ホース	2		5001-			
26	YQYA00035682	HOSE, AIR	ホース, エア	1		5001-			
27	YQ4282483	CLAMP, HOSE	クランプ, ホース	1		5001-			
28	YQ4282482	CLAMP, HOSE	クランプ, ホース	1		5001-			
34	YQYA40018037	PIPE, AIR	パイプ, エア	1		5001-			
35	YQJ271020	BOLT, W/WASHER	ボルト (ワッシャ付)	2	D	5001-			
36	YQYA00035354	HOSE, AIR	ホース, エア	1		5001-			
37	YQ4282483	CLAMP, HOSE	クランプ, ホース	1		5001-			
38	YQYA00017967	HOSE, AIR	ホース, エア	1		5001-			
39	YQ4285237	CLAMP, HOSE	クランプ, ホース	3		5001-			

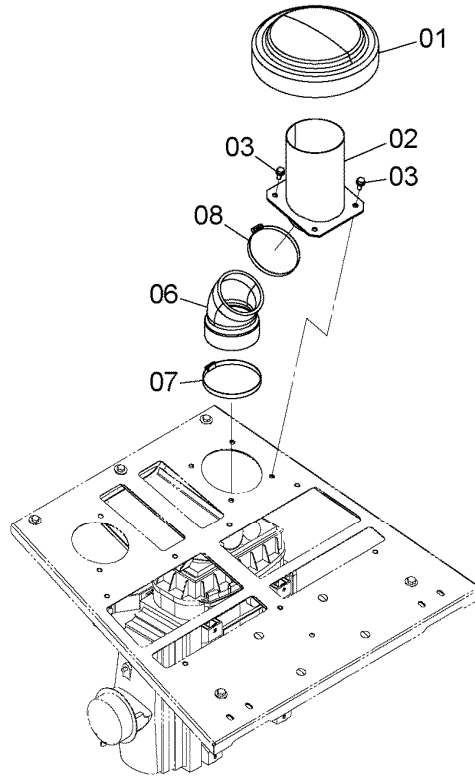
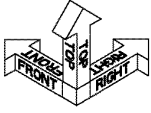
# RAIN CAP

## レインキャップ

Applicable Model (適用機種): -

Mark(記号): -

Serial No. (適用号機): -



DCYA60029494

# RAIN CAP

## レインキャップ

Applicable Model (適用機種): -

Mark(記号): -

Serial No. (適用号機): -

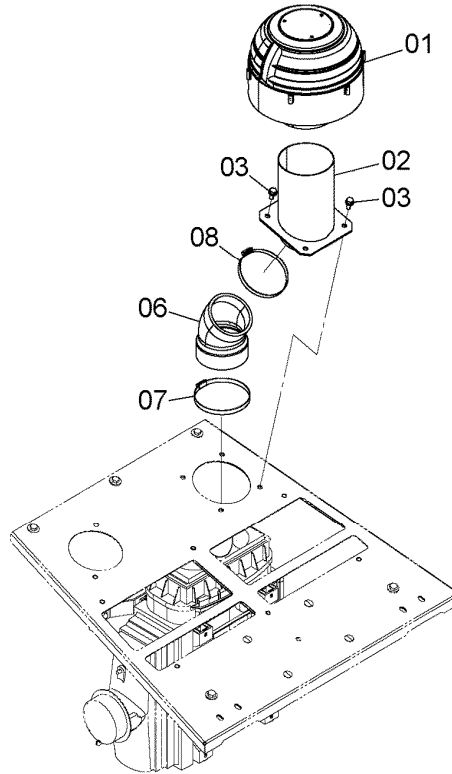
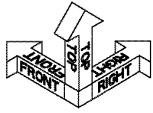
ITEM 符号	PART NO. 部品番号	PART NAME	部 品 名	Q' TY 数量	S. C サービ ス コート	SERIAL NO. 適用号機	ICA 互 換 性	REPLACEABLE PART 代 替 部 品	
								PART NO. 部品番号	Q' TY 数量
01	YQ5660070951	CAP	キャップ	1		5001-			
02	YQYA40023616	PIPE, AIR	パイプ, エア	1		5001-			
03	YQJ271025	BOLT, W/WASHER	ボルト (ワッシャ付)	4	D	5001-			
06	YQYA00010524	HOSE, AIR	ホース, エア	1		5001-			
07	YQ4245194	CLAMP, HOSE	クランプ, ホース	1		5001-			
08	YQ4512716	CLAMP, HOSE	クランプ, ホース	1		5001-			

PRE-CLEANER (SY-KLONE)  
プレクリーナ (サイクロン)

Applicable Model (適用機種): -

Mark (記号): -

Serial No. (適用号機): -



DCYA60029497

PRE-CLEANER (SY-KLONE)  
 プレクリーナ (サイクロン)

Applicable Model (適用機種): -

Mark(記号): -

Serial No. (適用号機): -

ITEM 符号	PART NO. 部品番号	PART NAME	部 品 名	Q' TY 数量	S. C サービ ス コート	SERIAL NO. 適用号機	ICA 互 換 性	REPLACEABLE PART 代 替 部 品	
								PART NO. 部品番号	Q' TY 数量
01	YQYA00018518	PRECLEANER	プレクリーナ	1		5001-			
02	YQYA40023616	PIPE, AIR	パイプ, エア	1		5001-			
03	YQJ271025	BOLT, W/WASHER	ボルト (ワッシャ付)	4	D	5001-			
06	YQYA00010524	HOSE, AIR	ホース, エア	1		5001-			
07	YQ4245194	CLAMP, HOSE	クランプ, ホース	1		5001-			
08	YQ4512716	CLAMP, HOSE	クランプ, ホース	1		5001-			

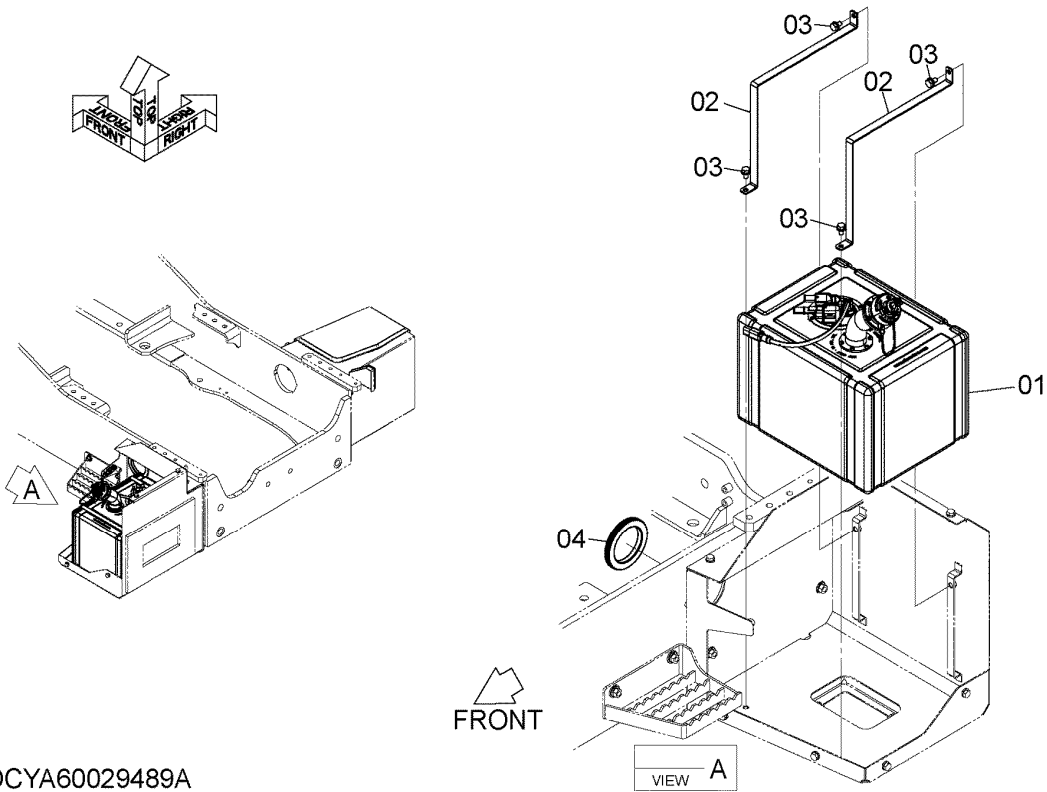
# UREA WATER TANK PARTS (1)

## 尿素水タンク用品 (1)

Applicable Model (適用機種): -

Mark (記号): -

Serial No. (適用号機): -



DCYA60029489A

UREA WATER TANK PARTS (1)

尿素水タンク用品 (1)

Applicable Model (適用機種): -

Mark(記号): -

Serial No. (適用号機): -

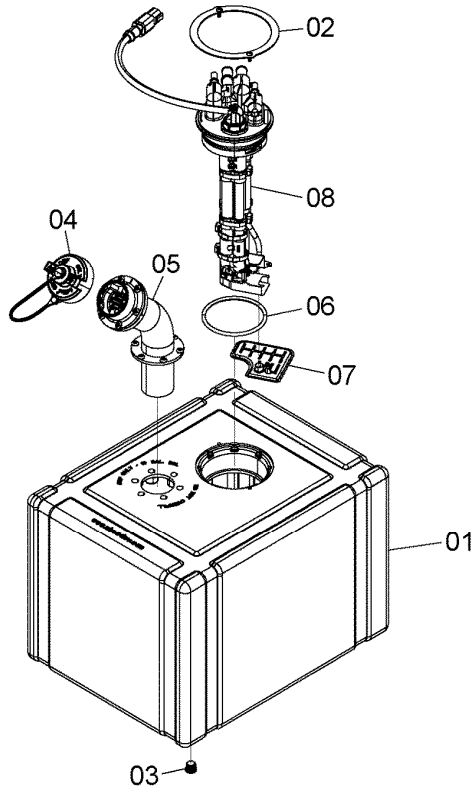
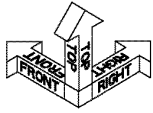
ITEM 符号	PART NO. 部品番号	PART NAME	部 品 名	Q' TY 数量	S. C サービ ス コート	SERIAL NO. 適用号機	ICA 互 換 性	REPLACEABLE PART 代 替 部 品	
								PART NO. 部品番号	Q' TY 数量
01	YQYA00030782	TANK, UREA <for details see"UREA TANK"> <詳細は"尿素水タンク" 参照>	タンク, ユリア	1		5001-			
02	YQYA00038737	BRACKET	ブ ラケ ッ ト	2		5001-			
03	YQJ271020	BOLT, W/WASHER	ボ ル ト (ワ ッ シ ャ 付)	4	D	5001-			
04	YQ4099334	BUSHING, RUBBER	ブ ッ シ ン グ, ラバ ー	1		5001-			

# UREA WATER TANK 尿素水タンク

Applicable Model (適用機種): -

Mark(記号): -

Serial No. (適用号機): -



DCYA00030782

# UREA WATER TANK

## 尿素水タンク

Applicable Model (適用機種): -

Mark(記号): -

Serial No. (適用号機): -

ITEM 符号	PART NO. 部品番号	PART NAME	部 品 名	Q' TY 数量	S. C サービ ス コート	SERIAL NO. 適用号機	I C A 互 換 性	REPLACEABLE PART 代 替 部 品	
								PART NO. 部品番号	Q' TY 数量
	YQYA00030782	TANK, UREA	タンク, ユリア	1		5001-			
01	YQXB00013659	* TANK	* タンク	1		5001-			
02	YQXB00013660	* RING	* リング	1		5001-			
03	YQXB00013661	* PLUG, DRAIN	* プラグ, ドレイン	1		5001-			
04	YQXB00013662	* CAP	* キャップ	1		5001-			
05	YQXB00013663	* FILLER	* フィラー	1		5001-			
06	YQXB00013664	* RING, O	* リング, O	1		5001-			
07	YQXB00013665	* FILTER	* フィルタ	1		5001-			
08	YQXB00013666	* SENSOR	* センサ	1		5001-			

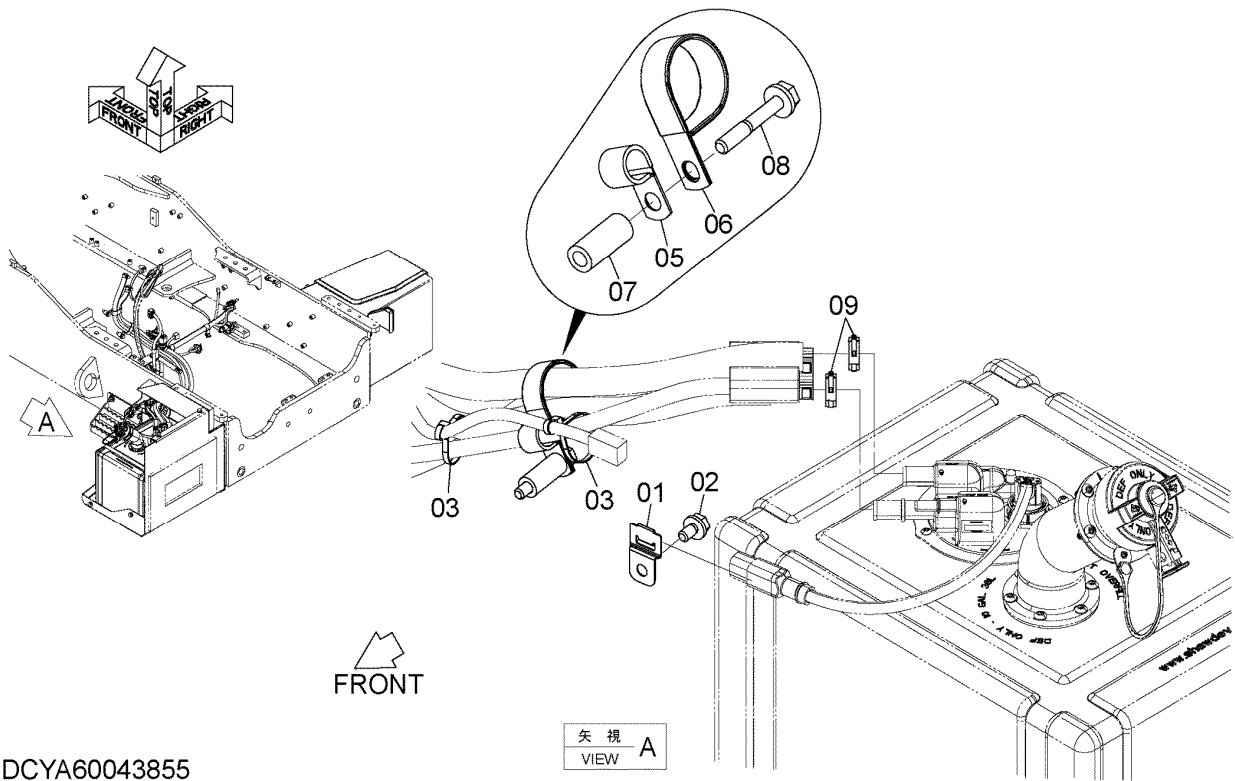
# UREA WATER TANK PARTS (2)

## 尿素水タンク用品 (2)

Applicable Model (適用機種): -

Mark (記号): -

Serial No. (適用号機): -



DCYA60043855

UREA WATER TANK PARTS (2)

尿素水タンク用品 (2)

Applicable Model (適用機種): -

Mark(記号): -

Serial No. (適用号機): -

ITEM 符号	PART NO. 部品番号	PART NAME	部 品 名	Q' TY 数量	S. C サービ ス コート	SERIAL NO. 適用号機	ICA 互 換 性	REPLACEABLE PART 代 替 部 品	
								PART NO. 部品番号	Q' TY 数量
01	YQ263G244731	BRACKET	ブ ラケ ッ ト	1		5001-			
02	YQJ271020	BOLT, W/WASHER	ボ ル ト (ワ ッ シ ャ 付)	1	D	5001-			
03	YQ4441695	CLIP	ク リ ッ プ	2		5001-			
05	YQ4190262	CLIP	ク リ ッ プ	1		5001-			
06	YQ4190265	CLIP	ク リ ッ プ	1		5001-			
07	YQ263E672151	COLLAR	カ ラ ー	1		5001-			
08	YQJ271065	BOLT, W/WASHER	ボ ル ト (ワ ッ シ ャ 付)	1	D	5001-			
09	YQYA00040831	CLAMP, HOSE	ク ラ ッ プ , ホ ー ス	2		5001-			

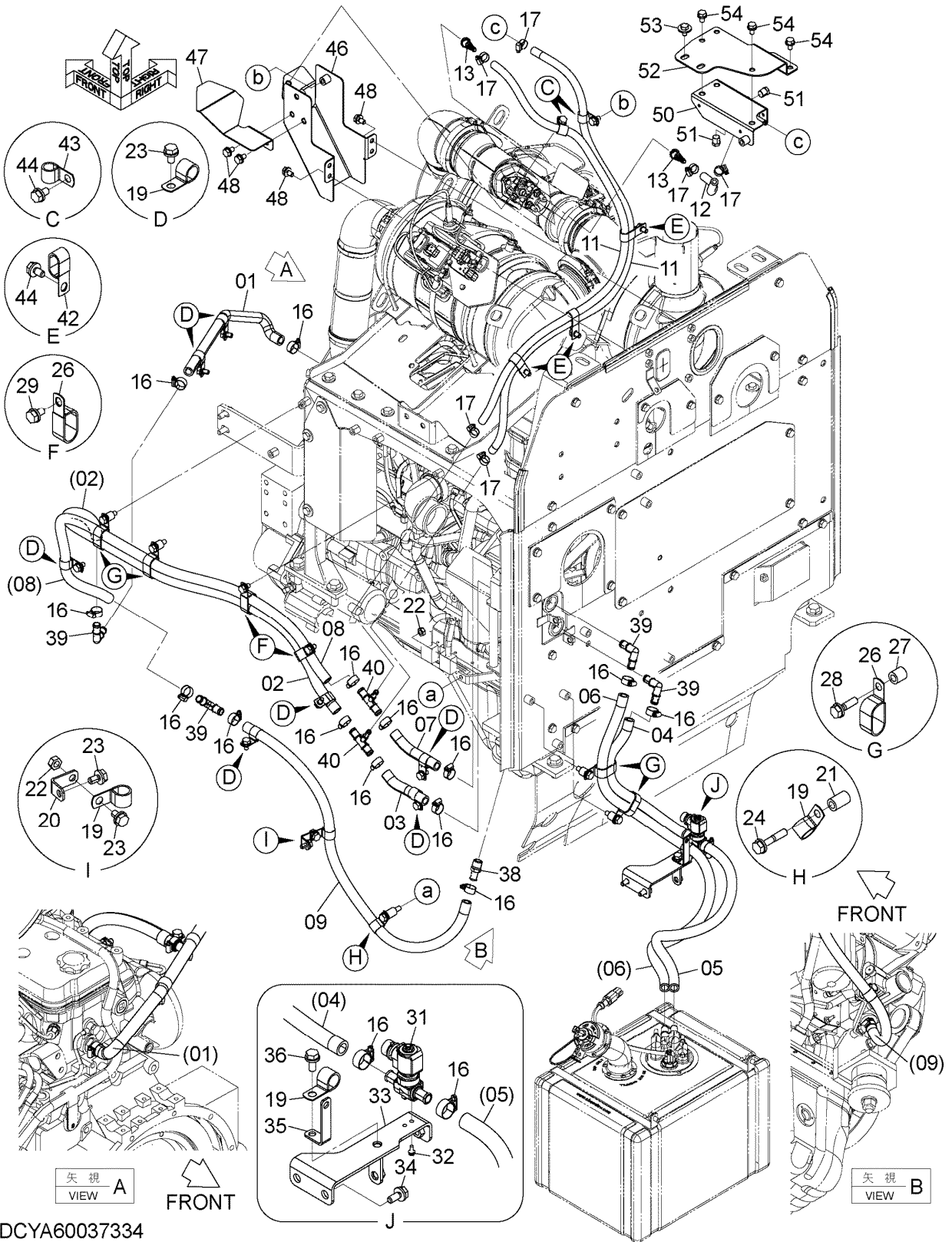
# UREA WATER TANK PIPING (1)

## 尿素水タンク配管 (1)

Applicable Model (適用機種): -

Mark (記号): -

Serial No. (適用号機): -



DCYA60037334

# UREA WATER TANK PIPING (1)

## 尿素水タンク配管 (1)

Applicable Model (適用機種): -

Mark(記号): -

Serial No. (適用号機): -

ITEM 符号	PART NO. 部品番号	PART NAME	部 品 名	Q' TY 数量	S. C サービ ス コート	SERIAL NO. 適用号機	ICA 互 換 性	REPLACEABLE PART 代 替 部 品	
								PART NO. 部品番号	Q' TY 数量
01	YQYA00037413	HOSE, WATER	ホース, ウォータ	1		5001-			
02	YQXV00003405	HOSE, WATER	ホース, ウォータ	1		5001-			
03	YQXV00002838	HOSE, WATER	ホース, ウォータ	1		5001-			
04	YQXV00002839	HOSE, WATER	ホース, ウォータ	1		5001-			
05	YQ4325801	HOSE, WATER	ホース, ウォータ	1		5001-			
06	YQ4414603	HOSE, WATER	ホース, ウォータ	1		5001-			
07	YQ4489928	HOSE, WATER	ホース, ウォータ	1		5001-			
08	YQXV00003406	HOSE, WATER	ホース, ウォータ	1		5001-			
09	YQ4681747	HOSE, WATER	ホース, ウォータ	1		5001-			
11	YQYA00044606	HOSE, WATER	ホース, ウォータ	2		5001-			
12	YQYA00045104	HOSE, WATER	ホース, ウォータ	1		5001-			
13	YQYA00028923	CONNECTOR	コネクタ	2		5001-			
16	YQ4514699	CLAMP, HOSE	クランプ, ホース	16		5001-			
17	YQ4514700	CLAMP, HOSE	クランプ, ホース	6		5001-			
19	YQ4190277	CLIP	クリップ	10		5001-			
20	YQ263J222181	BRACKET	ブラケット	1		5001-			
21	YQ2675675841	COLLAR	カラー	1		5001-			
22	YQJ950010	NUT	ナット	2		5001-			
23	YQJ271020	BOLT, W/WASHER	ボルト (ワッシャ付)	9	D	5001-			
24	YQJ271055	BOLT, W/WASHER	ボルト (ワッシャ付)	1	D	5001-			
26	YQ4192034	CLIP	クリップ	6		5001-			
27	YQ2655542141	COLLAR	カラー	4		5001-			
28	YQJ271040	BOLT, W/WASHER	ボルト (ワッシャ付)	4	D	5001-			
29	YQJ271020	BOLT, W/WASHER	ボルト (ワッシャ付)	2	D	5001-			
31	YQYA00031328	VALVE, CONTROL	バルブ, コントロール	1		5001-			
32	YQJ460512	SCREW	スクリュー	2		5001-			
33	YQYA40023907	BRACKET	ブラケット	1		5001-			
34	YQJ271025	BOLT, W/WASHER	ボルト (ワッシャ付)	2	D	5001-			
35	YQ2661242081	BRACKET	ブラケット	1		5001-			
36	YQJ271025	BOLT, W/WASHER	ボルト (ワッシャ付)	1	D	5001-			
38	YQYA00038511	JOINT, HOSE	ジョイント, ホース	1		5001-			
39	YQYA00037647	JOINT, HOSE	ジョイント, ホース	4		5001-			
40	YQYA00037648	JOINT, HOSE	ジョイント, ホース	2		5001-			
42	YQ4190282	CLIP	クリップ	3		5001-			
43	YQ4190273	CLIP	クリップ	2		5001-			
44	YQJ271020	BOLT, W/WASHER	ボルト (ワッシャ付)	5	D	5001-			
46	YQYA40026265	BRACKET	ブラケット	1		5001-			
47	YQYA00041402	BRACKET	ブラケット	1		5001-			
48	YQJ271020	BOLT, W/WASHER	ボルト (ワッシャ付)	6	D	5001-			
50	YQYA40027980	TANK, WATER	タンク, ウォータ	1		5001-			
51	YQ447483	PLUG	プラグ	2		5001-			
52	YQYA00042667	BRACKET	ブラケット	1		5001-			
53	YQJ281020	BOLT, W/WASHER	ボルト (ワッシャ付)	2	D	5001-			
54	YQJ271020	BOLT, W/WASHER	ボルト (ワッシャ付)	5	D	5001-			

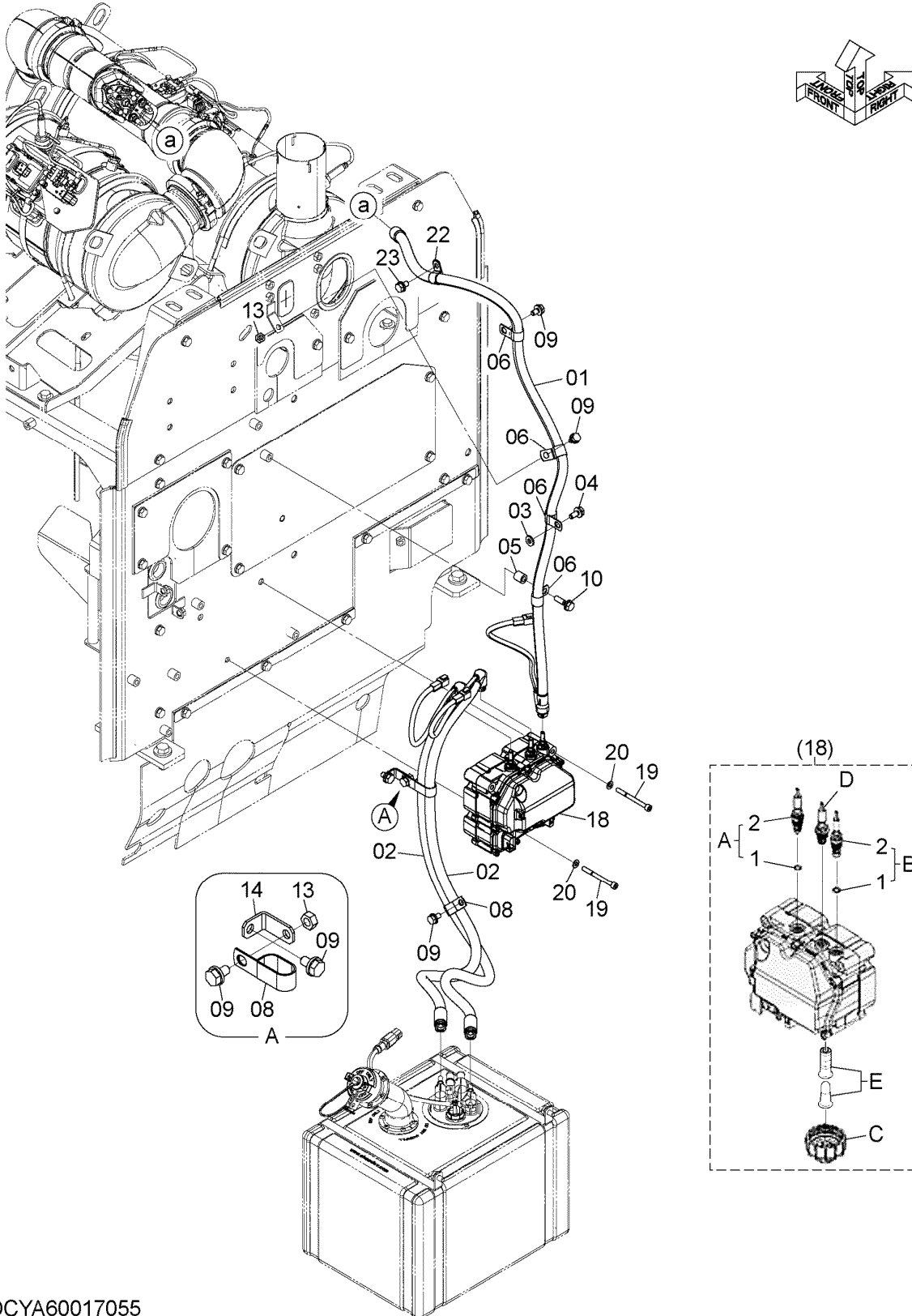
# UREA WATER TANK PIPING (2)

## 尿素水タンク配管 (2)

Applicable Model (適用機種): -

Mark (記号): -

Serial No. (適用号機): -



DCYA60017055

UREA WATER TANK PIPING (2)

尿素水タンク配管 (2)

Applicable Model (適用機種): -

Mark(記号): -

Serial No. (適用号機): -

ITEM 符号	PART NO. 部品番号	PART NAME	部 品 名	Q' TY 数量	S. C サービ ス コート	SERIAL NO. 適用号機	ICA 互 換 性	REPLACEABLE PART 代 替 部 品	
								PART NO. 部品番号	Q' TY 数量
01	YQYA00030783	HOSE, UREA	ホ-ス, ユリア	1		5001-			
02	YQYA00015784	HOSE, UREA	ホ-ス, ユリア	2		5001-			
03	YQJ222010	WASHER	ワッシャ	1		5001-			
04	YQJ271025	BOLT, W/WASHER	ボ-ルト (ワッシャ付)	1	D	5001-			
05	YQ2655542141	COLLAR	カラー	1		5001-			
06	YQ4190262	CLIP	クリップ	4		5001-			
08	YQ4190266	CLIP	クリップ	2		5001-			
09	YQJ271020	BOLT, W/WASHER	ボ-ルト (ワッシャ付)	5	D	5001-			
10	YQJ271040	BOLT, W/WASHER	ボ-ルト (ワッシャ付)	1	D	5001-			
13	YQJ950010	NUT	ナット	2		5001-			
14	YQ263J222181	BRACKET	ブ-ラケット	1		5001-			
18	YQYL00006644	PUMP, UREA	ポン-プ, ユリア	1	Z	5001-			
18A	YQYA00050152	* CONNECTOR	* コネクタ	1	Z	5001-			
18A1	YQYA00050150	** RING, O	** リンク, O	1	Z	5001-			
18A2	++++++	** CONNECTOR	** コネクタ	1	D	5001-			
18B	YQYA00050148	* CONNECTOR	* コネクタ	1	Z	5001-			
18B1	YQYA00050150	** RING, O	** リンク, O	1	Z	5001-			
18B2	++++++	** CONNECTOR	** コネクタ	1	D	5001-			
18C	YQYA00050145	* CAP	* キャップ	1	Z	5001-			
18D	YQYA00050144	* CONNECTOR	* コネクタ	1	Z	5001-			
18E	YQYL00008298	* FILTER	* フィルタ	1	Z	5001-			
19	YQJ780890	BOLT, SOCKET	ボ-ルト, ソケット	3		5001-			
20	YQA590108	WASHER, PLANE	ワッシャ, フ-レーン	3		5001-			
22	YQ2675242661	CLIP	クリップ	1		5001-			
23	YQJ271020	BOLT, W/WASHER	ボ-ルト (ワッシャ付)	1	D	5001-			

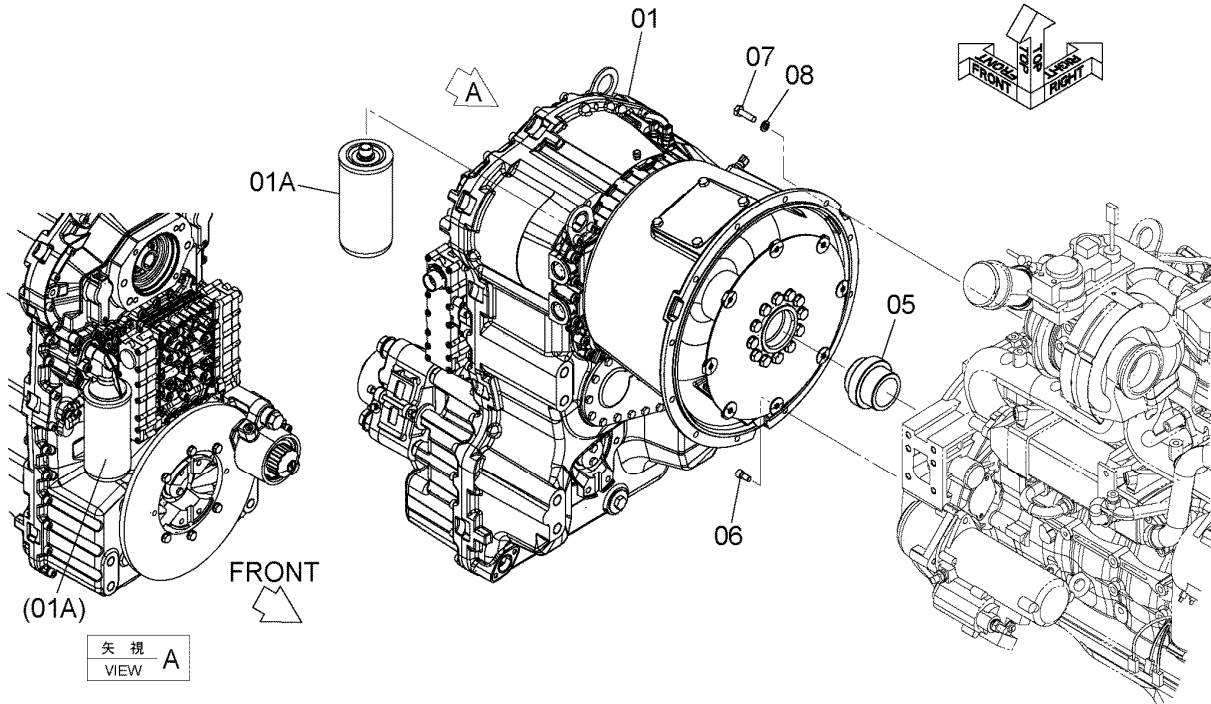
# TRANSMISSION

## トランスミッション

Applicable Model (適用機種): -

Mark(記号): -

Serial No. (適用号機): -



DCYA60019792

# TRANSMISSION

## トランスミッション

Applicable Model (適用機種): -

Mark(記号): -

Serial No. (適用号機): -

ITEM 符号	PART NO. 部品番号	PART NAME	部 品 名	Q'TY 数量	S. C サービ ス コート	SERIAL NO. 適用号機	ICA 互 換 性	REPLACEABLE PART 代 替 部 品	
								PART NO. 部品番号	Q'TY 数量
01	YQYA00009701	TRANSMISSION	トランスミッション	1	H	5001-			
01A	YQ263G257012	* FILTER	* フィルタ	1		5001-			
05	YQYA00017297	GUIDE	ガイド	1		5001-			
06	YQYA00017298	BOLT, SOCKET	ボルト, ソケット	8		5001-			
07	YQJ901035	BOLT	ボルト	12		5001-			
08	YQA590910	WASHER, SPRING	ワッシャ, スプリング	12		5001-			

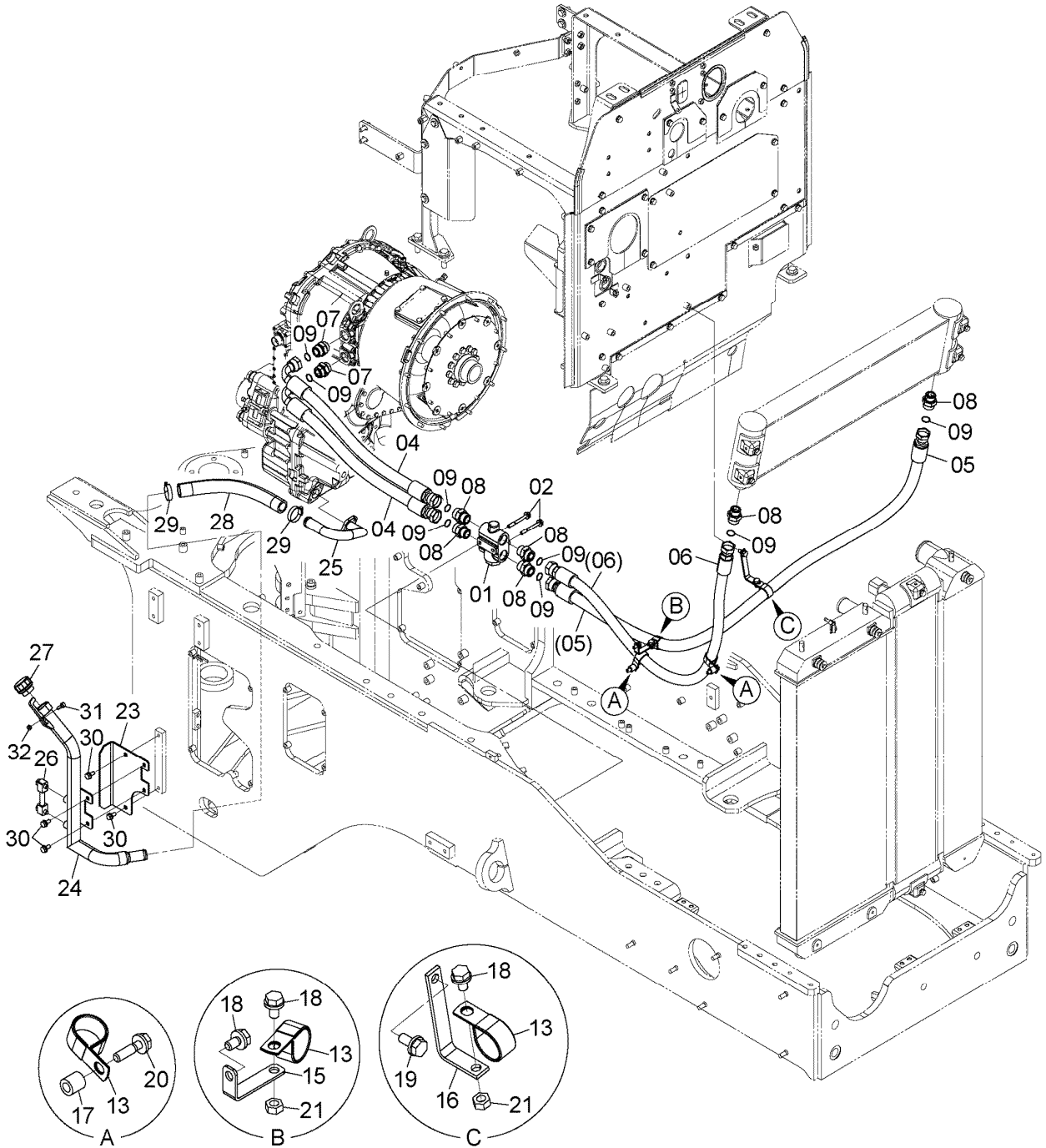
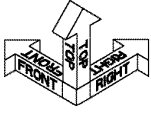
# TRANSMISSION PIPING (1)

## トランスミッション配管 (1)

Applicable Model (適用機種): -

Mark (記号): -

Serial No. (適用号機): -



DCYA60020204

TRANSMISSION PIPING (1)  
トランスミッション配管 (1)

Applicable Model (適用機種): -

Mark(記号): -

Serial No. (適用号機): -

ITEM 符号	PART NO. 部品番号	PART NAME	部 品 名	Q' TY 数量	S. C サービ ス コード	SERIAL NO. 適用号機	ICA 互 換 性	REPLACEABLE PART 代 替 部 品	
								PART NO. 部品番号	Q' TY 数量
01	YQYA00003921	VALVE, CHECK	バルブ, チェック	1		5001-			
02	YQJ271090	BOLT, W/WASHER	ボルト (ワッシャ付)	2	D	5001-			
04	YQXV00001573	HOSE	ホース	2		5001-			
05	YQXV00002137	HOSE	ホース	1		5001-			
06	YQ4481139	HOSE	ホース	1		5001-			
07	YQ263E762501	ADAPTER SOCKET	アダプタ, ソケット	2		5001-			
07A	YQ2650747061	* RING, O	* リング, O	1		5001-			
08	YQA853188	ADAPTER SOCKET	アダプタ, ソケット	6		5001-			
08A	YQ4506429	* RING, O	* リング, O	1		5001-			
09	YQ4420526	RING, O	リング, O	8		5001-			
13	YQ4190264	CLIP	クリップ	4		5001-			
15	YQ2661242081	BRACKET	ブラケット	1		5001-			
16	YQ2682542311	BRACKET	ブラケット	1		5001-			
17	YQ2655542141	COLLAR	カラー	2		5001-			
18	YQJ271020	BOLT, W/WASHER	ボルト (ワッシャ付)	3	D	5001-			
19	YQJ271025	BOLT, W/WASHER	ボルト (ワッシャ付)	1	D	5001-			
20	YQJ271040	BOLT, W/WASHER	ボルト (ワッシャ付)	2	D	5001-			
21	YQJ950010	NUT	ナット	2		5001-			
23	YQ263G780171	GUARD	ガード	1		5001-			
24	YQ263G780102	FILLER	ファイラー	1		5001-			
25	YQ263G780111	PIPE	パイプ	1		5001-			
26	YQ263G752421	GAUGE, LEVEL	ゲージ, レベル	1		5001-			
27	YQ263G782251	BREATHER, AIR	ブリーザ, エア	1		5001-			
28	YQ4054387	HOSE, RUBBER	ホース, ラバー	1		5001-			
29	YQ4011675	CLAMP, HOSE	クランプ, ホース	2		5001-			
30	YQJ271025	BOLT, W/WASHER	ボルト (ワッシャ付)	4	D	5001-			
31	YQJ260825	BOLT, W/WASHER	ボルト (ワッシャ付)	1	D	5001-			
32	YQM500807	NUT	ナット	1		5001-			

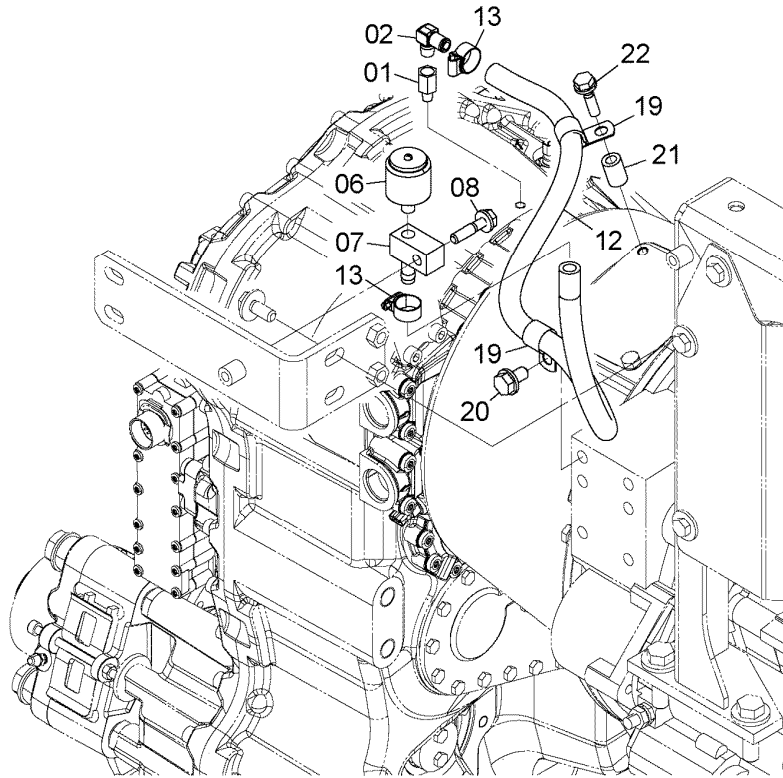
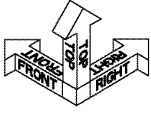
# TRANSMISSION PIPING (2)

## トランスミッション配管 (2)

Applicable Model (適用機種): -

Mark (記号): -

Serial No. (適用号機): -



DCYA60033204

TRANSMISSION PIPING (2)  
トランスミッション配管 (2)

Applicable Model (適用機種): -

Mark(記号): -

Serial No. (適用号機): -

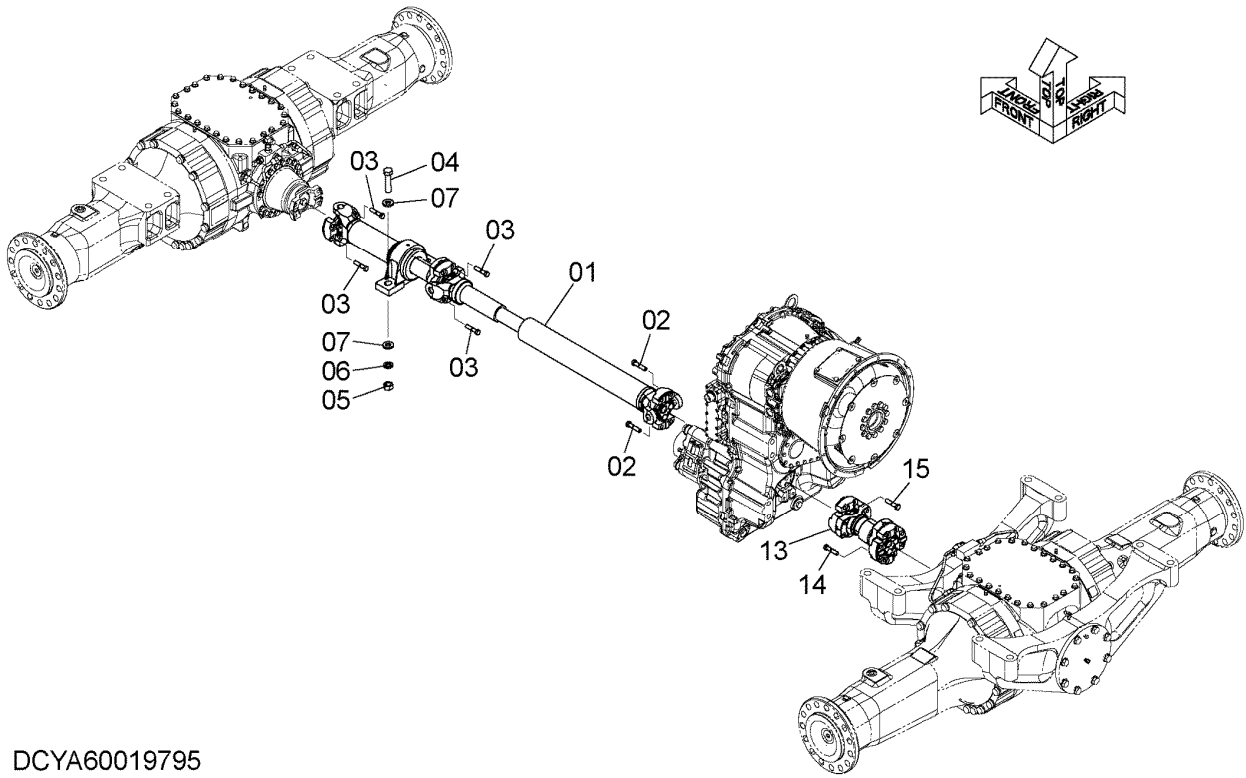
ITEM 符号	PART NO. 部品番号	PART NAME	部 品 名	Q' TY 数量	S. C サービ ス コート	SERIAL NO. 適用号機	ICA 互 換 性	REPLACEABLE PART 代 替 部 品	
								PART NO. 部品番号	Q' TY 数量
01	YQ2661242091	FITTING	フィッティング	1		5001-			
02	YQ3221811113	ELBOW	エルボ	1		5001-			
06	YQ1632302242	BREATHER, AIR	ブリーザ, エア	1		5001-			
07	YQ2643212041	ADAPTER	アダプタ	1		5001-			
08	YQJ271045	BOLT, W/WASHER	ボルト (ワッシャ付)	1	D	5001-			
12	YQ0471004095	HOSE	ホース	1		5001-			
13	YQ4514699	CLAMP, HOSE	クランプ, ホース	2		5001-			
19	YQ4190274	CLIP	クリップ	2		5001-			
20	YQJ271225	BOLT, W/WASHER	ボルト (ワッシャ付)	1	D	5001-			
21	YQ263G644451	COLLAR	カラー	1		5001-			
22	YQJ271040	BOLT, W/WASHER	ボルト (ワッシャ付)	1	D	5001-			

# PROPELLER SHAFT プロペラシャフト

Applicable Model (適用機種): -

Mark (記号): -

Serial No. (適用号機): -



DCYA60019795

PROPELLER SHAFT  
プロペラシャフト

Applicable Model (適用機種): -

Mark(記号): -

Serial No. (適用号機): -

ITEM 符号	PART NO. 部品番号	PART NAME	部品名	Q'TY 数量	S. C サービ ス コート	SERIAL NO. 適用号機	ICA 互 換 性	REPLACEABLE PART 代替部品	
								PART NO. 部品番号	Q'TY 数量
01	YQYA00025709	SHAFT, PROPELLER (FRONT)	シャフト, フロペラ (フロント)	1	H	5001-			
02	YQ263G332101	BOLT	ボルト	4		5001-			
03	YQ0110712055	BOLT	ボルト	8		5001-			
04	YQJ922080	BOLT	ボルト	2		5001-			
05	YQJ950020	NUT	ナット	2		5001-			
06	YQJ257220	WASHER, SPRING	ワッシャ, スプリング	2		5001-			
07	YQJ222020	WASHER	ワッシャ	4		5001-			
13	YQYA00017825	SHAFT, PROPELLER (REAR)	シャフト, フロペラ (リア)	1	H	5001-			
14	YQ0110712055	BOLT	ボルト	4		5001-			
15	YQ263G332101	BOLT	ボルト	4		5001-			

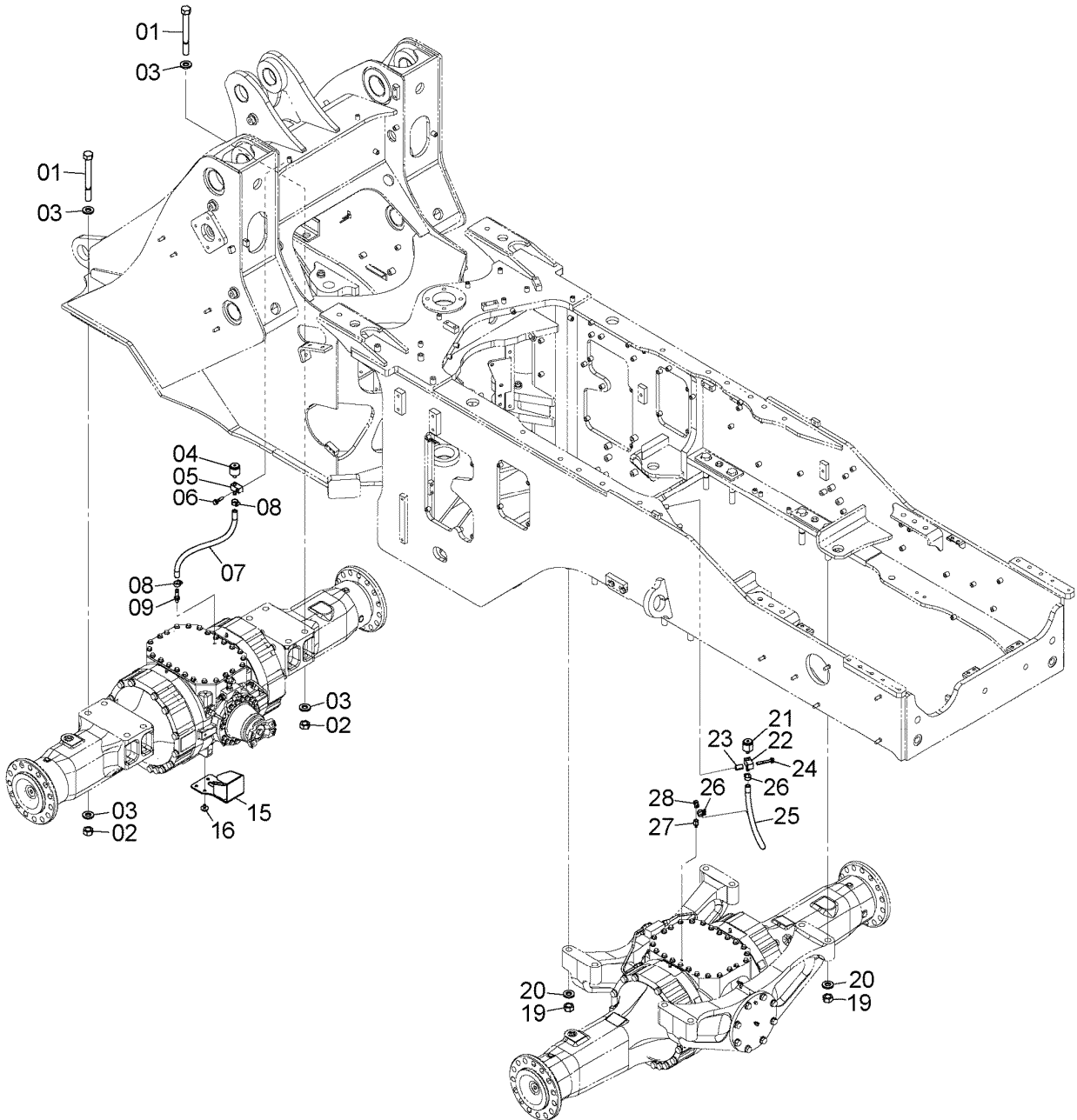
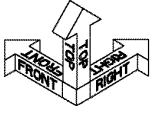
# AXLE SUPPORT (1)

## アクスル取付部品 (1)

Applicable Model (適用機種): -

Mark(記号): -

Serial No. (適用号機): -



DCYA60044848

AXLE SUPPORT (1)  
 アクスル取付部品 (1)

Applicable Model (適用機種): -

Mark(記号): -

Serial No. (適用号機): -

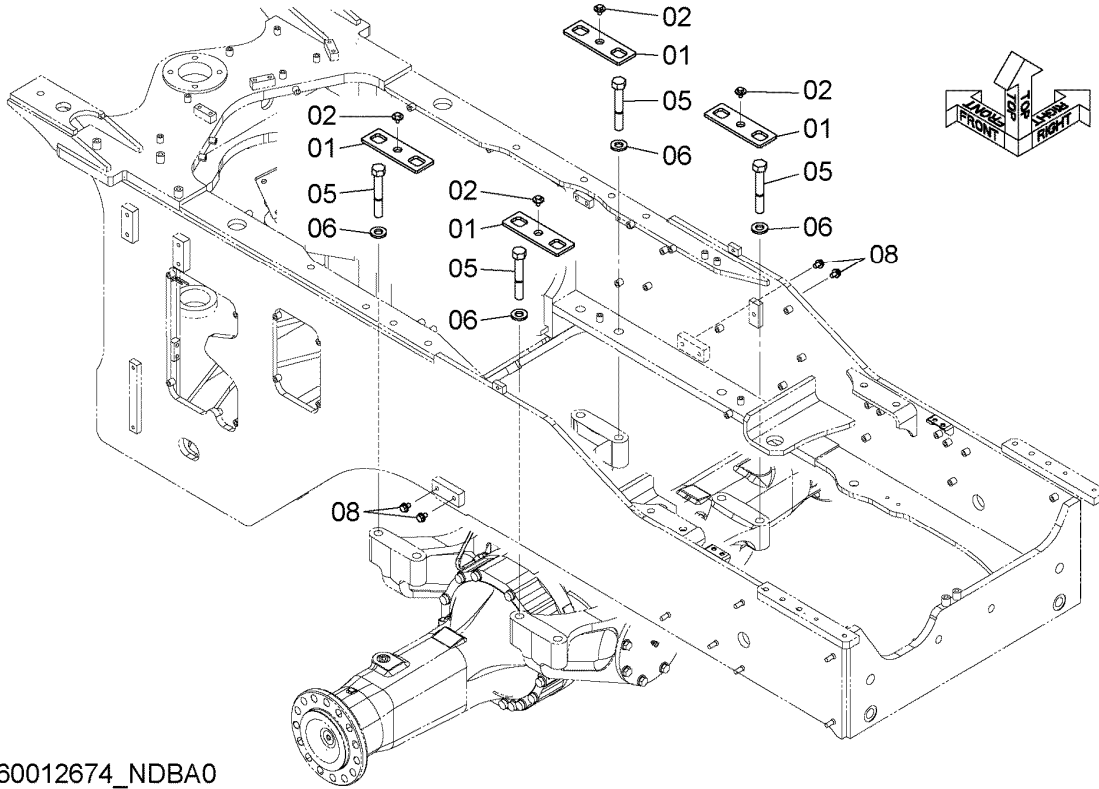
ITEM 符号	PART NO. 部品番号	PART NAME	部 品 名	Q' TY 数量	S. C サービ ス コート	SERIAL NO. 適用号機	ICA 互 換 性	REPLACEABLE PART 代 替 部 品	
								PART NO. 部品番号	Q' TY 数量
01	YQ0110724220	BOLT	ボルト	8		5001-			
02	YQJ952024	NUT	ナット	8		5001-			
03	YQJ222024	WASHER	ワッシャ	16		5001-			
04	YQ1632302242	BREATHER, AIR	ブリーザ, エア	1		5001-			
05	YQ2643212041	ADAPTER	アダプタ	1		5001-			
06	YQJ271045	BOLT, W/WASHER	ボルト (ワッシャ付)	1	D	5001-			
07	YQ0471004045	HOSE, RUBBER	ホース, ラバー	1		5001-			
08	YQ4514699	CLAMP, HOSE	クランプ, ホース	2		5001-			
09	YQ0410000204	ADAPTER	アダプタ	1		5001-			
15	YQYA40010369	GUARD	ガード	1		5001-			
16	YQJ281020	BOLT, W/WASHER	ボルト (ワッシャ付)	3	D	5001-			
19	YQJ952024	NUT	ナット	8		5001-			
20	YQJ222024	WASHER	ワッシャ	8		5001-			
21	YQ1632302242	BREATHER, AIR	ブリーザ, エア	1		5001-			
22	YQ2643212041	ADAPTER	アダプタ	1		5001-			
23	YQ2675675841	COLLAR	カラー	1		5001-			
24	YQJ271070	BOLT, W/WASHER	ボルト (ワッシャ付)	1	D	5001-			
25	YQ0471004060	HOSE, RUBBER	ホース, ラバー	1		5001-			
26	YQ4514699	CLAMP, HOSE	クランプ, ホース	2		5001-			
27	YQ2661242091	FITTING	フィッティング	1		5001-			
28	YQ3221811113	ELBOW	エルボ	1		5001-			

# AXLE SUPPORT (2) アクスル取付部品 (2)

Applicable Model (適用機種): -

Mark(記号): -

Serial No. (適用号機): -



DCYA60012674\_NDBA0

AXLE SUPPORT (2)  
 アクスル取付部品 (2)

Applicable Model (適用機種): -

Mark(記号): -

Serial No. (適用号機): -

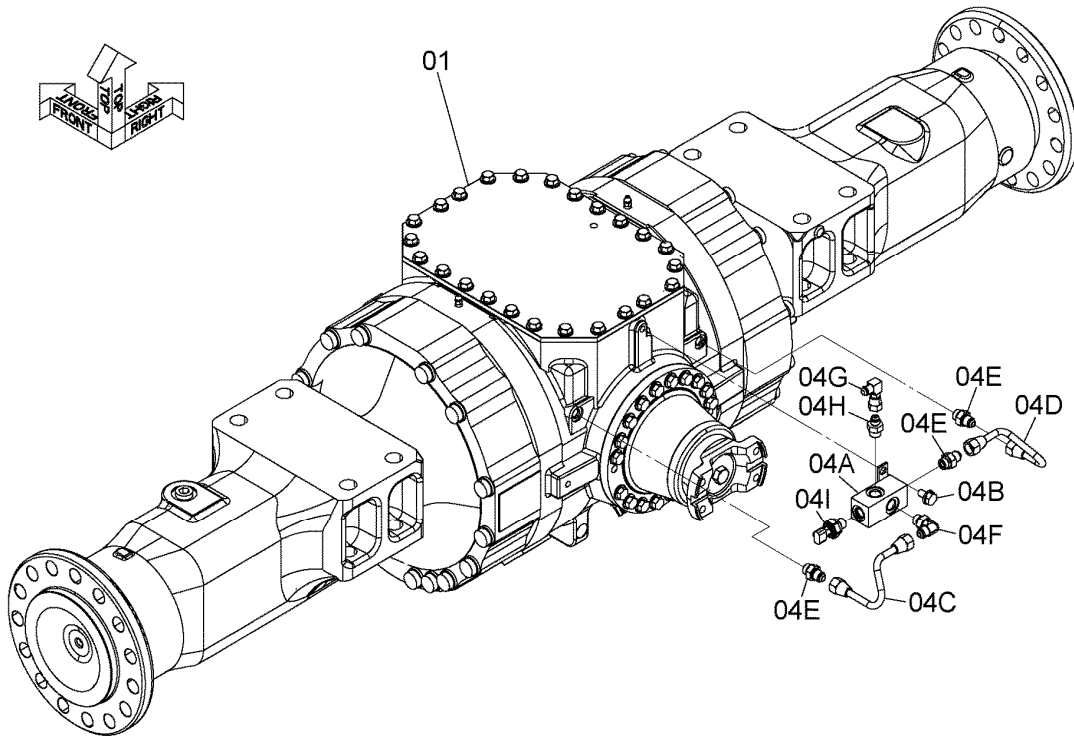
ITEM 符号	PART NO. 部品番号	PART NAME	部 品 名	Q' TY 数量	S. C サービ ス コート	SERIAL NO. 適用号機	I CA 互 換 性	REPLACEABLE PART 代 替 部 品	
								PART NO. 部品番号	Q' TY 数量
01	YQYA00017963	PLATE, LOCK	プレート, ロック	4		5001-			
02	YQJ281020	BOLT, W/WASHER	ボルト (ワッシャ付)	4	D	5001-			
05	YQ0110724150	BOLT	ボルト	8		5001-			
06	YQJ222024	WASHER	ワッシャ	8		5001-			
08	YQJ271220	BOLT, W/WASHER	ボルト (ワッシャ付)	4	D	5001-			

FRONT AXLE (LSD)  
フロントアクスル (LSD)

Applicable Model (適用機種): -

Mark (記号): -

Serial No. (適用号機): -



DCYA60019798

FRONT AXLE (LSD)  
フロントアクスル (LSD)

Applicable Model (適用機種): -

Mark(記号): -

Serial No. (適用号機): -

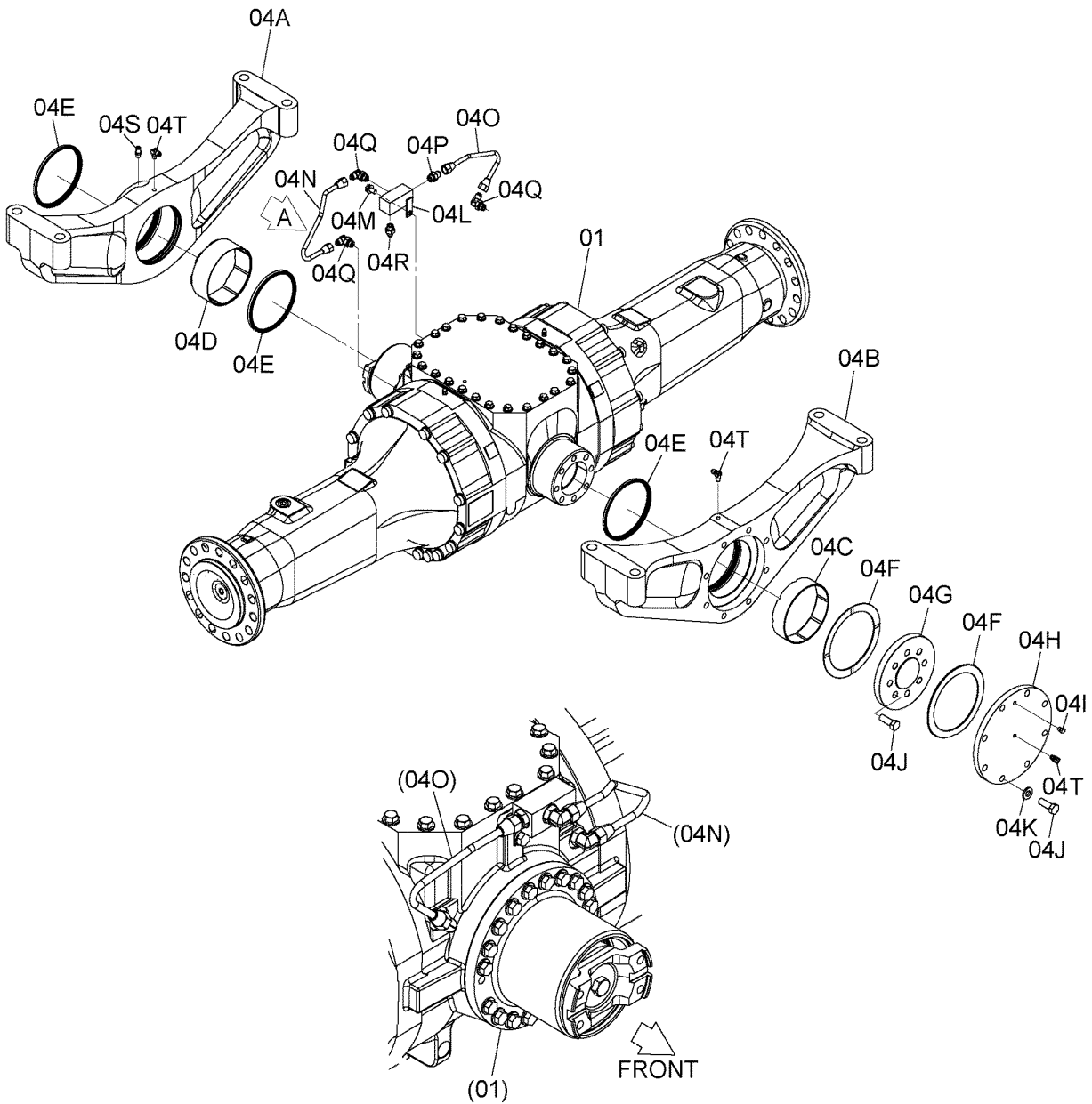
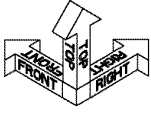
ITEM 符号	PART NO. 部品番号	PART NAME	部 品 名	Q' TY 数量	S. C サービ ス コート	SERIAL NO. 適用号機	ICA 互 換 性	REPLACEABLE PART 代 替 部 品	
								PART NO. 部品番号	Q' TY 数量
01	YQYB60000915	AXLE ASSY, FRONT	アクスル アッセン, フロント	1	H	5001-			
04	+++++	PARTS, AXLE	ハーツ, アクスル	1	D	5001-			
04A	YQYA40003852	* BLOCK	* ブロック	1		5001-			
04B	YQJ271020	* BOLT, W/WASHER	* ボルト (ワッシャ付)	1	D	5001-			
04C	YQYA40014625	* PIPE	* ハイプ	1		5001-			
04D	YQYA40014626	* PIPE	* ハイプ	1		5001-			
04E	YQ4344020	* ADAPTER SOCKET	* アダプタ, ソケット	3		5001-			
04E1	YQ4509180	** RING, O	** リンク, O	1		5001-			
04F	YQ4344046	* ELBOW	* エルボ	1		5001-			
04F1	YQ4509180	** RING, O	** リンク, O	1		5001-			
04G	YQYA00020744	* UNION	* ユニオン	1		5001-			
04H	YQYA00015143	* ORIFICE, ADAPTER	* オリフィス, アダプタ	1		5001-			
04H1	YQ4509180	** RING, O	** リンク, O	1		5001-			
04I	YQ4436536	* SENSOR, PRESSURE.	* センサ, プレシヤ	1		5001-			
04I1	YQ4153095	** RING, O	** リンク, O	1		5001-			

REAR AXLE (LSD)  
リアアクスル (LSD)

Applicable Model (適用機種): -

Mark (記号): -

Serial No. (適用号機): -



矢視 A  
VIEW A

DCYA60019801

REAR AXLE (LSD)  
リアアクスル (LSD)

Applicable Model (適用機種): -

Mark(記号): -

Serial No. (適用号機): -

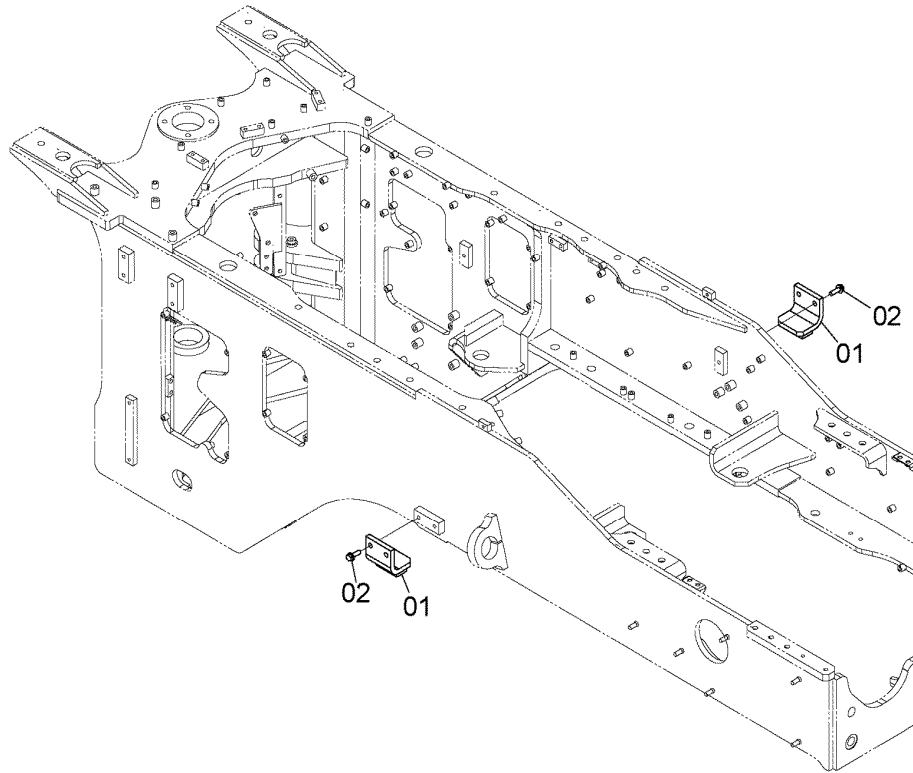
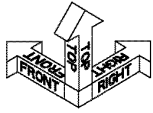
ITEM 符号	PART NO. 部品番号	PART NAME	部 品 名	Q' TY 数量	S. C サービ ス コード	SERIAL NO. 適用号機	ICA 互 換 性	REPLACEABLE PART 代 替 部 品	
								PART NO. 部品番号	Q' TY 数量
01	YQYB60000917	AXLE ASSY, REAR	アクスル アッセン, リア	1	H	5001-			
04	+++++	PARTS, AXLE	ハーツ, アクスル	1	D	5001-			
04A	YQYA00023238	* SUPPORT	* サポート	1		5001-			
04B	YQYA00023239	* SUPPORT	* サポート	1		5001-			
04C	YQ2641302031	* BUSHING	* ブッシング	1		5001-			
04D	YQ2675302122	* BUSHING	* ブッシング	1		5001-			
04E	YQ2675302131	* SEAL	* シール	3		5001-			
04F	YQ2641302041	* RING, WEAR	* リング, ウェア	2		5001-			
04G	YQ2675302091	* PLATE	* プレート	1		5001-			
04H	YQ2675302102	* COVER	* カバー	1		5001-			
04I	YQ2404792101	* PLUG	* プラグ	1		5001-			
04J	YQJ241645	* BOLT	* ボルト	16		5001-			
04K	YQJ222016	* WASHER	* ワッシャ	8		5001-			
04L	YQYA40003855	* BLOCK	* ブロック	1		5001-			
04M	YQJ271020	* BOLT, W/WASHER	* ボルト (ワッシャ付)	1	D	5001-			
04N	YQYA40014627	* PIPE	* ハイ	1		5001-			
04O	YQYA40014628	* PIPE	* ハイ	1		5001-			
04P	YQ4344020	* ADAPTER SOCKET	* アダプタ, ソケット	1		5001-			
04P1	YQ4509180	** RING, O	** リング, O	1		5001-			
04Q	YQ4344046	* ELBOW	* エルボ	3		5001-			
04Q1	YQ4509180	** RING, O	** リング, O	1		5001-			
04R	YQ4484069	* ORIFICE, ADAPTER	* オリフィス, アダプタ	1		5001-			
04R1	YQ4509180	** RING, O	** リング, O	1		5001-			
04S	YQ2643542201	* FITTING	* フィッティング	1		5001-			
04T	YQ2660542191	* ELBOW	* エルボ	3		5001-			

OSCILLATION STOPPER (8 DEG.)  
オシレーションストッパ (8 DEG.)

Applicable Model (適用機種): -

Mark (記号): -

Serial No. (適用号機): -



DCYA60027346

OSCILLATION STOPPER (8 DEG.)  
 オシレーションストッパ (8 DEG.)

Applicable Model (適用機種): -

Mark(記号): -

Serial No. (適用号機): -

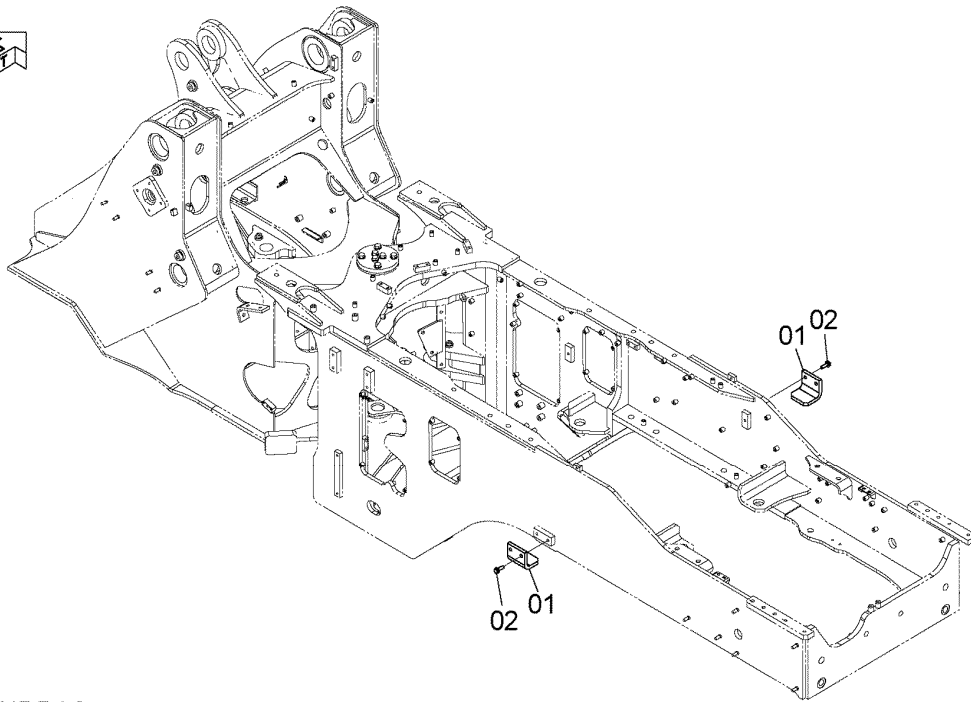
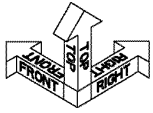
ITEM 符号	PART NO. 部品番号	PART NAME	部品名	Q'TY 数量	S. C サービ ス コート	SERIAL NO. 適用号機	ICA 互換性	REPLACEABLE PART 代替部品	
								PART NO. 部品番号	Q'TY 数量
01	YQ563H440051	STOPPER	ストッパ	2		5001-			
02	YQJ271240	BOLT, W/WASHER	ボルト (ワッシャ付)	4	D	5001-			

OSCILLATION STOPPER (10 DEG.)  
オシレーションストッパ (10 DEG.)

Applicable Model (適用機種): -

Mark (記号): -

Serial No. (適用号機): -



DCYA60004214\_NDBA0

OSCILLATION STOPPER (10 DEG.)  
 オシレーションストッパ (10 DEG.)

Applicable Model (適用機種): -

Mark(記号): -

Serial No. (適用号機): -

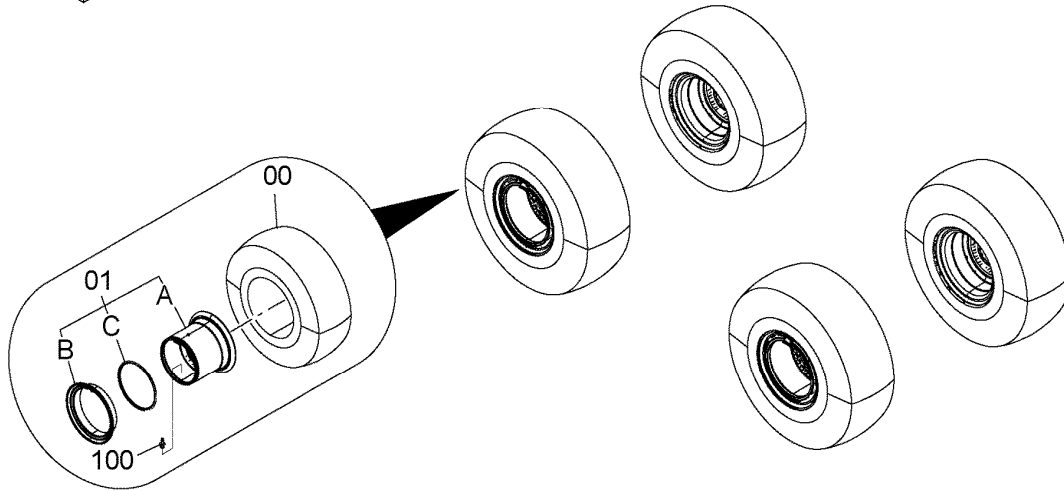
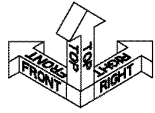
ITEM 符号	PART NO. 部品番号	PART NAME	部 品 名	Q'TY 数量	S. C サービ ス コート	SERIAL NO. 適用号機	ICA 互 換 性	REPLACEABLE PART 代 替 部 品	
								PART NO. 部品番号	Q'TY 数量
01	YQ563G442001	STOPPER	ストッパ	2		5001-			
02	YQJ271240	BOLT, W/WASHER	ボルト (ワッシャ付)	4	D	5001-			

RADIAL TIRE (BRIDGESTONE) (20. 5R25-L3-T/L-VJTZ)  
ラジアルタイヤ (ブリヂストン) (20. 5R25-L3-T/L-VJTZ)

Applicable Model (適用機種): -

Mark (記号): -

Serial No. (適用号機): -



DCYA60015039B

RADIAL TIRE (BRIDGESTONE) (20. 5R25-L3-T/L-VJTZ)  
ラジアルタイヤ (ブリヂストン) (20. 5R25-L3-T/L-VJTZ)

Applicable Model (適用機種): -

Mark(記号): -

Serial No. (適用号機): -

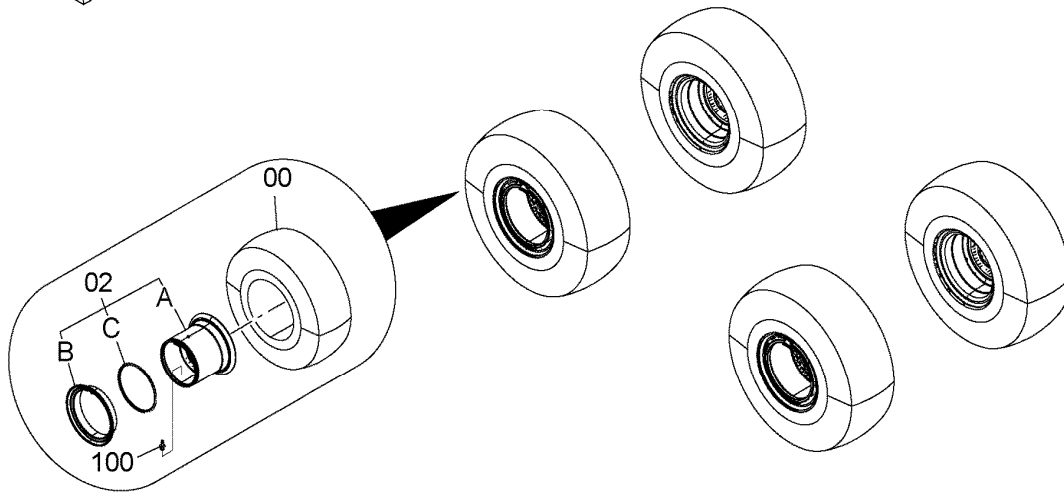
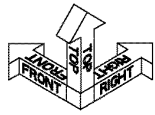
ITEM 符号	PART NO. 部品番号	PART NAME	部 品 名	Q' TY 数量	S. C サービ ス コート	SERIAL NO. 適用号機	ICA 互 換 性	REPLACEABLE PART 代 替 部 品	
								PART NO. 部品番号	Q' TY 数量
	YQYA60015039	ASSY, TIRE	アッソ, タイヤ	4		5001-			
00	YQYA00021640	* TIRE	* タイヤ	1		5001-			
01	YQ2656442001	* RIM	* リム	1		5001-			
01A	+++++	** RIM	** リム	1	D	5001-			
01B	YQ2660447041	** RING, SIDE	** リンク	1		5001-			
01C	YQ2660447051	** RING, LOCK	** リンク, ロック	1		5001-			
100	YQYA00028821	VALVE, AIR	バルブ, エア	4		5001-			

BIAS TIRE (BRIDGESTONE) (20.5-25-12PR-L3-T/L-VL2)  
バイアスタイヤ (ブリヂストン) (20.5-25-12PR-L3-T/L-VL2)

Applicable Model (適用機種): -

Mark (記号): -

Serial No. (適用号機): -



DCYA60016413\_PD770

BIAS TIRE (BRIDGESTONE) (20.5-25-12PR-L3-T/L-VL2)  
 バイアスタイヤ (ブリヂストン) (20.5-25-12PR-L3-T/L-VL2)

Applicable Model (適用機種): -

Mark(記号): -

Serial No. (適用号機): -

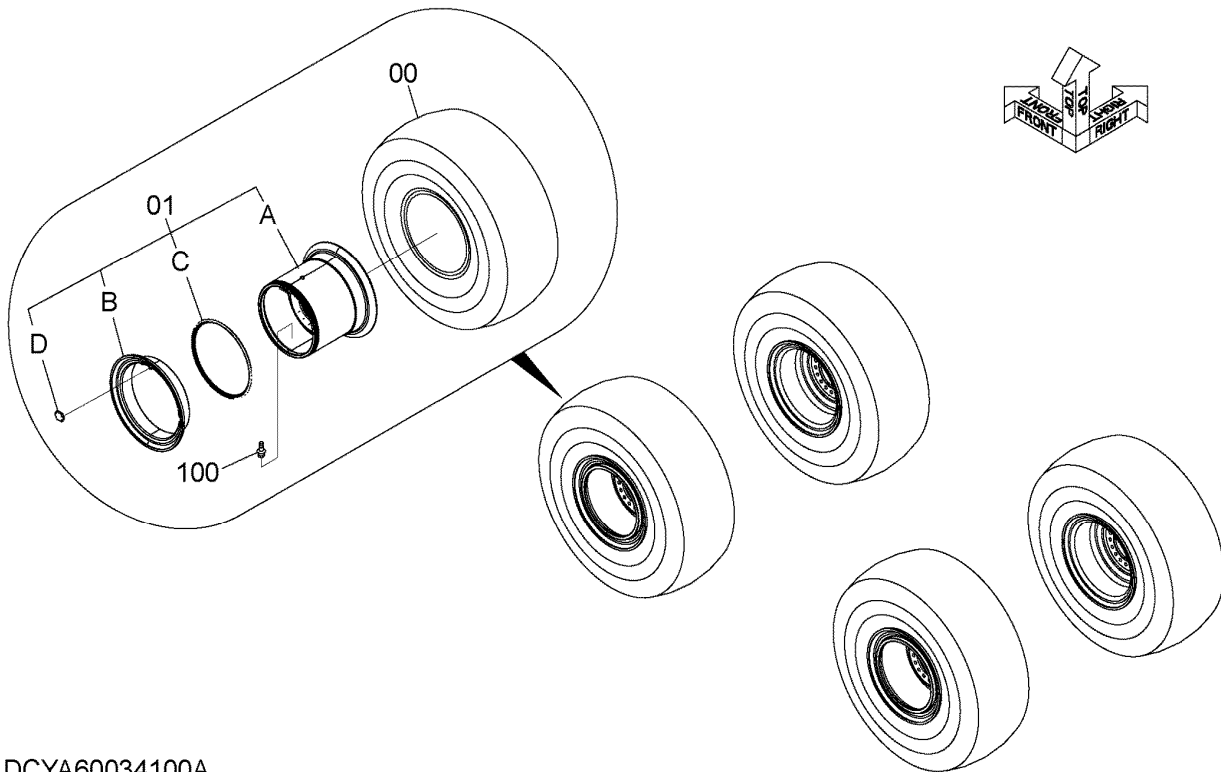
ITEM 符号	PART NO. 部品番号	PART NAME	部 品 名	Q' TY 数量	S. C サービ ス コート	SERIAL NO. 適用号機	ICA 互 換 性	REPLACEABLE PART 代 替 部 品	
								PART NO. 部品番号	Q' TY 数量
00	YQYA60016413	ASSY, TIRE	アッソ, タイヤ	4		5001-			
02	YQYA00001370	* TIRE	* タイヤ	1		5001-			
02A	YQ2656442001	* RIM	* リム	1		5001-			
02B	+++++	** RIM	** リム	1	D	5001-			
02C	YQ2660447041	** RING, SIDE	** リンク	1		5001-			
100	YQ2660447051	** RING, LOCK	** リンク, ロック	1		5001-			
	YQYA00028821	VALVE, AIR	バルブ, エア	4		5001-			

BIAS TIRE (BRIDGESTONE) (23.5-25-16PR-L3-T/L-VL2)  
バイアスタイヤ (ブリヂストン) (23.5-25-16PR-L3-T/L-VL2)

Applicable Model (適用機種): -

Mark (記号): -

Serial No. (適用号機): -



DCYA60034100A

BIAS TIRE (BRIDGESTONE) (23.5-25-16PR-L3-T/L-VL2)  
 バイアスタイヤ (ブリヂストン) (23.5-25-16PR-L3-T/L-VL2)

Applicable Model (適用機種): -

Mark(記号): -

Serial No. (適用号機): -

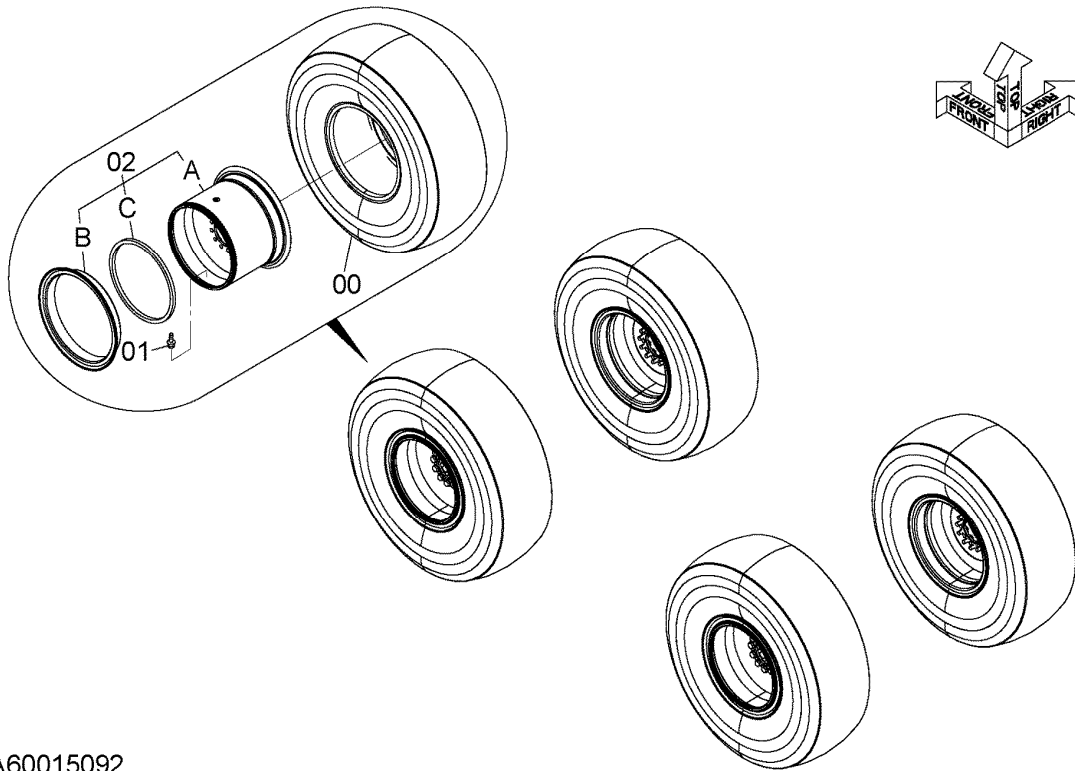
ITEM 符号	PART NO. 部品番号	PART NAME	部品名	Q'TY 数量	S. C サービ ス コート	SERIAL NO. 適用号機	ICA 互 換 性	REPLACEABLE PART 代替部品	
								PART NO. 部品番号	Q'TY 数量
	YQYA60034100	ASSY, TIRE	アッソ, タイヤ	4		5001-			
00	YQ563G442151	* TIRE	* タイヤ	1		5001-			
01	YQYA00032386	* RIM	* リム	1		5001-			
01A	+++++	** RIM	** リム	1	D	5001-			
01B	YQ2671447011	** RING, SIDE	** リンク	1		5001-			
01C	YQ2671447021	** RING, LOCK	** リンク, ロック	1		5001-			
01D	YQ2671447031	** KEY	** キー	1		5001-			
100	YQYA00028821	VALVE, AIR	バルブ, エア	4		5001-			

RADIAL TIRE (MICHELIN) (20. 5R25-L3-T/L-XHA2)  
ラジアルタイヤ (ミシュラン) (20. 5R25-L3-T/L-XHA2)

Applicable Model (適用機種): -

Mark (記号): -

Serial No. (適用号機): -



DCYA60015092

RADIAL TIRE (MICHELIN) (20. 5R25-L3-T/L-XHA2)  
ラジアルタイヤ (ミシュラン) (20. 5R25-L3-T/L-XHA2)

Applicable Model (適用機種): -

Mark(記号): -

Serial No. (適用号機): -

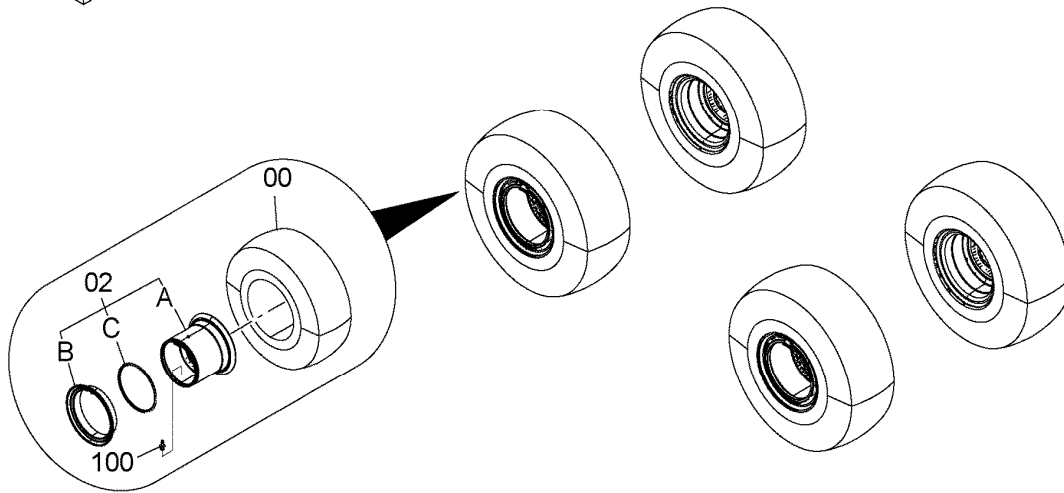
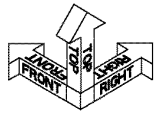
ITEM 符号	PART NO. 部品番号	PART NAME	部 品 名	Q' TY 数量	S. C サービ ス コート	SERIAL NO. 適用号機	ICA 互 換 性	REPLACEABLE PART 代 替 部 品	
								PART NO. 部品番号	Q' TY 数量
	YQYA60015092	ASSY, TIRE	アッシ, タイヤ	4		5001-			
00	YQYA00028820	* TIRE	* タイヤ	1		5001-			
01	YQYA00028821	* VALVE, AIR	* バルブ, エア	1		5001-			
02	YQ2656442001	* RIM	* リム	1		5001-			
02A	+++++	** RIM	** リム	1	D	5001-			
02B	YQ2660447041	** RING, SIDE	** リンク*	1		5001-			
02C	YQ2660447051	** RING, LOCK	** リンク*, ロック	1		5001-			

BIAS TIRE (YOKOHAMA) (20.5-25-12PR-L3-T/L-Y575)  
バイアスタイヤ (横浜) (20.5-25-12PR-L3-T/L-Y575)

Applicable Model (適用機種): -

Mark (記号): -

Serial No. (適用号機): -



DCYA60016414

BIAS TIRE (YOKOHAMA) (20.5-25-12PR-L3-T/L-Y575)  
 バイアスタイヤ (横浜) (20.5-25-12PR-L3-T/L-Y575)

Applicable Model (適用機種): -

Mark(記号): -

Serial No. (適用号機): -

ITEM 符号	PART NO. 部品番号	PART NAME	部 品 名	Q' TY 数量	S. C サービ ス コート	SERIAL NO. 適用号機	ICA 互 換 性	REPLACEABLE PART 代 替 部 品	
								PART NO. 部品番号	Q' TY 数量
00	YQYA60016414	ASSY, TIRE	アッソ, タイヤ	4		5001-			
02	YQYA00001371	* TIRE	* タイヤ	1		5001-			
02A	YQ2656442001	* RIM	* リム	1		5001-			
02B	+++++	** RIM	** リム	1	D	5001-			
02C	YQ2660447041	** RING, SIDE	** リンク	1		5001-			
100	YQ2660447051	** RING, LOCK	** リンク, ロック	1		5001-			
	YQYA00028821	VALVE, AIR	バルブ, エア	4		5001-			

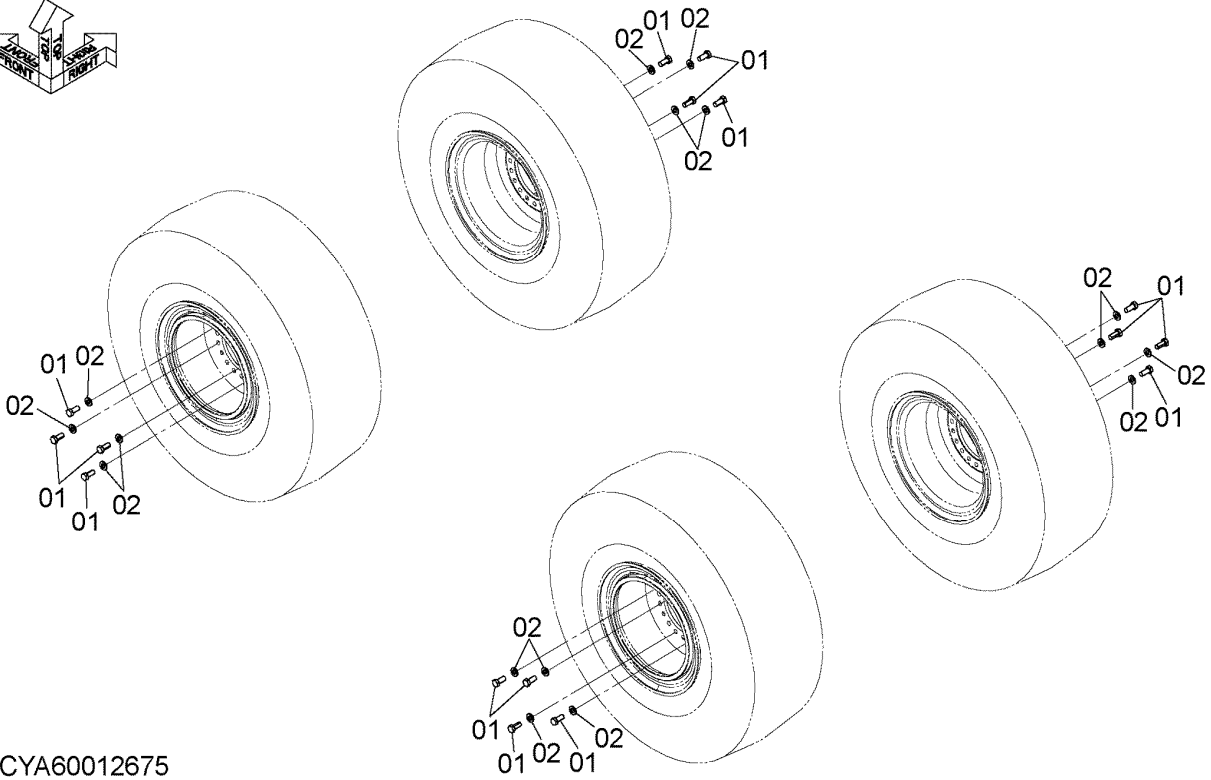
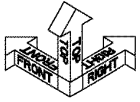
# TIRE PARTS

## タイヤ用品

Applicable Model (適用機種): -

Mark (記号): -

Serial No. (適用号機): -



DCYA60012675

TIRE PARTS  
 タイヤ用品

Applicable Model (適用機種): -

Mark(記号): -

Serial No. (適用号機): -

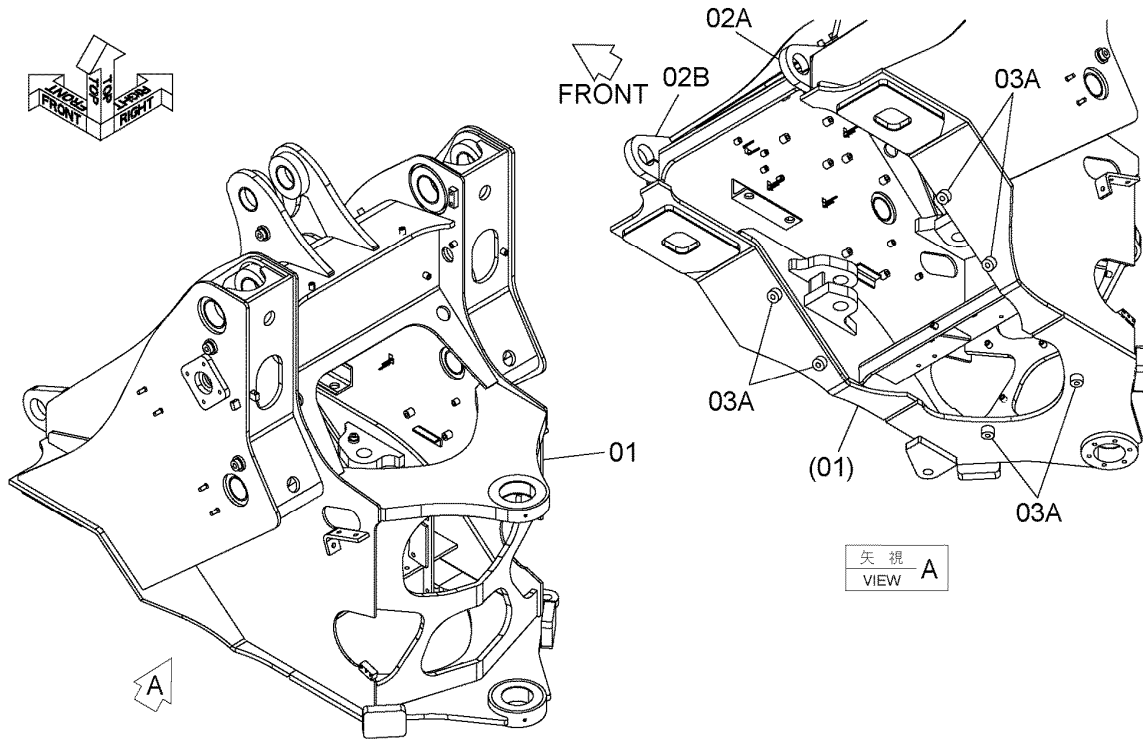
ITEM 符号	PART NO. 部品番号	PART NAME	部 品 名	Q' TY 数量	S. C サービ ス コート	SERIAL NO. 適用号機	ICA 互 換 性	REPLACEABLE PART 代 替 部 品	
								PART NO. 部品番号	Q' TY 数量
01	YQ0110624055	BOLT	ボルト	60		5001-			
02	YQJ222024	WASHER	ワッシャ	60		5001-			

# FRONT FRAME (WITH LIFTING LUG) フロントフレーム (吊り金具付)

Applicable Model (適用機種): -

Mark (記号): -

Serial No. (適用号機): -



DCYA40022211

FRONT FRAME (WITH LIFTING LUG)  
 フロントフレーム (吊り金具付)

Applicable Model (適用機種): -

Mark(記号): -

Serial No. (適用号機): -

ITEM 符号	PART NO. 部品番号	PART NAME	部 品 名	Q' TY 数量	S. C サービ ス コート	SERIAL NO. 適用号機	I C A 互 換 性	REPLACEABLE PART 代 替 部 品	
								PART NO. 部品番号	Q' TY 数量
	YQYA40022211	FRAME, FRONT	フレーム, フロント	1		5001-			
01	+++++++	* FRAME, FRONT	* フレーム, フロント	1	D	5001-			
02	+++++++	* ADD, FRAME	* カコウス <sup>°</sup> , フレーム	1	D	5001-			
02A	YQ563F612001	** LUG, LIFTING	** ラク <sup>°</sup> , リフティング <sup>°</sup>	1	W	5001-			
02B	YQ563F612011	** LUG, LIFTING	** ラク <sup>°</sup> , リフティング <sup>°</sup>	1	W	5001-			
03	+++++++	* ADD, FRAME	* カコウス <sup>°</sup> , フレーム	1	D	5001-			
03A	YQ563G612111	** SEAT, SCREW	** シート, スクリュ	6	W	5001-			

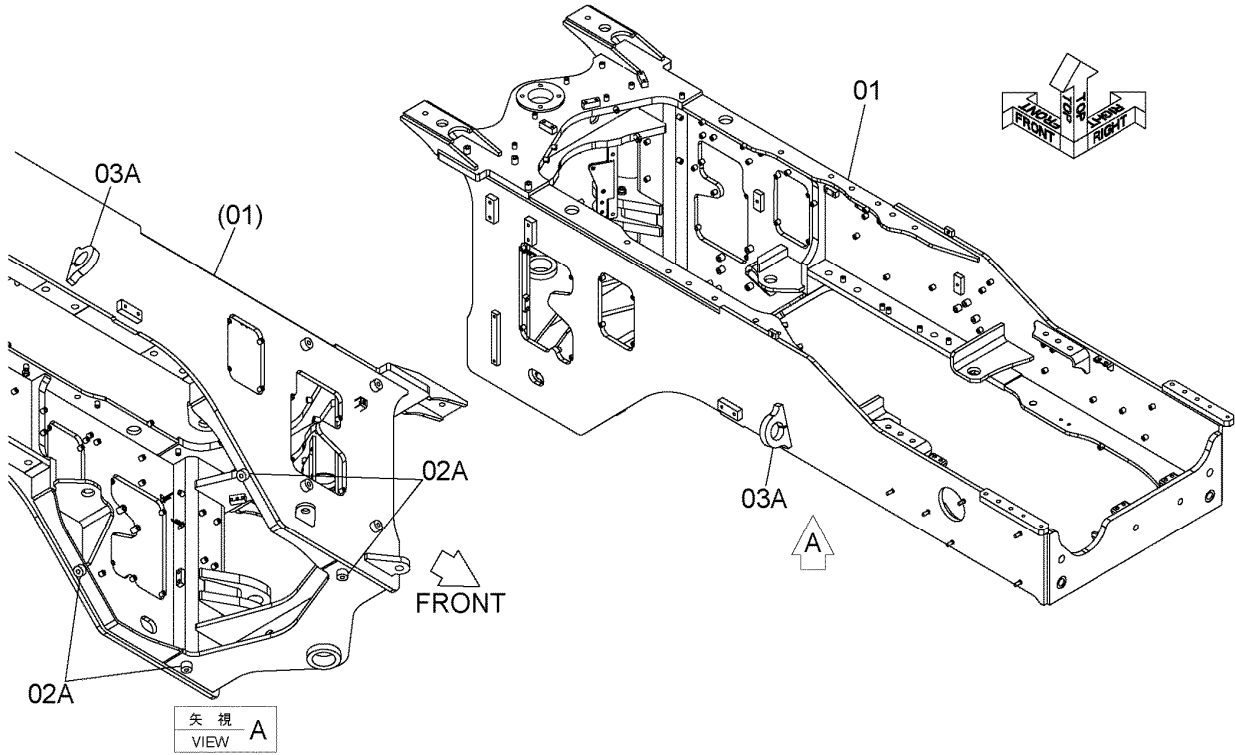
# REAR FRAME (WITH LIFTING LUG)

## リアフレーム (吊り金具付)

Applicable Model (適用機種): -

Mark (記号): -

Serial No. (適用号機): -



DCYA40026215

REAR FRAME (WITH LIFTING LUG)

リアフレーム (吊り金具付)

Applicable Model (適用機種): -

Mark(記号): -

Serial No. (適用号機): -

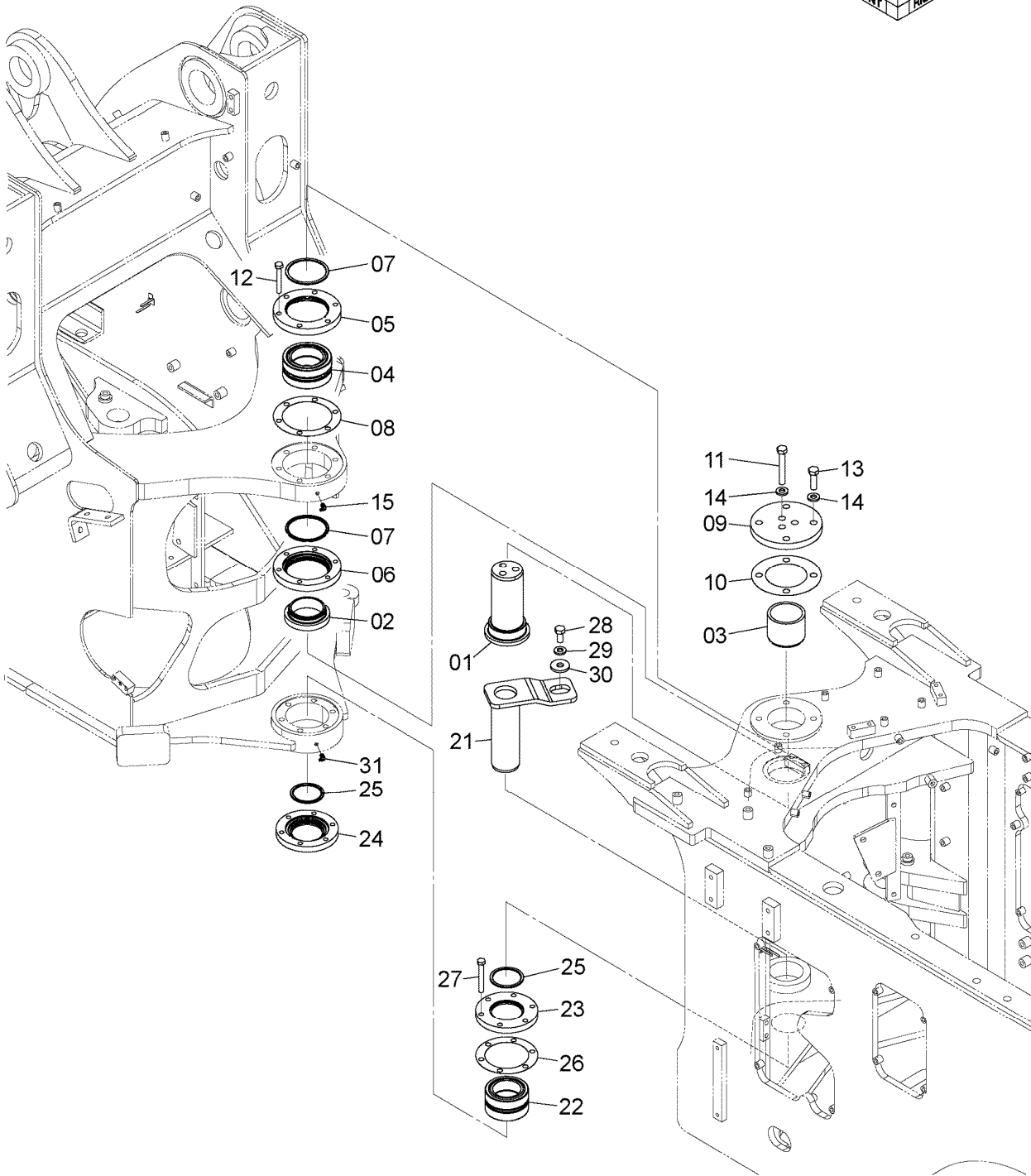
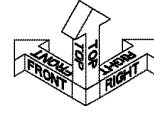
ITEM 符号	PART NO. 部品番号	PART NAME	部 品 名	Q' TY 数量	S. C サービ ス コード	SERIAL NO. 適用号機	ICA 互 換 性	REPLACEABLE PART 代 替 部 品	
								PART NO. 部品番号	Q' TY 数量
	YQYA40026215	FRAME, REAR	フレーム, リア	1		5001-			
01	+++++++	* FRAME, REAR	* フレーム, リア	1	D	5001-			
02	+++++++	* ADD, FRAME	* カコウス <sup>°</sup> , フレーム	1	D	5001-			
02A	YQ563G612111	** SEAT, SCREW	** シート, スクリュ	4	W	5001-			
03	+++++++	* ADD, FRAME	* カコウス <sup>°</sup> , フレーム	1	D	5001-			
03A	YQ563F612021	** LUG, LIFTING	** ラグ <sup>°</sup> , リフティング <sup>°</sup>	2	W	5001-			

FRAME PARTS (1)  
フレーム用品 (1)

Applicable Model (適用機種): -

Mark (記号): -

Serial No. (適用号機): -



DCYA60019804

FRAME PARTS (1)  
フレーム用品 (1)

Applicable Model (適用機種): -

Mark(記号): -

Serial No. (適用号機): -

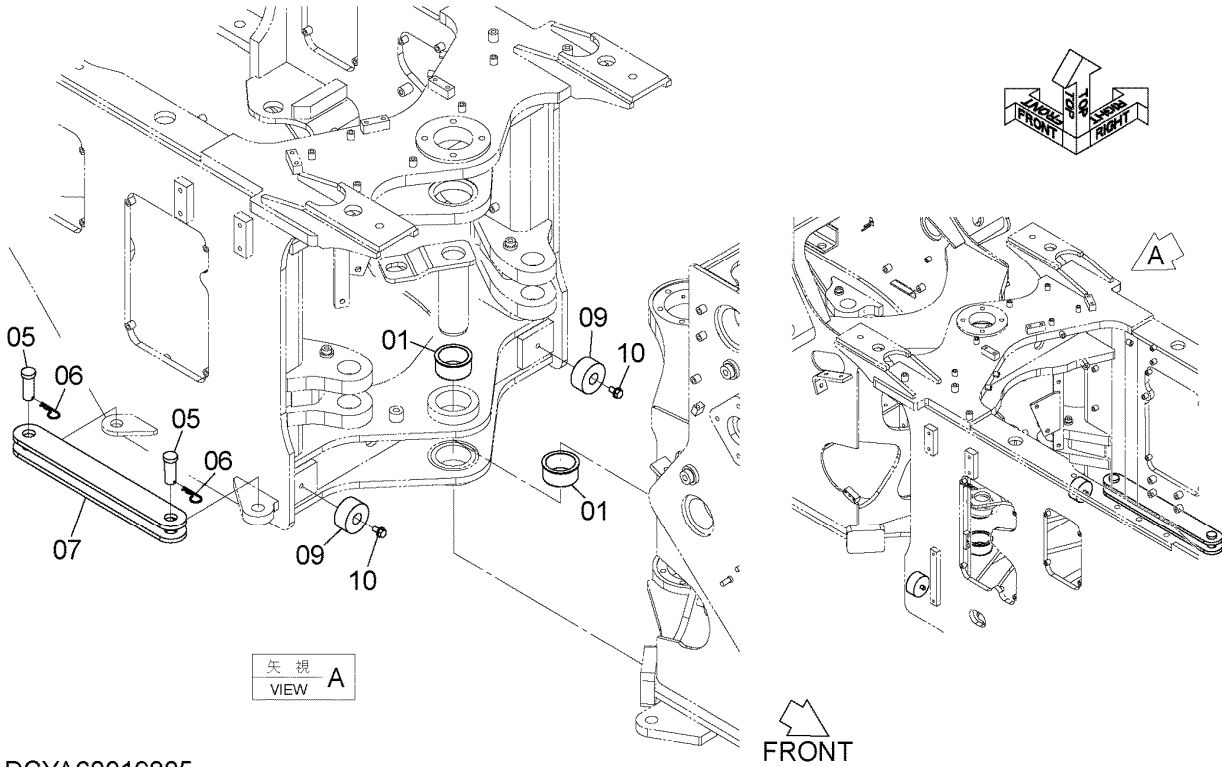
ITEM 符号	PART NO. 部品番号	PART NAME	部 品 名	Q' TY 数量	S. C サービ ス コート	SERIAL NO. 適用号機	ICA 互 換 性	REPLACEABLE PART 代 替 部 品	
								PART NO. 部品番号	Q' TY 数量
01	YQYA00020894	PIN	ピン	1		5001-			
02	YQ263E613081	BUSHING	ブッシュ	1		5001-			
03	YQ263E613071	BUSHING	ブッシュ	1		5001-			
04	YQ263E613151	BEARING	ベアリング	1		5001-			
05	YQ263E613041	CAP	キャップ	1		5001-			
06	YQ263E613051	CAP	キャップ	1		5001-			
07	YQ2644872101	SEAL	シール	2		5001-			
08	YQ263E613061	SPACER (t=0.4mm)	スペーサ (t=0.4mm)	1	R	5001-			
09	YQ263G612901	FLANGE	フランジ	1		5001-			
10	YQ263G612921	SPACER (t=0.4mm)	スペーサ (t=0.4mm)	1	R	5001-			
11	YQJ901600	BOLT	ボルト	3		5001-			
12	YQJ901280	BOLT	ボルト	6		5001-			
13	YQJ901650	BOLT	ボルト	4		5001-			
14	YQJ222016	WASHER	ワッシャ	7		5001-			
15	YQ0490100160	FITTING	フィッティング	1		5001-			
21	YQYA40004895	PIN	ピン	1		5001-			
22	YQ263E613161	BEARING	ベアリング	1		5001-			
23	YQ263E613091	CAP	キャップ	1		5001-			
24	YQ263E613101	CAP	キャップ	1		5001-			
25	YQ2638872311	SEAL	シール	2		5001-			
26	YQ263E613111	SPACER (t=0.4mm)	スペーサ (t=0.4mm)	1	R	5001-			
27	YQJ901290	BOLT	ボルト	6		5001-			
28	YQJ901630	BOLT	ボルト	1		5001-			
29	YQJ222016	WASHER	ワッシャ	1		5001-			
30	YQ2660872321	WASHER	ワッシャ	1		5001-			
31	YQ0490100160	FITTING	フィッティング	1		5001-			

FRAME PARTS (2)  
フレーム用品 (2)

Applicable Model (適用機種): -

Mark (記号): -

Serial No. (適用号機): -



DCYA60019805

FRAME PARTS (2)  
 フレーム用品 (2)

Applicable Model (適用機種): -

Mark(記号): -

Serial No. (適用号機): -

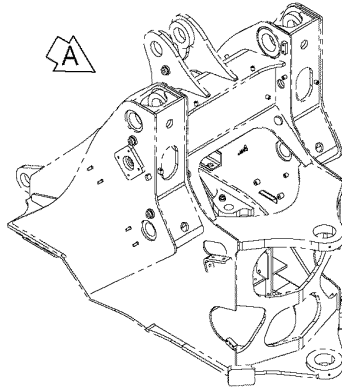
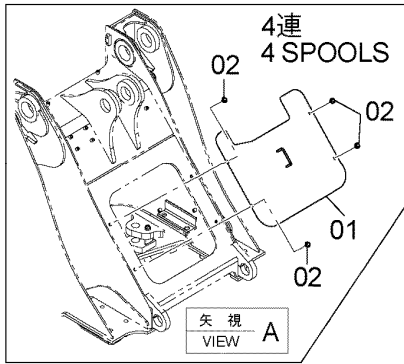
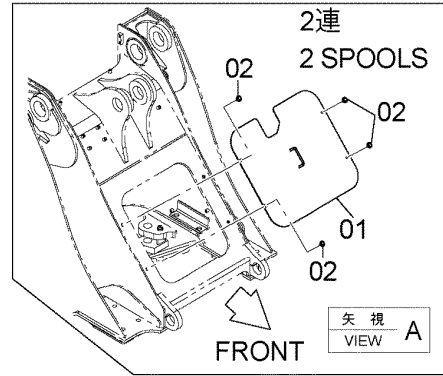
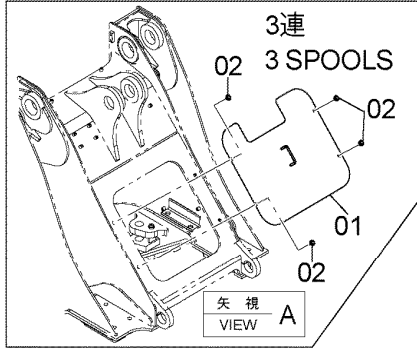
ITEM 符号	PART NO. 部品番号	PART NAME	部 品 名	Q' TY 数量	S. C サービ ス コート	SERIAL NO. 適用号機	I C A 互 換 性	REPLACEABLE PART 代 替 部 品	
								PART NO. 部品番号	Q' TY 数量
01	YQ263E613121	BUSHING	ブッシング	2		5001-			
05	YQ2680612851	PIN	ピン	2		5001-			
06	YQ2660613251	PIN	ピン	2		5001-			
07	YQ263G611071	BAR, LOCK	バー, ロック	1		5001-			
09	YQ2670613121	RUBBER	ラバー	2		5001-			
10	YQJ271225	BOLT, W/WASHER	ボルト (ワッシャ付)	2	D	5001-			

# FRONT FRAME COVER フロントフレームカバー

Applicable Model (適用機種): -

Mark(記号): -

Serial No.(適用号機): -



DCYA60019922\_NDJ90

FRONT FRAME COVER  
 フロントフレームカバー

Applicable Model (適用機種): -

Mark(記号): -

Serial No. (適用号機): -

ITEM 符号	PART NO. 部品番号	PART NAME	部 品 名	Q' TY 数量	S. C サービ ス コート	SERIAL NO. 適用号機	ICA 互 換 性	REPLACEABLE PART 代 替 部 品	
								PART NO. 部品番号	Q' TY 数量
01	YQ263F652401	COVER (2 SPOOL)	カバー (2連)	1		5001-			
01	YQ563F652251	COVER (3 SPOOL)	カバー (3連)	1		5001-			
01	YQ563F652261	COVER (4 SPOOL)	カバー (4連)	1		5001-			
02	YQJ281025	BOLT, W/WASHER	ボルト (ワッシャ付)	4	D	5001-			

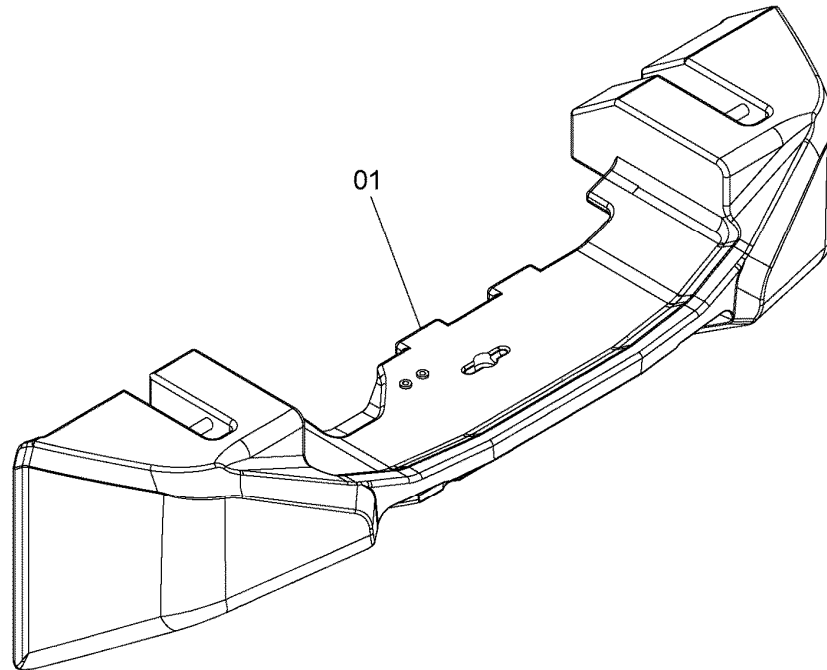
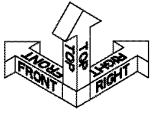
# COUNTERWEIGHT

## カウンタウエイト

Applicable Model (適用機種): -

Mark (記号): -

Serial No. (適用号機): -



DCYA60030161

COUNTERWEIGHT  
 カウンタウエイト

Applicable Model (適用機種): -

Mark(記号): -

Serial No. (適用号機): -

ITEM 符号	PART NO. 部品番号	PART NAME	部品名	Q'TY 数量	S.C サービ ス コート	SERIAL NO. 適用号機	ICA 互 換 性	REPLACEABLE PART 代替部品	
								PART NO. 部品番号	Q'TY 数量
01	YQYA40025514	WEIGHT, COUNTER (1.46t)	ウエイト, カウンタ (1.46t)	1		5001-			

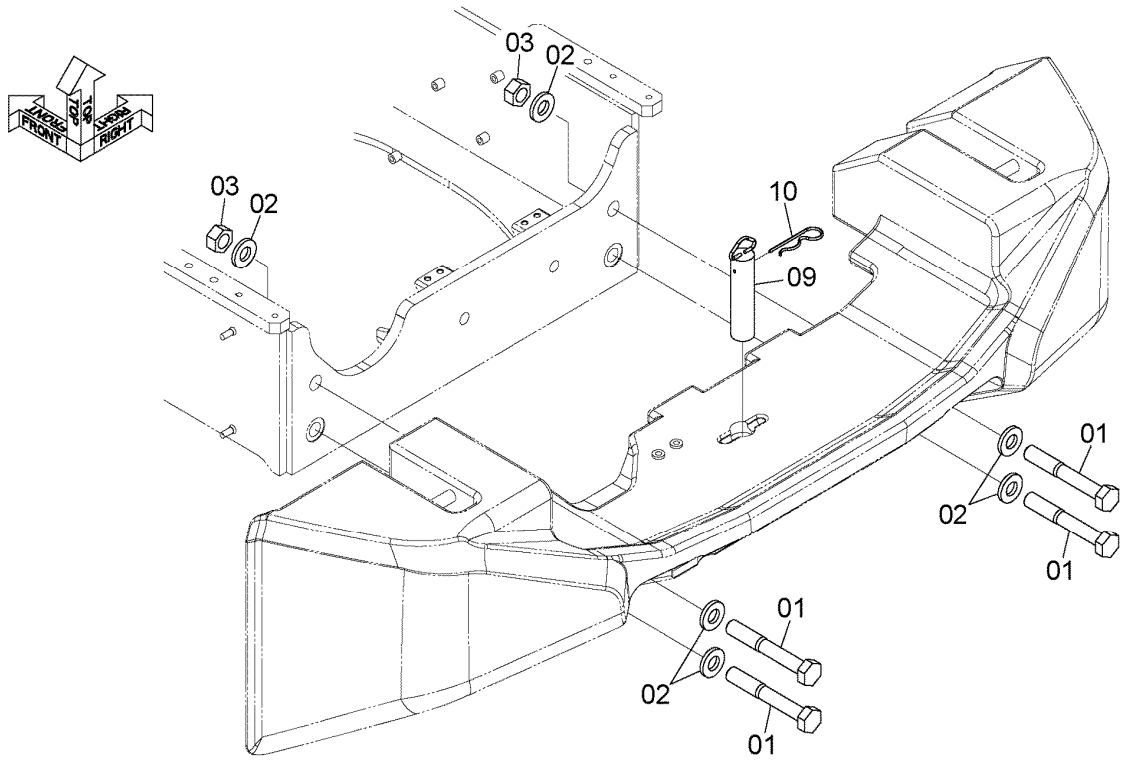
# COUNTERWEIGHT SUPPORT

## カウンタウエイト取付部品

Applicable Model (適用機種): -

Mark(記号): -

Serial No. (適用号機): -



DCYA60030167

COUNTERWEIGHT SUPPORT  
 カウンタウエイト取付部品

Applicable Model (適用機種): -

Mark(記号): -

Serial No. (適用号機): -

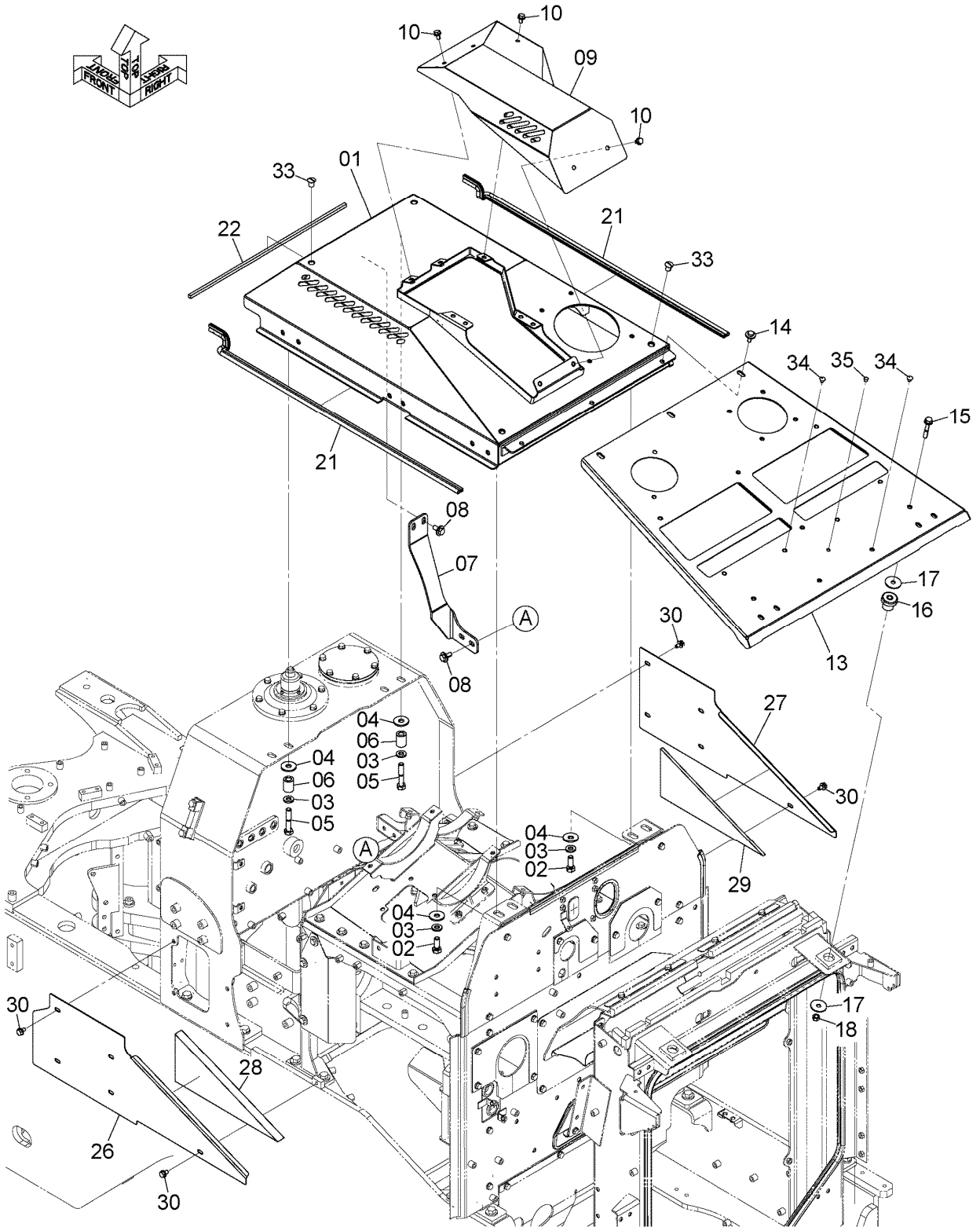
ITEM 符号	PART NO. 部品番号	PART NAME	部 品 名	Q' TY 数量	S. C サービ ス コート	SERIAL NO. 適用号機	ICA 互 換 性	REPLACEABLE PART 代 替 部 品	
								PART NO. 部品番号	Q' TY 数量
01	YQJ923016	BOLT	ボルト	4		5001-			
02	YQJ222030	WASHER	ワッシャ	6		5001-			
03	YQJ950030	NUT	ナット	2		5001-			
09	YQYA40033468	PIN	ピン	1		5001-			
10	YQ2638912431	PIN	ピン	1		5001-			

# ENGINE COVER (1) エンジンカバー (1)

Applicable Model (適用機種): -

Mark (記号): -

Serial No. (適用号機): -



DCYA60030170

ENGINE COVER (1)  
エンジンカバー (1)

Applicable Model (適用機種): -

Mark(記号): -

Serial No. (適用号機): -

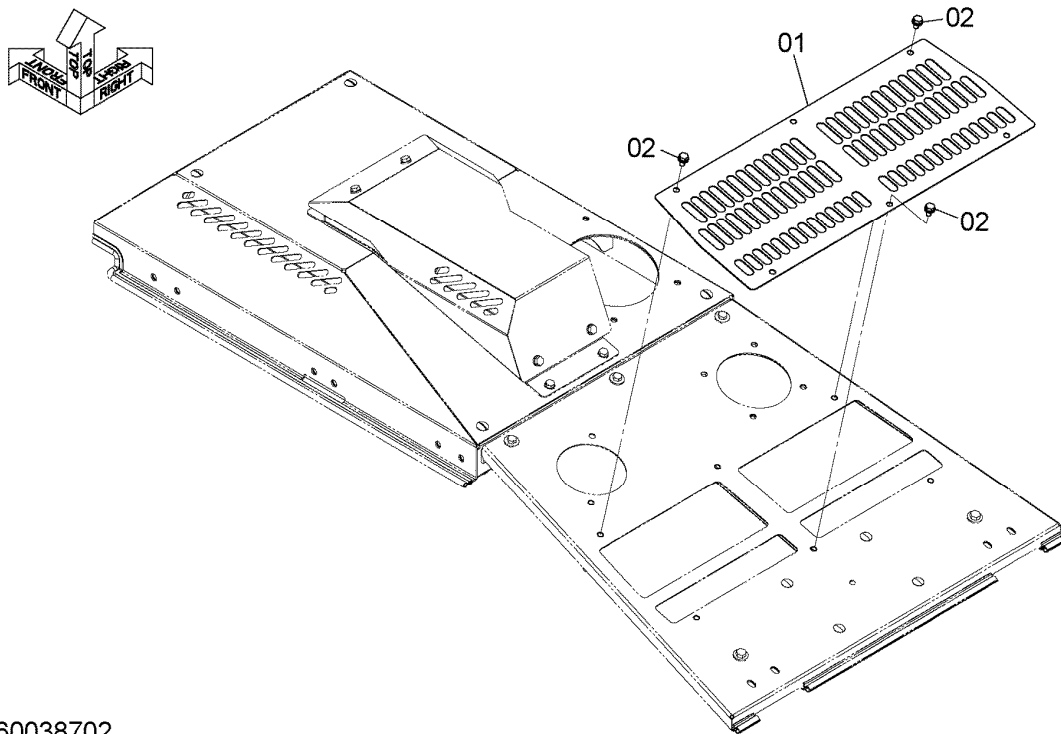
ITEM 符号	PART NO. 部品番号	PART NAME	部 品 名	Q' TY 数量	S. C サービ ス コート	SERIAL NO. 適用号機	I C A 互 換 性	REPLACEABLE PART 代 替 部 品	
								PART NO. 部品番号	Q' TY 数量
01	YQYA40028166	COVER, ENGINE	カバー, エンジン	1		5001-			
02	YQJ901640	BOLT	ボルト	4		5001-			
03	YQJ222016	WASHER	ワッシャ	8		5001-			
04	YQ2660652701	WASHER	ワッシャ	8		5001-			
05	YQJ901680	BOLT	ボルト	4		5001-			
06	YQ4646320	SPACER	スペーサ	4		5001-			
07	YQYA00039434	BRACKET	ブラケット	1		5001-			
08	YQJ281230	BOLT, W/WASHER	ボルト (ワッシャ付)	4	D	5001-			
09	YQYA40028167	COVER	カバー	1		5001-			
10	YQJ271020	BOLT, W/WASHER	ボルト (ワッシャ付)	5	D	5001-			
13	YQYA40022957	COVER, REAR	カバー, リア	1		5001-			
14	YQJ281030	BOLT, W/WASHER	ボルト (ワッシャ付)	3	D	5001-			
15	YQJ271270	BOLT, W/WASHER	ボルト (ワッシャ付)	2	D	5001-			
16	YQ2660212011	RUBBER	ラバー	2		5001-			
17	YQ2660212021	WASHER	ワッシャ	4		5001-			
18	YQJ950012	NUT	ナット	2		5001-			
21	YQ4640693	SEAL	シール	2		5001-			
22	YQYA00018799	SEAL	シール	1		5001-			
26	YQYA00040110	COVER	カバー	1		5001-			
27	YQYA00040111	COVER	カバー	1		5001-			
28	YQYA00040540	SEAL	シール	1		5001-			
29	YQYA00040541	SEAL	シール	1		5001-			
30	YQJ271020	BOLT, W/WASHER	ボルト (ワッシャ付)	10	D	5001-			
33	YQ4409895	CAP	キャップ	4		5001-			
34	YQ4280359	CLIP	クリップ	4		5001-			
35	YQ4674990	PLUG	プラグ	1		5001-			

# ENGINE COVER (2) エンジンカバー (2)

Applicable Model (適用機種): -

Mark (記号): -

Serial No. (適用号機): -



DCYA60038702

ENGINE COVER (2)  
 エンジンカバー (2)

Applicable Model (適用機種): -

Mark(記号): -

Serial No. (適用号機): -

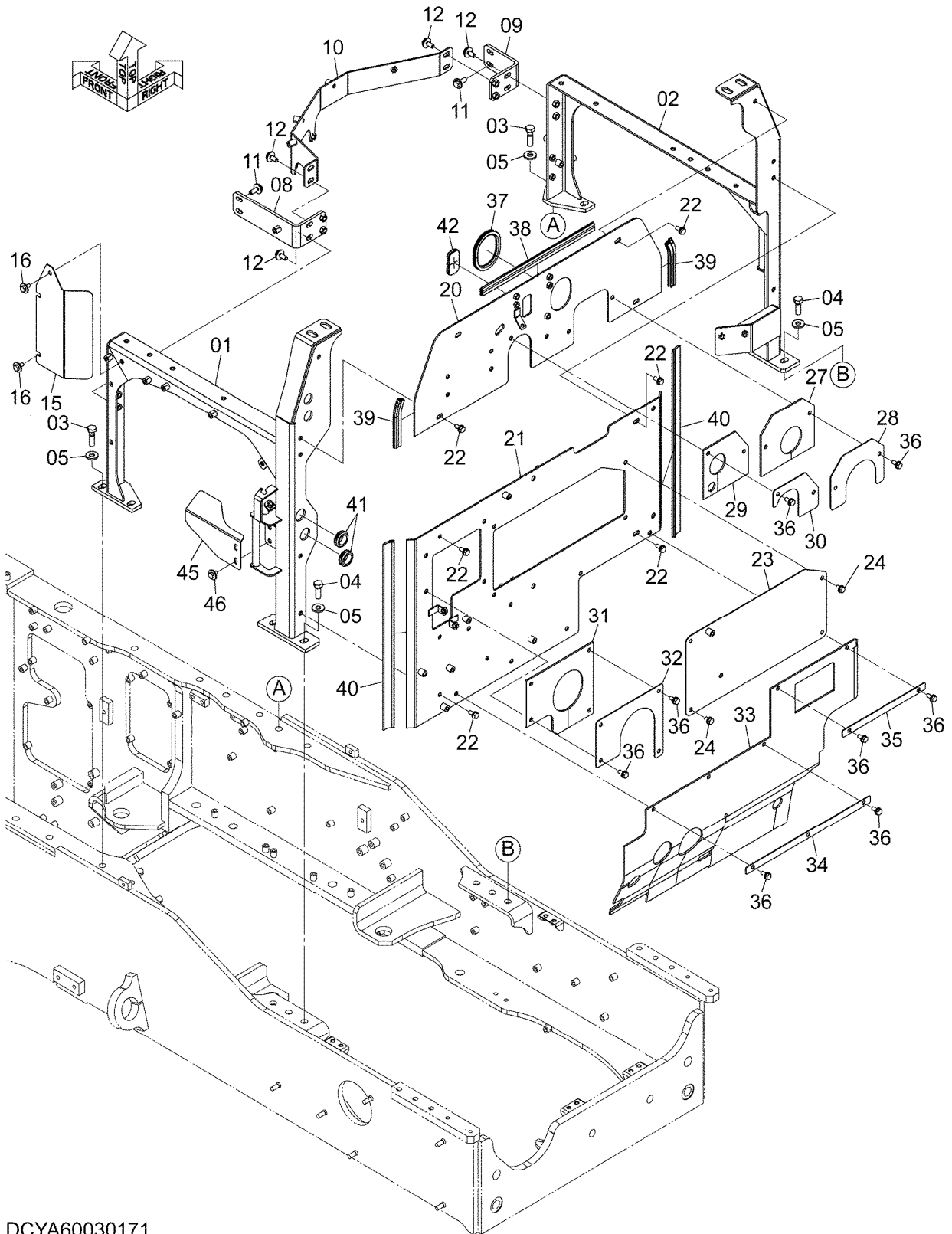
ITEM 符号	PART NO. 部品番号	PART NAME	部 品 名	Q'TY 数量	S. C サービ ス コート	SERIAL NO. 適用号機	ICA 互 換 性	REPLACEABLE PART 代 替 部 品	
								PART NO. 部品番号	Q'TY 数量
01	YQYA00041065	COVER	カバ <sup>ラ</sup>	1		5001-			
02	YQJ271020	BOLT, W/WASHER	ボ <sup>ルト</sup> (ワッシャ付)	6	D	5001-			

# ENGINE COVER SUPPORT エンジンカバーサポート

Applicable Model (適用機種): -

Mark (記号): -

Serial No. (適用号機): -



DCYA60030171

# ENGINE COVER SUPPORT

## エンジンカバーサポート

Applicable Model (適用機種): -

Mark(記号): -

Serial No. (適用号機): -

ITEM 符号	PART NO. 部品番号	PART NAME	部 品 名	Q' TY 数量	S. C サービ ス コート	SERIAL NO. 適用号機	ICA 互 換 性	REPLACEABLE PART 代 替 部 品	
								PART NO. 部品番号	Q' TY 数量
01	YQYA40026492	SUPPORT	サポ <sup>°</sup> ート	1		5001-			
02	YQYA40026493	SUPPORT	サポ <sup>°</sup> ート	1		5001-			
03	YQJ901655	BOLT	ボ <sup>°</sup> ルト	4		5001-			
04	YQJ901645	BOLT	ボ <sup>°</sup> ルト	4		5001-			
05	YQ2609632021	WASHER	ワッシャ	8		5001-			
08	YQYA40026250	BRACKET	ブ <sup>°</sup> ラケット	1		5001-			
09	YQYA40026251	BRACKET	ブ <sup>°</sup> ラケット	1		5001-			
10	YQYA40026252	BRACKET	ブ <sup>°</sup> ラケット	1		5001-			
11	YQJ281235	BOLT, W/WASHER	ボ <sup>°</sup> ルト (ワッシャ付)	4	D	5001-			
12	YQJ281230	BOLT, W/WASHER	ボ <sup>°</sup> ルト (ワッシャ付)	8	D	5001-			
15	YQYA00026313	COVER	カバ <sup>°</sup> -	1		5001-			
16	YQJ281025	BOLT, W/WASHER	ボ <sup>°</sup> ルト (ワッシャ付)	3	D	5001-			
20	YQYA40027065	COVER	カバ <sup>°</sup> -	1		5001-			
21	YQYA40027066	COVER	カバ <sup>°</sup> -	1		5001-			
22	YQJ271025	BOLT, W/WASHER	ボ <sup>°</sup> ルト (ワッシャ付)	9	D	5001-			
23	YQYA40027067	COVER	カバ <sup>°</sup> -	1		5001-			
24	YQJ271020	BOLT, W/WASHER	ボ <sup>°</sup> ルト (ワッシャ付)	4	D	5001-			
27	YQYA00041063	RUBBER	ラバ <sup>°</sup> -	1		5001-			
28	YQYA00041050	PLATE	プ <sup>°</sup> レート	1		5001-			
29	YQYA00041064	RUBBER	ラバ <sup>°</sup> -	1		5001-			
30	YQYA00041051	PLATE	プ <sup>°</sup> レート	1		5001-			
31	YQYA00038864	RUBBER	ラバ <sup>°</sup> -	1		5001-			
32	YQYA00038865	PLATE	プ <sup>°</sup> レート	1		5001-			
33	YQYA00045086	RUBBER	ラバ <sup>°</sup> -	1		5001-			
34	YQYA00038862	PLATE	プ <sup>°</sup> レート	1		5001-			
35	YQYA00042172	PLATE	プ <sup>°</sup> レート	1		5001-			
36	YQJ271025	BOLT, W/WASHER	ボ <sup>°</sup> ルト (ワッシャ付)	13	D	5001-			
37	YQXV00003314	TRIM	トリム	1		5001-			
38	YQ4688979	SEAL	シール	1		5001-			
39	YQ4676045	SEAL	シール	2		5001-			
40	YQXV00002577	SEAL	シール	2		5001-			
41	YQ4312368	BUSHING, RUBBER	ブ <sup>°</sup> ッシング <sup>°</sup> , ラバ <sup>°</sup> -	2		5001-			
42	YQYA00044176	BUSHING, RUBBER	ブ <sup>°</sup> ッシング <sup>°</sup> , ラバ <sup>°</sup> -	1		5001-			
45	YQYA00041374	COVER	カバ <sup>°</sup> -	1		5001-			
46	YQJ281020	BOLT, W/WASHER	ボ <sup>°</sup> ルト (ワッシャ付)	2	D	5001-			

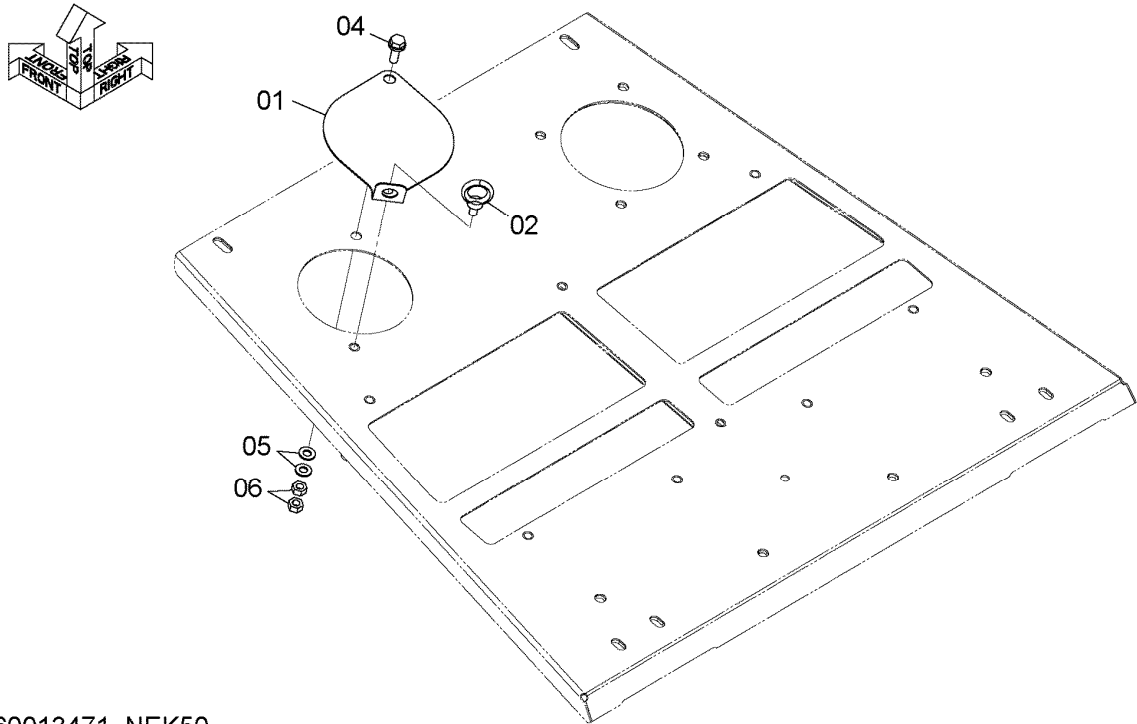
# RADIATOR COVER (CAP)

## ラジエータカバー (キャップ)

Applicable Model (適用機種): -

Mark (記号): -

Serial No. (適用号機): -



DCYA60013471\_NEK50

# RADIATOR COVER (CAP)

## ラジエータカバー (キャップ)

Applicable Model (適用機種): -

Mark(記号): -

Serial No. (適用号機): -

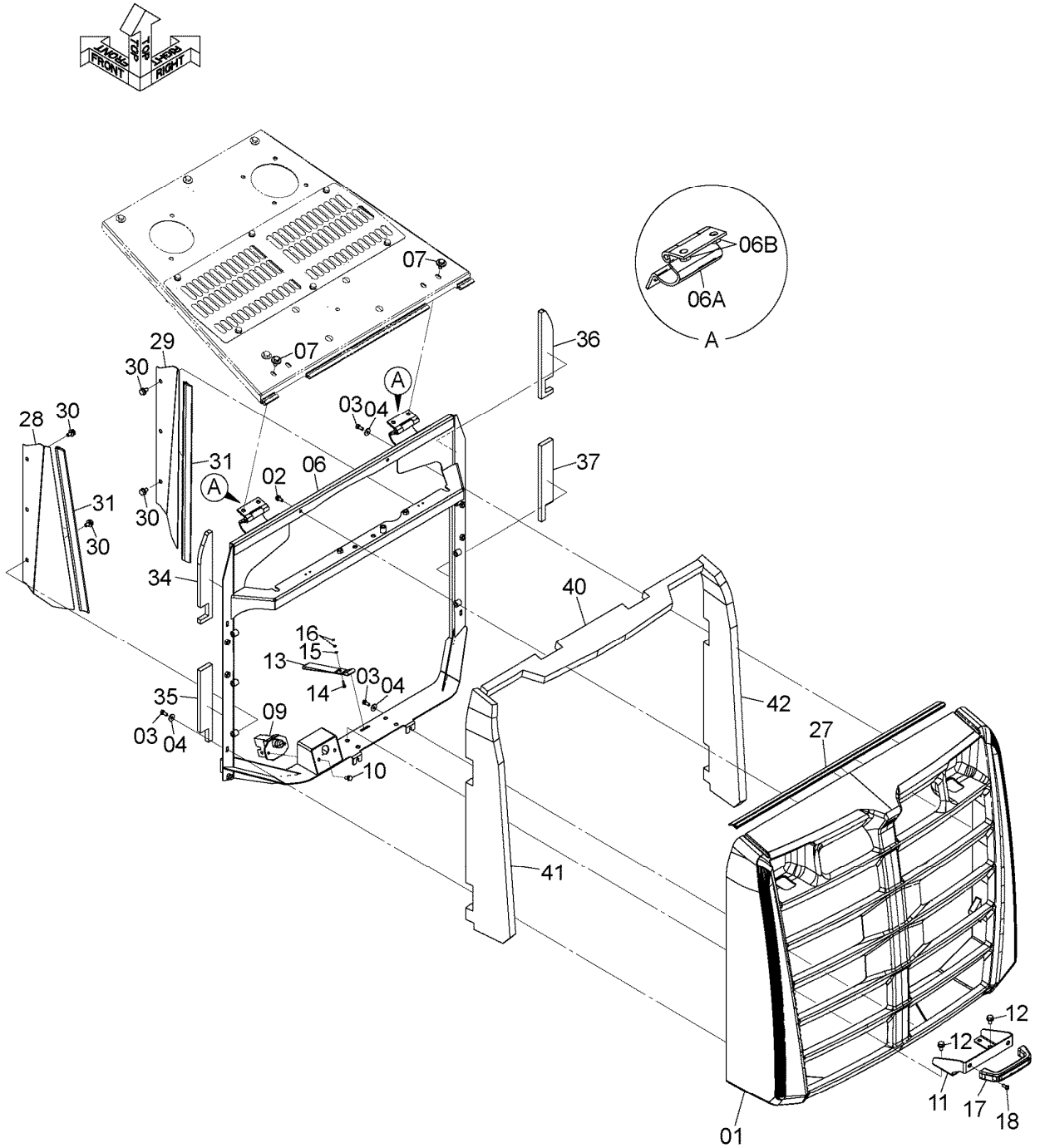
ITEM 符号	PART NO. 部品番号	PART NAME	部 品 名	Q' TY 数量	S. C サービ ス コート	SERIAL NO. 適用号機	ICA 互 換 性	REPLACEABLE PART 代 替 部 品	
								PART NO. 部品番号	Q' TY 数量
01	YQ5619053471	COVER	カバ <sup>°</sup> -	1		5001-			
02	YQ2662652011	BOLT, EYE	ボ <sup>°</sup> ルト, アイ	1		5001-			
04	YQJ271030	BOLT, W/WASHER	ボ <sup>°</sup> ルト (ワッシャ付)	1	D	5001-			
05	YQA590110	WASHER, PLANE	ワッシャ, プ <sup>°</sup> レーン	2		5001-			
06	YQJ950010	NUT	ナット	2		5001-			

# REAR GRILL リアグリル

Applicable Model (適用機種): -

Mark (記号): -

Serial No. (適用号機): -



DCYA60040827

# REAR GRILL

## リアグリル

Applicable Model (適用機種): -

Mark(記号): -

Serial No. (適用号機): -

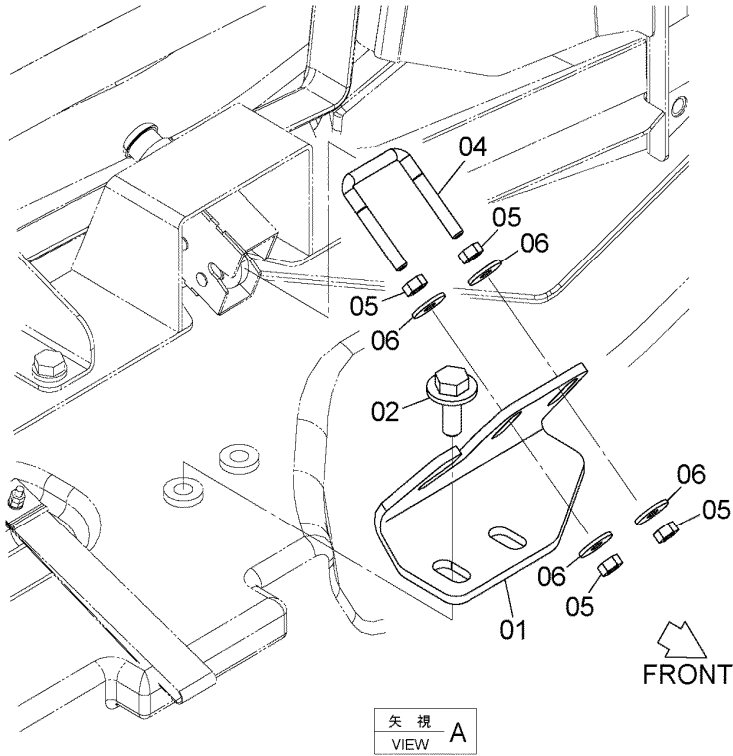
ITEM 符号	PART NO. 部品番号	PART NAME	部 品 名	Q' TY 数量	S. C サービ ス コード	SERIAL NO. 適用号機	ICA 互 換 性	REPLACEABLE PART 代 替 部 品	
								PART NO. 部品番号	Q' TY 数量
01	YQYA00042987	GRILLE	グ <sup>レ</sup> リル	1		5001-			
02	YQJ260820	BOLT, W/WASHER	ボ <sup>ル</sup> ト (ワッシャ付)	2	D	5001-			
03	YQJ900820	BOLT	ボ <sup>ル</sup> ト	6		5001-			
04	YQ2147122311	WASHER	ワッシャ	6		5001-			
06	YQYA40026146	FRAME	フレ <sup>ー</sup> ム	1		5001-			
06A	YQYA00004390	* HINGE	* ヒンジ <sup>°</sup>	2	W	5001-			
06B	YQM650010	* NUT, WD.	* ナット, ウェルテ <sup>°</sup> ィング	4	W	5001-			
07	YQJ281025	BOLT, W/WASHER	ボ <sup>ル</sup> ト (ワッシャ付)	4	D	5001-			
09	YQYA00004393	LOCK	ロック	1		5001-			
10	YQJ260820	BOLT, W/WASHER	ボ <sup>ル</sup> ト (ワッシャ付)	2	D	5001-			
11	YQYA40028550	BRACKET	ブ <sup>ラ</sup> ケット	1		5001-			
12	YQJ271020	BOLT, W/WASHER	ボ <sup>ル</sup> ト (ワッシャ付)	4	D	5001-			
13	YQYA00021882	BAND	バン <sup>ド</sup>	1		5001-			
14	YQJ460520	SCREW	スクリュ	1		5001-			
15	YQA590105	WASHER, PLANE	ワッシャ, フ <sup>ラ</sup> ーン	1		5001-			
16	YQM500504	NUT	ナット	2		5001-			
17	YQ3226211124	HANDLE	ハン <sup>ド</sup> ル	1		5001-			
18	YQM430820	SCREW	スクリュ	2		5001-			
27	YQYA00031323	SEAL	シール	1		5001-			
28	YQYA00040960	COVER	カバ <sup>ー</sup>	1		5001-			
29	YQYA00040961	COVER	カバ <sup>ー</sup>	1		5001-			
30	YQJ271020	BOLT, W/WASHER	ボ <sup>ル</sup> ト (ワッシャ付)	6	D	5001-			
31	YQXV00000545	SEAL	シール	2		5001-			
34	YQYA00040964	SEAL	シール	1		5001-			
35	YQYA00040965	SEAL	シール	1		5001-			
36	YQYA00040962	SEAL	シール	1		5001-			
37	YQYA00040963	SEAL	シール	1		5001-			
40	YQYA00040984	SEAL	シール	1		5001-			
41	YQYA00040985	SEAL	シール	1		5001-			
42	YQYA00040986	SEAL	シール	1		5001-			

REAR GRILL PARTS  
リアグリル用品

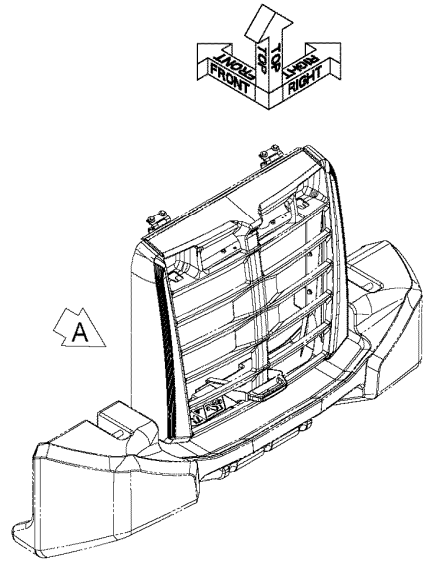
Applicable Model (適用機種): -

Mark (記号): -

Serial No. (適用号機): -



DCYA60045535



# REAR GRILL PARTS

## リアグリル用品

Applicable Model (適用機種): -

Mark(記号): -

Serial No. (適用号機): -

ITEM 符号	PART NO. 部品番号	PART NAME	部品名	Q'TY 数量	S. C サービ ス コード	SERIAL NO. 適用号機	ICA 互 換 性	REPLACEABLE PART 代替部品	
								PART NO. 部品番号	Q'TY 数量
01	YQYA00048368	BRACKET	ブラケット	1		5001-			
02	YQJ281235	BOLT, W/WASHER	ボルト (ワッシャ付)	2	D	5001-			
04	YQYA00006219	BOLT, U	ボルト, U	1		5001-			
05	YQJ950008	NUT	ナット	4		5001-			
06	YQ2147122311	WASHER	ワッシャ	4		5001-			

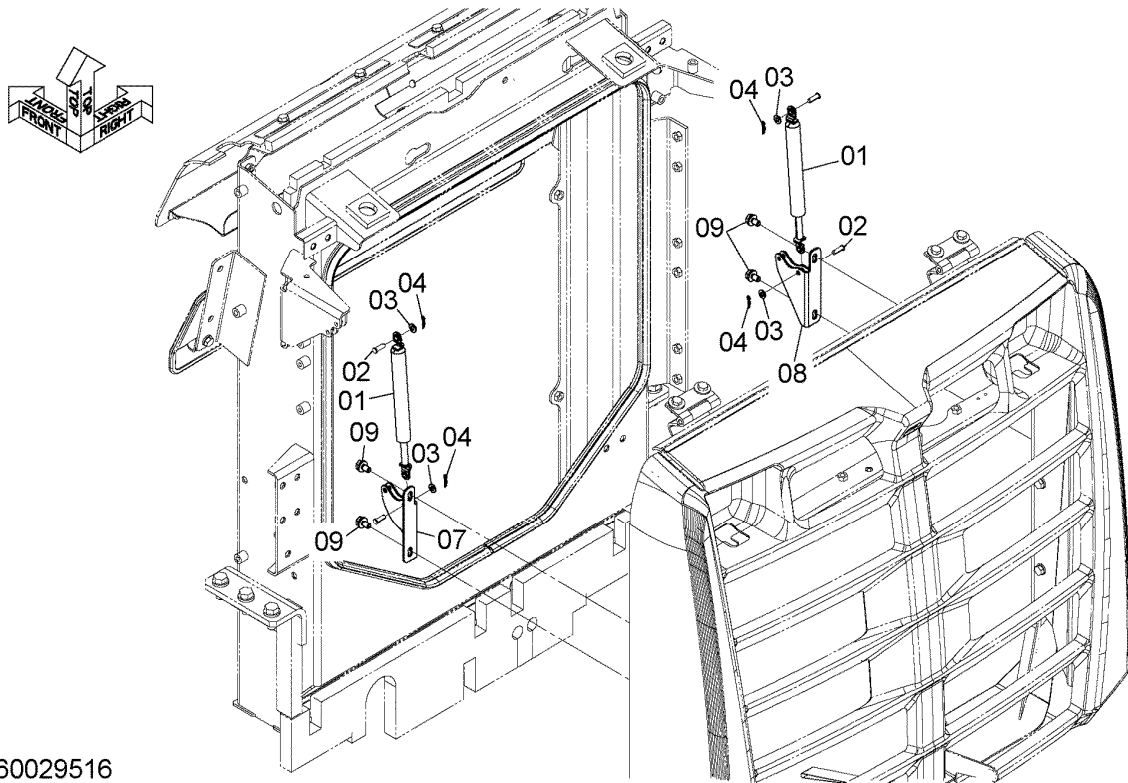
# GAS SPRING (REAR GRILL)

## ガススプリング (リアグリル)

Applicable Model (適用機種): -

Mark (記号): -

Serial No. (適用号機): -



DCYA60029516

GAS SPRING (REAR GRILL)  
 ガススプリング (リアグリル)

Applicable Model (適用機種): -

Mark(記号): -

Serial No. (適用号機): -

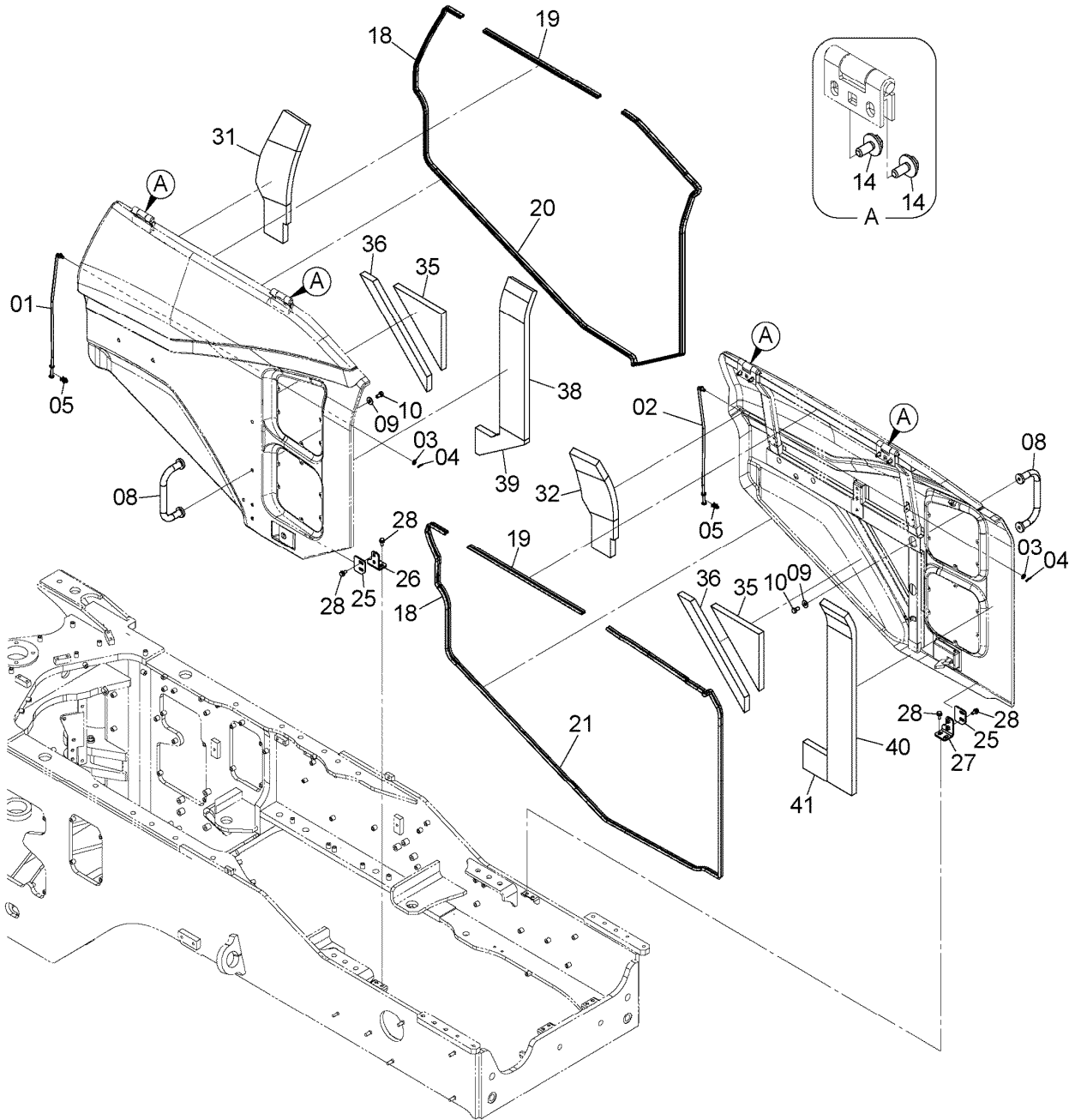
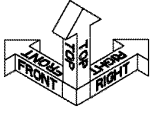
ITEM 符号	PART NO. 部品番号	PART NAME	部 品 名	Q' TY 数量	S. C サービ ス コート	SERIAL NO. 適用号機	ICA 互 換 性	REPLACEABLE PART 代 替 部 品	
								PART NO. 部品番号	Q' TY 数量
01	YQYA00004389	SPRING	スプリング	2		5001-			
02	YQ0226208025	PIN	ピン	4		5001-			
03	YQA590108	WASHER, PLANE	ワッシャ, フレーン	4		5001-			
04	YQ2606742081	PIN	ピン	4		5001-			
07	YQYA40027051	BRACKET	ブラケット	1		5001-			
08	YQYA40027052	BRACKET	ブラケット	1		5001-			
09	YQJ271020	BOLT, W/WASHER	ボルト (ワッシャ付)	4	D	5001-			

# SIDE PANEL (1) サイドパネル (1)

Applicable Model (適用機種): -

Mark(記号): -

Serial No. (適用号機): -



DCYA60045464

SIDE PANEL (1)  
サイドパネル (1)

Applicable Model (適用機種): -

Mark(記号): -

Serial No. (適用号機): -

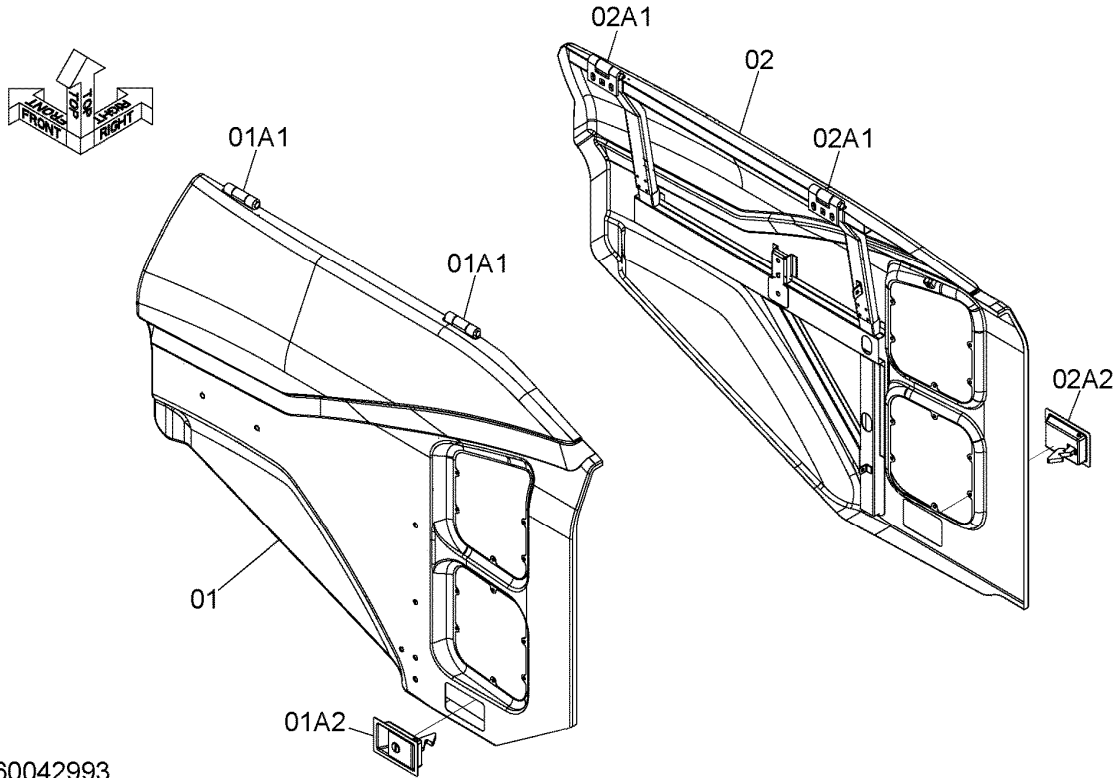
ITEM 符号	PART NO. 部品番号	PART NAME	部 品 名	Q'TY 数量	S.C サービ ス コート	SERIAL NO. 適用号機	ICA 互 換 性	REPLACEABLE PART 代 替 部 品	
								PART NO. 部品番号	Q'TY 数量
01	YQYA40023036	STAY	ステー	1		5001-			
02	YQYA40023037	STAY	ステー	1		5001-			
03	YQA590110	WASHER, PLANE	ワッシャ, フレーン	2		5001-			
04	YQ2606742091	PIN	ピン	2		5001-			
05	YQ3016261115	HOLDER	ホルダ	2		5001-			
08	YQYA40010551	HANDRAIL	ハンドレール	2		5001-			
09	YQ449490	WASHER, PLANE	ワッシャ, フレーン	4		5001-			
10	YQJ901225	BOLT	ボルト	4		5001-			
14	YQJ281230	BOLT, W/WASHER	ボルト (ワッシャ付)	8	D	5001-			
18	YQ4721507	SEAL	シール	2		5001-			
19	YQ4460099	SEAL	シール	2		5001-			
20	YQXV00002387	SEAL	シール	1		5001-			
21	YQYA00025678	SEAL	シール	1		5001-			
25	YQYA00029454	PLATE	プレート	2		5001-			
26	YQYA40011827	BRACKET	ブラケット	1		5001-			
27	YQYA40029620	BRACKET	ブラケット	1		5001-			
28	YQJ271025	BOLT, W/WASHER	ボルト (ワッシャ付)	8	D	5001-			
31	YQYA00016313	SEAL	シール	1		5001-			
32	YQYA00016314	SEAL	シール	1		5001-			
35	YQYA00016316	SEAL	シール	2		5001-			
36	YQYA00016345	SEAL	シール	2		5001-			
38	YQ4656900	SEAL	シール	1		5001-			
39	YQYA00037936	SEAL	シール	1		5001-			
40	YQYA00021946	SEAL	シール	1		5001-			
41	YQYA00021947	SEAL	シール	1		5001-			

# SIDE PANEL (2) サイドパネル (2)

Applicable Model (適用機種): -

Mark (記号): -

Serial No. (適用号機): -



DCYA60042993

SIDE PANEL (2)  
 サイドパネル (2)

Applicable Model (適用機種): -

Mark(記号): -

Serial No. (適用号機): -

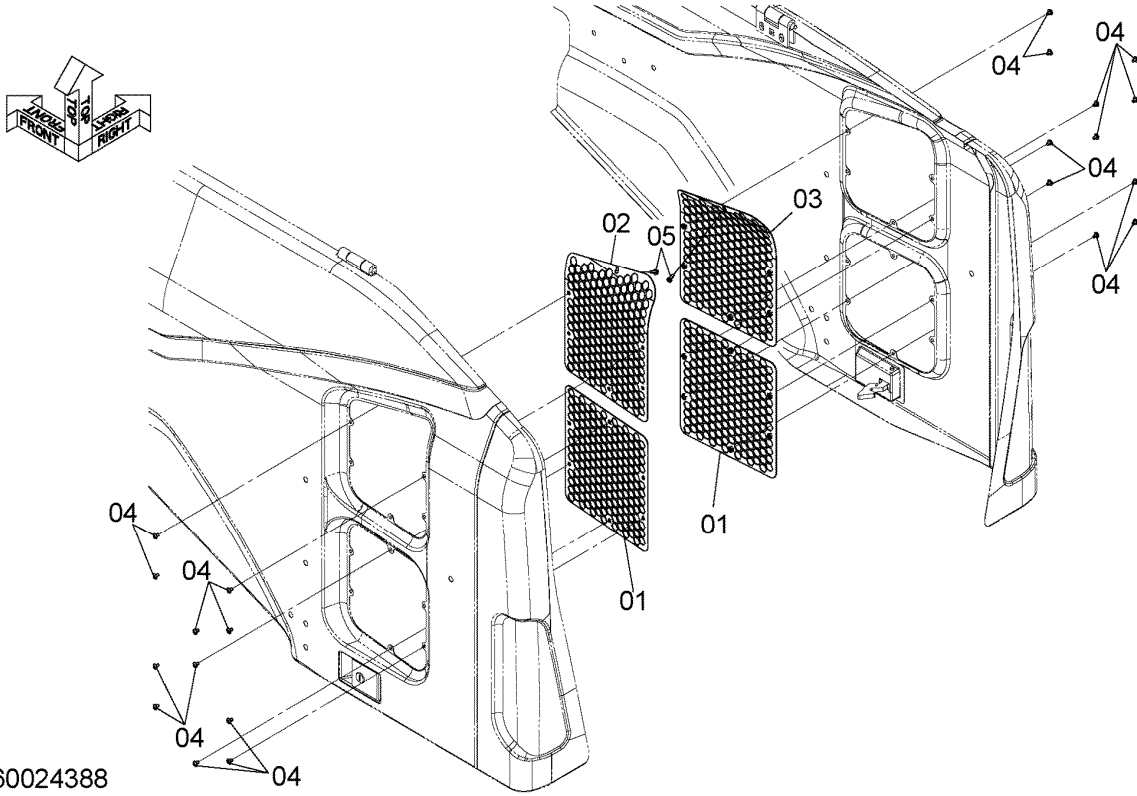
ITEM 符号	PART NO. 部品番号	PART NAME	部 品 名	Q' TY 数量	S. C サービ ス コート	SERIAL NO. 適用号機	ICA 互 換 性	REPLACEABLE PART 代 替 部 品	
								PART NO. 部品番号	Q' TY 数量
01	YQYA40031177	COVER, SIDE	カバー, サイド	1		5001-			
01A	+++++++	* COVER, SIDE	* カバー, サイド	1	D	5001-			
01A1	YQYA00017834	** HINGE	** ヒンジ	2	W	5001-			
01A2	YQYA00006120	** LOCK	** ロック	1	W	5001-			
02	YQYA40017758	COVER, SIDE	カバー, サイド	1		5001-			
02A	+++++++	* COVER, SIDE	* カバー, サイド	1	D	5001-			
02A1	YQYA00017834	** HINGE	** ヒンジ	2	W	5001-			
02A2	YQYA00006120	** LOCK	** ロック	1	W	5001-			

SIDE PANEL (3)  
サイドパネル (3)

Applicable Model (適用機種): -

Mark (記号): -

Serial No. (適用号機): -



DCYA60024388

SIDE PANEL (3)  
 サイドパネル (3)

Applicable Model (適用機種): -

Mark(記号): -

Serial No. (適用号機): -

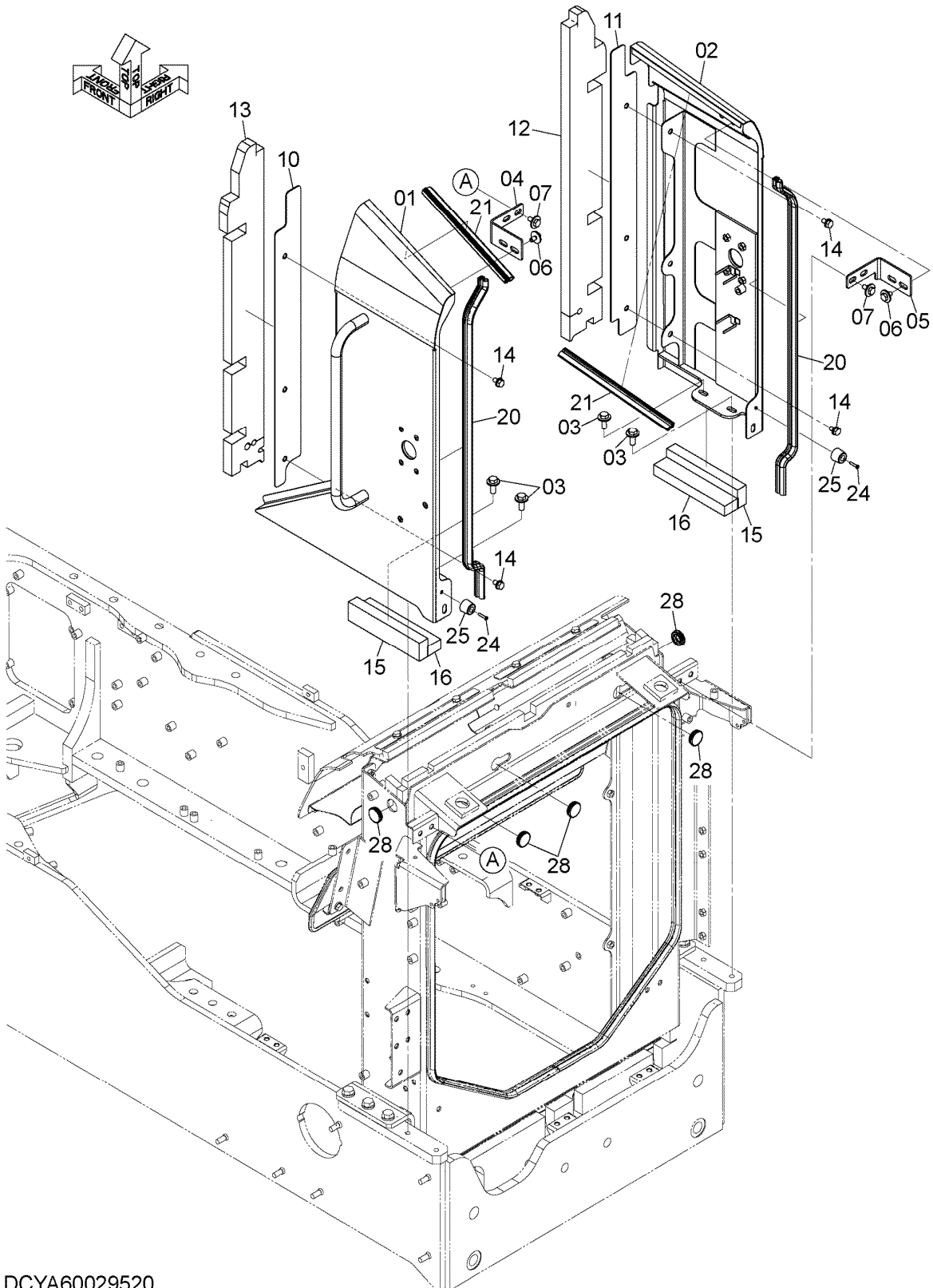
ITEM 符号	PART NO. 部品番号	PART NAME	部 品 名	Q' TY 数量	S. C サービ ス コート	SERIAL NO. 適用号機	ICA 互 換 性	REPLACEABLE PART 代 替 部 品	
								PART NO. 部品番号	Q' TY 数量
01	YQYA40010645	PLATE	プレート	2		5001-			
02	YQYA40010646	PLATE	プレート	1		5001-			
03	YQYA40010647	PLATE	プレート	1		5001-			
04	YQJ650610	SCREW	スクリュー	22		5001-			
05	YQJ260616	BOLT, W/WASHER	ボルト (ワッシャー付)	2	D	5001-			

# SIDE PANEL (4) サイドパネル (4)

Applicable Model (適用機種): -

Mark(記号): -

Serial No. (適用号機): -



DCYA60029520

SIDE PANEL (4)  
 サイドパネル (4)

Applicable Model (適用機種): -

Mark(記号): -

Serial No. (適用号機): -

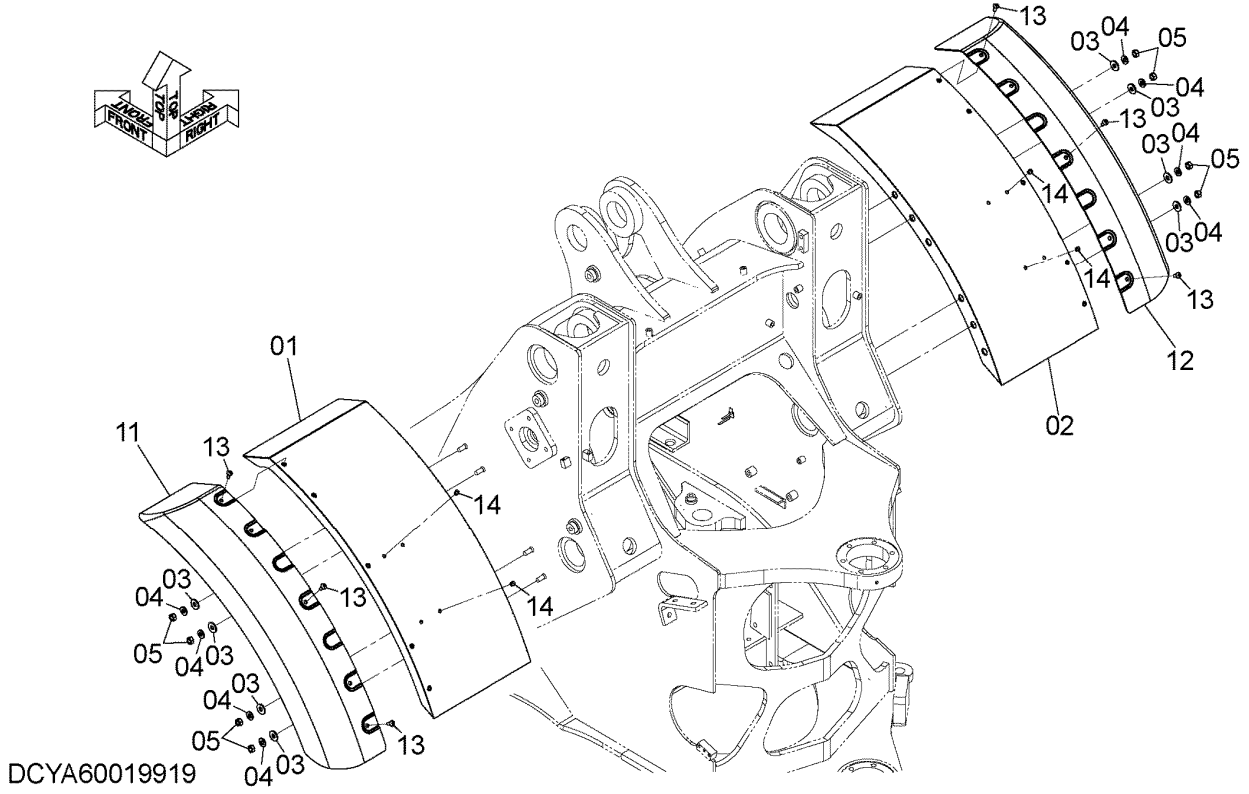
ITEM 符号	PART NO. 部品番号	PART NAME	部 品 名	Q' TY 数量	S. C サービ ス コート	SERIAL NO. 適用号機	I C A 互 換 性	REPLACEABLE PART 代 替 部 品	
								PART NO. 部品番号	Q' TY 数量
01	YQYA40025369	COVER, SIDE	カバー, サイド	1		5001-			
02	YQYA40024003	COVER, SIDE	カバー, サイド	1		5001-			
03	YQJ281235	BOLT, W/WASHER	ボルト (ワッシャ付)	4	D	5001-			
04	YQYA00035270	BRACKET	ブラケット	1		5001-			
05	YQYA00035293	BRACKET	ブラケット	1		5001-			
06	YQJ281020	BOLT, W/WASHER	ボルト (ワッシャ付)	4	D	5001-			
07	YQJ281025	BOLT, W/WASHER	ボルト (ワッシャ付)	4	D	5001-			
10	YQYA40015377	BRACKET	ブラケット	1		5001-			
11	YQYA40015565	BRACKET	ブラケット	1		5001-			
12	YQYA00032102	SEAL	シール	1		5001-			
13	YQYA00036854	SEAL	シール	1		5001-			
14	YQJ271020	BOLT, W/WASHER	ボルト (ワッシャ付)	6	D	5001-			
15	YQYA00032630	SEAL	シール	2		5001-			
16	YQYA00032631	SEAL	シール	2		5001-			
20	YQ4684330	SEAL	シール	2		5001-			
21	YQ2690642911	SEAL	シール	2		5001-			
24	YQJ850520	SCREW	スクリュー	2		5001-			
25	YQ2650652111	RUBBER	ラバー	2		5001-			
28	YQ4332539	BUSHING, RUBBER	ブッシング, ラバー	5		5001-			

# FENDER (FRONT) フェンダ (フロント)

Applicable Model (適用機種): -

Mark (記号): -

Serial No. (適用号機): -



FENDER (FRONT)  
フェンダ (フロント)

Applicable Model (適用機種): -

Mark(記号): -

Serial No. (適用号機): -

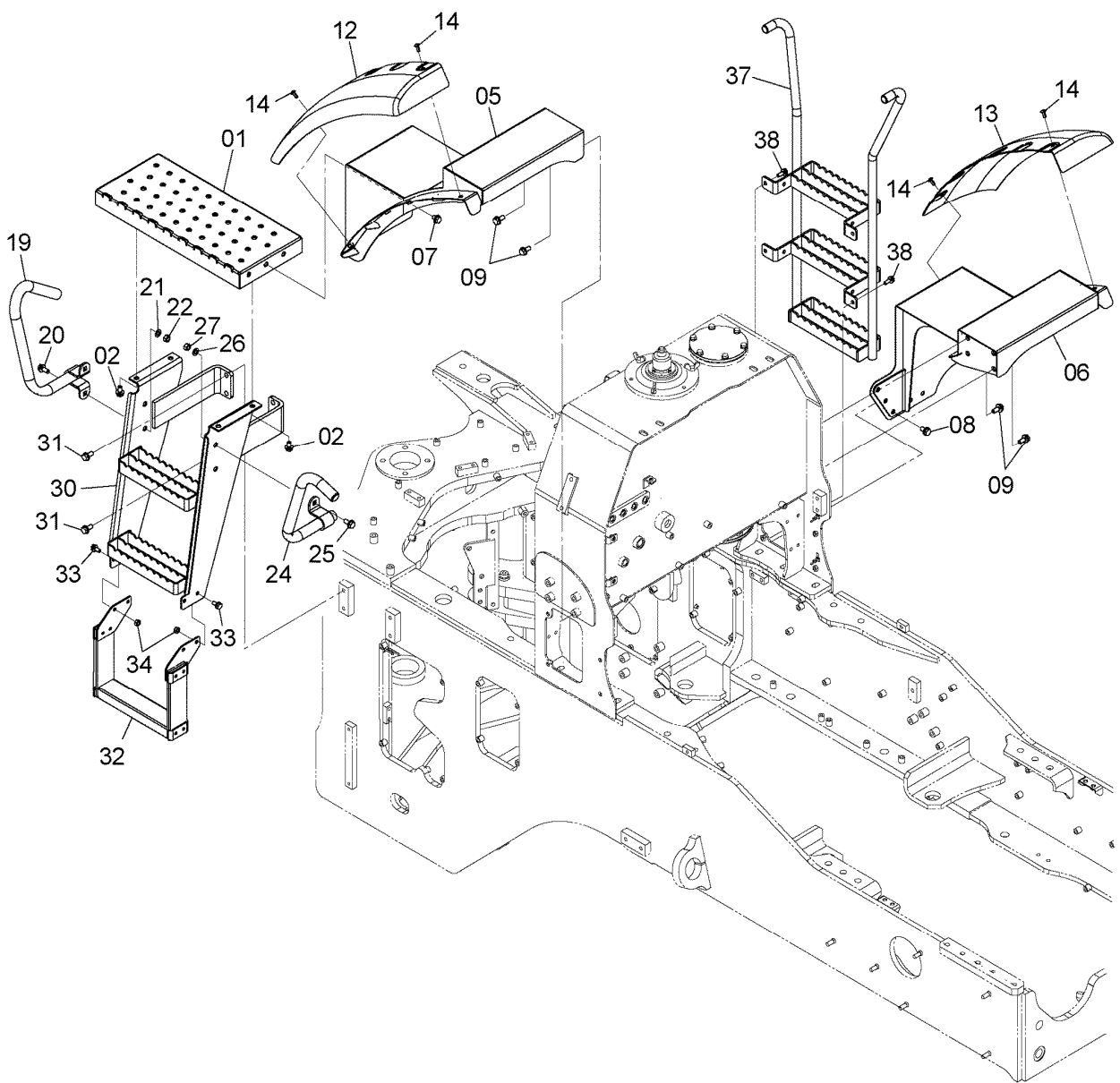
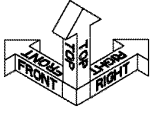
ITEM 符号	PART NO. 部品番号	PART NAME	部 品 名	Q' TY 数量	S. C サービ ス コート	SERIAL NO. 適用号機	ICA 互 換 性	REPLACEABLE PART 代 替 部 品	
								PART NO. 部品番号	Q' TY 数量
01	YQYA40014677	FENDER (LH)	フェンダ (LH)	1		5001-			
02	YQYA40014678	FENDER (RH)	フェンダ (RH)	1		5001-			
03	YQ449490	WASHER, PLANE	ワッシャ, フレーン	8		5001-			
04	YQJ222012	WASHER	ワッシャ	8		5001-			
05	YQJ950012	NUT	ナット	8		5001-			
11	YQYA00023579	COVER (LH)	カバー (LH)	1		5001-			
12	YQYA00023580	COVER (RH)	カバー (RH)	1		5001-			
13	YQJ650820	SCREW	スクリュ	10		5001-			
14	YQ2675412491	PLUG, PLASTIC	プラグ, プラスティック	8		5001-			

# FLOOR BOARD (1) フロアボード (1)

Applicable Model (適用機種): -

Mark(記号): -

Serial No. (適用号機): -



DCYA60030174

FLOOR BOARD (1)  
フロアボード (1)

Applicable Model (適用機種): -

Mark(記号): -

Serial No. (適用号機): -

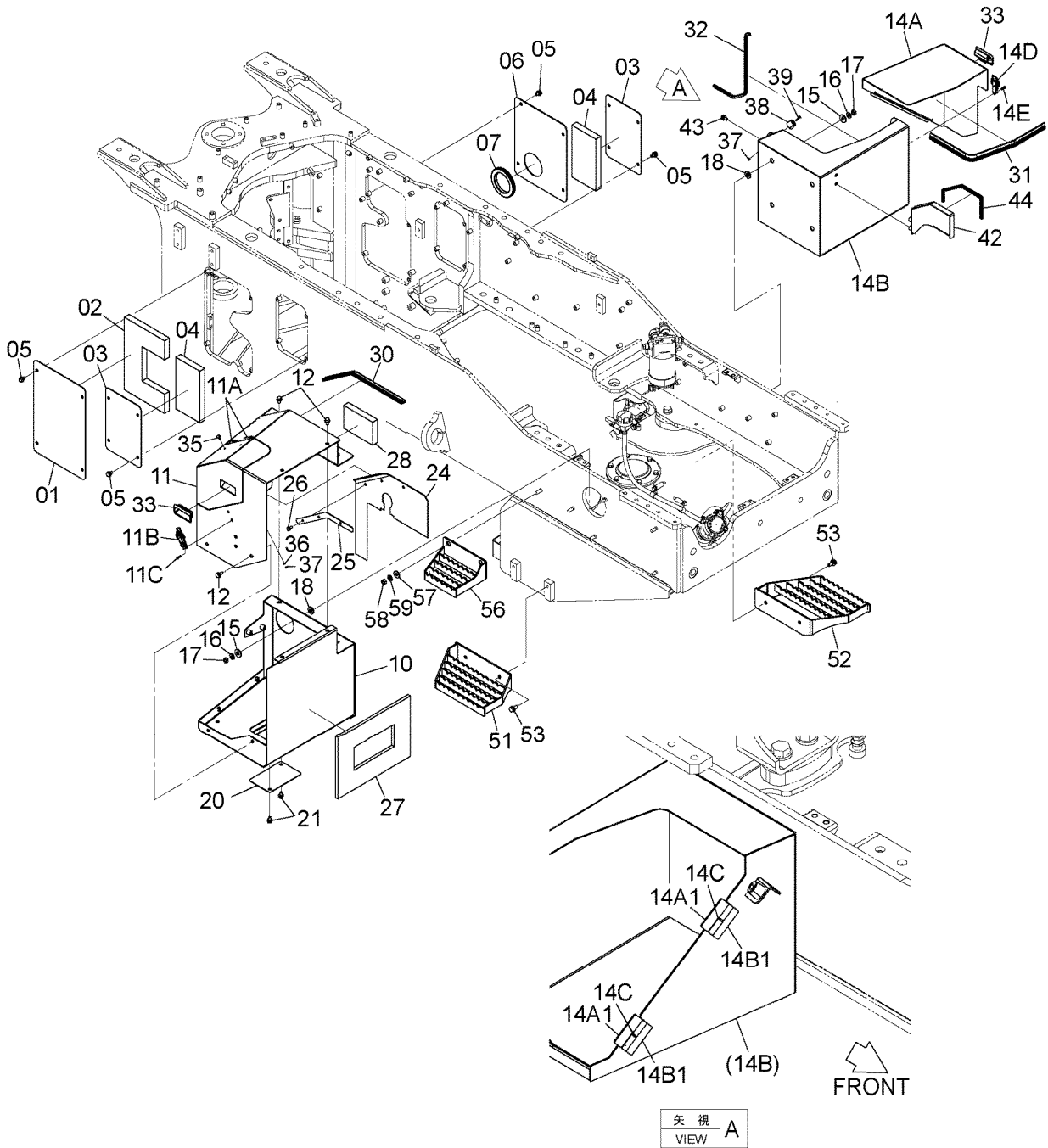
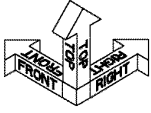
ITEM 符号	PART NO. 部品番号	PART NAME	部 品 名	Q' TY 数量	S. C サービ ス コート	SERIAL NO. 適用号機	ICA 互 換 性	REPLACEABLE PART 代 替 部 品	
								PART NO. 部品番号	Q' TY 数量
01	YQYA40014637	DECK	デッキ	1		5001-			
02	YQJ271225	BOLT, W/WASHER	ボルト (ワッシャ付)	4	D	5001-			
05	YQYA40014679	FENDER	フェンダ	1		5001-			
06	YQYA40026401	FENDER	フェンダ	1		5001-			
07	YQJ271220	BOLT, W/WASHER	ボルト (ワッシャ付)	3	D	5001-			
08	YQJ271225	BOLT, W/WASHER	ボルト (ワッシャ付)	3	D	5001-			
09	YQJ271230	BOLT, W/WASHER	ボルト (ワッシャ付)	8	D	5001-			
12	YQYA00023581	COVER	カバー	1		5001-			
13	YQYA00023582	COVER	カバー	1		5001-			
14	YQJ650820	SCREW	スクリュ	8		5001-			
19	YQYA40030929	HANDRAIL	ハンドレール	1		5001-			
20	YQJ271230	BOLT, W/WASHER	ボルト (ワッシャ付)	2	D	5001-			
21	YQA590112	WASHER, PLANE	ワッシャ, フレーン	2		5001-			
22	YQJ950012	NUT	ナット	2		5001-			
24	YQYA40030931	HANDRAIL	ハンドレール	1		5001-			
25	YQJ271230	BOLT, W/WASHER	ボルト (ワッシャ付)	2	D	5001-			
26	YQA590112	WASHER, PLANE	ワッシャ, フレーン	2		5001-			
27	YQJ950012	NUT	ナット	2		5001-			
30	YQYA40014638	STEP	ステップ	1		5001-			
31	YQJ271230	BOLT, W/WASHER	ボルト (ワッシャ付)	4	D	5001-			
32	YQYA00024568	STEP	ステップ	1		5001-			
33	YQJ271025	BOLT, W/WASHER	ボルト (ワッシャ付)	4	D	5001-			
34	YQJ950010	NUT	ナット	4		5001-			
37	YQYA40033681	STEP	ステップ	1		5001-			
38	YQJ271030	BOLT, W/WASHER	ボルト (ワッシャ付)	4	D	5001-			

# FLOOR BOARD (2) フロアボード (2)

Applicable Model (適用機種): -

Mark(記号): -

Serial No. (適用号機): -



DCYA60030175

FLOOR BOARD (2)  
フロアボード (2)

Applicable Model (適用機種): -

Mark(記号): -

Serial No. (適用号機): -

ITEM 符号	PART NO. 部品番号	PART NAME	部 品 名	Q' TY 数量	S. C サービ ス コート	SERIAL NO. 適用号機	ICA 互 換 性	REPLACEABLE PART 代 替 部 品	
								PART NO. 部品番号	Q' TY 数量
01	YQYA00023333	COVER	カバー	1		5001-			
02	YQYA00023098	SEAL	シール	1		5001-			
03	YQYA00023334	COVER	カバー	2		5001-			
04	YQYA00023099	SEAL	シール	2		5001-			
05	YQJ271020	BOLT, W/WASHER	ボルト (ワッシャ付)	16	D	5001-			
06	YQYA00044405	COVER	カバー	1		5001-			
07	YQ4099334	BUSHING, RUBBER	ブッシング, ラバー	1		5001-			
10	YQYA40025133	BOX	ボックス	1		5001-			
11	YQYA40025134	COVER	カバー	1		5001-			
11A	YQ4695856	* HINGE	* ヒンジ	2	W	5001-			
11B	YQ2619644361	* CLIP	* クリップ	1	W	5001-			
11C	YQJ460520	* SCREW	* スクリュー	2		5001-			
12	YQJ271020	BOLT, W/WASHER	ボルト (ワッシャ付)	8	D	5001-			
14	YQYA40002568	BOX, TOOL	ボックス, ツール	1		5001-			
14A	YQYA40026527	* COVER	* カバー	1		5001-			
14A1	YQ2660652531	** HINGE	** ヒンジ	2	W	5001-			
14B	YQYA40026528	* BOX, TOOL	* ボックス, ツール	1		5001-			
14B1	YQ2660652541	** HINGE	** ヒンジ	2	W	5001-			
14C	YQ2660652511	* COLLAR	* カラー	2		5001-			
14D	YQ2619644361	* CLIP	* クリップ	1		5001-			
14E	YQJ460520	* SCREW	* スクリュー	2		5001-			
15	YQ4086894	WASHER	ワッシャ	8		5001-			
16	YQJ222012	WASHER	ワッシャ	8		5001-			
17	YQJ950012	NUT	ナット	8		5001-			
18	YQJ222016	WASHER	ワッシャ	8		5001-			
20	YQYA00038738	COVER	カバー	1		5001-			
21	YQJ271020	BOLT, W/WASHER	ボルト (ワッシャ付)	2	D	5001-			
24	YQYA00040648	RUBBER	ラバー	1		5001-			
25	YQYA00040649	BRACKET	ブラケット	1		5001-			
26	YQJ260820	BOLT, W/WASHER	ボルト (ワッシャ付)	3	D	5001-			
27	YQYA00041057	RUBBER	ラバー	1		5001-			
28	YQ4467642	SEAL	シール	1		5001-			
30	YQ4716453	SEAL	シール	1		5001-			
31	YQ4622182	SEAL	シール	1		5001-			
32	YQXV00002472	TRIM	トリム	1		5001-			
33	YQYA00031215	HANDLE	ハンドル	2		5001-			
35	YQ9738682	STOPPER	ストッパ	2		5001-			
36	YQA590105	WASHER, PLANE	ワッシャ, フレーン	2		5001-			
37	YQM500504	NUT	ナット	3		5001-			
38	YQ2650652111	RUBBER	ラバー	1		5001-			
39	YQJ850525	SCREW	スクリュー	1		5001-			
42	YQYA40024071	BRACKET	ブラケット	1		5001-			
43	YQJ271020	BOLT, W/WASHER	ボルト (ワッシャ付)	2	D	5001-			
44	YQ4725171	TRIM	トリム	1		5001-			
51	YQYA40026465	STEP	ステップ	1		5001-			

FLOOR BOARD (2)  
 フロアボード (2)

Applicable Model (適用機種): -

Mark(記号): -

Serial No.(適用号機): -

ITEM 符号	PART NO. 部品番号	PART NAME	部 品 名	Q' TY 数量	S. C サービ ス コート	SERIAL NO. 適用号機	ICA 互 換 性	REPLACEABLE PART 代 替 部 品	
								PART NO. 部品番号	Q' TY 数量
52	YQYA40026466	STEP	ステップ	1		5001-			
53	YQJ271230	BOLT, W/WASHER	ボルト (ワッシャ付)	4	D	5001-			
56	YQYA40011028	STEP	ステップ	1		5001-			
57	YQ449490	WASHER, PLANE	ワッシャ, フレーン	2		5001-			
58	YQJ222012	WASHER	ワッシャ	2		5001-			
59	YQJ950012	NUT	ナット	2		5001-			

---

MEMO

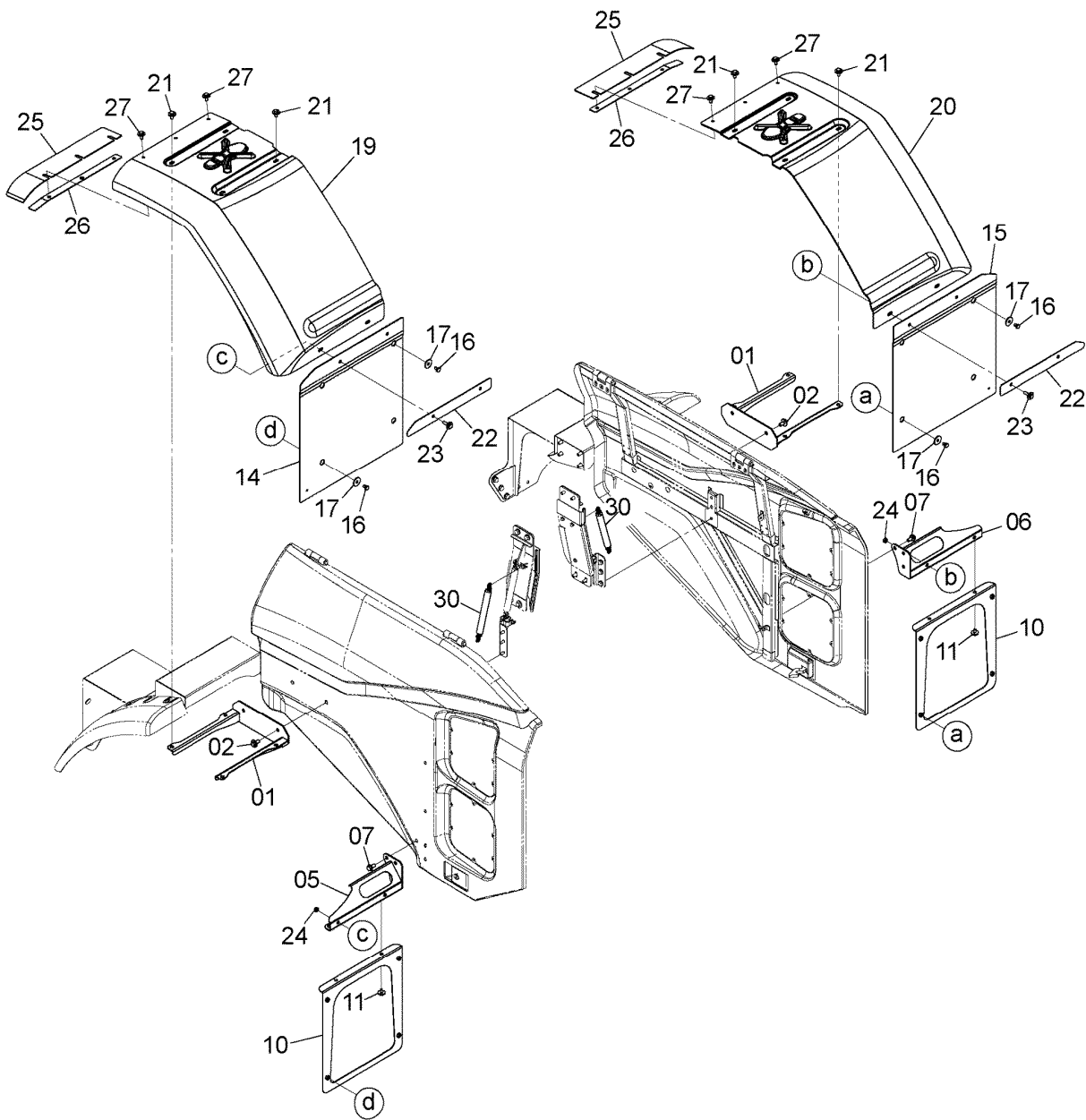
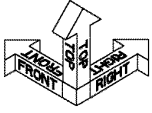
---

# FULL REAR FENDER フルリアフェンダ

Applicable Model (適用機種): -

Mark(記号): -

Serial No. (適用号機): -



DCYA60008940

FULL REAR FENDER  
フルリアフェンダ

Applicable Model (適用機種): -

Mark(記号): -

Serial No. (適用号機): -

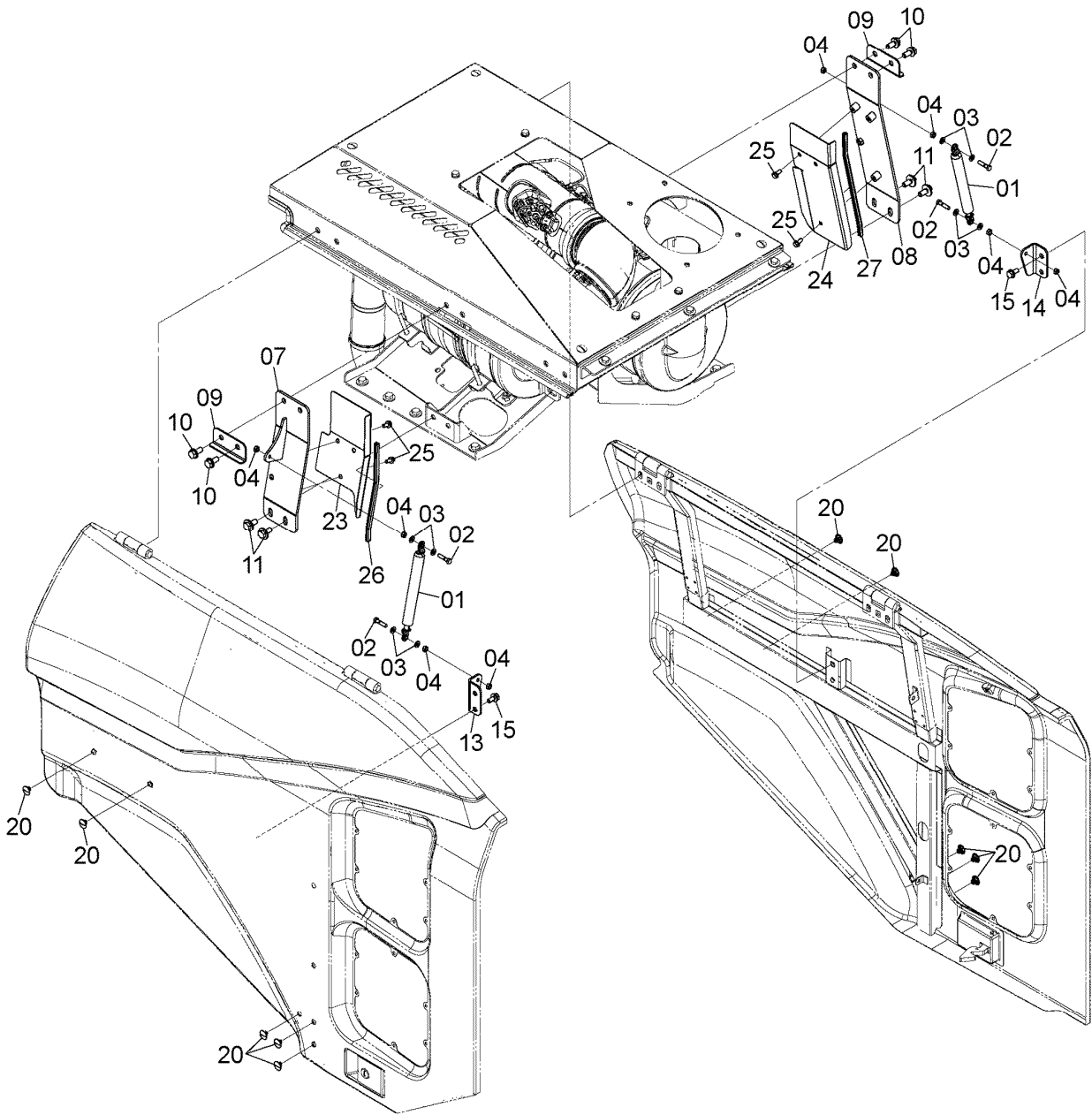
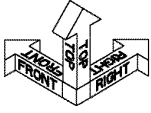
ITEM 符号	PART NO. 部品番号	PART NAME	部 品 名	Q' TY 数量	S. C サービ ス コート	SERIAL NO. 適用号機	ICA 互 換 性	REPLACEABLE PART 代 替 部 品	
								PART NO. 部品番号	Q' TY 数量
01	YQYA40017999	BRACKET	ブ ラケツト	2		5001-			
02	YQJ281230	BOLT, W/WASHER	ボ ルト (ワッシャ付)	4	D	5001-			
05	YQYA40013295	BRACKET	ブ ラケツト	1		5001-			
06	YQYA40013296	BRACKET	ブ ラケツト	1		5001-			
07	YQJ271230	BOLT, W/WASHER	ボ ルト (ワッシャ付)	6	D	5001-			
10	YQYA40000008	BRACKET	ブ ラケツト	2		5001-			
11	YQJ281020	BOLT, W/WASHER	ボ ルト (ワッシャ付)	4	D	5001-			
14	YQYA00049521	COVER	カバ ー	1		5001-			
15	YQYA00049522	COVER	カバ ー	1		5001-			
16	YQJ901016	BOLT	ボ ルト	8		5001-			
17	YQ4711782	WASHER, PLANE	ワッシャ, プ レーン	8		5001-			
19	YQYA00021589	FENDER	フェンダ	1		5001-			
20	YQYA00021590	FENDER	フェンダ	1		5001-			
21	YQJ281025	BOLT, W/WASHER	ボ ルト (ワッシャ付)	8	D	5001-			
22	YQYA00045424	BRACKET	ブ ラケツト	2		5001-			
23	YQJ281040	BOLT, W/WASHER	ボ ルト (ワッシャ付)	4	D	5001-			
24	YQJ950010	NUT	ナツト	4		5001-			
25	YQYA00033183	COVER	カバ ー	2		5001-			
26	YQYA40013322	BRACKET	ブ ラケツト	2		5001-			
27	YQJ281025	BOLT, W/WASHER	ボ ルト (ワッシャ付)	6	D	5001-			
30	YQYA00023958	GAS-SPRING	ガ スス プ リン グ	2		5001-			

# GAS SPRING (WITHOUT FULL REAR FENDER) ガススプリング (フルリアフェンダ不付)

Applicable Model (適用機種): -

Mark (記号): -

Serial No. (適用号機): -



DCYA60029521

GAS SPRING (WITHOUT FULL REAR FENDER)  
 ガススプリング (フルリアフェンダ不付)

Applicable Model (適用機種): -

Mark(記号): -

Serial No. (適用号機): -

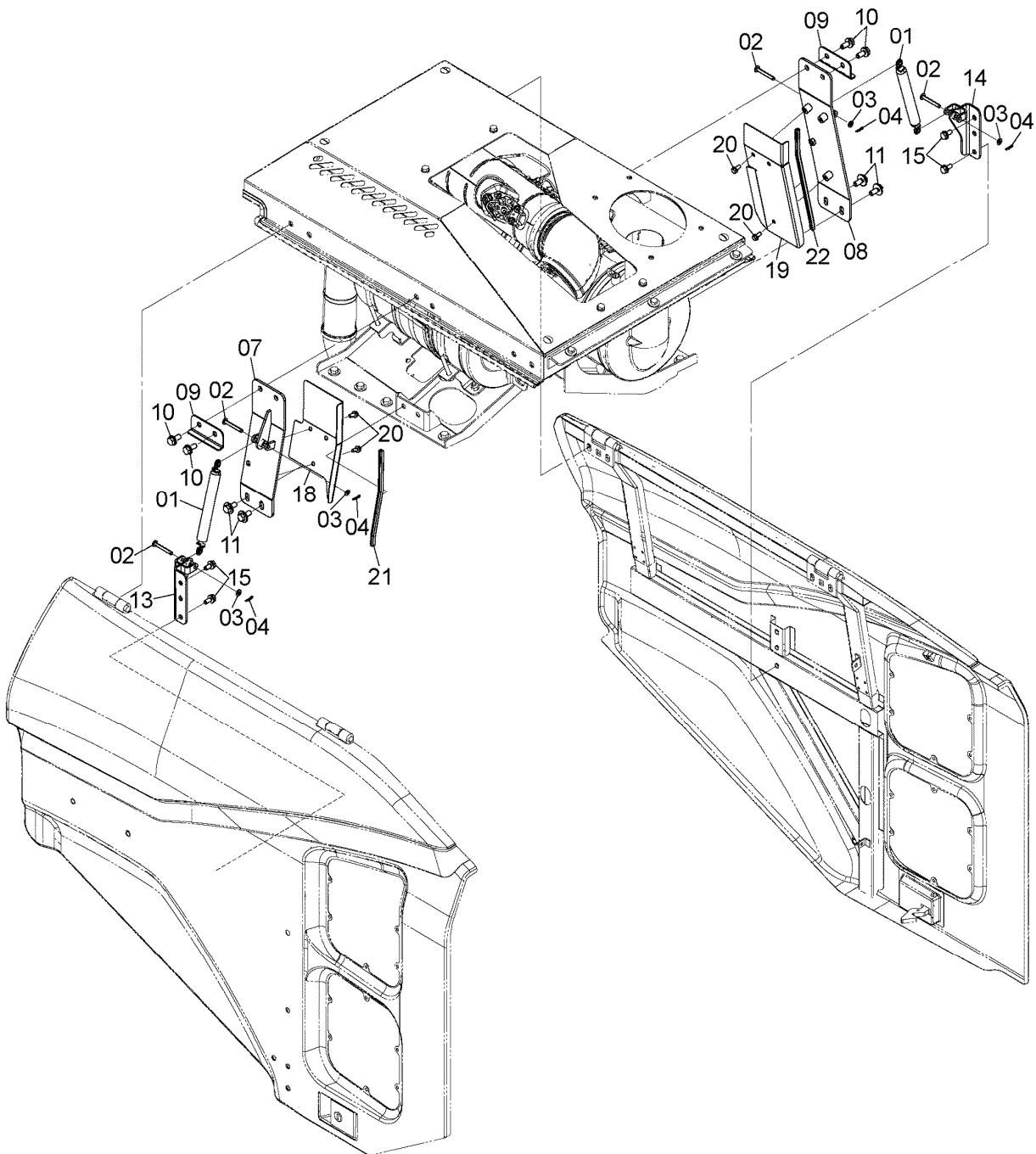
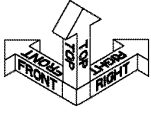
ITEM 符号	PART NO. 部品番号	PART NAME	部 品 名	Q' TY 数量	S. C サービ ス コート	SERIAL NO. 適用号機	ICA 互 換 性	REPLACEABLE PART 代 替 部 品	
								PART NO. 部品番号	Q' TY 数量
01	YQYA00023958	GAS-SPRING	ガススプリング	2		5001-			
02	YQ0110708035	BOLT	ボルト	4		5001-			
03	YQA590108	WASHER, PLANE	ワッシャ, フレーン	8		5001-			
04	YQJ950008	NUT	ナット	8		5001-			
07	YQYA40027355	BRACKET	ブラケット	1		5001-			
08	YQYA40027356	BRACKET	ブラケット	1		5001-			
09	YQYA00043024	BRACKET	ブラケット	2		5001-			
10	YQJ271230	BOLT, W/WASHER	ボルト (ワッシャ付)	4	D	5001-			
11	YQJ281230	BOLT, W/WASHER	ボルト (ワッシャ付)	4	D	5001-			
13	YQYA00021948	BRACKET	ブラケット	1		5001-			
14	YQYA00021962	BRACKET	ブラケット	1		5001-			
15	YQJ271025	BOLT, W/WASHER	ボルト (ワッシャ付)	4	D	5001-			
20	YQ263G644621	PLUG, PLASTIC	プラグ, プラスティック	10		5001-			
23	YQYA00044626	COVER	カバー	1		5001-			
24	YQYA00044627	COVER	カバー	1		5001-			
25	YQJ260820	BOLT, W/WASHER	ボルト (ワッシャ付)	6	D	5001-			
26	YQ4708912	TRIM	トリム	1		5001-			
27	YQ4450861	TRIM	トリム	1		5001-			

# GAS SPRING (WITH FULL REAR FENDER) ガススプリング (フルリアフェンダ付)

Applicable Model (適用機種): -

Mark (記号): -

Serial No. (適用号機): -



DCYA60029522

GAS SPRING (WITH FULL REAR FENDER)  
 ガススプリング (フルリアフェンダ付)

Applicable Model (適用機種): -

Mark(記号): -

Serial No. (適用号機): -

ITEM 符号	PART NO. 部品番号	PART NAME	部 品 名	Q' TY 数量	S. C サービ ス コート	SERIAL NO. 適用号機	ICA 互 換 性	REPLACEABLE PART 代 替 部 品	
								PART NO. 部品番号	Q' TY 数量
01	YQYA00023958	GAS-SPRING	ガススプリング	2		5001-			
02	YQYA40003924	PIN	ピン	4		5001-			
03	YQA590108	WASHER, PLANE	ワッシャ, プレーン	4		5001-			
04	YQ2606742081	PIN	ピン	4		5001-			
07	YQYA40026408	BRACKET	ブラケット	1		5001-			
08	YQYA40026409	BRACKET	ブラケット	1		5001-			
09	YQYA00043024	BRACKET	ブラケット	2		5001-			
10	YQJ271230	BOLT, W/WASHER	ボルト (ワッシャ付)	4	D	5001-			
11	YQJ281230	BOLT, W/WASHER	ボルト (ワッシャ付)	4	D	5001-			
13	YQYA40015093	BRACKET	ブラケット	1		5001-			
14	YQYA40015094	BRACKET	ブラケット	1		5001-			
15	YQJ271025	BOLT, W/WASHER	ボルト (ワッシャ付)	6	D	5001-			
18	YQYA00044626	COVER	カバー	1		5001-			
19	YQYA00044627	COVER	カバー	1		5001-			
20	YQJ260820	BOLT, W/WASHER	ボルト (ワッシャ付)	6	D	5001-			
21	YQ4708912	TRIM	トリム	1		5001-			
22	YQ4450861	TRIM	トリム	1		5001-			

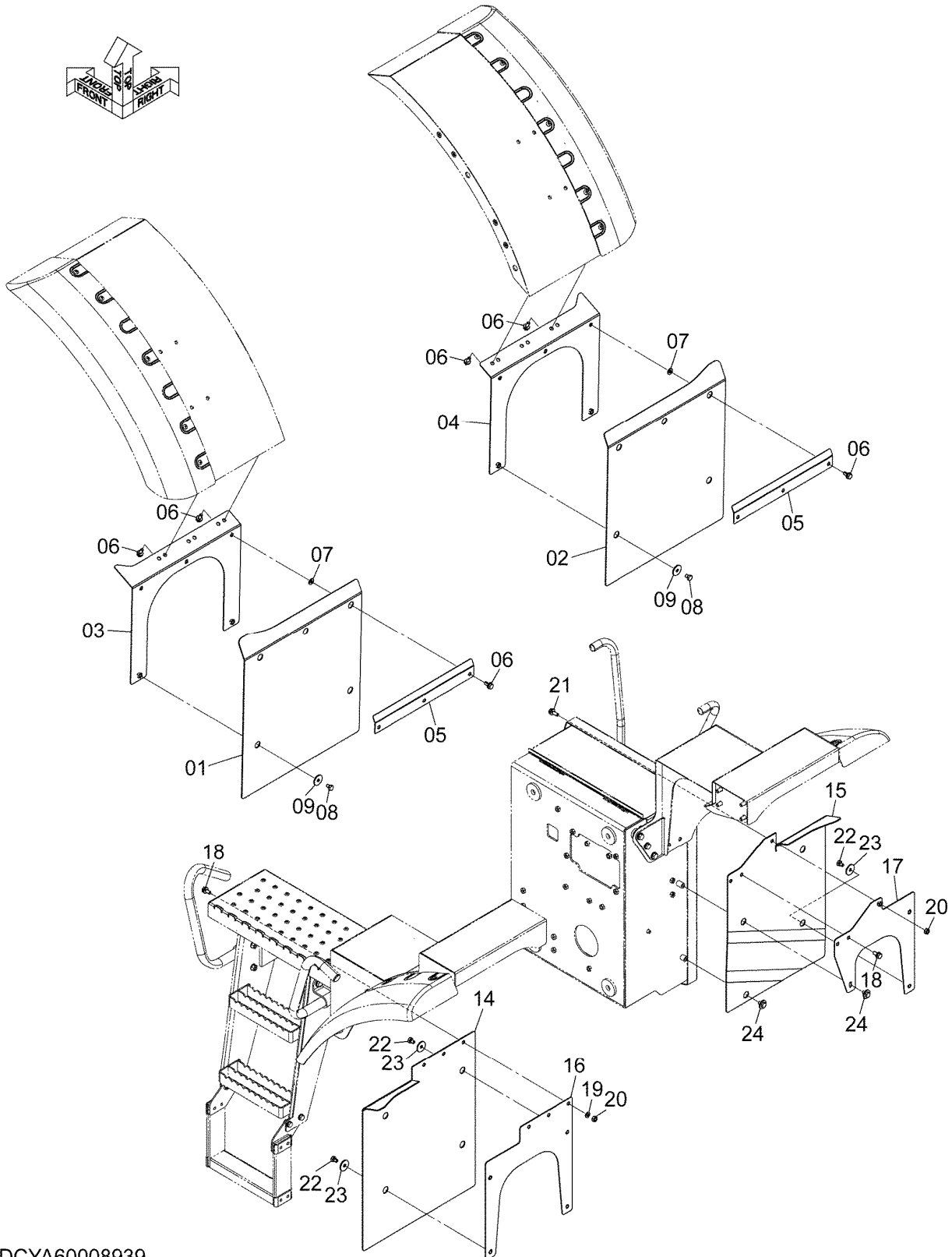
# MUD GUARD

## マッドガード

Applicable Model (適用機種): -

Mark(記号): -

Serial No. (適用号機): -



DCYA60008939

# MUD GUARD

## マッドガード

Applicable Model (適用機種): -

Mark(記号): -

Serial No. (適用号機): -

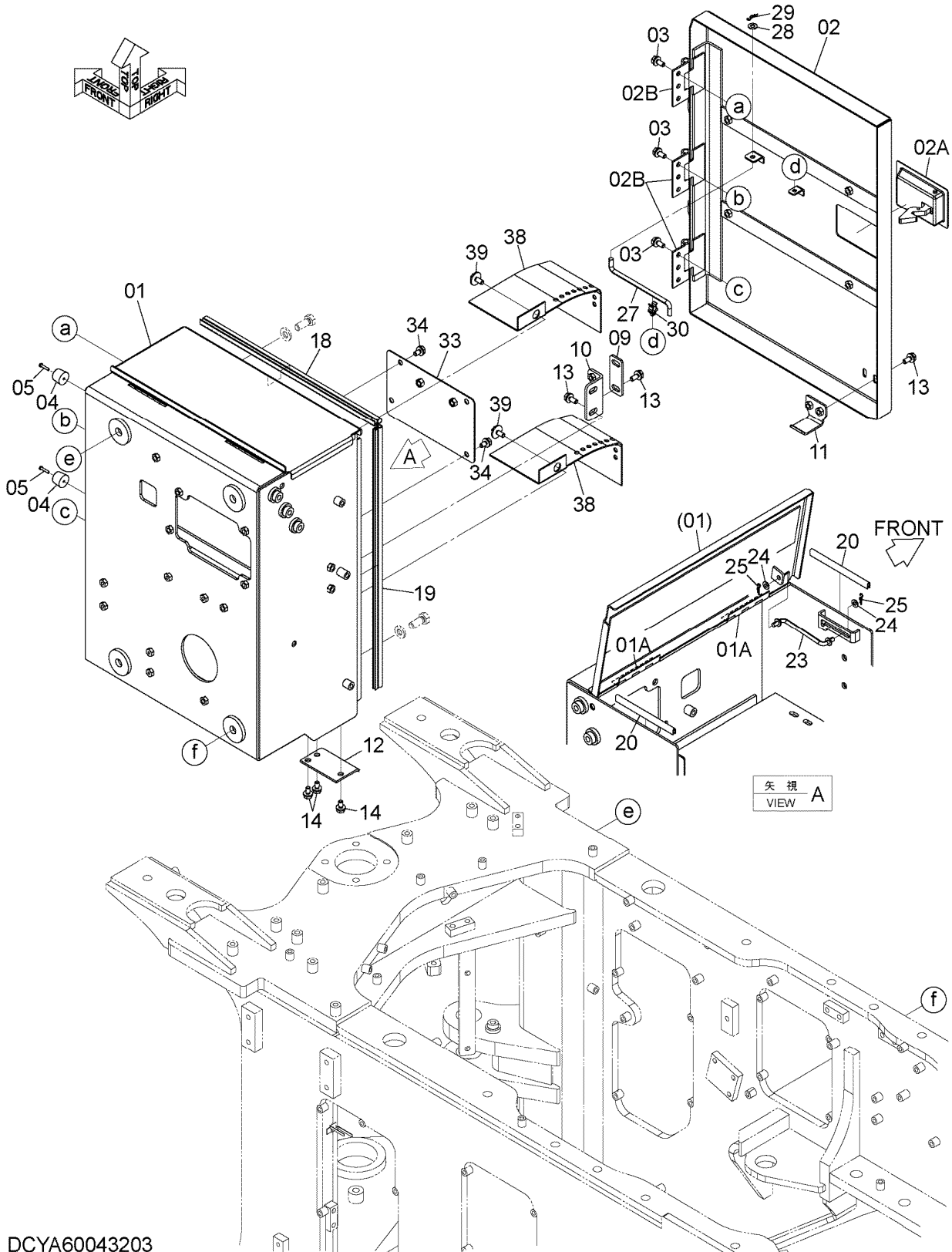
ITEM 符号	PART NO. 部品番号	PART NAME	部 品 名	Q' TY 数量	S. C サービ ス コート	SERIAL NO. 適用号機	ICA 互 換 性	REPLACEABLE PART 代 替 部 品	
								PART NO. 部品番号	Q' TY 数量
01	YQYA00049570	COVER	カバー	1		5001-			
02	YQYA00049571	COVER	カバー	1		5001-			
03	YQYA40030998	BRACKET	ブラケット	1		5001-			
04	YQYA40030999	BRACKET	ブラケット	1		5001-			
05	YQYA00030124	PLATE	プレート	2		5001-			
06	YQJ271025	BOLT, W/WASHER	ボルト (ワッシャ付)	12	D	5001-			
07	YQJ222010	WASHER	ワッシャ	6		5001-			
08	YQJ901016	BOLT	ボルト	4		5001-			
09	YQ4711782	WASHER, PLANE	ワッシャ, フレーン	4		5001-			
14	YQYA00039876	COVER	カバー	1		5001-			
15	YQYA00039877	COVER	カバー	1		5001-			
16	YQYA40026080	PLATE	プレート	1		5001-			
17	YQYA40026081	PLATE	プレート	1		5001-			
18	YQJ271025	BOLT, W/WASHER	ボルト (ワッシャ付)	5	D	5001-			
19	YQA590110	WASHER, PLANE	ワッシャ, フレーン	3		5001-			
20	YQJ950010	NUT	ナット	4		5001-			
21	YQJ271030	BOLT, W/WASHER	ボルト (ワッシャ付)	1	D	5001-			
22	YQJ901016	BOLT	ボルト	6		5001-			
23	YQ4711782	WASHER, PLANE	ワッシャ, フレーン	6		5001-			
24	YQJ281020	BOLT, W/WASHER	ボルト (ワッシャ付)	2	D	5001-			

# BATTERY BOX バッテリーボックス

Applicable Model (適用機種): -

Mark(記号): -

Serial No. (適用号機): -



DCYA60043203

# BATTERY BOX

## バッテリーボックス

Applicable Model (適用機種): -

Mark(記号): -

Serial No. (適用号機): -

ITEM 符号	PART NO. 部品番号	PART NAME	部 品 名	Q' TY 数量	S. C サービ ス コート	SERIAL NO. 適用号機	ICA 互 換 性	REPLACEABLE PART 代 替 部 品	
								PART NO. 部品番号	Q' TY 数量
01	YQYA40018532	BOX	ボック	1		5001-			
01A	YQ263F654621	* HINGE	* ヒンジ	2	W	5001-			
02	YQYA40014346	COVER, BATTERY	カバー、バ	1		5001-			
02A	YQYA00006120	* LOCK	* ロック	1	W	5001-			
02B	YQ263G212811	* HINGE	* ヒンジ	3	W	5001-			
03	YQJ271025	BOLT, W/WASHER	ボルト (ワッ	6	D	5001-			
04	YQ2650652111	RUBBER	ラバ	2		5001-			
05	YQJ850525	SCREW	スクリ	2		5001-			
09	YQYA00034562	PLATE	プレート	1		5001-			
10	YQYA40023960	BRACKET	ブラケッ	1		5001-			
11	YQYA40023888	BRACKET	ブラケッ	1		5001-			
12	YQYA00040247	BRACKET	ブラケッ	1		5001-			
13	YQJ271025	BOLT, W/WASHER	ボルト (ワッ	6	D	5001-			
14	YQJ271020	BOLT, W/WASHER	ボルト (ワッ	3	D	5001-			
18	YQ4704912	SEAL	シール	1		5001-			
19	YQ4615991	SEAL	シール	1		5001-			
20	YQ4367966	TRIM	トリム	2		5001-			
23	YQ263E652691	ROD	ロッド	1		5001-			
24	YQA590108	WASHER, PLANE	ワッシャ、フ	2		5001-			
25	YQ2606742081	PIN	ピン	2		5001-			
27	YQYA00034985	STAY	ステー	1		5001-			
28	YQA590110	WASHER, PLANE	ワッシャ、フ	1		5001-			
29	YQ2606742091	PIN	ピン	1		5001-			
30	YQ3016261115	HOLDER	ホルダ	1		5001-			
33	YQYA40026402	COVER	カバー	1		5001-			
34	YQJ271020	BOLT, W/WASHER	ボルト (ワッ	4	D	5001-			
38	YQYA00022705	RUBBER	ラバ	2		5001-			
39	YQJ281020	BOLT, W/WASHER	ボルト (ワッ	2	D	5001-			

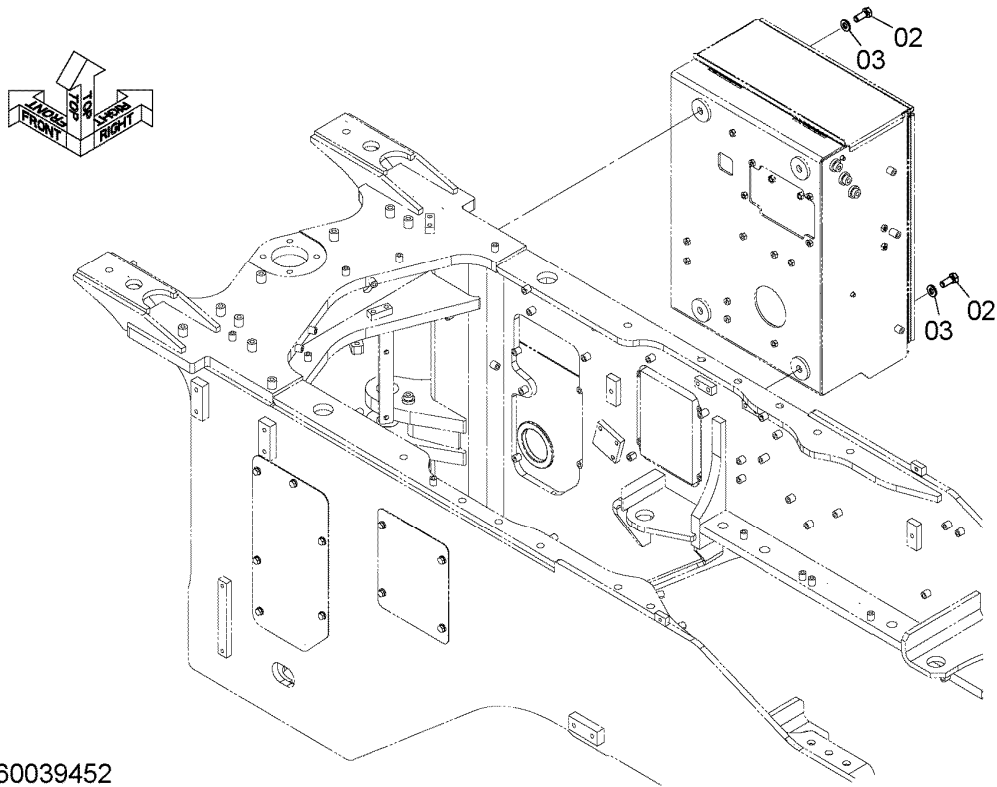
# BATTERY BOX SUPPORT

## バッテリーボックス取付部品

Applicable Model (適用機種): -

Mark (記号): -

Serial No. (適用号機): -



DCYA60039452

# BATTERY BOX SUPPORT

## バッテリーボックス取付部品

Applicable Model (適用機種): -

Mark(記号): -

Serial No.(適用号機): -

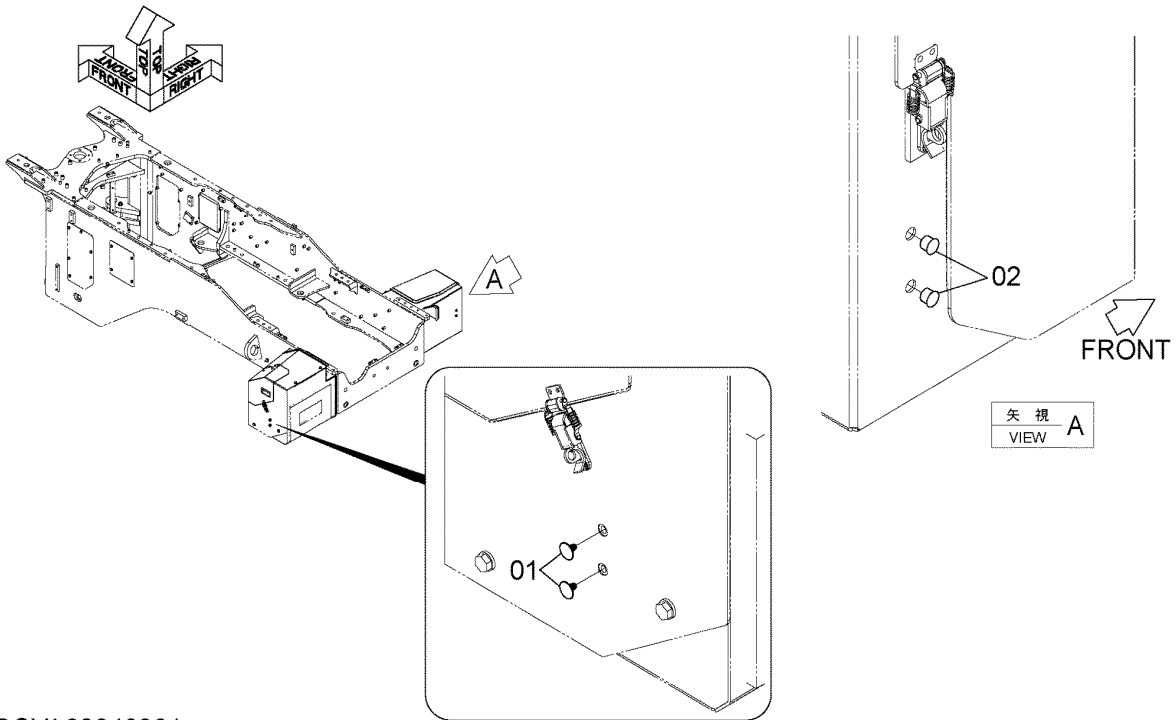
ITEM 符号	PART NO. 部品番号	PART NAME	部 品 名	Q'TY 数量	S.C サービ ス コート	SERIAL NO. 適用号機	ICA 互 換 性	REPLACEABLE PART 代 替 部 品	
								PART NO. 部品番号	Q'TY 数量
02	YQJ901640	BOLT	ボルト	4		5001-			
03	YQJ222016	WASHER	ワッシャ	4		5001-			

PLUG (WITHOUT REFLECTOR)  
プラグ (リフレクタ不付)

Applicable Model (適用機種): -

Mark (記号): -

Serial No. (適用号機): -



DCYA60040381

PLUG (WITHOUT REFLECTOR)

プラグ (リフレクタ不付)

Applicable Model (適用機種): -

Mark(記号): -

Serial No. (適用号機): -

ITEM 符号	PART NO. 部品番号	PART NAME	部 品 名	Q' TY 数量	S. C サービ ス コート	SERIAL NO. 適用号機	ICA 互 換 性	REPLACEABLE PART 代 替 部 品	
								PART NO. 部品番号	Q' TY 数量
01	YQ4280359	CLIP	クリップ	2		5001-			
02	YQ2675412491	PLUG, PLASTIC	プラグ, プラスティック	2		5001-			

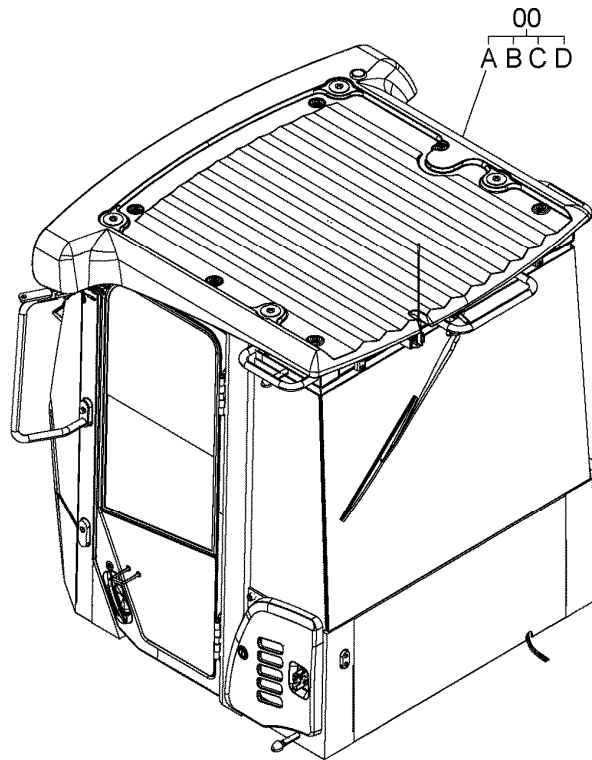
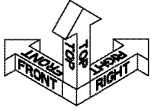
# CAB (MOBILE COMMUNICATIONS)

## キャブ (携帯通信仕様)

Applicable Model (適用機種): -

Mark (記号): -

Serial No. (適用号機): -



DCYA00008010

# CAB (MOBILE COMMUNICATIONS)

## キャブ (携帯通信仕様)

Applicable Model (適用機種): -

Mark(記号): -

Serial No. (適用号機): -

ITEM 符号	PART NO. 部品番号	PART NAME	部 品 名	Q' TY 数量	S. C サービ ス コード	SERIAL NO. 適用号機	ICA 互 換 性	REPLACEABLE PART 代 替 部 品	
								PART NO. 部品番号	Q' TY 数量
00	YQYA00008010	CAB	キャブ	1		5001-			
00A	+++++	* CAB (1) <for details see "CAB (1)"> <詳細は "キャブ (1)" 参照>	* キャブ (1)	1	D	5001-			
00B	+++++	* CAB (2) <for details see "CAB (2)"> <詳細は "キャブ (2)" 参照>	* キャブ (2)	1	D	5001-			
00C	+++++	* CAB (3) <for details see "CAB (3)"> <詳細は "キャブ (3)" 参照>	* キャブ (3)	1	D	5001-			
00D	+++++	* CAB (4) <for details see "CAB (4)"> <詳細は "キャブ (4)" 参照>	* キャブ (4)	1	D	5001-			

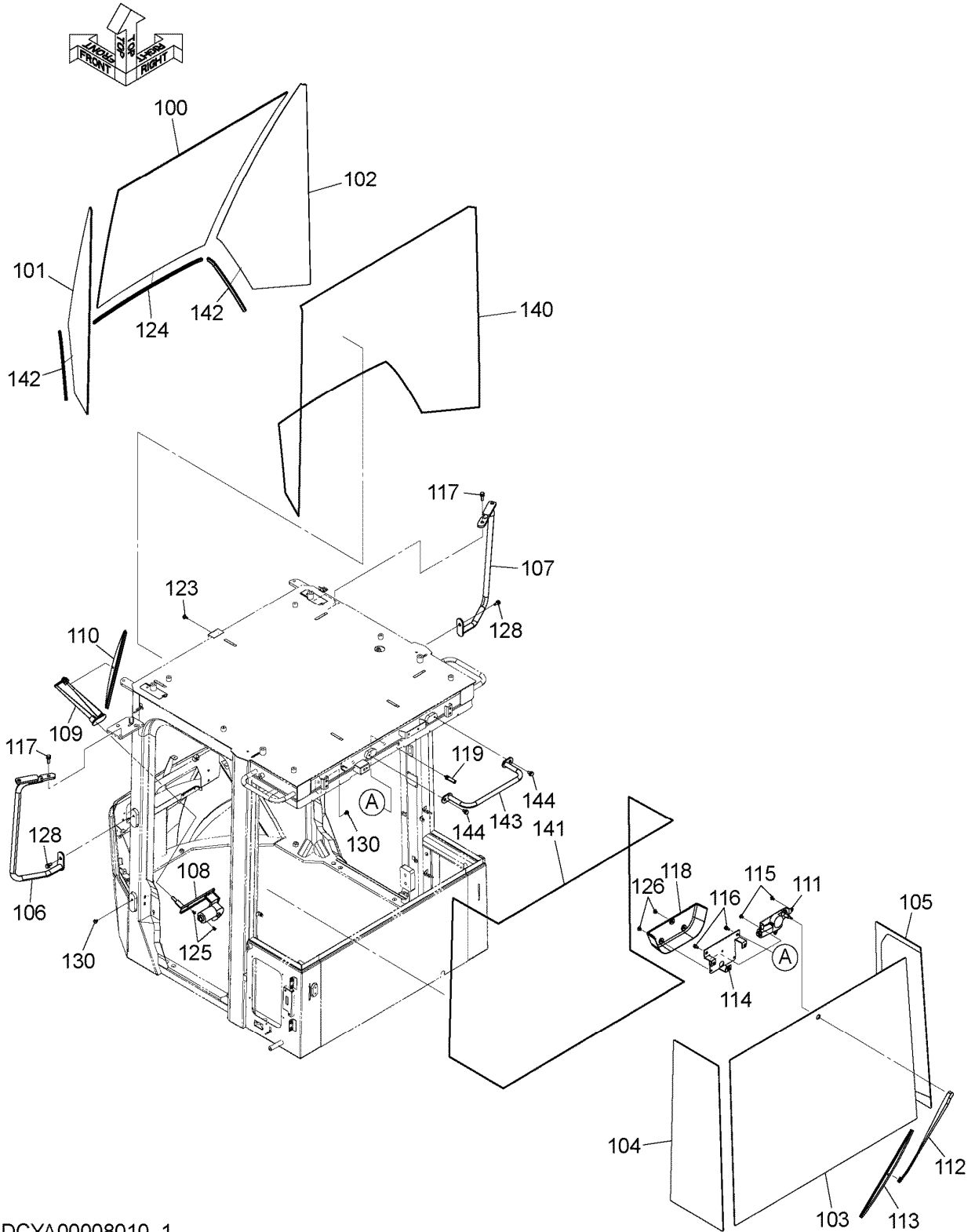
CAB (1)

キャブ (1)

Applicable Model (適用機種): -

Mark(記号): -

Serial No. (適用号機): -



DCYA00008010\_1

CAB (1)

キャブ (1)

Applicable Model (適用機種): -

Mark(記号): -

Serial No. (適用号機): -

ITEM 符号	PART NO. 部品番号	PART NAME	部 品 名	Q' TY 数量	S. C サービ ス コート	SERIAL NO. 適用号機	ICA 互 換 性	REPLACEABLE PART 代 替 部 品	
								PART NO. 部品番号	Q' TY 数量
100	YQYA00022868	GLASS	ガ ー	1		5001-			
101	YQYA00035105	GLASS	ガ ー	1		5001-			
102	YQYA00035104	GLASS	ガ ー	1		5001-			
103	YQXB00009821	GLASS	ガ ー	1		5001-			
104	YQXB00009822	GLASS	ガ ー	1		5001-			
105	YQXB00009823	GLASS	ガ ー	1		5001-			
106	YQXB00009825	STAY	ステー	1		5001-			
107	YQXB00009826	STAY	ステー	1		5001-			
108	YQXB00009827	WIPER-MOTOR	ワイパーモーター	1		5001-			
109	YQXB00009582	WIPER	ワイパー	1		5001-			
110	YQXB00011284	WIPER-BLADE	ワイパーブレード	1		5001-			
110A	YQXB00011288	* SCREW, SET	* スクリュー, セット	1		5001-			
111	YQXB00009829	WIPER-MOTOR	ワイパーモーター	1		5001-			
112	YQXB00009577	WIPER	ワイパー	1		5001-			
113	YQXB00009830	WIPER-BLADE	ワイパーブレード	1		5001-			
114	YQXB00009831	BRACKET	ブラケット	1		5001-			
115	YQXB00008631	SCREW	スクリュー	3		5001-			
116	YQXB00008670	BOLT	ボルト	2		5001-			
117	YQXB00008632	BOLT	ボルト	2		5001-			
118	YQYA00022876	COVER	カバー	1		5001-			
119	YQXB00009833	NOZZLE	ノズル	1		5001-			
123	YQXB00009834	NOZZLE	ノズル	1		5001-			
124	YQXB00008719	SEAL	シール	1		5001-			
125	YQXB00008657	SCREW	スクリュー	4		5001-			
126	YQXB00009835	CLIP	クリップ	3		5001-			
128	YQXB00008619	BOLT	ボルト	2		5001-			
130	YQXB00008728	PLUG	プラグ	2		5001-			
140	YQXB00009820	SEAL	シール	1		5001-			
141	YQXB00009824	SEAL	シール	1		5001-			
142	YQXB00008720	SEAL	シール	2		5001-			
143	YQXB00011322	HANDRAIL	ハンドレール	1		5001-			
144	YQXB00008619	BOLT	ボルト	2		5001-			

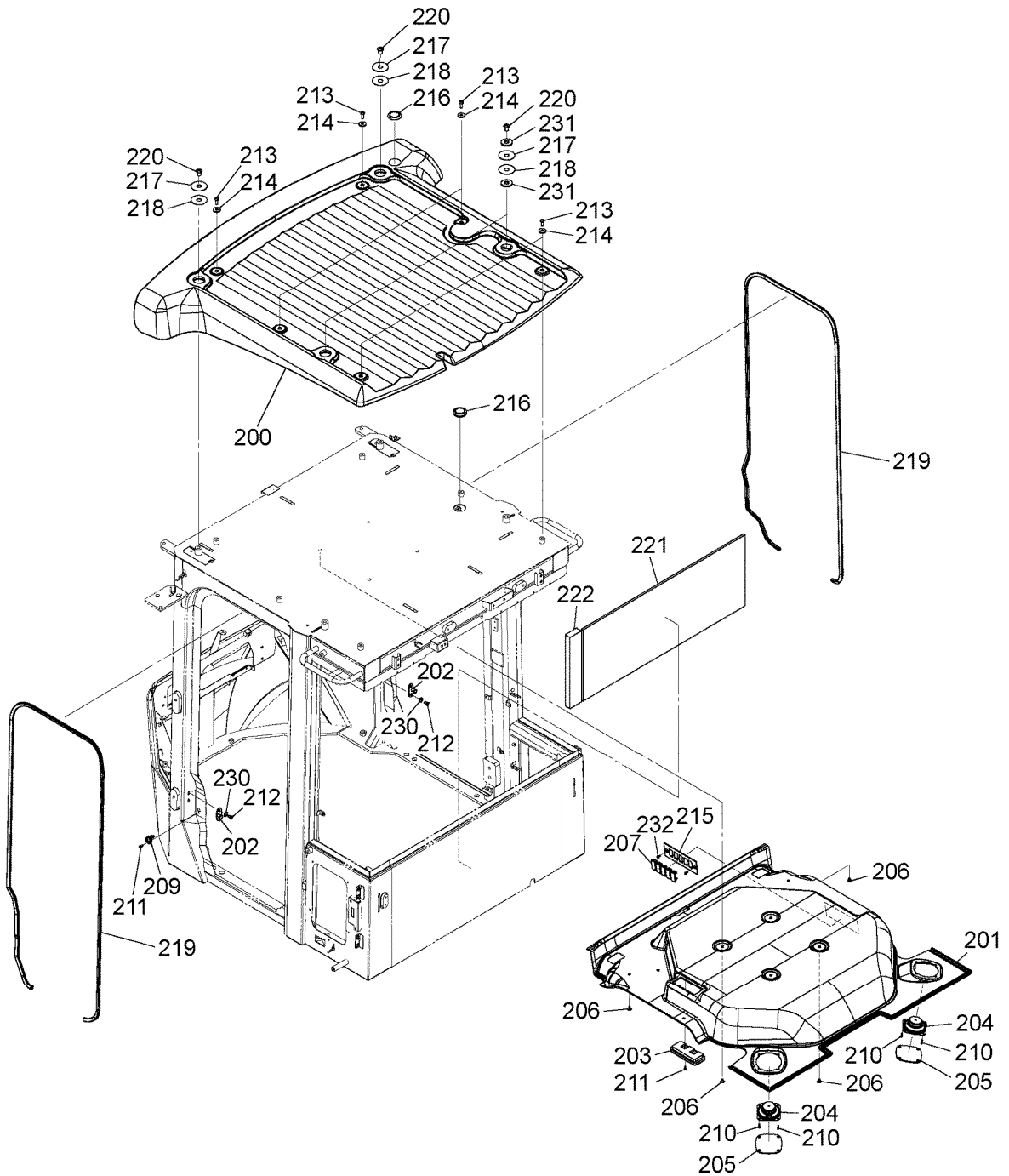
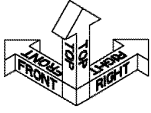
# CAB (2)

## キャブ (2)

Applicable Model (適用機種): -

Mark(記号): -

Serial No. (適用号機): -



DCYA00008010\_2

## CAB (2)

## キャブ (2)

Applicable Model (適用機種): -

Mark(記号): -

Serial No. (適用号機): -

ITEM 符号	PART NO. 部品番号	PART NAME	部 品 名	Q' TY 数量	S. C サービ ス コート	SERIAL NO. 適用号機	ICA 互 換 性	REPLACEABLE PART 代 替 部 品	
								PART NO. 部品番号	Q' TY 数量
200	YQYA00035855	ROOF	ルーフ	1		5001-			
201	YQYA00022880	ROOF	ルーフ	1		5001-			
202	YQ4357136	STRIKER	ストライカ	2		5001-			
203	YQ4417319	LAMP, ROOM	ランプ, ルーム	1		5001-			
204	YQ3555060090	SPEAKER	スピーカ	2		5001-			
205	YQ4685180	GRILLE	グリル	2		5001-			
206	YQ4369614	CLIP	クリップ	10		5001-			
207	YQ3121182	CAP	キャップ	5		5001-			
209	YQXB00005609	SWITCH	スイッチ	1		5001-			
210	YQXB00008684	SCREW	スクリュ	8		5001-			
211	YQXB00008763	SCREW	スクリュ	3		5001-			
212	YQXB00009839	SCREW	スクリュ	4		5001-			
213	YQ0961440	BOLT	ボルト	6		5001-			
214	YQXB00009840	WASHER, PLANE	ワッシャ, フレーン	6		5001-			
215	YQYA00022875	COVER	カバー	1		5001-			
216	YQXB00009842	BUSHING, RUBBER	ブッシング, ラバー	2		5001-			
217	YQXB00009843	WASHER	ワッシャ	4		5001-			
218	YQXB00010466	PACKING	パッキング	4		5001-			
219	YQXB00009846	SEAL	シール	2		5001-			
220	YQXB00009847	BOLT	ボルト	4		5001-			
221	YQXB00008725	SEAL	シール	1		5001-			
222	YQXB00008724	SEAL	シール	1		5001-			
230	YQXB00008663	WASHER	ワッシャ	4		5001-			
231	YQXB00009844	WASHER	ワッシャ	8		5001-			
232	YQXB00008604	SCREW	スクリュ	2		5001-			

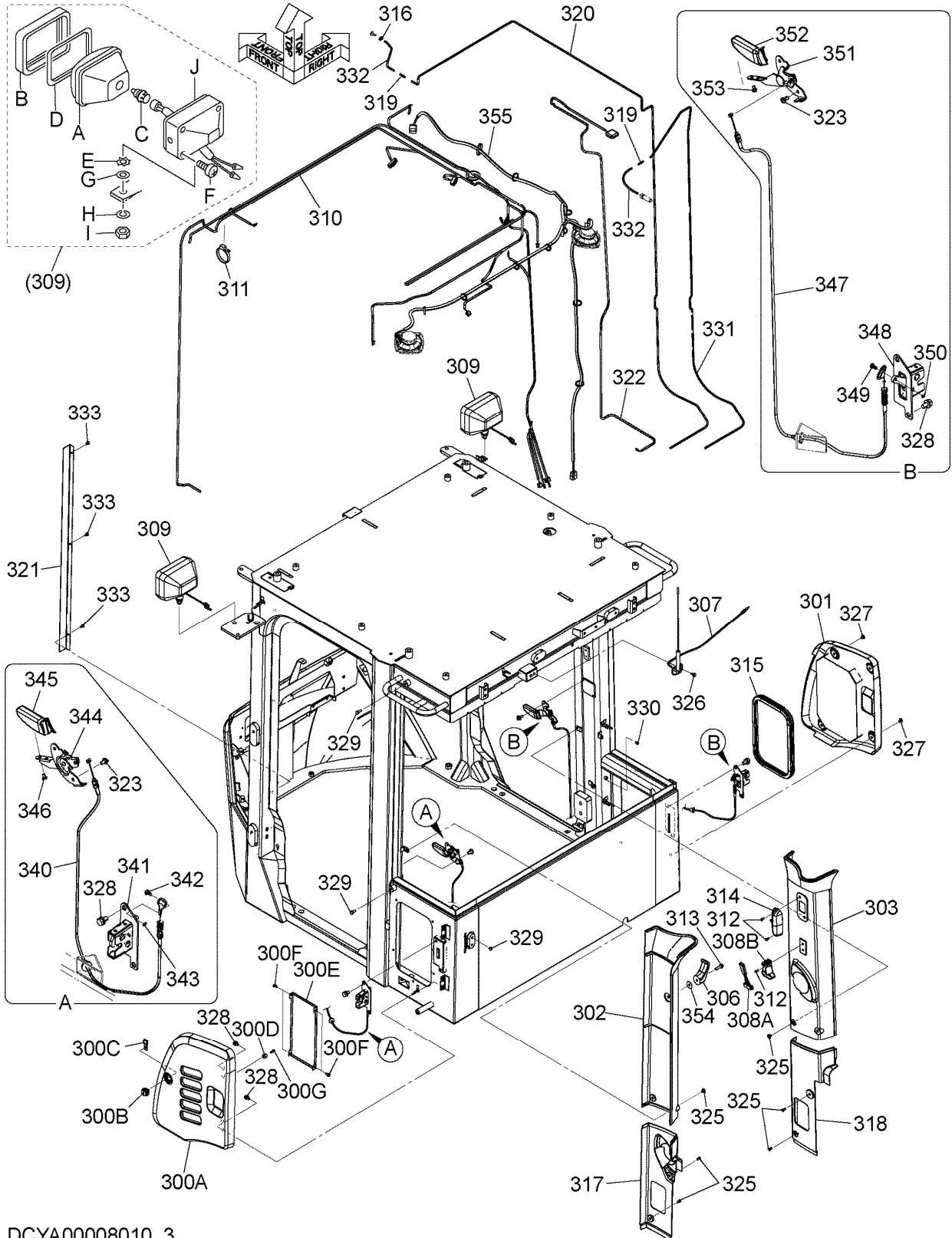
CAB (3)

キャブ (3)

Applicable Model (適用機種): -

Mark(記号): -

Serial No. (適用号機): -



DCYA00008010\_3

## CAB (3)

## キャブ (3)

Applicable Model (適用機種): -

Mark(記号): -

Serial No. (適用号機): -

ITEM 符号	PART NO. 部品番号	PART NAME	部 品 名	Q' TY 数量	S. C サービ ス コート	SERIAL NO. 適用号機	ICA 互 換 性	REPLACEABLE PART 代 替 部 品	
								PART NO. 部品番号	Q' TY 数量
300	YQXB00009848	COVER	カバー	1		5001-			
300A	YQXB00009849	* PANEL	* パネル	1		5001-			
300B	YQYA00022883	* PLATE	* プレート	1		5001-			
300C	YQYA00022882	* CYLINDER	* シリンダ	1		5001-			
300D	YQXB00008735	* STOPPER	* ストップ	1		5001-			
300E	YQXB00008736	* COVER	* カバー	1		5001-			
300F	YQXB00008602	* SCREW	* スクリュー	4		5001-			
300G	YQXB00008624	* SCREW	* スクリュー	1		5001-			
301	YQXB00009850	COVER	カバー	1		5001-			
302	YQYA00022869	COVER	カバー	1		5001-			
303	YQYA00022871	COVER	カバー	1		5001-			
306	YQYA00022881	HOOK	フック	1		5001-			
307	YQYA00022886	ANTENNA	アンテナ	1		5001-			
308	YQ4662757	HAMMER	ハンマ	1		5001-			
308A	YQ4362700	* HAMMER	* ハンマ	1		5001-			
308B	YQ2038764	* BRACKET	* ブラケット	1		5001-			
309	+++++	LAMP, HEAD (for assembly of machine) (本体組立用)	ランプ, ヘッド	2	D	5001-			
309	YQ4326800	LAMP, HEAD (for transportation)	ランプ, ヘッド (サービスマン用)	2	S	5001-			
309A	YQ4326801	* LENS, UNIT	* レンズ, ユニット	1		5001-			
309B	YQ4326802	* FRAME	* フレーム	1		5001-			
309C	YQ4285648	* BULB (24V 70W)	* バルブ (24V 70W)	1		5001-			
309D	YQ4326803	* GASKET	* ガasket	1		5001-			
309E	YQ4307026	* WASHER	* ワッシャ	1		5001-			
309F	YQ4307027	* SCREW	* スクリュー	4		5001-			
309G	YQA590114	* WASHER, PLANE	* ワッシャ, フレーン	1		5001-			
309H	YQA590914	* WASHER, SPRING	* ワッシャ, スプリング	1		5001-			
309I	YQJ952014	* NUT	* ナット	1		5001-			
309J	+++++	* BODY	* ボディ	1	D	5001-			
310	YQXB00009857	HARNESS	ハーネス	1		5001-			
311	YQXB00008694	BAND	バンド	4		5001-			
312	YQXB00008611	SCREW	スクリュー	4		5001-			
313	YQXB00008610	SCREW	スクリュー	1		5001-			
314	YQ4722657	LAMP, ROOM	ランプ, ルーム	1		5001-			
314A	YQ4187083	* BULB	* バルブ	1		5001-			
315	YQXB00008726	SEAL	シール	1		5001-			
317	YQYA00022870	COVER	カバー	1		5001-			
318	YQYA00022872	COVER	カバー	1		5001-			
319	YQXB00009597	CHECK, VALVE	チェック, バルブ	2		5001-			
320	YQXB00009860	HOSE	ホース	1		5001-			
321	YQXB00008722	PLATE	プレート	1		5001-			
322	YQ4715234	ANTENNA	アンテナ	1		5001-			

CAB (3)

キャブ (3)

Applicable Model (適用機種): -

Mark(記号): -

Serial No. (適用号機): -

ITEM 符号	PART NO. 部品番号	PART NAME	部 品 名	Q' TY 数量	S. C サービ ス コード	SERIAL NO. 適用号機	ICA 互 換 性	REPLACEABLE PART 代 替 部 品	
								PART NO. 部品番号	Q' TY 数量
323	YQXB00008614	SCREW	スクリュ	4		5001-			
325	YQXB00008721	SCREW	スクリュ	8		5001-			
326	YQXB00011321	BOLT	ボルト	1		5001-			
327	YQXB00008631	SCREW	スクリュ	4		5001-			
328	YQXB00008626	BOLT	ボルト	8		5001-			
329	YQXB00008728	PLUG	プラグ	4		5001-			
330	YQXB00008686	SCREW	スクリュ	1		5001-			
331	YQXB00009861	HOSE	ホース	1		5001-			
332	YQXB00008774	TUBE	チューブ	2		5001-			
333	YQXB00008602	SCREW	スクリュ	3		5001-			
340	YQYA00033955	CABLE, CONTROL	ケーブル, コントロール	1		5001-			
341	YQYA40021416	CATCH	キャッチ	1		5001-			
342	YQ4662721	PIN	ピン	1		5001-			
343	YQXB00008637	RING	リング	1		5001-			
344	YQ4662724	FRAME	フレーム	1		5001-			
345	YQYA00024120	GRIP	グリップ	1		5001-			
346	YQXB00008612	SCREW	スクリュ	2		5001-			
347	YQYA00033956	CABLE, CONTROL	ケーブル, コントロール	1		5001-			
348	YQYA40021417	CATCH	キャッチ	1		5001-			
349	YQ4662721	PIN	ピン	1		5001-			
350	YQXB00008637	RING	リング	1		5001-			
351	YQYA40019562	LEVER, R	レバー, R	1		5001-			
352	YQYA00022874	LEVER	レバー	1		5001-			
353	YQXB00008612	SCREW	スクリュ	2		5001-			
354	YQXB00011281	RUBBER	ラバー	1		5001-			
355	YQ3319436330	HARNESS	ハーネス	1		5001-			

---

MEMO

---

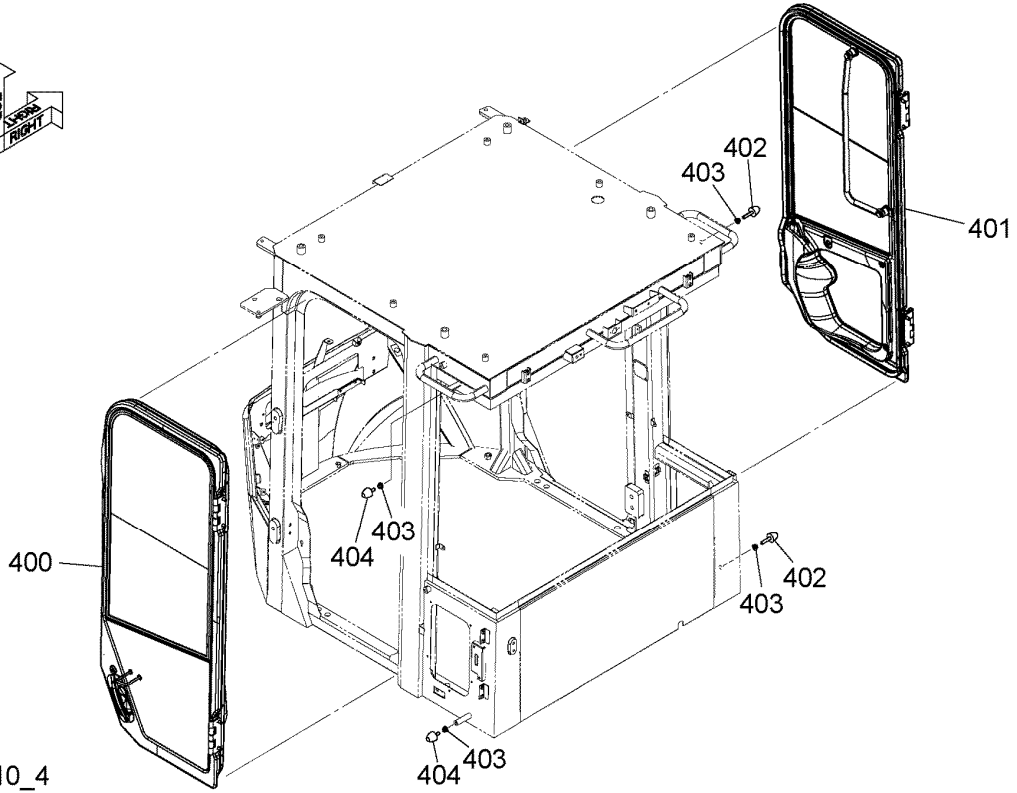
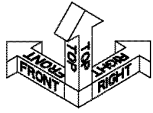
# CAB (4)

## キャブ (4)

Applicable Model (適用機種): -

Mark(記号): -

Serial No. (適用号機): -



DCYA00008010\_4

CAB (4)

キャブ (4)

Applicable Model (適用機種): -

Mark(記号): -

Serial No. (適用号機): -

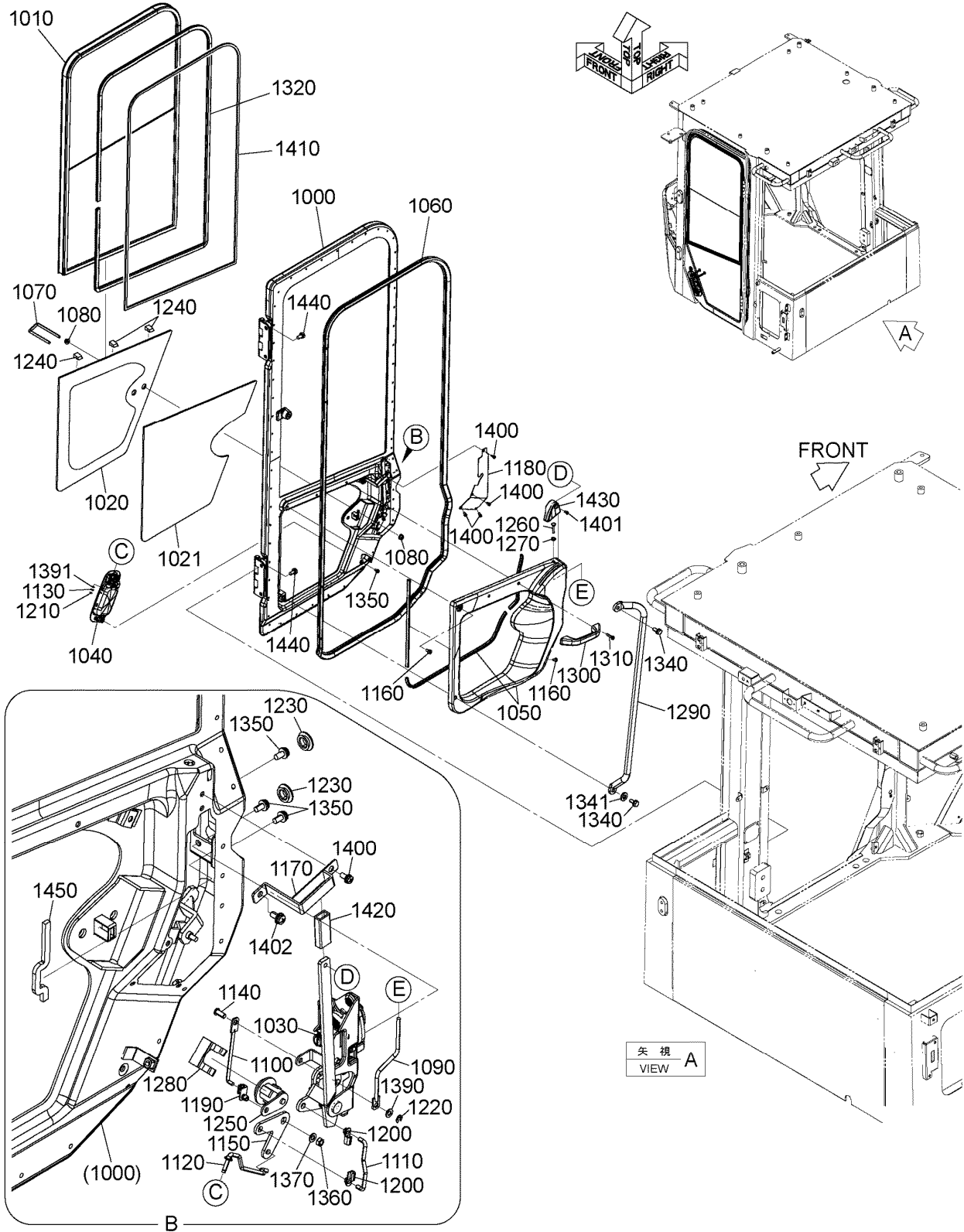
ITEM 符号	PART NO. 部品番号	PART NAME	部品名	Q'TY 数量	S. C サービ ス コート	SERIAL NO. 適用号機	ICA 互 換 性	REPLACEABLE PART 代替部品	
								PART NO. 部品番号	Q'TY 数量
400	YQXA00000293	DOOR <for details see "DOOR (L)"> <詳細は "ドア (左)" 参照>	ドア	1		5001-			
401	YQXA00000294	DOOR <for details see "DOOR (R)"> <詳細は "ドア (右)" 参照>	ドア	1		5001-			
402	YQXB00008737	STOPPER	ストップ	4		5001-			
403	YQXB00008628	NUT	ナット	4		5001-			

DOOR (L)  
 ドア (左)

Applicable Model (適用機種): -

Mark(記号): -

Serial No. (適用号機): -



DCYA00008010\_DOOR1

DOOR (L)  
ドア (左)

Applicable Model (適用機種): -

Mark(記号): -

Serial No. (適用号機): -

ITEM 符号	PART NO. 部品番号	PART NAME	部 品 名	Q' TY 数量	S. C サービ ス コート	SERIAL NO. 適用号機	ICA 互 換 性	REPLACEABLE PART 代 替 部 品	
								PART NO. 部品番号	Q' TY 数量
1000	YQXA0000293	DOOR	ドア	1		5001-			
	YQXB00009865	* FRAME	* フレーム	1		5001-			
1010	YQYA00036022	* SASH	* サッシ	1		5001-			
1020	YQXB00009866	* GLASS	* ガラス	1		5001-			
1021	YQXB00009867	* SEAL	* シール	1		5001-			
1030	YQYA00035860	* LOCK, DOOR	* ロック, ドア	1		5001-			
1040	YQYA00022890	* HANDLE, DOOR	* ハンドル, ドア	1		5001-			
1050	YQXB00009949	* TRIM	* トリム	1		5001-			
1060	YQYA00035858	* RUBBER	* ラバー	1		5001-			
1070	YQXB00009870	* BOLT, U	* ボルト, U	1		5001-			
1080	YQXB00008654	* NUT	* ナット	4		5001-			
1090	YQXB00009872	* ROD	* ロッド	1		5001-			
1100	YQXB00009873	* ROD	* ロッド	1		5001-			
1110	YQXB00009874	* ROD	* ロッド	1		5001-			
1120	YQXB00009875	* ROD	* ロッド	1		5001-			
1130	YQXB00008646	* WASHER	* ワッシャ	1		5001-			
1140	YQXB00009876	* PIN	* ピン	1		5001-			
1150	YQXB00011324	* PLATE	* プレート	1		5001-			
1160	YQXB00008721	* SCREW	* スクリュー	2		5001-			
1170	YQXB00011325	* GUIDE	* ガイド	1		5001-			
1180	YQXB00009879	* COVER	* カバー	1		5001-			
1190	YQXB00009880	* HOLDER	* ホルダー	1		5001-			
1200	YQXB00009881	* HOLDER	* ホルダー	2		5001-			
1210	YQXB00008647	* RING	* リング	2		5001-			
1220	YQXB00009897	* PIN	* ピン	1		5001-			
1230	YQXB00009898	* BUSHING, RUBBER	* ブッシング, ラバー	2		5001-			
1240	YQXB00009899	* SEAL	* シール	3		5001-			
1250	YQ4362135	* LOCK, DOOR	* ロック, ドア	1		5001-			
1260	YQXB00009950	* KNOB	* ノブ	1		5001-			
1270	YQXB00009882	* BUSHING, RUBBER	* ブッシング, ラバー	1		5001-			
1280	YQ4372091	* CLIP	* クリップ	1		5001-			
1290	YQXB00008729	* HANDRAIL	* ハンドレール	1		5001-			
1300	YQYA00022884	* LEVER	* レバー	1		5001-			
1310	YQXB00009883	* SCREW	* スクリュー	2		5001-			
1320	YQXB00009884	* SEAL	* シール	1		5001-			
1340	YQXB00008617	* BOLT	* ボルト	2		5001-			
1341	YQA590110	* WASHER, PLANE	* ワッシャ, プレーン	1		5001-			
1350	YQXB00008657	* SCREW	* スクリュー	5		5001-			
1360	YQXB00008655	* PIN, STOPPER	* ピン, ストッパー	1		5001-			
1370	YQXB00008643	* WASHER	* ワッシャ	2		5001-			
1390	YQXB00009885	* WASHER, PLANE	* ワッシャ, プレーン	1		5001-			
1391	YQXB00008646	* WASHER	* ワッシャ	1		5001-			
1400	YQXB00008611	* SCREW	* スクリュー	5		5001-			
1401	YQXB00008612	* SCREW	* スクリュー	1		5001-			
1402	YQXB00008602	* SCREW	* スクリュー	1		5001-			

DOOR (L)  
 ドア (左)

Applicable Model (適用機種): -

Mark(記号): -

Serial No. (適用号機): -

ITEM 符号	PART NO. 部品番号	PART NAME	部 品 名	Q' TY 数量	S. C サービ ス コート	SERIAL NO. 適用号機	ICA 互 換 性	REPLACEABLE PART 代 替 部 品	
								PART NO. 部品番号	Q' TY 数量
1410	YQXB00009886	* PACKING	* パッキン	1		5001-			
1420	YQXB00009887	* COVER	* カバー	1		5001-			
1430	YQYA00022877	* LEVER	* レバー	1		5001-			
1440	YQXB00011326	* BOLT	* ボルト	4		5001-			
1450	YQXB00009888	* PACKING	* パッキン	1		5001-			

---

MEMO

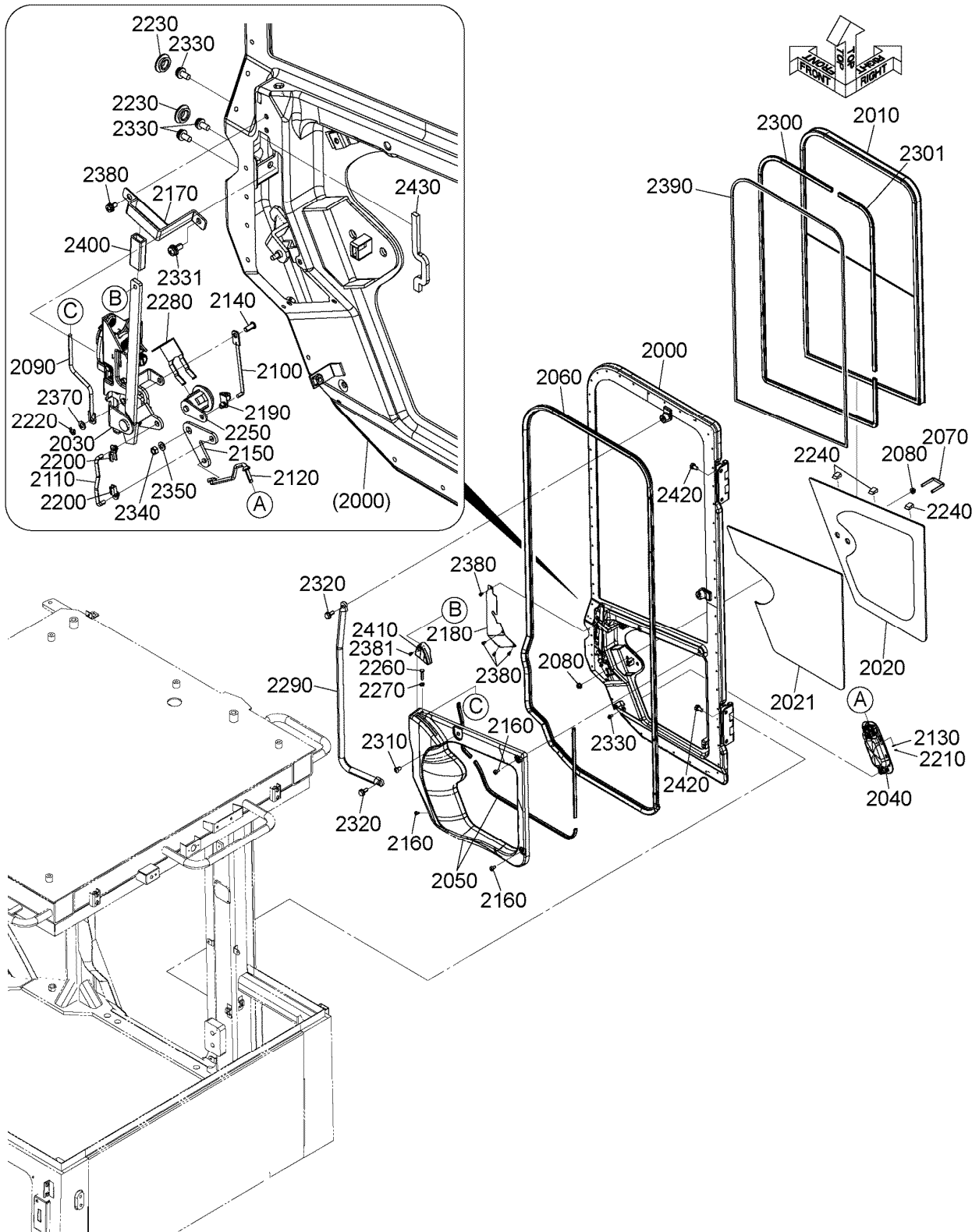
---

DOOR (R)  
 ドア (右)

Applicable Model (適用機種): -

Mark (記号): -

Serial No. (適用号機): -



DCYA00008010\_DOOR2

DOOR (R)  
ドア (右)

Applicable Model (適用機種): -

Mark(記号): -

Serial No. (適用号機): -

ITEM 符号	PART NO. 部品番号	PART NAME	部 品 名	Q'TY 数量	S. C サービ ス コート	SERIAL NO. 適用号機	ICA 互 換 性	REPLACEABLE PART 代 替 部 品	
								PART NO. 部品番号	Q'TY 数量
	YQXA0000294	DOOR	ドア	1		5001-			
2000	YQXB00009889	* FRAME	* フレーム	1		5001-			
2010	YQYA00036023	* SASH	* サッシ	1		5001-			
2020	YQXB00009890	* GLASS	* ガラス	1		5001-			
2021	YQXB00009867	* SEAL	* シール	1		5001-			
2030	YQYA00035861	* LOCK, DOOR	* ロック, ドア	1		5001-			
2040	YQYA00022889	* HANDLE, DOOR	* ハンドル, ドア	1		5001-			
2050	YQXB00009892	* TRIM	* トリム	1		5001-			
2060	YQYA00035859	* RUBBER	* ラバー	1		5001-			
2070	YQXB00009871	* BOLT, U	* ボルト, U	1		5001-			
2080	YQXB00008654	* NUT	* ナット	4		5001-			
2090	YQXB00009894	* ROD	* ロッド	1		5001-			
2100	YQXB00009873	* ROD	* ロッド	1		5001-			
2110	YQXB00009874	* ROD	* ロッド	1		5001-			
2120	YQXB00009895	* ROD	* ロッド	1		5001-			
2130	YQXB00008646	* WASHER	* ワッシャ	1		5001-			
2140	YQXB00009876	* PIN	* ピン	1		5001-			
2150	YQXB00011324	* PLATE	* プレート	1		5001-			
2160	YQXB00008721	* SCREW	* スクリュー	3		5001-			
2170	YQXB00011325	* GUIDE	* ガイド	1		5001-			
2180	YQXB00009896	* COVER	* カバー	1		5001-			
2190	YQXB00009880	* HOLDER	* ホルダー	1		5001-			
2200	YQXB00009881	* HOLDER	* ホルダー	2		5001-			
2210	YQXB00008647	* RING	* リング	1		5001-			
2220	YQXB00009897	* PIN	* ピン	1		5001-			
2230	YQXB00009898	* BUSHING, RUBBER	* ブッシング, ラバー	2		5001-			
2240	YQXB00009899	* SEAL	* シール	3		5001-			
2250	YQ4362135	* LOCK, DOOR	* ロック, ドア	1		5001-			
2260	YQXB00009950	* KNOB	* ノブ	1		5001-			
2270	YQXB00009882	* BUSHING, RUBBER	* ブッシング, ラバー	1		5001-			
2280	YQ4372091	* CLIP	* クリップ	1		5001-			
2290	YQXB00009900	* HANDRAIL	* ハンドレール	1		5001-			
2300	YQXB00009901	* SEAL	* シール	1		5001-			
2301	YQXB00009902	* SEAL	* シール	1		5001-			
2310	YQXB00009903	* BOLT	* ボルト	1		5001-			
2320	YQXB00008617	* BOLT	* ボルト	2		5001-			
2330	YQXB00008657	* SCREW	* スクリュー	5		5001-			
2331	YQXB00008602	* SCREW	* スクリュー	1		5001-			
2340	YQXB00008655	* PIN, STOPPER	* ピン, ストッパー	1		5001-			
2350	YQXB00008643	* WASHER	* ワッシャ	2		5001-			
2370	YQXB00009885	* WASHER, PLANE	* ワッシャ, プレーン	1		5001-			
2380	YQXB00008611	* SCREW	* スクリュー	5		5001-			
2381	YQXB00008612	* SCREW	* スクリュー	1		5001-			
2390	YQXB00009886	* PACKING	* パッキング	1		5001-			
2400	YQXB00009887	* COVER	* カバー	1		5001-			

DOOR (R)  
 ドア (右)

Applicable Model (適用機種): -

Mark(記号): -

Serial No. (適用号機): -

ITEM 符号	PART NO. 部品番号	PART NAME	部 品 名	Q' TY 数量	S. C サービ ス コート	SERIAL NO. 適用号機	ICA 互 換 性	REPLACEABLE PART 代 替 部 品	
								PART NO. 部品番号	Q' TY 数量
2410	YQYA00022878	* LEVER	* レバ-	1		5001-			
2420	YQXB00011326	* BOLT	* ボルト	4		5001-			
2430	YQXB00009888	* PACKING	* パッキン	1		5001-			

---

MEMO

---

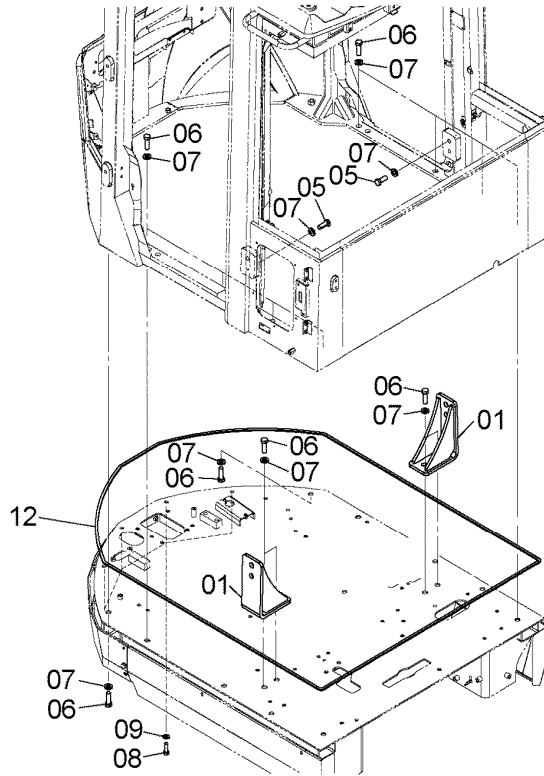
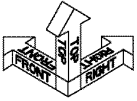
# CAB GROUP

## キャブグループ

Applicable Model (適用機種): -

Mark(記号): -

Serial No. (適用号機): -



DCYA60004097A

# CAB GROUP

## キャブグループ

Applicable Model (適用機種): -

Mark(記号): -

Serial No. (適用号機): -

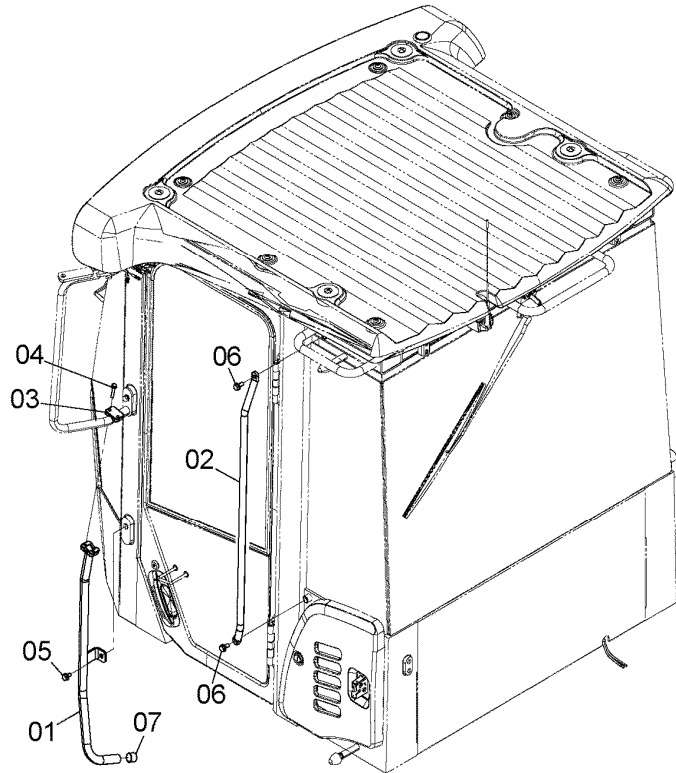
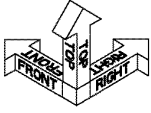
ITEM 符号	PART NO. 部品番号	PART NAME	部 品 名	Q' TY 数量	S. C サービ ス コート	SERIAL NO. 適用号機	ICA 互 換 性	REPLACEABLE PART 代 替 部 品	
								PART NO. 部品番号	Q' TY 数量
01	YQYA40003636	BRACKET	ブ ラケ ッ ト	2		5001-			
05	YQJ921640	BOLT	ボ ル ト	4		5001-			
06	YQJ921660	BOLT	ボ ル ト	14		5001-			
07	YQJ222016	WASHER	ワ ッ シ ャ	18		5001-			
08	YQJ921240	BOLT	ボ ル ト	4		5001-			
09	YQJ222012	WASHER	ワ ッ シ ャ	4		5001-			
12	YQ263G673561	INSULATOR	インシュレータ	1		5001-			

# HANDRAIL (L) ハンドレール (左)

Applicable Model (適用機種): -

Mark (記号): -

Serial No. (適用号機): -



DCYA60040484

# HANDRAIL (L)

## ハンドレール (左)

Applicable Model (適用機種): -

Mark(記号): -

Serial No. (適用号機): -

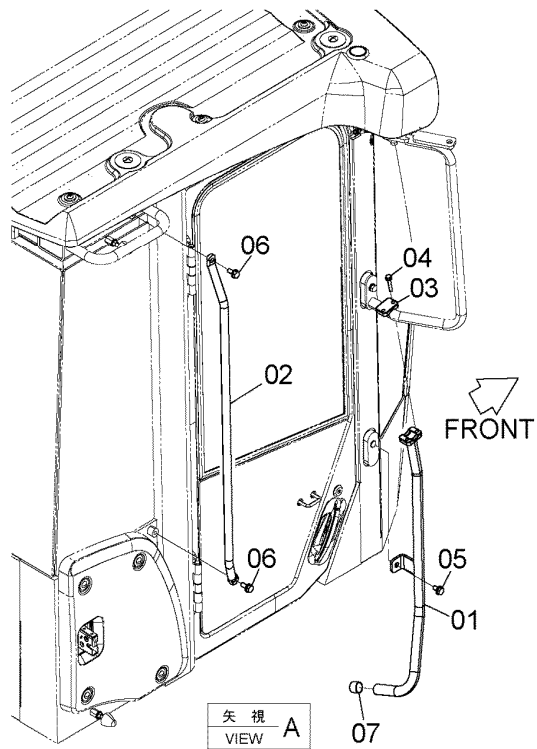
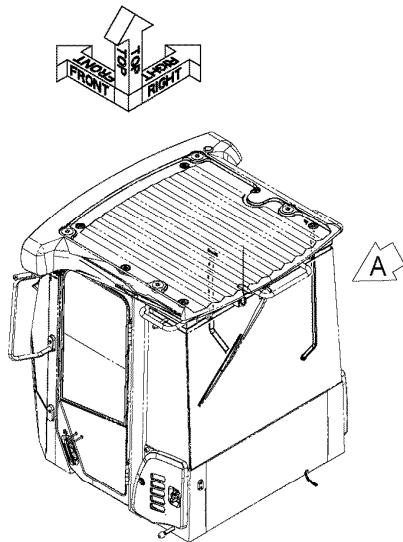
ITEM 符号	PART NO. 部品番号	PART NAME	部 品 名	Q' TY 数量	S. C サービ ス コート	SERIAL NO. 適用号機	I C A 互 換 性	REPLACEABLE PART 代 替 部 品	
								PART NO. 部品番号	Q' TY 数量
01	YQYA40014322	HANDRAIL	ハンドレール	1		5001-			
02	YQYA00022478	HANDRAIL	ハンドレール	1		5001-			
03	YQ4201441	CLAMP	クランプ	1		5001-			
04	YQJ260845	BOLT, W/WASHER	ボルト (ワッシャ付)	2	D	5001-			
05	YQJ271020	BOLT, W/WASHER	ボルト (ワッシャ付)	1	D	5001-			
06	YQJ271025	BOLT, W/WASHER	ボルト (ワッシャ付)	2	D	5001-			
07	YQ4697212	CAP	キャップ	1		5001-			

# HANDRAIL (R) ハンドレール (右)

Applicable Model (適用機種): -

Mark (記号): -

Serial No. (適用号機): -



DCYA60040485

# HANDRAIL (R)

## ハンドレール (右)

Applicable Model (適用機種): -

Mark(記号): -

Serial No. (適用号機): -

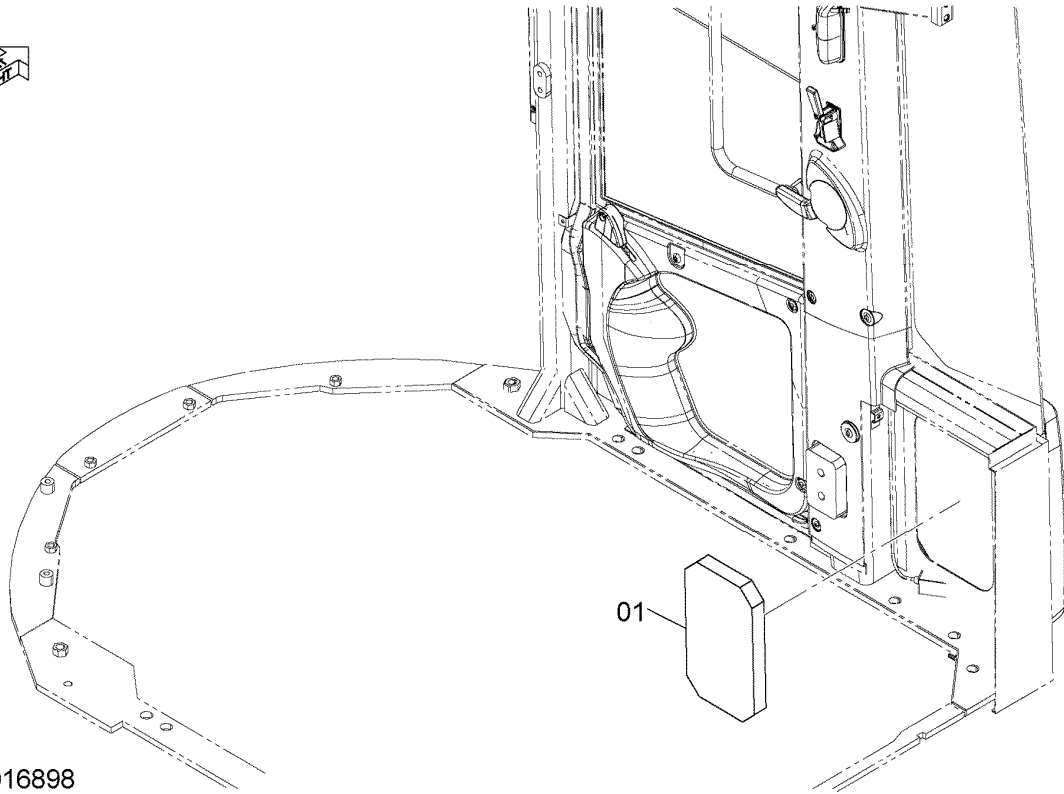
ITEM 符号	PART NO. 部品番号	PART NAME	部 品 名	Q' TY 数量	S. C サービ ス コート	SERIAL NO. 適用号機	I C A 互 換 性	REPLACEABLE PART 代 替 部 品	
								PART NO. 部品番号	Q' TY 数量
01	YQYA40014323	HANDRAIL	ハンドレール	1		5001-			
02	YQYA00039686	HANDRAIL	ハンドレール	1		5001-			
03	YQ4201441	CLAMP	クランプ	1		5001-			
04	YQJ260845	BOLT, W/WASHER	ボルト (ワッシャ付)	2	D	5001-			
05	YQJ271020	BOLT, W/WASHER	ボルト (ワッシャ付)	1	D	5001-			
06	YQJ271025	BOLT, W/WASHER	ボルト (ワッシャ付)	2	D	5001-			
07	YQ4697212	CAP	キャップ	1		5001-			

MAT (CAB RIGHT SIDE COVER)  
マット (キャブ右側カバー)

Applicable Model (適用機種): -

Mark (記号): -

Serial No. (適用号機): -



DCYA60016898

MAT (CAB RIGHT SIDE COVER)

マット (キャブ右側カバー)

Applicable Model (適用機種): -

Mark(記号): -

Serial No. (適用号機): -

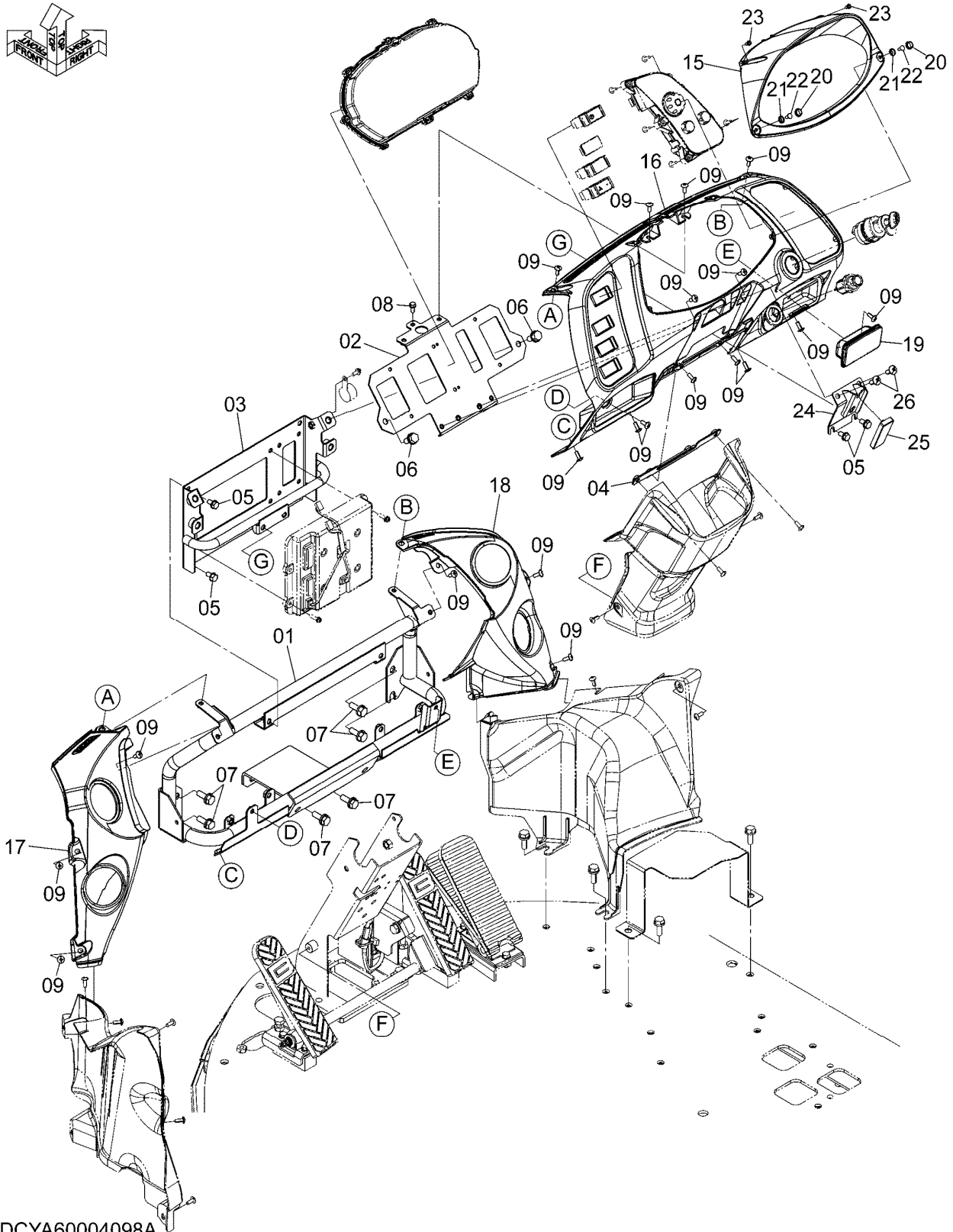
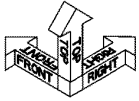
ITEM 符号	PART NO. 部品番号	PART NAME	部 品 名	Q' TY 数量	S. C サービ ス コート	SERIAL NO. 適用号機	ICA 互 換 性	REPLACEABLE PART 代 替 部 品	
								PART NO. 部品番号	Q' TY 数量
01	YQYA00004343	SEAL	シール	1		5001-			

FRONT CONSOLE (1)  
 フロントコンソール (1)

Applicable Model (適用機種): -

Mark (記号): -

Serial No. (適用号機): -



DCYA60004098A

FRONT CONSOLE (1)  
フロントコンソール (1)

Applicable Model (適用機種): -

Mark(記号): -

Serial No. (適用号機): -

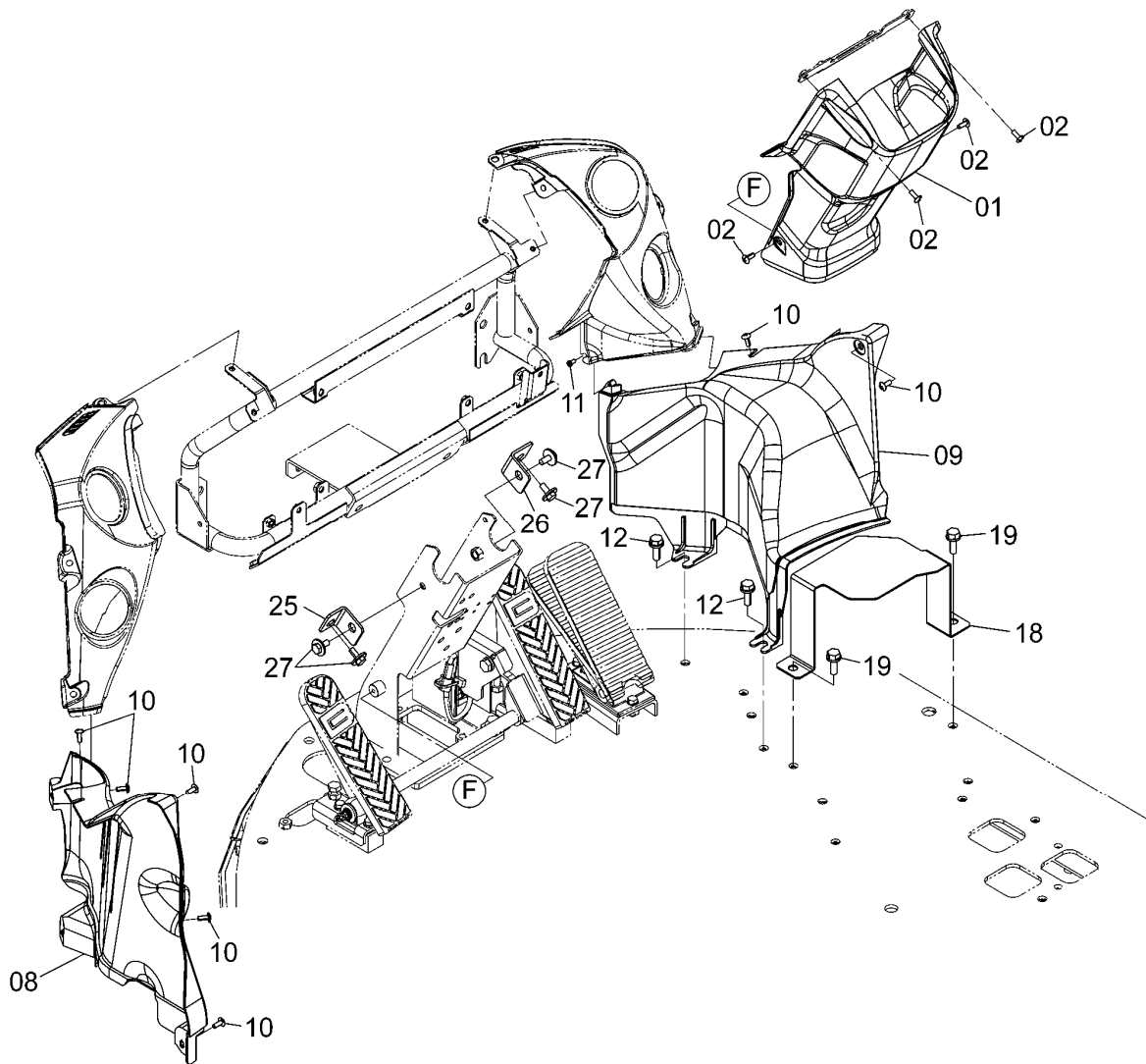
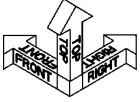
ITEM 符号	PART NO. 部品番号	PART NAME	部 品 名	Q'TY 数量	S. C サービ ス コート	SERIAL NO. 適用号機	ICA 互 換 性	REPLACEABLE PART 代 替 部 品	
								PART NO. 部品番号	Q'TY 数量
01	YQYA40003642	BRACKET	ブ ラケ ッ ト	1		5001-			
02	YQYA40003652	BRACKET	ブ ラケ ッ ト	1		5001-			
03	YQYA40003653	BRACKET	ブ ラケ ッ ト	1		5001-			
04	YQYA40003654	BRACKET	ブ ラケ ッ ト	1		5001-			
05	YQJ260816	BOLT, W/WASHER	ボ ル ト (ワ ッ シ ャ 付)	6	D	5001-			
06	YQJ271020	BOLT, W/WASHER	ボ ル ト (ワ ッ シ ャ 付)	2	D	5001-			
07	YQJ271030	BOLT, W/WASHER	ボ ル ト (ワ ッ シ ャ 付)	6	D	5001-			
08	YQJ260616	BOLT, W/WASHER	ボ ル ト (ワ ッ シ ャ 付)	1	D	5001-			
09	YQJ650616	SCREW	ス ク リ ュ	18		5001-			
15	YQYA00005589	COVER	カ ハ ー	1		5001-			
16	YQYA00005590	COVER	カ ハ ー	1		5001-			
17	YQYA00005591	COVER	カ ハ ー	1		5001-			
18	YQYA00005592	COVER	カ ハ ー	1		5001-			
19	YQ4643128	ASHTRAY	ア シ ャ ト レ イ	1		5001-			
20	YQYA00005596	CAP	キ ャ ッ プ	2		5001-			
21	YQYA00005597	BASE	ベ ー ス	2		5001-			
22	YQ0104505016	SCREW, TAPPING	ス ク リ ュ, タ ッ ピ ン グ	2		5001-			
23	YQ0104405012	SCREW, TAPPING	ス ク リ ュ, タ ッ ピ ン グ	2		5001-			
24	YQYA40003655	BRACKET	ブ ラケ ッ ト	1		5001-			
25	YQYA00005601	RUBBER	ラ バ ー	1		5001-			
26	YQJ650820	SCREW	ス ク リ ュ	2		5001-			

FRONT CONSOLE (2)  
フロントコンソール (2)

Applicable Model (適用機種): -

Mark(記号): -

Serial No.(適用号機): -



DCYA60011909A

FRONT CONSOLE (2)  
 フロントコンソール (2)

Applicable Model (適用機種): -

Mark(記号): -

Serial No. (適用号機): -

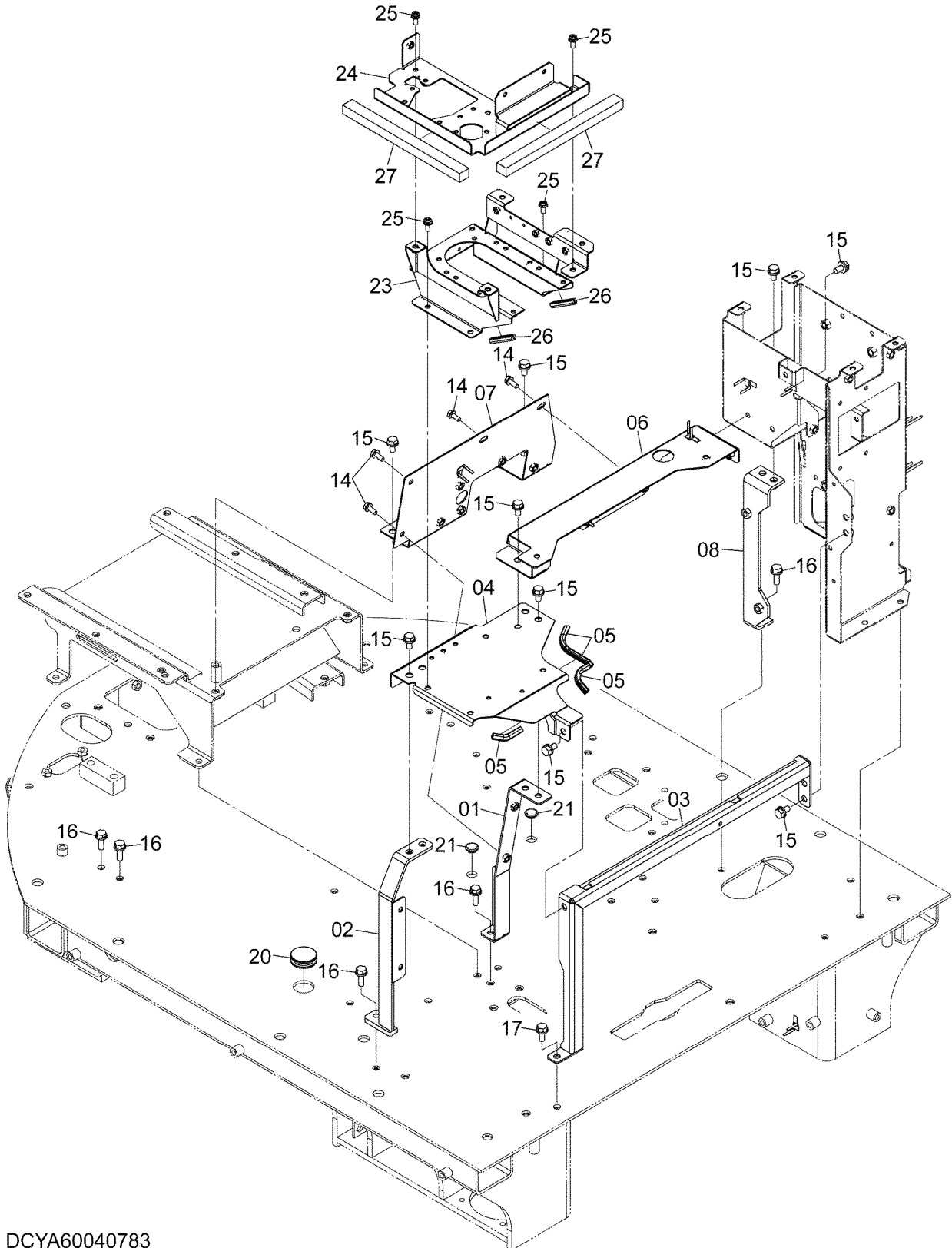
ITEM 符号	PART NO. 部品番号	PART NAME	部 品 名	Q' TY 数量	S. C サービ ス コート	SERIAL NO. 適用号機	ICA 互 換 性	REPLACEABLE PART 代 替 部 品	
								PART NO. 部品番号	Q' TY 数量
01	YQYA00005595	COVER	カバー	1		5001-			
02	YQJ650616	SCREW	スクリュ	6		5001-			
08	YQYA00005593	COVER	カバー	1		5001-			
09	YQYA00005594	COVER	カバー	1		5001-			
10	YQJ650616	SCREW	スクリュ	7		5001-			
11	YQ0104405012	SCREW, TAPPING	スクリュ, タッピング	1		5001-			
12	YQJ271030	BOLT, W/WASHER	ボルト (ワッシャ付)	2	D	5001-			
18	YQYA00005587	BRACKET	ブラケット	1		5001-			
19	YQJ271030	BOLT, W/WASHER	ボルト (ワッシャ付)	2	D	5001-			
25	YQYA00004364	BRACKET	ブラケット	1		5001-			
26	YQYA00004365	BRACKET	ブラケット	1		5001-			
27	YQJ281025	BOLT, W/WASHER	ボルト (ワッシャ付)	4	D	5001-			

FLOOR PARTS (REAR CONSOLE)  
フロアパーツ (リアコンソール)

Applicable Model (適用機種): -

Mark (記号): -

Serial No. (適用号機): -



DCYA60040783

FLOOR PARTS (REAR CONSOLE)  
フロアパーツ (リアコンソール)

Applicable Model (適用機種): -

Mark(記号): -

Serial No. (適用号機): -

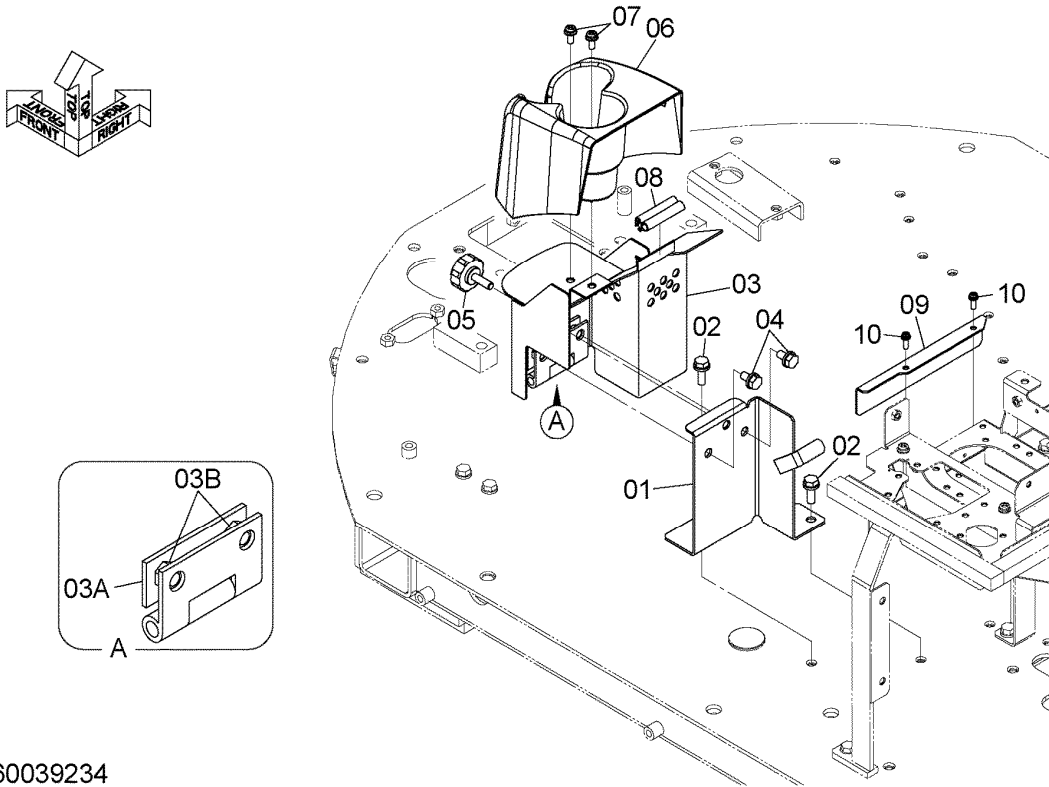
ITEM 符号	PART NO. 部品番号	PART NAME	部 品 名	Q' TY 数量	S. C サービ ス コート	SERIAL NO. 適用号機	ICA 互 換 性	REPLACEABLE PART 代 替 部 品	
								PART NO. 部品番号	Q' TY 数量
01	YQYA40003656	BRACKET	ブ ラケッ ト	1		5001-			
02	YQYA40003657	BRACKET	ブ ラケッ ト	1		5001-			
03	YQYA40003658	BRACKET	ブ ラケッ ト	1		5001-			
04	YQYA40003659	BRACKET	ブ ラケッ ト	1		5001-			
05	YQ5619060261	SEAL	シール	4		5001-			
06	YQYA40003660	BRACKET	ブ ラケッ ト	1		5001-			
07	YQYA40028182	BRACKET	ブ ラケッ ト	1		5001-			
08	YQYA40003663	BRACKET	ブ ラケッ ト	1		5001-			
14	YQJ260820	BOLT, W/WASHER	ボ ル ト (ワッシャ付)	4	D	5001-			
15	YQJ271020	BOLT, W/WASHER	ボ ル ト (ワッシャ付)	14	D	5001-			
16	YQJ271030	BOLT, W/WASHER	ボ ル ト (ワッシャ付)	5	D	5001-			
17	YQJ271025	BOLT, W/WASHER	ボ ル ト (ワッシャ付)	1	D	5001-			
20	YQ4288445	BUSHING, RUBBER	ブ ッ シ ン グ , ラバ ー	1		5001-			
21	YQ5660058461	BUSHING, RUBBER	ブ ッ シ ン グ , ラバ ー	2		5001-			
23	YQYA40003620	BRACKET	ブ ラケッ ト	1		5001-			
24	YQYA40023921	BRACKET	ブ ラケッ ト	1		5001-			
25	YQJ460820	SCREW	スクリュ	7		5001-			
26	YQ5619060261	SEAL	シール	2		5001-			
27	YQYA00004348	RUBBER	ラバ ー	2		5001-			

# FLOOR PARTS (DRINK HOLDER) フロアパーツ (ドリンクホルダ)

Applicable Model (適用機種): -

Mark (記号): -

Serial No. (適用号機): -



DCYA60039234

FLOOR PARTS (DRINK HOLDER)  
フロアパーツ (ドリンクホルダ)

Applicable Model (適用機種): -

Mark(記号): -

Serial No. (適用号機): -

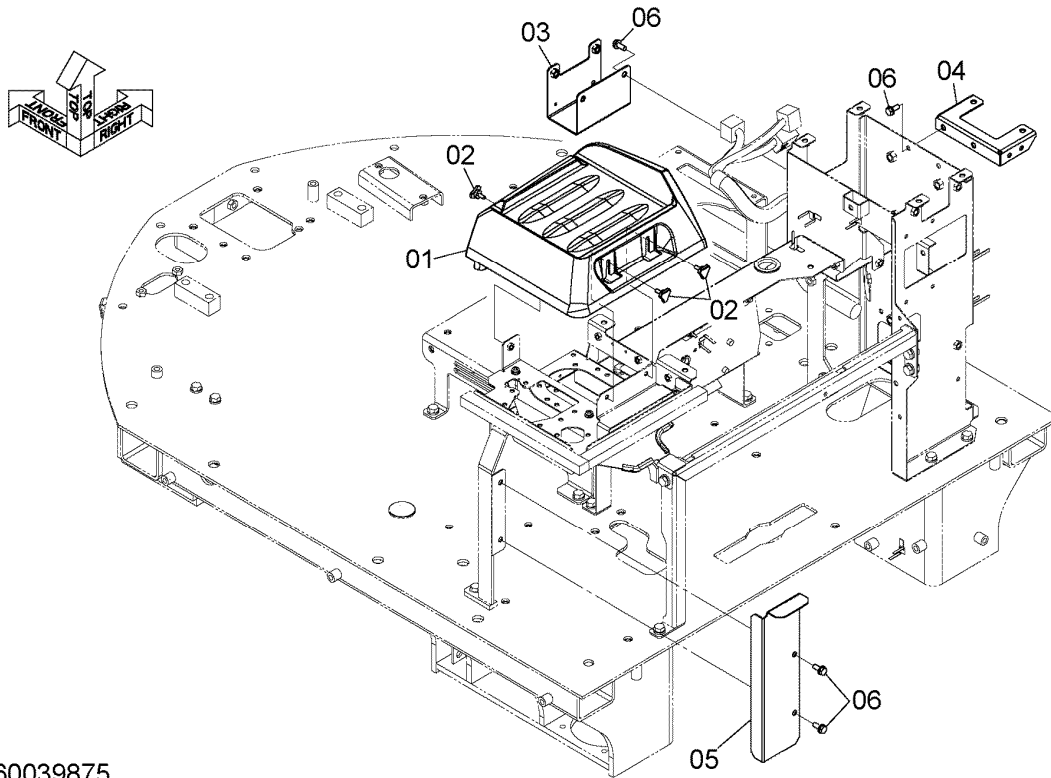
ITEM 符号	PART NO. 部品番号	PART NAME	部 品 名	Q' TY 数量	S. C サービ ス コード	SERIAL NO. 適用号機	I CA 互 換 性	REPLACEABLE PART 代 替 部 品	
								PART NO. 部品番号	Q' TY 数量
01	YQ263G670701	BRACKET	ブ ラケ ッ ト	1		5001-			
02	YQJ271030	BOLT, W/WASHER	ボ ル ト (ワ ッ シ ャ 付)	2	D	5001-			
03	YQ263G670711	BRACKET	ブ ラケ ッ ト	1		5001-			
03A	YQ263G212801	* HINGE	* ヒ ン ジ ン ぐ	1	W	5001-			
03B	YQ0141300010	* NUT, WD.	* ナ ッ ト, ウ ェ ル テ ィ ン グ	2	W	5001-			
04	YQJ271020	BOLT, W/WASHER	ボ ル ト (ワ ッ シ ャ 付)	2	D	5001-			
05	YQ263G673941	KNOB	ノ ブ	1		5001-			
06	YQYA00005624	COVER	カ バ ー	1		5001-			
07	YQJ680820	SCREW	ス ク リ ュ	2		5001-			
08	YQ2660643371	SEAL	シ ール	1		5001-			
09	YQYA00005621	COVER	カ バ ー	1		5001-			
10	YQJ460620	SCREW	ス ク リ ュ	2		5001-			

REAR CONSOLE (1)  
リアコンソール (1)

Applicable Model (適用機種): -

Mark (記号): -

Serial No. (適用号機): -



DCYA60039875

REAR CONSOLE (1)  
リアコンソール (1)

Applicable Model (適用機種): -

Mark(記号): -

Serial No. (適用号機): -

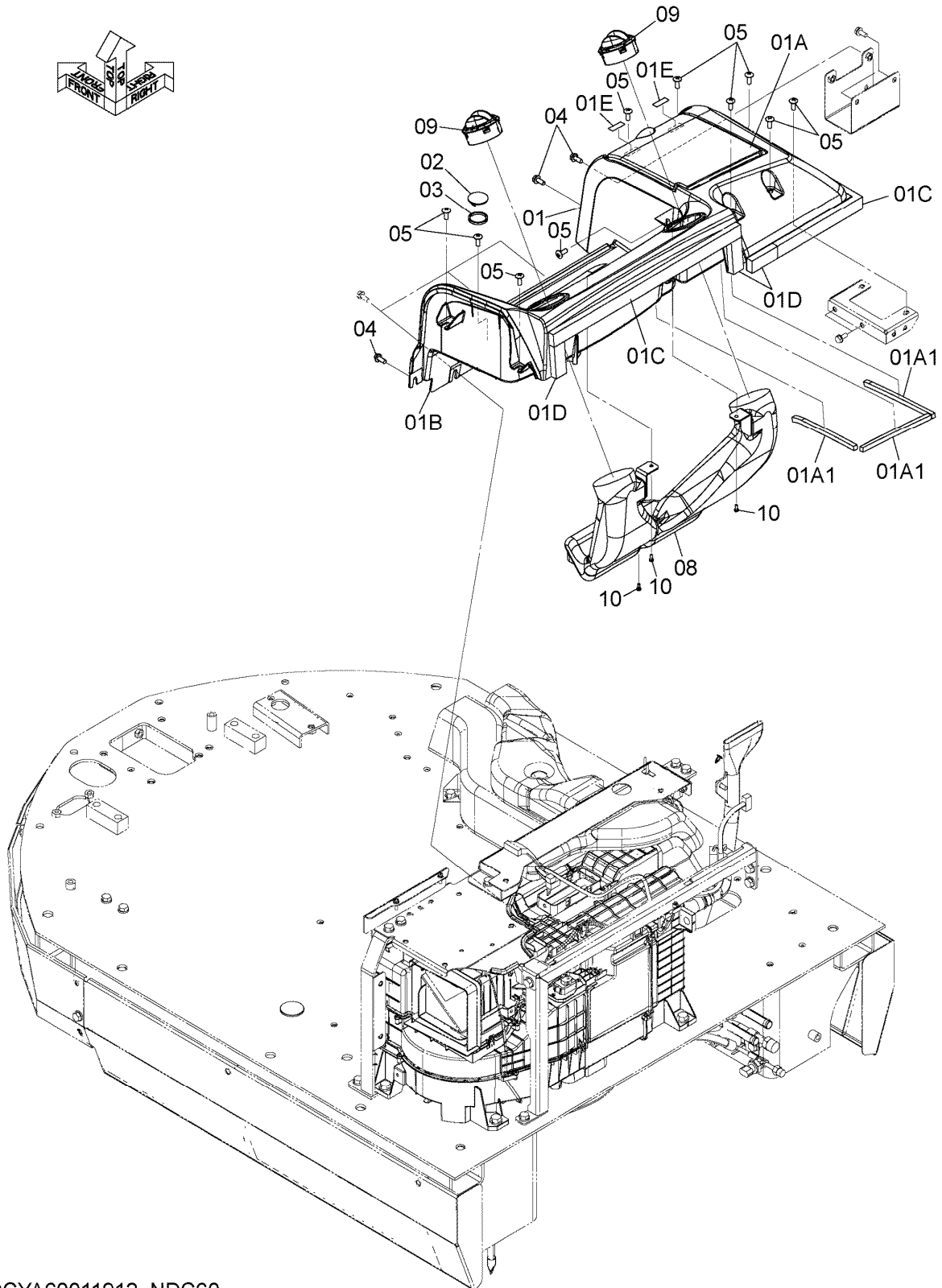
ITEM 符号	PART NO. 部品番号	PART NAME	部 品 名	Q' TY 数量	S. C サービ ス コート	SERIAL NO. 適用号機	ICA 互 換 性	REPLACEABLE PART 代 替 部 品	
								PART NO. 部品番号	Q' TY 数量
01	YQYA00005622	COVER	カバー	1		5001-			
02	YQYA00005623	KNOB	ノブ	3		5001-			
03	YQYA40003662	BRACKET	ブラケット	1		5001-			
04	YQYA40003664	BRACKET	ブラケット	1		5001-			
05	YQYA00005620	PLATE	プレート	1		5001-			
06	YQJ260820	BOLT, W/WASHER	ボルト (ワッシャ付)	6	D	5001-			

# REAR CONSOLE (2) リアコンソール (2)

Applicable Model (適用機種): -

Mark (記号): -

Serial No. (適用号機): -



DCYA60011912\_NDC60

REAR CONSOLE (2)  
リアコンソール (2)

Applicable Model (適用機種): -

Mark(記号): -

Serial No. (適用号機): -

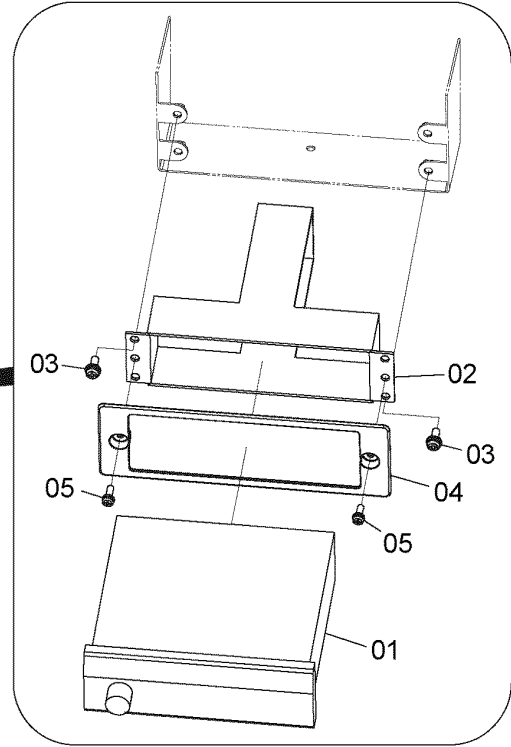
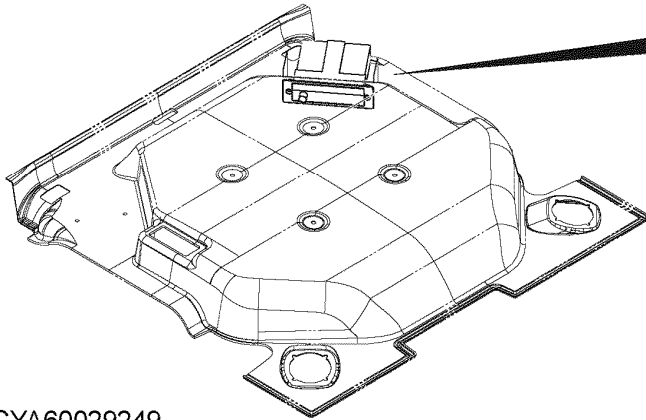
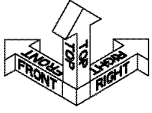
ITEM 符号	PART NO. 部品番号	PART NAME	部 品 名	Q' TY 数量	S. C サービ ス コート	SERIAL NO. 適用号機	ICA 互 換 性	REPLACEABLE PART 代 替 部 品	
								PART NO. 部品番号	Q' TY 数量
01	YQYA40003717	TRAY	トレイ	1		5001-			
01A	YQYA40003666	* COVER	* カハ <sup>°</sup> -	1		5001-			
01A1	YQYA00005630	** SEAL	** シール	3		5001-			
01B	YQYA00005629	* COVER	* カハ <sup>°</sup> -	1		5001-			
01C	YQYA00005626	* RUBBER	* ラハ <sup>°</sup> -	2		5001-			
01D	YQYA00005627	* RUBBER	* ラハ <sup>°</sup> -	3		5001-			
01E	YQYA00005628	* RUBBER	* ラハ <sup>°</sup> -	2		5001-			
02	YQ3118328	CAP	キャップ	2		5001-			
03	YQ4656300	RUBBER	ラハ <sup>°</sup> -	2		5001-			
04	YQJ260820	BOLT, W/WASHER	ボルト (ワッシャ付)	3	D	5001-			
05	YQJ650820	SCREW	スクリュ	11		5001-			
08	YQYA00005547	DUCT	ダクト	1		5001-			
09	YQYA00003014	LOUVER	ルーバ <sup>°</sup>	2		5001-			
10	YQ0104405012	SCREW, TAPPING	スクリュ, タッピング	3		5001-			

# RADIO ラジオ

Applicable Model (適用機種): -

Mark(記号): -

Serial No. (適用号機): -



DCYA60029249

# RADIO

## ラジオ

Applicable Model (適用機種): -

Mark(記号): -

Serial No. (適用号機): -

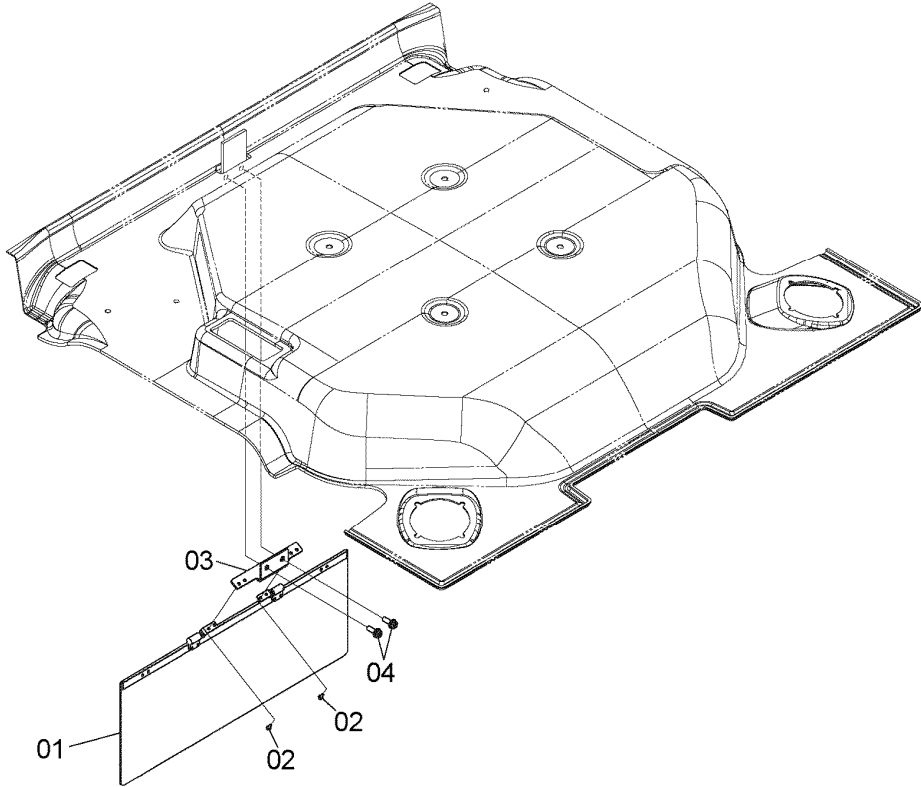
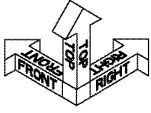
ITEM 符号	PART NO. 部品番号	PART NAME	部 品 名	Q' TY 数量	S. C サービ ス コート	SERIAL NO. 適用号機	ICA 互 換 性	REPLACEABLE PART 代 替 部 品	
								PART NO. 部品番号	Q' TY 数量
01	YQ3110260170	RADIO	ラジオ	1		5001-			
02	YQ4090325230	BRACKET	ブラケット	1		5001-			
03	YQJ460616	SCREW	スクリュ	4		5001-			
04	YQ4171560180	COVER	カバー	1		5001-			
05	YQJ680516	SCREW	スクリュ	2		5001-			

# SUNVISOR サンバイザ

Applicable Model (適用機種): -

Mark (記号): -

Serial No. (適用号機): -



DCYA60029250

# SUNVISOR サンバイザ

Applicable Model (適用機種): -

Mark(記号): -

Serial No. (適用号機): -

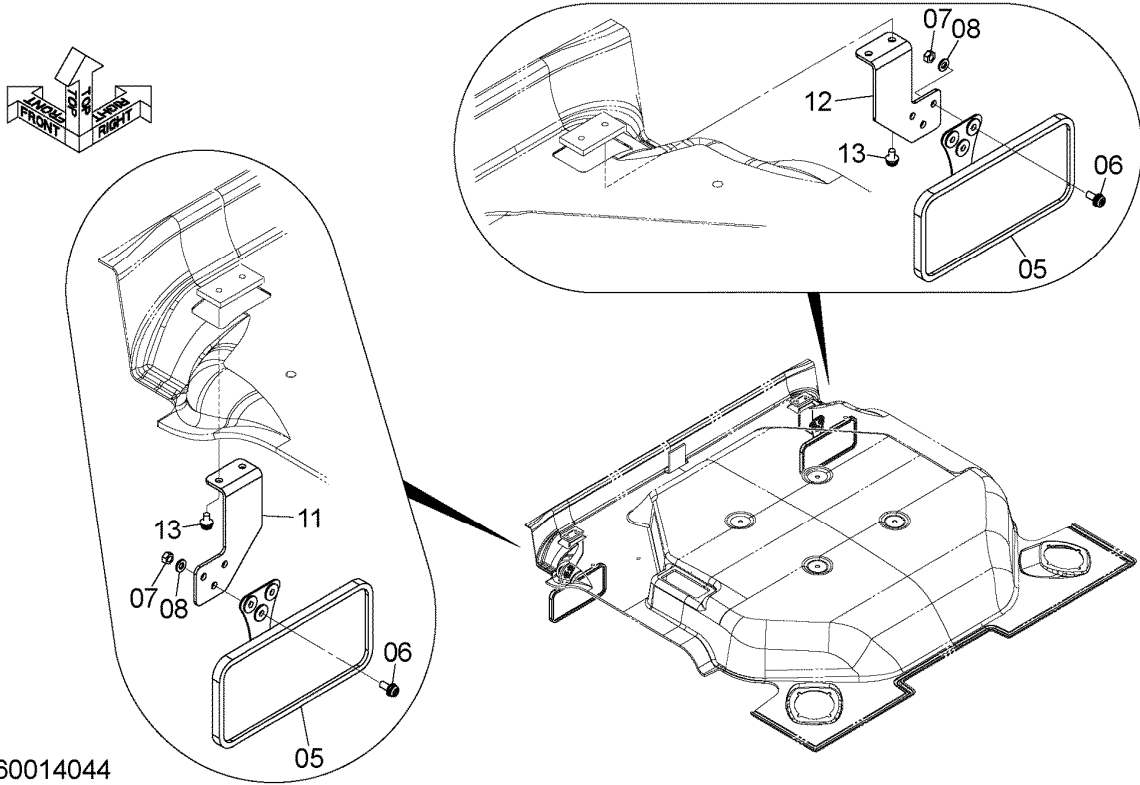
ITEM 符号	PART NO. 部品番号	PART NAME	部 品 名	Q' TY 数量	S. C サービ ス コート	SERIAL NO. 適用号機	ICA 互 換 性	REPLACEABLE PART 代 替 部 品	
								PART NO. 部品番号	Q' TY 数量
01	YQ3819120130	SUN-VISOR	サンバイザ	1		5001-			
02	YQ0103304012	SCREW	スクリュ	4		5001-			
03	YQ4175420340	BRACKET	ブラケット	1		5001-			
04	YQJ680825	SCREW	スクリュ	2		5001-			

# ROOM MIRROR ルームミラー

Applicable Model (適用機種): -

Mark (記号): -

Serial No. (適用号機): -



DCYA60014044

ROOM MIRROR  
ルーフミラー

Applicable Model (適用機種): -

Mark(記号): -

Serial No. (適用号機): -

ITEM 符号	PART NO. 部品番号	PART NAME	部 品 名	Q' TY 数量	S. C サービ ス コート	SERIAL NO. 適用号機	ICA 互 換 性	REPLACEABLE PART 代 替 部 品	
								PART NO. 部品番号	Q' TY 数量
05	YQ2631917051	MIRROR	ミラー	2		5001-			
06	YQJ680616	SCREW	スクリュ	6		5001-			
07	YQJ230006	NUT	ナット	6		5001-			
08	YQJ250006	WASHER, PLANE	ワッシャー, フレーン	6		5001-			
11	YQ263G672271	BRACKET	ブ ラケ ッ ト	1		5001-			
12	YQ263G672281	BRACKET	ブ ラケ ッ ト	1		5001-			
13	YQJ460612	SCREW	スクリュ	4		5001-			

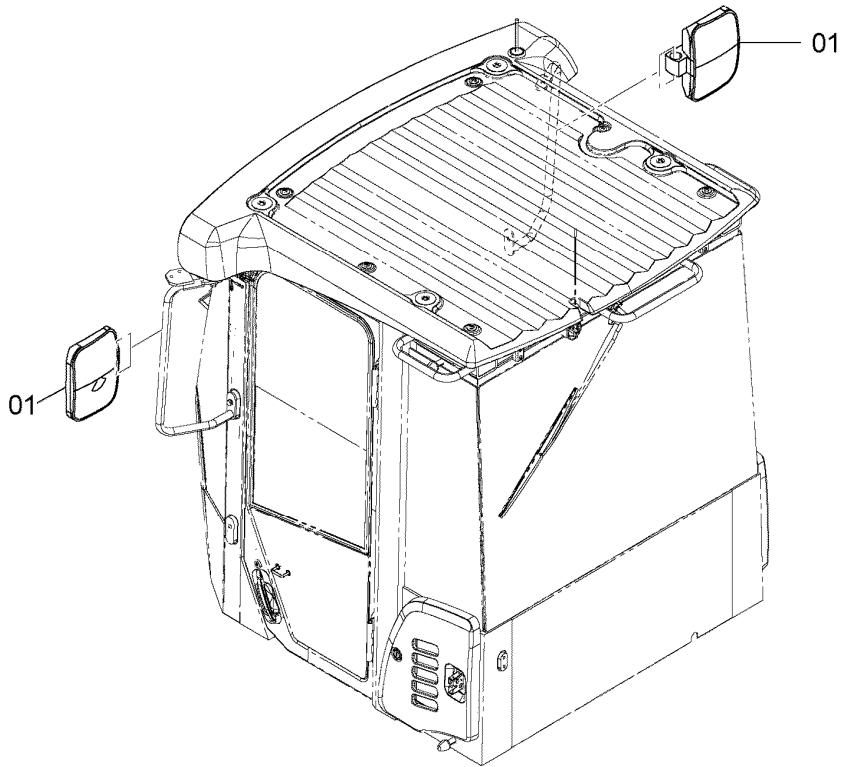
# REARVIEW MIRROR

## バックミラー

Applicable Model (適用機種): -

Mark (記号): -

Serial No. (適用号機): -



DCYA60004118

# REARVIEW MIRROR

## バックミラー

Applicable Model (適用機種): -

Mark(記号): -

Serial No. (適用号機): -

ITEM 符号	PART NO. 部品番号	PART NAME	部 品 名	Q' TY 数量	S. C サービ ス コート	SERIAL NO. 適用号機	ICA 互 換 性	REPLACEABLE PART 代 替 部 品	
								PART NO. 部品番号	Q' TY 数量
01	YQ263G674181	MIRROR	ミラー	2		5001-			

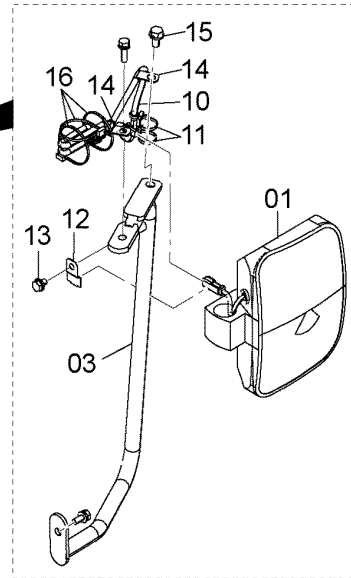
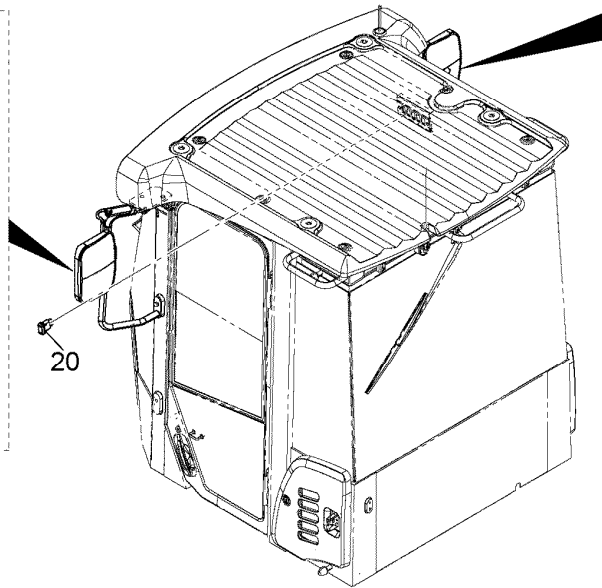
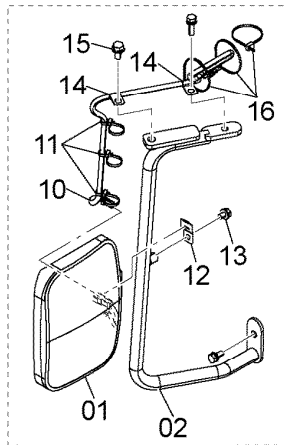
# HEATER MIRROR

## ヒータミラー

Applicable Model (適用機種): -

Mark (記号): -

Serial No. (適用号機): -



DCYA60013063

# HEATER MIRROR

## ヒータミラー

Applicable Model (適用機種): -

Mark(記号): -

Serial No. (適用号機): -

ITEM 符号	PART NO. 部品番号	PART NAME	部 品 名	Q' TY 数量	S. C サービ ス コート	SERIAL NO. 適用号機	ICA 互 換 性	REPLACEABLE PART 代 替 部 品	
								PART NO. 部品番号	Q' TY 数量
01	YQYA00019257	MIRROR	ミラー	2		5001-			
02	YQYA40012501	STAY	ステー	1		5001-			
03	YQYA40012502	STAY	ステー	1		5001-			
10	YQYA00018931	HARNESS	ハーネス	2		5001-			
11	YQ4441695	CLIP	クリップ	5		5001-			
12	YQ263G244731	BRACKET	ブラケット	2		5001-			
13	YQJ271016	BOLT, W/WASHER	ボルト (ワッシャ付)	2	D	5001-			
14	YQ4190261	CLIP	クリップ	4		5001-			
15	YQJ271225	BOLT, W/WASHER	ボルト (ワッシャ付)	2	D	5001-			
16	YQ0491311200	CLIP	クリップ	6		5001-			
20	YQYA00021191	SWITCH, TUMBLER	スイッチ, タンブラ	1		5001-			

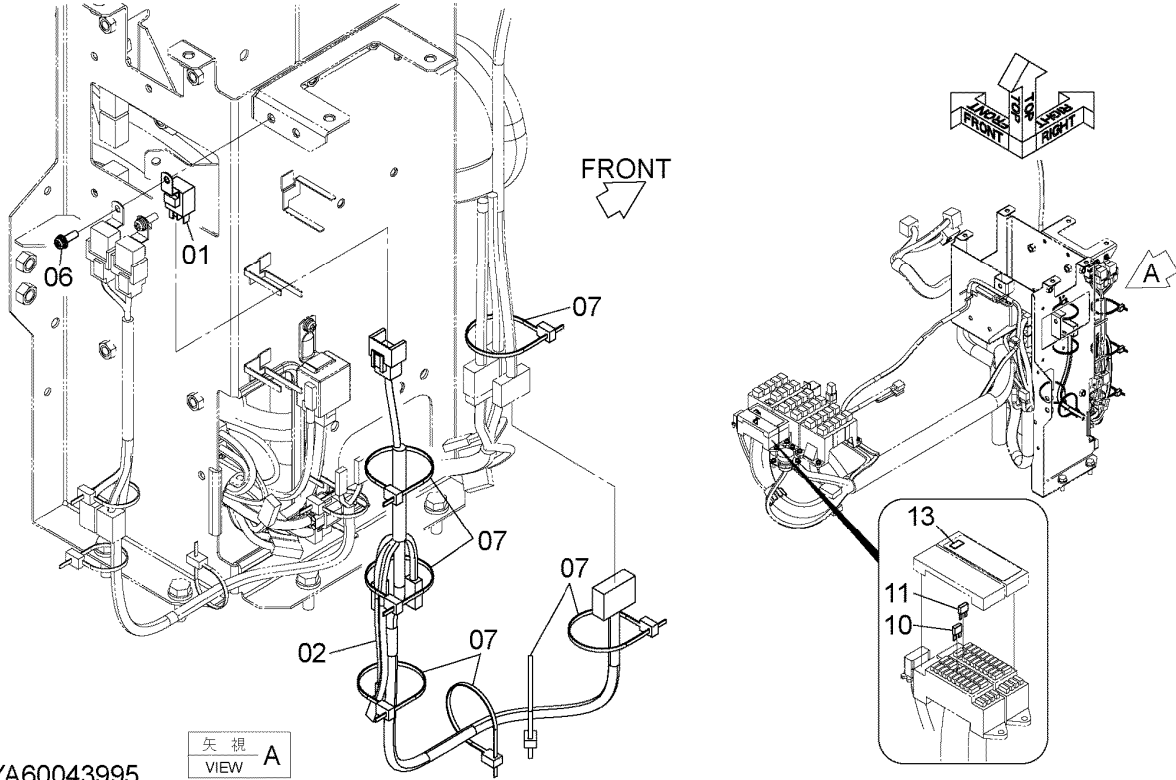
# RELAY FOR HEATER MIRROR

## ヒータミラー用リレー

Applicable Model (適用機種): -

Mark (記号): -

Serial No. (適用号機): -



DCYA60043995

# RELAY FOR HEATER MIRROR

## ヒータミラー用リレー

Applicable Model (適用機種): -

Mark(記号): -

Serial No. (適用号機): -

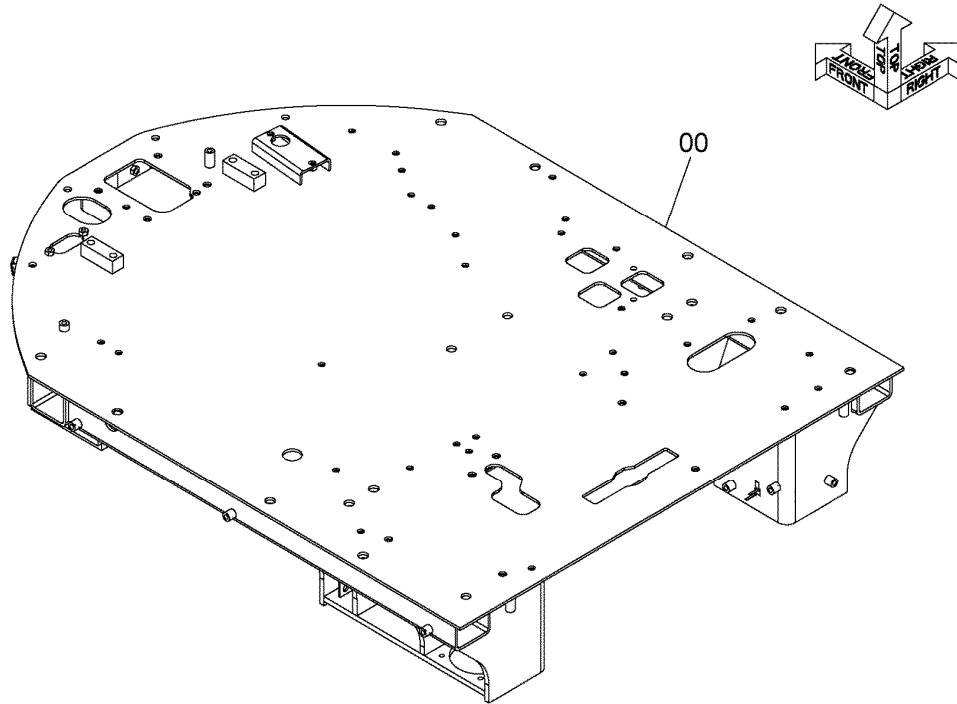
ITEM 符号	PART NO. 部品番号	PART NAME	部品名	Q'TY 数量	S. C サービ ス コート	SERIAL NO. 適用号機	ICA 互 換 性	REPLACEABLE PART 代替部品	
								PART NO. 部品番号	Q'TY 数量
01	YQ4414207	RELAY	リレー	1		5001-			
02	YQYA00032780	HARNESS	ハーネス	1		5001-			
06	YQJ460620	SCREW	スクリュー	1		5001-			
07	YQ0491311200	CLIP	クリップ	7		5001-			
10	YQ4438015	FUSE	ヒューズ	1		5001-			
11	YQ4428910	(15A) FUSE	(15A) ヒューズ	1		5001-			
13	YQYA00044342	(5A) NAME-PLATE (FUSE OPTION)	(5A) ネームプレート (ヒューズオプション)	1		5001-			

# FLOOR PLATE フロアプレート

Applicable Model (適用機種): -

Mark (記号): -

Serial No. (適用号機): -



DCYA40023578

# FLOOR PLATE

## フロアプレート

Applicable Model (適用機種): -

Mark(記号): -

Serial No. (適用号機): -

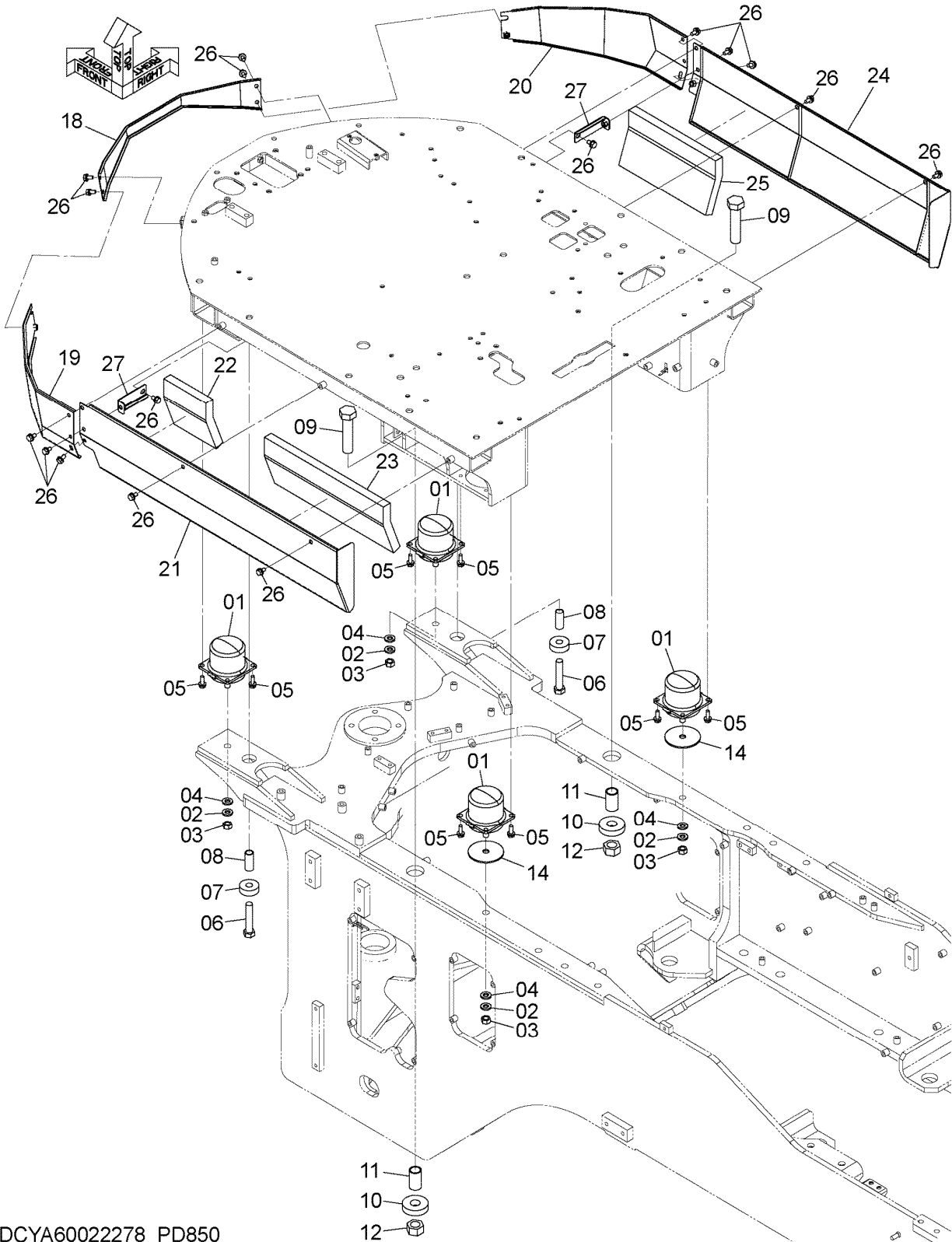
ITEM 符号	PART NO. 部品番号	PART NAME	部品名	Q'TY 数量	S.C サービ ス コード	SERIAL NO. 適用号機	ICA 互 換 性	REPLACEABLE PART 代替部品	
								PART NO. 部品番号	Q'TY 数量
00	YQYA40023578	FLOOR	フロア	1		5001-			

# FLOOR PLATE PARTS フロアプレート用品

Applicable Model (適用機種): -

Mark (記号): -

Serial No. (適用号機): -



DCYA60022278\_PD850

FLOOR PLATE PARTS  
フロアプレート用品

Applicable Model (適用機種): -

Mark(記号): -

Serial No. (適用号機): -

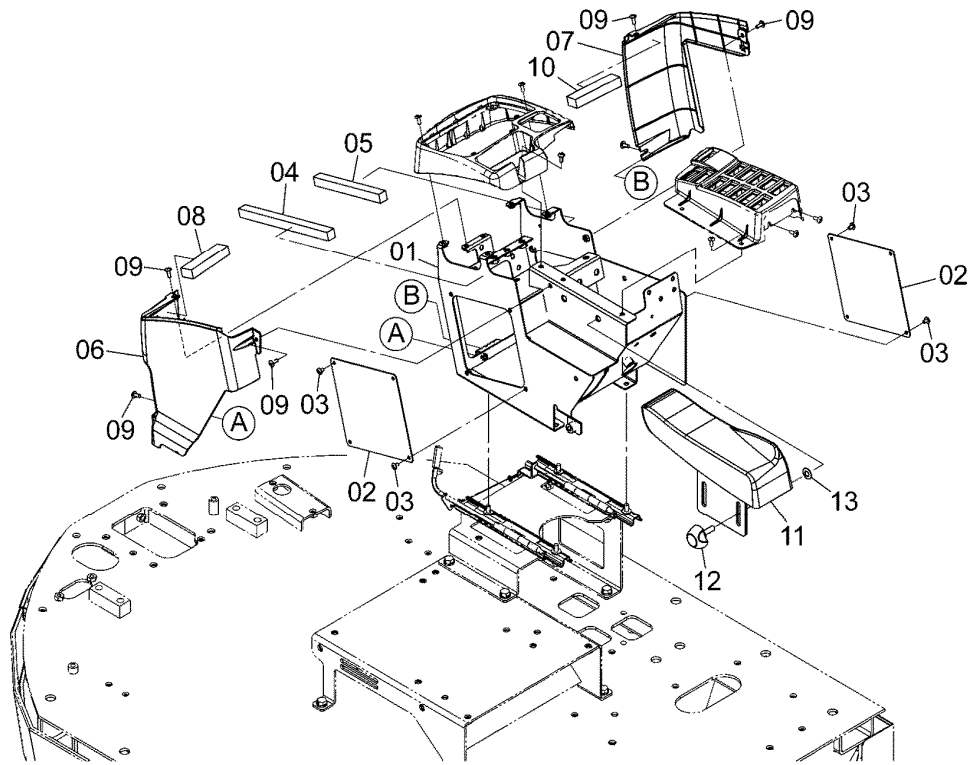
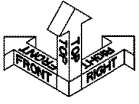
ITEM 符号	PART NO. 部品番号	PART NAME	部 品 名	Q' TY 数量	S. C サービ ス コート	SERIAL NO. 適用号機	ICA 互 換 性	REPLACEABLE PART 代 替 部 品	
								PART NO. 部品番号	Q' TY 数量
01	YQ263E692221	RUBBER	ラバ <sup>°</sup>	4		5001-			
02	YQJ222016	WASHER	ワッシャ	4		5001-			
03	YQJ950016	NUT	ナット	4		5001-			
04	YQ2606302131	WASHER	ワッシャ	4		5001-			
05	YQJ271030	BOLT, W/WASHER	ボ <sup>°</sup> ルト (ワッシャ付)	16	D	5001-			
06	YQJ922000	BOLT	ボ <sup>°</sup> ルト	2		5001-			
07	YQ2675692281	PLATE	プ <sup>°</sup> レート	2		5001-			
08	YQ2675692291	SPACER	ス <sup>°</sup> パ <sup>°</sup> ーサ	2		5001-			
09	YQ0111630130	BOLT	ボ <sup>°</sup> ルト	2		5001-			
10	YQ2675692271	PLATE	プ <sup>°</sup> レート	2		5001-			
11	YQ2675692301	SPACER	ス <sup>°</sup> パ <sup>°</sup> ーサ	2		5001-			
12	YQJ950030	NUT	ナット	2		5001-			
14	YQ263F692001	WASHER	ワッシャ	2		5001-			
18	YQYA00005666	COVER	カバ <sup>°</sup>	1		5001-			
19	YQYA40003683	COVER	カバ <sup>°</sup>	1		5001-			
20	YQYA40003684	COVER	カバ <sup>°</sup>	1		5001-			
21	YQYA40003685	COVER	カバ <sup>°</sup>	1		5001-			
22	YQYA00004342	SEAL	シール	1		5001-			
23	YQ263J692032	MAT	マツト	1		5001-			
24	YQYA40003686	COVER	カバ <sup>°</sup>	1		5001-			
25	YQ263J692021	MAT	マツト	1		5001-			
26	YQJ271020	BOLT, W/WASHER	ボ <sup>°</sup> ルト (ワッシャ付)	16	D	5001-			
27	YQYA40003687	BRACKET	ブ <sup>°</sup> ラケツト	2		5001-			

# RIGHT CONSOLE (1) 右コンソール (1)

Applicable Model (適用機種): -

Mark (記号): -

Serial No. (適用号機): -



DCYA60004122A

# RIGHT CONSOLE (1)

## 右コンソール (1)

Applicable Model (適用機種): -

Mark(記号): -

Serial No. (適用号機): -

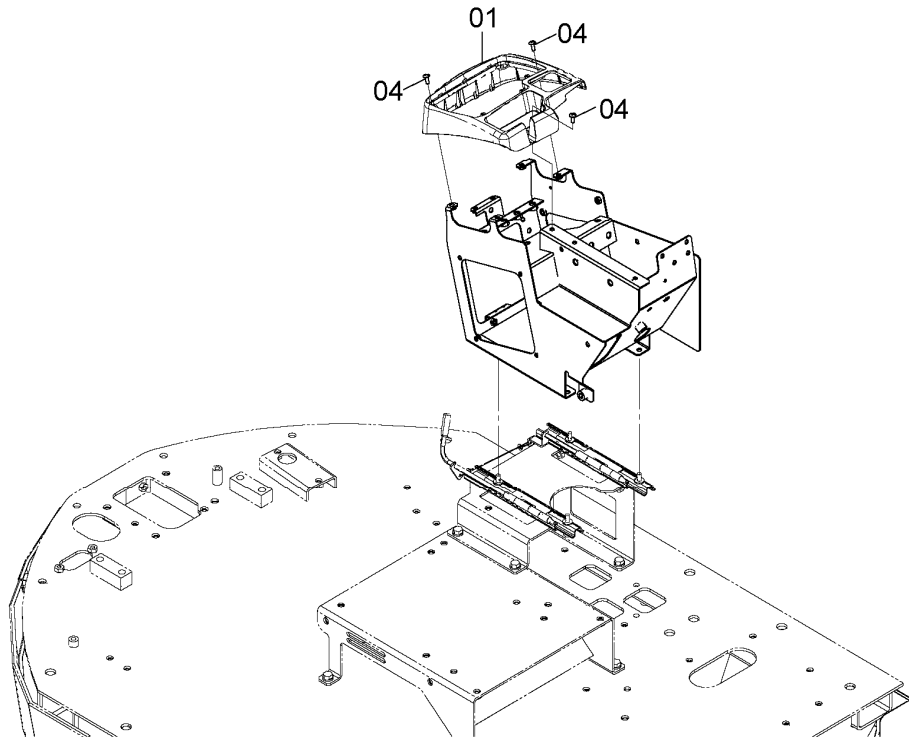
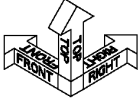
ITEM 符号	PART NO. 部品番号	PART NAME	部 品 名	Q' TY 数量	S. C サービ ス コート	SERIAL NO. 適用号機	ICA 互 換 性	REPLACEABLE PART 代 替 部 品	
								PART NO. 部品番号	Q' TY 数量
01	YQYA40003688	FRAME	フレーム	1		5001-			
02	YQYA00005682	COVER	カバー	2		5001-			
03	YQJ650610	SCREW	スクリュ	8		5001-			
04	YQYA00005683	SEAL	シール	1		5001-			
05	YQYA00005684	SEAL	シール	1		5001-			
06	YQYA00005686	COVER	カバー	1		5001-			
07	YQYA00005687	COVER	カバー	1		5001-			
08	YQYA00005689	SEAL	シール	2		5001-			
09	YQJ650616	SCREW	スクリュ	6		5001-			
11	YQ263G742331	REST, ARM	レスト, アーム	1		5001-			
12	YQ263G673941	KNOB	ノブ	2		5001-			
13	YQ263G743191	WASHER, CONICAL	ワッシャ, コニカル	2		5001-			

# RIGHT CONSOLE (2) 右コンソール (2)

Applicable Model (適用機種): -

Mark (記号): -

Serial No. (適用号機): -



DCYA60011929A

RIGHT CONSOLE (2)

右コンソール (2)

Applicable Model (適用機種): -

Mark(記号): -

Serial No. (適用号機): -

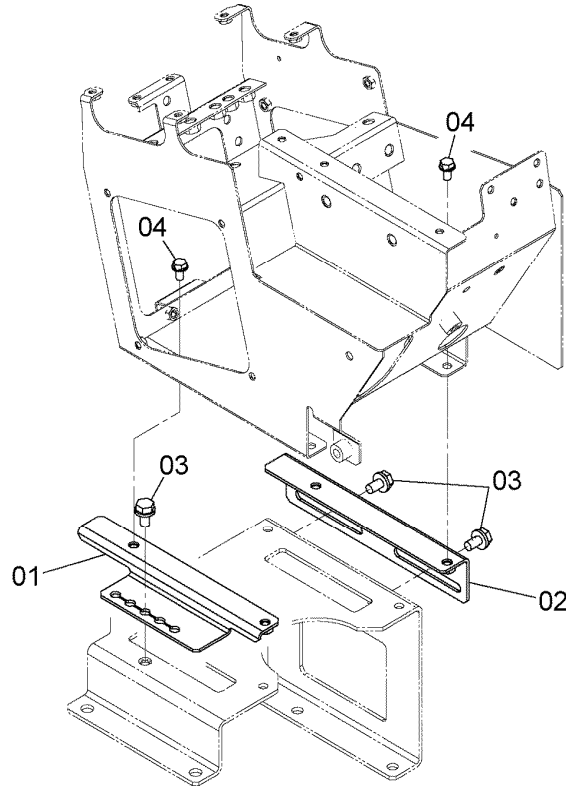
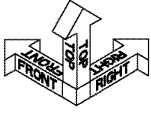
ITEM 符号	PART NO. 部品番号	PART NAME	部 品 名	Q' TY 数量	S. C サービ ス コート	SERIAL NO. 適用号機	ICA 互 換 性	REPLACEABLE PART 代 替 部 品	
								PART NO. 部品番号	Q' TY 数量
01	YQYA00005685	COVER	カバー	1		5001-			
04	YQJ650616	SCREW	スクリュー	5		5001-			

WITHOUT RIGHT CONSOLE SLIDER PARTS  
右コンソールスライダ不付用品

Applicable Model (適用機種): -

Mark (記号): -

Serial No. (適用号機): -



DCYA60011968

WITHOUT RIGHT CONSOLE SLIDER PARTS  
右コンソールスライダ不付用品

Applicable Model (適用機種): -

Mark(記号): -

Serial No. (適用号機): -

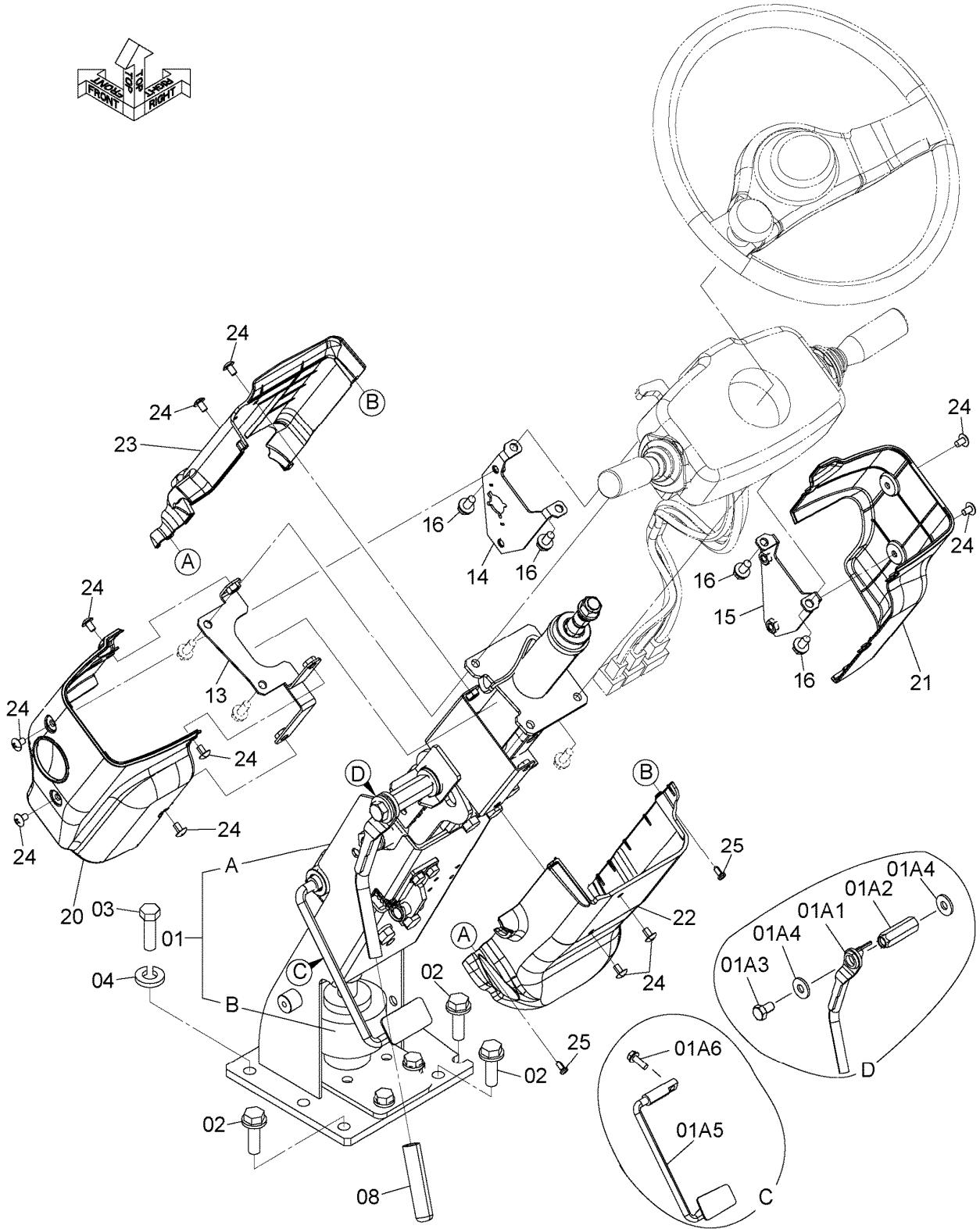
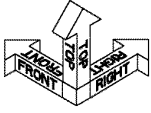
ITEM 符号	PART NO. 部品番号	PART NAME	部 品 名	Q' TY 数量	S. C サービ ス コート	SERIAL NO. 適用号機	ICA 互 換 性	REPLACEABLE PART 代 替 部 品	
								PART NO. 部品番号	Q' TY 数量
01	YQYA40010669	BRACKET	ブ ラケ ッ ト	1		5001-			
02	YQYA40010670	BRACKET	ブ ラケ ッ ト	1		5001-			
03	YQJ271020	BOLT, W/WASHER	ボ ル ト (ワ ッ シ ャ 付)	3	D	5001-			
04	YQJ260816	BOLT, W/WASHER	ボ ル ト (ワ ッ シ ャ 付)	4	D	5001-			

# STEERING COLUMN ステアリングコラム

Applicable Model (適用機種): -

Mark (記号): -

Serial No. (適用号機): -



DCYA60020751\_PD850

# STEERING COLUMN

## ステアリングコラム

Applicable Model (適用機種): -

Mark(記号): -

Serial No. (適用号機): -

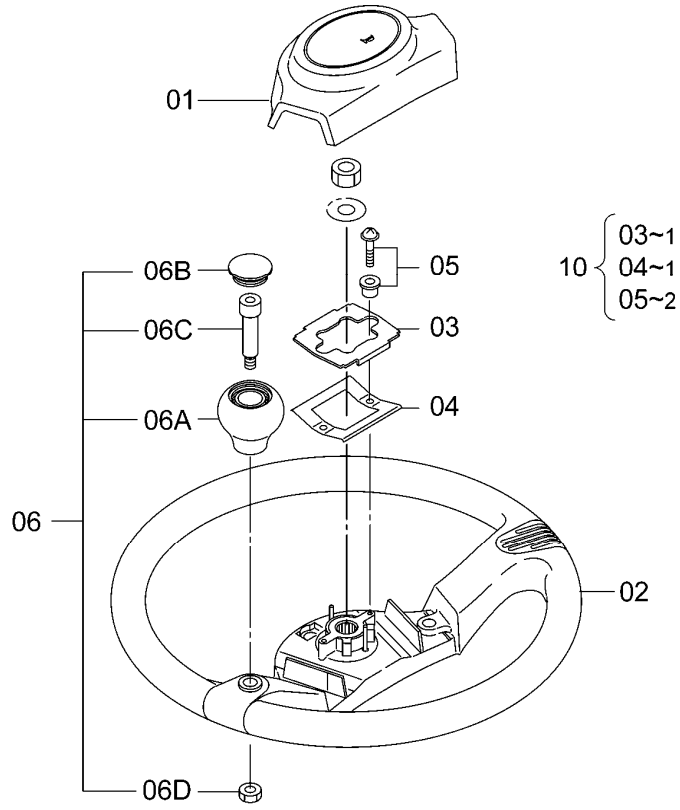
ITEM 符号	PART NO. 部品番号	PART NAME	部 品 名	Q' TY 数量	S. C サービ ス コート	SERIAL NO. 適用号機	ICA 互 換 性	REPLACEABLE PART 代 替 部 品	
								PART NO. 部品番号	Q' TY 数量
01	YQYA60021007	COLUMN ASSY	コラム アッセン	1		5001-			
01A	+++++	* COLUMN ASSY	* コラム アッセン	1	D	5001-			
01A1	YQYA00015546	** LEVER	** レバ	1		5001-			
01A2	YQ263G412501	** NUT	** ナット	1		5001-			
01A3	YQ263G412511	** BOLT	** ボルト	1		5001-			
01A4	YQ263G412461	** WASHER	** ワッシャ	2		5001-			
01A5	YQYA00015547	** PEDAL	** ペダル	1		5001-			
01A6	YQJ260820	** BOLT, W/WASHER	** ボルト (ワッシャ付)	1	D	5001-			
01B	+++++	* INSULATOR	* インシュレータ	1	D	5001-			
02	YQJ271235	BOLT, W/WASHER	ボルト (ワッシャ付)	4	D	5001-			
03	YQJ901235	BOLT	ボルト	1		5001-			
04	YQA590912	WASHER, SPRING	ワッシャ, スプリング	1		5001-			
08	YQYA00004366	GRIP	グリップ	1		5001-			
13	YQYA40003624	BRACKET	ブラケット	1		5001-			
14	YQYA40003625	BRACKET	ブラケット	1		5001-			
15	YQYA40003626	BRACKET	ブラケット	1		5001-			
16	YQJ260816	BOLT, W/WASHER	ボルト (ワッシャ付)	4	D	5001-			
20	YQYA00005506	COVER	カバー	1		5001-			
21	YQYA00005507	COVER	カバー	1		5001-			
22	YQYA00005508	COVER	カバー	1		5001-			
23	YQYA00005509	COVER	カバー	1		5001-			
24	YQJ650610	SCREW	スクリュー	11		5001-			
25	YQ0104405012	SCREW, TAPPING	スクリュー, タッピング	4		5001-			

# STEERING WHEEL ハンドル

Applicable Model (適用機種): -

Mark(記号): -

Serial No. (適用号機): -



DCYA60011942

# STEERING WHEEL

## ハンドル

Applicable Model (適用機種): -

Mark(記号): -

Serial No. (適用号機): -

ITEM 符号	PART NO. 部品番号	PART NAME	部 品 名	Q' TY 数量	S. C サービ ス コート	SERIAL NO. 適用号機	I C A 互 換 性	REPLACEABLE PART 代 替 部 品	
								PART NO. 部品番号	Q' TY 数量
	YQ2655412001	WHEEL, STEERING	ホイール, ステアリング	1		5001-			
01	YQ2655417011	* PAD	* パッド	1		5001-			
02	+++++	* WHEEL	* ホイール	1	D	5001-			
03	+++++	* PLATE	* プレート	1	DK	5001-			
04	+++++	* SPRING	* スプリング	1	DK	5001-			
05	+++++	* SCREW&SPACER	* スクリュー&スペーサ	2	DK	5001-			
06	YQYA00019407	* KNOB	* ノブ	1		5001-			
06A	+++++	** KNOB	** ノブ	1	D	5001-			
06B	+++++	** CAP	** キャップ	1	D	5001-			
06C	+++++	** BOLT	** ホルト	1	D	5001-			
06D	+++++	** NUT	** ナット	1	D	5001-			
10	YQ2656417191	KIT, SWITCH	キット, スイッチ	1		5001-			

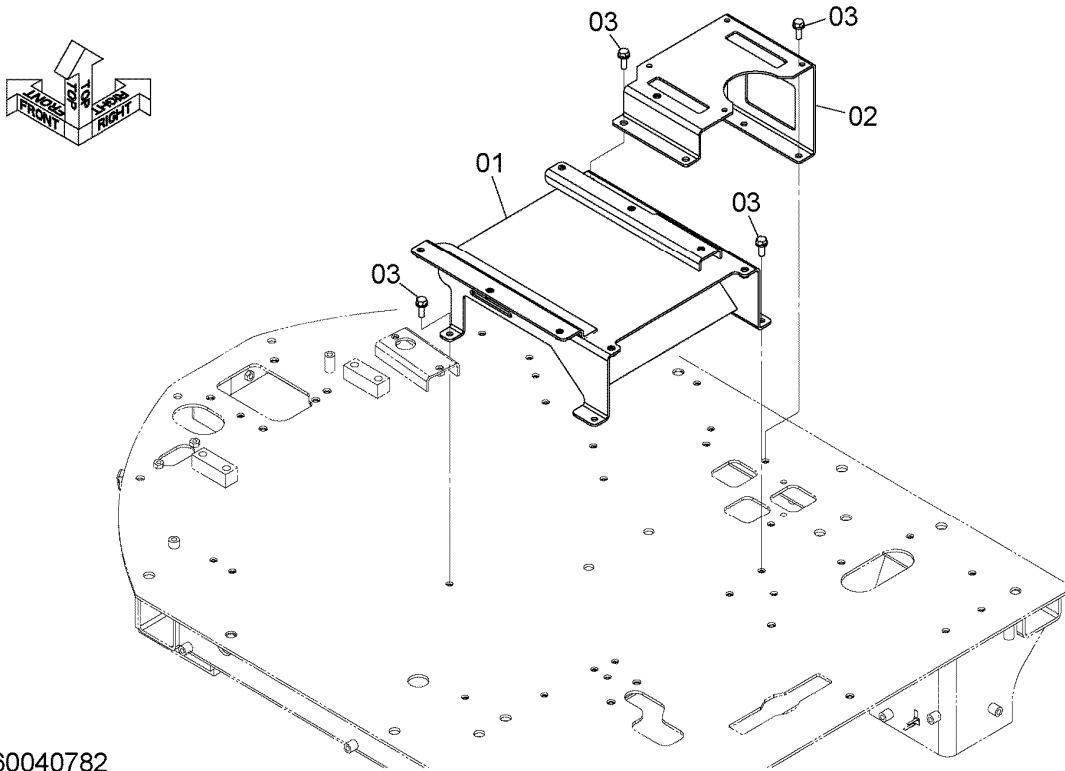
# SEAT BASE

## シートベース

Applicable Model (適用機種): -

Mark(記号): -

Serial No. (適用号機): -



DCYA60040782

# SEAT BASE

## シートベース

Applicable Model (適用機種): -

Mark(記号): -

Serial No.(適用号機): -

ITEM 符号	PART NO. 部品番号	PART NAME	部 品 名	Q' TY 数量	S. C サービ ス コート	SERIAL NO. 適用号機	ICA 互 換 性	REPLACEABLE PART 代 替 部 品	
								PART NO. 部品番号	Q' TY 数量
01	YQYA40028183	STAND	スタンド	1		5001-			
02	YQYA40003718	STAND	スタンド	1		5001-			
03	YQJ271030	BOLT, W/WASHER	ボルト (ワッシャ付)	8	D	5001-			

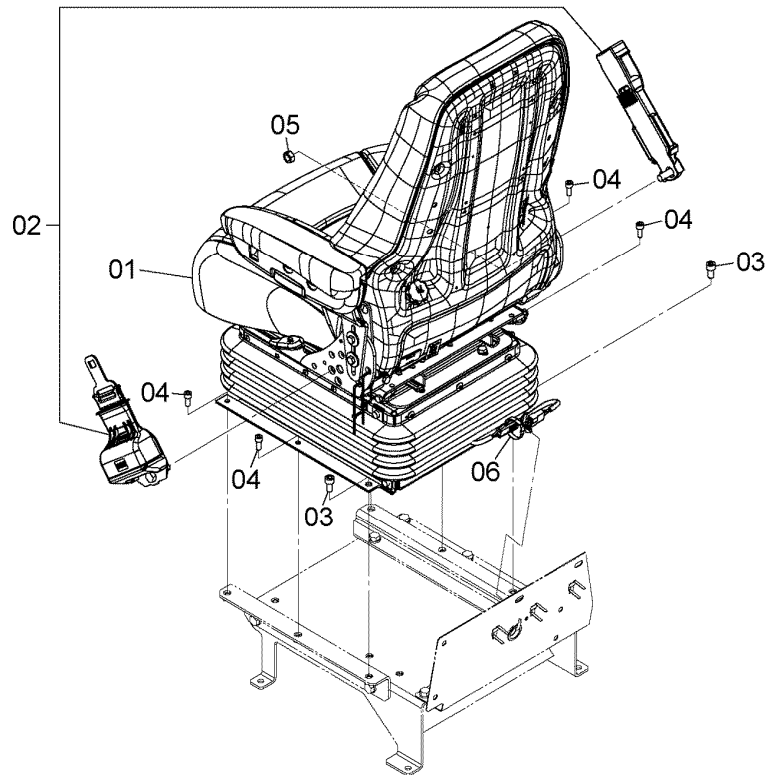
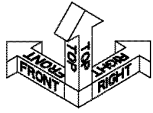
# AIR SUSPENSION SEAT PARTS (SEARS)

## エアサスペンションシート用品 (SEARS)

Applicable Model (適用機種): -

Mark (記号): -

Serial No. (適用号機): -



DCYA60029253\_NEK50

AIR SUSPENSION SEAT PARTS (SEARS)  
 エアサスペンションシート用品 (SEARS)

Applicable Model (適用機種): -

Mark(記号): -

Serial No. (適用号機): -

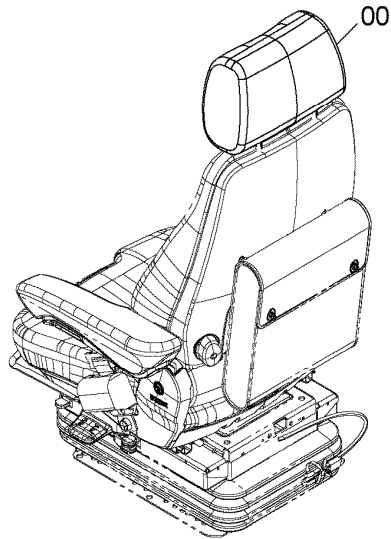
ITEM 符号	PART NO. 部品番号	PART NAME	部 品 名	Q' TY 数量	S. C サービ ス コート	SERIAL NO. 適用号機	ICA 互 換 性	REPLACEABLE PART 代 替 部 品	
								PART NO. 部品番号	Q' TY 数量
01	YQ3392160890	SEAT, OPERATOR	シート, オペレータ	1		5001-			
02	YQ4300560080	SEATBELT	シートベルト	1		5001-			
03	YQM341020	BOLT, SOCKET	ボルト, ソケット	2		5001-			
04	YQM340820	BOLT, SOCKET	ボルト, ソケット	4		5001-			
05	YQJ950012	NUT	ナット	1		5001-			
06	YQ4254600	CLIP	クリップ	1		5001-			

HEAD REST (GRAMMER)  
ヘッドレスト (GRAMMER)

Applicable Model (適用機種): -

Mark (記号): -

Serial No. (適用号機): -



DCYR60001675A

---

HEAD REST (GRAMMER)  
 ヘッドレスト (GRAMMER)

Applicable Model (適用機種): -

Mark(記号): -

Serial No.(適用号機): -

ITEM 符号	PART NO. 部品番号	PART NAME	部品名	Q'TY 数量	S.C サービ ス コード	SERIAL NO. 適用号機	ICA 互換性	REPLACEABLE PART 代替部品	
								PART NO. 部品番号	Q'TY 数量
00	YQ263G682111	REST, HEAD	レスト,ヘッド	1		5001-			

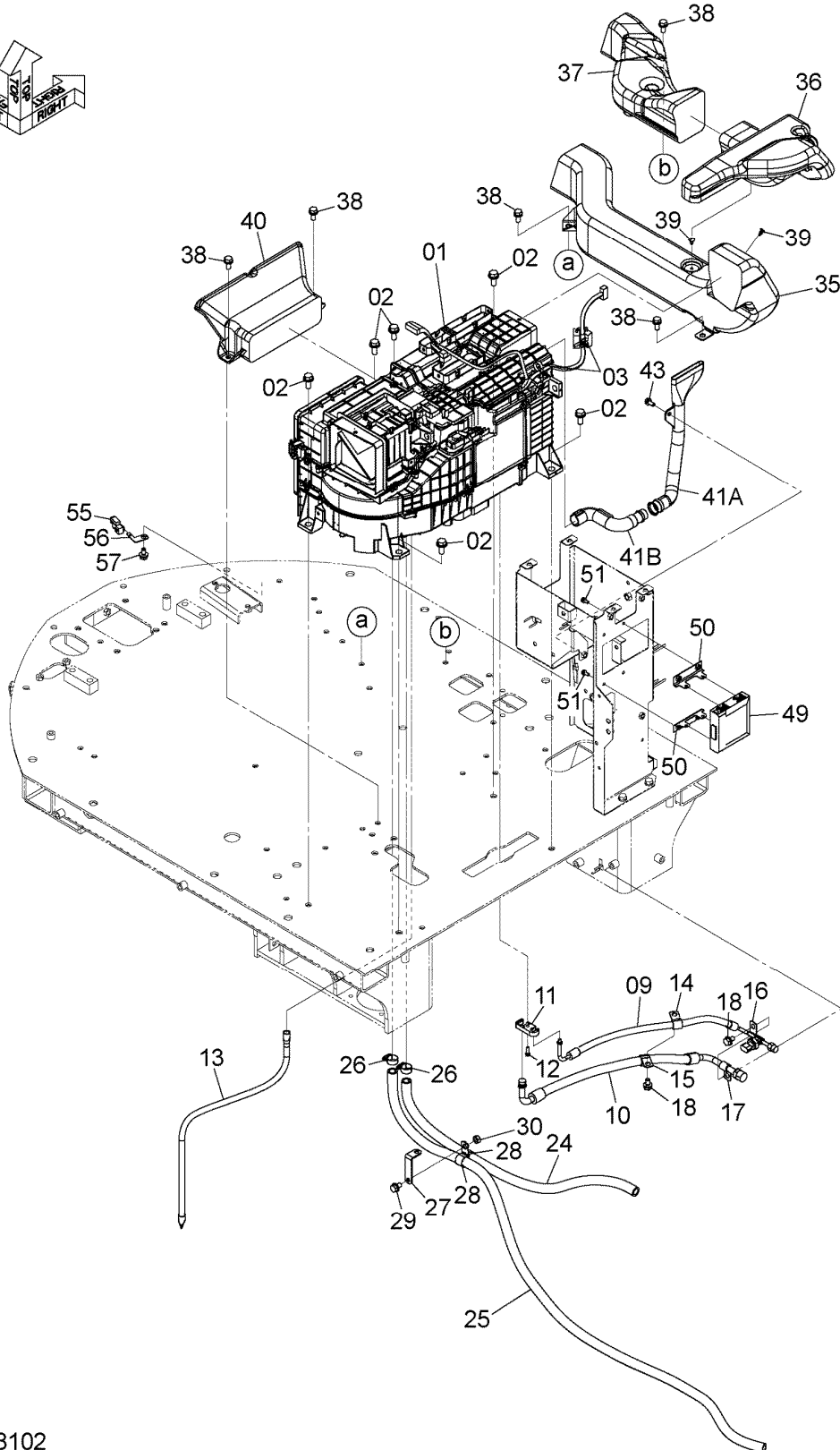
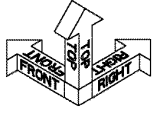
# AIR CONDITIONER (1)

## エアコンディショナ (1)

Applicable Model (適用機種): -

Mark(記号): -

Serial No. (適用号機): -



DCYA60008102

# AIR CONDITIONER (1)

## エアコンディショナ (1)

Applicable Model (適用機種): -

Mark(記号): -

Serial No. (適用号機): -

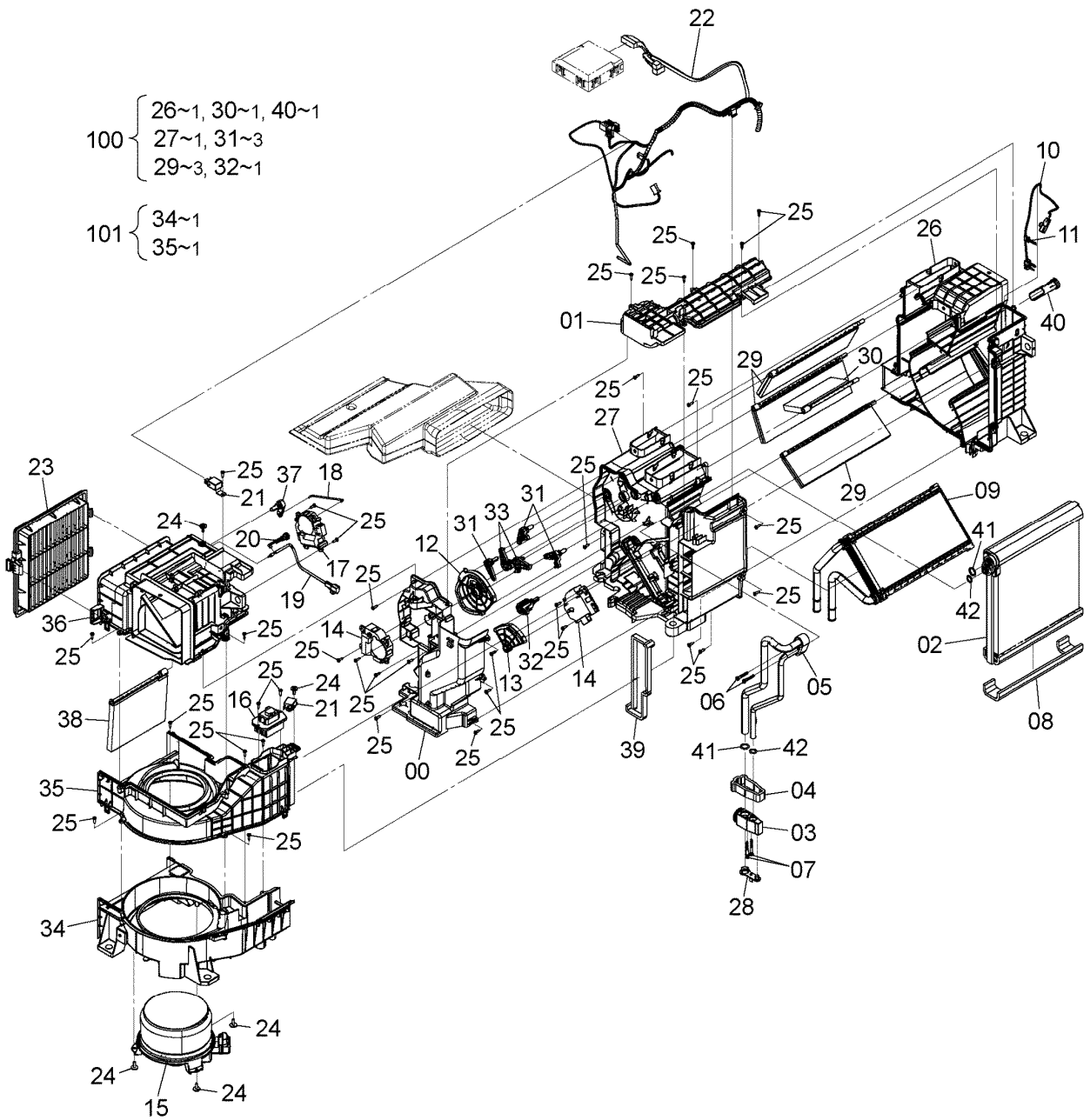
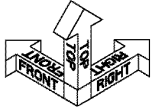
ITEM 符号	PART NO. 部品番号	PART NAME	部 品 名	Q' TY 数量	S. C サービ ス コード	SERIAL NO. 適用号機	ICA 互 換 性	REPLACEABLE PART 代 替 部 品	
								PART NO. 部品番号	Q' TY 数量
01	YQYA00042254	AIR CONDITIONER ASSY <for details see "AIR CONDITIONER UNIT"> <詳細は "エアコンディショナユニット" 参照>	エアコンディショナアッセン	1		5001-			
02	YQJ281230	BOLT, W/WASHER	ボルト (ワッシャ付)	6	D	5001-			
03	YQ4254600	CLIP	クリップ	2		5001-			
09	YQYA00005532	HOSE, COOLER	ホース, ケーラ	1		5001-			
10	YQYA00005533	HOSE, COOLER	ホース, ケーラ	1		5001-			
11	YQ4632325	CONNECTOR	コネクタ	1		5001-			
12	YQJ900620	BOLT	ボルト	1		5001-			
13	YQ4281507	HOSE	ホース	1		5001-			
14	YQ4190253	CLIP	クリップ	1		5001-			
15	YQ4190277	CLIP	クリップ	1		5001-			
16	YQ4190271	CLIP	クリップ	1		5001-			
17	YQ4190275	CLIP	クリップ	1		5001-			
18	YQJ271020	BOLT, W/WASHER	ボルト (ワッシャ付)	2	D	5001-			
24	YQ4601002	HOSE, WATER	ホース, ウォータ	1		5001-			
25	YQ4695024	HOSE, WATER	ホース, ウォータ	1		5001-			
26	YQ4514699	CLAMP, HOSE	クランプ, ホース	2		5001-			
27	YQ2661242081	BRACKET	ブラケット	1		5001-			
28	YQ4190277	CLIP	クリップ	2		5001-			
29	YQJ271020	BOLT, W/WASHER	ボルト (ワッシャ付)	1	D	5001-			
30	YQJ950010	NUT	ナット	1		5001-			
35	YQYA00005536	DUCT	ダクト	1		5001-			
36	YQYA00005540	DUCT	ダクト	1		5001-			
37	YQYA00005541	DUCT	ダクト	1		5001-			
38	YQJ271025	BOLT, W/WASHER	ボルト (ワッシャ付)	5	D	5001-			
39	YQYA00005552	CLIP	クリップ	2		5001-			
40	YQYA00005548	DUCT	ダクト	1		5001-			
41	YQYA40022956	DUCT	ダクト	1		5001-			
41A	YQYA00005550	* DUCT	* ダクト	1		5001-			
41B	YQYA00036308	* DUCT	* ダクト	1		5001-			
43	YQJ260820	BOLT, W/WASHER	ボルト (ワッシャ付)	1	D	5001-			
49	YQYA00007726	CONTROLLER	コントローラ	1		5001-			
50	YQYA40003613	BRACKET	ブラケット	2		5001-			
51	YQJ260616	BOLT, W/WASHER	ボルト (ワッシャ付)	4	D	5001-			
55	YQ4405815	SENSOR	センサ	1		5001-			
56	YQYA00004357	PLATE	プレート	1		5001-			
57	YQJ271020	BOLT, W/WASHER	ボルト (ワッシャ付)	1	D	5001-			

# AIR CONDITIONER UNIT エアコンディショナユニット

Applicable Model (適用機種): -

Mark (記号): -

Serial No. (適用号機): -



DCYA00042254A

# AIR CONDITIONER UNIT

## エアコンディショナユニット

Applicable Model (適用機種): -

Mark(記号): -

Serial No. (適用号機): -

ITEM 符号	PART NO. 部品番号	PART NAME	部 品 名	Q' TY 数量	S. C サービ ス コート	SERIAL NO. 適用号機	ICA 互 換 性	REPLACEABLE PART 代 替 部 品	
								PART NO. 部品番号	Q' TY 数量
00	YQYA00042254	AIR CONDITIONER ASSY	エアコンディショナアッセン	1		5001-			
01	YQXB00001042	* CASE	* ケース	1		5001-			
02	YQXB00001043	* PLATE	* プレート	1		5001-			
03	YQXB00001044	* EVAPORATOR	* エバポレーター	1		5001-			
04	YQXB00001045	* VALVE	* バルブ	1		5001-			
05	YQXB00001046	* PACKING	* パッキン	1		5001-			
06	YQXB00001047	* TUBE	* チューブ	1		5001-			
07	YQXB00001048	* BOLT	* ボルト	2		5001-			
08	YQXB00001049	* BOLT	* ボルト	2		5001-			
09	YQXB00001050	* PACKING	* パッキン	1		5001-			
10	YQXB00001051	* CORE	* コア	1		5001-			
11	YQXB00001052	* SENSOR, TEMPERATURE	* センサ, テンパラチャ	1		5001-			
12	YQXB00001053	* CLAMP	* クランプ	1		5001-			
13	YQXB00001054	* PLATE	* プレート	1		5001-			
14	YQXB00001055	* PLATE	* プレート	1		5001-			
15	YQXB00001056	* MOTOR	* モータ	2		5001-			
16	YQXB00001057	* MOTOR	* モータ	1		5001-			
17	YQXB00001058	* TRANSISTOR	* トランジスタ	1		5001-			
18	YQXB00001059	* MOTOR	* モータ	1		5001-			
19	YQXB00001060	* SHAFT	* シャフト	1		5001-			
20	YQXB00001061	* SENSOR, TEMPERATURE	* センサ, テンパラチャ	1		5001-			
21	YQXB00001062	* BRACKET	* ブラケット	1		5001-			
22	YQXB00001063	* RELAY	* リレー	2		5001-			
23	YQXB00001064	* HARNESS	* ハーネス	1		5001-			
24	YQYA00001490	* FILTER	* フィルタ	1		5001-			
25	YQXB00001065	* SCREW, TAPPING	* スクリュー, タッピング	5		5001-			
26	YQ4382883	* SCREW, TAPPING	* スクリュー, タッピング	35		5001-			
27	+++++	* CASE	* ケース	1	DK1	5001-			
28	+++++	* CASE	* ケース	1	DK1	5001-			
29	YQXB00001068	* PLUG	* プラグ	1		5001-			
30	YQXB00001069	* DOOR	* ドア	3	K1	5001-			
31	YQXB00001070	* DOOR	* ドア	1	K1	5001-			
32	YQXB00001071	* LEVER	* レバー	3	K1	5001-			
33	YQXB00001072	* LEVER	* レバー	1	K1	5001-			
34	YQXB00001073	* LEVER	* レバー	2		5001-			
35	+++++	* CASE	* ケース	1	DK2	5001-			
36	+++++	* CASE	* ケース	1	DK2	5001-			
37	YQXB00001076	* CASE	* ケース	1		5001-			
38	YQXB00001077	* LEVER	* レバー	1		5001-			
39	YQXB00001078	* DOOR	* ドア	1		5001-			
40	YQXB00001079	* PACKING	* パッキン	1		5001-			
41	YQYA00045626	* GUIDE	* ガイド	1		5001-			
42	YQ4350206	* RING, O	* リング, O	2		5001-			
43	YQ4350207	* RING, O	* リング, O	2		5001-			
100	YQYA00042370	CASE	ケース	1	K1	5001-			

AIR CONDITIONER UNIT  
 エアコンディショナユニット

Applicable Model (適用機種): -

Mark(記号): -

Serial No. (適用号機): -

ITEM 符号	PART NO. 部品番号	PART NAME	部品名	Q'TY 数量	S. C サービ ス コード	SERIAL NO. 適用号機	ICA 互 換 性	REPLACEABLE PART 代替部品	
								PART NO. 部品番号	Q'TY 数量
101	YQYA00002305	CASE	ケース	1	K2	5001-			

---

MEMO

---

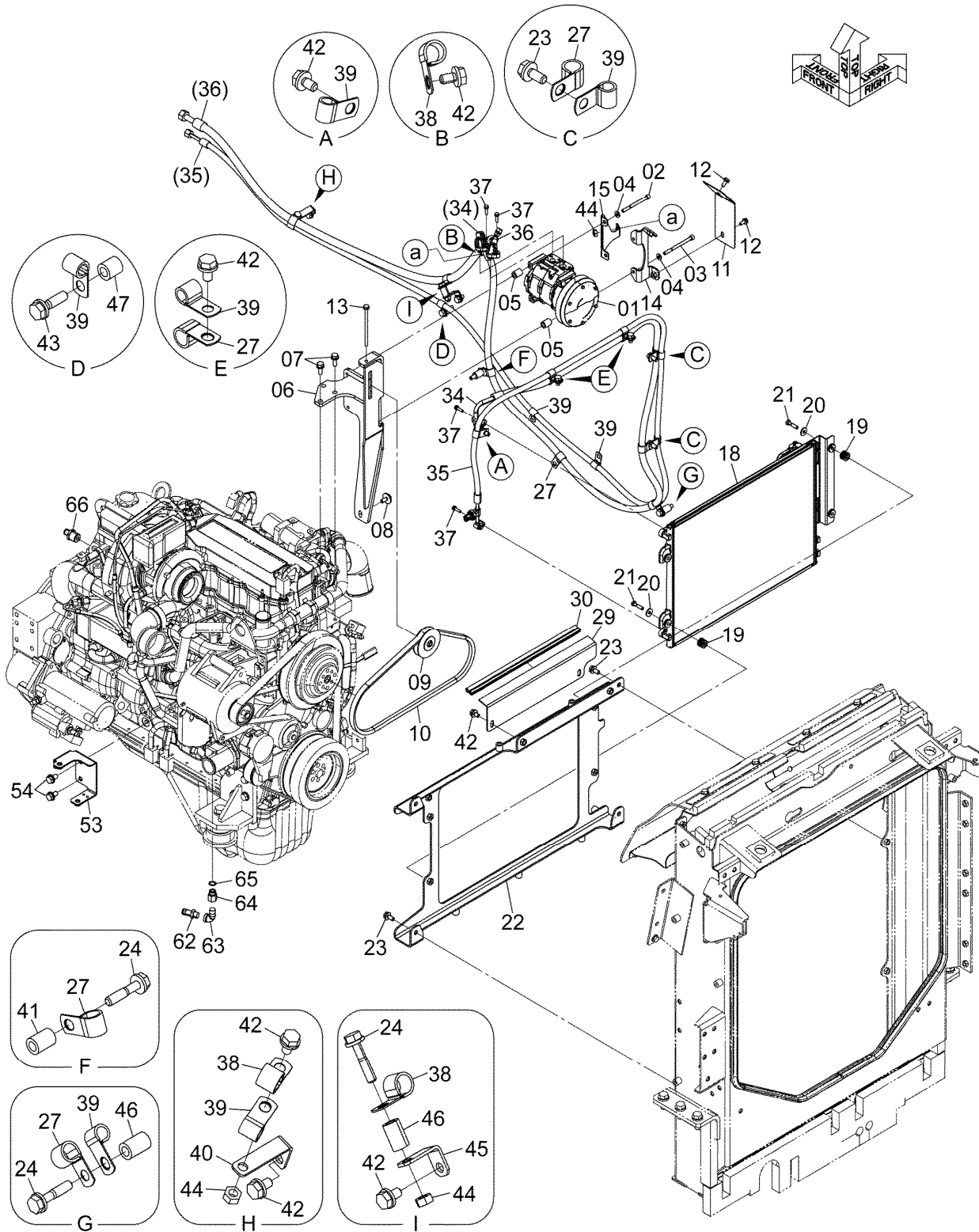
# AIR CONDITIONER (2)

## エアコンディショナ (2)

Applicable Model (適用機種): -

Mark (記号): -

Serial No. (適用号機): -



DCYA60008135

AIR CONDITIONER (2)  
 エアコンディショナ (2)

Applicable Model (適用機種): -

Mark(記号): -

Serial No. (適用号機): -

ITEM 符号	PART NO. 部品番号	PART NAME	部 品 名	Q' TY 数量	S. C サービ ス コート	SERIAL NO. 適用号機	ICA 互 換 性	REPLACEABLE PART 代 替 部 品	
								PART NO. 部品番号	Q' TY 数量
01	YQYA00003888	COMPRESSOR <for details see "COMPRESSOR"> <詳細は "コンプレッサ" 参照>	コンプレッサ	1		5001-			
02	YQJ780800	BOLT, SOCKET	ボルト, ソケット	2		5001-			
03	YQJ780802	BOLT, SOCKET	ボルト, ソケット	2		5001-			
04	YQJ222008	WASHER	ワッシャ	4		5001-			
05	YQYA00017022	COLLAR	カラー	4		5001-			
06	YQYA40011025	BRACKET	ブラケット	1		5001-			
07	YQJ271030	BOLT, W/WASHER	ボルト (ワッシャ付)	3	D	5001-			
08	YQJ281025	BOLT, W/WASHER	ボルト (ワッシャ付)	1	D	5001-			
09	YQYA00023056	PULLEY	プーリー	1		5001-			
10	YQ263F672001	BELT, V	ベルト, V	1		5001-			
11	YQYA00044967	COVER	カバー	1		5001-			
12	YQJ260820	BOLT, W/WASHER	ボルト (ワッシャ付)	2	D	5001-			
13	YQ4432739	BOLT	ボルト	1		5001-			
14	YQYA40028509	BRACKET	ブラケット	1		5001-			
15	YQYA00017019	BRACKET	ブラケット	1		5001-			
18	YQYA00003889	CONDENSER <for details see "CONDENSER UNIT"> <詳細は "コンデンサユニット" 参照>	コンデンサ	1		5001-			
19	YQ4618721	BUSHING, RUBBER	ブッシング, ラバー	4		5001-			
19A	YQ4618720	* BUSHING, RUBBER	* ブッシング, ラバー	1		5001-			
19B	YQ4618719	* SPACER	* スパース	1		5001-			
20	YQ2147122311	WASHER	ワッシャ	4		5001-			
21	YQJ900835	BOLT	ボルト	4		5001-			
22	YQYA40026264	BRACKET	ブラケット	1		5001-			
23	YQJ271025	BOLT, W/WASHER	ボルト (ワッシャ付)	6	D	5001-			
24	YQJ271050	BOLT, W/WASHER	ボルト (ワッシャ付)	3	D	5001-			
27	YQ4190273	CLIP	クリップ	7		5001-			
29	YQYA00041222	BRACKET	ブラケット	1		5001-			
30	YQ4717735	SEAL	シール	1		5001-			
34	YQYA00041589	HOSE, COOLER	ホース, ケーラ	1		5001-			
35	YQYA00041591	HOSE, COOLER	ホース, ケーラ	1		5001-			
36	YQYA00025754	HOSE, COOLER	ホース, ケーラ	1		5001-			
37	YQJ260625	BOLT, W/WASHER	ボルト (ワッシャ付)	4	D	5001-			
38	YQ4190274	CLIP	クリップ	3		5001-			
39	YQ4190275	CLIP	クリップ	10		5001-			
40	YQ2661242081	BRACKET	ブラケット	1		5001-			
41	YQ263G644451	COLLAR	カラー	1		5001-			
42	YQJ271020	BOLT, W/WASHER	ボルト (ワッシャ付)	9	D	5001-			
43	YQJ271040	BOLT, W/WASHER	ボルト (ワッシャ付)	1	D	5001-			
44	YQJ950010	NUT	ナット	3		5001-			
45	YQ263J222181	BRACKET	ブラケット	1		5001-			
46	YQ2675675841	COLLAR	カラー	2		5001-			
47	YQ2655542141	COLLAR	カラー	1		5001-			

AIR CONDITIONER (2)  
 エアコンディショナ (2)

Applicable Model (適用機種): -

Mark(記号): -

Serial No. (適用号機): -

ITEM 符号	PART NO. 部品番号	PART NAME	部 品 名	Q' TY 数量	S. C サービ ス コード	SERIAL NO. 適用号機	ICA 互 換 性	REPLACEABLE PART 代 替 部 品	
								PART NO. 部品番号	Q' TY 数量
53	YQYA40010973	BRACKET	ブ ラケッ ト	1		5001-			
54	YQJ271225	BOLT, W/WASHER	ボ ル ト (ワッシャ付)	2	D	5001-			
62	YQ2642673471	FITTING	フ イッ ティ ン グ	1		5001-			
63	YQ0401200303	ELBOW	エ ル ボ	1		5001-			
64	YQ4366106	ADAPTER	ア ッ プ タ	1		5001-			
65	YQYA00017021	RING, O	リ ン グ , O	1		5001-			
66	YQYA00025751	JOINT, HOSE	ジ ョ イ ン ト , ホ ー ス	1	Z	5001-			

---

MEMO

---

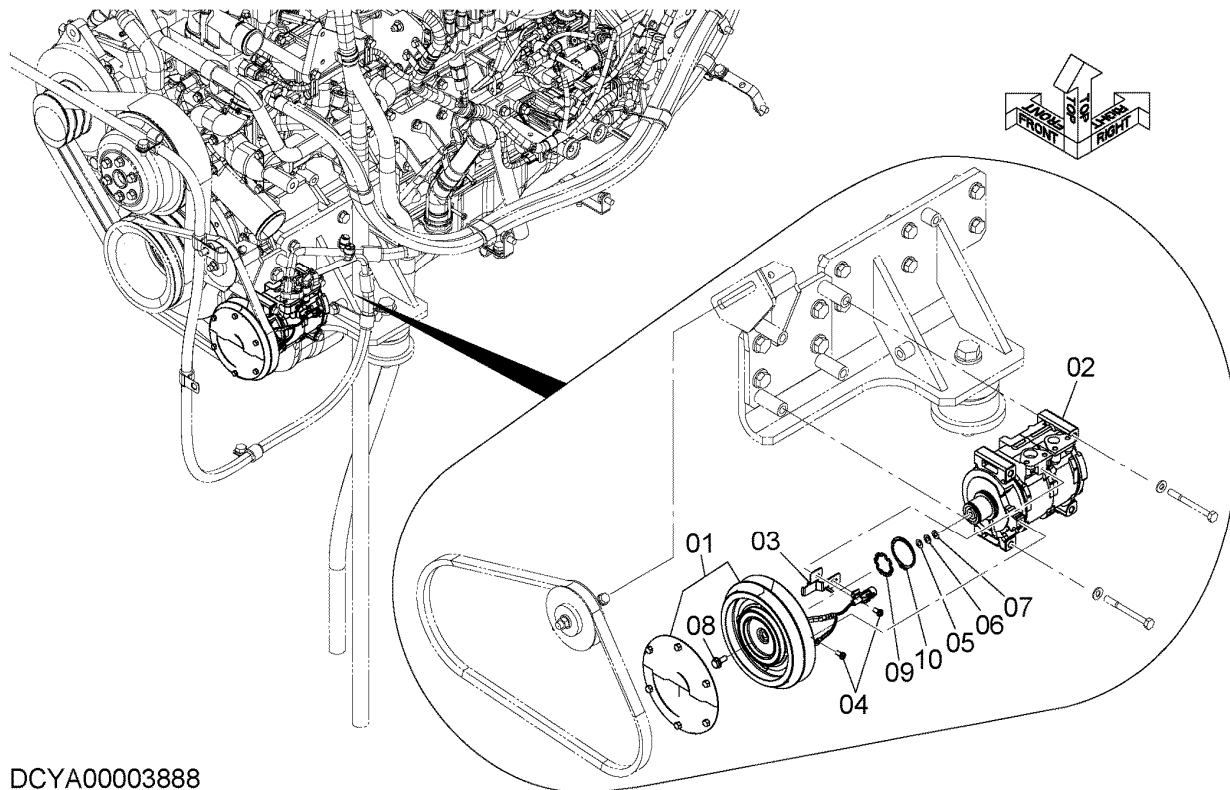
# COMPRESSOR

## コンプレッサ

Applicable Model (適用機種): -

Mark (記号): -

Serial No. (適用号機): -



DCYA00003888

# COMPRESSOR

## コンプレッサ

Applicable Model (適用機種): -

Mark(記号): -

Serial No. (適用号機): -

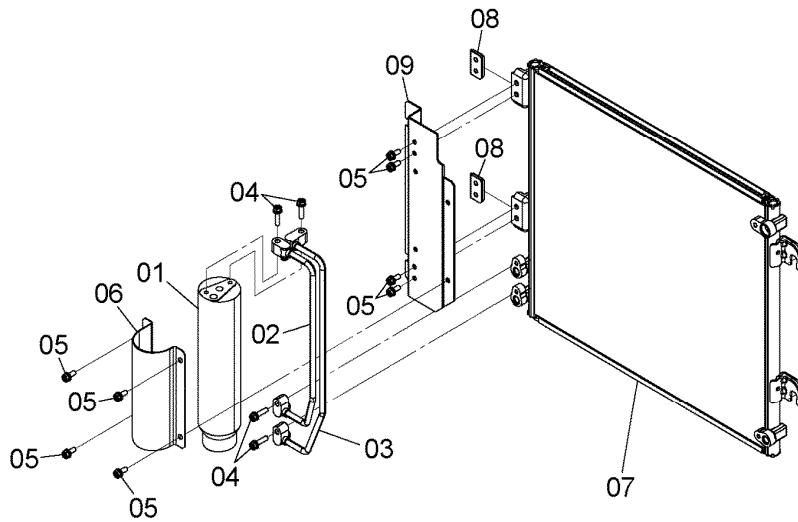
ITEM 符号	PART NO. 部品番号	PART NAME	部 品 名	Q' TY 数量	S. C サービ ス コート	SERIAL NO. 適用号機	ICA 互 換 性	REPLACEABLE PART 代 替 部 品	
								PART NO. 部品番号	Q' TY 数量
	YQYA00003888	COMPRESSOR	コンプレッサ	1		5001-			
01	YQYA00044674	* CLUTCH, MAGNET	* クラッチ, マグネット	1		5001-			
02	YQXB00001040	* COMPRESSOR	* コンプレッサ	1		5001-			
03	YQXB00001041	* BRACKET	* ブラケット	1		5001-			
04	YQ4475245	* SCREW	* スクリュー	2		5001-			
05	YQ4475237	* WASHER	* ワッシャー	1		5001-			
06	YQ4475242	* WASHER	* ワッシャー	1		5001-			
07	YQ4475243	* WASHER	* ワッシャー	1		5001-			
08	YQ4475244	* BOLT	* ボルト	1		5001-			
09	YQ4475230	* RING	* リング	1		5001-			
10	YQ4475236	* RING	* リング	1		5001-			

# CONDENSER UNIT コンデンサユニット

Applicable Model (適用機種): -

Mark (記号): -

Serial No. (適用号機): -



DCYA00003889

# CONDENSER UNIT

## コンデンサユニット

Applicable Model (適用機種): -

Mark(記号): -

Serial No.(適用号機): -

ITEM 符号	PART NO. 部品番号	PART NAME	部 品 名	Q' TY 数量	S. C サービ ス コート	SERIAL NO. 適用号機	ICA 互 換 性	REPLACEABLE PART 代 替 部 品	
								PART NO. 部品番号	Q' TY 数量
	YQYA00003889	CONDENSER	コンデンサ	1		5001-			
01	YQ4333943	* TANK, LIQUID	* タンク, リキッド	1		5001-			
02	YQXB00001031	* TUBE	* チューブ	1		5001-			
03	YQXB00001032	* TUBE	* チューブ	1		5001-			
04	YQXB00001033	* BOLT	* ボルト	4		5001-			
05	YQXB00001034	* BOLT	* ボルト	8		5001-			
06	YQXB00001035	* HOLDER	* ホルダー	1		5001-			
07	YQYA00044673	* CORE	* コア	1		5001-			
08	YQXB00001037	* BRACKET	* ブラケット	2		5001-			
09	YQXB00001038	* BRACKET	* ブラケット	1		5001-			

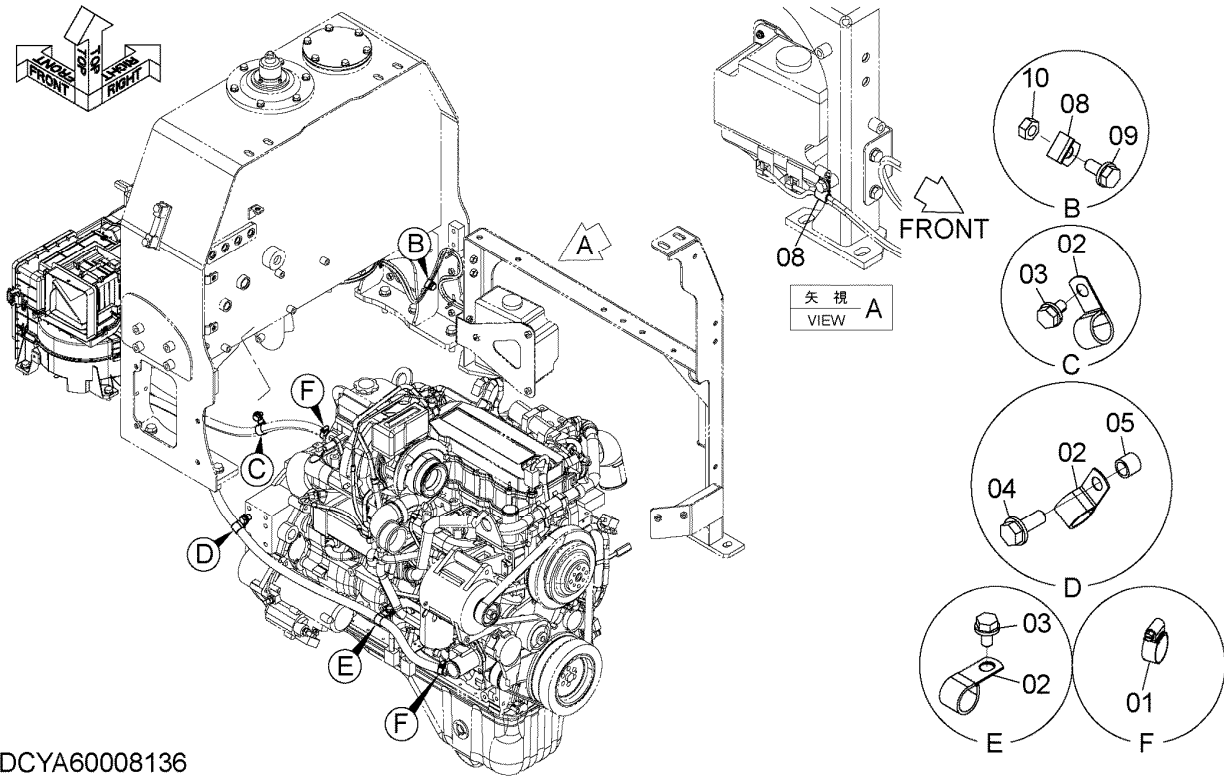
# AIR CONDITIONER PARTS

## エアコンディショナ用品

Applicable Model (適用機種): -

Mark (記号): -

Serial No. (適用号機): -



DCYA60008136

AIR CONDITIONER PARTS  
 エアコンディショナ用品

Applicable Model (適用機種): -

Mark(記号): -

Serial No. (適用号機): -

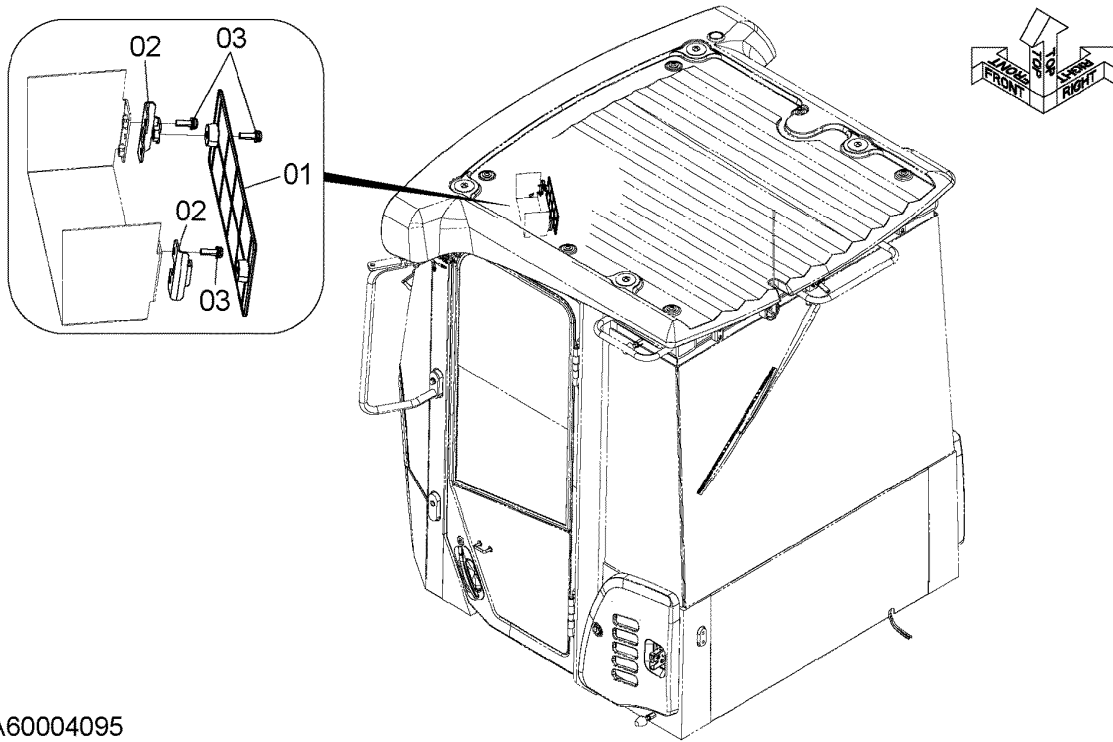
ITEM 符号	PART NO. 部品番号	PART NAME	部 品 名	Q' TY 数量	S. C サービ ス コート	SERIAL NO. 適用号機	ICA 互 換 性	REPLACEABLE PART 代 替 部 品	
								PART NO. 部品番号	Q' TY 数量
01	YQ4514699	CLAMP, HOSE	クランプ, ホース	2		5001-			
02	YQ4190277	CLIP	クリップ	3		5001-			
03	YQJ271020	BOLT, W/WASHER	ボルト (ワッシャ付)	2	D	5001-			
04	YQJ271235	BOLT, W/WASHER	ボルト (ワッシャ付)	1	D	5001-			
05	YQ2670242341	SPACER	スペーサ	1		5001-			
08	YQ4205358	CLIP	クリップ	2		5001-			
09	YQJ271025	BOLT, W/WASHER	ボルト (ワッシャ付)	1	D	5001-			
10	YQJ950010	NUT	ナット	1		5001-			

# AIR CONDITIONER COVER エアコンディショナカバー

Applicable Model (適用機種): -

Mark (記号): -

Serial No. (適用号機): -



DCYA60004095

# AIR CONDITIONER COVER

## エアコンディショナカバー

Applicable Model (適用機種): -

Mark(記号): -

Serial No. (適用号機): -

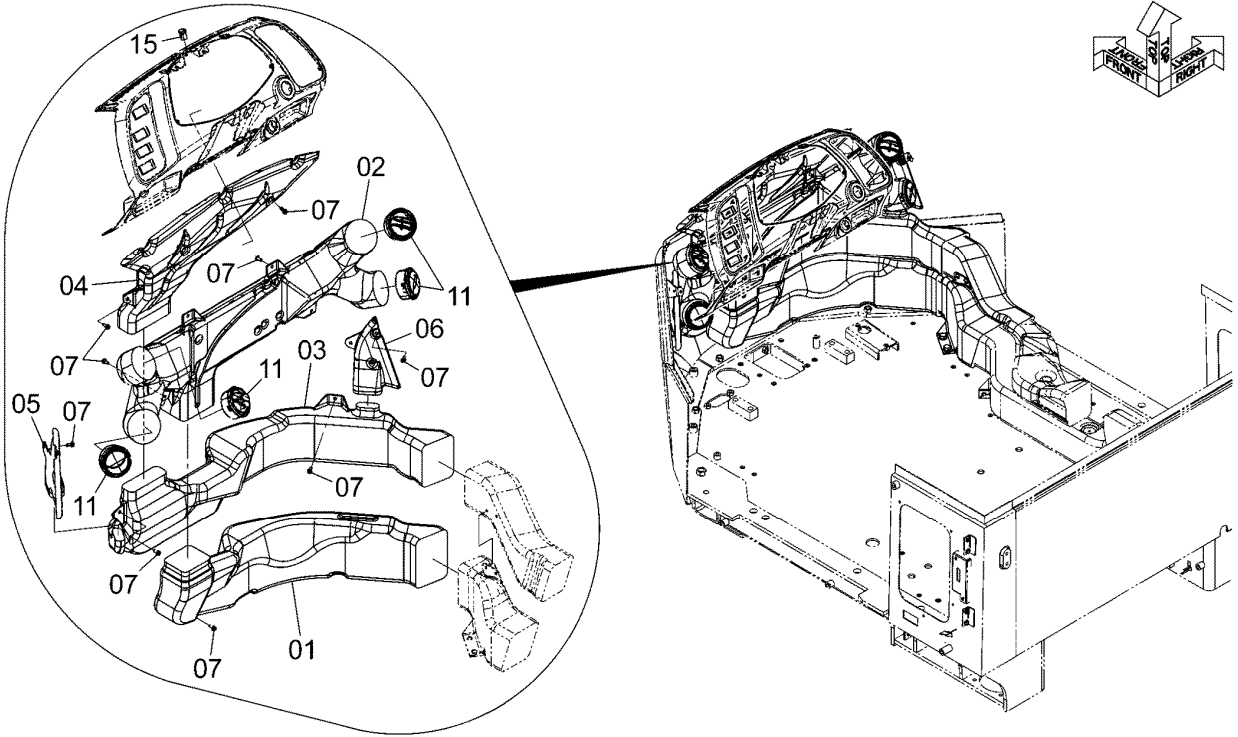
ITEM 符号	PART NO. 部品番号	PART NAME	部 品 名	Q' TY 数量	S. C サービ ス コート	SERIAL NO. 適用号機	ICA 互 換 性	REPLACEABLE PART 代 替 部 品	
								PART NO. 部品番号	Q' TY 数量
01	YQYA00005553	COVER	カバー	1		5001-			
02	YQYA40003633	BRACKET	ブラケット	2		5001-			
03	YQJ680516	SCREW	スクリュー	6		5001-			

DUCT (CAB) (1)  
ダクト (キャブ) (1)

Applicable Model (適用機種): -

Mark (記号): -

Serial No. (適用号機): -



DCYA60004254A

DUCT (CAB) (1)  
ダクト (キャブ) (1)

Applicable Model (適用機種): -

Mark(記号): -

Serial No. (適用号機): -

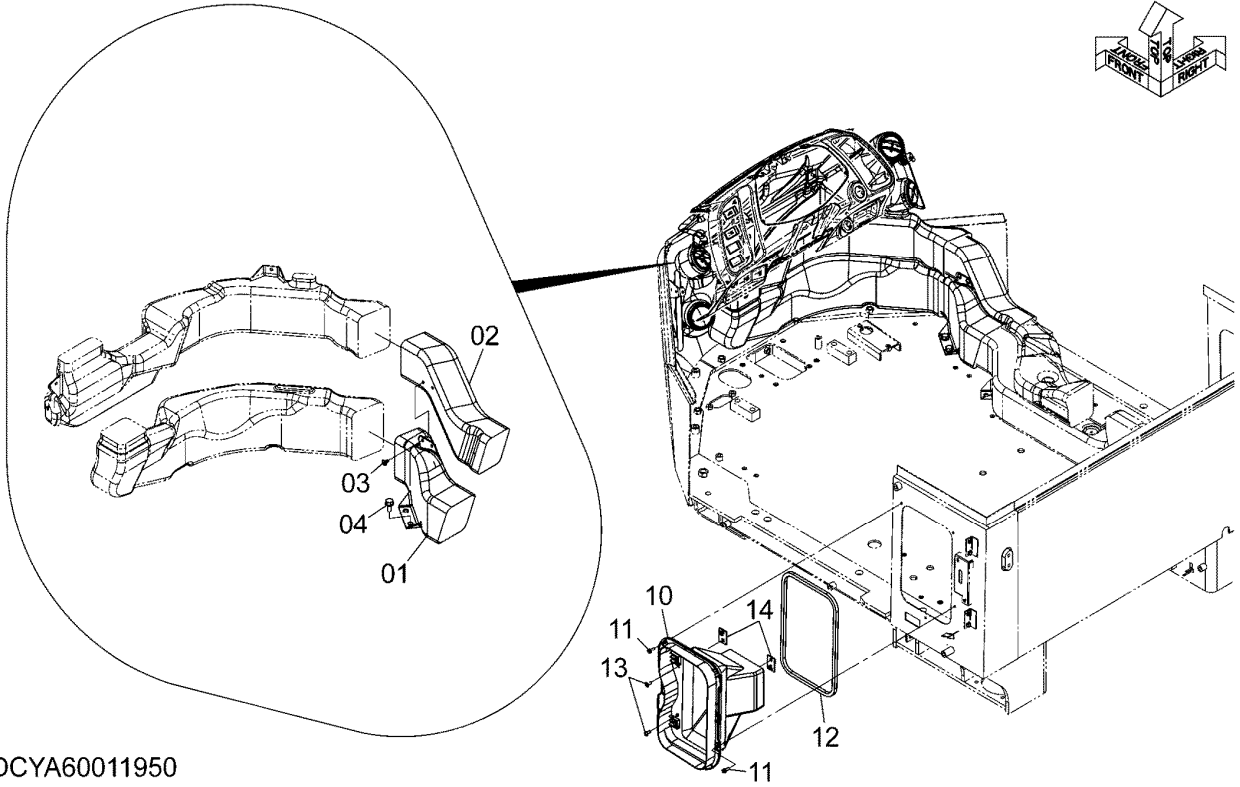
ITEM 符号	PART NO. 部品番号	PART NAME	部 品 名	Q' TY 数量	S. C サービ ス コート	SERIAL NO. 適用号機	ICA 互 換 性	REPLACEABLE PART 代 替 部 品	
								PART NO. 部品番号	Q' TY 数量
01	YQYA00005538	DUCT	ダクト	1		5001-			
02	YQYA00005539	DUCT	ダクト	1		5001-			
03	YQYA00005543	DUCT	ダクト	1		5001-			
04	YQYA00005544	DUCT	ダクト	1		5001-			
05	YQYA00005545	DUCT	ダクト	1		5001-			
06	YQYA00005546	DUCT	ダクト	1		5001-			
07	YQJ460616	SCREW	スクリュー	14		5001-			
11	YQYA00003014	LOUVER	ルーバ	4		5001-			
15	YQ4405814	SENSOR	センサ	1		5001-			

DUCT (CAB) (2)  
ダクト (キャブ) (2)

Applicable Model (適用機種): -

Mark (記号): -

Serial No. (適用号機): -



DUCT (CAB) (2)  
ダクト (キャブ) (2)

Applicable Model (適用機種): -

Mark(記号): -

Serial No. (適用号機): -

ITEM 符号	PART NO. 部品番号	PART NAME	部 品 名	Q' TY 数量	S. C サービ ス コート	SERIAL NO. 適用号機	ICA 互 換 性	REPLACEABLE PART 代 替 部 品	
								PART NO. 部品番号	Q' TY 数量
01	YQYA00005537	DUCT	ダクト	1		5001-			
02	YQYA00005542	DUCT	ダクト	1		5001-			
03	YQYA00005552	CLIP	クリップ	2		5001-			
04	YQJ271030	BOLT, W/WASHER	ボルト (ワッシャ付)	2	D	5001-			
10	YQYA00005549	DUCT	ダクト	1		5001-			
11	YQJ460620	SCREW	スクリュー	5		5001-			
12	YQ263G673551	INSULATOR	インシュレータ	1		5001-			
13	YQJ650616	SCREW	スクリュー	2		5001-			
14	YQYA40003634	BRACKET	ブラケット	2		5001-			

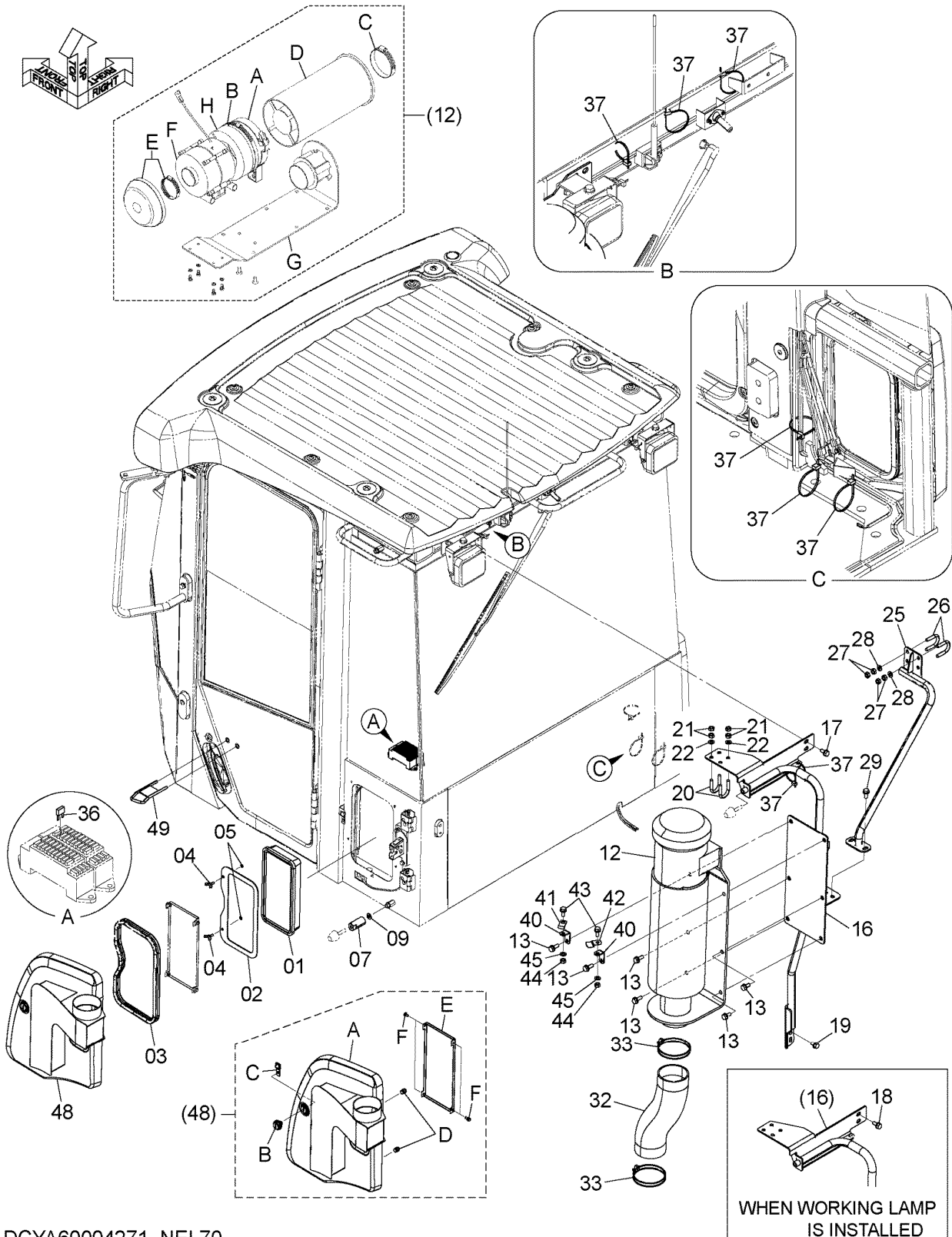
# DUCT (PRE-FILTER)

## ダクト (プレフィルタ)

Applicable Model (適用機種): -

Mark(記号): -

Serial No. (適用号機): -



DCYA60004271\_NEL70

DUCT (PRE-FILTER)  
ダクト (プレフィルタ)

Applicable Model (適用機種): -

Mark(記号): -

Serial No. (適用号機): -

ITEM 符号	PART NO. 部品番号	PART NAME	部 品 名	Q' TY 数量	S. C サービ ス コート	SERIAL NO. 適用号機	ICA 互 換 性	REPLACEABLE PART 代 替 部 品	
								PART NO. 部品番号	Q' TY 数量
01	YQ4251527	FILTER	フィルタ	1		5001-			
02	YQYA00005555	PLATE	プレート	1		5001-			
03	YQYA00004355	SEAL	シール	1		5001-			
04	YQYA00005661	BOLT, WING	ボルト, ウィング	2		5001-			
05	YQYA00005556	WASHER	ワッシャ	2		5001-			
07	YQYA40020937	ROD, SCREW	ロッド, スクリュー	1		5001-			
09	YQA590110	WASHER, PLANE	ワッシャ, フレーン	1		5001-			
12	YQYA00004329	PRECLEANER	プレクリーナ	1		5001-			
12A	YQYA00041707	* CLAMP	* クランプ	1		5001-			
12B	YQYA00041708	* CLAMP	* クランプ	1		5001-			
12C	YQYA00041709	* CLAMP	* クランプ	1		5001-			
12D	YQYA00041710	* FILTER	* フィルタ	1		5001-			
12E	YQYA00041711	* CAP	* キャップ	1		5001-			
12F	YQYA00041712	* PRECLEANER	* プレクリーナ	1		5001-			
12G	YQYA00041713	* BRACKET	* ブラケット	1		5001-			
12H	YQYA00041714	* ADAPTER	* アダプタ	1		5001-			
13	YQJ271030	BOLT, W/WASHER	ボルト (ワッシャ付)	6	D	5001-			
16	YQYA40003709	BRACKET	ブラケット	1		5001-			
17	YQJ271025	BOLT, W/WASHER	ボルト (ワッシャ付)	2	D	5001-			
18	YQJ271030	BOLT, W/WASHER	ボルト (ワッシャ付)	2	D	5001-			
		(When working lamp is installed) (作業灯取付時)							
19	YQJ271020	BOLT, W/WASHER	ボルト (ワッシャ付)	2	D	5001-			
20	YQ4264592	BOLT, U	ボルト, U	2		5001-			
21	YQJ950010	NUT	ナット	8		5001-			
22	YQA590110	WASHER, PLANE	ワッシャ, フレーン	4		5001-			
25	YQYA40003713	BRACKET	ブラケット	1		5001-			
26	YQ4264592	BOLT, U	ボルト, U	2		5001-			
27	YQJ950010	NUT	ナット	8		5001-			
28	YQA590110	WASHER, PLANE	ワッシャ, フレーン	4		5001-			
29	YQJ271025	BOLT, W/WASHER	ボルト (ワッシャ付)	2	D	5001-			
32	YQYA00004354	HOSE, AIR	ホース, エア	1		5001-			
33	YQ0491100120	CLIP	クリップ	2		5001-			
36	YQ4438015	FUSE (15A)	ヒューズ (15A)	1		5001-			
37	YQ0491311200	CLIP	クリップ	8		5001-			
40	YQ263J222181	BRACKET	ブラケット	2		5001-			
41	YQ4190271	CLIP	クリップ	1		5001-			
42	YQ263G244731	BRACKET	ブラケット	1		5001-			
43	YQJ271025	BOLT, W/WASHER	ボルト (ワッシャ付)	2	D	5001-			
44	YQJ950010	NUT	ナット	2		5001-			
45	YQA590110	WASHER, PLANE	ワッシャ, フレーン	2		5001-			
48	YQYA00021761	PANEL	パネル	1		5001-			
48A	YQYA00000547	* PANEL	* パネル	1		5001-			
48B	YQ4662763	* CYLINDER	* シリンダ	1		5001-			

DUCT (PRE-FILTER)  
ダクト (プレフィルタ)

Applicable Model (適用機種): -

Mark(記号): -

Serial No. (適用号機): -

ITEM 符号	PART NO. 部品番号	PART NAME	部品名	Q'TY 数量	S. C サービ ス コート	SERIAL NO. 適用号機	ICA 互 換 性	REPLACEABLE PART 代替部品	
								PART NO. 部品番号	Q'TY 数量
48C	YQ4662751	* PLATE, LOCK	* プレート, ロック	1		5001-			
48D	YQYA00005741	* STOPPER	* ストッパ	2		5001-			
48E	YQXB00005617	* COVER	* カバー	1		5001-			
48F	YQXB00000935	* BOLT	* ボルト	4		5001-			
49	YQYA00006753	BOLT, U	ボルト, U	1		5001-			

---

MEMO

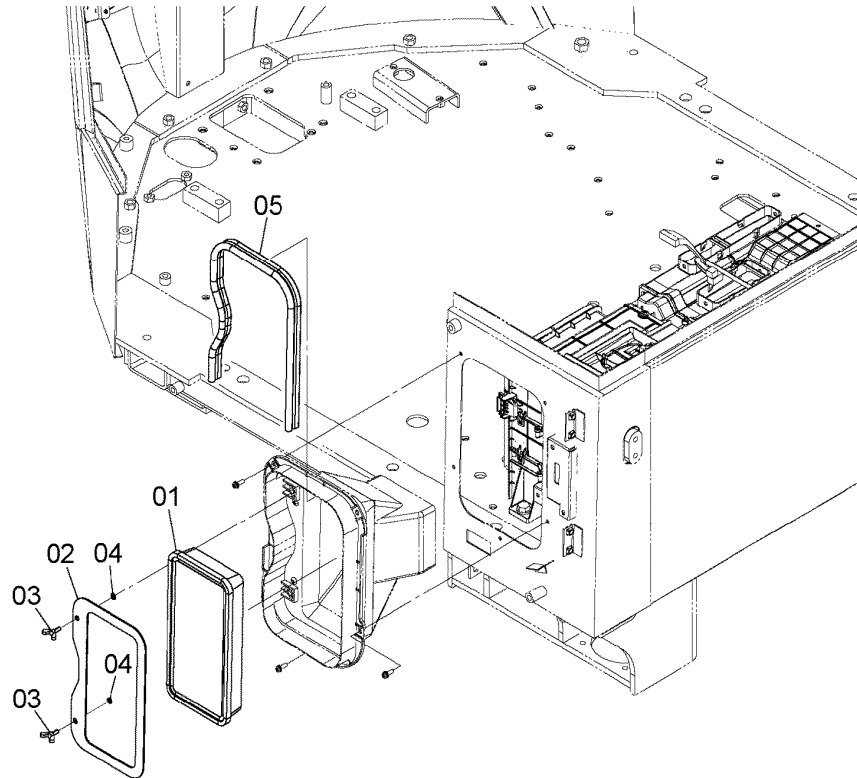
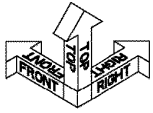
---

# AIR FILTER エアフィルタ

Applicable Model (適用機種): -

Mark(記号): -

Serial No. (適用号機): -



DCYA60004112

# AIR FILTER

## エアフィルタ

Applicable Model (適用機種): -

Mark(記号): -

Serial No. (適用号機): -

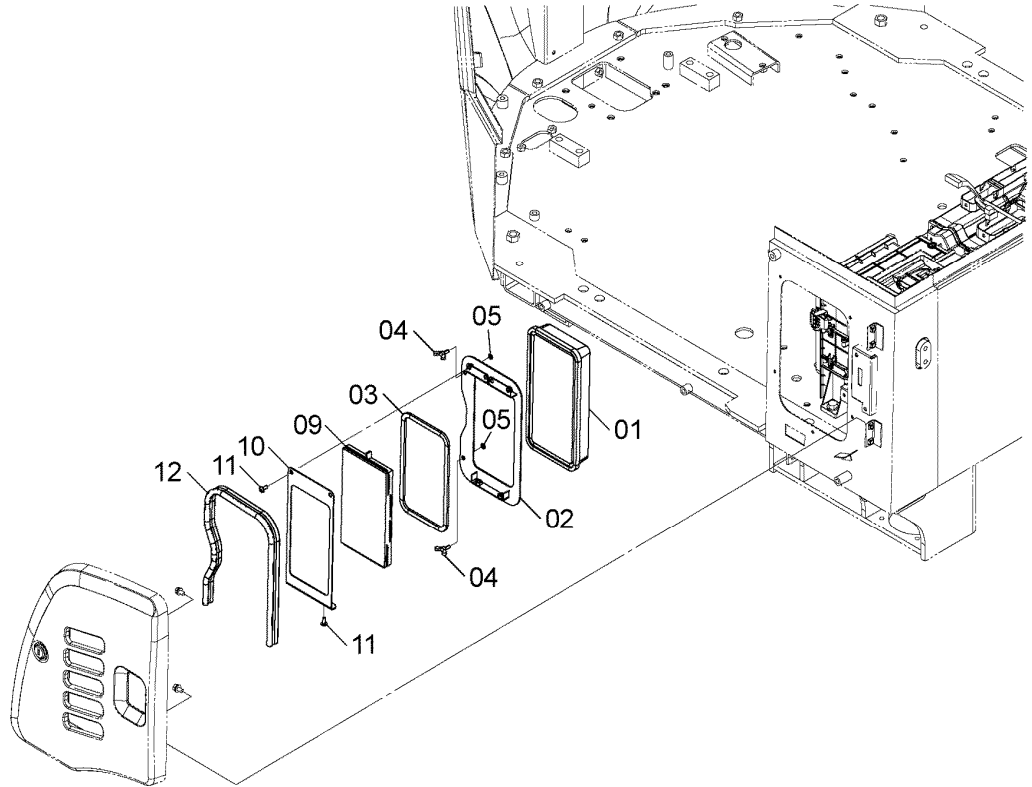
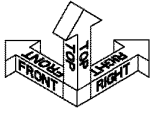
ITEM 符号	PART NO. 部品番号	PART NAME	部 品 名	Q' TY 数量	S. C サービ ス コート	SERIAL NO. 適用号機	ICA 互 換 性	REPLACEABLE PART 代 替 部 品	
								PART NO. 部品番号	Q' TY 数量
01	YQ4251527	FILTER	フィルタ	1		5001-			
02	YQYA00005555	PLATE	プレート	1		5001-			
03	YQYA00005661	BOLT, WING	ボルト, ウィング	2		5001-			
04	YQYA00005556	WASHER	ワッシャ	2		5001-			
05	YQ263G672571	SEAL	シール	1		5001-			

# AIR FILTER (DOUBLE) エアフィルタ (ダブル)

Applicable Model (適用機種): -

Mark (記号): -

Serial No. (適用号機): -



DCYA60004096A

AIR FILTER (DOUBLE)  
 エアフィルタ (ダブル)

Applicable Model (適用機種): -

Mark(記号): -

Serial No. (適用号機): -

ITEM 符号	PART NO. 部品番号	PART NAME	部 品 名	Q' TY 数量	S. C サービ ス コート	SERIAL NO. 適用号機	ICA 互 換 性	REPLACEABLE PART 代 替 部 品	
								PART NO. 部品番号	Q' TY 数量
01	YQ4251527	FILTER	フィルタ	1		5001-			
02	YQYA40003635	BRACKET	ブ ラケツト	1		5001-			
03	YQ263G673551	INSULATOR	インシュレータ	1		5001-			
04	YQYA00005661	BOLT, WING	ボ ルト, ウィンク	2		5001-			
05	YQYA00005556	WASHER	ワッシャ	2		5001-			
09	YQYA00005725	FILTER	フィルタ	1		5001-			
10	YQYA00005726	PLATE	プ レート	1		5001-			
11	YQJ650616	SCREW	スクリュ	4		5001-			
12	YQ263G672571	SEAL	シール	1		5001-			

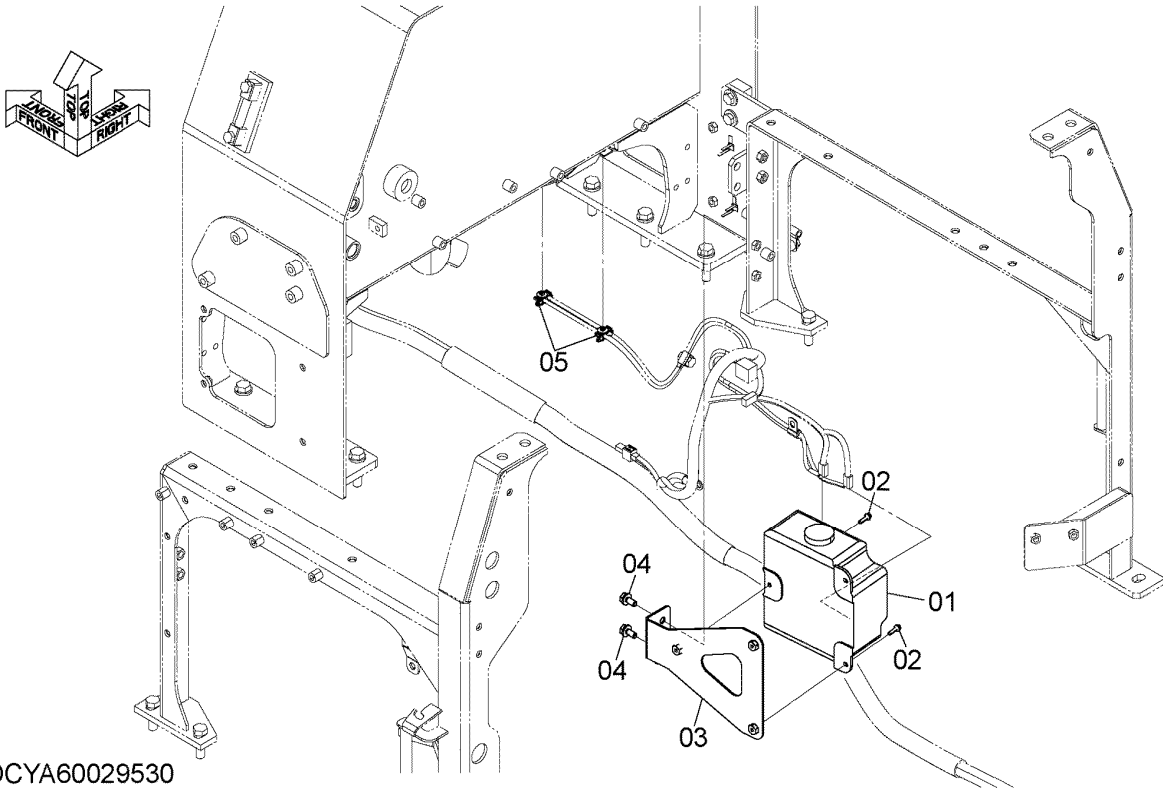
# WASHER TANK

## ウォッシュタンク

Applicable Model (適用機種): -

Mark (記号): -

Serial No. (適用号機): -



DCYA60029530

# WASHER TANK

## ウォッシャタンク

Applicable Model (適用機種): -

Mark(記号): -

Serial No. (適用号機): -

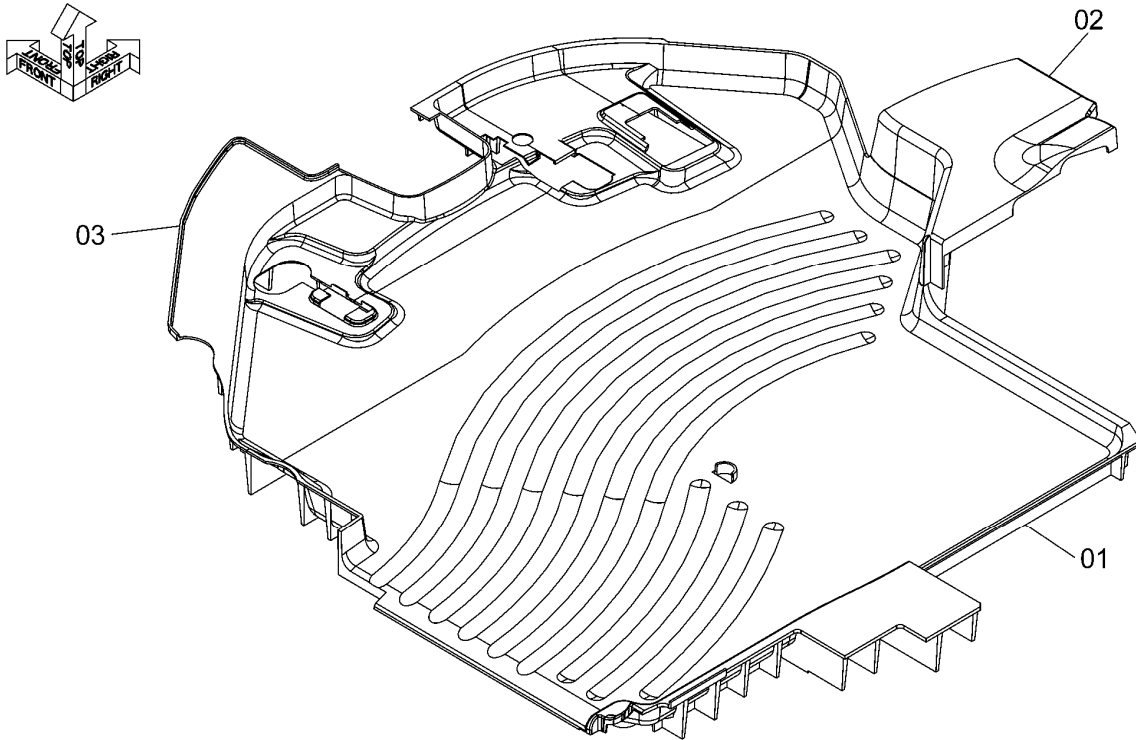
ITEM 符号	PART NO. 部品番号	PART NAME	部 品 名	Q' TY 数量	S. C サービ ス コート	SERIAL NO. 適用号機	ICA 互 換 性	REPLACEABLE PART 代 替 部 品	
								PART NO. 部品番号	Q' TY 数量
01	YQ2681673051	TANK, WATER	タンク, ウォータ	1		5001-			
02	YQJ460625	SCREW	スクリュ	3		5001-			
03	YQYA40026253	BRACKET	ブ ラケツト	1		5001-			
04	YQJ271025	BOLT, W/WASHER	ボ ルト (ワッシャ付)	2	D	5001-			
05	YQ4343692	CLIP	クリップ	2		5001-			

# FLOOR MAT フロアマット

Applicable Model (適用機種): -

Mark (記号): -

Serial No. (適用号機): -



DCYA40003639

# FLOOR MAT

## フロアマット

Applicable Model (適用機種): -

Mark(記号): -

Serial No. (適用号機): -

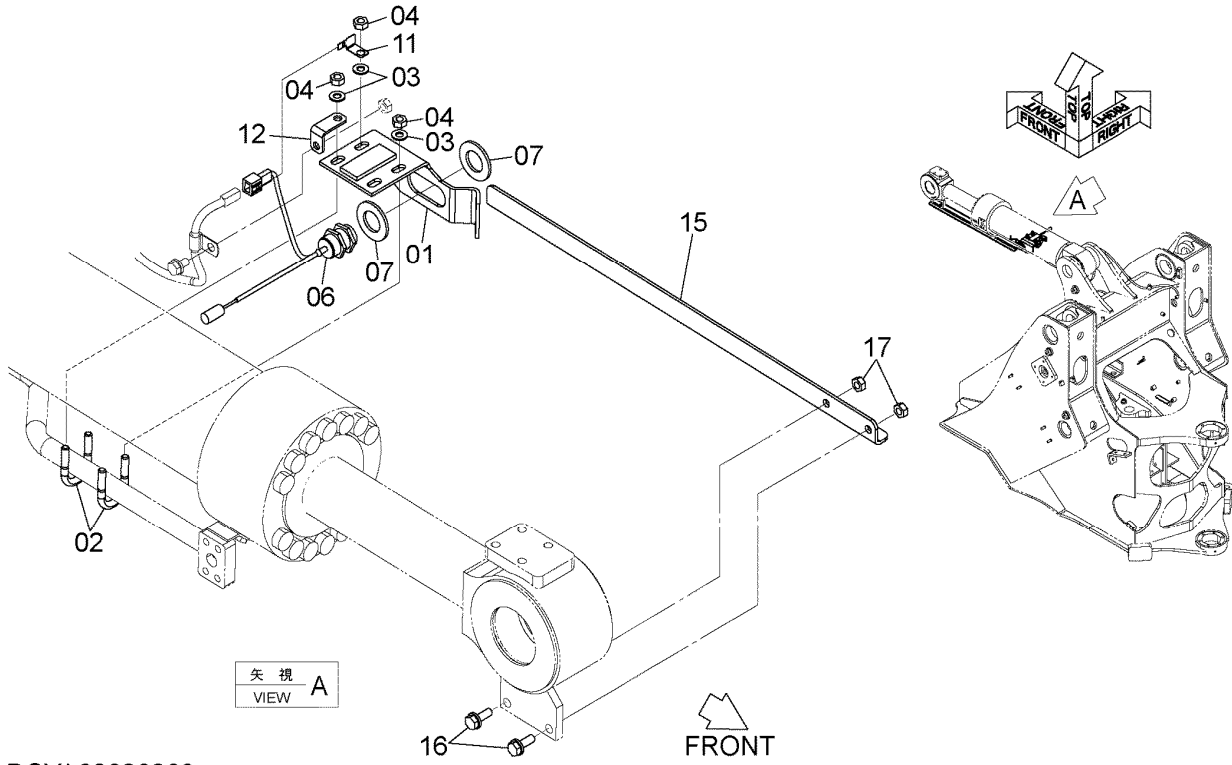
ITEM 符号	PART NO. 部品番号	PART NAME	部 品 名	Q' TY 数量	S. C サービ ス コート	SERIAL NO. 適用号機	ICA 互 換 性	REPLACEABLE PART 代 替 部 品	
								PART NO. 部品番号	Q' TY 数量
01	YQYA00005563	MAT, FLOOR	マット, フロア	1		5001-			
02	YQYA00005564	MAT, FLOOR	マット, フロア	1		5001-			
03	YQYA00005566	MAT, FLOOR	マット, フロア	1		5001-			

# BUCKET AUTO LEVELER バケットオートレベラ

Applicable Model (適用機種): -

Mark (記号): -

Serial No. (適用号機): -



DCYA60020283

BUCKET AUTO LEVELER  
バケットオートレベラ

Applicable Model (適用機種): -

Mark(記号): -

Serial No. (適用号機): -

ITEM 符号	PART NO. 部品番号	PART NAME	部 品 名	Q' TY 数量	S. C サービ ス コート	SERIAL NO. 適用号機	I C A 互 換 性	REPLACEABLE PART 代 替 部 品	
								PART NO. 部品番号	Q' TY 数量
01	YQ263G240201	BRACKET	ブ ラケッ ト	1		5001-			
02	YQ2661912121	BOLT, U	ボ ル ト, U	2		5001-			
03	YQA590110	WASHER, PLANE	ワ ッ シ ャ, フ レ ー ン	4		5001-			
04	YQJ950010	NUT	ナ ッ ト	4		5001-			
06	YQ4637651	SWITCH	ス イ ッ チ	1		5001-			
07	YQA590130	WASHER, PLANE	ワ ッ シ ャ, フ レ ー ン	2		5001-			
11	YQ4257159	BRACKET	ブ ラケッ ト	1		5001-			
12	YQ263J222181	BRACKET	ブ ラケッ ト	1		5001-			
15	YQ263E242671	BRACKET	ブ ラケッ ト	1		5001-			
16	YQJ271030	BOLT, W/WASHER	ボ ル ト (ワ ッ シ ャ 付)	2	D	5001-			
17	YQJ950010	NUT	ナ ッ ト	2		5001-			

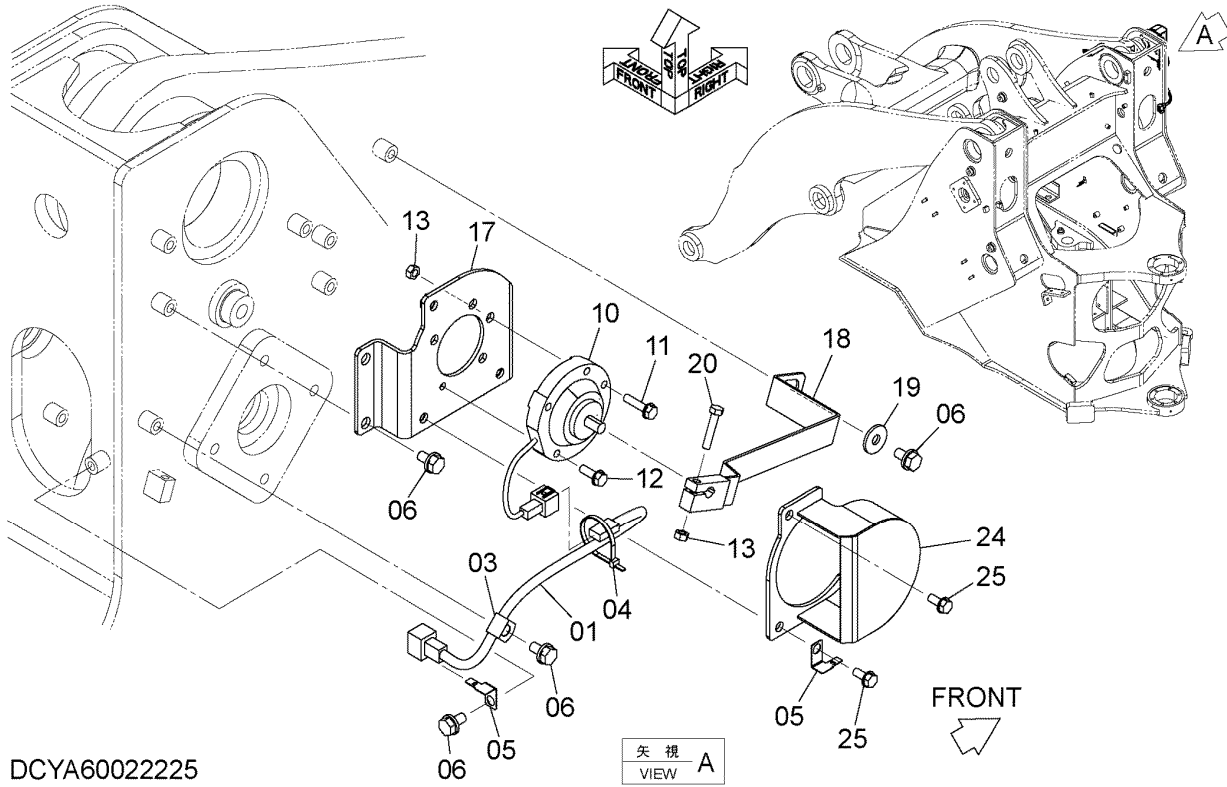
# LIFT ARM AUTO LEVELER SYSTEM

## リフトアームオートレベラシステム

Applicable Model (適用機種): -

Mark (記号): -

Serial No. (適用号機): -



DCYA60022225

# LIFT ARM AUTO LEVELER SYSTEM

## リフトアームオートレベラシステム

Applicable Model (適用機種): -

Mark(記号): -

Serial No. (適用号機): -

ITEM 符号	PART NO. 部品番号	PART NAME	部 品 名	Q' TY 数量	S. C サービ ス コート	SERIAL NO. 適用号機	ICA 互 換 性	REPLACEABLE PART 代 替 部 品	
								PART NO. 部品番号	Q' TY 数量
01	YQYA00026942	HARNESS	ハーネス	1		5001-			
03	YQ263G243241	CLAMP	クランプ	1		5001-			
04	YQ0491311200	CLIP	クリップ	1		5001-			
05	YQ4257159	BRACKET	ブラケット	2		5001-			
06	YQJ271020	BOLT, W/WASHER	ボルト (ワッシャ付)	6	D	5001-			
10	YQ4476333	SENSOR	センサ	1		5001-			
11	YQJ260835	BOLT, W/WASHER	ボルト (ワッシャ付)	4	D	5001-			
12	YQJ260825	BOLT, W/WASHER	ボルト (ワッシャ付)	1	D	5001-			
13	YQJ950008	NUT	ナット	5		5001-			
17	YQ263G240293	BRACKET	ブラケット	1		5001-			
18	YQ263F242301	LEVER	レバー	1		5001-			
19	YQJ217083	WASHER	ワッシャ	1		5001-			
20	YQJ900840	BOLT	ボルト	1		5001-			
24	YQ263G240303	COVER	カバー	1		5001-			
25	YQJ260820	BOLT, W/WASHER	ボルト (ワッシャ付)	3	D	5001-			

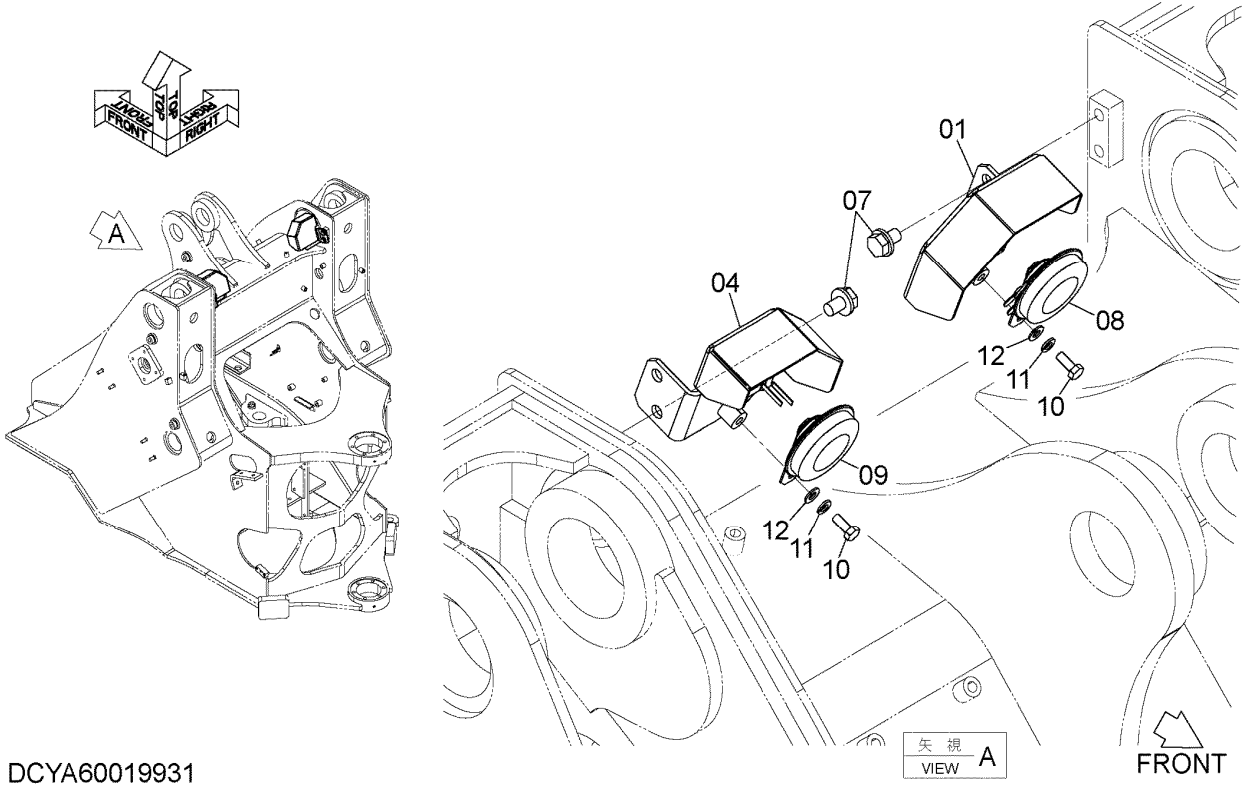
# HORN

## ホーン

Applicable Model (適用機種): -

Mark (記号): -

Serial No. (適用号機): -



DCYA60019931

# HORN ホーン

Applicable Model (適用機種): -

Mark(記号): -

Serial No. (適用号機): -

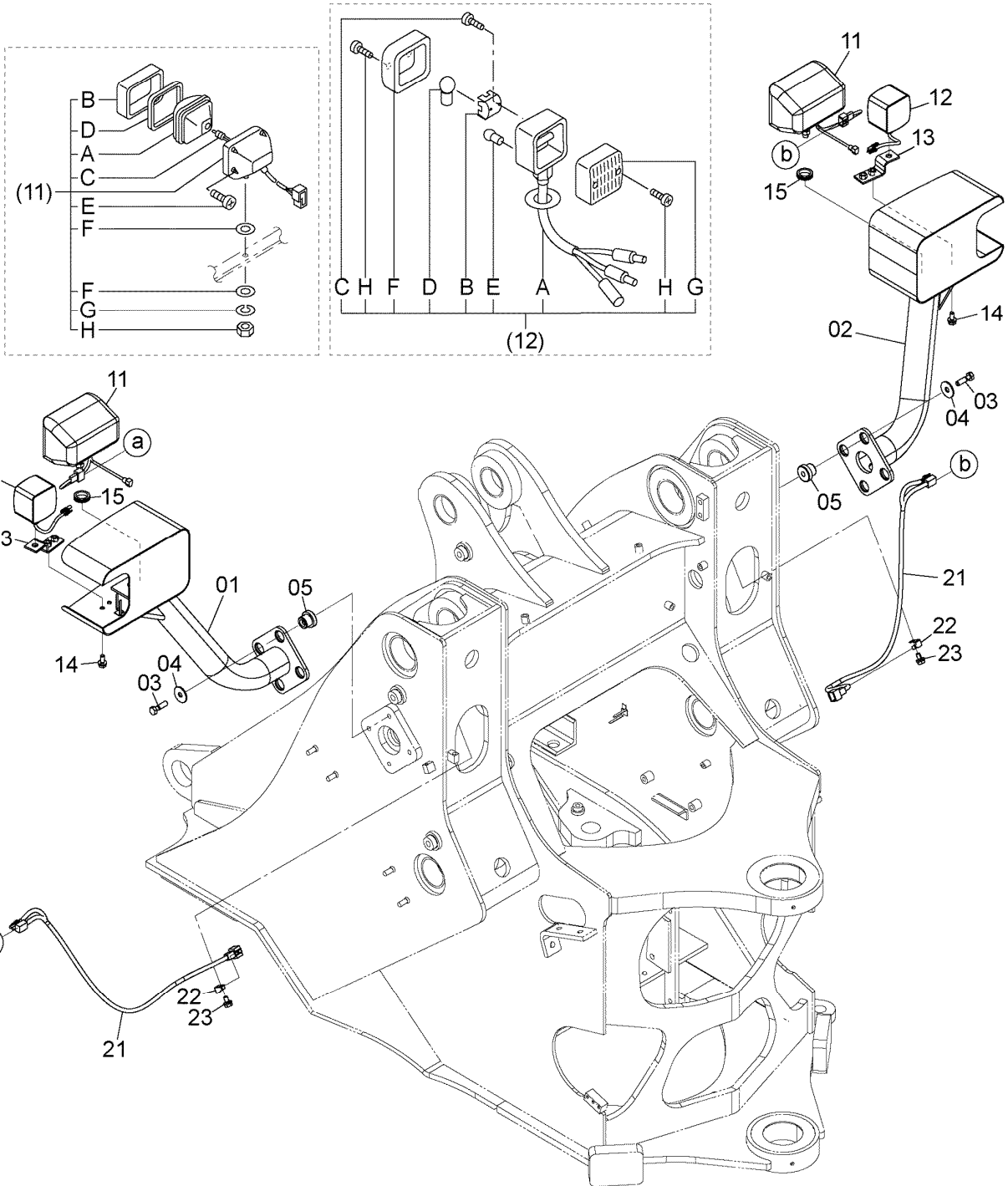
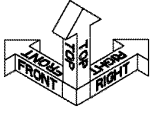
ITEM 符号	PART NO. 部品番号	PART NAME	部 品 名	Q' TY 数量	S. C サービ ス コート	SERIAL NO. 適用号機	ICA 互 換 性	REPLACEABLE PART 代 替 部 品	
								PART NO. 部品番号	Q' TY 数量
01	YQYA40017156	BRACKET	ブ ラケ ッ ト	1		5001-			
04	YQYA40017157	BRACKET	ブ ラケ ッ ト	1		5001-			
07	YQJ271220	BOLT, W/WASHER	ボ ル ト (ワ ッ シ ャ 付)	4	D	5001-			
08	YQYA00004507	HORN (LH) (HIGH)	ホ ー ン (LH) (高)	1		5001-			
09	YQYA00004508	HORN (RH) (LOW)	ホ ー ン (RH) (低)	1		5001-			
10	YQJ900820	BOLT	ボ ル ト	2		5001-			
11	YQA590908	WASHER, SPRING	ワ ッ シ ャ, ス プ リ ン グ	2		5001-			
12	YQA590108	WASHER, PLANE	ワ ッ シ ャ, フ レ ー ン	2		5001-			

# HEAD LIGHT 前照灯

Applicable Model (適用機種): -

Mark(記号): -

Serial No.(適用号機): -



DCYA60034184

# HEAD LIGHT

## 前照灯

Applicable Model (適用機種): -

Mark(記号): -

Serial No. (適用号機): -

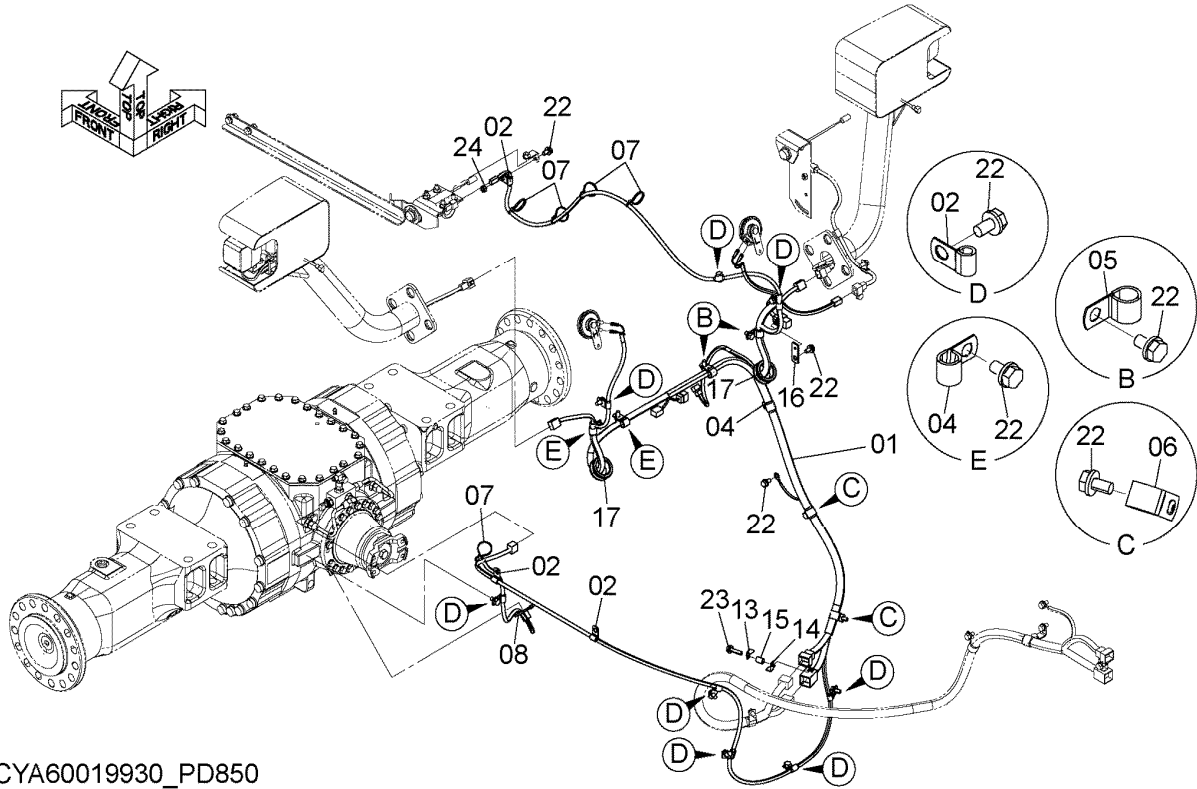
ITEM 符号	PART NO. 部品番号	PART NAME	部 品 名	Q' TY 数量	S. C サービ ス コート	SERIAL NO. 適用号機	ICA 互 換 性	REPLACEABLE PART 代 替 部 品	
								PART NO. 部品番号	Q' TY 数量
01	YQYA40026371	BRACKET	ブ ラケッ ト	1		5001-			
02	YQYA40026372	BRACKET	ブ ラケッ ト	1		5001-			
03	YQJ901245	BOLT	ボ ル ト	8		5001-			
04	YQ2631212021	WASHER	ワ ッ シ ャ	8		5001-			
05	YQ2660642251	RUBBER	ラ バ ー	8		5001-			
11	YQ4436232	LAMP, HEAD	ラン プ, ヘッ ド	2		5001-			
11A	YQ4434678	* LENS, UNIT	* レンズ, ユニ ッ ト	1		5001-			
11B	YQ4326802	* FRAME	* フレ ー ム	1		5001-			
11C	YQ4434679	* BULB (24V 75/70W)	* バ ル ブ (24V 75/70W)	1		5001-			
11D	YQ4326803	* GASKET	* ガ ス ケ ッ ト	1		5001-			
11E	YQ4307027	* SCREW	* ス ク リ ュ	4		5001-			
11F	YQA590114	* WASHER, PLANE	* ワ ッ シ ャ, プ ー ム	2		5001-			
11G	YQA590914	* WASHER, SPRING	* ワ ッ シ ャ, ス プ リ ン グ	1		5001-			
11H	YQJ952014	* NUT	* ナ ッ ト	1		5001-			
12	YQ2640242432	LAMP, FRONT	ラン プ, フ ロ ン ト	2		5001-			
12A	YQ2619247371	* BODY	* ボ デ ー	1		5001-			
12B	YQ2619247381	* REFLECTOR	* リ フ レ ク タ	1		5001-			
12C	YQ2619247391	* SCREW	* ス ク リ ュ	2		5001-			
12D	YQ2640247291	* BULB (24V 25W)	* バ ル ブ (24V 25W)	1		5001-			
12E	YQ2640247301	* BULB (24V 5W)	* バ ル ブ (24V 5W)	1		5001-			
12F	YQ2619247401	* LENS (FRONT)	* レンズ (フ ロ ン ト)	1		5001-			
12G	YQ2619247411	* LENS (REAR)	* レンズ (リ ア)	1		5001-			
12H	YQ2640247311	* SCREW	* ス ク リ ュ	4		5001-			
13	YQ263G240311	SPACER	ス ペ ー サ	2		5001-			
14	YQJ271025	BOLT, W/WASHER	ボ ル ト (ワ ッ シ ャ 付)	4	D	5001-			
15	YQ2147124411	BUSHING, RUBBER	ブ ッ シ ン グ, ラ バ ー	2		5001-			
21	YQ263F242071	HARNESS	ハ ー ネ ス	2		5001-			
22	YQ4257159	BRACKET	ブ ラケッ ト	2		5001-			
23	YQJ271020	BOLT, W/WASHER	ボ ル ト (ワ ッ シ ャ 付)	2	D	5001-			

ELECTRIC PARTS (FRONT)  
電気部品 (フロント)

Applicable Model (適用機種): -

Mark (記号): -

Serial No. (適用号機): -



DCYA60019930\_PD850

ELECTRIC PARTS (FRONT)

電気部品 (フロント)

Applicable Model (適用機種): -

Mark(記号): -

Serial No. (適用号機): -

ITEM 符号	PART NO. 部品番号	PART NAME	部 品 名	Q' TY 数量	S. C サービ ス コート	SERIAL NO. 適用号機	ICA 互 換 性	REPLACEABLE PART 代 替 部 品	
								PART NO. 部品番号	Q' TY 数量
01	YQYA00024375	HARNESS	ハーネス	1		5001-			
02	YQ4190261	CLIP	クリップ	11		5001-			
04	YQ4190253	CLIP	クリップ	3		5001-			
05	YQ4190262	CLIP	クリップ	2		5001-			
06	YQ4190277	CLIP	クリップ	2		5001-			
07	YQ4441695	CLIP	クリップ	5		5001-			
08	YQ0491311200	CLIP	クリップ	1		5001-			
13	YQ4257159	BRACKET	ブラケット	1		5001-			
14	YQ4418301	BRACKET	ブラケット	1		5001-			
15	YQ263G212301	TUBE	チューブ	1		5001-			
16	YQYA00006008	PLATE	プレート	1		5001-			
17	YQ4641124	BUSHING, RUBBER	ブッシング, ラバー	2		5001-			
22	YQJ271020	BOLT, W/WASHER	ボルト (ワッシャ付)	17	D	5001-			
23	YQJ271040	BOLT, W/WASHER	ボルト (ワッシャ付)	1	D	5001-			
24	YQJ950010	NUT	ナット	1		5001-			

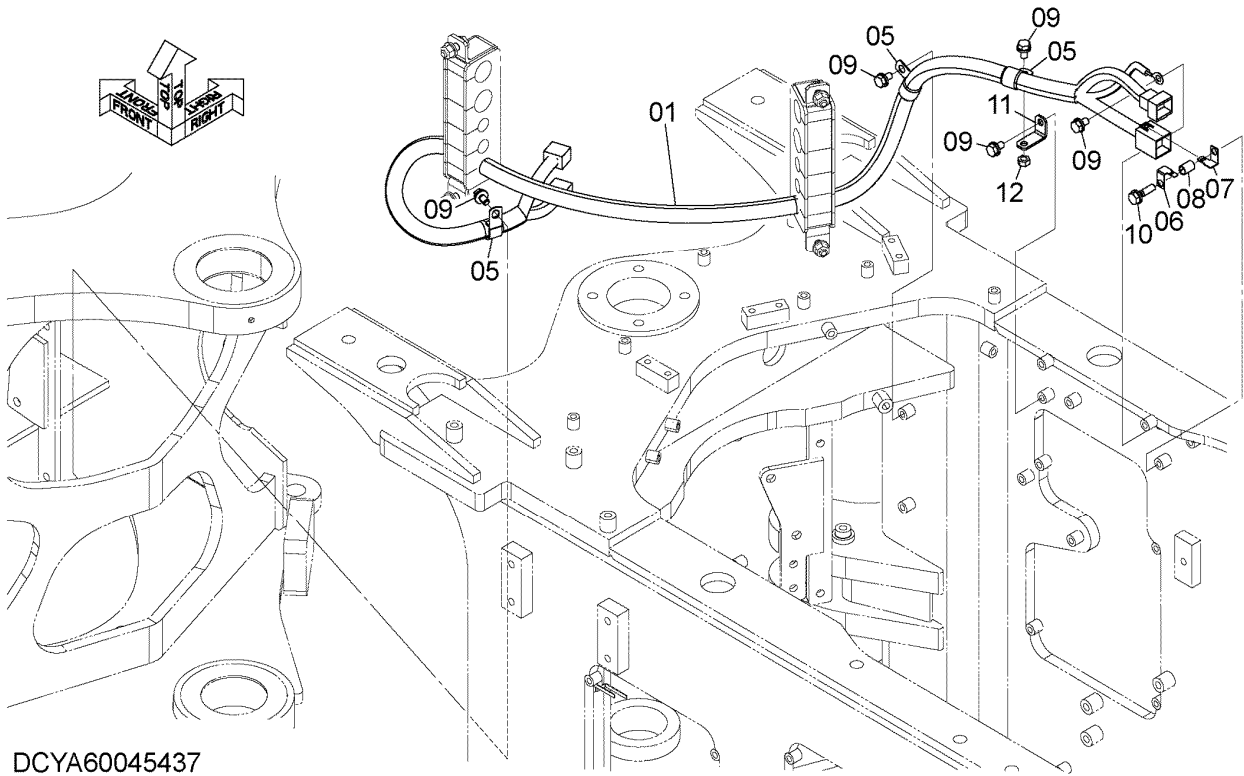
# ELECTRIC PARTS (REAR) (1)

## 電気部品 (リア) (1)

Applicable Model (適用機種): -

Mark (記号): -

Serial No. (適用号機): -



DCYA60045437

ELECTRIC PARTS (REAR) (1)

電気部品 (リア) (1)

Applicable Model (適用機種): -

Mark(記号): -

Serial No. (適用号機): -

ITEM 符号	PART NO. 部品番号	PART NAME	部 品 名	Q' TY 数量	S. C サービ ス コート	SERIAL NO. 適用号機	I C A 互 換 性	REPLACEABLE PART 代 替 部 品	
								PART NO. 部品番号	Q' TY 数量
01	YQYA00004482	HARNESS	ハーネス	1		5001-			
05	YQ4190263	CLIP	クリップ	3		5001-			
06	YQ4257159	BRACKET	ブラケット	1		5001-			
07	YQ4418301	BRACKET	ブラケット	1		5001-			
08	YQ263G212301	TUBE	チューブ	1		5001-			
09	YQJ271020	BOLT, W/WASHER	ボルト (ワッシャ付)	5	D	5001-			
10	YQJ271040	BOLT, W/WASHER	ボルト (ワッシャ付)	1	D	5001-			
11	YQ263J222181	BRACKET	ブラケット	1		5001-			
12	YQJ950010	NUT	ナット	1		5001-			

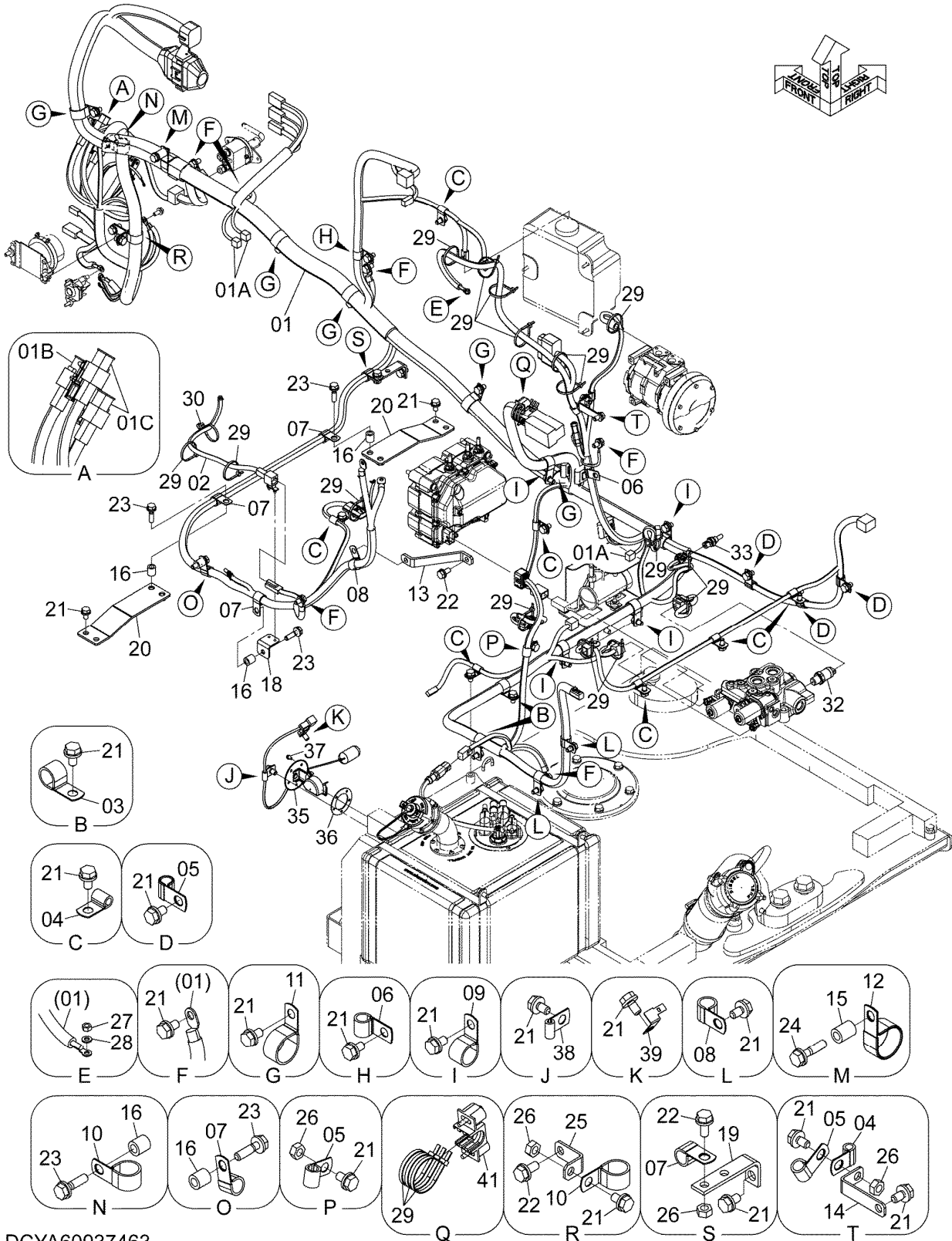
# ELECTRIC PARTS (REAR) (2)

## 電気部品 (リア) (2)

Applicable Model (適用機種): -

Mark (記号): -

Serial No. (適用号機): -



DCYA60037463

## ELECTRIC PARTS (REAR) (2)

## 電気部品 (リア) (2)

Applicable Model (適用機種): -

Mark(記号): -

Serial No. (適用号機): -

ITEM 符号	PART NO. 部品番号	PART NAME	部 品 名	Q' TY 数量	S. C サービ ス コート	SERIAL NO. 適用号機	ICA 互 換 性	REPLACEABLE PART 代 替 部 品	
								PART NO. 部品番号	Q' TY 数量
01	YQYA00038325	HARNESS	ハーネス	1		5001-			
01A	YQYA00031759	* DIODE (1.5A)	* ダイオード (1.5A)	3		5001-			
01B	YQ4315323	* FUSIBLE-LINK (45A)	* ヒューズブリンク (45A)	1		5001-			
01C	YQ263G244421	* FUSE (65A)	* ヒューズ (65A)	2		5001-			
02	YQYA00017767	HARNESS	ハーネス	1		5001-			
03	YQ4190277	CLIP	クリップ	2		5001-			
04	YQ4190261	CLIP	クリップ	8		5001-			
05	YQ4190275	CLIP	クリップ	5		5001-			
06	YQ4190253	CLIP	クリップ	2		5001-			
07	YQ4190273	CLIP	クリップ	5		5001-			
08	YQ4190262	CLIP	クリップ	3		5001-			
09	YQ4190263	CLIP	クリップ	4		5001-			
10	YQ4192035	CLIP	クリップ	2		5001-			
11	YQ4190264	CLIP	クリップ	5		5001-			
12	YQ4190291	CLIP	クリップ	1		5001-			
13	YQYA00017581	BRACKET	ブラケット	1		5001-			
14	YQ2661242081	BRACKET	ブラケット	1		5001-			
15	YQYA00017022	COLLAR	カラー	1		5001-			
16	YQ2655542141	COLLAR	カラー	5		5001-			
18	YQ263F242671	BRACKET	ブラケット	1		5001-			
19	YQ263J672091	BRACKET	ブラケット	1		5001-			
20	YQYA40026400	BRACKET	ブラケット	2		5001-			
21	YQJ271020	BOLT, W/WASHER	ボルト (ワッシャ付)	41	D	5001-			
22	YQJ271025	BOLT, W/WASHER	ボルト (ワッシャ付)	3	D	5001-			
23	YQJ271040	BOLT, W/WASHER	ボルト (ワッシャ付)	5	D	5001-			
24	YQJ271045	BOLT, W/WASHER	ボルト (ワッシャ付)	1	D	5001-			
25	YQ263J222181	BRACKET	ブラケット	1		5001-			
26	YQJ950010	NUT	ナット	4		5001-			
27	YQM500605	NUT	ナット	1		5001-			
28	YQA590106	WASHER, PLANE	ワッシャ, フレーン	1		5001-			
29	YQ0491311200	CLIP	クリップ	21		5001-			
30	YQ4441695	CLIP	クリップ	1		5001-			
32	YQ4436271	SENSOR, PRESSURE	センサ, プレッシヤ	1		5001-			
32A	YQ4365826	* RING, O	* リング, O	1		5001-			
33	YQYA00040250	SENSOR, TEMPERATURE	センサ, テンパラチヤ	1	Z	5001-			
35	YQ4631459	FLOAT	フロート	1		5001-			
36	YQ4269607	PACKING	パッキン	1		5001-			
37	YQJ680510	SCREW	スクリュー	5		5001-			
38	YQ4190276	CLIP	クリップ	1		5001-			
39	YQ4257159	BRACKET	ブラケット	1		5001-			
41	YQYA00041953	CLAMP, CABLE	クランプ, ケーブル	1		5001-			

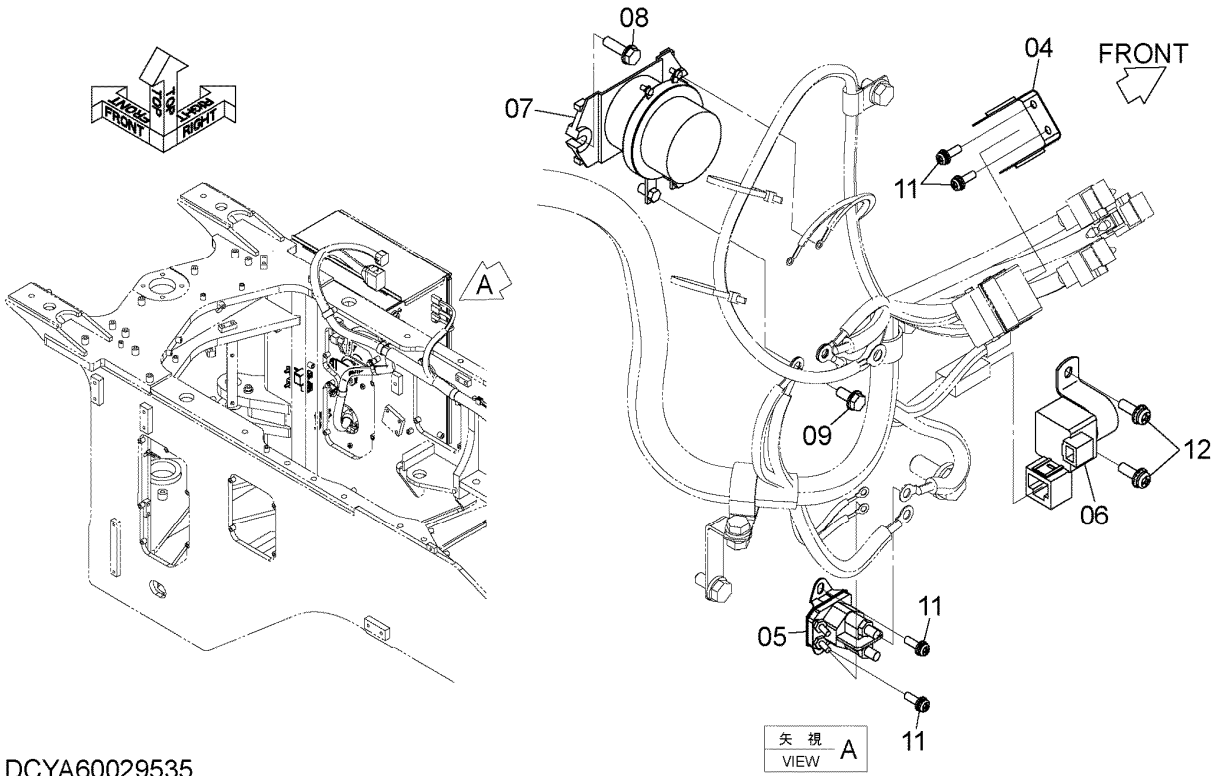
# ELECTRIC PARTS (REAR) (3)

## 電気部品 (リア) (3)

Applicable Model (適用機種): -

Mark (記号): -

Serial No. (適用号機): -



ELECTRIC PARTS (REAR) (3)

電気部品 (リア) (3)

Applicable Model (適用機種): -

Mark(記号): -

Serial No. (適用号機): -

ITEM 符号	PART NO. 部品番号	PART NAME	部 品 名	Q' TY 数量	S. C サービ ス コート	SERIAL NO. 適用号機	I CA 互 換 性	REPLACEABLE PART 代 替 部 品	
								PART NO. 部品番号	Q' TY 数量
04	YQYA00034988	BRACKET	ブ ラケ ッ ト	1		5001-			
05	YQYA00025752	RELAY	リ レ	1	Z	5001-			
06	YQYA00039663	RELAY	リ レ	1		5001-			
07	YQ4255762	RELAY, BATTERY	リ レ, バ ッ テ リ	1		5001-			
08	YQJ260830	BOLT, W/WASHER	ボ ル ト (ワ ッ シ ャ 付)	2	D	5001-			
09	YQJ260820	BOLT, W/WASHER	ボ ル ト (ワ ッ シ ャ 付)	2	D	5001-			
09A	YQJ900820	* BOLT	* ボ ル ト	1		5001-			
09B	YQA590108	* WASHER, PLANE	* ワ ッ シ ャ, プ レ ー ン	1		5001-			
11	YQJ460620	SCREW	ス ク リ ュ	4		5001-			
12	YQJ460825	SCREW	ス ク リ ュ	2		5001-			

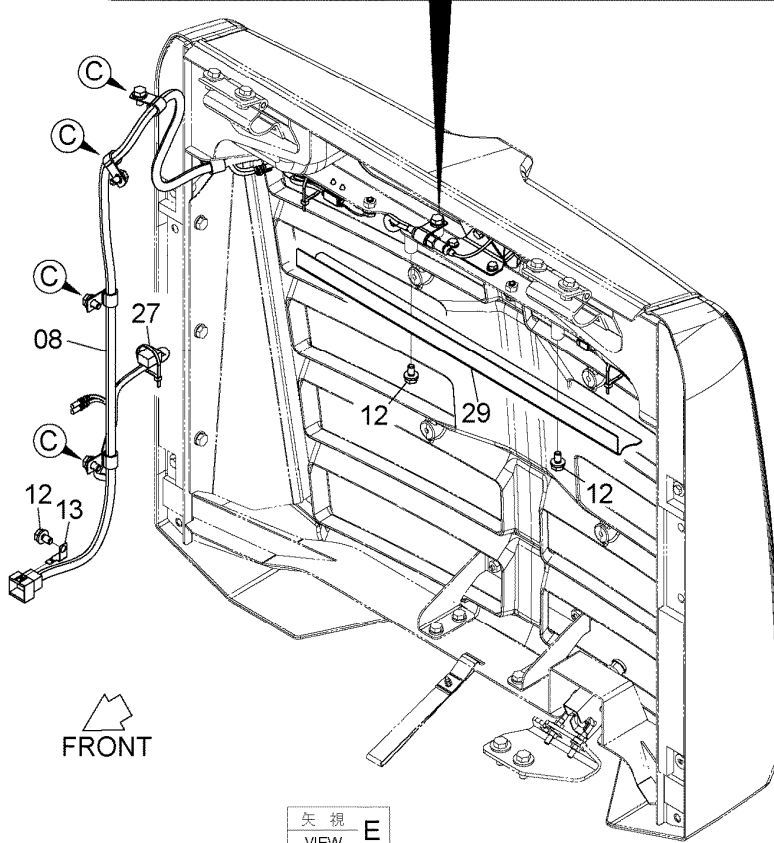
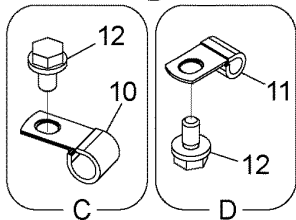
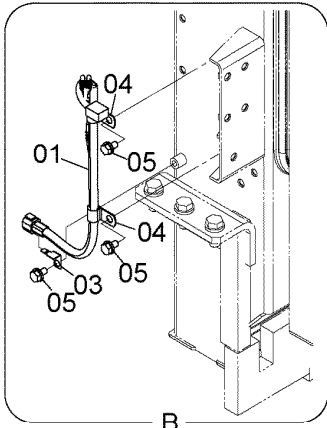
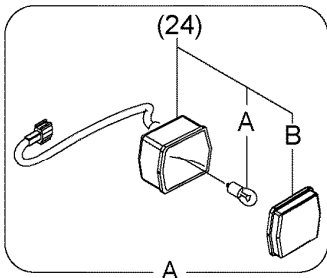
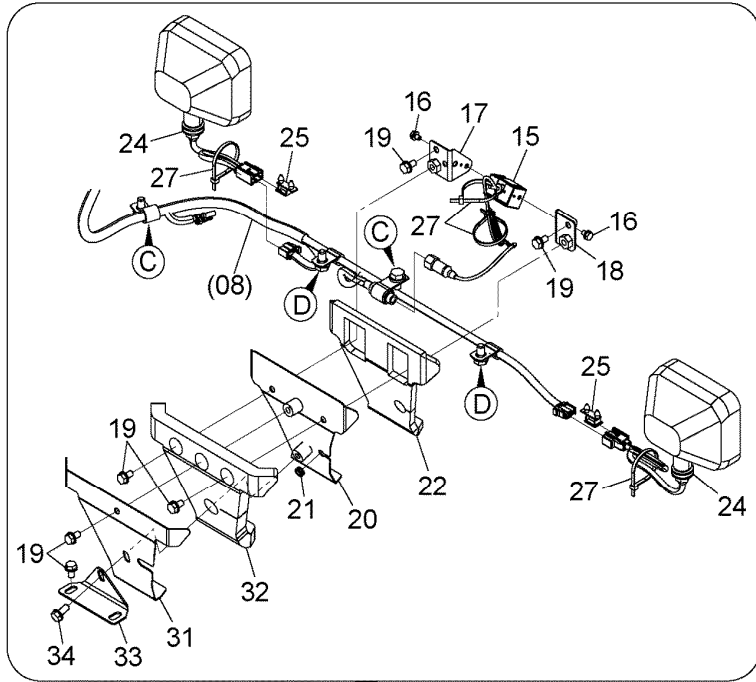
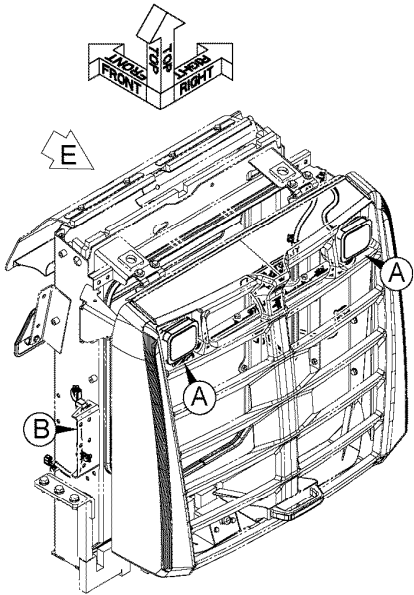
# ELECTRIC PARTS (REAR) (4)

## 電気部品 (リア) (4)

Applicable Model (適用機種): -

Mark (記号): -

Serial No. (適用号機): -



矢視 E  
VIEW

DCYA60029536

## ELECTRIC PARTS (REAR) (4)

## 電気部品 (リア) (4)

Applicable Model (適用機種): -

Mark(記号): -

Serial No. (適用号機): -

ITEM 符号	PART NO. 部品番号	PART NAME	部 品 名	Q'TY 数量	S. C サービ ス コート	SERIAL NO. 適用号機	ICA 互 換 性	REPLACEABLE PART 代 替 部 品	
								PART NO. 部品番号	Q'TY 数量
01	YQYA00040696	HARNES	ハーネス	1		5001-			
03	YQ4257159	BRACKET	ブラケット	1		5001-			
04	YQ4190275	CLIP	クリップ	2		5001-			
05	YQJ271020	BOLT, W/WASHER	ボルト (ワッシャ付)	3	D	5001-			
08	YQYA00040697	HARNES	ハーネス	1		5001-			
10	YQ4190253	CLIP	クリップ	6		5001-			
11	YQ4190261	CLIP	クリップ	2		5001-			
12	YQJ271020	BOLT, W/WASHER	ボルト (ワッシャ付)	11	D	5001-			
13	YQ4257159	BRACKET	ブラケット	1		5001-			
15	YQ4703323	CAMERA	カメラ	1		5001-			
16	YQJ260610	BOLT, W/WASHER	ボルト (ワッシャ付)	2	D	5001-			
17	YQYA40030904	BRACKET	ブラケット	1		5001-			
18	YQYA40030905	BRACKET	ブラケット	1		5001-			
19	YQJ260816	BOLT, W/WASHER	ボルト (ワッシャ付)	7	D	5001-			
20	YQYA40030906	COVER	カバー	1		5001-			
21	YQ2147124091	BUSHING, RUBBER	ブッシング, ラバー	1		5001-			
22	YQYA00047864	SEAL	シール	1		5001-			
24	YQ263F242221	LAMP, WORKING	ランプ, ワーキング	2		5001-			
24A	YQ2661242251	* BULB (24V 70W)	* バルブ (24V 70W)	1		5001-			
24B	YQ263F247031	* LENS	* レンズ	1		5001-			
25	YQ263F242231	CLIP	クリップ	2		5001-			
27	YQ0491311200	CLIP	クリップ	5		5001-			
29	YQYA00040289	BRACKET	ブラケット	1		5001-			
31	YQYA00047870	COVER	カバー	1		5001-			
32	YQYA00047863	SEAL	シール	1		5001-			
33	YQYA00047871	BRACKET	ブラケット	1		5001-			
34	YQJ260820	BOLT, W/WASHER	ボルト (ワッシャ付)	1	D	5001-			

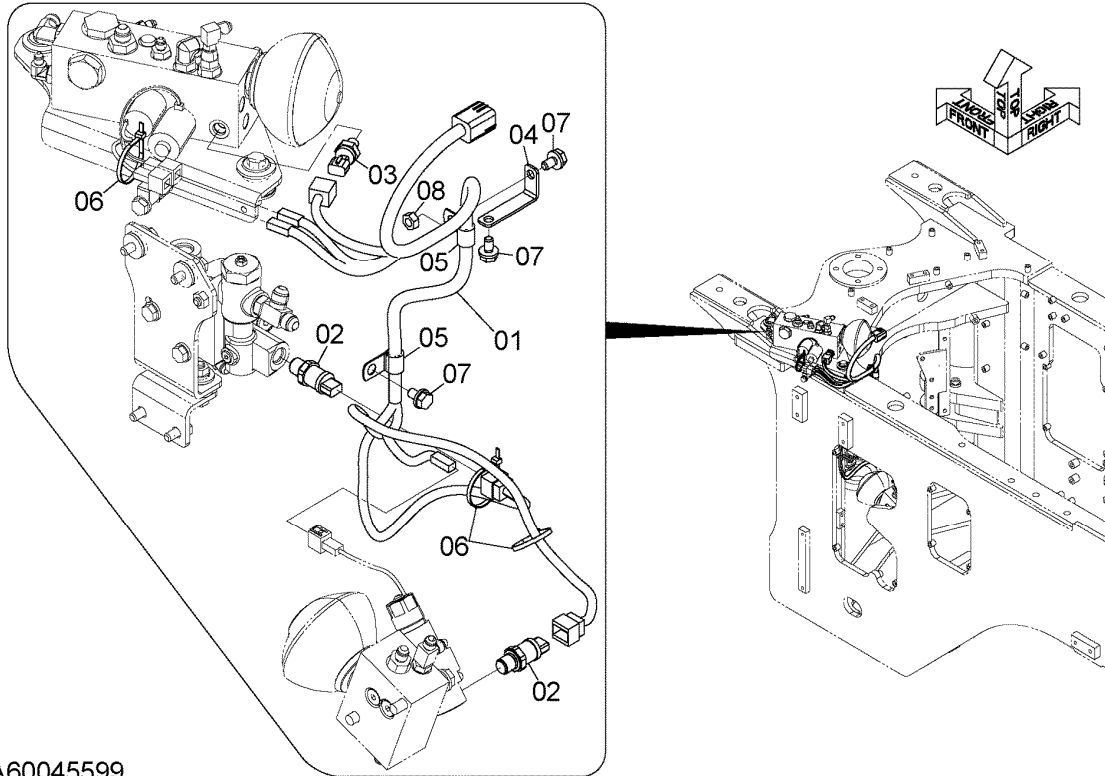
# ELECTRIC PARTS (REAR) (5)

## 電気部品 (リア) (5)

Applicable Model (適用機種): -

Mark (記号): -

Serial No. (適用号機): -



DCYA60045599

## ELECTRIC PARTS (REAR) (5)

## 電気部品 (リア) (5)

Applicable Model (適用機種): -

Mark(記号): -

Serial No. (適用号機): -

ITEM 符号	PART NO. 部品番号	PART NAME	部 品 名	Q' TY 数量	S. C サービ ス コート	SERIAL NO. 適用号機	I C A 互 換 性	REPLACEABLE PART 代 替 部 品	
								PART NO. 部品番号	Q' TY 数量
01	YQYA00004484	HARNESS	ハーネス	1		5001-			
02	YQ4436271	SENSOR, PRESSURE	センサ, プレッシュャ	2		5001-			
02A	YQ4365826	* RING, O	* リング, O	1		5001-			
03	YQ4436535	SENSOR, PRESSURE	センサ, プレッシュャ	1		5001-			
03A	YQ957366	* RING, O	* リング, O	1		5001-			
04	YQ2661242081	BRACKET	ブラケット	1		5001-			
05	YQ4190275	CLIP	クリップ	2		5001-			
06	YQ0491311200	CLIP	クリップ	3		5001-			
07	YQJ271020	BOLT, W/WASHER	ボルト (ワッシャ付)	3	D	5001-			
08	YQJ950010	NUT	ナット	1		5001-			

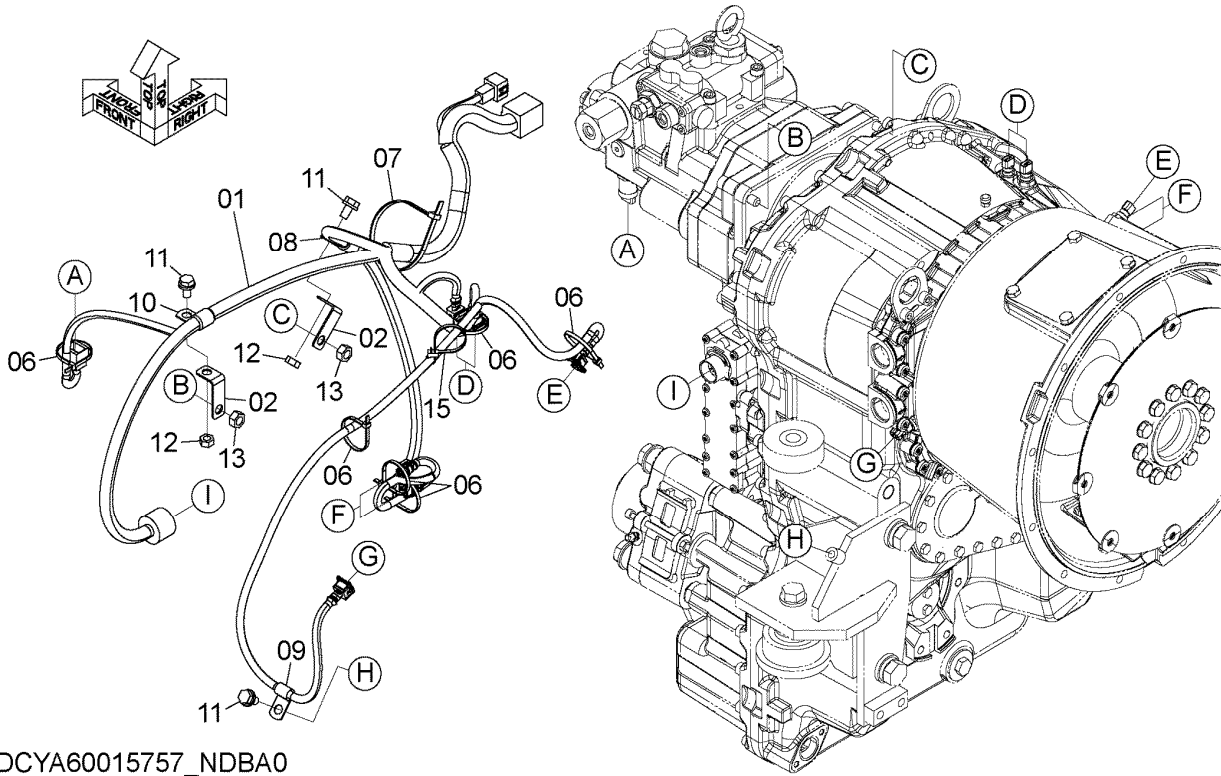
# ELECTRIC PARTS (REAR) (6)

## 電気部品 (リア) (6)

Applicable Model (適用機種): -

Mark (記号): -

Serial No. (適用号機): -



DCYA60015757\_NDBA0

## ELECTRIC PARTS (REAR) (6)

## 電気部品 (リア) (6)

Applicable Model (適用機種): -

Mark(記号): -

Serial No. (適用号機): -

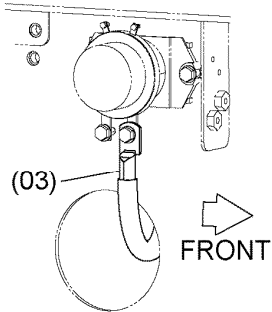
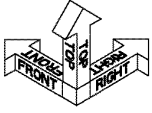
ITEM 符号	PART NO. 部品番号	PART NAME	部品名	Q'TY 数量	S. C サービ ス コート	SERIAL NO. 適用号機	ICA 互 換 性	REPLACEABLE PART 代替部品	
								PART NO. 部品番号	Q'TY 数量
01	YQYA00004493	HARNESS	ハーネス	1		5001-			
02	YQYA00006021	BRACKET	ブラケット	2		5001-			
06	YQ0491311200	CLIP	クリップ	6		5001-			
07	YQ0491321380	CLIP	クリップ	1		5001-			
08	YQ4190275	CLIP	クリップ	1		5001-			
09	YQ4190261	CLIP	クリップ	1		5001-			
10	YQ4190253	CLIP	クリップ	1		5001-			
11	YQJ271020	BOLT, W/WASHER	ボルト (ワッシャー付)	3	D	5001-			
12	YQJ950010	NUT	ナット	2		5001-			
13	YQJ950012	NUT	ナット	2		5001-			
15	YQ4441695	CLIP	クリップ	1		5001-			

ELECTRIC PARTS (REAR) (7)  
 電気部品 (リア) (7)

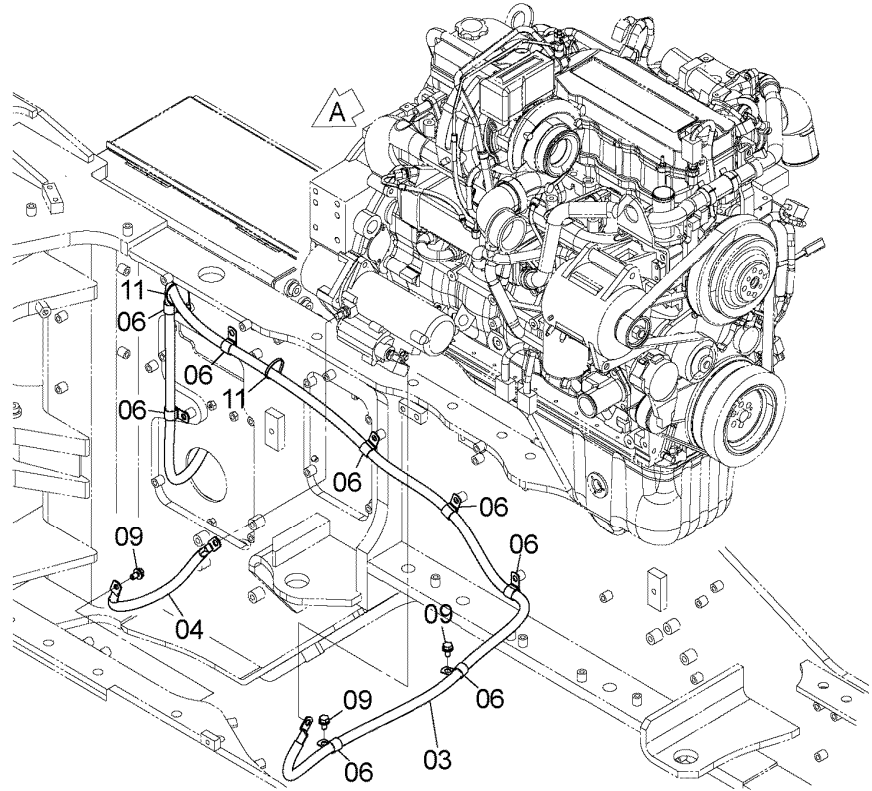
Applicable Model (適用機種): -

Mark (記号): -

Serial No. (適用号機): -



矢視 A  
 VIEW



DCYA60037464

ELECTRIC PARTS (REAR) (7)

電気部品 (リア) (7)

Applicable Model (適用機種): -

Mark(記号): -

Serial No. (適用号機): -

ITEM 符号	PART NO. 部品番号	PART NAME	部 品 名	Q' TY 数量	S. C サービ ス コート	SERIAL NO. 適用号機	ICA 互 換 性	REPLACEABLE PART 代 替 部 品	
								PART NO. 部品番号	Q' TY 数量
03	YQYA00040061	CABLE, BATTERY	ケーブル, バッテリ	1		5001-			
04	YQYA00037067	CABLE, BATTERY	ケーブル, バッテリ	1		5001-			
06	YQ4190262	CLIP	クリップ	8		5001-			
09	YQJ271020	BOLT, W/WASHER	ボルト (ワッシャ付)	3	D	5001-			
11	YQ0491311200	CLIP	クリップ	2		5001-			

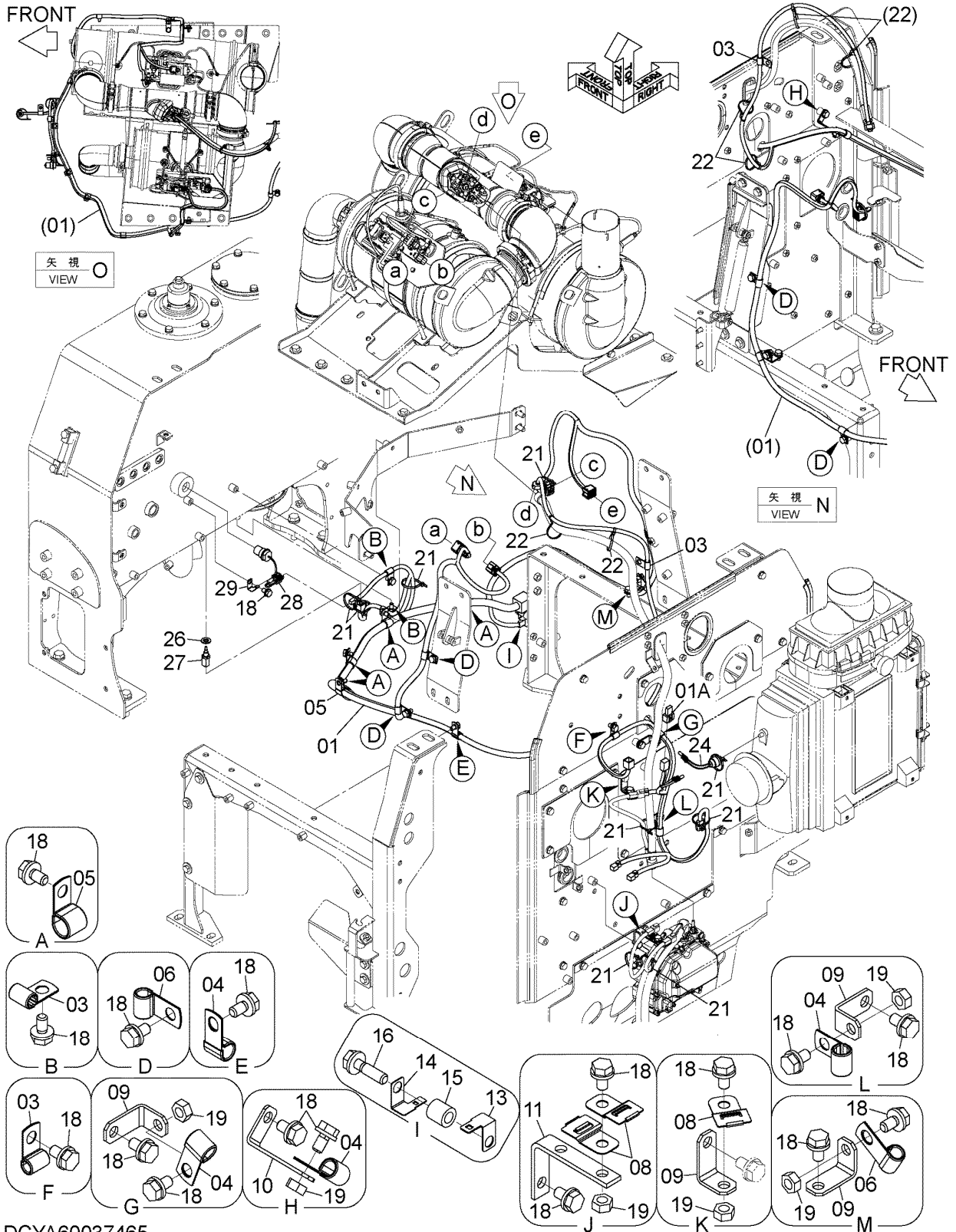
# ELECTRIC PARTS (REAR) (8)

## 電気部品 (リア) (8)

Applicable Model (適用機種): -

Mark(記号): -

Serial No. (適用号機): -



DCYA60037465

## ELECTRIC PARTS (REAR) (8)

## 電気部品 (リア) (8)

Applicable Model (適用機種): -

Mark(記号): -

Serial No. (適用号機): -

ITEM 符号	PART NO. 部品番号	PART NAME	部 品 名	Q' TY 数量	S. C サービ ス コート	SERIAL NO. 適用号機	ICA 互 換 性	REPLACEABLE PART 代 替 部 品	
								PART NO. 部品番号	Q' TY 数量
01	YQYA00040695	HARNESS	ハーネス	1		5001-			
01A	YQYA00038190	* RESISTOR	* レジスタ	1		5001-			
03	YQ4190261	CLIP	クリップ	4		5001-			
04	YQ4190275	CLIP	クリップ	4		5001-			
05	YQ4190273	CLIP	クリップ	5		5001-			
06	YQ4190272	CLIP	クリップ	5		5001-			
08	YQ263G244731	BRACKET	ブラケット	3		5001-			
09	YQ263J222181	BRACKET	ブラケット	4		5001-			
10	YQ2661242081	BRACKET	ブラケット	1		5001-			
11	YQ2682242111	BRACKET	ブラケット	1		5001-			
13	YQ4418301	BRACKET	ブラケット	1		5001-			
14	YQ4257159	BRACKET	ブラケット	1		5001-			
15	YQ2655542141	COLLAR	カラー	1		5001-			
16	YQJ271040	BOLT, W/WASHER	ボルト (ワッシャ付)	1	D	5001-			
18	YQJ271020	BOLT, W/WASHER	ボルト (ワッシャ付)	24	D	5001-			
19	YQJ950010	NUT	ナット	6		5001-			
21	YQ0491311200	CLIP	クリップ	9		5001-			
22	YQ4441695	CLIP	クリップ	4		5001-			
24	YQ4419601	INDICATOR	インジケータ	1		5001-			
26	YQ4250261	GASKET	ガスケット	1		5001-			
27	YQ4697482	SENSOR	センサ	1		5001-			
28	YQ4259787	SWITCH, LEVEL	スイッチ, レベル	1		5001-			
29	YQ4257159	BRACKET	ブラケット	1		5001-			

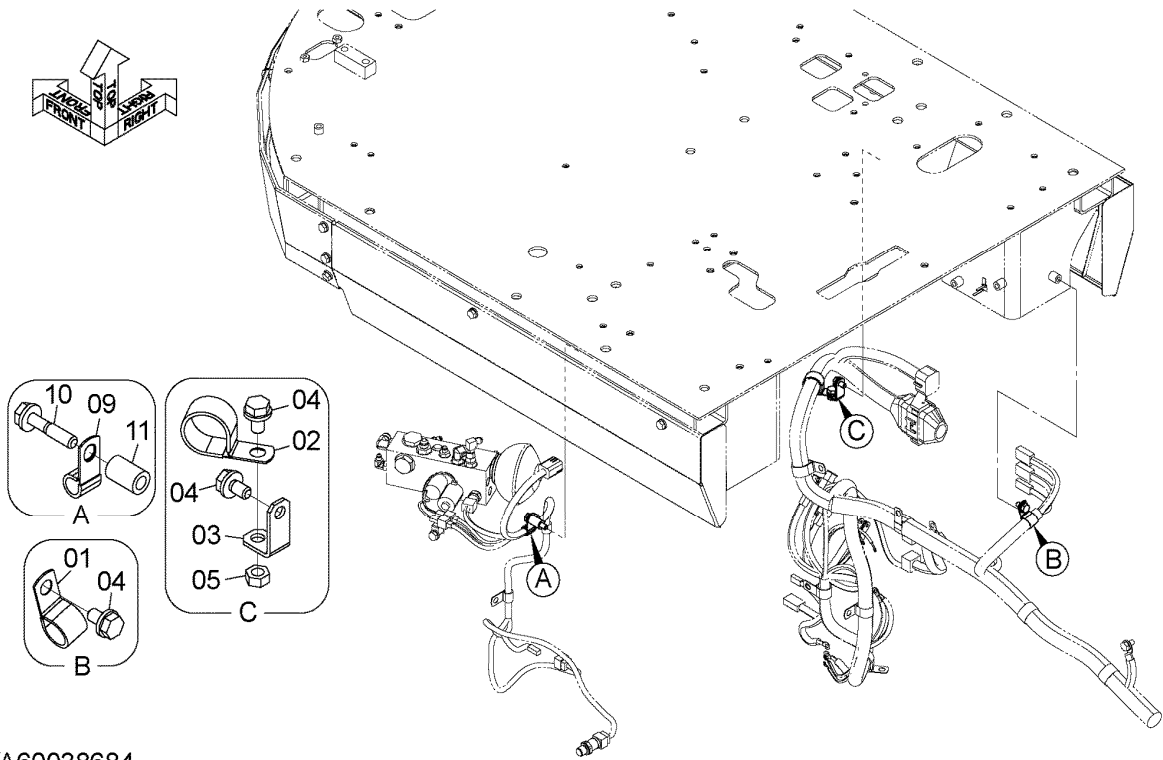
# ELECTRIC PARTS (REAR) (CLIP)

## 電気部品 (リア) (クリップ)

Applicable Model (適用機種): -

Mark (記号): -

Serial No. (適用号機): -



DCYA60038684

## ELECTRIC PARTS (REAR) (CLIP)

## 電気部品 (リア) (クリップ)

Applicable Model (適用機種): -

Mark(記号): -

Serial No. (適用号機): -

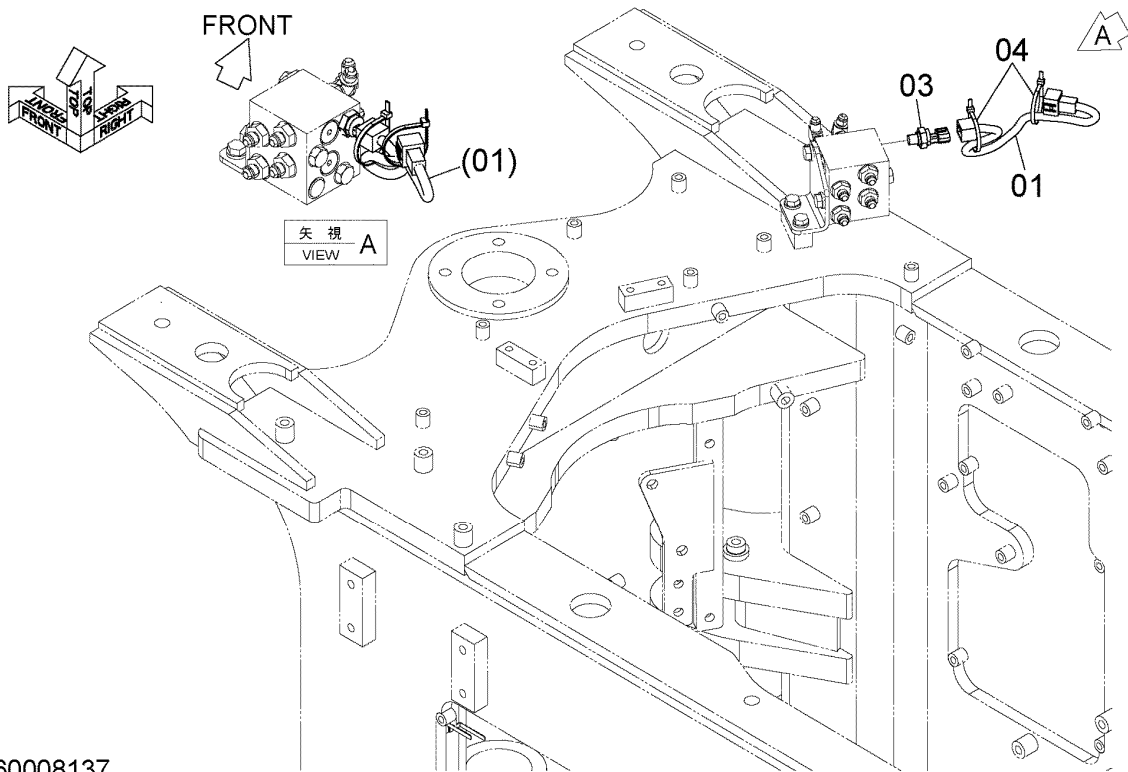
ITEM 符号	PART NO. 部品番号	PART NAME	部 品 名	Q' TY 数量	S. C サービ ス コード	SERIAL NO. 適用号機	ICA 互 換 性	REPLACEABLE PART 代 替 部 品	
								PART NO. 部品番号	Q' TY 数量
01	YQ4190277	CLIP	クリップ	1		5001-			
02	YQ4190264	CLIP	クリップ	1		5001-			
03	YQ263J222181	BRACKET	ブ ラケ ッ ト	1		5001-			
04	YQJ271020	BOLT, W/WASHER	ボ ル ト (ワ ッ シ ャ 付)	3	D	5001-			
05	YQJ950010	NUT	ナ ッ ト	1		5001-			
09	YQ4190275	CLIP	クリップ	1		5001-			
10	YQJ271050	BOLT, W/WASHER	ボ ル ト (ワ ッ シ ャ 付)	1	D	5001-			
11	YQ2675675841	COLLAR	カ ラ ー	1		5001-			

ELECTRIC PARTS (WITH RIDE CONTROL)  
電気部品 (ライドコントロール付)

Applicable Model (適用機種): -

Mark (記号): -

Serial No. (適用号機): -



DCYA60008137

ELECTRIC PARTS (WITH RIDE CONTROL)

電気部品 (ライドコントロール付)

Applicable Model (適用機種): -

Mark(記号): -

Serial No. (適用号機): -

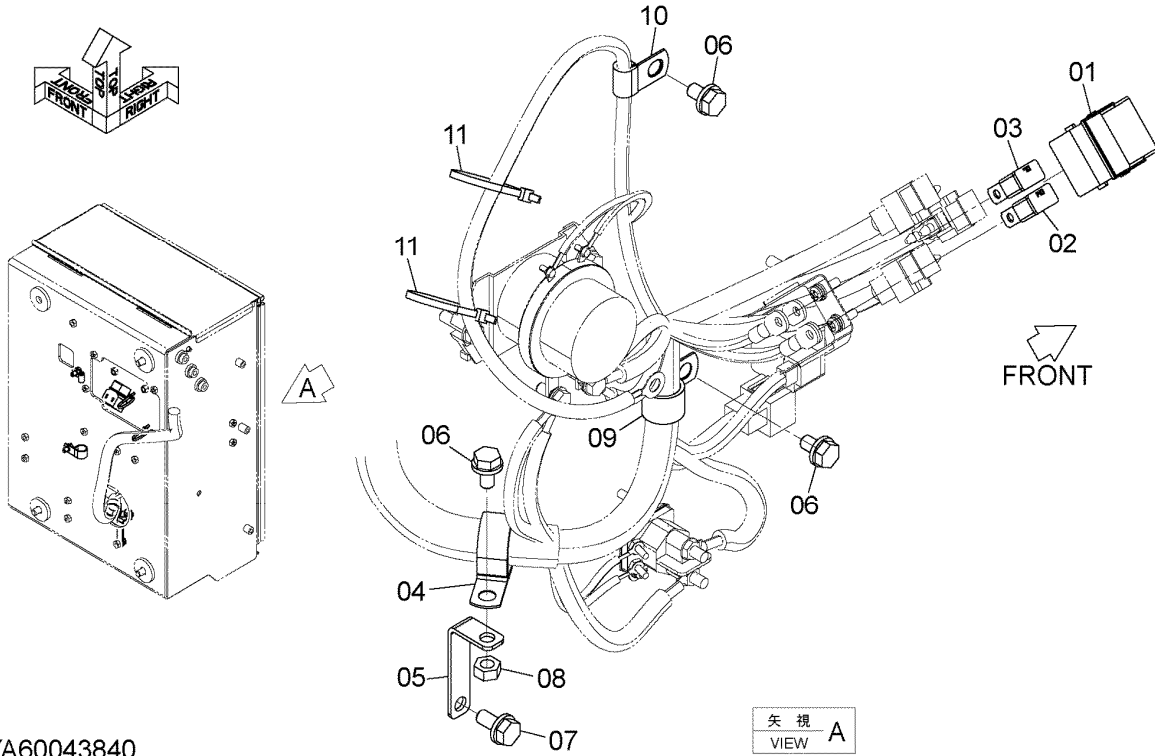
ITEM 符号	PART NO. 部品番号	PART NAME	部 品 名	Q' TY 数量	S. C サービ ス コード	SERIAL NO. 適用号機	I C A 互 換 性	REPLACEABLE PART 代 替 部 品	
								PART NO. 部品番号	Q' TY 数量
01	YQYA00040005	HARNESS	ハーネス	1		5001-			
03	YQ4436535	SENSOR, PRESSURE	センサ, プレッシュャ	1		5001-			
03A	YQ957366	* RING, O	* リング, O	1		5001-			
04	YQ0491311200	CLIP	クリップ	2		5001-			

ELECTRIC PARTS (BATTERY BOX)  
 電気部品 (バッテリーボックス)

Applicable Model (適用機種): -

Mark(記号): -

Serial No. (適用号機): -



DCYA60043840

ELECTRIC PARTS (BATTERY BOX)

電気部品 (バッテリーボックス)

Applicable Model (適用機種): -

Mark(記号): -

Serial No. (適用号機): -

ITEM 符号	PART NO. 部品番号	PART NAME	部 品 名	Q' TY 数量	S. C サービ ス コード	SERIAL NO. 適用号機	ICA 互 換 性	REPLACEABLE PART 代 替 部 品	
								PART NO. 部品番号	Q' TY 数量
01	YQ2681242961	BOX, FUSE	ボックス, ヒューズ	1		5001-			
02	YQYA00021809	FUSIBLE-LINK (140A)	ヒューズリンク (140A)	1		5001-			
03	YQ4315073	FUSIBLE-LINK (70A)	ヒューズリンク (70A)	1		5001-			
04	YQ4190264	CLIP	クリップ	1		5001-			
05	YQ2661242081	BRACKET	ブラケット	1		5001-			
06	YQJ271020	BOLT, W/WASHER	ボルト (ワッシャ付)	3	D	5001-			
07	YQJ271025	BOLT, W/WASHER	ボルト (ワッシャ付)	1	D	5001-			
08	YQJ950010	NUT	ナット	1		5001-			
09	YQ4190263	CLIP	クリップ	1		5001-			
10	YQ4190261	CLIP	クリップ	1		5001-			
11	YQ0491311200	CLIP	クリップ	2		5001-			

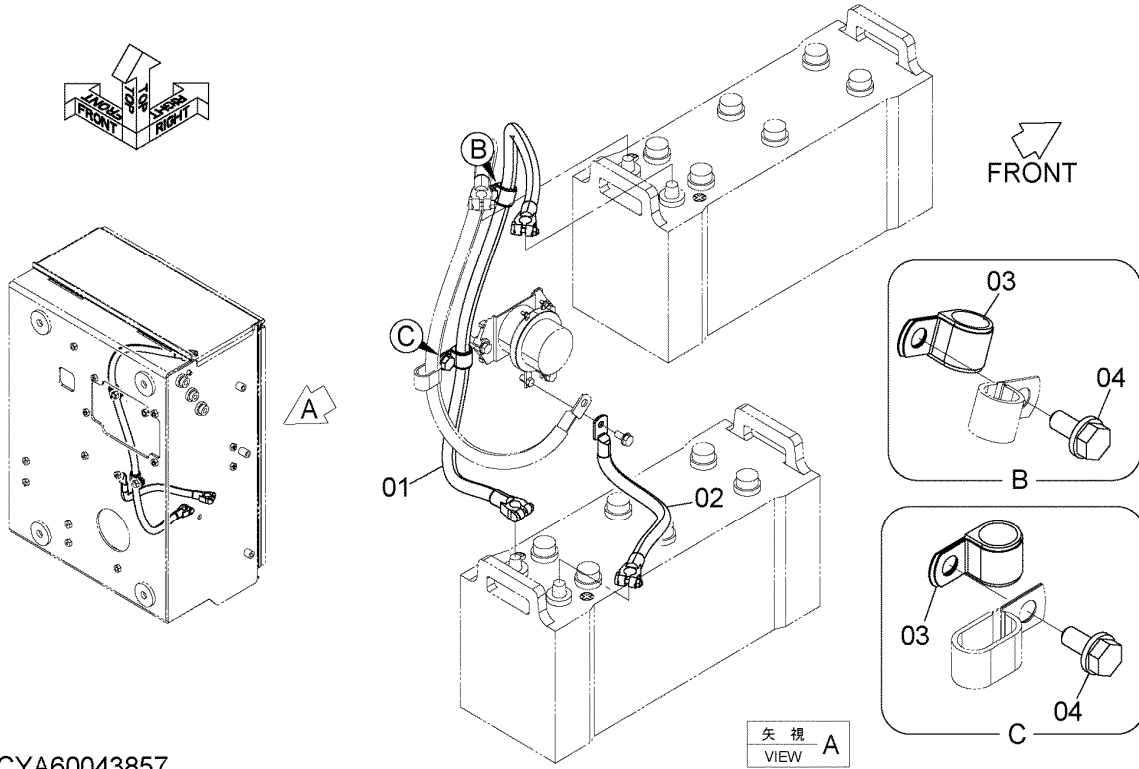
# BATTERY CABLE

## バッテリーケーブル

Applicable Model (適用機種): -

Mark (記号): -

Serial No. (適用号機): -



DCYA60043857

BATTERY CABLE  
 バッテリーケーブル

Applicable Model (適用機種): -

Mark(記号): -

Serial No. (適用号機): -

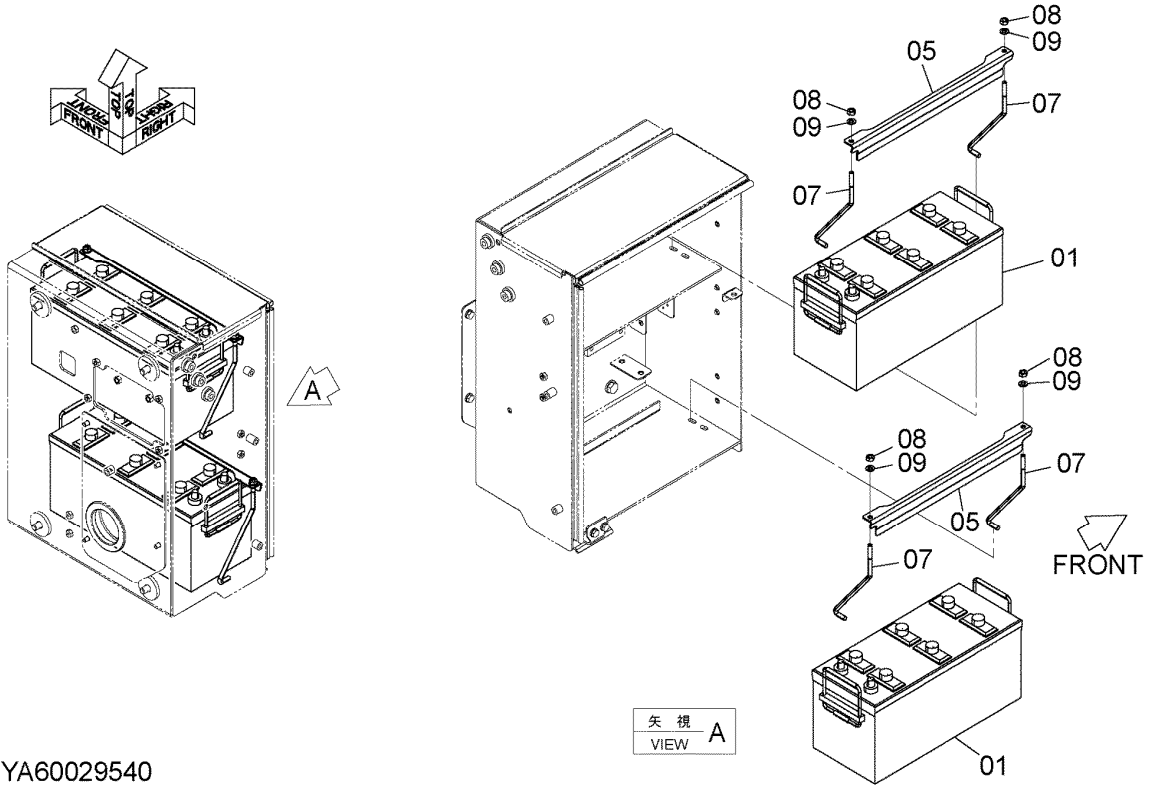
ITEM 符号	PART NO. 部品番号	PART NAME	部 品 名	Q' TY 数量	S. C サービ ス コード	SERIAL NO. 適用号機	ICA 互 換 性	REPLACEABLE PART 代 替 部 品	
								PART NO. 部品番号	Q' TY 数量
01	YQYA00040059	CABLE, BATTERY	ケーブル, バッテリー	1		5001-			
02	YQYA00040060	CABLE, BATTERY	ケーブル, バッテリー	1		5001-			
03	YQ2675242671	CLIP	クリップ	2		5001-			
04	YQJ271025	BOLT, W/WASHER	ボルト (ワッシャー付)	2	D	5001-			

BATTERY (EXIDE)  
バッテリー (EXIDE)

Applicable Model (適用機種): -

Mark(記号): -

Serial No. (適用号機): -



DCYA60029540

BATTERY (EXIDE)  
 バッテリ (EXIDE)

Applicable Model (適用機種): -

Mark(記号): -

Serial No.(適用号機): -

ITEM 符号	PART NO. 部品番号	PART NAME	部品名	Q'TY 数量	S.C サービ ス コート	SERIAL NO. 適用号機	ICA 互 換 性	REPLACEABLE PART 代替部品	
								PART NO. 部品番号	Q'TY 数量
01	YQ3845060030	BATTERY	バッテリ	2		5001-			
05	YQYA00042557	BRACKET	ブラケット	2		5001-			
07	YQYA00021789	ROD	ロッド	4		5001-			
08	YQJ950010	NUT	ナット	4		5001-			
09	YQA590110	WASHER, PLANE	ワッシャー, フレーン	4		5001-			

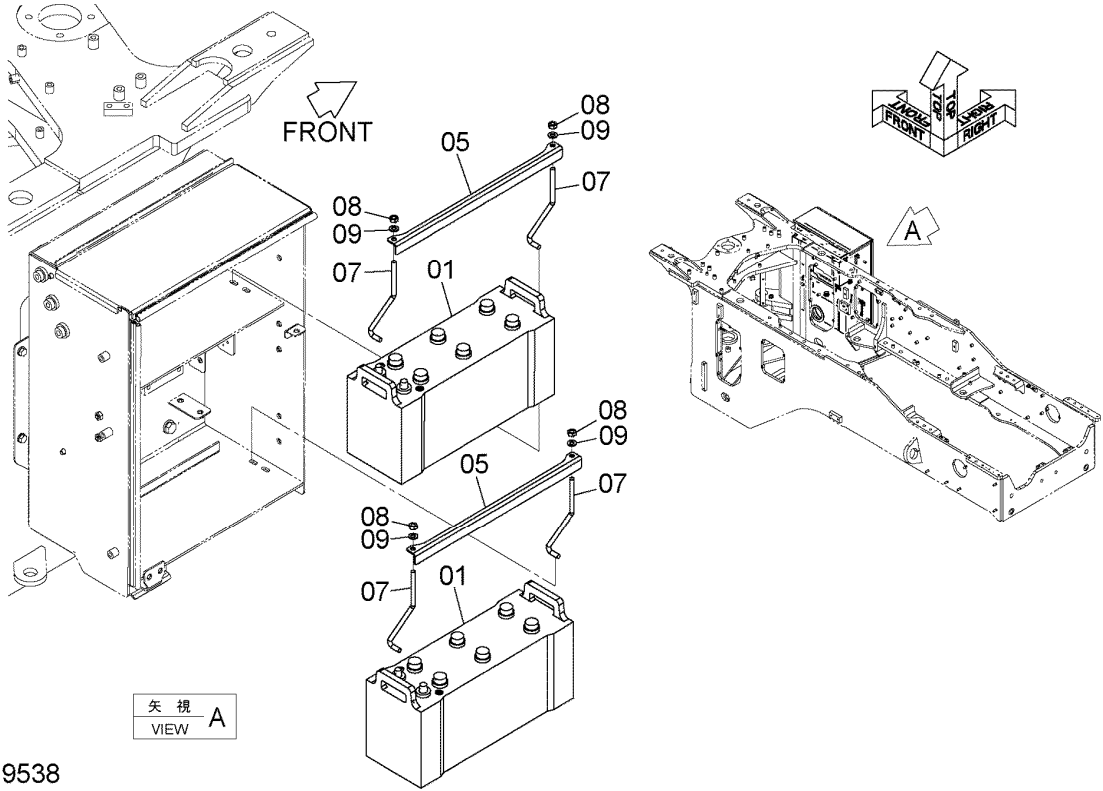
# BATTERY (HITACHI CHEMICAL)

## バッテリー (日立化成)

Applicable Model (適用機種): -

Mark(記号): -

Serial No. (適用号機): -



DCYA60029538

BATTERY (HITACHI CHEMICAL)

バッテリー (日立化成)

Applicable Model (適用機種): -

Mark(記号): -

Serial No. (適用号機): -

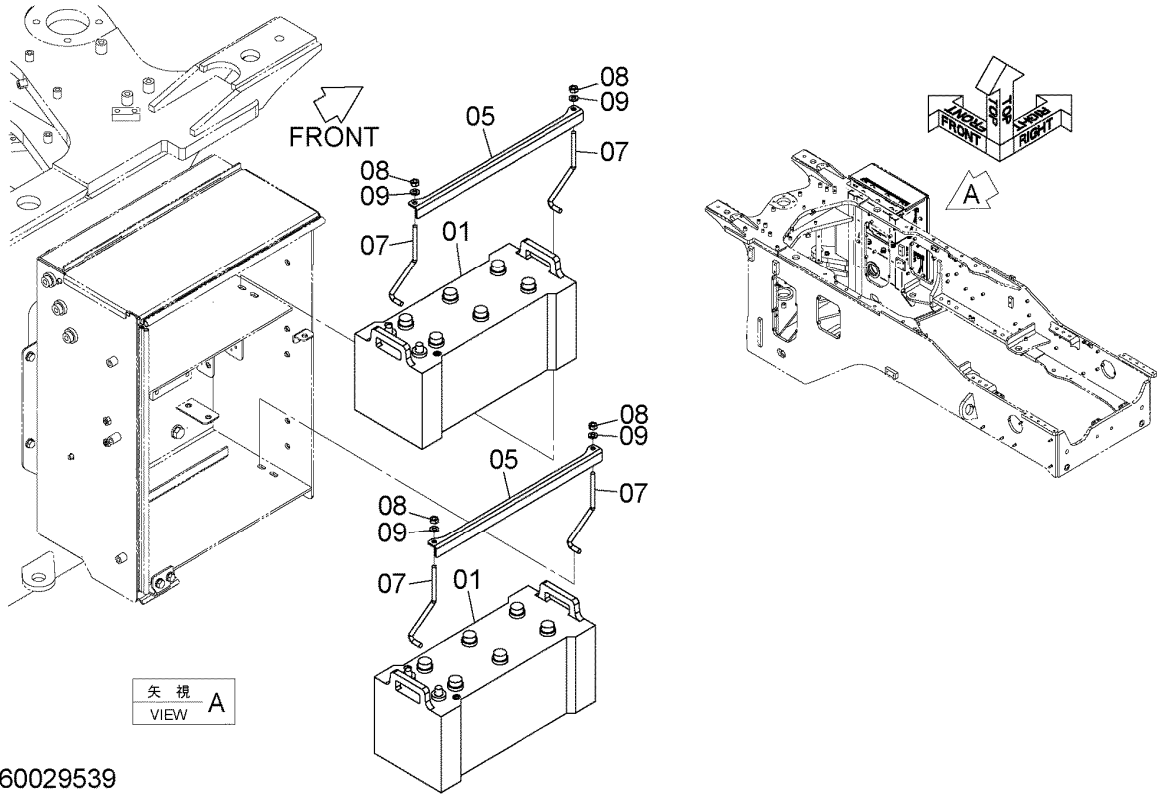
ITEM 符号	PART NO. 部品番号	PART NAME	部 品 名	Q' TY 数量	S. C サービ ス コート	SERIAL NO. 適用号機	I C A 互 換 性	REPLACEABLE PART 代 替 部 品	
								PART NO. 部品番号	Q' TY 数量
01	YQ5578712001	BATTERY (EC:20HR 120Ah, JIS:5HR 108Ah)	バ ッ テ リ	2		5001-			
05	YQYA00044041	BRACKET	ブ ラ ケ ッ ト	2		5001-			
07	YQ2626242021	ROD	ロ ッ ド	4		5001-			
08	YQJ950010	NUT	ナ ッ ト	4		5001-			
09	YQA590110	WASHER, PLANE	ワ ッ シ ン ー, フ レ ー ン	4		5001-			

# LARGE CAPACITY BATTERY 大容量バッテリー

Applicable Model (適用機種): -

Mark (記号): -

Serial No. (適用号機): -



# LARGE CAPACITY BATTERY

## 大容量バッテリー

Applicable Model (適用機種): -

Mark(記号): -

Serial No. (適用号機): -

ITEM 符号	PART NO. 部品番号	PART NAME	部 品 名	Q' TY 数量	S. C サービ ス コート	SERIAL NO. 適用号機	ICA 互 換 性	REPLACEABLE PART 代 替 部 品	
								PART NO. 部品番号	Q' TY 数量
01	YQ202S242601	BATTERY (EC:20HR 147Ah, JIS:5HR 140Ah)	ハッテリ	2		5001-			
05	YQYA00044041	BRACKET	ブ ラケッ ト	2		5001-			
07	YQ2626242021	ROD	ロ ッ ド	4		5001-			
08	YQJ950010	NUT	ナ ッ ト	4		5001-			
09	YQA590110	WASHER, PLANE	ワッ シ ャ, フ レ ー ン	4		5001-			

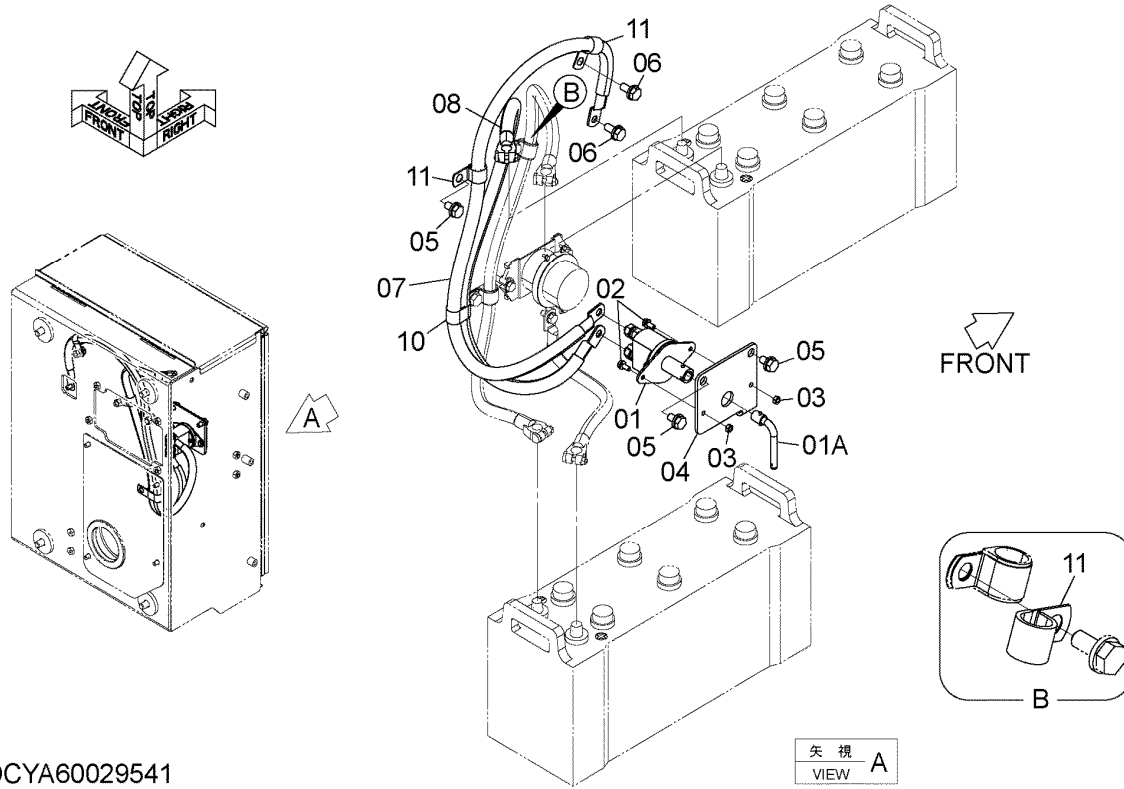
# BATTERY SWITCH

## バッテリースイッチ

Applicable Model (適用機種): -

Mark (記号): -

Serial No. (適用号機): -



DCYA60029541

矢 視 A  
VIEW

# BATTERY SWITCH

## バッテリースイッチ

Applicable Model (適用機種): -

Mark(記号): -

Serial No. (適用号機): -

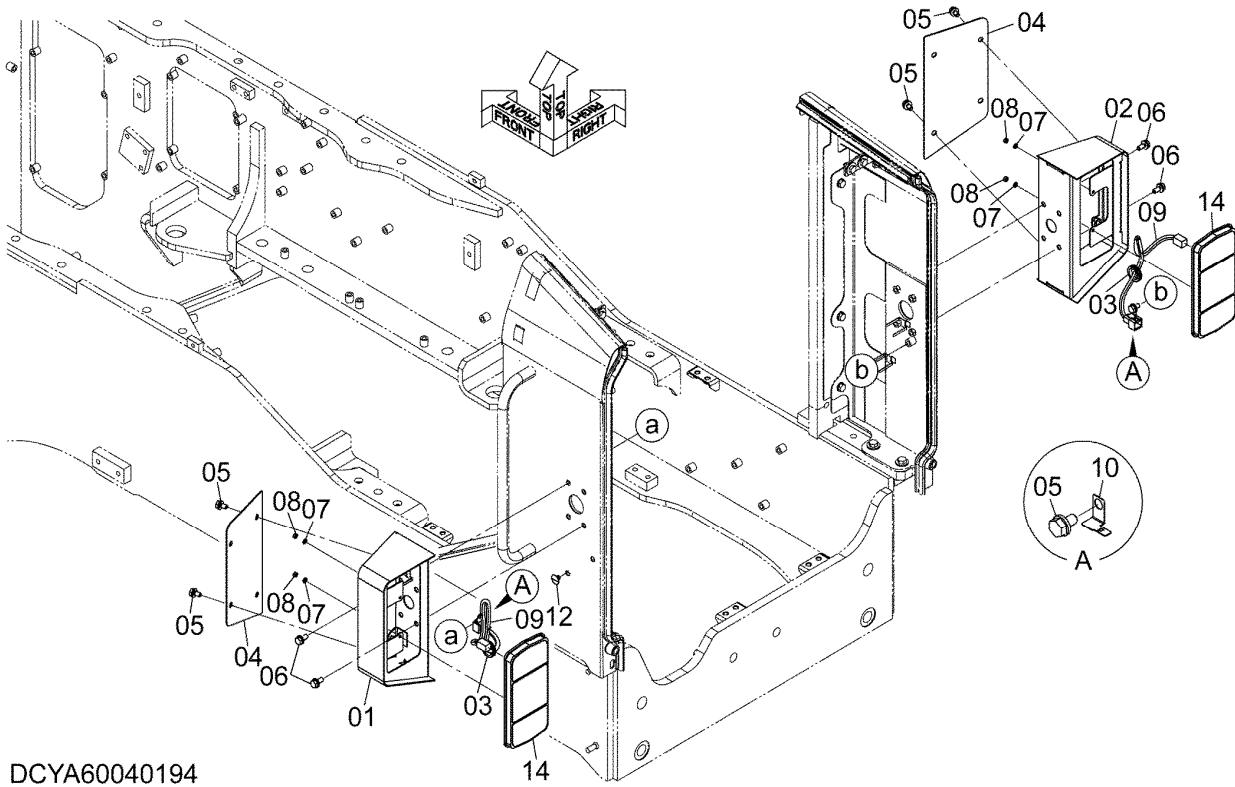
ITEM 符号	PART NO. 部品番号	PART NAME	部 品 名	Q' TY 数量	S. C サービ ス コート	SERIAL NO. 適用号機	ICA 互 換 性	REPLACEABLE PART 代 替 部 品	
								PART NO. 部品番号	Q' TY 数量
01	YQYA00005845	SWITCH	スイッチ	1		5001-			
01A	YQYA00029403	* LEVER	* レバー	1		5001-			
02	YQJ260616	BOLT, W/WASHER	ボルト (ワッシャ付)	2	D	5001-			
03	YQJ230006	NUT	ナット	2		5001-			
04	YQYA00040248	BRACKET	ブラケット	1		5001-			
05	YQJ271020	BOLT, W/WASHER	ボルト (ワッシャ付)	3	D	5001-			
06	YQJ271025	BOLT, W/WASHER	ボルト (ワッシャ付)	2	D	5001-			
07	YQYA00037069	CABLE, BATTERY	ケーブル, バッテリ	1		5001-			
08	YQYA00040042	CABLE, BATTERY	ケーブル, バッテリ	1		5001-			
10	YQ4190282	CLIP	クリップ	1		5001-			
11	YQ4190262	CLIP	クリップ	3		5001-			

# REAR COMBINATION LAMP リアコンビネーションランプ

Applicable Model (適用機種): -

Mark (記号): -

Serial No. (適用号機): -



DCYA60040194

# REAR COMBINATION LAMP

## リアコンビネーションランプ

Applicable Model (適用機種): -

Mark(記号): -

Serial No. (適用号機): -

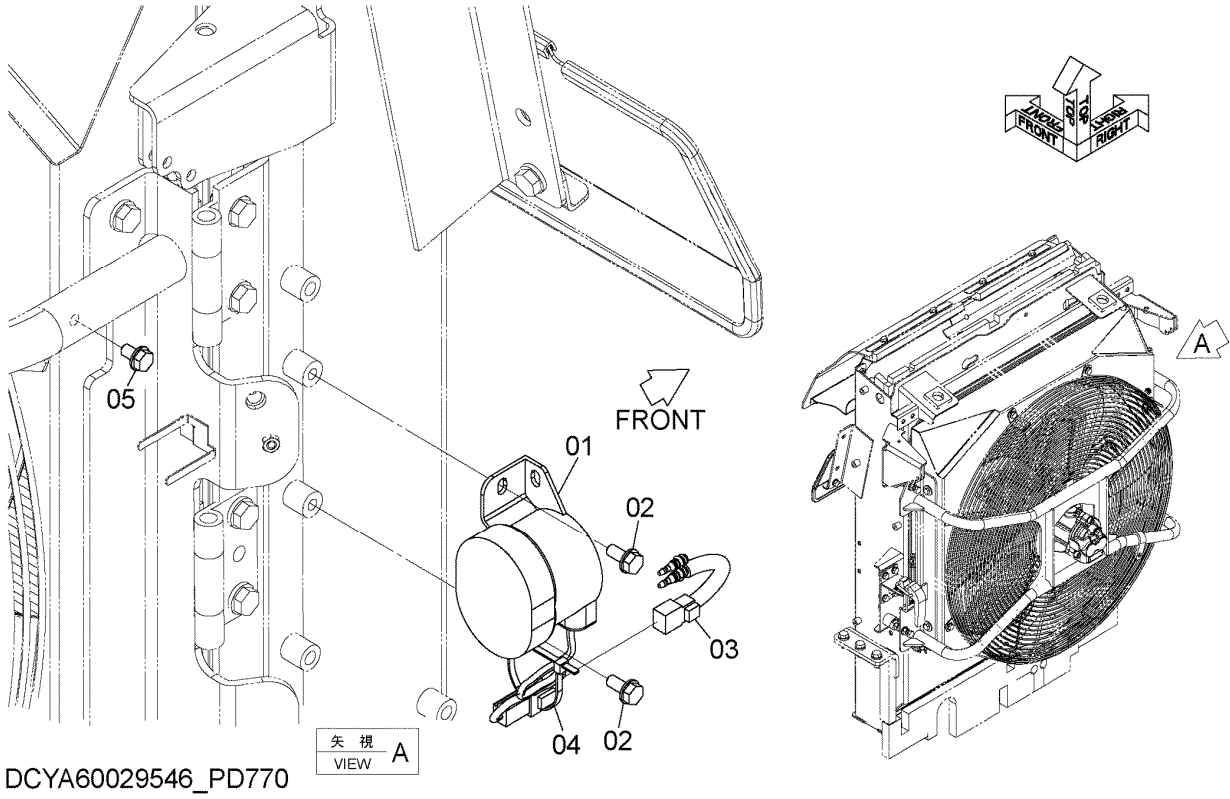
ITEM 符号	PART NO. 部品番号	PART NAME	部 品 名	Q' TY 数量	S. C サービ ス コード	SERIAL NO. 適用号機	ICA 互 換 性	REPLACEABLE PART 代 替 部 品	
								PART NO. 部品番号	Q' TY 数量
01	YQYA40013664	BRACKET	ブ ラケ ッ ト	1		5001-			
02	YQYA40013665	BRACKET	ブ ラケ ッ ト	1		5001-			
03	YQ2147124411	BUSHING, RUBBER	ブ ッ シ ン グ , ラバ ー	2		5001-			
04	YQYA00021529	COVER	カバ ー	2		5001-			
05	YQJ271020	BOLT, W/WASHER	ボ ル ト (ワ ッ シ ャ 付)	10	D	5001-			
06	YQJ271025	BOLT, W/WASHER	ボ ル ト (ワ ッ シ ャ 付)	8	D	5001-			
07	YQA590106	WASHER, PLANE	ワ ッ シ ャ , フ レ ー ン	4		5001-			
08	YQM500605	NUT	ナ ッ ト	4		5001-			
09	YQYA00004513	HARNESS	ハーネ ス	2		5001-			
10	YQ4257159	BRACKET	ブ ラケ ッ ト	2		5001-			
12	YQ263G644621	PLUG, PLASTIC	ブ ラ グ , プ ラ ス テ ィ ッ ク	1		5001-			
14	YQ4488160490	LAMP, REAR	ラン プ , リ ア	2		5001-			

# BACKUP ALARM 後進ブザー

Applicable Model (適用機種): -

Mark (記号): -

Serial No. (適用号機): -



# BACKUP ALARM

## 後進ブザー

Applicable Model (適用機種): -

Mark(記号): -

Serial No. (適用号機): -

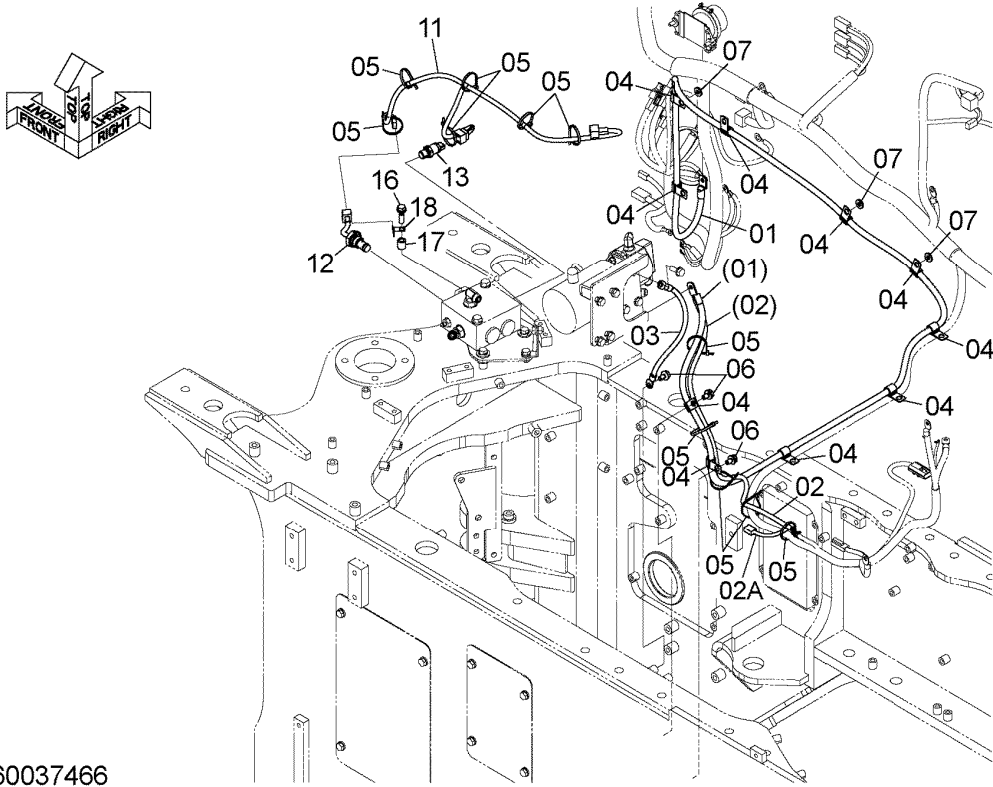
ITEM 符号	PART NO. 部品番号	PART NAME	部品名	Q'TY 数量	S.C サービ ス コード	SERIAL NO. 適用号機	ICA 互 換 性	REPLACEABLE PART 代替部品	
								PART NO. 部品番号	Q'TY 数量
01	YQ4081060140	BUZZER	ブザー	1		5001-			
02	YQJ260820	BOLT, W/WASHER	ボルト (ワッシャ付)	2	D	5001-			
03	YQYA00005854	HARNESS	ハーネス	1		5001-			
04	YQ0491311200	CLIP	クリップ	1		5001-			
05	YQJ260816	BOLT, W/WASHER	ボルト (ワッシャ付)	1	D	5001-			

ELECTRIC PARTS (EMERGENCY STEERING)  
電気部品 (エマージェンシステアリング)

Applicable Model (適用機種): -

Mark(記号): -

Serial No. (適用号機): -



DCYA60037466

ELECTRIC PARTS (EMERGENCY STEERING)  
電気部品 (エマージェンシステアリング)

Applicable Model (適用機種): -

Mark(記号): -

Serial No. (適用号機): -

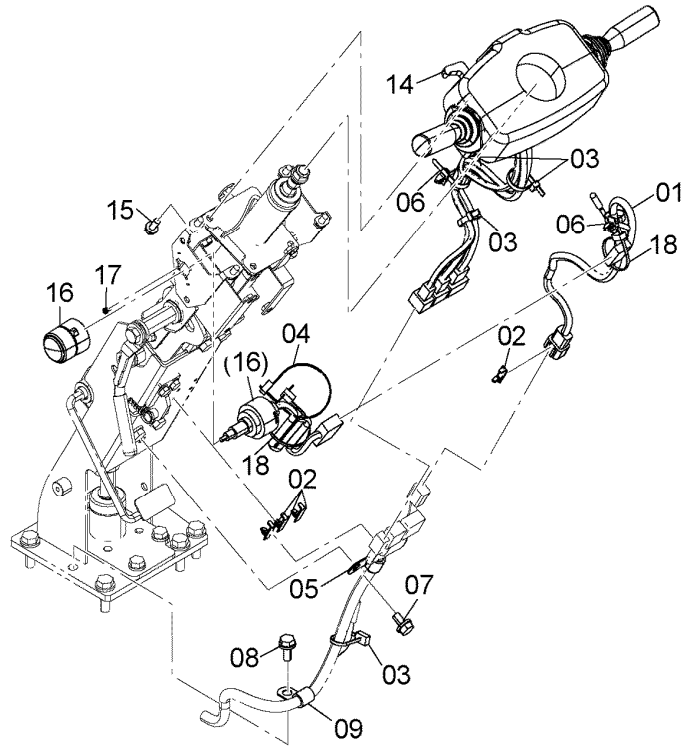
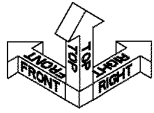
ITEM 符号	PART NO. 部品番号	PART NAME	部 品 名	Q' TY 数量	S. C サービ ス コード	SERIAL NO. 適用号機	ICA 互 換 性	REPLACEABLE PART 代 替 部 品	
								PART NO. 部品番号	Q' TY 数量
01	YQYA00040130	CABLE, BATTERY	ケーブル, バッテリ	1		5001-			
02	YQYA00004514	HARNESS	ハーネス	1		5001-			
02A	YQYA00031759	* DIODE (1.5A)	* ダイオード (1.5A)	1		5001-			
03	YQYA00025760	CABLE, BATTERY	ケーブル, バッテリ	1		5001-			
04	YQ4190253	CLIP	クリップ	10		5001-			
05	YQ0491311200	CLIP	クリップ	11		5001-			
06	YQJ271020	BOLT, W/WASHER	ボルト (ワッシャ付)	3	D	5001-			
07	YQJ222010	WASHER	ワッシャ	3		5001-			
11	YQYA00024379	HARNESS	ハーネス	1		5001-			
12	YQ263G244921	SWITCH, PRES.	スイッチ, プレッシュヤ	1		5001-			
13	YQ4436271	SENSOR, PRESSURE	センサ, プレッシュヤ	1		5001-			
13A	YQ4365826	* RING, O	* リンク, O	1		5001-			
16	YQJ271040	BOLT, W/WASHER	ボルト (ワッシャ付)	1	D	5001-			
17	YQ2655542141	COLLAR	カラー	1		5001-			
18	YQ4257159	BRACKET	ブラケット	1		5001-			

ELECTRIC PARTS (FRONT CONSOLE) (1)  
電気部品 (フロントコンソール) (1)

Applicable Model (適用機種): -

Mark (記号): -

Serial No. (適用号機): -



DCYA60015110\_NEK50

## ELECTRIC PARTS (FRONT CONSOLE) (1)

## 電気部品 (フロントコンソール) (1)

Applicable Model (適用機種): -

Mark(記号): -

Serial No. (適用号機): -

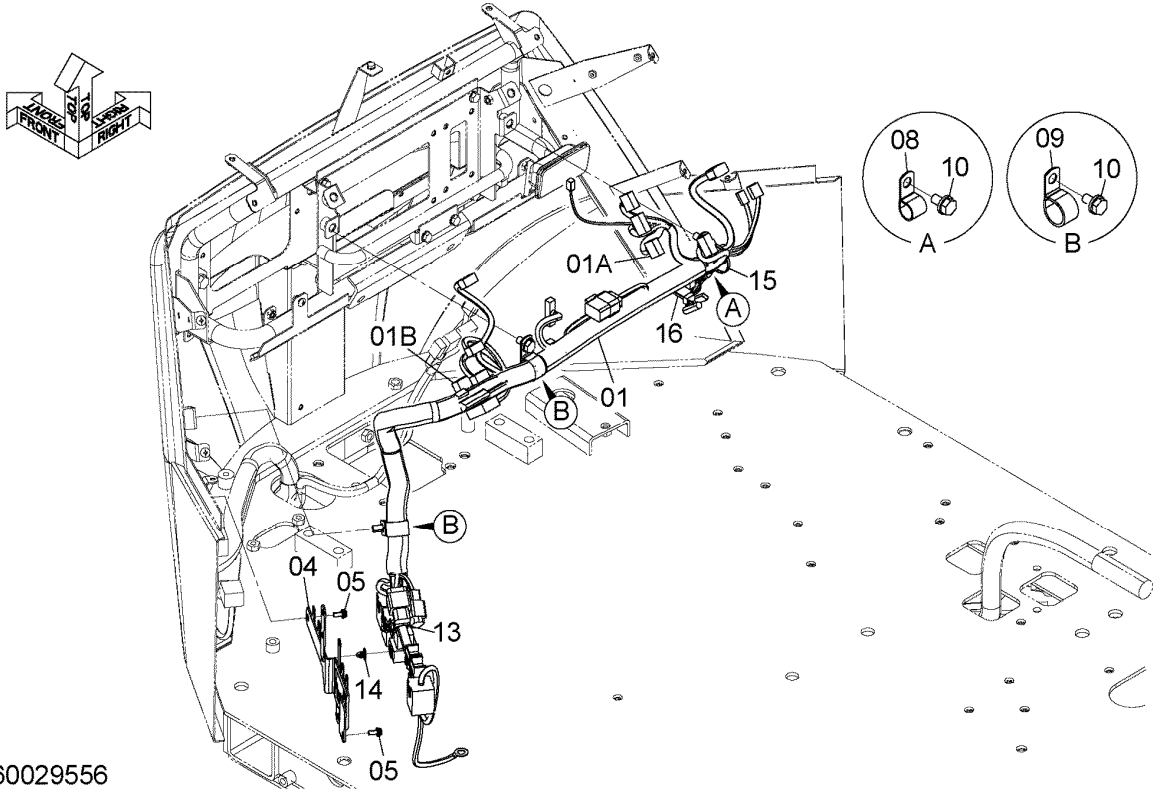
ITEM 符号	PART NO. 部品番号	PART NAME	部 品 名	Q' TY 数量	S. C サービ ス コート	SERIAL NO. 適用号機	ICA 互 換 性	REPLACEABLE PART 代 替 部 品	
								PART NO. 部品番号	Q' TY 数量
01	YQYA00005849	HARNESS	ハーネス	1		5001-			
02	YQYA00004332	CLIP	クリップ	4		5001-			
03	YQ0491311200	CLIP	クリップ	4		5001-			
04	YQ0491311300	CLIP	クリップ	1		5001-			
05	YQ4190275	CLIP	クリップ	1		5001-			
06	YQ4254600	CLIP	クリップ	2		5001-			
07	YQJ271020	BOLT, W/WASHER	ボルト (ワッシャ付)	1	D	5001-			
08	YQJ271025	BOLT, W/WASHER	ボルト (ワッシャ付)	1	D	5001-			
09	YQ4190273	CLIP	クリップ	1		5001-			
14	YQYA00044128	LEVER, ELECTRIC	レバー, エレクトリック	1		5001-			
15	YQJ260820	BOLT, W/WASHER	ボルト (ワッシャ付)	3	D	5001-			
16	YQYA00004495	SWITCH	スイッチ	1		5001-			
17	YQ0104304008	SCREW, TAPPING	スクリュー, タッピング	2		5001-			
18	YQ0491321380	CLIP	クリップ	2		5001-			

ELECTRIC PARTS (FRONT CONSOLE) (2)  
電気部品 (フロントコンソール) (2)

Applicable Model (適用機種): -

Mark (記号): -

Serial No. (適用号機): -



DCYA60029556

## ELECTRIC PARTS (FRONT CONSOLE) (2)

## 電気部品 (フロントコンソール) (2)

Applicable Model (適用機種): -

Mark(記号): -

Serial No. (適用号機): -

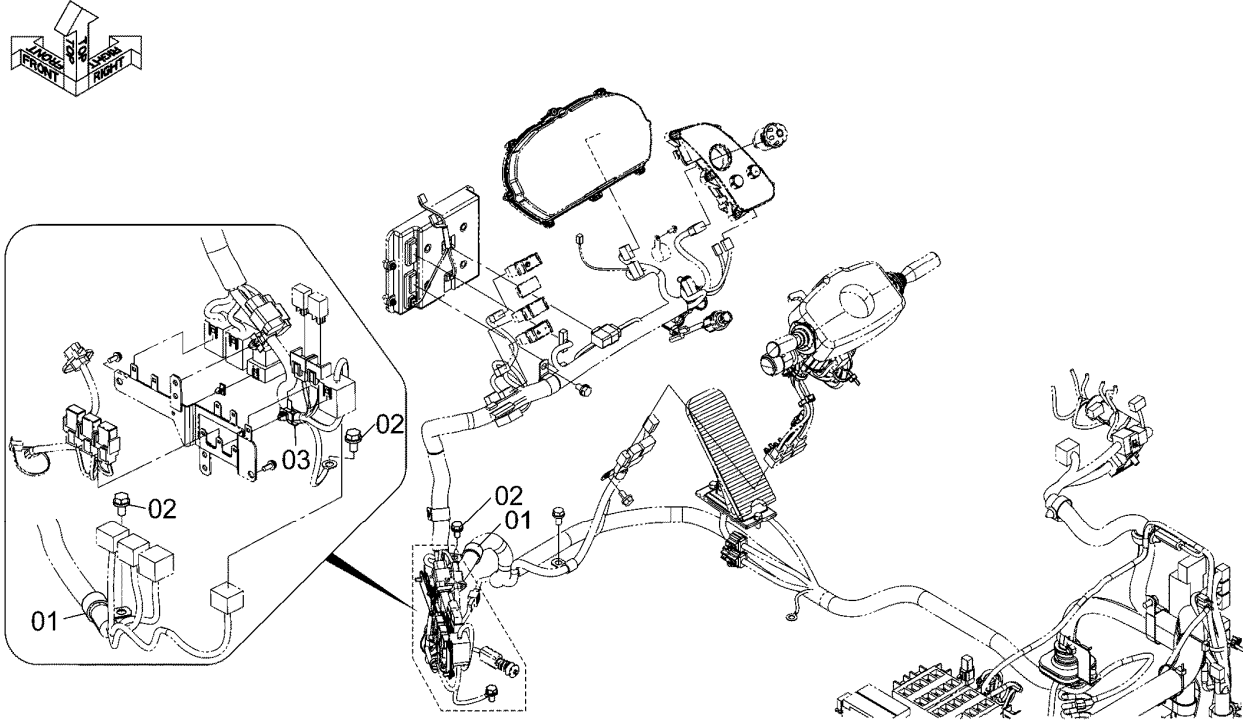
ITEM 符号	PART NO. 部品番号	PART NAME	部 品 名	Q' TY 数量	S. C サービ ス コート	SERIAL NO. 適用号機	ICA 互 換 性	REPLACEABLE PART 代 替 部 品	
								PART NO. 部品番号	Q' TY 数量
01	YQYA00023186	HARNESS	ハーネス	1		5001-			
01A	YQ4456778	* DIODE (3.0A)	* ダイオード (3.0A)	1		5001-			
01B	YQ4611526	* DIODE (1.5A)	* ダイオード (1.5A)	1		5001-			
04	YQYA40003610	BRACKET	ブラケット	1		5001-			
05	YQJ460616	SCREW	スクリュー	2		5001-			
08	YQ4190274	CLIP	クリップ	1		5001-			
09	YQ4192035	CLIP	クリップ	2		5001-			
10	YQJ271020	BOLT, W/WASHER	ボルト (ワッシャー付)	3	D	5001-			
13	YQ4254600	CLIP	クリップ	1		5001-			
14	YQ263G244071	CLIP	クリップ	1		5001-			
15	YQ0491311200	CLIP	クリップ	1		5001-			
16	YQ0491311300	CLIP	クリップ	1		5001-			

ELECTRIC PARTS (FRONT CONSOLE) (3)  
電気部品 (フロントコンソール) (3)

Applicable Model (適用機種): -

Mark (記号): -

Serial No. (適用号機): -



DCYA60016897A

## ELECTRIC PARTS (FRONT CONSOLE) (3)

## 電気部品 (フロントコンソール) (3)

Applicable Model (適用機種): -

Mark(記号): -

Serial No. (適用号機): -

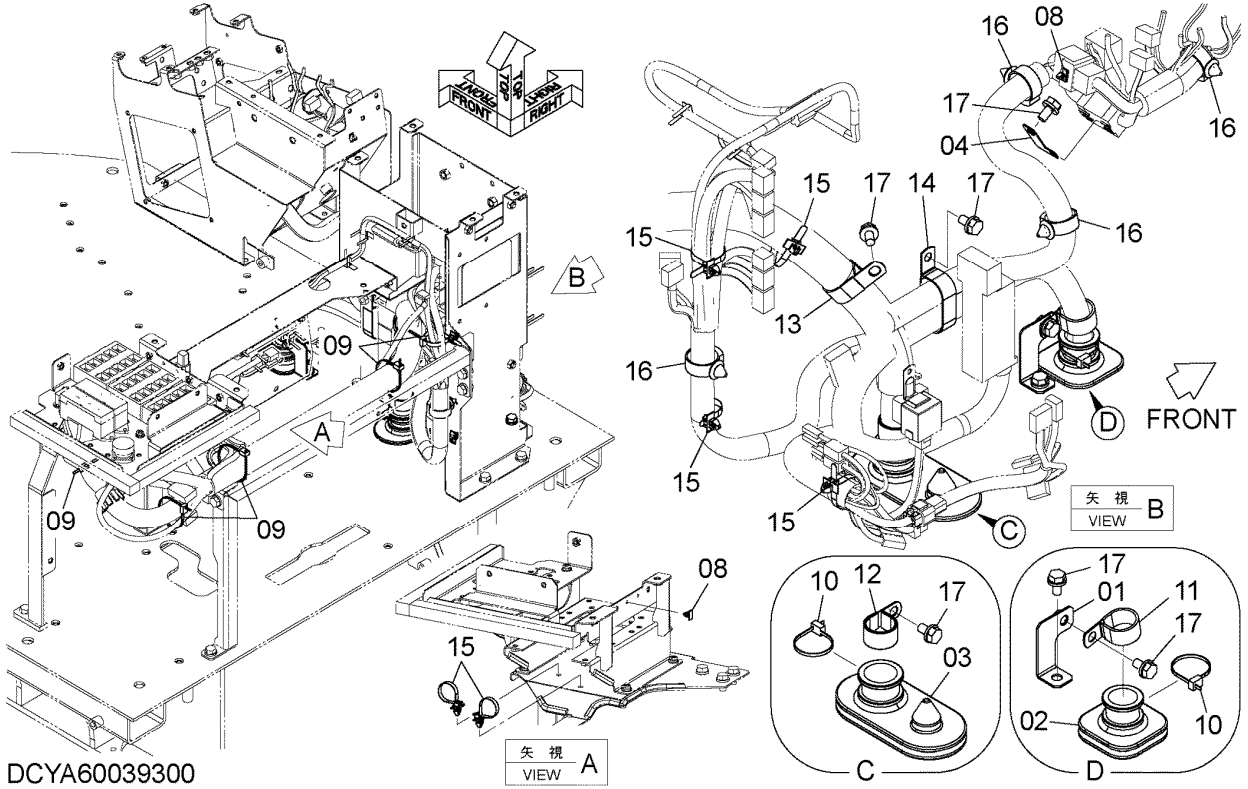
ITEM 符号	PART NO. 部品番号	PART NAME	部品名	Q'TY 数量	S. C サービ ス コード	SERIAL NO. 適用号機	ICA 互 換 性	REPLACEABLE PART 代替部品	
								PART NO. 部品番号	Q'TY 数量
01	YQ4192035	CLIP	クリップ	2		5001-			
02	YQJ271020	BOLT, W/WASHER	ボルト (ワッシャ付)	3	D	5001-			
03	YQ4254600	CLIP	クリップ	1		5001-			

ELECTRIC PARTS (REAR CONSOLE) (1)  
 電気部品 (リアコンソール) (1)

Applicable Model (適用機種): -

Mark (記号): -

Serial No. (適用号機): -



## ELECTRIC PARTS (REAR CONSOLE) (1)

## 電気部品 (リアコンソール) (1)

Applicable Model (適用機種): -

Mark(記号): -

Serial No. (適用号機): -

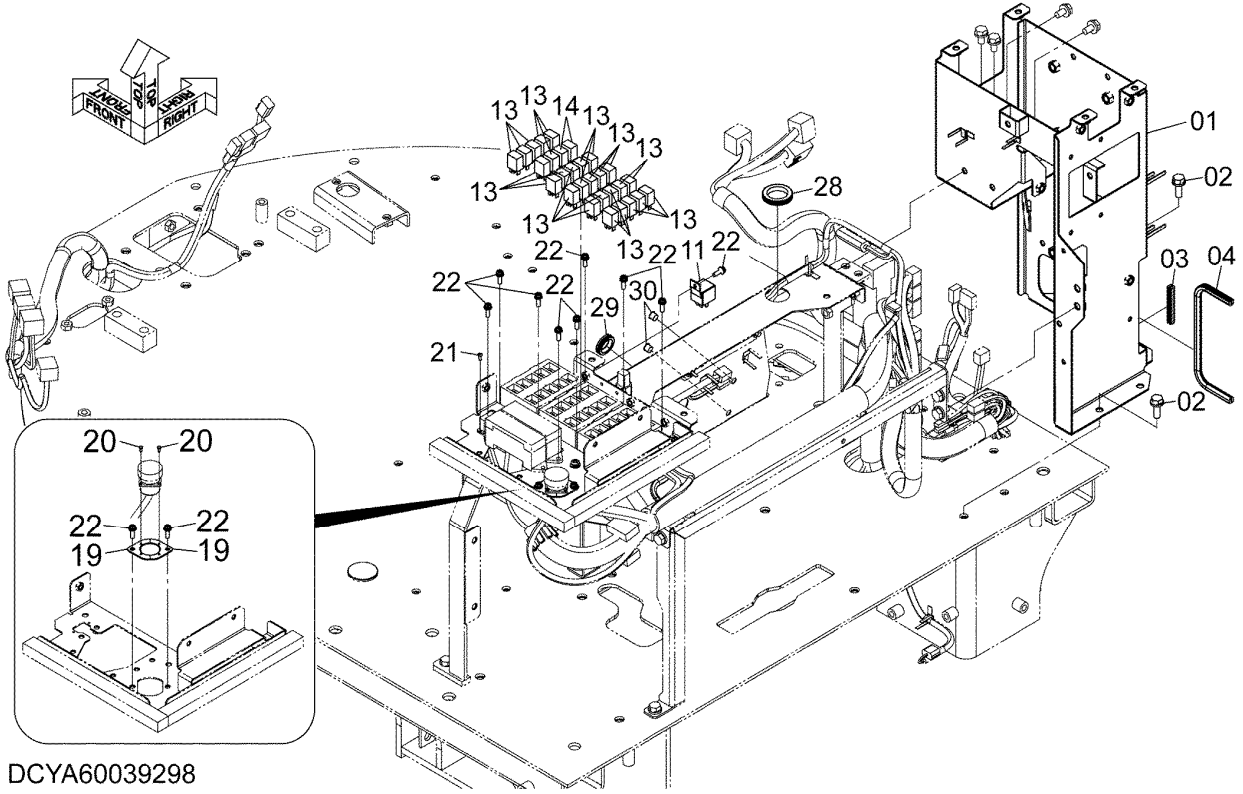
ITEM 符号	PART NO. 部品番号	PART NAME	部 品 名	Q' TY 数量	S. C サービ ス コード	SERIAL NO. 適用号機	ICA 互 換 性	REPLACEABLE PART 代 替 部 品	
								PART NO. 部品番号	Q' TY 数量
01	YQYA40003611	BRACKET	ブ ラケッ ト	1		5001-			
02	YQYA00004337	BUSHING, RUBBER	ブ ッシ ン グ , ラバ ー	1		5001-			
03	YQYA00004338	BUSHING, RUBBER	ブ ッシ ン グ , ラバ ー	1		5001-			
04	YQYA00004356	PLATE	プ レー ト	1		5001-			
08	YQ263G244071	CLIP	ク リ ッ プ	2		5001-			
09	YQ0491311300	CLIP	ク リ ッ プ	5		5001-			
10	YQ0491321380	CLIP	ク リ ッ プ	2		5001-			
11	YQ4190264	CLIP	ク リ ッ プ	1		5001-			
12	YQ4190291	CLIP	ク リ ッ プ	1		5001-			
13	YQ4193848	CLIP	ク リ ッ プ	1		5001-			
14	YQ4470169	CLIP	ク リ ッ プ	1		5001-			
15	YQ4254600	CLIP	ク リ ッ プ	6		5001-			
16	YQ4449019	CLIP	ク リ ッ プ	4		5001-			
17	YQJ271020	BOLT, W/WASHER	ボ ル ト (ワッ シ ャ 付)	6	D	5001-			

ELECTRIC PARTS (REAR CONSOLE) (2)  
電気部品 (リアコンソール) (2)

Applicable Model (適用機種): -

Mark (記号): -

Serial No. (適用号機): -



DCYA60039298

## ELECTRIC PARTS (REAR CONSOLE) (2)

## 電気部品 (リアコンソール) (2)

Applicable Model (適用機種): -

Mark(記号): -

Serial No. (適用号機): -

ITEM 符号	PART NO. 部品番号	PART NAME	部 品 名	Q' TY 数量	S. C サービ ス コード	SERIAL NO. 適用号機	ICA 互 換 性	REPLACEABLE PART 代 替 部 品	
								PART NO. 部品番号	Q' TY 数量
01	YQYA40003614	BRACKET	ブ ラケ ッ ト	1		5001-			
02	YQJ271030	BOLT, W/WASHER	ボ ル ト (ワ ッ シ ャ 付)	4	D	5001-			
03	YQ5619060261	SEAL	シ ー ル	1		5001-			
04	YQ263G654071	SEAL	シ ー ル	1		5001-			
11	YQ263F242271	RELAY	リ レ ー	1		5001-			
13	YQ4436534	RELAY	リ レ ー	27		5001-			
14	YQ4626542	RELAY	リ レ ー	2		5001-			
19	YQ263E242511	PLATE	プ レ ー ト	2		5001-			
20	YQ0104403008	SCREW	ス ク リ ュ	4		5001-			
21	YQ1409252141	SCREW	ス ク リ ュ	2		5001-			
22	YQJ460620	SCREW	ス ク リ ュ	19		5001-			
28	YQ4211059	BUSHING, RUBBER	ブ ッ シ ン グ , ラ バ ー	1		5001-			
29	YQ2147123131	BUSHING, RUBBER	ブ ッ シ ン グ , ラ バ ー	1		5001-			
30	YQ2675412491	PLUG, PLASTIC	プ ラ グ , プ ラ ス テ ィ ッ ク	2		5001-			

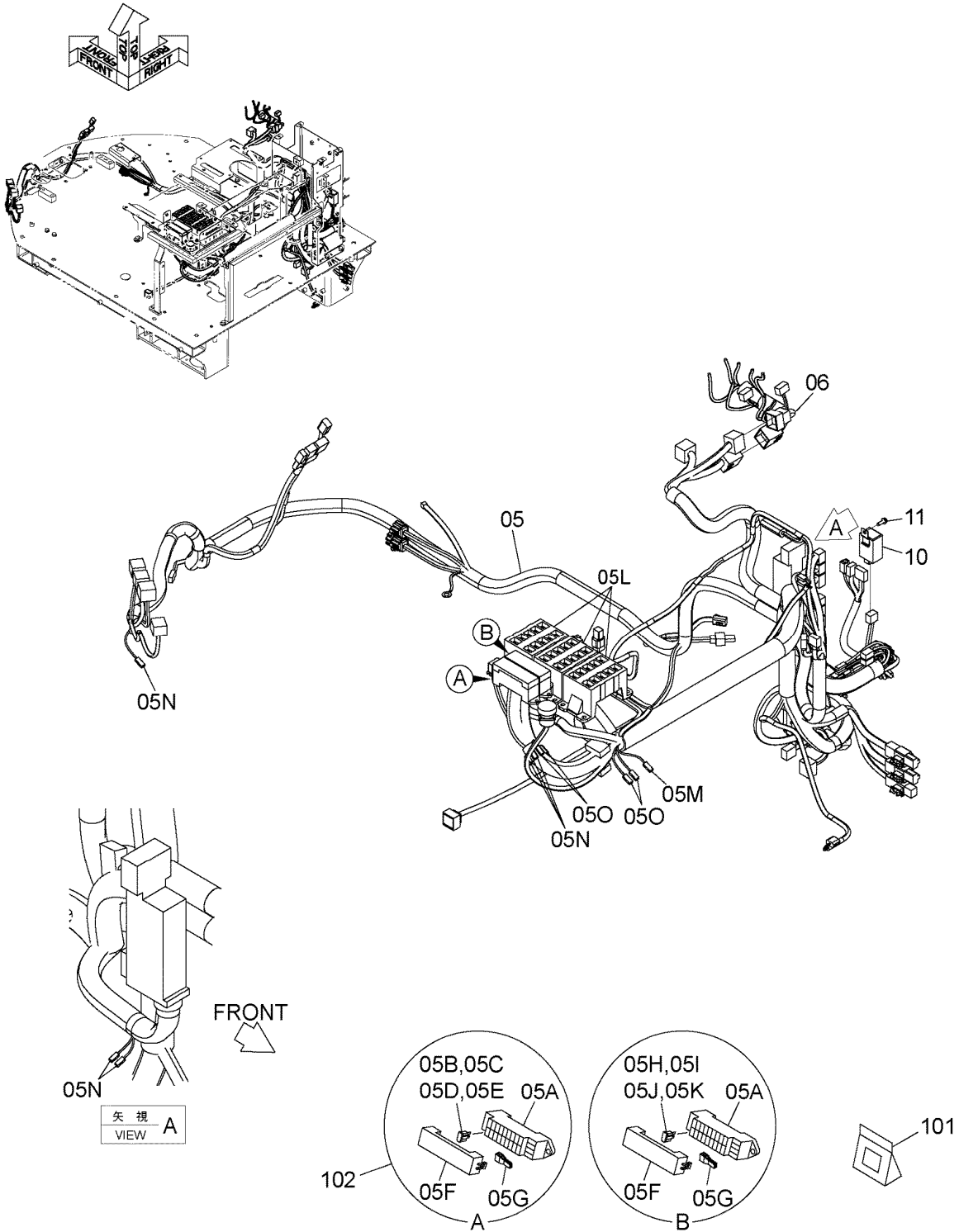
# ELECTRIC PARTS (REAR CONSOLE) (3)

## 電気部品 (リアコンソール) (3)

Applicable Model (適用機種): -

Mark (記号): -

Serial No. (適用号機): -



DCYA60029554

## ELECTRIC PARTS (REAR CONSOLE) (3)

## 電気部品 (リアコンソール) (3)

Applicable Model (適用機種): -

Mark(記号): -

Serial No. (適用号機): -

ITEM 符号	PART NO. 部品番号	PART NAME	部 品 名	Q' TY 数量	S. C サービ ス コート	SERIAL NO. 適用号機	ICA 互 換 性	REPLACEABLE PART 代 替 部 品	
								PART NO. 部品番号	Q' TY 数量
05	YQYA00023184	HARNESS	ハーネス	1		5001-			
05A	YQ4456735	* BOX, FUSE	* ホックス, ヒューズ	2		5001-			
05B	YQ4428910	* FUSE	* ヒューズ	6		5001-			
05C	YQ4428911	* FUSE	* ヒューズ	4		5001-			
05D	YQ4438015	(10A) * FUSE	(10A) * ヒューズ	4		5001-			
05E	YQ4436736	(15A) * FUSE	(15A) * ヒューズ	3		5001-			
05F	YQ263G247211	* COVER	* カバー	2		5001-			
05G	YQ2619242451	* PULLER	* プーラー	2		5001-			
05H	YQ4428910	* FUSE	* ヒューズ	6		5001-			
05I	YQ4428911	* FUSE	* ヒューズ	10		5001-			
05J	YQ4436736	(10A) * FUSE	(10A) * ヒューズ	2		5001-			
05K	YQ4618684	(20A) * FUSE	(20A) * ヒューズ	1		5001-			
05L	YQ4427429	* BOX, RELAY	* ホックス, リレー	3		5001-			
05M	YQYA00031758	* DIODE	* ダイオード	1		5001-			
05N	YQ4611526	(1.5A) * DIODE	(1.5A) * ダイオード	6		5001-			
05O	YQ4456778	(1.5A) * DIODE	(1.5A) * ダイオード	4		5001-			
06	YQYA00017773	(3.0A) * DIODE	(3.0A) * ダイオード	1		5001-			
10	YQ4680186	HARNESS	ハーネス	1		5001-			
11	YQJ460620	FLASHER	フラッシャー	1		5001-			
101	YQ4369817	SCREW	スクリュー	1		5001-			
102	YQ4460037	KIT, REPAIR (HARNESS CONNECTOR)	キット, リペア (ハーネスコネクター式)	1	S	5001-			
		BOX, FUSE (FUSE BOX & TERMINAL KIT) (ヒューズ ホックス, ターミナルキット)	ホックス, ヒューズ	1	S	5001-			

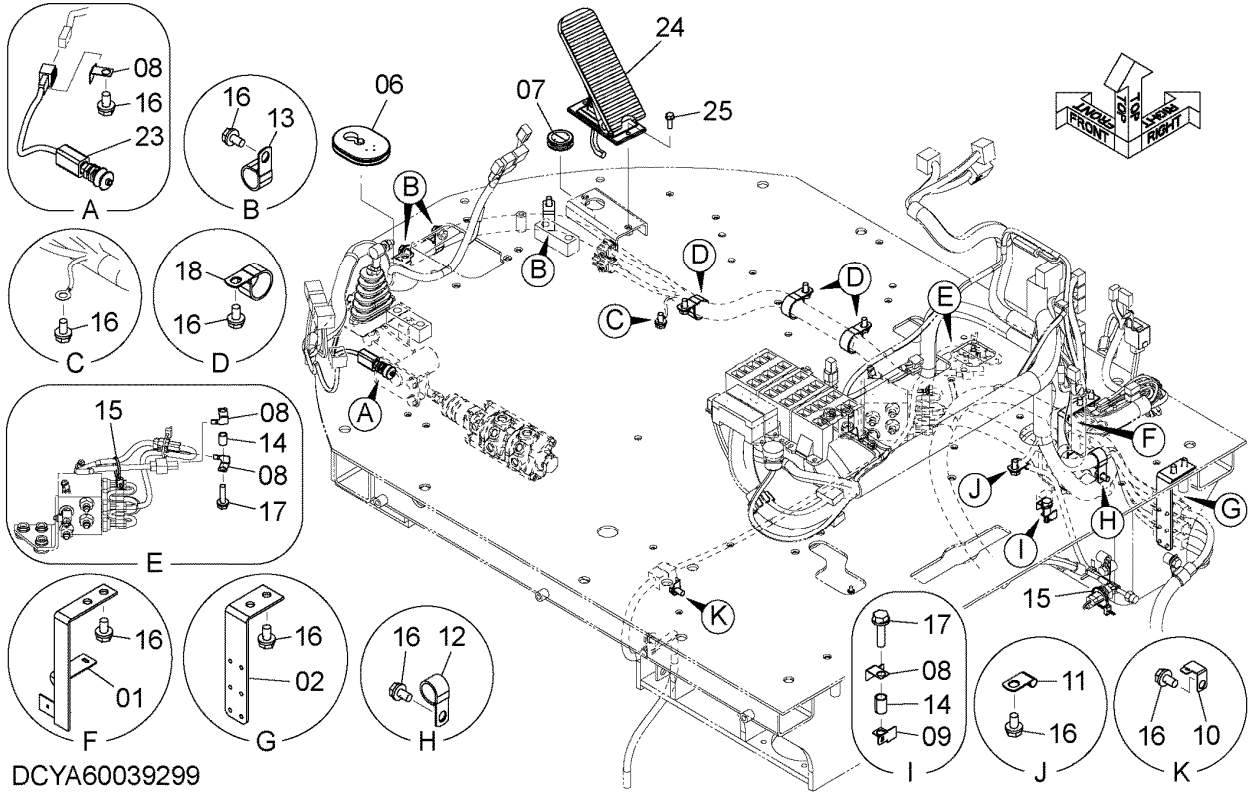
# ELECTRIC PARTS (FLOOR)

## 電気部品 (フロア)

Applicable Model (適用機種): -

Mark (記号): -

Serial No. (適用号機): -



DCYA60039299

## ELECTRIC PARTS (FLOOR)

## 電気部品 (フロア)

Applicable Model (適用機種): -

Mark(記号): -

Serial No. (適用号機): -

ITEM 符号	PART NO. 部品番号	PART NAME	部 品 名	Q' TY 数量	S. C サービ ス コート	SERIAL NO. 適用号機	ICA 互 換 性	REPLACEABLE PART 代 替 部 品	
								PART NO. 部品番号	Q' TY 数量
01	YQYA40023922	BRACKET	ブ ラケ ッ ト	1		5001-			
02	YQYA00004361	PLATE	プ レ ー ト	1		5001-			
06	YQ263G243871	BUSHING, RUBBER	ブ ッ シ ン グ , ラバ ー	1		5001-			
07	YQ4387501	BUSHING, RUBBER	ブ ッ シ ン グ , ラバ ー	1		5001-			
08	YQ4257159	BRACKET	ブ ラケ ッ ト	4		5001-			
09	YQ4418301	BRACKET	ブ ラケ ッ ト	1		5001-			
10	YQ4645952	BRACKET	ブ ラケ ッ ト	1		5001-			
11	YQ4190261	CLIP	ク リ ッ プ	1		5001-			
12	YQ4190263	CLIP	ク リ ッ プ	1		5001-			
13	YQ4192035	CLIP	ク リ ッ プ	3		5001-			
14	YQ263G212301	TUBE	チ ュ ー ブ	2		5001-			
15	YQ0491311200	CLIP	ク リ ッ プ	2		5001-			
16	YQJ271020	BOLT, W/WASHER	ボ ル ト (ワ ッ シ ャ 付)	15	D	5001-			
17	YQJ271040	BOLT, W/WASHER	ボ ル ト (ワ ッ シ ャ 付)	2	D	5001-			
18	YQ4190264	CLIP	ク リ ッ プ	3		5001-			
23	YQ4646636	SWITCH, LIMIT	ス イ ッ チ , リ ミ ッ ト	1		5001-			
24	YQYA00003929	PEDAL, ACCELERATOR	ペ ー ダ ル , ア ク セ ル	1		5001-			
25	YQJ260825	BOLT, W/WASHER	ボ ル ト (ワ ッ シ ャ 付)	2	D	5001-			

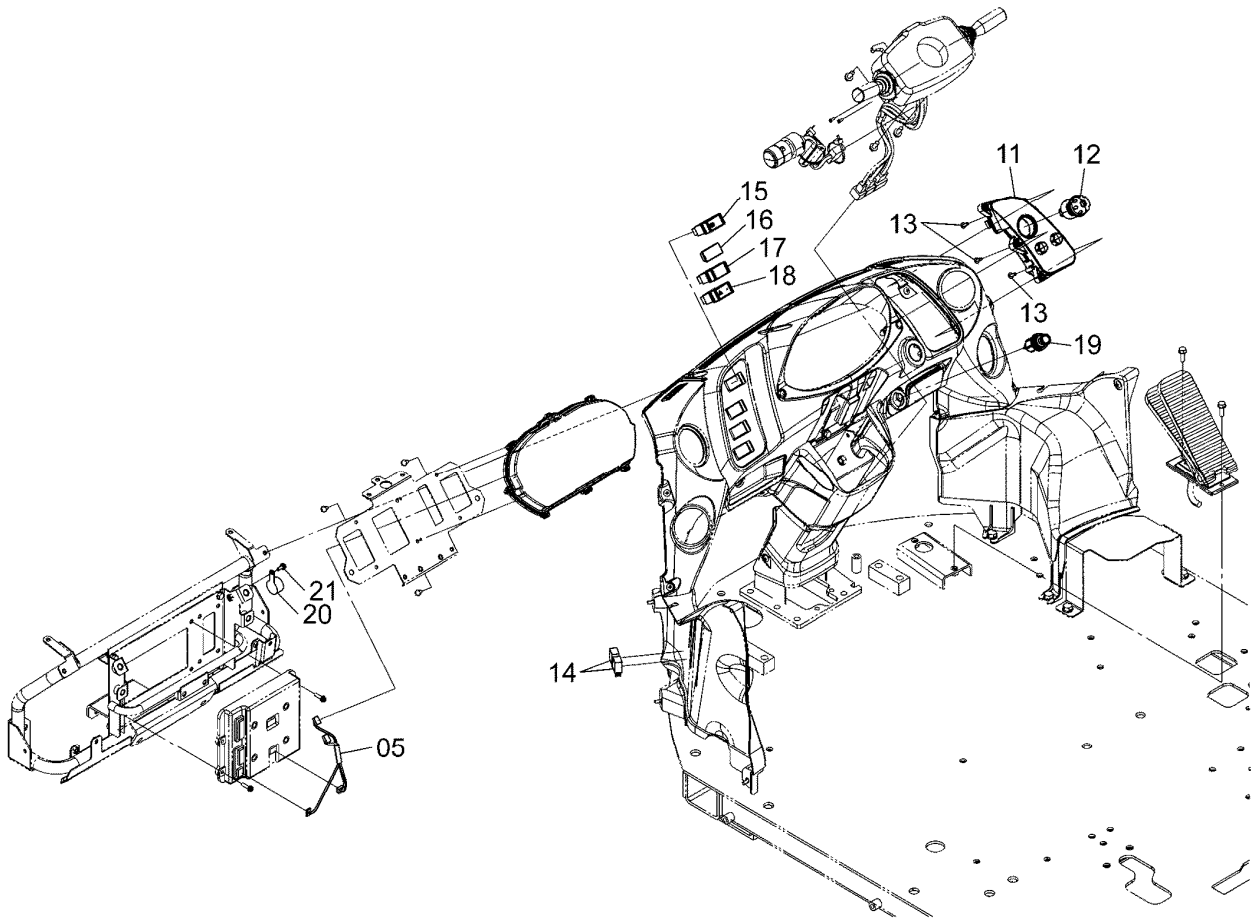
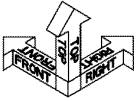
# ELECTRIC PARTS (STEERING COLUMN)

## 電気部品 (ステアリングコラム)

Applicable Model (適用機種): -

Mark (記号): -

Serial No. (適用号機): -



DCYA60004102A

ELECTRIC PARTS (STEERING COLUMN)  
電気部品 (ステアリングコラム)

Applicable Model (適用機種): -

Mark(記号): -

Serial No. (適用号機): -

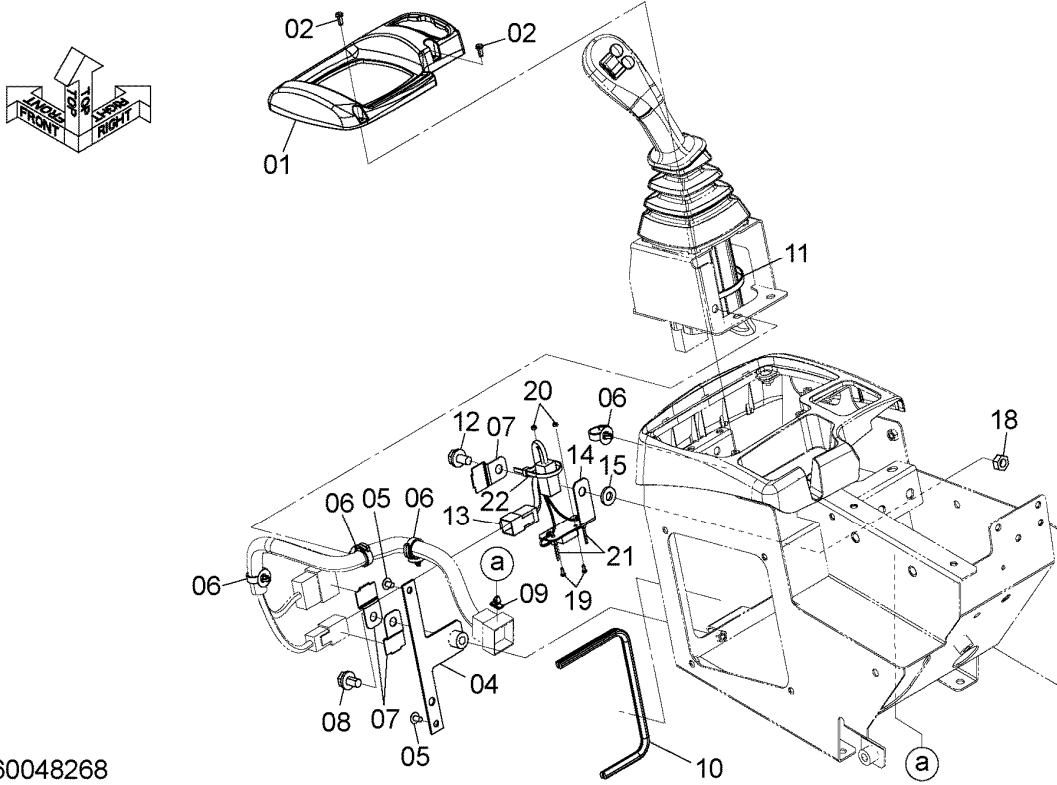
ITEM 符号	PART NO. 部品番号	PART NAME	部 品 名	Q' TY 数量	S. C サービ ス コート	SERIAL NO. 適用号機	ICA 互 換 性	REPLACEABLE PART 代 替 部 品	
								PART NO. 部品番号	Q' TY 数量
05	YQYA00004490	HARNESS	ハーネス	1		5001-			
11	YQYA00003927	SWITCH	スイッチ	1		5001-			
12	YQ4705919	SWITCH	スイッチ	1		5001-			
13	YQYA00005510	SCREW, TAPPING	スクリュ, タッピング	5		5001-			
14	YQ4436534	RELAY	リレー	2		5001-			
15	YQYA00004499	SWITCH	スイッチ	1		5001-			
16	YQ3121182	CAP	キャップ	1		5001-			
17	YQYA00031826	SWITCH, TUMBLER	スイッチ, タンブラ	1		5001-			
18	YQYA00004504	SWITCH	スイッチ	1		5001-			
19	YQ4653906	LIGHTER	ライター	1		5001-			
20	YQ4374009	BUZZER	ブザー	1		5001-			
21	YQJ460616	SCREW	スクリュ	1		5001-			

ELECTRIC PARTS (MULTI-FUNCTION LEVER)  
 電気部品 (マルチファンクションレバー)

Applicable Model (適用機種): -

Mark (記号): -

Serial No. (適用号機): -



DCYA60048268

ELECTRIC PARTS (MULTI-FUNCTION LEVER)  
電気部品 (マルチファンクションレバー)

Applicable Model (適用機種): -

Mark(記号): -

Serial No. (適用号機): -

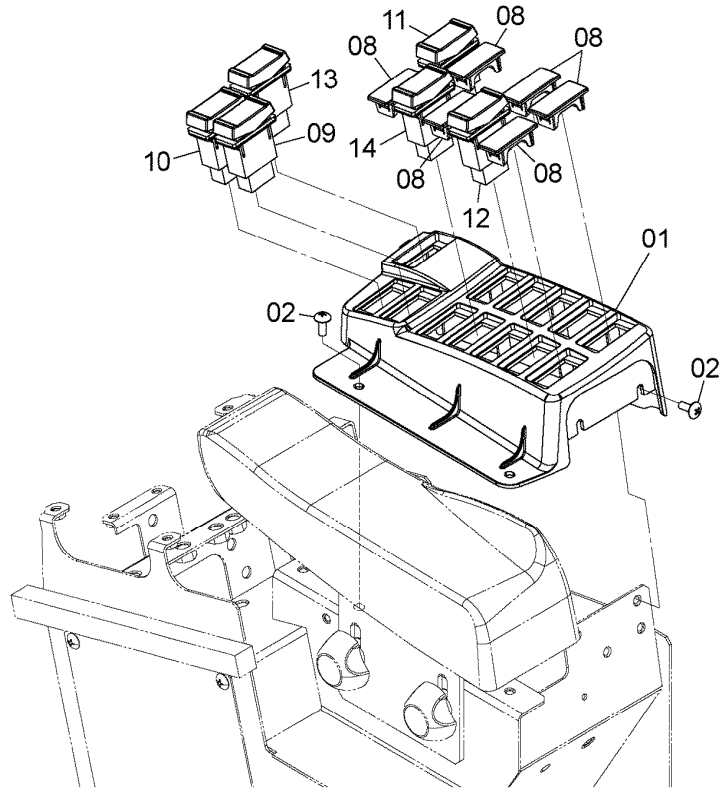
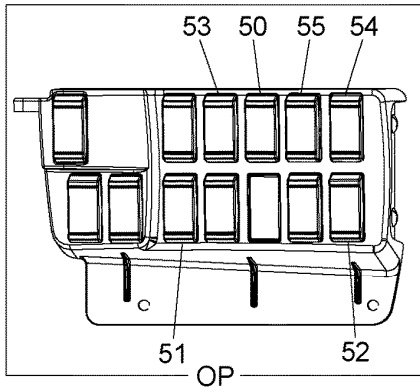
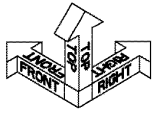
ITEM 符号	PART NO. 部品番号	PART NAME	部 品 名	Q' TY 数量	S. C サービ ス コート	SERIAL NO. 適用号機	ICA 互 換 性	REPLACEABLE PART 代 替 部 品	
								PART NO. 部品番号	Q' TY 数量
01	YQYA00005692	COVER	カバー	1		5001-			
02	YQ0104405012	SCREW, TAPPING	スクリュ, タッピング	2		5001-			
04	YQYA40003698	BRACKET	ブラケット	1		5001-			
05	YQJ650610	SCREW	スクリュ	2		5001-			
06	YQ4631913	CLIP	クリップ	4		5001-			
07	YQ263G244731	BRACKET	ブラケット	3		5001-			
08	YQJ271020	BOLT, W/WASHER	ボルト (ワッシャ付)	1	D	5001-			
09	YQ263G244071	CLIP	クリップ	1		5001-			
10	YQ263G654071	SEAL	シール	1		5001-			
11	YQ0491321380	CLIP	クリップ	1		5001-			
12	YQJ260820	BOLT, W/WASHER	ボルト (ワッシャ付)	1	D	5001-			
13	YQYA00048867	HARNESS	ハーネス	1		5001-			
14	YQYA00048866	BRACKET	ブラケット	1		5001-			
15	YQJ222008	WASHER	ワッシャ	1		5001-			
18	YQJ950008	NUT	ナット	1		5001-			
19	YQM430308	SCREW	スクリュ	2		5001-			
20	YQM500303	NUT	ナット	2		5001-			
21	YQ4163044	CLIP	クリップ	2		5001-			
22	YQ0491311200	CLIP	クリップ	1		5001-			

ELECTRIC PARTS (RIGHT CONSOLE)  
 電気部品 (右コンソール)

Applicable Model (適用機種): -

Mark (記号): -

Serial No. (適用号機): -



DCYA60014750\_NEK50

## ELECTRIC PARTS (RIGHT CONSOLE)

## 電気部品 (右コンソール)

Applicable Model (適用機種): -

Mark(記号): -

Serial No. (適用号機): -

ITEM 符号	PART NO. 部品番号	PART NAME	部 品 名	Q' TY 数量	S. C サービ ス コート	SERIAL NO. 適用号機	ICA 互 換 性	REPLACEABLE PART 代 替 部 品	
								PART NO. 部品番号	Q' TY 数量
01	YQYA00005688	COVER	カバー	1		5001-			
02	YQJ650616	SCREW	スクリュ	4		5001-			
08	YQ3121182	CAP	キャップ	6		5001-			
09	YQYA00004496	SWITCH (TRAVEL MODE SELECTOR)	スイッチ (走行モード切替)	1		5001-			
10	YQYA00005853	SWITCH (CLUTCH CUT POSITION)	スイッチ (クラッチカットポジション)	1		5001-			
11	YQYA00004498	SWITCH (POWER MODE)	スイッチ (パワーモード)	1		5001-			
12	YQYA00005837	SWITCH	スイッチ	1		5001-			
13	YQYA00005852	(MUFFLER FILTER) SWITCH (CONTROL LEVER LOCK)	(マフラーフィルタ) スイッチ (操作レバーロック)	1		5001-			
14	YQYA00018410	SWITCH, TUMBLER (1st GEAR LOCK)	スイッチ, タンブラ (1stギアロック)	1		5001-			
50	YQYA00004503	SWITCH (FAN REVERSE ROTATION) (AUTO) (ファン逆転) (自動)	スイッチ	1	OP	5001-			
50	YQYA00004501	SWITCH (FAN REVERSE ROTATION) (MANUAL) (ファン逆転) (マニュアル)	スイッチ	1	OP	5001-			
51	YQYA00005855	SWITCH (RID CONTROL)	スイッチ (ライドコントロール)	1	OP	5001-			
52	YQ263G243612	SWITCH (EMERGENCY STEERING OPERATION CHECK)	スイッチ	1	OP	5001-			
53	YQ263G243592	(エマージェンステアリング確認) SWITCH (FORWARD/REVERSE SELECTOR) (EU) (前後進切替) (EU)	スイッチ	1	OP	5001-			
54	YQ263G244631	SWITCH	スイッチ	1	OP	5001-			
55	YQYA00030619	(QUICK COUPLER) (JPN) SWITCH, TUMBLER (REVERSE BUZZER)	(油圧カプラー) (日本) スイッチ, タンブラ (バックフザ)	1	OP	5001-			

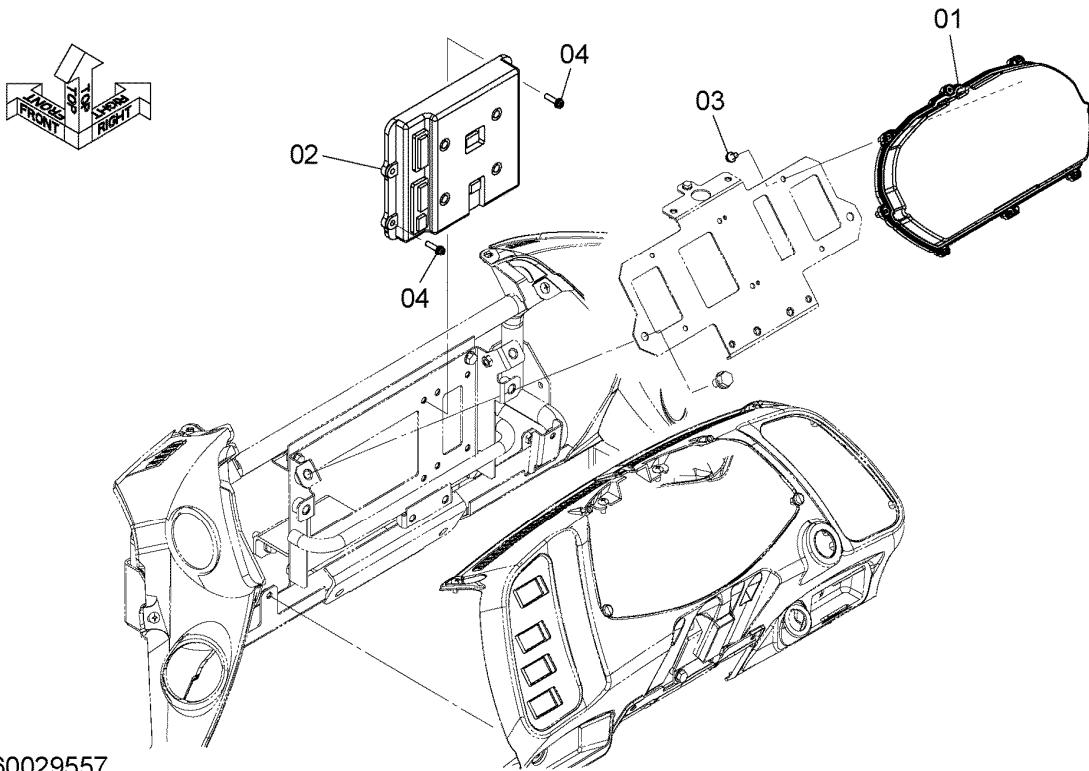
# ELECTRIC PARTS (MONITOR)

## 電気部品 (モニター)

Applicable Model (適用機種): -

Mark(記号): -

Serial No. (適用号機): -



DCYA60029557

ELECTRIC PARTS (MONITOR)

電気部品 (モニター)

Applicable Model (適用機種): -

Mark(記号): -

Serial No. (適用号機): -

ITEM 符号	PART NO. 部品番号	PART NAME	部 品 名	Q' TY 数量	S. C サービ ス コード	SERIAL NO. 適用号機	ICA 互 換 性	REPLACEABLE PART 代 替 部 品	
								PART NO. 部品番号	Q' TY 数量
01	YQYA00037332	MONITOR	モニター	1		5001-			
02	YQYA00041416	UNIT, CONTROL	ユニット, コントロール	1		5001-			
03	YQJ460614	SCREW	スクリュ	6		5001-			
04	YQJ460625	SCREW	スクリュ	4		5001-			

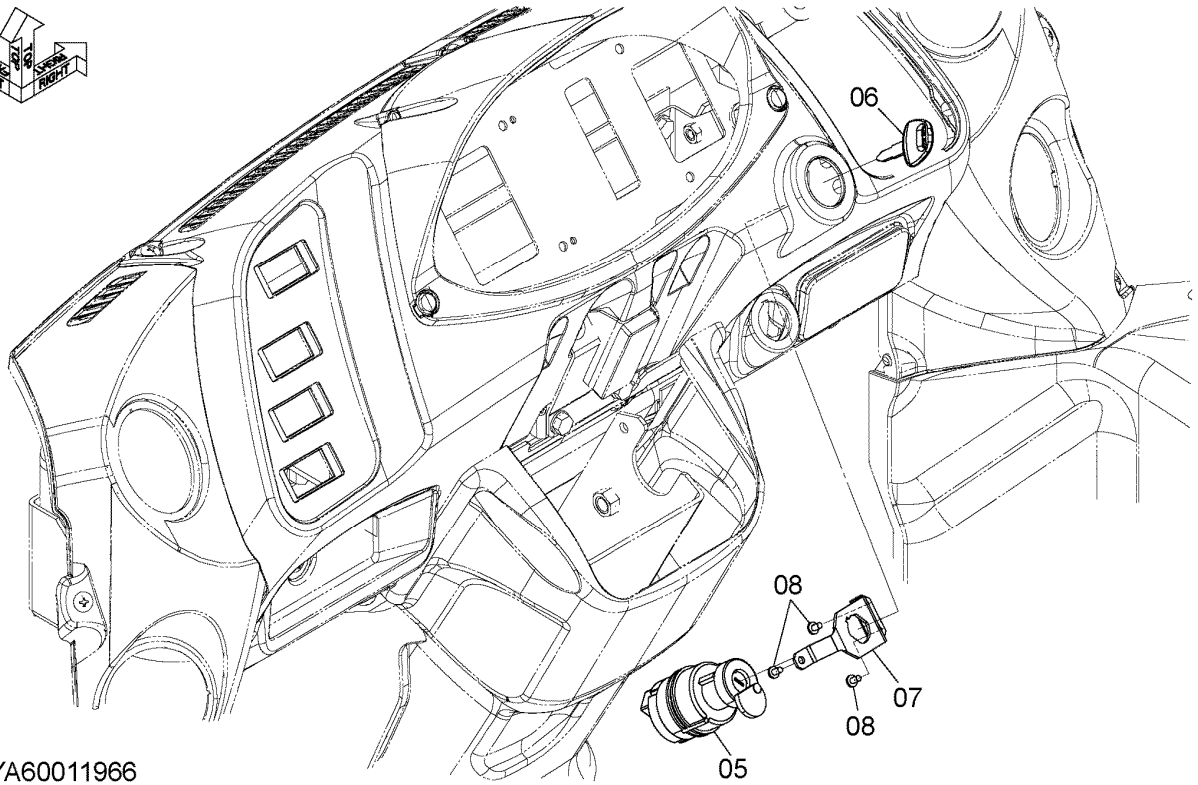
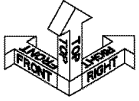
# START SWITCH

## スタートスイッチ

Applicable Model (適用機種): -

Mark (記号): -

Serial No. (適用号機): -



DCYA60011966

# START SWITCH

## スタートスイッチ

Applicable Model (適用機種): -

Mark(記号): -

Serial No. (適用号機): -

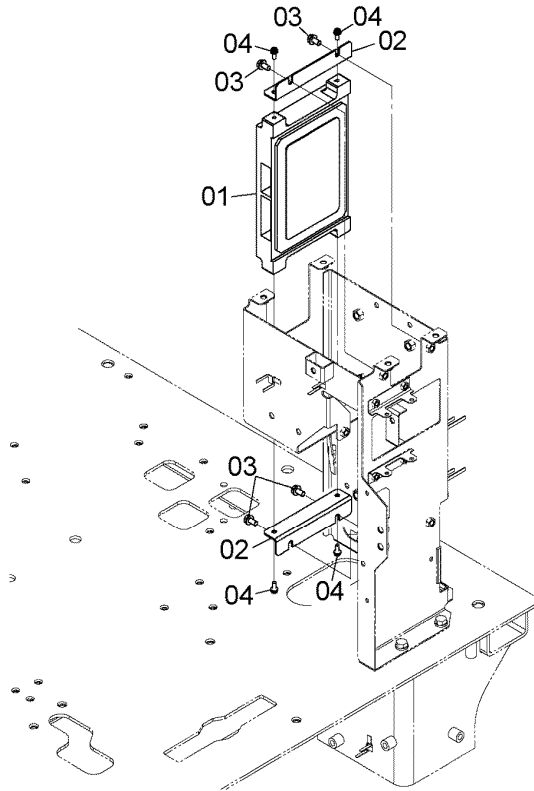
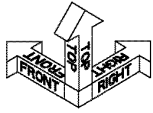
ITEM 符号	PART NO. 部品番号	PART NAME	部 品 名	Q' TY 数量	S. C サービ ス コード	SERIAL NO. 適用号機	I C A 互 換 性	REPLACEABLE PART 代 替 部 品	
								PART NO. 部品番号	Q' TY 数量
05	+++++++	SWITCH, START	スイッチ, スタート	1	D	5001-			
06	+++++++	KEY, PLATE	キー, プレート	1	D	5001-			
07	YQYA00004333	PLATE	プレート	1		5001-			
08	YQ263G243931	SCREW, TAPPING	スクリュー, タッピング	3		5001-			

CONTROLLER (MC)  
コントローラ (MC)

Applicable Model (適用機種): -

Mark (記号): -

Serial No. (適用号機): -



DCYA60045600

CONTROLLER (MC)  
 コントローラ (MC)

Applicable Model (適用機種): -

Mark(記号): -

Serial No. (適用号機): -

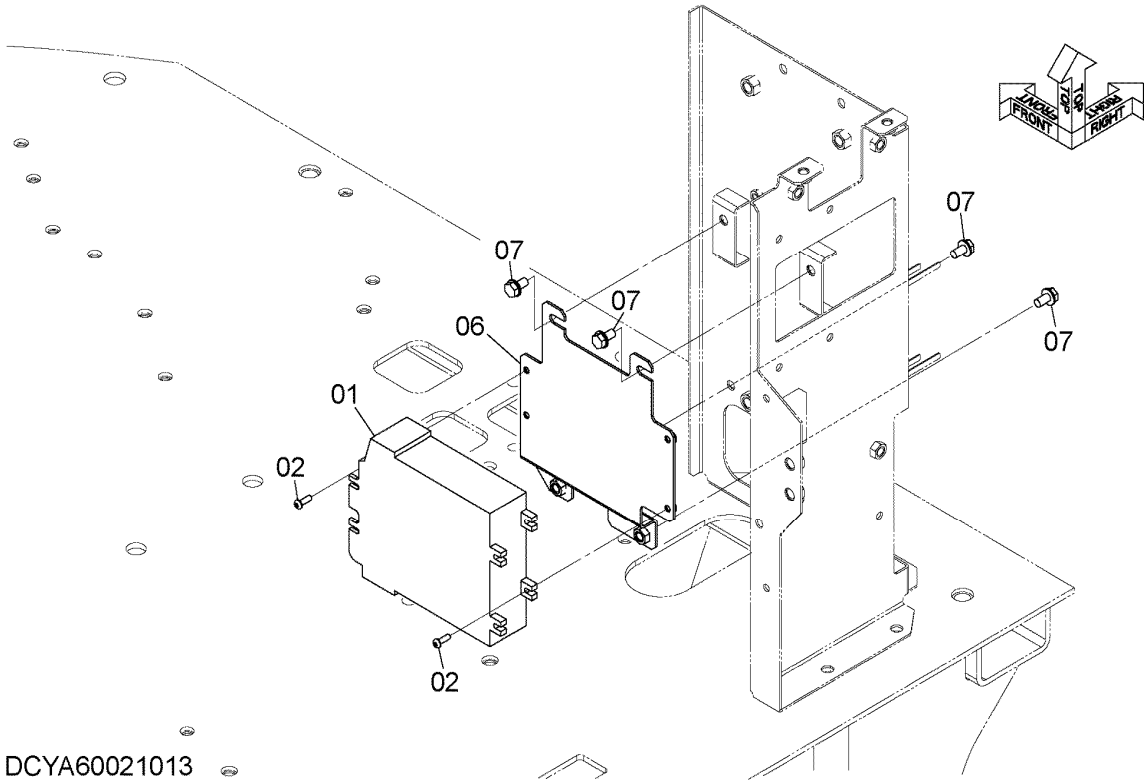
ITEM 符号	PART NO. 部品番号	PART NAME	部品名	Q' TY 数量	S. C サービ ス コード	SERIAL NO. 適用号機	ICA 互 換 性	REPLACEABLE PART 代替部品	
								PART NO. 部品番号	Q' TY 数量
01	YQYA60039140	UNIT, CONTROL	ユニット, コントロール	1		5001-			
02	YQYA00004340	BRACKET	ブラケット	2		5001-			
03	YQJ260816	BOLT, W/WASHER	ボルト (ワッシャ付)	4	D	5001-			
04	YQJ460616	SCREW	スクリュー	4		5001-			

# CONTROLLER (TRANSMISSION) コントローラ (トランスミッション)

Applicable Model (適用機種): -

Mark (記号): -

Serial No. (適用号機): -



CONTROLLER (TRANSMISSION)  
 コントローラ (トランスミッション)

Applicable Model (適用機種): -

Mark(記号): -

Serial No. (適用号機): -

ITEM 符号	PART NO. 部品番号	PART NAME	部 品 名	Q' TY 数量	S. C サービ ス コード	SERIAL NO. 適用号機	ICA 互 換 性	REPLACEABLE PART 代 替 部 品	
								PART NO. 部品番号	Q' TY 数量
01	YQYA00016933	CONTROLLER	コントローラ	1		5001-			
02	YQM430516	SCREW	スクリュ	4		5001-			
06	YQYA40003612	BRACKET	ブ ラケ ッ ト	1		5001-			
07	YQJ260816	BOLT, W/WASHER	ボ ル ト (ワ ッ シ ャ 付)	4	D	5001-			

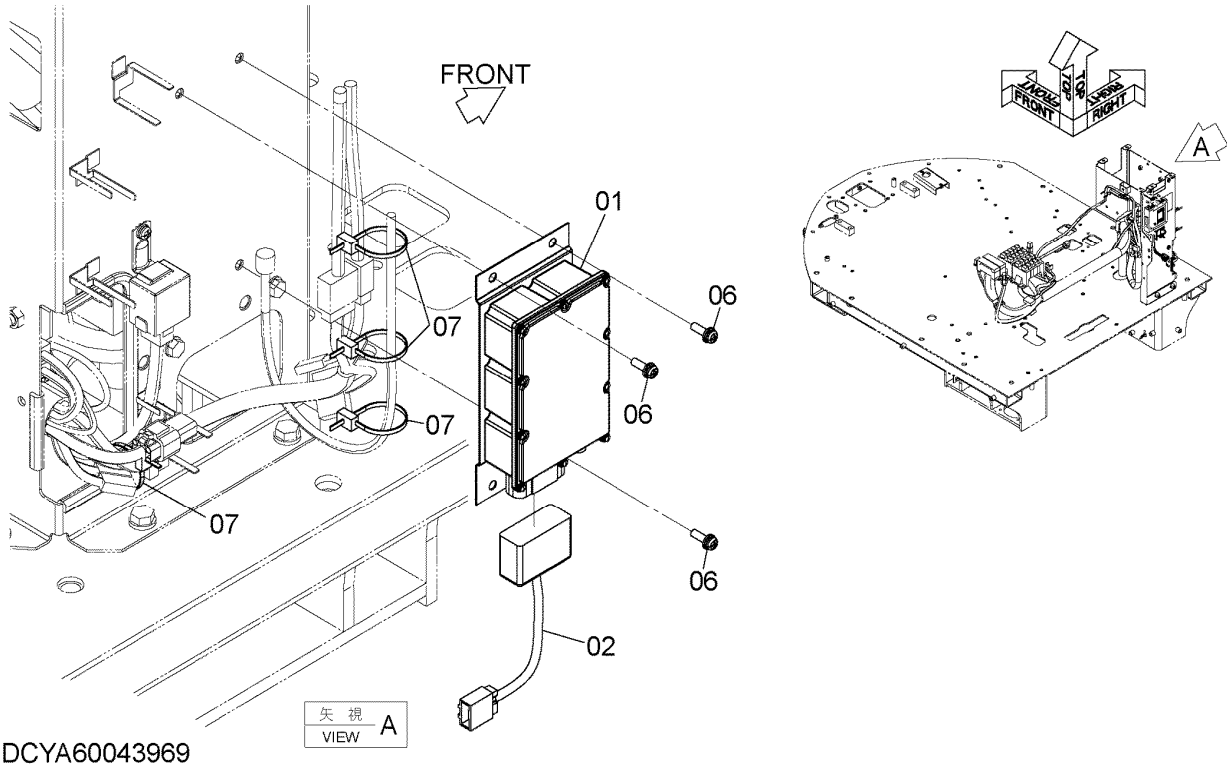
# CONTROLLER (MOBILE COMMUNICATIONS)

## コントローラ (携帯通信仕様)

Applicable Model (適用機種): -

Mark (記号): -

Serial No. (適用号機): -



# CONTROLLER (MOBILE COMMUNICATIONS)

## コントローラ (携帯通信仕様)

Applicable Model (適用機種): -

Mark (記号): -

Serial No. (適用号機): -

ITEM 符号	PART NO. 部品番号	PART NAME	部 品 名	Q' TY 数量	S. C サービ ス コート	SERIAL NO. 適用号機	ICA 互 換 性	REPLACEABLE PART 代 替 部 品	
								PART NO. 部品番号	Q' TY 数量
01	YQYA60040188	CONTROLLER	コントローラ	1		5001-			
02	YQYA00004492	HARNESS	ハーネス	1		5001-			
06	YQJ460620	SCREW	スクリュー	4		5001-			
07	YQ0491311200	CLIP	クリップ	4		5001-			

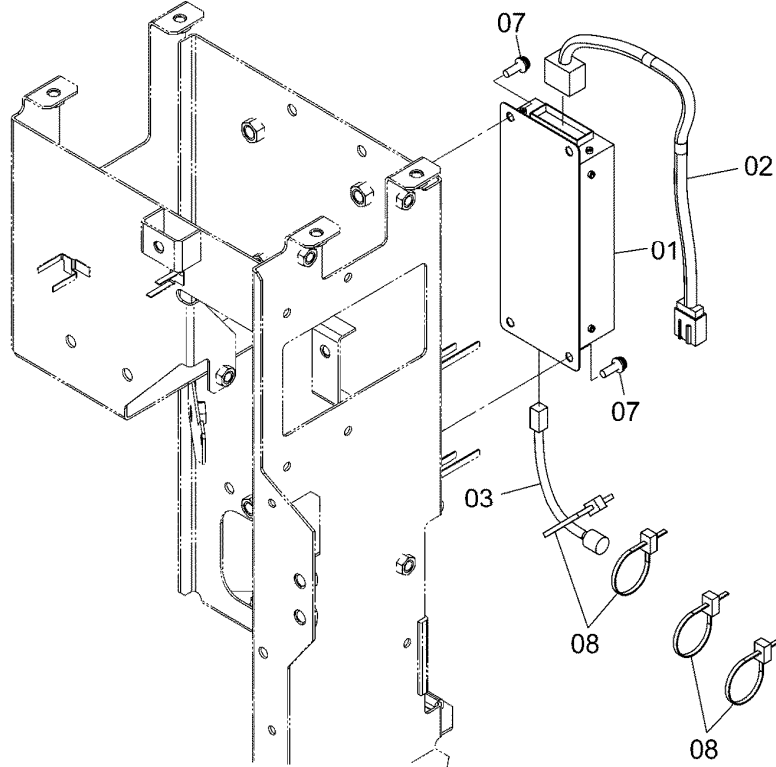
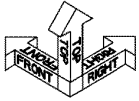
# CONTROLLER (SATELLITE COMMUNICATIONS)

## コントローラ (衛星通信仕様)

Applicable Model (適用機種): -

Mark (記号): -

Serial No. (適用号機): -



DCYA60004110A

CONTROLLER (SATELLITE COMMUNICATIONS)

コントローラ (衛星通信仕様)

Applicable Model (適用機種): -

Mark(記号): -

Serial No. (適用号機): -

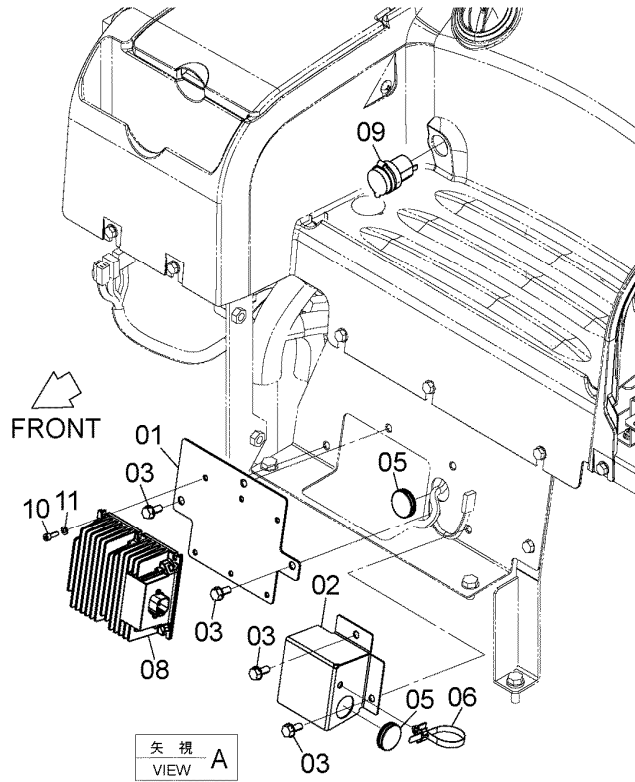
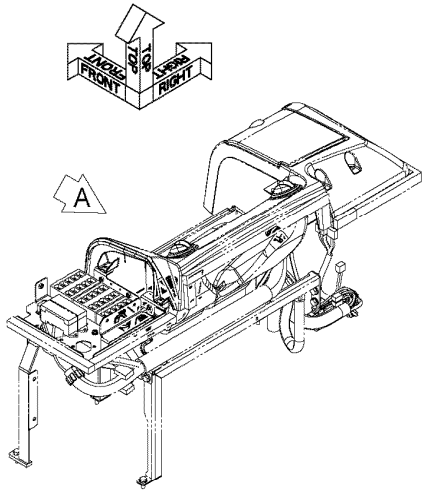
ITEM 符号	PART NO. 部品番号	PART NAME	部品名	Q'TY 数量	S. C サービ ス コード	SERIAL NO. 適用号機	ICA 互 換 性	REPLACEABLE PART 代替部品	
								PART NO. 部品番号	Q'TY 数量
01	YQ4635318	CONTROLLER	コントローラ	1		5001-			
02	YQYA00004520	HARNESS	ハーネス	1		5001-			
03	YQ4691209	HARNESS	ハーネス	1		5001-			
07	YQJ460620	SCREW	スクリュー	4		5001-			
08	YQ0491311200	CLIP	クリップ	4		5001-			

# 12V POWER UNIT 12V電源ユニット

Applicable Model (適用機種): -

Mark (記号): -

Serial No. (適用号機): -



DCYA60040784

12V POWER UNIT  
12V電源ユニット

Applicable Model (適用機種): -

Mark(記号): -

Serial No. (適用号機): -

ITEM 符号	PART NO. 部品番号	PART NAME	部 品 名	Q' TY 数量	S. C サービ ス コート	SERIAL NO. 適用号機	ICA 互 換 性	REPLACEABLE PART 代 替 部 品	
								PART NO. 部品番号	Q' TY 数量
01	YQYA40028181	BRACKET	ブ ラケッ ト	1		5001-			
02	YQYA00039606	BRACKET	ブ ラケッ ト	1		5001-			
03	YQJ260820	BOLT, W/WASHER	ボ ルト (ワッ シャ 付)	5	D	5001-			
05	YQ2147123131	BUSHING, RUBBER	ブ ッ シ ン グ , ラ ハ ー	2		5001-			
06	YQ4254600	CLIP	ク リ ッ プ	1		5001-			
08	YQ3346060350	UNIT, POWER	ユ ニ ッ ト , ハ ー	1		5001-			
09	YQ3590260020	LIGHTER, CIGAR	ラ イ タ ー , シ ガ ー	1		5001-			
10	YQJ780516	BOLT, SOCKET	ボ ルト , ソ ケ ッ ト	6		5001-			
11	YQA590105	WASHER, PLANE	ワッ シャ , フ レ ー	6		5001-			

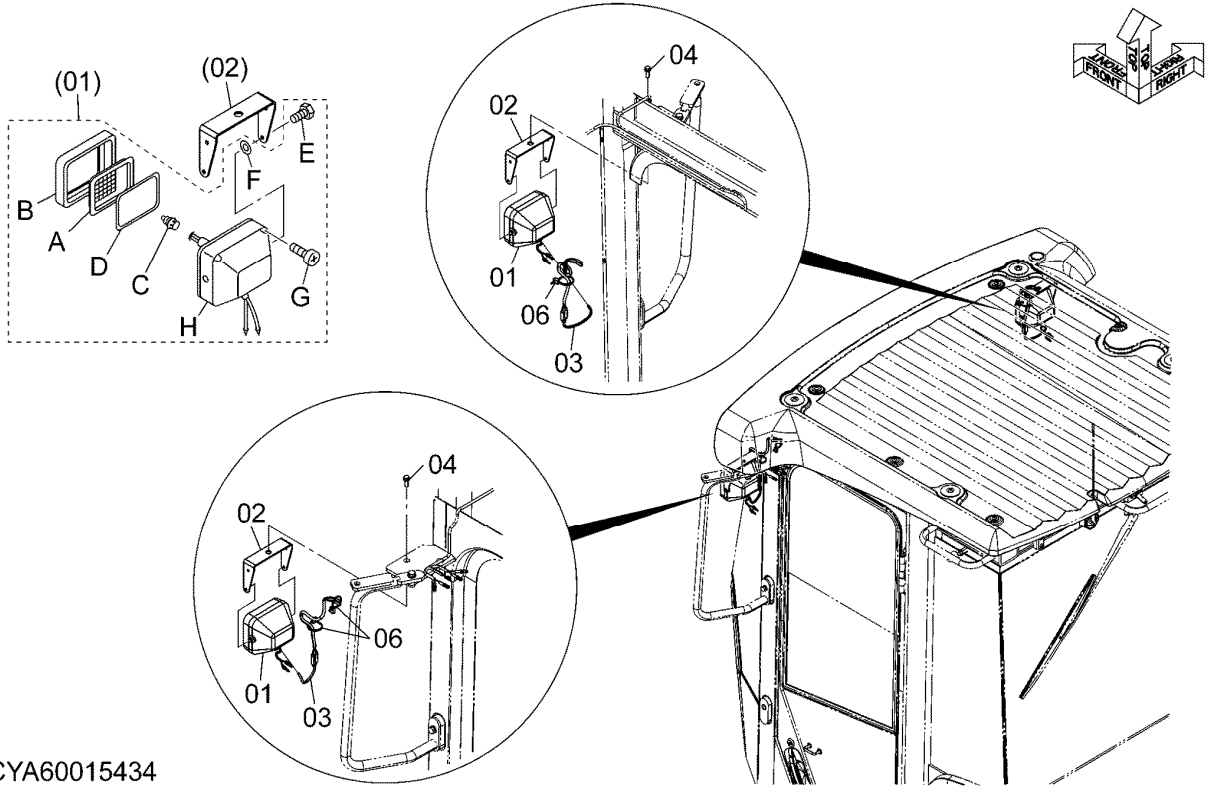
# ADDITIONAL WORK LIGHT (CAB FRONT)

## 追加作業灯 (キャブ前)

Applicable Model (適用機種): -

Mark (記号): -

Serial No. (適用号機): -



ADDITIONAL WORK LIGHT (CAB FRONT)

追加作業灯 (キャブ前)

Applicable Model (適用機種): -

Mark(記号): -

Serial No. (適用号機): -

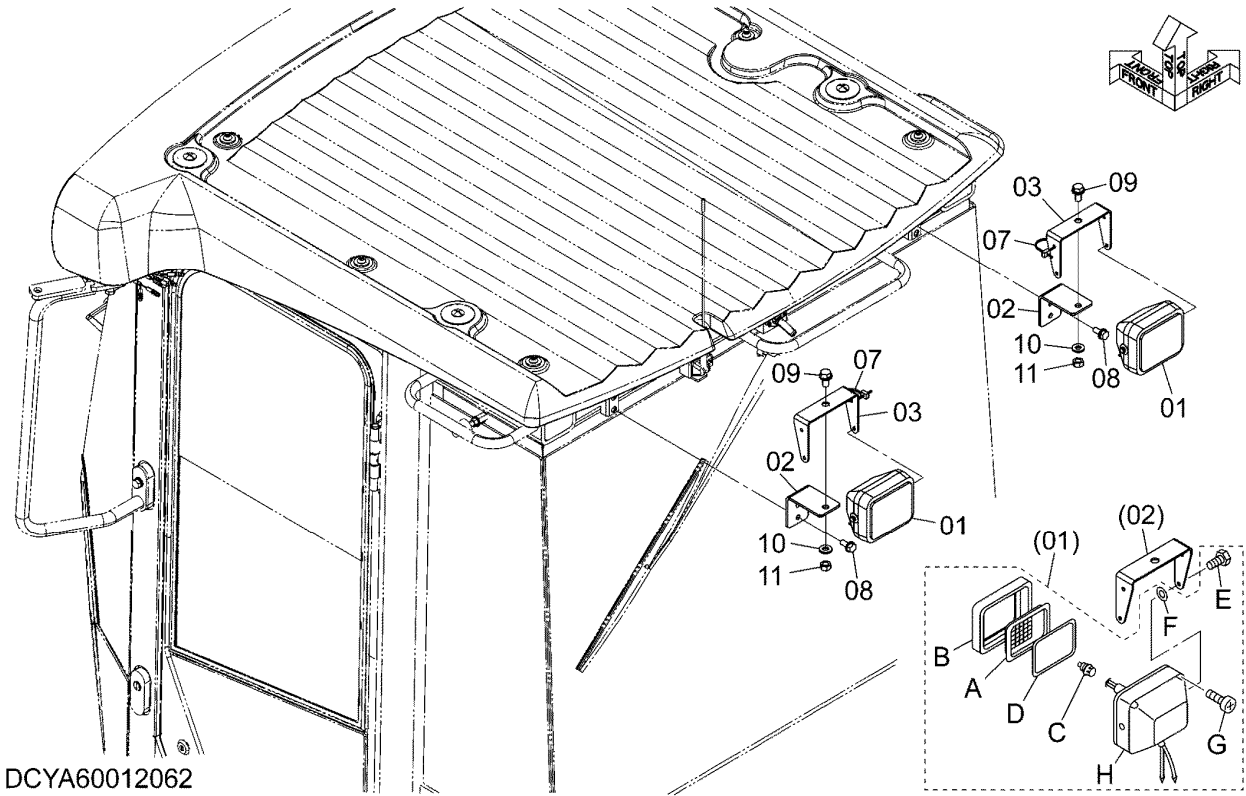
ITEM 符号	PART NO. 部品番号	PART NAME	部 品 名	Q' TY 数量	S. C サービ ス コート	SERIAL NO. 適用号機	ICA 互 換 性	REPLACEABLE PART 代 替 部 品	
								PART NO. 部品番号	Q' TY 数量
01	YQ4274478	LAMP, HEAD	ランプ, ヘッド	2		5001-			
01A	YQ4285646	* LENS	* レンズ	1		5001-			
01B	YQ4285647	* RIM	* リム	1		5001-			
01C	YQ4285648	* BULB	* バルブ	1		5001-			
01D	YQ4288342	* GASKET	* ガasket	1		5001-			
01E	YQJ900616	* BOLT	* ボルト	2		5001-			
01F	+++++	* WASHER	* ワッシャ	2	D	5001-			
01G	+++++	* SCREW, TAPPING	* スクリュー, タッピング	4	D	5001-			
01H	+++++	* BODY	* ボディ	1	D	5001-			
02	YQ563G242701	BRACKET	ブラケット	2		5001-			
03	YQ563G242721	HARNESS	ハーネス	2		5001-			
04	YQJ260825	BOLT, W/WASHER	ボルト (ワッシャ付)	2	D	5001-			
06	YQ0491311200	CLIP	クリップ	4		5001-			

# ADDITIONAL WORK LIGHT (CAB REAR) 追加作業灯 (キャブ後)

Applicable Model (適用機種): -

Mark (記号): -

Serial No. (適用号機): -



ADDITIONAL WORK LIGHT (CAB REAR)

追加作業灯 (キャブ後)

Applicable Model (適用機種): -

Mark(記号): -

Serial No. (適用号機): -

ITEM 符号	PART NO. 部品番号	PART NAME	部 品 名	Q' TY 数量	S. C サービ ス コート	SERIAL NO. 適用号機	ICA 互 換 性	REPLACEABLE PART 代 替 部 品	
								PART NO. 部品番号	Q' TY 数量
01	YQ4274478	LAMP, HEAD	ランプ, ヘッド	2		5001-			
01A	YQ4285646	* LENS	* レンズ	1		5001-			
01B	YQ4285647	* RIM	* リム	1		5001-			
01C	YQ4285648	* BULB	* バルブ	1		5001-			
01D	YQ4288342	* GASKET	* ガasket	1		5001-			
01E	YQJ900616	* BOLT	* ボルト	2		5001-			
01F	+++++	* WASHER	* ワッシャ	2	D	5001-			
01G	+++++	* SCREW, TAPPING	* スクリュー, タッピング	4	D	5001-			
01H	+++++	* BODY	* ボディ	1	D	5001-			
02	YQ563G242711	BRACKET	ブラケット	2		5001-			
03	YQ563G242701	BRACKET	ブラケット	2		5001-			
07	YQ0491311200	CLIP	クリップ	2		5001-			
08	YQJ271025	BOLT, W/WASHER	ボルト (ワッシャ付)	4	D	5001-			
09	YQJ271225	BOLT, W/WASHER	ボルト (ワッシャ付)	2	D	5001-			
10	YQJ222012	WASHER	ワッシャ	2		5001-			
11	YQJ950012	NUT	ナット	2		5001-			

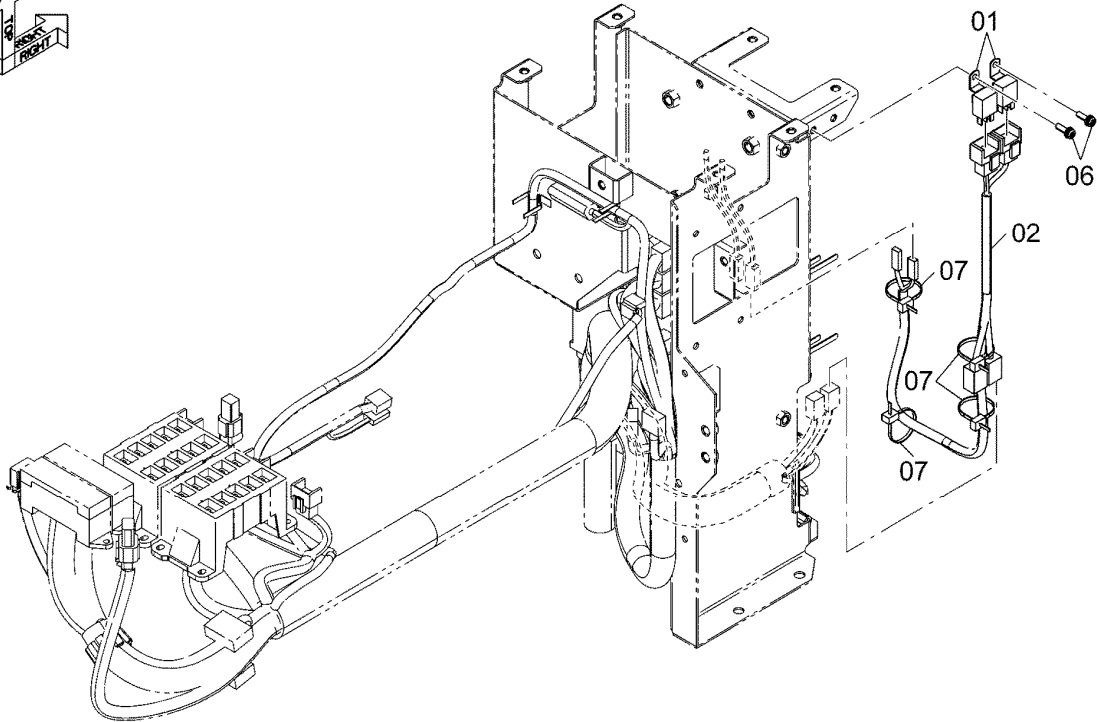
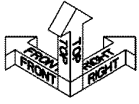
# ADDITIONAL WORK LIGHT HARNESS

## 追加作業灯ハーネス

Applicable Model (適用機種): -

Mark (記号): -

Serial No. (適用号機): -



DCYA60004151A

ADDITIONAL WORK LIGHT HARNESS

追加作業灯ハーネス

Applicable Model (適用機種): -

Mark(記号): -

Serial No. (適用号機): -

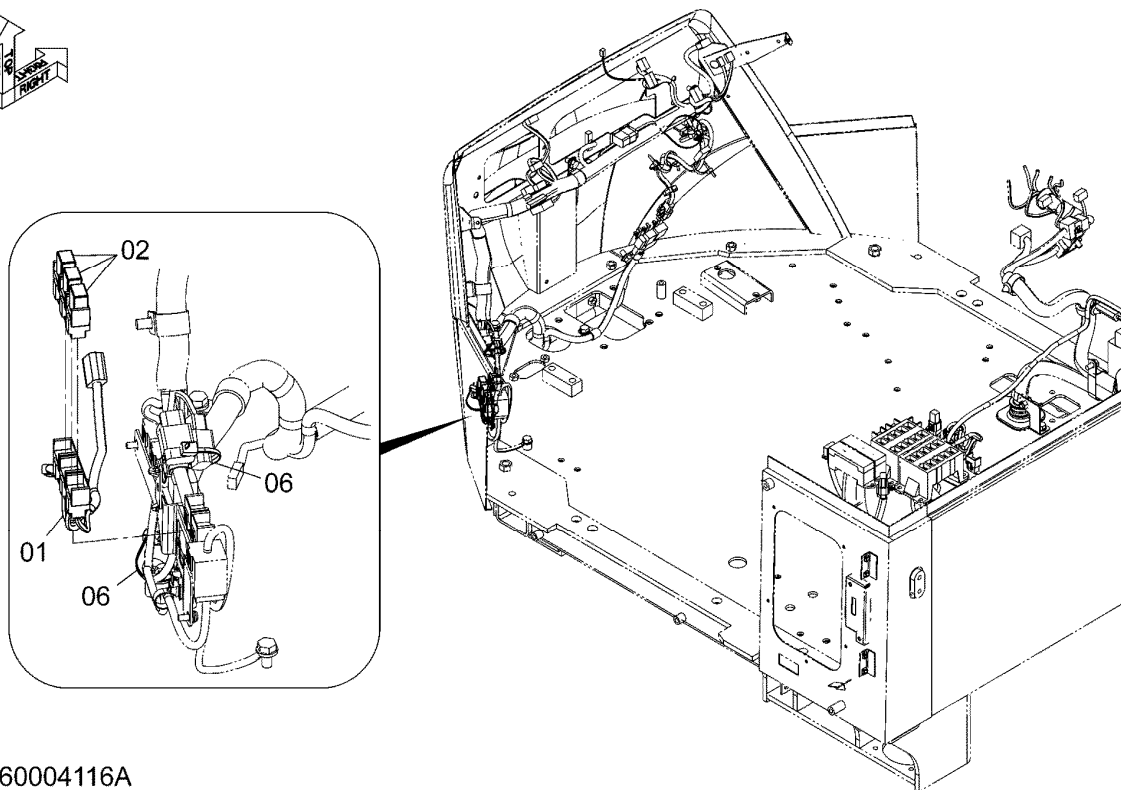
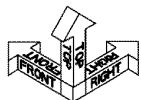
ITEM 符号	PART NO. 部品番号	PART NAME	部 品 名	Q' TY 数量	S. C サービ ス コート	SERIAL NO. 適用号機	ICA 互 換 性	REPLACEABLE PART 代 替 部 品	
								PART NO. 部品番号	Q' TY 数量
01	YQ4414207	RELAY	リレ	2		5001-			
02	YQYA00020302	HARNESS	ハーネス	1		5001-			
06	YQJ460620	SCREW	スクリュ	2		5001-			
07	YQ0491311200	CLIP	クリップ	4		5001-			

# IDEL STOP PARTS アイドルストップ用品

Applicable Model (適用機種): -

Mark (記号): -

Serial No. (適用号機): -



DCYA60004116A

IDEL STOP PARTS  
アイドルストップ用品

Applicable Model (適用機種): -

Mark(記号): -

Serial No. (適用号機): -

ITEM 符号	PART NO. 部品番号	PART NAME	部 品 名	Q' TY 数量	S. C サービ ス コード	SERIAL NO. 適用号機	ICA 互 換 性	REPLACEABLE PART 代 替 部 品	
								PART NO. 部品番号	Q' TY 数量
01	YQYA00017771	HARNESS	ハーネス	1		5001-			
02	YQ4436534	RELAY	リレー	3		5001-			
06	YQ0491311200	CLIP	クリップ	2		5001-			

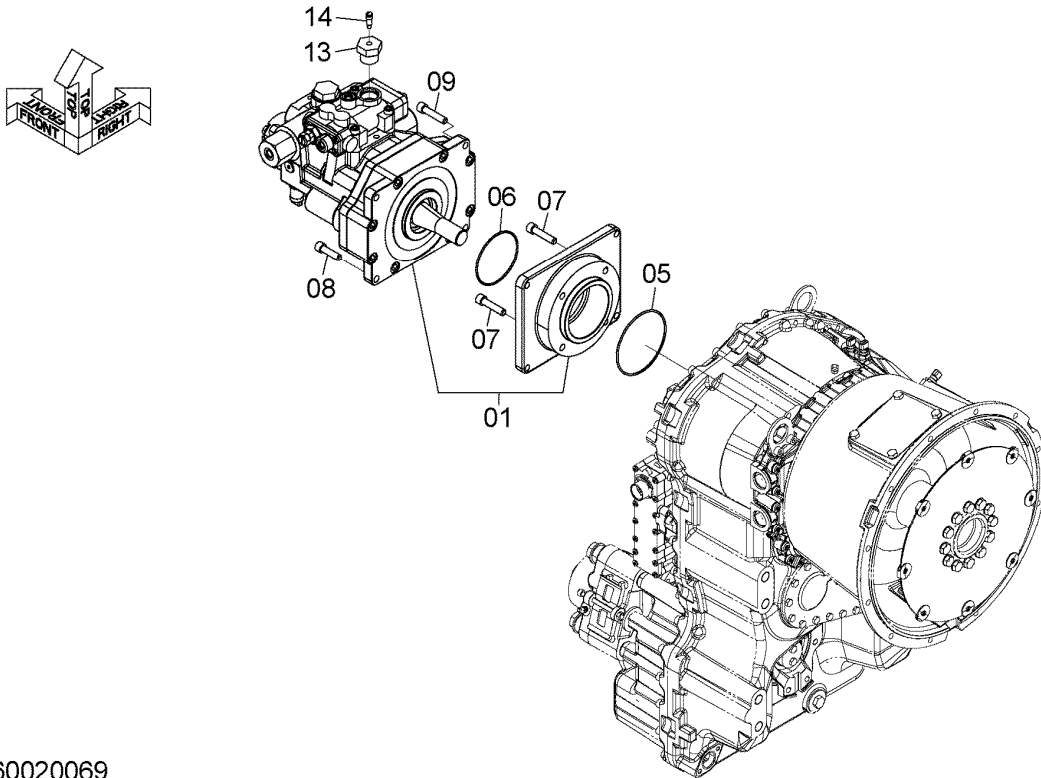
# PUMP DEVICE

## ポンプ装置

Applicable Model (適用機種): -

Mark (記号): -

Serial No. (適用号機): -



DCYA60020069

# PUMP DEVICE

## ポンプ装置

Applicable Model (適用機種): -

Mark(記号): -

Serial No. (適用号機): -

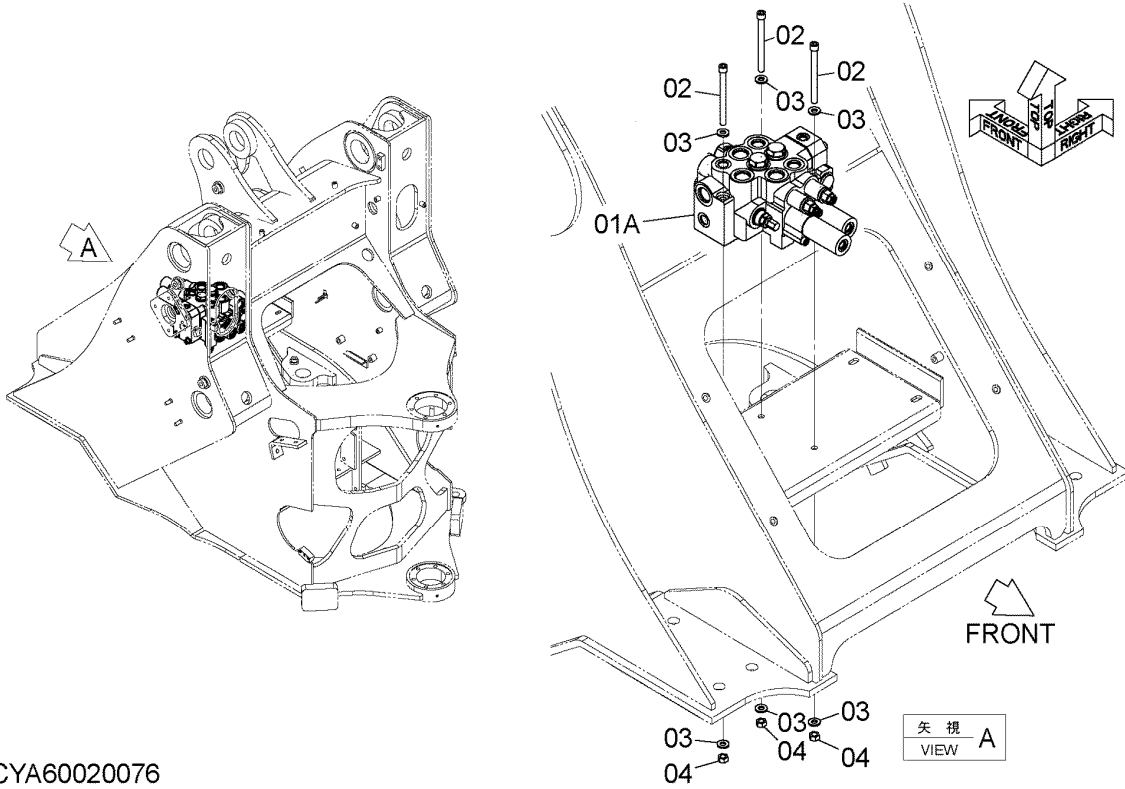
ITEM 符号	PART NO. 部品番号	PART NAME	部 品 名	Q' TY 数量	S. C サービ ス コート	SERIAL NO. 適用号機	ICA 互 換 性	REPLACEABLE PART 代 替 部 品	
								PART NO. 部品番号	Q' TY 数量
01	YQYB60000859	PUMP	PZW180ポンプ	1	H	5001-			
05	YQA811125	RING, O	リング, O	1		5001-			
06	YQ4153547	RING, O	リング, O	1		5001-			
07	YQJ781255	BOLT, SOCKET	ボルト, ソケット	4		5001-			
08	YQM341245	BOLT, SOCKET	ボルト, ソケット	2		5001-			
09	YQM341256	BOLT, SOCKET	ボルト, ソケット	2		5001-			
13	YQ263G712041	REDUCER	レジュサ	1		5001-			
13A	YQ4506429	* RING, O	* リング, O			5001-			
14	YQ2631543371	BREATH, AIR	ブリーザ, エア	1		5001-			

# CONTROL VALVE コントロールバルブ

Applicable Model (適用機種): -

Mark (記号): -

Serial No. (適用号機): -



DCYA60020076

# CONTROL VALVE

## コントロールバルブ

Applicable Model (適用機種): -

Mark(記号): -

Serial No. (適用号機): -

ITEM 符号	PART NO. 部品番号	PART NAME	部 品 名	Q' TY 数量	S. C サービ ス コード	SERIAL NO. 適用号機	ICA 互 換 性	REPLACEABLE PART 代 替 部 品	
								PART NO. 部品番号	Q' TY 数量
01	YQ263F732021	VALVE, MAIN (2連)	バルブ, メイン (2 SPOOL)	1		5001-			
01	YQ263F732031	VALVE, MAIN (3連)	バルブ, メイン (3 SPOOL)	1		5001-			
01	YQ263F732041	VALVE, MAIN (4連)	バルブ, メイン (4 SPOOL)	1		5001-			
01A	YQ9264809	* VALVE, CONTROL (2連)	* バルブ, コントロール (2 SPOOL)	1	H	5001-			
01A	YQ9264810	* VALVE, CONTROL (3連)	* バルブ, コントロール (3 SPOOL)	1	H	5001-			
01A	YQ9264811	* VALVE, CONTROL (4連)	* バルブ, コントロール (4 SPOOL)	1	H	5001-			
02	YQJ781208	BOLT, SOCKET	ボルト, ソケット	3		5001-			
03	YQJ222012	WASHER	ワッシャ	6		5001-			
04	YQJ950012	NUT	ナット	3		5001-			

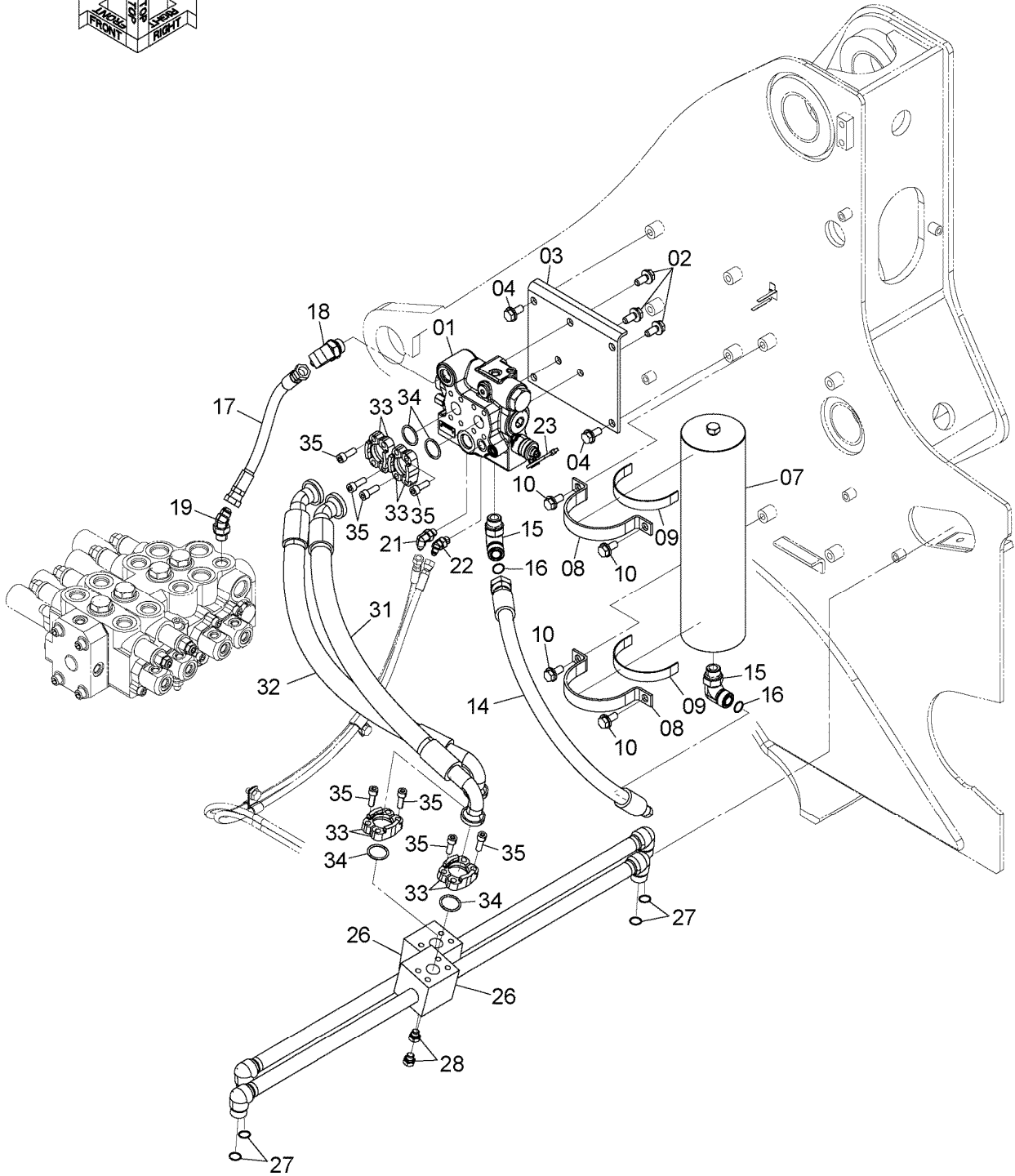
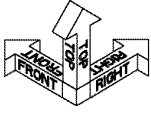
# RIDE CONTROL PARTS

## ライドコントロール用品

Applicable Model (適用機種): -

Mark (記号): -

Serial No. (適用号機): -



DCYA60011146

# RIDE CONTROL PARTS

## ライドコントロール用品

Applicable Model (適用機種): -

Mark(記号): -

Serial No. (適用号機): -

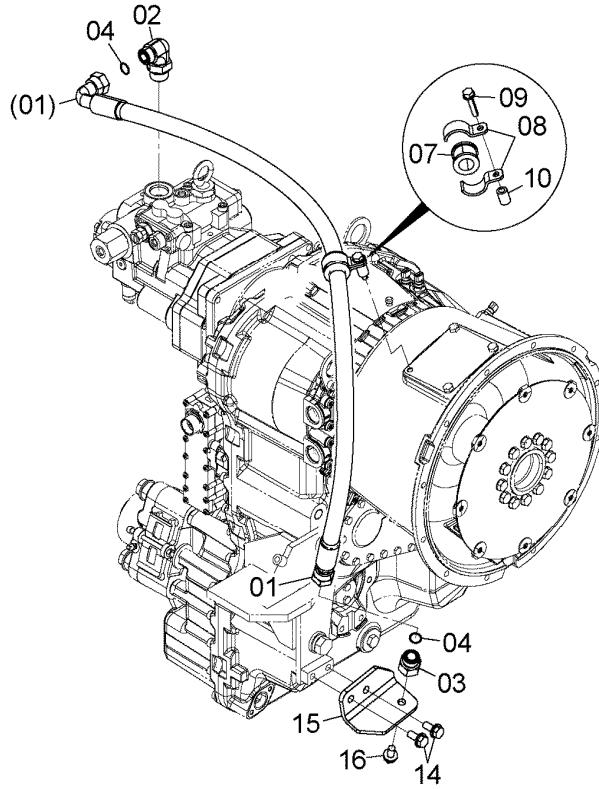
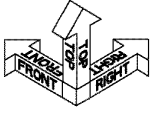
ITEM 符号	PART NO. 部品番号	PART NAME	部 品 名	Q' TY 数量	S. C サービ ス コート	SERIAL NO. 適用号機	ICA 互 換 性	REPLACEABLE PART 代 替 部 品	
								PART NO. 部品番号	Q' TY 数量
01	+++++	VALVE, CONTROL (for assembly of machine) (本体組立用)	バルブ, コントロール	1	DH	5001-	I	YQ9334068	1
01	YQ9334068	VALVE, CONTROL (for transportation)	バルブ, コントロール (サービスマン用)	1	S	5001-			
02	YQJ271230	BOLT, W/WASHER	ボルト (ワッシャ付)	3	D	5001-			
03	YQ263F762011	BRACKET	ブラケット	1		5001-			
04	YQJ271230	BOLT, W/WASHER	ボルト (ワッシャ付)	4	D	5001-			
07	YQYA00015445	ACCUMULATOR	アキュムレータ	1	H	5001-			
08	YQYA00006003	CLAMP	クランプ	2		5001-			
09	YQYA00006004	STOPPER	ストッパ	2		5001-			
10	YQJ271230	BOLT, W/WASHER	ボルト (ワッシャ付)	4	D	5001-			
14	YQXV00002310	HOSE	ホース	1		5001-			
15	YQA853366	ELBOW	エルボ	2		5001-			
15A	YQ4506424	* RING, O	* リング, O	1		5001-			
16	YQ4187308	RING, O	リング, O	2		5001-			
17	YQ4669489	HOSE	ホース	1		5001-			
18	YQ4353073	ELBOW	エルボ	1		5001-			
18A	YQ4506424	* RING, O	* リング, O	1		5001-			
19	YQA852244	ELBOW	エルボ	1		5001-			
19A	YQ4506418	* RING, O	* リング, O	1		5001-			
21	YQA852322	ELBOW	エルボ	1		5001-			
21A	YQ957366	* RING, O	* リング, O	1		5001-			
22	YQA852222	ELBOW	エルボ	1		5001-			
22A	YQ957366	* RING, O	* リング, O	1		5001-			
23	YQ0491311200	CLIP	クリップ	1		5001-			
26	YQ263G760331	TUBE	チューブ	2		5001-			
27	YQ4187308	RING, O	リング, O	4		5001-			
28	YQA885002	PLUG	プラグ	2		5001-			
28A	YQ957366	* RING, O	* リング, O	1		5001-			
31	YQYA00023576	HOSE	ホース	1		5001-			
32	YQYA00024368	HOSE	ホース	1		5001-			
33	YQ962453	FLANGE, SPLIT	フランジ, スプリット	8		5001-			
34	YQ966993	RING, O	リング, O	4		5001-			
35	YQJ781030	BOLT, SOCKET	ボルト, ソケット	16		5001-			

# SIDE BRANCH PIPING サイドブランチ配管

Applicable Model (適用機種): -

Mark (記号): -

Serial No. (適用号機): -



DCYA60020071

SIDE BRANCH PIPING  
 サイドブランチ配管

Applicable Model (適用機種): -

Mark(記号): -

Serial No. (適用号機): -

ITEM 符号	PART NO. 部品番号	PART NAME	部 品 名	Q' TY 数量	S. C サービ ス コート	SERIAL NO. 適用号機	ICA 互 換 性	REPLACEABLE PART 代 替 部 品	
								PART NO. 部品番号	Q' TY 数量
01	YQ4670212	HOSE	ホース	1		5001-			
02	YQA853386	ELBOW	エルボ	1		5001-			
02A	YQ4506429	* RING, O	* リング, O	1		5001-			
03	YQ4204882	PLUG	プラグ	1		5001-			
04	YQ4187308	RING, O	リング, O	2		5001-			
07	YQ2675762231	RUBBER	ラバー	1		5001-			
08	YQYA00006249	CLAMP, HOSE	クランプ, ホース	2		5001-			
09	YQJ271050	BOLT, W/WASHER	ボルト (ワッシャ付)	1	D	5001-			
10	YQ263G644451	COLLAR	カラー	1		5001-			
14	YQJ271230	BOLT, W/WASHER	ボルト (ワッシャ付)	2	D	5001-			
15	YQYA00028263	BRACKET	ブラケット	1		5001-			
16	YQJ271225	BOLT, W/WASHER	ボルト (ワッシャ付)	1	D	5001-			

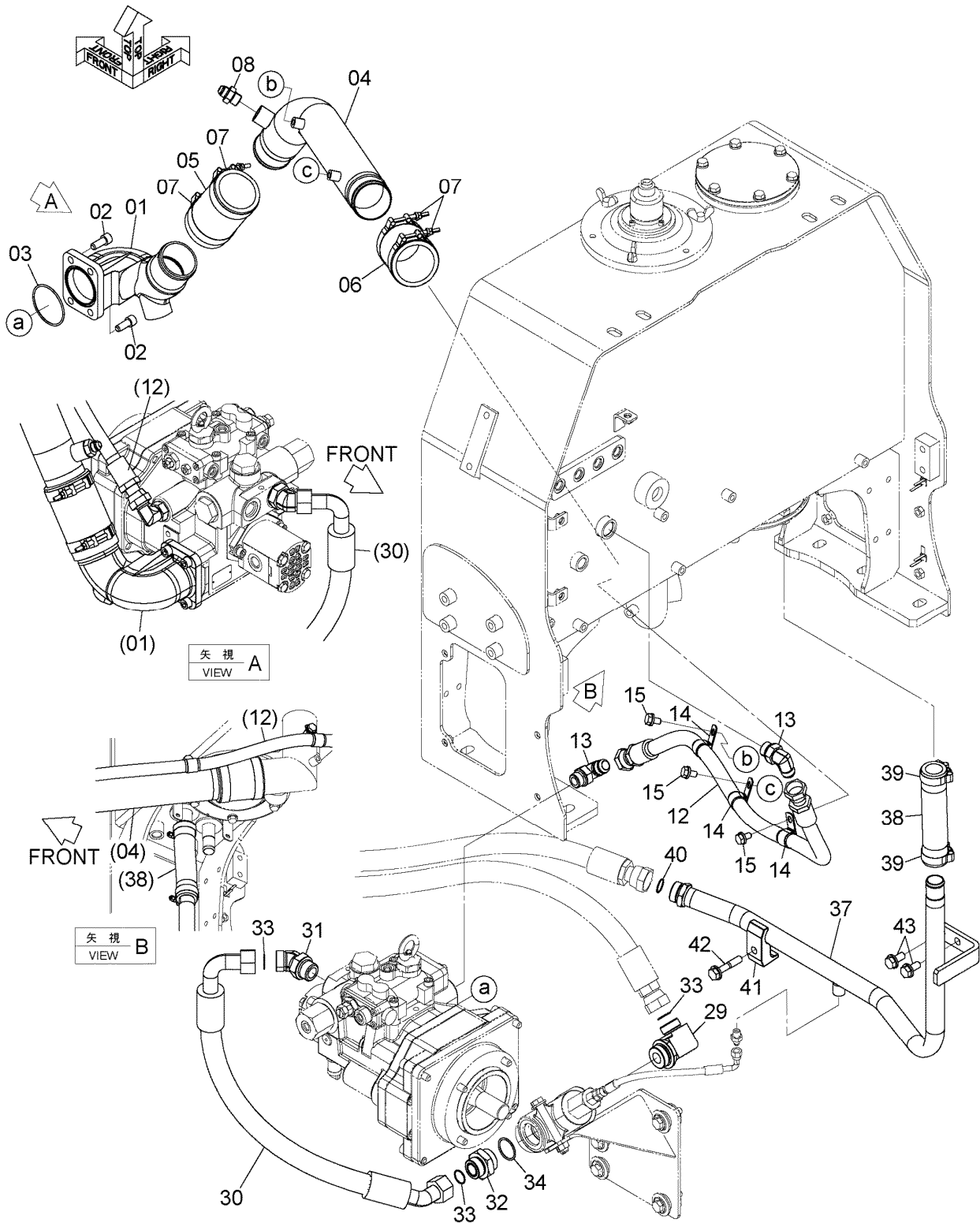
# MAIN PIPING (1)

## メイン配管 (1)

Applicable Model (適用機種): -

Mark (記号): -

Serial No. (適用号機): -



DCYA60037976

# MAIN PIPING (1)

## メイン配管 (1)

Applicable Model (適用機種): -

Mark(記号): -

Serial No. (適用号機): -

ITEM 符号	PART NO. 部品番号	PART NAME	部 品 名	Q' TY 数量	S. C サービ ス コート	SERIAL NO. 適用号機	ICA 互 換 性	REPLACEABLE PART 代 替 部 品	
								PART NO. 部品番号	Q' TY 数量
01	YQ263G763661	PIPE, SUCTION	パイプ, サクション	1		5001-			
02	YQJ781230	BOLT, SOCKET	ボルト, ソケット	4		5001-			
03	YQA811075	RING, O	リング, O	1		5001-			
04	YQYA40014636	PIPE, SUCTION	パイプ, サクション	1		5001-			
05	YQ4449325	HOSE, RUBBER	ホース, ラバー	1		5001-			
06	YQ4352438	HOSE, RUBBER	ホース, ラバー	1		5001-			
07	YQ4282483	CLAMP, HOSE	クランプ, ホース	4		5001-			
08	YQA852144	ADAPTER SOCKET	アダプタ, ソケット	1		5001-			
08A	YQ4506418	* RING, O	* リング, O	1		5001-			
12	YQ4694416	HOSE	ホース	1		5001-			
13	YQA852366	ELBOW	エルボ	2		5001-			
13A	YQ4506424	* RING, O	* リング, O	1		5001-			
14	YQ4190263	CLIP	クリップ	3		5001-			
15	YQJ271020	BOLT, W/WASHER	ボルト (ワッシャ付)	3	D	5001-			
29	YQYA00006259	ELBOW	エルボ	1		5001-			
29A	YQ971699	* RING, O	* リング, O	1		5001-			
30	YQYA00044410	HOSE	ホース	1		5001-			
31	YQA853288	ELBOW	エルボ	1		5001-			
31A	YQ4506429	* RING, O	* リング, O	1		5001-			
32	YQ4652065	ADAPTER SOCKET	アダプタ, ソケット	1		5001-			
33	YQ4187328	RING, O	リング, O	3		5001-			
34	YQ971699	RING, O	リング, O	1		5001-			
37	YQYA40014629	PIPE, RETURN	パイプ, リターン	1		5001-			
38	YQ4084123	HOSE, RUBBER	ホース, ラバー	1		5001-			
39	YQ4296063	CLAMP, HOSE	クランプ, ホース	2		5001-			
40	YQ4187328	RING, O	リング, O	1		5001-			
41	YQ4190127	CLAMP, PIPE	クランプ, パイプ	1		5001-			
42	YQJ271265	BOLT, W/WASHER	ボルト (ワッシャ付)	1	D	5001-			
43	YQJ271230	BOLT, W/WASHER	ボルト (ワッシャ付)	2	D	5001-			

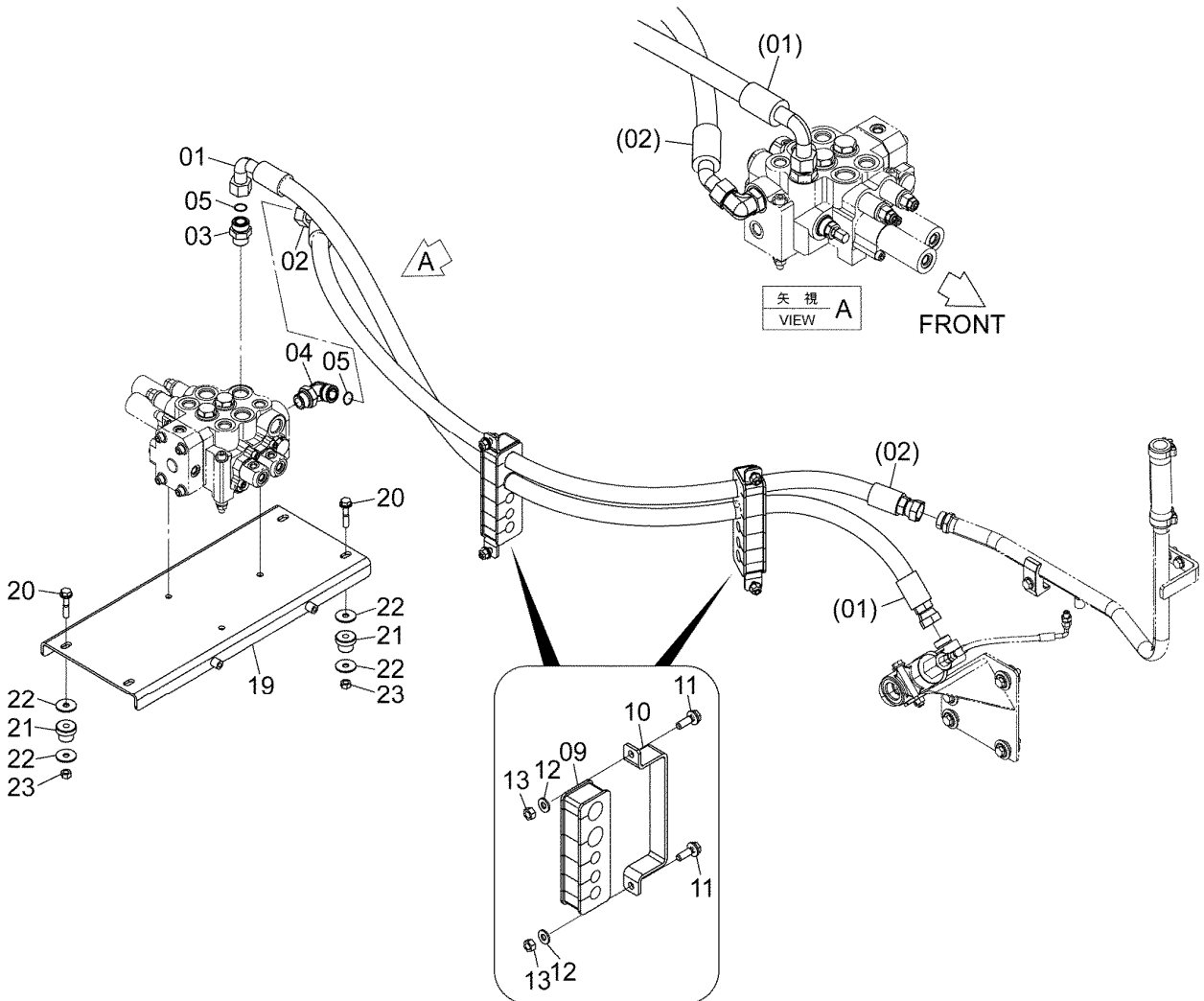
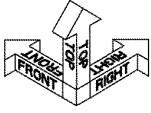
# MAIN PIPING (2)

## メイン配管 (2)

Applicable Model (適用機種): -

Mark(記号): -

Serial No. (適用号機): -



DCYA60045320

# MAIN PIPING (2)

## メイン配管 (2)

Applicable Model (適用機種): -

Mark(記号): -

Serial No. (適用号機): -

ITEM 符号	PART NO. 部品番号	PART NAME	部 品 名	Q' TY 数量	S. C サービ ス コート	SERIAL NO. 適用号機	ICA 互 換 性	REPLACEABLE PART 代 替 部 品	
								PART NO. 部品番号	Q' TY 数量
01	YQ4667800	HOSE	ホース	1		5001-			
02	YQXV00003609	HOSE	ホース	1		5001-			
03	YQA853188	ADAPTER SOCKET	アダプタ, ソケット	1		5001-			
03A	YQ4506429	* RING, O	* リング, O	1		5001-			
04	YQA853388	ELBOW	エルボ	1		5001-			
04A	YQ4506429	* RING, O	* リング, O	1		5001-			
05	YQ4187328	RING, O	リング, O	2		5001-			
09	YQYA00023093	CLAMP, HOSE	クランプ, ホース	2		5001-			
10	YQYA00023094	PLATE	プレート	2		5001-			
11	YQJ271240	BOLT, W/WASHER	ボルト (ワッシャ付)	4	D	5001-			
12	YQJ222012	WASHER	ワッシャ	4		5001-			
13	YQJ950012	NUT	ナット	4		5001-			
19	YQYA40014639	BRACKET	ブラケット	1		5001-			
20	YQJ271260	BOLT, W/WASHER	ボルト (ワッシャ付)	4	D	5001-			
21	YQ2660642251	RUBBER	ラバー	4		5001-			
22	YQ2631212021	WASHER	ワッシャ	8		5001-			
23	YQJ950012	NUT	ナット	4		5001-			

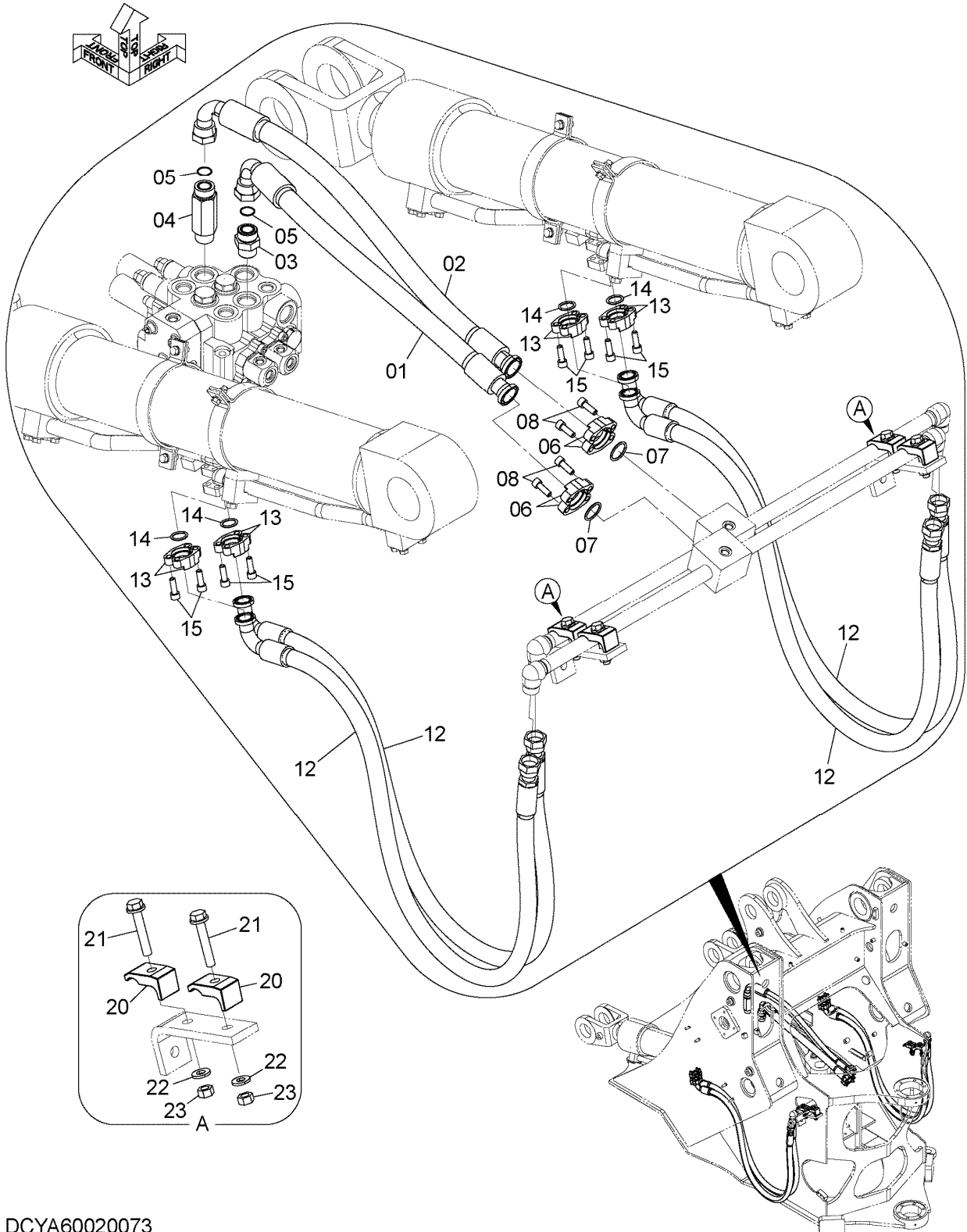
# MAIN PIPING (3)

## メイン配管 (3)

Applicable Model (適用機種): -

Mark (記号): -

Serial No. (適用号機): -



DCYA60020073

# MAIN PIPING (3)

## メイン配管 (3)

Applicable Model (適用機種): -

Mark(記号): -

Serial No. (適用号機): -

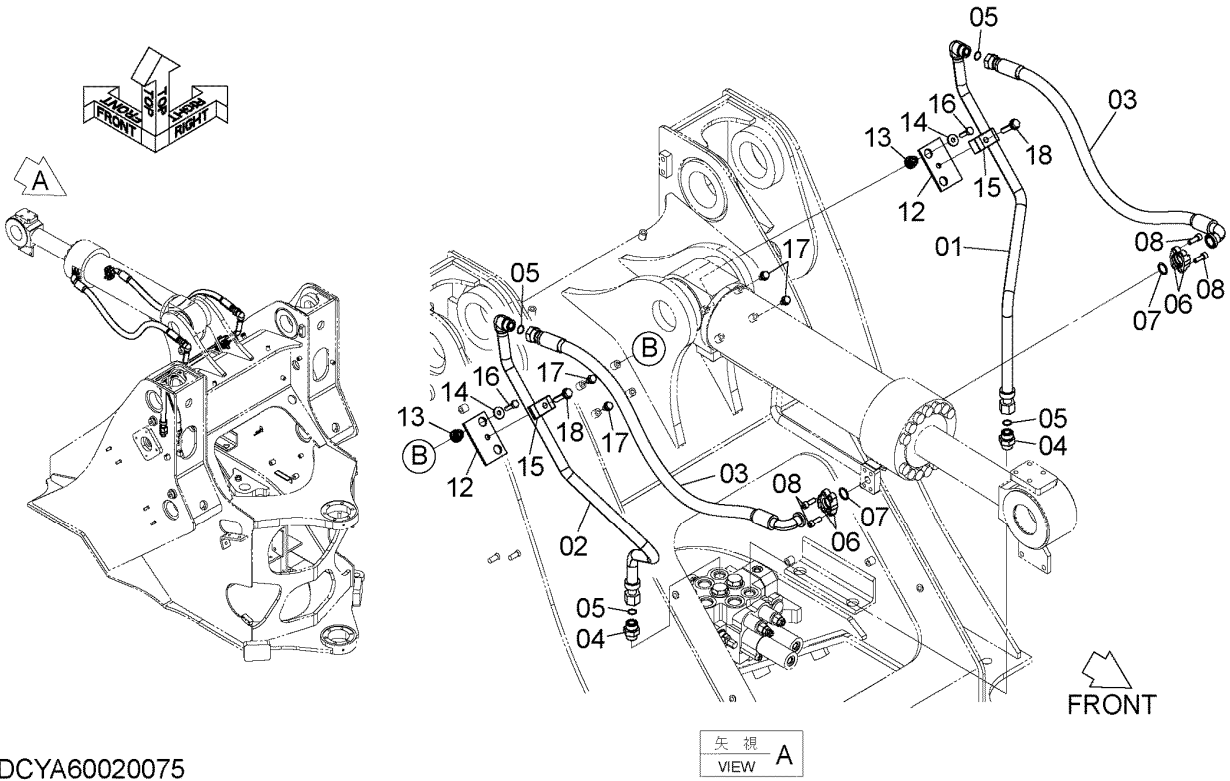
ITEM 符号	PART NO. 部品番号	PART NAME	部 品 名	Q' TY 数量	S. C サービ ス コート	SERIAL NO. 適用号機	ICA 互 換 性	REPLACEABLE PART 代 替 部 品	
								PART NO. 部品番号	Q' TY 数量
01	YQ263F762101	HOSE	ホース	1		5001-			
02	YQ263F762111	HOSE	ホース	1		5001-			
03	YQA853188	ADAPTER SOCKET	アダプタ, ソケット	1		5001-			
03A	YQ4506429	* RING, O	* リング, O	1		5001-			
04	YQ4205141	ADAPTER SOCKET	アダプタ, ソケット	1		5001-			
04A	YQ4506429	* RING, O	* リング, O	1		5001-			
05	YQ4187328	RING, O	リング, O	2		5001-			
06	YQ962453	FLANGE, SPLIT	フランジ, スプリット	4		5001-			
07	YQ966993	RING, O	リング, O	2		5001-			
08	YQJ781030	BOLT, SOCKET	ボルト, ソケット	8		5001-			
12	YQ4331603	HOSE	ホース	4		5001-			
13	YQ986910	FLANGE, SPLIT	フランジ, スプリット	8		5001-			
14	YQ971489	RING, O	リング, O	4		5001-			
15	YQJ781030	BOLT, SOCKET	ボルト, ソケット	16		5001-			
20	YQ4190126	CLAMP, PIPE	クランプ, パイプ	4		5001-			
21	YQJ271270	BOLT, W/WASHER	ボルト (ワッシャ付)	4	D	5001-			
22	YQJ222012	WASHER	ワッシャ	4		5001-			
23	YQJ950012	NUT	ナット	4		5001-			

# MAIN PIPING (4) メイン配管 (4)

Applicable Model (適用機種): -

Mark (記号): -

Serial No. (適用号機): -



# MAIN PIPING (4)

## メイン配管 (4)

Applicable Model (適用機種): -

Mark(記号): -

Serial No. (適用号機): -

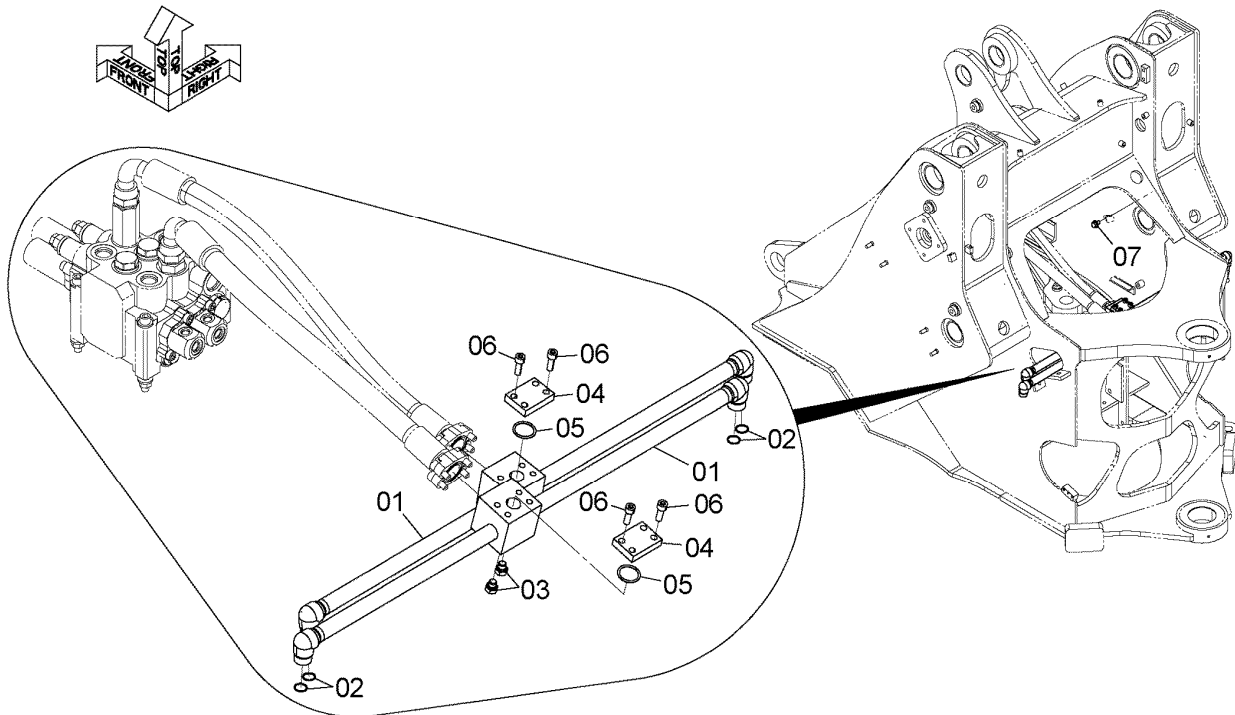
ITEM 符号	PART NO. 部品番号	PART NAME	部 品 名	Q' TY 数量	S. C サービ ス コート	SERIAL NO. 適用号機	ICA 互 換 性	REPLACEABLE PART 代 替 部 品	
								PART NO. 部品番号	Q' TY 数量
01	YQ263F762061	TUBE	チューブ	1		5001-			
02	YQ263F762071	TUBE	チューブ	1		5001-			
03	YQ263F762131	HOSE	ホース	2		5001-			
04	YQA853166	ADAPTER SOCKET	アダプタ, ソケット	2		5001-			
04A	YQ4506424	* RING, O	* リング, O	1		5001-			
05	YQ4187308	RING, O	リング, O	4		5001-			
06	YQ986910	FLANGE, SPLIT	フランジ, スプリット	4		5001-			
07	YQ971489	RING, O	リング, O	2		5001-			
08	YQJ781030	BOLT, SOCKET	ボルト, ソケット	8		5001-			
12	YQ263G760431	BRACKET	ブラケット	2		5001-			
13	YQ2640732001	RUBBER	ラバー	4		5001-			
14	YQ2660652721	WASHER	ワッシャ	4		5001-			
15	YQ4190126	CLAMP, PIPE	クランプ, パイプ	2		5001-			
16	YQJ901040	BOLT	ボルト	4		5001-			
17	YQJ271020	BOLT, W/WASHER	ボルト (ワッシャ付)	4	D	5001-			
18	YQJ271260	BOLT, W/WASHER	ボルト (ワッシャ付)	2	D	5001-			

MAIN PIPING (5)  
メイン配管 (5)

Applicable Model (適用機種): -

Mark (記号): -

Serial No. (適用号機): -



DCYA60037178

MAIN PIPING (5)

メイン配管 (5)

Applicable Model (適用機種): -

Mark(記号): -

Serial No. (適用号機): -

ITEM 符号	PART NO. 部品番号	PART NAME	部 品 名	Q' TY 数量	S. C サービ ス コート	SERIAL NO. 適用号機	ICA 互 換 性	REPLACEABLE PART 代 替 部 品	
								PART NO. 部品番号	Q' TY 数量
01	YQ263G760331	TUBE	チューブ	2		5001-			
02	YQ4187308	RING, O	リング, O	4		5001-			
03	YQA885002	PLUG	プラグ	2		5001-			
03A	YQ957366	* RING, O	* リング, O	1		5001-			
04	YQ2692762291	PLATE	プレート	2		5001-			
05	YQ966993	RING, O	リング, O	2		5001-			
06	YQJ781030	BOLT, SOCKET	ボルト, ソケット	8		5001-			
07	YQJ271220	BOLT, W/WASHER	ボルト (ワッシャ付)	1	D	5001-			

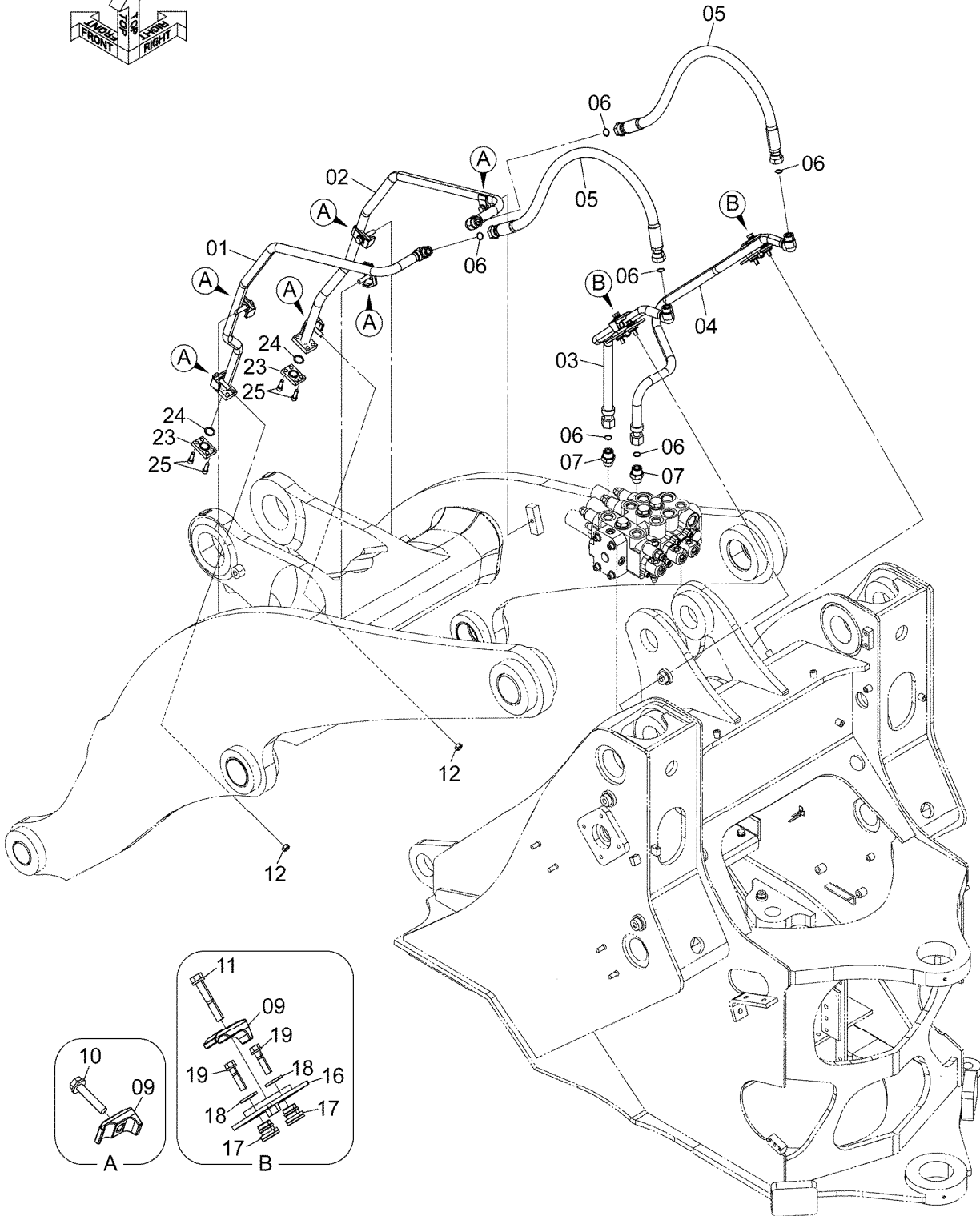
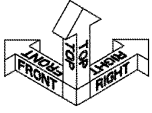
# MAIN PIPING (3 SPOOL)

## メイン配管 (3連)

Applicable Model (適用機種): -

Mark (記号): -

Serial No. (適用号機): -



DCYA60045496

MAIN PIPING (3 SPOOL)

メイン配管 (3連)

Applicable Model (適用機種): -

Mark(記号): -

Serial No. (適用号機): -

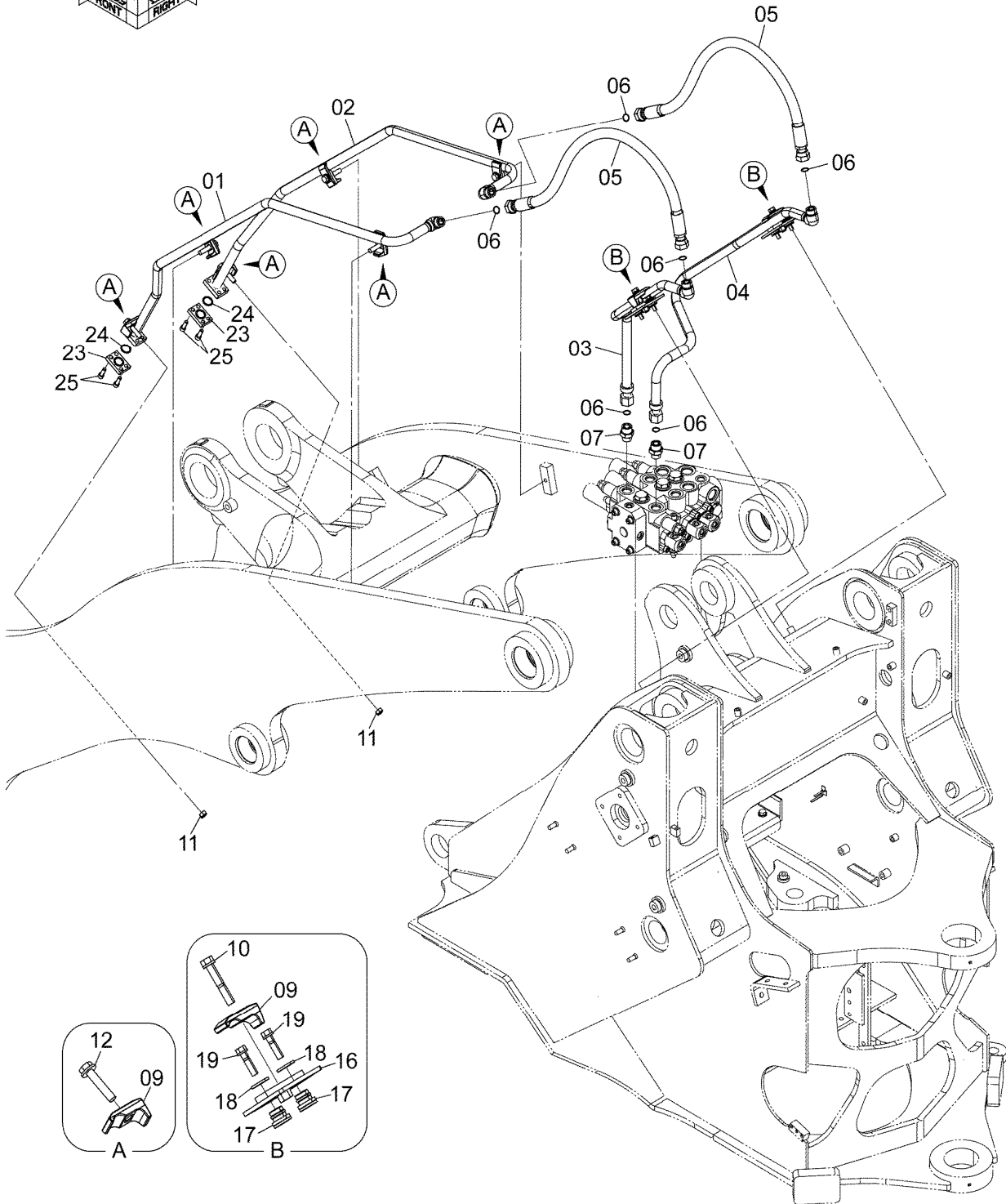
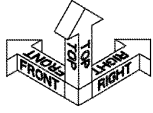
ITEM 符号	PART NO. 部品番号	PART NAME	部 品 名	Q' TY 数量	S. C サービ ス コート	SERIAL NO. 適用号機	ICA 互 換 性	REPLACEABLE PART 代 替 部 品	
								PART NO. 部品番号	Q' TY 数量
01	YQYA40031228	PIPE	ハ°イフ°	1		5001-			
02	YQYA40031229	PIPE	ハ°イフ°	1		5001-			
03	YQ563F762021	TUBE	チューブ°	1		5001-			
04	YQ563F762011	TUBE	チューブ°	1		5001-			
05	YQ4649407	HOSE	ホース	2		5001-			
06	YQ4187308	RING, O	リング°, O	6		5001-			
07	YQA853166	ADAPTER SOCKET	アダプ°タ, ソケット	2		5001-			
07A	YQ4506424	* RING, O	* リング°, O	1		5001-			
09	YQ4190126	CLAMP, PIPE	クランプ°, ハ°イフ°	8		5001-			
10	YQJ271260	BOLT, W/WASHER	ボルト (ワッシャ付)	6	D	5001-			
11	YQJ271265	BOLT, W/WASHER	ボルト (ワッシャ付)	2	D	5001-			
12	YQJ950012	NUT	ナット	2		5001-			
16	YQ563F762051	BRACKET	ブラケット	2		5001-			
17	YQ2640732001	RUBBER	ラバ°ー	4		5001-			
18	YQ2660652721	WASHER	ワッシャ	4		5001-			
19	YQJ901040	BOLT	ボルト	4		5001-			
23	YQ563H762161	FLANGE	フランジ°	2		5001-			
24	YQ971489	RING, O	リング°, O	2		5001-			
25	YQJ781030	BOLT, SOCKET	ボルト, ソケット	8		5001-			

MAIN PIPING (3 SPOOL) (HIGH LIFT ARM)  
 メイン配管 (3連) (ハイリフトアーム)

Applicable Model (適用機種): -

Mark (記号): -

Serial No. (適用号機): -



DCYA60046625



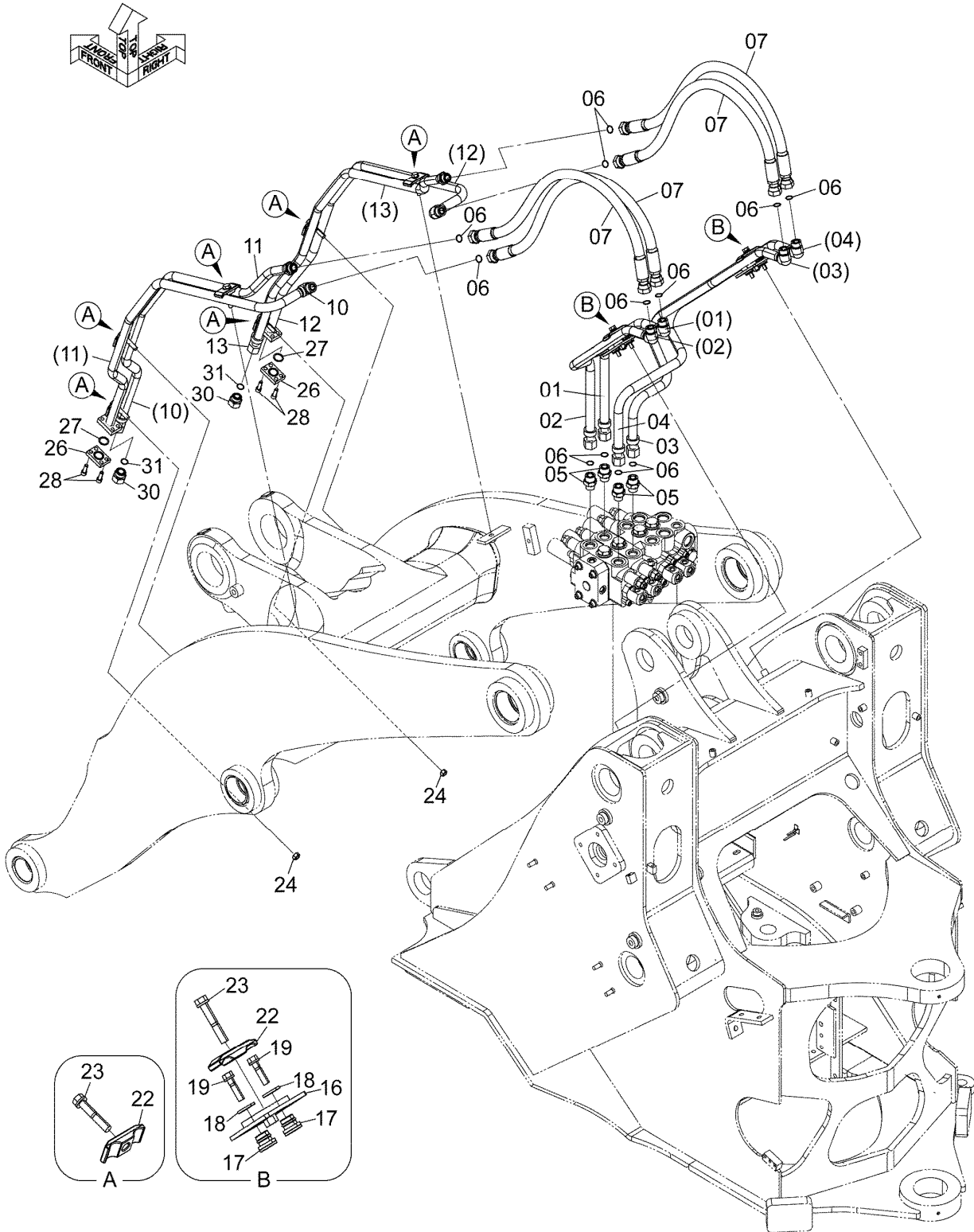
# MAIN PIPING (4 SPOOL)

## メイン配管 (4連)

Applicable Model (適用機種): -

Mark (記号): -

Serial No. (適用号機): -



DCYA60045945

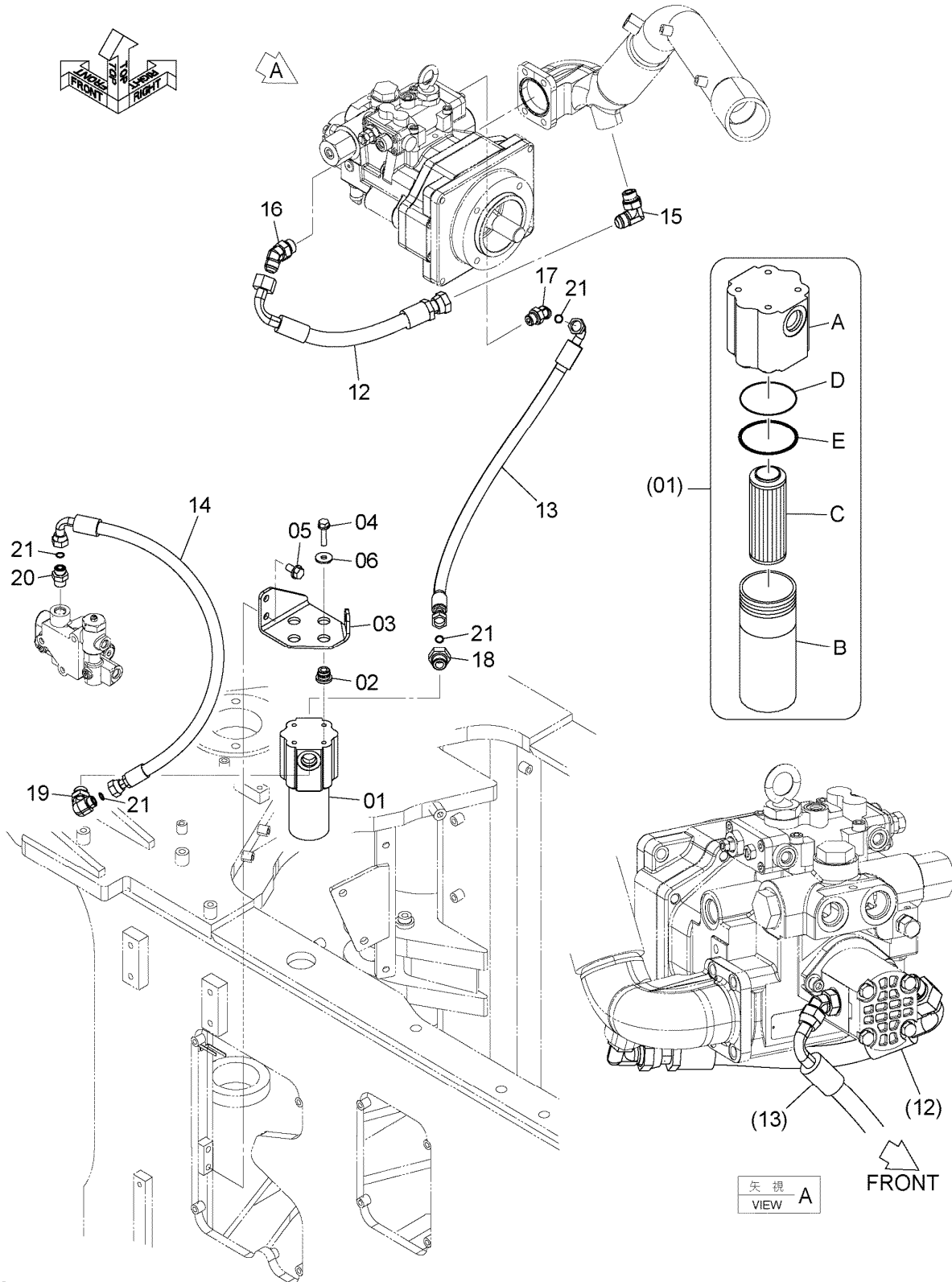


# PILOT PIPING (1) パイロット配管 (1)

Applicable Model (適用機種): -

Mark (記号): -

Serial No. (適用号機): -



DCYA60020082

PILOT PIPING (1)  
パイロット配管 (1)

Applicable Model (適用機種): -

Mark(記号): -

Serial No. (適用号機): -

ITEM 符号	PART NO. 部品番号	PART NAME	部 品 名	Q' TY 数量	S. C サービ ス コート	SERIAL NO. 適用号機	ICA 互 換 性	REPLACEABLE PART 代 替 部 品	
								PART NO. 部品番号	Q' TY 数量
01	YQ2655742461	FILTER	フィルタ	1		5001-			
01A	YQ2655742481	* HEAD	* ヘッド	1		5001-			
01B	YQ2655742491	* HOUSING	* ハウジング	1		5001-			
01C	YQ2655742471	* ELEMENT, FILTER	* エlement, フィルタ	1		5001-			
01D	YQA811065	* RING, O	* リング, O	1		5001-			
01E	YQ2655742511	* RING, BACKUP	* リング, バックアップ	1		5001-			
02	YQ2640732001	RUBBER	ラバー	4		5001-			
03	YQYA00006000	BRACKET	ブラケット	1		5001-			
04	YQJ271045	BOLT, W/WASHER	ボルト (ワッシャ付)	4	D	5001-			
05	YQJ271225	BOLT, W/WASHER	ボルト (ワッシャ付)	2	D	5001-			
06	YQJ217083	WASHER	ワッシャ	4		5001-			
12	YQ4698146	HOSE	ホース	1		5001-			
13	YQ4322600	HOSE (LABEL:SS)	ホース (ラベル:SS)	1		5001-			
14	YQ4659564	HOSE	ホース	1		5001-			
15	YQA852366	ELBOW	エルボ	1		5001-			
15A	YQ4506424	* RING, O	* リング, O	1		5001-			
16	YQA852266	ELBOW	エルボ	1		5001-			
16A	YQ4506424	* RING, O	* リング, O	1		5001-			
17	YQA853244	ELBOW	エルボ	1		5001-			
17A	YQ4506418	* RING, O	* リング, O	1		5001-			
18	YQA853164	ADAPTER SOCKET	アダプタ, ソケット	1		5001-			
18A	YQ4506424	* RING, O	* リング, O	1		5001-			
19	YQA853364	ELBOW	エルボ	1		5001-			
19A	YQ4506424	* RING, O	* リング, O	1		5001-			
20	YQA853144	ADAPTER SOCKET	アダプタ, ソケット	1		5001-			
20A	YQ4506418	* RING, O	* リング, O	1		5001-			
21	YQ4138938	RING, O	リング, O	4		5001-			

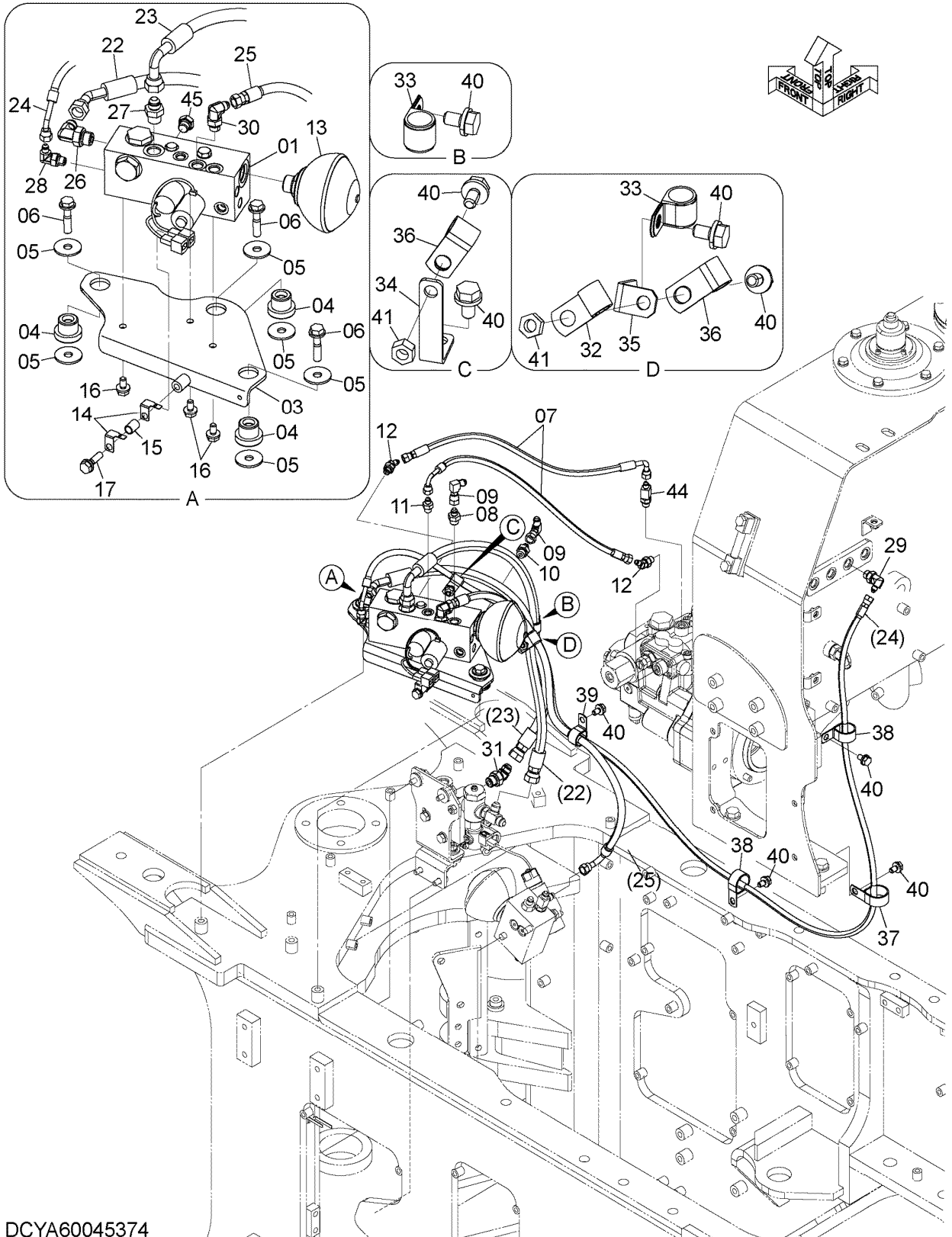
# PILOT PIPING (2)

## パイロット配管 (2)

Applicable Model (適用機種): -

Mark (記号): -

Serial No. (適用号機): -



DCYA60045374

PILOT PIPING (2)  
パイロット配管 (2)

Applicable Model (適用機種): -

Mark(記号): -

Serial No. (適用号機): -

ITEM 符号	PART NO. 部品番号	PART NAME	部 品 名	Q' TY 数量	S. C サービ ス コート	SERIAL NO. 適用号機	ICA 互 換 性	REPLACEABLE PART 代 替 部 品	
								PART NO. 部品番号	Q' TY 数量
01	YQYA00003915	VALVE	バルブ	1	H	5001-			
03	YQYA40003838	BRACKET	ブラケット	1		5001-			
04	YQ2660642251	RUBBER	ラバー	3		5001-			
05	YQ2631212021	WASHER	ワッシャ	6		5001-			
06	YQJ271255	BOLT, W/WASHER	ボルト (ワッシャ付)	3	D	5001-			
07	YQ4620902	HOSE (LABEL: SA5)	ホース (ラベル: SA5)	2		5001-			
08	YQA852133	ADAPTER SOCKET	アダプタ, ソケット	1		5001-			
08A	YQ4509180	* RING, O	* リング, O	1		5001-			
09	YQ4239976	UNION	ユニオン	2		5001-			
10	YQ4261938	FILTER	フィルタ	1		5001-			
10A	YQ4509180	* RING, O	* リング, O	1		5001-			
11	YQA852122	ADAPTER SOCKET	アダプタ, ソケット	1		5001-			
11A	YQ957366	* RING, O	* リング, O	1		5001-			
12	YQA852222	ELBOW	エルボ	2		5001-			
12A	YQ957366	* RING, O	* リング, O	1		5001-			
13	YQYA00003916	ACCUMULATOR	アキュムレータ	1	H	5001-			
14	YQ4257159	BRACKET	ブラケット	2		5001-			
15	YQ263G212301	TUBE	チューブ	1		5001-			
16	YQJ271020	BOLT, W/WASHER	ボルト (ワッシャ付)	3	D	5001-			
17	YQJ271040	BOLT, W/WASHER	ボルト (ワッシャ付)	1	D	5001-			
22	YQ4318812	HOSE	ホース	1		5001-			
23	YQ4270587	HOSE	ホース	1		5001-			
24	YQXV00000174	HOSE (LABEL: PA)	ホース (ラベル: PA)	1		5001-			
25	YQ4331069	HOSE (LABEL: TB)	ホース (ラベル: TB)	1		5001-			
26	YQA852344	ELBOW	エルボ	1		5001-			
26A	YQ4506418	* RING, O	* リング, O	1		5001-			
27	YQA852144	ADAPTER SOCKET	アダプタ, ソケット	1		5001-			
27A	YQ4506418	* RING, O	* リング, O	1		5001-			
28	YQA852322	ELBOW	エルボ	1		5001-			
28A	YQ957366	* RING, O	* リング, O	1		5001-			
29	YQA852332	ELBOW	エルボ	1		5001-			
29A	YQ4509180	* RING, O	* リング, O	1		5001-			
30	YQA852333	ELBOW	エルボ	1		5001-			
30A	YQ4509180	* RING, O	* リング, O	1		5001-			
31	YQA852244	ELBOW	エルボ	1		5001-			
31A	YQ4506418	* RING, O	* リング, O	1		5001-			
32	YQ4190275	CLIP	クリップ	1		5001-			
33	YQ2675242671	CLIP	クリップ	2		5001-			
34	YQ2661242081	BRACKET	ブラケット	1		5001-			
35	YQ263J222181	BRACKET	ブラケット	1		5001-			
36	YQ4190272	CLIP	クリップ	2		5001-			
37	YQ4190291	CLIP	クリップ	1		5001-			

PILOT PIPING (2)  
パイロット配管 (2)

Applicable Model (適用機種): -

Mark(記号): -

Serial No. (適用号機): -

ITEM 符号	PART NO. 部品番号	PART NAME	部 品 名	Q' TY 数量	S. C サービ ス コート	SERIAL NO. 適用号機	ICA 互 換 性	REPLACEABLE PART 代 替 部 品	
								PART NO. 部品番号	Q' TY 数量
38	YQ4190264	CLIP	クリップ	2		5001-			
39	YQ4192035	CLIP	クリップ	1		5001-			
40	YQJ271020	BOLT, W/WASHER	ボルト (ワッシャ付)	9	D	5001-			
41	YQJ950010	NUT	ナット	2		5001-			
44	YQA852422	TEE	ティー	1		5001-			
44A	YQ957366	* RING, O	* リング, O	1		5001-			
45	YQA885003	PLUG	プラグ	1		5001-			
45A	YQ4509180	* RING, O	* リング, O	1		5001-			

---

MEMO

---

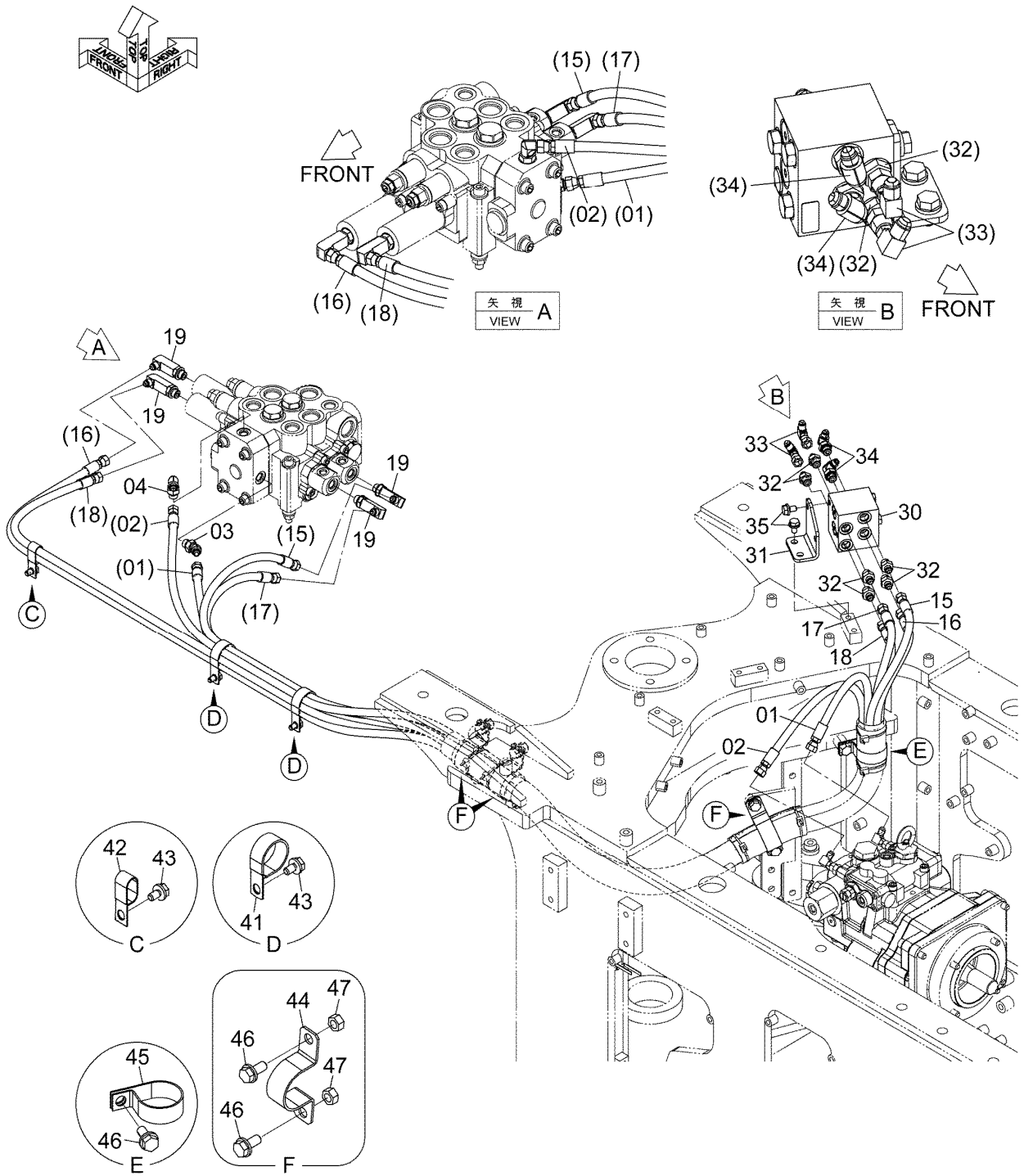
# PILOT PIPING (3)

## パイロット配管 (3)

Applicable Model (適用機種): -

Mark (記号): -

Serial No. (適用号機): -



DCYA60045467

PILOT PIPING (3)  
パイロット配管 (3)

Applicable Model (適用機種): -

Mark(記号): -

Serial No. (適用号機): -

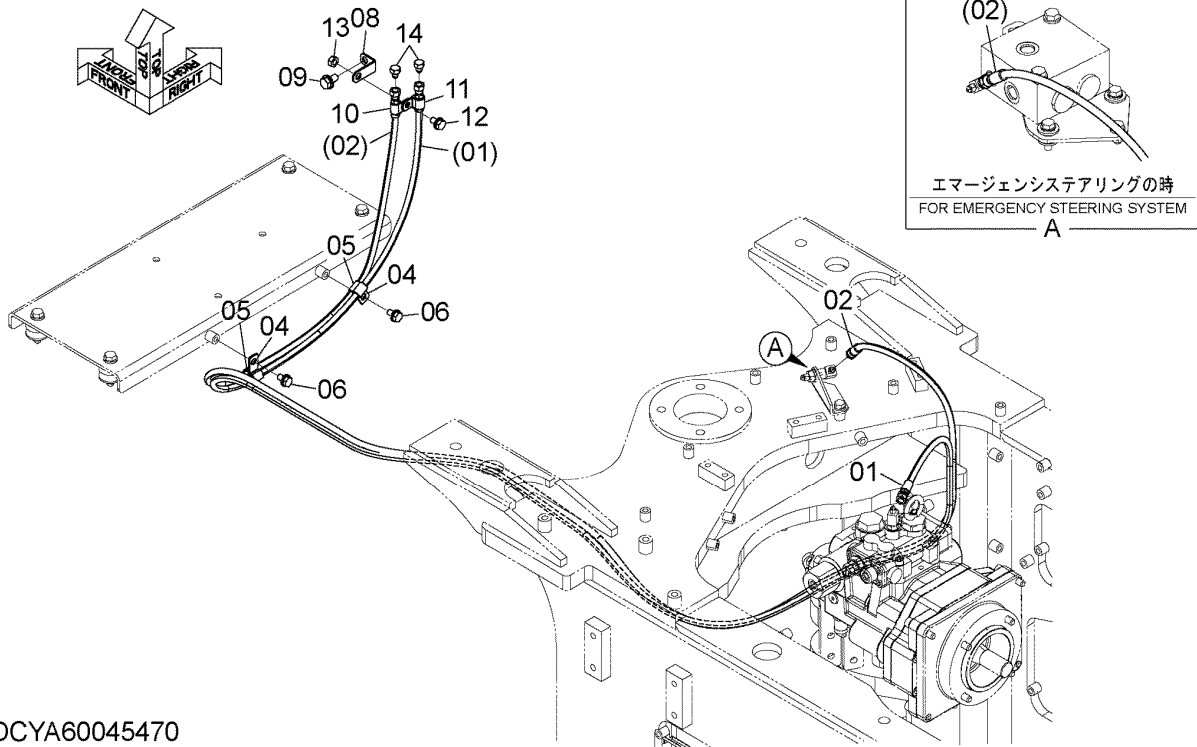
ITEM 符号	PART NO. 部品番号	PART NAME	部 品 名	Q' TY 数量	S. C サービ ス コート	SERIAL NO. 適用号機	ICA 互 換 性	REPLACEABLE PART 代 替 部 品	
								PART NO. 部品番号	Q' TY 数量
01	YQYA00016616	HOSE (LABEL:SA2)	ホース (ラベル:SA2)	1		5001-			
02	YQ4689516	HOSE (LABEL:PF)	ホース (ラベル:PF)	1		5001-			
03	YQA852233	ELBOW	エルボ	1		5001-			
03A	YQ4509180	* RING, O	* リング, O	1		5001-			
04	YQA852333	ELBOW	エルボ	1		5001-			
04A	YQ4509180	* RING, O	* リング, O	1		5001-			
15	YQ4652692	HOSE (LABEL:L)	ホース (ラベル:L)	1		5001-			
16	YQ4707814	HOSE (LABEL:F)	ホース (ラベル:F)	1		5001-			
17	YQYA00010332	HOSE (LABEL:P2)	ホース (ラベル:P2)	1		5001-			
18	YQ4652175	HOSE (LABEL:H)	ホース (ラベル:H)	1		5001-			
19	YQ4277650	ELBOW	エルボ	4		5001-			
19A	YQ4509180	* RING, O	* リング, O	1		5001-			
30	YQYA00044414	VALVE, FLOW-CONTROL	バルブ, フローコントロール	1	H	5001-			
31	YQYA00023336	BRACKET	ブラケット	1		5001-			
32	YQA852133	ADAPTER SOCKET	アダプタ, ソケット	6		5001-			
32A	YQ4509180	* RING, O	* リング, O	1		5001-			
33	YQ4239976	UNION	ユニオン	2		5001-			
34	YQA852333	ELBOW	エルボ	2		5001-			
34A	YQ4509180	* RING, O	* リング, O	1		5001-			
35	YQJ271020	BOLT, W/WASHER	ボルト (ワッシャ付)	4	D	5001-			
41	YQ4193848	CLIP	クリップ	2		5001-			
42	YQ4190282	CLIP	クリップ	1		5001-			
43	YQJ271020	BOLT, W/WASHER	ボルト (ワッシャ付)	3	D	5001-			
44	YQYA00023337	CLAMP, HOSE	クランプ, ホース	3		5001-			
45	YQ2660742311	CLAMP, HOSE	クランプ, ホース	1		5001-			
46	YQJ271230	BOLT, W/WASHER	ボルト (ワッシャ付)	7	D	5001-			
47	YQJ950012	NUT	ナット	6		5001-			

PILOT PIPING (4) (WITHOUT RIDE CONTROL)  
 パイロット配管 (4) (ライドコントロール不付)

Applicable Model (適用機種): -

Mark (記号): -

Serial No. (適用号機): -



DCYA60045470

PILOT PIPING (4) (WITHOUT RIDE CONTROL)

パイロット配管 (4) (ライドコントロール不付)

Applicable Model (適用機種): -

Mark(記号): -

Serial No. (適用号機): -

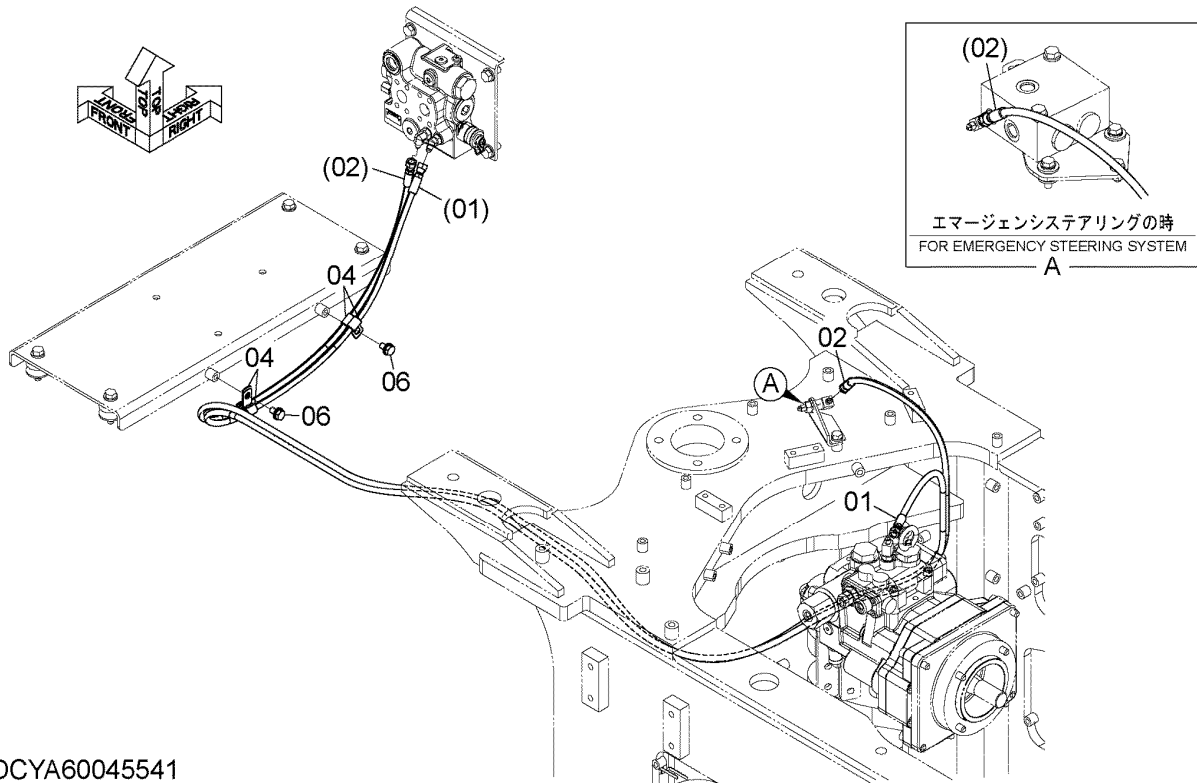
ITEM 符号	PART NO. 部品番号	PART NAME	部 品 名	Q' TY 数量	S. C サービ ス コート	SERIAL NO. 適用号機	ICA 互 換 性	REPLACEABLE PART 代 替 部 品	
								PART NO. 部品番号	Q' TY 数量
01	YQYD00003722	HOSE (LABEL:15)	ホース (ラベル:15)	1		5001-			
02	YQ4450301	HOSE	ホース	1		5001-			
04	YQ4190272	CLIP	クリップ	2		5001-			
05	YQ4190261	CLIP	クリップ	2		5001-			
06	YQJ271020	BOLT, W/WASHER	ボルト (ワッシャ付)	2	D	5001-			
08	YQ263F242711	BRACKET	ブラケット	1		5001-			
09	YQJ271225	BOLT, W/WASHER	ボルト (ワッシャ付)	1	D	5001-			
10	YQ2675242631	CLIP	クリップ	1		5001-			
11	YQ2675242641	CLIP	クリップ	1		5001-			
12	YQJ271020	BOLT, W/WASHER	ボルト (ワッシャ付)	1	D	5001-			
13	YQJ950010	NUT	ナット	1		5001-			
14	YQ4222075	PLUG	プラグ	2		5001-			

# PILOT PIPING (4) (WITH RIDE CONTROL) パイロット配管 (4) (ライドコントロール付)

Applicable Model (適用機種): -

Mark (記号): -

Serial No. (適用号機): -



DCYA60045541

PILOT PIPING (4) (WITH RIDE CONTROL)  
パイロット配管 (4) (ライドコントロール付)

Applicable Model (適用機種): -

Mark(記号): -

Serial No. (適用号機): -

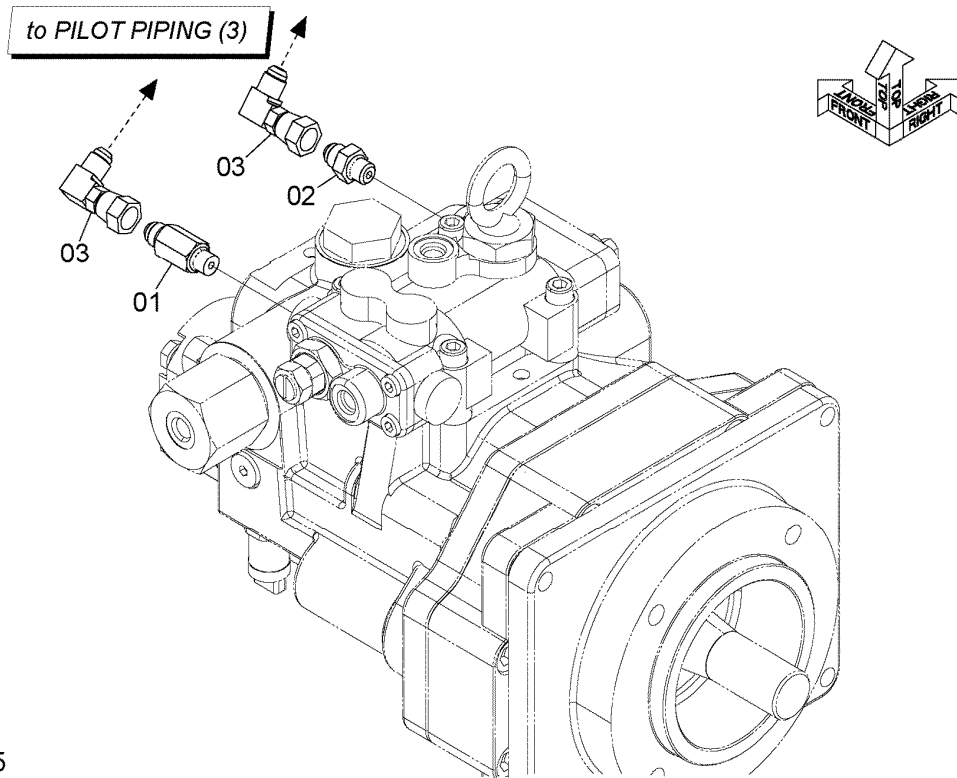
ITEM 符号	PART NO. 部品番号	PART NAME	部品名	Q'TY 数量	S. C サービ ス コート	SERIAL NO. 適用号機	ICA 互 換 性	REPLACEABLE PART 代替部品	
								PART NO. 部品番号	Q'TY 数量
01	YQYD00003722	HOSE (LABEL:15)	ホース (ラベル:15)	1		5001-			
02	YQ4718631	HOSE (LABEL:B)	ホース (ラベル:B)	1		5001-			
04	YQ4190272	CLIP	クリップ	4		5001-			
06	YQJ271020	BOLT, W/WASHER	ボルト (ワッシャ付)	2	D	5001-			

# PILOT PIPING (5) パイロット配管 (5)

Applicable Model (適用機種): -

Mark (記号): -

Serial No. (適用号機): -



DCYA60020085

PILOT PIPING (5)  
パイロット配管 (5)

Applicable Model (適用機種): -

Mark(記号): -

Serial No. (適用号機): -

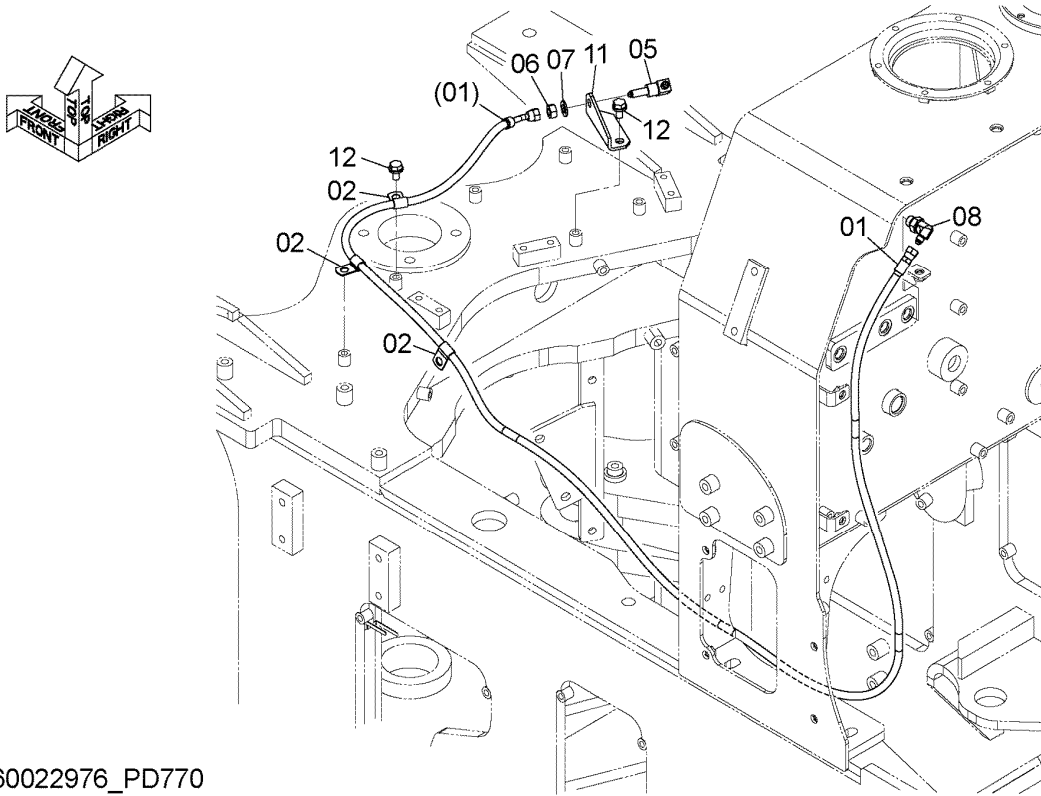
ITEM 符号	PART NO. 部品番号	PART NAME	部 品 名	Q' TY 数量	S. C サービ ス コート	SERIAL NO. 適用号機	ICA 互 換 性	REPLACEABLE PART 代 替 部 品	
								PART NO. 部品番号	Q' TY 数量
01	YQ4272368	ADAPTER SOCKET	アダプタ,ソケット	1		5001-			
01A	YQ957366	* RING, O	* リング, O	1		5001-			
02	YQA852123	ADAPTER SOCKET	アダプタ,ソケット	1		5001-			
02A	YQ957366	* RING, O	* リング, O	1		5001-			
03	YQ4239976	UNION	ユニオン	2		5001-			

PILOT PIPING (WITHOUT EMERGENCY STEERING)  
パイロット配管 (エマージェンシステアリング不付)

Applicable Model (適用機種): -

Mark (記号): -

Serial No. (適用号機): -



DCYA60022976\_PD770

PILOT PIPING (WITHOUT EMERGENCY STEERING)  
パイロット配管 (エマージェンシステアリング不付)

Applicable Model (適用機種): -

Mark(記号): -

Serial No. (適用号機): -

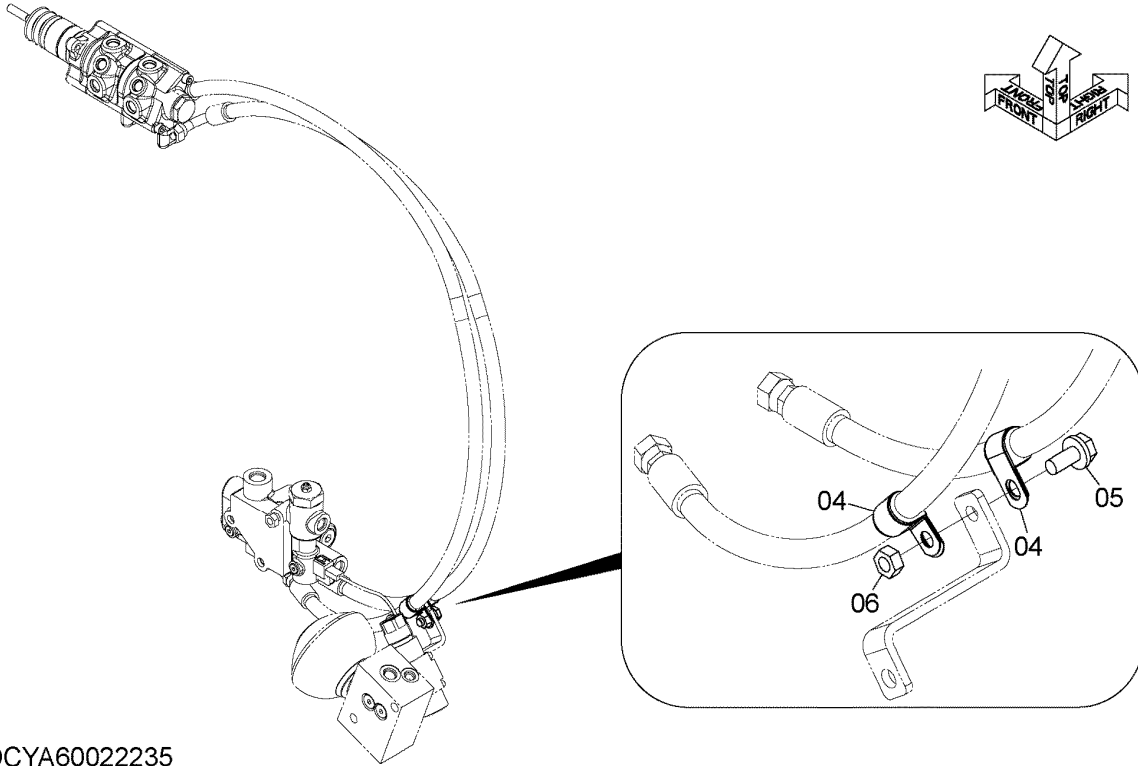
ITEM 符号	PART NO. 部品番号	PART NAME	部 品 名	Q' TY 数量	S. C サービ ス コード	SERIAL NO. 適用号機	ICA 互 換 性	REPLACEABLE PART 代 替 部 品	
								PART NO. 部品番号	Q' TY 数量
01	YQYA60023002	ASSY, HOSE (LABEL:T1)	アッシ, ホース (ラベル:T1)	1		5001-			
01A	YQXV00000261	* HOSE	* ホース	1		5001-			
02	YQ4190261	CLIP	クリップ	3		5001-			
05	YQ4391442	ELBOW	エルボ	1		5001-			
06	YQ4209198	NUT	ナット	1		5001-			
07	YQ449490	WASHER, PLANE	ワッシャ, フレーン	1		5001-			
08	YQA852332	ELBOW	エルボ	1		5001-			
08A	YQ4509180	* RING, O	* リング, O	1		5001-			
11	YQYA00023095	BRACKET	ブラケット	1		5001-			
12	YQJ271020	BOLT, W/WASHER	ボルト (ワッシャ付)	2	D	5001-			

PILOT PIPING PARTS  
パイロット配管用品

Applicable Model (適用機種): -

Mark (記号): -

Serial No. (適用号機): -



DCYA60022235

# PILOT PIPING PARTS

## パイロット配管用品

Applicable Model (適用機種): -

Mark(記号): -

Serial No. (適用号機): -

ITEM 符号	PART NO. 部品番号	PART NAME	部 品 名	Q' TY 数量	S. C サービ ス コート	SERIAL NO. 適用号機	ICA 互 換 性	REPLACEABLE PART 代 替 部 品	
								PART NO. 部品番号	Q' TY 数量
04	YQ2675242661	CLIP	クリップ	2		5001-			
05	YQJ271025	BOLT, W/WASHER	ボルト (ワッシャ付)	1	D	5001-			
06	YQJ950010	NUT	ナット	1		5001-			

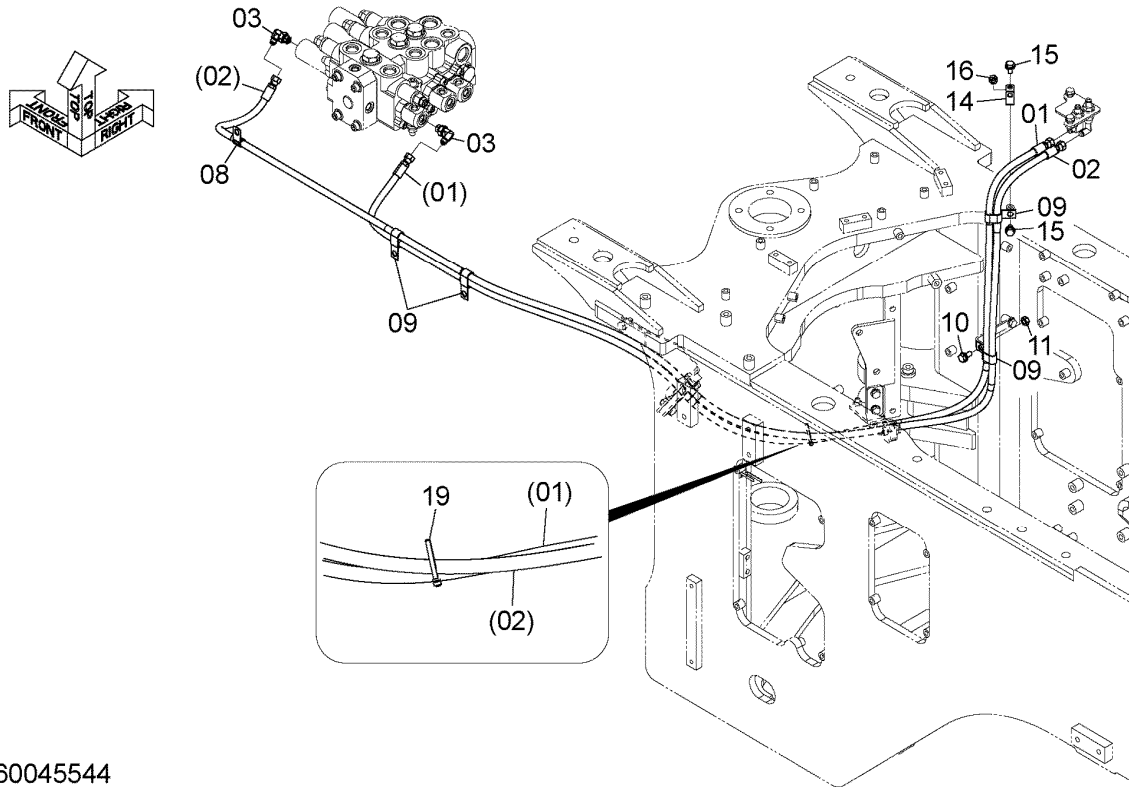
# PILOT PIPING (3 SPOOL)

## パイロット配管 (3連)

Applicable Model (適用機種): -

Mark (記号): -

Serial No. (適用号機): -



DCYA60045544

PILOT PIPING (3 SPOOL)

パイロット配管 (3連)

Applicable Model (適用機種): -

Mark(記号): -

Serial No. (適用号機): -

ITEM 符号	PART NO. 部品番号	PART NAME	部 品 名	Q' TY 数量	S. C サービ ス コート	SERIAL NO. 適用号機	ICA 互 換 性	REPLACEABLE PART 代 替 部 品	
								PART NO. 部品番号	Q' TY 数量
01	YQ4657385	HOSE (LABEL:PD2)	ホース (ラベル:PD2)	1		5001-			
02	YQ4655582	HOSE (LABEL:B4)	ホース (ラベル:B4)	1		5001-			
03	YQA852333	ELBOW	エルボ	2		5001-			
03A	YQ4509180	* RING, O	* リング, O	1		5001-			
08	YQ4190275	CLIP	クリップ	1		5001-			
09	YQ4190282	CLIP	クリップ	4		5001-			
10	YQJ271025	BOLT, W/WASHER	ボルト (ワッシャ付)	1	D	5001-			
11	YQJ950010	NUT	ナット	1		5001-			
14	YQ2661242081	BRACKET	ブラケット	1		5001-			
15	YQJ271020	BOLT, W/WASHER	ボルト (ワッシャ付)	2	D	5001-			
16	YQJ950010	NUT	ナット	1		5001-			
19	YQ4441695	CLIP	クリップ	1		5001-			

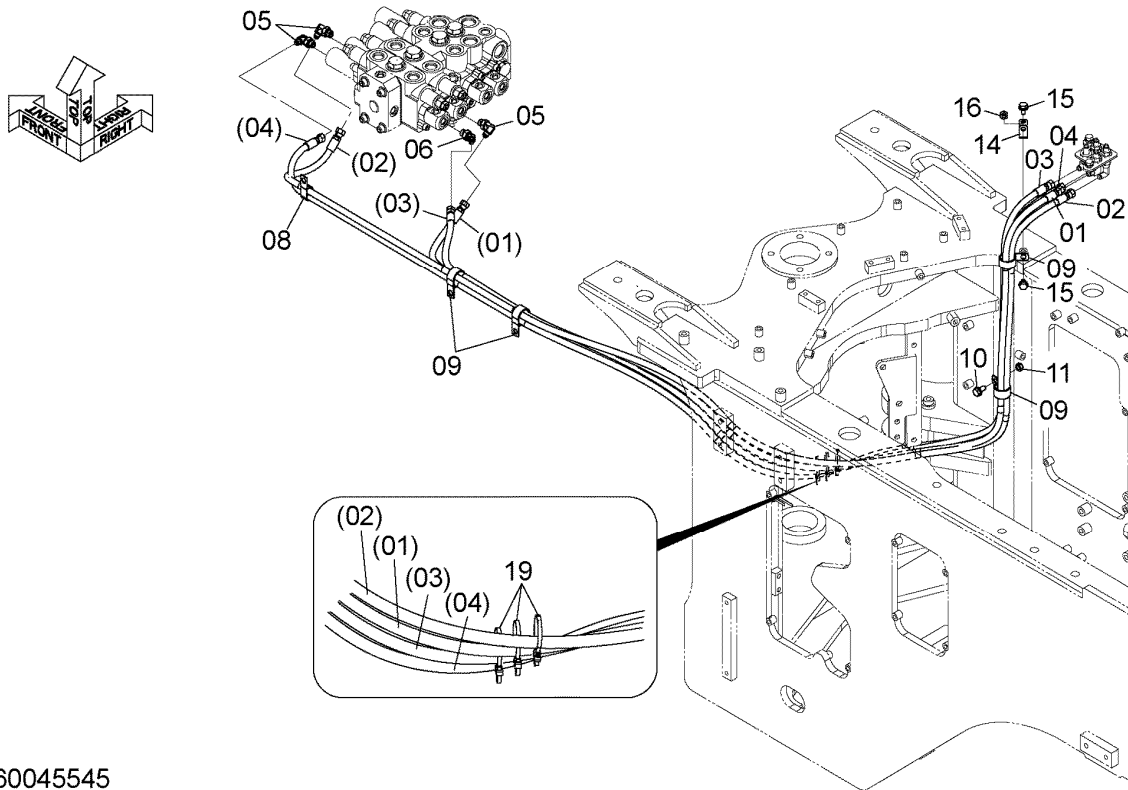
# PILOT PIPING (4 SPOOL)

## パイロット配管 (4連)

Applicable Model (適用機種): -

Mark (記号): -

Serial No. (適用号機): -



DCYA60045545

PILOT PIPING (4 SPOOL)

パイロット配管 (4連)

Applicable Model (適用機種): -

Mark(記号): -

Serial No. (適用号機): -

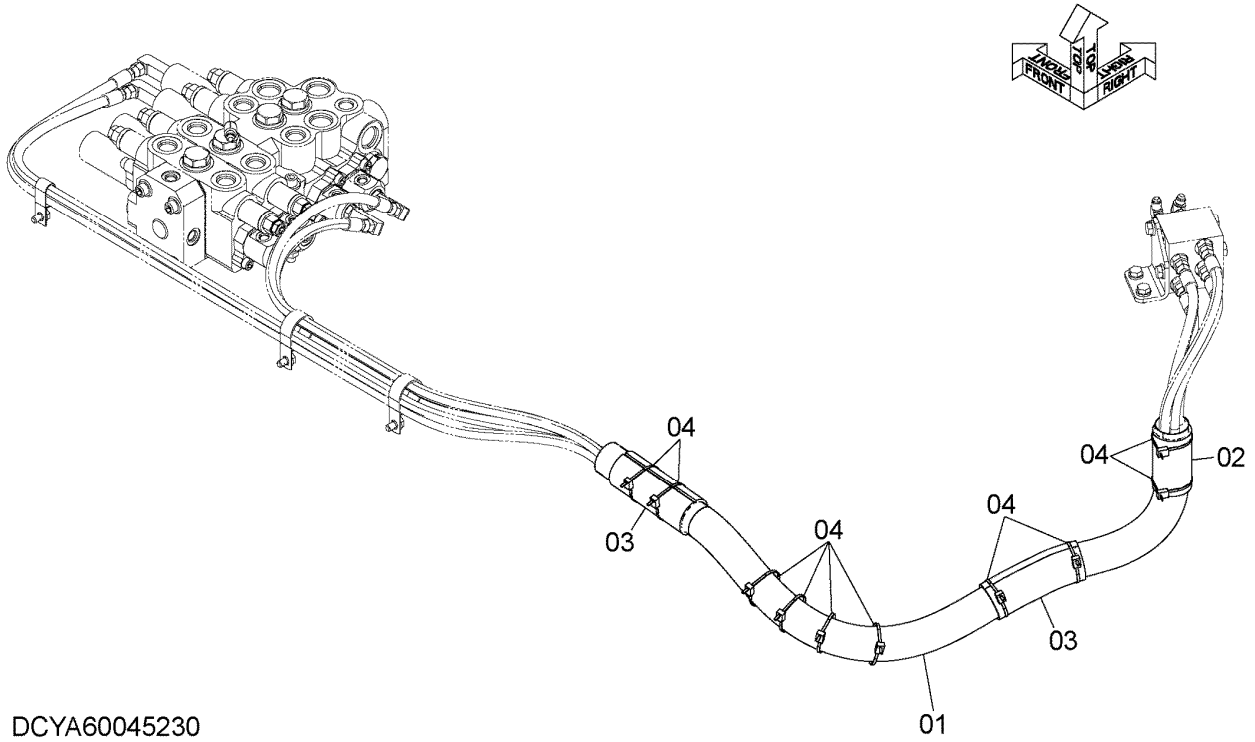
ITEM 符号	PART NO. 部品番号	PART NAME	部 品 名	Q' TY 数量	S. C サービ ス コート	SERIAL NO. 適用号機	ICA 互 換 性	REPLACEABLE PART 代 替 部 品	
								PART NO. 部品番号	Q' TY 数量
01	YQ4657385	HOSE (LABEL:PD2)	ホース (ラベル:PD2)	1		5001-			
02	YQ4655582	HOSE (LABEL:B4)	ホース (ラベル:B4)	1		5001-			
03	YQ4635256	HOSE (LABEL:A)	ホース (ラベル:A)	1		5001-			
04	YQ4656027	HOSE (LABEL:C)	ホース (ラベル:C)	1		5001-			
05	YQA852333	ELBOW	エルボ	3		5001-			
05A	YQ4509180	* RING, O	* リング, O	1		5001-			
06	YQA852233	ELBOW	エルボ	1		5001-			
06A	YQ4509180	* RING, O	* リング, O	1		5001-			
08	YQ4190282	CLIP	クリップ	1		5001-			
09	YQ4190264	CLIP	クリップ	4		5001-			
10	YQJ271025	BOLT, W/WASHER	ボルト (ワッシャ付)	1	D	5001-			
11	YQJ950010	NUT	ナット	1		5001-			
14	YQ2661242081	BRACKET	ブラケット	1		5001-			
15	YQJ271020	BOLT, W/WASHER	ボルト (ワッシャ付)	2	D	5001-			
16	YQJ950010	NUT	ナット	1		5001-			
19	YQ4441695	CLIP	クリップ	3		5001-			

PILOT PIPING (PROTECTOR HOSE)  
パイロット配管 (プロテクタホース)

Applicable Model (適用機種): -

Mark (記号): -

Serial No. (適用号機): -



DCYA60045230

PILOT PIPING (PROTECTOR HOSE)  
パイロット配管 (プロテクタホース)

Applicable Model (適用機種): -

Mark(記号): -

Serial No. (適用号機): -

ITEM 符号	PART NO. 部品番号	PART NAME	部 品 名	Q' TY 数量	S. C サービ ス コート	SERIAL NO. 適用号機	ICA 互 換 性	REPLACEABLE PART 代 替 部 品	
								PART NO. 部品番号	Q' TY 数量
01	YQYA00022174	PROTECTOR	プ ロテクタ	1		5001-			
02	YQYA00025302	RUBBER	ラバ	1		5001-			
03	YQYA00044313	RUBBER	ラバ	2		5001-			
04	YQ0491321380	CLIP	クリップ	10		5001-			

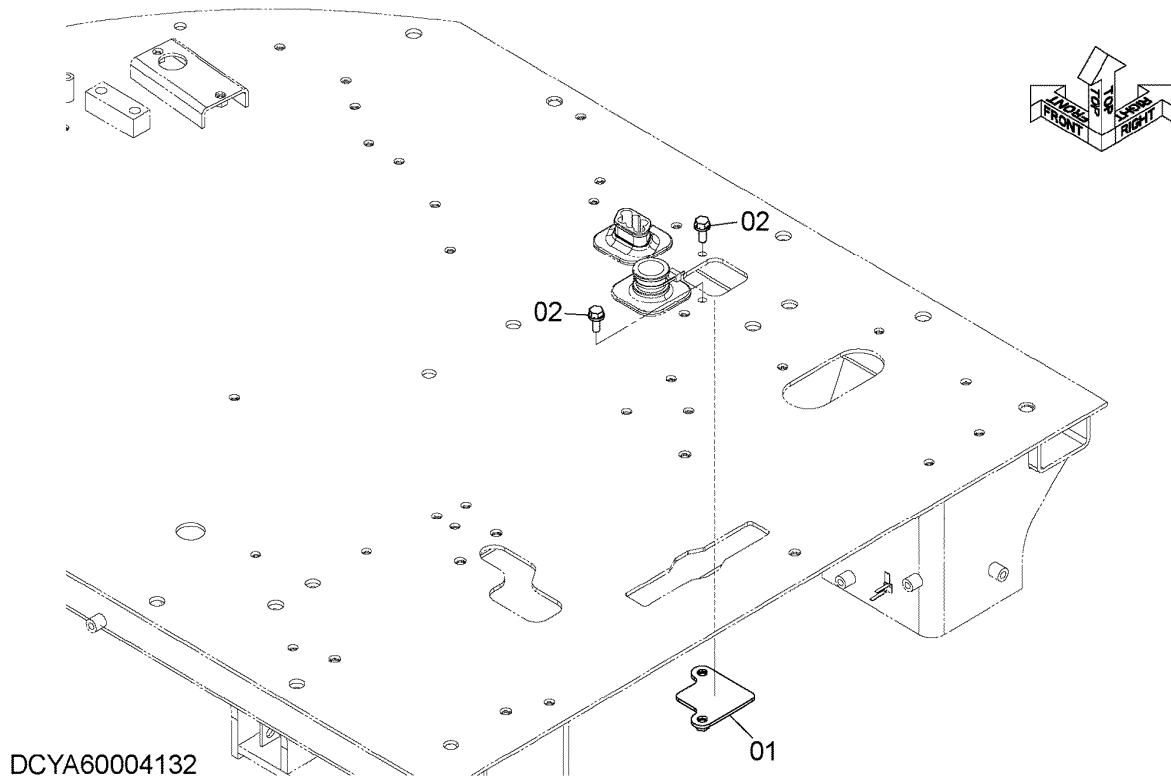
# PILOT HOSE COVER

## パイロットホースカバー

Applicable Model (適用機種): -

Mark (記号): -

Serial No. (適用号機): -



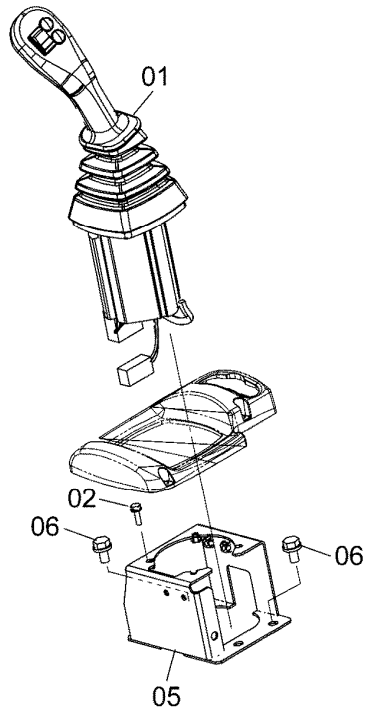
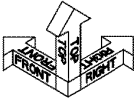


# MULTI-FUNCTION LEVER マルチファンクションレバー

Applicable Model (適用機種): -

Mark (記号): -

Serial No. (適用号機): -



DCYA60004129A

---

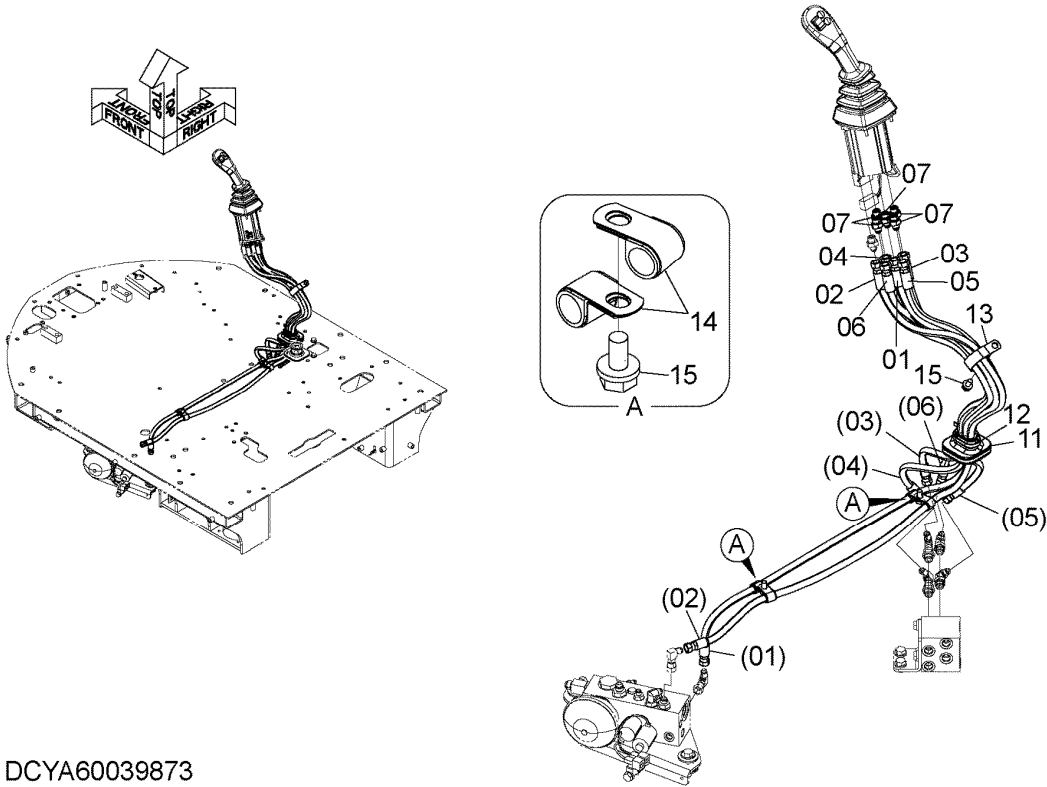


PILOT PIPING (MULTI-FUNCTION LEVER)  
 パイロット配管 (マルチファンクションレバー)

Applicable Model (適用機種): -

Mark (記号): -

Serial No. (適用号機): -



DCYA60039873

PILOT PIPING (MULTI-FUNCTION LEVER)

パイロット配管 (マルチファンクションレバー)

Applicable Model (適用機種): -

Mark(記号): -

Serial No. (適用号機): -

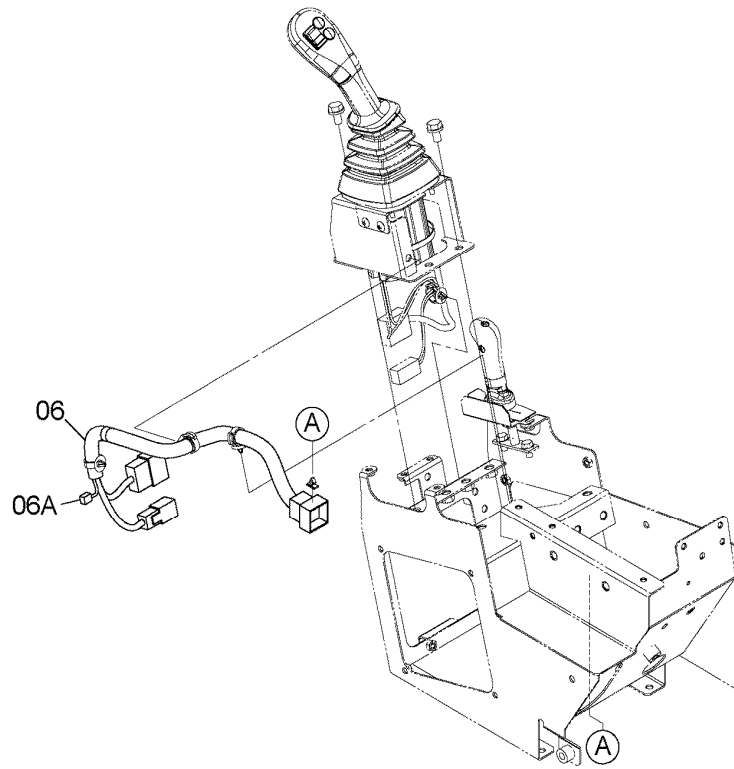
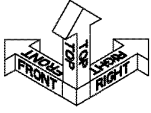
ITEM 符号	PART NO. 部品番号	PART NAME	部 品 名	Q' TY 数量	S. C サービ ス コート	SERIAL NO. 適用号機	ICA 互 換 性	REPLACEABLE PART 代 替 部 品	
								PART NO. 部品番号	Q' TY 数量
01	YQ4662664	HOSE (LABEL:1)	ホース (ラベル:1)	1		5001-			
02	YQ4631070	HOSE (LABEL:THL)	ホース (ラベル:THL)	1		5001-			
03	YQ4694198	HOSE (LABEL:D)	ホース (ラベル:D)	1		5001-			
04	YQ4674807	HOSE (LABEL:2B)	ホース (ラベル:2B)	1		5001-			
05	YQ4445370	HOSE (LABEL:3A)	ホース (ラベル:3A)	1		5001-			
06	YQ4624853	HOSE (LABEL:EW)	ホース (ラベル:EW)	1		5001-			
07	YQA852123	ADAPTER SOCKET	アダプタ, ソケット	5		5001-			
07A	YQ957366	* RING, O	* リング, O	1		5001-			
11	YQYA00005710	BUSHING, RUBBER	ブッシング, ラバー	1		5001-			
12	YQ0491321380	CLIP	クリップ	1		5001-			
13	YQ4193848	CLIP	クリップ	1		5001-			
14	YQ2675242651	CLIP	クリップ	4		5001-			
15	YQJ271020	BOLT, W/WASHER	ボルト (ワッシャ付)	3	D	5001-			

# MULTI-FUNCTION LEVER HARNESS マルチファンクションレバーハーネス

Applicable Model (適用機種): -

Mark (記号): -

Serial No. (適用号機): -



DCYA60011976A

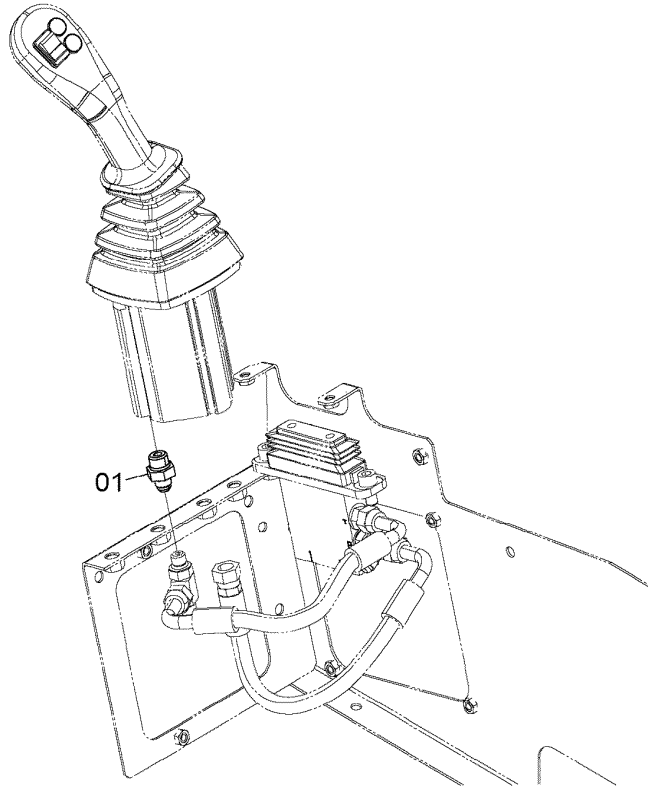
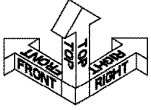


ADAPTER (MULTI-FUNCTION LEVER)  
アダプタ (マルチファンクションレバー)

Applicable Model (適用機種): -

Mark (記号): -

Serial No. (適用号機): -



DCYA60004130

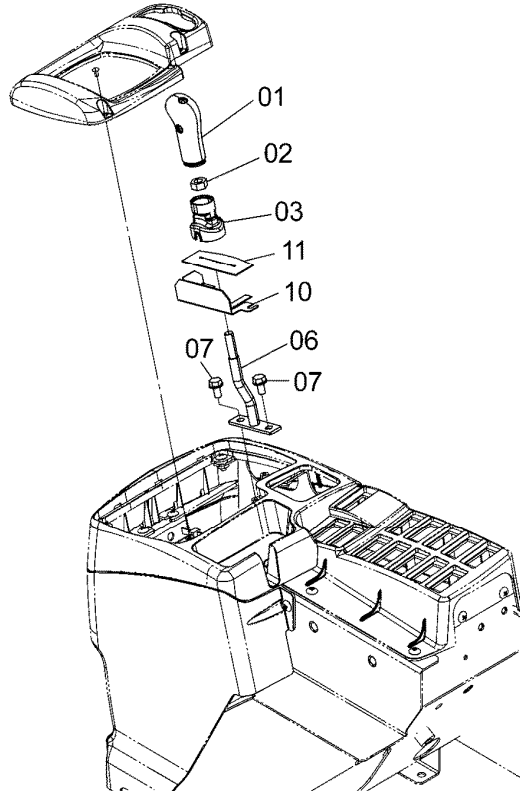
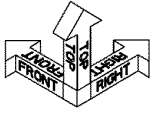


# AUX LEVER (OUTSIDE) AUXレバー (アウトサイド)

Applicable Model (適用機種): -

Mark (記号): -

Serial No. (適用号機): -



DCYA60004135A

AUX LEVER (OUTSIDE)  
 AUXレバー (アウトサイド)

Applicable Model (適用機種): -

Mark(記号): -

Serial No. (適用号機): -

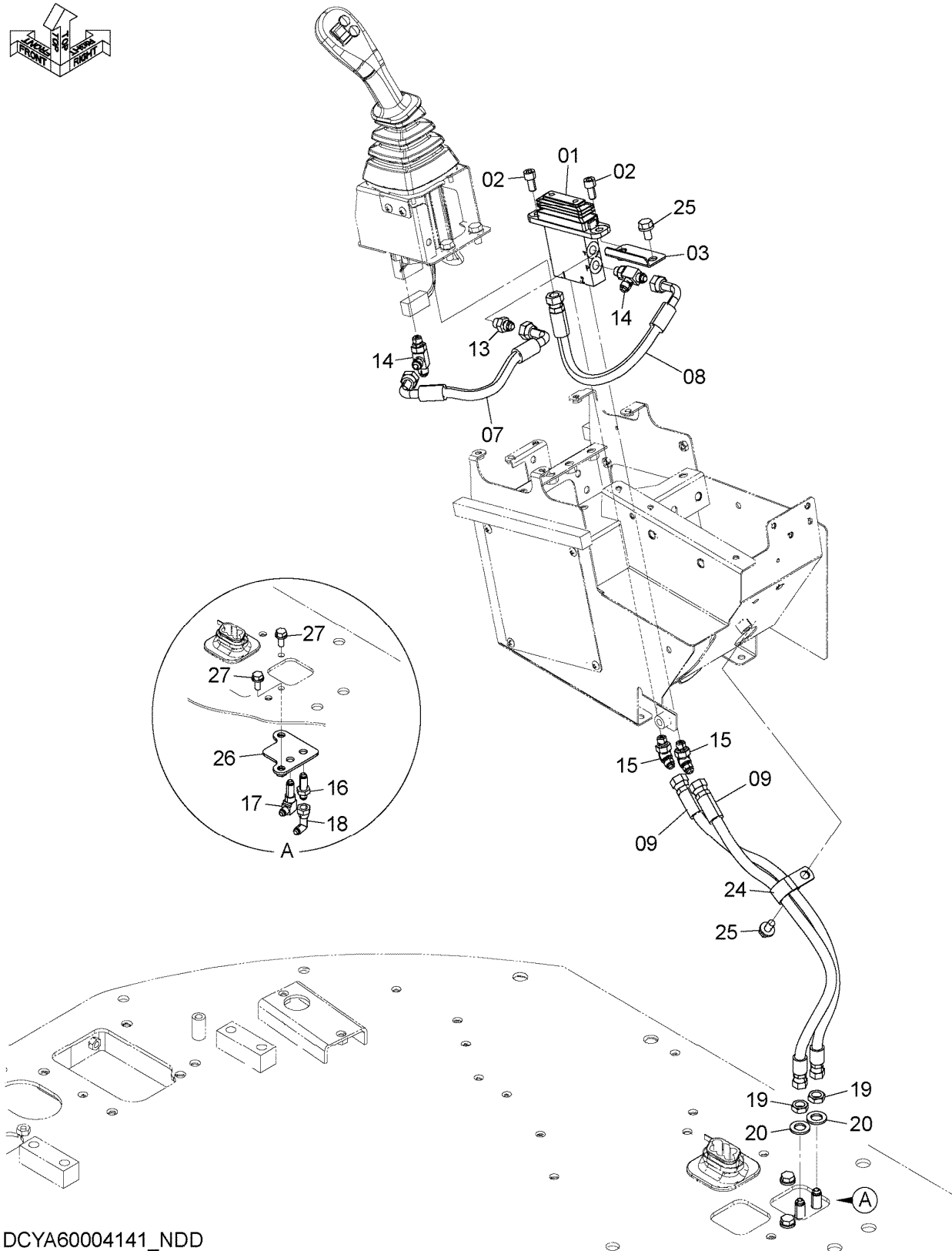
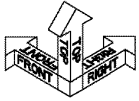
ITEM 符号	PART NO. 部品番号	PART NAME	部 品 名	Q' TY 数量	S. C サービ ス コート	SERIAL NO. 適用号機	ICA 互 換 性	REPLACEABLE PART 代 替 部 品	
								PART NO. 部品番号	Q' TY 数量
01	YQYA00004506	GRIP	グリップ	1		5001-			
02	YQJ950010	NUT	ナット	1		5001-			
03	YQYA00005694	COVER	カバー	1		5001-			
06	YQYA40003700	LEVER	レバー	1		5001-			
07	YQJ260816	BOLT, W/WASHER	ボルト (ワッシャ付)	2	D	5001-			
10	YQYA40003708	BRACKET	ブラケット	1		5001-			
11	YQYA00004330	RUBBER	ラバー	1		5001-			

PILOT PIPING (MULTI-FUNCTION LEVER, AUXILIARY LEVER (OUTSIDE))  
 パイロット配管 (マルチファンクションレバー、AUXレバー (アウトサイド))

Applicable Model (適用機種): -

Mark (記号): -

Serial No. (適用号機): -



DCYA60004141\_NDD

PILOT PIPING (MULTI-FUNCTION LEVER, AUXILIARY LEVER (OUTSIDE))  
 パイロット配管 (マルチファンクションレバー、AUXレバー (アウトサイド))

Applicable Model (適用機種): -

Mark(記号): -

Serial No. (適用号機): -

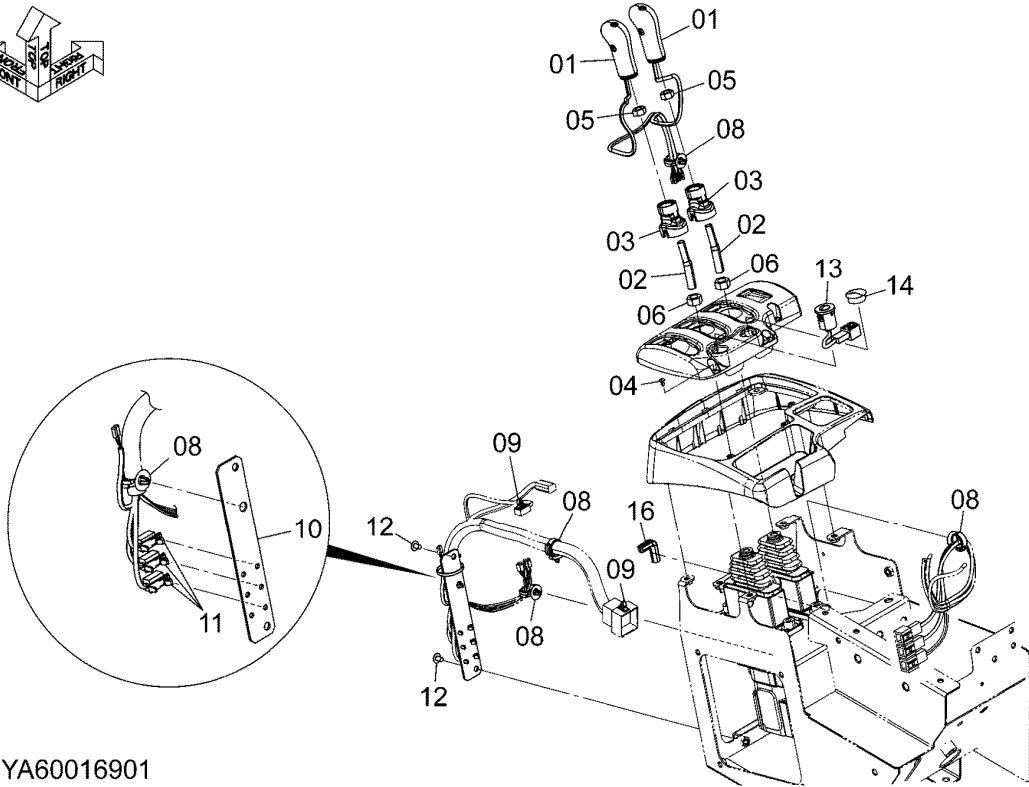
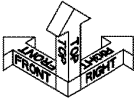
ITEM 符号	PART NO. 部品番号	PART NAME	部 品 名	Q' TY 数量	S. C サービ ス コード	SERIAL NO. 適用号機	ICA 互 換 性	REPLACEABLE PART 代 替 部 品	
								PART NO. 部品番号	Q' TY 数量
01	YQYA00008886	VALVE, PILOT	バルブ, ハ イロツト	1	H	5001-			
02	YQJ781020	BOLT, SOCKET	ボルト, ソケット	2		5001-			
03	YQYA40003699	BRACKET	ブ ラケツト	1		5001-			
07	YQ4696394	HOSE	ホース	1		5001-			
08	YQ4457107	HOSE	ホース	1		5001-			
09	YQ4474673	HOSE	ホース	2		5001-			
13	YQA852123	ADAPTER SOCKET	アダプタ, ソケット	1		5001-			
13A	YQ957366	* RING, O	* リング, O	1		5001-			
14	YQA852423	TEE	ティー	2		5001-			
14A	YQ957366	* RING, O	* リング, O	1		5001-			
15	YQA852223	ELBOW	エルボ	2		5001-			
15A	YQ957366	* RING, O	* リング, O	1		5001-			
16	YQ4202532	ADAPTER SOCKET	アダプタ, ソケット	1		5001-			
17	YQ4285863	ELBOW	エルボ	1		5001-			
18	YQ4239976	UNION	ユニオン	1		5001-			
19	YQ4202531	NUT	ナツト	2		5001-			
20	YQJ222016	WASHER	ワッシャ	2		5001-			
24	YQ4192035	CLIP	クリップ	1		5001-			
25	YQJ271020	BOLT, W/WASHER	ボルト (ワッシャ付)	2	D	5001-			
25A	YQJ901020	* BOLT	* ボルト	1		5001-			
25B	YQJ222010	* WASHER	* ワッシャ	1		5001-			
26	YQYA40003704	BRACKET	ブ ラケツト	1		5001-			
27	YQJ271025	BOLT, W/WASHER	ボルト (ワッシャ付)	2	D	5001-			

# WORK LEVER 作業レバー

Applicable Model (適用機種): -

Mark(記号): -

Serial No. (適用号機): -



DCYA60016901

# WORK LEVER

## 作業レバー

Applicable Model (適用機種): -

Mark(記号): -

Serial No. (適用号機): -

ITEM 符号	PART NO. 部品番号	PART NAME	部 品 名	Q' TY 数量	S. C サービ ス コート	SERIAL NO. 適用号機	ICA 互 換 性	REPLACEABLE PART 代 替 部 品	
								PART NO. 部品番号	Q' TY 数量
01	YQYA00004480	GRIP	グリップ	2		5001-			
02	YQYA40003721	LEVER	レバー	2		5001-			
03	YQYA00005694	COVER	カバー	2		5001-			
04	YQ0104405012	SCREW, TAPPING	スクリュー, タッピング	3		5001-			
05	YQJ950010	NUT	ナット	2		5001-			
06	YQJ950012	NUT	ナット	2		5001-			
08	YQ4631913	CLIP	クリップ	5		5001-			
09	YQ263G244071	CLIP	クリップ	2		5001-			
10	YQYA00005707	BRACKET	ブラケット	1		5001-			
11	YQYA00004332	CLIP	クリップ	3		5001-			
12	YQJ650610	SCREW	スクリュー	2		5001-			
13	YQ263G243691	SWITCH, PUSHBUT.	スイッチ, プッシュボタン	1		5001-			
14	YQ2675412541	PLUG, PLASTIC	プラグ, プラスティック	1		5001-			
16	YQ5619060261	SEAL	シール	1		5001-			

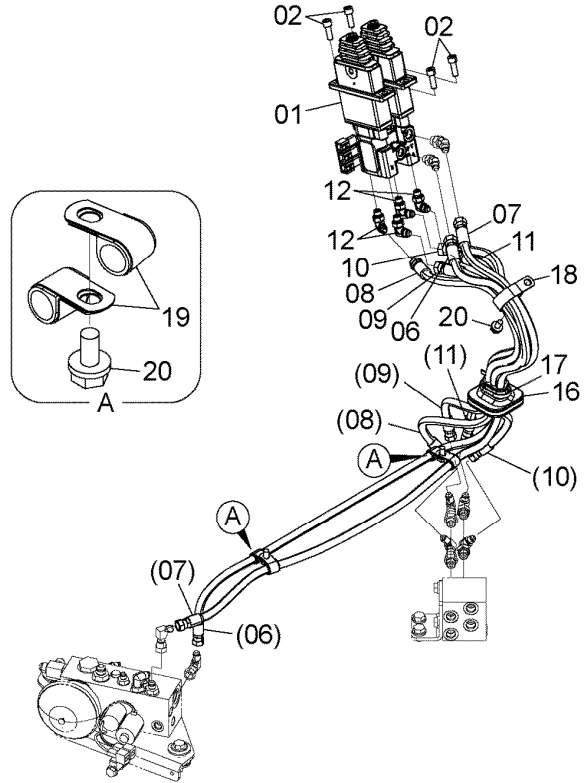
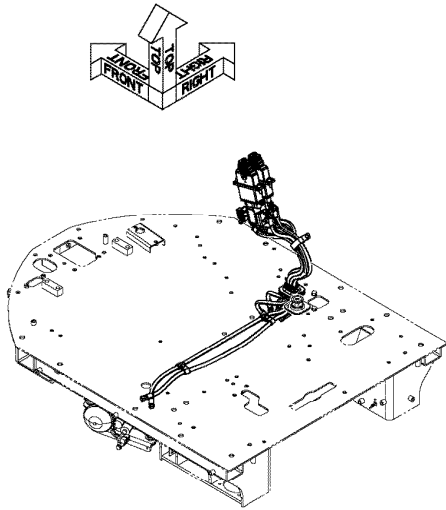
# PILOT PIPING (WORK LEVER)

## パイロット配管 (作業レバー)

Applicable Model (適用機種): -

Mark (記号): -

Serial No. (適用号機): -



DCYA60039874

PILOT PIPING (WORK LEVER)  
パイロット配管 (作業レバー)

Applicable Model (適用機種): -

Mark(記号): -

Serial No. (適用号機): -

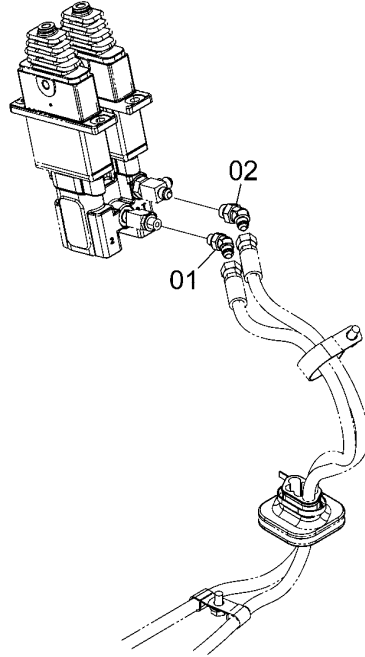
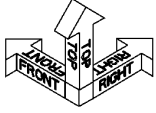
ITEM 符号	PART NO. 部品番号	PART NAME	部 品 名	Q' TY 数量	S. C サービ ス コート	SERIAL NO. 適用号機	ICA 互 換 性	REPLACEABLE PART 代 替 部 品	
								PART NO. 部品番号	Q' TY 数量
01	YQ263G732052	VALVE, PILOT	バルブ, ハ イロ ッ ト	1	H	5001-			
02	YQJ781030	BOLT, SOCKET	ボ ル ト, ソ ケ ッ ト	4		5001-			
06	YQ4662664	HOSE (LABEL:1)	ホ ー ス (ラ ベ ル:1)	1		5001-			
07	YQ4631070	HOSE	ホ ー ス	1		5001-			
08	YQ4715402	(LABEL:THL) HOSE	(ラ ベ ル:THL) ホ ー ス	1		5001-			
09	YQ4674811	(LABEL:11) HOSE	(ラ ベ ル:11) ホ ー ス	1		5001-			
10	YQ4672108	(LABEL:A3) HOSE	(ラ ベ ル:A3) ホ ー ス	1		5001-			
11	YQ4655858	(LABEL:F) HOSE	(ラ ベ ル:F) ホ ー ス	1		5001-			
12	YQA852323	(LABEL:8) ELBOW	(ラ ベ ル:8) エ ル ボウ	4		5001-			
12A	YQ957366	* RING, O	* リ ン グ, O	1		5001-			
16	YQYA00005710	BUSHING, RUBBER	ブ ッ シ ン グ, ラバ ー	1		5001-			
17	YQ0491321380	CLIP	ク リ ッ プ	1		5001-			
18	YQ4193848	CLIP	ク リ ッ プ	1		5001-			
19	YQ2675242651	CLIP	ク リ ッ プ	4		5001-			
20	YQJ271020	BOLT, W/WASHER	ボ ル ト (ワ ッ シ ャ 付)	3	D	5001-			

ELBOW (WORK LEVER)  
エルボ (作業レバー)

Applicable Model (適用機種): -

Mark (記号): -

Serial No. (適用号機): -



DCYA60004131A

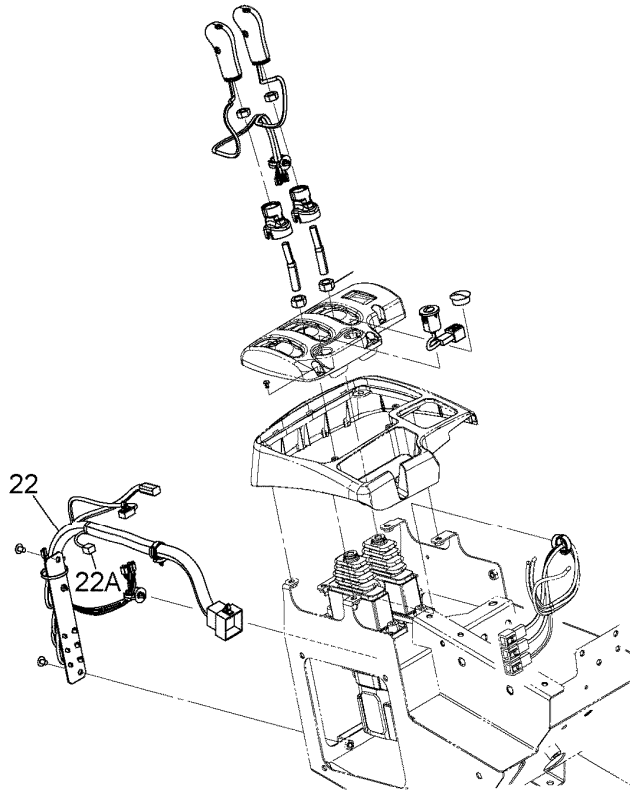
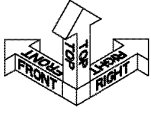


# WORK LEVER HARNESS 作業レバーハーネス

Applicable Model (適用機種): -

Mark (記号): -

Serial No. (適用号機): -



DCYA60004134B

WORK LEVER HARNESS  
作業レバーハーネス

Applicable Model (適用機種): -

Mark(記号): -

Serial No. (適用号機): -

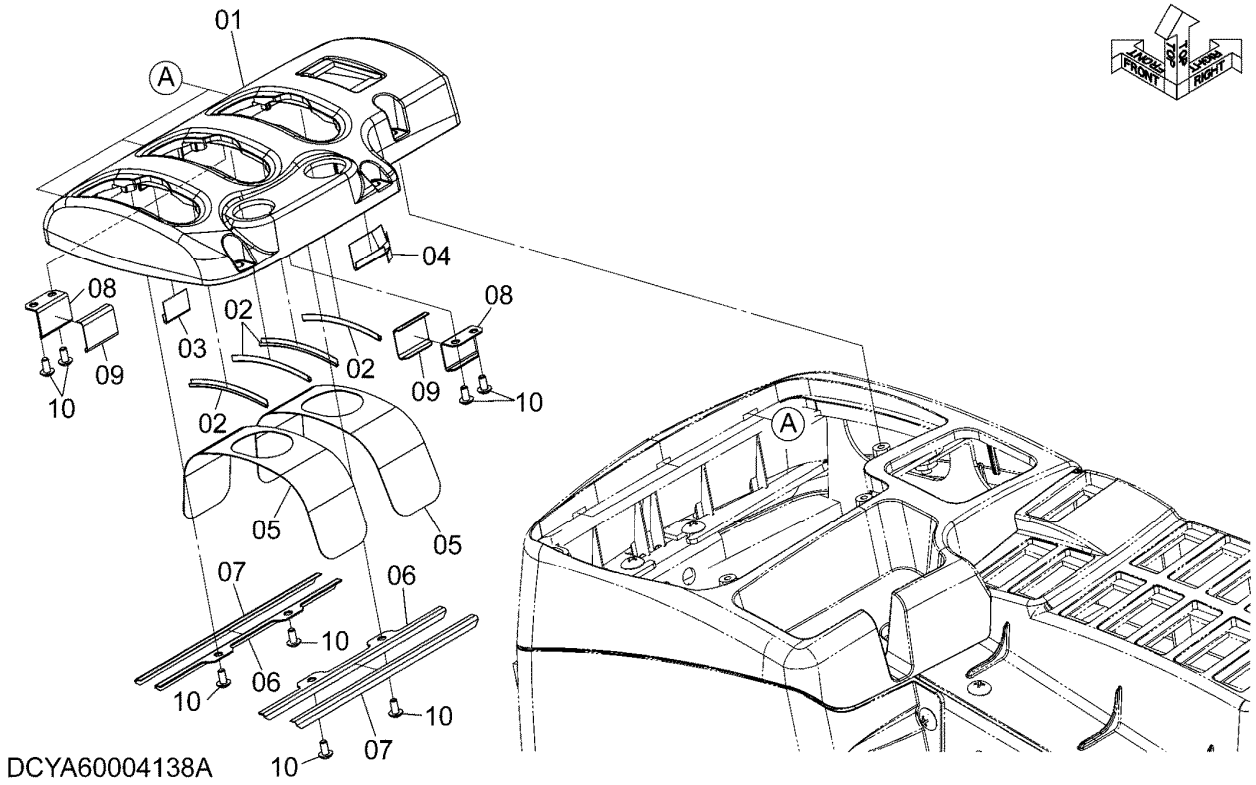
ITEM 符号	PART NO. 部品番号	PART NAME	部 品 名	Q' TY 数量	S. C サービ ス コート	SERIAL NO. 適用号機	ICA 互 換 性	REPLACEABLE PART 代 替 部 品	
								PART NO. 部品番号	Q' TY 数量
22	YQYA00005841	HARNESS	ハーネス	1		5001-			
22A	YQYA00031758	* DIODE (1.5A)	* ダイオード (1.5A)	1		5001-			

# WORK LEVER COVER 作業レバーカバー

Applicable Model (適用機種): -

Mark (記号): -

Serial No. (適用号機): -



WORK LEVER COVER  
作業レバーカバー

Applicable Model (適用機種): -

Mark(記号): -

Serial No. (適用号機): -

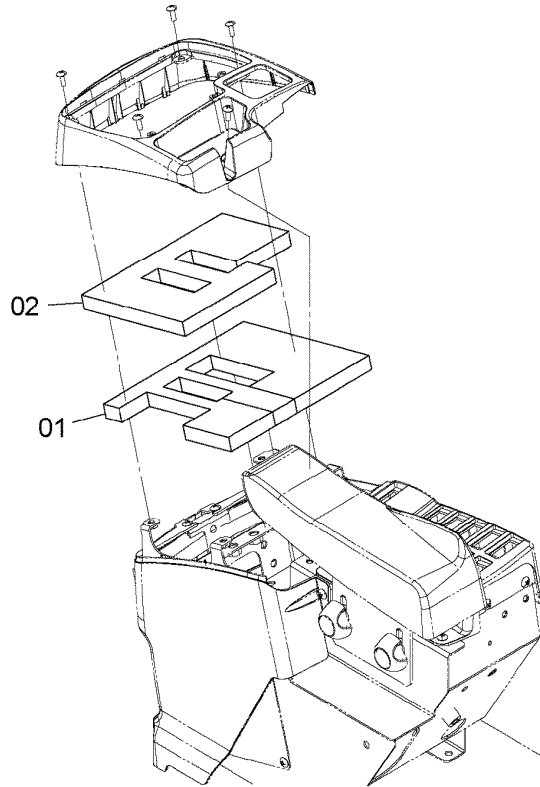
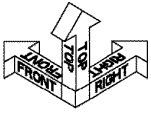
ITEM 符号	PART NO. 部品番号	PART NAME	部 品 名	Q' TY 数量	S. C サービ ス コート	SERIAL NO. 適用号機	ICA 互 換 性	REPLACEABLE PART 代 替 部 品	
								PART NO. 部品番号	Q' TY 数量
01	YQYA00005693	COVER	カバー	1		5001-			
02	YQYA00005698	PAD	パッド	4		5001-			
03	YQYA00005701	PAD	パッド	1		5001-			
04	YQYA00005702	PAD	パッド	1		5001-			
05	YQYA00005697	PLATE	プレート	2		5001-			
06	YQYA00005695	BRACKET	ブラケット	2		5001-			
07	YQYA00005699	PAD	パッド	2		5001-			
08	YQYA00005696	BRACKET	ブラケット	2		5001-			
09	YQYA00005700	PAD	パッド	2		5001-			
10	YQ263G243931	SCREW, TAPPING	スクリュー、タッピング	8		5001-			

RUBBER (WORK LEVER)  
ラバー (作業レバー)

Applicable Model (適用機種): -

Mark (記号): -

Serial No. (適用号機): -



DCYA60004126

RUBBER (WORK LEVER)

ラバー (作業レバー)

Applicable Model (適用機種): -

Mark(記号): -

Serial No. (適用号機): -

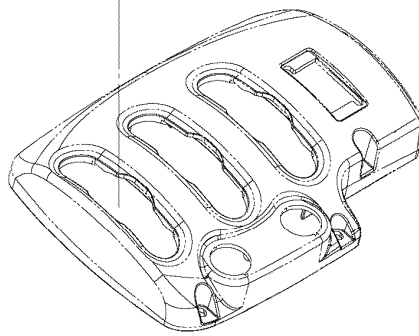
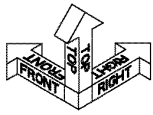
ITEM 符号	PART NO. 部品番号	PART NAME	部 品 名	Q'TY 数量	S. C サービ ス コート	SERIAL NO. 適用号機	ICA 互 換 性	REPLACEABLE PART 代 替 部 品	
								PART NO. 部品番号	Q'TY 数量
01	YQYA00005704	SEAL	シール	1		5001-			
02	YQYA00005705	SEAL	シール	1		5001-			

# LEVER COVER CAP レバーカバーキャップ

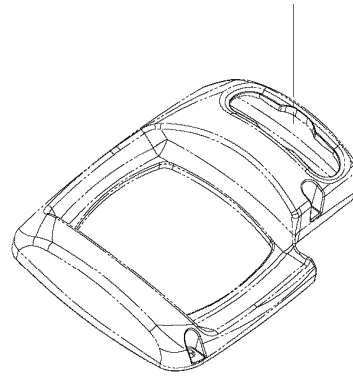
Applicable Model (適用機種): -

Mark(記号): -

Serial No. (適用号機): -



[2PL-COVER]



[MF-COVER]

DCYA60004124A

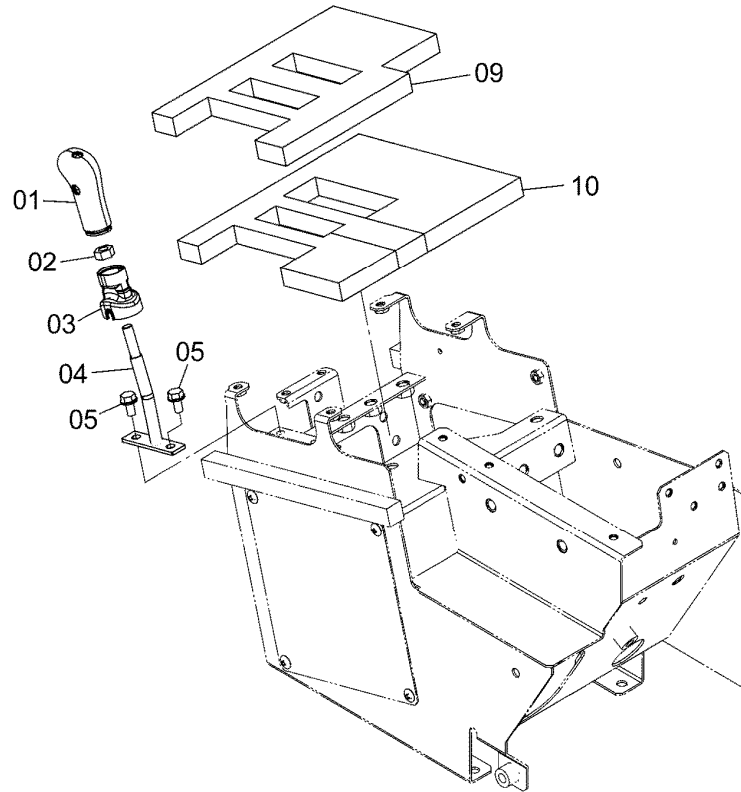
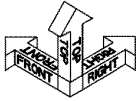


AUXILIARY LEVER (INSIDE, OUTSIDE)  
AUXレバー (インサイド、アウトサイド)

Applicable Model (適用機種): -

Mark (記号): -

Serial No. (適用号機): -



DCYA60004136A

AUXILIARY LEVER (INSIDE, OUTSIDE)  
 AUXレバー (インサイド、アウトサイド)

Applicable Model (適用機種): -

Mark(記号): -

Serial No. (適用号機): -

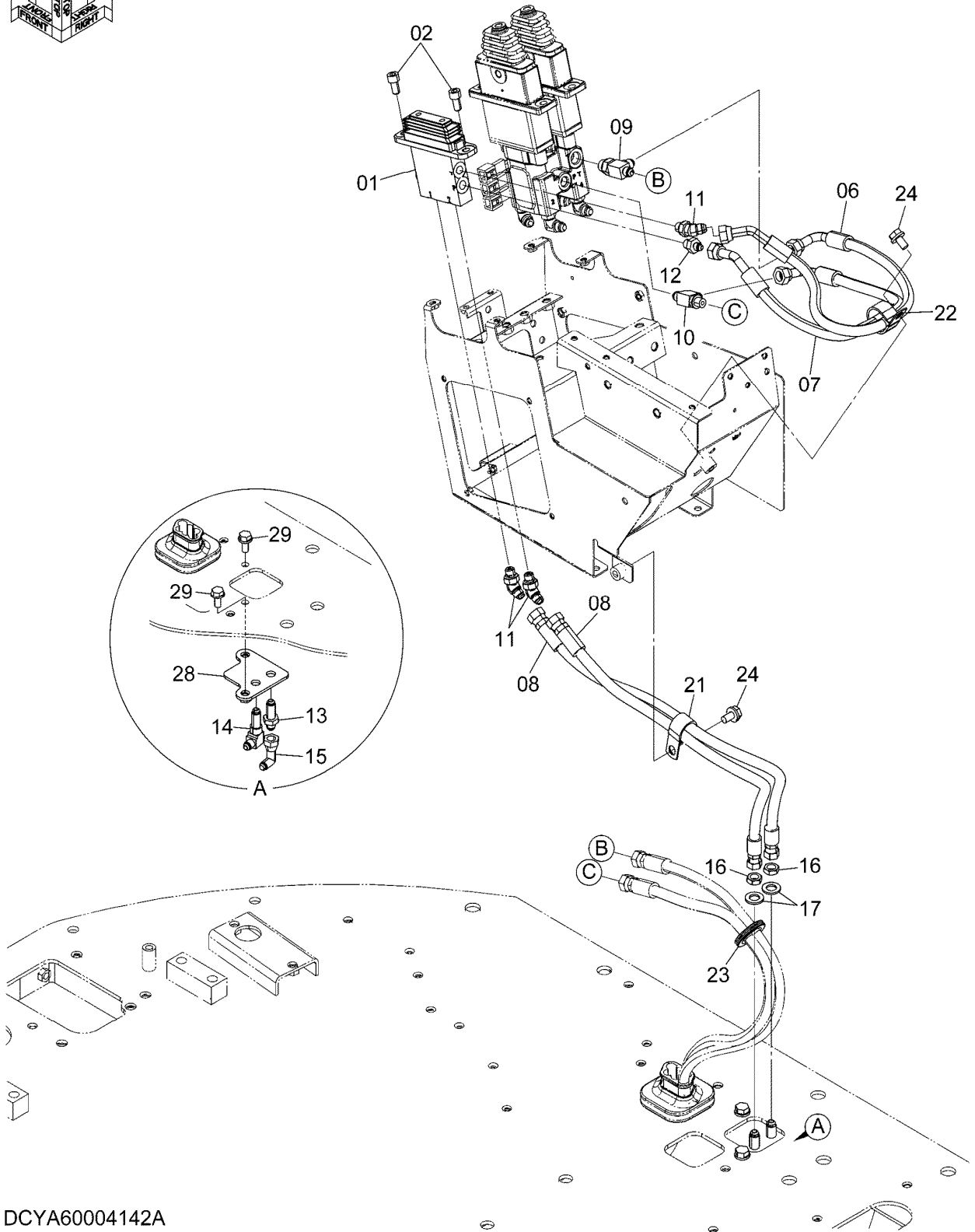
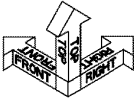
ITEM 符号	PART NO. 部品番号	PART NAME	部 品 名	Q' TY 数量	S. C サービ ス コート	SERIAL NO. 適用号機	ICA 互 換 性	REPLACEABLE PART 代 替 部 品	
								PART NO. 部品番号	Q' TY 数量
01	YQYA00004506	GRIP	グリップ	1		5001-			
02	YQJ950010	NUT	ナット	1		5001-			
03	YQYA00005694	COVER	カバー	1		5001-			
04	YQYA40003701	LEVER	レバー	1		5001-			
05	YQJ260816	BOLT, W/WASHER	ボルト (ワッシャ付)	2	D	5001-			
09	YQYA00005723	SEAL	シール	1		5001-			
10	YQYA00005704	SEAL	シール	1		5001-			

PILOT PIPING (AUXILIARY LEVER) (INSIDE)  
 パイロット配管 (AUXレバー) (インサイド)

Applicable Model (適用機種): -

Mark (記号): -

Serial No. (適用号機): -



DCYA60004142A

PILOT PIPING (AUXILIARY LEVER) (INSIDE)

パイロット配管 (AUXレバー) (インサイド)

Applicable Model (適用機種): -

Mark(記号): -

Serial No. (適用号機): -

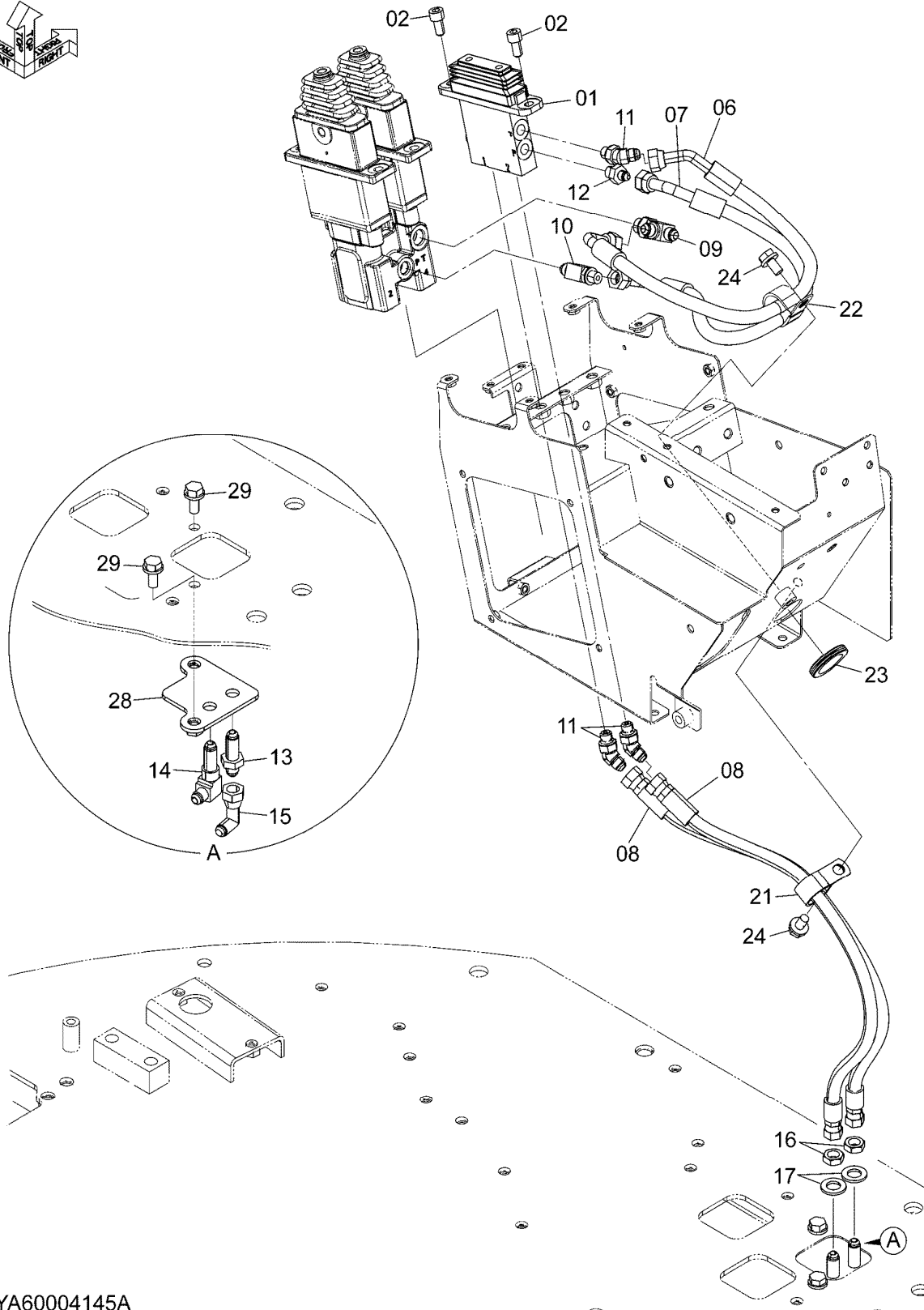
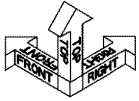
ITEM 符号	PART NO. 部品番号	PART NAME	部 品 名	Q' TY 数量	S. C サービ ス コード	SERIAL NO. 適用号機	ICA 互 換 性	REPLACEABLE PART 代 替 部 品	
								PART NO. 部品番号	Q' TY 数量
01	YQYA00008886	VALVE, PILOT	バルブ, ハ イロツト	1	H	5001-			
02	YQJ781020	BOLT, SOCKET	ボルト, ソケット	2		5001-			
06	YQ4682295	HOSE (LABEL: B, P2)	ホース (ラベル: B, P2)	1		5001-			
07	YQ4643029	HOSE	ホース	1		5001-			
08	YQ4474672	HOSE	ホース	2		5001-			
09	YQA852433	TEE	ティー	1		5001-			
09A	YQ4509180	* RING, O	* リング, O	1		5001-			
10	YQ4219346	TEE	ティー	1		5001-			
10A	YQ957366	* RING, O	* リング, O	1		5001-			
11	YQA852223	ELBOW	エルボ	3		5001-			
11A	YQ957366	* RING, O	* リング, O	1		5001-			
12	YQA852122	ADAPTER SOCKET	アダプタ, ソケット	1		5001-			
12A	YQ957366	* RING, O	* リング, O	1		5001-			
13	YQ4202532	ADAPTER SOCKET	アダプタ, ソケット	1		5001-			
14	YQ4285863	ELBOW	エルボ	1		5001-			
15	YQ4239976	UNION	ユニオン	1		5001-			
16	YQ4202531	NUT	ナット	2		5001-			
17	YQJ222016	WASHER	ワッシャ	2		5001-			
21	YQ4192035	CLIP	クリップ	1		5001-			
22	YQ4190264	CLIP	クリップ	1		5001-			
23	YQ4211059	BUSHING, RUBBER	ブッシング, ラバー	1		5001-			
24	YQJ271020	BOLT, W/WASHER	ボルト (ワッシャ付)	2	D	5001-			
28	YQYA40003704	BRACKET	ブラケット	1		5001-			
29	YQJ271025	BOLT, W/WASHER	ボルト (ワッシャ付)	2	D	5001-			

PILOT PIPING (AUXILIARY LEVER) (OUTSIDE)  
 パイロット配管 (AUXレバー) (アウトサイド)

Applicable Model (適用機種): -

Mark (記号): -

Serial No. (適用号機): -



DCYA60004145A

PILOT PIPING (AUXILIARY LEVER) (OUTSIDE)  
パイロット配管 (AUXレバー) (アウトサイド)

Applicable Model (適用機種): -

Mark(記号): -

Serial No. (適用号機): -

ITEM 符号	PART NO. 部品番号	PART NAME	部 品 名	Q' TY 数量	S. C サービ ス コード	SERIAL NO. 適用号機	ICA 互 換 性	REPLACEABLE PART 代 替 部 品	
								PART NO. 部品番号	Q' TY 数量
01	YQYA00008886	VALVE, PILOT	バルブ, ハ イロツト	1	H	5001-			
02	YQJ781020	BOLT, SOCKET	ボルト, ソケット	2		5001-			
06	YQ4682295	HOSE (LABEL: B, P2)	ホース (ラベル: B, P2)	1		5001-			
07	YQ4643029	HOSE	ホース	1		5001-			
08	YQ4474672	HOSE	ホース	2		5001-			
09	YQA852433	TEE	ティー	1		5001-			
09A	YQ4509180	* RING, O	* リング, O	1		5001-			
10	YQ4219346	TEE	ティー	1		5001-			
10A	YQ957366	* RING, O	* リング, O	1		5001-			
11	YQA852223	ELBOW	エルボ	3		5001-			
11A	YQ957366	* RING, O	* リング, O	1		5001-			
12	YQA852122	ADAPTER SOCKET	アダプタ, ソケット	1		5001-			
12A	YQ957366	* RING, O	* リング, O	1		5001-			
13	YQ4202532	ADAPTER SOCKET	アダプタ, ソケット	1		5001-			
14	YQ4285863	ELBOW	エルボ	1		5001-			
15	YQ4239976	UNION	ユニオン	1		5001-			
16	YQ4202531	NUT	ナット	2		5001-			
17	YQJ222016	WASHER	ワッシャ	2		5001-			
21	YQ4192035	CLIP	クリップ	1		5001-			
22	YQ4190264	CLIP	クリップ	1		5001-			
23	YQ4211059	BUSHING, RUBBER	ブッシング, ラバー	1		5001-			
24	YQJ271020	BOLT, W/WASHER	ボルト (ワッシャ付)	2	D	5001-			
28	YQYA40003704	BRACKET	ブラケット	1		5001-			
29	YQJ271025	BOLT, W/WASHER	ボルト (ワッシャ付)	2	D	5001-			

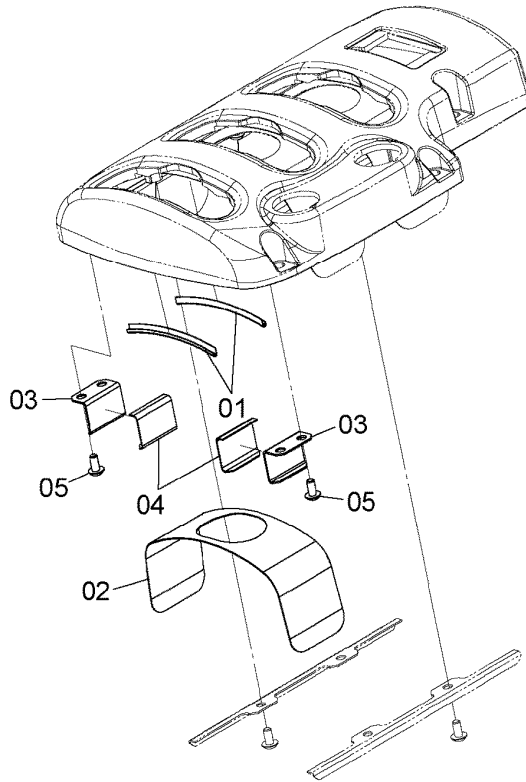
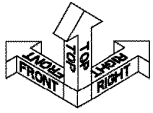
# AUXILIARY LEVER COVER PARTS

## AUXレバーカバー用品

Applicable Model (適用機種): -

Mark (記号): -

Serial No. (適用号機): -



DCYA60004123

AUXILIARY LEVER COVER PARTS  
 AUXレバーカバー用品

Applicable Model (適用機種): -

Mark(記号): -

Serial No. (適用号機): -

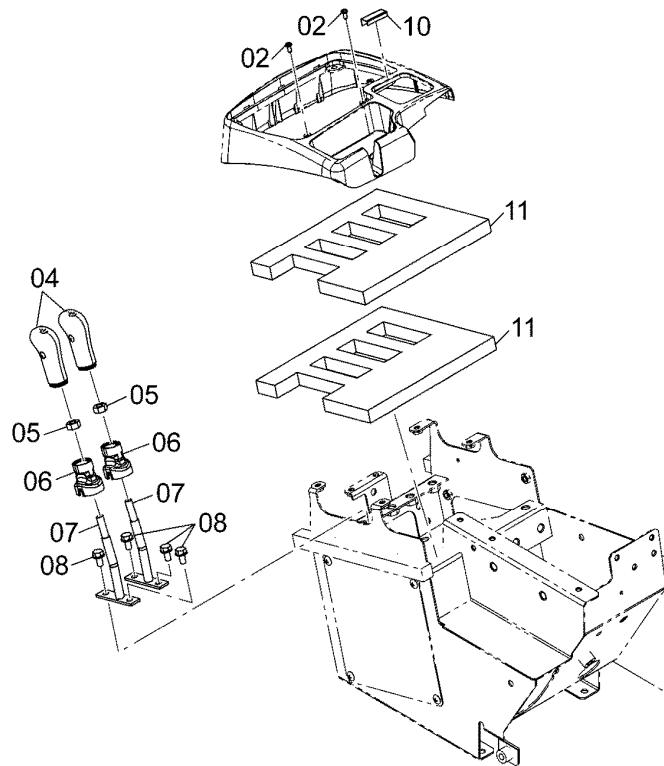
ITEM 符号	PART NO. 部品番号	PART NAME	部 品 名	Q' TY 数量	S. C サービ ス コート	SERIAL NO. 適用号機	ICA 互 換 性	REPLACEABLE PART 代 替 部 品	
								PART NO. 部品番号	Q' TY 数量
01	YQYA00005698	PAD	パッド	2		5001-			
02	YQYA00005697	PLATE	プレート	1		5001-			
03	YQYA00005696	BRACKET	ブラケット	2		5001-			
04	YQYA00005700	PAD	パッド	2		5001-			
05	YQ263G243931	SCREW, TAPPING	スクリュー、タッピング	4		5001-			

AUXILIARY LEVER (2 LEVER) (INSIDE, OUTSIDE)  
AUXレバー (2レバー) (インサイド、アウトサイド)

Applicable Model (適用機種): -

Mark (記号): -

Serial No. (適用号機): -



DCYA60013660

AUXILIARY LEVER (2 LEVER) (INSIDE, OUTSIDE)  
 AUXレバー (2レバー) (インサイド、アウトサイド)

Applicable Model (適用機種): -

Mark(記号): -

Serial No. (適用号機): -

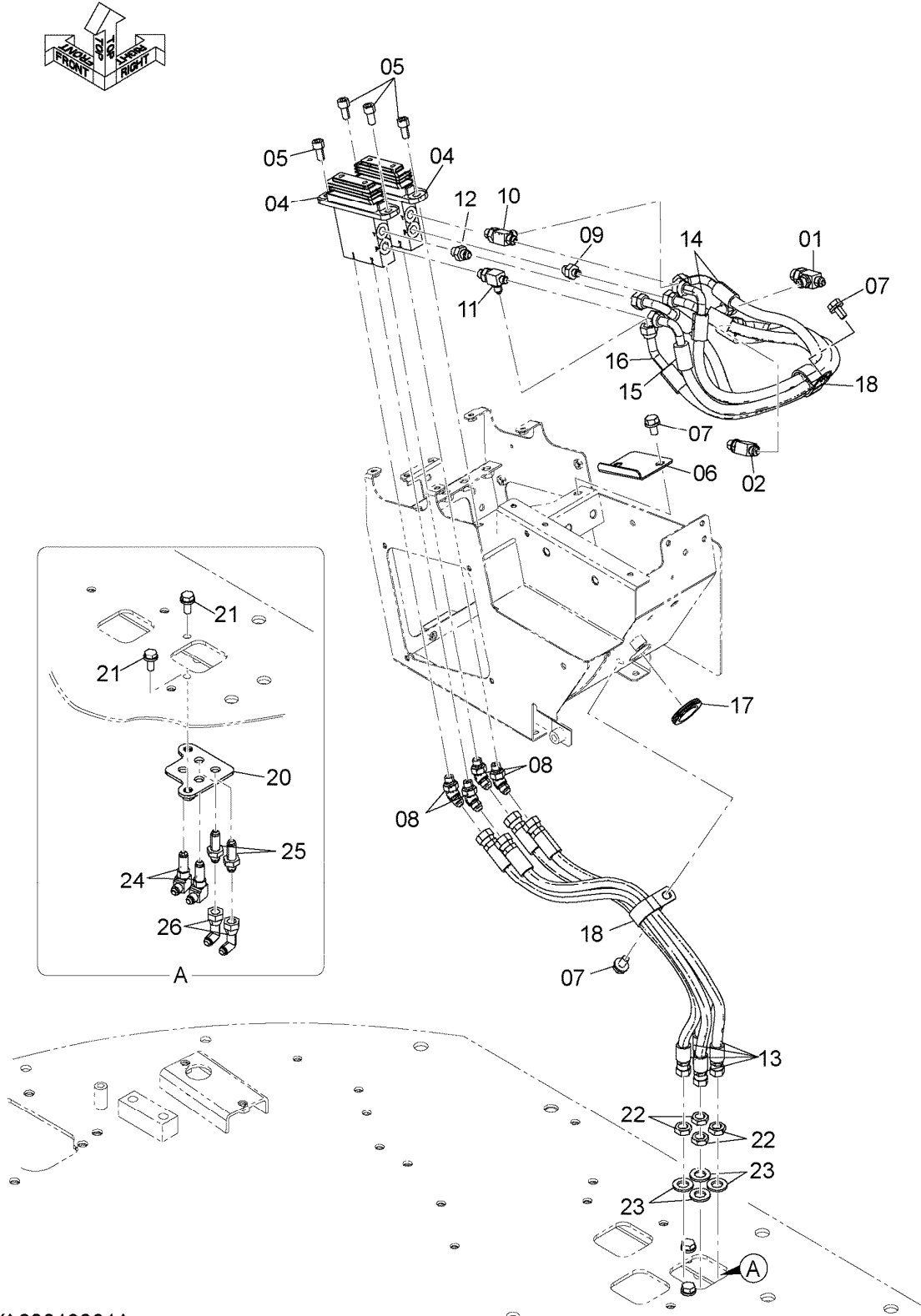
ITEM 符号	PART NO. 部品番号	PART NAME	部 品 名	Q' TY 数量	S. C サービ ス コート	SERIAL NO. 適用号機	ICA 互 換 性	REPLACEABLE PART 代 替 部 品	
								PART NO. 部品番号	Q' TY 数量
02	YQ0104405012	SCREW, TAPPING	スクリュ, タッピング	2		5001-			
04	YQYA00004506	GRIP	グリップ	2		5001-			
05	YQJ950010	NUT	ナット	2		5001-			
06	YQYA00005694	COVER	カバー	2		5001-			
07	YQYA40003701	LEVER	レバー	2		5001-			
08	YQJ260816	BOLT, W/WASHER	ボルト (ワッシャ付)	4	D	5001-			
10	YQYA00018841	PAD	パッド	1		5001-			
11	YQYA00018842	SEAL	シール	2		5001-			

PILOT PIPING (AUXILIARY LEVER) (2 LEVER) (INSIDE)  
 パイロット配管 (AUXレバー) (2レバー) (インサイド)

Applicable Model (適用機種): -

Mark (記号): -

Serial No. (適用号機): -



DCYA60013661A

PILOT PIPING (AUXILIARY LEVER) (2 LEVER) (INSIDE)  
パイロット配管 (AUXレバー) (2レバー) (インサイド)

Applicable Model (適用機種): -

Mark(記号): -

Serial No. (適用号機): -

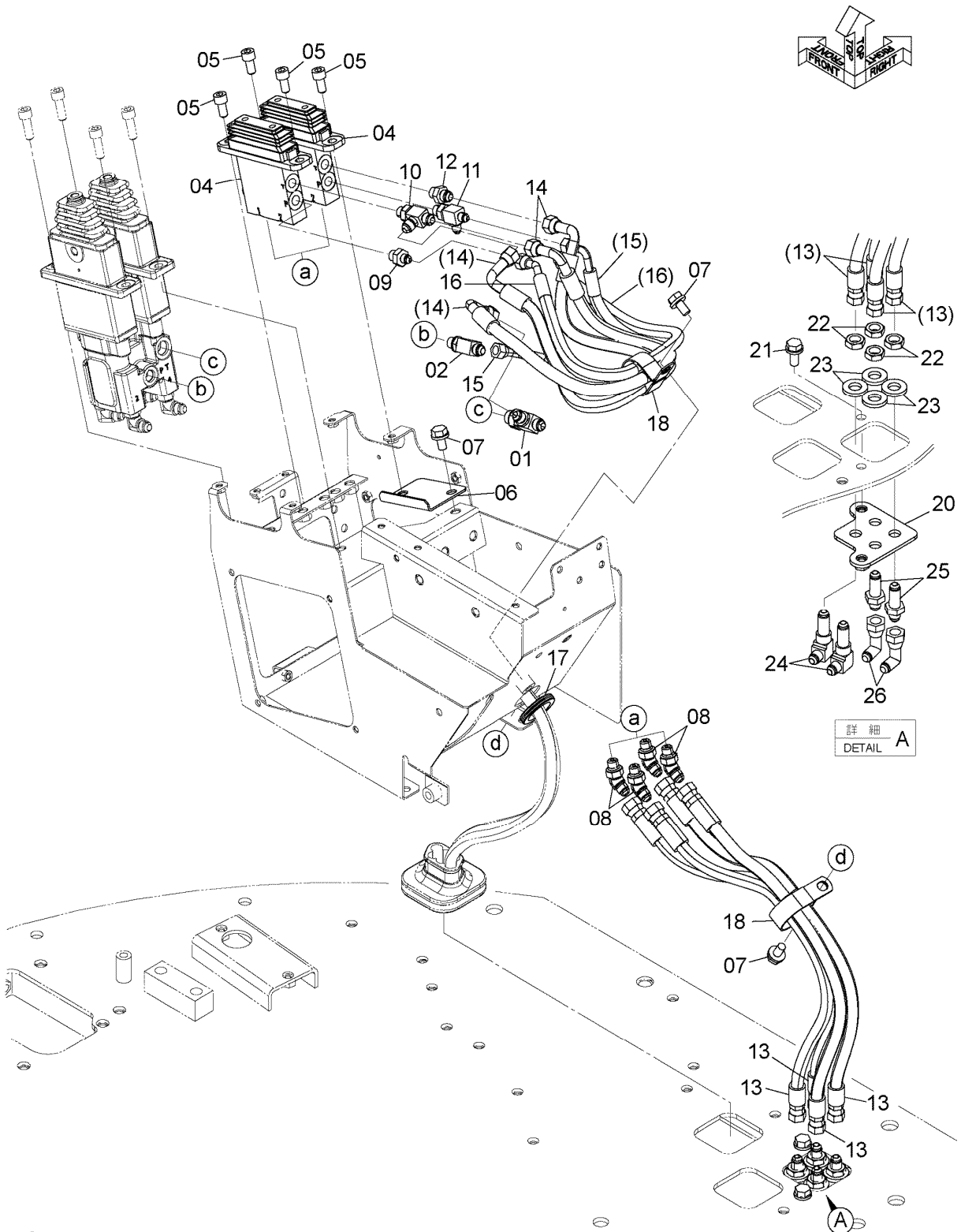
ITEM 符号	PART NO. 部品番号	PART NAME	部 品 名	Q' TY 数量	S. C サービ ス コート	SERIAL NO. 適用号機	ICA 互 換 性	REPLACEABLE PART 代 替 部 品	
								PART NO. 部品番号	Q' TY 数量
01	YQA852433	TEE	ティー	1		5001-			
01A	YQ4509180	* RING, O	* リング, O	1		5001-			
02	YQ4219346	TEE	ティー	1		5001-			
02A	YQ957366	* RING, O	* リング, O	1		5001-			
04	YQYA00008886	VALVE, PILOT	バルブ, パイロット	2	H	5001-			
05	YQJ781020	BOLT, SOCKET	ボルト, ソケット	4		5001-			
06	YQYA40012148	BRACKET	ブラケット	1		5001-			
07	YQJ271020	BOLT, W/WASHER	ボルト (ワッシャ付)	3	D	5001-			
08	YQA852223	ELBOW	エルボ	4		5001-			
08A	YQ957366	* RING, O	* リング, O	1		5001-			
09	YQA852122	ADAPTER SOCKET	アダプタ, ソケット	1		5001-			
09A	YQ957366	* RING, O	* リング, O	1		5001-			
10	YQA852423	TEE	ティー	1		5001-			
10A	YQ957366	* RING, O	* リング, O	1		5001-			
11	YQA852422	TEE	ティー	1		5001-			
11A	YQ957366	* RING, O	* リング, O	1		5001-			
12	YQA852123	ADAPTER SOCKET	アダプタ, ソケット	1		5001-			
12A	YQ957366	* RING, O	* リング, O	1		5001-			
13	YQ4474672	HOSE	ホース	4		5001-			
14	YQ4385523	HOSE	ホース	2		5001-			
15	YQ4657569	(LABEL: 6) HOSE	(ラベル: 6) ホース	1		5001-			
16	YQ4611000	(LABEL: DY) HOSE	(ラベル: DY) ホース	1		5001-			
17	YQ4211059	BUSHING, RUBBER	ブッシング, ラバー	1		5001-			
18	YQ4193848	CLIP	クリップ	2		5001-			
20	YQYA40003705	BRACKET	ブラケット	1		5001-			
21	YQJ271025	BOLT, W/WASHER	ボルト (ワッシャ付)	2	D	5001-			
22	YQ4202531	NUT	ナット	4		5001-			
23	YQJ222016	WASHER	ワッシャ	4		5001-			
24	YQ4285863	ELBOW	エルボ	2		5001-			
25	YQ4202532	ADAPTER SOCKET	アダプタ, ソケット	2		5001-			
26	YQ4239976	UNION	ユニオン	2		5001-			

PILOT PIPING (AUXILIARY LEVER) (2 LEVER) (OUTSIDE)  
 パイロット配管 (AUXレバー) (2レバー) (アウトサイド)

Applicable Model (適用機種): -

Mark (記号): -

Serial No. (適用号機): -



DCYA60028438

PILOT PIPING (AUXILIARY LEVER) (2 LEVER) (OUTSIDE)  
パイロット配管 (AUXレバー) (2レバー) (アウトサイド)

Applicable Model (適用機種): -

Mark(記号): -

Serial No. (適用号機): -

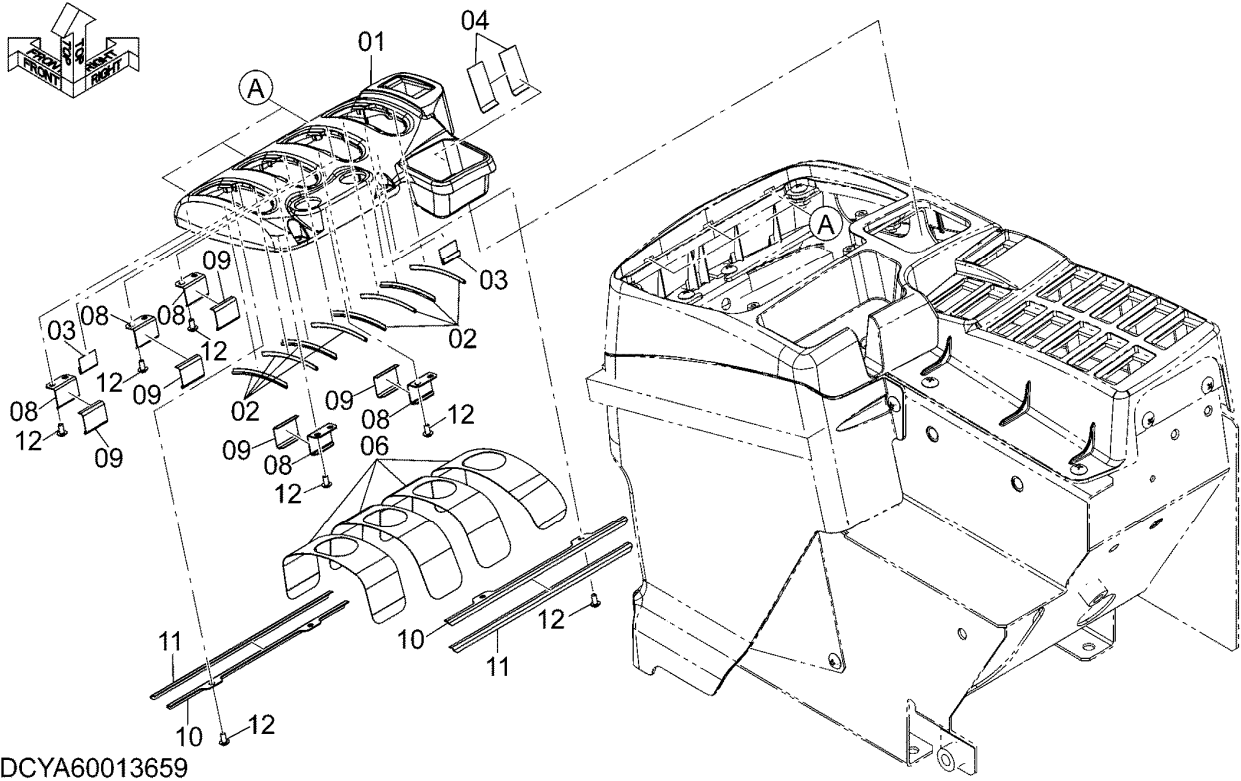
ITEM 符号	PART NO. 部品番号	PART NAME	部 品 名	Q' TY 数量	S. C サービ ス コート	SERIAL NO. 適用号機	ICA 互 換 性	REPLACEABLE PART 代 替 部 品	
								PART NO. 部品番号	Q' TY 数量
01	YQA852433	TEE	ティー	1		5001-			
01A	YQ4509180	* RING, O	* リング, O	1		5001-			
02	YQ4219346	TEE	ティー	1		5001-			
02A	YQ957366	* RING, O	* リング, O	1		5001-			
04	YQYA00008886	VALVE, PILOT	バルブ, パイロット	2	H	5001-			
05	YQJ781020	BOLT, SOCKET	ボルト, ソケット	4		5001-			
06	YQYA40012148	BRACKET	ブラケット	1		5001-			
07	YQJ271020	BOLT, W/WASHER	ボルト (ワッシャ付)	3	D	5001-			
08	YQA852223	ELBOW	エルボ	4		5001-			
08A	YQ957366	* RING, O	* リング, O	1		5001-			
09	YQA852122	ADAPTER SOCKET	アダプタ, ソケット	1		5001-			
09A	YQ957366	* RING, O	* リング, O	1		5001-			
10	YQA852423	TEE	ティー	1		5001-			
10A	YQ957366	* RING, O	* リング, O	1		5001-			
11	YQA852422	TEE	ティー	1		5001-			
11A	YQ957366	* RING, O	* リング, O	1		5001-			
12	YQA852123	ADAPTER SOCKET	アダプタ, ソケット	1		5001-			
12A	YQ957366	* RING, O	* リング, O	1		5001-			
13	YQ4474672	HOSE	ホース	4		5001-			
14	YQ4385523	HOSE	ホース	2		5001-			
15	YQ4657569	(LABEL: 6) HOSE	(ラベル: 6) ホース	1		5001-			
16	YQ4611000	(LABEL: DY) HOSE	(ラベル: DY) ホース	1		5001-			
17	YQ4211059	BUSHING, RUBBER	ブッシング, ラバー	1		5001-			
18	YQ4193848	CLIP	クリップ	2		5001-			
20	YQYA40003705	BRACKET	ブラケット	1		5001-			
21	YQJ271025	BOLT, W/WASHER	ボルト (ワッシャ付)	2	D	5001-			
22	YQ4202531	NUT	ナット	4		5001-			
23	YQJ222016	WASHER	ワッシャ	4		5001-			
24	YQ4285863	ELBOW	エルボ	2		5001-			
25	YQ4202532	ADAPTER SOCKET	アダプタ, ソケット	2		5001-			
26	YQ4239976	UNION	ユニオン	2		5001-			

WORK LEVER, AUXILIARY LEVER (2 LEVER) COVER  
作業レバー、AUXレバー (2レバー) カバー

Applicable Model (適用機種): -

Mark (記号): -

Serial No. (適用号機): -



WORK LEVER, AUXILIARY LEVER (2 LEVER) COVER  
 作業レバー、AUXレバー (2レバー) カバー

Applicable Model (適用機種): -

Mark(記号): -

Serial No. (適用号機): -

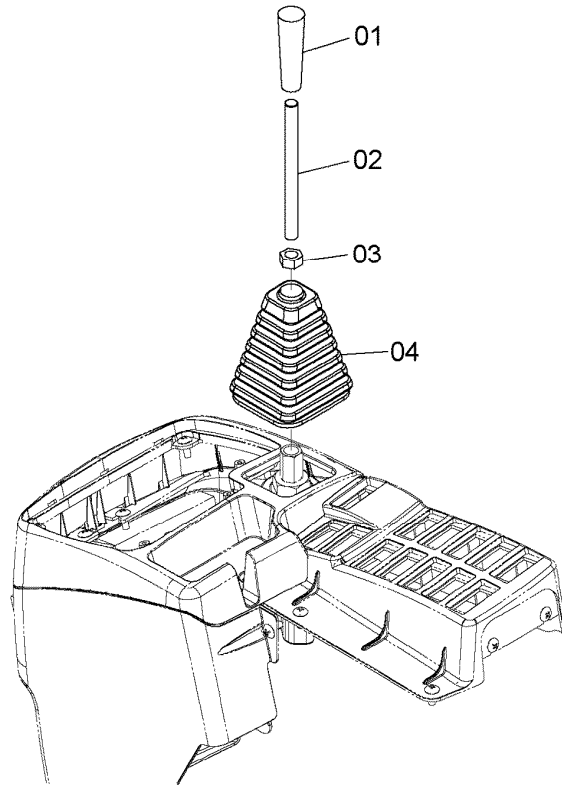
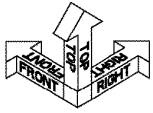
ITEM 符号	PART NO. 部品番号	PART NAME	部 品 名	Q' TY 数量	S. C サービ ス コート	SERIAL NO. 適用号機	ICA 互 換 性	REPLACEABLE PART 代 替 部 品	
								PART NO. 部品番号	Q' TY 数量
01	YQYA00018572	COVER	カバー	1		5001-			
02	YQYA00005698	PAD	パッド	8		5001-			
03	YQYA00005701	PAD	パッド	2		5001-			
04	YQYA00018841	PAD	パッド	2		5001-			
06	YQYA00005697	PLATE	プレート	4		5001-			
08	YQYA00005696	BRACKET	ブラケット	5		5001-			
09	YQYA00005700	PAD	パッド	5		5001-			
10	YQYA00018838	BRACKET	ブラケット	2		5001-			
11	YQYA00018840	PAD	パッド	2		5001-			
12	YQ263G243931	SCREW, TAPPING	スクリュ、タッピング	14		5001-			

# AUXILIARY JOYSTICK LEVER AUXジョイスティックレバー

Applicable Model (適用機種): -

Mark (記号): -

Serial No. (適用号機): -



DCYA60004137

AUXILIARY JOYSTICK LEVER  
 AUXジョイスティックレバー

Applicable Model (適用機種): -

Mark(記号): -

Serial No. (適用号機): -

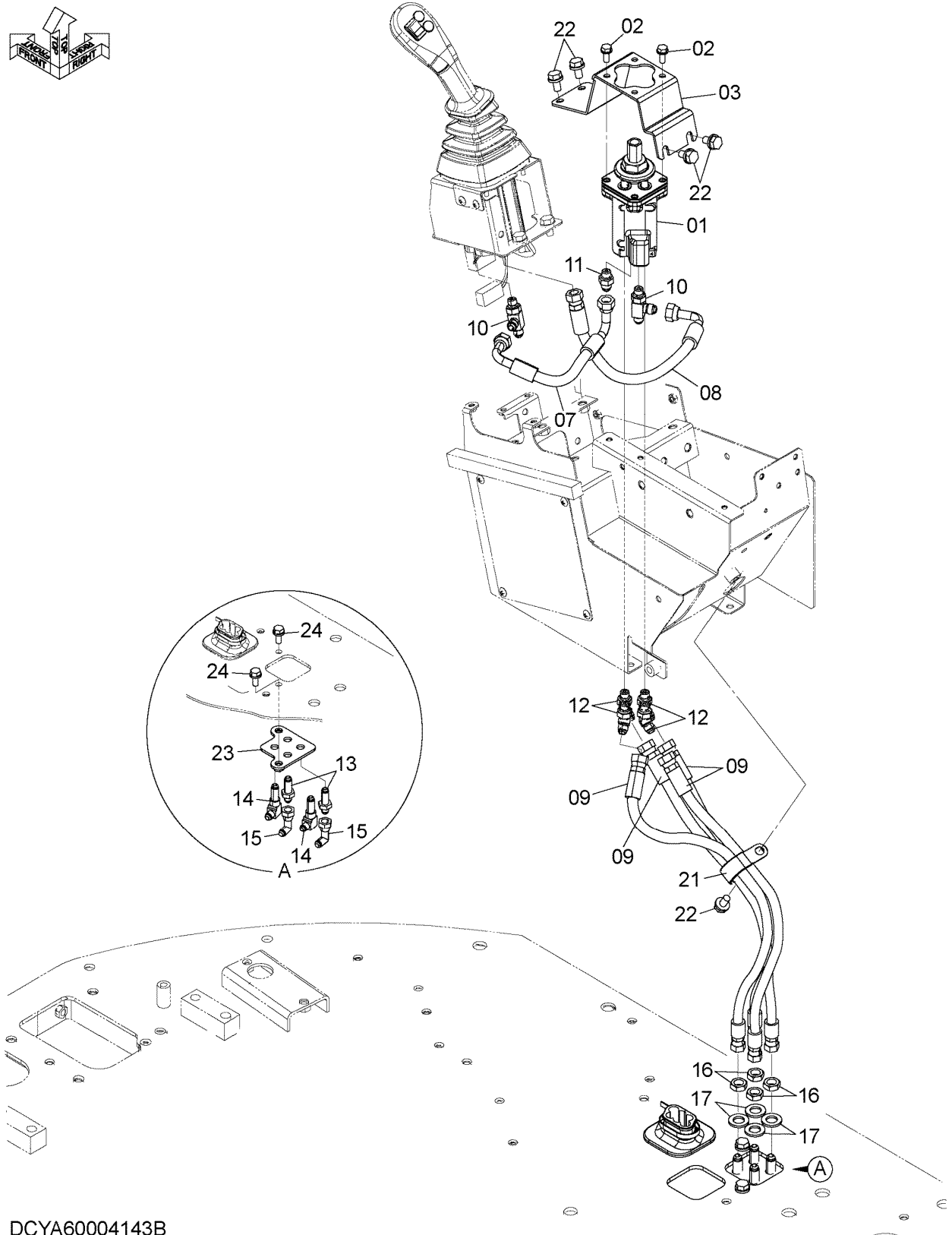
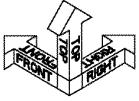
ITEM 符号	PART NO. 部品番号	PART NAME	部 品 名	Q' TY 数量	S. C サービ ス コート	SERIAL NO. 適用号機	ICA 互 換 性	REPLACEABLE PART 代 替 部 品	
								PART NO. 部品番号	Q' TY 数量
01	YQ4363754	GRIP	グリップ	1		5001-			
02	YQ263G743532	LEVER	レバ-	1		5001-			
03	YQJ950012	NUT	ナット	1		5001-			
04	YQ2638742321	BOOT	ブーツ	1		5001-			

PILOT PIPING (MULTI-FUNCTION LEVER, AUXILIARY JOYSTICK LEVER)  
 パイロット配管 (マルチファンクションレバー、AUXジョイスティックレバー)

Applicable Model (適用機種): -

Mark (記号): -

Serial No. (適用号機): -



DCYA60004143B

PILOT PIPING (MULTI-FUNCTION LEVER, AUXILIARY JOYSTICK LEVER)

パイロット配管 (マルチファンクションレバー、AUXジョイスティックレバー)

Applicable Model (適用機種): -

Mark(記号): -

Serial No. (適用号機): -

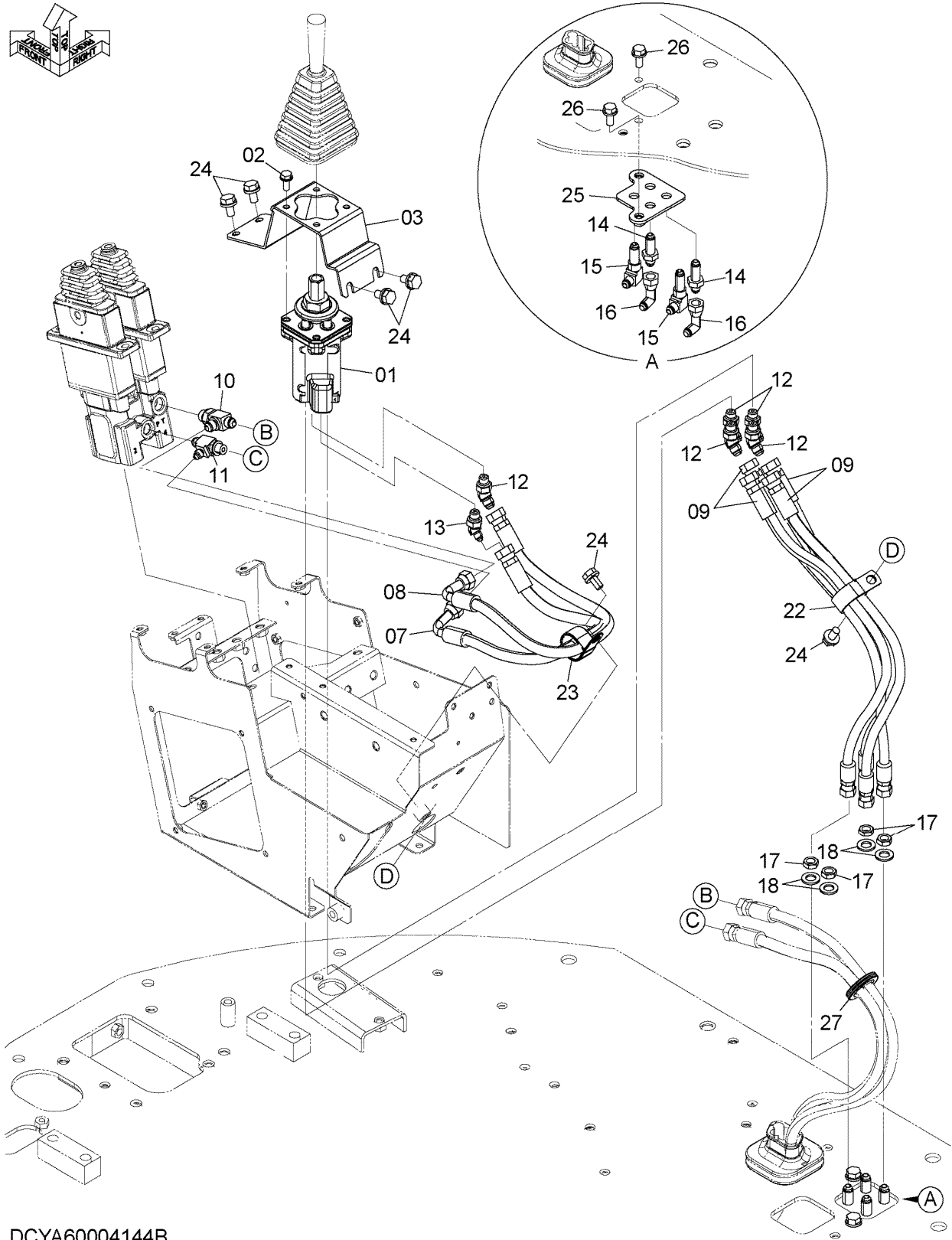
ITEM 符号	PART NO. 部品番号	PART NAME	部 品 名	Q' TY 数量	S. C サービ ス コード	SERIAL NO. 適用号機	ICA 互 換 性	REPLACEABLE PART 代 替 部 品	
								PART NO. 部品番号	Q' TY 数量
01	+++++++	VALVE, PILOT	バルブ, ハ イロツト	1	D	5001-			
01A	+++++++	* VALVE, PILOT (for assembly of machine) (本体組立用)	* バルブ, ハ イロツト	1	DH	5001-	I	YQYB60000656	1
01A	YQYB60000656	* VALVE, PILOT (for transportation)	* バルブ, ハ イロツト (サービ スハ ーツ用)	1	S	5001-			
02	YQJ260820	BOLT, W/WASHER	ボ ルト (ワッシャ付)	4	D	5001-			
03	YQYA00005714	BRACKET	ブ ラケツト	1		5001-			
07	YQ4696394	HOSE	ホ ース	1		5001-			
08	YQ4457107	HOSE	ホ ース	1		5001-			
09	YQ4474673	HOSE	ホ ース	4		5001-			
10	YQA852423	TEE	テ ィー	2		5001-			
10A	YQ957366	* RING, O	* リン グ, O	1		5001-			
11	YQA852123	ADAPTER SOCKET	アダ プ タ, ソケツト	1		5001-			
11A	YQ957366	* RING, O	* リン グ, O	1		5001-			
12	YQA852223	ELBOW	エルボ	4		5001-			
12A	YQ957366	* RING, O	* リン グ, O	1		5001-			
13	YQ4202532	ADAPTER SOCKET	アダ プ タ, ソケツト	2		5001-			
14	YQ4285863	ELBOW	エルボ	2		5001-			
15	YQ4239976	UNION	ユニオン	2		5001-			
16	YQ4202531	NUT	ナツト	4		5001-			
17	YQJ222016	WASHER	ワッシャ	4		5001-			
21	YQ4190291	CLIP	クリップ	1		5001-			
22	YQJ271020	BOLT, W/WASHER	ボ ルト (ワッシャ付)	5	D	5001-			
23	YQYA40003705	BRACKET	ブ ラケツト	1		5001-			
24	YQJ271025	BOLT, W/WASHER	ボ ルト (ワッシャ付)	2	D	5001-			

PILOT PIPING (WORK LEVER, AUXILIARY JOYSTICK LEVER)  
 パイロット配管 (作業レバー、AUXジョイスティックレバー)

Applicable Model (適用機種): -

Mark (記号): -

Serial No. (適用号機): -



DCYA60004144B

PILOT PIPING (WORK LEVER, AUXILIARY JOYSTICK LEVER)  
パイロット配管 (作業レバー、AUXジョイスティックレバー)

Applicable Model (適用機種): -

Mark(記号): -

Serial No. (適用号機): -

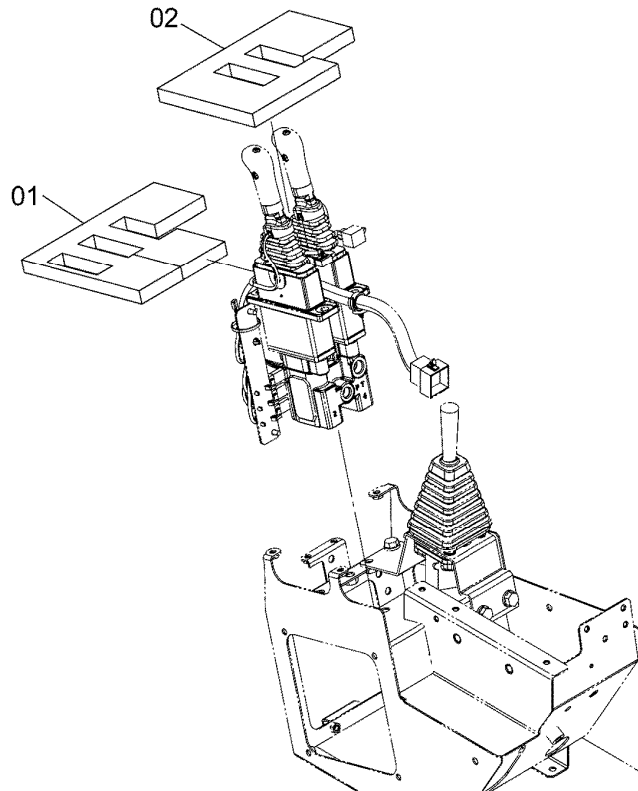
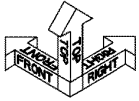
ITEM 符号	PART NO. 部品番号	PART NAME	部 品 名	Q' TY 数量	S. C サービ ス コート	SERIAL NO. 適用号機	ICA 互 換 性	REPLACEABLE PART 代 替 部 品	
								PART NO. 部品番号	Q' TY 数量
01	+++++++	VALVE, PILOT	バルブ, ハ イロツト	1	D	5001-			
01A	+++++++	* VALVE, PILOT (for assembly of machine) (本体組立用)	* バルブ, ハ イロツト	1	DH	5001-	I	YQYB60000656	1
01A	YQYB60000656	* VALVE, PILOT (for transportation)	* バルブ, ハ イロツト (サービ スハ ーツ用)	1	S	5001-			
02	YQJ260820	BOLT, W/WASHER	ボ ルト (ワッシャ付)	4	D	5001-			
03	YQYA00005714	BRACKET	ブ ラケツト	1		5001-			
07	YQ4436298	HOSE	ホース	1		5001-			
08	YQ4431163	HOSE	ホース	1		5001-			
09	YQ4474673	HOSE	ホース	4		5001-			
10	YQA852433	TEE	ティ ー	1		5001-			
10A	YQ4509180	* RING, O	* リン グ, O	1		5001-			
11	YQ4219346	TEE	ティ ー	1		5001-			
11A	YQ957366	* RING, O	* リン グ, O	1		5001-			
12	YQA852223	ELBOW	エルボ ー	5		5001-			
12A	YQ957366	* RING, O	* リン グ, O	1		5001-			
13	YQA852222	ELBOW	エルボ ー	1		5001-			
13A	YQ957366	* RING, O	* リン グ, O	1		5001-			
14	YQ4202532	ADAPTER SOCKET	アダ プ タ, ソケツト	2		5001-			
15	YQ4285863	ELBOW	エルボ ー	2		5001-			
16	YQ4239976	UNION	ユニオン	2		5001-			
17	YQ4202531	NUT	ナツト	4		5001-			
18	YQJ222016	WASHER	ワッシャ	4		5001-			
22	YQ4190264	CLIP	クリ ッ プ	1		5001-			
23	YQ4190291	CLIP	クリ ッ プ	1		5001-			
24	YQJ271020	BOLT, W/WASHER	ボ ルト (ワッシャ付)	6	D	5001-			
25	YQYA40003705	BRACKET	ブ ラケツト	1		5001-			
26	YQJ271025	BOLT, W/WASHER	ボ ルト (ワッシャ付)	2	D	5001-			
27	YQ4211059	BUSHING, RUBBER	ブ ッ シ ン グ, ラバ ー	1		5001-			

RUBBER (WORK LEVER, AUXILIARY JOYSTICK LEVER)  
ラバー (作業レバー、AUXジョイスティックレバー)

Applicable Model (適用機種): -

Mark (記号): -

Serial No. (適用号機): -



DCYA60004270A

RUBBER (WORK LEVER, AUXILIARY JOYSTICK LEVER)  
 ラバー (作業レバー、AUXジョイスティックレバー)

Applicable Model (適用機種): -

Mark(記号): -

Serial No. (適用号機): -

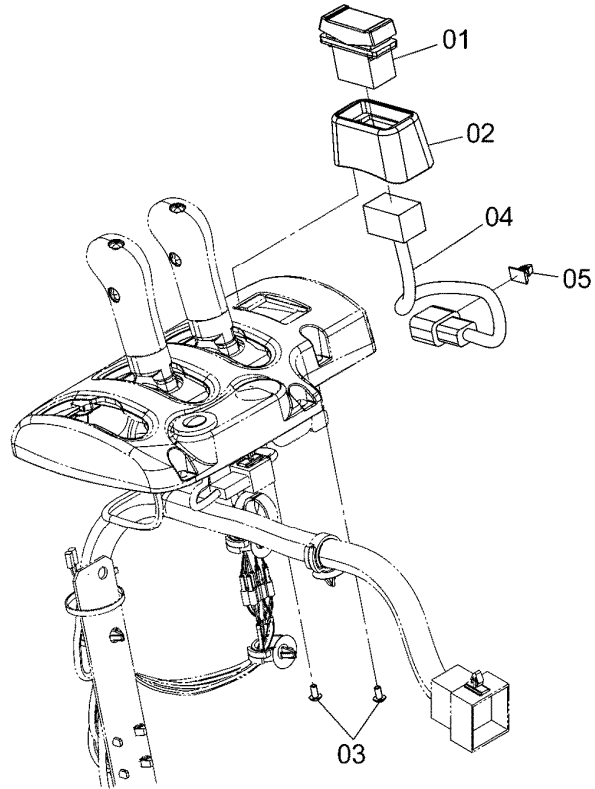
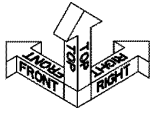
ITEM 符号	PART NO. 部品番号	PART NAME	部 品 名	Q' TY 数量	S. C サービ ス コード	SERIAL NO. 適用号機	ICA 互 換 性	REPLACEABLE PART 代 替 部 品	
								PART NO. 部品番号	Q' TY 数量
01	YQYA00005724	SEAL	シール	1		5001-			
02	YQYA00005705	SEAL	シール	1		5001-			

# FNR SWITCH FNRスイッチ

Applicable Model (適用機種): -

Mark (記号): -

Serial No. (適用号機): -



DCYA60018077

FNR SWITCH  
FNRスイッチ

Applicable Model (適用機種): -

Mark(記号): -

Serial No. (適用号機): -

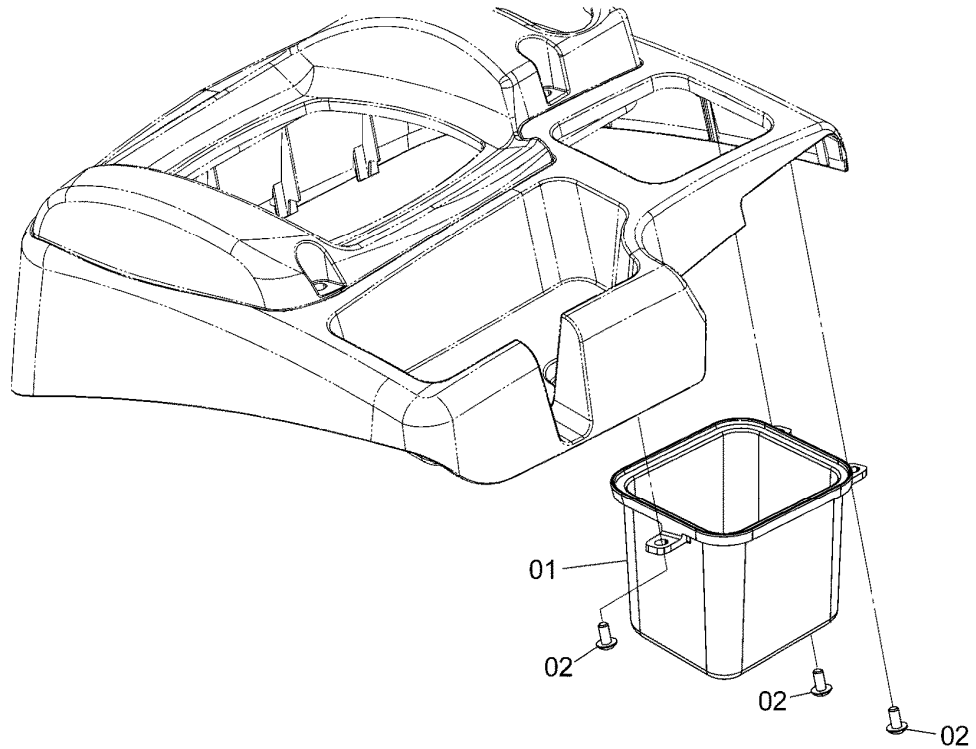
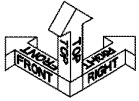
ITEM 符号	PART NO. 部品番号	PART NAME	部 品 名	Q' TY 数量	S. C サービ ス コード	SERIAL NO. 適用号機	ICA 互 換 性	REPLACEABLE PART 代 替 部 品	
								PART NO. 部品番号	Q' TY 数量
01	YQYA00025623	SWITCH, TUMBLER	スイッチ, タンブラ	1		5001-			
02	YQYA00006494	COVER	カバー	1		5001-			
03	YQ263G243931	SCREW, TAPPING	スクリュー, タッピング	2		5001-			
04	YQYA00000178	HARNESS	ハーネス	1		5001-			
05	YQ263G244071	CLIP	クリップ	1		5001-			

# RIGHT CONSOLE POCKET 右コンソールポケット

Applicable Model (適用機種): -

Mark (記号): -

Serial No. (適用号機): -



DCYA60004125A

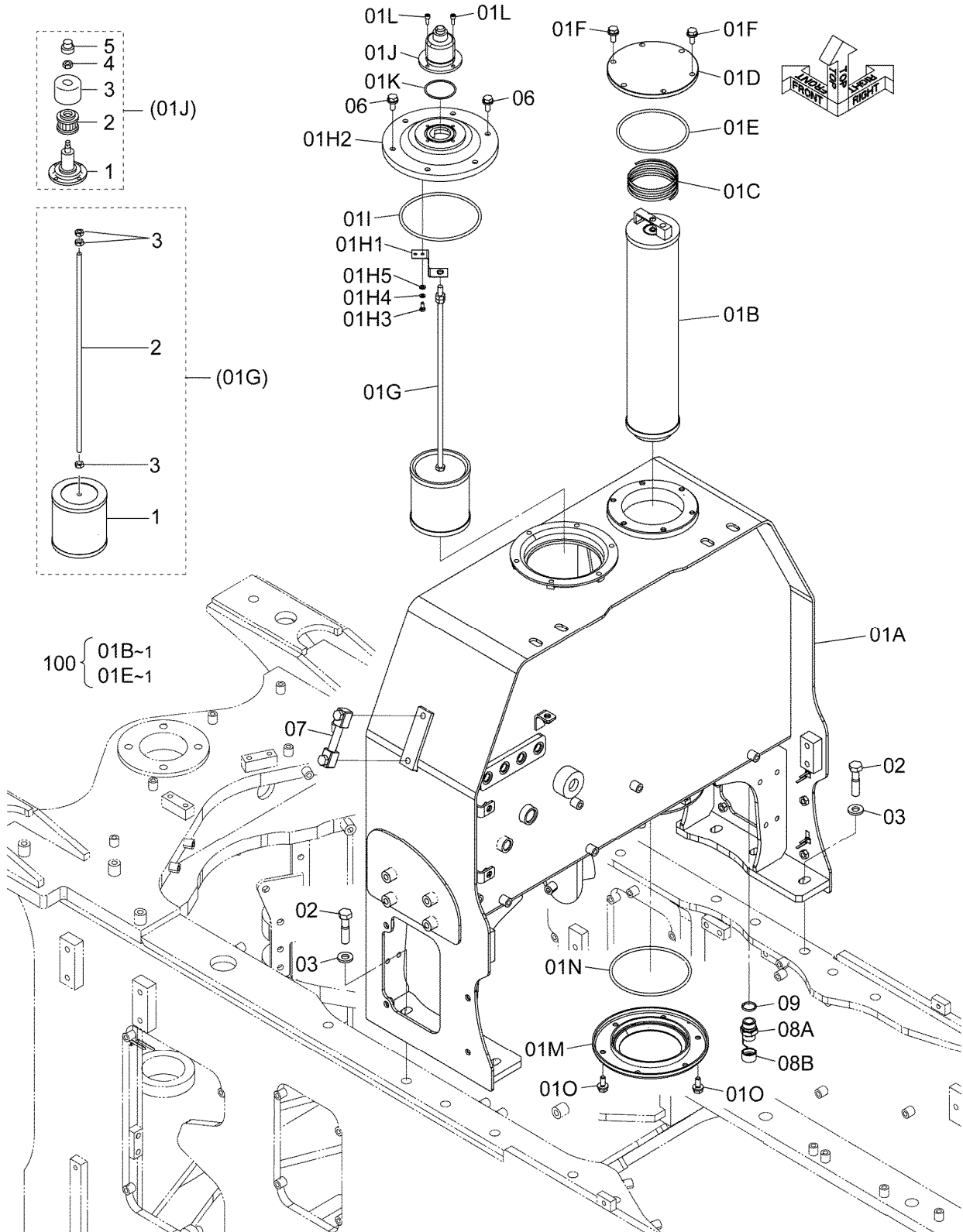


# OIL TANK オイルタンク

Applicable Model (適用機種): -

Mark (記号): -

Serial No. (適用号機): -



# OIL TANK

## オイルタンク

Applicable Model (適用機種): -

Mark(記号): -

Serial No. (適用号機): -

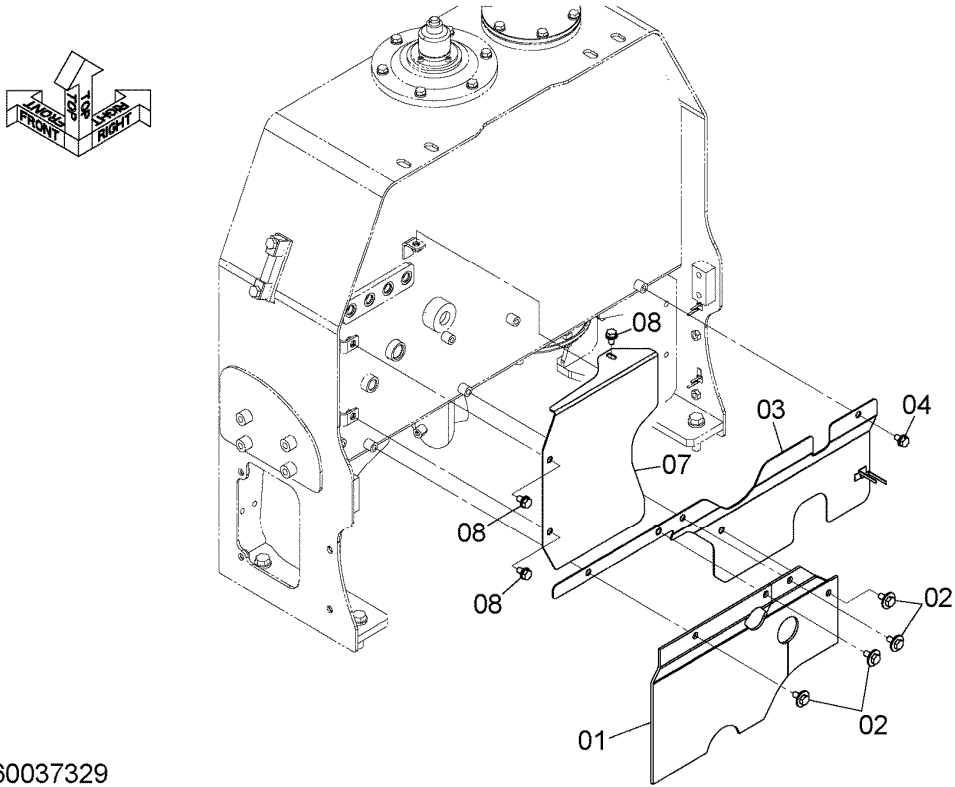
ITEM 符号	PART NO. 部品番号	PART NAME	部 品 名	Q' TY 数量	S. C サービ ス コート	SERIAL NO. 適用号機	ICA 互 換 性	REPLACEABLE PART 代 替 部 品	
								PART NO. 部品番号	Q' TY 数量
01	YQYA60047147	TANK, OIL	タンク, オイル	1		5001-			
01A	YQYA40015883	* TANK, OIL	* タンク, オイル	1		5001-			
01B	YQ4033860390	* ELEMENT, FILTER	* エlement, フィルタ	1	K	5001-			
01C	YQ44444482	* SPRING	* スプリング	1		5001-			
01D	YQ4443782	* COVER	* カバー	1		5001-			
01E	YQ997330	* RING, O	* リング, O	1	K	5001-			
01F	YQJ271025	* BOLT, W/WASHER	* ボルト (ワッシャ付)	6	D	5001-			
01G	YQ263F752091	* FILTER, SUCTION	* フィルタ, サクション	1		5001-			
01G1	YQ263F757011	** STRAINER	** ストレーナ	1		5001-			
01G2	YQ4349038	** ROD	** ロッド	1		5001-			
01G3	YQ0140100010	** NUT	** ナット	3		5001-			
01H	YQ9184556	* COVER	* カバー	1		5001-			
01H1	YQ4408661	** BRACKET	** ブラケット	1		5001-			
01H2	YQ1025093	** COVER	** カバー	1		5001-			
01H3	YQ4350623	** BOLT	** ボルト	1		5001-			
01H4	YQ4225466	** WASHER, SPRING	** ワッシャ, スプリング	1		5001-			
01H5	YQ4225472	** WASHER, PLANE	** ワッシャ, フレーン	1		5001-			
01I	YQA810160	* RING, O	* リング, O	1		5001-			
01J	YQ4434017	* BREATHER, AIR	* ブリーザー, エア	1		5001-			
01J1	YQ4437833	** BODY	** ボディ	1		5001-			
01J2	YQ4437838	** ELEMENT	** エlement	1		5001-			
01J3	YQ4437837	** COVER	** カバー	1		5001-			
01J4	YQ4371825	** NUT	** ナット	1		5001-			
01J5	YQ4437836	** CAP	** キャップ	1		5001-			
01K	YQA810060	* RING, O	* リング, O	1		5001-			
01L	YQJ780616	* BOLT, SOCKET	* ボルト, ソケット	4		5001-			
01M	YQ8023981	* COVER	* カバー	1		5001-			
01N	YQA810160	* RING, O	* リング, O	1		5001-			
01O	YQJ271025	* BOLT, W/WASHER	* ボルト (ワッシャ付)	6	D	5001-			
02	YQJ921665	BOLT	ボルト	6		5001-			
03	YQJ222016	WASHER	ワッシャ	6		5001-			
06	YQJ271025	BOLT, W/WASHER	ボルト (ワッシャ付)	6	D	5001-			
07	YQ263G752421	GAUGE, LEVEL	ゲージ, レベル	1		5001-			
08	YQ263G750061	PLUG, DRAIN	プラグ, ドレーン	1		5001-			
08A	YQ263G752311	* BODY	* ボディ	1		5001-			
08B	YQ263G752321	* CAP	* キャップ	1		5001-			
09	YQ4506424	RING, O	リング, O	1		5001-			
100	YQYA00049584	ELEMENT, FILTER	element, フィルタ	1		5001-			

# OIL TANK COVER オイルタンクカバー

Applicable Model (適用機種): -

Mark (記号): -

Serial No. (適用号機): -



DCYA60037329

# OIL TANK COVER

## オイルタンクカバー

Applicable Model (適用機種): -

Mark(記号): -

Serial No. (適用号機): -

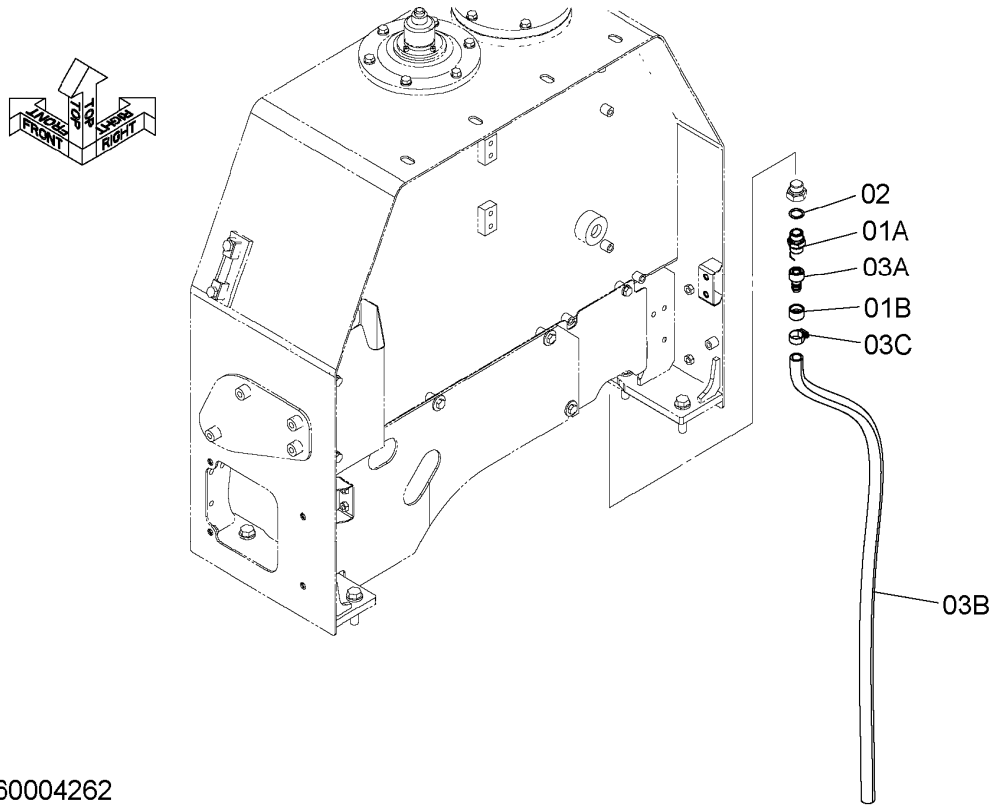
ITEM 符号	PART NO. 部品番号	PART NAME	部 品 名	Q' TY 数量	S. C サービ ス コート	SERIAL NO. 適用号機	I C A 互 換 性	REPLACEABLE PART 代 替 部 品	
								PART NO. 部品番号	Q' TY 数量
01	YQYA00048723	RUBBER	ラバ <sup>°</sup> -	1		5001-			
02	YQJ281025	BOLT, W/WASHER	ボ <sup>°</sup> ルト (ワッシャ付)	4	D	5001-			
03	YQYA40030699	COVER	カバ <sup>°</sup> -	1		5001-			
04	YQJ271020	BOLT, W/WASHER	ボ <sup>°</sup> ルト (ワッシャ付)	1	D	5001-			
07	YQYA00018230	COVER	カバ <sup>°</sup> -	1		5001-			
08	YQJ271020	BOLT, W/WASHER	ボ <sup>°</sup> ルト (ワッシャ付)	3	D	5001-			

REMOTE DRAIN (HYDRAULIC OIL) (EMERGENCY STEERING)  
リモートドレイン (作動油) (エマージェンシステアリング)

Applicable Model (適用機種): -

Mark (記号): -

Serial No. (適用号機): -



DCYA60004262

REMOTE DRAIN (HYDRALIC OIL) (EMERGENCY STEERING)  
 リモートドレイン (作動油) (エマージェンシステアリング)

Applicable Model (適用機種): -

Mark(記号): -

Serial No. (適用号機): -

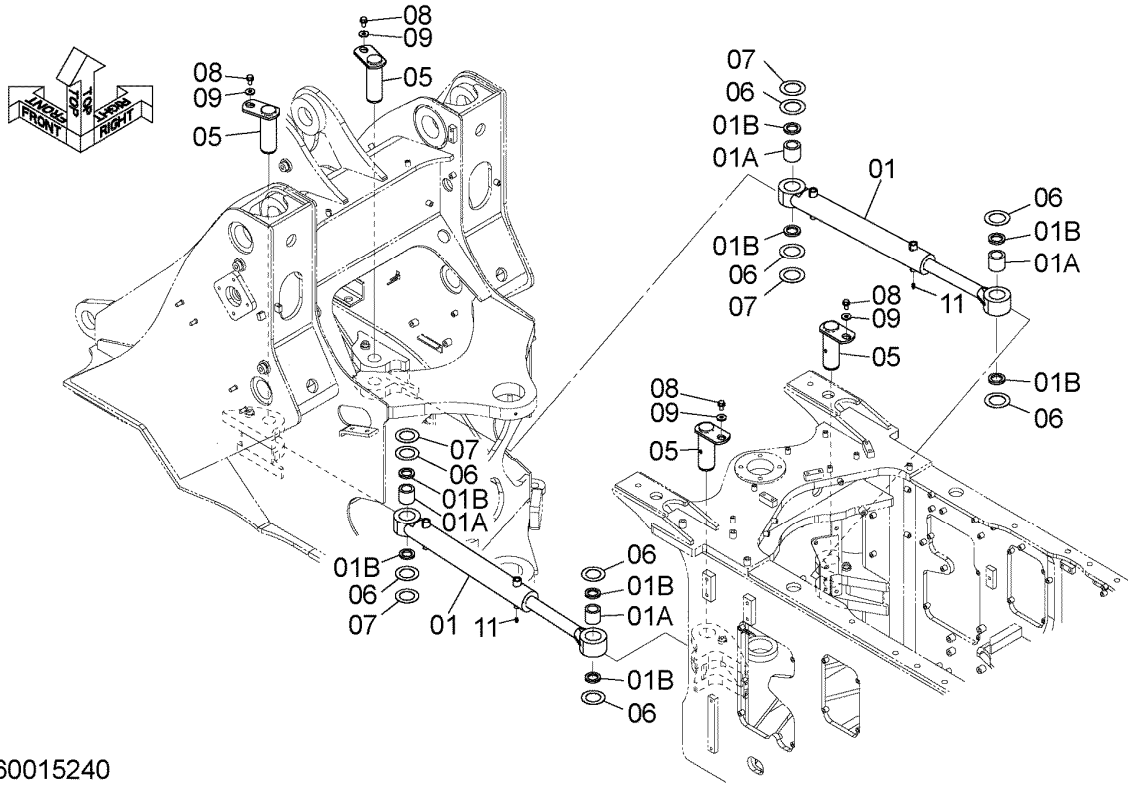
ITEM 符号	PART NO. 部品番号	PART NAME	部 品 名	Q' TY 数量	S. C サービ ス コート	SERIAL NO. 適用号機	ICA 互 換 性	REPLACEABLE PART 代 替 部 品	
								PART NO. 部品番号	Q' TY 数量
01	YQ263G750061	PLUG, DRAIN	プラグ, ドレイン	1		5001-			
01A	YQ263G752311	* BODY	* ボディ	1		5001-			
01B	YQ263G752321	* CAP	* キャップ	1		5001-			
02	YQ4506424	RING, O	リング, O	1		5001-			
03	YQ263G750071	HOSE	ホース	1		5001-			
03A	YQ263G752331	* PLUG, DRAIN	* プラグ, ドレイン	1		5001-			
03B	YQ0472019120	* HOSE, VINYL	* ホース, ビニール	1		5001-			
03C	YQ2406762271	* CLIP	* クリップ	1		5001-			

# STEERING CYLINDER PARTS ステアリングシリンダ用品

Applicable Model (適用機種): -

Mark (記号): -

Serial No. (適用号機): -



DCYA60015240

# STEERING CYLINDER PARTS

## ステアリングシリンダ用品

Applicable Model (適用機種): -

Mark(記号): -

Serial No. (適用号機): -

ITEM 符号	PART NO. 部品番号	PART NAME	部 品 名	Q' TY 数量	S. C サービ ス コート	SERIAL NO. 適用号機	ICA 互 換 性	REPLACEABLE PART 代 替 部 品	
								PART NO. 部品番号	Q' TY 数量
01	YQYA00016745	CYLINDER ASSY, STEERING	シリンダ <sup>°</sup> アッセン, ステアリング <sup>°</sup>	2	H	5001-			
01A	YQ4445477	* BUSHING	* ブッシング <sup>°</sup>	2		5001-			
01B	YQ263G847261	* SEAL	* シール	4		5001-			
05	YQYA40013411	PIN	ピン	4		5001-			
06	YQ2626872291	SPACER	スペーサ	12	R	5001-			
07	YQ263G452681	(t=1.0mm) SPACER	(t=1.0mm) スペーサ	4	R	5001-			
08	YQJ271225	(t=0.5mm) BOLT, W/WASHER	(t=0.5mm) ボルト (ワッシャ付)	4	D	5001-			
09	YQ2609642351	WASHER	ワッシャ	4		5001-			
11	YQ3890023510	ADAPTER	アダプタ	2		5001-			

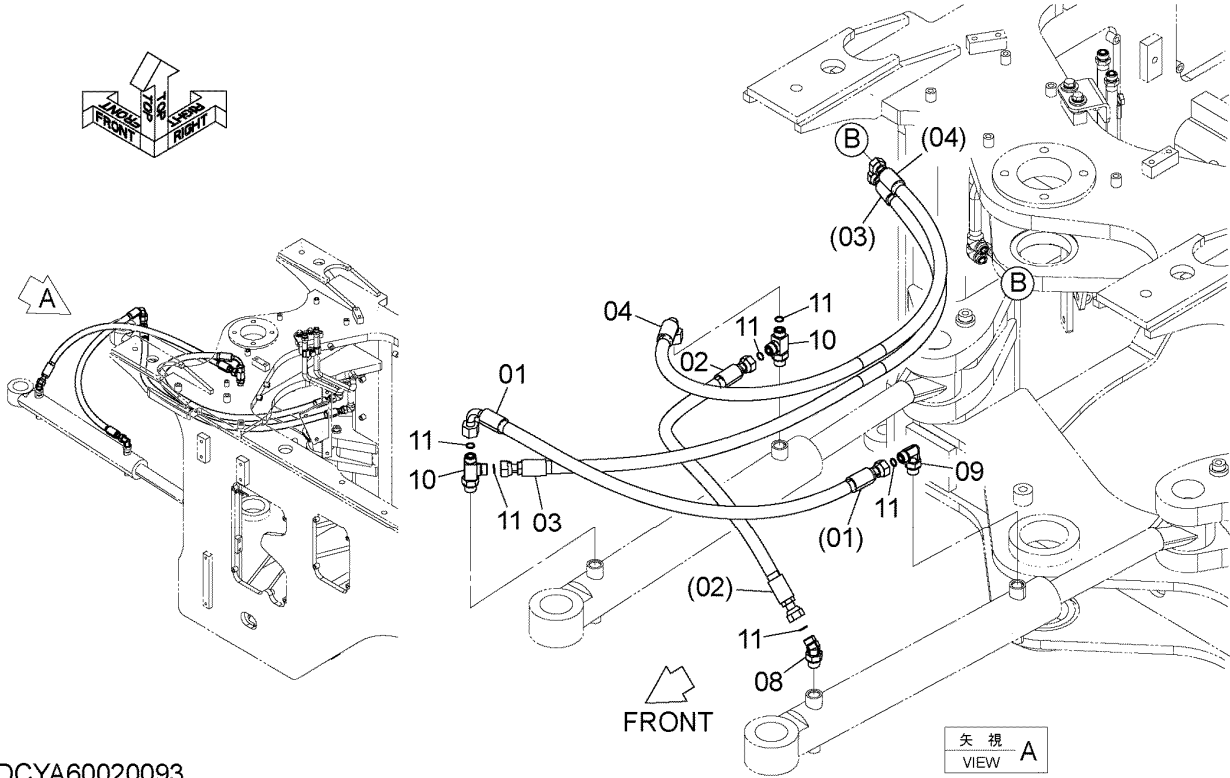
# STEERING PIPING (1)

## ステアリング配管 (1)

Applicable Model (適用機種): -

Mark (記号): -

Serial No. (適用号機): -



DCYA60020093

STEERING PIPING (1)  
ステアリング配管 (1)

Applicable Model (適用機種): -

Mark(記号): -

Serial No. (適用号機): -

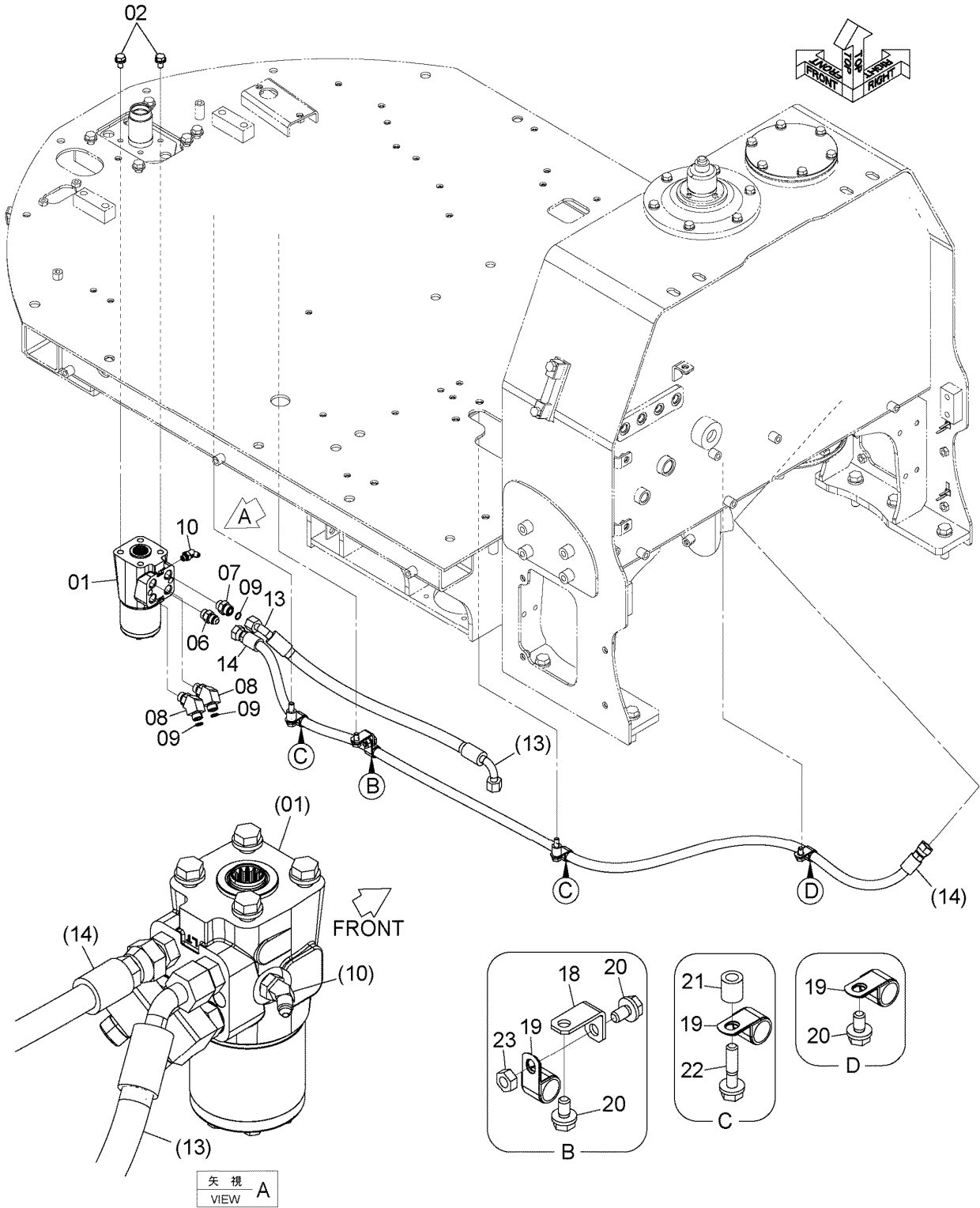
ITEM 符号	PART NO. 部品番号	PART NAME	部 品 名	Q' TY 数量	S. C サービ ス コート	SERIAL NO. 適用号機	ICA 互 換 性	REPLACEABLE PART 代 替 部 品	
								PART NO. 部品番号	Q' TY 数量
01	YQ4250062	HOSE	ホ-ス	1		5001-			
02	YQ4603738	HOSE	ホ-ス	1		5001-			
03	YQ4285805	HOSE	ホ-ス	1		5001-			
04	YQ4480460	HOSE	ホ-ス	1		5001-			
08	YQA853244	ELBOW	エルホ*	1		5001-			
08A	YQ4506418	* RING, O	* リング*, O	1		5001-			
09	YQA853344	ELBOW	エルホ*	1		5001-			
09A	YQ4506418	* RING, O	* リング*, O	1		5001-			
10	YQA853444	TEE	テイ-	2		5001-			
10A	YQ4506418	* RING, O	* リング*, O	1		5001-			
11	YQ4138938	RING, O	リング*, O	6		5001-			

# STEERING PIPING (2) ステアリング配管 (2)

Applicable Model (適用機種): -

Mark(記号): -

Serial No. (適用号機): -



DCYA60045922

STEERING PIPING (2)  
ステアリング配管 (2)

Applicable Model (適用機種): -

Mark(記号): -

Serial No. (適用号機): -

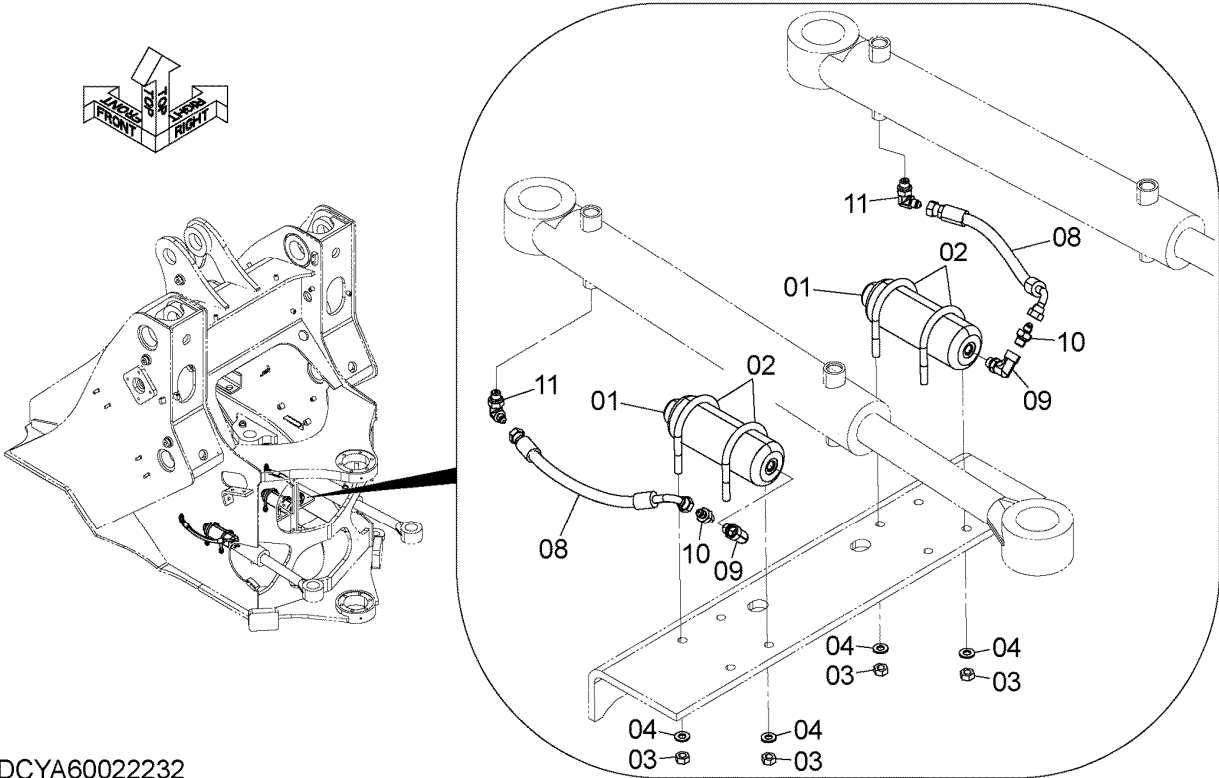
ITEM 符号	PART NO. 部品番号	PART NAME	部 品 名	Q' TY 数量	S. C サービ ス コード	SERIAL NO. 適用号機	ICA 互 換 性	REPLACEABLE PART 代 替 部 品	
								PART NO. 部品番号	Q' TY 数量
01	YQYA00020626	VALVE ASSY, STEERING	バルブ アッセン、ステアリング	1	H	5001-			
02	YQJ271020	BOLT, W/WASHER	ボルト (ワッシャ付)	4	D	5001-			
06	YQ4236730	ADAPTER SOCKET	アダプタ、ソケット	1		5001-			
06A	YQU10778U	* RING, O	* リング、O	1		5001-			
07	YQ4328871	ADAPTER SOCKET	アダプタ、ソケット	1		5001-			
07A	YQU10778U	* RING, O	* リング、O	1		5001-			
08	YQ4262118	ELBOW	エルボ	2		5001-			
08A	YQU10778U	* RING, O	* リング、O	1		5001-			
09	YQ4138938	RING, O	リング、O	3		5001-			
10	YQ2619792101	ELBOW	エルボ	1		5001-			
10A	YQ4510185	* RING, O	* リング、O	1		5001-			
13	YQXV00000186	HOSE	ホース	1		5001-			
14	YQ4642231	HOSE	ホース	1		5001-			
18	YQ263J222181	BRACKET	ブラケット	1		5001-			
19	YQ2675242671	CLIP	クリップ	4		5001-			
20	YQJ271020	BOLT, W/WASHER	ボルト (ワッシャ付)	3	D	5001-			
21	YQ2655542141	COLLAR	カラー	2		5001-			
22	YQJ271045	BOLT, W/WASHER	ボルト (ワッシャ付)	2	D	5001-			
23	YQJ950010	NUT	ナット	1		5001-			

# STEERING PIPING (3) ステアリング配管 (3)

Applicable Model (適用機種): -

Mark (記号): -

Serial No. (適用号機): -



DCYA60022232

STEERING PIPING (3)  
ステアリング配管 (3)

Applicable Model (適用機種): -

Mark(記号): -

Serial No. (適用号機): -

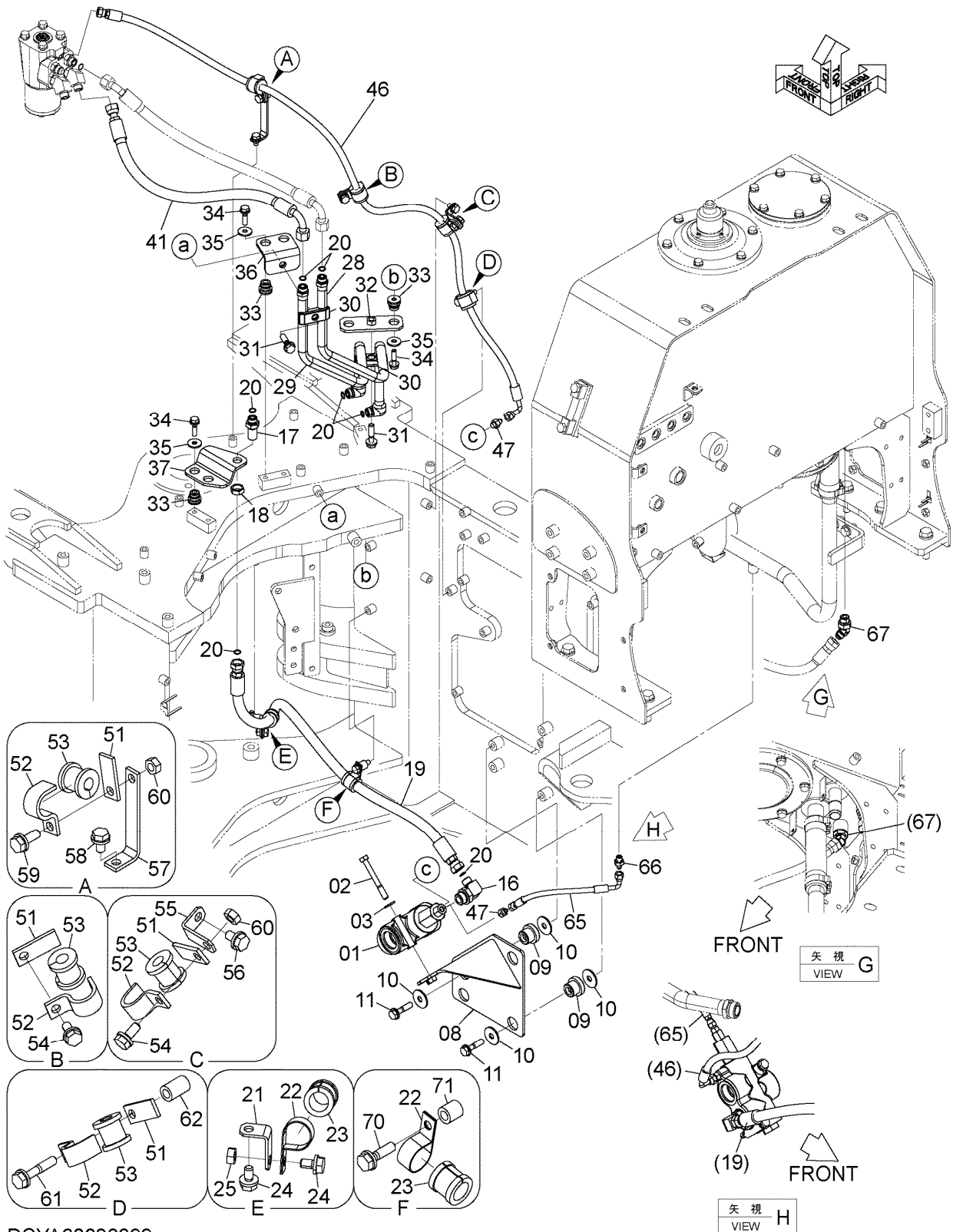
ITEM 符号	PART NO. 部品番号	PART NAME	部 品 名	Q' TY 数量	S. C サービ ス コート	SERIAL NO. 適用号機	ICA 互 換 性	REPLACEABLE PART 代 替 部 品	
								PART NO. 部品番号	Q' TY 数量
01	YQYA00024146	ACCUMULATOR	アキュムレータ	2	H	5001-			
02	YQ263G232591	BOLT, U	ボルト, U	4		5001-			
03	YQJ950010	NUT	ナット	8		5001-			
04	YQA590110	WASHER, PLANE	ワッシャ, フレーン	8		5001-			
08	YQ4648110	HOSE	ホース	2		5001-			
09	YQ4376846	ELBOW	エルボ	2		5001-			
09A	YQ957366	* RING, O	* リング, O	1		5001-			
10	YQ263G452181	ORIFICE, ADAPTER	オリフィス, アダプタ	2		5001-			
10A	YQ957366	* RING, O	* リング, O	1		5001-			
11	YQA852322	ELBOW	エルボ	2		5001-			
11A	YQ957366	* RING, O	* リング, O	1		5001-			

# STEERING PIPING (4) ステアリング配管 (4)

Applicable Model (適用機種): -

Mark (記号): -

Serial No. (適用号機): -



DCYA60038099

STEERING PIPING (4)  
ステアリング配管 (4)

Applicable Model (適用機種): -

Mark(記号): -

Serial No. (適用号機): -

ITEM 符号	PART NO. 部品番号	PART NAME	部 品 名	Q' TY 数量	S. C サービ ス コート	SERIAL NO. 適用号機	ICA 互 換 性	REPLACEABLE PART 代 替 部 品	
								PART NO. 部品番号	Q' TY 数量
01	YQYA00027271	VALVE, PRIORITY	バルブ, プライオリティ	1	H	5001-			
02	YQJ901200	BOLT	ボルト	2		5001-			
03	YQJ222012	WASHER	ワッシャ	2		5001-			
08	YQYA40030358	BRACKET	ブラケット	1		5001-			
09	YQ2660642251	RUBBER	ラバー	4		5001-			
10	YQ2631212021	WASHER	ワッシャ	8		5001-			
11	YQJ271255	BOLT, W/WASHER	ボルト (ワッシャ付)	4	D	5001-			
16	YQ4189411	ELBOW	エルボ	1		5001-			
16A	YQU12547U	* RING, O	* リング, O	1		5001-			
17	YQ4217505	ADAPTER SOCKET	アダプタ, ソケット	1		5001-			
18	YQ4217504	NUT	ナット	1		5001-			
19	YQ4250055	HOSE	ホース	1		5001-			
20	YQ4138938	RING, O	リング, O	7		5001-			
21	YQ263J222181	BRACKET	ブラケット	1		5001-			
22	YQ2660242381	CLIP	クリップ	2		5001-			
23	YQ263E212621	RUBBER	ラバー	2		5001-			
24	YQJ271020	BOLT, W/WASHER	ボルト (ワッシャ付)	2	D	5001-			
25	YQJ950010	NUT	ナット	1		5001-			
28	YQYA40014620	PIPE	パイプ	1		5001-			
29	YQYA40014621	PIPE	パイプ	1		5001-			
30	YQ4189858	CLAMP, PIPE	クランプ, パイプ	2		5001-			
31	YQJ271250	BOLT, W/WASHER	ボルト (ワッシャ付)	2	D	5001-			
32	YQYA40014623	BRACKET	ブラケット	1		5001-			
33	YQ2640732001	RUBBER	ラバー	6		5001-			
34	YQJ271040	BOLT, W/WASHER	ボルト (ワッシャ付)	6	D	5001-			
35	YQJ217083	WASHER	ワッシャ	6		5001-			
36	YQYA40014622	BRACKET	ブラケット	1		5001-			
37	YQYA00023091	BRACKET	ブラケット	1		5001-			
41	YQ4351099	HOSE	ホース	1		5001-			
46	YQ4284974	HOSE	ホース	1		5001-			
47	YQ2619792051	ADAPTER	アダプタ	2		5001-			
47A	YQ4510185	* RING, O	* リング, O	1		5001-			
51	YQ263F452311	PLATE	プレート	4		5001-			
52	YQ263F452321	CLAMP, HOSE	クランプ, ホース	4		5001-			
53	YQ263F452331	RUBBER	ラバー	4		5001-			
54	YQJ271025	BOLT, W/WASHER	ボルト (ワッシャ付)	2	D	5001-			
55	YQ263J222181	BRACKET	ブラケット	1		5001-			
56	YQJ271020	BOLT, W/WASHER	ボルト (ワッシャ付)	1	D	5001-			
57	YQ2682672021	BRACKET	ブラケット	1		5001-			
58	YQJ271020	BOLT, W/WASHER	ボルト (ワッシャ付)	1	D	5001-			
59	YQJ271030	BOLT, W/WASHER	ボルト (ワッシャ付)	1	D	5001-			
60	YQJ950010	NUT	ナット	2		5001-			
61	YQJ271055	BOLT, W/WASHER	ボルト (ワッシャ付)	1	D	5001-			
62	YQ2675675841	COLLAR	カラー	1		5001-			
65	YQ4687141	HOSE	ホース	1		5001-			

STEERING PIPING (4)  
ステアリング配管 (4)

Applicable Model (適用機種): -

Mark(記号): -

Serial No. (適用号機): -

ITEM 符号	PART NO. 部品番号	PART NAME	部 品 名	Q' TY 数量	S. C サービ ス コート	SERIAL NO. 適用号機	ICA 互 換 性	REPLACEABLE PART 代 替 部 品	
								PART NO. 部品番号	Q' TY 数量
66	YQA852122	ADAPTER SOCKET	アダプタ,ソケット	1		5001-			
66A	YQ957366	* RING, O	* リング, O	1		5001-			
67	YQA852244	ELBOW	エルボ	1		5001-			
67A	YQ4506418	* RING, O	* リング, O	1		5001-			
70	YQJ271040	BOLT, W/WASHER	ボルト (ワッシャ付)	1	D	5001-			
71	YQ2655542141	COLLAR	カラー	1		5001-			

---

MEMO

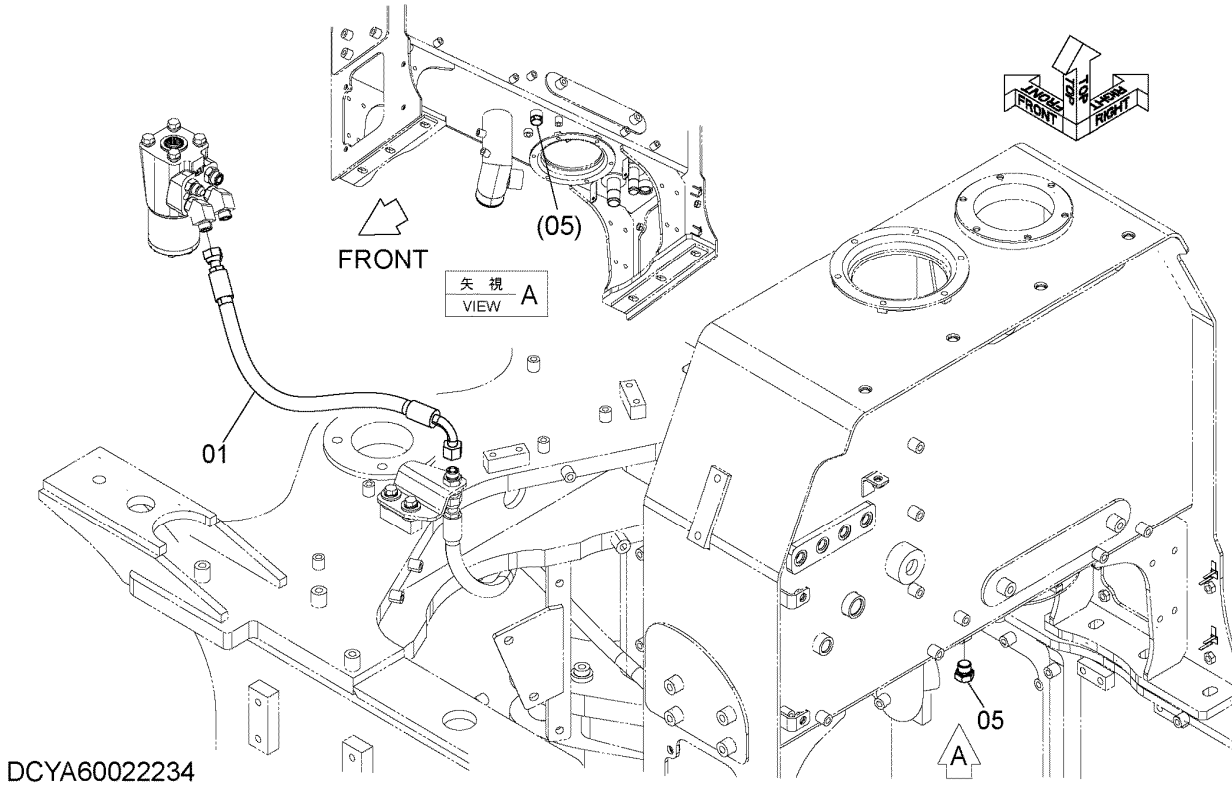
---

STEERING PIPING (WITHOUT EMERGENCY STEERING)  
ステアリング配管 (エマージェンシステアリング不付)

Applicable Model (適用機種): -

Mark (記号): -

Serial No. (適用号機): -







STEERING PIPING (WITH EMERGENCY STEERING) (WITH RIDE CONTROL)  
 ステアリング配管 (エマージェンシステアリング付) (ライドコントロール付)

Applicable Model (適用機種): -

Mark(記号): -

Serial No. (適用号機): -

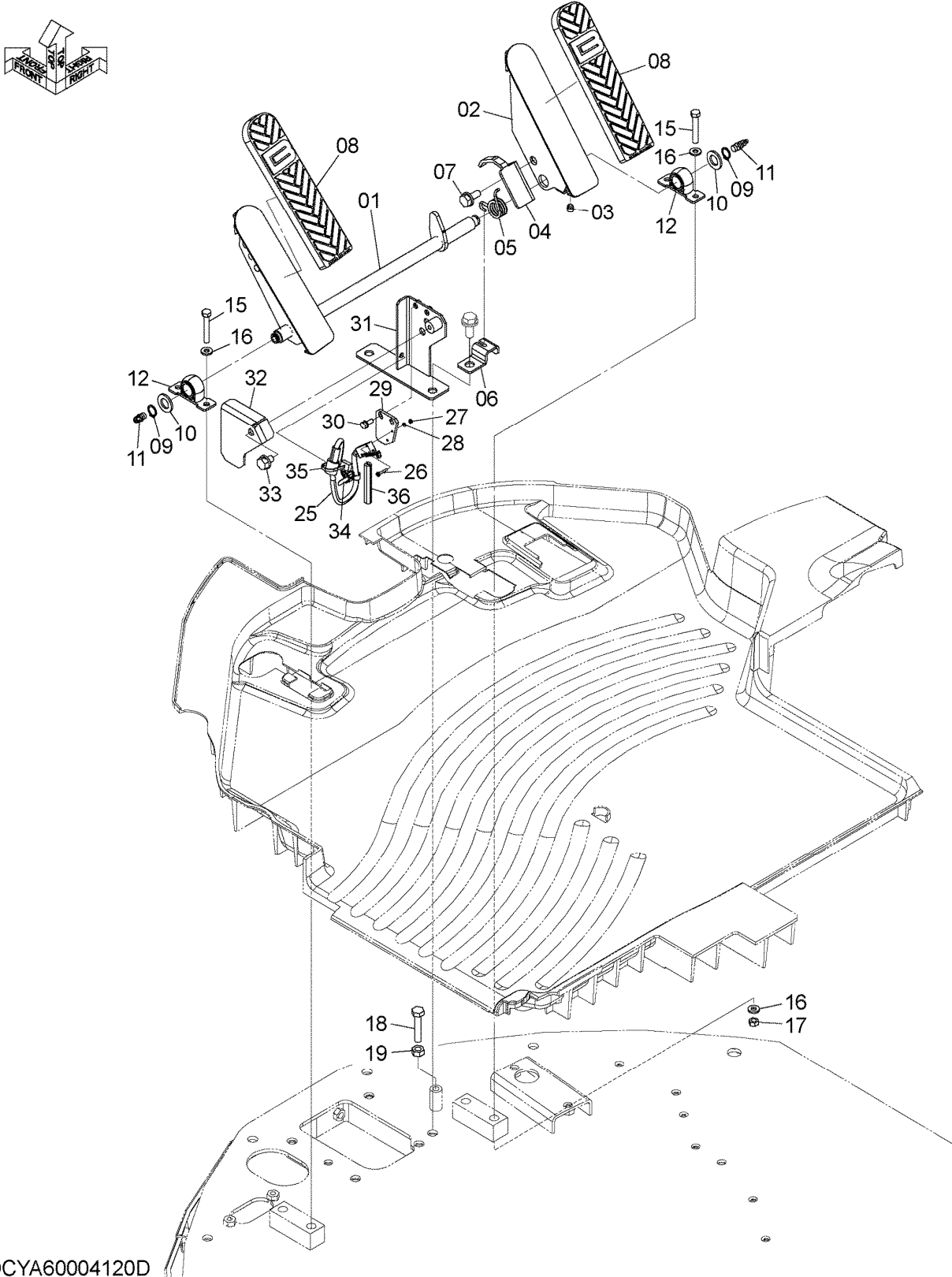
ITEM 符号	PART NO. 部品番号	PART NAME	部 品 名	Q'TY 数量	S. C サービ ス コート	SERIAL NO. 適用号機	ICA 互 換 性	REPLACEABLE PART 代 替 部 品	
								PART NO. 部品番号	Q'TY 数量
01	YQYA00003910	PUMP UNIT	ポンプ ユニット	1	H	5001-			
02	YQYA40010532	BRACKET	ブラケット	1		5001-			
03	YQJ271030	BOLT, W/WASHER	ボルト (ワッシャ付)	8	D	5001-			
06	YQYA00005448	VALVE, CHECK	バルブ, チェック	1	H	5001-			
07	YQJ271290	BOLT, W/WASHER	ボルト (ワッシャ付)	2	D	5001-			
09	YQYA40010531	BRACKET	ブラケット	1		5001-			
10	YQJ217083	WASHER	ワッシャ	3		5001-			
11	YQJ271040	BOLT, W/WASHER	ボルト (ワッシャ付)	3	D	5001-			
12	YQ2640732001	RUBBER	ラバー	3		5001-			
16	YQ4270454	HOSE	ホース	1		5001-			
17	YQA852144	ADAPTER SOCKET	アダプタ, ソケット	1		5001-			
17A	YQ4506418	* RING, O	* リング, O	1		5001-			
18	YQA852344	ELBOW	エルボ	1		5001-			
18A	YQ4506418	* RING, O	* リング, O	1		5001-			
21	YQ4227001	HOSE	ホース	1		5001-			
22	YQA852333	ELBOW	エルボ	1		5001-			
22A	YQ4509180	* RING, O	* リング, O	1		5001-			
23	YQA852233	ELBOW	エルボ	1		5001-			
23A	YQ4509180	* RING, O	* リング, O	1		5001-			
25	YQ2675242661	CLIP	クリップ	3		5001-			
26	YQJ271020	BOLT, W/WASHER	ボルト (ワッシャ付)	1	D	5001-			
27	YQJ950010	NUT	ナット	1		5001-			
28	YQ2661242081	BRACKET	ブラケット	1		5001-			
29	YQJ271025	BOLT, W/WASHER	ボルト (ワッシャ付)	1	D	5001-			
33	YQ4695355	HOSE	ホース	1		5001-			
34	YQ4489061	HOSE	ホース	1		5001-			
35	YQA853344	ELBOW	エルボ	1		5001-			
35A	YQ4506418	* RING, O	* リング, O	1		5001-			
36	YQA853244	ELBOW	エルボ	1		5001-			
36A	YQ4506418	* RING, O	* リング, O	1		5001-			
37	YQ4138938	RING, O	リング, O	2		5001-			
41	YQYA60023002	ASSY, HOSE (LABEL: T1)	アッシ, ホース (ラベル: T1)	1		5001-			
41A	YQXV00000261	* HOSE	* ホース	1		5001-			
42	YQA852422	TEE	ティー	1		5001-			
42A	YQ957366	* RING, O	* リング, O	1		5001-			
43	YQA852332	ELBOW	エルボ	1		5001-			
43A	YQ4509180	* RING, O	* リング, O	1		5001-			
44	YQ4190261	CLIP	クリップ	3		5001-			
45	YQJ271020	BOLT, W/WASHER	ボルト (ワッシャ付)	1	D	5001-			

# BRAKE PEDAL ブレーキペダル

Applicable Model (適用機種): -

Mark(記号): -

Serial No. (適用号機): -



DCYA60004120D

# BRAKE PEDAL

## ブレーキペダル

Applicable Model (適用機種): -

Mark(記号): -

Serial No. (適用号機): -

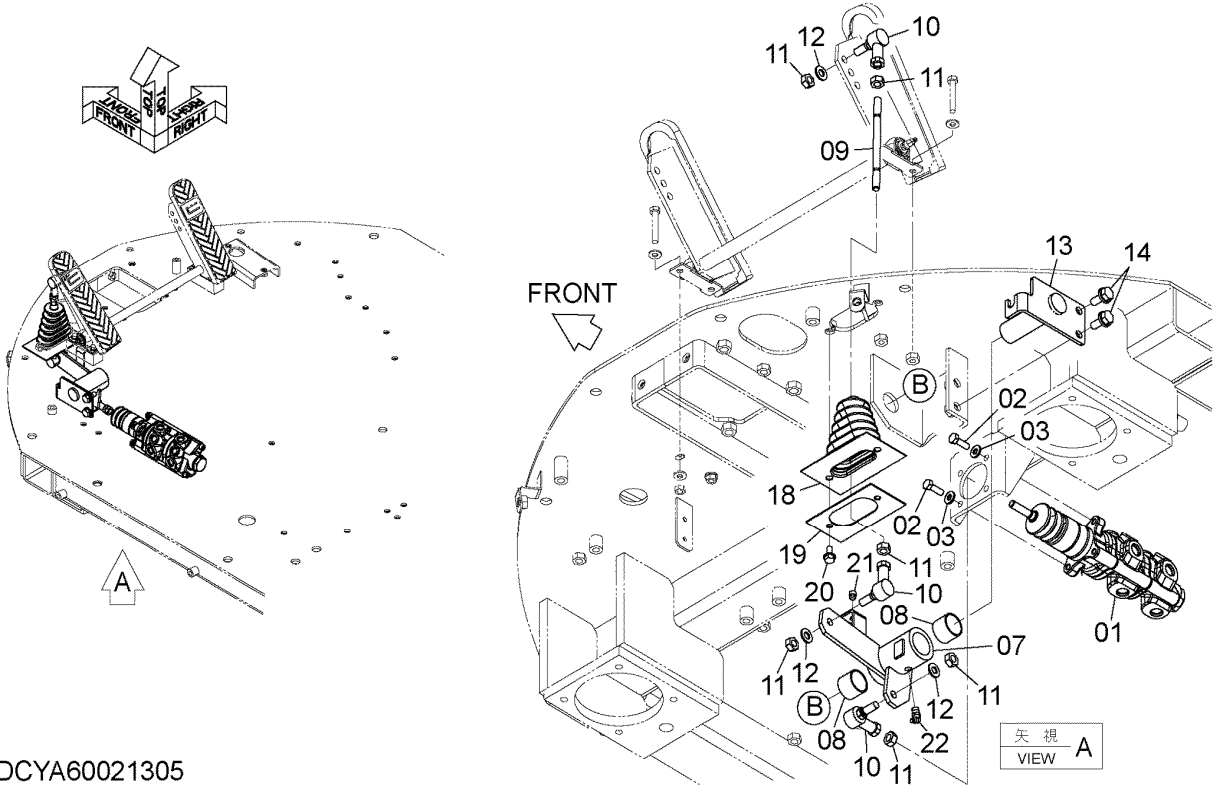
ITEM 符号	PART NO. 部品番号	PART NAME	部 品 名	Q' TY 数量	S. C サービ ス コート	SERIAL NO. 適用号機	ICA 互 換 性	REPLACEABLE PART 代 替 部 品	
								PART NO. 部品番号	Q' TY 数量
01	YQYA40003629	PEDAL ASSY, BRAKE	ペダル アッセン、ブレーキ	1		5001-			
02	YQYA40003630	PEDAL	ペダル	1		5001-			
03	YQ2323540091	STOPPER	ストッパ	1		5001-			
04	YQYA00005522	BRACKET	ブラケット	1		5001-			
05	YQYA00005523	SPRING	スプリング	1		5001-			
06	YQYA00005524	PLATE	プレート	1		5001-			
07	YQJ271025	BOLT, W/WASHER	ボルト (ワッシャ付)	1	D	5001-			
08	YQYA00005516	COVER, PEDAL	カバー、ペダル	2		5001-			
09	YQ991339	RING, RETAINER	リング、リテーナ	2		5001-			
10	YQA590116	WASHER, PLANE	ワッシャ、フレーン	2		5001-			
11	YQ0490100160	FITTING	フィッティング	2		5001-			
12	YQ2640542201	BEARING UNIT	ベアリング、ユニット	2		5001-			
15	YQ0110608050	BOLT	ボルト	4		5001-			
16	YQJ222008	WASHER	ワッシャ	6		5001-			
17	YQJ950008	NUT	ナット	2		5001-			
18	YQJ901045	BOLT	ボルト	1		5001-			
19	YQJ950010	NUT	ナット	1		5001-			
25	YQYA00005525	SWITCH, LIMIT	スイッチ、リミット	1		5001-			
26	YQJ680320	SCREW	スクリュ	2		5001-			
27	YQM500303	NUT	ナット	2		5001-			
28	YQA590103	WASHER, PLANE	ワッシャ、フレーン	2		5001-			
29	YQYA00005527	BRACKET	ブラケット	1		5001-			
30	YQJ260616	BOLT, W/WASHER	ボルト (ワッシャ付)	2	D	5001-			
31	YQYA40003631	BRACKET	ブラケット	1		5001-			
32	YQYA00005528	BRACKET	ブラケット	1		5001-			
33	YQJ271016	BOLT, W/WASHER	ボルト (ワッシャ付)	1	D	5001-			
34	YQ4254600	CLIP	クリップ	1		5001-			
35	YQ0491311200	CLIP	クリップ	1		5001-			
36	YQ5619060261	SEAL	シール	1		5001-			

# BRAKE (LINKAGE) ブレーキ (リンク)

Applicable Model (適用機種): -

Mark (記号): -

Serial No. (適用号機): -



DCYA60021305

**BRAKE (LINKAGE)**  
**ブレーキ (リンク)**

Applicable Model (適用機種): -

Mark(記号): -

Serial No. (適用号機): -

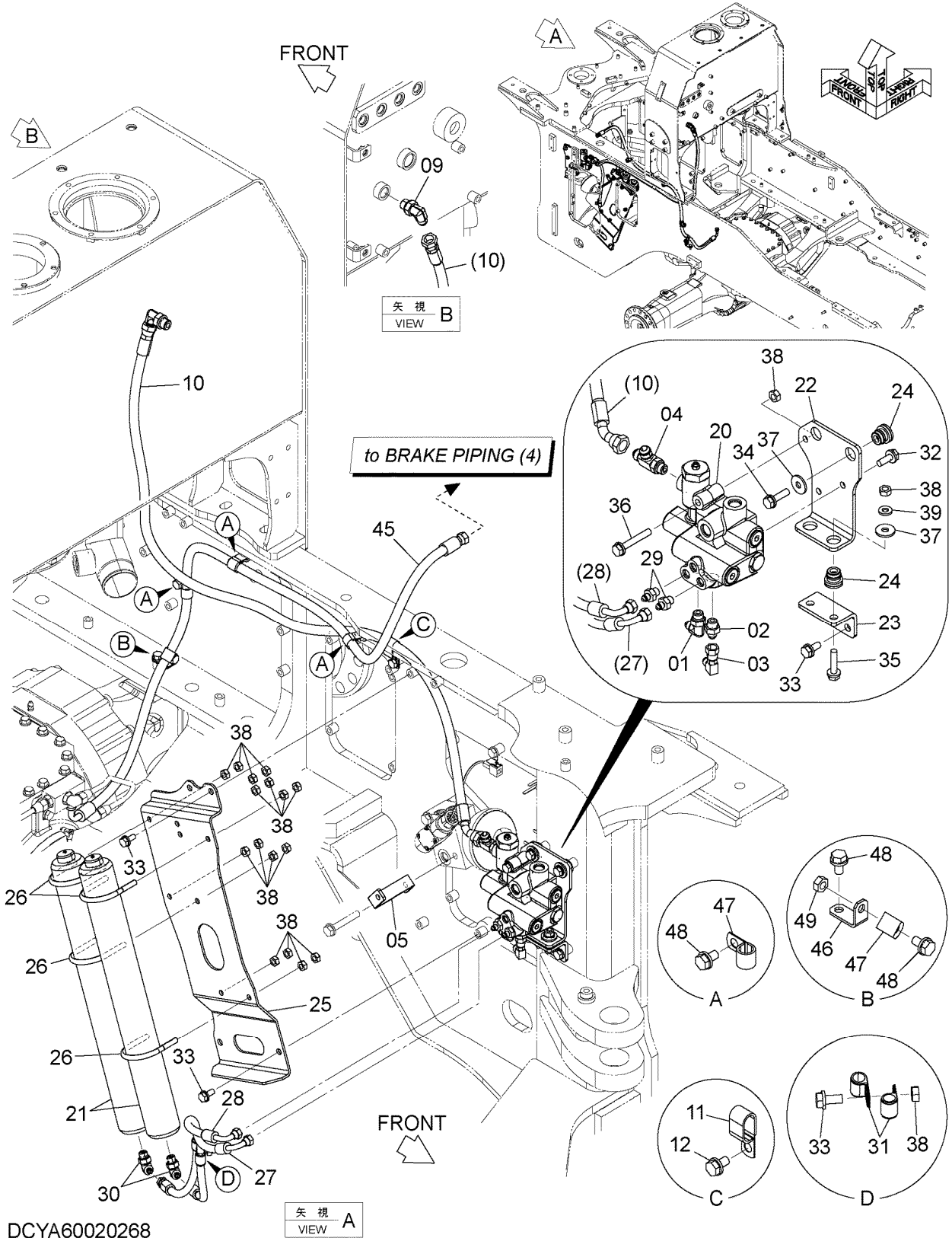
ITEM 符号	PART NO. 部品番号	PART NAME	部 品 名	Q' TY 数量	S. C サービ ス コート	SERIAL NO. 適用号機	I C A 互 換 性	REPLACEABLE PART 代 替 部 品	
								PART NO. 部品番号	Q' TY 数量
01	YQYA00018735	VALVE, BRAKE	バルブ, ブレーキ	1	H	5001-			
02	YQ0110608025	BOLT	ボルト	4		5001-			
03	YQJ222008	WASHER	ワッシャ	4		5001-			
07	YQYA40003632	LINK	リンク	1		5001-			
08	YQ2626542031	BUSHING	ブッシング	2		5001-			
09	YQ2640542051	ROD	ロッド	1		5001-			
10	YQ4722821	JOINT, BALL	ジョイント, ボール	3		5001-			
11	YQJ950010	NUT	ナット	6		5001-			
12	YQA590110	WASHER, PLANE	ワッシャ, フレーン	3		5001-			
13	YQ263E542061	PIN	ピン	1		5001-			
14	YQJ271025	BOLT, W/WASHER	ボルト (ワッシャ付)	2	D	5001-			
18	YQ2650742021	BOOT	ブーツ	1		5001-			
19	YQ263E542041	PLATE	プレート	1		5001-			
20	YQJ260816	BOLT, W/WASHER	ボルト (ワッシャ付)	2	D	5001-			
21	YQ2323540091	STOPPER	ストッパ	1		5001-			
22	YQ0490100160	FITTING	フィッティング	1		5001-			

# BRAKE PIPING (1) ブレーキ配管 (1)

Applicable Model (適用機種): -

Mark (記号): -

Serial No. (適用号機): -



DCYA60020268

# BRAKE PIPING (1)

## ブレーキ配管 (1)

Applicable Model (適用機種): -

Mark(記号): -

Serial No. (適用号機): -

ITEM 符号	PART NO. 部品番号	PART NAME	部 品 名	Q' TY 数量	S. C サービ ス コート	SERIAL NO. 適用号機	ICA 互 換 性	REPLACEABLE PART 代 替 部 品	
								PART NO. 部品番号	Q' TY 数量
01	YQA852333	ELBOW	エルボ	1		5001-			
01A	YQ4509180	* RING, O	* リング, O	1		5001-			
02	YQA852133	ADAPTER SOCKET	アダプタ, ソケット	1		5001-			
02A	YQ4509180	* RING, O	* リング, O	1		5001-			
03	YQ4239976	UNION	ユニオン	1		5001-			
04	YQA852434	TEE	ティー	1		5001-			
04A	YQ4509180	* RING, O	* リング, O	1		5001-			
05	YQYA00006005	BRACKET	ブラケット	1		5001-			
09	YQA852344	ELBOW	エルボ	1		5001-			
09A	YQ4506418	* RING, O	* リング, O	1		5001-			
10	YQ4278813	HOSE	ホース	1		5001-			
11	YQ4190282	CLIP	クリップ	1		5001-			
12	YQJ271020	BOLT, W/WASHER	ボルト (ワッシャ付)	1	D	5001-			
20	YQYA00003912	VALVE	バルブ	1	H	5001-			
21	YQYA00003913	ACCUMULATOR	アキュムレータ	2	H	5001-			
22	YQYA00006029	BRACKET	ブラケット	1		5001-			
23	YQYA00006030	BRACKET	ブラケット	1		5001-			
24	YQ2640732001	RUBBER	ラバー	4		5001-			
25	YQYA00023092	BRACKET	ブラケット	1		5001-			
26	YQ263G743801	BOLT, U	ボルト, U	4		5001-			
27	YQXV00000197	HOSE	ホース	1		5001-			
28	YQ4344611	HOSE	ホース	1		5001-			
29	YQA852122	ADAPTER SOCKET	アダプタ, ソケット	2		5001-			
29A	YQ957366	* RING, O	* リング, O	1		5001-			
30	YQA852332	ELBOW	エルボ	2		5001-			
30A	YQ4509180	* RING, O	* リング, O	1		5001-			
31	YQ2675242641	CLIP	クリップ	2		5001-			
32	YQJ271030	BOLT, W/WASHER	ボルト (ワッシャ付)	2	D	5001-			
33	YQJ271025	BOLT, W/WASHER	ボルト (ワッシャ付)	7	D	5001-			
34	YQJ271040	BOLT, W/WASHER	ボルト (ワッシャ付)	2	D	5001-			
35	YQJ271045	BOLT, W/WASHER	ボルト (ワッシャ付)	2	D	5001-			
36	YQJ271070	BOLT, W/WASHER	ボルト (ワッシャ付)	1	D	5001-			
37	YQJ217083	WASHER	ワッシャ	4		5001-			
38	YQJ950010	NUT	ナット	20		5001-			
39	YQJ222010	WASHER	ワッシャ	2		5001-			
45	YQ4315349	HOSE	ホース	1		5001-			
46	YQ263J222181	BRACKET	ブラケット	1		5001-			
47	YQ4190273	CLIP	クリップ	4		5001-			
48	YQJ271020	BOLT, W/WASHER	ボルト (ワッシャ付)	5	D	5001-			
49	YQJ950010	NUT	ナット	1		5001-			

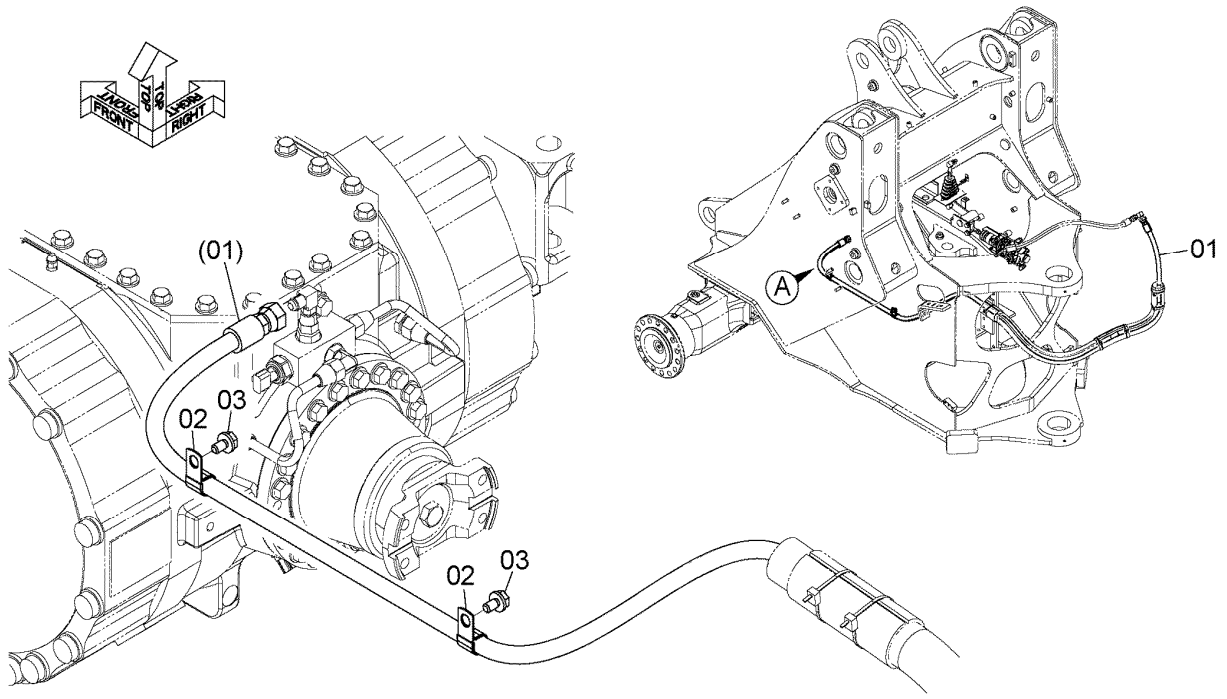
# BRAKE PIPING (2)

## ブレーキ配管 (2)

Applicable Model (適用機種): -

Mark (記号): -

Serial No. (適用号機): -



詳細	A
DETAIL	

DCYA60045550

BRAKE PIPING (2)

ブレーキ配管 (2)

Applicable Model (適用機種): -

Mark(記号): -

Serial No. (適用号機): -

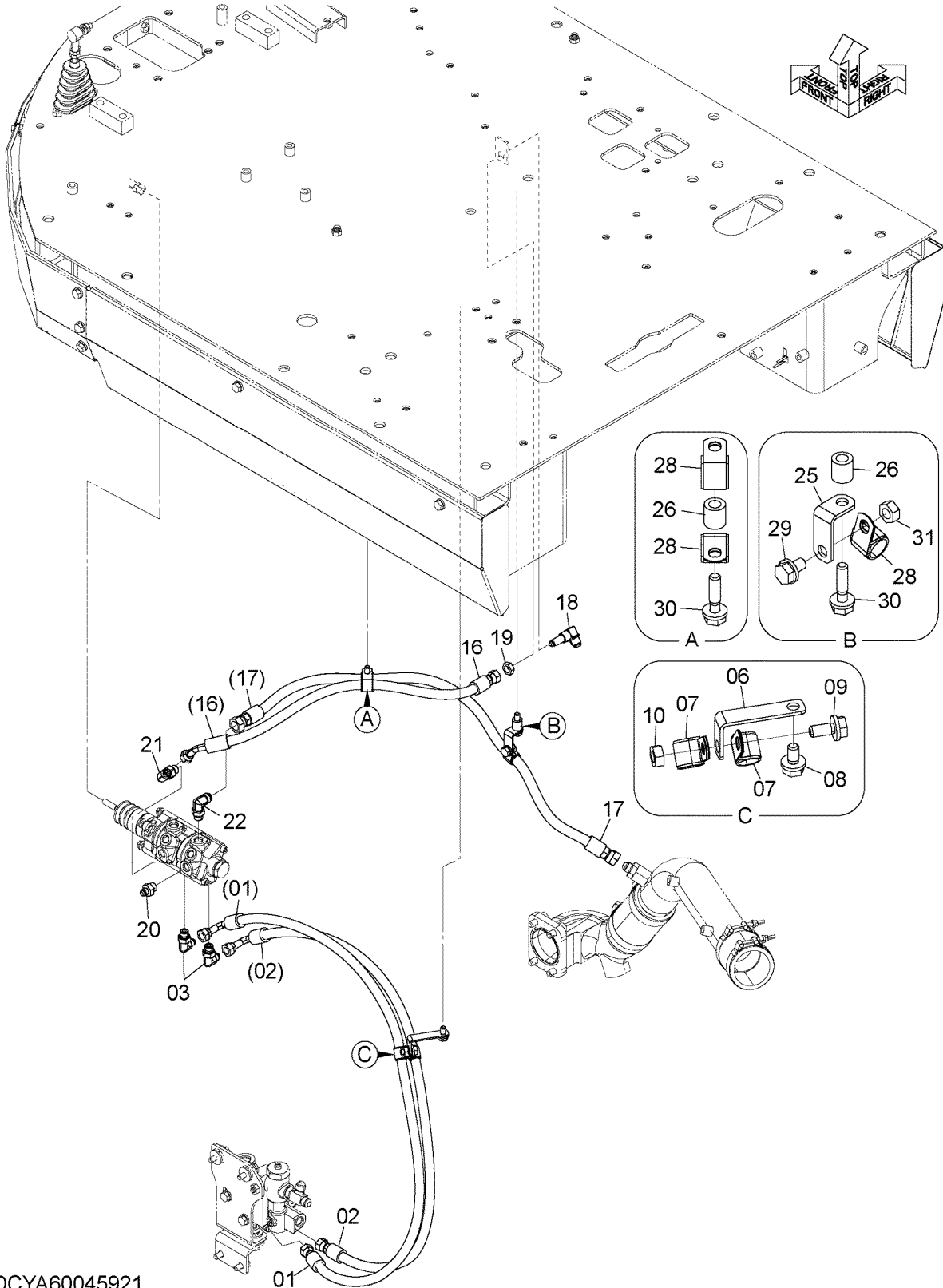
ITEM 符号	PART NO. 部品番号	PART NAME	部 品 名	Q' TY 数量	S. C サービ ス コート	SERIAL NO. 適用号機	ICA 互 換 性	REPLACEABLE PART 代 替 部 品	
								PART NO. 部品番号	Q' TY 数量
01	YQ4305139	HOSE	ホース	1		5001-			
02	YQ4190273	CLIP	クリップ	2		5001-			
03	YQJ271020	BOLT, W/WASHER	ボルト (ワッシャ付)	2	D	5001-			

# BRAKE PIPING (3) ブレーキ配管 (3)

Applicable Model (適用機種): -

Mark (記号): -

Serial No. (適用号機): -



DCYA60045921

## BRAKE PIPING (3)

## ブレーキ配管 (3)

Applicable Model (適用機種): -

Mark(記号): -

Serial No. (適用号機): -

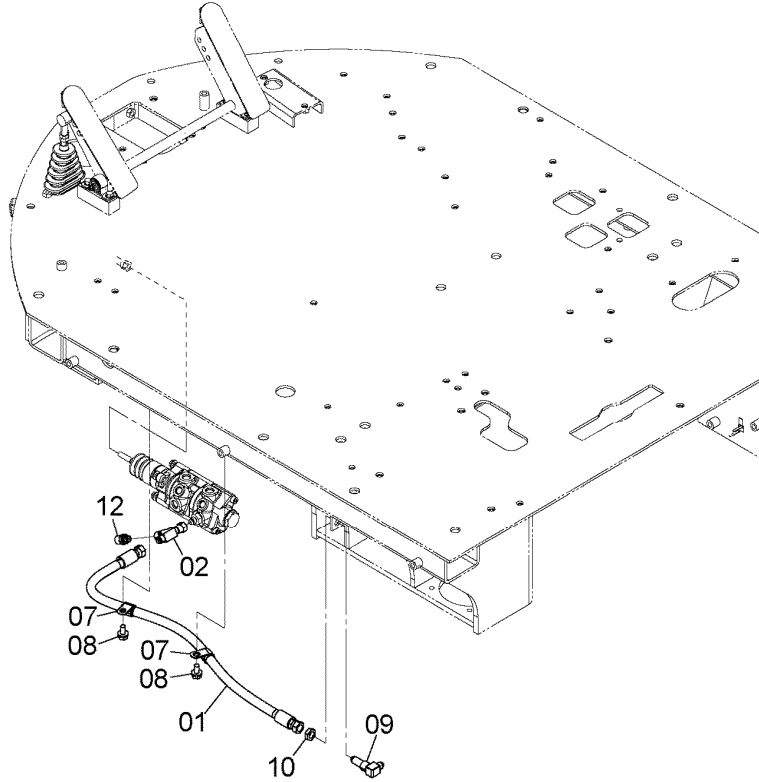
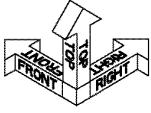
ITEM 符号	PART NO. 部品番号	PART NAME	部 品 名	Q' TY 数量	S. C サービ ス コート	SERIAL NO. 適用号機	ICA 互 換 性	REPLACEABLE PART 代 替 部 品	
								PART NO. 部品番号	Q' TY 数量
01	YQ4655596	HOSE (LABEL:12)	ホース (ラベル:12)	1		5001-			
02	YQ4315345	HOSE	ホース	1		5001-			
03	YQA852333	ELBOW	エルボ	2		5001-			
03A	YQ4509180	* RING, O	* リング, O	1		5001-			
06	YQ2661242081	BRACKET	ブ ラケ ッ ト	1		5001-			
07	YQ2675242661	CLIP	ク リ ッ プ	2		5001-			
08	YQJ271020	BOLT, W/WASHER	ボ ル ト (ワッシャ付)	1	D	5001-			
09	YQJ271025	BOLT, W/WASHER	ボ ル ト (ワッシャ付)	1	D	5001-			
10	YQJ950010	NUT	ナ ッ ト	1		5001-			
16	YQ4614048	HOSE	ホース	1		5001-			
17	YQ4675018	HOSE (LABEL:PD)	ホース (ラベル:PD)	1		5001-			
18	YQYA00015142	ELBOW	エルボ	1		5001-			
19	YQ4202531	NUT	ナ ッ ト	1		5001-			
20	YQA852133	ADAPTER SOCKET	ア ダ プ タ, ソ ケ ッ ト	1		5001-			
20A	YQ4509180	* RING, O	* リング, O	1		5001-			
21	YQA852333	ELBOW	エルボ	1		5001-			
21A	YQ4509180	* RING, O	* リング, O	1		5001-			
22	YQA852334	ELBOW	エルボ	1		5001-			
22A	YQ4509180	* RING, O	* リング, O	1		5001-			
25	YQ263J222181	BRACKET	ブ ラケ ッ ト	1		5001-			
26	YQ2655542141	COLLAR	カ ラ ー	2		5001-			
28	YQ2675242671	CLIP	ク リ ッ プ	3		5001-			
29	YQJ271020	BOLT, W/WASHER	ボ ル ト (ワッシャ付)	1	D	5001-			
30	YQJ271040	BOLT, W/WASHER	ボ ル ト (ワッシャ付)	2	D	5001-			
31	YQJ950010	NUT	ナ ッ ト	1		5001-			

# BRAKE PIPING (4) ブレーキ配管 (4)

Applicable Model (適用機種): -

Mark(記号): -

Serial No. (適用号機): -



DCYA60015239\_PD770

BRAKE PIPING (4)

ブレーキ配管 (4)

Applicable Model (適用機種): -

Mark(記号): -

Serial No. (適用号機): -

ITEM 符号	PART NO. 部品番号	PART NAME	部 品 名	Q' TY 数量	S. C サービ ス コート	SERIAL NO. 適用号機	ICA 互 換 性	REPLACEABLE PART 代 替 部 品	
								PART NO. 部品番号	Q' TY 数量
01	YQ4418153	HOSE	ホース	1		5001-			
02	YQ4399352	UNION	ユニオン	1		5001-			
07	YQ2675242661	CLIP	クリップ	2		5001-			
08	YQJ271020	BOLT, W/WASHER	ボルト (ワッシャ付)	2	D	5001-			
09	YQ4285863	ELBOW	エルボ	1		5001-			
10	YQ4202531	NUT	ナット	1		5001-			
12	YQ3890023510	ADAPTER	アダプタ	1		5001-			

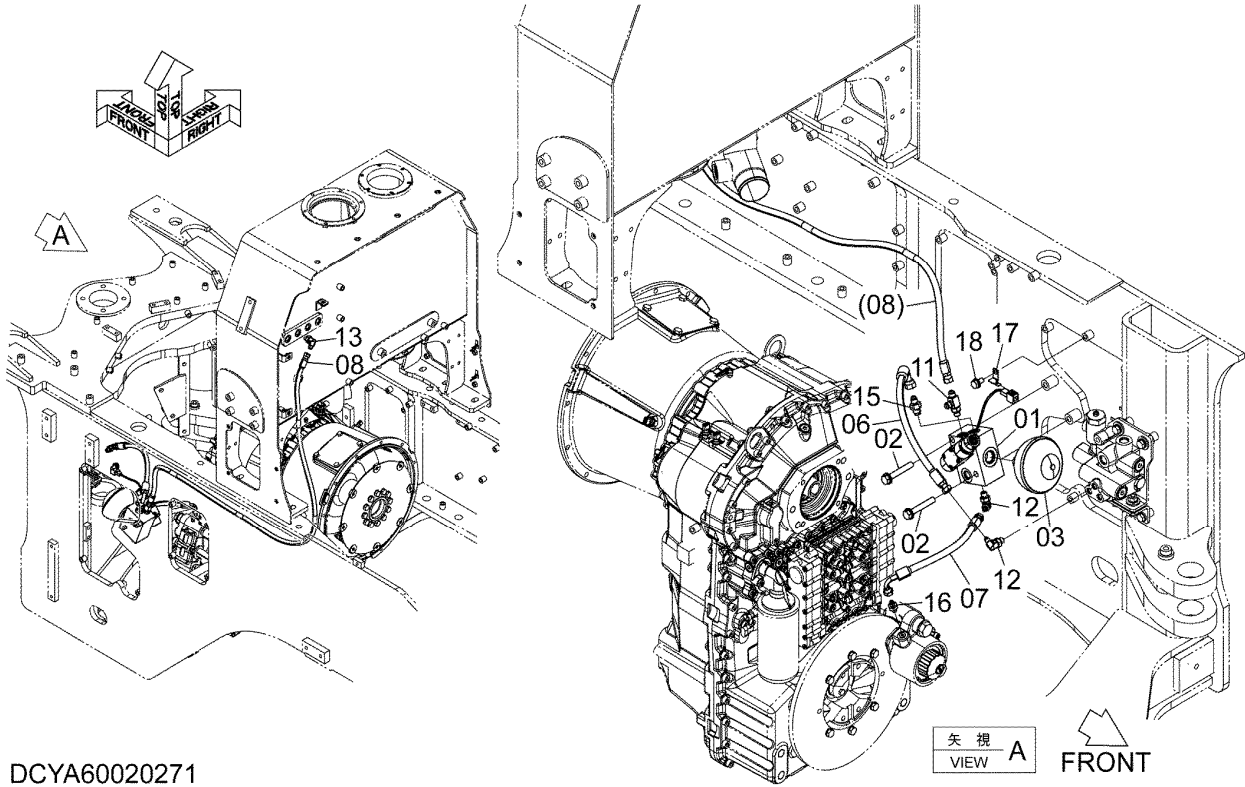
# PARKING BRAKE

## 駐車ブレーキ

Applicable Model (適用機種): -

Mark (記号): -

Serial No. (適用号機): -



DCYA60020271

# PARKING BRAKE

## 駐車ブレーキ

Applicable Model (適用機種): -

Mark(記号): -

Serial No. (適用号機): -

ITEM 符号	PART NO. 部品番号	PART NAME	部 品 名	Q' TY 数量	S. C サービ ス コード	SERIAL NO. 適用号機	ICA 互 換 性	REPLACEABLE PART 代 替 部 品	
								PART NO. 部品番号	Q' TY 数量
01	+++++	VALVE, SOLENOID (for assembly of machine) (本体組立用)	バルブ, ソレノイド	1	DH	5001-	I	YQYB60001068	1
01	YQYB60001068	VALVE, SOLENOID (for transportation)	バルブ, ソレノイド (サービスパーツ用)	1	S	5001-			
02	YQJ271280	BOLT, W/WASHER	ボルト (ワッシャ付)	2	D	5001-			
03	YQYA00003914	ACCUMULATOR	アキュレータ	1	H	5001-			
06	YQXV00000062	HOSE	ホース	1		5001-			
07	YQ4311075	HOSE	ホース	1		5001-			
08	YQ4258879	HOSE	ホース	1		5001-			
11	YQA852423	TEE	ティー	1		5001-			
11A	YQ957366	* RING, O	* リング, O	1		5001-			
12	YQA852322	ELBOW	エルボ	2		5001-			
12A	YQ957366	* RING, O	* リング, O	1		5001-			
13	YQA852333	ELBOW	エルボ	1		5001-			
13A	YQ4509180	* RING, O	* リング, O	1		5001-			
15	YQ263G542641	VALVE, CHECK	バルブ, チェック	1	H	5001-			
16	YQ263G542631	ADAPTER	アダプタ	1		5001-			
17	YQ4257159	BRACKET	ブラケット	1		5001-			
18	YQJ271020	BOLT, W/WASHER	ボルト (ワッシャ付)	1	D	5001-			

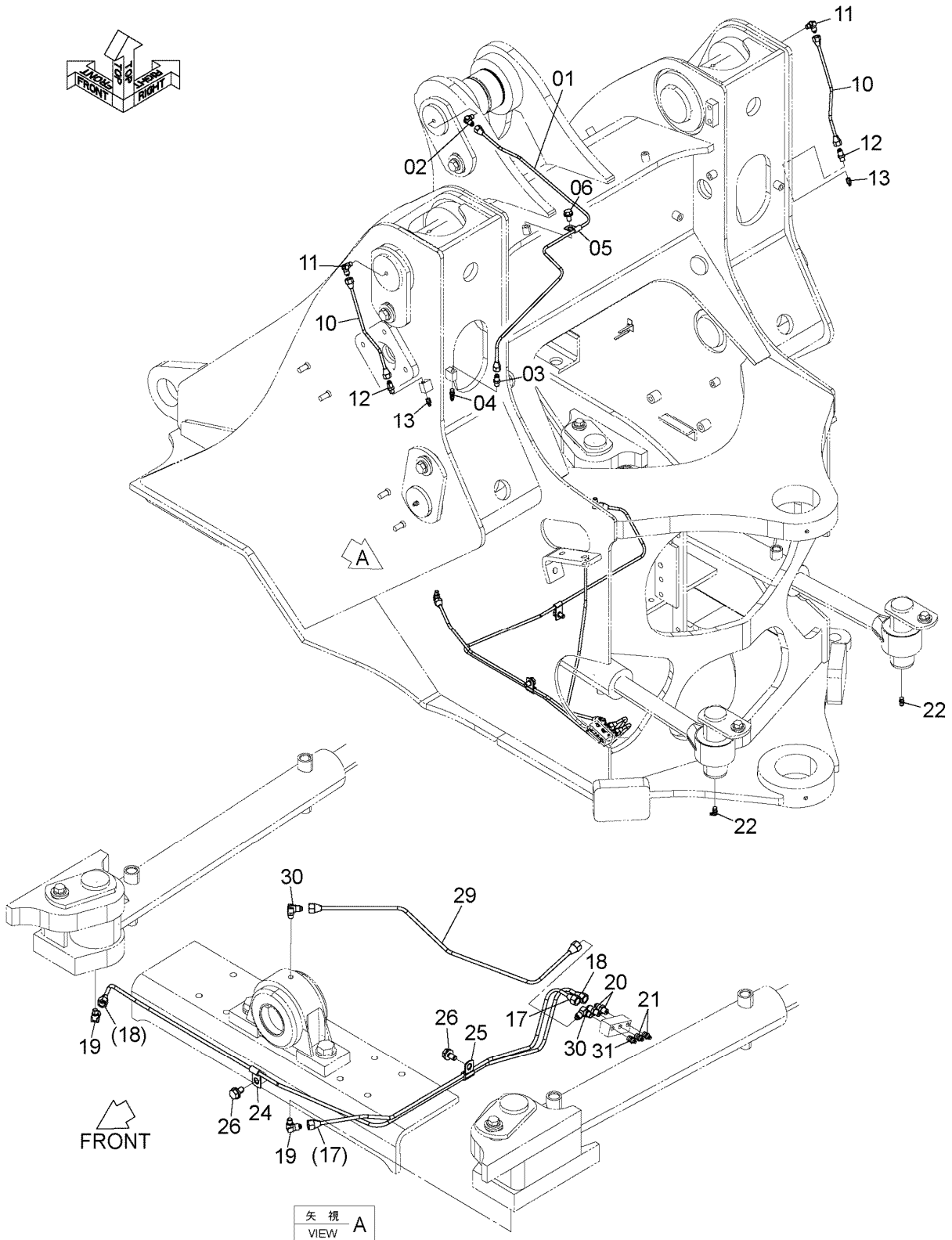
# LUBRICATE PIPING (1)

## 給脂配管 (1)

Applicable Model (適用機種): -

Mark(記号): -

Serial No. (適用号機): -



DCYA60039605



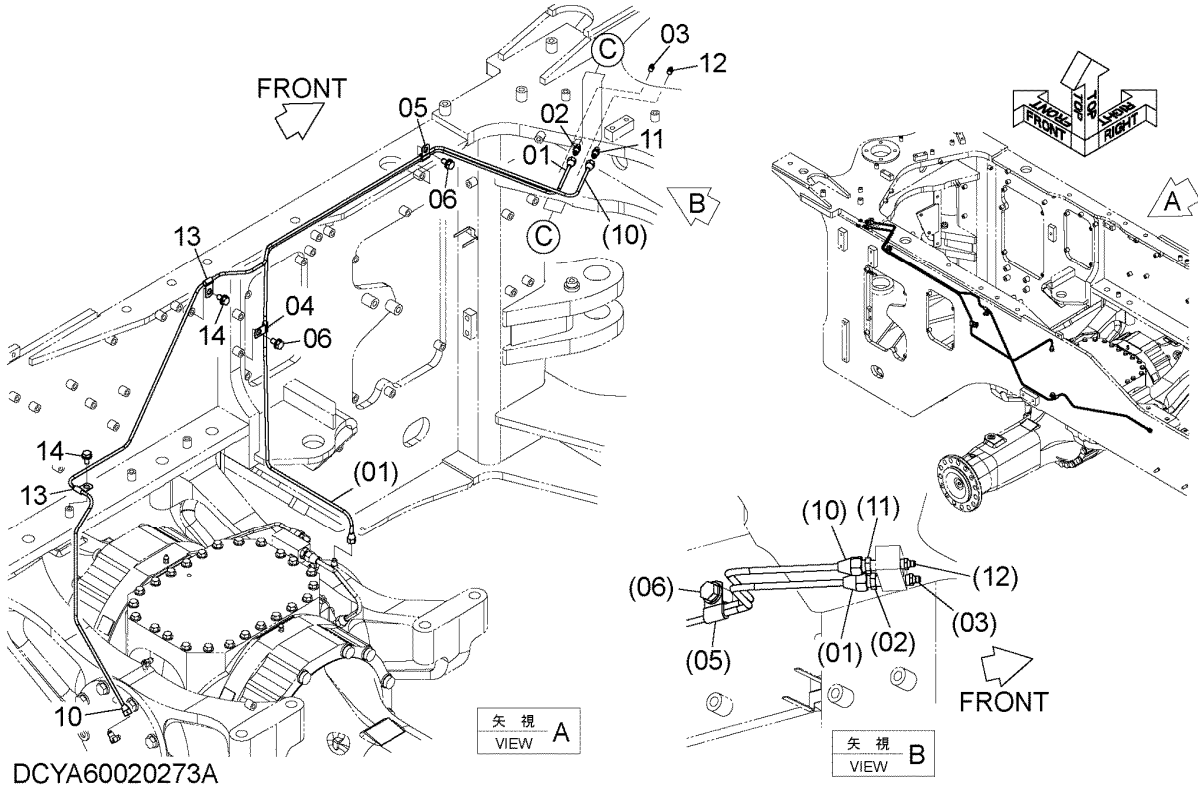
# LUBRICATE PIPING (2)

## 給脂配管 (2)

Applicable Model (適用機種): -

Mark(記号): -

Serial No. (適用号機): -



# LUBRICATE PIPING (2)

## 給脂配管 (2)

Applicable Model (適用機種): -

Mark(記号): -

Serial No. (適用号機): -

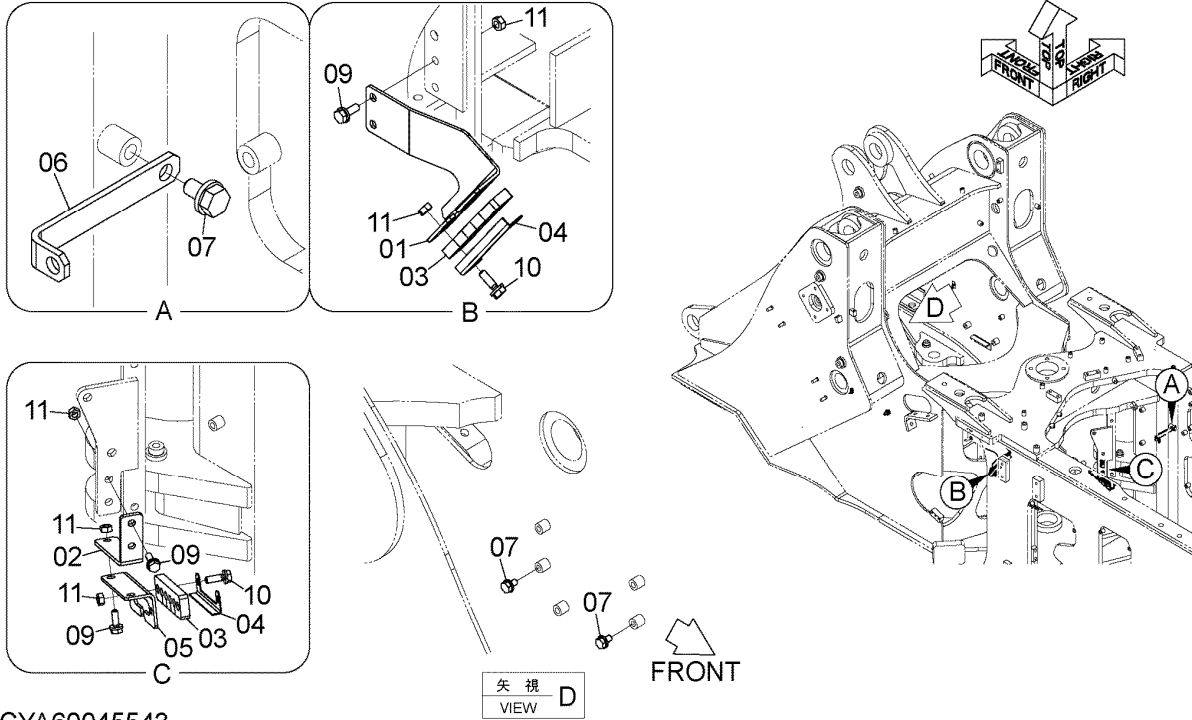
ITEM 符号	PART NO. 部品番号	PART NAME	部 品 名	Q' TY 数量	S. C サービ ス コート	SERIAL NO. 適用号機	ICA 互 換 性	REPLACEABLE PART 代 替 部 品	
								PART NO. 部品番号	Q' TY 数量
01	YQYA40014645	PIPE	パイプ	1		5001-			
02	YQ2643542201	FITTING	フィッティング	1		5001-			
03	YQ0490100100	FITTING	フィッティング	1		5001-			
04	YQ4190276	CLIP	クリップ	1		5001-			
05	YQ4205358	CLIP	クリップ	1		5001-			
06	YQJ271020	BOLT, W/WASHER	ボルト (ワッシャ付)	2	D	5001-			
10	YQYA40014585	PIPE	パイプ	1		5001-			
11	YQ2643542201	FITTING	フィッティング	1		5001-			
12	YQ0490100100	FITTING	フィッティング	1		5001-			
13	YQ4190276	CLIP	クリップ	2		5001-			
14	YQJ271020	BOLT, W/WASHER	ボルト (ワッシャ付)	2	D	5001-			

# OPTION PIPING PARTS オプション配管用品

Applicable Model (適用機種): -

Mark (記号): -

Serial No. (適用号機): -



DCYA60045543

OPTION PIPING PARTS

オプション配管用品

Applicable Model (適用機種): -

Mark(記号): -

Serial No. (適用号機): -

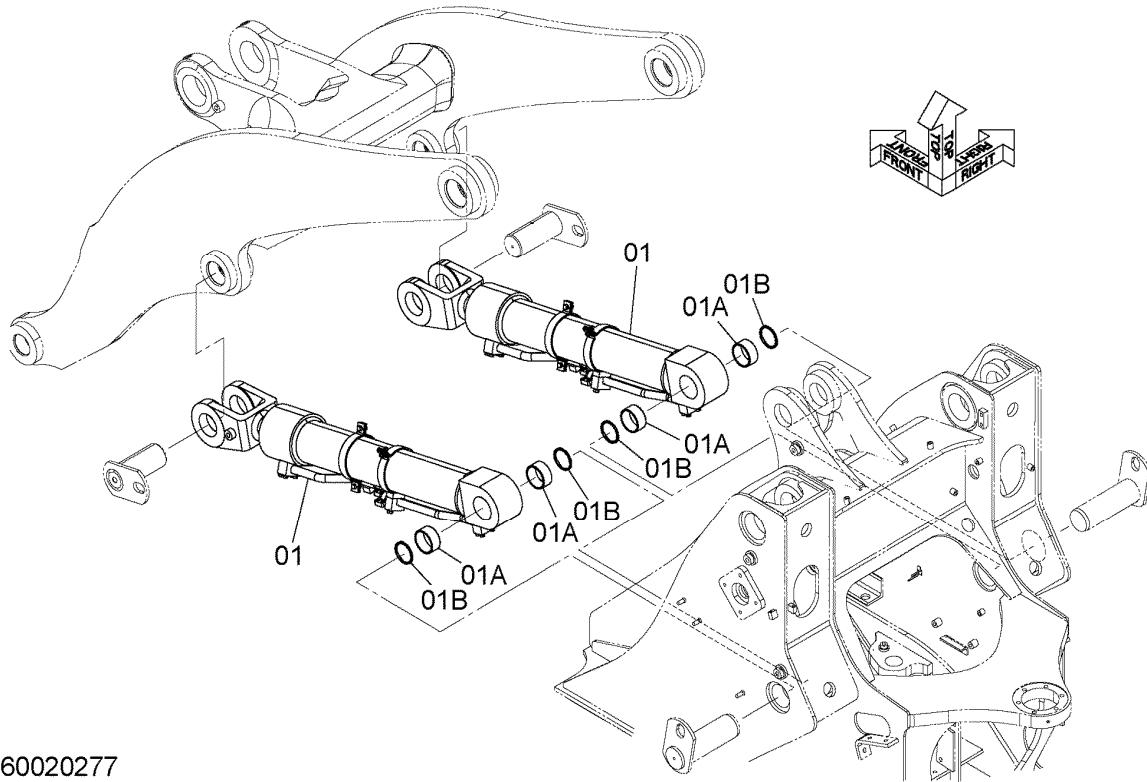
ITEM 符号	PART NO. 部品番号	PART NAME	部品名	Q'TY 数量	S.C サービ ス コード	SERIAL NO. 適用号機	ICA 互 換 性	REPLACEABLE PART 代替部品	
								PART NO. 部品番号	Q'TY 数量
01	YQYA00040007	BRACKET	ブラケット	1		5001-			
02	YQYA00040008	BRACKET	ブラケット	1		5001-			
03	YQYA00036809	CLAMP, HOSE	クランプ, ホース	2		5001-			
04	YQYA00036810	BRACKET	ブラケット	2		5001-			
05	YQYA00036784	BRACKET	ブラケット	1		5001-			
06	YQYA00000354	BRACKET	ブラケット	1		5001-			
07	YQJ271020	BOLT, W/WASHER	ボルト (ワッシャ付)	3	D	5001-			
09	YQJ271030	BOLT, W/WASHER	ボルト (ワッシャ付)	6	D	5001-			
10	YQJ271035	BOLT, W/WASHER	ボルト (ワッシャ付)	4	D	5001-			
11	YQJ950010	NUT	ナット	10		5001-			

# LIFT ARM CYLINDER リフトアームシリンダ

Applicable Model (適用機種): -

Mark (記号): -

Serial No. (適用号機): -



DCYA60020277

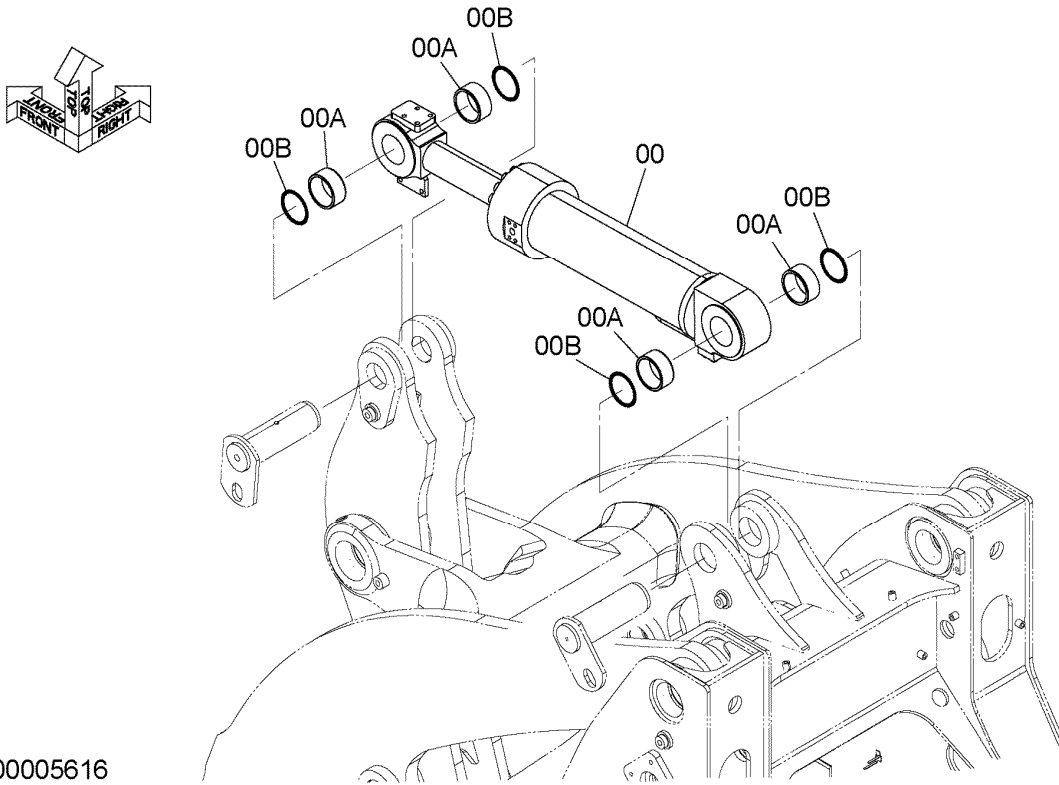


# BUCKET CYLINDER バケットシリンダ

Applicable Model (適用機種): -

Mark (記号): -

Serial No. (適用号機): -



DCYA00005616

# BUCKET CYLINDER

## バケットシリンダ

Applicable Model (適用機種): -

Mark(記号): -

Serial No. (適用号機): -

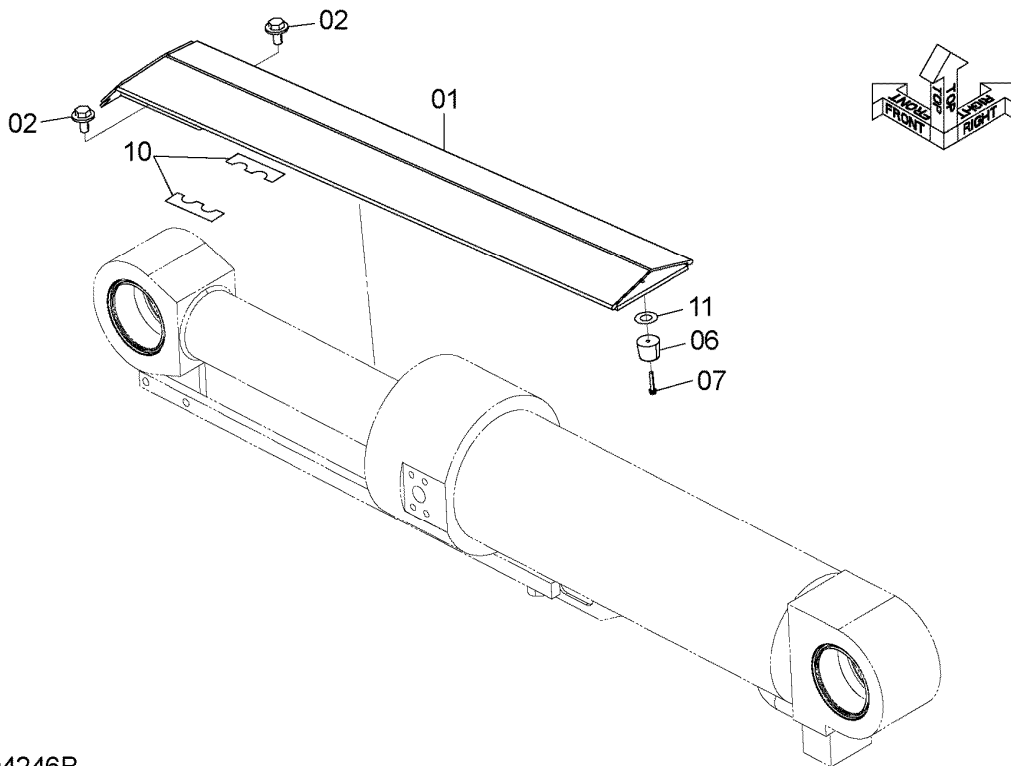
ITEM 符号	PART NO. 部品番号	PART NAME	部 品 名	Q' TY 数量	S. C サービ ス コート	SERIAL NO. 適用号機	ICA 互 換 性	REPLACEABLE PART 代 替 部 品	
								PART NO. 部品番号	Q' TY 数量
00	YQYA00005616	CYL. , BUCKET	シリンダ, バケット	1	H	5001-			
00A	YQ4642606	* BUSHING	* ブッシング	4		5001-			
00B	YQ263F847221	* SEAL	* シール	4		5001-			

# BUCKET CYLINDER GUARD バケットシリンダガード

Applicable Model (適用機種): -

Mark (記号): -

Serial No. (適用号機): -



DCYA60004246B



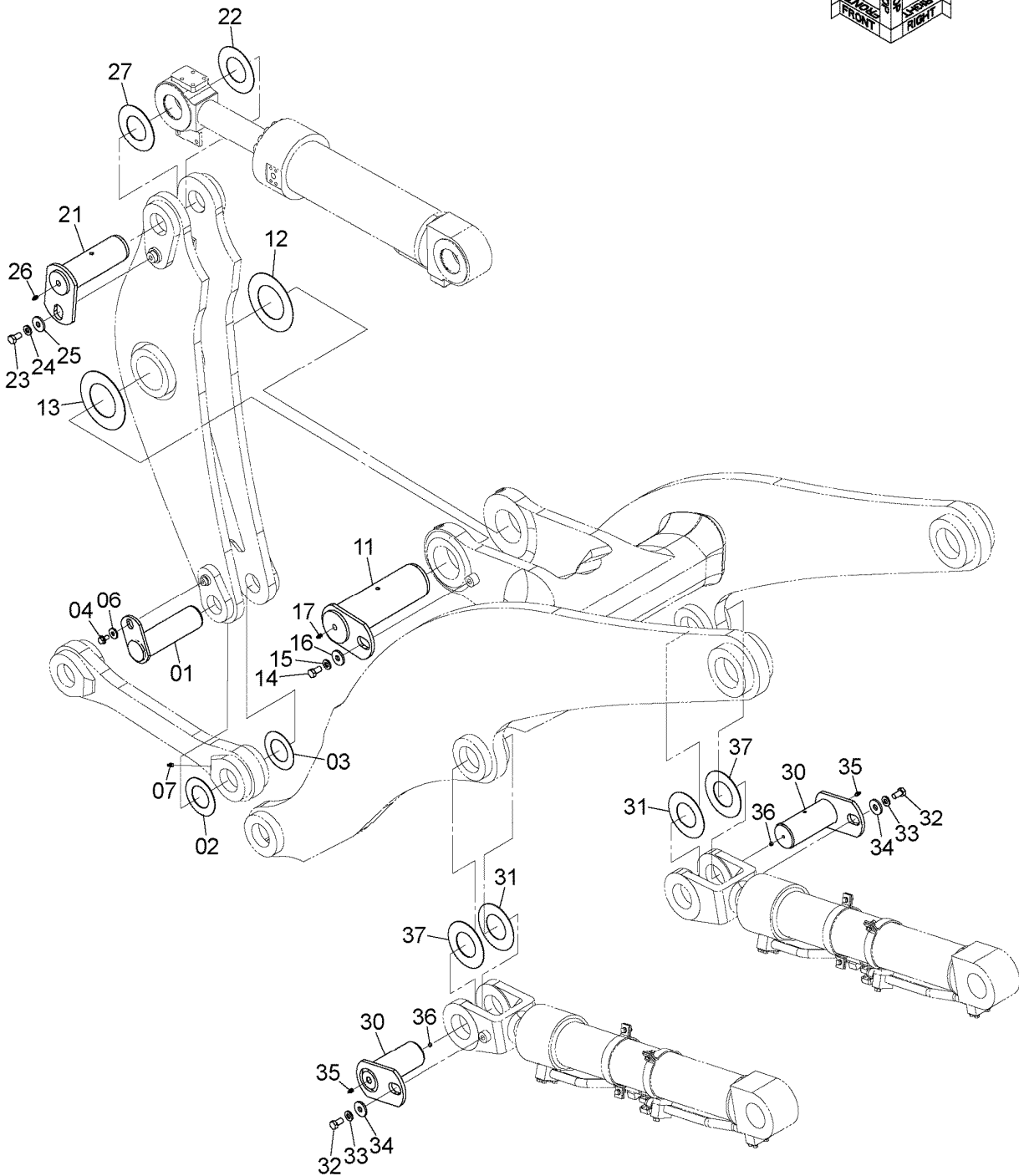
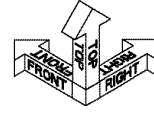
# LIFT ARM PARTS (1)

## リフトアーム用品 (1)

Applicable Model (適用機種): -

Mark (記号): -

Serial No. (適用号機): -



DCYA60020285

LIFT ARM PARTS (1)  
リフトアーム用品 (1)

Applicable Model (適用機種): -

Mark(記号): -

Serial No. (適用号機): -

ITEM 符号	PART NO. 部品番号	PART NAME	部 品 名	Q' TY 数量	S. C サービ ス コート	SERIAL NO. 適用号機	I C A 互 換 性	REPLACEABLE PART 代 替 部 品	
								PART NO. 部品番号	Q' TY 数量
01	YQYA40014994	PIN	ピン	1		5001-			
02	YQ2650872281	SPACER (t=2.3mm)	スペーサ (t=2.3mm)	1	R	5001-			
03	YQYA00016664	SPACER (t=1.6mm)	スペーサ (t=1.6mm)	1	R	5001-			
04	YQJ271225	BOLT, W/WASHER	ボルト (ワッシャ付)	1	D	5001-			
06	YQ2609642351	WASHER	ワッシャ	1		5001-			
07	YQ0490100100	FITTING	フィッティング	1		5001-			
11	YQYA40014995	PIN	ピン	1		5001-			
12	YQYA00021364	SPACER (t=1.6mm)	スペーサ (t=1.6mm)	1	R	5001-			
13	YQ2670872581	SPACER (t=2.3mm)	スペーサ (t=2.3mm)	1	R	5001-			
14	YQJ901630	BOLT	ボルト	1		5001-			
15	YQJ222016	WASHER	ワッシャ	1		5001-			
16	YQ2660872321	WASHER	ワッシャ	1		5001-			
17	YQ0490100100	FITTING	フィッティング	1		5001-			
21	YQYA40013404	PIN	ピン	1		5001-			
22	YQ263G872131	SPACER (t=2.3mm)	スペーサ (t=2.3mm)	1	R	5001-			
23	YQJ901630	BOLT	ボルト	1		5001-			
24	YQJ222016	WASHER	ワッシャ	1		5001-			
25	YQ2660872321	WASHER	ワッシャ	1		5001-			
26	YQ0490100100	FITTING	フィッティング	1		5001-			
27	YQ263G872141	SPACER	スペーサ	1	R	5001-			
30	YQYA40016952	PIN	ピン	2		5001-			
31	YQ263G872131	SPACER (t=2.3mm)	スペーサ (t=2.3mm)	2	R	5001-			
32	YQJ901630	BOLT	ボルト	2		5001-			
33	YQJ222016	WASHER	ワッシャ	2		5001-			
34	YQ2660872321	WASHER	ワッシャ	2		5001-			
35	YQ0490100100	FITTING	フィッティング	2		5001-			
36	YQ94-2010	PLUG	プラグ	2		5001-			
37	YQ263G872141	SPACER (t=1.6mm)	スペーサ (t=1.6mm)	2	R	5001-			

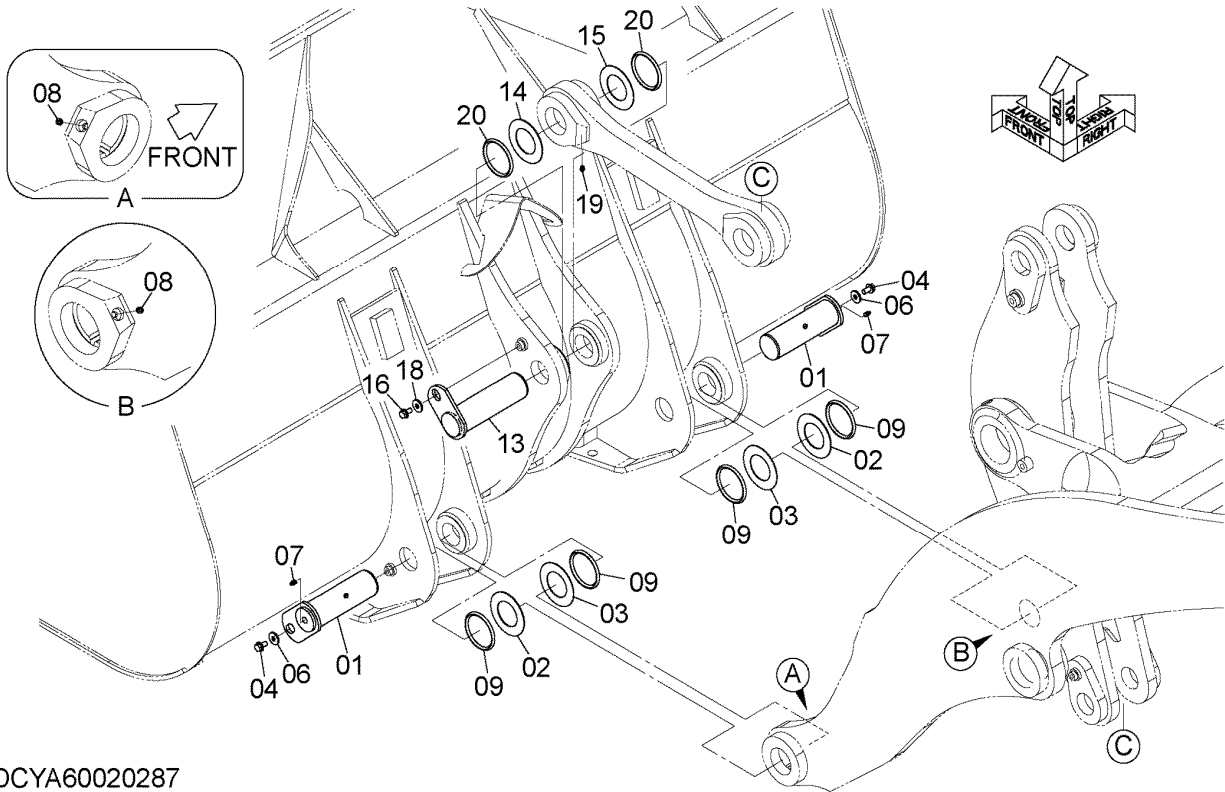
# LIFT ARM PARTS (2)

## リフトアーム用品 (2)

Applicable Model (適用機種): -

Mark(記号): -

Serial No. (適用号機): -



DCYA60020287

LIFT ARM PARTS (2)  
リフトアーム用品 (2)

Applicable Model (適用機種): -

Mark(記号): -

Serial No. (適用号機): -

ITEM 符号	PART NO. 部品番号	PART NAME	部 品 名	Q' TY 数量	S. C サービ ス コート	SERIAL NO. 適用号機	ICA 互 換 性	REPLACEABLE PART 代 替 部 品	
								PART NO. 部品番号	Q' TY 数量
01	YQYA40014993	PIN	ピン	2		5001-			
02	YQ2650872281	SPACER (t=2.3mm)	スペーサ (t=2.3mm)	2	R	5001-			
03	YQYA00016664	SPACER (t=1.6mm)	スペーサ (t=1.6mm)	2	R	5001-			
04	YQJ271225	BOLT, W/WASHER	ボルト (ワッシャ付)	2	D	5001-			
06	YQ2609642351	WASHER	ワッシャ	2		5001-			
07	YQ0490100100	FITTING	フィッティング	2		5001-			
08	YQ94-2010	PLUG	プラグ	2		5001-			
09	YQ2641872161	RING, O	リング, O	4		5001-			
13	YQYA40014994	PIN	ピン	1		5001-			
14	YQ2650872281	SPACER (t=2.3mm)	スペーサ (t=2.3mm)	1	R	5001-			
15	YQYA00016664	SPACER (t=1.6mm)	スペーサ (t=1.6mm)	1	R	5001-			
16	YQJ271225	BOLT, W/WASHER	ボルト (ワッシャ付)	1	D	5001-			
18	YQ2609642351	WASHER	ワッシャ	1		5001-			
19	YQ0490100100	FITTING	フィッティング	1		5001-			
20	YQ2641872161	RING, O	リング, O	2		5001-			

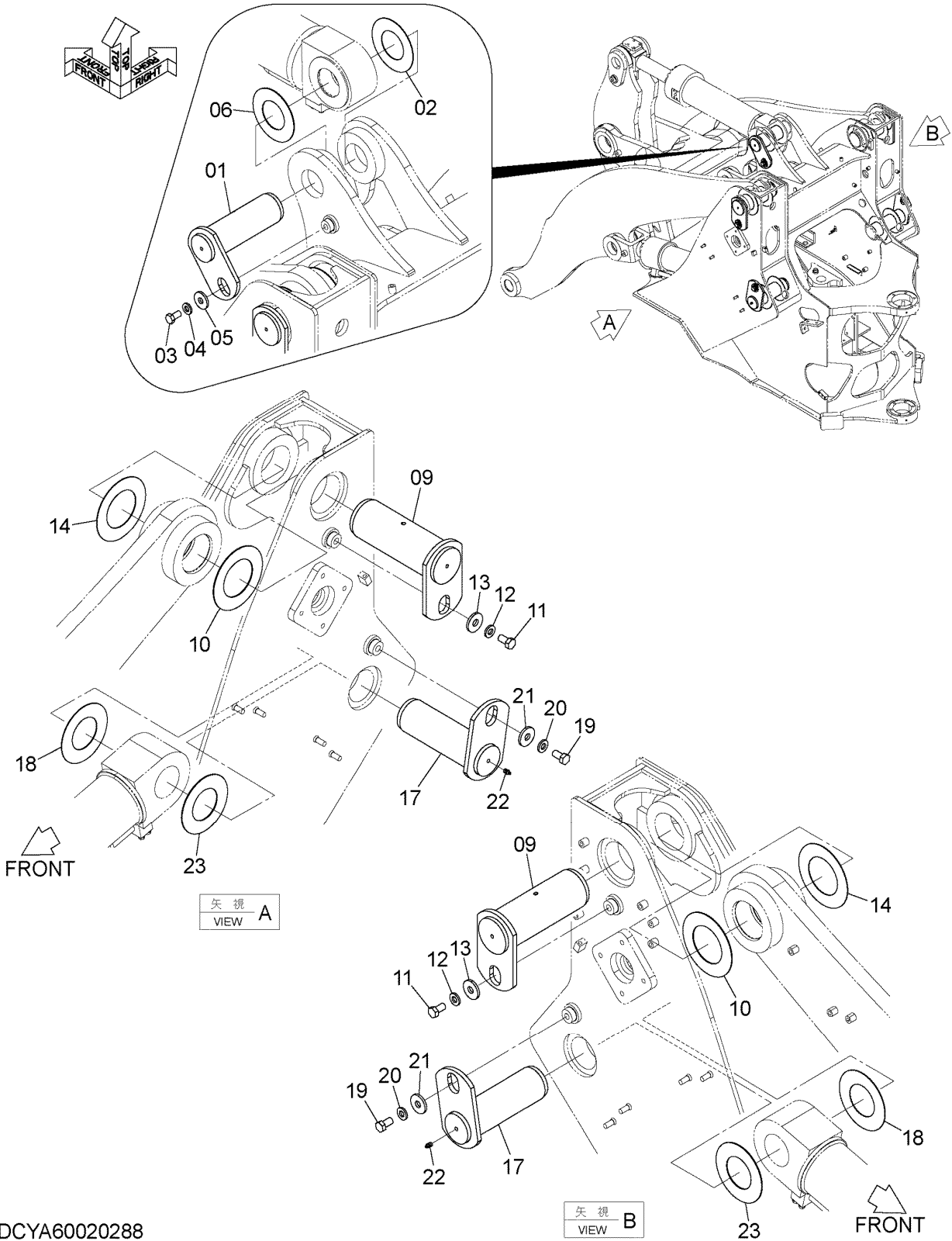
# LIFT ARM PARTS (3)

## リフトアーム用品 (3)

Applicable Model (適用機種): -

Mark(記号): -

Serial No. (適用号機): -



DCYA60020288

LIFT ARM PARTS (3)  
リフトアーム用品 (3)

Applicable Model (適用機種): -

Mark(記号): -

Serial No. (適用号機): -

ITEM 符号	PART NO. 部品番号	PART NAME	部 品 名	Q' TY 数量	S. C サービ ス コート	SERIAL NO. 適用号機	ICA 互 換 性	REPLACEABLE PART 代 替 部 品	
								PART NO. 部品番号	Q' TY 数量
01	YQYA40014996	PIN	ピン	1		5001-			
02	YQ263G872131	SPACER (t=2.3mm)	スペーサ (t=2.3mm)	1	R	5001-			
03	YQJ901630	BOLT	ボルト	1		5001-			
04	YQJ222016	WASHER	ワッシャ	1		5001-			
05	YQ2660872321	WASHER	ワッシャ	1		5001-			
06	YQ263G872141	SPACER (t=1.6mm)	スペーサ (t=1.6mm)	1	R	5001-			
09	YQYA40013408	PIN	ピン	2		5001-			
10	YQ2670872321	SPACER (t=2.3mm)	スペーサ (t=2.3mm)	2	R	5001-			
11	YQJ901630	BOLT	ボルト	2		5001-			
12	YQJ222016	WASHER	ワッシャ	2		5001-			
13	YQ2660872321	WASHER	ワッシャ	2		5001-			
14	YQYA00021363	SPACER (t=1.6mm)	スペーサ (t=1.6mm)	2	R	5001-			
17	YQYA40014996	PIN	ピン	2		5001-			
18	YQ263G872131	SPACER (t=2.3mm)	スペーサ (t=2.3mm)	2	R	5001-			
19	YQJ901630	BOLT	ボルト	2		5001-			
20	YQJ222016	WASHER	ワッシャ	2		5001-			
21	YQ2660872321	WASHER	ワッシャ	2		5001-			
22	YQ0490100100	FITTING	フィッティング	2		5001-			
23	YQ263G872141	SPACER (t=1.6mm)	スペーサ (t=1.6mm)	2	R	5001-			

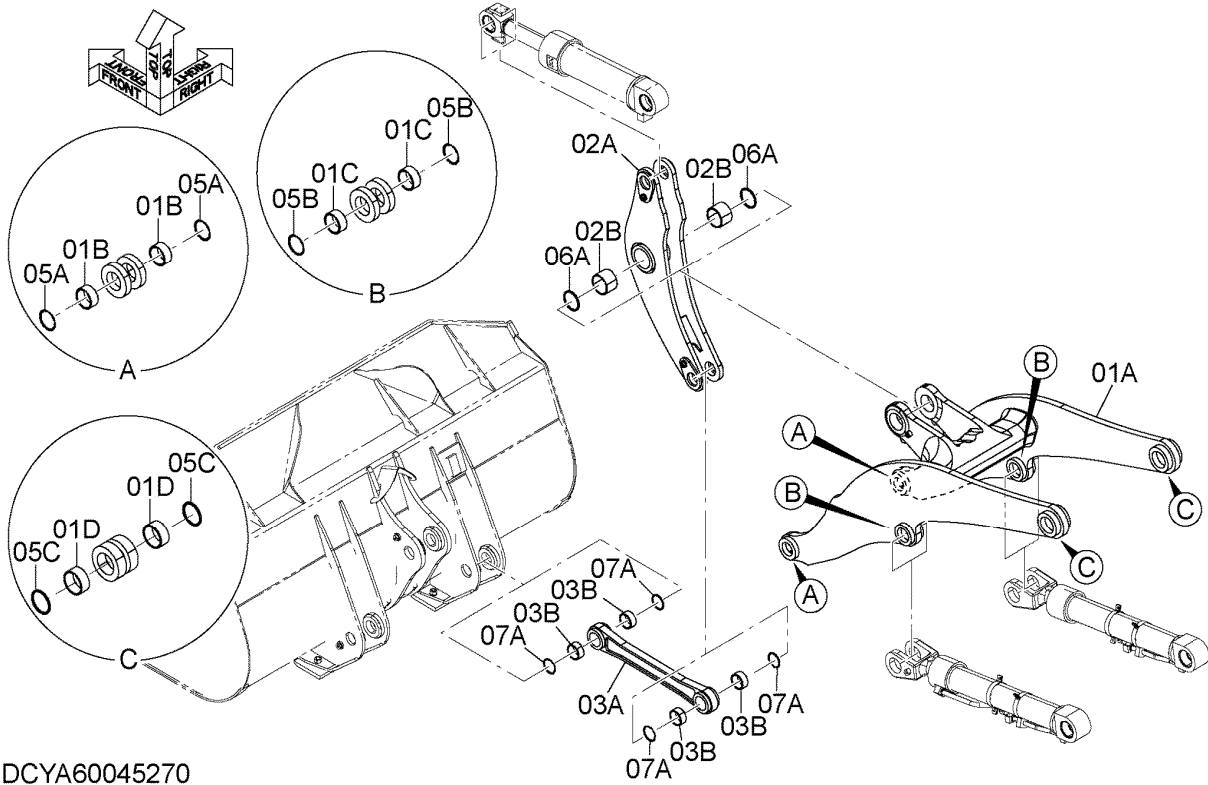
# LIFT ARM

## リフトアーム

Applicable Model (適用機種): -

Mark(記号): -

Serial No.(適用号機): -



DCYA60045270



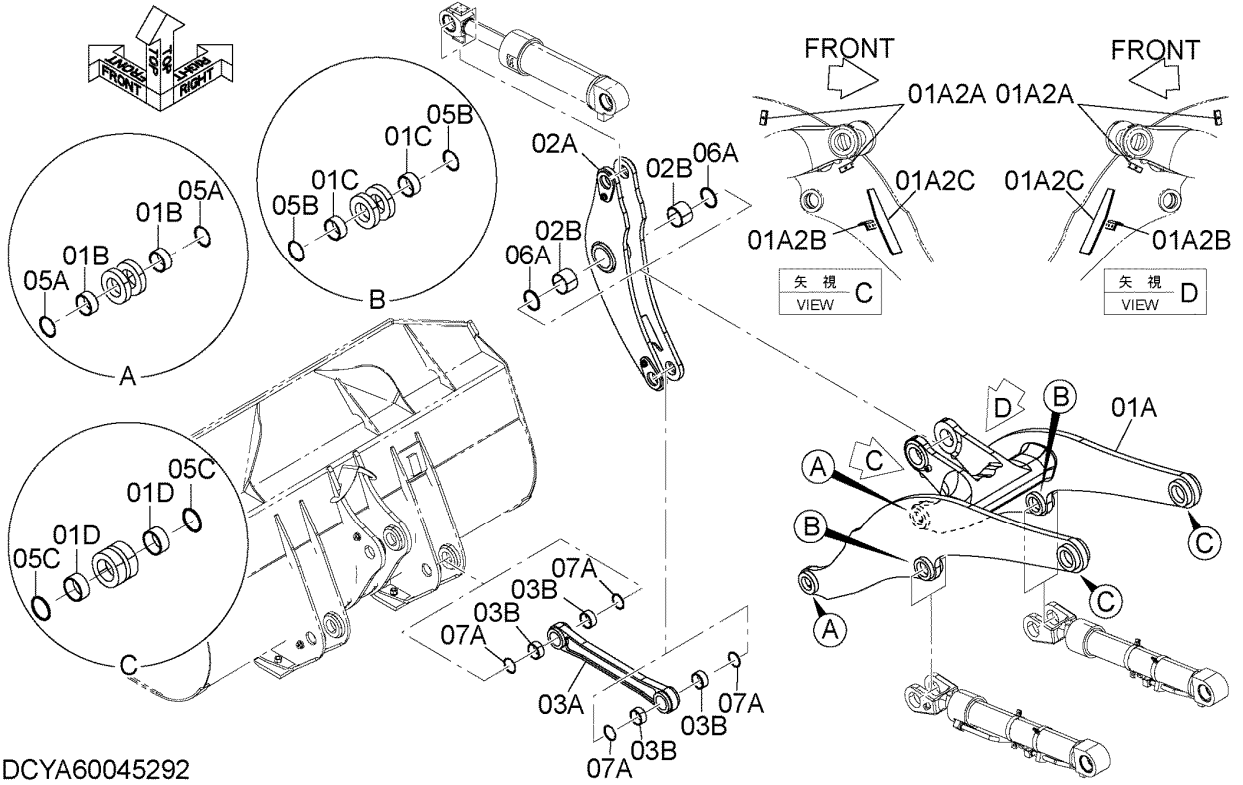
# LIFT ARM (3 SPOOL)

## リフトアーム (3連)

Applicable Model (適用機種): -

Mark(記号): -

Serial No. (適用号機): -



LIFT ARM (3 SPOOL)  
リフトアーム (3連)

Applicable Model (適用機種): -

Mark(記号): -

Serial No. (適用号機): -

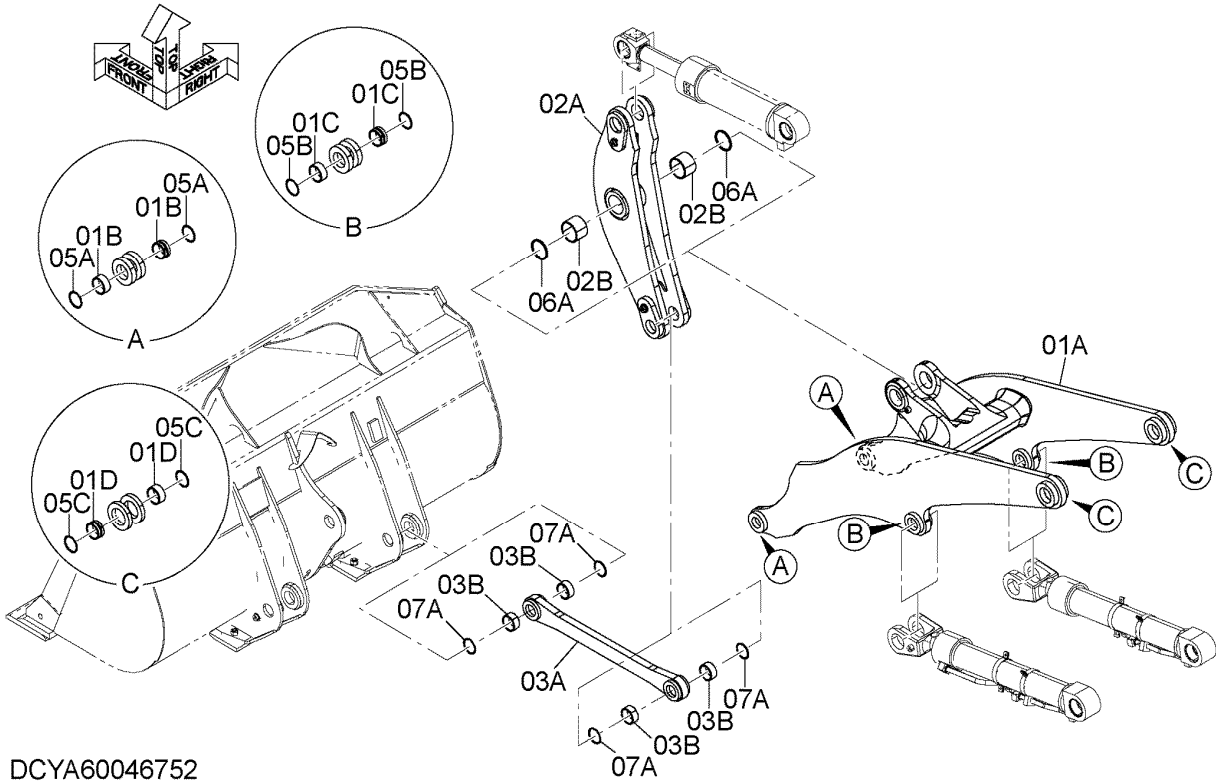
ITEM 符号	PART NO. 部品番号	PART NAME	部 品 名	Q' TY 数量	S. C サービ ス コート	SERIAL NO. 適用号機	ICA 互 換 性	REPLACEABLE PART 代 替 部 品	
								PART NO. 部品番号	Q' TY 数量
01	+++++++	ASSY, LIFT ARM	アッシ, リフトアーム	1	D	5001-			
01A	YQYA40011828	* ARM ASSY, LIFT	* アーム アッセン, リフト	1		5001-			
01A1	+++++++	** ARM ASSY, LIFT	** アーム アッセン, リフト	1	D	5001-			
01A2	+++++++	** ADD, LIFT-ARM	** カコウス*, リフトアーム	1	D	5001-			
01A2A	YQ563G762011	*** SEAT, SCREW	*** シート, スクリュ	4	W	5001-			
01A2B	YQ563G762001	*** BRACKET	*** ブラケット	2	W	5001-			
01A2C	YQ563F762271	*** PLATE	*** プレート	2	W	5001-			
01B	YQ4642628	* BUSHING	* フッシング*	4		5001-			
01C	YQ4642606	* BUSHING	* フッシング*	4		5001-			
01D	YQ4381857	* BUSHING	* フッシング*	4		5001-			
02	+++++++	ASSY, BELL CRANK	アッシ, ベルクラック	1	D	5001-			
02A	YQYA40022023	* LINK	* リンク	1		5001-			
02B	YQ4631296	* BUSHING	* フッシング*	2		5001-			
03	+++++++	ASSY, PUSH ROD	アッシ, プッシュロッド*	1	D	5001-			
03A	YQ263F870031	* ROD, PUSH	* ロッド*, プッシュ	1		5001-			
03B	YQ4642628	* BUSHING	* フッシング*	4		5001-			
05	+++++++	SEAL	シール	1	D	5001-			
05A	YQ2638872311	* SEAL	* シール	4		5001-			
05B	YQ5609775211	* SEAL	* シール	4		5001-			
05C	YQ263G847251	* SEAL	* シール	4		5001-			
06	+++++++	SEAL	シール	1	D	5001-			
06A	YQ263J857191	* SEAL	* シール	2		5001-			
07	+++++++	SEAL	シール	1	D	5001-			
07A	YQ2638872311	* SEAL	* シール	4		5001-			

# HIGH LIFT ARM ハイリフトアーム

Applicable Model (適用機種): -

Mark (記号): -

Serial No. (適用号機): -



DCYA60046752



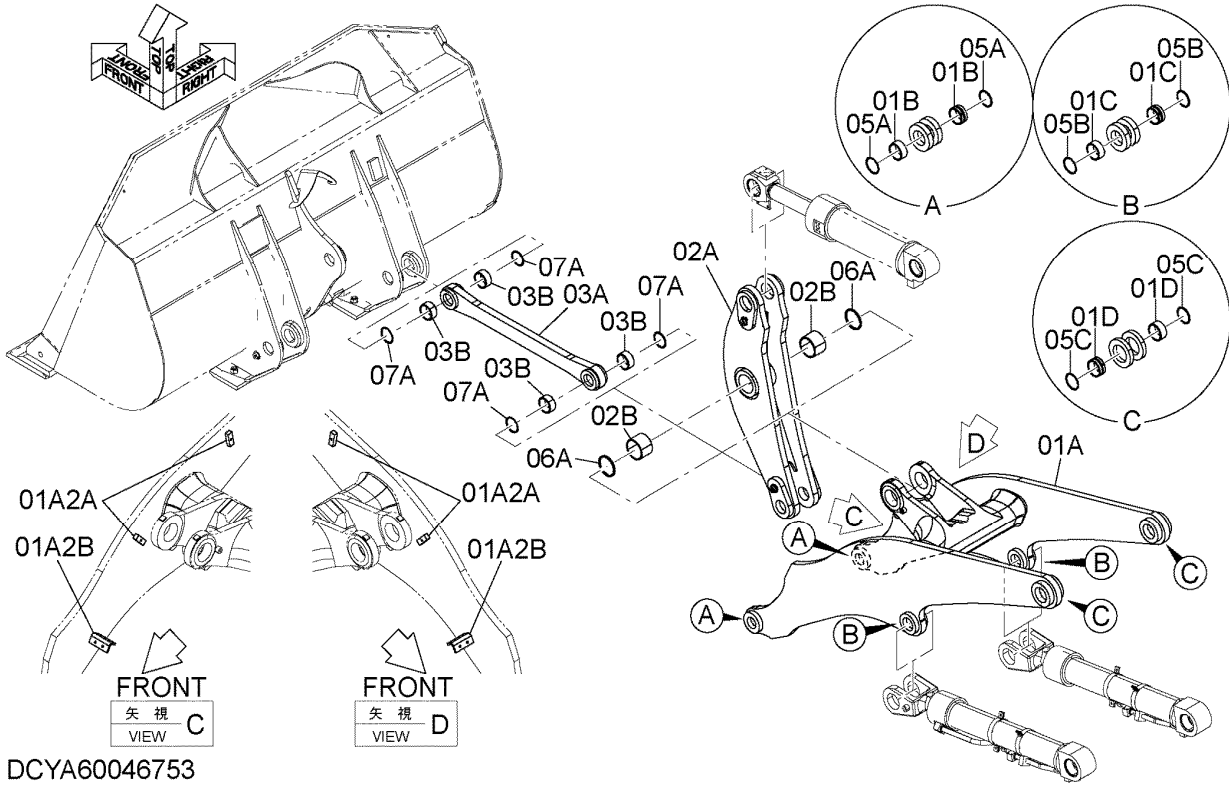
# HIGH LIFT ARM (3 SPOOL)

## ハイリフトアーム (3連)

Applicable Model (適用機種): -

Mark(記号): -

Serial No. (適用号機): -



# HIGH LIFT ARM (3 SPOOL)

## ハイリフトアーム (3連)

Applicable Model (適用機種): -

Mark(記号): -

Serial No. (適用号機): -

ITEM 符号	PART NO. 部品番号	PART NAME	部 品 名	Q' TY 数量	S. C サービ ス コート	SERIAL NO. 適用号機	ICA 互 換 性	REPLACEABLE PART 代 替 部 品	
								PART NO. 部品番号	Q' TY 数量
01	+++++++	ASSY, LIFT ARM	アッシ, リフトアーム	1	D	5001-			
01A	YQYA40032326	* ARM ASSY, LIFT	* アーム アッセン, リフト	1		5001-			
01A1	+++++++	** ARM ASSY, LIFT	** アーム アッセン, リフト	1	D	5001-			
01A2	+++++++	** ADD, LIFT-ARM	** カコウス*, リフトアーム	1	D	5001-			
01A2A	YQ563G762011	*** SEAT, SCREW	*** シート, スクリュ	4	W	5001-			
01A2B	YQ563G762001	*** BRACKET	*** ブラケット	2	W	5001-			
01B	YQ4642628	* BUSHING	* フッシング*	4		5001-			
01C	YQ4642606	* BUSHING	* フッシング*	4		5001-			
01D	YQ4381857	* BUSHING	* フッシング*	4		5001-			
02	+++++++	ASSY, BELL CRANK	アッシ, ベルクラック	1	D	5001-			
02A	YQYA40022023	* LINK	* リンク	1		5001-			
02B	YQ4631296	* BUSHING	* フッシング*	2		5001-			
03	+++++++	ASSY, PUSH ROD	アッシ, フッシュロッド*	1	D	5001-			
03A	YQ563F870021	* ROD, PUSH	* ロッド*, フッシュ	1		5001-			
03B	YQ4642628	* BUSHING	* フッシング*	4		5001-			
05	+++++++	SEAL	シール	1	D	5001-			
05A	YQ2638872311	* SEAL	* シール	4		5001-			
05B	YQ5609775211	* SEAL	* シール	4		5001-			
05C	YQ263G847251	* SEAL	* シール	4		5001-			
06	+++++++	SEAL	シール	1	D	5001-			
06A	YQ263J857191	* SEAL	* シール	2		5001-			
07	+++++++	SEAL	シール	1	D	5001-			
07A	YQ2638872311	* SEAL	* シール	4		5001-			

# TOOLS

## 工具

Applicable Model (適用機種): -

Mark(記号): -

Serial No. (適用号機): -



DCYA60017335A



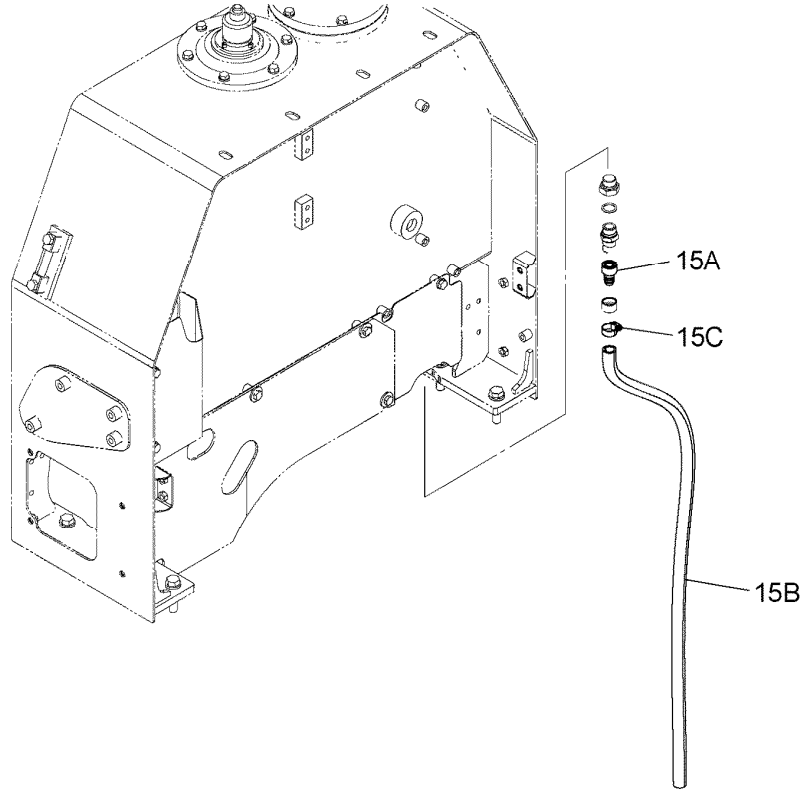
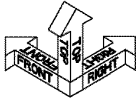
# DRAIN HOSE (HYDRAULIC OIL)

## ドレンホース (作動油)

Applicable Model (適用機種): -

Mark (記号): -

Serial No. (適用号機): -



DC263G750071



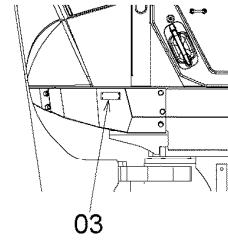
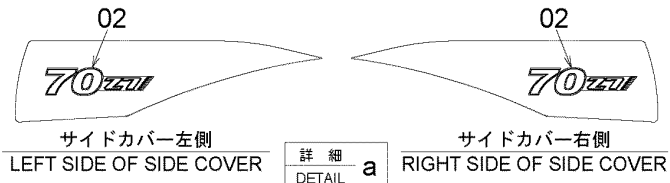
NAME PLATE (NAME OF COMPANY, MODEL NAME PLATE)

ネームプレート (社名、機種銘板)

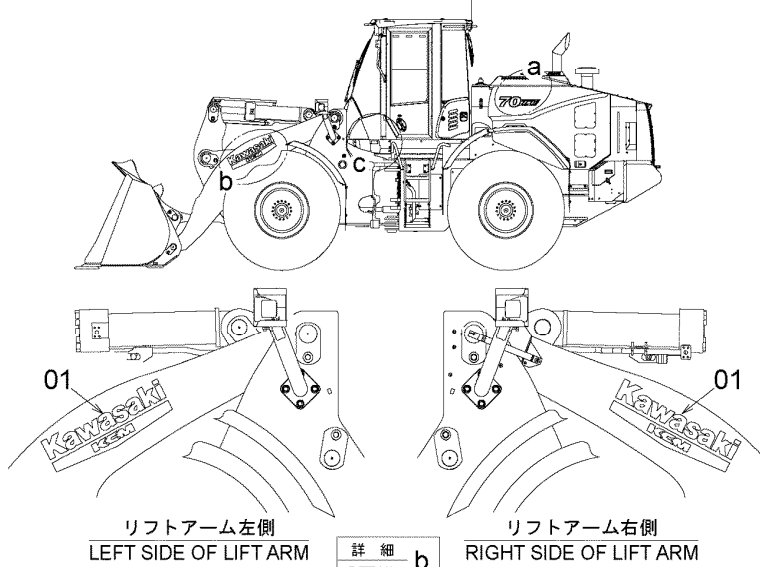
Applicable Model (適用機種): -

Mark (記号): -

Serial No. (適用号機): -



詳細 c  
DETAIL



DCYA60046681



# NAME PLATE (FRONT)

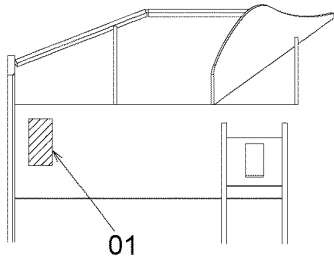
## ネームプレート (フロント)

Applicable Model (適用機種): -

Mark (記号): -

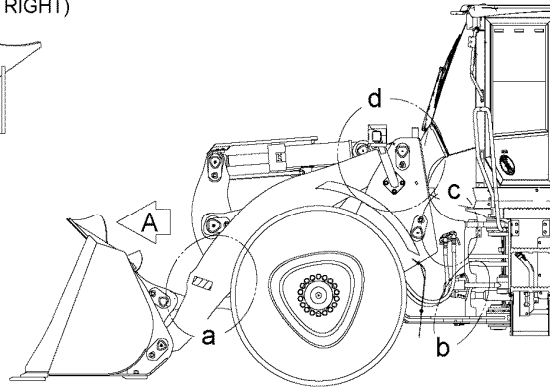
Serial No. (適用号機): -

バケット後面 (左右)  
BUCKET REAR VIEW (LEFT AND RIGHT)

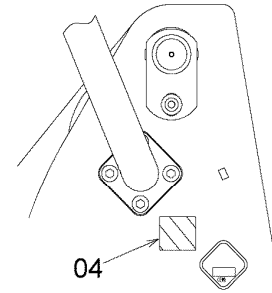


01

矢視  
VIEW A



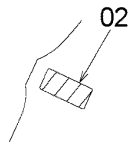
フロントフレーム左側面  
LEFT SIDE OF FRONT FRAME



04

詳細  
DETAIL d

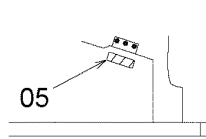
リフトアーム両側面  
BOTH SIDES OF LIFT ARM



02

詳細  
DETAIL a

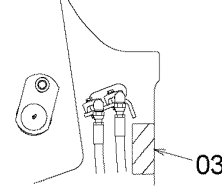
フロントフレーム (グリス部)  
FRONT FRAME (GREASE SECTION)



05

詳細  
DETAIL b

フロントフレーム両側面  
BOTH SIDES OF FRONT FRAME



03

詳細  
DETAIL c

DCYA60041744



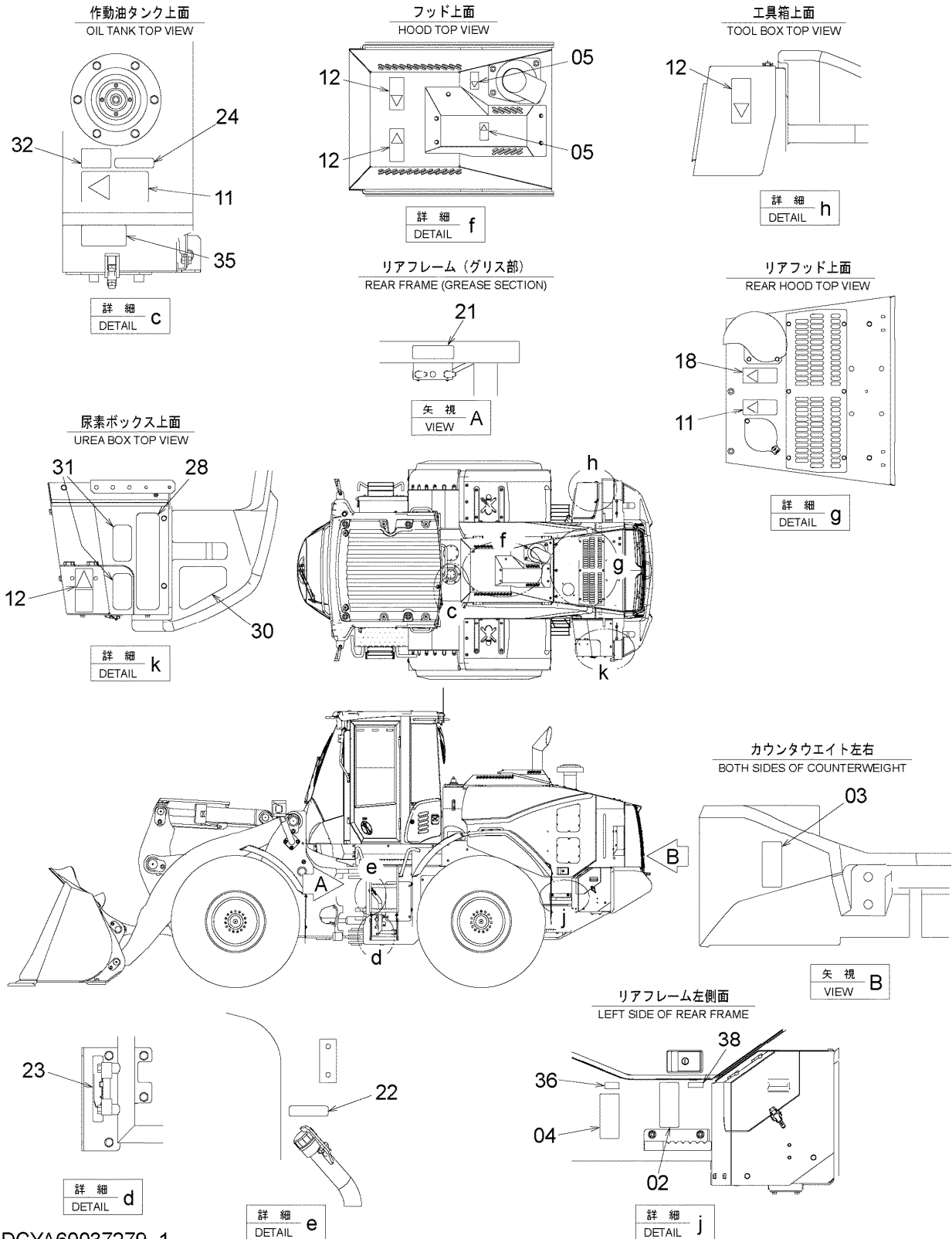
# NAME PLATE (REAR) (1-1)

## ネームプレート (リア) (1-1)

Applicable Model (適用機種): -

Mark(記号): -

Serial No. (適用号機): -



DCYA60037279\_1

NAME PLATE (REAR) (1-1)

ネームプレート (リア) (1-1)

Applicable Model (適用機種): -

Mark(記号): -

Serial No. (適用号機): -

ITEM 符号	PART NO. 部品番号	PART NAME	部 品 名	Q' TY 数量	S. C サービ ス コート	SERIAL NO. 適用号機	ICA 互 換 性	REPLACEABLE PART 代 替 部 品	
								PART NO. 部品番号	Q' TY 数量
02	YQ4478724390	NAME-PLATE (WARNING:BELT)	ネームプレート (警告:巻き込まれ)	1		5001-			
03	YQ4478724400	NAME-PLATE (DANGER:RUN OVER)	ネームプレート (危険:ひかれ)	2		5001-			
04	YQ4478724440	NAME-PLATE (WARNING:SLIPING)	ネームプレート (警告:タイヤひかれ)	1		5001-			
05	YQ4478724990	NAME-PLATE (BURN, DO NOT TOUCH)	ネームプレート (やけど、触るなマーク)	2		5001-			
11	YQ4478724330	NAME-PLATE (WARNING:HOT)	ネームプレート (警告:高温)	2		5001-			
12	YQ4478724370	NAME-PLATE (WARNING:FALL)	ネームプレート (警告:転落)	4		5001-			
18	YQ4478724460	NAME-PLATE (NO SPLAY OF ETHEREOUS) (可燃ガス吸入口禁止)	ネームプレート	1		5001-			
21	YQYA00017119	NAME-PLATE (GREASE:AXLE)	ネームプレート (グリス:アクスル)	1		5001-			
22	YQ4484121880	NAME-PLATE (T/M OIL)	ネームプレート (T/M 油)	1		5001-			
23	YQ263G912341	DECAL (T/M OIL GAUGE)	デカ (T/M 油ゲージ)	1		5001-			
24	YQ4484121890	NAME-PLATE (HYDRAULIC OIL)	ネームプレート (作動油)	1		5001-			
28	YQ263G654291	TAPE (ANTI-SLIP)	テープ (ノンスリップ)	1		5001-			
30	YQYA00043143	TAPE (ANTI-SLIP)	テープ (ノンスリップ)	1		5001-			
31	YQYA00043109	TAPE (ANTI-SLIP)	テープ (ノンスリップ)	2		5001-			
32	YQ4478725030	NAME-PLATE (OIL JET/PLUG JUMP OUT)	ネームプレート (オイル噴出し/プラグ飛出し)	1		5001-			
35	YQ4478725340	NAME-PLATE (HYDRAULIC OIL)	ネームプレート (ハイdraulicオイル注意)	1		5001-			
36	YQ4477028870	NAME-PLATE (TIRE PRESSURE)	ネームプレート (タイヤ空気圧)	1		5001-			
38	YQ4477030100	NAME-PLATE (COOLANT DRAIN)	ネームプレート (冷却水ドレン)	1		5001-			

# NAME PLATE (REAR) (1-2)

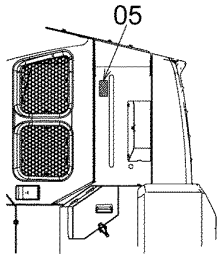
## ネームプレート (リア) (1-2)

Applicable Model (適用機種): -

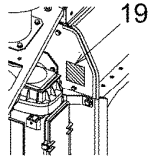
Mark(記号): -

Serial No. (適用号機): -

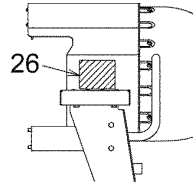
サイドリアプレート(左右)  
SIDE REAR PLATE  
(LEFT AND RIGHT)



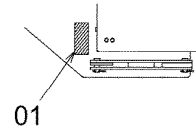
隔壁右後面  
PARTITION SUPPORT  
RIGHT BACK



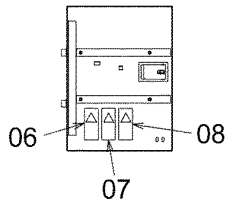
車体左側 (リアフェンダ前側)  
LEFT SIDE OF MACHINE  
(FRONT OF REAR FENDER)



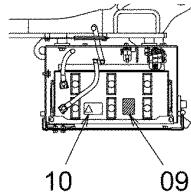
セーフティーバー部詳細  
(リアフレーム右側面)  
DETAIL OF SAFETY BAR  
(THE RIGHT SIDE OF  
REAR FRAME)



バッテリーボックスふたの裏面  
BATTERY BOX BACK  
SIDE OF A COVER

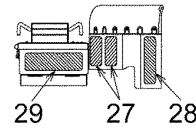


バッテリー上面 (上下)  
BATTERY TOP VIEW  
(TOP AND BOTTOM)

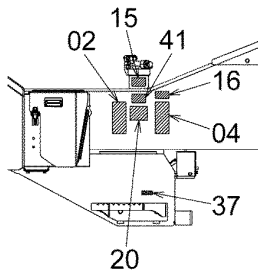


バッテリー  
ボックス上面  
BATTERY BOX  
TOP VIEW

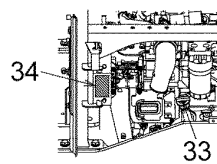
リアフェンダ  
上面 (左右)  
REAR FENDER TOP  
VIEW (LEFT AND RIGHT)



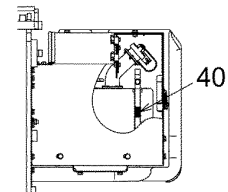
リアフレーム右側面  
RIGHT SIDE OF REAR FRAME



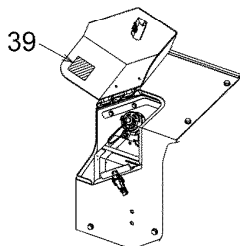
エンジンオイル給油口部詳細  
(エンジン右側)  
DETAIL OF ENGINE OIL CAP  
(RIGHT OF ENGINE)



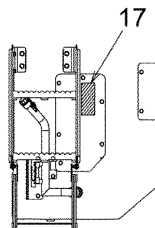
尿素タンク前面  
UREA TANK FRONT VIEW



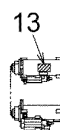
尿素ボックスふたの裏面  
UREA BOX BACK  
SIDE OF A COVER



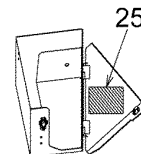
車体左側 (メンテナンスカバー)  
LEFT SIDE OF MACHINE  
(MAINTENANCE COVER)



スタータモータ部詳細  
(エンジン左側)  
DETAIL OF STARTER MOTER  
(LEFT OF ENGINE)



工具箱ふたの裏面  
TOOL BOX BACK  
SIDE OF A COVER



DCYA60037279\_2

NAME PLATE (REAR) (1-2)

ネームプレート (リア) (1-2)

Applicable Model (適用機種): -

Mark(記号): -

Serial No. (適用号機): -

ITEM 符号	PART NO. 部品番号	PART NAME	部 品 名	Q' TY 数量	S. C サービ ス コート	SERIAL NO. 適用号機	ICA 互 換 性	REPLACEABLE PART 代 替 部 品	
								PART NO. 部品番号	Q' TY 数量
01	YQ4478724410	NAME-PLATE (WARNING:SAFETY LINK)	ネームプレート (警告:セフティバー)	1		5001-			
02	YQ4478724390	NAME-PLATE (WARNING:BELT)	ネームプレート (警告:巻き込まれ)	1		5001-			
04	YQ4478724440	NAME-PLATE (WARNING:SLIPPING)	ネームプレート (警告:タイヤひかれ)	1		5001-			
05	YQ4478724990	NAME-PLATE (BURN, DO NOT TOUCH)	ネームプレート (やけど、触るなマーク)	2		5001-			
06	YQ4478724350	NAME-PLATE (ELECTRIC SHOCK)	ネームプレート (感電)	1		5001-			
07	YQ4478724340	NAME-PLATE (EXPLOSION)	ネームプレート (爆発)	1		5001-			
08	YQ4478725000	NAME-PLATE (BURN)	ネームプレート (やけど)	1		5001-			
09	YQ4359156	NAME-PLATE (DANGER:BATTERY ABOLITION)	ネームプレート (危険:バッテリー廃棄危険)	2		5001-			
10	YQ4478725010	NAME-PLATE (DO NOT PUT ON THE THING)	ネームプレート (上に物を置くな)	2		5001-			
13	YQ4478724930	NAME-PLATE (DANGER:START)	ネームプレート (危険:スタート禁止)	1		5001-			
14	YQ4477423060	NAME-PLATE (EPA REGULATION)	ネームプレート (超低サルファー燃料)	1		5001-			
15	YQ4477423040	NAME-PLATE (WARNING:FUEL PRE-FILTER)	ネームプレート (警告:燃料プレフィルタ)	1		5001-			
16	YQ4484121990	NAME-PLATE (FREON)	ネームプレート (フロン)	1		5001-			
17	YQ4478724470	NAME-PLATE (ACC HIGH TEMPERATURE OIL JET)	ネームプレート (ACC高温オイル噴出し)	1		5001-			
19	YQ4478720950	NAME-PLATE (AIR CLEANER)	ネームプレート (エアクリナ清掃時注意)	1		5001-			
20	YQ4478724900	NAME-PLATE (FUEL FILTER CHANGE)	ネームプレート (燃料フィルタ交換作業)	1		5001-			
25	YQYA00045385	NAME-PLATE (MAINTENANCE)	ネームプレート (メンテナンス)	1		5001-			
26	YQ4477046860	NAME-PLATE (LUBRICATION TO R AXLE)	ネームプレート (アクスルサポート給脂)	1		5001-			
27	YQ263G654301	TAPE (ANTI-SLIP)	テープ (ノンスリップ)	4		5001-			
28	YQ263G654291	TAPE (ANTI-SLIP)	テープ (ノンスリップ)	2		5001-			
29	YQYA00040827	TAPE	テープ	1		5001-			

NAME PLATE (REAR) (1-2)

ネームプレート (リア) (1-2)

Applicable Model (適用機種): -

Mark(記号): -

Serial No. (適用号機): -

ITEM 符号	PART NO. 部品番号	PART NAME	部 品 名	Q'TY 数量	S. C サービ ス コード	SERIAL NO. 適用号機	ICA 互 換 性	REPLACEABLE PART 代 替 部 品	
								PART NO. 部品番号	Q'TY 数量
33	YQ4477123970	(ANTI-SLIP) NAME-PLATE	(ノンスリップ) ネームプレート	1		5001-			
34	YQ4478725350	(E/G OIL CAP) NAME-PLATE (ATTENTION TO ENGINE OIL)	(エンジンオイル指定) ネームプレート	1		5001-			
37	YQ4477032960	(エンジンオイル注意) NAME-PLATE	(エンジンオイル) ネームプレート	1		5001-			
39	YQYA00034414	(E/G OIL DRAIN) DECAL (ATTENTION: UREA WATER)	(エンジンオイルドレン) デカ (注意: 尿素水)	1		5001-			
40	YQYA00043091	DECAL (UREA WATER GAUGE)	デカ (尿素水ゲージ)	1		5001-			
41	YQ4477423050	NAME-PLATE (WATER SEPARATOR)	ネームプレート (燃料内水分離)	1		5001-			

---

MEMO

---

# NAME PLATE (CAB)

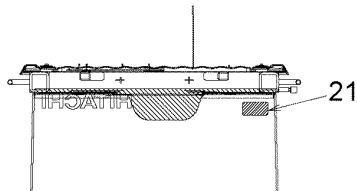
## ネームプレート (キャブ)

Applicable Model (適用機種): -

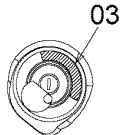
Mark(記号): -

Serial No. (適用号機): -

キャブ後窓内側ガラス面  
(キャブ内側より貼付けのこと)  
CAB REAR WINDOW GLASS INSIDE  
(ATTACH FROM INSIDE OF CAB)

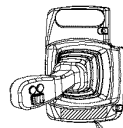


キーシリンダ  
KEY CYLINDER

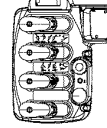


詳細 a  
DETAIL

MF レバーカバー  
MF LEVER COVER

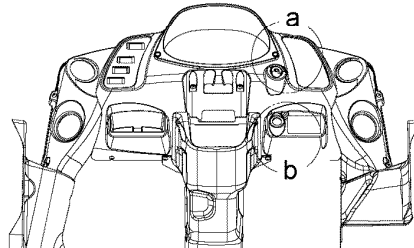


FN レバーカバー  
FN LEVER COVER



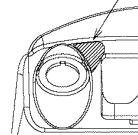
矢視 A  
VIEW

フロントコンソール  
FRONT CONSOLE



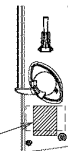
矢視 B  
VIEW

24V



詳細 b  
DETAIL

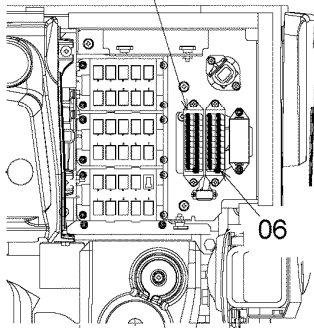
キャブ内右後柱  
CAB INSIDE RIGHT REAR COLUMN



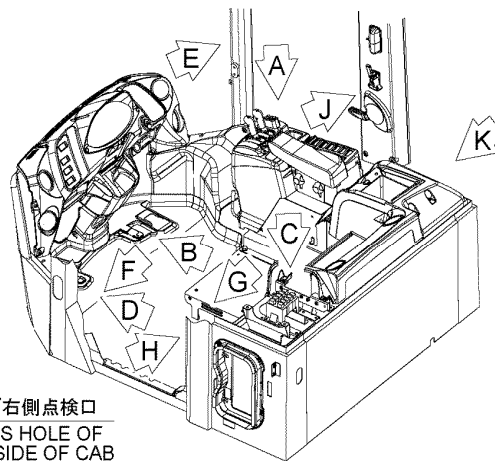
矢視 J  
VIEW

キャブ内電装品BOX  
ELECTRICAL EQUIPMENT  
BOX IN CAB

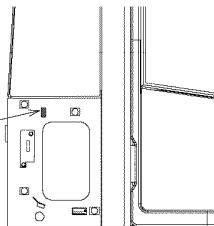
05



矢視 C  
VIEW

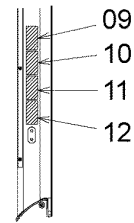


キャブ右側点検口  
ACCESS HOLE OF  
RIGHT SIDE OF CAB



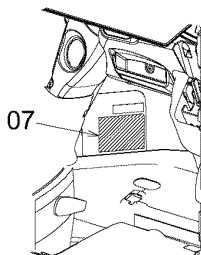
矢視 K  
VIEW

キャブ内右前柱  
CAB INSIDE RIGHT REAR COLUMN



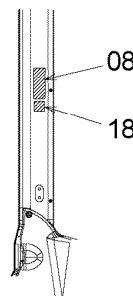
矢視 E  
VIEW

キャブ内側左前下部  
THE LOWER POINT OF LEFT  
FORWARD INSIDE OF THE CAB



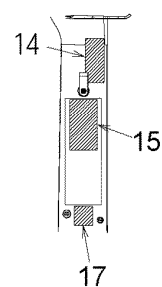
矢視 D  
VIEW

キャブ内左前柱  
CAB INSIDE LEFT FRONT COLUMN



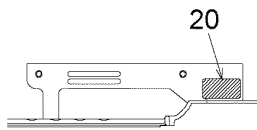
矢視 F  
VIEW

キャブ内左後柱  
CAB INSIDE LEFT REAR COLUMN



矢視 G  
VIEW

シートベース左側面  
LEFT SIDE OF SEAT BASE



矢視 H  
VIEW

DCYA60041639

NAME PLATE (CAB)

ネームプレート (キャブ)

Applicable Model (適用機種): -

Mark(記号): -

Serial No. (適用号機): -

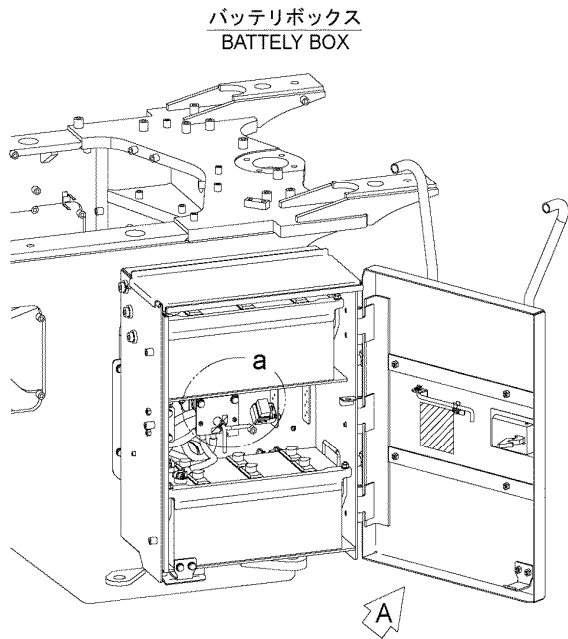
ITEM 符号	PART NO. 部品番号	PART NAME	部 品 名	Q' TY 数量	S. C サービ ス コート	SERIAL NO. 適用号機	ICA 互 換 性	REPLACEABLE PART 代 替 部 品	
								PART NO. 部品番号	Q' TY 数量
01	YQYA00005729	NAME-PLATE (MF LEVER)	ネームプレート (MFレバ <sup>°</sup> -)	1		5001-			
02	YQYA00005728	NAME-PLATE (FN LEVER)	ネームプレート (FNレバ <sup>°</sup> -)	1		5001-			
03	YQ4264805	NAME-PLATE	ネームプレート	1		5001-			
04	YQYA00005727	(KEY SWITCH) DECAL (24V)	(キスイッチ) デ <sup>°</sup> カル (24V)	1		5001-			
05	YQYA00044722	NAME-PLATE (FUSE BOX-A)	ネームプレート (ヒューズ <sup>°</sup> ホ <sup>°</sup> ックス-A)	1		5001-			
06	YQYA00044723	NAME-PLATE (FUSE BOX-B)	ネームプレート (ヒューズ <sup>°</sup> ホ <sup>°</sup> ックス-B)	1		5001-			
07	+++++	NAME-PLATE (ROPS)	ネームプレート (ROPS)	1	D	5001-			
08	YQ4484121950	NAME-PLATE	ネームプレート	1		5001-			
09	YQ4478724940	(P BRAKE) NAME-PLATE (MANUAL)	(駐車フ <sup>°</sup> レキ) ネームプレート (取扱説明)	1		5001-			
10	YQ4478724950	NAME-PLATE (ELECTRIC SHOCK)	ネームプレート (感電)	1		5001-			
11	YQ4478724960	NAME-PLATE (LOCK)	ネームプレート (ロック)	1		5001-			
12	YQ4478724970	NAME-PLATE (SEAT BELT)	ネームプレート (シートベ <sup>°</sup> ルト)	1		5001-			
13	YQ4478725020	SAFETY-SIGN	セフティサイン	1		5001-			
14	YQ4478724680	(CAUTION FOR PACEMAKER) NAME-PLATE (BACK BUZZER)	(パ <sup>°</sup> -スメカ注意) ネームプレート (バックフ <sup>°</sup> ザ <sup>°</sup> -作動確認)	1		5001-			
15	YQ4484121980	NAME-PLATE (SWITCH FUNCTION EXPLANATION)	ネームプレート	1		5001-			
16	YQ4484120650	(スイッチ機能説明) NAME-PLATE (CAUTION: SAFETY LINK)	ネームプレート (運転時セフティリンクロック外せ)	1		5001-			
17	YQYA00044720	NAME-PLATE (RELAY BOX)	ネームプレート (リレーホ <sup>°</sup> ックス)	1		5001-			
18	YQYA00016351	NAME-PLATE (RELAY (WR1, WR2, IDLE STOP)) (リレー (ワイバ <sup>°</sup> -、アイド <sup>°</sup> ルストップ))	ネームプレート	1		5001-			
19	YQYA00016352	NAME-PLATE (RELAY (FRONT/REAR ADD WORKING LAMP)) (リレー (前後追加作業灯))	ネームプレート	1		5001-			
20	YQ4484121990	NAME-PLATE (FREON)	ネームプレート (フロン)	1		5001-			
21	YQ4359076	NAME-PLATE (EMERGENCY HAMMER)	ネームプレート (脱出用ハンマ)	1		5001-			

# NAME PLATE (BATTERY DISCONNECT) ネームプレート (バッテリーディスコネクト)

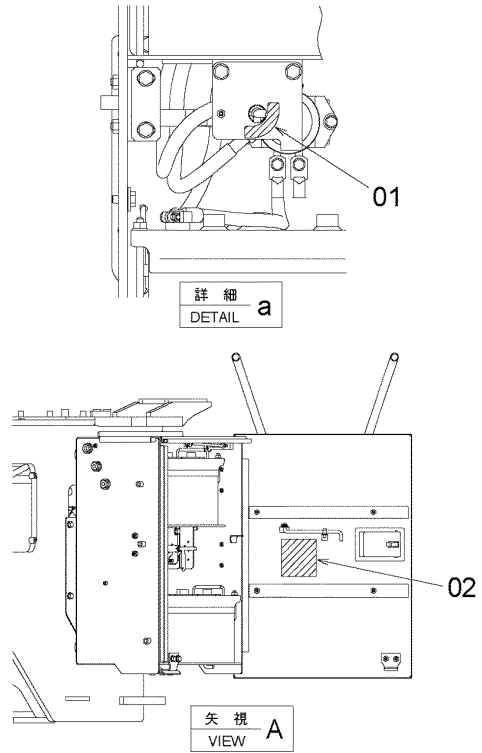
Applicable Model (適用機種): -

Mark (記号): -

Serial No. (適用号機): -



DCYA60041641





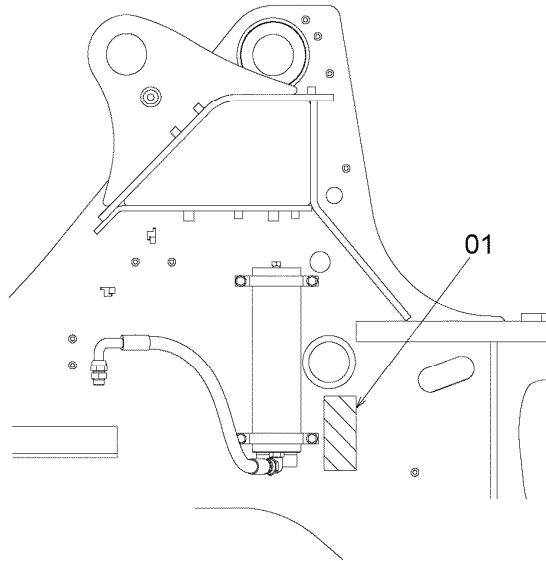
NAME PLATE (RIDE CONTROL)  
ネームプレート (ライドコントロール)

Applicable Model (適用機種): -

Mark (記号): -

Serial No. (適用号機): -

フロントフレーム右側面内側  
RIGHT SIDE OF FRONT FRAME INNER



DCYA60041745

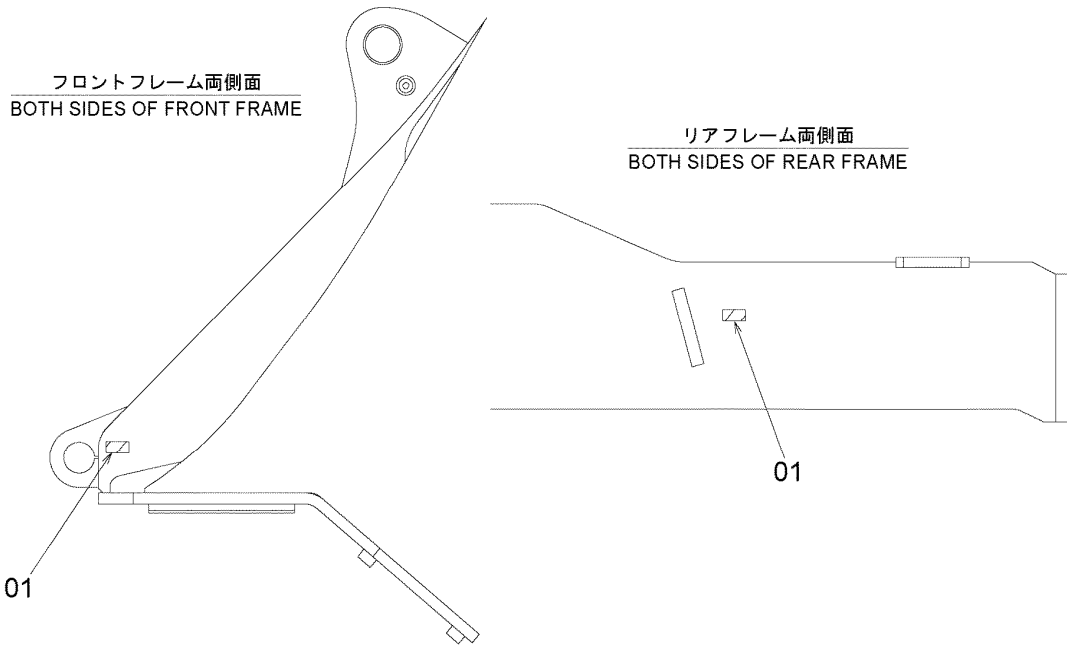


NAME PLATE (LIFTING LUG)  
ネームプレート (吊り金具)

Applicable Model (適用機種): -

Mark (記号): -

Serial No. (適用号機): -



DCYA60042887



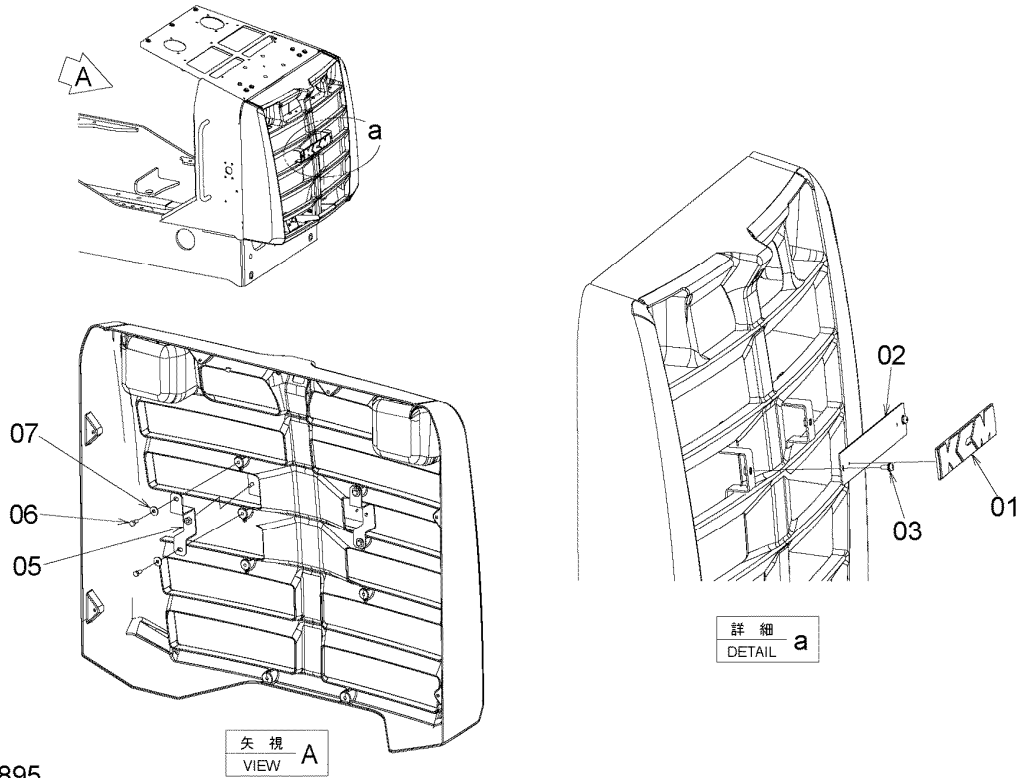
# NAME PLATE (EMBLEM)

## ネームプレート (エンブレム)

Applicable Model (適用機種): -

Mark (記号): -

Serial No. (適用号機): -



DCYA60001895

NAME PLATE (EMBLEM)

ネームプレート (エンブレム)

Applicable Model (適用機種): -

Mark(記号): -

Serial No. (適用号機): -

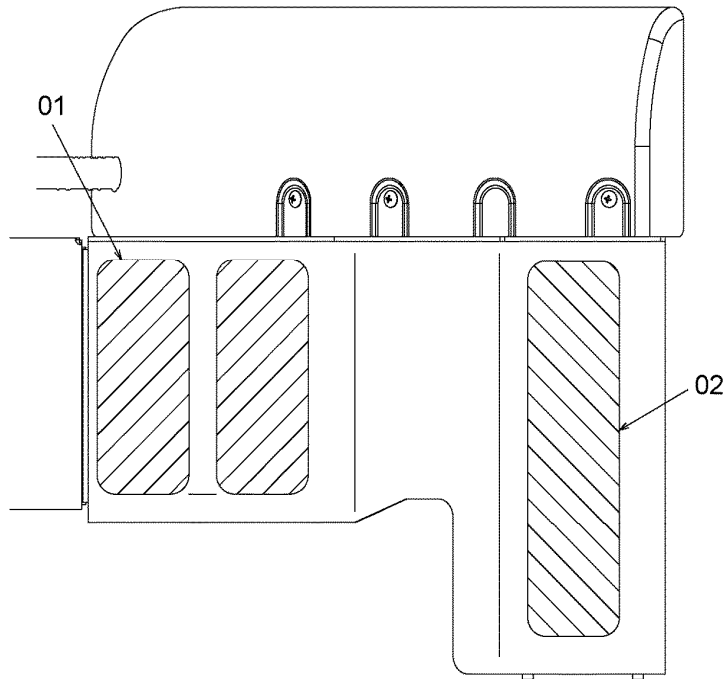
ITEM 符号	PART NO. 部品番号	PART NAME	部 品 名	Q' TY 数量	S. C サービ ス コート	SERIAL NO. 適用号機	ICA 互 換 性	REPLACEABLE PART 代 替 部 品	
								PART NO. 部品番号	Q' TY 数量
01	YQ4167824820	NAME-PLATE (EMBLEM)	ネームプレート (エンブレム)	1		5001-			
02	YQYA00005647	BRACKET	ブラケット	1		5001-			
03	YQJ680820	SCREW	スクリュー	2		5001-			
05	YQYA40028342	BRACKET	ブラケット	2		5001-			
06	YQJ900820	BOLT	ボルト	4		5001-			
07	YQ2147122311	WASHER	ワッシャー	4		5001-			

NAME PLATE (ANTI-SLIP TAPE)  
ネームプレート (ノンスリップテープ)

Applicable Model (適用機種): -

Mark (記号): -

Serial No. (適用号機): -



DCYA60024965\_NDJ90

リヤフェンダ上面(左右)  
REAR FENDER TOP VIEW (LEFT AND RIGHT)



---

MEMO

---

# PARTS No. INDEX

## PARTS No. INDEX

PART NUMBER	PAGE-SYM	PART NUMBER	PAGE-SYM	PART NUMBER	PAGE-SYM	PART NUMBER	PAGE-SYM				
YQ01033	04012	192- 02	YQ04913	11200	276- 06	YQ26192	42451	314- 05G	YQ263F2	42221	272- 24
YQ01043	04008	304- 17		11200	278- 11		47371	262- 12A		42231	272- 25
YQ01044	03008	312- 20		11200	280- 21		47381	262- 12B		42271	312- 11
	05012	178- 23		11200	284- 04		47391	262- 12C		42301	258- 18
	05012	180- 11		11200	286- 11		47401	6- 07		42671	268- 18
	05012	188- 10		11200	300- 04		47401	262- 12F		42711	378- 08
	05012	212- 25		11200	302- 05		47411	6- 08		47031	272- 24B
	05012	320- 02		11200	304- 03		47411	262- 12G	YQ263F4	52311	464- 51
	05012	408- 04		11200	306- 15	YQ26196	44361	132- 11B		52321	464- 52
	05012	430- 02		11200	316- 15		44361	132- 14D		52331	464- 53
YQ01045	05016	178- 22		11200	320- 22	YQ26197	92051	464- 47	YQ263F6	52401	100- 01
YQ01106	06030	39- 53		11200	332- 07		92101	460- 10		54621	144- 01A
	06040	39- 46		11200	334- 08	YQ26262	42021	292- 07		72001	2- 50
	08025	474- 02		11200	338- 06		42021	294- 07		72001	228- 10
	08040	16- 02		11200	340- 07	YQ26265	42031	474- 08		92001	204- 14
	08040	16- 17		11200	342- 07	YQ26268	72291	456- 06	YQ263F7	32021	348- 01
	08040	18- 02		11200	344- 06	YQ26312	12021	26- 08		32031	348- 01
	08040	18- 17		11200	350- 23		12021	27- 98		32041	348- 01
	08050	472- 15		11200	472- 35		12021	262- 04		52091	2- 06
	24055	90- 01		11300	304- 04		12021	356- 22		52091	450- 01G
YQ01107	08035	138- 02		11300	306- 16		12021	372- 05		57011	450- 01G1
	12055	66- 03		11300	310- 09		12021	464- 10		62011	350- 03
	12055	66- 14		21380	276- 07	YQ26315	43371	346- 14		62061	360- 01
	24150	70- 05		21380	304- 18	YQ26319	17051	194- 05		62071	360- 02
	24220	68- 01		21380	310- 10	YQ26387	42321	438- 04		62101	358- 01
YQ01116	18125	12- 04		21380	320- 11	YQ26388	72311	96- 25		62111	358- 02
	18125	12- 19		21380	392- 04		72311	504- 05A		62131	360- 03
	20045	12- 16		21380	398- 12		72311	504- 07A	YQ263F8	47221	492- 01B
	30130	204- 09		21380	410- 17		72311	506- 05A		47221	494- 00B
YQ01401	00010	450- 01G3	YQ09614	40	154- 213		72311	506- 07A		70031	504- 03A
	50018	12- 08	YQ10250	93	450- 01H2		72311	508- 05A		70031	506- 03A
	50018	12- 23	YQ14092	52141	312- 21		72311	508- 07A	YQ263G1	02161	12- 07
YQ01413	00010	184- 03B	YQ16302	52092	24- 02		72311	510- 05A		02161	12- 22
YQ02262	08025	118- 02	YQ16323	02242	64- 06		72311	510- 07A	YQ263G2	10191	20- 24
YQ04012	00303	229- 63		02242	68- 04	YQ26389	12431	104- 10		10271	20- 25
YQ04100	00204	68- 09		02242	68- 21	YQ263E1	02001	12- 35		12241	16- 07
YQ04710	04045	68- 07	YQ202S2	42601	294- 01		02011	12- 34		12241	16- 21
	04060	68- 25	YQ20387	64	156- 308B	YQ263E2	12621	26- 27		12241	18- 07
	04095	64- 12	YQ21471	22311	114- 04		12621	30- 71		12241	18- 21
YQ04720	19120	454- 03B		22311	116- 06		12621	464- 23		12251	16- 05
	19120	514- 15B		22311	228- 20		42511	312- 19		12251	16- 20
YQ04901	00100	486- 13		22311	496- 11		42671	256- 15		12251	18- 05
	00100	486- 21		22311	534- 07	YQ263E5	42041	474- 19		12251	18- 20
	00100	486- 31		23131	312- 29		42061	474- 13		12272	16- 04
	00100	488- 03		23131	336- 05	YQ263E6	13041	96- 05		12272	16- 19
	00100	488- 12		24091	272- 21		13051	96- 06		12272	18- 04
	00100	498- 07		24411	262- 15		13061	96- 08		12272	18- 19
	00100	498- 17		24411	298- 03		13071	96- 03		12301	264- 15
	00100	498- 26	YQ23235	40091	472- 03		13081	96- 02		12301	266- 08
	00100	498- 35		40091	474- 21		13091	96- 23		12301	316- 14
	00100	500- 07	YQ24047	92101	74- 04I		13101	96- 24		12301	372- 15
	00100	500- 19		92111	32- 63		13111	96- 26		12721	14- 18
	00100	502- 22		92381	32- 57		13121	98- 01		12801	184- 03A
	00160	96- 15	YQ24067	62271	454- 03C		13151	96- 04		12811	20- 14A
	00160	96- 31		62271	514- 15C		13161	96- 22		12811	144- 02B
	00160	472- 11		62281	12- 31		52691	144- 23		13451	20- 16
	00160	474- 22	YQ26063	02131	204- 04		72151	22- 32		22511	32- 36C
	00160	486- 04	YQ26067	42081	118- 04		72151	32- 53		22521	32- 36D
	00190	486- 22		42081	140- 04		72151	54- 07		22531	32- 36E
YQ04911	00120	244- 33		42081	144- 25		92221	204- 01		32591	462- 02
YQ04913	11200	27- 91C		42091	20- 49	YQ263E7	62501	62- 07		40201	256- 01
	11200	198- 16		42091	120- 04	YQ263F1	02071	12- 36		40293	258- 17
	11200	200- 07		42091	144- 29		02141	36- 08		40303	258- 24
	11200	244- 37	YQ26096	32021	110- 05		02151	36- 09		40311	262- 13
	11200	258- 04		42351	456- 09		02161	36- 10		43241	258- 03
	11200	264- 08		42351	498- 06	YQ263F2	12261	20- 38		43592	322- 53
	11200	268- 29		42351	500- 06		12271	20- 39		43612	322- 52
	11200	272- 27		42351	500- 18		12281	20- 30		43691	408- 13
	11200	274- 06		42411	20- 57		42071	262- 21		43871	316- 06

## PARTS No. INDEX

PART NUMBER	PAGE-SYM	PART NUMBER	PAGE-SYM	PART NUMBER	PAGE-SYM	PART NUMBER	PAGE-SYM
YQ263G2 43931	326- 08	YQ263G7 50071	454- 03	YQ26402 47301	6- 06	YQ26602 42381	464- 22
43931	416- 10	50071	512- 15	47301	262- 12E	YQ26604 47041	80- 01B
43931	428- 05	50071	514- 15	47311	262- 12H	47041	82- 02B
43931	436- 12	52311	450- 08A	YQ26405 42051	474- 09	47041	86- 02B
43931	446- 03	52311	454- 01A	42201	472- 12	47041	88- 02B
43931	448- 02	52321	450- 08B	YQ26407 32001	360- 13	47051	80- 01C
44071	306- 14	52321	454- 01B	32001	364- 17	47051	82- 02C
44071	310- 08	52331	454- 03A	32001	366- 17	47051	86- 02C
44071	320- 09	52331	514- 15A	32001	368- 17	47051	88- 02C
44071	408- 09	52421	62- 26	32001	370- 02	YQ26605 42191	74- 04T
44071	446- 05	52421	450- 07	32001	464- 33	42191	486- 02
44321	32- 37	60331	350- 26	32001	470- 12	42191	486- 11
44421	6- 14	60331	362- 01	32001	476- 24	42191	486- 19
44421	268- 01C	60431	360- 12	YQ26413 02031	74- 04C	42191	486- 30
44631	322- 54	63661	354- 01	02041	74- 04F	YQ26606 13251	98- 06
44731	54- 01	70011	486- 10	YQ26418 72161	4- 06	42251	26- 07
44731	198- 12	80102	62- 24	72161	4- 07	42251	27- 97
44731	244- 42	80111	62- 25	72161	500- 09	42251	262- 05
44731	280- 08	80171	62- 23	72161	500- 20	42251	356- 21
44731	320- 07	82251	62- 27	YQ26426 73471	229- 62	42251	372- 04
44921	302- 12	YQ263G8 47251	504- 05C	YQ26432 12041	64- 07	42251	464- 09
47211	314- 05F	47251	506- 05C	12041	68- 05	43371	184- 08
57012	2- 09	47251	508- 05C	12041	68- 22	52511	132- 14C
57012	60- 01A	47251	510- 05C	YQ26435 42201	74- 04S	52531	132- 14A1
YQ263G3 32101	66- 02	47261	456- 01B	42201	486- 03	52541	132- 14B1
32101	66- 15	52111	496- 10	42201	486- 12	52701	106- 04
YQ263G4 12461	212- 01A4	72131	498- 22	42201	486- 20	52721	360- 14
12501	212- 01A2	72131	498- 31	42201	488- 02	52721	364- 18
12511	212- 01A3	72131	502- 02	42201	488- 11	52721	366- 18
52181	462- 10	72131	502- 18	YQ26448 72101	96- 07	52721	368- 18
52681	456- 07	72141	498- 27	YQ26506 52111	126- 25	YQ26607 42311	376- 45
YQ263G5 42631	484- 16	72141	498- 37	52111	132- 38	YQ26608 72321	96- 30
42641	484- 15	72141	502- 06	52111	144- 04	72321	498- 16
YQ263G6 11071	98- 07	72141	502- 23	52111	496- 06	72321	498- 25
12901	96- 09	YQ263G9 12341	520- 23	YQ26507 42021	474- 18	72321	498- 34
12921	96- 10	13281	532- 01	47061	62- 07A	72321	502- 05
44451	64- 21	YQ263J2 10601	20- 01	YQ26508 72281	498- 02	72321	502- 13
44451	228- 41	22181	22- 16	72281	500- 02	72321	502- 21
44451	352- 10	22181	22- 33	72281	500- 14	YQ26612 42081	26- 46
44621	138- 20	22181	36- 17	YQ26554 12001	214-	42081	36- 18
44621	298- 12	22181	56- 20	17011	214- 01	42081	38- 32
54071	312- 04	22181	58- 14	YQ26555 42141	22- 37	42081	56- 35
54071	320- 10	22181	228- 45	42141	56- 27	42081	62- 15
54291	520- 28	22181	244- 40	42141	58- 05	42081	222- 27
54291	522- 28	22181	256- 12	42141	62- 17	42081	228- 40
54291	536- 02	22181	266- 11	42141	228- 47	42081	268- 14
54301	522- 27	22181	268- 25	42141	268- 16	42081	274- 04
54301	536- 01	22181	280- 09	42141	280- 15	42081	280- 10
70701	184- 01	22181	282- 03	42141	302- 17	42081	286- 05
70711	184- 03	22181	372- 35	42141	460- 21	42081	372- 34
72271	194- 11	22181	460- 18	42141	465- 71	42081	388- 14
72281	194- 12	22181	464- 21	42141	480- 26	42081	390- 14
72571	248- 05	22181	464- 55	YQ26557 42461	370- 01	42081	470- 28
72571	250- 12	22181	476- 46	42471	2- 08	42081	480- 06
73551	242- 12	22181	480- 25	42471	370- 01C	42091	64- 01
73551	250- 03	32071	42- 06	42481	370- 01A	42091	68- 27
73561	170- 12	32081	42- 07	42491	370- 01B	42251	272- 24A
73941	184- 05	YQ263J6 72091	268- 19	42511	370- 01E	YQ26619 12121	256- 02
73941	206- 12	92021	204- 25	YQ26564 17191	214- 10	YQ26626 52011	112- 02
74181	196- 01	92032	204- 23	42001	80- 01	YQ26702 42341	236- 05
82111	220- 00	YQ263J8 57191	504- 06A	42001	82- 02	YQ26706 13121	98- 09
YQ263G7 12041	346- 13	57191	506- 06A	42001	86- 02	YQ26708 72321	502- 10
32052	410- 01	57191	508- 06A	42001	88- 02	72581	498- 13
42331	206- 11	57191	510- 06A	YQ26602 12011	106- 16	YQ26714 47011	84- 01B
43191	206- 13	YQ26402 22021	32- 24	12021	106- 17	47021	84- 01C
43532	438- 02	42432	6- 04	22191	32- 58	47031	84- 01D
43801	476- 26	42432	262- 12	22191	36- 07	YQ26752 42631	378- 10
50061	450- 08	47291	6- 05	42381	26- 26	42641	378- 11
50061	454- 01	47291	262- 12D	42381	30- 70	42641	476- 31

## PARTS No. INDEX

PART NUMBER	PAGE-SYM	PART NUMBER	PAGE-SYM	PART NUMBER	PAGE-SYM	PART NUMBER	PAGE-SYM
YQ26752 42651	398- 14	YQ40993 34	132- 07	YQ41902 63	266- 05	YQ41902 91	310- 12
42651	410- 19	YQ41389 38	26- 24	63	268- 09	91	372- 37
42661	58- 22	38	27- 92	63	286- 09	91	440- 21
42661	386- 04	38	30- 65	63	316- 12	91	442- 23
42661	470- 25	38	370- 21	63	354- 14	YQ41920 34	36- 14
42661	480- 07	38	458- 11	64	62- 13	34	56- 26
42661	482- 07	38	460- 09	64	268- 11	35	22- 24
42671	288- 03	38	464- 20	64	282- 02	35	268- 10
42671	372- 33	38	470- 37	64	286- 04	35	306- 09
42671	460- 19	YQ41530 95	72- 0411	64	310- 11	35	308- 01
42671	480- 28	YQ41535 47	346- 06	64	316- 18	35	316- 13
YQ26753 02091	74- 04G	YQ41630 44	320- 21	64	373- 38	35	373- 39
02102	74- 04H	YQ41678 24820	534- 01	64	390- 09	35	406- 24
02122	74- 04D	YQ41715 60180	190- 04	64	424- 22	35	424- 21
02131	74- 04E	YQ41754 20340	192- 03	64	426- 22	35	426- 21
YQ26754 12491	128- 14	YQ41870 83	156- 314A	64	442- 22	YQ41938 48	310- 13
12491	148- 02	YQ41873 08	26- 39	65	54- 06	48	376- 41
12491	312- 30	08	30- 39	66	58- 08	48	398- 13
12541	408- 14	08	350- 16	71	222- 16	48	410- 18
YQ26756 75841	26- 29	08	350- 27	71	244- 41	48	432- 18
75841	30- 85	08	352- 04	72	22- 52	48	434- 18
75841	56- 21	08	360- 05	72	30- 72	YQ41992 47	30- 63
75841	68- 23	08	362- 02	72	280- 06	YQ42014 41	172- 03
75841	228- 46	08	364- 06	72	372- 36	41	174- 03
75841	282- 11	08	366- 06	72	378- 04	YQ42025 31	406- 19
75841	464- 62	08	368- 06	72	380- 04	31	424- 16
92271	204- 10	08	368- 31	73	32- 51	31	426- 16
92281	204- 07	28	26- 20	73	56- 43	31	432- 22
92291	204- 08	28	354- 33	73	228- 27	31	434- 22
92301	204- 11	28	354- 40	73	268- 07	31	440- 16
YQ26757 62231	352- 07	28	356- 05	73	280- 05	31	442- 17
YQ26806 12851	98- 05	28	358- 05	73	304- 09	31	480- 19
YQ26812 42961	286- 01	YQ41894 11	464- 16	73	476- 47	31	482- 10
YQ26816 73051	252- 01	YQ41898 58	464- 30	73	478- 02	32	406- 16
YQ26822 42111	280- 11	59	368- 22	74	64- 19	32	424- 13
YQ26825 42311	62- 16	YQ41901 26	27- 53	74	228- 38	32	426- 13
YQ26826 72021	464- 57	26	358- 20	74	306- 08	32	432- 25
YQ26906 42911	126- 21	26	360- 15	75	30- 83	32	434- 25
YQ26927 62291	362- 04	26	364- 09	75	222- 17	32	440- 13
YQ30162 61115	20- 50	26	366- 09	75	228- 39	32	442- 14
61115	120- 05	27	354- 41	75	268- 05	YQ42041 36	22- 15
61115	144- 30	YQ41902 53	38- 29	75	272- 04	YQ42048 82	352- 03
YQ31102 60170	190- 01	53	222- 14	75	274- 05	82	368- 30
YQ31183 28	188- 02	53	264- 04	75	276- 08	YQ42051 41	358- 04
YQ31211 82	154- 207	53	268- 06	75	280- 04	YQ42053 58	236- 08
82	318- 16	53	272- 10	75	282- 09	58	486- 25
82	322- 08	53	276- 10	75	304- 05	58	488- 05
YQ32218 11113	64- 02	53	302- 04	75	372- 32	YQ42091 98	384- 06
11113	68- 28	61	22- 31	75	388- 08	YQ42110 59	312- 28
YQ32262 11124	114- 17	61	38- 28	76	268- 38	59	424- 23
YQ33194 36330	157- 355	61	198- 14	76	486- 05	59	426- 23
YQ33460 60350	336- 08	61	264- 02	76	486- 24	59	432- 17
YQ33921 60890	218- 01	61	268- 04	76	488- 04	59	434- 17
YQ35550 60090	154- 204	61	272- 11	76	488- 13	59	442- 27
YQ35902 60020	336- 09	61	276- 09	77	36- 13	YQ42175 04	464- 18
YQ38191 20130	192- 01	61	280- 03	77	56- 19	05	464- 17
YQ38450 60030	290- 01	61	286- 10	77	222- 15	YQ42193 46	424- 10
YQ38900 23510	456- 11	61	316- 11	77	222- 28	46	426- 10
23510	482- 12	61	378- 05	77	236- 02	46	432- 02
YQ40116 75	42- 12	61	384- 02	77	264- 06	46	434- 02
75	62- 29	61	470- 44	77	268- 03	46	442- 11
YQ40333 38	27- 55	62	54- 05	77	282- 01	YQ42220 75	378- 14
YQ40338 60390	450- 01B	62	58- 06	82	56- 42	YQ42249 32	26- 41
YQ40543 87	62- 28	62	264- 05	82	296- 10	YQ42254 66	450- 01H4
YQ40810 60140	300- 01	62	268- 08	82	376- 42	72	450- 01H5
YQ40841 23	354- 38	62	278- 06	82	388- 09	YQ42270 01	470- 21
YQ40868 94	132- 15	62	296- 11	82	390- 08	YQ42352 05	22- 46
YQ40903 25230	190- 02	63	26- 43	82	476- 11	YQ42367 30	460- 06
YQ40993 34	50- 04	63	30- 43	91	268- 12	YQ42399 76	372- 09



## PARTS No. INDEX

PART NUMBER	PAGE-SYM	PART NUMBER	PAGE-SYM	PART NUMBER	PAGE-SYM	PART NUMBER	PAGE-SYM	
YQ44774	24740	516- 01	YQ45064	18	458- 09A	YQ45091	80	
YQ44783	78	32- 62		18	458- 10A		80	
YQ44787	20950	522- 19		18	465- 67A		80	
	24330	520- 11		18	468- 05A		80	
	24340	522- 07		18	470- 17A		80	
	24350	522- 06		18	470- 18A		80	
	24360	518- 03		18	470- 35A		80	
	24370	518- 01		18	470- 36A		80	
	24370	520- 12		18	476- 09A	YQ45101	85	
	24390	520- 02		24	26- 36A		85	
	24390	522- 02		24	26- 38A	YQ45127	16	
	24400	520- 03		24	26- 41A		16	
	24410	522- 01		24	350- 15A	YQ45146	99	
	24420	518- 02		24	350- 18A		99	
	24440	520- 04		24	354- 13A		99	
	24440	522- 04		24	360- 04A		99	
	24460	520- 18		24	364- 07A		99	
	24470	522- 17		24	366- 07A		99	
	24470	530- 01		24	368- 05A	YQ45147	00	
	24680	526- 14		24	370- 15A		00	
	24900	522- 20		24	370- 16A		00	
	24930	522- 13		24	370- 18A		00	
	24940	526- 09		24	370- 19A	YQ46010	02	
	24950	526- 10		24	450- 09	YQ46018	78	
	24960	526- 11		24	454- 02	YQ46037	38	
	24970	526- 12		29	26- 18A	YQ46110	00	
	24990	520- 05		29	26- 19A		00	
	24990	522- 05		29	26- 37A	YQ46115	26	
	25000	522- 08		29	30- 37A		26	
	25010	522- 10		29	62- 08A	YQ46140	48	
	25020	526- 13		29	346- 13A	YQ46159	91	
	25030	520- 32		29	352- 02A	YQ46186	84	
	25340	520- 35		29	354- 31A	YQ46187	19	
	25350	523- 34		29	356- 03A		20	
	25860	528- 02		29	356- 04A		21	
YQ44804	60	458- 04		29	358- 03A	YQ46209	02	
YQ44811	39	62- 06		29	358- 04A	YQ46221	82	
YQ44840	69	74- 04R	YQ45091	80	30- 68A	YQ46239	55	
YQ44841	20650	526- 16		80	30- 82A	YQ46248	53	
	21880	520- 22		80	72- 04E1	YQ46256	00	
	21890	520- 24		80	72- 04F1	YQ46265	42	
	21950	526- 08		80	72- 04H1	YQ46297	81	
	21970	518- 04		80	74- 04P1	YQ46310	70	
	21980	526- 15		80	74- 04Q1		70	
	21990	522- 16		80	74- 04R1	YQ46312	96	
	21990	526- 20		80	372- 08A		96	
YQ44881	60490	298- 14		80	372- 10A		96	
YQ44890	61	470- 34		80	372- 29A		96	
YQ44899	28	56- 07		80	372- 30A	YQ46314	59	
YQ44949	0	120- 09		80	373- 45A	YQ46319	13	
	0	128- 03		80	376- 03A		13	
	0	133- 57		80	376- 04A	YQ46323	25	
	0	384- 07		80	376- 19A	YQ46352	56	
YQ45034	69	32- 28		80	376- 32A	YQ46353	18	
YQ45041	98	22- 09		80	376- 34A		72	
	99	22- 10		80	384- 08A	YQ46357	48	
YQ45064	18	26- 22A		80	388- 03A	YQ46363	02	
	18	26- 23A		80	390- 05A	YQ46376	51	
	18	30- 62A		80	390- 06A	YQ46406	93	
	18	30- 63A		80	412- 02A	YQ46411	24	
	18	30- 64A		80	424- 09A	YQ46422	31	
	18	350- 19A		80	426- 09A	YQ46426	06	
	18	354- 08A		80	432- 01A		06	
	18	370- 17A		80	434- 01A		06	
	18	370- 20A		80	442- 10A		06	
	18	372- 26A		80	470- 22A		06	
	18	372- 27A		80	470- 23A		06	
	18	372- 31A		80	470- 43A		28	
	18	458- 08A		80	476- 01A		28	
						476- 02A	YQ46426	28
						476- 04A		28
						476- 30A		28
						480- 03A		28
						480- 20A		28
						480- 21A		28
						480- 22A	YQ46430	29
						484- 13A		29
						460- 10A	YQ46431	28
						464- 47A	YQ46434	91
						46- 08	YQ46459	52
						48- 08	YQ46463	20
						56- 16	YQ46466	36
						64- 13	YQ46481	10
						68- 08	YQ46494	07
						68- 26		07
						222- 26		07
						236- 01	YQ46514	72
						22- 44	YQ46520	65
						32- 56	YQ46521	75
						36- 05	YQ46523	06
						56- 17	YQ46526	92
						222- 24	YQ46539	06
						14- 48	YQ46555	82
						458- 02		82
						432- 16		96
						434- 16	YQ46558	58
						306- 01B	YQ46560	27
						314- 05N	YQ46563	00
						480- 16	YQ46569	00
						144- 19	YQ46573	85
						314- 05K		85
						228- 19B	YQ46575	69
						228- 19A		69
						228- 19	YQ46580	52
						372- 07		53
						132- 31	YQ46595	64
						30- 33	YQ46626	64
						398- 06		64
						36- 03B	YQ46627	21
						312- 14		21
						12- 21		24
						398- 02		51
						410- 07		57
						504- 02B		63
						506- 02B	YQ46678	00
						508- 02B	YQ46694	89
						510- 02B	YQ46702	12
						268- 35	YQ46721	08
						320- 06	YQ46748	07
						408- 08		11
						222- 11	YQ46749	90
						390- 03	YQ46750	18
						334- 01	YQ46760	45
						27- 91B	YQ46801	86
						512- 17	YQ46817	47
						30- 61	YQ46822	95
						256- 06		95
						106- 21	YQ46843	30
						264- 17	YQ46851	80
						460- 14	YQ46864	89
						492- 01A	YQ46871	41
						494- 00A	YQ46889	79
						504- 01C	YQ46890	99
						506- 01C	YQ46895	16
						508- 01C	YQ46898	81
						510- 01C	YQ46912	09
						504- 01B	YQ46941	98
						504- 03B	YQ46944	16
								506- 01B
								506- 03B
								508- 01B
								510- 01B
								510- 03B
								424- 07
								426- 07
								178- 19
								316- 06
								316- 10
								106- 06
								316- 23
								462- 08
								364- 05
								366- 05
								368- 07
								26- 40
								354- 32
								376- 18
								36- 02B
								376- 15
								318- 19
								388- 02
								390- 02
								480- 01
								410- 11
								390- 04
								188- 03
								120- 38
								388- 01
								390- 01
								4

## PARTS No. INDEX

PART NUMBER	PAGE-SYM	PART NUMBER	PAGE-SYM	PART NUMBER	PAGE-SYM	PART NUMBER	PAGE-SYM				
YQ46950	24	222- 25	YQ563G7	62001	510- 01A2B	YQ95736	6	484- 12A	YQA8521	22	372- 11
YQ46953	55	470- 33		62011	506- 01A2A	YQ96245	3	350- 33		22	424- 12
YQ46958	56	132- 11A		62011	510- 01A2A		3	358- 06		22	426- 12
YQ46963	94	406- 07	YQ563H4	40051	76- 01	YQ96699	3	350- 34		22	432- 09
	94	440- 07	YQ563H7	62161	364- 23		3	358- 07		22	434- 09
YQ46972	12	172- 07		62161	366- 23		3	362- 05		22	465- 66
	12	174- 07		62161	368- 26	YQ97148	9	358- 14		22	476- 29
YQ46974	82	280- 27	YQ56600	58461	182- 21		9	360- 07		23	382- 02
YQ46981	46	370- 12		70951	46- 01		9	364- 24		23	398- 07
YQ47033	23	272- 15	YQ80239	81	32- 15		9	366- 24		23	402- 01
YQ47049	12	144- 18		81	450- 01M		9	368- 27		23	406- 13
YQ47059	19	318- 12	YQ91845	56	450- 01H	YQ97169	9	354- 29A		23	432- 12
YQ47078	14	376- 16	YQ92648	09	348- 01A		9	354- 34		23	434- 12
YQ47089	12	138- 26		10	348- 01A	YQ97386	82	132- 35		23	440- 11
	12	140- 21		11	348- 01A	YQ98691	0	358- 13		33	372- 08
YQ47117	82	136- 17	YQ93340	68	350- 01		0	360- 06		33	376- 32
	82	142- 09	YQ94-20	10	498- 36	YQ99133	9	472- 09		33	476- 02
	82	142- 23		10	500- 08	YQ99733	0	450- 01E		33	480- 20
YQ47138	08	20- 02	YQ95736	6	30- 67A	YQA5901	03	472- 28		44	354- 08
YQ47152	34	156- 322		6	274- 03A		05	114- 15		44	372- 27
YQ47154	02	410- 08		6	284- 03A		05	132- 36		44	470- 17
YQ47164	53	132- 30		6	350- 21A		05	336- 11	YQA8522	22	30- 67
YQ47177	35	228- 30		6	350- 22A		06	39- 48		22	350- 22
YQ47186	31	380- 02		6	350- 28A		06	39- 54		22	372- 12
YQ47215	07	120- 18		6	362- 03A		06	268- 28		22	442- 13
YQ47226	57	156- 314		6	372- 11A		06	298- 07		23	406- 15
YQ47228	21	474- 10		6	372- 12A		08	58- 20		23	412- 01
YQ47251	71	132- 44		6	372- 28A		08	118- 03		23	424- 11
YQ55787	12001	292- 01		6	373- 44A		08	138- 03		23	426- 11
YQ56097	75211	504- 05B		6	382- 01A		08	140- 03		23	432- 08
	75211	506- 05B		6	382- 02A		08	144- 24		23	434- 08
	75211	508- 05B		6	398- 07A		08	260- 12		23	440- 12
	75211	510- 05B		6	402- 01A		08	270- 09B		23	442- 12
YQ56190	53471	112- 01		6	406- 13A		10	20- 48		33	376- 03
	60261	182- 05		6	406- 14A		10	32- 42		33	390- 06
	60261	182- 26		6	406- 15A		10	112- 05		33	412- 02
	60261	312- 03		6	410- 12A		10	120- 03		33	470- 23
	60261	408- 16		6	412- 01A		10	142- 19		44	350- 19
	60261	472- 36		6	424- 10A		10	144- 28		44	372- 31
YQ563F6	12001	92- 02A		6	424- 11A		10	162- 1341		44	465- 67
	12011	92- 02B		6	424- 12A		10	244- 09		66	370- 16
	12021	94- 03A		6	426- 10A		10	244- 22	YQA8523	22	350- 21
	52251	100- 01		6	426- 11A		10	244- 28		22	372- 28
	52261	100- 01		6	426- 12A		10	244- 45		22	462- 11
YQ563F7	62011	364- 04		6	432- 02A		10	256- 03		22	484- 12
	62011	366- 04		6	432- 08A		10	290- 09		23	410- 12
	62011	368- 03		6	432- 09A		10	292- 09		32	372- 29
	62021	364- 03		6	432- 10A		10	294- 09		32	384- 08
	62021	366- 03		6	432- 11A		10	462- 04		32	470- 43
	62021	368- 01		6	432- 12A		10	474- 12		32	476- 30
	62031	368- 04		6	434- 02A		12	130- 21		33	30- 82
	62041	368- 02		6	434- 08A		12	130- 26		33	372- 30
	62051	364- 16		6	434- 09A		14	156- 309G		33	376- 04
	62051	366- 16		6	434- 10A		14	262- 11F		33	376- 34
	62051	368- 16		6	434- 11A		16	472- 10		33	388- 03
	62271	506- 01A2C		6	434- 12A		30	256- 07		33	390- 05
YQ563F8	52041	496- 01		6	440- 10A	YQA5909	08	260- 11		33	470- 22
	70021	508- 03A		6	440- 11A		10	20- 07		33	476- 01
	70021	510- 03A		6	440- 12A		10	60- 08		33	480- 03
YQ563G0	50601	33- 66		6	442- 11A		12	212- 04		33	480- 21
YQ563G2	42701	338- 02		6	442- 12A		14	156- 309H		33	484- 13
	42701	340- 03		6	442- 13A		14	262- 11G		34	480- 22
	42711	340- 02		6	462- 09A	YQA8100	60	450- 01K		44	372- 26
	42721	338- 03		6	462- 10A	YQA8101	60	32- 16		44	470- 18
YQ563G4	42001	78- 01		6	462- 11A		60	450- 01I		44	476- 09
	42151	84- 00		6	465- 66A		60	450- 01N		66	354- 13
YQ563G6	12111	92- 03A		6	470- 42A	YQA8110	65	370- 01D		66	370- 15
	12111	94- 02A		6	476- 29A		75	354- 03	YQA8524	22	373- 44
YQ563G7	62001	506- 01A2B		6	484- 11A	YQA8111	25	346- 05		22	432- 11

## PARTS No. INDEX

PART NUMBER	PAGE-SYM	PART NUMBER	PAGE-SYM	PART NUMBER	PAGE-SYM	PART NUMBER	PAGE-SYM
YQA8524	22 434- 11	YQJ2220	12 133- 58	YQJ2608	20 114- 02	YQJ2710	20 126- 14
	22 470- 42		12 170- 09		20 114- 10		20 132- 05
	23 406- 14		12 340- 10		20 132- 26		20 132- 12
	23 432- 10		12 348- 03		20 138- 25		20 132- 21
	23 434- 10		12 356- 12		20 140- 20		20 132- 43
	23 440- 10		12 358- 22		20 182- 14		20 144- 14
	23 484- 11		12 464- 03		20 186- 06		20 144- 34
	33 30- 68		16 14- 03		20 188- 04		20 172- 05
	33 424- 09		16 74- 04K		20 212- 01A6		20 174- 05
	33 426- 09		16 96- 14		20 222- 43		20 178- 06
	33 432- 01		16 96- 29		20 228- 12		20 182- 15
	33 434- 01		16 106- 03		20 258- 25		20 184- 04
	33 442- 10		16 132- 18		20 270- 09		20 204- 26
	34 476- 04		16 146- 03		20 272- 34		20 210- 03
YQA8531	44 30- 62		16 170- 07		20 300- 02		20 222- 18
	44 370- 20		16 204- 02		20 304- 15		20 222- 29
	64 370- 18		16 406- 20		20 320- 12		20 222- 57
	66 360- 04		16 424- 17		20 336- 03		20 228- 42
	66 364- 07		16 426- 17		20 440- 02		20 236- 03
	66 366- 07		16 432- 23		20 442- 02		20 244- 19
	66 368- 05		16 434- 23		25 62- 31		20 258- 06
	86 26- 37		16 440- 17		25 258- 12		20 262- 23
	86 30- 37		16 442- 18		25 316- 25		20 264- 22
	88 26- 18		16 450- 03		25 338- 04		20 266- 09
	88 62- 08		16 498- 15		30 270- 08		20 268- 21
	88 356- 03		16 498- 24		35 258- 11		20 272- 05
	88 358- 03		16 498- 33		45 172- 04		20 272- 12
YQA8532	44 370- 17		16 502- 04		45 174- 04		20 274- 07
	44 458- 08		16 502- 12	YQJ2710	16 198- 13		20 276- 11
	44 470- 36		16 502- 20		16 472- 33		20 278- 09
	88 354- 31		18 12- 05		20 12- 37		20 280- 18
YQA8533	44 26- 23		18 12- 20		20 14- 15		20 282- 04
	44 30- 64		20 12- 18		20 14- 29		20 286- 06
	44 458- 09		20 32- 06		20 14- 45		20 296- 05
	44 470- 35		20 66- 07		20 20- 26		20 298- 05
	64 370- 19		24 32- 08		20 22- 17		20 302- 06
	66 26- 38		24 68- 03		20 22- 25		20 304- 07
	66 350- 15		24 68- 20		20 22- 36		20 306- 10
	86 352- 02		24 70- 06		20 22- 53		20 308- 02
	88 26- 19		24 90- 02		20 27- 47		20 310- 17
	88 356- 04		30 104- 02		20 30- 44		20 316- 16
YQA8534	44 26- 22	YQJ2300	06 194- 07		20 30- 74		20 320- 08
	44 458- 10		06 296- 03		20 30- 84		20 354- 15
	66 26- 36	YQJ2416	45 74- 04J		20 32- 26		20 360- 17
YQA8850	02 350- 28	YQJ2500	06 194- 08		20 32- 35		20 372- 16
	02 362- 03	YQJ2572	20 12- 17		20 36- 15		20 373- 40
	03 373- 45		20 66- 06		20 38- 30		20 376- 35
	04 468- 05	YQJ2606	10 272- 16		20 38- 41		20 376- 43
YQJ2170	83 258- 19		16 124- 05		20 44- 17		20 378- 06
	83 370- 06		16 178- 08		20 44- 35		20 378- 12
	83 464- 35		16 222- 51		20 50- 03		20 380- 06
	83 470- 10		16 296- 02		20 54- 02		20 384- 12
	83 476- 37		16 472- 30		20 56- 23		20 388- 15
YQJ2220	08 228- 04		20 44- 02		20 56- 29		20 390- 15
	08 320- 15		20 396- 02		20 56- 44		20 396- 06
	08 472- 16		25 39- 47		20 56- 48		20 398- 15
	08 474- 03		25 228- 37		20 56- 54		20 406- 25
	10 20- 08	YQJ2608	16 20- 54		20 58- 09		20 410- 20
	10 26- 03		16 178- 05		20 58- 23		20 424- 24
	10 33- 68		16 210- 04		20 62- 18		20 426- 24
	10 38- 11		16 212- 16		20 72- 04B		20 432- 07
	10 58- 03		16 272- 19		20 74- 04M		20 434- 07
	10 142- 07		16 300- 05		20 106- 10		20 440- 22
	10 302- 07		16 328- 03		20 106- 30		20 442- 24
	10 406- 25B		16 330- 07		20 108- 02		20 452- 04
	10 476- 39		16 404- 07		20 110- 24		20 452- 08
	12 20- 41		16 422- 05		20 114- 12		20 460- 02
	12 128- 04		16 430- 08		20 114- 30		20 460- 20
	12 132- 16		16 474- 20		20 118- 09		20 464- 24

## PARTS No. INDEX

PART NUMBER	PAGE-SYM	PART NUMBER	PAGE-SYM	PART NUMBER	PAGE-SYM	PART NUMBER	PAGE-SYM				
YQJ2710	20	464- 56	YQJ2710	25	432- 21	YQJ2710	55	26- 28	YQJ2810	20	38- 42
	20	464- 58		25	434- 21		55	56- 24		20	56- 53
	20	470- 26		25	440- 24		55	464- 61		20	68- 16
	20	470- 45		25	442- 26		65	22- 34		20	70- 02
	20	476- 12		25	450- 01F		65	32- 52		20	110- 46
	20	476- 48		25	450- 01O		65	54- 08		20	126- 06
	20	478- 03		25	450- 06		70	68- 24		20	136- 11
	20	480- 08		25	464- 54		70	476- 36		20	142- 24
	20	480- 29		25	470- 29		90	62- 02		20	144- 39
	20	482- 08		25	472- 07	YQJ2712	20	70- 08		25	20- 20
	20	484- 18		25	474- 14		20	130- 07		25	42- 02
	20	486- 06		25	476- 33		20	260- 07		25	100- 02
	20	486- 26		25	480- 09		20	362- 07		25	110- 16
	20	488- 06		30	14- 31		25	64- 20		25	114- 07
	20	488- 14		30	22- 04		25	98- 10		25	126- 07
	20	490- 07		30	24- 03		25	130- 02		25	136- 21
	25	14- 30		30	27- 94		25	130- 08		25	136- 27
	25	16- 11		30	30- 76		25	198- 15		25	180- 27
	25	16- 26		30	33- 67		25	229- 54		25	228- 08
	25	18- 11		30	112- 04		25	340- 09		25	452- 02
	25	18- 26		30	130- 38		25	352- 16		30	106- 14
	25	20- 15		30	142- 21		25	370- 05		40	136- 23
	25	20- 19		30	178- 07		25	378- 09	YQJ2812	25	44- 04
	25	20- 34		30	180- 12		25	456- 08		30	26- 13
	25	22- 03		30	180- 19		25	496- 02		30	38- 13
	25	30- 75		30	182- 16		25	498- 04		30	106- 08
	25	32- 17		30	184- 02		25	500- 04		30	110- 12
	25	46- 03		30	204- 05		25	500- 16		30	120- 14
	25	48- 03		30	216- 03		30	27- 52		30	136- 02
	25	56- 34		30	228- 07		30	130- 09		30	138- 11
	25	56- 36		30	242- 04		30	130- 20		30	140- 11
	25	58- 04		30	244- 13		30	130- 25		30	222- 02
	25	62- 19		30	244- 18		30	130- 31		35	110- 11
	25	62- 30		30	256- 16		30	133- 53		35	116- 02
	25	110- 22		30	312- 02		30	136- 07		35	126- 03
	25	110- 36		30	464- 59		30	138- 10	YQJ4605	12	56- 32
	25	120- 28		30	470- 03		30	140- 10		20	114- 14
	25	130- 33		30	476- 32		30	350- 02		20	132- 11C
	25	138- 15		30	490- 09		30	350- 04		20	132- 14E
	25	140- 15		35	490- 10		30	350- 10	YQJ4606	12	194- 13
	25	142- 06		40	20- 05		30	352- 14		14	20- 31
	25	142- 18		40	22- 38		30	354- 43		14	324- 03
	25	144- 03		40	56- 28		30	376- 46		16	190- 03
	25	144- 13		40	58- 10		35	20- 12		16	240- 07
	25	172- 06		40	62- 20		35	212- 02		16	306- 05
	25	174- 06		40	64- 22		35	236- 04		16	318- 21
	25	182- 17		40	228- 43		40	12- 03		16	328- 04
	25	222- 38		40	264- 23		40	76- 02		20	20- 32
	25	228- 23		40	266- 10		40	78- 02		20	184- 10
	25	236- 09		40	268- 23		40	356- 11		20	200- 06
	25	244- 17		40	280- 16		50	464- 31		20	242- 11
	25	244- 29		40	302- 16		55	26- 06		20	270- 11
	25	244- 43		40	316- 17		55	27- 54		20	312- 22
	25	252- 04		40	372- 17		55	27- 96		20	314- 11
	25	262- 14		40	464- 34		55	372- 06		20	332- 06
	25	268- 22		40	465- 70		55	464- 11		20	334- 07
	25	286- 07		40	470- 11		60	356- 20		20	342- 06
	25	288- 04		40	476- 34		60	360- 18		25	252- 02
	25	296- 06		40	480- 30		60	364- 10		25	324- 04
	25	298- 06		45	64- 08		60	366- 12	YQJ4608	20	182- 25
	25	304- 08		45	68- 06		65	354- 42		25	270- 12
	25	340- 08		45	268- 24		65	364- 11	YQJ6506	10	124- 04
	25	386- 05		45	370- 04		65	366- 10		10	206- 03
	25	388- 10		45	460- 22		65	368- 23		10	212- 24
	25	390- 10		45	476- 35		70	106- 15		10	320- 05
	25	394- 02		50	30- 86		70	358- 21		10	408- 12
	25	406- 27		50	228- 24		80	484- 02		16	178- 09
	25	424- 29		50	282- 10		90	470- 07		16	180- 02
	25	426- 29		50	352- 09	YQJ2810	20	14- 46		16	180- 10

## PARTS No. INDEX

PART NUMBER	PAGE-SYM	PART NUMBER	PAGE-SYM	PART NUMBER	PAGE-SYM	PART NUMBER	PAGE-SYM
YQJ6506	16 206- 09	YQJ9012	35 212- 03	YQJ9500	10 386- 06	YQU1254	7U 464- 16A
	16 208- 04		45 262- 03		10 388- 11	YQXA000	00293 160- 400
	16 242- 13		80 96- 12		10 388- 16		00293 162-
	16 250- 11		90 96- 27		10 390- 11		00294 160- 401
	16 322- 02	YQJ9016	00 96- 11		10 390- 16		00294 166-
YQJ6508	20 128- 13		30 96- 28		10 404- 02	YQXB000	00935 245- 48F
	20 130- 14		30 498- 14		10 408- 05		01031 234- 02
	20 178- 26		30 498- 23		10 422- 02		01032 234- 03
	20 188- 05		30 498- 32		10 430- 05		01033 234- 04
YQJ6803	20 472- 26		30 502- 03		10 460- 23		01034 234- 05
YQJ6805	10 268- 37		30 502- 11		10 462- 03		01035 234- 06
	16 190- 05		30 502- 19		10 464- 25		01037 234- 08
	16 238- 03		40 14- 02		10 464- 60		01038 234- 09
	30 496- 07		40 106- 02		10 470- 27		01040 232- 02
YQJ6806	16 194- 06		40 146- 02		10 472- 19		01041 232- 03
YQJ6808	20 184- 07		45 110- 04		10 474- 11		01042 224- 00
	20 534- 03		50 96- 13		10 476- 38		01043 224- 01
	25 192- 04		55 110- 03		10 476- 49		01044 224- 02
YQJ7805	16 336- 10		80 106- 05		10 480- 10		01045 224- 03
YQJ7806	16 450- 01L	YQJ9212	40 170- 08		10 480- 31		01046 224- 04
YQJ7808	00 228- 02	YQJ9216	40 170- 05		10 490- 11		01047 224- 05
	02 228- 03		60 170- 06		12 20- 42		01048 224- 06
	90 58- 19		65 450- 02		12 26- 09		01049 224- 07
YQJ7810	20 406- 02	YQJ9220	00 204- 06		12 106- 18		01050 224- 08
	20 424- 02		50 32- 05		12 128- 05		01051 224- 09
	20 426- 02		80 66- 04		12 130- 22		01052 224- 10
	20 432- 05	YQJ9224	60 32- 07		12 130- 27		01053 224- 11
	20 434- 05	YQJ9230	16 104- 01		12 132- 17		01054 224- 12
	25 20- 43	YQJ9500	08 116- 05		12 133- 59		01055 224- 13
	30 32- 41		08 138- 04		12 218- 05		01056 224- 14
	30 350- 35		08 258- 13		12 276- 13		01057 224- 15
	30 358- 08		08 320- 18		12 340- 11		01058 224- 16
	30 358- 15		08 472- 17		12 348- 04		01059 224- 17
	30 360- 08		10 22- 18		12 356- 13		01060 224- 18
	30 362- 06		10 22- 35		12 356- 23		01061 224- 19
	30 364- 25		10 27- 48		12 358- 23		01062 224- 20
	30 366- 25		10 30- 77		12 364- 12		01063 224- 21
	30 368- 28		10 36- 16		12 366- 11		01064 224- 22
	30 410- 02		10 38- 10		12 368- 24		01065 224- 24
	45 26- 02		10 38- 31		12 376- 47		01068 224- 28
YQJ7812	08 348- 02		10 42- 08		12 408- 06		01069 224- 29
	30 354- 02		10 56- 22		12 438- 03		01070 224- 30
	55 346- 07		10 58- 13		16 204- 03		01071 224- 31
YQJ8505	20 20- 58		10 62- 21		20 66- 05		01072 224- 32
	20 126- 24		10 112- 06		30 104- 03		01073 224- 33
	25 132- 39		10 130- 34		30 204- 12		01076 224- 36
	25 144- 05		10 136- 24	YQJ9520	14 156- 309I		01077 224- 37
YQJ9006	16 338- 01E		10 142- 20		14 262- 11H		01078 224- 38
	16 340- 01E		10 222- 30		24 68- 02		01079 224- 39
	20 222- 12		10 228- 44		24 68- 19		01930 16- 01A
YQJ9008	20 114- 03		10 236- 10	YQM2612	80 20- 40		01930 18- 01A
	20 260- 10		10 244- 21	YQM3408	20 218- 04		05609 154- 209
	20 270- 09A		10 244- 27	YQM3410	20 218- 03		05617 245- 48E
	20 534- 06		10 244- 44	YQM3412	45 346- 08		08602 156- 300F
	35 228- 21		10 256- 04		56 346- 09		08602 157- 333
	40 258- 20		10 256- 17	YQM4303	08 320- 19		08602 162- 1402
YQJ9010	16 136- 16		10 264- 24	YQM4305	16 330- 02		08602 166- 2331
	16 142- 08		10 266- 12	YQM4308	20 114- 18		08604 154- 232
	16 142- 22		10 268- 26	YQM5003	03 320- 20		08610 156- 313
	20 406- 25A		10 274- 08		03 472- 27		08611 156- 312
	30 20- 06		10 276- 12	YQM5005	04 114- 16		08611 162- 1400
	35 60- 07		10 280- 19		04 132- 37		08611 166- 2380
	40 360- 16		10 282- 05	YQM5006	05 268- 27		08612 157- 346
	40 364- 19		10 286- 08		05 298- 08		08612 157- 353
	40 366- 19		10 290- 08	YQM5008	07 62- 32		08612 162- 1401
	40 368- 19		10 292- 08	YQM6500	10 114- 06B		08612 166- 2381
	45 472- 18		10 294- 08	YQU1077	8U 460- 06A		08614 157- 323
YQJ9012	00 464- 02		10 373- 41		8U 460- 07A		08617 162- 1340
	25 120- 10		10 378- 13		8U 460- 08A		08617 166- 2320

## PARTS No. INDEX

PART NUMBER	PAGE-SYM	PART NUMBER	PAGE-SYM	PART NUMBER	PAGE-SYM	PART NUMBER	PAGE-SYM
YQXB000 08619	152- 128	YQXB000 09847	154- 220	YQXB000 13659	52- 01	YQYA000 04354	244- 32
08619	152- 144	09848	156- 300	13660	52- 02	04355	244- 03
08624	156- 300G	09849	156- 300A	13661	52- 03	04356	310- 04
08626	157- 328	09850	156- 301	13662	52- 04	04357	222- 56
08628	160- 403	09857	156- 310	13663	52- 05	04361	316- 02
08631	152- 115	09860	156- 320	13664	52- 06	04364	180- 25
08631	157- 327	09861	157- 331	13665	52- 07	04365	180- 26
08632	152- 117	09865	162- 1000	13666	52- 08	04366	212- 08
08637	157- 343	09866	162- 1020	YQXV000 00062	484- 06	04386	32- 36
08637	157- 350	09867	162- 1021	00174	372- 24	04389	118- 01
08643	162- 1370	09867	166- 2021	00186	460- 13	04390	114- 06A
08643	166- 2350	09870	162- 1070	00197	476- 27	04393	114- 09
08646	162- 1130	09871	166- 2070	00260	26- 17	04397	32- 65
08646	162- 1391	09872	162- 1090	00261	384- 01A	04480	408- 01
08646	166- 2130	09873	162- 1100	00261	470- 41A	04482	266- 01
08647	162- 1210	09873	166- 2100	00545	114- 31	04484	274- 01
08647	166- 2210	09874	162- 1110	00789	22- 45	04490	318- 05
08654	162- 1080	09874	166- 2110	00989	14- 39	04492	332- 02
08654	166- 2080	09875	162- 1120	01573	62- 04	04493	276- 01
08655	162- 1360	09876	162- 1140	01599	22- 42	04495	304- 16
08655	166- 2340	09876	166- 2140	01803	30- 66	04496	322- 09
08657	152- 125	09879	162- 1180	02137	62- 05	04498	322- 11
08657	162- 1350	09880	162- 1190	02310	350- 14	04499	318- 15
08657	166- 2330	09880	166- 2190	02313	36- 02A	04501	322- 50
08663	154- 230	09881	162- 1200	02314	36- 03A	04503	322- 50
08670	152- 116	09881	166- 2200	02387	120- 20	04504	318- 18
08684	154- 210	09882	162- 1270	02472	132- 32	04506	404- 01
08686	157- 330	09882	166- 2270	02577	110- 40	04506	422- 01
08694	156- 311	09883	162- 1310	02838	56- 03	04506	430- 04
08719	152- 124	09884	162- 1320	02839	56- 04	04507	260- 08
08720	152- 142	09885	162- 1390	03314	110- 37	04508	260- 09
08721	157- 325	09885	166- 2370	03405	56- 02	04513	298- 09
08721	162- 1160	09886	163- 1410	03406	56- 08	04514	302- 02
08721	166- 2160	09886	166- 2390	03537	26- 35	04520	334- 02
08722	156- 321	09887	163- 1420	03609	356- 02	05448	470- 06
08724	154- 222	09887	166- 2400	YQYA000 00178	446- 04	05506	212- 20
08725	154- 221	09888	163- 1450	00354	490- 06	05507	212- 21
08726	156- 315	09888	167- 2430	00547	244- 48A	05508	212- 22
08728	152- 130	09889	166- 2000	01370	82- 00	05509	212- 23
08728	157- 329	09890	166- 2020	01371	88- 00	05510	318- 13
08729	162- 1290	09892	166- 2050	01490	224- 23	05516	472- 08
08735	156- 300D	09894	166- 2090	02305	225- 101	05522	472- 04
08736	156- 300E	09895	166- 2120	03014	188- 09	05523	472- 05
08737	160- 402	09896	166- 2180	03014	240- 11	05524	472- 06
08763	154- 211	09897	162- 1220	03888	228- 01	05525	472- 25
08774	157- 332	09897	166- 2220	03888	232-	05527	472- 29
09577	152- 112	09898	162- 1230	03889	228- 18	05528	472- 32
09582	152- 109	09898	166- 2230	03889	234-	05532	222- 09
09597	156- 319	09899	162- 1240	03910	470- 01	05533	222- 10
09820	152- 140	09899	166- 2240	03912	476- 20	05536	222- 35
09821	152- 103	09900	166- 2290	03913	476- 21	05537	242- 01
09822	152- 104	09901	166- 2300	03914	484- 03	05538	240- 01
09823	152- 105	09902	166- 2301	03915	372- 01	05539	240- 02
09824	152- 141	09903	166- 2310	03916	372- 13	05540	222- 36
09825	152- 106	09949	162- 1050	03918	396- 01	05541	222- 37
09826	152- 107	09950	162- 1260	03921	62- 01	05542	242- 02
09827	152- 108	09950	166- 2260	03927	318- 11	05543	240- 03
09829	152- 111	10466	154- 218	03929	316- 24	05544	240- 04
09830	152- 113	11281	157- 354	04329	244- 12	05545	240- 05
09831	152- 114	11284	152- 110	04330	404- 11	05546	240- 06
09833	152- 119	11288	152- 110A	04332	304- 02	05547	188- 08
09834	152- 123	11321	157- 326	04332	408- 11	05548	222- 40
09835	152- 126	11322	152- 143	04333	326- 07	05549	242- 10
09839	154- 212	11324	162- 1150	04337	310- 02	05550	222- 41A
09840	154- 214	11324	166- 2150	04338	310- 03	05552	222- 39
09842	154- 216	11325	162- 1170	04340	328- 02	05552	242- 03
09843	154- 217	11325	166- 2170	04342	204- 22	05553	238- 01
09844	154- 231	11326	163- 1440	04343	176- 01	05555	244- 02
09846	154- 219	11326	167- 2420	04348	182- 27	05555	248- 02

## PARTS No. INDEX

PART NUMBER	PAGE-SYM	PART NUMBER	PAGE-SYM	PART NUMBER	PAGE-SYM	PART NUMBER	PAGE-SYM
YQYA000 05556	244- 05	YQYA000 05707	408- 10	YQYA000 16600	12- 33	YQYA000 20163	8- 15A
05556	248- 04	05710	398- 11	16616	376- 01	20164	8- 16
05556	250- 05	05710	410- 16	16664	498- 03	20196	9- 23
05563	254- 01	05714	440- 03	16664	500- 03	20207	8- 22A
05564	254- 02	05714	442- 03	16664	500- 15	20208	8- 18A
05566	254- 03	05720	420- 01	16745	456- 01	20302	342- 02
05587	180- 18	05721	448- 01	16933	330- 01	20421	32- 50
05589	178- 15	05723	422- 09	17019	228- 15	20480	16- 06
05590	178- 16	05724	444- 01	17021	229- 65	20480	18- 06
05591	178- 17	05725	250- 09	17022	228- 05	20626	460- 01
05592	178- 18	05726	250- 10	17022	268- 15	20744	72- 04G
05593	180- 08	05727	526- 04	17118	518- 05	20859	8- 09
05594	180- 09	05728	526- 02	17119	520- 21	20875	8- 10
05595	180- 01	05729	526- 01	17240	30- 80	20886	8- 11
05596	178- 20	05741	245- 48D	17297	60- 05	20894	96- 01
05597	178- 21	05837	322- 12	17298	60- 06	20917	8- 12
05601	178- 25	05841	414- 22	17581	268- 13	20924	8- 13
05616	494- 00	05842	400- 06	17767	268- 02	20925	8- 10A
05617	492- 01	05845	296- 01	17771	344- 01	20925	8- 11A
05620	186- 05	05849	304- 01	17773	314- 06	20926	8- 15
05621	184- 09	05852	322- 13	17799	16- 10	20927	8- 17
05622	186- 01	05853	322- 10	17800	16- 25	20934	8- 21
05623	186- 02	05854	300- 03	17801	16- 01	20950	8- 22
05624	184- 06	05855	322- 51	17802	16- 16	21173	32- 45
05626	188- 01C	06000	370- 03	17825	66- 13	21175	32- 46
05627	188- 01D	06003	350- 08	17834	122- 01A1	21177	32- 47
05628	188- 01E	06004	350- 09	17834	122- 02A1	21185	38- 20
05629	188- 01B	06005	476- 05	17840	12- 30	21191	198- 20
05630	188- 01A1	06008	264- 16	17963	70- 01	21363	502- 14
05647	534- 02	06021	276- 02	17967	44- 38	21364	498- 12
05661	244- 04	06029	476- 22	18230	452- 07	21529	298- 04
05661	248- 03	06030	476- 23	18410	322- 14	21580	8- 19
05661	250- 04	06120	122- 01A2	18518	48- 01	21589	136- 19
05666	204- 18	06120	122- 02A2	18572	436- 01	21590	136- 20
05682	206- 02	06120	144- 02A	18735	474- 01	21640	80- 00
05683	206- 04	06219	116- 04	18799	106- 22	21761	244- 48
05684	206- 05	06249	352- 08	18804	2- 04	21789	290- 07
05685	208- 01	06259	354- 29	18804	44- 01A	21809	6- 16
05686	206- 06	06494	446- 02	18805	2- 05	21809	286- 02
05687	206- 07	06753	245- 49	18805	44- 01B	21882	114- 13
05688	322- 01	07726	222- 49	18806	2- 10	21946	120- 40
05689	206- 08	08010	150- 00	18806	8- 01	21947	120- 41
05692	320- 01	08500	22- 21	18807	8- 06	21948	138- 13
05693	416- 01	08886	406- 01	18808	8- 07	21962	138- 14
05694	404- 03	08886	424- 01	18838	436- 10	22174	392- 01
05694	408- 03	08886	426- 01	18840	436- 11	22276	36- 01A
05694	422- 03	08886	432- 04	18841	430- 10	22314	32- 40
05694	430- 06	08886	434- 04	18841	436- 04	22349	22- 43
05695	416- 06	09701	60- 01	18842	430- 11	22467	8-
05696	416- 08	10332	376- 17	18931	198- 10	22478	172- 02
05696	428- 03	10524	46- 06	19107	2- 01	22705	144- 38
05696	436- 08	10524	48- 06	19107	8- 08	22868	152- 100
05697	416- 05	11206	20- 04	19257	198- 01	22869	156- 302
05697	428- 02	11207	20- 11	19407	214- 06	22870	156- 317
05697	436- 06	11968	32- 27	19448	32- 10	22871	156- 303
05698	416- 02	15142	480- 18	19529	14- 06	22872	156- 318
05698	428- 01	15143	72- 04H	19530	14- 07	22874	157- 352
05698	436- 02	15445	350- 07	19724	18- 01	22875	154- 215
05699	416- 07	15546	212- 01A1	19725	18- 10	22876	152- 118
05700	416- 09	15547	212- 01A5	19726	18- 16	22877	163- 1430
05700	428- 04	15783	32- 09	19727	18- 25	22878	167- 2410
05700	436- 09	15784	58- 02	20024	38- 19	22880	154- 201
05701	416- 03	16313	120- 31	20026	38- 18	22881	156- 306
05701	436- 03	16314	120- 32	20100	38- 17	22882	156- 300C
05702	416- 04	16316	120- 35	20140	8- 03	22883	156- 300B
05704	418- 01	16345	120- 36	20147	8- 04	22884	162- 1300
05704	422- 10	16351	526- 18	20148	8- 05	22886	156- 307
05705	418- 02	16352	526- 19	20156	8- 13A	22889	166- 2040
05705	444- 02	16360	24- 01	20157	8- 14	22890	162- 1040

## PARTS No. INDEX

PART NUMBER	PAGE-SYM	PART NUMBER	PAGE-SYM	PART NUMBER	PAGE-SYM	PART NUMBER	PAGE-SYM
YQYA000 23056	228- 09	YQYA000 31323	114- 27	YQYA000 39686	174- 02	YQYA000 41953	268- 41
23091	464- 37	31328	56- 31	39876	142- 14	42134	14- 05
23092	476- 25	31718	42- 05	39877	142- 15	42135	14- 08
23093	356- 09	31758	314- 05M	40005	284- 01	42172	110- 35
23094	356- 10	31758	400- 06A	40007	490- 01	42254	222- 01
23095	384- 11	31758	414- 22A	40008	490- 02	42254	224-
23098	132- 02	31759	268- 01A	40042	296- 08	42370	224- 100
23099	132- 04	31759	302- 02A	40059	288- 01	42557	290- 05
23184	314- 05	31826	318- 17	40060	288- 02	42667	56- 52
23186	306- 01	32102	126- 12	40061	278- 03	42987	114- 01
23238	74- 04A	32386	84- 01	40110	106- 26	43024	138- 09
23239	74- 04B	32579	44- 03	40111	106- 27	43024	140- 09
23333	132- 01	32630	126- 15	40130	302- 01	43091	523- 40
23334	132- 03	32631	126- 16	40247	144- 12	43109	520- 31
23336	376- 31	32780	200- 02	40248	296- 04	43115	38- 40
23337	376- 44	33183	136- 25	40250	268- 33	43143	520- 30
23576	350- 31	33955	157- 340	40289	272- 29	44041	292- 05
23579	128- 11	33956	157- 347	40295	38- 01	44041	294- 05
23580	128- 12	34109	22- 41	40296	38- 02	44128	304- 14
23581	130- 12	34414	523- 39	40297	38- 03	44176	110- 42
23582	130- 13	34562	144- 09	40298	38- 04	44313	392- 03
23958	136- 30	34985	144- 27	40530	20- 53	44342	200- 13
23958	138- 01	34988	270- 04	40538	14- 14	44405	132- 06
23958	140- 01	35104	152- 102	40539	14- 13	44410	354- 30
24120	157- 345	35105	152- 101	40540	106- 28	44414	376- 30
24146	462- 01	35270	126- 04	40541	106- 29	44606	56- 11
24368	350- 32	35293	126- 05	40648	132- 24	44626	138- 23
24375	264- 01	35353	44- 10	40649	132- 25	44626	140- 18
24379	302- 11	35354	44- 36	40695	280- 01	44627	138- 24
24568	130- 32	35355	22- 08	40696	272- 01	44627	140- 19
25014	16- 12	35356	22- 07	40697	272- 08	44673	234- 07
25014	18- 12	35681	44- 24	40827	522- 29	44674	232- 01
25015	16- 13	35682	44- 26	40831	54- 09	44720	526- 17
25015	18- 13	35855	154- 200	40864	14- 24	44722	526- 05
25302	392- 02	35858	162- 1060	40866	14- 27	44723	526- 06
25623	446- 01	35859	166- 2060	40867	14- 26	44967	228- 11
25678	120- 21	35860	162- 1030	40868	14- 25	45086	110- 33
25709	66- 01	35861	166- 2030	40960	114- 28	45104	56- 12
25751	229- 66	36011	22- 01	40961	114- 29	45385	522- 25
25752	270- 05	36022	162- 1010	40962	114- 36	45424	136- 22
25754	228- 36	36023	166- 2010	40963	114- 37	45626	224- 40
25760	302- 03	36308	222- 41B	40964	114- 34	47863	272- 32
26313	110- 15	36492	22- 23	40965	114- 35	47864	272- 22
26942	258- 01	36493	22- 22	40984	114- 40	47870	272- 31
27082	14- 04	36784	490- 05	40985	114- 41	47871	272- 33
27271	464- 01	36809	490- 03	40986	114- 42	48368	116- 01
28263	352- 15	36810	490- 04	41050	110- 28	48413	39- 52
28820	86- 00	36854	126- 13	41051	110- 30	48541	27- 95
28821	80- 100	37067	278- 04	41057	132- 07	48542	26- 21
28821	82- 100	37069	296- 07	41063	110- 27	48543	27- 91A
28821	84- 100	37332	324- 01	41064	110- 29	48723	452- 01
28821	86- 01	37413	56- 01	41065	108- 01	48866	320- 14
28821	88- 100	37647	56- 39	41222	228- 29	48867	320- 13
28923	56- 13	37648	56- 40	41315	38- 45	49521	136- 14
29403	296- 01A	37936	120- 39	41374	110- 45	49522	136- 15
29454	120- 25	38190	280- 01A	41402	56- 47	49570	142- 01
29562	38- 35	38325	268- 01	41416	324- 02	49571	142- 02
30124	142- 05	38508	32- 48	41589	228- 34	49584	2- 07
30211	42- 10	38511	56- 38	41591	228- 35	49584	450- 100
30345	22- 01B	38737	50- 02	41593	26- 12	50130	516- 02
30619	322- 55	38738	132- 20	41594	26- 11	50138	8- 02
30623	38- 27	38862	110- 34	41707	244- 12A	50140	9- 24A
30759	32- 55	38864	110- 31	41708	244- 12B	50141	9- 24B
30782	50- 01	38865	110- 32	41709	244- 12C	50142	9- 24B1
30782	52-	38910	22- 01A	41710	244- 12D	50144	58- 18D
30783	58- 01	39030	42- 11	41711	244- 12E	50145	58- 18C
31052	32- 33	39434	106- 07	41712	244- 12F	50146	9- 24
31160	44- 01	39606	336- 02	41713	244- 12G	50148	58- 18B
31215	132- 33	39663	270- 06	41714	244- 12H	50150	58- 18A1

## PARTS No. INDEX

PART NUMBER	PAGE-SYM	PART NUMBER	PAGE-SYM	PART NUMBER	PAGE-SYM	PART NUMBER	PAGE-SYM
YQYA000 50150	58- 18B1	YQYA400 03718	216- 02	YQYA400 14994	498- 01	YQYA400 26400	268- 20
50152	58- 18A	03721	408- 02	14994	500- 13	26401	130- 06
50154	38- 03B	03814	20- 33	14995	498- 11	26402	144- 33
50155	38- 03E3	03838	372- 03	14996	502- 01	26408	140- 07
50156	38- 03E2	03852	72- 04A	14996	502- 17	26409	140- 08
50157	38- 03E1	03855	74- 04L	15093	140- 13	26465	132- 51
50159	38- 03A	03924	140- 02	15094	140- 14	26466	133- 52
53178	38- 03C	03979	32- 23	15377	126- 10	26492	110- 01
53179	38- 03D	04895	96- 21	15511	32- 34	26493	110- 02
53180	38- 03E	10369	68- 15	15565	126- 11	26527	132- 14A
YQYA400 00008	136- 10	10531	470- 09	15883	450- 01A	26528	132- 14B
02476	38- 08	10532	470- 02	16952	498- 30	26728	20- 14
02568	132- 14	10551	120- 08	17156	260- 01	26730	20- 47
02850	39- 51	10645	124- 01	17157	260- 04	26936	14- 01
03610	306- 04	10646	124- 02	17522	44- 16	26937	14- 43
03611	310- 01	10647	124- 03	17758	122- 02	26938	14- 23
03612	330- 06	10669	210- 01	17999	136- 01	26939	14- 22
03613	222- 50	10670	210- 02	18037	44- 34	26941	14- 44
03614	312- 01	10766	12- 01	18318	38- 09	27022	22- 02
03620	182- 23	10767	12- 02	18532	144- 01	27051	118- 07
03624	212- 13	10770	12- 32	18687	38- 44	27052	118- 08
03625	212- 14	10888	12- 14	19562	157- 351	27065	110- 20
03626	212- 15	10973	229- 53	20937	244- 07	27066	110- 21
03629	472- 01	11025	228- 06	20994	30- 73	27067	110- 23
03630	472- 02	11028	133- 56	21416	157- 341	27355	138- 07
03631	472- 31	11268	38- 06	21417	157- 348	27356	138- 08
03632	474- 07	11827	120- 26	22023	504- 02A	27526	20- 18
03633	238- 02	11828	506- 01A	22023	506- 02A	27591	14- 28
03634	242- 14	12148	432- 06	22023	508- 02A	27980	56- 50
03635	250- 02	12148	434- 06	22023	510- 02A	28166	106- 01
03636	170- 01	12501	198- 02	22211	92-	28167	106- 09
03642	178- 01	12502	198- 03	22917	486- 01	28181	336- 01
03652	178- 02	13295	136- 05	22956	222- 41	28182	182- 07
03653	178- 03	13296	136- 06	22957	106- 13	28183	216- 01
03654	178- 04	13322	136- 26	23036	120- 01	28342	534- 05
03655	178- 24	13404	498- 21	23037	120- 02	28509	228- 14
03656	182- 01	13408	502- 09	23578	202- 00	28550	114- 11
03657	182- 02	13411	456- 05	23616	46- 02	29620	120- 27
03658	182- 03	13664	298- 01	23616	48- 02	30358	464- 08
03659	182- 04	13665	298- 02	23758	42- 01	30699	452- 03
03660	182- 06	13993	32- 01	23888	144- 11	30904	272- 17
03662	186- 03	14322	172- 01	23907	56- 33	30905	272- 18
03663	182- 08	14323	174- 01	23921	182- 24	30906	272- 20
03664	186- 04	14346	144- 02	23922	316- 01	30929	130- 19
03666	188- 01A	14472	38- 26	23960	144- 10	30931	130- 24
03683	204- 19	14473	38- 07	24003	126- 02	30998	142- 03
03684	204- 20	14585	488- 10	24071	132- 42	30999	142- 04
03685	204- 21	14608	12- 15	25133	132- 10	31177	122- 01
03686	204- 24	14620	464- 28	25134	132- 11	31228	364- 01
03687	204- 27	14621	464- 29	25369	126- 01	31228	368- 10
03688	206- 01	14622	464- 36	25427	38- 12	31229	364- 02
03697	396- 05	14623	464- 32	25514	102- 01	31229	368- 12
03698	320- 04	14625	72- 04C	25693	22- 30	31274	368- 11
03699	406- 03	14626	72- 04D	26080	142- 16	31275	368- 13
03700	404- 06	14627	74- 04N	26081	142- 17	32326	510- 01A
03701	422- 04	14628	74- 04O	26110	504- 01A	32327	508- 01A
03701	430- 07	14629	354- 37	26146	114- 06	32397	366- 01
03703	394- 01	14636	354- 04	26170	32- 25	32398	366- 02
03704	406- 26	14637	130- 01	26215	94-	33468	104- 09
03704	424- 28	14638	130- 30	26244	26- 05	33681	130- 37
03704	426- 28	14639	356- 19	26245	27- 51	YQYA600 15039	80-
03705	432- 20	14642	486- 17	26250	110- 08	15092	86-
03705	434- 20	14643	486- 18	26251	110- 09	16413	82-
03705	440- 23	14644	486- 29	26252	110- 10	16414	88-
03705	442- 25	14645	488- 01	26253	252- 03	16479	36- 01
03708	404- 10	14677	128- 01	26264	228- 22	17060	36- 02
03709	244- 16	14678	128- 02	26265	56- 46	17061	36- 03
03713	244- 25	14679	130- 05	26371	262- 01	21007	212- 01
03717	188- 01	14993	500- 01	26372	262- 02	23002	384- 01

## PARTS No. INDEX

PART NUMBER	PAGE-SYM	PART NUMBER	PAGE-SYM	PART NUMBER	PAGE-SYM	PART NUMBER	PAGE-SYM
YQYA600	23002		470- 41				
	30679		27- 91				
	34100		84-				
	39140		328- 01				
	40188		332- 01				
	47147		450- 01				
YQYB600	00510		26- 01				
	00656		440- 01A				
	00656		442- 01A				
	00859		346- 01				
	00915		72- 01				
	00917		74- 01				
	01068		484- 01				
YQYC000	00766		14- 38				
YQYD000	03722		378- 01				
	03722		380- 01				
	04413		38- 36				
YQYL000	06644		58- 18				
	07841		38- 21				
	07844		38- 22				
	08001		2- 02				
	08001		9- 24C				
	08002		2- 03				
	08002		32- 40A				
	08298		2- 11				
	08298		58- 18E				
	09475		8- 20				
	09479		38- 02A				
	09480		38- 01B				
	09481		38- 02B				
	09482		38- 01A				
	09623		8- 18				

# **KCM Corporation**

2680 Oka Inami-cho Kako-gun, Hyogo 675-1113

All rights reserved, No copy allowed without written consent.

Printed in Japan

