

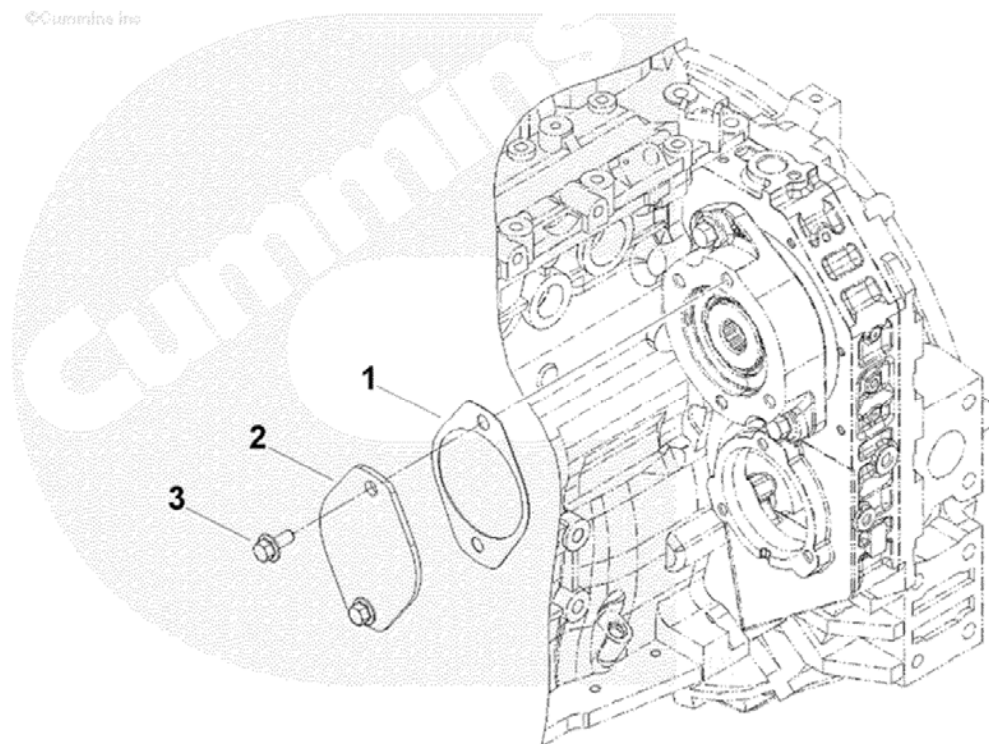
Auxiliary Pump Mounting 予備ポンプマウント

Applicable Model (適用機種): -

Mark (記号): -

Serial No. (適用号機): -

©Cummins Inc



hd951gt

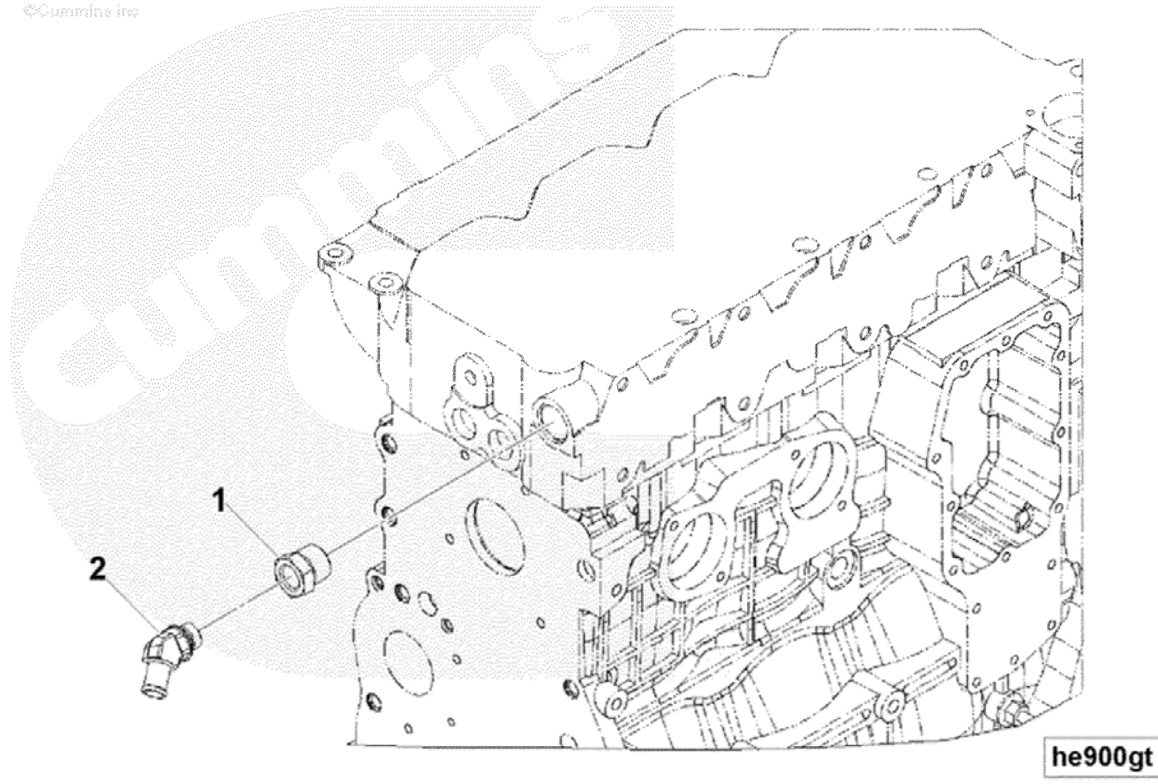
Auxiliary Cooling Plumbing 予備冷却配管

Applicable Model (適用機種): -

Mark (記号): -

Serial No. (適用号機): -

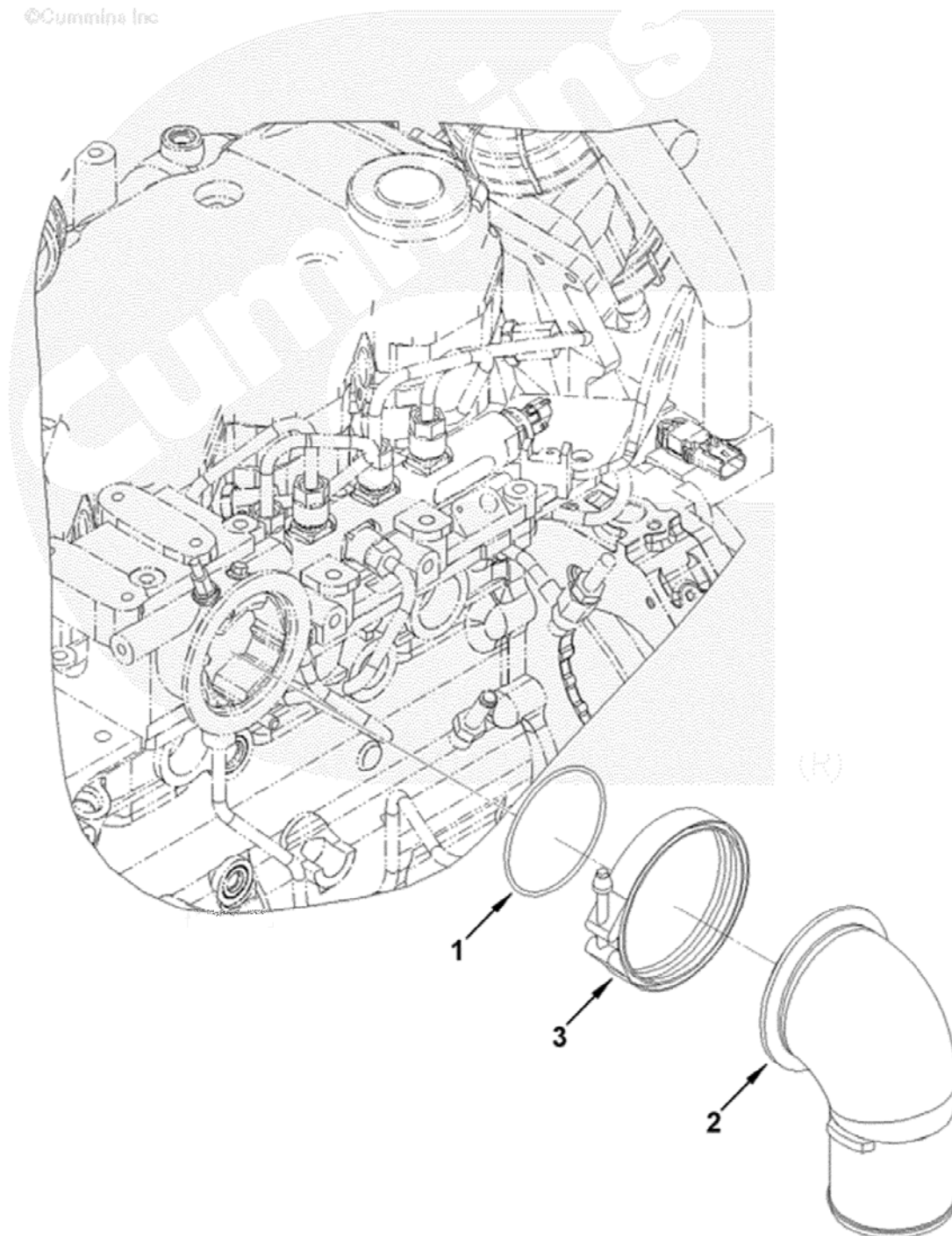
©Cummins Inc



Air Intake Connection インテークエア配管

Applicable Model (適用機種): -
Mark (記号): -
Serial No. (適用号機): -

©Cummins Inc



ic966gj

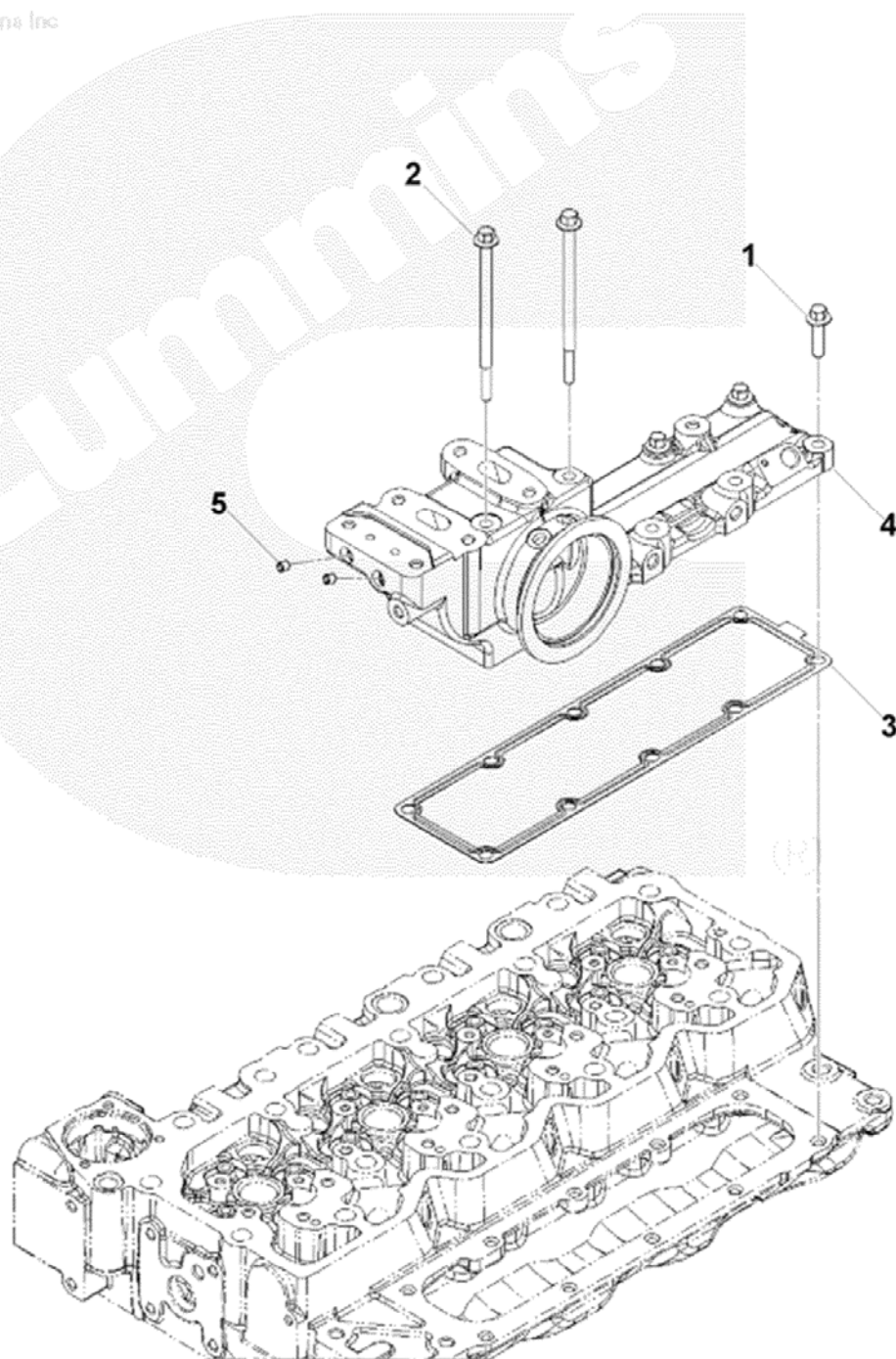
Air Intake Manifold インテークエアマニホールド

Applicable Model (適用機種): -

Mark (記号): -

Serial No. (適用号機): -

©Cummins Inc



im906gp

Air Intake Manifold インテークエアマニホールド

Applicable Model (適用機種): -

Mark (記号): -

Serial No. (適用号機): -

ITEM 符号	PART NO. 部品番号	PART NAME	部 品 名	Q' TY 数量	S. C サビ・ス コート	SERIAL NO. 適用号機	ICA 互 換 性	REPLACEABLE PART 代 替 部 品	
								PART NO. 部品番号	Q' TY 数量
1	YE3938036	Hexagon Flange Head Cap Scr		6					
2	YE3968959	Hexagon Flange Head Cap Scr (M8 X 1.25 X 130.)	(M8 X 1.25 X 130.)	2					
3	YE5270205	Intake Manifold Cover Gaske		1					
4-5	YE5342498	Intake Manifold Cover		1					
4	YE5312772	* Intake Manifold Cover		1					
5	YE3008464	* Pipe Plug (1/16 NPT.)	(1/16 NPT.)	2					

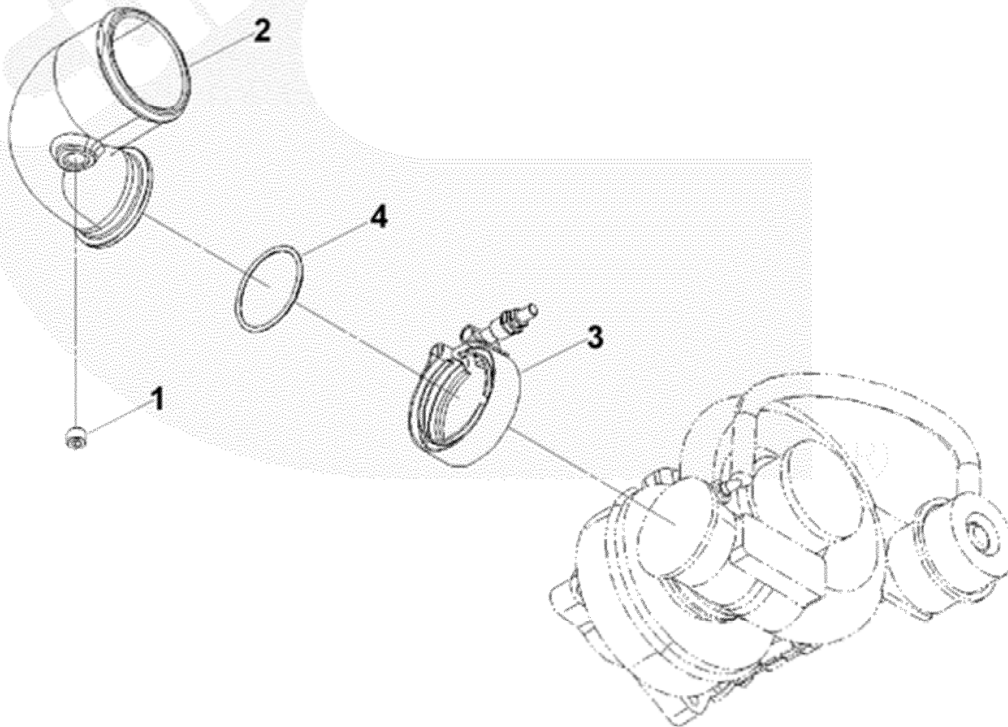
Air Transfer Connection エアトランスファー配管

Applicable Model (適用機種): -

Mark (記号): -

Serial No. (適用号機): -

©Cummins Inc



it900zb

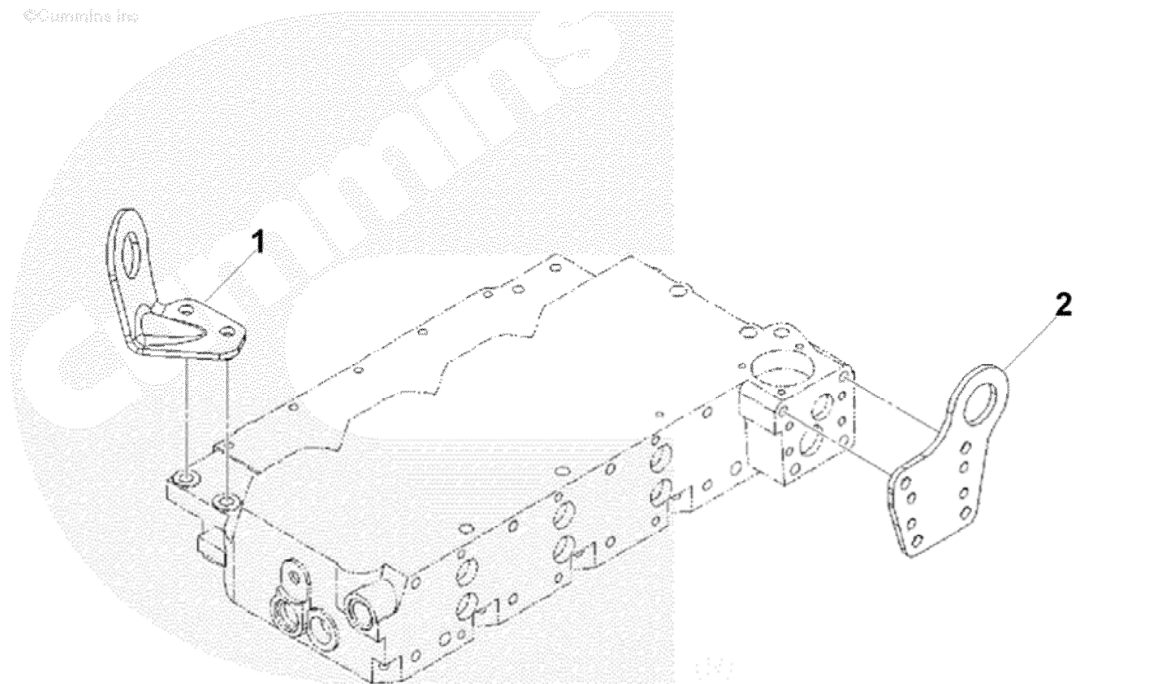
Lifting Arrangement リフティングアレンジメント

Applicable Model (適用機種): -

Mark (記号): -

Serial No. (適用号機): -

©Cummins Inc.



la953gi

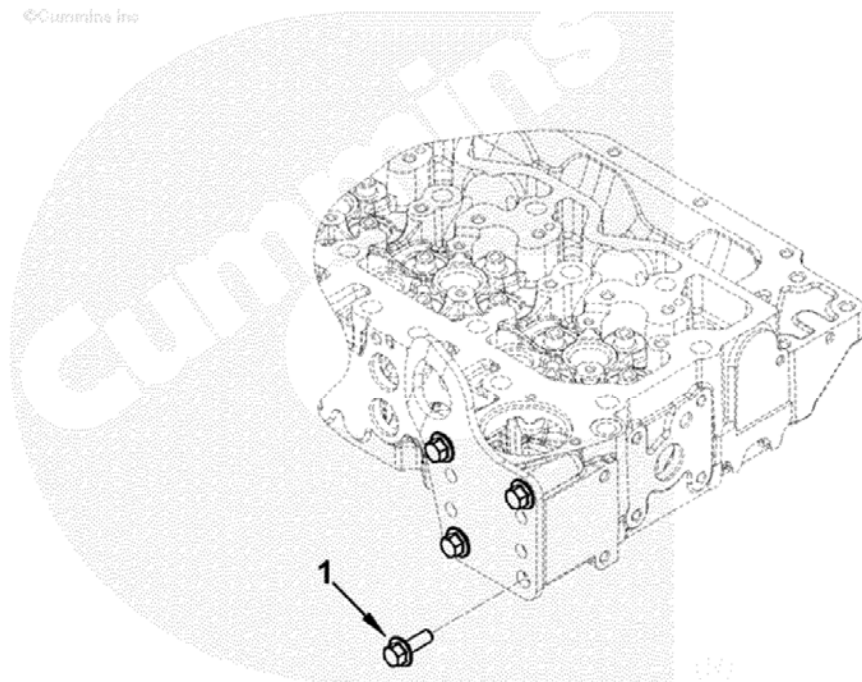
Lifting Bracket Mounting リフティングブラケットマウント

Applicable Model (適用機種): -

Mark (記号): -

Serial No. (適用号機): -

©Cummins Inc



la900zg

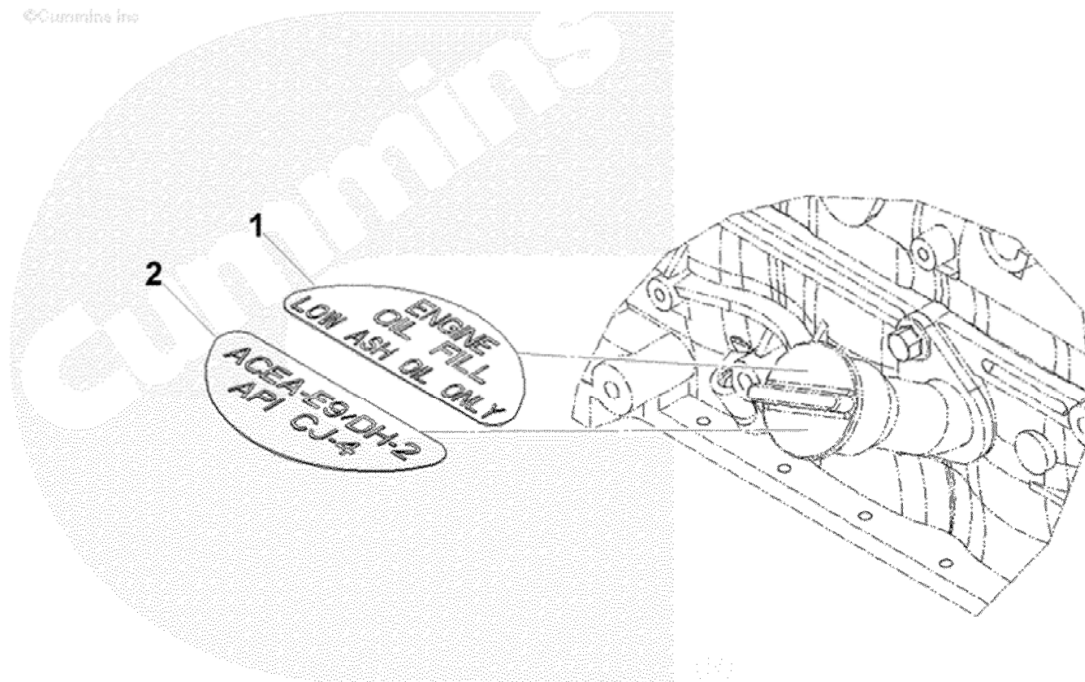
Oil Fill Labeling オイル供給ラベル

Applicable Model (適用機種): -

Mark (記号): -

Serial No. (適用号機): -

©Cummins Inc



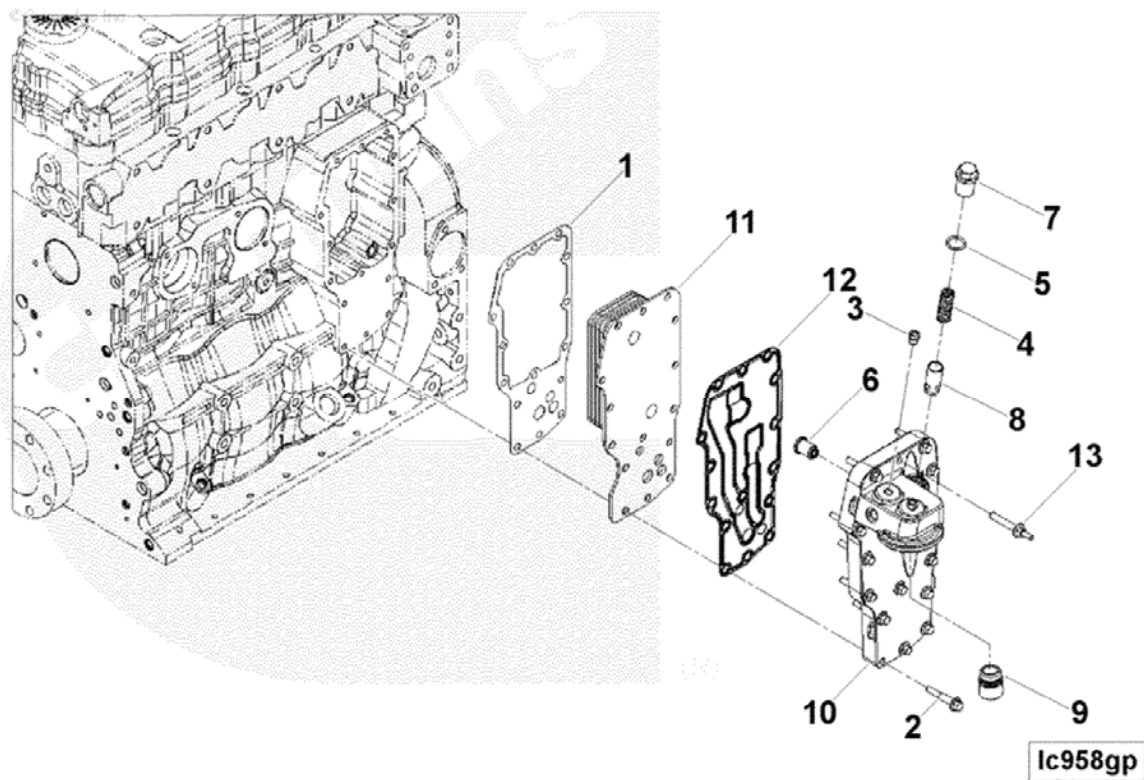
Ib900gu

Engine Oil Cooler エンジンオイルクーラー

Applicable Model (適用機種): -

Mark (記号): -

Serial No. (適用号機): -



Engine Oil Cooler エンジンオイルクーラー

Applicable Model (適用機種): -

Mark (記号): -

Serial No. (適用号機): -

ITEM 符号	PART NO. 部品番号	PART NAME	部 品 名	Q' TY 数量	S. C サビ・ス コート	SERIAL NO. 適用号機	ICA 互 換 性	REPLACEABLE PART 代 替 部 品	
								PART NO. 部品番号	Q' TY 数量
1	YE2830559	Oil Cooler Core Gasket		1					
2	YE3901445	Hexagon Flange Head Cap Scr (M8 X 1.25 X 45.)	(M8 X 1.25 X 45.)	14					
3	YE3906619	Pipe Plug (1/8 NPT.)	(1/8 NPT.)	2					
4	YE3925009	Compression Spring		1					
5	YE3929457	O-Ring Seal		1					
6	YE3936365	Pressure Relief Valve		1					
7	YE3946947	Threaded Plug		1					
8	YE3947287	Pressure Regulator Plunger		1					
9-10	YE3955034	Lubricating Oil Filter Head		1					
9	+++++	* Filter Head Adapter		1	D				
10	+++++	* Lubricating Oil Filter He		1	D				
11	YE3959031	Cooler Core		1					
12	YE3974127	Filter Head Gasket		1					
13	YE5269996	Studded Flange Cap Screw		1					

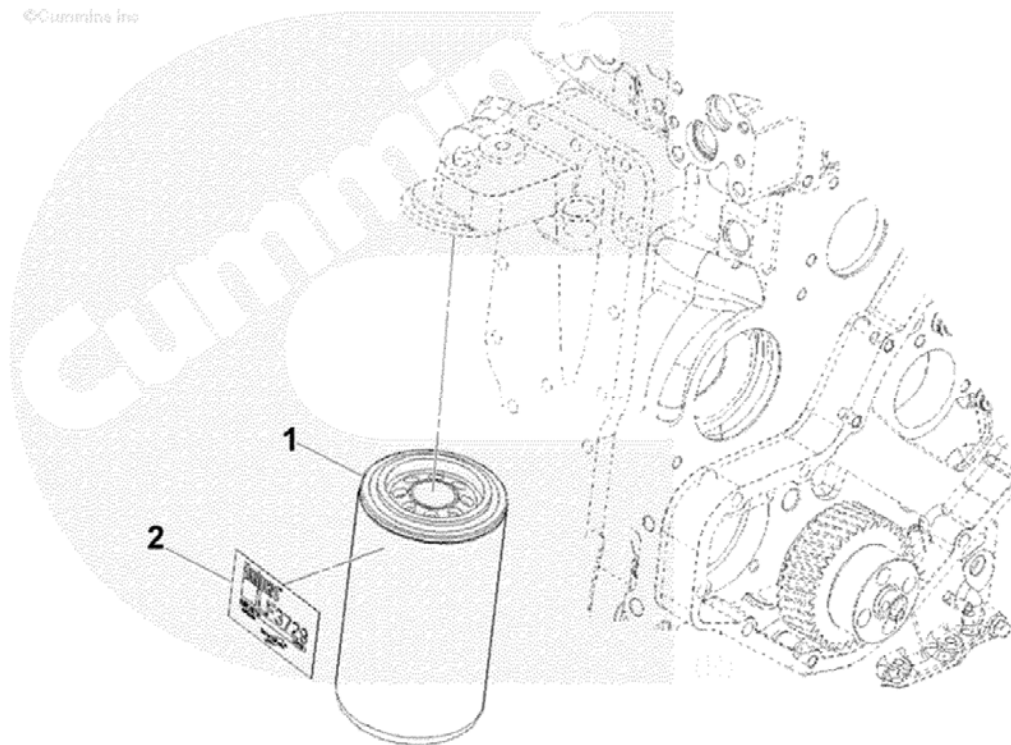
Full Flow Oil Filter フルフローフィルタ

Applicable Model (適用機種): -

Mark (記号): -

Serial No. (適用号機): -

©Cummins Inc



If900zk

Full Flow Oil Filter フルフローフィルタ

Applicable Model (適用機種): -

Mark (記号): -

Serial No. (適用号機): -

ITEM 符号	PART NO. 部品番号	PART NAME	部 品 名	Q' TY 数量	S. C サビース コート	SERIAL NO. 適用号機	ICA 互 換 性	REPLACEABLE PART 代 替 部 品	
								PART NO. 部品番号	Q' TY 数量
1	YE3937736	Lubricating Oil Filter Car		1					
2	+++++	(Purchase From Fleetguard) Information Decal		1	D				

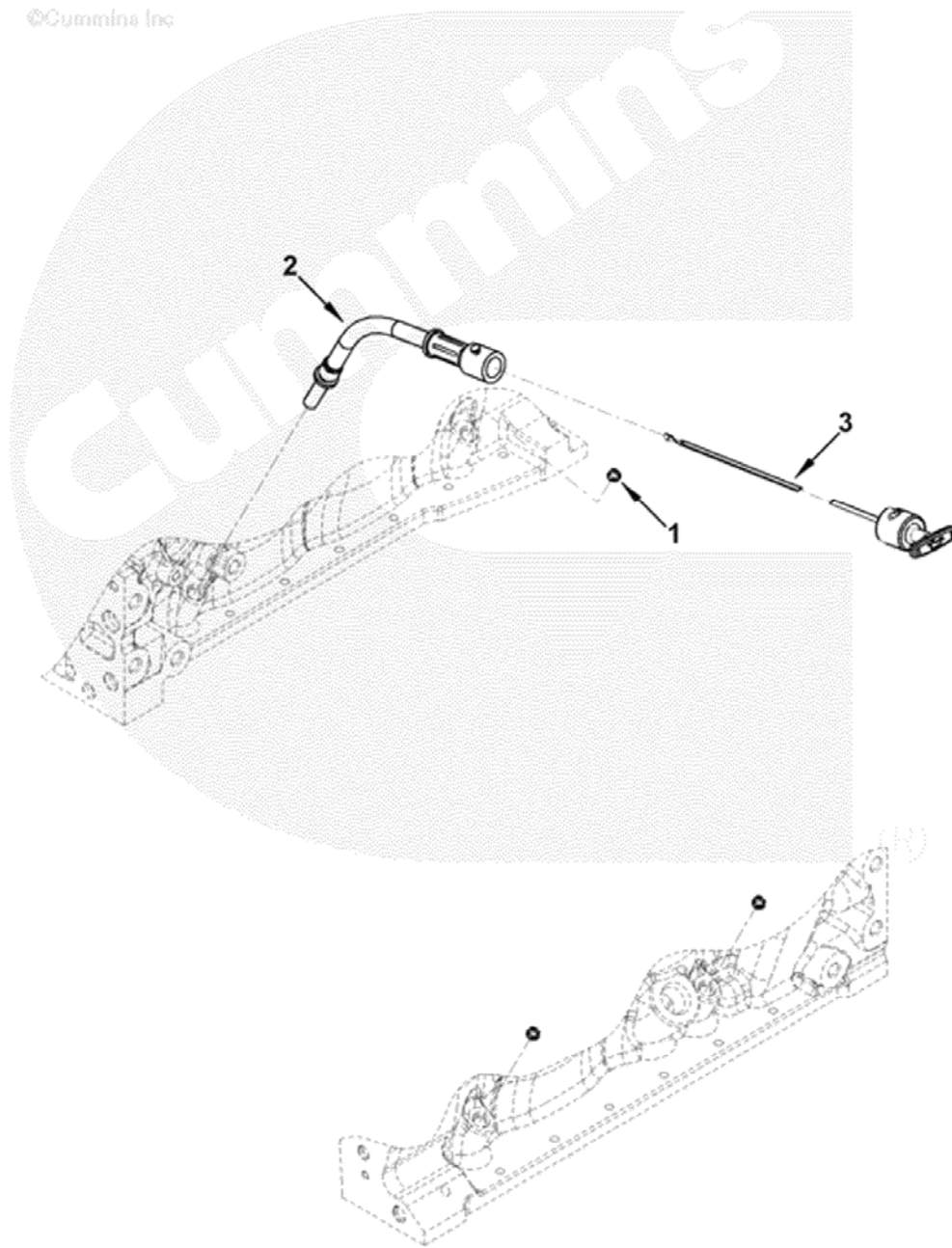
Oil Level Gauge エンジンオイルレベルゲージ

Applicable Model (適用機種): -

Mark (記号): -

Serial No. (適用号機): -

©Cummins Inc



lg959ge

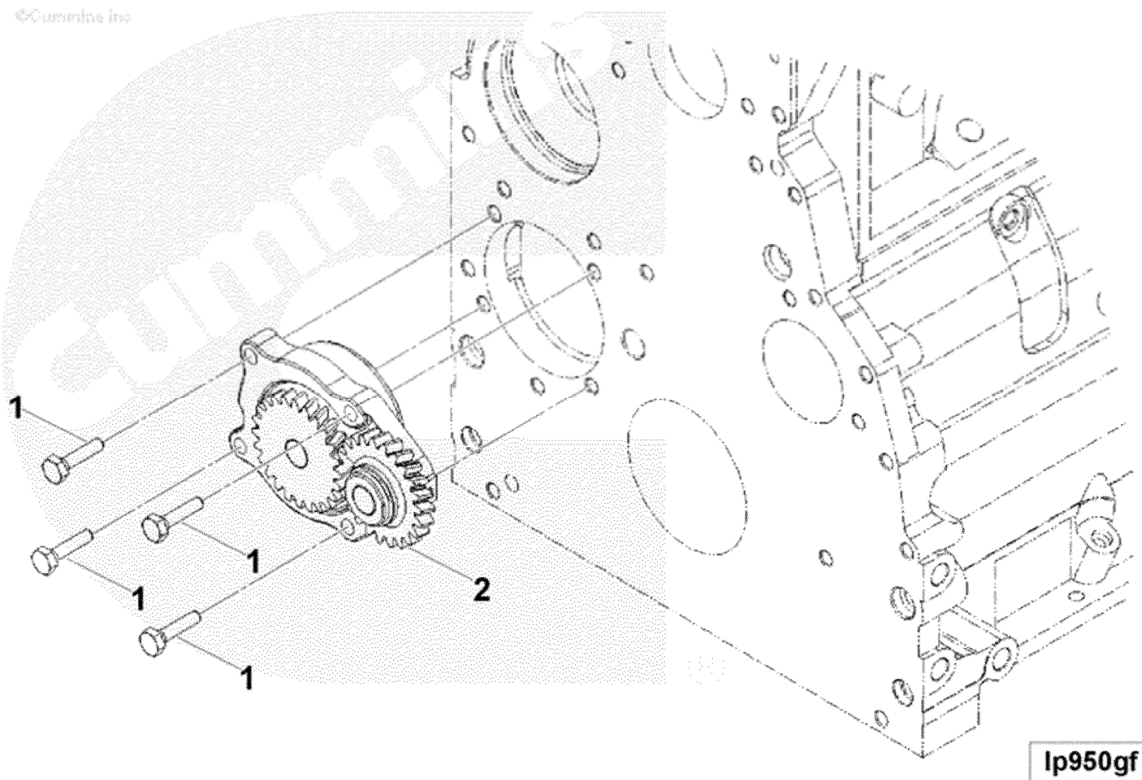
Lubricating Oil Pump 潤滑オイルポンプ

Applicable Model (適用機種): -

Mark (記号): -

Serial No. (適用号機): -

©Cummins Inc



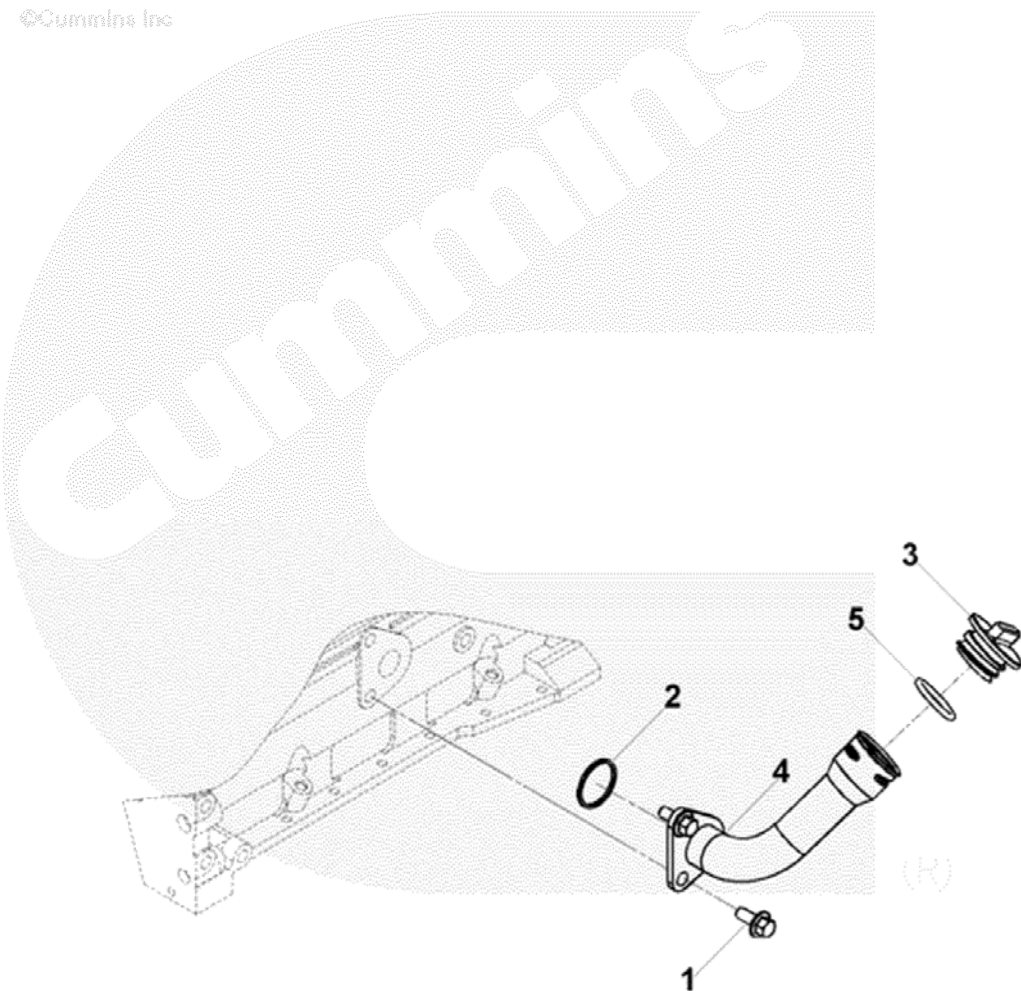
Oil Fill Arrangement オイル供給配置

Applicable Model (適用機種): -

Mark (記号): -

Serial No. (適用号機): -

©Cummins Inc



ob958gw

Oil Fill Arrangement オイル供給配置

Applicable Model (適用機種): -

Mark (記号): -

Serial No. (適用号機): -

ITEM 符号	PART NO. 部品番号	PART NAME	部 品 名	Q' TY 数量	S. C サビ・ス コート	SERIAL NO. 適用号機	ICA 互 換 性	REPLACEABLE PART 代 替 部 品	
								PART NO. 部品番号	Q' TY 数量
1	YE3901249	Hexagon Flange Head Cap Scr (M12 X 1.75 X 25.)	(M12 X 1.75 X 25.)	2					
2	YE3906696	Rectangular Ring Seal		1					
3-5	YE4938413	Oil Filler Tube		1					
3	YE3902468	* Filler Cap		1					
4	YE4932660	* Oil Filler Tube		1					
5	YE4934085	* O-Ring Seal		1					

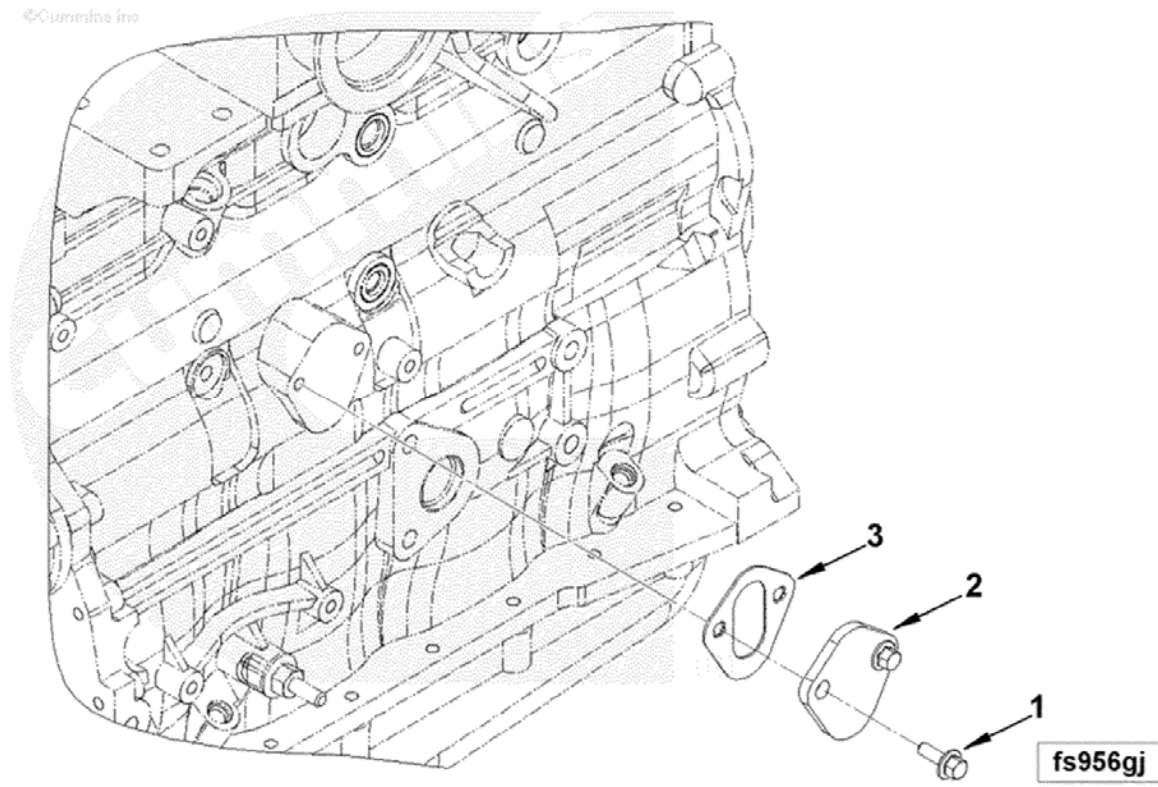
Hand Hole Cover ハンドホールカバー

Applicable Model (適用機種): -

Mark (記号): -

Serial No. (適用号機): -

©Cummins Inc



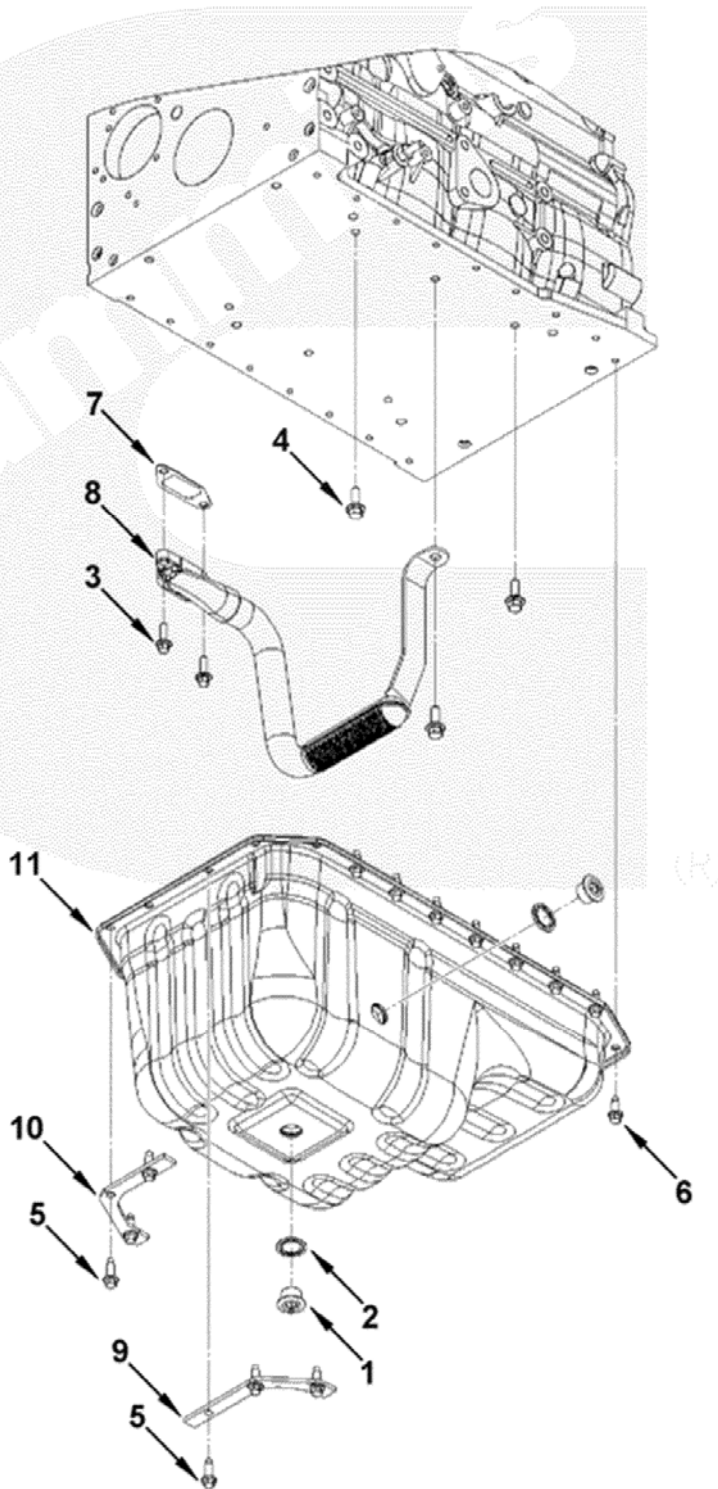
Oil Pan オイルパン

Applicable Model (適用機種): -

Mark (記号): -

Serial No. (適用号機): -

©Cummins Inc



op968gz

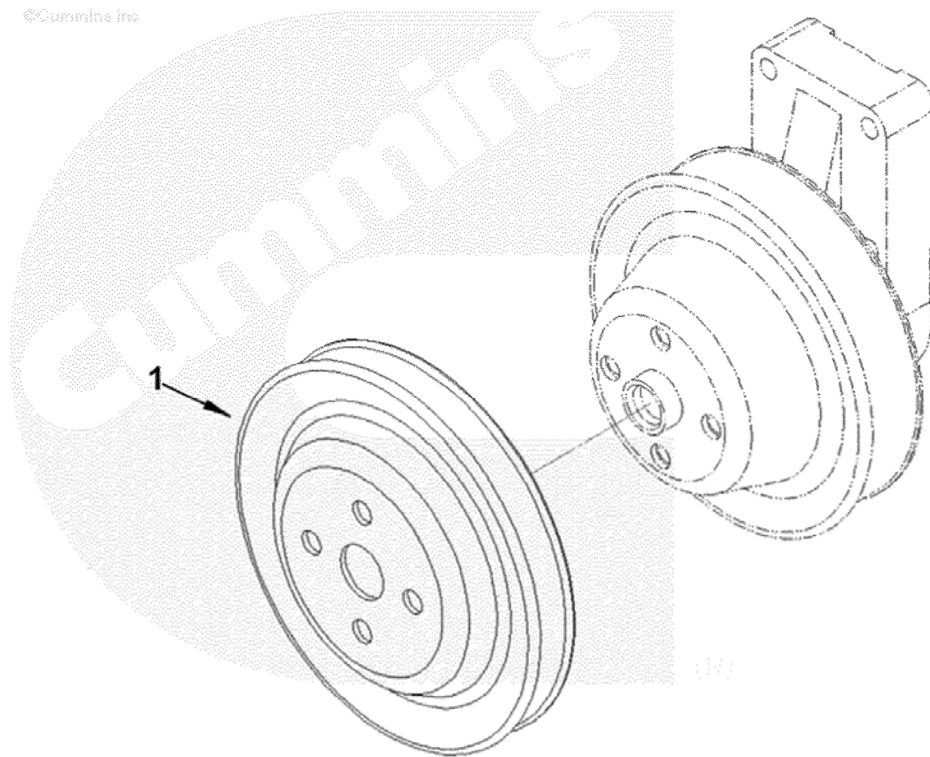
Accessory Drive Pulley ドライブプーリー

Applicable Model (適用機種): -

Mark (記号): -

Serial No. (適用号機): -

©Cummins Inc



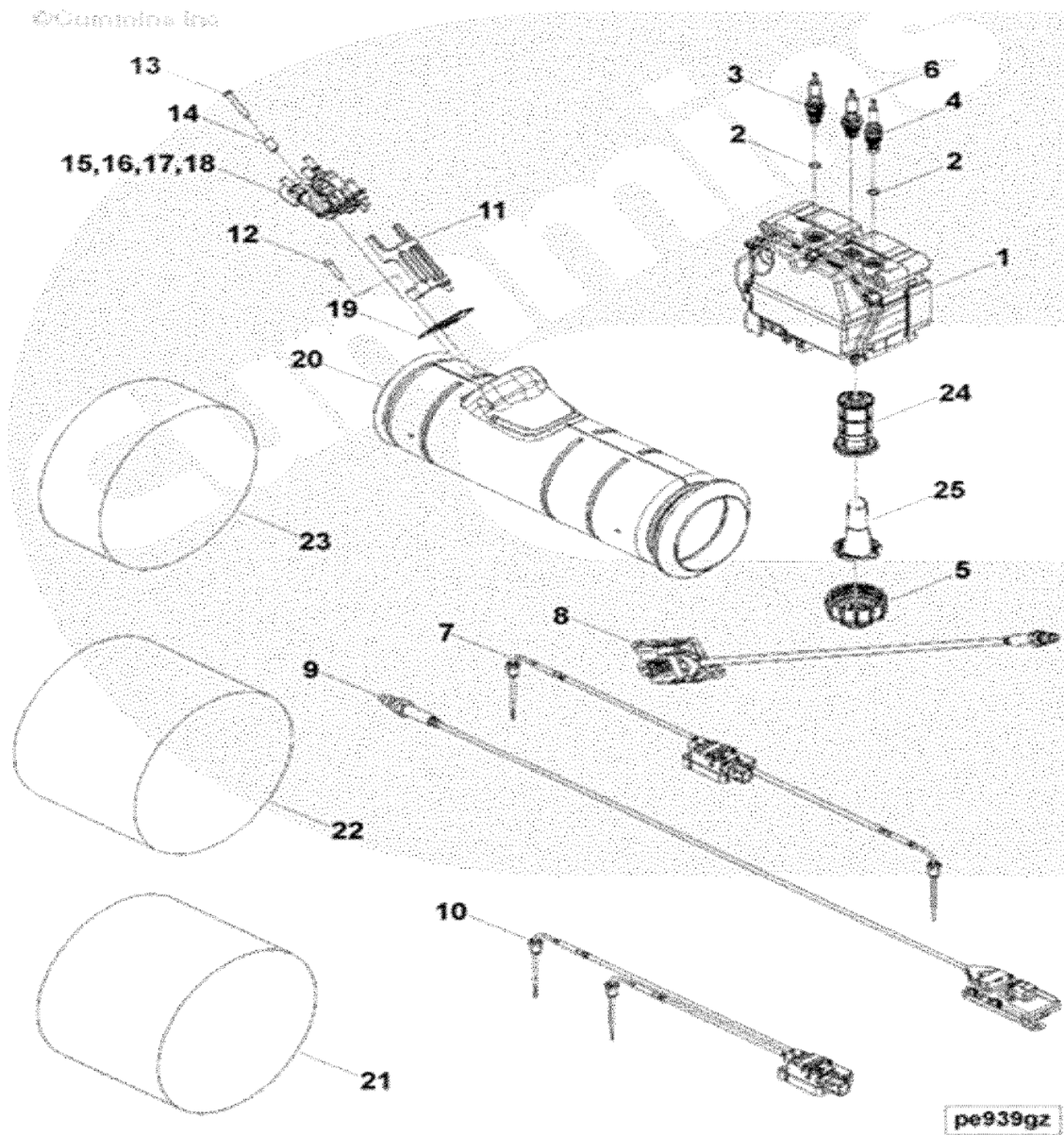
ad950ga

Aftertreatment Device 後処理装置

Applicable Model (適用機種): -

Mark (記号): -

Serial No. (適用号機): -



Aftertreatment Device
後処理装置

Applicable Model (適用機種): -

Mark (記号): -

Serial No. (適用号機): -

ITEM 符号	PART NO. 部品番号	PART NAME	部 品 名	Q' TY 数量	S. C サ-ビ-ス コ-ド	SERIAL NO. 適用号機	ICA 互 換 性	REPLACEABLE PART 代 替 部 品	
								PART NO. 部品番号	Q' TY 数量
1	YE2871880	Doser Pump		1					
2-3	YE2880299	* Male Connector (Def Inlet Connector)	(Def Inlet Connector)	1					
2	YE2880302	** O-Ring Seal		1					
3	+++++	** Female Connector		1	D				
2-4	YE2880300	* Male Connector (Def Outlet Connector)	(Def Outlet Connector)	1					
2	YE2880302	** O-Ring Seal		1					
4	+++++	** Female Connector		1	D				
5	YE2880396	* Filler Cap		1					
6	YE2888180	* Male Connector		1					
7	YE4307695	Temperature Sensor		1					
8	YE4326470	Nitrogen Oxide Sensor (Inlet)	(Inlet)	1					
9	YE4326471	Nitrogen Oxide Sensor (24V Tailpipe NOX Sensor)		1					
10	YE4326476	Nitrogen Oxide Sensor (Outlet)	(Outlet)	1					
	YE4326876	Temperature Sensor (Exhaust Gas.)	(Exhaust Gas.)	1					
11	YE4327011	Temperature Sensor		1					
	YE2888113	Doser Injector Guard (CES P/N A030G164.)	(CES P/N A030G164.)	1					
12	YE2888221	Round Head Cap Screw (CES P/N A030U072.)	(CES P/N A030U072.)	2					
13	YE5271605	Decomposition Reactor (CES P/N A032W366.)	(CES P/N A032W366.)	1					
	YE2885916	Hexagon Head Cap Screw (CES P/N A029Y978.)	(CES P/N A029Y978.)	3					
14	YE2885891	Mounting Spacer (CES P/N A029Y989.)	(CES P/N A029Y989.)	3					
15	YE2888173	Doser Injector (CES P/N A030P707.)	(CES P/N A030P707.)	1					
16	YE2880303	Heat Shield		1					
17	YE2880305	Male Connector		1					
18	YE2880306	* O-ring Seal		1	D				
	+++++	* Female Connector		1					
19	YE2880306	O-ring Seal		1					
	YE4329681	Aftertreatment Device Gaske (CES P/N A046F650.)	(CES P/N A046F650.)	1					
20	YE5271589	Decomposition Reactor (CES P/N A032W326.)	(CES P/N A032W326.)	1					
24-25	YE5303604	Filter Kit		1					
24	+++++	* Filter Screen		1	D				
25	+++++	* Filter Support		1	D				

MEMO

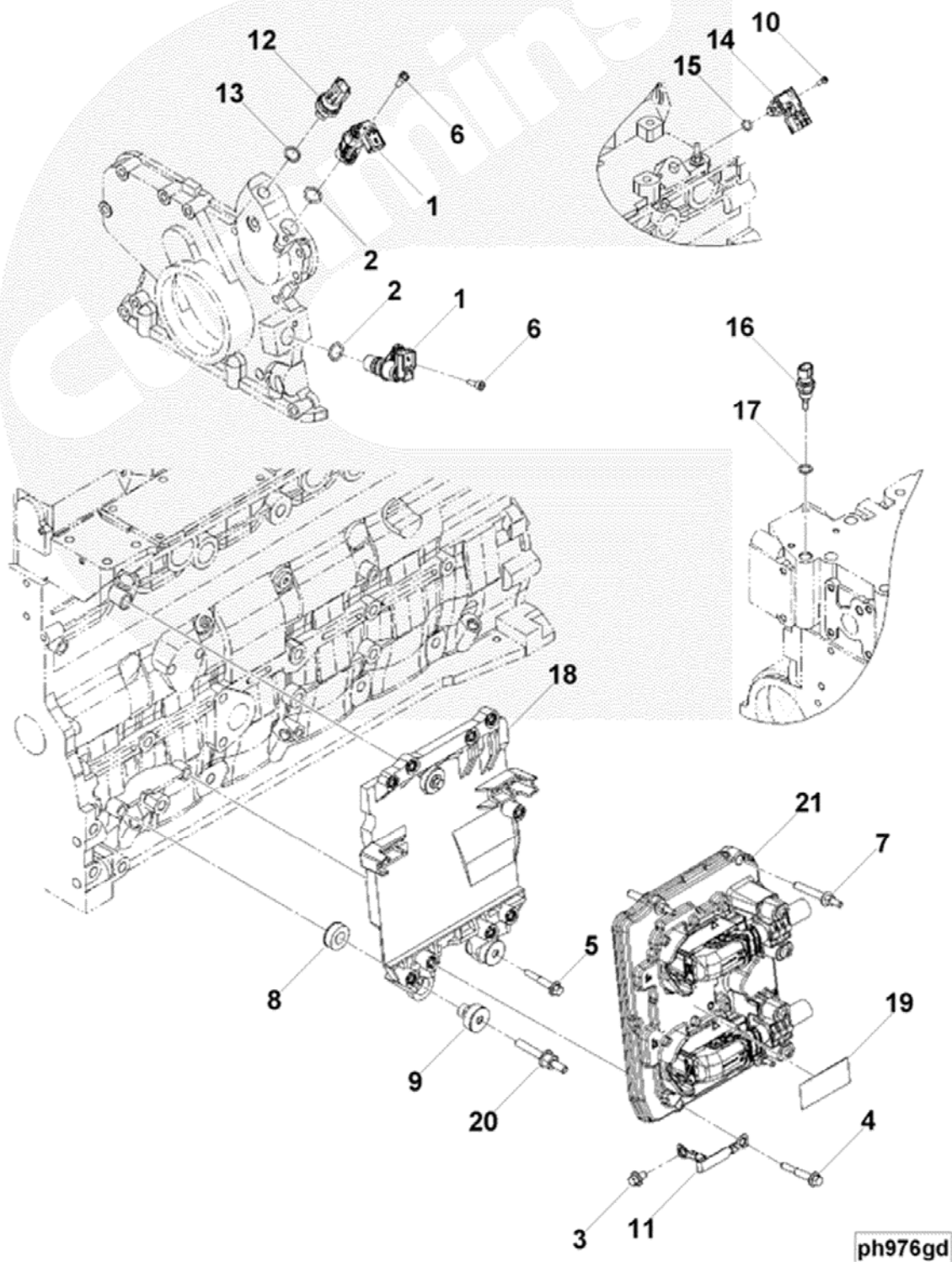
Engine Control Module エンジンコントロールモジュール

Applicable Model (適用機種): -

Mark (記号): -

Serial No. (適用号機): -

©Cummins Inc



Engine Control Module エンジンコントロールモジュール

Applicable Model (適用機種): -

Mark (記号): -

Serial No. (適用号機): -

ITEM 符号	PART NO. 部品番号	PART NAME	部 品 名	Q' TY 数量	S. C サビ・ス コート	SERIAL NO. 適用号機	ICA 互 換 性	REPLACEABLE PART 代 替 部 品	
								PART NO. 部品番号	Q' TY 数量
1	YE2872277	Position Sensor (Cam Or Crank.)	(Cam Or Crank.)	2					
2	YE4928599	* O-Ring Seal		1					
3	YE3093956	Hexagon Flange Head Cap Scr (M8 X 1.25 X 12.)	(M8 X 1.25 X 12.)	1					
4	YE3900678	Hexagon Flange Head Cap Scr (M8 X 1.25 X 40.)	(M8 X 1.25 X 40.)	1					
5	YE3901445	Hexagon Flange Head Cap Scr (M8 X 1.25 X 45.)	(M8 X 1.25 X 45.)	2					
6	YE3906391	Socket Head Cap Screw (M6 X 1.00 X 16.)	(M6 X 1.00 X 16.)	2					
7	YE3944816	Studded Flange Cap Screw		3					
8	YE3955219	Vibration Isolator		3					
9	YE3955220	Vibration Isolator		3					
10	YE3957849	Socket Head Cap Screw (M4 X 0.7 X 16.)	(M4 X 0.7 X 16.)	1					
11	YE5273860	Ground Wire		1					
12	YE4076930	Pressure Switch (Oil.)	(Oil.)	1					
13	YE4921574	* O-Ring Seal		1					
14	YE2897333	Pressure Temperature Sensor (Air Pressure/Temperature.)		1					
15	YE4903482	* O-Ring Seal		1					
16	YE4954905	Temperature Sensor (Oil Pan.)	(Oil Pan.)	1					
17	YE4010519	* O-Ring Seal		1					
18	YE5309218	Electronic Control Module E		1					
19	+++++	Dataplate		1	D				
20	YE5271574	Studded Flange Cap Screw		1					
21-21	+++++	Electronic Control Module		1	D				
21	YE5317106	* Electronic Control Module		1					

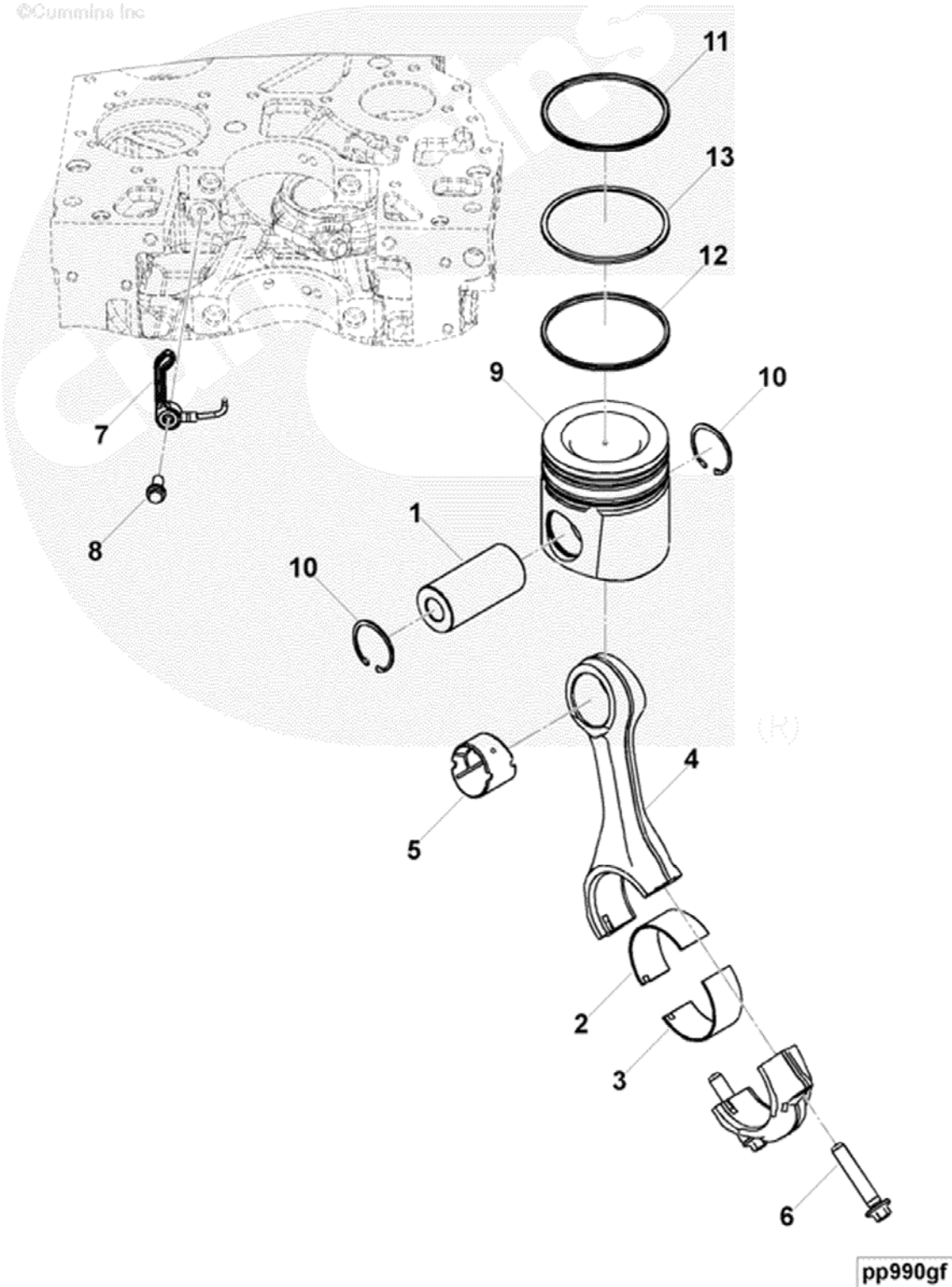
Connecting Rod And Piston コネクティングロッド、ピストン

Applicable Model (適用機種): -

Mark (記号): -

Serial No. (適用号機): -

©Cummins Inc



Connecting Rod And Piston コネクティングロッド、ピストン

Applicable Model (適用機種): -

Mark (記号): -

Serial No. (適用号機): -

ITEM 符号	PART NO. 部品番号	PART NAME	部 品 名	Q' TY 数量	S. C サビ・ス コート	SERIAL NO. 適用号機	ICA 互 換 性	REPLACEABLE PART 代 替 部 品	
								PART NO. 部品番号	Q' TY 数量
1	YE4931041	Piston Pin		4					
2	YE3969562	Connecting Rod Bearing (Standard.)	(Standard.)	4					
3	YE4893693	Connecting Rod Bearing (Standard.)	(Standard.)	4					
4-6	YE5257364	Engine Connecting Rod		4					
4	+++++	* Engine Connecting Rod		1	D				
5	+++++	* Bushing		1	D				
6	YE4891179	* Connecting Rod Cap Screw		2					
7	YE4937308	Piston Cooling Nozzle		4					
8	YE3964817	Banjo Connector Screw		4					
9	+++++	Engine Piston		4	D				
10	YE3920691	Retaining Ring		8					
11	+++++	Compression Piston Ring		4	D				
12	+++++	Compression Piston Ring		4	D				
13	YE4932801	Oil Piston Ring		4					
2	YE4932375	Connecting Rod Bearing (0.25 mm Oversize.)	(0.25 mm Oversize.)	1	R				
2	YE4932376	Connecting Rod Bearing (0.50 mm Oversize.)	(0.50 mm Oversize.)	1	R				
2	YE4932377	Connecting Rod Bearing (0.75 mm Oversize.)	(0.75 mm Oversize.)	1	R				
2	YE4932378	Connecting Rod Bearing (1.00 mm Oversize.)	(1.00 mm Oversize.)	1	R				
3	YE4892795	Connecting Rod Bearing (0.25 mm Oversize.)	(0.25 mm Oversize.)	1	R				
3	YE4892796	Connecting Rod Bearing (0.50 mm Oversize.)	(0.50 mm Oversize.)	1	R				
3	YE4892797	Connecting Rod Bearing (0.75 mm Oversize.)	(0.75 mm Oversize.)	1	R				
3	YE4892798	Connecting Rod Bearing (1.00 mm Oversize.)	(1.00 mm Oversize.)	1	R				
9-13	YE4376424	Engine Piston Kit		1	R				
9	+++++	* Engine Piston		1	D				
10	YE3920691	* Retaining Ring		2					
12-13	YE4309385	* Piston Ring Kit		1					
12	+++++	** Compression Piston Ring		1	D				
12	+++++	** Compression Piston Ring		1	D				
13	YE4932801	** Oil Piston Ring		1					

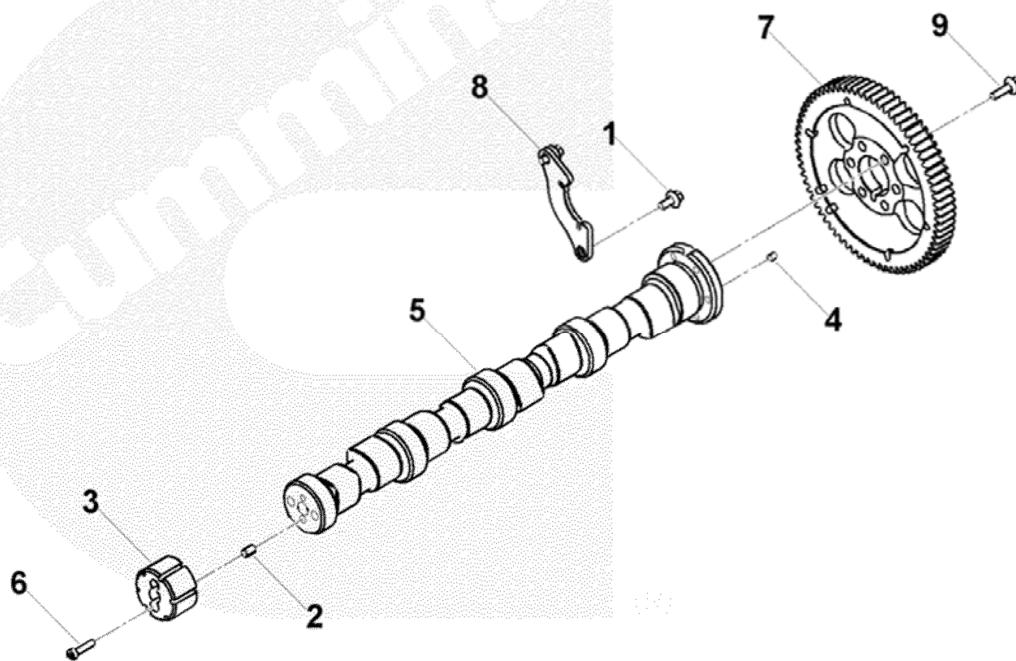
Camshaft カムシャフト

Applicable Model (適用機種): -

Mark (記号): -

Serial No. (適用号機): -

©Cummins Inc



pp968go

Camshaft カムシャフト

Applicable Model (適用機種): -
 Mark (記号): -
 Serial No. (適用号機): -

ITEM 符号	PART NO. 部品番号	PART NAME	部 品 名	Q' TY 数量	S. C サビ・ス コート	SERIAL NO. 適用号機	ICA 互 換 性	REPLACEABLE PART 代 替 部 品	
								PART NO. 部品番号	Q' TY 数量
1	YE3925883	Hexagon Flange Head Cap Scr (M8 X 1.25 X 16.)	(M8 X 1.25 X 16.)	2					
2-6	YE3971586	Camshaft (Order As Parts Only.)	(Order As Parts Only.)	1					
2	YE3954111	* Ring Dowel		1					
3	YE3970901	* Speed Indicator Ring		1					
4-5	YE3977547	* Camshaft		1					
4	YE3904483	** Pin Dowel		1					
5	+++++	** Camshaft		1	D				
6	YE4895877	* Socket Head Cap Screw		2					
7	YE3955152	Camshaft Gear		1					
8	YE5258931	Camshaft Thrust Support		1					
9	YE3093730	Hexagon Flange Head Cap Scr (M8 X 1.25 X 25.)	(M8 X 1.25 X 25.)	6					

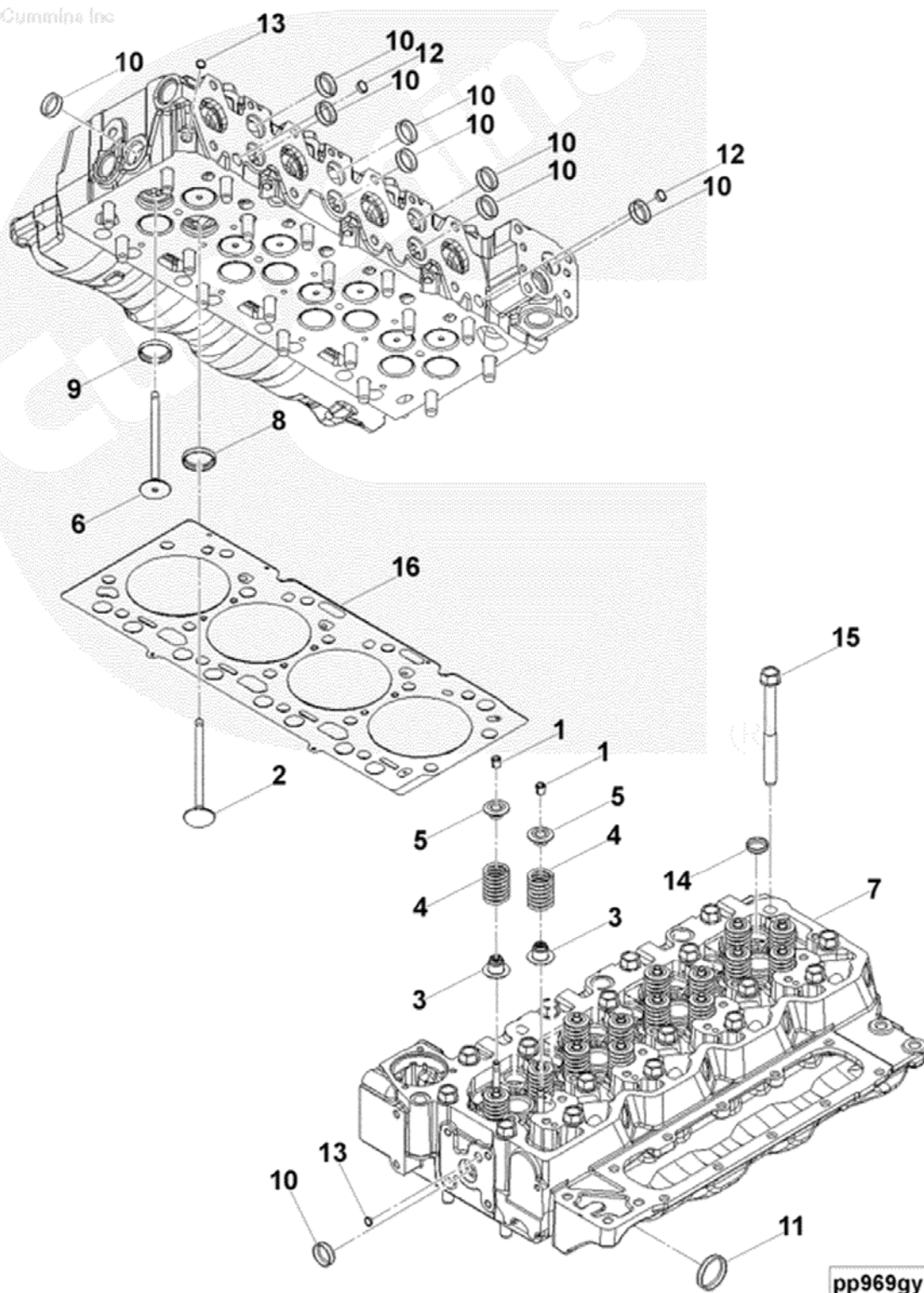
Cylinder Head シリンダーヘッド

Applicable Model (適用機種): -

Mark (記号): -

Serial No. (適用号機): -

©Cummins Inc



pp969gy

Cylinder Head

シリンダーヘッド

Applicable Model (適用機種): -

Mark (記号): -

Serial No. (適用号機): -

ITEM 符号	PART NO. 部品番号	PART NAME	部 品 名	Q' TY 数量	S. C サビ・ス コート	SERIAL NO. 適用号機	ICA 互 換 性	REPLACEABLE PART 代 替 部 品	
								PART NO. 部品番号	Q' TY 数量
1-14	YE5361608	Cylinder Head		1					
1	YE3940123	* Valve Collet		32					
2	+++++	* Intake Valve		8	D				
3	YE3955393	* Valve Stem Seal		16					
4	YE5303406	* Valve Spring		16					
5	YE3943198	* Valve Spring Retainer		16					
6	+++++	* Exhaust Valve		8	D				
7-14	+++++	* Cylinder Head		1	D				
7	+++++	** Cylinder Head		1	D				
8	YE3943449	** Valve Insert		8					
9	YE3943450	(Standard.) ** Valve Insert	(Standard.)	8					
10	YE3914035	(Standard.) ** Expansion Plug	(Standard.)	9					
11	YE3945094	** Expansion Plug		1					
12	YE3945095	** Expansion Plug		2					
13	YE3007632	** Expansion Plug		5					
14	YE5263672	** Expansion Plug		7					
15	YE3927063	Fracture Resistant Screw		18					
16	YE4932209	Cylinder Head Gasket		1					
1-3	YE3802924	Intake Valve Kit		1	R				
1	YE3940123	* Valve Collet		2					
2	+++++	* Intake Valve		1	D				
3	YE4991571	* Valve Stem Seal		1					
1-6	YE3802967	Exhaust Valve Kit		1	R				
1	YE3940123	* Valve Collet		2					
3	YE3955393	* Valve Stem Seal		1					
6	+++++	* Exhaust Valve		1	D				
8	YE3939719	Valve Insert (0.127 mm Oversize.)	(0.127 mm Oversize.)	1	R				
8	YE3939720	Valve Insert (0.254 mm Oversize.)	(0.254 mm Oversize.)	1	R				
8	YE3939721	Valve Insert (0.508 mm Oversize.)	(0.508 mm Oversize.)	1	R				
9	YE4934074	Valve Insert		1	R				
9	YE4934075	(0.127 mm Oversize.) Valve Insert	(0.127 mm Oversize.)	1	R				
9	YE4934076	(0.254 mm Oversize.) Valve Insert	(0.254 mm Oversize.)	1	R				
		(0.508 mm Oversize.) Valve Insert	(0.508 mm Oversize.)	1	R				

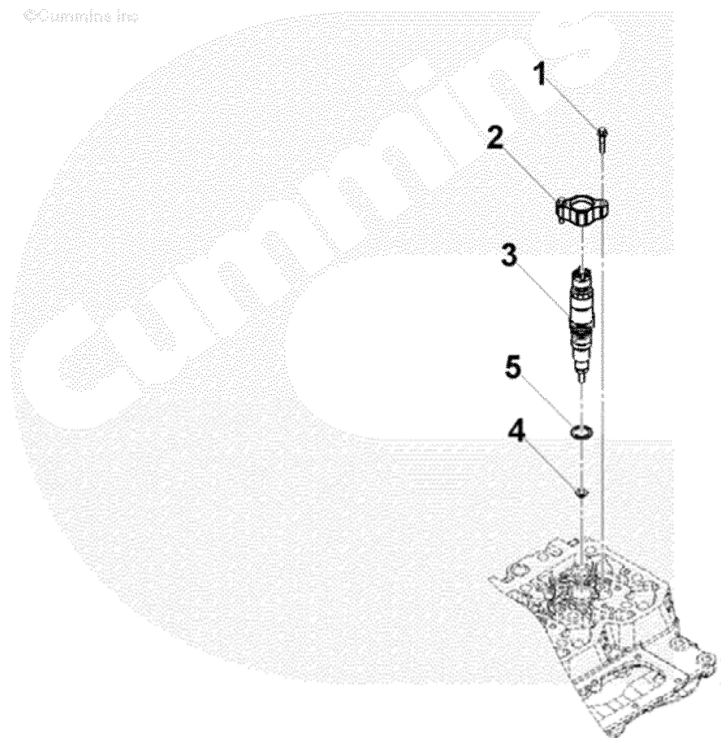
Injector インジェクター

Applicable Model (適用機種): -

Mark (記号): -

Serial No. (適用号機): -

©Cummins Inc



pp978gf

Injector インジェクター

Applicable Model (適用機種): -

Mark (記号): -

Serial No. (適用号機): -

ITEM 符号	PART NO. 部品番号	PART NAME	部 品 名	Q' TY 数量	S. C サビ・ス コート	SERIAL NO. 適用号機	ICA 互 換 性	REPLACEABLE PART 代 替 部 品	
								PART NO. 部品番号	Q' TY 数量
1	YE3900628	Hexagon Flange Head Cap Scr (M6 X 1.00 X 30.)	(M6 X 1.00 X 30.)	8					
2	YE5259180	Injector Clamp		4					
3	YE5254261	Injector (Recon Equiv. K5263262 NX/PX.)		4					
4	YE3976371	* Injector Seal		1					
5	YE3977393	* O-Ring Seal		1					

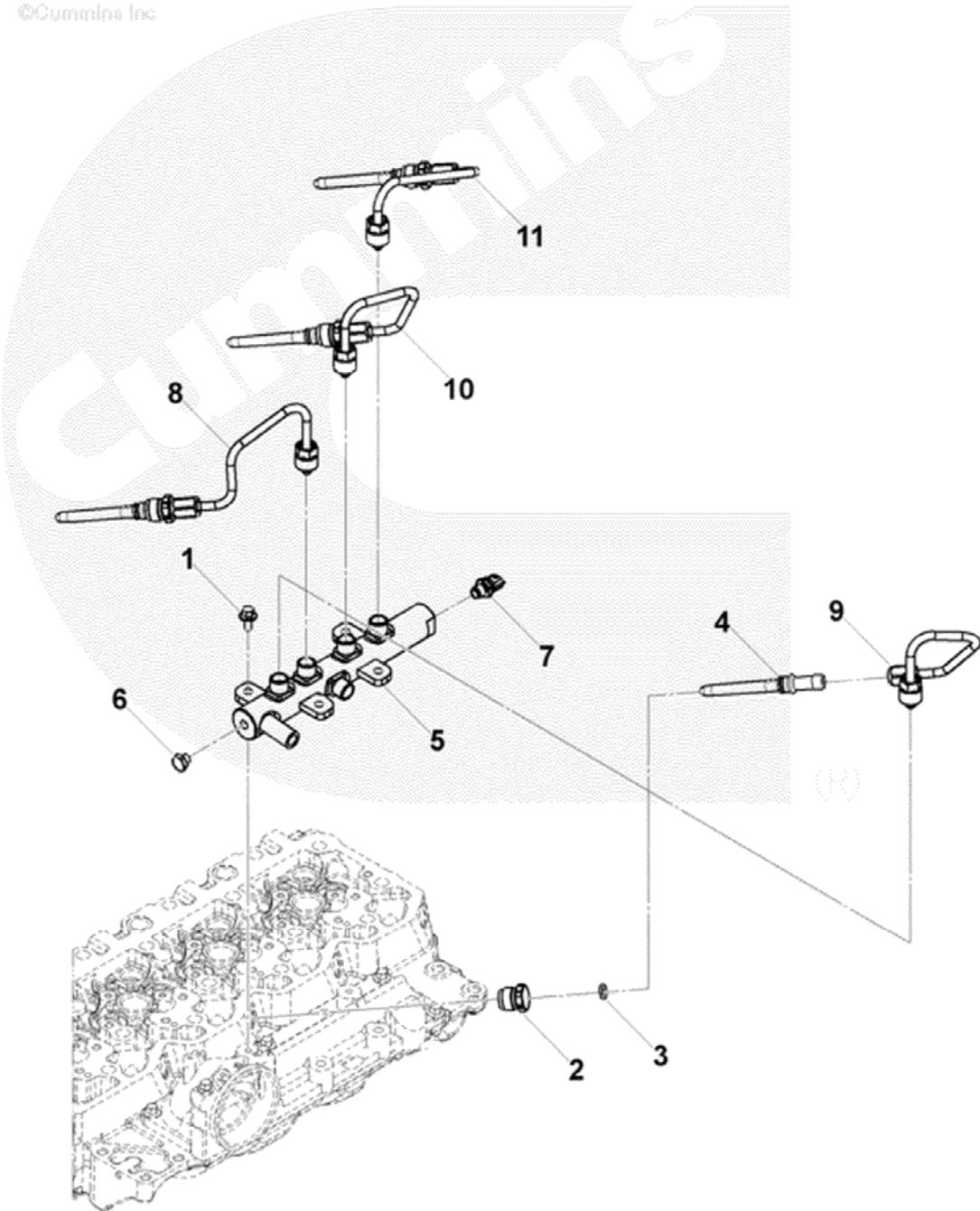
Injector Plumbing インジェクター配管

Applicable Model (適用機種): -

Mark (記号): -

Serial No. (適用号機): -

©Cummins Inc



pp9022gj

Injector Plumbing インジェクター配管

Applicable Model (適用機種): -

Mark (記号): -

Serial No. (適用号機): -

ITEM 符号	PART NO. 部品番号	PART NAME	部 品 名	Q'TY 数量	S.C サビース コート	SERIAL NO. 適用号機	ICA 互 換 性	REPLACEABLE PART 代 替 部 品	
								PART NO. 部品番号	Q'TY 数量
1	YE3900630	Hexagon Flange Head Cap Scr (M8 X 1.25 X 20.)	(M8 X 1.25 X 20.)	1					
2	YE5264181	Injector Fuel Supply Connec		4					
3-4	YE4929864	Injector Fuel Supply Connec		4					
3	YE3972753	* O-Ring Seal		1					
4	+++++	* Injector Fuel Supply Conn		1	D				
5	YE4981367	Fuel Manifold		1					
6	YE4938005	* Pressure Relief Valve		1					
7	YE5261237	* Pressure Sensor (Fuel Rail.)	(Fuel Rail.)	1					
8	YE4935982	Injector Fuel Supply Tube (#1 Cylinder.)	(#1 Cylinder.)	1					
9	YE4948017	Injector Fuel Supply Tube (#2 Cylinder.)	(#2 Cylinder.)	1					
10	YE4935974	Injector Fuel Supply Tube (#3 Cylinder.)	(#3 Cylinder.)	1					
11	YE4935976	Injector Fuel Supply Tube (#4 Cylinder.)	(#4 Cylinder.)	1					

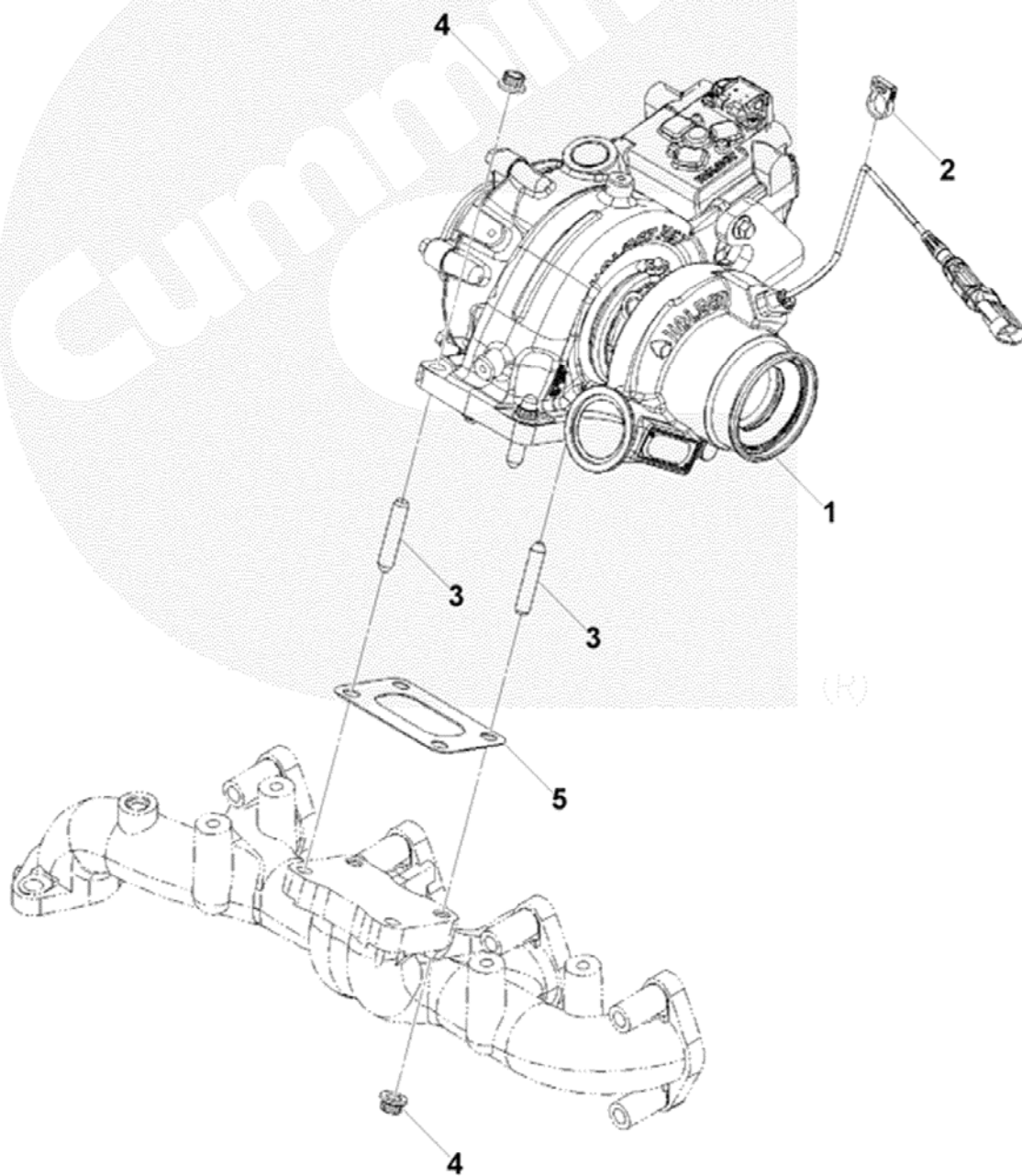
Turbocharger ターボチャージャー

Applicable Model (適用機種): -

Mark (記号): -

Serial No. (適用号機): -

©Cummins Inc



pp9021gd

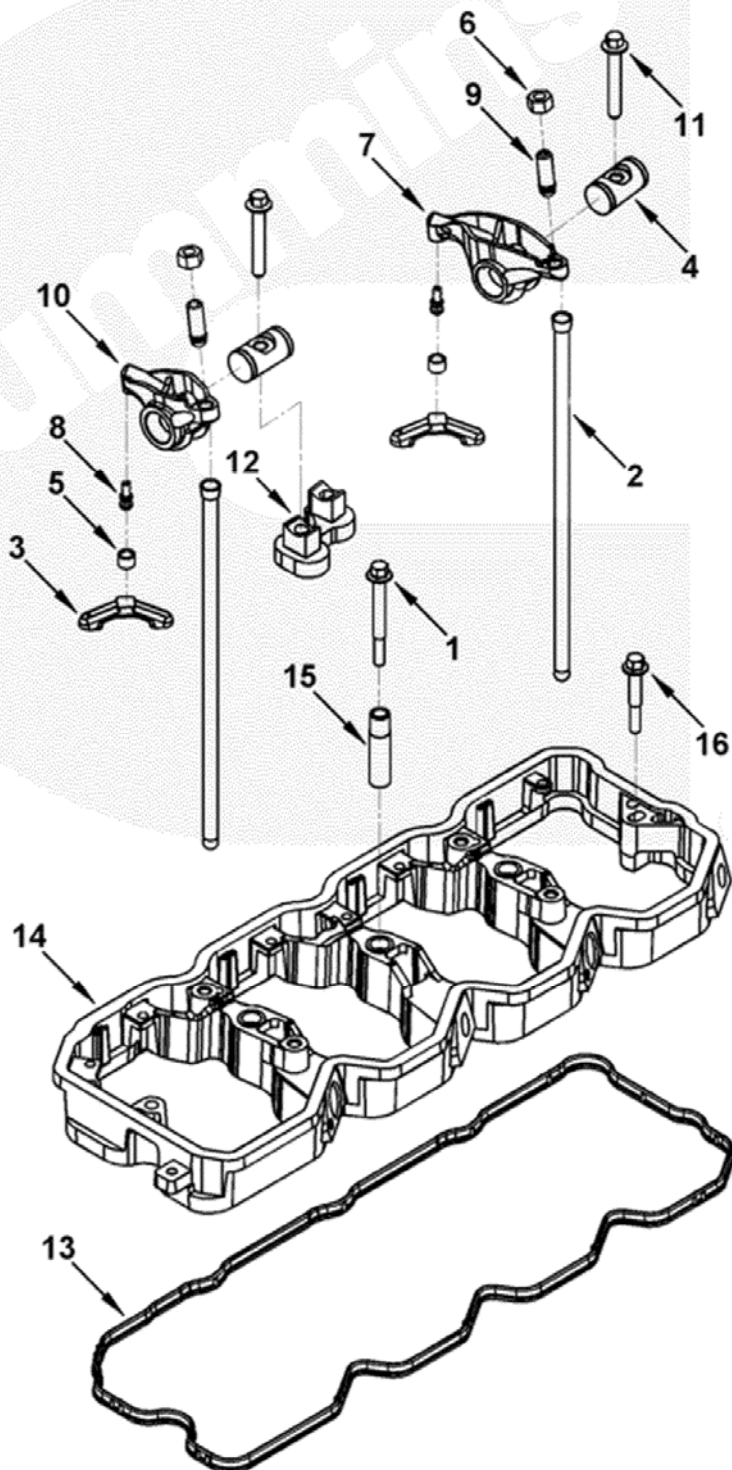
Rocker Lever ロッカーレバー

Applicable Model (適用機種): -

Mark (記号): -

Serial No. (適用号機): -

©Cummins Inc



r1942gm

Rocker Lever

ロッカーレバー

Applicable Model (適用機種): -

Mark (記号): -

Serial No. (適用号機): -

ITEM 符号	PART NO. 部品番号	PART NAME	部 品 名	Q' TY 数量	S. C サビ・ス コート	SERIAL NO. 適用号機	ICA 互 換 性	REPLACEABLE PART 代 替 部 品	
								PART NO. 部品番号	Q' TY 数量
1	YE3903096	Hexagon Flange Head Cap Scr (M8 X 1.25 X 70.)	(M8 X 1.25 X 70.)	3					
2	YE3941253	Push Rod		8					
3	YE3943626	Valve Crosshead		8					
4-12	YE4995602	Rocker Lever Assembly		4					
4	YE4928699	* Rocker Lever Shaft		2					
5-9	+++++	* Rocker Lever		1	D				
5	+++++	** Rocker Lever Socket		1	D				
6-9	+++++	** Rocker Lever		1	D				
6	YE3927692	*** Heavy Hexagon Nut		1					
7	+++++	*** Rocker Lever (Exhaust)	(Exhaust)	1	D				
8	+++++	*** Rocker Lever Ball		1	D				
9	YE3959128	*** Rocker Lever Adjusting		1					
5-10	+++++	* Rocker Lever		1	D				
5	+++++	** Rocker Lever Socket		1	D				
6-10	+++++	** Rocker Lever		1	D				
6	YE3927692	*** Heavy Hexagon Nut		1					
8	+++++	*** Rocker Lever Ball		1	D				
9	YE3959128	*** Rocker Lever Adjusting		1					
10	YE3941927	*** Rocker Lever (Intake)	(Intake)	1					
11	YE3990127	* Hexagon Flange Head Cap S (M8 X 1.25 X 55.)	(M8 X 1.25 X 55.)	2					
12	YE3964908	* Rocker Lever Support		1					
13	YE4899230	Rocker Lever Housing Gasket		1					
14-15	YE4938659	Rocker Lever Housing		1					
14	+++++	* Rocker Lever Housing		1	D				
15	+++++	* Sleeve		3	D				
16	YE3900633	Hexagon Flange Head Cap Scr (M8 X 1.25 X 50)	(M8 X 1.25 X 50)	2					

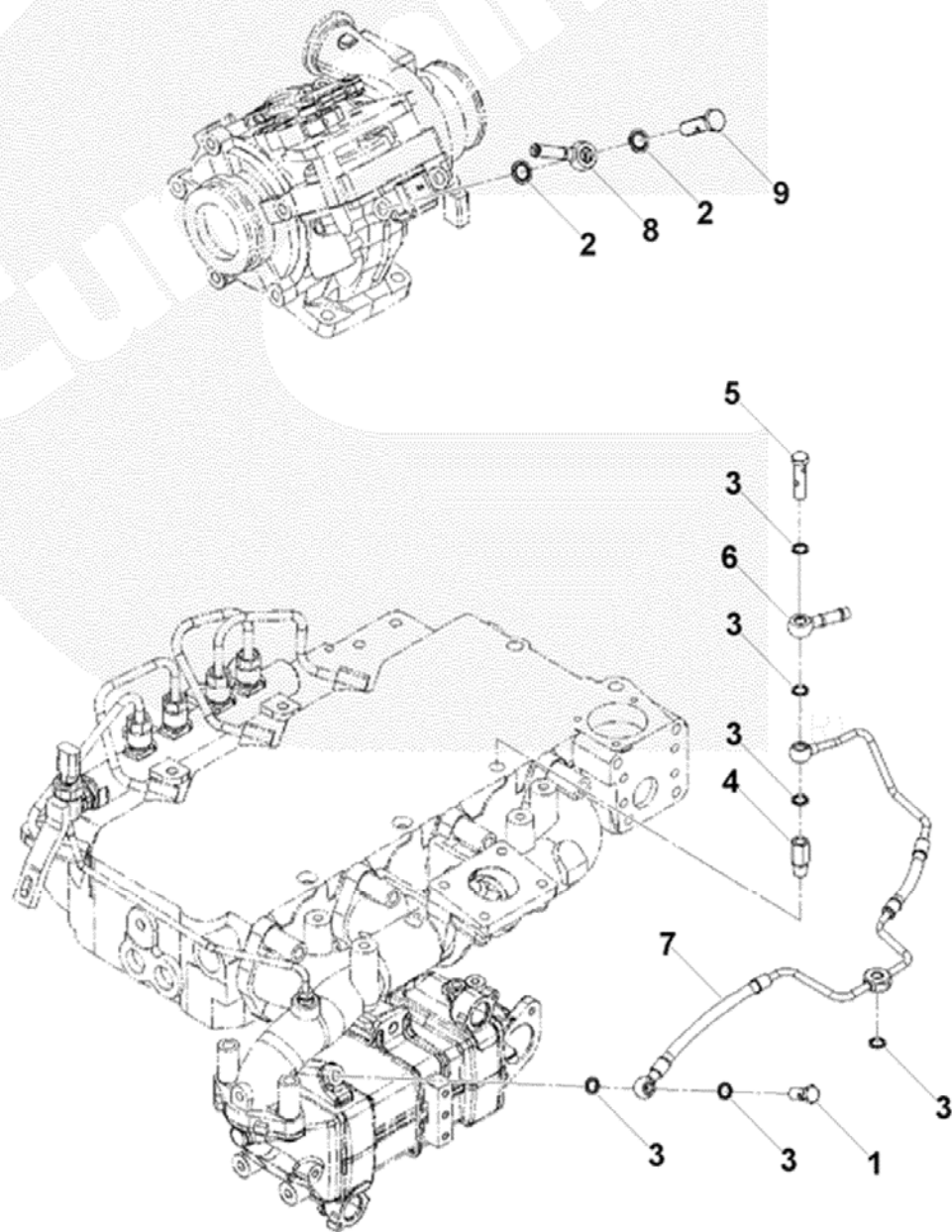
Engine Coolant Vent エンジンクーラントベント

Applicable Model (適用機種): -

Mark (記号): -

Serial No. (適用号機): -

©Cummins Inc



rp956gk

Engine Coolant Vent エンジンクーラントベント

Applicable Model (適用機種): -

Mark (記号): -

Serial No. (適用号機): -

ITEM 符号	PART NO. 部品番号	PART NAME	部 品 名	Q' TY 数量	S. C サ-ビ-ス コ-ト	SERIAL NO. 適用号機	ICA 互 換 性	REPLACEABLE PART 代 替 部 品	
								PART NO. 部品番号	Q' TY 数量
1	YE3957942	Banjo Connector Screw		1					
2	YE3963983	Sealing Washer		2					
3	YE4934278	Sealing Washer		6					
4	YE4935432	Plain Pipe Coupling		1					
5	YE5272389	Banjo Connector Screw		1					
6	YE5301855	Banjo Connector		1					
7	+++++	Vent Tube		1	D				
8	YE5310426	Banjo Connector		1					
9	+++++	Banjo Connector Screw		1	D				

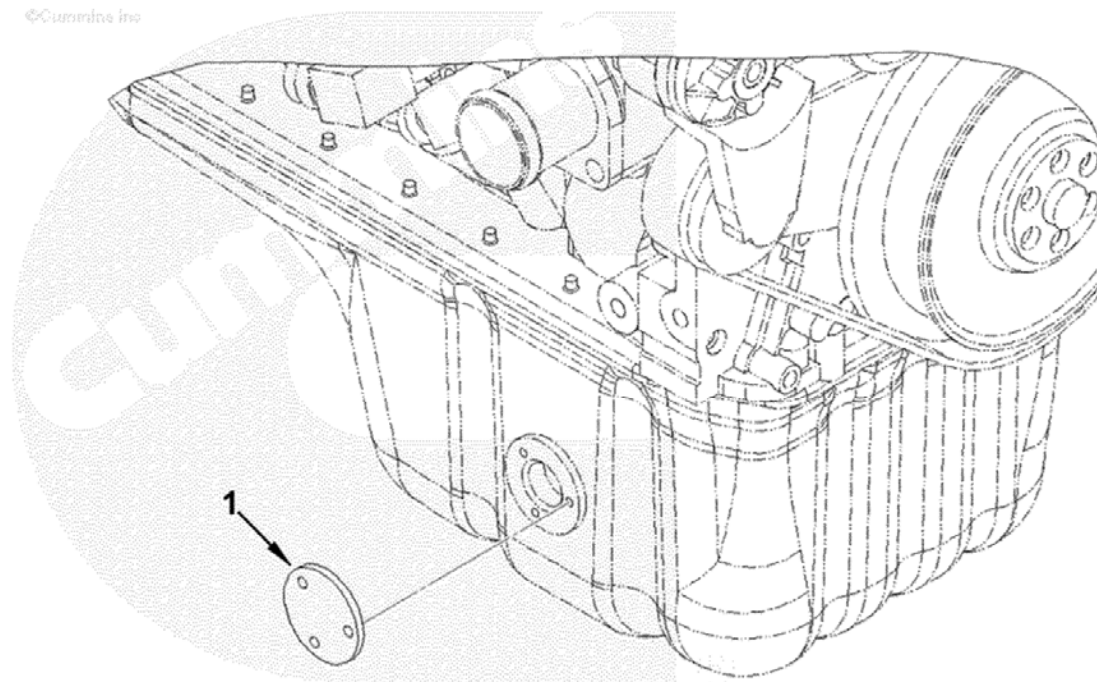
Oil Level Sensor オイルレベルセンサ

Applicable Model (適用機種): -

Mark (記号): -

Serial No. (適用号機): -

©Cummins Inc



sd956gm

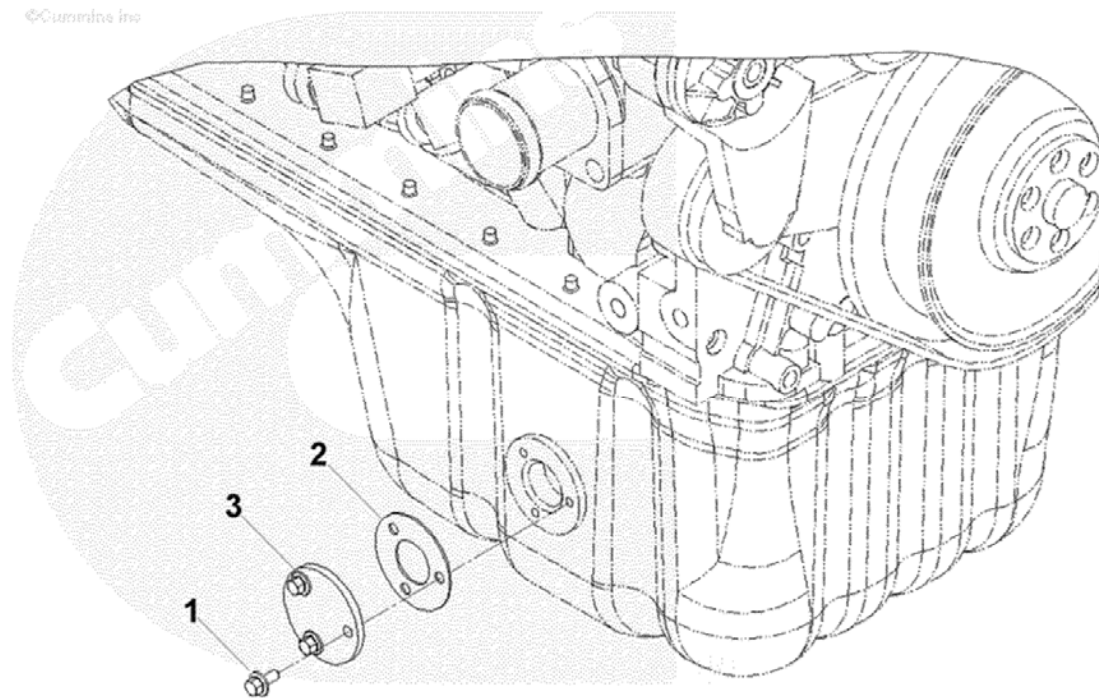
Fluid Level Sensor レベルセンサー

Applicable Model (適用機種): -

Mark (記号): -

Serial No. (適用号機): -

©Cummins Inc



sd900zb

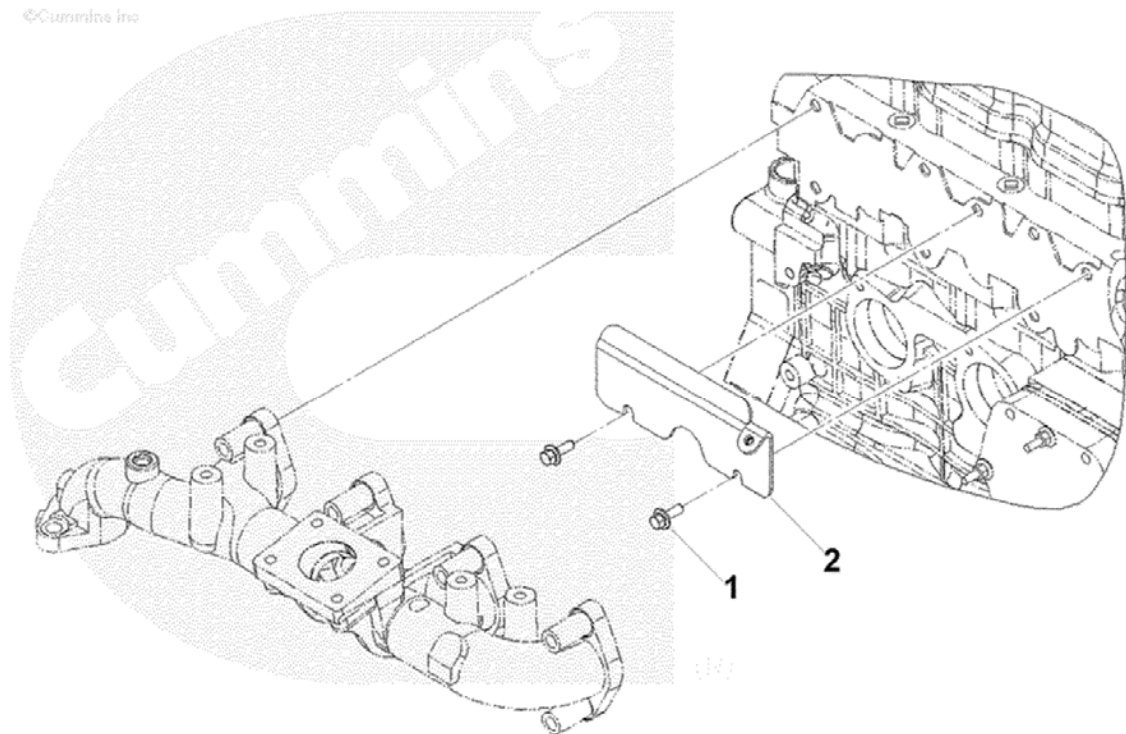
Heat Shield ヒートシールド

Applicable Model (適用機種): -

Mark (記号): -

Serial No. (適用号機): -

©Cummins Inc



sh953gc

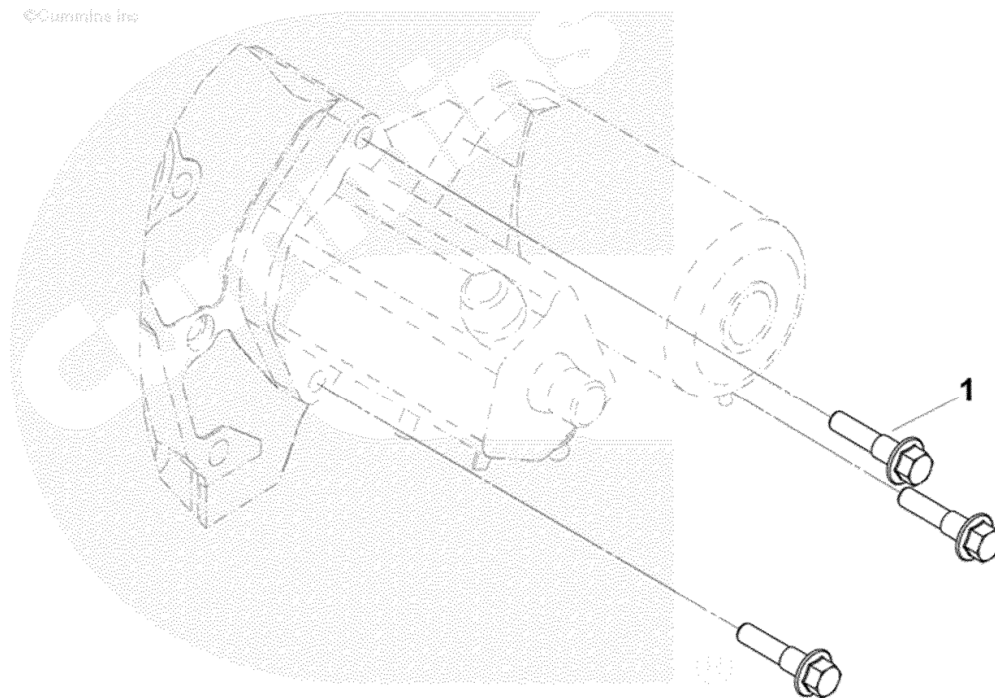
Starting Motor Mounting スターターモーターマウント

Applicable Model (適用機種): -

Mark (記号): -

Serial No. (適用号機): -

©Cummins Inc.



sm900zg

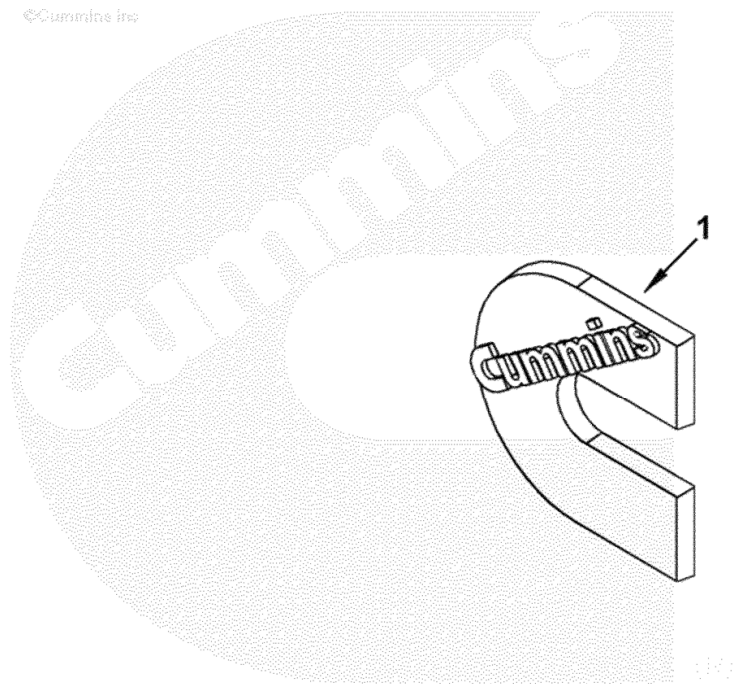
Paint 塗装

Applicable Model (適用機種): -

Mark (記号): -

Serial No. (適用号機): -

©Cummins Inc.



ss940gn

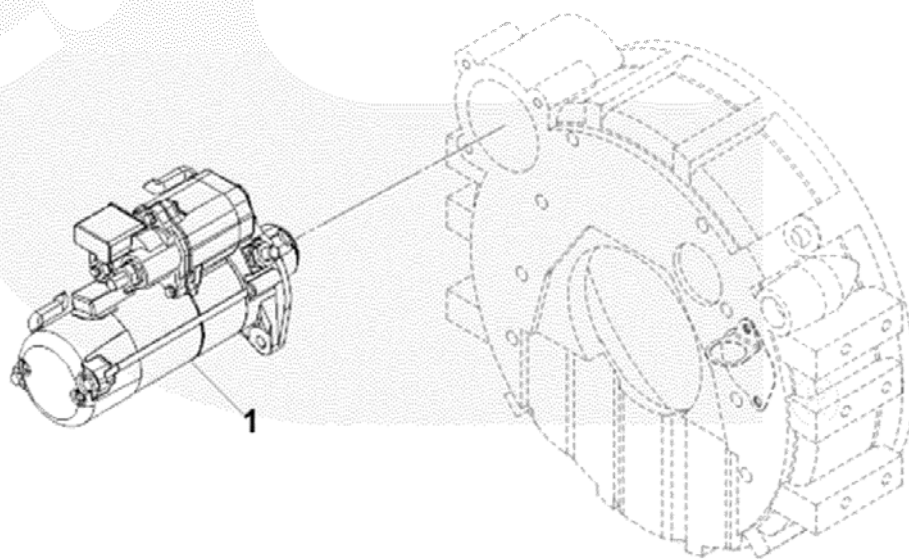
Starting Motor スターターモータ

Applicable Model (適用機種): -

Mark (記号): -

Serial No. (適用号機): -

©Cummins Inc



st951gz

Starting Motor

スターターモータ

Applicable Model (適用機種): -

Mark (記号): -

Serial No. (適用号機): -

ITEM 符号	PART NO. 部品番号	PART NAME	部 品 名	Q' TY 数量	S. C サ-ビ-ス コ-ト	SERIAL NO. 適用号機	ICA 互 換 性	REPLACEABLE PART 代 替 部 品	
								PART NO. 部品番号	Q' TY 数量
1	YE4996709	Starting Motor		1					

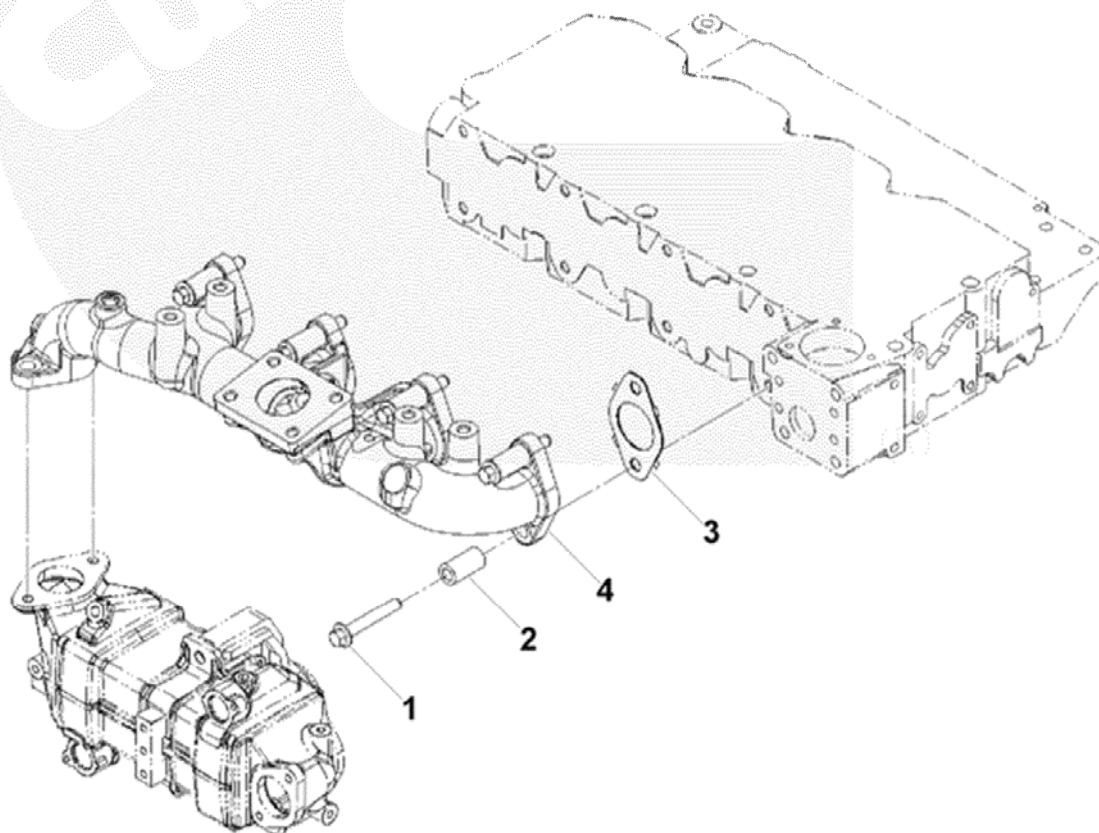
Exhaust Manifold エキゾーストマニホールド

Applicable Model (適用機種): -

Mark (記号): -

Serial No. (適用号機): -

©Cummins Inc



tb983gd

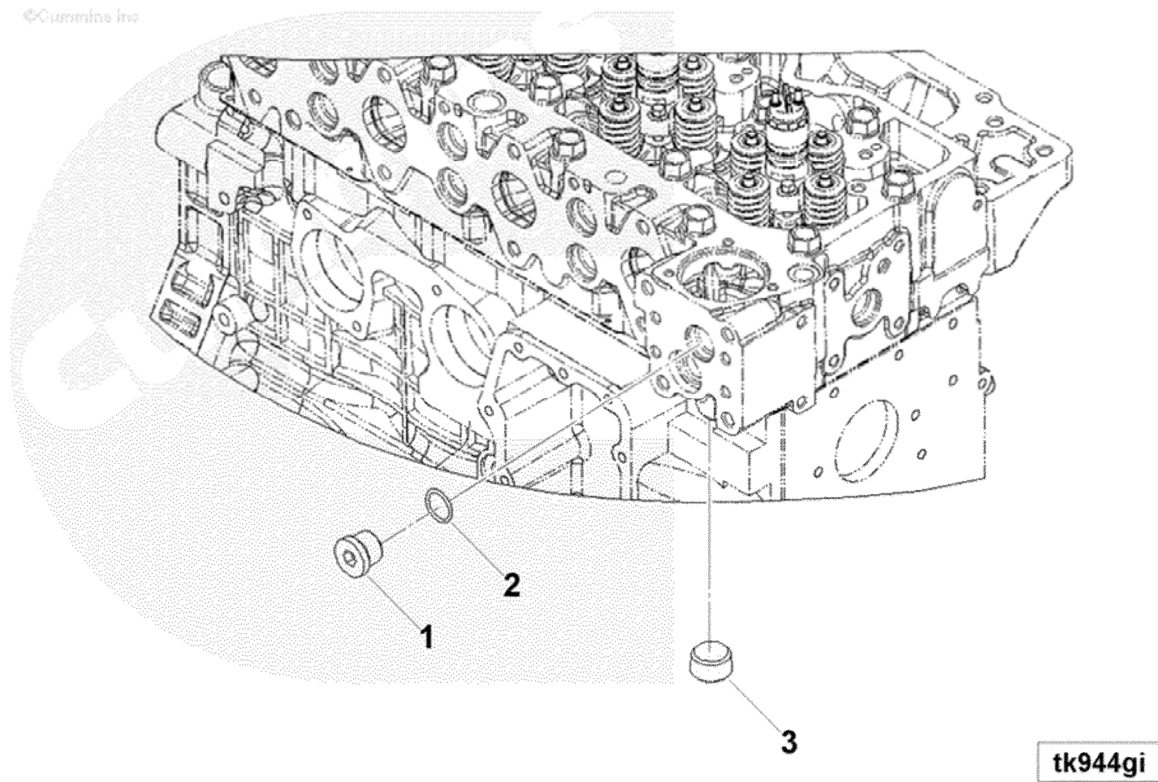
Torque Converter Oil Cooler トルクコンバータオイルクーラー

Applicable Model (適用機種): -

Mark (記号): -

Serial No. (適用号機): -

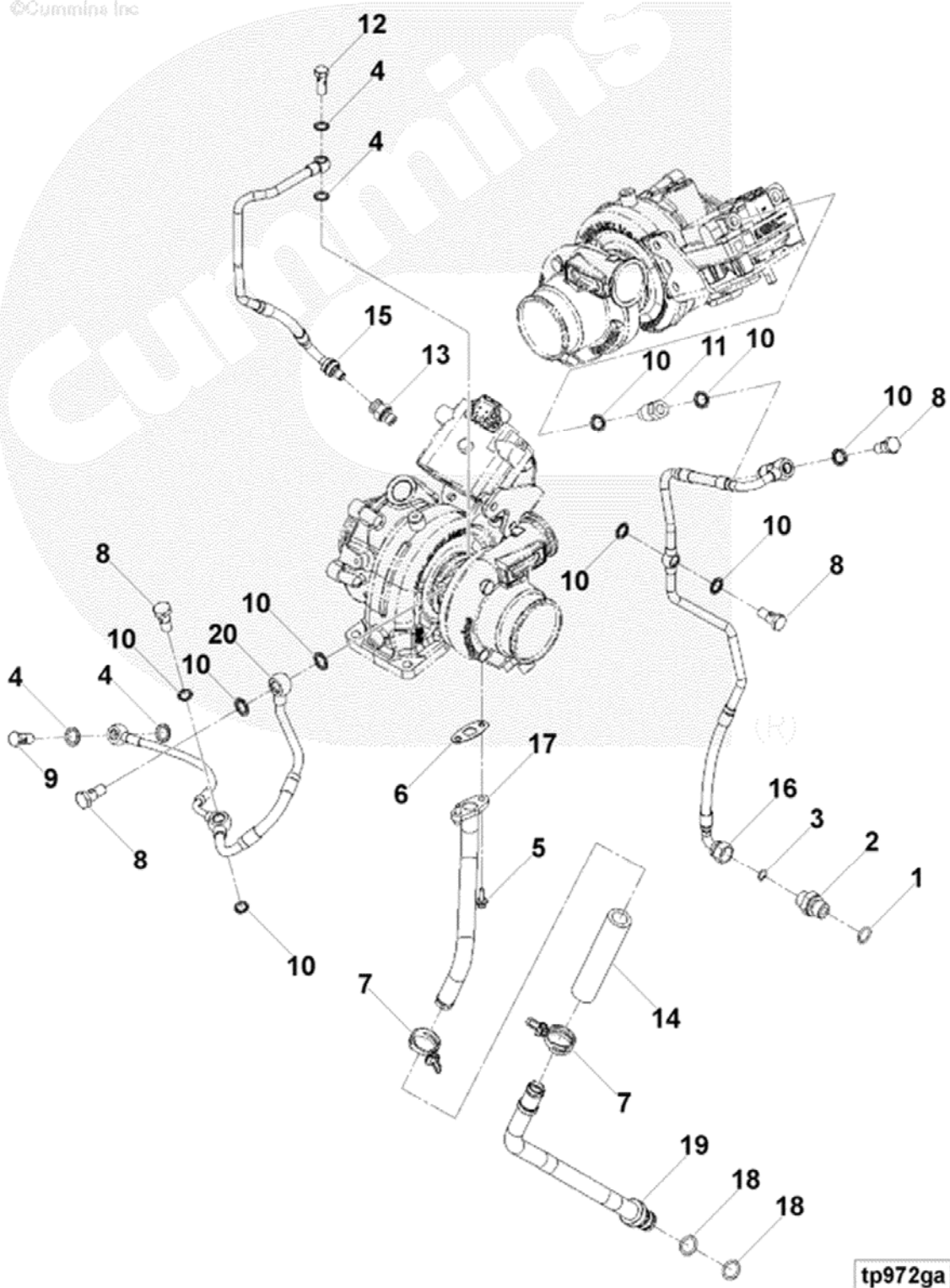
©Cummins Inc



Turbocharger Plumbing ターボチャージャー配管

Applicable Model (適用機種): -
Mark (記号): -
Serial No. (適用号機): -

©Cummins Inc



tp972ga

Turbocharger Plumbing

ターボチャージャー配管

Applicable Model (適用機種): -

Mark (記号): -

Serial No. (適用号機): -

ITEM 符号	PART NO. 部品番号	PART NAME	部 品 名	Q' TY 数量	S. C サビ・ス コート	SERIAL NO. 適用号機	ICA 互 換 性	REPLACEABLE PART 代 替 部 品	
								PART NO. 部品番号	Q' TY 数量
1-3	YE3681519	Male Union		1					
1	YE3678786	* O-Ring Seal (M18.)	(M18.)	1					
2	YE3681184	* Male Union		1					
3	YE3922794	* O-Ring Seal		1					
4	YE3684342	Sealing Washer		4					
5	YE3913638	Hexagon Flange Head Cap Scr (M6 X 1.00 X 16.)	(M6 X 1.00 X 16.)	2					
6	YE3934638	Oil Drain Gasket		1					
7	YE3944814	Spring Hose Clamp		2					
8	YE3957770	Banjo Connector Screw		4					
9	YE3957942	Banjo Connector Screw		1					
10	YE4934279	Sealing Washer		9					
11	YE4947861	Plain Adapter		1					
12	YE5270231	Banjo Connector Screw		1					
13	YE5284134	Quick Disconnect Connector		1					
14	YE5317853	Plain Hose		1					
15	YE5319477	Turbocharger Oil Supply Tub		1					
16	YE5319481	Turbocharger Coolant Supply		1					
17	YE5319492	Turbocharger Oil Drain Conr		1					
18-19	YE5319494	Turbocharger Oil Drain Tube		1					
18	YE4984152	* O-Ring Seal		2					
19	+++++	* Turbocharger Oil Drain Tu		1	D				
20	YE5319554	Turbocharger Coolant Drain		1					

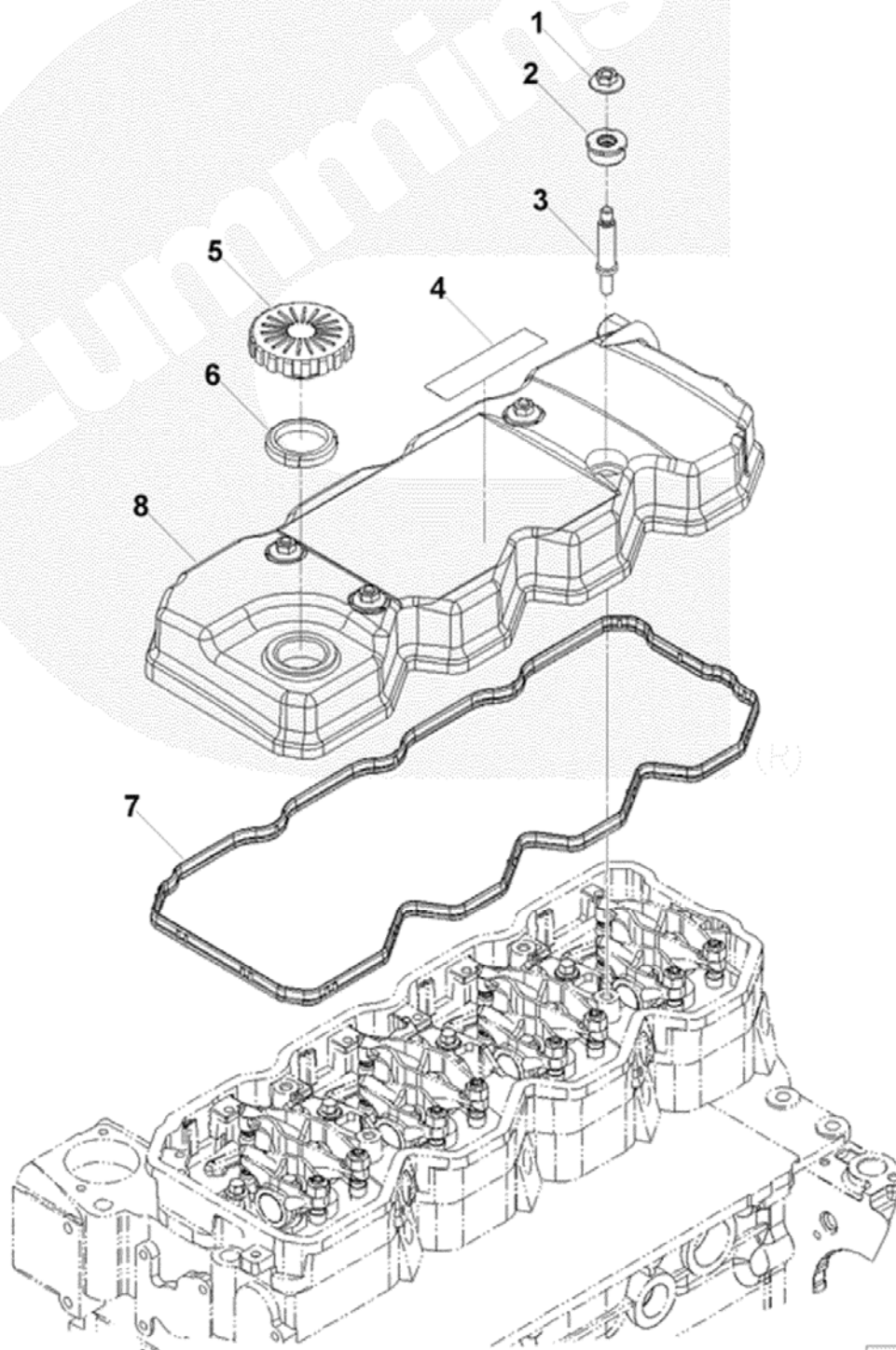
Valve Cover Arrangement バルブカバーアレンジメント

Applicable Model (適用機種): -

Mark (記号): -

Serial No. (適用号機): -

©Cummins Inc



vc955gs

Valve Cover Arrangement バルブカバーアレンジメント

Applicable Model (適用機種): -

Mark (記号): -

Serial No. (適用号機): -

ITEM 符号	PART NO. 部品番号	PART NAME	部 品 名	Q' TY 数量	S. C サ-ビ-ス コート	SERIAL NO. 適用号機	ICA 互 換 性	REPLACEABLE PART 代 替 部 品	
								PART NO. 部品番号	Q' TY 数量
1	YE4893936	Hexagon Flange Nut (M8 X 1.25.)	(M8 X 1.25.)	4					
2	YE5271613	Noise Isolator		4					
3	YE4896991	Stud		4					
4	YE4938452	Safety Decal		1					
5-8	YE3976180	Valve Cover		1					
5-6	YE5255448	* Filler Cap		1					
5	+++++	** Filler Cap		1	D				
6	+++++	** Filler Cap Gasket		1	D				
7	YE4899228	* Valve Cover Gasket		1					
8	YE4939896	* Valve Cover		1					

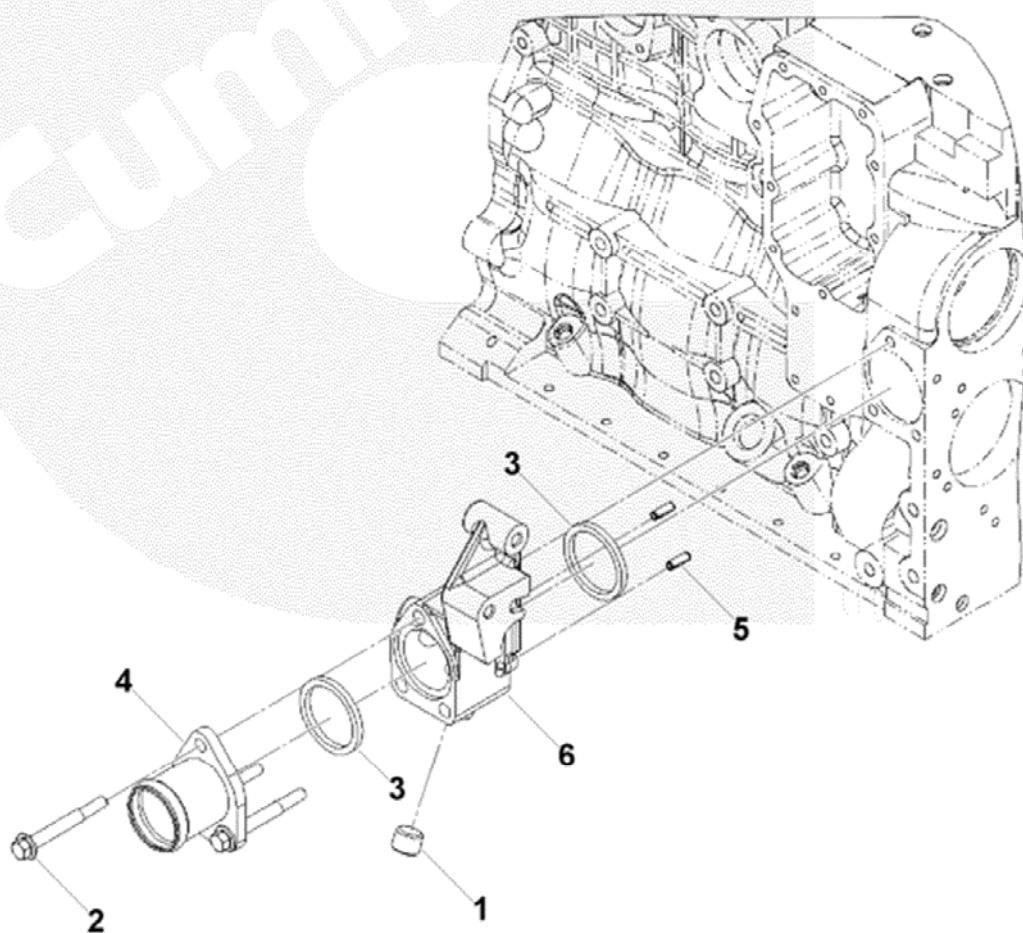
Water Inlet Connection ウォーターインレット配管

Applicable Model (適用機種): -

Mark (記号): -

Serial No. (適用号機): -

©Cummins Inc



wi901zu

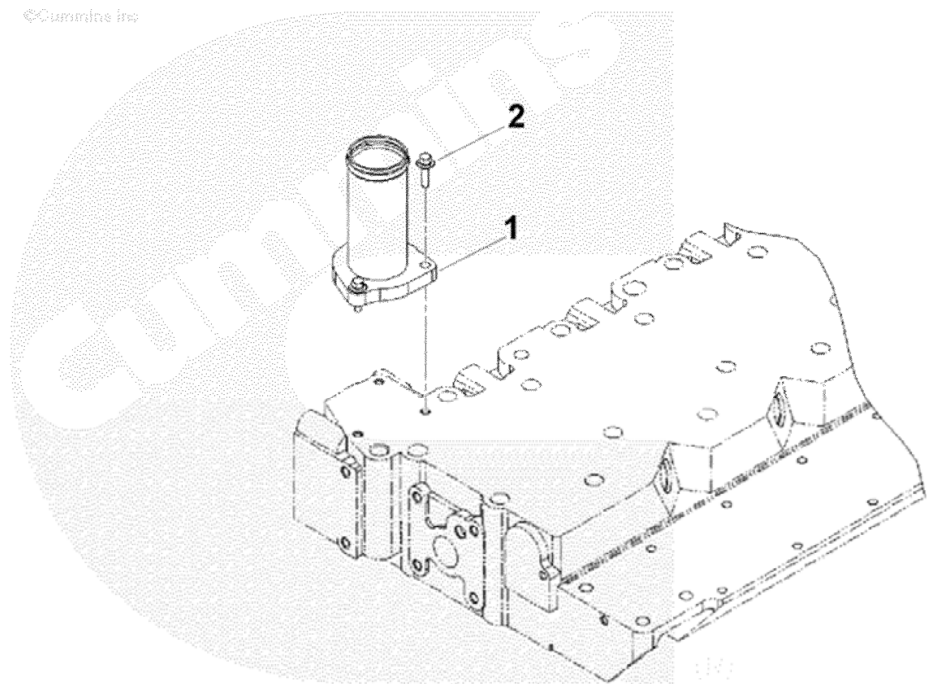
Water Outlet Connection ウォーターアウトレット配管

Applicable Model (適用機種): -

Mark (記号): -

Serial No. (適用号機): -

©Cummins Inc



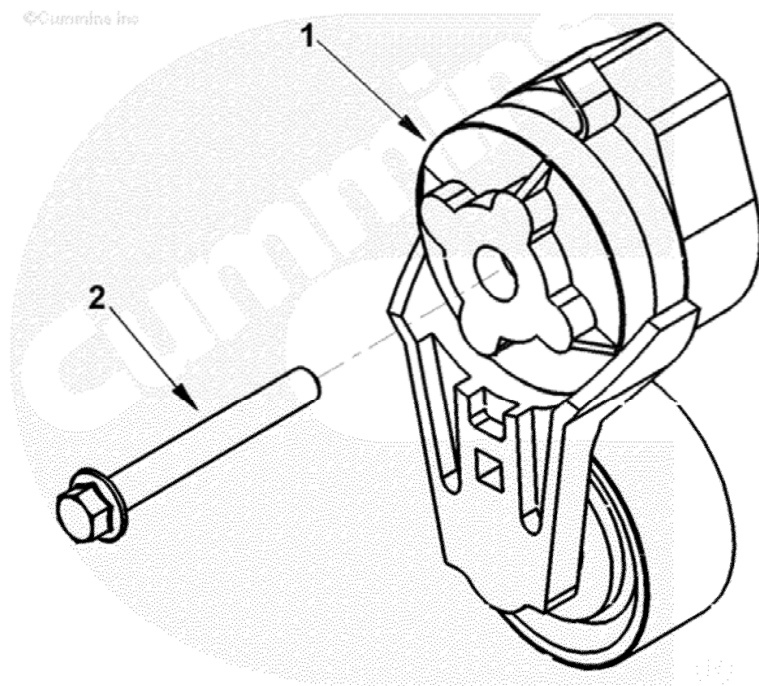
wo900zf

Belt Tensioner ベルト調整装置

Applicable Model (適用機種): -

Mark (記号): -

Serial No. (適用号機): -



wp900zy

Belt Tensioner

ベルト調整装置

Applicable Model (適用機種): -

Mark (記号): -

Serial No. (適用号機): -

ITEM 符号	PART NO. 部品番号	PART NAME	部 品 名	Q' TY 数量	S. C サ-ビ-ス コ-ト	SERIAL NO. 適用号機	ICA 互 換 性	REPLACEABLE PART 代 替 部 品	
								PART NO. 部品番号	Q' TY 数量
1	YE3957434	Belt Tensioner		1					
2	YE3900679	Hexagon Flange Head Cap Scr (M10 X 1.50 X 80.)	(M10 X 1.50 X 80.)	1					

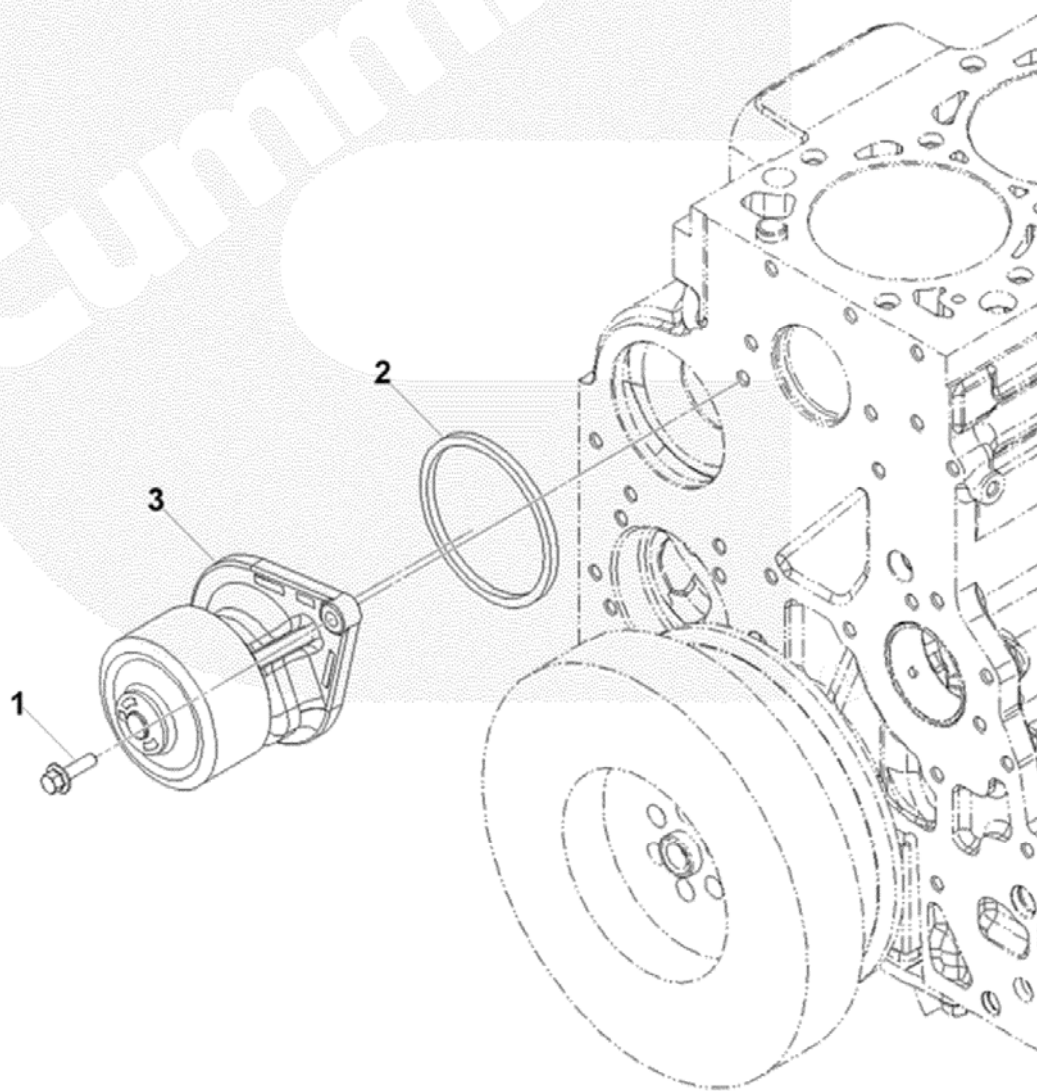
Water Pump ウォーターポンプ

Applicable Model (適用機種): -

Mark (記号): -

Serial No. (適用号機): -

©Cummins Inc



wp952ga

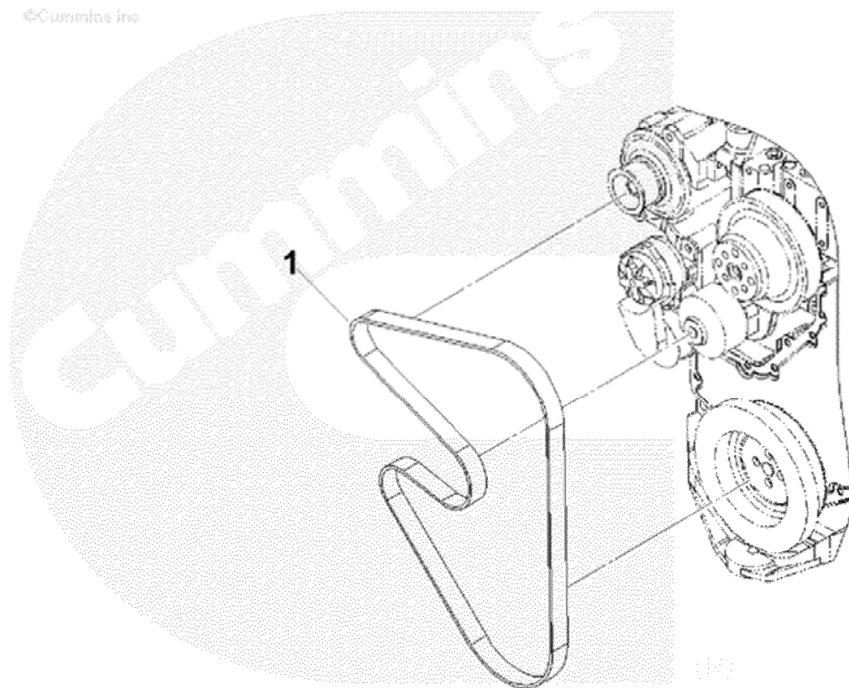
Water Pump Drive ウォーターポンプドライブ

Applicable Model (適用機種): -

Mark (記号): -

Serial No. (適用号機): -

©Cummins Inc



wp953gx

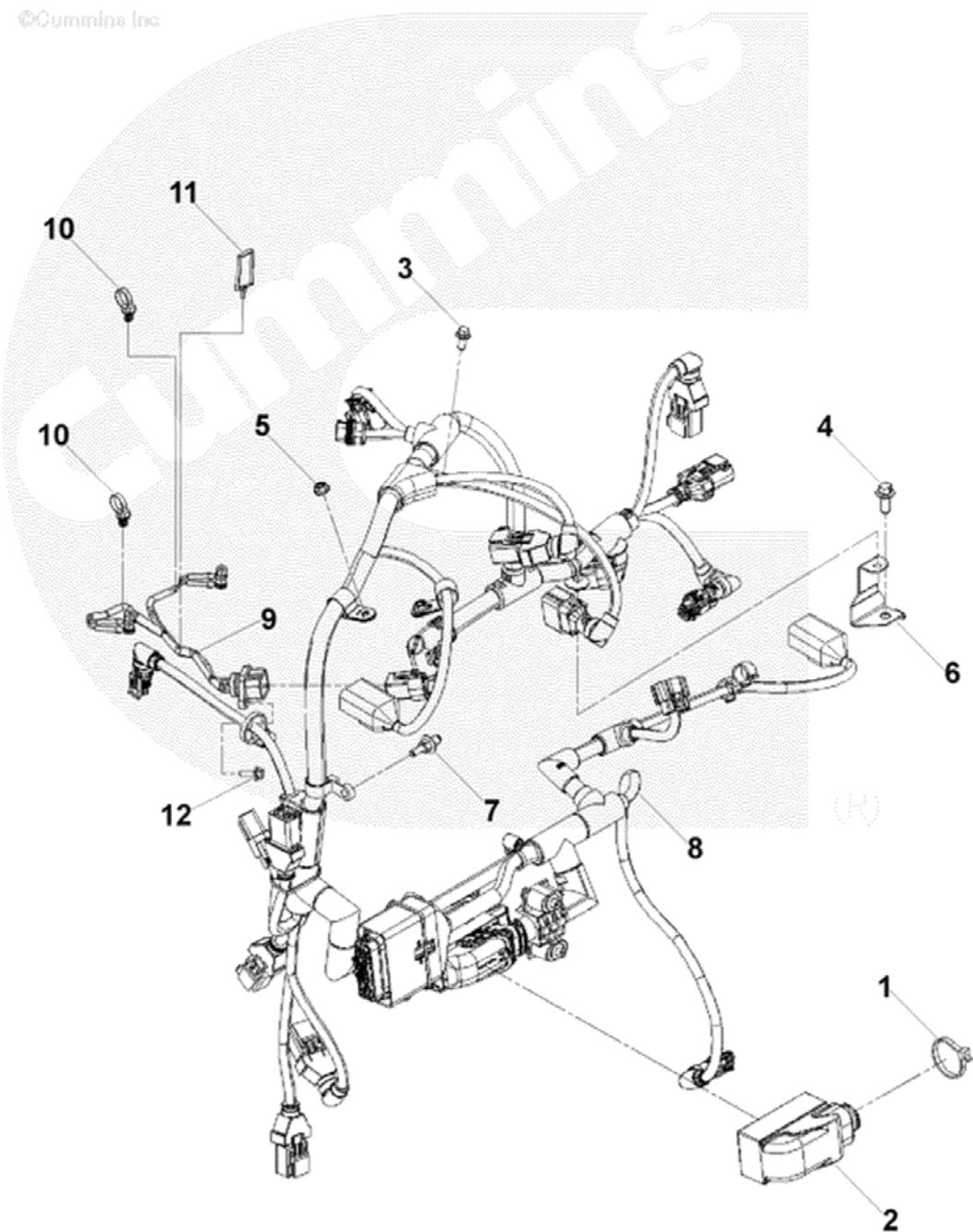
Electronic Control Module Wiring Harness ワイヤリングハーネス

Applicable Model (適用機種): -

Mark (記号): -

Serial No. (適用号機): -

©Cummins Inc



wr973gd

Electronic Control Module Wiring Harness ワイヤリングハーネス

Applicable Model (適用機種): -

Mark (記号): -

Serial No. (適用号機): -

ITEM 符号	PART NO. 部品番号	PART NAME	部 品 名	Q' TY 数量	S. C サビ・ス コート	SERIAL NO. 適用号機	ICA 互 換 性	REPLACEABLE PART 代 替 部 品	
								PART NO. 部品番号	Q' TY 数量
1	YE3062329	Wire Tie Clamp		1					
2	YE5314919	Electrical Connector Boot		1					
3	YE3900627	Hexagon Flange Head Cap Scr (M6 X 1.00 X 14.)	(M6 X 1.00 X 14.)	1					
4	YE3900631	Hexagon Flange Head Cap Scr (M8 X 1.25 X 25.)	(M8 X 1.25 X 25.)	1					
5	YE3906216	Hexagon Flange Nut (M6 X 1.00.)	(M6 X 1.00.)	2					
6	YE4933023	Wiring Brace		1					
7	YE4996922	Studded Flange Cap Screw		1					
8	YE5444412	Harness, Electronic Control		1					
9	YE3287699	Wiring Harness		2					
10	YE3287727	Wire Retaining Clip		4					
11	YE4890404	Wire Retaining Clip		2					
12	YE3913638	Hexagon Flange Head Cap Scr (M6 X 1.00 X 16.)	(M6 X 1.00 X 16.)	2					

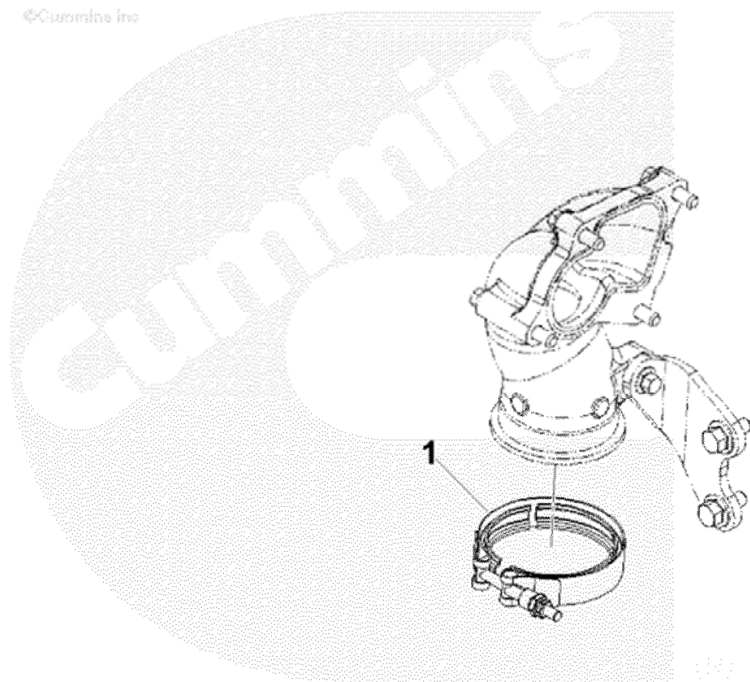
Exhaust Outlet Connection エキゾーストアウトレット配管

Applicable Model (適用機種): -

Mark (記号): -

Serial No. (適用号機): -

©Cummins Inc



xs950gp

MEMO

PARTS No. INDEX

PARTS No. INDEX

PART NUMBER	PAGE-SYM	PART NUMBER	PAGE-SYM	PART NUMBER	PAGE-SYM	PART NUMBER	PAGE-SYM				
YE13158	4	146- 5	YE39006	27	156- 3	YE39105	17	36- 15	YE39452	52	138- 2
YE14553	0	18- 10		28	116- 1	YE39107	39	42- 4	YE39461	88	18- 6
YE15491	6	72- 1		29	40- 2	YE39119	24	42- 5	YE39469	47	88- 7
YE20404	8	72- 2		30	98- 1	YE39136	38	46- 3	YE39472	69	58- 6
YE28305	59	88- 1		30	118- 1		38	120-		70	58- 7
YE28309	77	58- 5		30	130- 1		38	142- 5		87	88- 8
YE28718	80	104- 1		31	36- 3		38	156- 12	YE39473	58	38- 1
YE28722	77	108- 1		31	100- 3	YE39140	35	114- 10	YE39477	59	16- 1
YE28728	58	36- 1		31	156- 4	YE39141	77	54- 4	YE39480	83	98- 2
YE28802	99	104- 2-3		32	34- 2	YE39144	62	42- 2	YE39493	26	68- 3
YE28803	00	104- 2-4		32	36- 22	YE39154	90	44- 1	YE39494	19	58- 2
	02	104- 2		33	122- 16	YE39181	53	6- 1	YE39495	62	100- 7
	02	104- 2		37	28- 8	YE39204	00	100- 6	YE39541	11	112- 2
	03	104- 16		77	94- 1	YE39206	91	110- 10	YE39546	16	6- 5
	05	104- 17		78	36- 4		91	110- 10	YE39548	29	30- 2
	06	104-		78	108- 4	YE39218	16	46- 7	YE39549	18	148- 1
	06	104- 18		79	54- 2	YE39227	94	142- 3	YE39550	34	88- 9-10
	96	104- 5		79	146- 2	YE39228	42	40- 3	YE39551	52	112- 7
YE28858	91	104- 14		79	150- 2		44	40- 10		53	58- 3
YE28859	16	104- 13	YE39009	56	10- 8	YE39230	44	42- 7	YE39552	19	108- 8
YE28881	13	104- 11	YE39012	49	96- 1	YE39250	09	88- 4		20	108- 9
	73	104- 15	YE39013	95	64- 2		89	18- 16	YE39553	93	114- 3
	80	104- 6	YE39014	45	6- 2	YE39258	52	34- 6		93	114- 3
YE28882	21	104- 12		45	68- 1		83	54- 11	YE39572	90	46- 4
YE28973	33	108- 14		45	88- 2		83	112- 1	YE39573	80	76- 2
YE30076	32	114- 13		45	108- 5	YE39261	26	13- 10	YE39574	34	150- 1
	35	10- 10	YE39018	65	18- 5	YE39270	63	114- 15	YE39577	70	142- 8
YE30084	64	78- 5		65	148- 2	YE39276	92	122- 6	YE39578	49	108- 10
	65	80- 1	YE39021	14	18- 15		92	122- 6	YE39579	42	124- 1
	69	140- 1		14	36- 5	YE39279	48	10- 11		42	142- 9
YE30359	60	42- 8		14	68- 2	YE39288	73	42- 1	YE39584	14	18- 2
YE30520	61	34- 1	YE39023	43	10- 3	YE39294	57	88- 5		14	68- 6
YE30525	87	18- 1	YE39024	60	34- 3	YE39303	10	20- 1	YE39590	31	88- 11
YE30623	29	156- 1		60	52- 2	YE39325	13	126- 2	YE39591	28	122- 9
YE30679	79	76- 3		60	84- 1		13	128- 3		28	122- 9
YE30891	88	54- 1		68	96- 3	YE39344	86	54-	YE39639	83	26- 1
YE30892	38	140- 2-3	YE39030	35	46- 2	YE39346	38	120-		83	124- 2
	40	140- 3		96	122- 1		38	142- 6		88	46- 5
YE30895	67	28- 2-3	YE39031	05	34- 4	YE39356	44	28- 6		88	56- 1
YE30901	26	80- 4		12	6- 3		46	28- 7		90	46- 6
YE30937	30	112- 9		12	22- 1	YE39363	52	10- 5	YE39648	17	110- 8
	30	152- 1		12	36- 6		65	88- 6	YE39649	08	122- 12
YE30939	27	52- 1		12	44- 2	YE39377	36	90- 1	YE39656	16	120- 2
	38	36- 2	YE39032	10	34- 5	YE39380	36	78- 1		16	120- 2
	56	108- 3	YE39034	64	54- 3	YE39392	58	98- 3	YE39684	70	132- 1
YE32822	66	100- 1	YE39036	52	158- 1	YE39393	57	128- 2	YE39689	59	78- 2
YE32875	61	100- 2	YE39039	90	10- 4	YE39397	19	114- 8	YE39695	62	110- 2
YE32876	99	156- 9		90	36- 7		20	114- 8	YE39699	59	120-
YE32877	27	156- 10		90	72- 3		21	114- 8	YE39709	01	112- 3
YE32892	46	154- 1		90	100- 4	YE39401	23	114- 1	YE39713	71	18- 1-3
YE36787	86	142- 1	YE39041	81	54- 7		23	114- 1	YE39715	86	112- 2-6
YE36789	12	60- 1	YE39044	83	12- 5		23	114- 1	YE39727	05	66- 1-2
	21	60- 1-2		83	112- 4	YE39412	53	122- 2		53	118- 3
	23	48- 2-3	YE39053	68	8- 1	YE39419	27	122- 10	YE39741	27	88- 12
	25	48- 3		68	92- 1		29	146- 4		58	10- 14
YE36791	18	18- 11	YE39054	01	10- 9	YE39428	21	34- 7	YE39748	12	26- 2
	39	28- 3		27	66- 2	YE39431	98	114- 5		23	30- 1-2
YE36811	84	142- 2	YE39062	16	40- 1	YE39434	49	114- 8		50	28- 4-7
YE36815	19	142- 1-3		16	156- 5		50	114- 9	YE39761	80	144- 5-8
YE36843	42	142- 4	YE39063	91	108- 6	YE39435	49	146- 5-6	YE39763	71	116- 4
YE38028	20	13- 9	YE39066	19	88- 3	YE39436	26	122- 3	YE39767	44	82- 1
YE38029	24	114- 1-3		96	96- 2	YE39445	93	36- 8	YE39773	93	116- 5
	67	114- 1-6		98	152- 2		93	138- 1	YE39775	47	112- 4-5
YE38638	99	102- 1		98	152-	YE39448	14	120-		72	18- 4
YE39002	69	64- 1	YE39077	69	42- 3		14	142- 7	YE39778	51	10- 1
YE39005	89	58- 1	YE39080	95	54- 10		16	108- 7		53	10- 2
YE39006	26	126- 1	YE39102	48	54- 8	YE39450	94	114- 11	YE39784	79	24- 2
	26	128- 1		60	54- 9		95	114- 12	YE39787	10	100- 9
	27	2- 1	YE39104	95	6- 4	YE39452	52	36- 9		11	100- 10

PARTS No. INDEX

PART NUMBER	PAGE-SYM	PART NUMBER	PAGE-SYM	PART NUMBER	PAGE-SYM	PART NUMBER	PAGE-SYM				
YE39788	22	12- 8	YE49342	79	120-	YE52591	80	116- 2	YE53075	23	50- 1
YE39901	27	122- 11		79	142- 10	YE52594	99	54- 51	YE53083	80	38- 5
YE40105	19	36- 11	YE49344	18	12- 1	YE52612	37	118- 7		85	38- 6
	19	108- 17	YE49347	31	18- 7	YE52622	97	40- 5	YE53092	18	108- 18
YE40341	69	120-	YE49354	32	124- 4	YE52626	33	56- 2		75	6- 6
YE40769	30	108- 12	YE49359	74	118- 10	YE52634	62	120- 4		76	6- 5-7
YE43076	95	104- 7		76	118- 11	YE52636	72	114- 14	YE53104	26	124- 8
YE43093	85	110- 12-13		82	118- 8	YE52641	81	118- 2	YE53109	93	130- 2
YE43264	70	104- 8	YE49364	63	100- 11	YE52645	55	54- 12	YE53116	83	60- 3
	71	104- 9	YE49373	08	110- 7		60	54- 6-12	YE53127	72	78- 4
	76	104-	YE49374	42	32- 1	YE52664	22	36- 12	YE53130	86	94- 2
YE43268	76	104- 10	YE49378	39	48- 4		22	138- 3	YE53138	44	2- 2
YE43270	11	104-	YE49380	05	118- 6	YE52688	56	40- 6	YE53149	19	156- 2
YE43296	81	104- 19	YE49381	89	10- 15	YE52699	96	88- 13	YE53157	65	10- 12
YE43525	95	152-	YE49384	13	96- 3-5	YE52702	05	78- 3		65	10- 12
YE43761	66	36- 13-14		52	144- 4		31	142- 12	YE53171	02	46- 8
YE43764	19	10-	YE49386	59	122- 14-15	YE52714	90	28- 5		06	108- 21
	24	110- 9-13	YE49387	40	2- 3	YE52715	74	108- 20	YE53178	53	142- 14
YE43841	38	36- 20	YE49389	33	12- 6		89	104- 20	YE53186	93	38- 7
YE43843	56	36- 21		34	12- 6	YE52716	05	104-	YE53190	31	138- 4
YE48904	04	156- 11		35	12- 6		13	144- 2	YE53193	64	68- 5
YE48906	34	58- 10		36	12- 6	YE52723	89	124- 5	YE53194	77	142- 15
YE48911	79	110- 6		37	12- 7	YE52738	60	108- 11		81	142- 16
YE48927	95	110- 3		38	12- 7	YE52740	22	48- 6		92	142- 17
	96	110- 3		39	12- 7		30	50- 2		94	142- 18-19
	97	110- 3		40	12- 7		33	50- 3	YE53195	54	142- 20
	98	110- 3		49	12- 8	YE52744	58	48- 7	YE53196	80	60- 4
YE48936	93	110- 3		50	12- 8	YE52823	90	46- 10	YE53210	59	60- 3-4
YE48939	36	144- 1		51	12- 8	YE52841	34	142- 13	YE53216	79	120- 1-5
YE48958	77	112- 6		52	12- 8	YE52846	38	2- 5	YE53333	35	4- 1
YE48968	97	28- 9		53	13- 8	YE52855	52	20- 2-3	YE53360	52	40- 8-11
YE48969	91	144- 3		54	13- 8		54	20- 3	YE53424	98	78- 4-5
YE48985	90	80- 3	YE49398	96	144- 8		69	18- 17	YE53616	08	114- 1-14
YE48992	28	144- 7	YE49425	29	46- 9	YE52877	08	18- 18	YE54444	12	156- 8
	30	122- 13	YE49454	64	18- 6-7	YE52888	39	18-	YE68152		46- 1
YE49034	82	108- 15	YE49464	12	80- 1-2	YE52891	78	68- 4			
YE49215	74	108- 13	YE49478	61	142- 11	YE52898	40	12- 1-4			
YE49285	92	18- 13	YE49480	17	118- 9		41	12- 1-5			
	94	36- 10	YE49549	05	108- 16	YE52924	13	18- 8-9			
	99	108- 2	YE49555	66	54-	YE52928	19	36- 15-16			
YE49286	99	122- 4	YE49558	56	12- 6-8		47	18- 19			
YE49291	28	6- 7		57	12- 6-8	YE52932	12	38- 2			
YE49298	64	118- 3-4		58	12- 6-8		34	18- 15-19			
YE49309	60	74-		59	12- 6-8		36	36- 17			
YE49310	17	34- 8	YE49813	67	118- 5	YE52935	69	40- 7			
	41	110- 1	YE49819	15	100- 5	YE52949	26	40- 8			
YE49316	42	120- 3	YE49832	53	10- 16		26	40- 8			
	43	70- 1	YE49839	08	146- 3	YE52964	49	40- 8-9			
	43	146- 1	YE49841	52	142- 18	YE52965	59	36- 13			
YE49322	09	114- 16	YE49845	75	18- 12		59	36- 13			
YE49323	75	110- 2	YE49908	85	82- 2		60	36-			
	76	110- 2	YE49915	71	114- 3		60	38- 3			
	77	110- 2	YE49925	09	76- 1	YE52967	39	36- 18			
	78	110- 2		96	58- 9		41	36- 19			
YE49325	20	92- 2	YE49928	54	48- 5	YE52976	53	18- 14			
	21	92- 3	YE49956	02	122- 4-12	YE53009	40	62- 1			
YE49326	60	96- 4	YE49967	09	136- 1	YE53018	55	124- 6			
YE49327	90	58- 8	YE49969	22	156- 7	YE53034	06	114- 4			
YE49328	01	110- 13	YE52542	61	116- 3	YE53035	97	120- 5			
	01	110- 13	YE52549	80	2- 4		97	120- 5			
YE49330	23	156- 6	YE52552	04	24- 1	YE53036	04	104- 24-25			
YE49335	32	28- 1	YE52554	48	144- 5-6	YE53037	43	48- 8			
	32	54- 6	YE52561	93	58- 11	YE53044	32	24- 3			
YE49340	74	114- 9	YE52562	93	40- 4	YE53050	92	100- 8			
	75	114- 9	YE52563	30	74-	YE53056	58	38- 4			
	76	114- 9	YE52570	44	18- 8		67	70- 2			
	85	96- 5		44	20- 2	YE53063	46	48- 2-8			
YE49342	78	120-	YE52573	64	110- 4-6	YE53066	21	10- 6			
	78	124- 3	YE52589	31	112- 8		21	10-			

KCM Corporation

2680 Oka Inami-cho Kako-gun, Hyogo 675-1113

All rights reserved, No copy allowed without written consent.

Printed in Japan