



93305-00133

October 2007

PARTS CATALOG

WHEEL LOADER

50Z V

Powered by CUMMINS B4.5T Engine

Serial No. 50C3-5001 ~

CONTENTS I

- Before Use
- Chassis No. and Manufacturer's Serial No.
- CONTENTS II
- PARTS NAME INDEX
- 50ZV
- CHASSIS AND ELECTRICAL SYSTEM

FRONT CHASSIS GROUP	1
LIFT ARM GROUP	3
PIN MOUNT	5
REAR CHASSIS GROUP	7
CENTER PIN GROUP	9
FUEL TANK GROUP	11
OIL TANK GROUP	13
FLOOR BOARD GROUP	15
SEAT STAND & CONTROL BOX MOUNT	17
CONTROL BOX COVER MOUNT	19
OPERATION STAND GROUP	21
DECK & FENDER GROUP	23
STEP & HANDRAIL GROUP	25
ENGINE ROOM MOUNT	27
REAR GRILLE GROUP	31
SPONGE MOUNT	33
WIND SHIELD GROUP	35
COVER MOUNT	37
SEAT GROUP	39
SEAT	41
SUSPENSION	43
GREASE PIPING	45
GAUGE GROUP	47
ELECTRICAL PARTS MOUNT	49
FRONT LAMP MOUNT	53
REAR LAMP MOUNT	55
BATTERY & GREASE GUN MOUNT	57

INSTRUMENT PANEL & SWITCH MOUNT	59
ELECTRICAL WIRING - FRONT CHASSIS	61
ELECTRICAL WIRING - REAR CHASSIS	63
ELECTRICAL WIRING - FLOOR BOARD	67

• POWER SYSTEM

POWER GROUP.....	69
DRAIN LINE.....	71
2ND PROPELLER SHAFT	73
3RD PROPELLER SHAFT	75
RADIATOR MOUNT	77
RADIATOR	79
WATER LINE.....	81
AIR CLEANER GROUP	83
EXHAUST GROUP	85
FUEL LINE	89

• TORQUE CONVERTER AND TRANSMISSION SYSTEM

TRANSMISSION HYDRAULIC LINE.....	93
TORQUE CONVERTER & TRANSMISSION.....	97
TORQUE CONVERTER.....	101
TRANSMISSION.....	105
REVERSE & 1ST CLUTCH	109
FORWARD & 2ND CLUTCH	111
3RD CLUTCH.....	113
TRANSMISSION CONTROL VALVE	115
REPAIR KIT	117

• AXLE AND DIFFERENTIAL

FRONT AXLE GROUP	119
REAR AXLE GROUP	121
AXLE SUPPORT GROUP	123
FRONT DIFFERENTIAL	125
REAR DIFFERENTIAL	127
TIRE & DISC WHEEL GROUP	129

• BRAKE SYSTEM

BRAKE LINE	131
AIR BREATHER MOUNT	135
PARKING BRAKE GROUP - REAR	137
MASTER CYLINDER GROUP.....	139
MASTER CYLINDER GROUP.....	141
MASTER CYLINDER	143
MASTER CYLINDER	145

• CONTROL SYSTEM

STEERING WHEEL MOUNT	147
SHIFT LEVER GROUP.....	149
TILT CASE GROUP	151
VALVE CONTROL GROUP.....	153
FUEL CONTROL GROUP	155
STEERING CYLINDER GROUP	157
ORBITROL	159
ORBITROL	161
STEERING CYLINDER	163
STEERING CYLINDER	165
BUCKET POSITIONER GROUP.....	167
KICKOUT GROUP.....	169

• LOADING HYDRAULIC SYSTEM

LOADING HYDRAULIC LINE - FRONT CHASSIS.....	171
LOADING HYDRAULIC LINE - REAR CHASSIS <F	175
LOADING HYDRAULIC LINE - REAR CHASSIS <F	177
LOADING HYDRAULIC LINE - STEERING CYLIND.....	179
PILOT HYDRAULIC LINE - REAR CHASSIS	181
PILOT HYDRAULIC LINE - CONTROL BOX	183
OIL PUMP	185
CONTROL VALVE	187
PILOT VALVE	189
LIFT CYLINDER	191
TILT CYLINDER.....	193
TILT CYLINDER.....	195

• BUCKET, ACCESSORIES, ETC

BUCKET <FOR GENERAL PURPOSE>.....	197
MARKING GROUP	199
CAP MOUNT.....	203
LOCK GROUP.....	205
REPAIR & MAINTENANCE PARTS	207

• CAB

CAB MOUNT.....	209
ROPS CAB	211
DOOR GROUP	215
FRONT WIPER & WINDOW WASHER GROUP	219
ELECTRICAL PARTS GROUP	221
ELECTRICAL WIRING - CAB.....	225
MIRROR GROUP & STOPPER MOUNT.....	227
REAR WIPER & WINDOW WASHER GROUP	229
COVER GROUP - CAB.....	231
AIR DUCT GROUP.....	233
AIR DUCT GROUP - FLOOR BOARD.....	235
AIR CONDITIONER MOUNT	241
AIR CONDITIONER LINE - FLOOR BOARD.....	243
CONDENSER & COVER MOUNT	247
COMPRESSOR MOUNT	249
ELECTRICAL PARTS GROUP <FOR AIR CONDITIO.....	251

• 50ZV

• OPTION

REAR GRILLA GROUP <OPENING AND CLOSED TY.....	253
LIFT ARM <HIGH LIFT ARM SPEC.> - SEMI -	255
TILT CYLINDER <HIGH LIFT ARM SPEC.> - SE	257
TILT CYLINDER <HIGH LIFT ARM SPEC.> - SE	259
HYDRAULIC LINE <HIGH LIFT ARM SPEC.> -	261
CABLE MOUNT<HIGH LIFT ARM SPEC.> - SEMI.....	263
HYDRAULIC LINE - OIL COOLER<FOR PLATE.....	265
WIND SHIELD GROUP <FOR PLATE FIN TYPE.....	267

PRECLEANER MOUNT	269
PRECLEANER MOUNT <MAINTENANCE-FREE>	271
FRONT CHASSIS HYDRAULIC LINE <3WAY PIPIN	273
PILOT HYDRAULIC LINE <3-WAY PIPING>	277
CONTROL GROUP	279
CONTROL VALVE	281
PILOT VALVE	283
SLOW RETURN CHECK VALVE.....	285
VALVE CONTROL GROUP.....	287
CONTROL BOX COVER MOUNT	289
PILOT HYDRAULIC LINE	291
PILOT VALVE	293
PILOT HYDRAULIC LINE <3-WAY PIPING>	297
HYDRAULIC LINE <FOR ATTACHMENT>	299
CONTROL VALVE	303
PILOT VALVE <3-WAY PIPING>	305
CABLE MOUNT <FOR USA RIDE CONTROL>.....	307
SWITCH MOUNT	309
ELECTRICAL PARTS MOUNT	311
RIDE CONTROL - HYDRAULIC LINE	313
RIDE CONTROL - ACCUMULATOR	315
RIDE CONTROL - ACCUMULATOR	317
4 WAY FLASHER	319
FRONT LAMP MOUNT	321
• PARTS NO. INDEX.....	324

MEMO

Before Use

I. Introduction

This parts catalog is applied to models indicated on the cover.

Parts of special specifications are not included.

For engines, refer to the "Engine Parts Catalog" offered separately.

II. How to Order Parts

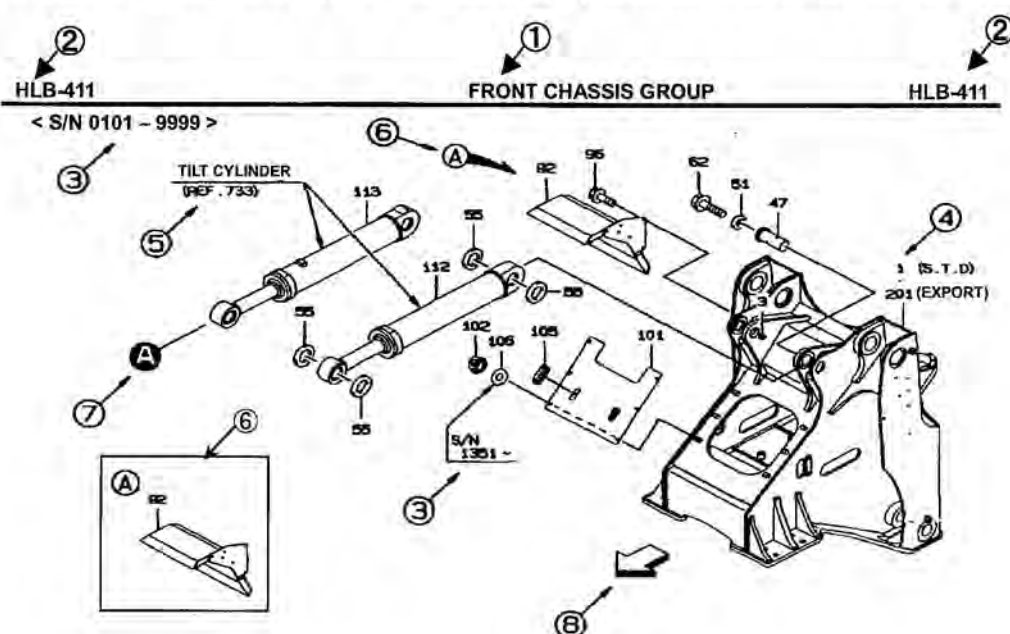
When ordering a part, refer to illustrations and lists in this parts catalog, and clearly notify our company of the model name, the chassis No., the parts No., the parts name, the required quantity, etc.

III. How to Look at Parts Catalog

Illustrations in the parts catalog show the "position and shape" of each part in the range required in ordering. Accordingly, illustrations do not always agree with actual parts.

1. How to look at illustrations

The illustration shown below as an example helps you to understand how to look at illustrations.



Encircled numbers indicate the following contents:

- ① section name
- ② Model code, section No.
- ③ Applicable chassis Nos. (which indicate the application start and end chassis Nos.)
- ④ Symbol (which corresponds to the "SYMBOL" column shown in the list)
- ⑤ Relevant unit guide symbol
- ⑥ Balloon symbol (which indicates presence of a detailed figure)
- ⑦ Connection symbol (shows where one component connects to another component)
- ⑧ Direction symbol (which indicates the front of the machine)

2. How to use the lists

The list shown below as an example helps you to understand how to use the lists.

SYM- BOL	PART NUMBER	PART NAME	UNIT Q'TY	SERIAL (A) (B)	NPD	REMARKS				REMARK
						(A)	(B)	(C)	(D)	
1A	34256-20050	CHASSIS ASSY, FRONT	1	101-120		Y01				
B	34256-20060	CHASSIS ASSY, FRONT	1	121-	B	Y02				
2A	30040-20060	ARM ASSY, LIFT	1	101-		Y03				
3A	44340-70210	MIRROR	1	101-120						
B	44344-70020	MIRROR, ROOM	1	121-	B					WA1
4A	40901-26700	BRACKET	1	101-120						
B	41605-41290	PLATE	1	121-	B					A1
41A	41621-20340	STOPPER	3	101-		01	02			
42A	41621-20320	STOPPER	2	101-		01	02			
51A	49327-60600	SEAL KIT	1	101-						QK1
61A	47193-70040	RING SLIPPER	1	101-						K1
62A	47171-70020	RING, WEAR	1	101-						K1

Encircled numbers indicate the following contents:

① ○○○ (MODEL CODE)

Model code shown in the parts catalog (which is different from the model name of the main unit)

② □□□ (SECTION NO.)

Key in retrieval in "SECTION INDEX"

③ SYMBOL

Key to find a parts No. from an illustration (unit drawing)

However, a value starting with three "0" such as "000A" and "000B" indicates the "unit assembly".

④ PART NUMBER

⑤ PART NAME

⑥ UNIT Q'TY

(1) This column indicates the quantity of one set

However, when the "SYMBOL" column indicates "000A", "000B", etc., the "UNIT Q'TY" column indicates the quantity for one machine.

(2) A value with "M" such as "1M" and "2M" indicates that the part is sold in the unit of shown value.

The actual length is shown in the "REMARK" column.

[Example 1] When the "UNIT Q'TY" column indicates "2M" and the "REMARK" column indicates "L=1700", the actual length is 1,700 mm and the part is sold in the unit of 2 meters.

[Example 2] When the "UNIT Q'TY" column indicates "2M" and the "REMARK" column indicates "L=1400xQ'TY 2", the actual length of 1,400 mm is used in 2 positions and the part is sold in the unit of 2 meters. If the part is required in 2 positions, order "3 meters".

(3) When "A/R" is indicated, order the required quantity. This is normally used for shims or liners.

⑦ SERIAL(A) • SERIAL(B) (applicable chassis Nos.)

SERIAL(A) : Indicates the application start chassis No.

SERIAL(B) : Indicates the application end chassis No.

However, the torque converter, the transmission and the cab are different from the chassis No. (The serial number shown is for the component – not the machine or chassis.)

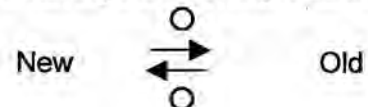
⑧ REMARKS: [N] (not for sale)

Parts not for sale are indicated as "N".

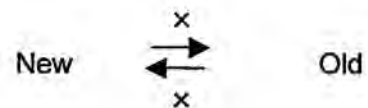
⑨ REMARKS: [P] (parts compatibility)

The parts compatibility is indicated in symbols, A, B and C having the following meanings:

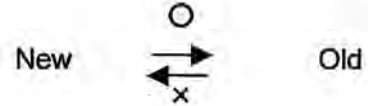
[A] A new part and an old part are completely interchangeable with each other.



[B] A new part and an old part are not interchangeable with each other.



[C] A new part is an alternative of an old part.
In this case, an old part is not interchangeable with a new part.



⑩ REMARKS: [D]

[D] Indicates that the part is deleted.

[H] Indicates that production or supply of the part is stopped.
An alternative is shown just below.

⑪ REMARKS: [(A)], [(B)], [(C)], [(D)]

Symbols indicated in this column have the following meanings.

(1) Assembly parts

(a) 01 - : Indicates parts which make up the assembly parts.

(b) Y01 - : Indicates assembly parts which is made up of the parts 01,02-09.

[Example 1] (Refer to the list in the previous page.)

The part 1A 34256-20050 front chassis has Y01 in the Remarks column, it means that the Front chassis includes the parts with 01[41A and 42A] in the Remarks column.

(2) Kit parts

(a) K1 - : Indicates parts which make up the kit.

(b) QK1 - : Indicates a kit which is made up of parts K1 -, K2 -.

(3) Parts which has a interchangeability when replace with the other related parts.

(a) A1 - : Indicates parts which need to make a interchangeability.

(b) WA1~ : Indicates parts which have a interchangeability when replace with A1 parts.

[Example 2] (Refer to the list in the previous page.)

The part 3B 44344-70020 [WA1] can replace the old part 3A 44340-70210 only if the plate 4B 41605-41290 [A1] is also replaced together.

⑫ REMARKS

The other major remarks are shown below:

- (1) REF 618 : Indicates the section No. 618.
- (2) FR LH : Indicates the left side toward the machine forward direction.
- (3) FR RH : Indicates the right side toward the machine forward direction.
- (4) D80×185L : Indicates "diameter = 80 mm, length = 185 mm".
- (5) (01) ~ : Indicates a component of a repair kit Y01~ of the section No. 391.
- (6) (K1) ~ : Indicates a component of a repair kit QK1~ of the section No. 391.
- (7) (K) : Indicates a component of the section No. 391.
- (8) Old parts No. • reference parts No., etc.

(Note)

1. Parts without an item or symbol number in illustrations cannot be supplied in the form of single parts.
2. Parts shown in this catalog may be deleted, changed or specified as "not for sale" without prior notice.

WARNING :

1. The purpose in issuing this parts catalog is to use for clarifying the parts and for placing the parts order to your Kawasaki loader dealer.
2. You also can use this parts catalog to exchange parts information between you and your Kawasaki loader dealer for clarifying the parts.
3. You must not perform any repair, disassembly and reassembly work on the machine. Contact your Kawasaki loader dealer and ask him to do the above work.

Chassis No. and Manufacturer's Serial No.

1. The chassis No. and the manufacturer's serial No. are marked in the following positions:

2. The chassis No. and the manufacturer's serial No. marked on the machine are indicated in this parts catalog as follows:

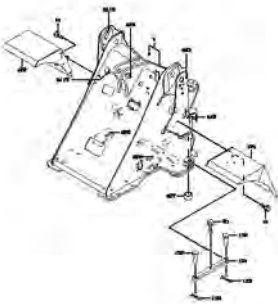
Serial No. shown in parts catalog	Chassis No.	Manufacturer's serial No.
5001	50C3-5001	50C3-5001
5999	50C3-5999	50C3-5999

It is recommended to write the model name, the chassis No., the manufacturer's serial No. and the date of delivery of your machine in the table below to speed parts orders in the future.

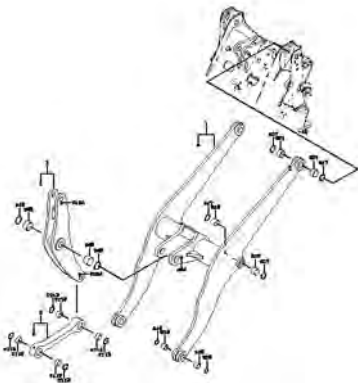
Model name	
Chassis No.	
Manufacturer's serial No.	
Date of delivery	

CONTENTS II

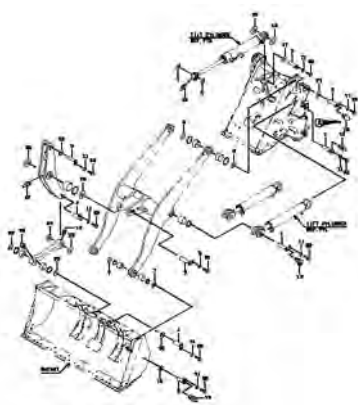
FRONT CHASSIS GROUP
.....p.1



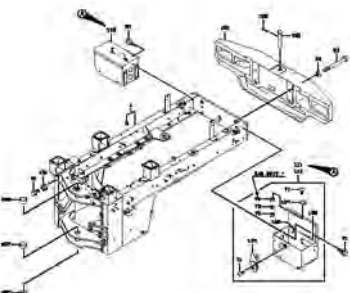
LIFT ARM GROUP
.....p.3



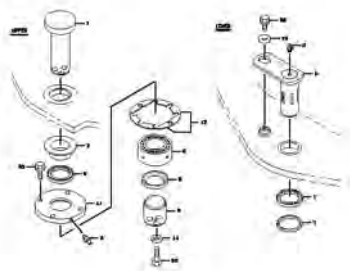
PIN MOUNT
.....p.5



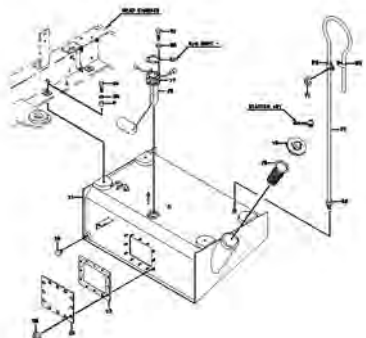
REAR CHASSIS GROUP
.....p.7



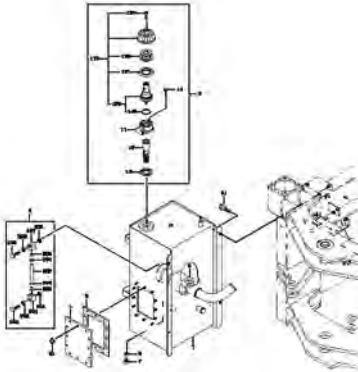
CENTER PIN GROUP
.....p.9



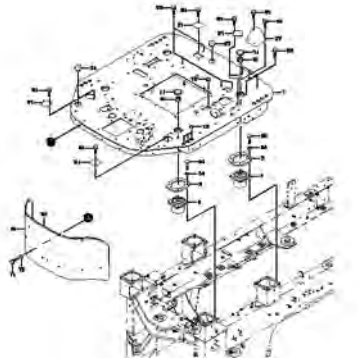
FUEL TANK GROUP
.....p.11



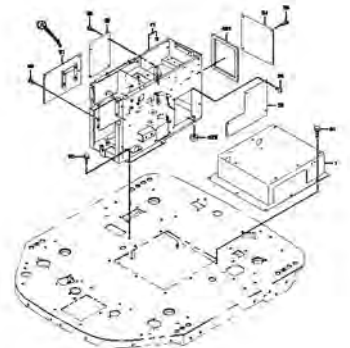
OIL TANK GROUP
.....p.13



FLOOR BOARD GROUP
.....p.15

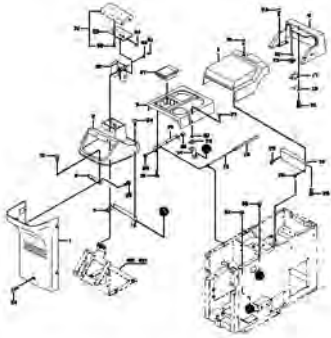


SEAT STAND & CONTROL BOX MOUNT
.....p.17



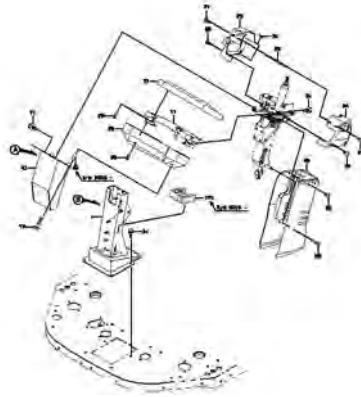
**CONTROL BOX COVER
MOUNT**

.....p.19



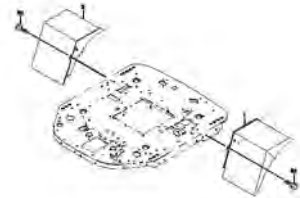
**OPERATION STAND
GROUP**

.....p.21



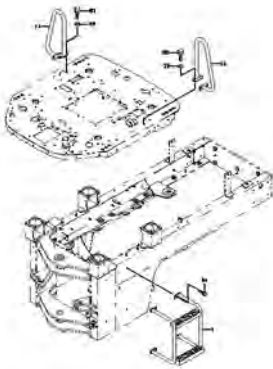
DECK & FENDER GROUP

.....p.23



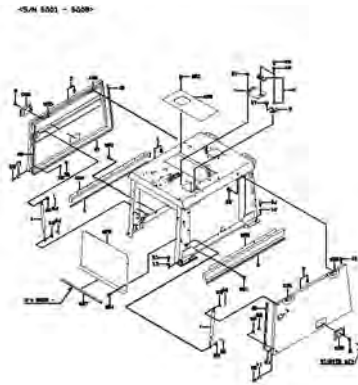
**STEP & HANDRAIL
GROUP**

.....p.25



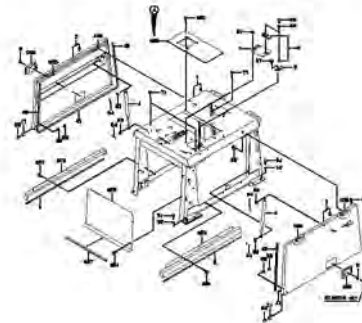
ENGINE ROOM MOUNT

.....p.27



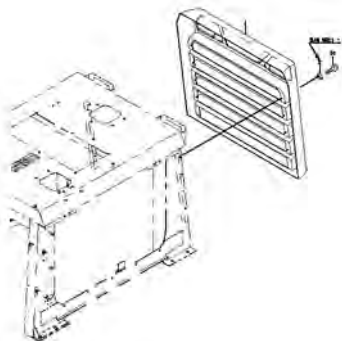
ENGINE ROOM MOUNT

.....p.28



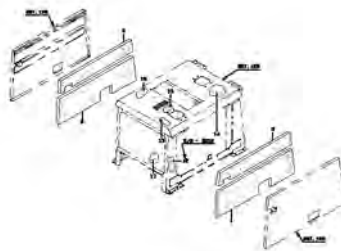
REAR GRILLE GROUP

.....p.31



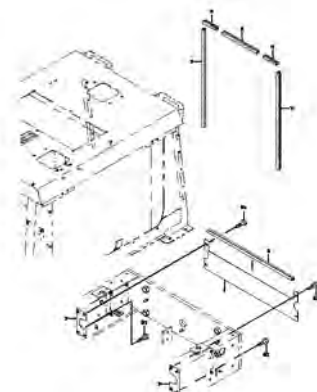
SPONGE MOUNT

.....p.33



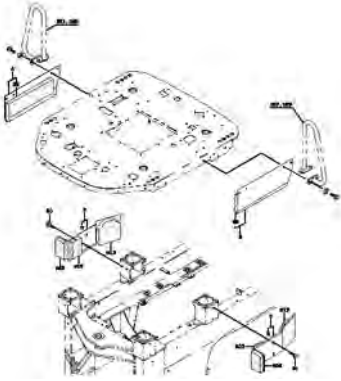
WIND SHIELD GROUP

.....p.35



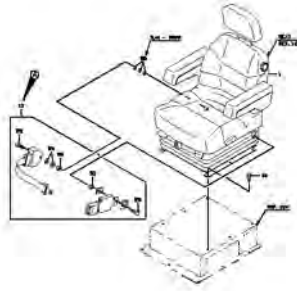
COVER MOUNT

.....p.37



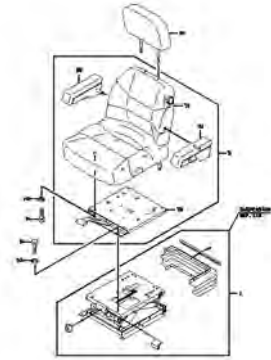
SEAT GROUP

.....p.39



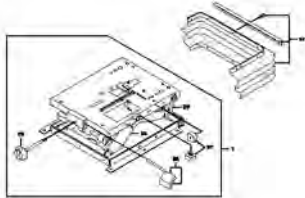
SEAT

.....p.41



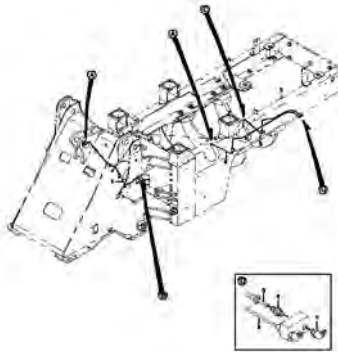
SUSPENSION

.....p.43



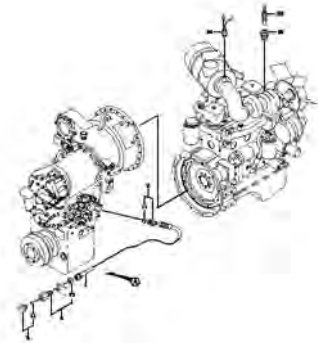
GREASE PIPING

.....p.45



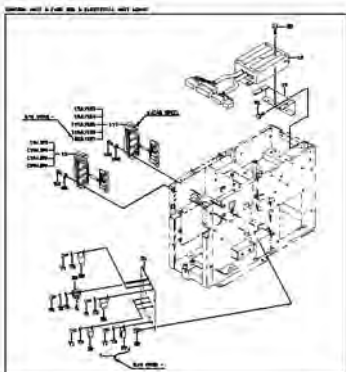
GAUGE GROUP

.....p.47



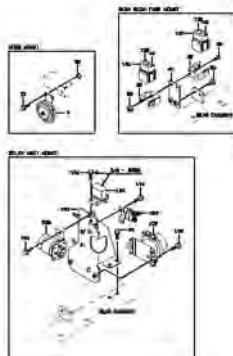
ELECTRICAL PARTS MOUNT

.....p.49



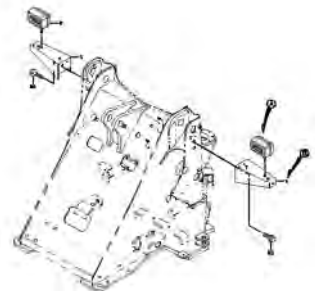
ELECTRICAL PARTS MOUNT

.....p.50

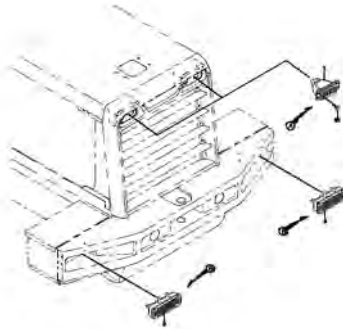


FRONT LAMP MOUNT

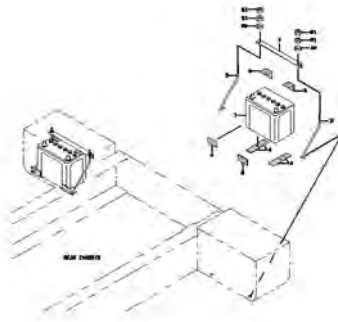
.....p.53



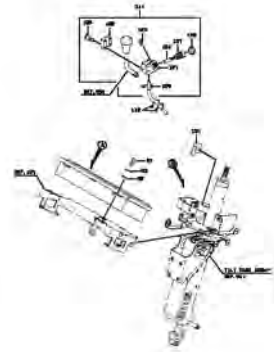
REAR LAMP MOUNT
.....p.55



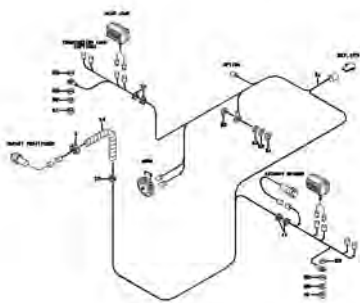
BATTERY & GREASE GUN MOUNT
.....p.57



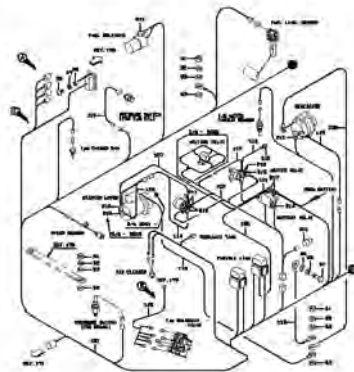
INSTRUMENT PANEL & SWITCH MOUNT
.....p.59



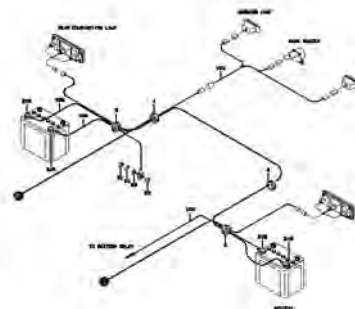
ELECTRICAL WIRING - FRONT CHASSIS
.....p.61



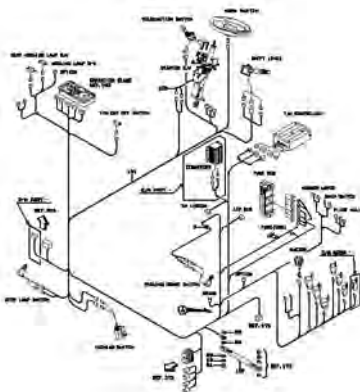
ELECTRICAL WIRING - REAR CHASSIS
.....p.63



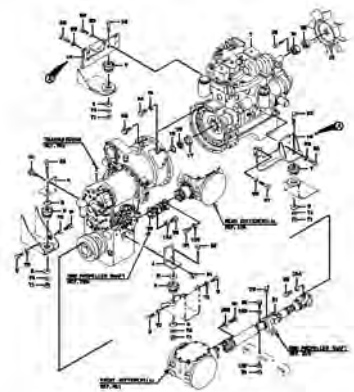
ELECTRICAL WIRING - REAR CHASSIS
.....p.64



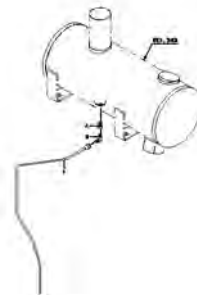
ELECTRICAL WIRING - FLOOR BOARD
.....p.67



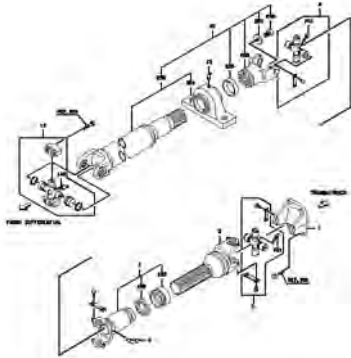
POWER GROUP
.....p.69



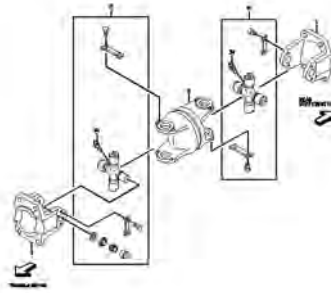
DRAIN LINE
.....p.71



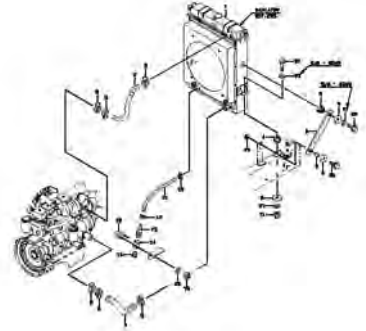
2ND PROPELLER SHAFT
.....p.73



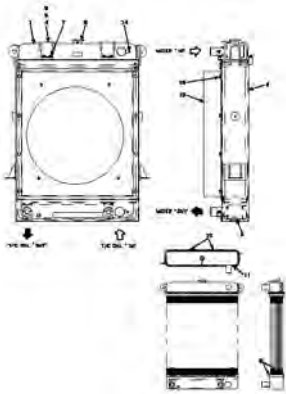
3RD PROPELLER SHAFT
.....p.75



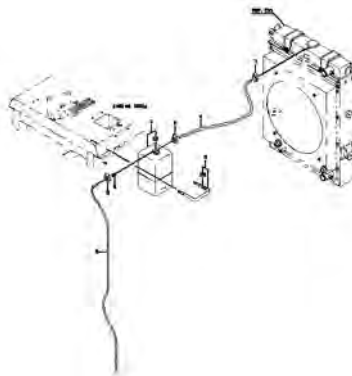
RADIATOR MOUNT
.....p.77



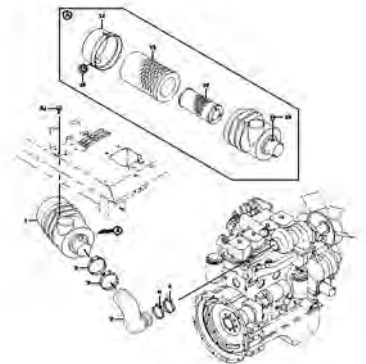
RADIATOR
.....p.79



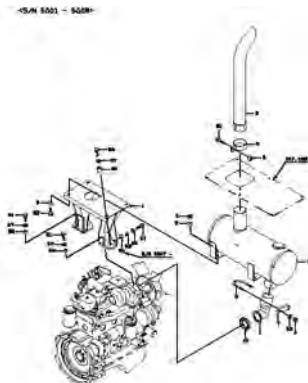
WATER LINE
.....p.81



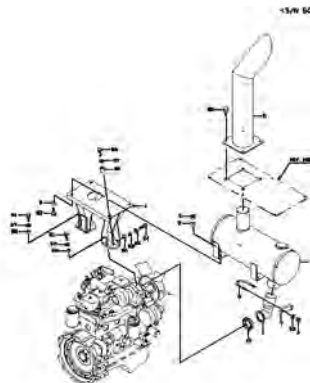
AIR CLEANER GROUP
.....p.83



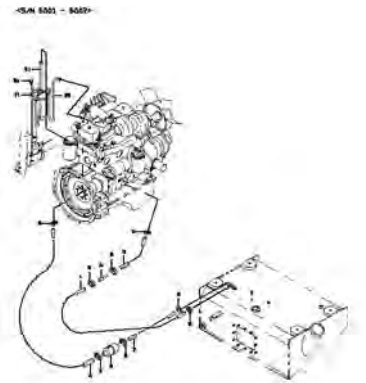
EXHAUST GROUP
.....p.85



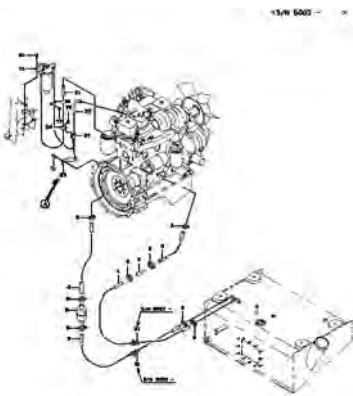
EXHAUST GROUP
.....p.86



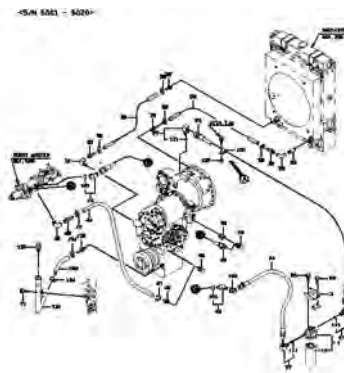
FUEL LINE
.....p.89



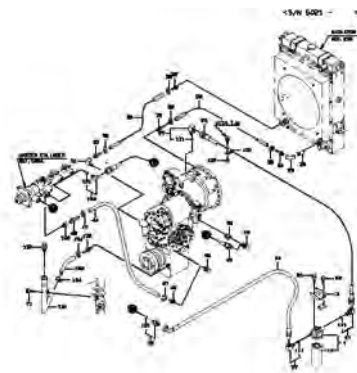
FUEL LINE
.....p.90



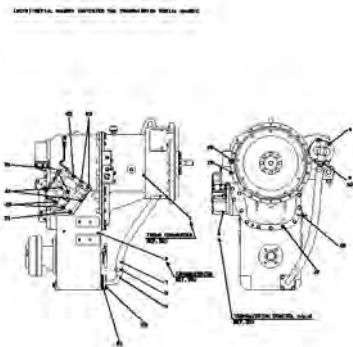
**TRANSMISSION
HYDRAULIC LINE**
.....p.93



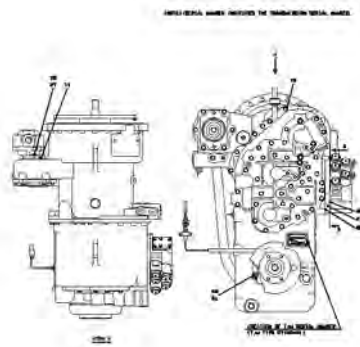
**TRANSMISSION
HYDRAULIC LINE**
.....p.94



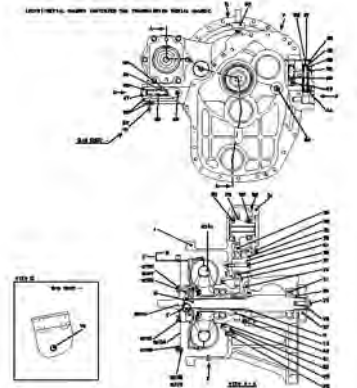
**TORQUE CONVERTER &
TRANSMISSION**
.....p.97



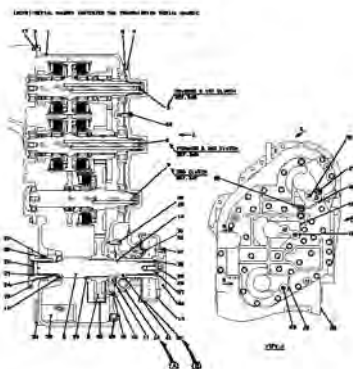
**TORQUE CONVERTER &
TRANSMISSION**
.....p.98



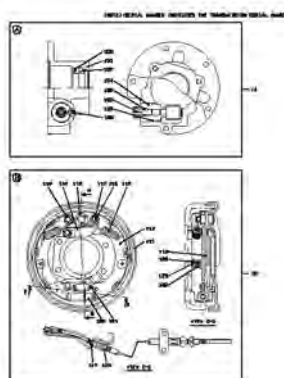
TORQUE CONVERTER
.....p.101



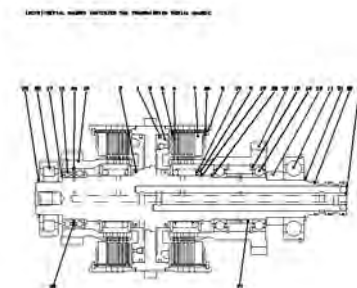
TRANSMISSION
.....p.105



TRANSMISSION
.....p.106

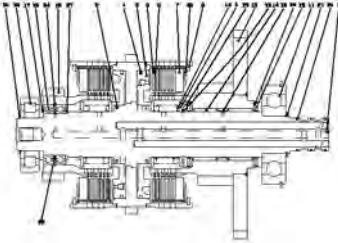


REVERSE & 1ST CLUTCH
.....p.109



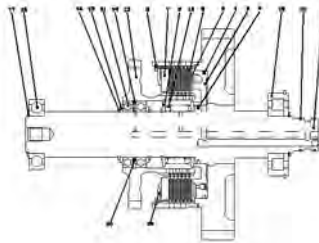
FORWARD & 2ND CLUTCH
.....p.111

SAFETY/HEALTH SYMBOLS APPEARING ON THIS PAGE:



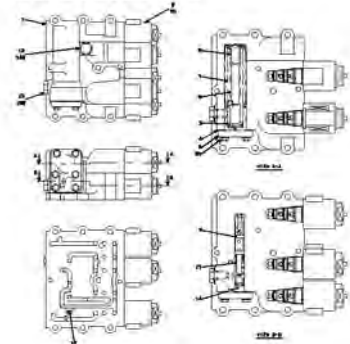
3RD CLUTCH
.....p.113

SAFETY/HEALTH SYMBOLS APPEARING ON THIS PAGE:



TRANSMISSION CONTROL VALVE
.....p.115

SAFETY/HEALTH SYMBOLS APPEARING ON THIS PAGE:

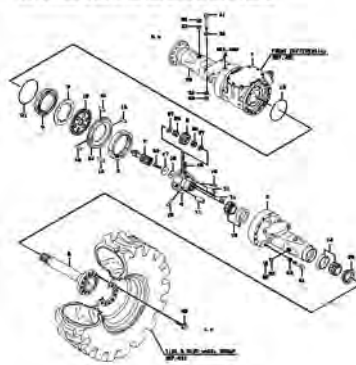


REPAIR KIT
.....p.117

LIST ONLY

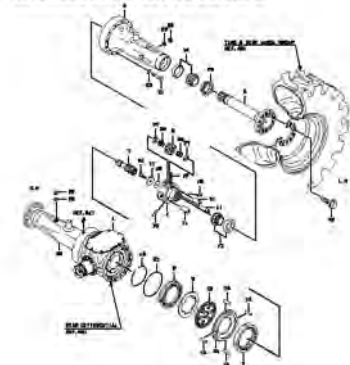
FRONT AXLE GROUP
.....p.119

SAFETY/HEALTH SYMBOLS APPEARING ON THIS PAGE ARE NOT INDICATED IN THIS VIEW.

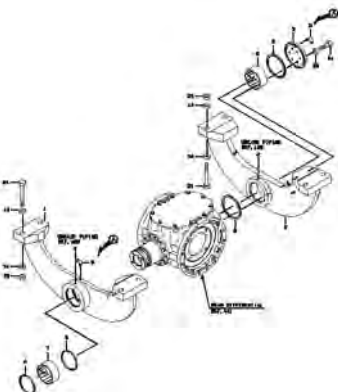


REAR AXLE GROUP
.....p.121

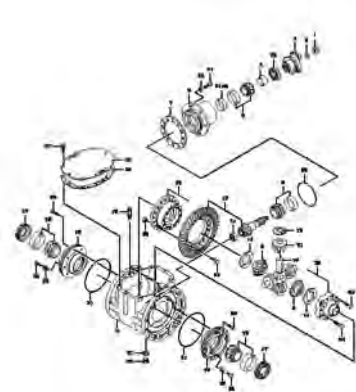
SAFETY/HEALTH SYMBOLS APPEARING ON THIS PAGE ARE NOT INDICATED IN THIS VIEW.



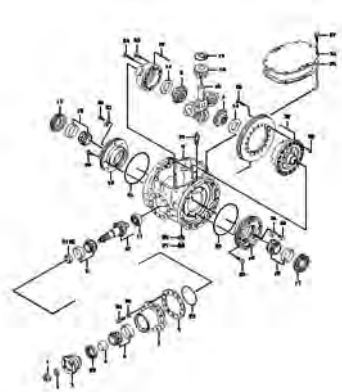
AXLE SUPPORT GROUP
.....p.123



FRONT DIFFERENTIAL
.....p.125



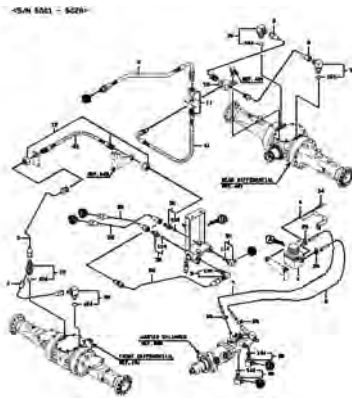
REAR DIFFERENTIAL
.....p.127



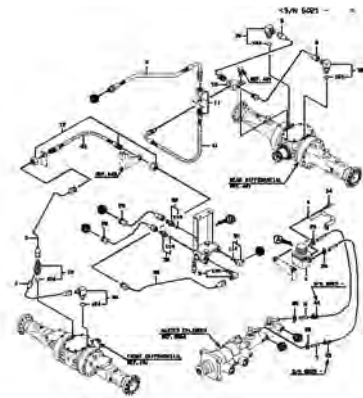
TIRE & DISC WHEEL GROUP
.....p.129



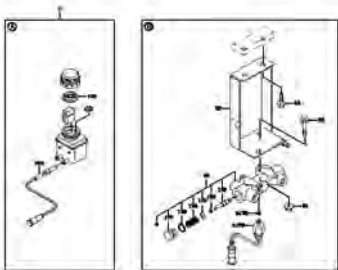
BRAKE LINE
.....p.131



BRAKE LINE
.....p.132



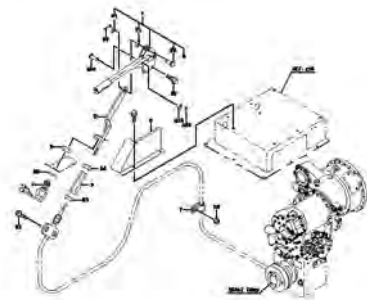
BRAKE LINE
.....p.133



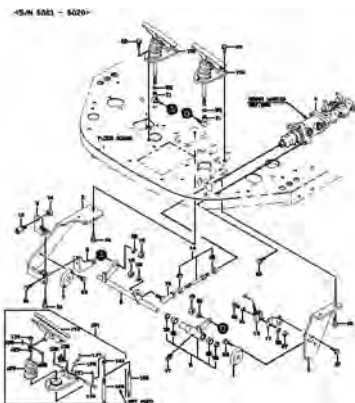
AIR BREATHER MOUNT
.....p.135



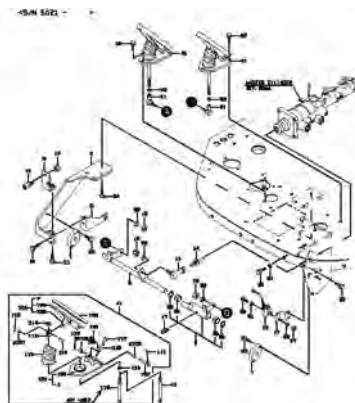
PARKING BRAKE GROUP - REAR
.....p.137



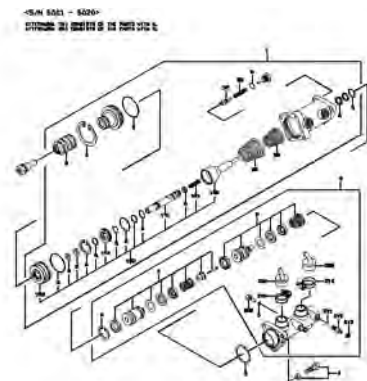
MASTER CYLINDER GROUP
.....p.139



MASTER CYLINDER GROUP
.....p.141

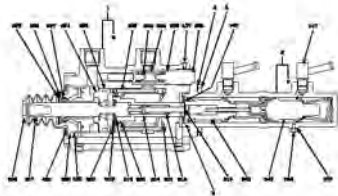


MASTER CYLINDER
.....p.143

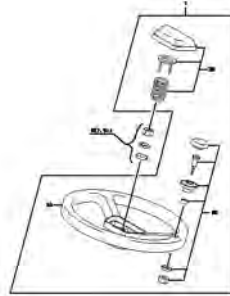


MASTER CYLINDER
.....p.145

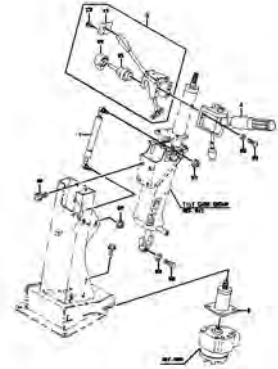
-S/N 8221 -



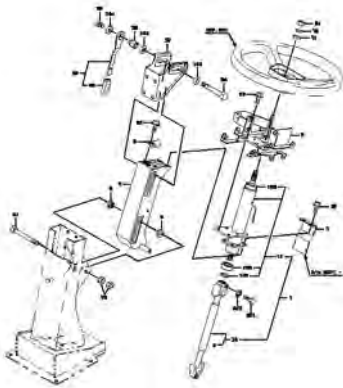
STEERING WHEEL MOUNT
.....p.147



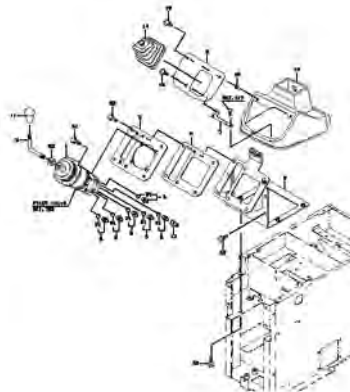
SHIFT LEVER GROUP
.....p.149



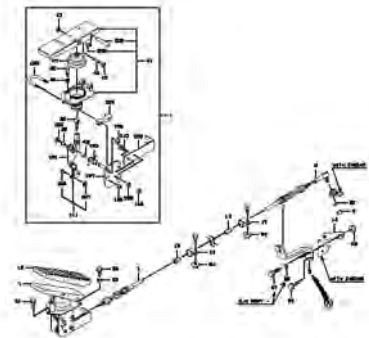
TILT CASE GROUP
.....p.151



VALVE CONTROL GROUP
.....p.153

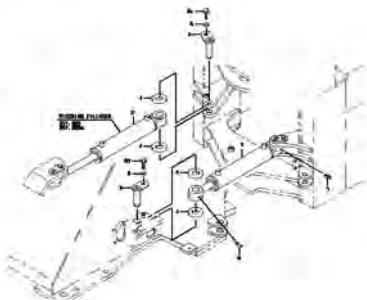


FUEL CONTROL GROUP
.....p.155



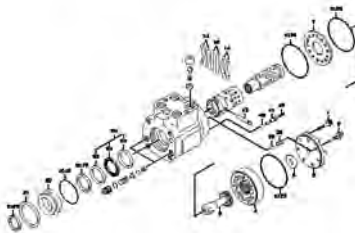
STEERING CYLINDER GROUP
.....p.157

-S/N 8261 -



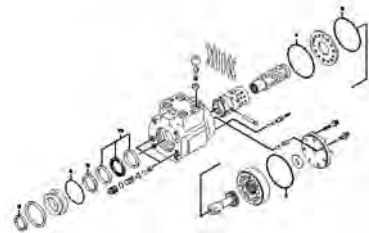
ORBITROL
.....p.159

-S/N 8261 - 9022

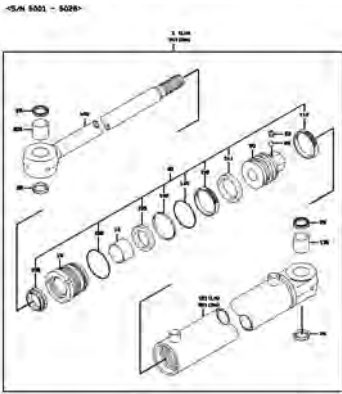


ORBITROL
.....p.161

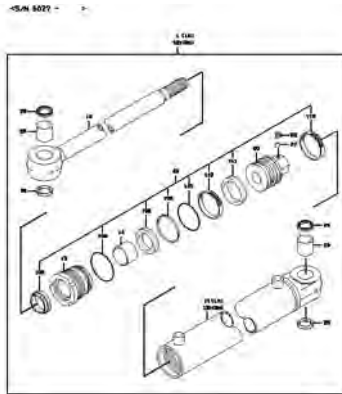
-S/N 8263 -



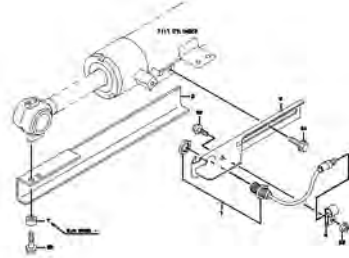
STEERING CYLINDER
.....p.163



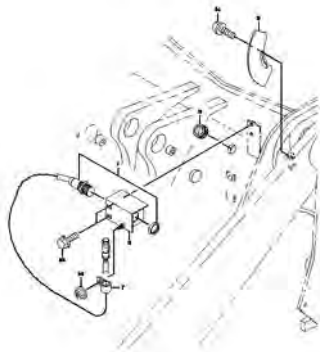
STEERING CYLINDER
.....p.165



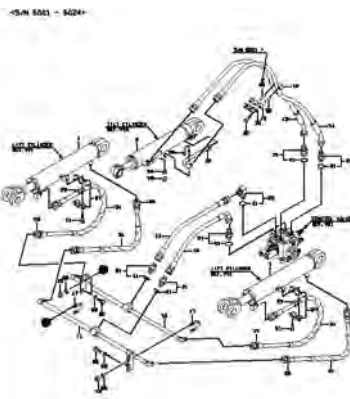
BUCKET POSITIONER GROUP
.....p.167



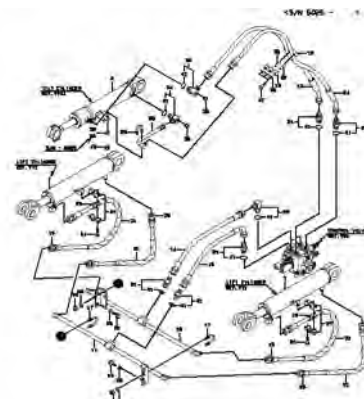
KICKOUT GROUP
.....p.169



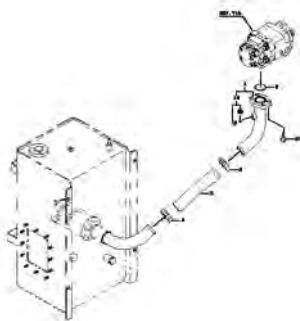
LOADING HYDRAULIC LINE - FRONT CHASSIS
.....p.171



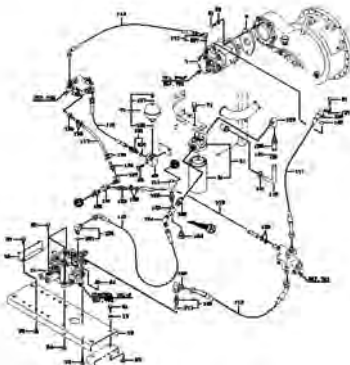
LOADING HYDRAULIC LINE - FRONT CHASSIS
.....p.172



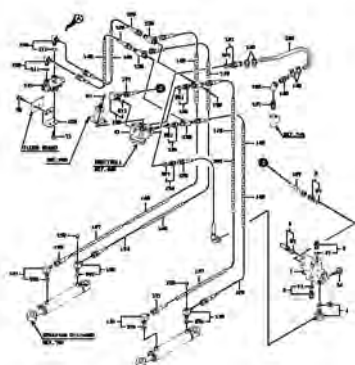
LOADING HYDRAULIC LINE - REAR CHASSIS (FOR SUCTION)
.....p.175



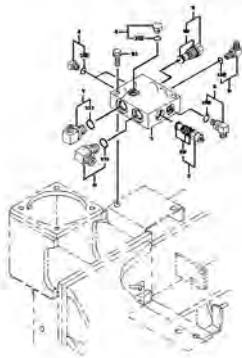
LOADING HYDRAULIC LINE - REAR CHASSIS (FOR PUMP)
.....p.177



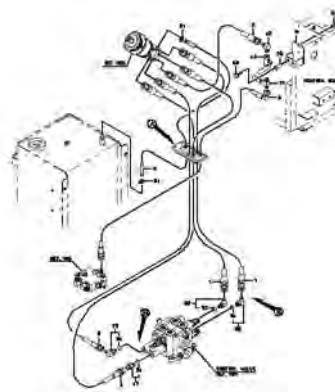
LOADING HYDRAULIC LINE - STEERING CYLINDER
.....p.179



PILOT HYDRAULIC LINE -
REAR CHASSIS
.....p.181

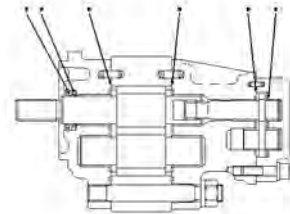


PILOT HYDRAULIC LINE -
CONTROL BOX
.....p.183

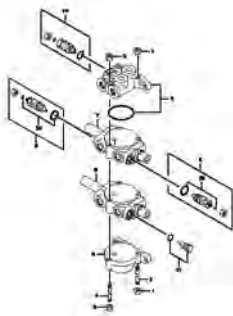


OIL PUMP
.....p.185

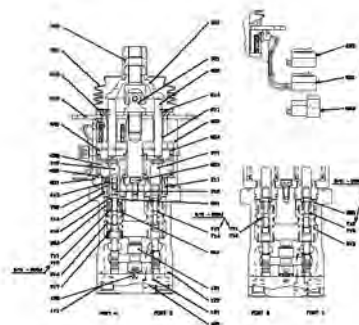
SAFETY: OIL PUMP EQUIPMENT OF AN EXHAUSTIVE &
HYDRAULIC SYSTEM, EQUIPMENT OF THE TRACTOR WITH A



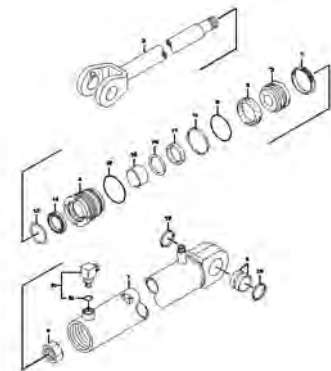
CONTROL VALVE
.....p.187



PILOT VALVE
.....p.189

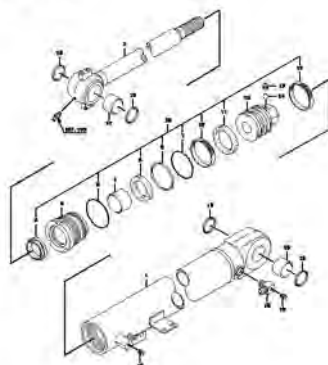


LIFT CYLINDER
.....p.191



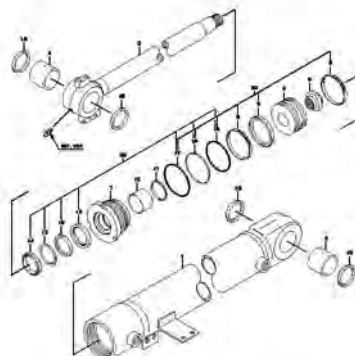
TILT CYLINDER
.....p.193

-5/A 6021 - 6024-

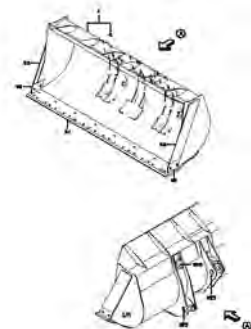


TILT CYLINDER
.....p.195

-5/A 6025 -

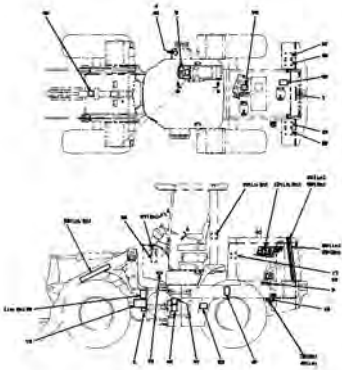


BUCKET (FOR GENERAL
PURPOSE)
.....p.197



MARKING GROUP

.....p.199



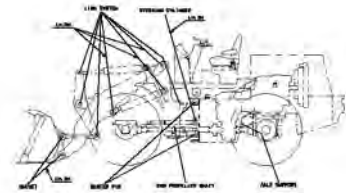
MARKING GROUP

.....p.200

GROUP	ITEM	DESCRIPTION
100	100	MARKING LABEL KIT
	101	1.5L FUEL OIL PRESSURE LABEL
	102	1.5L FUEL OIL OIL LABEL
	103	ENGINE FUEL LABEL
	104	WARRANTY LABEL
	105	FUEL LABEL (FRONT)
	106	FUEL LABEL (SIDE)
	107	1.5L FUEL OIL PRESSURE LABEL (NEW)
	108	1.5L OIL LABEL
	109	1.5L OIL LABEL
101	101	MARKING LABEL KIT (NEW)
	102	MARKING LABEL KIT (NEW)
	103	MARKING LABEL KIT (NEW)
	104	MARKING LABEL KIT (NEW)
	105	MARKING LABEL KIT (NEW)
102	102	MARKING LABEL KIT (NEW)
	103	MARKING LABEL KIT (NEW)
	104	MARKING LABEL KIT (NEW)
	105	MARKING LABEL KIT (NEW)
	106	MARKING LABEL KIT (NEW)

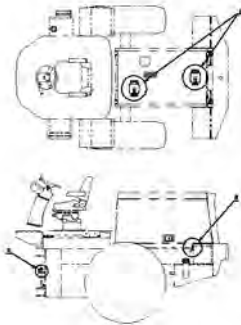
CAP MOUNT

.....p.203



LOCK GROUP

.....p.205



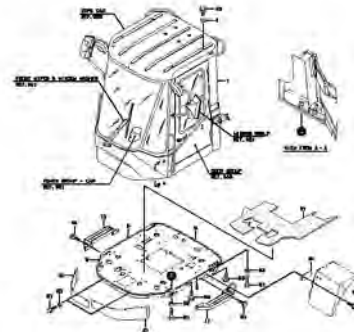
REPAIR & MAINTENANCE PARTS

.....p.207

GROUP	ITEM	DESCRIPTION	QUANTITY	REMARKS
10	10	RELAY	1	
	11	RELAY	1	
11	11	RELAY	1	
	12	RELAY	1	
12	12	RELAY	1	
	13	RELAY	1	
13	13	RELAY	1	
	14	RELAY	1	
14	14	RELAY	1	
	15	RELAY	1	

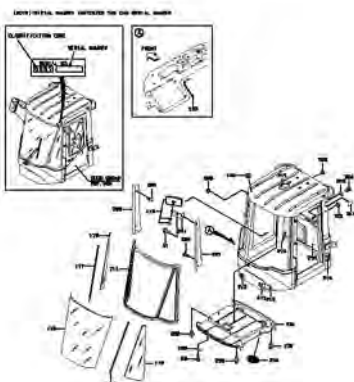
CAB MOUNT

.....p.209



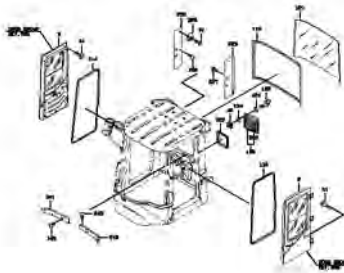
ROPS CAB

.....p.211



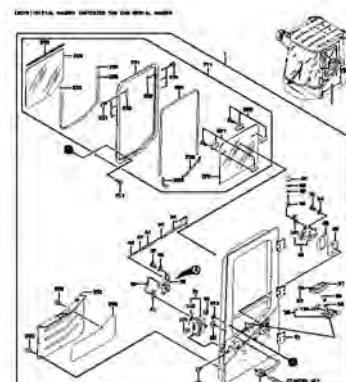
ROPS CAB

.....p.212

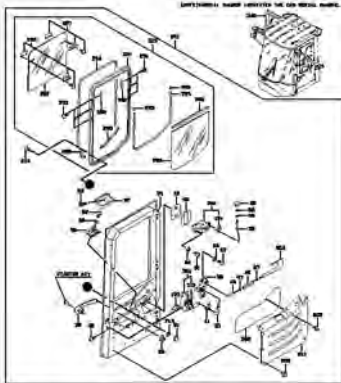


DOOR GROUP

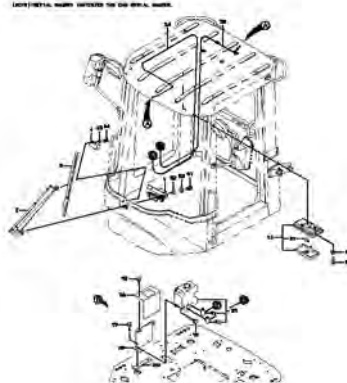
.....p.215



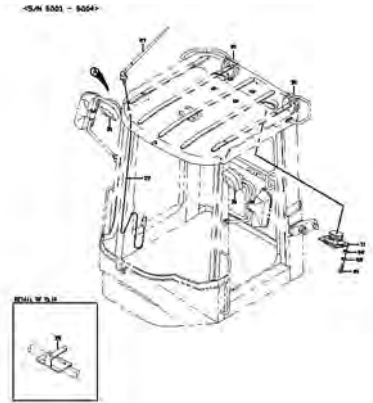
DOOR GROUP
.....p.216



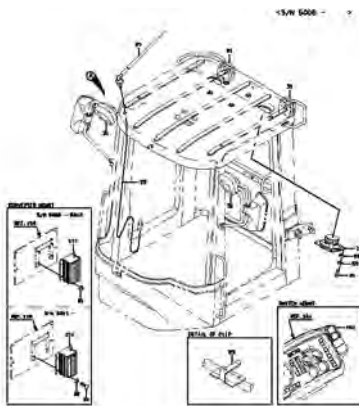
FRONT WIPER & WINDOW WASHER GROUP
.....p.219



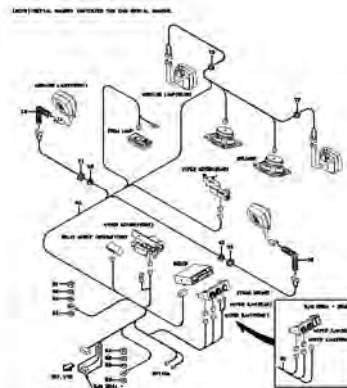
ELECTRICAL PARTS GROUP
.....p.221



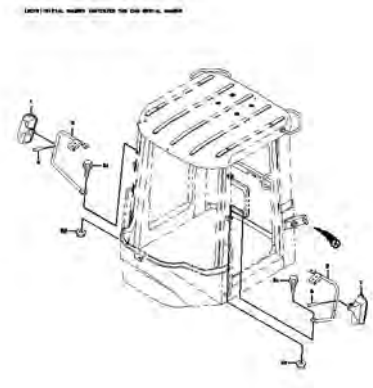
ELECTRICAL PARTS GROUP
.....p.222



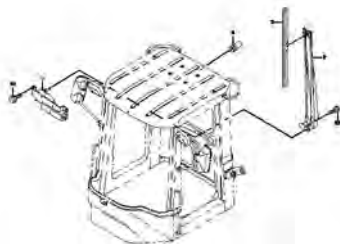
ELECTRICAL WIRING - CAB
.....p.225



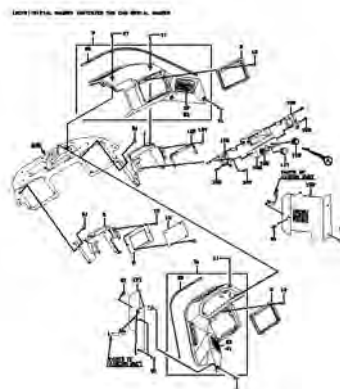
MIRROR GROUP & STOPPER MOUNT
.....p.227



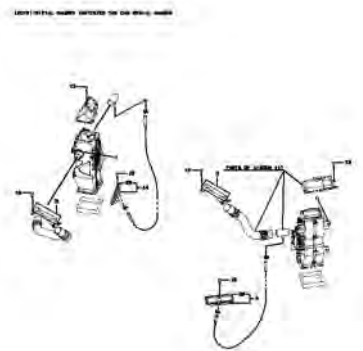
REAR WIPER & WINDOW WASHER GROUP
.....p.229



COVER GROUP - CAB
.....p.231

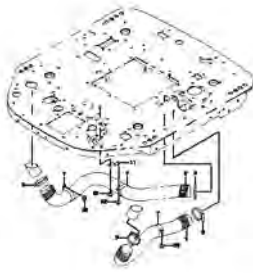


AIR DUCT GROUP
.....p.233



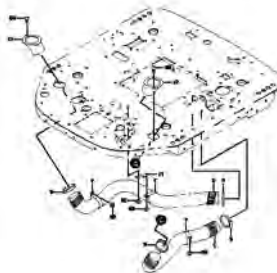
**AIR DUCT GROUP -
FLOOR BOARD**
.....p.235

~S/N 5001 - 5009~



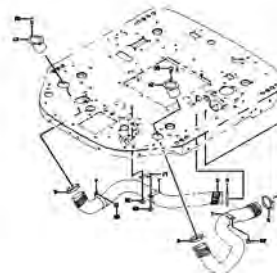
**AIR DUCT GROUP -
FLOOR BOARD**
.....p.236

~S/N 5008 - 5009~



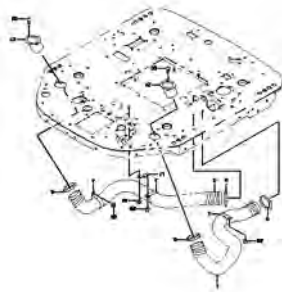
**AIR DUCT GROUP -
FLOOR BOARD**
.....p.237

~S/N 5021 - 5029~

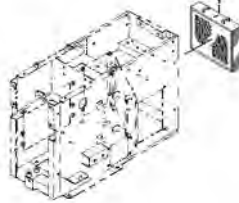


**AIR DUCT GROUP -
FLOOR BOARD**
.....p.238

~S/N 5021 - 5029~

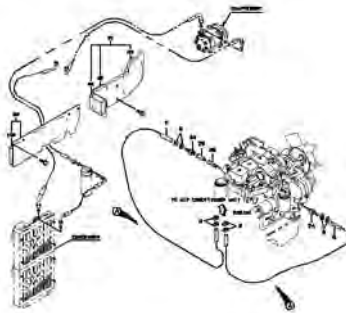


**AIR CONDITIONER
MOUNT**
.....p.241



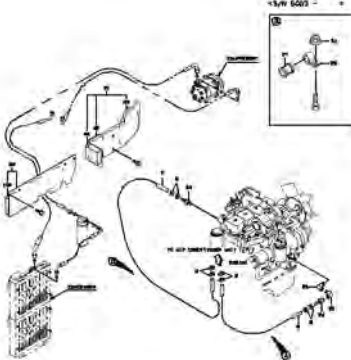
**AIR CONDITIONER LINE -
FLOOR BOARD**
.....p.243

~S/N 5021 - 5029~

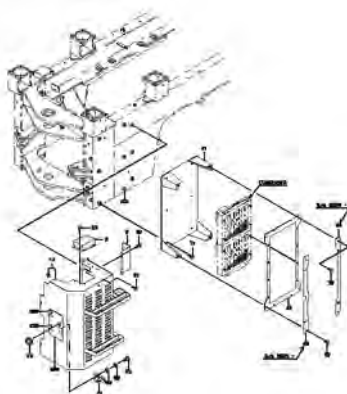


**AIR CONDITIONER LINE -
FLOOR BOARD**
.....p.244

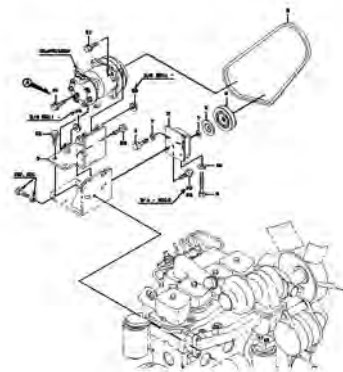
~S/N 5003 - 5009~



**CONDENSER & COVER
MOUNT**
.....p.247

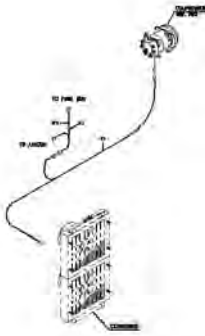


COMPRESSOR MOUNT
.....p.249



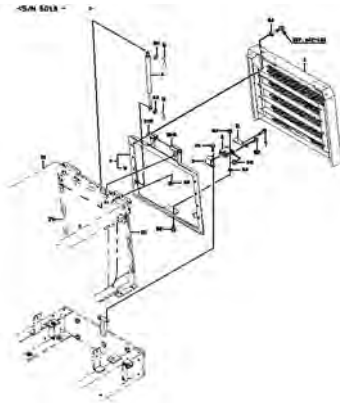
ELECTRICAL PARTS GROUP (FOR AIR CONDITIONER)

.....p.251



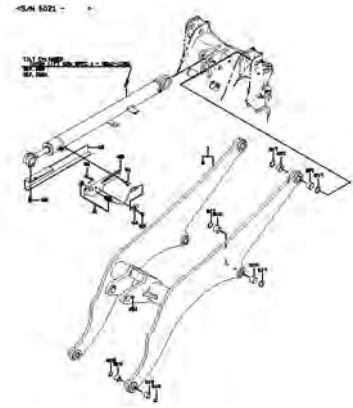
REAR GRILLA GROUP (OPENING AND CLOSED TYPE +STEEL

.....p.253



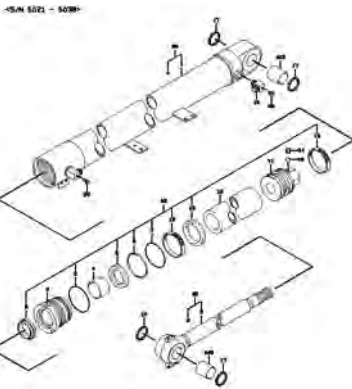
LIFT ARM (HIGH LIFT ARM SPEC.) - SEMI - LONG

.....p.255



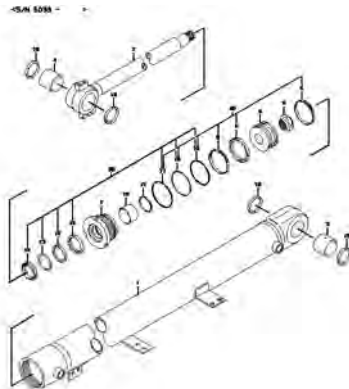
TILT CYLINDER (HIGH LIFT ARM SPEC.) - SEMI - LONG

.....p.257



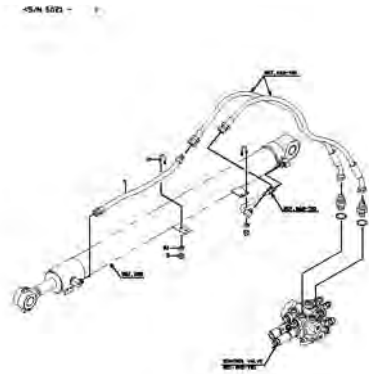
TILT CYLINDER (HIGH LIFT ARM SPEC.) - SEMI - LONG

.....p.259



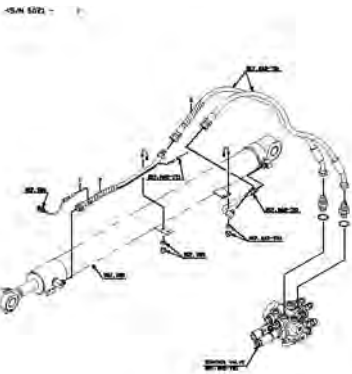
HYDRAULIC LINE (HIGH LIFT ARM SPEC.) - SEMI-LONG

.....p.261



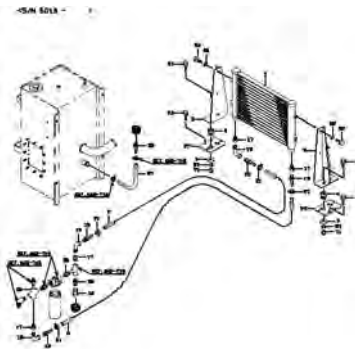
CABLE MOUNT(HIGH LIFT ARM SPEC.) - SEMI - LONG

.....p.263



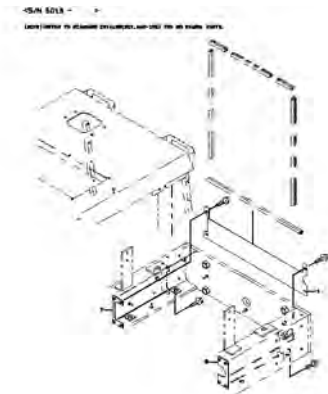
HYDRAULIC LINE - OIL COOLER(FOR PLATE FIN TYP

.....p.265

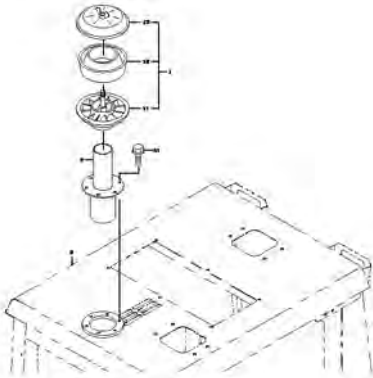


WIND SHIELD GROUP (FOR PLATE FIN TYPE)

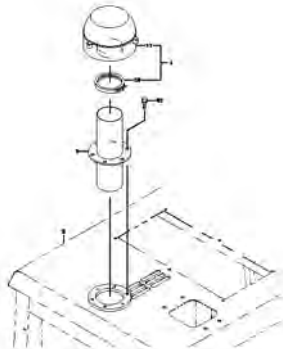
.....p.267



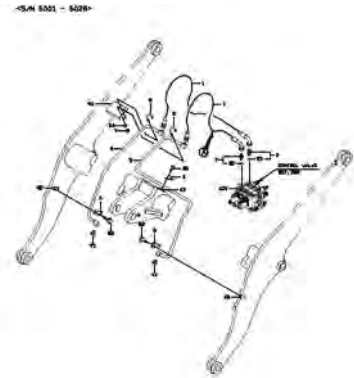
PRECLEANER MOUNT
.....p.269



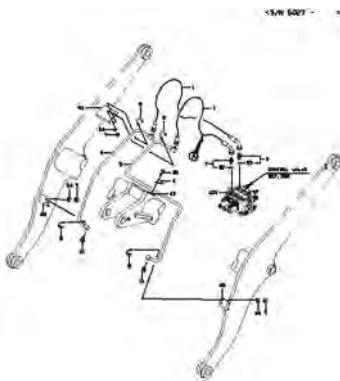
PRECLEANER MOUNT (MAINTENANCE-FREE)
.....p.271



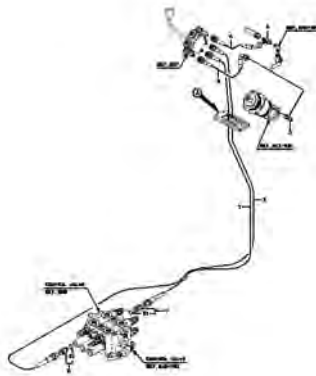
FRONT CHASSIS HYDRAULIC LINE (3WAY PIPING)
.....p.273



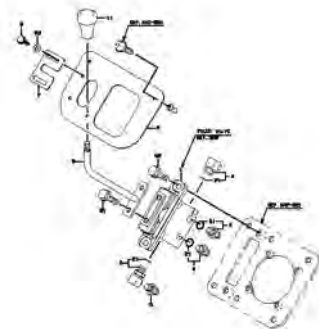
FRONT CHASSIS HYDRAULIC LINE (3WAY PIPING)
.....p.274



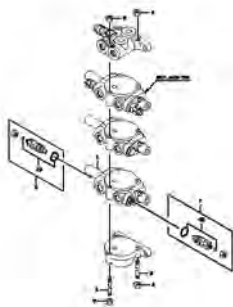
PILOT HYDRAULIC LINE (3-WAY PIPING)
.....p.277



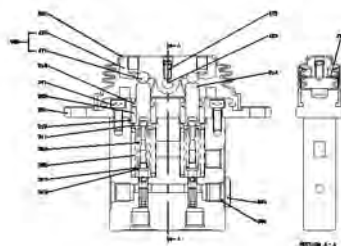
CONTROL GROUP
.....p.279



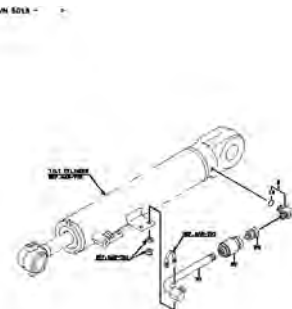
CONTROL VALVE
.....p.281



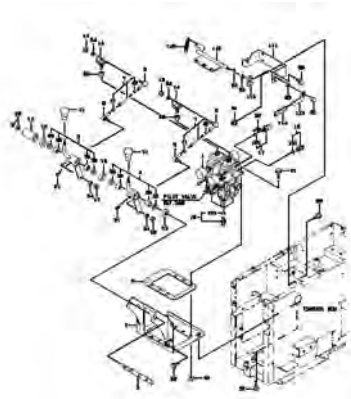
PILOT VALVE
.....p.283



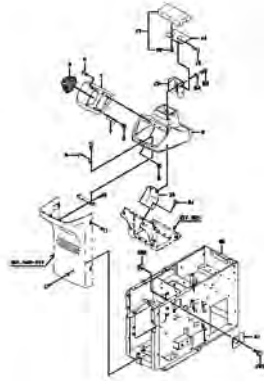
SLOW RETURN CHECK VALVE
.....p.285



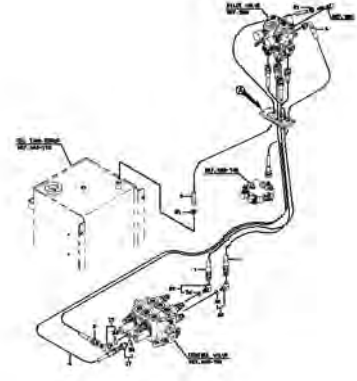
VALVE CONTROL GROUP
.....p.287



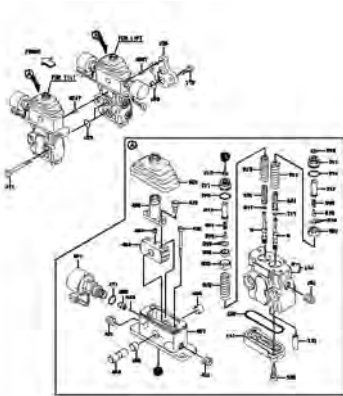
CONTROL BOX COVER
MOUNT
.....p.289



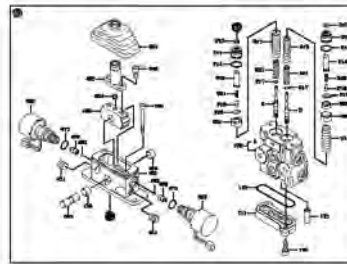
PILOT HYDRAULIC LINE
.....p.291



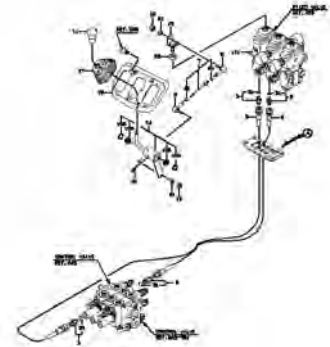
PILOT VALVE
.....p.293



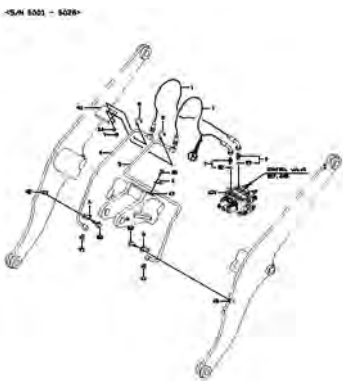
PILOT VALVE
.....p.294



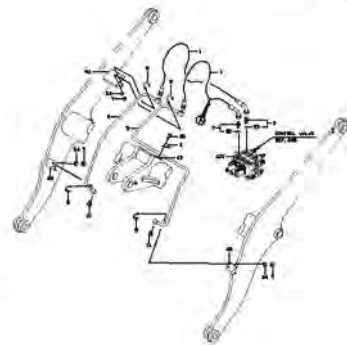
PILOT HYDRAULIC LINE
(3-WAY PIPING)
.....p.297



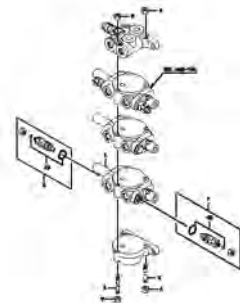
HYDRAULIC LINE (FOR
ATTACHMENT)
.....p.299



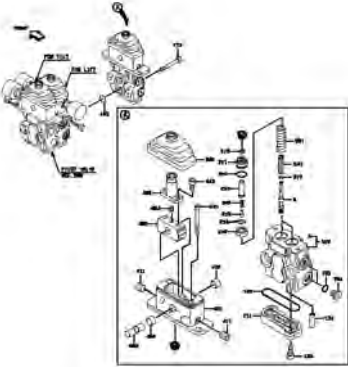
HYDRAULIC LINE (FOR
ATTACHMENT)
.....p.300



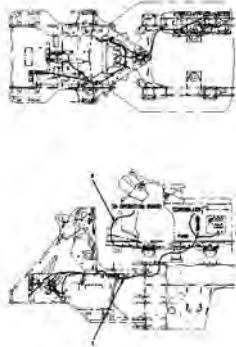
CONTROL VALVE
.....p.303



PILOT VALVE (3-WAY PIPING)
p.305



CABLE MOUNT (FOR USA RIDE CONTROL)
p.307



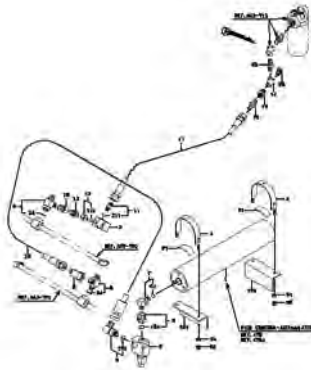
SWITCH MOUNT
p.309



ELECTRICAL PARTS MOUNT
p.311

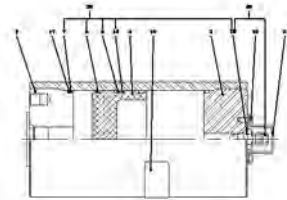


RIDE CONTROL - HYDRAULIC LINE
p.313



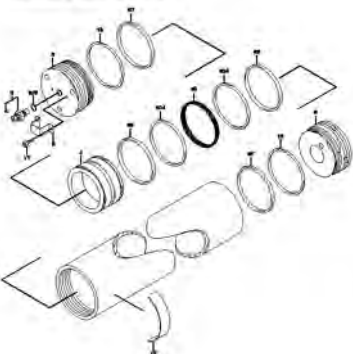
RIDE CONTROL - ACCUMULATOR
p.315

-ISA 8001 - 8002-

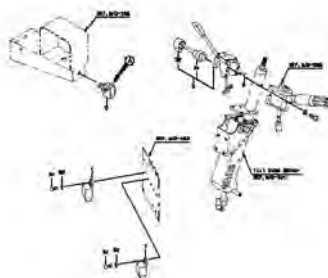


RIDE CONTROL - ACCUMULATOR
p.317

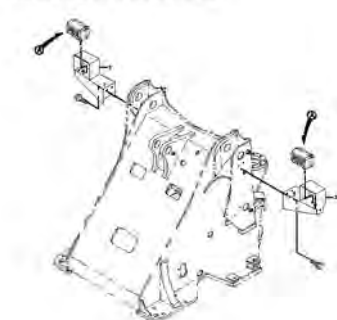
-ISA 8003 -



4 WAY FLASHER
p.319



-ISA 8013 -



FRONT LAMP MOUNT
p.321

PARTS NAME INDEX

PARTS NAME INDEX

	PART NAME	PAGE		PART NAME	PAGE	
A	ACCUMULATOR ASSY	178,314,316,318	C	CAM	284	
	ADAPTER	48,95,154,160,173,178 ...		CAM ASSY	284	
	ADAPTER,ELBOW	95,134,173,178,180,182 ...		CAMSHAFT	284,295,306	
	ADAPTER,ELBOW UNIO	95,178,314		CAP	60,65,66,80,84,99,107 ...	
	ADAPTER,TEE	134,180,314		CAP ASSY	14,82	
	ADAPTER,UNION	286,314		CAP,ELASTIC	152,204,288	
	ADJUSTOR,SEAT	42		CAP,TERMINAL	65,66	
	ANTENNA	223		CAR RADIO	223	
	ARM	140,142,156,288,298		CASE	60,190,196,260	
	ARM ASSY	140,142		CASE ASSY	14,295,306	
	ARM ASSY,LIFT	4,256		CATCH	8,20,29,213,217,254	
	ARM,WIPER	220,230		CATCH ASSY	254	
	ARMREST	20,42,290		CATCH,DOOR	29,217	
	ASHTRAY	20		CHANNEL	217	
	AXLE ASSY,FRONT	120		CHASSIS ASSY,FRONT	2	
	AXLE ASSY,REAR	122		CHASSIS ASSY,REAR	8	
	B	BALL		107,144,160,164,166,194 ...	CLAMP	80,87,272
		BAND		60,87,134,144,314	CLAMP,HOSE	60,62,65,68,173,226
BAND ASSY		82	CLAMP,MULTIPLE	173,275,301		
BAND,HOSE		62,78,82,84,91,95,99 ...	CLEANER ASSY,AIR	84		
BAND,HOSE-HIGH TOR		176,178	CLIP	156,196,220,223,226,260		
BATTERY		58	CLUTCH ASSY	107,110,112,114		
BEARING KIT		160,162	COLLAR	74		
BEARING,BALL		70,102,107,110,112,114 ...	COLUMN ASSY	152		
BEARING,NEEDLE		112,140,142,160,288,298	CONNECTOR	66,68,146,190		
BEARING,ROLLER		110,112,114,126,128	CONTROLLER UNIT	51		
BEARING,TAPER ROLL		10,120,122,126,128	CONVERTER	223		
BEARING,THRUST		112	COOLER ASSY,OIL	266		
BELT		44	CORE ASSY	80		
BELT,SEAT		40	COUPLING	217		
BELT,V		250	COVER	14,16,20,22,29,32,38,60 ...		
BLADE,WIPER		220,230	COVER ASSY	29,84,107,270		
BLOCK		14,99,116,134,178,182	COVER,CYLINDER	146		
BLOCK,PILLOW		74,140,142	COVER,PEDAL	140,142,156		
BOARD ASSY,FLOOR		16	COVER,ROD	192,258		
BOARD,FLOOR		16	CUP	217		
BODY		56,270	CUSHION ASSY,SEAT	42		
BOLT		8,10,12,16,40,42,65,70 ...	CYLINDER ASSY	144,146		
BOLT(UNIFY)		70	CYLINDER ASSY,OIL	158,164,166,173,192,194 ...		
BOLT,FLANGED		2,6,8,10,14,16,18,20,22 ...	D	DIAPHRAGM	134	
BOLT,JOINT		14		DIFFERENTIAL ASSY	120,122,126,128	
BOLT,SOCKET		14,99,102,107,146,190 ...		DIODE	66,68	
BOLT,U		78,87,156,173,262,275 ...		DIODE ASSY	65	
BOLT,W/WASHER		80,144		DISC	120,122,295,306	
BOOT		44,60,140,142,146,154 ...		DISC,FRICITION	110,112,114,120,122	
BOSS		2,4,22,248,256		DISC,SEPARATION	110,112,114	
BOX		22,290		DOOR ASSY	213,217	
BOX ASSY		18		DRIVE ASSY,METER	107	
BOX ASSY,BATTERY		8		DRUM,BRAKE	107	
BOX,FUSE		51		DUCT	239,270,272	
BRACKET		51,65,70,87,134,142,152 ...		DUCT ASSY	213,234	
BRACKET ASSY		142		E	EDGE	198
BRACKET,LAMP		54,322			EDGE,SIDE	198
BRAKE ASSY		107			ELEMENT,FILTER	14,84,95
BRAKE FLUID		208		ENGINE	70	
BREATHER		124		F	FAN	70
BREATHER ASSY		102			FENDER	2,24
BUCKET ASSY		198	FILLER ASSY,FUEL		12	
BULB		54,56,60,220,223,320	FILTER		12,14,107,154,242,288	
BUMPER		44	FILTER ASSY		91	
BUSHING		2,4,8,124,142,156,164 ...	FILTER ASSY,FUEL		91	
BUSHING,COLUMN		152	FILTER ASSY,LINE		95	
BUSHING,ELASTIC		62,65,68,70,78,95,152 ...	FILTER ASSY,RETURN		178	
BUZZER		51,56	FILTER,CARTRIDGE		178	
C	CAB ASSY,ROPS	210,213	FITTING,BUSHING		72,95,266,314	
	CABLE	65,68,223	FITTING,CROSS		178,266,314	
	CABLE ASSY	56,60,62,65,68,223,226 ...	FITTING,ELBOW		95,178,180,245,266	
	CABLE ASSY,CONTROL	108,156	FITTING,NIPPLE	95,178,180,194,258,266 ...		
	CAGE,NEEDLE	120,122	FITTING,SOCKET	78,266		

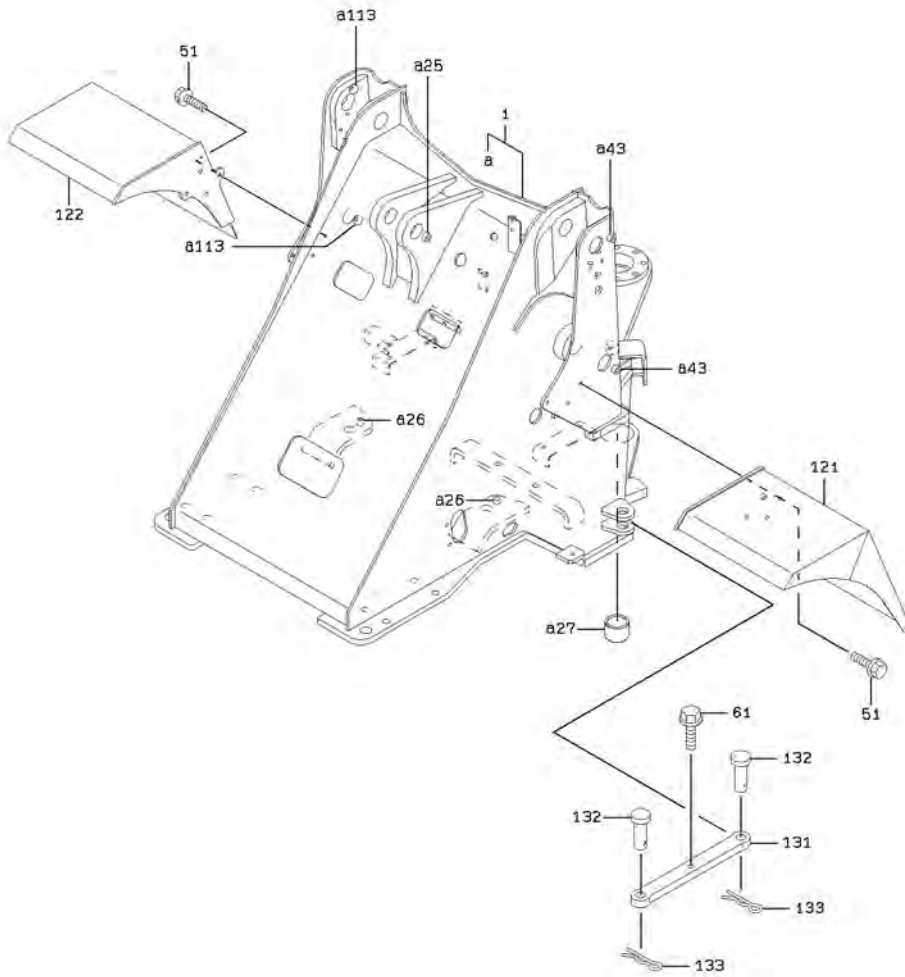
PARTS NAME INDEX

	PART NAME	PAGE		PART NAME	PAGE
F	FITTING,TEE	178,278,314	L	LINK,BUCKET	4
	FLANGE	102,107,126,128		LIQUID,LOCKING	208
	FLANGE,SPLIT	178		LOCK	206,217
	FLARED FITTING	46,134	M	MASTER CYLINDER AS	140,142,144,146
	FLARED FITTING,ELB	46,72,124,134		MAT,FLOOR	210
	FLASHER UNIT	320		METER,HOUR	60
	FRAME	80,254		METER,SPEED	60
FUSE	51	MIRROR		228	
G	GASKET	12,14,99,102,107,116 ...		MIRROR,ROOM	213
	GAUGE,FUEL LEVEL	60		MOTOR ASSY,WIPER	220,230
	GAUGE,LEVEL	14,95	MUFFLER	87	
	GAUGE,WATER TEMPER	60	N	NIPPLE	144
	GEAR	102,107,110,112,114		NIPPLE,GREASE	6,10,46,70,74,76,140 ...
	GEAR ASSY	112		NIPPLE,HOSE	78,91,95,154,178,180 ...
	GEAR SET,SPIRAL BE	126,128		NOZZLE	220,230
	GEAR,BEVEL	126,128		NOZZLE ASSY,DEFROS	234
	GEAR,DRIVE	107		NUT	8,29,48,54,58,62,65,68 ...
	GEAR,INTERNAL	120,122		NUT,CAP	217,288
	GEAR,PLANET	120,122		NUT,FLANGED	12,14,16,29,46,48,51,56 ...
	GEAR,SUN	120,122		NUT,PISTON	192
	GLASS RUNNER	217		NUT,SELF-LOCKING	20,40,78,87,140,142,156 ...
	GLASS,WINDOW	213,217	NUT,U	156	
	GRILLE	213,232,254	O	ORBITROL(TM) ASSY	160,180
GROMMET	22,68,184,213,217,278 ...	ORBITROLL ASSY		162,180	
GUIDE	102	ORIFICE		82,99,116	
H	HANDLE,DOOR	217	P	PACKING	14,56,80,124,146,192 ...
	HANDRAIL	26		PAINT	208
	HANGER	213		PANEL	217
	HEAD,CYLINDER	164,166,194		PANEL ASSY,INSTRUM	60
	HEADREST	42		PEDAL	142
	HINGE	8,29,217,248,254		PEDAL ASSY,ACCEL	156
	HOLDER	20,60,65,217,295		PEDAL ASSY,BRAKE	140,142
	HOLDER,HOSE	95,184,239,245,266,278 ...		PIN	6,107,108,116,140,142 ...
	HOLDER,PIPE	12,46,48,65,72,82,91,95 ...		PIN,CENTER	10
	HOLDER,SPRING	62,65		PIN,HEAD	2,8,138
	HORN	51		PIN,PLANET	120,122
	HORN ASSY	148		PIN,SNAP	2,8,140,142
	HOSE	91		PIN,SPLIT	29,138,254,288
	HOSE,AIR	84,239		PIN,SPRING	120,122,190,295
	HOSE,HEAT RESISTIN	78,82,91,95,99,134,176 ...		PIN,STRAIGHT	107,120,122
	HOSE,HIGH PRESSURE	48,95,134,173,178,180 ...		PIPE	154,173,288
	HOSE,WATER	78,245		PIPE ASSY	99
	HOUSING	102,107,126,128,188		PIPE ASSY,FLARED	46,72,134
	HOUSING ASSY	126,128,188		PIPE,EXHAUST	87
	HOUSING,AXLE	120,122		PIPE,OIL	95,99,173,176,262,275 ...
J	JOINT	190	PISTON	102,107,116,120,122,134 ...	
	JOINT ASSY,UNIVERS	152	PISTON ASSY	110,112,114,144,146,258	
	JOINT,BALL	140,142,156,288,298	PLATE	2,6,10,12,14,16,18,20 ...	
	JOINT,YOKE	156	PLATE ASSY	108,156	
K	KEY	29,60	PLATE,END	160	
	KNOB	44,148,150,154,217,280 ...	PLATE,NAME	316,318	
	KNOB ASSY,HANDLE	44	PLATE,SERIAL NUMBE	201	
L	LABEL	201,320	PLATE,SPECIFICATIO	213	
	LABEL KIT	201	PLUG	12,16,48,60,78,80,102 ...	
	LABEL,LUBRICATION	201	PLUG,ELASTIC	16,68	
	LABEL,WARNING	201	PLUG,MAGNET	14,107,126,128	
	LADDER	26	PLUNGER	144	
	LAMP	220	PRECLEANER	270,272	
	LAMP,COMBINATION	56	PROPELLER SHAFT AS	70,74	
	LAMP,HEAD	54,56,223	PROPELLER SHAFT AS	70,76	
	LAMP,TURN SIGNAL	320	PROTECTOR	316,318	
	LATCH ASSY	248	PULLEY	250	
	LENS	54,56,223,320	PUMP ASSY	99,220	
	LEVER	152,280,288,295,298,306	PUMP ASSY,OIL	178,186	
	LEVER ASSY	4,108	R	RACE	160
	LEVER ASSY,BRAKE	138		RADIATOR ASSY	78,80
	LEVER ASSY,SHIFT	150		RELAY	51,312
	LINER	6,158		RELAY ASSY	220
	LINK	217		RELAY,BATTERY	51

PARTS NAME INDEX

	PART NAME	PAGE		PART NAME	PAGE	
R	REPAIR KIT	118,144,164,194	S	SPACER	12,70,102,160,258	
	RETAINER	108		SPEAKER	223	
	RETAINER,BRAKE	120,122		SPIDER	120,122,126,128	
	RETAINER,SEAL	160		SPIDER ASSY,JOURNA	74,76	
	RETAINER,SPRING	116		SPONGE	18,22,34,38,210,213,232 ...	
	RING	102,107,110,112,126,128 ...		SPOOL	107,116,146,188,282,304	
	RING KIT,O	116,118		SPRING	102,107,108,110,112,114 ...	
	RING,BACK-UP	164,166,192,194,196,258 ...		SPRING,GAS	150	
	RING,BUFFER	196,260		STAND ASSY	22	
	RING,FELT	74		STAND,SEAT	18	
	RING,O	14,48,95,99,102,107,116 ...		STAY	228	
	RING,PISTON	102,110,112,114,118		STAY ASSY	29,254	
	RING,RETAINER	160		STEP	210	
	RING,SLIPPER	164,194,258		STOPPER	29,144,146,217,228	
	RING,SNAP	70,102,107,110,112,114 ...		STRAINER	14	
	RING,SQUARE	192		STRIKER	217,228	
	RING,U	164,166,194,258		STRIP, SEAL	16,29,36,213,217	
	RING,WEAR	120,122,126,128,192,196 ...		SUPPORT	156	
	RING,WIPER	164,166,194,258		SUPPORT,AXLE	124	
	RIVET	213,217		SUSPENSION ASSY	42,44	
	ROD	20,22,58,138,140,142 ...		SWITCH	60,134,138,140,142,150 ...	
	ROD ASSY	166,196,260		SWITCH ASSY	60,223	
	ROD,PISTON	164,192,194,258		SWITCH ASSY,STARTE	60	
	ROD,PUSH	156,190,284,295,306		SWITCH,COMBINATION	150,320	
	ROD,TIE	188,282,304		SWITCH,MAGNET	51	
ROOF ASSY	213	SWITCH,MICRO	140,142			
ROOM ASSY,ENGINE	29,254,270,272	SWITCH,PRESSURE	134			
ROTOR ASSY	160	SWITCH,PROXIMITY	168,170,256			
RUBBER	213	SWITCH,PUSH	60			
RUBBER,CUSHION	16	SWITCH,TEMPERATURE	102			
S	SASH	217	SWITCH,WIPER	230,232		
	SASH ASSY	217	T	TANK,BRAKE OIL	134	
	SCREW	8,18,20,22,29,51,60,62 ...		TANK,FUEL	12	
	SCREW,ADJUST	108		TANK,OIL	14	
	SCREW,BLEED	126,128,144		TANK,WATER	82	
	SCREW,SET	60,164,166,194,258,284		TERMINAL	66,68	
	SCREW,TAPPING	20,22,150,290		TIRE ASSY,TUBELESS	130	
	SEAL	140,142,144,160,190,288 ...		TORQUE CONVERTER	99,102	
	SEAL KIT	160,162,166,182,186,188 ...		TRANSMISSION	99,107	
	SEAL RING ASSY	164,166		TRANSMISSION ASSY	70	
	SEAL RING KIT	194,258		TRQ CONV SUB ASSY	102	
	SEAL,DUST	4,10,160,192,196,256 ...		TUBE	14	
	SEAL,OIL	102,107,108,118,120,122 ...		TUBE ASSY,CYLINDER	166,196,258,260	
	SEALANT	208		TUBE FITTING	12,136	
	SEAT ASSY	40,42		TUBE,CONDUIT	226	
	SEAT,SPRING	146,190,284,295,306		TUBE,CYLINDER	164,192,194,258	
	SENSOR	99		TUBE,NYLON	12,136	
	SENSOR,FUEL LEVEL	12		TUBE,SPIRAL	62,91,134,173,180,264	
	SENSOR,OIL LEVEL	134		TUBE,VINYL	20,82,220	
	SENSOR,PRESSURE	48		V	TURNBAUCKLE	138
	SENSOR,TEMPERATURE	48			VALVE	130,146,184,286
	SHAFT	102,107,160,250,288			VALVE ASSY	188,314,316,318
	SHAFT ASSY	110,112,114,150,152			VALVE ASSY,BREATHE	14
	SHAFT ASSY,STATOR	102			VALVE ASSY,CONTROL	99,116
	SHAFT,AXLE	120,122			VALVE ASSY,CUSHION	180
	SHAFT,GEAR	107			VALVE ASSY,MULTIPL	178,188,275,282,301,304
	SHAFT,PROPELLER	74,76	VALVE,CHECK		182,220	
	SHAFT,TURBINE	102	VALVE,PILOT		154,190,280,284,288,295 ...	
	SHEET,CAB	217	VALVE,PRIORITY		180	
	SHEET,RUBBER	8,58,60,80,82,150,217 ...	VALVE,RELIEF	14,144,182,188,282,304		
	SHIM	10,80,102,120,122,126 ...	VALVE,SOLENOID	116		
	SHOCK ABSORBER SET	44	VALVE,VACCUATOR	84		
	SHOE,BRAKE	108	W	WASHER	6,20,102,107,108,110 ...	
	SHROUD	80		WASHER,PLANE	6,8,10,12,16,20,26,29 ...	
	SLEEVE	10,14,68,78,87,95,107 ...		WASHER,SEAL	14,102,118,120,122,126 ...	
	SLEEVE ASSY	270		WASHER,SPRING	8,12,29,51,54,60,62,65 ...	
	SLEEVE,FITTING	12,136		WASHER,THRUST	112,146	
	SOCKET ASSY	232		WASHER,TONGUE	74	
	SOLENOID	190,295		WASHER,TOOTH	54,152	

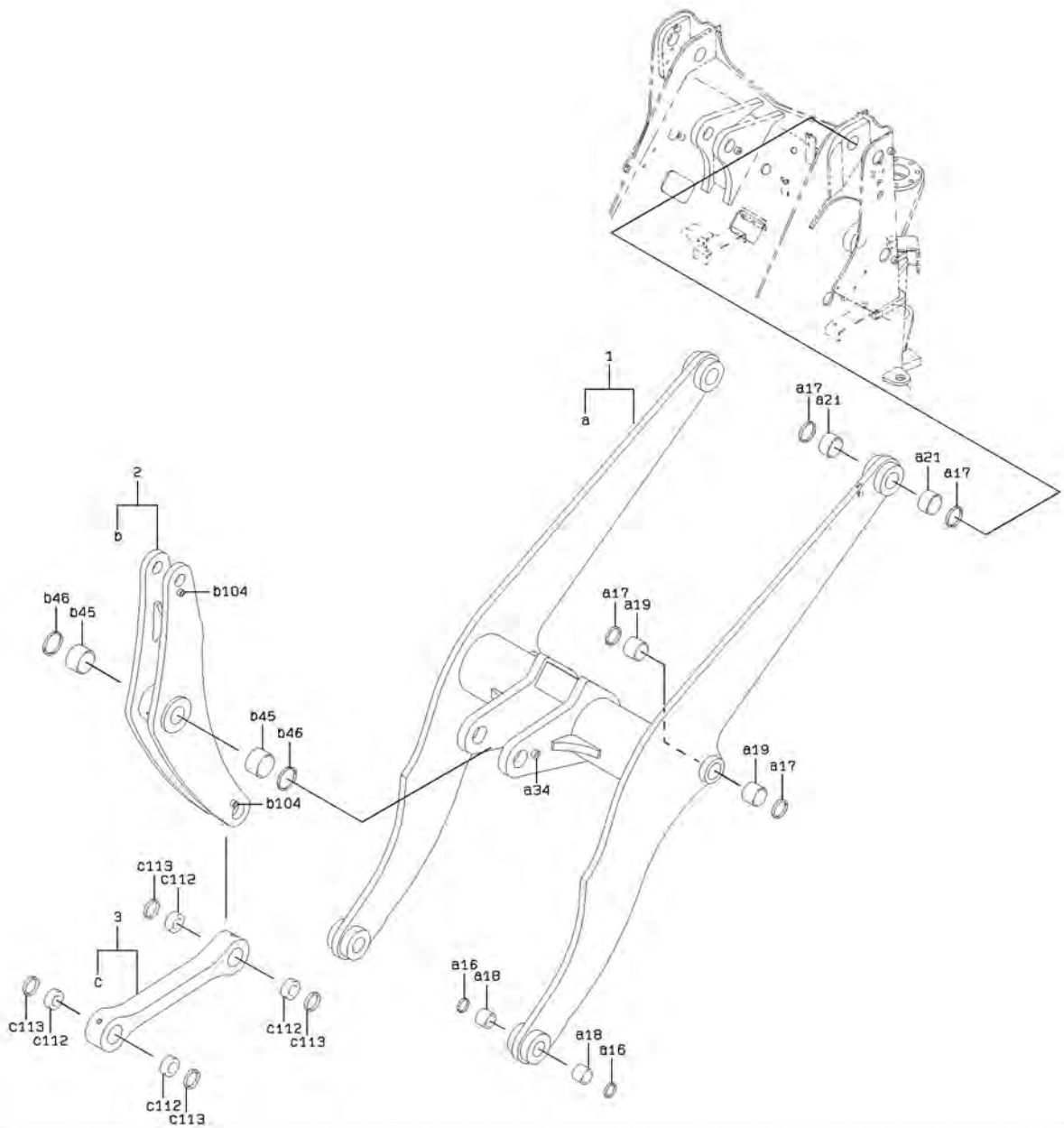
FRONT CHASSIS GROUP



FRONT CHASSIS GROUP

SYM-BOL	PART NUMBER	PART NAME	UNIT Q, TY	SERIAL		REMARKS							
				(A)	(B)	N	P	D	(A)	(B)	(C)	(D)	REMARK
1A	00505-02650	CHASSIS ASSY,FRONT	1	5001	-	5020							
1B	00505-03880	CHASSIS ASSY,FRONT	1	5021	-		B		Y01				
25A	43780-22030	BOSS	1	5001	-				01				WELDING
26A	43780-21720	BOSS	2	5001	-				01				WELDING
27A	40840-22710	BUSHING	1	5001	-				01				
43A	43780-22030	BOSS	2	5001	-				01				WELDING
51A	61802-10020	BOLT,FLANGED	6	5001	-								
61A	61802-10040	BOLT,FLANGED	1	5001	-								
113A	43780-22030	BOSS	2	5001	-				01				WELDING
121A	40410-27040	FENDER	1	5001	-								FR LH
122A	40410-27050	FENDER	1	5001	-								FR RH
131A	41616-21430	PLATE	1	5001	-								
132A	40044-20020	PIN,HEAD	2	5001	-								
133A	40045-20200	PIN,SNAP	2	5001	-								

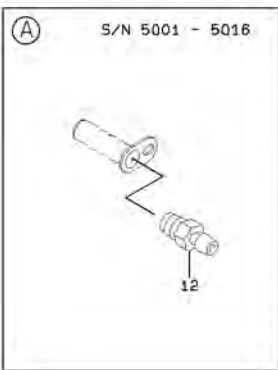
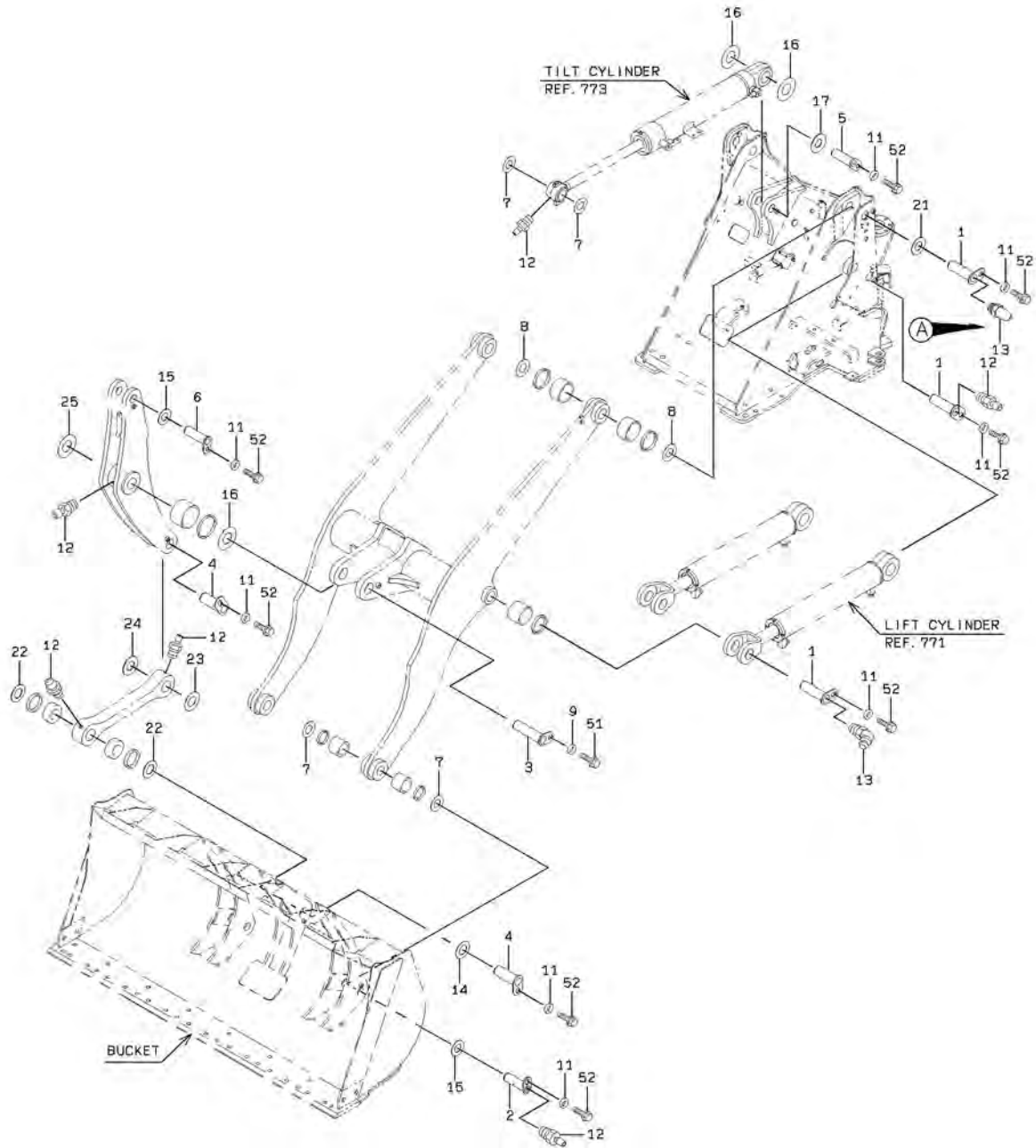
LIFT ARM GROUP



LIFT ARM GROUP

SYM-BOL	PART NUMBER	PART NAME	UNIT Q, TY	SERIAL		REMARKS								
				(A)	(B)	N	P	D	(A)	(B)	(C)	(D)	REMARK	
1A	30040-23700	ARM ASSY,LIFT	1	5001	-						Y01			
2A	45610-22470	LEVER ASSY	1	5001	-	5020					Y02			
2B	45610-23300	LEVER ASSY	1	5021	-						Y02			
3A	45125-21350	LINK,BUCKET	1	5001	-							Y03		
16A	34044-20090	SEAL,DUST	4	5001	-						01			
17A	34044-20080	SEAL,DUST	8	5001	-						01			
18A	63422-35375	BUSHING	4	5001	-						01			
19A	40840-22180	BUSHING	4	5001	-						01			
21A	40840-22190	BUSHING	4	5001	-						01			
34A	43780-21710	BOSS	1	5001	-						01			WELDING
45A	63422-40680	BUSHING	2	5001	-							02		
46A	65051-01208	SEAL,DUST	2	5001	-							02		
104A	43780-22030	BOSS	2	5001	-							02		WELDING
112A	63422-38315	BUSHING	4	5001	-								03	
113A	34044-60040	SEAL,DUST	4	5001	-								03	

PIN MOUNT

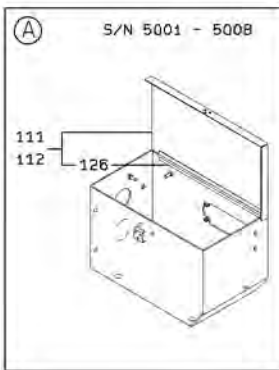
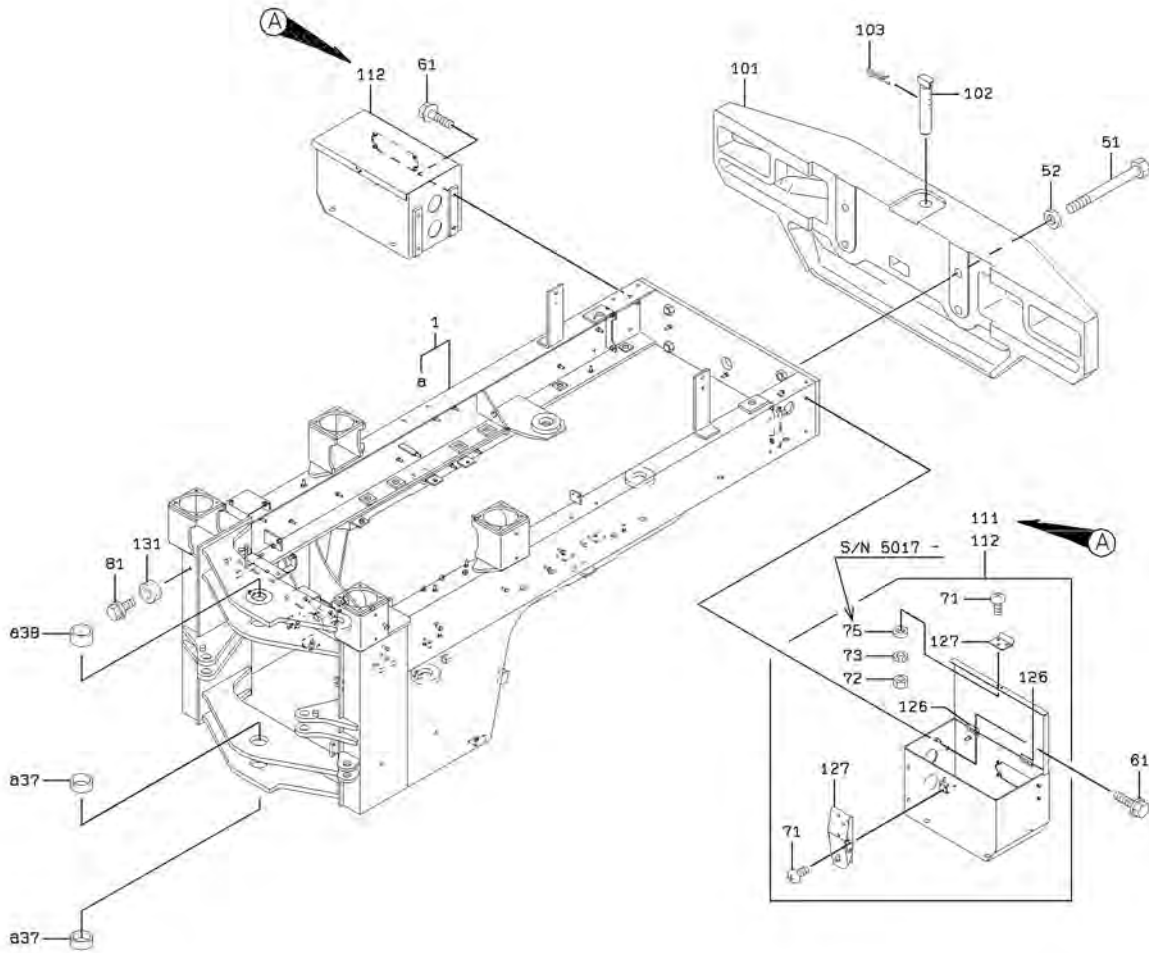


L-E

PIN MOUNT

SYM-BOL	PART NUMBER	PART NAME	UNIT Q,TY	SERIAL		REMARKS						
				(A)	(B)	N	P	D	(A)	(B)	(C)	(D)
1A	40000-24260	PIN	6	5001	-							
2A	40000-41100	PIN	2	5001	-							
3A	40000-24280	PIN	1	5001	-							
4A	40000-24780	PIN	2	5001	-							
5A	40000-41210	PIN	1	5001	-							
6A	40000-41220	PIN	1	5001	-							
7A	41621-24100	PLATE	A/R	5001	-							T=1
8A	44680-20050	LINER	A/R	5001	-							T=1
9A	46011-20150	WASHER,PLANE	1	5001	-							
11A	46000-20560	WASHER	12	5001	-							
12A	75011-25400	NIPPLE,GREASE	10	5001	-	5016						
12B	75011-25400	NIPPLE,GREASE	8	5017	-							
13A	75011-45400	NIPPLE,GREASE	2	5001	-	5016						
13B	75011-45400	NIPPLE,GREASE	4	5017	-							
14A	44680-20070	LINER	A/R	5001	-							T=1
15A	44680-20130	LINER	A/R	5001	-							T=2.8
16A	41621-20140	PLATE	A/R	5001	-							T=1
17A	44680-20150	LINER	A/R	5001	-							T=2.8
21A	44680-20180	LINER	A/R	5001	-							T=2.8
22A	44680-20190	LINER	A/R	5001	-							T=2.8
23A	44680-20200	LINER	A/R	5001	-							T=1
24A	44680-20210	LINER	A/R	5001	-							T=2.8
25A	44680-20240	LINER	A/R	5001	-							T=2.8
51A	61802-16018	BOLT,FLANGED	1	5001	-							
52A	61802-12016	BOLT,FLANGED	12	5001	-							

REAR CHASSIS GROUP

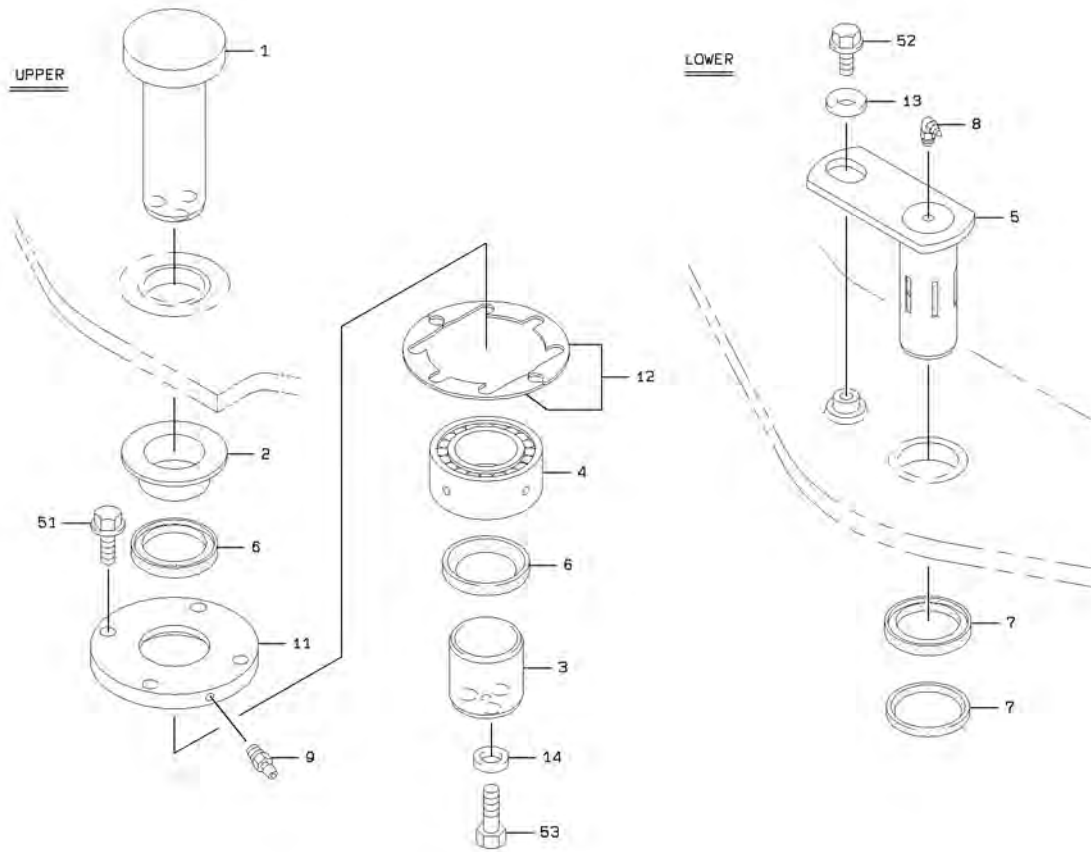


L-0

REAR CHASSIS GROUP

SYM-BOL	PART NUMBER	PART NAME	UNIT Q,TY	SERIAL		REMARKS								
				(A)	(B)	N	P	D	(A)	(B)	(C)	(D)	REMARK	
1A	00505-02660	CHASSIS ASSY,REAR	1	5001	-						Y01			
37A	40840-22210	BUSHING	2	5001	-						01			
38A	40840-22200	BUSHING	1	5001	-						01			
51A	61033-24150	BOLT	4	5001	-									
52A	46011-21980	WASHER,PLANE	4	5001	-									
61A	61802-12025	BOLT,FLANGED	8	5001	-									
71A	62256-51410	SCREW	6	5001	-							02	03	
72A	62401-81041	NUT	3	5001	-							02	03	
73A	62721-04100	WASHER,SPRING	3	5001	-							02	03	
75A	62701-20041	WASHER,PLANE	3	5017	-							02	03	
81A	61802-12030	BOLT,FLANGED	2	5001	-									
101A	30780-24110	WEIGHT	1	5001	-									
102A	40044-20310	PIN,HEAD	1	5001	-	5006								
102B	40044-22020	PIN,HEAD	1	5007	-		C							
103A	40045-20040	PIN,SNAP	1	5001	-									
111A	43851-20810	BOX ASSY,BATTERY	1	5001	-	5006					Y02			FR LH
111B	43851-20910	BOX ASSY,BATTERY	1	5007	-	5008	C				Y02			FR LH
111C	43851-20970	BOX ASSY,BATTERY	1	5009	-	5022	C				Y02			FR LH
111D	43851-21050	BOX ASSY,BATTERY	1	5023	-		C				Y02			FR LH
112A	43851-20820	BOX ASSY,BATTERY	1	5001	-	5006						Y03		FR RH
112B	43851-20920	BOX ASSY,BATTERY	1	5007	-	5008	C					Y03		FR RH
112C	43851-20980	BOX ASSY,BATTERY	1	5009	-	5022	C					Y03		FR RH
112D	43851-21060	BOX ASSY,BATTERY	1	5023	-		C					Y03		FR RH
126A	39890-70060	HINGE	1	5001	-	5008					02	03		WELDING
126B	39890-70010	HINGE	2	5009	-		B				02	03		WELDING
127A	32150-60050	CATCH	1	5001	-						02	03		
131A	33713-24330	SHEET,RUBBER	2	5001	-									

CENTER PIN GROUP

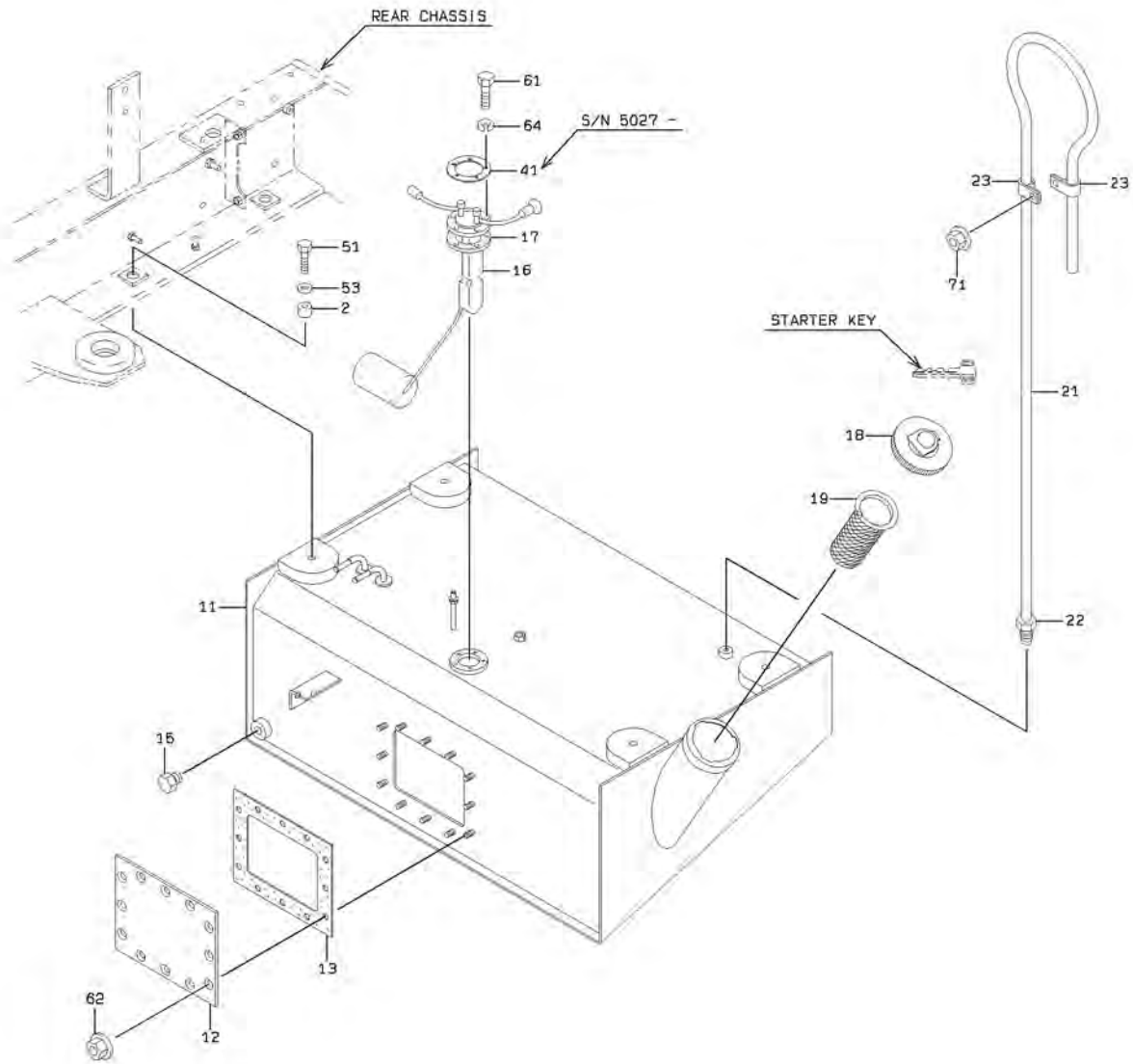


1-A

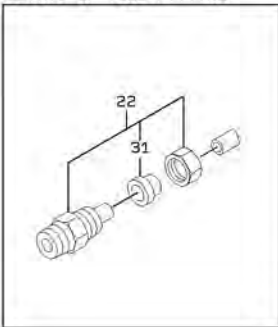
CENTER PIN GROUP

SYM-BOL	PART NUMBER	PART NAME	UNIT Q,TY	SERIAL		REMARKS					
				(A)	(B)	N	P	D	(A)	(B)	(C)
1A	40034-20550	PIN,CENTER	1	5001	-						
2A	35750-21330	SLEEVE	1	5001	-						
3A	35750-21850	SLEEVE	1	5001	-						
4A	42004-60120	BEARING,TAPER ROLL	1	5001	-						
5A	40034-20960	PIN,CENTER	1	5001	-						
6A	65051-01105	SEAL,DUST	2	5001	-						
7A	34044-20080	SEAL,DUST	2	5001	-						
8A	75011-45400	NIPPLE,GREASE	1	5001	-						
9A	75011-25400	NIPPLE,GREASE	1	5001	-						
11A	41621-29220	PLATE	1	5001	-						
12A	34200-20590	SHIM	1	5001	-						
13A	46011-20150	WASHER,PLANE	1	5001	-						
14A	46011-20210	WASHER,PLANE	3	5001	-						
51A	61802-16040	BOLT,FLANGED	4	5001	-						
52A	61802-16018	BOLT,FLANGED	1	5001	-						
53A	61022-16045	BOLT	3	5001	-						

FUEL TANK GROUP



DETAIL OF TUBE FITTING

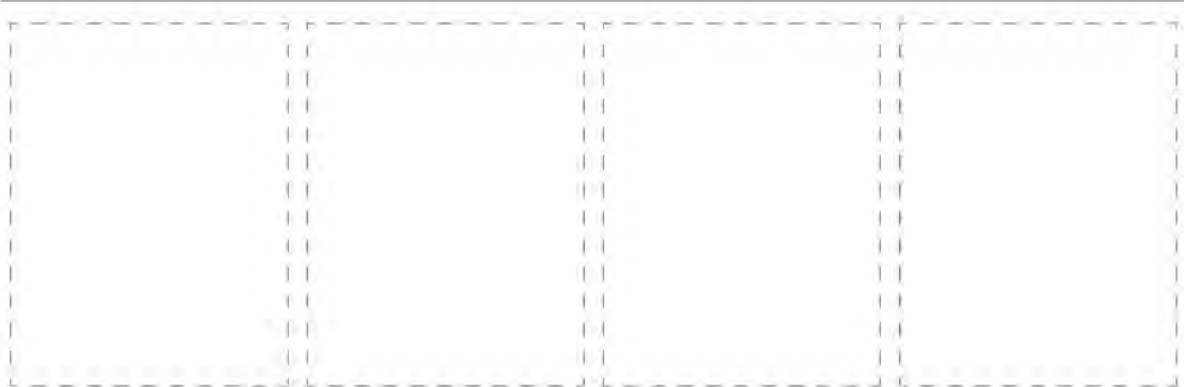
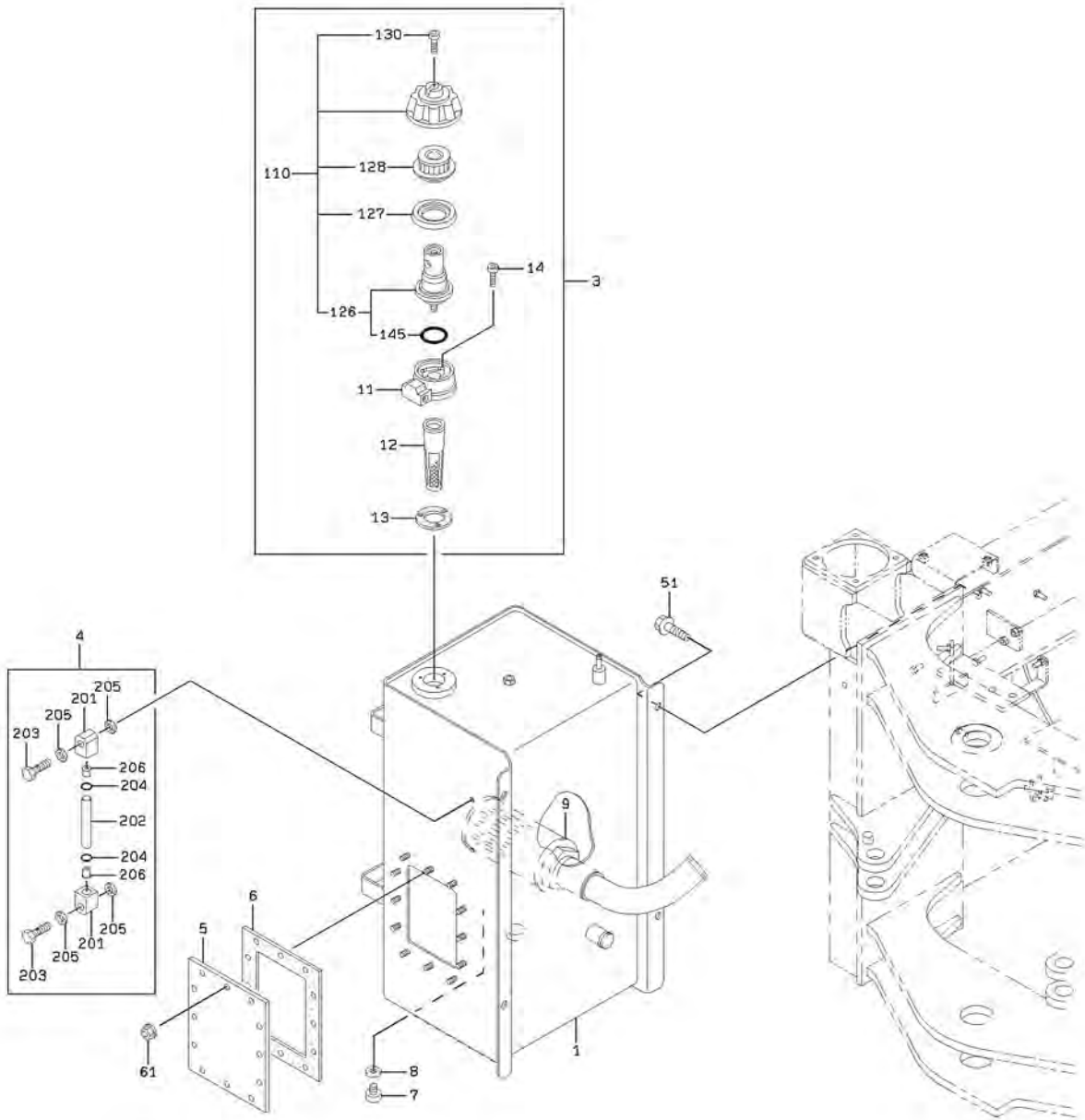


L-C

FUEL TANK GROUP

SYM-BOL	PART NUMBER	PART NAME	UNIT Q,TY	SERIAL		REMARKS						
				(A)	(B)	N	P	D	(A)	(B)	(C)	(D)
2A	35700-21410	SPACER	4	5001	-							
11A	36233-23730	TANK,FUEL	1	5001	-							36233-24100
12A	41611-20140	PLATE	1	5001	-							
13A	31990-20020	GASKET	1	5001	-							
15A	88390-14208	PLUG	1	5001	-							38510-20190
16A	35828-20020	SENSOR,FUEL LEVEL	1	5001	-							
17A	31990-23030	GASKET	1	5001	-							
18A	40314-60060	FILLER ASSY,FUEL	1	5001	-							
19A	40330-60200	FILTER	1	5001	-	5006						
19B	40330-60400	FILTER	1	5007	-		C					
21A	67001-40000	TUBE,NYLON	1 M	5001	-							L=900
22A	69021-10402	TUBE FITTING	1	5001	-			Y01				
23A	72001-10600	HOLDER,PIPE	2	5001	-							
31A	69029-04000	SLEEVE,FITTING	1	5001	-			01				
41A	41615-33170	PLATE	1	5027	-							
51A	61005-18070	BOLT	4	5001	-							
53A	46011-21160	WASHER,PLANE	4	5001	-							
61A	61033-05010	BOLT	5	5001	-	5026						
61B	61033-05012	BOLT	5	5027	-		B					61033-05014
62A	62480-21101	NUT,FLANGED	12	5001	-							
64A	62721-05100	WASHER,SPRING	5	5001	-							
71A	62480-21081	NUT,FLANGED	1	5001	-							

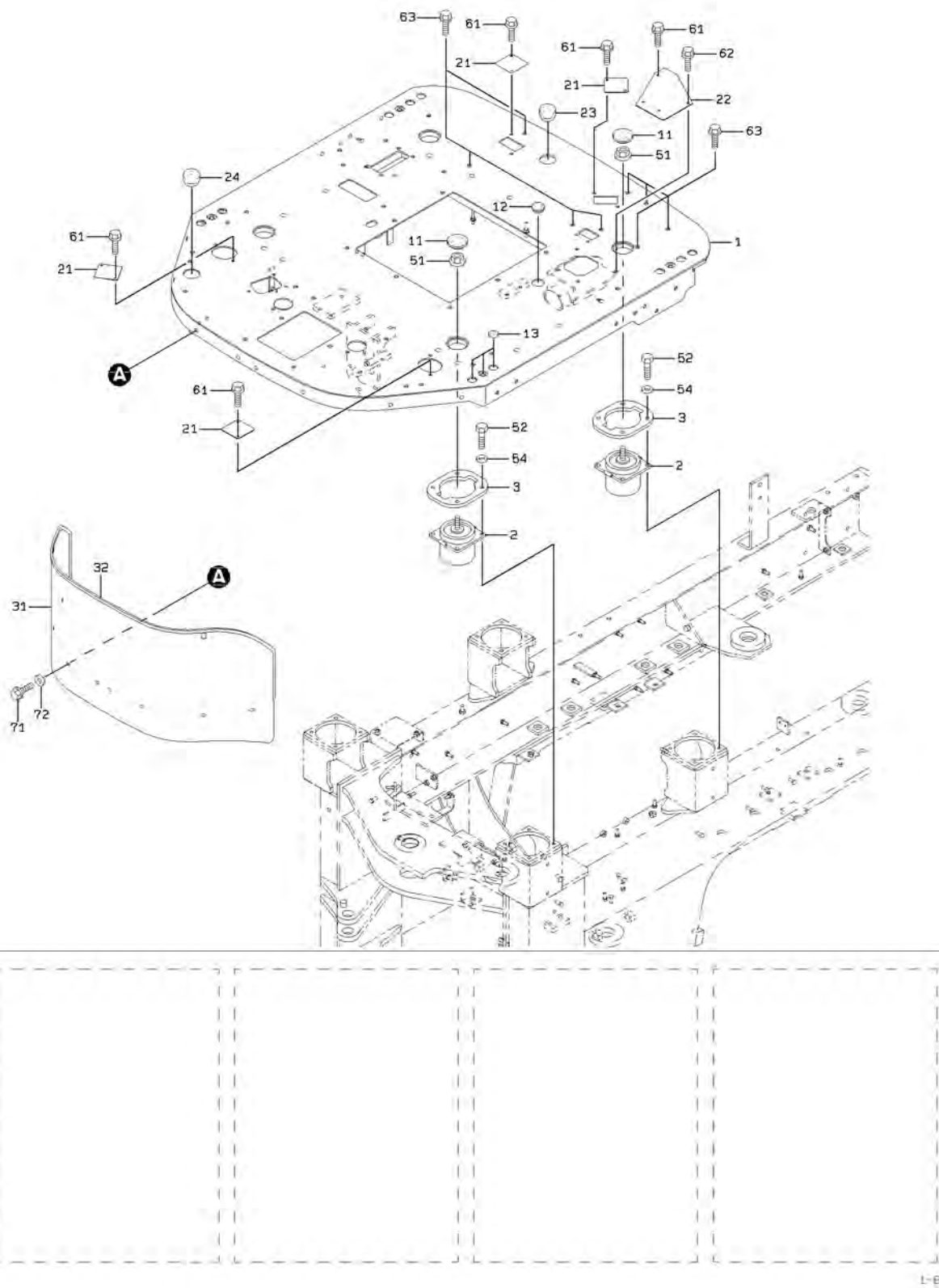
OIL TANK GROUP



OIL TANK GROUP

SYM-BOL	PART NUMBER	PART NAME	UNIT Q,TY	SERIAL (A) - (B)	REMARKS						
					N	P	D	(A)	(B)	(C)	(D)
1A	36229-23580	TANK,OIL	1	5001 -							
3A	38530-60030	VALVE ASSY,BREATHE	1	5001 -				Y01			
4A	33258-20010	GAUGE,LEVEL	1	5001 -						Y04	
5A	41611-20420	PLATE	1	5001 -							
6A	31990-20020	GASKET	1	5001 -							
7A	41535-20010	PLUG,MAGNET	1	5001 -							
8A	88111-12490	WASHER,SEAL	1	5001 -							
9A	35530-70020	STRAINER	1	5001 -							
11A	33110-70080	CASE ASSY	1	5001 -				01			
12A	40330-70050	FILTER	1	5001 -				01			
13A	39600-70030	PACKING	1	5001 -				01			
14A	61101-05016	BOLT,SOCKET	3	5001 -				01			
51A	61802-12020	BOLT,FLANGED	4	5001 -							
61A	62480-21101	NUT,FLANGED	12	5001 -							
110A	32211-60030	CAP ASSY	1	5001 -				01	Y02		
126A	38565-70010	VALVE,RELIEF	1	5001 -					02	Y03	
127A	31200-70060	COVER	1	5001 -					02		
128A	30981-70010	ELEMENT,FILTER	1	5001 -					02		
130A	61101-05015	BOLT,SOCKET	1	5001 -							
145A	65210-12032	RING,O	1	5001 -						03	
201A	41410-90010	BLOCK	2	5001 -							04
202A	36700-90010	TUBE	1	5001 -							04
203A	43953-90010	BOLT,JOINT	2	5001 -							04
204A	47131-90010	RING,O	2	5001 -							04
205A	46023-90010	WASHER,SEAL	4	5001 -							04
206A	35750-90010	SLEEVE	2	5001 -							04

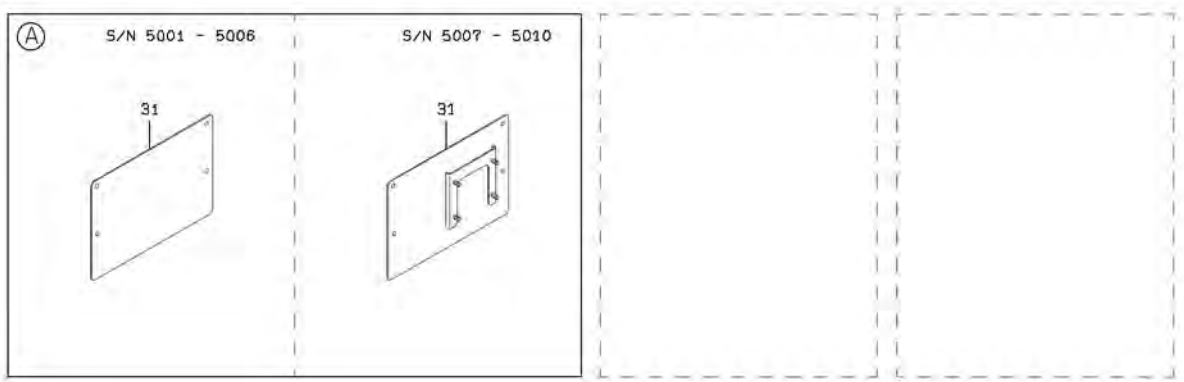
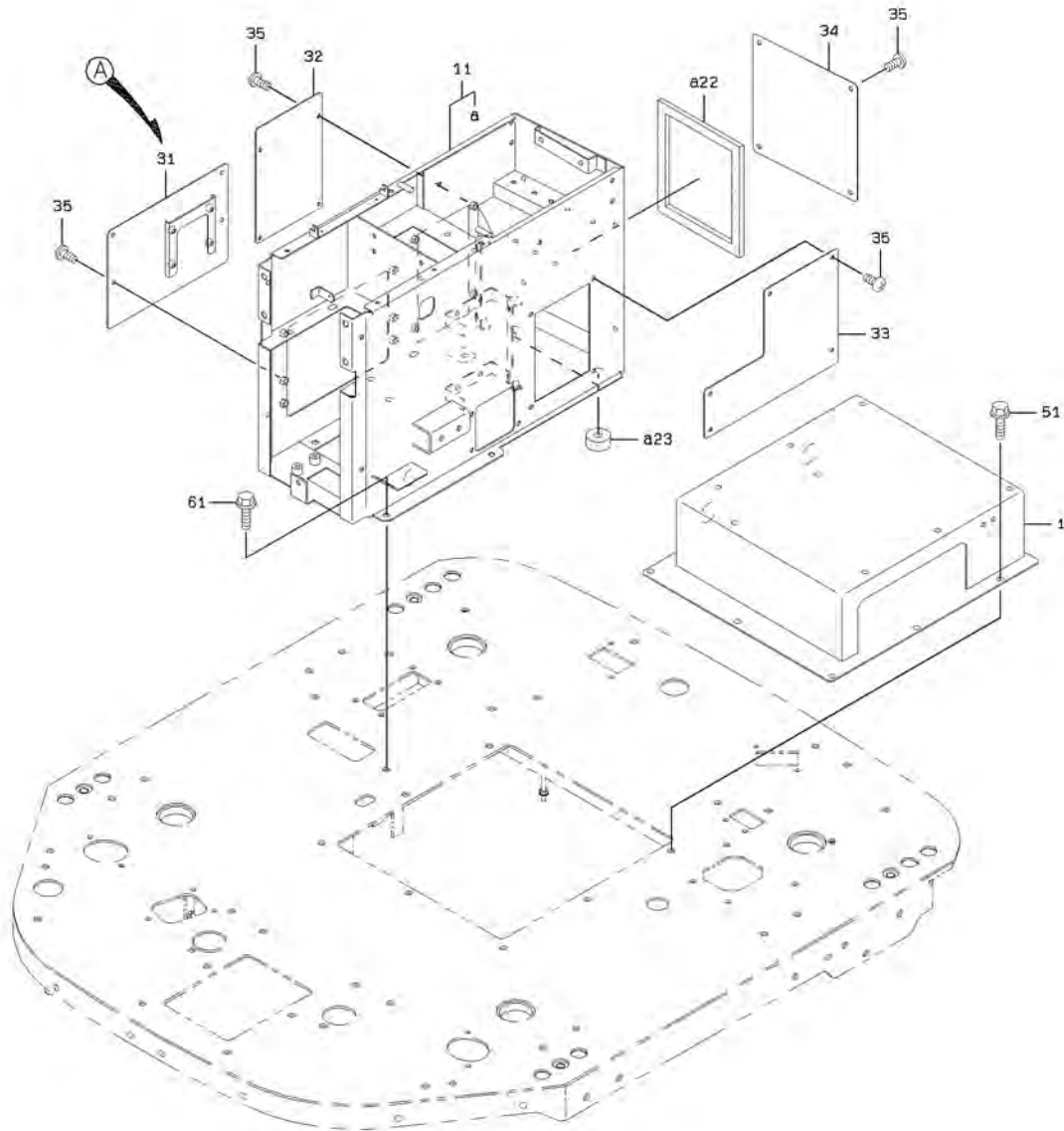
FLOOR BOARD GROUP



FLOOR BOARD GROUP

SYM-BOL	PART NUMBER	PART NAME	UNIT Q,TY	SERIAL		REMARKS						
				(A)	(B)	N	P	D	(A)	(B)	(C)	(D)
1A	00500-04880	BOARD,FLOOR	1	5001	- 5008							
1B	00500-06060	BOARD ASSY,FLOOR	1	5009	- 5020	B						
1C	00500-06220	BOARD ASSY,FLOOR	1	5021	-	B						
2A	44822-60180	RUBBER,CUSHION	4	5001	-							
3A	41610-50290	PLATE	4	5001	-							
11A	41533-20160	PLUG,ELASTIC	4	5001	-							WITHOUT CAB
12A	41533-20140	PLUG,ELASTIC	1	5001	-							WITHOUT CAB
13A	41533-20170	PLUG,ELASTIC	6	5001	-							WITHOUT CAB
21A	41603-44230	PLATE	4	5001	-							WITHOUT AIRCON
22A	41602-24710	PLATE	1	5001	- 5006							WITHOUT AIRCON
22B	41710-45700	PLATE	1	5007	-	C						WITHOUT AIRCON
23A	41530-21680	PLUG	1	5001	-							WITHOUT AIRCON
24A	41530-74200	PLUG	1	5001	-							WITHOUT AIRCON
31A	31200-35860-7	COVER	1	5001	- 5002							
31B	31200-40170	COVER	1	5003	-	C						
32A	34041-22560	STRIP, SEAL	1	5001	-							
51A	62480-21161	NUT,FLANGED	4	5001	-							
52A	61005-10035	BOLT	16	5001	-							
54A	62710-18101	WASHER,PLANE	16	5001	-							
61A	61802-06016	BOLT,FLANGED	9	5001	-							WITHOUT AIRCON
62A	61802-08016	BOLT,FLANGED	3	5001	-							WITHOUT AIRCON
63A	61802-10016	BOLT,FLANGED	8	5001	-							WITHOUT AIRCON
71A	61802-08020	BOLT,FLANGED	8	5001	-							
72A	46011-20180	WASHER,PLANE	8	5001	-							

SEAT STAND & CONTROL BOX MOUNT

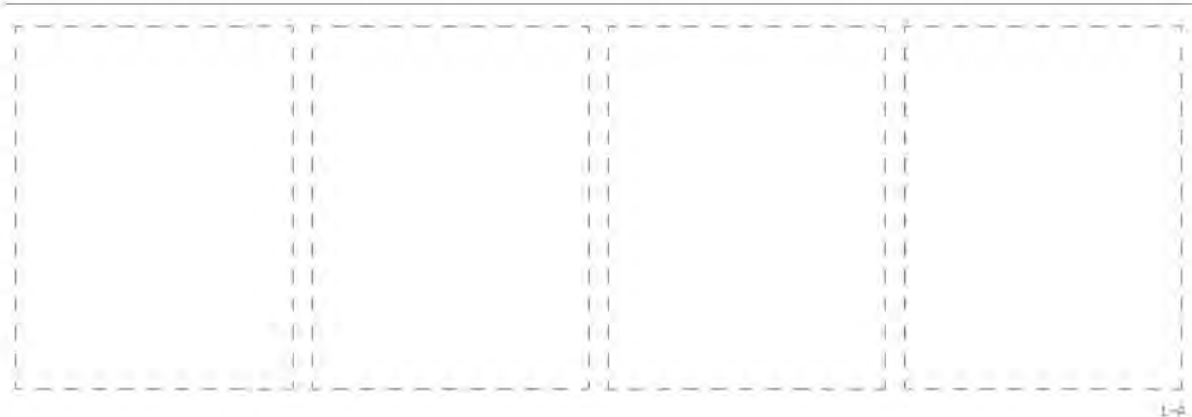
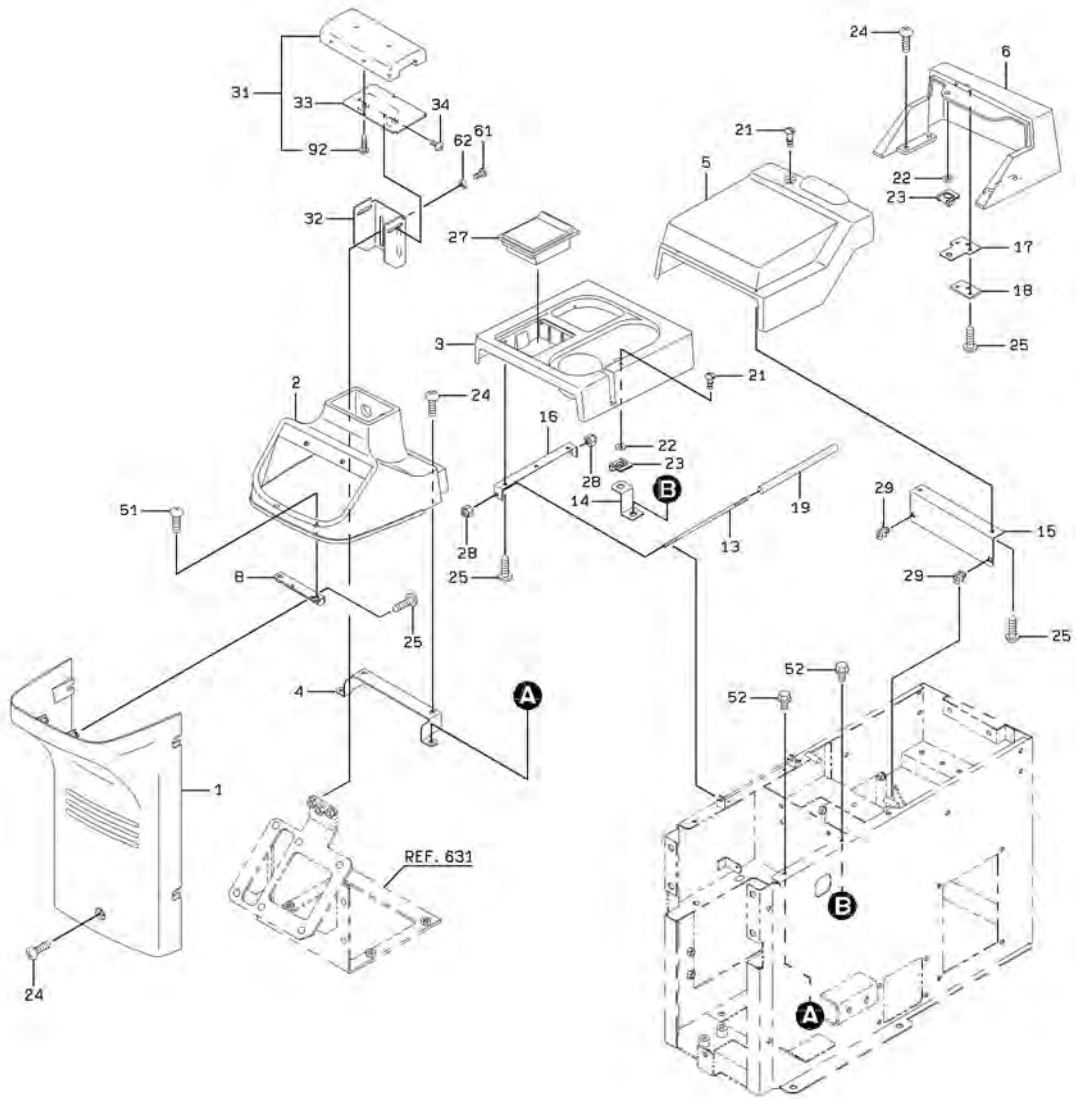


L-6

SEAT STAND & CONTROL BOX MOUNT

SYM-BOL	PART NUMBER	PART NAME	UNIT Q, TY	SERIAL		REMARKS						
				(A)	(B)	N	P	D	(A)	(B)	(C)	(D)
1A	35195-20750	STAND, SEAT	1	5001	-							
11A	43805-21260	BOX ASSY	1	5001	-					Y01		
22A	35680-35560	SPONGE	1	5001	-					01		
23A	35680-33340	SPONGE	2	5001	-					01		
31A	41608-27450	PLATE	1	5001	-	5006						
31B	41750-29470	PLATE	1	5007	-	5010	C					
31C	41750-39590	PLATE	1	5011	-		C					
32A	41603-37930	PLATE	1	5001	-							
33A	41602-24670	PLATE	1	5001	-							
34A	41602-24680	PLATE	1	5001	-							
35A	35100-20200	SCREW	17	5001	-							
51A	61802-10020	BOLT, FLANGED	7	5001	-							
61A	61802-10020	BOLT, FLANGED	5	5001	-							

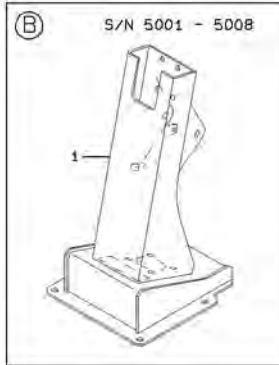
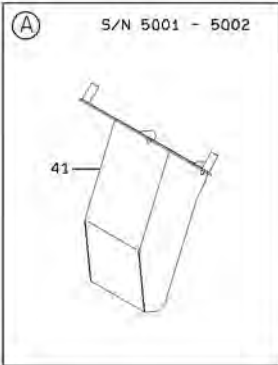
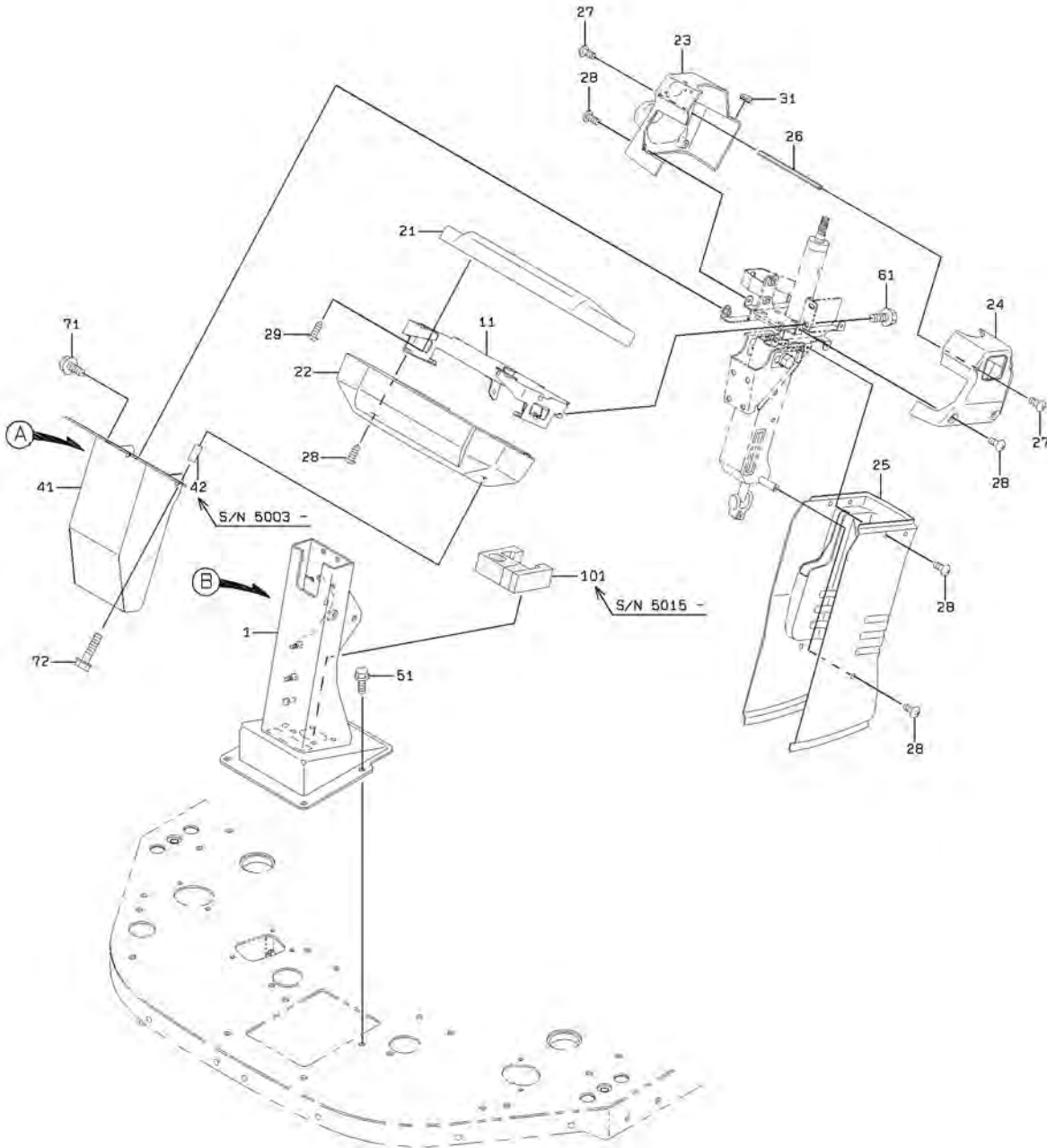
CONTROL BOX COVER MOUNT



CONTROL BOX COVER MOUNT

SYM-BOL	PART NUMBER	PART NAME	UNIT Q,TY	SERIAL (A) - (B)	REMARKS					
					N	P	D	(A)	(B)	(C)
1A	31200-60140	COVER	1	5001 -						
2A	31200-60270	COVER	1	5001 -						
3A	31200-60150	COVER	1	5001 -						
4A	41610-30180	PLATE	1	5001 -						
5A	31200-60160	COVER	1	5001 -						
6A	31200-60170	COVER	1	5001 -						
8A	41613-35410	PLATE	1	5001 -						
13A	45870-25870	ROD	1	5001 -						
14A	41610-30270	PLATE	1	5001 -						
15A	41605-29820	PLATE	1	5001 -						
16A	41605-29800	PLATE	1	5001 -						
17A	41602-21440	PLATE	1	5001 -						
18A	41601-59120	PLATE	1	5001 -						
19A	67015-00001	TUBE,VINYL	1 M	5001 -						L=190
21A	32150-20210	CATCH	2	5001 -						
22A	46000-21020	WASHER	2	5001 -						
23A	41635-38650	PLATE	2	5001 -						
24A	35100-20200	SCREW	11	5001 -						
25A	35106-20020	SCREW,TAPPING	10	5001 -						
27A	30320-60030	ASHTRAY	1	5001 -						
28A	88031-06061	NUT,SELF-LOCKING	2	5001 -						
29A	43550-70290	HOLDER	2	5001 -						
31A	30062-60050	ARMREST	1	5001 -			Y01			
32A	41616-39080	PLATE	1	5001 -						
33A	41619-45190	PLATE	1	5001 -						
34A	35100-20200	SCREW	2	5001 -						
51A	35100-20010	SCREW	2	5001 -						
52A	61802-06010	BOLT,FLANGED	3	5001 -						
61A	62256-51820	SCREW	2	5001 -						
62A	62701-40081	WASHER,PLANE	2	5001 -						
92A	35106-70170	SCREW,TAPPING	4	5001 -			01			

OPERATION STAND GROUP

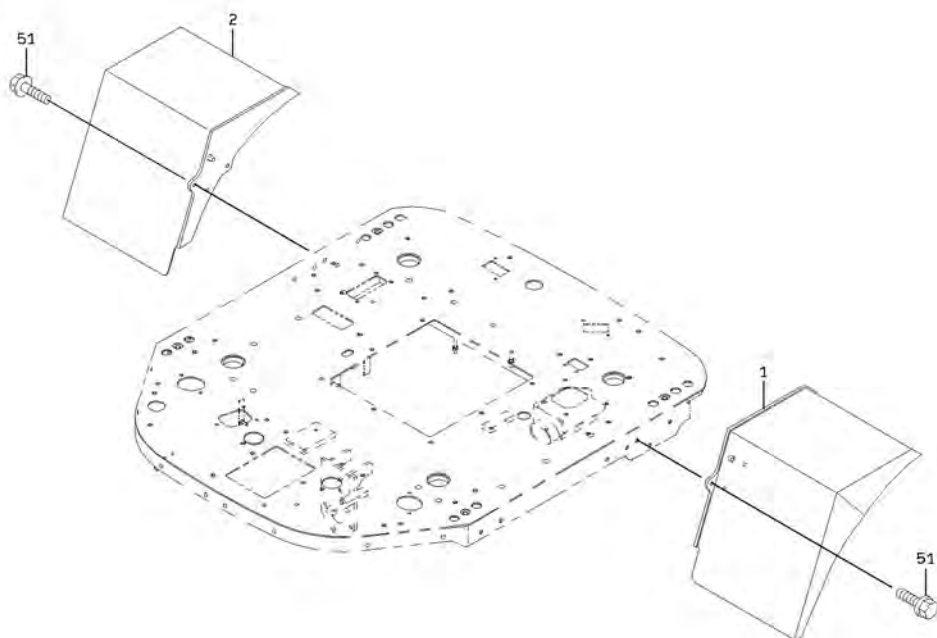


L-C

OPERATION STAND GROUP

SYM-BOL	PART NUMBER	PART NAME	UNIT Q,TY	SERIAL		REMARKS						
				(A)	(B)	N	P	D	(A)	(B)	(C)	(D)
1A	35175-20690	STAND ASSY	1	5001	5008							
1B	35175-20760	STAND ASSY	1	5009	5014	C						35175-20750
1C	35175-20800	STAND ASSY	1	5015		C						
11A	43800-23080	BOX	1	5001								
21A	31200-60030	COVER	1	5001								
22A	31200-60040	COVER	1	5001								
23A	31200-60050	COVER	1	5001								FR RH
24A	31200-60060	COVER	1	5001								FR LH
25A	31200-60410	COVER	1	5001								
26A	45870-26590	ROD	2	5001								
27A	35100-20020	SCREW	4	5001								
28A	35100-20330	SCREW	14	5001								
29A	35106-20020	SCREW,TAPPING	4	5001								
31A	33057-70160	GROMMET	1	5001								
41A	31205-47580	COVER	1	5001	5002							
41B	31205-52200	COVER	1	5003		C						
42A	43780-42530	BOSS	2	5003								
51A	61802-10025	BOLT,FLANGED	4	5001								
61A	61802-08016	BOLT,FLANGED	4	5001								
71A	61802-08016	BOLT,FLANGED	2	5001								
72A	61802-06050	BOLT,FLANGED	2	5001								
101A	35681-20720	SPONGE	1	5015								

DECK & FENDER GROUP

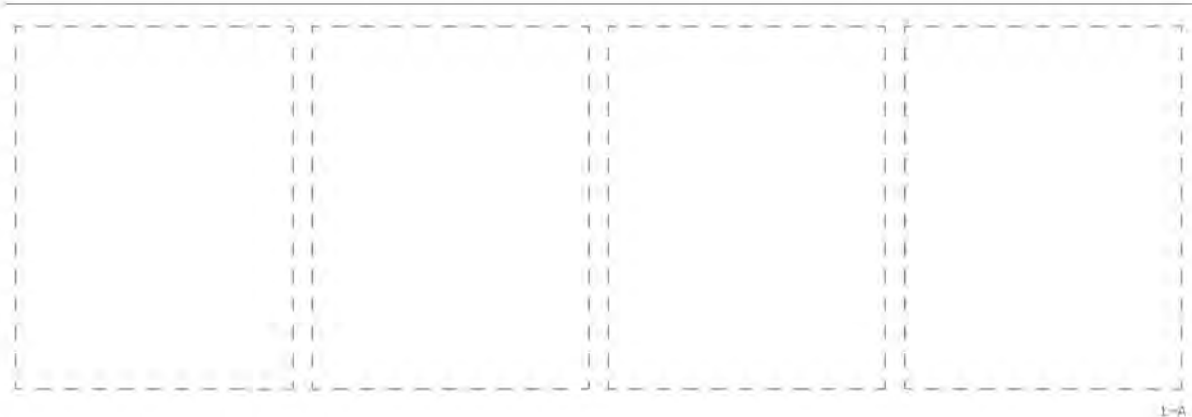
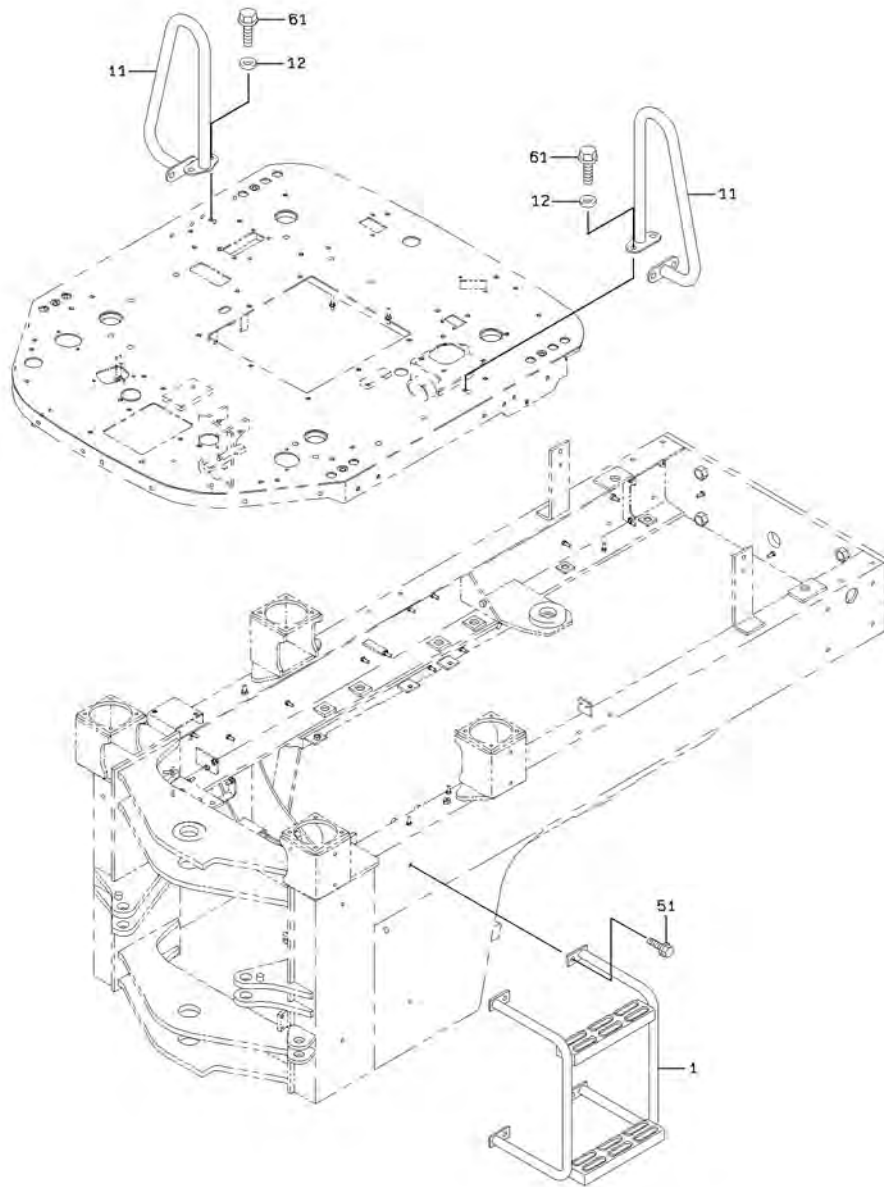


1-A

DECK & FENDER GROUP

SYM-BOL	PART NUMBER	PART NAME	UNIT Q, TY	SERIAL (A) - (B)	REMARKS					
					N	P	D	(A)	(B)	(C)
1A	40410-27050	FENDER	1	5001 -						FR LH
2A	40410-27040	FENDER	1	5001 -						FR RH
51A	61802-10025	BOLT, FLANGED	6	5001 -						

STEP & HANDRAIL GROUP

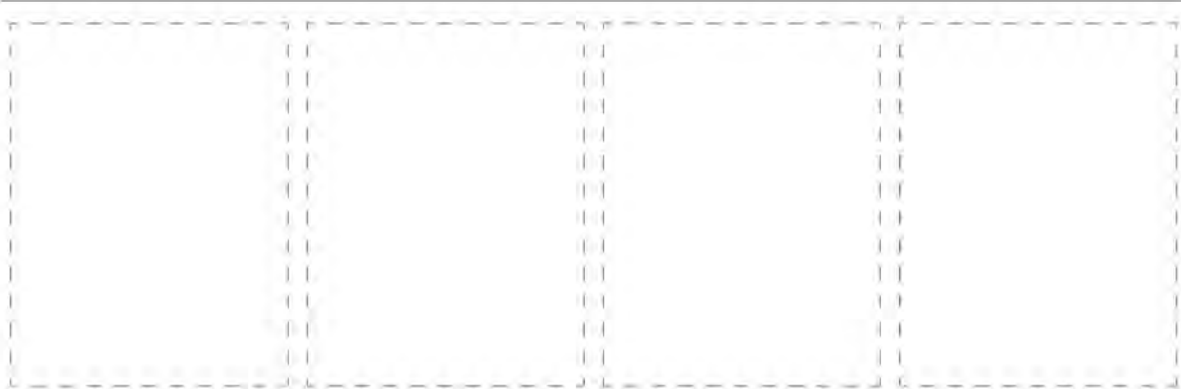
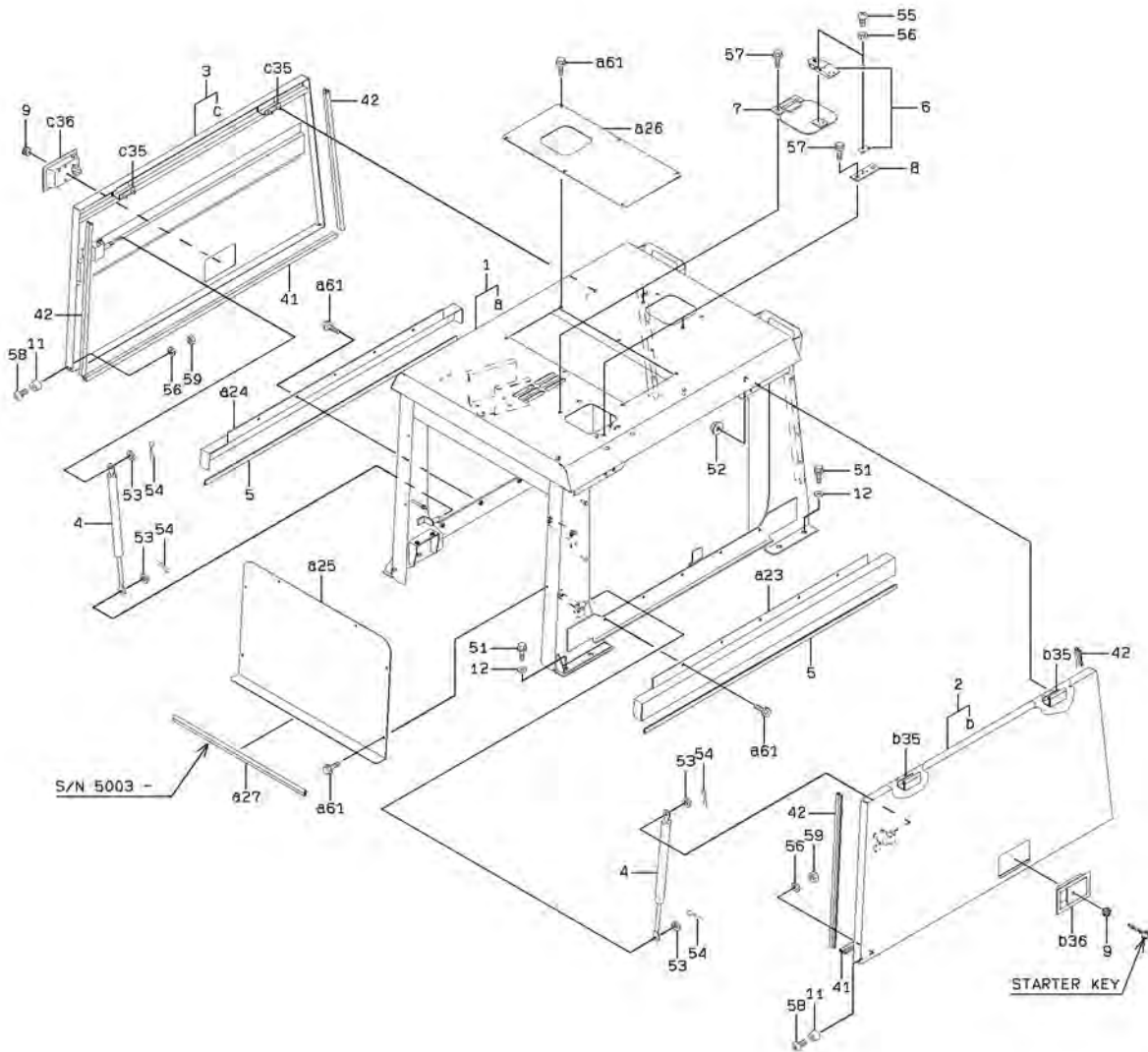


STEP & HANDRAIL GROUP

SYM-BOL	PART NUMBER	PART NAME	UNIT Q,TY	SERIAL (A) - (B)	REMARKS					
					N	P	D	(A)	(B)	(C)
1A	44730-20520	LADDER	1	5001 -						
11A	38130-26290	HANDRAIL	2	5001 -						
12A	46011-21300	WASHER,PLANE	8	5001 -						
51A	61802-12020	BOLT,FLANGED	4	5001 -						
61A	61802-10025	BOLT,FLANGED	8	5001 -						

ENGINE ROOM MOUNT

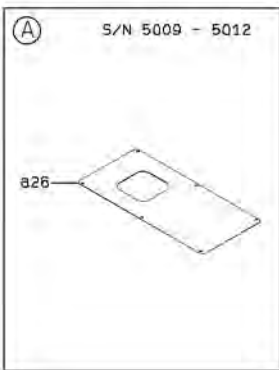
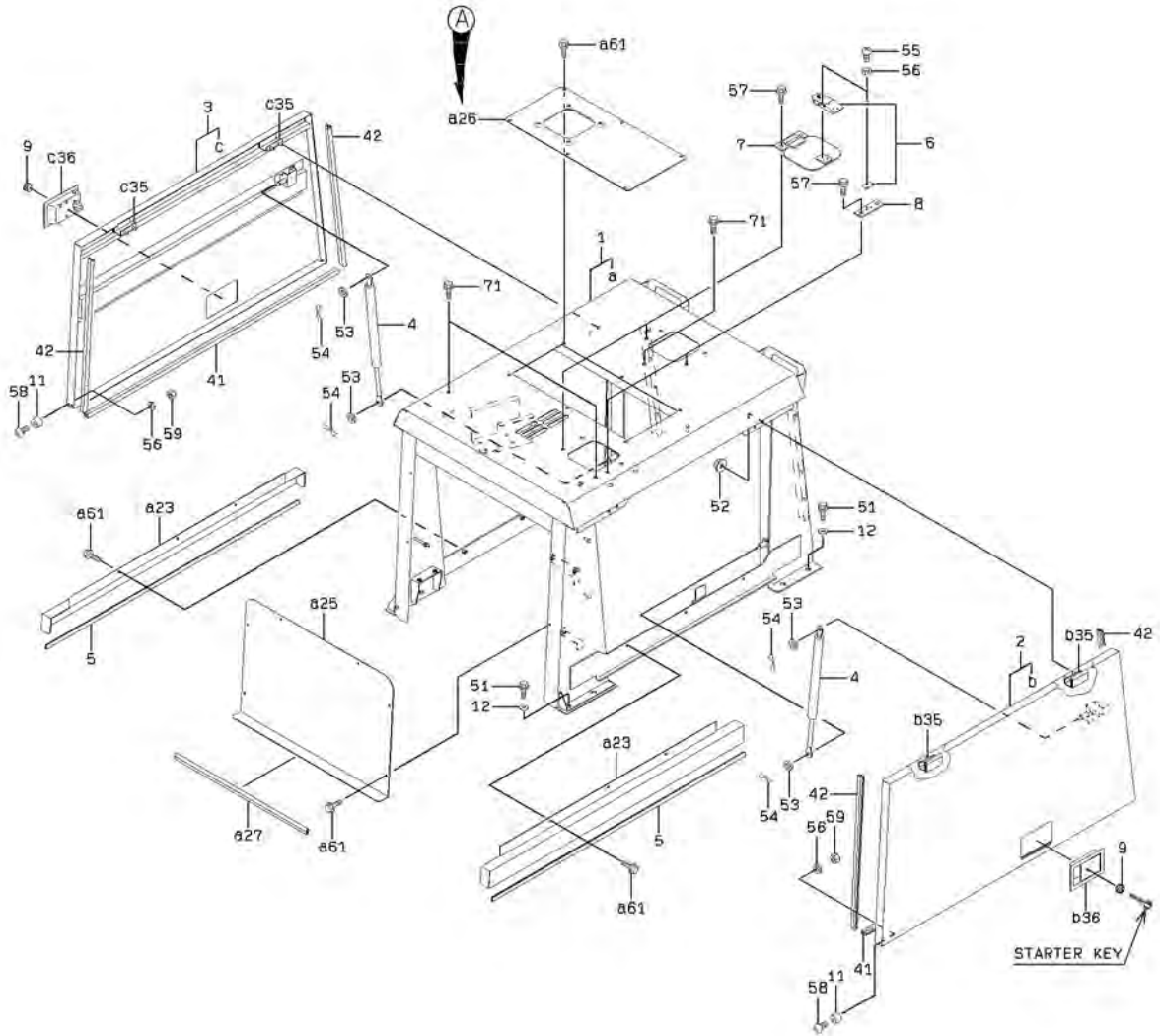
<S/N 5001 - 5008>



L-E

ENGINE ROOM MOUNT

<S/N 5009 - >



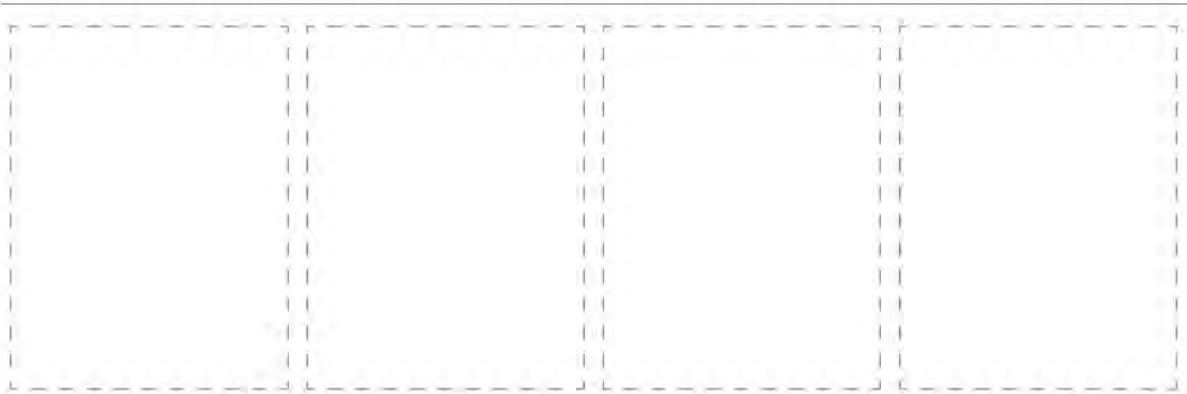
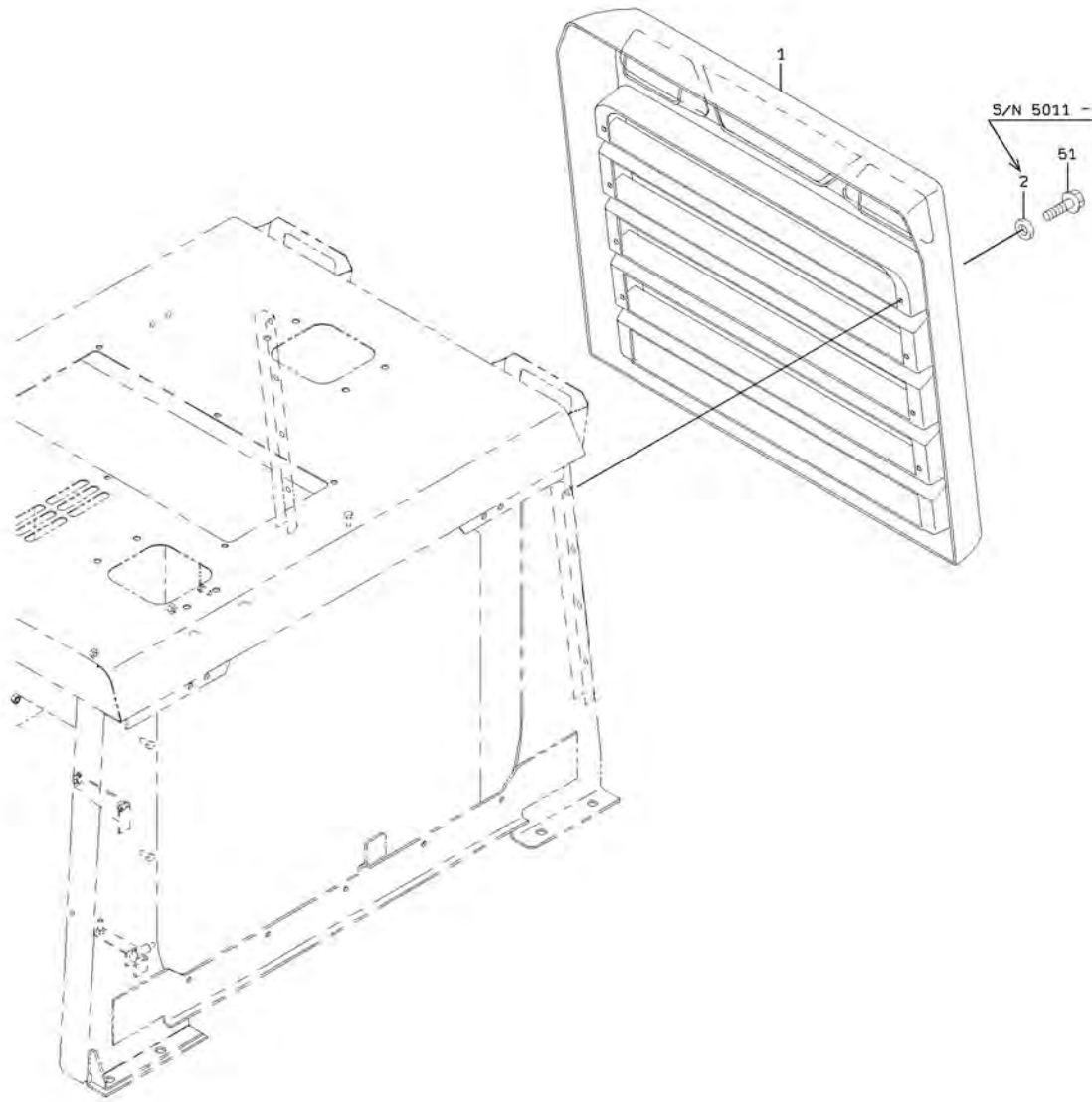
2-4

ENGINE ROOM MOUNT

SYM-BOL	PART NUMBER	PART NAME	UNIT Q,TY	SERIAL		REMARKS								
				(A)	(B)	N	P	D	(A)	(B)	(C)	(D)	REMARK	
1A	45380-25420	ROOM ASSY,ENGINE	1	5001	5002									
1B	45380-25540	ROOM ASSY,ENGINE	1	5003	5008	B					Y01			
1C	45380-25860	ROOM ASSY,ENGINE	1	5009	5012	B					Y01			
1D	45380-26010	ROOM ASSY,ENGINE	1	5013		C					Y01			
2A	31205-47900	COVER	1	5001	5008							Y02		FR LH
2B	31205-53500	COVER	1	5009		B						Y02		FR LH
3A	31205-47910	COVER	1	5001	5008								Y03	FR RH
3B	31205-53510	COVER	1	5009		B							Y03	FR RH
4A	35211-60070	STAY ASSY	2	5001										
5A	34041-25090	STRIP, SEAL	2	5001										
6A	32150-60050	CATCH	2	5001										
7A	31241-20190	COVER ASSY	2	5001										
8A	41612-33760	PLATE	2	5001										
9A	32110-60010	KEY	2	5001										
11A	35440-20960	STOPPER	2	5001										
12A	46011-20200	WASHER,PLANE	8	5001										
23A	31205-46040	COVER	1	5001	5008							01		FR LH
23B	31205-53490	COVER	2	5009		B						01		
24A	31205-46050	COVER	1	5001	5008		D					01		FR RH
25A	41608-50020	PLATE	1	5001								01		
26A	41608-45580	PLATE	1	5001	5012							01		
26B	41750-40790	PLATE	1	5013		C						01		
27A	34041-20660	STRIP, SEAL	1	5003								01		
35A	39890-70050	HINGE	2	5001									02	03
36A	32153-60180	CATCH,DOOR	1	5001									02	03
41A	34041-25100	STRIP, SEAL	2	5001										
42A	34041-23150	STRIP, SEAL	4	5001										
51A	61802-12030	BOLT,FLANGED	8	5001										
52A	62480-21081	NUT,FLANGED	8	5001										
53A	62701-40081	WASHER,PLANE	4	5001										
54A	63002-02016	PIN,SPLIT	4	5001										
55A	62256-51406	SCREW	12	5001										
56A	62721-04100	WASHER,SPRING	14	5001										
57A	61802-10020	BOLT,FLANGED	8	5001										
58A	62256-51416	SCREW	2	5001										
59A	62401-81041	NUT	2	5001										
61A	61802-08016	BOLT,FLANGED	22	5001	5008							01		
61B	61802-08016	BOLT,FLANGED	18	5009								01		
71A	61802-10012	BOLT,FLANGED	3	5009										

MEMO

REAR GRILLE GROUP

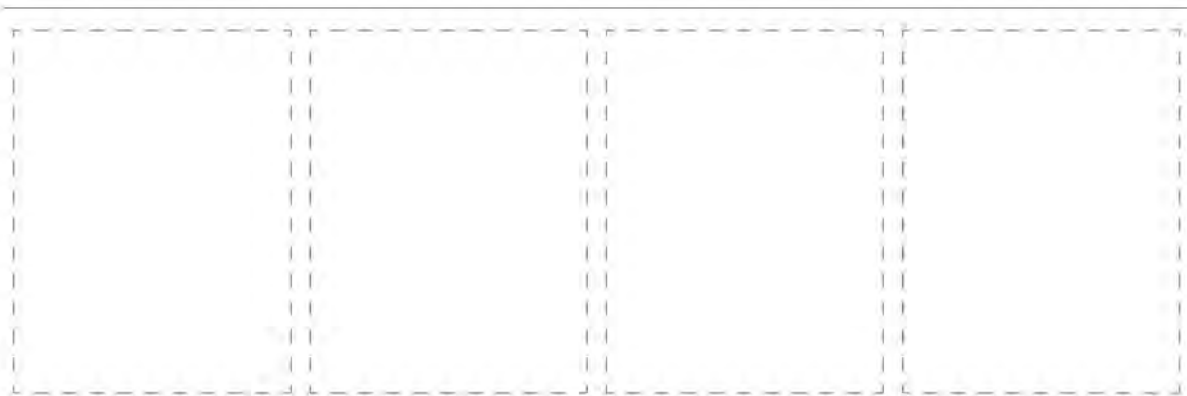
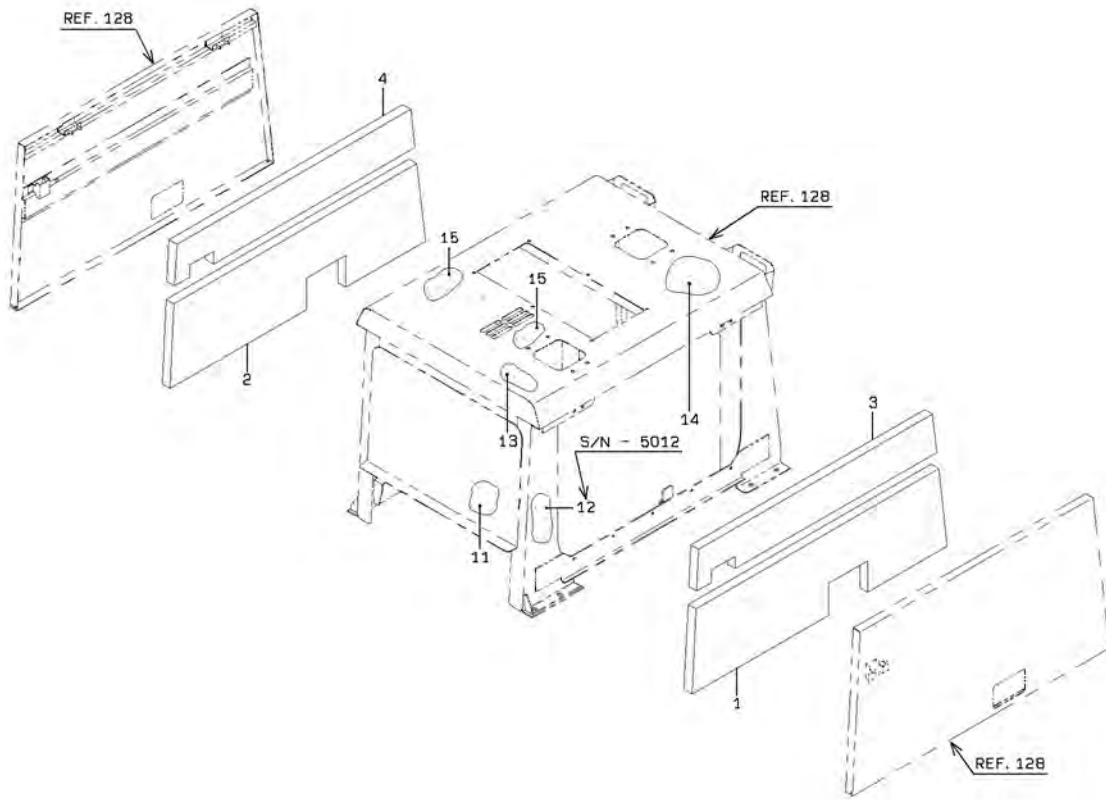


1-B

REAR GRILLE GROUP

SYM-BOL	PART NUMBER	PART NAME	UNIT Q,TY	SERIAL (A) - (B)	REMARKS					
					N	P	D	(A)	(B)	(C)
1A	31200-39790	COVER	1	5001 -						
2A	46011-20180	WASHER,PLANE	8	5011 -						
51A	61802-08020	BOLT,FLANGED	8	5001 -						

SPONGE MOUNT

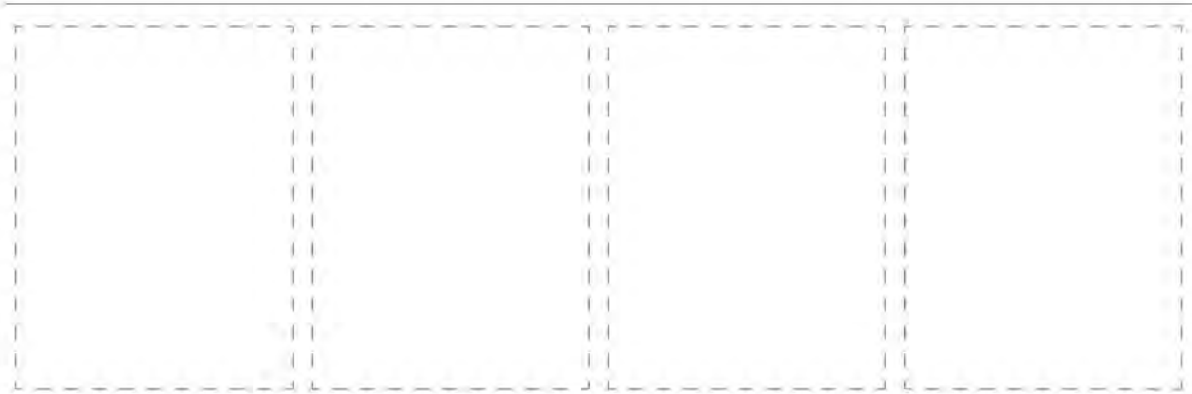
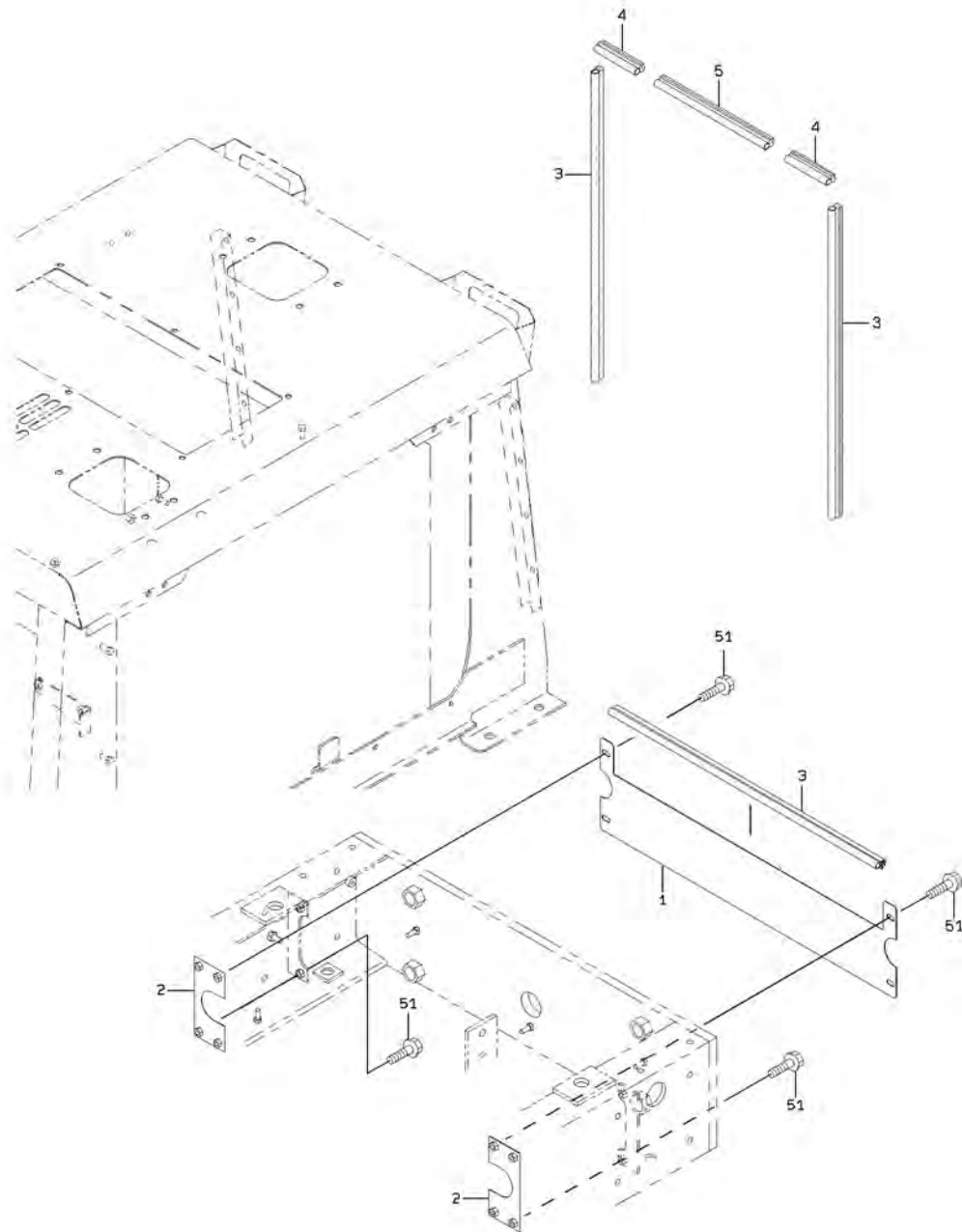


1-B

SPONGE MOUNT

SYM-BOL	PART NUMBER	PART NAME	UNIT Q,TY	SERIAL		REMARKS						
				(A)	(B)	N	P	D	(A)	(B)	(C)	(D)
1A	35680-54400	SPONGE	1	5001	-							FR LH
2A	35680-54410	SPONGE	1	5001	-							FR RH
3A	35680-54420	SPONGE	1	5001	-	5002						FR LH
3B	35680-57900	SPONGE	1	5003	-							FR LH
4A	35680-54430	SPONGE	1	5001	-	5002						FR RH
4B	35680-57910	SPONGE	1	5003	-							FR RH
11A	35680-53990	SPONGE	1	5001	-							
12A	35680-55840	SPONGE	1	5001	-	5012		D				
13A	35680-55850	SPONGE	1	5001	-							35681-20640
14A	35680-55860	SPONGE	1	5001	-	5012						
14B	35681-20650	SPONGE	1	5013	-							
15A	35680-55870	SPONGE	2	5001	-	5012						
15B	35680-55870	SPONGE	1	5013	-			B				

WIND SHIELD GROUP

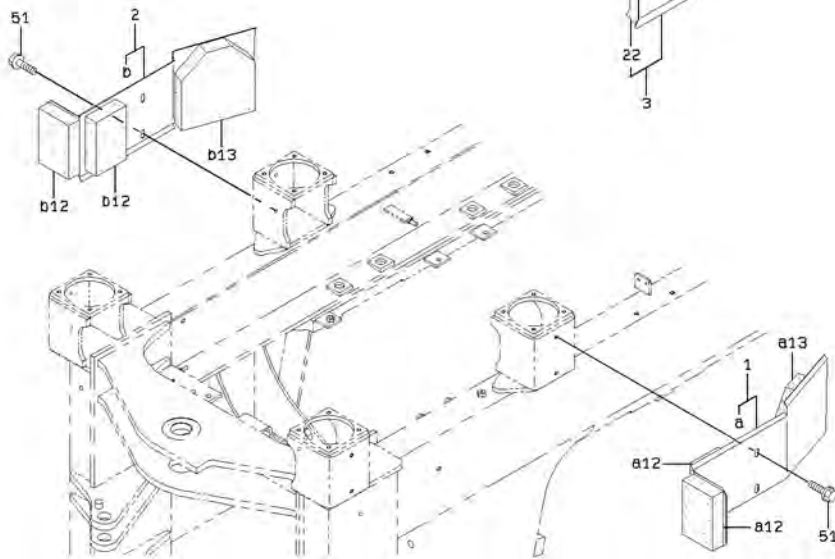
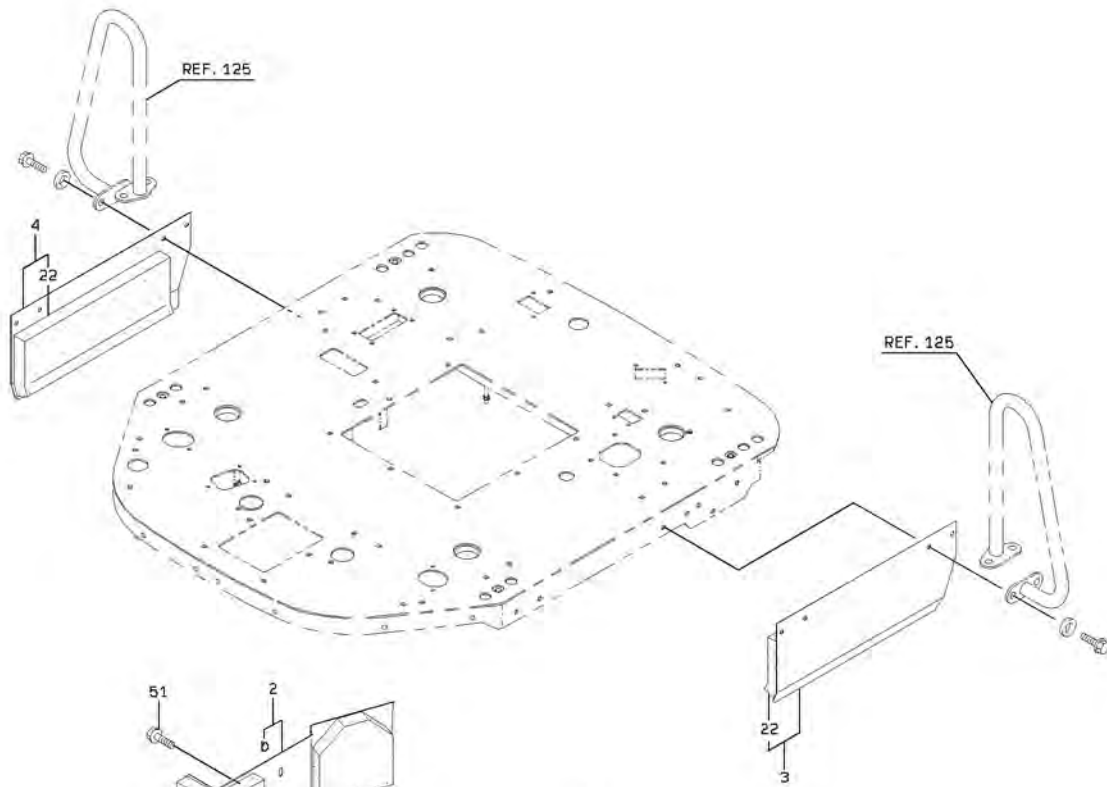


1-B

WIND SHIELD GROUP

SYM-BOL	PART NUMBER	PART NAME	UNIT Q,TY	SERIAL		REMARKS								
				(A)	(B)	N	P	D	(A)	(B)	(C)	(D)	REMARK	
1A	41608-54870	PLATE	1	5001	-	5040								
1B	41712-44970	PLATE	1	5041	-		C							
2A	41619-53270	PLATE	2	5001	-	5040								
2B	41751-48740	PLATE	2	5041	-		C							
3A	34041-20660	STRIP, SEAL	3	5001	-									
4A	34041-20600	STRIP, SEAL	2	5001	-									
5A	34041-20050	STRIP, SEAL	1	5001	-									
51A	61802-08020	BOLT,FLANGED	8	5001	-									

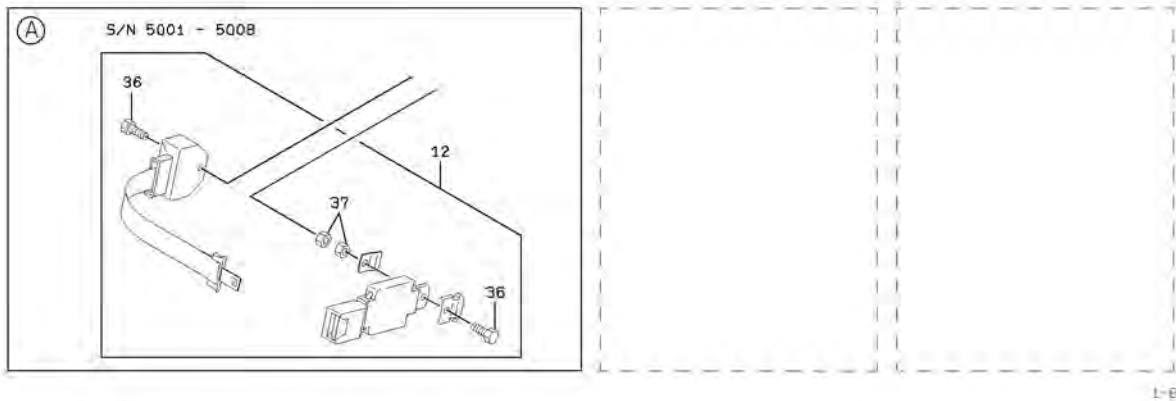
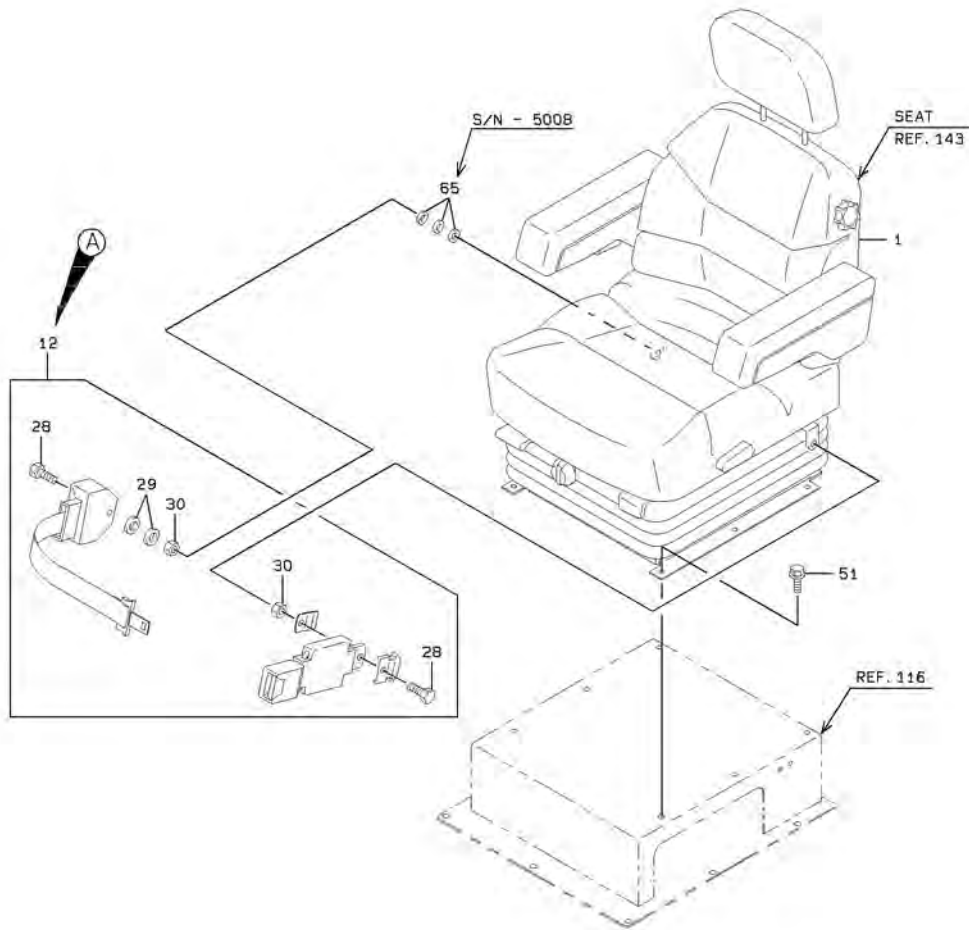
COVER MOUNT



COVER MOUNT

SYM-BOL	PART NUMBER	PART NAME	UNIT Q, TY	SERIAL (A) - (B)	REMARKS						
					N	P	D	(A)	(B)	(C)	(D)
1A	31205-48340	COVER	1	5001 -				Y01			FR LH
2A	31205-48350	COVER	1	5001 -					Y02		FR RH
3A	31205-47940	COVER	1	5001 -						Y03	FR LH
4A	31205-47950	COVER	1	5001 -							FR RH
12A	35680-55570	SPONGE	2	5001 -				01	02		
13A	35680-55230	SPONGE	1	5001 -				01	02		
22A	35680-55940	SPONGE	1	5001 -						03	04
51A	61802-10012	BOLT, FLANGED	4	5001 -							

SEAT GROUP

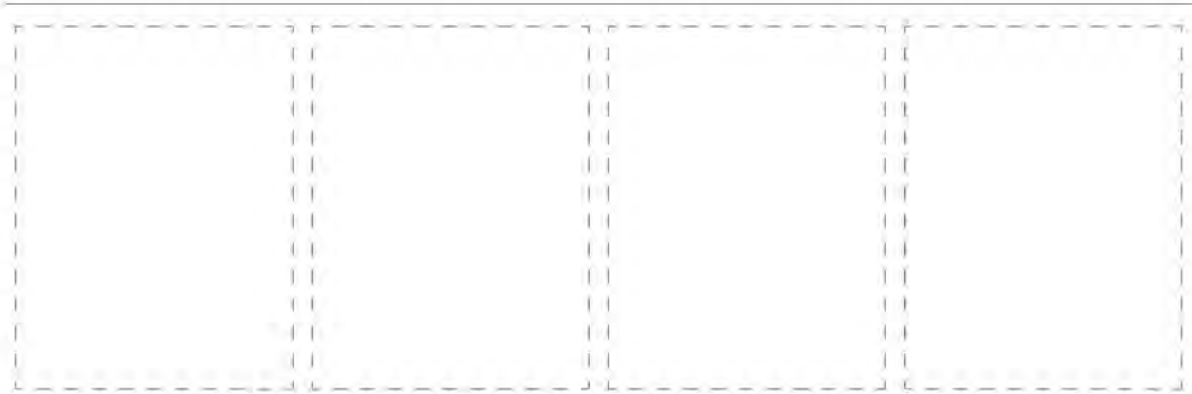
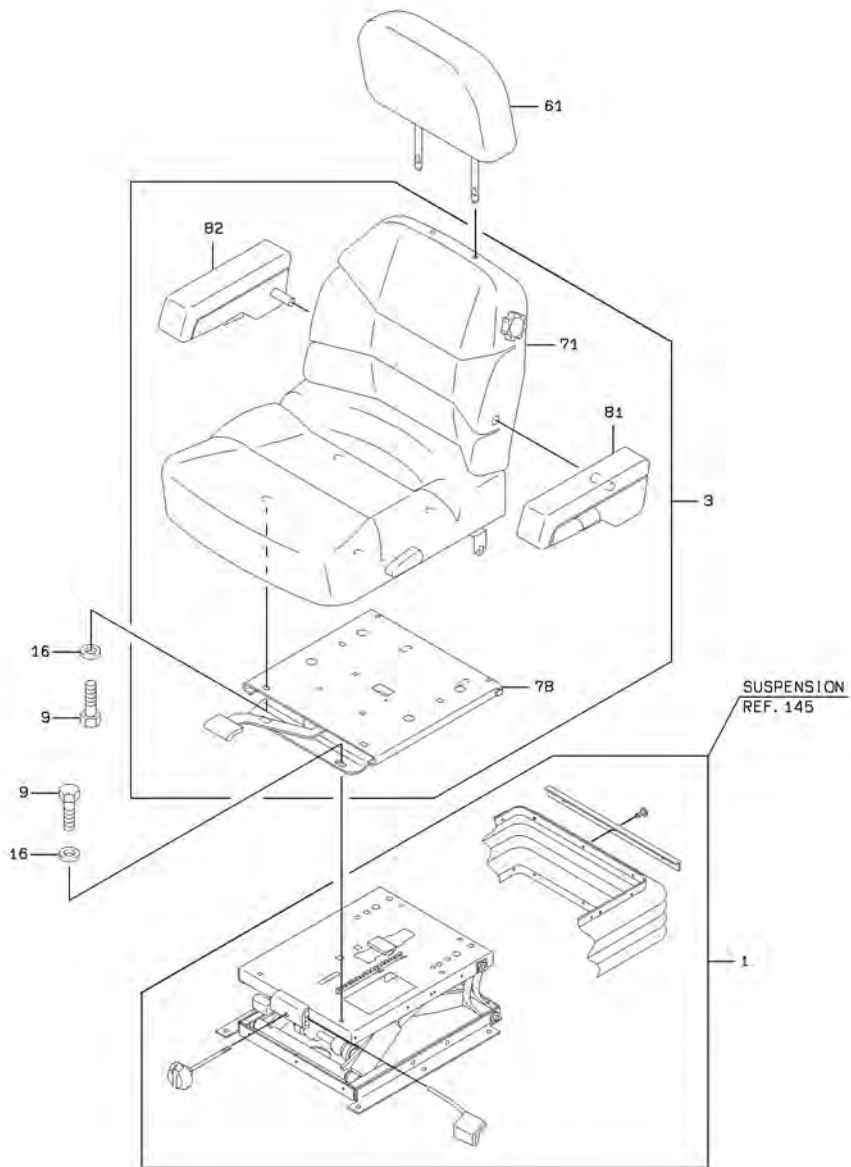


L-E

SEAT GROUP

SYM-BOL	PART NUMBER	PART NAME	UNIT Q, TY	SERIAL		REMARKS				REMARK	
				(A)	(B)	N	P	D	(A)		(B)
1A	33921-60580-7	SEAT ASSY	1	5001	-						REF.143
12A	43005-70060-7	BELT, SEAT	1	5001	-	5008			Y01		
12B	43005-60050-7	BELT, SEAT	1	5009	-		C			Y02	
28A	43900-73260-7	BOLT	4	5009	-					02	
29A	46011-70630-7	WASHER, PLANE	2	5009	-					02	
30A	37643-70080-7	NUT, SELF-LOCKING	2	5009	-					02	
36A	43900-73260-7	BOLT	2	5001	-	5008	D		01		
37A	37643-70080-7	NUT, SELF-LOCKING	2	5001	-	5008	D		01		
51A	61802-08016	BOLT, FLANGED	6	5001	-						
65A	62701-40121	WASHER, PLANE	3	5001	-	5008	D				

SEAT

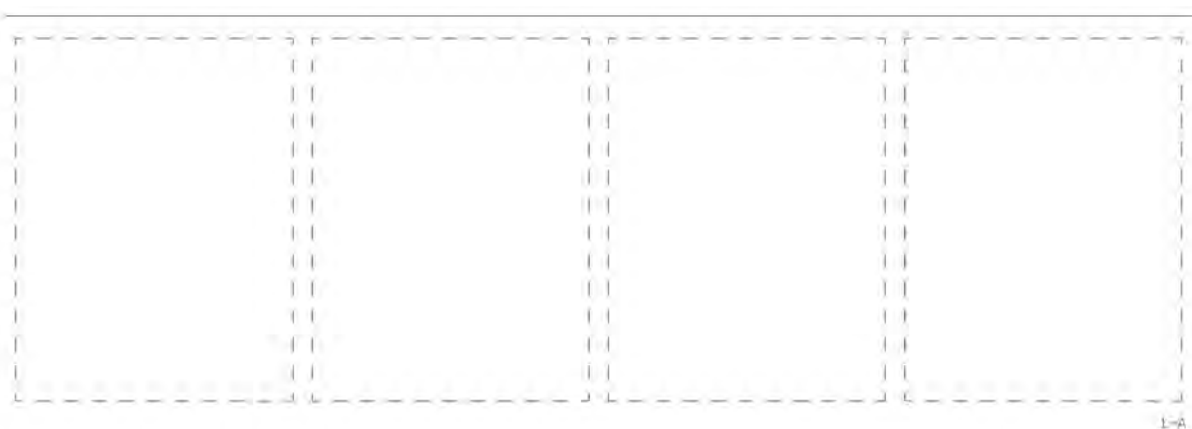
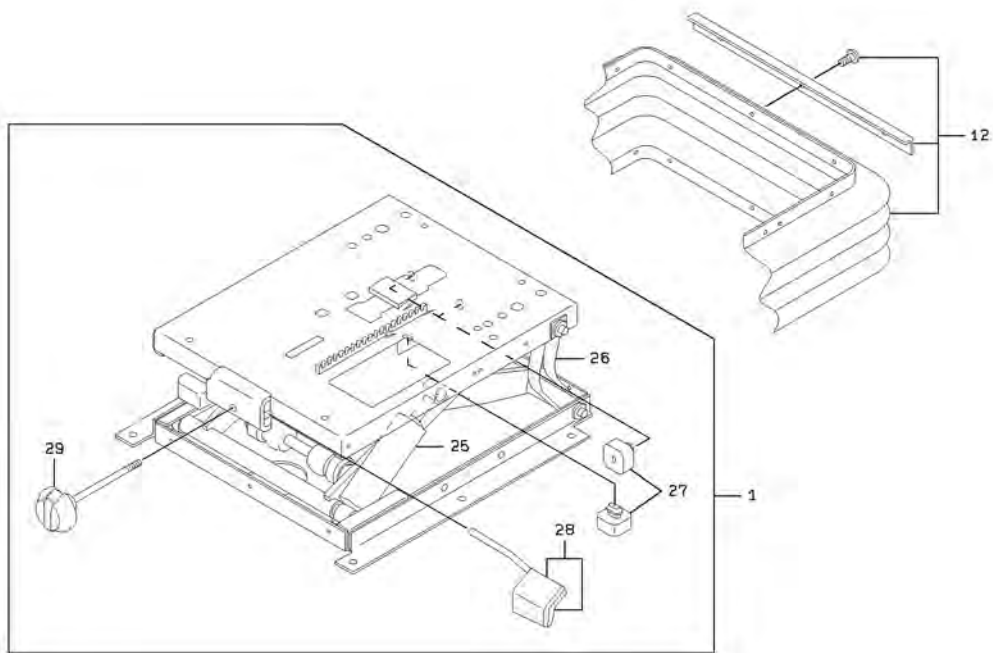


1-4

SEAT

SYM-BOL	PART NUMBER	PART NAME	UNIT Q,TY	SERIAL		REMARKS						
				(A)	(B)	N	P	D	(A)	(B)	(C)	(D)
000A	33921-60580-7	SEAT ASSY	1	5001	-							BLACK VINYL
1A	33500-70020-7	SUSPENSION ASSY	1	5001	-							REF.145
3A	33921-70190-7	SEAT ASSY	1	5001	-					Y01		
9A	43900-73530-7	BOLT	8	5001	-							
16A	46011-70650-7	WASHER,PLANE	8	5001	-							
61A	42761-70020-7	HEADREST	1	5001	-							
71A	32860-70040-7	CUSHION ASSY,SEAT	1	5001	-					01		
78A	30215-70250-7	ADJUSTOR,SEAT	1	5001	-					01		
81A	30062-70380-7	ARMREST	1	5001	-					01		FR LH
82A	30062-70390-7	ARMREST	1	5001	-					01		FR RH

SUSPENSION

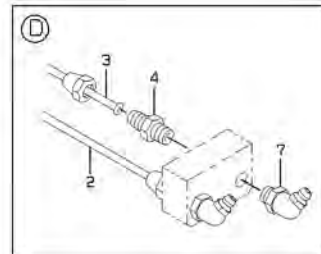
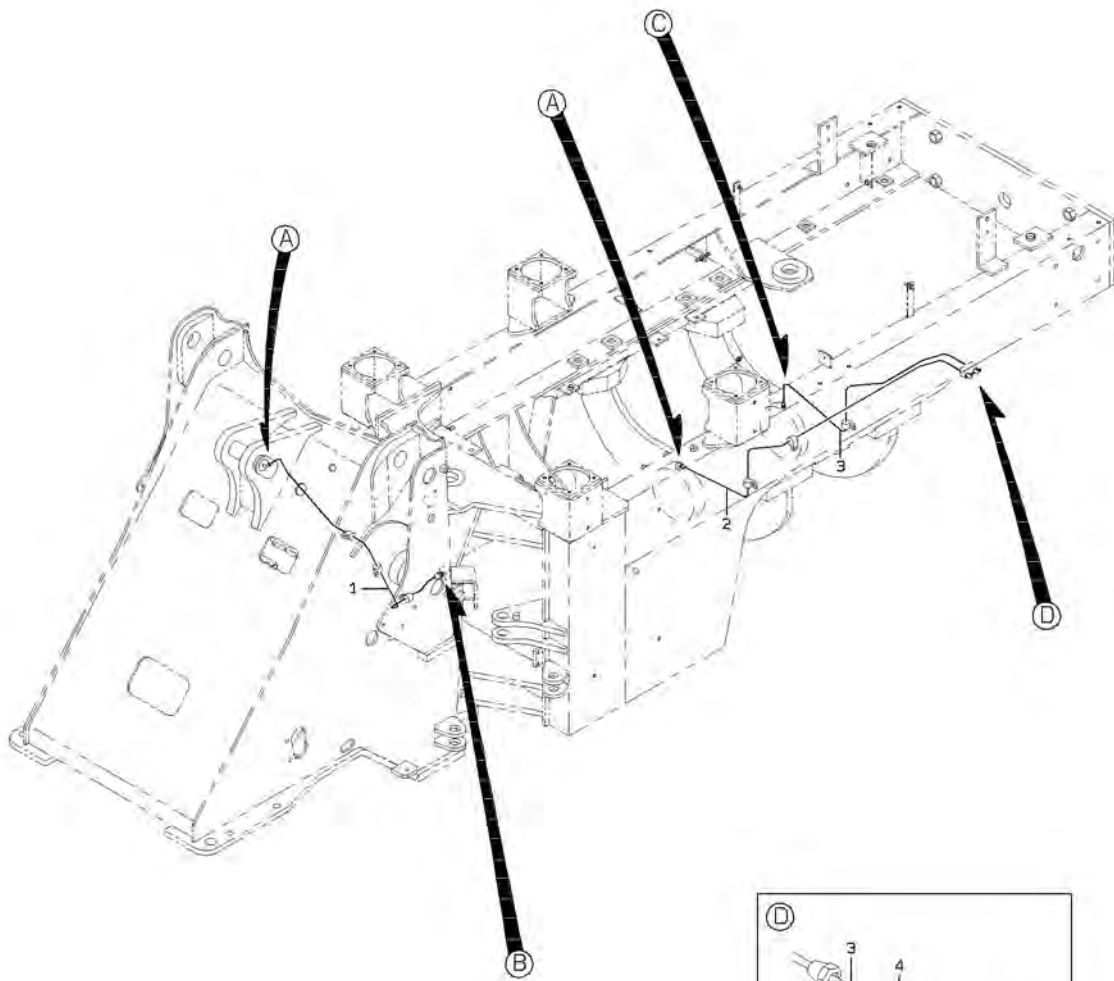


1-4

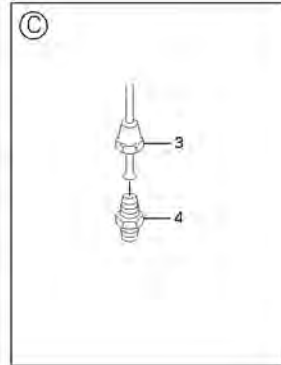
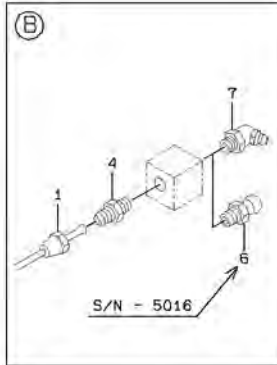
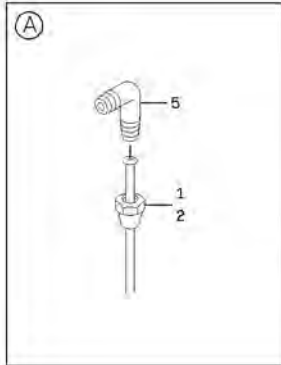
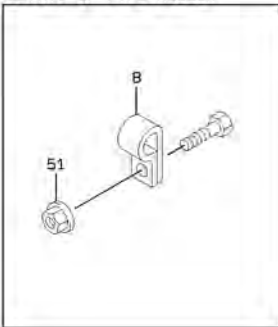
SUSPENSION

SYM-BOL	PART NUMBER	PART NAME	UNIT Q,TY	SERIAL (A) - (B)	REMARKS				REMARK
					N	P	D		
000A	33500-70020-7	SUSPENSION ASSY	1	5001 -					
1A	33500-70030-7	SUSPENSION ASSY	1	5001 -		Y01			
12A	40790-70360-7	BOOT	1	5001 -					
25A	49190-70010-7	SHOCK ABSORBER SET	1	5001 -			01		
26A	43000-70060-7	BELT	2	5001 -			01		
27A	38691-70030-7	BUMPER	1	5001 -			01		
28A	37810-70530-7	KNOB	1	5001 -			01		
29A	37811-70010-7	KNOB ASSY,HANDLE	1	5001 -			01		

GREASE PIPING



DETAIL OF PIPE HOLDER

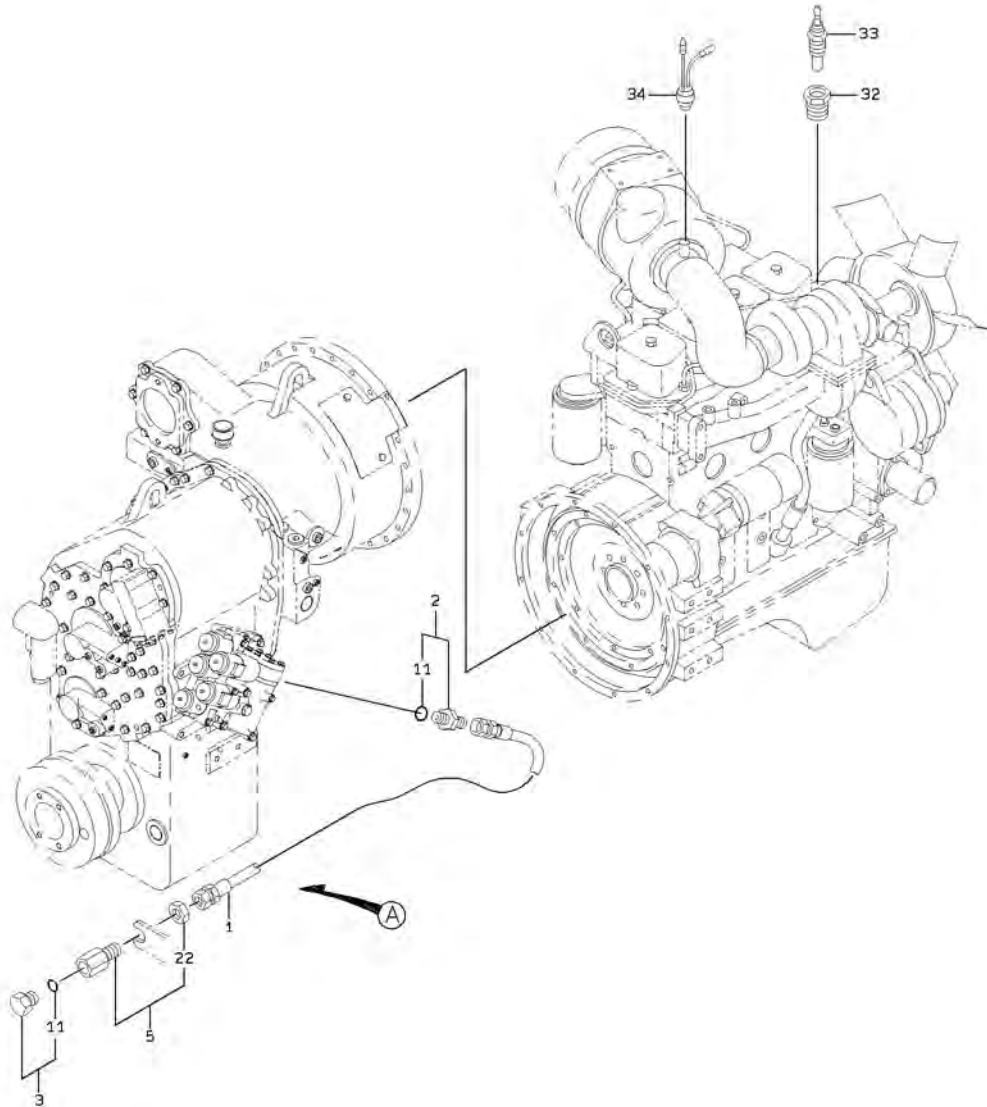


L-E

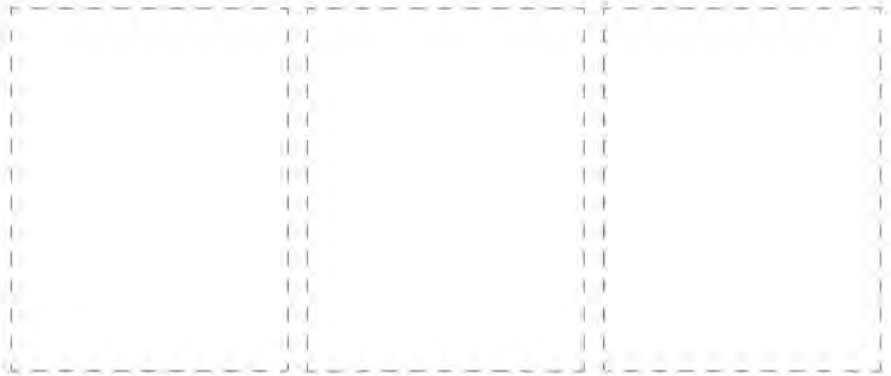
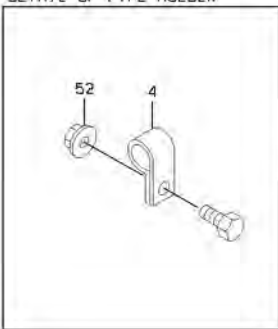
GREASE PIPING

SYM-BOL	PART NUMBER	PART NAME	UNIT Q, TY	SERIAL		REMARKS						
				(A)	(B)	N	P	D	(A)	(B)	(C)	(D)
1A	38705-46090	PIPE ASSY, FLARED	1	5001	-							TILT CYL.
2A	38706-20090	PIPE ASSY, FLARED	1	5001	-							A/S F 38705551
3A	38706-20100	PIPE ASSY, FLARED	1	5001	-							A/S R 38705553
4A	69100-10600	FLARED FITTING	4	5001	-							
5A	69100-20600	FLARED FITTING, ELB	2	5001	-							
6A	75011-25400	NIPPLE, GREASE	1	5001	-	5016	D					
7A	75011-45400	NIPPLE, GREASE	2	5001	-	5016						
7B	75011-45400	NIPPLE, GREASE	3	5017	-							
8A	72001-10600	HOLDER, PIPE	A/R	5001	-							D=6.35
51A	62480-21081	NUT, FLANGED	6	5001	-							

GAUGE GROUP



DETAIL OF PIPE HOLDER

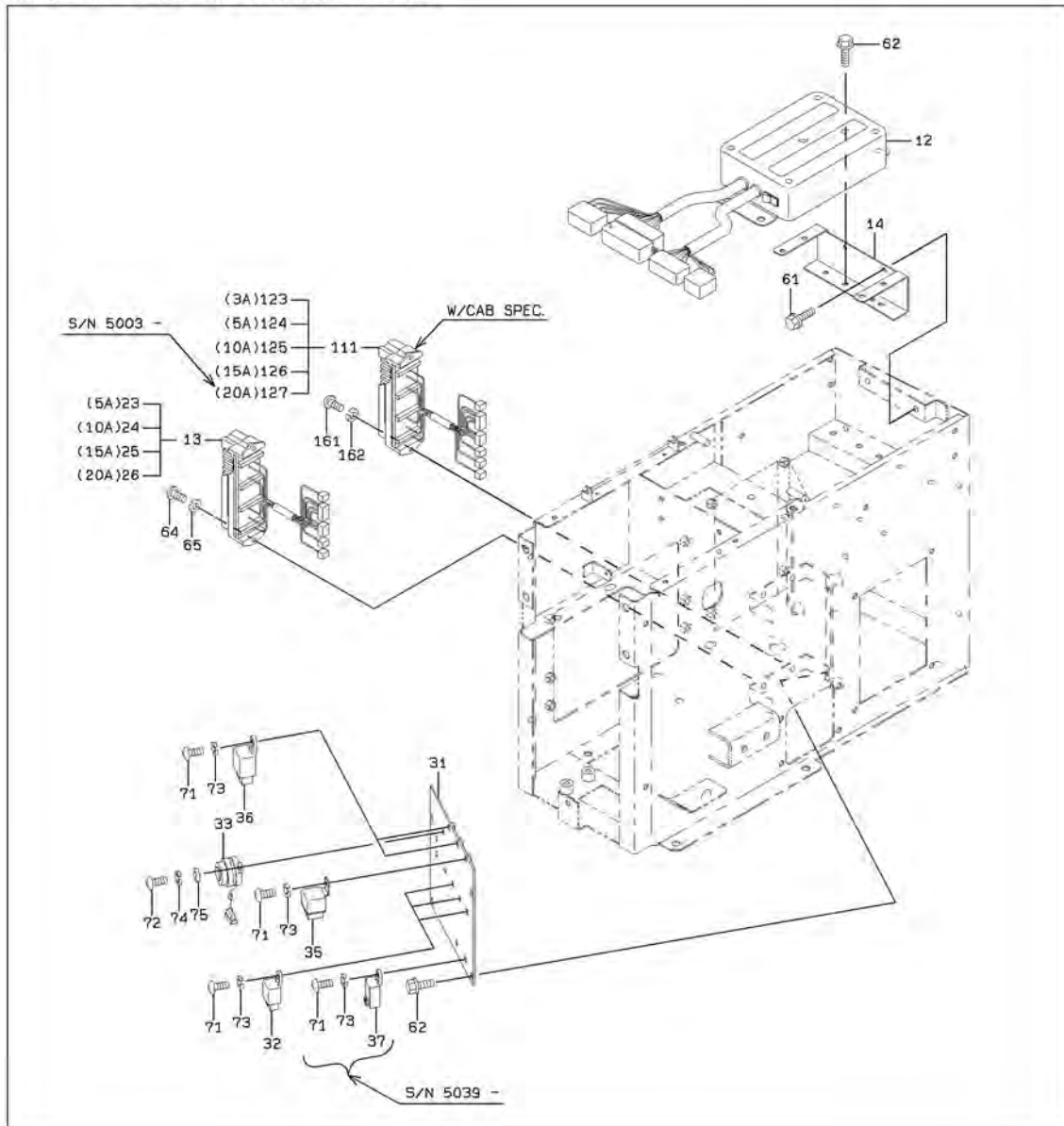


GAUGE GROUP

SYM-BOL	PART NUMBER	PART NAME	UNIT Q,TY	SERIAL		REMARKS								
				(A)	(B)	N	P	D	(A)	(B)	(C)	(D)	REMARK	
1A	68055-10090	HOSE,HIGH PRESSURE	1	5001	-									
2A	88201-06704	ADAPTER	1	5001	-				Y01					
3A	88390-21304	PLUG	1	5001	-				Y01					
4A	72001-11200	HOLDER,PIPE	A/R	5001	-									D=12
5A	30230-24360	ADAPTER	1	5001	-					Y02				
11A	65210-12011	RING,O	1	5001	-				01					
22A	37600-23800	NUT	1	5001	-					02				
32A	30230-25770	ADAPTER	1	5001	-									
33A	35829-60050	SENSOR,TEMPERATURE	1	5001	-									
34A	35830-70010	SENSOR,PRESSURE	1	5001	-									
52A	62480-21081	NUT,FLANGED	A/R	5001	-									62401-81081

ELECTRICAL PARTS MOUNT

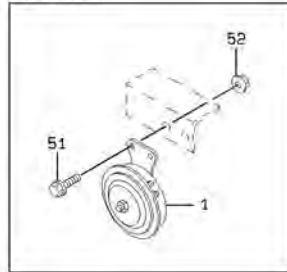
CONTROL UNIT & FUSE BOX & ELECTRICAL UNIT MOUNT



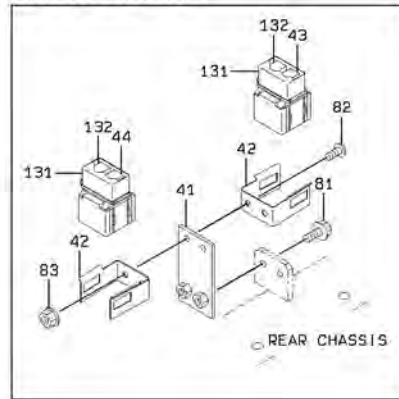
L-C

ELECTRICAL PARTS MOUNT

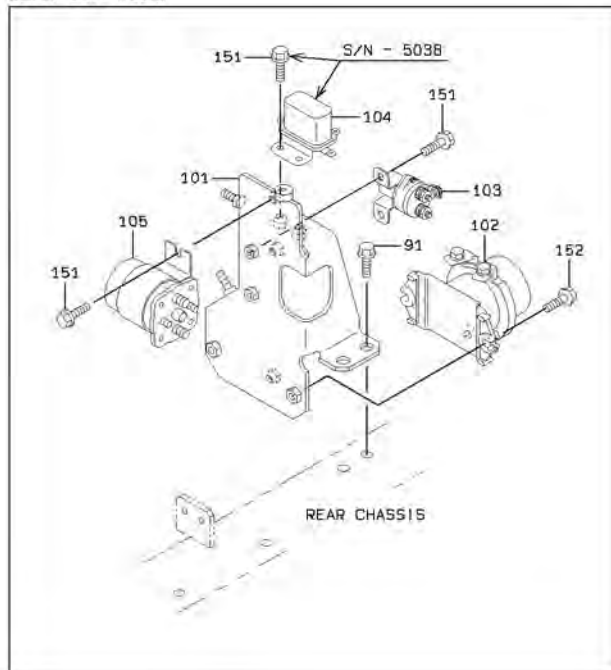
HORN MOUNT



SLOW BLOW FUSE MOUNT



RELAY UNIT MOUNT



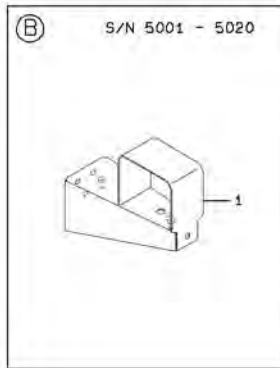
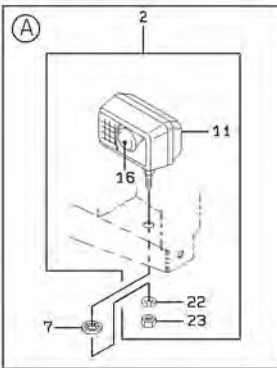
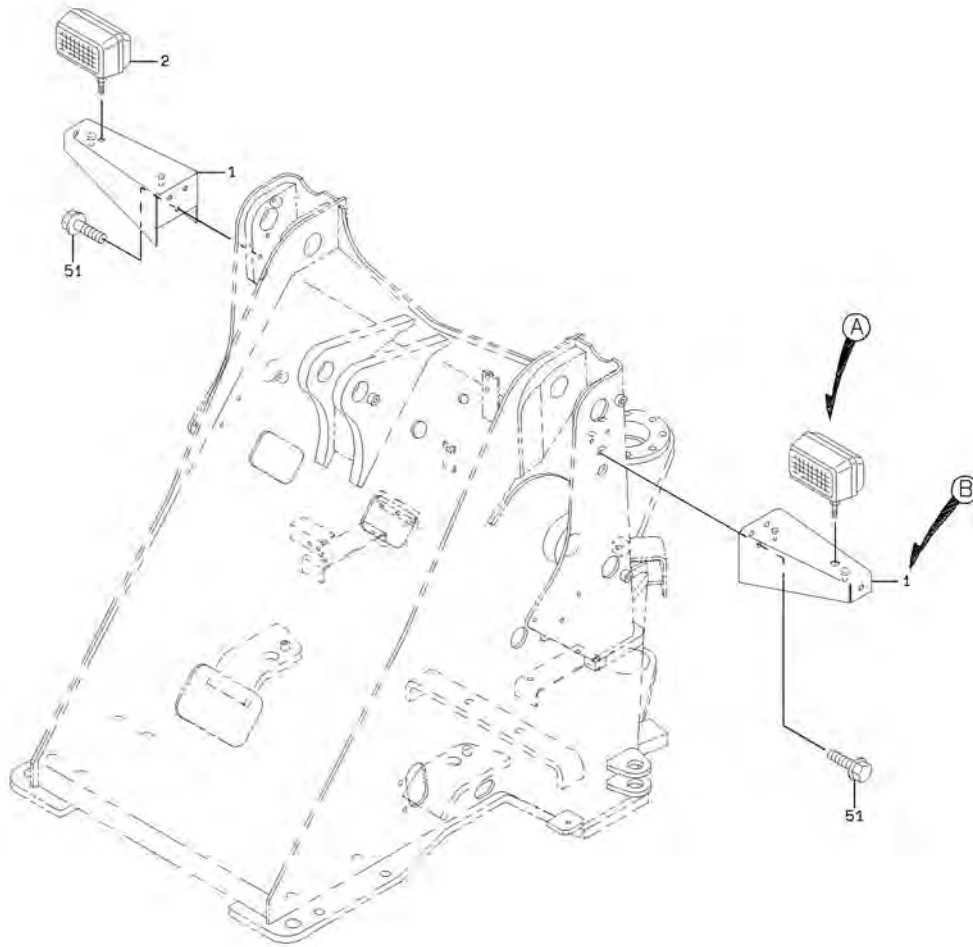
3-C

ELECTRICAL PARTS MOUNT

SYM-BOL	PART NUMBER	PART NAME	UNIT Q,TY	SERIAL		REMARKS							
				(A)	(B)	N	P	D	(A)	(B)	(C)	(D)	REMARK
1A	43300-60010	HORN	1	5001	-								
12A	33410-61430	CONTROLLER UNIT	1	5001	-								
13A	43871-20440	BOX,FUSE	1	5001	-					Y01			
14A	40901-34350	BRACKET	1	5001	-								
23A	39880-70130	FUSE	A/R	5001	-					01			5A
24A	39880-70110	FUSE	A/R	5001	-					01			10A
25A	39880-70100	FUSE	A/R	5001	-					01			15A
26A	39880-70090	FUSE	A/R	5001	-					01			20A
31A	41620-24770	PLATE	1	5001	-								
32A	45050-70310	RELAY	3	5001	-								
33A	40810-20020	BUZZER	1	5001	-								
35A	45050-70260	RELAY	1	5001	-								
36A	45050-70350	RELAY	2	5001	-								
37A	45050-60090	RELAY	1	5039	-								
41A	41619-23490	PLATE	1	5001	-								
42A	41600-48260	PLATE	2	5001	-								
43A	39880-20020	FUSE	1	5001	-								50A
44A	39880-70250	FUSE	1	5001	-								30A
51A	61802-08016	BOLT,FLANGED	2	5001	-								
52A	62480-21081	NUT,FLANGED	2	5001	-								
61A	61802-06016	BOLT,FLANGED	2	5001	-								
62A	61802-08012	BOLT,FLANGED	8	5001	-								
64A	62256-51620	SCREW	2	5001	-								
65A	62721-06100	WASHER,SPRING	2	5001	-								
71A	62256-51610	SCREW	6	5001	-	5038							
71B	62256-51610	SCREW	7	5039	-								
72A	62256-51412	SCREW	2	5001	-								
73A	62721-06100	WASHER,SPRING	6	5001	-	5038							
73B	62721-06100	WASHER,SPRING	7	5039	-								
74A	62721-04100	WASHER,SPRING	2	5001	-								
75A	62701-20041	WASHER,PLANE	2	5001	-								
81A	61802-08025	BOLT,FLANGED	2	5001	-								
82A	62256-51616	SCREW	2	5001	-								
83A	62480-21061	NUT,FLANGED	2	5001	-								
91A	61802-12020	BOLT,FLANGED	2	5001	-								
101A	40902-26540	BRACKET	1	5001	-	5040							
101B	40902-50630	BRACKET	1	5041	-		B						
102A	45058-20010	RELAY,BATTERY	1	5001	-								
103A	50401-02460	RELAY	1	5001	-								
104A	50401-00100	RELAY	1	5001	-	5038	D						
105A	50401-00140	SWITCH,MAGNET	1	5001	-								
111A	43871-20270	BOX,FUSE	1	5001	-	5002				Y02			
111B	43871-20450	BOX,FUSE	1	5003	-		C			Y02			
123A	39880-70120	FUSE	A/R	5001	-					02			3A
124A	39880-70130	FUSE	A/R	5001	-					02			5A
125A	39880-70110	FUSE	A/R	5001	-					02			10A
126A	39880-70090	FUSE	A/R	5001	-	5002				02			20A
126B	39880-70100	FUSE	A/R	5003	-		C			02			15A
127A	39880-70090	FUSE	A/R	5003	-					02			20A
131A	43871-70150	BOX,FUSE	2	5001	-								
132A	39880-70220	FUSE	2	5001	-								24V70A
151A	61802-06016	BOLT,FLANGED	6	5001	-	5038							
151B	61802-06016	BOLT,FLANGED	4	5039	-								
152A	61802-08016	BOLT,FLANGED	2	5001	-								
161A	62256-51620	SCREW	2	5001	-								
162A	62721-06100	WASHER,SPRING	2	5001	-								

MEMO

FRONT LAMP MOUNT

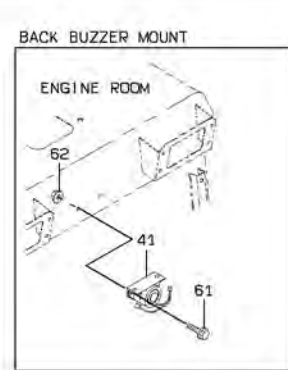
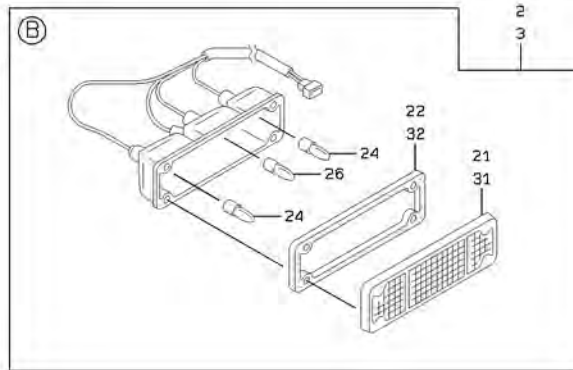
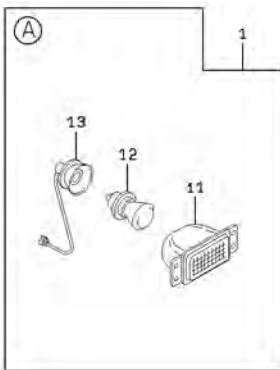
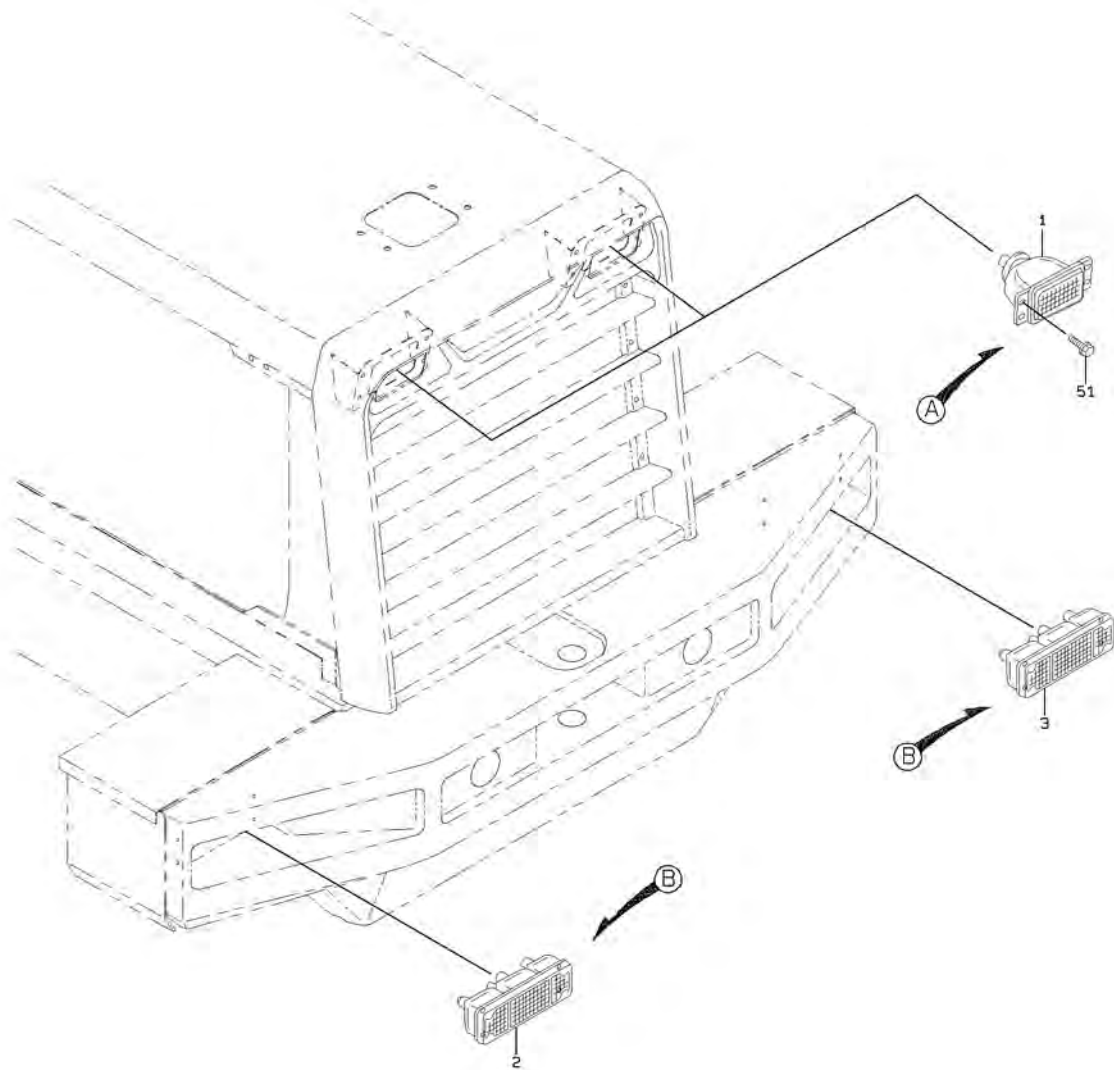


L-6

FRONT LAMP MOUNT

SYM-BOL	PART NUMBER	PART NAME	UNIT Q,TY	SERIAL		REMARKS						
				(A)	(B)	N	P	D	(A)	(B)	(C)	(D)
1A	40968-25660	BRACKET,LAMP	2	5001	- 5020							
1B	40968-26710	BRACKET,LAMP	2	5021	-	B						
2A	44890-60010	LAMP,HEAD	2	5001	-			Y01				
7A	46017-20030	WASHER,TOOTH	2	5001	-							
11A	45701-70050	LENS	1	5001	-			01				
16A	38480-70020	BULB	1	5001	-			01			24V62W/62W	
22A	62721-12100	WASHER,SPRING	1	5001	-			01				
23A	62401-81122	NUT	1	5001	-			01				
51A	61802-10016	BOLT,FLANGED	6	5001	-							

REAR LAMP MOUNT

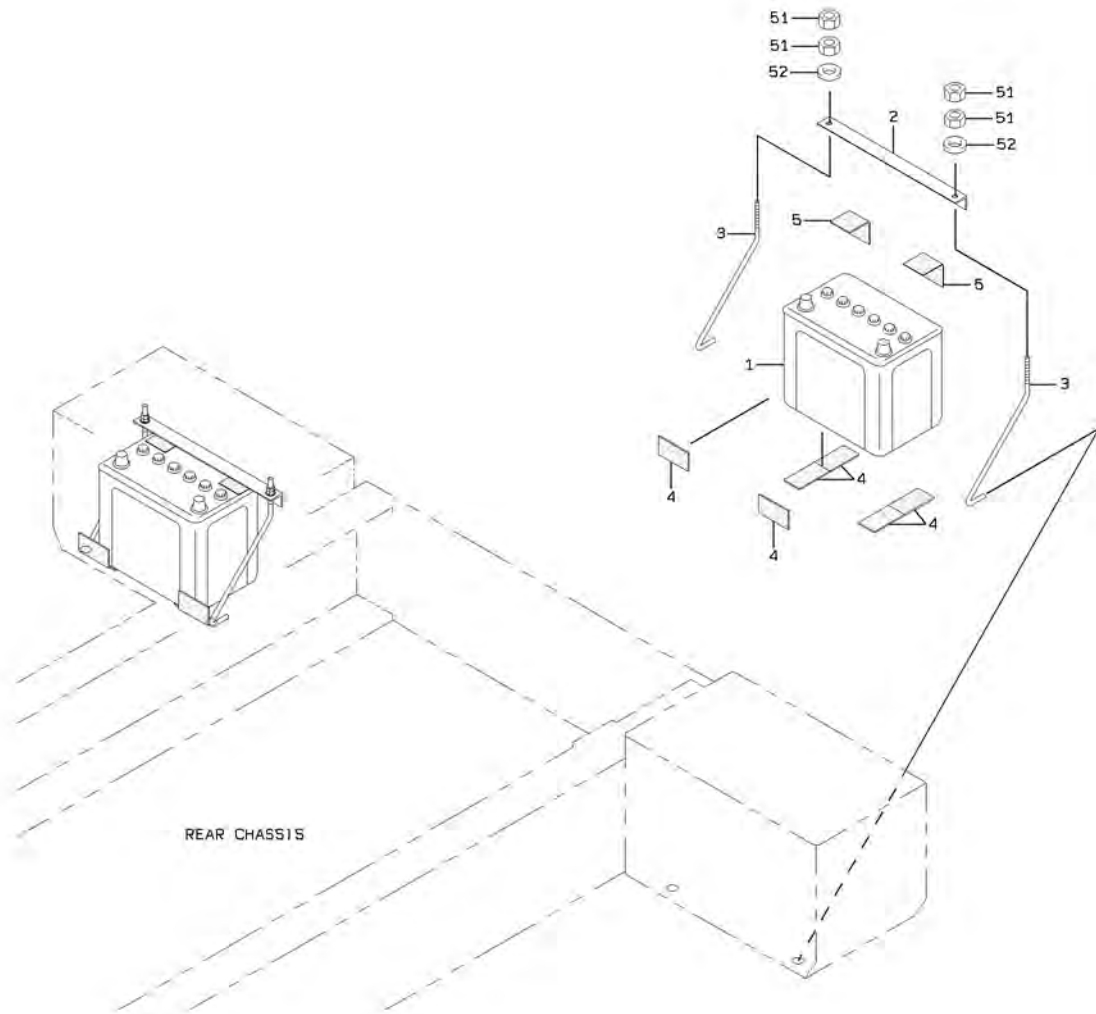


L-4

REAR LAMP MOUNT

SYM-BOL	PART NUMBER	PART NAME	UNIT Q,TY	SERIAL		REMARKS								
				(A)	(B)	N	P	D	(A)	(B)	(C)	(D)	REMARK	
1A	44890-60040	LAMP,HEAD	2	5001	-						Y01			
2A	44881-60050	LAMP,COMBINATION	1	5001	-							Y02		FR LH
3A	44881-60060	LAMP,COMBINATION	1	5001	-								Y03	FR RH
11A	43890-70140	BODY	1	5001	-						01			
12A	38480-70020	BULB	1	5001	-						01			
13A	33191-70080	CABLE ASSY	1	5001	-						01			
21A	45701-60050	LENS	1	5001	-							02		
22A	39600-60020	PACKING	1	5001	-							02		
24A	73200-24014	BULB	2	5001	-							02	03	
26A	73200-24015	BULB	1	5001	-							02	03	
31A	45701-60060	LENS	1	5001	-								03	
32A	39600-60030	PACKING	1	5001	-								03	
41A	40810-60030	BUZZER	1	5001	-									
51A	61802-06016	BOLT,FLANGED	8	5001	-									
61A	61802-06025	BOLT,FLANGED	2	5001	-									
62A	62480-21061	NUT,FLANGED	2	5001	-									

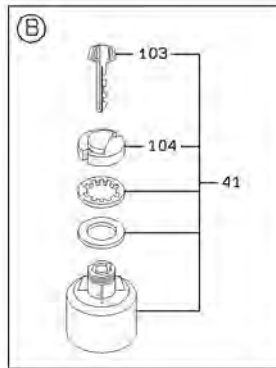
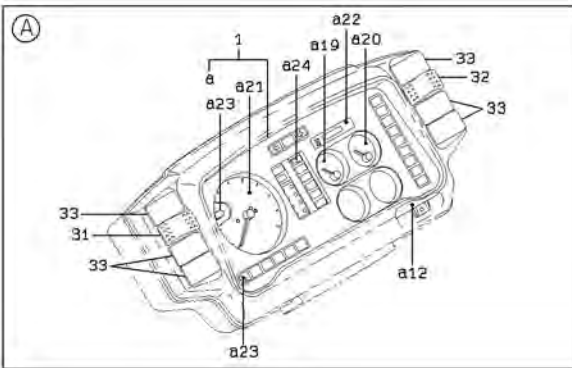
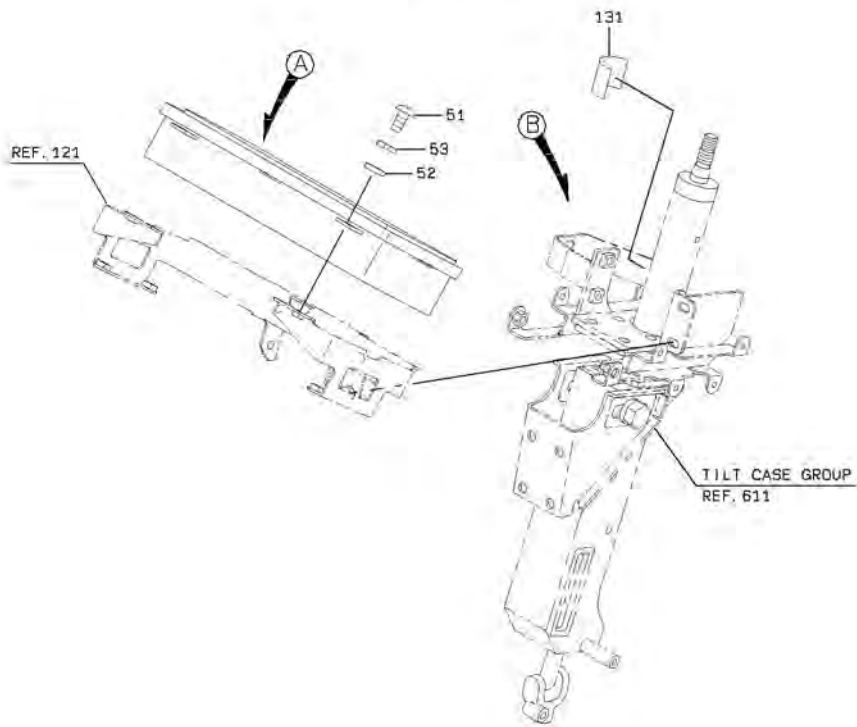
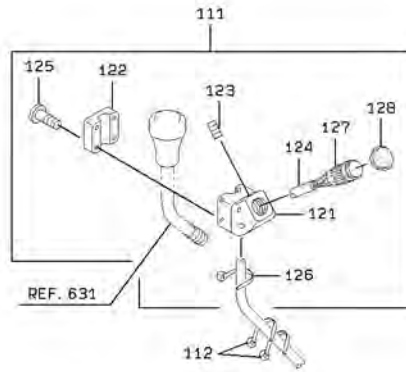
BATTERY & GREASE GUN MOUNT



BATTERY & GREASE GUN MOUNT

SYM-BOL	PART NUMBER	PART NAME	UNIT Q,TY	SERIAL		REMARKS						
				(A)	(B)	N	P	D	(A)	(B)	(C)	(D)
1A	38450-20010	BATTERY	2	5001	5010							
1B	73301-07549	BATTERY	2	5011		A						
2A	41611-54310	PLATE	2	5001								
3A	45870-26680	ROD	4	5001								
4A	33713-20110	SHEET,RUBBER	12	5001								
5A	33713-20080	SHEET,RUBBER	4	5001								
51A	62401-81081	NUT	8	5001								
52A	62701-40081	WASHER,PLANE	4	5001								

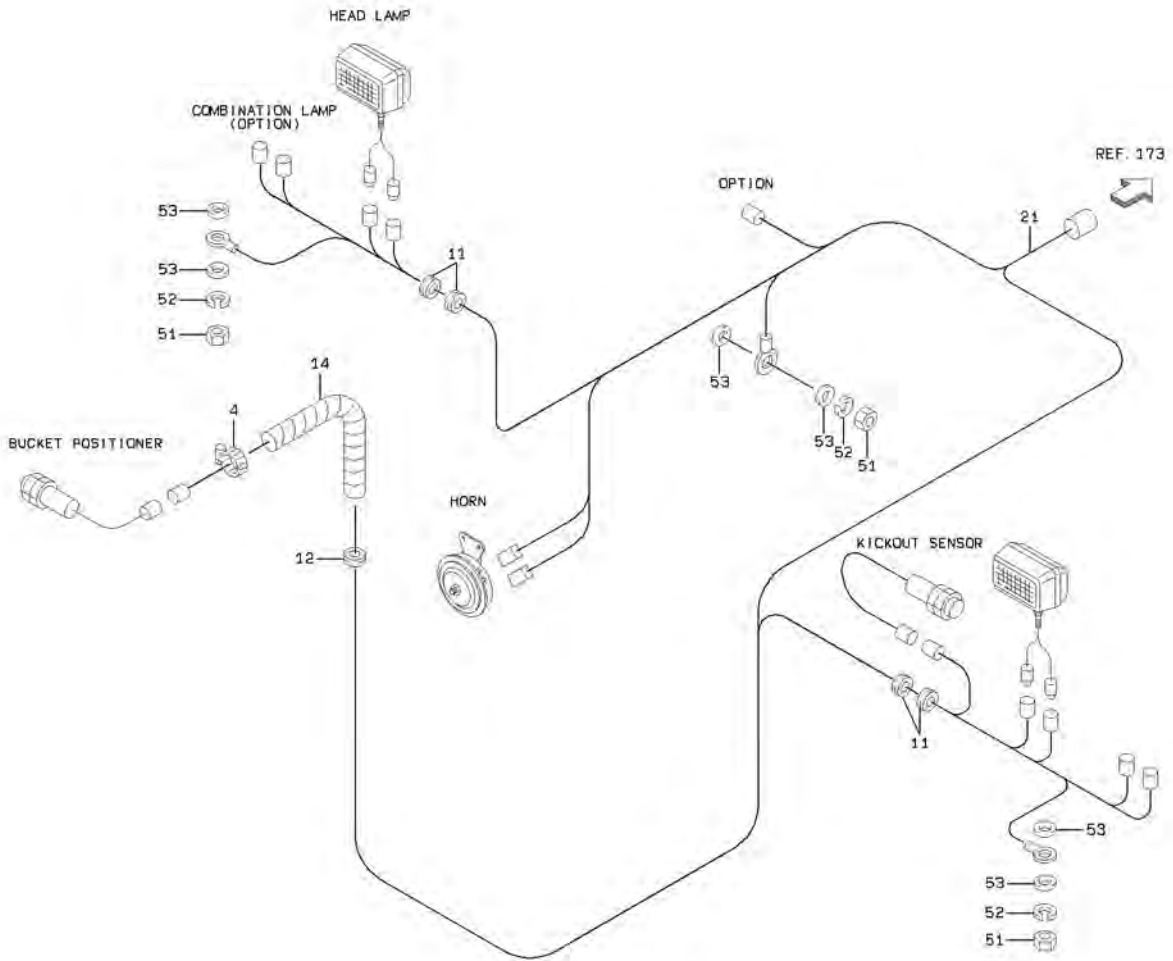
INSTRUMENT PANEL & SWITCH MOUNT



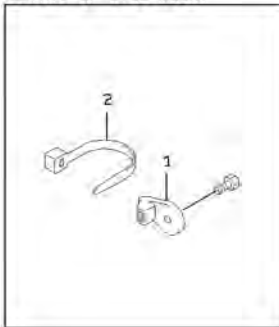
INSTRUMENT PANEL & SWITCH MOUNT

SYM-BOL	PART NUMBER	PART NAME	UNIT Q,TY	SERIAL		REMARKS							
				(A)	(B)	N	P	D	(A)	(B)	(C)	(D)	REMARK
1A	39753-60550	PANEL ASSY,INSTRUM	1	5001	-						Y01		
12A	31205-70120	COVER	1	5001	-						01		
19A	33243-70050	GAUGE,WATER TEMPER	1	5001	-						01		
20A	33241-70030	GAUGE,FUEL LEVEL	1	5001	-						01		
21A	44370-70120	METER,SPEED	1	5001	-						01		
22A	44361-70050	METER,HOUR	1	5001	-						01		
23A	38480-70420	BULB	31	5001	-						01		24V1.4W
24A	38480-70440	BULB	1	5001	-						01		24V3W
31A	35010-60270	SWITCH	1	5001	-								INCHING
32A	35010-60460	SWITCH	1	5001	-								WORKING LAMP
33A	41530-60080	PLUG	6	5001	-								
41A	35021-60020	SWITCH ASSY,STARTE	1	5001	-						Y02		W.MRK350216004
51A	62256-51412	SCREW	4	5001	-								
52A	62701-40041	WASHER,PLANE	4	5001	-								
53A	62721-04100	WASHER,SPRING	4	5001	-								
103A	32110-70150	KEY	1	5001	-						02		W.MRK321107017
104A	32210-71370	CAP	1	5001	-						02		
111A	35020-60070	SWITCH ASSY	1	5001	-							Y03	
112A	32923-70090	CLAMP,HOSE	2	5001	-								
121A	33100-70300	CASE	1	5001	-								03
122A	43550-70160	HOLDER	1	5001	-								03
123A	35104-70030	SCREW,SET	1	5001	-								03
124A	33191-70260	CABLE ASSY	1	5001	-								03
125A	62256-51420	SCREW	4	5001	-								03
126A	38670-70250	BAND	1	5001	-								03
127A	35046-70080	SWITCH,PUSH	1	5001	-								03
128A	40790-70180	BOOT	1	5001	-								03
131A	33713-20110	SHEET,RUBBER	1	5001	-								

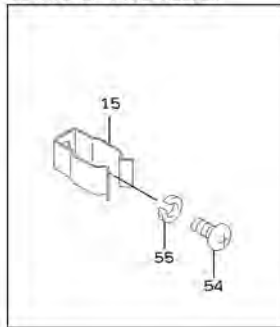
ELECTRICAL WIRING - FRONT CHASSIS



DETAIL OF STUD MOUNT



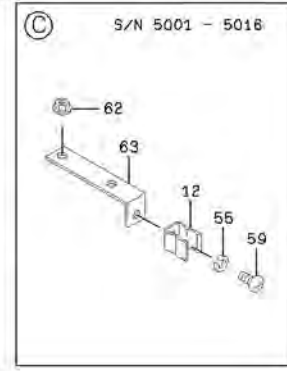
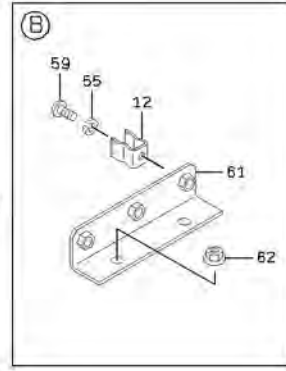
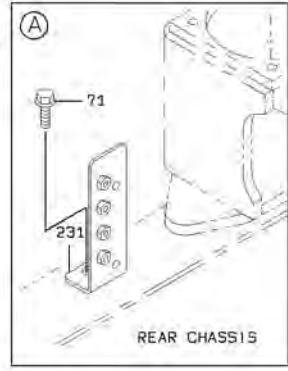
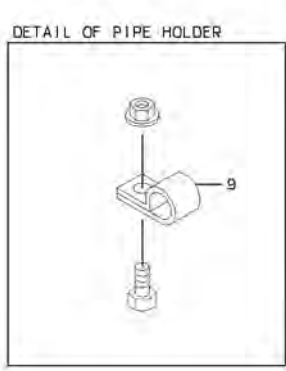
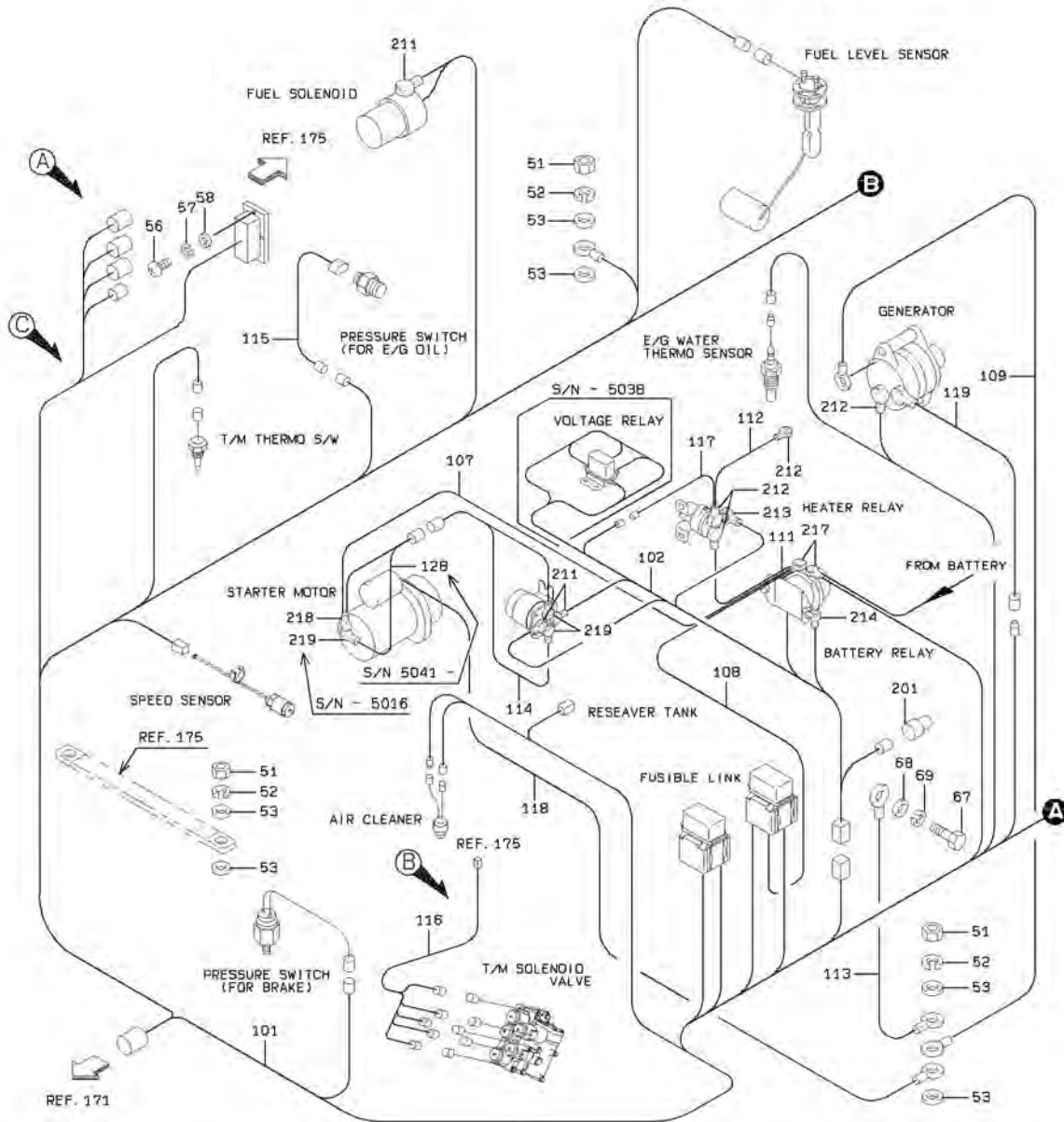
DETAIL OF PIPE HOLDER



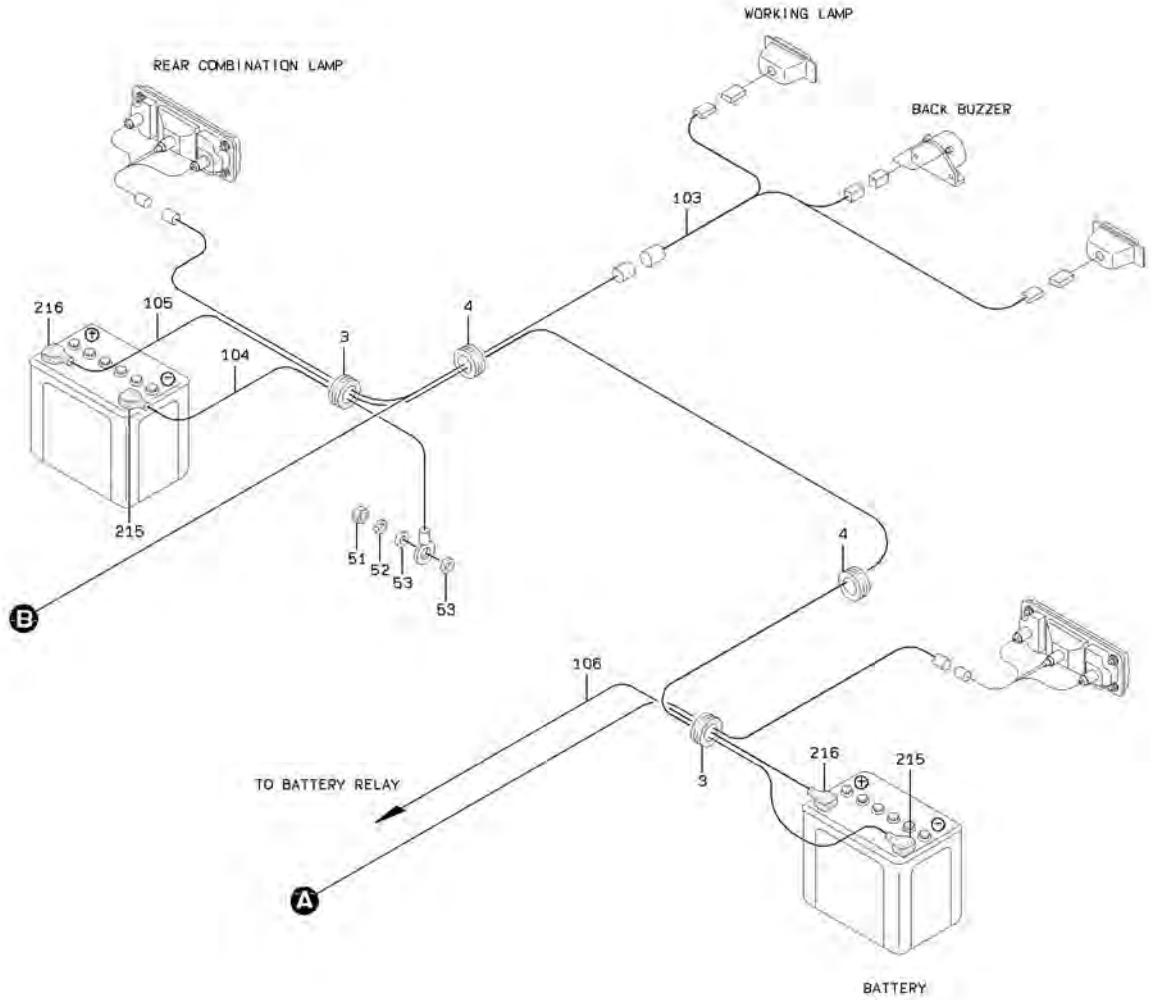
ELECTRICAL WIRING - FRONT CHASSIS

SYM-BOL	PART NUMBER	PART NAME	UNIT Q,TY	SERIAL		REMARKS						
				(A)	(B)	N	P	D	(A)	(B)	(C)	(D)
1A	32923-70120	CLAMP,HOSE	A/R	5001	-							
2A	32923-70090	CLAMP,HOSE	A/R	5001	-							L=202
4A	69002-04400	BAND,HOSE	1	5001	-							
11A	65801-20090	BUSHING,ELASTIC	4	5001	-							
12A	65801-31090	BUSHING,ELASTIC	1	5001	-							
14A	69081-23000	TUBE,SPIRAL	1 M	5001	-							L=1000
15A	43571-60060	HOLDER,SPRING	1	5001	-							
21A	33193-32190	CABLE ASSY	1	5001	-	5006						
21B	33193-45720	CABLE ASSY	1	5007	-		B					
51A	62401-81101	NUT	3	5001	-							
52A	62721-10100	WASHER,SPRING	3	5001	-							
53A	46011-21650	WASHER,PLANE	6	5001	-							
54A	62256-51610	SCREW	A/R	5001	-							
55A	62721-06100	WASHER,SPRING	A/R	5001	-							

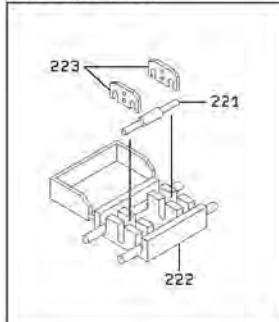
ELECTRICAL WIRING - REAR CHASSIS



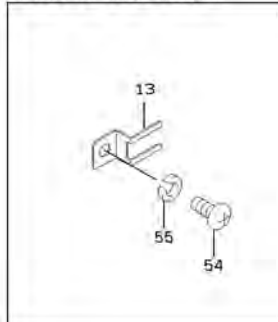
ELECTRICAL WIRING - REAR CHASSIS



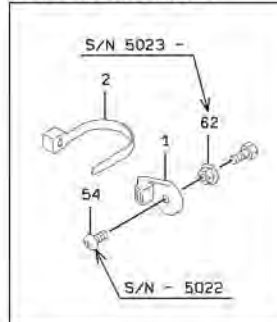
DETAIL OF DIODE



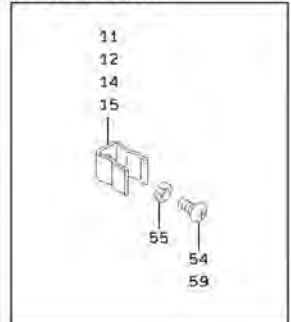
DETAIL OF PIPE HOLDER



DETAIL OF STUD MOUNT



DETAIL OF CLAMP



END

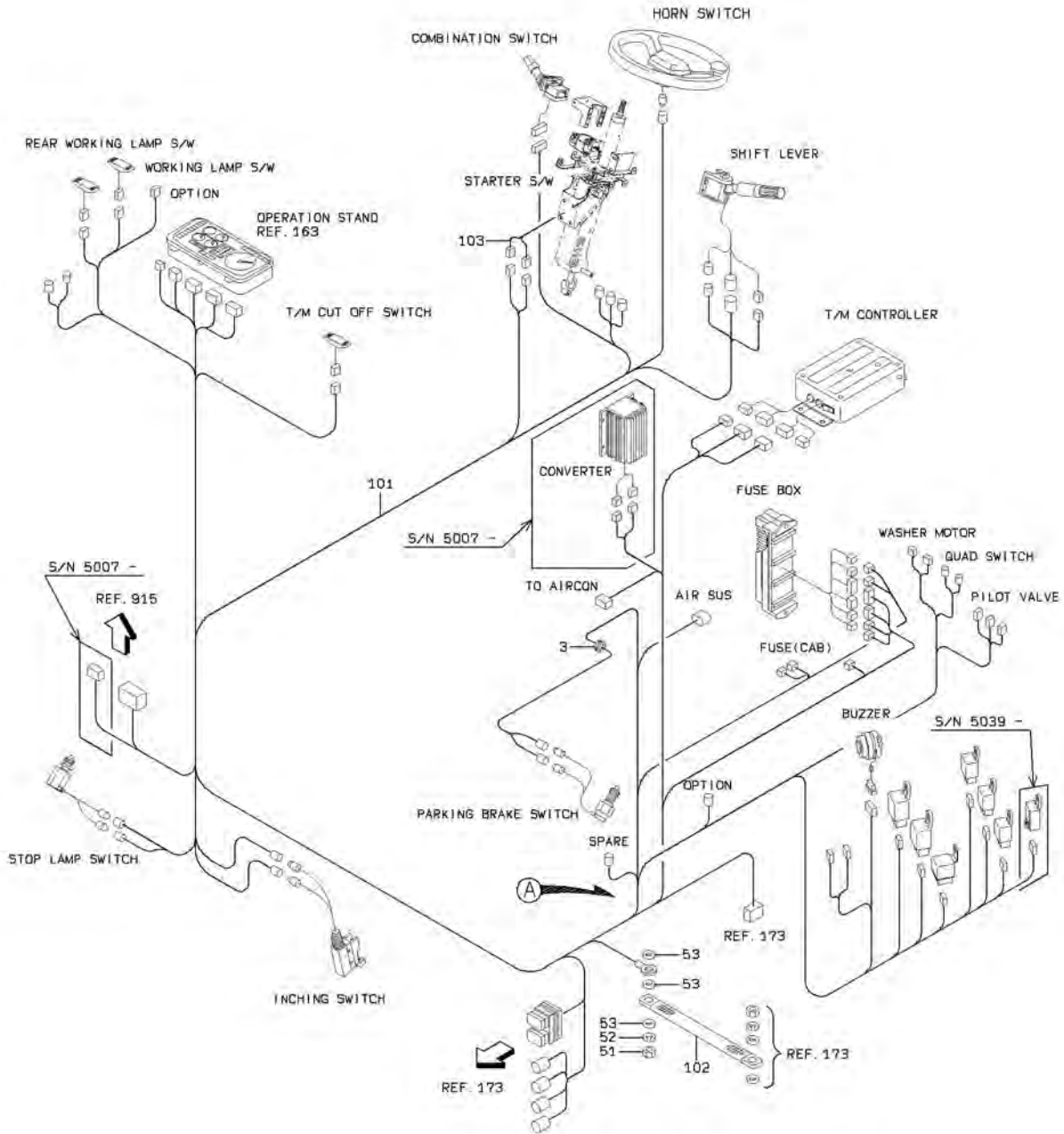
ELECTRICAL WIRING - REAR CHASSIS

SYM-BOL	PART NUMBER	PART NAME	UNIT Q,TY	SERIAL		REMARKS							
				(A)	(B)	N	P	D	(A)	(B)	(C)	(D)	REMARK
1A	32923-70120	CLAMP,HOSE	A/R	5001	-								FR M8
2A	32923-70090	CLAMP,HOSE	A/R	5001	-								L=202
3A	65801-40090	BUSHING,ELASTIC	2	5001	-								
4A	65801-40060	BUSHING,ELASTIC	2	5001	-								5040
4B	65801-50060	BUSHING,ELASTIC	2	5041	-			B					
9A	72001-11800	HOLDER,PIPE	A/R	5001	-								
11A	43571-20140	HOLDER,SPRING	A/R	5001	-								
12A	43571-20150	HOLDER,SPRING	A/R	5001	-								D=15
13A	43550-60100	HOLDER	A/R	5001	-								
14A	43571-60040	HOLDER,SPRING	A/R	5001	-								D=11
15A	43571-60050	HOLDER,SPRING	A/R	5001	-								
51A	62401-81101	NUT	4	5001	-								
52A	62721-10100	WASHER,SPRING	4	5001	-								
53A	46011-21650	WASHER,PLANE	8	5001	-								
54A	62256-51612	SCREW	A/R	5001	-								
55A	62721-06100	WASHER,SPRING	A/R	5001	-								
56A	62256-51312	SCREW	3	5001	-								
57A	62721-03100	WASHER,SPRING	3	5001	-								
58A	62701-40031	WASHER,PLANE	3	5001	-								
59A	62256-51616	SCREW	A/R	5001	-								
61A	40901-21730	BRACKET	1	5001	-								
62A	62480-21081	NUT,FLANGED	3	5001	-								5016
62B	62480-21081	NUT,FLANGED	2	5017	-								5022
62C	62480-21081	NUT,FLANGED	A/R	5023	-								
63A	41612-38440	PLATE	1	5001	-			D					
67A	61033-12016	BOLT	1	5001	-								
68A	46011-21660	WASHER,PLANE	1	5001	-								
69A	62721-12100	WASHER,SPRING	1	5001	-								
71A	61802-12016	BOLT,FLANGED	1	5001	-								
101A	33193-36960	CABLE ASSY	1	5001	-								REAR
101B	33193-45670	CABLE ASSY	1	5007	-			B					REAR
101C	33193-48280	CABLE ASSY	1	5009	-			C					REAR
101D	33193-49680	CABLE ASSY	1	5015	-			C					REAR
102A	33193-36970	CABLE ASSY	1	5001	-								RELAY UNIT
102B	33193-59720	CABLE ASSY	1	5039	-			B					RELAY UNIT
103A	33193-32140	CABLE ASSY	1	5001	-								RADIATOR GAURD
103B	33193-45690	CABLE ASSY	1	5007	-			B					
103C	33193-45780	CABLE ASSY	1	5009	-			B					
104A	33190-37460	CABLE	1	5001	-								BATTERY-GROUND
105A	33190-37660	CABLE	1	5001	-								BATTERY(+)-(-)
105B	33190-26370	CABLE	1	5021	-			A					BATTERY(+)-(-)
106A	33190-38800	CABLE	1	5001	-								BATTERY-RELAY
107A	33190-38810	CABLE	1	5001	-								RELAY-ST.MOTOR
108A	33190-38820	CABLE	1	5001	-								BAT.RELAY-FUSI
109A	33190-39090	CABLE	1	5001	-								GENERATOR-GROU
111A	33190-37700	CABLE	1	5001	-								BAT.RELAY-HEAT
112A	33190-38830	CABLE	1	5001	-								HEATER RELAY-A
113A	33190-28470	CABLE	1	5001	-								E/G GROUNDING
114A	33193-32150	CABLE ASSY	1	5001	-								MAG S/W-STARTE
114B	33193-46150	CABLE ASSY	1	5007	-			B					MAG S/W-STARTE
114C	33193-50170	CABLE ASSY	1	5017	-			C					MAG S/W-STARTE
114D	33194-20710	CABLE ASSY	1	5041	-			B					MAG S/W
115A	33193-22080	CABLE ASSY	1	5001	-								E/G SWITCH
116A	33193-32160	CABLE ASSY	1	5001	-								T/M
116B	33193-45700	CABLE ASSY	1	5007	-			B					T/M
116C	33193-45760	CABLE ASSY	1	5041	-			A					T/M
117A	33190-29710	CABLE	1	5001	-								AIR HEATER
118A	33190-38100	CABLE	1	5001	-								E/G SWITCH
119A	33191-20770	CABLE ASSY	1	5001	-								
128A	33194-20720	CABLE ASSY	1	5941	-								STARTER
201A	36406-20030	DIODE ASSY	1	5001	-								
211A	32210-70450	CAP	3	5001	-								
212A	32215-70070	CAP,TERMINAL	4	5001	-								
213A	32215-70150	CAP,TERMINAL	1	5001	-								
214A	32215-70050	CAP,TERMINAL	1	5001	-								
215A	32215-20060	CAP,TERMINAL	2	5001	-								

ELECTRICAL WIRING - REAR CHASSIS

SYM-BOL	PART NUMBER	PART NAME	UNIT Q, TY	SERIAL		REMARKS					
				(A)	(B)	N	P	D	(A)	(B)	(C)
216A	32215-20070	CAP, TERMINAL	2	5001	-						
217A	32210-70360	CAP	2	5001	-						
218A	32215-70090	CAP, TERMINAL	1	5001	-						
219A	32215-70040	CAP, TERMINAL	3	5001	-						5016
219B	32215-70040	CAP, TERMINAL	2	5017	-						
221A	36405-70020	DIODE	2	5001	-						
222A	33300-70050	CONNECTOR	1	5001	-						
223A	35930-70010	TERMINAL	3	5001	-						
231A	41619-45130	PLATE	1	5001	-						

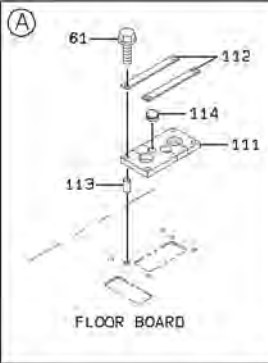
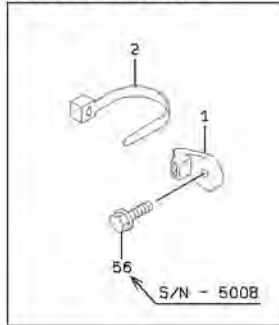
ELECTRICAL WIRING - FLOOR BOARD



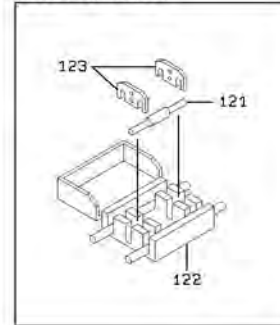
DETAIL OF CLAMP



DETAIL OF STUD MOUNT



DETAIL OF DIODE

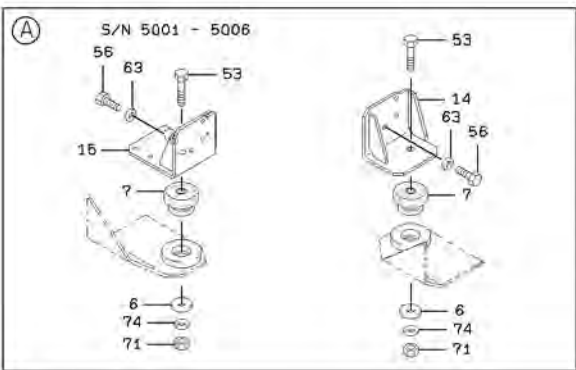
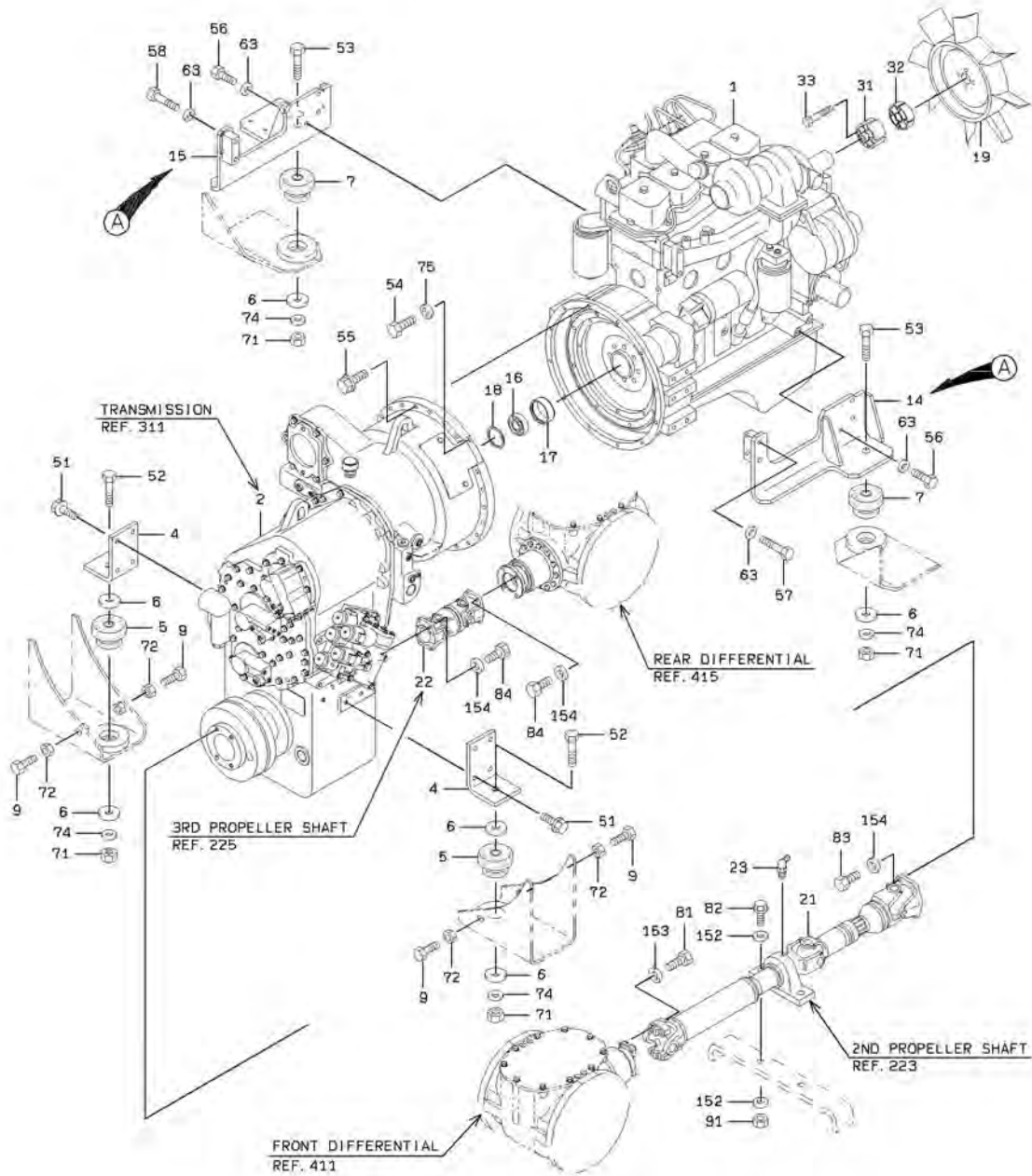


L-9

ELECTRICAL WIRING - FLOOR BOARD

SYM-BOL	PART NUMBER	PART NAME	UNIT Q,TY	SERIAL		REMARKS						
				(A)	(B)	N	P	D	(A)	(B)	(C)	(D)
1A	32923-70120	CLAMP,HOSE	A/R	5001	-							FR M8
2A	32923-70090	CLAMP,HOSE	A/R	5001	-							L=202
3A	65801-25032	BUSHING,ELASTIC	1	5001	-							
51A	62401-81101	NUT	1	5001	-							
52A	62721-10100	WASHER,SPRING	1	5001	-							
53A	46011-21650	WASHER,PLANE	3	5001	-							
56A	61802-08020	BOLT,FLANGED	A/R	5001	-	5008	D					
61A	61802-08030	BOLT,FLANGED	4	5001	-							
101A	33193-38360	CABLE ASSY	1	5001	-	5006						FLOOR
101B	33193-47490	CABLE ASSY	1	5007	-	5008	B					FLOOR
101C	33193-48440	CABLE ASSY	1	5009	-	5020	C					FLOOR
101D	33193-50950	CABLE ASSY	1	5021	-	5038	B					FLOOR
101E	33193-59730	CABLE ASSY	1	5039	-		B					FLOOR
102A	33190-24690	CABLE	1	5001	-							GROUNDING(F-R)
103A	33191-47010	CABLE ASSY	1	5001	-							STARTER SWITCH
111A	33057-21110	GROMMET	1	5001	-	5018						
111B	33057-21470	GROMMET	1	5019	-	5020	C					
111C	33057-21520	GROMMET	1	5021	-		B					
112A	41605-53600	PLATE	2	5001	-							
113A	35750-23790	SLEEVE	4	5001	-							
114A	41533-20080	PLUG,ELASTIC	1	5001	-							
121A	36405-70020	DIODE	1	5001	-							
122A	33300-70050	CONNECTOR	1	5001	-							
123A	35930-70010	TERMINAL	2	5001	-							

POWER GROUP

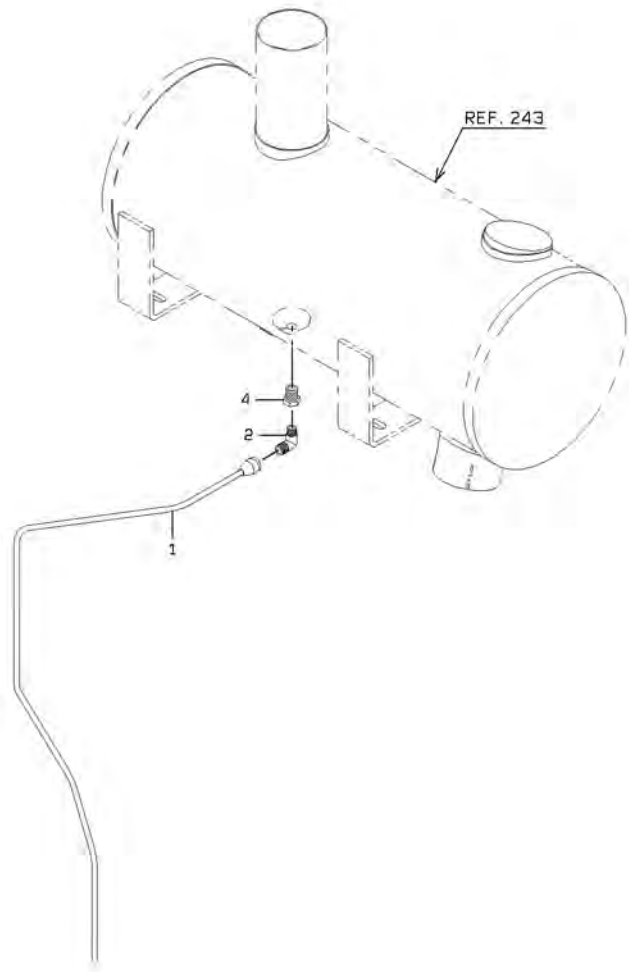


L-6

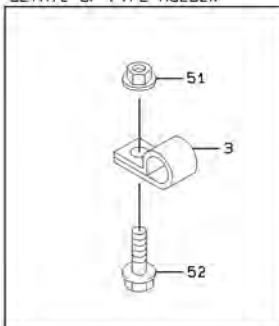
POWER GROUP

SYM-BOL	PART NUMBER	PART NAME	UNIT Q,TY	SERIAL		REMARKS						
				(A)	(B)	N	P	D	(A)	(B)	(C)	(D)
1A	31003-61660	ENGINE	1	5001	- 5008							
1B	31003-62000	ENGINE	1	5009	- 5020	C						
1C	31003-62210	ENGINE	1	5021	-	C						
2A	37421-20910	TRANSMISSION ASSY	1	5001	-							REF.311-351
4A	41611-20490	PLATE	2	5001	-							
5A	40850-20020	BUSHING,ELASTIC	2	5001	-							
6A	46011-20240	WASHER,PLANE	6	5001	-							
7A	40850-20070	BUSHING,ELASTIC	2	5001	- 5008							
7B	40850-20030	BUSHING,ELASTIC	2	5009	-	C						
9A	43900-22080	BOLT	4	5001	- 5012							
9B	43900-22450	BOLT	4	5013	-	A						
14A	40902-25950	BRACKET	1	5001	- 5008							FR LH
14B	40902-39130	BRACKET	1	5009	-	C						FR LH
15A	40902-25960	BRACKET	1	5001	- 5008							FR RH
15B	40902-39150	BRACKET	1	5009	-	C						FR RH
16A	50401-04340	BEARING,BALL	1	5003	- 5008							
16B	78103-06305	BEARING,BALL	1	5009	-	C						
17A	50401-04350	SPACER	1	5003	- 5008							
17B	35700-21910	SPACER	1	5009	-	C						
18A	50401-04360	RING,SNAP	1	5003	- 5008							
18B	63812-00062	RING,SNAP	1	5009	-	C						
19A	50401-03880	FAN	1	5003	-							
21A	42752-60680	PROPELLER SHAFT AS	1	5001	-							REF.223
22A	42753-60180	PROPELLER SHAFT AS	1	5001	-							REF.225
23A	37713-60010	NIPPLE,GREASE	1	5001	-							
31A	50401-04380	SPACER	1	5003	-							
32A	50401-04390	SPACER	1	5003	-							
33A	50401-04400	BOLT	4	5003	-							
51A	61802-12030	BOLT,FLANGED	8	5001	-							
52A	61033-20120	BOLT	2	5001	-							
53A	61033-20110	BOLT	2	5001	-							
54A	61261-06030	BOLT(UNIFY)	8	5001	-							
55A	61802-10045	BOLT,FLANGED	12	5001	-							
56A	61005-12030	BOLT	6	5001	-							
57A	61005-12065	BOLT	2	5007	-							
58A	61005-12075	BOLT	2	5007	-							
63A	62710-18121	WASHER,PLANE	6	5001	- 5006							
63B	62710-18121	WASHER,PLANE	10	5007	-							
71A	62401-81201	NUT	4	5001	-							
72A	62403-81201	NUT	4	5001	-							
74A	62710-18201	WASHER,PLANE	4	5001	-							
75A	62710-18101	WASHER,PLANE	8	5001	-							
81A	61014-10045	BOLT	4	5001	-							
82A	61802-16060	BOLT,FLANGED	2	5001	-							
83A	61014-12025	BOLT	4	5001	-							
84A	61022-12025	BOLT	8	5001	-							
91A	62401-81161	NUT	2	5001	-							
152A	62710-18161	WASHER,PLANE	4	5001	-							
153A	46011-21750	WASHER,PLANE	4	5001	-							
154A	46011-22320	WASHER,PLANE	12	5001	-							

DRAIN LINE



DETAIL OF PIPE HOLDER

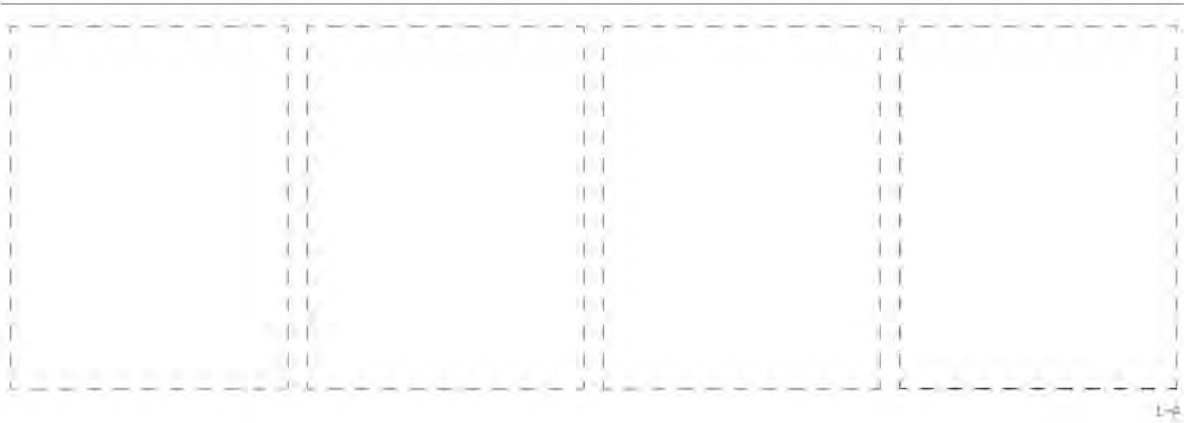
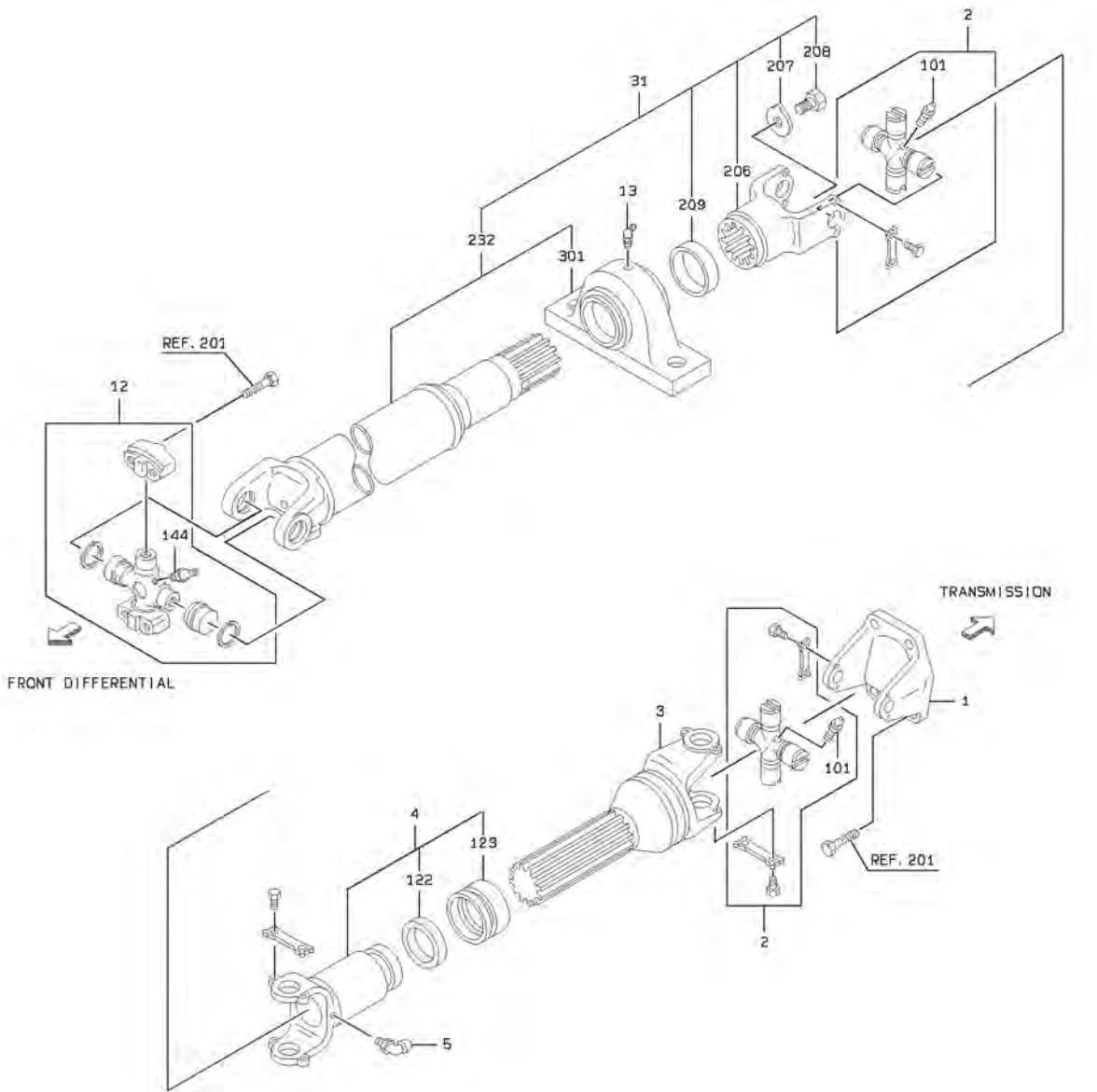


L-B

DRAIN LINE

SYM-BOL	PART NUMBER	PART NAME	UNIT Q, TY	SERIAL (A) - (B)	REMARKS				REMARK
					N	P	D	(A) (B) (C) (D)	
1A	38706-20590	PIPE ASSY, FLARED	1	5001 -					38705-57470
2A	69100-20600	FLARED FITTING, ELB	1	5001 -					
3A	72001-10600	HOLDER, PIPE	A/R	5001 -					
4A	88372-50402	FITTING, BUSHING	1	5001 -					
51A	62480-21081	NUT, FLANGED	A/R	5001 -					
52A	61802-08020	BOLT, FLANGED	A/R	5001 -					

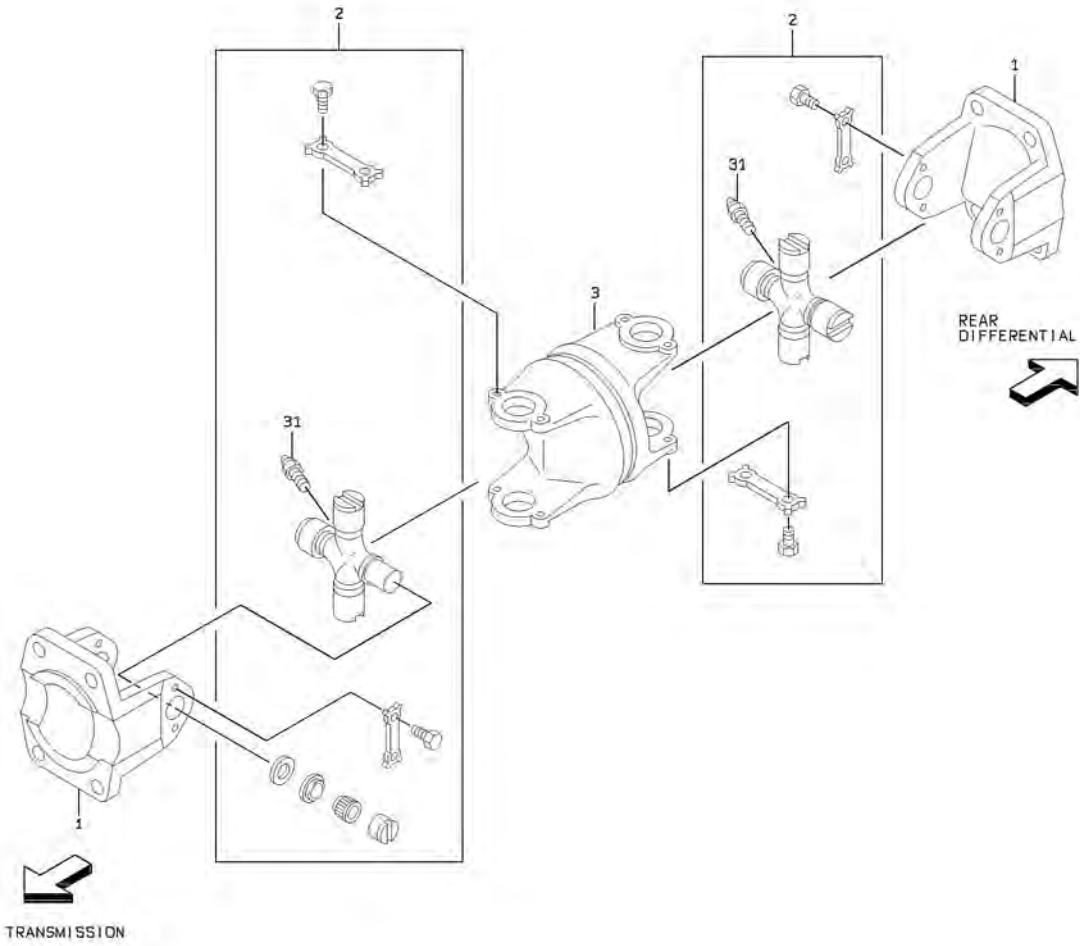
2ND PROPELLER SHAFT



2ND PROPELLER SHAFT

SYM-BOL	PART NUMBER	PART NAME	UNIT Q, TY	SERIAL		REMARKS						
				(A)	(B)	N	P	D	(A)	(B)	(C)	(D)
000A	42752-60680	PROPELLER SHAFT AS	1	5001	-							
1A	44621-70060	YOKE, FLANGE	1	5001	-							
2A	35513-70010	SPIDER ASSY, JOURNA	2	5001	-				Y01			
3A	44618-70220	YOKE, SPLINE	1	5001	-							
4A	44619-70090	YOKE, SLEEVE	1	5001	-					Y02		
5A	75011-45400	NIPPLE, GREASE	1	5001	-							
12A	35513-70040	SPIDER ASSY, JOURNA	1	5001	-						Y03	
13A	37713-70230	NIPPLE, GREASE	1	5001	-							
31A	34541-70340	SHAFT, PROPELLER	1	5001	-							Y04
101A	37713-70040	NIPPLE, GREASE	1	5001	-				01			
122A	47196-70110	RING, FELT	1	5001	-						02	
123A	31200-70080	COVER	1	5001	-						02	
144A	37713-70010	NIPPLE, GREASE	1	5001	-						03	
206A	44614-70010	YOKE, COUPLING	1	5001	-							04
207A	46016-70010	WASHER, TONGUE	1	5001	-							04
208A	43900-70020	BOLT	1	5001	-							04
209A	31701-70010	COLLAR	1	5001	-							04
232A	44615-70170	YOKE, SHAFT	1	5001	-				Y05			
301A	41441-70050	BLOCK, PILLOW	1	5001	-				05			

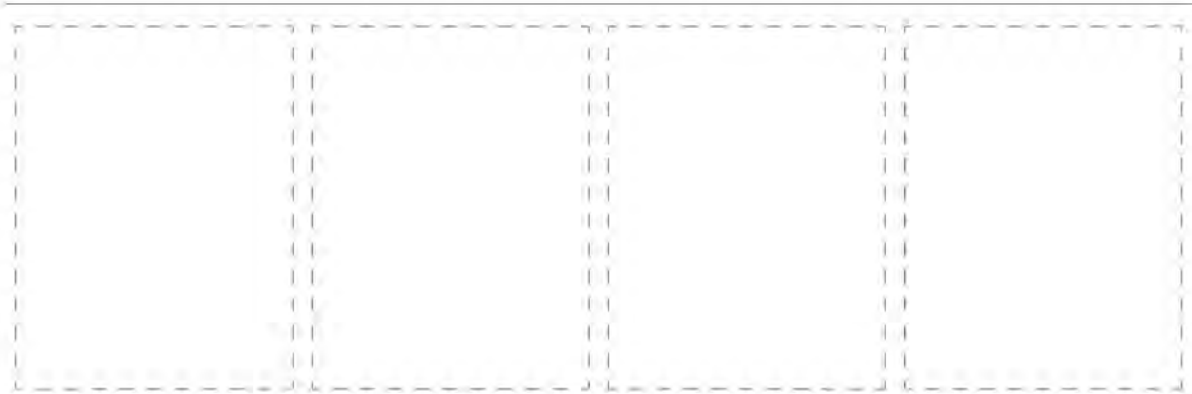
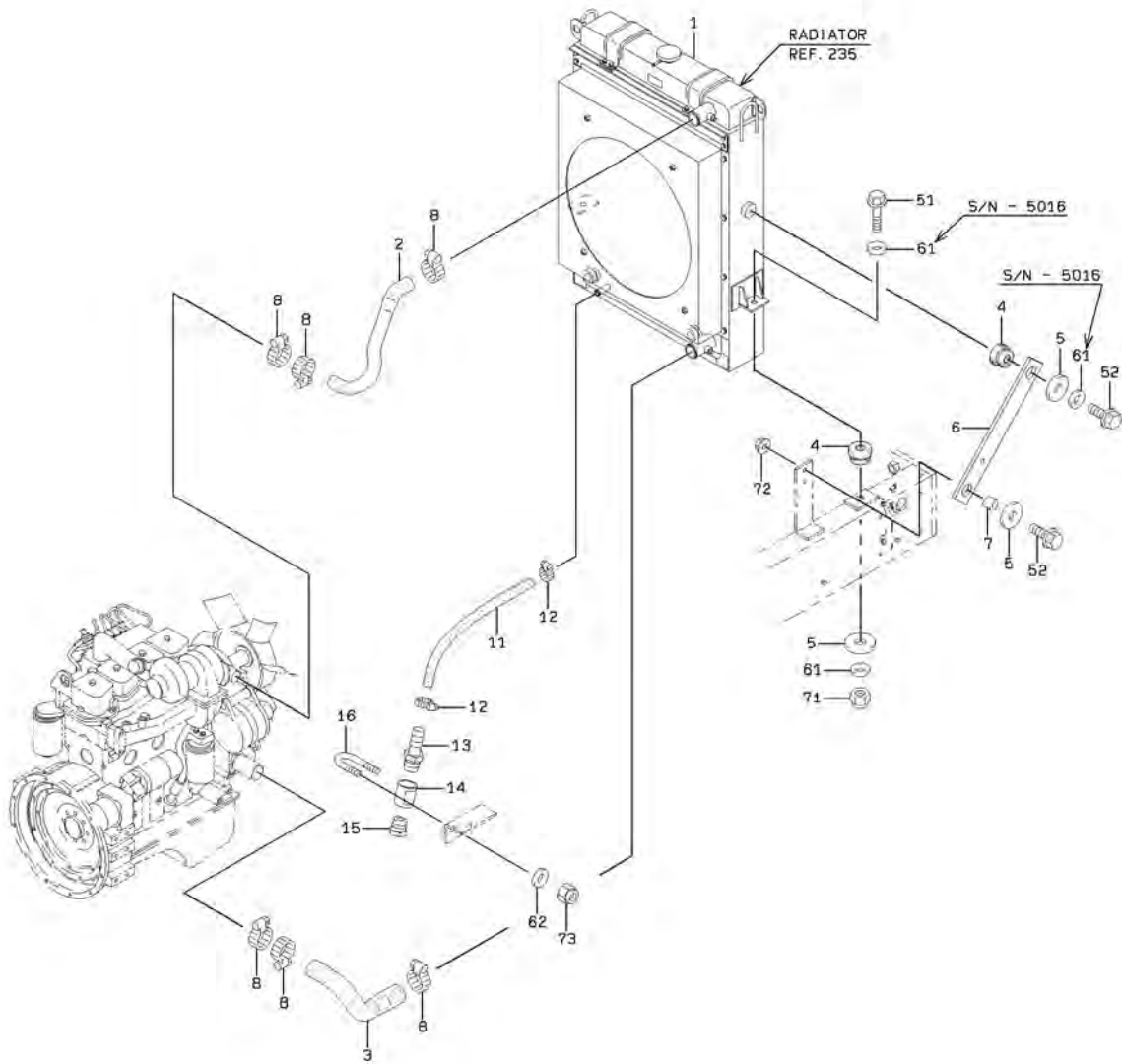
3RD PROPELLER SHAFT



3RD PROPELLER SHAFT

SYM-BOL	PART NUMBER	PART NAME	UNIT Q,TY	SERIAL (A) - (B)	REMARKS				REMARK
					N	P	D	(A) (B) (C) (D)	
000A	42753-60180	PROPELLER SHAFT AS	1	5001 -					
1A	44621-70140	YOKE,FLANGE	2	5001 -					
2A	35513-70010	SPIDER ASSY,JOURNA	2	5001 -			Y01		
3A	34541-70350	SHAFT,PROPELLER	1	5001 -					
31A	37713-70040	NIPPLE,GREASE	1	5001 -			01		

RADIATOR MOUNT

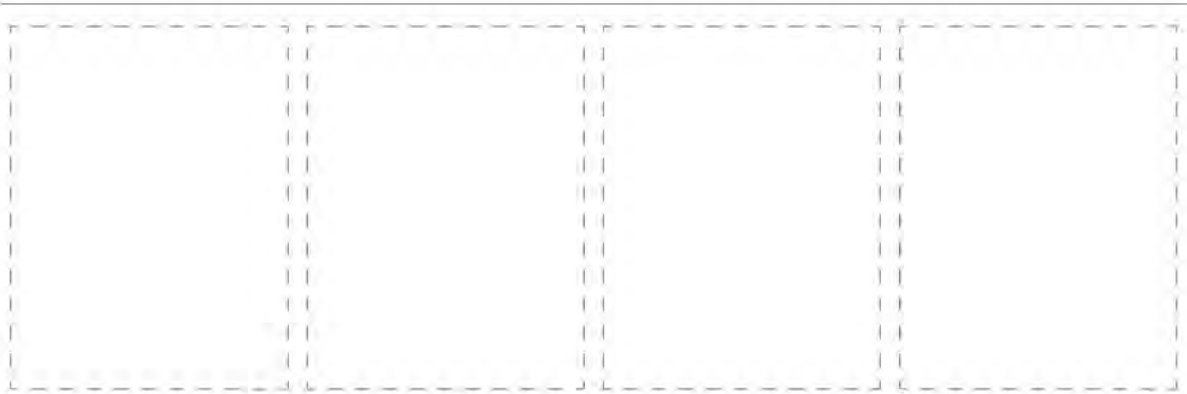
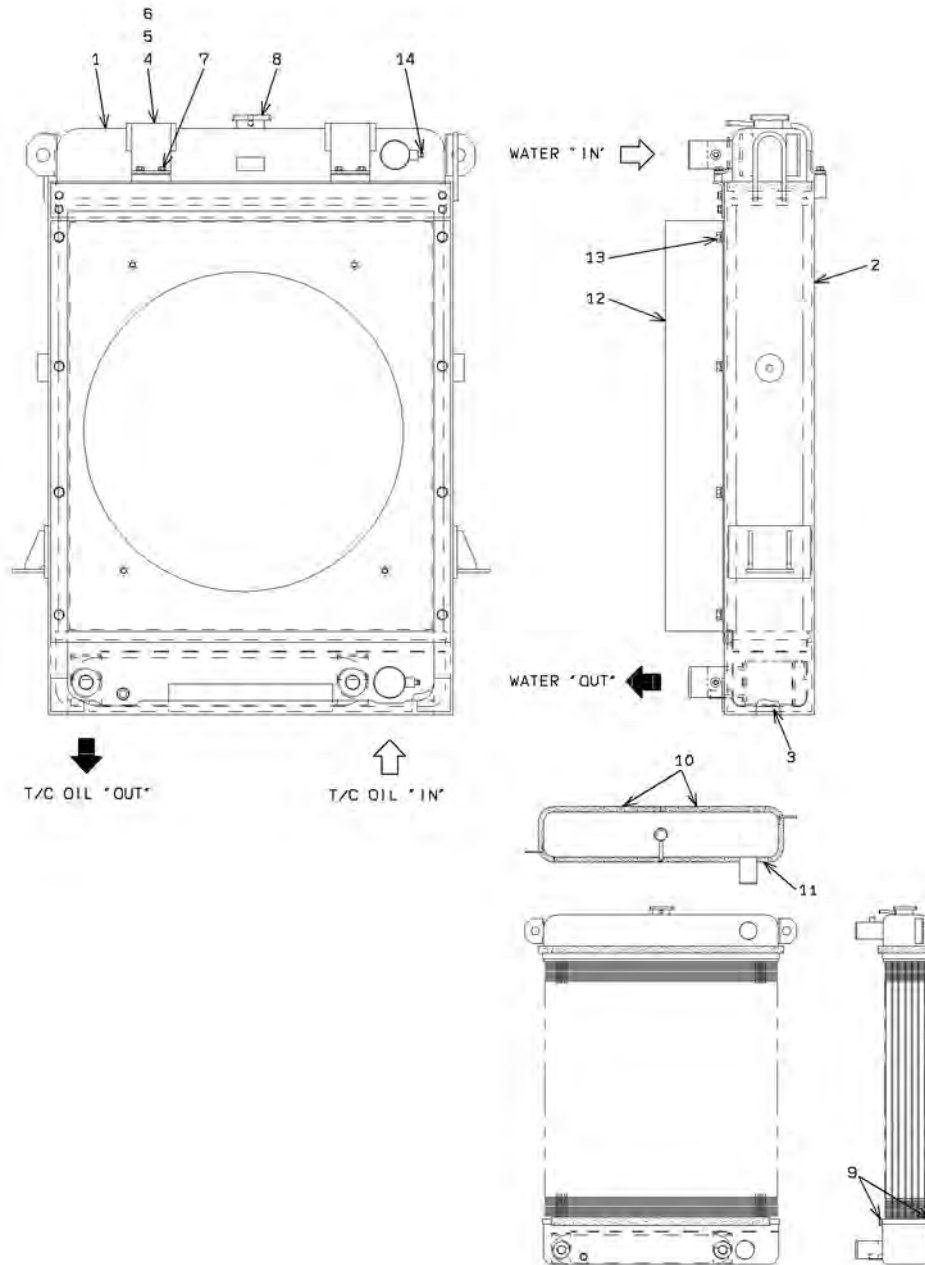


L-6

RADIATOR MOUNT

SYM-BOL	PART NUMBER	PART NAME	UNIT Q,TY	SERIAL		REMARKS						
				(A)	(B)	N	P	D	(A)	(B)	(C)	(D)
1A	44721-63000	RADIATOR ASSY	1	5001	-							REF235
2A	43110-24940	HOSE,WATER	1	5001	-							
3A	43110-25350	HOSE,WATER	1	5001	-							
4A	40850-20060	BUSHING,ELASTIC	4	5001	-							
5A	46011-20630	WASHER,PLANE	6	5001	-							
6A	41605-43520	PLATE	2	5001	-							
7A	35750-20030	SLEEVE	2	5001	-							
8A	69002-07100	BAND,HOSE	6	5001	-							
11A	67040-19000	HOSE,HEAT RESISTIN	1 M	5001	-							L=500
12A	69002-03100	BAND,HOSE	2	5001	-							
13A	88511-01121	NIPPLE,HOSE	1	5001	-							
14A	69200-06000	FITTING,SOCKET	1	5001	-							
15A	88390-14212	PLUG	1	5001	-							
16A	43962-20030	BOLT,U	1	5001	-							
51A	61802-12060	BOLT,FLANGED	2	5001	-							
52A	61802-12045	BOLT,FLANGED	4	5001	-							
61A	62710-18121	WASHER,PLANE	6	5001	-							5016
61B	62710-18121	WASHER,PLANE	2	5017	-							
62A	62701-40101	WASHER,PLANE	2	5001	-							
71A	88031-06121	NUT,SELF-LOCKING	2	5001	-							
72A	62480-21121	NUT,FLANGED	2	5001	-							
73A	88031-06101	NUT,SELF-LOCKING	2	5001	-							

RADIATOR

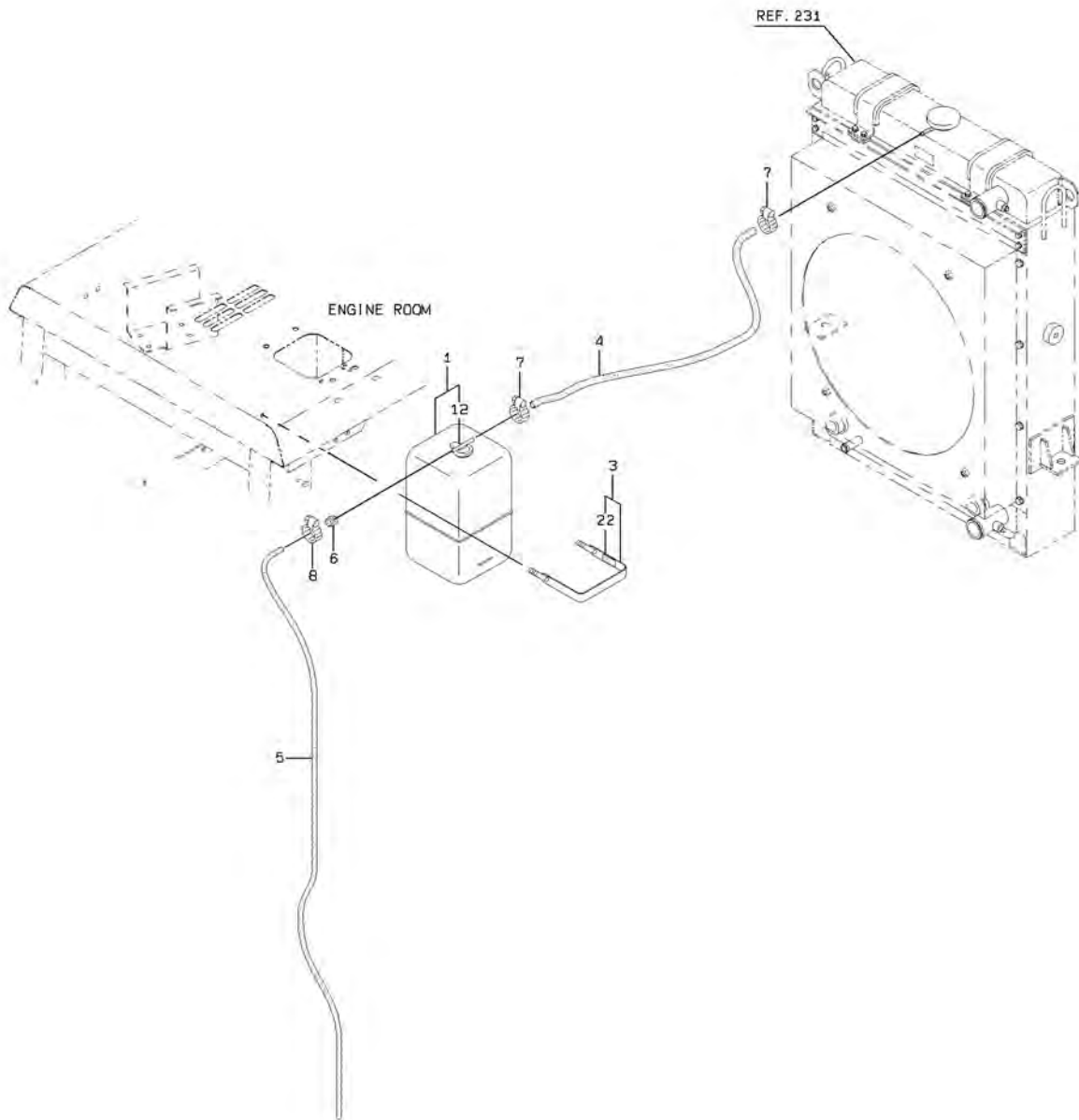


1-A

RADIATOR

SYM-BOL	PART NUMBER	PART NAME	UNIT Q, TY	SERIAL (A) - (B)	REMARKS					
					N	P	D	(A)	(B)	(C)
000A	44721-63000	RADIATOR ASSY	1	5001 -						
1A	33281-71380	CORE ASSY	1	5001 -						
2A	40600-70990	FRAME	1	5001 -						
3A	33713-70030	SHEET,RUBBER	1	5001 -						
4A	32920-70570	CLAMP	2	5001 -						
5A	33713-70200	SHEET,RUBBER	2	5001 -						
6A	34200-70010	SHIM	1	5001 -						
7A	43932-70240	BOLT,W/WASHER	8	5001 -						
8A	32210-71610	CAP	1	5001 -						
9A	39600-72730	PACKING	2	5001 -						
10A	39600-72750	PACKING	2	5001 -						
11A	39600-72740	PACKING	1	5001 -						
12A	34740-70090	SHROUD	1	5001 -						
13A	43900-72490	BOLT	8	5001 -						
14A	41530-74570	PLUG	2	5001 -						

WATER LINE



DETAIL OF PIPE HOLDER

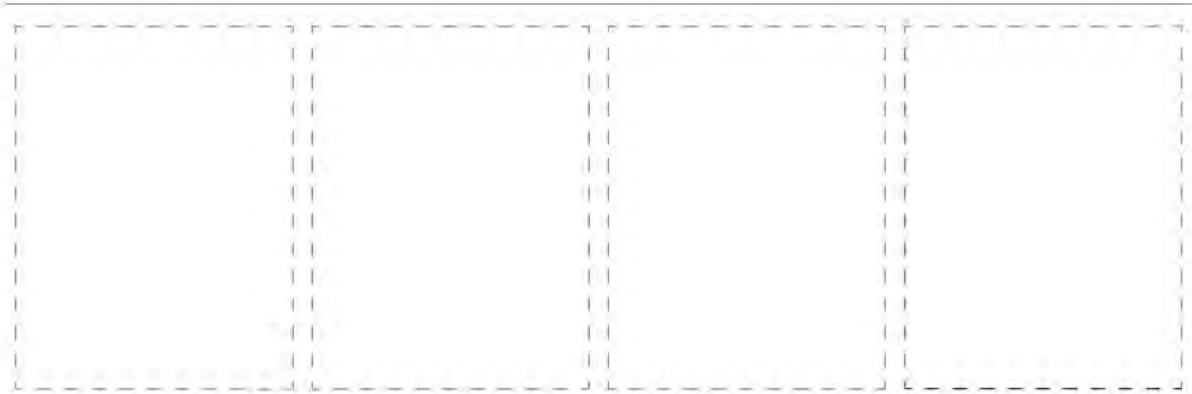
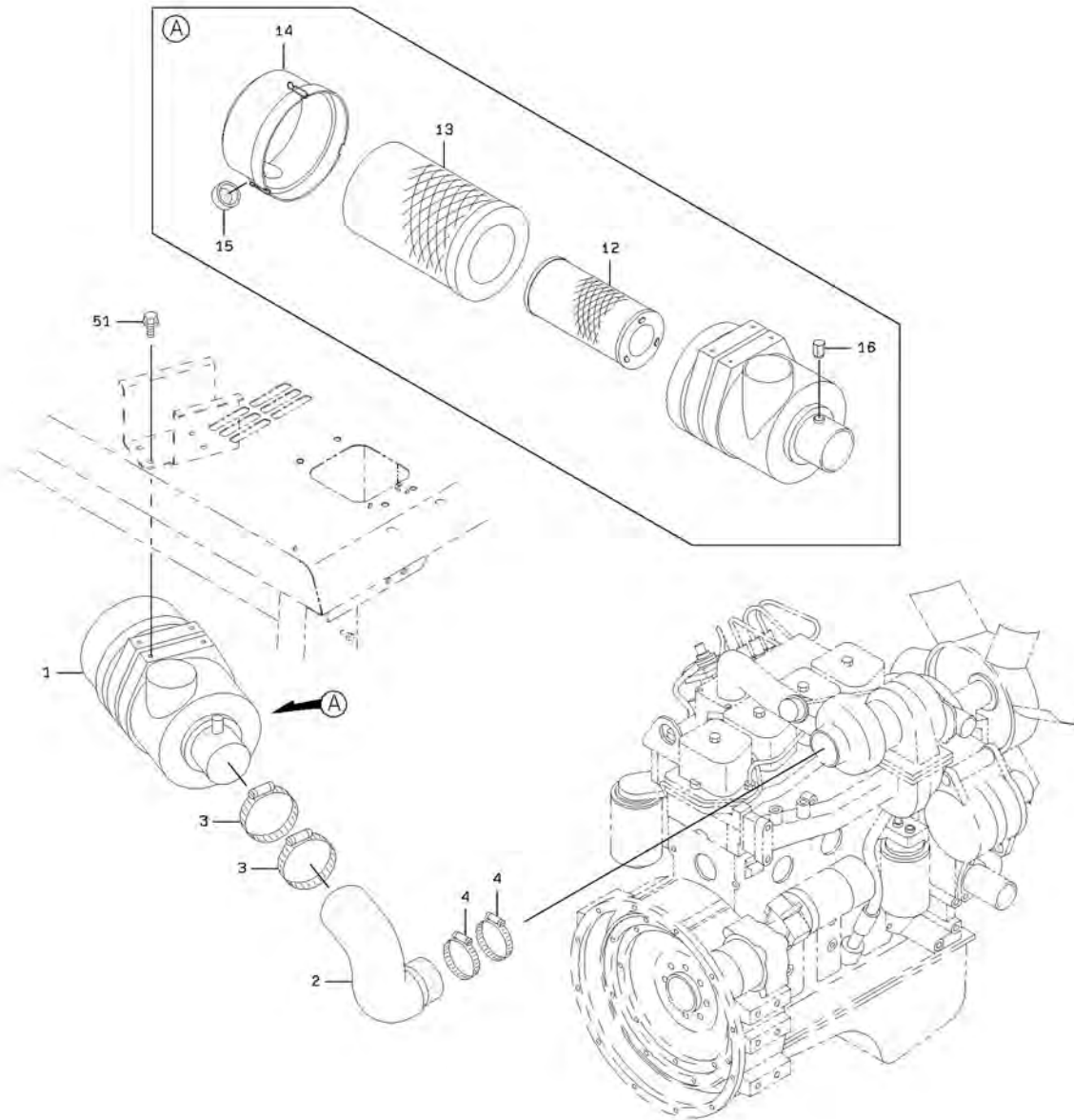


1-A

WATER LINE

SYM-BOL	PART NUMBER	PART NAME	UNIT Q,TY	SERIAL (A) - (B)	REMARKS					
					N	P	D	(A)	(B)	(C)
1A	36227-60040	TANK,WATER	1	5001 -				Y01		
2A	72001-11800	HOLDER,PIPE	A/R	5001 -						D=18
3A	38675-20110	BAND ASSY	1	5001 -					Y02	
4A	67040-08000	HOSE,HEAT RESISTIN	1 M	5001 -						L=900
5A	67017-00001	TUBE,VINYL	2 M	5001 -						L=1500
6A	31053-20010	ORIFICE	1	5001 -						
7A	38677-70410	BAND,HOSE	2	5001 -						
8A	69001-01000	BAND,HOSE	1	5001 -						
12A	32211-70240	CAP ASSY	1	5001 -				01		
22A	33713-21350	SHEET,RUBBER	3	5001 -					02	
51A	62480-21081	NUT,FLANGED	A/R	5001 -						

AIR CLEANER GROUP



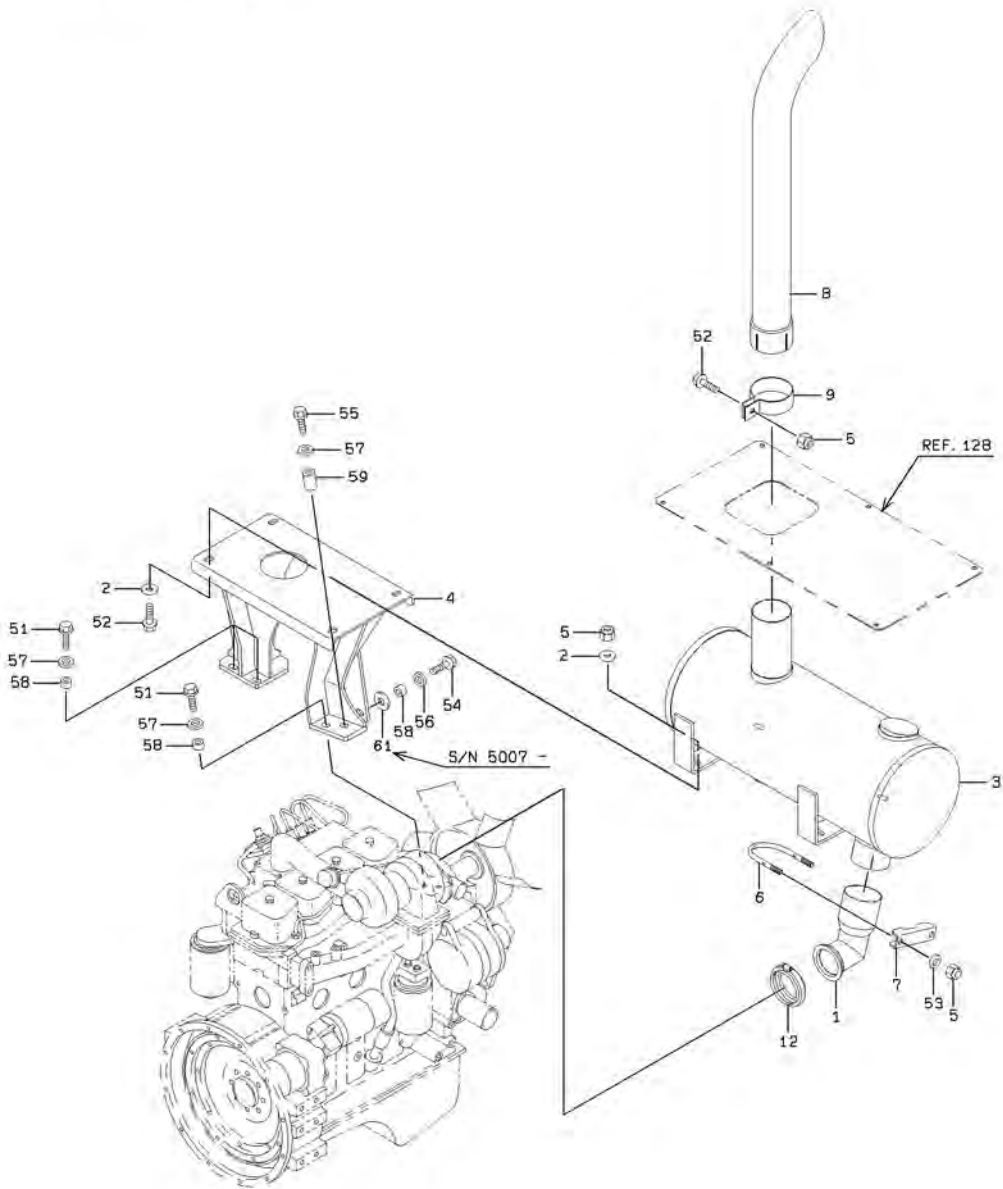
L-A

AIR CLEANER GROUP

SYM-BOL	PART NUMBER	PART NAME	UNIT Q, TY	SERIAL		REMARKS						
				(A)	(B)	N	P	D	(A)	(B)	(C)	(D)
1A	32962-60180	CLEANER ASSY,AIR	1	5001	-						Y01	
2A	43111-23200	HOSE,AIR	1	5001	-							
3A	69002-10800	BAND,HOSE	2	5001	-							
4A	69002-09000	BAND,HOSE	2	5001	-							
12A	30981-70460	ELEMENT,FILTER	1	5001	-						01	
13A	30981-70410	ELEMENT,FILTER	1	5001	-						01	
14A	31231-70190	COVER ASSY	1	5001	-						01	
15A	38559-70060	VALVE,VACCUATOR	1	5001	-						01	
16A	32210-70060	CAP	1	5001	-						01	
51A	61802-08016	BOLT,FLANGED	4	5001	-							

EXHAUST GROUP

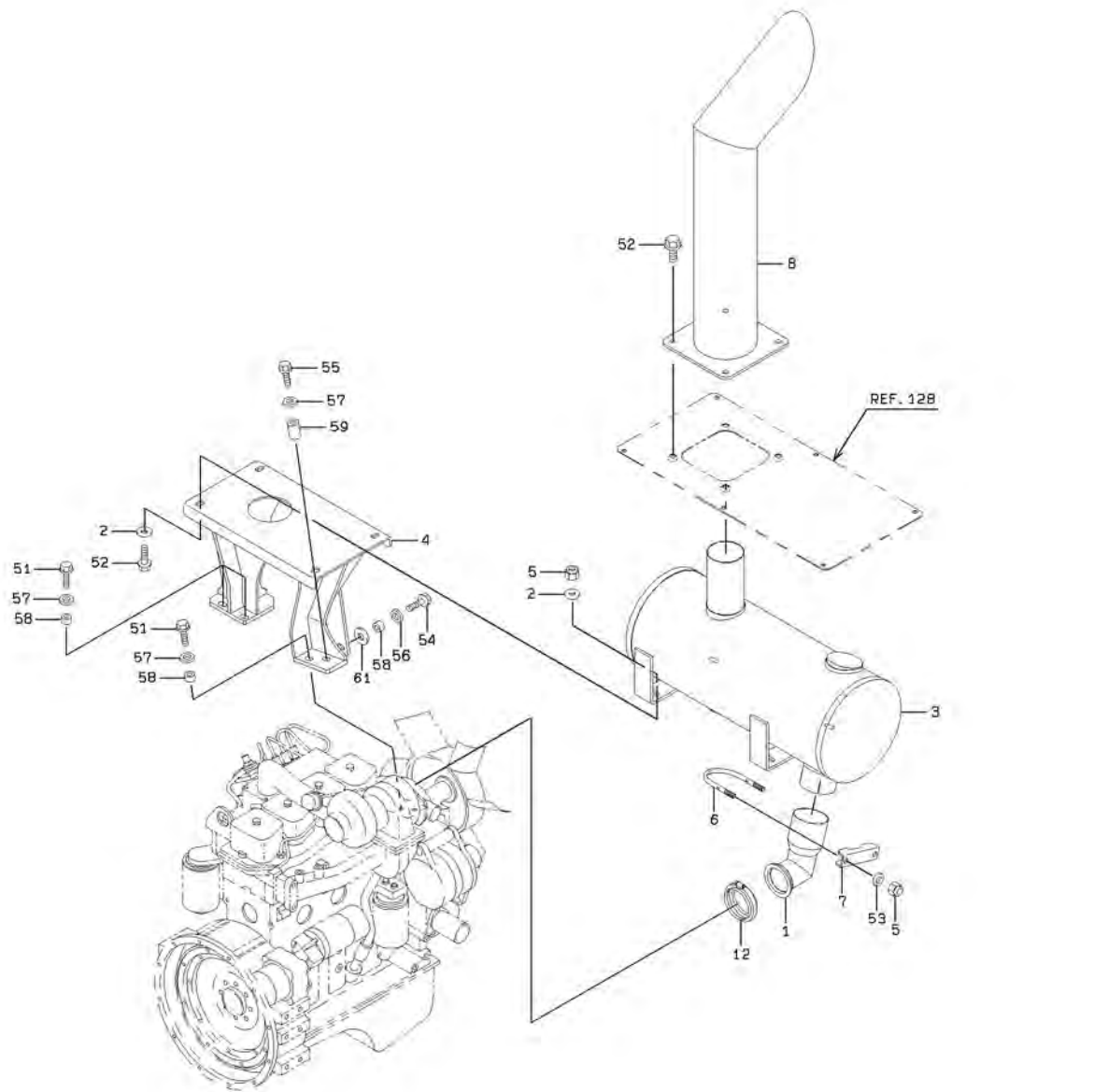
<S/N 5001 - 5008>



L-E

EXHAUST GROUP

<S/N 5009 - >



2-A

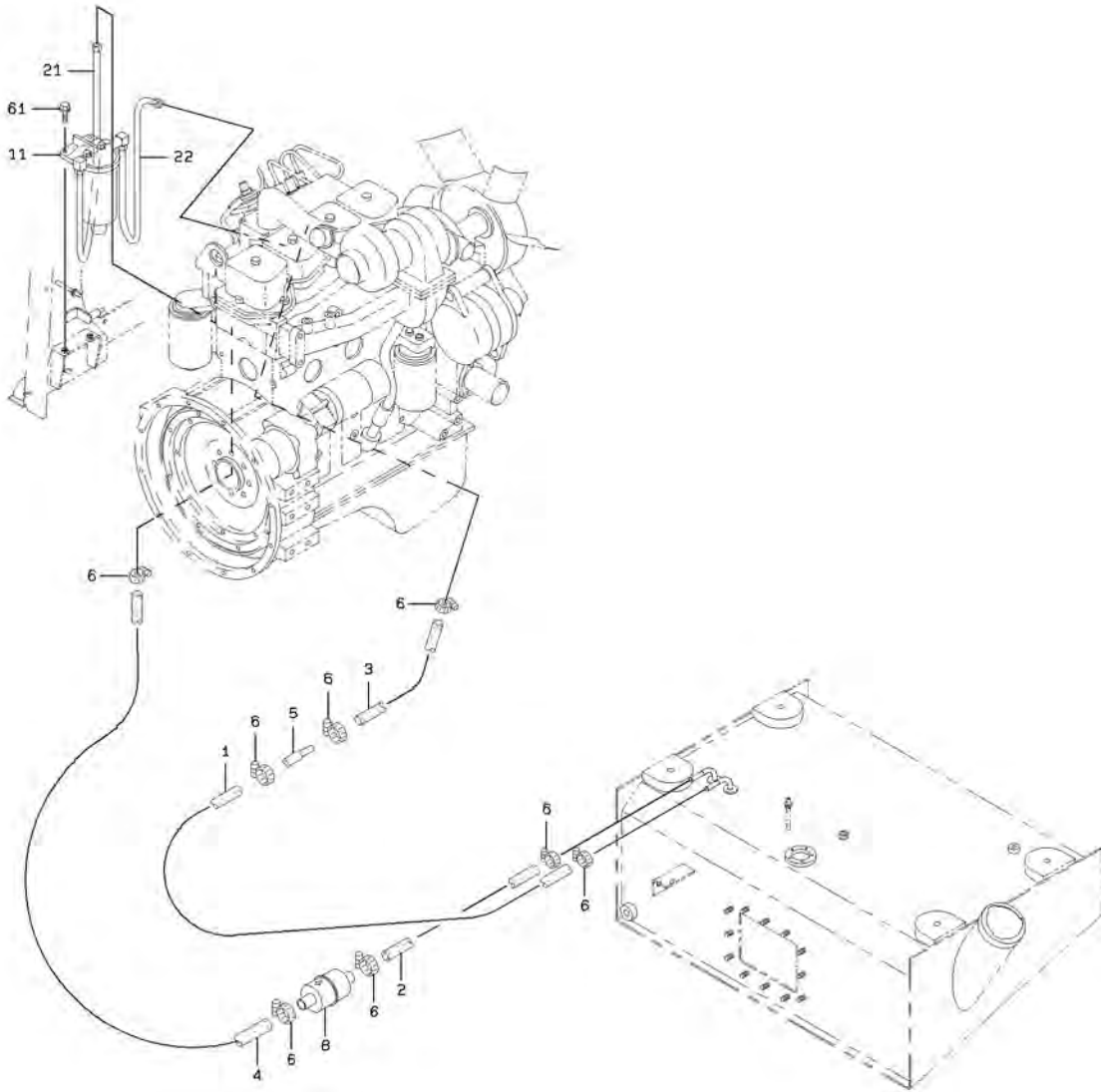
EXHAUST GROUP

SYM-BOL	PART NUMBER	PART NAME	UNIT Q,TY	SERIAL		REMARKS						
				(A)	(B)	N	P	D	(A)	(B)	(C)	(D)
1A	38765-27900	PIPE,EXHAUST	1	5001	- 5008							38765-27450
1B	38765-28180	PIPE,EXHAUST	1	5009	-							
2A	46011-20190	WASHER,PLANE	8	5001	-							
3A	44300-60840	MUFFLER	1	5001	-							
4A	40902-38470	BRACKET	1	5001	- 5006							40902-33090
4B	40902-40380	BRACKET	1	5007	-							
5A	88031-06101	NUT,SELF-LOCKING	7	5001	- 5008							
5B	88031-06101	NUT,SELF-LOCKING	6	5009	-							
6A	43962-20060	BOLT,U	1	5001	-							
7A	40900-20120	BRACKET	1	5001	-							
8A	38765-22250	PIPE,EXHAUST	1	5001	- 5008							
8B	38765-27730	PIPE,EXHAUST	1	5009	-							
9A	32920-21920	CLAMP	1	5001	- 5008							
12A	50401-02560	BAND	1	5001	-							
51A	61802-10040	BOLT,FLANGED	4	5001	-							61802-10020
52A	61802-10030	BOLT,FLANGED	5	5001	- 5008							
52B	61802-10030	BOLT,FLANGED	8	5009	-							
53A	62701-40101	WASHER,PLANE	2	5001	-							
54A	61802-08040	BOLT,FLANGED	1	5001	-							
55A	61802-10065	BOLT,FLANGED	1	5001	-							
56A	62710-18081	WASHER,PLANE	1	5001	-							
57A	62710-18101	WASHER,PLANE	5	5001	-							
58A	35750-24000	SLEEVE	5	5001	-							
59A	35750-20960	SLEEVE	1	5001	-							
61A	46011-23180	WASHER,PLANE	1	5007	-							

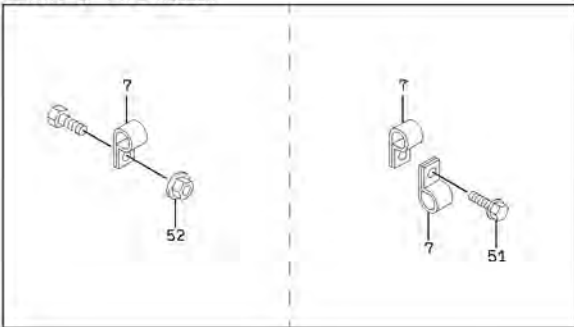
MEMO

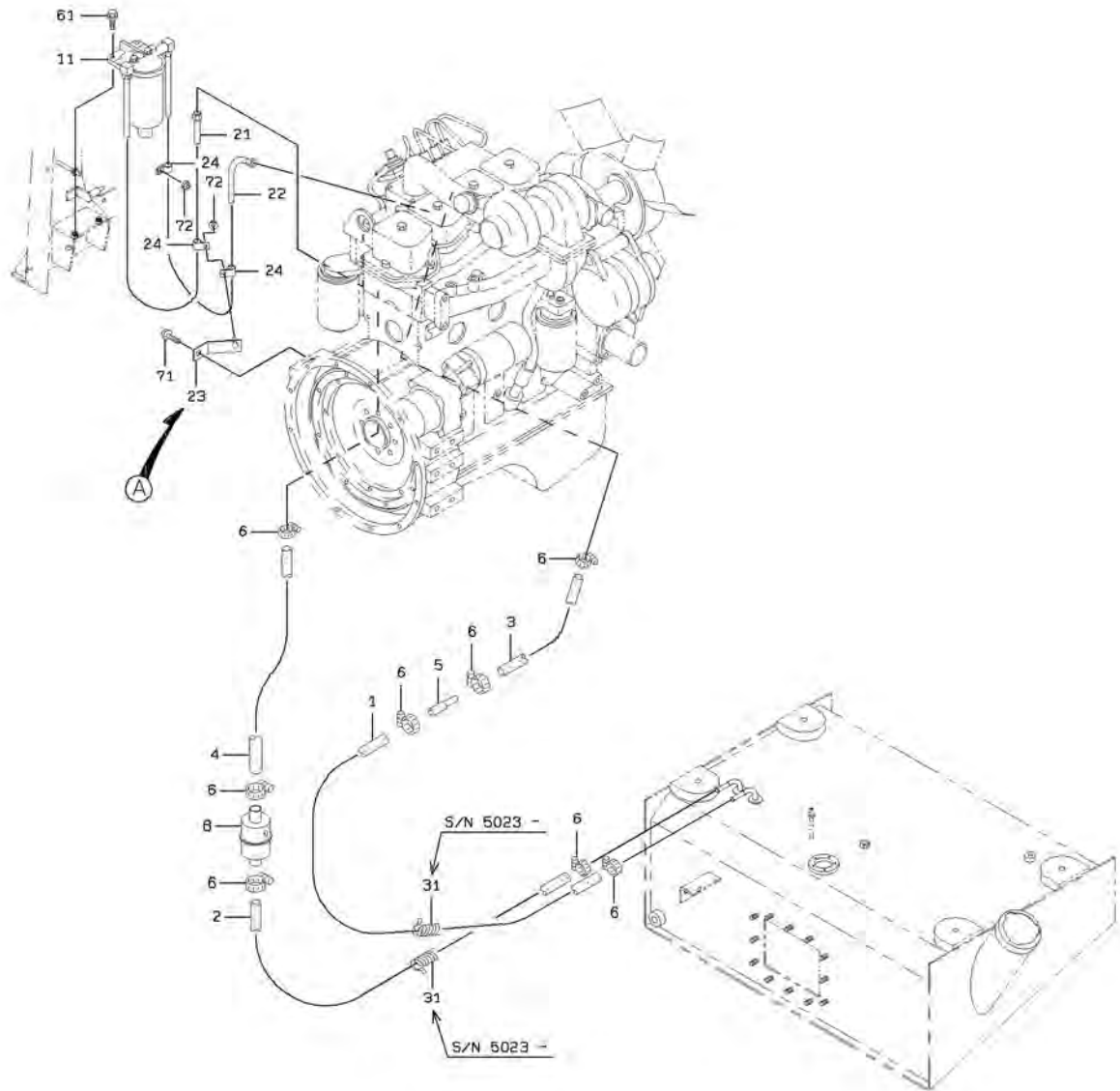
FUEL LINE

<S/N 5001 - 5002>

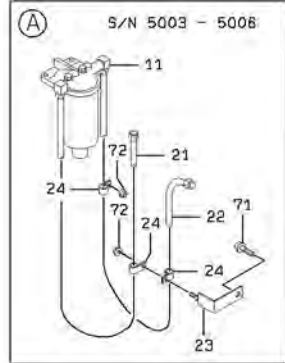
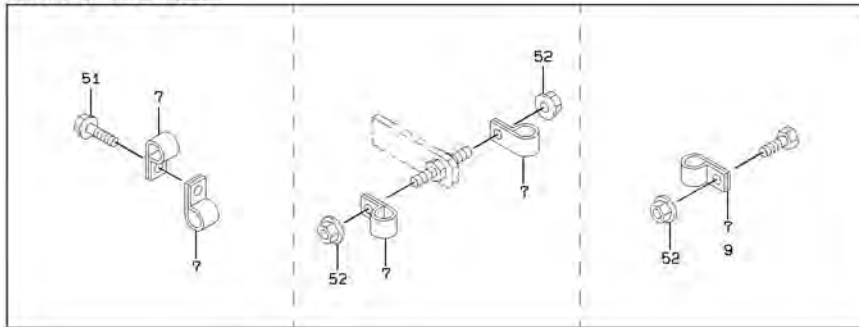


DETAIL OF PIPE HOLDER





DETAIL OF PIPE HOLDER



12 15

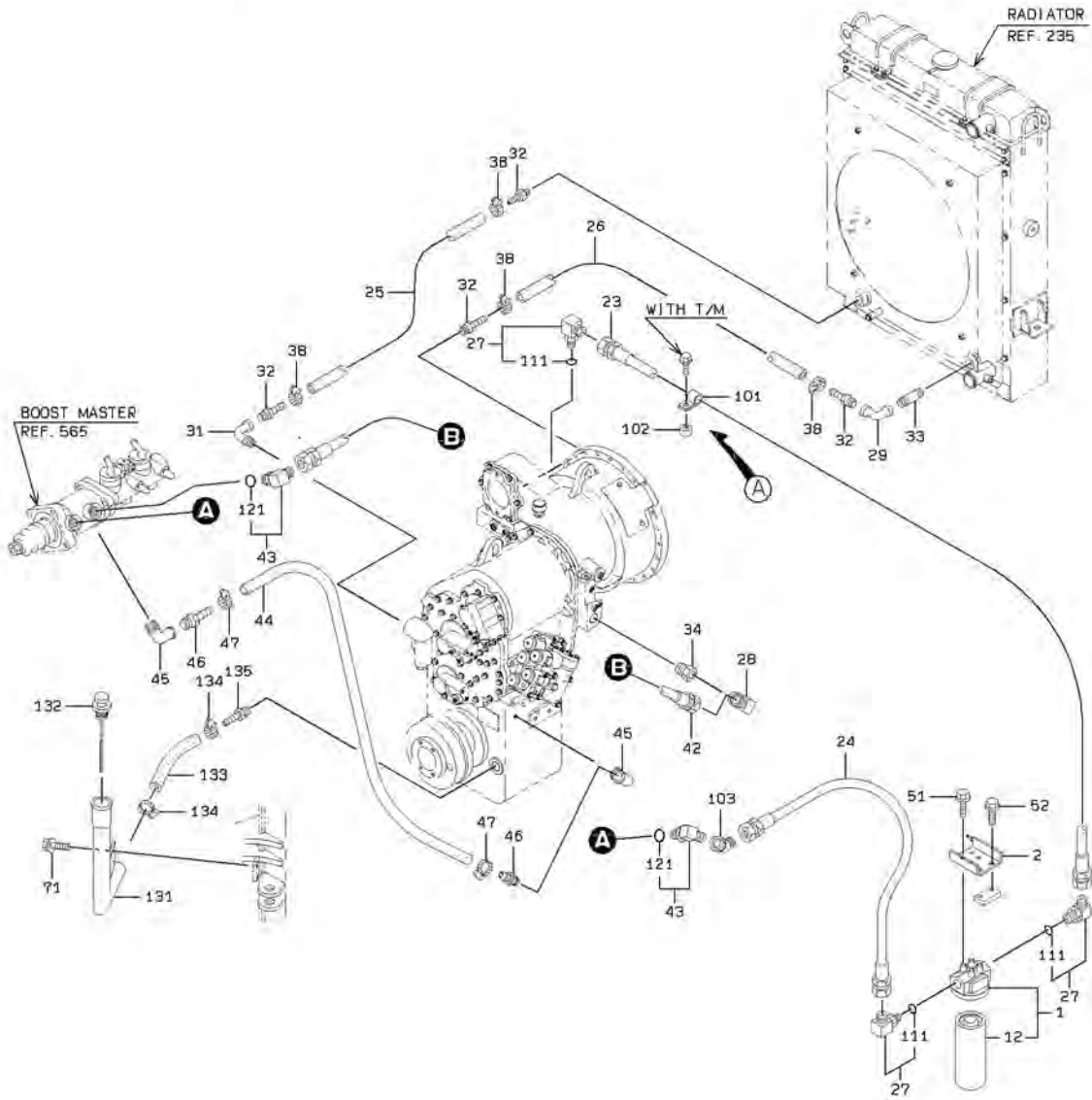
FUEL LINE

SYM-BOL	PART NUMBER	PART NAME	UNIT Q,TY	SERIAL		REMARKS						
				(A)	(B)	N	P	D	(A)	(B)	(C)	(D)
1A	67040-09000	HOSE,HEAT RESISTIN	2 M	5001	- 5002							L=1100
1B	67040-09000	HOSE,HEAT RESISTIN	2 M	5003	-							L=1050
2A	67040-09000	HOSE,HEAT RESISTIN	1 M	5001	- 5002							L=670
2B	67040-09000	HOSE,HEAT RESISTIN	1 M	5003	-							L=800
3A	67040-06000	HOSE,HEAT RESISTIN	1 M	5001	- 5002							L=300
3B	67040-06000	HOSE,HEAT RESISTIN	1 M	5003	-							L=350
4A	67040-09000	HOSE,HEAT RESISTIN	1 M	5001	- 5002							L=500
4B	67040-09000	HOSE,HEAT RESISTIN	1 M	5003	-							L=280
5A	37715-20120	NIPPLE,HOSE	1	5001	-							
6A	69002-02200	BAND,HOSE	8	5001	-							
7A	72001-12000	HOLDER,PIPE	A/R	5001	-							
8A	50401-02740	FILTER ASSY	1	5001	-							
9A	72001-11500	HOLDER,PIPE	A/R	5003	-							
11A	50401-04170	FILTER ASSY,FUEL	1	5001	-							
21A	50401-04180	HOSE	1	5001	-							
22A	50401-04190	HOSE	1	5001	-							
23A	41620-53970	PLATE	1	5003	- 5006							
23B	41750-31640	PLATE	1	5007	-	B						
24A	72001-11500	HOLDER,PIPE	3	5003	-							D=15
31A	69081-19000	TUBE, SPIRAL	1 M	5023	-							L=300 X QTY 2
51A	61802-08020	BOLT,FLANGED	A/R	5001	-							
52A	62480-21081	NUT,FLANGED	A/R	5001	-							
61A	61802-08030	BOLT,FLANGED	2	5001	-							
71A	61802-12020	BOLT,FLANGED	1	5003	- 5006							
71B	61802-12016	BOLT,FLANGED	1	5007	-	C						
72A	62480-21081	NUT,FLANGED	2	5003	-							

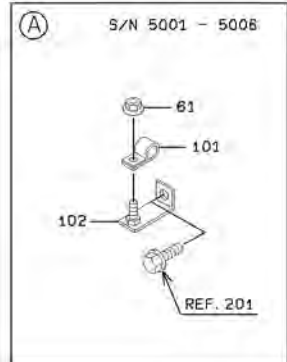
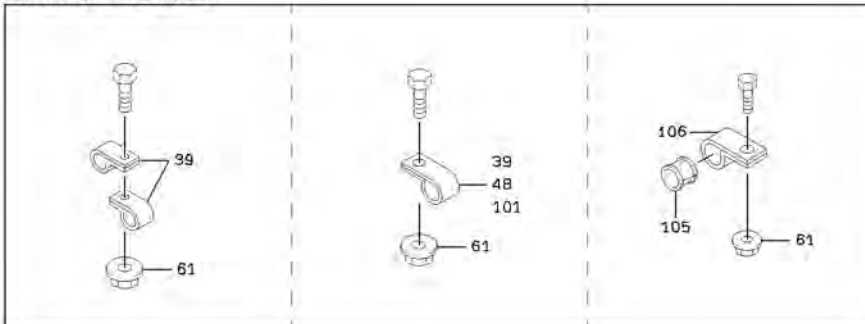
MEMO

TRANSMISSION HYDRAULIC LINE

<S/N 5001 - 5020>



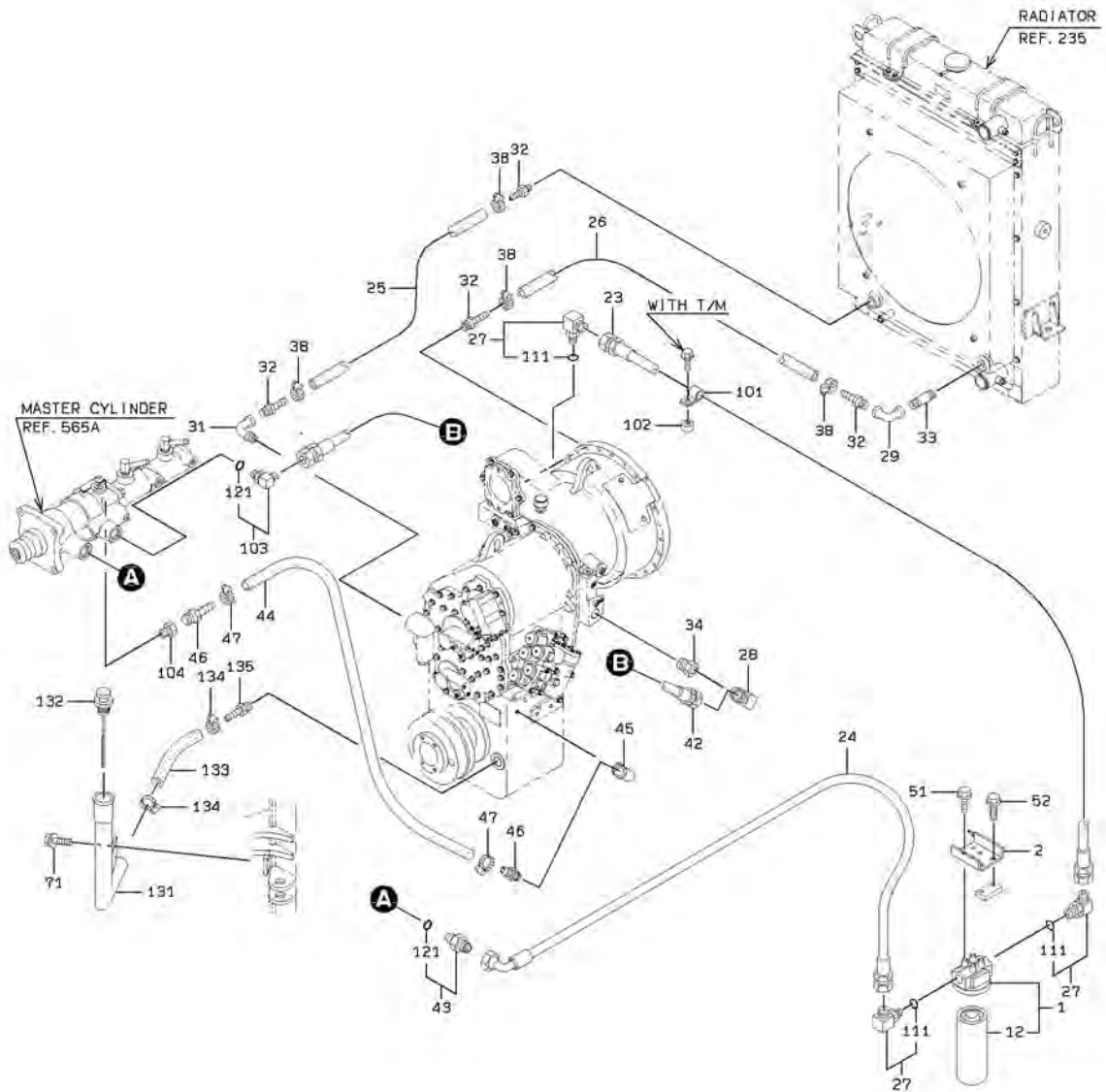
DETAIL OF PIPE HOLDER



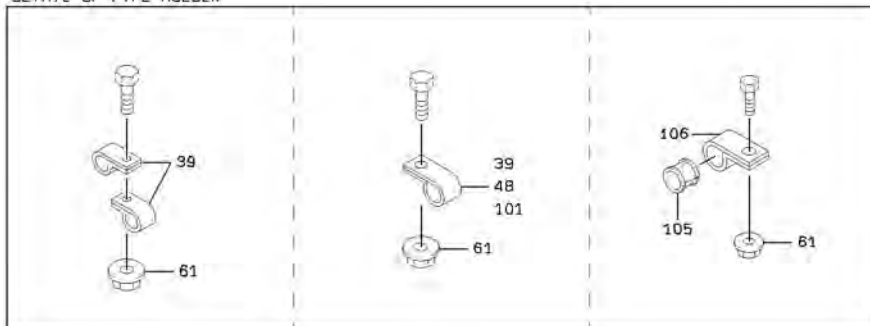
L-6

TRANSMISSION HYDRAULIC LINE

<S/N 5021 - >



DETAIL OF PIPE HOLDER



2-A

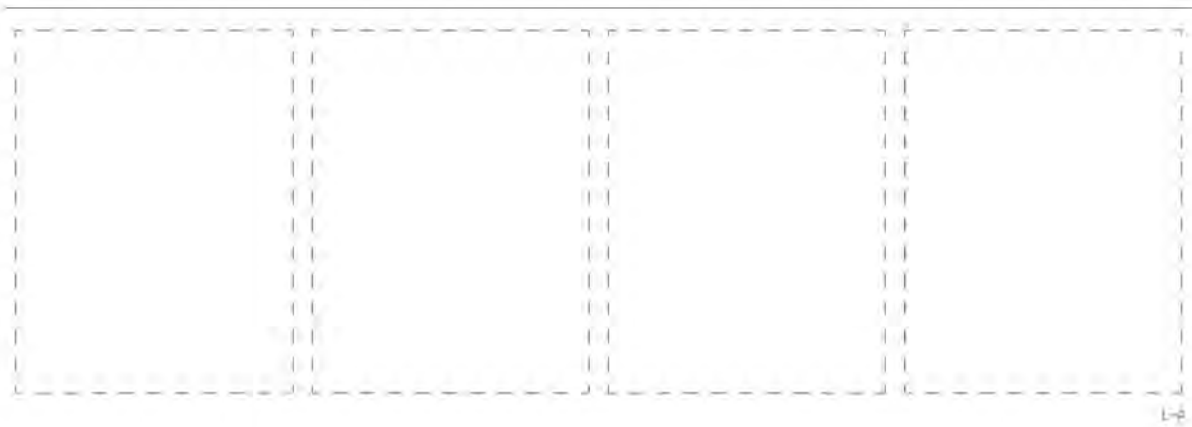
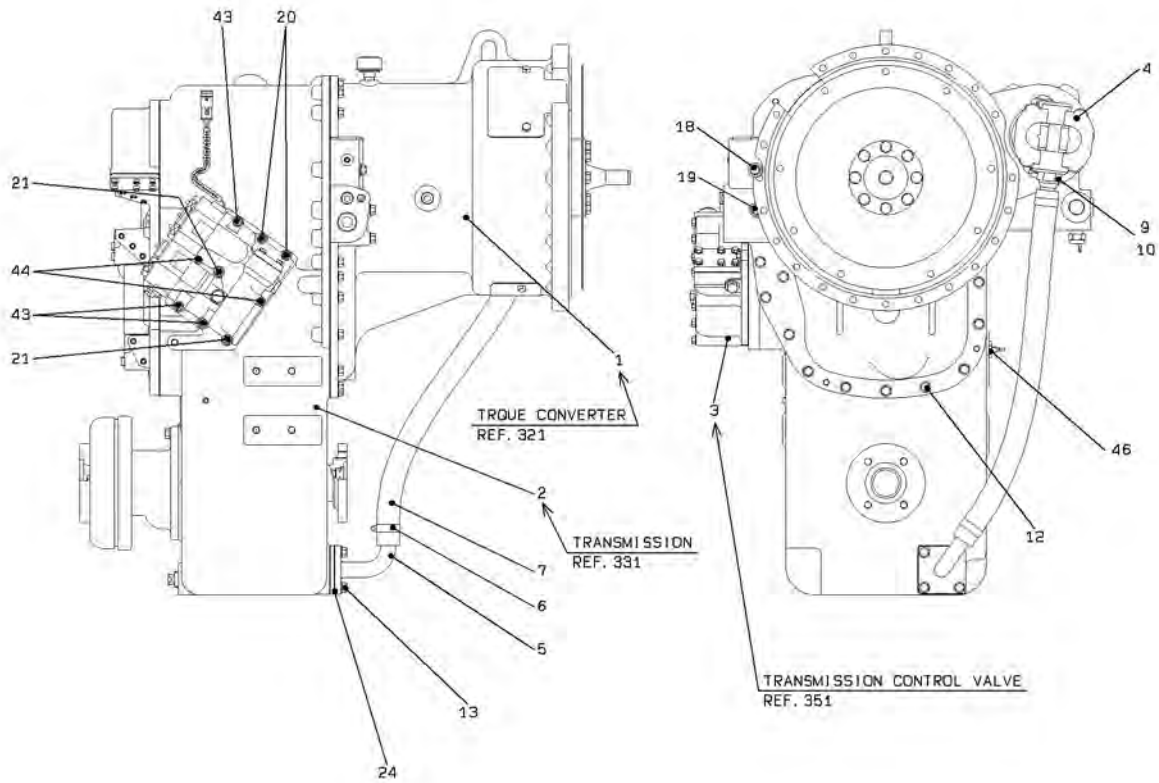
TRANSMISSION HYDRAULIC LINE

SYM-BOL	PART NUMBER	PART NAME	UNIT Q,TY	SERIAL		REMARKS							
				(A)	(B)	N	P	D	(A)	(B)	(C)	(D)	REMARK
1A	40337-60200	FILTER ASSY,LINE	1	5001	-								
2A	41618-39260	PLATE	1	5001	-								
12A	30981-70350	ELEMENT,FILTER	1	5001	-								
23A	68255-40160	HOSE,HIGH PRESSURE	1	5001	-								
24A	68255-50066	HOSE,HIGH PRESSURE	1	5001	-								
24B	68235-50068	HOSE,HIGH PRESSURE	1	5021	-								
25A	67040-19000	HOSE,HEAT RESISTIN	2 M	5001	-								L=1650
26A	67040-19000	HOSE,HEAT RESISTIN	2 M	5001	-								L=1750
27A	88241-07112	ADAPTER,ELBOW	3	5001	-								
28A	88241-03412	ADAPTER,ELBOW	1	5001	-								
29A	69203-06000	FITTING,ELBOW	1	5001	-								
31A	69205-06000	FITTING,ELBOW	1	5001	-								
32A	88511-01121	NIPPLE,HOSE	4	5001	-								
33A	38902-20210	FITTING,NIPPLE	1	5001	-								
34A	88372-51612	FITTING,BUSHING	1	5001	-								
38A	69002-03800	BAND,HOSE	4	5001	-								
39A	72010-31000	HOLDER,HOSE	A/R	5001	-								
42A	68255-50078	HOSE,HIGH PRESSURE	1	5001	-								
42B	68255-50090	HOSE,HIGH PRESSURE	1	5021	-								
42C	68255-50084	HOSE,HIGH PRESSURE	1	5023	-								
43A	30241-20550	ADAPTER,ELBOW	2	5001	-								
43B	30230-27600	ADAPTER	1	5021	-								
44A	67040-06000	HOSE,HEAT RESISTIN	1 M	5001	-								L=670
44B	67040-06000	HOSE,HEAT RESISTIN	1 M	5021	-								L=820
45A	69205-01000	FITTING,ELBOW	2	5001	-								
45B	69205-01000	FITTING,ELBOW	1	5021	-								
46A	88511-01020	NIPPLE,HOSE	2	5001	-								
47A	69002-02200	BAND,HOSE	2	5001	-								
48A	72001-11500	HOLDER,PIPE	A/R	5001	-								
51A	61802-10016	BOLT,FLANGED	4	5001	-								
52A	61802-12020	BOLT,FLANGED	2	5001	-								
61A	62480-21081	NUT,FLANGED	A/R	5001	-								
71A	61802-08016	BOLT,FLANGED	2	5001	-								
101A	72001-12500	HOLDER,PIPE	A/R	5001	-								
102A	41618-39330	PLATE	1	5001	-								
102B	35750-24000	SLEEVE	1	5007	-								
103A	30242-20050	ADAPTER,ELBOW UNIO	1	5001	-								
103B	30241-25130	ADAPTER,ELBOW	1	5021	-								
104A	69210-02010	FITTING,BUSHING	1	5021	-								
105A	40850-20650	BUSHING,ELASTIC	1	5003	-								
106A	72010-34000	HOLDER,HOSE	1	5003	-								
111A	65210-12024	RING,O	1	5001	-								
121A	65231-00081	RING,O	1	5001	-								
121B	47131-21890	RING,O	1	5021	-								
131A	38755-41340	PIPE,OIL	1	5001	-								
132A	33258-60070	GAUGE,LEVEL	1	5001	-								
133A	67040-25000	HOSE,HEAT RESISTIN	1 M	5001	-								L=480
134A	69002-04400	BAND,HOSE	2	5001	-								
135A	88511-01160	NIPPLE,HOSE	1	5001	-								

MEMO

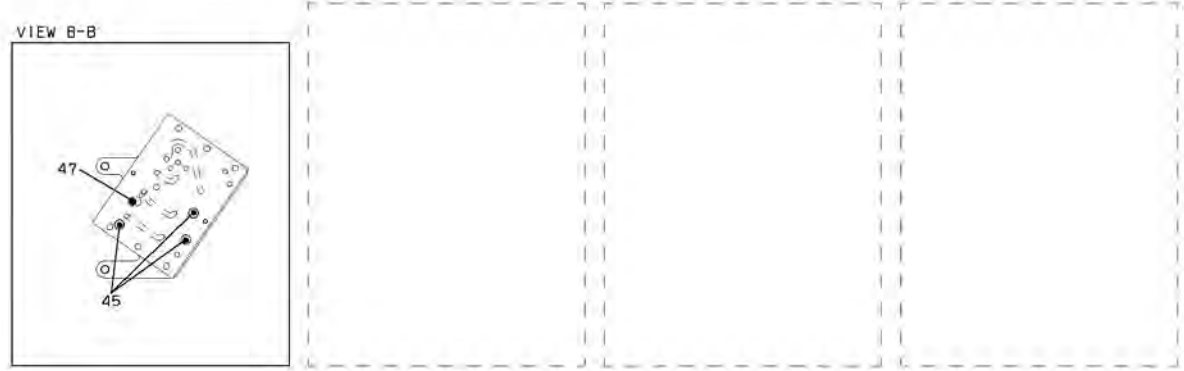
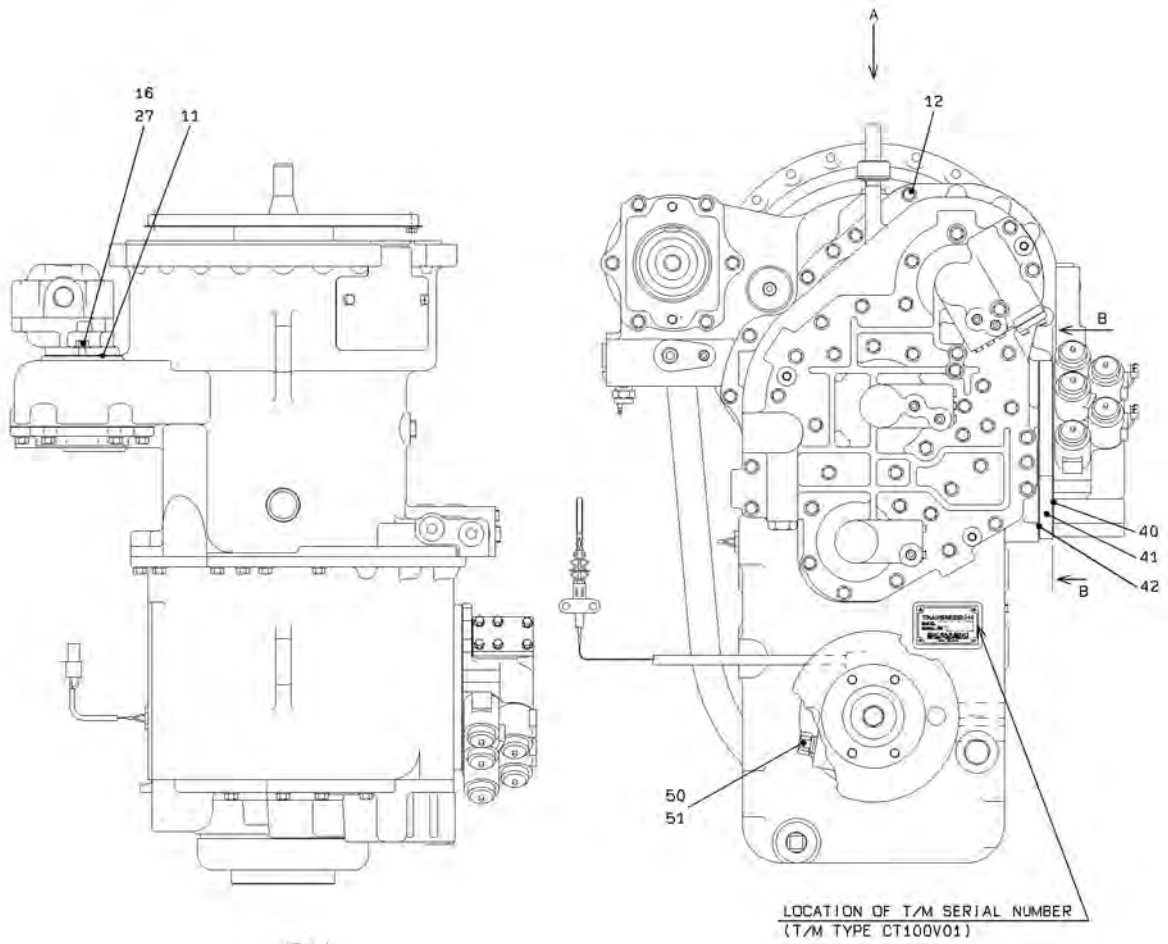
TORQUE CONVERTER & TRANSMISSION

(NOTE): SERIAL NUMBER INDICATES THE TRANSMISSION SERIAL NUMBER.



TORQUE CONVERTER & TRANSMISSION

{NOTE}: SERIAL NUMBER INDICATES THE TRANSMISSION SERIAL NUMBER.



E-A

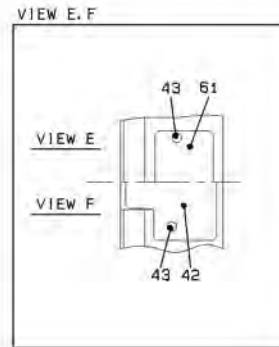
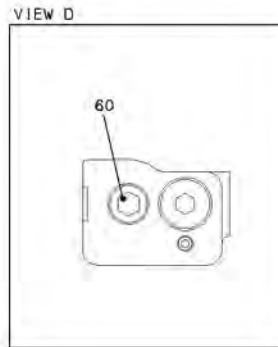
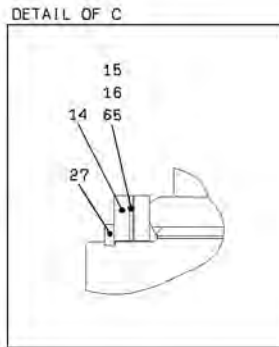
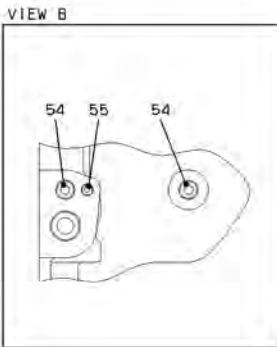
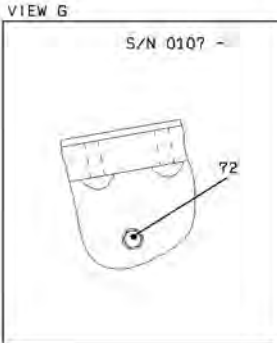
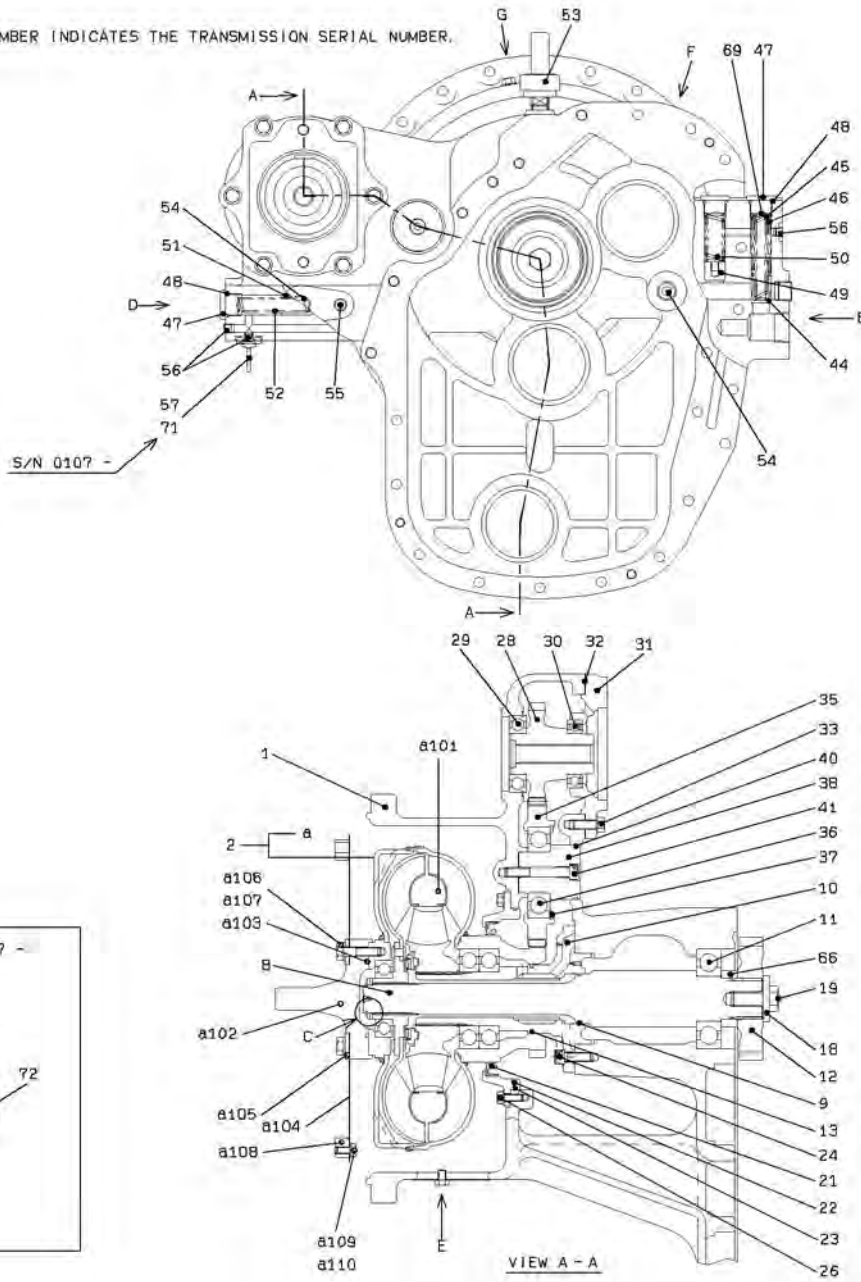
TORQUE CONVERTER & TRANSMISSION

SYM-BOL	PART NUMBER	PART NAME	UNIT Q,TY	SERIAL		REMARKS						
				(A)	(B)	N	P	D	(A)	(B)	(C)	(D)
1A	37430-20870	TORQUE CONVERTER	1	101	-							REF.321
2A	37420-21000	TRANSMISSION	1	101	-							REF.331
3A	38521-20470	VALVE ASSY,CONTROL	1	101	-							REF.351
4A	44081-60040	PUMP ASSY	1	101	-							
5A	38701-23640	PIPE ASSY	1	101	-							
6A	69002-05200	BAND,HOSE	2	101	-							
7A	67040-25000	HOSE,HEAT RESISTIN	1 M	101	-							L=680
9A	38755-58890	PIPE,OIL	1	101	-							
10A	65210-17029	RING,O	1	101	-							(K)
11A	31990-25230	GASKET	1	101	-							(K)
12A	43963-20150	BOLT,FLANGED	20	101	-							
13A	43963-20160	BOLT,FLANGED	4	101	-							
16A	61058-10025	BOLT	2	101	-							
18A	43963-20230	BOLT,FLANGED	1	101	-							
19A	43963-20240	BOLT,FLANGED	2	101	-							
20A	43963-20350	BOLT,FLANGED	2	101	-							
21A	43963-20360	BOLT,FLANGED	2	101	-							
24A	31990-25220	GASKET	1	101	-							(K)
27A	46011-22700	WASHER,PLANE	2	101	-							
40A	31990-25200	GASKET	1	101	-							(K)
41A	41410-34890	BLOCK	1	101	-							
42A	31990-25210	GASKET	1	101	-							(K)
43A	43963-20380	BOLT,FLANGED	3	101	-							
44A	43963-20370	BOLT,FLANGED	2	101	-							
45A	61101-08025	BOLT,SOCKET	3	101	-							
46A	35820-60080	SENSOR	1	101	-							
47A	31053-20250	ORIFICE	1	101	-							
50A	32210-20310	CAP	1	101	-							
51A	31990-22690	GASKET	1	101	-							(K)

MEMO

TORQUE CONVERTER

(NOTE): SERIAL NUMBER INDICATES THE TRANSMISSION SERIAL NUMBER.



L-6

TORQUE CONVERTER

SYM-BOL	PART NUMBER	PART NAME	UNIT Q,TY	SERIAL (A) - (B)	REMARKS					
					N	P	D	(A)	(B)	(C)
00A	37430-20870	TORQUE CONVERTER	1	101 -						
1A	37900-24650	HOUSING	1	101 -						
2A	37419-60240	TRQ CONV SUB ASSY	1	101 -						
8A	34527-20300	SHAFT,TURBINE	1	101 -						
9A	45301-60310	RING,PISTON	1	101 -						(K)
10A	34507-20230	SHAFT ASSY,STATOR	1	101 -						
11A	42001-60650	BEARING,BALL	1	101 -						
12A	32400-24170	GEAR	1	101 -						
13A	45301-60280	RING,PISTON	1	101 -						(K)
14A	46000-23630	WASHER	2	101 -						
15A	34200-26450	SHIM	A/R	101 -						T=0.5
16A	34200-26460	SHIM	A/R	101 -						T=0.2
18A	46000-22920	WASHER	1	101 -						
19A	61034-16040	BOLT	1	101 -						
21A	34042-60500	SEAL,OIL	1	101 -						(K)
22A	31210-22650	COVER	1	101 -						
23A	47131-60320	RING,O	1	101 -						(K)
24A	61101-10030	BOLT,SOCKET	6	101 -						
26A	61802-08016	BOLT,FLANGED	3	101 -						
27A	63811-00030	RING,SNAP	1	101 -						
28A	32400-24160	GEAR	1	101 -						
29A	42001-60360	BEARING,BALL	1	101 -						
30A	42001-60370	BEARING,BALL	1	101 -						
31A	40510-24040	FLANGE	1	101 -						
32A	31990-25430	GASKET	1	101 -						(K)
33A	43963-20140	BOLT,FLANGED	6	101 -						
35A	32400-24150	GEAR	1	101 -						
36A	42001-60320	BEARING,BALL	1	101 -						
37A	63812-00100	RING,SNAP	1	101 -						
38A	34500-26090	SHAFT	1	101 -						
40A	65210-27055	RING,O	1	101 -						(K)
41A	61101-10070	BOLT,SOCKET	1	101 -						
42A	41618-54390	PLATE	1	101 -						
43A	61033-08012	BOLT	4	101 -						
44A	39960-21430	PISTON	1	101 -						
45A	35600-22700	SPRING	1	101 -						
46A	35600-22710	SPRING	1	101 -						
47A	41530-21890	PLUG	3	101 -						
48A	47131-60290	RING,O	3	101 -						(K)
49A	39960-21350	PISTON	1	101 -						
50A	35600-22550	SPRING	1	101 -						
51A	39960-21360	PISTON	1	101 -						
52A	35600-22560	SPRING	1	101 -						
53A	41101-60010	BREATHER ASSY	1	101 -						
54A	88390-16108	PLUG	4	101 -						
55A	88390-16104	PLUG	2	101 -						
56A	88390-16102	PLUG	3	101 -						
57A	35037-60050	SWITCH,TEMPERATURE	1	101 -	106					
57B	35037-20200	SWITCH,TEMPERATURE	1	107 -						
60A	88390-16112	PLUG	1	101 -						
61A	41606-56450	PLATE	1	101 -						
65A	34200-26470	SHIM	A/R	101 -						T=0.1
66A	45200-27400	RING	1	101 -						
69A	46011-23000	WASHER,PLANE	1	101 -	141					
69B	46011-23000	WASHER,PLANE	2	142 -						
71A	88111-11690	WASHER,SEAL	1	107 -						(K)
72A	61802-08025	BOLT,FLANGED	1	107 -						
101A	52301-09100	TRQ CONV SUB ASSY	1	101 -				01		
102A	52301-06020	GUIDE	1	101 -				01		
103A	52301-07960	RING,O	1	101 -				01		
104A	52301-06030	PLATE	1	101 -				01		
105A	52301-00580	WASHER	1	101 -				01		
106A	52301-09120	BOLT	8	101 -				01		
107A	52301-09110	WASHER	8	101 -				01		
108A	52301-06000	SPACER	1	101 -				01		
109A	52301-09130	BOLT	2	101 -				01		

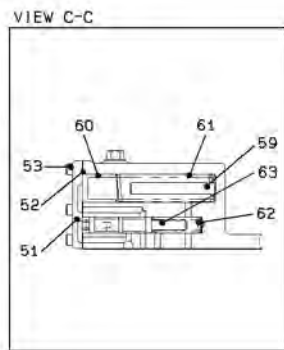
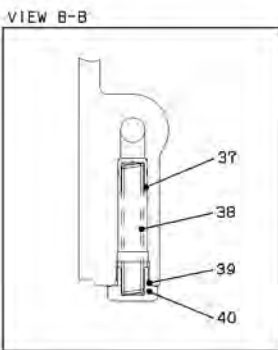
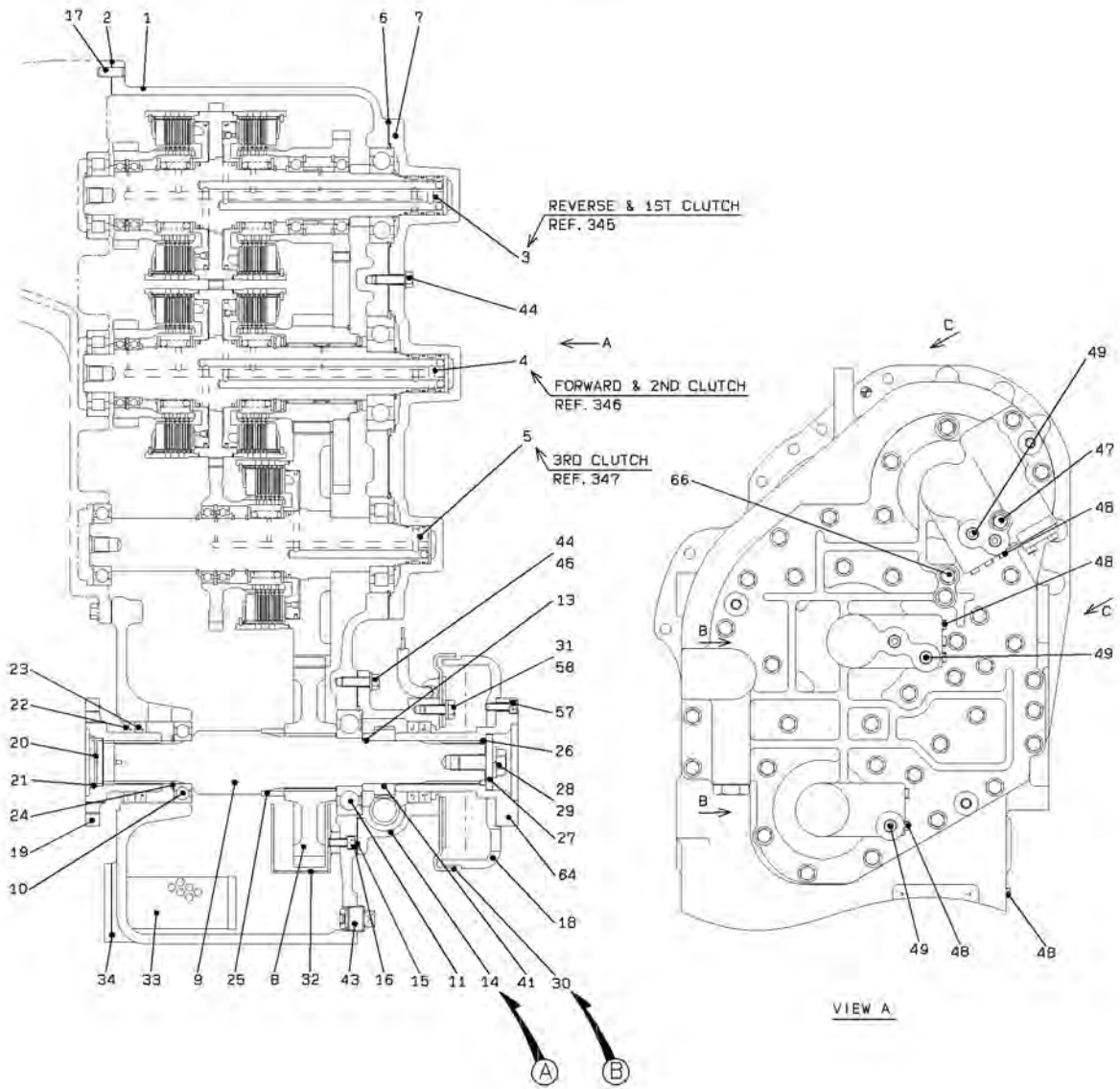
TORQUE CONVERTER

SYM-BOL	PART NUMBER	PART NAME	UNIT Q,TY	SERIAL (A) - (B)	REMARKS						
					N	P	D	(A)	(B)	(C)	(D)
110A	46013-70010	WASHER,SPRING	2	101 -				01			

MEMO

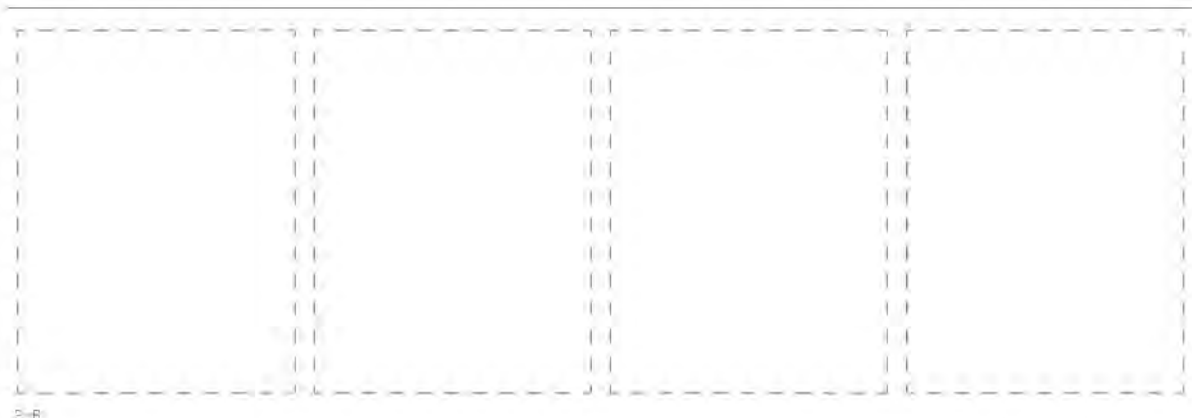
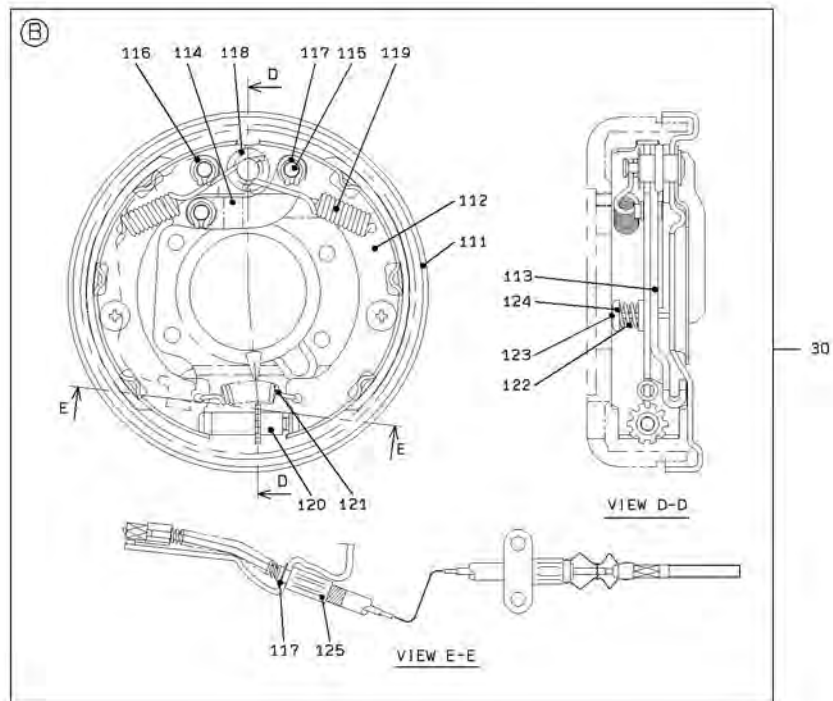
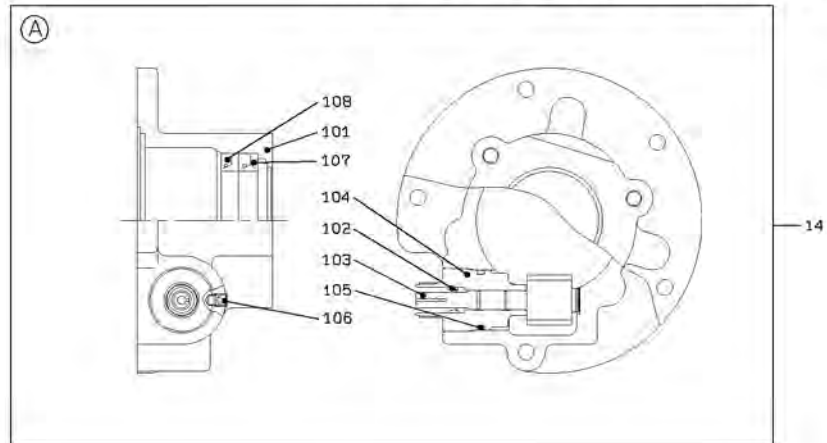
TRANSMISSION

(NOTE): SERIAL NUMBER INDICATES THE TRANSMISSION SERIAL NUMBER.



TRANSMISSION

(NOTE): SERIAL NUMBER INDICATES THE TRANSMISSION SERIAL NUMBER.



TRANSMISSION

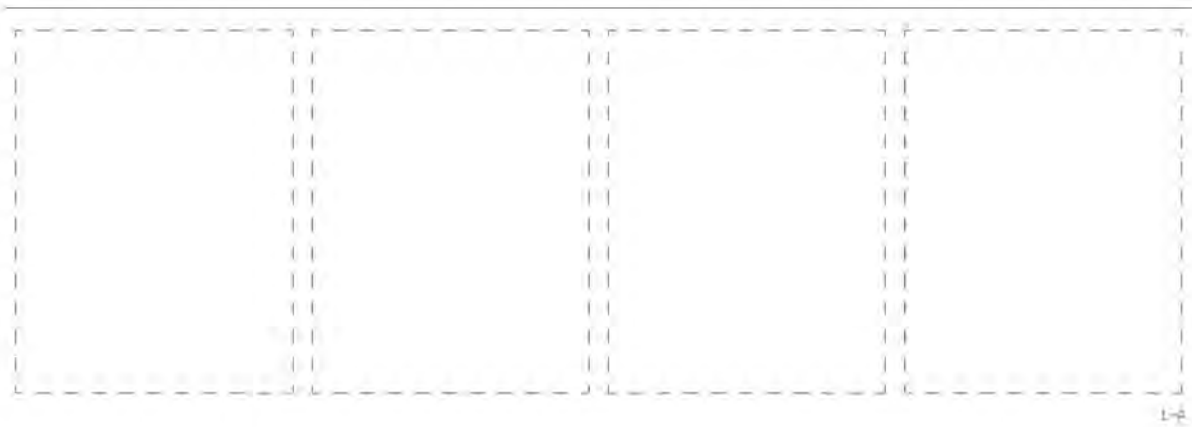
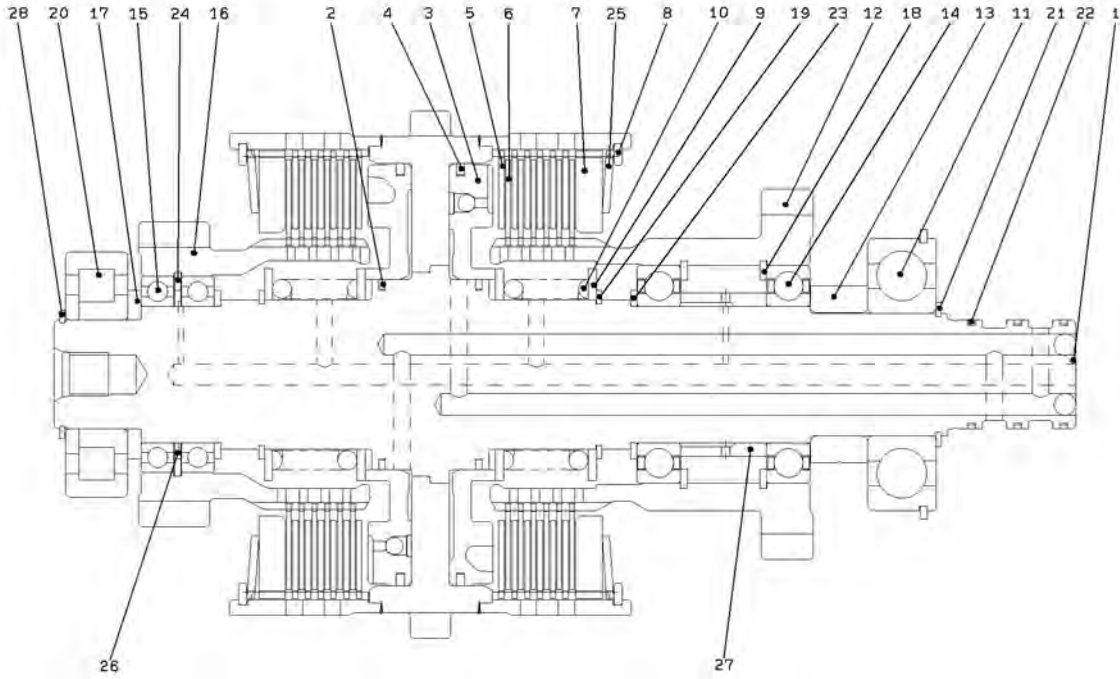
SYM-BOL	PART NUMBER	PART NAME	UNIT Q,TY	SERIAL		REMARKS						
				(A)	(B)	N	P	D	(A)	(B)	(C)	(D)
000A	37420-21000	TRANSMISSION	1	101	-							
1A	37900-24200	HOUSING	1	101	-							
2A	31990-25440	GASKET	1	101	-							(K)
3A	32872-21270	CLUTCH ASSY	1	101	-							REF.345
4A	32872-21280	CLUTCH ASSY	1	101	-							REF.346
5A	32872-21050	CLUTCH ASSY	1	101	-							REF.347
6A	31990-25720	GASKET	1	101	-							(K)
7A	31200-38960	COVER	1	101	-							
8A	32400-23040	GEAR	1	101	-							
9A	34500-26130	SHAFT	1	101	-							
10A	42001-60430	BEARING,BALL	1	101	-							
11A	42001-60670	BEARING,BALL	1	101	-							
13A	43751-20150	BALL	1	101	-							
14A	37573-20070	DRIVE ASSY,METER	1	101	- 137					Y01		
14B	37573-20170	DRIVE ASSY,METER	1	138	-	B				Y01		
15A	31990-25470	GASKET	1	101	-							(K)
16A	61101-08020	BOLT,SOCKET	3	101	-							
17A	40010-20570	PIN,STRAIGHT	3	101	-							
18A	37585-20160	DRUM,BRAKE	1	101	-							
19A	40510-24060	FLANGE	1	101	-							
20A	32210-60150	CAP	1	101	-							
21A	63812-00052	RING,SNAP	1	101	-							
22A	65084-05212	SEAL,OIL	1	101	-							(K)
23A	65054-05212	SEAL,OIL	1	101	-							(K)
24A	63811-00045	RING,SNAP	1	101	-							
25A	45200-26680	RING	1	101	-							
26A	47131-21770	RING,O	1	101	-							(K)
27A	46000-22940	WASHER	1	101	-							
28A	61034-16040	BOLT	1	101	-							
29A	62721-16100	WASHER,SPRING	1	101	-							
30A	41200-60190	BRAKE ASSY	1	101	-					Y02		
31A	61058-10025	BOLT	4	101	-							
32A	31231-20680	COVER ASSY	1	101	-							
33A	40330-60340	FILTER	1	101	-							
34A	31990-25220	GASKET	1	101	-							(K)
37A	39960-21440	PISTON	1	101	-							
38A	35600-22720	SPRING	1	101	-							
39A	65210-12022	RING,O	1	101	-							(K)
40A	41530-21930	PLUG	1	101	-							
41A	32400-23050	GEAR	1	101	- 137							
41B	32428-20020	GEAR,DRIVE	1	138	-	B						
43A	41535-60020	PLUG,MAGNET	1	101	-							
44A	43963-20150	BOLT,FLANGED	41	101	-							
46A	43963-20220	BOLT,FLANGED	1	101	-							
47A	43963-20250	BOLT,FLANGED	1	101	-							
48A	88390-16102	PLUG	9	101	-							
49A	88390-16104	PLUG	6	101	-	N						
51A	31205-40130	COVER	1	101	-							
52A	31990-25280	GASKET	1	101	-							(K)
53A	61101-06016	BOLT,SOCKET	6	101	-							
57A	61101-08025	BOLT,SOCKET	6	101	-							
58A	46011-22700	WASHER,PLANE	4	101	-							
59A	40000-41370	PIN	1	101	-							
60A	39960-21370	PISTON	1	101	-							
61A	35600-22570	SPRING	1	101	-							
62A	35600-22590	SPRING	1	101	-							
63A	35570-20150	SPOOL	1	101	-							
64A	40510-24050	FLANGE	1	101	-							
66A	43963-20390	BOLT,FLANGED	2	101	-							
101A	37900-23400	HOUSING	1	101	-					01		
102A	34042-60420	SEAL,OIL	1	101	-					01		(K)
103A	34500-26140	SHAFT	1	101	- 137					01		
103B	34517-20160	SHAFT,GEAR	1	138	-	B				01		
104A	35750-24120	SLEEVE	1	101	-					01		
105A	65210-12032	RING,O	1	101	-					01		(K)
106A	61141-08012	BOLT,SOCKET	1	101	-					01		

TRANSMISSION

SYM-BOL	PART NUMBER	PART NAME	UNIT Q,TY	SERIAL		REMARKS								
				(A)	(B)	N	P	D	(A)	(B)	(C)	(D)	REMARK	
107A	65084-05212	SEAL,OIL	1	101	-						01			(K)
108A	65054-05212	SEAL,OIL	1	101	-						01			(K)
111A	41650-70160	PLATE ASSY	1	101	-							02		
112A	34715-70070	SHOE,BRAKE	2	101	-							02		
113A	45610-70080	LEVER ASSY	1	101	-							02		
114A	41600-71390	PLATE	1	101	-							02		
115A	40000-71390	PIN	3	101	-							02		
116A	46000-71530	WASHER	3	101	-							02		
117A	44950-70560	RETAINER	4	101	-							02		
118A	46000-71540	WASHER	1	101	-							02		
119A	35600-76120	SPRING	2	101	-							02		
120A	35102-70260	SCREW,ADJUST	1	101	-							02		
121A	35600-76130	SPRING	1	101	-							02		
122A	35600-76140	SPRING	2	101	-							02		
123A	40000-71400	PIN	2	101	-							02		
124A	41600-71400	PLATE	4	101	-							02		
125A	33192-70180	CABLE ASSY,CONTROL	1	101	-							02		

REVERSE & 1ST CLUTCH

(NOTE): SERIAL NUMBER INDICATES THE TRANSMISSION SERIAL NUMBER.

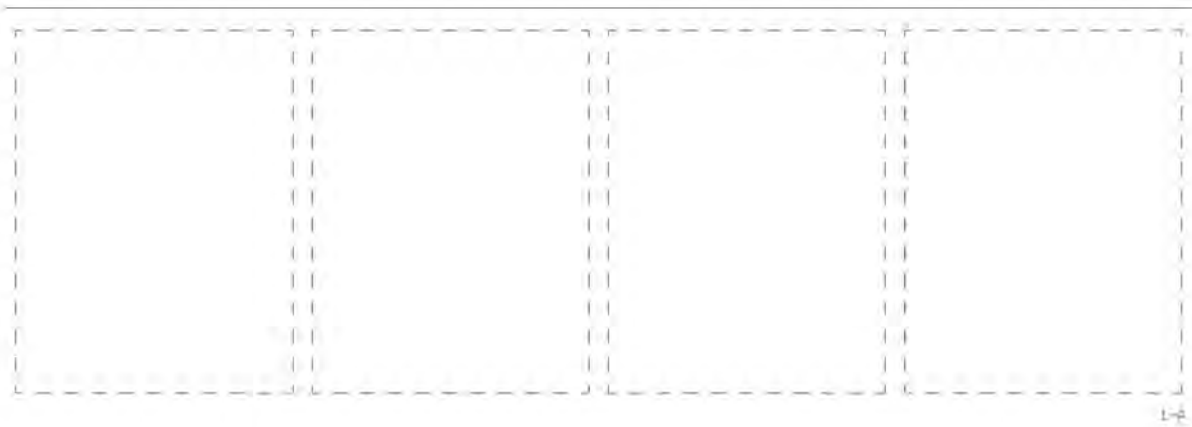
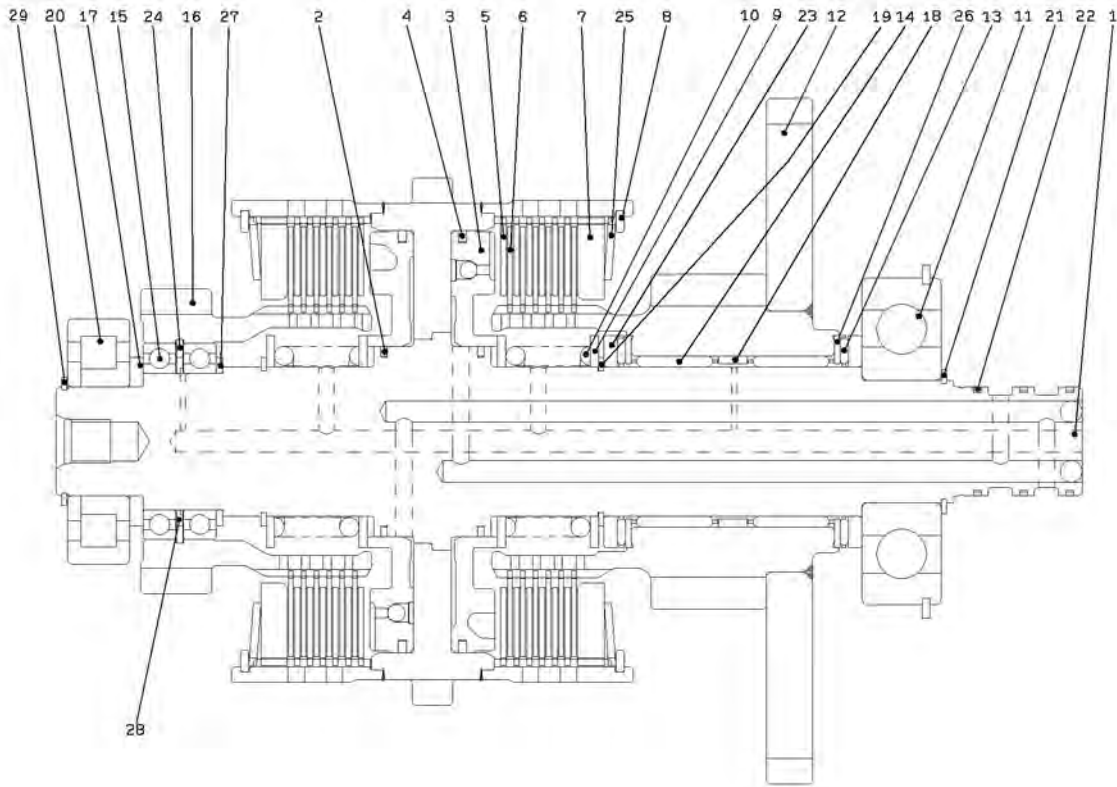


REVERSE & 1ST CLUTCH

SYM-BOL	PART NUMBER	PART NAME	UNIT Q,TY	SERIAL		REMARKS						
				(A)	(B)	N	P	D	(A)	(B)	(C)	(D)
000A	32872-21270	CLUTCH ASSY	1	101	-							
1A	34501-22270	SHAFT ASSY	1	101	-							
2A	45301-60320	RING,PISTON	2	101	-							(K)
3A	39962-20010	PISTON ASSY	2	101	-							
4A	45301-60330	RING,PISTON	2	101	-							(K)
5A	37212-60150	DISC,SEPARATION	12	101	-							
6A	37213-60380	DISC,FRICTION	12	101	-							
7A	41621-29430	PLATE	2	101	-	N						
8A	45311-20750	RING,SNAP	2	101	-							
9A	46000-22970	WASHER	4	101	-							
10A	35600-22730	SPRING	2	101	-							
11A	42001-60390	BEARING,BALL	1	101	-							
12A	32400-24110	GEAR	1	101	-							
13A	45200-27430	RING	1	101	-							
14A	42001-60400	BEARING,BALL	2	101	-							
15A	42001-60330	BEARING,BALL	2	101	-							
16A	32400-24180	GEAR	1	101	-							
16B	32400-24700	GEAR	1	133	-							
17A	46000-23740	WASHER	1	101	-							
18A	63812-00080	RING,SNAP	2	101	-							
19A	63811-00055	RING,SNAP	2	101	-							
20A	42003-60630	BEARING,ROLLER	1	101	-							
21A	63811-00045	RING,SNAP	1	101	-							
22A	45301-60340	RING,PISTON	3	101	-							(K)
23A	46000-22960	WASHER	2	101	-							
24A	45311-20930	RING,SNAP	1	101	-							
25A	41621-29420	PLATE	2	101	-							
26A	46000-22820	WASHER	1	101	-							
27A	45200-26610	RING	1	101	-							
28A	63811-00040	RING,SNAP	1	101	-							

FORWARD & 2ND CLUTCH

(NOTE): SERIAL NUMBER INDICATES THE TRANSMISSION SERIAL NUMBER.

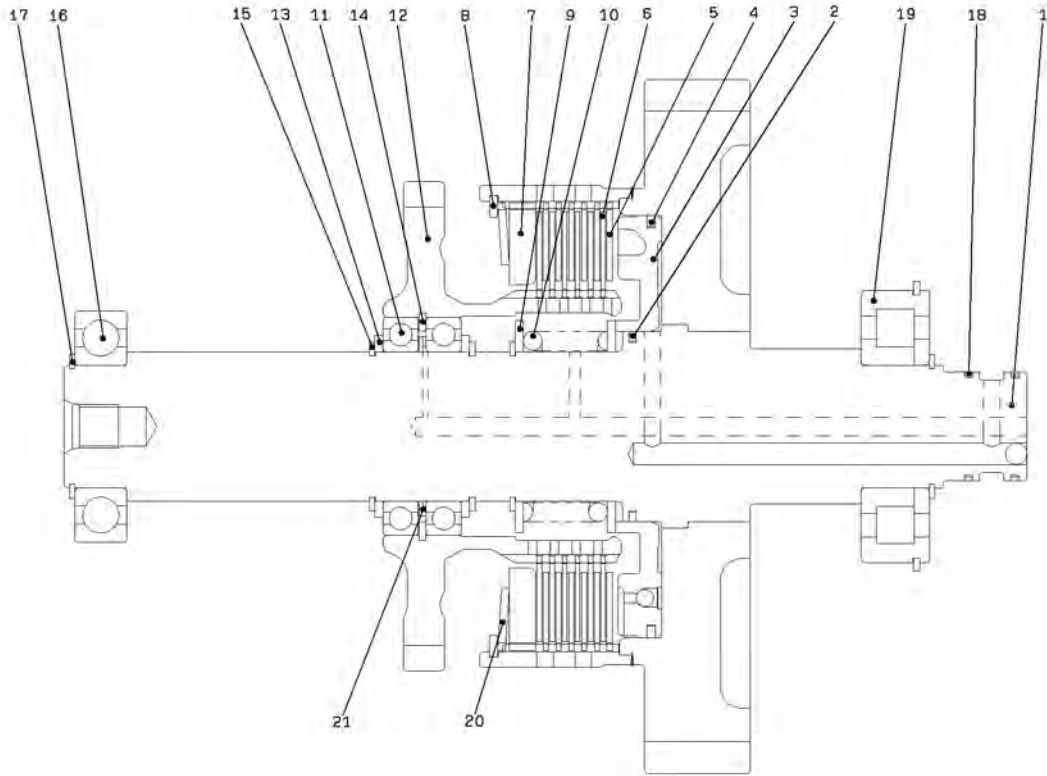


FORWARD & 2ND CLUTCH

SYM-BOL	PART NUMBER	PART NAME	UNIT Q,TY	SERIAL		REMARKS						
				(A)	(B)	N	P	D	(A)	(B)	(C)	(D)
000A	32872-21280	CLUTCH ASSY	1	101	-							
1A	34501-22280	SHAFT ASSY	1	101	-							
2A	45301-60320	RING,PISTON	2	101	-							(K)
3A	39962-20010	PISTON ASSY	2	101	-							
4A	45301-60330	RING,PISTON	2	101	-							(K)
5A	37212-60150	DISC,SEPARATION	12	101	-							
6A	37213-60380	DISC,FRICTION	12	101	-							
7A	41621-29430	PLATE	2	101	-	N						
8A	45311-20750	RING,SNAP	2	101	-							
9A	46000-22970	WASHER	4	101	-							
10A	35600-22730	SPRING	2	101	-							
11A	42001-60660	BEARING,BALL	1	101	-							
12A	32405-20320	GEAR ASSY	1	101	-							
13A	42011-60150	BEARING,THRUST	2	101	-							
14A	42006-60320	BEARING,NEEDLE	2	101	-							
15A	42001-60330	BEARING,BALL	2	101	-							
16A	32400-24180	GEAR	1	101	-							132
16B	32400-24700	GEAR	1	133	-	C						
17A	46000-23740	WASHER	1	101	-							
18A	45200-26640	RING	1	101	-							
19A	63811-00055	RING,SNAP	2	101	-							
20A	42003-60630	BEARING,ROLLER	1	101	-							
21A	63811-00045	RING,SNAP	1	101	-							
22A	45301-60340	RING,PISTON	3	101	-							(K)
23A	46033-60370	WASHER,THRUST	2	101	-							
24A	45311-20930	RING,SNAP	1	101	-							
25A	41621-29420	PLATE	2	101	-							
26A	46033-60380	WASHER,THRUST	2	101	-							
27A	46000-22960	WASHER	1	101	-							
28A	46000-22820	WASHER	1	101	-							
29A	63811-00040	RING,SNAP	1	101	-							

3RD CLUTCH

(NOTE): SERIAL NUMBER INDICATES THE TRANSMISSION SERIAL NUMBER.



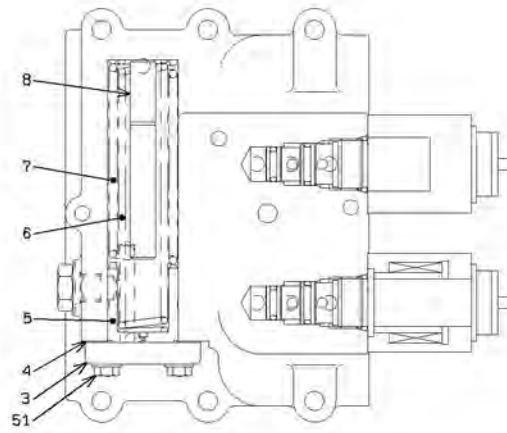
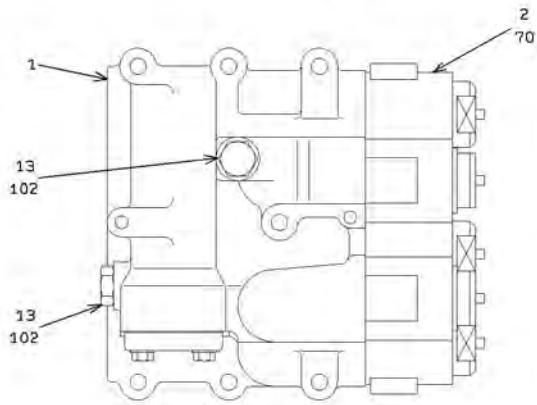
1-4

3RD CLUTCH

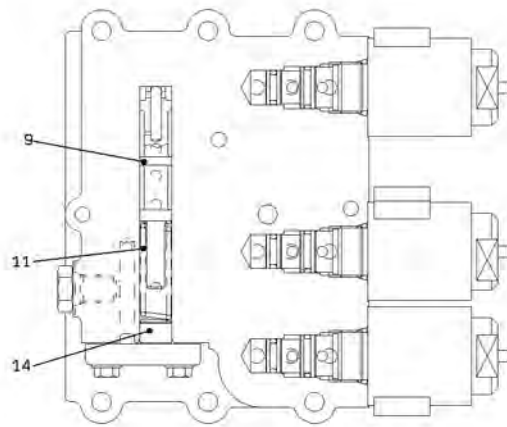
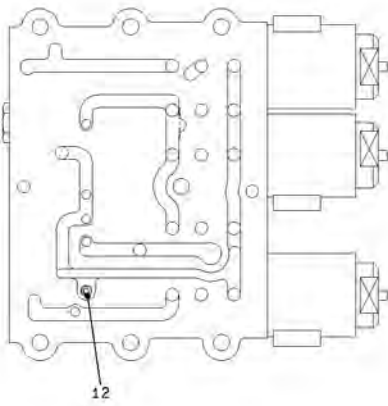
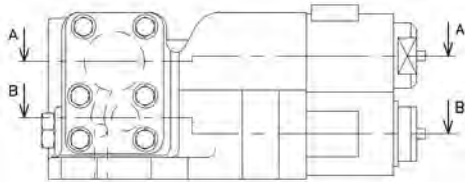
SYM-BOL	PART NUMBER	PART NAME	UNIT Q, TY	SERIAL (A) - (B)	REMARKS				REMARK
					N	P	D	(A) (B) (C) (D)	
000A	32872-21050	CLUTCH ASSY	1	101 -					
1A	34501-22110	SHAFT ASSY	1	101 -					
2A	45301-60320	RING, PISTON	1	101 -					(K)
3A	39962-20010	PISTON ASSY	1	101 -					
4A	45301-60330	RING, PISTON	1	101 -					(K)
5A	37212-60150	DISC, SEPARATION	6	101 -					
6A	37213-60380	DISC, FRICTION	6	101 -					
7A	41621-29430	PLATE	1	101 -	N				
8A	45311-20750	RING, SNAP	1	101 -					
9A	46000-22970	WASHER	2	101 -					
10A	35600-22730	SPRING	1	101 -					
11A	42001-60280	BEARING, BALL	2	101 -					
12A	32400-23020	GEAR	1	101 -					
13A	46000-22950	WASHER	2	101 -					
14A	63812-00080	RING, SNAP	1	101 -					
15A	63811-00055	RING, SNAP	3	101 -					
16A	42001-60430	BEARING, BALL	1	101 -					
17A	63811-00045	RING, SNAP	2	101 -					
18A	45301-60340	RING, PISTON	2	101 -					(K)
19A	42003-60640	BEARING, ROLLER	1	101 -					
20A	41621-29420	PLATE	1	101 -					
21A	46000-22800	WASHER	1	101 -					

TRANSMISSION CONTROL VALVE

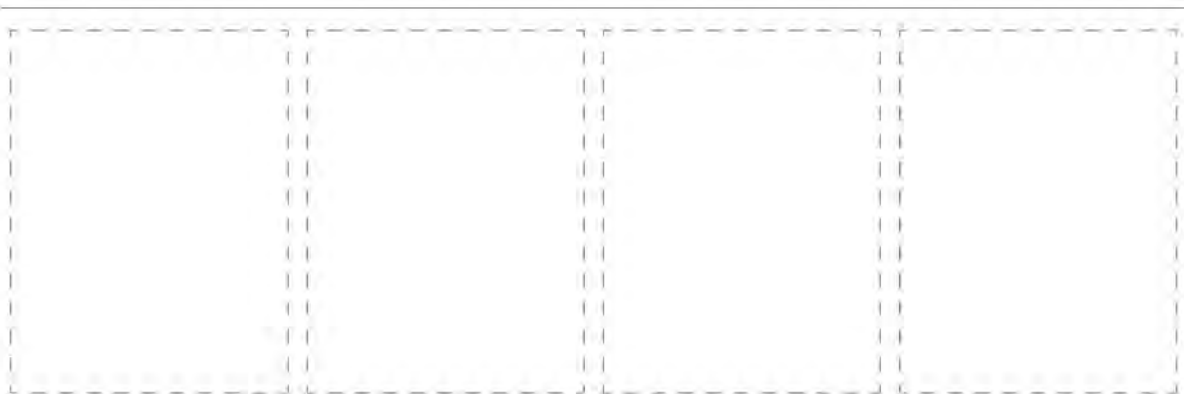
(NOTE): SERIAL NUMBER INDICATES THE TRANSMISSION SERIAL NUMBER.



VIEW A-A



VIEW B-B



1-A

TRANSMISSION CONTROL VALVE

SYM-BOL	PART NUMBER	PART NAME	UNIT Q,TY	SERIAL (A) - (B)	REMARKS						
					N	P	D	(A)	(B)	(C)	(D)
000A	38521-20470	VALVE ASSY,CONTROL	1	101 -							
1A	41410-34800	BLOCK	1	101 -							
2A	38553-61180	VALVE,SOLENOID	5	101 -				Y01			
3A	41619-37280	PLATE	1	101 -							
4A	31990-25740	GASKET	1	101 -							(K)
5A	39960-22070	PISTON	1	101 -							
6A	35600-22750	SPRING	1	101 -							
7A	35600-22760	SPRING	1	101 -							
8A	40000-37030	PIN	1	101 -							
9A	35570-20210	SPOOL	1	101 -							
11A	35600-22590	SPRING	1	101 -							
12A	31053-20320	ORIFICE	1	101 -							
13A	88390-21304	PLUG	2	101 -					Y02		
14A	44955-20060	RETAINER,SPRING	1	101 -							
51A	61802-06016	BOLT,FLANGED	6	101 -							61802-08016
70A	48974-70040	RING KIT,O	1	101 -				01			(K)
102A	65210-12011	RING,O	1	101 -					02		(K)

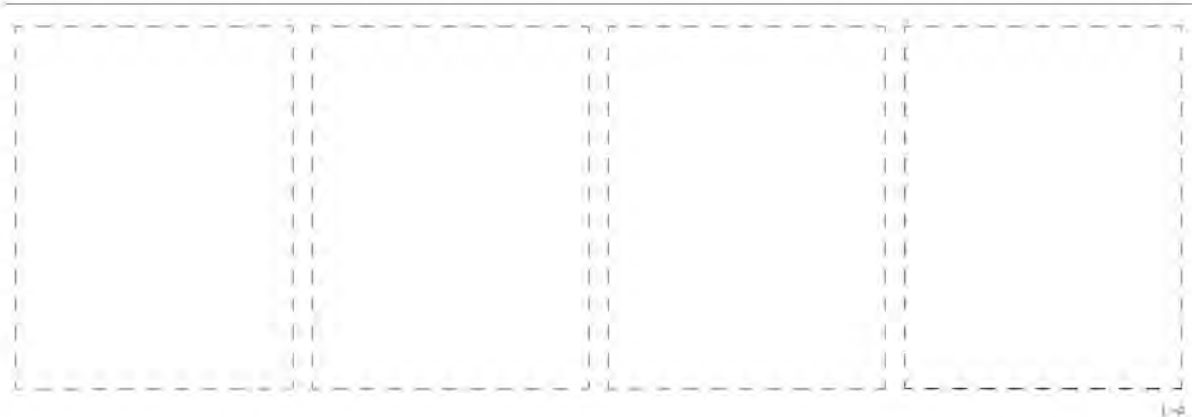
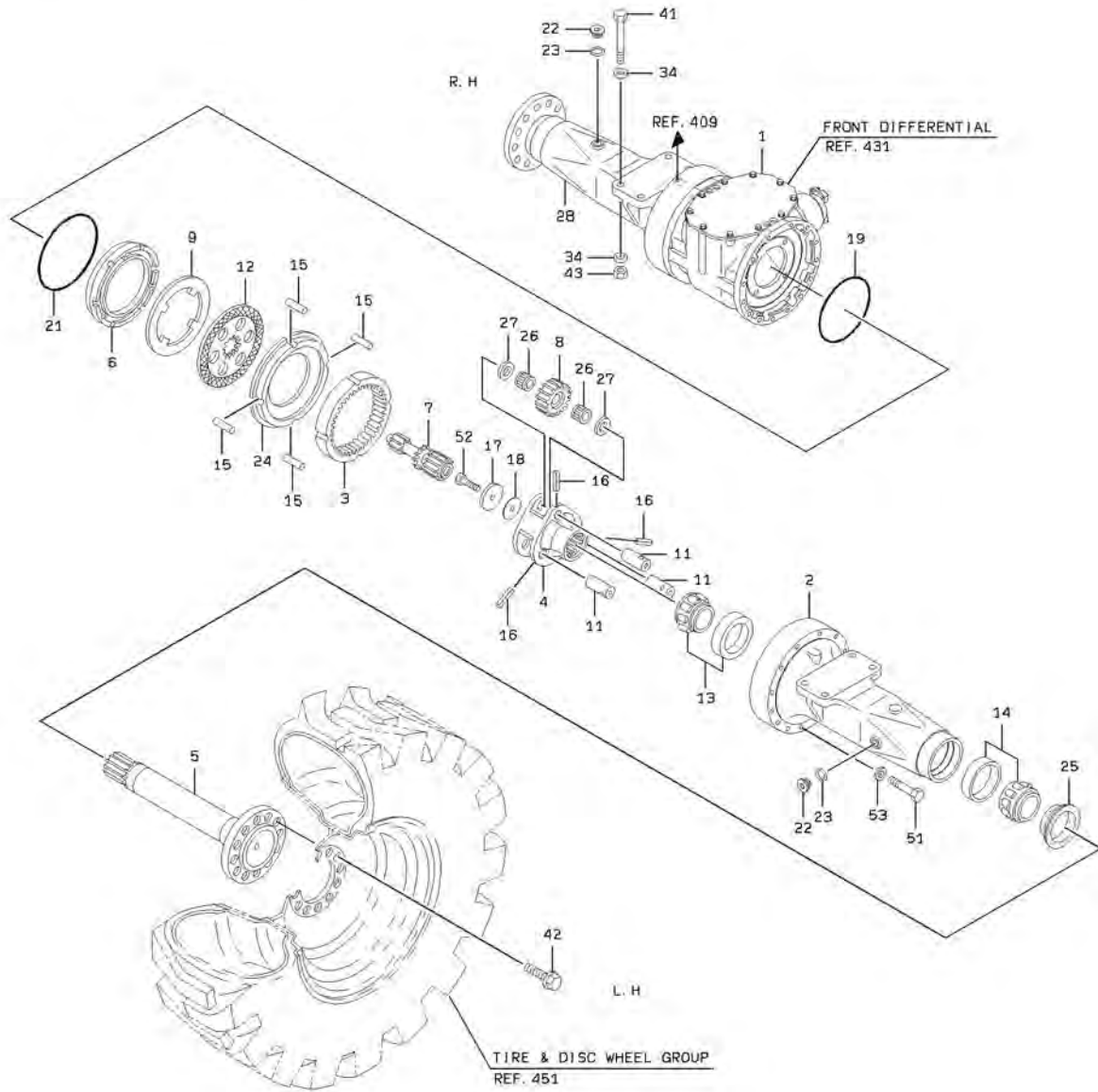
LIST ONLY

REPAIR KIT

SYM-BOL	PART NUMBER	PART NAME	UNIT Q,TY	SERIAL		REMARKS						
				(A)	(B)	N	P	D	(A)	(B)	(C)	(D)
000A	49691-90680	REPAIR KIT	1	101	-	106						
000B	49691-91050	REPAIR KIT	1	107	-		B					
1A	65210-17029	RING,O	1	101	-							311-10
2A	31990-25230	GASKET	1	101	-							311-11
3A	31990-25220	GASKET	2	101	-							311-24,331-34
4A	31990-25200	GASKET	1	101	-							311-40
5A	31990-25210	GASKET	1	101	-							311-42
6A	31990-22690	GASKET	1	101	-							311-51
7A	45301-60310	RING,PISTON	1	101	-							321-9
8A	45301-60280	RING,PISTON	1	101	-							321-13
9A	34042-60500	SEAL,OIL	1	101	-							321-21
11A	47131-60320	RING,O	1	101	-							321-23
12A	31990-25430	GASKET	1	101	-							321-32
13A	65210-27055	RING,O	1	101	-							321-40
14A	47131-60290	RING,O	3	101	-							321-48
15A	31990-25440	GASKET	1	101	-							331-2
16A	31990-25720	GASKET	1	101	-							331-6
17A	31990-25470	GASKET	1	101	-							331-15
18A	65084-05212	SEAL,OIL	2	101	-							331-22,107
19A	65054-05212	SEAL,OIL	2	101	-							331-23,108
21A	47131-21770	RING,O	1	101	-							331-26
22A	65210-12022	RING,O	1	101	-							331-39
23A	31990-25280	GASKET	1	101	-							331-52
24A	34042-60420	SEAL,OIL	1	101	-							331-102
25A	65210-12032	RING,O	1	101	-							331-105
26A	45301-60320	RING,PISTON	5	101	-							345,346,347-2
27A	45301-60330	RING,PISTON	5	101	-							345,346,347-4
28A	45301-60340	RING,PISTON	8	101	-							345,6-22,347-1
29A	31990-25740	GASKET	1	101	-							351-4
31A	48974-70040	RING KIT,O	5	101	-							351-70
32A	65210-12011	RING,O	2	101	-							351-102
33A	88111-11690	WASHER,SEAL	1	107	-							321-71

FRONT AXLE GROUP

(NOTE): THIS ILLUSTRATION SHOWS 'LEFT HAND' SYMBOL 34-43 ARE NOT INCLUDED IN SYMBOL 000.

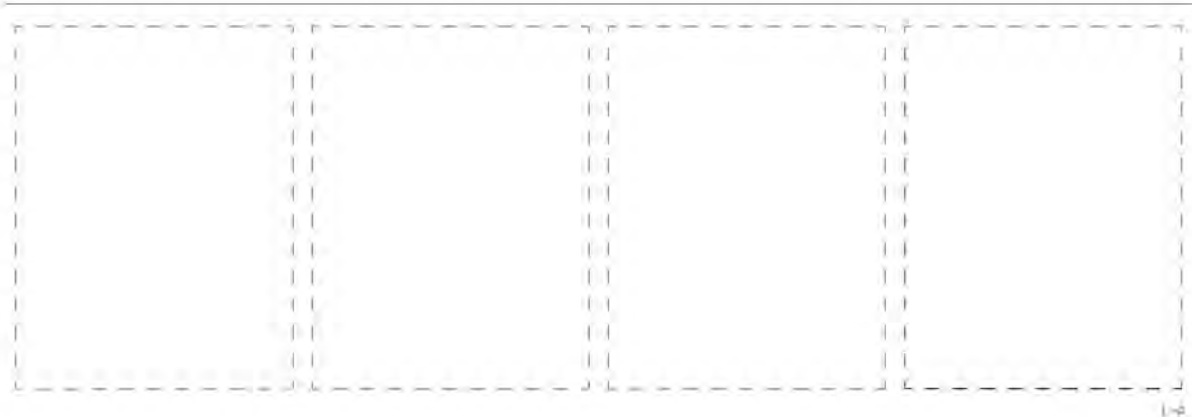
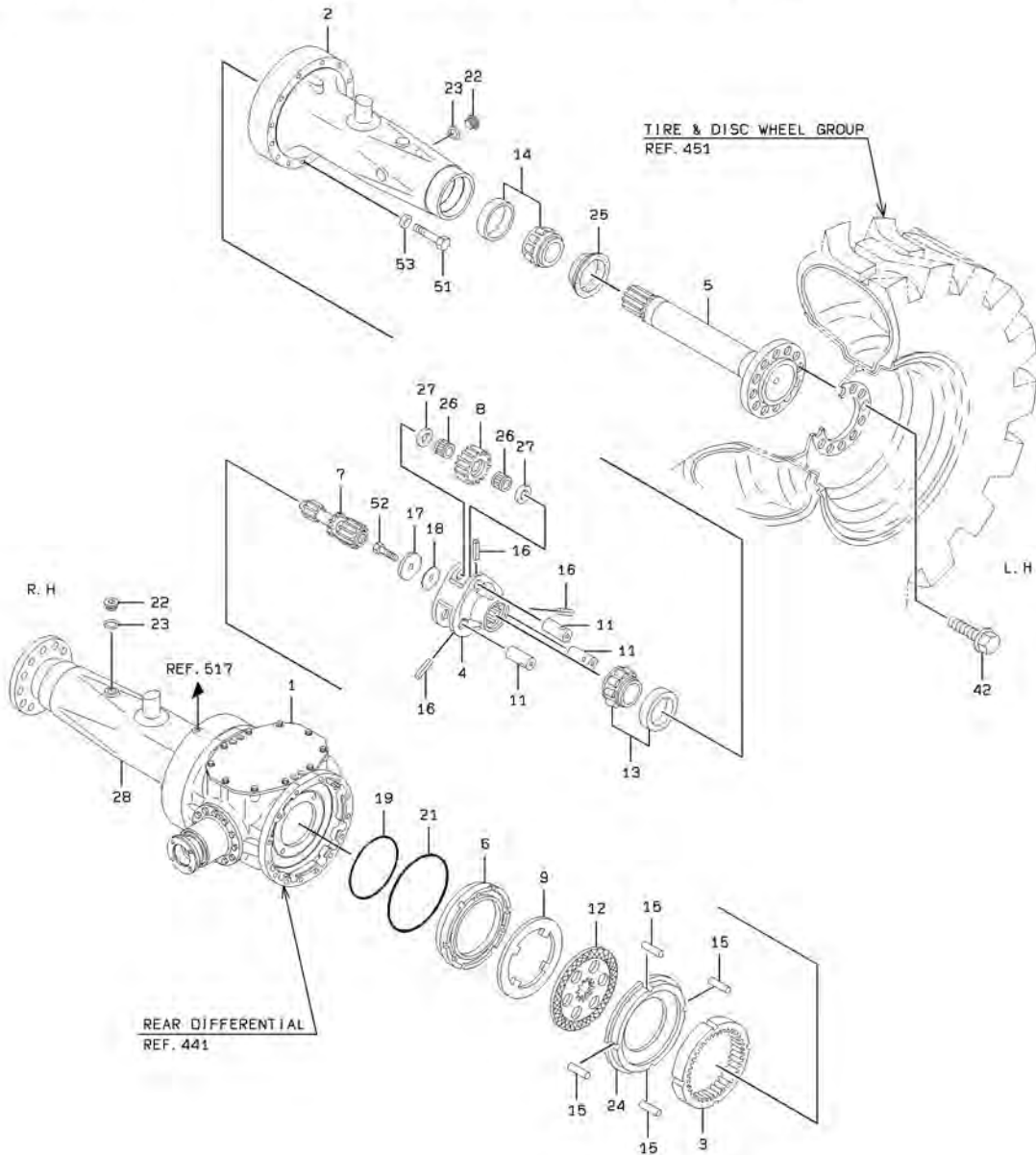


FRONT AXLE GROUP

SYM-BOL	PART NUMBER	PART NAME	UNIT Q,TY	SERIAL		REMARKS						
				(A)	(B)	N	P	D	(A)	(B)	(C)	(D)
000A	30111-20970	AXLE ASSY,FRONT	1	5001	-							W/O SYM 34-43
1A	37301-21370	DIFFERENTIAL ASSY	1	5001	-							REF.431
2A	37921-21220	HOUSING,AXLE	1	5001	-							FR LH
3A	32421-20300	GEAR,INTERNAL	2	5001	-							
4A	35510-20430	SPIDER	2	5001	-							
5A	34511-20410	SHAFT,AXLE	2	5001	-							
6A	39960-20720	PISTON	2	5001	-							
7A	32425-20200	GEAR,SUN	2	5001	-							
8A	32431-20200	GEAR,PLANET	6	5001	-							
9A	37200-20020	DISC	2	5001	-							
11A	40040-20200	PIN,PLANET	6	5001	-							
12A	37213-60260	DISC,FRICTION	2	5001	-	5022						
12B	37213-60640	DISC,FRICTION	2	5023	-		C					
13A	78246-30215	BEARING,TAPER ROLL	2	5001	-							
14A	42004-70370	BEARING,TAPER ROLL	2	5001	-							
15A	63024-13052	PIN,STRAIGHT	8	5001	-							
16A	63011-06032	PIN,SPRING	6	5001	-	5024						
16B	40033-20140	PIN,SPRING	6	5025	-		C					
17A	46011-20230	WASHER,PLANE	2	5001	-							
18A	34200-20120	SHIM	2	5001	-							
19A	47131-60180	RING,O	2	5001	-							
21A	47131-60170	RING,O	2	5001	-							
22A	41530-22520	PLUG	2	5001	-							
23A	88111-12490	WASHER,SEAL	2	5001	-							
24A	44956-20290	RETAINER,BRAKE	2	5001	-							
25A	34042-60070	SEAL,OIL	2	5001	-							
26A	33065-60160	CAGE,NEEDLE	12	5001	-							
27A	47171-21180	RING,WEAR	12	5001	-							
28A	37921-21230	HOUSING,AXLE	1	5001	-							FR RH
34A	46011-22850	WASHER,PLANE	16	5001	-							
41A	61033-20070	BOLT	8	5001	-							
42A	61805-24040	BOLT,FLANGED	24	5001	-							
43A	62401-81201	NUT	8	5001	-							
51A	61005-14100	BOLT	28	5001	-							
52A	61005-16040	BOLT	2	5001	-							
53A	62710-18141	WASHER,PLANE	28	5001	-							

REAR AXLE GROUP

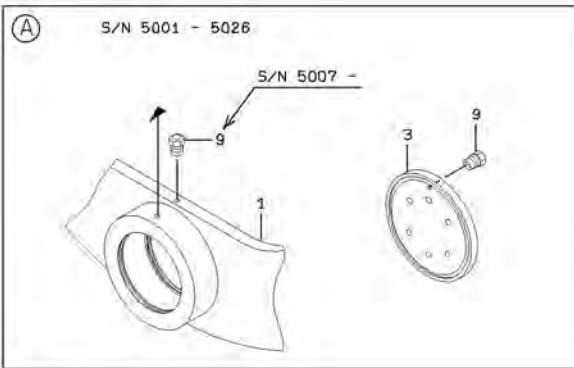
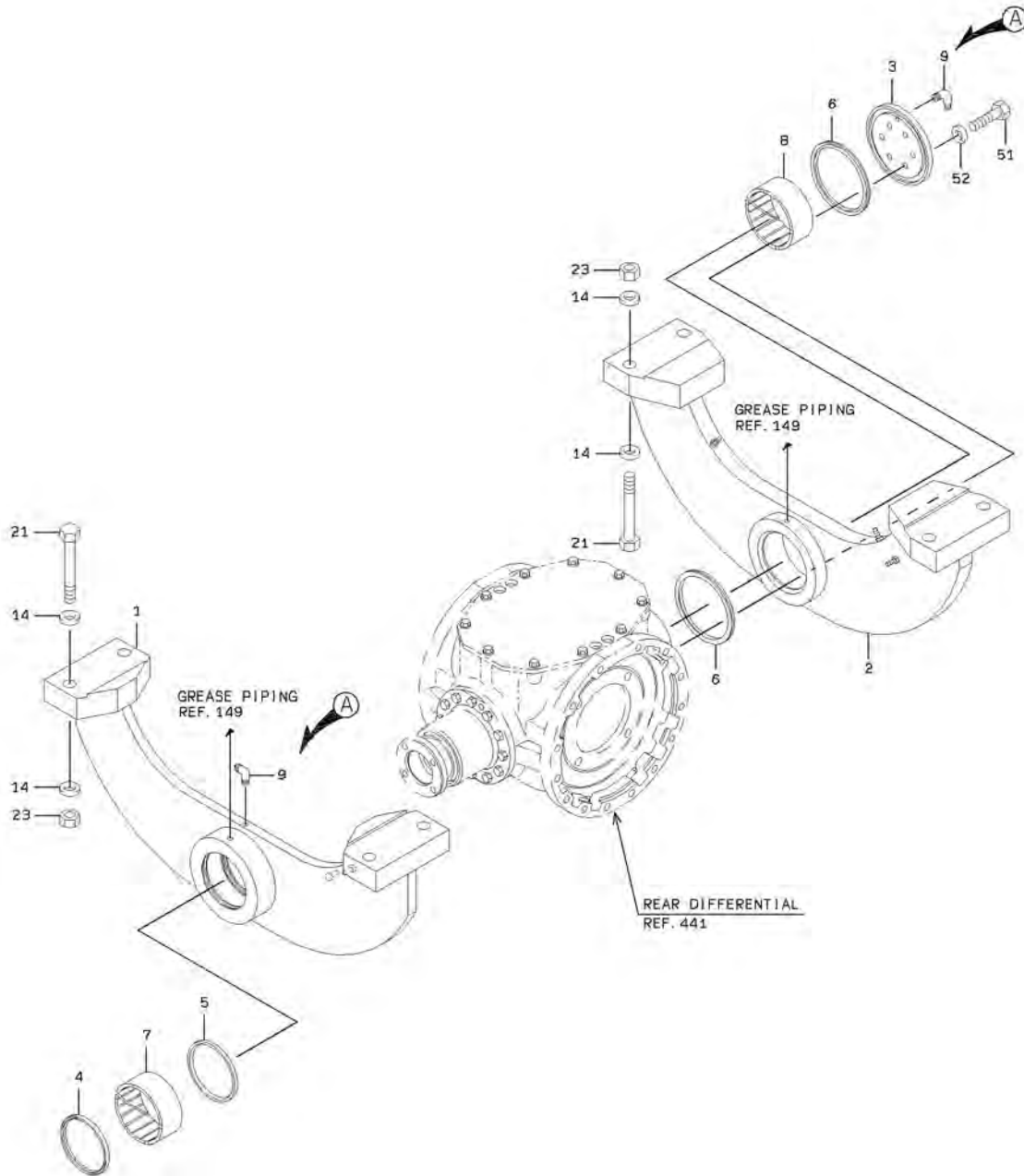
(NOTE): THIS ILLUSTRATION SHOWS LEFT HAND*. SYMBOL 42 ARE NOT INCLUDED IN SYMBOL 000.



REAR AXLE GROUP

SYM-BOL	PART NUMBER	PART NAME	UNIT Q,TY	SERIAL		REMARKS						
				(A)	(B)	N	P	D	(A)	(B)	(C)	(D)
000A	30112-21400	AXLE ASSY,REAR	1	5001	-							W/O.SYM 42
1A	37301-21380	DIFFERENTIAL ASSY	1	5001	-							REF.441
2A	37921-21240	HOUSING,AXLE	1	5001	-							FR LH
3A	32421-20300	GEAR,INTERNAL	2	5001	-							
4A	35510-20430	SPIDER	2	5001	-							
5A	34511-20410	SHAFT,AXLE	2	5001	-							
6A	39960-20720	PISTON	2	5001	-							
7A	32425-20200	GEAR,SUN	2	5001	-							
8A	32431-20200	GEAR,PLANET	6	5001	-							
9A	37200-20020	DISC	2	5001	-							
11A	40040-20200	PIN,PLANET	6	5001	-							
12A	37213-60260	DISC,FRICION	2	5001	-							5022
12B	37213-60640	DISC,FRICION	2	5023	-							C
13A	78246-30215	BEARING,TAPER ROLL	2	5001	-							
14A	42004-70370	BEARING,TAPER ROLL	2	5001	-							
15A	63024-13052	PIN,STRAIGHT	8	5001	-							
16A	63011-06032	PIN,SPRING	6	5001	-							5024
16B	40033-20140	PIN,SPRING	6	5025	-							C
17A	46011-20230	WASHER,PLANE	2	5001	-							
18A	34200-20120	SHIM	2	5001	-							
19A	47131-60180	RING,O	2	5001	-							
21A	47131-60170	RING,O	2	5001	-							
22A	41530-22520	PLUG	2	5001	-							
23A	88111-12490	WASHER,SEAL	2	5001	-							
24A	44956-20290	RETAINER,BRAKE	2	5001	-							
25A	34042-60070	SEAL,OIL	2	5001	-							
26A	33065-60160	CAGE,NEEDLE	12	5001	-							
27A	47171-21180	RING,WEAR	12	5001	-							
28A	37921-21250	HOUSING,AXLE	1	5001	-							FR RH
42A	61805-24040	BOLT,FLANGED	24	5001	-							
51A	61005-14100	BOLT	28	5001	-							
52A	61005-16040	BOLT	2	5001	-							
53A	62710-18141	WASHER,PLANE	28	5001	-							

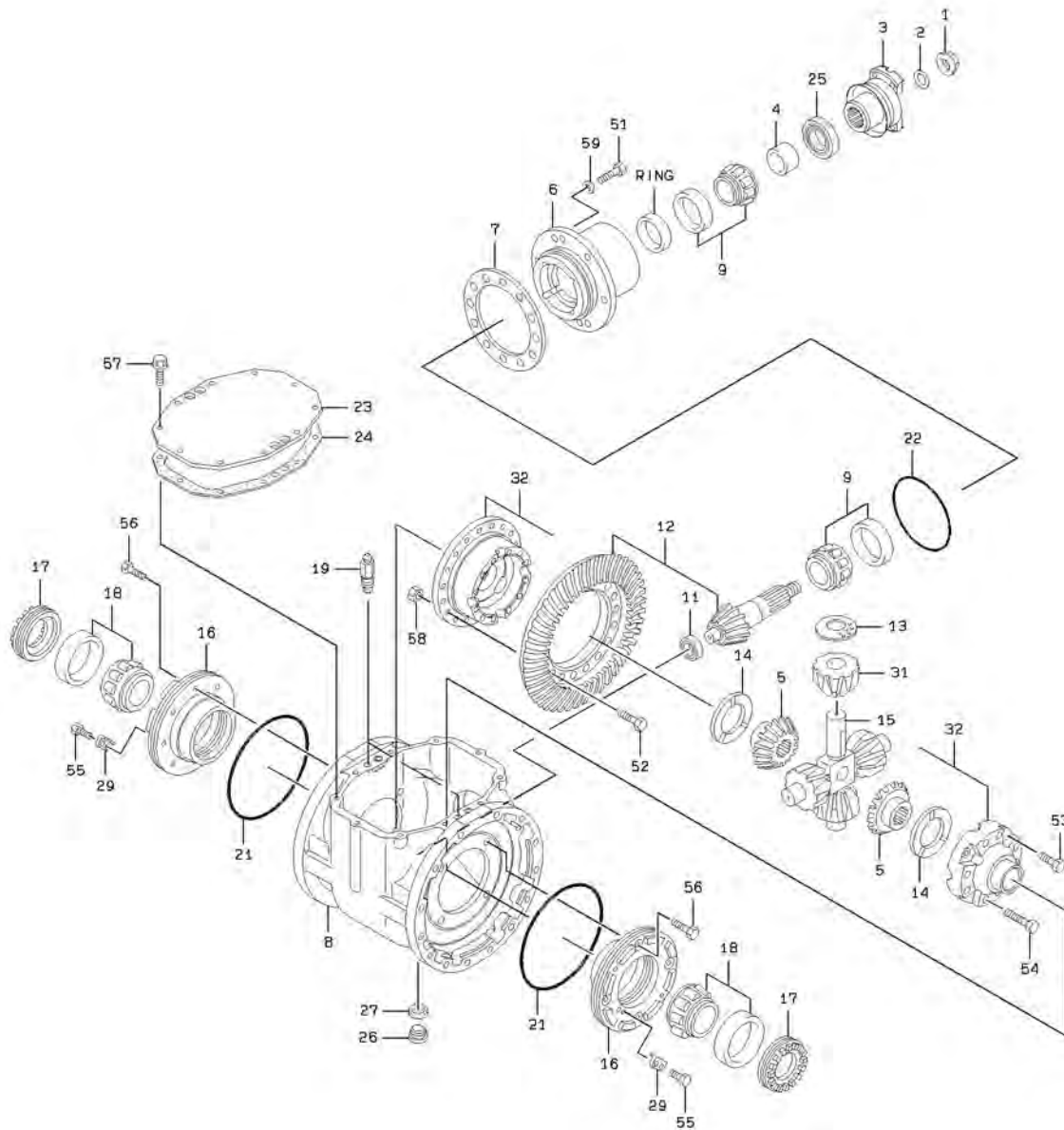
AXLE SUPPORT GROUP



AXLE SUPPORT GROUP

SYM-BOL	PART NUMBER	PART NAME	UNIT Q,TY	SERIAL		REMARKS						
				(A)	(B)	N	P	D	(A)	(B)	(C)	(D)
1A	33621-21040	SUPPORT,AXLE	1	5001	- 5006							
1B	33621-21870	SUPPORT,AXLE	1	5007	-	C						
2A	33621-20740	SUPPORT,AXLE	1	5001	-							
3A	41621-25050	PLATE	1	5001	-							
4A	39600-60260	PACKING	1	5001	-							
5A	39600-60270	PACKING	1	5001	-							
6A	39600-60280	PACKING	2	5001	-							
7A	40840-22410	BUSHING	1	5001	-							
8A	40840-22420	BUSHING	1	5001	-							
9A	41100-60020	BREATHER	1	5001	- 5006							
9B	41100-60020	BREATHER	2	5007	- 5026							
9C	69100-20600	FLARED FITTING,ELB	2	5027	-	C						
14A	46011-22860	WASHER,PLANE	16	5001	-							
21A	61033-24135	BOLT	8	5001	-							
23A	62401-81241	NUT	8	5001	-							
51A	61005-12030	BOLT	6	5001	-							
52A	62710-18121	WASHER,PLANE	6	5001	-							

FRONT DIFFERENTIAL



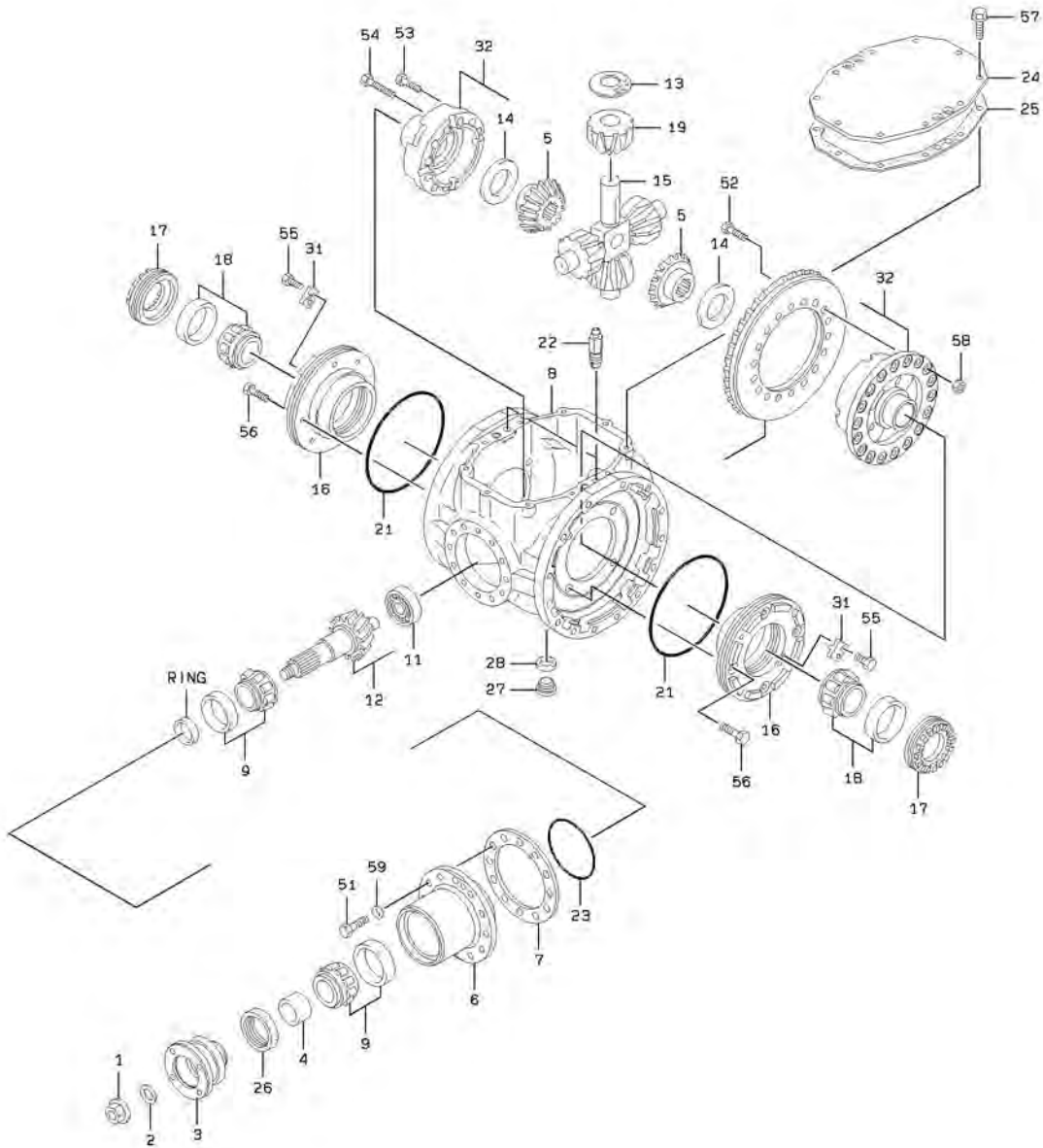
RING	
41	T=16.92
42	T=16.94
43	T=16.96
44	T=16.98
45	T=17.00
46	T=17.02
47	T=17.04
48	T=17.06
49	T=17.08

L-6

FRONT DIFFERENTIAL

SYM-BOL	PART NUMBER	PART NAME	UNIT Q,TY	SERIAL		REMARKS						
				(A)	(B)	N	P	D	(A)	(B)	(C)	(D)
000A	37301-21370	DIFFERENTIAL ASSY	1	5001	-							
1A	37600-20010	NUT	1	5001	-							
2A	47131-21840	RING,O	1	5001	-							
3A	44621-21470	YOKE,FLANGE	1	5001	-							
4A	45200-22770	RING	1	5001	-							
5A	32433-20240	GEAR,BEVEL	2	5001	-							
6A	37900-20960	HOUSING	1	5001	-							
7A	34200-22330	SHIM	A/R	5001	-							T=0.05-0.8
8A	37900-21890	HOUSING	1	5001	-							
9A	78246-30308	BEARING,TAPER ROLL	2	5001	-							
11A	42003-60010	BEARING,ROLLER	1	5001	-							
12A	32420-20360	GEAR SET,SPIRAL BE	1	5001	-							
13A	47171-20020	RING,WEAR	4	5001	-							
14A	47171-21250	RING,WEAR	2	5001	-							
15A	35510-20670	SPIDER	1	5001	-							
16A	40510-20060	FLANGE	2	5001	-							
17A	37600-20140	NUT	2	5001	-							
18A	42004-20010	BEARING,TAPER ROLL	2	5001	-							
19A	35107-20050	SCREW,BLEED	2	5001	-							
21A	47131-21800	RING,O	2	5001	-							
22A	65210-22125	RING,O	1	5001	-							
23A	41600-43770	PLATE	1	5001	-							
24A	31990-21930	GASKET	1	5001	-							
25A	34042-70720	SEAL,OIL	1	5001	-							
26A	41535-20070	PLUG,MAGNET	3	5001	-							
27A	88111-12490	WASHER,SEAL	3	5001	-							
29A	41641-20030	PLATE	2	5001	-							
31A	32433-20230	GEAR,BEVEL	4	5001	-							
32A	37904-20280	HOUSING ASSY	1	5001	-							
41A	45200-25120	RING	1	5001	-							L=16.92
42A	45200-25130	RING	1	5001	-							L=16.94
43A	45200-25140	RING	1	5001	-							L=16.96
44A	45200-25150	RING	1	5001	-							L=16.98
45A	45200-25160	RING	1	5001	-							L=17.00
46A	45200-25170	RING	1	5001	-							L=17.02
47A	45200-25180	RING	1	5001	-							L=17.04
48A	45200-25190	RING	1	5001	-							L=17.06
49A	45200-25200	RING	1	5001	-							L=17.08
51A	61005-12030	BOLT	6	5001	-							
52A	61005-12040	BOLT	18	5001	-							
53A	61005-12055	BOLT	4	5001	-							
54A	61005-12075	BOLT	8	5001	-							
55A	61033-08016	BOLT	4	5001	-							
56A	61057-16030	BOLT	8	5001	-							
57A	61802-10016	BOLT,FLANGED	10	5001	-							
58A	62401-81121	NUT	18	5001	-							
59A	62710-18121	WASHER,PLANE	6	5001	-							

REAR DIFFERENTIAL



RING	
41	T=16.92
42	T=16.94
43	T=16.96
44	T=16.98
45	T=17.00
46	T=17.02
47	T=17.04
48	T=17.06
49	T=17.08

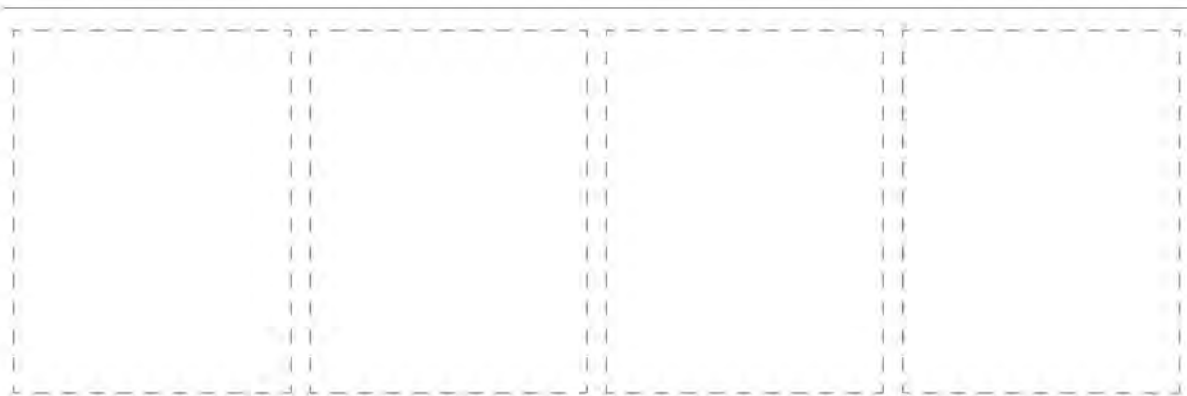
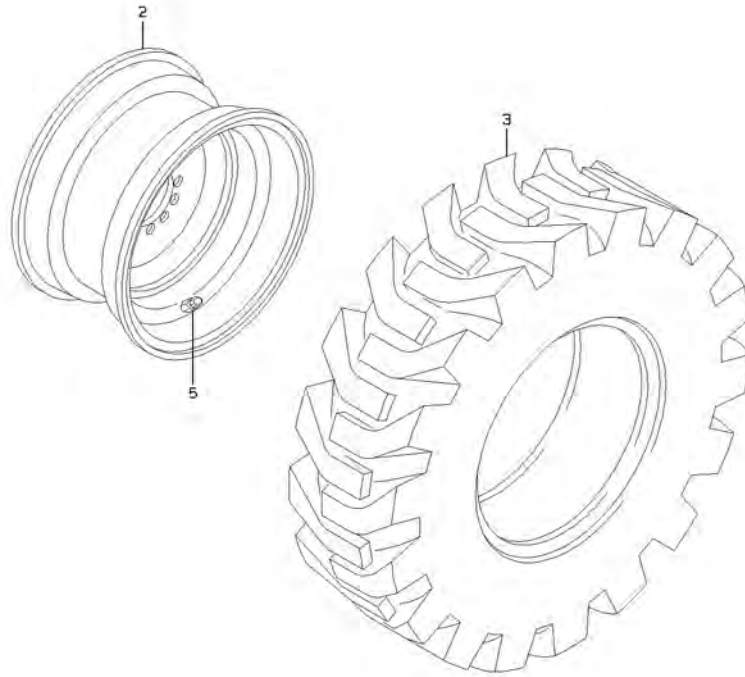


L-E

REAR DIFFERENTIAL

SYM-BOL	PART NUMBER	PART NAME	UNIT Q,TY	SERIAL (A) - (B)	REMARKS					
					N	P	D	(A)	(B)	(C)
000A	37301-21380	DIFFERENTIAL ASSY	1	5001 -						
1A	37600-20010	NUT	1	5001 -						
2A	47131-21840	RING,O	1	5001 -						
3A	44621-21480	YOKE,FLANGE	1	5001 -						
4A	45200-22770	RING	1	5001 -						
5A	32433-20240	GEAR,BEVEL	2	5001 -						
6A	37900-21750	HOUSING	1	5001 -						
7A	34200-22330	SHIM	A/R	5001 -						T=0.05-0.8
8A	37900-21760	HOUSING	1	5001 -						
9A	78246-30308	BEARING,TAPER ROLL	2	5001 -						
11A	42003-60010	BEARING,ROLLER	1	5001 -						
12A	32420-20360	GEAR SET,SPIRAL BE	1	5001 -						
13A	47171-20020	RING,WEAR	4	5001 -						
14A	47171-21250	RING,WEAR	2	5001 -						
15A	35510-20670	SPIDER	1	5001 -						
16A	40510-20060	FLANGE	2	5001 -						
17A	37600-20140	NUT	2	5001 -						
18A	42004-20010	BEARING,TAPER ROLL	2	5001 -						
19A	32433-20230	GEAR,BEVEL	4	5001 -						
21A	47131-21800	RING,O	2	5001 -						
22A	35107-20050	SCREW,BLEED	2	5001 -						
23A	65210-22125	RING,O	1	5001 -						
24A	41600-43770	PLATE	1	5001 -						
25A	31990-21930	GASKET	1	5001 -						
26A	34042-70720	SEAL,OIL	1	5001 -						
27A	41535-20070	PLUG,MAGNET	3	5001 -						
28A	88111-12490	WASHER,SEAL	3	5001 -						
31A	41641-20030	PLATE	2	5001 -						
32A	37904-20280	HOUSING ASSY	1	5001 -						
41A	45200-25120	RING	1	5001 -						L=16.92
42A	45200-25130	RING	1	5001 -						L=16.94
43A	45200-25140	RING	1	5001 -						L=16.96
44A	45200-25150	RING	1	5001 -						L=16.98
45A	45200-25160	RING	1	5001 -						L=17.00
46A	45200-25170	RING	1	5001 -						L=17.02
47A	45200-25180	RING	1	5001 -						L=17.04
48A	45200-25190	RING	1	5001 -						L=17.06
49A	45200-25200	RING	1	5001 -						L=17.08
51A	61005-12030	BOLT	12	5001 -						
52A	61005-12040	BOLT	18	5001 -						
53A	61005-12055	BOLT	4	5001 -						
54A	61005-12075	BOLT	8	5001 -						
55A	61033-08016	BOLT	4	5001 -						
56A	61057-16030	BOLT	8	5001 -						
57A	61802-10016	BOLT,FLANGED	10	5001 -						
58A	62401-81121	NUT	18	5001 -						
59A	62710-18121	WASHER,PLANE	12	5001 -						

TIRE & DISC WHEEL GROUP



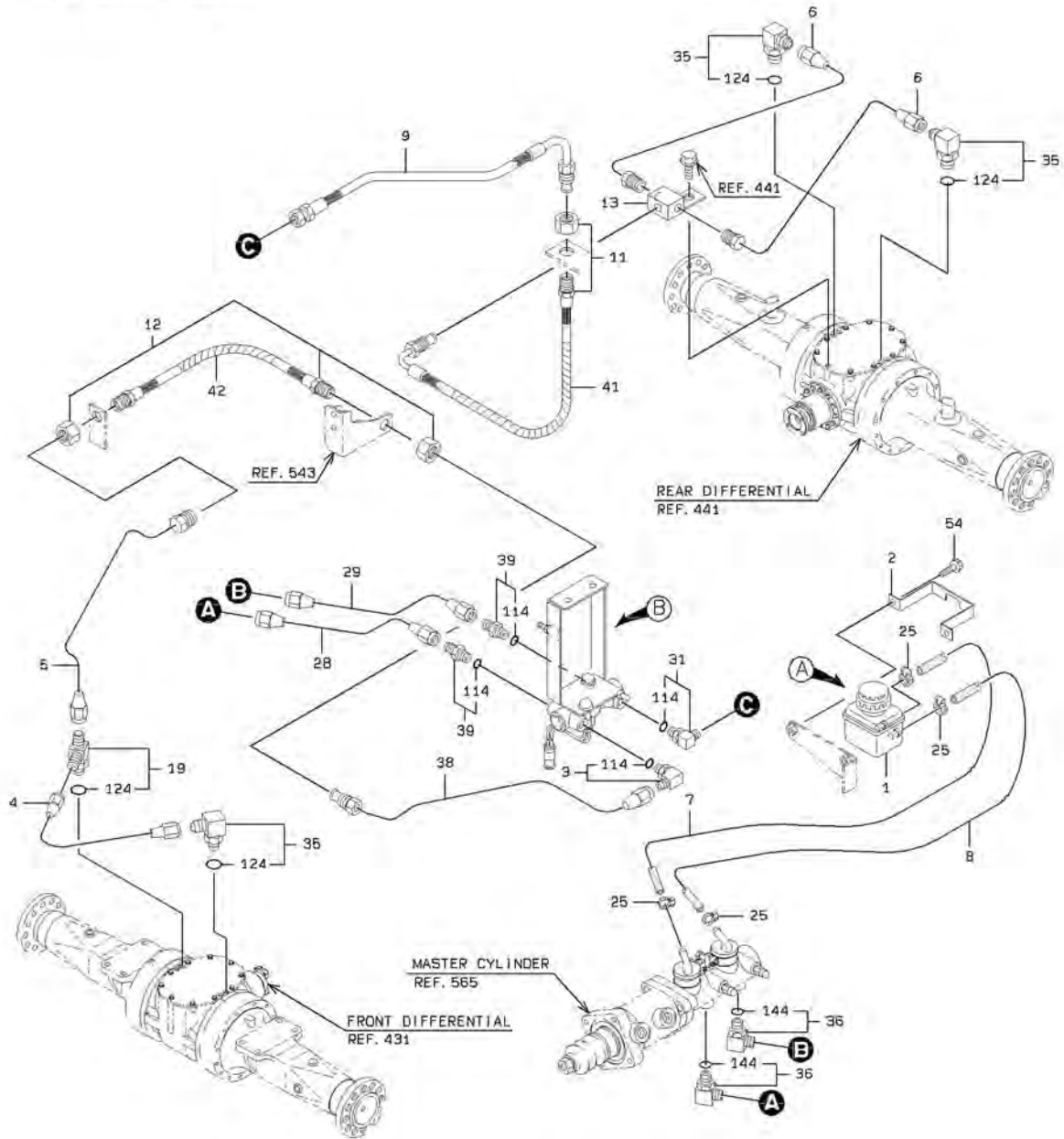
1-4

TIRE & DISC WHEEL GROUP

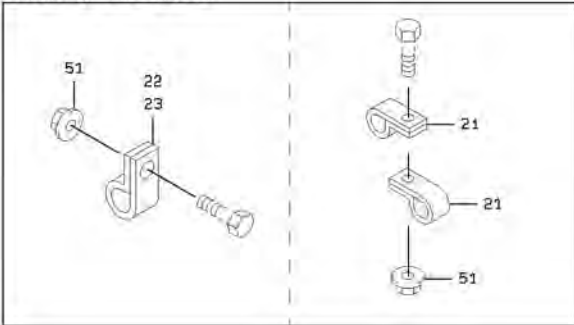
SYM-BOL	PART NUMBER	PART NAME	UNIT Q, TY	SERIAL (A) - (B)	REMARKS					
					N	P	D	(A)	(B)	(C)
2A	43424-61100	WHEEL,DISC	4	5001 -						
3A	36011-70230	TIRE ASSY,TUBELESS	4	5001 -						
5A	38510-60480	VALVE	4	5001 -						

BRAKE LINE

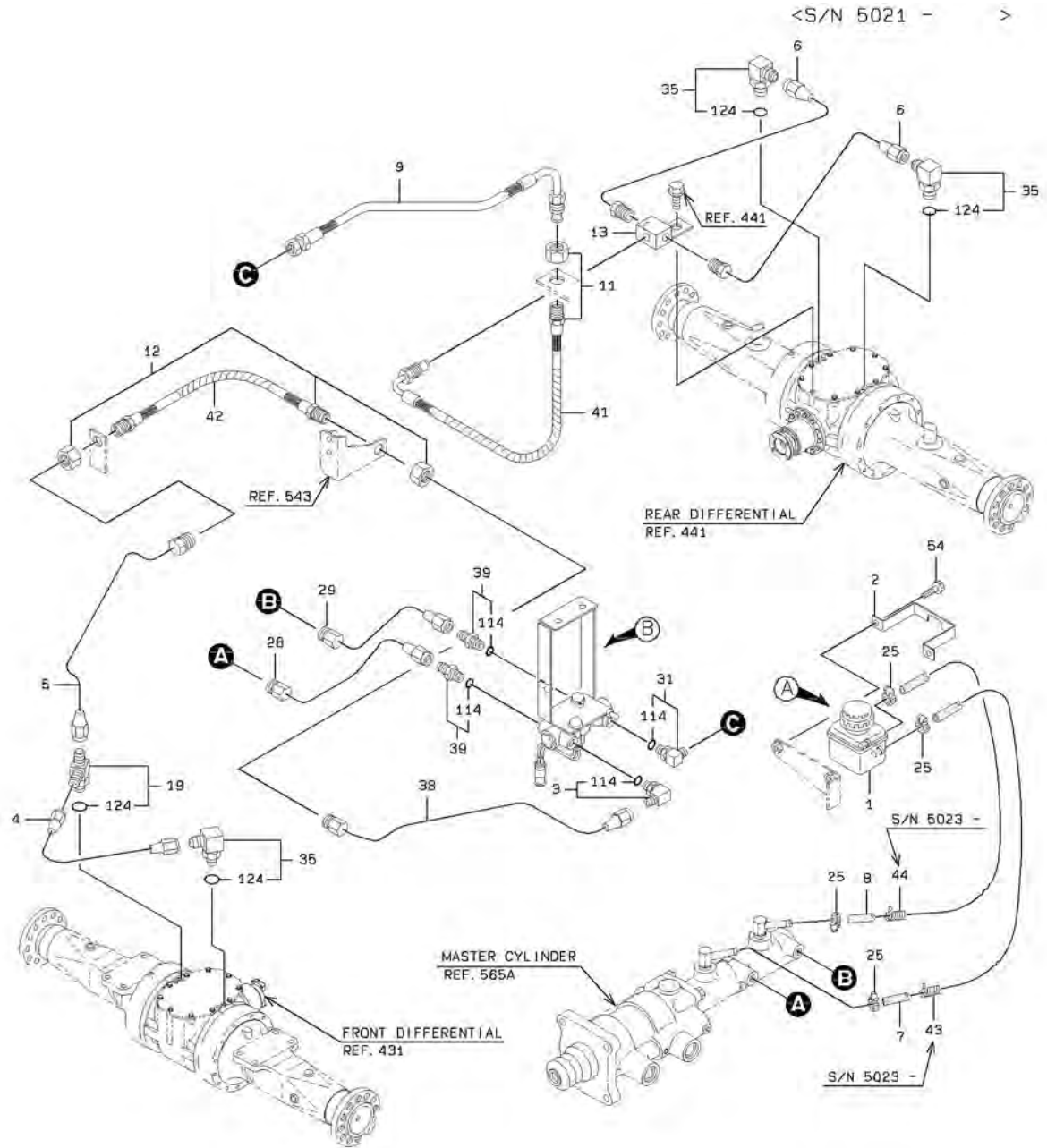
<S/N 5001 - 5020>



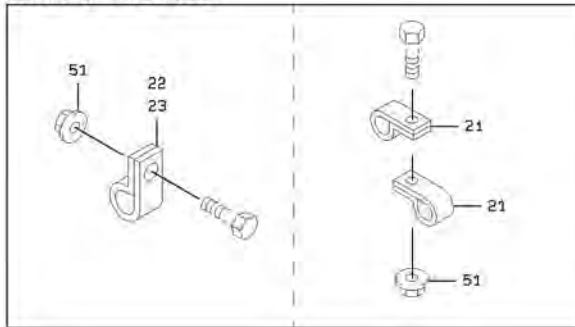
DETAIL OF PIPE HOLDER



BRAKE LINE

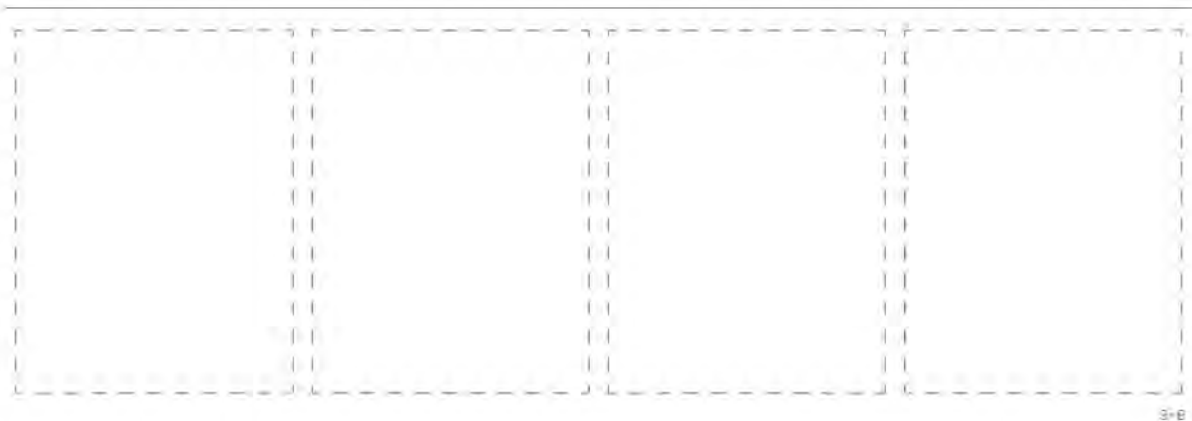
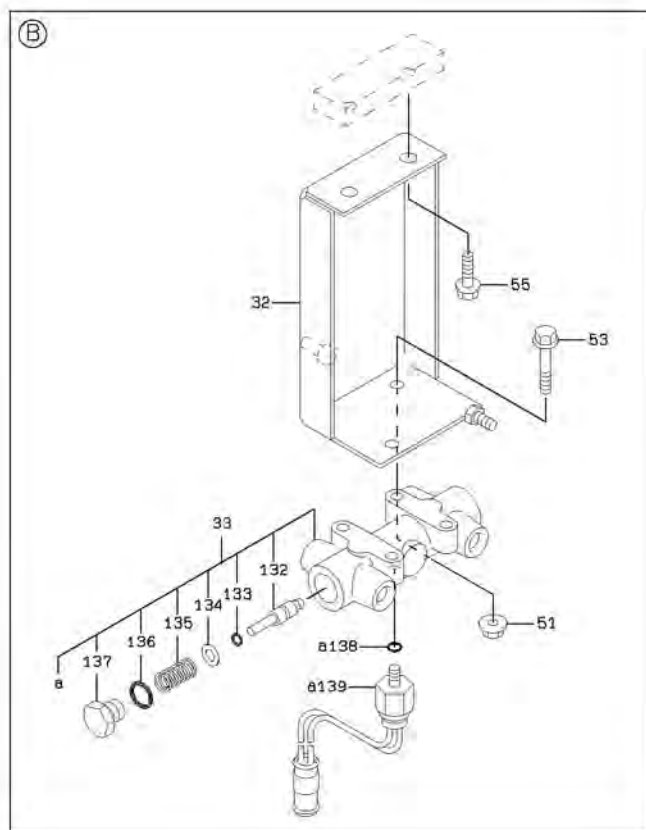
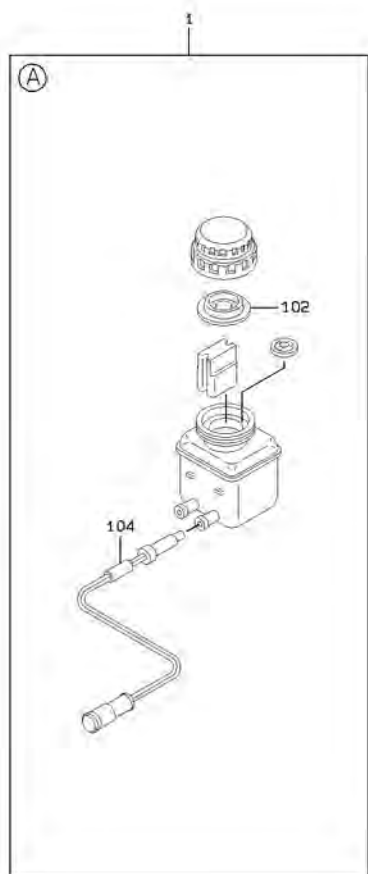


DETAIL OF PIPE HOLDER



2-A

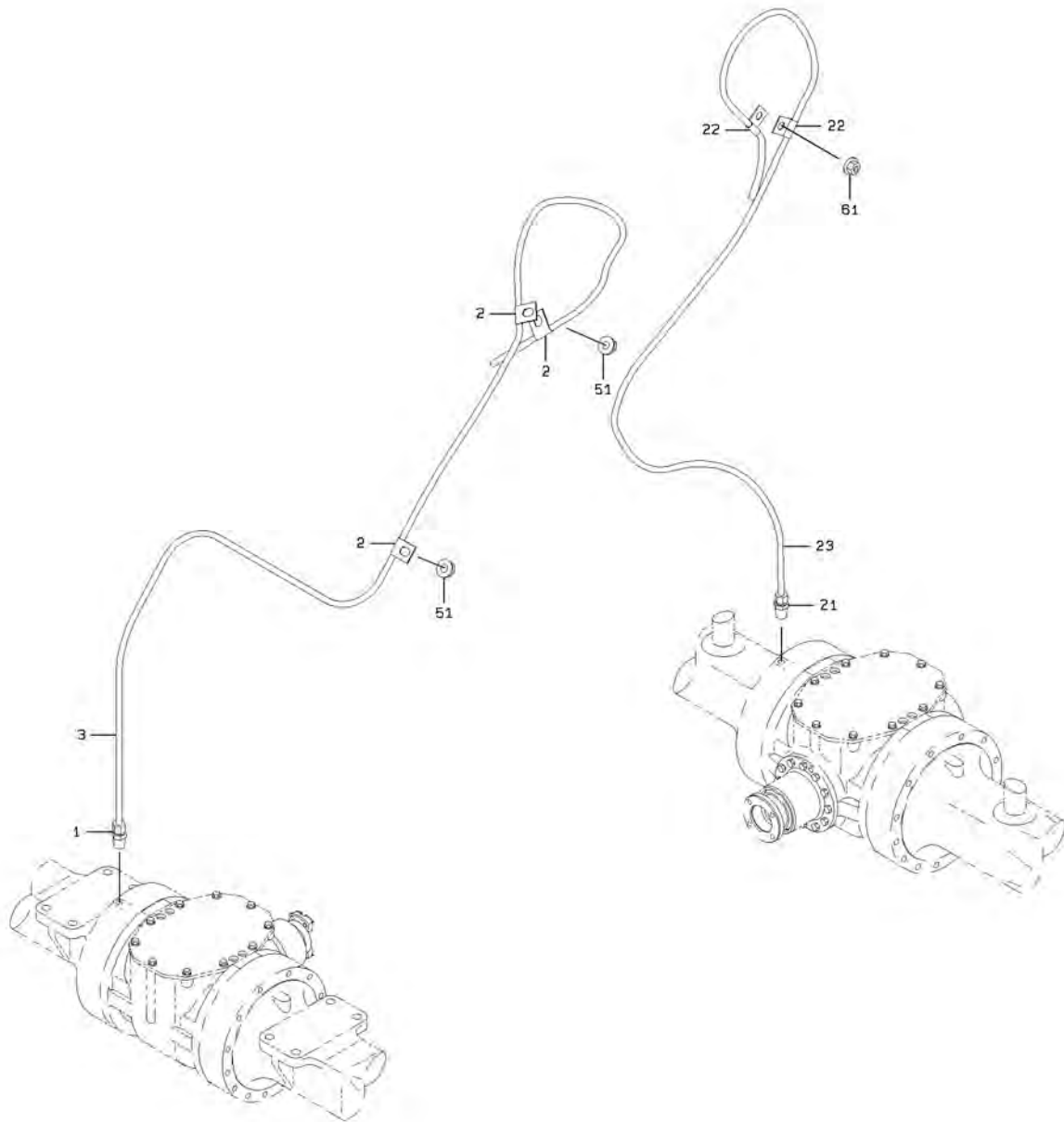
BRAKE LINE



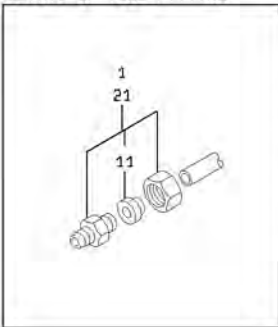
BRAKE LINE

SYM-BOL	PART NUMBER	PART NAME	UNIT Q,TY	SERIAL		REMARKS											
				(A)	(B)	N	P	D	(A)	(B)	(C)	(D)	REMARK				
1A	36223-60040	TANK,BRAKE OIL	1	5001	-												
2A	38670-20010	BAND	1	5001	-							Y01					
3A	30241-21150	ADAPTER,ELBOW	1	5001	-								Y02				
4A	38705-30460	PIPE ASSY,FLARED	1	5001	-												
5A	38705-54930	PIPE ASSY,FLARED	1	5001	-	5020											
5B	38705-58210	PIPE ASSY,FLARED	1	5021	-				B								
6A	38705-46280	PIPE ASSY,FLARED	2	5001	-												
7A	67040-09000	HOSE,HEAT RESISTIN	2 M	5001	-	5020											L=2000
7B	67040-09000	HOSE,HEAT RESISTIN	2 M	5021	-												L=1750
8A	67040-09000	HOSE,HEAT RESISTIN	2 M	5001	-	5020											L=1900
8B	67040-09000	HOSE,HEAT RESISTIN	2 M	5021	-												L=1600
9A	43113-35280	HOSE,HIGH PRESSURE	1	5001	-												
11A	43113-32460	HOSE,HIGH PRESSURE	1	5001	-												
12A	43113-40420	HOSE,HIGH PRESSURE	1	5001	-	5020											
12B	43113-35380	HOSE,HIGH PRESSURE	1	5021	-				B								
13A	41410-30790	BLOCK	1	5001	-												
19A	30246-23880	ADAPTER,TEE	1	5001	-								Y03				
21A	72001-12000	HOLDER,PIPE	A/R	5001	-												D=20
22A	72001-11500	HOLDER,PIPE	A/R	5001	-												D=15
23A	72001-10600	HOLDER,PIPE	A/R	5001	-												D=6.35
25A	38677-70330	BAND,HOSE	4	5001	-												
28A	38705-55960	PIPE ASSY,FLARED	1	5001	-	5020											
28B	38706-23630	PIPE ASSY,FLARED	1	5021	-				B								
29A	38705-55970	PIPE ASSY,FLARED	1	5001	-	5020											
29B	38706-23640	PIPE ASSY,FLARED	1	5021	-				B								
31A	88241-07104	ADAPTER,ELBOW	1	5001	-								Y02				
32A	40902-24190	BRACKET	1	5001	-	5020											
32B	40902-42520	BRACKET	1	5021	-	5022			B								
32C	40902-44680	BRACKET	1	5023	-				B								
33A	35047-60340	SWITCH,PRESSURE	1	5001	-									Y04			
35A	30241-20660	ADAPTER,ELBOW	3	5001	-									Y03			
36A	40732-20160	FLARED FITTING,ELB	2	5001	-	5020		D	Y05								
38A	38705-55980	PIPE ASSY,FLARED	1	5001	-	5020											
38B	38706-23650	PIPE ASSY,FLARED	1	5021	-				B				Y02				
39A	40730-20120	FLARED FITTING	2	5001	-												
41A	69081-11000	TUBE, SPIRAL	1 M	5001	-												L=400
42A	69081-11000	TUBE, SPIRAL	1 M	5001	-	5022											L=300
42B	69081-14000	TUBE, SPIRAL	1 M	5023	-				C								L=300
43A	69081-19000	TUBE, SPIRAL	1 M	5023	-												L=500
44A	69081-19000	TUBE, SPIRAL	1 M	5023	-												L=400
51A	62480-21081	NUT,FLANGED	A/R	5001	-												
53A	61802-08050	BOLT,FLANGED	2	5001	-												
54A	61802-08020	BOLT,FLANGED	2	5001	-												
55A	61802-10020	BOLT,FLANGED	2	5001	-												
102A	36361-70040	DIAPHRAGM	1	5001	-							01					
104A	35824-70030	SENSOR,OIL LEVEL	1	5001	-							01					
114A	65210-12011	RING,O	1	5001	-								02				
124A	65210-12008	RING,O	1	5001	-									03			
132A	39960-70510	PISTON	2	5001	-												04
133A	65210-12009	RING,O	2	5001	-												04
134A	46000-70920	WASHER	2	5001	-												04
135A	35600-71510	SPRING	2	5001	-												04
136A	65210-12018	RING,O	2	5001	-												04
137A	41530-71180	PLUG	2	5001	-												04
138A	47131-71240	RING,O	1	5001	-												04
139A	35010-70170	SWITCH	1	5001	-												04
144A	65231-00041	RING,O	1	5001	-	5020						05					

AIR BREATHER MOUNT



DETAIL OF TUBE FITTING

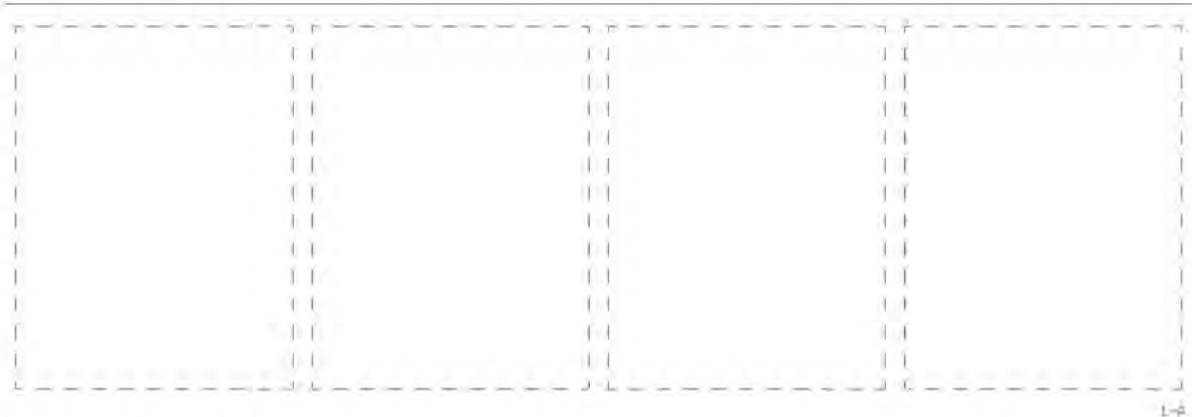
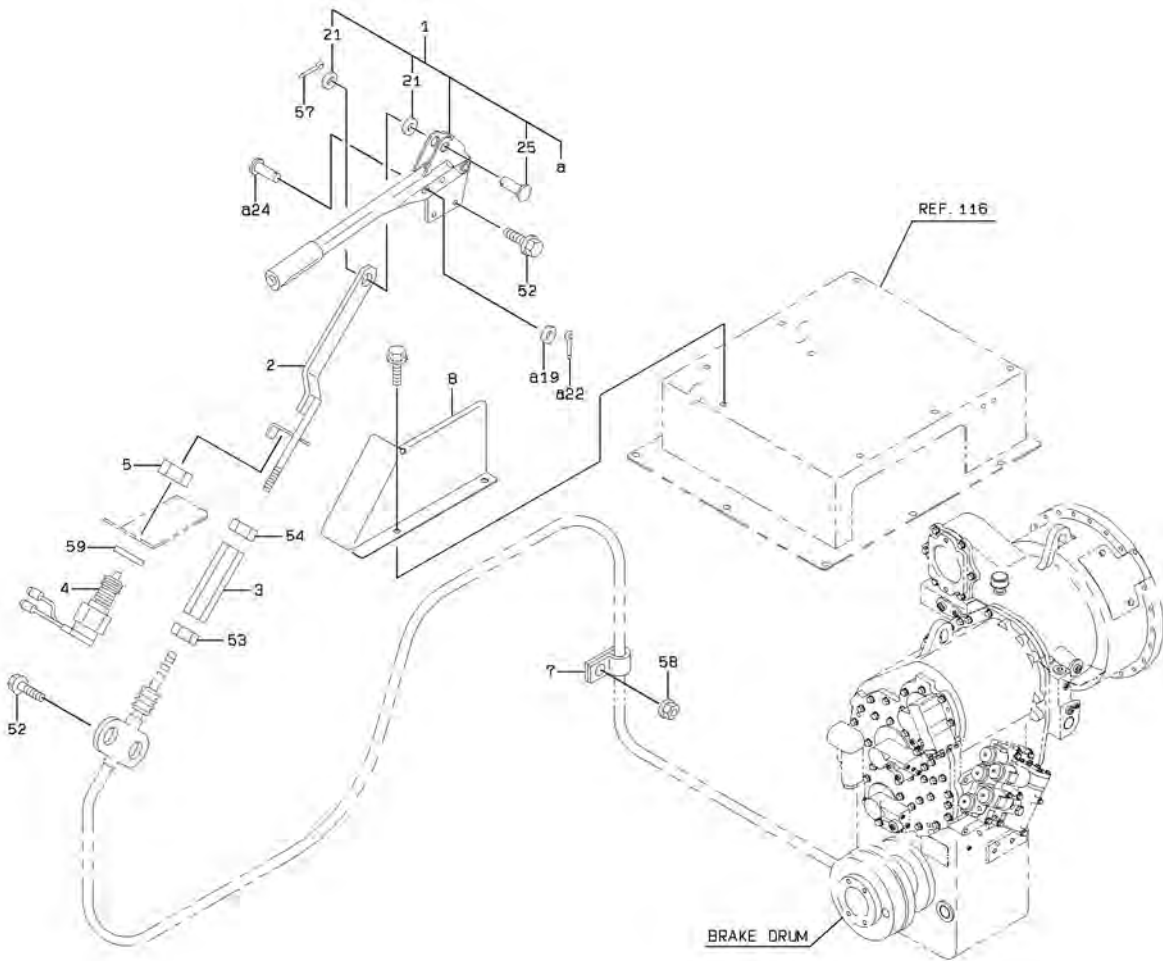


L-A

AIR BREATHER MOUNT

SYM-BOL	PART NUMBER	PART NAME	UNIT Q,TY	SERIAL		REMARKS								
				(A)	(B)	N	P	D	(A)	(B)	(C)	(D)	REMARK	
1A	69021-10404	TUBE FITTING	1	5001	-									
2A	72001-10600	HOLDER,PIPE	A/R	5001	-									
3A	67001-40000	TUBE,NYLON	2 M	5001	-									D=6.35 L=1400
11A	69029-04000	SLEEVE,FITTING	1	5001	-									
21A	69021-10404	TUBE FITTING	1	5001	-									
22A	72001-10600	HOLDER,PIPE	A/R	5001	-									D=6.35
23A	67001-40000	TUBE,NYLON	2 M	5001	-									L=1400
51A	62480-21081	NUT,FLANGED	A/R	5001	-									
61A	62480-21081	NUT,FLANGED	A/R	5001	-									

PARKING BRAKE GROUP - REAR

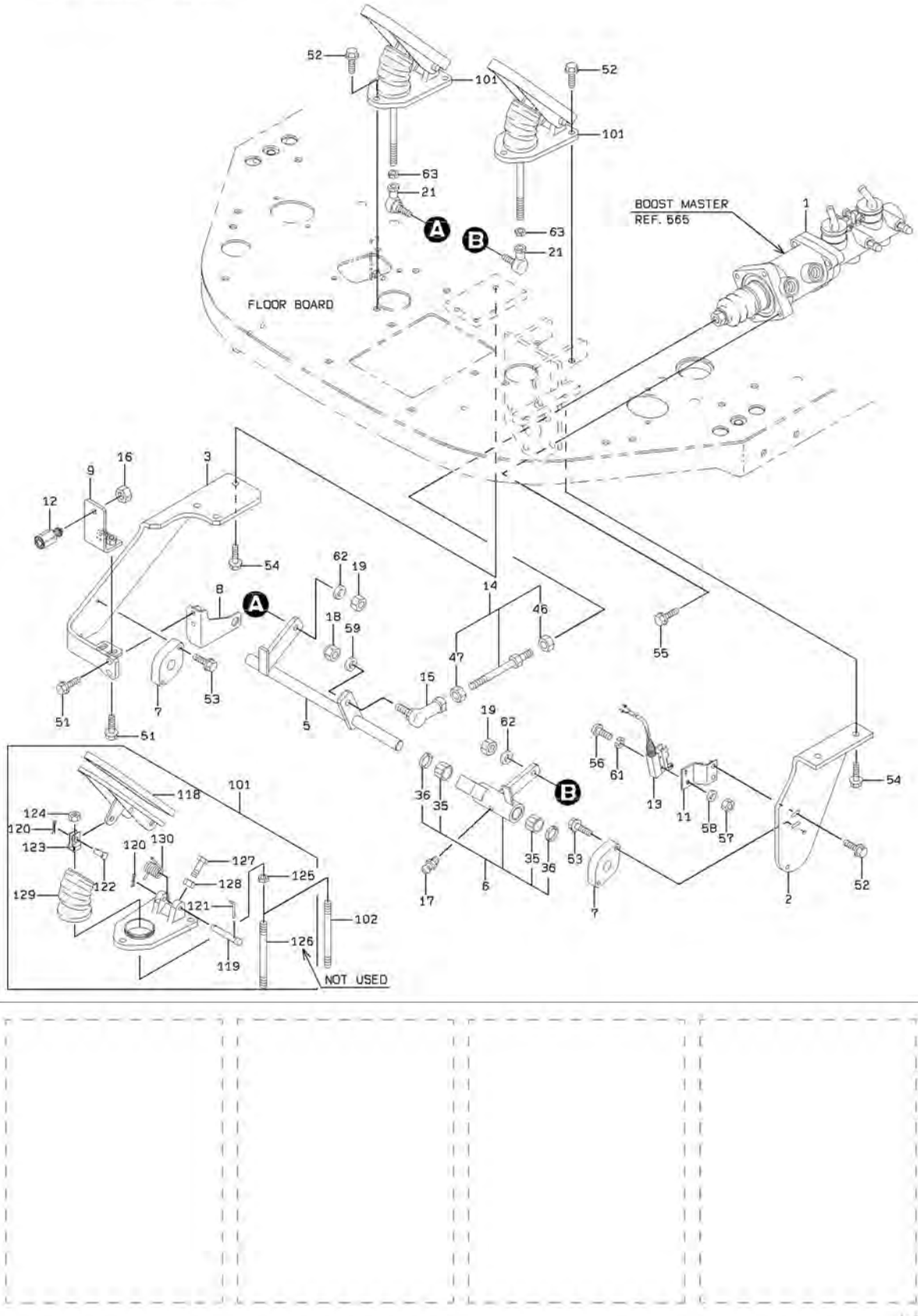


PARKING BRAKE GROUP - REAR

SYM-BOL	PART NUMBER	PART NAME	UNIT Q,TY	SERIAL (A) - (B)	REMARKS					
					N	P	D	(A)	(B)	(C)
1A	45628-60020	LEVER ASSY,BRAKE	1	5001 -				Y01		
2A	45870-28310	ROD	1	5001 -						
3A	35940-20150	TURNBAUCKLE	1	5001 -						
4A	35010-60010	SWITCH	1	5001 -						
5A	37600-20150	NUT	1	5001 -						
7A	72001-11200	HOLDER,PIPE	1	5001 -						
8A	31200-40720	COVER	1	5001 -						
19A	46000-71360	WASHER	1	5001 -				01		
21A	46000-71350	WASHER	2	5001 -				01		
22A	40032-70120	PIN,SPLIT	1	5001 -				01		
24A	40044-70070	PIN,HEAD	1	5001 -				01		
25A	40044-70060	PIN,HEAD	1	5001 -				01		
52A	61802-08020	BOLT,FLANGED	4	5001 -						
53A	62401-81081	NUT	1	5001 -						
54A	62401-81087	NUT	1	5001 -						
57A	63002-04032	PIN,SPLIT	1	5001 -						
58A	62480-21081	NUT,FLANGED	1	5001 -						
59A	62701-40121	WASHER,PLANE	1	5001 -						

MASTER CYLINDER GROUP

<S/N 5001 - 5020>

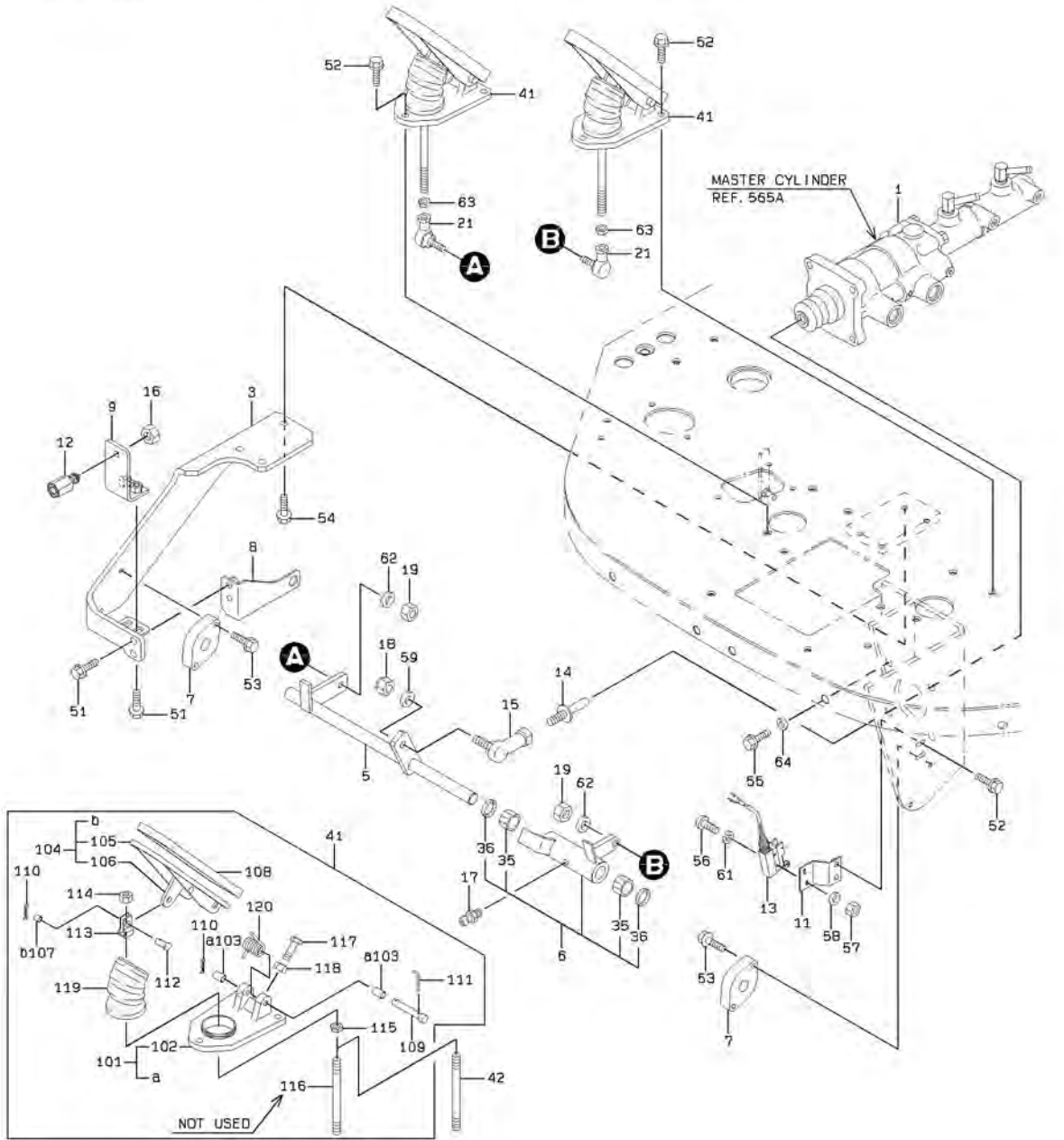


MASTER CYLINDER GROUP

SYM-BOL	PART NUMBER	PART NAME	UNIT Q, TY	SERIAL		REMARKS									
				(A)	(B)	N	P	D	(A)	(B)	(C)	(D)	REMARK		
1A	44175-60330	MASTER CYLINDER AS	1	5001	-	5020									REF.565
2A	41607-24120	PLATE	1	5001	-	5020									
3A	41619-25640	PLATE	1	5001	-	5020									
5A	30020-25240	ARM	1	5001	-	5020									
6A	30021-20830	ARM ASSY	1	5001	-	5020				Y01					
7A	41441-60040	BLOCK,PILLOW	2	5001	-	5020									
8A	41619-20650	PLATE	1	5001	-	5020									
9A	41619-24860	PLATE	1	5001	-	5020									
11A	41605-34120	PLATE	1	5001	-	5020									
12A	35010-60010	SWITCH	1	5001	-	5020									
13A	35057-60020	SWITCH,MICRO	1	5001	-	5020									
14A	64144-00954	ROD	1	5001	-	5020					Y02				
15A	34950-20080	JOINT,BALL	1	5001	-	5020									
16A	37600-20150	NUT	1	5001	-	5020									
17A	75011-25400	NIPPLE,GREASE	1	5001	-	5020									
18A	88031-06121	NUT,SELF-LOCKING	1	5001	-	5020									
19A	62401-81102	NUT	2	5001	-	5020									
21A	34950-70120	JOINT,BALL	2	5001	-	5020									
35A	42006-70290	BEARING,NEEDLE	2	5001	-	5020				01					
36A	34000-70070	SEAL	2	5001	-	5020				01					
46A	62401-81121	NUT	1	5001	-	5020					02				
47A	62401-81127	NUT	1	5001	-	5020					02				
51A	61802-10025	BOLT,FLANGED	4	5001	-	5020									
52A	61802-06016	BOLT,FLANGED	8	5001	-	5020									
53A	61802-08020	BOLT,FLANGED	4	5001	-	5020									
54A	61802-10020	BOLT,FLANGED	5	5001	-	5020									
55A	61802-10030	BOLT,FLANGED	4	5001	-	5020									
56A	62256-51425	SCREW	2	5001	-	5020									
57A	62401-81041	NUT	2	5001	-	5020									
58A	62701-20041	WASHER,PLANE	2	5001	-	5020									
59A	62701-40121	WASHER,PLANE	1	5001	-	5020									
61A	62721-04100	WASHER,SPRING	2	5001	-	5020									
62A	62701-40101	WASHER,PLANE	2	5001	-	5020									
63A	62403-81102	NUT	2	5001	-	5020									
101A	43023-60080	PEDAL ASSY,BRAKE	2	5001	-	5020					Y03				
102A	45870-26950	ROD	1	5001	-	5020									
118A	32223-70050	COVER,PEDAL	1	5001	-	5020						03			
119A	40000-71310	PIN	1	5001	-	5020						03			
120A	40045-70130	PIN,SNAP	2	5001	-	5020						03			
121A	40000-71320	PIN	1	5001	-	5020						03			
122A	40000-71330	PIN	1	5001	-	5020						03			
123A	44600-70080	YOKE	1	5001	-	5020						03			
124A	37600-72120	NUT	1	5001	-	5020						03			
125A	37600-72130	NUT	1	5001	-	5020						03			
126A	45870-70600	ROD	1	5001	-	5020						03			NOT USED
127A	43900-73510	BOLT	1	5001	-	5020						03			
128A	37600-72140	NUT	1	5001	-	5020						03			
129A	40790-70350	BOOT	1	5001	-	5020						03			
130A	35600-75260	SPRING	1	5001	-	5020						03			

MASTER CYLINDER GROUP

<S/N 5021 - >



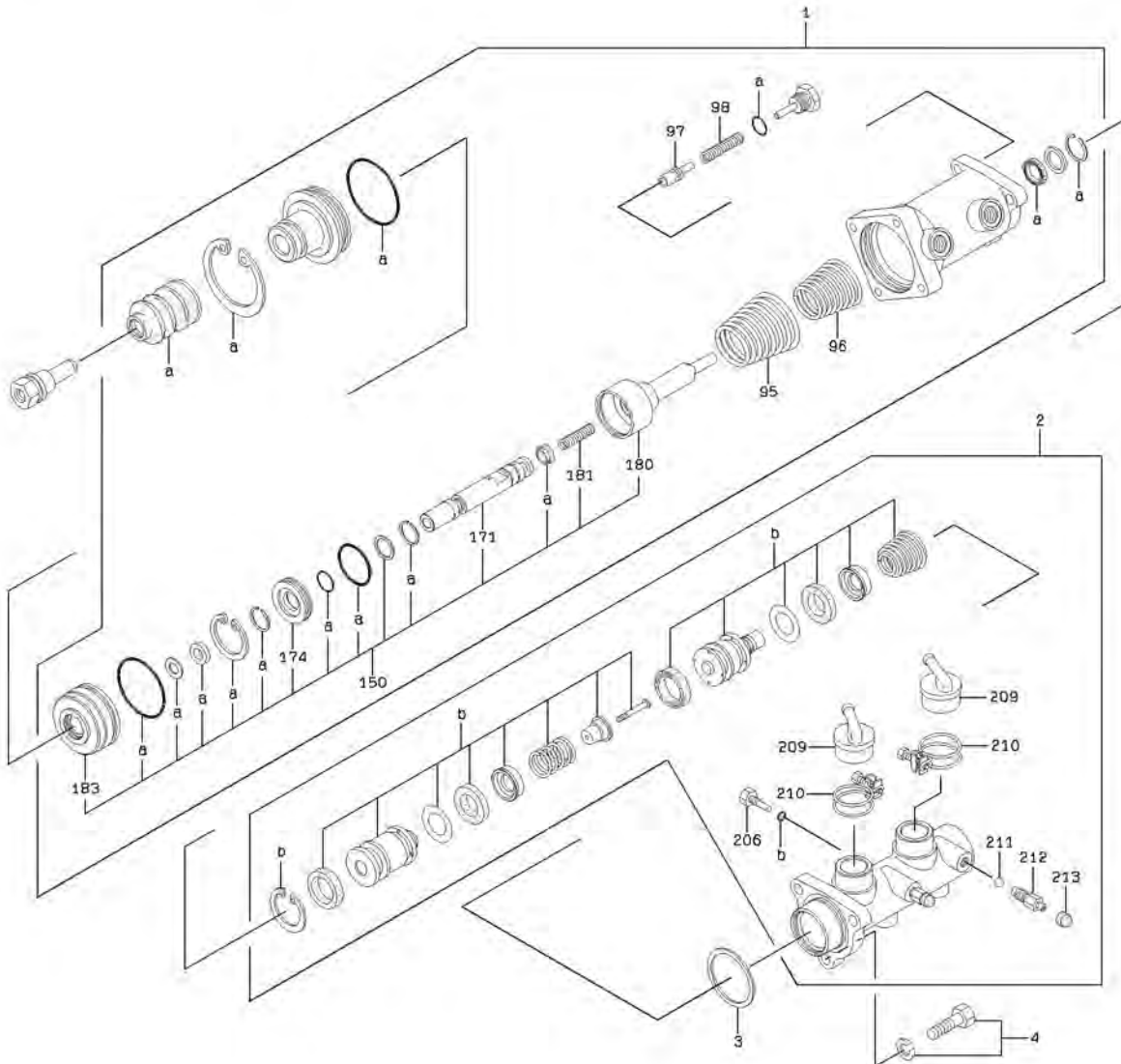
MASTER CYLINDER GROUP

SYM-BOL	PART NUMBER	PART NAME	UNIT Q,TY	SERIAL		REMARKS						
				(A)	(B)	N	P	D	(A)	(B)	(C)	(D)
1A	44175-60470	MASTER CYLINDER AS	1	5021	-							REF565A
3A	41619-59960	PLATE	1	5021	-							
5A	30020-25470	ARM	1	5021	-							
6A	30021-21030	ARM ASSY	1	5021	-							
7A	41441-60040	BLOCK,PILLOW	2	5021	-							
8A	41620-29420	PLATE	1	5021	-							
9A	41619-24860	PLATE	1	5021	-							
11A	41605-34120	PLATE	1	5021	-							
12A	35010-60010	SWITCH	1	5021	-							
13A	35057-60020	SWITCH,MICRO	1	5021	-							
14A	45870-28210	ROD	1	5021	-							
15A	34950-20070	JOINT,BALL	1	5021	-							
16A	37600-20150	NUT	1	5021	-							
17A	75011-25400	NIPPLE,GREASE	1	5021	-							
18A	88031-06121	NUT,SELF-LOCKING	1	5021	-							
19A	62401-81102	NUT	2	5021	-							
21A	34950-70120	JOINT,BALL	2	5021	-							
35A	42006-70290	BEARING,NEEDLE	2	5021	-					01		
36A	34000-70070	SEAL	2	5021	-					01		
41A	43023-60080	PEDAL ASSY,BRAKE	2	5021	-						Y02	
42A	45870-28440	ROD	2	5021	-							
51A	61802-10025	BOLT,FLANGED	4	5021	-							
52A	61802-06016	BOLT,FLANGED	8	5021	-							
53A	61802-08020	BOLT,FLANGED	4	5021	-							
54A	61802-10020	BOLT,FLANGED	3	5021	-							
55A	43900-24220	BOLT	4	5021	-							
56A	62256-51425	SCREW	2	5021	-							
57A	62401-81041	NUT	2	5021	-							
58A	62701-20041	WASHER,PLANE	2	5021	-							
59A	62701-40121	WASHER,PLANE	1	5021	-							
61A	62721-04100	WASHER,SPRING	2	5021	-							
62A	62701-40101	WASHER,PLANE	2	5021	-							
63A	62403-81102	NUT	2	5021	-							
64A	62710-18121	WASHER,PLANE	4	5021	-							
101A	40910-70070	BRACKET ASSY	1	5021	-					02	Y03	
102A	40900-71540	BRACKET	1	5021	-						03	
103A	40840-72340	BUSHING	2	5021	-						03	
104A	43020-70060	PEDAL	1	5021	-					02	Y04	
105A	43020-70070	PEDAL	1	5021	-						04	
106A	41600-71140	PLATE	1	5021	-						04	
107A	40840-72350	BUSHING	1	5021	-						04	
108A	32223-70050	COVER,PEDAL	1	5021	-					02		
109A	40000-71310	PIN	1	5021	-					02		
110A	40045-70130	PIN,SNAP	2	5021	-					02		
111A	40000-71320	PIN	1	5021	-					02		
112A	40000-71330	PIN	1	5021	-					02		
113A	44600-70080	YOKE	1	5021	-					02		
114A	37600-72120	NUT	1	5021	-					02		
115A	37600-72130	NUT	1	5021	-					02		
116A	45870-70600	ROD	1	5021	-					02		NOT USED
117A	43900-73510	BOLT	1	5021	-					02		
118A	37600-72140	NUT	1	5021	-					02		
119A	40790-70350	BOOT	1	5021	-					02		
120A	35600-75260	SPRING	1	5021	-					02		

MASTER CYLINDER

<S/N 5001 - 5020>

KIT(SYMBOL 70) CONSISTS OF THE PARTS WITH a.
 KIT(SYMBOL 80) CONSISTS OF THE PARTS WITH d.

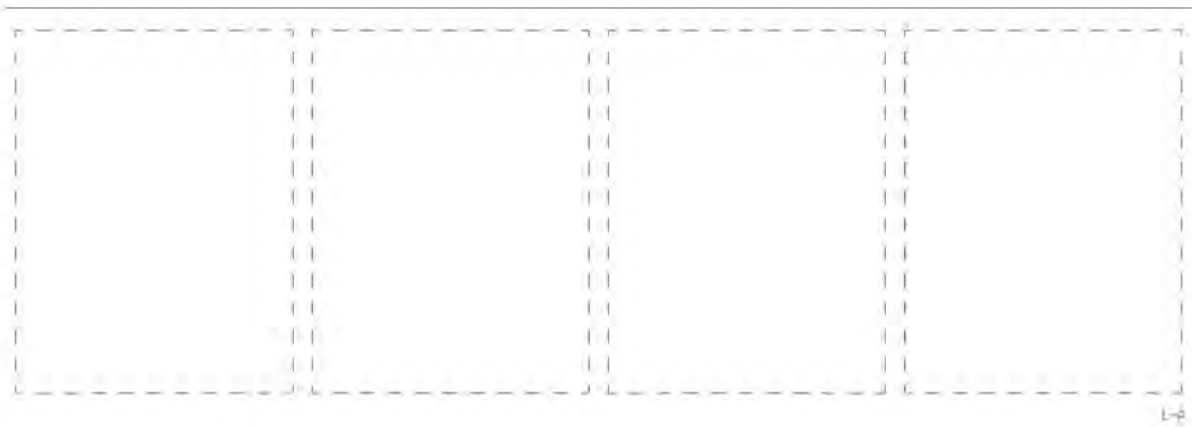
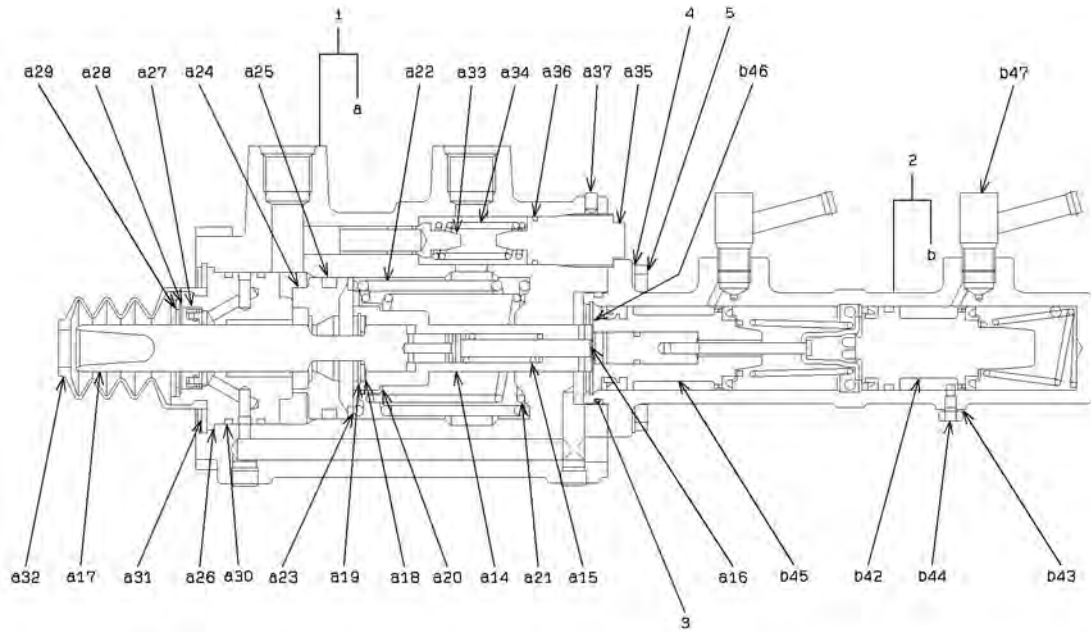


MASTER CYLINDER

SYM-BOL	PART NUMBER	PART NAME	UNIT Q,TY	SERIAL		REMARKS								
				(A)	(B)	N	P	D	(A)	(B)	(C)	(D)	REMARK	
000A	44175-60330	MASTER CYLINDER AS	1	5001	- 5020									
1A	34810-70120	CYLINDER ASSY	1	5001	- 5020				Y01					
2A	34810-70180	CYLINDER ASSY	1	5001	- 5020							Y03		
3A	34000-70780	SEAL	1	5001	- 5020									
4A	43932-70560	BOLT,W/WASHER	3	5001	- 5020									
70A	49691-70740	REPAIR KIT	1	5001	- 5020									
80A	49691-70930	REPAIR KIT	1	5001	- 5020								QK1	
95A	35600-72730	SPRING	1	5001	- 5020				01					
96A	35600-72740	SPRING	1	5001	- 5020				01					
97A	38565-70060	VALVE,RELIEF	1	5001	- 5020				01					
98A	35600-72710	SPRING	1	5001	- 5020				01					
150A	39962-70320	PISTON ASSY	1	5001	- 5020				01	Y02				
171A	39960-71140	PISTON	1	5001	- 5020						02			
174A	39960-71340	PISTON	1	5001	- 5020						02			
180A	41585-70180	PLUNGER	1	5001	- 5020						02			
181A	35600-73590	SPRING	1	5001	- 5020						02			
183A	39960-71120	PISTON	1	5001	- 5020						02			
206A	35440-70070	STOPPER	1	5001	- 5020							03		
209A	37710-70110	NIPPLE	2	5001	- 5020							03		
210A	38670-70300	BAND	2	5001	- 5020							03		
211A	43751-70070	BALL	2	5001	- 5020							03		
212A	35107-70050	SCREW,BLEED	2	5001	- 5020							03		
213A	32210-70200	CAP	2	5001	- 5020							03	K1	

MASTER CYLINDER

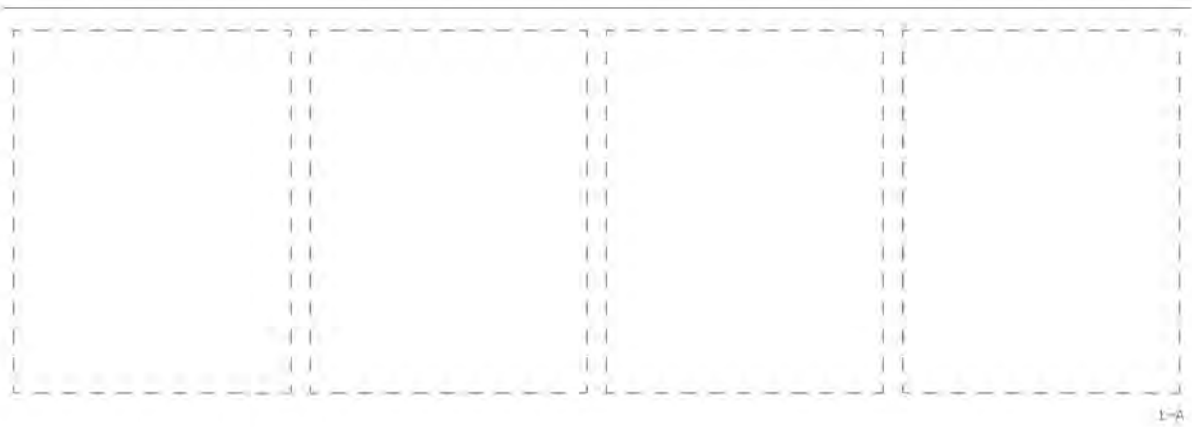
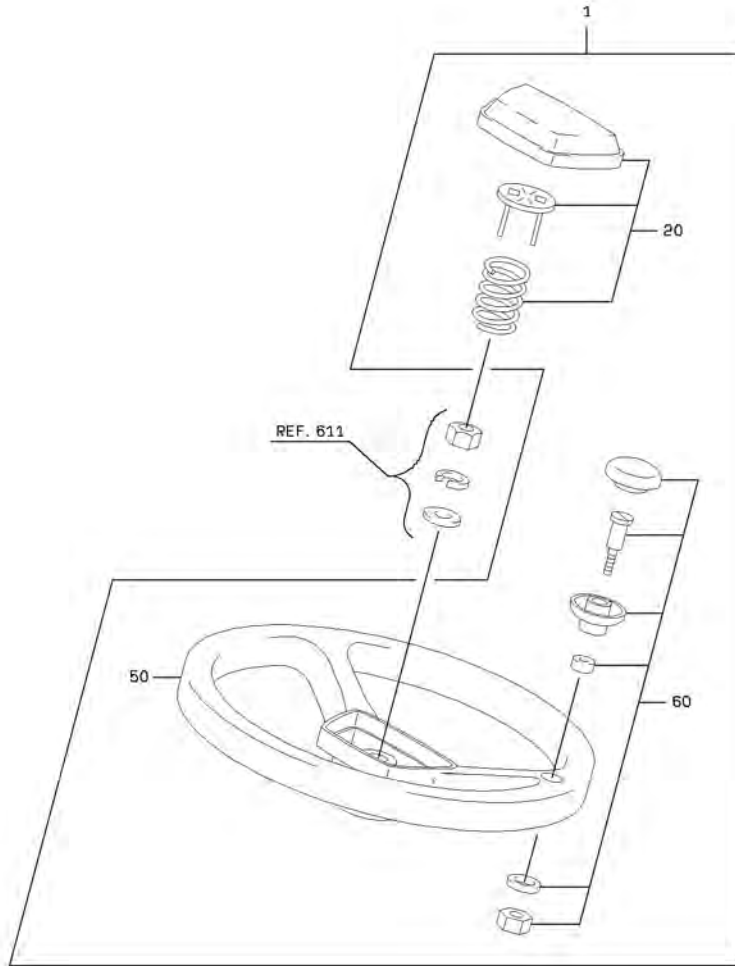
<S/N 5021 - >



MASTER CYLINDER

SYM-BOL	PART NUMBER	PART NAME	UNIT Q,TY	SERIAL		REMARKS							
				(A)	(B)	N	P	D	(A)	(B)	(C)	(D)	REMARK
000A	44175-60470	MASTER CYLINDER AS	1	5021	-								
1A	34810-70250	CYLINDER ASSY	1	5021	-				Y01				
2A	44175-70030	MASTER CYLINDER AS	1	5021	-					Y02			
3A	65210-26050	RING,O	1	5021	-								
4A	46011-70700	WASHER,PLANE	4	5021	-								
5A	61033-10035	BOLT	4	5021	-								
14A	33300-70970	CONNECTOR	1	5021	-				01				
15A	35600-76980	SPRING	1	5021	-				01				
16A	45870-70760	ROD	1	5021	-				01				
17A	35570-71420	SPOOL	1	5021	-				01				
18A	46033-70280	WASHER,THRUST	1	5021	-				01				
19A	63812-00032	RING,SNAP	1	5021	-				01				
20A	33930-70900	SEAT,SPRING	1	5021	-				01				
21A	35600-76880	SPRING	1	5021	-				01				
22A	35600-76890	SPRING	1	5021	-				01				
23A	33930-70910	SEAT,SPRING	1	5021	-				01				
24A	39960-72320	PISTON	1	5021	-				01				
25A	65210-11060	RING,O	1	5021	-				01				
26A	31276-70060	COVER,CYLINDER	1	5021	-				01				
27A	34042-70330	SEAL,OIL	1	5021	-				01				
28A	41621-70560	PLATE	1	5021	-				01				
29A	63812-00045	RING,SNAP	1	5021	-				01				
30A	65210-22070	RING,O	2	5021	-				01				
31A	63812-00080	RING,SNAP	1	5021	-				01				
32A	40790-70060	BOOT	1	5021	-				01				
33A	38510-71180	VALVE	1	5021	-				01				
34A	35600-76900	SPRING	1	5021	-				01				
35A	41530-75030	PLUG	1	5021	-				01				
36A	65210-12020	RING,O	1	5021	-				01				
37A	61101-06010	BOLT,SOCKET	1	5021	-				01				
42A	39962-70560	PISTON ASSY	1	5021	-					02			
43A	39600-72890	PACKING	1	5021	-					02			
44A	35440-70900	STOPPER	1	5021	-					02			
45A	39962-70570	PISTON ASSY	1	5021	-					02			
46A	63812-00042	RING,SNAP	1	5021	-					02			
47A	33300-70980	CONNECTOR	2	5021	-					02			

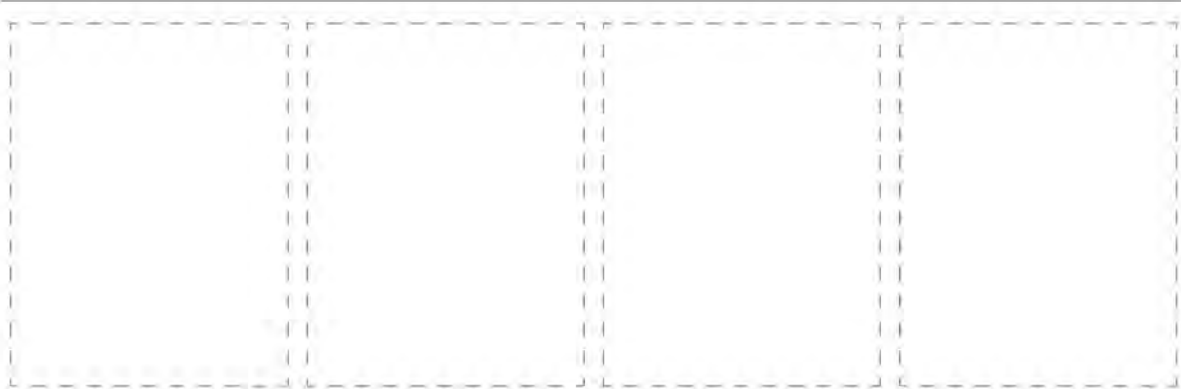
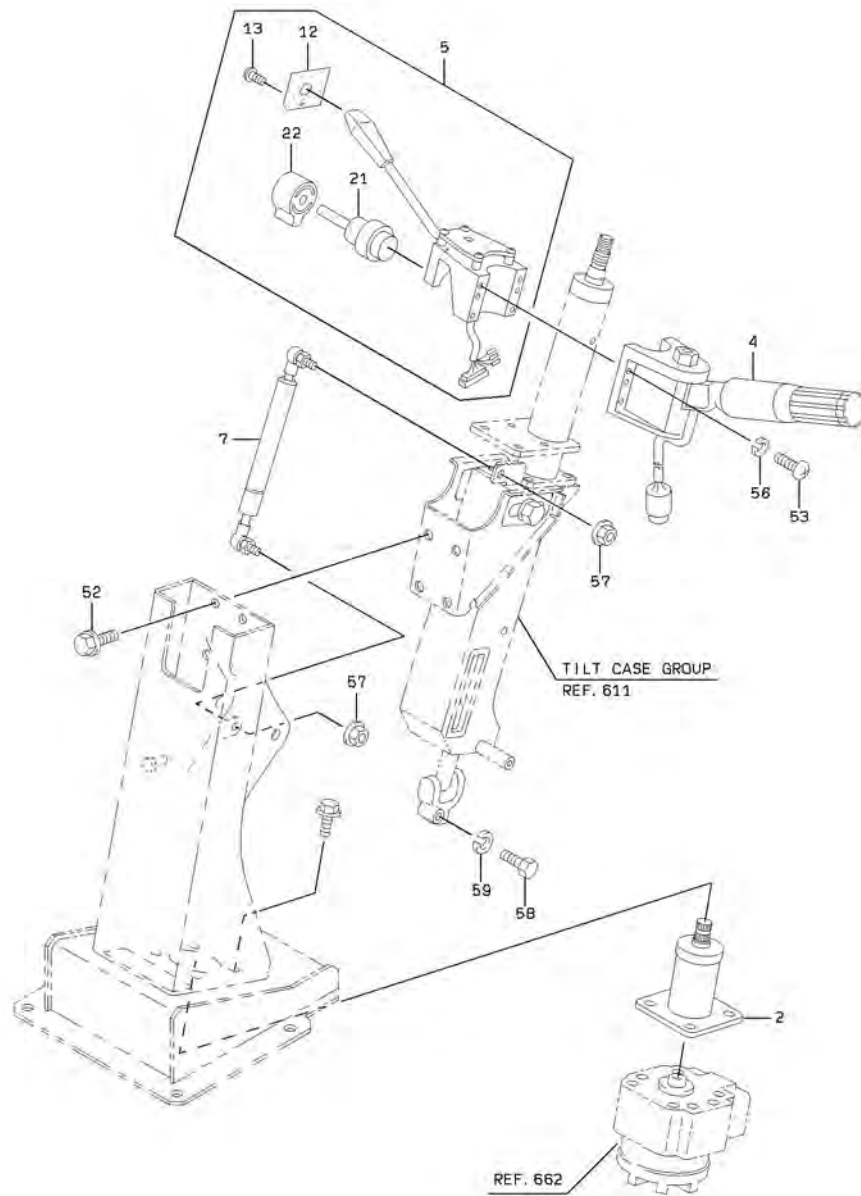
STEERING WHEEL MOUNT



STEERING WHEEL MOUNT

SYM-BOL	PART NUMBER	PART NAME	UNIT Q,TY	SERIAL		REMARKS							
				(A)	(B)	N	P	D	(A)	(B)	(C)	(D)	REMARK
1A	43415-60020	WHEEL ASSY,STEERIN	1	5001	-						Y01		
20A	43301-70050	HORN ASSY	1	5001	-						01		
50A	43420-70030	WHEEL,STEERING	1	5001	-						01		
60A	37810-60140	KNOB	1	5001	-						01		

SHIFT LEVER GROUP

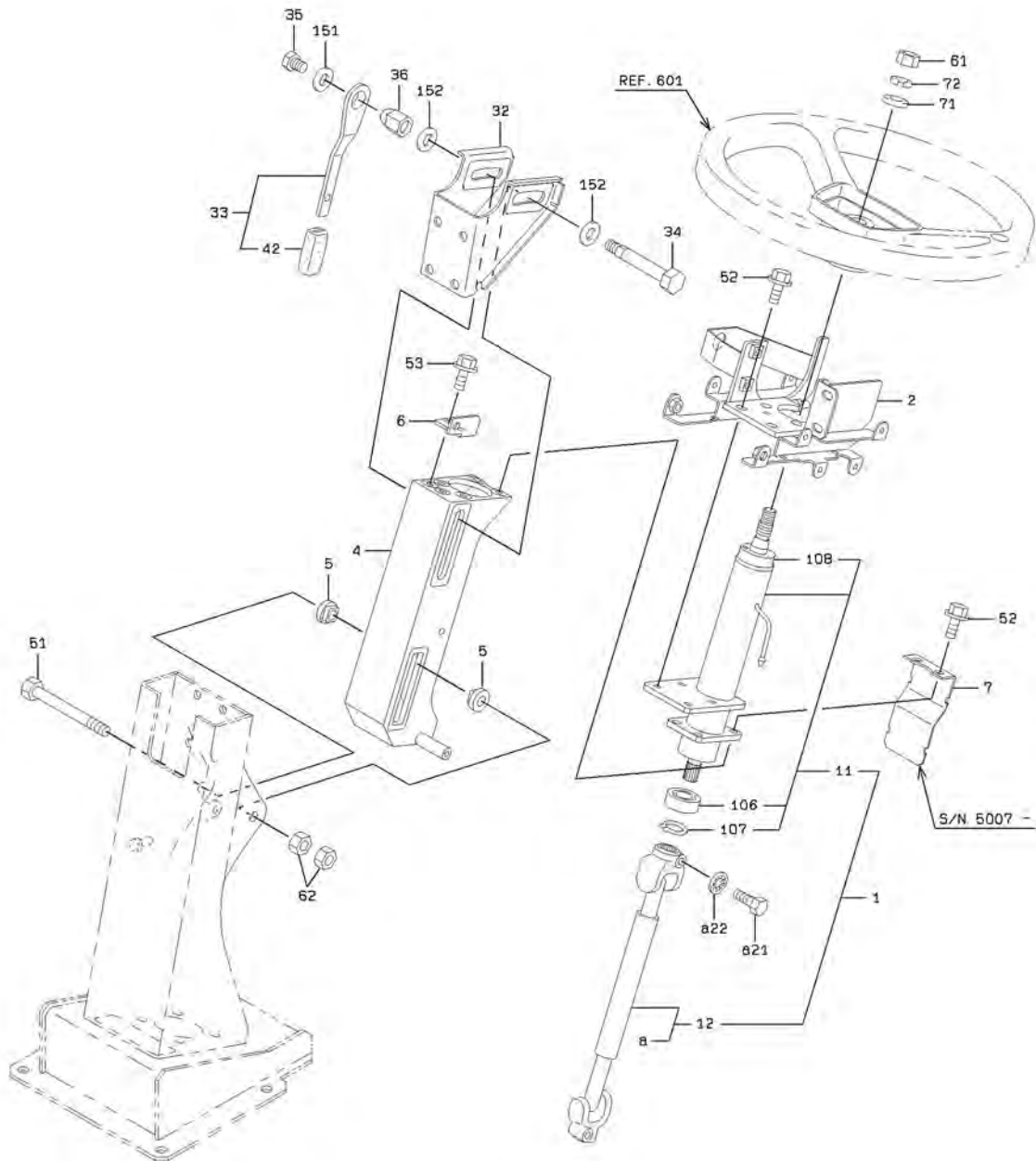


L-6

SHIFT LEVER GROUP

SYM-BOL	PART NUMBER	PART NAME	UNIT Q,TY	SERIAL (A) - (B)	REMARKS					
					N	P	D	(A)	(B)	(C)
2A	34501-60170	SHAFT ASSY	1	5001 -						
4A	45625-60140	LEVER ASSY,SHIFT	1	5001 -						
5A	35035-60100	SWITCH,COMBINATION	1	5001 -				Y01		
7A	35617-60090	SPRING,GAS	1	5001 -						
12A	33713-23600	SHEET,RUBBER	1	5001 -				01		
13A	35106-20030	SCREW,TAPPING	1	5001 -				01		
21A	35010-70560	SWITCH	1	5001 -				01		
22A	37810-70600	KNOB	1	5001 -				01		
52A	61802-08020	BOLT,FLANGED	4	5001 -						
53A	62256-51520	SCREW	6	5001 -						
56A	62721-05100	WASHER,SPRING	6	5001 -						
57A	62480-21081	NUT,FLANGED	2	5001 -						
58A	61033-08025	BOLT	1	5001 -						
59A	62721-08100	WASHER,SPRING	1	5001 -						

TILT CASE GROUP

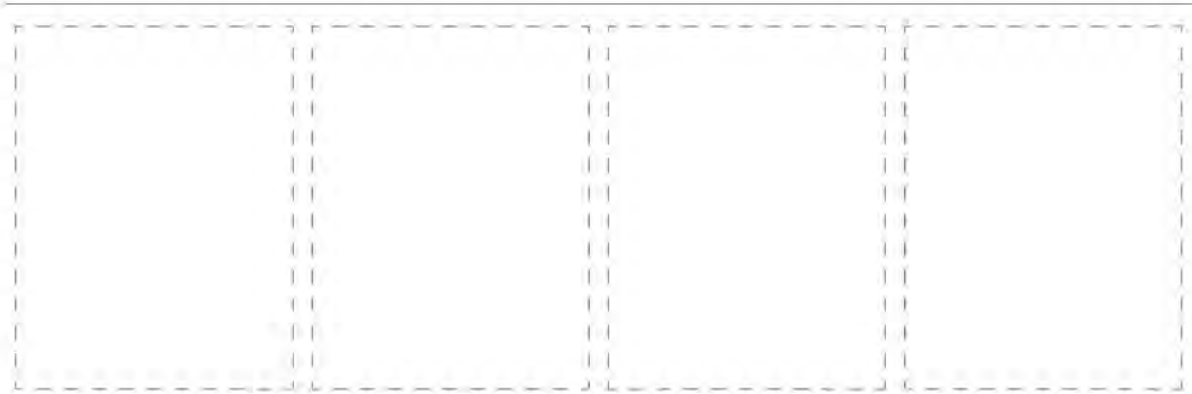
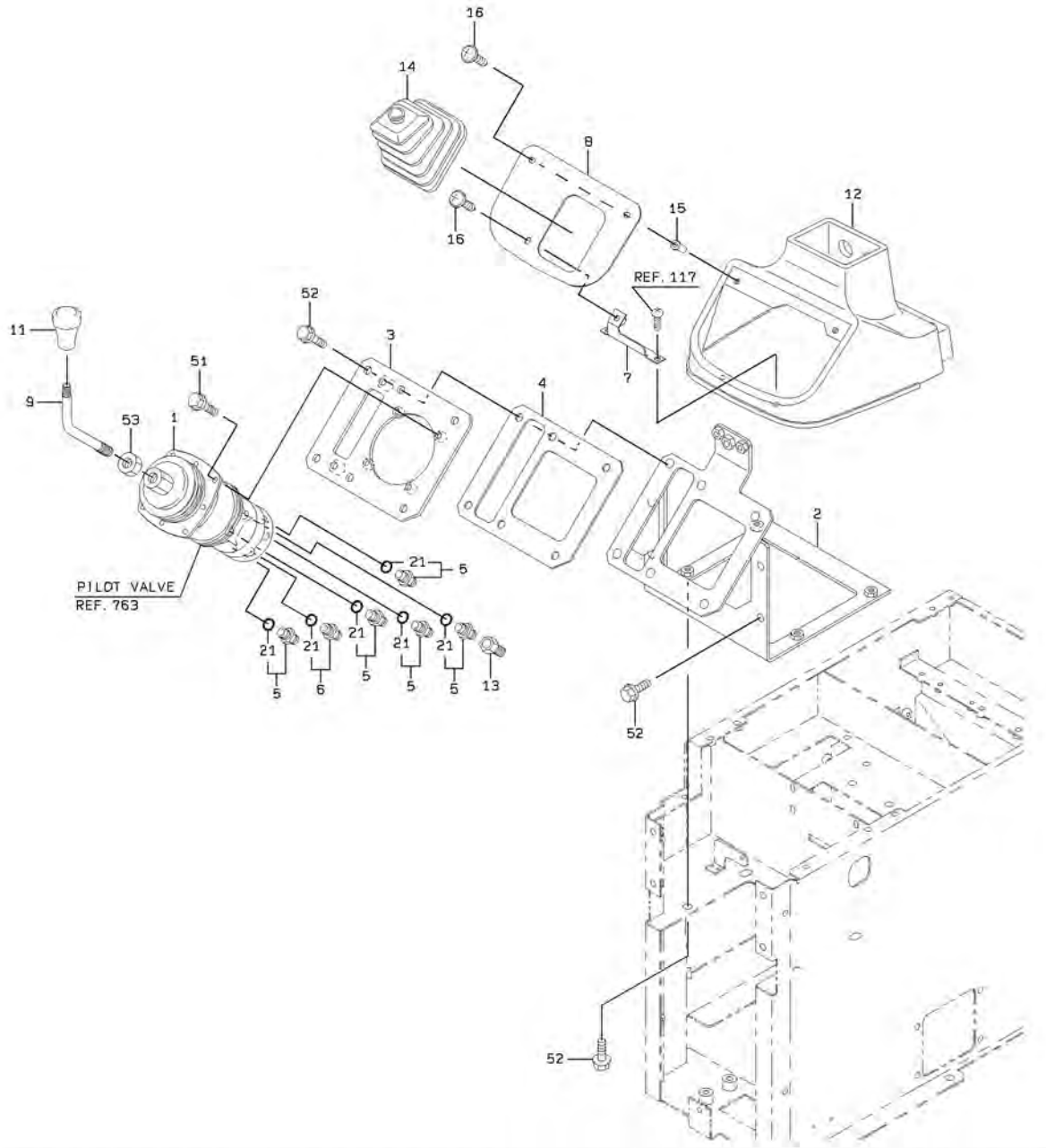


L-E

TILT CASE GROUP

SYM-BOL	PART NUMBER	PART NAME	UNIT Q,TY	SERIAL		REMARKS							
				(A)	(B)	N	P	D	(A)	(B)	(C)	(D)	REMARK
1A	34501-21990	SHAFT ASSY	1	5001	- 5006								
1B	34501-22550	SHAFT ASSY	1	5007	-								
2A	40902-30120	BRACKET	1	5001	-								
4A	40901-57900	BRACKET	1	5001	-								
5A	40850-20550	BUSHING,ELASTIC	2	5001	-								
6A	41606-56200	PLATE	1	5001	-								
7A	41710-35550	PLATE	1	5007	-								
11A	33311-70020	COLUMN ASSY	1	5001	-					01			Y04
12A	34944-70020	JOINT ASSY,UNIVERS	1	5001	-					01	Y02		
21A	61033-08025	BOLT	1	5001	-						02		
22A	62761-17081	WASHER,TOOTH	1	5001	-						02		
32A	40902-20110	BRACKET	1	5001	-								
33A	45600-24210	LEVER	1	5001	-							Y03	
34A	43900-24610	BOLT	1	5001	-								
35A	43900-24230	BOLT	1	5001	-								
36A	37600-24460	NUT	1	5001	-								
42A	32224-20220	CAPE,ELASTIC	1	5001	-								
51A	61033-12110	BOLT	1	5001	-				N			03	
52A	61802-08016	BOLT,FLANGED	8	5001	-								
53A	61802-08012	BOLT,FLANGED	2	5001	-								
61A	62403-81142	NUT	1	5001	-								
62A	62401-81121	NUT	2	5001	-								62401-91121
71A	62701-40141	WASHER,PLANE	1	5001	-								
72A	62721-14100	WASHER,SPRING	1	5001	-								
106A	42001-70530	BEARING,BALL	1	5001	-								04
107A	63811-00017	RING,SNAP	1	5001	-								04
108A	40845-70050	BUSHING,COLUMN	1	5001	-								04
151A	62710-18121	WASHER,PLANE	1	5001	-								
152A	62710-18141	WASHER,PLANE	2	5001	-								

VALVE CONTROL GROUP

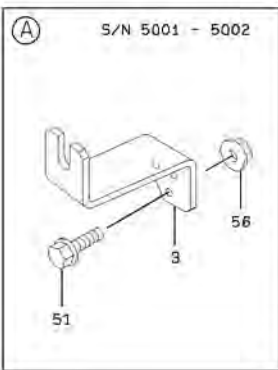
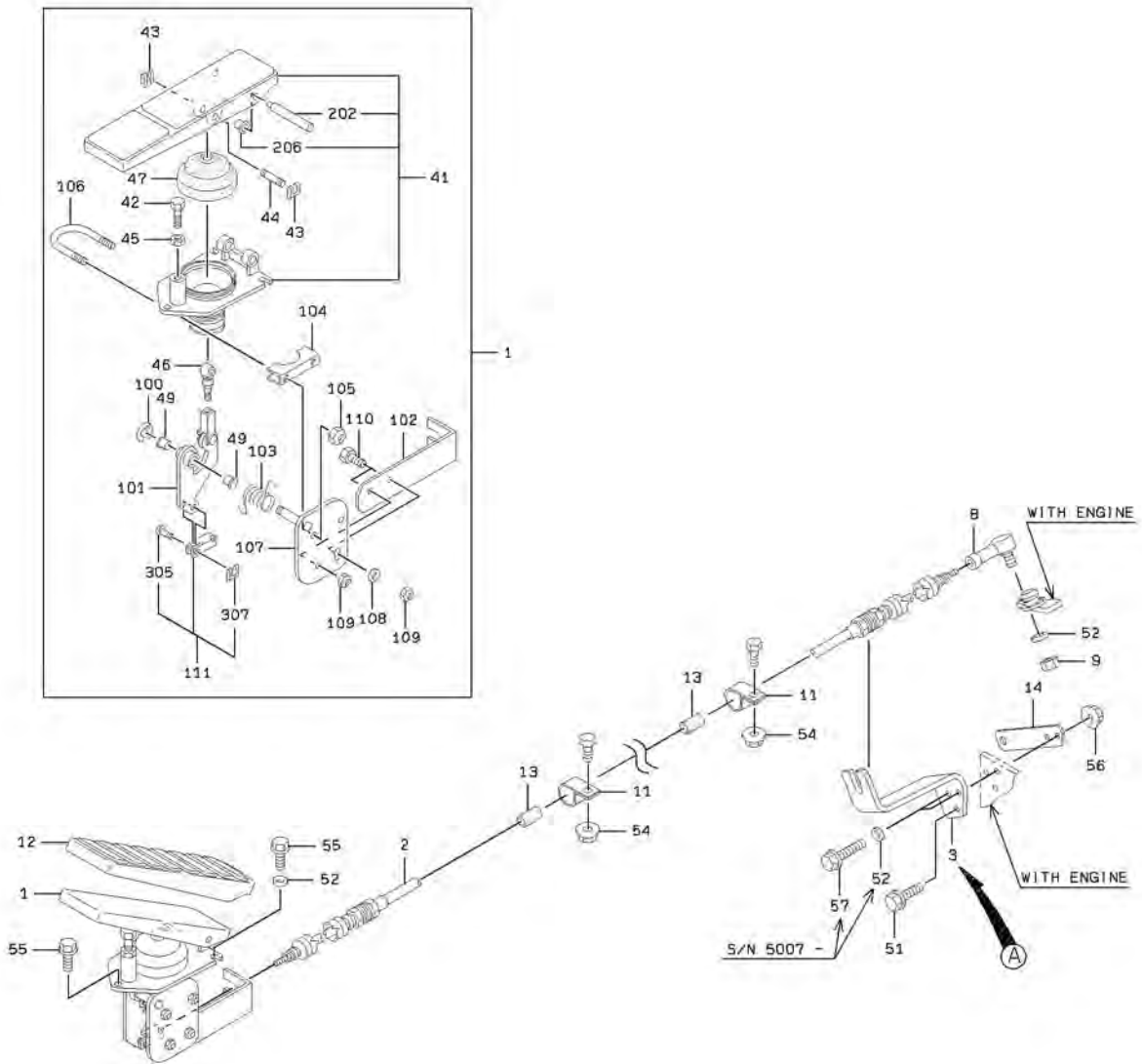


1-4

VALVE CONTROL GROUP

SYM-BOL	PART NUMBER	PART NAME	UNIT Q,TY	SERIAL		REMARKS						
				(A)	(B)	N	P	D	(A)	(B)	(C)	(D)
1A	38560-60550	VALVE,PILOT	1	5001	5004							REF.763
1B	38560-60610	VALVE,PILOT	1	5005								REF.763
2A	40902-31720	BRACKET	1	5001	5018	C						
2B	40902-42400	BRACKET	1	5019		C						
3A	41619-58090	PLATE	1	5001								
4A	31990-25940	GASKET	1	5001								
5A	88201-06704	ADAPTER	5	5001				Y01				
6A	40330-60180	FILTER	1	5001				Y01				
7A	41608-39930	PLATE	1	5001								
8A	41619-42380	PLATE	1	5001								
9A	38731-28460	PIPE	1	5001								
11A	37810-60060	KNOB	1	5001								
12A	03501-54740	COVER	1	5001								
13A	88511-03041	NIPPLE,HOSE	1	5001								
14A	40790-20010	BOOT	1	5001								
15A	37600-21080	NUT	2	5001								
16A	35100-20200	SCREW	3	5001								
21A	65210-12011	RING,O	1	5001				01				
51A	61802-06025	BOLT,FLANGED	4	5001								
52A	61802-10020	BOLT,FLANGED	14	5001								
53A	62401-81141	NUT	1	5001								

FUEL CONTROL GROUP



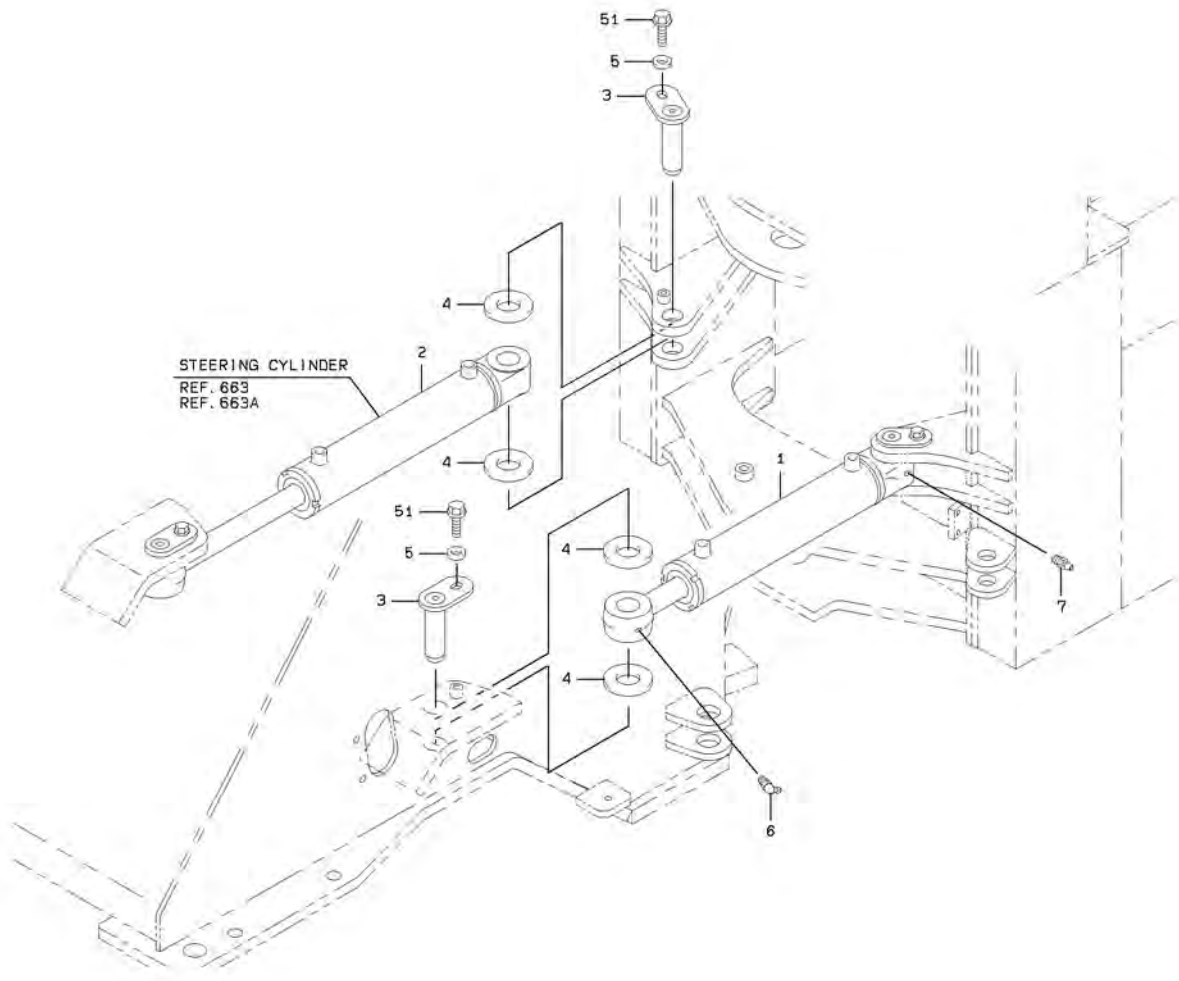
L-6

FUEL CONTROL GROUP

SYM-BOL	PART NUMBER	PART NAME	UNIT Q,TY	SERIAL		REMARKS							
				(A)	(B)	N	P	D	(A)	(B)	(C)	(D)	REMARK
1A	43022-60010	PEDAL ASSY,ACCEL	1	5001	-						Y01		
2A	33192-60510	CABLE ASSY,CONTROL	1	5001	-	5002							
2B	33192-60590	CABLE ASSY,CONTROL	1	5003	-		B						
3A	41609-47650	PLATE	1	5001	-	5002							
3B	41609-57320	PLATE	1	5003	-	5006	B						
3C	41710-48050	PLATE	1	5007	-		C						
8A	34950-20010	JOINT,BALL	1	5001	-								
9A	88031-06061	NUT,SELF-LOCKING	1	5001	-								
11A	72001-12000	HOLDER,PIPE	2	5001	-								
12A	32223-20050	COVER,PEDAL	1	5001	-								
13A	40850-20520	BUSHING,ELASTIC	2	5001	-								
14A	41710-28110	PLATE	1	5003	-							41710-22260	
41A	43022-70010	PEDAL ASSY,ACCEL	1	5001	-					01	Y02		
42A	43900-71840	BOLT	1	5001	-					01			
43A	32970-70160	CLIP	2	5001	-					01			
44A	40000-70390	PIN	1	5001	-					01			
45A	37600-70670	NUT	1	5001	-					01			
46A	45887-70100	ROD,PUSH	1	5001	-					01			
47A	40790-70080	BOOT	1	5001	-					01			
49A	40840-70600	BUSHING	2	5001	-					01			
51A	61802-06020	BOLT,FLANGED	3	5001	-	5006							
51B	61802-06020	BOLT,FLANGED	1	5007	-								
52A	62701-40061	WASHER,PLANE	3	5001	-	5006							
52B	62701-40061	WASHER,PLANE	5	5007	-								
54A	62480-21081	NUT,FLANGED	2	5001	-								
55A	61802-06016	BOLT,FLANGED	3	5001	-								
56A	62480-21061	NUT,FLANGED	3	5001	-								
57A	61802-06025	BOLT,FLANGED	2	5007	-								
100A	45311-70470	RING,SNAP	1	5001	-					01			
101A	30020-70020	ARM	1	5001	-					01			
102A	40900-70390	BRACKET	1	5001	-					01			
103A	35600-71780	SPRING	1	5001	-					01			
104A	33600-70130	SUPPORT	1	5001	-					01			
105A	37652-70070	NUT,U	2	5001	-					01			
106A	43962-70020	BOLT,U	1	5001	-					01			
107A	41650-70030	PLATE ASSY	1	5001	-					01			
108A	46011-70150	WASHER,PLANE	1	5001	-					01			
109A	37652-70080	NUT,U	2	5001	-					01			
110A	43900-71270	BOLT	2	5001	-					01			
111A	34956-70020	JOINT,YOKE	1	5001	-					01	Y03		
202A	40000-70560	PIN	1	5001	-						02		
206A	40840-70600	BUSHING	2	5001	-						02		
305A	40000-70570	PIN	1	5001	-							03	
307A	32970-70160	CLIP	1	5001	-							03	

STEERING CYLINDER GROUP

(NOTE):SYMBOL NO. 4 PART MAY BE USED AS A CLEARANCE ADJUSTMENT LINER.



1-A

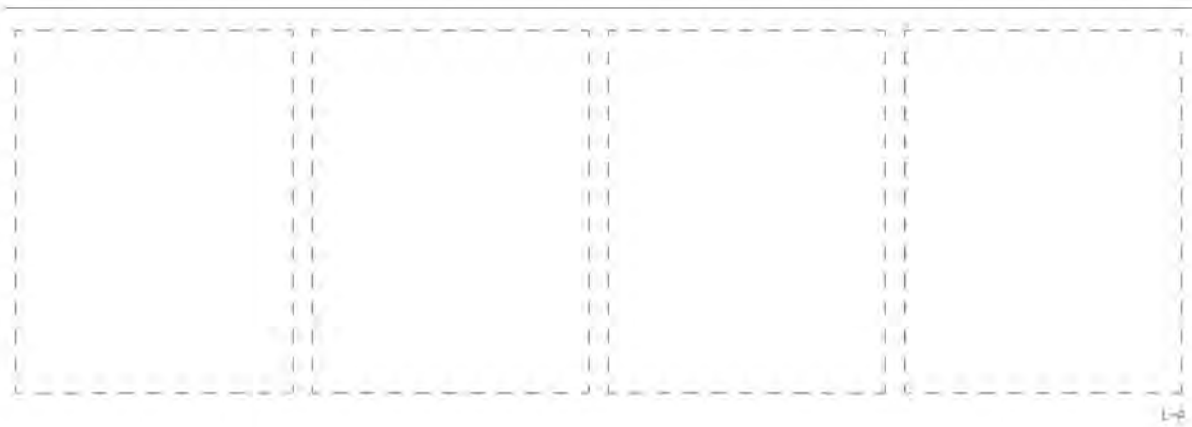
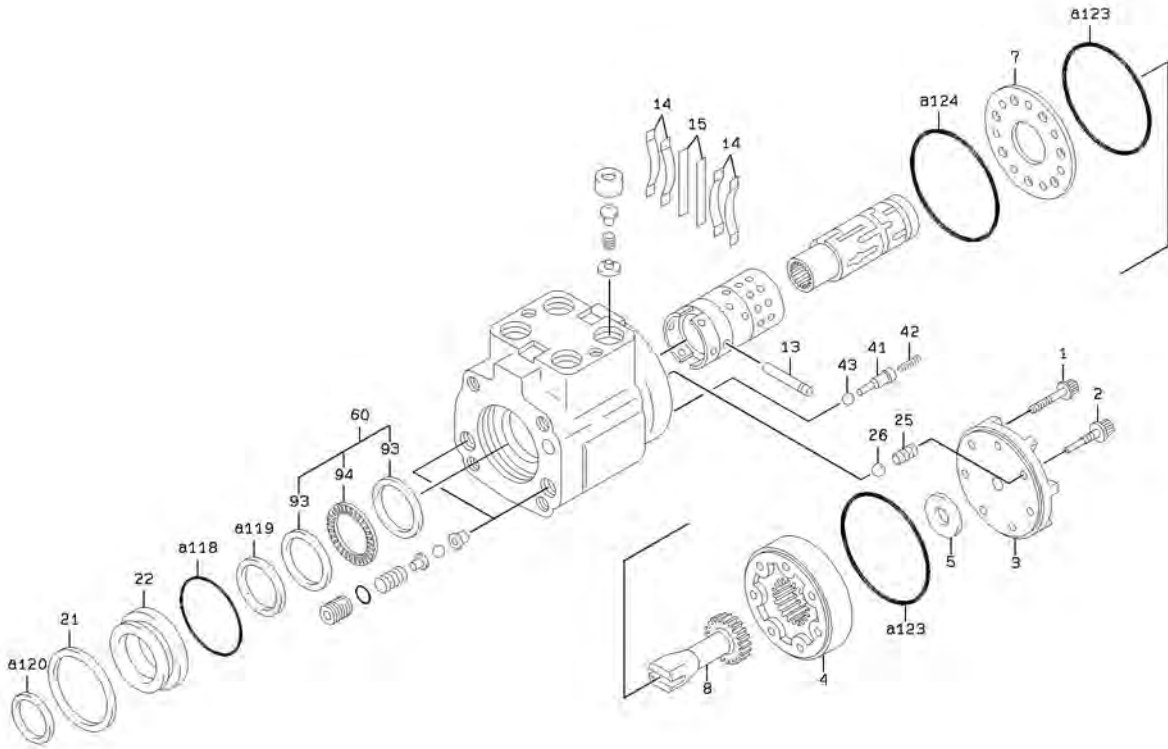
STEERING CYLINDER GROUP

SYM-BOL	PART NUMBER	PART NAME	UNIT Q, TY	SERIAL		REMARKS						
				(A)	(B)	N	P	D	(A)	(B)	(C)	(D)
1A	34820-64160	CYLINDER ASSY,OIL	1	5001	-	5026						REF.663-1(LH)
1B	34820-66640	CYLINDER ASSY,OIL	1	5027	-		A					REF.663A-1(LH)
2A	34820-64170	CYLINDER ASSY,OIL	1	5001	-	5026						REF.663-211(RH)
2B	34820-66650	CYLINDER ASSY,OIL	1	5027	-		A					REF.663A-121(R)
3A	40000-24310	PIN	4	5001	-							D=35 X 104L
4A	44680-20040	LINER	A/R	5001	-							T=1
5A	46011-21300	WASHER,PLANE	4	5001	-							
6A	75011-45400	NIPPLE,GREASE	2	5001	-							
7A	75011-25400	NIPPLE,GREASE	2	5001	-							
51A	61802-10016	BOLT,FLANGED	4	5001	-							

ORBITROL

<S/N 5001 - 5002>

(NOTE):KIT (SYMBOL 70)CONSISTS OF THE PARTS WITH a.



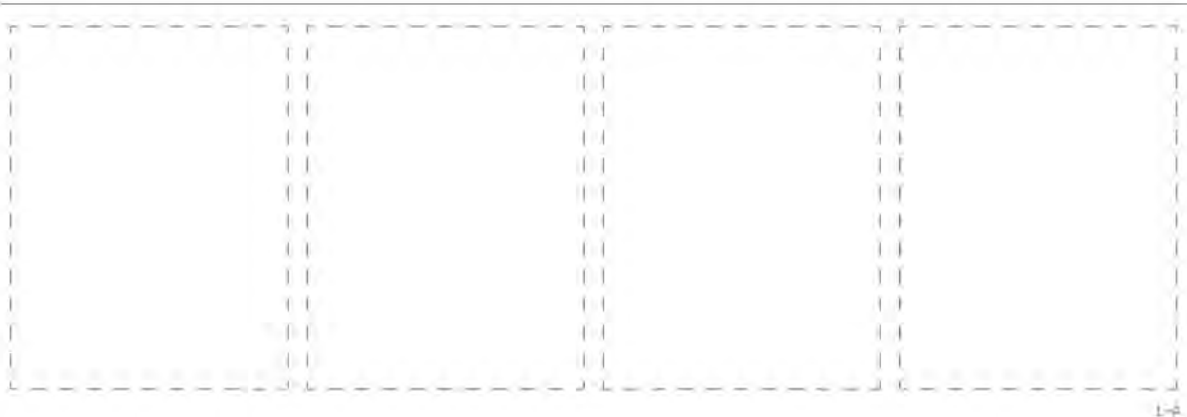
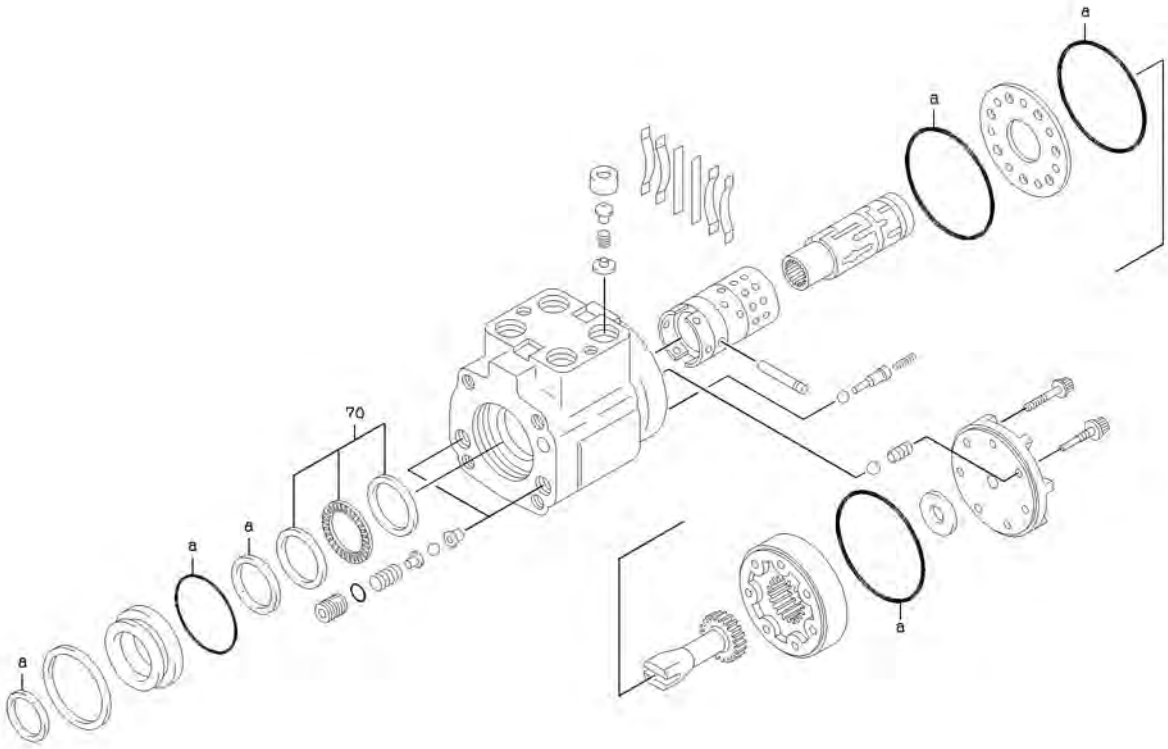
ORBITROL

SYM-BOL	PART NUMBER	PART NAME	UNIT Q,TY	SERIAL		REMARKS							
				(A)	(B)	N	P	D	(A)	(B)	(C)	(D)	REMARK
000A	31050-60340	ORBITROL(TM) ASSY	1	5001	-	5002							
1A	35100-70030	SCREW	6	5001	-	5002	N						
2A	35100-71550	SCREW	1	5001	-	5002							
3A	41657-70010	PLATE,END	1	5001	-	5002							
4A	45715-70070	ROTOR ASSY	1	5001	-	5002							
5A	35700-70010	SPACER	1	5001	-	5002	N						
7A	41641-70090	PLATE	1	5001	-	5002							
8A	34500-70080	SHAFT	1	5001	-	5002							
13A	40000-70010	PIN	1	5001	-	5002							
14A	35600-70240	SPRING	4	5001	-	5002							
15A	35600-72200	SPRING	2	5001	-	5002							
21A	45323-70010	RING,RETAINER	1	5001	-	5002							
22A	44953-70230	RETAINER,SEAL	1	5001	-	5002							
25A	30230-70230	ADAPTER	1	5001	-	5002							
26A	43751-70310	BALL	1	5001	-	5002							
41A	41530-72110	PLUG	2	5001	-	5002							
42A	35600-72570	SPRING	2	5001	-	5002							
43A	43751-70230	BALL	2	5001	-	5002							
60A	49612-70010	BEARING KIT	1	5001	-	5002		QK1					
70A	49327-72150	SEAL KIT	1	5001	-	5002			QK2				
93A	45410-70010	RACE	2	5001	-	5002			K1				
94A	42006-70080	BEARING,NEEDLE	1	5001	-	5002			K1				
118A	47131-70100	RING,O	1	5001	-	5002				K2			
119A	34000-70330	SEAL	1	5001	-	5002				K2			
120A	34044-70100	SEAL,DUST	1	5001	-	5002				K2			
123A	47131-70110	RING,O	2	5001	-	5002				K2			
124A	47131-74090	RING,O	1	5001	-	5002				K2			

ORBITROL

<S/N 5003 - >

(NOTE):KIT (SYMBOL 60)CONSISTS OF THE PARTS WITH a.

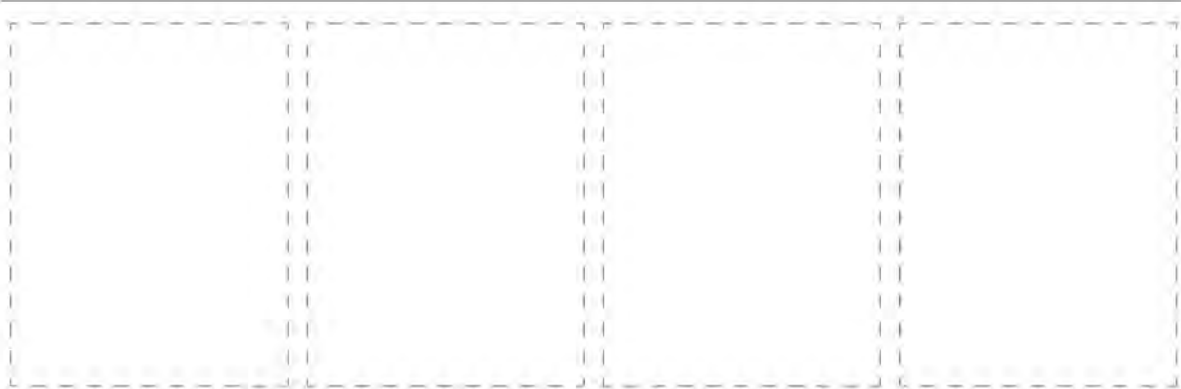
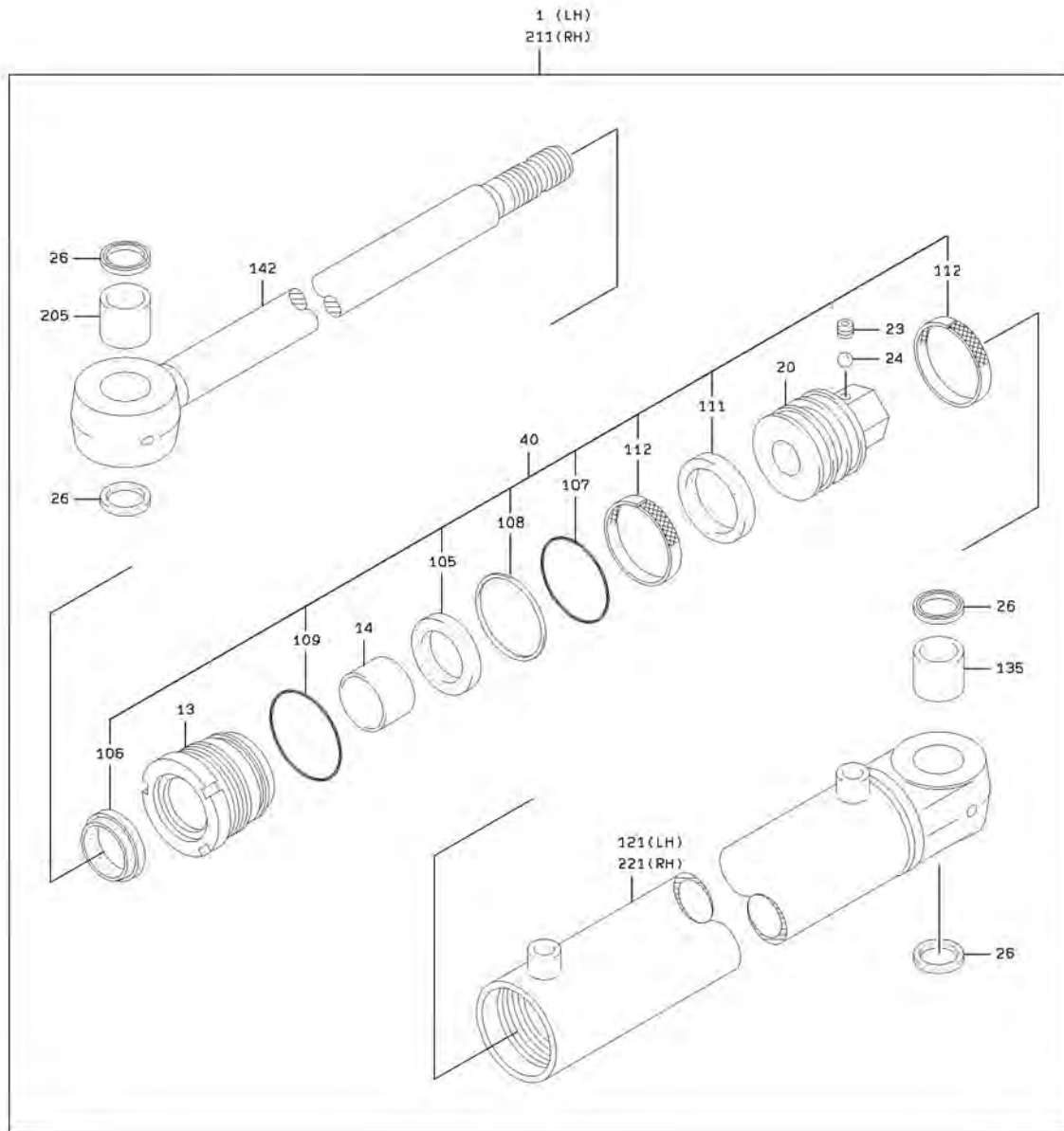


ORBITROL

SYM-BOL	PART NUMBER	PART NAME	UNIT Q, TY	SERIAL			REMARKS							
				(A)	-	(B)	N	P	D	(A)	(B)	(C)	(D)	REMARK
000A	31050-60590	ORBITROLL ASSY	1	5003	-	5020								
000B	31050-60640	ORBITROLL ASSY	1	5021	-		C							
60A	49327-73720	SEAL KIT	1	5003	-									
70A	49612-70010	BEARING KIT	1	5003	-									

STEERING CYLINDER

<S/N 5001 - 5026>

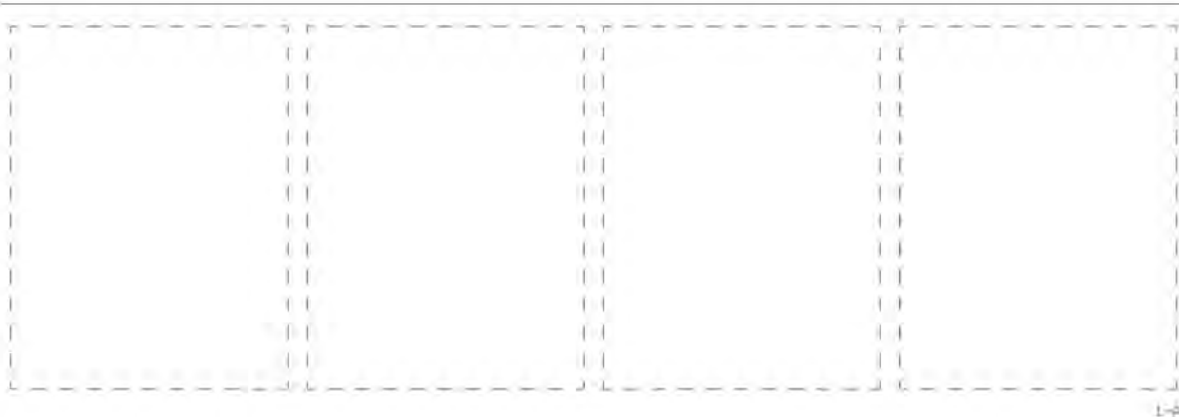
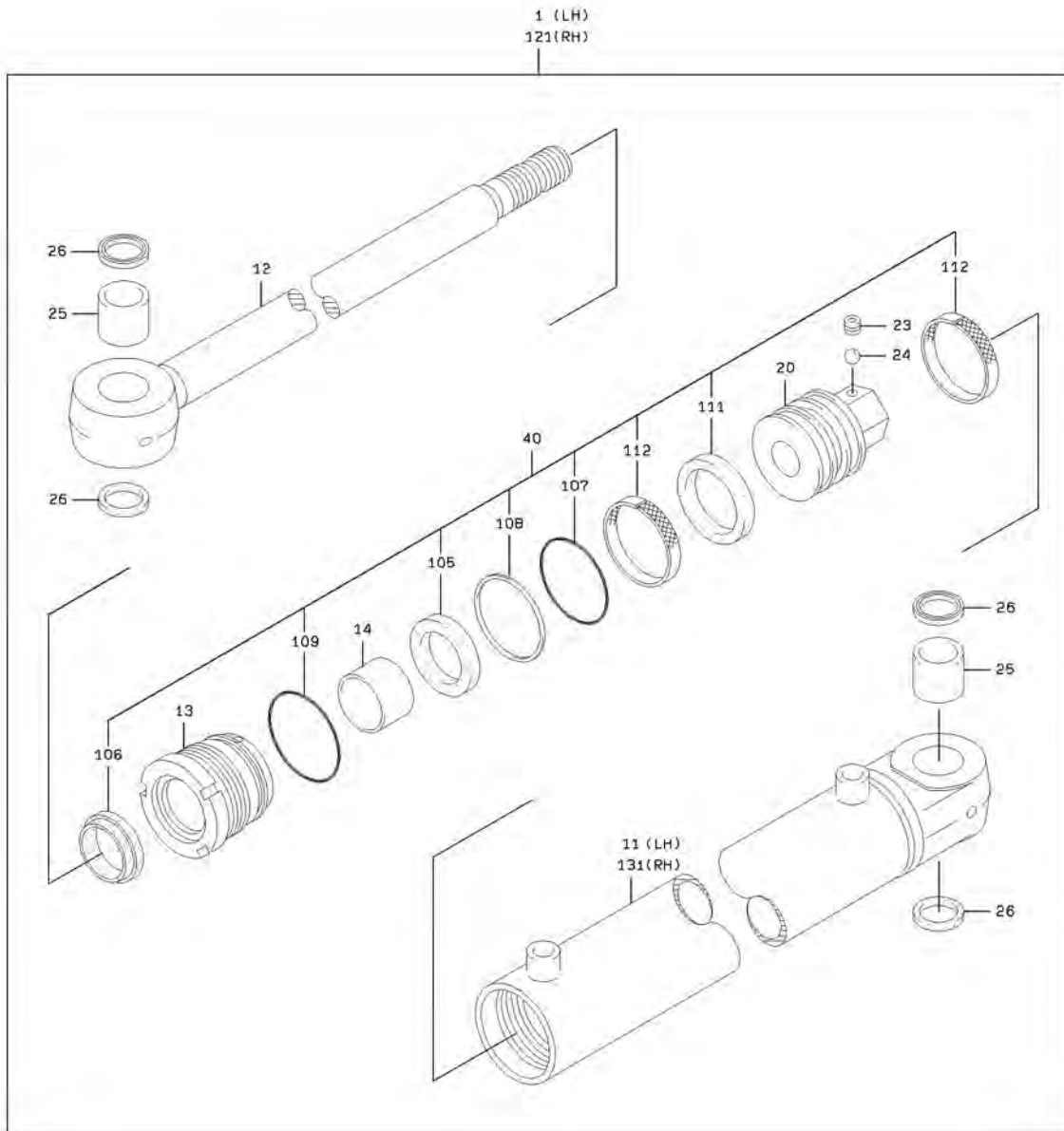


STEERING CYLINDER

SYM-BOL	PART NUMBER	PART NAME	UNIT Q,TY	SERIAL			REMARKS							
				(A)	-	(B)	N	P	D	(A)	(B)	(C)	(D)	REMARK
1A	34820-64160	CYLINDER ASSY,OIL	1	5001	-	5026					Y01			FR LH
13A	42791-70030	HEAD,CYLINDER	1	5001	-	5026					01		02	
14A	40840-72100	BUSHING	1	5001	-	5026					01		02	
20A	39960-71840	PISTON	1	5001	-	5026					01		02	
23A	35104-70090	SCREW,SET	1	5001	-	5026					01		02	
24A	43751-70330	BALL	1	5001	-	5026					01		02	
26A	47181-70090	RING,WIPER	4	5001	-	5026					01		02	
40A	49691-70880	REPAIR KIT	1	5001	-	5026					01	QK1	02	
105A	47142-70020	RING,U	1	5001	-	5026						K1		
106A	47181-70080	RING,WIPER	1	5001	-	5026						K1		
107A	65210-22055	RING,O	1	5001	-	5026						K1		
108A	47194-71150	RING,BACK-UP	1	5001	-	5026						K1		
109A	65210-21060	RING,O	1	5001	-	5026						K1		
111A	34030-70030	SEAL RING ASSY	1	5001	-	5026						K1		
112A	47193-70110	RING,SLIPPER	2	5001	-	5026						K1		
121A	36725-72180	TUBE,CYLINDER	1	5001	-	5026					01			FR LH
135A	40840-72110	BUSHING	1	5001	-	5026					01		02	
142A	45886-72000	ROD,PISTON	1	5001	-	5026					01		02	
205A	40840-72110	BUSHING	1	5001	-	5026					01		02	
211A	34820-64170	CYLINDER ASSY,OIL	1	5001	-	5026							Y02	FR RH
221A	36725-72190	TUBE,CYLINDER	1	5001	-	5026							02	FR RH

STEERING CYLINDER

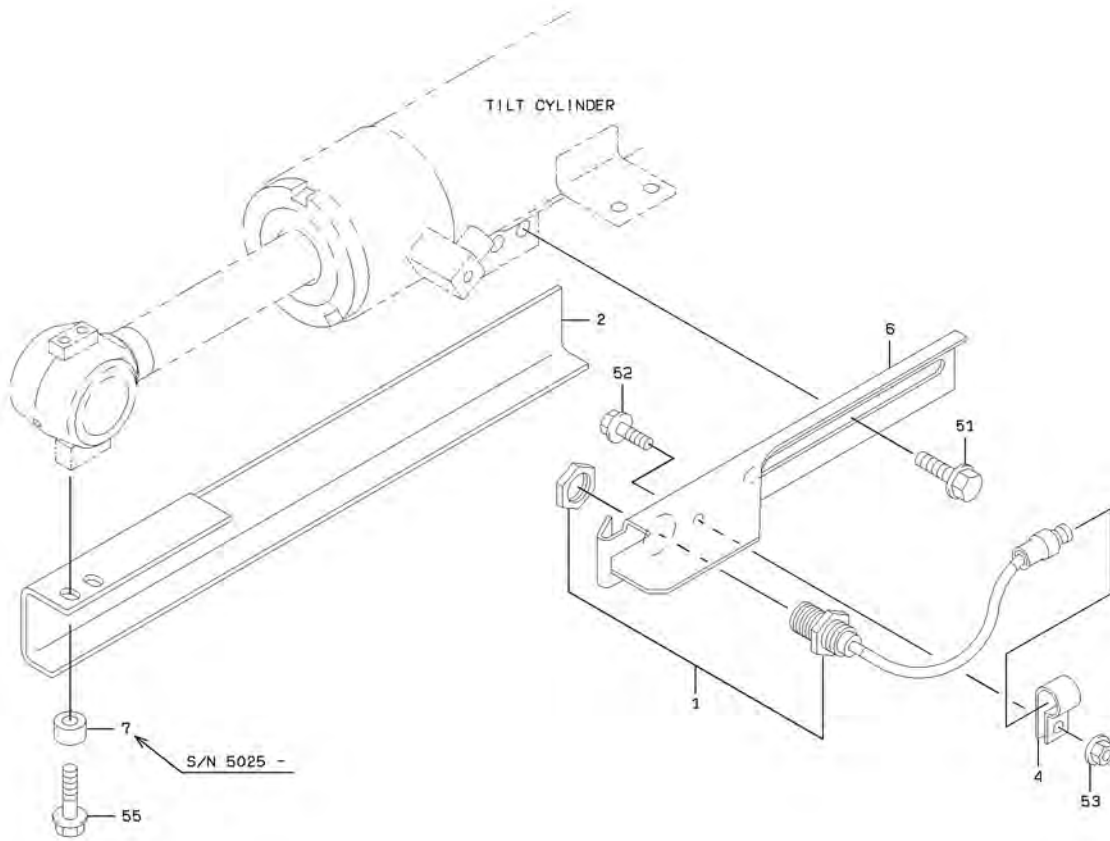
<S/N 5027 - >



STEERING CYLINDER

SYM-BOL	PART NUMBER	PART NAME	UNIT Q, TY	SERIAL		REMARKS							
				(A)	(B)	N	P	D	(A)	(B)	(C)	(D)	REMARK
1A	34820-66640	CYLINDER ASSY,OIL	1	5027	-					Y01			FR LH
11A	36704-70110	TUBE ASSY,CYLINDER	1	5027	-					01			FR LH
12A	45871-70310	ROD ASSY	1	5027	-					01		02	
13A	42791-70110	HEAD,CYLINDER	1	5027	-					01		02	
14A	40840-72100	BUSHING	1	5027	-					01		02	
20A	39960-72630	PISTON	1	5027	-					01		02	
23A	35104-70070	SCREW,SET	1	5027	-					01		02	
24A	43751-70330	BALL	1	5027	-					01		02	
25A	40840-72110	BUSHING	2	5027	-					01		02	
26A	47181-70090	RING,WIPER	4	5027	-					01		02	
40A	49327-74370	SEAL KIT	1	5027	-					01	QK1	02	
105A	47142-70020	RING,U	1	5027	-						K1		
106A	47181-70080	RING,WIPER	1	5027	-						K1		
107A	65210-22055	RING,O	1	5027	-						K1		
108A	47194-71790	RING,BACK-UP	1	5027	-						K1		
109A	65210-21060	RING,O	1	5027	-						K1		
111A	34030-70030	SEAL RING ASSY	1	5027	-						K1		
112A	45200-71650	RING	2	5027	-						K1		
121A	34820-66650	CYLINDER ASSY,OIL	1	5027	-							Y02	FR RH
131A	36704-70120	TUBE ASSY,CYLINDER	1	5027	-							02	FR RH

BUCKET POSITIONER GROUP

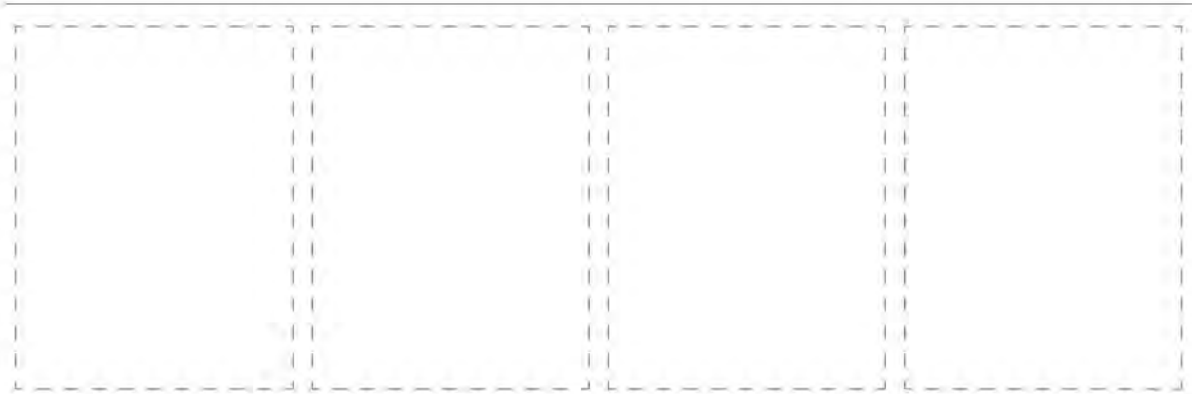
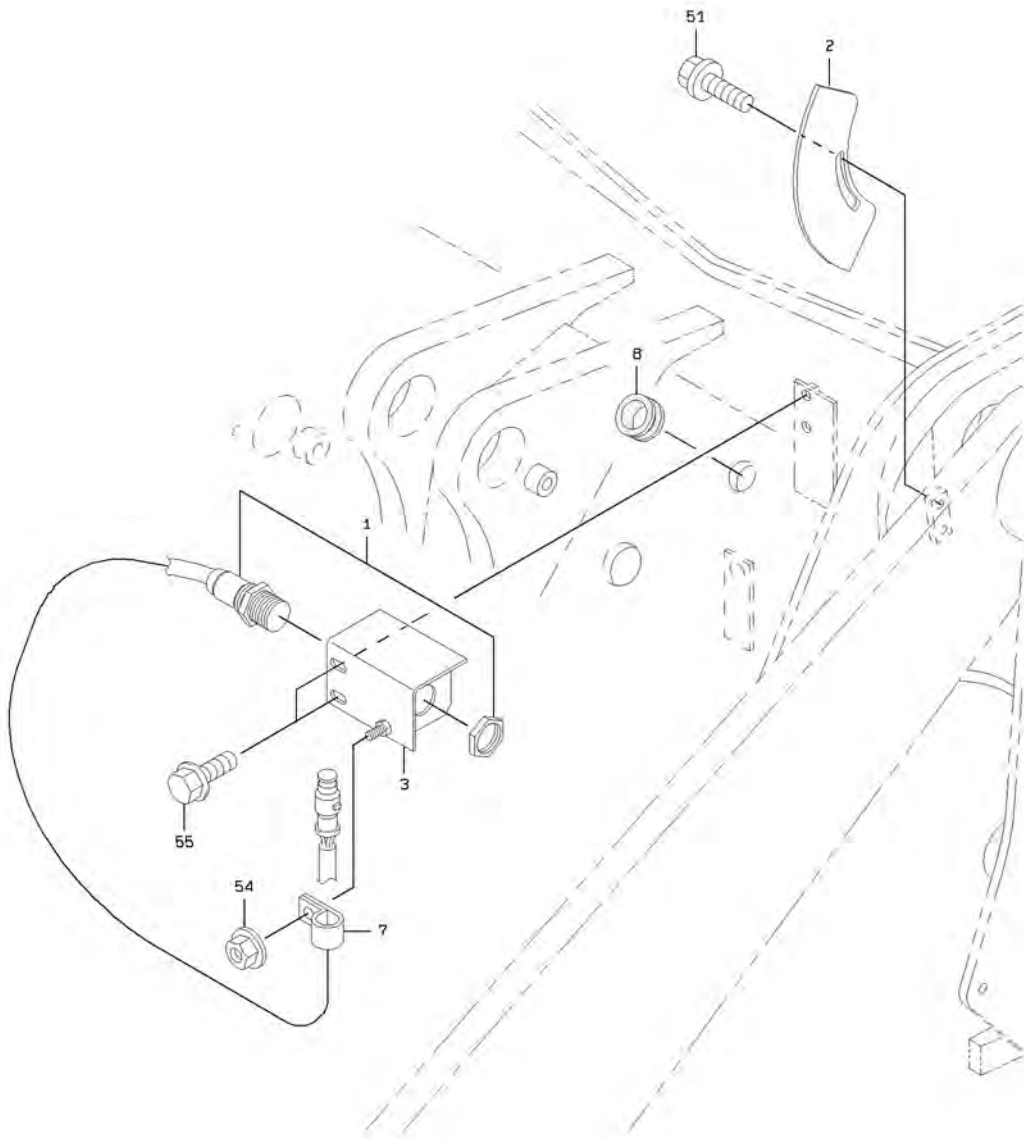


1-B

BUCKET POSITIONER GROUP

SYM-BOL	PART NUMBER	PART NAME	UNIT Q, TY	SERIAL		REMARKS						
				(A)	(B)	N	P	D	(A)	(B)	(C)	(D)
1A	35051-70040	SWITCH, PROXIMITY	1	5001	-							
2A	41609-35580	PLATE	1	5001	-							
4A	72001-11800	HOLDER, PIPE	1	5001	-							D=18
6A	41617-57970	PLATE	1	5001	-							
6B	41751-29870	PLATE	1	5029	-							ECO.061407
7A	35750-24000	SLEEVE	2	5025	-							
51A	61802-12020	BOLT, FLANGED	2	5001	-							
52A	61802-08020	BOLT, FLANGED	1	5001	-							
53A	62480-21081	NUT, FLANGED	1	5001	-							
55A	61802-10020	BOLT, FLANGED	2	5001	-							
55B	61802-10030	BOLT, FLANGED	2	5025	-							

KICKOUT GROUP



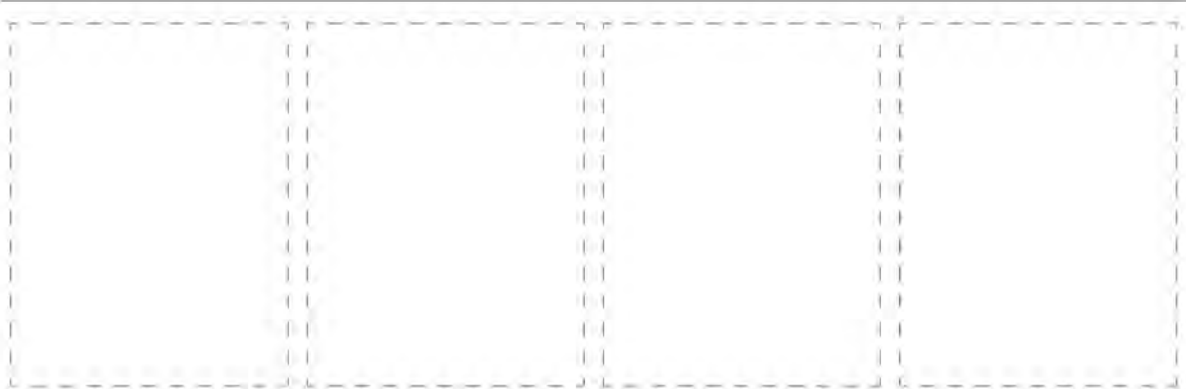
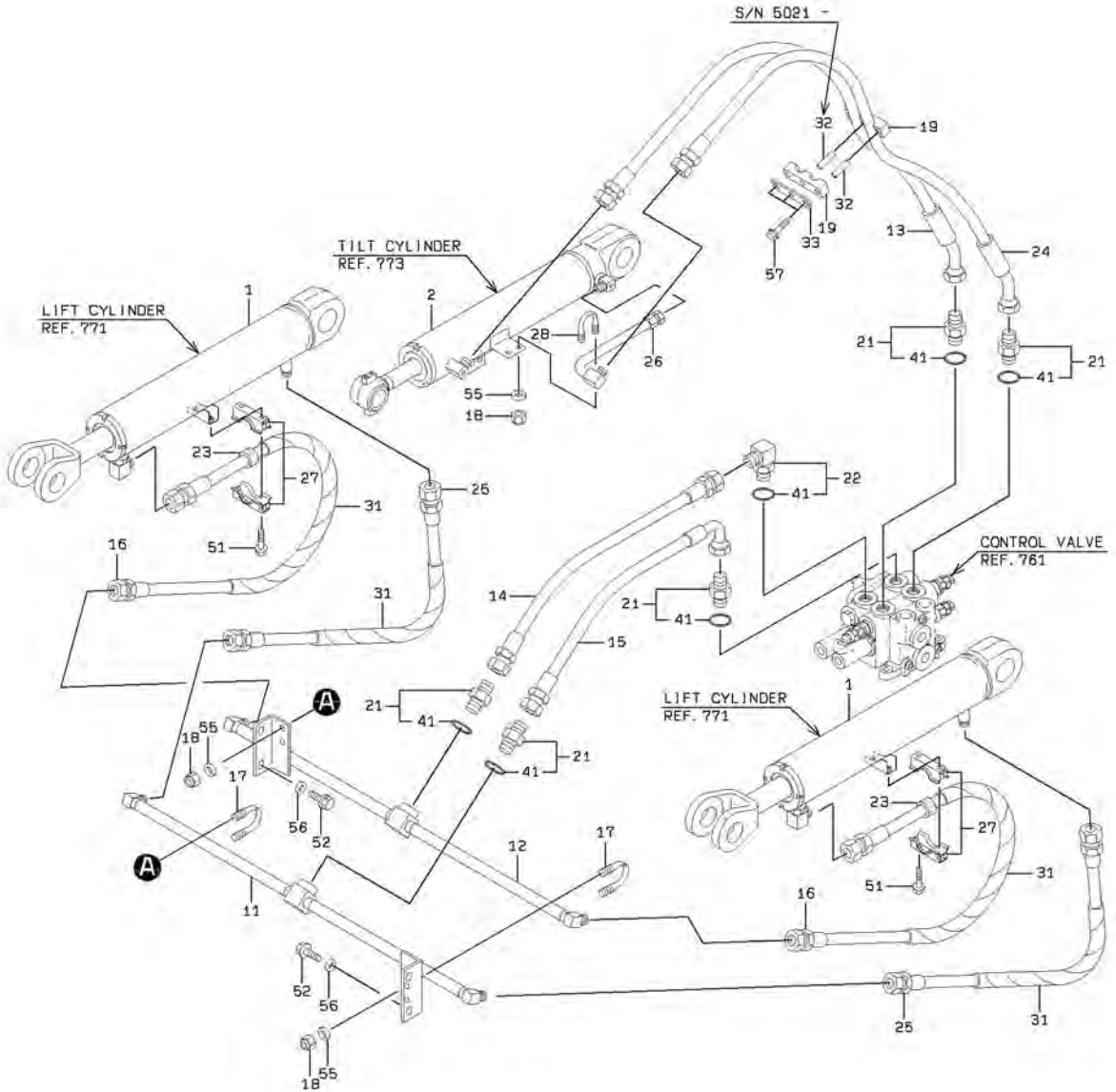
1-4

KICKOUT GROUP

SYM-BOL	PART NUMBER	PART NAME	UNIT Q, TY	SERIAL (A) - (B)	REMARKS						
					N	P	D	(A)	(B)	(C)	(D)
1A	35051-70040	SWITCH, PROXIMITY	1	5001 -							
2A	41635-26800	PLATE	1	5001 -							
3A	40900-26450	BRACKET	1	5001 -							
7A	72001-11800	HOLDER, PIPE	1	5001 -							
8A	65801-20090	BUSHING, ELASTIC	1	5001 -							
51A	61802-08012	BOLT, FLANGED	2	5001 -							D=18
54A	62480-21081	NUT, FLANGED	1	5001 -							
55A	61802-08016	BOLT, FLANGED	2	5001 -							

LOADING HYDRAULIC LINE - FRONT CHASSIS

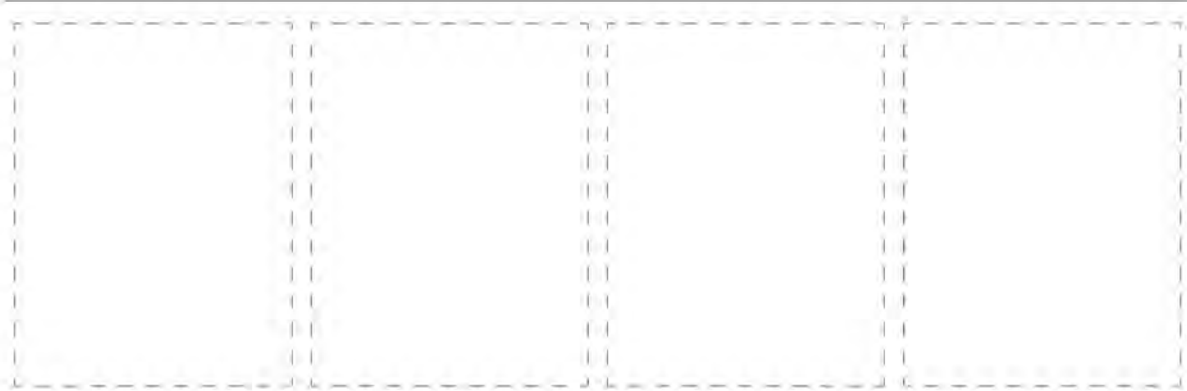
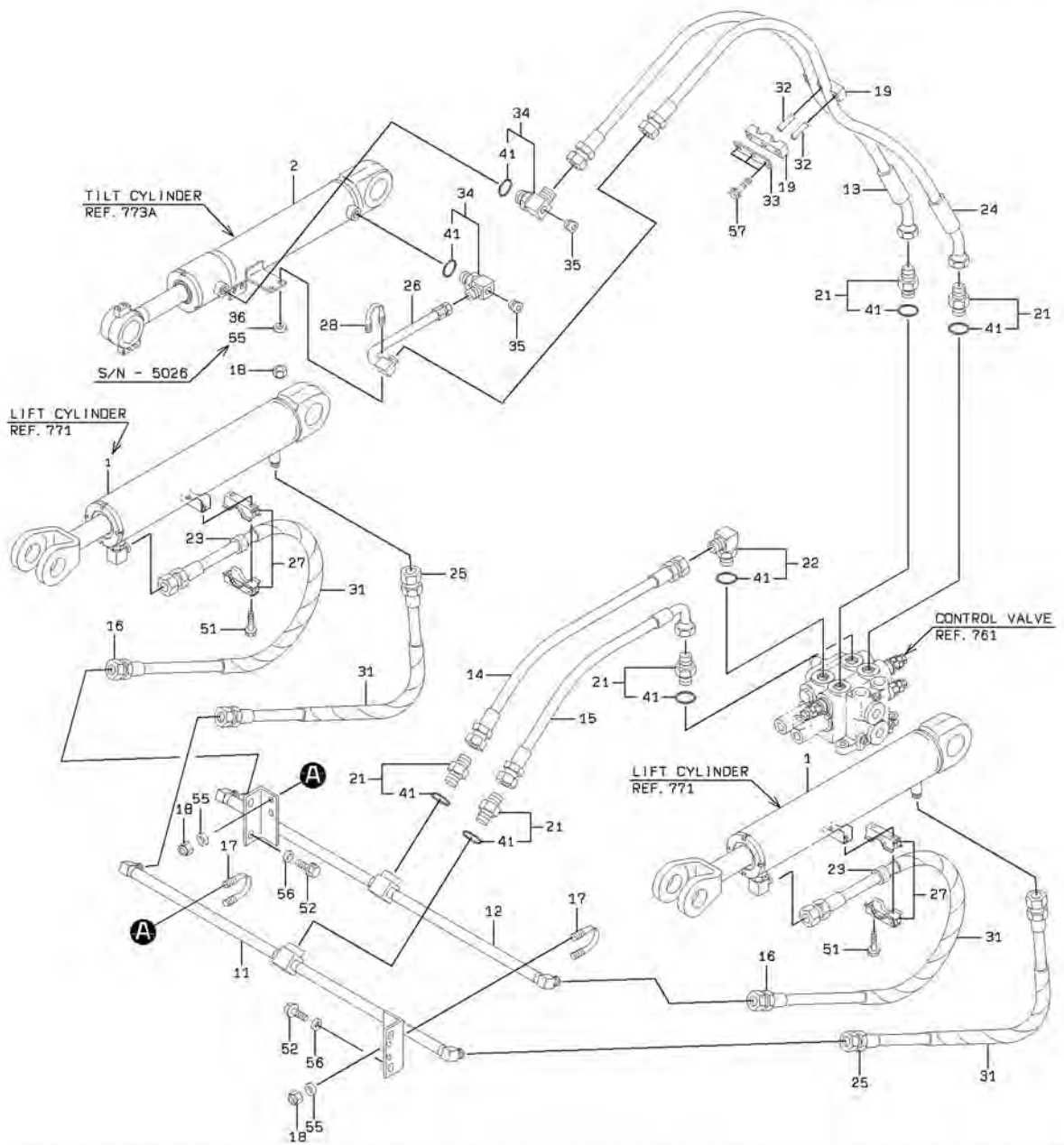
<S/N 5001 - 5024>



L-6

LOADING HYDRAULIC LINE - FRONT CHASSIS

<S/N 5025 - >



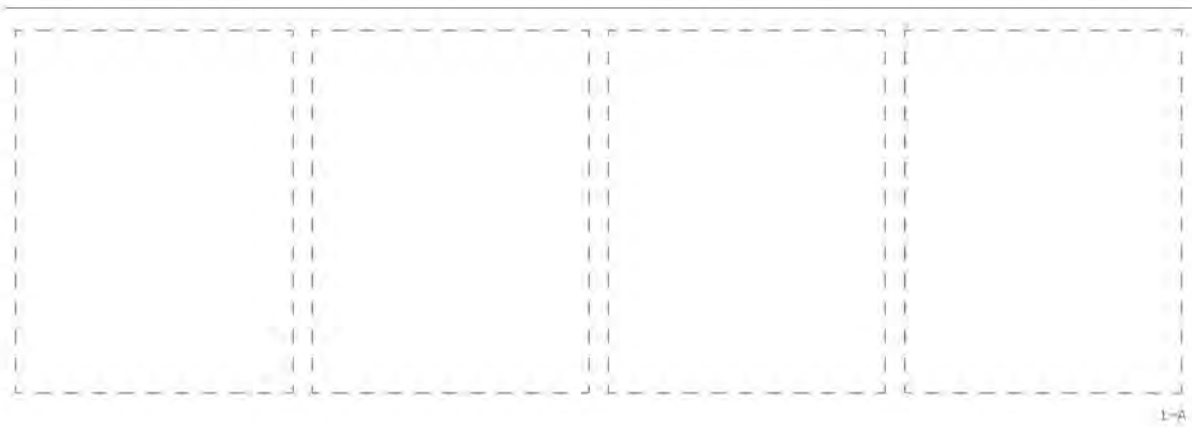
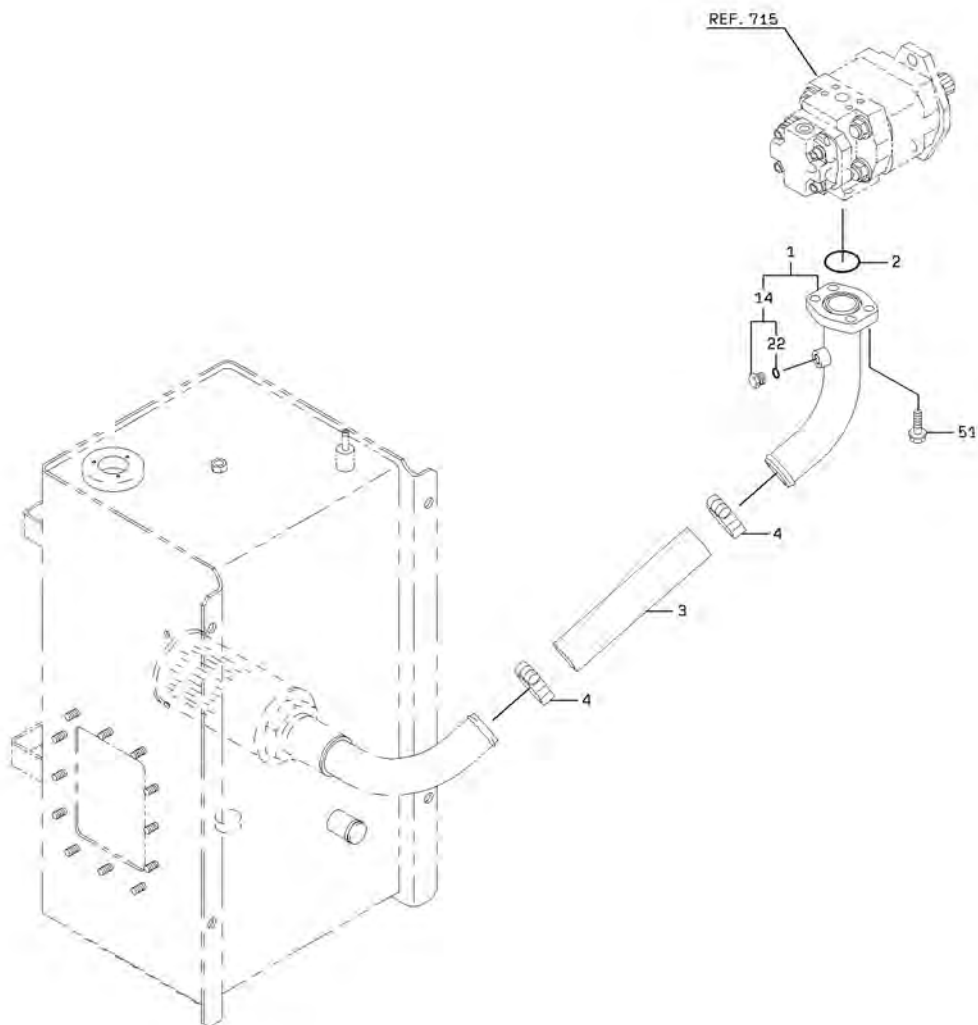
3-C

LOADING HYDRAULIC LINE - FRONT CHASSIS

SYM-BOL	PART NUMBER	PART NAME	UNIT Q,TY	SERIAL		REMARKS						
				(A)	(B)	N	P	D	(A)	(B)	(C)	(D)
1A	34820-23250	CYLINDER ASSY,OIL	2	5001	-							REF.771
2A	34820-65570	CYLINDER ASSY,OIL	1	5001	-	5024						REF.773
2B	34820-66560	CYLINDER ASSY,OIL	1	5025	-	5026	B					REF.773A
2C	34820-66710	CYLINDER ASSY,OIL	1	5027	-		C					REF.773A
11A	38755-40300	PIPE,OIL	1	5001	-							
12A	38755-40310	PIPE,OIL	1	5001	-							
13A	68645-40150	HOSE,HIGH PRESSURE	1	5001	-							
14A	68655-40047	HOSE,HIGH PRESSURE	1	5001	-							
15A	68635-40058	HOSE,HIGH PRESSURE	1	5001	-							
16A	68655-30140	HOSE,HIGH PRESSURE	2	5001	-							
17A	43962-20010	BOLT,U	2	5001	-							
18A	88031-06101	NUT,SELF-LOCKING	6	5001	-							
19A	32923-20720	CLAMP,HOSE	2	5001	-							
21A	88201-06712	ADAPTER	5	5001	-			Y01				
22A	88241-07112	ADAPTER,ELBOW	1	5001	-			Y01				
23A	40850-70050	BUSHING,ELASTIC	2	5001	-							
24A	68645-40140	HOSE,HIGH PRESSURE	1	5001	-							
25A	68655-30080	HOSE,HIGH PRESSURE	2	5001	-							
26A	38755-32280	PIPE,OIL	1	5001	-							
27A	32924-20350	CLAMP,MULTIPLE	2	5001	-							
28A	43962-20020	BOLT,U	1	5001	-							
31A	69081-23100	TUBE, SPIRAL	4	5001	-							
32A	38720-43560	PIPE	2	5001	-	5020						
32B	38720-43560	PIPE	3	5021	-							
33A	41605-44140	PLATE	1	5001	-							
34A	30241-26130	ADAPTER,ELBOW	2	5025	-	5026		Y01				
34B	30241-26370	ADAPTER,ELBOW	2	5027	-		C	Y01				
35A	88390-16102	PLUG	2	5025	-							
36A	46011-20190	WASHER,PLANE	2	5027	-							
41A	65210-12024	RING,O	1	5001	-			01				
51A	61802-08060	BOLT,FLANGED	4	5001	-							
52A	61802-10020	BOLT,FLANGED	4	5001	-							
55A	62701-40101	WASHER,PLANE	6	5001	-	5026						
55B	62701-40101	WASHER,PLANE	4	5027	-							
56A	62710-18101	WASHER,PLANE	4	5001	-							
57A	61802-08075	BOLT,FLANGED	3	5001	-							

MEMO

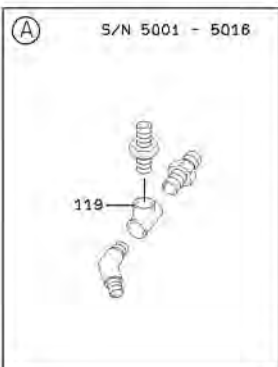
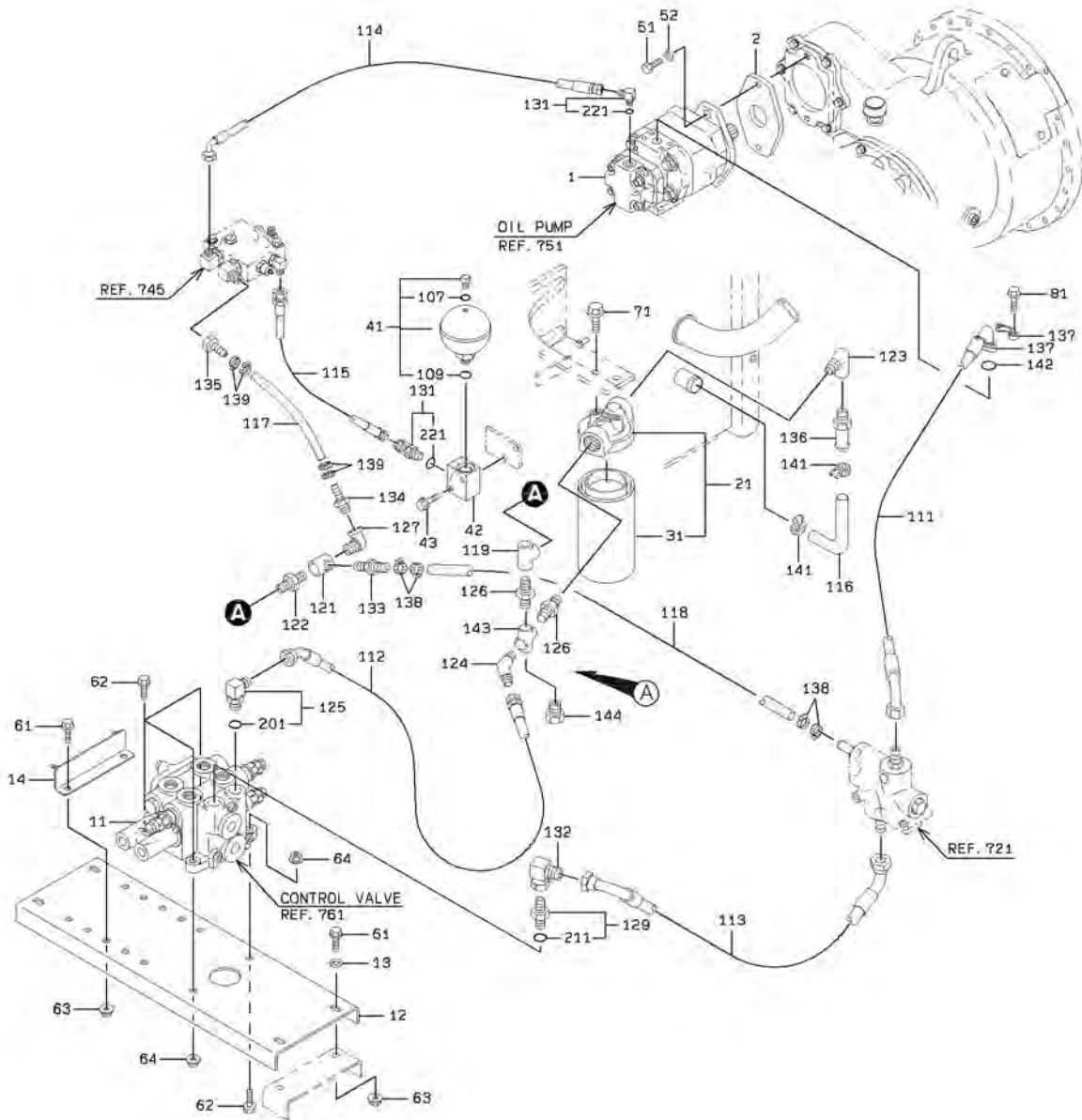
LOADING HYDRAULIC LINE - REAR CHASSIS (FOR SUCTION)



LOADING HYDRAULIC LINE - REAR CHASSIS (FOR SUCTION)

SYM-BOL	PART NUMBER	PART NAME	UNIT Q, TY	SERIAL (A) - (B)	REMARKS				REMARK
					N	P	D		
1A	38775-23650	PIPE,OIL	1	5001 -				Y01	
2A	65220-41003	RING,O	1	5001 -					
3A	67041-50028	HOSE,HEAT RESISTIN	1	5001 -					L=280
4A	69030-07900	BAND,HOSE-HIGH TOR	2	5001 -					
14A	88390-21304	PLUG	1	5001 -				01 Y02	
22A	65210-12011	RING,O	1	5001 -				02	
51A	61802-12030	BOLT,FLANGED	4	5001 -					

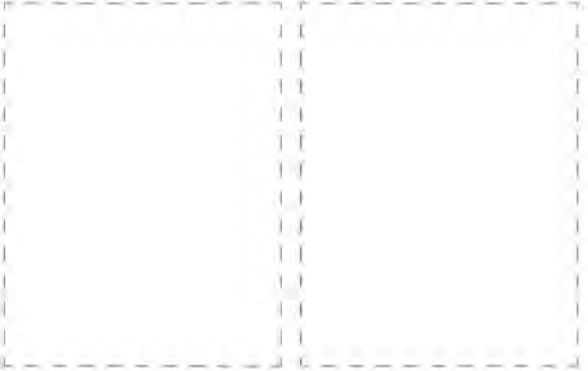
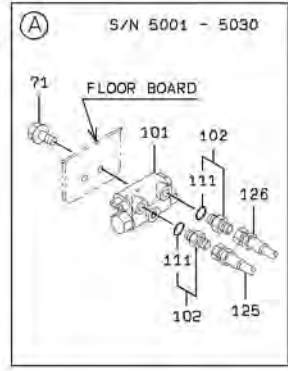
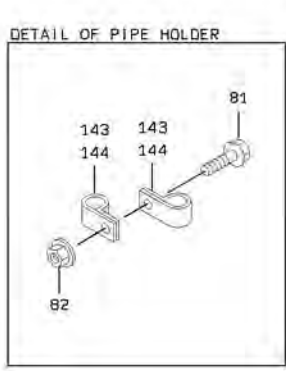
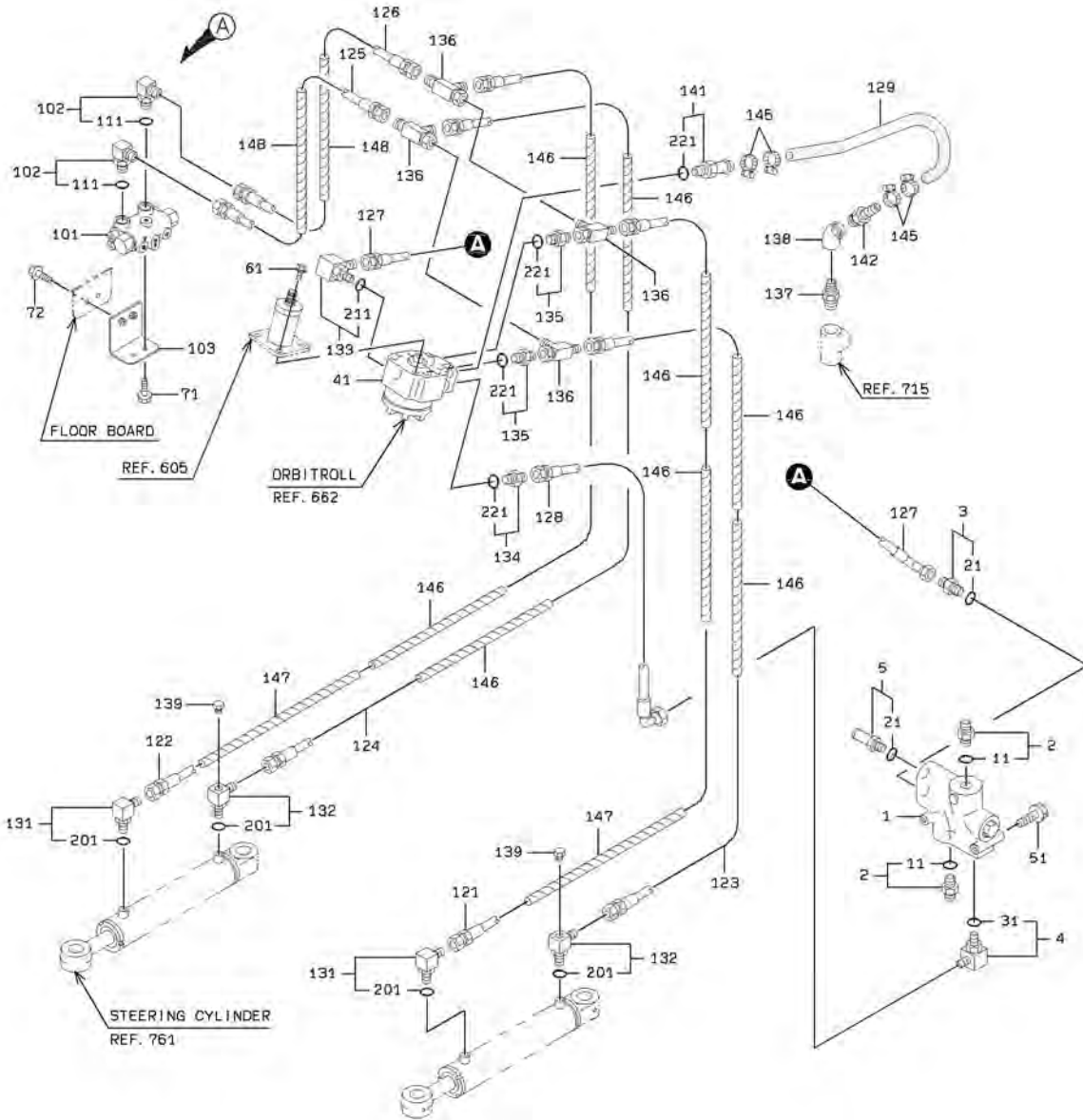
LOADING HYDRAULIC LINE - REAR CHASSIS (FOR PUMP)



LOADING HYDRAULIC LINE - REAR CHASSIS (FOR PUMP)

SYM-BOL	PART NUMBER	PART NAME	UNIT Q,TY	SERIAL		REMARKS						
				(A)	(B)	N	P	D	(A)	(B)	(C)	(D)
1A	44083-61400	PUMP ASSY,OIL	1	5001	-							REF.751
2A	31990-71030	GASKET	1	5001	-							
11A	38532-61540	VALVE ASSY,MULTIPL	1	5001	-							REF.761
12A	41606-52110	PLATE	1	5001	-							
13A	46011-20160	WASHER,PLANE	4	5001	-							
14A	41619-30480	PLATE	1	5001	-							
21A	40338-60020	FILTER ASSY,RETURN	1	5001	-			Y01				
31A	40344-70050	FILTER,CARTRIDGE	1	5001	-			01				
41A	30100-60350	ACCUMULATOR ASSY	1	5001	-				Y02			
42A	41410-31790	BLOCK	1	5001	-							
43A	61802-08055	BOLT,FLANGED	2	5001	-							
51A	61033-12030	BOLT	2	5001	-							
52A	62710-18121	WASHER,PLANE	2	5001	-							
61A	61802-10025	BOLT,FLANGED	6	5001	-							
62A	61802-12040	BOLT,FLANGED	4	5001	-							
63A	62480-21101	NUT,FLANGED	6	5001	-							
64A	62480-21121	NUT,FLANGED	4	5001	-							
71A	61802-12025	BOLT,FLANGED	2	5001	-							
81A	61802-08030	BOLT,FLANGED	4	5001	-							
107A	47131-75270	RING,O	1	5001	-					02		
109A	65210-12018	RING,O	1	5001	-					02		
111A	68638-40068	HOSE,HIGH PRESSURE	1	5001	-							
112A	68245-60077	HOSE,HIGH PRESSURE	1	5001	-							
113A	43113-39560	HOSE,HIGH PRESSURE	1	5001	-							
114A	68635-10043	HOSE,HIGH PRESSURE	1	5001	-							
115A	68055-10025	HOSE,HIGH PRESSURE	1	5001	-							
116A	67040-32000	HOSE,HEAT RESISTIN	1 M	5001	-							L=450
117A	67040-12000	HOSE,HEAT RESISTIN	1 M	5001	-							L=200
118A	67040-09000	HOSE,HEAT RESISTIN	1 M	5001	-							L=130
119A	69207-10000	FITTING,TEE	2	5001	-	5016						
119B	69207-10000	FITTING,TEE	1	5017	-							
121A	69208-00600	FITTING,TEE	1	5001	-							
122A	88302-41608	FITTING,NIPPLE	1	5001	-							
123A	69205-10000	FITTING,ELBOW	1	5001	-							
124A	88241-03616	ADAPTER,ELBOW	1	5001	-							
125A	88241-07116	ADAPTER,ELBOW	1	5001	-					Y03		
126A	69202-10000	FITTING,NIPPLE	2	5001	-							
127A	69205-04000	FITTING,ELBOW	1	5001	-							
129A	88201-06712	ADAPTER	1	5001	-						Y04	
131A	88241-07104	ADAPTER,ELBOW	2	5001	-			Y05				
132A	30242-20020	ADAPTER,ELBOW UNIO	1	5001	-							
133A	88511-01060	NIPPLE,HOSE	1	5001	-							
134A	88511-01080	NIPPLE,HOSE	1	5001	-							
135A	88511-03080	NIPPLE,HOSE	1	5001	-							
136A	37715-20430	NIPPLE,HOSE	1	5001	-							
137A	69811-19210	FLANGE,SPLIT	2	5001	-	5018						
137B	40511-20050	FLANGE,SPLIT	2	5019	-		C					
138A	69002-02200	BAND,HOSE	4	5001	-							
139A	69002-03100	BAND,HOSE	4	5001	-							
141A	69030-05400	BAND,HOSE-HIGH TOR	2	5001	-							
142A	65220-31019	RING,O	1	5001	-							
143A	69209-10000	FITTING,CROSS	1	5017	-							
144A	88390-14216	PLUG	1	5017	-							
201A	65210-12029	RING,O	1	5001	-						03	
211A	65210-12024	RING,O	1	5001	-							04
221A	65210-12011	RING,O	1	5001	-			05				

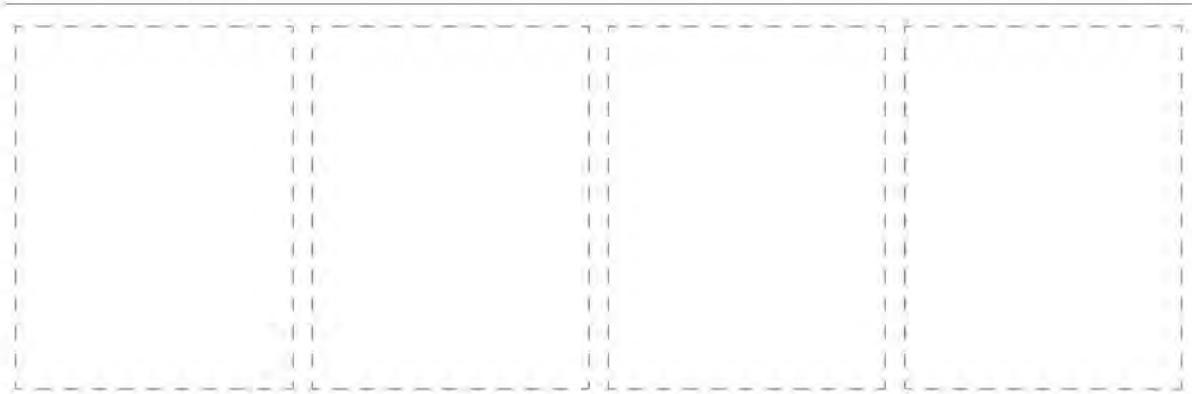
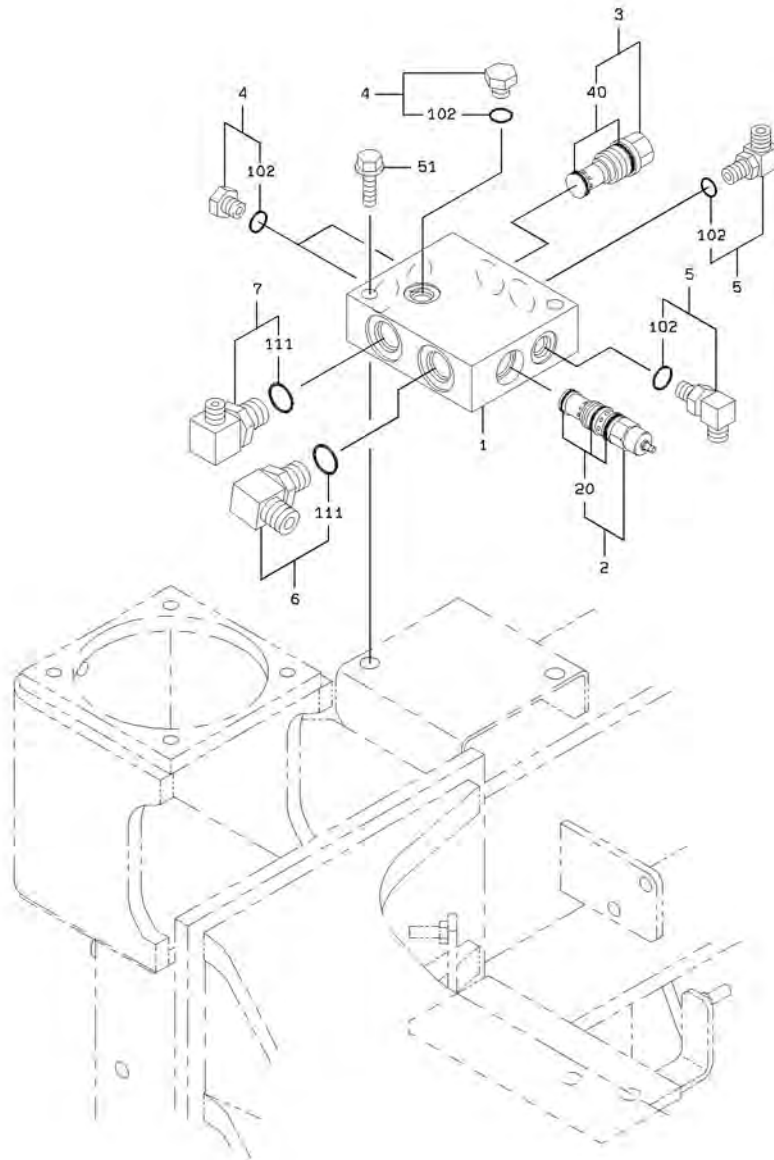
LOADING HYDRAULIC LINE - STEERING CYLINDER



LOADING HYDRAULIC LINE - STEERING CYLINDER

SYM-BOL	PART NUMBER	PART NAME	UNIT Q,TY	SERIAL		REMARKS							
				(A)	(B)	N	P	D	(A)	(B)	(C)	(D)	REMARK
1A	38562-60010	VALVE,PRIORITY	1	5001	-								
2A	88201-06812	ADAPTER	2	5001	-				Y01				
3A	88201-06804	ADAPTER	1	5001	-					Y02			
4A	88241-06908	ADAPTER,ELBOW	1	5001	-						Y03		
5A	37715-20050	NIPPLE,HOSE	1	5001	-					Y02			
11A	65231-00121	RING,O	1	5001	-				01				
21A	65231-00041	RING,O	1	5001	-					02			
31A	65231-00081	RING,O	1	5001	-						03		
41A	31050-60340	ORBITROL(TM) ASSY	1	5001	-	5002							REF662
41B	31050-60590	ORBITROLL ASSY	1	5003	-	5020							REF662A
41C	31050-60640	ORBITROLL ASSY	1	5021	-				C				REF662A
51A	61802-08080	BOLT,FLANGED	2	5001	-								
61A	61802-10025	BOLT,FLANGED	4	5001	-								
71A	61802-08016	BOLT,FLANGED	2	5001	-								
72A	61802-08020	BOLT,FLANGED	2	5031	-								
81A	61802-08020	BOLT,FLANGED	A/R	5001	-								
82A	62480-21081	NUT,FLANGED	A/R	5001	-								
101A	38520-60010	VALVE ASSY,CUSHION	1	5001	-								
102A	88201-06706	ADAPTER	2	5001	-	5030						Y04	
102B	88241-07106	ADAPTER,ELBOW	2	5031	-			B				Y04	
103A	41751-35360	PLATE	1	5031	-								
111A	65210-12014	RING,O	1	5001	-							04	
121A	43113-39420	HOSE,HIGH PRESSURE	1	5001	-								
122A	43113-39440	HOSE,HIGH PRESSURE	1	5001	-	5006							
122B	43113-42150	HOSE,HIGH PRESSURE	1	5007	-			A					
123A	43113-39450	HOSE,HIGH PRESSURE	1	5001	-								
124A	43113-39470	HOSE,HIGH PRESSURE	1	5001	-								
125A	43113-39480	HOSE,HIGH PRESSURE	1	5001	-	5030							
125B	43113-32350	HOSE,HIGH PRESSURE	1	5031	-			C					
126A	43113-39490	HOSE,HIGH PRESSURE	1	5001	-	5030							
126B	43113-38380	HOSE,HIGH PRESSURE	1	5031	-			C					
127A	68635-10063	HOSE,HIGH PRESSURE	1	5001	-								
128A	68635-30058	HOSE,HIGH PRESSURE	1	5001	-	5032							
128B	68635-30062	HOSE,HIGH PRESSURE	1	5033	-			C					
129A	67040-15000	HOSE,HEAT RESISTIN	1 M	5001	-								L=530
131A	88241-07106	ADAPTER,ELBOW	2	5001	-				Y05				
132A	30241-24730	ADAPTER,ELBOW	2	5001	-				Y05				
133A	88241-06904	ADAPTER,ELBOW	1	5001	-					Y06			
134A	88201-06808	ADAPTER	1	5001	-						Y07		
135A	88211-50912	ADAPTER	2	5001	-						Y07		
136A	88284-03806	ADAPTER,TEE	4	5001	-								
137A	88302-41612	FITTING,NIPPLE	1	5001	-								
138A	38903-70120	FITTING,ELBOW	1	5001	-								
139A	88390-14202	PLUG	2	5001	-								
141A	37715-20040	NIPPLE,HOSE	1	5001	-						Y07		
142A	88511-01120	NIPPLE,HOSE	1	5001	-								
143A	72001-12200	HOLDER,PIPE	A/R	5001	-								
144A	43573-20050	HOLDER,PIPE	A/R	5001	-								
145A	69002-03100	BAND,HOSE	4	5001	-								
146A	69081-19000	TUBE,SPIRAL	1 M	5001	-								L=300 X Q'TY 8
147A	69081-19000	TUBE,SPIRAL	1 M	5001	-								L=400 X Q'TY 2
148A	69081-19000	TUBE,SPIRAL	1 M	5001	-								L=200 X Q'TY 2
201A	65210-12014	RING,O	1	5001	-					05			
211A	65231-00041	RING,O	1	5001	-						06		
221A	65231-00081	RING,O	1	5001	-							07	

PILOT HYDRAULIC LINE - REAR CHASSIS

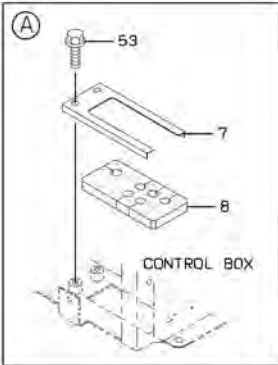
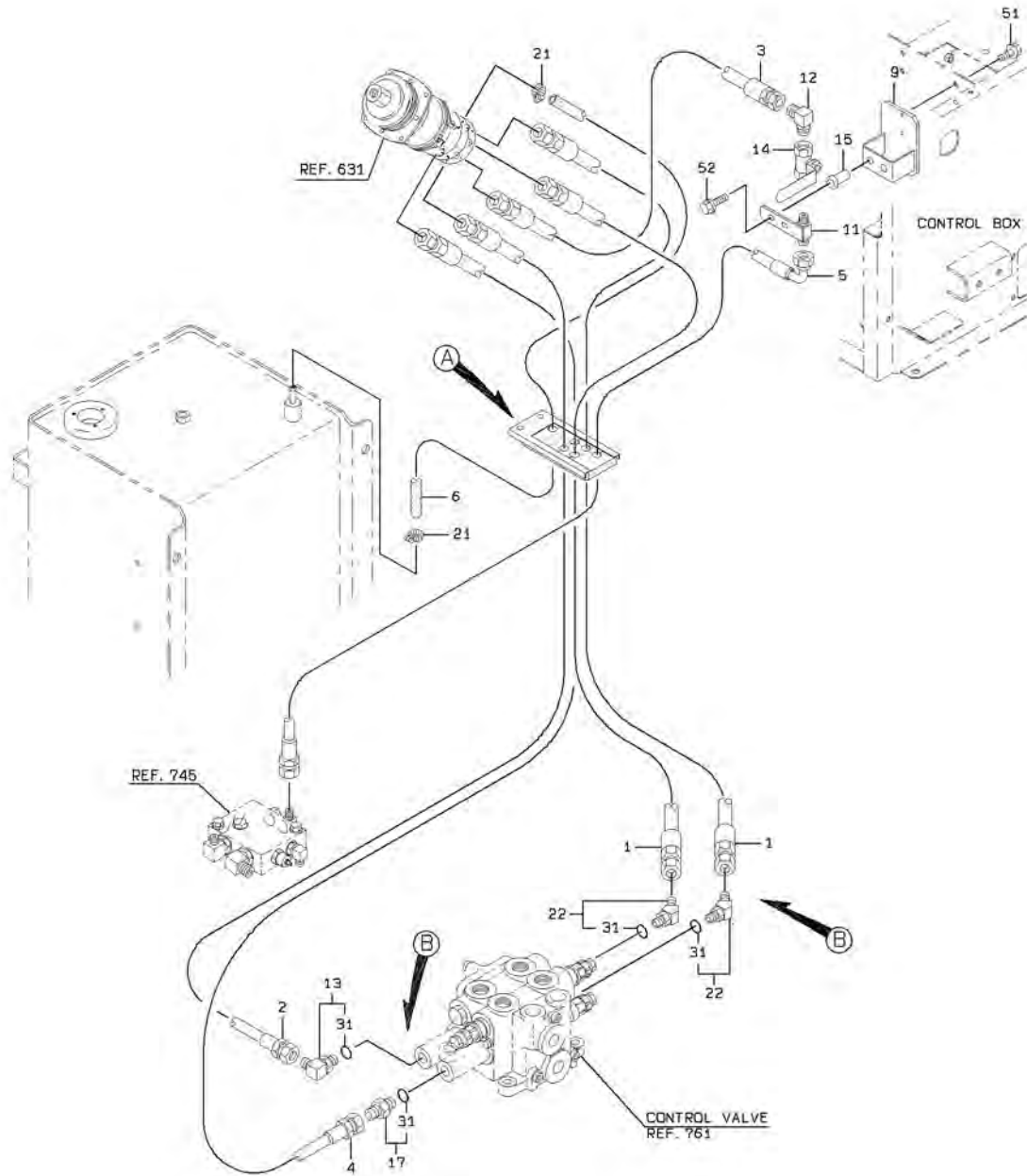


1-4

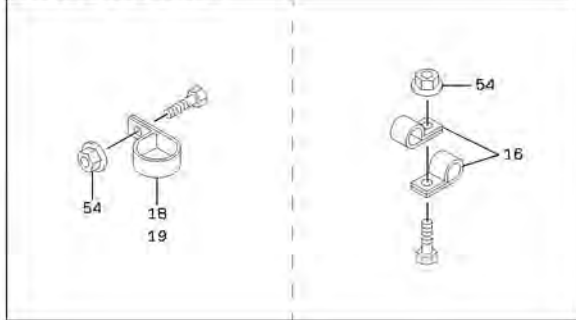
PILOT HYDRAULIC LINE - REAR CHASSIS

SYM-BOL	PART NUMBER	PART NAME	UNIT Q,TY	SERIAL (A) - (B)	REMARKS						
					N	P	D	(A)	(B)	(C)	(D)
1A	41410-30770	BLOCK	1	5001 -							
2A	38565-71770	VALVE,RELIEF	1	5001 -				Y01			
3A	38554-60420	VALVE,CHECK	1	5001 -					Y02		
4A	88390-21304	PLUG	3	5001 -						Y03	
5A	88241-07104	ADAPTER,ELBOW	2	5001 -						Y03	
6A	88241-07108	ADAPTER,ELBOW	1	5001 -							Y04
7A	30241-21200	ADAPTER,ELBOW	1	5001 -							Y04
20A	49327-72060	SEAL KIT	1	5001 -				01			
40A	49327-72340	SEAL KIT	1	5001 -					02		
51A	61802-10055	BOLT,FLANGED	2	5001 -							
102A	65210-12011	RING,O	1	5001 -						03	
111A	65210-12018	RING,O	1	5001 -							04

PILOT HYDRAULIC LINE - CONTROL BOX



DETAIL OF PIPE HOLDER

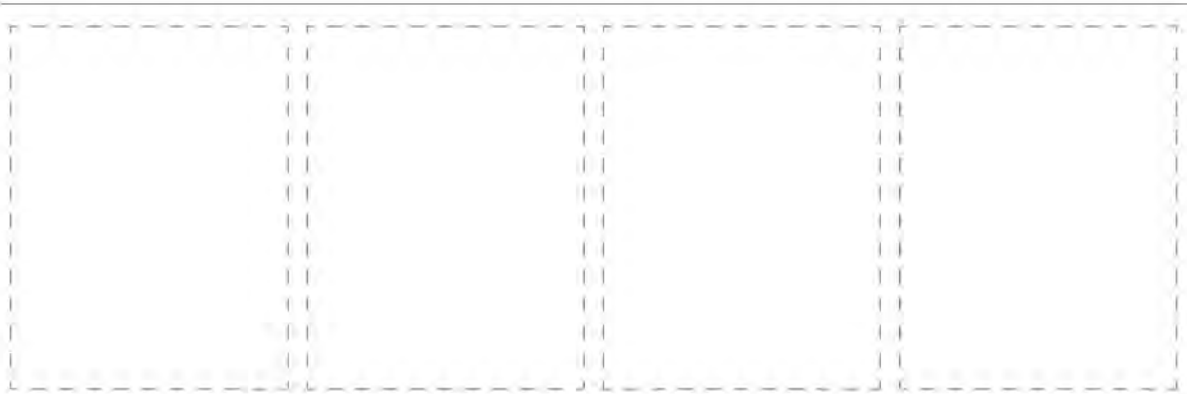
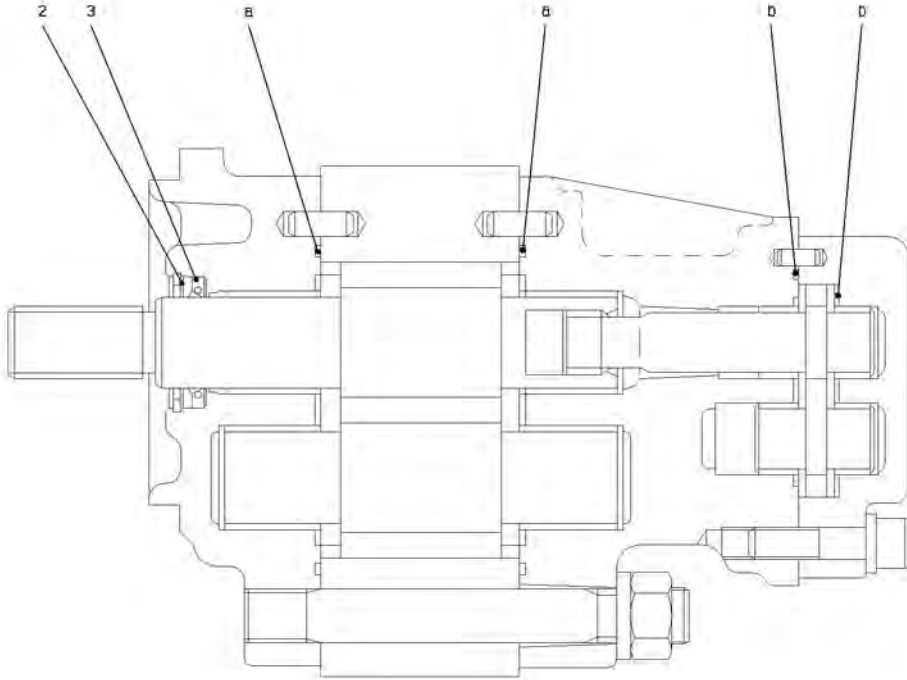


PILOT HYDRAULIC LINE - CONTROL BOX

SYM-BOL	PART NUMBER	PART NAME	UNIT Q,TY	SERIAL		REMARKS						
				(A)	(B)	N	P	D	(A)	(B)	(C)	(D)
1A	68055-10180	HOSE,HIGH PRESSURE	2	5001	5002							
1B	68055-10175	HOSE,HIGH PRESSURE	2	5003		B						68088-10160
2A	68055-10220	HOSE,HIGH PRESSURE	1	5001								
3A	68055-10044	HOSE,HIGH PRESSURE	1	5001								
4A	68055-10235	HOSE,HIGH PRESSURE	1	5001								
5A	68035-10075	HOSE,HIGH PRESSURE	1	5001								
6A	67040-08000	HOSE,HEAT RESISTIN	1 M	5001								L=700
7A	41612-22950	PLATE	1	5001								
8A	33057-20600	GROMMET	1	5001								
9A	40901-43520	BRACKET	1	5001								
11A	30230-21720	ADAPTER	1	5001								
12A	88241-03404	ADAPTER,ELBOW	1	5001								
13A	30241-24960	ADAPTER,ELBOW	1	5001				Y01				
14A	38510-60500	VALVE	1	5001								
15A	37600-21210	NUT	2	5001								
16A	43573-20280	HOLDER,PIPE	A/R	5001								
17A	88201-06704	ADAPTER	1	5001				Y01				
18A	72010-28000	HOLDER,HOSE	A/R	5001								
19A	72001-11200	HOLDER,PIPE	A/R	5001								
21A	69002-02200	BAND,HOSE	2	5001								
22A	88241-07204	ADAPTER,ELBOW	2	5001				Y01				
31A	65210-12011	RING,O	1	5001				01				
51A	61802-06010	BOLT,FLANGED	2	5001								
52A	61802-06025	BOLT,FLANGED	2	5001								
53A	61802-08012	BOLT,FLANGED	2	5001								
54A	62480-21081	NUT,FLANGED	A/R	5001								

OIL PUMP

(NOTE):KIT (SYMBOL 40)CONSISTS OF THE PARTS WITH a.
(NOTE):KIT (SYMBOL 50)CONSISTS OF THE PARTS WITH b.

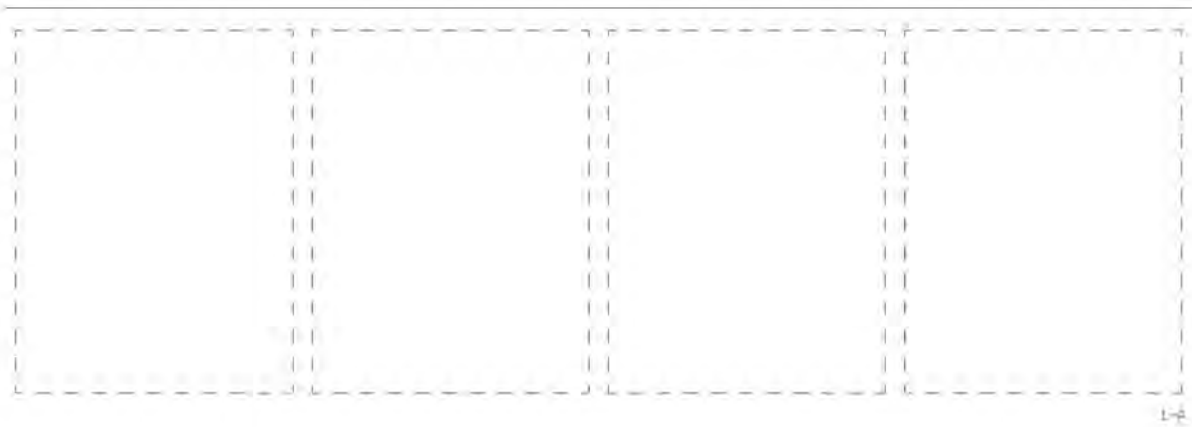
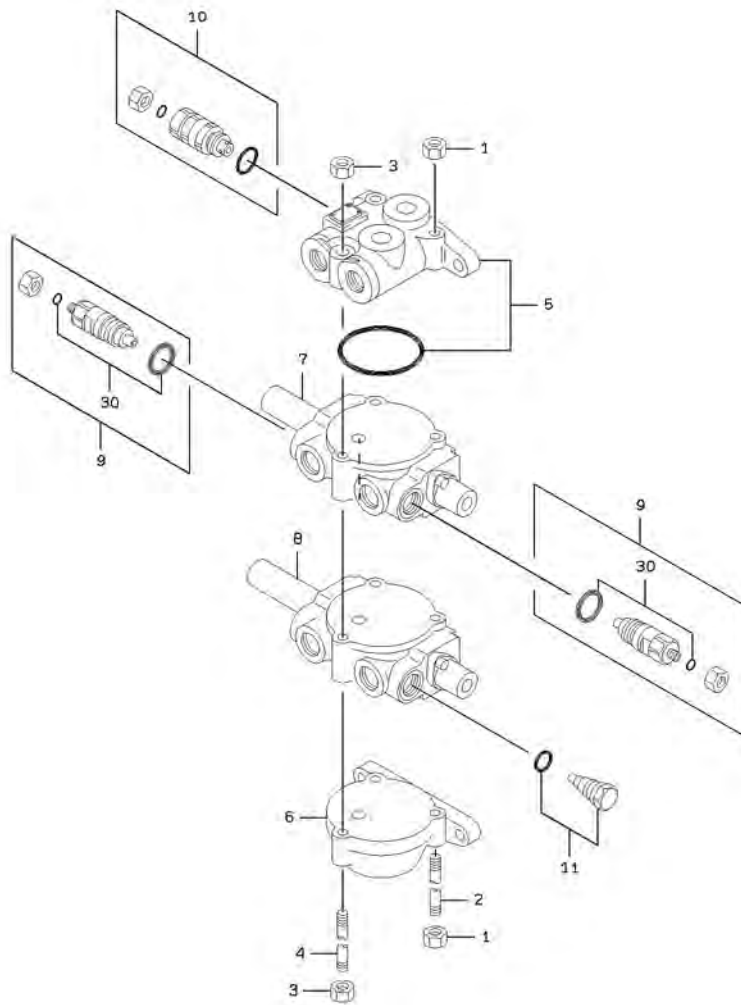


t-e

OIL PUMP

SYM-BOL	PART NUMBER	PART NAME	UNIT Q,TY	SERIAL (A) - (B)	REMARKS					
					N	P	D	(A)	(B)	(C)
000A	44083-61400	PUMP ASSY,OIL	1	5001 -						
2A	45311-71470	RING,SNAP	1	5001 -						
3A	34042-71450	SEAL,OIL	1	5001 -						
40A	49327-73660	SEAL KIT	1	5001 -						
50A	49327-73670	SEAL KIT	1	5001 -						

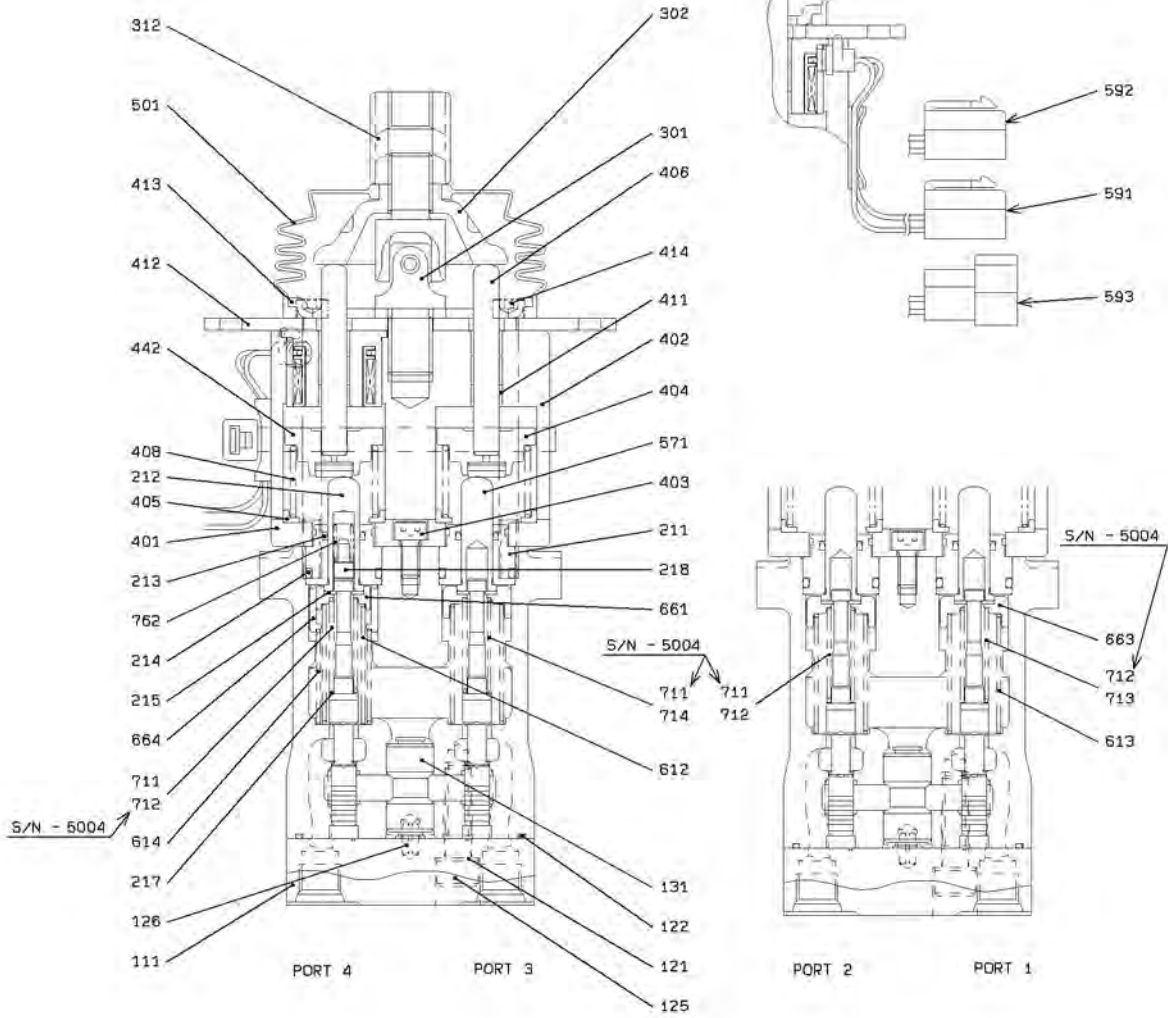
CONTROL VALVE



CONTROL VALVE

SYM-BOL	PART NUMBER	PART NAME	UNIT Q, TY	SERIAL (A) - (B)	REMARKS					
					N	P	D	(A)	(B)	(C)
000A	38532-61540	VALVE ASSY, MULTIPL	1	5001 -						
1A	37600-70040	NUT	4	5001 -						
2A	45884-70030	ROD, TIE	2	5001 -						
3A	37600-70050	NUT	2	5001 -						
4A	45884-70040	ROD, TIE	1	5001 -						
5A	37904-70060	HOUSING ASSY	1	5001 -						
6A	37900-70040	HOUSING	1	5001 -						
7A	35570-71280	SPOOL	1	5001 -						
8A	35570-71450	SPOOL	1	5001 -						
9A	38565-70040	VALVE, RELIEF	2	5001 -	N			Y01		
10A	38565-70050	VALVE, RELIEF	1	5001 -						
11A	38511-70060	VALVE ASSY	1	5001 -						
30A	49327-70030	SEAL KIT	1	5001 -				01		

PILOT VALVE

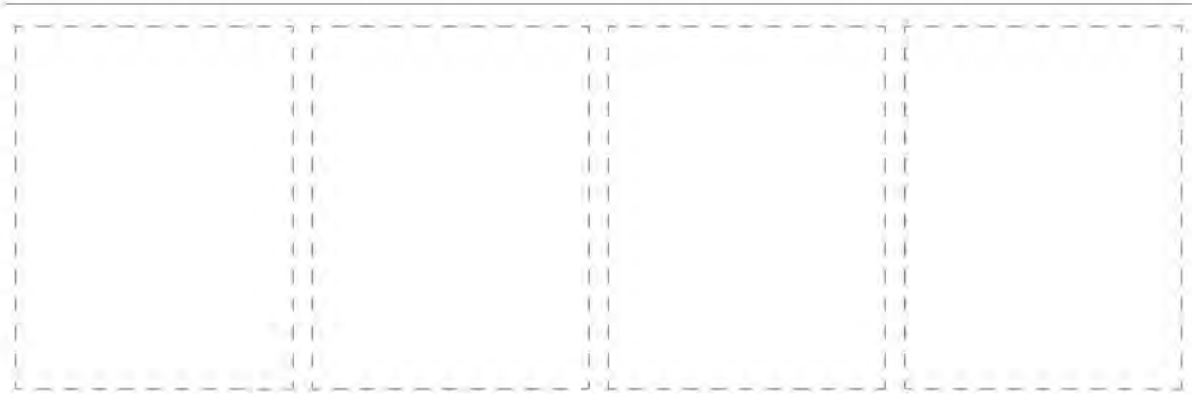
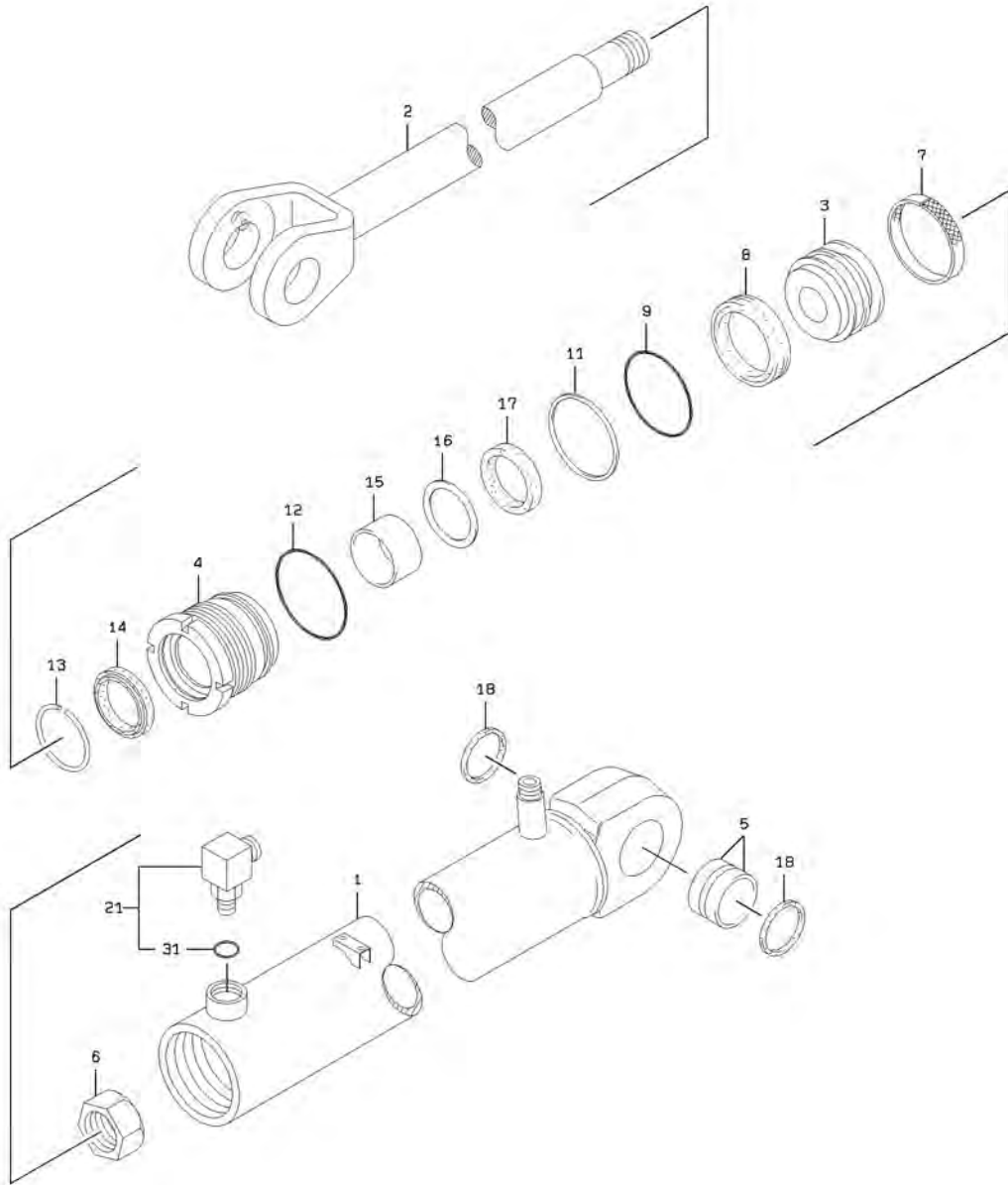


L-e

PILOT VALVE

SYM-BOL	PART NUMBER	PART NAME	UNIT Q,TY	SERIAL		REMARKS							
				(A)	(B)	N	P	D	(A)	(B)	(C)	(D)	REMARK
000A	38560-60550	VALVE,PILOT	1	5001	-	5004							
000B	38560-60610	VALVE,PILOT	1	5005	-								
111A	41600-71480	PLATE	1	5001	-								
121A	46023-70190	WASHER,SEAL	2	5001	-								
122A	47131-73470	RING,O	1	5001	-								
125A	43956-70590	BOLT,SOCKET	2	5001	-								
126A	40033-70050	PIN,SPRING	1	5001	-								
131A	40840-71500	BUSHING	1	5001	-								
211A	41530-72410	PLUG	4	5001	-								
212A	45887-70270	ROD,PUSH	1	5001	-								
213A	34000-70600	SEAL	4	5001	-								
214A	65210-12020	RING,O	4	5001	-								
215A	46011-70380	WASHER,PLANE	8	5001	-								
217A	34200-70850	SHIM	4	5001	-								
218A	33930-70430	SEAT,SPRING	1	5001	-								
301A	34940-70270	JOINT	1	5001	-								
302A	41600-71470	PLATE	1	5001	-								
312A	37600-71330	NUT	1	5001	-								
401A	41600-71460	PLATE	1	5001	-								
402A	33100-70740	CASE	1	5001	-								
403A	61101-06012	BOLT,SOCKET	1	5001	-								
404A	33930-70830	SEAT,SPRING	2	5001	-	5004							PORT 2,3
404B	33930-70960	SEAT,SPRING	2	5005	-								PORT 2,3
405A	33930-70840	SEAT,SPRING	4	5001	-								
406A	45887-70320	ROD,PUSH	4	5001	-								
408A	35600-76620	SPRING	4	5001	-								
411A	40840-72670	BUSHING	2	5001	-								
412A	41600-71500	PLATE	1	5001	-								
413A	41600-71450	PLATE	1	5001	-								
414A	61101-06080	BOLT,SOCKET	4	5001	-								
442A	33930-70950	SEAT,SPRING	2	5001	-	5004							PORT 1,4
442B	33930-70970	SEAT,SPRING	2	5005	-								PORT 1,4
501A	40790-70460	BOOT	1	5001	-								
571A	45887-70280	ROD,PUSH	3	5001	-								
591A	35910-70360	SOLENOID	1	5001	-	5004							35910-70360
591B	33300-71070	CONNECTOR	1	5005	-								
592A	35910-70370	SOLENOID	1	5001	-	5004							35910-70370
592B	33300-71080	CONNECTOR	1	5005	-								
593A	35910-70380	SOLENOID	1	5001	-	5004							35910-70380
593B	33300-71090	CONNECTOR	1	5005	-								
612A	35600-73920	SPRING	1	5001	-								
613A	35600-73940	SPRING	3	5001	-								
614A	35600-73910	SPRING	1	5001	-								
661A	33930-70460	SEAT,SPRING	1	5001	-								
663A	33930-70330	SEAT,SPRING	3	5001	-								
664A	33930-70440	SEAT,SPRING	1	5001	-								
711A	35600-74350	SPRING	2	5001	-	5004							PORT 2,3
711B	35600-73900	SPRING	1	5005	-								PORT 4
712A	35600-73900	SPRING	2	5001	-	5004							PORT 1,4
712B	35600-74350	SPRING	1	5005	-								PORT 2
713A	35600-77250	SPRING	1	5005	-								PORT 1
714A	35600-77260	SPRING	1	5005	-								PORT 3
762A	35600-73890	SPRING	1	5001	-								

LIFT CYLINDER



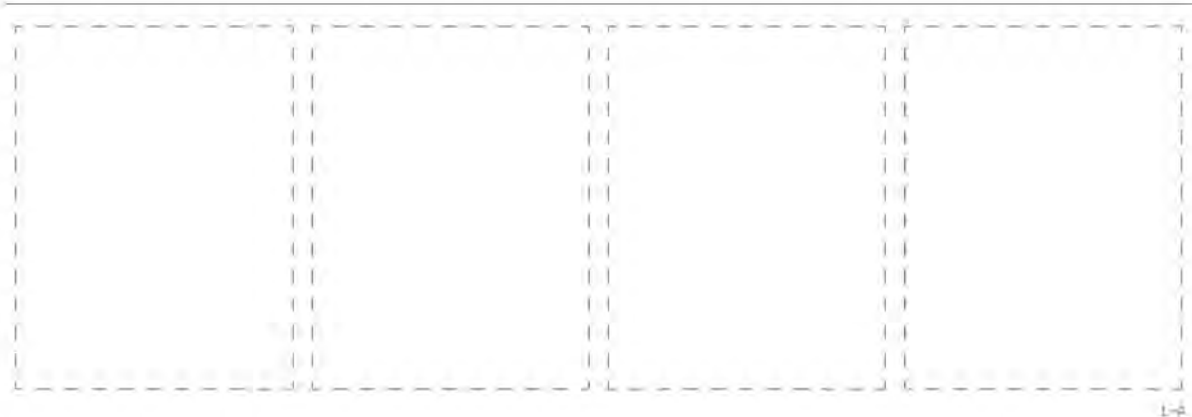
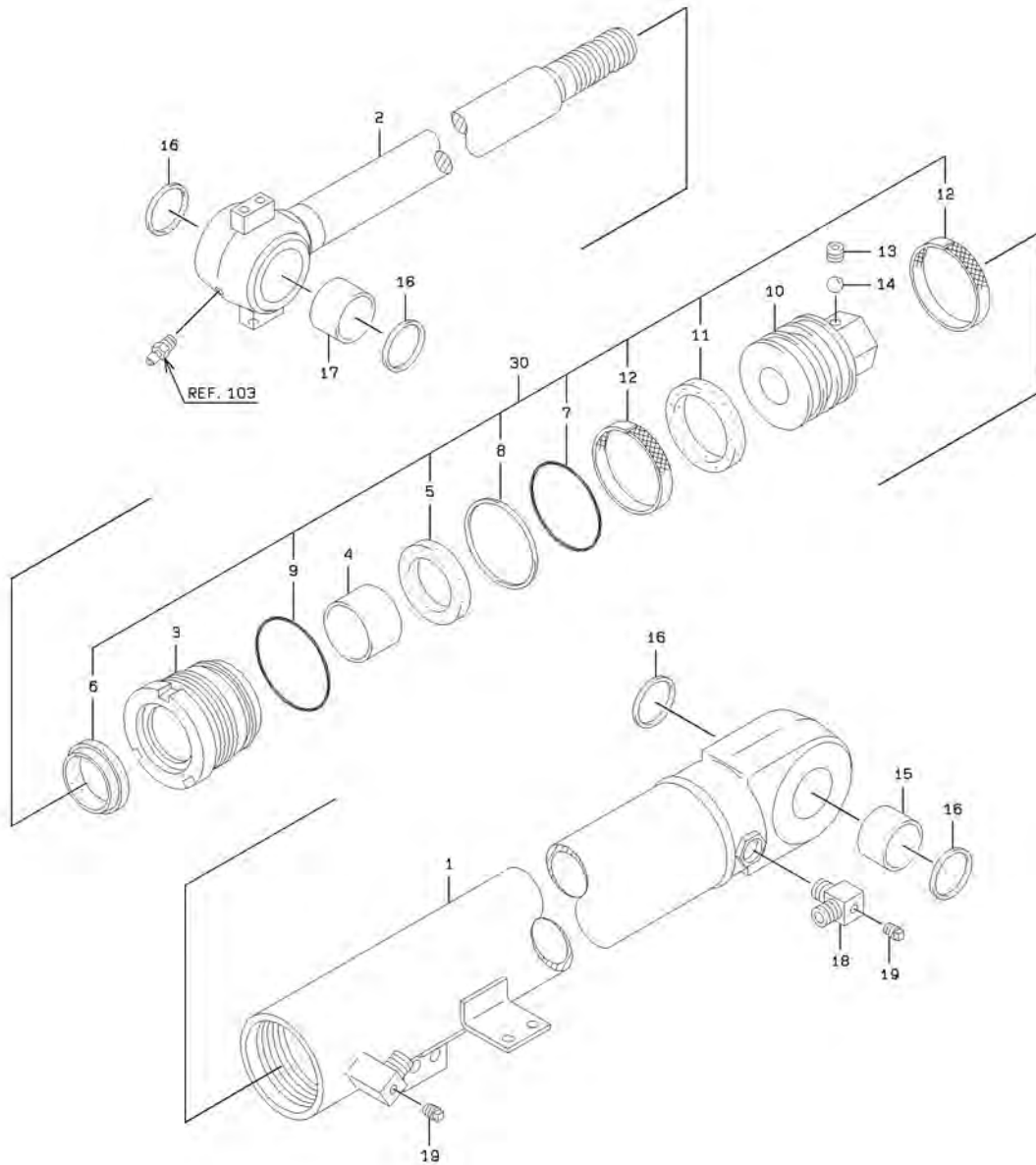
1-4

LIFT CYLINDER

SYM-BOL	PART NUMBER	PART NAME	UNIT Q,TY	SERIAL		REMARKS						
				(A)	(B)	N	P	D	(A)	(B)	(C)	(D)
000A	34820-23250	CYLINDER ASSY,OIL	1	5001	-							
1A	36725-21450	TUBE,CYLINDER	1	5001	-							
2A	45886-20640	ROD,PISTON	1	5001	-							
3A	39960-21100	PISTON	1	5001	-							
4A	31289-70430	COVER,ROD	1	5001	-							
5A	40840-23590	BUSHING	2	5001	-							
6A	37636-20260	NUT,PISTON	1	5001	-							
7A	47171-70260	RING,WEAR	1	5001	-							
8A	47119-70020	RING,SQUARE	1	5001	-							
9A	65210-22095	RING,O	1	5001	-							
11A	65240-32095	RING,BACK-UP	1	5001	-							
12A	65210-22100	RING,O	1	5001	-							
13A	45311-70660	RING,SNAP	1	5001	-							
14A	34044-70540	SEAL,DUST	1	5001	-							
15A	40840-71100	BUSHING	1	5001	-							
16A	47194-20060	RING,BACK-UP	1	5001	-							
17A	39600-71500	PACKING	1	5001	-							
18A	34044-20140	SEAL,DUST	2	5001	-							
21A	88241-07108	ADAPTER,ELBOW	1	5001	-				Y01			
31A	65210-12018	RING,O	1	5001	-				01			

TILT CYLINDER

<S/N 5001 - 5024>

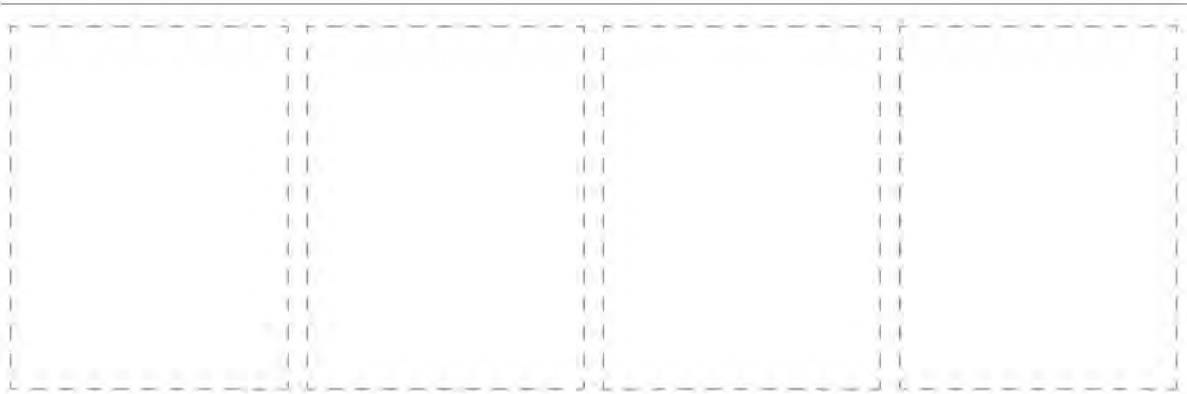
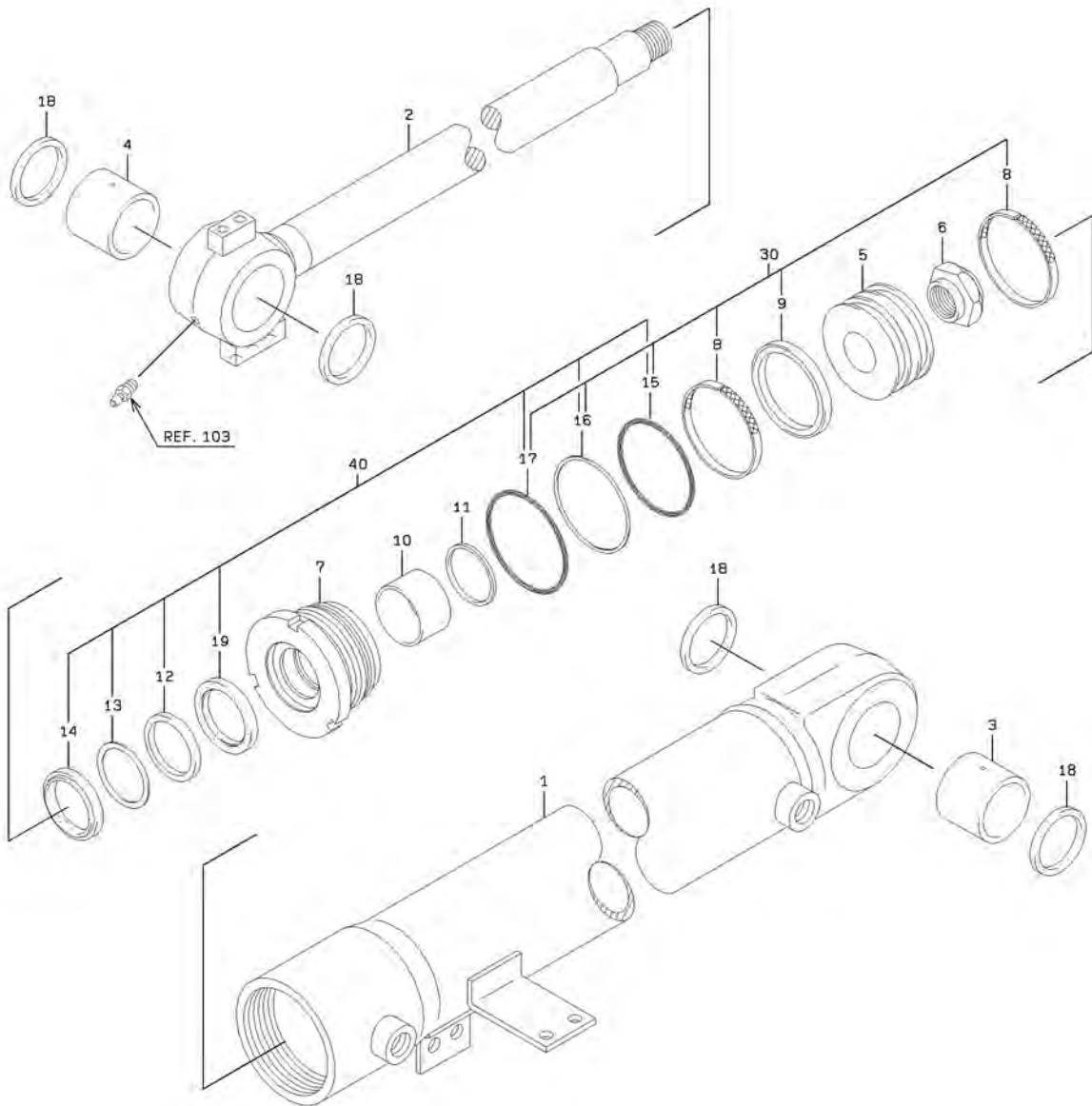


TILT CYLINDER

SYM-BOL	PART NUMBER	PART NAME	UNIT Q,TY	SERIAL		REMARKS							
				(A)	(B)	N	P	D	(A)	(B)	(C)	(D)	REMARK
000A	34820-65570	CYLINDER ASSY,OIL	1	5001	- 5024								
1A	36725-72200	TUBE,CYLINDER	1	5001	- 5024								
2A	45886-72010	ROD,PISTON	1	5001	- 5024								
3A	42791-70040	HEAD,CYLINDER	1	5001	- 5024								
4A	40840-72140	BUSHING	1	5001	- 5024								
5A	47142-70040	RING,U	1	5001	- 5024					K1			
6A	47181-70110	RING,WIPER	1	5001	- 5024					K1			
7A	65210-22095	RING,O	1	5001	- 5024					K1			
8A	47194-71160	RING,BACK-UP	1	5001	- 5024					K1			
9A	65210-21100	RING,O	1	5001	- 5024					K1			
10A	39960-71850	PISTON	1	5001	- 5024								
11A	49170-70010	SEAL RING KIT	1	5001	- 5024					K1			
12A	47193-70120	RING,SLIPPER	2	5001	- 5024					K1			
13A	35104-70080	SCREW,SET	1	5001	- 5024								
14A	43751-70360	BALL	1	5001	- 5024								
15A	40840-72150	BUSHING	1	5001	- 5024								
16A	47181-70120	RING,WIPER	4	5001	- 5024								
17A	40840-72160	BUSHING	1	5001	- 5024								
18A	38902-70100	FITTING,NIPPLE	1	5001	- 5024								
19A	41530-73600	PLUG	2	5001	- 5024								
30A	49691-70890	REPAIR KIT	1	5001	- 5024					QK1			

TILT CYLINDER

<S/N 5025 - >

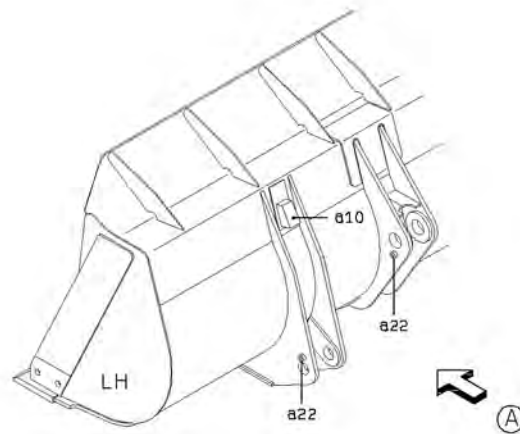
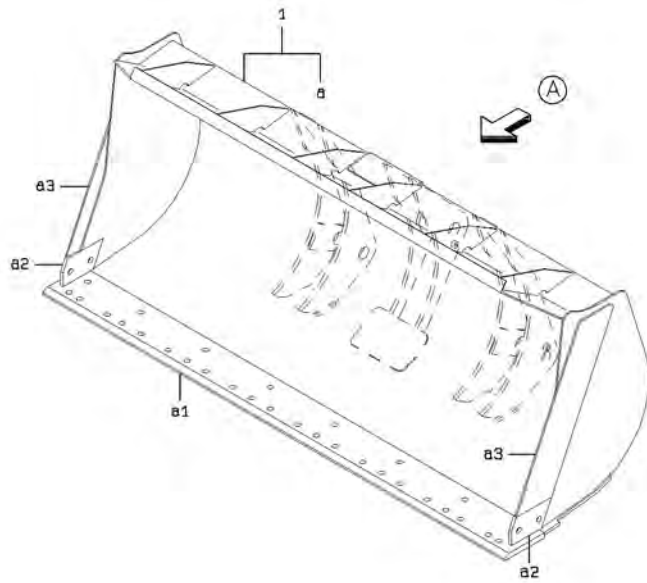


1-4

TILT CYLINDER

SYM-BOL	PART NUMBER	PART NAME	UNIT Q,TY	SERIAL		REMARKS							
				(A)	(B)	N	P	D	(A)	(B)	(C)	(D)	REMARK
000A	34820-66560	CYLINDER ASSY,OIL	1	5025	-	5026							
000B	34820-66710	CYLINDER ASSY,OIL	1	5027	-								
1A	36704-70070	TUBE ASSY,CYLINDER	1	5025	-	5026							
1B	36704-70130	TUBE ASSY,CYLINDER	1	5027	-								
2A	45871-70280	ROD ASSY	1	5025	-								
3A	40840-73190	BUSHING	1	5025	-								
4A	40840-73170	BUSHING	1	5025	-								
5A	39960-72600	PISTON	1	5025	-								
6A	37600-72790	NUT	1	5025	-								
7A	33100-71040	CASE	1	5025	-								
8A	47171-70840	RING,WEAR	2	5025	-					K1			
9A	39600-73240	PACKING	1	5025	-					K1			
10A	40840-73200	BUSHING	1	5025	-								
11A	32970-70460	CLIP	1	5025	-								
12A	39600-73250	PACKING	1	5025	-						K2		
13A	47194-71730	RING,BACK-UP	1	5025	-						K2		
14A	34044-71130	SEAL,DUST	1	5025	-						K2		
15A	47131-77150	RING,O	1	5025	-					K1	K2		
16A	47194-71740	RING,BACK-UP	1	5025	-					K1	K2		
17A	47131-77160	RING,O	1	5025	-					K1	K2		
18A	34044-71110	SEAL,DUST	4	5025	-								
19A	47195-70170	RING,BUFFER	1	5025	-						K2		
30A	49327-74320	SEAL KIT	1	5025	-					QK1			FR PISTON
40A	49327-74330	SEAL KIT	1	5025	-						QK2		FR ROD COVER

BUCKET (FOR GENERAL PURPOSE)

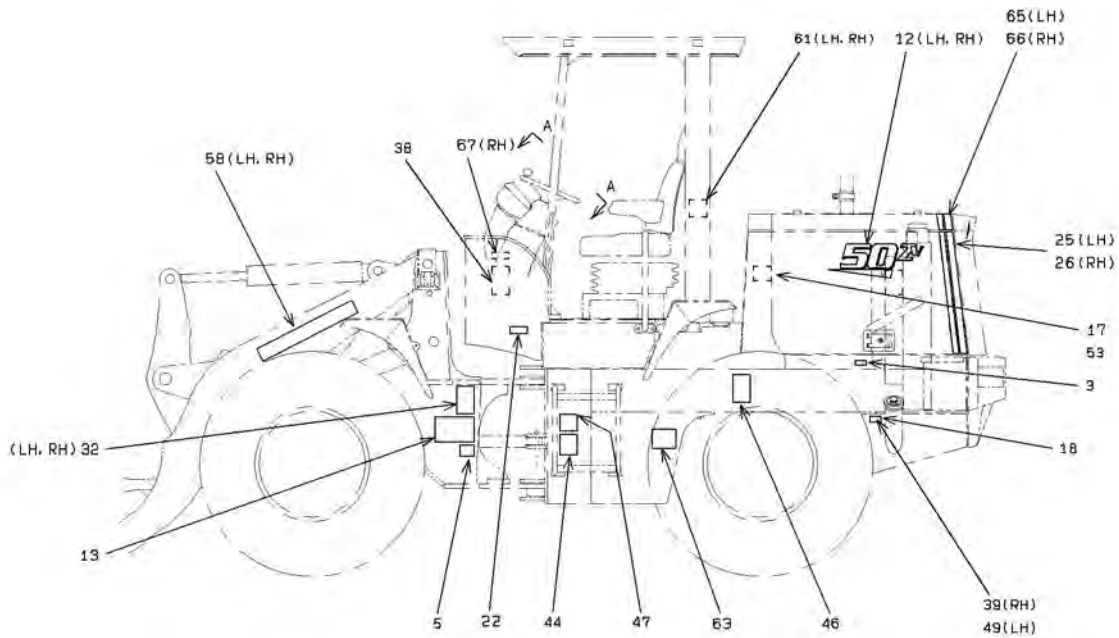
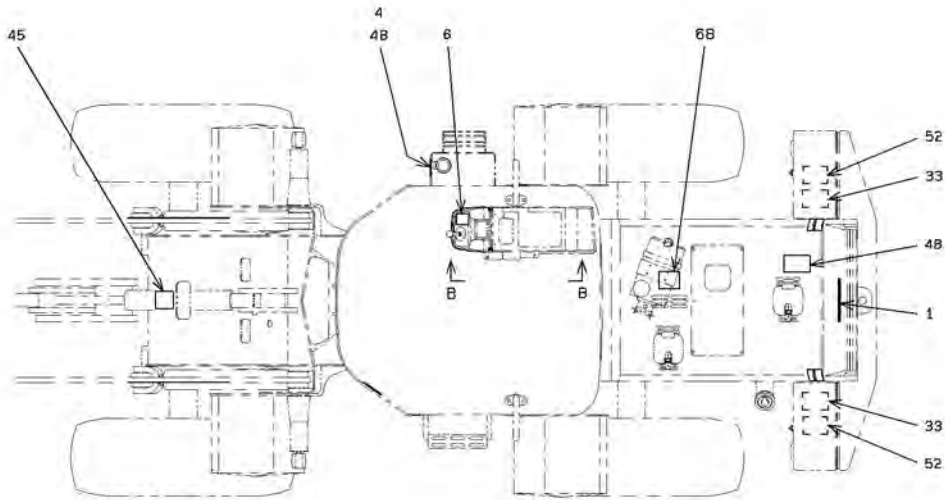


L-B

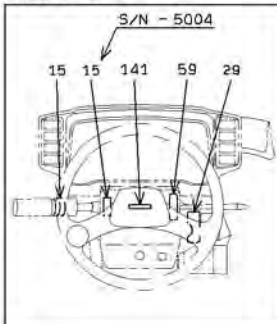
BUCKET (FOR GENERAL PURPOSE)

SYM-BOL	PART NUMBER	PART NAME	UNIT Q,TY	SERIAL (A) - (B)	REMARKS				REMARK
					N	P	D		
000A	38311-60810	BUCKET ASSY	1	5001 -				Y01	
1A	30930-70100	EDGE	1	5001 -				01	WELDING
2A	30938-70080	EDGE,SIDE	2	5001 -				01	WELDING
3A	30938-70090	EDGE,SIDE	2	5001 -				01	WELDING
10A	41600-71510	PLATE	2	5001 -				01	WELDING
22A	41621-70570	PLATE	3	5001 -				01	WELDING

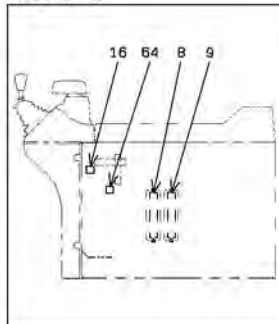
MARKING GROUP



VIEW A - A



VIEW B - B



L-6

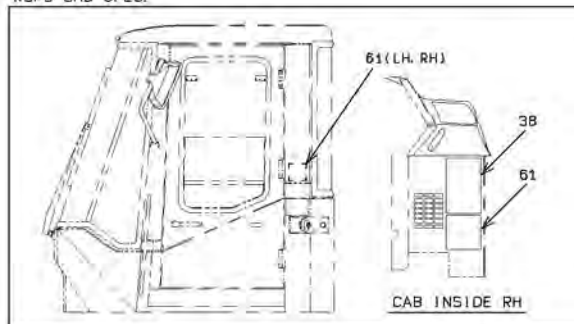
MARKING GROUP

SYMBOL	LABEL KIT
110	LABEL KIT
3	TIRE AIR PRESSURE LABEL
4	HYDRAULIC OIL LABEL
5	GAUGE PORT LABEL
6	MANUAL LABEL
8	FUSE LABEL (FRAME)
9	FUSE LABEL (CAB)
15	T/M CONTROL LABEL (S/N - 5004)
16	LOCK LABEL
18	FUEL LABEL
29	STARTER S/W LABEL
64	UNLOCK LABEL

SYMBOL	LABEL KIT
120	LABEL KIT
33	WARNING LABEL (BATTERY SERVICING)
38	WARNING LABEL (READ MANUAL)
39	WARNING LABEL (BELT)
46	WARNING LABEL (STARTING ENGINE)
47	WARNING LABEL (T/C OIL CHECK)
48	WARNING LABEL (HOT FLUID)
49	WARNING LABEL (FAN)

SYMBOL	LABEL KIT
130	LABEL KIT
15	T/M CONTROL LABEL (S/N 5005 -)
32	WARNING LABEL
44	WARNING LABEL (ACCUMULATOR)
45	WARNING LABEL (BOOM)
52	WARNING LABEL (BATTERY LIQUID)
53	WARNING LABEL (AIR CLEANER)
61	WARNING LABEL (ROPS)

ROPS CAB SPEC.



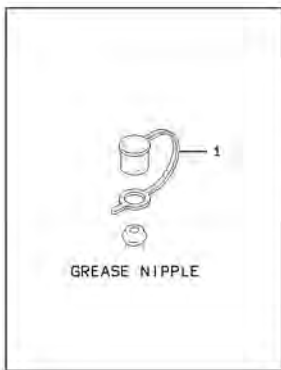
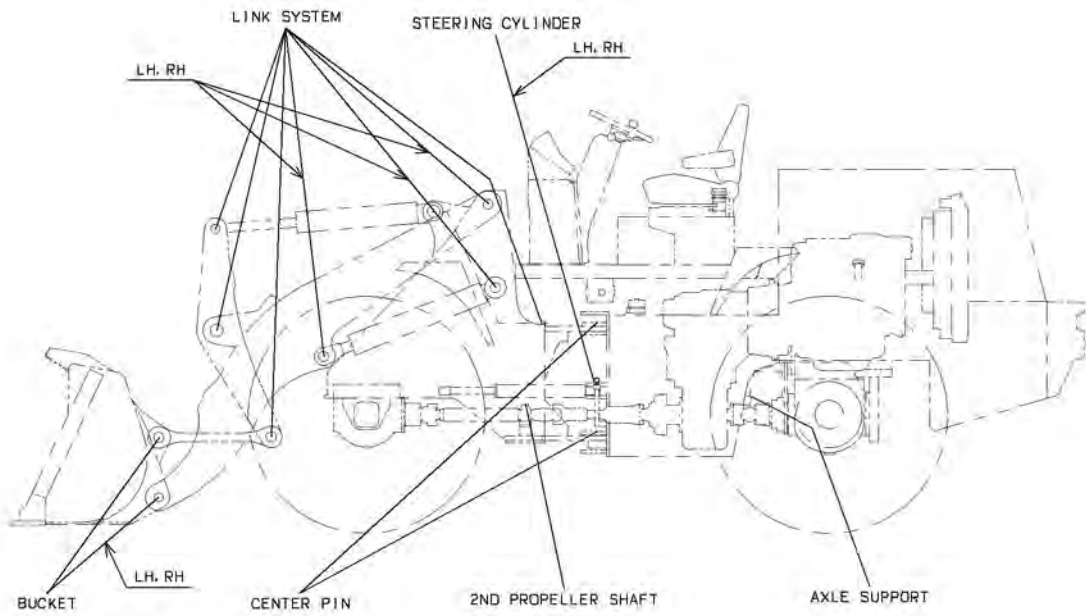
2-B

MARKING GROUP

SYM-BOL	PART NUMBER	PART NAME	UNIT Q,TY	SERIAL		REMARKS						
				(A)	(B)	N	P	D	(A)	(B)	(C)	(D)
1A	44770-50270	LABEL	1	5001	-							
12A	44770-52060	LABEL	2	5001	-							
13A	44794-22870	LABEL,LUBRICATION	1	5001	-							
17A	44787-20870	LABEL,WARNING	1	5001	-							
22A	41668-20020	PLATE,SERIAL NUMBE	1	5001	-	5004						
22B	41668-20630	PLATE,SERIAL NUMBE	1	5005	-		C					
25A	44770-52140	LABEL	1	5001	-							FR LH
26A	44770-52150	LABEL	1	5001	-							FR RH
58A	44770-33480	LABEL	2	5001	-							
59A	44770-39700	LABEL	1	5001	-							
63A	44770-46860	LABEL	1	5001	-							
65A	44770-52120	LABEL	1	5001	-							FR LH
66A	44770-52130	LABEL	1	5001	-							FR RH
67A	44770-46120	LABEL	1	5001	-							
68A	44787-23780	LABEL,WARNING	1	5001	-							
110A	44771-22390	LABEL KIT	1	5001	-							
120A	44771-21270	LABEL KIT	1	5001	-	5004						
120B	44771-22540	LABEL KIT	1	5005	-		C					
130A	44771-21300	LABEL KIT	1	5001	-	5004						
130B	44771-22070	LABEL KIT	1	5005	-		C					
141A	44770-47130	LABEL	1	5001	-							

MEMO

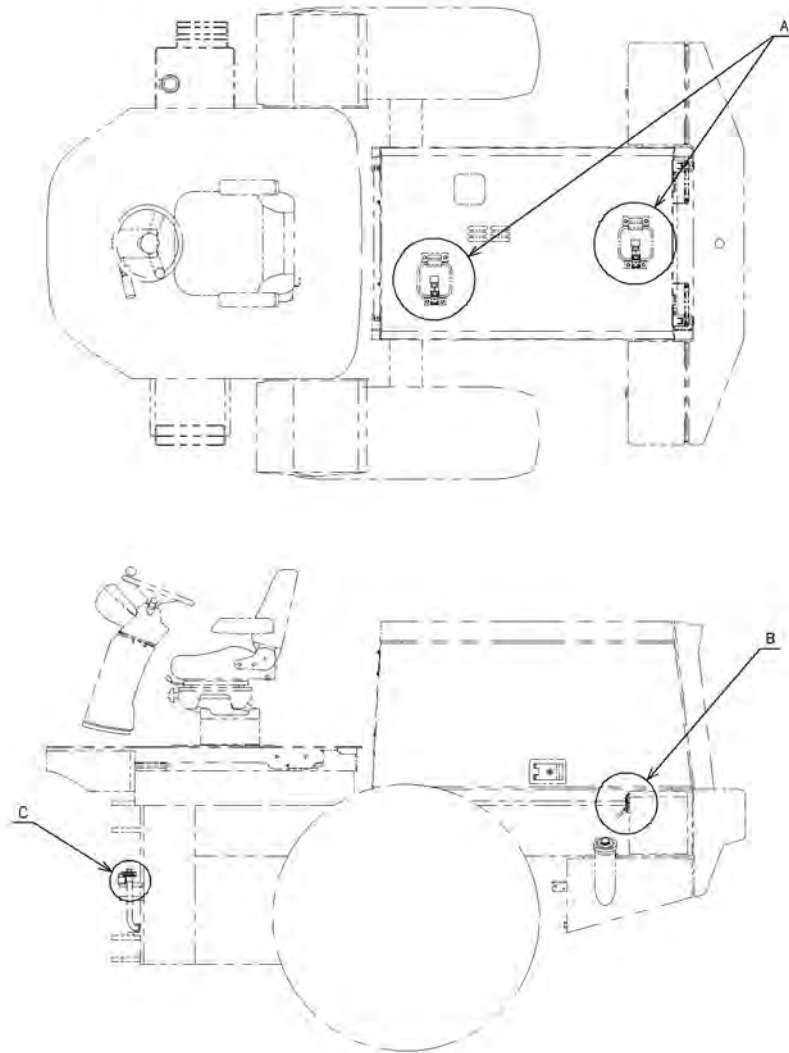
CAP MOUNT



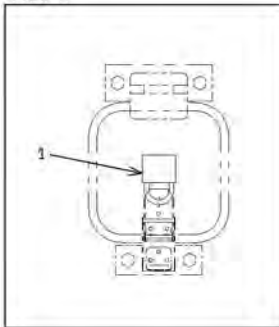
CAP MOUNT

SYM- BOL	PART NUMBER	PART NAME	UNIT Q.TY	SERIAL (A) - (B)	REMARKS							
					N	P	D	(A)	(B)	(C)	(D)	REMARK
1A	32224-20160	CAP,ELASTIC	A/R	5001 -								

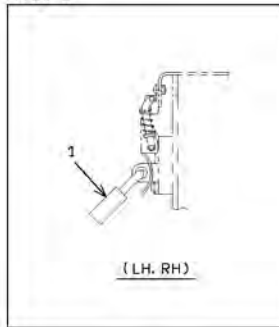
LOCK GROUP



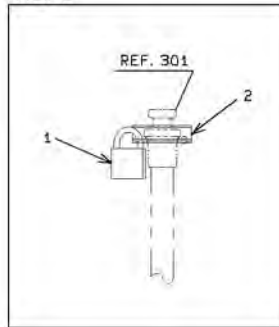
VIEW A



VIEW B



VIEW C



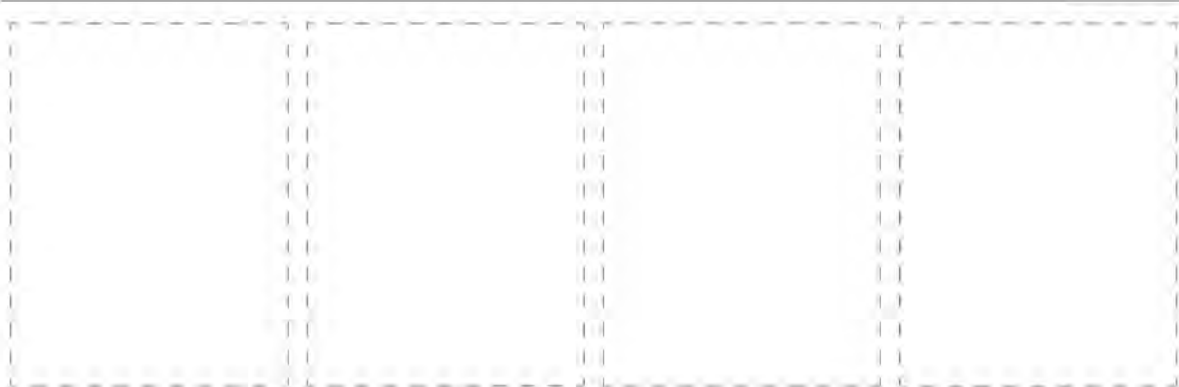
1-A

LOCK GROUP

SYM-BOL	PART NUMBER	PART NAME	UNIT Q,TY	SERIAL (A) - (B)	REMARKS						
					N	P	D	(A)	(B)	(C)	(D)
1A 2A	45830-20010 41612-51390	LOCK PLATE	5 1	5001 - 5001 -							

REPAIR & MAINTENANCE PARTS

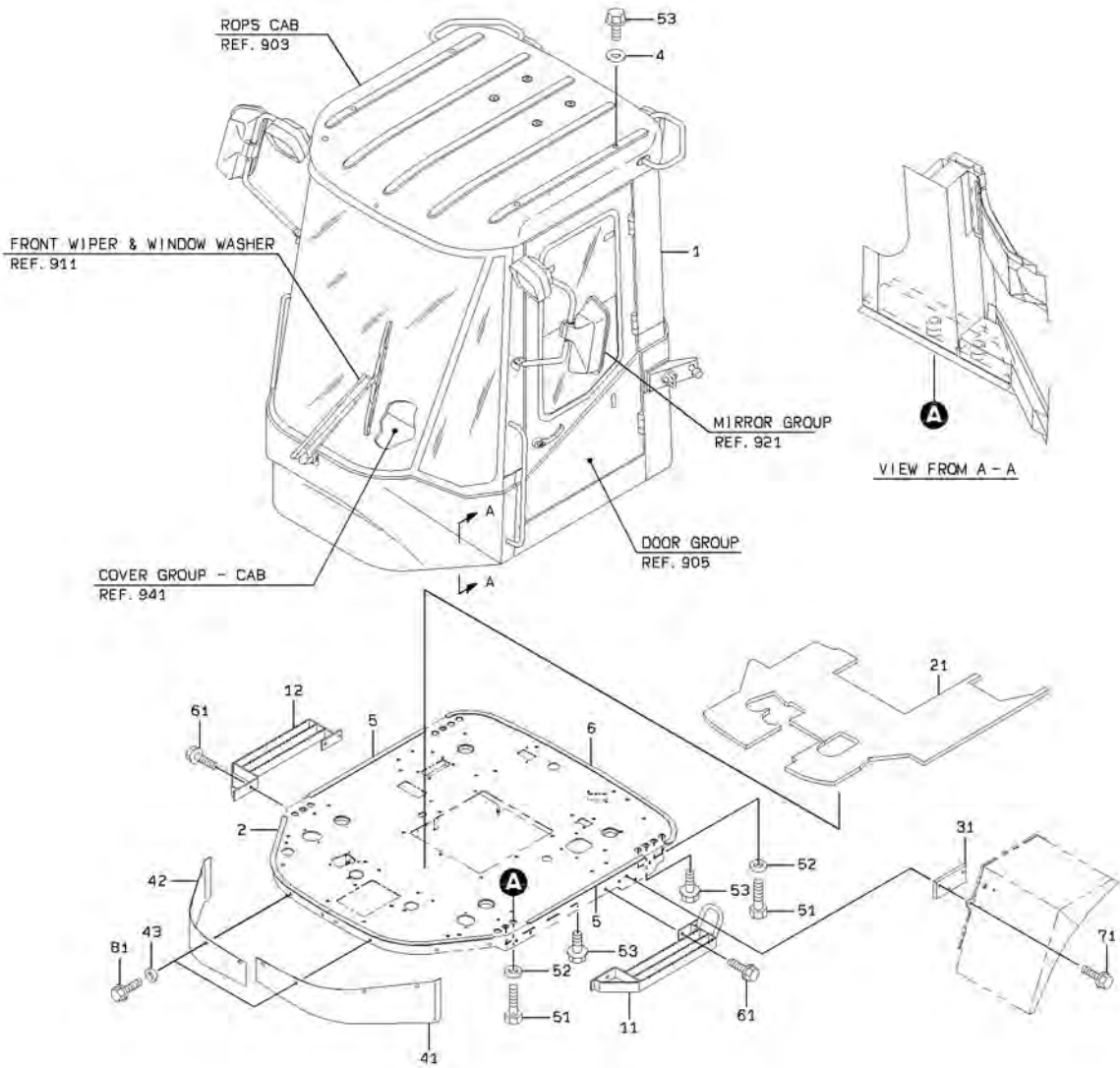
SYMBOL	OUTWARD FORM	PART NUMBER	PART NAME	CONTENT	DESCRIPTION
11		48977-20100	SUNFLOWER YELLOW	1	PAINT
15		41262-70020	BRAKE OIL	1L	WET DISC BRAKE ONLY
17		48977-20060	AUTHENT GREEN	1	PAINT (FOR REAR GRILLE & BRACKET OF REAR LAMP etc.)
20		48977-90400	MIDIUM GRAY	1	PAINT (FOR FLOOR BOARD & INSIDE OF CAB etc.)
21		39651-70010	SEALANT	250G	THEEE BOND 1215
23		45860-70010	LIQUID, LOCKING	250CC	LOCK TITE 262
27		45860-70020	LIQUID, LOCKING	250CC	LOCK TITE(PLASTIC GASKET)
28		45860-70030	LIQUID, LOCKING	250G	THEEE BOND 1327
29		45860-70040	LIQUID, LOCKING	250G	THEEE BOND 1374



REPAIR & MAINTENANCE PARTS

SYM-BOL	PART NUMBER	PART NAME	UNIT Q,TY	SERIAL		REMARKS						
				(A)	(B)	N	P	D	(A)	(B)	(C)	(D)
11A	48977-20100	PAINT	1	5001	-							
15A	41262-70020	BRAKE FLUID	1	5001	-							
17A	48977-20060	PAINT	1	5001	-							
20A	48977-90400	PAINT	1	5001	-							
21A	39651-70010	SEALANT	1	5001	-							
23A	45860-70010	LIQUID,LOCKING	1	5001	-							
27A	45860-70020	LIQUID,LOCKING	1	5001	-							
28A	45860-70030	LIQUID,LOCKING	1	5001	-							
29A	45860-70040	LIQUID,LOCKING	1	5001	-							

CAB MOUNT

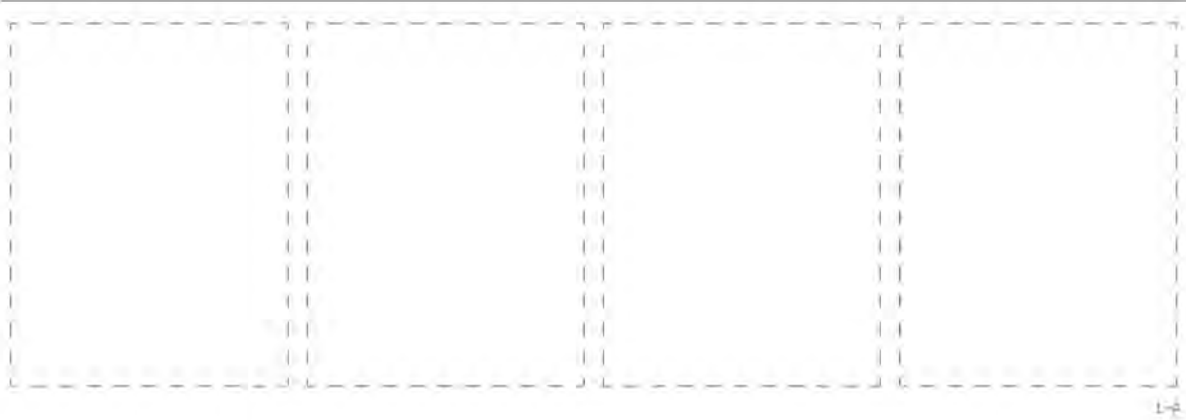
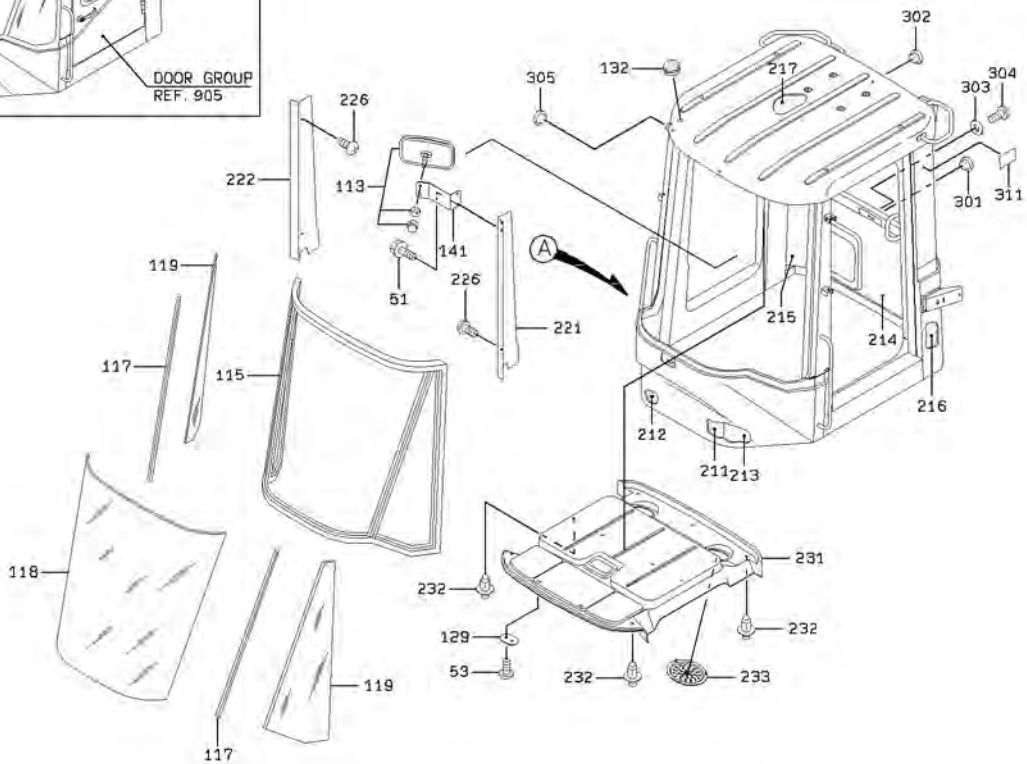
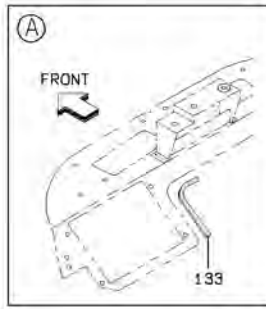
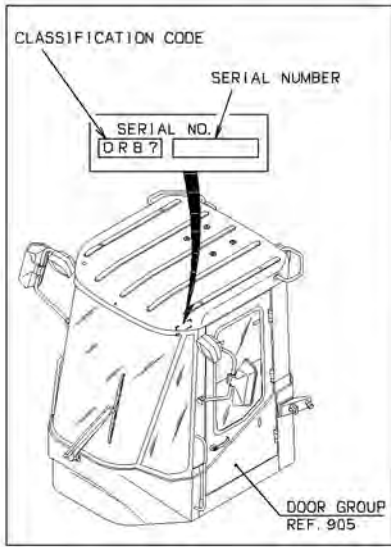


CAB MOUNT

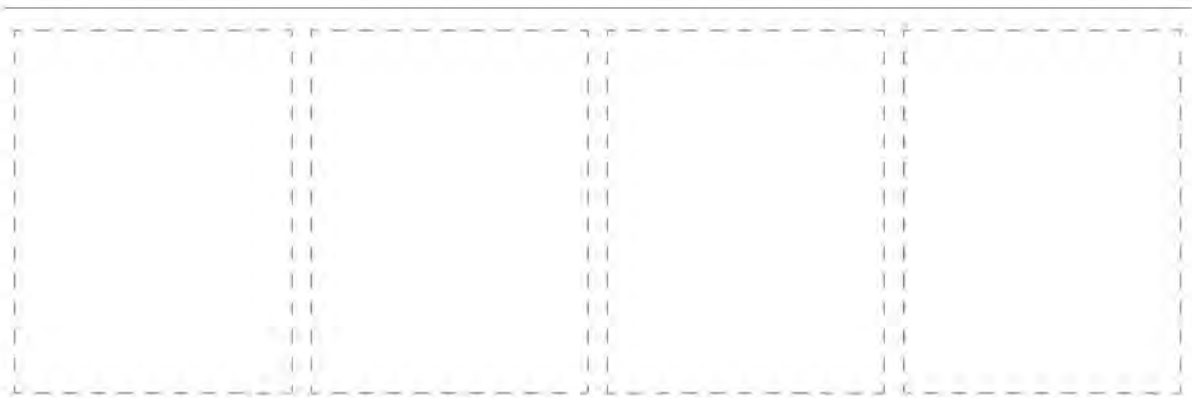
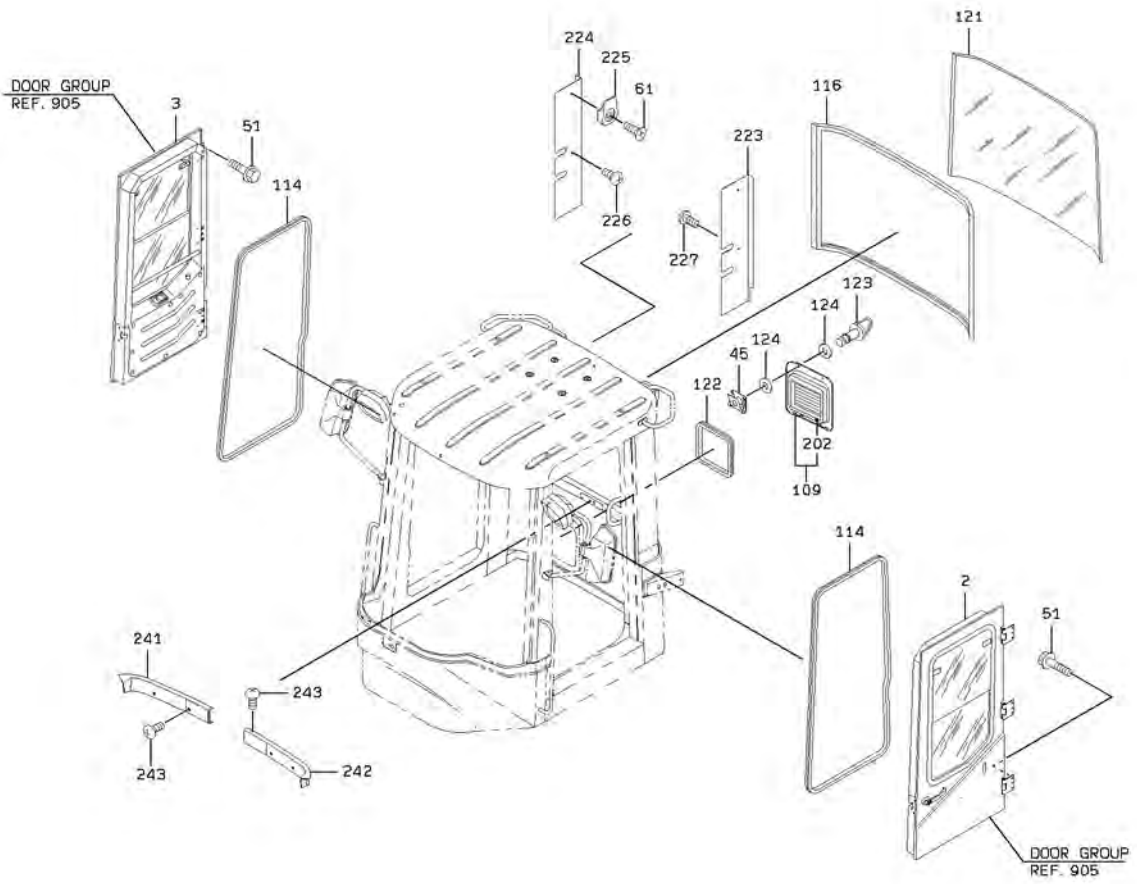
SYM-BOL	PART NUMBER	PART NAME	UNIT Q,TY	SERIAL		REMARKS						
				(A)	(B)	N	P	D	(A)	(B)	(C)	(D)
1A	32266-20460	CAB ASSY,ROPS	1	5001	-							REF903-911,91
2A	35680-52060	SPONGE	1	5001	-							
4A	88111-11600	WASHER,SEAL	4	5001	-							
5A	35680-51710	SPONGE	2	5001	-							
6A	35680-52080	SPONGE	1	5001	-							
11A	35370-21560	STEP	1	5001	-							FR LH
12A	35370-21630	STEP	1	5001	-							FR RH
21A	44184-23650-7	MAT,FLOOR	1	5001	-							
31A	41606-53880	PLATE	2	5001	-							
41A	41641-46120	PLATE	1	5001	-	5002						FR LH
41B	41641-49410	PLATE	1	5003	-		C					FR LH
42A	41641-46130	PLATE	1	5001	-	5002						FR RH
42B	41641-49420	PLATE	1	5003	-		C					FR RH
43A	46011-20180	WASHER,PLANE	8	5001	-							
51A	61005-24070	BOLT	10	5001	-							
52A	62710-18241	WASHER,PLANE	10	5001	-							
53A	61802-16018	BOLT,FLANGED	8	5001	-							
61A	61802-10025	BOLT,FLANGED	6	5001	-							
71A	61802-10045	BOLT,FLANGED	6	5001	-							
81A	61802-08025	BOLT,FLANGED	8	5001	-							

ROPS CAB

(NOTE): SERIAL NUMBER INDICATES THE CAB SERIAL NUMBER



ROPS CAB



2-A

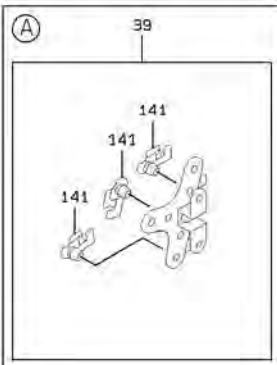
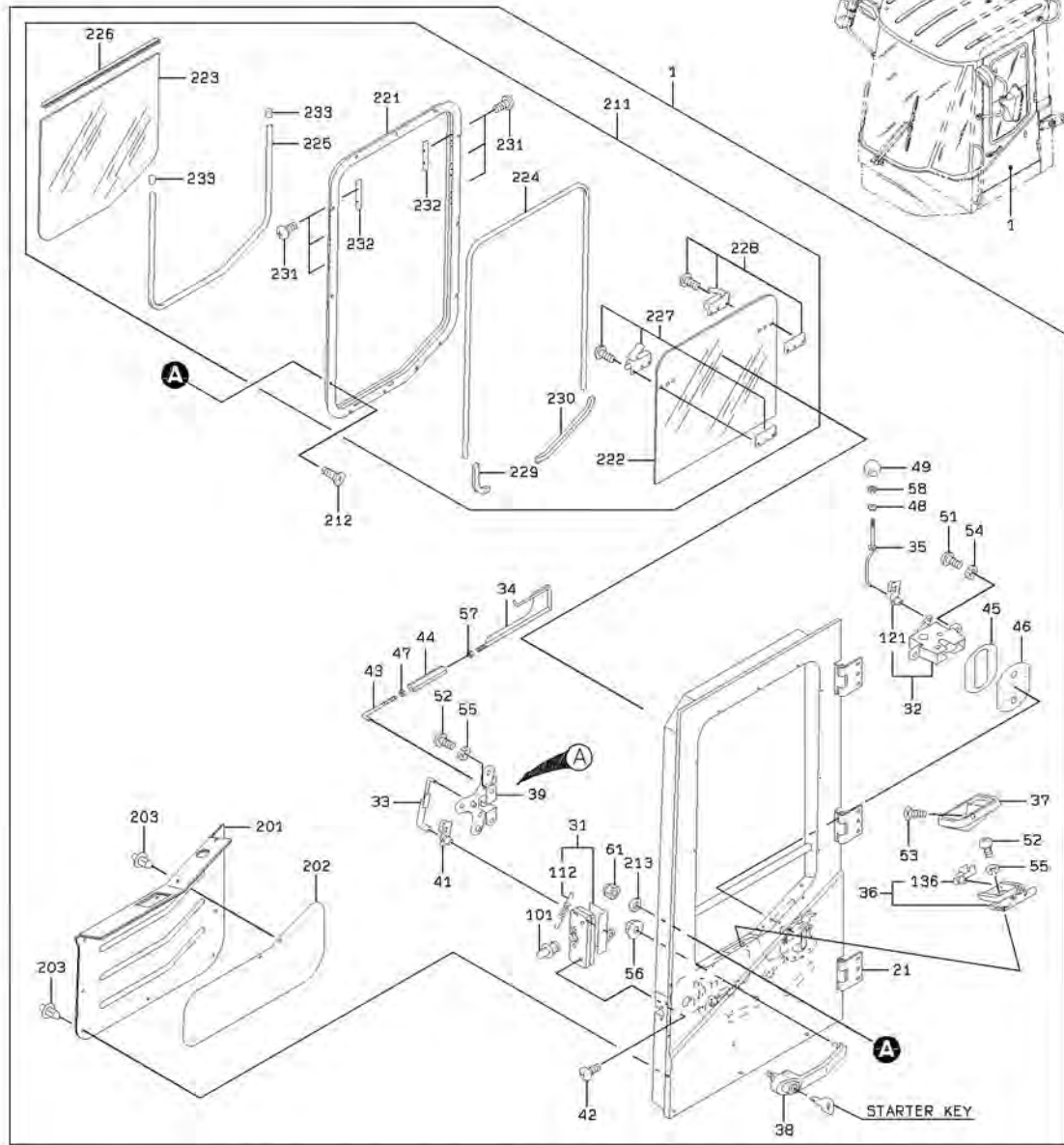
ROPS CAB

SYM-BOL	PART NUMBER	PART NAME	UNIT Q,TY	SERIAL		REMARKS						
				(A)	(B)	N	P	D	(A)	(B)	(C)	(D)
000A	32266-20460	CAB ASSY,ROPS	1	2501	-							INC.905,911,91
2A	37521-20460	DOOR ASSY	1	2501	-							REF.905
3A	37521-20470	DOOR ASSY	1	2501	-							REF.905
45A	41635-38650	PLATE	2	2501	-							
51A	61802-08016	BOLT,FLANGED	20	2501	-							
53A	35100-20310	SCREW	4	2501	-							
61A	62257-51620	SCREW	1	2501	-							
109A	36431-20310	DUCT ASSY	1	2501	-				Y01			
113A	44344-70020	MIRROR,ROOM	1	2501	-							
114A	34041-60070	STRIP, SEAL	2	2501	-	2540						FR DOOR OPEN
114B	34041-60310	STRIP, SEAL	2	2541	-							
115A	34041-60160	STRIP, SEAL	1	2501	-							FR FRONT
116A	34041-60060	STRIP, SEAL	1	2501	-							FR REAR
117A	34041-60170	STRIP, SEAL	2	2501	-							FR FRONT
118A	32011-21030-7	GLASS,WINDOW	1	2501	-							FR FRONT CENTE
119A	32011-21040-7	GLASS,WINDOW	2	2501	-							FR FRONT SIDE
121A	32011-60270	GLASS,WINDOW	1	2501	-							FR REAR
122A	34041-60150	STRIP, SEAL	1	2501	-							
123A	32150-20250	CATCH	2	2501	-							
124A	46000-21020	WASHER	4	2501	-							
129A	41615-24340	PLATE	2	2501	-							
132A	33057-70160	GROMMET	1	2501	-							
133A	44820-70240	RUBBER	1	2501	-							
141A	41605-41290	PLATE	1	2501	-							
202A	35680-33380	SPONGE	1	2501	-				01			
211A	35680-33550	SPONGE	1	2501	-							
212A	35680-33560	SPONGE	1	2501	-							
213A	35680-33570	SPONGE	1	2501	-							
214A	35680-33580	SPONGE	1	2501	-							
215A	35680-33640	SPONGE	1	2501	-							
216A	35680-33630	SPONGE	1	2501	-							
217A	35680-33650	SPONGE	1	2501	-							
221A	41610-30290	PLATE	1	2501	-							FR LH
222A	41610-30300	PLATE	1	2501	-							FR RH
223A	41619-50590	PLATE	1	2501	-							FR LH
224A	41619-50600	PLATE	1	2501	-							FR RH
225A	38110-70040	HANGER	1	2501	-							
226A	35100-20200	SCREW	5	2501	-							
227A	35100-20280	SCREW	2	2501	-							
231A	45370-60030	ROOF ASSY	1	2501	-							
232A	45020-70160	RIVET	9	2501	-							
233A	33070-60020	GRILLE	2	2501	-							
241A	31200-60230	COVER	1	2501	-							FR RH
242A	31200-60240	COVER	1	2501	-							FR LH
243A	35100-20200	SCREW	5	2501	-							
301A	33057-70160	GROMMET	1	2501	-							
302A	41530-70040	PLUG	1	2501	-							
303A	88111-10500	WASHER,SEAL	1	2501	-							
304A	35100-20020	SCREW	1	2501	-							
305A	41530-70790	PLUG	2	2501	-							
311A	41672-20810	PLATE,SPECIFICATIO	1	2501	-							

MEMO

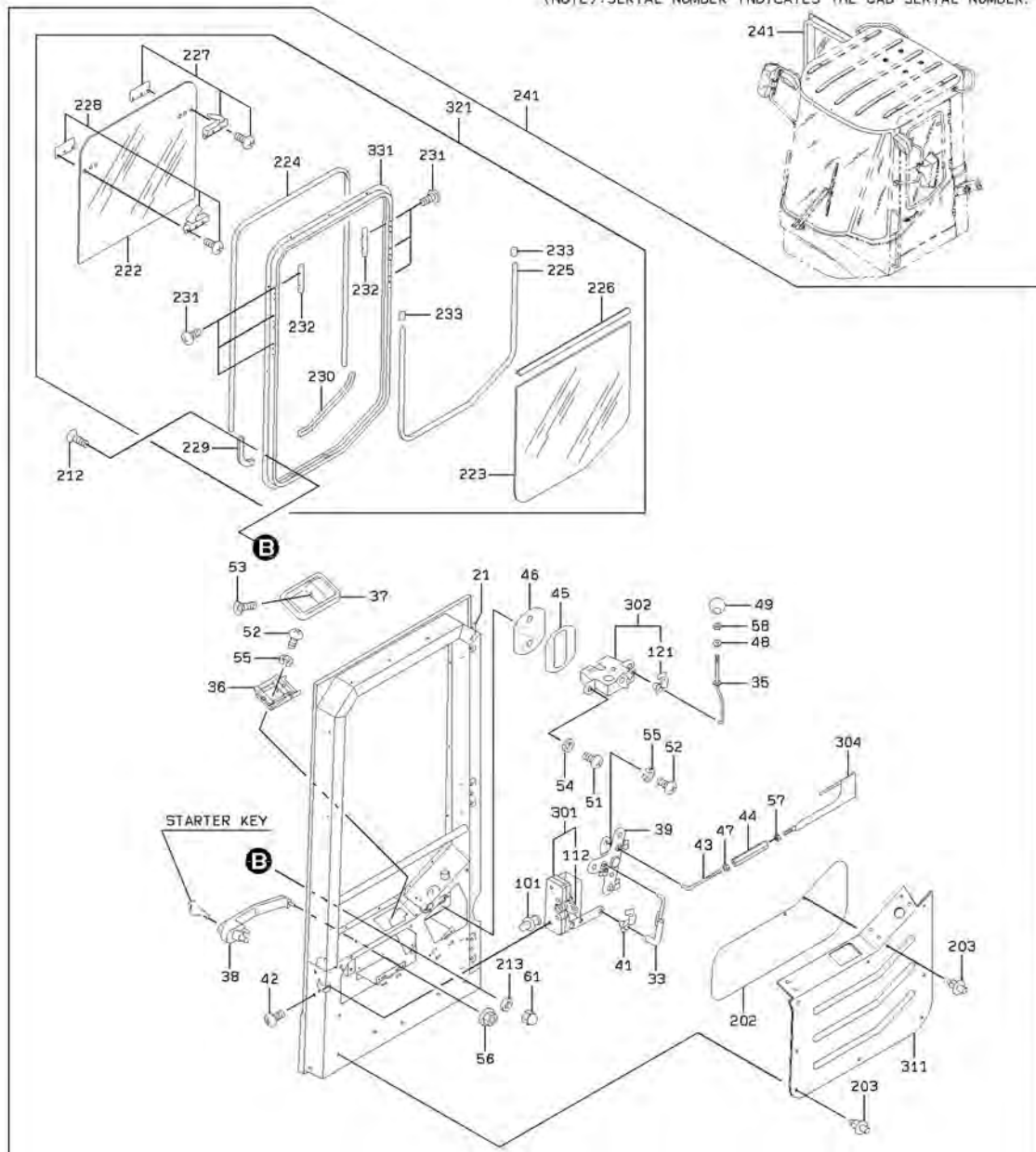
DOOR GROUP

(NOTE): SERIAL NUMBER INDICATES THE CAB SERIAL NUMBER



DOOR GROUP

(NOTE): SERIAL NUMBER INDICATES THE CAB SERIAL NUMBER.



2-A

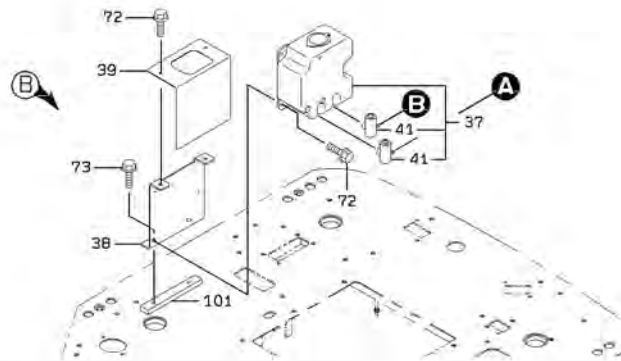
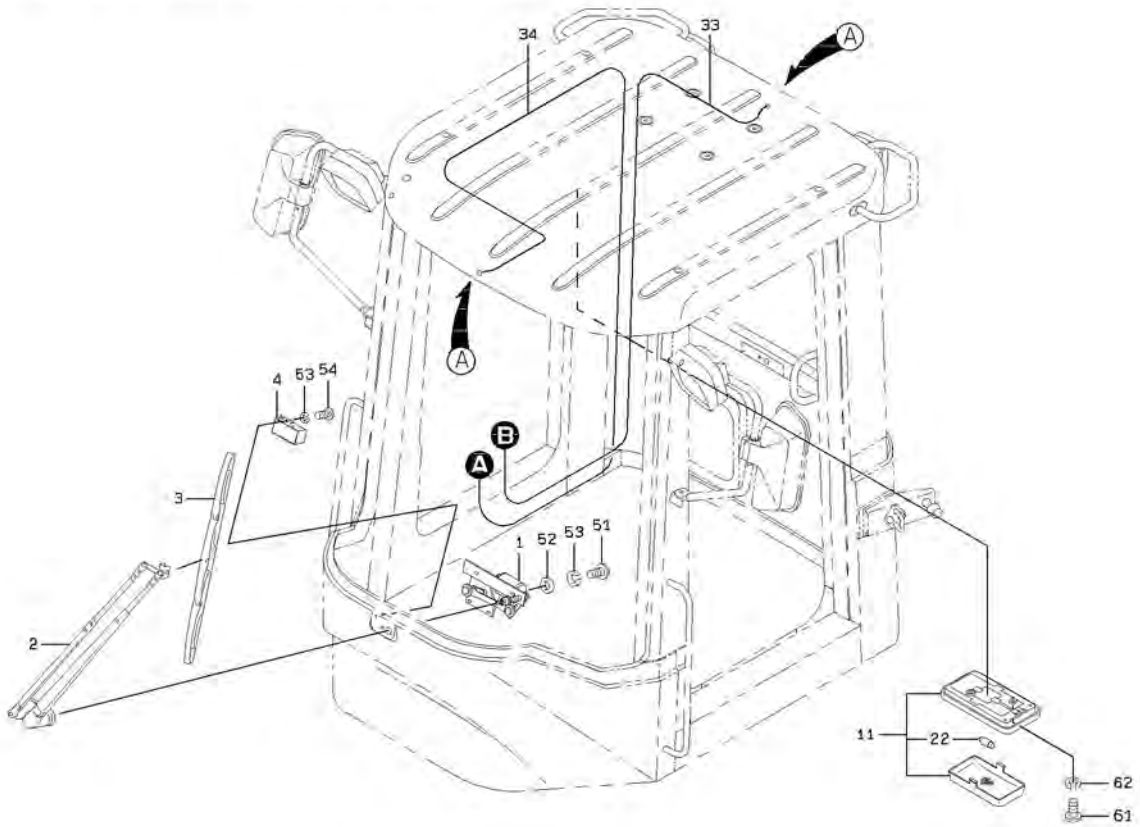
DOOR GROUP

SYM-BOL	PART NUMBER	PART NAME	UNIT Q,TY	SERIAL		REMARKS							
				(A)	(B)	N	P	D	(A)	(B)	(C)	(D)	REMARK
1A	37521-20460	DOOR ASSY	1	2501	-					Y01			FR LH
21A	39890-21460	HINGE	3	2501	-					01		07	WELDING
31A	32153-60100-7	CATCH,DOOR	1	2501	-					01	Y02		
32A	32153-60090	CATCH,DOOR	1	2501	-	2529				01		Y03	(32153-60070)
32B	32153-60210	CATCH,DOOR	1	2530	-		C			01		Y03	(32153-60200)
33A	45870-25520	ROD	1	2501	-					01		07	
34A	45870-25960	ROD	1	2501	-					01			
35A	45870-26030	ROD	1	2501	-					01		07	
36A	38126-60010	HANDLE,DOOR	1	2501	-					01	Y04	07	
37A	31140-60010	CUP	1	2501	-					01		07	
38A	38126-60060	HANDLE,DOOR	1	2501	-					01		07	
39A	45110-60010	LINK	1	2501	-					01		Y05	07
41A	43550-60090	HOLDER	1	2501	-					01		07	
42A	35100-20540	SCREW	4	2501	-					01		07	
43A	45870-25720	ROD	1	2501	-					01		07	
44A	31160-20570	COUPLING	1	2501	-					01		07	
45A	41604-54870	PLATE	1	2501	-					01		07	
46A	33713-24180	SHEET,RUBBER	1	2501	-					01		07	
47A	37600-23590	NUT	1	2501	-					01		07	
48A	33057-60030	GROMMET	1	2501	-					01		07	
49A	37810-60040	KNOB	1	2501	-					01		07	
51A	62256-51816	SCREW	2	2501	-					01		07	
52A	62256-51610	SCREW	5	2501	-					01		07	
53A	62257-51512	SCREW	1	2501	-					01		07	
54A	62721-08100	WASHER,SPRING	2	2501	-					01		07	
55A	62721-06100	WASHER,SPRING	5	2501	-					01		07	
56A	62480-21061	NUT,FLANGED	2	2501	-					01		07	
57A	62401-81061	NUT	1	2501	-					01		07	
58A	62403-81061	NUT	1	2501	-					01		07	
61A	62443-31041	NUT,CAP	13	2501	-					01		07	
101A	43900-60100-7	STRIKER	1	2501	-					01		07	
112A	35600-75010	SPRING	1	2501	-						02		
121A	43550-70270	HOLDER	A/R	2501	-							03	
136A	43550-70280	HOLDER	1	2501	-						04		
141A	43550-70270	HOLDER	3	2501	-							05	
201A	39750-22230-7	PANEL	1	2501	-					01			
202A	33712-20280	SHEET,CAB	1	2501	-					01		07	
203A	45020-70160	RIVET	9	2501	-					01		07	
211A	33531-60030	SASH ASSY	1	2501	-					01	Y06		
212A	35100-20570	SCREW	13	2501	-					01		07	
213A	88111-20400	WASHER,SEAL	13	2501	-					01		07	
221A	33530-70080	SASH	1	2501	-						06		
222A	32011-71080	GLASS,WINDOW	1	2501	-						06	08	FR UPPER
223A	32011-71090	GLASS,WINDOW	1	2501	-						06	08	FR LOWER
224A	33090-70060	GLASS RUNNER	1	2501	-						06	08	L=1890
225A	34041-70870	STRIP, SEAL	1	2501	-						06	08	L=1217
226A	36600-70020	CHANNEL	1	2501	-						06	08	
227A	45830-60020	LOCK	1	2501	-						06	08	
228A	45830-60030	LOCK	1	2501	-						06	08	
229A	35440-70530	STOPPER	1	2501	-						06	08	L=165
230A	35440-70540	STOPPER	1	2501	-						06	08	L=270
231A	62256-51310	SCREW	12	2501	-						06	08	
232A	32150-70360	CATCH	6	2501	-						06	08	
233A	35440-70550	STOPPER	2	2501	-						06	08	L=15
241A	37521-20470	DOOR ASSY	1	2501	-							Y07	
301A	32153-60110-7	CATCH,DOOR	1	2501	-						Y02	07	
302A	32153-60070	CATCH,DOOR	1	2501	-	2529						Y03	(32153-60090)
302B	32153-60200	CATCH,DOOR	1	2530	-		C					Y03	(32153-60210)
304A	45870-25970	ROD	1	2501	-							07	
311A	39750-22240-7	PANEL	1	2501	-							07	
321A	33531-60040	SASH ASSY	1	2501	-							Y08	07
331A	33530-70090	SASH	1	2501	-							08	

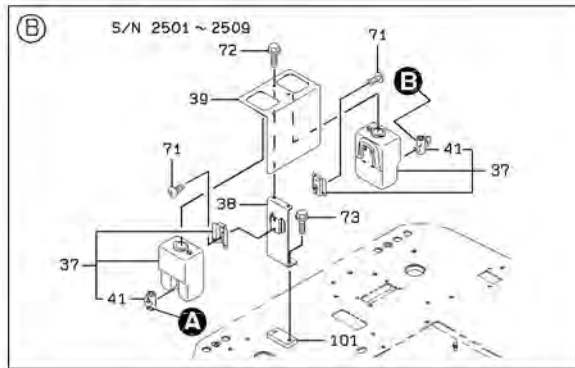
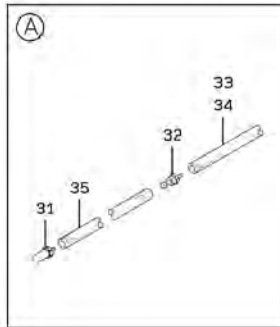
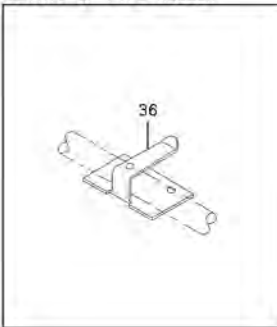
MEMO

FRONT WIPER & WINDOW WASHER GROUP

(NOTE): SERIAL NUMBER INDICATES THE CAB SERIAL NUMBER.



DETAIL OF PIPE HOLDER

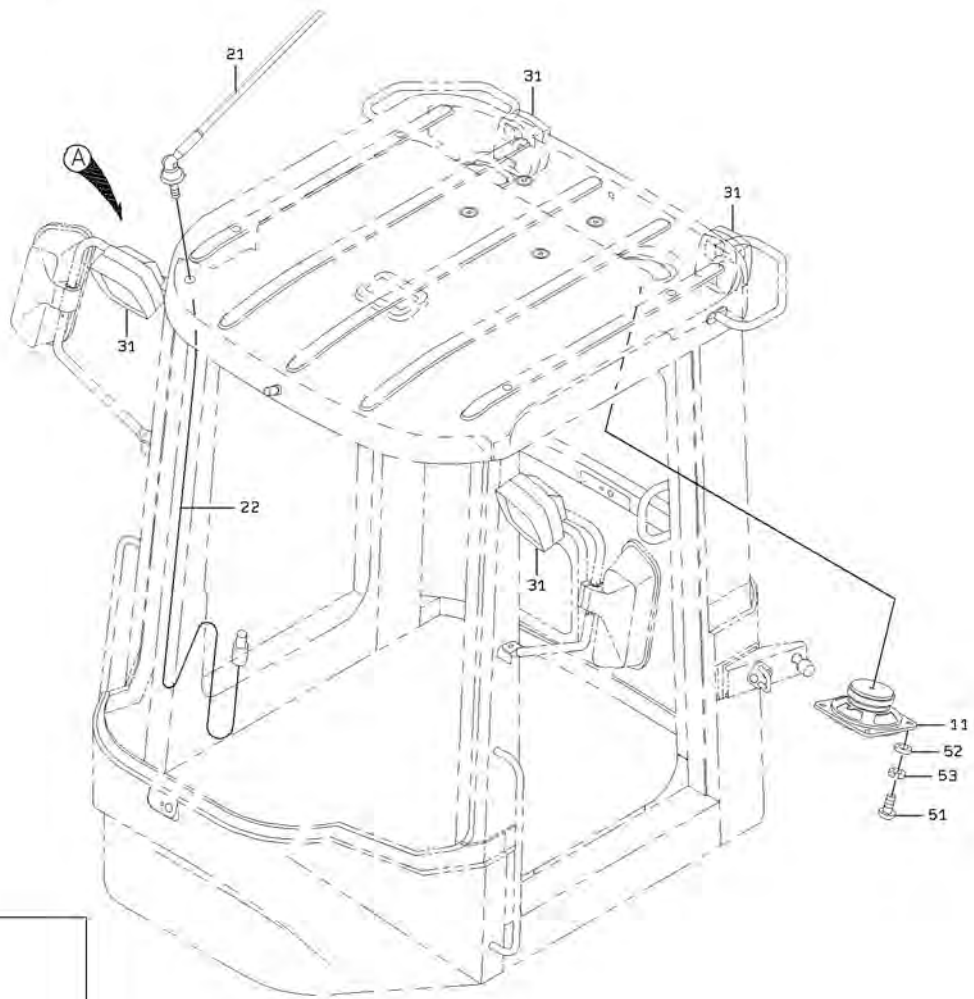


FRONT WIPER & WINDOW WASHER GROUP

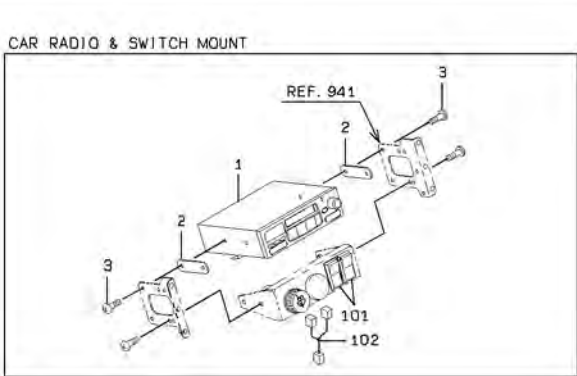
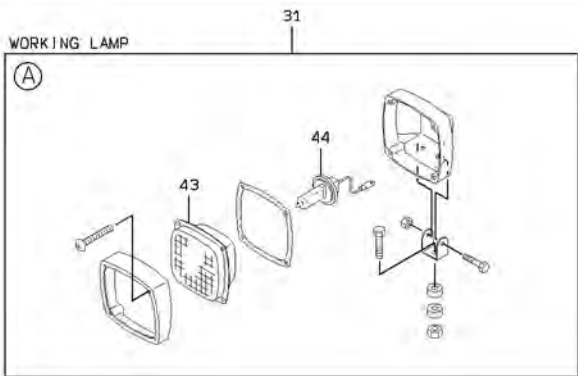
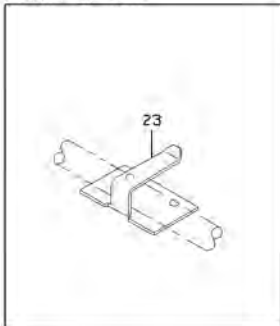
SYM-BOL	PART NUMBER	PART NAME	UNIT Q,TY	SERIAL		REMARKS						
				(A)	(B)	N	P	D	(A)	(B)	(C)	(D)
1A	44487-60060	MOTOR ASSY,WIPER	1	2501	-							
2A	30035-60030	ARM,WIPER	1	2501	-							
3A	41321-60020	BLADE,WIPER	1	2501	-							
4A	45051-60020	RELAY ASSY	1	2501	-							
11A	44860-20070	LAMP	1	2501	-				Y01			
22A	38480-70630	BULB	1	2501	-				01			24V10W
31A	37740-20080	NOZZLE	1	2501	-							
32A	38554-70810	VALVE,CHECK	2	2501	-							
33A	67031-07000	TUBE,VINYL	4 M	2501	-							L=3800
34A	67031-07000	TUBE,VINYL	5 M	2501	-							L=5000
35A	67031-07000	TUBE,VINYL	1 M	2501	-							L=100 X Q'TY 2
36A	32970-70210	CLIP	A/R	2501	-							
37A	30771-60020	WINDOW WASHER ASSY	2	2501	-	2509				Y02		
37B	30771-60010	WINDOW WASHER ASSY	1	2510	-		B			Y02		
38A	41620-31990	PLATE	1	2501	-	2509						
38B	41620-36870	PLATE	1	2510	-		B					
39A	41609-46400	PLATE	1	2501	-	2509						
39B	41609-48030	PLATE	1	2510	-		B					
41A	44081-70070	PUMP ASSY	1	2501	-	2509				02		
41B	44081-70070	PUMP ASSY	2	2510	-					02		
51A	62256-51616	SCREW	4	2501	-							
52A	62701-40061	WASHER,PLANE	4	2501	-							
53A	62721-06100	WASHER,SPRING	6	2501	-							
54A	62256-51612	SCREW	2	2501	-							
61A	62256-51520	SCREW	2	2501	-							
62A	62721-05100	WASHER,SPRING	2	2501	-							
71A	62256-51612	SCREW	4	2501	-	2509	D					
72A	61802-06016	BOLT,FLANGED	2	2501	-	2509						
72B	61802-06016	BOLT,FLANGED	5	2510	-							
73A	61802-10016	BOLT,FLANGED	2	2501	-							
101A	41608-56330	PLATE	1	2501	-	2509						WELDING
101B	41609-48040	PLATE	1	2510	-		B					WELDING

ELECTRICAL PARTS GROUP

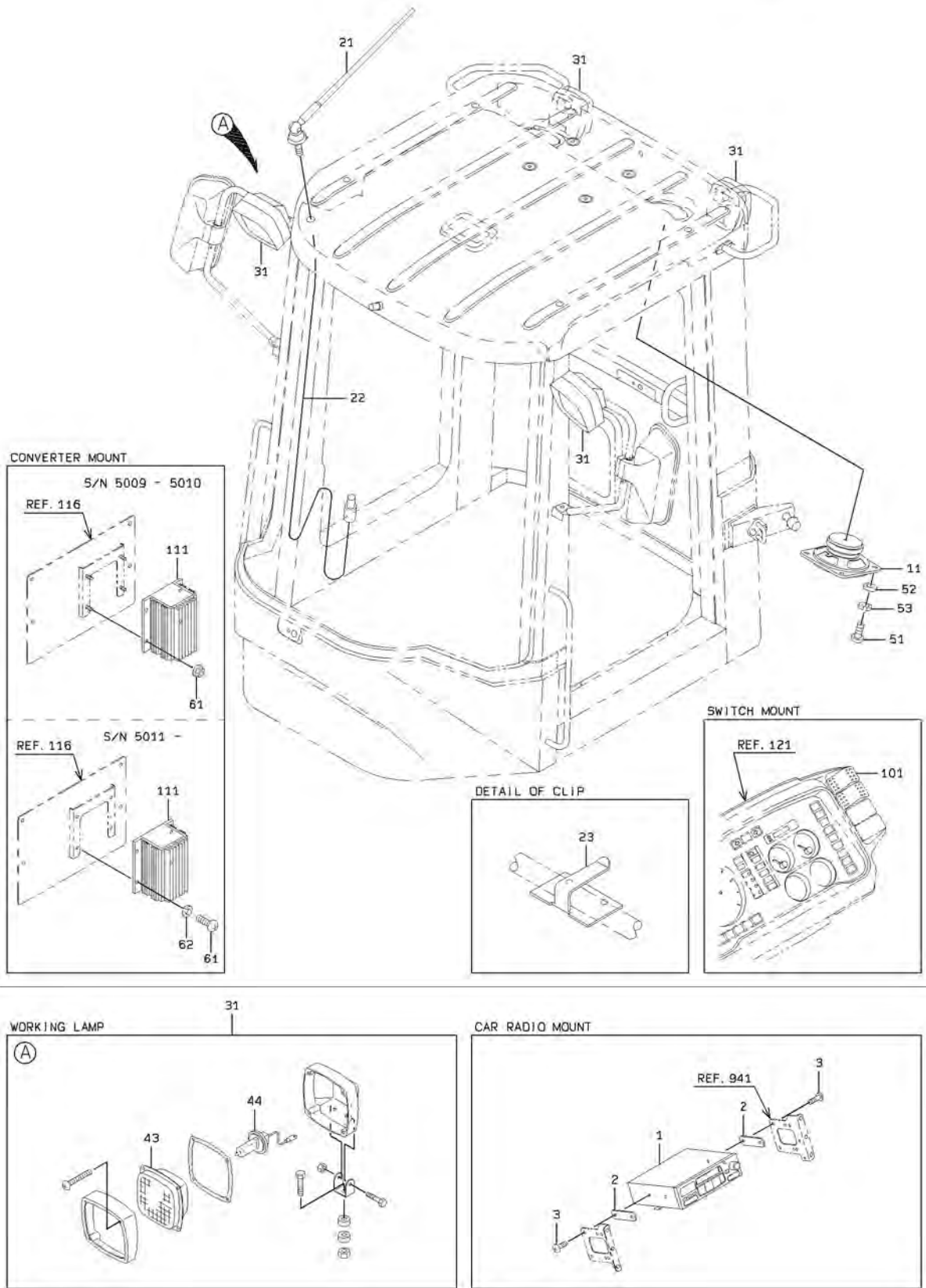
<S/N 5001 - 5004>



DETAIL OF CLIP



L-4



2-A

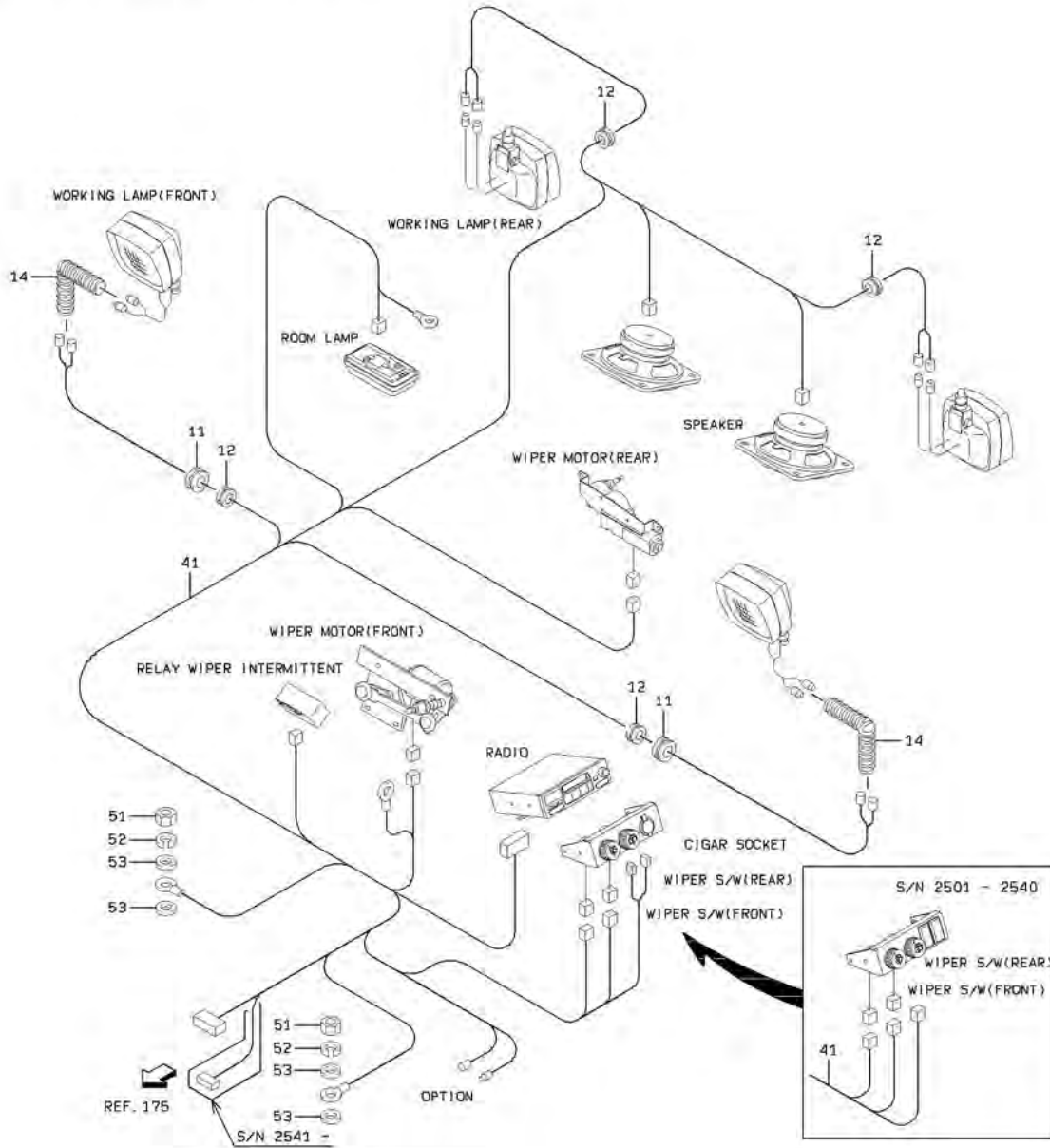
ELECTRICAL PARTS GROUP

SYM-BOL	PART NUMBER	PART NAME	UNIT Q,TY	SERIAL		REMARKS						
				(A)	(B)	N	P	D	(A)	(B)	(C)	(D)
1A	31102-60040	CAR RADIO	1	5001	-							
2A	41617-59770	PLATE	2	5001	-							
3A	35100-20020	SCREW	4	5001	-							
11A	35550-60030	SPEAKER	2	5001	-							
11B	35550-20070	SPEAKER	2	5037	-							
21A	30510-60090-7	ANTENNA	1	5001	-							
22A	33190-60100	CABLE	1	5001	-							
23A	32970-70210	CLIP	A/R	5001	-							
31A	44890-70140-7	LAMP,HEAD	4	5001	-					Y01		ABL
43A	45701-70650-7	LENS	1	5001	-					01		
44A	38480-70800-7	BULB	1	5001	-					01		24V65W
51A	62256-51512	SCREW	8	5001	-							
52A	62701-20051	WASHER,PLANE	8	5001	-							
53A	62721-05100	WASHER,SPRING	8	5001	-							
61A	62480-21061	NUT,FLANGED	4	5009	-							
61B	62256-51616	SCREW	4	5011	-							
61C	62256-51612	SCREW	4	5017	-							
62A	62721-06100	WASHER,SPRING	4	5011	-							
101A	35020-60020	SWITCH ASSY	2	5001	-							WORKING LAMP
101B	35010-60460	SWITCH	1	5005	-							WORKING LAMP
102A	33191-59850	CABLE ASSY	1	5001	-							
111A	33460-60190-7	CONVERTER	1	5009	-							
111B	33460-60210-7	CONVERTER	1	5011	-							
111C	33460-60190-7	CONVERTER	1	5021	-							

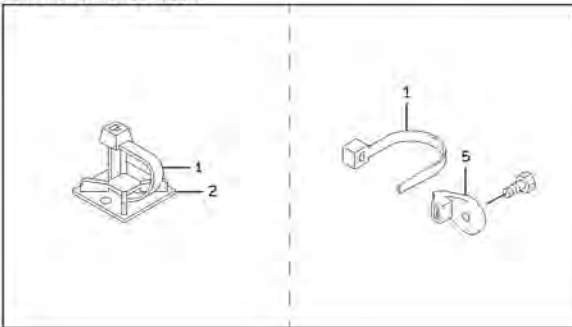
MEMO

ELECTRICAL WIRING - CAB

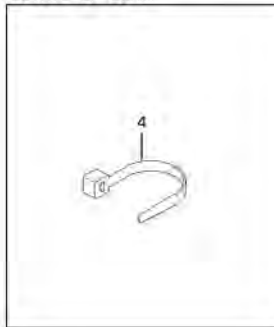
(NOTE): SERIAL NUMBER INDICATES THE CAB SERIAL NUMBER.



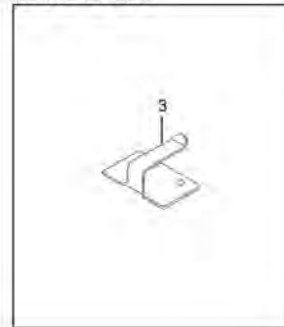
DETAIL OF STUD MOUNT



DETAIL OF CLAMP



DETAIL OF CLIP



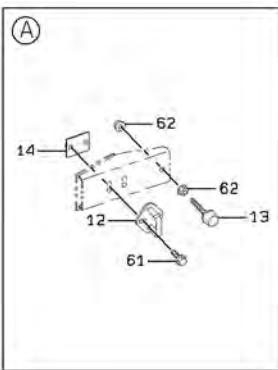
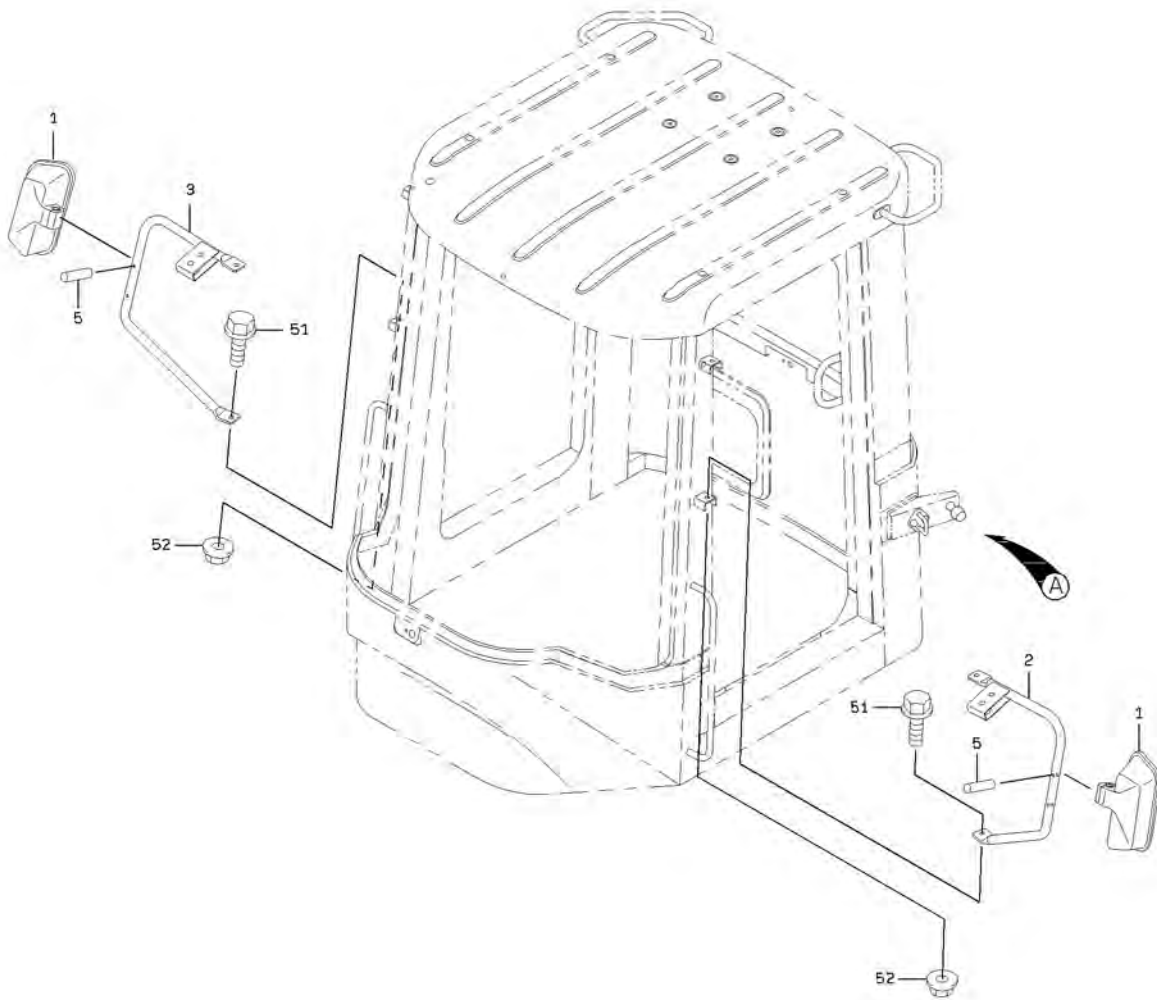
L-E

ELECTRICAL WIRING - CAB

SYM-BOL	PART NUMBER	PART NAME	UNIT Q, TY	SERIAL		REMARKS						
				(A)	(B)	N	P	D	(A)	(B)	(C)	(D)
1A	32923-70090	CLAMP,HOSE	A/R	2501	-							L=202
2A	32923-70190	CLAMP,HOSE	A/R	2501	-							
3A	32970-70210	CLIP	A/R	2501	-							
4A	32923-70100	CLAMP,HOSE	A/R	2501	-							L=382
5A	32923-70120	CLAMP,HOSE	A/R	2501	-							FR M8
11A	65801-10016	BUSHING,ELASTIC	2	2501	-							
12A	65801-08016	BUSHING,ELASTIC	4	2501	-							
14A	36724-70080	TUBE,CONDUIT	2	2501	-							
41A	33193-24090	CABLE ASSY	1	2501	-	2540						CAB
41B	33193-47510	CABLE ASSY	1	2541	-	2588	B					CAB
41C	33193-50940	CABLE ASSY	1	2589	-		B					CAB
51A	62401-81101	NUT	2	2501	-							
52A	62721-10100	WASHER,SPRING	2	2501	-							
53A	46011-21650	WASHER,PLANE	4	2501	-							

MIRROR GROUP & STOPPER MOUNT

(NOTE): SERIAL NUMBER INDICATES THE CAB SERIAL NUMBER

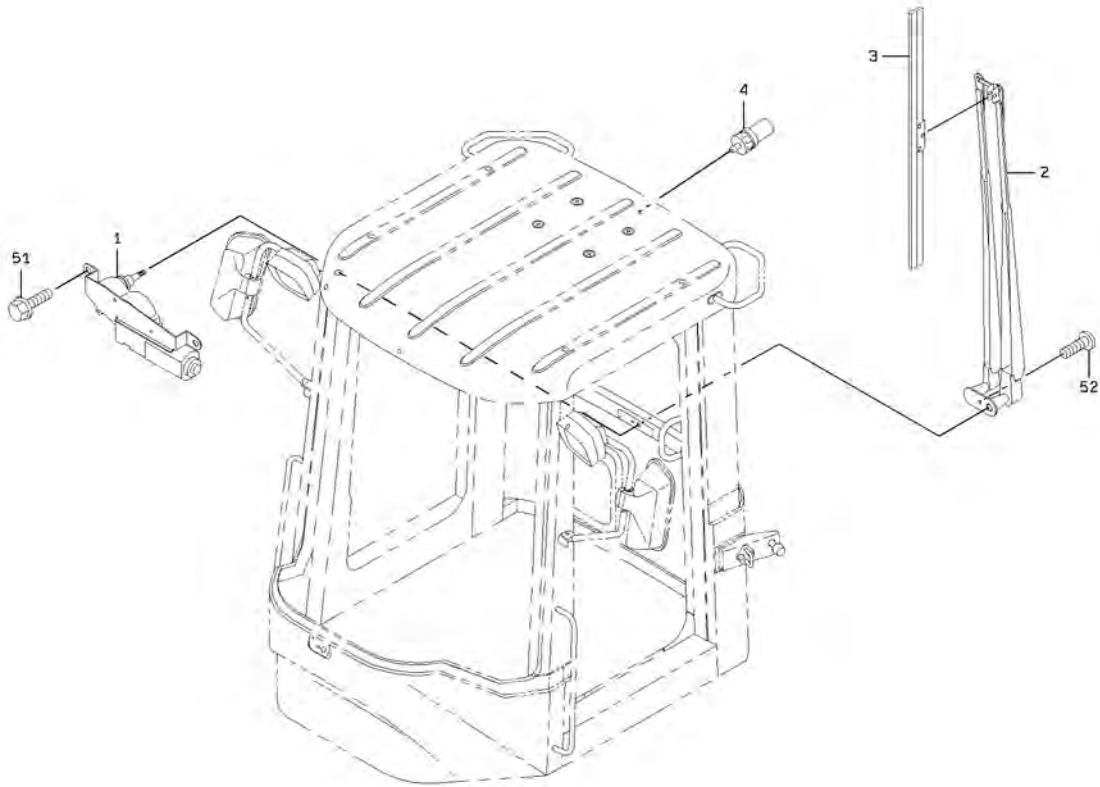


1-A

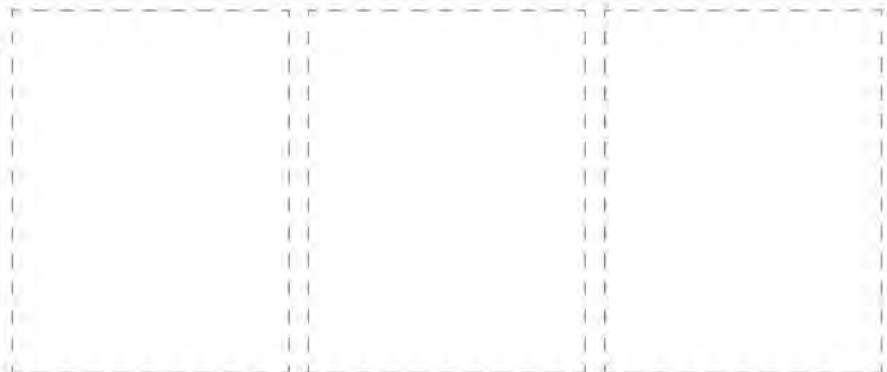
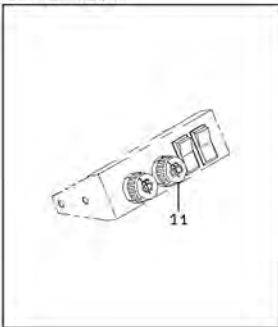
MIRROR GROUP & STOPPER MOUNT

SYM-BOL	PART NUMBER	PART NAME	UNIT Q, TY	SERIAL		REMARKS						
				(A)	(B)	N	P	D	(A)	(B)	(C)	(D)
1A	44340-60130	MIRROR	2	2501	-							
2A	35210-22870	STAY	1	2501	-							FR LH
3A	35210-22880	STAY	1	2501	-							FR RH
5A	40000-27270	PIN	2	2501	-							
12A	40460-21280	STRIKER	2	2501	-							
13A	35440-20230	STOPPER	2	2501	-							
14A	41616-35480	PLATE	2	2501	-							
51A	61802-12025	BOLT, FLANGED	4	2501	-							
52A	62480-21121	NUT, FLANGED	4	2501	-							
61A	61802-08025	BOLT, FLANGED	4	2501	-							
62A	62480-21101	NUT, FLANGED	4	2501	-							

REAR WIPER & WINDOW WASHER GROUP



SWITCH MOUNT



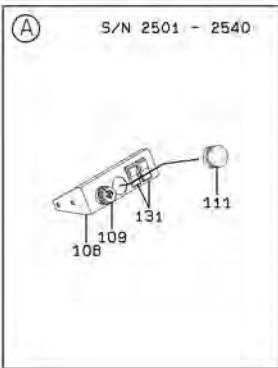
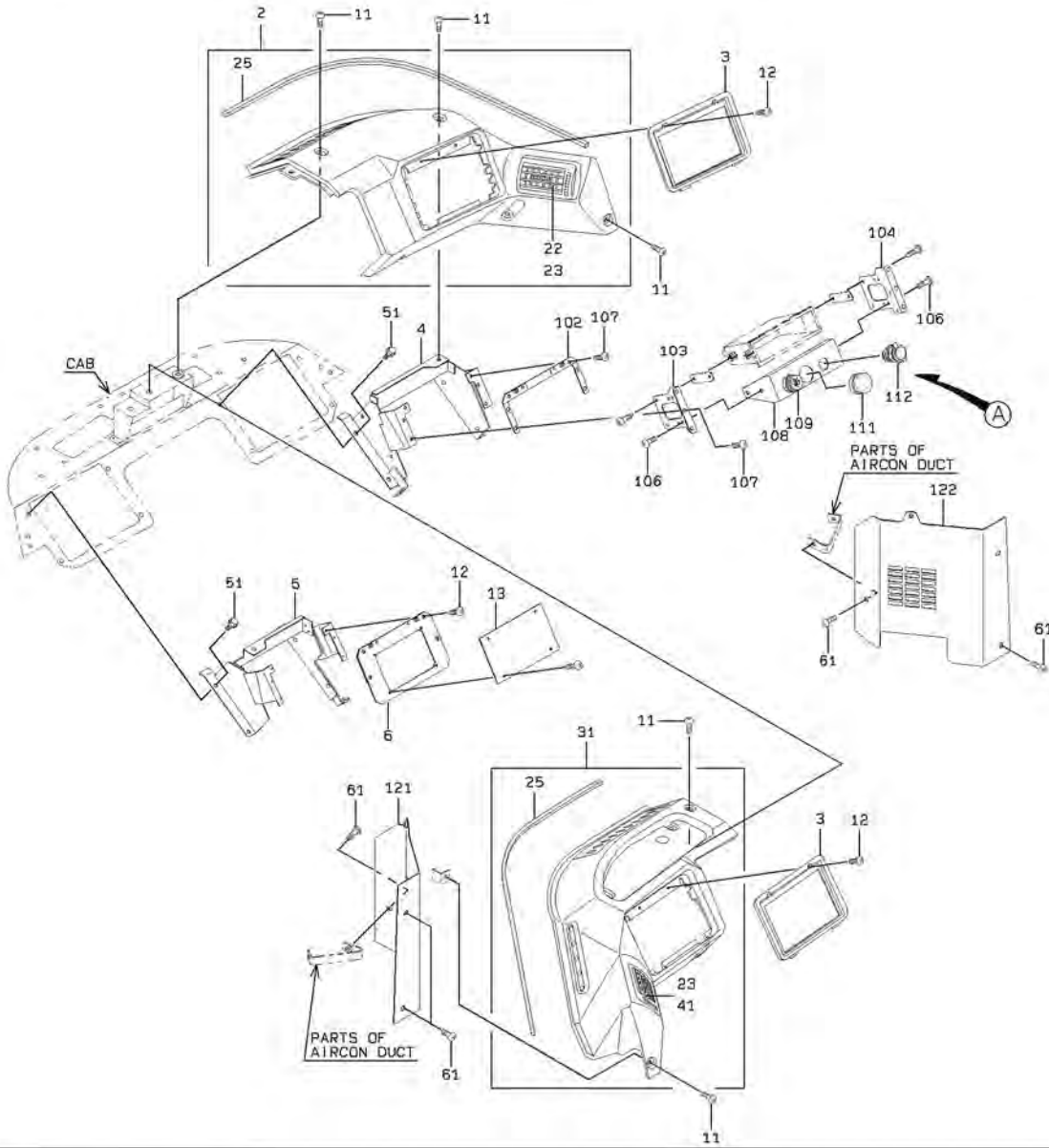
1-4

REAR WIPER & WINDOW WASHER GROUP

SYM-BOL	PART NUMBER	PART NAME	UNIT Q,TY	SERIAL (A) - (B)	REMARKS				REMARK
					N	P	D	(A) (B) (C) (D)	
1A	44487-60050	MOTOR ASSY,WIPER	1	5001 -					
2A	30035-60040	ARM,WIPER	1	5001 -					
3A	41321-60040	BLADE,WIPER	1	5001 -					
4A	37740-20080	NOZZLE	1	5001 -					
11A	35067-60070	SWITCH,WIPER	1	5001 -					FR REAR
51A	61802-08012	BOLT,FLANGED	2	5001 -					
52A	35100-20180	SCREW	1	5001 -					

COVER GROUP - CAB

(NOTE): SERIAL NUMBER INDICATES THE CAB SERIAL NUMBER



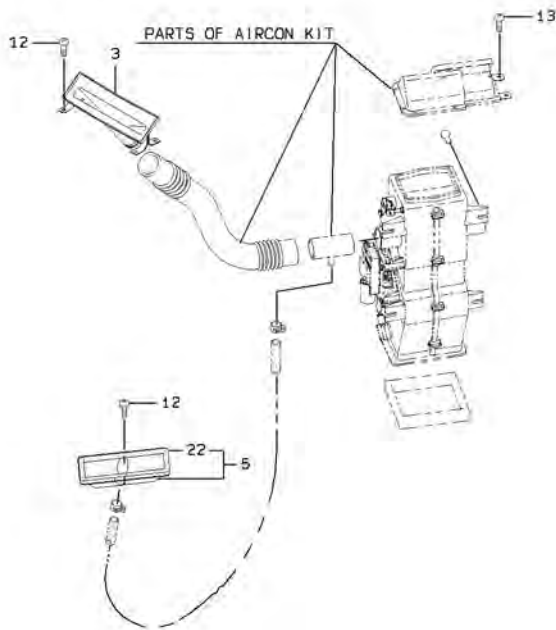
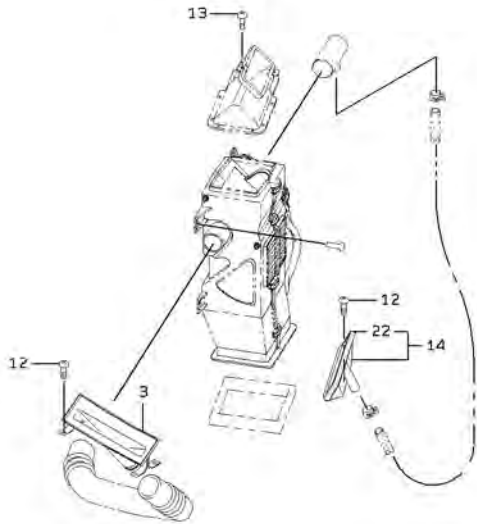
L-6

COVER GROUP - CAB

SYM-BOL	PART NUMBER	PART NAME	UNIT Q,TY	SERIAL		REMARKS							
				(A)	(B)	N	P	D	(A)	(B)	(C)	(D)	REMARK
2A	31200-60080	COVER	1	2501	-						Y01		FR RH
3A	31200-60100	COVER	2	2501	-								
4A	40901-28990	BRACKET	1	2501	-								FR RH
5A	40901-45570	BRACKET	1	2501	-								FR LH
6A	41610-36700	PLATE	1	2501	-								
11A	35100-20200	SCREW	11	2501	-								
12A	35100-20280	SCREW	8	2501	-								
13A	41603-49330	PLATE	1	2501	-								
22A	33070-60050	GRILLE	1	2501	-						01		
23A	40900-60110	BRACKET	1	2501	-						01	02	
25A	35680-60040	SPONGE	1	2501	-						01	02	
31A	31200-60090	COVER	1	2501	-							Y02	
41A	33070-60040	GRILLE	1	2501	-							02	
51A	61802-06016	BOLT,FLANGED	8	2501	-								
61A	35100-20200	SCREW	6	2501	-								
102A	41613-51300	PLATE	1	2501	-								
103A	41610-26860	PLATE	1	2501	-								
104A	41610-26870	PLATE	1	2501	-								
106A	35100-20020	SCREW	4	2501	-								
107A	35100-20280	SCREW	6	2501	-								
108A	41617-22970	PLATE	1	2501	-	2540							
108B	41750-27290	PLATE	1	2541	-		B						
109A	35067-60060	SWITCH,WIPER	1	2501	-								
111A	41530-70740	PLUG	1	2501	-								
112A	35902-60020-7	SOCKET ASSY	1	2541	-								
121A	41641-34350	PLATE	1	2501	-								FR LH
122A	41641-33790	PLATE	1	2501	-								FR RH
131A	32210-71380	CAP	2	2501	-	2540		D					

AIR DUCT GROUP

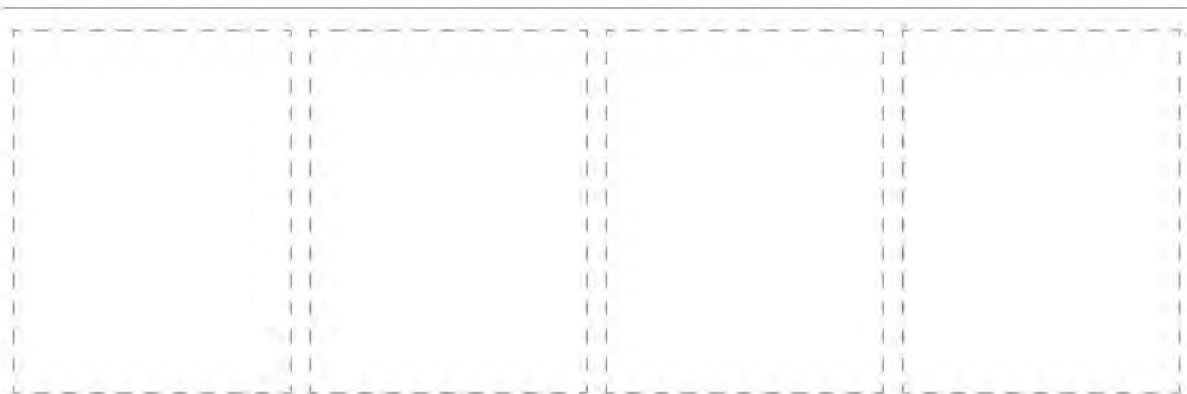
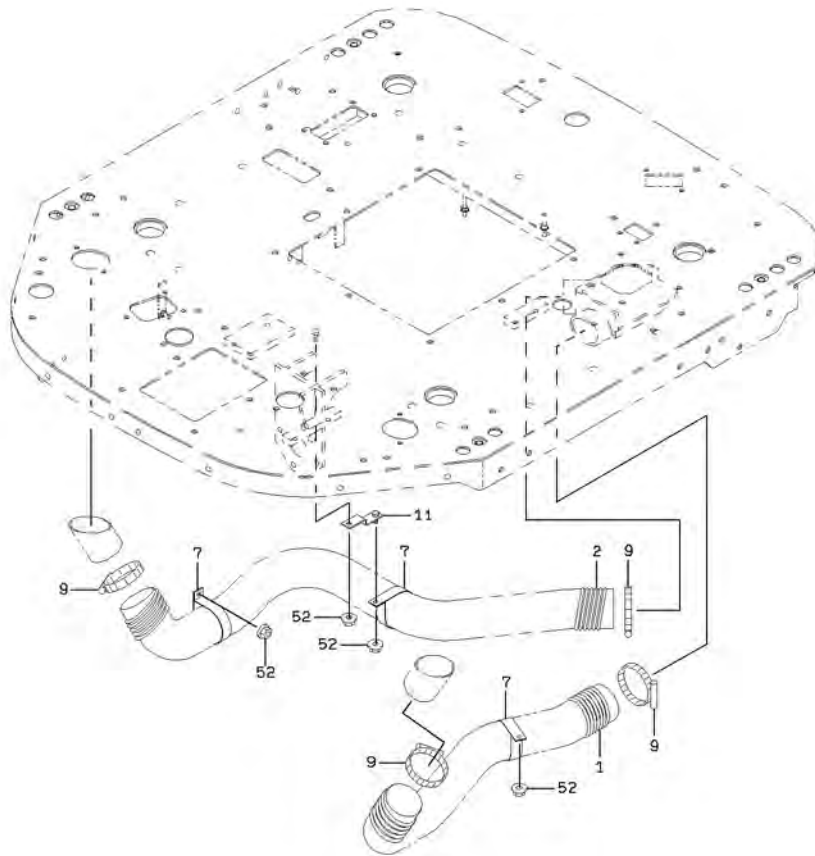
(NOTE): SERIAL NUMBER INDICATES THE CAB SERIAL NUMBER



--	--	--	--

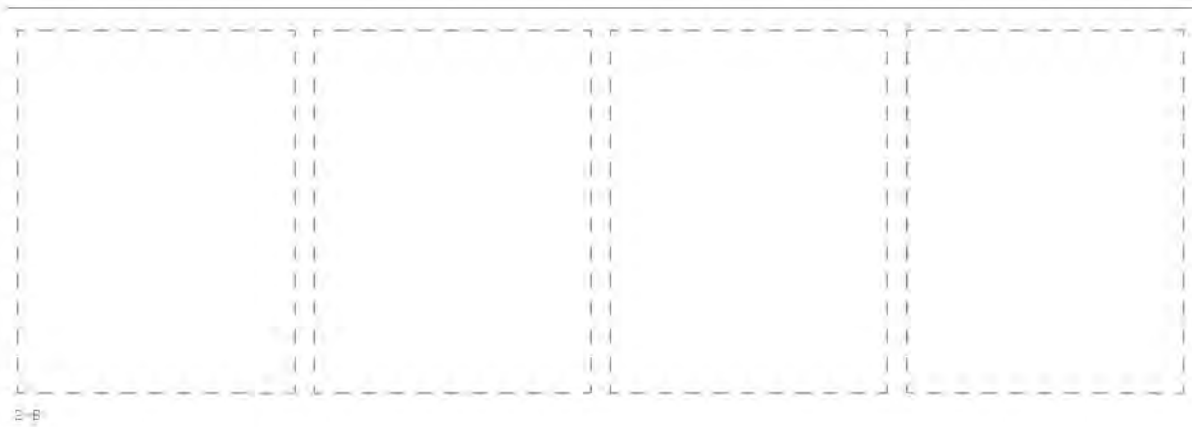
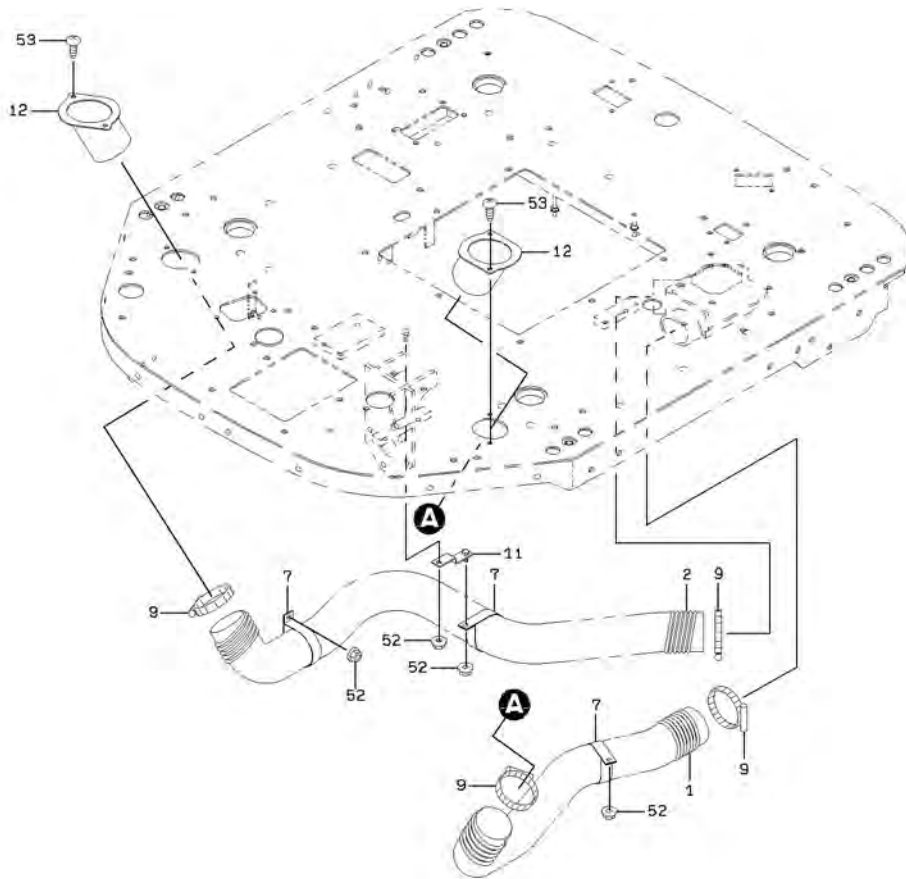
AIR DUCT GROUP - FLOOR BOARD

<S/N 5001 - 5008>



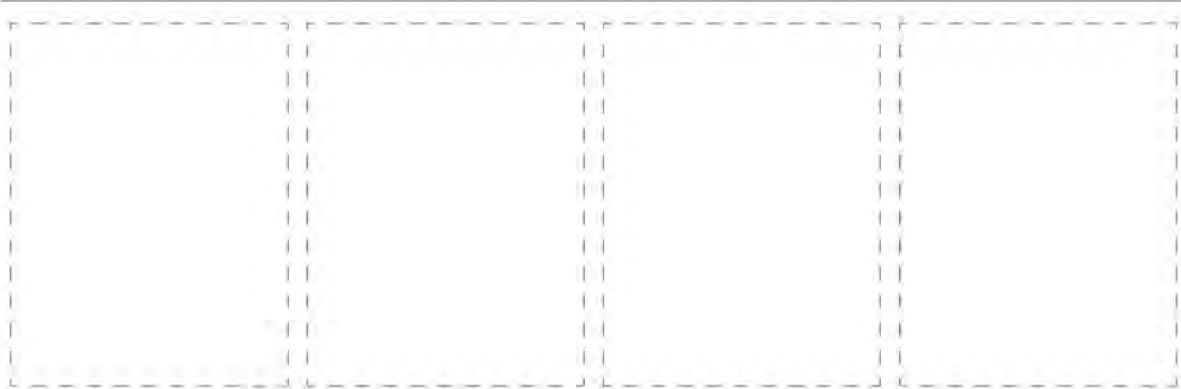
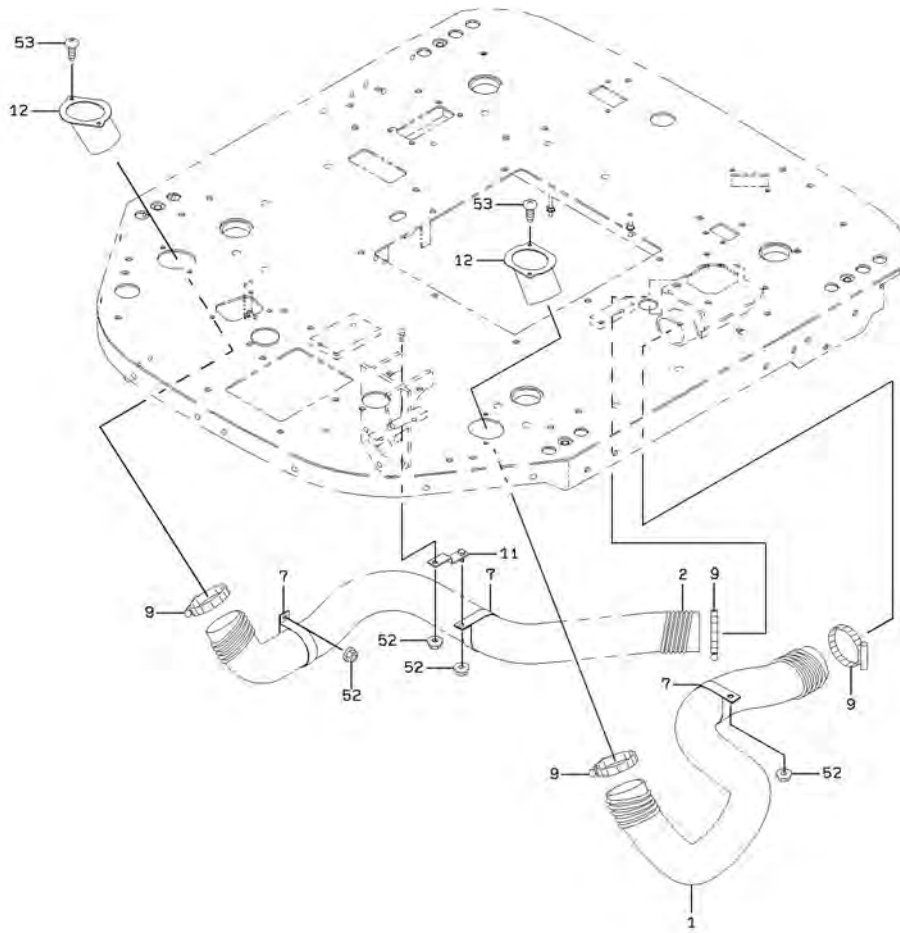
AIR DUCT GROUP - FLOOR BOARD

<S/N 5009 - 5020>



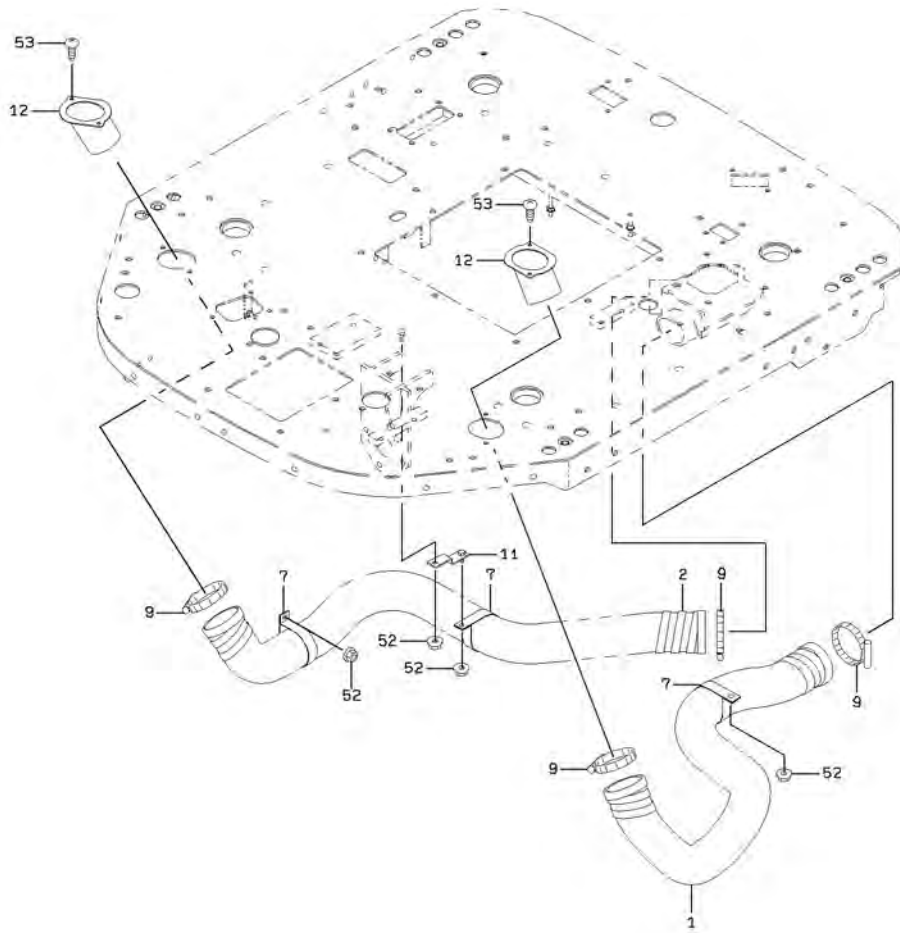
AIR DUCT GROUP - FLOOR BOARD

<S/N 5021 - 5032>



3-4

AIR DUCT GROUP - FLOOR BOARD



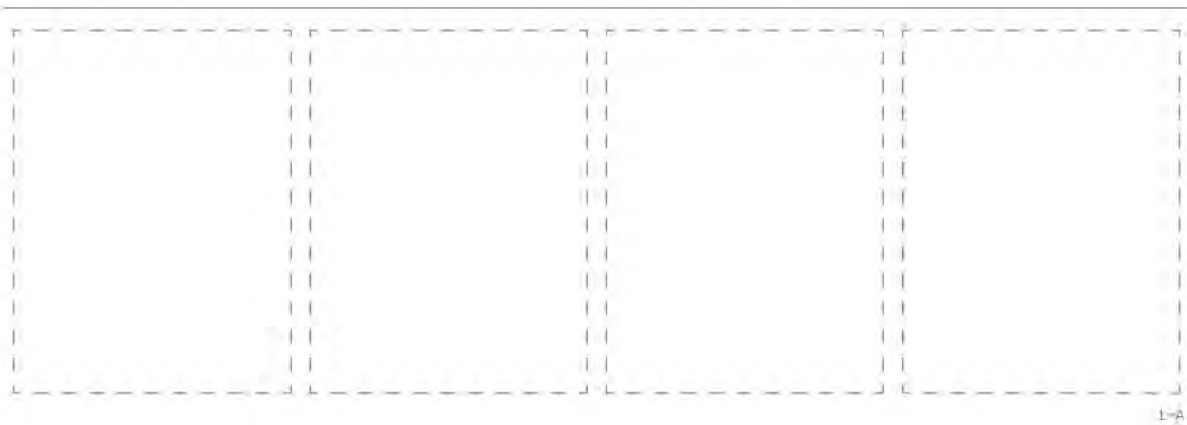
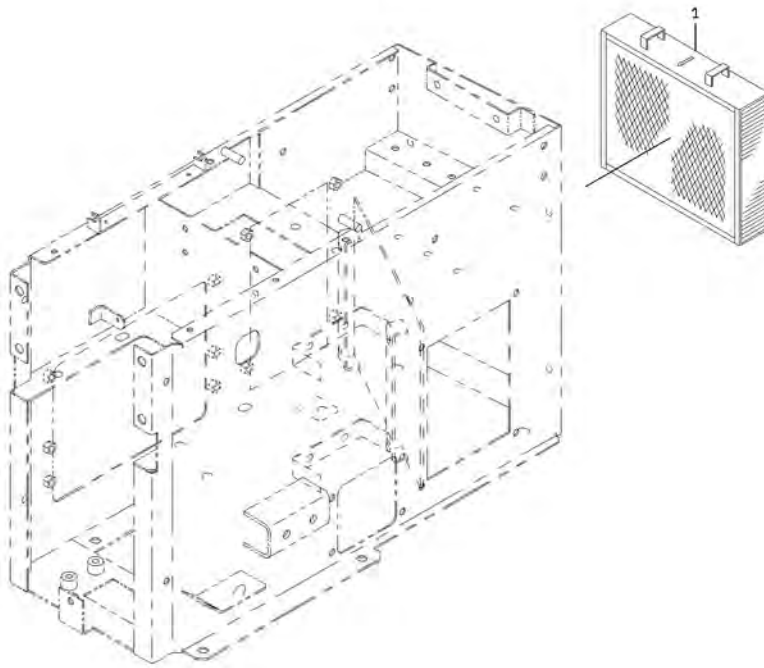
4-A

AIR DUCT GROUP - FLOOR BOARD

SYM-BOL	PART NUMBER	PART NAME	UNIT Q, TY	SERIAL (A) - (B)	REMARKS					
					N	P	D	(A)	(B)	(C)
1A	43111-22060	HOSE,AIR	1	5001 - 5032						
1B	43111-24140	HOSE,AIR	1	5033 -	B					
2A	43111-21030	HOSE,AIR	1	5001 - 5032						
2B	43111-24150	HOSE,AIR	1	5033 -	B					
7A	72010-86000	HOLDER,HOSE	3	5001 - 5032						
7B	72010-93000	HOLDER,HOSE	3	5033 -	B					
9A	69002-09000	BAND,HOSE	4	5001 -						
11A	41618-37060	PLATE	1	5001 -						
12A	36430-23360	DUCT	2	5009 -						
52A	62480-21081	NUT,FLANGED	4	5001 -						
53A	35100-20200	SCREW	4	5009 -						

MEMO

AIR CONDITIONER MOUNT

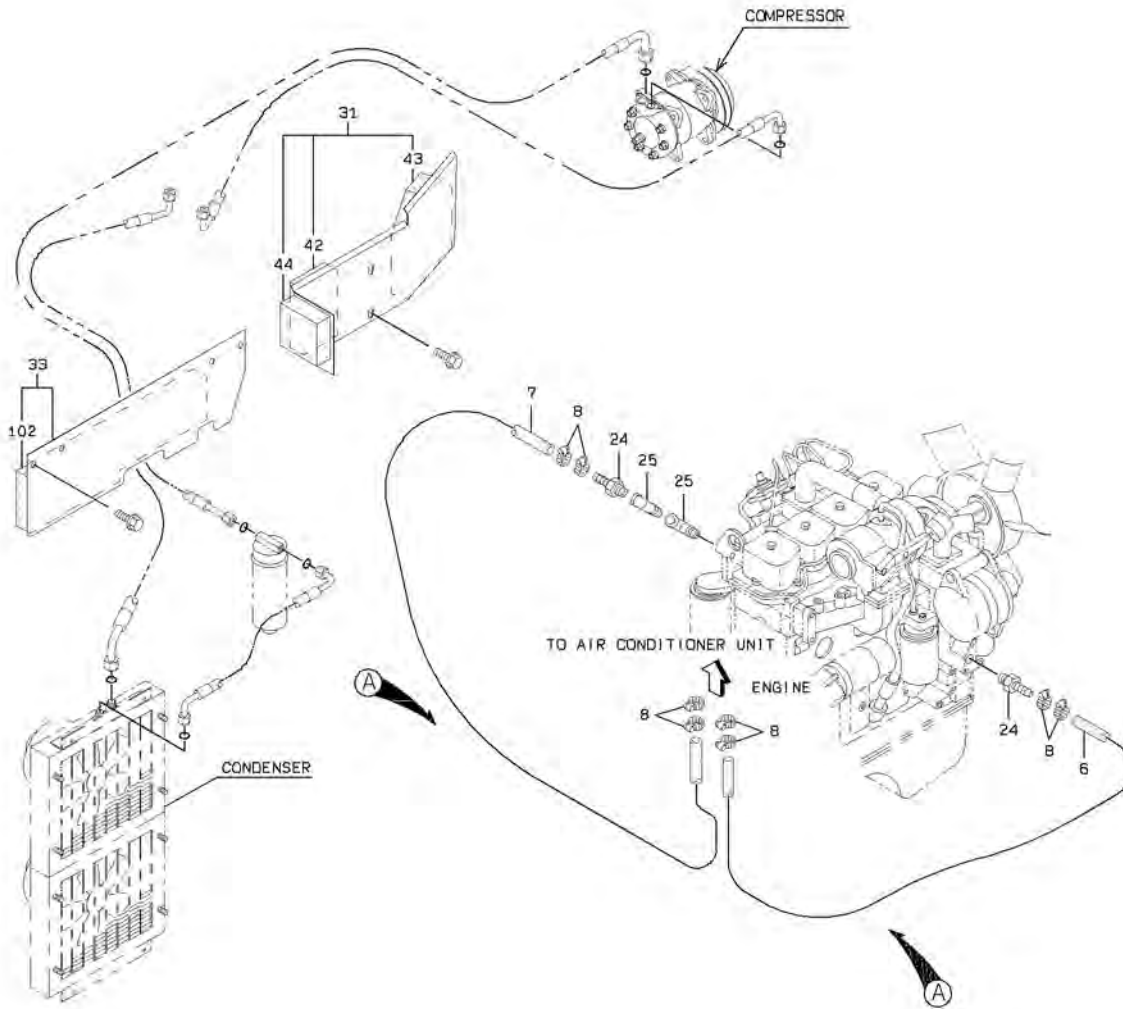


AIR CONDITIONER MOUNT

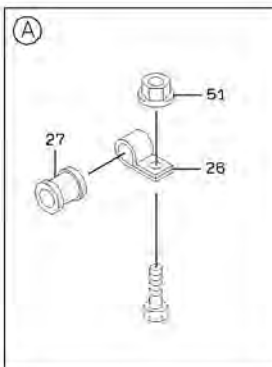
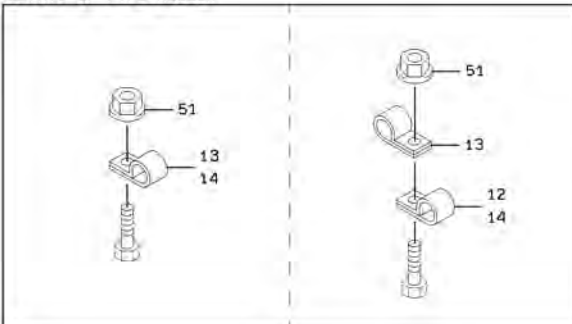
SYM-BOL	PART NUMBER	PART NAME	UNIT Q,TY	SERIAL (A) - (B)	REMARKS					
					N	P	D	(A)	(B)	(C)
1A	40330-60270	FILTER	1	5001 -						

AIR CONDITIONER LINE - FLOOR BOARD

<S/N 5001 - 5002>

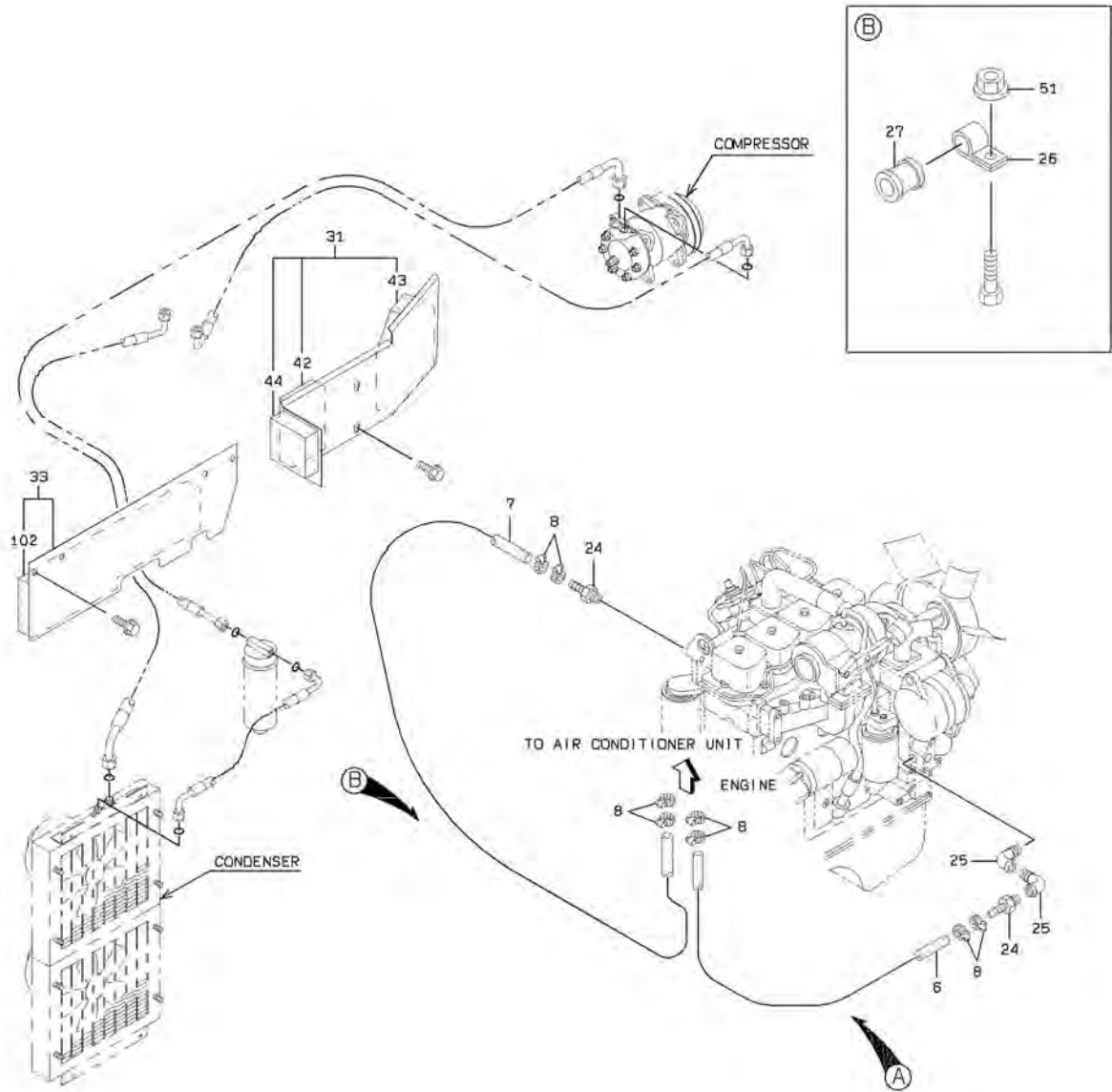


DETAIL OF PIPE HOLDER

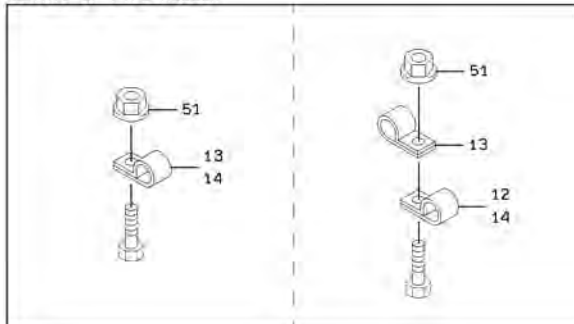


AIR CONDITIONER LINE - FLOOR BOARD

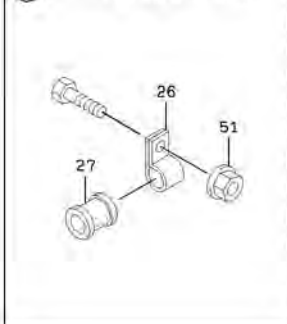
<S/N 5003 - >



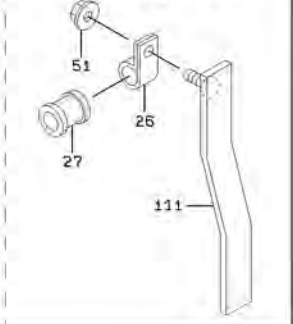
DETAIL OF PIPE HOLDER



(A) S/N 5003 - 5008



S/N 5009 -



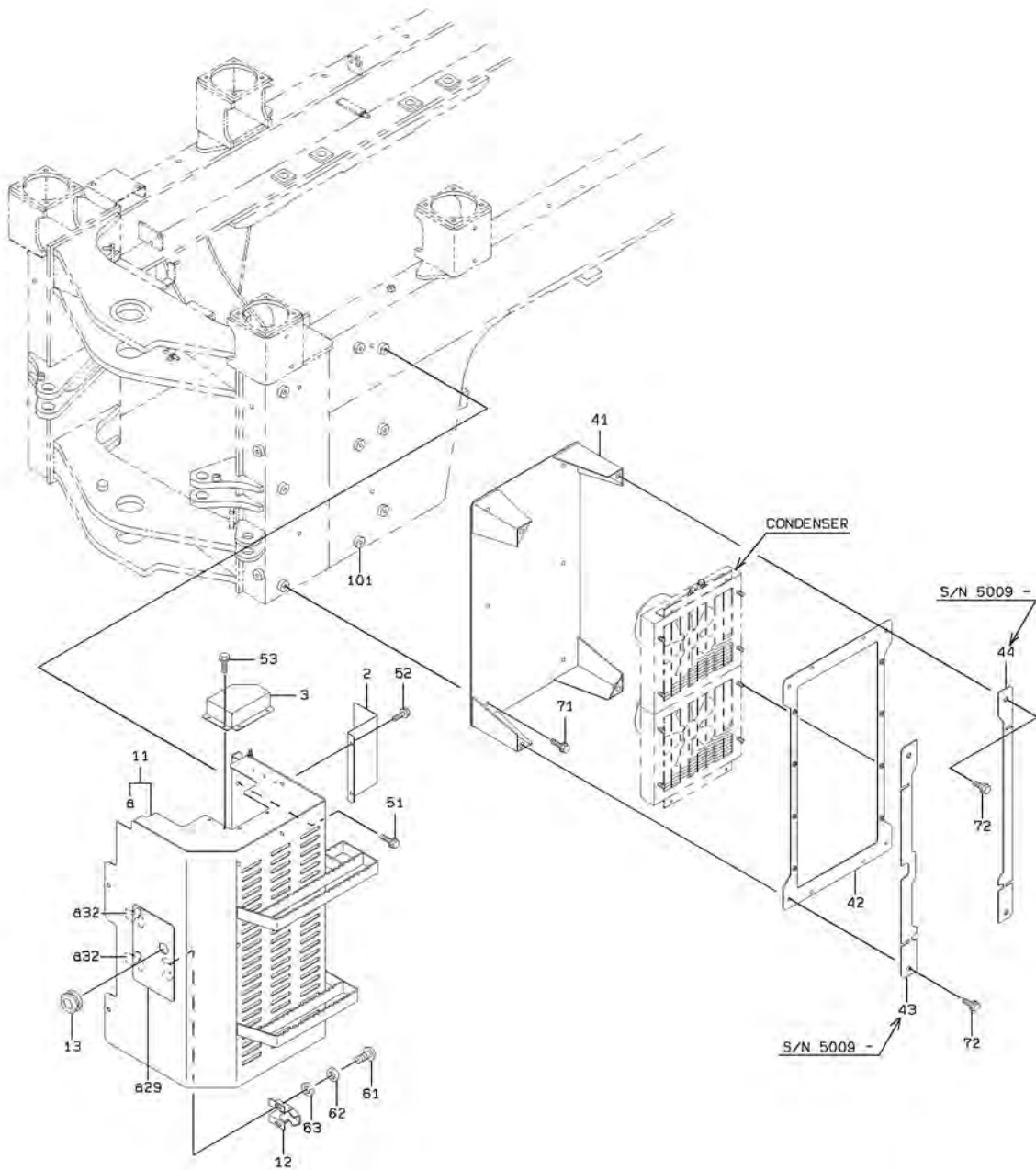
2-4

AIR CONDITIONER LINE - FLOOR BOARD

SYM-BOL	PART NUMBER	PART NAME	UNIT Q,TY	SERIAL (A) - (B)	REMARKS						
					N	P	D	(A)	(B)	(C)	(D)
6A	67230-15000	HOSE,WATER	2 M	5001 -							L=1250
7A	67230-15000	HOSE,WATER	2 M	5001 -							L=1200
8A	69002-03100	BAND,HOSE	8	5001 -							
12A	72001-12000	HOLDER,PIPE	A/R	5001 -							
13A	72001-12200	HOLDER,PIPE	A/R	5001 -							
14A	72001-12500	HOLDER,PIPE	A/R	5001 -							
24A	88511-01081	NIPPLE,HOSE	2	5001 -							
25A	69205-04000	FITTING,ELBOW	2	5001 -							
26A	72010-31000	HOLDER,HOSE	2	5001 -							
27A	40850-20650	BUSHING,ELASTIC	2	5001 -							
31A	31205-48060	COVER	1	5001 -				Y01			
33A	31205-48070	COVER	1	5001 -					Y02		
42A	35680-55570	SPONGE	1	5001 -				01			
43A	35680-55230	SPONGE	1	5001 -				01			
44A	35680-56070	SPONGE	1	5001 -				01			
51A	62480-21081	NUT,FLANGED	8	5001 -							
102A	35680-56050	SPONGE	1	5001 -					02		
111A	41750-20900	PLATE	1	5009 -							WELDING

MEMO

CONDENSER & COVER MOUNT

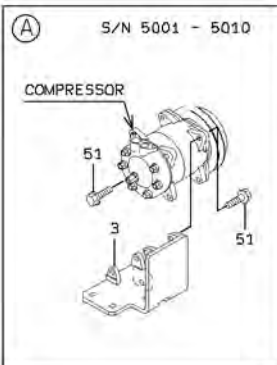
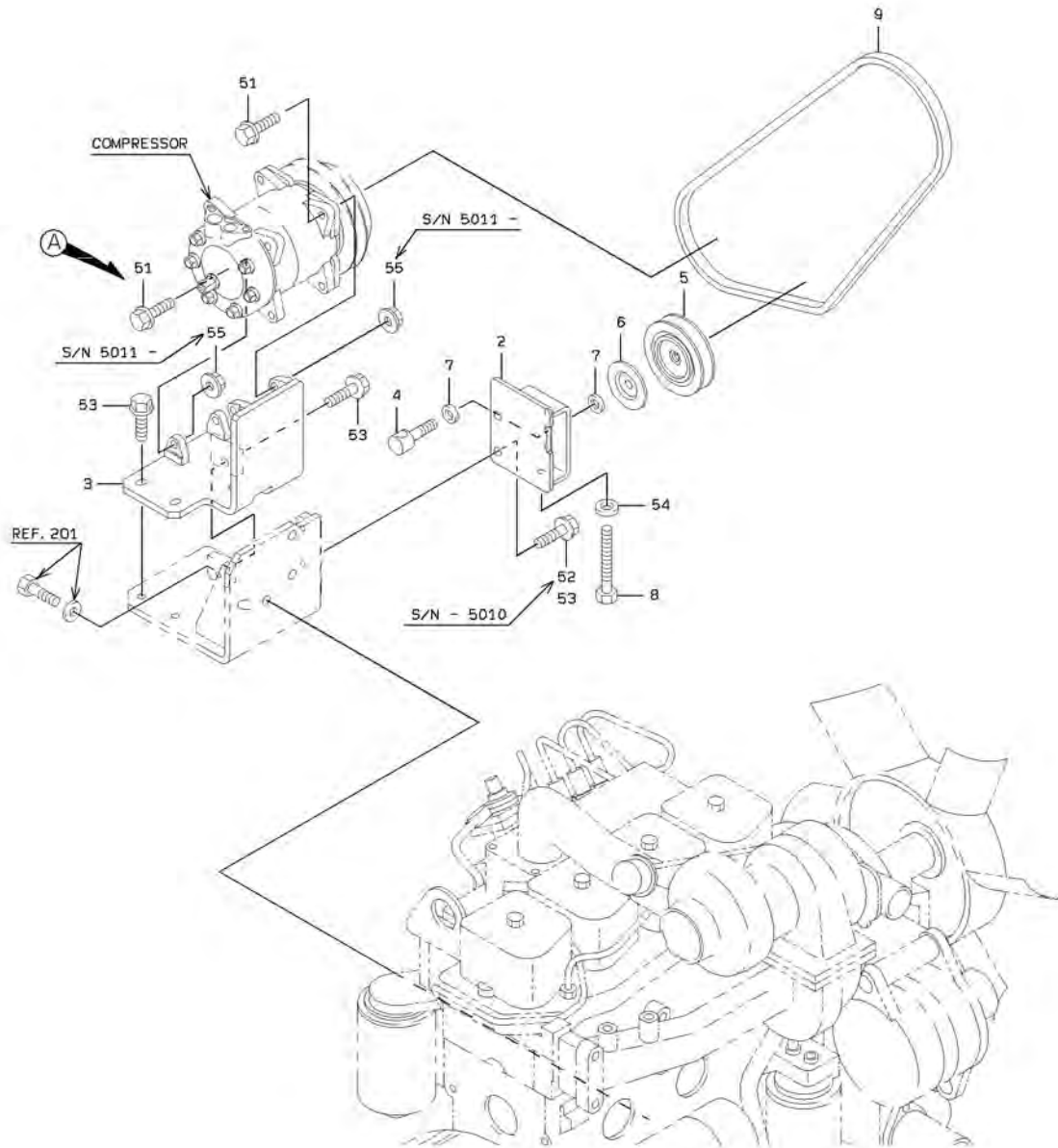


t-e

CONDENSER & COVER MOUNT

SYM-BOL	PART NUMBER	PART NAME	UNIT Q,TY	SERIAL		REMARKS						
				(A)	(B)	N	P	D	(A)	(B)	(C)	(D)
2A	41605-46680	PLATE	1	5001	-							
3A	31200-36570	COVER	1	5001	-							
11A	31205-47570	COVER	1	5001	-	5008				Y01		
11B	31205-53630	COVER	1	5009	-	5012	B			Y01		
11C	31205-53970	COVER	1	5013	-		B			Y01		
12A	44810-70050	LATCH ASSY	2	5001	-							
13A	65801-25032	BUSHING,ELASTIC	1	5001	-							
29A	41619-49940	PLATE	1	5001	-	5012				01		WELDING
29B	41750-40770	PLATE	1	5013	-		B			01		
32A	39890-70120	HINGE	2	5001	-					01		WELDING
41A	40901-49390	BRACKET	1	5001	-							
42A	41619-50020	PLATE	1	5001	-							
43A	41710-50100	PLATE	1	5009	-							
44A	41710-50110	PLATE	1	5009	-							
51A	61802-10012	BOLT,FLANGED	5	5001	-							
52A	61802-08016	BOLT,FLANGED	2	5001	-							
53A	61802-05012	BOLT,FLANGED	4	5001	-							
61A	62256-51412	SCREW	2	5001	-							
62A	62701-20041	WASHER,PLANE	2	5001	-							
63A	62721-04100	WASHER,SPRING	2	5001	-							
71A	61802-10012	BOLT,FLANGED	6	5001	-							
72A	61802-12020	BOLT,FLANGED	4	5001	-	5008						
72B	61802-12025	BOLT,FLANGED	4	5009	-		B					
101A	43780-22400	BOSS	11	5001	-							WELDING

COMPRESSOR MOUNT

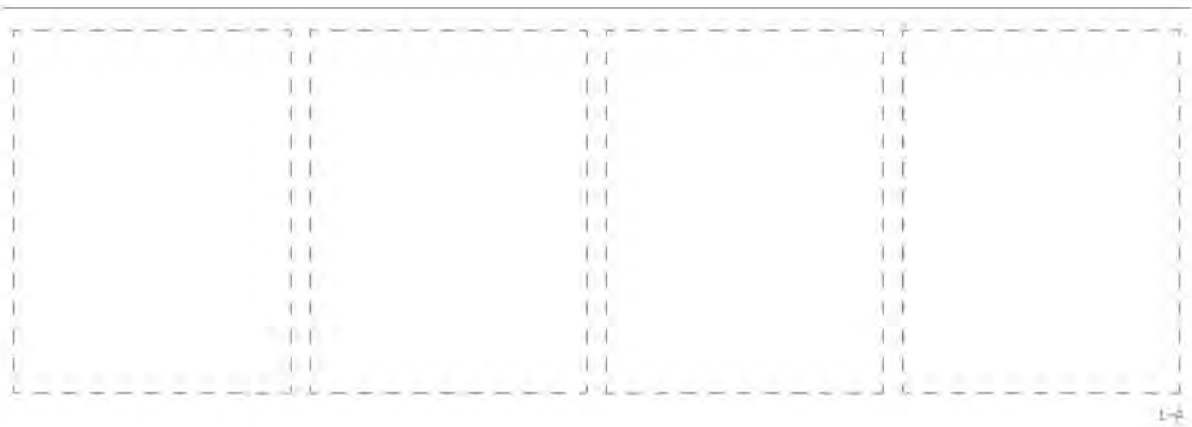
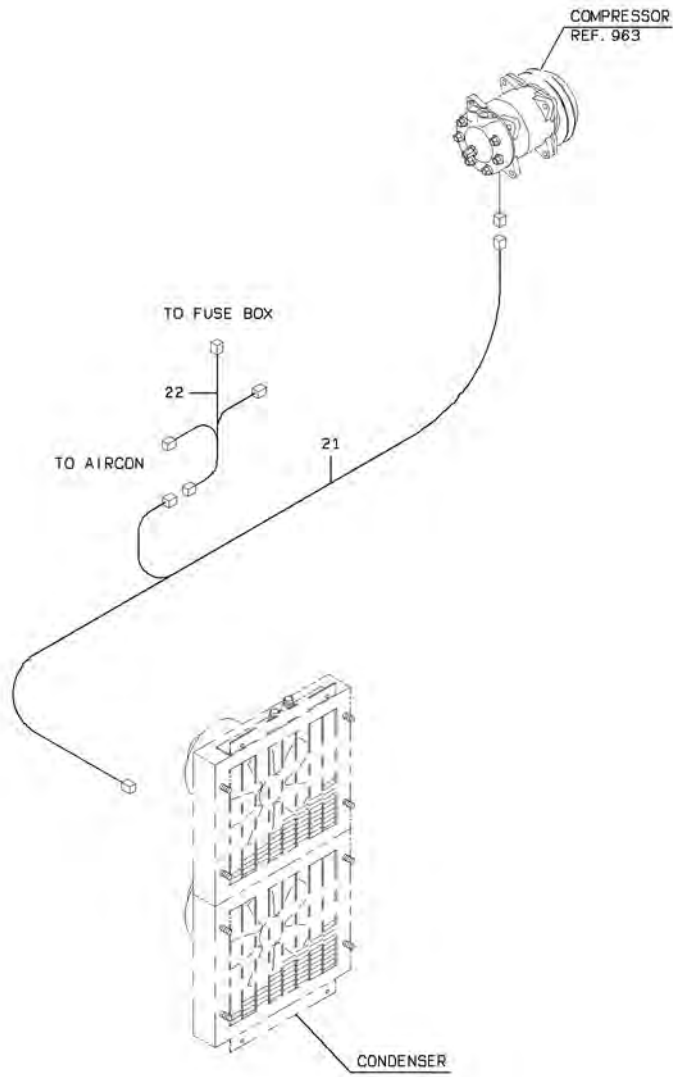


L-E

COMPRESSOR MOUNT

SYM-BOL	PART NUMBER	PART NAME	UNIT Q,TY	SERIAL		REMARKS						
				(A)	(B)	N	P	D	(A)	(B)	(C)	(D)
2A	40901-49370	BRACKET	1	5001	5004							
2B	40902-38810	BRACKET	1	5005								
3A	40901-49380	BRACKET	1	5001	5010							
3B	40902-41380	BRACKET	1	5011								
4A	34500-23220	SHAFT	1	5001								
5A	41470-70010	PULLEY	1	5001								
6A	31200-70440	COVER	1	5001								
7A	46011-20190	WASHER,PLANE	2	5001								
8A	43900-20370	BOLT	1	5001								
9A	78023-11420	BELT,V	1	5001	5016							
9B	78023-11440	BELT,V	1	5017								
51A	61802-10040	BOLT,FLANGED	4	5001	5010							
51B	61802-10035	BOLT,FLANGED	4	5011								
52A	61802-10030	BOLT,FLANGED	2	5001	5010							
53A	61802-10020	BOLT,FLANGED	3	5001	5010							
53B	61802-10020	BOLT,FLANGED	5	5011								
54A	62701-40081	WASHER,PLANE	1	5001								
55A	62480-21101	NUT,FLANGED	4	5011								

ELECTRICAL PARTS GROUP (FOR AIR CONDITIONER)

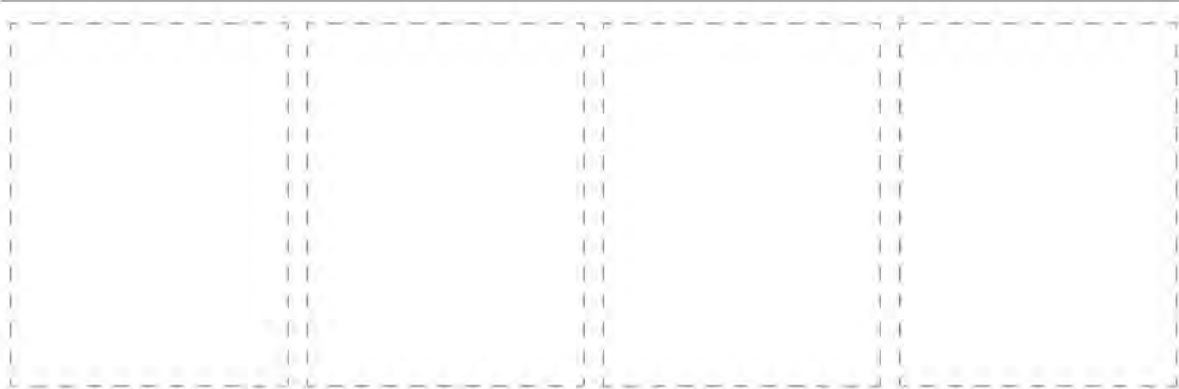
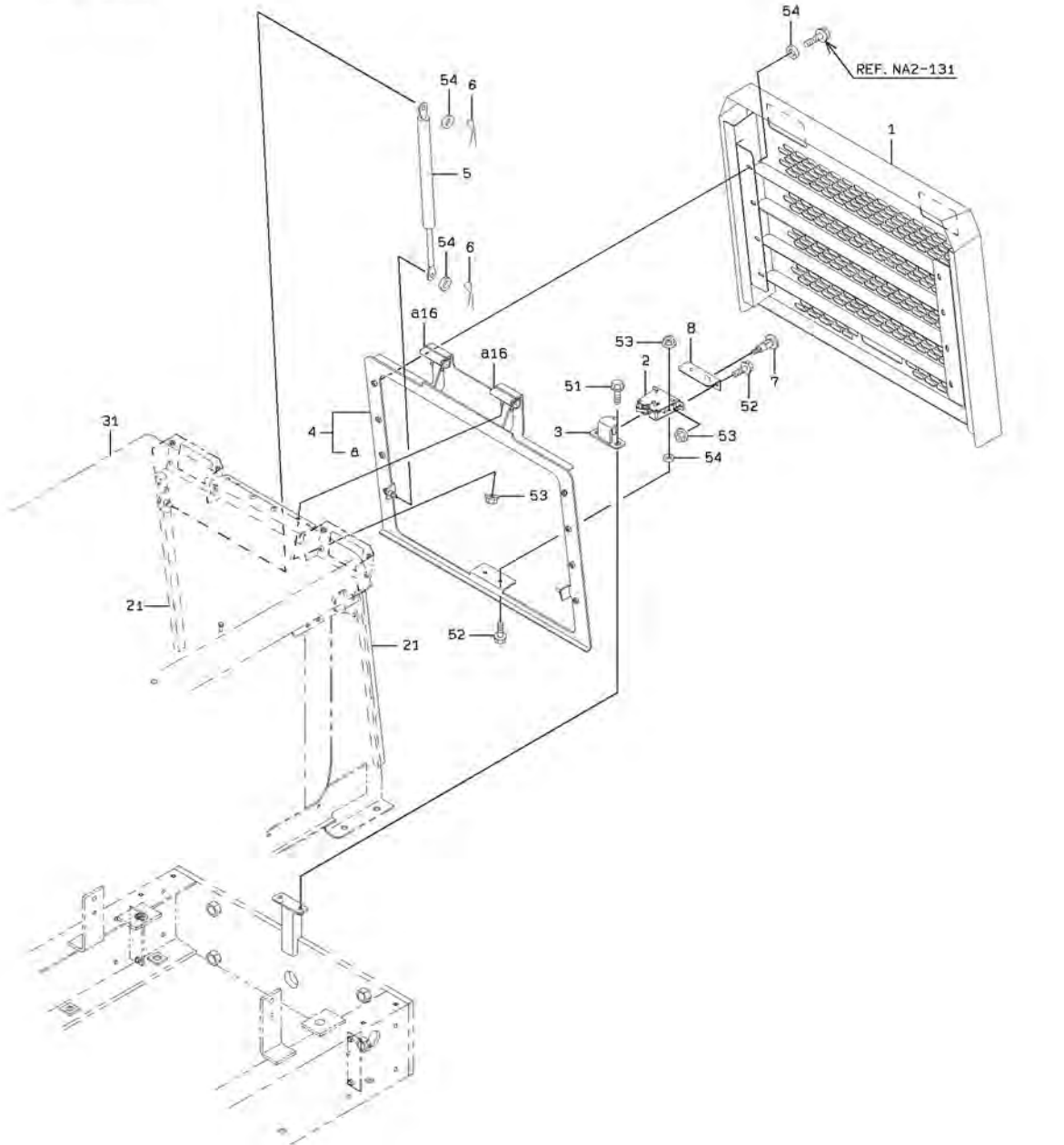


ELECTRICAL PARTS GROUP (FOR AIR CONDITIONER)

SYM-BOL	PART NUMBER	PART NAME	UNIT Q,TY	SERIAL (A) - (B)	REMARKS					
					N	P	D	(A)	(B)	(C)
21A	33193-38410	CABLE ASSY	1	5001 -						
22A	33193-34930	CABLE ASSY	1	5001 -						

REAR GRILLA GROUP (OPENING AND CLOSED TYPE +STEEL PLATE)

<S/N 5019 - >



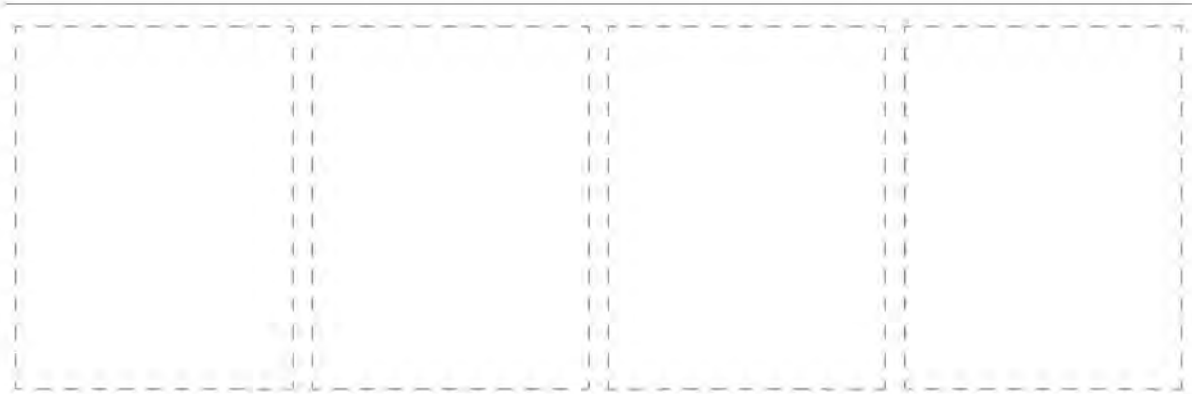
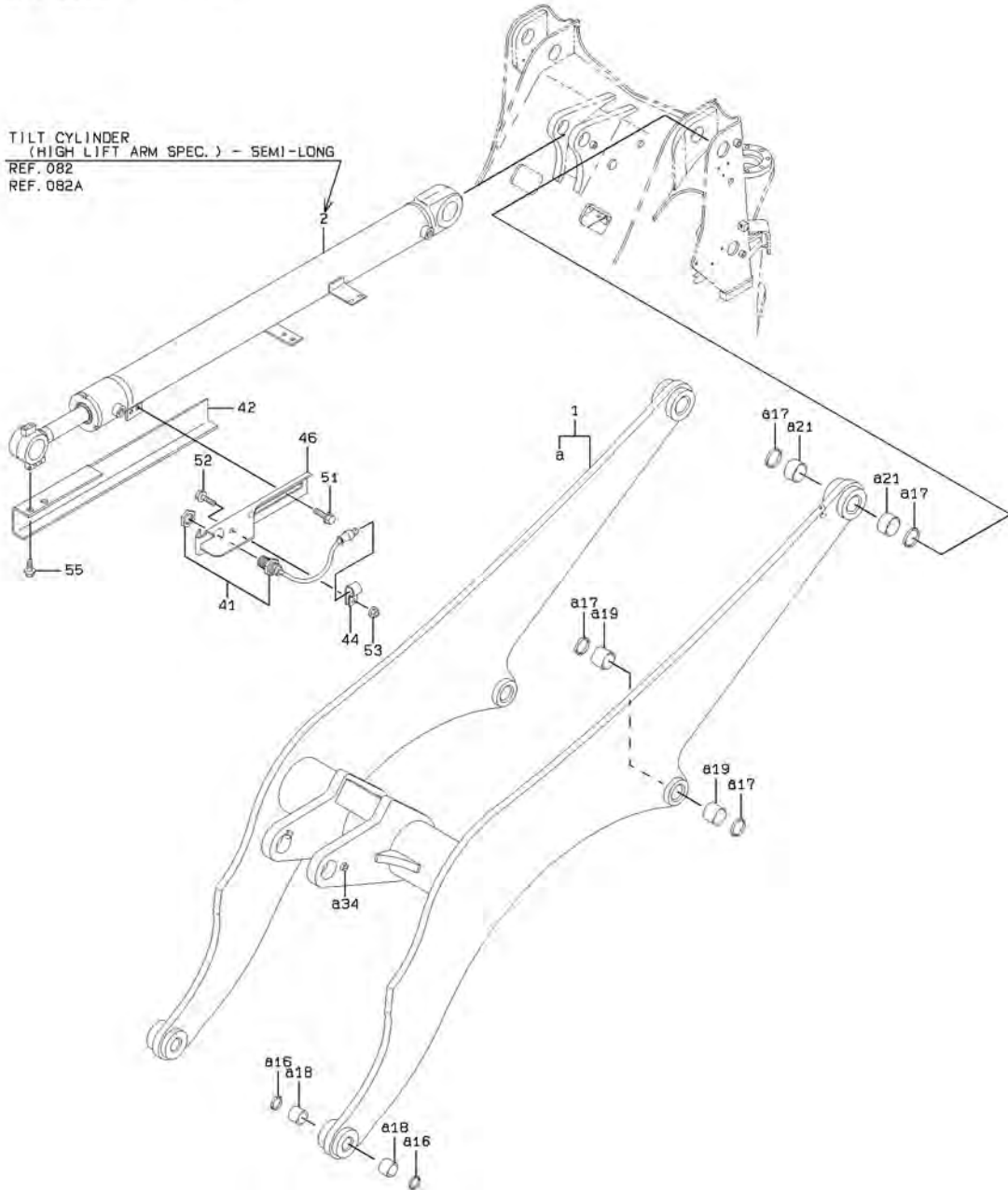
REAR GRILLA GROUP (OPENING AND CLOSED TYPE +STEEL PLATE)

SYM-BOL	PART NUMBER	PART NAME	UNIT Q,TY	SERIAL		REMARKS						
				(A)	(B)	N	P	D	(A)	(B)	(C)	(D)
1A	33070-22890	GRILLE	1	5019	-							
2A	32151-60100	CATCH ASSY	1	5019	-							
3A	32150-20420	CATCH	1	5019	-							
4A	40600-39850	FRAME	1	5019	-					Y01		
5A	35211-60220	STAY ASSY	2	5019	-							
6A	63002-02016	PIN,SPLIT	4	5019	-							
7A	43900-24420	BOLT	1	5019	-							
8A	31200-40200	COVER	1	5019	-							
16A	39890-70040	HINGE	2	5019	-					01		WELDING
21A	33713-29060	SHEET,RUBBER	2	5019	-							
31A	03501-72350	ROOM ASSY,ENGINE	1	5019	-							
51A	61802-10025	BOLT,FLANGED	2	5019	-							
52A	61802-08020	BOLT,FLANGED	4	5019	-							
53A	62480-21081	NUT,FLANGED	8	5019	-							
54A	62701-40081	WASHER,PLANE	14	5019	-							

LIFT ARM (HIGH LIFT ARM SPEC.) - SEMI - LONG

<S/N 5021 - >

TILT CYLINDER
(HIGH LIFT ARM SPEC.) - SEMI-LONG
REF. 082
REF. 082A



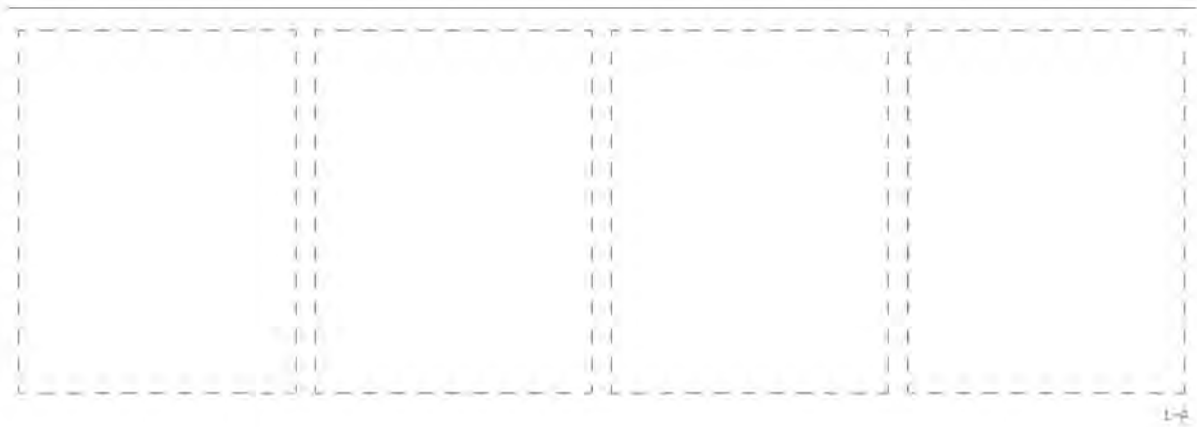
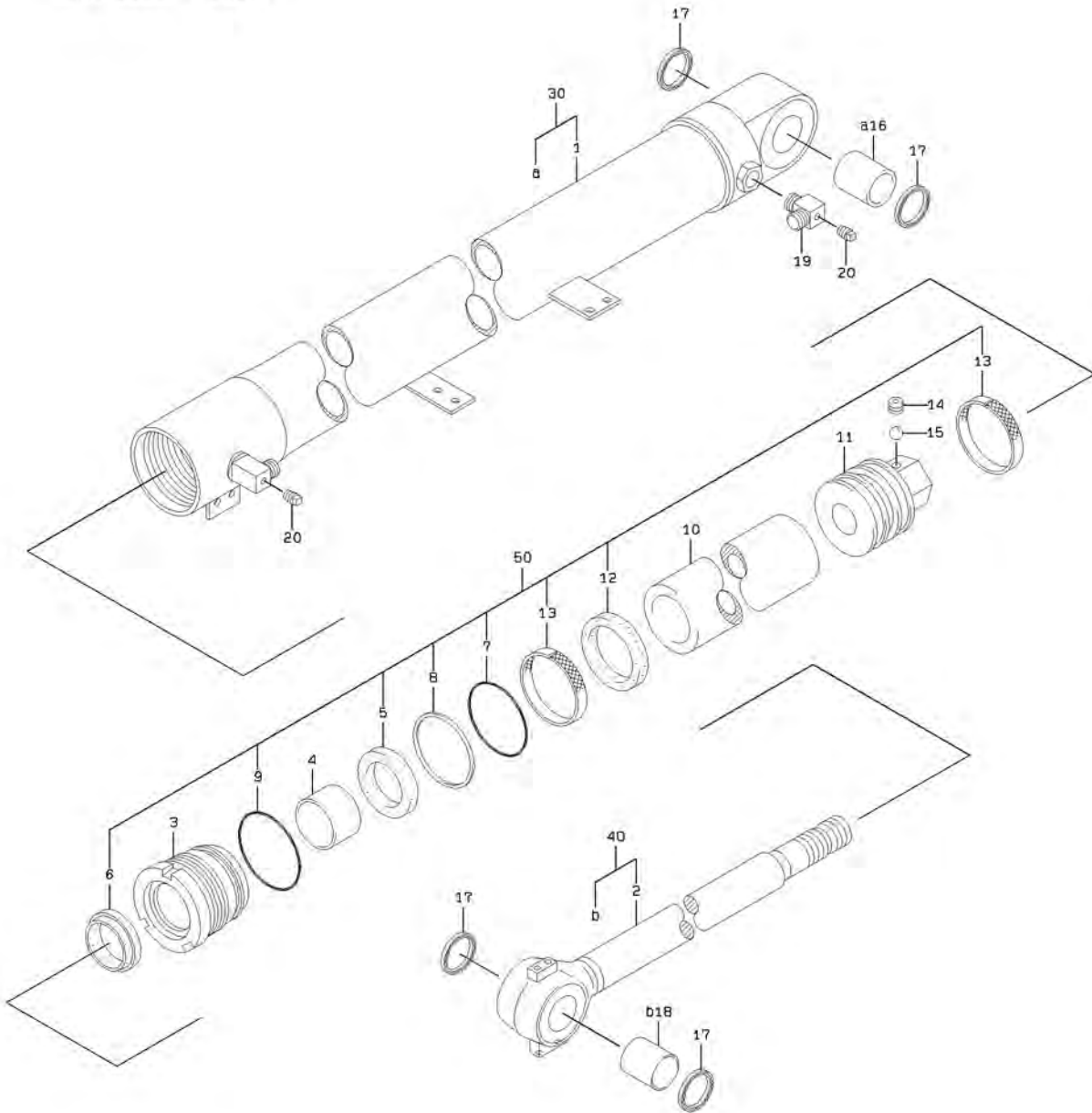
t-e

LIFT ARM (HIGH LIFT ARM SPEC.) - SEMI - LONG

SYM-BOL	PART NUMBER	PART NAME	UNIT Q,TY	SERIAL		REMARKS							
				(A)	(B)	N	P	D	(A)	(B)	(C)	(D)	REMARK
1A	30040-24250	ARM ASSY,LIFT	1	5021	-								L=4070
2A	34820-66440	CYLINDER ASSY,OIL	1	5021	-	5038							REF.082
2B	34820-66790	CYLINDER ASSY,OIL	1	5039	-		B						REF.082A
16A	34044-20090	SEAL,DUST	4	5021	-					01			
17A	34044-20080	SEAL,DUST	8	5021	-					01			
18A	63422-35375	BUSHING	4	5021	-					01			
19A	40840-22180	BUSHING	4	5021	-					01			
21A	40840-22190	BUSHING	4	5021	-					01			
34A	43780-21710	BOSS	1	5021	-					01			WELDING
41A	35051-70040	SWITCH,PROXIMITY	1	5021	-	5024	D						
42A	41609-35580	PLATE	1	5021	-	5024	D						
44A	72001-11800	HOLDER,PIPE	1	5021	-	5024	D						D=18
46A	41617-57970	PLATE	1	5021	-	5024	D						
51A	61802-12020	BOLT,FLANGED	2	5021	-	5024	D						
52A	61802-08020	BOLT,FLANGED	1	5021	-	5024	D						
53A	62480-21081	NUT,FLANGED	1	5021	-	5024	D						
55A	61802-10020	BOLT,FLANGED	2	5021	-	5024	D						

TILT CYLINDER (HIGH LIFT ARM SPEC.) - SEMI - LONG

<S/N 5021 - 5038>

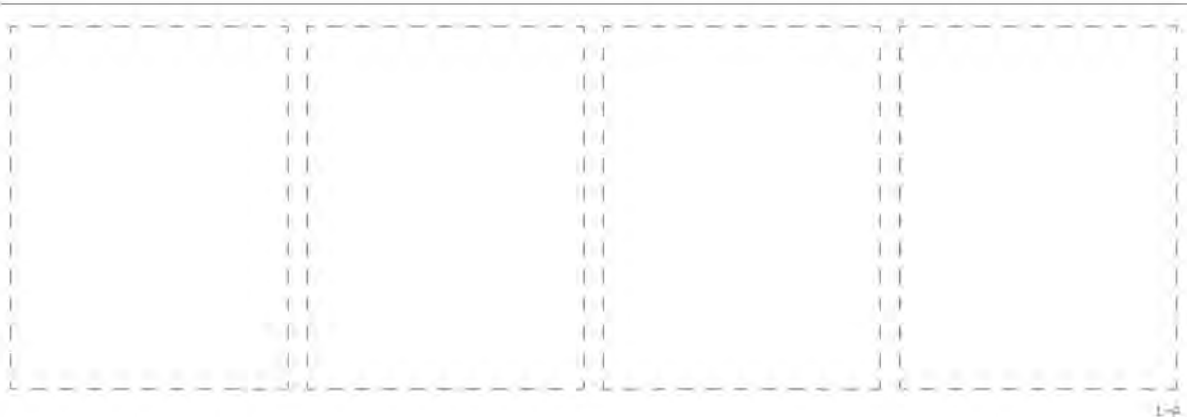
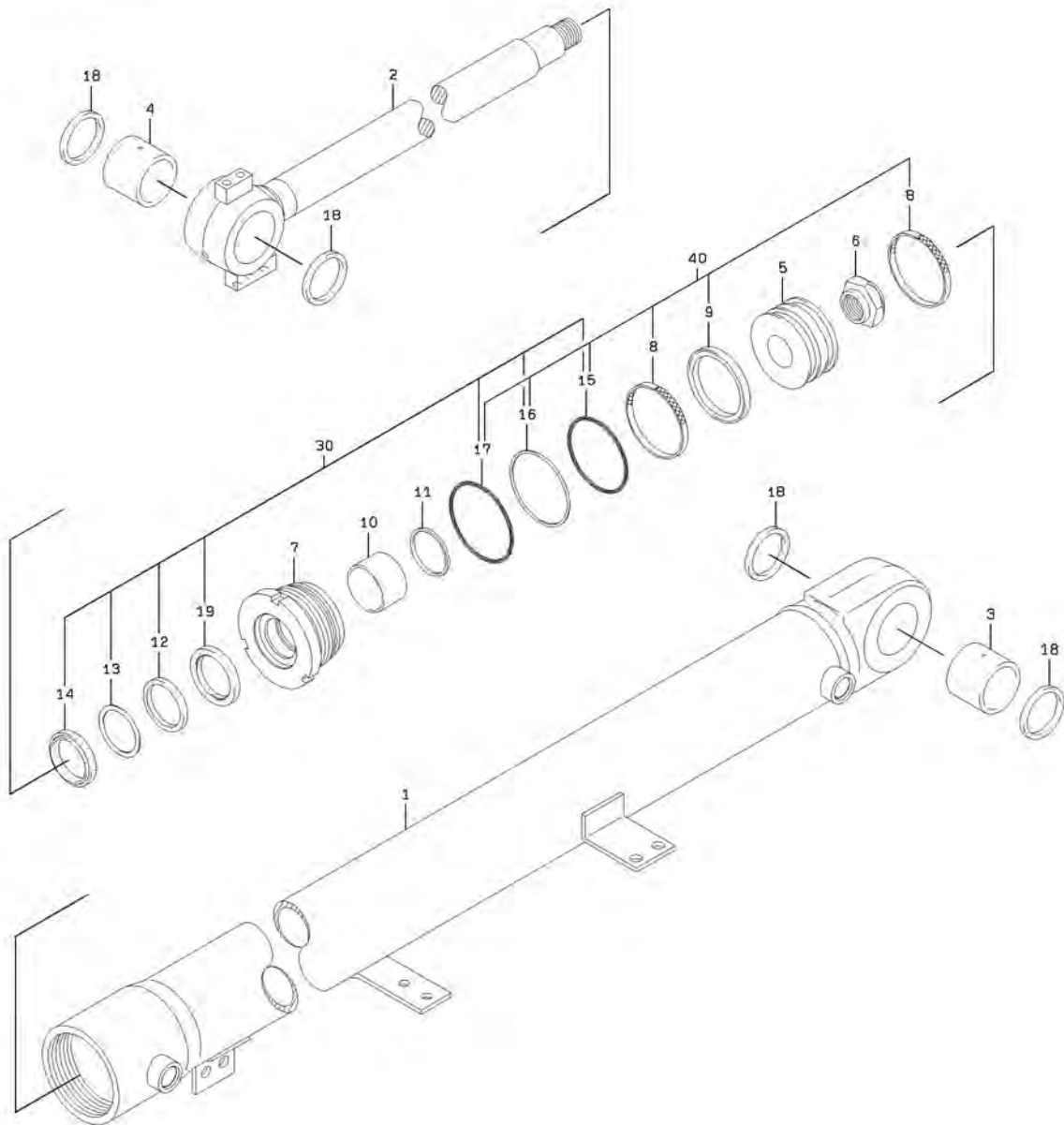


TILT CYLINDER (HIGH LIFT ARM SPEC.) - SEMI - LONG

SYM-BOL	PART NUMBER	PART NAME	UNIT Q,TY	SERIAL		REMARKS								
				(A)	(B)	N	P	D	(A)	(B)	(C)	(D)	REMARK	
000A	34820-66440	CYLINDER ASSY,OIL	1	5021	- 5038									
1A	36725-73470	TUBE,CYLINDER	1	5021	- 5038					01				
2A	45886-73130	ROD,PISTON	1	5021	- 5038						02			
3A	31289-71010	COVER,ROD	1	5021	- 5038									
4A	40840-72330	BUSHING	1	5021	- 5038									
5A	47142-70080	RING,U	1	5021	- 5038								K1	
6A	47181-70160	RING,WIPER	1	5021	- 5038								K1	
7A	65210-22095	RING,O	1	5021	- 5038								K1	
8A	47194-71160	RING,BACK-UP	1	5021	- 5038								K1	
9A	65210-21100	RING,O	1	5021	- 5038								K1	
10A	35700-72010	SPACER	1	5021	- 5038									
11A	39960-71850	PISTON	1	5021	- 5038									
12A	49170-70010	SEAL RING KIT	1	5021	- 5038								K1	
13A	47193-70120	RING,SLIPPER	2	5021	- 5038								K1	
14A	35104-70080	SCREW,SET	1	5021	- 5038									
15A	43751-70360	BALL	1	5021	- 5038									
16A	40840-72150	BUSHING	1	5021	- 5038					01				
17A	47181-70120	RING,WIPER	4	5021	- 5038									
18A	40840-72160	BUSHING	1	5021	- 5038						02			
19A	38902-70100	FITTING,NIPPLE	1	5021	- 5038									
20A	41530-73600	PLUG	2	5021	- 5038									
30A	36704-70050	TUBE ASSY,CYLINDER	1	5021	- 5038					Y01				
40A	39962-70640	PISTON ASSY	1	5021	- 5038						Y02			
50A	49327-72870	SEAL KIT	1	5021	- 5038								QK1	

TILT CYLINDER (HIGH LIFT ARM SPEC.) - SEMI - LONG

<S/N 5039 - >

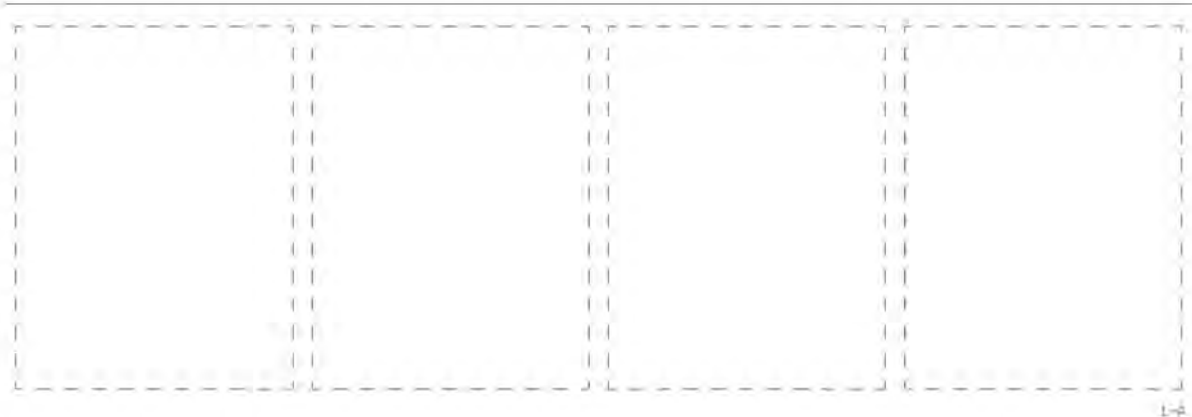
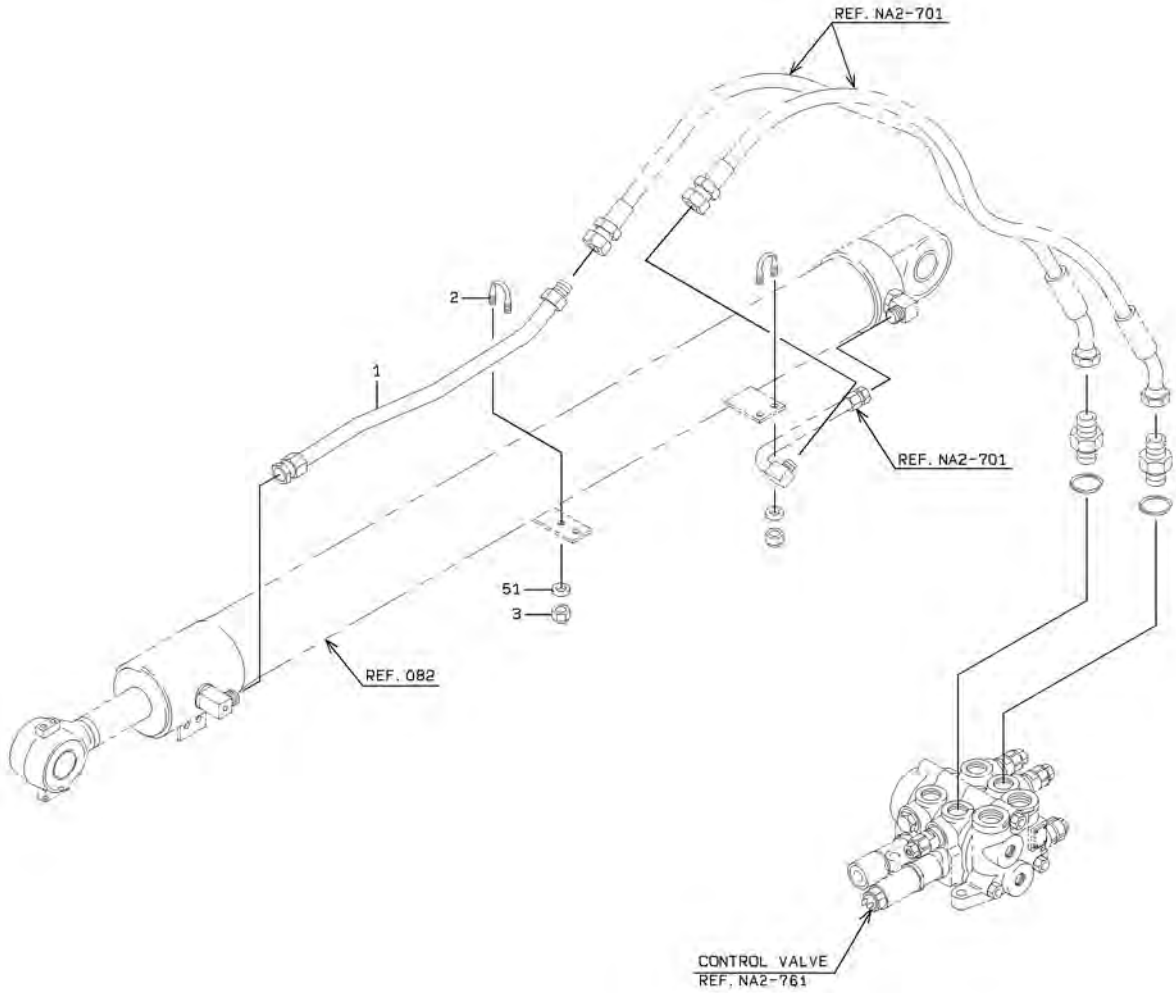


TILT CYLINDER (HIGH LIFT ARM SPEC.) - SEMI - LONG

SYM-BOL	PART NUMBER	PART NAME	UNIT Q, TY	SERIAL		REMARKS						
				(A)	(B)	N	P	D	(A)	(B)	(C)	(D)
000A	34820-66790	CYLINDER ASSY,OIL	1	5039	-							
1A	36704-70190	TUBE ASSY,CYLINDER	1	5039	-							
2A	45871-70400	ROD ASSY	1	5039	-							
3A	40840-73190	BUSHING	1	5039	-							
4A	40840-73170	BUSHING	1	5039	-							
5A	39960-72600	PISTON	1	5039	-							
6A	37600-72790	NUT	1	5039	-							
7A	33100-71070	CASE	1	5039	-							
8A	47171-70840	RING,WEAR	2	5039	-						K2	
9A	39600-73240	PACKING	1	5039	-						K2	
10A	40840-73290	BUSHING	1	5039	-							
11A	32970-70490	CLIP	1	5039	-							
12A	39600-73510	PACKING	1	5039	-						K1	
13A	47194-71800	RING,BACK-UP	1	5039	-						K1	
14A	34044-71140	SEAL,DUST	1	5039	-						K1	
15A	47131-77150	RING,O	1	5039	-						K1	K2
16A	47194-71740	RING,BACK-UP	1	5039	-						K1	K2
17A	47131-77160	RING,O	1	5039	-						K1	K2
18A	34044-71110	SEAL,DUST	4	5039	-							
19A	47195-70180	RING,BUFFER	1	5039	-						K1	
30A	49327-74390	SEAL KIT	1	5039	-						QK1	
40A	49327-74320	SEAL KIT	1	5039	-						QK2	
												FR ROD COVER
												FR PISTON

HYDRAULIC LINE (HIGH LIFT ARM SPEC.) - SEMI-LONG

<S/N 5021 - >

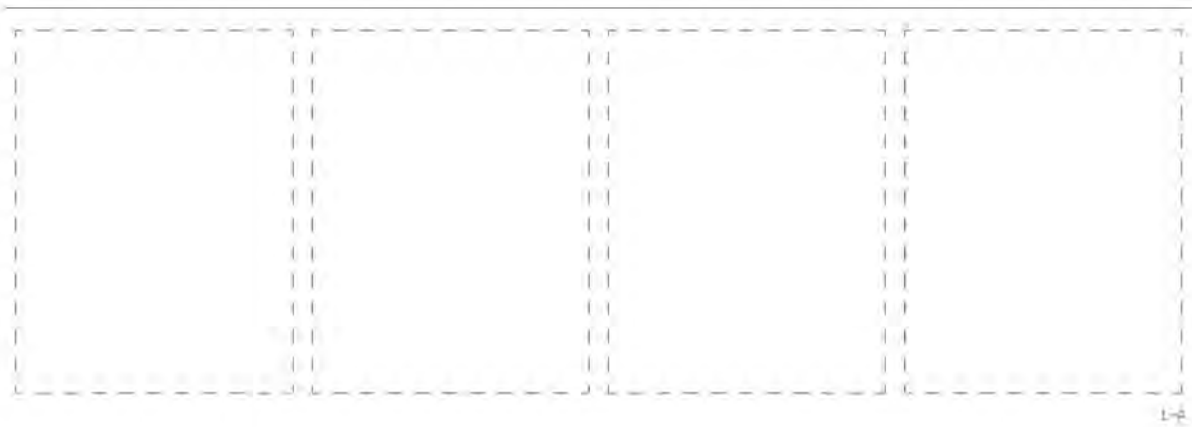
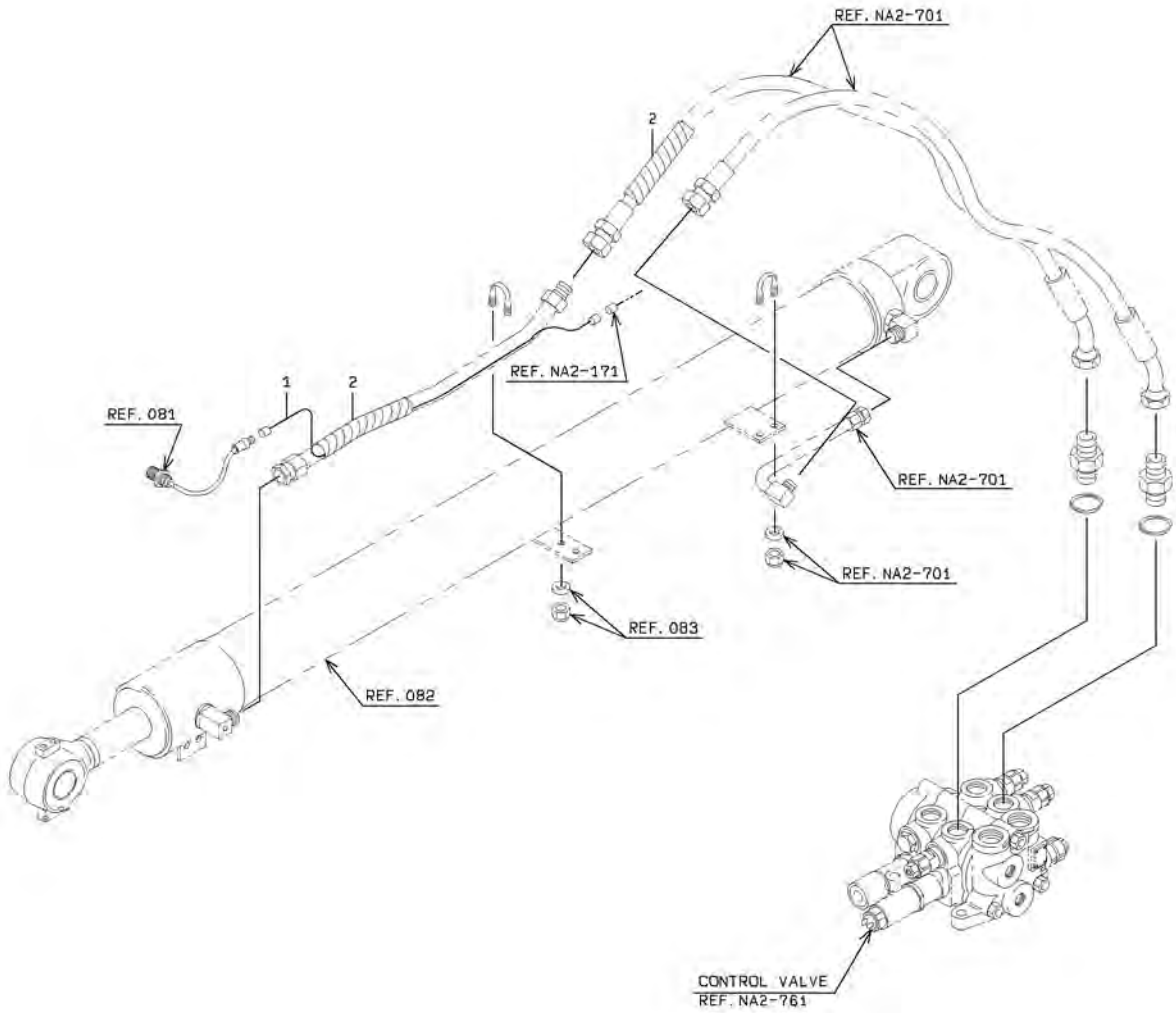


HYDRAULIC LINE (HIGH LIFT ARM SPEC.) - SEMI-LONG

SYM-BOL	PART NUMBER	PART NAME	UNIT Q, TY	SERIAL (A) - (B)	REMARKS					
					N	P	D	(A)	(B)	(C)
1A	38775-31960	PIPE,OIL	1	5021 -						
2A	43962-20020	BOLT,U	1	5021 -						
3A	88031-06101	NUT,SELF-LOCKING	2	5021 -						
51A	62701-40101	WASHER,PLANE	2	5021 -						

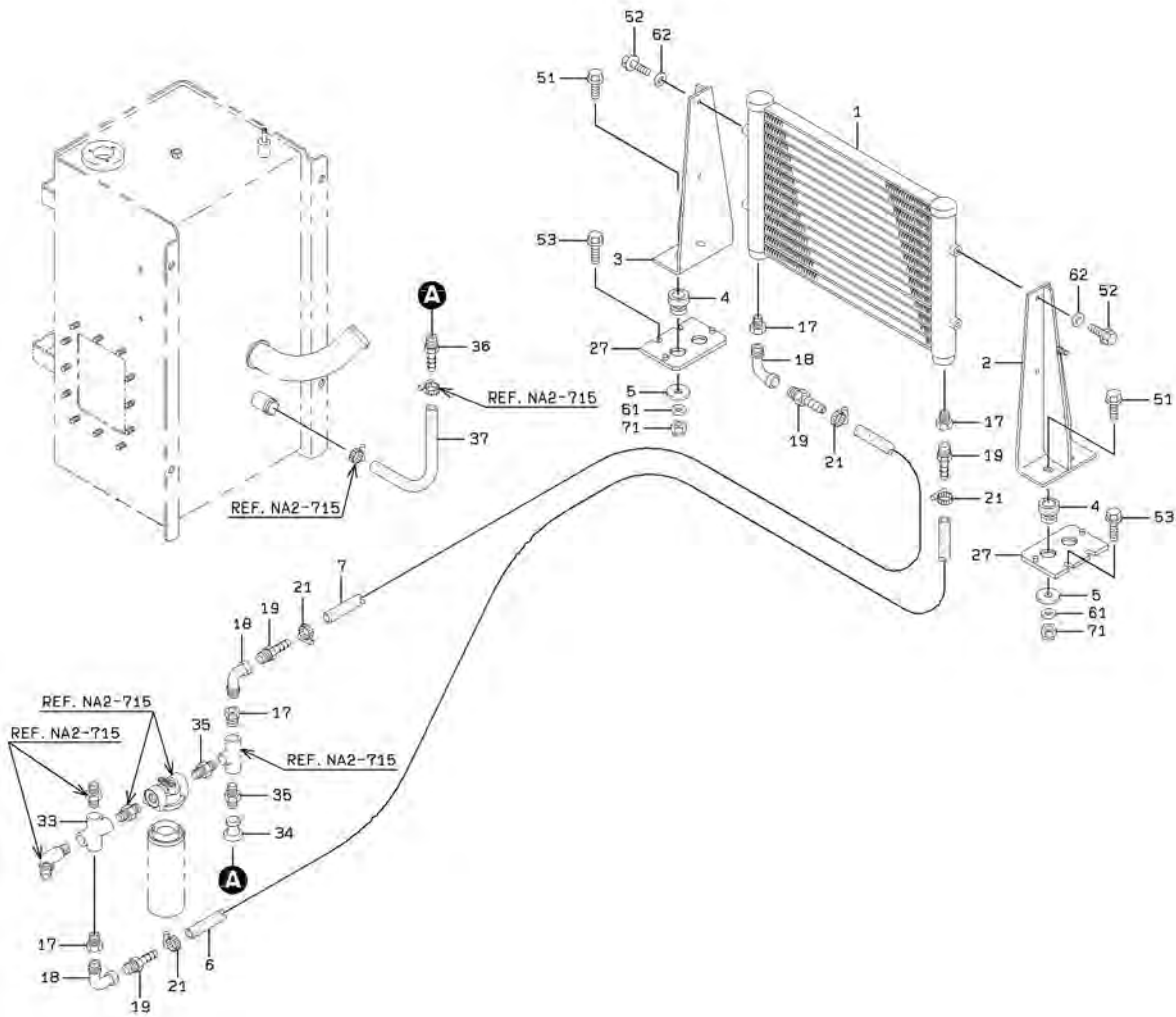
CABLE MOUNT(HIGH LIFT ARM SPEC.) - SEMI - LONG

<S/N 5021 - >

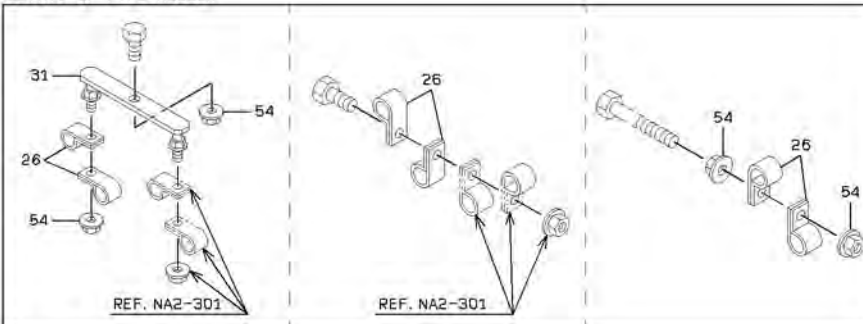


HYDRAULIC LINE - OIL COOLER(FOR PLATE FIN TYPE)

<S/N 5019 - >



DETAIL OF PIPE HOLDER



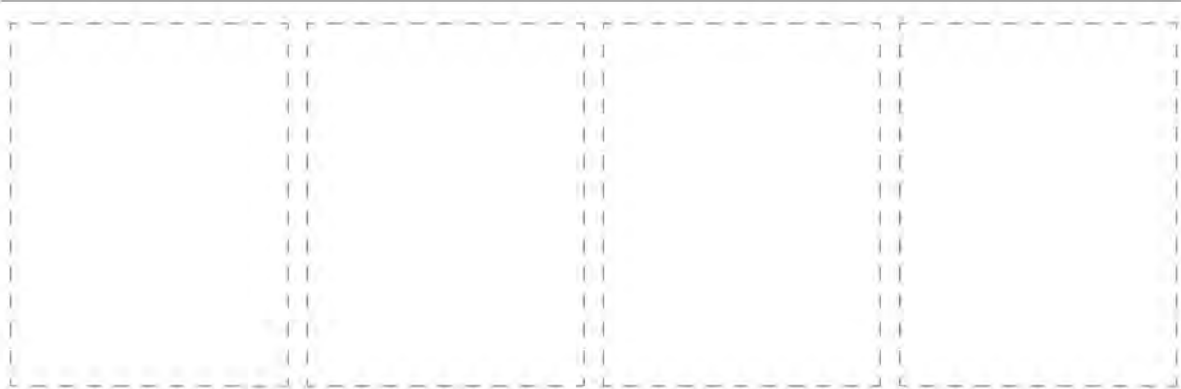
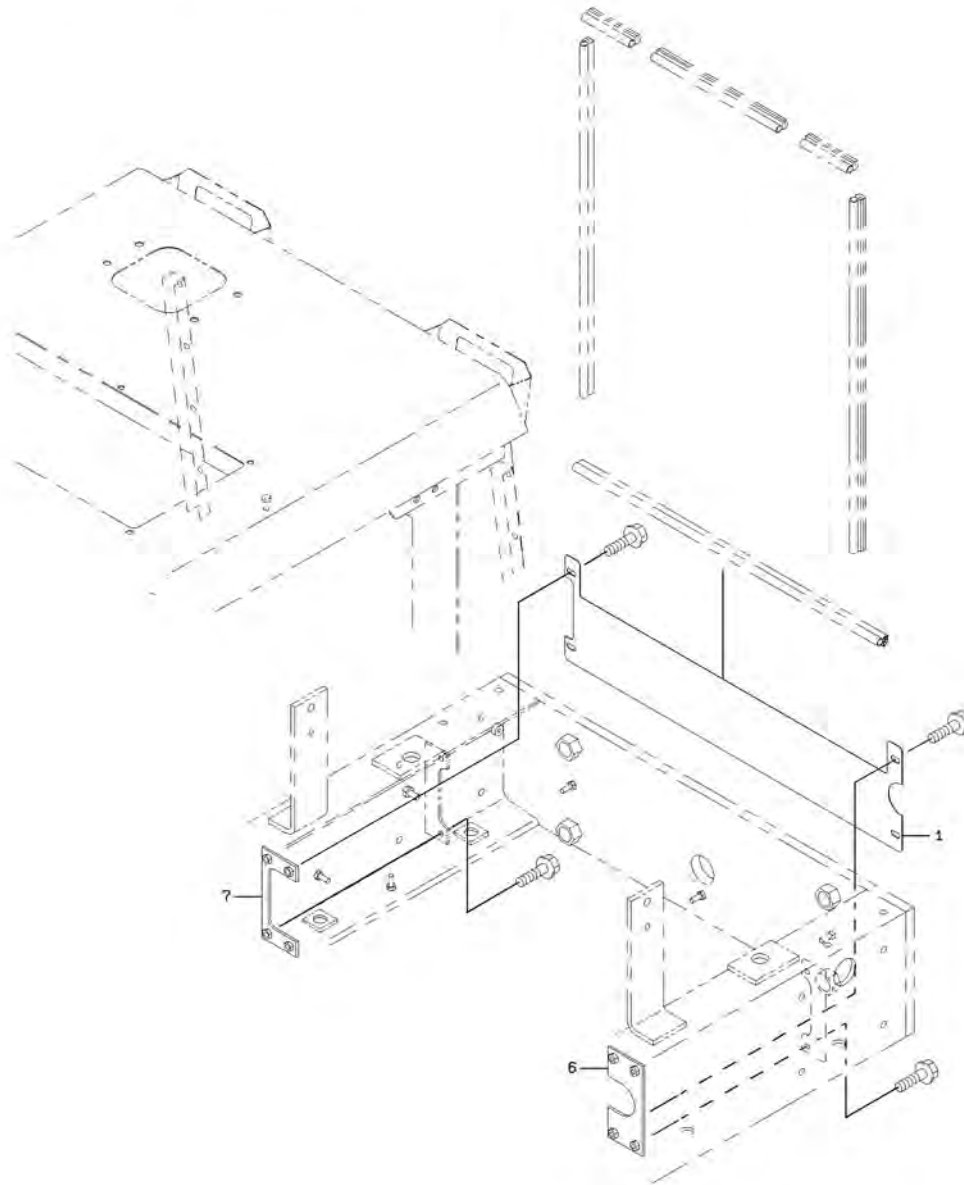
HYDRAULIC LINE - OIL COOLER(FOR PLATE FIN TYPE)

SYM-BOL	PART NUMBER	PART NAME	UNIT Q,TY	SERIAL		REMARKS						
				(A)	(B)	N	P	D	(A)	(B)	(C)	(D)
1A	32813-60020	COOLER ASSY,OIL	1	5019	-							
2A	40901-52470	BRACKET	1	5019	-							FR LH
3A	40901-52480	BRACKET	1	5019	-							FR RH
4A	40850-20060	BUSHING,ELASTIC	4	5019	-							
5A	46011-20630	WASHER,PLANE	4	5019	-							
6A	67040-19000	HOSE,HEAT RESISTIN	4 M	5019	-							L=3400
7A	67040-19000	HOSE,HEAT RESISTIN	4 M	5019	-							L=3200
17A	69210-10060	FITTING,BUSHING	4	5019	-							
18A	69205-06000	FITTING,ELBOW	3	5019	-							
19A	88511-01121	NIPPLE,HOSE	4	5019	-							
21A	69002-03100	BAND,HOSE	4	5019	-							
26A	72010-31000	HOLDER,HOSE	6	5019	-							
27A	41620-20720	PLATE	2	5019	-							
31A	41750-48020	PLATE	1	5019	-							
33A	69209-10000	FITTING,CROSS	1	5019	-							
34A	69201-12100	FITTING,SOCKET	1	5019	-							
35A	69202-10000	FITTING,NIPPLE	2	5019	-							
36A	88511-01200	NIPPLE,HOSE	1	5019	-							
37A	67040-32000	HOSE,HEAT RESISTIN	1 M	5019	-							L=400
51A	61802-12060	BOLT,FLANGED	4	5019	-							
52A	61802-08020	BOLT,FLANGED	4	5019	-							
53A	61802-12030	BOLT,FLANGED	4	5019	-							
54A	62480-21081	NUT,FLANGED	4	5019	-							
61A	62710-18121	WASHER,PLANE	4	5019	-							
62A	62710-18081	WASHER,PLANE	4	5019	-							
71A	88031-06121	NUT,SELF-LOCKING	4	5019	-							

WIND SHIELD GROUP (FOR PLATE FIN TYPE)

<S/N 5019 - >

(NOTE):REFER TO STANDARD CATALOG(REF. NA2-133) FOR NO SYMBOL PARTS.

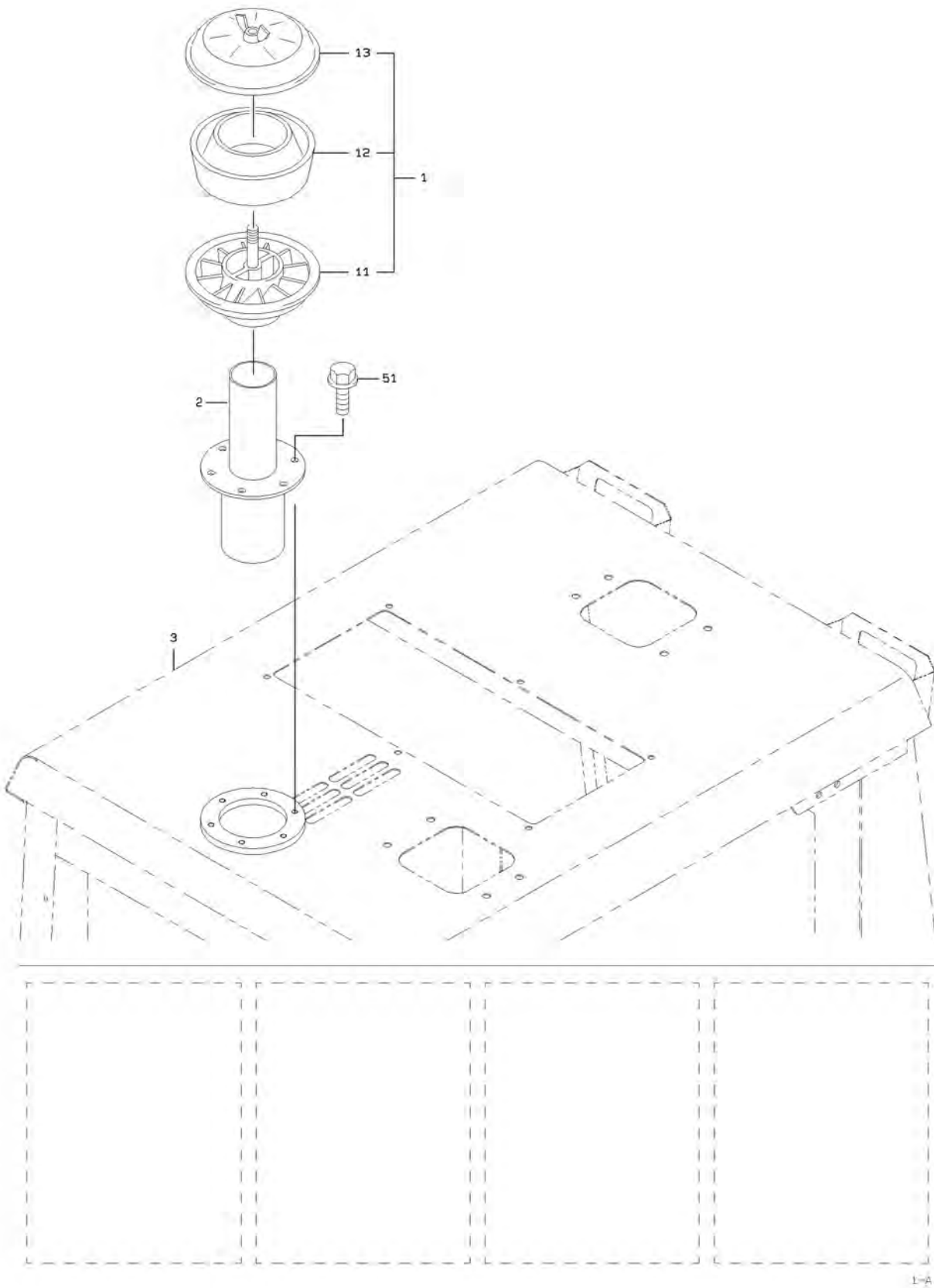


1-B

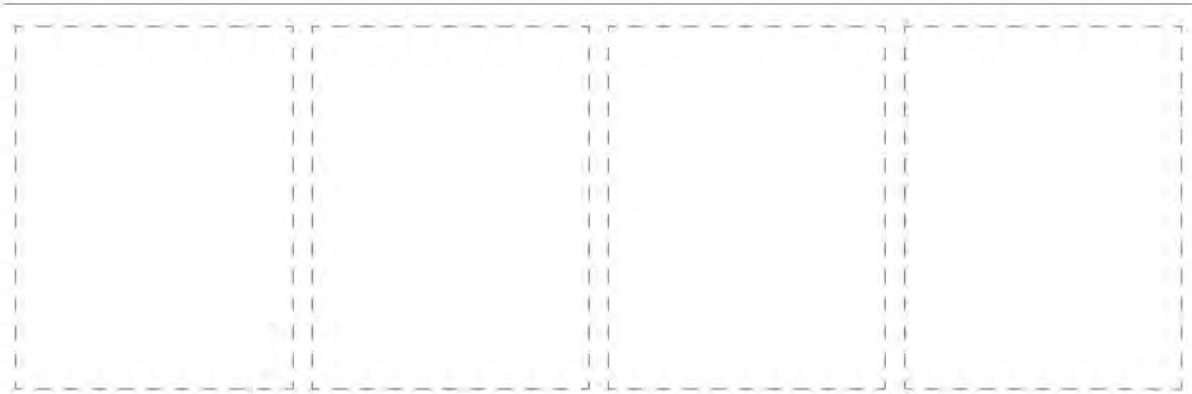
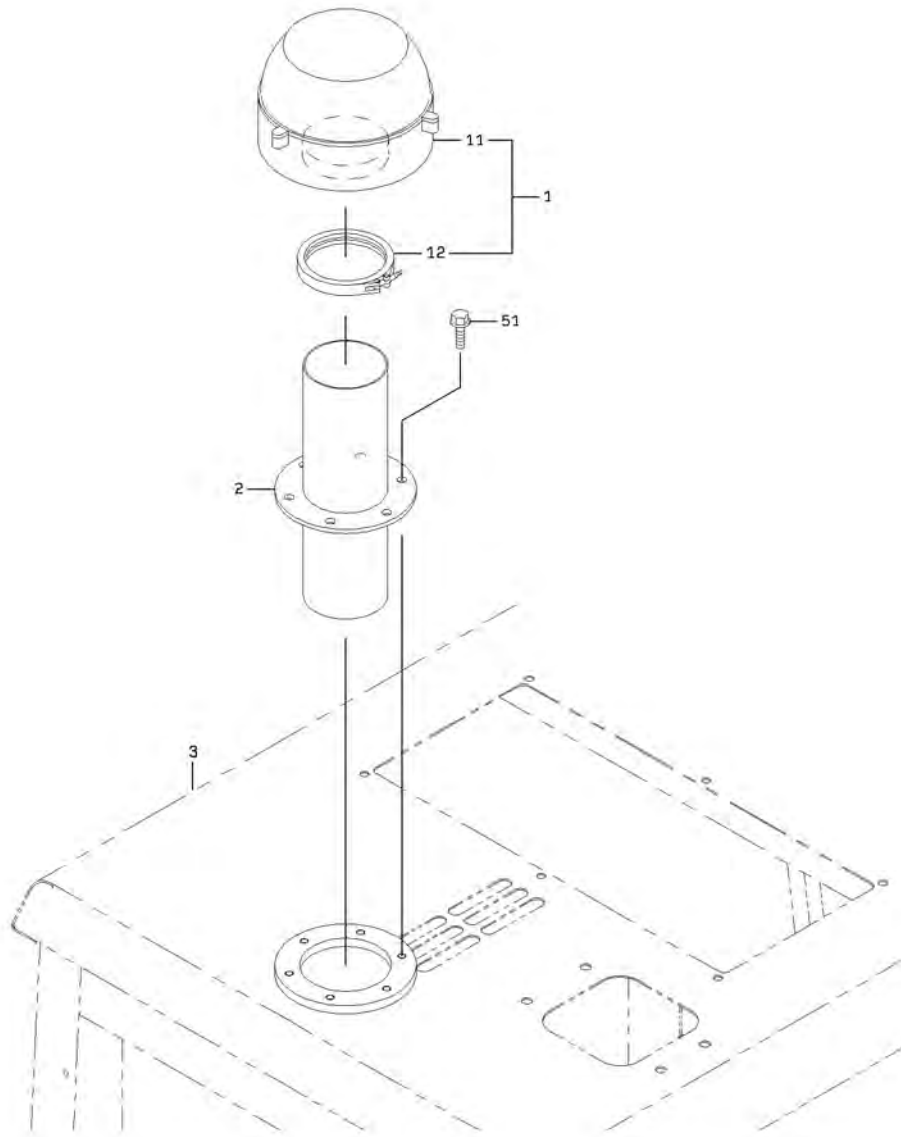
WIND SHIELD GROUP (FOR PLATE FIN TYPE)

SYM-BOL	PART NUMBER	PART NAME	UNIT Q, TY	SERIAL		REMARKS							
				(A)	(B)	N	P	D	(A)	(B)	(C)	(D)	REMARK
1A	41711-27840	PLATE	1	5019	-	5036							
1B	41712-45650	PLATE	1	5037	-		C						
6A	41619-53270	PLATE	1	5019	-	5036							FR LH
6B	41751-48740	PLATE	1	5037	-		C						FR LH
7A	41619-54960	PLATE	1	5019	-								FR RH

PRECLEANER MOUNT



PRECLEANER MOUNT (MAINTENANCE-FREE)



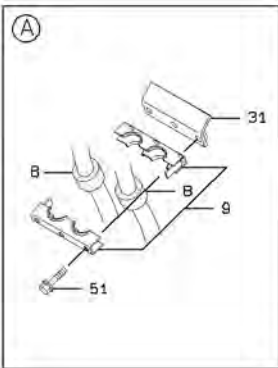
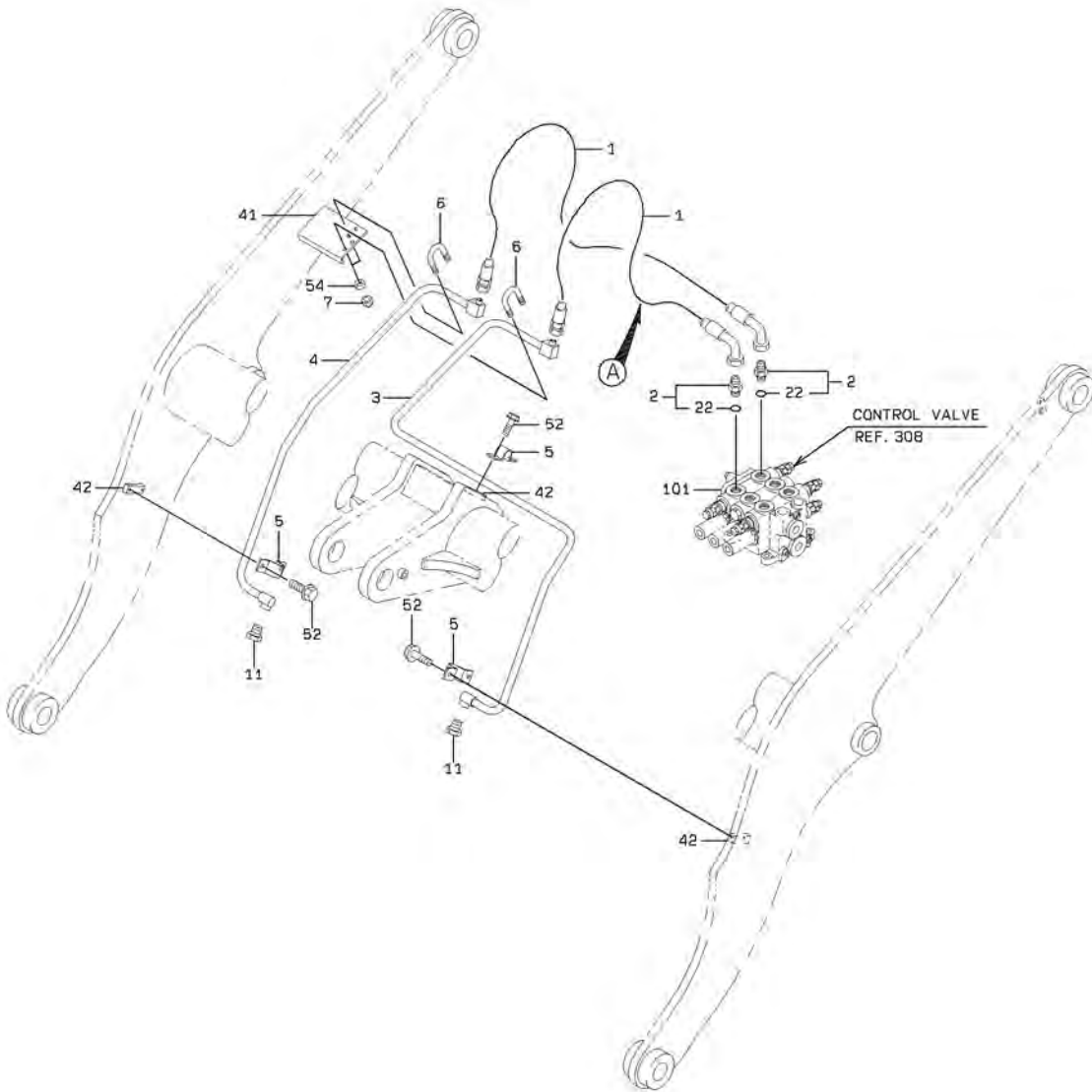
1-A

PRECLEANER MOUNT (MAINTENANCE-FREE)

SYM-BOL	PART NUMBER	PART NAME	UNIT Q,TY	SERIAL		REMARKS							
				(A)	(B)	N	P	D	(A)	(B)	(C)	(D)	REMARK
1A	42730-60030-7	PRECLEANER	1	5001	-						Y01		
2A	36430-24090	DUCT	1	5001	-								
3A	03501-54410	ROOM ASSY,ENGINE	1	5001	-								
11A	42730-70130-7	PRECLEANER	1	5001	-						01		
12A	32920-70890-7	CLAMP	1	5001	-						01		
51A	61802-10016	BOLT,FLANGED	6	5001	-								

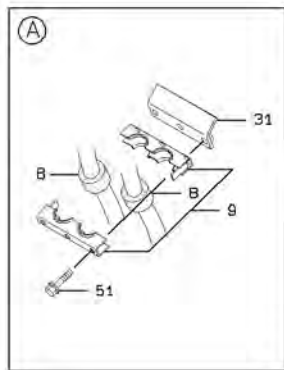
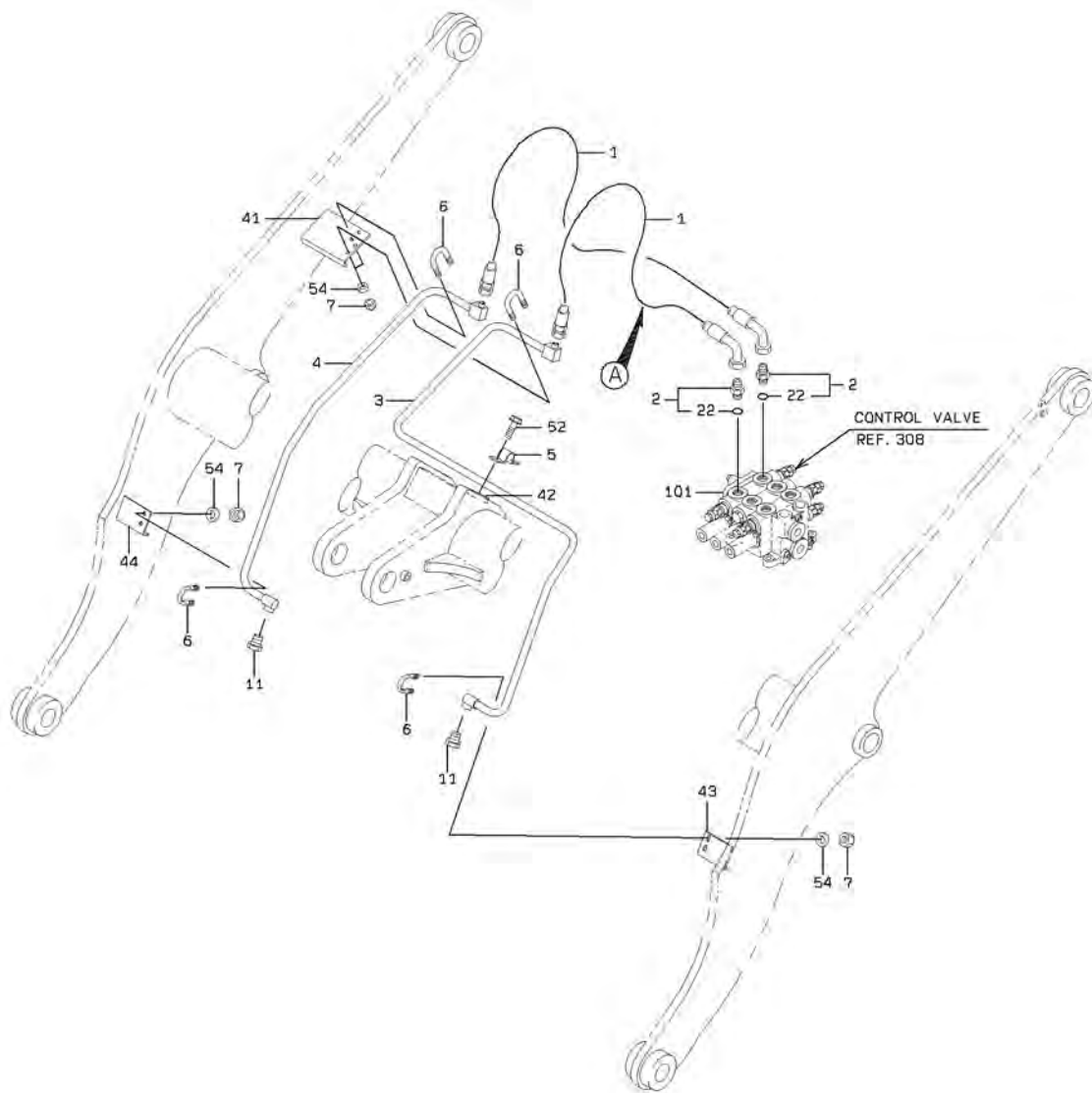
FRONT CHASSIS HYDRAULIC LINE (3WAY PIPING)

<S/N 5001 - 5026>



FRONT CHASSIS HYDRAULIC LINE (3WAY PIPING)

<S/N 5027 - >



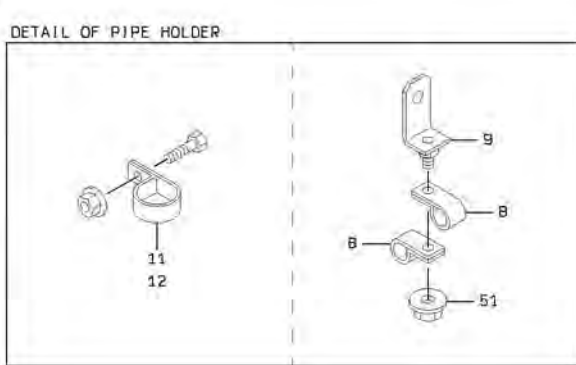
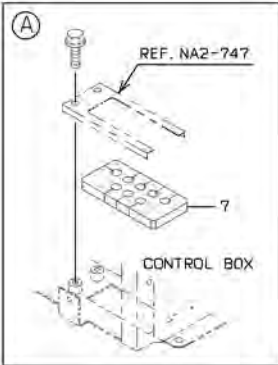
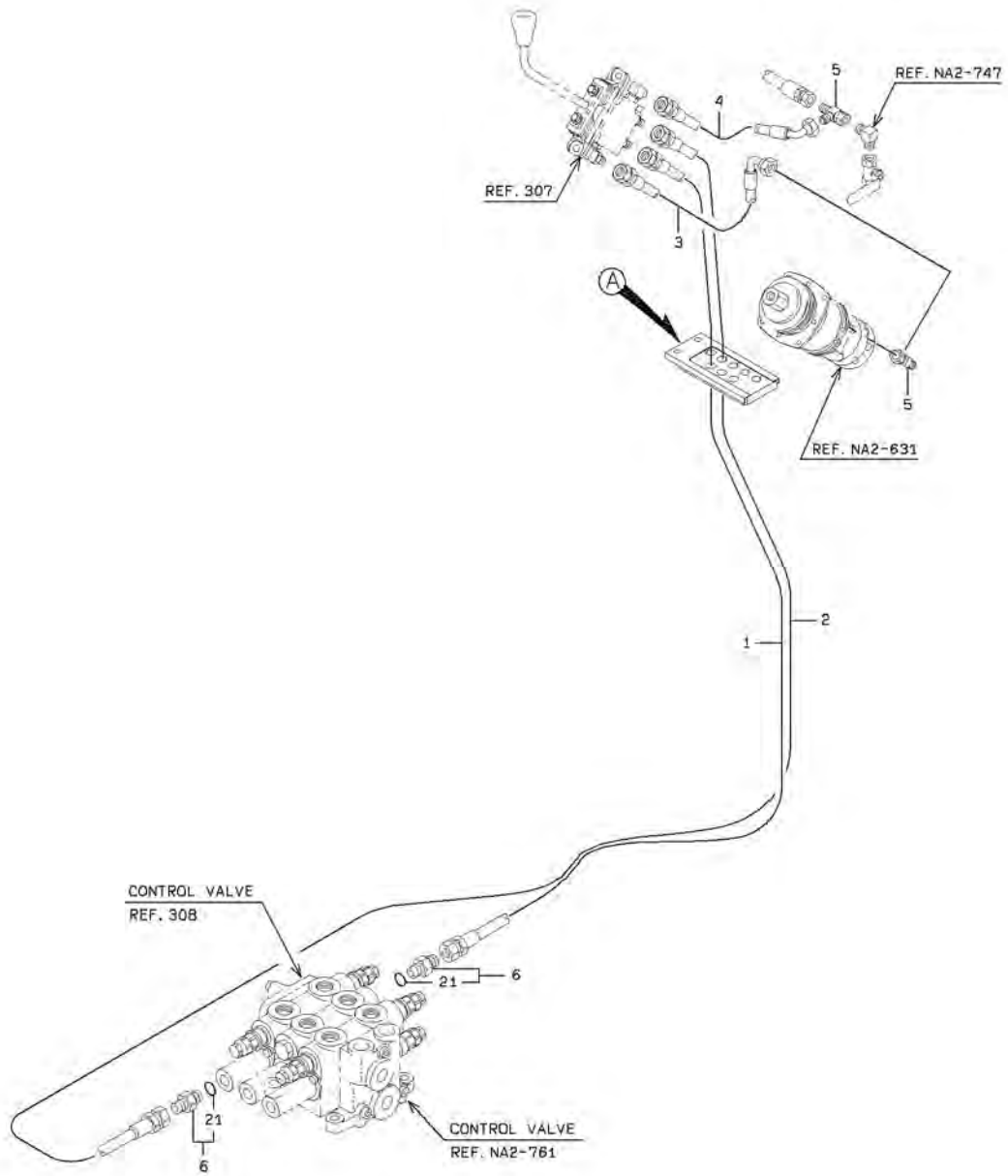
12 15

FRONT CHASSIS HYDRAULIC LINE (3WAY PIPING)

SYM-BOL	PART NUMBER	PART NAME	UNIT Q,TY	SERIAL		REMARKS						
				(A)	(B)	N	P	D	(A)	(B)	(C)	(D)
1A	68645-30175	HOSE,HIGH PRESSURE	2	5001	-							
2A	30230-20360	ADAPTER	2	5001	-					Y01		
3A	38775-28530	PIPE,OIL	1	5001	-							
4A	38775-28540	PIPE,OIL	1	5001	-							
5A	43573-20010	HOLDER,PIPE	3	5001	-	5026						
5B	43573-20010	HOLDER,PIPE	1	5027	-							
6A	43962-20010	BOLT,U	2	5001	-	5026						
6B	43962-20010	BOLT,U	4	5027	-							
7A	88031-06101	NUT,SELF-LOCKING	4	5001	-	5026						
7B	88031-06101	NUT,SELF-LOCKING	8	5027	-							
8A	40850-70250	BUSHING,ELASTIC	2	5001	-							
9A	32924-20010	CLAMP,MULTIPLE	1	5001	-							
11A	88390-14208	PLUG	2	5001	-							
22A	65210-12024	RING,O	1	5001	-					01		
31A	41611-51420	PLATE	1	5001	-							WELDING
41A	41600-33480	PLATE	1	5001	-							WELDING
42A	41611-21660	PLATE	3	5001	-	5026						WELDING
42B	41611-21660	PLATE	1	5027	-							WELDING
43A	41751-31350	PLATE	1	5027	-	5034						WELDING(LH)
43B	41751-48700	PLATE	1	5035	-							WELDING(LH)
44A	41751-31360	PLATE	1	5027	-							WELDING(RH)
51A	61802-08075	BOLT,FLANGED	3	5001	-							
52A	61802-08016	BOLT,FLANGED	6	5001	-	5026						
52B	61802-08016	BOLT,FLANGED	2	5027	-							
54A	62701-40101	WASHER,PLANE	4	5001	-	5026						
54B	62701-40101	WASHER,PLANE	8	5027	-							
101A	38532-61630	VALVE ASSY,MULTIPL	1	5001	-							REF.308

MEMO

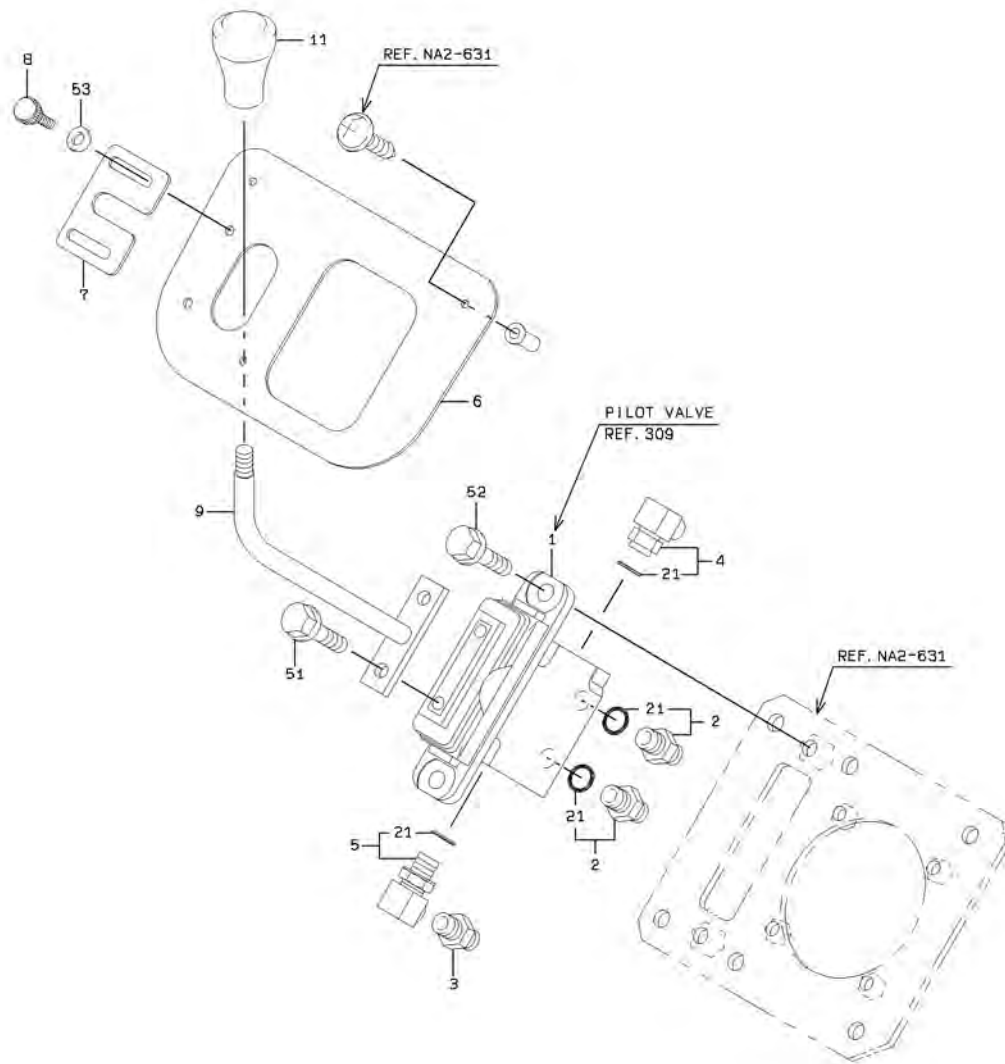
PILOT HYDRAULIC LINE (3-WAY PIPING)



PILOT HYDRAULIC LINE (3-WAY PIPING)

SYM-BOL	PART NUMBER	PART NAME	UNIT Q, TY	SERIAL (A) - (B)	REMARKS					
					N	P	D	(A)	(B)	(C)
1A	68055-10200	HOSE,HIGH PRESSURE	1	5001 -						
2A	68055-10250	HOSE,HIGH PRESSURE	1	5001 -						
3A	68035-10043	HOSE,HIGH PRESSURE	1	5001 -						
4A	68035-10025	HOSE,HIGH PRESSURE	1	5001 -						
5A	38904-20360	FITTING,TEE	2	5001 -						
6A	88201-06704	ADAPTER	2	5001 -			Y01			
7A	33057-20610	GROMMET	1	5001 -						
8A	43573-20280	HOLDER,PIPE	2	5001 -						
9A	41620-24760	PLATE	1	5001 -						
11A	72010-25000	HOLDER,HOSE	A/R	5001 -						
12A	72010-34000	HOLDER,HOSE	A/R	5001 -						
21A	65210-12011	RING,O	1	5001 -			01			
51A	62480-21081	NUT,FLANGED	1	5001 -						

CONTROL GROUP

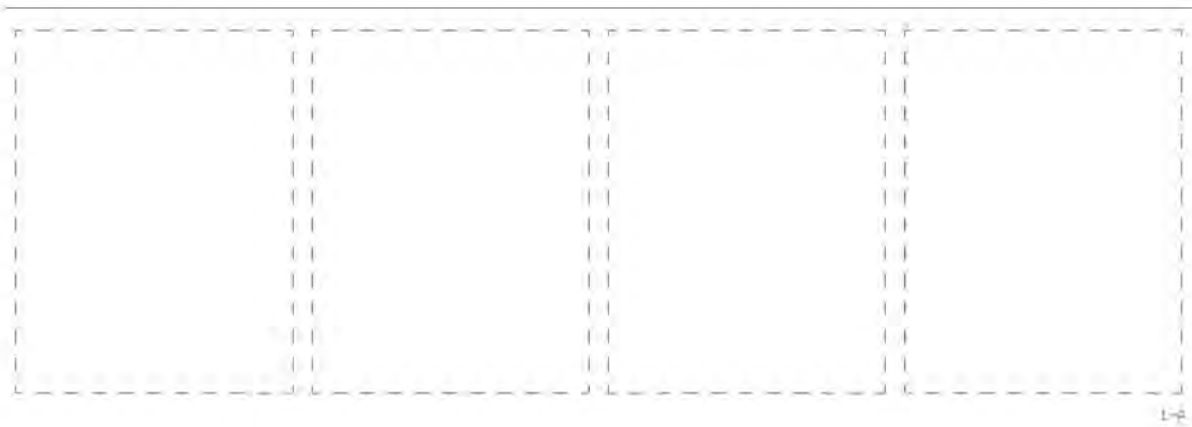
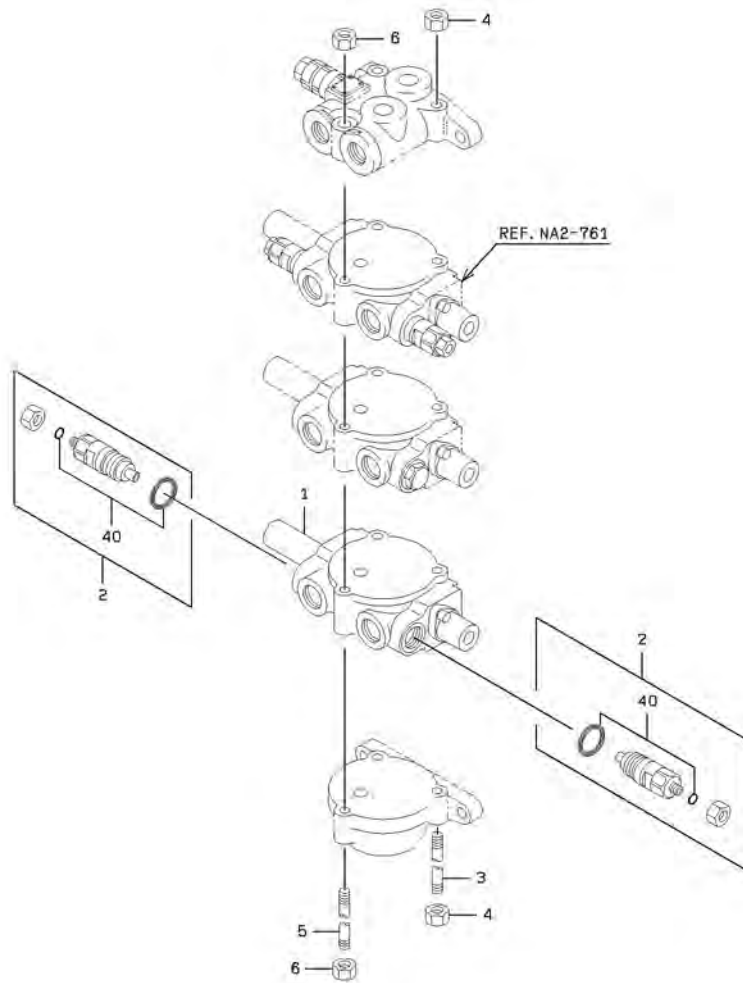


t-e

CONTROL GROUP

SYM-BOL	PART NUMBER	PART NAME	UNIT Q, TY	SERIAL		REMARKS						
				(A)	(B)	N	P	D	(A)	(B)	(C)	(D)
1A	38560-60570	VALVE,PILOT	1	5001	-							REF.309
2A	88201-06704	ADAPTER	2	5001	-					Y01		
3A	88201-00904	ADAPTER	1	5001	-							
4A	88241-07104	ADAPTER,ELBOW	1	5001	-					Y01		
5A	30241-23170	ADAPTER,ELBOW	1	5001	-					Y01		
6A	41619-42390	PLATE	1	5001	-							
7A	41618-32000	PLATE	1	5001	-							
8A	35100-20220	SCREW	2	5001	-							
9A	45600-25160	LEVER	1	5001	-	5006						
9B	45600-25560	LEVER	1	5007	-		C					
11A	37810-60060	KNOB	1	5001	-							
21A	65210-12011	RING,O	1	5001	-					01		
51A	61802-08016	BOLT,FLANGED	2	5001	-							
52A	61802-10020	BOLT,FLANGED	2	5001	-							
53A	62701-40061	WASHER,PLANE	2	5001	-							

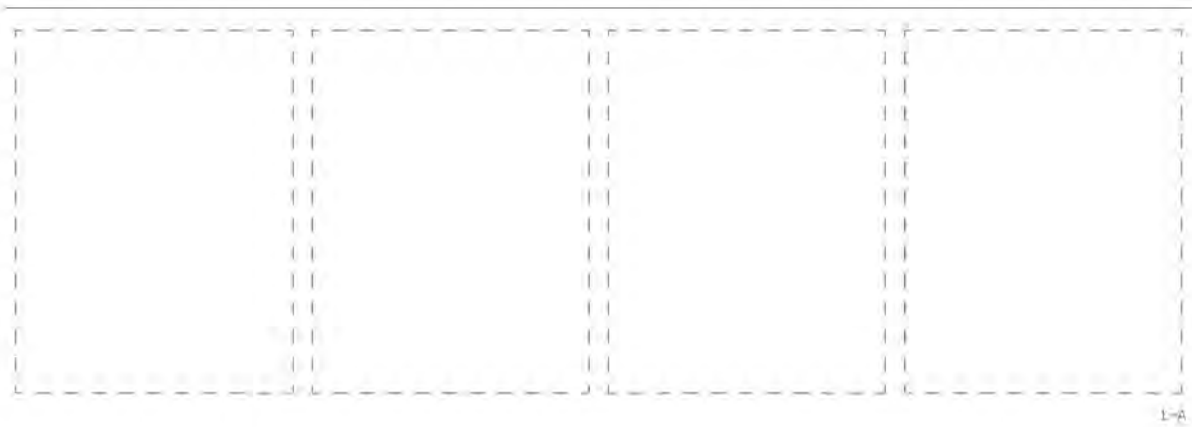
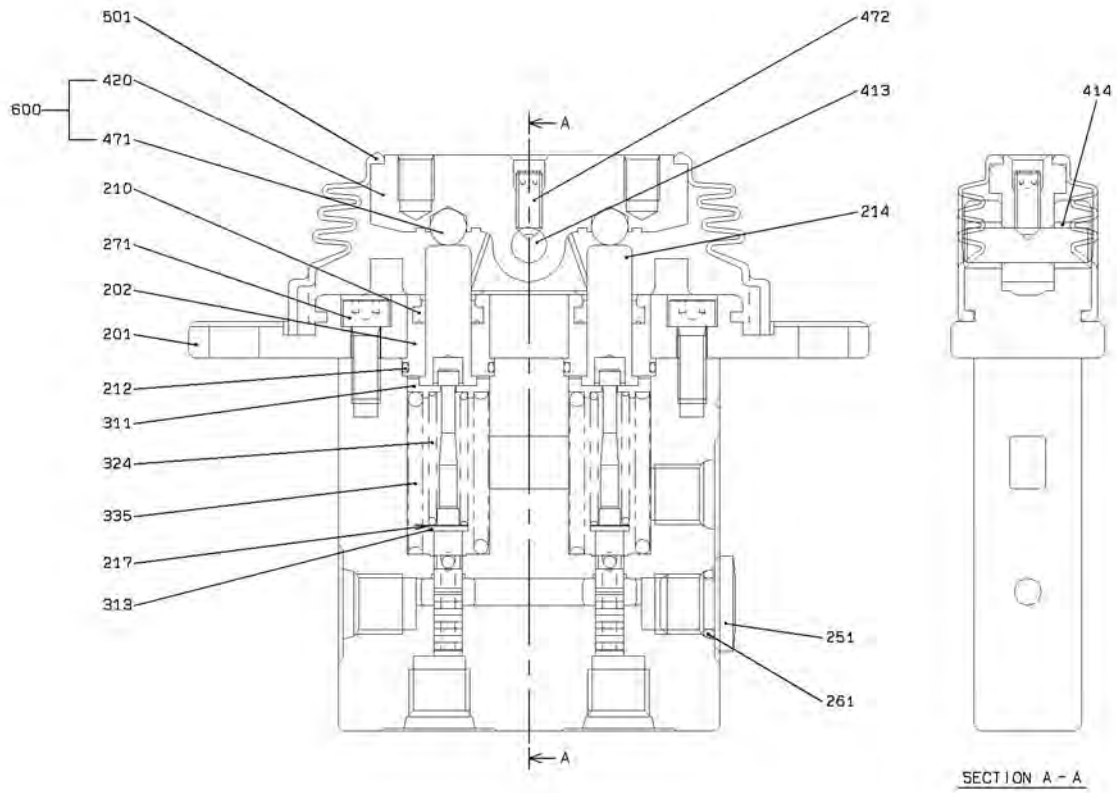
CONTROL VALVE



CONTROL VALVE

SYM-BOL	PART NUMBER	PART NAME	UNIT Q,TY	SERIAL (A) - (B)	REMARKS					
					N	P	D	(A)	(B)	(C)
000A	38532-61630	VALVE ASSY,MULTIPL	1	5001 -						
1A	35570-71470	SPOOL	1	5001 -						
2A	38565-70040	VALVE,RELIEF	2	5001 -	N			Y01		
3A	45884-70070	ROD,TIE	2	5001 -						
4A	37600-70040	NUT	4	5001 -						
5A	45884-70080	ROD,TIE	1	5001 -						
6A	37600-70050	NUT	2	5001 -						
40A	49327-70030	SEAL KIT	1	5001 -				01		

PILOT VALVE



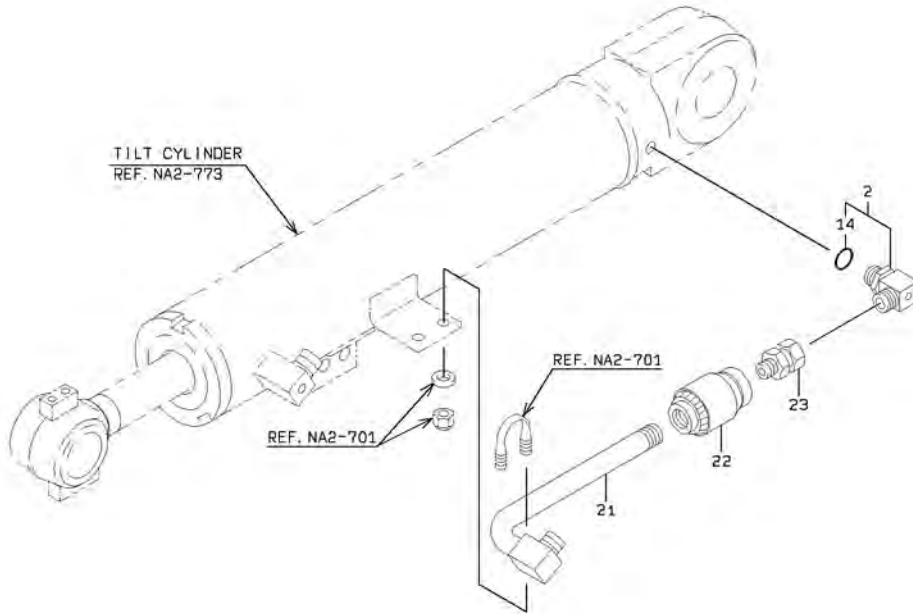
1-A

PILOT VALVE

SYM-BOL	PART NUMBER	PART NAME	UNIT Q,TY	SERIAL (A) - (B)	REMARKS					
					N	P	D	(A)	(B)	(C)
000A	38560-60570	VALVE,PILOT	1	5001 -						
201A	31205-70220	COVER	1	5001 -						
202A	41530-75150	PLUG	2	5001 -						
210A	39600-72960	PACKING	2	5001 -						
212A	47131-76700	RING,O	2	5001 -						
214A	45887-70380	ROD,PUSH	2	5001 -						
217A	34200-71720	SHIM	2	5001 -						
251A	41530-72790	PLUG	1	5001 -						
261A	65210-12011	RING,O	1	5001 -						
271A	61101-06016	BOLT,SOCKET	2	5001 -						
311A	33930-70980	SEAT,SPRING	2	5001 -						
313A	46000-71760	WASHER	2	5001 -						
324A	35600-77340	SPRING	2	5001 -						
335A	35600-77350	SPRING	2	5001 -						
413A	31611-70040	CAMSHAFT	1	5001 -						
414A	40840-72670	BUSHING	2	5001 -						
420A	31600-70020	CAM	1	5001 -				01		
471A	43751-70300	BALL	2	5001 -				01		
472A	35104-70170	SCREW,SET	1	5001 -						
501A	40790-70540	BOOT	1	5001 -						
600A	31605-70010	CAM ASSY	1	5001 -				Y01		

SLOW RETURN CHECK VALVE

<S/N 5019 - >

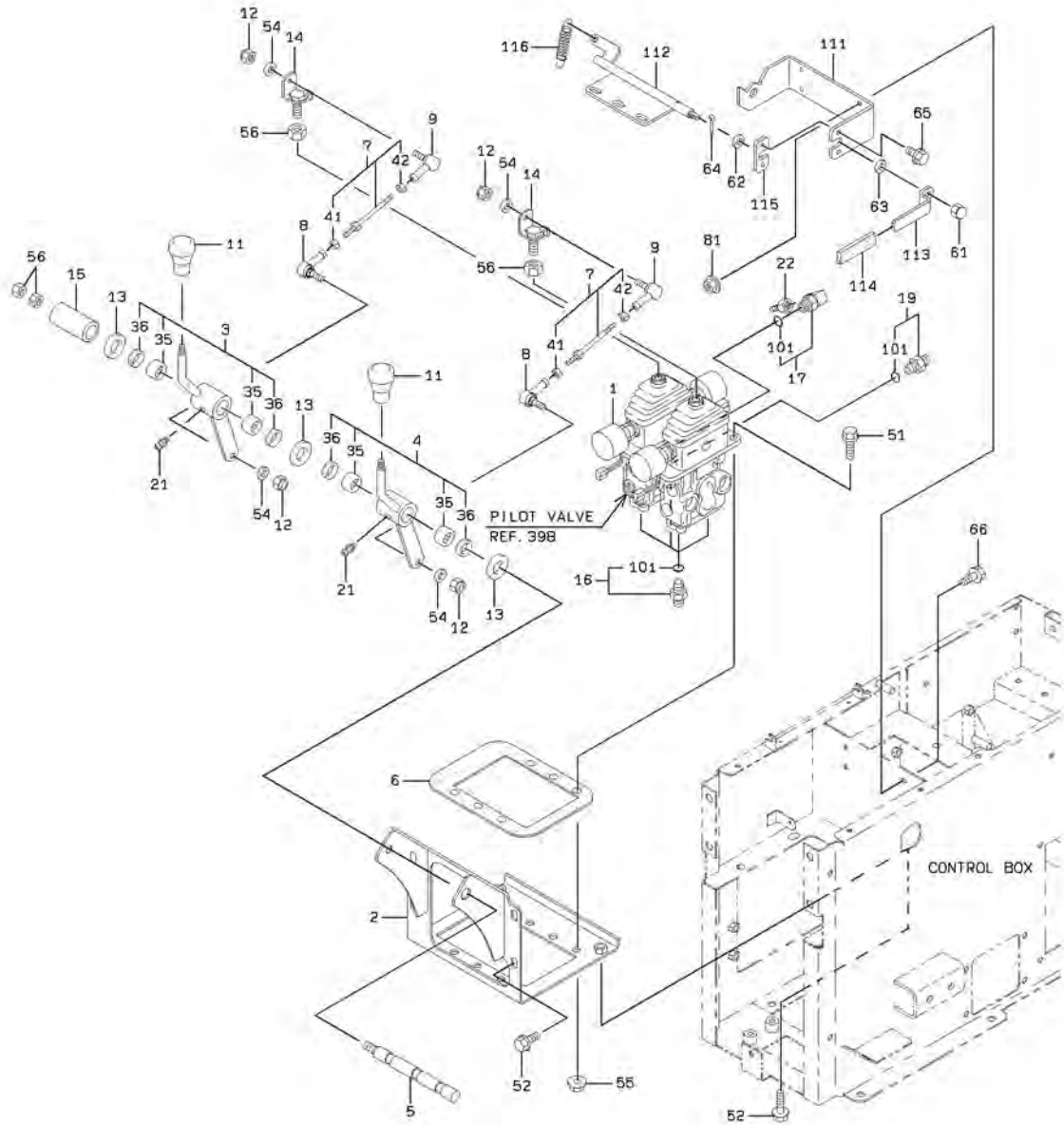


L-A

SLOW RETURN CHECK VALVE

SYM-BOL	PART NUMBER	PART NAME	UNIT Q, TY	SERIAL		REMARKS							
				(A)	(B)	N	P	D	(A)	(B)	(C)	(D)	REMARK
2A	30241-25650	ADAPTER, ELBOW	1	5019	- 5020								
2B	30241-26020	ADAPTER, ELBOW	1	5021	-								
14A	65210-12024	RING, O	1	5019	-								
21A	38775-31820	PIPE, OIL	1	5019	-								
22A	38510-70240	VALVE	1	5019	-								
23A	88221-00612	ADAPTER, UNION	1	5019	-								

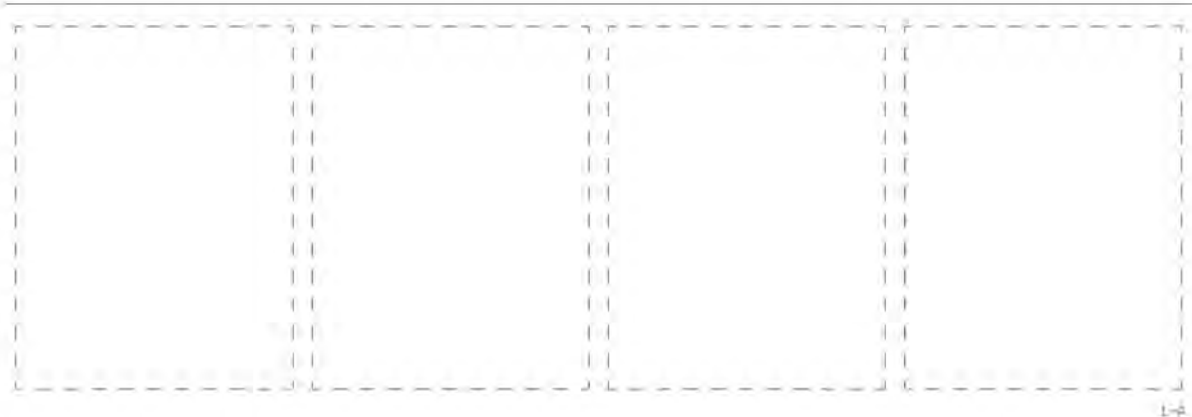
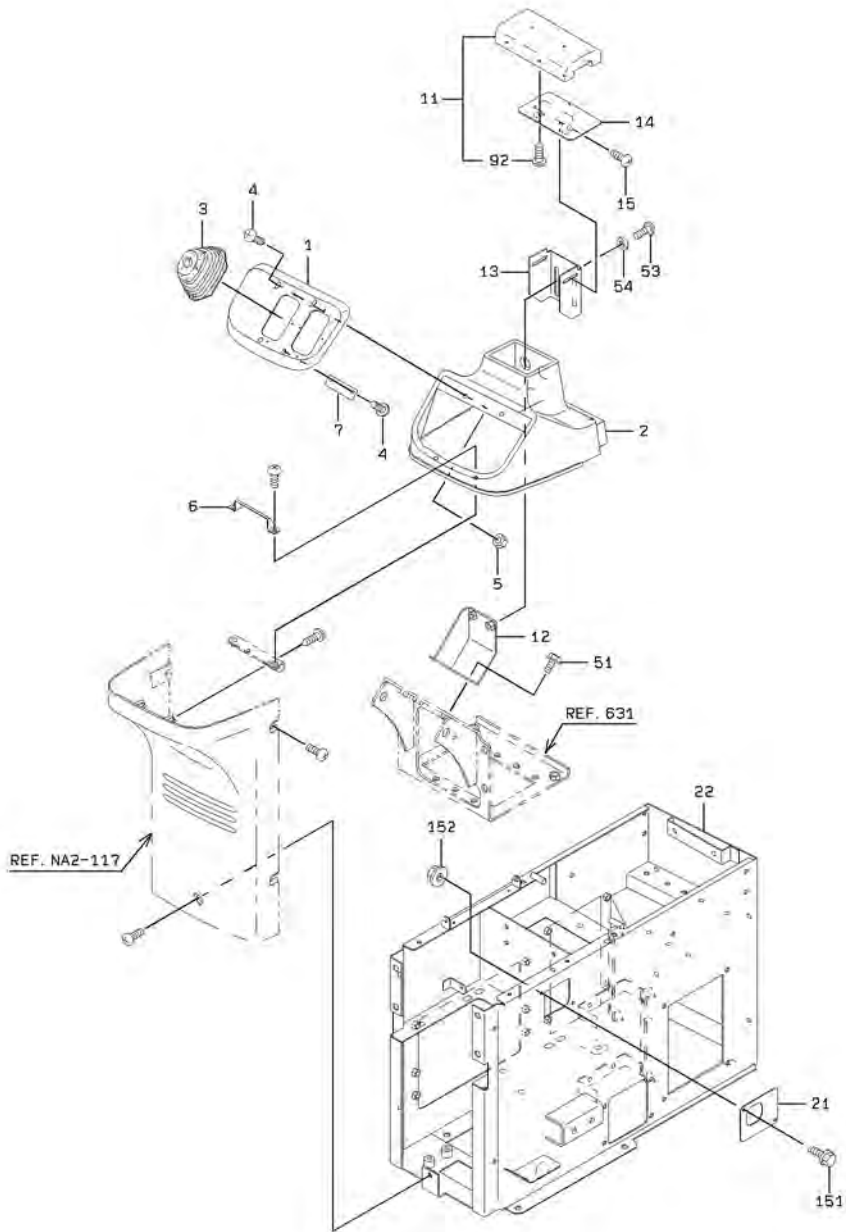
VALVE CONTROL GROUP



VALVE CONTROL GROUP

SYM-BOL	PART NUMBER	PART NAME	UNIT Q,TY	SERIAL		REMARKS							
				(A)	(B)	N	P	D	(A)	(B)	(C)	(D)	REMARK
1A	38560-60350	VALVE,PILOT	1	5001	-								REF.398
2A	41616-45240	PLATE	1	5001	-								
3A	45600-23740	LEVER	1	5001	-				Y01				
4A	45600-23750	LEVER	1	5001	-					Y02			
5A	40000-35940	PIN	1	5001	-								
6A	31990-22840	GASKET	1	5001	-								
7A	64111-01001	ROD	2	5001	-						Y03		
8A	34950-60020	JOINT,BALL	2	5001	-	5016							
8B	34950-20010	JOINT,BALL	2	5017	-		B						
9A	34950-20020	JOINT,BALL	2	5001	-								
11A	37810-60060	KNOB	2	5001	-								
12A	88031-06061	NUT,SELF-LOCKING	4	5001	-								
13A	34200-22770	SHIM	A/R	5001	-								
14A	30020-24600	ARM	2	5001	-	5010							
14B	30020-25840	ARM	2	5011	-		C						
15A	38720-41870	PIPE	1	5001	-								
16A	88201-06704	ADAPTER	4	5001	-						Y04		
17A	88241-07104	ADAPTER,ELBOW	1	5001	-						Y04		
19A	40330-60180	FILTER	1	5001	-						Y04		
21A	75011-25400	NIPPLE,GREASE	2	5001	-								
22A	88511-03041	NIPPLE,HOSE	1	5001	-								
35A	42006-70060	BEARING,NEEDLE	2	5001	-				01	02			
36A	34000-70030	SEAL	2	5001	-				01	02			
41A	62401-81061	NUT	1	5001	-						03		
42A	62401-81067	NUT	1	5001	-						03		
51A	61802-10025	BOLT,FLANGED	4	5001	-								
52A	61802-10020	BOLT,FLANGED	6	5001	-								
54A	62701-40061	WASHER,PLANE	4	5001	-								
55A	62480-21101	NUT,FLANGED	4	5001	-								
56A	62401-81121	NUT	4	5001	-								
61A	62443-31081	NUT,CAP	1	5001	-								
62A	62701-40121	WASHER,PLANE	1	5001	-								
63A	62701-40081	WASHER,PLANE	1	5001	-								
64A	63002-04025	PIN,SPLIT	1	5001	-								
65A	61802-06012	BOLT,FLANGED	2	5001	-								
66A	61802-06016	BOLT,FLANGED	4	5001	-								
81A	62480-21061	NUT,FLANGED	4	5001	-								
101A	65210-12011	RING,O	1	5001	-						04		
111A	41609-51530	PLATE	1	5001	-								
112A	34500-23380	SHAFT	1	5001	-								
113A	45600-22010	LEVER	1	5001	-								
114A	32224-20170	CAPE,ELASTIC	1	5001	-								
115A	41613-33950	PLATE	1	5001	-								
116A	35600-21900	SPRING	1	5001	-								

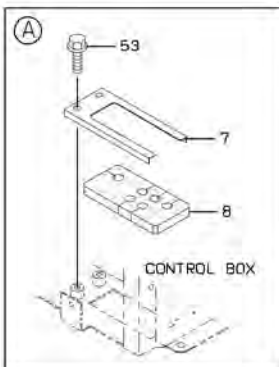
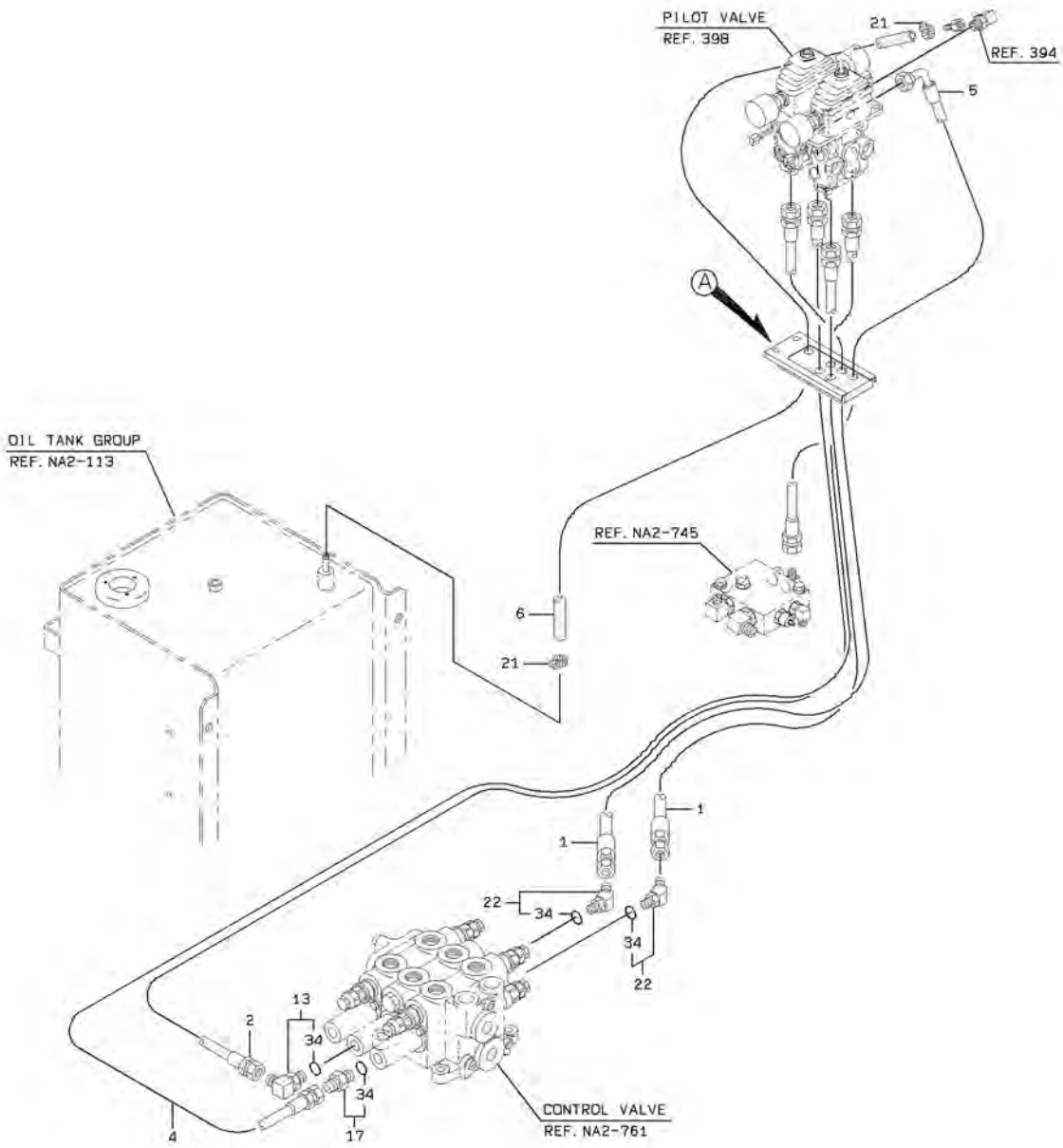
CONTROL BOX COVER MOUNT



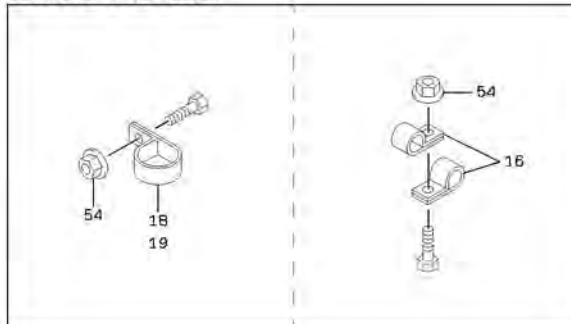
CONTROL BOX COVER MOUNT

SYM-BOL	PART NUMBER	PART NAME	UNIT Q,TY	SERIAL (A) - (B)	REMARKS					
					N	P	D	(A)	(B)	(C)
1A	31200-60110	COVER	1	5001 -						
2A	31200-60270	COVER	1	5001 -						
3A	40790-60070	BOOT	2	5001 -						
4A	35106-20020	SCREW,TAPPING	4	5001 -						
5A	37600-21750	NUT	2	5001 -						
6A	41613-34920	PLATE	1	5001 -						
7A	41601-48190	PLATE	1	5001 -						
11A	30062-60050	ARMREST	1	5001 -				Y01		
12A	40901-44620	BRACKET	1	5001 -						
13A	41616-39080	PLATE	1	5001 -						
14A	41616-39070	PLATE	1	5001 -						
15A	35100-20200	SCREW	2	5001 -						
21A	41609-49370	PLATE	1	5001 -						
22A	03501-60330	BOX	1	5001 -						
51A	61802-08016	BOLT,FLANGED	4	5001 -						
53A	62256-51820	SCREW	2	5001 -						
54A	62701-40081	WASHER,PLANE	2	5001 -						
92A	35106-70170	SCREW,TAPPING	4	5001 -				01		
151A	61802-05012	BOLT,FLANGED	2	5001 -						
152A	62480-21051	NUT,FLANGED	2	5001 -						

PILOT HYDRAULIC LINE



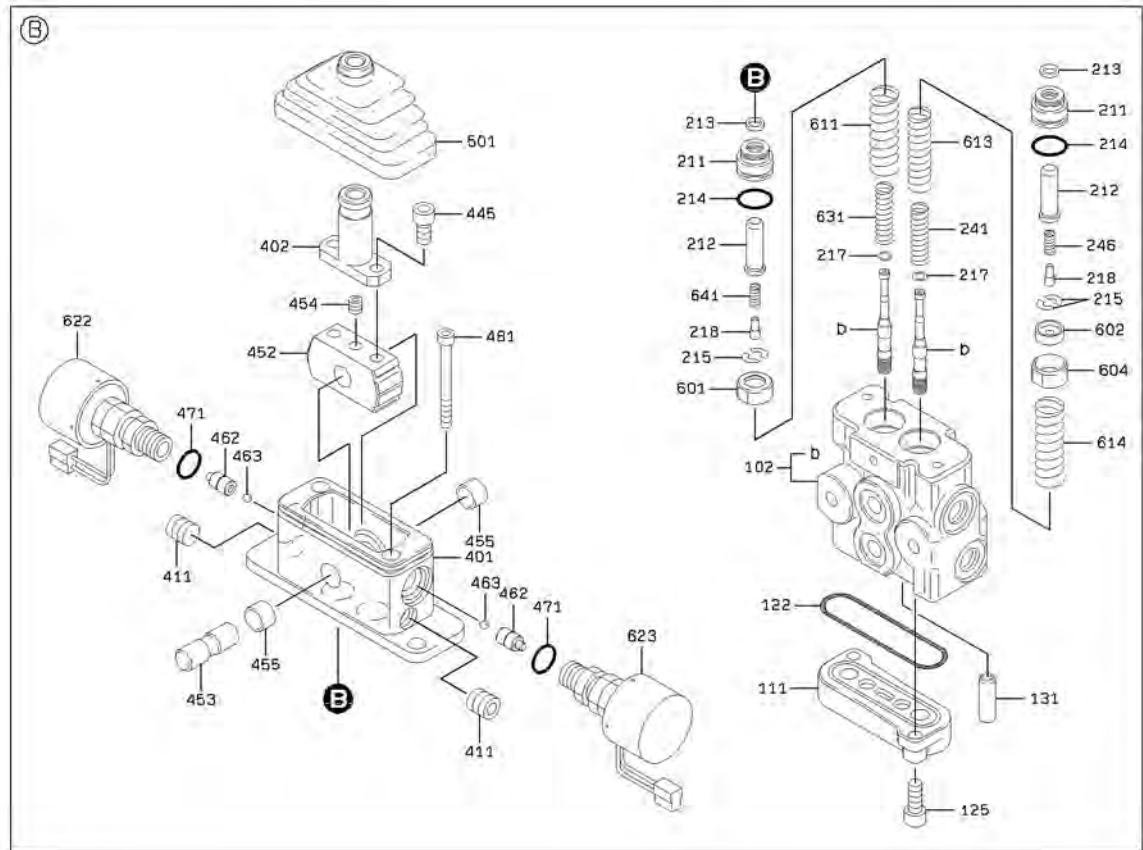
DETAIL OF PIPE HOLDER



PILOT HYDRAULIC LINE

SYM-BOL	PART NUMBER	PART NAME	UNIT Q,TY	SERIAL		REMARKS						
				(A)	(B)	N	P	D	(A)	(B)	(C)	(D)
1A	68055-10160	HOSE,HIGH PRESSURE	2	5001	5002							
1B	68055-10175	HOSE,HIGH PRESSURE	2	5003		B						
2A	68055-10200	HOSE,HIGH PRESSURE	1	5001								
4A	68055-10215	HOSE,HIGH PRESSURE	1	5001								
5A	68035-10055	HOSE,HIGH PRESSURE	1	5001								
6A	67040-08000	HOSE,HEAT RESISTIN	1 M	5001								L=700
7A	41612-22950	PLATE	1	5001								
8A	33057-20600	GROMMET	1	5001								
13A	30241-24960	ADAPTER,ELBOW	1	5001				Y01				
16A	43573-20280	HOLDER,PIPE	A/R	5001								
17A	88201-06704	ADAPTER	1	5001				Y01				
18A	72010-28000	HOLDER,HOSE	A/R	5001								
19A	72001-11200	HOLDER,PIPE	A/R	5001								
21A	69002-02200	BAND,HOSE	2	5001								
22A	88241-07204	ADAPTER,ELBOW	2	5001				Y01				
34A	65210-12011	RING,O	1	5001				01				
53A	61802-08012	BOLT,FLANGED	2	5001								
54A	62480-21081	NUT,FLANGED	A/R	5001								

PILOT VALVE



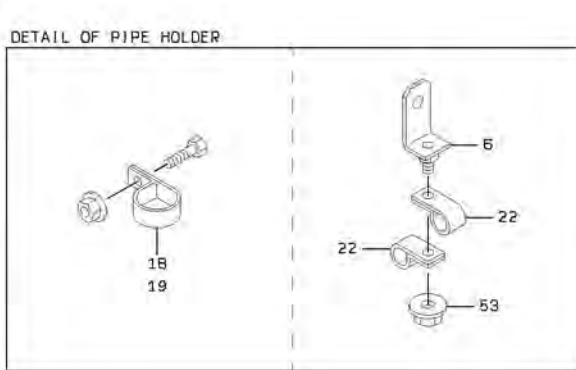
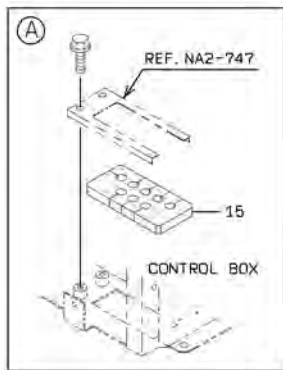
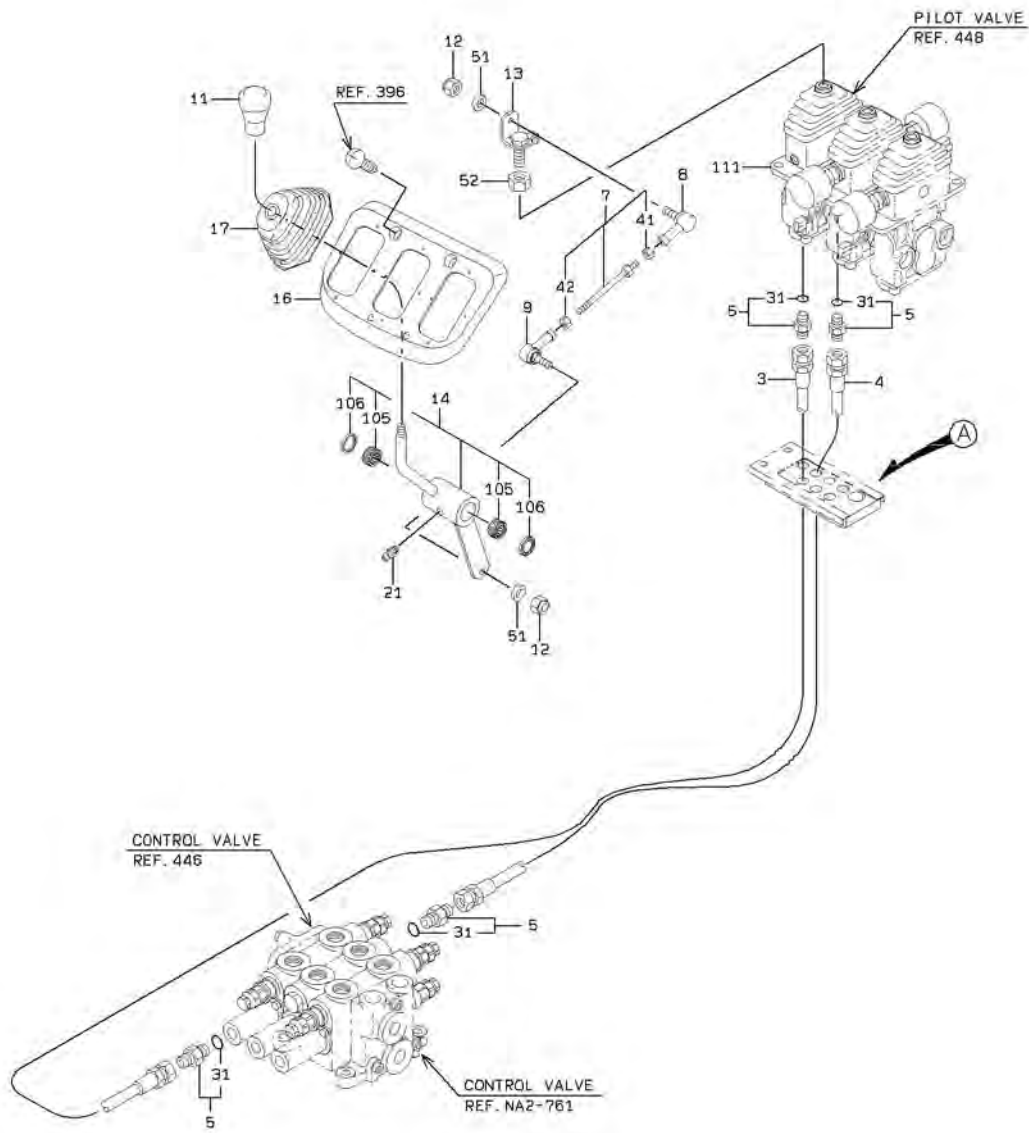
7-A

PILOT VALVE

SYM-BOL	PART NUMBER	PART NAME	UNIT Q,TY	SERIAL		REMARKS						
				(A)	(B)	N	P	D	(A)	(B)	(C)	(D)
000A	38560-60350	VALVE,PILOT	1	5001	-							
101A	33110-70380	CASE ASSY	1	5001	-				Y01			
102A	33110-70370	CASE ASSY	1	5001	-				Y01			
105A	41600-70750	PLATE	1	5001	-							
111A	41600-70890	PLATE	2	5001	-							
122A	65210-22060	RING,O	2	5001	-							
123A	65210-12018	RING,O	4	5001	-							
125A	61101-08020	BOLT,SOCKET	4	5001	-							
131A	40840-71600	BUSHING	2	5001	-							
161A	41530-71250	PLUG	1	5001	-							
171A	61033-08050	BOLT	2	5001	-							
172A	61033-08025	BOLT	2	5001	-							
211A	41530-72410	PLUG	4	5001	-							
212A	45887-70270	ROD,PUSH	4	5001	-							
213A	34000-70600	SEAL	4	5001	-							
214A	65210-12020	RING,O	4	5001	-							
215A	46011-70380	WASHER,PLANE	8	5001	-							
217A	34200-70850	SHIM	4	5001	-							
218A	33930-70430	SEAT,SPRING	4	5001	-							
241A	35600-73900	SPRING	2	5001	-							
246A	35600-73890	SPRING	2	5001	-							
247A	63011-05010	PIN,SPRING	1	5001	-				01			
401A	31200-72080	COVER	1	5001	-							
402A	45600-70190	LEVER	2	5001	-							
411A	43956-70690	BOLT,SOCKET	4	5001	-							
421A	31200-73260	COVER	1	5001	-							
445A	61101-08016	BOLT,SOCKET	4	5001	-							
452A	37200-70060	DISC	2	5001	-							
453A	31611-70020	CAMSHAFT	2	5001	-							
454A	43956-70680	BOLT,SOCKET	2	5001	-							
455A	88811-01410	BUSHING	4	5001	-							
462A	43550-70210	HOLDER	3	5001	-							
463A	43751-70110	BALL	3	5001	-							
471A	65210-12016	RING,O	3	5001	-							
481A	61101-06060	BOLT,SOCKET	4	5001	-							
501A	40790-70200	BOOT	2	5001	-							
601A	33930-70330	SEAT,SPRING	2	5001	-							
602A	33930-70460	SEAT,SPRING	2	5001	-							
603A	33930-70450	SEAT,SPRING	1	5001	-							
604A	33930-70440	SEAT,SPRING	1	5001	-							
611A	35600-73940	SPRING	2	5001	-							
612A	35600-73930	SPRING	1	5001	-							
613A	35600-73920	SPRING	2	5001	-							
614A	35600-73910	SPRING	1	5001	-							
621A	35910-70200	SOLENOID	1	5001	-							
622A	35910-70220	SOLENOID	1	5001	-							
623A	35910-70210	SOLENOID	1	5001	-							
631A	35600-74350	SPRING	2	5001	-							
641A	35600-74330	SPRING	2	5001	-							

MEMO

PILOT HYDRAULIC LINE (3-WAY PIPING)

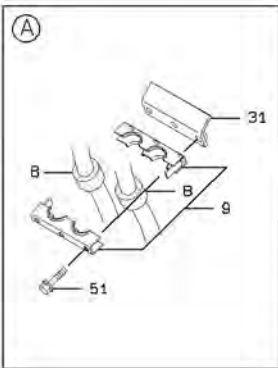
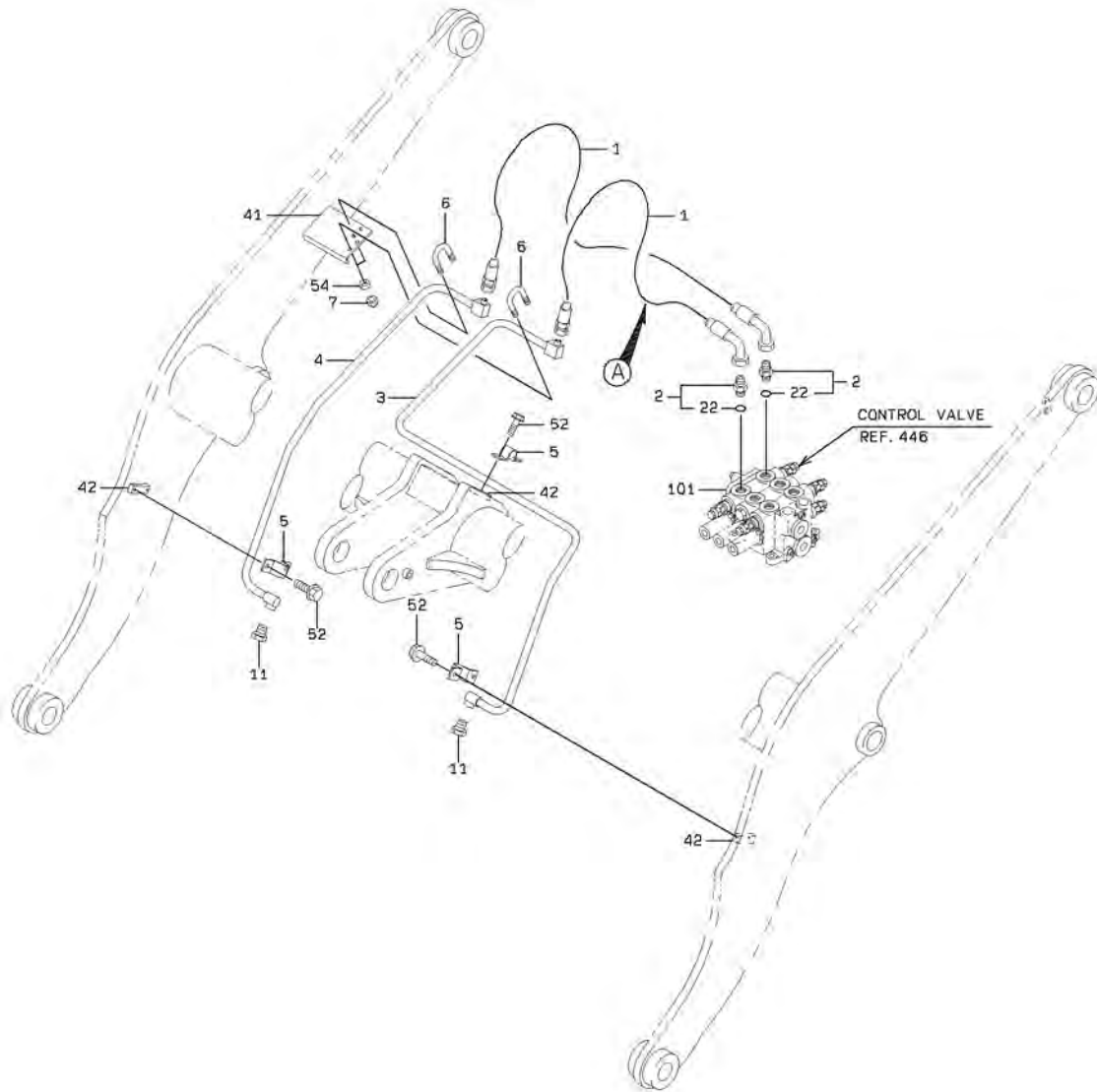


PILOT HYDRAULIC LINE (3-WAY PIPING)

SYM-BOL	PART NUMBER	PART NAME	UNIT Q,TY	SERIAL		REMARKS						
				(A)	(B)	N	P	D	(A)	(B)	(C)	(D)
3A	68055-10225	HOSE,HIGH PRESSURE	1	5001	-							
4A	68055-10175	HOSE,HIGH PRESSURE	1	5001	-							
5A	88201-06704	ADAPTER	4	5001	-				Y01			
6A	41620-24760	PLATE	1	5001	-							
7A	64111-01001	ROD	1	5001	-					Y02		
8A	34950-20010	JOINT,BALL	1	5001	-							
9A	34950-20020	JOINT,BALL	1	5001	-							
11A	37810-60060	KNOB	1	5001	-							
12A	88031-06061	NUT,SELF-LOCKING	2	5001	-							
13A	30020-24600	ARM	1	5001	-	5010						
13B	30020-25840	ARM	1	5011	-		C					
14A	45600-23850	LEVER	1	5001	-					Y03		
15A	33057-20610	GROMMET	1	5001	-							
16A	03501-19200	COVER	1	5001	-							
17A	40790-60070	BOOT	1	5001	-							
18A	72010-25000	HOLDER,HOSE	A/R	5001	-							D=25
19A	72010-34000	HOLDER,HOSE	A/R	5001	-							D=34
21A	75011-25400	NIPPLE,GREASE	1	5001	-							
22A	43573-20280	HOLDER,PIPE	2	5001	-							
31A	65210-12011	RING,O	1	5001	-				01			
41A	62401-81061	NUT	1	5001	-					02		
42A	62401-81067	NUT	1	5001	-					02		
51A	62701-40061	WASHER,PLANE	2	5001	-							
52A	62402-81121	NUT	1	5001	-							
53A	62480-21081	NUT,FLANGED	1	5001	-							
105A	42006-70060	BEARING,NEEDLE	2	5001	-						03	
106A	34000-70030	SEAL	2	5001	-						03	
111A	38560-60310	VALVE,PILOT	1	5001	-							REF.448

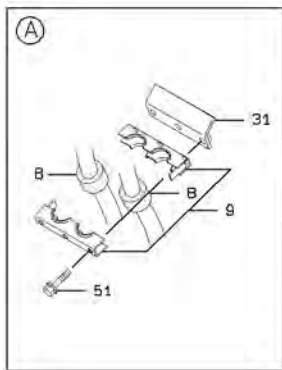
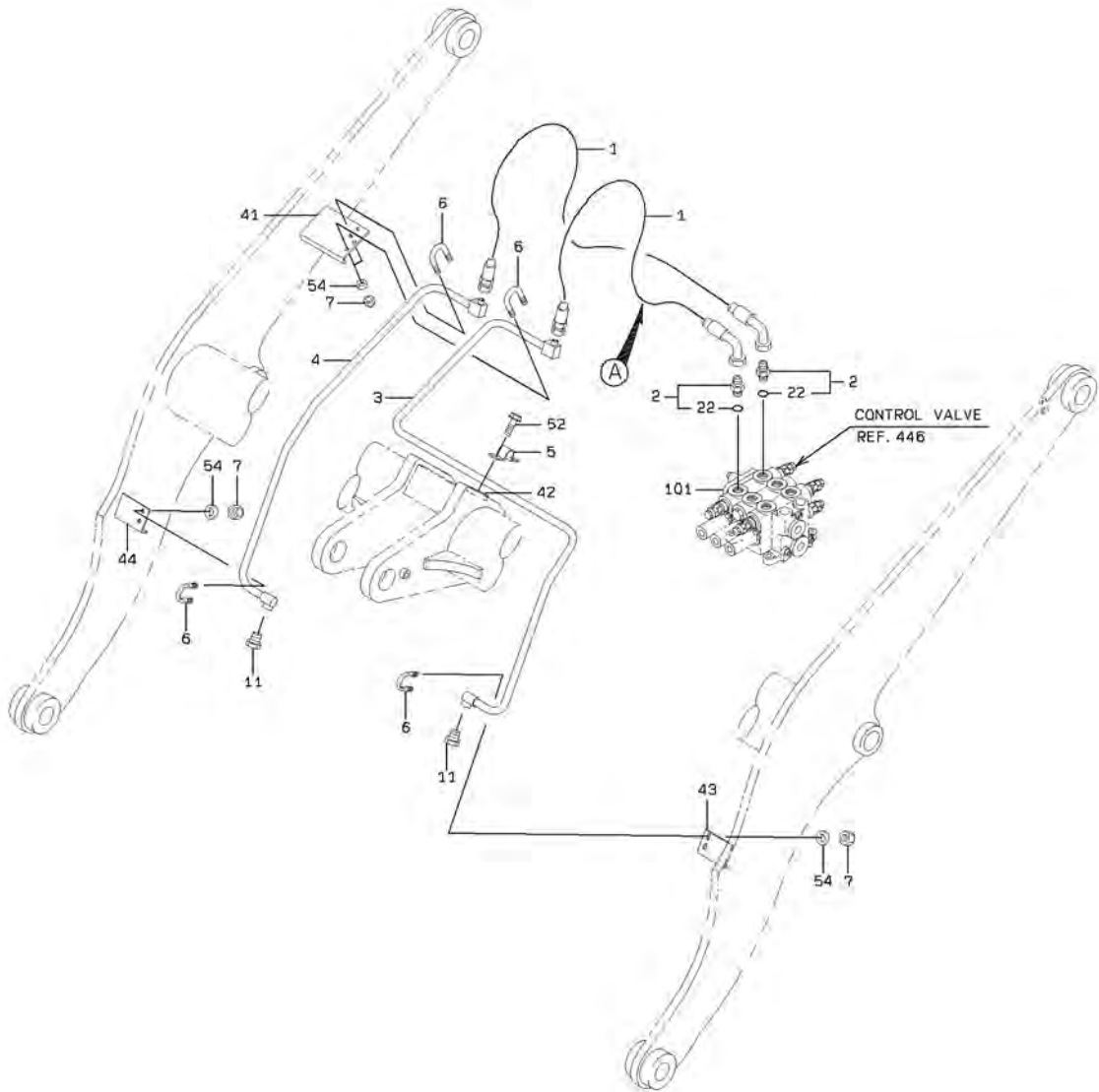
HYDRAULIC LINE (FOR ATTACHMENT)

<S/N 5001 - 5026>



HYDRAULIC LINE (FOR ATTACHMENT)

<S/N 5027 - >



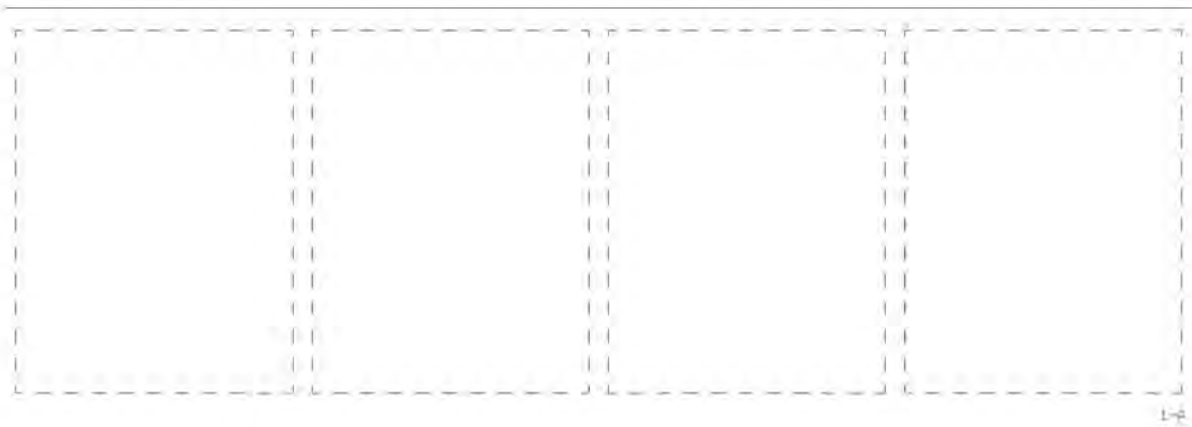
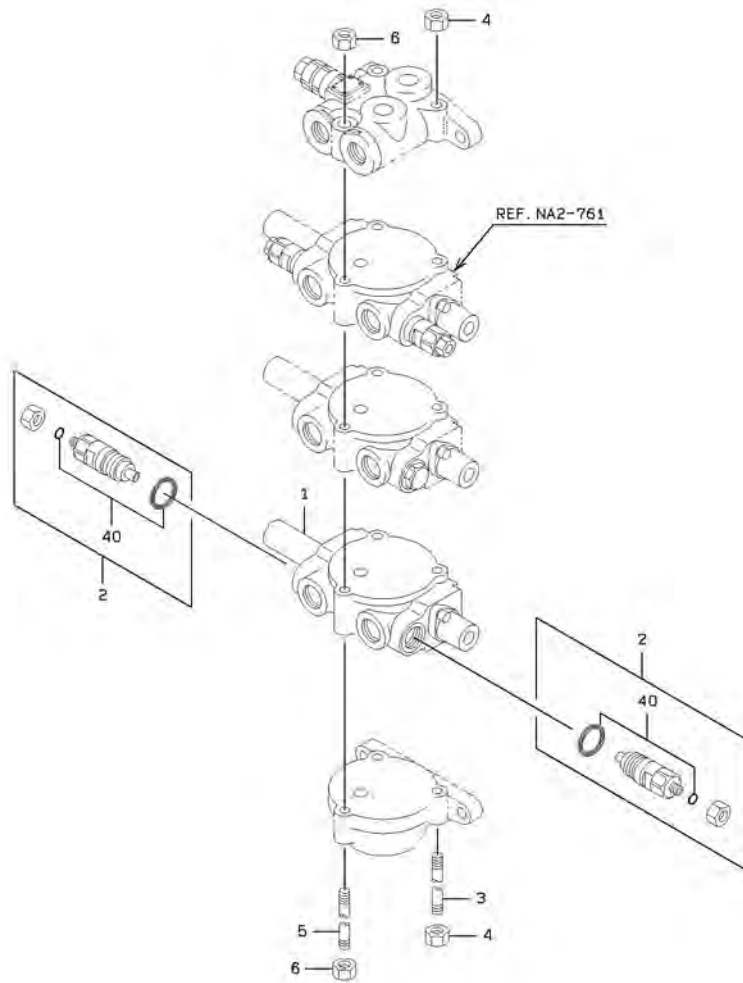
12 15

HYDRAULIC LINE (FOR ATTACHMENT)

SYM-BOL	PART NUMBER	PART NAME	UNIT Q,TY	SERIAL		REMARKS						
				(A)	(B)	N	P	D	(A)	(B)	(C)	(D)
1A	68645-30175	HOSE,HIGH PRESSURE	2	5001	-							
2A	30230-20360	ADAPTER	2	5001	-					Y01		
3A	38775-28530	PIPE,OIL	1	5001	-							
4A	38775-28540	PIPE,OIL	1	5001	-							
5A	43573-20010	HOLDER,PIPE	3	5001	-	5026						
5B	43573-20010	HOLDER,PIPE	1	5027	-							
6A	43962-20010	BOLT,U	2	5001	-	5026						
6B	43962-20010	BOLT,U	4	5027	-							
7A	88031-06101	NUT,SELF-LOCKING	4	5001	-	5026						
7B	88031-06101	NUT,SELF-LOCKING	8	5027	-							
8A	40850-70250	BUSHING,ELASTIC	2	5001	-							
9A	32924-20010	CLAMP,MULTIPLE	1	5001	-							
11A	88390-14208	PLUG	2	5001	-							
22A	65210-12024	RING,O	1	5001	-					01		
31A	41611-51420	PLATE	1	5001	-							WELDING
41A	41600-33480	PLATE	1	5001	-							WELDING
42A	41611-21660	PLATE	3	5001	-	5026						WELDING
42B	41611-21660	PLATE	1	5027	-							WELDING
43A	41751-31350	PLATE	1	5027	-	5034						WELDING(LH)
43B	41751-48700	PLATE	1	5035	-							WELDING(LH)
44A	41751-31360	PLATE	1	5027	-							WELDING(RH)
51A	61802-08075	BOLT,FLANGED	3	5001	-							
52A	61802-08016	BOLT,FLANGED	6	5001	-	5026						
52B	61802-08016	BOLT,FLANGED	2	5027	-							
54A	62701-40101	WASHER,PLANE	4	5001	-	5026						
54B	62701-40101	WASHER,PLANE	8	5027	-							
101A	38532-61630	VALVE ASSY,MULTIPL	1	5001	-							REF.446

MEMO

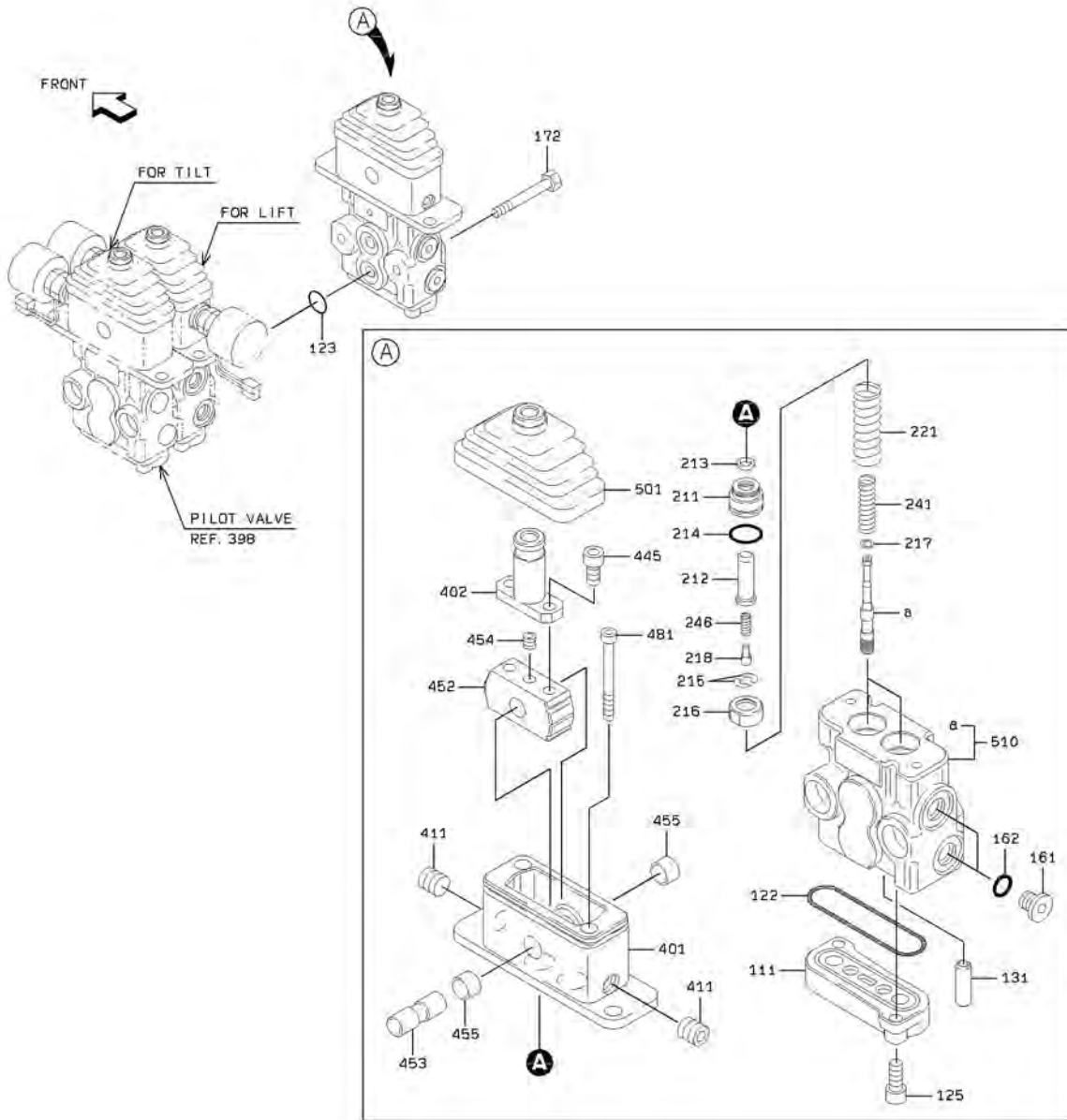
CONTROL VALVE



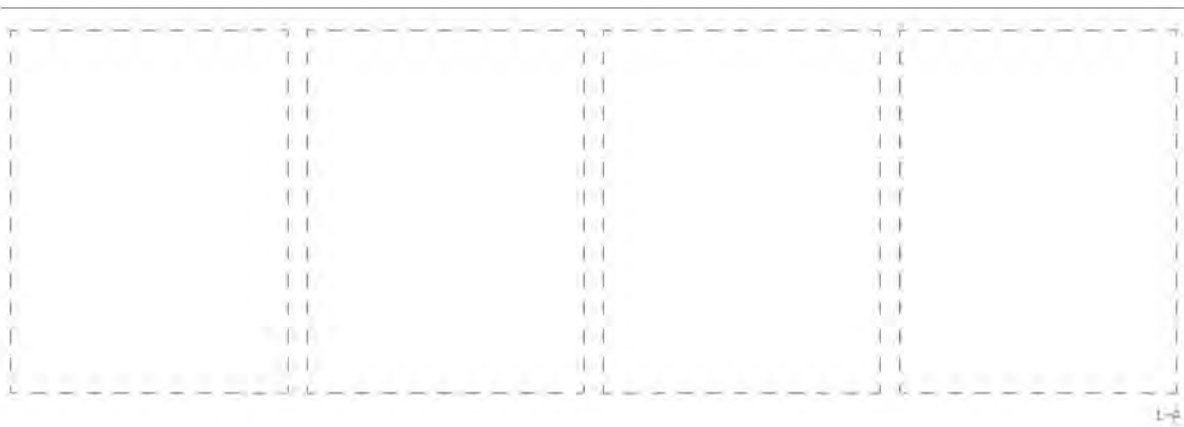
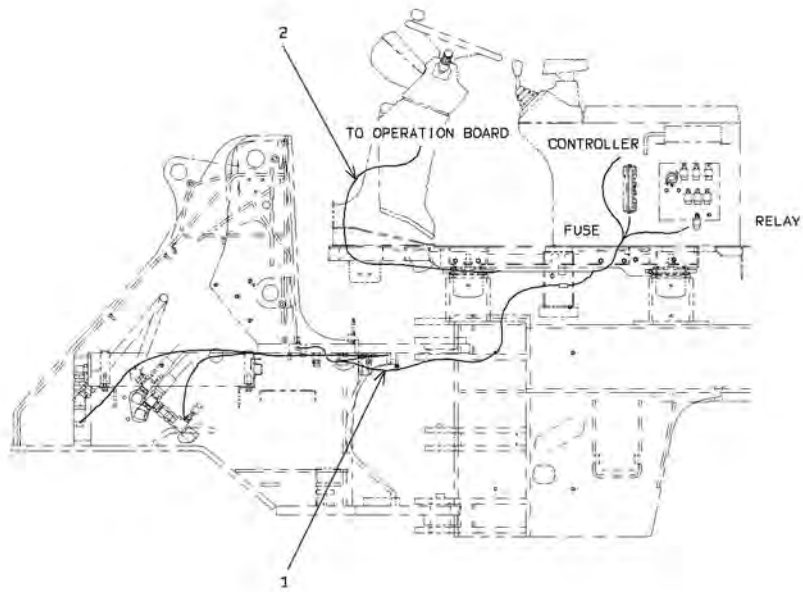
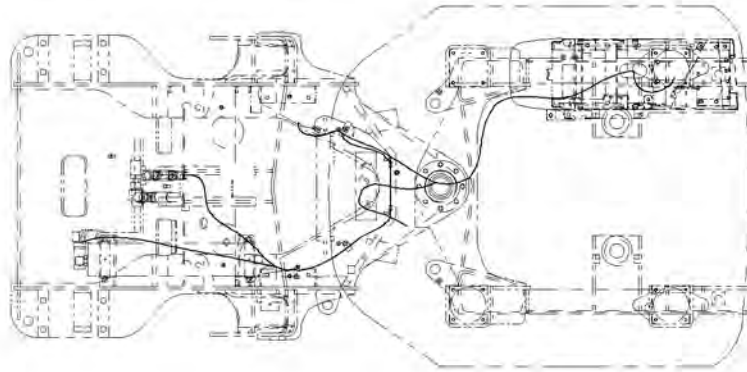
CONTROL VALVE

SYM-BOL	PART NUMBER	PART NAME	UNIT Q, TY	SERIAL (A) - (B)	REMARKS					
					N	P	D	(A)	(B)	(C)
000A	38532-61630	VALVE ASSY,MULTIPL	1	5001 -						
1A	35570-71470	SPOOL	1	5001 -						
2A	38565-70040	VALVE,RELIEF	2	5001 -	N			Y01		
3A	45884-70070	ROD,TIE	2	5001 -						
4A	37600-70040	NUT	4	5001 -						
5A	45884-70080	ROD,TIE	1	5001 -						
6A	37600-70050	NUT	2	5001 -						
40A	49327-70030	SEAL KIT	1	5001 -				01		

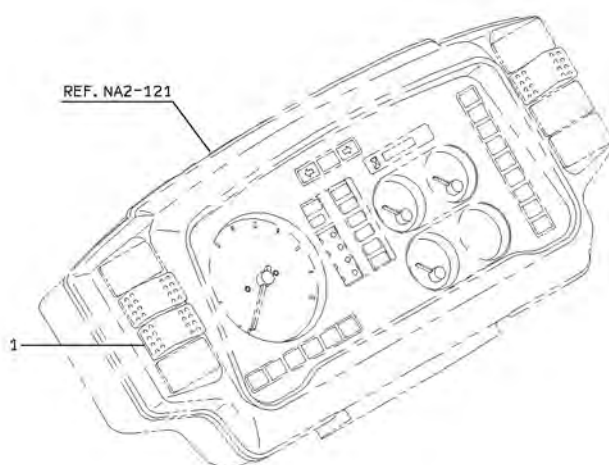
PILOT VALVE (3-WAY PIPING)



CABLE MOUNT (FOR USA RIDE CONTROL)

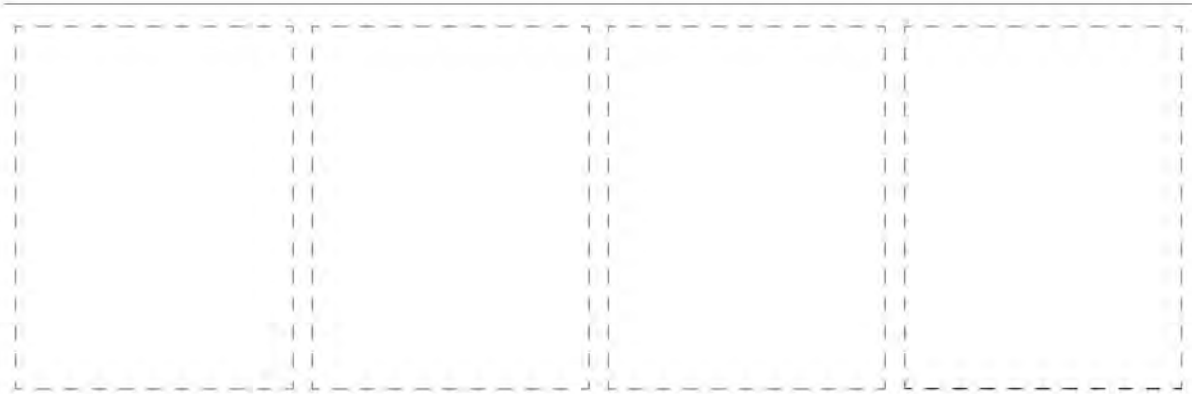
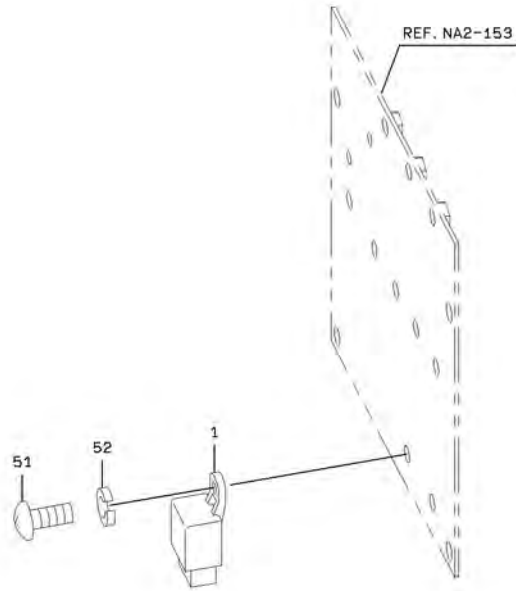


SWITCH MOUNT



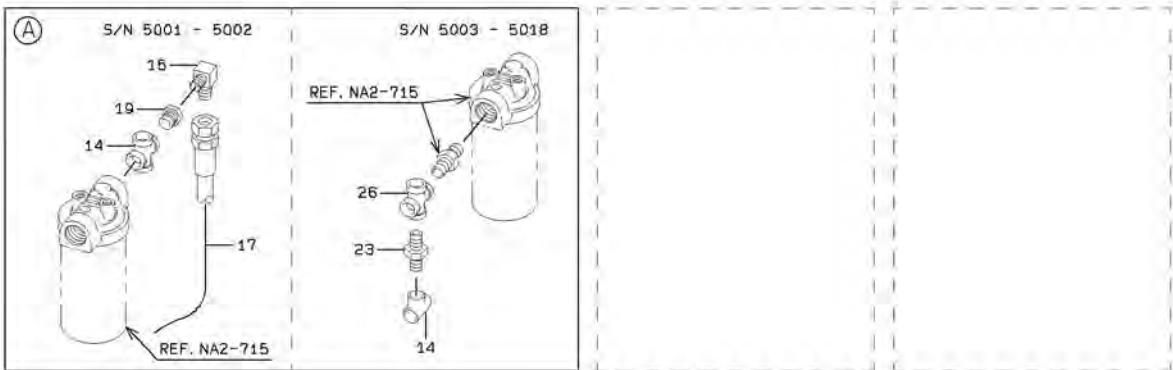
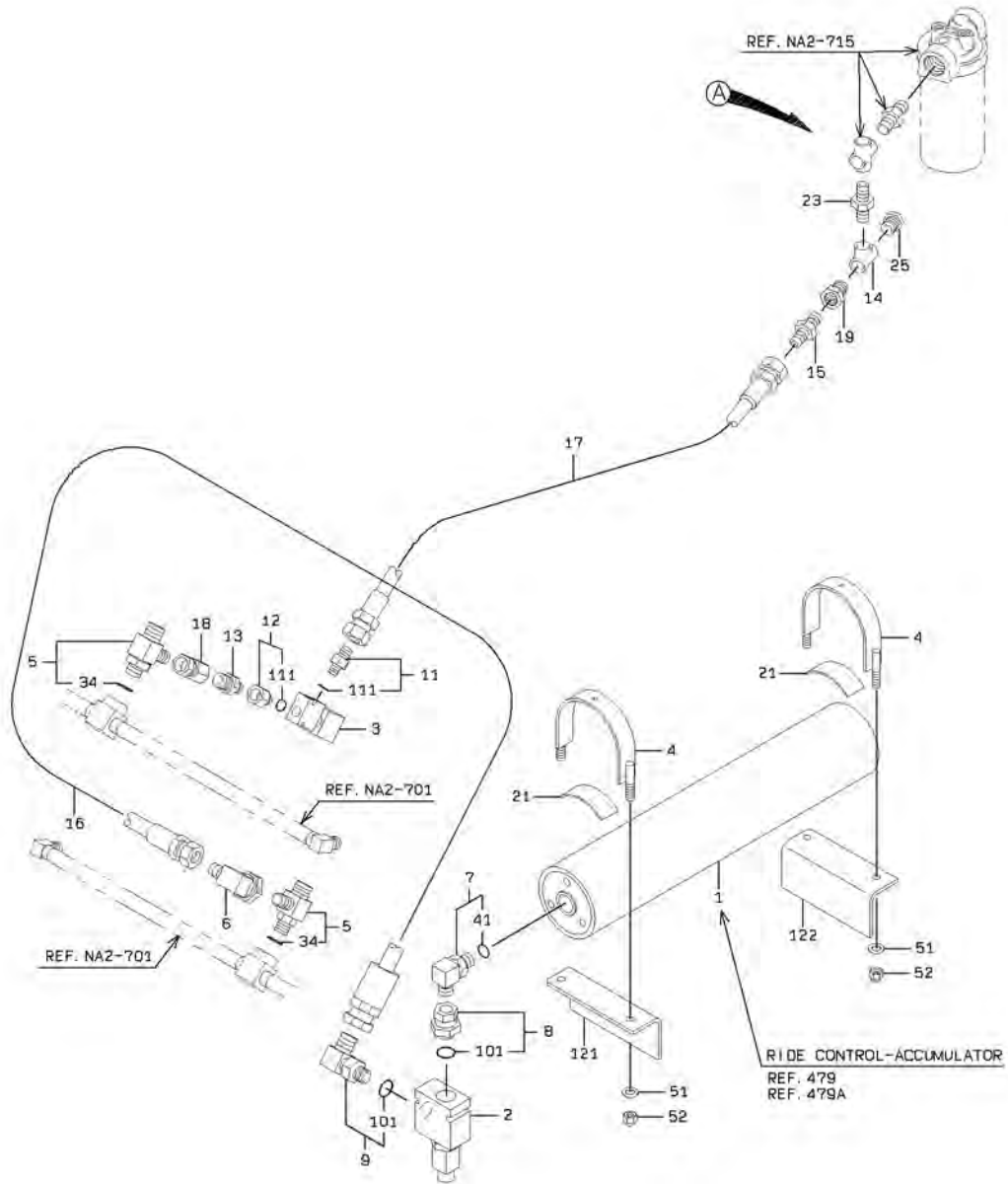
1-4

ELECTRICAL PARTS MOUNT



L-A

RIDE CONTROL - HYDRAULIC LINE



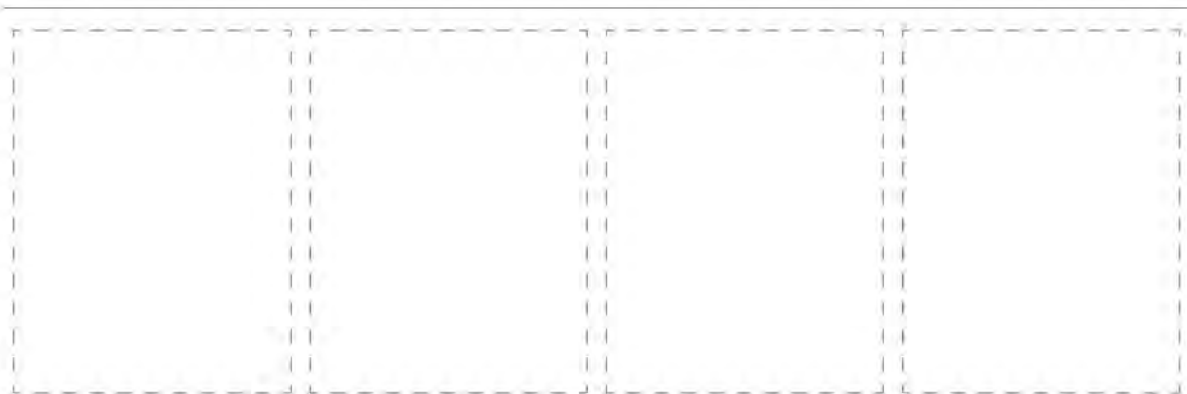
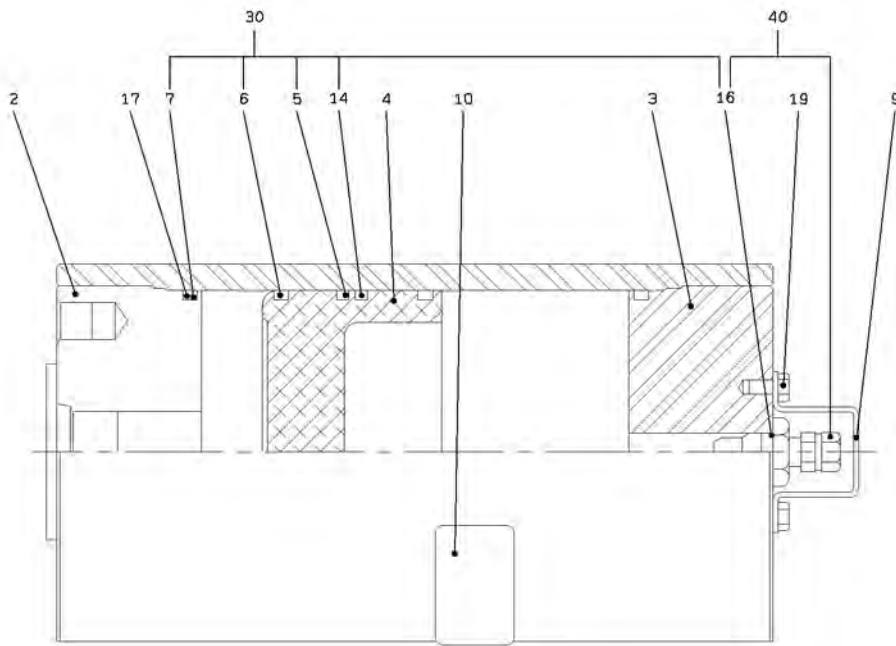
610

RIDE CONTROL - HYDRAULIC LINE

SYM-BOL	PART NUMBER	PART NAME	UNIT Q,TY	SERIAL		REMARKS						
				(A)	(B)	N	P	D	(A)	(B)	(C)	(D)
1A	30100-60750	ACCUMULATOR ASSY	1	5001	5002							REF.479
1B	30100-60530	ACCUMULATOR ASSY	1	5003								REF.479A
2A	38511-60080	VALVE ASSY	1	5001								
3A	38511-60100	VALVE ASSY	1	5001	5018							
3B	38511-60190	VALVE ASSY	1	5019								
4A	38670-21850	BAND	2	5001								
5A	30246-20620	ADAPTER,TEE	2	5001					Y01			
6A	30242-20020	ADAPTER,ELBOW UNIO	1	5001						Y02		
7A	88254-71712	ADAPTER,ELBOW	1	5001							Y03	
8A	30230-27320	ADAPTER	1	5001							Y03	
9A	88241-06916	ADAPTER,ELBOW	1	5001							Y03	
11A	88201-06806	ADAPTER,UNION	1	5001							Y04	
12A	88214-30906	ADAPTER	1	5001							Y04	
13A	88302-41206	FITTING,NIPPLE	1	5001								
14A	69209-10000	FITTING,CROSS	1	5001	5002							
14B	69208-01400	FITTING,TEE	1	5003								
15A	88241-03406	ADAPTER,ELBOW	1	5001	5002							
15B	88201-00906	ADAPTER	1	5003								
16A	43113-44150	HOSE,HIGH PRESSURE	1	5001								
17A	68055-20155	HOSE,HIGH PRESSURE	1	5001	5002							
17B	68055-20105	HOSE,HIGH PRESSURE	1	5003								
18A	88221-00812	ADAPTER,UNION	1	5001								
19A	69210-10030	FITTING,BUSHING	1	5001	5002							
19B	69210-06030	FITTING,BUSHING	1	5003								
21A	33713-26620	SHEET,RUBBER	2	5001								
23A	69202-10000	FITTING,NIPPLE	1	5003								
25A	88390-14212	PLUG	1	5003								
26A	69209-10000	FITTING,CROSS	1	5003	5018							
34A	65210-12024	RING,O	1	5001					01			
41A	65231-00121	RING,O	1	5001						02		
51A	62710-18121	WASHER,PLANE	4	5001								
52A	88031-06121	NUT,SELF-LOCKING	4	5001								
101A	65231-00161	RING,O	1	5001							03	
111A	65231-00061	RING,O	1	5001							04	
121A	41609-30420	PLATE	1	5001								WELDING
122A	41609-30430	PLATE	1	5001								WELDING

RIDE CONTROL - ACCUMULATOR

<S/N 5001 - 5002>



I-A

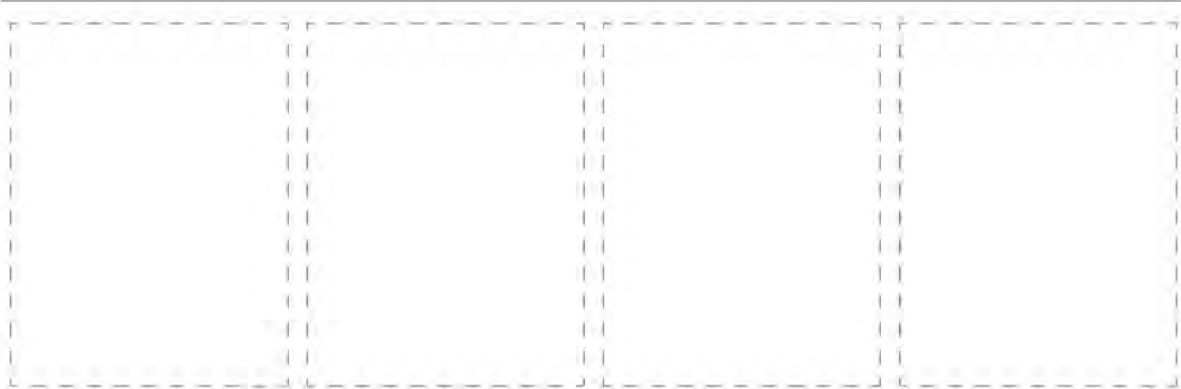
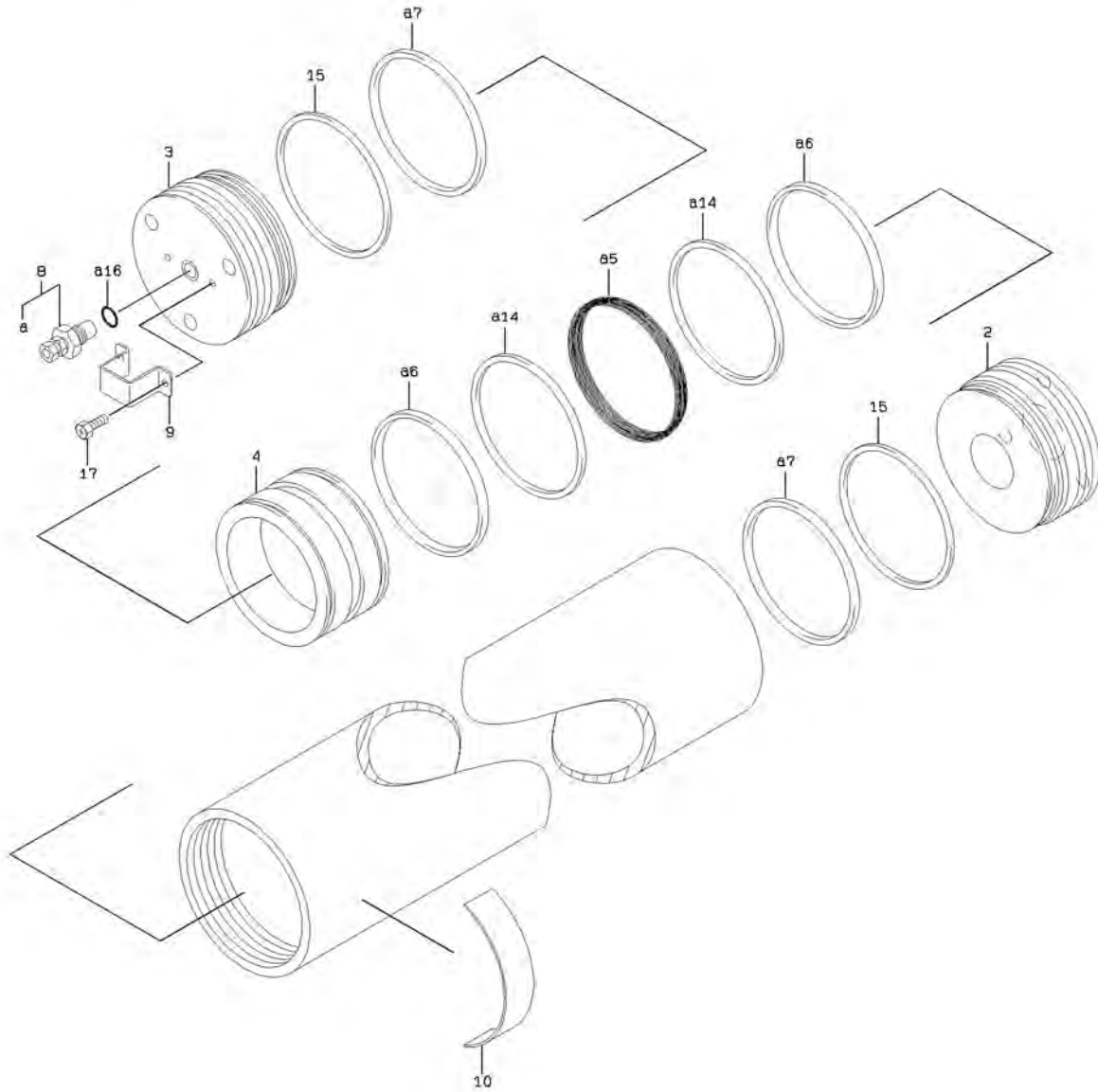
RIDE CONTROL - ACCUMULATOR

SYM-BOL	PART NUMBER	PART NAME	UNIT Q,TY	SERIAL			REMARKS							
				(A)	-	(B)	N	P	D	(A)	(B)	(C)	(D)	REMARK
000A	30100-60750	ACCUMULATOR ASSY	1	5001	-	5002								
2A	32210-72460	CAP	1	5001	-	5002								
3A	32210-72250	CAP	1	5001	-	5002								
4A	39960-72130	PISTON	1	5001	-	5002								
5A	47131-75750	RING,O	1	5001	-	5002				K1				
6A	45200-71280	RING	2	5001	-	5002				K1				
7A	34000-70850	SEAL	2	5001	-	5002				K1				
9A	48979-70060	PROTECTOR	1	5001	-	5002								
10A	41678-70040	PLATE,NAME	1	5001	-	5002								
14A	46000-71490	WASHER	2	5001	-	5002				K1				
16A	47131-76500	RING,O	1	5001	-	5002				K1	01			
17A	46000-71500	WASHER	2	5001	-	5002								
19A	35100-71970	SCREW	2	5001	-	5002								
30A	49327-73480	SEAL KIT	1	5001	-	5002				QK1				
40A	38511-71330	VALVE ASSY	1	5001	-	5002					Y01			

RIDE CONTROL - ACCUMULATOR

<S/N 5003 - >

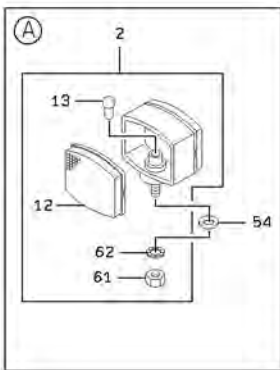
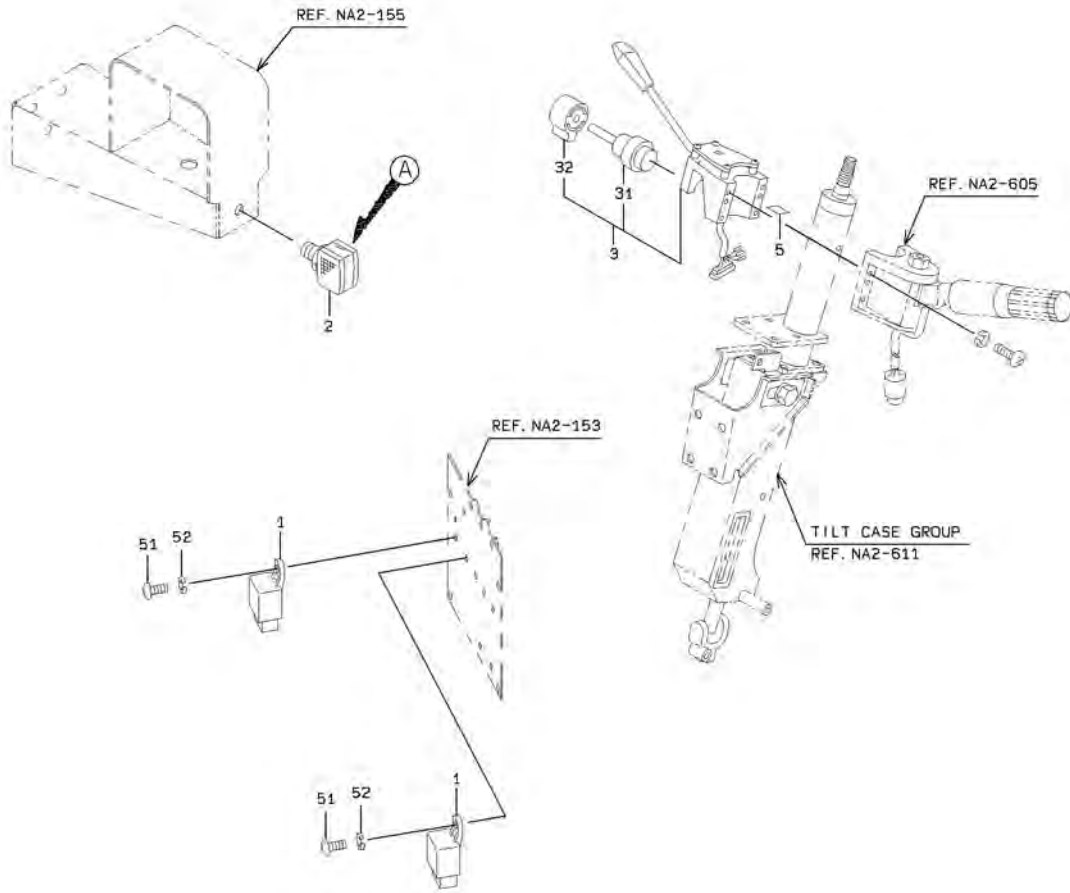
(NOTE):KIT(SYMBOL 30) CONSISTS OF THE PARTS WITH a.



RIDE CONTROL - ACCUMULATOR

SYM-BOL	PART NUMBER	PART NAME	UNIT Q, TY	SERIAL		REMARKS						
				(A)	(B)	N	P	D	(A)	(B)	(C)	(D)
000A	30100-60530	ACCUMULATOR ASSY	1	5003	-							
2A	32210-72460	CAP	1	5003	-							
3A	32210-72250	CAP	1	5003	-							
4A	39960-72130	PISTON	1	5003	-							
5A	47131-75750	RING,O	1	5003	-					K1		
6A	45200-71280	RING	2	5003	-					K1		
7A	34000-70850	SEAL	2	5003	-					K1		
8A	38511-71330	VALVE ASSY	1	5003	-			Y01				
9A	48979-70060	PROTECTOR	1	5003	-							
10A	41678-70040	PLATE,NAME	1	5003	-							
14A	46000-71490	WASHER	2	5003	-					K1		
15A	46000-71500	WASHER	2	5003	-							
16A	47131-75760	RING,O	1	5003	-			01		K1		
17A	35100-71970	SCREW	2	5003	-							
30A	49327-73480	SEAL KIT	1	5003	-					QK1		

4 WAY FLASHER



L-E

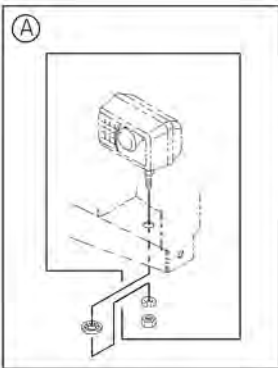
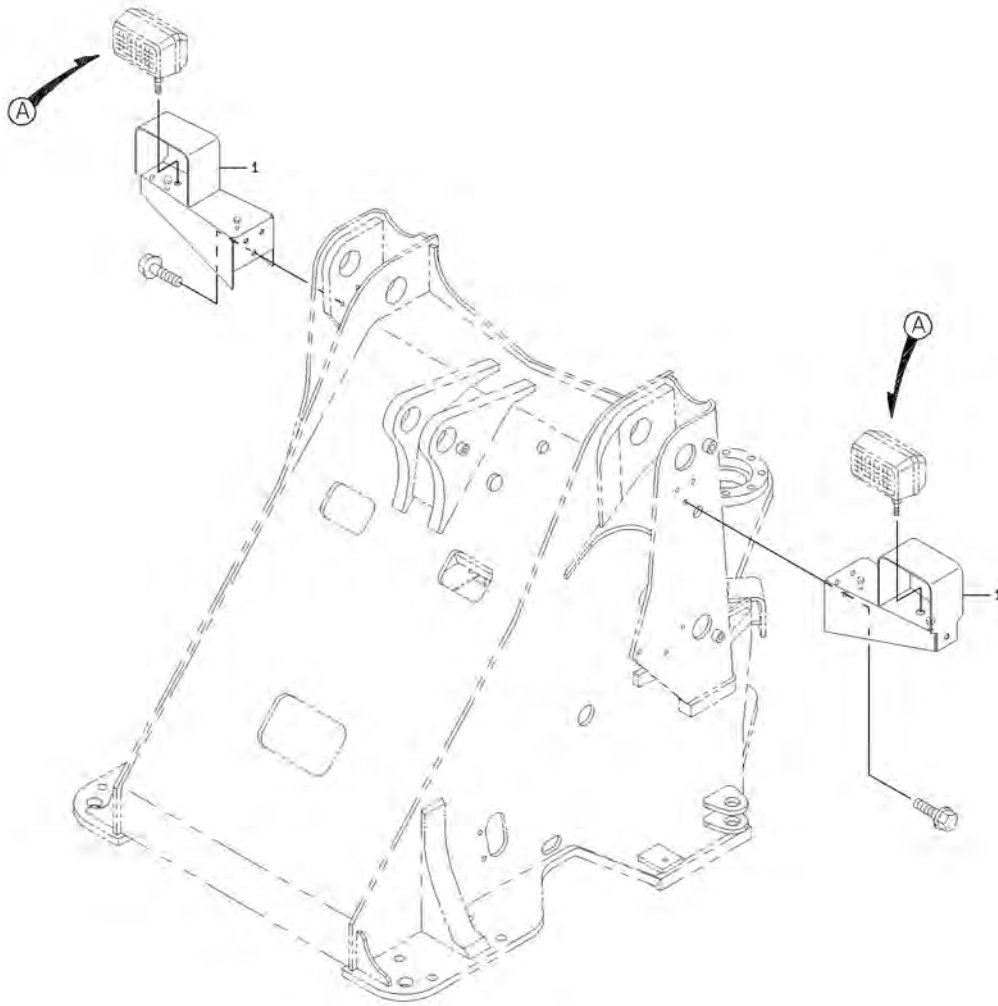
4 WAY FLASHER

SYM-BOL	PART NUMBER	PART NAME	UNIT Q, TY	SERIAL (A) - (B)	REMARKS						
					N	P	D	(A)	(B)	(C)	(D)
1A	40495-60020	FLASHER UNIT	2	5001 -							
2A	44883-20020	LAMP,TURN SIGNAL	2	5001 -				Y01			
3A	35035-60110	SWITCH,COMBINATION	1	5001 -					Y02		
5A	44770-35830	LABEL	1	5001 -							
12A	45701-70110	LENS	2	5001 -				01			
13A	73200-24020	BULB	1	5001 -				01			
31A	35010-70560	SWITCH	1	5001 -					02		
32A	37810-70590	KNOB	1	5001 -					02		
51A	62256-51616	SCREW	2	5001 -							
52A	62721-06100	WASHER,SPRING	2	5001 -							
54A	62701-40101	WASHER,PLANE	2	5001 -							
61A	62403-81102	NUT	1	5001 -				01			
62A	46000-70370	WASHER	1	5001 -				01			

FRONT LAMP MOUNT

<S/N 5019 - >

(NOTE):REFER TO STANDARD CATALOG(REF. NA2-155) FOR NO SYMBOL PARTS.



1-4

MEMO

PARTS No. INDEX

PARTS No. INDEX

PART NUMBER	PAGE-SYM	PART NUMBER	PAGE-SYM	PART NUMBER	PAGE-SYM	PART NUMBER	PAGE-SYM				
00500	-04880	16- 1A	30938	-70080	198- 2A	31205	-53970	248- 11C	32210	-20310	99- 50A
	-06060	16- 1B		-70090	198- 3A		-70120	60- 12A		-60150	107- 20A
	-06220	16- 1C	30981	-70010	14- 128A		-70220	284- 201A		-70060	84- 16A
00505	-02650	2- 1A		-70350	95- 12A	31210	-22650	102- 22A		-70200	144- 213A
	-02660	8- 1A		-70410	84- 13A	31231	-20680	107- 32A		-70360	66- 217A
	-03880	2- 1B		-70460	84- 12A		-70130	270- 13A		-70450	65- 211A
03501	-19200	298- 16A	31003	-61660	70- 1A		-70190	84- 14A		-71370	60- 104A
	-54410	270- 3A		-62000	70- 1B	31241	-20190	29- 7A		-71380	232- 131A
	-54410	272- 3A		-62210	70- 1C	31276	-70060	146- 26A		-71610	80- 8A
	-54740	154- 12A	31050	-60340	160- 000A	31289	-70430	192- 4A		-72250	316- 3A
	-60330	290- 22A		-60340	180- 41A		-71010	258- 3A		-72250	318- 3A
	-72350	254- 31A		-60590	162- 000A	31600	-70020	284- 420A		-72460	316- 2A
30020	-24600	288- 14A		-60590	180- 41B	31605	-70010	284- 600A		-72460	318- 2A
	-24600	298- 13A		-60640	162- 000B	31611	-70020	295- 453A	32211	-60030	14- 110A
	-25240	140- 5A		-60640	180- 41C		-70020	306- 453A		-70240	82- 12A
	-25470	142- 5A	31053	-20010	82- 6A		-70040	284- 413A	32215	-20060	65- 215A
	-25840	288- 14B		-20250	99- 47A	31701	-70010	74- 209A		-20070	66- 216A
	-25840	298- 13B		-20320	116- 12A	31990	-20020	12- 13A		-70040	66- 219A
	-70020	156- 101A	31102	-60040	223- 1A		-20020	14- 6A		-70040	66- 219B
30021	-20830	140- 6A	31140	-60010	217- 37A		-21930	126- 24A		-70050	65- 214A
	-21030	142- 6A	31160	-20570	217- 44A		-21930	128- 25A		-70070	65- 212A
30035	-60030	220- 2A	31200	-35860-7	16- 31A		-22690	99- 51A		-70090	66- 218A
	-60040	230- 2A		-36570	248- 3A		-22690	118- 6A		-70150	65- 213A
30040	-23700	4- 1A		-38960	107- 7A		-22840	288- 6A	32223	-20050	156- 12A
	-24250	256- 1A		-39790	32- 1A		-23030	12- 17A		-70050	140- 118A
30062	-60050	20- 31A		-40170	16- 31B		-25200	99- 40A		-70050	142- 108A
	-60050	290- 11A		-40200	254- 8A		-25200	118- 4A	32224	-20160	204- 1A
	-70380-7	42- 81A		-40720	138- 8A		-25210	99- 42A		-20170	288- 114A
	-70390-7	42- 82A		-60030	22- 21A		-25210	118- 5A		-20220	152- 42A
30100	-60350	178- 41A		-60040	22- 22A		-25220	99- 24A	32266	-20460	210- 1A
	-60530	314- 1B		-60050	22- 23A		-25220	107- 34A		-20460	213- 000A
	-60530	318- 000A		-60060	22- 24A		-25220	118- 3A	32400	-23020	114- 12A
	-60750	314- 1A		-60080	232- 2A		-25230	99- 11A		-23040	107- 8A
	-60750	316- 000A		-60090	232- 31A		-25230	118- 2A		-23050	107- 41A
30111	-20970	120- 000A		-60100	232- 3A		-25280	107- 52A		-24110	110- 12A
30112	-21400	122- 000A		-60110	290- 1A		-25280	118- 23A		-24150	102- 35A
30215	-70250-7	42- 78A		-60140	20- 1A		-25430	102- 32A		-24160	102- 28A
30230	-20360	275- 2A		-60150	20- 3A		-25430	118- 12A		-24170	102- 12A
	-20360	301- 2A		-60160	20- 5A		-25440	107- 2A		-24180	110- 16A
	-21720	184- 11A		-60170	20- 6A		-25440	118- 15A		-24180	112- 16A
	-24360	48- 5A		-60230	213- 241A		-25470	107- 15A		-24700	110- 16B
	-25770	48- 32A		-60240	213- 242A		-25470	118- 17A		-24700	112- 16B
	-27320	314- 8A		-60270	20- 2A		-25720	107- 6A	32405	-20320	112- 12A
	-27600	95- 43B		-60270	290- 2A		-25720	118- 16A	32420	-20360	126- 12A
	-70230	160- 25A		-60410	22- 25A		-25740	116- 4A		-20360	128- 12A
30241	-20550	95- 43A		-70060	14- 127A		-25740	118- 29A	32421	-20300	120- 3A
	-20660	134- 35A		-70080	74- 123A		-25940	154- 4A		-20300	122- 3A
	-21150	134- 3A		-70440	250- 6A		-71030	178- 2A	32425	-20200	120- 7A
	-21200	182- 7A		-72080	295- 401A	32011	-21030-7	213- 118A		-20200	122- 7A
	-23170	280- 5A		-72130	306- 401A		-21040-7	213- 119A	32428	-20020	107- 41B
	-24730	180- 132A		-73260	295- 421A		-60270	213- 121A	32431	-20200	120- 8A
	-24960	184- 13A	31205	-40130	107- 51A		-71080	217- 222A		-20200	122- 8A
	-24960	292- 13A		-46040	29- 23A		-71090	217- 223A	32433	-20230	126- 31A
	-25130	95- 103B		-46050	29- 24A	32110	-60010	29- 9A		-20230	128- 19A
	-25650	286- 2A		-47570	248- 11A		-70150	60- 103A		-20240	126- 5A
	-26020	286- 2B		-47580	22- 41A	32150	-20210	20- 21A		-20240	128- 5A
	-26130	173- 34A		-47900	29- 2A		-20250	213- 123A	32813	-60020	266- 1A
	-26370	173- 34B		-47910	29- 3A		-20420	254- 3A	32860	-70040-7	42- 71A
30242	-20020	178- 132A		-47940	38- 3A		-60050	8- 127A	32872	-21050	107- 5A
	-20020	314- 6A		-47950	38- 4A		-60050	29- 6A		-21050	114- 000A
	-20050	95- 103A		-48060	245- 31A		-70360	217- 232A		-21270	107- 3A
30246	-20620	314- 5A		-48070	245- 33A	32151	-60100	254- 2A		-21270	110- 000A
	-23880	134- 19A		-48340	38- 1A	32153	-60070	217- 302A		-21280	107- 4A
30320	-60030	20- 27A		-48350	38- 2A		-60090	217- 32A		-21280	112- 000A
30510	-60090-7	223- 21A		-52200	22- 41B		-60100-7	217- 31A	32920	-21920	87- 9A
30771	-60010	220- 37B		-53490	29- 23B		-60110-7	217- 301A		-70570	80- 4A
	-60020	220- 37A		-53500	29- 2B		-60180	29- 36A		-70890-7	272- 12A
30780	-24110	8- 101A		-53510	29- 3B		-60200	217- 302B	32923	-20720	173- 19A
30930	-70100	198- 1A		-53630	248- 11B		-60210	217- 32B		-70090	60- 112A

PARTS No. INDEX

PART NUMBER	PAGE-SYM	PART NUMBER	PAGE-SYM	PART NUMBER	PAGE-SYM	PART NUMBER	PAGE-SYM
32923	-70090	62- 2A	33192	-70180	108- 125A	33713	-26620
	-70090	65- 2A	33193	-22080	65- 115A		314- 21A
	-70090	68- 2A		-22790	308- 1A		254- 21A
	-70090	226- 1A		-24090	226- 41A		80- 3A
	-70100	226- 4A		-32140	65- 103A	33921	-60580-7
	-70120	62- 1A		-32150	65- 114A		80- 5A
	-70120	65- 1A		-32160	65- 116A		40- 1A
	-70120	68- 1A		-32190	62- 21A		42- 000A
	-70120	226- 5A		-34930	252- 22A	33930	-70190-7
	-70190	226- 2A		-36960	65- 101A		42- 3A
32924	-20010	275- 9A		-36970	65- 102A		190- 663A
	-20010	301- 9A		-38090	308- 2A		295- 601A
	-20350	173- 27A		-38360	68- 101A		34200
32962	-60180	84- 1A		-38410	252- 21A		-20120
32970	-70160	156- 43A		-45670	65- 101B		-20120
	-70160	156- 307A		-45690	65- 103B		-20590
	-70210	220- 36A		-45700	65- 116B		-22330
	-70210	223- 23A		-45720	62- 21B		-22330
	-70210	226- 3A		-45760	65- 116C		-22770
	-70460	196- 11A		-45780	65- 103C		-26450
	-70490	260- 11A		-46150	65- 114B		-26460
33057	-20600	184- 8A		-47490	68- 101B		-26470
	-20600	292- 8A		-47510	226- 41B		-26470
	-20610	278- 7A		-48280	65- 101C		-270010
	-20610	298- 15A		-48440	68- 101C		-70010
	-21110	68- 111A		-49680	65- 101D		-70850
	-21470	68- 111B		-50170	65- 114C		-70850
	-21520	68- 111C		-50940	226- 41C		-70850
	-60030	217- 48A		-50950	68- 101D		-70850
	-70160	22- 31A		-59720	65- 102B		-70850
	-70160	213- 132A		-59730	68- 101E		-70850
	-70160	213- 301A	33194	-20710	65- 114D		-71720
33065	-60160	120- 26A		-20720	65- 128A		34500
	-60160	122- 26A	33241	-70030	60- 20A		-23220
33070	-22890	254- 1A	33243	-70050	60- 19A		-23380
	-60020	213- 233A	33258	-20010	14- 4A		-26090
	-60040	232- 41A		-60070	95- 132A		-26130
	-60050	232- 22A	33281	-71380	80- 1A		-26140
33090	-70060	217- 224A	33300	-70050	66- 222A		-26140
33100	-70300	60- 121A		-70050	68- 122A	34000	-70030
	-70740	190- 402A		-70970	146- 14A		-70030
	-71040	196- 7A		-70980	146- 47A		-70070
	-71070	260- 7A		-71070	190- 591B		-70070
33110	-70080	14- 11A		-71080	190- 592B		-70330
	-70370	295- 102A		-71090	190- 593B		-70600
	-70380	295- 101A	33311	-70020	152- 11A		-70600
	-70400	306- 510A	33410	-61430	51- 12A		-70600
33190	-24690	68- 102A	33460	-60190-7	223- 111A		-70600
	-26370	65- 105B		-60190-7	223- 111C		-70600
	-28470	65- 113A		-60210-7	223- 111B		-70600
	-29710	65- 117A	33500	-70020-7	42- 1A		-70600
	-37460	65- 104A		-70020-7	44- 000A		-70600
	-37660	65- 105A		-70030-7	44- 1A		-70600
	-37700	65- 111A	33530	-70080	217- 221A		-70600
	-38100	65- 118A		-70090	217- 331A	34042	-60070
	-38800	65- 106A	33531	-60030	217- 211A		-60070
	-38810	65- 107A		-60040	217- 321A		-60420
	-38820	65- 108A	33600	-70130	156- 104A		-60420
	-38830	65- 112A	33621	-20740	124- 2A		-60500
	-39090	65- 109A		-21040	124- 1A		-60500
	-60100	223- 22A		-21870	124- 1B		-70330
33191	-20770	65- 119A	33712	-20280	217- 202A		-70720
	-47010	68- 103A	33713	-20080	58- 5A		-70720
	-54100	264- 1A		-20110	58- 4A		-71450
	-59850	223- 102A		-20110	60- 131A	34044	-20080
	-70080	56- 13A		-21350	82- 22A		-20080
	-70260	60- 124A		-23600	150- 12A		-20080
33192	-60510	156- 2A		-24180	217- 46A		-20090
	-60590	156- 2B		-24330	8- 131A		-20090

PARTS No. INDEX

PART NUMBER	PAGE-SYM	PART NUMBER	PAGE-SYM	PART NUMBER	PAGE-SYM	PART NUMBER	PAGE-SYM				
34950	-20010	288- 8B	35104	-70080	194- 13A	35600	-73590	144- 181A	35680	-60040	232- 25A
	-20010	298- 8A		-70080	258- 14A		-73890	190- 762A	35681	-20650	34- 14B
	-20020	288- 9A		-70090	164- 23A		-73890	295- 246A		-20720	22- 101A
	-20020	298- 9A		-70170	284- 472A		-73890	306- 246A	35700	-21410	12- 2A
	-20070	142- 15A	35106	-20020	20- 25A		-73900	190- 711B		-21910	70- 17B
	-20080	140- 15A		-20020	22- 29A		-73900	190- 712A		-70010	160- 5A
	-60020	288- 8A		-20020	290- 4A		-73900	295- 241A		-72010	258- 10A
	-70120	140- 21A		-20030	150- 13A		-73900	306- 241A	35750	-20030	78- 7A
	-70120	142- 21A		-70170	20- 92A		-73910	190- 614A		-20960	87- 59A
34956	-70020	156- 111A		-70170	290- 92A		-73910	295- 614A		-21330	10- 2A
35010	-60010	138- 4A	35107	-20050	126- 19A		-73920	190- 612A		-21850	10- 3A
	-60010	140- 12A		-20050	128- 22A		-73920	295- 613A		-23790	68- 113A
	-60010	142- 12A		-70050	144- 212A		-73930	295- 612A		-24000	87- 58A
	-60270	60- 31A	35175	-20690	22- 1A		-73940	190- 613A		-24000	95- 102B
	-60340	310- 1A		-20760	22- 1B		-73940	295- 611A		-24000	168- 7A
	-60460	60- 32A		-20800	22- 1C		-73940	306- 221A		-24120	107- 104A
	-60460	223- 101B	35195	-20750	18- 1A		-74330	295- 641A		-90010	14- 206A
	-70170	134- 139A	35210	-22870	228- 2A		-74350	190- 711A	35755	-70030	270- 11A
	-70560	150- 21A		-22880	228- 3A		-74350	190- 712B	35820	-60080	99- 46A
	-70560	320- 31A	35211	-60070	29- 4A		-74350	295- 631A	35824	-70030	134- 104A
35020	-60020	223- 101A		-60220	254- 5A		-75010	217- 112A	35828	-20020	12- 16A
	-60070	60- 111A	35370	-21560	210- 11A		-75260	140- 130A	35829	-60050	48- 33A
35021	-60020	60- 41A		-21630	210- 12A		-75260	142- 120A	35830	-70010	48- 34A
35035	-60100	150- 5A	35440	-20230	228- 13A		-76120	108- 119A	35902	-60020-7	232- 112A
	-60110	320- 3A		-20960	29- 11A		-76130	108- 121A	35910	-70200	295- 621A
35037	-20200	102- 57B		-70070	144- 206A		-76140	108- 122A		-70210	295- 623A
	-60050	102- 57A		-70530	217- 229A		-76620	190- 408A		-70220	295- 622A
35046	-70080	60- 127A		-70540	217- 230A		-76880	146- 21A		-70360	190- 591A
35047	-60340	134- 33A		-70550	217- 233A		-76890	146- 22A		-70370	190- 592A
35051	-70040	168- 1A		-70900	146- 44A		-76900	146- 34A		-70380	190- 593A
	-70040	170- 1A	35510	-20430	120- 4A		-76980	146- 15A	35930	-70010	66- 223A
	-70040	256- 41A		-20430	122- 4A		-77250	190- 713A		-70010	68- 123A
35057	-60020	140- 13A		-20670	126- 15A		-77260	190- 714A	35940	-20150	138- 3A
	-60020	142- 13A		-20670	128- 15A		-77340	284- 324A	36011	-70230	130- 3A
35067	-60060	232- 109A	35513	-70010	74- 2A		-77350	284- 335A	36223	-60040	134- 1A
	-60070	230- 11A		-70010	76- 2A	35617	-60090	150- 7A	36227	-60040	82- 1A
35100	-20010	20- 51A		-70040	74- 12A	35680	-33340	18- 23A	36229	-23580	14- 1A
	-20020	22- 27A	35530	-70020	14- 9A		-33380	213- 202A	36233	-23730	12- 11A
	-20020	213- 304A	35550	-20070	223- 11B		-33550	213- 211A	36361	-70040	134- 102A
	-20020	223- 3A		-60030	223- 11A		-33560	213- 212A	36405	-70020	66- 221A
	-20020	232- 106A	35570	-20150	107- 63A		-33570	213- 213A		-70020	68- 121A
	-20180	230- 52A		-20210	116- 9A		-33580	213- 214A	36406	-20030	65- 201A
	-20200	18- 35A		-71280	188- 7A		-33630	213- 216A	36430	-23360	239- 12A
	-20200	20- 24A		-71420	146- 17A		-33640	213- 215A		-23870	270- 2A
	-20200	20- 34A		-71450	188- 8A		-33650	213- 217A		-24090	272- 2A
	-20200	154- 16A		-71470	282- 1A		-33970	234- 22A	36431	-20310	213- 109A
	-20200	213- 226A		-71470	304- 1A		-35560	18- 22A		-20840	234- 5A
	-20200	213- 243A	35600	-21900	288- 116A		-51710	210- 5A		-20850	234- 14A
	-20200	232- 11A		-22550	102- 50A		-52060	210- 2A	36600	-70020	217- 226A
	-20200	232- 61A		-22560	102- 52A		-52080	210- 6A	36700	-90010	14- 202A
	-20200	234- 12A		-22570	107- 61A		-53990	34- 11A	36704	-70050	258- 30A
	-20200	239- 53A		-22590	107- 62A		-54400	34- 1A		-70070	196- 1A
	-20200	290- 15A		-22590	116- 11A		-54410	34- 2A		-70110	166- 11A
	-20220	280- 8A		-22700	102- 45A		-54420	34- 3A		-70120	166- 131A
	-20280	213- 227A		-22710	102- 46A		-54430	34- 4A		-70130	196- 1B
	-20280	232- 12A		-22720	107- 38A		-55230	38- 13A		-70190	260- 1A
	-20280	232- 107A		-22730	110- 10A		-55230	245- 43A	36724	-70080	226- 14A
	-20280	234- 13A		-22730	112- 10A		-55570	38- 12A	36725	-21450	192- 1A
	-20310	213- 53A		-22730	114- 10A		-55570	245- 42A		-72180	164- 121A
	-20330	22- 28A		-22750	116- 6A		-55840	34- 12A		-72190	164- 221A
	-20540	217- 42A		-22760	116- 7A		-55850	34- 13A		-72200	194- 1A
	-20570	217- 212A		-70240	160- 14A		-55860	34- 14A		-73470	258- 1A
	-70030	160- 1A		-71510	134- 135A		-55870	34- 15A	36729	-20030	264- 2A
	-71550	160- 2A		-71780	156- 103A		-55870	34- 15B	37200	-20020	120- 9A
	-71970	316- 19A		-72200	160- 15A		-55940	38- 22A		-20020	122- 9A
	-71970	318- 17A		-72570	160- 42A		-56050	245- 102A		-70060	295- 452A
35102	-70260	108- 120A		-72710	144- 98A		-56070	245- 44A		-70070	306- 452A
35104	-70030	60- 123A		-72730	144- 95A		-57900	34- 3B	37212	-60150	110- 5A
	-70070	166- 23A		-72740	144- 96A		-57910	34- 4B		-60150	112- 5A

PARTS No. INDEX

PART NUMBER	PAGE-SYM	PART NUMBER	PAGE-SYM	PART NUMBER	PAGE-SYM	PART NUMBER	PAGE-SYM				
37212	-60150	114- 5A	37740	-20080	220- 31A	38560	-60550	190- 000A	39600	-72740	80- 11A
37213	-60260	120- 12A		-20080	230- 4A		-60570	280- 1A		-72750	80- 10A
	-60260	122- 12A	37743	-60010	234- 3A		-60570	284- 000A		-72890	146- 43A
	-60380	110- 6A	37810	-60040	217- 49A		-60610	154- 1B		-72960	284- 210A
	-60380	112- 6A		-60060	154- 11A		-60610	190- 000B		-73240	196- 9A
	-60380	114- 6A		-60060	280- 11A	38562	-60010	180- 1A		-73240	260- 9A
	-60640	120- 12B		-60060	288- 11A	38565	-70010	14- 126A		-73250	196- 12A
	-60640	122- 12B		-60060	298- 11A		-70040	188- 9A		-73510	260- 12A
37301	-21370	120- 1A		-60140	148- 60A		-70040	282- 2A	39651	-70010	208- 21A
	-21370	126- 000A		-70530-7	44- 28A		-70040	304- 2A	39750	-22230-7	217- 201A
	-21380	122- 1A		-70590	320- 32A		-70050	188- 10A		-22240-7	217- 311A
	-21380	128- 000A		-70600	150- 22A		-70060	144- 97A	39753	-60550	60- 1A
37419	-60240	102- 2A	37811	-70010-7	44- 29A		-71770	182- 2A	39880	-20020	51- 43A
37420	-21000	99- 2A	37900	-20960	126- 6A	38670	-20010	134- 2A		-70090	51- 26A
	-21000	107- 000A		-21750	128- 6A		-21850	314- 4A		-70090	51- 126A
37421	-20910	70- 2A		-21760	128- 8A		-70250	60- 126A		-70090	51- 127A
37430	-20870	99- 1A		-21890	126- 8A		-70300	144- 210A		-70100	51- 25A
	-20870	102- 000A		-23400	107- 101A	38675	-20110	82- 3A		-70100	51- 126B
37521	-20460	213- 2A		-24200	107- 1A	38677	-70330	134- 25A		-70110	51- 24A
	-20460	217- 1A		-24650	102- 1A		-70410	82- 7A		-70110	51- 125A
	-20470	213- 3A		-70040	188- 6A	38691	-70030-7	44- 27A		-70120	51- 123A
	-20470	217- 241A	37904	-20280	126- 32A	38701	-23640	99- 5A		-70130	51- 23A
37573	-20070	107- 14A		-20280	128- 32A	38705	-30460	134- 4A		-70130	51- 124A
	-20170	107- 14B		-70060	188- 5A		-46090	46- 1A		-70220	51- 132A
37585	-20160	107- 18A	37921	-21220	120- 2A		-46280	134- 6A		-70250	51- 44A
37600	-20010	126- 1A		-21230	120- 28A		-54930	134- 5A	39890	-21460	217- 21A
	-20010	128- 1A		-21240	122- 2A		-55960	134- 28A		-70010	8- 126B
	-20140	126- 17A		-21250	122- 28A		-55970	134- 29A		-70040	254- 16A
	-20140	128- 17A	38110	-70040	213- 225A		-55980	134- 38A		-70050	29- 35A
	-20150	138- 5A	38126	-60010	217- 36A		-58210	134- 5B		-70060	8- 126A
	-20150	140- 16A		-60060	217- 38A	38706	-20090	46- 2A		-70120	248- 32A
	-20150	142- 16A	38130	-26290	26- 11A		-20100	46- 3A	39960	-20720	120- 6A
	-21080	154- 15A	38311	-60810	198- 000A		-20590	72- 1A		-20720	122- 6A
	-21210	184- 15A	38450	-20010	58- 1A		-23630	134- 28B		-21100	192- 3A
	-21750	290- 5A	38480	-70020	54- 16A		-23640	134- 29B		-21350	102- 49A
	-23590	217- 47A		-70020	56- 12A		-23650	134- 38B		-21360	102- 51A
	-23800	48- 22A		-70420	60- 23A	38720	-41870	288- 15A		-21370	107- 60A
	-24460	152- 36A		-70440	60- 24A		-43560	173- 32A		-21430	102- 44A
	-70040	188- 1A		-70630	220- 22A		-43560	173- 32B		-21440	107- 37A
	-70040	282- 4A		-70800-7	223- 44A	38731	-28460	154- 9A		-22070	116- 5A
	-70040	304- 4A	38510	-60480	130- 5A	38755	-32280	173- 26A		-70510	134- 132A
	-70050	188- 3A		-60500	184- 14A		-40300	173- 11A		-71120	144- 183A
	-70050	282- 6A		-70240	286- 22A		-40310	173- 12A		-71140	144- 171A
	-70050	304- 6A		-71180	146- 33A		-41340	95- 131A		-71340	144- 174A
	-70670	156- 45A	38511	-60080	314- 2A		-58890	99- 9A		-71840	164- 20A
	-71330	190- 312A		-60100	314- 3A	38765	-22250	87- 8A		-71850	194- 10A
	-72120	140- 124A		-60190	314- 3B		-27730	87- 8B		-71850	258- 11A
	-72120	142- 114A		-70060	188- 11A		-27900	87- 1A		-72130	316- 4A
	-72130	140- 125A		-71330	316- 40A		-28180	87- 1B		-72130	318- 4A
	-72130	142- 115A		-71330	318- 8A	38775	-23650	176- 1A		-72320	146- 24A
	-72140	140- 128A	38520	-60010	180- 101A		-28530	275- 3A		-72600	196- 5A
	-72140	142- 118A	38521	-20470	99- 3A		-28530	301- 3A		-72600	260- 5A
	-72790	196- 6A		-20470	116- 000A		-28540	275- 4A		-72630	166- 20A
	-72790	260- 6A	38530	-60030	14- 3A		-28540	301- 4A	39962	-20010	110- 3A
37636	-20260	192- 6A	38532	-61540	178- 11A		-31820	286- 21A		-20010	112- 3A
37643	-70080-7	40- 30A		-61540	188- 000A		-31960	262- 1A		-20010	114- 3A
	-70080-7	40- 37A		-61630	275- 101A	38902	-20210	95- 33A		-70320	144- 150A
37652	-70070	156- 105A		-61630	282- 000A		-70100	194- 18A		-70560	146- 42A
	-70080	156- 109A		-61630	301- 101A		-70100	258- 19A		-70570	146- 45A
37710	-70110	144- 209A		-61630	304- 000A	38903	-70120	180- 138A		-70640	258- 40A
37713	-60010	70- 23A	38553	-61180	116- 2A	38904	-20360	278- 5A	40000	-24260	6- 1A
	-70010	74- 144A	38554	-60420	182- 3A	39600	-60020	56- 22A		-24280	6- 3A
	-70040	74- 101A		-70810	220- 32A		-60030	56- 32A		-24310	158- 3A
	-70040	76- 31A	38559	-70060	84- 15A		-60260	124- 4A		-24780	6- 4A
	-70230	74- 13A	38560	-60310	298- 111A		-60270	124- 5A		-27270	228- 5A
37715	-20040	180- 141A		-60310	306- 000A		-60280	124- 6A		-35940	288- 5A
	-20050	180- 5A		-60350	288- 1A		-70030	14- 13A		-37030	116- 8A
	-20120	91- 5A		-60350	295- 000A		-71500	192- 17A		-41100	6- 2A
	-20430	178- 136A		-60550	154- 1A		-72730	80- 9A		-41210	6- 5A

PARTS No. INDEX

PART NUMBER	PAGE-SYM	PART NUMBER	PAGE-SYM	PART NUMBER	PAGE-SYM	PART NUMBER	PAGE-SYM				
40000	-41220	6- 6A	40790	-70360-7	44- 12A	40901	-52470	266- 2A	41535	-20070	126- 26A
	-41370	107- 59A		-70460	190- 501A		-52480	266- 3A		-20070	128- 27A
	-70010	160- 13A		-70540	284- 501A		-57900	152- 4A		-60020	107- 43A
	-70390	156- 44A	40810	-20020	51- 33A	40902	-20110	152- 32A	41585	-70180	144- 180A
	-70560	156- 202A		-60030	56- 41A		-24190	134- 32A	41600	-33480	275- 41A
	-70570	156- 305A	40840	-22180	4- 19A		-25950	70- 14A		-33480	301- 41A
	-71310	140- 119A		-22180	256- 19A		-25960	70- 15A		-43770	126- 23A
	-71310	142- 109A		-22190	4- 21A		-26540	51- 101A		-43770	128- 24A
	-71320	140- 121A		-22190	256- 21A		-30120	152- 2A		-48260	51- 42A
	-71320	142- 111A		-22200	8- 38A		-31720	154- 2A		-70750	295- 105A
	-71330	140- 122A		-22210	8- 37A		-38470	87- 4A		-70890	295- 111A
	-71330	142- 112A		-22410	124- 7A		-38810	250- 2B		-70890	306- 111A
	-71390	108- 115A		-22420	124- 8A		-39130	70- 14B		-71140	142- 106A
	-71400	108- 123A		-22710	2- 27A		-39150	70- 15B		-71390	108- 114A
40010	-20570	107- 17A		-23590	192- 5A		-40380	87- 4B		-71400	108- 124A
40032	-70120	138- 22A		-70600	156- 49A		-41380	250- 3B		-71450	190- 413A
40033	-20140	120- 16B		-70600	156- 206A		-42400	154- 2B		-71460	190- 401A
	-20140	122- 16B		-71100	192- 15A		-42520	134- 32B		-71470	190- 302A
	-70050	190- 126A		-71500	190- 131A		-44680	134- 32C		-71480	190- 111A
40034	-20550	10- 1A		-71600	295- 131A		-50630	51- 101B		-71500	190- 412A
	-20960	10- 5A		-71600	306- 131A	40910	-70070	142- 101A		-71510	198- 10A
40040	-20200	120- 11A		-72100	164- 14A	40968	-25660	54- 1A	41601	-48190	290- 7A
	-20200	122- 11A		-72100	166- 14A		-25660	322- 1A		-59120	20- 18A
40044	-20020	2- 132A		-72110	164- 135A		-26710	54- 1B	41602	-21440	20- 17A
	-20310	8- 102A		-72110	164- 205A	41100	-60020	124- 9A		-24670	18- 33A
	-22020	8- 102B		-72110	166- 25A		-60020	124- 9B		-24680	18- 34A
	-70060	138- 25A		-72140	194- 4A	41101	-60010	102- 53A		-24710	16- 22A
	-70070	138- 24A		-72150	194- 15A	41200	-60190	107- 30A	41603	-37930	18- 32A
40045	-20040	8- 103A		-72150	258- 16A	41262	-70020	208- 15A		-44230	16- 21A
	-20200	2- 133A		-72160	194- 17A	41321	-60020	220- 3A		-49330	232- 13A
	-70130	140- 120A		-72160	258- 18A		-60040	230- 3A	41604	-54870	217- 45A
	-70130	142- 110A		-72330	258- 4A	41410	-30770	182- 1A	41605	-29800	20- 16A
40314	-60060	12- 18A		-72340	142- 103A		-30790	134- 13A		-29820	20- 15A
40330	-60180	154- 6A		-72350	142- 107A		-31790	178- 42A		-34120	140- 11A
	-60180	288- 19A		-72670	190- 411A		-34800	116- 1A		-34120	142- 11A
	-60200	12- 19A		-72670	284- 414A		-34890	99- 41A		-41290	213- 141A
	-60270	242- 1A		-73170	196- 4A		-90010	14- 201A		-43520	78- 6A
	-60340	107- 33A		-73170	260- 4A	41441	-60040	140- 7A		-44140	173- 33A
	-60400	12- 19B		-73190	196- 3A		-60040	142- 7A		-46680	248- 2A
	-70050	14- 12A		-73190	260- 3A		-70050	74- 301A		-53600	68- 112A
40337	-60200	95- 1A		-73200	196- 10A	41470	-70010	250- 5A	41606	-52110	178- 12A
40338	-60020	178- 21A		-73290	260- 10A	41530	-21680	16- 23A		-53880	210- 31A
40344	-70050	178- 31A	40845	-70050	152- 108A		-21890	102- 47A		-56200	152- 6A
40410	-27040	2- 121A	40850	-20020	70- 5A		-21930	107- 40A		-56450	102- 61A
	-27040	24- 2A		-20030	70- 7B		-22520	120- 22A	41607	-24120	140- 2A
	-27050	2- 122A		-20060	78- 4A		-22520	122- 22A	41608	-27450	18- 31A
	-27050	24- 1A		-20060	266- 4A		-60080	60- 33A		-39930	154- 7A
40460	-21280	228- 12A		-20070	70- 7A		-70040	213- 302A		-45580	29- 26A
40495	-60020	320- 1A		-20520	156- 13A		-70740	232- 111A		-50020	29- 25A
40510	-20060	126- 16A		-20550	152- 5A		-70790	213- 305A		-54870	36- 1A
	-20060	128- 16A		-20650	95- 105A		-71180	134- 137A		-56330	220- 101A
	-24040	102- 31A		-20650	245- 27A		-71250	295- 161A	41609	-30420	314- 121A
	-24050	107- 64A		-70050	173- 23A		-72110	160- 41A		-30430	314- 122A
	-24060	107- 19A		-70250	275- 8A		-72410	190- 211A		-35580	168- 2A
40511	-20050	178- 137B		-70250	301- 8A		-72410	295- 211A		-35580	256- 42A
40600	-39850	254- 4A	40900	-20120	87- 7A		-72410	306- 211A		-46400	220- 39A
	-70990	80- 2A		-26450	170- 3A		-72790	284- 251A		-47650	156- 3A
40730	-20120	134- 39A		-60110	232- 23A		-72790	306- 161A		-48030	220- 39B
40732	-20160	134- 36A		-70390	156- 102A		-73600	194- 19A		-48040	220- 101B
40790	-20010	154- 14A		-71540	142- 102A		-73600	258- 20A		-49370	290- 21A
	-60070	290- 3A	40901	-21730	65- 61A		-74200	16- 24A		-51530	288- 111A
	-60070	298- 17A		-28990	232- 4A		-74570	80- 14A		-57320	156- 3B
	-70060	146- 32A		-34350	51- 14A		-75030	146- 35A	41610	-26860	232- 103A
	-70080	156- 47A		-43520	184- 9A		-75150	284- 202A		-26870	232- 104A
	-70180	60- 128A		-44620	290- 12A	41533	-20080	68- 114A		-30180	20- 4A
	-70200	295- 501A		-45570	232- 5A		-20140	16- 12A		-30270	20- 14A
	-70200	306- 501A		-49370	250- 2A		-20160	16- 11A		-30290	213- 221A
	-70350	140- 129A		-49380	250- 3A		-20170	16- 13A		-30300	213- 222A
	-70350	142- 119A		-49390	248- 41A	41535	-20010	14- 7A		-36700	232- 6A

PARTS No. INDEX

PART NUMBER	PAGE-SYM	PART NUMBER	PAGE-SYM	PART NUMBER	PAGE-SYM	PART NUMBER	PAGE-SYM				
43932	-70240	80- 7A	44721	-63000	78- 1A	45200	-26610	110- 27A	45870	-25960	217- 34A
	-70560	144- 4A		-63000	80- 000A		-26640	112- 18A		-25970	217- 304A
43953	-90010	14- 203A	44730	-20520	26- 1A		-26680	107- 25A		-26030	217- 35A
43956	-70590	190- 125A	44770	-33480	201- 58A		-27400	102- 66A		-26590	22- 26A
	-70680	295- 454A		-35830	320- 5A		-27430	110- 13A		-26680	58- 3A
	-70680	306- 454A		-39700	201- 59A		-71280	316- 6A		-26950	140- 102A
	-70690	295- 411A		-46120	201- 67A		-71280	318- 6A		-28210	142- 14A
	-70690	306- 411A		-46860	201- 63A		-71650	166- 112A		-28310	138- 2A
43962	-20010	173- 17A		-47130	201- 141A	45301	-60280	102- 13A		-28440	142- 42A
	-20010	275- 6A		-50270	201- 1A		-60280	118- 8A		-70600	140- 126A
	-20010	275- 6B		-52060	201- 12A		-60310	102- 9A		-70600	142- 116A
	-20010	301- 6A		-52120	201- 65A		-60310	118- 7A		-70760	146- 16A
	-20010	301- 6B		-52130	201- 66A		-60320	110- 2A	45871	-70280	196- 2A
	-20020	173- 28A		-52140	201- 25A		-60320	112- 2A		-70310	166- 12A
	-20020	262- 2A		-52150	201- 26A		-60320	114- 2A		-70400	260- 2A
	-20030	78- 16A	44771	-21270	201- 120A		-60320	118- 26A	45884	-70030	188- 2A
	-20060	87- 6A		-21300	201- 130A		-60330	110- 4A		-70040	188- 4A
	-70020	156- 106A		-22070	201- 130B		-60330	112- 4A		-70070	282- 3A
43963	-20140	102- 33A		-22390	201- 110A		-60330	114- 4A		-70070	304- 3A
	-20150	99- 12A		-22540	201- 120B		-60330	118- 27A		-70080	282- 5A
	-20150	107- 44A	44787	-20870	201- 17A		-60340	110- 22A		-70080	304- 5A
	-20160	99- 13A		-23780	201- 68A		-60340	112- 22A	45886	-20640	192- 2A
	-20220	107- 46A	44794	-22870	201- 13A		-60340	114- 18A		-72000	164- 142A
	-20230	99- 18A	44810	-70050	248- 12A		-60340	118- 28A		-72010	194- 2A
	-20240	99- 19A	44820	-70240	213- 133A	45311	-20750	110- 8A		-73130	258- 2A
	-20250	107- 47A	44822	-60180	16- 2A		-20750	112- 8A	45887	-70100	156- 46A
	-20350	99- 20A	44860	-20070	220- 11A		-20750	114- 8A		-70270	190- 212A
	-20360	99- 21A	44881	-60050	56- 2A		-20930	110- 24A		-70270	295- 212A
	-20370	99- 44A		-60060	56- 3A		-20930	112- 24A		-70270	306- 212A
	-20380	99- 43A	44883	-20020	320- 2A		-70470	156- 100A		-70280	190- 571A
	-20390	107- 66A	44890	-60010	54- 2A		-70660	192- 13A		-70320	190- 406A
44081	-60040	99- 4A		-60040	56- 1A		-71470	186- 2A		-70380	284- 214A
	-70070	220- 41A		-70140-7	223- 31A	45323	-70010	160- 21A	46000	-20560	6- 11A
	-70070	220- 41B	44950	-70560	108- 117A	45370	-60030	213- 231A		-21020	20- 22A
44083	-61400	178- 1A	44953	-70230	160- 22A	45380	-25420	29- 1A		-21020	213- 124A
	-61400	186- 000A	44955	-20060	116- 14A		-25540	29- 1B		-22800	114- 21A
44175	-60330	140- 1A	44956	-20290	120- 24A		-25860	29- 1C		-22820	110- 26A
	-60330	144- 000A		-20290	122- 24A		-26010	29- 1D		-22820	112- 28A
	-60470	142- 1A	45020	-70160	213- 232A	45410	-70010	160- 93A		-22920	102- 18A
	-60470	146- 000A		-70160	217- 203A	45600	-22010	288- 113A		-22940	107- 27A
	-70030	146- 2A	45050	-60090	51- 37A		-23740	288- 3A		-22950	114- 13A
44184	-23650-7	210- 21A		-70260	51- 35A		-23750	288- 4A		-22960	110- 23A
44300	-60840	87- 3A		-70310	51- 32A		-23850	298- 14A		-22960	112- 27A
44340	-60130	228- 1A		-70310	312- 1A		-24210	152- 33A		-22970	110- 9A
44344	-70020	213- 113A		-70350	51- 36A		-25160	280- 9A		-22970	112- 9A
44361	-70050	60- 22A	45051	-60020	220- 4A		-25560	280- 9B		-22970	114- 9A
44370	-70120	60- 21A	45058	-20010	51- 102A		-70190	295- 402A		-23630	102- 14A
44487	-60050	230- 1A	45110	-60010	217- 39A		-70190	306- 402A		-23740	110- 17A
	-60060	220- 1A	45125	-21350	4- 3A	45610	-22470	4- 2A		-23740	112- 17A
44600	-70080	140- 123A	45200	-22770	126- 4A		-23300	4- 2B		-70370	320- 62A
	-70080	142- 113A		-22770	128- 4A		-70080	108- 113A		-70920	134- 134A
44614	-70010	74- 206A		-25120	126- 41A	45625	-60140	150- 4A		-71350	138- 21A
44615	-70170	74- 232A		-25120	128- 41A	45628	-60020	138- 1A		-71360	138- 19A
44618	-70220	74- 3A		-25130	126- 42A	45701	-60050	56- 21A		-71490	316- 14A
44619	-70090	74- 4A		-25130	128- 42A		-60060	56- 31A		-71490	318- 14A
44621	-21470	126- 3A		-25140	126- 43A		-70050	54- 11A		-71500	316- 17A
	-21480	128- 3A		-25140	128- 43A		-70110	320- 12A		-71500	318- 15A
	-70060	74- 1A		-25150	126- 44A		-70650-7	223- 43A		-71530	108- 116A
	-70140	76- 1A		-25150	128- 44A	45715	-70070	160- 4A		-71540	108- 118A
44680	-20040	158- 4A		-25160	126- 45A	45830	-20010	206- 1A		-71760	284- 313A
	-20050	6- 8A		-25160	128- 45A		-60020	217- 227A	46011	-20150	6- 9A
	-20070	6- 14A		-25170	126- 46A		-60030	217- 228A		-20150	10- 13A
	-20130	6- 15A		-25170	128- 46A	45860	-70010	208- 23A		-20160	178- 13A
	-20150	6- 17A		-25180	126- 47A		-70020	208- 27A		-20180	16- 72A
	-20180	6- 21A		-25180	128- 47A		-70030	208- 28A		-20180	32- 2A
	-20190	6- 22A		-25190	126- 48A		-70040	208- 29A		-20180	210- 43A
	-20200	6- 23A		-25190	128- 48A	45870	-25520	217- 33A		-20190	87- 2A
	-20210	6- 24A		-25200	126- 49A		-25720	217- 43A		-20190	173- 36A
	-20240	6- 25A		-25200	128- 49A		-25870	20- 13A		-20190	250- 7A

PARTS No. INDEX

PART NUMBER	PAGE-SYM	PART NUMBER	PAGE-SYM	PART NUMBER	PAGE-SYM	PART NUMBER	PAGE-SYM
46011	-20200	29- 12A	47131	-77160	196- 17A	49691	-70880
	-20210	10- 14A		-77160	260- 17A		-70890
	-20230	120- 17A		-90010	14- 204A		-70930
	-20230	122- 17A	47142	-70020	164- 105A		-90680
	-20240	70- 6A		-70020	166- 105A		-91050
	-20630	78- 5A		-70040	194- 5A	50401	-00100
	-20630	266- 5A		-70080	258- 5A		-00140
	-21160	12- 53A	47171	-20020	126- 13A		-02460
	-21300	26- 12A		-20020	128- 13A		-02560
	-21300	158- 5A		-21180	120- 27A		-02740
	-21650	62- 53A		-21180	122- 27A		-03880
	-21650	65- 53A		-21250	126- 14A		-04170
	-21650	68- 53A		-21250	128- 14A		-04180
	-21650	226- 53A		-70260	192- 7A		-04190
	-21660	65- 68A		-70840	196- 8A		-04340
	-21750	70- 153A		-70840	260- 8A		-04350
	-21980	8- 52A	47181	-70080	164- 106A		-04360
	-22320	70- 154A		-70080	166- 106A		-04380
	-22700	99- 27A		-70090	164- 26A		-04390
	-22700	107- 58A		-70090	166- 26A		-04400
	-22850	120- 34A		-70110	194- 6A	52301	-00580
	-22860	124- 14A		-70120	194- 16A		-06000
	-23000	102- 69A		-70120	258- 17A		-06020
	-23000	102- 69B		-70160	258- 6A		-06030
	-23180	87- 61A	47193	-70110	164- 112A		-07960
	-70150	156- 108A		-70120	194- 12A		-09100
	-70380	190- 215A		-70120	258- 13A		-09110
	-70380	295- 215A	47194	-20060	192- 16A		-09120
	-70380	306- 215A		-71150	164- 108A		-09130
	-70630-7	40- 29A		-71160	194- 8A	61005	-10035
	-70650-7	42- 16A		-71160	258- 8A		-12030
	-70700	146- 4A		-71730	196- 13A		-12030
46013	-70010	103- 110A		-71740	196- 16A		-12030
46016	-70010	74- 207A		-71740	260- 16A		-12030
46017	-20030	54- 7A		-71790	166- 108A		-12040
46023	-70190	190- 121A		-71800	260- 13A		-12040
	-90010	14- 205A	47195	-70170	196- 19A		-12055
46033	-60370	112- 23A		-70180	260- 19A		-12055
	-60380	112- 26A	47196	-70110	74- 122A		-12065
	-70280	146- 18A	48974	-70040	116- 70A		-12075
47119	-70020	192- 8A		-70040	118- 31A		-12075
47131	-21770	107- 26A	48977	-20060	208- 17A		-12075
	-21770	118- 21A		-20100	208- 11A		-14100
	-21800	126- 21A		-90400	208- 20A		-14100
	-21800	128- 21A	48979	-70060	316- 9A		-16040
	-21840	126- 2A		-70060	318- 9A		-16040
	-21840	128- 2A	49170	-70010	194- 11A		-18070
	-21890	95- 121B		-70010	258- 12A		-24070
	-60170	120- 21A	49190	-70010-7	44- 25A	61014	-10045
	-60170	122- 21A	49327	-70030	188- 30A		-12025
	-60180	120- 19A		-70030	282- 40A	61022	-12025
	-60180	122- 19A		-70030	304- 40A		-16045
	-60290	102- 48A		-72060	182- 20A	61033	-05010
	-60290	118- 14A		-72150	160- 70A		-05012
	-60320	102- 23A		-72340	182- 40A		-08012
	-60320	118- 11A		-72870	258- 50A		-08016
	-70100	160- 118A		-73480	316- 30A		-08016
	-70110	160- 123A		-73480	318- 30A		-08025
	-71240	134- 138A		-73660	186- 40A		-08025
	-73470	190- 122A		-73670	186- 50A		-08025
	-74090	160- 124A		-73720	162- 60A		-08050
	-75270	178- 107A		-74320	196- 30A		-08050
	-75750	316- 5A		-74320	260- 40A		-10035
	-75750	318- 5A		-74330	196- 40A		-12016
	-75760	318- 16A		-74370	166- 40A		-12030
	-76500	316- 16A		-74390	260- 30A		-12110
	-76700	284- 212A	49612	-70010	160- 60A		-20070
	-77150	196- 15A		-70010	162- 70A		-20110
	-77150	260- 15A	49691	-70740	144- 70A		-20120
61033	-24135	124- 21A					
	-24150	8- 51A					
61034	-16040	102- 19A					
	-16040	107- 28A					
61057	-16030	126- 56A					
	-16030	128- 56A					
61058	-10025	99- 16A					
	-10025	107- 31A					
61101	-05015	14- 130A					
	-05016	14- 14A					
	-06010	146- 37A					
	-06012	190- 403A					
	-06016	107- 53A					
	-06016	284- 271A					
	-06060	295- 481A					
	-06060	306- 481A					
	-06080	190- 414A					
	-08016	295- 445A					
	-08016	306- 445A					
	-08020	107- 16A					
	-08020	295- 125A					
	-08020	306- 125A					
	-08025	99- 45A					
	-08025	107- 57A					
	-10030	102- 24A					
	-10070	102- 41A					
61141	-08012	107- 106A					
61261	-06030	70- 54A					
61802	-05012	248- 53A					
	-05012	290- 151A					
	-06010	20- 52A					
	-06010	184- 51A					
	-06012	288- 65A					
	-06016	16- 61A					
	-06016	51- 61A					
	-06016	51- 151A					
	-06016	51- 151B					
	-06016	56- 51A					
	-06016	116- 51A					
	-06016	140- 52A					
	-06016	142- 52A					
	-06016	156- 55A					
	-06016	220- 72A					
	-06016	220- 72B					
	-06016	232- 51A					
	-06016	288- 66A					
	-06020	156- 51A					
	-06020	156- 51B					
	-06025	56- 61A					
	-06025	154- 51A					
	-06025	156- 57A					
	-06025	184- 52A					
	-06050	22- 72A					
	-08012	51- 62A					
	-08012	152- 53A					
	-08012	170- 51A					
	-08012	184- 53A					
	-08012	230- 51A					
	-08012	292- 53A					
	-08016	16- 62A					
	-08016	22- 61A					
	-08016	22- 71A					
	-08016	29- 61A					
	-08016	29- 61B					
	-08016	40- 51A					
	-08016	51- 51A					
	-08016	51- 152A					
	-08016	84- 51A					
	-08016	95- 71A					

PARTS No. INDEX

PART NUMBER	PAGE-SYM	PART NUMBER	PAGE-SYM	PART NUMBER	PAGE-SYM	PART NUMBER	PAGE-SYM
61802 -08016	102- 26A	61802 -10020	256- 55A	62256 -51520	150- 53A	62480 -21081	12- 71A
-08016	152- 52A	-10020	280- 52A	-51520	220- 61A	-21081	29- 52A
-08016	170- 55A	-10020	288- 52A	-51610	51- 71A	-21081	46- 51A
-08016	180- 71A	-10025	22- 51A	-51610	51- 71B	-21081	48- 52A
-08016	213- 51A	-10025	24- 51A	-51610	62- 54A	-21081	51- 52A
-08016	248- 52A	-10025	26- 61A	-51610	217- 52A	-21081	65- 62A
-08016	275- 52A	-10025	140- 51A	-51610	312- 51A	-21081	65- 62B
-08016	275- 52B	-10025	142- 51A	-51612	65- 54A	-21081	65- 62C
-08016	280- 51A	-10025	178- 61A	-51612	220- 54A	-21081	72- 51A
-08016	290- 51A	-10025	180- 61A	-51612	220- 71A	-21081	82- 51A
-08016	301- 52A	-10025	210- 61A	-51612	223- 61C	-21081	91- 52A
-08016	301- 52B	-10025	254- 51A	-51616	51- 82A	-21081	91- 72A
-08020	16- 71A	-10025	288- 51A	-51616	65- 59A	-21081	95- 61A
-08020	32- 51A	-10030	87- 52A	-51616	220- 51A	-21081	134- 51A
-08020	36- 51A	-10030	87- 52B	-51616	223- 61B	-21081	136- 51A
-08020	68- 56A	-10030	140- 55A	-51616	320- 51A	-21081	136- 61A
-08020	72- 52A	-10030	168- 55B	-51620	51- 64A	-21081	138- 58A
-08020	91- 51A	-10030	250- 52A	-51620	51- 161A	-21081	150- 57A
-08020	134- 54A	-10035	250- 51B	-51816	217- 51A	-21081	156- 54A
-08020	138- 52A	-10040	2- 61A	-51820	20- 61A	-21081	168- 53A
-08020	140- 53A	-10040	87- 51A	-51820	290- 53A	-21081	170- 54A
-08020	142- 53A	-10040	250- 51A	62257 -51512	217- 53A	-21081	180- 82A
-08020	150- 52A	-10045	70- 55A	-51620	213- 61A	-21081	184- 54A
-08020	168- 52A	-10045	210- 71A	62401 -81041	8- 72A	-21081	239- 52A
-08020	180- 72A	-10055	182- 51A	-81041	29- 59A	-21081	245- 51A
-08020	180- 81A	-10065	87- 55A	-81041	140- 57A	-21081	254- 53A
-08020	254- 52A	-12016	6- 52A	-81041	142- 57A	-21081	256- 53A
-08020	256- 52A	-12016	65- 71A	-81061	217- 57A	-21081	266- 54A
-08020	266- 52A	-12016	91- 71B	-81061	288- 41A	-21081	278- 51A
-08025	51- 81A	-12020	14- 51A	-81061	298- 41A	-21081	292- 54A
-08025	102- 72A	-12020	26- 51A	-81067	288- 42A	-21081	298- 53A
-08025	210- 81A	-12020	51- 91A	-81067	298- 42A	-21101	12- 62A
-08025	228- 61A	-12020	91- 71A	-81081	58- 51A	-21101	14- 61A
-08030	68- 61A	-12020	95- 52A	-81081	138- 53A	-21101	178- 63A
-08030	91- 61A	-12020	168- 51A	-81087	138- 54A	-21101	228- 62A
-08030	178- 81A	-12020	248- 72A	-81101	62- 51A	-21101	250- 55A
-08040	87- 54A	-12020	256- 51A	-81101	65- 51A	-21101	288- 55A
-08050	134- 53A	-12025	8- 61A	-81101	68- 51A	-21121	78- 72A
-08055	178- 43A	-12025	178- 71A	-81101	226- 51A	-21121	178- 64A
-08060	173- 51A	-12025	228- 51A	-81102	140- 19A	-21121	228- 52A
-08075	173- 57A	-12025	248- 72B	-81102	142- 19A	-21161	16- 51A
-08075	275- 51A	-12030	8- 81A	-81121	126- 58A	62701 -20041	8- 75A
-08075	301- 51A	-12030	29- 51A	-81121	128- 58A	-20041	51- 75A
-08080	180- 51A	-12030	70- 51A	-81121	140- 46A	-20041	140- 58A
-10012	29- 71A	-12030	176- 51A	-81121	152- 62A	-20041	142- 58A
-10012	38- 51A	-12030	266- 53A	-81121	288- 56A	-20041	248- 62A
-10012	248- 51A	-12040	178- 62A	-81122	54- 23A	-20051	223- 52A
-10012	248- 71A	-12045	78- 52A	-81127	140- 47A	-40031	65- 58A
-10016	16- 63A	-12060	78- 51A	-81141	154- 53A	-40041	60- 52A
-10016	54- 51A	-12060	266- 51A	-81161	70- 91A	-40061	156- 52A
-10016	95- 51A	-16018	6- 51A	-81201	70- 71A	-40061	156- 52B
-10016	126- 57A	-16018	10- 52A	-81201	120- 43A	-40061	220- 52A
-10016	128- 57A	-16018	210- 53A	-81241	124- 23A	-40061	280- 53A
-10016	158- 51A	-16040	10- 51A	62402 -81121	298- 52A	-40061	288- 54A
-10016	220- 73A	-16060	70- 82A	62403 -81061	217- 58A	-40061	298- 51A
-10016	270- 51A	61805 -24040	120- 42A	-81102	140- 63A	-40081	20- 62A
-10016	272- 51A	-24040	122- 42A	-81102	142- 63A	-40081	29- 53A
-10020	2- 51A	62256 -51310	217- 231A	-81102	320- 61A	-40081	58- 52A
-10020	18- 51A	-51312	65- 56A	-81142	152- 61A	-40081	250- 54A
-10020	18- 61A	-51406	29- 55A	-81201	70- 72A	-40081	254- 54A
-10020	29- 57A	-51410	8- 71A	62443 -31041	217- 61A	-40081	288- 63A
-10020	134- 55A	-51412	51- 72A	-31081	288- 61A	-40081	290- 54A
-10020	140- 54A	-51412	60- 51A	62480 -21051	290- 152A	-40101	78- 62A
-10020	142- 54A	-51412	248- 61A	-21061	51- 83A	-40101	87- 53A
-10020	154- 52A	-51416	29- 58A	-21061	56- 62A	-40101	140- 62A
-10020	168- 55A	-51420	60- 125A	-21061	156- 56A	-40101	142- 62A
-10020	173- 52A	-51425	140- 56A	-21061	217- 56A	-40101	173- 55A
-10020	250- 53A	-51425	142- 56A	-21061	223- 61A	-40101	173- 55B
-10020	250- 53B	-51512	223- 51A	-21061	288- 81A	-40101	262- 51A

PARTS No. INDEX

PART NUMBER	PAGE-SYM	PART NUMBER	PAGE-SYM	PART NUMBER	PAGE-SYM	PART NUMBER	PAGE-SYM
62701 -40101	275- 54A	63002 -02016	29- 54A	65210 -12018	192- 31A	67031 -07000	220- 34A
-40101	275- 54B	-02016	254- 6A	-12018	295- 123A	-07000	220- 35A
-40101	301- 54A	-04025	288- 64A	-12018	306- 123A	67040 -06000	91- 3A
-40101	301- 54B	-04032	138- 57A	-12020	146- 36A	-06000	91- 3B
-40101	320- 54A	63011 -05010	295- 247A	-12020	190- 214A	-06000	95- 44A
-40121	40- 65A	-06032	120- 16A	-12020	295- 214A	-06000	95- 44B
-40121	138- 59A	-06032	122- 16A	-12020	306- 214A	-08000	82- 4A
-40121	140- 59A	63024 -13052	120- 15A	-12022	107- 39A	-08000	184- 6A
-40121	142- 59A	-13052	122- 15A	-12022	118- 22A	-08000	292- 6A
-40121	288- 62A	63422 -35375	4- 18A	-12024	95- 111A	-09000	91- 1A
-40141	152- 71A	-35375	256- 18A	-12024	173- 41A	-09000	91- 1B
62710 -18081	87- 56A	-38315	4- 112A	-12024	178- 211A	-09000	91- 2A
-18081	266- 62A	-40680	4- 45A	-12024	275- 22A	-09000	91- 2B
-18101	16- 54A	63811 -00017	152- 107A	-12024	286- 14A	-09000	91- 4A
-18101	70- 75A	-00030	102- 27A	-12024	301- 22A	-09000	91- 4B
-18101	87- 57A	-00040	110- 28A	-12024	314- 34A	-09000	134- 7A
-18101	173- 56A	-00040	112- 29A	-12029	178- 201A	-09000	134- 7B
-18121	70- 63A	-00045	107- 24A	-12032	14- 145A	-09000	134- 8A
-18121	70- 63B	-00045	110- 21A	-12032	107- 105A	-09000	134- 8B
-18121	78- 61A	-00045	112- 21A	-12032	118- 25A	-09000	178- 118A
-18121	78- 61B	-00045	114- 17A	-17029	99- 10A	-12000	178- 117A
-18121	124- 52A	-00055	110- 19A	-17029	118- 1A	-15000	180- 129A
-18121	126- 59A	-00055	112- 19A	-21060	164- 109A	-19000	78- 11A
-18121	128- 59A	-00055	114- 15A	-21060	166- 109A	-19000	95- 25A
-18121	142- 64A	63812 -00032	146- 19A	-21100	194- 9A	-19000	95- 26A
-18121	152- 151A	-00042	146- 46A	-21100	258- 9A	-19000	266- 6A
-18121	178- 52A	-00045	146- 29A	-22055	164- 107A	-19000	266- 7A
-18121	266- 61A	-00052	107- 21A	-22055	166- 107A	-25000	95- 133A
-18121	314- 51A	-00062	70- 18B	-22060	295- 122A	-25000	99- 7A
-18141	120- 53A	-00080	110- 18A	-22060	306- 122A	-32000	178- 116A
-18141	122- 53A	-00080	114- 14A	-22070	146- 30A	-32000	266- 37A
-18141	152- 152A	-00080	146- 31A	-22095	192- 9A	67041 -50028	176- 3A
-18161	70- 152A	-00100	102- 37A	-22095	194- 7A	67230 -15000	245- 6A
-18201	70- 74A	64111 -01001	288- 7A	-22095	258- 7A	-15000	245- 7A
-18241	210- 52A	-01001	298- 7A	-22100	192- 12A	68035 -10025	278- 4A
62721 -03100	65- 57A	64144 -00954	140- 14A	-22125	126- 22A	-10043	278- 3A
-04100	8- 73A	65051 -01105	10- 6A	-22125	128- 23A	-10055	292- 5A
-04100	29- 56A	-01208	4- 46A	-26050	146- 3A	-10075	184- 5A
-04100	51- 74A	65054 -05212	107- 23A	-27055	102- 40A	68055 -10025	178- 115A
-04100	60- 53A	-05212	108- 108A	-27055	118- 13A	-10044	184- 3A
-04100	140- 61A	-05212	118- 19A	65220 -31019	178- 142A	-10090	48- 1A
-04100	142- 61A	65084 -05212	107- 22A	-41003	176- 2A	-10160	292- 1A
-04100	248- 63A	-05212	108- 107A	65231 -00041	134- 144A	-10175	184- 1B
-05100	12- 64A	-05212	118- 18A	-00041	180- 21A	-10175	292- 1B
-05100	150- 56A	65210 -11060	146- 25A	-00041	180- 211A	-10175	298- 4A
-05100	220- 62A	-12008	134- 124A	-00061	314- 111A	-10180	184- 1A
-05100	223- 53A	-12009	134- 133A	-00081	95- 121A	-10200	278- 1A
-06100	51- 65A	-12011	48- 11A	-00081	180- 31A	-10200	292- 2A
-06100	51- 73A	-12011	116- 102A	-00081	180- 221A	-10215	292- 4A
-06100	51- 73B	-12011	118- 32A	-00121	180- 11A	-10220	184- 2A
-06100	51- 162A	-12011	134- 114A	-00121	314- 41A	-10225	298- 3A
-06100	62- 55A	-12011	154- 21A	-00161	314- 101A	-10235	184- 4A
-06100	65- 55A	-12011	176- 22A	65240 -32095	192- 11A	-10250	278- 2A
-06100	217- 55A	-12011	178- 221A	65801 -08016	226- 12A	-20105	314- 17B
-06100	220- 53A	-12011	182- 102A	-10016	226- 11A	-20155	314- 17A
-06100	223- 62A	-12011	184- 31A	-20090	62- 11A	68235 -50068	95- 24B
-06100	312- 52A	-12011	278- 21A	-20090	170- 8A	68245 -60077	178- 112A
-06100	320- 52A	-12011	280- 21A	-25032	68- 3A	68255 -40160	95- 23A
-08100	150- 59A	-12011	284- 261A	-25032	248- 13A	-50066	95- 24A
-08100	217- 54A	-12011	288- 101A	-31090	62- 12A	-50078	95- 42A
-10100	62- 52A	-12011	292- 34A	-40060	65- 4A	-50084	95- 42C
-10100	65- 52A	-12011	298- 31A	-40090	65- 3A	-50090	95- 42B
-10100	68- 52A	-12011	306- 162A	-50060	65- 4B	68635 -10043	178- 114A
-10100	226- 52A	-12014	180- 111A	67001 -40000	12- 21A	-10063	180- 127A
-12100	54- 22A	-12014	180- 201A	-40000	136- 3A	-30058	180- 128A
-12100	65- 69A	-12016	295- 471A	-40000	136- 23A	-30062	180- 128B
-14100	152- 72A	-12018	134- 136A	67015 -00001	20- 19A	-40058	173- 15A
-16100	107- 29A	-12018	178- 109A	67017 -00001	82- 5A	68638 -40068	178- 111A
62761 -17081	152- 22A	-12018	182- 111A	67031 -07000	220- 33A	68645 -30175	275- 1A

PARTS No. INDEX

PART NUMBER	PAGE-SYM	PART NUMBER	PAGE-SYM	PART NUMBER	PAGE-SYM	PART NUMBER	PAGE-SYM				
68645	-30175	301- 1A	69210	-06030	314- 19B	78246	-30308	128- 9A	88241	-07204	184- 22A
	-40140	173- 24A		-10030	314- 19A	88031	-06061	20- 28A		-07204	292- 22A
	-40150	173- 13A		-10060	266- 17A		-06061	156- 9A	88254	-71712	314- 7A
68655	-30080	173- 25A	69811	-19210	178- 137A		-06061	288- 12A	88284	-03806	180- 136A
	-30140	173- 16A	72001	-10600	12- 23A		-06061	298- 12A	88302	-41206	314- 13A
	-40047	173- 14A		-10600	46- 8A		-06101	78- 73A		-41608	178- 122A
69001	-01000	82- 8A		-10600	72- 3A		-06101	87- 5A		-41612	180- 137A
69002	-02200	91- 6A		-10600	134- 23A		-06101	87- 5B	88372	-50402	72- 4A
	-02200	95- 47A		-10600	136- 2A		-06101	173- 18A		-51612	95- 34A
	-02200	178- 138A		-10600	136- 22A		-06101	262- 3A	88390	-14202	180- 139A
	-02200	184- 21A		-11200	48- 4A		-06101	275- 7A		-14208	12- 15A
	-02200	292- 21A		-11200	138- 7A		-06101	275- 7B		-14208	275- 11A
	-03100	78- 12A		-11200	184- 19A		-06101	301- 7A		-14208	301- 11A
	-03100	178- 139A		-11200	292- 19A		-06101	301- 7B		-14212	78- 15A
	-03100	180- 145A		-11500	91- 9A		-06121	78- 71A		-14212	314- 25A
	-03100	245- 8A		-11500	91- 24A		-06121	140- 18A		-14216	178- 144A
	-03100	266- 21A		-11500	95- 48A		-06121	142- 18A		-16102	102- 56A
	-03800	95- 38A		-11500	134- 22A		-06121	266- 71A		-16102	107- 48A
	-04400	62- 4A		-11800	65- 9A		-06121	314- 52A		-16102	173- 35A
	-04400	95- 134A		-11800	82- 2A	88111	-10500	213- 303A		-16104	102- 55A
	-05200	99- 6A		-11800	168- 4A		-11600	210- 4A		-16104	107- 49A
	-07100	78- 8A		-11800	170- 7A		-11690	102- 71A		-16108	102- 54A
	-09000	84- 4A		-11800	256- 44A		-11690	118- 33A		-16112	102- 60A
	-09000	239- 9A		-12000	91- 7A		-12490	14- 8A		-21304	48- 3A
	-10800	84- 3A		-12000	134- 21A		-12490	120- 23A		-21304	116- 13A
69021	-10402	12- 22A		-12000	156- 11A		-12490	122- 23A		-21304	176- 14A
	-10404	136- 1A		-12000	245- 12A		-12490	126- 27A		-21304	182- 4A
	-10404	136- 21A		-12200	180- 143A		-12490	128- 28A	88511	-01020	95- 46A
69029	-04000	12- 31A		-12200	245- 13A		-20400	217- 213A		-01060	178- 133A
	-04000	136- 11A		-12500	95- 101A	88201	-00904	280- 3A		-01080	178- 134A
69030	-05400	178- 141A		-12500	245- 14A		-00906	314- 15B		-01081	245- 24A
	-07900	176- 4A	72010	-25000	278- 11A		-06704	48- 2A		-01120	180- 142A
69081	-11000	134- 41A		-25000	298- 18A		-06704	154- 5A		-01121	78- 13A
	-11000	134- 42A		-28000	184- 18A		-06704	184- 17A		-01121	95- 32A
	-14000	134- 42B		-28000	292- 18A		-06704	278- 6A		-01121	266- 19A
	-19000	91- 31A		-31000	95- 39A		-06704	280- 2A		-01160	95- 135A
	-19000	134- 43A		-31000	245- 26A		-06704	288- 16A		-01200	266- 36A
	-19000	134- 44A		-31000	266- 26A		-06704	292- 17A		-03041	154- 13A
	-19000	180- 146A		-34000	95- 106A		-06704	298- 5A		-03041	288- 22A
	-19000	180- 147A		-34000	278- 12A		-06706	180- 102A		-03080	178- 135A
	-19000	180- 148A		-34000	298- 19A		-06712	173- 21A	88811	-01410	295- 455A
	-23000	62- 14A		-86000	239- 7A		-06712	178- 129A		-01410	306- 455A
	-23100	173- 31A		-93000	239- 7B		-06804	180- 3A			
69100	-10600	46- 4A	73200	-24014	56- 24A		-06806	314- 11A			
	-20600	46- 5A		-24015	56- 26A		-06808	180- 134A			
	-20600	72- 2A		-24020	320- 13A		-06812	180- 2A			
	-20600	124- 9C	73301	-07549	58- 1B	88211	-50912	180- 135A			
69200	-06000	78- 14A	75011	-25400	6- 12A	88214	-30906	314- 12A			
69201	-12100	266- 34A		-25400	6- 12B	88221	-00612	286- 23A			
69202	-10000	178- 126A		-25400	10- 9A		-00812	314- 18A			
	-10000	266- 35A		-25400	46- 6A	88241	-03404	184- 12A			
	-10000	314- 23A		-25400	140- 17A		-03406	314- 15A			
69203	-06000	95- 29A		-25400	142- 17A		-03412	95- 28A			
69205	-01000	95- 45A		-25400	158- 7A		-03616	178- 124A			
	-01000	95- 45B		-25400	288- 21A		-06904	180- 133A			
	-04000	178- 127A		-25400	298- 21A		-06908	180- 4A			
	-04000	245- 25A		-45400	6- 13A		-06916	314- 9A			
	-06000	95- 31A		-45400	6- 13B		-07104	134- 31A			
	-06000	266- 18A		-45400	10- 8A		-07104	178- 131A			
	-10000	178- 123A		-45400	46- 7A		-07104	182- 5A			
69207	-10000	178- 119A		-45400	46- 7B		-07104	280- 4A			
	-10000	178- 119B		-45400	74- 5A		-07104	288- 17A			
69208	-00600	178- 121A		-45400	158- 6A		-07106	180- 102B			
	-01400	314- 14B	78023	-11420	250- 9A		-07106	180- 131A			
69209	-10000	178- 143A		-11440	250- 9B		-07108	182- 6A			
	-10000	266- 33A	78103	-06305	70- 16B		-07108	192- 21A			
	-10000	314- 14A	78246	-30215	120- 13A		-07112	95- 27A			
	-10000	314- 26A		-30215	122- 13A		-07112	173- 22A			
69210	-02010	95- 104A		-30308	126- 9A		-07116	178- 125A			

MEMO

KAWASAKI HEAVY INDUSTRIES, LTD.

**Rolling Stock, Construction Machinery & Crushing Plant Company
Construction Machinery Division**

Tokyo Head Office W.T.C.Bldg.,2-4-1 Hamamatsu-cho Minato-ku, Tokyo 105-6116

Kobe Head Office Kobe Crystal Tower, 1-1-3 Higashi Kawasaki-cho Chuo-ku, Kobe, Hyogo 650-0044

Banshu Works 2680 Oka Inami-cho Kako-gun, Hyogo 675-1113

93305-00133

